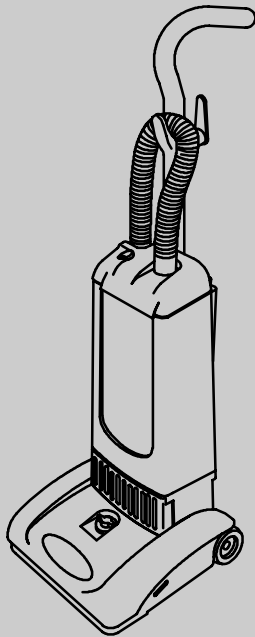




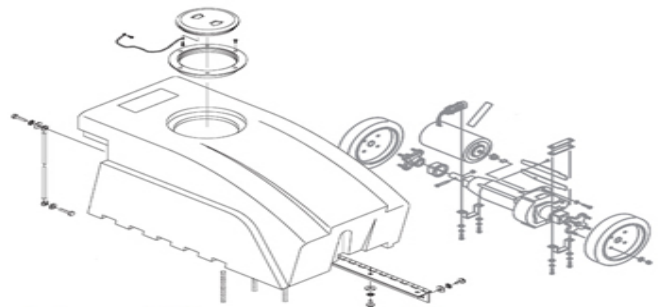
# 3220

Upright Vacuum Cleaner  
Aspiradora Vertical  
Aspirateur Vertical

Operator and Parts Manual  
Manual De Operador  
Y Lista De Repuestos  
Opérateur Manuel et  
Liste Des Pièces



Model Part No.:  
607876 - 120V  
613740 - 220V  
609575 - 230V  
609693 - 240V EMC



**FLOOREQUIPMENTPARTS.COM**



# OPERATION

---


This manual is furnished with each new upright vacuum cleaner. It provides necessary operation, maintenance instructions and parts list.

**Read this manual completely and understand the machine before operating or servicing it.**

When ordering replacement parts use the Parts Lists section in this manual. Before ordering parts or supplies, be sure to have your machine model number and serial number handy. Parts and supplies may be ordered by phone or mail from any Authorized Service Center or Distributor.


This machine will provide excellent service. However, the best results will be obtained at minimum costs if:

- The machine is operated with reasonable care.
- The machine is maintained regularly - per the machine maintenance instructions provided.
- The machine is maintained with manufacturer supplied or equivalent parts.



**PROTECT THE ENVIRONMENT**

Please dispose of packaging materials, old machine components such as batteries, hazardous fluids such as antifreeze and oil, in a safe environmentally way according to your local waste disposal regulations.



Always remember to recycle.

---

## MACHINE DATA

---

Please fill out at time of installation for future reference.

Model No.- \_\_\_\_\_

Install. Date - \_\_\_\_\_

Serial No.- \_\_\_\_\_

### Tennant Company

PO Box 1452

Minneapolis, MN 55440

Phone: (800) 553-8033 or (763) 513-2850

[www.tennantco.com](http://www.tennantco.com)

©1999, 2000, 2003, 2007 Tennant Company. All rights reserved.

Printed in U.S.A.

EZGrip is a United States trademark of Tennant Company.

Specifications and parts are subject to change without notice.

<b>TABLE OF CONTENTS</b>	<b>(ESPAÑOL....13)</b>	<b>(FRANÇAIS....25)</b>	
<b>SAFETY PRECAUTIONS</b> .....	<b>4</b>	<b>STORING MACHINE</b> .....	<b>11</b>
GROUNDING INSTRUCTIONS .....	5	<b>RECOMMENDED STOCK ITEMS</b> .....	<b>11</b>
<b>WARNING LABEL</b> .....	<b>5</b>	<b>TROUBLE SHOOTING</b> .....	<b>12</b>
<b>MACHINE COMPONENTS</b> .....	<b>6</b>	<b>SPECIFICATIONS</b> .....	<b>12</b>
<b>MACHINE INSTALLATION</b> .....	<b>6</b>	<b>ELECTRICAL DIAGRAMS</b> .....	<b>36</b>
ATTACHING HANDLE .....	6	<b>PARTS LIST</b> .....	<b>38</b>
INSTALLING VACUUM HOSE/WAND .....	7	BAG HOUSING GROUP .....	38
<b>MACHINE SETUP</b> .....	<b>7</b>	VACUUM MOTOR HOUSING GROUP .....	40
<b>MACHINE OPERATION</b> .....	<b>8</b>	BRUSH BASE GROUP .....	42
ELECTRONIC SENSOR SYSTEM .....	9	<b>OPTIONS</b> .....	<b>44</b>
WAND OPERATION .....	9	OPTIONAL ATTACHMENT KIT .....	44
<b>MACHINE MAINTENANCE</b> .....	<b>10</b>	REPLACEMENT BAGS .....	44
DAILY MAINTENANCE .....	10		
WEEKLY MAINTENANCE .....	10		
QUARTERLY MAINTENANCE .....	10		
BRUSH MAINTENANCE .....	10		
FOOT LATCH ADJUSTMENT .....	11		

# OPERATION

---

---


## SAFETY PRECAUTIONS

---

This machine is intended for commercial use only. It is designed exclusively to pick up dirt, dry debris and dust in an indoor environment and is not constructed for any other use. The pick up of any type of fluid or dangerous/toxic materials is prohibited. Use only recommended accessories.

All operators must read, understand and practice the following safety precautions.

The following warning alert symbol and the "FOR SAFETY" heading are used throughout this manual as indicated in their description:

 **WARNING:** To warn of hazards or unsafe practices which could result in severe personal injury or death.

**FOR SAFETY:** To identify actions which must be followed for safe operation of equipment.

---

Failure to follow these warnings may result in: personal injury, electrocution, electric shock, fire or explosion:

 **WARNING:** Do Not Use Flammable Liquids Or Operate Machine In Or Near Flammable Liquids, Vapors Or Combustible Dusts.

This machine is not equipped with an explosion proof motor. The electric motor will spark upon start up and during operation which could cause a flash fire or explosion if machine is used in an area where flammable vapors/liquids or combustible dusts are present.

 **WARNING:** Do Not Pick Up Flammable Or Toxic Materials, Burning Or Smoking Debris.

 **WARNING:** Do Not Operate With Damaged Power Cord. Do Not Modify Plug. Unplug Power Cord Before Servicing Machine

If the supply cord is damaged or broken, it must be replaced by the manufacturer or it's service agent or a similarly qualified person in order to avoid a hazard.

 **WARNING:** Do Not Use Outdoors Or On Wet Surfaces. Do Not Expose to Rain. Store Indoors.

---

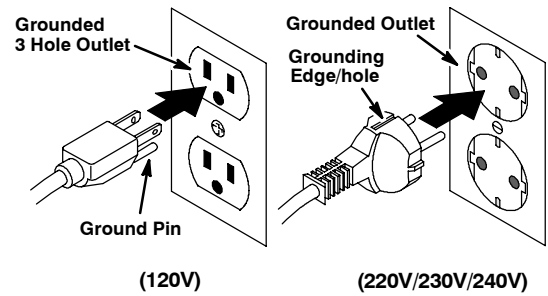
The following information signals potentially dangerous conditions to the operator or equipment:

### FOR SAFETY:

1. Do not operate machine:
  - In flammable or explosive areas.
  - Unless trained and authorized.
  - Unless operator manual is read and understood.
  - Unless cord is properly grounded.
  - With damaged cord or plug.
  - If not in proper operating condition.
  - On wet or damp surfaces.
  - In outdoor areas.
  - Without bag and/or filters in place.
  - With the use of an extension cord.
2. Before operating machine:
  - Make sure all safety devices are in place and operate properly.
3. When using machine:
  - Do not pull machine by plug or cord.
  - Do not pull cord around sharp edges or corners.
  - Do not close doors on cord.
  - Do not unplug by pulling on cord.
  - Do not stretch cord.
  - Do not handle plug with wet hands.
  - Keep cord away from heated surfaces.
  - Do not pick up burning or smoking debris, such as cigarettes, matches or hot ashes.
  - Report machine damage or faulty operation immediately.
  - Never allow children to play on or around.
4. Before leaving or servicing machine:
  - Turn off machine.
  - Unplug cord from wall outlet.
5. When servicing machine:
  - Unplug cord from wall outlet.
  - Avoid moving parts. Do not wear loose jackets, shirts, or sleeves.
  - Use manufacturer supplied or approved replacement parts.
  - All repairs must be performed by a qualified service person.
  - Do not modify the machine from it's original design.

## GROUNDING INSTRUCTIONS

Machine must be grounded. If it should malfunction or breakdown, grounding provides a path of least resistance for electrical current to reduce the risk of electrical shock. This machine is equipped with a cord having an equipment-grounding conductor and grounding plug. The plug must be plugged into an appropriate outlet that is properly installed in accordance with all local codes and ordinances. Do not remove ground pin; if missing, replace plug before use.



## WARNING LABEL

The warning label appears on the machine in the location indicated. Replace label if it becomes damaged or illegible.

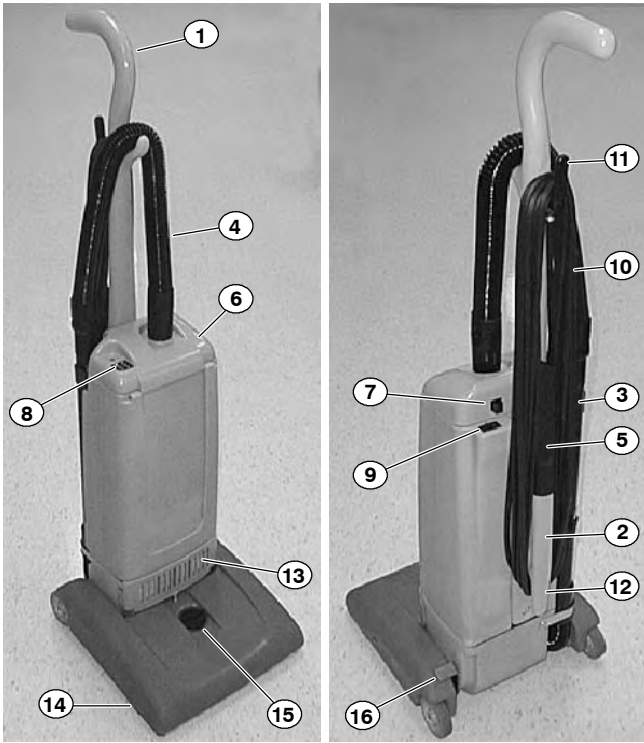
### WARNING LABEL - Located on back side of machine



<b>⚠ WARNING</b>	
  	
<b>EXPLOSION, FIRE AND SHOCK HAZARD. AVOID INJURY.</b> <ul style="list-style-type: none"> <li>• Do Not Use Near Flammable Liquids, Vapors or Combustible Dusts.</li> <li>• Do Not Pick Up Flammable or Toxic Materials and Burning Debris.</li> <li>• Do Not Operate With Damaged Power Cord. Do Not Modify Plug. Unplug Power Cord Before Servicing Machine.</li> <li>• Do Not Use Outdoors or On Wet Surfaces. Do Not Expose to Rain.</li> </ul>	
<b>⚠ AVERTISSEMENT</b>	
<b>RISQUE D'EXPLOSION, D'INCENDIE ET DE DÉCHARGE. ÉVITEZ LES BLESSURES.</b> <ul style="list-style-type: none"> <li>• N'utilisez Pas Près de Liquides, Vapeurs ou Poussières Inflammables.</li> <li>• Ne Ramassez Pas de Matériaux Inflammables ou Toxiques et de Déchets Enflammés.</li> <li>• N'utilisez Pas la Machine Avec un Cordon d'Alimentation Endommagé. Ne Modifiez Pas la Prise. Débranchez le Cordon d'Alimentation Avant d'Entretenir la Machine.</li> <li>• N'utilisez Pas en Extérieur ou Sur des Surfaces Humides. N'Exposez Pas à la Pluie.</li> </ul>	
<b>⚠ ADVERTENCIA</b>	
<b>PELIGRO DE EXPLOSIÓN, FUEGO, DESCARGA EVITE LESIONES.</b> <ul style="list-style-type: none"> <li>• No Use Cerca de Líquidos Flamables, Vapores Ó Materiales Combustibles.</li> <li>• No Recoja Materiales Flamables Ó Tóxicos Ni Desechos Candescentes.</li> <li>• No Use Con Cable De Corriente Dañado, No Altere El Enchufe. Desconecte Cable De Corriente Antes Del Mantenimiento.</li> <li>• No Use Al Aire Libre Ni En Superficies Húmedas. No Exponga A La Lluvia. 1026381</li> </ul>	

# OPERATION

## MACHINE COMPONENTS



1. EZGrip Handle
2. Carrying Handle
3. Cleaning Wand
4. Expandable Vacuum Hose
5. Onboard Crevice Tool
6. Filter Bag Compartment Lid
7. Bag Compartment Lid Latch
8. Electronic Sensor System
9. Power ON/OFF Switch
10. 12m (40 ft) Power Cord
11. Quick-Release Cord Hook
12. Lower Cord Hook
13. Exhaust Filter Cover
14. Brush Base w/ Edge Cleaning Shoe
15. Brush Height Adjustment Dial
16. Handle Release Latch

## MACHINE INSTALLATION

Carefully check carton for signs of damage. Report damages to carrier immediately.

Check Machine Contents to ensure carton is complete. Contact distributor for missing items.

### Machine Contents:

- Machine
- Handle
- Vacuum Hose/Wand
- Crevice Tool
- Paper Filter Bag (*Pre-installed*)
- Secondary Filter (*Pre-installed*)
- Exhaust Filter (*Pre-installed*)

## ATTACHING HANDLE

1. Remove two factory-installed handle mounting screws from bag compartment.
2. Connect the anti-static wires and tuck wire connectors inside of handle (Figure 1).

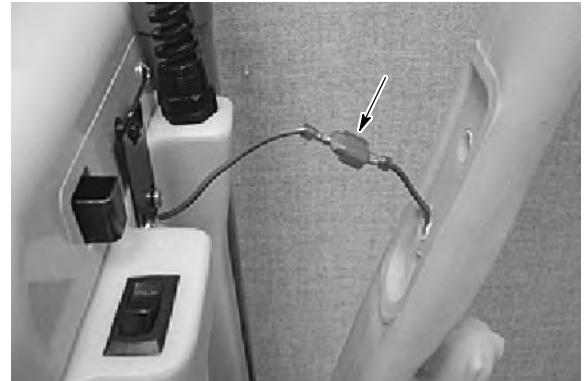


FIG. 1

3. Align handle on bag compartment and replace screws securely (Figure 2).

- Secure power cord with factory-installed cord clamp, located on handle (Figure 2).

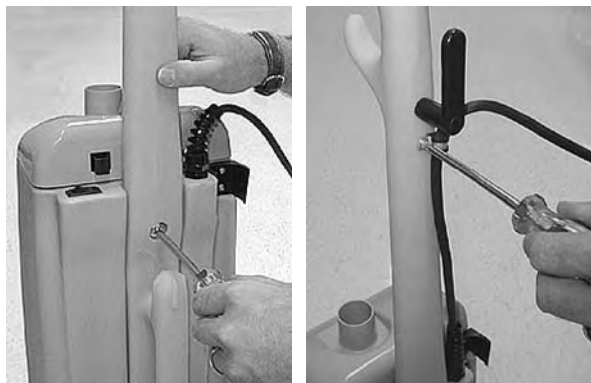


FIG. 2

- Wrap power cord around quick release hook and the lower handle hook.

## INSTALLING VACUUM HOSE/WAND

- Slide hose cuff over spout on bag compartment lid and wand into base cuff as shown. Snap wand into retainer clip (Figure 3).
- Store crevice tool on carrying handle (Figure 3).

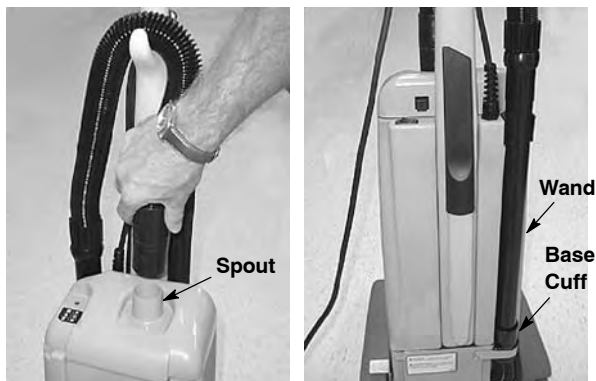


FIG. 3

## MACHINE SETUP

**⚠ WARNING: Do Not Operate With Damaged Power Cord. Do Not Modify Plug. Unplug Power Cord Before Servicing Machine**

- Install filter bag (pre-installed). Depress latch on lid to open bag compartment (Figure 4).

Contact distributor for optional cloth bag #900034.

**NOTE:** The machine will not operate without a filter bag in place. The protective vacuum motor lockout device will automatically sense when a bag is not installed.

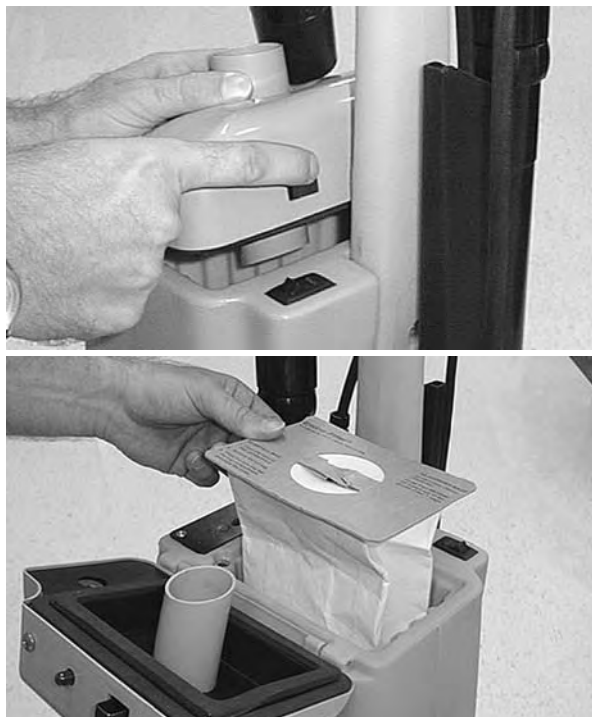


FIG. 4

- Adjust brush height. Turn brush height adjustment dial to desired setting as follows (Figure 5):

### Brush Height Settings:

- 1-2 Short Carpet Pile
- 3-4 Medium Carpet Pile
- 5-6 High Carpet Pile



FIG. 5

# OPERATION

3. Pull and turn quick-release hook to remove power cord (Figure 6).

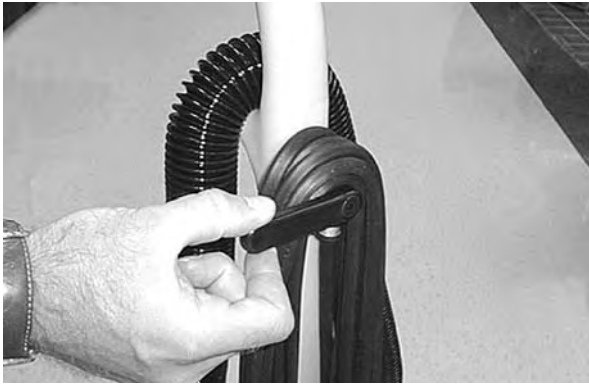


FIG. 6

4. Plug power cord into a grounded wall outlet (Figure 7).

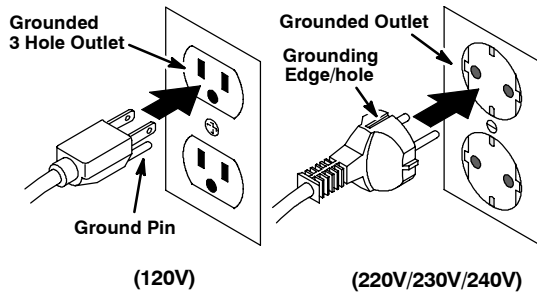


FIG. 7

**FOR SAFETY: Do not operate machine unless cord is properly grounded.**

**FOR SAFETY: Do not operate machine with the use of an extension cord.**

---

## MACHINE OPERATION

---

**FOR SAFETY: Do not operate machine unless operator manual is read and understood.**

1. Activate ON/OFF switch.

**⚠ WARNING: Do Not Pick Up Flammable Or Toxic Materials, Burning Or Smoking Debris.**

2. Lower handle to operating position by stepping on handle release latch (Figure 8).

**NOTE: Brush motor will not start until handle is lowered.**

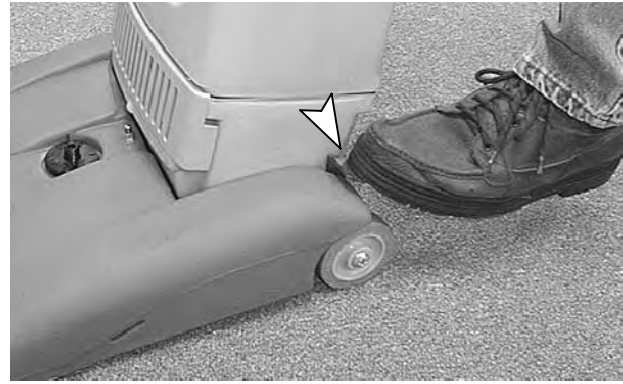


FIG. 8

3. Begin vacuuming floor. Operate machine with a back and forth motion or "W" pattern.
4. To operate in the horizontal position, lower handle to the stop point and step on release latch again (Figure 9).

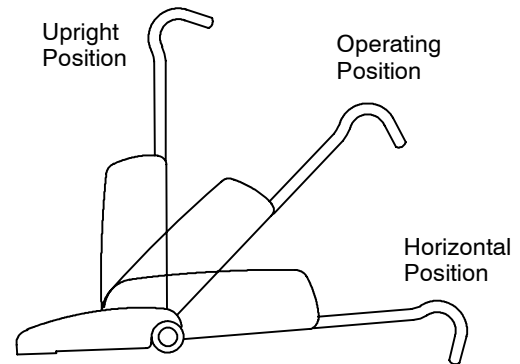


FIG. 9

5. To stop vacuuming, raise handle to the upright position and turn off power switch.



## ELECTRONIC SENSOR SYSTEM

The machine's Electronic Sensor System monitors the condition of the machine while operating. The sensor light, located on the bag compartment lid (Figure 10), will indicate the following conditions:

**Green Light** = Machine Functioning Properly.

**Blinking Orange Light** = Full Bag or Air Obstruction. Replace bag or remove air obstruction in vacuum hose.

**Blinking Red Light** = Brush Obstruction or Brush Height set too low (Amp. overload). Remove brush obstruction or readjust brush height.



FIG. 10

To reset sensor system, turn power switch off and then back on again.

**NOTE:** The vacuum motor is also protected by an internal thermal overload sensor. If motor temperature gets too high, the thermal sensor will shut off motor. Sensor will automatically reset when motor cools.

## WAND OPERATION

The machine is equipped with a “ready to use” wand and crevice tool.

Contact local distributor for Optional Tool Kit #604802  
Kit includes: Upholstery Tool and Dusting Brush.

1. Stand machine upright. When upright, the power to the brush motor automatically shuts off.

**ATTENTION: When using the wand, keep machine upright to prevent possible carpet damage.**

2. Detach wand from retainer clip and attach crevice tool located on carrying handle (Figure 11).



FIG. 11

3. Activate ON/OFF switch.

**⚠ WARNING: Do Not Pick Up Flammable Or Toxic Materials, Burning Or Smoking Debris.**

The wand's hose expands up to 2.4m (8 ft) in reach (Figure 12)



FIG. 12

# OPERATION

---

---

## MACHINE MAINTENANCE

---

To keep machine in good working condition, simply follow machine's daily, weekly and quarterly maintenance procedures.

**FOR SAFETY: When servicing machine, unplug cord from wall outlet.**

---

### DAILY MAINTENANCE (Every 4 Hours of Operation)

1. Check filter bag for fullness, replace bag as needed. Do not reuse paper bags. Inspect optional cloth bag for tears or holes, replace if damaged.
  2. Remove entangled debris from brush.
  3. Inspect vacuum hose for damage and clogged debris.
  4. Inspect power cord and strain relief for damage. Replace if necessary.
  5. Wind power cord around cord hooks rather than loosely looped over handle.
  6. Clean machine housing with an all purpose cleaner and damp cloth.
- 

### WEEKLY MAINTENANCE (Every 20 Hours of Operation)

1. Remove secondary filter and tap or blow off dust build-up, filter is located below filter bag. Do not clean with water. Replace filter if needed (Figure 13).



FIG. 13

2. Remove exhaust cover and inspect exhaust filter (Figure 14). Replace filter if needed.



FIG. 14

3. Inspect brush bristles for wear. If bristles are worn to 14mm (0.56 in.) or less in length, see Brush Maintenance.
- 

### QUARTERLY MAINTENANCE (Every 250 Hours of Operation)

Check motors for carbon brush wear. Replace brushes when worn to a length of 10mm (0.38 in.) or less.

Contact an Authorized Service Center for carbon brush inspection.

**FOR SAFETY: When servicing machine, unplug cord from wall outlet.**

**FOR SAFETY: When servicing machine all repairs must be performed by a qualified service person.**

---

### BRUSH MAINTENANCE

If brush bristles are worn to 14mm (0.56 in.) or less, rotate the bearing blocks to extend brush life as follows:

**FOR SAFETY: When servicing machine, unplug cord from wall outlet.**

1. Remove metal brush shoe from brush base (Philips screwdriver is required).
  2. Remove brush assembly. Grip brush on opposite side of belt and pull outward.
  3. Inspect drive belt(s) for wear; replace if necessary.
-

- Rotate both bearing blocks 180° and reinstall brush (Figure 15).

**NOTE:** Brush bearing blocks are labeled with numbers. To extend brush life, position label “2” outwards when reinstalling brush.

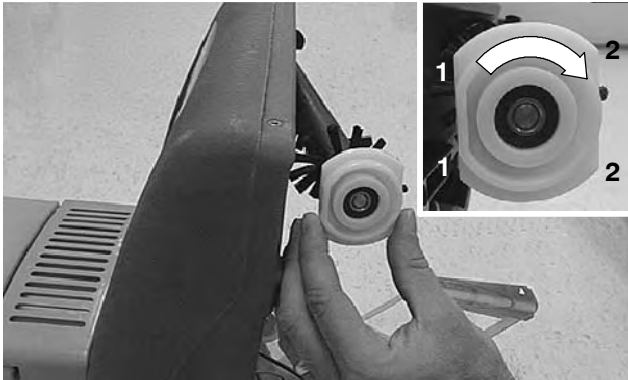


FIG. 15

- Replace metal brush shoe after brush is properly installed.

## FOOT LATCH ADJUSTMENT

Foot latch adjustment is required if machine handle doesn't lock in the upright position and/or brush motor continues to run while in the upright position.

Follow adjusting instructions below:

**FOR SAFETY: When servicing machine, unplug cord from wall outlet.**

- Lay vacuum cleaner face down.
- Loosen foot latch screw, 10mm wrench required (Figure 16).
- Turn adjustment bushing to realign foot latch, 16mm wrench required. Bushing has an off-center hole to allow for foot latch adjustment.

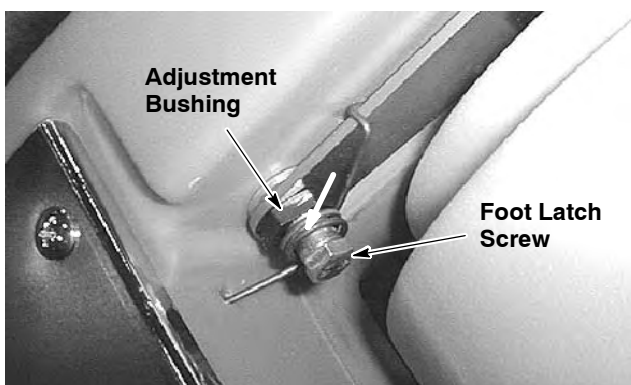


FIG. 16

- Retighten foot latch screw.

## STORING MACHINE

Store machine in a dry area in the upright position.

**ATTENTION: Do not expose to rain. Store indoors.**

## RECOMMENDED STOCK ITEMS

Refer to Parts List section for recommended stock items. Stock Items are clearly identified with a bullet preceding the parts description. See example below (Figure 17):

Ref.	Part No.	Description	Qty.
1	701105	ASM, STANDPIPE	1
2	150612	• FLOAT, SHUTOFF	1
3	230107	NIPPLE	1
4	101214	• GASKET	1
5	210240	NUT, FLANGED	1

FIG. 17

# OPERATION

## TROUBLE SHOOTING

PROBLEM	CAUSE	SOLUTION
Machine does not operate.	Filter bag not installed.	Install filter bag.
	Faulty power cord.	Contact Service Center.
	Faulty ON/OFF switch.	Contact Service Center.
	Faulty electronic sensor system.	Contact Service Center.
	Loose wiring.	Contact Service Center.
	Building circuit breaker tripped.	Reset circuit breaker.
Vacuum motor does not operate.	Internal thermal overload sensor tripped in vacuum motor.	Remove air obstruction. Let motor cool for 20 minutes.
	Faulty electronic sensor system.	Contact Service Center.
	Worn carbon brushes in vacuum motor.	Contact Service Center.
	Defective vacuum motor.	Contact Service Center.
Brush does not operate.	Electronic sensor system activated (blinking red light).	Turn off machine. Inspect brush for obstruction or readjust brush height.
	Loose or broken brush belt(s).	Replace belt(s).
	Defective brush motor.	Contact Service Center.
	Faulty electronic sensor system.	Contact Service Center.
Poor vacuum performance.	Full bag (blinking orange light).	Replace bag.
	Loose vacuum hose connections.	Tighten hose connections.
	Defective vacuum hose.	Replace hose.
	Clogged secondary filter.	Clean or replace secondary filter.
	Bag compartment lid not closed tightly.	Close lid.
Poor brush pick-up.	Improper brush height.	Adjust brush height.
	Entangled debris in brush.	Remove clogged material.
	Worn brush bristles or bearings.	See BRUSH MAINTENANCE.
	Loose drive belt(s).	Inspect belt(s), replace if needed.

## SPECIFICATIONS

MODEL	120V	220V/230V/240V
LENGTH	368mm (14.5 in.)	368mm (14.5 in.)
WIDTH	356mm (14.0 in.)	356mm (14.0 in.)
HEIGHT	1194mm (47.0 in.)	1194mm (47.0 in.)
WEIGHT	9.5 Kg (21 lbs)	9.5 Kg (21 lbs)
BRUSH MOTOR	120V, 0.16hp, 1A, 3000 rpm	230V, 0.1hp, 0.5A, 3000 rpm
VACUUM MOTOR	120V, 1.2hp, 7.9A, 915W	230V, 1.2hp, 3.8A, 874W
POWER CORD LENGTH	12m (40 ft.)	12m (40 ft.)
SWEEPING PATH WIDTH	356mm (14 in.) includes edge cleaning	356mm (14 in.) includes edge cleaning
VACUUM BAG CAPACITY	5 L (5.2 qts)	5 L (5.2 qts)
FILTRATION SYSTEM	Triple filtration: Filter bag, secondary filter and exhaust filter. High efficiency (99.9%) to 0.1 micron	Triple filtration: Filter bag, secondary filter and exhaust filter. High efficiency (99.9%) to 0.1 micron
DECIBEL RATING AT OPERATOR'S EAR, INDOORS ON CARPET	69.5 dB(A)	69.5 dB(A)

Este manual se incluye con cada nueva aspiradora vertical. Proporciona las instrucciones necesarias de operación y mantenimiento, y lista de las piezas.

**Lea completamente este manual y entienda la máquina antes de operarla o repararla.**

Al pedir piezas de repuesto usar la sección de Listas de Piezas en este manual. Antes de pedir piezas o suministros, asegurarse de tener el número de modelo y de serie. Las piezas y suministros pueden ser pedidos por teléfono o por correo de cualquier Centro de Servicio o Distribuidor, Autorizados.

Esta máquina proporcionará un servicio excelente. Sin embargo, los mejores resultados serán obtenidos a los costos mínimos si:

- La máquina se opera con un cuidado razonable.
- La máquina se mantiene regularmente - según las instrucciones de mantenimiento provistas.
- La máquina se mantiene con las piezas provistas por el fabricante o equivalentes.

## DATOS MECANICOS

Por favor complete en momento de instalación para referencia futura.

Modelo No. - \_\_\_\_\_

Fecha de inst. - \_\_\_\_\_

No. de serie - \_\_\_\_\_

### PROTECCIÓN DEL MEDIO AMBIENTE



Deseche el material de embalaje, los componentes usados de la máquina como las baterías y los líquidos peligrosos como el anticongelante y el aceite, de forma segura para el medio ambiente, de acuerdo con las normativas o disposiciones locales.



No olvide reciclar.

# OPERACIÓN

---

## INDICE

---

<b>MEDIDAS DE SEGURIDAD</b> .....	<b>15</b>	<b>ALMACENAMIENTO DE LA MÁQUINA</b> .....	<b>22</b>
INSTRUCCIONES DE CONEXION A TIERRA .....	16	<b>ARTICULOS RECOMENDADOS PARA MANTENER EN EXISTENCIA</b> .....	<b>22</b>
<b>ADHESIVOS DE SEGURIDAD</b> .....	<b>16</b>	<b>LOCALIZACION DE AVERÍAS</b> .....	<b>23</b>
<b>COMPONENTES DE LA MÁQUINA</b> .....	<b>17</b>	<b>ESPECIFICACIONES</b> .....	<b>24</b>
<b>INSTALACIÓN DE LA MÁQUINA</b> .....	<b>17</b>	<b>DIAGRAMAS ELECTRICAS</b> .....	<b>36</b>
FIJACIÓN DEL MANGO .....	17	<b>LISTA DE PIEZAS</b> .....	<b>38</b>
INSTALACIÓN DE LA MANGUERA/VARA DE VACÍO .....	18	GRUPO DEL ARMAZON DE LA BOLSA . . . .	38
<b>PREPARACION DE LA MÁQUINA</b> .....	<b>18</b>	GRUPO DEL ARMAZON DEL MOTOR DE VACIO .....	40
<b>OPERACIÓN DE LA MÁQUINA</b> .....	<b>19</b>	GRUPO DE LA BASE DEL CEPILLO .....	42
<b>SISTEMA DEL SENSOR ELECTRÓNICO</b> .....	<b>20</b>	<b>OPCIONES</b> .....	<b>44</b>
FUNCIONAMIENTO DE LA VARA .....	20	JUEGO DE ADITAMENTOS OPCIONALES .	44
<b>MANTENIMIENTO DE LA MÁQUINA</b> .....	<b>21</b>	BOLSAS DE REPUESTO .....	44
MANTENIMIENTO DIARIO .....	21		
MANTENIMIENTO SEMANAL .....	21		
MANTENIMIENTO TRIMESTRAL .....	21		
MANTENIMIENTO DEL CEPILLO .....	22		
AJUSTE DEL PESTILLO DE PIE .....	22		

---

## MEDIDAS DE SEGURIDAD

---

Esta máquina está destinada solamente al uso comercial. Está diseñada exclusivamente para recoger suciedad, escombros secos y polvo de interiores y no está indicada para ningún otro uso. La recogida de cualquier líquido o polvo peligroso/tóxico está prohibida. Utilice solamente los accesorios recomendados.

Todos los operadores deben leer, entender y practicar las precauciones siguientes de seguridad.

El siguiente símbolo de alerta de advertencia y el encabezamiento de "PARA SEGURIDAD" se usan en este manual como se indica en su descripción:

**⚠ ADVERTENCIA:** Para advertir de riesgos o prácticas inseguras que podrían resultar en lesiones personales graves o la muerte.

**PARA SEGURIDAD:** Para identificar acciones que deben seguirse para el funcionamiento seguro del equipo.

---

El no seguir estas advertencias puede resultar en: lesiones personales, electrocución, choque eléctrico, fuego o explosión.

**⚠ ADVERTENCIA:** No use líquidos inflamables ni opere la máquina en o cerca de líquidos y vapores inflamables o polvos combustibles.

Esta máquina no está equipada con motores a prueba de explosión. Los motores eléctricos emiten chispas al arrancar y durante el funcionamiento lo que podría causar un fuego explosivo o explosión si la máquina se usa en una área donde están presentes vapores/líquidos inflamables o polvos combustibles.

**⚠ ADVERTENCIA:** No recoja materiales tóxicos o inflamables ni residuos humeantes o ardiendo.

**⚠ ADVERTENCIA:** No opere con un cordón eléctrico dañado. No modifique el enchufe. Desenchufe el cordón eléctrico antes de reparar la máquina.

Si el cordón del suministro se daña o se rompe, debe ser reemplazado por el fabricante o su agente de servicio o una persona similarmente calificada para evitar un riesgo.

**⚠ ADVERTENCIA:** No use al aire libre o en superficies húmedas. No exponga a la lluvia. Almacén bajo techo.

La información siguiente señala condiciones potencialmente peligrosas para el operador o el equipo:

### PARA SEGURIDAD:

1. No opere la máquina:
  - En zonas inflamables o donde puedan producirse explosiones.
  - A menos que se capacitó y fue autorizado.
  - A menos que se haya leído y entendido el manual del funcionamiento.
  - A menos que el cordón se conecte apropiadamente a tierra.
  - Con un cordón o enchufe dañados.
  - Si no está en una condición apropiada de operación.
  - Sobre superficies mojadas o húmedas.
  - En áreas al aire libre.
  - Sin haber colocado los filtros y/o la bolsa.
  - Con el uso de una extensión de cordón.
2. Antes de arrancar la máquina:
  - Asegúrese que todos los dispositivos de seguridad están en su lugar y operando apropiadamente.
3. Al usar máquina:
  - No tire de la máquina por el enchufe o el cordón.
  - No tire del cordón alrededor de bordes o esquinas aguzados.
  - No cierra las puertas sobre el cordón.
  - No desenchufe tirando del cordón.
  - No estire el cordón.
  - No maneje el enchufe con las manos húmedas.
  - Mantenga el cordón lejos de las superficies calientes.
  - No recoja restos ardiendo o humeantes como cigarrillos, cerillas o cenizas calientes.
  - Informe inmediatamente acerca de daños o una operación defectuosa de la máquina.
  - Nunca permita que los niños jueguen en o alrededor de la máquina.
4. Antes de salir de o reparar la máquina:
  - Apague la máquina.
  - Desenchufe cordón del tomacorriente de la pared.

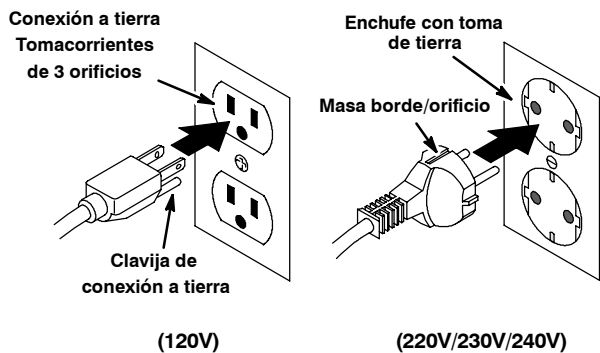
# OPERACIÓN

## 5. Al prestar servicio a la máquina:

- Desenchufe cordón del tomacorriente de la pared.
- Evite las piezas móviles. No use chaquetas, camisas, o mangas, holgadas.
- Use piezas de repuesto provistas o aprobadas por el fabricante.
- Todas las reparaciones se deben realizar por una persona cualificada para el servicio.
- No modifique la máquina de su diseño original.

## INSTRUCCIONES DE CONEXION A TIERRA

La máquina debe conectarse a tierra. En caso de mal funcionamiento o desarreglo, la conexión a tierra provee un recorrido de menor resistencia para la corriente eléctrica para reducir el riesgo de choque eléctrico. Esta máquina está equipada con un cordón con un conductor de conexión a tierra del equipo y enchufe de conexión a tierra. El enchufe debe enchufarse en un tomacorrientes apropiado correctamente instalado de acuerdo con todos los códigos y ordenanzas locales. No extraer la clavija de conexión a tierra; si falta, reemplazar el enchufe antes de usar.



## ADHESIVOS DE SEGURIDAD

La adhesivo de seguridad aparece en la máquina en la localización indicada. Sustituya el adhesivo si se ha desprendido, o está deteriorado o son ilegibles.

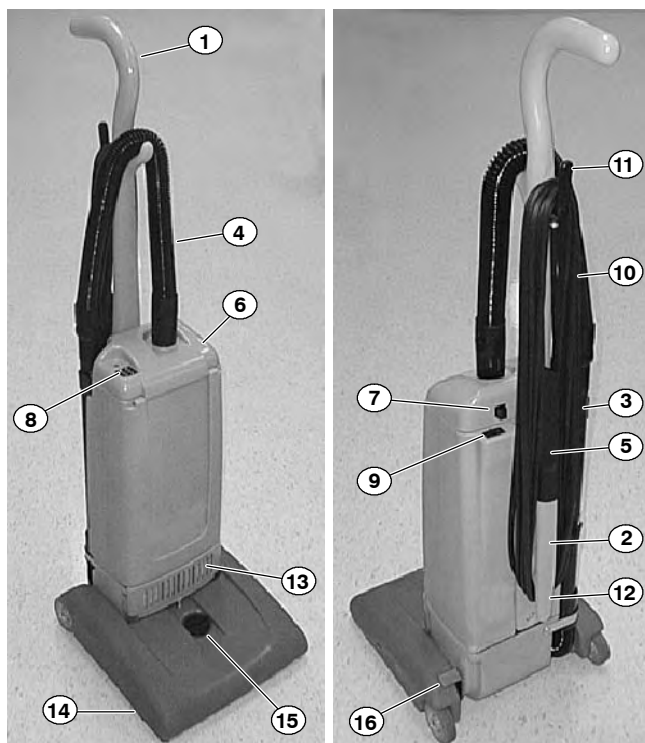


### ADHESIVO DE SEGURIDAD – Situado en la parte trasera de la máquina.

<b>⚠ WARNING</b>			
<b>EXPLOSION, FIRE AND SHOCK HAZARD. AVOID INJURY.</b>			
<ul style="list-style-type: none"><li>• Do Not Use Near Flammable Liquids, Vapors or Combustible Dusts.</li><li>• Do Not Pick Up Flammable or Toxic Materials and Burning Debris.</li><li>• Do Not Operate With Damaged Power Cord. Do Not Modify Plug. Unplug Power Cord Before Servicing Machine.</li><li>• Do Not Use Outdoors or On Wet Surfaces. Do Not Expose to Rain.</li></ul>			
<b>⚠ AVERTISSEMENT</b>			
<b>RISQUE D'EXPLOSION, D'INCENDIE ET DE DÉCHARGE. ÉVITEZ LES BLESSURES.</b>			
<ul style="list-style-type: none"><li>• N'utilisez Pas Près de Liquides, Vapeurs ou Poussières Inflammables.</li><li>• Ne Ramassez Pas de Matériaux Inflammables ou Toxiques et de Déchets Enflammés.</li><li>• N'utilisez Pas la Machine Avec un Cordon d'Alimentation Endommagé. Ne Modifiez Pas la Prise. Débranchez le Cordon d'Alimentation Avant d'Entretenir la Machine.</li><li>• N'utilisez Pas en Extérieur ou Sur des Surfaces Humides. N'Exposez Pas à la Pluie.</li></ul>			
<b>⚠ ADVERTENCIA</b>			
<b>PELIGRO DE EXPLOSIÓN, FUEGO, DESCARGA EVITE LESIONES.</b>			
<ul style="list-style-type: none"><li>• No Use Cerca de Líquidos Flamables, Vapores Ó Materiales Combustibles.</li><li>• No Recoja Materiales Flamables Ó Tóxicos Ni Desechos Candescentes.</li><li>• No Use Con Cable De Corriente Dañado. No Altere El Enchufe. Desconecte Cable De Corriente Antes Del Mantenimiento.</li><li>• No Use Al Aire Libre Ni En Superficies Húmedas. No Exponga A La Lluvia. 1026381</li></ul>			



## COMPONENTES DE LA MÁQUINA



1. Mango EZGrip
2. Mango de transporte
3. Vara de limpieza
4. Manguera extensible de aspiración
5. Herramienta Onboard para hendiduras
6. Tapa del compartimiento de la bolsa de filtro
7. Pestillo de la tapa de compartimiento de la bolsa
8. Sistema del Sensor electrónico
9. Interruptor de Encendido/Apagado
10. Cordón eléctrico de 12m (40 pies)
11. Gancho de desconexión rápida del cordón
12. Gancho del cordón inferior
13. Tapa del filtro de descarga
14. Base del cepillo con zapata de limpieza de Borde
15. Ajuste de la altura del cepillo
16. Pestillo de desconexión del mango

## INSTALACIÓN DE LA MÁQUINA

Inspeccionar cuidadosamente la caja por señales de daño. Informar al transportista inmediatamente acerca de daños observados.

Inspeccionar el contenido de la caja para asegurar que esté completo. Avise al distribuidor por los artículos perdidos.

### Contenido de la Máquina:

- La máquina
- Mango
- Manguera/vara de vacío
- Herramienta para hendiduras
- Bolsa de filtro de papel (Preinstalado)
- Filtro secundario (Preinstalado)
- Filtro de descarga (Preinstalado)

### FIJACIÓN DEL MANGO

1. Extraer los dos tornillos de montaje del mango, instalados de fábrica, del compartimiento de la bolsa.
2. Conecte los conductores antiestáticos y ajuste los conectores de cable dentro del mango (Figura 1).



FIG. 1

# OPERACIÓN

3. Alinear el mango en el compartimiento de la bolsa y volver a colocar los tornillos bien ajustados (Figura 2).
4. Asegurar el cordón eléctrico con la mordaza del cordón, instalada de fábrica, ubicada en el mango. (Figura 2)

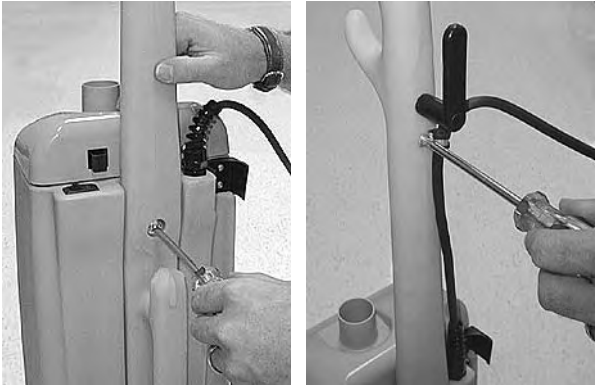


FIG. 2

5. Envolver el cordón eléctrico alrededor del gancho de desconexión rápida y el gancho inferior de la manija.

## INSTALACIÓN DE LA MANGUERA/VARA DE VACÍO

1. Deslizar la camisa de la manguera sobre el pico en la tapa del compartimiento y la vara en la camisa de base según se ilustra. Calzar la vara instantánea en la grapa del retenedor (Figura 3).
2. Guardar la herramienta para hendiduras en el mango para transportar (Figura 3).



FIG. 3

## PREPARACION DE LA MÁQUINA

**⚠ ADVERTENCIA:** No opere con un cordón eléctrico dañado. No modifique el enchufe. Desenchufe el cordón eléctrico antes de reparar la máquina.

1. Instale la bolsa del filtro (preinstalada). Deprima el pestillo en la tapa para el compartimiento de la bolsa (Figura 4).

Consultar con el distribuidor para la tela opcional de la bolsa #900034.

**NOTA:** La máquina no funciona sin una bolsa del filtro en su lugar. El mecanismo protector del motor de vacío detecta automáticamente cuando la bolsa no está instalada.

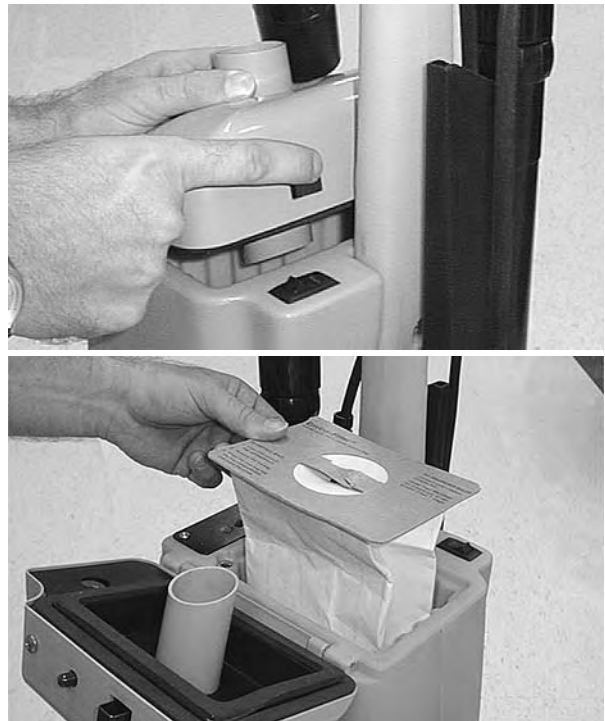


FIG. 4

- Ajuste de la altura del cepillo. Girar el dial de ajuste de la altura del cepillo a la graduación deseada como sigue (Figura 5):

### Graduaciones de la altura del cepillo:

- 1-2 Altura pequeña del pelaje
- 3-4 Altura mediana del pelaje
- 5-6 Altura elevada del pelaje



FIG. 5

- Tirar de girar el gancho de desconexión rápida para extraer el cordón eléctrico (Figura 6).



FIG. 6

- Enchufar el cordón eléctrico a un tomacorriente de pared conectado a tierra (Figura 7).

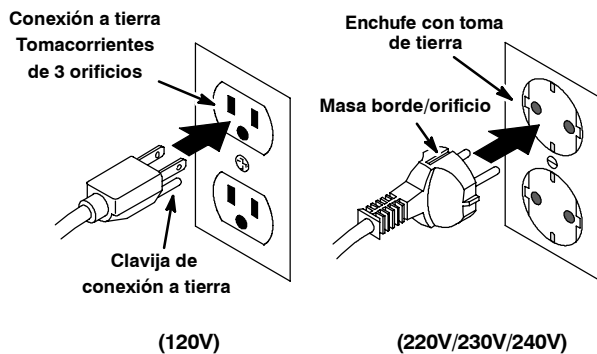


FIG. 7

**PARA SEGURIDAD:** No operar la máquina a menos que la máquina esté bien conectada a tierra.

**PARA SEGURIDAD:** No operar la máquina con el uso de un cordón de extensión.

## OPERACIÓN DE LA MÁQUINA

**PARA SU SEGURIDAD:** No utilice la máquina salvo que el operario haya leído y comprendido el manual de instrucciones.

- Activar el interruptor de ENCENDIDO/APAGADO.

**⚠ ADVERTENCIA:** No recoja materiales tóxicos o inflamables ni residuos humeantes o ardiendo.

- Bajar el mango a la posición de operación parándose sobre el pestillo de desconexión del mango (Figura 8).

**NOTA:** el motor del cepillo no arranca hasta que se baje el mango.

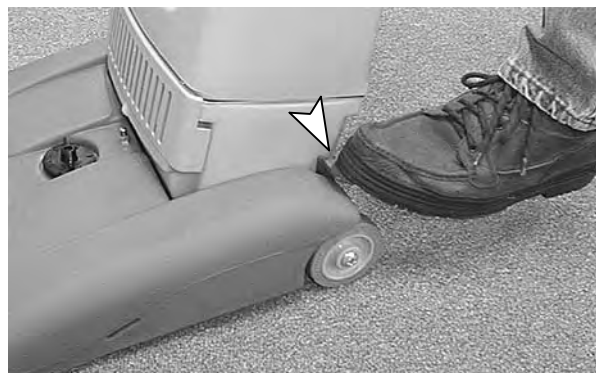


FIG. 8

- Comenzar a limpiar el suelo con la aspiradora. Operar la máquina con un movimiento de un lado a otro o un recorrido en "W". Para parar, pararse nuevamente sobre el pestillo de desconexión del mango.

# OPERACIÓN

- Para operar en la posición horizontal, bajar el mango a la posición de parada inferior y pisar nuevamente el pestillo de desconexión (Figura 9).

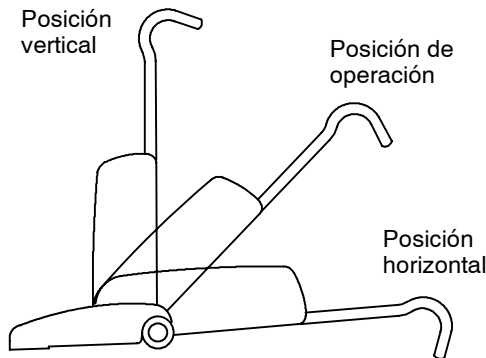


FIG. 9

- Para dejar de limpiar con aspiradora, levantar el mango a la vertical a apagar el interruptor eléctrico.

## SISTEMA DEL SENSOR ELECTRÓNICO

El Sistema del Sensor Electrónico de la máquina supervisa la condición de la máquina mientras está operando. La luz del sensor, ubicado en la tapa del compartimiento de la bolsa (Figura 10), indica las condiciones siguientes:

**Luz Verde** = Máquina que funciona apropiadamente.

**Luz Anaranjada centelleante** = Bolsa Llena o área de obstrucción. Reemplazar la bolsa o quitar el área de obstrucción en la manguera del vacío.

**Luz Roja centelleante** = Obstrucción del Cepillo o Altura del Cepillo demasiado baja (carga excesiva de amperios). Quitar la obstrucción del cepillo o reajustar la altura del cepillo.



FIG. 10

Para restablecer el sistema del sensor, apagar el interruptor eléctrico y encender nuevamente.

**NOTA:** El motor del vacío también está protegido por un sensor de carga térmica interior excesiva. Si la temperatura de motor se eleva demasiado, el sensor térmico apaga el motor. El sensor se restablece automáticamente cuando el motor se enfría.

## FUNCIONAMIENTO DE LA VARA

La máquina está provista con una vara " lista para usar" y una herramienta para hendiduras.

Consultar con el distribuidor local para el Juego de Herramienta Opcional No. 604802 El equipo incluye: Herramienta de Tapicería y el Cepillo para Polvo.

- Máquina en posición vertical. Cuando está en posición vertical, se corta automáticamente la electricidad al motor de vacío.

**ATENCIÓN:** Al usar la vara, mantener la máquina vertical para prevenir daños posibles a la alfombra.

- Separar la vara de la grapa del retenedor y fijar la herramienta de hendiduras ubicada en el mango para transportar (Figura 11).



FIG. 11

- Activar el interruptor de ENCENDIDO/APAGADO.

**⚠ ADVERTENCIA: No recoja materiales tóxicos o inflamables ni residuos humeantes o ardiendo.**

La manguera de la vara se extiende a 2.4m (8 pies) de alcance (Figura 12)



FIG. 12

## MANTENIMIENTO DE LA MÁQUINA

Para guardar la máquina en un buen estado de funcionamiento buena, simplemente seguir los procedimientos diarios, semanales y trimestrales de mantenimiento.

**PARA SEGURIDAD: Al revisar la máquina, desconecte el cable eléctrico del enchufe de la pared.**

### MANTENIMIENTO DIARIO

(Cada 4 horas de uso)

1. Reemplace la bolsa de polvo después de cada uso o según las necesidades. Inspeccione la bolsa de tela por rasguños o agujeros. Sustituirla si está dañada. Nunca lave la bolsa de tela.
2. Quitar los desechos enredados en el cepillo.
3. Inspeccionar la manguera de vacío por daños y obstrucciones por desechos.
4. Inspeccionar el cordón de electricidad y el amortiguador de esfuerzos, por daños. Reemplazar si fuera necesario.
5. Enrollar el cordón de electricidad alrededor de los ganchos del cordón en lugar de flojamente sobre el mango.
6. Limpiar el armazón de la máquina con un limpiador de uso múltiple y un trapo húmedo.

### MANTENIMIENTO SEMANAL

(Cada 20 horas de uso)

1. Quitar el filtro secundario y golpear suavemente o soplar el polvo acumulado, el filtro está ubicado debajo de la bolsa del filtro. No limpiar con agua. Reemplazar el filtro si fuera necesario (Figura 13).



FIG. 13

2. Quitar la tapa de la descarga e inspeccionar el filtro de descarga (Figura 14). Reemplazar el filtro si fuera necesario.



FIG. 14

3. Inspeccionar las cerdas del cepillo para el uso. Si las cerdas están gastadas a 14mm (0.56 en) o menos en longitud, ver Mantenimiento del Cepillo.

### MANTENIMIENTO TRIMESTRAL

(Cada 250 horas de uso)

Inspeccione el motor por desgaste de las escobillas de carbón. Reemplace todas las escobillas si se han desgastado a un largo de 10mm (0.38 pulg.) o menos.

Para la inspección de las escobillas de carbón consulte con su Centro Autorizado de Servicio.

**PARA SEGURIDAD: Al revisar la máquina, desconecte el cable eléctrico del enchufe de la pared.**

# OPERACIÓN

**PARA SEGURIDAD:** Al prestar servicio a la máquina, todas las reparaciones deben realizarse por una persona calificada de servicio.

## MANTENIMIENTO DEL CEPILLO

Si las cerdas del cepillo se han gastado a 14mm (0.56 pulg.) o menos, rodar los bloques para prolongar la vida del cepillo como sigue:

**PARA SEGURIDAD:** Al revisar la máquina, desconecte el cable eléctrico del enchufe de la pared.

1. Quite la zapata de metal del cepillo de la base del cepillo (se requiere un destornillador Philips).
2. Quitar el conjunto del cepillo. Sujetar el cepillo del lado opuesto de la correa y tirar hacia afuera.
3. Inspeccionar la correa(s) por desgaste; reemplazar si fuera necesario.
4. Girar ambos bloques de rodamiento 180 grados y reinstalar el cepillo (Figura 15).

**NOTA:** Los bloques de los rodamientos del cepillo están rotuladas con números. Colocar en posición el rótulo "2" hacia afuera para reinstalar el cepillo (Figura 15), para prolongar la vida del cepillo.

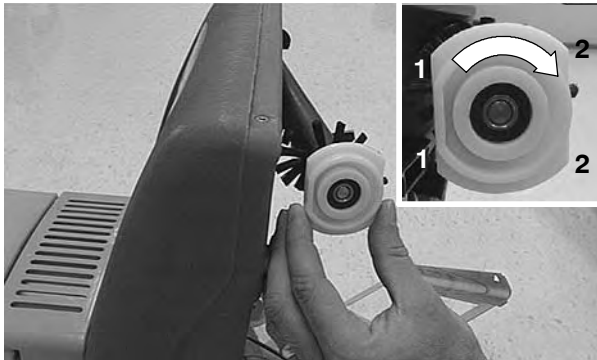


FIG. 15

5. Después que el cepillo se ha instalado correctamente, volver a colocar la zapata de metal del cepillo.

## AJUSTE DEL PESTILLO DE PIE

Si la máquina no se bloquea en la posición vertical y/o el motor de vacío continúa funcionando, se requiere ajustar el pestillo de pie.

**PARA SEGURIDAD:** Al revisar la máquina, desconecte el cable eléctrico del enchufe de la pared.

1. Colocar la aspiradora con el frente hacia abajo.
2. Aflojar el tornillo del pestillo de pie, se requiere una llave de 10mm (Figura 16).
3. Girar el cojinete de ajuste para realinear el pestillo de pie, se requiere una llave de 16mm. El cojinete tiene un orificio fuera del centro para permitir el ajuste del pestillo de pie.

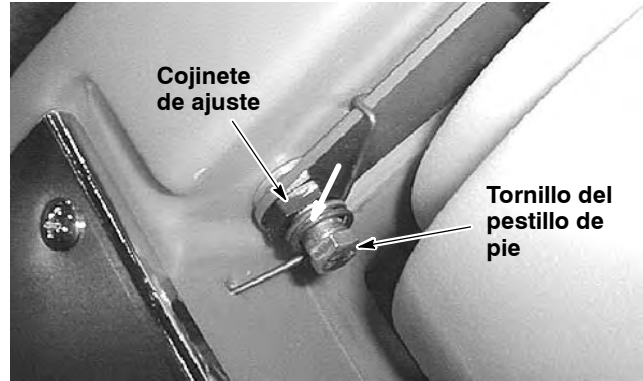


FIG. 16

4. Reajustar el tornillo del pestillo de pie.

## ALMACENAMIENTO DE LA MÁQUINA

Almacenar la máquina en un área seca en posición vertical.

**ATENCIÓN:** No exponga a la lluvia. Almacene bajo techo.

## ARTÍCULOS RECOMENDADOS PARA MANTENER EN EXISTENCIA

Para los artículos recomendados a mantener en existencia referirse a la sección de Lista de Piezas. Los artículos a mantener en existencia están claramente identificados con una bola precediendo a la descripción de los artículos. Ver el ejemplo de abajo:

Ref.	Part No.	Description	Qty.
1	701103	ASB.,STANDPIPE	1
2	180612	●FLOAT, SHUTOFF	1
3	230187	NIPPLE	1
4	101714	●GASKET	1
5	210240	NUT, FLANGED	1

FIG. 17

**LOCALIZACION DE AVERÍAS**

<b>PROBLEMA</b>	<b>CAUSA</b>	<b>SOLUCIÓN</b>
La máquina no funciona.	La bolsa de filtro no está instalada.	Instalar la bolsa de filtro.
	Cordón eléctrico defectuoso.	Consultar con el Centro de Servicio.
	Interruptor de Encendido/Apagado defectuoso.	Consultar con el Centro de Servicio.
	Sistema electrónico defectuoso del sensor.	Consultar con el Centro de Servicio.
	Cableado flojo.	Consultar con el Centro de Servicio.
	Activado el interruptor de circuitos del edificio.	Restablecer el interruptor de circuitos.
El motor de vacío no funciona.	El sensor interno de carga térmica excesiva se ha activado en el motor de vacío.	Quitar la obstrucción de aire. Permitir que el motor se enfríe por 20 minutos.
	Sistema electrónico de sensor defectuoso.	Consultar con el Centro de Servicio.
	Escobillas de carbón gastadas en el motor de vacío.	Consultar con el Centro de Servicio.
	Motor de vacío defectuoso.	Consultar con el Centro de Servicio.
El cepillo no funciona.	Activado el sistema electrónico del sensor (luz roja centelleante).	Apagar la máquina. Inspeccionar el cepillo por obstrucciones o reajustar la altura del cepillo.
	Correa(s) del cepillo floja(s) o rota(s).	Reemplazar la correa(s).
	Motor del cepillo defectuoso.	Consultar con el Centro de Servicio.
	Sistema electrónico del sensor defectuoso.	Consultar con el Centro de Servicio.
Mala aspiración.	Bolsa llena (luz anaranjada centelleante).	Reemplazar la bolsa.
	Conexiones flojas de la manguera de vacío.	Ajustar las conexiones de la manguera.
	Manguera de vacío defectuosa.	Reemplazar la manguera.
	Filtro secundario taponado.	Limpiar o reemplazar el filtro secundario.
	La tapa del compartimiento de la bolsa no está bien ajustada.	Cerrar la tapa.
Mala aspiración del cepillo.	Altura inadecuada del cepillo.	Ajustar la altura del cepillo.
	Desechos enredados en el cepillo.	Quitar el material obstructor.
	Cerdas o rodamientos gastados.	Ver MANTENIMIENTO DEL CEPILLO.
	Correa(s) propulsora(s) flojas.	Inspeccionar la correa(s), reemplazar si fuera necesario.

# OPERACIÓN

---

## ESPECIFICACIONES

MODELO	120V	220V/230V/240V
LARGO	368mm (14.5 pulg.)	368mm (14.5 pulg.)
ANCHO	356mm (14.0 pulg.)	356mm (14.0 pulg.)
ALTO	1194mm (47.0 pulg.)	1194mm (47.0 pulg.)
PESO	9.5 Kg (21 lbs)	9.5 Kg (21 lbs)
MOTOR DEL CEPILLO	120V, 0.16hp, 1A, 3000 rpm	230V, 0.1hp, 0.5A, 3000 rpm
MOTOR DE VACIO	120V, 1.2hp, 7.9A, 915 vatios	230V, 1.2hp, 3.8A, 874 vatios
LARGO DEL CORDON ELECTRICO	12m (40 pies)	12m (40 pies)
ANCHO DE BARRIDO	356mm (14 pulg.) incluye limpieza del borde	356mm (14 pulg.) incluye limpieza del borde
CAPACIDAD DE LA BOLSA DE VACIO	5 L (5.2 cuart.)	5 L (5.2 cuart.)
SISTEMA DE FILTRACION	Filtración triple: Bolsa de filtro, filtro secundario y filtro de descarga. Alta eficiencia (99.9%) a un 0.1 micrón	Filtración triple: Bolsa de filtro, filtro secundario y filtro de descarga. Alta eficiencia (99.9%) a un 0.1 micrón
CLASIFICACION DE DECIBELES EN EL OIDO DEL OPERADOR, INTERIOR SOBRE ALFOMBRA	69.5 dB(A)	69.5 dB(A)



Ce manuel est fourni avec chaque nouveau modèle. Il fournit les instructions nécessaires au fonctionnement et à l'entretien. Il est muni d'une liste complète de pièces détachées illustrée.

**Lisez complètement ce manuel et familiarisez-vous avec la machine avant de l'utiliser ou de l'entretenir.**

Utilisez la liste de pièces détachées pour commander des pièces de rechange. Avant de commander des pièces ou des fournitures, soyez sûr d'avoir avec vous le numéro de modèle de la machine et le numéro de série. Les pièces et les fournitures se commandent par téléphone ou par courrier auprès de tout centre de dépannage agréé, de tout distributeur ou de l'une des filiales du fabricant.

Cette machine vous fournira d'excellents services. Toutefois, vous obtiendrez les meilleurs résultats pour un prix de revient minimum si:

- La machine est manipulée avec un certain soin.
- La machine fait l'objet d'un entretien régulier conformément aux instructions d'entretien de ce manuel.
- L'entretien de la machine est effectué avec des pièces fournies par le fabricant ou des pièces équivalentes.

## DONNÉES DE LA MACHINE

A remplir au moment de l'installation à titre de référence.

Modèle n° \_\_\_\_\_

Date d'installation - \_\_\_\_\_

N° série - \_\_\_\_\_



### PROTECTION DE L'ENVIRONNEMENT

Veillez éliminer les matériaux d'emballage, les composants d'anciennes machines comme les batteries, les fluides dangereux tels que l'antigel ou l'huile, d'une manière sûre au point de vue environnemental, suivant la réglementation locale en vigueur en matière d'élimination des déchets.



N'oubliez pas de toujours recycler.

# FONCTIONNEMENT

---

## TABLE DES MATIÈRES

---

<b>MESURES DE SÉCURITÉ</b> .....	<b>27</b>	<b>ENTREPOSAGE DE LA MACHINE</b> .....	<b>34</b>
INSTRUCTIONS DE MISE À LA TERRE ...	28	<b>ARTICLES DE STOCK RECOMMANDÉS</b> .....	<b>34</b>
<b>ETIQUETTES DE MISE EN GARDE</b> .....	<b>28</b>	<b>DÉPISTAGE DES PANNES</b> .....	<b>34</b>
<b>COMPOSANTS DE LA MACHINE</b> .....	<b>29</b>	<b>DONNÉES TECHNIQUES</b> .....	<b>35</b>
<b>INSTALLATION DE LA MACHINE</b> .....	<b>29</b>	<b>SYSTÈM ÉLECTRIQUE</b> .....	<b>36</b>
FIXATION DE LA POIGNÉE .....	29	<b>LISTE DES PIÈCES</b> .....	<b>38</b>
INSTALLATION DU TUYAU/MANCHON		PARTIE DU SUPÉRIEURE .....	38
D'ASPIRATION .....	30	GROUPE DE LOGEMENT DE MOTEUR À	
<b>MISE EN SERVICE DE LA MACHINE</b> .....	<b>30</b>	DÉPRESSION .....	40
<b>FONCTIONNEMENT DE L'APPAREIL</b> .....	<b>31</b>	GROUPE BAS DE BROSSE .....	42
SYSTÈME DE CAPTEUR ÉLECTRONIQUE	32	<b>ÉQUIPEMENT AU CHOIX</b> .....	<b>44</b>
FONCTIONNEMENT DU MANCHON .....	32	ACCESSOIRES FACULTATIF .....	44
<b>ENTRETIEN DE LA MACHINE</b> .....	<b>33</b>	SACS DE RECHANGE .....	44
ENTRETIEN QUOTIDIEN .....	33		
ENTRETIEN HEBDOMADAIRE .....	33		
ENTRETIEN TRIMESTRIEL .....	33		
ENTRETIEN DE LA BROSSE .....	33		
RÉGLAGE DE LA PÉDALE DE BLOCAGE .	34		

---

## MESURES DE SÉCURITÉ

---

Cette machine est conçue pour un usage professionnel uniquement. Elle est conçue exclusivement pour ramasser de saleté, les déchets secs et la poussière à l'intérieur et n'est prévue pour aucun autre usage. Le ramassage de tout type de liquide ou de matériaux dangereux/toxiques est interdit. Utilisez uniquement les accessoires recommandés.

Tous les opérateurs sont tenus de lire et comprendre les consignes de sécurité suivantes et de se familiariser avec celles-ci.

Le symbole de mise en garde suivant et l'en-tête « POUR VOTRE SECURITE » sont utilisés tout au long de ce manuel comme indiqué dans leur description:

**⚠ MISE EN GARDE:** identifie la présence de dangers ou les opérations dangereuses susceptibles de blesser grièvement ou de provoquer la mort.

**POUR VOTRE SECURITÉ:** identifie les instructions qui doivent être suivies afin de garantir la sécurité lors de l'utilisation de l'équipement.

---

Le fait d'ignorer ces avertissements peut entraîner: des blessures personnelles, une électrocution, un choc électrique, un incendie ou une explosion:

**⚠ MISE EN GARDE:** N'utilisez pas de liquides inflammables ou n'utilisez pas la machine dans ou près de liquides ou vapeurs inflammables ou poussières combustibles.

Cette machine n'est pas équipée d'un moteur protégé contre les explosions. Le moteur électrique émet des étincelles au moment du démarrage et pendant son fonctionnement, ce qui peut entraîner un incendie instantané ou une explosion si la machine est utilisée dans une zone où des vapeurs/liquides inflammables ou des poussières combustibles, sont présents.

**⚠ MISE EN GARDE:** Ne ramassez pas de matériaux inflammables ou toxiques, de déchets enflammés ou fumants.

**⚠ MISE EN GARDE:** N'utilisez pas la machine avec un cordon d'alimentation endommagé. Ne modifiez pas la prise. Débranchez le cordon d'alimentation avant d'entretenir la machine

Si le cordon d'alimentation est endommagé ou rompu, il doit être remplacé par le fabricant ou son agent de maintenance ou toute autre personne qualifiée, afin d'éviter tout danger.

**⚠ MISE EN GARDE:** N'utilisez pas la machine en extérieur ou sur des surfaces humides. N'exposez pas à la pluie. Entreposez à l'intérieur.

---

Les signaux d'information ci-après indiquent les situations potentiellement dangereuses pour l'opérateur ou l'équipement:

### POUR VOTRE SECURITÉ:

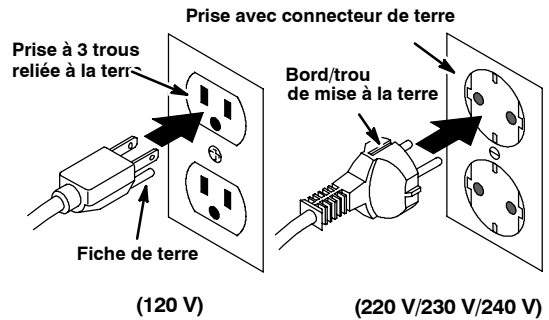
1. N'utilisez pas la machine:
  - Dans des zones inflammables ou comportant des risques d'explosion.
  - Si vous n'y êtes pas formé et autorisé.
  - Avant d'avoir lu et compris le manuel opérateur.
  - Si le cordon n'est pas correctement relié à la terre.
  - Avec des cordons ou prises endommagés.
  - Si elle n'est pas en bon état de marche.
  - Sur des surfaces mouillées ou humides.
  - À l'extérieur.
  - Sans sac et/ou filtres dans la machine.
  - Avec une rallonge.
2. Avant d'utiliser la machine:
  - Assurez-vous que tous les dispositifs de sécurité se trouvent à leur place et fonctionnent correctement.
3. Lors de l'utilisation de la machine:
  - Ne tirez pas la machine par la prise ou le cordon.
  - Ne tirez pas le cordon près des bords ou des coins vifs.
  - Ne fermez pas de portes sur le cordon.
  - Ne débranchez pas l'appareil en tirant sur le cordon.
  - N'étirez pas le cordon.
  - Ne manipulez pas la prise avec des mains mouillées.
  - Éloignez le cordon des surfaces chaudes.
  - Ne ramassez pas de déchets enflammés ou fumants, comme des cigarettes, des allumettes ou des cendres chaudes.
  - Signalez immédiatement tout dommage occasionné à la machine ou tout mauvais fonctionnement.
  - Empêchez les enfants de jouer à proximité de la machine.

## FONCTIONNEMENT

4. Avant de quitter ou d'entretenir la machine:
  - Coupez le contact de la machine.
  - Débranchez le cordon de la prise murale.
5. Lors de l'entretien de la machine:
  - Débranchez le cordon de la prise murale.
  - Évitez les pièces mobiles. Ne portez pas de veste ou de chemise large ou de manches amples.
  - Utilisez des pièces de rechanges fournies ou agréées par le fabricant.
  - Toutes les réparations doivent être effectuées uniquement par un technicien qualifié.
  - Ne modifiez pas le design d'origine de la machine.

### INSTRUCTIONS DE MISE À LA TERRE

La machine doit être mise à la terre. En cas de dysfonctionnement ou de panne, la mise à la terre offre une voie de moindre résistance au courant électrique, afin de réduire le risque de décharge électrique. Cette machine est équipée d'un cordon muni d'un conducteur de terre principale et d'une fiche avec mise à la terre. La fiche doit être branchée sur une prise appropriée montée correctement, conformément aux réglementations et codes en vigueur au niveau local. Ne supprimez pas la fiche de mise à la terre ; si celle-ci manque, remplacez la prise avant d'utiliser la machine.



## ÉTIQUETTES DE MISE EN GARDE

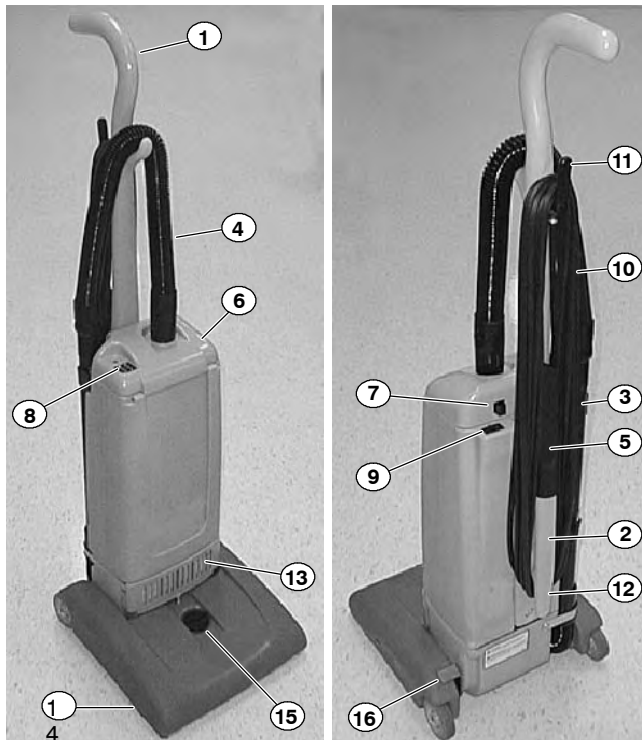
Les étiquettes de mise en garde se trouvent sur la machine aux endroits indiqués. Remplacez les étiquettes quand elles sont endommagées ou qu'elles deviennent illisibles.



### ÉTIQUETTE MISE EN GARDE - SITUÉE AU DOS DE LA MACHINE.

<b>⚠ WARNING</b>	
	
<b>EXPLOSION, FIRE AND SHOCK HAZARD. AVOID INJURY.</b>	
<ul style="list-style-type: none"><li>• Do Not Use Near Flammable Liquids, Vapors or Combustible Dusts.</li><li>• Do Not Pick Up Flammable or Toxic Materials and Burning Debris.</li><li>• Do Not Operate With Damaged Power Cord. Do Not Modify Plug. Unplug Power Cord Before Servicing Machine.</li><li>• Do Not Use Outdoors or On Wet Surfaces. Do Not Expose to Rain.</li></ul>	
<b>⚠ AVERTISSEMENT</b>	
<b>RISQUE D'EXPLOSION, D'INCENDIE ET DE DÉCHARGE. ÉVITEZ LES BLESSURES.</b>	
<ul style="list-style-type: none"><li>• N'utilisez Pas Près de Liquides, Vapeurs ou Poussières Inflammables.</li><li>• Ne Ramassez Pas de Matériaux Inflammables ou Toxiques et de Déchets Enflammés.</li><li>• N'utilisez Pas la Machine Avec un Cordon d'Alimentation Endommagé. Ne Modifiez Pas la Prise. Débranchez le Cordon d'Alimentation Avant d'Entretenir la Machine.</li><li>• N'utilisez Pas en Extérieur ou Sur des Surfaces Humides. N'Exposez Pas à la Pluie.</li></ul>	
<b>⚠ ADVERTENCIA</b>	
<b>PELIGRO DE EXPLOSIÓN, FUEGO, DESCARGA EVITE LESIONES.</b>	
<ul style="list-style-type: none"><li>• No Use Cerca de Líquidos Flamables, Vapores Ó Materiales Combustibles.</li><li>• No Recoja Materiales Flamables Ó Tóxicos Ni Desechos Candescentes.</li><li>• No Use Con Cable De Corriente Dañado, No Altere El Enchufe. Desconecte Cable De Corriente Antes Del Mantenimiento.</li><li>• No Use Al Aire Libre Ni En Superficies Húmedas. No Exponga A La Lluvia. 1026381</li></ul>	

## COMPOSANTS DE LA MACHINE



1. Poignée EZGrip
2. Poignée de transport
3. Manchon de nettoyage
4. Tuyau d'aspiration extensible
5. Suceur plat à bord
6. Couvercle du compartiment du sac de filtre
7. Loquet du couvercle de compartiment du sac
8. Système de capteur électronique
9. Interrupteur Marche/Arrêt
10. Cordon d'alimentation de 12 m
11. Crochet de cordon raccord rapide
12. Crochet enrouleur de cordon inférieur
13. Couvercle de filtre d'échappement
14. Base de brosse avec sabot de nettoyage
15. Bouton de réglage de la hauteur de la brosse
16. Loquet de déblocage de la poignée

## INSTALLATION DE LA MACHINE

Vérifiez soigneusement si le carton ne présente pas de dommages. Signalez immédiatement tout dommage au transporteur.

Vérifiez le contenu du carton pour vous assurer que la livraison est complète. Contactez le distributeur pour tout élément manquant.

### Contenu du carton:

- Machine
- Poignée
- Manchon/tuyau d'aspiration
- Suceur plat
- Sac aspirateur en papier (*Pré-installé*)
- Filtre auxiliaire (*Pré-installé*)
- Filtre d'échappement (*Pré-installé*)

## FIXATION DE LA POIGNÉE

1. Retirez du compartiment du sac les vis de fixation de la poignée installées en usine.
2. Connectez les fils antistatiques et les connecteurs de fils repliés à l'intérieur de la poignée (Figure 1).



FIG. 1

3. Alignez la poignée sur le compartiment du sac et remplacez et resserrez fermement les vis (Figure 2).

## FONCTIONNEMENT

- Fixez le cordon d'alimentation avec la pince de câble installée en usine, située sur la poignée (Figure 2).

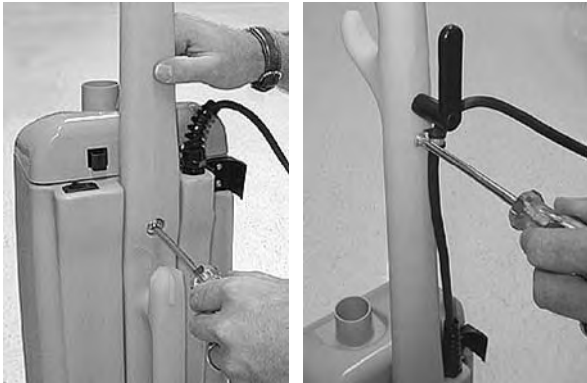


FIG. 2

- Enroulez le cordon d'alimentation autour du crochet à raccord rapide et du crochet de poignée inférieur.

## INSTALLATION DU TUYAU/MANCHON D'ASPIRATION

- Faites glisser le manchon du tuyau sur le couvercle du compartiment et le manchon dans le manchon de la base, comme illustré. Coincez le manchon dans l'étrier de retenue (Figure 3).
- Rangez le suceur plat sur la poignée de transport (Figure 3).

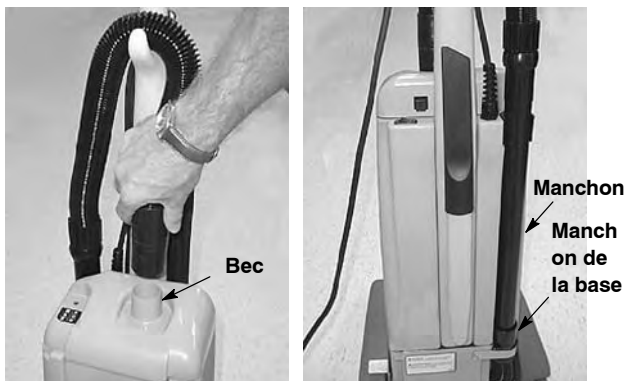


FIG. 3

## MISE EN SERVICE DE LA MACHINE

**⚠ MISE EN GARDE: N'utilisez pas la machine avec un cordon d'alimentation endommagé. Ne modifiez pas la prise. Débranchez le cordon d'alimentation avant d'entretenir la machine**

- Installez le sac aspirateur (pré-installé). Appuyez sur le loquet sur le couvercle pour ouvrir le compartiment du sac (Figure 4).

Contactez le distributeur pour un sac en tissu #900034 en option.

**REMARQUE:** La machine ne fonctionne pas sans un sac aspirateur en place. Le dispositif de blocage de protection du moteur d'aspiration détecte automatiquement lorsqu'aucun sac n'est installé.

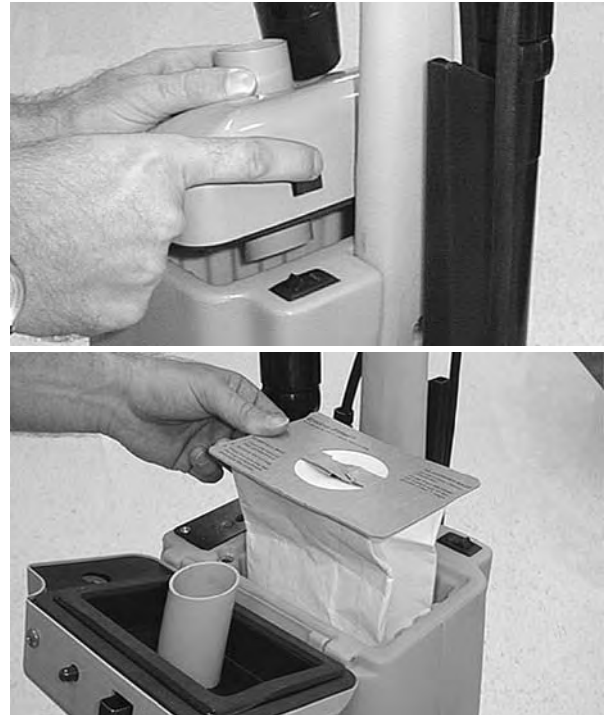


FIG. 4

- Réglez la hauteur de la brosse. Tournez le bouton de réglage de la hauteur de brosse sur la position souhaitée (Figure 5) :

### Réglages de hauteur de brosse:

- 1-2 Poils courts de moquette
- 3-4 Poils moyens de moquette
- 5-6 Poils longs de moquette



FIG. 5

3. Tirez et tournez le crochet à raccord rapide pour retirer le cordon d'alimentation (Figure 6).

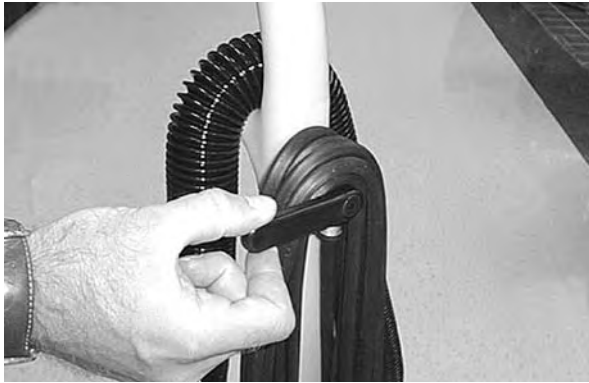


FIG. 6

4. Branchez le cordon d'alimentation dans une prise murale reliée à la terre (Figure 7).

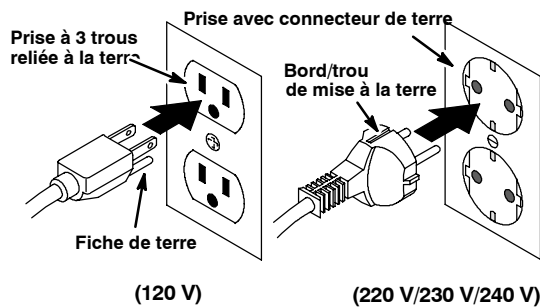


FIG. 7

**POUR VOTRE SECURITÉ: N'utilisez la machine que si le cordon est correctement relié à la terre.**

**POUR VOTRE SECURITÉ: N'utilisez pas la machine avec une rallonge.**

## FONCTIONNEMENT DE L'APPAREIL

**POUR VOTRE SECURITÉ: n'utilisez pas la machine avant d'avoir lu et compris le manuel opérateur.**

1. Activez le commutateur Marche/Arrêt

**⚠ MISE EN GARDE: Ne ramassez pas de matériaux inflammables ou toxiques, de déchets enflammés ou fumants.**

2. Abaissez la poignée en position de fonctionnement en appuyant sur le loquet de déverrouillage de la poignée (Figure 8).

**REMARQUE: Le moteur de la brosse ne démarre que lorsque la poignée est abaissée.**



FIG. 8

3. Commencez à aspirer le sol. Manipulez la machine avec un mouvement d'arrière en avant ou un mouvement en "W".
4. Pour aspirer en position horizontale, abaissez la poignée jusqu'au point d'arrêt et appuyez à nouveau sur le loquet (Figure 9).

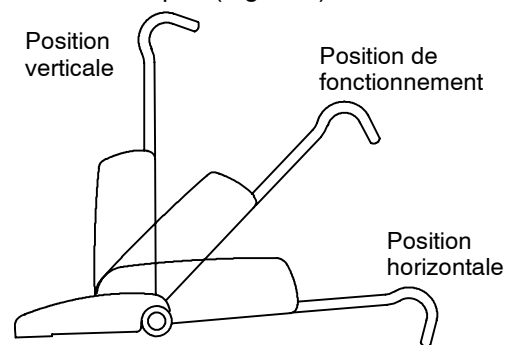


FIG. 9

5. Pour arrêter l'aspiration, relevez la poignée en position verticale et coupez l'alimentation.

# FONCTIONNEMENT

## SYSTÈME DE CAPTEUR ÉLECTRONIQUE

Le système de capteur électronique de la machine surveille l'état de la machine pendant le fonctionnement. Le lumière du capteur, situé sur le couvercle du compartiment du sac (Figure 10), indique les états suivants:

**Lumière verte** = fonctionnement correct de la machine.

**Lumière orange clignotante** = sac plein ou obstruction d'air. Remplacez le sac ou supprimez l'obstruction d'air dans le tuyau d'aspiration.

**Lumière rouge clignotante** = obstruction de la brosse ou hauteur de brosse réglée trop bas (surcharge d'intensité électrique). Enlevez les débris causant l'obstruction ou réglez la hauteur de la brosse.



FIG. 10

Pour réenclencher le système de capteur, coupez l'alimentation et remettez sous tension.

**REMARQUE:** Le moteur d'aspiration est également protégé par un thermorupteur interne. Si la température du moteur devient trop élevée, le thermorupteur coupe le moteur. Le capteur se réenclenche automatiquement lorsque le moteur refroidit.

## FONCTIONNEMENT DU MANCHON

La machine est équipée d'un manchon et d'un suceur plat prêts à l'emploi.

Contactez votre distributeur local pour le kit d'outillage #604802 en option

Le kit comprend: un suceur pour tissu d'ameublement et une brosse à épousseter.

1. Posez la machine à la verticale. Lorsque la machine se trouve à la verticale, l'alimentation du moteur de brosse se coupe automatiquement.

**ATTENTION:** Lorsque vous utilisez le manchon, maintenez la machine à la verticale, afin d'éviter un endommagement éventuel de la moquette.

2. Détachez le manchon de l'étrier de retenue et fixez le suceur plat situé sur la poignée de transport (Figure 11).



FIG. 11

3. Activez le commutateur Marche/Arrêt

**⚠ MISE EN GARDE: Ne ramassez pas de matériaux inflammables ou toxiques, de déchets enflammés ou fumants.**

Le tuyau du manchon est extensible jusqu'à une portée de 2,4 m (Figure 12)



FIG. 12

## ENTRETIEN DE LA MACHINE

Pour maintenir la machine en bonne condition de fonctionnement, suivez simplement les procédures d'entretien quotidiennes, hebdomadaires et trimestrielles de la machine.

**POUR VOTRE SECURITÉ: Quand vous entretenez la machine, débranchez le cordon de la prise murale.**

### ENTRETIEN QUOTIDIEN

**(Toutes les 4 heures de service)**

1. Vérifiez si le sac aspirateur n'est pas plein; remplacez le sac le cas échéant. Ne réutilisez pas les sacs en papier. Vérifiez si le sac de tissu en option ne comporte pas de déchirures ou de trous; remplacez-le le cas échéant.



2. Retirez de la brosse les débris coincés.
3. Vérifiez l'état du tuyau d'aspiration et la présence de débris coincés.
4. Vérifiez si le cordon d'alimentation et la pince de décharge de traction du cordon ne sont pas endommagés. Remplacez-le si nécessaire.
5. Enroulez le cordon d'alimentation autour des crochets de cordon plutôt que de l'enrouler de manière lâche autour de la poignée.
6. Nettoyez la machine avec un produit d'entretien multi-usages et un chiffon humide.

## ENTRETIEN HEBDOMADAIRE (Toutes les 20 heures de service)

1. Retirez le filtre auxiliaire et tapotez ou soufflez sur la poussière accumulée. Le filtre est situé sous le sac aspirateur. Ne nettoyez pas à l'eau. Remplacez le filtre, le cas échéant (Figure 13).



FIG. 13

2. Retirez le couvercle d'échappement et inspectez le filtre d'échappement (Figure 14). Remplacez le filtre, le cas échéant.



FIG. 14

3. Vérifiez le degré d'usure des poils de brosse. Si les poils sont usés jusqu'à une longueur de 14 mm ou moins, reportez-vous à Entretien de la brosse.

## ENTRETIEN TRIMESTRIEL (Toutes les 250 heures de service)

Inspectez l'état d'usure des balais de charbon des moteurs. Remplacez les balais lorsque leur longueur est de 10 mm ou moins.

Contactez un centre d'entretien agréé pour un contrôle des balais de charbon.

**POUR VOTRE SECURITÉ: Quand vous entretenez la machine, débranchez le cordon de la prise murale.**

**POUR VOTRE SECURITÉ: Lors du dépannage de la machine, toutes les réparations doivent être effectuées uniquement par un technicien qualifié.**

## ENTRETIEN DE LA BROSSE

Si les poils de la brosse sont usés jusqu'à une longueur de 14 mm ou moins, faites pivoter les appuis de palier comme suit, pour prolonger la durée de vie de la brosse:

**POUR VOTRE SECURITÉ: Quand vous entretenez la machine, débranchez le cordon de la prise murale.**

1. Retirez de la base de la brosse le sabot métallique de la brosse (Un tournevis cruciforme est requis).
2. Retirez le système d'assemblage de la brosse. Attrapez la brosse du côté opposé à la courroie et tirez vers l'extérieur.
3. Inspectez l'état d'usure de la ou des courroies de transmission; remplacez si nécessaire.
4. Faites pivoter les deux appuis de palier de 180° et réinstallez la brosse (Figure 15).

**REMARQUE:** Les appuis de paliers de brosse comportent des étiquettes avec des numéros. Afin de prolonger la durée de vie de la brosse, placez l'étiquette "2" vers l'extérieur, lorsque vous réinstallez la brosse.

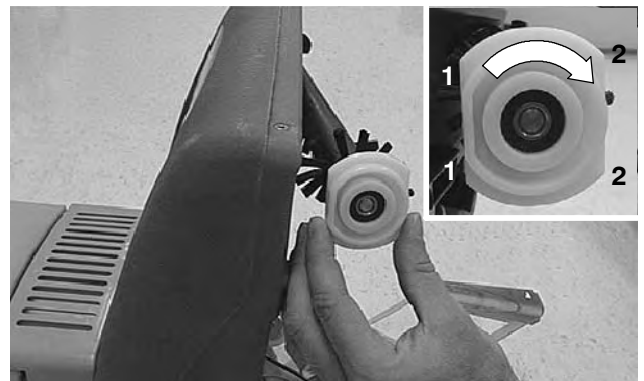


FIG. 15

5. Remplacez le sabot métallique de la brosse une fois que la brosse est correctement installée.

# FONCTIONNEMENT

## RÉGLAGE DE LA PÉDALE DE BLOCAGE

Le réglage de la pédale de blocage est nécessaire lorsque la poignée de la machine ne se bloque pas en position verticale et/ou que le moteur de brosse continue à fonctionner, bien qu'en position verticale. Suivez les instructions ci-après:

**POUR VOTRE SECURITÉ: Quand vous entretenez la machine, débranchez le cordon de la prise murale.**

1. Couchez l'aspirateur la face vers le bas.
2. Desserrez la vis de la pédale de blocage; clé de 10 mm requise (Figure 16).
3. Tournez la douille de réglage pour réaligner la pédale de blocage; clé de 16 mm requise. La douille possède un trou décentré pour permettre le réglage de la pédale de blocage.

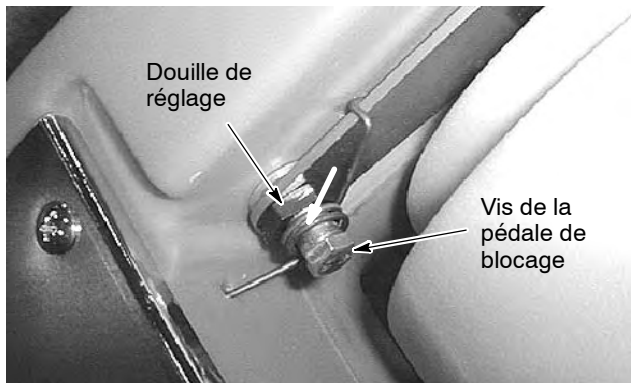


FIG. 16

4. Resserrez la vis de la pédale de blocage.

## ENTREPOSAGE DE LA MACHINE

Entreposez la machine verticalement à l'abri de l'humidité.

**ATTENTION : N'exposez pas la machine à la pluie. Entrez-la à l'intérieur.**

## ARTICLES DE STOCK RECOMMANDÉS

Reportez-vous à la section Liste des pièces de ce manuel, pour les articles de stock recommandés. Les articles de stock sont clairement identifiés à l'aide d'un point précédant la description de la pièce. Voir l'exemple ci-dessous (Figure 17):

Ref.	Part No.	Description	Qty.
1	701103	ASM, STAND PIPE	1
2	150612	●FLOAT, SHUTOFF	1
3	230187	NIPPLE	1
4	101714	●GASKET	1
5	210240	NUT, FLANGED	1

FIG. 17

## DÉPISTAGE DES PANNES

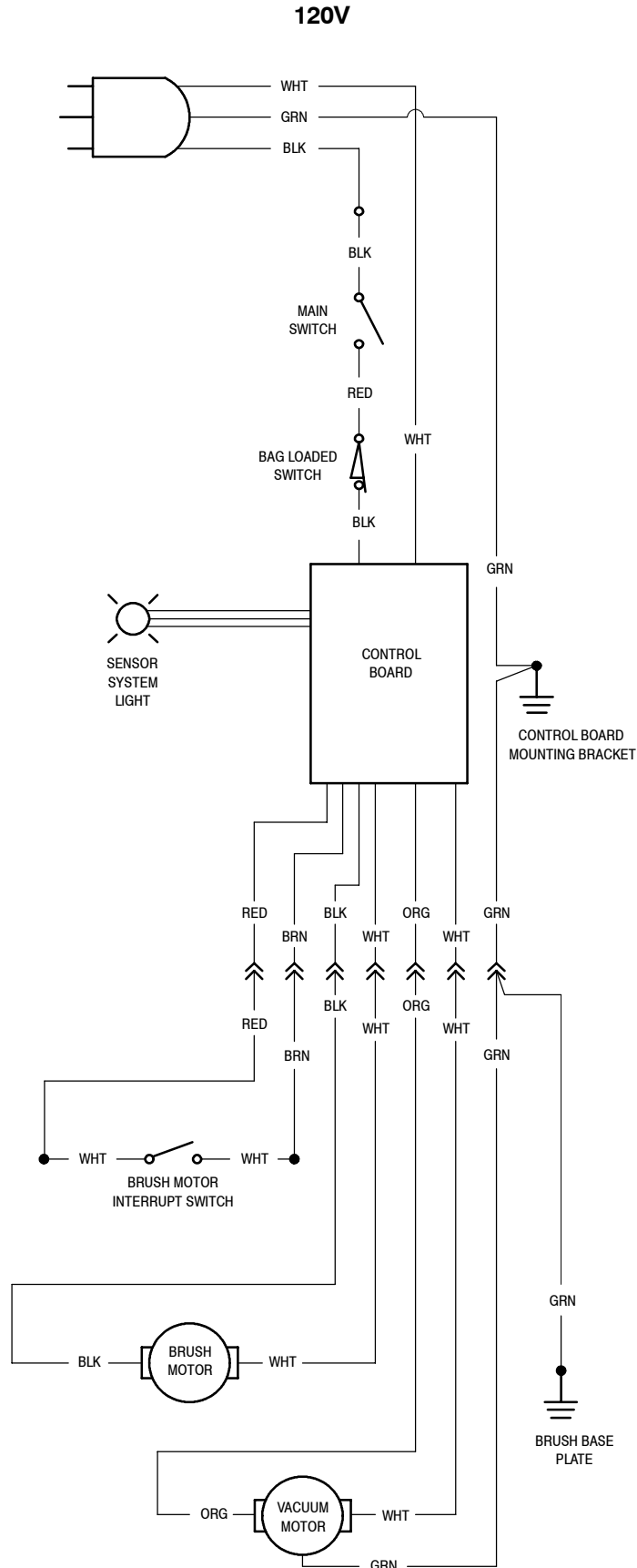
PROBLÈME	CAUSE	REMÈDE
La machine ne fonctionne pas.	Sac aspirateur non installé.	Installez le sac aspirateur.
	Cordon d'alimentation défectueux.	Contactez le service de dépannage.
	Interrupteur Marche/Arrêt défectueux.	Contactez le service de dépannage.
	Système de capteur électronique défectueux.	Contactez le service de dépannage.
	Câblage détaché.	Contactez le service de dépannage.
	Coupe-circuit du bâtiment déclenché.	Réenclenchez le coupe-circuit
Le moteur d'aspiration ne fonctionne pas.	Thermorupteur déclenché dans le moteur d'aspiration.	Éliminez l'obstruction d'air. Laissez refroidir le moteur pendant 20 minutes.
	Système de capteur électronique défectueux.	Contactez le service de dépannage.
	Balais au charbon du moteur d'aspiration usé.	Contactez le service de dépannage.
	Moteur d'aspiration défectueux.	Contactez le service de dépannage.

## DÉPISTAGE DES PANNES - Continué

La brosse ne fonctionne pas.	Système de capteur électronique activé (Lumière rouge clignotante).	Coupez le contact de la machine. Vérifiez la présence d'obstructions au niveau de la brosse ou réglez la hauteur de la brosse.
	Courroie(s) de la brosse lâches ou rompue(s).	Remplacez la(les) courroies.
	Moteur de brosse défectueux.	Contactez le service de dépannage.
	Système de capteur électronique défectueux.	Contactez le service de dépannage.
Aspiration non satisfaisante.	Sac plein (lumière orange clignotante).	Remplacez le sac.
	Raccords du tuyau d'aspiration détachés.	Fixez les raccords de tuyau.
	Tuyau d'aspiration défectueux.	Remplacez le tuyau.
	Filtre auxiliaire obstrué.	Nettoyez ou remplacez le filtre auxiliaire.
	Le couvercle du compartiment du sac n'est pas bien fermé.	Refermez le couvercle.
Ramassage de brosse insuffisant.	Hauteur de brosse incorrecte.	Réglez la hauteur de la brosse.
	Débris coincés dans la brosse.	Retirez les matériaux responsables de l'obstruction.
	Poils et paliers de brosse usés.	Voir ENTRETIEN DE LA BROSSE.
	Courroie(s) de transmission desserrée(s).	Inspectez la(les) courroie(s); remplacez si nécessaire.

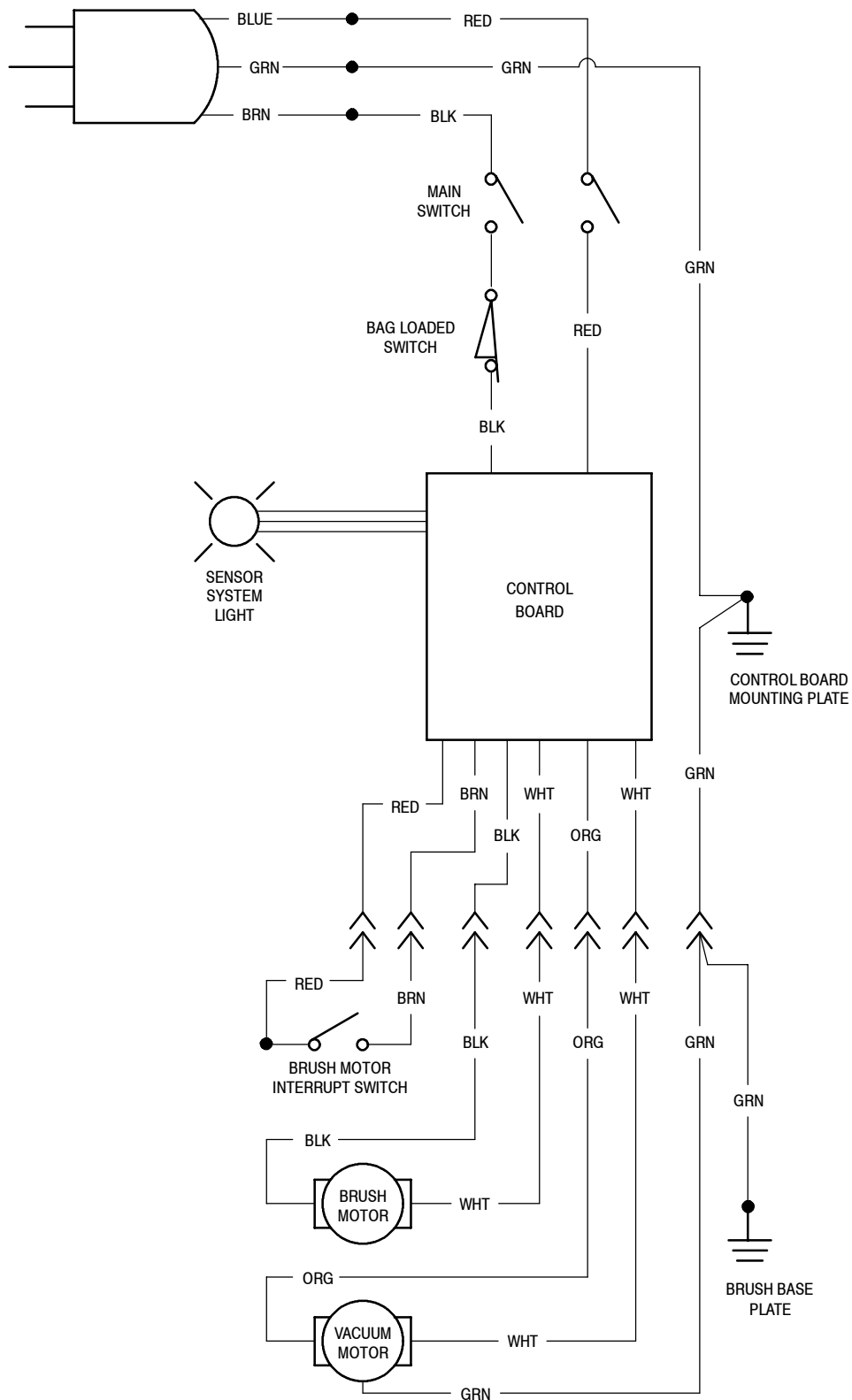
## DONNÉES TECHNIQUES

MODÈLE	120 V	220 V/230 V/240 V
LONGUEUR	368 mm	368 mm
LARGEUR	356 mm	356 mm
HAUTEUR	1.194 mm	1.194 mm
POIDS	9,5 kg	9,5 kg
MOTEUR DE BROSSE	120 V, 0,16 CV, 1 A, 3.000 tr/min	230 V, 0,1 CV, 0,5 A, 3.000 tr/min
MOTEUR D'EXTRACTION	120 V, 1,2 CV, 7,9 A, 915 W	230 V, 1,2 CV, 3,8 A, 874 W
LONGUEUR DU CORDON D'ALIMENTATION	12 m	12 m
LARGEUR DU COULOIR DE BALAYAGE	356 mm y compris nettoyage des bords	356 mm y compris nettoyage des bords
CAPACITÉ DU SAC ASPIRATEUR	5 l	5 l
SYSTÈME DE FILTRAGE	Filtrage triple : sac aspirateur, filtre auxiliaire et filtre d'échappement. Haute efficacité (99,9%) jusqu'à 0,1 micron	Filtrage triple : sac aspirateur, filtre auxiliaire et filtre d'échappement. Haute efficacité (99,9%) jusqu'à 0,1 micron
NIVEAU SONORE AU NIVEAU DE L'OREILLE DE L'OPÉRATEUR, À L'INTÉRIEUR SUR DE LA MOQUETTE	69,5 dB (A)	69,5 dB (A)



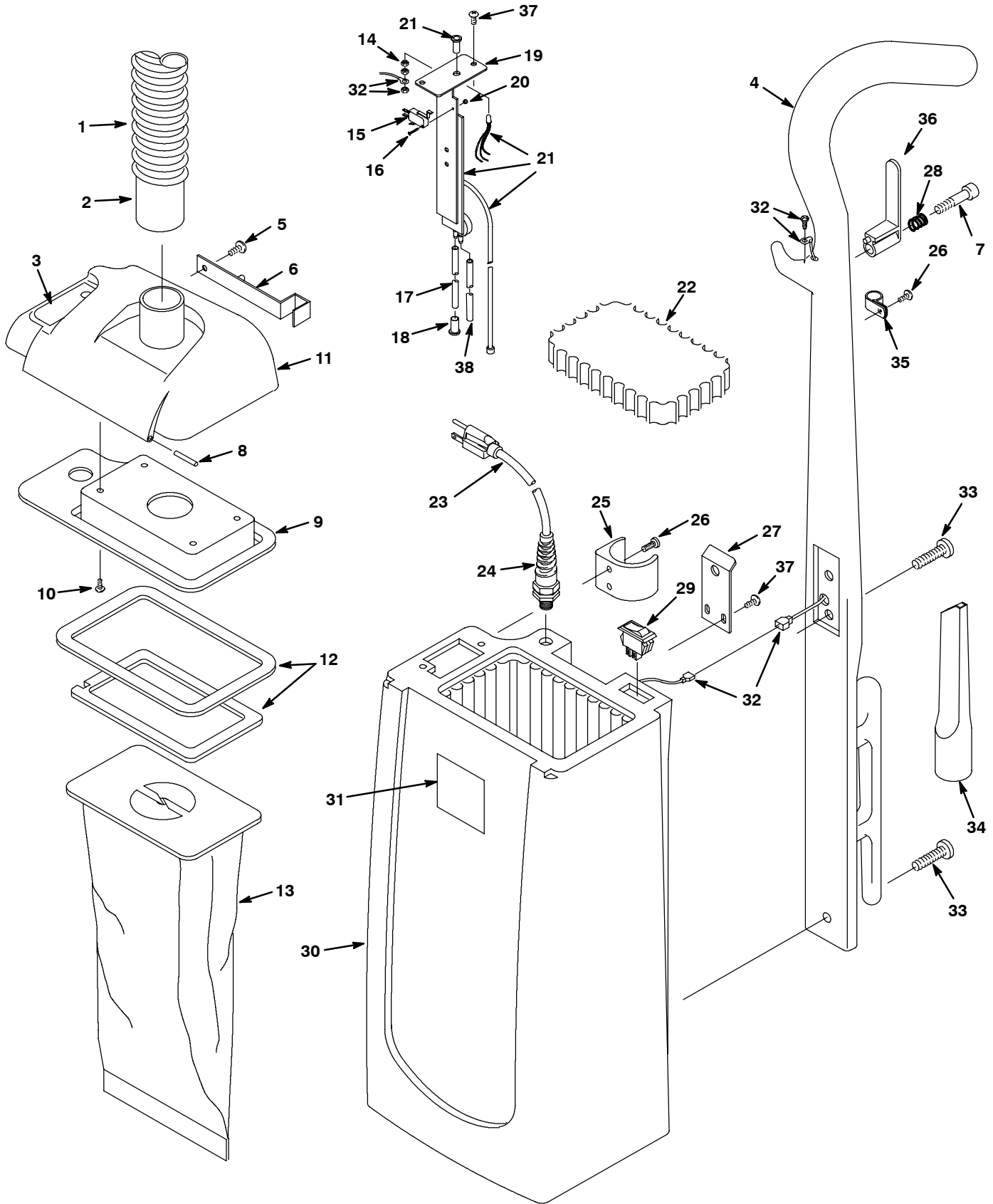
# ELECTRICAL DIAGRAMS - DIAGRAMAS ELECTRICAS - SYSTEM ÉLECTRIQUE

220V/230V/240V



# PARTS LIST - LISTA DE PIEZAS - LISTE DES PIÈCES

## UPPER UNIT / UNIDAD SUPERIOR / PARTIE DU SUPÉRIEURE



# PARTS LIST - LISTA DE PIEZAS - LISTE DES PIÈCES

## UPPER UNIT / UNIDAD SUPERIOR / PARTIE DU SUPÉRIEURE

REF	PART #	DESCRIPTION	QTY.
▽	605011	●ASM., VAC HOSE WAND	1
▲ 1	604840	HOSE, VAC WAND 1-1/4 ID	1
▲ N/S	604841	WAND, 35MM ID X 19 LG SWIVEL	1
▲ 2	604929	CUFF, 1-1/4"	1
3	605998	LABEL, INDICATOR LIGHT	1
4	607772	HANDLE, OFF-WHITE	1
5	604930	SCREW, M5X.8X10 TRSPHL	1
6	605016	LATCH, LID	1
7	1024965	BOLT, SHLD, 08MMD X 030MM	1
8	603114	DOWEL, 1/8 DIA X 1-1/4	2
9	604836	PLATE, BOTTOM LID	1
10	140825	SCREW, #6X1/2 PANPHL	4
11	608069	LID, BAG HOUSING, OFF-WHITE	1
12	604833	●GASKET, LID	1
13	604838	●BAG, PAPER (100 CASE)	1
14	140297	NUT, M5 HEXLCK	2
15	604839	●SWITCH, SNAP ACTION ON/OFF	1
16	200070266	SCREW, M3X.5X16 PANPHL	2
17	606357	HOSE, 1/8ID X 1/4OD, 18"	1
18	605984	BUSHING, BAG-FULL-HOSE	1
19	604835	BRACKET, SWITCH/LIGHT	1
20	579211	NUT, M3 HEXLCK	2
21	605994	●CONTROL BOARD (120V)	1
	605995	●CONTROL BOARD (220V/230V/240V)	1
22	604832	●FILTER, VAC MOTOR (SECONDARY)	1
23	604842	●CORD, 18/3 X 40' GRAY (120V)	1
	600398	●CORD, 3 X 1 X 12M (220V/230V/240V)	1
24	130166	●CORD GRIP, NYLON/BLK W/NUT	1

REF	PART #	DESCRIPTION	QTY.
25	604847	●CLIP, WAND	1
26	607006	SCREW, M4X.7X12 TRSPHL	3
27	604844	STRIKE, LID LATCH	1
28	611311	●SPRING, COMPRESSION	1
29	578005000	●SWITCH, ROCKER ON/OFF (120 VOLT)	1
	602669	●SWITCH, ROCKER ON/OFF (220V/230V/240V)	1
30	607770	HOUSING, BAG, OFF-WHITE	1
31	608152	LABEL, 3220	1
▽ 32	607286	KIT, ANTI-STATIC WIRING	1
▲	130130	TERMINAL, RING #10	1
▲	140297	NUT, M5 HEX	1
▲	607284	ASM., WIRE #18X18GRN 1/4F	1
▲	130133	TERMINAL, 1/4M	1
▲	607285	ASM., WIRE #18X18GRN #6 RING	1
▲	140825	SCREW, #6X1/2 PANPHL	1
33	607137	SCREW, M6X1X35 TRSPHL	2
34	604804	●TOOL, CREVICE 35MM (1.38 IN.)	1
35	140324	●CLAMP, CORD	1
36	610906	●HOOK, CORD QUICK-RELEASE	1
37	606694	SCREW, M4X.7X8 TRSPHL	4
38	608917	HOSE, 1/8ID X 1/4OD, 18" RED	1

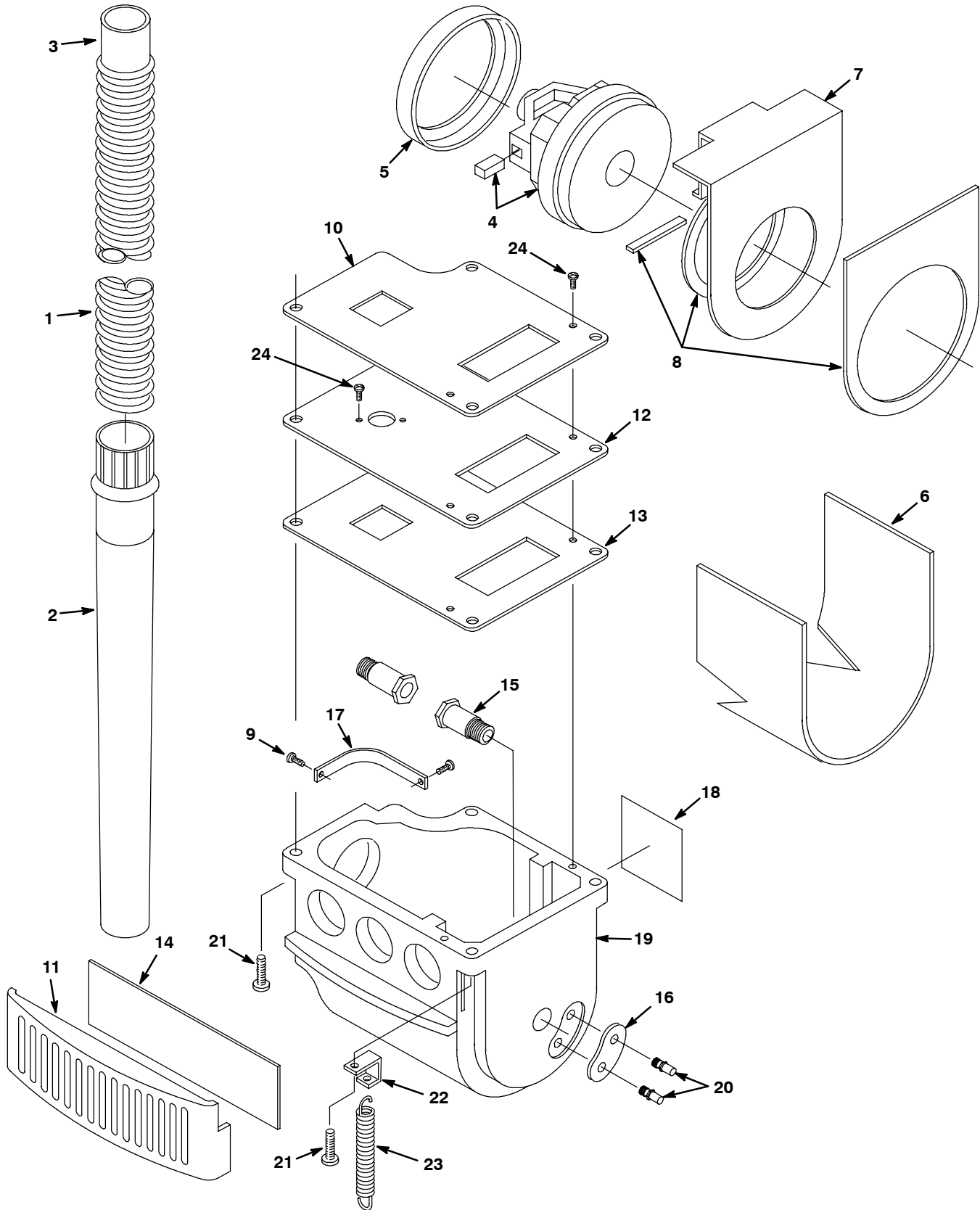
▽ ASSEMBLY / CONJUNTO / ENSEMBLE

▲ INCLUDED IN ASSEMBLY / INCLUIDO A CONJUNTA / Y COMPRIS EN ENSEMBLE

● RECOMMENDED STOCK ITEM / PIEZAS RECOMENDADAS EN ALMACÉN / ÉLÉMENTS DE STOCK RECOMMANDÉS

# PARTS LIST - LISTA DE PIEZAS - LISTE DES PIÈCES

## VACUUM MOTOR HOUSING GROUP / GRUPO DEL ARMAZON DEL MOTOR DE VACIO / GROUPE DE LOGEMENT DE MOTEUR À DÉPRESSION





# PARTS LIST - LISTA DE PIEZAS - LISTE DES PIÈCES

## VACUUM MOTOR HOUSING GROUP / GRUPO DEL ARMAZON DEL MOTOR DE VACIO / GROUPE DE LOGEMENT DE MOTEUR À DÉPRESSION

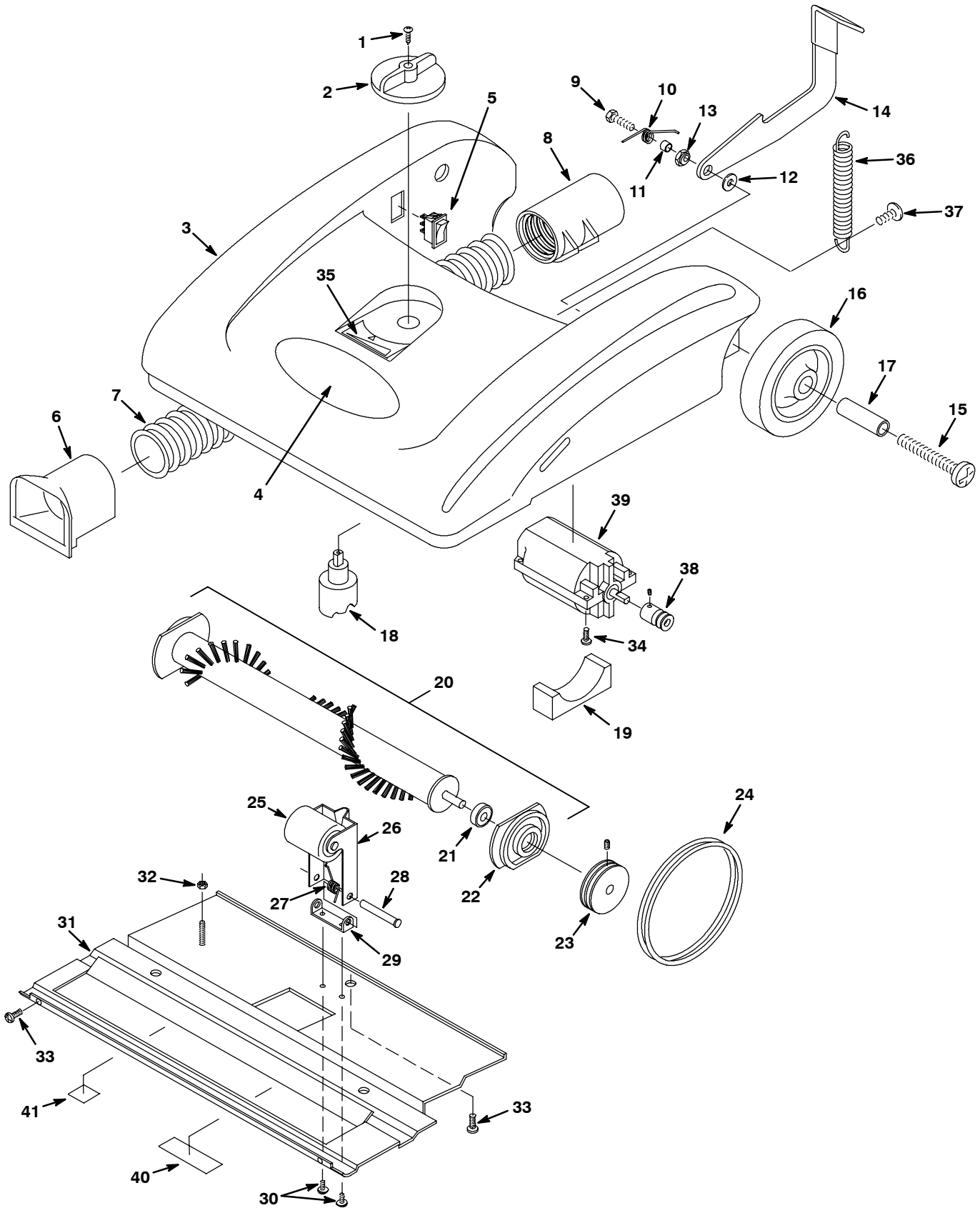
REF	PART #	DESCRIPTION	QTY.
▽	605011	●ASM., VAC HOSE WAND	1
▲ 1	604840	HOSE, VAC WAND 1-1/4 ID	1
▲ 2	604841	WAND, 35MM ID X 19 LG SWIVEL	1
▲ 3	604929	CUFF, 1-1/4"	1
4	604815	●MOTOR, VAC 5.1" (120V)	1
	605996	●MOTOR, VAC 5.1" (220V/230V/240V)	1
	606382	●CARBON BRUSH (120V) (2 PACK)	2
	606417	●CARBON BRUSH (220V/230V/240V) (2 PACK)	2
5	604816	GASKET, VAC MOTOR	1
6	604822	FOAM, NOISE 1/4X14-1/4X5	1
7	604826	INLET PLATE, VAC MOTOR	1
8	605080	GASKET, INLET PLATE	1
9	607006	SCREW, M4X.7X12 TRSPHL	2
10	606732	GASKET, UPPER CLAMP PLATE	1
11	608067	COVER, EXHAUST FILTER, OFF-WHITE	1

REF	PART #	DESCRIPTION	QTY.
12	606730	CLAMP PLATE, VAC MOTOR	1
13	606731	GASKET, LOWER CLAMP PLATE	1
14	606982	●FILTER, EXHAUST (3 PACK)	1
15	611734	SCREW, SHOULDER PIVOT	2
16	606723	PLATE, FOOT LATCH	1
17	604830	STRAP, WAND CUFF	1
18	1026381	LABEL, WARNING [EXPL,FIRE,SHK EN/FR/ES]	1
19	607768	HOUSING, VACUUM MOTOR, OFF-WHITE	1
20	604827	STUD, FOOT-LATCH	2
21	607137	SCREW, M6X1X35 TRSPHL	4
22	608196	MOUNT, SPRING VAC HSG	1
23	608071	SPRING, EXT .50X5.00X.067	1
24	579259	SCREW, M4X.7X12 PANPHL	4
N/S	605981	HARNESS, LOWER WIRE	1

- ▽ ASSEMBLY / CONJUNTO / ENSEMBLE
- ▲ INCLUDED IN ASSEMBLY / INCLUIDO A CONJUNTA / Y COMPRIS EN ENSEMBLE
- RECOMMENDED STOCK ITEM / PIEZAS RECOMENDADAS EN ALMACÉN / ÉLÉMENTS DE STOCK RECOMMANDÉS

# PARTS LIST - LISTA DE PIEZAS - LISTE DES PIÈCES

## BRUSH BASE GROUP / GRUPO DE LA BASE DEL CEPILLO / GROUPE BAS DE BROSSSE



# PARTS LIST - LISTA DE PIEZAS - LISTE DES PIÈCES

## BRUSH BASE GROUP / GRUPO DE LA BASE DEL CEPILLO / GROUPE BAS DE BROSSE

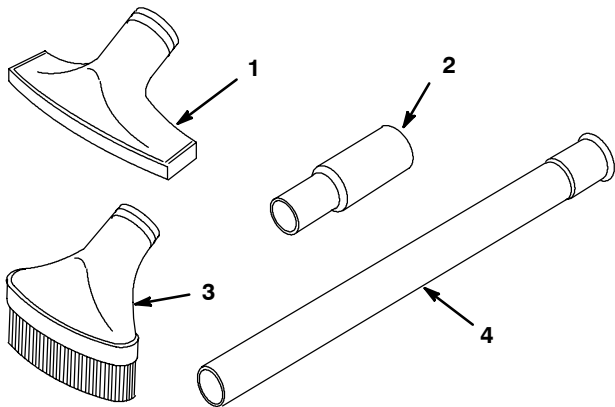
REF	PART #	DESCRIPTION	QTY.
1	140825	SCREW, #6X1/2 PANPHL	1
2	604811	KNOB, HT. ADJUSTMENT	1
3	607766	BASE, TEAL	1
4	120210	LABEL, "TENNANT"	1
5	578005000	●SWITCH, ON/OFF ROCKER	1
▽	605010	●ASM., VAC HOSE	1
▲	604805	CUFF, BASE INLET	1
▲	604806	HOSE FLEX 1-1/4 ID	1
▲	604829	CUFF, WAND	1
9	610905	SCREW, M6X1X25 HXHDCP	1
10	610861	SPRING, TORSION FOOT-LATCH	1
11	140154	SPACER, .25X.38X.31	1
12	579210	WASHER, M6 FLAT	1
13	605078	BUSHING, FOOT-LATCH ADJUSTMENT	1
14	604808	LATCH, FOOT BASE	1
15	605079	SCREW, M8X1.25X35 TRSPHL	2
▽	1014918	●WHEEL, RBR, 3.0 X 1.0 W/BUSHING	2
▲	103070	BUSHING, WHEEL	2
18	230754	●CAM, HEIGHT ADJUSTER	1
19	604812	GASKET, FOAM BRUSH MTR	1

- ▽ ASSEMBLY / CONJUNTO / ENSEMBLE
- ▲ INCLUDED IN ASSEMBLY / INCLUIDO A CONJUNTA / Y COMPRIS EN ENSEMBLE
- RECOMMENDED STOCK ITEM / PIEZAS RECOMENDADAS EN ALMACÉN / ÉLÉMENTS DE STOCK RECOMMANDÉS

REF	PART #	DESCRIPTION	QTY.
▽	20	604803 ●BRUSH ASSEMBLY	1
▲	21	140125 ●BEARING	2
▲	22	230429 ●BLOCK, BEARING	2
23	230348	●PULLEY, BRUSH (DOUBLE "V")	1
24	230349	●BELT, BRUSH DRIVE	2
▽	701086	●ASM., BASE ROLLER & BRACKET	1
▲	25	605317 ROLLER, BASE HOUSING FRONT	1
▲	26	230753 BRACKET, ROLLER	1
▲	27	140436 SPRING, TORSION HEIGHT ADJUSTMENT	1
▲	28	140710 RIVET, AXLE 3/8 X 1.6	2
▲	29	230769 BRACKET, ROLLER PIVOT	1
30	140264	SCREW, #8-32X1/4 TRSPHL	2
31	606733	SHOE, BASE 14"	1
32	140297	NUT, M5 HEX	1
33	606694	SCREW, M4X.7X8 TRSPHL	5
34	140826	SCREW, #6X3/4 PANPHL	2
35	606691	LABEL, HEIGHT ADJUSTMENT	1
36	608071	SPRING, EXT .50X5.00X.067	1
37	606507	SCREW, M8X1.25X25 PANPHL	1
38	230347	PULLEY, MOTOR (DOUBLE "V")	1
39	130398	●MOTOR, BRUSH DRIVE (120V)	1
	130399	●MOTOR, BRUSH DRIVE (220V/230V/240V)	1
40	N/A	LABEL, CSA (120V)	1
41	N/A	LABEL, CRI	1

# OPTIONS - OPCIONES - ÉQUIPEMENT AU CHOIX

## OPTIONAL ATTACHMENT KIT / JUEGO DE ADITAMENTOS OPCIONALES / ACCESSORIES FACULTATIF



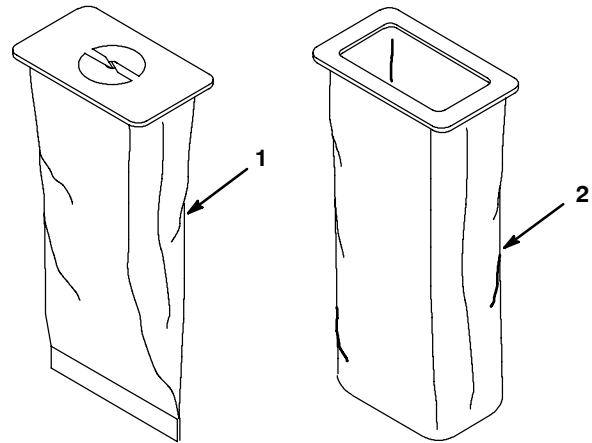
REF	PART #	DESCRIPTION	QTY.
▽	604802	●KIT, ATTACHMENT	1
▲ 1	609194	UPHOLSTERY TOOL	1
▲ 2	609196	ADAPTOR	1
▲ 3	609193	DUSTING BRUSH	1
▲ 4	609195	EXTENSION WAND	1

▽ ASSEMBLY / CONJUNTO / ENSEMBLE

▲ INCLUDED IN ASSEMBLY / INCLUIDO A CONJUNTA / Y COMPRIS EN ENSEMBLE

● RECOMMENDED STOCK ITEM / PIEZAS RECOMENDADAS EN ALMACÉN / ÉLÉMENTS DE STOCK RECOMMANDÉS

## REPLACEMENT BAGS / BOLSAS DE REPUESTO / SACS DE RECHANGE



REF	PART #	DESCRIPTION	QTY.
1	611783	●BAG, PAPER (CARTON OF 100)	1
2	900034	●BAG, CLOTH	1