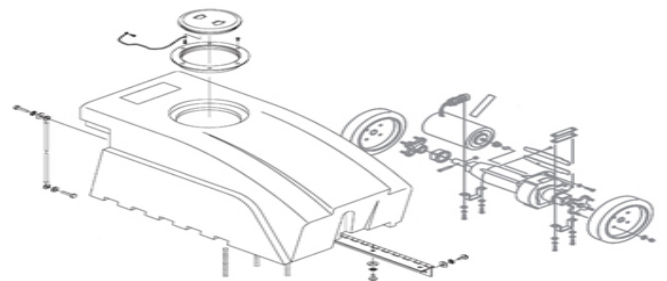
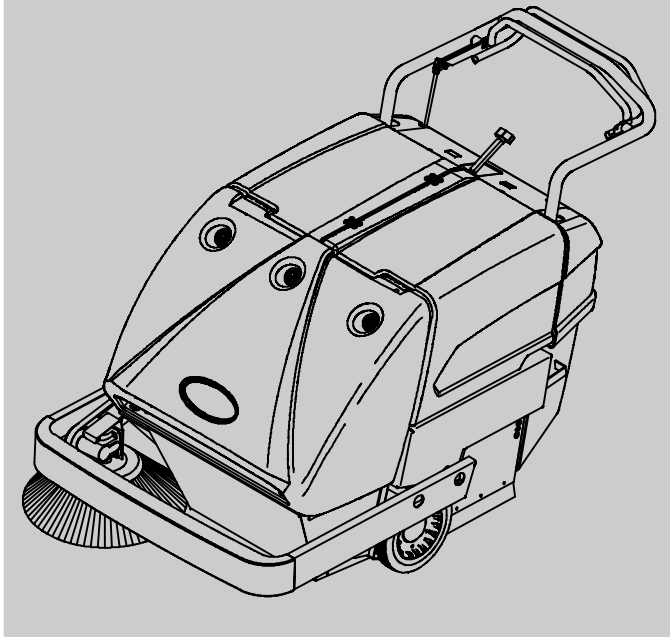
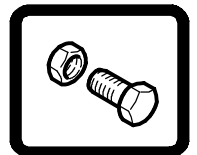




S10

(Electric)

Sweeper Parts Manual



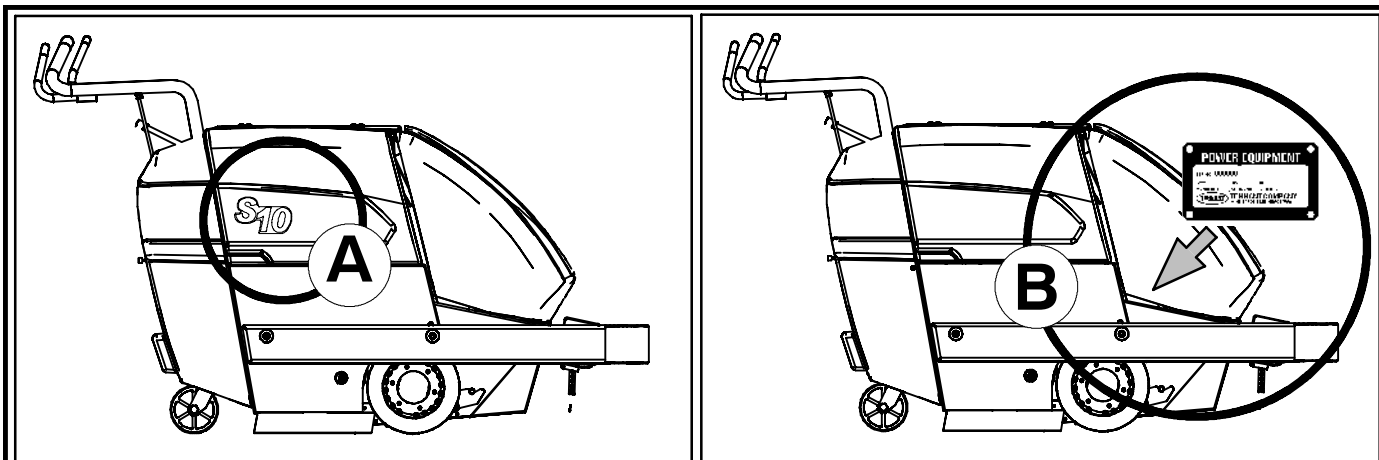
FLOOREQUIPMENTPARTS.COM

North America / International

www.tennantco.com

331581
Rev. 01 (04-2009)





Ref	Part No.	Serial Number	Description	Qty.
1	82681	(000000-)	Bracket Wldt, Lpg Mount	1
2	63810	(000000-)	Latch Assy, Lpg Tank Mtg, W/Nut	4
3	51839	(000000-)	Nut Adjustable, Lpg Tank Mtg	2
4	49263	(000000-)	Tie, Cable	3
5	82556	(000000-001039)	Bracket, Vaporizer	1
6	54930	(000000-)	Vaporizer, LPG	1

HOW TO ORDER PARTS - See diagram above

Only use TENNANT Company supplied or equivalent parts. Parts and supplies may be ordered online, by phone, by fax or by mail.

Follow the steps below to ensure prompt delivery.

1. **(A)** Identify the machine model.
2. **(B)** Identify the machine serial number from the data plate.
3. **(C)** Ensure the proper serial number is used from the parts list.
4. Identify the part number and quantity. Do not order by page or reference numbers.
5. Provide your name, company name, customer ID number, billing and shipping address, phone number and purchase order number.
6. Provide detail shipping instructions.

(D) ▽ - Identifies an assembly
 ▲ - Identifies parts included in assembly

EN

Please fill out at time of installation for future reference.

Model No. - _____

Serial No. - _____

Machine Options - _____

Sales Rep. - _____

Sales Rep. phone no. - _____

Customer ID Number - _____

Installation Date - _____

Tennant Company
 PO Box 1452
 Minneapolis, MN 55440
 Phone: (800) 553-8033 or (763) 513-2850
 www.tennantco.com

Thermo-Sentry is a US registered and unregistered trademark of Tennant Company.
 Specifications and parts are subject to change without notice.
 Copyright © 2007, 2009 TENNANT Company, Printed in U.S.A.

GENERAL RECOMMENDED MAINTENANCE

General Recommended Maintenance Items

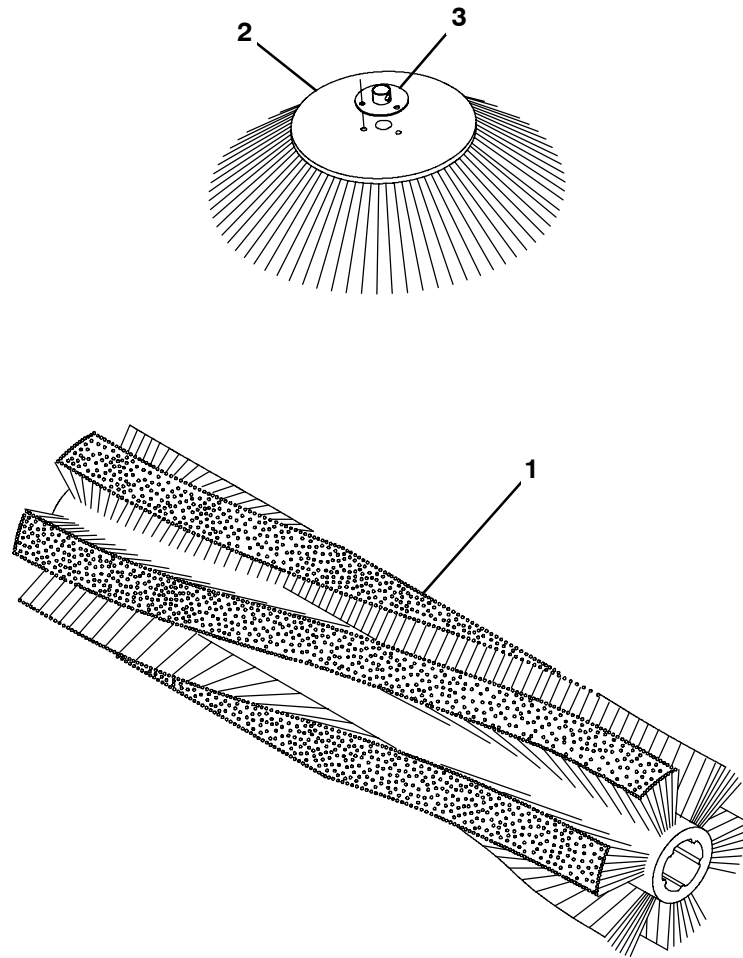
Ref.	Part No.	Serial Number	Description	Qty.
	830013	(000000-) Assy, Lip Pan	1
	28072	(000000-) Skirt, Neo, .12, 03.00w 12.80l, 04/ SI	2
	830011	(000000-) Retainer, Skirt Lh, Side	1
	830012	(000000-) Retainer, Skirt, Rh, Side	1
	830010	(000000-) Retainer	1
	28277-1	(000000-) Seal, Rbr, Open, 0.19, 0.38w 19.2l	1
	28277-2	(000000-) Seal, Rbr, Open, 0.19, 0.38w 09.6l	1
	830223	(000000-) Retainer, Lip	1
	01119	(000000-) Belt, Flat, 1.25w X 33.50	1
	01120	(000000-) Belt, Flat, 1.25w X 38.80	1
	28714	(000000-) Belt, V, 34.5l, Spcl [3l]	1
	28168	(000000-) Belt, V [A-16, Hy-T]	1
	61411	(000000-) Chain, Rlr, #41, 075 Pitches	1
	28272	(000000-) Link, Chain, Rlr, #41	1
	28712	(000000-) Belt, V, 74.0l [3l]	1
	01064	(000000-) Seal, Rbr, Open, 0.50, 0.75w 92.0l Adh	1
	08157	(000000-) Seal, Lip, 90, 1.3w . Grip 054.0l	1
	1037206	(000000-) Filter, Panl, Dust, 2.2 X 16.0 X 26.0	1
	47069	(000000-) Seal, Rbr, Clsd, 1.00, 4.9d 03.9h	1
	60470	(000000-) Belt, V, 19.0l, Cogged [4l]	1
	16411	(000000-) Paint, Airdry, Off-White, 12oz	1
	16412	(000000-) Paint, Airdry, Teal, 12oz, Solid	1
	377540	(000000-) Paint, Airdry, Blk, 12oz	1
	377538	(000000-) Paint, Airdry, Gray, 12oz	1
	377537	(000000-) Paint, Airdry, Iron Gray, 12oz	1
	28168	(000000-) Belt, V [A-16, Hy-T]	1

GENERAL RECOMMENDED MAINTENANCE

SECTION 2

Contents	Page
Fig. 1 - Brushes Group, Replacement	2-3
Fig. 2 - Main Frame Group	2-4
Fig. 3 - Motor and Sheaves Group	2-6
Fig. 4 - Wheel Group, Drive	2-8
Fig. 5 - Main Brush Drive Group	2-10
Fig. 6 - Main Brush Idler Group	2-12
Fig. 7 - Side Brush Group	2-14
Fig. 8 - Main Brush Lift Group	2-16
Fig. 9 - Battery and Charger Group	2-18
Fig. 10 - Instrument Panel Group	2-20
Fig. 11 - Directional Control and Handle Group .	2-22
Fig. 12 - Hopper Group	2-24
Fig. 13 - Filter and Shaker Motor Group	2-26
Fig. 14 - Vacuum Fan Group	2-28
Fig. 15 - Covers Group	2-30
Fig. 16 - Electrical Schematic	2-32
Fig. 18 - Label Group	2-34
Fig. 19 - Documentation Group	2-35

Fig. 1 - Brushes Group, Replacement



354573- S10

Ref.	Part No.	Serial Number	Description	Qty.
1	28002	(000000-) Brush, Swp, 26l, 6 Dr, Umx Wire	1
1	28006	(000000-) Brush, Swp, 26l, 6 Dr, Umx	1
1	28006N	(000000-) Brush, Swp, 26l, 6 Dr, Nylon	1
1	28007P	(000000-) Brush, Swp, 26l, 6 Dr, Polypropylene	1
1	28172	(000000-) Brush, Swp, 26l, 18 Sr, Umx	1
1	28235	(000000-) Brush, Swp, 26l, 18 Sr, Umx Wire	1
▽	2	28096P	(000000-) Brush Assy, Disk, Swp, 15.0 D, Polypropylene	1
▲	3	45154	(000000-) Hub, Drive, Brush, Side, 0.6b 01.75 Bc	1
▽	2	28096N	(000000-) Brush Assy, Disk, Swp, 15.0 D, Nyl	1
▲	3	45154	(000000-) Hub, Drive, Brush, Side, 0.6b 01.75 Bc	1

Fig. 2 - Main Frame Group

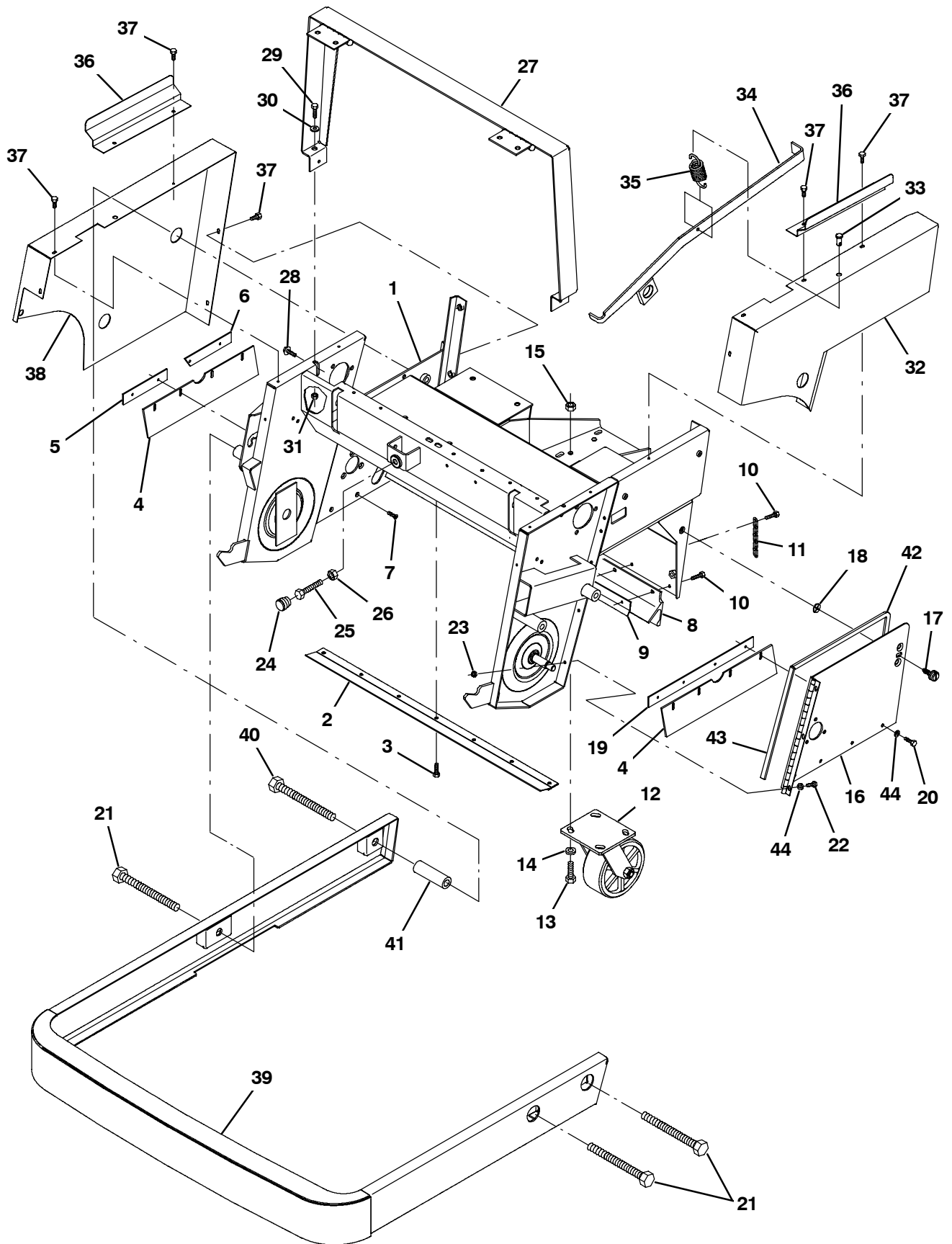


Fig. 2 - Main Frame Group

Ref.	Part No.	Serial Number	Description	Qty.
1	830420	(000000-) Frame Wldt, Main	1
2	830013	(000000-) Assy, Lip Pan	1
3	223198	(000000-) Screw, Hex, M5 X 0.8 X 10, Fmg	7
4	28072	(000000-) Skirt, Neo, .12, 03.00w 12.80l, 04/ SI	2
5	830011	(000000-) Retainer, Skirt Lh, Side	1
6	830012	(000000-) Retainer, Skirt, Rh, Side	1
7	360826	(000000-) Screw, Flt, M5 X 0.8 X 12, 10.9	4
8	08057	(000000-) Skirt, Neo, .19, 02.88w 27.38l, 07/ SI	1
9	830029	(000000-) Retainer, Rear Seal	1
10	24592	(000000-) Screw, Hex, #10-24 X 0.75, Fmg	7
11	28499	(000000-) Chain, Sash, #35, 03.5l 06 Link	1
12	222467	(000000-) Caster, Swivel, 5.0d 2.0w, 4hole, Gray	1
13	09010	(000000-) Screw, Hex, M8 X 1.25 X 25, Ss	4
14	32491	(000000-) Washer, Flat, 0.31, Std	4
15	07791	(000000-) Nut, Hex, Flng, M8 X 1.25	4
16	830006	(000000-) Assy, Door [Mantis]	1
17	29982	(000000-) Knob Assy, Rnd, 1.38d .31-06 1.0l, Metal	1
18	08156	(000000-) Retainer, Screw	1
19	830010	(000000-) Retainer	1
20	09738	(000000-) Screw, Hex, M5 X 0.8 X 12, Ss	4
21	41345	(000000-) Screw, Hex, M12 X 1.75 X 25, 8.8	3
22	09738	(000000-) Screw, Hex, M5 X 0.8 X 12, Ss	3
23	06549	(000000-) Nut, Hex, Lock, M5 X 0.80, NI	3
24	01318	(000000-) Tip, Rbr, 0.94d 0.59b 0.88l	1
25	763121	(000000-) Screw, Hex, M10 X 1.5 X 60, FI	1
26	39312	(000000-) Nut, Hex, Std, M10 X 1.50	1
27	830034	(000000-) Lintel Weldmt	1
28	361339	(000000-) Screw, Hex, M6 X 1.0 X 16, Fmg	2
29	06942	(000000-) Screw, Hex, M6 X 1.0 X 16, 8.8	2
30	01684	(000000-) Washer, Flat, 0.27b 0.69d .05, Ss	2
31	07790	(000000-) Nut, Hex, Flng, M6 X 1.00	2
32	830030	(000000-) Cover, Wldt Lh	1
33	41305	(000000-) Pin, Clevis, 0.37d X 0.75l	1
34	830031	(000000-) Lever Wldt, Brake	1
35	09480	(000000-) Spring, Extn, 1.10od 0.15wir 03.2l	1
36	830072	(000000-) Angle, Stop	2
37	01708	(000000-) Screw, Hex, #10-24 X 0.50, Tcut	12
38	830000	(000000-) Cover, Right Side	1
39	1036763	(000000-) Bumper Wldt	1
40	06976	(000000-) Screw, Hex, M12 X 1.75 X 100, 8.8	3
41	830027	(000000-) Tube	1
42	28277-1	(000000-) Seal, Rbr, Open, 0.19, 0.38w 19.2l	1
43	28277-2	(000000-) Seal, Rbr, Open, 0.19, 0.38w 09.6l	1
44	01683	(000000-) Washer, Flat, 0.22b 0.50d .05, Ss [#10]	6

Fig. 3 - Motor and Sheaves Group

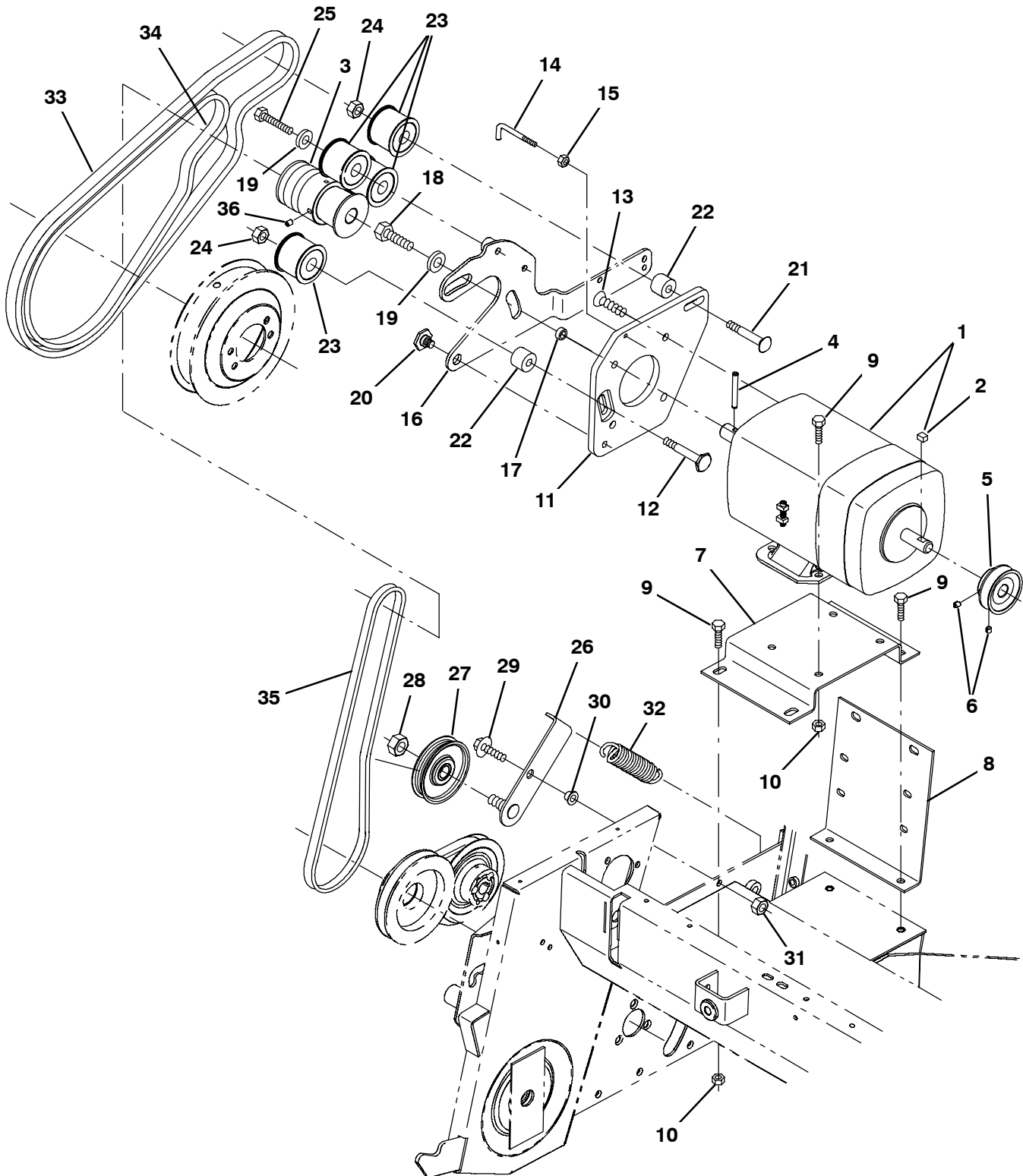


Fig. 3 - Motor and Sheaves Group

	Ref.	Part No.	Serial Number	Description	Qty.
▽	1	01192	(000000-007544)	Motor, Ele, 24vdc 2000rpm 1.00hp 40.0a	1
▲	2	00500-4	(000000-007544)	Key, Woodruff, 0.12 0.50 [Asa#0404]	1
▽	1	1042655	(007545-	Motor, Ele, 24vdc 2000rpm 1.00hp 40.0a	1
▲	2	00500-4	(007545-	Key, Woodruff, 0.12 0.50 [Asa#0404]	1
	3	830059	(000000-	Sheave, Combination	1
	4	11398	(000000-	Pin, Roll, .250d X 2.00l, .250/.256	1
	5	1042575	(000000-	Sheave, 1grv, 1.8/2.1pd 0.63b [3l/4l]	1
	6	46820	(000000-	Screw, Set, .31-18 X 0.38, NI	2
	7	830093	(000000-	Bracket, Motor Mount	1
	8	830099	(000000-	Support, Battery Tray	1
	9	16931	(000000-	Screw, Hex, M8 X 1.25 X 20, 8.8	8
	10	07791	(000000-	Nut, Hex, Flng, M8 X 1.25	6
	11	1038292	(000000-	Plate, Directional, Pivot, Machined	1
	12	30205	(000000-	Screw, Level .38-16 X 2.50	1
	13	48996	(000000-	Screw, Flt, .38-16 X 0.75, Al	2
	14	830060	(000000-	Retainer, Belt	1
	15	07785	(000000-	Nut, Hex, Std, M6 X 1.00, A2, Ss	1
	16	1037475	(000000-	Lever Wldt, Direction Control	1
	17	830062	(000000-	Sleeve	2
	18	21197	(000000-	Screw, Hex, .38-16 X 1.00, G5	2
	19	32491	(000000-	Washer, Flat, 0.31, Std	4
	20	01112	(000000-	Bolt, .38-16, Pivot, Dir Cntrl	1
	21	01150	(000000-	Bolt, Carriage, .38-16 X 2.50, 5	1
	22	830055	(000000-	Spacer, Directional Plate	2
	23	01199	(000000-	Sheave, Flat, 1.8d 1.38w 0.67b	4
	24	50902	(000000-	Nut, Hex, Lock, .38-16, NI	2
	25	21198	(000000-	Screw, Hex, .38-16 X 1.25, G5	2
	26	830153	(000000-	Arm, Shaft Assy, Idler	1
	27	830156	(000000-	Pulley, Assy	1
	28	08711	(000000-	Nut, Hex, Lock, M12 X 1.75, NI	1
	29	361896	(000000-	Screw, Hex, M8 X 1.25 X 20, Flng	1
	30	830154	(000000-	Retainer	1
	31	08709	(000000-	Nut, Hex, Lock, M8 X 1.25, NI	1
	32	26212	(000000-	Spring, Extn, 0.62od 0.07wir 04.0l	1
	33	01120	(000000-	Belt, Flat, 1.25w X 38.80	1
	34	01119	(000000-	Belt, Flat, 1.25w X 33.50	1
	35	28714	(000000-	Belt, V, 34.5l, Spcl [3l]	1
	36	09162	(007621-	Screw, Set, Soc, M6 X 1.00 X 8, NI	2

Fig. 4 - Wheel Group, Drive

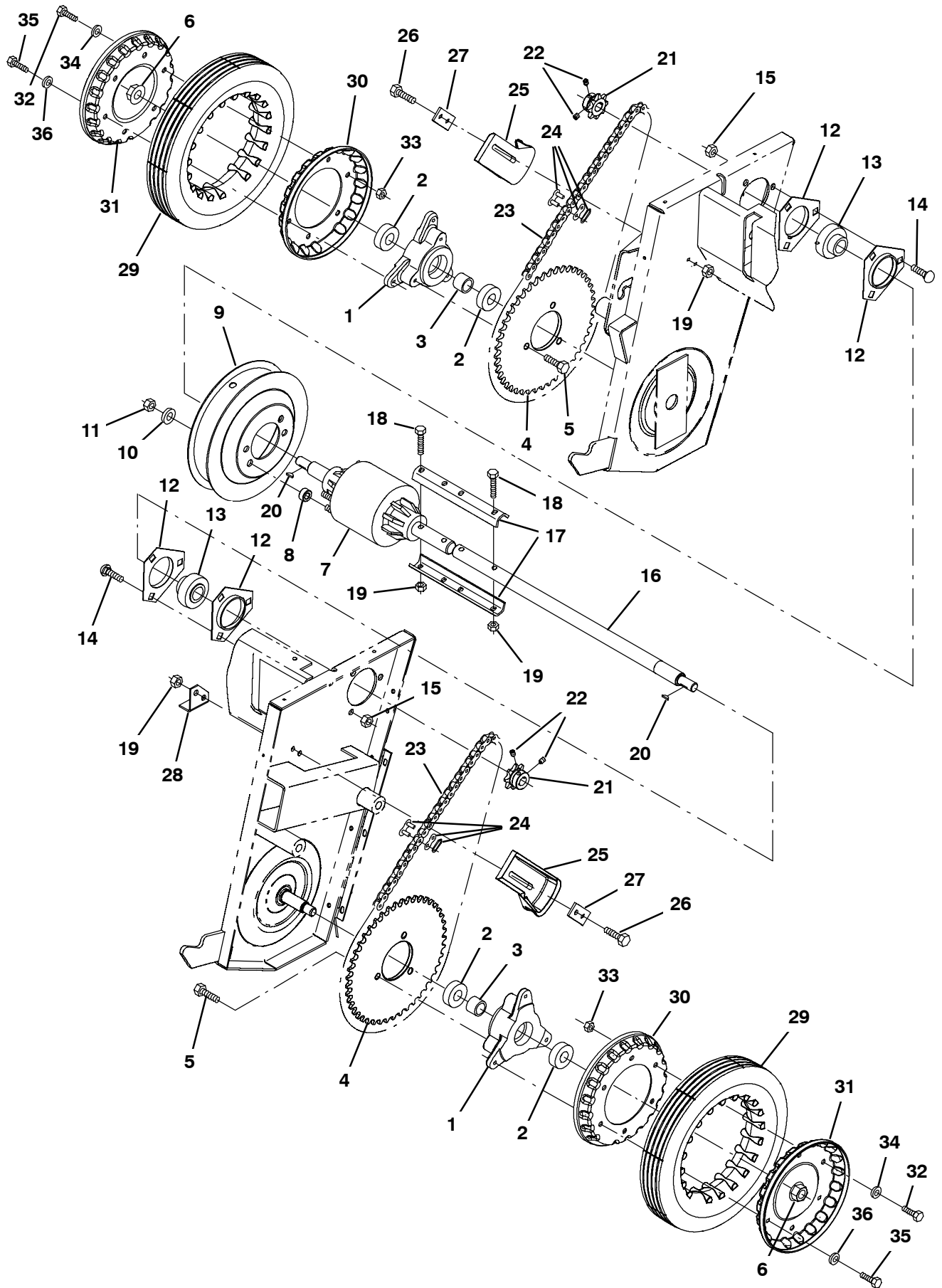


Fig. 4 - Wheel Group, Drive

Ref.	Part No.	Serial Number	Description	Qty.	
1	830206	(000000-) Hub, Wheel, Machined	2	
2	830350	(000000-) Bearing, Ball	4	
3	830207	(000000-) Sleeve	2	
4	28865	(000000-) Sprocket, #41, 45tooth, 2.250b	2	
5	361339	(000000-) Screw, Hex, M6 X 1.0 X 16, Fmg	6	
6	08711	(000000-) Nut, Hex, Lock, M12 X 1.75, NI	2	
7	61290	(000000-) Differential	1	
8	830214	(000000-) Sleeve	4	
9	30147	(000000-) Sheave, Flat, 6.8d 1.42w 2.12b	1	
10	39349	(000000-) Washer, Flat, 0.31, Sae	4	
11	01760	(000000-) Nut, Hex, Lock, .31-18, NI, Thin	4	
12	51137	(000000-) Flange, Brg, 1.8id 3h	4	
13	25887	(000000-) Bearing, W/ Collar, 0.75b 1.85d 1.06w	2	
14	24597	(000000-) Bolt, Carriage, .31-18 X 0.75	6	
15	32983	(000000-) Nut, Hex, Lock, .31-18, NI	6	
16	830196	(000000-) Countershaft	1	
17	830210	(000000-) Coupling, Half	2	
18	06946	(000000-) Screw, Hex, M6 X 1.0 X 35, 8.8	4	
19	08708	(000000-) Nut, Hex, Lock, M6 X 1.00, NI	8	
20	00500-1	(000000-) Key, Woodruff, 0.09 0.50 [Asa#0304]	2	
21	30174	(000000-) Sprocket, #41, 08tooth, 0.50b	2	
22	57496	(000000-) Screw, Set, .25-20 X 0.31, NI	4	
23	61411	(000000-) Chain, Rlr, #41, 075 Pitches	2	
24	28272	(000000-) Link, Chain, Rlr, #41	2	
25	08142	(000000-) Guide, Chain, Drive, Wheel	2	
26	06944	(000000-) Screw, Hex, M6 X 1.0 X 25, 8.8	4	
27	830491	(000000-) Plate, Chain Guide	2	
28	830230	(000000-) Angle, Stop	1	
▽	9004024	(000000-) Wheel Assy [S10]	2	
▲	29	28546	(000000-) Tire, 10.0x2.00 [Ehs]	1
▲	30	830197	(000000-) Rim, Half, 06.5 X 0.50 4.5bc/6bolt Inner	1
▲	31	830205	(000000-) Rim, Half, 06.5 X 0.50 4.5bc/6bolt Outer	1
▲	32	11329	(000000-) Screw, Hex, M6 X 1.0 X 16, Ss, NI	3
▲	33	08708	(000000-) Nut, Hex, Lock, M6 X 1.00, NI	3
▲	34	01684	(000000-) Washer, Flat, 0.27b 0.69d .05, Ss	3
35	11329	(000000-) Screw, Hex, M6 X 1.0 X 16, Ss, NI	6	
36	01684	(000000-) Washer, Flat, 0.27b 0.69d .05, Ss	6	

Fig. 5 - Main Brush Drive Group

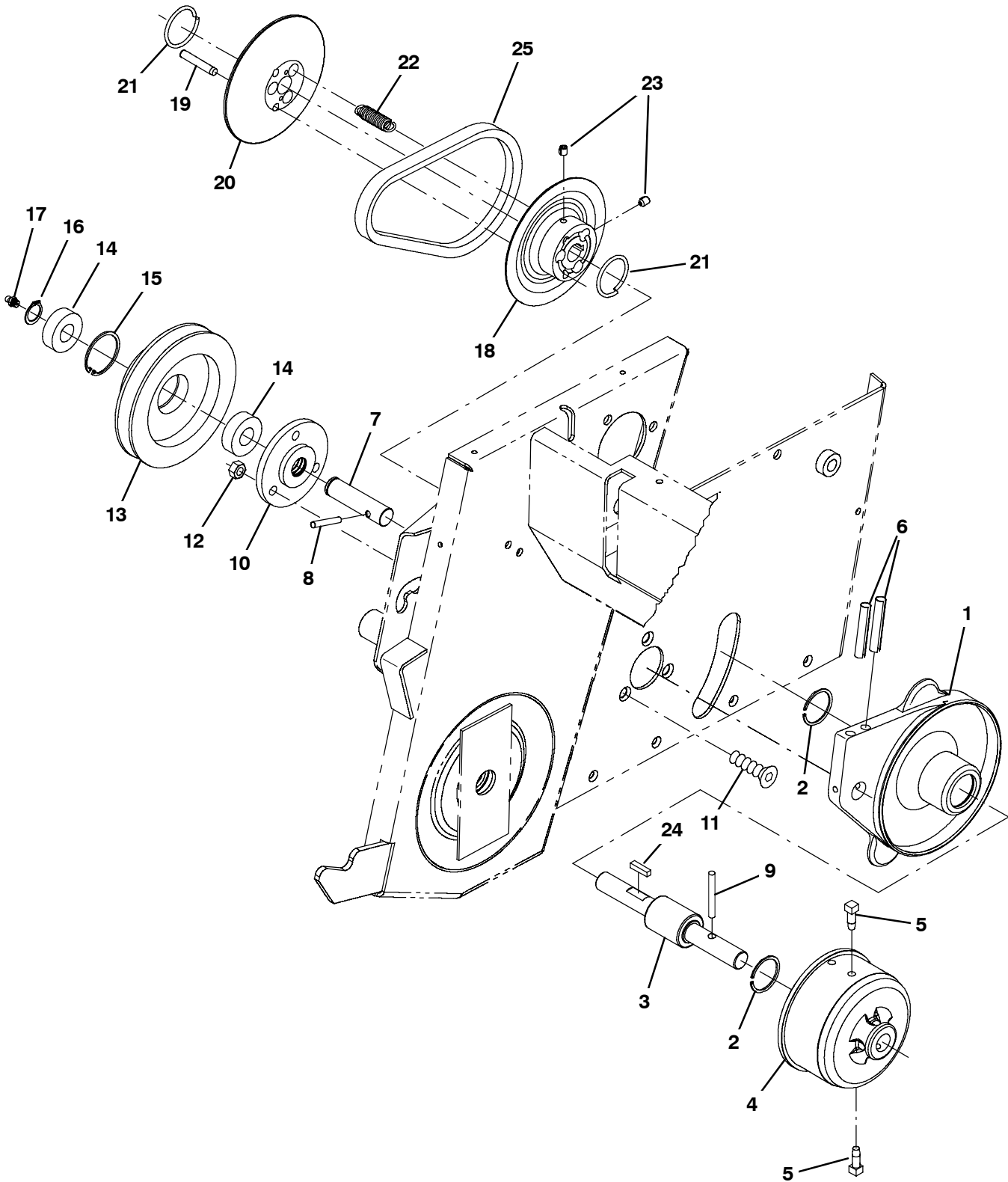


Fig. 5 - Main Brush Drive Group

Ref.	Part No.	Serial Number	Description	Qty.
1	830345	(000000-) Arm, Drive, Brush, Machining	1
2	23217	(000000-) Ring, Retaining, Int, 1.18d, [Inverted]	2
3	28867	(000000-) Bearing, W/ Shaft, 1.18d 6.3l 0.63	1
4	830342	(000000-) Plug, Drive, Brush	1
5	830343	(000000-) Pin	4
6	20050	(000000-) Pin, Roll, .312d X 1.87l, .312/.318	2
7	830149	(000000-) Shaft, Long	1
8	26103	(000000-) Pin, Roll, .187d X 1.25l, .187/.192	1
9	26239	(000000-) Pin, Roll, .250d X 1.25l, .250/.256	1
10	830135	(000000-) Bushing	1
11	1016421	(000000-) Screw, Flt, M6 X 1.0 X 20, Ss	3
12	08708	(000000-) Nut, Hex, Lock, M6 X 1.00, NI	3
13	830346	(000000-) Sheave, Idler, Brush, Drive, Machining	1
14	830350	(000000-) Bearing, Ball	2
15	01513	(000000-) Ring, Retaining, Int, 1.38d, Basic	1
16	18136	(000000-) Ring, Retaining, Ext, 0.62d, Basic	1
17	830132	(000000-) Fitting, Grease, Str 6mm	1
▽	9004025	(000000-) Sheave Assy, Drive, Brush [S10]	1
▲	18 830163	(000000-) Sheave Half, Inner, Machining	1
▲	19 18276	(000000-) Pin, Dowel, 0.2502d X 1.50l	2
▲	20 830353	(000000-) Sheave, Half, Outer	1
▲	21 28388	(000000-) Retainer	2
▲	22 28387	(000000-) Spring, Extn, 0.41od 0.07wir 01.6l	3
▲	23 09162	(000000-) Screw, Set, M6 X 1.0 X 8, NI	2
24	00911	(000000-) Key, Sq, 0.19 X 0.19, 0.75l	1
25	28168	(000000-) Belt, V [A-16, Hy-T]	1

Fig. 6 - Main Brush Idler Group

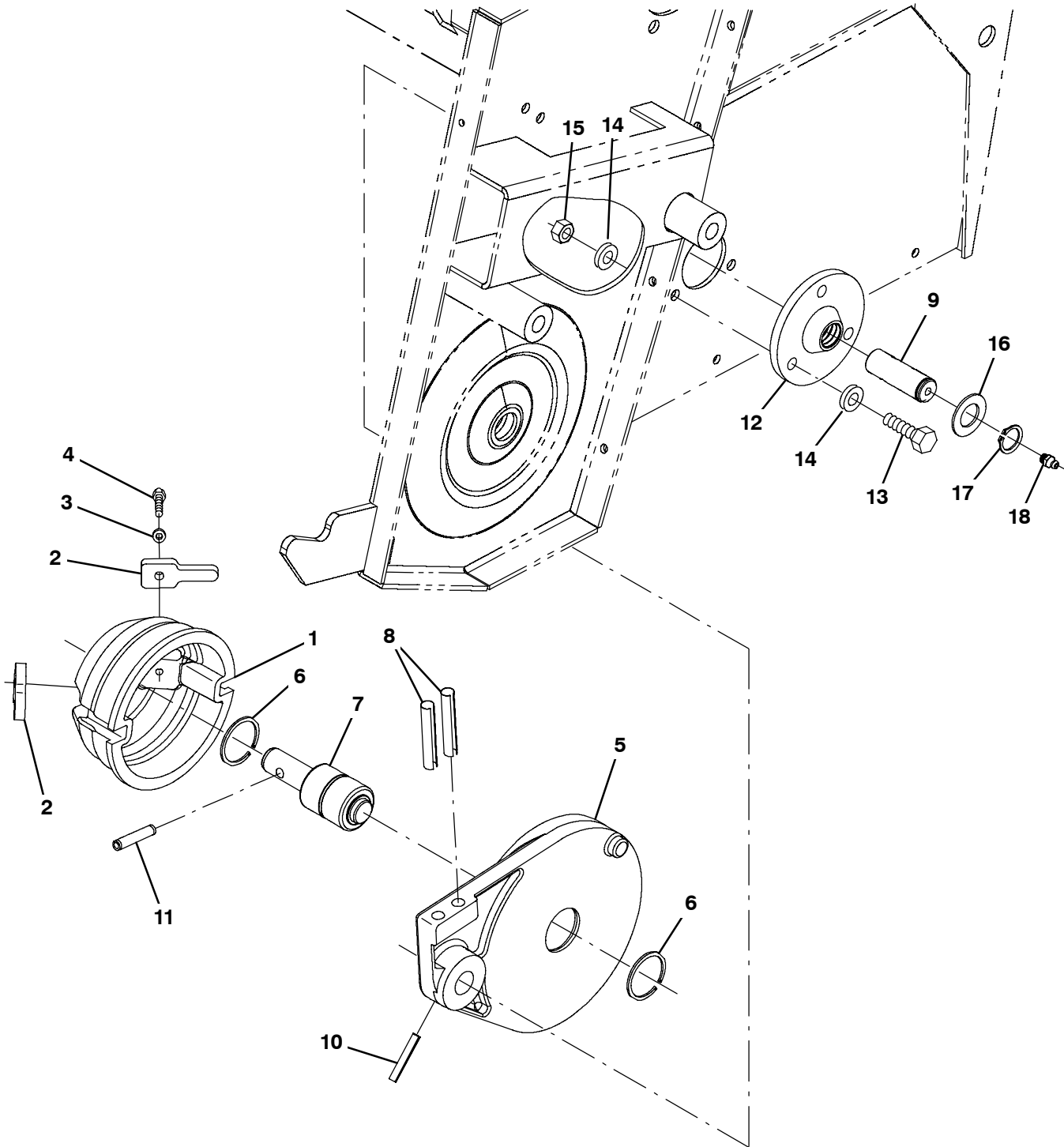


Fig. 6 - Main Brush Idler Group

Ref.	Part No.	Serial Number	Description	Qty.
1	830142	(000000-) Plug, Idler, Brush, Machining	1
2	28852	(000000-) Finger	2
3	19066	(000000-) Washer, Flat, 10	2
4	12312	(000000-) Screw, Hex, M5 X 0.8 X 12, 8.8	2
5	830137	(000000-) Arm	1
6	23217	(000000-) Ring, Retaining, Int, 1.18d, [Inverted]	2
7	28868	(000000-) Bearing, W/ Shaft, 1.18d 3.3l 0.63	1
8	20050	(000000-) Pin, Roll, .312d X 1.87l, .312/.318	2
9	830136	(000000-) Shaft, Short	1
10	26103	(000000-) Pin, Roll, .187d X 1.25l, .187/.192	1
11	26239	(000000-) Pin, Roll, .250d X 1.25l, .250/.256	1
12	830135	(000000-) Bushing	1
13	06943	(000000-) Screw, Hex, M6 X 1.0 X 20, 8.8	3
14	01684	(000000-) Washer, Flat, 0.27b 0.69d .05, Ss	6
15	08708	(000000-) Nut, Hex, Lock, M6 X 1.00, NI	3
16	28862	(000000-) Washer, Thrust, 0.63b 1.12d 0.06[Toring]	1
17	18136	(000000-) Ring, Retaining, Ext, 0.62d, Basic	1
18	830132	(000000-) Fitting, Grease, Str 6mm	1

Fig. 7 - Side Brush Group

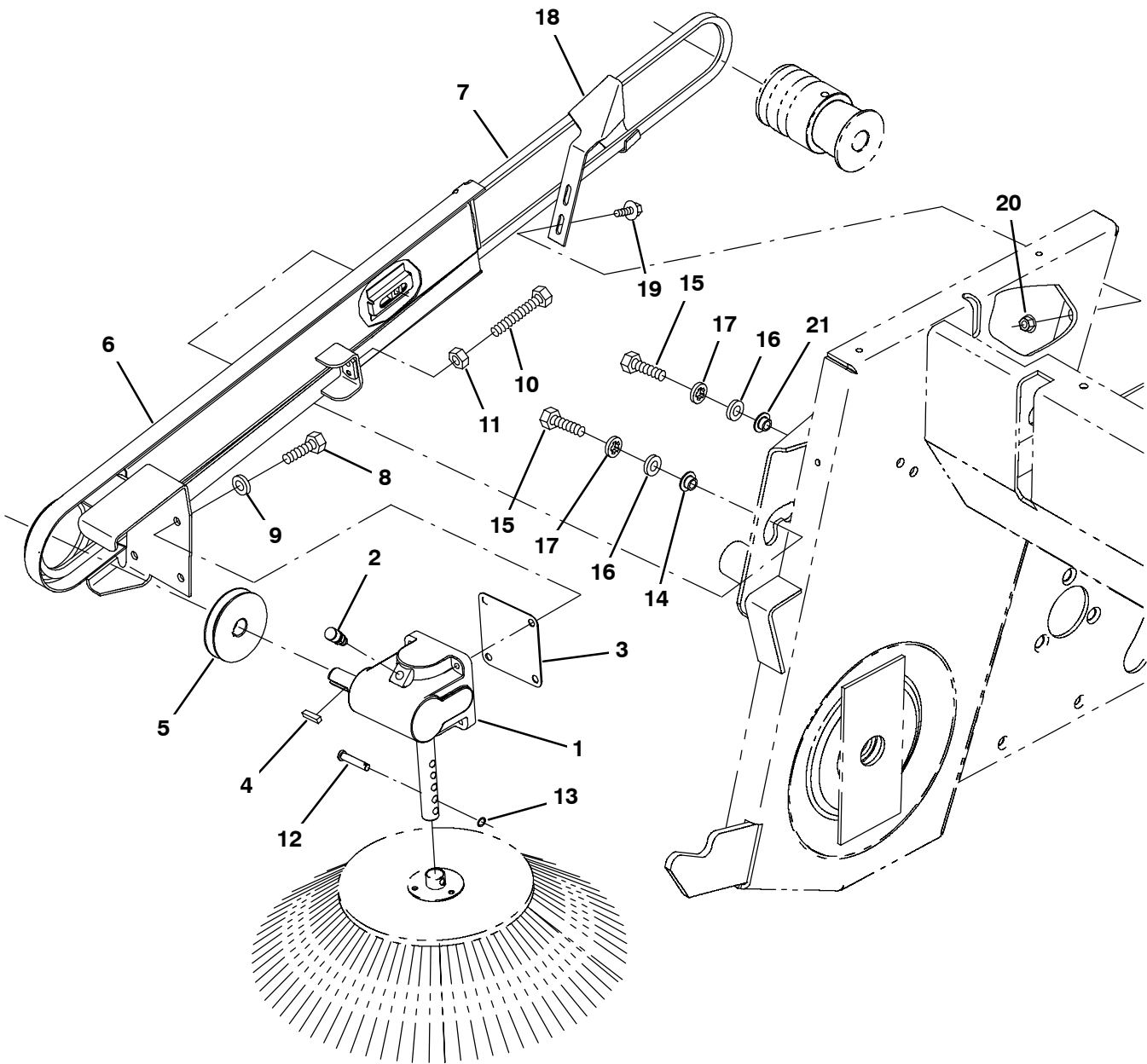


Fig. 7 - Side Brush Group

Ref.	Part No.	Serial Number	Description	Qty.
▽	9004027	(000000-) Gearbox Kit, Brush, Side [S10]	1
▲▽	1 1044996	(000000-) Gearbox, Reducer	1
▲▲	2 1045005	(000000-) Breather, Hyd, 0.12npt	1
▲	3 28078	(000000-) Gasket	1
	4 00911	(000000-) Key, Sq, 0.19 X 0.19, 0.75l	1
	5 28121	(000000-) Sheave, 01grv, 02.5pd 0.62b [3l]	1
	6 830171	(000000-) Arm Wldt, Sppt, Brush, Side	1
	7 28712	(000000-) Belt, V, 74.0l [3l]	1
	8 11329	(000000-) Screw, Hex, M6 X 1.0 X 16, Ss, NI	4
	9 01684	(000000-) Washer, Flat, 0.27b 0.69d .05, Ss	4
	10 33401	(000000-) Screw, Hex, M8 X 1.25 X 50, Ss, FI	1
	11 07786	(000000-) Nut, Hex, Std, M8 X 1.25, Ss	1
	12 15173	(000000-) Pin, Clevis, 0.25d X 1.25l	1
	13 49708	(000000-) Ring, Split	1
	14 830154	(000000-) Retainer	1
	15 09740	(000000-) Screw, Hex, M8 X 1.25 X 20, Ss	2
	16 32490	(000000-) Washer, Flat, 0.25, Std	2
	17 32984	(000000-) Washer, Lock, Int, 0.31	2
	18 830161	(000000-) Guide, Belt	1
	19 763025	(000000-) Screw, Hex, M5 X 0.8 X 10, FI	2
	20 07789	(000000-) Nut, Hex, Flng, M5 X 0.80	2
	21 1042573	(000000-) Retainer	1

Fig. 8 - Main Brush Lift Group

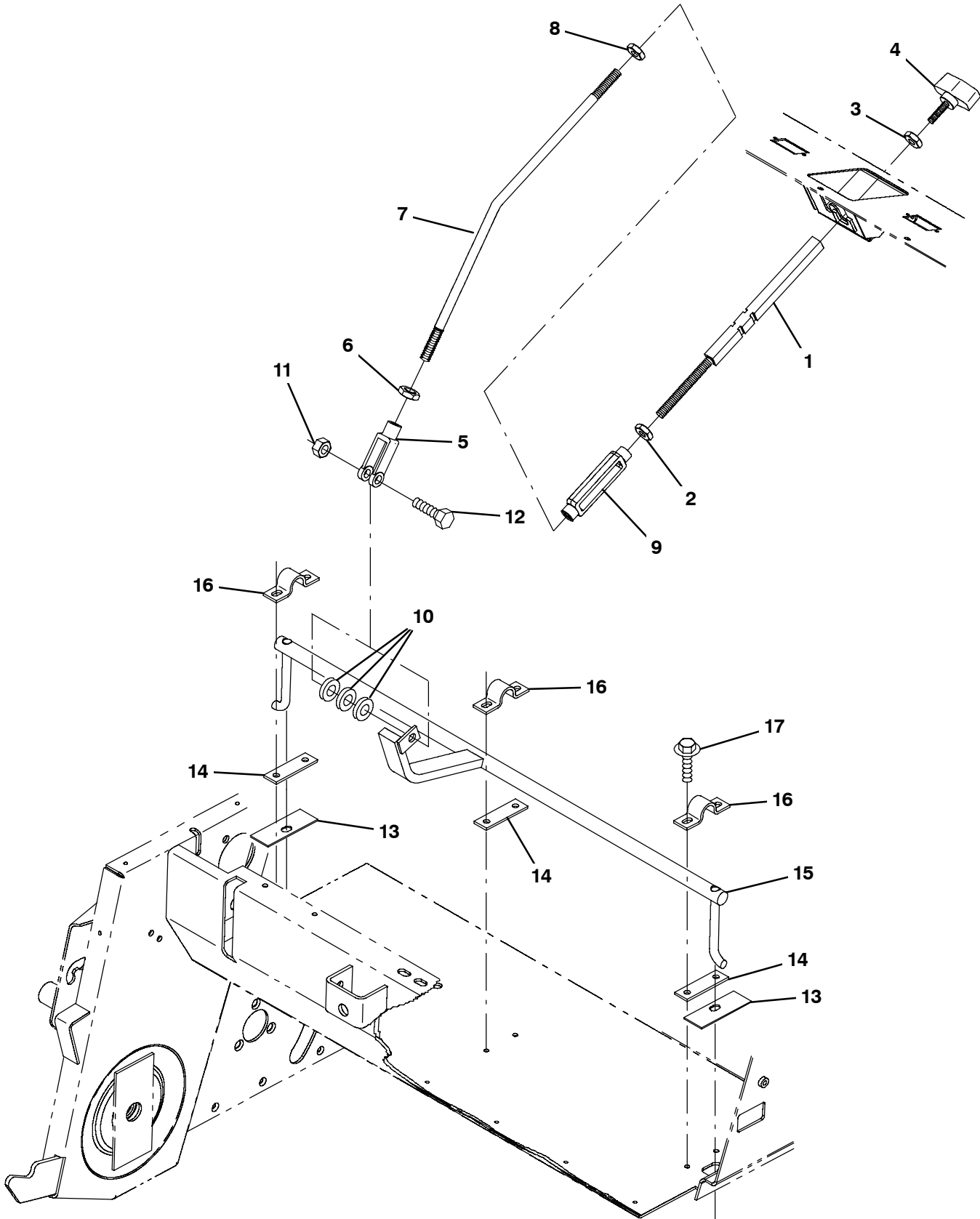


Fig. 8 - Main Brush Lift Group

Ref.	Part No.	Serial Number	Description	Qty.
1	830123	(000000-) Handle, Brush Lift	1
2	25014	(000000-) Nut, Hex, Std, .38-16	1
3	32520	(000000-) Nut, Hex, Jam, .25-20	1
4	01139	(000000-) Handle, Tee	1
5	14330	(000000-) Yoke,End,Adjustable	1
6	43954	(000000-) Nut, Hex, Std, .38-24	1
7	830126	(000000-) Rod, Brush Lift	1
8	39562	(000000-) Nut, Hex, Jam, .38-16, Lh	1
9	40352	(000000-) Turnbuckle, Body, .38thread, 03.9l	1
10	32491	(000000-) Washer, Flat, 0.31, Std	4
11	08709	(000000-) Nut, Hex, Lock, M8 X 1.25, NI	1
12	06955	(000000-) Screw, Hex, M8 X 1.25 X 35, 8.8	1
13	29005	(000000-) Seal	2
14	830129	(000000-) Strip	3
15	830131	(000000-) Shaft Wldmt, Brush Lift	1
16	830128	(000000-) Clamp, Conduit	3
17	361339	(000000-) Screw, Hex, M6 X 1.0 X 16, Fmg	6

Fig. 9 - Battery and Charger Group

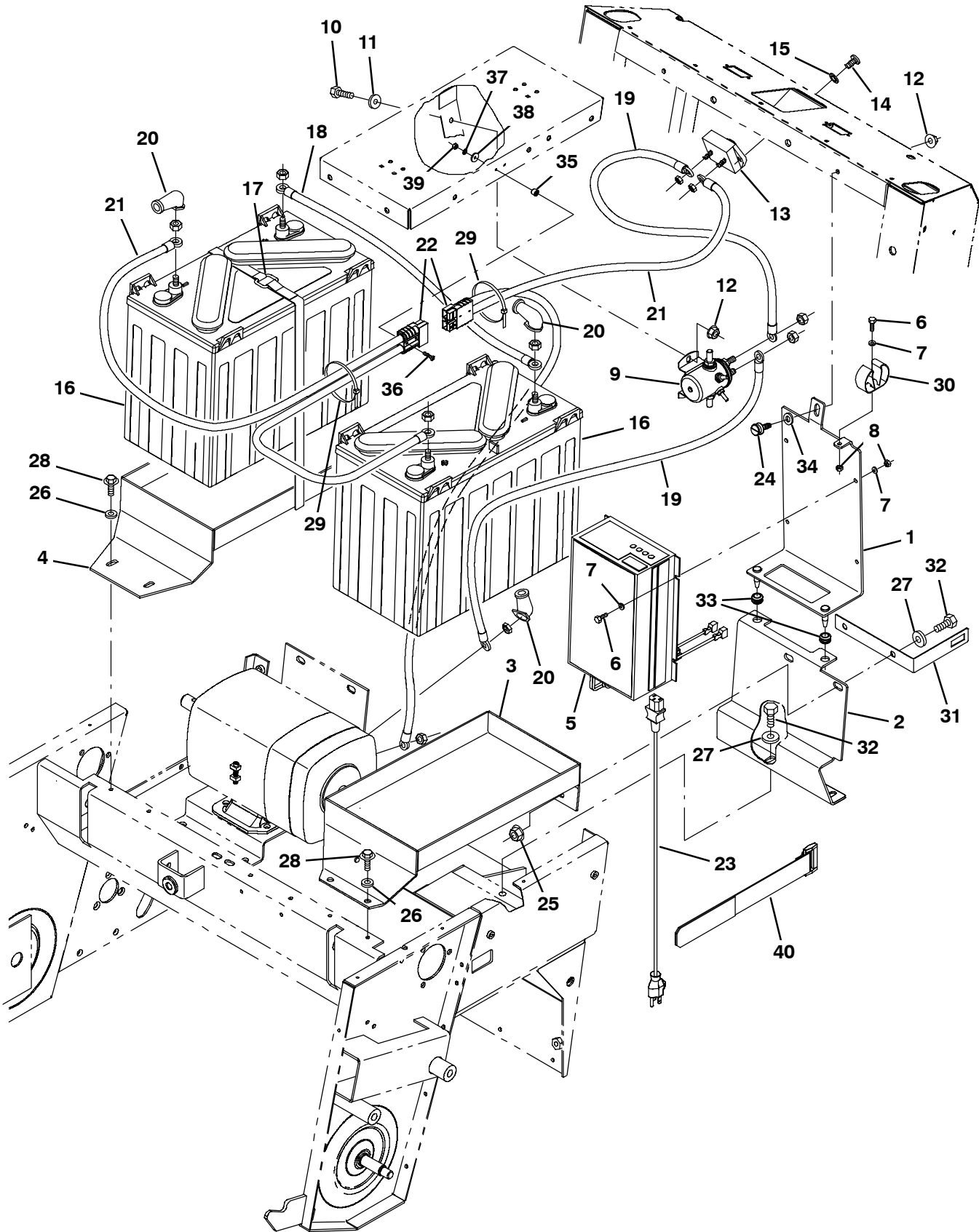


Fig. 9 - Battery and Charger Group

Ref.	Part No.	Serial Number	Description	Qty.	
1	1041904	(000000-) Bracket, Charger, Battery	1	
2	1041538	(000000-) Bracket, Charger	1	
3	830090	(000000-) Tray Wldt, Batt Lh	1	
4	830094	(000000-) Tray Wldt, Batt Rh	1	
5	1028508	(000000-) Charger, 24vdc 11a 100/240vac 50/60hz	1	
6	09206	(000000-) Screw, Hex, M4 X 0.70 X 12, 8.8	5	
7	41578	(000000-) Washer, Flat, #06, Ss	9	
8	33932	(000000-) Nut, Hex, Lock, M4 X 0.70, NI, Ss	5	
9	1039471	(000000-) Contactor, 24vdc, 60a, Spno	1	
10	06943	(000000-) Screw, Hex, M6 X 1.0 X 20, 8.8	2	
11	41185	(000000-) Washer, Flat, Belleville, .25	2	
12	07790	(000000-) Nut, Hex, Flng, M6 X 1.00	4	
13	375120	(000000-) Circuitbreaker, 60.0a [Resetable]	1	
14	140841	(000000-) Screw, Pan, #10-32 X 0.62, Phl, Ss	2	
15	07514	(000000-) Washer, Lock, Int, #10, Ss	2	
16	1030120	(000000-) Battery, Wet, 12vdc 0155ah, W/O Carton	2	
17	378764	(000000-) Strap	2	
18	86421	(000000-) Cable, 06ga 27.0l Blk .34ring /.34ring	1	
19	01094	(000000-) Cable, 06ga 12.0l Blk .38ring /.38ring	2	
20	02076	(000000-) Boot, 90deg .50id .57id X .84id 1.0l,Blk	3	
▽	21	49443	(000000-) Harness, Cable, Battery	2
▲	22	49548	(000000-) Connector, Anderson, 50a, Red	1
	23	1025642	(000000-) Cord, Power, 16/3, 4.5 Meters, Blk [Us]	1
	24	29982	(000000-) Knob Assy, Rnd, 1.38d .31-06 1.0l, Metal	1
	25	07791	(000000-) Nut, Hex, Flng, M8 X 1.25	4
	26	01684	(000000-) Washer, Flat, 0.27b 0.69d .05, Ss	4
	27	32491	(000000-) Washer, Flat, 0.31, Std	4
	28	361339	(000000-) Screw, Hex, M6 X 1.0 X 16, Fmg	4
	29	130773	(000000-) Tie, Cable, Nyl, 11.0l, .14w, 3.0 Max. D	11
	30	1014295	(000000-) Clip, Grip, Hose, 0.75-1.12, Blk Vyl,Stl	1
	31	1040860	(000000-) Bracket, Holder, Fuse	1
	32	16931	(000000-) Screw, Hex, M8 X 1.25 X 20, 8.8	6
	33	10632-12	(000000-) Grommet, Rbr, 0.38id, F/0.5h, .12 Matl	2
	34	1016331	(000000-) Washer, Flat, 0.34b 1.25d .11, Ss	1
	35	1042370	(000000-) Tube, 0.16id 0.38od 00.3l, Ss	2
	36	06924	(000000-) Screw, Pan, Phl, M3 X 0.50 X 30, 4.8	2
	37	39658	(000000-) Washer, Lock, Int, 04	2
	38	41578	(000000-) Washer, Flat, 06, Ss	2
	39	07807	(000000-) Nut, Hex, Std, M3 X 0.50, A2, Ss	2
	40	1049343	(007539-) Strap, Cable	1

Fig. 10 - Instrument Panel Group

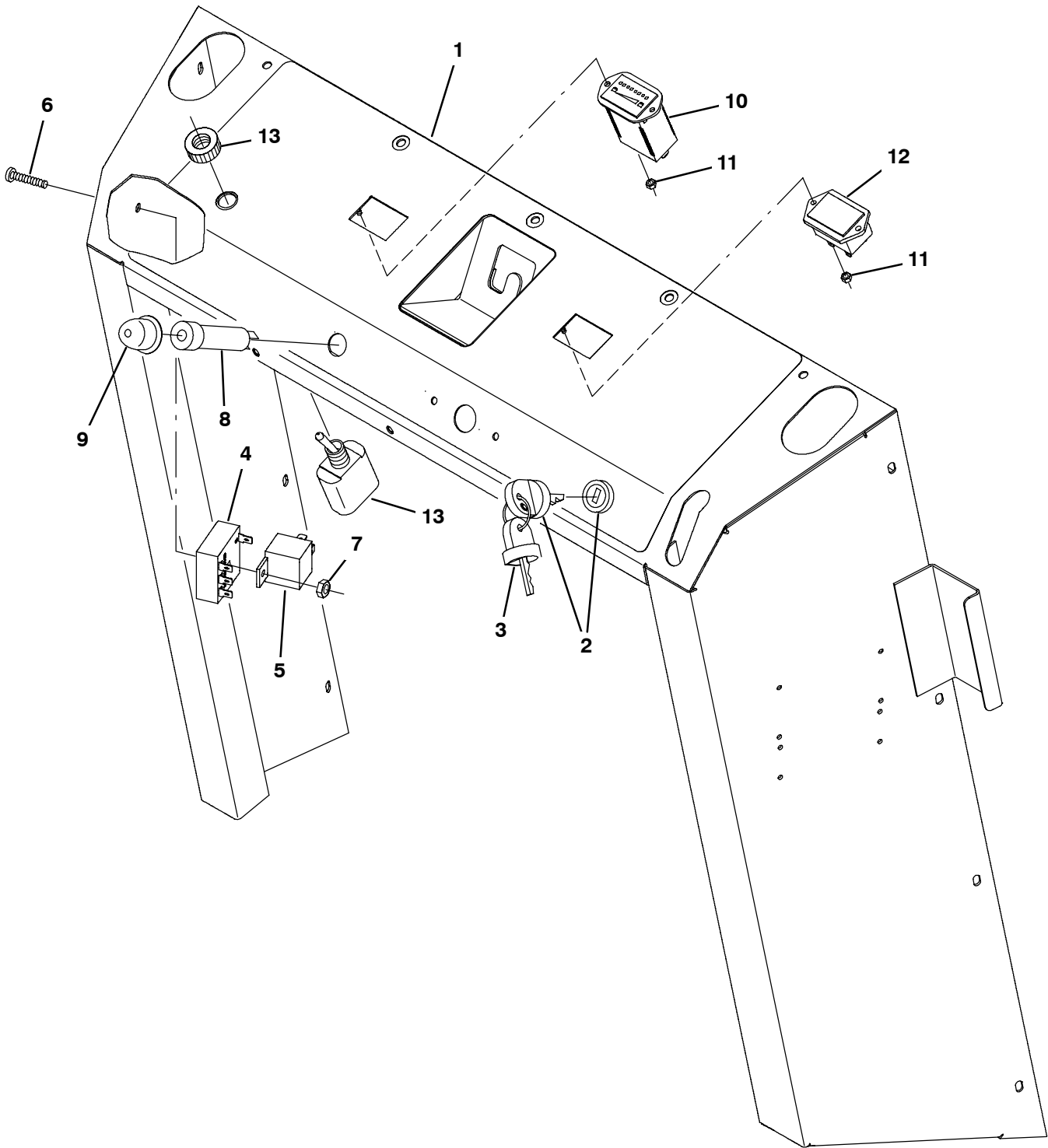


Fig. 10 - Instrument Panel Group

Ref.	Part No.	Serial Number	Description	Qty.
	1	1040896	(000000-) Panel, Instrument W/Label N/A	1
	1	1040960	(000000-) Panel, Instrument W/Label Ce	1
▽	2	222282	(000000-) Switch, Key, Spdt	1
▲	3	222684	(000000-) Key [Set Of 2]	1
	4	09338	(000000-) Timer, 12vdc, 20 Sec, One-Shot	1
	5	1039472	(000000-) Relay, 24vdc, 40a Spdt	1
	6	48991	(000000-) Screw, Pan, #10-24 X 1.25, G1	1
	7	45181	(000000-) Nut, Hex, Lock, #10-24, NI	1
	8	57803	(000000-) Circuitbreaker, 15.0a, Resetable	1
	9	57751	(000000-) Boot, Dome, .72id .72l, Clear	1
	10	1016712	(000000-) Indicator, Battery, 24vdc, 1.73volt/Cell	1
	11	579211	(000000-) Nut, Hex, Lock, M3 X 0.50, Ss	4
	12	1014572	(000000-) Gauge, Hourmeter, 14-48vdc, Lcd, Rt,.1hr	1
	13	63266	(000000-) Switch, Toggle, 10a Spst, Sealed	1

Fig. 11 - Directional Control and Handle Group

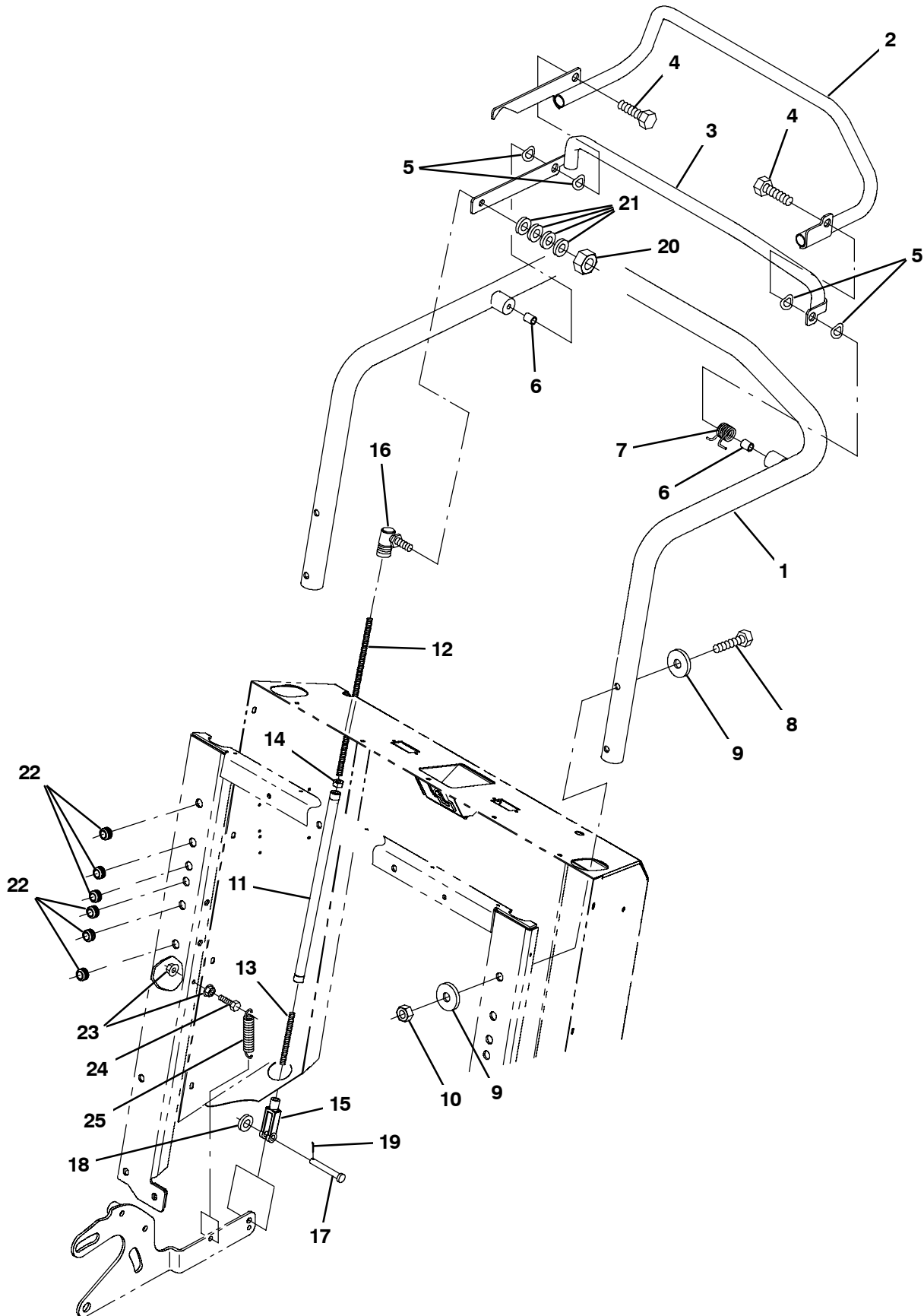


Fig. 11 - Directional Control and Handle Group

Ref.	Part No.	Serial Number	Description	Qty.
1	1037095	(000000-) Handle Weldment, Main, Mantis	1
2	1037127	(000000-) Handle Weldment, Forward, Mantis	1
3	1037137	(000000-) Handle Weldment, Reverse, Mantis	1
4	76570	(000000-) Screw, Hex, M8 X 1.25 X 30, 8.8	2
5	52508	(000000-) Washer, Wavy, 0.53b 0.81d .09	4
6	830043	(000000-) Sleeve	2
7	1039612	(000000-) Spring, Torsion	1
8	222504	(000000-) Screw, Hex, M8 X 1.25 X 55, Ss	4
9	32491	(000000-) Washer, Flat, 0.31, Std	8
10	07791	(000000-) Nut, Hex, Flng, M8 X 1.25	4
11	1037961	(000000-) Rod, Propel Control	1
12	1037963	(000000-) Rod, Upper, Control Lever	1
13	1037962	(000000-) Rod, Lower, Dir Cntrl Link	1
14	20170	(000000-) Nut, Hex, Jam, .31-24	1
15	58311	(000000-) Clevis, Adj, 0.31pin, 0.31-24	1
16	50909	(000000-) Balljoint, .31-24 Fem, .31-24 Mal, Qdc	1
17	69582	(000000-) Pin, Clevis, 0.31d X 1.00l	1
18	32490	(000000-) Washer, Flat, 0.25, Std	1
19	39005	(000000-) Pin, Cotter, .094 X 0.75	1
20	32960	(000000-) Nut, Hex, Lock, .31-24, NI	1
21	32491	(000000-) Washer, Flat, 0.31, Std	4
22	10632-12	(000000-) Grommet, Rbr, 0.38id, F/0.5h, .12 Matl	4
23	89244	(000000-) Nut, Hex, M12x1.75, Lh Rep.by069760115	1
24	07789	(000000-) Nut, Hex, Flng, M5 X 0.80	2
25	29545	(000000-) Spring, Extn, 0.56od 0.05wir 02.0l	1

Fig. 12 - Hopper Group

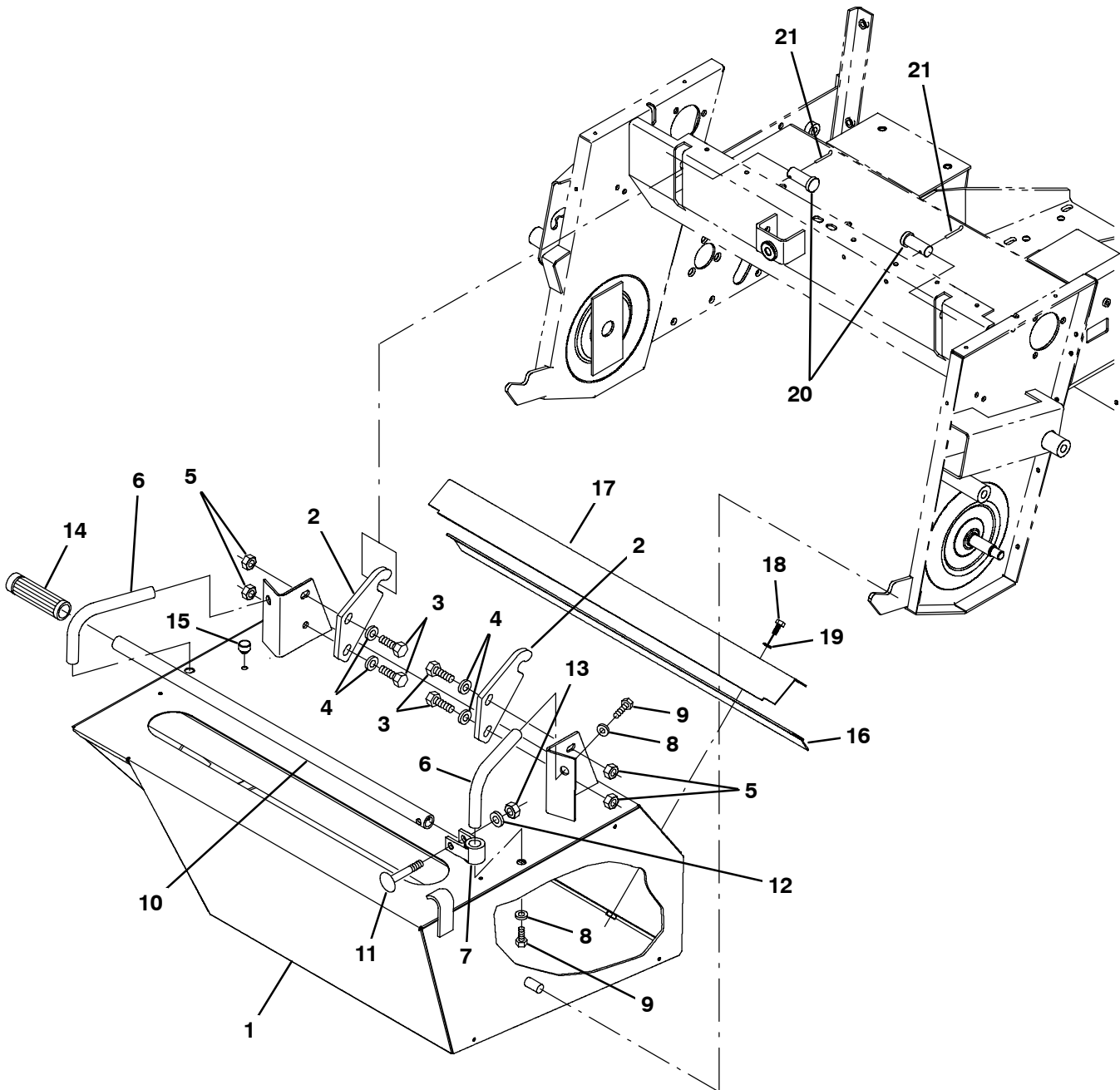


Fig. 12 - Hopper Group

Ref.	Part No.	Serial Number	Description	Qty.
1	1040967	(000000-) Hopper W/Label N/A	1
1	1040987	(000000-) Hopper W/Label Ce	1
2	830221	(000000-) Plate, Hopper Catch	2
3	368412	(000000-) Screw, Hex, M8 X 1.25 X 30, 10.9	4
4	32491	(000000-) Washer, Flat, 0.31, Std	8
5	08709	(000000-) Nut, Hex, Lock, M8 X 1.25, NI	4
6	830217	(000000-) Handle, Hopper Lift	2
7	12768	(000000-) Handle, Knuckle	1
8	32492	(000000-) Washer, Flat, 0.38, Std	4
9	09291	(000000-) Screw, Hex, M10 X 1.5 X 20, Ss	4
10	830229	(000000-) Handle, Lift	1
11	32966	(000000-) Bolt, Carriage, .31-18 X 1.50	1
12	39349	(000000-) Washer, Flat, 0.31, Sae	1
13	01760	(000000-) Nut, Hex, Lock, .31-18, NI, Thin	1
14	03292B	(000000-) Grip, Handle, Rnd	1
15	51787	(000000-) Bumper, Rbr, 0.6d 0.34th 0.3d Tip	1
16	830013	(000000-) Assy, Lip Pan	1
17	830223	(000000-) Retainer, Lip	1
18	09744	(000000-) Screw, Hex, M6 X 1.0 X 12, Ss	7
19	01684	(000000-) Washer, Flat, 0.27b 0.69d .05, Ss	7
20	01272	(000000-) Pin, Clevis, 0.62d X 1.50l	2
21	08182	(000000-) Pin, Cotter, .125 X 1.00	2

Fig. 13 - Filter and Shaker Motor Group

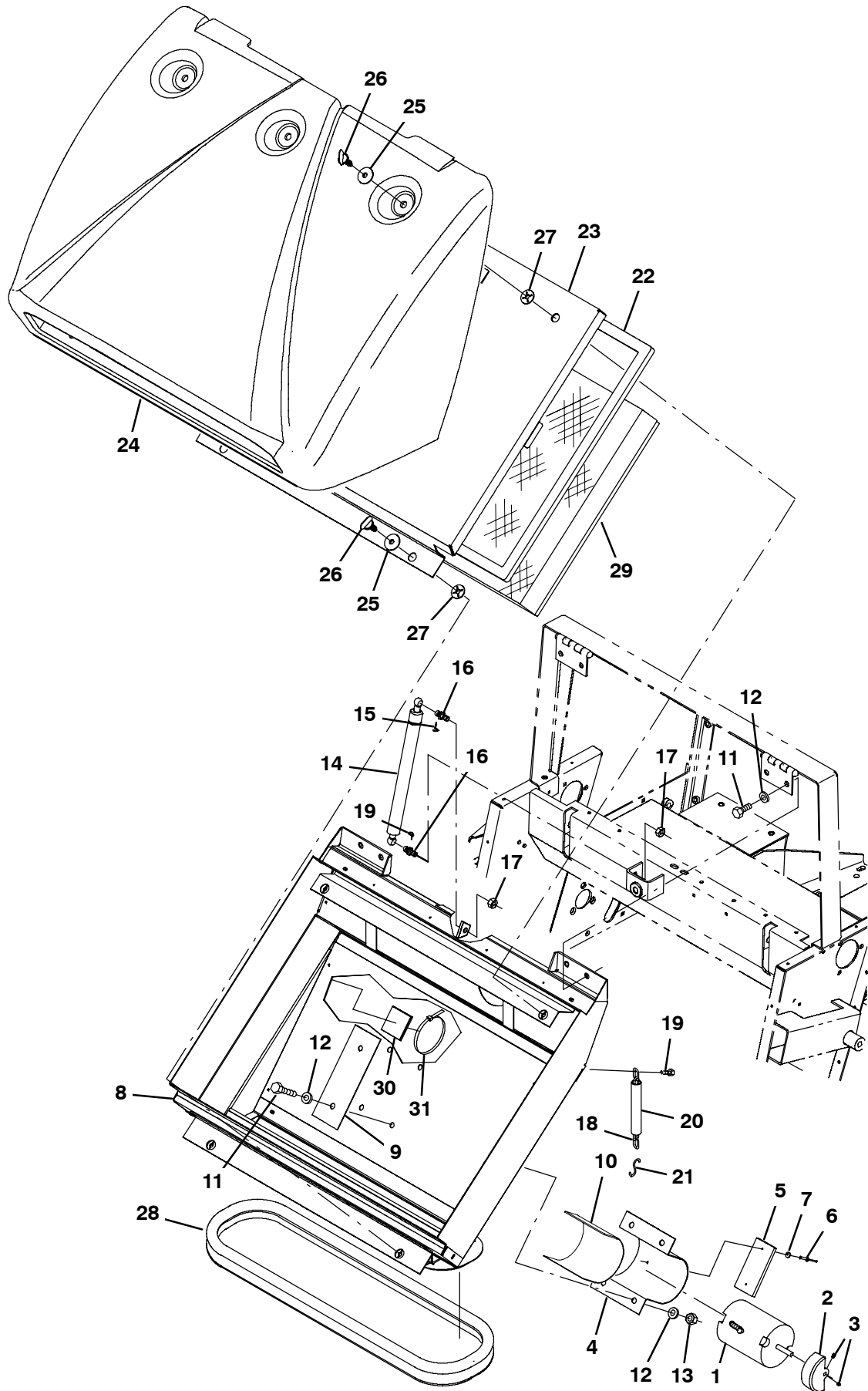


Fig. 13 - Filter and Shaker Motor Group

Ref.	Part No.	Serial Number	Description	Qty.	
1	54121	(000000-) Motor, Ele, 12vdc 1375rpm 0.08hp 08.4a	1	
2	55130	(000000-) Eight, Eccentric	1	
3	20634	(000000-) Screw, Set, #10-24 X 0.25, NI	2	
4	830262	(000000-) Strap, Shaker Motor	1	
5	06660	(000000-) Bumper, Shakr	1	
6	01335	(000000-) Rivet, Blind, .125d X 0.44 X .25d, Alm	2	
7	1047102	(000000-) Washer, Rivet	2	
8	830107	(000000-) Filterbox Wldt	1	
9	830270	(000000-) Plate, Support Shaker	1	
10	44893	(000000-) Strip, Rbr, 0.06 03.90w 10.0l	1	
11	16931	(000000-) Screw, Hex, M8 X 1.25 X 20, 8.8	6	
12	32491	(000000-) Washer, Flat, 0.31, Std	6	
13	08709	(000000-) Nut, Hex, Lock, M8 X 1.25, NI	4	
14	31172	(000000-) Gasspring, 150lb, 06.3strk	1	
15	64595	(000000-) Clip, Safety, Gasspring	2	
16	58494	(000000-) Stud, Ball, .39d .31-16, Gasspring	2	
17	01760	(000000-) Nut, Hex, Lock, .31-18, NI, Thin	2	
18	06121	(000000-) Chain, Sash, #35, 06.0l 11 Link	6	
19	01708	(000000-) Screw, Hex, #10-24 X 0.50, Tcut	1	
20	01320	(000000-) Sleeve, Flex Vyl, .33id 05.3l	1	
21	01319	(000000-) Hook	1	
▽	9004026	(000000-) Cover Assy, Filterbox [S10]	1	
▲	22	01064	(000000-) Seal, Rbr, Open, 0.50, 0.75w 92.0l Adh	1
▲	23	830492	(000000-) Cover Wldt, Filterbox	1
24	1041031	(000000-007389) Cover, Front W/Label	1	
24	1047839	(007390-) Cover, Front W/Label	1	
25	830419	(000000-) Washer, Sealing, M8	5	
26	1037254	(000000-) Screw, Thumb	5	
27	08156	(000000-) Retainer, Screw	5	
28	08157	(000000-) Seal, Lip, 90, 1.3w . Grip 054.0l	1	
29	1037206	(000000-) Filter, Panl, Dust, 2.2 X 16.0 X 26.0	1	
29	1045949	(000000-) Filter, Panl, Syn, 2.7 X 16.0 X 26.0	1	
30	55248	(000000-) Mount, Cable Tie	1	
31	130773	(000000-) Tie, Cable, Nyl, 11.0l, .14w, 3.0 Max. D	1	

Fig. 14 - Vacuum Fan Group

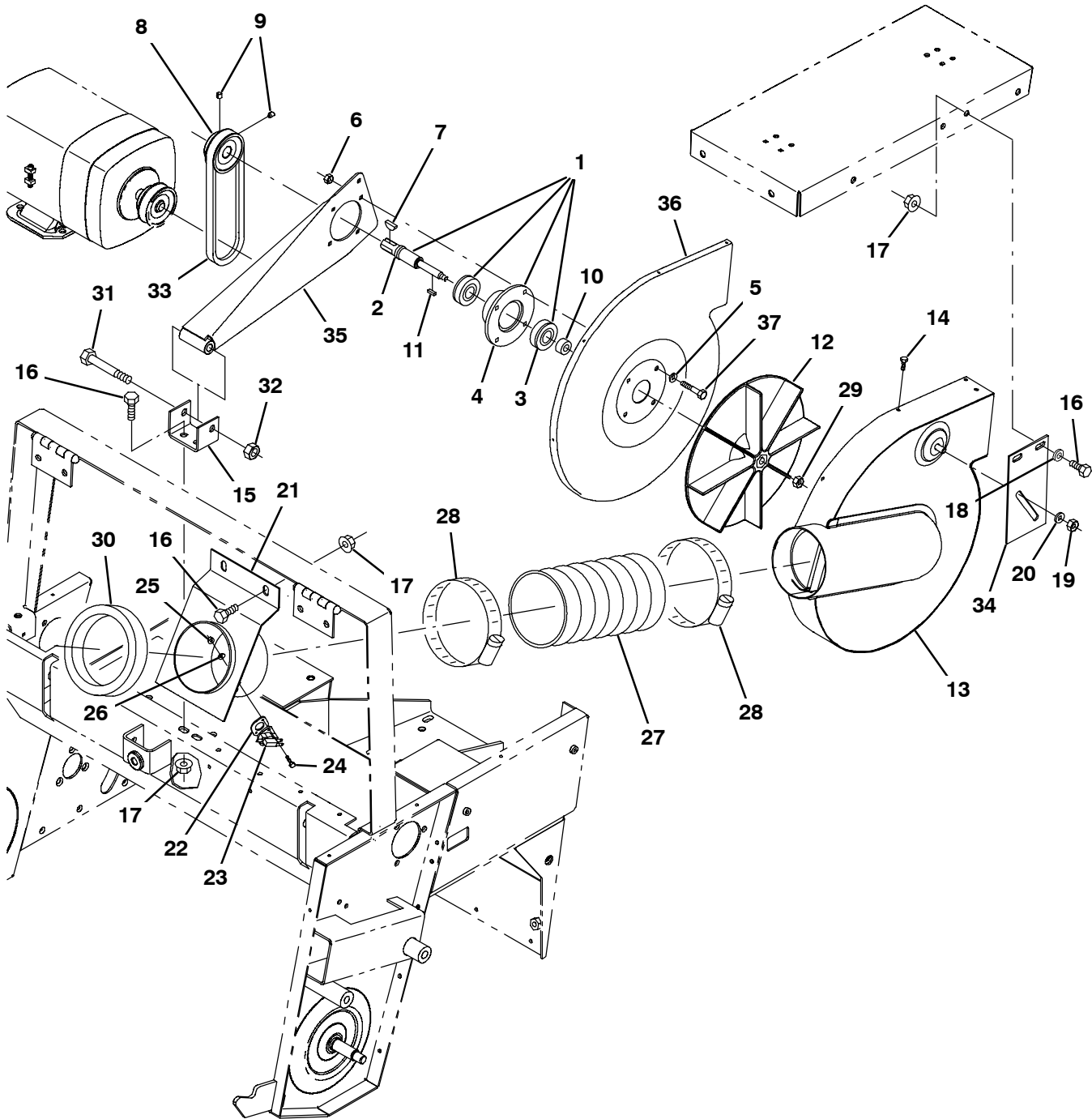


Fig. 14 - Vacuum Fan Group

Ref.	Part No.	Serial Number	Description	Qty.
▽	1	9004267	(000000-) Bearing Assy	1
▲	2	830279	(000000-) Shaft, Drive, Vacuum Fan	1
▲	3	32525	(000000-) Bearing, Ball, 0.67b 1.57d 0.47w	2
▲	4	830277	(000000-) Housing, Flng, Brg	1
	5	19066	(000000-) Washer, Flat, #10	4
	6	07790	(000000-) Nut, Hex, Flng, M6 X 1.00	4
	7	00500-4	(000000-) Key, Woodruff, 0.12 0.50 [Asa#0404]	1
	8	1042575	(000000-) Sheave, 01grv, 1.8/2.1pd 0.63b [3l/4l]	1
	9	46820	(000000-) Screw, Set, .31-18 X 0.38, NI	2
	10	830233	(000000-) Sleeve	1
	11	00960	(000000-) Key, Sq, 0.12 X 0.12, 0.50l	1
	12	08143	(000000-) Impeller, 9.00d X 0.376b	1
	13	830240	(000000-) Housing Wldt, Vac Fan	1
	14	41189	(000000-) Screw, Hex, #06-20 X 0.38, Fmg [Ab]	9
	15	830244	(000000-) Bracket, Fan Pivot	1
	16	16931	(000000-) Screw, Hex, M8 X 1.25 X 20, 8.8	4
	17	07791	(000000-) Nut, Hex, Flng, M8 X 1.25	4
	18	41185	(000000-) Washer, Flat, Belleville, .25	2
	19	08709	(000000-) Nut, Hex, Lock, M8 X 1.25, NI	1
	20	32491	(000000-) Washer, Flat, 0.31, Std	1
	21	830246	(000000-) Adaptor Wldt, Filter To Fan	1
	22	82733	(000000-) Gasket, Sensor, Thermal	1
	23	02712	(000000-) Sensor Assy, Thermal, 140deg, Nc [Reset]	1
	24	763025	(000000-) Screw, Hex, M5 X 0.8 X 10, FI	2
	25	06549	(000000-) Nut, Hex, Lock, M5 X 0.80, NI	2
	26	01684	(000000-) Washer, Flat, 0.27b 0.69d .05, Ss	2
	27	23481	(000000-) Hose, Flex, Vacuum, 04.0d, 005.0l	1
	28	23498	(000000-) Clamp, Hose, Wormdrive, 3.56-4.50d, .50w	2
	29	08709	(000000-) Nut, Hex, Lock, M8 X 1.25, NI	1
	30	47069	(000000-) Seal, Rbr, Clsd, 1.00, 4.9d 03.9h	1
	31	763054	(000000-) Screw, Hex, M10 X 1.5 X 75, 8.8	1
	32	41430	(000000-) Nut, Hex, Lock, M10 X 1.5, NI	1
	33	60470	(000000-) Belt, V, 19.0l, Cogged [4l]	1
	34	830251	(000000-) Plate, Backing	1
	35	830239	(000000-) Bracket Wldt, Mtg. Vac Fan	1
	36	830406	(000000-) Plate, Backing, Fan Housing	1
	37	06943	(000000-) Screw, Hex, M6 X 1.0 X 20, 8.8	4

Fig. 15 - Covers Group

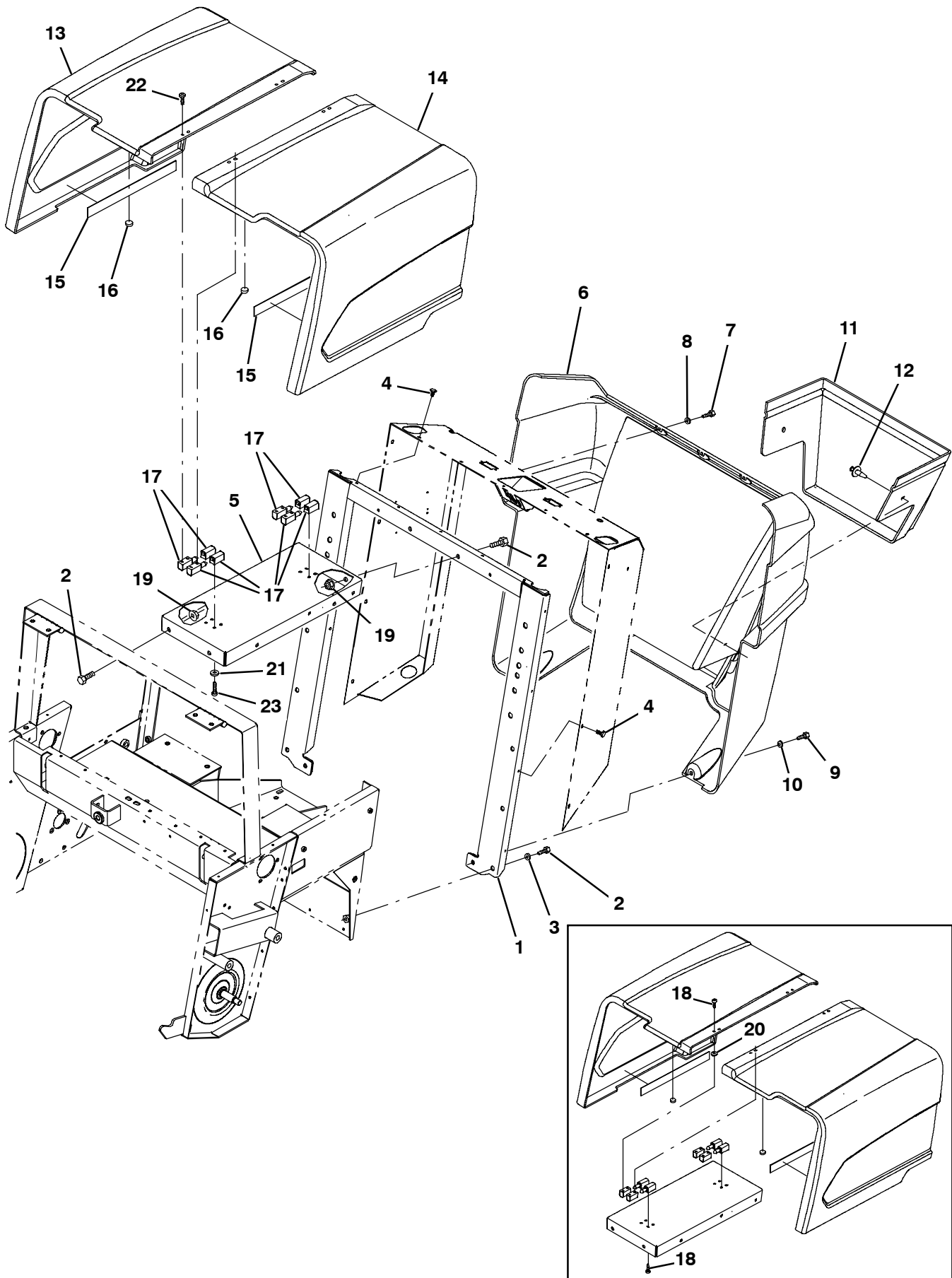
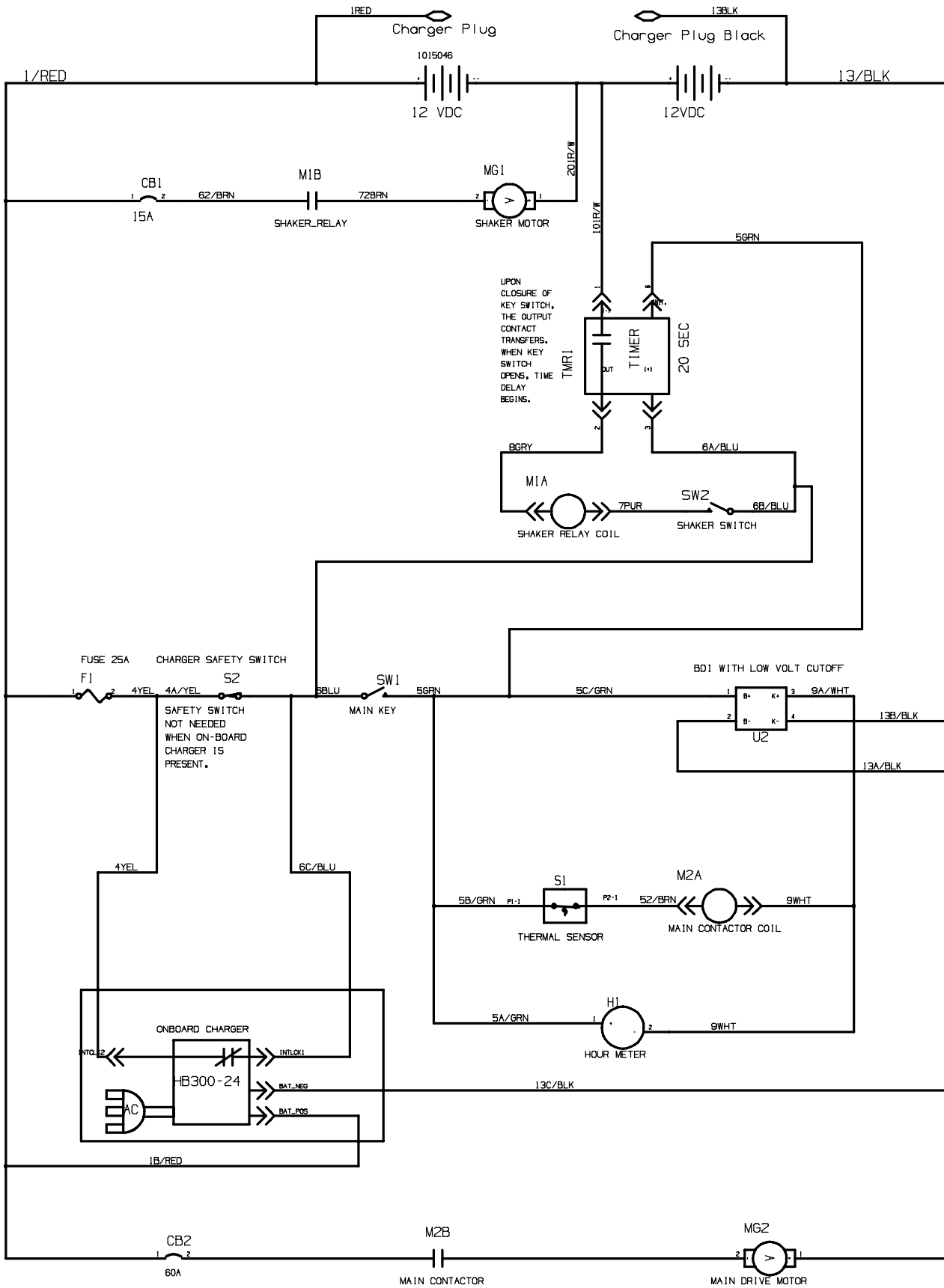


Fig. 15 - Covers Group

Ref.	Part No.	Serial Number	Description	Qty.
1	830049	(000000-) Support, Rear	1
2	16931	(000000-) Screw, Hex, M8 X 1.25 X 20, 8.8	9
3	32491	(000000-) Washer, Flat, 0.31, Std	6
4	223198	(000000-) Screw, Hex, M5 X 0.8 X 10, Fmg	13
5	1041121	(000000-) Channel Wldt, Center W/Labels Na	1
5	1041124	(000000-) Channel Wldt, Center W/Label Ce	1
6	830106	(000000-007389) Cover, Rear	1
6	1047834	(007390-) Cover, Rear, Pntd	1
7	763025	(000000-) Screw, Hex, M5 X 0.8 X 10, FI	3
8	01683	(000000-) Washer, Flat, 0.22b 0.50d .05, Ss [#10]	3
9	11329	(000000-) Screw, Hex, M6 X 1.0 X 16, Ss, NI	2
10	19066	(000000-) Washer, Flat, #10	2
11	830108	(000000-007389) Cover, Pocket	1
11	1047830	(007390-) Cover, Pocket, Pntd	1
12	72968	(000000-) Rivet, Plstc, .250d X 0.90	2
13	1040831	(000000-007389) Cover, Rh, W/ Label Rep.by1047815	1
13	1047815	(007390-) Cover, Rh, Pntd, W/ Label	1
14	1040817	(000000-007389) Cover, Lh, W/ Label [S10] Rep.by1047810	1
14	1047810	(007390-) Cover, Lh, Pntd, W/ Label [S10]	1
15	09367	(000000-) Magnetic Strip Flex 1.0 .06 11	2
16	64757	(000000-) Bumper, Rbr, Adh, 0.50d 0.14th	6
17	830448	(000000-) Hinge, Lift Off, In-line	4
18	06932	(000000-007100) Screw, Pan, M5 X 0.80 X 10, 4.8	16
19	07791	(000000-) Nut, Hex, FIng, M8 X 1.25	3
20	01683	(000000-007100) Washer, Flat, 0.22b 0.50d .05, Ss [#10]	8
21	01683	(007101-) Washer, Flat, 0.22b 0.50d .05, Ss [#10]	8
22	06932	(007101-) Screw, Pan, M5 X 0.80 X 10, 4.8	8
23	06931	(007101-) Screw, Pan, M5 X 0.80 X 6, 4.8	8

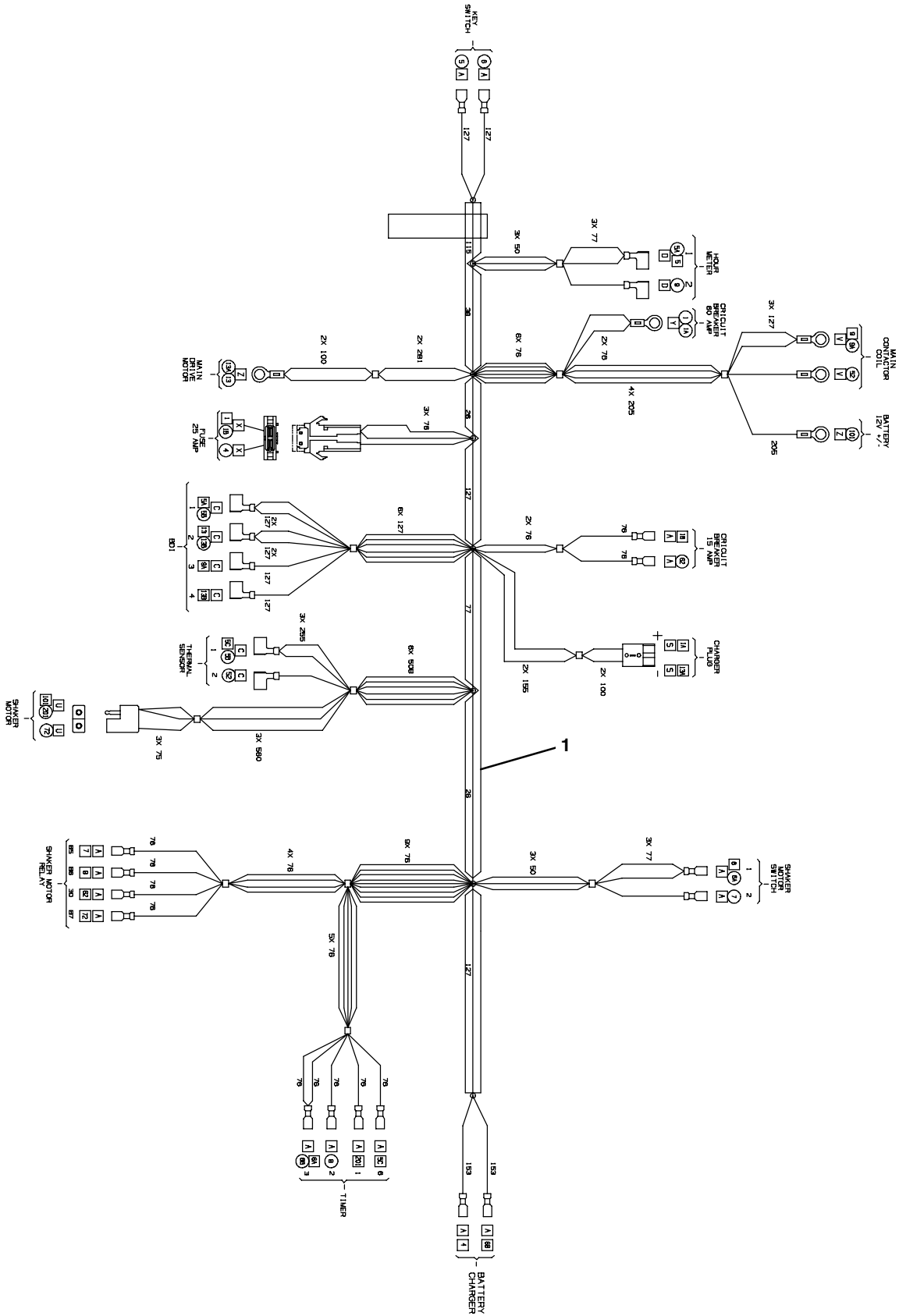
Fig. 16 - Electrical Schematic



NOTES: 1. ALL WIRES EQUAL 18AWG EXCEPT WHERE LISTED.

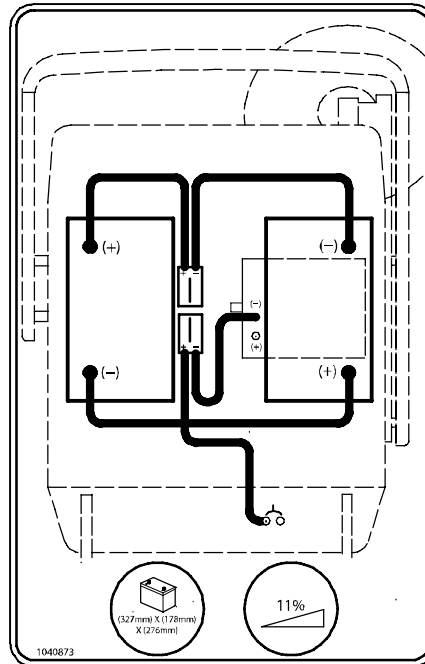
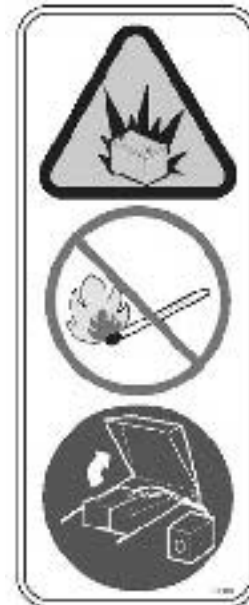
1040284 - ALL

Fig. 17 - Wire Harnesses Group



Ref.	Part No.	Serial Number	Description	Qty.
1	1035897	(000000-)	Harness, Main, 24vdc [S10]	1

Fig. 18 - Label Group



354574

Ref.	Part No.	Serial Number	Description	Qty.
1	830449	(00000-)	Label, Set, Info/Hzrd, Na, Tw	1

Fig. 19 - Documentation Group

Ref.	Part No.	Serial Number	Description	Qty.
	331580	(000000-) Oprtr, Manual, En [S10]	1
	331581	(000000-) Manual, Parts [S10, En]	1
	331582	(000000-) Oprtr, Manual, Es [S10]	1
	331583	(000000-) Oprtr, Manual, Fr [S10]	1
	331584	(000000-) Oprtr, Manual, Jp [S10]	1
	331587	(000000-) Oprtr, Manual, Cn [S10]	1
	331585	(000000-) Service, Manual, En [S10]	1
	1039731	(000000-) Video, Oprtr, Dvd [S10]	1
	1040301	(000000-) Wall Chart [S10]	1

SECTION 3

CONTENTS	PAGE
PART NUMBER TO PAGE NUMBER CROSS REFERENCE LIST	3-2
PART DESCRIPTION TO PAGE NUMBER CROSS REFERENCE LIST	3-4

CROSS REFERENCE

PART NUMBER TO PAGE NUMBER CROSS REFERENCE LIST

Part Number	Page Number	Part Number	Page Number	Part Number	Page Number
00500-1	2-9	09162	2-7, 2-11	1047839	2-27
00500-4	2-7, 2-29	09206	2-19	1049343	2-19
00911	2-11, 2-15	09291	2-25	10632-12	2-19, 2-23
00960	2-29	09338	2-21	11329	2-9, 2-15, 2-31
01064	1-1, 2-27	09367	2-31	11398	2-7
01094	2-19	09480	2-5	12312	2-13
01112	2-7	09738	2-5	12768	2-25
01119	1-1, 2-7	09740	2-15	130773	2-19, 2-27
01120	1-1, 2-7	09744	2-25	140841	2-19
01139	2-17	1014295	2-19	14330	2-17
01150	2-7	1014572	2-21	15173	2-15
01192	2-7	1016331	2-19	16411	1-1
01199	2-7	1016421	2-11	16412	1-1
01272	2-25	1016712	2-21	16931	2-7, 2-19, 2-27, 2-29, 2-31
01318	2-5	1025642	2-19	18136	2-11, 2-13
01319	2-27	1028508	2-19	18276	2-11
01320	2-27	1030120	2-19	19066	2-13, 2-29, 2-31
01335	2-27	1035897	2-33	20050	2-11, 2-13
01513	2-11	1036763	2-5	20170	2-23
01683	2-5, 2-31	1037095	2-23	20634	2-27
01684	2-5, 2-9, 2-13, 2-15, 2-19, 2-25, 2-29	1037127	2-23	21197	2-7
01708	2-5, 2-27	1037137	2-23	21198	2-7
01760	2-9, 2-25, 2-27	1037206	1-1, 2-27	222282	2-21
02076	2-19	1037254	2-27	222467	2-5
02712	2-29	1037475	2-7	222504	2-23
03292B	2-25	1037961	2-23	222684	2-21
06121	2-27	1037962	2-23	223198	2-5, 2-31
06549	2-5, 2-29	1037963	2-23	23217	2-11, 2-13
06660	2-27	1038292	2-7	23481	2-29
06924	2-19	1039471	2-19	23498	2-29
06931	2-31	1039472	2-21	24592	2-5
06932	2-31	1039612	2-23	24597	2-9
06942	2-5	1039731	2-35	25014	2-17
06943	2-13, 2-19, 2-29	1040301	2-35	25887	2-9
06944	2-9	1040817	2-31	26103	2-11, 2-13
06946	2-9	1040831	2-31	26212	2-7
06955	2-17	1040860	2-19	26239	2-11, 2-13
06976	2-5	1040896	2-21	28002	2-3
07514	2-19	1040960	2-21	28006	2-3
07785	2-7	1040967	2-25	28006N	2-3
07786	2-15	1040987	2-25	28007P	2-3
07789	2-15, 2-23	1041031	2-27	28072	1-1, 2-5
07790	2-5, 2-19, 2-29	1041121	2-31	28078	2-15
07791	2-5, 2-7, 2-19, 2-23, 2-29, 2-31	1041124	2-31	28096N	2-3
07807	2-19	1041538	2-19	28096P	2-3
08057	2-5	1041904	2-19	28121	2-15
08142	2-9	1042370	2-19	28168	1-1, 2-11
08143	2-29	1042573	2-15	28172	2-3
08156	2-5, 2-27	1042575	2-7, 2-29	28235	2-3
08157	1-1, 2-27	1042655	2-7	28272	1-1, 2-9
08182	2-25	1044996	2-15	28277-1	1-1, 2-5
08708	2-9, 2-11, 2-13	1045005	2-15	28277-2	1-1, 2-5
08709	2-7, 2-17, 2-25, 2-27, 2-29	1045949	2-27	28387	2-11
08711	2-7, 2-9	1047102	2-27	28388	2-11
09010	2-5	1047810	2-31	28499	2-5
		1047815	2-31	28546	2-9
		1047830	2-31	28712	1-1, 2-15
		1047834	2-31		

CROSS REFERENCE

Part Number	Page Number	Part Number	Page Number	Part Number	Page Number
28714	1-1, 2-7	48996	2-7	830131	2-17
28852	2-13	49443	2-19	830132	2-11, 2-13
28862	2-13	49548	2-19	830135	2-11, 2-13
28865	2-9	49708	2-15	830136	2-13
28867	2-11	50902	2-7	830137	2-13
28868	2-13	50909	2-23	830142	2-13
29005	2-17	51137	2-9	830149	2-11
29545	2-23	51787	2-25	830153	2-7
29982	2-5, 2-19	52508	2-23	830154	2-7, 2-15
30147	2-9	54121	2-27	830156	2-7
30174	2-9	55130	2-27	830161	2-15
30205	2-7	55248	2-27	830163	2-11
31172	2-27	57496	2-9	830171	2-15
32490	2-15, 2-23	57751	2-21	830196	2-9
32491	2-5, 2-7, 2-17, 2-19, 2-23, 2-25, 2-27, 2-29, 2-31	57803	2-21	830197	2-9
32492	2-25	579211	2-21	830205	2-9
32520	2-17	58311	2-23	830206	2-9
32525	2-29	58494	2-27	830207	2-9
32960	2-23	60470	1-1, 2-29	830210	2-9
32966	2-25	61290	2-9	830214	2-9
32983	2-9	61411	1-1, 2-9	830217	2-25
32984	2-15	63266	2-21	830221	2-25
331580	2-35	64595	2-27	830223	1-1, 2-25
331581	2-35	64757	2-31	830229	2-25
331582	2-35	69582	2-23	830230	2-9
331583	2-35	72968	2-31	830233	2-29
331584	2-35	763025	2-15, 2-29, 2-31	830239	2-29
331585	2-35	763054	2-29	830240	2-29
331587	2-35	763121	2-5	830244	2-29
33401	2-15	76570	2-23	830246	2-29
33932	2-19	82733	2-29	830251	2-29
360826	2-5	830000	2-5	830262	2-27
361339	2-5, 2-9, 2-17, 2-19	830006	2-5	830270	2-27
361896	2-7	830010	1-1, 2-5	830277	2-29
368412	2-25	830011	1-1, 2-5	830279	2-29
375120	2-19	830012	1-1, 2-5	830342	2-11
377537	1-1	830013	1-1, 2-5, 2-25	830343	2-11
377538	1-1	830027	2-5	830345	2-11
377540	1-1	830029	2-5	830346	2-11
378764	2-19	830030	2-5	830350	2-9, 2-11
39005	2-23	830031	2-5	830353	2-11
39312	2-5	830034	2-5	830406	2-29
39349	2-9, 2-25	830043	2-23	830419	2-27
39562	2-17	830049	2-31	830420	2-5
39658	2-19	830055	2-7	830448	2-31
40352	2-17	830059	2-7	830449	2-34
41185	2-19, 2-29	830060	2-7	830491	2-9
41189	2-29	830062	2-7	830492	2-27
41305	2-5	830072	2-5	86421	2-19
41345	2-5	830090	2-19	89244	2-23
41430	2-29	830093	2-7	9004024	2-9
41578	2-19	830094	2-19	9004025	2-11
43954	2-17	830099	2-7	9004026	2-27
44893	2-27	830106	2-31	9004027	2-15
45154	2-3	830107	2-27	9004267	2-29
45181	2-21	830108	2-31		
46820	2-7, 2-29	830123	2-17		
47069	1-1, 2-29	830126	2-17		
48991	2-21	830128	2-17		
		830129	2-17		

PART DESCRIPTION TO PAGE NUMBER CROSS REFERENCE LIST

A

Adaptor Wldt, Filter To Fan, 2-29
 Angle, Stop, 2-5, 2-9
 Arm Wldt, Sppt, Brush, Side, 2-15
 Arm, Drive, Brush, Machining, 2-11
 Arm, Shaft Assy, Idler, 2-7
 Arm, 2-13
 Assy, Door [Mantis], 2-5
 Assy, Lip Pan, 1-1, 2-5, 2-25

B

Balljoint, .31-24 Fem, .31-24 Mal, Qdc, 2-23
 Battery, Wet, 12vdc 0155ah, W/O Carton, 2-19
 Bearing Assy, 2-29
 Bearing, Ball, 0.67b 1.57d 0.47w, 2-29
 Bearing, Ball, 2-9, 2-11
 Bearing, W/ Collar, 0.75b 1.85d 1.06w, 2-9
 Bearing, W/ Shaft, 1.18d 3.3l 0.63, 2-13
 Bearing, W/ Shaft, 1.18d 6.3l 0.63, 2-11
 Belt, Flat, 1.25w X 33.50, 1-1, 2-7
 Belt, Flat, 1.25w X 38.80, 1-1, 2-7
 Belt, V [A-16, Hy-T], 1-1, 2-11
 Belt, V, 19.0l, Cogged [4], 1-1, 2-29
 Belt, V, 34.5l, Spcl [3], 1-1, 2-7
 Belt, V, 74.0l [3], 1-1, 2-15
 Bolt, .38-16, Pivot, Dir Cntrl, 2-7
 Bolt, Carriage, .31-18 X 0.75, 2-9
 Bolt, Carriage, .31-18 X 1.50, 2-25
 Bolt, Carriage, .38-16 X 2.50, 5, 2-7
 Boot, 90deg .50id .57id X .84id 1.0l,Blk, 2-19
 Boot, Dome, .72id .72l, Clear, 2-21
 Bracket Wldt, Mtg, Vac Fan, 2-29
 Bracket, Charger, Battery, 2-19
 Bracket, Charger, 2-19
 Bracket, Fan Pivot, 2-29
 Bracket, Holder, Fuse, 2-19
 Bracket, Motor Mount, 2-7
 Breather, Hyd, 0.12npt, 2-15
 Brush Assy, Disk, Swp, 15.0 D, Nyl, 2-3
 Brush Assy, Disk, Swp, 15.0 D, Polypropylene, 2-3
 Brush, Swp, 26l, 6 Dr, Nylon, 2-3
 Brush, Swp, 26l, 6 Dr, Polypropylene, 2-3
 Brush, Swp, 26l, 6 Dr, Umx Wire, 2-3
 Brush, Swp, 26l, 6 Dr, Umx, 2-3
 Brush, Swp, 26l, 18 Sr, Umx Wire, 2-3
 Brush, Swp, 26l, 18 Sr, Umx, 2-3
 Bumper Wldt, 2-5
 Bumper, Rbr, 0.6d 0.34th 0.3d Tip, 2-25
 Bumper, Rbr, Adh, 0.50d 0.14th, 2-31
 Bumper, Shagr, 2-27
 Bushing, 2-11, 2-13

C

Cable, 06ga 12.0l Blk .38ring /.38ring, 2-19
 Cable, 06ga 27.0l Blk .34ring /.34ring, 2-19
 Caster, Swivel, 5.0d 2.0w, 4hole, Gray, 2-5
 Chain, Rlr, #41, 075 Pitches, 1-1, 2-9
 Chain, Sash, #35, 03.5l 06 Link, 2-5
 Chain, Sash, #35, 06.0l 11 Link, 2-27
 Channel Wldt, Center W/Label Ce, 2-31
 Channel Wldt, Center W/Labels Na, 2-31
 Charger, 24vdc 11a 100/240vac 50/60hz, 2-19
 Circuitbreaker, 15.0a, Resetable, 2-21
 Circuitbreaker, 60.0a [Resetable], 2-19
 Clamp, Conduit, 2-17
 Clamp, Hose, Wormdrive, 3.56-4.50d, .50w, 2-29
 Clevis, Adj, 0.31pin, 0.31-24, 2-23
 Clip, Grip, Hose, 0.75-1.12, Blk Vyl,Stl, 2-19
 Clip, Safety, Gasspring, 2-27
 Connector, Anderson, 50a, Red, 2-19
 Contactor, 24vdc, 60a, Spno, 2-19
 Cord, Power, 16/3, 4.5 Meters, Blk [Us], 2-19
 Countershaft, 2-9
 Coupling, Half, 2-9
 Cover Assy, Filterbox [S10], 2-27
 Cover Wldt, Filterbox, 2-27
 Cover, Front W/Label, 2-27
 Cover, Lh, Pntd, W/ Label [S10], 2-31
 Cover, Lh, W/ Label [S10] Rep.by1047810, 2-31
 Cover, Pocket, Pntd, 2-31
 Cover, Pocket, 2-31
 Cover, Rear, Pntd, 2-31
 Cover, Rear, 2-31
 Cover, Rh, Pntd, W/ Label, 2-31
 Cover, Rh, W/ Label Rep.by1047815, 2-31
 Cover, Right Side, 2-5
 Cover, Wldt Lh, 2-5

D

Differential, 2-9

E

Eight, Eccentric, 2-27

F

Filter, Panl, Dust, 2.2 X 16.0 X 26.0, 1-1, 2-27
 Filter, Panl, Syn, 2.7 X 16.0 X 26.0, 2-27
 Filterbox Wldt, 2-27
 Finger, 2-13
 Fitting, Grease, Str 6mm, 2-11, 2-13

Flange, Brg, 1.8id 3h, 2-9
 Frame Wldt, Main, 2-5

G

Gasket, Sensor, Thermal, 2-29
 Gasket, 2-15
 Gasspring, 150lb, 06.3strk, 2-27
 Gauge, Hourmeter, 14-48vdc, Lcd, Rt.,1hr, 2-21
 Gearbox Kit, Brush, Side [S10], 2-15
 Gearbox, Reducer, 2-15
 Grip, Handle, Rnd, 2-25
 Grommet, Rbr, 0.38id, F/0.5h, .12 Matl, 2-19, 2-23
 Guide, Belt, 2-15
 Guide, Chain, Drive, Wheel, 2-9

H

Handle Weldment, Forward, Mantis, 2-23
 Handle Weldment, Main, Mantis, 2-23
 Handle Weldment, Reverse, Mantis, 2-23
 Handle, Brush Lift, 2-17
 Handle, Hopper Lift, 2-25
 Handle, Knuckle, 2-25
 Handle, Lift, 2-25
 Handle, Tee, 2-17
 Harness, Cable, Battery, 2-19
 Harness, Main, 24vdc [S10], 2-33
 Hinge, Lift Off, In-line, 2-31
 Hook, 2-27
 Hopper W/Label Ce, 2-25
 Hopper W/Label N/A, 2-25
 Hose, Flex, Vacuum, 04.0d, 005.0l, 2-29
 Housing Wldt, Vac Fan, 2-29
 Housing, Flng, Brg, 2-29
 Hub, Drive, Brush, Side, 0.6b 01.75 Bc, 2-3
 Hub, Wheel, Machined, 2-9

I

Impeller, 9.00d X 0.376b, 2-29
 Indicator, Battery, 24vdc, 1.73volt/Cell, 2-21

K

Key [Set Of 2], 2-21
 Key, Sq, 0.12 X 0.12, 0.50l, 2-29
 Key, Sq, 0.19 X 0.19, 0.75l, 2-11, 2-15
 Key, Woodruff, 0.09 0.50 [Asa#0304], 2-9
 Key, Woodruff, 0.12 0.50 [Asa#0404], 2-7, 2-29
 Knob Assy, Rnd, 1.38d .31-06 1.0l, Metal, 2-5, 2-19

L

Label, Set, Info/Hzrd, Na, Tw, 2-34
Lever Wldt, Brake, 2-5
Lever Wldt, Direction Control, 2-7
Link, Chain, Rlr, #41, 1-1, 2-9
Lintel Weldmt, 2-5

M

Magnetic Strip Flex 1.0 .06 11, 2-31
Manual, Parts [S10, En], 2-35
Motor, Ele, 12vdc 1375rpm 0.08hp 08.4a,
2-27
Motor, Ele, 24vdc 2000rpm 1.00hp 40.0a,
2-7
Mount, Cable Tie, 2-27

N

Nut, Hex, Flng, M5 X 0.80, 2-15, 2-23
Nut, Hex, Flng, M6 X 1.00, 2-5, 2-19,
2-29
Nut, Hex, Flng, M8 X 1.25, 2-5, 2-7, 2-19,
2-23, 2-29, 2-31
Nut, Hex, Jam, .25-20, 2-17
Nut, Hex, Jam, .31-24, 2-23
Nut, Hex, Jam, .38-16, Lh, 2-17
Nut, Hex, Lock, .31-18, NI, Thin, 2-9,
2-25, 2-27
Nut, Hex, Lock, .31-18, NI, 2-9
Nut, Hex, Lock, .31-24, NI, 2-23
Nut, Hex, Lock, .38-16, NI, 2-7
Nut, Hex, Lock, #10-24, NI, 2-21
Nut, Hex, Lock, M10 X 1.5, NI, 2-29
Nut, Hex, Lock, M12 X 1.75, NI, 2-7, 2-9
Nut, Hex, Lock, M3 X 0.50, Ss, 2-21
Nut, Hex, Lock, M4 X 0.70, NI, Ss, 2-19
Nut, Hex, Lock, M5 X 0.80, NI, 2-5, 2-29
Nut, Hex, Lock, M6 X 1.00, NI, 2-9, 2-11,
2-13
Nut, Hex, Lock, M8 X 1.25, NI, 2-7, 2-17,
2-25, 2-27, 2-29
Nut, Hex, M12x1.75, Lh
Rep.by069760115, 2-23
Nut, Hex, Std, .38-16, 2-17
Nut, Hex, Std, .38-24, 2-17
Nut, Hex, Std, M10 X 1.50, 2-5
Nut, Hex, Std, M3 X 0.50, A2, Ss, 2-19
Nut, Hex, Std, M6 X 1.00, A2, Ss, 2-7
Nut, Hex, Std, M8 X 1.25, Ss, 2-15

O

Oprtr, Manual, Cn [S10], 2-35
Oprtr, Manual, En [S10], 2-35
Oprtr, Manual, Es [S10], 2-35
Oprtr, Manual, Fr [S10], 2-35
Oprtr, Manual, Jp [S10], 2-35

P

Paint, Airdry, Blk, 12oz, 1-1
Paint, Airdry, Gray, 12oz, 1-1
Paint, Airdry, Iron Gray, 12oz, 1-1
Paint, Airdry, Off-White, 12oz, 1-1
Paint, Airdry, Teal, 12oz, Solid, 1-1
Panel, Instrument W/Label Ce, 2-21
Panel, Instrument W/Label N/A, 2-21
Pin, Clevis, 0.25d X 1.25l, 2-15
Pin, Clevis, 0.31d X 1.00l, 2-23
Pin, Clevis, 0.37d X 0.75l, 2-5
Pin, Clevis, 0.62d X 1.50l, 2-25
Pin, Cotter, .094 X 0.75, 2-23
Pin, Cotter, .125 X 1.00, 2-25
Pin, Dowel, 0.2502d X 1.50l, 2-11
Pin, Roll, .187d X 1.25l, .187/.192, 2-11,
2-13
Pin, Roll, .250d X 1.25l, .250/.256, 2-11,
2-13
Pin, Roll, .250d X 2.00l, .250/.256, 2-7
Pin, Roll, .312d X 1.87l, .312/.318, 2-11,
2-13
Pin, 2-11
Plate, Backing, Fan Housing, 2-29
Plate, Backing, 2-29
Plate, Chain Guide, 2-9
Plate, Directional, Pivot, Machined, 2-7
Plate, Hopper Catch, 2-25
Plate, Support Shaker, 2-27
Plug, Drive, Brush, 2-11
Plug, Idler, Brush, Machining, 2-13
Pulley, Assy, 2-7

R

Relay, 24vdc, 40a Spdt, 2-21
Retainer, Belt, 2-7
Retainer, Lip, 1-1, 2-25
Retainer, Rear Seal, 2-5
Retainer, Screw, 2-5, 2-27
Retainer, Skirt Lh, Side, 1-1, 2-5
Retainer, Skirt, Rh, Side, 1-1, 2-5
Retainer, 1-1, 2-5, 2-7, 2-11, 2-15
Rim, Half, 06.5 X 0.50 4.5bc/6bolt Inner,
2-9
Rim, Half, 06.5 X 0.50 4.5bc/6bolt Outer,
2-9
Ring, Retaining, Ext, 0.62d, Basic, 2-11,
2-13
Ring, Retaining, Int, 1.18d, [Inverted],
2-11, 2-13
Ring, Retaining, Int, 1.38d, Basic, 2-11
Ring, Split, 2-15
Rivet, Blind, .125d X 0.44 X .25d, Alm,
2-27
Rivet, Plstc, .250d X 0.90, 2-31
Rod, Brush Lift, 2-17
Rod, Lower, Dir Cntrl Link, 2-23
Rod, Propel Control, 2-23
Rod, Upper, Control Lever, 2-23

S

Screw, Flt, .38-16 X 0.75, Al, 2-7
Screw, Flt, M5 X 0.8 X 12, 10.9, 2-5
Screw, Flt, M6 X 1.0 X 20, Ss, 2-11
Screw, Hex, .38-16 X 1.00, G5, 2-7
Screw, Hex, .38-16 X 1.25, G5, 2-7
Screw, Hex, #06-20 X 0.38, Fmg [Ab],
2-29
Screw, Hex, #10-24 X 0.50, Tcut, 2-5,
2-27
Screw, Hex, #10-24 X 0.75, Fmg, 2-5
Screw, Hex, M10 X 1.5 X 20, Ss, 2-25
Screw, Hex, M10 X 1.5 X 60, Fl, 2-5
Screw, Hex, M10 X 1.5 X 75, 8.8, 2-29
Screw, Hex, M12 X 1.75 X 100, 8.8, 2-5
Screw, Hex, M12 X 1.75 X 25, 8.8, 2-5
Screw, Hex, M4 X 0.70 X 12, 8.8, 2-19
Screw, Hex, M5 X 0.8 X 10, Fl, 2-15,
2-29, 2-31
Screw, Hex, M5 X 0.8 X 10, Fmg, 2-5,
2-31
Screw, Hex, M5 X 0.8 X 12, 8.8, 2-13
Screw, Hex, M5 X 0.8 X 12, Ss, 2-5
Screw, Hex, M6 X 1.0 X 12, Ss, 2-25
Screw, Hex, M6 X 1.0 X 16, 8.8, 2-5
Screw, Hex, M6 X 1.0 X 16, Fmg, 2-5,
2-9, 2-17, 2-19
Screw, Hex, M6 X 1.0 X 16, Ss, NI, 2-9,
2-15, 2-31
Screw, Hex, M6 X 1.0 X 20, 8.8, 2-13,
2-19, 2-29
Screw, Hex, M6 X 1.0 X 25, 8.8, 2-9
Screw, Hex, M6 X 1.0 X 35, 8.8, 2-9
Screw, Hex, M8 X 1.25 X 20, 8.8, 2-7,
2-19, 2-27, 2-29, 2-31
Screw, Hex, M8 X 1.25 X 20, Flng, 2-7
Screw, Hex, M8 X 1.25 X 20, Ss, 2-15
Screw, Hex, M8 X 1.25 X 25, Ss, 2-5
Screw, Hex, M8 X 1.25 X 30, 10.9, 2-25
Screw, Hex, M8 X 1.25 X 30, 8.8, 2-23
Screw, Hex, M8 X 1.25 X 35, 8.8, 2-17
Screw, Hex, M8 X 1.25 X 50, Ss, Fl, 2-15
Screw, Hex, M8 X 1.25 X 55, Ss, 2-23
Screw, Level .38-16 X 2.50, 2-7
Screw, Pan, #10-24 X 1.25, G1, 2-21
Screw, Pan, #10-32 X 0.62, Phl, Ss, 2-19
Screw, Pan, M5 X 0.80 X 10, 4.8, 2-31
Screw, Pan, M5 X 0.80 X 6, 4.8, 2-31
Screw, Pan, Phl, M3 X 0.50 X 30, 4.8,
2-19
Screw, Set, .25-20 X 0.31, NI, 2-9
Screw, Set, .31-18 X 0.38, NI, 2-7, 2-29
Screw, Set, #10-24 X 0.25, NI, 2-27
Screw, Set, M6 X 1.0 X 8, NI, 2-11
Screw, Set, Soc, M6 X 1.00 X 8, NI, 2-7
Screw, Thumb, 2-27
Seal, Lip, 90, 1.3w . Grip 054.0l, 1-1,
2-27
Seal, Rbr, Clsd, 1.00, 4.9d 03.9h, 1-1,
2-29
Seal, Rbr, Open, 0.19, 0.38w 09.6l, 1-1,
2-5

CROSS REFERENCE

Seal, Rbr, Open, 0.19, 0.38w 19.2l, 1-1, 2-5
Seal, Rbr, Open, 0.50, 0.75w 92.0l Adh, 1-1, 2-27
Seal, 2-17
Sensor Assy, Thermal, 140deg, Nc [Reset], 2-29
Service, Manual, En [S10], 2-35
Shaft Wldmt, Brush Lift, 2-17
Shaft, Drive, Vacuum Fan, 2-29
Shaft, Long, 2-11
Shaft, Short, 2-13
Sheave Assy, Drive, Brush [S10], 2-11
Sheave Half, Inner, Machining, 2-11
Sheave, Half, Outer, 2-11
Sheave, 01grv, 02.5pd 0.62b [3l], 2-15
Sheave, 01grv, 1.8/2.1pd 0.63b [3l/4l], 2-29
Sheave, 1grv, 1.8/2.1pd 0.63b [3l/4l], 2-7
Sheave, Combination, 2-7
Sheave, Flat, 1.8d 1.38w 0.67b, 2-7
Sheave, Flat, 6.8d 1.42w 2.12b, 2-9
Sheave, Idler, Brush, Drive, Machining, 2-11
Skirt, Neo, .12, 03.00w 12.80l, 04/ SI, 1-1, 2-5
Skirt, Neo, .19, 02.88w 27.38l, 07/ SI, 2-5
Sleeve, Flex Vyl, .33id 05.3l, 2-27
Sleeve, 2-7, 2-9, 2-23, 2-29
Spacer, Directional Plate, 2-7
Spring, Extn, 0.41od 0.07wir 01.6l, 2-11
Spring, Extn, 0.56od 0.05wir 02.0l, 2-23
Spring, Extn, 0.62od 0.07wir 04.0l, 2-7
Spring, Extn, 1.10od 0.15wir 03.2l, 2-5
Spring, Torsion, 2-23
Sprocket, #41, 08tooth, 0.50b, 2-9
Sprocket, #41, 45tooth, 2.250b, 2-9
Strap, Cable, 2-19
Strap, Shaker Motor, 2-27
Strap, 2-19
Strip, Rbr, 0.06 03.90w 10.0l, 2-27
Strip, 2-17
Stud, Ball, .39d .31-16, Gasspring, 2-27
Support, Battery Tray, 2-7
Support, Rear, 2-31
Switch, Key, Spdt, 2-21
Switch, Toggle, 10a Spst, Sealed, 2-21

T

Tie, Cable, Nyl, 11.0l, .14w, 3.0 Max. D, 2-19, 2-27
Timer, 12vdc, 20 Sec, One-Shot, 2-21
Tip, Rbr, 0.94d 0.59b 0.88l, 2-5
Tire, 10.0x2.00 [Ehs], 2-9
Tray Wldt, Batt Lh, 2-19
Tray Wldt, Batt Rh, 2-19
Tube, 0.16id 0.38od 00.3l, Ss, 2-19
Tube, 2-5
Turnbuckle, Body, .38thread, 03.9l, 2-17

V

Video, Oprtr, Dvd [S10], 2-35

W

Wall Chart [S10], 2-35
Washer, Flat, #06, Ss, 2-19
Washer, Flat, #10, 2-29, 2-31
Washer, Flat, 0.22b 0.50d .05, Ss [#10], 2-5, 2-31
Washer, Flat, 0.25, Std, 2-15, 2-23
Washer, Flat, 0.27b 0.69d .05, Ss, 2-5, 2-9, 2-13, 2-15, 2-19, 2-25, 2-29
Washer, Flat, 0.31, Sae, 2-9, 2-25
Washer, Flat, 0.31, Std, 2-5, 2-7, 2-17, 2-19, 2-23, 2-25, 2-27, 2-29, 2-31
Washer, Flat, 0.34b 1.25d .11, Ss, 2-19
Washer, Flat, 0.38, Std, 2-25
Washer, Flat, 06, Ss, 2-19
Washer, Flat, 10, 2-13
Washer, Flat, Belleville, .25, 2-19, 2-29
Washer, Lock, Int, #10, Ss, 2-19
Washer, Lock, Int, 0.31, 2-15
Washer, Lock, Int, 04, 2-19
Washer, Rivet, 2-27
Washer, Sealing, M8, 2-27
Washer, Thrust, 0.63b 1.12d 0.06[Toring], 2-13
Washer, Wavy, 0.53b 0.81d .09, 2-23
Wheel Assy [S10], 2-9

Y

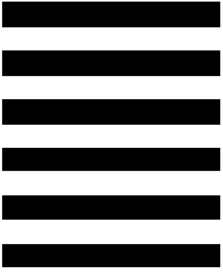
Yoke,End,Adjustable, 2-17



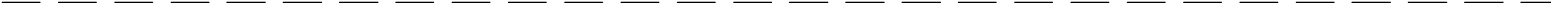
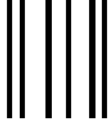
TENNANT COMPANY
 Technical Publications #15
 701 North Lilac Drive
 P.O. Box 1452
 Minneapolis, MN 55440-9947

POSTAGE WILL BE PAID BY ADDRESSEE

BUSINESS REPLY MAIL
 FIRST CLASS MAIL PERMIT NO. 94 MINNEAPOLIS, MN

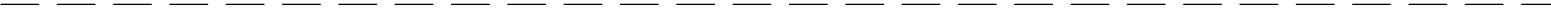


NO POSTAGE
 NECESSARY
 IF MAILED
 IN THE
 UNITED STATES



Fold along dotted lines

Tape here

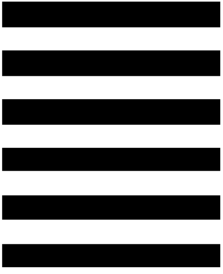




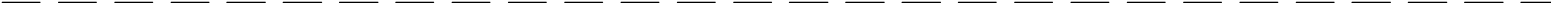
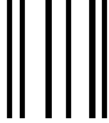
TENNANT COMPANY
 Technical Publications #15
 701 North Lilac Drive
 P.O. Box 1452
 Minneapolis, MN 55440-9947

POSTAGE WILL BE PAID BY ADDRESSEE

BUSINESS REPLY MAIL
 FIRST CLASS MAIL PERMIT NO. 94 MINNEAPOLIS, MN



NO POSTAGE
 NECESSARY
 IF MAILED
 IN THE
 UNITED STATES



Fold along dotted lines

Tape here

