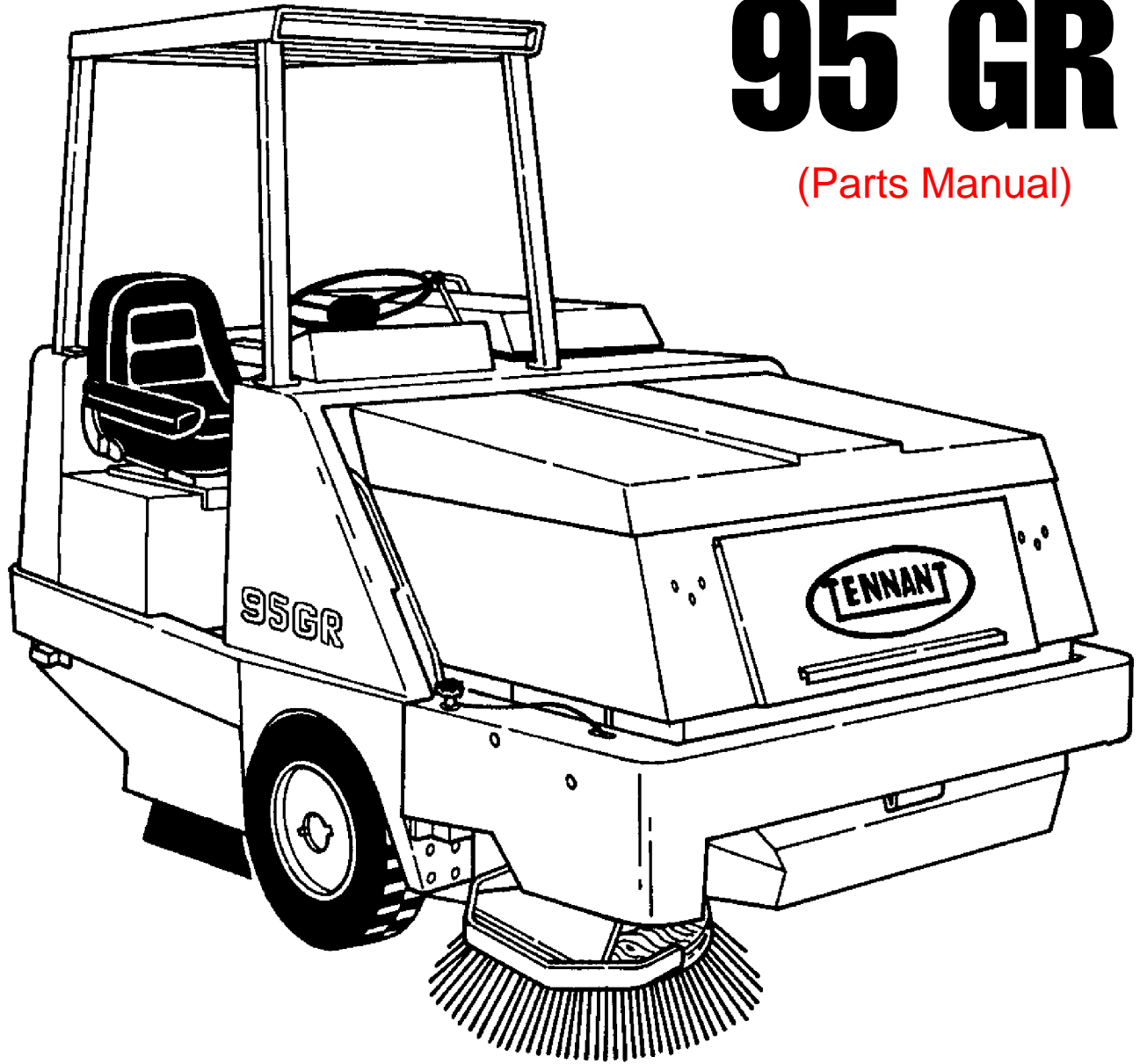




# 95 GR

(Parts Manual)





This manual is furnished with each new TENNANT® Model 95GR. It provides necessary operating and preventive maintenance instructions. Read this manual completely and understand the machine before operating or servicing it.

This manual covers all machine variations and standard accessories. The tabbed instruction portion of the manual consists of the Specification, Operation, Maintenance, and Appendix sections. The tabbed parts section consists of the Standard Model Parts, Accessories, Hydraulic Components, and Engine Parts sections.

All right side and left side references to the machine are determined by facing the direction of forward travel. All hardware considered to be of a common nature or locally available has been omitted from the parts sections. Be aware that this machine may contain metric hardware. Make sure you use equivalent hardware when replacement becomes necessary.

This machine will provide excellent service. However, the best results will be obtained at minimum costs if:

- The machine is operated with reasonable care.
- The machine is maintained regularly – per the maintenance instructions provided.
- The machine is maintained with Tennant Company supplied or equivalent parts.

Parts and supplies may be ordered by phone or mail from any Tennant Company parts and service center, distributor, or from any of the Tennant Company subsidiaries. Before ordering parts or supplies, be sure to have your machine model number and serial number handy. Fill out the data block below for future reference. The telephone numbers, telex numbers, mailing addresses, and locations of those outlets are listed in the Customer Documents section of the manual.

<b>MACHINE DATA</b>	
<i>Please fill out at time of installation.</i>	
Machine Serial Number –	_____
Engine Serial Number –	_____
Sales Representative –	_____
Customer Number –	_____
Date of Installation –	_____
Manual Number –	MM199
Revision:	00
Published:	10–89

05544

**Trademark Registered in:** Austria, Benelux, Denmark, England, France, Germany, Italy, Spain, Switzerland, United States, Argentina, Australia, Canada, Japan, Mexico, Sweden, by TENNANT COMPANY, Minneapolis, Minnesota, U.S.A.

**Acknowledgments:** Technical information and/or illustrations supplied by Teledyne Continental Motors, Industrial Products Division; Cessna Fluid Power Division; Eaton Corporation, Hydraulics Division.

Copyright 1989 Tennant Company, Printed in U.S.A.

## SECTION 5

## CONTENTS

	Page		Page
ORDERING REPAIR PARTS .....	5-3	Fig. 27 – Steering Control Group .....	5-39
Fig. 1 – Recommended General Maintenance Items .....	5-4	Fig. 28 – Front Wheels and Brakes Group ...	5-40
Fig. 2 – Replacement Brushes .....	5-5	Fig. 29 – Rear Wheel Assembly .....	5-42
Fig. 3 – Main Frame Group .....	5-6	Fig. 30 – Rear Wheel Support Group .....	5-43
Fig. 4 – Seat Group .....	5-8	Fig. 31 – Hydraulic System .....	5-44
Fig. 5 – Engine Side Door Group .....	5-10	Fig. 32 – Side Brush Motor Group .....	5-46
Fig. 6 – Engine Hood Assembly .....	5-12	Fig. 33 – Main Brush Control Valve Group ...	5-47
Fig. 7 – Overhead Guard Group .....	5-13	Fig. 34 – Hopper and Side Brush Control Valve Group .....	5-48
Fig. 8 – Lintel Group .....	5-14	Fig. 35 – Hydraulic Reservoir Group .....	5-50
Fig. 9 – Hopper Lift Arms Group .....	5-15	Fig. 36 – Hopper Dump Cylinder Group .....	5-52
Fig. 10 – Stabilizer Leg Assembly .....	5-16	Fig. 37 – Main Brush Cylinder Group .....	5-53
Fig. 11 – Speed Limiter Assembly .....	5-17	Fig. 38 – Hopper Lift Cylinder and Vacuum Fan Motor Group .....	5-54
Fig. 12 – Hopper Group .....	5-18	Fig. 39 – Main Brush Motor Group .....	5-55
Fig. 13 – Hopper Hinged and Dump Doors Group .....	5-20	Fig. 40 – Pump Group .....	5-56
Fig. 14 – Filter Box Assembly .....	5-22	Fig. 41 – Drive Motor Group .....	5-57
Fig. 15 – Side Brush Group .....	5-24	Fig. 42 – Hydraulic Filter Group .....	5-58
Fig. 16 – Bumper Group .....	5-26	Fig. 43 – Hydraulic Fluid Cooler Group .....	5-59
Fig. 17 – Main Brush Lift Group .....	5-27	Fig. 44 – Directional Control Group .....	5-60
Fig. 18 – Main Brush Idler Group .....	5-28	Fig. 45 – Hydraulic Hose Clamp Group .....	5-61
Fig. 19 – Main Brush Drive Group .....	5-29	Fig. 46 – Instrument Panel Assembly .....	5-62
Fig. 20 – Vacuum Fan Group .....	5-30	Fig. 47 – Electrical Box Cover Assembly .....	5-63
Fig. 21 – Air Cleaner Group .....	5-31	Fig. 48 – Labels Group .....	5-64
Fig. 22 – Engine Group .....	5-32		
Fig. 23 – Muffler Group .....	5-34		
Fig. 24 – Radiator Group .....	5-35		
Fig. 25 – Fuel Tank Group .....	5-36		
Fig. 26 – Battery Group .....	5-38		

*NOTE: SECTION 5, STANDARD MODEL PARTS, lists repair parts for a standard model, diesel powered machine.*



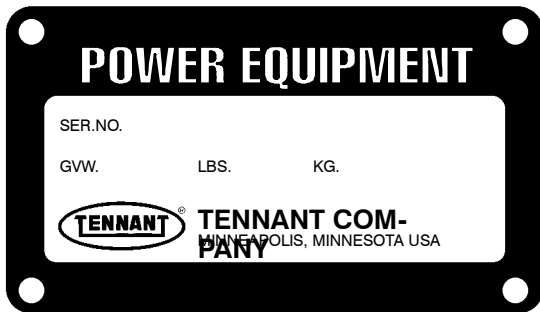
**ORDERING REPAIR PARTS**

The components used in this machine have been carefully selected for performance and safety. Use only Tennant Company specified or equivalent parts.

To receive prompt service in filling of your parts orders, please direct all orders for parts with Tennant Company part numbers to the Tennant Company, and all orders for parts with vendor part numbers to the local supplier of the respective vendor.

When ordering parts, please furnish all of the following information:

1. Machine model number - shown on the machine data plate.



2. Machine serial number - shown on the machine data plate.
3. Power source - gasoline, LPG, diesel, electric.
4. Company name.
5. Shipping address.
6. Billing address.
7. Name, first and last - of person ordering parts.
8. Telephone number.
9. Purchase order number.
10. Part number, description, and quantity - of each item on the order.
11. Customer ID Number.

Do not order parts by key number or the figure number of the illustrated parts. Indented items indicate parts of assemblies. Standard hardware is furnished only when part of a purchased assembly. Please get hardware from a local hardware supplier.

If the old part cannot be identified, send it to us with the quantity needed specified on the order.

Any claim for loss or damage to a shipment in transit should be filed promptly against the transportation company making the delivery. Shipments will be complete unless the packing list or order acknowledgement indicate items back ordered.

If parts received are suspected to be incorrect or defective, please write, wire, or phone the Tennant Company representative from whom you ordered the part. They will give authorization for return and/or handle replacement shipments when required.

**SERIAL NUMBER INFORMATION EXPLANATION**

Serial number listings are shown to indicate on which machines each part can be used. These listings are explained by the following examples:

(000000— ) The part can be used on all machines.

(003342— ) The part can be used on all machines beginning with the serial number listed.

(000000—004320) The part can be used on all machines up to and including serial number listed.

(004321—005678) The part can be used on all machines between and including the serial numbers listed.

Where xxxxxx's are listed in place of a serial number, it indicates a change was made but the exact serial number had not been established when the catalog went to press.

**SI UNITS OF MEASURE (INTERNATIONAL SYSTEM)**

Metric equivalents have been included, where applicable, throughout this parts catalog.

**FASTENER STRENGTH IDENTIFICATION**

Fasteners required to have high—strength qualities equivalent to SAE Grade 8 are identified throughout this catalog by the description GR 8. Unless identified by this description, all standard fasteners are SAE Grade 5.

(Specifications and design subject to change without notice.)

**Fig. 1 – Recommended General Maintenance Items**

Key	TENNANT® Part No.	Machine Serial Number	Description	Qty.
	16853	(000000– )	Element, Oil Filter	4
	34194	(000000– )	V–Belt	1
	52770–9	(000000– )	Element, Fuel Filter	1
	39929–3	(000000– )	Element, Air Cleaner	4
	62739–1	(000000– )	Element, Hydraulic Oil	1
	31315	(000000– )	Maintenance Kit, Skirts and Seals, Main Brush	1
	65079–1	(000000– )	Seal, Foam Rubber	2
	34535	(000000– )	Skirt, Side	2
	34772	(000000– )	Seal Package, Brush Door	1
	51090	(000000– )	Seal, Side Pan	2
	51091	(000000– )	Retainer, Side Seal	2
	65073	(000000– )	Skirt	1
	62111	(000000– )	Strip	1
	09342	(000000– )	Chain, Link	1
	62153	(000000– )	Blade, Deflector	1
	65076	(000000– )	Seal	2
	65107	(000000– )	Strip, Retainer	2
	47037	(000000– )	Adhesive, Tube, 5 oz (150 cc)	1
	31318	(000000– )	Maintenance Kit, Seals and Skirts, Hopper	4
	16788	(000000– )	Seal, Dust Door	1
	34685	(000000– )	Seal	1
	34686	(000000– )	Strip, Backing	2
	16784	(000000– )	Strip, Hopper Lip	1
	62752	(000000– )	Retainer, Lip Hopper	1
	34689	(000000– )	Seal, Door	1
	39587	(000000– )	Strip	1
	34681	(000000– )	Retainer, Seal	4
	34682	(000000– )	Seal	2
	34689	(000000– )	Seal, Door	1
	34690	(000000– )	Cord, Sponge	1
	34687	(000000– )	Plate, Wear	1
	47037	(000000– )	Adhesive, Tube, 5 oz (150 cc)	1
	34083	(000000– )	Seal, Foam Rubber	2
	34084	(000000– )	Seal, Foam Rubber	2
	34659	(000000– )	Gasket, Hopper Cover	1
	51163	(000000– )	Seal, Foam Rubber	1
	51164	(000000– )	Seal, Foam Rubber	1
	34074	(000000– )	Seal, Foam Rubber	2
	36844	(000000– )	Seal	2
	34759	(000000– )	Seal	2
	34760	(000000– )	Seal	2
	48651	(000000– )	Seal, Foam Rubber	1
	32571	(000000– )	Sealant, Tube, 10 oz (295 cc)	3

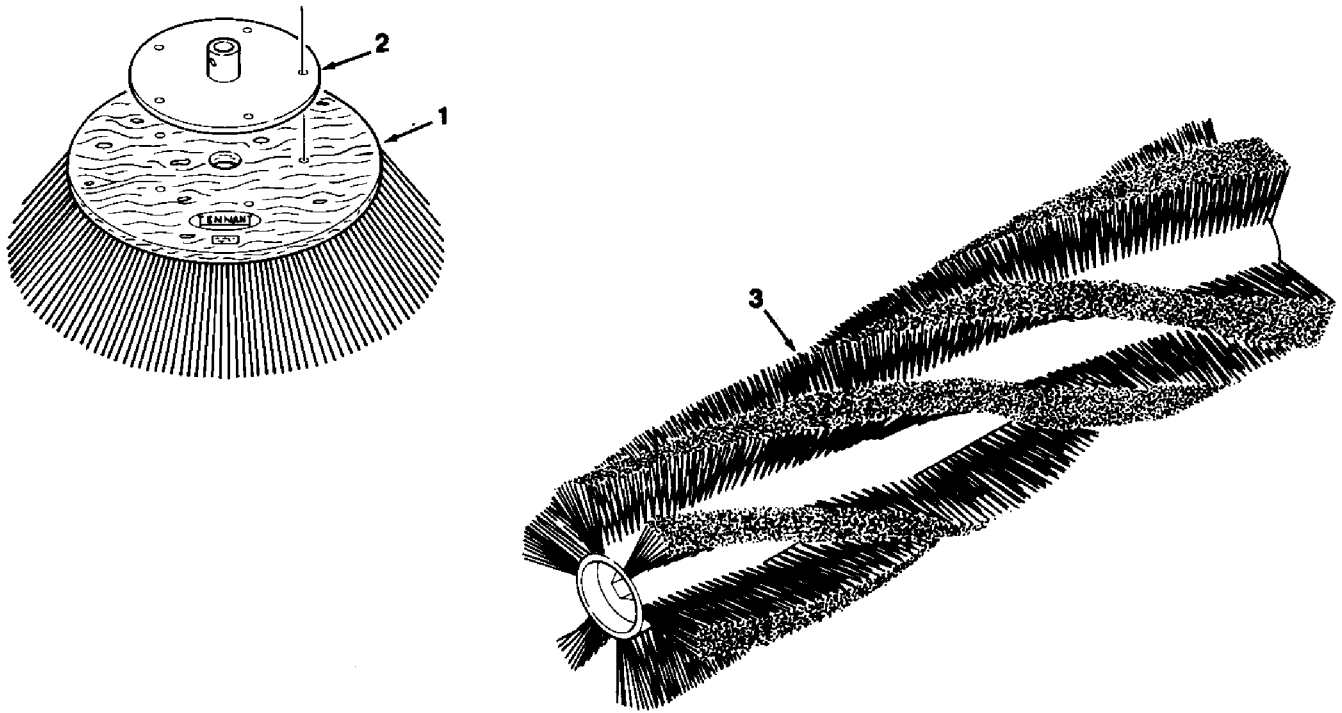


Fig. 2 – Replacement Brushes

04312

Key	TENNANT® Part No.	Machine Serial Number	Description	Qty.
1	51870N	(000000– )	Side Brush Assembly, Nylon	1
	51021N	(000000– )	Side Brush, Nylon	1
2	51963	(000000– )	Adaptor, Side Brush	1
	51939	(000000– )	Side Brush Assembly, Flat Wire	1
	51542	(000000– )	Side Brush, Flat Wire	1
	51963	(000000– )	Adaptor, Side Brush	1
3	51487	(000000– )	Main Brush, Proex	1
3	51567	(000000– )	Main Brush, Brite Wire	1
3	51709	(000000– )	Main Brush, Proex and Wire Mix	1
3	51887	(000000– )	Main Brush, Nylon, 4 Row	1
3	52287	(000000– )	Main Brush, Prostrain	1
3	52213	(000000– )	Main Brush, Nylon, 24 Row	1
	32654	(000000– )	Wire Brush, Light Duty	1
	32656	(000000– )	Wire Brush, Heavy Duty	1
	12876		Brush Kit, Flange Repair	1

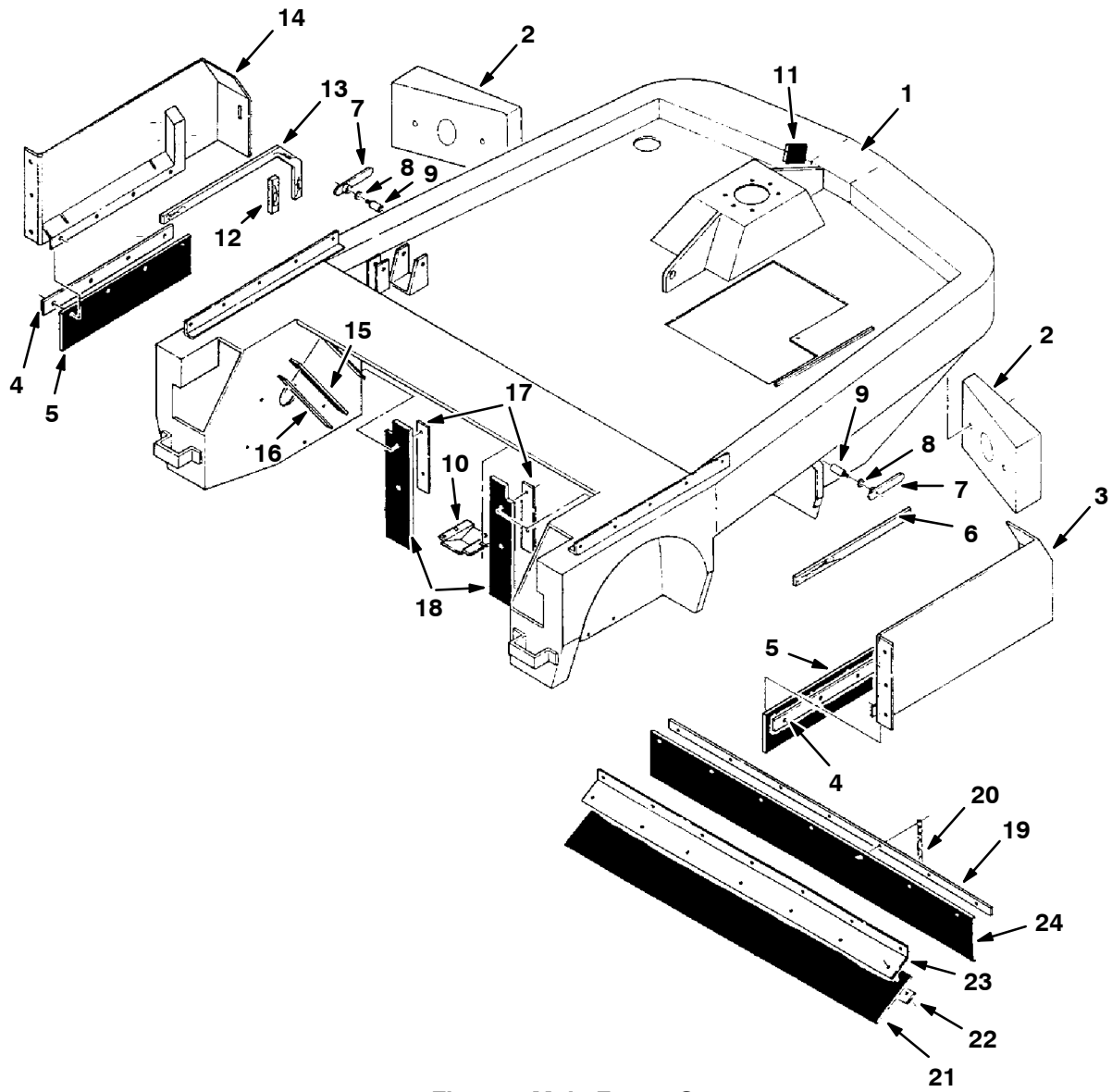


Fig. 3 – Main Frame Group



Fig. 3 – Main Frame Group

Key	TENNANT® Part No.	Machine Serial Number	Description	Qty.
1	04240	(000000– )	Frame, Main	1
2	52115	(000000– )	Counterweight	2
3	62504	(000000– )	Door, L.H.	1
4	51039	(000000– )	Retainer, Side Skirt	2
5	62477	(000000– )	Skirt, Side	2
6	78218	(000000– )	Seal, Foam Rubber	1
7	52290	(000000– )	Handle	2
8	52296	(000000– )	Washer, Nylon	2
9	62518	(000000– )	Pivot Assembly, Door Latch	2
10	34064	(000000– )	Ramp	1
11	36658	(000000– )	Pad, Rubber	1
12	78218–2	(000000– )	Seal, Foam Rubber	1
13	78218–1	(000000– )	Seal, Foam Rubber	1
14	62505	(000000– )	Door, R.H.	1
15	65076	(000000– )	Seal	2
16	65107	(000000– )	Strip, Retainer	2
17	51091	(000000– )	Retainer, Side Seal	2
18	51090	(000000– )	Seal, Side Pan	2
19	62111	(000000– )	Strip	1
20	09342	(000000– )	Chain	1
21	62290	(000000– )	Deflector, Rear	1
22	62644	(000000– )	Strip	1
23	62152	(000000– )	Bracket, Rear Deflector	1
24	65073	(000000– )	Skirt	1

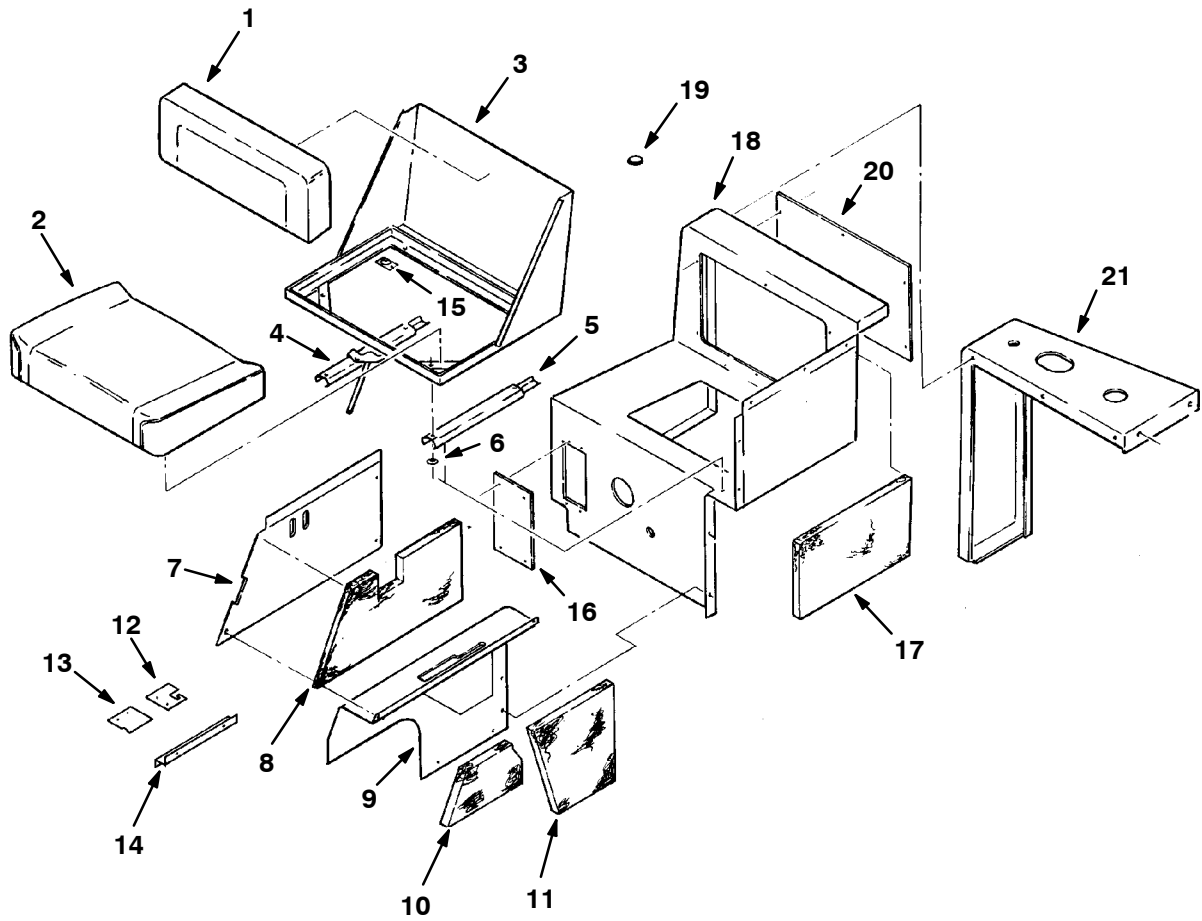


Fig. 4 - Seat Group

Fig. 4 – Seat Group

Key	TENNANT® Part No.	Machine Serial Number	Description	Qty.
1	51878	(000000– )	Seat, Backrest	1
2	51710	(000000– )	Seat, Bottom	1
3	51324	(000000– )	Frame, Seat	1
4	51458–1	(000000– )	Adjuster, Seat	1
5	51459	(000000– )	Adjuster, Seat	1
6	52615	(000000– )	Spacer, Seat Adjuster	3
7	76781	(000000– )	Panel, Access	1
8	62450	(000000– )	Insulation, Foam	1
9	62870–1	(000000– )	Dust Shield and Label Assembly	1
10	76764	(000000– )	Insulation, Panel	1
11	76763	(000000– )	Insulation, Panel	1
12	62869–1	(000000– )	Plate, Brush Speed, High	1
13	62868–1	(000000– )	Plate, Brush Speed, Low	1
14	62876	(000000– )	Cover, Brush Speed Control	1
15	62323	(000000– )	Offset, Seat Mount	1
16	62237	(000000– )	Cover, Access	1
17	51970–1	(000000– )	Insulation, Panel	1
18	76741	(000000– )	Support, Seat	1
19	47178	(000000– )	Plug Button	4
20	62333	(000000– )	Plate, Seat Back	1
21	39614	(000000– )	Panel, Right Rear Corner	1

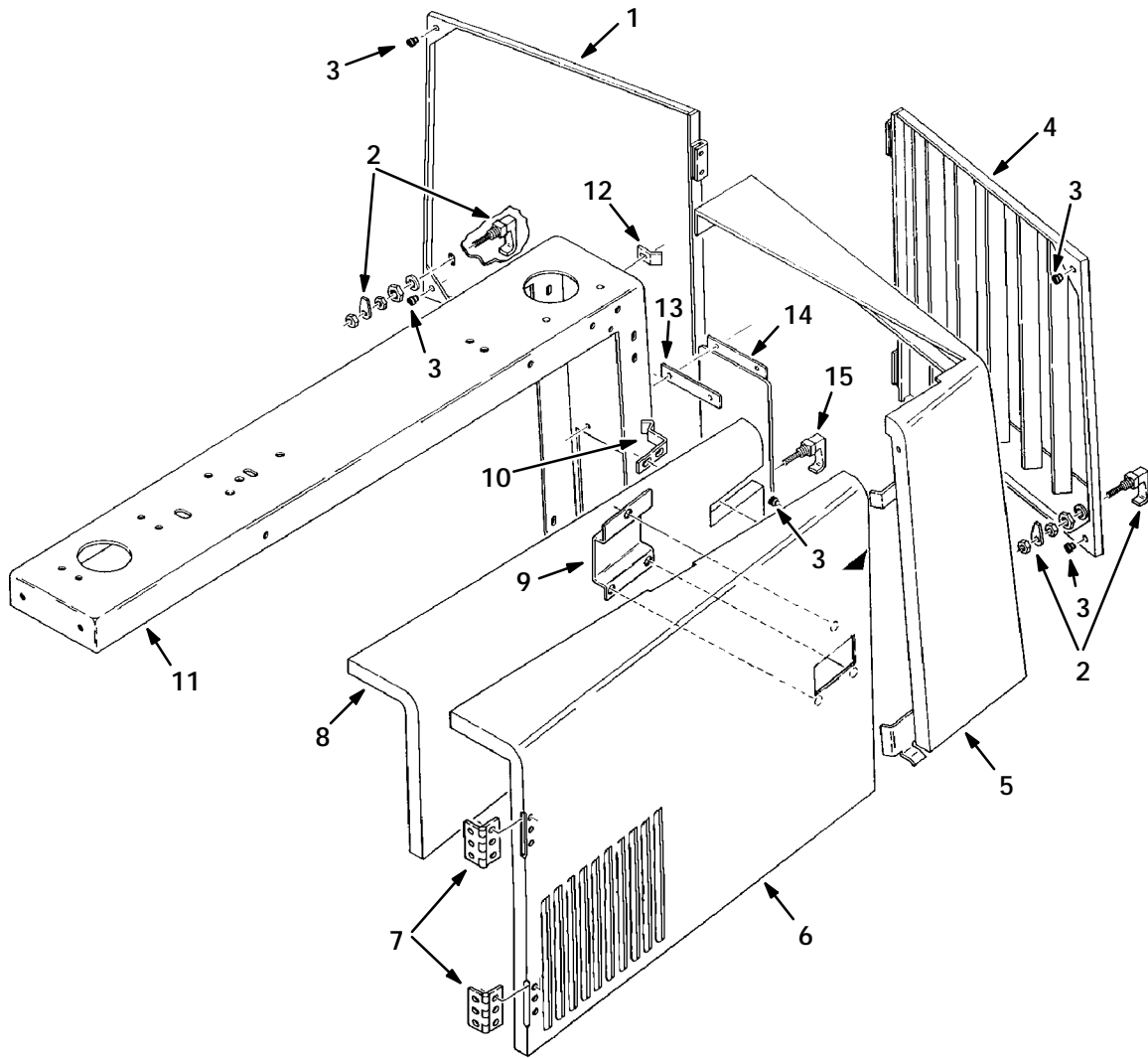
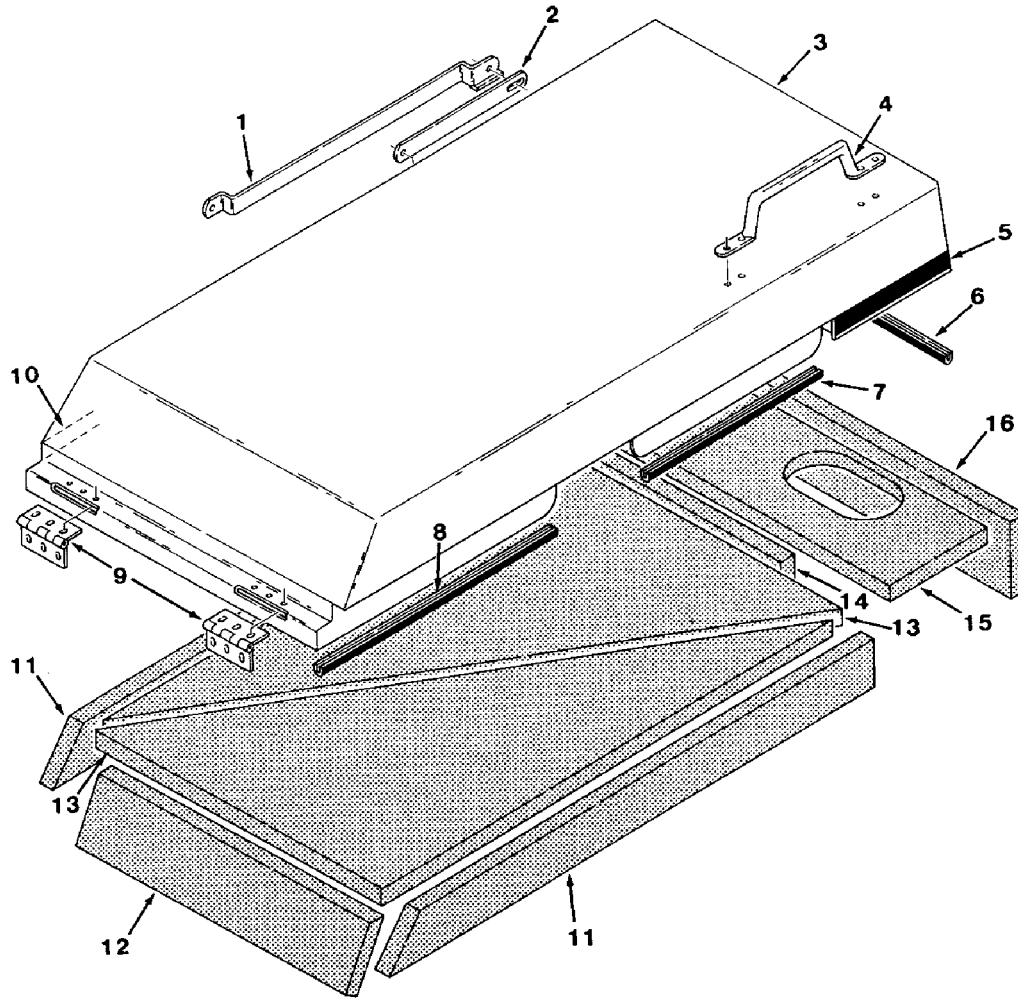


Fig. 5 -- Engine Side Door Group

Fig. 5 – Engine Side Door Group

Key	TENNANT® Part No.	Machine Serial Number	Description	Qty.
1	34275	(000000– )	Door, Rear, R.H.	1
2	51375–1	(000000– )	Latch, Rear Door	2
3	51787	(000000– )	Bumper, Rubber	6
4	34274	(000000– )	Door, Rear, L.H.	1
5	52867	(000000– )	Panel, Rear Corner, L.H.	1
6	16762	(000000– )	Door, Engine Side	1
7	47974	(000000– )	Hinge	2
8	16760	(000000– )	Foam, Acoustic	1
9	16755	(000000– )	Channel, Door Pull	1
10	53697	(000000– )	Catch, Spring	2
11	62256	(000000– )	Stiffener	1
12	76725	(000000– )	Catch, Door	1
13	62413	(000000– )	Strip	1
14	62411	(000000– )	Door, Access	1
15	62326	(000000– )	Latch	1



**Fig. 6 – Engine Hood Assembly**

01537

Key	TENNANT® Part No.	Machine Serial Number	Description	Qty.
1	62757	(000000– )	Arm, Hinge	1
2	62759	(000000– )	Arm, Hinge	1
3	34952	(000000– )	Engine Hood Assembly	1
4	32822	(000000– )	Handle, Grab	1
5	52960	(000000– )	Tape, Trim	1
6	62170	(000000– )	Molding, Rigid, 18.00" (455 mm)	1
7	62170-1	(000000– )	Molding, Rigid, 12.25" (305 mm)	1
8	62170-2	(000000– )	Molding, Rigid, 16.75" (425 mm)	1
9	47974	(000000– )	Hinge, Reversed Type	2
10	52961	(000000– )	Tape, Trim	1
11	52848	(000000– )	Insulation	2
12	52846	(000000– )	Insulation	1
13	52849-3	(000000– )	Insulation	2
14	52843	(000000– )	Insulation	1
15	34934	(000000– )	Foam, Acoustic	1
16	62055	(000000– )	Insulation	1

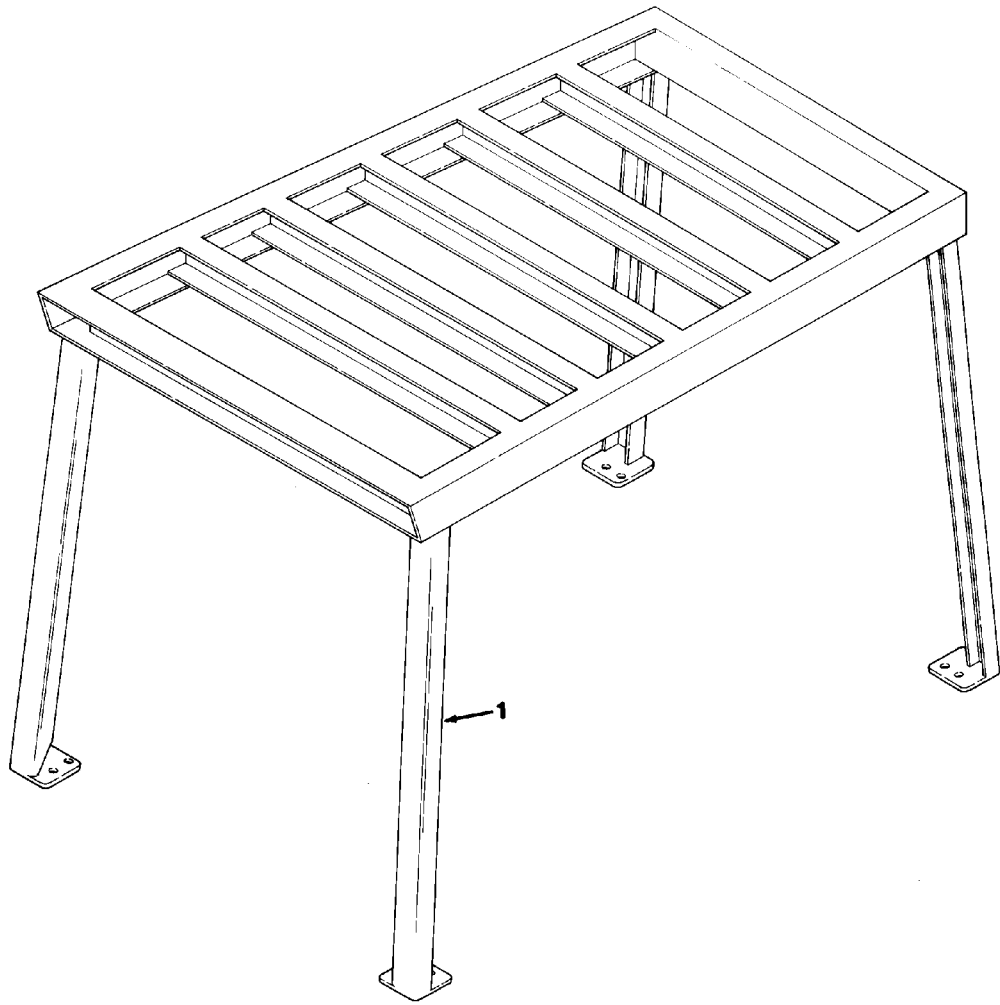


Fig. 7 – Overhead Guard Group

01553

Key	TENNANT® Part No.	Machine Serial Number	Description	Qty.
1	62009	(000000– )	Guard, Overhead	1

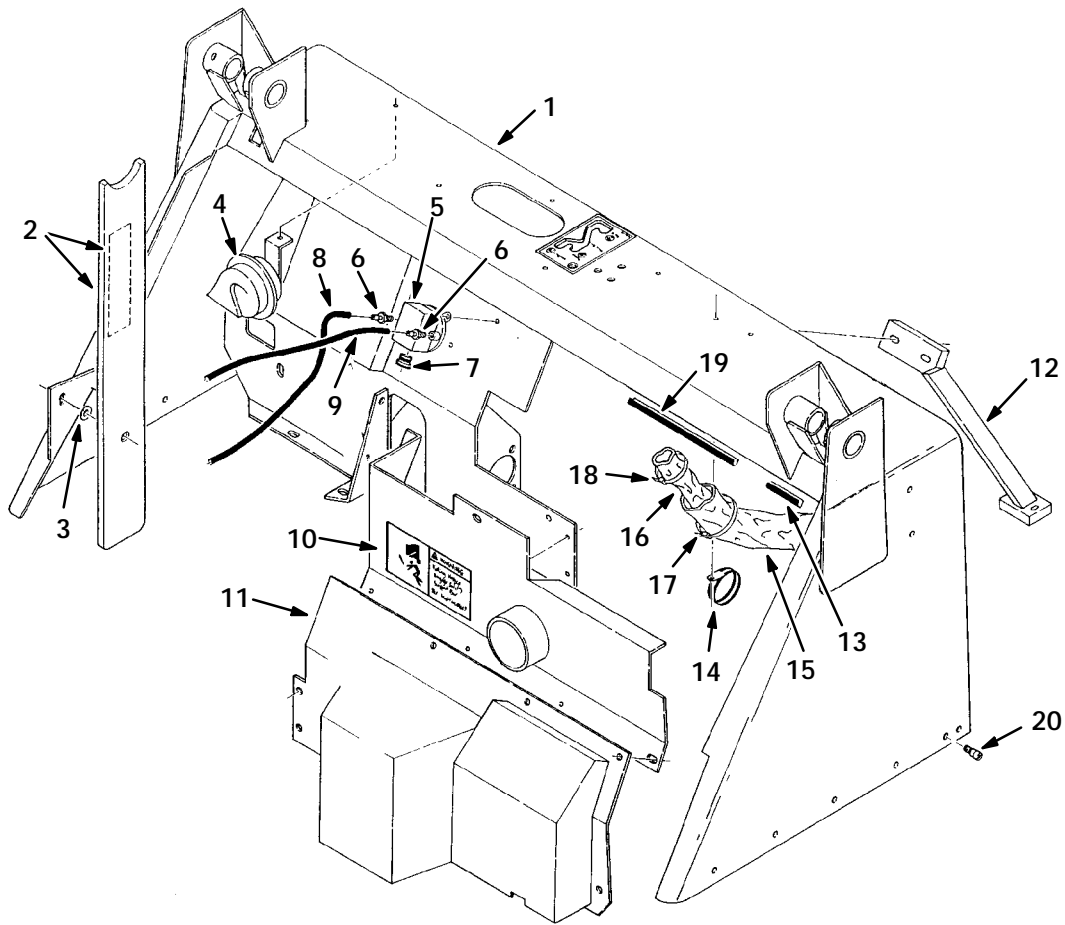


Fig. 8 -- Lintel Group

04271

Key	TENNANT® Part No.	Machine Serial Number	Description	Qty.
1	34201	(000000- )	Lintel	1
2	34272	(000000- )	Arm, Support	1
3	24227	(000000- )	Washer, Dished	1
4	14138A	(000000- )	Horn	1
5	34868	(000000- )	Switch, Pressure	1
6	40607	(000000- )	Fitting, Straight	2
7	37031	(000000- )	Strain Relief	1
8	39780	(000000- )	Hose, Rubber	1
9	39780-1	(000000- )	Hose, Rubber	1
10	04248	(000000- )	Panel And Label Assembly	1
11	04286	(000000- )	Panel, Lower Access	1
12	65054	(000000- )	Brace, Lintel	1
13	50850	(000000- )	Molding, Rigid	1
14	34312	(000000- )	Clamp, Loop	1
15	34330	(000000- )	Sleeve	1
16	34313	(000000- )	Sleeve	1
17	49263	(000000- )	Tie, Cable	3
18	49266	(000000- )	Tie, Cable	2
19	57570	(000000- )	Molding, Rigid	1
20	36758	(000000- )	Screw, Shoulder	2



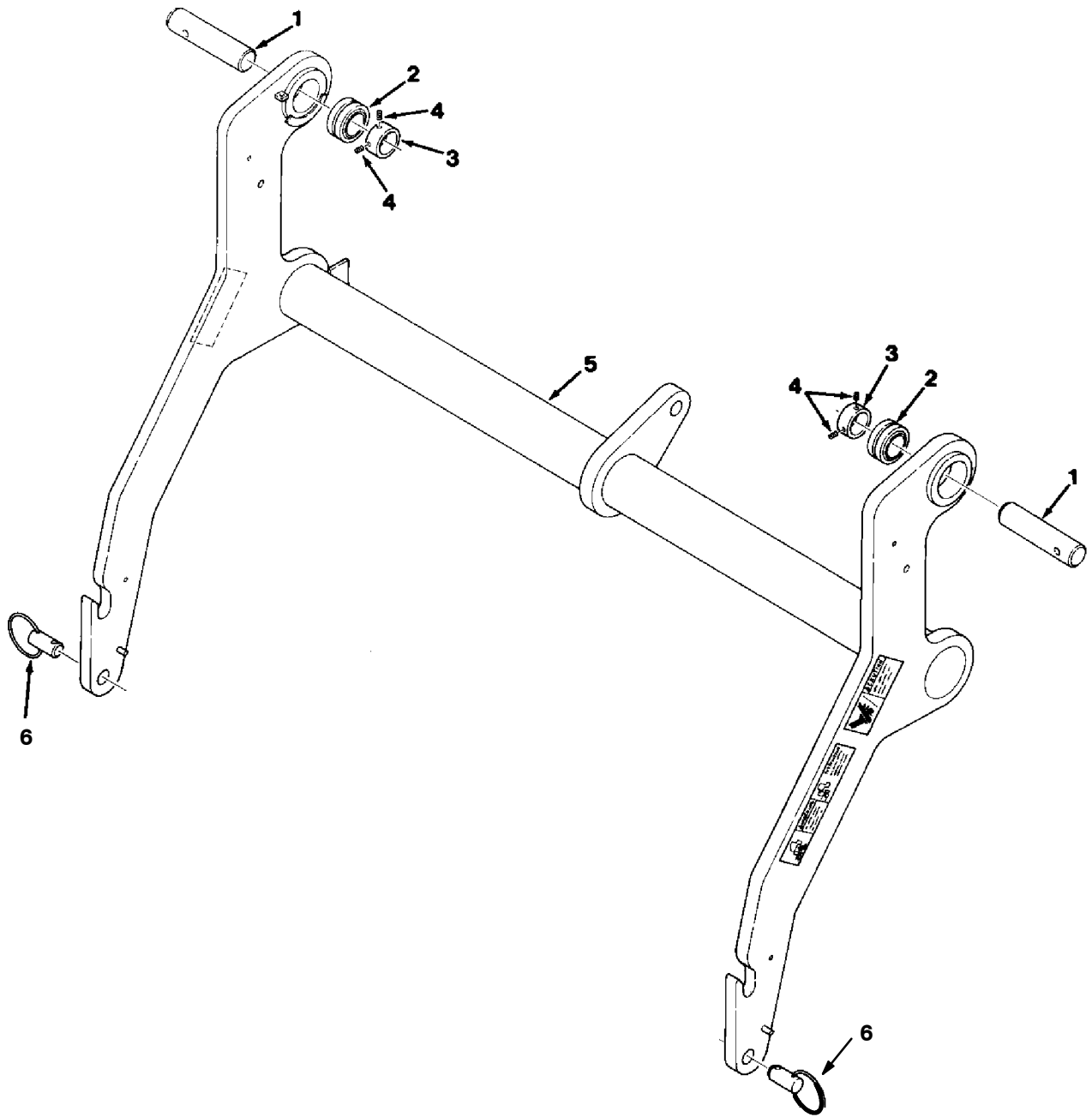
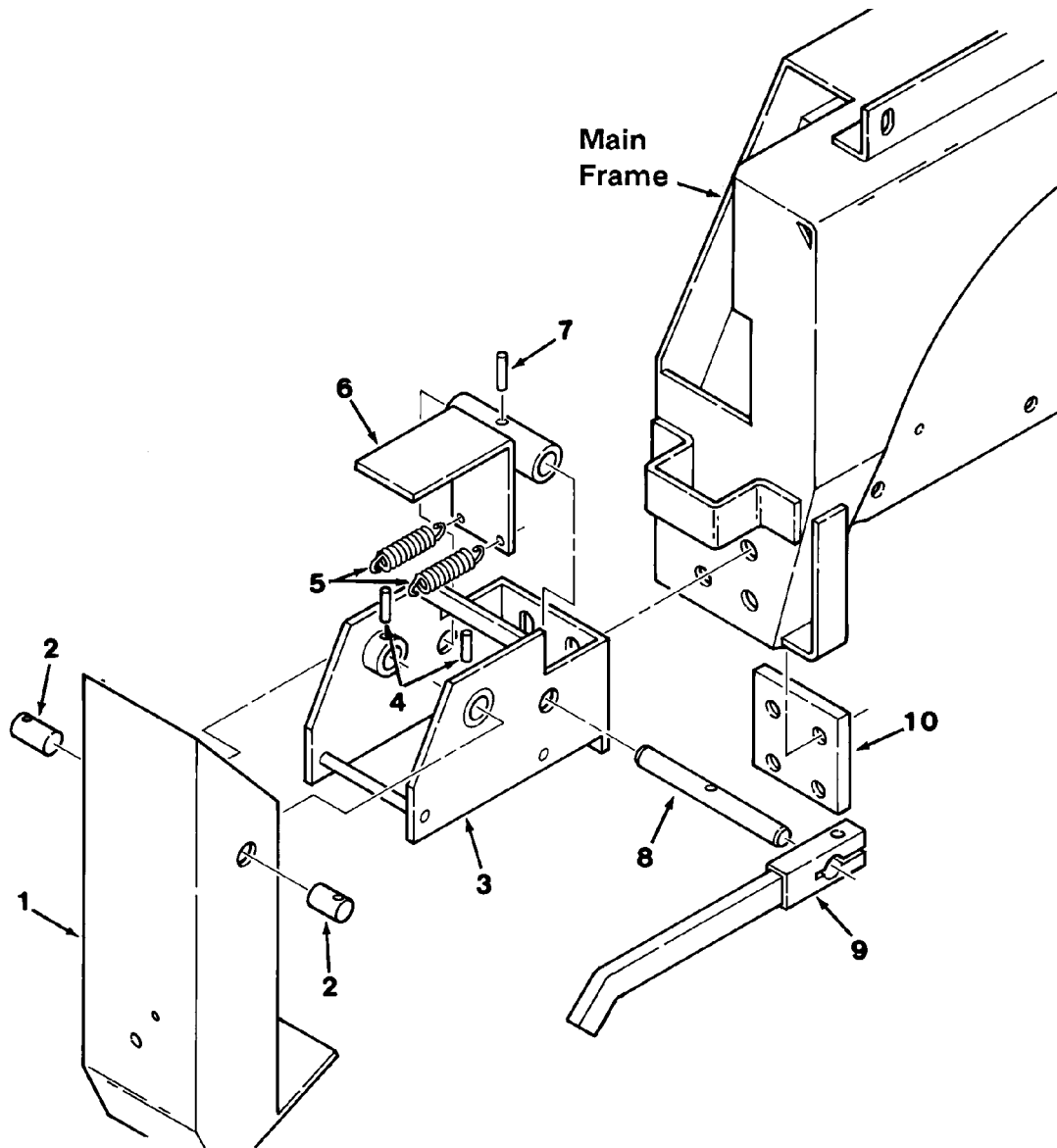


Fig. 9 – Hopper Lift Arms Group

04611

Key	TENNANT® Part No.	Machine Serial Number	Description	Qty.
1	52062	(000000– )	Pin, Pivot	2
2	42120–9	(000000– )	Bearing	2
3	32816	(000000– )	Collar, Locking	2
4	50011	(000000– )	Screw, Set	4
5	34115	(000000– )	Arm and Decal Assembly, Hopper Lift	1
6	51316	(000000– )	Pin, Quick Release	2



**Fig. 10 – Stabilizer Leg Assembly**

01534

Key	TENNANT® Part No.	Machine Serial Number	Description	Qty.
1	52564	(000000– )	Leg Assembly, Stabilizer	1
2	52565	(000000– )	Leg, Safety	1
3	52568	(000000– )	Pin, Pivot	2
4	52570	(000000– )	Bracket, Leg Mounting	1
	26239	(000000– )	Pin, Roll	2
5	13352	(000000– )	Spring	2
6	52575	(000000– )	Bracket, Stop	1
7	23999–3	(000000– )	Pin, Roll	1
8	52577	(000000– )	Shaft	1
9	52576	(000000– )	Lever, Stop	1
10	52571	(000000– )	Strip, Leg Mounting	1

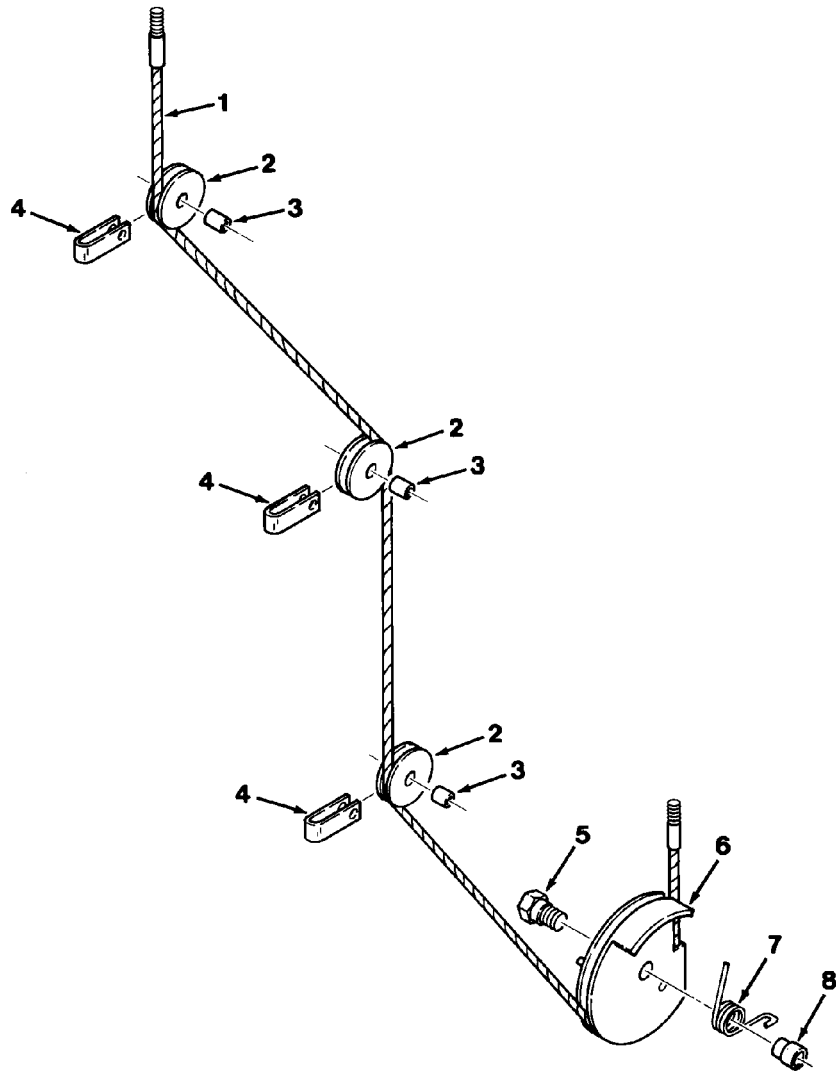


Fig. 11 – Speed Limiter Assembly

01515

Key	TENNANT® Part No.	Machine Serial Number	Description	Qty.
	62683	(000000– )	Limiter Assembly, Speed	1
1	62792	(000000– )	Cable Assembly	1
	46328	(000000– )	Roller, Cable	3
2	01275	(000000– )	Sleeve	3
3	46327	(000000– )	Guide, Cable	3
4				
5	29087	(000000– )	Screw, Shoulder	1
6	62664	(000000– )	Cam, Speed Limiter	1
7	20029	(000000– )	Spring	1
8	62667	(000000– )	Bushing	1

# STANDARD MODEL PARTS

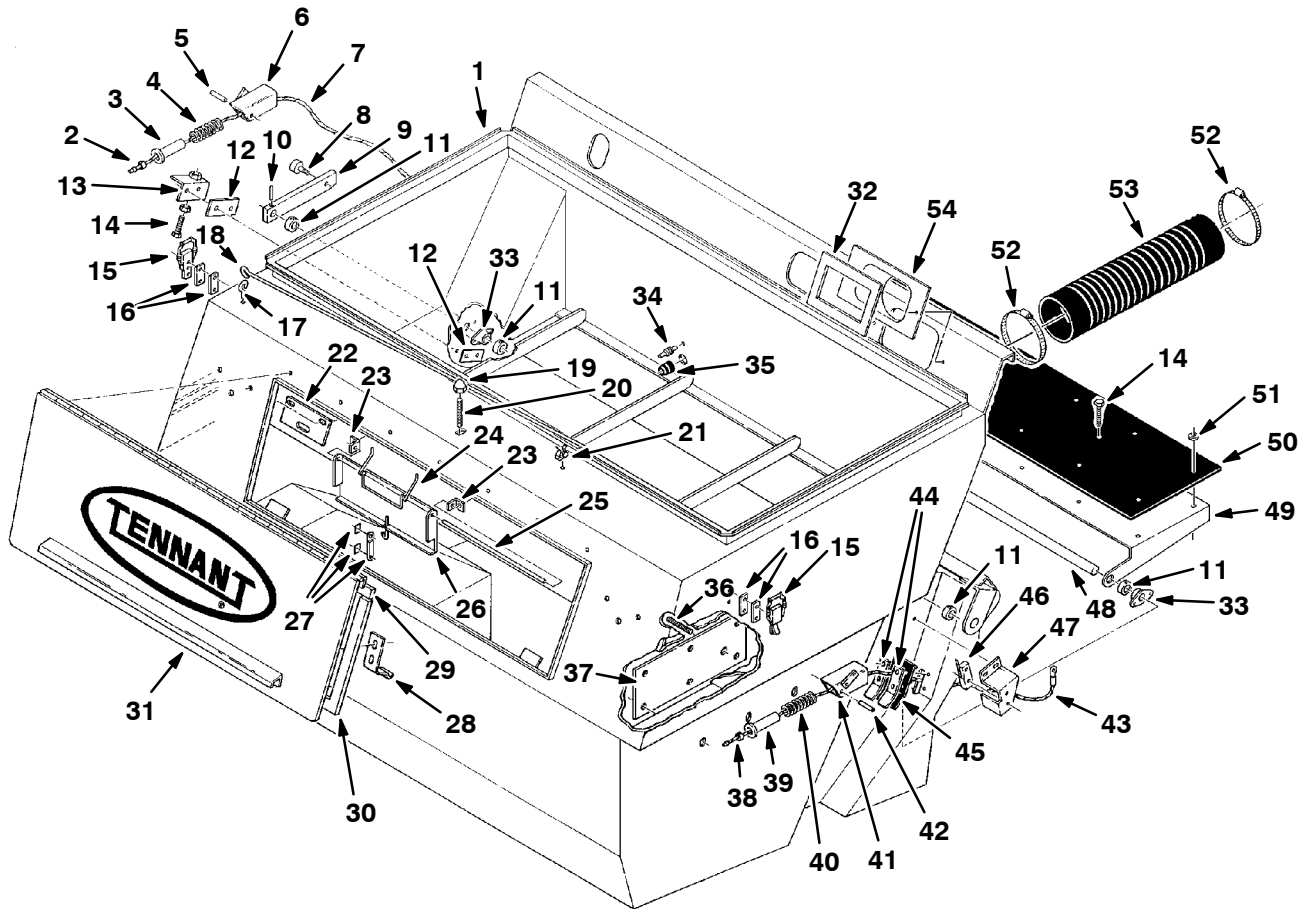


Fig. 12 – Hopper Group

04272

Key	TENNANT® Part No.	Machine Serial Number	Description	Qty.
1	34649	(000000– )	Hopper	1
	34593	(000000– )	Cable Assembly Upper Door, R.H.	1
2	34678	(000000– )	Sleeve, Cable	1
3	34683	(000000– )	Retainer, Spring	1
4	39577	(000000– )	Spring	1
5	23146	(000000– )	Pin, Roll	1
6	39583	(000000– )	Tube, Spring	1
7	34677	(000000– )	Cable	1
8	48930	(000000– )	Follower, Cam	1
9	16787	(000000– )	Arm, Dust Door	1
10	26103	(000000– )	Pin, Roll	1
11	34723	(000000– )	Collar, Locking	4
12	34079	(000000– )	Strip, Backing	2
13	34093	(000000– )	Bracket, Dust Door	1
14	55347	(000000– )	Screw, Hex	3
15	48048	(000000– )	Catch	2
16	23515	(000000– )	Strip	4
17	11893	(000000– )	Eye Bolt	1
18	62794	(000000– )	Rod, Hood Support	1

## STANDARD MODEL PARTS

Key	TENNANT® Part No.	Machine Serial Number	Description	Qty.
19	51140	(000000– )	Nut, High Crown	1
20	53963A	(000000– )	Screw, Hex	1
21	23446	(000000– )	Clip, Finger Grip	1
22	34703	(000000– )	Plate, Bolt	2
23	46087	(000000– )	Bracket, L	2
24	51372	(000000– )	Spring	1
25	46088	(000000– )	Pin, Door Hinge	1
26	51149	(000000– )	Door, Fire	1
27	SK1511	(000000– )	Link, Fusible	1
28	51934	(000000– )	Catch, Spring	2
29	51164	(000000– )	Seal, Foam Rubber	1
30	51163	(000000– )	Seal, Foam Rubber	1
31	51047	(000000– )	Door, Hopper	1
32	34659	(000000– )	Gasket, Hopper Cover	1
33	34096	(000000– )	Flange, Bearing	2
34	39923	(000000– )	Fitting, Bulkhead	1
35	34864	(000000– )	Strain Relief	1
36	34533	(000000– )	Screw, Set	2
37	51728	(000000– )	Plate, Inner Hopper	2
	34594	(000000– )	Cable Assembly, Upper Door, L.H.	1
38	34678	(000000– )	Sleeve, Cable	1
39	34683	(000000– )	Retainer, Spring	1
40	39577	(000000– )	Spring	1
41	39582	(000000– )	Tube, Spring, L.H.	1
42	23146	(000000– )	Pin, Roll	1
43	34677	(000000– )	Cable	1
44	34681	(000000– )	Retainer, Seal	4
45	34682	(000000– )	Seal, Neoprene	2
46	34639	(000000– )	Switch	1
47	34658	(000000– )	Box, Switch	1
48	16791	(000000– )	Rod, Pivot	1
49	16794	(000000– )	Door, Dust	1
50	16788	(000000– )	Seal, Dust Door	1
51	41178	(000000– )	Washer	14
52	23498	(000000– )	Clamp, Worm Drive	2
53	34076	(000000– )	Hose	1
54	34657	(000000– )	Transition, Hopper	1

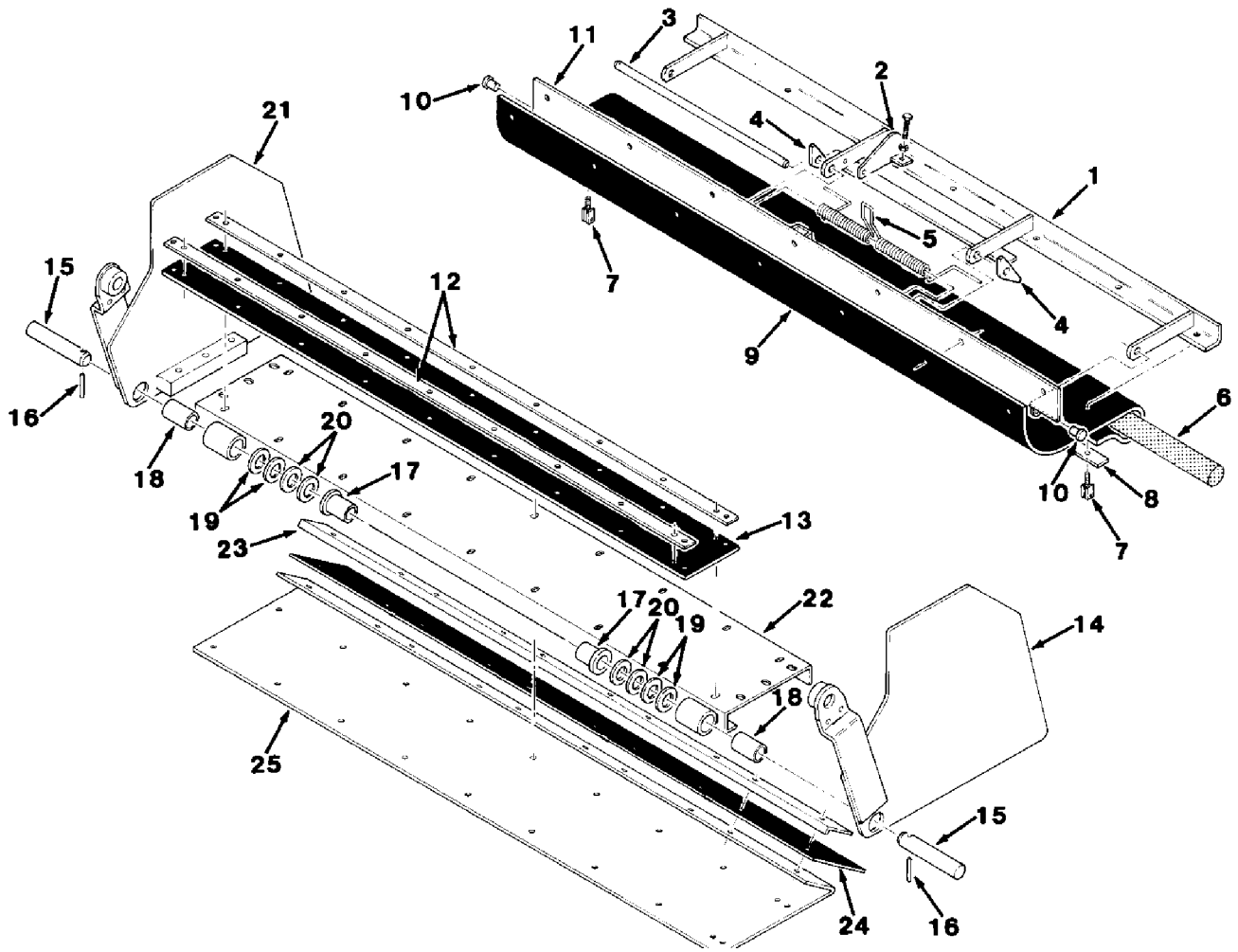


Fig. 13 – Hopper Hinged and Dump Doors Group

Fig. 13 – Hopper Hinged and Dump Doors Group

Key	TENNANT® Part No.	Machine Serial Number	Description	Qty.
1	39629	(000000– )	Hinge, Door	1
2	34744	(000000– )	Cam, Door	1
3	39597	(000000– )	Rod	
1				
4	39574	(000000– )	Stop, Door	2
5	39573A	(000000– )	Spring	1
6	34690	(000000– )	Cord, Sponge	1
7	39598	(000000– )	Clevis, Cable	2
8	39587	(000000– )	Strip	1
9	34689	(000000– )	Seal	1
10	51529	(000000– )	Pin, Clevis	2
11	39590	(000000– )	Hinge, Upper	1
12	34686	(000000– )	Strip	2
13	34685	(000000– )	Seal	1
14	34672	(000000– )	Side, Door, L.H.	1
15	34670	(000000– )	Pin, Pivot	2
16	75302	(000000– )	Pin, Roll	2
17	34679	(000000– )	Bearing, Flanged	2
18	67029	(000000– )	Sleeve	2
19	32599	(000000– )	Washer, 0.03" (1 mm)	4
20	32598	(000000– )	Washer, 0.13" (3 mm)	4
21	34673	(000000– )	Side, Door, R.H.	1
22	34674	(000000– )	Bottom, Door	1
23	62752	(000000– )	Strip	1
24	16784	(000000– )	Skirt, Door	1
25	34687	(000000– )	Plate, Wear	1

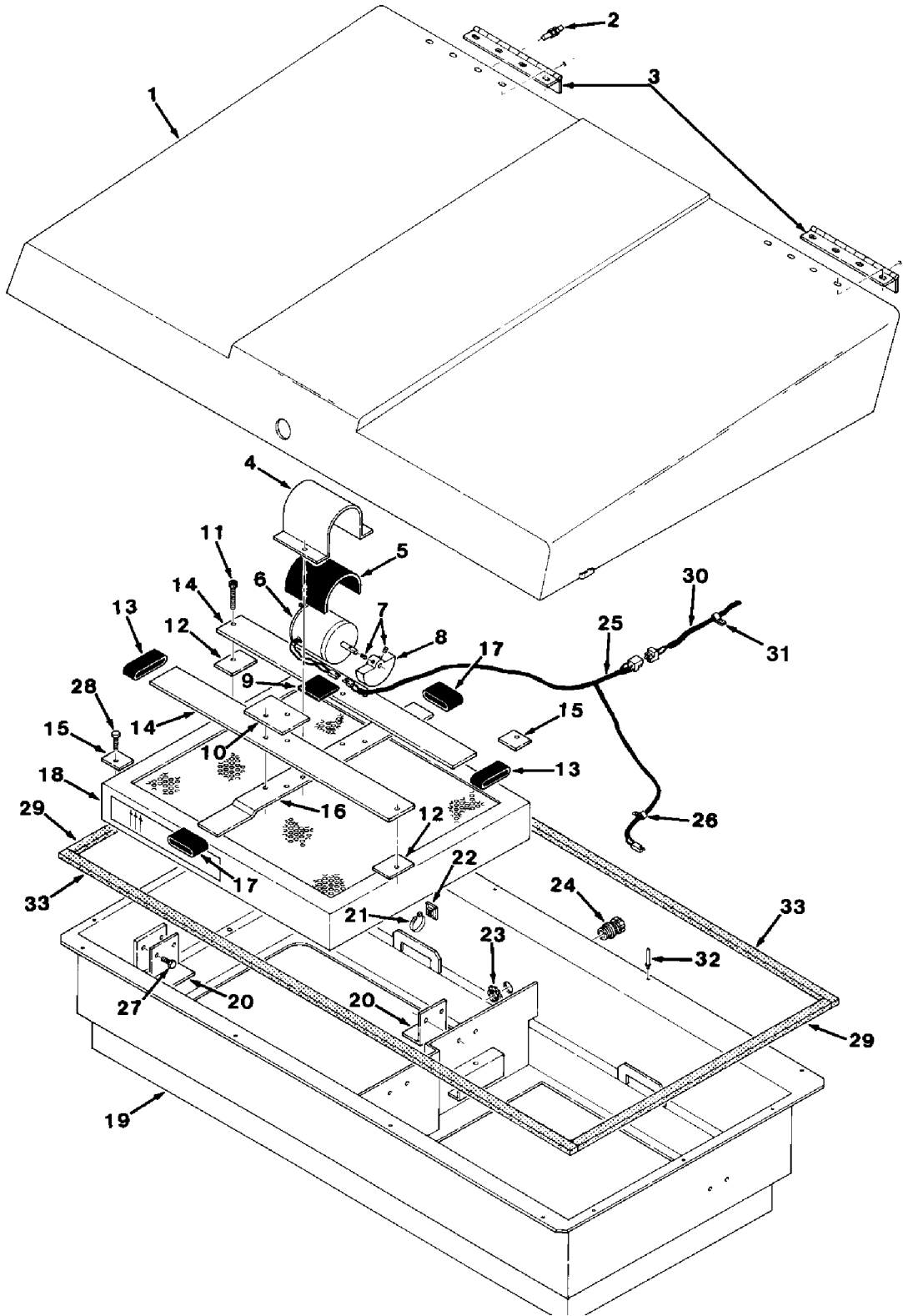


Fig. 14 – Filter Box Assembly



Fig. 14 – Filter Box Assembly

Key	TENNANT® Part No.	Machine Serial Number	Description	Qty.
1	34634	(000000– )	Cover, Filter Box	1
2	39923	(000000– )	Fitting, Bulkhead, Barbed	1
3	34622	(000000– )	Hinge	2
	34549	(000000– )	Filter Box Assembly	1
4	36666	(000000– )	Strap, Shaker Motor	2
5	36658	(000000– )	Strip	2
6	54121	(000000– )	Motor, Shaker	2
7	20634	(000000– )	Screw, Set	4
8	34773	(000000– )	Weight, Eccentric	2
9	36661	(000000– )	Strip	2
10	34739	(000000– )	Bar, Spring	2
11	16737	(000000– )	Screw, Socket Head, Nyloc	4
12	34741	(000000– )	Bar, Spacer	4
13	16785	(000000– )	Sleeve	4
14	34756	(000000– )	Spring, Flat, Beater	4
15	55190	(000000– )	Bar, Retainer	4
16	34755	(000000– )	Yoke, Shaker Motor	2
17	36665	(000000– )	Sleeve	4
18	34771	(000000– )	Filter Assembly	2
19	16835	(000000– )	Box, Panel Filters	1
20	34754	(000000– )	Bracket, Spring Stop	4
21	49266	(000000– )	Tie, Cable, 6.75" (170 mm)	2
22	55248	(000000– )	Mount, Cable Tie	2
23	10125	(000000– )	Nut, Lock	1
24	27223	(000000– )	Strain Relief	1
25	34826	(000000– )	Wire Harness, Shaker	1
26	46236	(000000– )	Clamp, Cable	2
27	16736	(000000– )	Screw, Hex, Nyloc	4
28	34292	(000000– )	Screw, Hex, Nyloc	4
29	34760	(000000– )	Seal	2
30	34827	(000000– )	Wire Harness, Hopper	1
31	09385	(000000– )	Clamp, Cable	3
32	34738	(000000– )	Rivet, Steel	14
33	34759	(000000– )	Seal	2

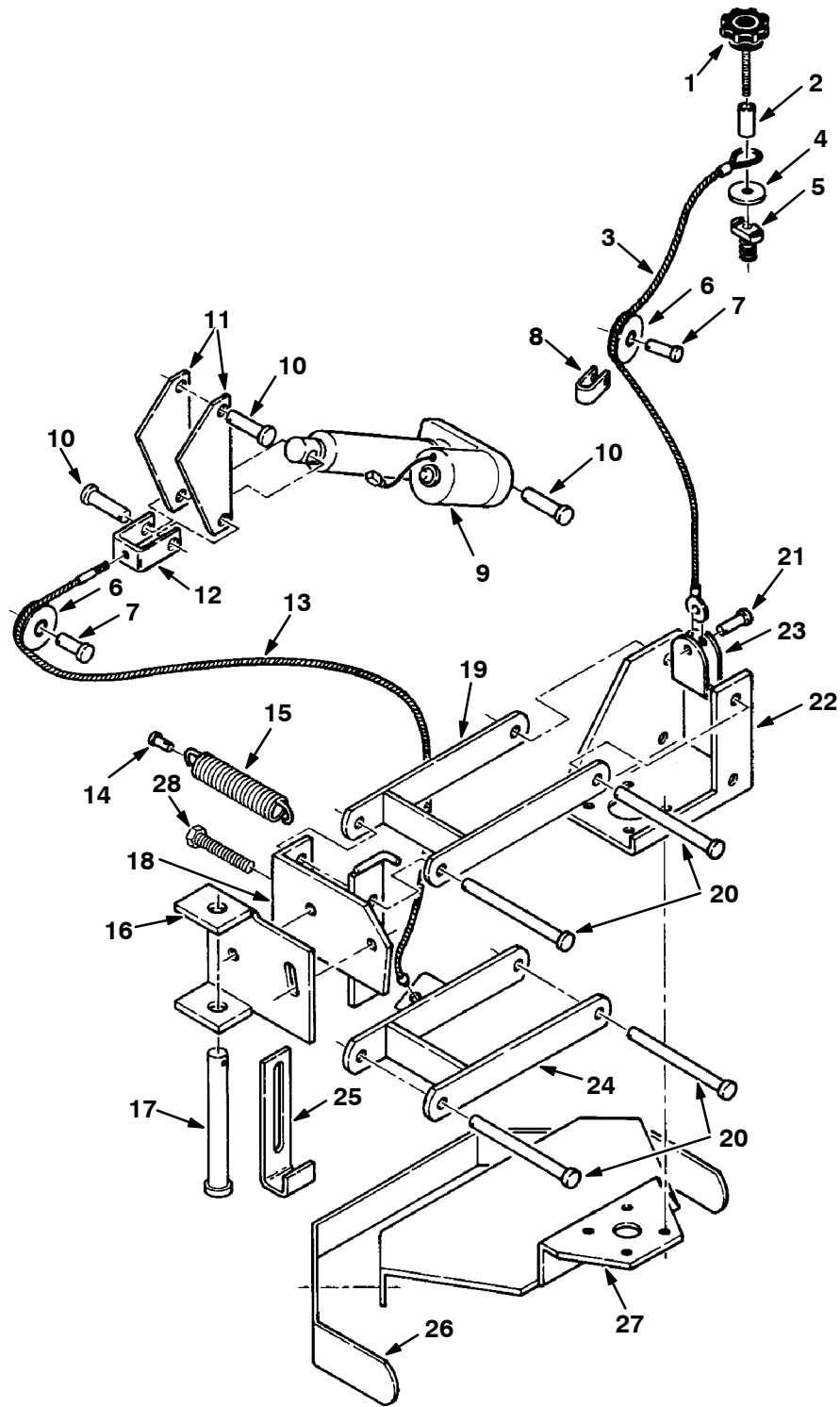
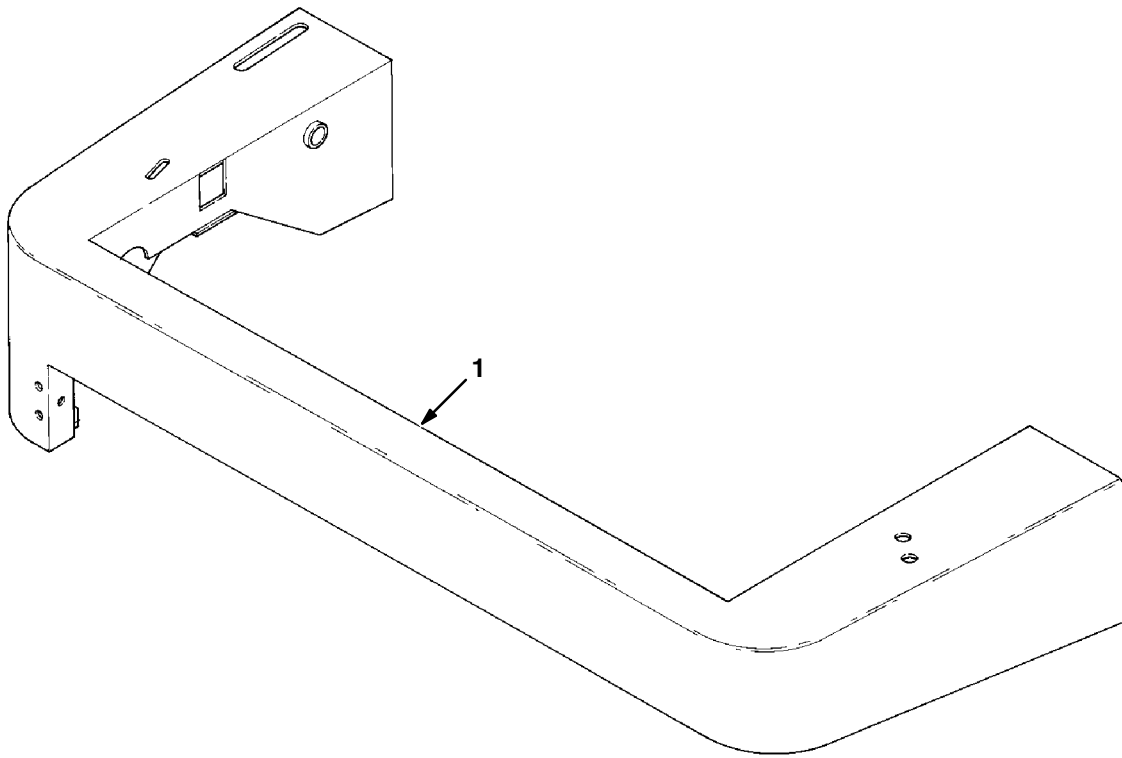


Fig. 15 – Side Brush Group

Fig. 15 -- Side Brush Group

Key	TENNANT® Part No.	Machine Serial Number	Description	Qty.
1	36468	(000000- )	Knob	1
2	09031	(000000- )	Sleeve	1
3	34500	(000000- )	Cable, Side Brush Adjusting	1
4	36996	(000000- )	Washer	1
5	34511	(000000- )	Nut, Spring Loaded	1
6	34532	(000000- )	Roller, Cable	2
7	51529	(000000- )	Pin, Clevis	2
8	34529	(000000- )	Guide, Cable	1
9	16780	(000000- )	Actuator	1
10	51534	(000000- )	Pin, Clevis	3
11	16781	(000000- )	Arm, Actuator Swing	2
12	34504	(000000- )	Connector, Cable	1
13	34501	(000000- )	Cable, Side Brush Lift	1
14	46800	(000000- )	Pin, Clevis	1
15	47745	(000000- )	Spring	1
16	52667	(000000- )	Pivot	1
17	51414	(000000- )	Pin, Clevis	1
18	52663	(000000- )	Bracket, Side Brush	1
19	45599	(000000- )	Link, Parallel	1
20	51225	(000000- )	Pin, Clevis	4
21	46657	(000000- )	Pin, Clevis	1
22	62303	(000000- )	Bracket, Motor Mounting	1
23	52742	(000000- )	Channel	1
24	34523	(000000- )	Link, Parallel	1
25	34522	(000000- )	Bracket, Side Brush Stop	1
26	51210	(000000- )	Bumper, Side Brush	1
27	51209A	(000000- )	Bracket, Bumper Support	1
28	53963A	(000000- )	Screw, Hex	1



**Fig. 16 – Bumper Group**

01540

Key	TENNANT® Part No.	Machine Serial Number	Description	Qty.
1	16771	(000000– )	Bumper	
1				

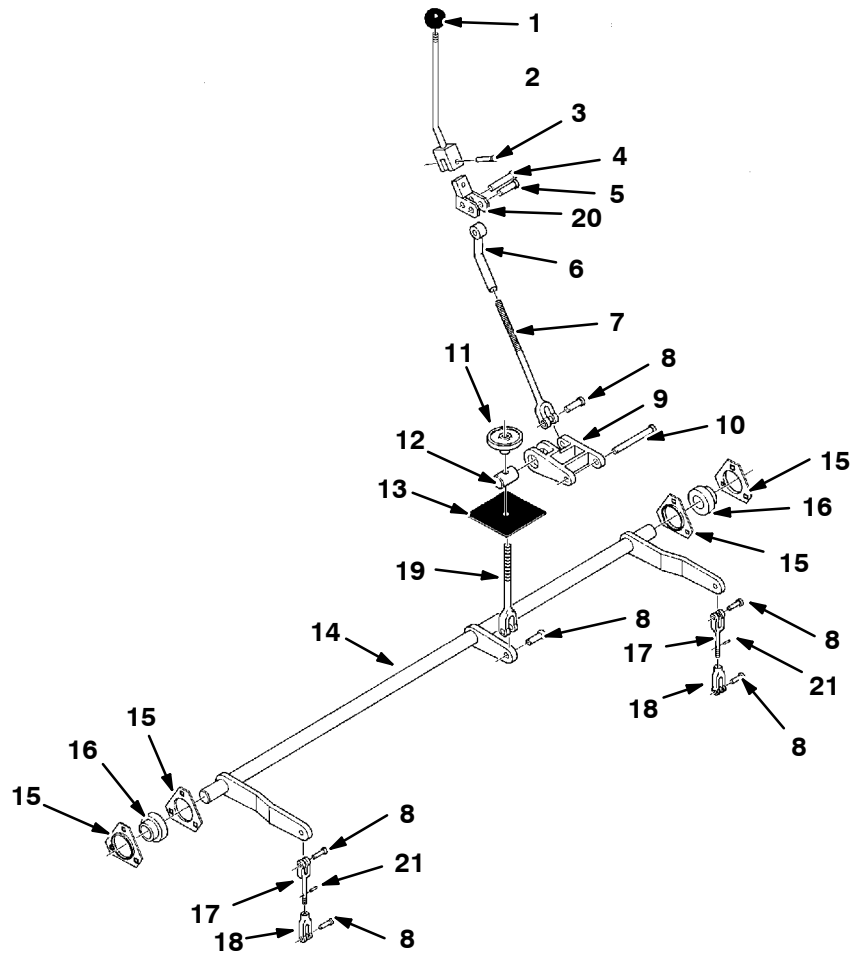
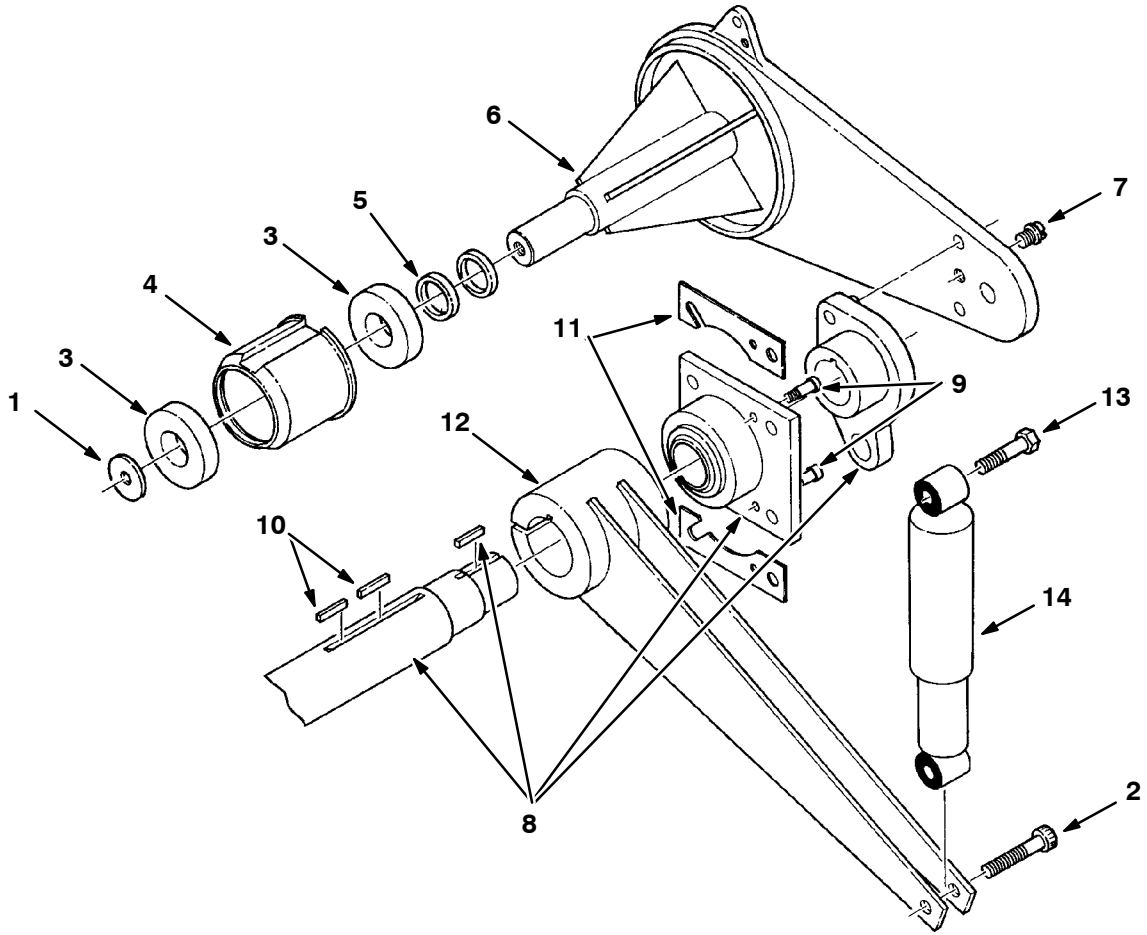


Fig. 17 – Main Brush Lift Group

04280

Key	TENNANT® Part No.	Machine Serial Number	Description	Qty.
1	26156	(000000– )	Knob	1
2	62410	(000000– )	Handle, Brush Lift	1
3	43290	(000000– )	Pin, Clevis	1
4	06279	(000000– )	Pin, Clevis	1
5	78220	(000000– )	Pin, Bell Crank	1
6	62844	(000000– )	Rod, Eye	1
7	51493	(000000– )	Yoke, End	1
8	06598	(000000– )	Pin, Clevis	6
9	51454	(000000– )	Bell Crank	1
10	51225	(000000– )	Pin, Clevis	1
11	51452	(000000– )	Knob	1
12	51391	(000000– )	Pin, Swivel	1
13	51307	(000000– )	Seal	1
14	62842	(000000– )	Shaft, Brush Lift	1
15	51449	(000000– )	Flange, Bearing	4
16	51448	(000000– )	Bearing	2
17	62125	(000000– )	Link, Main Brush	2
18	62143	(000000– )	Clevis, Adjust	2
19	62486	(000000– )	Link, Lift	1
20	62409	(000000– )	Bell Crank	1
21	46029	(000000– )	Pin, Roll	2



**Fig. 18 – Main Brush Idler Group**

04279

Key	TENNANT® Part No.	Machine Serial Number	Description	Qty.
1	51564	(000000– )	Washer	1
2	39305	(000000– )	Screw, Hex Socket	1
3	24899	(000000– )	Bearing	2
4	62399	(000000– )	Plug, Brush Idler	1
5	62930	(000000– )	Washer	As Req.
5	62930-1	(000000– )	Washer	As Req.
6	62436	(000000– )	Arm, Brush, R.H.	1
7	51938	(000000– )	Plug	1
8	SK2054	(000000– )	Suspension Kit, Brush	1
9	62832	(000000– )	Screw, Shoulder	2
10	62931	(000000– )	Key, Square	2
11	76752	(000000– )	Shim, Bearing, 0.06" (2 mm)	As Req.
11	76752-1	(000000– )	Shim, Bearing, 0.03" (1 mm)	As Req.
12	62407	(000000– )	Arm, Shock	1
13	08286	(000000– )	Screw, Hex	1
14	62523	(000000– )	Shock Absorber	1

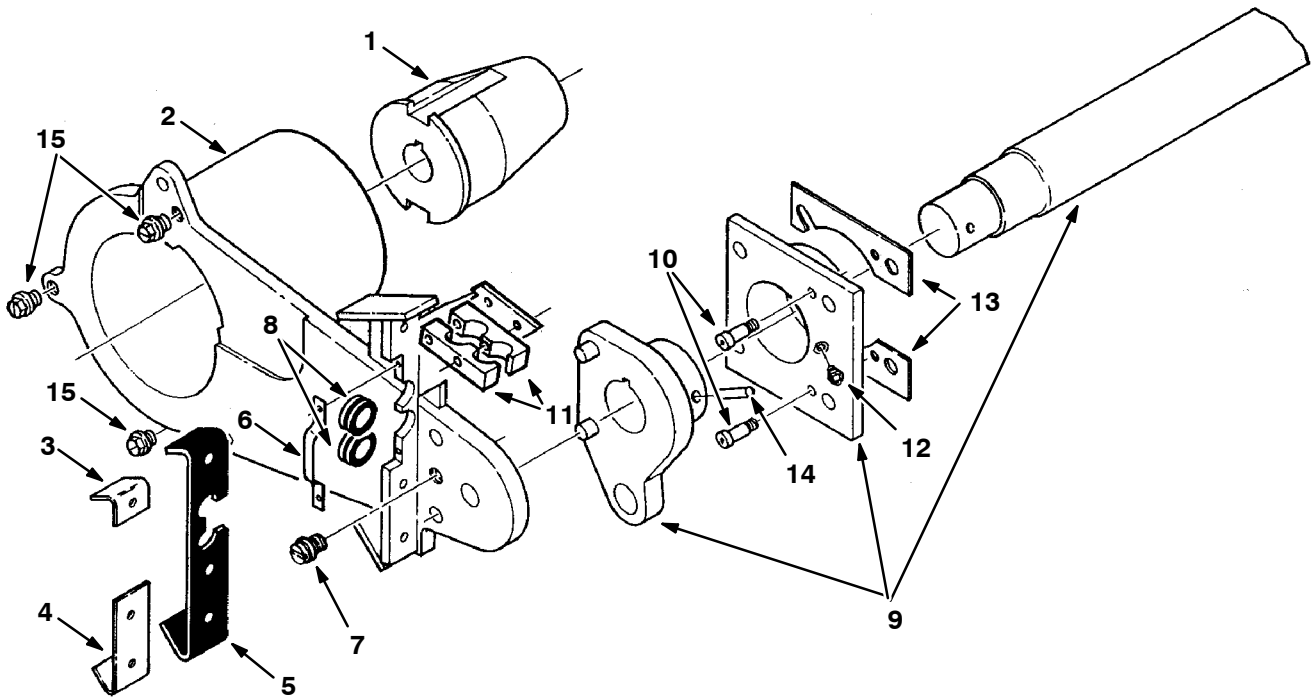
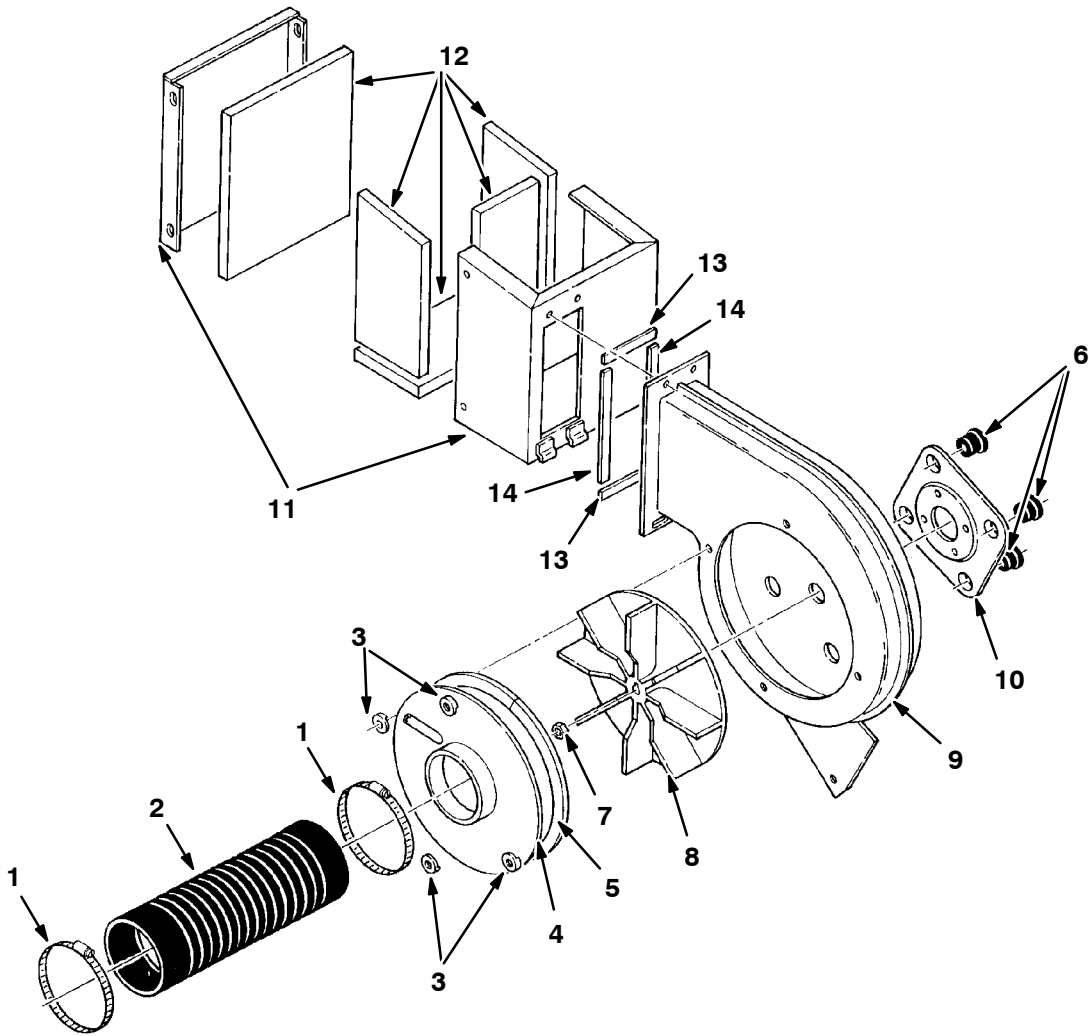


Fig. 19 – Main Brush Drive Group

04278

Key	TENNANT® Part No.	Machine Serial Number	Description	Qty.
1	78213	(000000– )	Plug, Brush Drive	1
2	50570	(000000– )	Arm, Brush	1
3	62899–1	(000000– )	Retainer, Seal, L.H.	1
4	62898–1	(000000– )	Retainer, Seal, L.H.	1
5	62483	(000000– )	Seal, Door, L.H.	1
6	62445	(000000– )	Clamp	1
7	51938	(000000– )	Plug	1
8	76721–1	(000000– )	Grommet	2
9	SK2054	(000000– )	Suspension Kit, Brush	1
10	62832	(000000– )	Screw, Shoulder	2
11	50568	(000000– )	Clamp, Tube	1
12	47801	(000000– )	Fitting, Grease	2
13	76752	(000000– )	Shim, Bearing, 0.06" (2 mm)	As Req.
13	76752–1	(000000– )	Shim, Bearing, 0.03" (1 mm)	As Req.
14	23546	(000000– )	Pin, Roll	1
15	53985	(000000– )	Plug, Thread, 0.50" – 13	3



**Fig. 20 -- Vacuum Fan Group**

04282

Key	TENNANT® Part No.	Machine Serial Number	Description	Qty.
1	23498	(000000- )	Clamp, Worm Drive	2
2	51768A	(000000- )	Hose	1
3	03467A	(000000- )	Clip, Vacuum Housing	4
4	52924	(000000- )	Duct, Intake	1
5	23542	(000000- )	Seal, Foam Rubber	1
6	54274	(000000- )	Isolator, Vibration	4
7	32960	(000000- )	Nut	1
8	53034-1	(000000- )	Impeller	1
9	34206	(000000- )	Housing, Vacuum Fan	1
10	54275A	(000000- )	Bracket, Mounting, Motor	1
11	34235	(000000- )	Box Assembly, Vacuum Fan Muffler	1
12	34765	(000000- )	Sound Insulation Kit	1
13	54271	(000000- )	Seal, Foam Rubber	2
14	34071	(000000- )	Seal, Foam Rubber	2



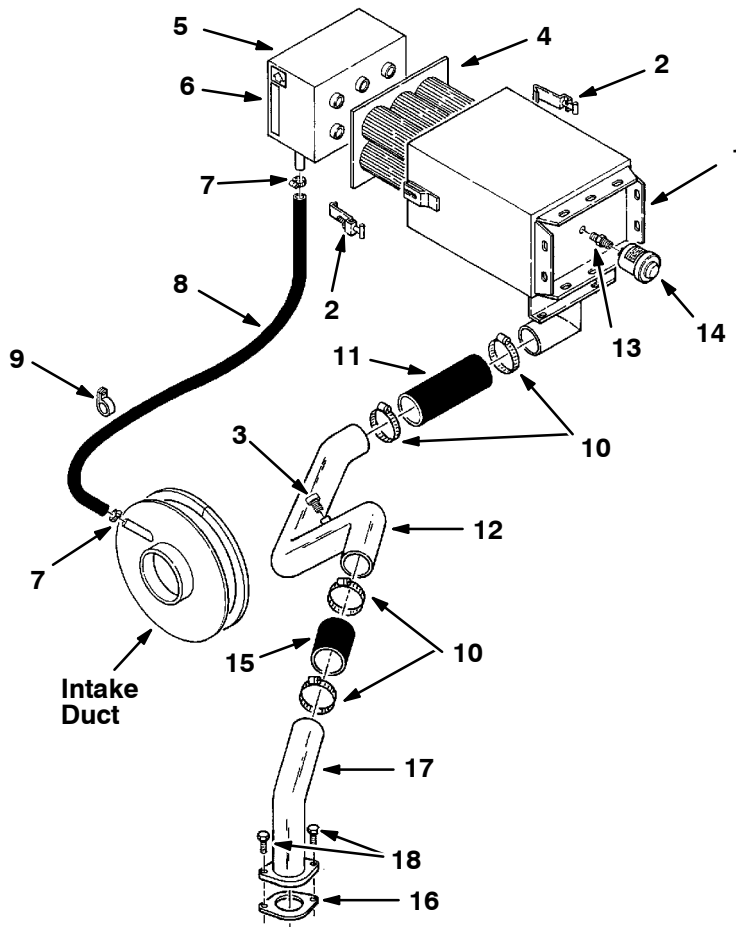


Fig. 21 – Air Cleaner Group

04298

Key	TENNANT® Part No.	Machine Serial Number	Description	Qty.
1	34498	(000000– )	Air Cleaner	1
2	49195	(000000– )	Fastener	2
3	02246	(000000– )	Fitting, Plug	1
4	39929–3	(000000– )	Filter, Air	1
5	39929–2	(000000– )	Pre–Cleaner, Air Intake	1
6	48088–6	(000000– )	Label, Instruction	1
7	54333	(000000– )	Clamp, Worm Drive	2
8	52922	(000000– )	Hose, Rubber	1
9	49287	(000000– )	Clamp, Cable	1
10	22297	(000000– )	Clamp, Worm Drive	4
11	15543–1	(000000– )	Coupling, Air Cleaner Tube	1
12	34917	(000000– )	Tube, Air Cleaner	1
13	51560–5	(000000– )	Filter, Service Indicator	1
14	82685	(000000– )	Indicator, Service	1
15	15543	(000000– )	Coupling, Air Cleaner Tube	1
16	34954	(000000– )	Gasket, Intake	1
17	34915	(000000– )	Elbow, Intake	1
18	39277	(000000– )	Screw, Hex	2

# STANDARD MODEL PARTS

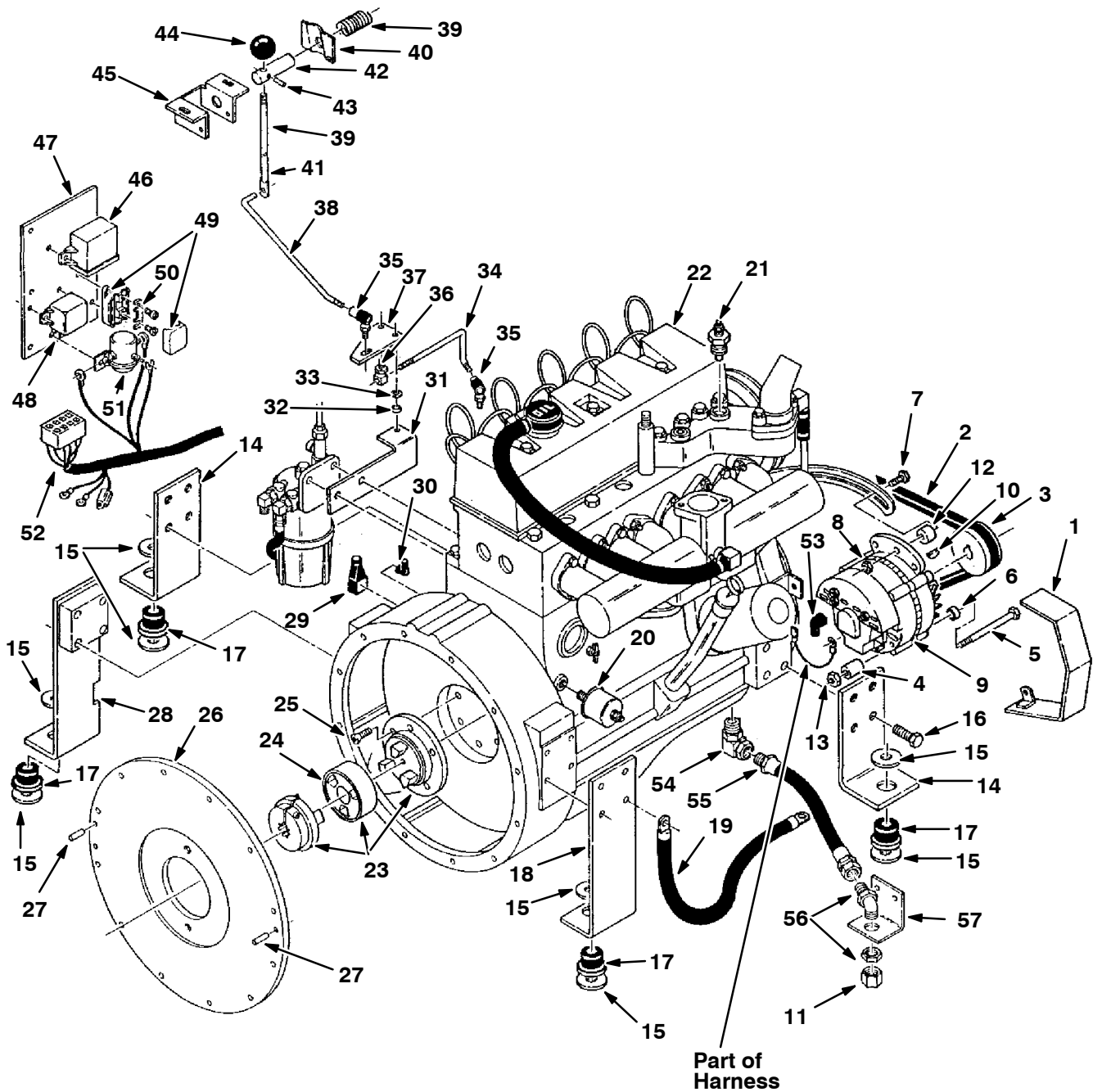


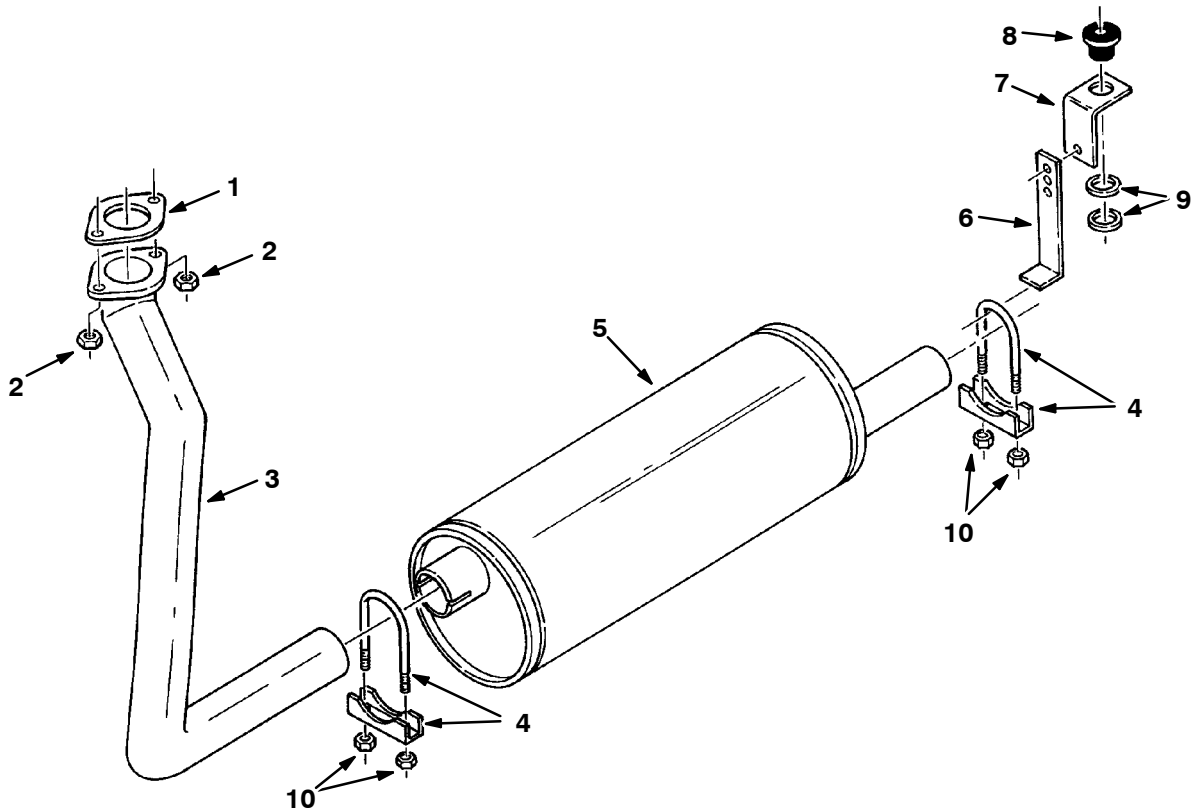
Fig. 22 – Engine Group

04273

Key	TENNANT® Part No.	Machine Serial Number	Description	Qty.
1	08890	(000000– )	Guard, Alternator	1
2	34194	(000000– )	Belt	1
3	34833	(000000– )	Pulley	1
4	08891	(000000– )	Sleeve	1
5	34877	(000000– )	Screw, Hex	1
6	36417	(000000– )	Sleeve	1
7	41342	(000000– )	Screw, Hex	1
8	41359	(000000– )	Nut	1
9	03233	(000000– )	Alternator	1
10	00500–5	(000000– )	Key, Woodruff	1

## STANDARD MODEL PARTS

Key	TENNANT® Part No.	Machine Serial Number	Description	Qty.
11	47579	(000000– )	Fitting, Cap	1
12	49676	(000000– )	Sleeve	1
13	41430	(000000– )	Nut	1
14	34978	(000000– )	Bracket, Engine Mount	2
15	51564	(000000– )	Washer	8
16	41348	(000000– )	Screw, Hex	8
17	51176	(000000– )	Damper, Engine	4
18	52777	(000000– )	Bracket, Engine Mounting	1
19	29832–2	(000000– )	Wire	1
20	34808	(000000– )	Sender, Oil Pressure	1
21	34809	(000000– )	Sender, Coolant Temperature	1
22	16850	(000000– )	Engine, Diesel	1
23	78068	(000000– )	Coupling, Drive	1
24	76291	(000000– )	Insert, Drive	1
25	41358	(000000– )	Screw, Socket	6
26	76290	(000000– )	Plate, Pump Mounting	1
27	23999–8	(000000– )	Pin, Roll	2
28	52776	(000000– )	Bracket, Engine Mounting	1
29	68872	(000000– )	Boot	1
30	02076	(000000– )	Cover, Terminal	1
31	34970	(000000– )	Bracket, Bell Crank	1
32	64699	(000000– )	Sleeve	1
33	39867	(000000– )	Washer, Wavy Spring	1
34	34972	(000000– )	Rod, Throttle	1
35	14601	(000000– )	Ball Joint	2
36	34924	(000000– )	Ball Joint	1
37	34971	(000000– )	Bell Crank	1
38	34918	(000000– )	Rod, Throttle	1
	52049	(000000– )	Control Assembly, Throttle	1
39	51693	(000000– )	Spring, Compression	1
40	51691	(000000– )	Plate, Throttle	1
41	51690	(000000– )	Lever, Throttle	1
42	51692	(000000– )	Pin, Throttle Pivot	1
43	20021	(000000– )	Pin, Roll	1
44	26565	(000000– )	Knob	1
45	51689	(000000– )	Bracket, Throttle Pivot	1
46	34801	(000000– )	Control Unit, Glow Plug	1
47	34841	(000000– )	Plate	1
48	34804	(000000– )	Relay	1
49	34802	(000000– )	Holder, Fuse	1
50	34803	(000000– )	Fuse, 80 A	1
51	47356	(000000– )	Solenoid, Starter	1
52	16848	(000000– )	Wiring Harness, Preheat	1
53	34065	(000000– )	Boot, Protector	1
54	78032	(000000– )	Fitting, Elbow	1
55	78126	(000000– )	Hose, Hydraulic	1
56	78146	(000000– )	Fitting, Elbow, 45°	1
57	75420A	(000000– )	Bracket, L	1



**Fig. 23 – Muffler Group**

01529

Key	TENNANT® Part No.	Machine Serial Number	Description	Qty.
1	34908	(000000– )	Gasket	1
2	39312	(000000– )	Nut	2
3	34993	(000000– )	Pipe, Exhaust	1
4	05881	(000000– )	Clamp, Muffler	2
5	52906	(000000– )	Muffler	1
6	47990	(000000– )	Bracket, L	1
7	47989	(000000– )	Bracket, L	1
8	54274	(000000– )	Isolator, Vibration	1
9	09832	(000000– )	Washer	2
10	87435	(000000– )	Nut, Flex lock	4

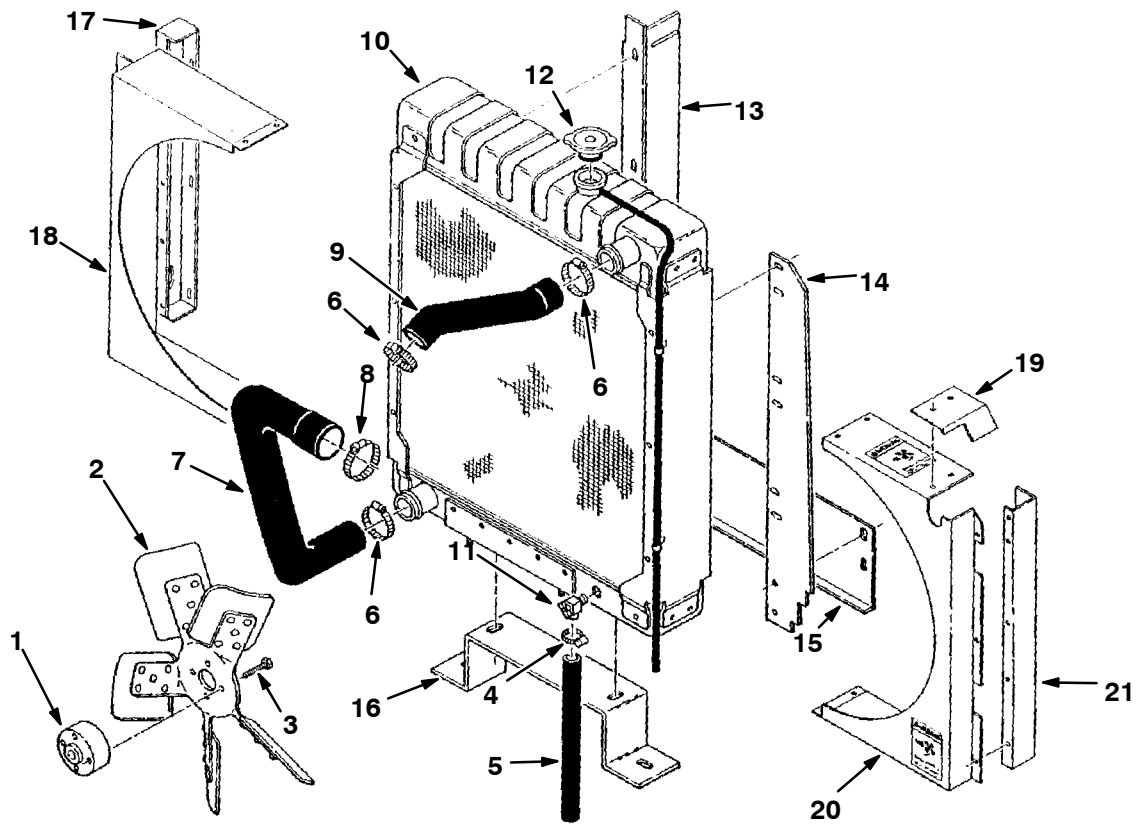
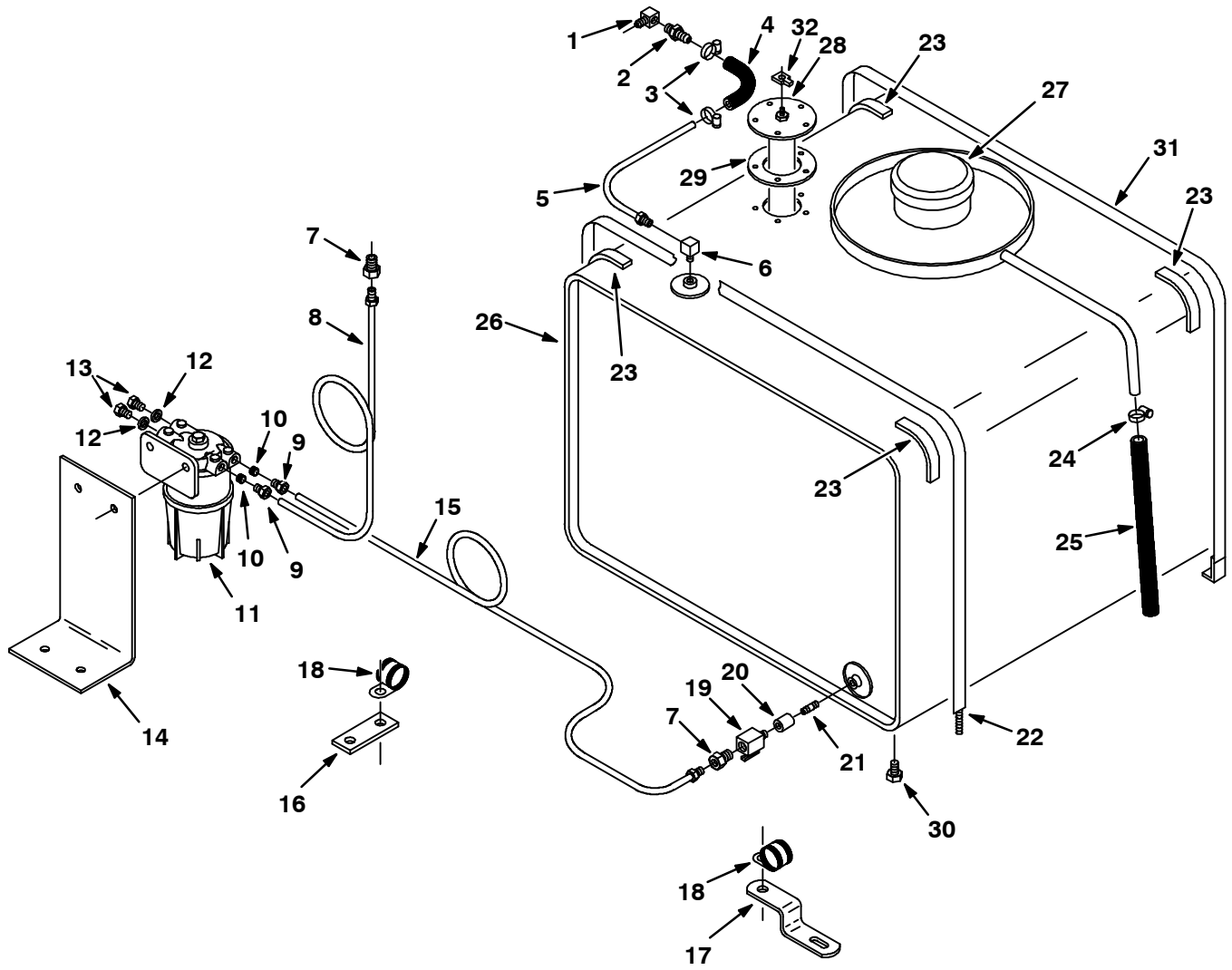


Fig. 24 -- Radiator Group

04270

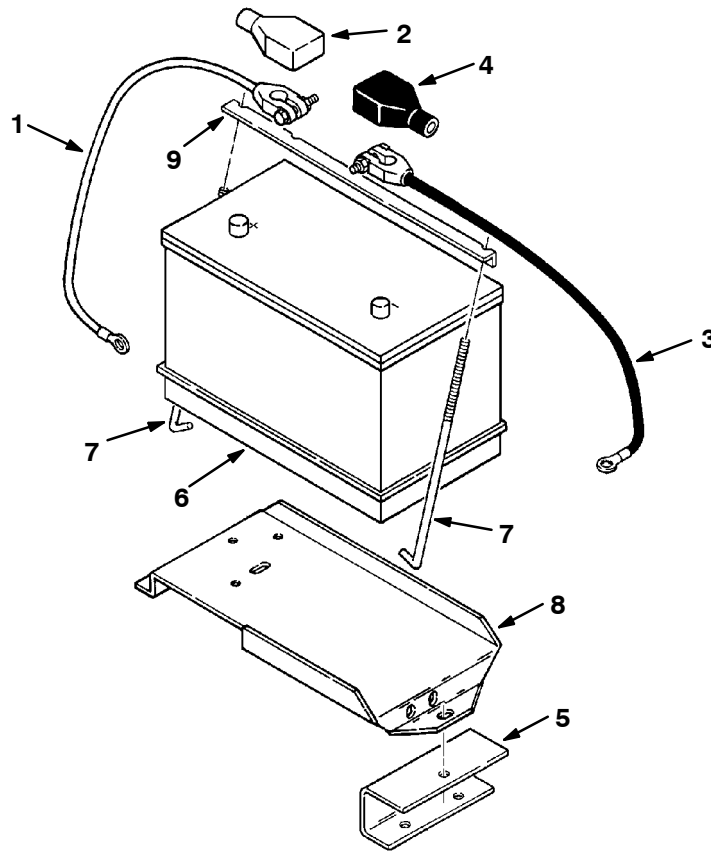
Key	TENNANT® Part No.	Machine Serial Number	Description	Qty.
1	52785-1	(000000- )	Spacer, Fan	1
2	16801	(000000- )	Fan, Radiator	1
3	39278	(000000- )	Screw, Hex	4
4	43844	(000000- )	Clamp, Worm Drive	1
5	51795	(000000- )	Hose, Radiator Drain	1
6	11531	(000000- )	Clamp, Worm Drive	3
7	16821	(000000- )	Hose, Radiator	1
8	22297	(000000- )	Clamp, Worm Drive	1
9	16820	(000000- )	Hose, Radiator	1
10	50605	(000000- )	Radiator	1
11	51305	(000000- )	Drain Cock	1
12	48655	(000000- )	Cap, Radiator	1
13	34927	(000000- )	Panel, R.H.	1
14	04257	(000000- )	Panel, L.H.	1
15	34925	(000000- )	Panel, Lower	1
16	34989	(000000- )	Mount, Radiator	1
17	04296	(000000- )	Channel, Cooler Mounting	1
18	78215	(000000- )	Shroud, Radiator, R.H.	1
19	78216	(000000- )	Bracket, Radiator Shroud	1
20	04251	(000000- )	Shroud And Decal Assembly	1
21	04295	(000000- )	Panel, Cooler Mounting	1



**Fig. 25 – Fuel Tank Group**

Fig. 25 -- Fuel Tank Group

Key	TENNANT® Part No.	Machine Serial Number	Description	Qty.
1	11984	(000000- )	Fitting, Elbow	1
2	48253	(000000- )	Fitting	1
3	43844	(000000- )	Clamp, Worm Drive	2
4	32808	(000000- )	Hose	1
5	04267	(000000- )	Fuel Line	1
6	15555	(000000- )	Fitting, Elbow	1
7	40585	(000000- )	Fitting, Straight	2
8	34894	(000000- )	Fuel Line	1
9	62048	(000000- )	Nut, Tube	2
10	32590	(000000- )	Olive, Rubber	2
11	52770-8	(000000- )	Watertrap	1
12	32435	(000000- )	Washer, Sealing	2
13	32436	(000000- )	Plug, Sealing	2
14	04265	(000000- )	Bracket, Fuel Filter	1
15	04269	(000000- )	Fuel Line	1
16	62935	(000000- )	Strip	1
17	62934	(000000- )	Bracket, Mounting	1
18	40678	(000000- )	Clamp, Cable	2
19	08873	(000000- )	Valve, Ball	1
20	11848	(000000- )	Fitting, Coupling	1
21	48144	(000000- )	Fitting, Nipple	1
22	76757	(000000- )	Strap, Tank	1
23	17885	(000000- )	Bar	4
24	54333	(000000- )	Clamp, Worm Drive	1
25	78202	(000000- )	Hose, Fuel	1
26	04271	(000000- )	Tank, Fuel	1
27	48267	(000000- )	Cap, Tank	1
28	07873	(000000- )	Sending Unit, Fuel Tank	1
29	14131	(000000- )	Gasket	1
30	10552	(000000- )	Fitting, Plug	1
31	76756	(000000- )	Strap, Tank	1
32	68106	(000000- )	Terminal	1



**Fig. 26 – Battery Group**

04310

Key	TENNANT® Part No.	Machine Serial Number	Description	Qty.
1	76313	(000000– )	Cable, Battery, Positive	1
2	68873	(000000– )	Boot, Battery, Positive	1
3	68870	(000000– )	Cable, Battery, Negative	1
4	68872	(000000– )	Boot, Battery, Negative	1
5	04284	(000000– )	Bracket	1
6	10136	(000000– )	Battery, 625 CCA	1
7	13015–1	(000000– )	Bolt, Hold–Down	2
8	34283	(000000– )	Tray, Battery	1
9	16700	(000000– )	Angle, Battery Hold–Down	1



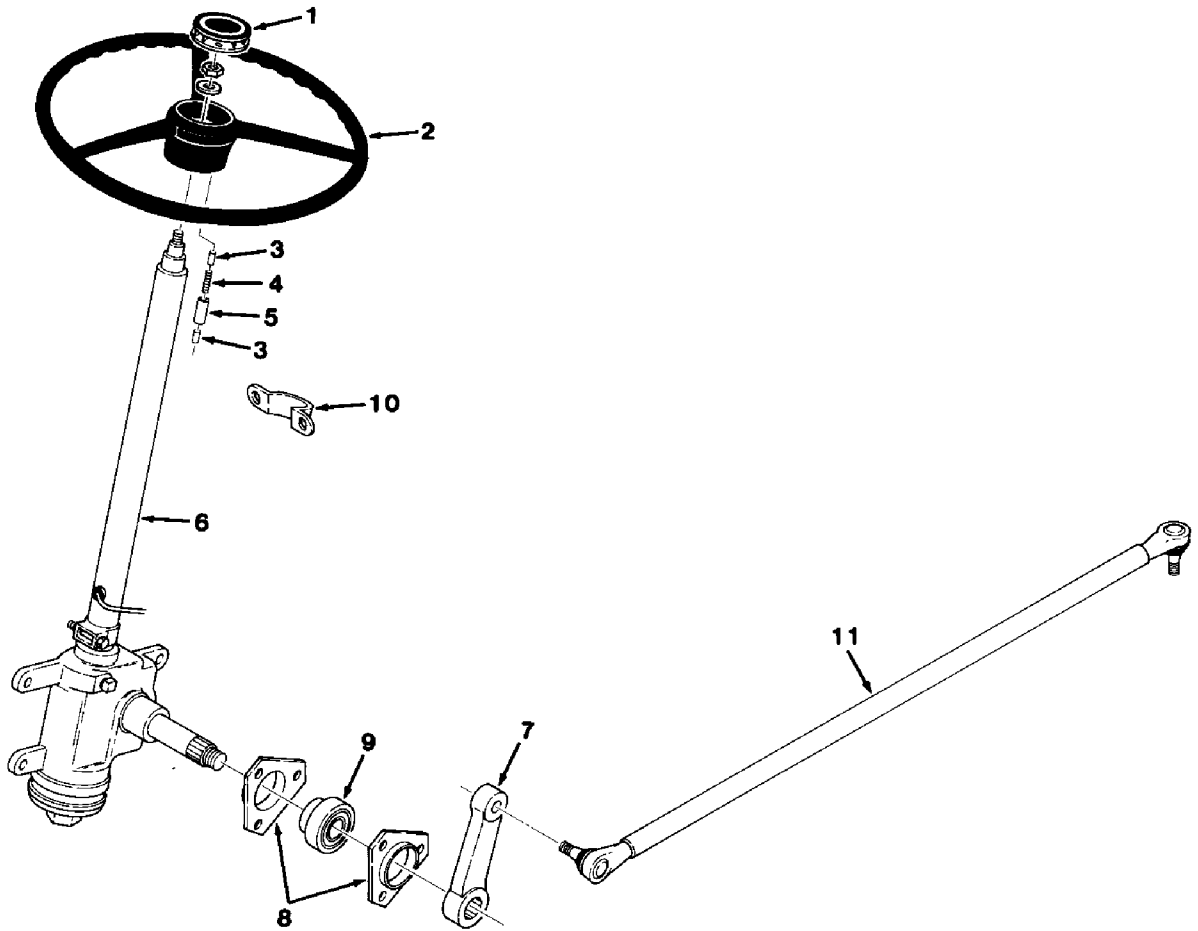


Fig. 27 – Steering Control Group

01539

Key	TENNANT® Part No.	Machine Serial Number	Description	Qty.
	51363	(000000– )	Steering Column Assembly	1
1	47010	(000000– )	Horn Button	1
2	47008	(000000– )	Wheel, Steering	1
3	46311	(000000– )	Brush, Horn	2
4	46313	(000000– )	Spring	1
5	46312	(000000– )	Tube, Acrylic	1
6	47007	(000000– )	Gear and Column Assembly	1
7	51299	(000000– )	Arm, Pitman	1
8	51449	(000000– )	Flange, Bearing	2
9	48050	(000000– )	Bearing	1
10	51470	(000000– )	Support, Steering Column	1
11	51096	(000000– )	Link, Steering	1

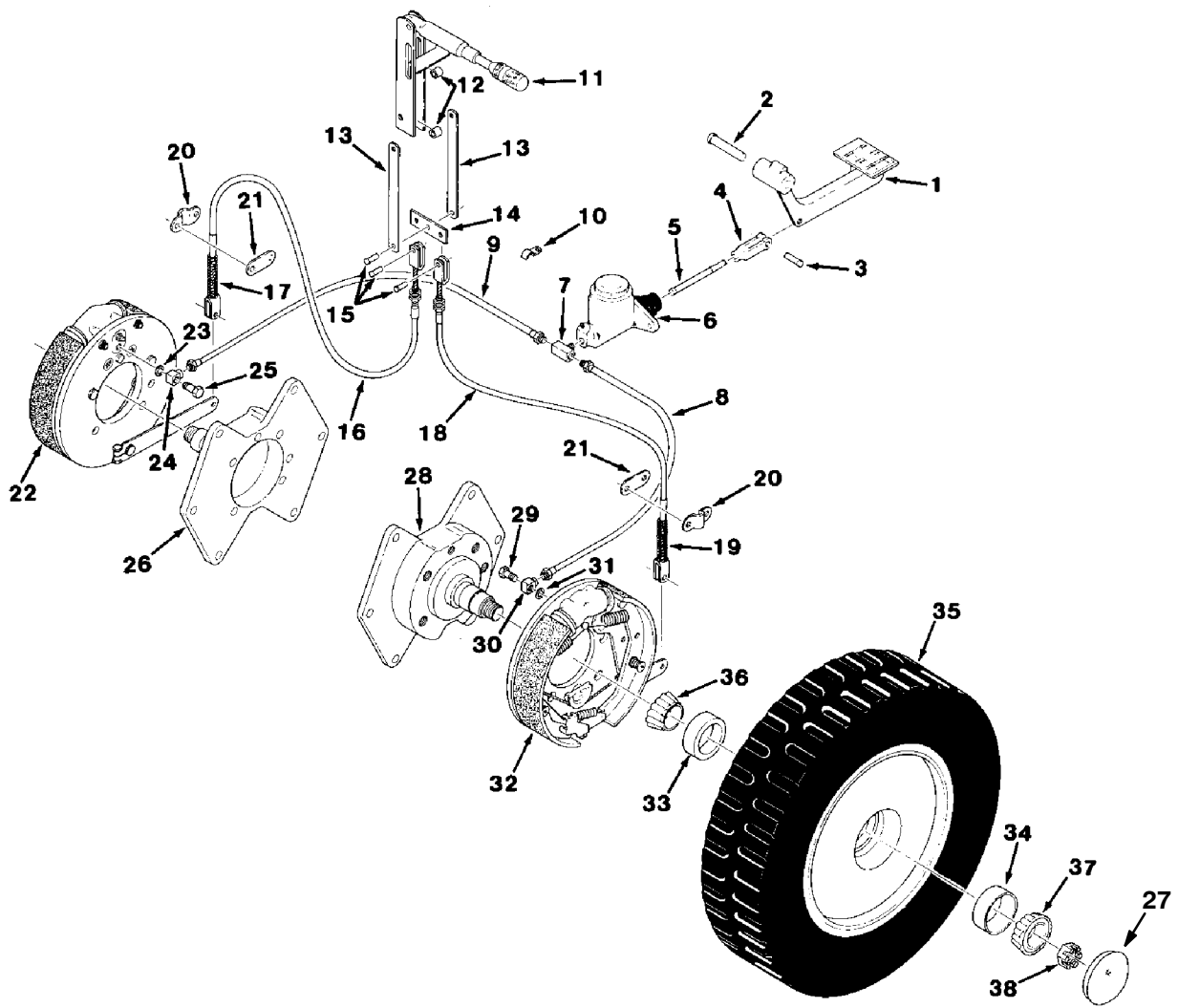
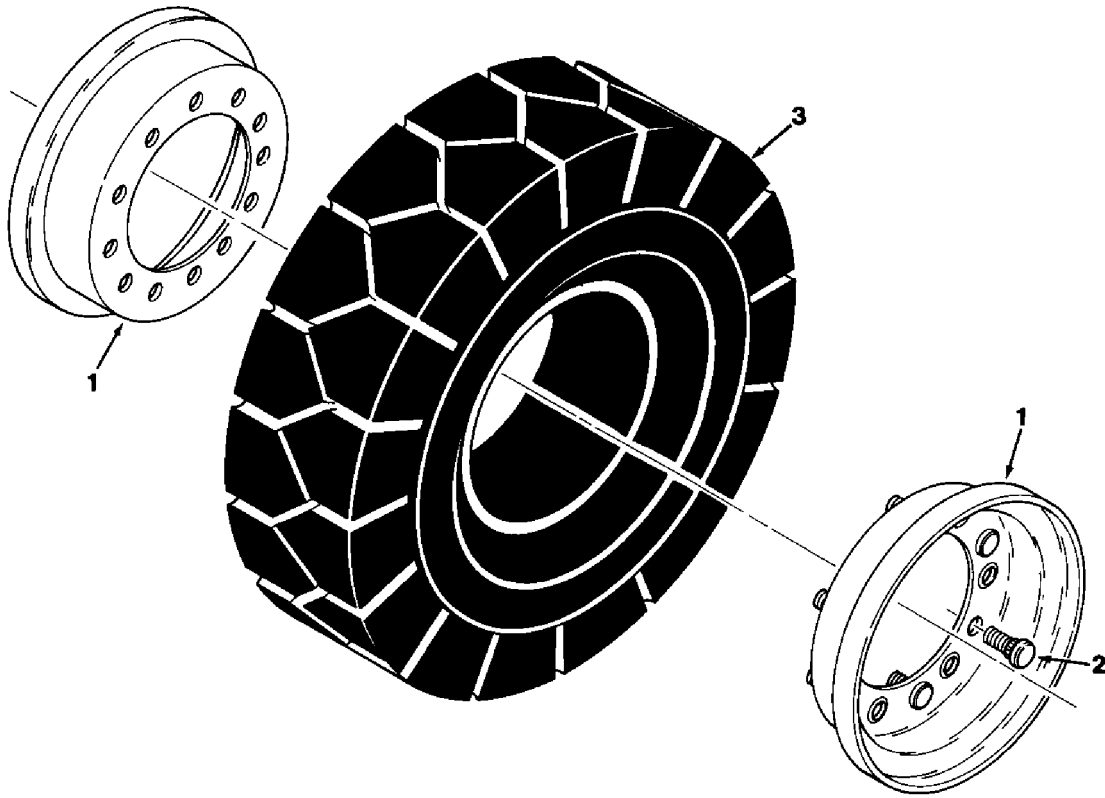


Fig. 28 – Front Wheels and Brakes Group

Fig. 28 – Front Wheels and Brakes Group

Key	TENNANT® Part No.	Machine Serial Number	Description	Qty.
1	65128	(000000– )	Pedal, Brake	1
2	23683	(000000– )	Pin, Clevis	1
3	14331	(000000– )	Pin, Clevis	1
4	14330	(000000– )	Clevis	1
5	52163	(000000– )	Rod, Push	1
6	SK2136	(000000– )	Cylinder Replacement Kit, Brake	1
	SK2137	(000000– )	Repair Kit, Cylinder	1
7	51483	(000000– )	Tee	1
8	76058	(000000– )	Tube Assembly, L.H.	1
9	42241	(000000– )	Tube Assembly, R.H.	1
10	04681	(000000– )	Clamp, Cable	3
11	51545	(000000– )	Lever, Brake	1
12	51562	(000000– )	Sleeve	2
13	51912	(000000– )	Link	2
14	40354	(000000– )	Strip	1
15	10120	(000000– )	Pin, Clevis	3
16	47963	(000000– )	Cable Assembly, R.H.	1
17	47960	(000000– )	Spring	1
18	47963–1	(000000– )	Cable Assembly, L.H.	1
19	47960	(000000– )	Spring	1
20	65129	(000000– )	Clamp, Cable	2
21	65129–1	(000000– )	Spacer, Clamp	2
	62537	(000000– )	Axle Assembly, Front, R.H.	1
22	65115–1	(000000– )	Brake Assembly, R.H.	1
	45744	(000000– )	Repair Kit, Brake Shoes	1
	45743	(000000– )	Repair Kit, Cylinder	1
23	13962	(000000– )	Washer	1
24	36739	(000000– )	Tee, Special	1
25	36740	(000000– )	Bolt, Special	1
26	65121	(000000– )	Spindle, Front Axle, R.H.	1
27	51373	(000000– )	Cap, Grease	2
	62538	(000000– )	Axle Assembly, Front, L.H.	1
28	65122	(000000– )	Spindle, Front Axle, L.H.	1
29	36740	(000000– )	Bolt, Special	1
30	36739	(000000– )	Tee, Special	1
31	13962	(000000– )	Washer	1
32	65114–1	(000000– )	Brake Assembly, L.H.	1
	45744	(000000– )	Repair Kit, Brake Shoes	1
	45743	(000000– )	Repair Kit, Cylinder	1
	47879	(000000– )	Tire and Wheel Assembly	2
33	17808	(000000– )	Bearing, Cup	1
34	51338	(000000– )	Bearing, Cup	1
35	47878	(000000– )	Tire	1
36	17809	(000000– )	Bearing, Cone	2
37	51193	(000000– )	Bearing, Cone	2
38	14242	(000000– )	Nut	2



**Fig. 29 – Rear Wheel Assembly**

01531

Key	TENNANT® Part No.	Machine Serial Number	Description	Qty.
	51705	(000000– )	Tire and Wheel Assembly	1
1	52775	(000000– )	Rim Assembly	1
2	51355	(000000– )	Stud, Wheel	6
3	51711	(000000– )	Tire	1

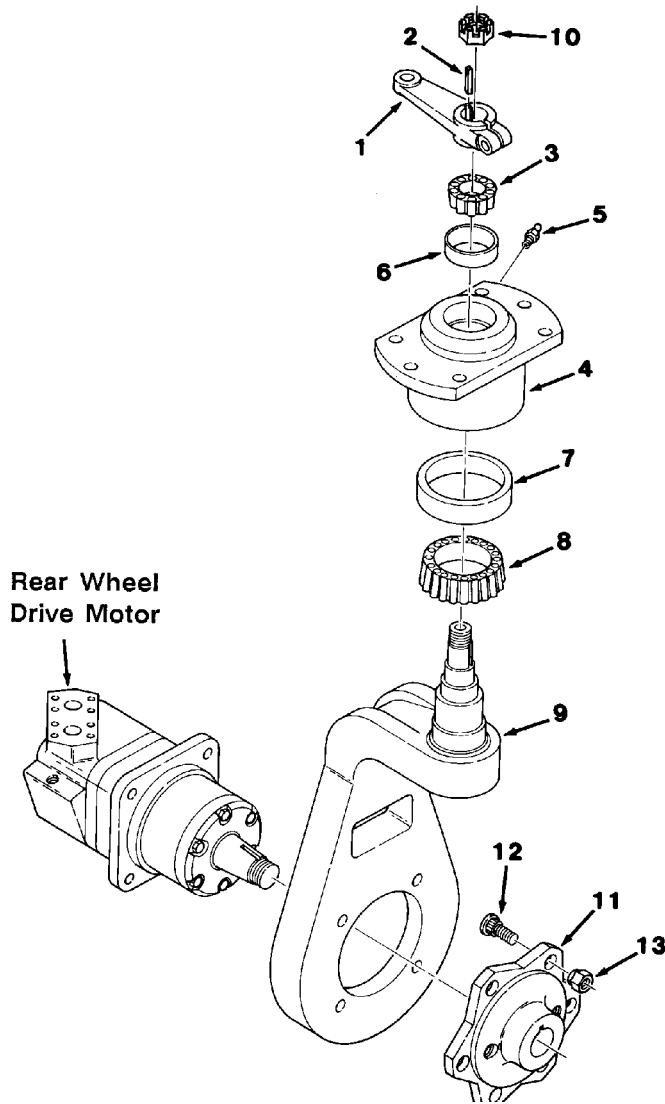


Fig. 30 – Rear Wheel Support Group

01544

Key	TENNANT® Part No.	Machine Serial Number	Description	Qty.
1	51283	(000000– )	Arm, Steering	1
2	00928	(000000– )	Key, Square	1
3	51339	(000000– )	Bearing, Cone	1
4	51002	(000000– )	Block Assembly, Spindle	1
5	47801	(000000– )	Fitting, Grease	1
6	51338	(000000– )	Bearing, Cup	1
7	51340	(000000– )	Bearing, Cup	1
8	51341	(000000– )	Bearing, Cone	1
9	62433	(000000– )	Spindle, Rear Axle	1
10	14242	(000000– )	Nut	1
11	62456	(000000– )	Hub Assembly, Drive Wheel	1
12	32126	(000000– )	Stud, Wheel	6
13	24339	(000000– )	Nut, Wheel	6

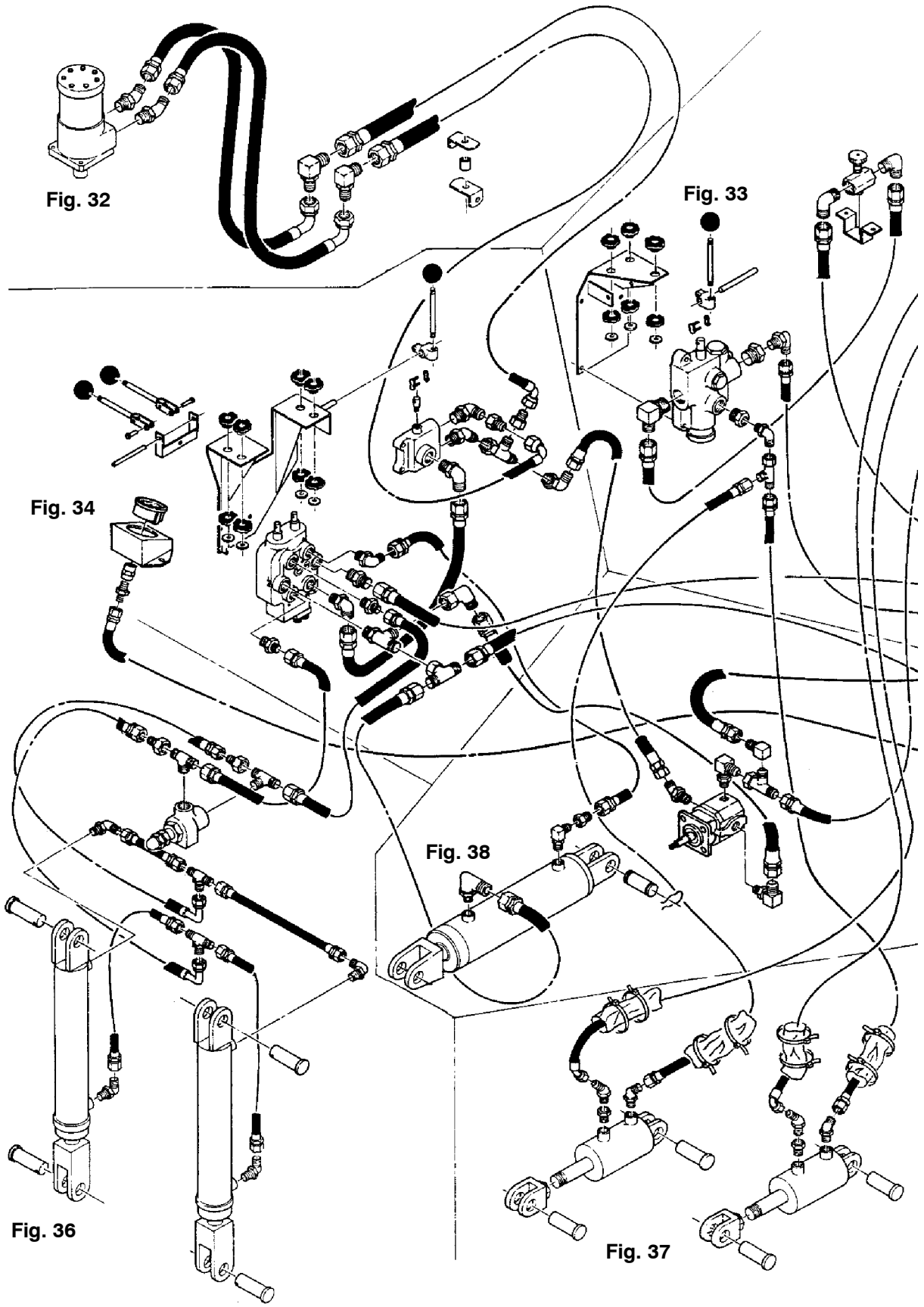


Fig. 31 - Hydraulic System

04284

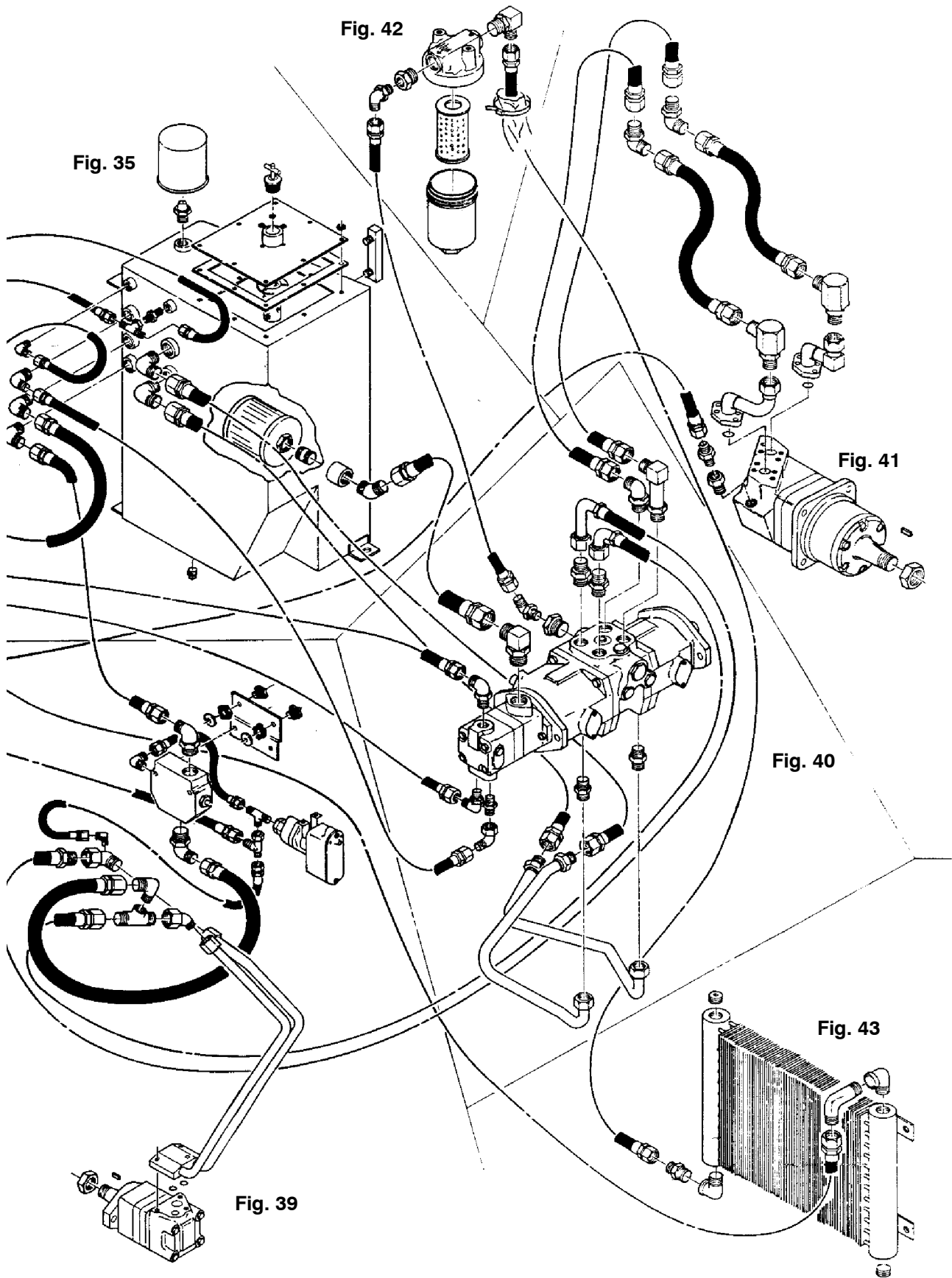
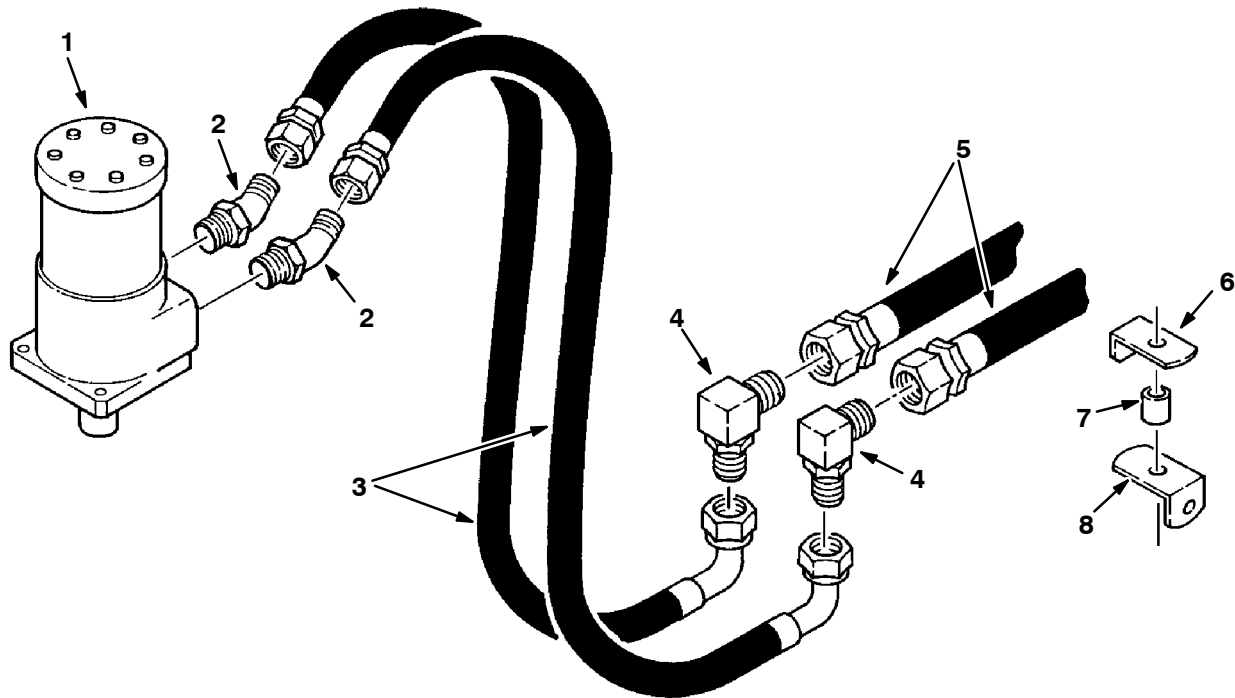


Fig. 31 – Hydraulic System

04284



**Fig. 32 – Side Brush Motor Group**

04285

Key	TENNANT® Part No.	Machine Serial Number	Description	Qty.
1	47650-1	(000000- )	Motor	1
2	47513	(000000- )	Fitting, Elbow, 45°	2
3	34364	(000000- )	Hose, Hydraulic	2
4	34365	(000000- )	Fitting, Elbow	2
5	34363	(000000- )	Hose, Hydraulic	2
6	34067	(000000- )	Clamp, Hose	1
7	34069	(000000- )	Sleeve	1
8	34068	(000000- )	Bracket, Hose	1



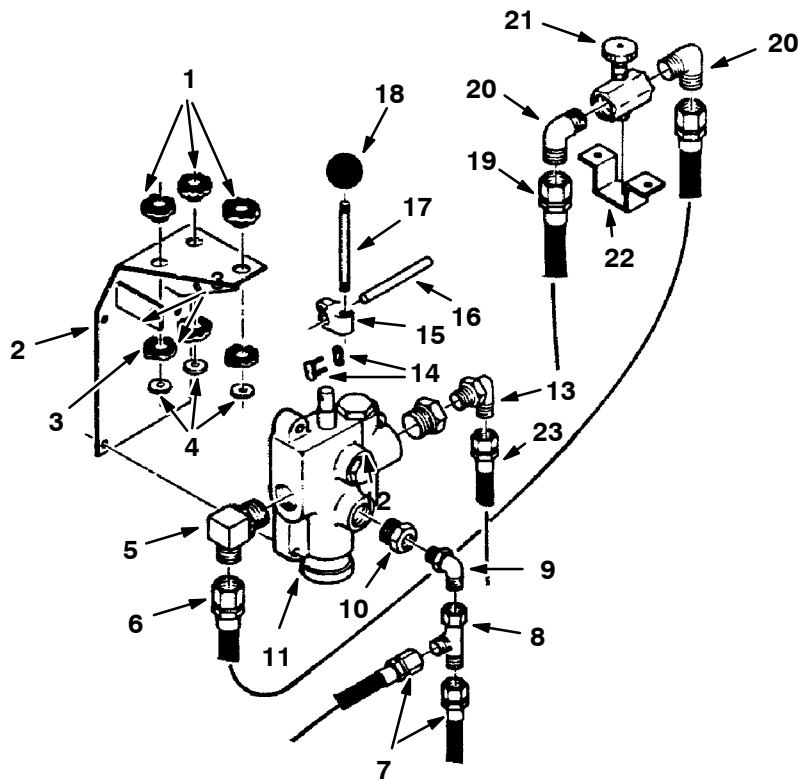


Fig. 33 – Main Brush Control Valve Group

04287

Key	TENNANT® Part No.	Machine Serial Number	Description	Qty.
1	62173	(000000– )	Bushing, Isolator	3
2	62857	(000000– )	Bracket, Mounting	1
3	62172	(000000– )	Ring	3
4	30013	(000000– )	Washer	3
5	53076	(000000– )	Fitting, Elbow	1
6	51753	(000000– )	Hose, Hydraulic	1
7	62338	(000000– )	Hose, Hydraulic	2
8	42215	(000000– )	Fitting, Tee	1
9	56820	(000000– )	Fitting, Elbow	1
10	57727	(000000– )	Fitting, Straight	1
11	78212	(000000– )	Valve	1
12	47519	(000000– )	Fitting, Straight	1
13	47512	(000000– )	Fitting, Elbow	1
14	09318	(000000– )	Link, Chain	1
15	56757	(000000– )	Pivot, Handle	1
16	76702	(000000– )	Pin, Drilled	1
17	62701	(000000– )	Stud	1
18	26565	(000000– )	Knob	1
19	53083–17	(000000– )	Hose, Hydraulic	1
20	47272	(000000– )	Fitting, Elbow	2
21	04310	(000000– )	Valve, Throttling	1
22	76700	(000000– )	Clamp	1
23	62337	(000000– )	Hose, Hydraulic	1

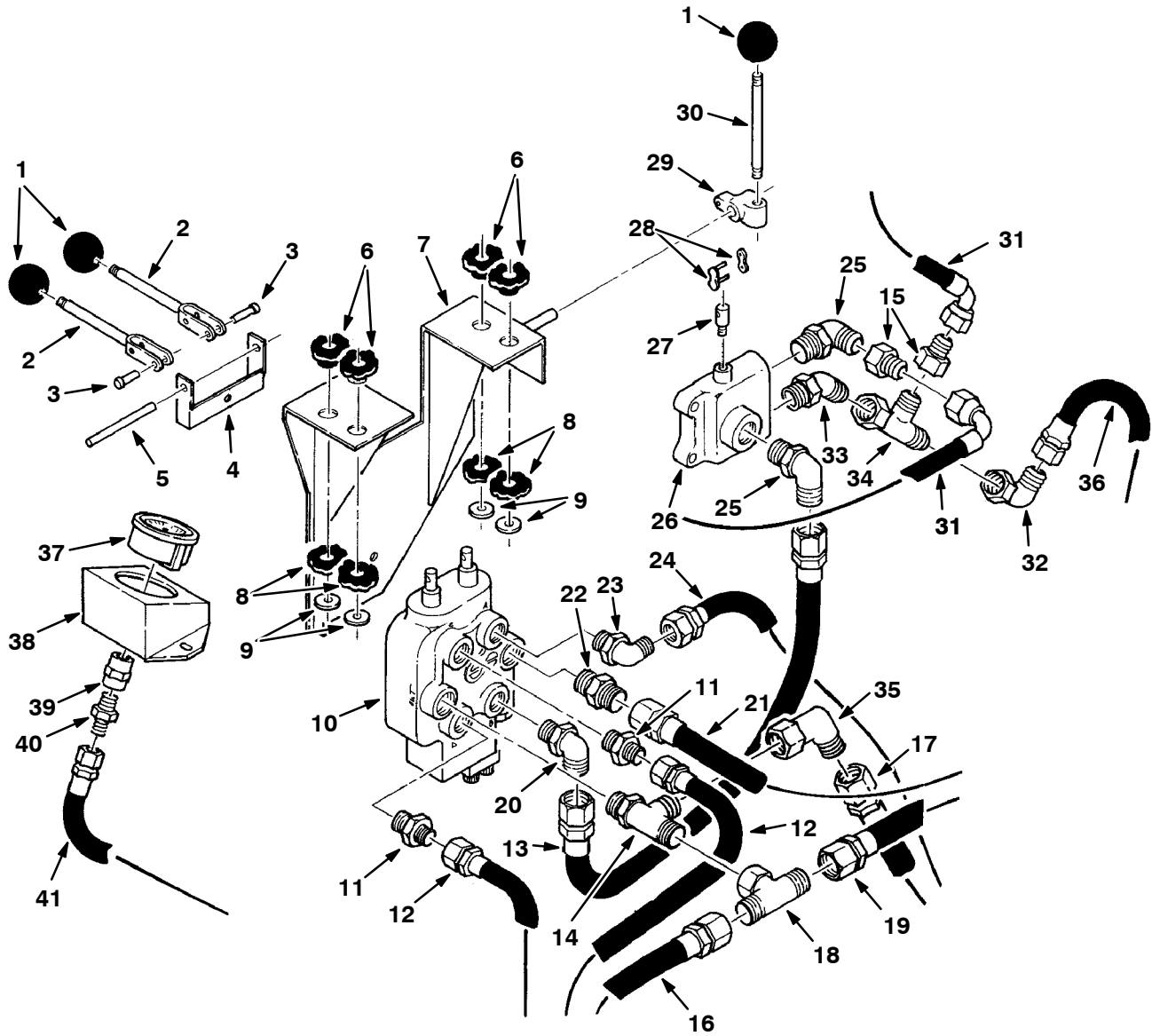


Fig. 34 – Hopper and Side Brush Control Valve Group

Fig. 34 – Hopper and Side Brush Control Valve Group

Key	TENNANT® Part No.	Machine Serial Number	Description	Qty.
1	26565	(000000– )	Knob	3
2	76780	(000000– )	Handle, Valve Control	2
3	76782	(000000– )	Pin, Clevis	2
4	76778	(000000– )	Bracket, Handle Pivot	1
5	76776	(000000– )	Pin, Drilled	1
6	62173	(000000– )	Bushing, Isolator	4
7	62258	(000000– )	Bracket, Valve Mounting	1
8	62172	(000000– )	Ring	4
9	30013	(000000– )	Washer	4
10	65104	(000000– )	Valve, Main Control	1
11	52402	(000000– )	Fitting, Straight	2
12	65116	(000000– )	Hose, Hydraulic	2
13	53083–20	(000000– )	Hose, Hydraulic	1
14	56694	(000000– )	Fitting, Tee	1
15	76052	(000000– )	Fitting, Straight	2
16	47517–1	(000000– )	Hose, Hydraulic	1
17	05479	(000000– )	Hose, Hydraulic	1
18	50421	(000000– )	Fitting, Tee	1
19	53083–18	(000000– )	Hose, Hydraulic	1
20	56827	(000000– )	Fitting, Elbow	1
21	53083–5	(000000– )	Hose, Hydraulic	1
22	46480	(000000– )	Fitting, Straight	1
23	47512	(000000– )	Fitting, Elbow	1
24	42222	(000000– )	Hose, Hydraulic	1
25	51782	(000000– )	Fitting	2
26	16815	(000000– )	Valve, Side Brush	1
27	51311	(000000– )	Extension, Side Brush	1
28	09318	(000000– )	Link, Chain	1
29	56757	(000000– )	Pivot, Handle	1
30	62701	(000000– )	Stud	1
31	34363	(000000– )	Hose, Hydraulic	2
32	54194	(000000– )	Fitting, Elbow	1
33	44936	(000000– )	Fitting, Elbow, 45°	1
34	51779	(000000– )	Fitting, Tee	1
35	54017	(000000– )	Fitting, Elbow, 45°	1
36	62157	(000000– )	Hose, Hydraulic	1
37	04307	(000000– )	Gauge, Hydraulic pressure	1
38	62415	(000000– )	Bracket, Mount	1
39	47684	(000000– )	Fitting, Straight	1
40	06678	(000000– )	Fitting, Straight	1
41	55700	(000000– )	Hose, Hydraulic	1

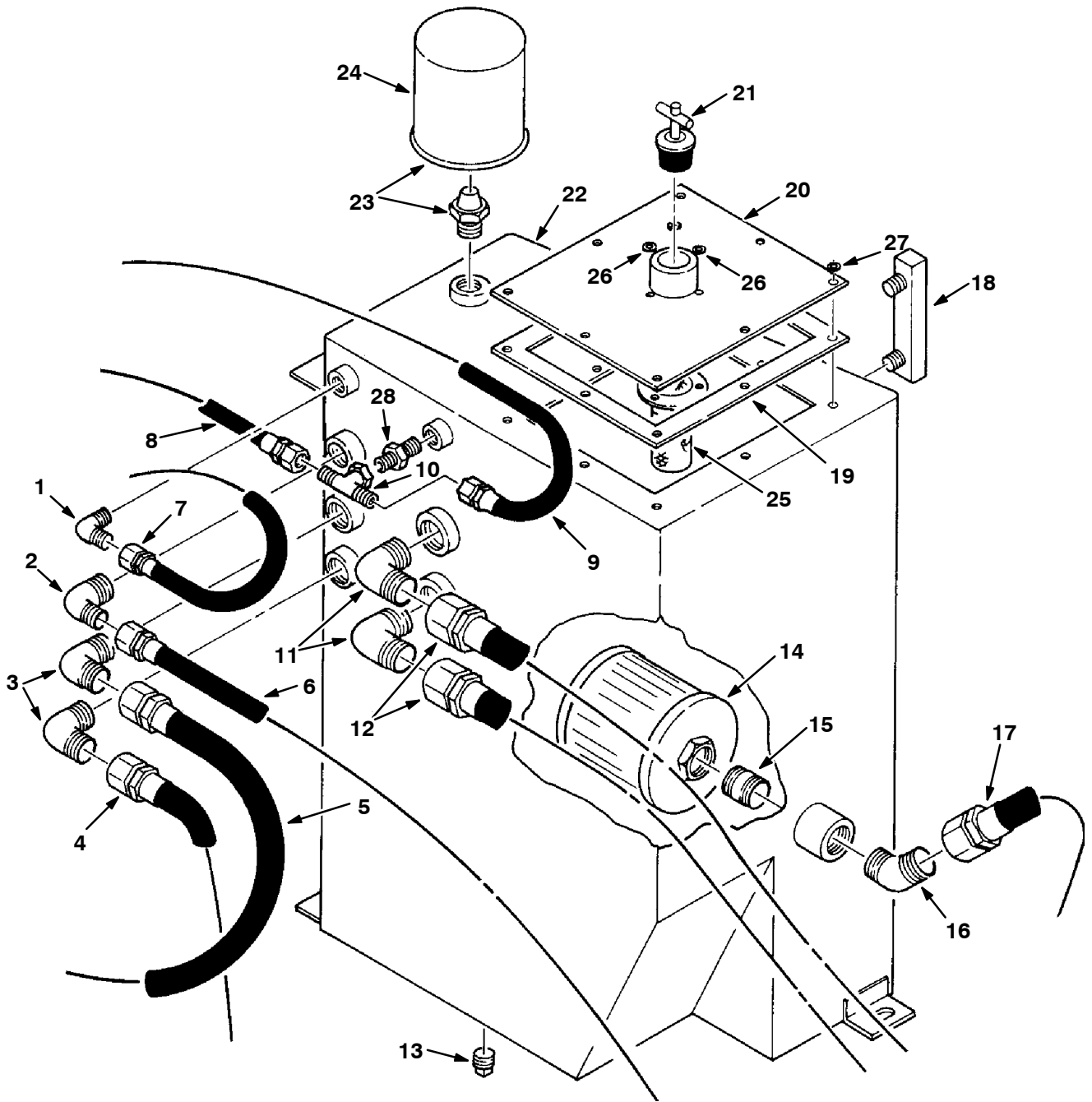
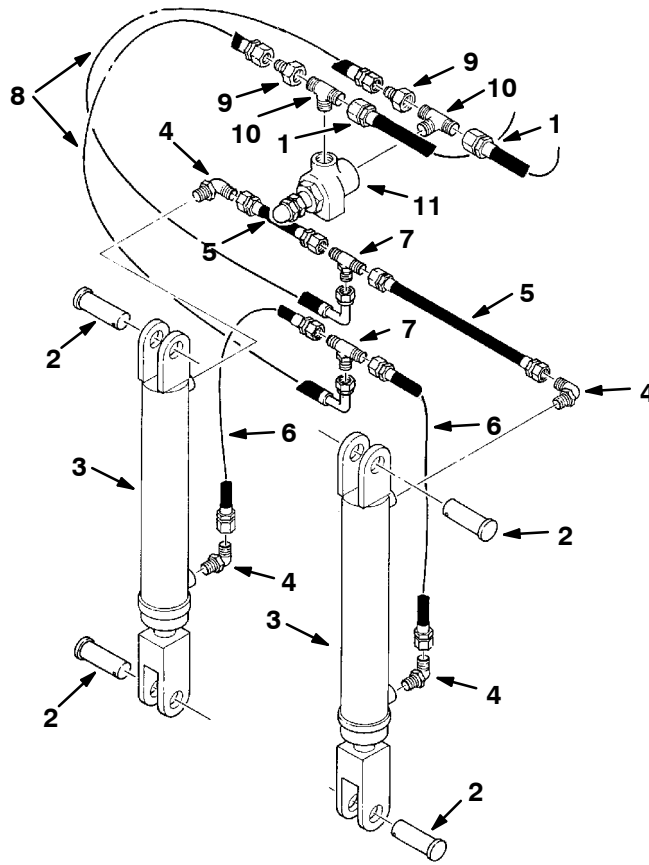


Fig. 35 - Hydraulic Reservoir Group

Fig. 35 – Hydraulic Reservoir Group

Key	TENNANT® Part No.	Machine Serial Number	Description	Qty.
1	52424	(000000– )	Fitting, Elbow	1
2	17771	(000000– )	Fitting, Elbow	1
3	46611	(000000– )	Fitting, Elbow	2
4	53083–9	(000000– )	Hose, Hydraulic	1
5	53083–17	(000000– )	Hose, Hydraulic	1
6	56705	(000000– )	Hose, Hydraulic	1
7	50959	(000000– )	Hose, Hydraulic	1
8	82804	(000000– )	Hose, Hydraulic	1
9	31569	(000000– )	Hose, Hydraulic	1
10	57411	(000000– )	Fitting, Tee	1
11	46612	(000000– )	Fitting, Elbow	2
12	62937	(000000– )	Hose, Hydraulic	2
13	46107	(000000– )	Fitting, Plug	1
14	51885	(000000– )	Filter, Sump	1
15	02546	(000000– )	Fitting, Nipple	1
16	62391	(000000– )	Fitting, Elbow, 45°	1
17	62938	(000000– )	Hose, Hydraulic	1
18	48081	(000000– )	Gauge, Sight	1
19	62264	(000000– )	Gasket, Cover	1
20	39788	(000000– )	Cover, Tank	1
21	56504	(000000– )	Cap	1
22	62270	(000000– )	Reservoir, Hydraulic	1
23	53430	(000000– )	Filter, Pressure Relief	1
24	53431	(000000– )	Element, Filter	1
25	48086	(000000– )	Screen, Tank	1
26	50022	(000000– )	Washer	3
27	24924	(000000– )	Washer	8
28	06678	(000000– )	Fitting, Straight	1



**Fig. 36 – Hopper Dump Cylinder Group**

04288

Key	TENNANT® Part No.	Machine Serial Number	Description	Qty.
1	65116	(000000– )	Hose, Hydraulic	2
2	04733–4	(000000– )	Pin, Clevis	4
3	34328	(000000– )	Cylinder	2
4	77097	(000000– )	Fitting, Elbow	4
5	34382	(000000– )	Hose, Hydraulic	2
6	34380	(000000– )	Hose, Hydraulic	2
7	34392	(000000– )	Fitting, Tee	2
8	34379	(000000– )	Hose, Hydraulic	2
9	57979	(000000– )	Fitting, Straight	2
10	49933	(000000– )	Fitting, Tee	2
11	16464	(000000– )	Valve, Relief	1

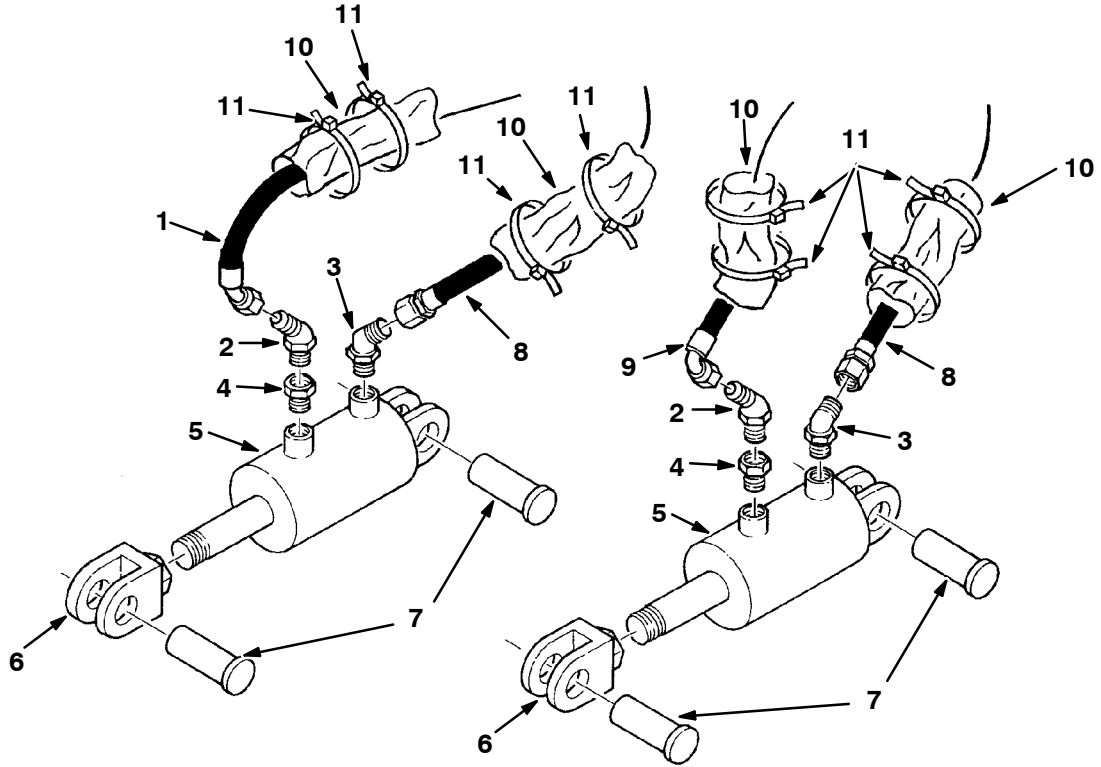
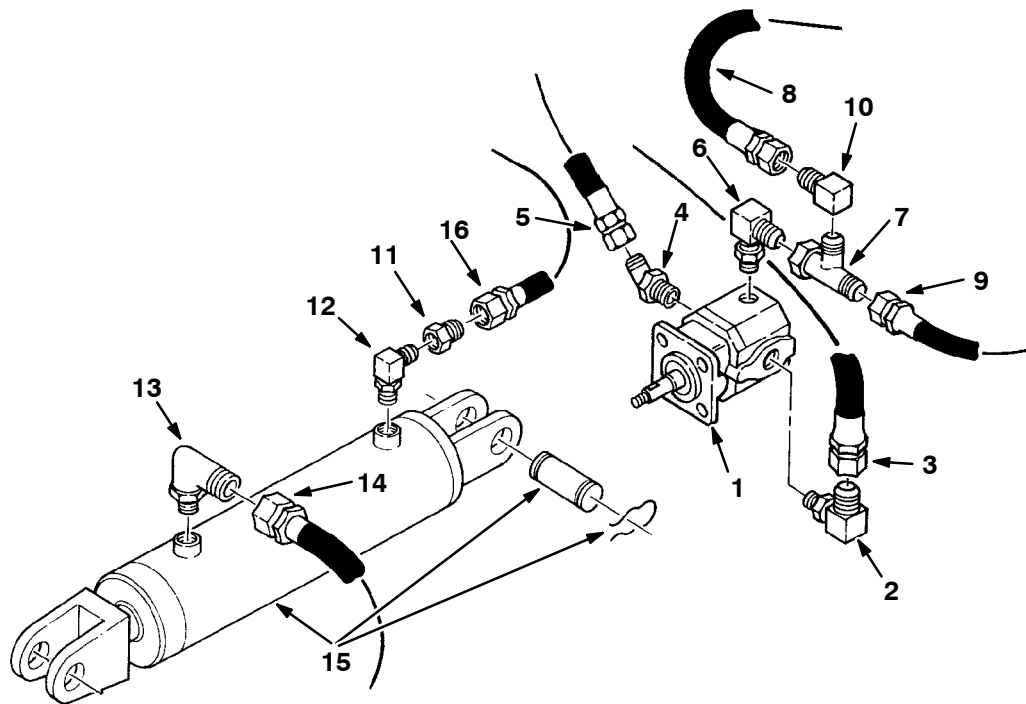


Fig. 37 – Main Brush Cylinder Group

04290

Key	TENNANT® Part No.	Machine Serial Number	Description	Qty.
1	82804	(000000– )	Hose, Hydraulic	1
2	47722	(000000– )	Fitting, Elbow, 45°	2
3	47522	(000000– )	Fitting, Elbow, 45°	2
4	47523	(000000– )	Fitting, Straight	2
5	SK2062	(000000– )	Cylinder	2
6	48929	(000000– )	Clevis, Adjustable	2
7	04733–4	(000000– )	Pin, Clevis	4
8	62338	(000000– )	Hose, Hydraulic	2
9	31569	(000000– )	Hose, Hydraulic	1
10	31647	(000000– )	Sleeve	4
11	49266	(000000– )	Tie, Cable	8



**Fig. 38 – Hopper Lift Cylinder and Vacuum Fan Motor Group**

04289

Key	TENNANT® Part No.	Machine Serial Number	Description	Qty.
1	77101	(000000– )	Motor	1
2	56827	(000000– )	Fitting, Elbow	1
3	05479	(000000– )	Hose, Hydraulic	1
4	77099	(000000– )	Fitting, Elbow, 45°	1
5	62157	(000000– )	Hose, Hydraulic	1
6	77098	(000000– )	Fitting, Elbow	1
7	42215	(000000– )	Fitting, Tee	1
8	50955	(000000– )	Hose, Hydraulic	1
9	50959	(000000– )	Hose, Hydraulic	1
10	47504	(000000– )	Fitting, Elbow	1
11	16454	(000000– )	Fitting, Restrictor	1
12	56820	(000000– )	Fitting, Elbow	1
13	42213	(000000– )	Fitting, Elbow	1
14	47517–1	(000000– )	Hose, Hydraulic	1
15	62710	(000000– )	Cylinder	1
16	42222	(000000– )	Hose, Hydraulic	1



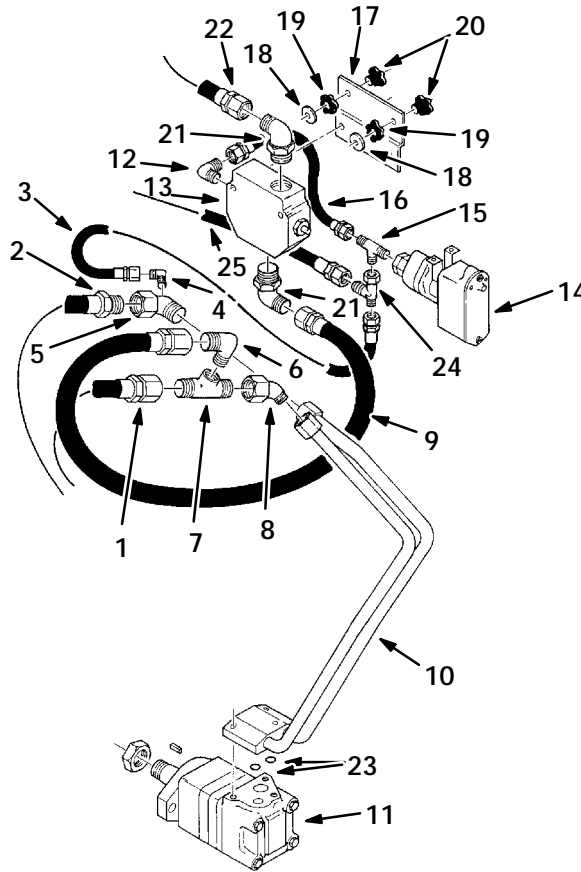


Fig. 39 -- Main Brush Motor Group

04291

Key	TENNANT® Part No.	Machine Serial Number	Description	Qty.
1	47978	(000000- )	Hose, Hydraulic	1
2	62867	(000000- )	Hose, Hydraulic	1
3	62427	(000000- )	Hose, Hydraulic	1
4	55455	(000000- )	Fitting, Elbow	1
5	78210	(000000- )	Fitting, Special	1
6	78206	(000000- )	Fitting, Special	1
7	76791	(000000- )	Fitting, Tee	1
8	07934	(000000- )	Fitting, Elbow, 45°	1
9	53083-14	(000000- )	Hose, Hydraulic	1
10	SK2038	(000000- )	Block, Porting	1
11	SK2037	(000000- )	Motor	1
12	06764	(000000- )	Fitting, Elbow	1
13	62274	(000000- )	Valve	1
14	62417-1	(000000- )	Switch Assembly, Pressure	1
15	62283	(000000- )	Fitting, Tee	1
16	62292	(000000- )	Hose, Hydraulic	1
17	62282	(000000- )	Bracket, Valve	1
18	30013	(000000- )	Washer	2
19	62172	(000000- )	Ring	2
20	62173	(000000- )	Bushing, Isolator	2
21	53076	(000000- )	Fitting, Elbow	2
22	53083-9	(000000- )	Hose, Hydraulic	1
23	62422	(000000- )	O-Ring	2
24	57988	(000000- )	Fitting, Tee	1
25	55700	(000000- )	Hose, Hydraulic	1

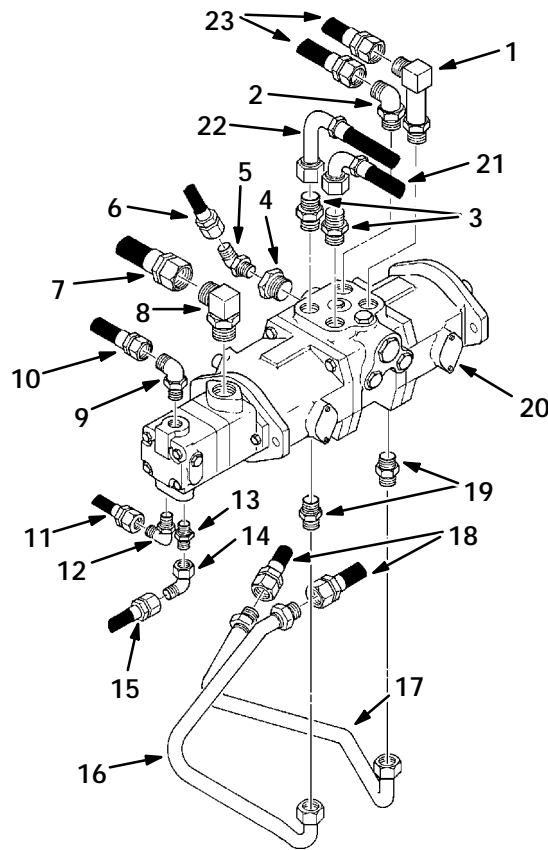


Fig. 40 -- Pump Group

04293

Key	TENNANT® Part No.	Machine Serial Number	Description	Qty.
1	62471	(000000- )	Fitting, Elbow	1
2	46481	(000000- )	Fitting, Elbow	1
3	42260	(000000- )	Fitting, Straight	2
4	42265	(000000- )	Fitting, Straight	1
5	42226	(000000- )	Fitting, Elbow, 45°	1
6	56706	(000000- )	Hose, Hydraulic	1
7	62938	(000000- )	Hose, Hydraulic	1
8	53077	(000000- )	Fitting, Elbow	1
9	56827	(000000- )	Fitting, Elbow	1
10	53083-5	(000000- )	Hose, Hydraulic	1
11	62337	(000000- )	Hose, Hydraulic	1
12	56820	(000000- )	Fitting, Elbow	1
13	56690	(000000- )	Fitting, Straight	1
14	47504	(000000- )	Fitting, Elbow	1
15	56705	(000000- )	Hose, Hydraulic	1
16	62939	(000000- )	Tube, Brush Pump Drain	1
17	62940	(000000- )	Tube, Propelling Pump Drain	1
18	62937	(000000- )	Hose, Hydraulic	2
19	46480	(000000- )	Fitting, Straight	2
20	76723-1	(000000- )	Pump, Hydraulic	1
21	47978	(000000- )	Hose, Hydraulic	1
22	62867	(000000- )	Hose, Hydraulic	1
23	51748	(000000- )	Hose, Hydraulic	2

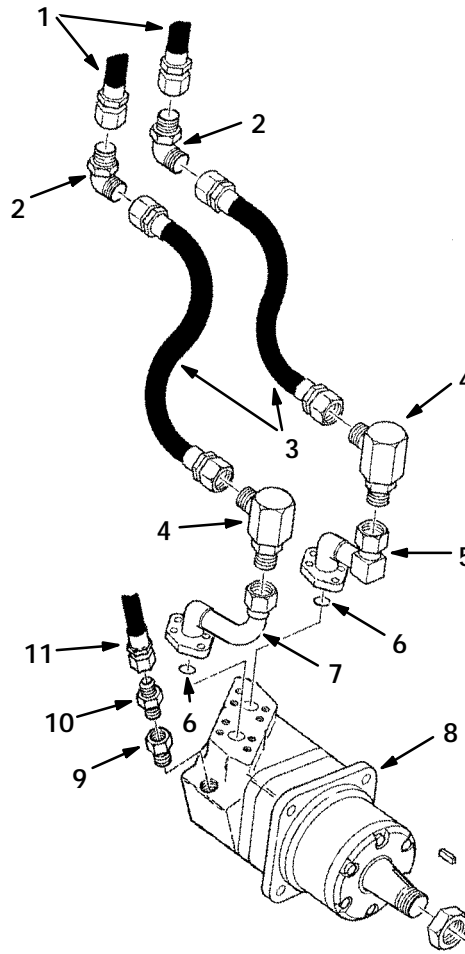


Fig. 41 -- Drive Motor Group

04294

Key	TENNANT® Part No.	Machine Serial Number	Description	Qty.
1	51748	(000000- )	Hose, Hydraulic	2
2	51785	(000000- )	Fitting, Elbow	2
3	08024	(000000- )	Hose, Hydraulic	2
4	08025	(000000- )	Fitting, Elbow	2
5	62716	(000000- )	Tube	1
6	11453	(000000- )	O-Ring	
2				
7	62715	(000000- )	Tube	1
8	75025	(000000- )	Motor, Hydraulic	1
9	76835	(000000- )	Fitting, Straight	1
10	56708	(000000- )	Fitting, Straight	1
11	50955	(000000- )	Hose, Hydraulic	1
	34054	(000000- )	Sleeve	1
	49266	(000000- )	Tie, Cable	2

Ca

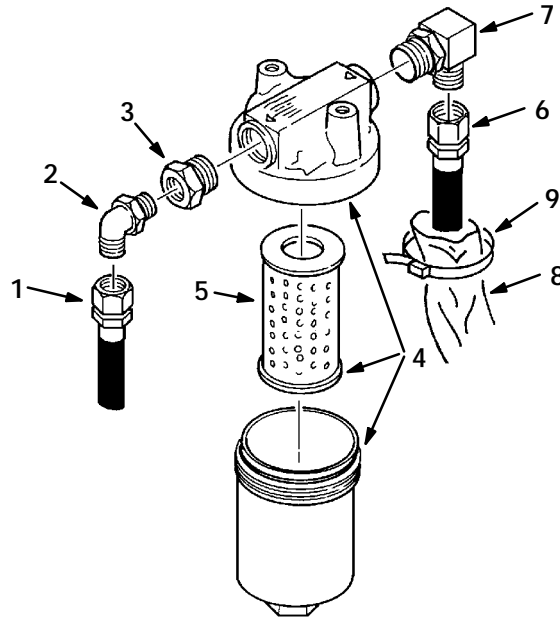


Fig. 42 -- Hydraulic Filter Group

04295

Key	TENNANT® Part No.	Machine Serial Number	Description	Qty.
1	56706	(000000- )	Hose, Hydraulic	1
2	44868	(000000- )	Fitting, Elbow	1
3	47519	(000000- )	Fitting, Straight	1
4	62739	(000000- )	Filter, Hydraulic Fluid	1
5	62739-1	(000000- )	Element, Filter	1
6	53083-14	(000000- )	Hose, Hydraulic	1
7	53076	(000000- )	Fitting, Elbow	1
8	31647	(000000- )	Sleeve	1
9	49266	(000000- )	Tie, Cable	2

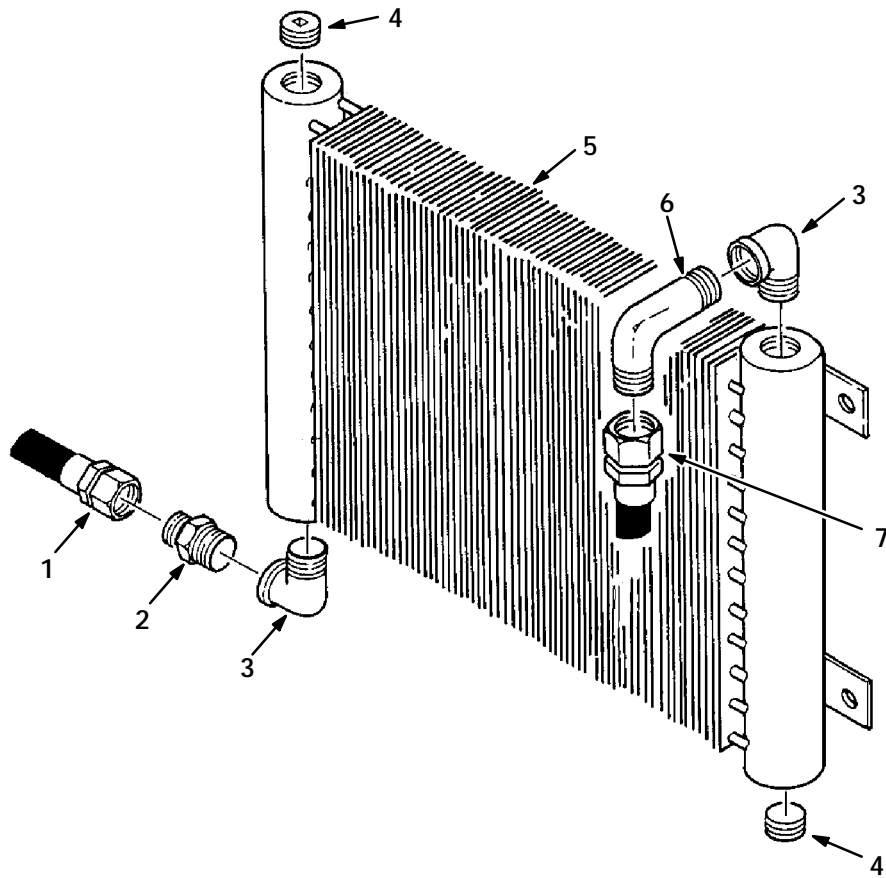


Fig. 43 -- Hydraulic Fluid Cooler Group

04292

Key	TENNANT® Part No.	Machine Serial Number	Description	Qty.
1	53083-14	(000000- )	Hose, Hydraulic	1
2	46607	(000000- )	Fitting, Straight	1
3	11869	(000000- )	Fitting, Elbow	2
4	05178	(000000- )	Fitting, Plug	2
5	78227	(000000- )	Cooler, Hydraulic Fluid	1
6	52930	(000000- )	Fitting, Elbow	1
7	53083-18	(000000- )	Hose, Hydraulic	1

# STANDARD MODEL PARTS

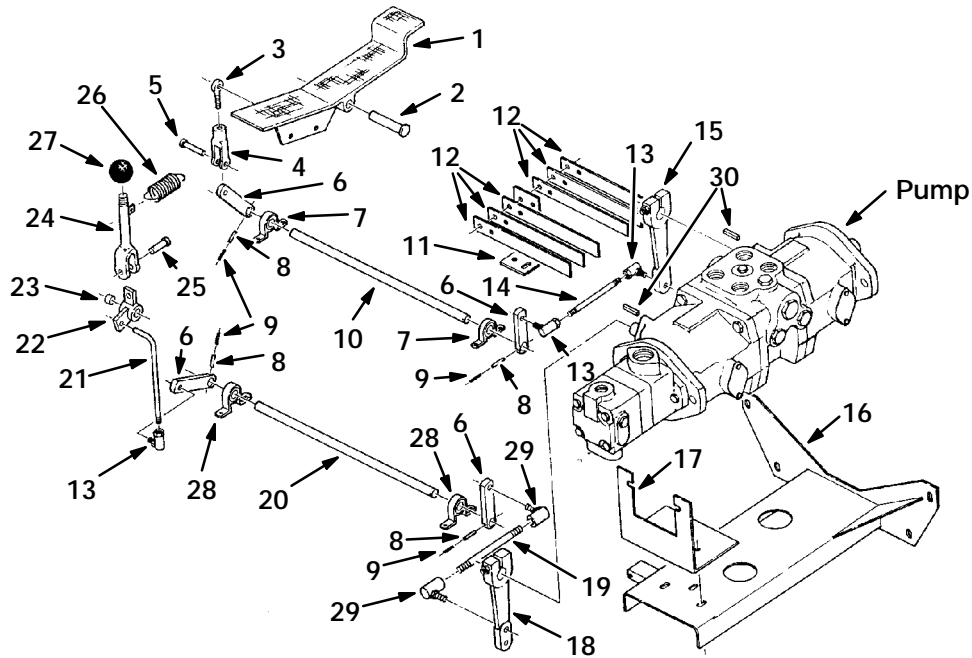


Fig. 44 -- Directional Control Group

04276

Key	TENNANT® Part No.	Machine Serial Number	Description	Qty.
1	42240	(000000- )	Pedal, Foot	1
2	06474A	(000000- )	Pin, Clevis	1
3	51303	(000000- )	Rod, End	1
4	14330	(000000- )	Yoke, Adjustable	1
5	14331	(000000- )	Pin, Clevis	1
6	52789	(000000- )	Link, Direction Control	4
7	51304-1	(000000- )	Bearing	2
8	22134	(000000- )	Pin, Roll	4
9	23999-6	(000000- )	Pin, Roll	4
10	52790	(000000- )	Shaft, Cross	1
11	52689	(000000- )	Bracket, Return Spring	1
12	49681	(000000- )	Plate, Spring Steel	6
13	14506	(000000- )	Ball Joint	3
14	62874	(000000- )	Stud	1
15	76711	(000000- )	Lever, Pump Control	1
16	76717	(000000- )	Bracket, Support	1
17	35260	(000000- )	Angle, Bracket	1
18	76710	(000000- )	Arm, Pump Control	1
19	50494	(000000- )	Stud	1
20	62873	(000000- )	Shaft, Control	1
21	62872	(000000- )	Rod, L	1
22	51492	(000000- )	Bellcrank	1
23	28242	(000000- )	Sleeve, Brush Lift	1
24	78209	(000000- )	Handle, Brush Speed	1
25	06598	(000000- )	Pin, Clevis	1
26	41742	(000000- )	Spring	1
27	26156	(000000- )	Knob	1
28	47995	(000000- )	Bearing	2
29	50493	(000000- )	Ball Joint	2
30	00911	(000000- )	Key, Square	2

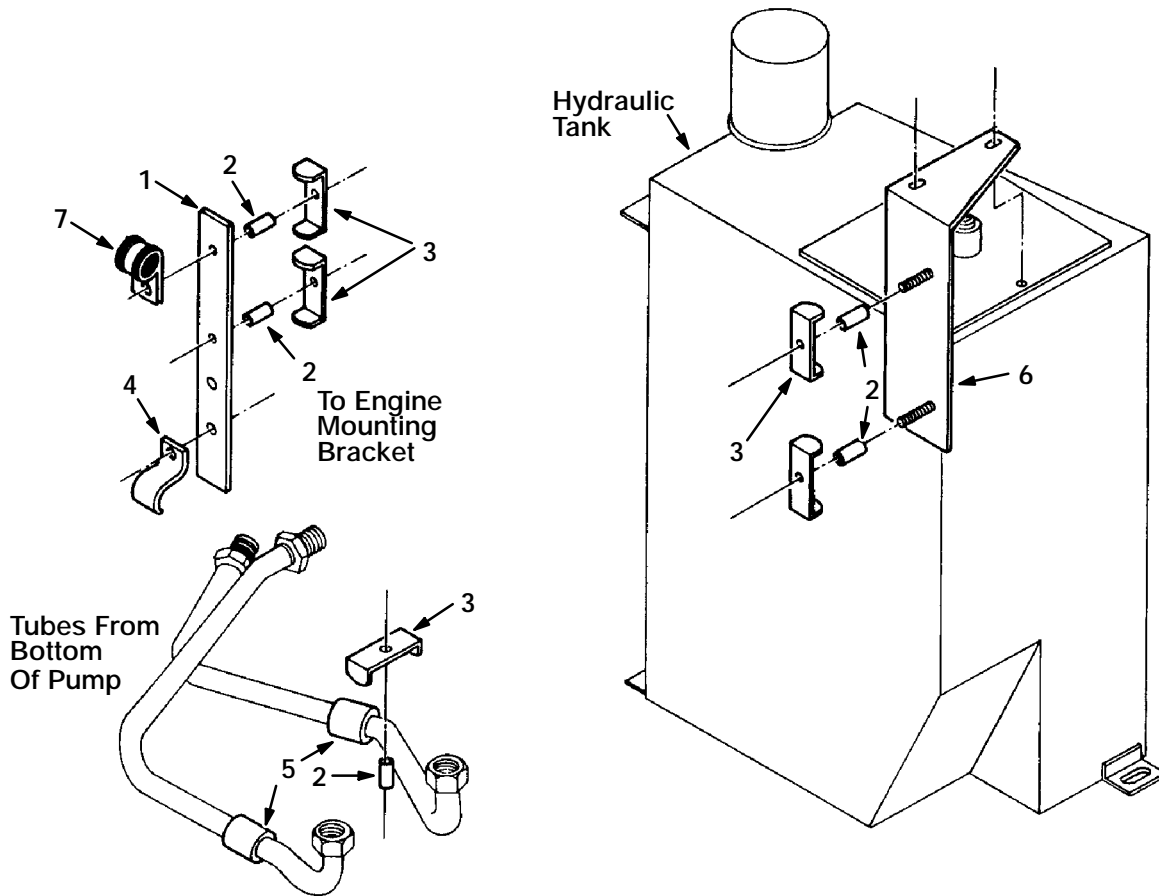


Fig. 45 -- Hydraulic Hose Clamp Group

04275

Key	TENNANT® Part No.	Machine Serial Number	Description	Qty.
1	62932	(000000- )	Mount, Hose	1
2	09900-1	(000000- )	Sleeve	5
3	51715	(000000- )	Clamp, Hose	5
4	62942	(000000- )	Clamp, Hose	1
5	51718	(000000- )	Bushing	
2				
6	62941-1	(000000- )	Bracket, Angle	1
7	26395-1	(000000- )	Clamp, Cable	1

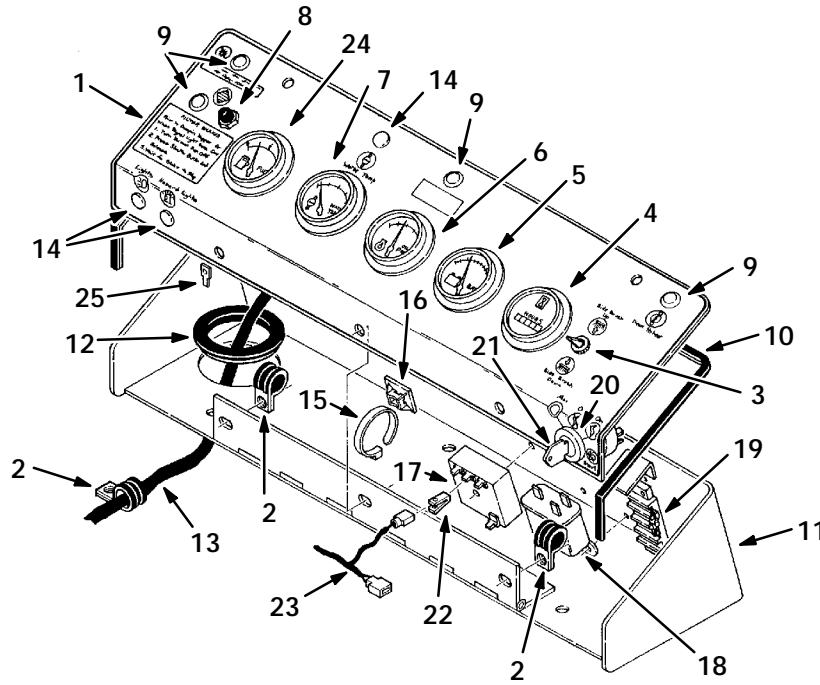


Fig. 46 -- Instrument Panel Assembly

04283

Key	TENNANT® Part No.	Machine Serial Number	Description	Qty.
1	04241	(000000- )	Panel and Decal Assembly, Instrument	1
2	40678-1	(000000- )	Clamp, Cable	3
3	07869	(000000- )	Switch	1
4	34810	(000000- )	Hour Meter	1
5	55557	(000000- )	Gauge, Voltage	1
6	34811	(000000- )	Gauge, Oil Pressure	1
7	34812	(000000- )	Gauge, Water Temperature	1
8	76147	(000000- )	Boot, Pushbutton	1
	76131	(000000- )	Switch, Pushbutton	1
9	34820	(000000- )	Lamp, Indicator	4
10	34842	(000000- )	Seal, Instrument Panel	1
11	34834	(000000- )	Wrap, Instrument Panel	1
12	10632-19	(000000- )	Grommet	1
13	34871	(000000- )	Wire Harness, Main	1
14	56992	(000000- )	Plugbutton	3
15	49266	(000000- )	Tie, Cable, 6.75" (170 mm)	2
16	55248	(000000- )	Mount, Cable Tie	2
17	34816	(000000- )	Timer, Shaker	1
18	34814	(000000- )	Relay	1
19	34815	(000000- )	Block, Diode Assembly	1
20	55258	(000000- )	Switch, Ignition	1
21	62530-1	(000000- )	Key Set, Ignition	1
22	27184	(000000- )	Connector	1
23	34056	(000000- )	Wire Assembly, Shaker Timer	1
24	34813	(000000- )	Gauge, Fuel	1
25	48252	(000000- )	Terminal, Tab	1



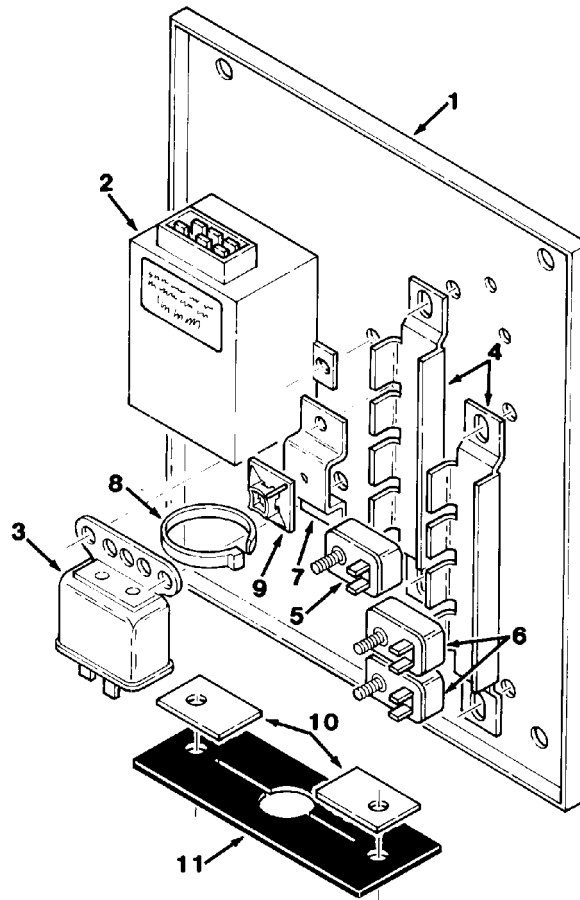


Fig. 47 -- Electrical Box Cover Assembly

01517

Key	TENNANT® Part No.	Machine Serial Number	Description	Qty.
	34596	(000000- )	Cover Assembly, Electrical	1
1	34208	(000000- )	Cover, Electrical Box	1
2	16875	(000000- )	Controller, Side Brush Lift	1
3	34814	(000000- )	Relay	1
4	55257	(000000- )	Bracket, Circuit Breaker	2
5	55256	(000000- )	Circuit Breaker, 25 A	1
6	55255	(000000- )	Circuit Breaker, 15 A	2
7	34095	(000000- )	Bracket, Tie Mount	1
8	49266	(000000- )	Tie, Cable	1
9	55248	(000000- )	Mount, Cable Tie	1
10	34209	(000000- )	Strip, Retainer	2
11	34210	(000000- )	Seal, Electrical Box	1

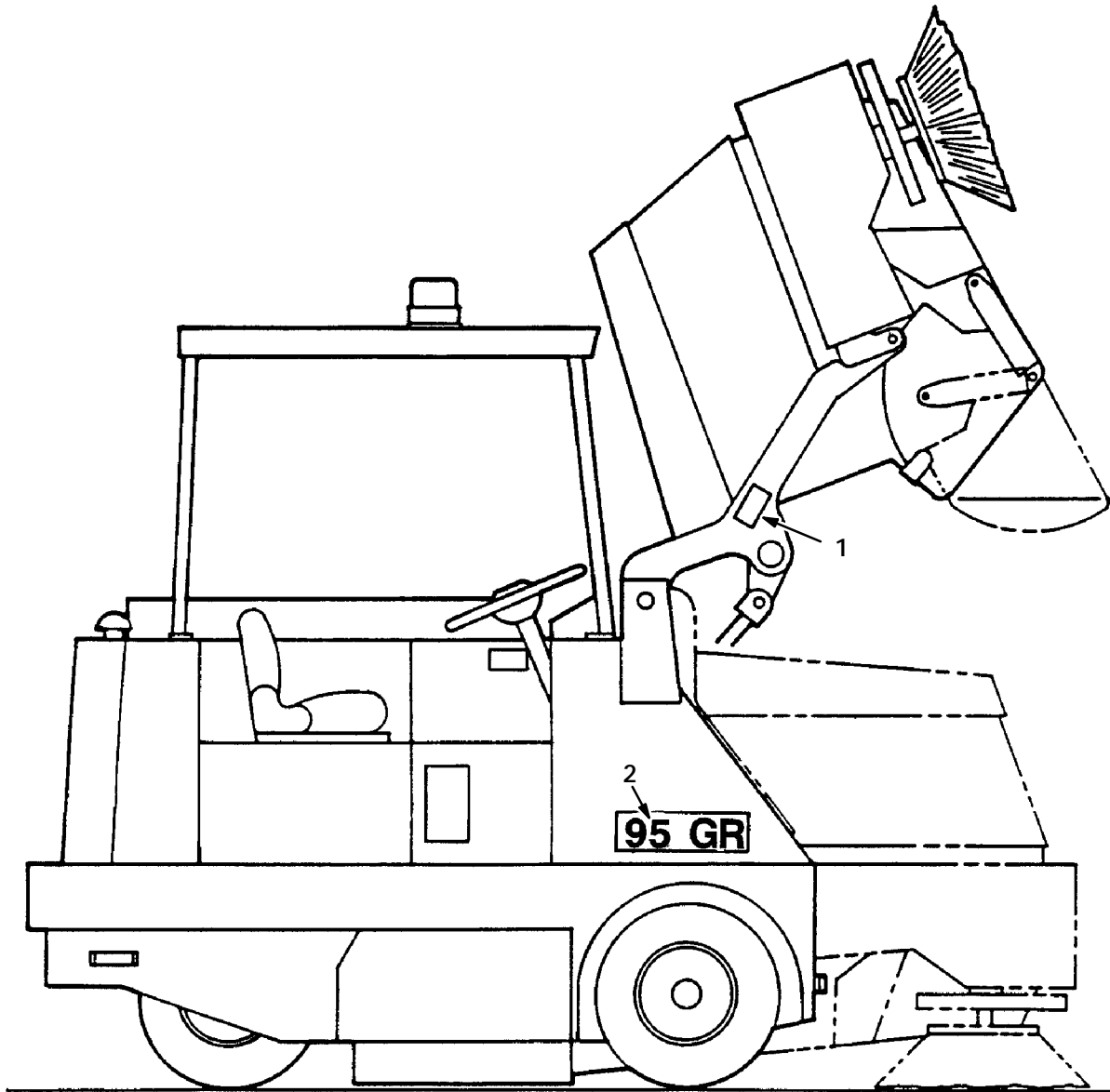


Fig. 48 -- Labels Group

05950

Key	TENNANT® Part No.	Machine Serial Number	Description	Qty.
	04242	(000000- )	Label Kit, Complete	1
1	34138	(000000- )	Label Kit, Warning	1
2	31297	(000000- )	Label Kit, 95GR	1

## SECTION 6

## CONTENTS

	Page
ORDERING REPAIR PARTS .....	6-3
Fig. 1 – Cab Kit .....	6-4
Fig. 2 – Back-Up Alarm Kit .....	6-6
Fig. 3 – Wire Brush Dolly Assembly .....	6-7
Fig. 4 – Air Cleaner Kit .....	6-8
Fig. 5 – Air Bypass Kit .....	6-9
Fig. 6 – Speed Control Kit .....	6-10
Fig. 7 – Fire Extinguisher Kit .....	6-11
Fig. 8 – Heater Defroster Kit .....	6-12
Fig. 9 – Hopper Dolly Kit .....	6-13
Fig. 10 – Operating Lights Kit .....	6-14
Fig. 11 – Flashing Light Kit, Engine Cover ...	6-16
Fig. 12 – Flashing Light Kit, Overhead Guard .....	6-17
Fig. 13 – Flashing Light Kit, Cab .....	6-18
Fig. 14 – Revolving Light Kit, Engine Cover .....	6-19
Fig. 15 – Revolving Light Kit, Overhead Guard .....	6-20
Fig. 16 – Revolving Light Kit, Cab .....	6-21
Fig. 17 – Snow Blade Kit .....	6-22
Fig. 18 – Side Brush Dust Control Group, Multi-Level Dump .....	6-24
Fig. 19 – Vacuum Wand Kit .....	6-26

*NOTE: SECTION 6, ACCESSORIES, lists repair parts included as part of the available accessories.*



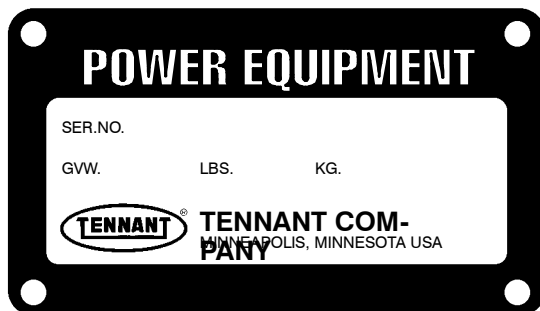
## ORDERING REPAIR PARTS

The components used in this machine have been carefully selected for performance and safety. Use only Tennant Company specified or equivalent parts.

To receive prompt service in filling of your parts orders, please direct all orders for parts with Tennant Company part numbers to the Tennant Company, and all orders for parts with vendor part numbers to the local supplier of the respective vendor.

When ordering parts, please furnish all of the following information:

1. Machine model number - shown on the machine data plate.



2. Machine serial number - shown on the machine data plate.
3. Power source - gasoline, LPG, diesel, electric.
4. Company name.
5. Shipping address.
6. Billing address.
7. Name, first and last - of person ordering parts.
8. Telephone number.
9. Purchase order number.
10. Part number, description, and quantity - of each item on the order.
11. Customer ID Number.

Do not order parts by key number or the figure number of the illustrated parts. Indented items indicate parts of assemblies. Standard hardware is furnished only when part of a purchased assembly. Please get hardware from a local hardware supplier.

If the old part cannot be identified, send it to us with the quantity needed specified on the order.

Any claim for loss or damage to a shipment in transit should be filed promptly against the transportation company making the delivery. Shipments will be complete unless the packing list or order acknowledgement indicate items back ordered.

If parts received are suspected to be incorrect or defective, please write, wire, or phone the Tennant Company representative from whom you ordered the part. They will give authorization for return and/or handle replacement shipments when required.

### SERIAL NUMBER INFORMATION EXPLANATION

Serial number listings are shown to indicate on which machines each part can be used. These listings are explained by the following examples:

(000000— ) The part can be used on all machines.

(003342— ) The part can be used on all machines beginning with the serial number listed.

(000000—004320) The part can be used on all machines up to and including serial number listed.

(004321—005678) The part can be used on all machines between and including the serial numbers listed.

Where 000000's are listed in place of a serial number, it indicates a change was made but the exact serial number had not been established when the catalog went to press.

### SI UNITS OF MEASURE (INTERNATIONAL SYSTEM)

Metric equivalents have been included, where applicable, throughout this parts catalog.

### FASTENER STRENGTH IDENTIFICATION

Fasteners required to have high—strength qualities equivalent to SAE Grade 8 are identified throughout this catalog by the description GR 8. Unless identified by this description, all standard fasteners are SAE Grade 5.

(Specifications and design subject to change without notice.)

# ACCESSORIES

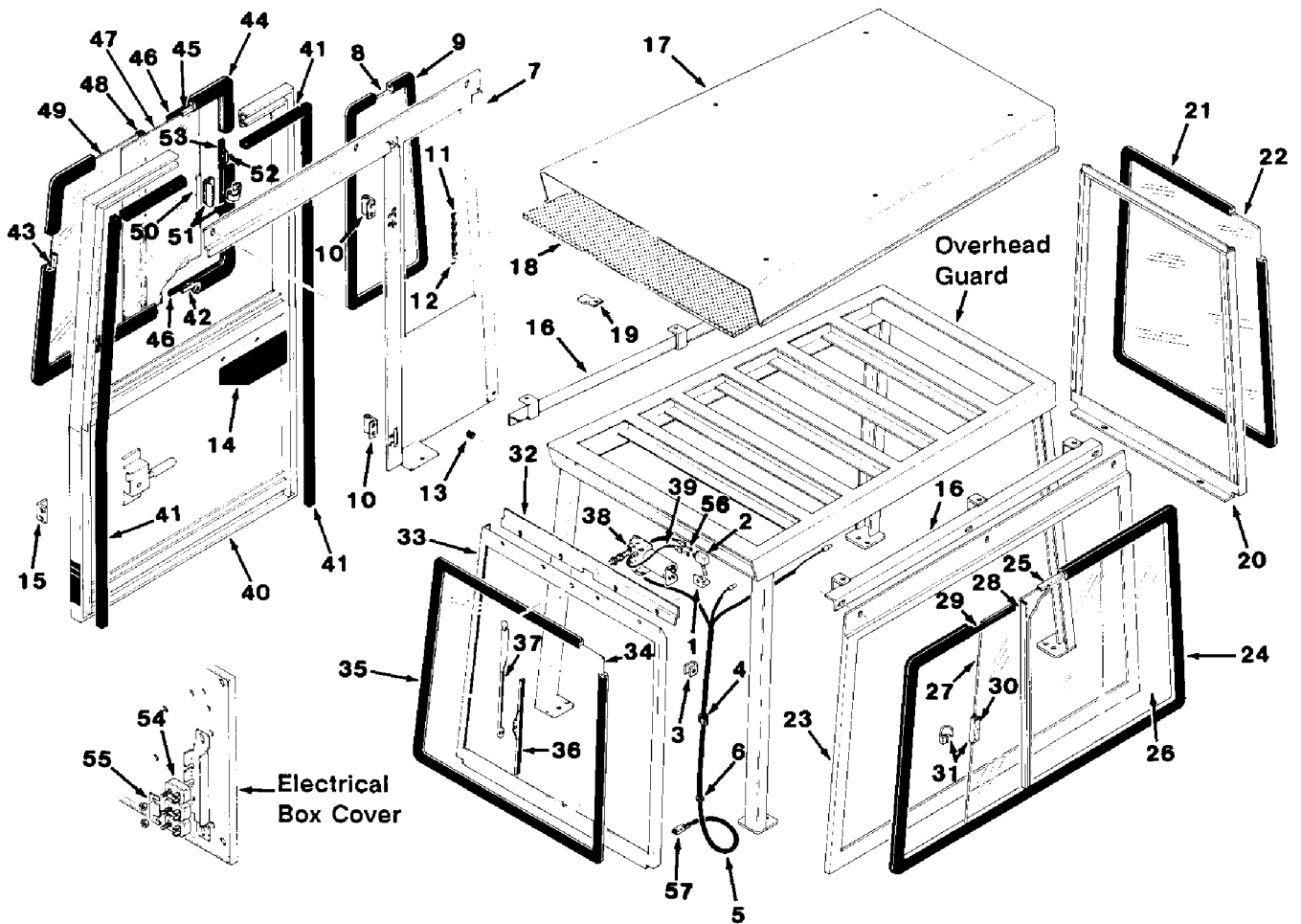


Fig. 1 – Cab Kit

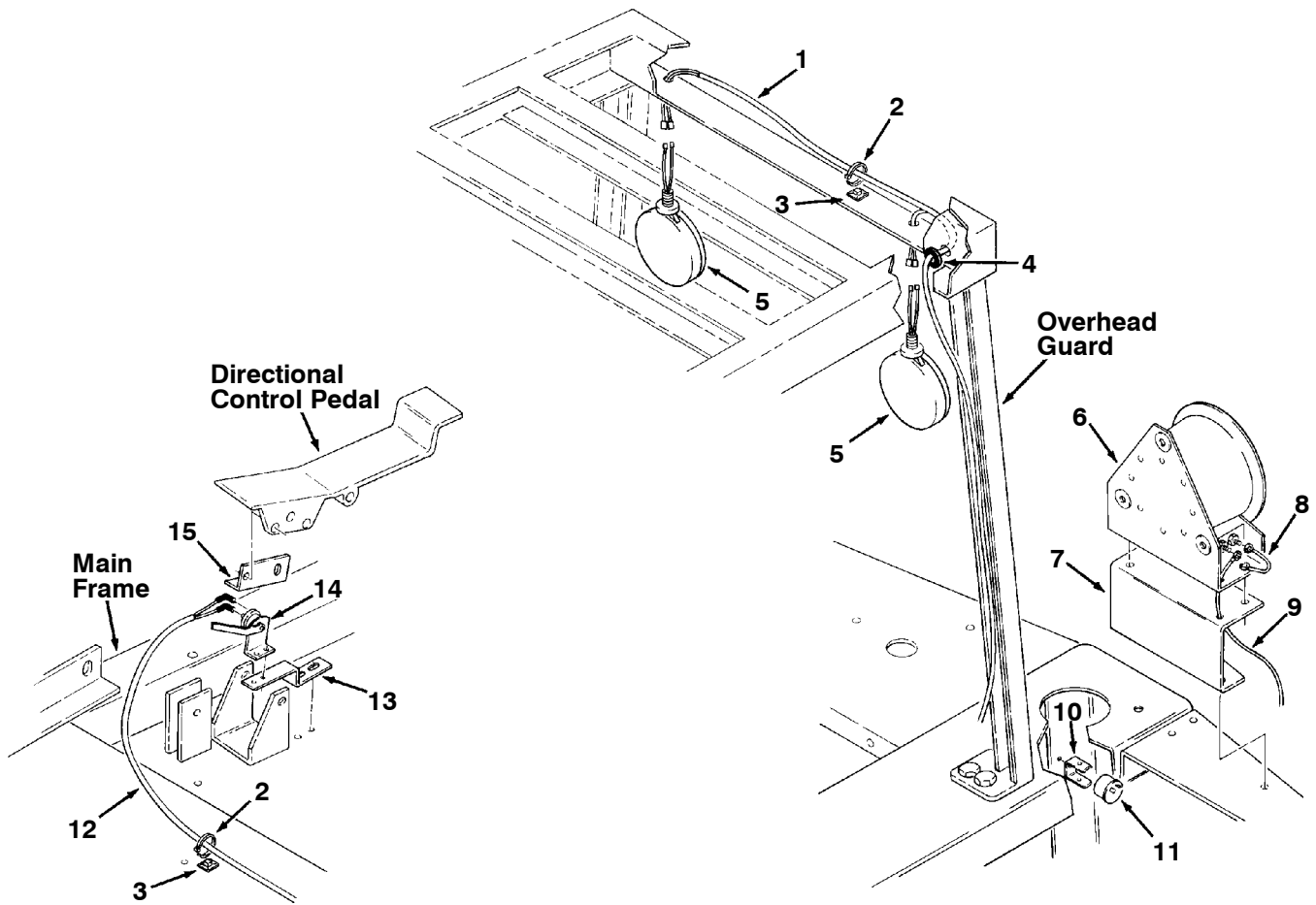
05884

Key	TENNANT® Part No.	Machine Serial Number	Description	Qty.
	34434	(000000– )	Cab Kit	1
1	62039	(000000– )	Bracket, L	1
2	10701	(000000– )	Switch	1
3	51675	(000000– )	Clip, Cab	14
4	46236	(000000– )	Clamp, Cable	2
5	03290	(000000– )	Wire Harness, Cab	1
6	10632–11	(000000– )	Grommet	1
7	51791	(000000– )	Panel Assembly, Cab Filler	1
8	51974	(000000– )	Glass, Filler Panel	1
9	51975	(000000– )	Weather Strip	1
10	51670	(000000– )	Hinge	2
11	28499–3	(000000– )	Chain	1
12	43363	(000000– )	Hook	1
13	44851	(000000– )	Bumper, Rubber	1
14	34280	(000000– )	Armrest, Cab	1
15	02475	(000000– )	Plate, Strike	1
16	62029A	(000000– )	Angle, Cab	2
17	62095	(000000– )	Roof, Cab	1
18	62098	(000000– )	Insulation	1

NOTE: To identify parts shown but not listed here, see Section 5, Standard Model Parts.

## ACCESSORIES

Key	TENNANT® Part No.	Machine Serial Number	Description	Qty.
19	62045	(000000- )	Clip	7
20	62042	(000000- )	Window Assembly, Rear	1
21	51602	(000000- )	Weather Strip	1
22	51682	(000000- )	Glass, Safety	1
23	51789	(000000- )	Window Assembly, Cab, L.H.	1
24	51609	(000000- )	Weather Strip	1
25	51611	(000000- )	Channel, Glass	1
26	51606	(000000- )	Glass, Side Window	1
27	51607	(000000- )	Glass, Safety	1
28	51677	(000000- )	Channel, Rigid	1
29	51608	(000000- )	Strip, Rubber	1
30	58974	(000000- )	Pad, Rubber	2
31	15066	(000000- )	Pull and Lock Set	1
32	62028	(000000- )	Rail, Attaching	1
33	62041	(000000- )	Frame and Windshield Assembly, Front	1
34	52370	(000000- )	Glass, Safety	1
35	51596	(000000- )	Weather Strip	1
36	23947	(000000- )	Blade, Windshield Wiper	1
37	15121	(000000- )	Arm, Windshield Wiper	1
38	02507	(000000- )	Motor, Windshield Wiper	1
39	03282	(000000- )	Wire Assembly, Wiper Motor	1
40	51792	(000000- )	Door Assembly, Cab	1
41	02476	(000000- )	Seal Replacement Kit	1
42	34042	(000000- )	Channel, Flexible	1
43	34044	(000000- )	Channel, Flexible	1
44	34046	(000000- )	Weatherstrip, Rubber	1
45	34045	(000000- )	Channel, Flexible	1
46	34040	(000000- )	Spacer, Rubber	2
47	34048	(000000- )	Window, Sliding	1
48	34049	(000000- )	Channel, Rigid	1
49	34047	(000000- )	Window, Stationary	1
50	58974	(000000- )	Pad, Rubber	2
51	15066	(000000- )	Pull and Lock Set	1
52	34043	(000000- )	Channel, Flexible	1
53	34041	(000000- )	Spacer, Rubber	1
54	55255	(000000- )	Circuit Breaker, 15 A	1
55	34843	(000000- )	Buss Bar, Circuit Breaker	1
56	48252	(000000- )	Terminal, Tab	2
57	51407	(000000- )	Connector, 2 Contact	1



**Fig. 2 -- Back-Up Alarm Kit**

03558

Key	TENNANT® Part No.	Machine Serial Number	Description	Qty.
	33788	(000000- )	Alarm Kit, Back-Up	1
1	33893	(000000- )	Wire Harness, Lights	1
2	49266	(000000- )	Tie, Cable	8
3	55248	(000000- )	Mount, Cable Tie	6
4	87514	(000000- )	Grommet	1
5	36438	(000000- )	Headlight Assembly	2
	36439	(000000- )	Bulb	1
6	33839	(000000- )	Horn, Back-Up Alarm	1
7	33867	(000000- )	Plate, Horn	1
8	33895	(000000- )	Wire Assembly, Ground	1
9	33894	(000000- )	Wire Harness, Horn and Flasher	1
10	24576-1	(000000- )	Bracket, Flasher	1
11	24576	(000000- )	Flasher	1
12	33896	(000000- )	Wire Harness, Switch	1
13	33879	(000000- )	Bracket, Switch	1
14	33878	(000000- )	Switch, Pedal	1
15	33891	(000000- )	Bracket, Cam	1

*NOTE: To identify parts shown but not listed here, see Section 5, Standard Model Parts.*



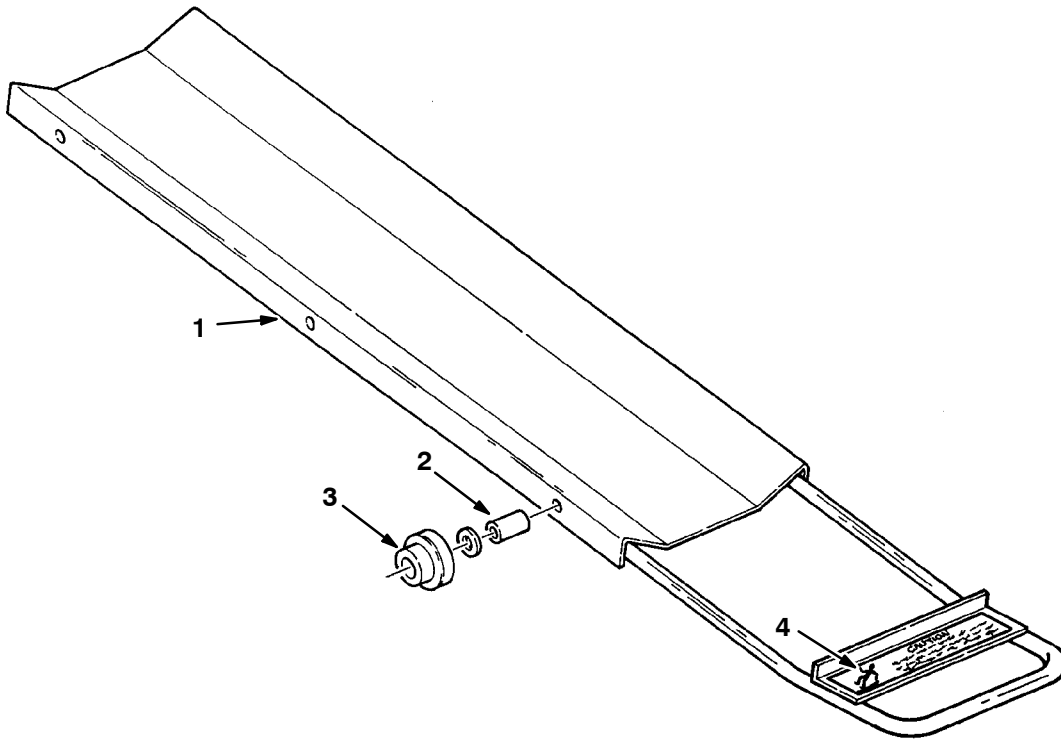
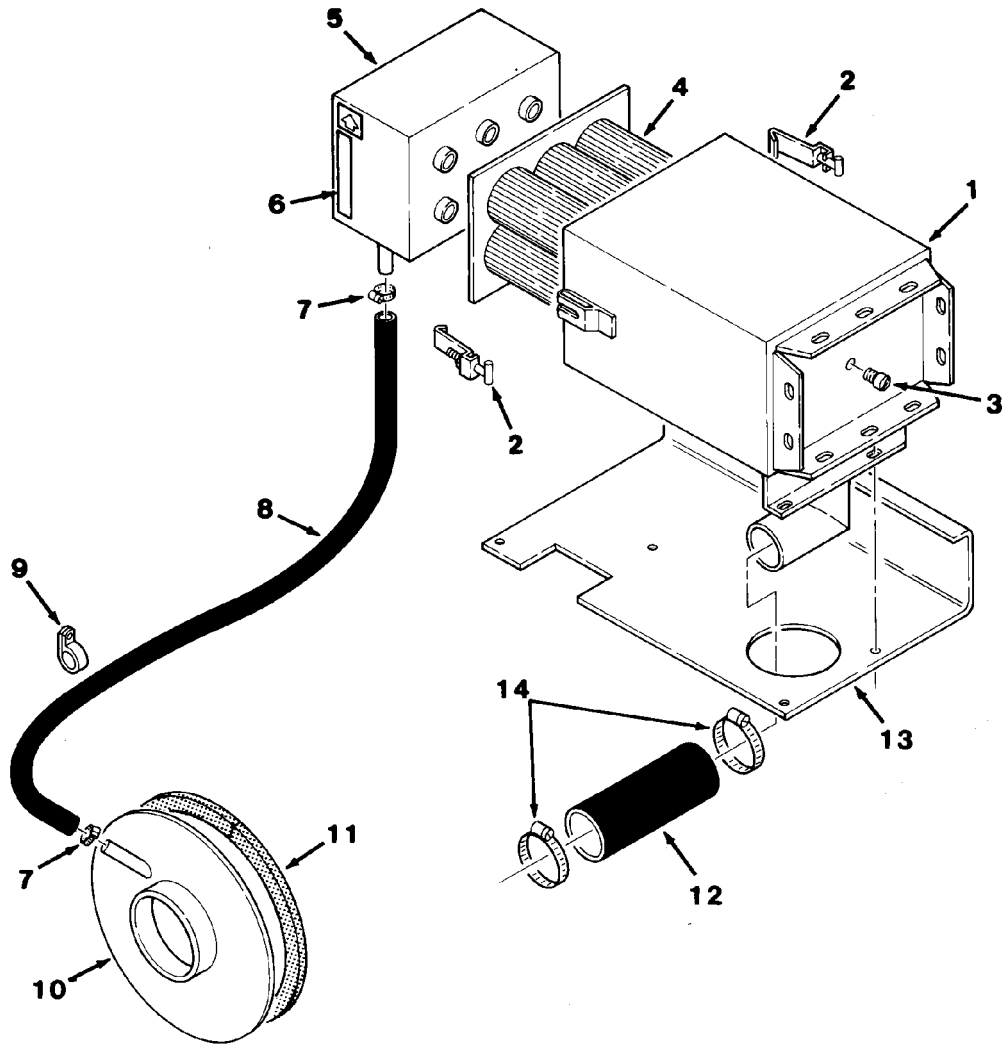


Fig. 3 – Wire Brush Dolly Assembly

04318

Key	Tennant® Part No.	Machine Serial Number	Description	Qty.
1	50455	(000000– )	Dolly Assembly, Wire Brush	1
2	43251	(000000– )	Sleeve	6
3	23624	(000000– )	Bearing and Collar	6
4	50463	(000000– )	Label, Caution, Unstable Dolly	1



**Fig. 4 – Air Cleaner Kit**

01577

Key	TENNANT® Part No.	Machine Serial Number	Description	Qty.
	34425	(000000– )	Air Cleaner Kit	1
1	34498	(000000– )	Housing, Air Cleaner	1
2	49195	(000000– )	Fastener	2
3	02246	(000000– )	Plug	1
4	39929–3	(000000– )	Filter, Air	1
5	39929–2	(000000– )	Pre–Cleaner, Air	1
6	48088–6	(000000– )	Label, Instruction	1
7	54333	(000000– )	Clamp, Worm Drive	2
8	52922	(000000– )	Hose	1
9	49287	(000000– )	Clamp, Cable	1
10	52924	(000000– )	Duct, Intake	1
11	23542	(000000– )	Seal, Foam Rubber	1
12	15543–1	(000000– )	Hose	1
13	34499	(000000– )	Bumper	1
14	22297	(000000– )	Clamp, Worm Drive	2

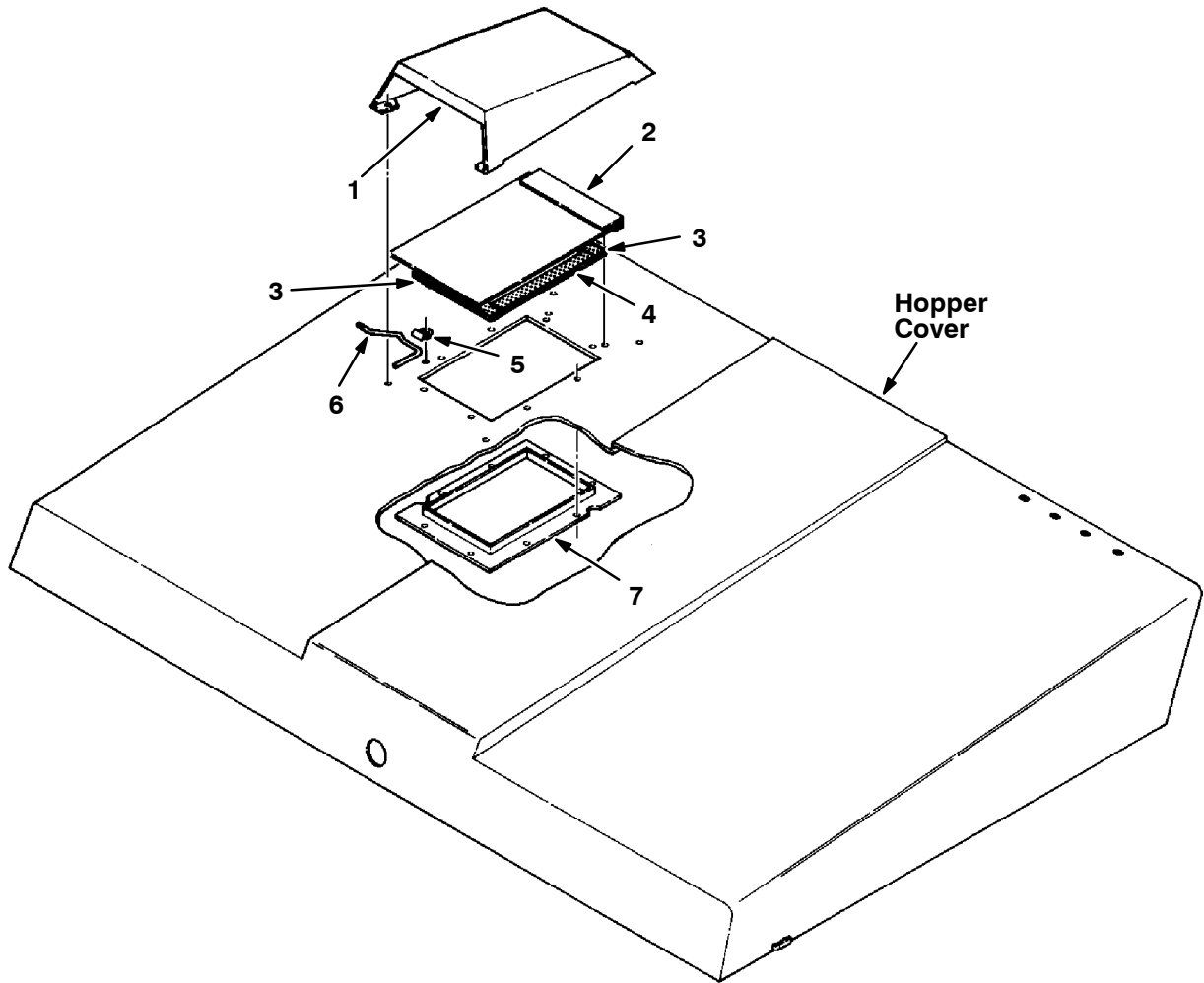
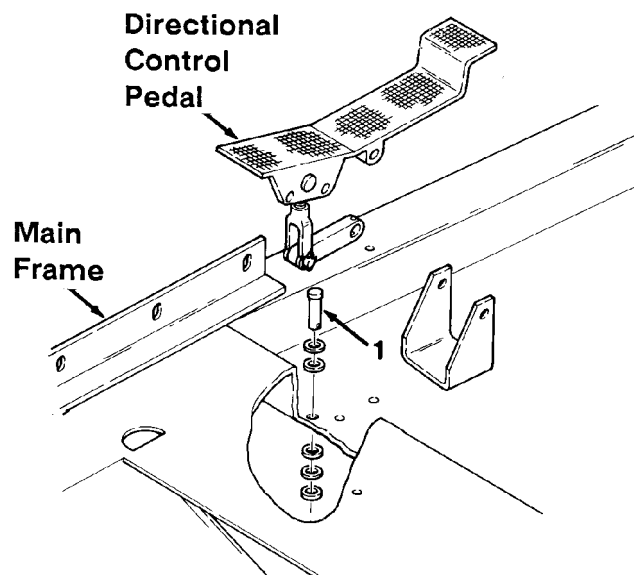


Fig. 5 – Air Bypass Kit

01591

Key	TENNANT® Part No.	Machine Serial Number	Description	Qty.
	39550	(000000– )	Air Bypass Kit	1
1	56202	(000000– )	Scoop, Air	1
2	39554	(000000– )	Door Assembly, Air Bypass	1
3	39558	(000000– )	Seal, Foam Vinyl	2
4	50616	(000000– )	Seal, Foam Vinyl	2
5	09092–1	(000000– )	Clamp	1
6	39559	(000000– )	Arm, Control	1
7	39551	(000000– )	Stiffener, Door Seal	1
	08317	(000000– )	Sealant, Silastic, 3 oz (90 cc)	1

NOTE: To identify parts shown but not listed here, see Section 5, Standard Model Parts.

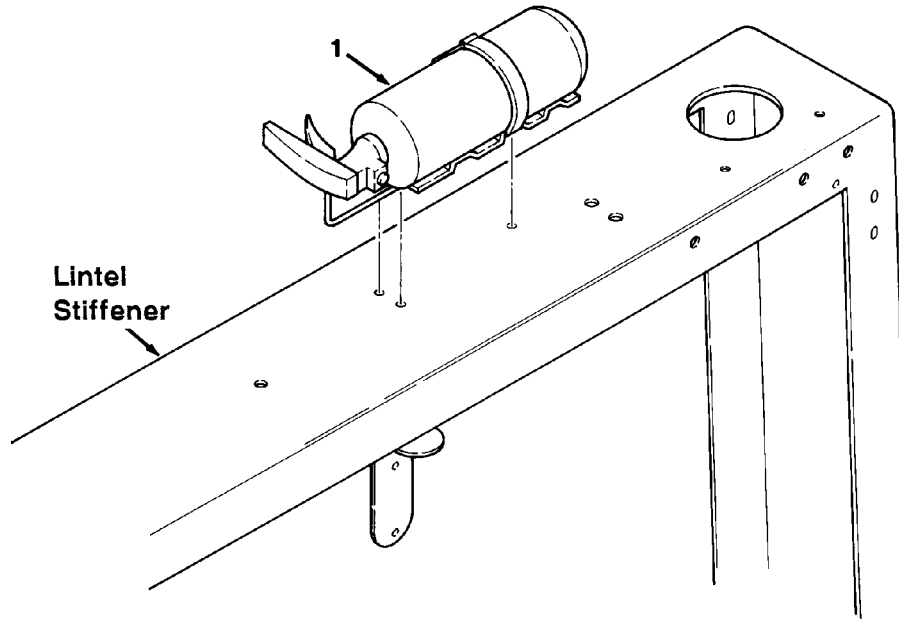


**Fig. 6 – Speed Control Kit**

01582

Key	TENNANT® Part No.	Machine Serial Number	Description	Qty.
1	52276	(000000– )	Speed Control Kit	1
	43290	(000000– )	Pin, Clevis	1

*NOTE: To identify parts shown but not listed here, see Section 5, Standard Model Parts.*

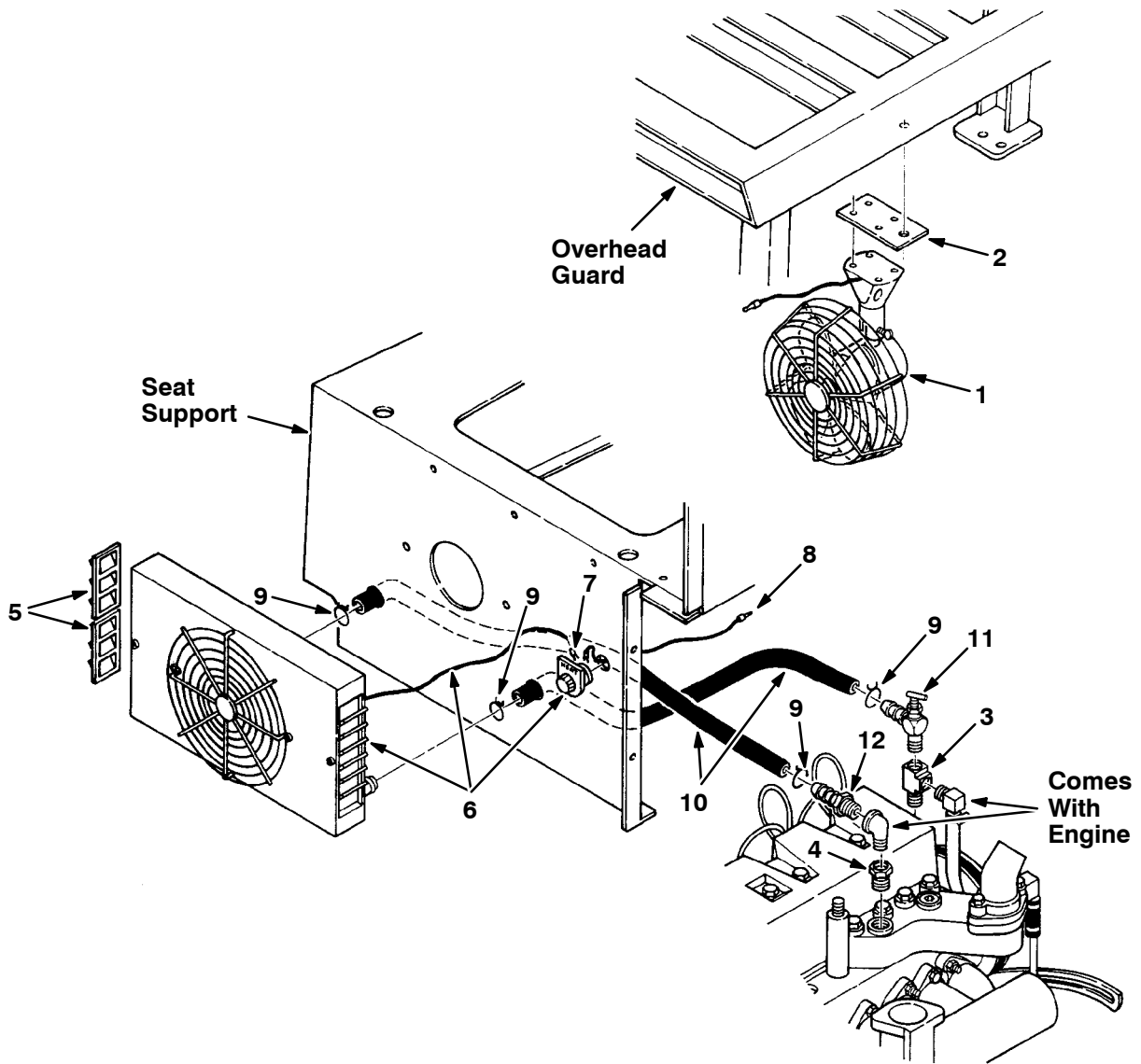


**Fig. 7 – Fire Extinguisher Kit**

01578

Key	TENNANT® Part No.	Machine Serial Number	Description	Qty.
1	50615 25312	(000000– ) (000000– )	Fire Extinguishing Kit Extinguisher, Fire	1 1

*NOTE: To identify parts shown but not listed here, see Section 5, Standard Model Parts.*



**Fig. 8 – Heater Defroster Kit**

05882

Key	TENNANT® Part No.	Machine Serial Number	Description	Qty.
	34438	(000000– )	Heater Defroster Kit	1
1	34528	(000000– )	Fan Assembly, Defroster	1
2	52360	(000000– )	Plate, Mounting	1
3	52448	(000000– )	Fitting, Tee	1
4	42214	(000000– )	Fitting, Straight	1
5	52433–2	(000000– )	Deflector, Air	2
6	16871	(000000– )	Heater	1
7	45333	(000000– )	Terminal, Spade	1
8	34846	(000000– )	Wire Assembly, Heater	1
9	11399	(000000– )	Clamp, Worm Drive	4
10	57912	(000000– )	Hose	2
11	16873	(000000– )	Valve, Heater	1
12	20343	(000000– )	Fitting, Straight Barbed	1

*NOTE: To identify parts shown but not listed here, see Section 5, Standard Model Parts.*

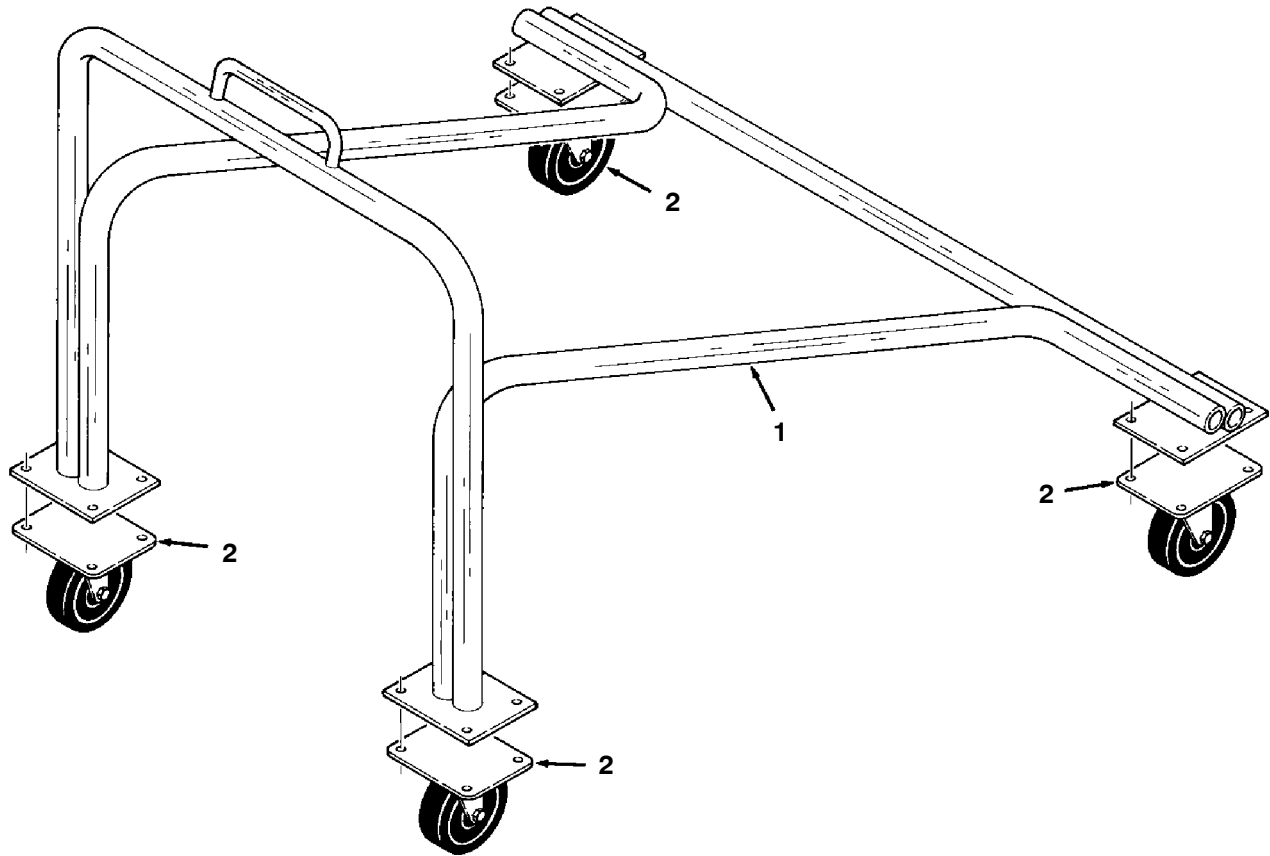
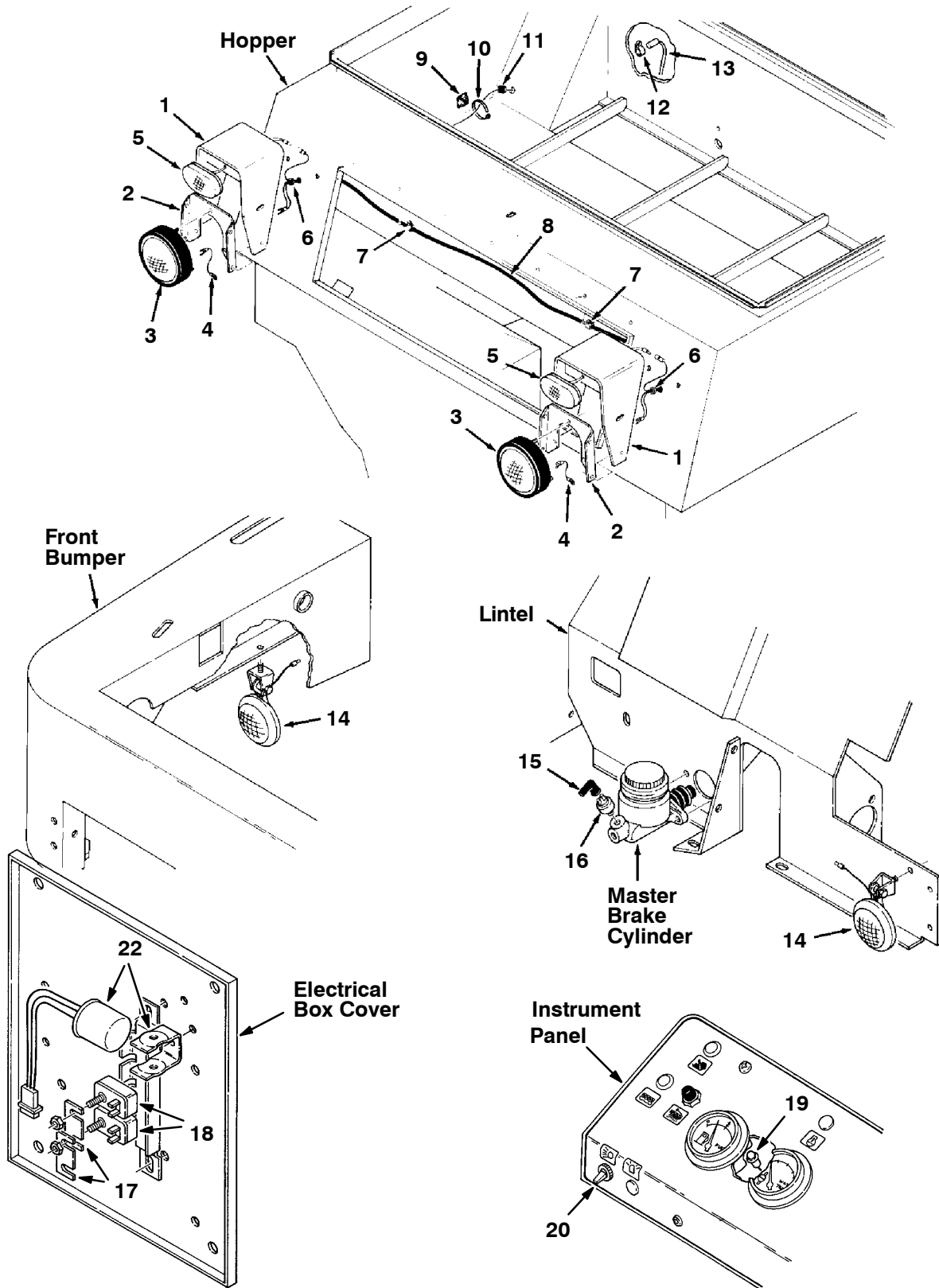


Fig. 9 – Hopper Dolly Kit

01630

Key	TENNANT® Part No.	Machine Serial Number	Description	Qty.
1	52001	(000000– )	Dolly, Hopper	1
2	51701A	(000000– )	Caster, Swivel	4



**Fig. 10 – Operating Lights Kit**



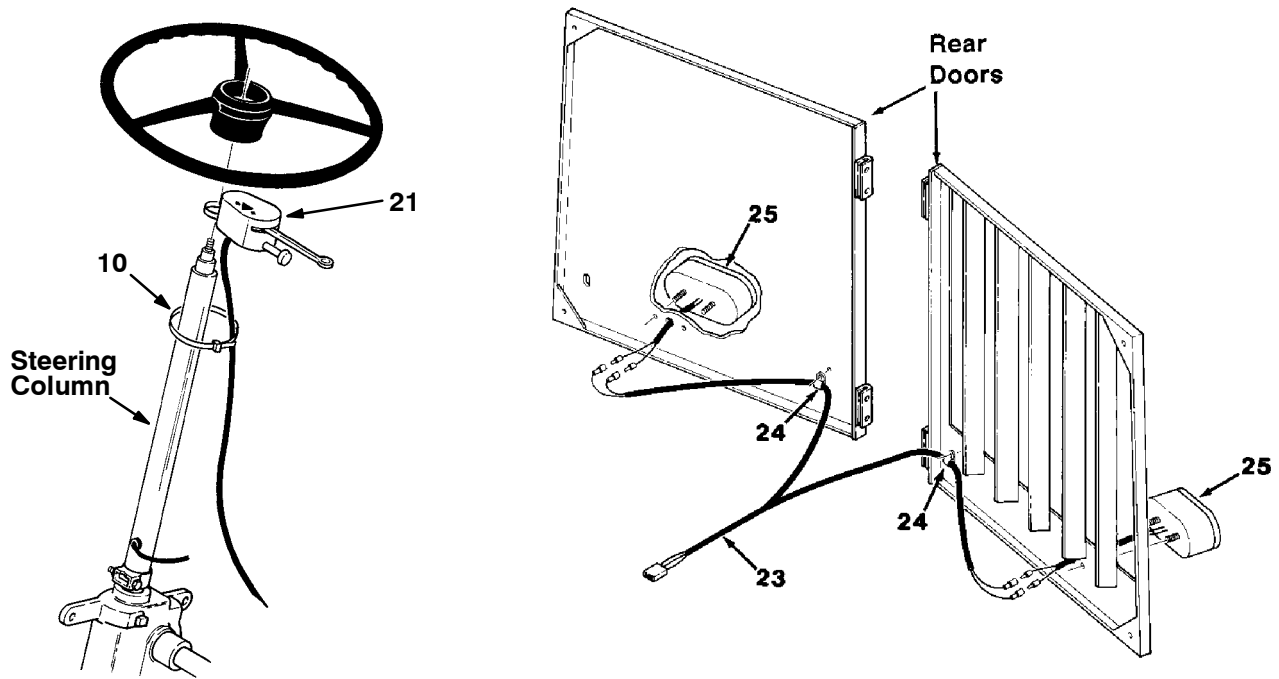
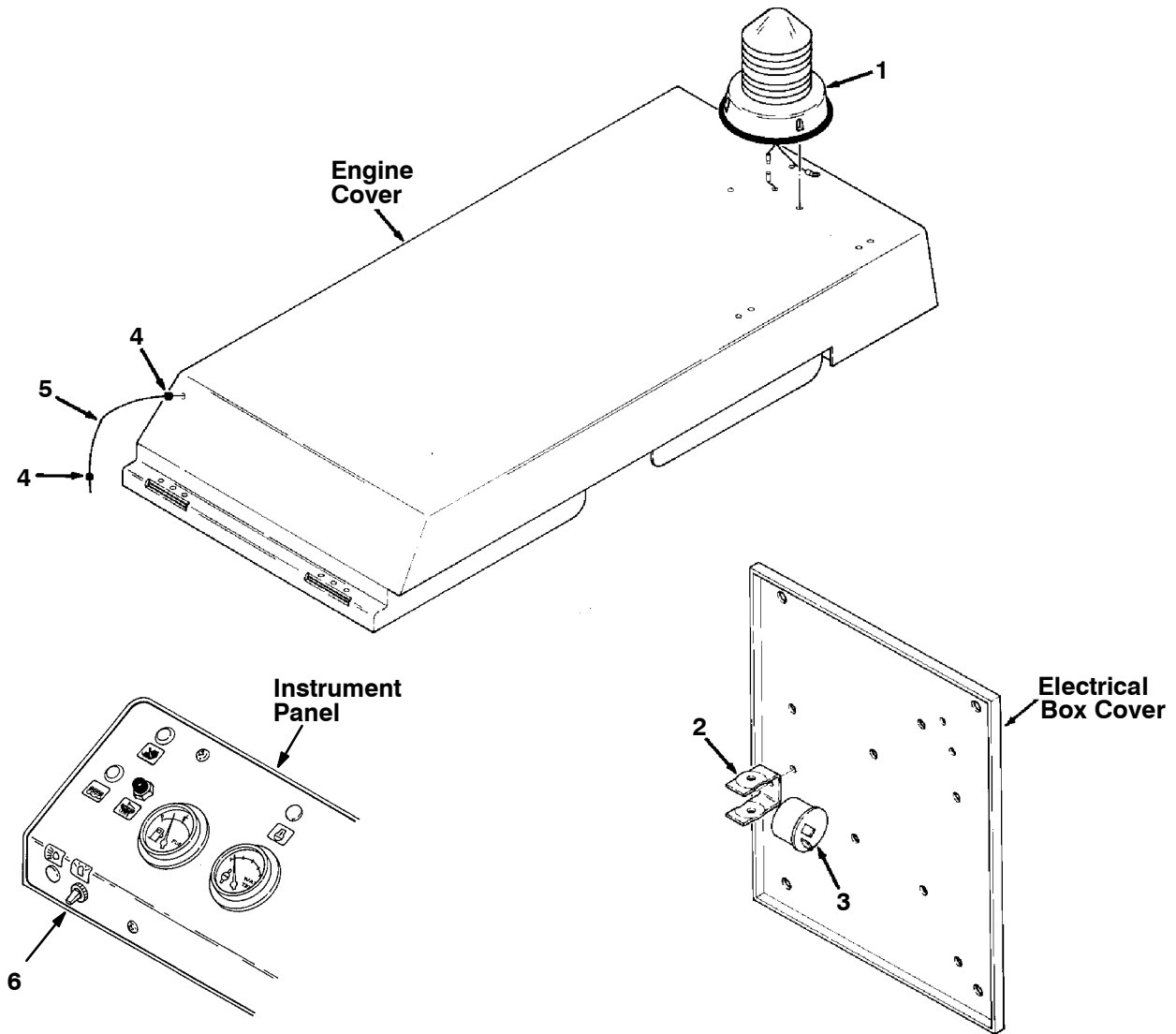


Fig. 10 – Operating Lights Kit

01650

Key	TENNANT® Part No.	Machine Serial Number	Description	Qty.
	34446	(000000– )	Operating Lights Kit	1
1	34700	(000000– )	Wrap, Headlight	2
2	46110	(000000– )	Plate, Headlight	2
3	51569	(000000– )	Lamp Assembly, Headlight	2
	10801	(000000– )	Lamp	1
4	34872	(000000– )	Ground Wire, Headlight	2
5	34848	(000000– )	Light Assembly, Turn Signal	2
6	10632–20	(000000– )	Grommet	2
7	46236	(000000– )	Clamp, Cable	2
8	34828	(000000– )	Wire Harness, Headlight	1
9	55248	(000000– )	Mount, Cable Tie	2
10	49266	(000000– )	Tie, Cable, 6.75" (170 mm)	4
11	29232	(000000– )	Strain Relief	2
12	26395	(000000– )	Clamp, Cable	1
13	32430	(000000– )	Switch, Mercury	1
14	34473	(000000– )	Spotlight Assembly	2
	32827	(000000– )	Bulb	1
15	18342	(000000– )	Protector	1
16	13959	(000000– )	Switch	1
17	34843	(000000– )	Buss Bar, Circuit Breaker	2
18	55255	(000000– )	Circuit Breaker, 15 A	2
19	34847	(000000– )	Light Assembly, Gauge	4
20	63266	(000000– )	Switch	1
21	25151	(000000– )	Turn Signal Assembly	1
22	31922	(000000– )	Flasher, Signal	1
23	34829	(000000– )	Wire Harness, Taillight	1
24	09385	(000000– )	Clamp, Cable	2
25	55274	(000000– )	Taillight Assembly	2
	45780	(000000– )	Bulb	1

NOTE: To identify parts shown but not listed here, see Section 5, Standard Model Parts.

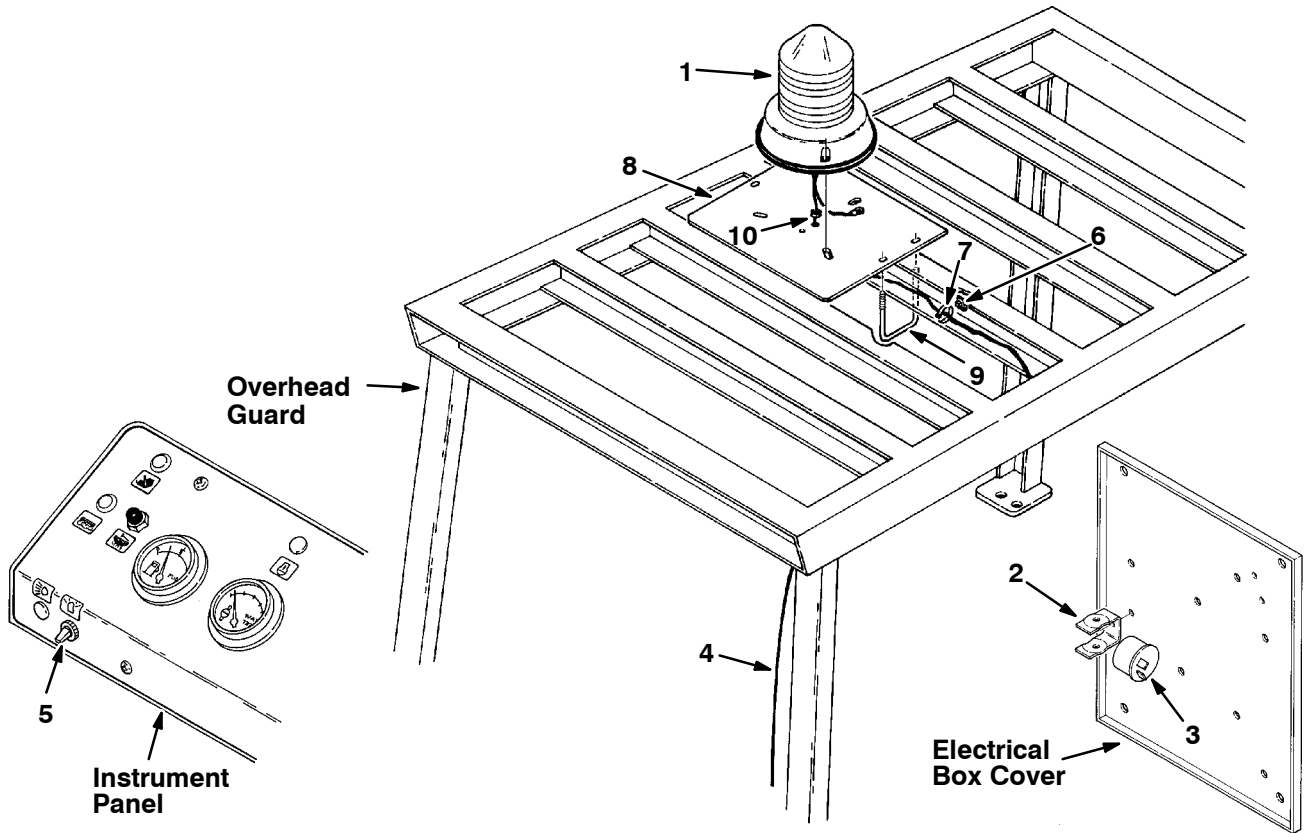


**Fig. 11 – Flashing Light Kit, Engine Cover**

01634

Key	TENNANT® Part No.	Machine Serial Number	Description	Qty.
1	34450	(000000– )	Flashing Light Kit, Engine Cover	1
	34475	(000000– )	Light Assembly, Flashing, Red	1
	22640	(000000– )	Lamp	1
	47535–1	(000000– )	Lens, Flashing Light, Red	1
2	24576–1	(000000– )	Bracket, Flasher	1
	3	24576	(000000– )	Flasher
4	01574	(000000– )	Grommet	2
5	34844	(000000– )	Wire Harness	1
6	63266	(000000– )	Switch	1
	09384	(000000– )	Clamp, Cable	1
	26395–2	(000000– )	Clamp, Cable	1
	34476	(000000– )	Light Assembly, Flashing, Amber	1
	47536–1	(000000– )	Lens, Flashing Light, Amber	1
	34477	(000000– )	Light Assembly, Flashing, Blue	1
	47537–1	(000000– )	Lens, Flashing Light, Blue	1

*NOTE: To identify parts shown but not listed here, see Section 5, Standard Model Parts.*

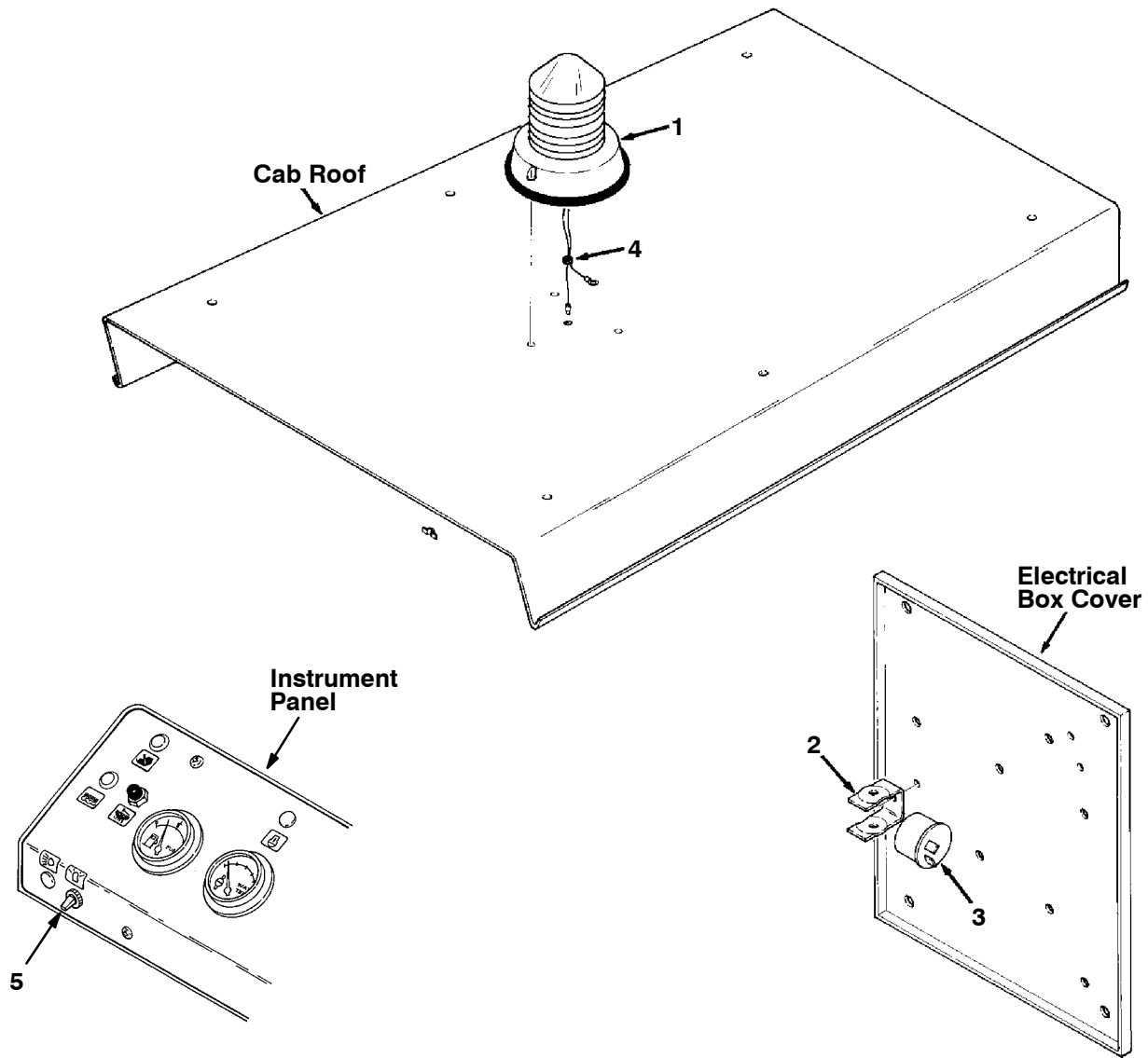


05879

Fig. 12 – Flashing Light Kit, Overhead Guard

Key	TENNANT® Part No.	Machine Serial Number	Description	Qty.
1	34456	(000000– )	Flashing Light Kit, Overhead Guard	1
	34475	(000000– )	Light Assembly, Flashing, Red	1
	22640	(000000– )	Lamp	1
	47535–1	(000000– )	Lens, Flashing Light, Red	1
2	24576–1	(000000– )	Bracket, Flasher	1
	3	24576	(000000– )	Flasher
4	34845	(000000– )	Wire Harness	1
5	63266	(000000– )	Switch	1
6	55248	(000000– )	Mount, Cable Tie	5
	49266	(000000– )	Tie, Cable	5
8	33782	(000000– )	Plate, Light Mounting	1
9	33783	(000000– )	U–Bolt	1
10	46314	(000000– )	Grommet	1
	01574	(000000– )	Grommet	1
	34476	(000000– )	Light Assembly, Flashing, Amber	1
	47536–1	(000000– )	Lens, Flashing Light, Amber	1
	34477	(000000– )	Light Assembly, Flashing, Blue	1
	47537–1	(000000– )	Lens, Flashing Light, Blue	1

NOTE: To identify parts shown but not listed here, see Section 5, Standard Model Parts.



01637

**Fig. 13 – Flashing Light Kit, Cab**

Key	TENNANT® Part No.	Machine Serial Number	Description	Qty.
1	34458	(000000– )	Flashing Light Kit, Cab	1
	34475	(000000– )	Light Assembly, Flashing, Red	1
	22640	(000000– )	Lamp	1
	47535–1	(000000– )	Lens, Flashing Light, Red	1
2	24576–1	(000000– )	Bracket, Flasher	1
	24576	(000000– )	Flasher	1
3	55248	(000000– )	Mount, Cable Tie	3
	49266	(000000– )	Tie, Cable	3
	01574	(000000– )	Grommet	1
5	63266	(000000– )	Switch	1
	34476	(000000– )	Light Assembly, Flashing, Amber	1
	47536–1	(000000– )	Lens, Flashing Light, Amber	1
	34477	(000000– )	Light Assembly, Flashing, Blue	1
	47537–1	(000000– )	Lens, Flashing Light, Blue	1

*NOTE: To identify parts shown but not listed here, see Section 5, Standard Model Parts.*

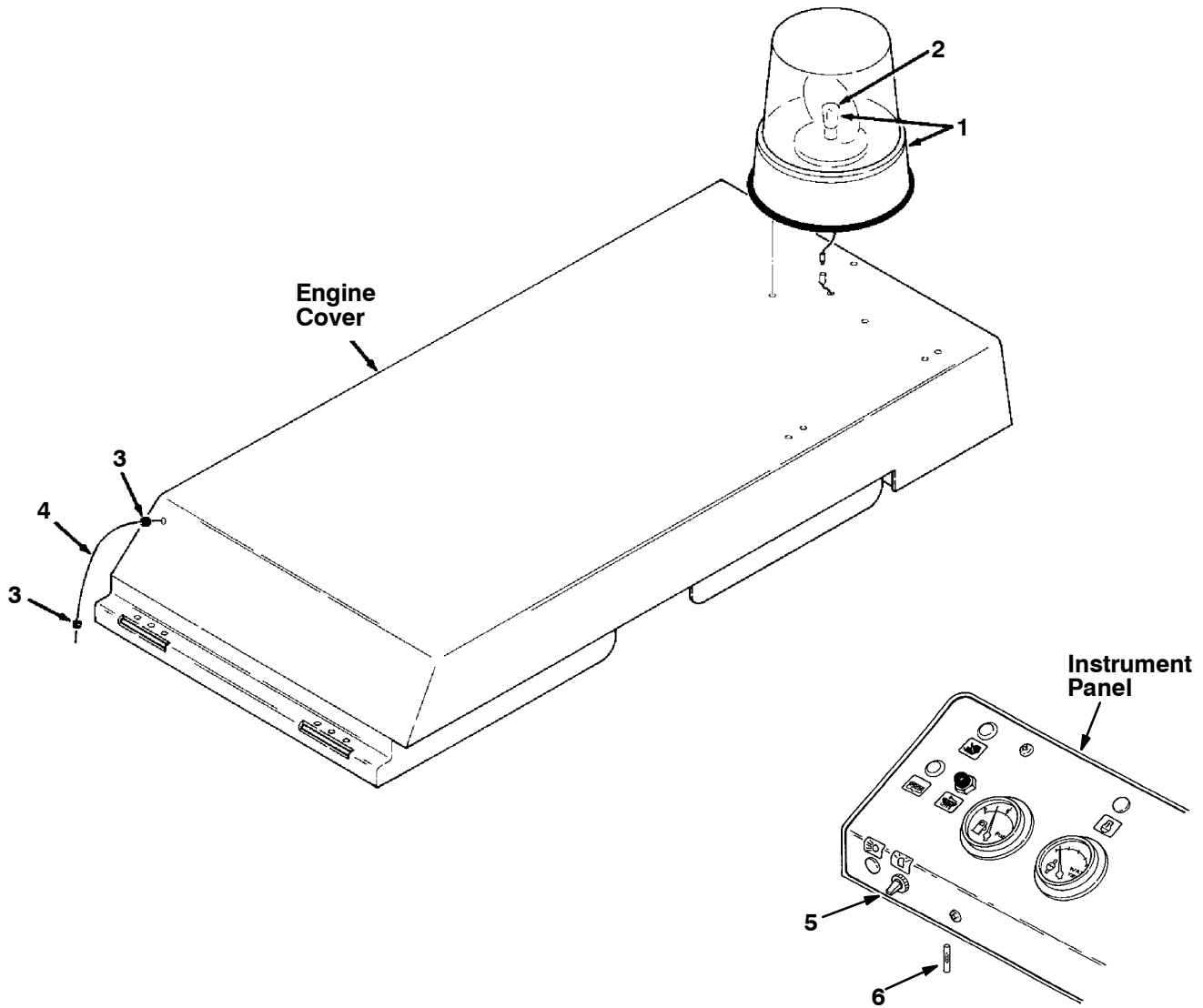
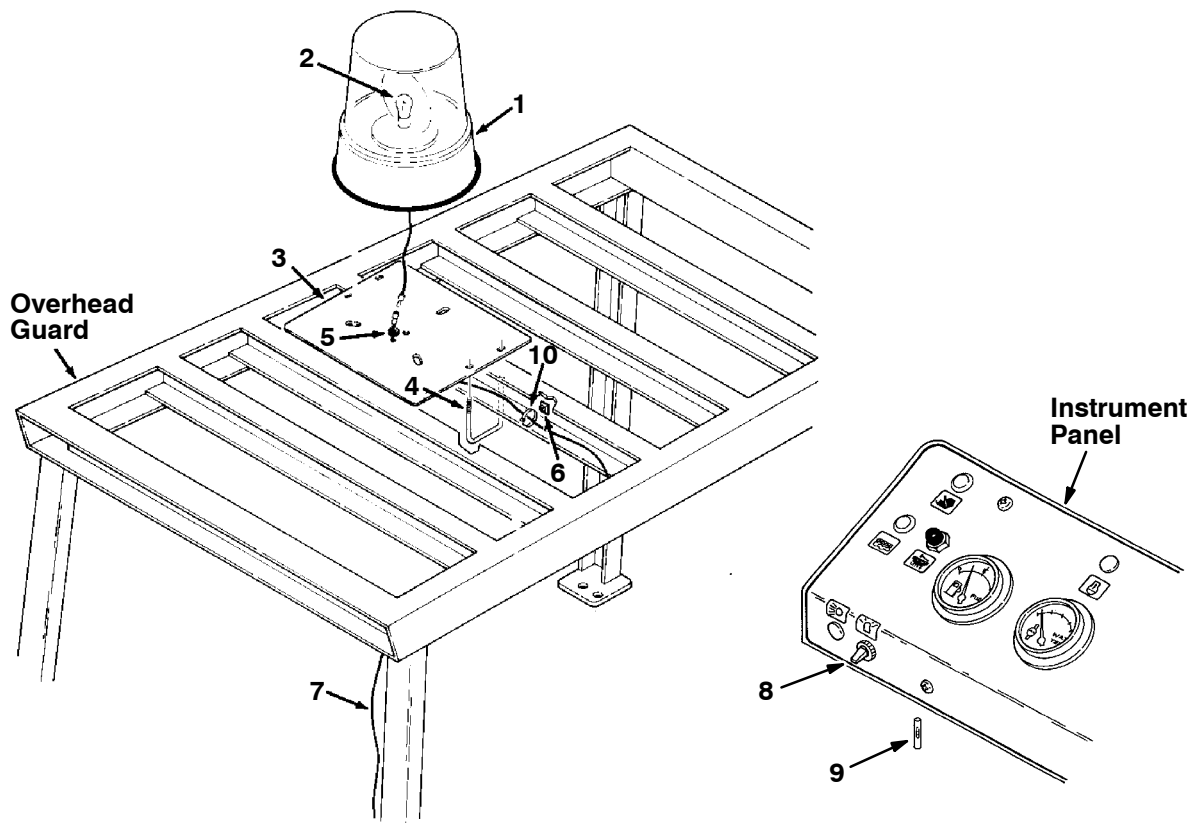


Fig. 14 – Revolving Light Kit, Engine Cover

01635

Key	TENNANT® Part No.	Machine Serial Number	Description	Qty.
1	34453	(000000– )	Revolving Light Kit, Engine Cover	1
	34478	(000000– )	Light Assembly, Revolving, Red	1
	16421	(000000– )	Lens, Revolving Light, Red	1
2	16511	(000000– )	Bulb	1
3	01574	(000000– )	Grommet	2
4	34844	(000000– )	Wire Harness	1
5	63266	(000000– )	Switch	1
6	15006	(000000– )	Terminal	1
	09384	(000000– )	Clamp, Cable	1
	26395–2	(000000– )	Clamp, Cable	1
	34479	(000000– )	Light Assembly, Revolving, Amber	1
	16423	(000000– )	Lens, Revolving Light, Amber	1
	34480	(000000– )	Light Assembly, Revolving, Blue	1
	16422	(000000– )	Lens, Revolving Light, Blue	1

NOTE: To identify parts shown but not listed here, see Section 5, Standard Model Parts.



**Fig. 15 – Revolving Light Kit, Overhead Guard**

05880

Key	TENNANT® Part No.	Machine Serial Number	Description	Qty.
1	34460	(000000– )	Revolving Light Kit, Overhead Guard	1
	34478	(000000– )	Light Assembly, Revolving, Red	1
	16421	(000000– )	Lens, Revolving Light, Red	1
2	16511	(000000– )	Bulb	1
3	33782	(000000– )	Plate, Light Mounting	1
4	33783	(000000– )	U–Bolt	2
5	01574	(000000– )	Grommet	1
6	55248	(000000– )	Mount, Cable Tie	5
7	34845	(000000– )	Wire Harness	1
8	63266	(000000– )	Switch	1
9	15006	(000000– )	Terminal	1
10	49266	(000000– )	Cable Tie	5
	34479	(000000– )	Light Assembly, Revolving, Amber	1
	16423	(000000– )	Lens, Revolving Light, Amber	1
	34480	(000000– )	Light Assembly, Revolving, Blue	1
	16422	(000000– )	Lens, Revolving Light, Blue	1

*NOTE: To identify parts shown but not listed here, see Section 5, Standard Model Parts.*

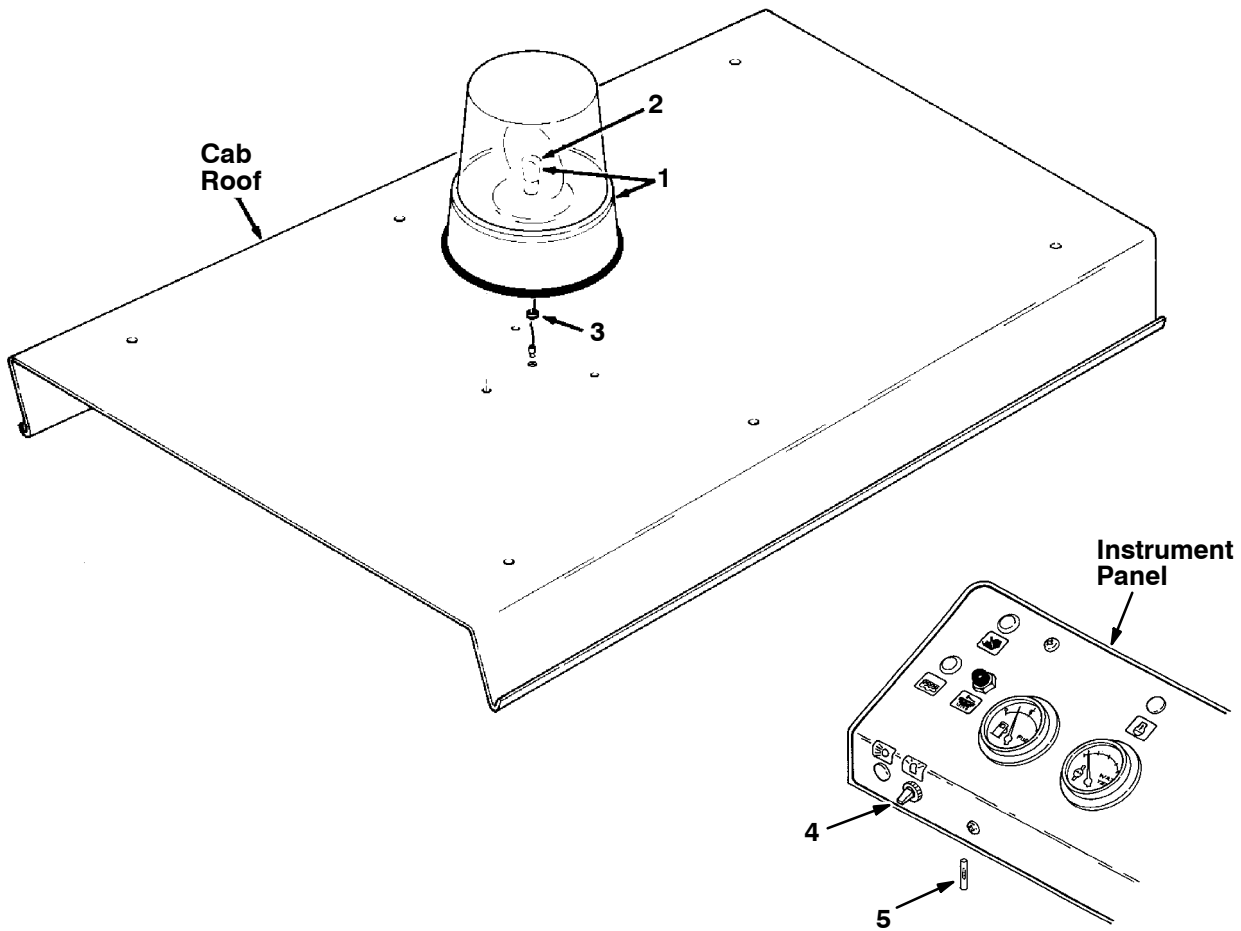


Fig. 16 – Revolving Light Kit, Cab

01639

Key	TENNANT® Part No.	Machine Serial Number	Description	Qty.
1	34462	(000000– )	Revolving Light Kit, Cab	1
	34478	(000000– )	Light Assembly, Revolving, Red	1
	16421	(000000– )	Lens, Revolving Light, Red	1
2	16511	(000000– )	Bulb	1
3	01574	(000000– )	Grommet	1
4	55248	(000000– )	Mount, Cable Tie	3
	49266	(000000– )	Tie, Cable	3
	63266	(000000– )	Switch	1
5	15006	(000000– )	Terminal	1
	34479	(000000– )	Light Assembly, Revolving, Amber	1
	16423	(000000– )	Lens, Revolving Light, Amber	1
	34480	(000000– )	Light Assembly, Revolving, Blue	1
	16422	(000000– )	Lens, Revolving Light, Blue	1

NOTE: To identify parts shown but not listed here, see Section 5, Standard Model Parts.

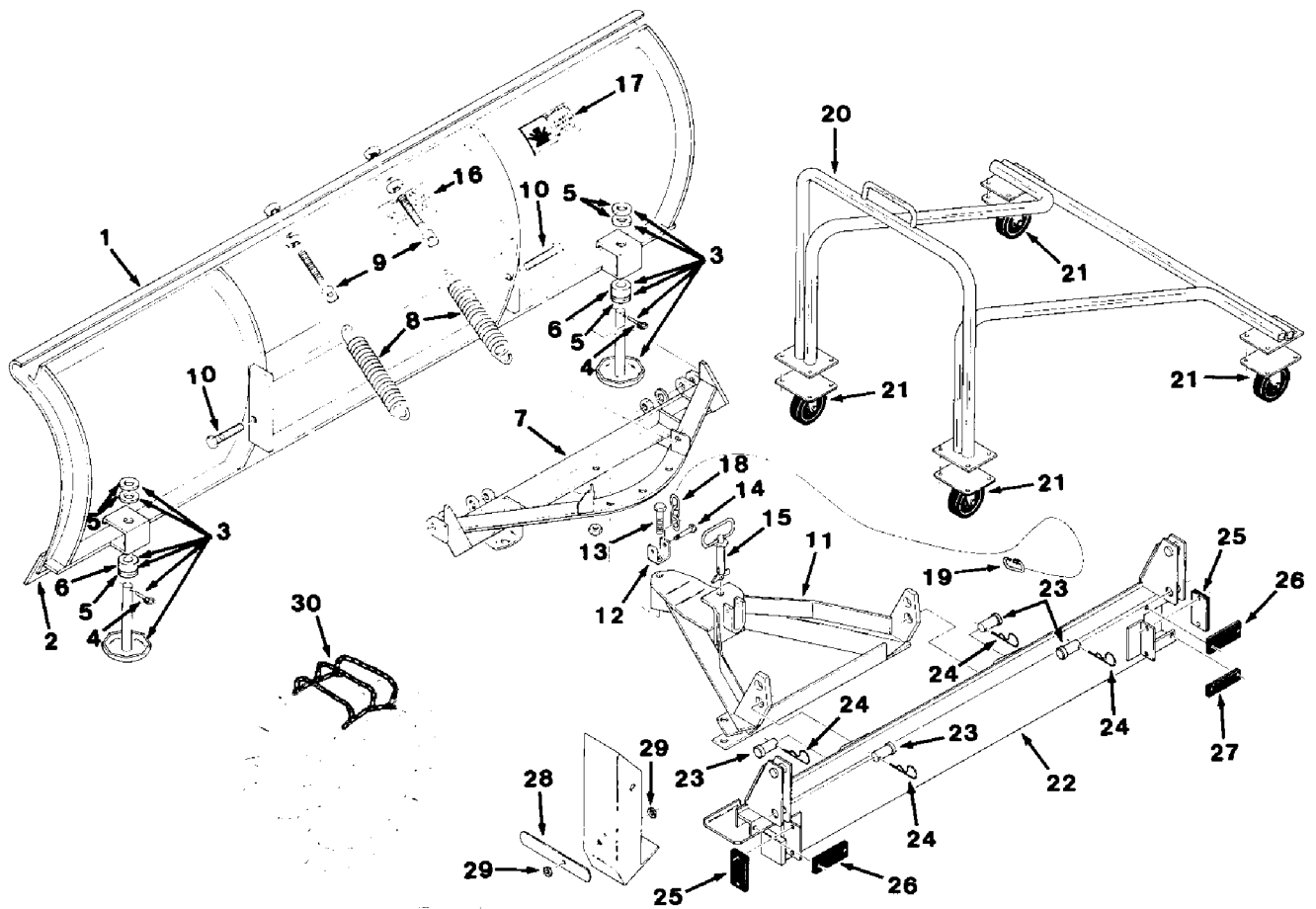


Fig. 17 - Snow Blade Kit



Fig. 17 – Snow Blade Kit

Key	TENNANT® Part No.	Machine Serial Number	Description	Qty.
	62063	(000000– )	Snow Blade Kit	1
	31305	(000000– )	Blade and Frame Assembly	1
1	31303	(000000– )	Blade Assembly, Snow	1
2	08045	(000000– )	Cutting Edge Assembly	1
3	08046	(000000– )	Disc Shoe Assembly	2
4	08047	(000000– )	Pin, Linch	1
5	32969	(000000– )	Washer	19
6	08048	(000000– )	Spacer	1
	31311	(000000– )	Quadrant and A–Frame Assembly	1
7	31302	(000000– )	Quadrant Assembly, Snowplow	1
8	47713–1	(000000– )	Spring	2
9	47713–2	(000000– )	Eye Bolt	2
10	39639	(000000– )	Screw, Hex	2
11	31304	(000000– )	A–Frame, Snowplow	1
12	08051	(000000– )	Clevis	1
13	58056	(000000– )	Screw, Hex	1
14	08063	(000000– )	Screw, Hex	1
15	08052	(000000– )	Pin, Toggle	1
16	32181	(000000– )	Label, Important, Do Not Raise	1
17	32180	(000000– )	Label, Warning, Always Lower	1
18	62076	(000000– )	Chain	1
19	62080	(000000– )	Link, Chain, Connecting	1
20	52001	(000000– )	Dolly, Hopper	1
21	51701A	(000000– )	Caster, Swivel	4
22	32178	(000000– )	Crossbar, Snow Blade	1
23	04733–5	(000000– )	Pin, Clevis	4
24	55094	(000000– )	Pin, Hair Cotter	4
25	62071A	(000000– )	Bumper, Frame	2
26	62072A	(000000– )	Bumper, Frame	2
27	62073A	(000000– )	Bumper, Frame	1
28	32179	(000000– )	Stop, Arm	1
29	52508	(000000– )	Washer, Wavy	2
30	62074	(000000– )	Chain, Tire	1

NOTE: To identify parts shown but not listed here, see Section 5, Standard Model Parts.

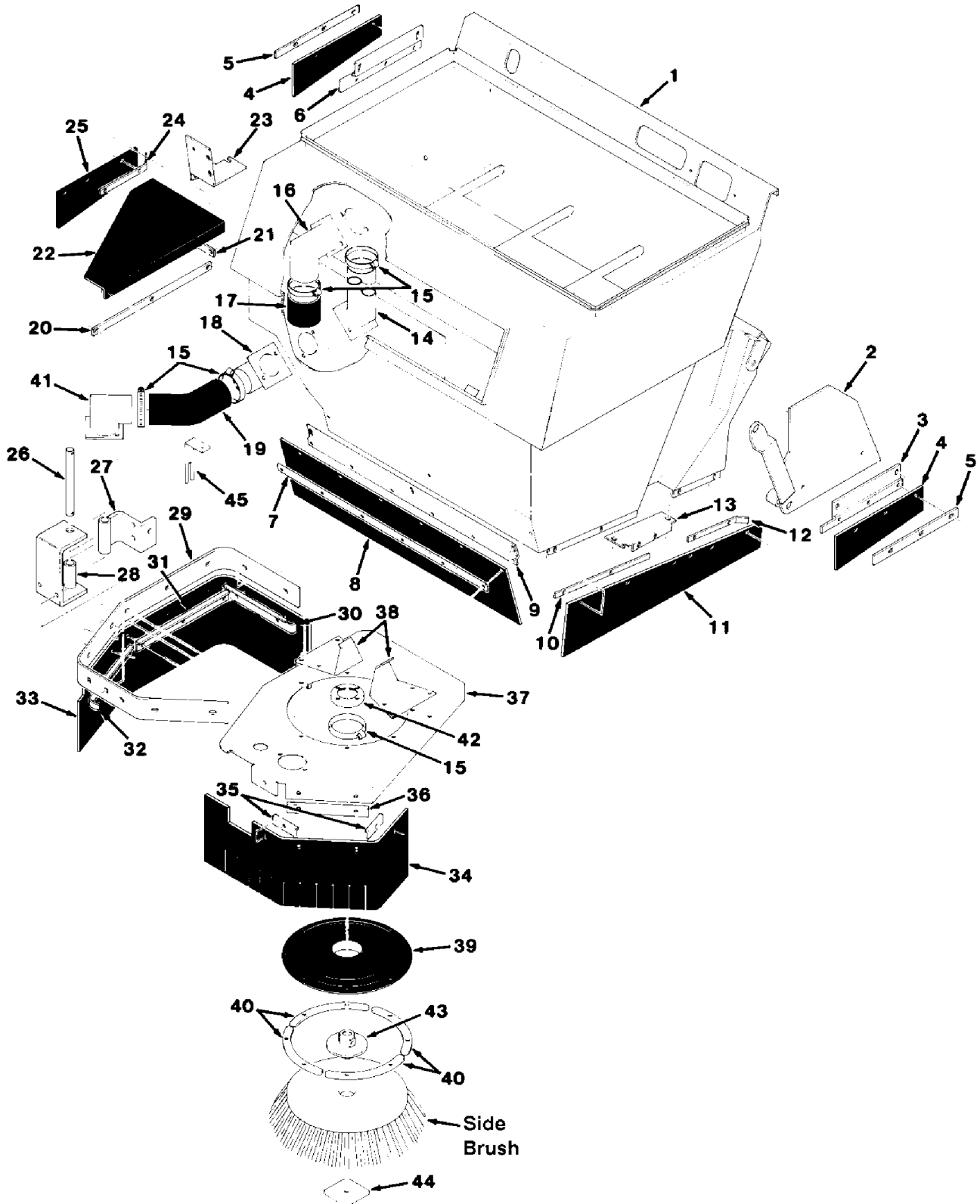
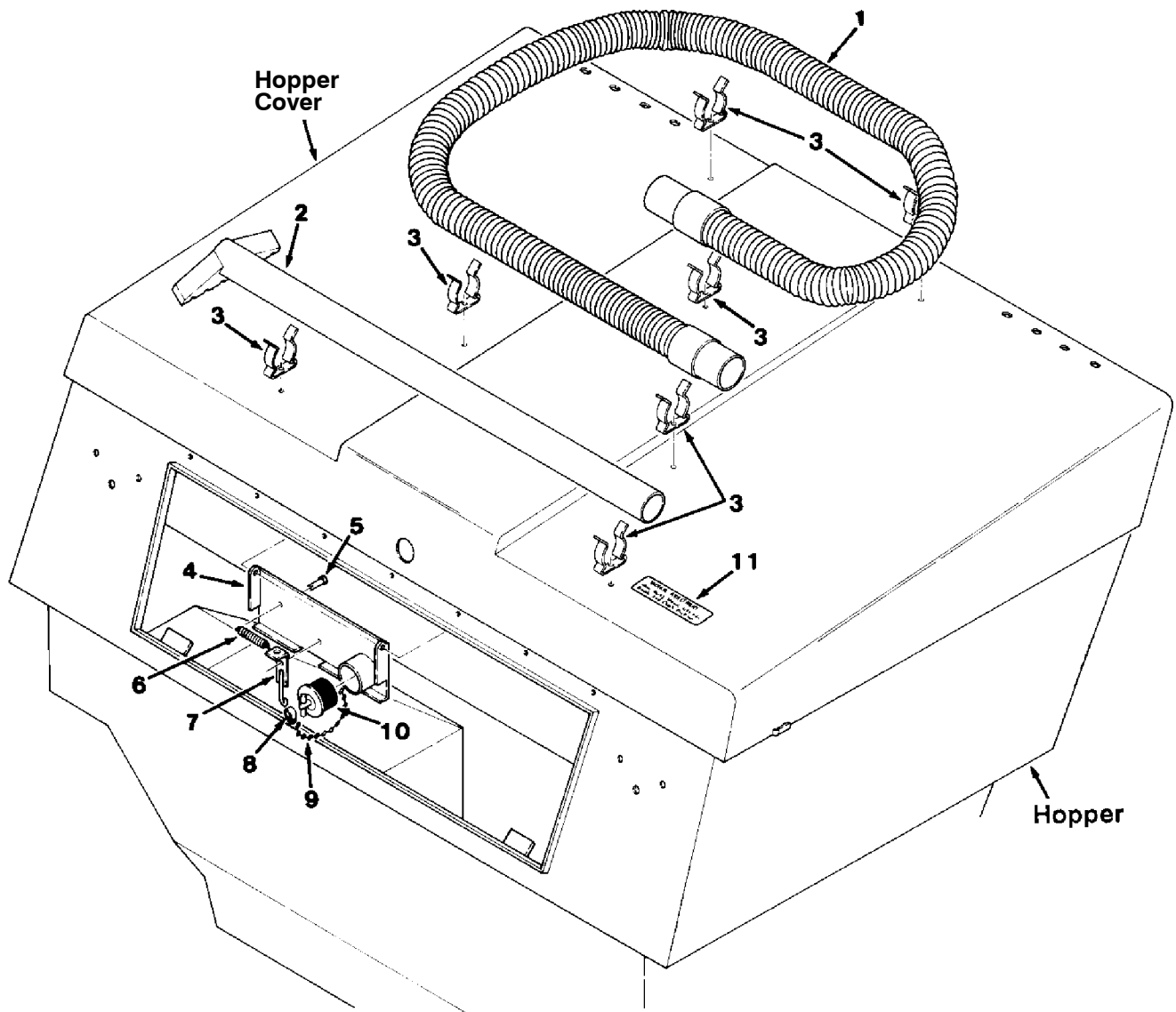


Fig. 18 – Side Brush Dust Control Group, Multi–Level Dump

Fig. 18 -- Side Brush Dust Control Group

Key	TENNANT® Part No.	Machine Serial Number	Description	Qty.
1	34636	(000000- )	Hopper	1
2	34333	(000000- )	Door, Hopper, L.H.	1
	34334	(000000- )	Door, Hopper, R.H.	1
3	62115-1	(000000- )	Bracket, Skirt Mounting, L.H.	1
4	62116	(000000- )	Skirt	2
5	65077	(000000- )	Strip	2
6	62114-1	(000000- )	Bracket, Skirt Mounting, R.H.	1
7	51923	(000000- )	Strip	1
8	51931	(000000- )	Skirt	1
9	52230	(000000- )	Panel, Skirt Mounting	1
10	62110-1	(000000- )	Strip	1
11	62108	(000000- )	Skirt	1
12	62579-1	(000000- )	Retainer	1
13	62576B	(000000- )	Cap, Pocket, L.H.	1
14	51950	(000000- )	Tube, Vacuum	1
15	23498	(000000- )	Clamp, Worm Drive	5
16	52261	(000000- )	Tube, Top Vacuum	1
17	52012	(000000- )	Hose	1
18	51928	(000000- )	Tube	1
19	51929	(000000- )	Hose	1
20	51922	(000000- )	Strip	1
21	51930	(000000- )	Strip	1
22	51914	(000000- )	Seal, Top Brush	1
23	62577B-1	(000000- )	Cap, Pocket, R.H.	1
24	62579-1	(000000- )	Retainer	1
25	62107	(000000- )	Skirt	1
26	51935	(000000- )	Pin, Special	1
27	51901	(000000- )	Bracket, Pivot	1
	52263	(000000- )	Shroud Assembly	1
28	51908	(000000- )	Bracket, Bumper	1
29	51899	(000000- )	Bumper	1
30	52216	(000000- )	Retainer	1
31	52219	(000000- )	Retainer	1
32	52218	(000000- )	Retainer	1
33	51932	(000000- )	Skirt, Side Brush	1
34	51933	(000000- )	Skirt, Front Brush	1
35	52215	(000000- )	Retainer	2
36	52217	(000000- )	Retainer	1
37	51898	(000000- )	Shroud, Side Brush	1
38	51989	(000000- )	Plate, Push	2
39	51900	(000000- )	Cover, Expansion	1
40	51909	(000000- )	Ring, Segment	4
41	51928	(000000- )	Tube	1
42	52349	(000000- )	Tube, Collar	1
43	52236	(000000- )	Adaptor, Brush	1
44	52235	(000000- )	Plate, Adapter	1
45	34066	(000000- )	Stop, Side Brush	1

NOTE: To identify parts shown but not listed here, see Section 5, Standard Model Parts.



**Fig. 19 – Vacuum Wand Kit**

01590

Key	TENNANT® Part No.	Machine Serial Number	Description	Qty.
	32198	(000000– )	Vacuum Wand Kit	1
1	54009	(000000– )	Hose and Cuff Assembly	1
2	54012	(000000– )	Wand	1
3	22473	(000000– )	Clip, Finger Grip	7
4	49026	(000000– )	Door, Fire, Vacuum Wand	1
5	51727	(000000– )	Pin, Clevis	1
6	01053	(000000– )	Spring	1
7	54007	(000000– )	Lever	1
8	09385	(000000– )	Clamp, Cable	1
9	49028	(000000– )	Chain	1
10	42124	(000000– )	Plug, Expandable	1
11	54135	(000000– )	Decal, Vacuum Attachment	1

*NOTE: To identify parts shown but not listed here, see Section 5, Standard Model Parts.*

## SECTION 7

## CONTENTS

	Page
ORDERING REPAIR PARTS .....	7-3
Fig. 1 – Pump Breakdown, 76723–1 .....	7-4
Fig. 2 – Motor Breakdown, 75025 .....	7-6
Fig. 3 – Motor Breakdown, SK2037 .....	7-7
Fig. 4 – Motor Breakdown, 47650–1 .....	7-8
Fig. 5 – Motor Breakdown, 77101 .....	7-9
Fig. 6 – Valve Breakdown, 65104 .....	7-10
Fig. 7 – Valve Breakdown, 78212 .....	7-11
Fig. 8 – Valve Breakdown, 16815 .....	7-12
Fig. 9 – Valve Breakdown, 16464 .....	7-13
Fig. 10 – Valve Breakdown, 76726 .....	7-14
Fig. 11 – Cylinder Breakdown, 34328 .....	7-15
Fig. 12 – Cylinder Breakdown, SK2062 .....	7-16
Fig. 13 – Cylinder Breakdown, 62710 .....	7-17

*NOTE: SECTION 7, HYDRAULIC COMPONENTS,  
lists repair parts for repairable hydraulic components.*



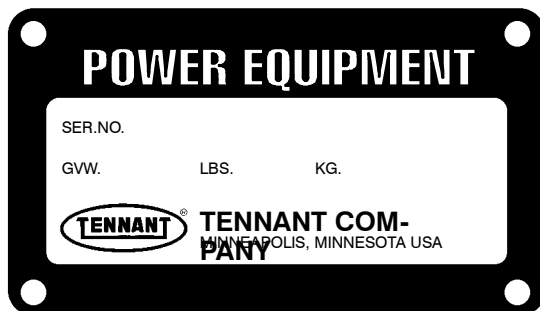
## ORDERING REPAIR PARTS

The components used in this machine have been carefully selected for performance and safety. Use only Tennant Company specified or equivalent parts.

To receive prompt service in filling of your parts orders, please direct all orders for parts with Tennant Company part numbers to the Tennant Company, and all orders for parts with vendor part numbers to the local supplier of the respective vendor.

When ordering parts, please furnish all of the following information:

1. Machine model number - shown on the machine data plate.



2. Machine serial number - shown on the machine data plate.
3. Power source - gasoline, LPG, diesel, electric.
4. Company name.
5. Shipping address.
6. Billing address.
7. Name, first and last - of person ordering parts.
8. Telephone number.
9. Purchase order number.
10. Part number, description, and quantity - of each item on the order.
11. Customer ID Number.

Do not order parts by key number or the figure number of the illustrated parts. Indented items indicate parts of assemblies. Standard hardware is furnished only when part of a purchased assembly. Please get hardware from a local hardware supplier.

If the old part cannot be identified, send it to us with the quantity needed specified on the order.

Any claim for loss or damage to a shipment in transit should be filed promptly against the transportation company making the delivery. Shipments will be complete unless the packing list or order acknowledgement indicate items back ordered.

If parts received are suspected to be incorrect or defective, please write, wire, or phone the Tennant Company representative from whom you ordered the part. They will give authorization for return and/or handle replacement shipments when required.

### SERIAL NUMBER INFORMATION EXPLANATION

Serial number listings are shown to indicate on which machines each part can be used. These listings are explained by the following examples:

(000000— ) The part can be used on all machines.

(003342— ) The part can be used on all machines beginning with the serial number listed.

(000000—004320) The part can be used on all machines up to and including serial number listed.

(004321—005678) The part can be used on all machines between and including the serial numbers listed.

Where xxxxxx's are listed in place of a serial number, it indicates a change was made but the exact serial number had not been established when the catalog went to press.

### SI UNITS OF MEASURE (INTERNATIONAL SYSTEM)

Metric equivalents have been included, where applicable, throughout this parts catalog.

### FASTENER STRENGTH IDENTIFICATION

Fasteners required to have high—strength qualities equivalent to SAE Grade 8 are identified throughout this catalog by the description GR 8. Unless identified by this description, all standard fasteners are SAE Grade 5.

(Specifications and design subject to change without notice.)

# HYDRAULIC COMPONENTS

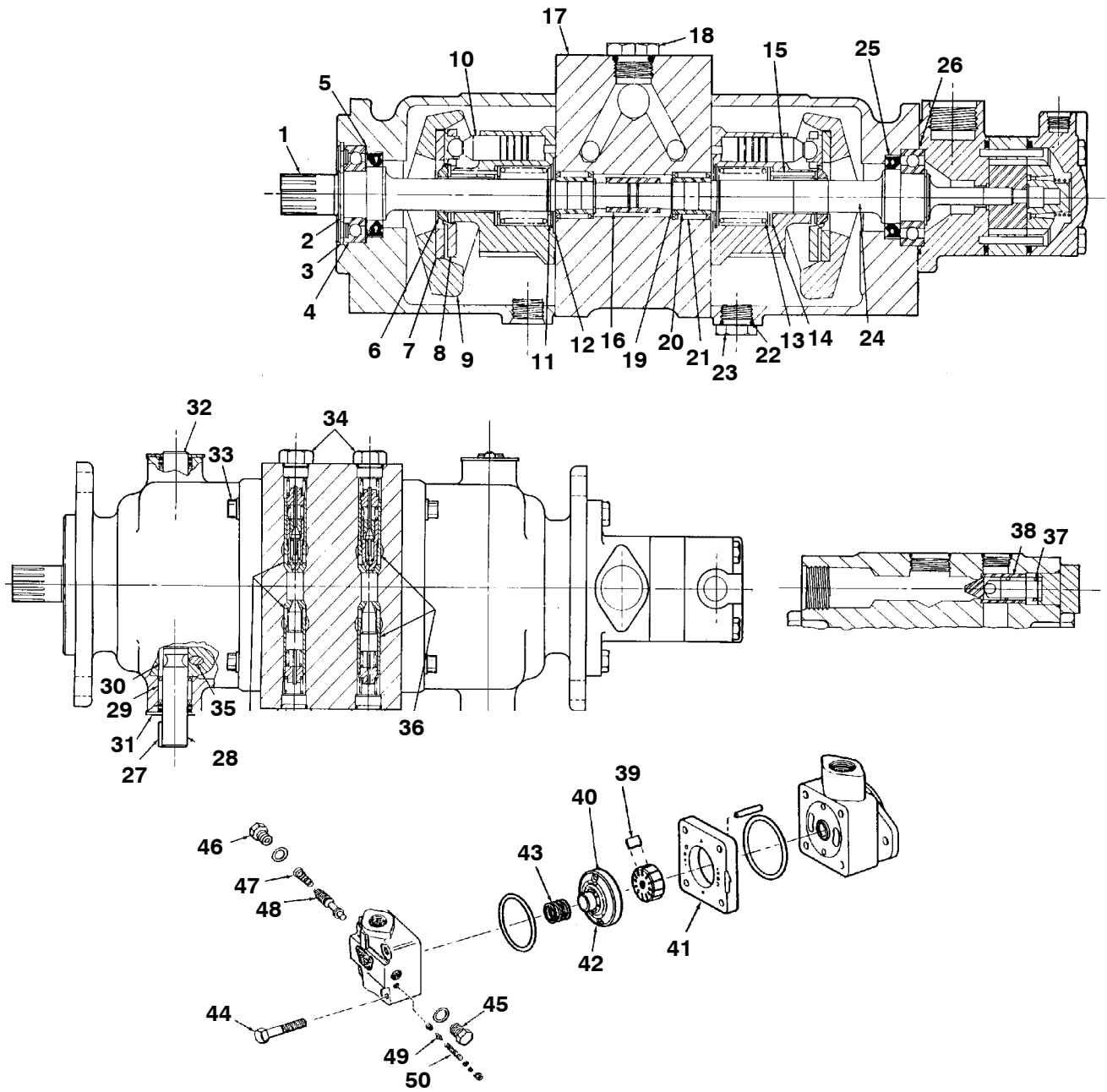


Fig. 1 – Pump Breakdown, 76723–1

04325

Key	TENNANT® Part No.	Manufacturer Serial Number	Description	Qty.
	76723–1	(000000– )	Pump	1
	SK1915	(000000– )	Seal Kit, Overhaul	1
	SK1916	(000000– )	Seal Kit, Shaft	1
1	45643	(000000– )	Shaft	1
2	*119982	(000000– )	Ring, Retaining	1
3	*120428	(000000– )	Ring, Retaining	1
4	*326805	(000000– )	Bearing	1
5	*274382	(000000– )	Retainer	1
	*923552	(000000– )	Rotating Group	1

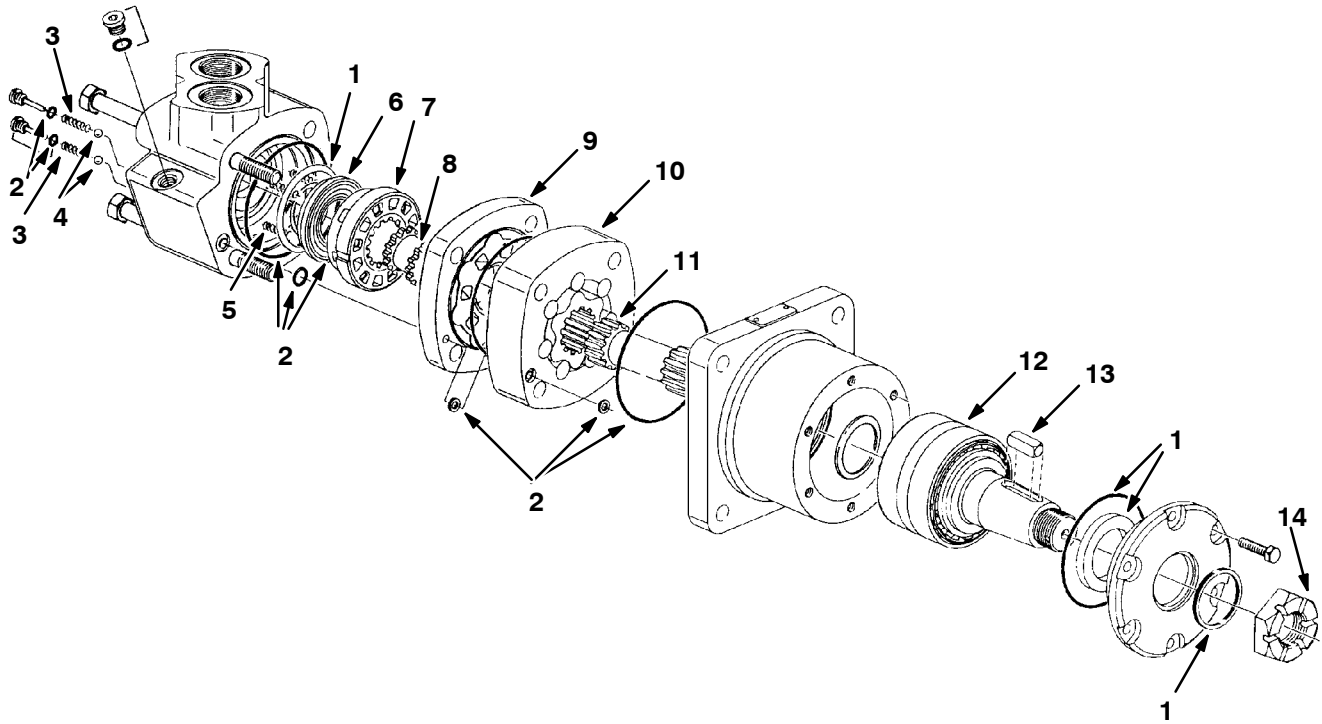


## HYDRAULIC COMPONENTS

Key	TENNANT® Part No.	Manufacturer Serial Number	Description	Qty.
6	*423324	(000000- )	Washer, Spherical	2
7	*239077	(000000- )	Plate, Swash	2
8	*275961	(000000- )	Plate, Shoe	2
9	*325689	(000000- )	Yoke	2
10	*941887	(000000- )	Piston Kit	2
11	*245223	(000000- )	Washer	2
12	*093509	(000000- )	Ring, Snap	2
13	*247294	(000000- )	Spring	2
14	*241954	(000000- )	Washer, Thrust	2
15	*248811	(000000- )	Pin, Spring	6
16	02439	(000000- )	Coupling	1
17	*389371	(000000- )	Plate, Valve	1
18	*380649	(000000- )	Plug	2
19	*390218	(000000- )	Ring, Snap	2
20	*389355	(000000- )	Race, Bearing, Inner	2
21	*390219	(000000- )	Bearing, Needle	2
22	*154130	(000000- )	O-Ring	1
23	*181792	(000000- )	Plug	1
24	*395641	(000000- )	Shaft	1
25	*014654	(000000- )	Bearing	1
26	*175944	(000000- )	O-Ring	1
27	*009966	(000000- )	Key	2
28	*942425	(000000- )	Pintle, Long	2
29	*012016	(000000- )	Bearing, Needle	4
30	38811	(000000- )	Key	2
31	37556	(000000- )	Plate, Pintle Cover	4
32	*392290	(000000- )	Pintle, Short	2
33	*329776	(000000- )	Screw	8
34	*424519	(000000- )	Plug	4
35	*318399	(000000- )	Valve, Check, 4500 psi (31,030 kPa)	2
36	*323820	(000000- )	Valve, Check, 2500 psi (17,240 kPa)	2
37	38622	(000000- )	Spring	1
38	*389359	(000000- )	Valve	1
39	45763	(000000- )	Pump, Accessory	1
	*923928	(000000- )	Cartridge Kit	1
40	74946	(000000- )	Vane Kit	1
41	48314	(000000- )	Ring	1
42	*374343	(000000- )	Plate, Pressure	1
43	*345262	(000000- )	Spring	1
44	*1278C	(000000- )	Screw	4
45	*307354	(000000- )	Plug	1
46	*320353	(000000- )	Plug	1
47	38948	(000000- )	Spring	1
48	*386524	(000000- )	Piston	1
49	38304	(000000- )	Poppet	1
50	38296	(000000- )	Spring	1

\* Vickers Part Number

# HYDRAULIC COMPONENTS



01655

Fig. 2 – Motor Breakdown, 75025

Key	TENNANT® Part No.	Manufacturer Serial Number	Description	Qty.
	75025	(000000– )	Motor, Propelling	1
1	SK1547	(000000– )	Seal Kit, Shaft	1
2	SK1614	(000000– )	Seal Kit, Overhaul	1
3	34179	(000000– )	Spring	2
4	37766	(000000– )	Ball, Steel	3
5	34178	(000000– )	Spring	3
6	37723	(000000– )	Plate, Balance	1
7	34185	(000000– )	Valve	1
8	34183	(000000– )	Drive, Valve	1
9	34184	(000000– )	Plate, Valve	1
10	34182	(000000– )	Gerotor	1
11	34181	(000000– )	Drive	1
12	34180	(000000– )	Shaft and Bearing Kit	1
13	45623	(000000– )	Key	1
14	45622	(000000– )	Nut	1

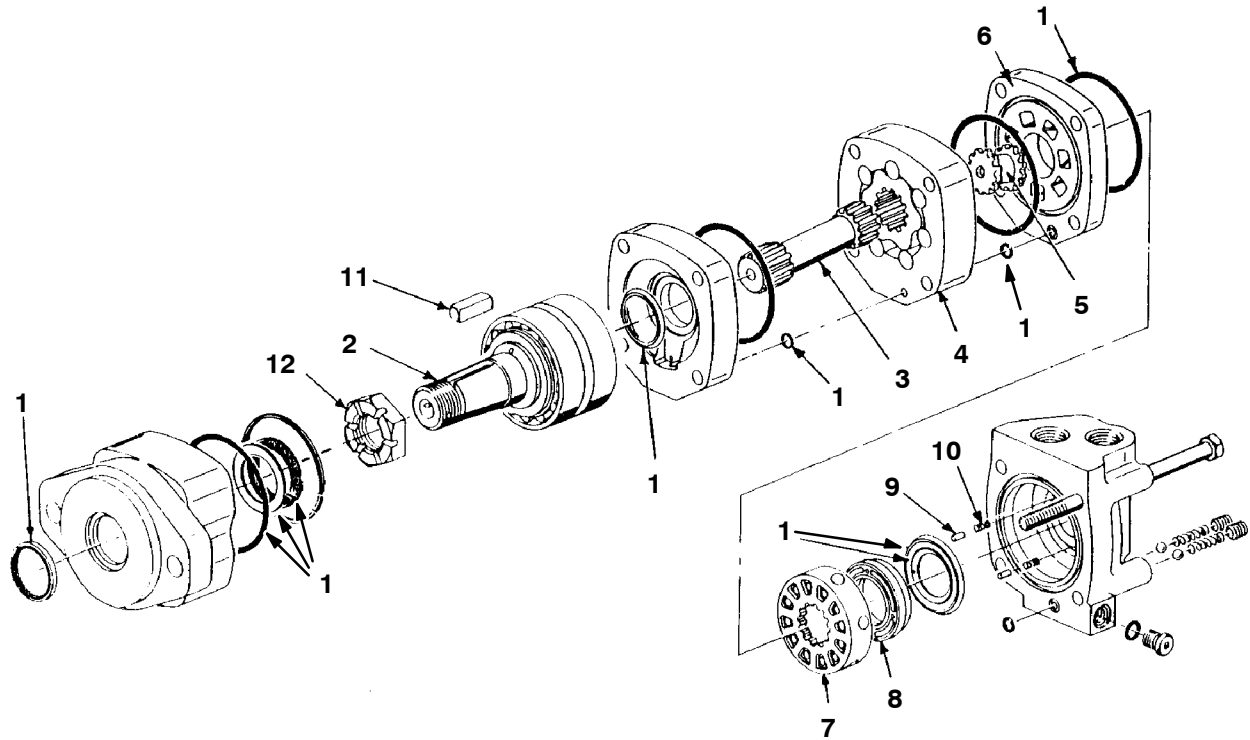
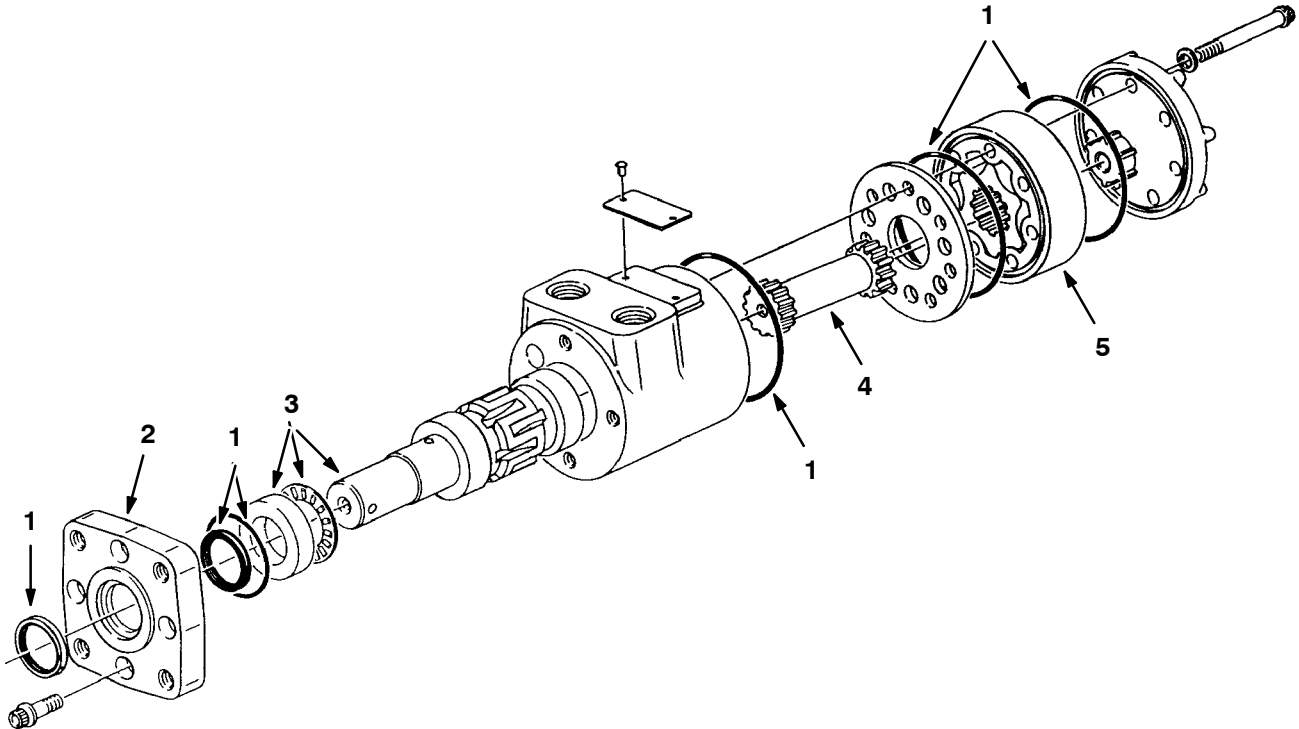


Fig. 3 -- Motor Breakdown, SK2037

04324

Key	TENNANT® Part No.	Manufacturer Serial Number	Description	Qty.
	SK2037	(000000- )	Motor	1
1	02643	(000000- )	Seal Kit	1
2	02644	(000000- )	Shaft and Bearing Kit	1
3	16830	(000000- )	Drive	1
4	16831	(000000- )	Geroler	1
5	57370	(000000- )	Drive, Valve	1
6	02646	(000000- )	Plate, Valve	1
7	02647	(000000- )	Valve	1
8	57373	(000000- )	Ring, Balance	1
9	57374	(000000- )	Pin	2
10	57375	(000000- )	Spring	2
11	38315	(000000- )	Key	1
12	38490	(000000- )	Nut	1
	62422	000000- )	O-Ring	2
	01409-1	(000000- )	Loctite	1



**Fig. 4 – Motor Breakdown, 47650–1**

01503

Key	TENNANT® Part No.	Manufacturer Serial Number	Description	Qty.
	47650–1	(000000– )	Motor, Hydraulic	1
1	47649	(000000– )	Seal Kit	1
2	34174	(000000– )	Flange, Mounting	1
3	34171	(000000– )	Shaft Assembly, Output	1
4	34172	(000000– )	Drive	1
5	34173	(000000– )	Gerotor Set	1

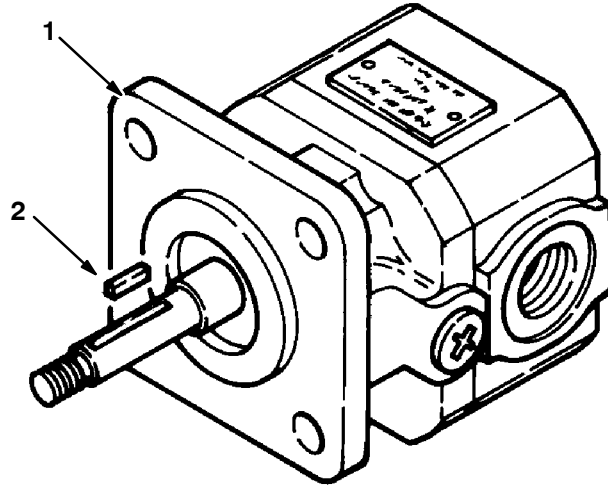
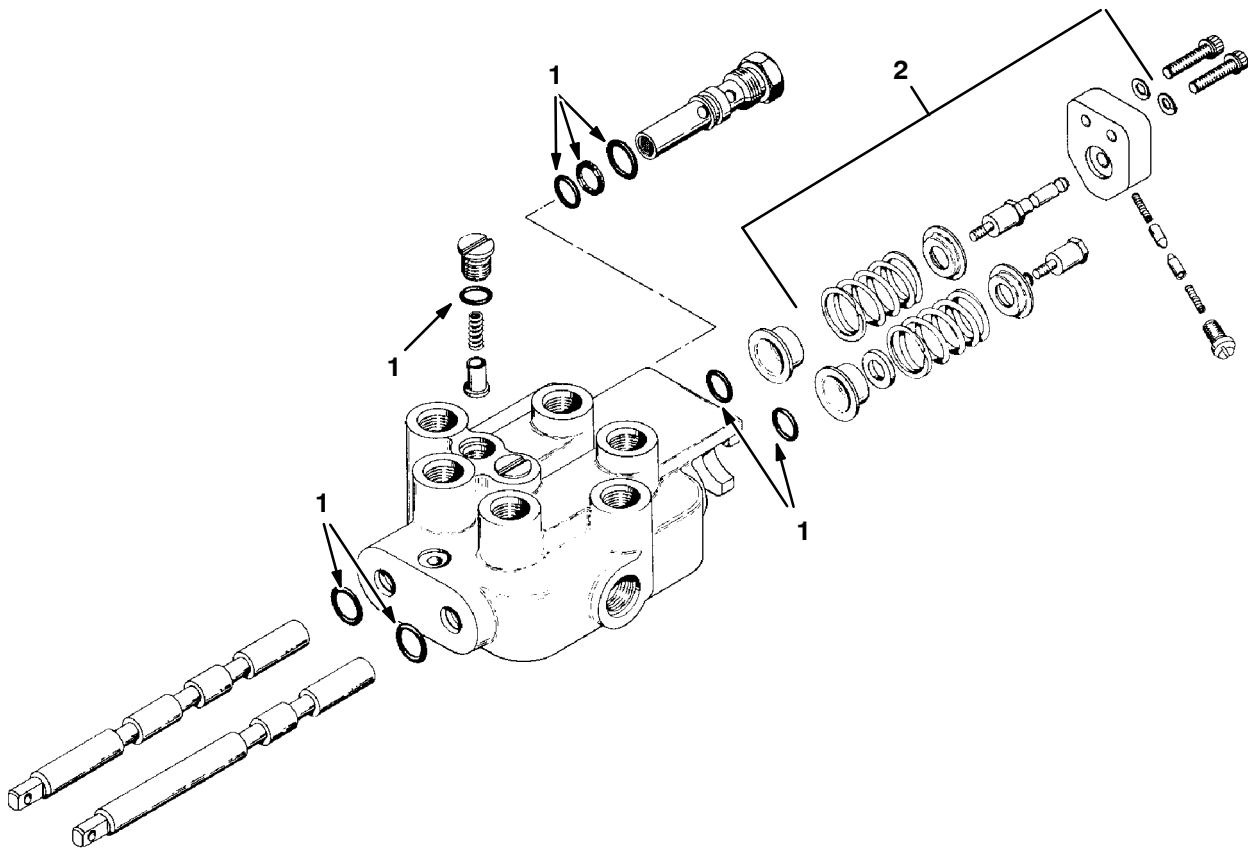


Fig. 5 – Motor Breakdown, 77101

02613

Key	TENNANT® Part No.	Manufacturer Serial Number	Description	Qty.
1	77101	(000000– )	Motor, Hydraulic	1
	SK2561	(000000– )	Seal Kit	1
2	00966	(000000– )	Key, Square	1



**Fig. 6 – Valve Breakdown, 65104**

00300

Key	TENNANT® Part No.	Manufacturer Serial Number	Description	Qty.
	65104	(000000– )	Valve	1
1	SK1745	(000000– )	Seal Kit	1
2	33265	(000000– )	Repair Kit, Detent	1

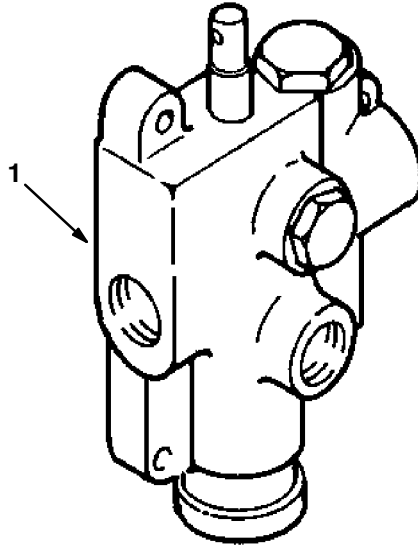
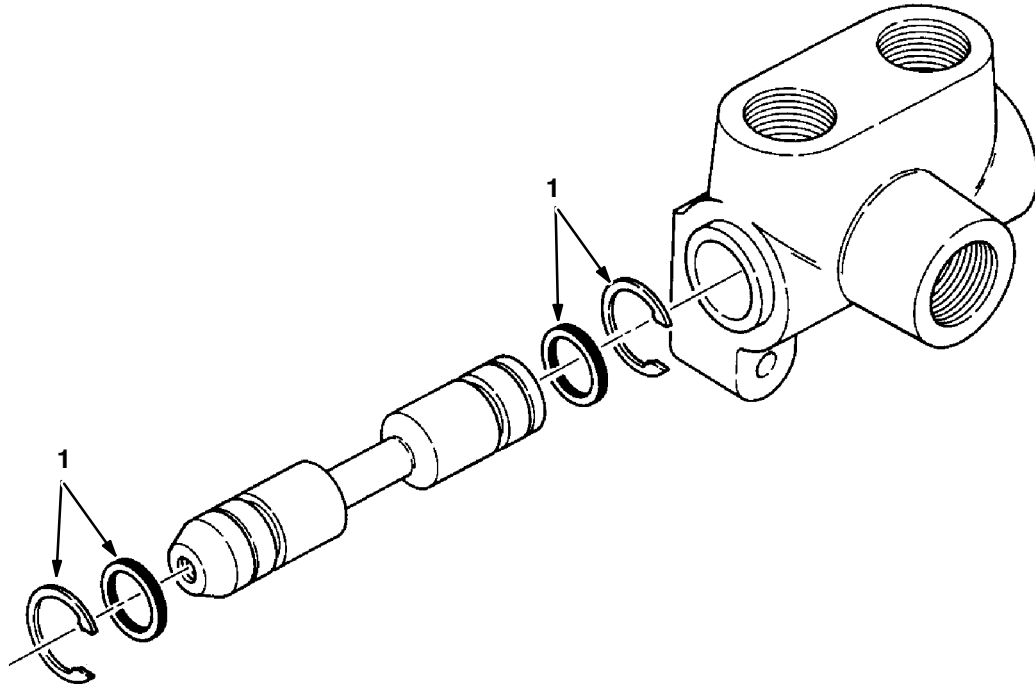


Fig. 7 – Valve Breakdown, 78212

04330

Key	TENNANT® Part No.	Manufacturer Serial Number	Description	Qty.
1	78212	(000000– )	Valve	1
	SK1742	(000000– )	Seal Kit	1



**Fig. 8 – Valve Breakdown, 16815**

04331

Key	TENNANT® Part No.	Manufacturer Serial Number	Description	Qty.
1	16815 SK1288	(000000– ) (000000– )	Valve Seal Kit	1 1



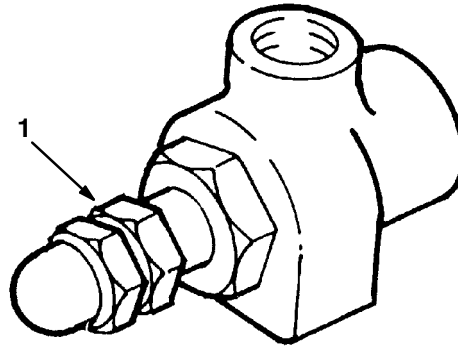
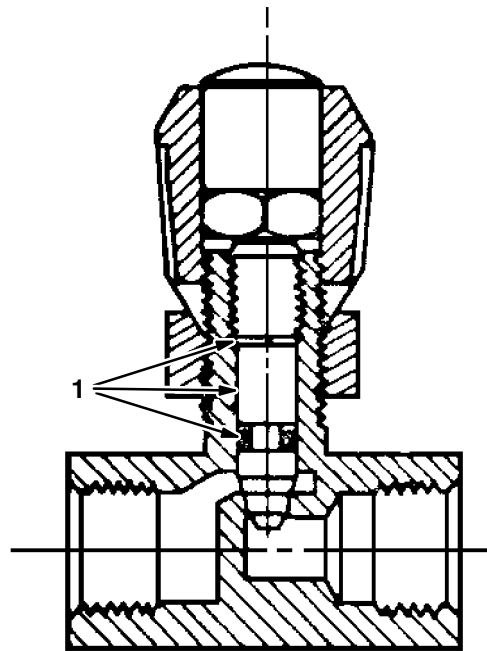


Fig. 9 – Valve Breakdown, 16464

04323

Key	TENNANT® Part No.	Manufacturer Serial Number	Description	Qty.
1	16464	(000000– )	Valve, Relief	1
	16085	(000000– )	Seal Kit	1



**Fig. 10 – Valve Breakdown, 76726**

04326

Key	TENNANT® Part No.	Manufacturer Serial Number	Description	Qty.
1	76726	(000000– )	Valve	1
	SK1914	(000000– )	Seal Kit	1

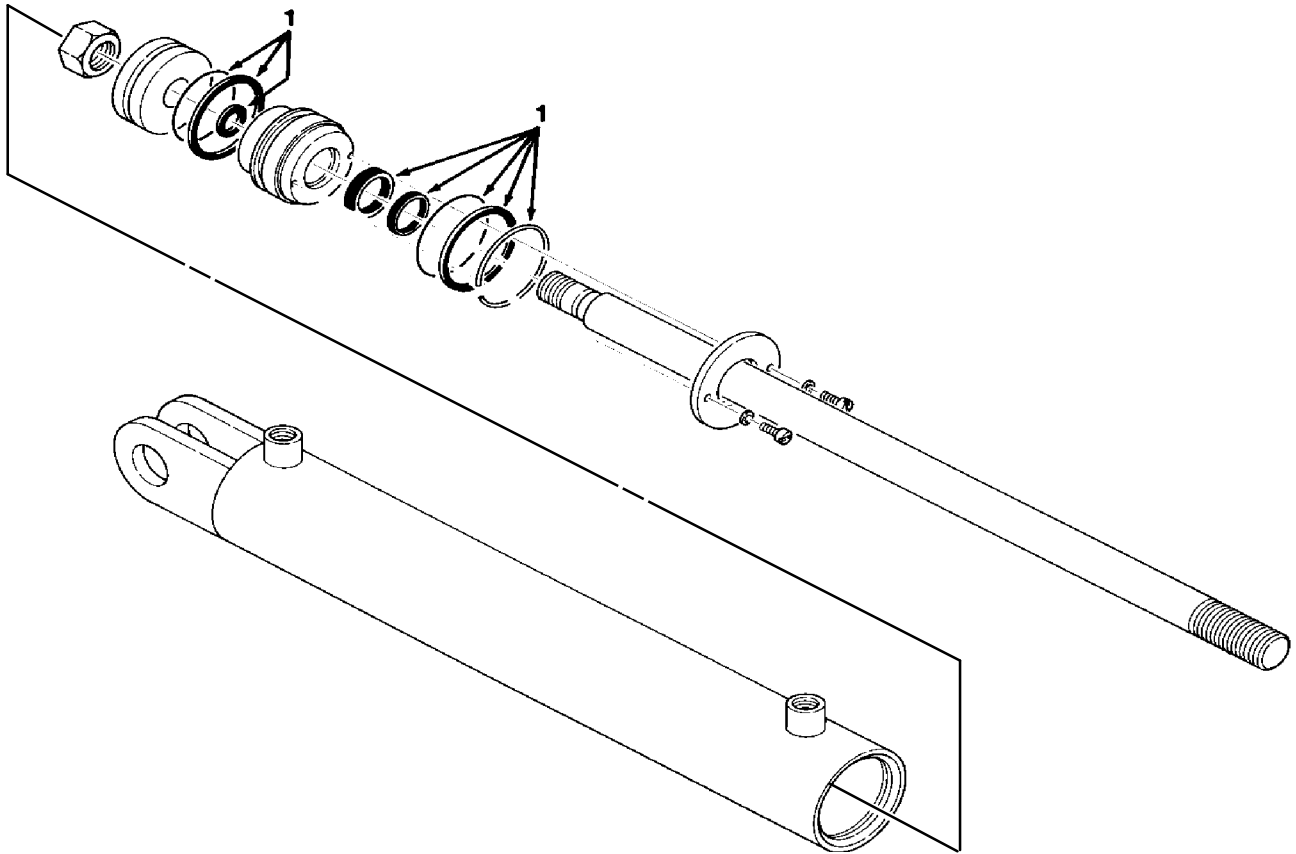
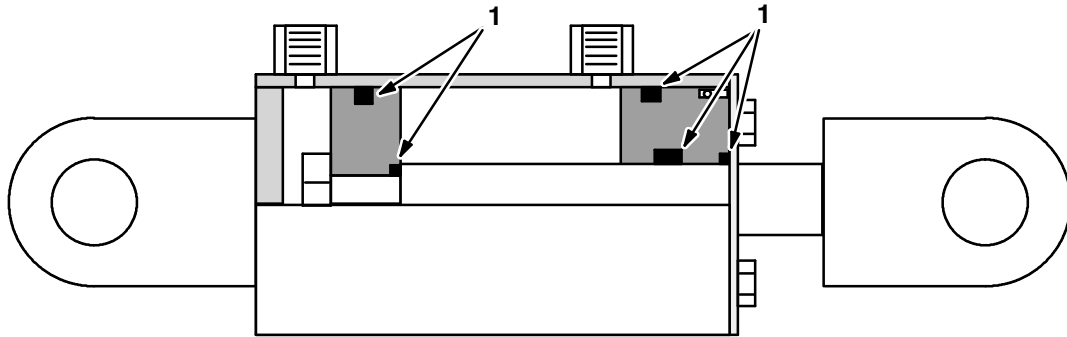


Fig. 11 – Cylinder Breakdown, 34328

02819

Key	TENNANT® Part No.	Manufacturer Serial Number	Description	Qty.
1	34328	(000000– )	Cylinder, Hydraulic	1
	34167	(000000– )	Seal Kit	1



**Fig. 12 – Cylinder Breakdown, SK2062**

04328

Key	TENNANT® Part No.	Manufacturer Serial Number	Description	Qty.
1	SK2062 09804	(000000– ) (000000– )	Cylinder Seal Kit	1 1

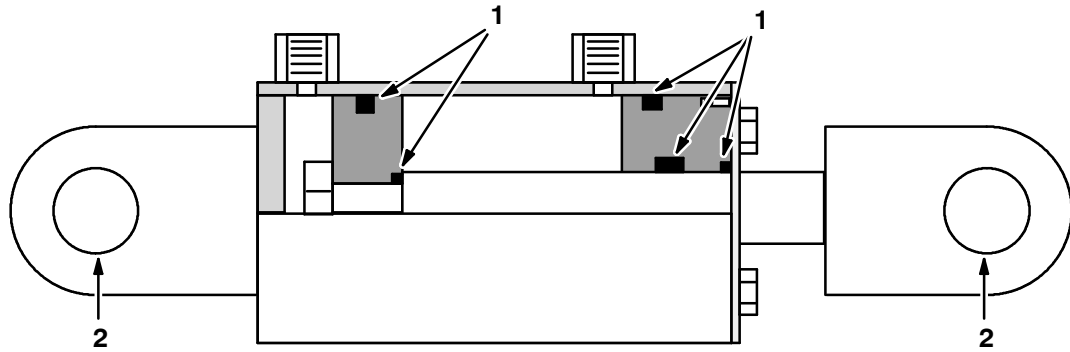


Fig. 13 – Cylinder Breakdown, 62710

04327

Key	TENNANT® Part No.	Manufacturer Serial Number	Description	Qty.
	62710	(000000 – )	Cylinder	1
1	SK1820	(000000 – )	Seal Kit	1
2	37518	(000000 – )	Pin, Clevis	2
	37506	(000000 – )	Clip, Pin	4



## SECTION 8

## CONTENTS

	Page
ORDERING REPAIR PARTS .....	8-3
Fig. 1 – Engine Block Group .....	8-4
Fig. 2 – Cylinder Head Group .....	8-6
Fig. 3 – Fuel System Group .....	8-8
Fig. 4 – Crankshaft Group .....	8-10
Fig. 5 – Piston Group .....	8-11
Fig. 6 – Camshaft Group .....	8-12
Fig. 7 – Oil Pump Group .....	8-13
Fig. 8 – Gear Cover Group .....	8-14
Fig. 9 – Flywheel and Starter Group .....	8-15
Fig. 10 – Intake and Exhaust Manifold Group .....	8-16
Fig. 11 – Water Pump Group .....	8-17
Fig. 12 – Water Header and Thermostat Group .....	8-18
Fig. 13 – Alternator Brackets and PCV Group .....	8-19
Fig. 14 – Oil Filter Group .....	8-20

*NOTE: SECTION 8, ENGINE PARTS, DIESEL, lists repair parts for diesel powered engines, TENNANT part number 16850.*





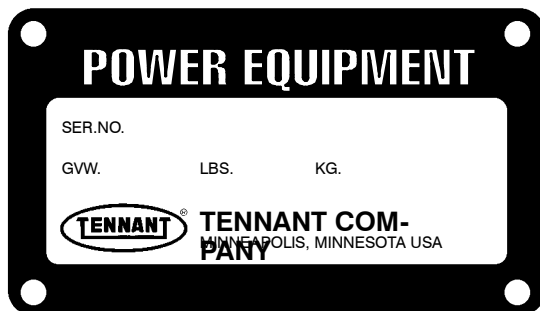
**ORDERING REPAIR PARTS**

The components used in this machine have been carefully selected for performance and safety. Use only Tennant Company specified or equivalent parts.

To receive prompt service in filling of your parts orders, please direct all orders for parts with Tennant Company part numbers to the Tennant Company, and all orders for parts with vendor part numbers to the local supplier of the respective vendor.

When ordering parts, please furnish all of the following information:

1. Machine model number - shown on the machine data plate.



2. Machine serial number - shown on the machine data plate.
3. Power source - gasoline, LPG, diesel, electric.
4. Company name.
5. Shipping address.
6. Billing address.
7. Name, first and last - of person ordering parts.
8. Telephone number.
9. Purchase order number.
10. Part number, description, and quantity - of each item on the order.
11. Customer ID Number.

Do not order parts by key number or the figure number of the illustrated parts. Indented items indicate parts of assemblies. Standard hardware is furnished only when part of a purchased assembly. Please get hardware from a local hardware supplier.

If the old part cannot be identified, send it to us with the quantity needed specified on the order.

Any claim for loss or damage to a shipment in transit should be filed promptly against the transportation company making the delivery. Shipments will be complete unless the packing list or order acknowledgement indicate items back ordered.

If parts received are suspected to be incorrect or defective, please write, wire, or phone the Tennant Company representative from whom you ordered the part. They will give authorization for return and/or handle replacement shipments when required.

**SERIAL NUMBER INFORMATION EXPLANATION**

Serial number listings are shown to indicate on which machines each part can be used. These listings are explained by the following examples:

(000000— ) The part can be used on all machines.

(003342— ) The part can be used on all machines beginning with the serial number listed.

(000000—004320) The part can be used on all machines up to and including serial number listed.

(004321—005678) The part can be used on all machines between and including the serial numbers listed.

Where xxxxx's are listed in place of a serial number, it indicates a change was made but the exact serial number had not been established when the catalog went to press.

**SI UNITS OF MEASURE (INTERNATIONAL SYSTEM)**

Metric equivalents have been included, where applicable, throughout this parts catalog.

**FASTENER STRENGTH IDENTIFICATION**

Fasteners required to have high—strength qualities equivalent to SAE Grade 8 are identified throughout this catalog by the description GR 8. Unless identified by this description, all standard fasteners are SAE Grade 5.

(Specifications and design subject to change without notice.)

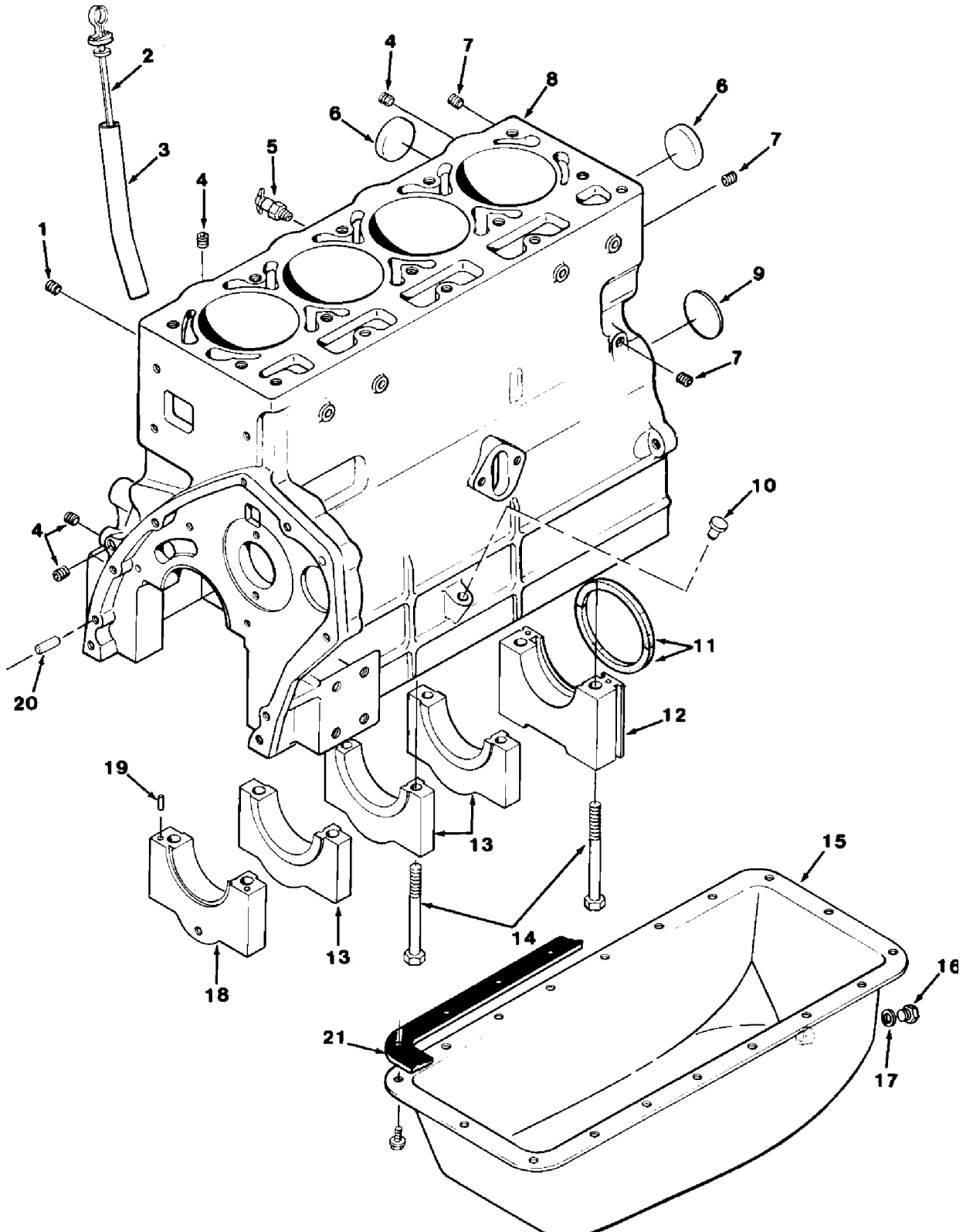


Fig. 1 - Engine Block Group

**Fig. 1 -- Engine Block Group**

Key	TENNANT® Part No.	Teledyne Continental Part Number	Engine Serial Number	Description	Qty.
1		X00110	(000000- )	Plug	1
2	38404	TM27L00418	(000000- )	Rod, Oil Gauge	1
3		TM27L00406	(000000- )	Tube, Oil Filler	1
4		X00137A	(000000- )	Plug	5
5	51305	X01015	(000000- )	Cock, Water Drain	1
6	38414	X02279	(000000- )	Plug, Cup	5
7		26XX26129	(000000- )	Plug	2
8	34794	TMD27A602610R	(000000- )	Short Block Assembly, R, Includes: Block, Tappets, Camshaft, Crankshaft, Main Bearings, Bearing Caps, Pistons, Piston Pins, Piston Rings, Connecting Rods, Rod Bearings, Thrust Plate, Cam Gear, Gear, Oil Pump, Oil Gauge Support, and Gasket Set	1
8	38583	TMD27A602810S	(000000- )	Short Block Assembly, S, Includes: R Short Block Assembly Plus – Head, Guides, Valves and Associated Parts, Rocker Arm Shaft Assembly, Pushrods, Head Cover, Gear Cover, Oil Pan, Oil Filler Cap, and Gasket Set	1
9	38413	X02208	(000000- )	Plug, Expansion	1
10		X07663	(000000- )	Plug	1
11	38408	TM27L00513	(000000- )	Seal, Oil	2
12		TMD27B00502	(000000- )	Cap and Filler Block, Rear Bearing	1
13		TMD27B00403	(000000- )	Cap, Crankshaft Bearing	3
14		XM32018	(000000- )	Screw	10
15	38398	TM27B05070	(000000- )	Pan, Oil	1
16	38082	F400B00282	(000000- )	Plug, Drain	1
17		X14583	(000000- )	Washer, Drain Plug	1
18		TMD27B00402	(000000- )	Cap, Crankshaft Bearing, Front	1
19		F600B00242	(000000- )	Dowel, Bearing Cap, Front and Rear	4
20		X17025	(000000- )	Pin, Dowel, Gear Cover to Crankcase	2
21		TM27T00107	(000000- )	Gasket, Oil Pan, Form-In-Place	1

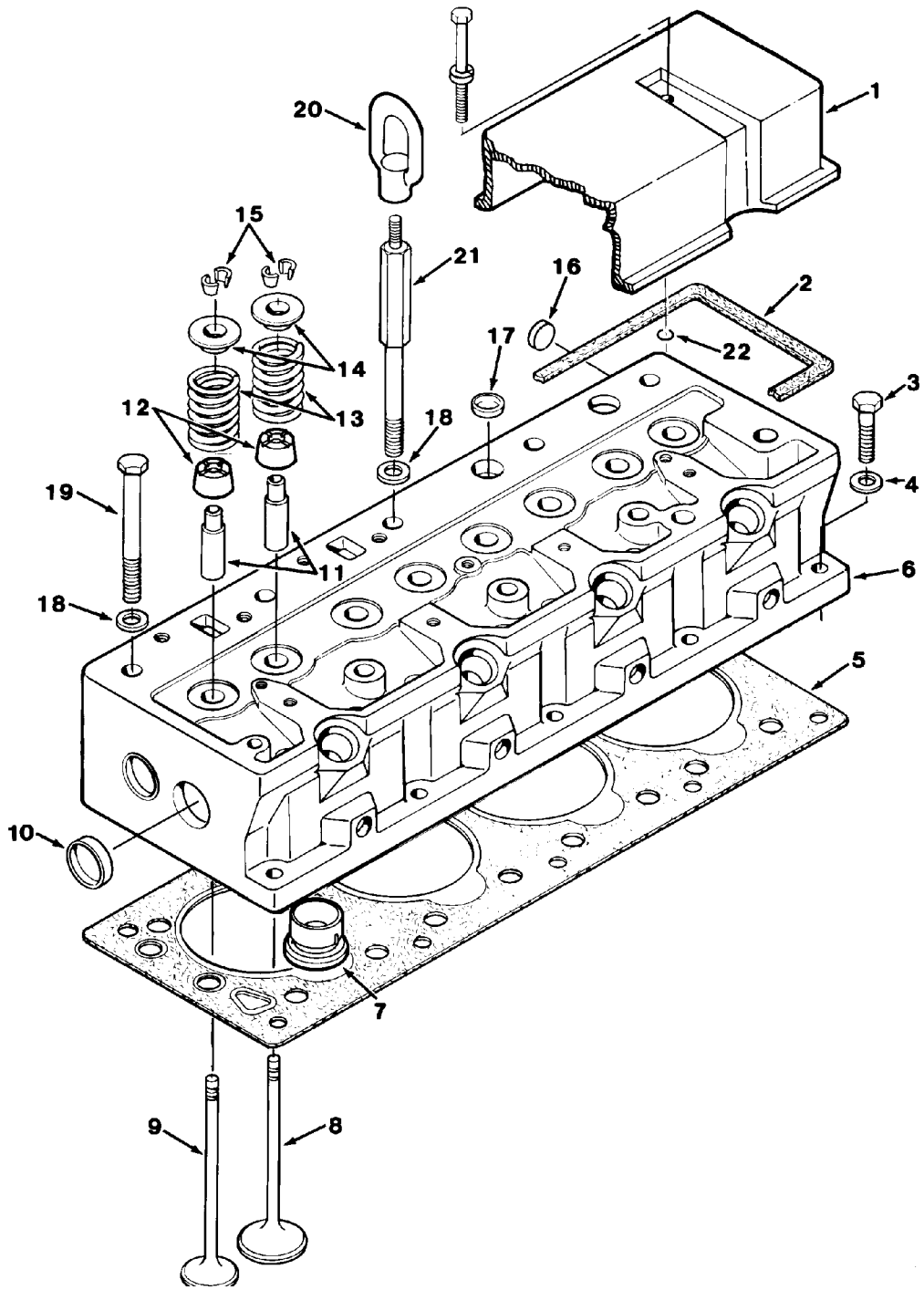


Fig. 2 - Cylinder Head Group

Fig. 2 – Cylinder Head Group

Key	TENNANT® Part No.	Teledyne Continental Part Number	Engine Serial Number	Description	Qty.
1		TM27A0610	(000000– )	Cover, Cylinder Head	1
2	34876	TM27A00502	(000000– )	Gasket, Cover	1
3		XM32021	(000000– )	Screw	5
4	37942	13XX14141	(000000– )	Washer, Plain	5
5		TMD27A00205	(000000– )	Gasket, Cylinder Head	1
6		TMD27A06031	(000000– )	Head, Cylinder	1
7		TMD27A00500	(000000– )	Insert, Combustion Chamber	4
8		TMD27I00502	(000000– )	Valve, Intake	4
9		TMD27I00501	(000000– )	Valve, Exhaust	4
10		X02583	(000000– )	Plug, Cup	4
11	16153	F400I00251	(000000– )	Guide, Valve Stem	8
12		TMD27I00401	(000000– )	Guard, Valve Stem Oil	8
13		TM27I00309	(000000– )	Spring, Valve	8
14		TM27I00300	(000000– )	Retainer, Valve Spring	8
15		CVT03234	(000000– )	Lock, Valve Spring Retainer	16
16		X07606	(000000– )	Plug, Cup	4
17		X07689	(000000– )	Plug, Core	4
18		XM37003	(000000– )	Washer, Flat	10
19		XM32020	(000000– )	Screw	9
20		XM38004	(000000– )	Eye, Lifting	1
21		XM32094	(000000– )	Screw	1
22		XM39000	(000000– )	O–Ring	3
		TMD27U01002	(000000– )	Gasket Set, Top	1

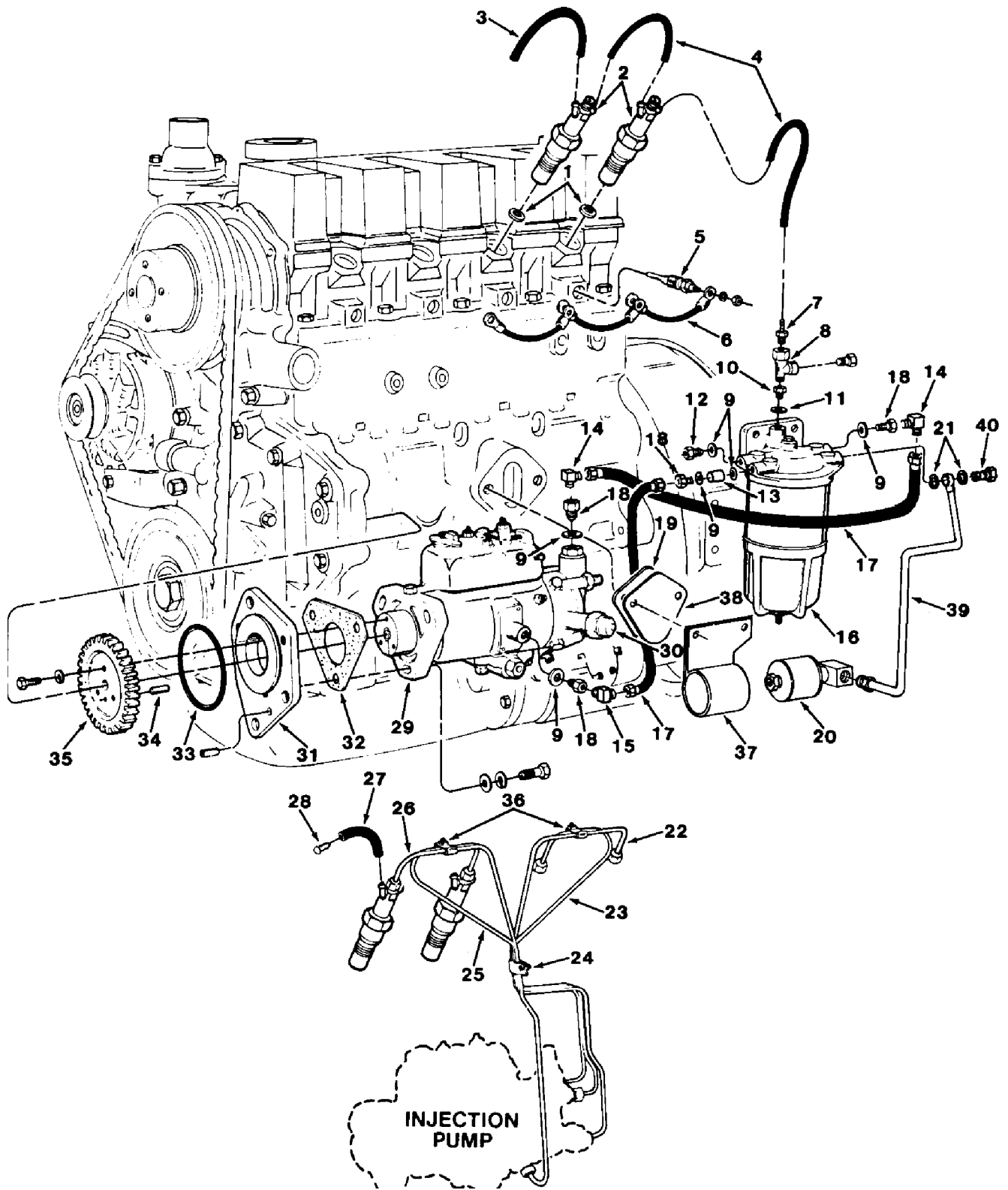
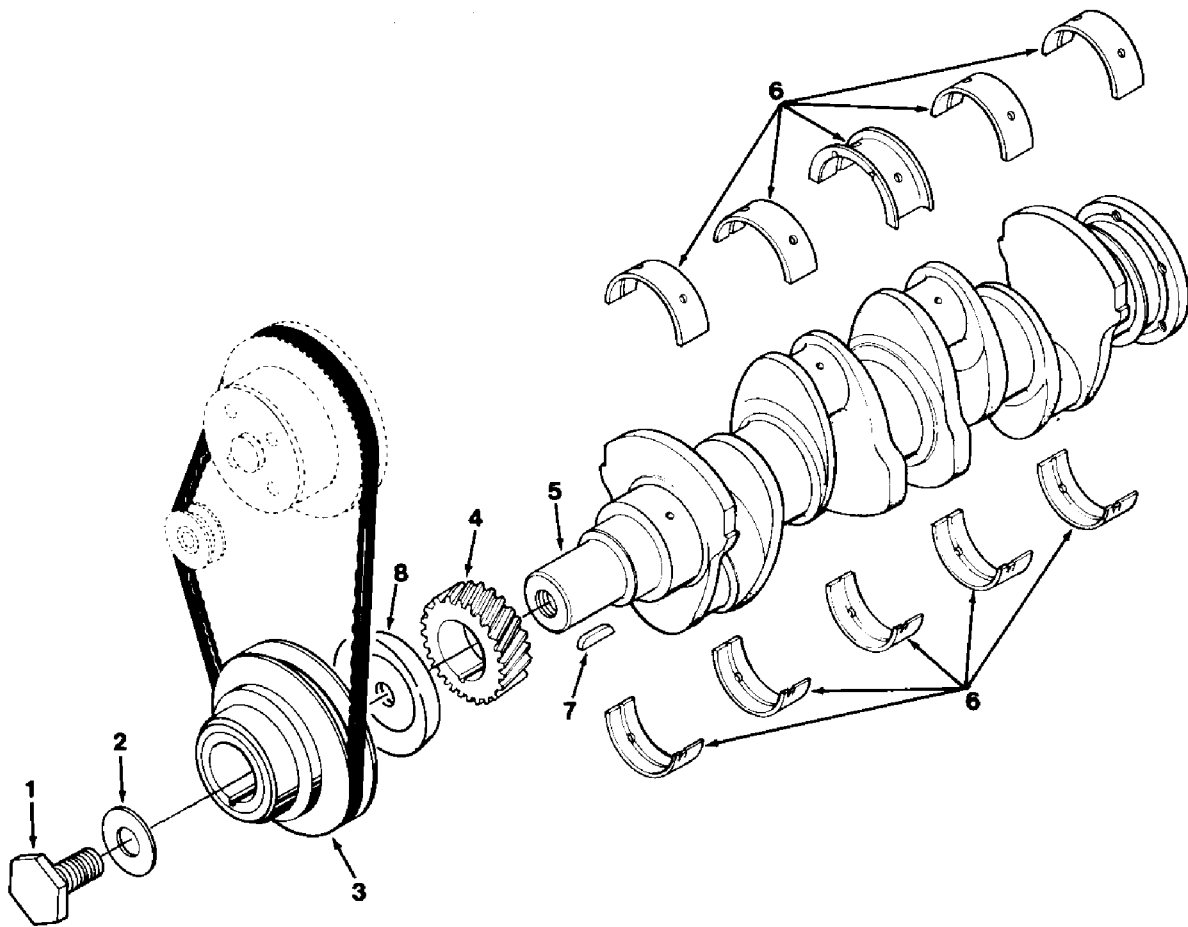


Fig. 3 - Fuel System Group

Fig. 3 -- Fuel System Group

Key	TENNANT® Part No.	Teledyne Continental Part Number	Engine Serial Number	Description	Qty.
1	38393	TMD27F00301	(000000- )	Shield, Heat	4
2	38389	TMD27F02030	(000000- )	Nozzle and Tip Assembly	4
	38387	TMD27F00306	(000000- )	Tip, Nozzle	4
3	38411	XM38003050	(000000- )	Hose, Fuel	1
4		XM38003054	(000000- )	Hose, Fuel	3
5	38386	TMD27F00300	(000000- )	Plug, Glow	4
6		LW00203042	(000000- )	Wire, Glow Plug	3
7		TMD27F00305	(000000- )	Adapter	1
8	38417	X12671	(000000- )	Tee	1
9		X14434	(000000- )	Washer	7
10	38412	XM40000	(000000- )	Adapter	1
11		X14134	(000000- )	Washer, Copper	1
12		TMD27F00214	(000000- )	Plug	1
13		TMD27F00405	(000000- )	Valve, Check	1
14		X12393	(000000- )	Adapter	1
15		X12489	(000000- )	Elbow, #3 Inlet	1
16	38388	TMD27F00506	(000000- )	Filter, Fuel and Water Separator	1
	52770-9	TMD27F00212	(000000- )	Element, Fuel Filter	1
17		X08016120	(000000- )	Hose, Injection	1
18		X26140	(000000- )	Adapter	4
19	47680	X01698	(000000- )	Gasket, Fuel Pump	1
20	16706	TMD20F00506	(303729- )	Pump, Fuel	1
21	16712	TMD27F00309	(303729- )	Washer, Sealing	2
22	38396	TMD27F05120	(000000- )	Tube Assembly, Fuel Injection #4	1
23	38395	TMD27F05110	(000000- )	Tube Assembly, Fuel Injection #3	1
24	38384	TMD27F00220	(000000- )	Clamp, Injection Line	1
25	38391	TMD27F05100	(000000- )	Tube Assembly, Fuel Injection #2	1
26	38390	TMD27F05090	(000000- )	Tube Assembly, Fuel Injection #1	1
27		XM38003020	(000000- )	Hose, Fuel, #1 Leak-Off End	1
28		X26138	(000000- )	Plug	1
29	38392	TMD27F00227S	(000000- )	Pump, Fuel Injection	1
30	16739		(000000- )	Solenoid, Fuel Shut-Off	1
31		TMD27B00404	(000000- )	Adapter	1
32	38379	TMD27B00300	(000000- )	Gasket, Injection Pump	1
33	38415	X07837	(000000- )	O-Ring	1
34		TMD27F00200	(000000- )	Pin	1
35		TMD27H00403	(000000- )	Gear, Injection Pump	1
36	38385	TM27F00221	(000000- )	Clamp, Injection Line	2
		TMD27F00233	(000000- )	Clamp, Leak-Off Line	10
37	16708	TMD27F00311	(303729- )	Bracket, Fuel Pump	1
38	16707	F600B00234	(303729- )	Cover, Fuel Pump	1
39	16710	TMD27F005200	(303729- )	Tube Assembly	1
40	16711	TMD27F00308	(303729- )	Fitting, Banjo	1



**Fig. 4 – Crankshaft Group**

01609

Key	TENNANT® Part No.	Teledyne Continental Part Number	Engine Serial Number	Description	Qty.
1		XM32064	(000000– )	Screw	1
2		XM37014	(000000– )	Washer, Plain	1
3	38449	TM27C00501	(000000– )	Pulley, Crankshaft	1
4		TM27H00400	(000000–xxxxxx)	Gear, Crankshaft	1
4		TM27H00407	(xxxxxx– )	Gear, Crankshaft	1
5		TMD27C00300	(000000– )	Crankshaft	1
6		TM27T00102	(000000– )	Bearing Kit, Main, Standard	1
6		TM27T00102025	(000000– )	Bearing Kit, Main, 0.25 mm undersize	1
6		TM27T00102050	(000000– )	Bearing Kit, Main, 0.50 mm undersize	1
6		TM27T00102075	(000000– )	Bearing Kit, Main, 0.75 mm undersize	1
6		TM27T00102100	(000000– )	Bearing Kit, Main, 1.00 mm undersize	1
7		X00666	(000000– )	Key	1
8		TM27C00408	(000000– )	Slinger, Oil	1



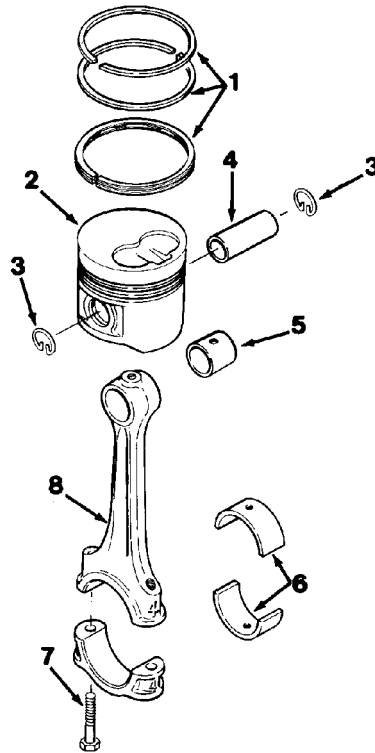
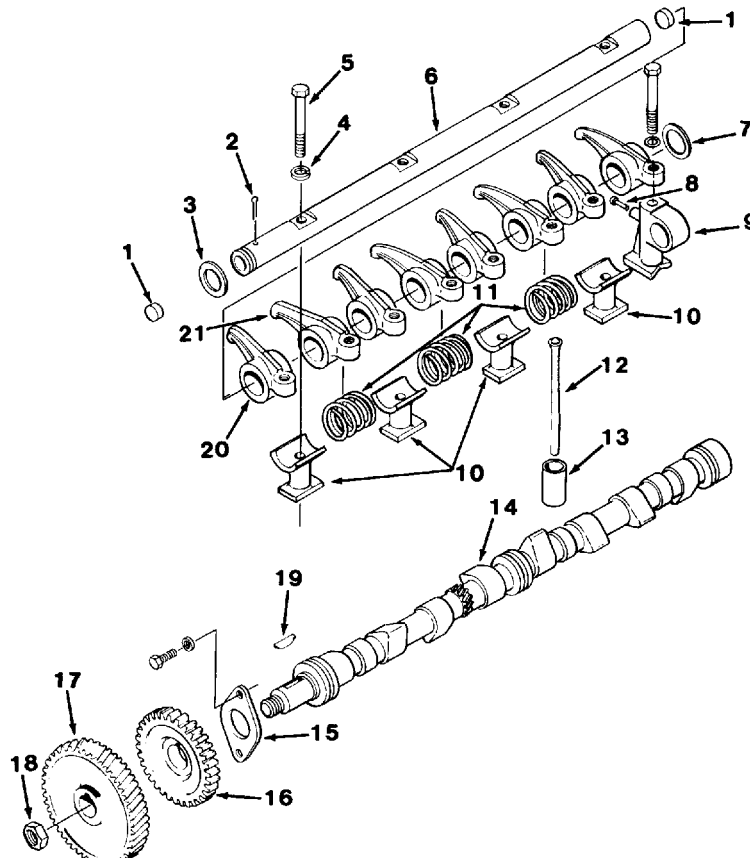


Fig. 5 – Piston Group

01623

Key	TENNANT® Part No.	Teledyne Continental Part Number	Engine Serial Number	Description	Qty.
1		TMD27T00201	(000000– )	Ring Kit, Re–Ring, Standard	4
1		TMD27T00201050	(000000– )	Ring Kit, Re–Ring, 0.50 mm oversize	4
1		TMD27T00201075	(000000– )	Ring Kit, Re–Ring, 0.75 mm oversize	4
1		TMD27T00201100	(000000– )	Ring Kit, Re–Ring, 1.00 mm oversize	4
2		TMD27A05031E	(000000– )	Piston Assembly, Standard	4
2		TMD27A05031E050	(000000– )	Piston Assembly, 0.50 mm oversize	4
2		TMD27A05031E075	(000000– )	Piston Assembly, 0.75 mm oversize	4
2		TMD27A05031E100	(000000– )	Piston Assembly, 1.00 mm oversize	4
3		K800A00203	(000000– )	Ring, Retaining, Piston Pin	2
4		TMD27A00300	(000000– )	Pin, Piston	1
5		TM27G00301	(000000– )	Bushing, Piston Pin	4
6		TM27T00103	(000000– )	Bearing Kit, Connecting Rod, Standard	1
6		TM27T00103025	(000000– )	Bearing Kit, Connecting Rod, 0.25 mm undersize	1
6		TM27T00103050	(000000– )	Bearing Kit, Connecting Rod, 0.50 mm undersize	1
6		TM27T00103075	(000000– )	Bearing Kit, Connecting Rod, 0.75 mm undersize	1
6		TM27T00103100	(000000– )	Bearing Kit, Connecting Rod, 1.00 mm undersize	1
7		Z145D00300	(000000– )	Bolt, Connecting Rod	8
8		TMD27D03001	(000000– )	Rod Assembly, Connecting	4



**Fig. 6 – Camshaft Group**

01622

Key	TENNANT® Part No.	Teledyne Continental Part Number	Engine Serial Number	Description	Qty.
1		X02544	(000000– )	Plug, Shaft Ends	2
2		X00623	(000000– )	Pin, Cotter	2
3		X14589	(000000– )	Washer, Rocker Arm Shaft	2
4		XM37005	(000000– )	Washer, Flat	4
5		XM32031	(000000– )	Screw	4
6		TM27100511	(000000– )	Shaft, Rocker Arm	1
7		TM27100306	(000000– )	Washer, Wavey	1
8		X17066	(000000– )	Pin, Rear Support Top	1
9			(000000– )	Support, Rocker Arm Shaft, Rear	1
10		TM27100314	(000000– )	Support, Rocker Arm Shaft	4
11		TM27100313	(000000– )	Spring, Rocker Shaft Ends	1
		TM27100303	(000000– )	Spring, Rocker Arm Shaft	3
12		TM27100403	(000000– )	Rod, Push	8
13		TM27100305	(000000– )	Tappet, Valve	8
14		TMD27100402	(000000– )	Camshaft	1
15		F400I00246	(000000– )	Plate, Camshaft Thrust	1
16		TMD27H00402	(000000– )	Gear, Injection Pump Driver	1
17		TMD27H00503	(000000– )	Gear, Camshaft	1
18		X18498	(000000– )	Nut	1
19		X00599D	(000000– )	Key	1
20		TM27105130	(000000– )	Arm Assembly, Rocker, Exhaust	4
21		TM27105120	(000000– )	Arm Assembly, Rocker, Intake	4

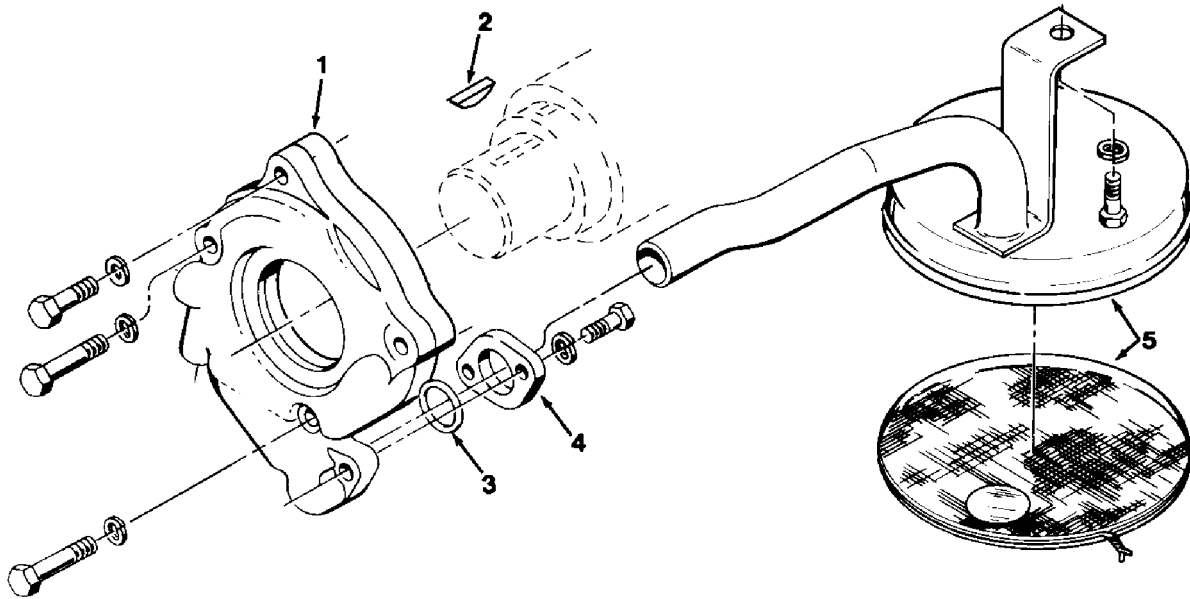
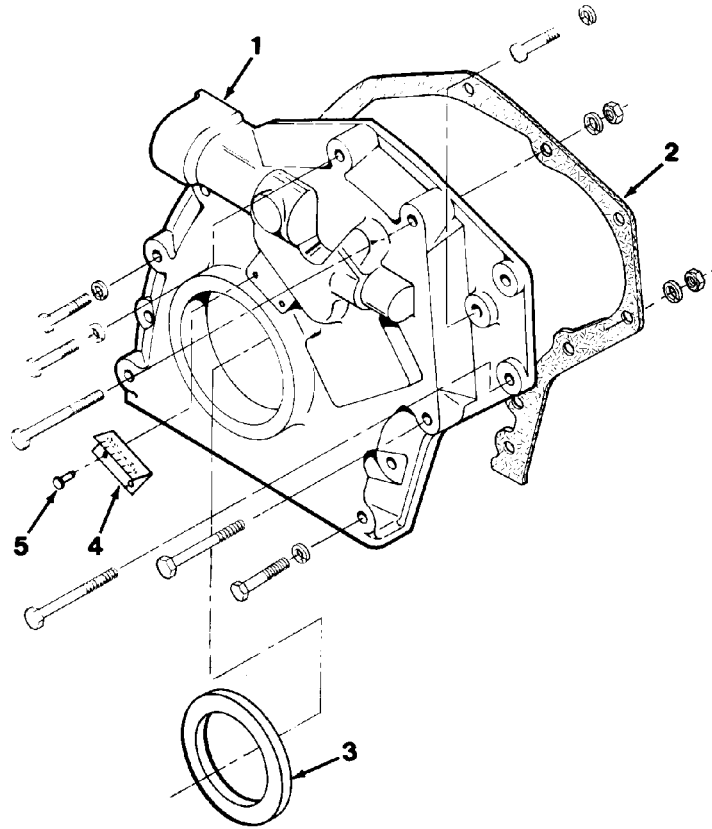


Fig. 7 – Oil Pump Group

01611

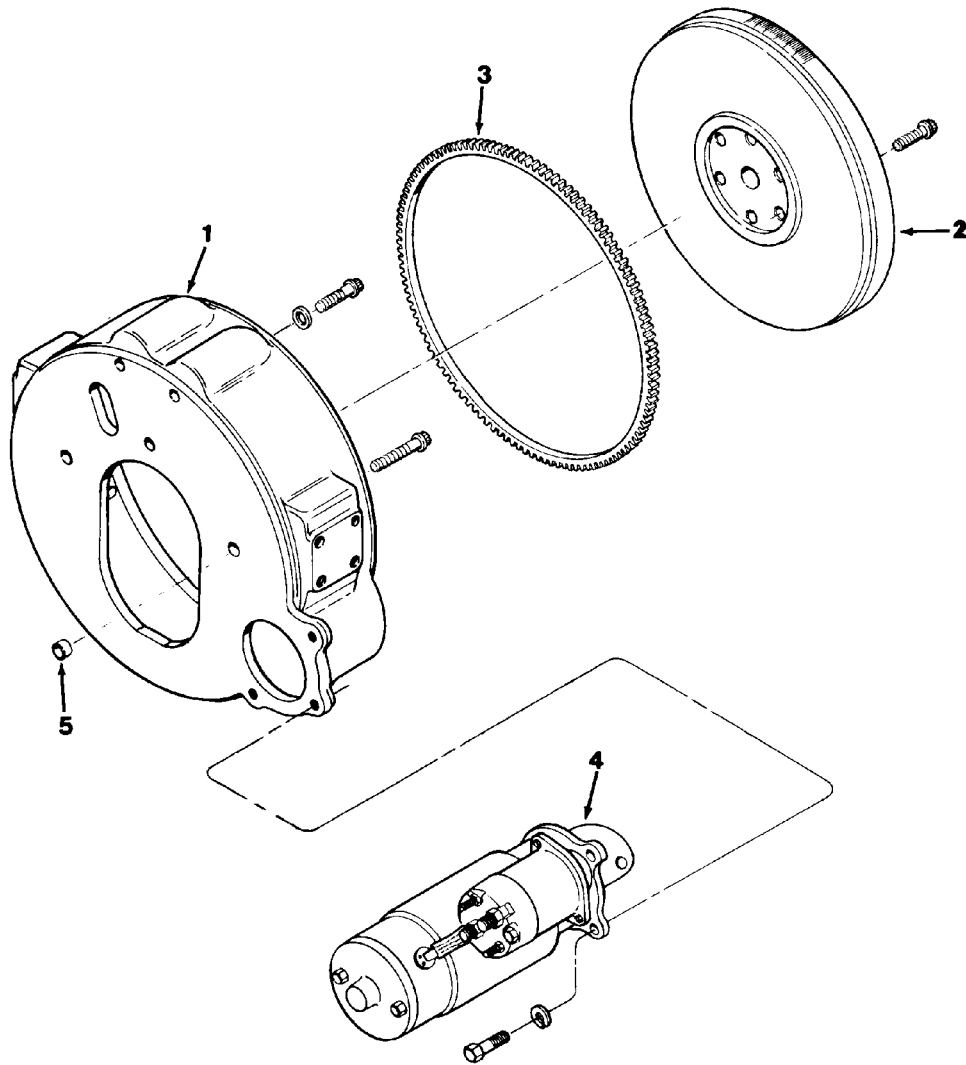
Key	TENNANT® Part No.	Teledyne Continental Part Number	Engine Serial Number	Description	Qty.
1		TM27L06030	(000000– )	Pump, Oil	1
2		X00692	(000000– )	Key, Woodruff	1
3		X01673	(000000– )	O–Ring	1
4		TM27L00200	(000000– )	Adapter, Inlet Tube	1
5		TM27L05100	(000000– )	Tube Assembly, Oil Pump Inlet	1



**Fig. 8 – Gear Cover Group**

01624

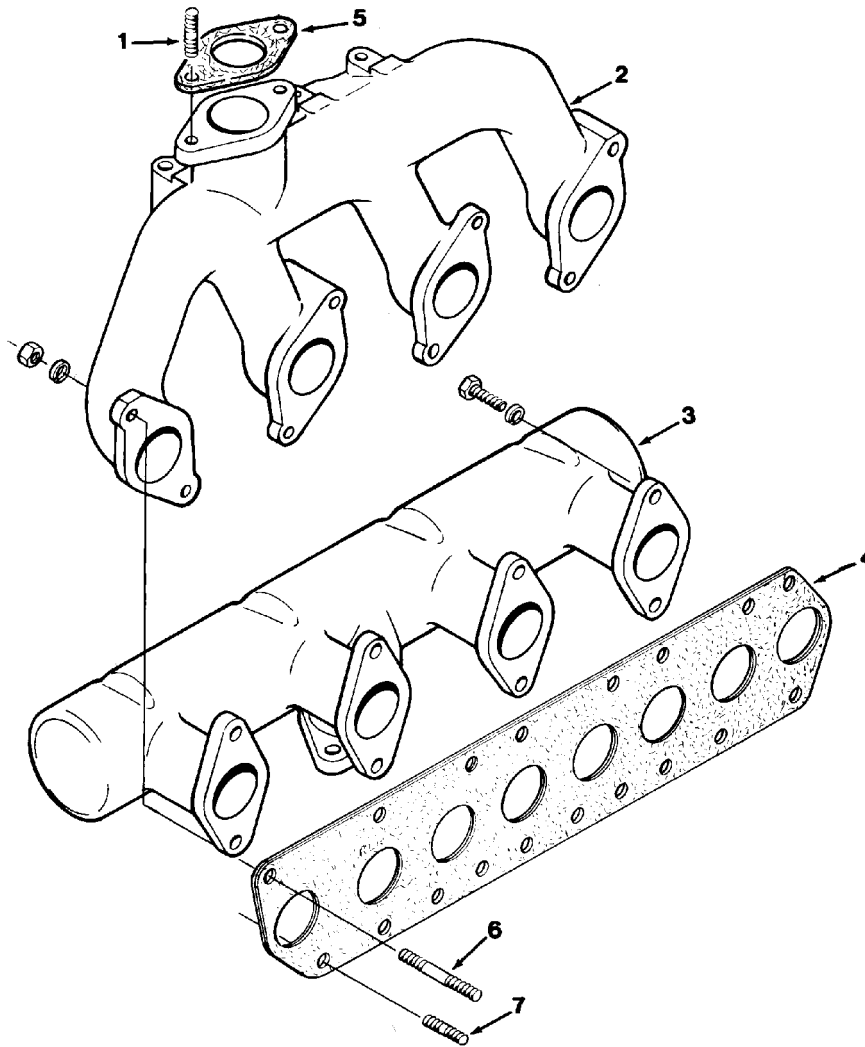
Key	TENNANT® Part No.	Teledyne Continental Part Number	Engine Serial Number	Description	Qty.
1	38381	TMD27B05003	(000000– )	Cover, Gear	1
2		TMD27B00405	(000000– )	Gasket, Gear Cover	1
3	38416	X07845	(000000– )	Seal, Oil, Crankshaft	1
4		TM27B00300	(000000– )	Pointer, Engine Timing	1
5		X13012	(000000– )	Rivet, Timing Pointer to Gear Cover	2
		TMD27U02001	(000000– )	Gasket Set, Front	1



**Fig. 9 – Flywheel and Starter Group**

01625

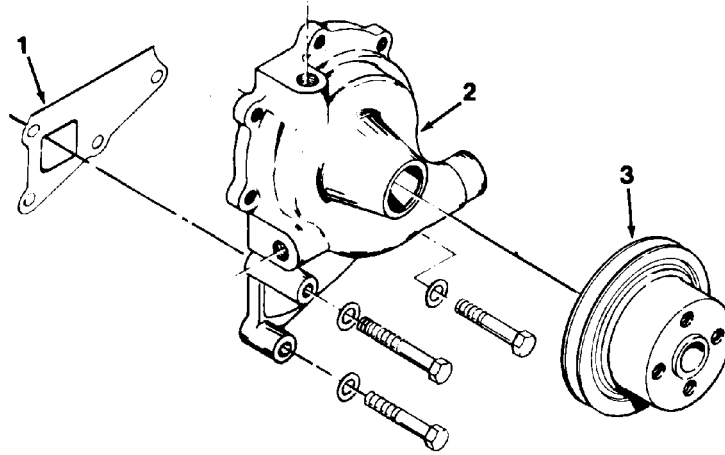
Key	TENNANT® Part No.	Teledyne Continental Part Number	Engine Serial Number	Description	Qty.
1	16143	F140B00320	(000000– )	Housing, Flywheel	1
2	16851	TM13C03100	(000000– )	Flywheel	1
3	16852	TM13C00502	(000000– )	Ring Gear	1
4	16855	TMD27M00504	(000000– )	Starter	1
5		X07005	(000000– )	Dowel, Ring	2



**Fig. 10 – Intake and Exhaust Manifold Group**

01626

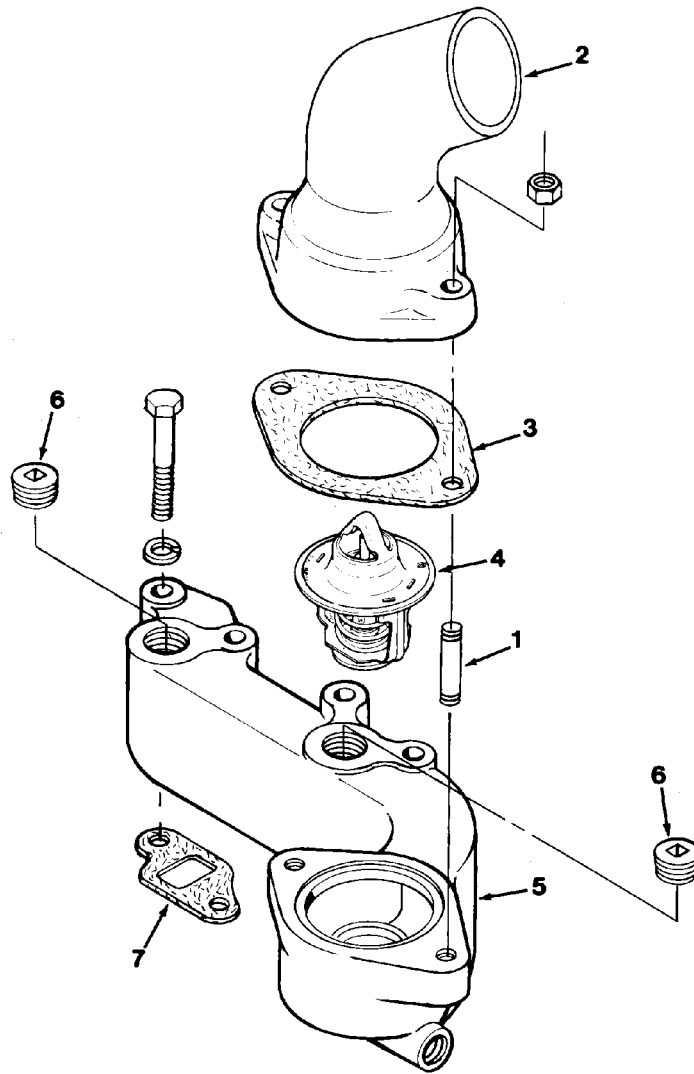
Key	TENNANT® Part No.	Teledyne Continental Part Number	Engine Serial Number	Description	Qty.
1		XM32048	(000000– )	Stud	2
2	38383	TMD27E05011	(000000– )	Manifold, Exhaust	1
3		TMD27F00601	(000000– )	Manifold, Intake	1
4	34640		(000000– )	Gasket Set, Manifold	1
		TM27E00400	(000000– )	Gasket, Manifold	1
5		TM27E00300	(000000– )	Gasket, Manifold, Exhaust	1
6		XM32050	(000000– )	Stud	2
7		XM32022	(000000– )	Stud	6



**Fig. 11 – Water Pump Group**

01615

Key	TENNANT® Part No.	Teledyne Continental Part Number	Engine Serial Number	Description	Qty.
	34830		(000000– )	Pump and Gasket, Water	1
1	34873	TM27K00301	(000000– )	Gasket, Water Pump to Crankcase	1
2	34429	TM27K06051	(000000– )	Pump, Water	1
		TM27T01003	(000000– )	Repair Kit, Water Pump	1
3		TM27K00412	(000000– )	Pulley	1

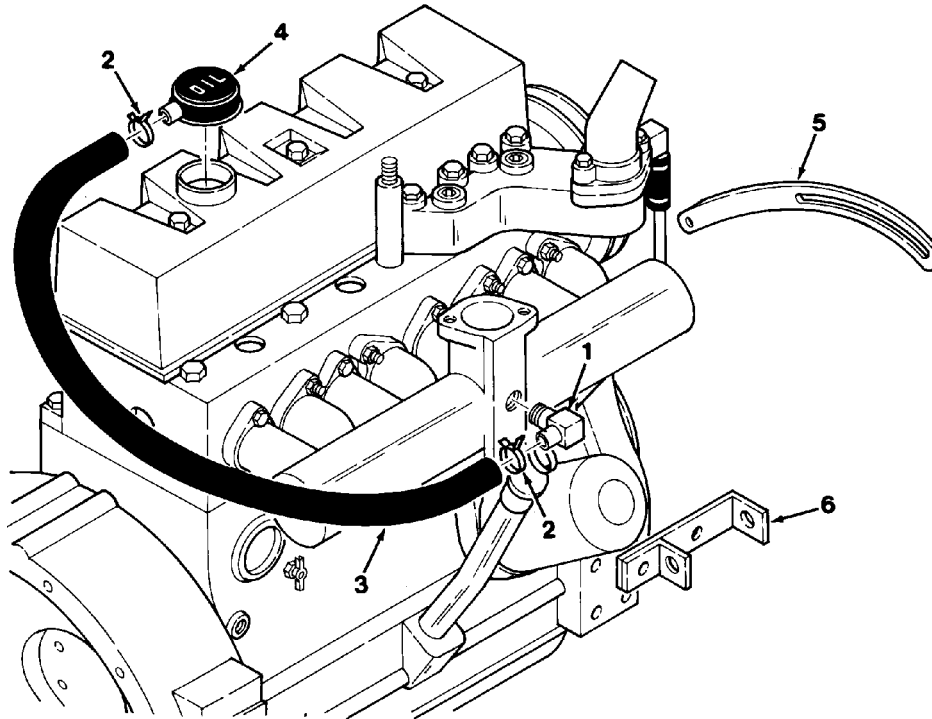


**Fig. 12 – Water Header and Thermostat Group**

01616

Key	TENNANT® Part No.	Teledyne Continental Part Number	Engine Serial Number	Description	Qty.
1		XM32001	(000000– )	Stud	2
2	38401	TM27K00310	(000000– )	Elbow, Water Outlet	1
	34752		(000000– )	Thermostat and Gasket	1
3	53988–12	C400K00215	(000000– )	Gasket, Elbow	1
4	53988–13	F601K00303	(000000– )	Thermostat	1
5		TM27K00503	(000000– )	Header, Water Outlet	1
6	X00101B		(000000– )	Plug	2
7		TM27K00304	(000000– )	Gasket, Header	1

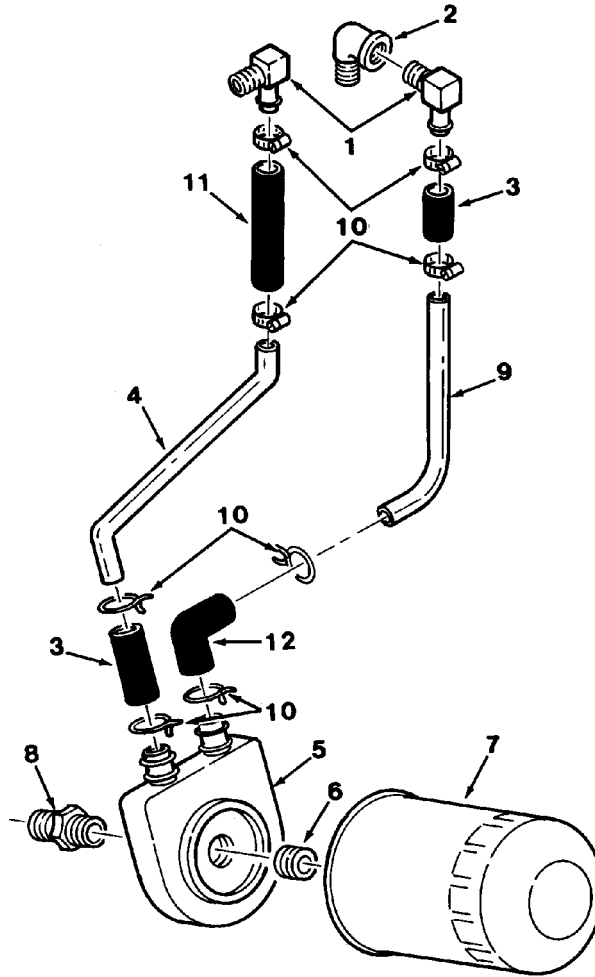




**Fig. 13 -- Alternator Brackets and PCV Group**

01627

Key	TENNANT® Part No.	Teledyne Continental Part Number	Engine Serial Number	Description	Qty.
1		X26136	(000000- )	Elbow, Intake Manifold	1
2		X02751	(000000- )	Clamp, Hose	2
3		X08253180	(000000- )	Hose, Elbow To Filler Cap	1
4	38403	TM27L00412	(000000- )	Cap, Oil Filler	1
5		TM27M00308	(000000- )	Strap, Alternator	1
6		TM27M00401	(000000- )	Bracket, Alternator	1



**Fig. 14 -- Oil Filter Group**

01619

Key	TENNANT® Part No.	Teledyne Continental Part Number	Engine Serial Number	Description	Qty.
1		X26142	(000000- )	Elbow, Water Header	2
2		X12191	(000000- )	Elbow, Water Pump	1
3		X08253020	(000000- )	Hose, Oil Cooler	2
4	38409	TM27L00516	(000000- )	Tube, Oil Cooler	1
5	38405	TM27L00420	(000000- )	Cooler, Oil	1
6	38402	TM27L00202	(000000- )	Adapter, Oil Filter	1
7	16853	TM27L00312	(000000- )	Element, Oil Filter	1
8		TM27L00204	(000000- )	Connector, Oil Cooler	1
9	38406	TM27L00423	(000000- )	Tube, Oil Cooler	1
10		X02751	(000000- )	Clamp, Hose	8
11		X08253040	(000000- )	Hose, Oil Cooler	1
12		TM27L00208	(000000- )	Hose, Oil Cooler	1

SECTION 9

CONTENTS

	Page
TENNANT COMPANY LIMITED WARRANTY .....	9-3
TENNANT COMPANY, TENNANT COMPANY SUBSIDIARIES, AND MAJOR PARTS AND SERVICE LOCATIONS DIRECTORY .....	9-5



# TENNANT COMPANY LIMITED WARRANTY

## NEW MACHINES

Tennant Company warrants to the original purchaser for the period stated below that goods manufactured by it will be free from defects of workmanship and material, provided such goods are installed, operated, and maintained in accordance with Tennant Company's written manuals or other instructions. No warranty is made with respect to items supplied by Tennant Company on special order of purchaser. Tennant Company's sole obligation under this Warranty will be to repair and replace, at Tennant Company's option, parts that do not conform to this Warranty.

### SIX-MONTH LABOR COVERAGE (U.S.A. AND CANADA ONLY)

For six (6) months in the U.S.A. or Canada, thirty (30) days elsewhere, from date of installation, Tennant Company will, at its option, provide labor for repair, pay for outside repair service, or pay the customer straight time in accordance with Tennant Company's flat rate schedule for particular warranty repairs. After six (6) months, Tennant Company's sole obligation shall be limited to the repair or replacement, at Tennant Company's option, of parts that do not conform to this Warranty according to the schedule below.

### BATTERIES AND TIRES

Batteries and tires will be replaced if failure occurs due to defective material or workmanship within ninety (90) days from date of purchase. Thereafter, a pro rata adjustment from date of purchase to twelve (12) months will be made. The pro rata adjustment price of the replacement battery and/or tire will be the Tennant Company current price as of the adjustment request less 1/12th of that price for each month remaining in the twelve (12) month period. This Warranty applies only to batteries and tires purchased from Tennant Company and installed in vehicles used in normal service.

### BRUSHES

Brushes that fail due to defective material or workmanship will be replaced on a pro rata basis within the first twelve (12) months of purchase. The replacement price will be calculated by multiplying the current Tennant Company price by the percentage of usable bristle remaining at the time of adjustment.

### MACHINE WARRANTY PERIOD

Tennant Company warrants its equipment for a set number of months or for a set number of hours of use, whichever comes first. The warranty periods and hours of use vary depending upon the machine model. The warranty periods for Tennant Company's various machines are:

#### SCARIFIERS

Machine Model	Warranty Period	Machine Model	Warranty Period
G	12 months/500 hours	L2	12 months/500 hours
K4	12 months/500 hours	RS/TLR	12 months/500 hours
KDC	12 months/500 hours		

#### SCRUBBERS

Machine Model	Warranty Period	Machine Model	Warranty Period
465/480	24 months/750 hours	530E	24 months/2000 hours
1465/1480	24 months/750 hours		(except Duramer™ solution and recovery tanks 5 years/5000 hours)
528	24 months/2000 hours		
550	12 months/1500 hours		
550E	12 months/1500 hours		

#### SWEEPERS

Machine Model	Warranty Period	Machine Model	Warranty Period
140/140E	12 months/500 hours	255 Series II	18 months/1500 hours
186	18 months/500 hours	275 Series II	24 months/2000 hours
215	18 months/750 hours	285	24 months/2000 hours
235	24 months/1250 hours	365	24 months/2000 hours
	(except Duramer™ hopper 5 years/5000 hours)	95 GR	24 months/2000 hours
240EH SE	24 months/1750 hours	95	24 months/2000 hours

**RECONDITIONED MACHINES**

Tennant Company warrants to the purchaser of reconditioned equipment, purchased from Tennant Company, for the period of ninety (90) days from the date of delivery that the purchased equipment will be free from defects of workmanship and material, provided such equipment is operated and maintained according to Tennant Company written manuals or instructions. Tennant Company’s sole obligation under this Warranty will be to repair and replace, at Tennant Company’s option, parts that do not conform to this Warranty. No warranty of any kind is extended to equipment that is sold for salvage.

**LABOR COVERAGE**

For thirty (30) days from date of delivery Tennant Company will, at its option, provide labor for repair, pay outside repair service, or pay the customer straight time in accordance with Tennant Company flat rate schedule for particular warranty repair. After thirty (30) days, Tennant Company’s sole obligation shall be limited to the repair or replacement, at Tennant Company’s option, of parts that do not conform to this Warranty.

**DEMONSTRATOR MACHINES**

Demonstrator machines purchased from Tennant Company shall carry one of the following limited warranties:

1. Demonstrator machines purchased **without** a demonstrator discount carries the same warranty as new machines;
2. Demonstrator machines purchased **with** a demonstrator discount carries the amount of warranty remaining on the unit from the original delivery date or the same warranty as a reconditioned machine, whichever is greater.

**NOTE:** Demonstrator machines will always carry a minimum of 30 days labor.

**REPAIR PARTS**

Repair parts supplied by Tennant Company are warranted against defects for the period stated below. Tennant Company’s obligation is limited to the replacement of the warranted part, and Tennant Company shall not be obligated to provide labor (except certain engines also stated below) in installing such part.

**ENGINES, SHORT BLOCKS, AND LONG BLOCKS**

Manufacturer	Warranty Period	Manufacturer	Warranty Period
Continental	1 year or 1500 hours parts & labor	Perkins	1 year or 1500 hours parts & labor
Kohler	1 year or 1500 hours parts & labor (except Kohler Model K181S – 500 hours)	Kubota	1 year or 1500 hours parts & labor
Briggs & Stratton	90 days or 200 hours parts & labor	Wisconsin	1 year or 500 hours parts & labor
Onan	1 year or 1500 hours parts & labor	Ford	1 year or 1500 hours parts only

- Engine part replacements such as water pumps, carburetors, and alternators are warranted for thirty (30) days parts only, no labor.
- Labor is to include only the time it takes to repair an engine. It does not include removal and replacement nor does it include travel time.

**MAJOR HYDRAULIC COMPONENTS (PUMPS, MOTORS, CYLINDERS, AND CONTROL VALVES)**

Manufacturer	Warranty Period	Manufacturer	Warranty Period
Cessna	1 year parts only	Oilgear	1 year parts only
Char-Lynn	1 year parts only	Gresen	90 days parts only
Victor (Dukes)	1 year parts only	MTE	90 days parts only
Ross	1 year parts only	Barnes	90 days parts only
Vickers	1 year parts only		

- All seal kits and replacement parts are warranted for thirty (30) days parts only.

**MAJOR ELECTRIC MOTORS**

Manufacturer	Warranty Period	Manufacturer	Warranty Period
Baldor	1 year parts only	Ohio Electric	1 year parts only
General Electric	1 year parts only	HK Porter	1 year parts only

All other repair parts are warranted for thirty (30) days only.

**SERVICE LABOR**

Labor performed by a Tennant Company service representative shall be warranted for thirty (30) days from the date the repairs are completed. This policy does not cover work performed by any service company, other than Tennant Company, and is restricted to the specific repair operation or component for which a claim is made.

**THIS WARRANTY IS EXPRESSLY IN LIEU OF ALL OTHER EXPRESSED OR IMPLIED WARRANTIES INCLUDING THE WARRANTIES OF MERCHANTABILITY AND FITNESS AND OF ALL OTHER OBLIGATIONS AND LIABILITIES ON THE PART OF TENNANT COMPANY, INCLUDING LIABILITIES FOR DIRECT, IMMEDIATE, SPECIAL, INDIRECT, OR CONSEQUENTIAL DAMAGES ARISING OUT OF THE FAILURE OF ANY MACHINE OR PART OF IT TO OPERATE PROPERLY, INCLUDING THE COST OR EXPENSE OF PROVIDING SUBSTITUTE EQUIPMENT OR SERVICE DURING PERIODS OF MALFUNCTION OR NON-USE.**

This Warranty cannot be extended, changed, or modified by any representative of Tennant Company.

**TENNANT COMPANY, TENNANT COMPANY SUBSIDIARIES, AND  
MAJOR PARTS AND SERVICE LOCATIONS DIRECTORY**

**LOCATION**

**NORTH AMERICA**

**U.S.A.**

**CALIFORNIA**

Los Angeles Parts and Service Center  
2861 East La Palma  
P. O. Box 66066  
Anaheim, CA 92806  
Phone: (714) 630-0800  
FAX: (714) 630-6934

**GEORGIA**

Atlanta Parts and Service Center  
5805 Peachtree Corners E. Rd.  
Norcross, GA 30092  
Phone: (404) 447-1500  
FAX: (404) 449-0418

**ILLINOIS**

Chicago Parts and Service Center  
630 Supreme Drive  
P. O. Box 590  
Bensenville, IL 60106  
Phone: (708) 595-1770  
FAX: (708) 595-5635

**MICHIGAN**

Detroit Parts and Service Center  
5601 Enterprise Dr.  
P. O. Box 927  
Warren, MI 48090  
Phone: (313) 573-6600  
FAX: (313) 573-2619

**MINNESOTA**

Tennant Company, World Headquarters  
Minneapolis Factory Customer Services  
701 N. Lilac Dr.  
Minneapolis, MN 55422  
Phone: (800) 553-8033 or (612) 593-8850  
FAX: (612) 540-1437  
Mailing Address:  
P. O. Box 1452  
Minneapolis, MN 55440

**PENNSYLVANIA**

Philadelphia Parts and Service Center  
855 Bethel Avenue  
P. O. Box 220  
Pennsauken, NJ 08110  
Phone: (609) 665-2231  
FAX: (609) 665-4894

**TEXAS**

Dallas/Ft. Worth Parts and Service Center  
1610 111th Street  
Grand Prairie, TX 75050  
Phone: (214) 647-0801  
FAX: (214) 641-4011

**CANADA**

**ONTARIO**

Tennant  
1329 Cardiff Boulevard  
Mississauga, Ontario  
Canada L5S 1R2  
Phone: (416) 670-8599  
FAX: (416) 670-8547

**SOUTH AMERICA**

**BRAZIL**

Equipamentos Tennant Limitada  
Rus Alvares Cabral Nr. 871  
Diadema - SP - Brazil CEP 09900  
Phone: (55) 11-456-2656  
FAX: (55) 11-465-4160

**ASIA**

**JAPAN**

Tennant Japan  
c/o Nippon Yusoki Co., Ltd.  
1-1, 2-chome, Higashikotari  
Nagaokakyo-shi, Kyoto, 617  
JAPAN  
Phone: 075-956-8613  
Telex: 05429926 NYK HJ  
FAX: 075-955-8993

**AUSTRALIA**

**AUSTRALIA**

Tennant Australia  
10 Hope Street  
Ermington, N.S.W. 2115  
Australia  
Phone: (61) 2-858-5811  
Telex: AA27393  
FAX: (61) 2-858-1995

**EUROPE**

**NETHERLANDS**

Tennant N.V.  
Industrielaan 6  
5400 AA  
Uden, N.B., Netherlands  
Phone: (31) 4132 63955  
Telex: 844 74768  
FAX: (31) 4132 50008

(continued on following page)

## EUROPE CONTINUED

### UNITED KINGDOM

Tennant Maintenance Systems, Ltd.  
Central Avenue  
East Molesey  
Surrey KT8 0QZ  
United Kingdom  
Phone: (44) 1-941-5585  
FAX: (44) 1-941-4678

### WEST GERMANY

Tennant N.V.  
Walter-Freitag-Strasse 39  
5630 Remscheid 11 (Lüttringhausen)  
B.R.D.  
Phone: (49) 2191-59140  
Telex: (841) 08 513 478 TENV D.  
FAX: (49) 2191-561436

This is a listing of *major* Tennant Company parts and service centers. Parts and service are also available at many other Tennant Company centers or distributors located around the world. To determine your nearest Tennant Company representative, phone or write the Tennant Company World Headquarters.



# TENNANT COMPANY SERVICE LITERATURE AVAILABLE...

A variety of information is available to you in forms to suit your needs. The following is a list of those publications that relate to the Model 95 family of machines:

<b>Machine Model</b>	<b>Publication</b>	<b>Form</b>	<b>Tennant® Part No.</b>
95GR	Operation, Maintenance, and Parts Manual	Printed	MM199
95GR	Operation, Maintenance, and Parts Manual	Microfiche	85199
95GR	Teledyne Continental Diesel Litrengine Service Manual	Printed	34792

Keep your manuals in a safe, convenient location for your future reference in order to operate, maintain, and order repair parts for your machine. Everyone who operates, maintains, or purchases parts for the machine should have easy access to a copy of the manual.

To get pricing information or to order copies of these publications, contact your nearest Tennant Company parts warehouse, distributor, or sales representative.