

PARTS MANUAL

SEE PART 1 FOR INSTRUCTION MANUAL

MM108
(PART 2 OF 2)

92



POWER SWEEPER

WITH CONTINENTAL F163 ENGINE & CESSNA PUMP
INCLUDING HI-DUMP MODEL
FIRST SERIAL NUMBER 2399
ALSO COVERS MACHINES WITH DIESEL ENGINES,
FROM FIRST SERIAL NUMBER 2408



SPECIALIZED
MAINTENANCE SYSTEMS

SCABERS - SCARIFIERS - FLOOR COATINGS

Home	Find...	Go To..		
------	---------	---------	---	---

92

POWER SWEEPER

This manual is furnished with each new TENNANT 92 Power Sweeper. Your machine operators will easily learn how to operate the machine and understand its mechanical functions--by following the directions and absorbing the information under OPERATING INSTRUCTIONS.

Your TENNANT 92 will give you excellent service and cleaning results--and save you maintenance expenses. However, as with all specially engineered mechanical equipment, you can get best results at minimum costs--if:

1. You operate your machine with reasonable care, and
2. You maintain your machine regularly--per these maintenance instructions provided.

You may order parts and supplies direct from TENNANT COMPANY, P.O. Box 1452, Minneapolis, Minnesota, 55440. A complete, illustrated machine PARTS LISTING is included in this manual. A phone or wire order will receive our prompt attention.

Contact your nearest TENNANT Factory Representative for information or assistance concerning your TENNANT 92.

NOTE: This manual covers only the Model 92 equipped with the Continental engine and Cessna pump, starting with Serial No. 922399. Also, all machines with diesel engines, starting with Serial No. 922408.

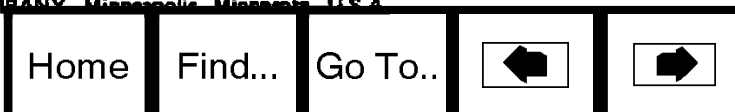


Manual Part No. MM108-109

©April, 1982

* Trademark Registered in: Austria, Benelux, Denmark, England, France, Germany, Italy, Spain, Switzerland, United States, Argentina, Australia, Canada, Japan, Mexico, Sweden, by TENNANT COMPANY, Minneapolis, Minnesota, U.S.A.

Printed in U.S.A.



TENNANT COMPANY WARRANTY POLICY

Tennant Company warrants to the original purchaser, for the period of one (1) year from the date of delivery, that goods manufactured by it will be free from defects of workmanship and material, provided such goods are installed, operated, and maintained in accordance with Tennant Company written manuals or other instructions.

Tennant Company's sole obligation, and Purchaser's sole remedy under this warranty for all claims arising out of the purchase and use of the goods, shall be limited to the repair or replacement, at Tennant Company's option, of parts that do not conform to this Warranty.

For thirty (30) days from date of installation, Tennant Company will, at its option, provide labor for repair, pay for outside repair service, or pay the customer straight time in accordance with Tennant Company's flat rate schedule for particular warranty repairs. Thereafter, Tennant Company's sole obligation shall be limited to the repair or replacement, at Tennant Company's option, of parts that do not conform to this Warranty.

Repair parts supplied by Tennant Company are warranted for the period of thirty (30) days following installation. Tennant Company's obligation is limited to the replacement of the warranted part, and Tennant Company shall not be obligated to provide labor in installing such part.

No Warranty is made with respect to items made by others when such items are warranted by their respective makers or when they are supplied by Tennant Company on special order.

This Warranty shall not cover:

- A. Floor materials or application, and models 140 & 14CE.
- B. Maintenance items, adjustments, or installation of machines.
- C. Repairs required as a result of failure due to normal wear, accidents, misuse, abuse, negligence, or improperly installed repair parts.
- D. Products altered or modified in a manner not authorized by Tennant Company in writing.

THIS WARRANTY IS EXPRESSLY IN LIEU OF ALL OTHER EXPRESSED OR IMPLIED WARRANTIES INCLUDING THE WARRANTIES OF MERCHANTABILITY AND FITNESS AND OF ALL OTHER OBLIGATIONS AND LIABILITIES ON THE PART OF TENNANT COMPANY, INCLUDING LIABILITIES FOR DIRECT, IMMEDIATE, SPECIAL, INDIRECT, OR CONSEQUENTIAL DAMAGES ARISING OUT OF THE FAILURE OF ANY MACHINE OR PART OF IT TO OPERATE PROPERLY, INCLUDING THE COST OR EXPENSE OF PROVIDING SUBSTITUTE EQUIPMENT OR SERVICE DURING PERIODS OF MALFUNCTION OR NON-USE.

This Warranty cannot be extended, changed, or modified by any representative of Tennant Company.

Dear Customer,

Keeping you as a satisfied customer is our primary concern. If for any reason you are not satisfied, please contact anyone of the persons listed below.

One of the addresses is your local engine dealer. We will handle replacements on all parts of our equipment but this dealer probably carries a more complete stock of engine parts than we do and should be able to give you faster service in this area. Try him first for engine parts. Also, your engine dealer should be contacted first for warranty claims pertaining to the engine.

If you find that you need an experienced mechanic, please contact anyone listed below and he will be happy to recommend a mechanic to you.

To get maximum trouble free service from your machine, you must perform maintenance checks as specified in the machine manual and arrange for maintenance on a regular basis. Remember that breakdowns are directly related to maintenance.

TENNANT COMPANY

Tennant Company
P. O. Box 1452
Minneapolis, MN 55440
(612) 540-1200

TENNANT COMPANY REPRESENTATIVE

ENGINE DEALER

SAFETY PRECAUTIONS

The following information signals potentially dangerous conditions to the operator or equipment. Read this manual carefully. Know when these conditions can exist. Locate all safety devices on the machine. Then, take necessary steps to train machine operating personnel. Report machine damage or faulty operation immediately.

▲WARNING Keep cigarettes, sparks and open flame away from fuel tank. Refuel in designated areas only. Do not fill fuel tank with engine running. Make sure fuel container and machine are electrically connected when refueling. Do not overfill LP tank. Check for odor of escaping gas before and during starting LPG engines.

▲WARNING Provide adequate ventilation system to properly expel discharged gases. Check exhaust system regularly for leaks. Carbon Monoxide is dangerous.

▲WARNING Keep cigarettes, sparks and open flame away from lead acid batteries. Batteries emit a highly explosive hydrogen gas.

▲CAUTION Avoid moving parts of the unit. Loose jackets, shirts or sleeves should not be permitted when working on machine because of the danger of becoming caught in moving parts. Keep shields and guards in position. If adjustments must be made while the unit is running, use caution around hot manifolds, moving parts, V-belts, etc.

▲WARNING Lock hopper in "UP" position, using Safety Lock, before changing brushes or working under hopper. See instructions on lock.

▲CAUTION Disconnect battery terminal before servicing electrical components.

▲CAUTION Check brakes and steering control for proper operation. Do not start machine unless you are in driver's seat, with foot on brake pedal, or parking brake engaged, and directional pedal in neutral. Stop engine and set parking brake before leaving machine.

▲CAUTION This machine is steered by means of the rear wheel, and is very responsive. Become familiar with this type of steering system. Travel slowly and use care on grades and slippery surfaces.

▲WARNING Never operate in areas of overhead danger unless machine is equipped with overhead guard.

The following symbols are used throughout this manual as indicated in their descriptions:

▲DANGER To warn of immediate hazards which will result in severe personal injury or death.

▲WARNING To warn of hazards or unsafe practices which could result in severe personal injury or death.

▲CAUTION To warn of hazards or unsafe practices which could result in minor personal injury.

ATTENTION! To warn of unsafe practices which could result in extensive equipment damage.

NOTE To give important information or to warn of unsafe practices which

Home

Find...

Go To..



TABLE OF CONTENTS

TENNANT COMPANY WARRANTY	i
SAFETY PRECAUTIONS	ii
REPLACEMENT BRUSHES	iv
QUICK REFERENCE LIST OF GENERAL MAINTENANCE ITEMS	v
LIST OF GENERAL MAINTENANCE ITEMS FOR HIGH DUMP MACHINES	vi
DECIMAL/FRACTIONS-INCH/MILLIMETER CONVERSION TABLE	vii
PARTS CATALOG FOR STANDARD MACHINE Instructions for Ordering Parts Parts Illustrations and Lists	
PARTS CATALOG FOR HI-DUMP MODEL Parts Illustrations and Lists	
PARTS CATALOG FOR DIESEL MACHINE Parts Illustrations and Lists	
ACCESSORIES PARTS CATALOG Parts Illustrations & Lists	
LPG SECTION LPG Parts Lists	
HYDRAULIC COMPONENTS Parts Lists	
CONTINENTAL GAS OR LP ENGINE Parts Illustrations and Lists	
PERKINS DIESEL ENGINE Parts Illustrations Lists	

REPLACEMENT BRUSHES

SIDE SWEEPING BRUSHES - 26 in (660 mm) diameter

51870N	SIDE BRUSH & SUPPORT ASSEMBLY, Nylon
51021N	BRUSH, Side, Nylon
51963	SUPPORT (adaptor)
	MOUNTING HARDWARE, Miscellaneous
51939	SIDEBRUSH & SUPPORT ASSEMBLY, Flat wire
51542	BRUSH, Side, flat wire
51963	SUPPORT (adaptor)
	MOUNTING HARDWARE, Miscellaneous

MAIN SWEEPING BRUSHES - 50 in (1,270mm) long, 16 in (406 mm) diameter

51487	PROEX, 8-Row, (for medium to heavy sand gravel, paper litter, etc.).
52213	NYLON, 24-Row, high density (combines long life with excellent sweeping qualities)
51887	PATROL, 5-Row, nylon (for outside faster, sweeping of medium to light debris).
51567	CRINKLE WIRE, 8 Row, (maximum cleaning action for semi-impacted soilage & hard -to- sweep dirt).
51709	COMBINATION, 8-Row, (Crinkle wire & Proex for slightly-packed soilage & heavier debris).

12876Brush Kit, Flange Repair

COMMONLY USED MAINTENANCE ITEMS & REPAIR KITS FOR MODEL 92

TENNANT

Part No.	Description	Qty.
59476	REPLACEMENT PARTS PACKAGE, Standard model	1
SK1511	FUSIBLE LINK	1
39566	LIP, Hopper, Rubber	5
53431	ELEMENT, Hydraulic tank breather	1
62153	SKIRT, Brush deflector	1
62169	SKIRT, Side	2
51090	SEAL, Hopper side	2
51233	SEAL, Pan top	1
53348-1	ELEMENT, Hydraulic oil filter (Ripley)	1
59477	REPLACEMENT PARTS PACKAGE, Hi-Dump model	1
SK1511	FUSIBLE LINK	1
62756	LIP, Hopper	5
53431	ELEMENT, Hydraulic tank breather	1
62153	SKIRT, Brush deflector	1
62169	SKIRT, Side	2
65073	SKIRT, Floor, rear	1
65033	SKIRT, Hopper, lower	1
51090	SEAL, Hopper side	2
53348-1	ELEMENT, Hydraulic oil filter (Ripley)	1
59479	REPLACEMENT PARTS PACKAGE, Continental Engine	1
53055-2	ELEMENT, Engine oil	2
45770-7	SPARK PLUG	4
45631	CONDENSER,	1
37420	POINT SET (Delco-Remy is #45625)	1
37421	ROTOR (Delco-Remy is #45632)	1
45629	BELT	1
62050	FILTER, Gasoline, in-line	1
51561	ELEMENT, Air Cleaner	2
59478	REPLACEMENT PARTS PACKAGE, Perkins Diesel	1
32904	V-BELT	1
52770-5	ELEMENT, Oil filter	2
52770-9	ELEMENT, Fuel filter	2
51561	ELEMENT, Air cleaner	2
32397-5	TENNANT Hydraulic Fluid, 10W-40	5 gal
51768A	DUCT, Flexible, vacuum fan to hopper	1
61034	BATTERY, 12 V, 60 A	1
51711	TIRE, Rear	1
51361	TUBE, Rear	1
51362	FLAP, Tire, rear	1
47878	TIRE, Front (pressed on type)	2
10323-1	HOSE, Radiator, upper & lower	2
52074	DUCT, Flexible, Hi-dump hopper	1

DECIMAL EQUIVALENTS INCH-MILLIMETER CONVERSION TABLE

1/2	1/4	1/8	1/16	1/32	1/64	Decimals	Millimeters
					1	.015625	.396875
				1		.031250	.793750
					3	.046875	1.190625
			1			.062500	1.587500
					5	.078125	1.984375
				3		.093750	2.381250
					7	.109375	2.778125
		1				.125000	3.175000
					9	.140625	3.571875
				5		.156250	3.968750
					11	.171875	4.365625
			3			.187500	4.762500
					13	.203125	5.159375
				7		.218750	5.556250
					15	.234375	5.953125
	1					.250000	6.350000
					17	.265625	6.746875
				9		.281250	7.143750
					19	.296875	7.540625
			5			.312500	7.937500
					21	.328125	8.334375
				11		.343750	8.731250
					23	.359375	9.128125
		3				.375000	9.525000
					25	.390625	9.921875
				13		.406250	10.318750
					27	.421875	10.715625
			7			.437500	11.112500
					29	.453125	11.509375
				15		.468750	11.906250
					31	.484375	12.303125
	1					.500000	12.700000
					33	.515625	13.096875
				17		.531250	13.493750
					35	.546875	13.890625
			9			.562500	14.287500
					37	.578125	14.684375
				19		.593750	15.081250
					39	.609375	15.478125
		5				.625000	15.875000
					41	.640625	16.271875
				21		.656250	16.668750
					43	.671875	17.065625
			11			.687500	17.462500
					45	.703125	17.859375
				23		.718750	18.256250
					47	.734375	18.653125
		3				.750000	19.050000
					49	.765625	19.446875
				25		.781250	19.843750
					51	.796875	20.240625
			13			.812500	20.637500
					53	.828125	21.034375
				27		.843750	21.431250
					55	.859375	21.828125
		7				.875000	22.225000
					57	.890625	22.621875
				29		.906250	23.018750
					59	.921875	23.415625
			15			.937500	23.812500
					61	.953125	24.209375
				31		.968750	24.606250
						.984375	25.003125
						1.000000	25.400000

92

POWER SWEEPER

CONTENTS

Fig. 1 - Main Frame & Related Parts	2-3
Fig. 2 - Shrouding, Seat, Guard & Related Parts	4-5
Fig. 3 - Engine & Related Parts (Gasoline engine only).	6-7
Fig. 4 - Gasoline Fuel System	8
Fig. 5 - Air Cleaner System	9
Fig. 6 - Exhaust System	10
Fig. 7 - Radiator & Related Parts	11
Fig. 8 - Complete Hydraulic System	12
Fig. 8A - Hydraulic Tank Group	13
Fig. 8B - Drive Motor Group	14
Fig. 8C - Side Brush Motor Parts Group	15
Fig. 8D - Hopper Cylinder & Main Brush Motor Group.	16-17
Fig. 8E - Control Valves Group	18-19
Fig. 8F - Filter, Vacuum Fan Motor, Heat Exchanger	20-21
Fig. 8G - Hydraulic Pump & Controls	22-23
Fig. 9 - Rear Axle & Related Parts	24
Fig. 10 - Rear Wheel Assembly	25
Fig. 11 - Front Wheel Brake System	26-27
Fig. 12 - Front Wheel Assembly.	28-29
Fig. 13 - Main Brush Suspension & Control.	30-31
Fig. 14 - Side Brush Suspension	32-33
Fig. 15 - Filter Box & Hopper	34-36
Fig. 16 - Bumper, Filter Bag & Related Parts	37
Fig. 17 - Vacuum Fan Assembly	38-39
Fig. 18 - Steering Assembly	40-41
Fig. 19 - Electrical System	42-45
List of Decals	46

Parts listed in this section cover a standard machine with gasoline engine. For parts peculiar to a LP fuel machine, see "LPG Section". For parts in the Hi-Dump Model, see "Hi-Dump Section". Engine parts are listed in "Engine Section". Parts breakdowns of hydraulic units are shown in the "Hydraulic Components Section".

standard parts

Home

Find...

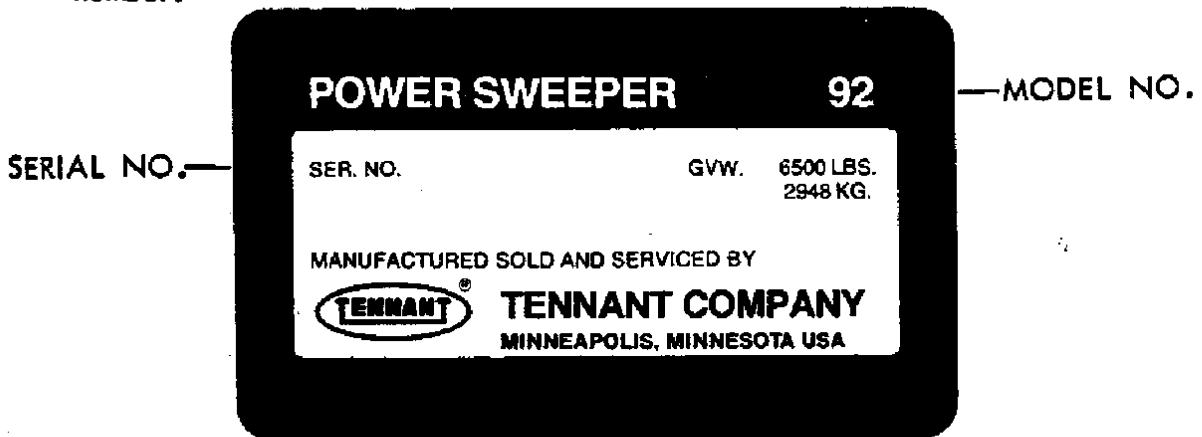
Go To..



INSTRUCTIONS FOR ORDERING REPAIR PARTS

To avoid errors or delay in filling your parts orders, please furnish all information requested.

1. Refer to TENNANT data plate. Always specify the model number and serial number.



2. Give part number, description and quantity needed of each item on order. Do NOT order only by reference number of illustrated figure numbers.
3. Indented items indicate parts of assemblies. Standard hardware is furnished only when part of purchased assembly. We suggest ordering from your local hardware supplier.
4. If old part cannot be identified, send it to us with quantity needed specified on order.
5. State definite shipping instructions to include shipping address and/or billing address if there is a difference.
6. We shall be glad to quote on any part or group of parts at your specific request.

Any claim for loss or damage to a shipment in transit should be filed promptly against the transportation company making the delivery. Shipments will be complete unless the packing list or order acknowledgement indicate items back ordered.

If parts received are suspected to be incorrect or defective, please write, wire, or phone our Customer Services Department, Minneapolis Office. They will give you authorization for return and/or handle replacement shipments when required.

DIRECT ORDER PHONE NUMBER IS 612-540-1315

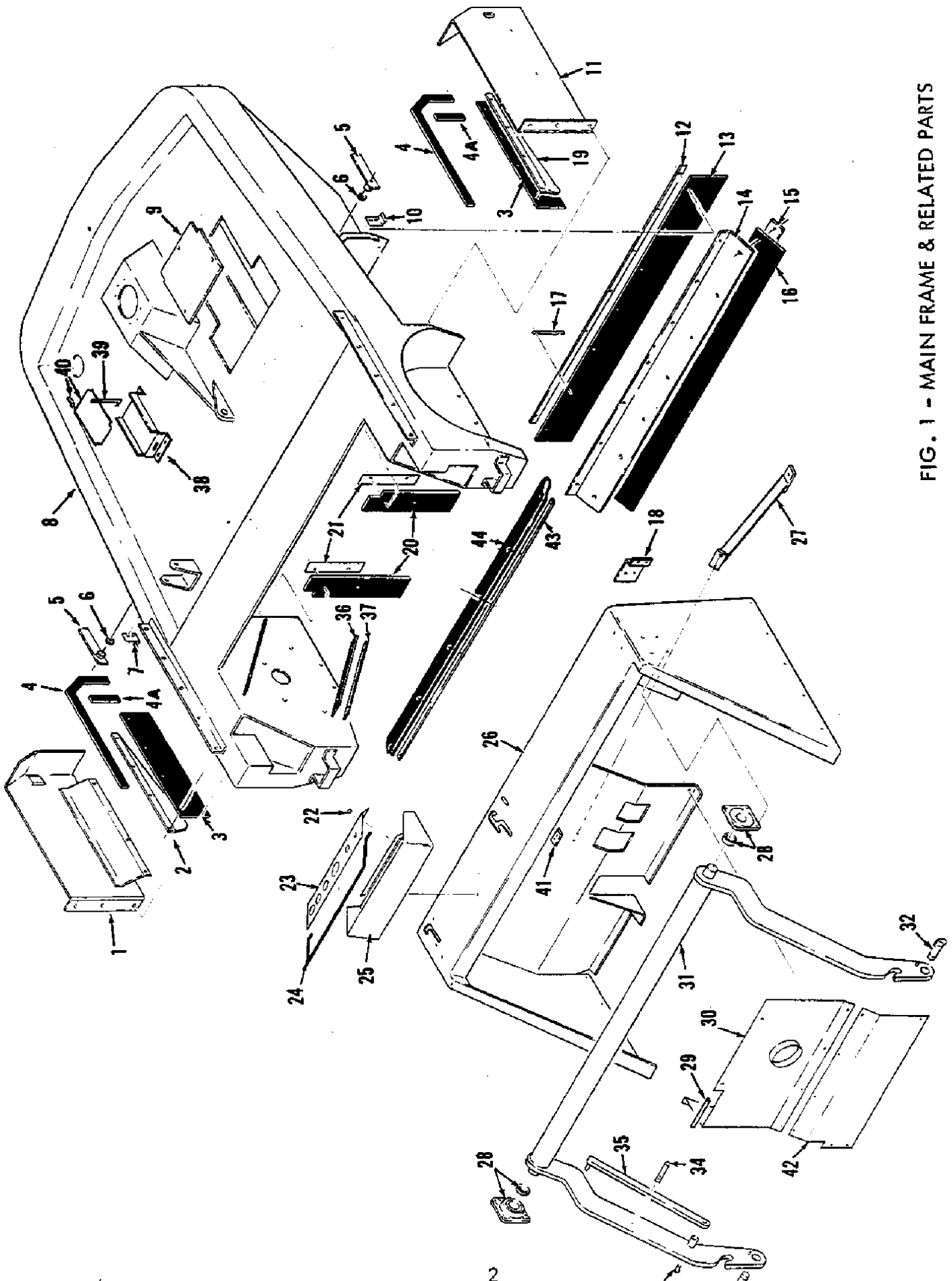


FIG. 1 - MAIN FRAME & RELATED PARTS

FIG. 1 - MAIN FRAME & RELATED PARTS

Ref. No.	TENNANT Part No.	Description	Qty.
1	62104	DOOR, Brush, right hand	1
2	62629	RETAINER, Side skirt, Right hand	1
3	62169	SKIRT, Side	2
4	65079	SEAL, Brush door, 32.5" (826 mm)	2
4A	65079-1	SEAL, Brush door, 4.3" (109 mm)	2
5	52290	LATCH, Brush door	2
6	52296	WASHER, Nylon	2
7	51172	CLIP, Brush door, right hand	1
8	62630	FRAME, Main	1
9	52493	PANEL, Engine access	1
10	51172-1	CLIP, Brush door, left hand	1
11	62109	DOOR, Brush, left hand	1
12	62111	RETAINER, Rear skirt	1
13	65073	SKIRT, Rear, floor	1
14	62152	BRACKET, Deflector	1
15	62644	RETAINER, Deflector skirt	1
16	62153	SKIRT, Deflector	1
17	09342	CHAIN, Static safety	1
	47178-13	BUTTON, Plug	1
18	62421	PLATE, Fuse block mounting	1
19	62629-1	RETAINER, Side skirt L.H.	1
20	51090	SEAL, Side hopper	2
21	51091	BACKING, Side seal	2
22	47178-3	BUTTON, Plug	1
23	51476	PANEL, Instrument	1
24	51559	SEAL, Instrument panel	1
25	51478	WRAP, Instrument panel	1
26	36726	LINTEL	1
27	65054	BRACE, Lintel	1
28	51315	BEARING, Flange	2
29	36847	MOLDING, Access panel	1
30	36732	PANEL, Access	1
31	47909	ARM, Lift	1
	47890	DECAL, Caution	1
32	51316	PIN, Lift arm release	2
33	51876	PIN, Clevis	1
34	52036	CATCH, Safety arm	1
35	51883	ARM, Safety	1
36	65076	SEAL	2
37	65107	RETAINER, Seal	2
38	51270	MOUNT, Battery	1
39	13015-2	BOLT, Hold-down, battery	2
40	13016	BRACKET, Hold-down (Includes 2 clips)	1
41	36847	STRIP	1
42	36735	PLATE, Lower shroud	1
43	51094	STRIP, Hopper seal	1
44	51233	SEAL, Hopper top	1
	47974	SLEEVE, Drag chain	1

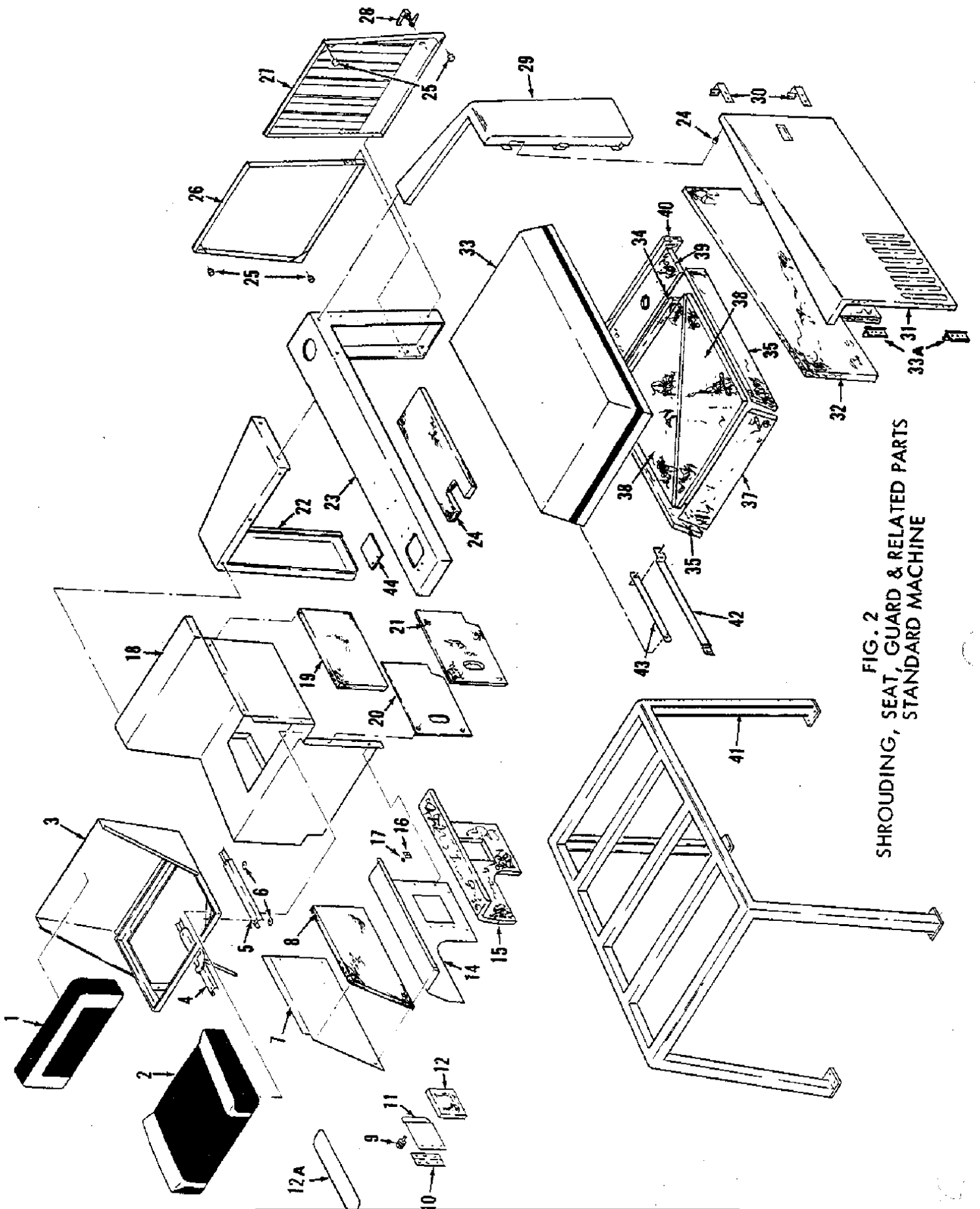


FIG. 2
SHROUDING, SEAT, GUARD & RELATED PARTS
STANDARD MACHINE

Fig. 2-SHROUDING, SEAT & RELATED PARTS

Ref. No.	TENNANT Part No.	Description	Qty.
1	51878	BACKREST, Seat	1
2	51710	CUSHION, Seat	1
3	51324	FRAME, Seat	1
4	51458	ADJUSTER, Seat w/latch	1
5	51459	ADJUSTER, Seat	1
6	52615	SPACER, Seat adjuster	4
7	51995	PANEL, Access	1
8	51971-1	INSULATION, Access panel	1
9	62612	FASTENER, Access door	1
10	62615	HINGE, Access door	1
11	62614	DOOR, Access	1
12	62616	INSULATION, Access door	1
12A	75430	PAD, Tread	1
14	62613	SHIELD, Dust	1
15	62617	INSULATION, Dust shield	1
16	55655-5	RECEPTACLE	1
17	55655-4	RETAINER, Receptacle	1
18	52944	SUPPORT, Seat	1
19	51970-1	INSULATION, Seat support	1
20	62209-1	PANEL	1
21	62210	INSULATION, Panel	1
22	51325	PANEL, Corner, right, rear	1
23	62653	STIFFENER, Lintel	1
24	51972-1	INSULATION, Lintel stiffener	1
25	51787	BUMPER, Rubber	6
26	52883	DOOR, Rear, right hand	1
27	52882	DOOR, Rear, left hand	1
28	51375-1	LATCH, Rear door	2
29	52867	PANEL, Corner, left rear	1
30	53697	CATCH, Side cover	1
	52990	DOOR ASSEMBLY, Engine side	1
31	52890A	DOOR, Engine side	1
32	52951	INSULATION, Side door	1
	34952	HOOD ASSEMBLY, Engine	1
33A	47974	HINGE	2
33	52892A	HOOD, Engine	1
34	52846	INSULATION, Engine hood	1
35	52848	INSULATION, Engine hood	2
36	62170, -1, -2	MOLDING, Engine hood	1 ea.
37	52843	INSULATION, Engine hood	1
38	52849-3	INSULATION, Engine hood	2
39	62054	INSULATION, Engine hood	1
40	62055	INSULATION, Engine hood	1
41	62009	GUARD, Overhead	1
42	62757	ARM, Hinge, engine hood	1
43	62759	ARM, Hinge, engine hood	1
44	62650	PLATE, Lintel	1

NOTE
For engine parts breakdown
see "Engine Parts Section".

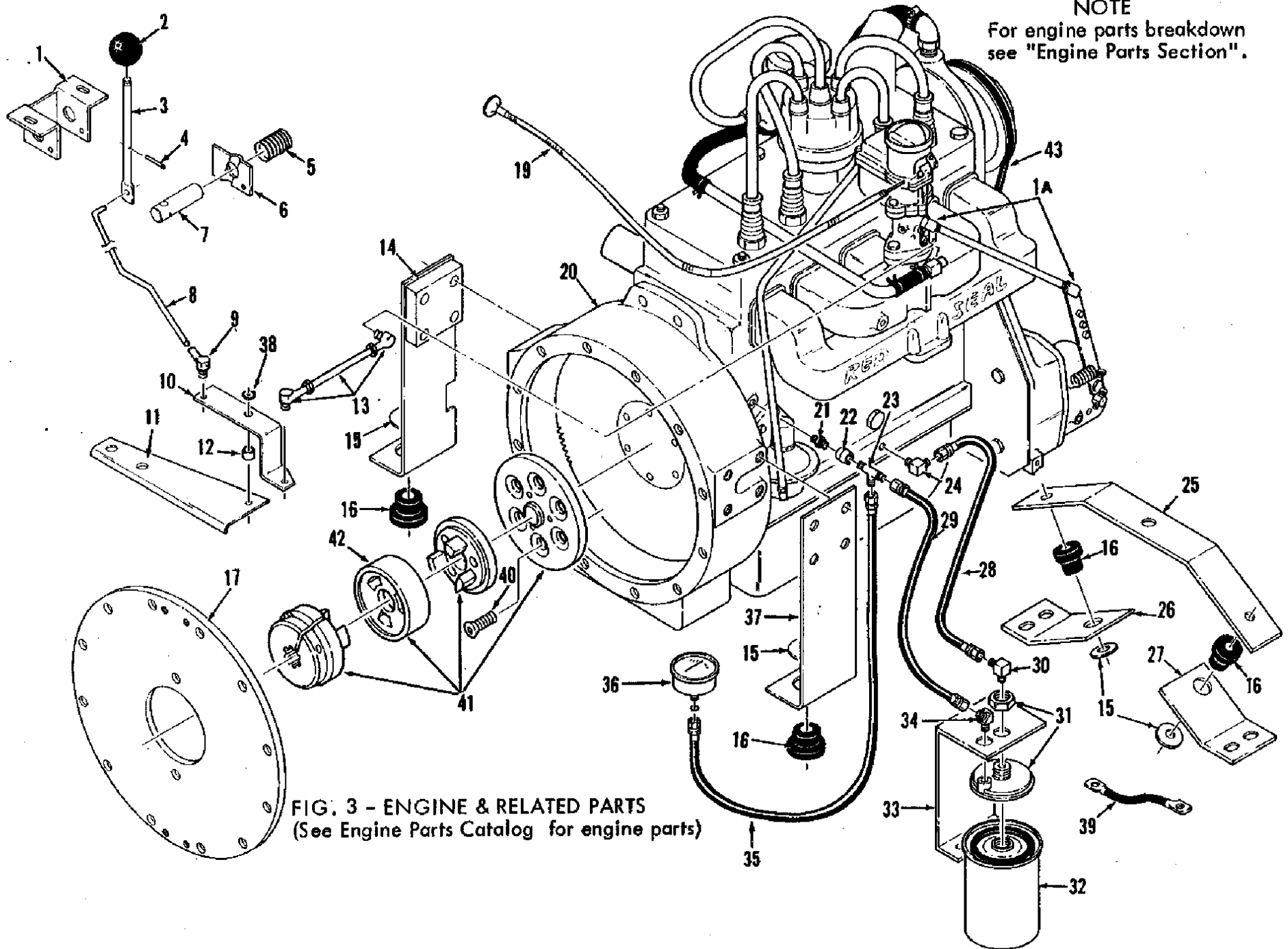


FIG. 3 - ENGINE & RELATED PARTS
(See Engine Parts Catalog for engine parts)

Home

Find...

Go To..



Fig. 3 - ENGINE & RELATED PARTS

(Gasoline engine only - see "LP Section" for LP fuel Engine & related parts)

Ref. No.	TENNANT Part No.	Description	Qty.
1A	14601	BALLJOINT	2
1	51689	BRACKET, Throttle	1
2	26565	KNOB	1
3	51690	LEVER, Throttle	1
4	20021	PIN, Roll	1
5	51693	SPRING, Throttle	1
6	52814	PLATE, Throttle	1
7	51692	PIN, Throttle pivot	1
8	50542A	ROD, Throttle	1
9	50541-1	BALLJOINT	1
10	52829A	BELLCRANK	1
11	52830	BRACKET, Bellcrank	1
12	52504	SPACER, Throttle control	1
13	50541	STUD & ROD ENDS ASSEMBLY	1
14	52776	BRACKET, Engine mounting, right hand	1
15	51564	WASHER	8
16	51176	DAMPNER, Engine vibration	4
17	76290	PLATE, Pump mounting	1
	23999-8	PIN, Roll	2
19	22244	CABLE, Choke	1
20	76873A	* ENGINE, Continental, Gasoline (Spec. #4517)	1
21	47566	CONNECTOR	2
22	11848	COUPLING	2
23	47676	TEE	1
24	06507	+ ELBOW	1
25	52630	BRACKET, Center mounting	1
26	52628	BRACKET, Engine mounting, right hand	1
27	52629	BRACKET, Engine mounting, left hand	1
28	32550	+ HOSE, Oil filter	1
29	47689	HOSE, Oil filter	1
30	06507	+ ELBOW	1
31	53055-1	+ ADAPTER ASSEMBLY, Oil filter	1
32	53055-2	ELEMENT, Oil filter	1
33	52942	BRACKET, Oil filter mounting	1
34	52915	+ ELBOW, 45°	1
35	32552	+ HOSE	1
36	47436	GAUGE, Oil pressure	1
37	52777	BRACKET, Engine mounting	1
38	52508	WASHER, Wavy	1
39	29832-7	CABLE, Grounding, engine	1
40	76292	SCREW, Sockethead	6
41	76287	** COUPLING ASSEMBLY, Pump drive	1
42	76291	INSERT, Pump drive	1
43	45629	BELT	1

* To replace engine on machines with serial numbers below 4411, order SK2228

** To replace one-piece pump coupling, order SK2434

+ These parts were used on previous engines. Current engines have oil filter mounted on the other side.

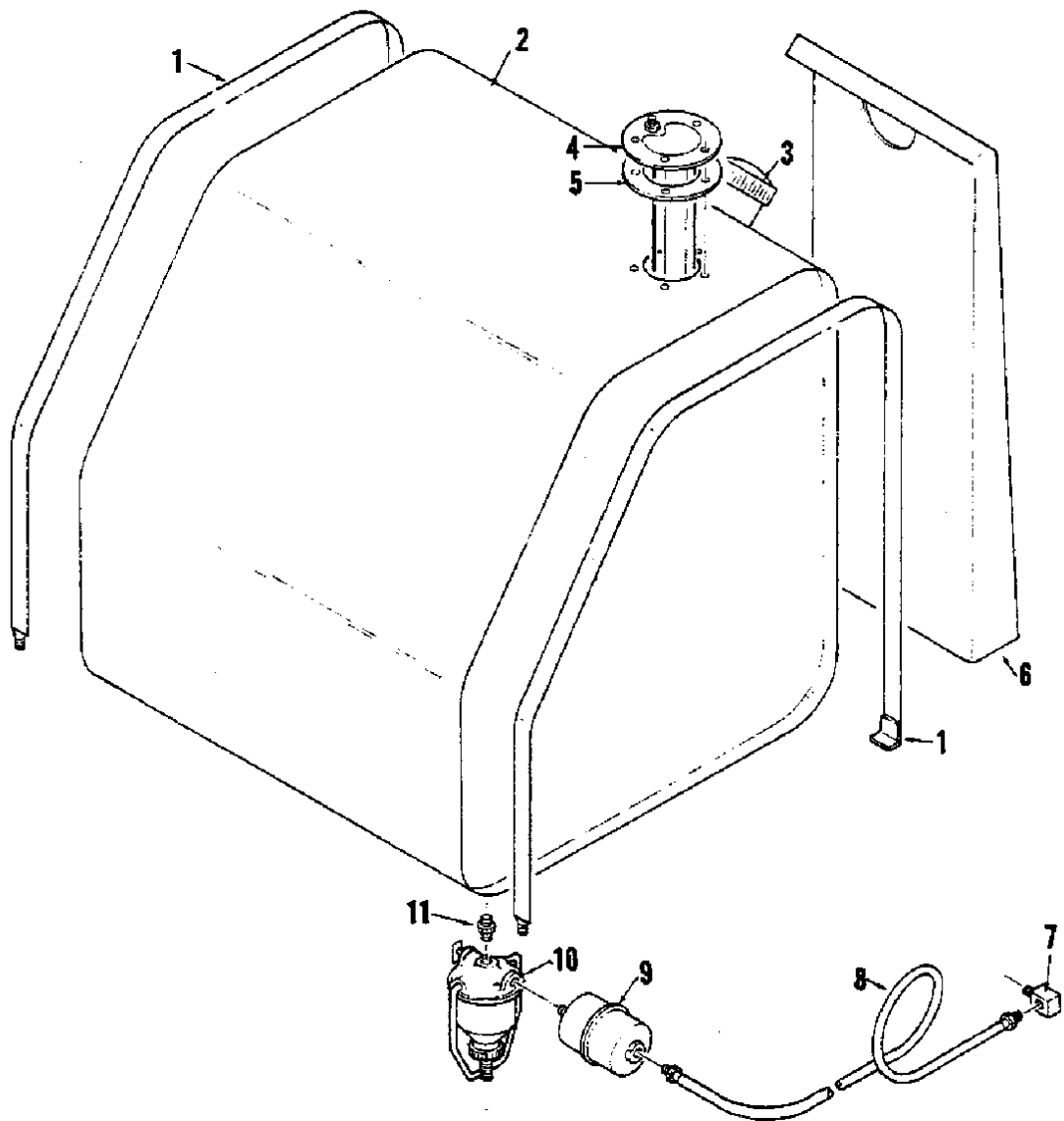


Fig. 4 - GASOLINE FUEL SYSTEM

Ref. No.	TENNANT Part No.	Description	Qty.
1	51520	STRAP, Tank	2
2	51518	TANK, Fuel	1
3	48267	CAP, Fuel tank	1
4	47474	SENDING UNIT, Gas tank	1
5	14131	GASKET, Sending unit	1
6	62046	SPILLWAY, Tank	1
7	15555-1	ELBOW	1
8	52903	FUEL LINE	1
9	62050	FILTER, Fuel line	1
10	04601	STRAINER, Sediment, fuel	1
11	47566	CONNECTOR	1
	40678	CLAMP, Tube	1

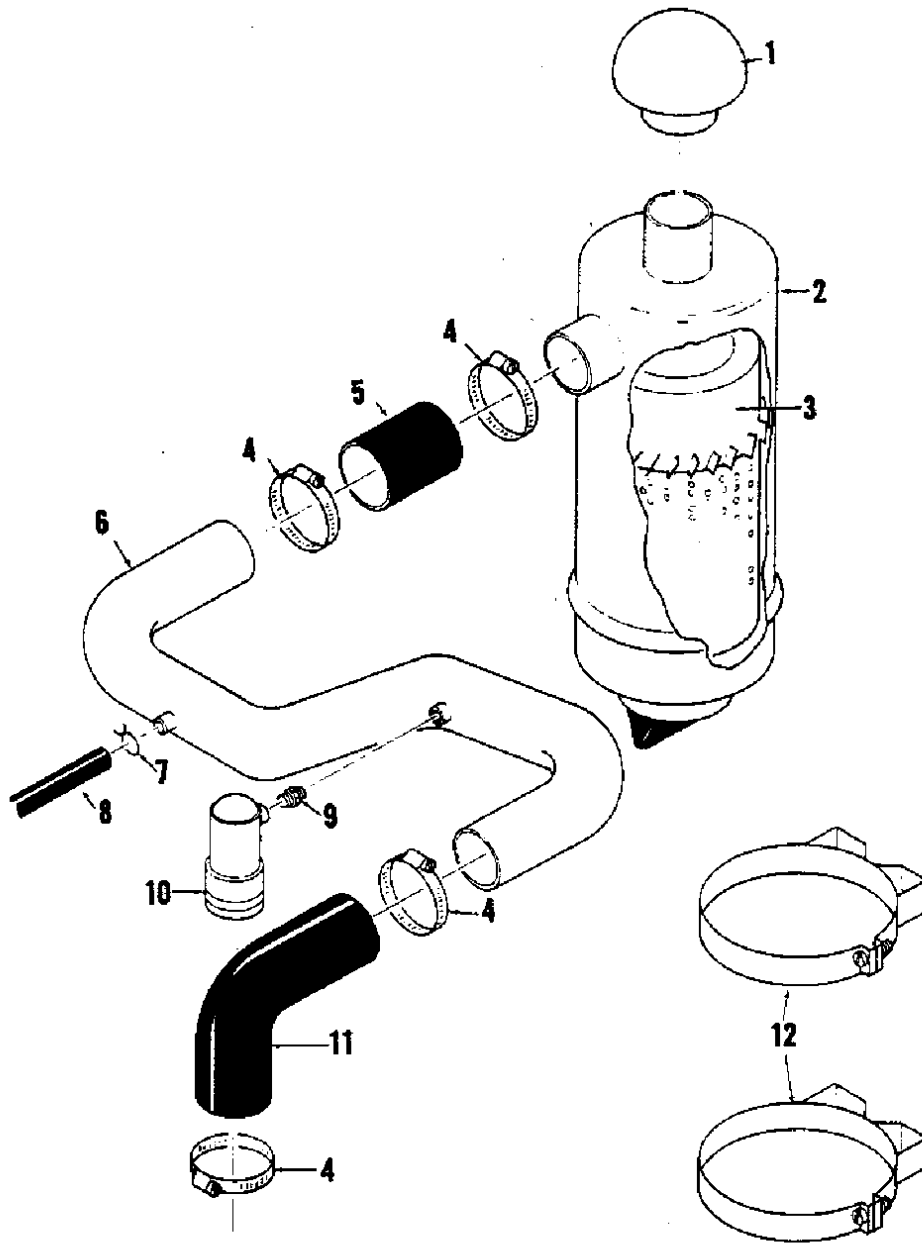


Fig. 5 - AIR CLEANER SYSTEM

Ref. No.	TENNANT Part No.	Description	Qty.
1	51560-2	CAP, Air stack	1
2	51560-1	BODY, Air cleaner	1
3	51561	ELEMENT, Air cleaner	1
4	22297	CLAMP	4
5	15543	HOSE	1
6	62761	TUBE, Air cleaner	1
7	54333	CLAMP	2
8	51843	HOSE (To tee on engine PCV valve)	1
9	51560-5	ADAPTER	1
10	51658-5	INDICATOR, Restriction	1
11	52580	ELBOW, Air cleaner	1
12	52450	BAND, Air cleaner mounting	2

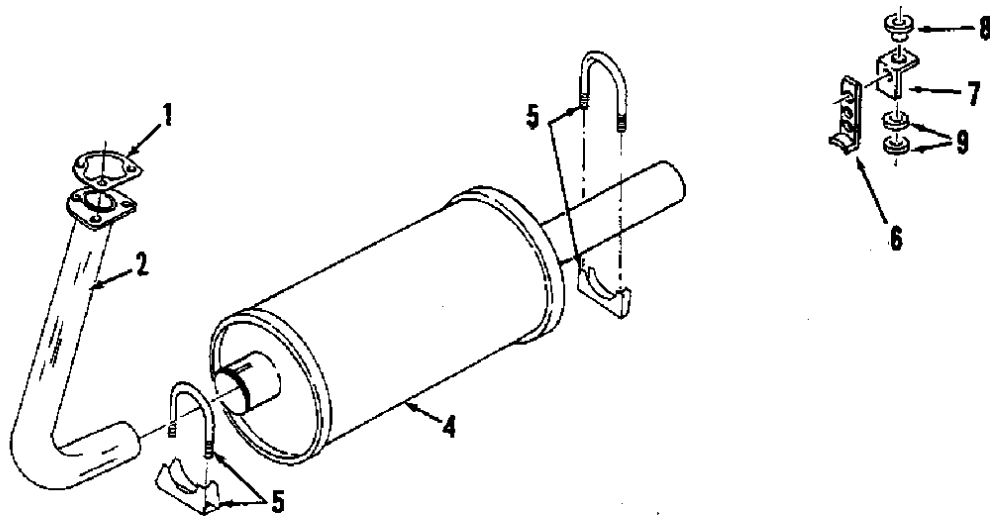


FIG. 6 - EXHAUST SYSTEM

Ref. No.	TENNANT Part No.	Description	Qty.
1	52781	GASKET, Tailpipe	1
2	52802	PIPE, Exhaust	1
4	52906	MUFFLER	1
5	05881	CLAMP, Muffler	2
6	47990	BRACKET, Muffler hanger	1
7	47989	BRACKET, Muffler support	1
8	54274	ISOLATOR	1
9	09832	SPACER	2

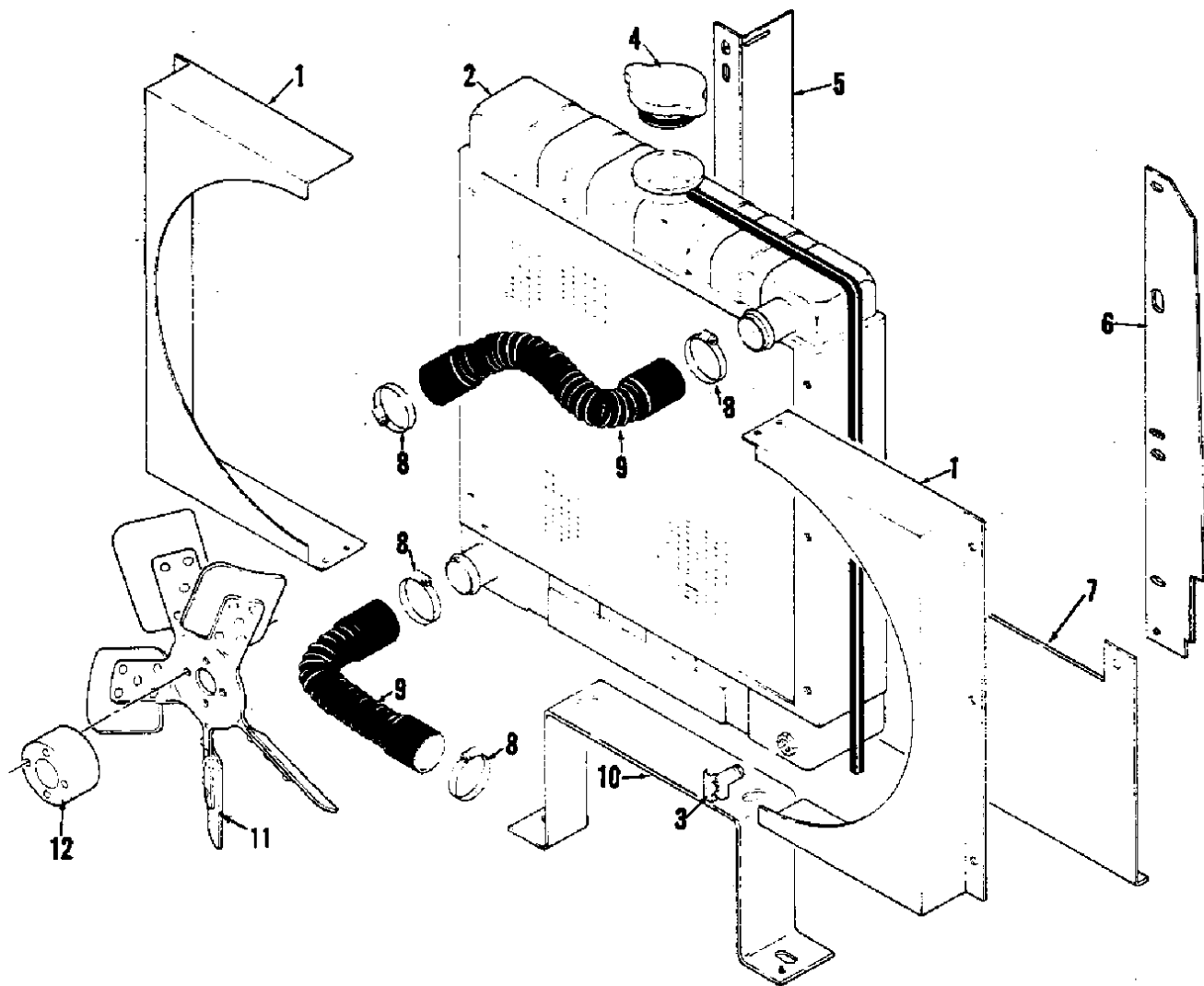


Fig. 7 - RADIATOR & RELATED PARTS

Ref. No.	TENNANT Part No.	Description	Qty.
1	52812	SHROUD, Fan	2
	47665	RADIATOR ASSEMBLY	1
2	47569	RADIATOR	1
3	51305	COCK, Drain	1
4	**572712	CAP, Radiator	1
5	50858	PANEL, Air circulation	1
6	50859	PANEL, Air circulation	1
7	50849	PANEL, Lower air circulation	1
8	11531	CLAMP	4
9	10323-1	HOSE, Radiator	2
10	52779	MOUNT, Radiator	1
11	68064	FAN, Radiator	1
12	52785	SPACER, Fan	1

Home

Find...

Go To..

↑

↓

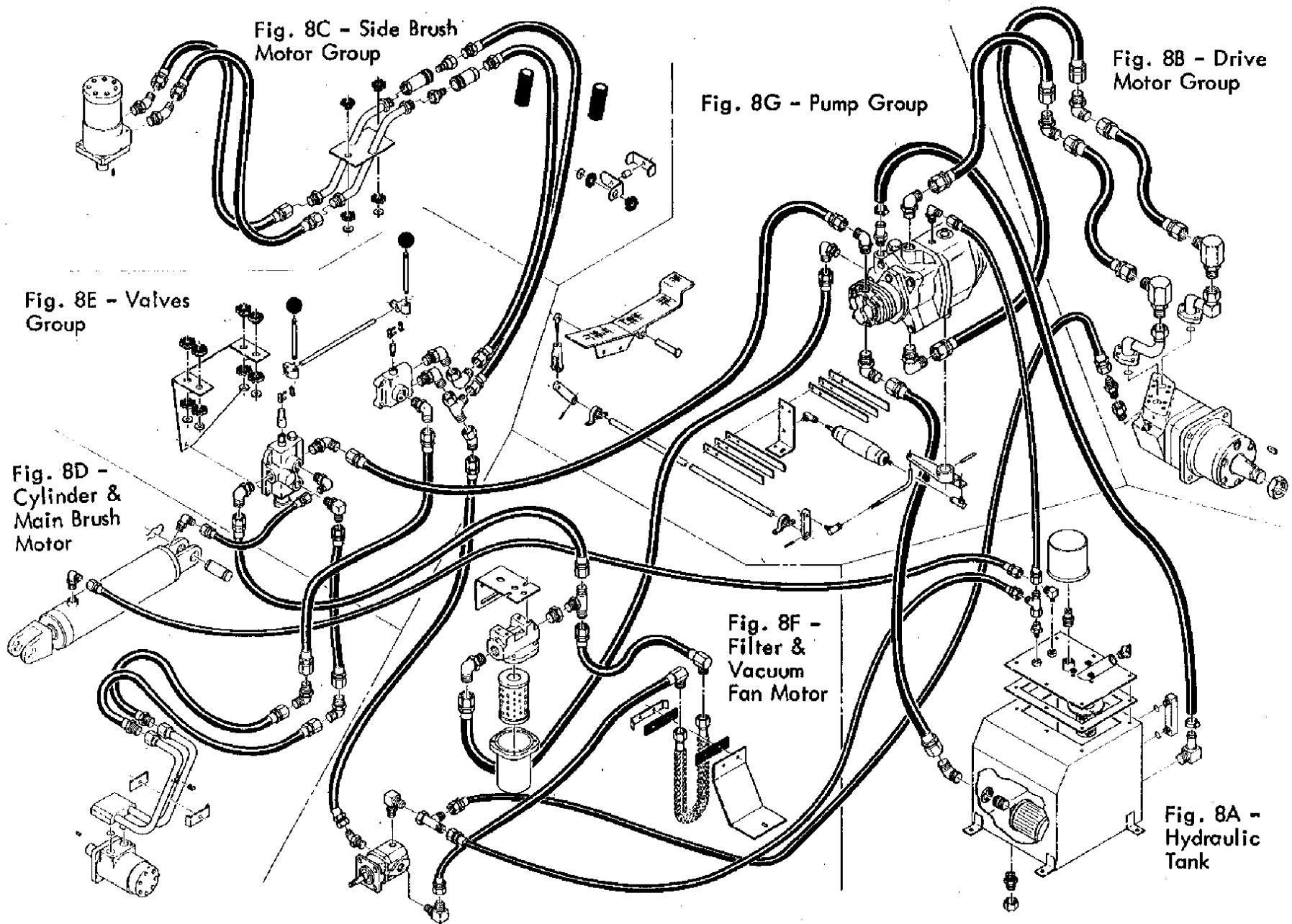
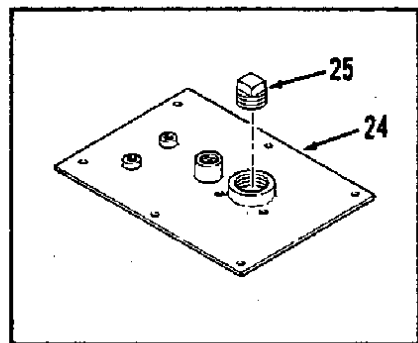
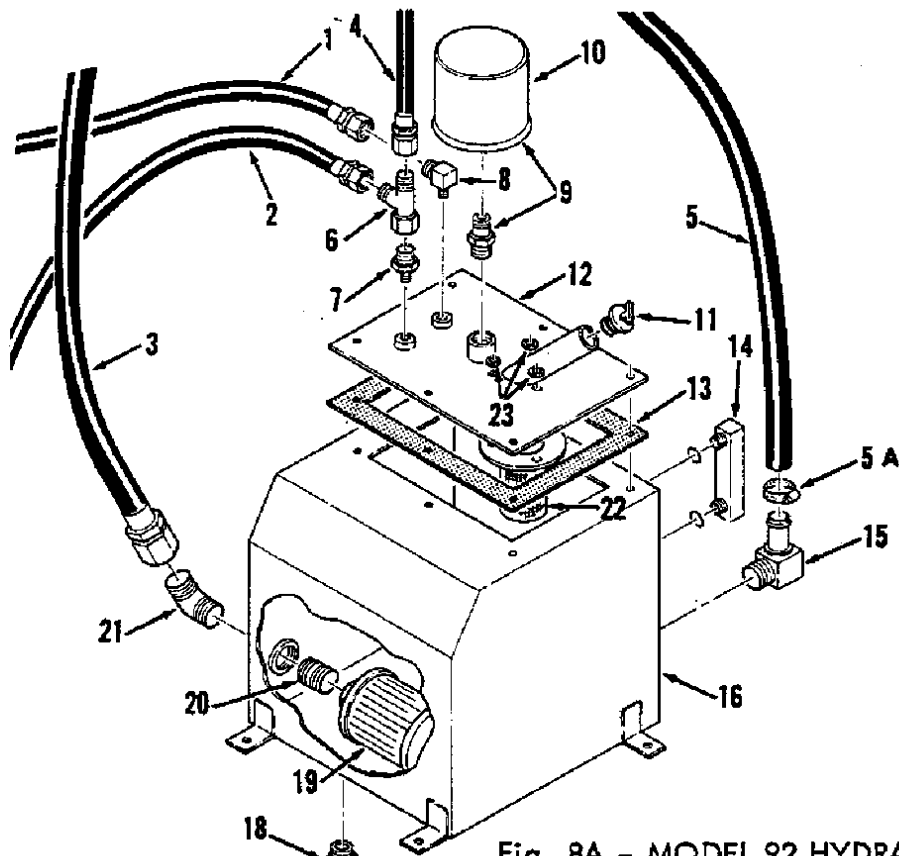


Fig. 8 - MODEL 92 STANDARD COMPLETE HYDRAULIC SYSTEM (see following pages for parts group)



"Old Style" Hydraulic Tank Cover and Plug

Fig. 8A - MODEL 92 HYDRAULIC TANK PARTS GROUP

Ref. No.	TENNANT Part No.	Description	Qty.
1	62714	HOSE	1
2	42221	HOSE	1
3	53164-3	HOSE	1
4	44862	HOSE	1
5	47821	HOSE	1
5A	11399	CLAMP, Wormdrive	1
6	42215	TEE	1
7	56708	CONNECTOR	1
	39709	TANK ASSEMBLY, Hydraulic fluid	1
8	55455	ELBOW	1
9	53430	BREATHER & RELIEF VALVE	1
10	53431	ELEMENT, Breather	1
11	39727	CAP, Tank filler	1
12	39720	COVER, Hydraulic tank	1
13	52733	GASKET, Tank cover	1
14	48081	GAUGE, Hydraulic oil level	1
15	47822	ELBOW	1
16	52729	TANK, Hydraulic fluid	1
17	47579	PLUG, Drain	1
18	46607	ADAPTER, Drain	1
19	51885	FILTER, Sump	1
20	02546	CONNECTOR	1
21	62391	ELBOW, 45°	1
22	48086	SCREEN, Tank filler	1
23	50022	WASHER, Nylon	3
24	SK2056	COVER, Hydraulic tank	1
25	48117	PLUG	1

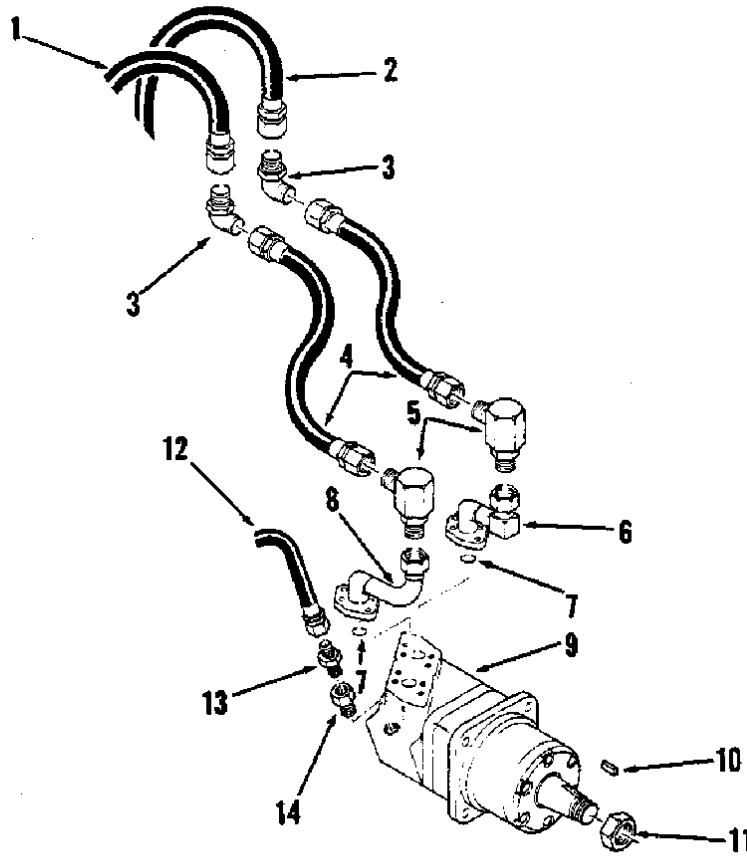


Fig. 8B - DRIVE MOTOR GROUP

Ref. No.	TENNANT Part No.	Description	Qty.
1	51748	HOSE	1
2	51748	HOSE	1
3	51785	ELBOW, Bulkhead	2
4	51809	HOSE	2
5	62717	ELBOW (Seal Kit SK1172)	2
6	62716	TUBE ASSEMBLY	1
7	11453	"O"-RING	2
8	62715	TUBE ASSEMBLY	1
9	75025	+MOTOR, Hydraulic drive (Seal Kit SK2457)	1
	SK1614	SEAL KIT, overhaul	1
	SK1547	SEAL KIT, shaft	1
10	45623	KEY	1
11	45622	NUT	1
12	50955	* HOSE, Case drain	1
13	56708	* CONNECTOR	1
14	76835	* CONNECTOR	1

* Used on machines with drive motor case drain system

+ Before serial no. 4729, Char-Lynn Motor was 47936-1. Motor 47936-1 replaced motor 42162-1 beginning with serial no. 2990. To replace 42162-1, order SK2004.

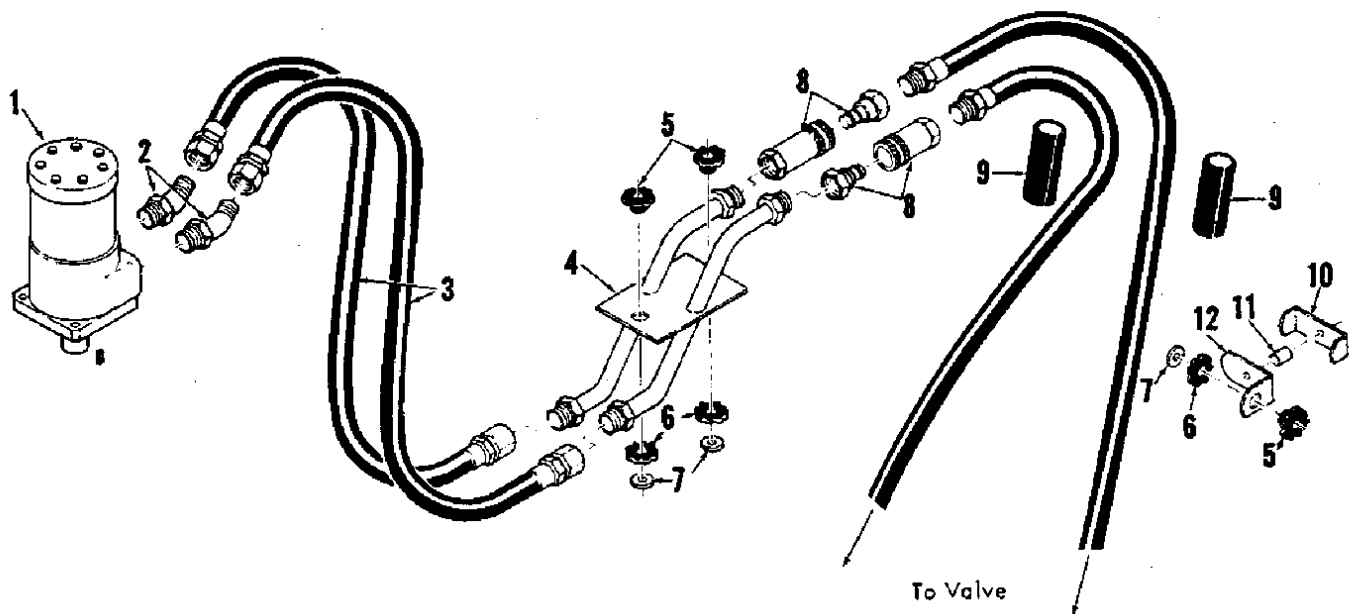


Fig. 8C - SIDE BRUSH MOTOR PARTS GROUP

Ref. No.	TENNANT Part No.	Description	Qty.
1	47640	*MOTOR, Sidebrush (standard, Ross)	1
	SK1694	* SEAL KIT for 47640	1
	47650-1	*MOTOR, Sidebrush (alternate, Char-Lynn)	(1)
	SK1600	* SEAL KIT for 47650-1	(1)
2	47513	ELBOW, 45°	2
3	51752	HOSE	2
4	62707	TUBE ASSEMBLY	1
5	62173	BUSHING, Rubber	3
6	62172	RING, Rubber	3
7	30013	WASHER	3
8	42224	COUPLING, Push-pull set	2
9	51918	SLEEVE, Rubber protective	2
10	51715	CLAMP, Hose	1
11	09900-1	SLEEVE	1
12	62697	BRACKET, Hose stand-off	1

* Note: When alternate numbers are listed, be sure to check your machine for the correct part number before ordering seal kits or parts.

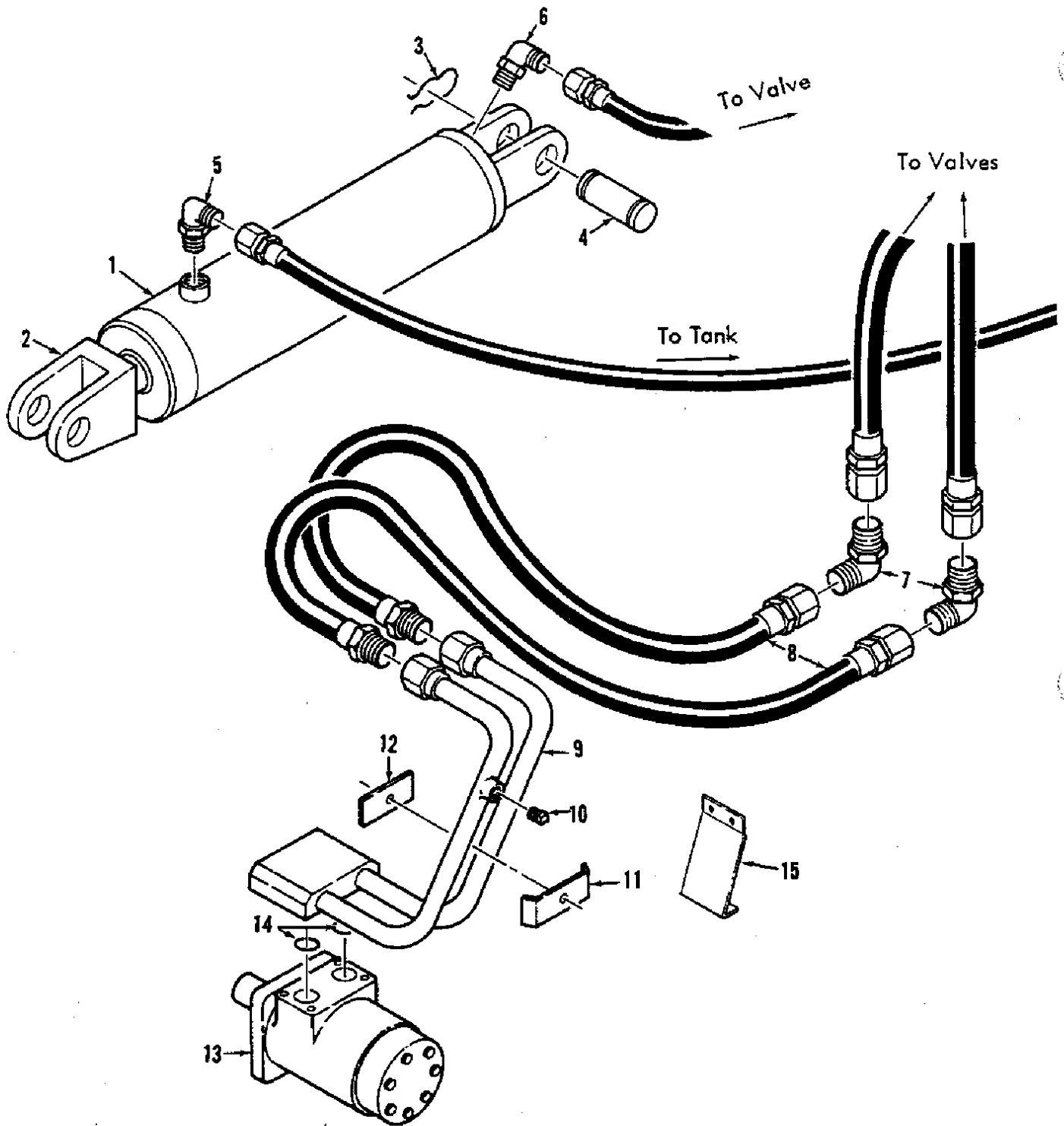


Fig. 8D - HOPPER CYLINDER & MAIN BRUSH MOTOR GROUP

Fig. 8D - HOPPER CYLINDER & MAIN BRUSH MOTOR GROUP

Ref. No.	TENNANT Part No.	Description	Qty.
1	62658	COMPLETE LIFT CYLINDER ASSEMBLY	1
	62657	CYLINDER, Lift (Prince)	1
	SK2108	SEAL KIT, for cylinder 62657	1
2	100000014**	CLEVIS	1
3	190400002**	CLIP	4
4	190400001**	PIN, Clevis	2
5	56820	ELBOW	1
6	62711	ELBOW	1
7	42243	ELBOW, Bulkhead	2
8	62156	HOSE	2
9	62151	BLOCK, Porting	1
10	10552	PLUG	1
11	51030	CLAMP, Tube	1
12	51029	STRIP, Rubber	1
13	47650	* MOTOR, Main brush (standard, Char-Lynn)	1
	SK1600	* SEAL KIT	1
	47514	* MOTOR, Main brush (alternate, Ross)	(1)
14	SK1694	* SEAL KIT	(1)
	51403	'O' RING (part of main brush motor)	2
15	62121	SUPPORT, Hose	1

*Note: When alternate numbers are listed, be sure to check your machine for the correct part number before ordering seal kits or parts.

** Prince Manufacturing Corporation Part No.

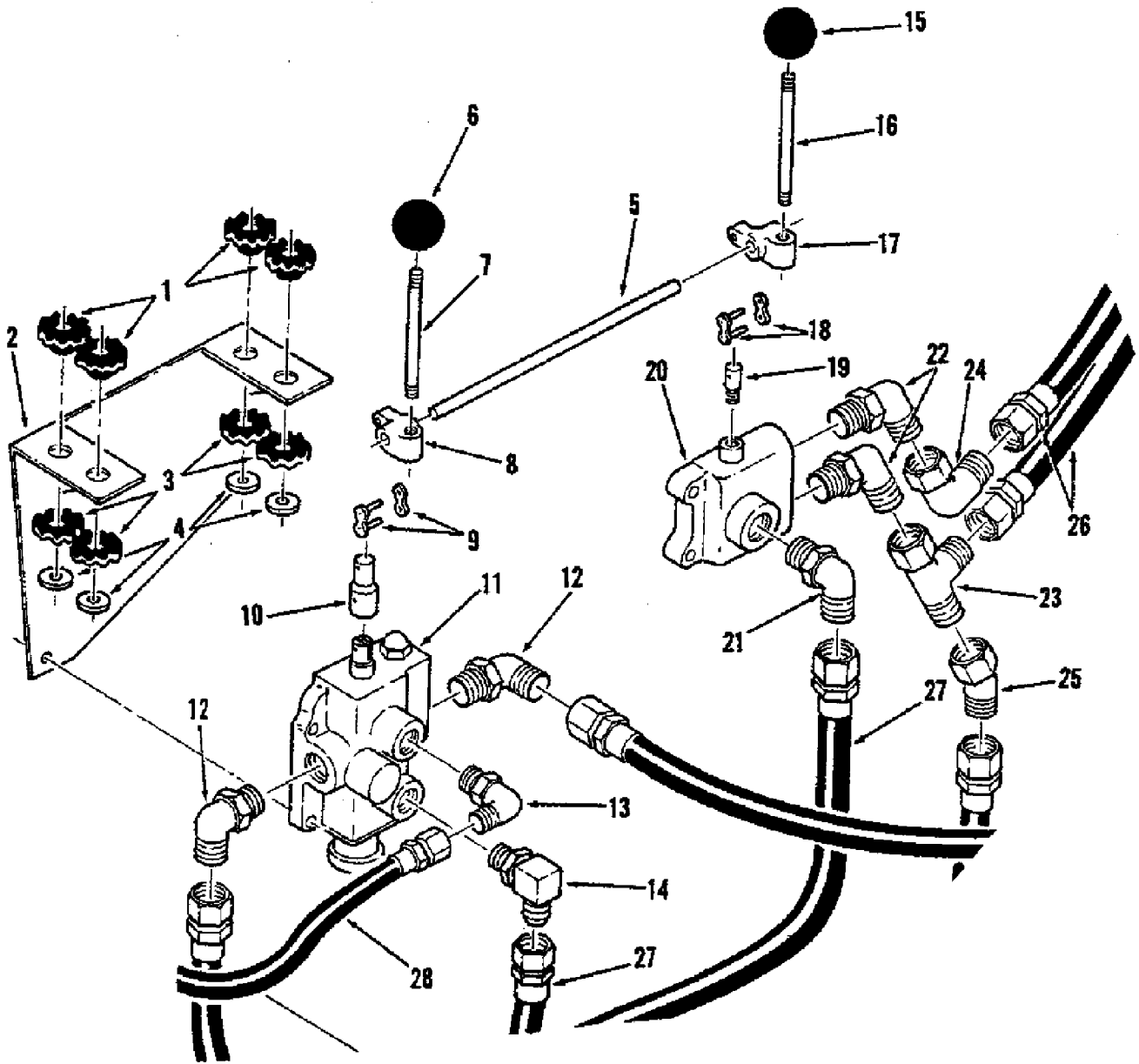


Fig. 8E - CONTROL VALVES GROUP

FIG. 8E - CONTROL & SIDE BRUSH VALVES GROUP

Ref. No.	TENNANT Part No.	Description	Qty.
1	62173	BUSHING, Rubber	4
2	62679A	BRACKET, Valve mounting	1
3	62172	RING, Rubber	4
4	30013	WASHER	4
5	62762	ROD, Pivot	1
6	26565	KNOB	1
	62685	VALVE ASSEMBLY, Main Control	1
7	62701	HANDLE	1
8	56757	PIVOT, Handle control	1
9	09318	LINK, Connecting	1
10	48342	ADAPTER, Handle	1
11	* 62550	VALVE, Main control (Dukes-Victor)	1
	SK1863	SEALKIT for 62550 valve	1
12	51782	ELBOW	2
13	47512	ELBOW	1
14	56827	ELBOW	1
	23994-4	PIN	1
15	26565	KNOB	1
	62684	VALVE ASSEMBLY, Side brush	1
16	62701	HANDLE	1
17	56757	PIVOT, Handle control	1
18	09318	LINK, Connecting	1
19	51311	ADAPTER, Handle	1
20	48108A	VALVE, Side brush (Gresen)	1
	SK1288	SEAL KIT	1
21	51782	ELBOW	1
22	44936	ELBOW 45°	2
23	51779	TEE	1
24	54194	ELBOW	1
25	54017	ELBOW, 45°	1
26	62708	HOSE	2
27	51753-1	HOSE	2
28	42222	HOSE	1

* Note: Before Serial No. 2692, Main Control Valve #62550 was #62585

FIG. 8F

FILTER, VACUUM FAN MOTOR & HEAT EXCHANGER

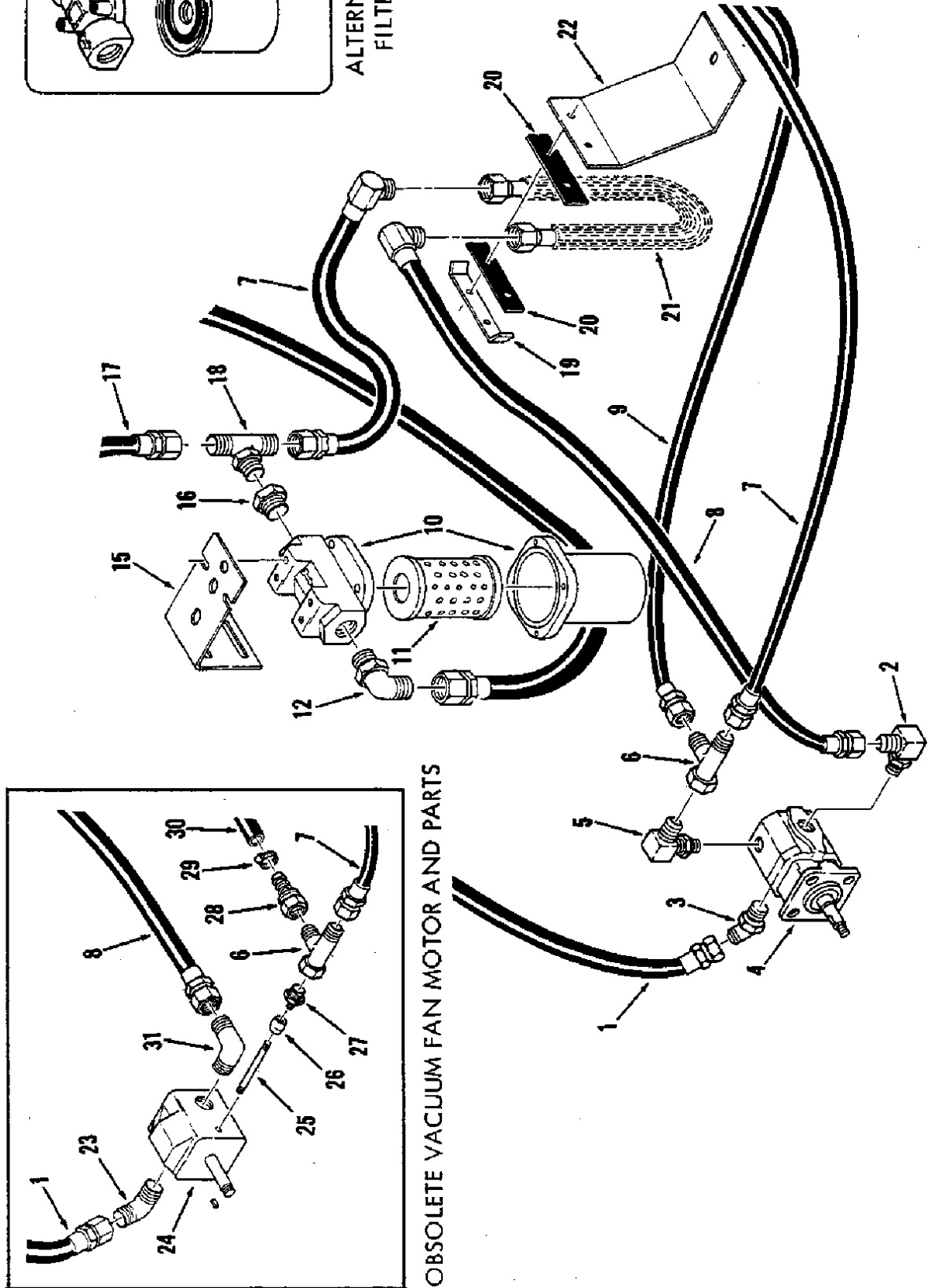


FIG. 8F - FILTER, VACUUM FAN MOTOR & HEAT EXCHANGER

Ref. No.	TENNANT Part No.	Description	Qty.
1	62157	HOSE	1
2	56827	ELBOW	1
3	77099	ELBOW, 45°	1
4	77100	**MOTOR, Vacuum fan (includes mounting hardware)	1
	SK2561	SEAL KIT	1
5	77098	ELBOW	1
6	42215	TEE	1
7	62185	HOSE	1
8	62008	HOSE	1
9	50955	HOSE	1
10	53348B	*FILTER ASSEMBLY, Hydraulic fluid (Ripley)	1
11	53348-1	ELEMENT, Filter	1
12	46481	ELBOW	1
13	67718	*FILTER ASSEMBLY, Hydraulic fluid (Deluxe)	1
14	67718-2	ELEMENT, Filter	1
15	62645	BRACKET, Filter mounting	1
16	47516	CONNECTOR	1
17	53083-8	HOSE	1
18	48286	TEE	1
19	52997	CLAMP, Mounting	1
20	52996	STRIP, Rubber	2
21	52909	HEAT EXCHANGER	1
22	62179	BRACKET, Heat exchanger mounting	1
23	46485	ELBOW, 45°	1
24	53923 & -1	MOTOR, Vacuum fan (obsolete)	1
	SK2561	SEAL KIT	1
25	32529	NIPPLE	1
26	11848	COUPLING	1
27	56708	CONNECTOR	1
28	76590	CONNECTOR, Barbed	1
29	54333	CLAMP	1
30	32320	HOSE	1

* Either hydraulic oil filter may be used on your machine. Check filter for correct part number (located on filter) before ordering parts or replacement.

** To replace the obsolete vacuum fan motors 53923 and 53923-1, order SK2560.

FIG. 8G - HYDRAULIC PUMP & CONTROLS

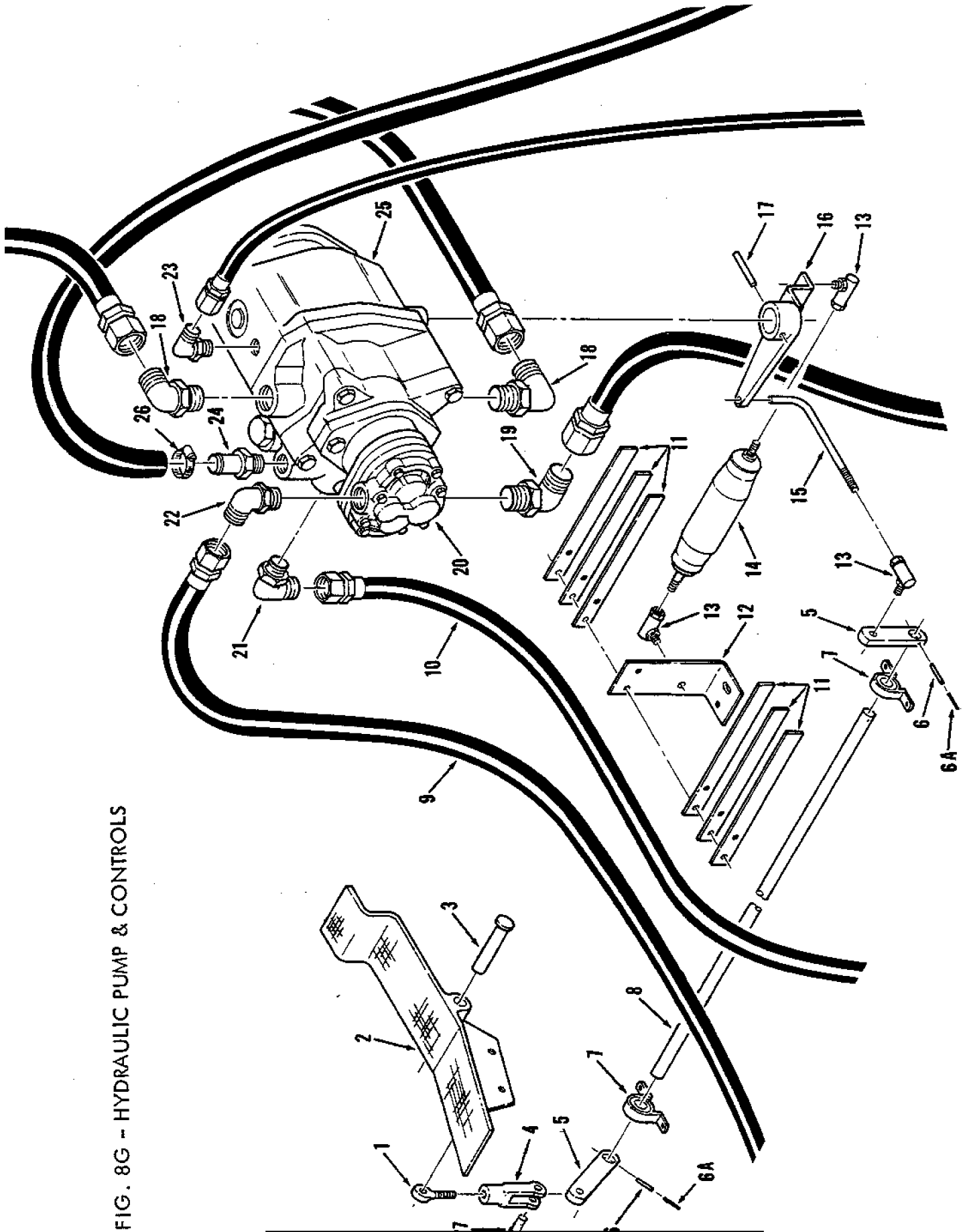


FIG. 8G - HYDRAULIC PUMP & CONTROLS

Ref. No.	TENNANT Part No.	Description	Qty.
1	51303	EYE-BOLT	1
2	42240	PEDAL, Foot	1
3	06474A	PIN	1
4	14330	CLEVIS	1
5	52789	ARM, Control	2
6	46029	PIN, Roll (small)	2
6A	22134	PIN, Roll (large)	2
7	51304-1	BEARING	2
8	52790	ROD, Pump control	1
9	53083-5	HOSE	1
10	62388	HOSE	1
11	49681	SPRING, Pump control	6
12	52689	BRACKET, Pump control spring	1
13	14506	BALLJOINT	3
14	62700	SHOCK ABSORBER	1
15	62720	ROD, Pump control	1
	52758	PUMP ASSEMBLY	1
16	62702	ARM, Pump control	1
17	14854	PIN, Roll	1
18	46481	ELBOW	2
19	52142	ELBOW	1
20	65145	PUMP, Accessory	1
	SK1700	SEAL KIT FOR 65145 Pump	1
	65145-1	O-Ring	1
21	56827	ELBOW	1
22	51782	ELBOW	1
23	56820	ELBOW	1
24	47823	CONNECTOR	1
25	62584	*PUMP, Propelling	1
	SK1699	SEAL KIT	1
26	11399	CLAMP, Wormdrive	1
27	14331	PIN, Clevis	1

*Previous Cessna Pump (Model No. 70442-RBK) was #65144 (Seal Kit SK1699)

Pump Model No. is stamped on pump flange. To modify pump #65144 with improved rotating group and cam plate, order Modification Kit No. SK1873.

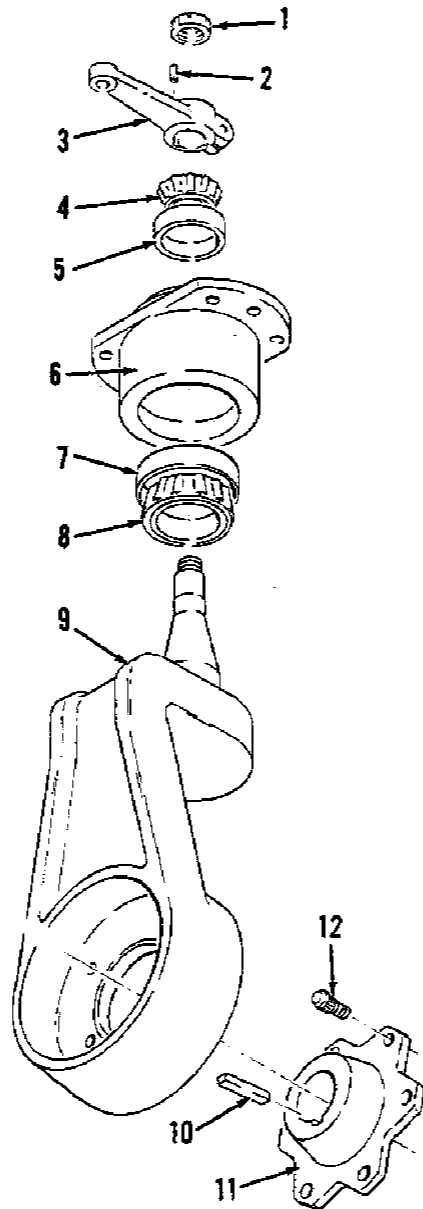


Fig. 9 - REAR AXLE & RELATED PARTS

Ref. No.	TENNANT Part No.	Description	Qty.
1	14242	NUT	1
2	00928	KEY, 0.25" x 1"	1
3	51283	ARM, Rear steering	1
4	51339	BEARING	1
	51002	BLOCK ASSEMBLY, Spindle	1
	47801	FITTING, Grease	1
5	51338	CUP, Bearing	1
6	51274	BLOCK, Spindle	1
7	51340	CUP, Bearing	1
8	51341	BEARING	1
9	62433	SPINDLE, Rear axle	1
10	45623	KEY	1
11	62456	HUB ASSEMBLY, Rear drive (incl's. 6 studs)	1
12	05936	STUD	6

9/83

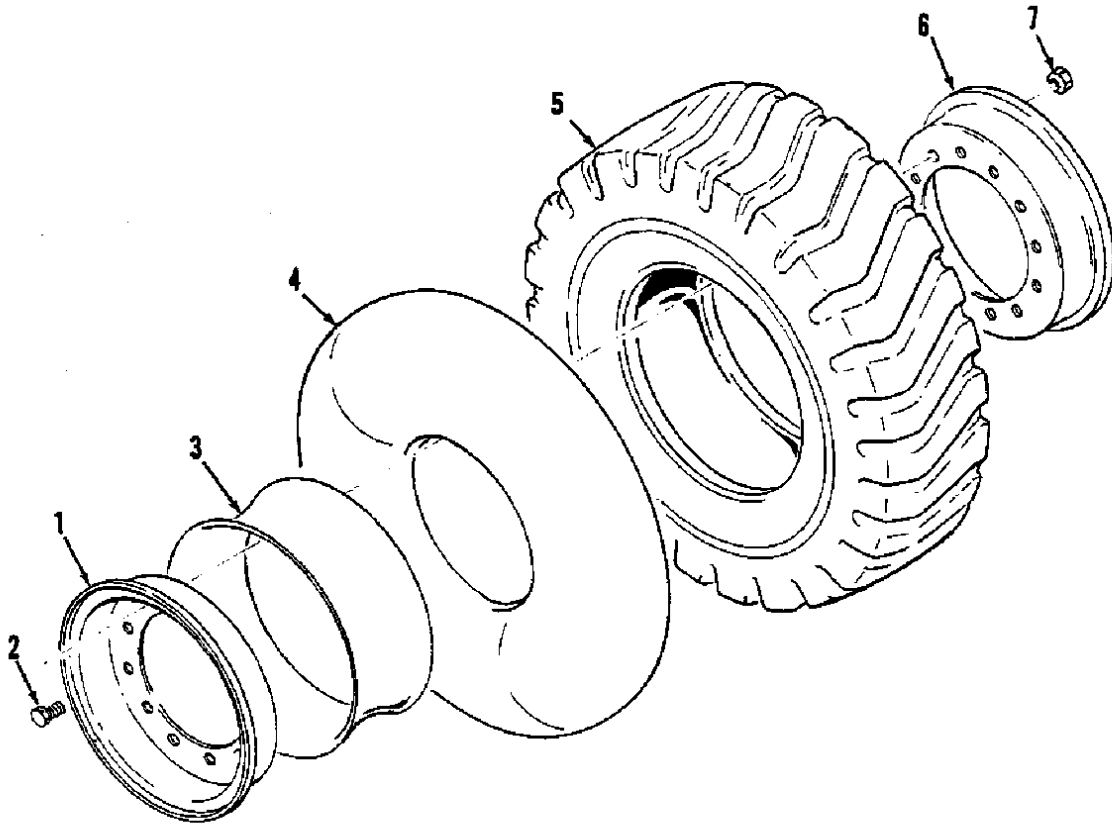


FIG. 10 - REAR WHEEL ASSEMBLY

Ref. No.	TENNANT Part No.	Description	Qty.
	51357	TIRE AND RIM ASSEMBLY	1
	51006	RIM ASSEMBLY, Outer	1
1	51359	WHEEL HALF, Outer	1
2	51355	STUD, Wheel	6
	52510	TIRE ASSEMBLY	1
3	51362	FLAP	1
4	51361	TUBE	1
5	51360	TIRE	1
6	51358	WHEEL HALF, Inner	1
7	24339	NUT, Wheel , 0.50" - 20	6

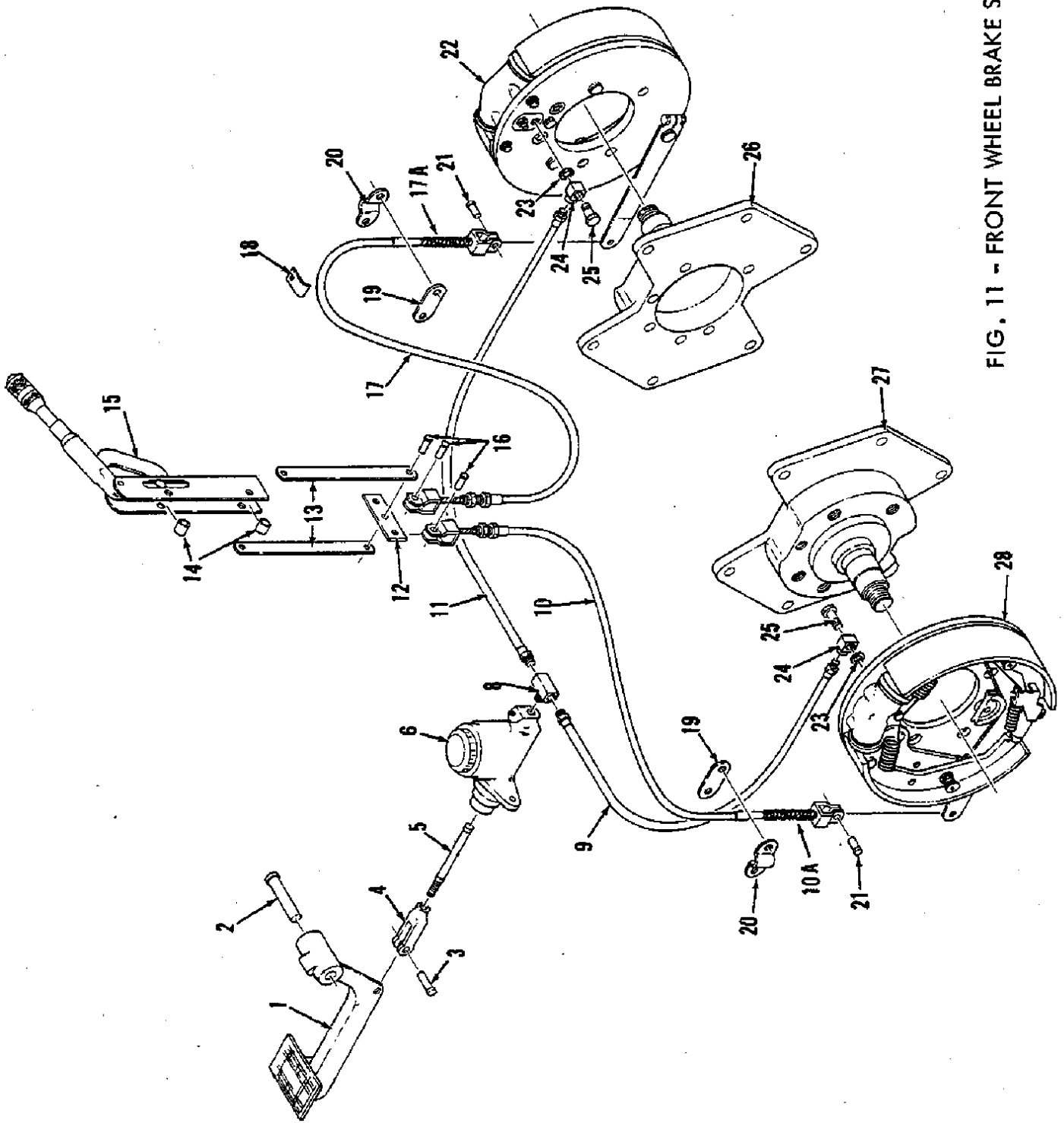


FIG. 11 - FRONT WHEEL BRAKE SYSTEM

Fig. 11 - BRAKE SYSTEM

Ref. No.	TENNANT Part No.	Description	Qty.
1	65128	PEDAL, Brake	1
2	23683	PIN, Brake pedal	1
3	14331	PIN, Clevis	1
4	14330	CLEVIS, Brake pedal	1
5	52163	ROD, Push	1
6	SK2136	CYLINDER, Master brake	1
	52031	REPAIR KIT, (Wagner)	1
8	51483	TEE	1
9	42241	TUBE ASSEMBLY, right hand	1
10	47963	CABLE ASSEMBLY, Hand brake, right hand	1
10A	47960	SPRING	1
11	76058	TUBE ASSEMBLY, left hand	1
12	40354	BAR, Brake equalizer	1
13	51912	LINK	2
14	51562	SPACER	2
15	51545	LEVER ASSEMBLY, Handbrake	1
16	10120	PIN CLEVIS	3
17	47963-1	CABLE ASSEMBLY, Handbrake, left hand	1
17A	47960	SPRING	1
18	04681	CLAMP, Cable	1
19	65129-1	CLAMP, Brake cable	2
20	65129	CLAMP, Brake cable	2
21	14605	PIN, Clevis	2
22	65114-1	BRAKE ASSEMBLY, left hand	1
23	13962	WASHER	4
24	36739	FITTING	2
25	36740	BOLT, Special	2
26	65122	SPINDLE, Front axle, left hand	1
27	65121	SPINDLE, Front axle, right hand	1
28	65115-1	BRAKE ASSEMBLY, right hand	1
(not shown)	SK1875	REPAIR KIT, Brake cylinder, wheel	2
(not shown)	SK1876	REPAIR KIT, Brake shoe (one wheel)	2

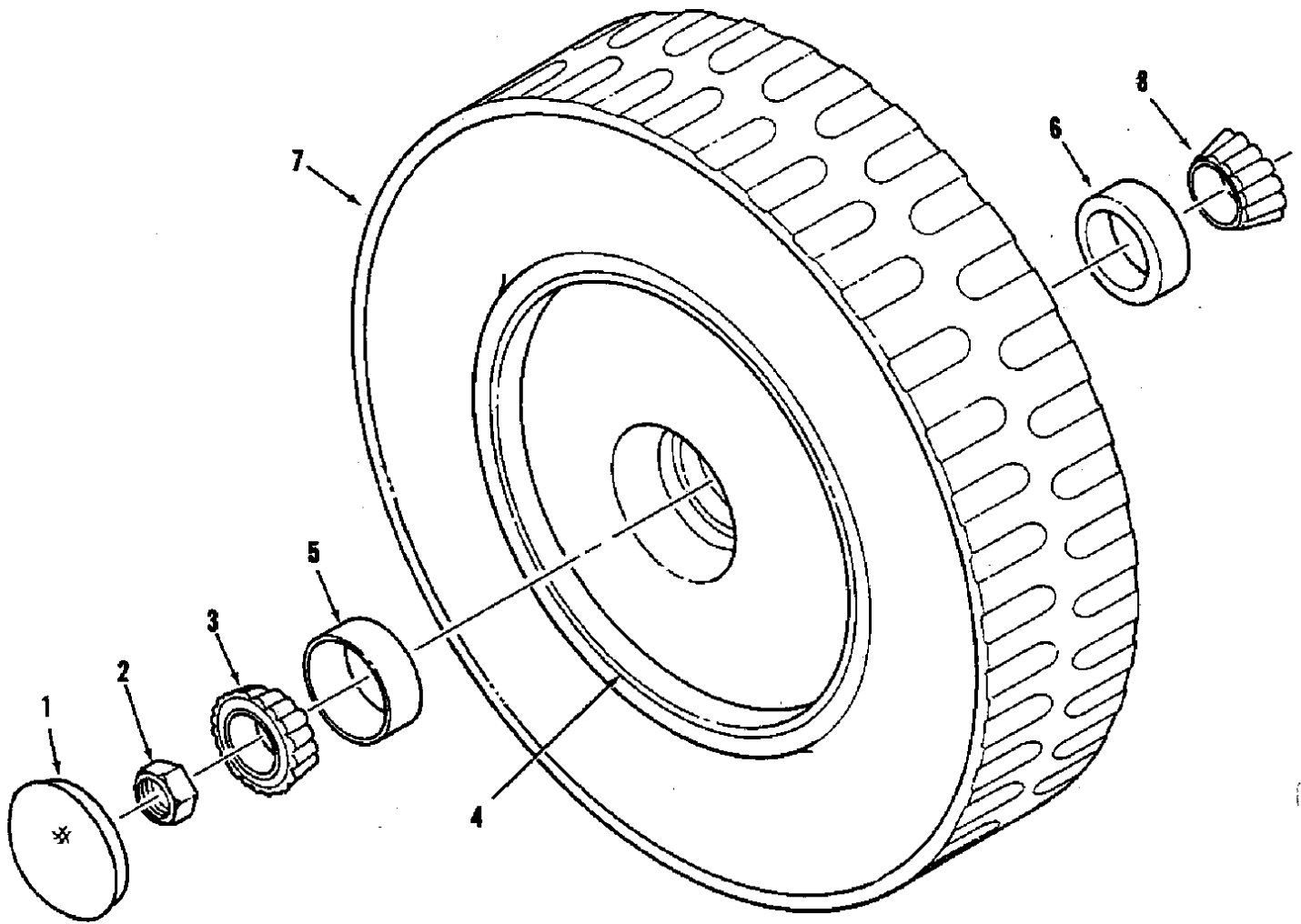


FIG. 12 - FRONT WHEEL ASSEMBLY

Fig. 12 - FRONT WHEEL & RELATED PARTS

Ref. No.	TENNANT Part No.	Description	Qty.
1	51373	CAP, Dust	2
2	14242	NUT	2
3	51193	CONE, Bearing	2
	47879	TIRE & WHEEL ASSEMBLY	2
	47883	WHEEL & BEARING CUP ASSEMBLY	1
4	*	WHEEL	1
5	51338	CUP, Bearing	1
6	17808	CUP, Bearing	1
7	47878	TIRE (Replaceable, pressed-on)	2
8	17809	CONE, Bearing	2

* Not available separately.

NOTE: Previous tire was molded on rim and was not replaceable separately (part #65119 tire & rim assembly). To replace with new style wheel and pressed-on tire, order kit #SK2059.

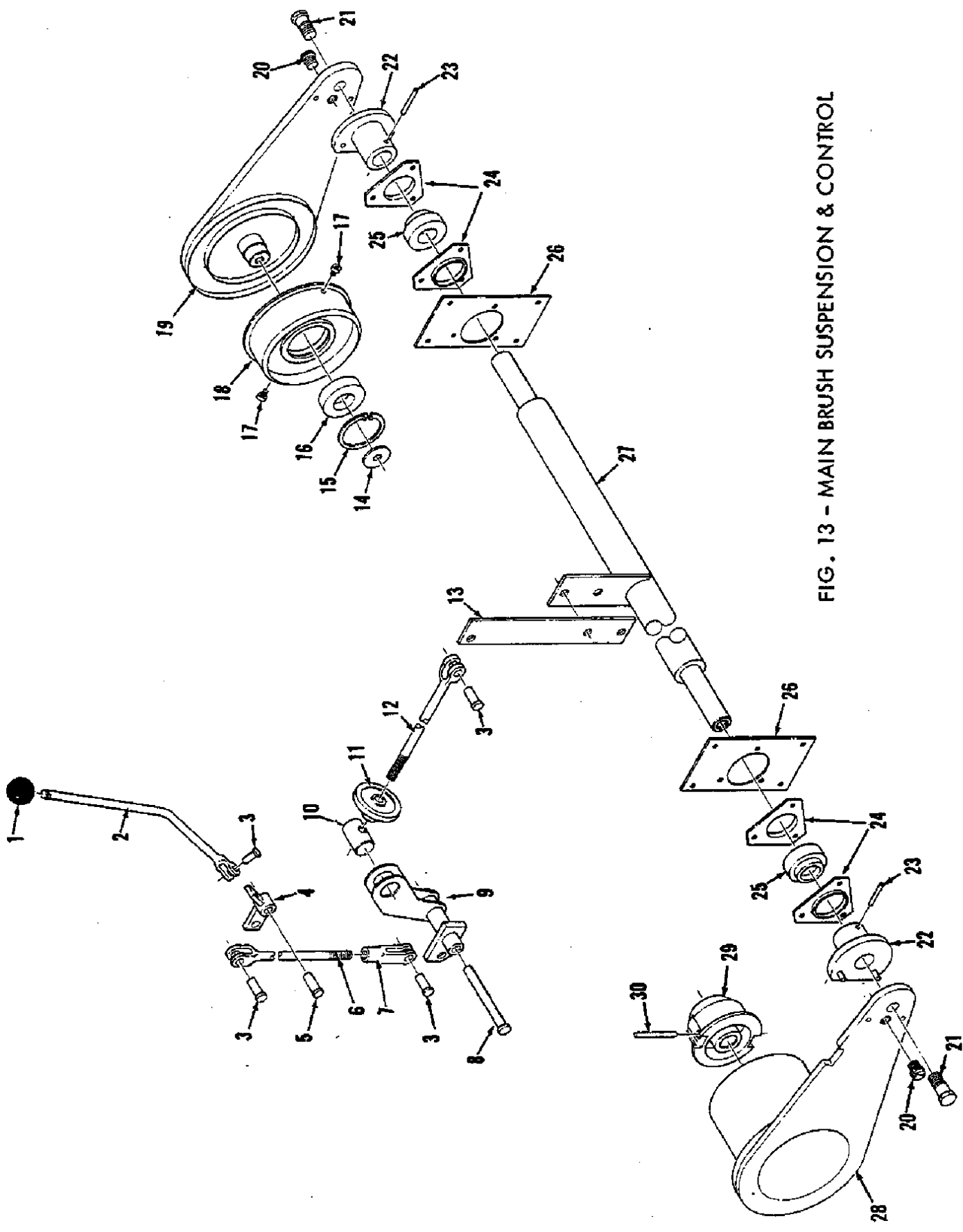


FIG. 13 - MAIN BRUSH SUSPENSION & CONTROL

Fig. 13 - MAIN BRUSH SUSPENSION

Ref. No.	TENNANT Part No.	Description	Qty.
1	26156	KNOB	1
2	51447-1	HANDLE	1
3	06598	PIN, Clevis	4
4	51492	BELLCRANK	1
5	06279	PIN, Clevis	1
6	62618	LINK, Main brush lift	1
7	51462	CLEVIS, Adjustable	1
8	51225	PIN, Clevis	1
9	62620	BELLCRANK, Brush lift	1
10	51391	SWIVEL, Main brush lift	1
11	51452	HANDLE, Main brush adjusting	1
12	62619	LINK, Main brush lift adjusting	1
13	62625	LINK, Pivot shaft	1
14	51564	WASHER, Flat	1
15	51046	RING, Retaining	1
16	24899	BEARING	1
	51984	PLUG ASSEMBLY, Brush idler	1
17	T5905	SCREW, Hex cap, 0.31" - 18 x 0.50"	2
18	51450	PLUG, Brush idler	1
19	62637	ARM, Brush idler, left hand	1
20	51938	PLUG	2
21	—	BOLT, 0.75" - 10 x 1.50"	2
22	51059	HUB, Pivot shaft	2
23	51317	PIN, Roll	2
24	51449	FLANGE, Bearing	4
25	51448	BEARING, (includes collar)	2
26	62649-1	MOUNT, Pivot shaft	2
27	62626	SHAFT, Brush pivot	1
28	62639	ARM, Brush drive, right hand	1
29	51036	PLUG, Mainbrush drive	1
30	20050	PIN, Roll	1

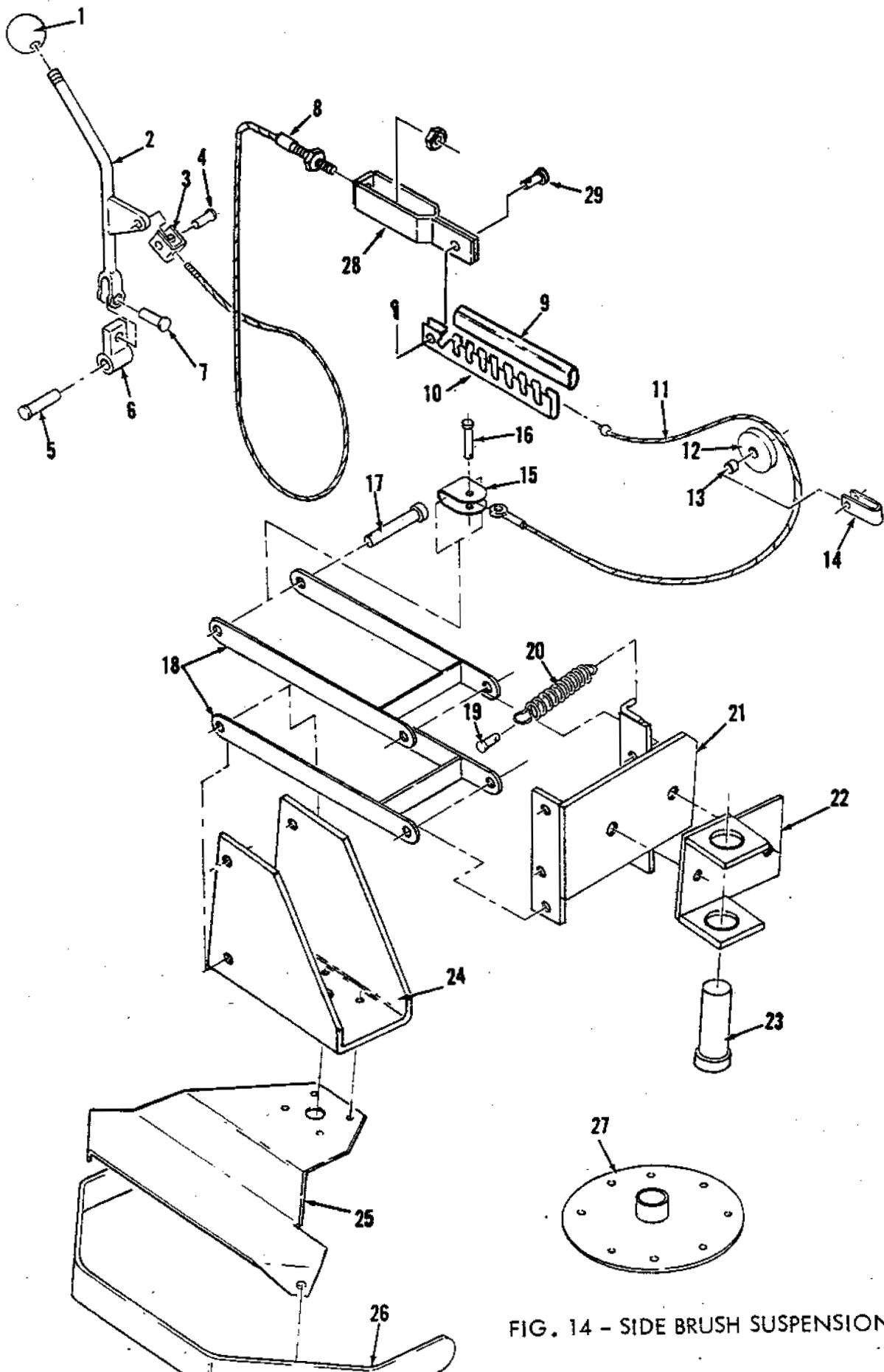


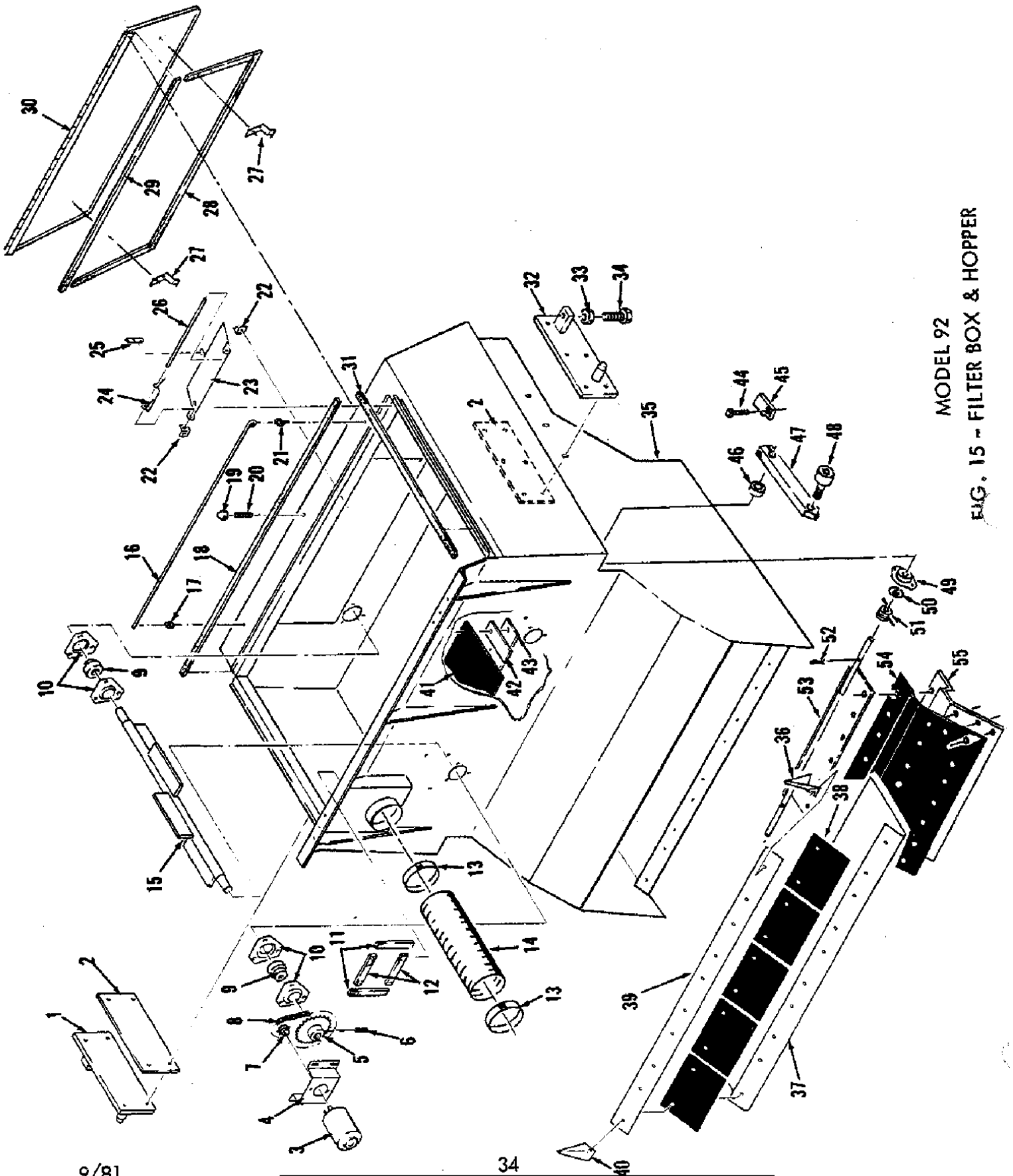
FIG. 14 - SIDE BRUSH SUSPENSION

Fig. 14 - SIDE BRUSH SUSPENSION

Ref. No.	TENNANT Part No.	Description	Qty.
1	26156	KNOB	1
2	52066	HANDLE, Side brush lift	1
3	51356	CLEVIS, Cable end	1
4	04743	PIN, Clevis	1
5	51534	PIN, Clevis	1
6	51221	LIFT, Side brush	1
7	06598	PIN, Clevis	1
8	50576	CABLE, Side brush lift	1
9	52745	HOSE, Vinyl	1
10	52743A	CHANNEL	1
11	52744	CABLE, Lift	1
12	46328	ROLLER, Cable	1
13	01275	BUSHING, Cable roller	1
14	46327	GUIDE, Cable	1
15	52742	CHANNEL, Connector	1
16	46657	PIN, Clevis	1
17	51225	PIN, Clevis	4
18	*45599	LINK, Parallel	2
19	46800	PIN, Clevis	1
20	47745	SPRING	1
21	52663	BRACKET, Side brush	1
22	52667	PIVOT, Side brush	1
23	51414	PIN, Clevis	1
24	62303	BRACKET, Motor	1
25	51209A	BRACKET, Bumper support	1
26	51210	BUMPER, Side brush	1
27	51963	PLATE, Side brush drive	1
28	50580	CLEVIS	1
29	76782	PIN, Clevis	1

* Note: Before serial number 2461, Link part number was 52664, quantity was 4

5/79



MODEL 92
 FIG. 15 - FILTER BOX & HOPPER

MODEL 92
Fig. 15 - FILTER BOX & HOPPER

Ref. No.	TENNANT Part No.	Description	Qty.
1	51156	ADJUSTER, Hopper, left	1
2	51728	PLATE, Inner hopper	2
3	23625	MOTOR, Shaker (sealed motor, not repairable)	2
	00500-5	KEY	1
4	51402	MOUNT, Shaker motor	2
5	23628	SPROCKET, Lower	2
6	23146	PIN, Roll	2
7	23626	SPROCKET, Upper	2
8	23630	CHAIN	2
9	23624	BEARING & COLLAR, Shaker	4
10	51137	FLANGE, Bearing	8
11	51085	SEAL, Vacuum cover	2
12	51084	SEAL, Vacuum cover	2
13	23498	CLAMP, Duct	2
14	51881	DUCT	1
15	51089	SHAKER	2
16	62794	ROD, Hood support	1
17	23446	CLAMP	1
18	51159	GASKET, Hopper cover (long)	2
19	51140	FASTENER, Cover latch	1
20	51139	STUD, Latch fastener	1
21	11893	EYE-BOLT	1
22	46087	PIVOT, Fire door	2
23	51149	DOOR, Fire	1
24	51372	SPRING, Fire door	1
25	SK1511	LINK, Fusible	1
26	46088	HINGE, Fire door	1
27	51934	CATCH, Spring	2
28	51163	GASKET, Hopper door	1
29	51164	GASKET, Hopper door	1
30	51047	DOOR, Hopper	1
31	51162	GASKET, Hopper cover (short)	2
32	51151	ADJUSTER, Hopper, (right)	1
33	52501	NUT, Hex, 0.75" - 10	2
34	52502	BOLT, 0.75" - 10 x 2"	2
35	* 62776B	HOPPER	1
36	* 46596	DEFLECTOR, Dirt, left hand	1
37	51143	PLATE, Hopper wear	1
38	39566	LIP, Rubber, hopper	5
39	51142	STRIP, Hopper bolting	1
40	* 46595	DEFLECTOR, Dirt, right hand	1
41	* 65035	SEAL	1
42	* 62748	SPRING	3
43	* 65036	RETAINER, Seal	1
	* 32303	SCREW, Hex, 0.62" - 11 x 3"	1

FIG. 15 - FILTER BOX & HOPPER (continued)

Ref. No.	TENNANT Part No.	Description	Qty.
44	-	SCREW, Square head, 0.31" - 18 x 2"	1
45	39561	BLOCK, Adjusting screw	1
46	75371	COLLAR, Locking	2
47	36894	ARM, Control	1
48	48930	CAM, Follower	1
49	47585	BEARING, Flange	2
50	-	WASHER, Flat	2
51	36896	SPRING	2
52	-	PIN, Cotter, 0.06" x 0.75"	2
53	36892	ROD, Dust control door	1
54	36882	SEAL	1
55	36898	DOOR, Dust control	1
	36890	SEAL, Foam, 0.31" x 0.38" x 48"	1

* Machines with serial number up to and including 4446 used old-style hopper 62776A. These parts were used with the old-style hopper. To up-date old-style hopper to the new dust dump door design, order SK2205.

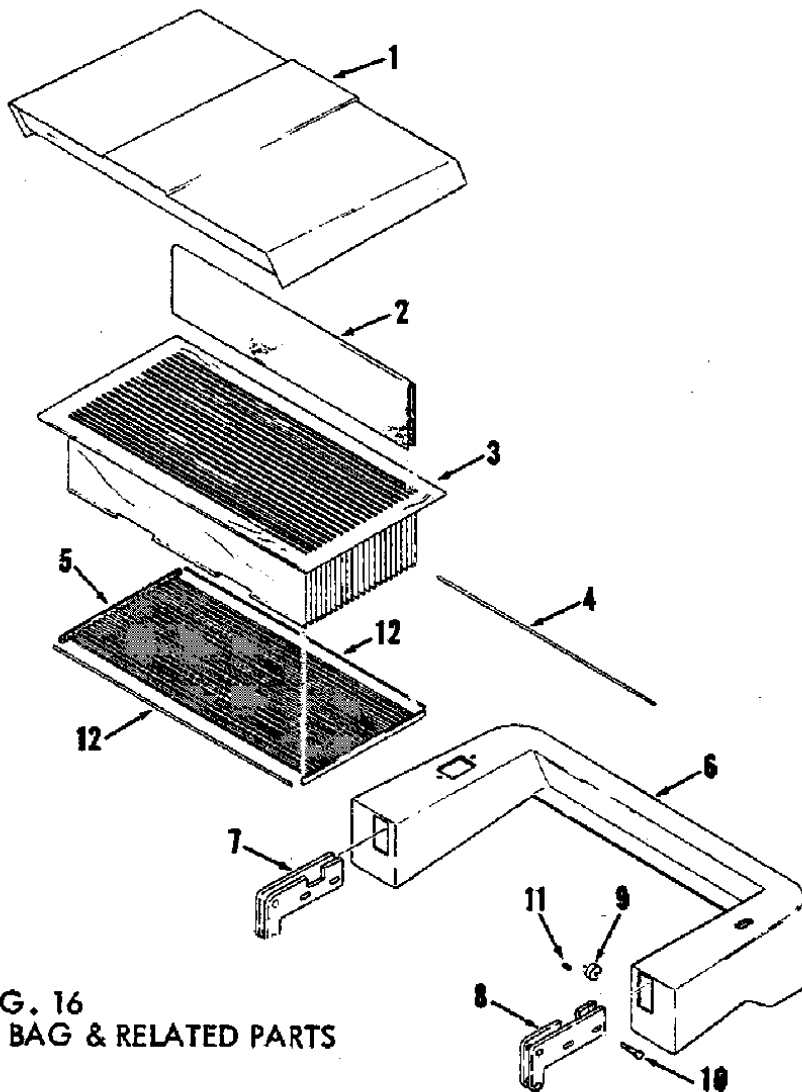


FIG. 16
BUMPER, FILTER BAG & RELATED PARTS

Ref. No.	TENNANT Part No.	Description	Qty.
1	51052	COVER, Filter box	1
2	51135	SEPARATOR, Bag	11
3	*50466	BAG, Filter	1
4	51188	ROD, Bag	22
5	*50465	RACK, Bag	1
6	65026	BUMPER, Front	1
7	51116	ADAPTER, Hopper, left hand	1
8	51116-1	ADAPTER, Hopper, right hand	1
9	51128	CAM, Lift bar	4
10	51108	BOLT, Special, 0.62" - 11 x 3.00"	4
11	00500-5	KEY, Woodruff (in cam)	4
12	51081-1	TUBE	2

*NOTE: Previous filter bag was #51045, used only with previous bag rack #51082. This design did not use the two bag rack tubes, item #12. To replace bag #51045 and rack #51082, order SK2138.

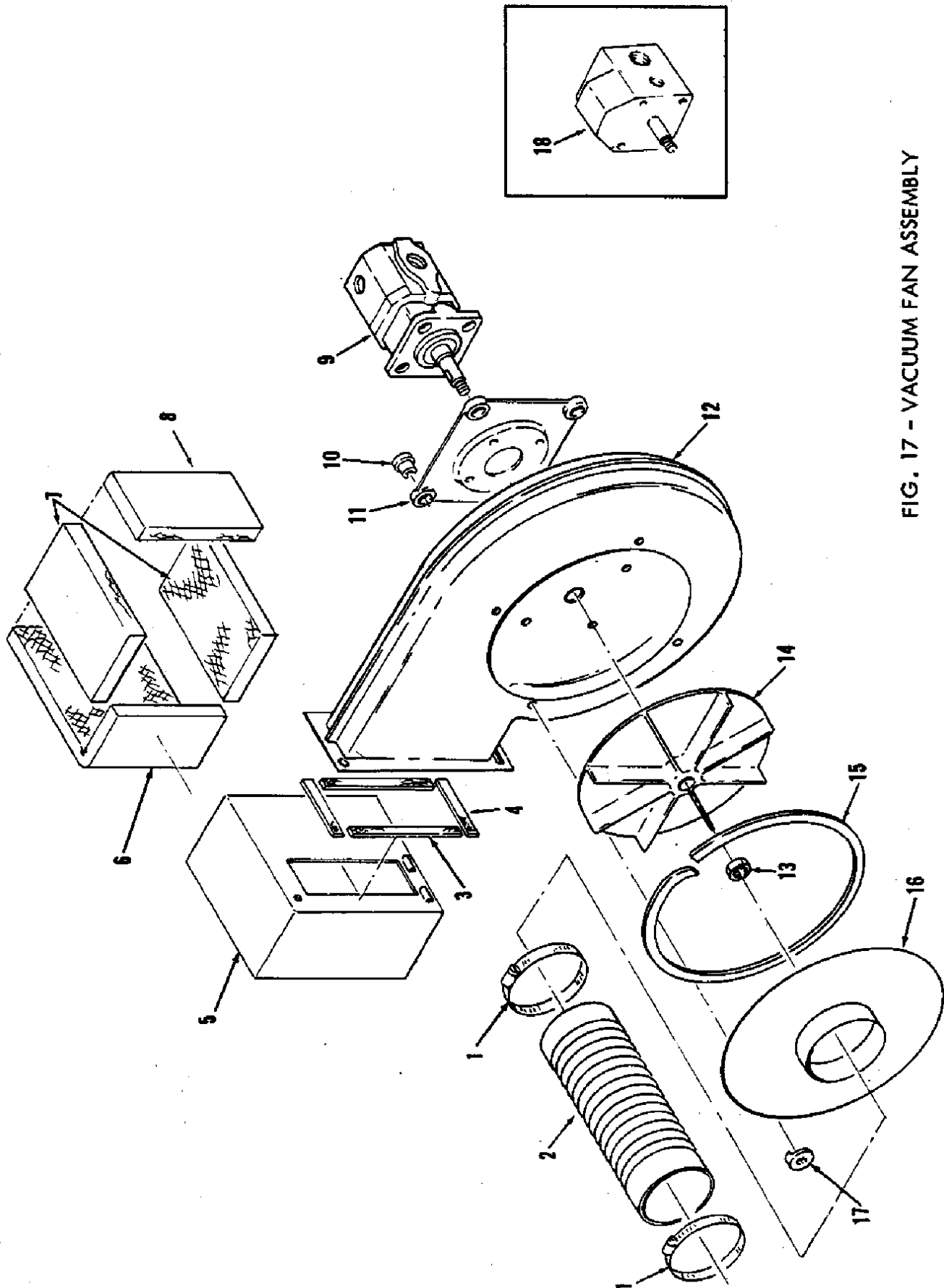


FIG. 17 - VACUUM FAN ASSEMBLY

Fig. 17 - VACUUM FAN ASSEMBLY

Ref. No.	TENNANT Part No.	Description	Qty.
1	23498	CLAMP	2
2	51768A	HOSE	1
	62187	MUFFLER ASSEMBLY, Vacuum fan	1
3	54272	SEAL	2
4	54271	SEAL	2
5	62180	HOUSING, Muffler	1
6	62177	INSULATION	1
7	62176	INSULATION	2
8	62178	INSULATION	1
9	77100	MOTOR, Vacuum fan (includes hardware)	1
	SK2561	SEAL KIT	1
10	54274	ISOLATOR, Vibration	4
11	54275A	BRACKET, Mounting	1
12	62184A	HOUSING, Impeller	1
13	51824	NUT	1
14	53034-1	IMPELLER	1
15	23542	SEAL	1
16	18158-1	DUCT, Intake	1
17	03467A	CLIP	4
18	SK2560	MOTOR, Vacuum fan (Obsolete)	1
	SK2561	SEAL KIT	1

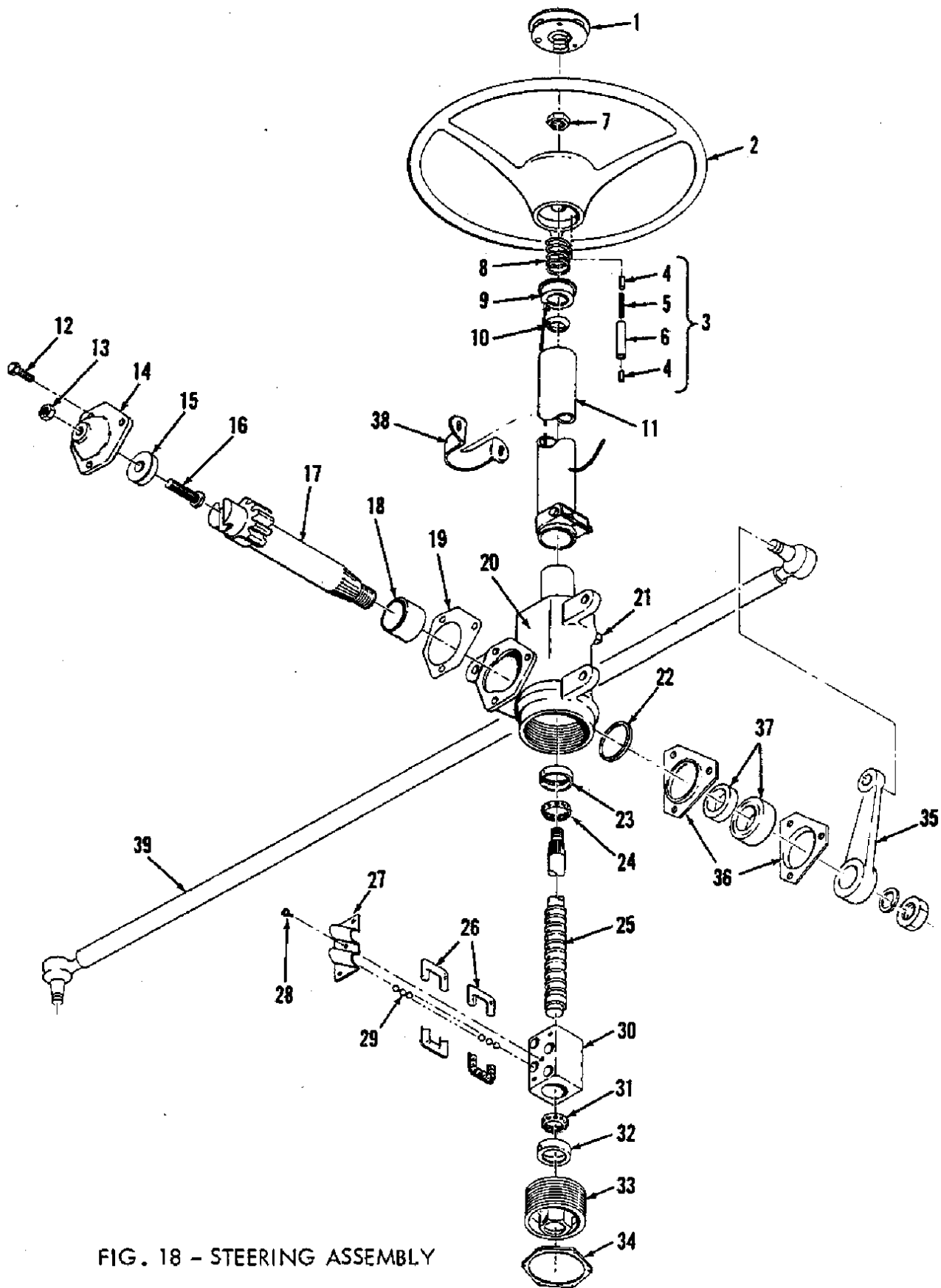
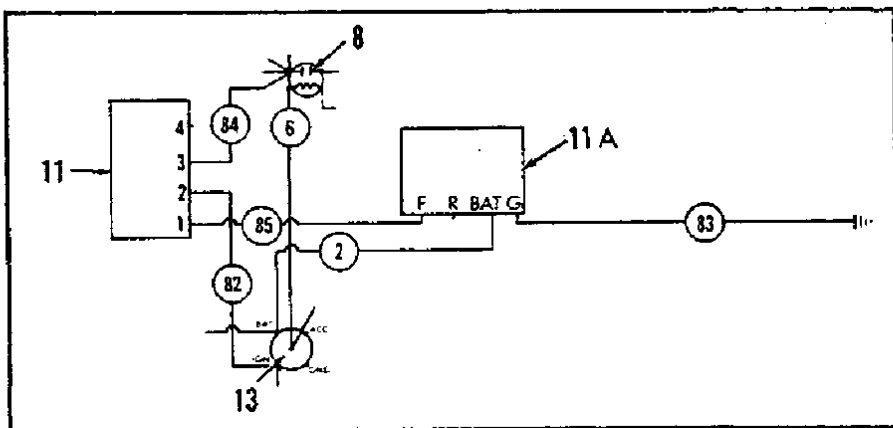
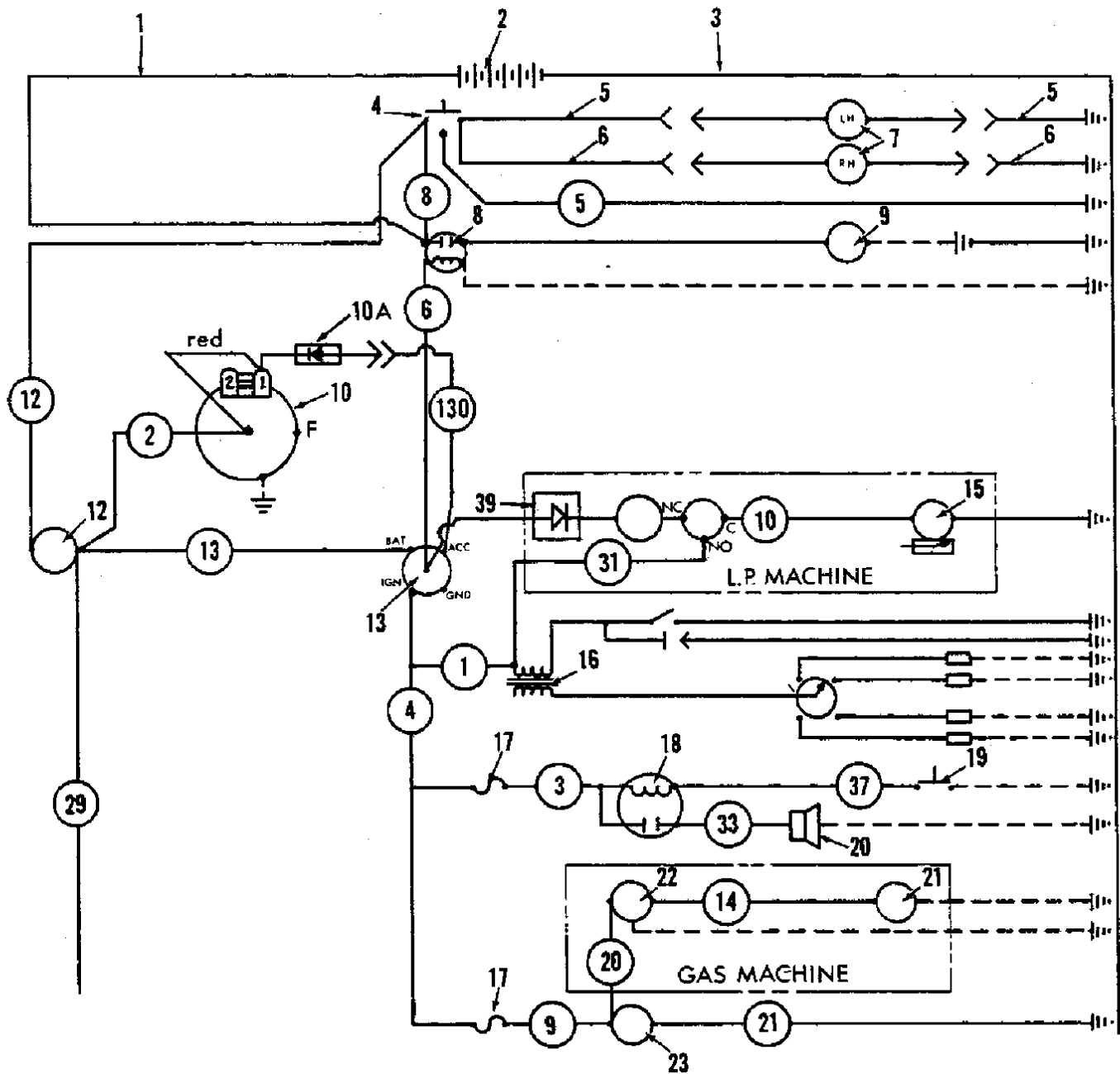


FIG. 18 - STEERING ASSEMBLY

Fig. 18 - STEERING WHEEL & RELATED PARTS

Ref. No.	Part No.	Description	Qty.
	51363	STEERING GEAR ASSEMBLY (items 1 - 35)	1
1	47010	BUTTON, Horn	1
2	47008	STEERING WHEEL	1
3	47011	BRUSH UNIT, Horn	1
4	46311	BRUSH, Horn	2
5	46313	SPRING	1
6	46312	SLEEVE	1
	47007	COLUMN & GEAR ASSEMBLY (items 7 - 35)	1
7	114496	NUT, Steering wheel	1
8	264832	SPRING	1
9	5695951	BEARING & CABLE ASSEMBLY	1
10	264831	SEAT, Spring	1
11	5695956	JACKET TUBE ASSEMBLY	1
12	7807009	BOLT, Side cover	3
13	114496	NUT, Lash adjuster lock	1
14	7802483	COVER, Side housing & bushing assembly	1
15	266903, 5, 7, 9	SHIM, Lash adjusting	1
16	7802482	ADJUSTER, Lash	1
17	7812838	SECTOR & SHAFT	1
18	266316	BUSHING, Sector shaft	1
19	5666734	GASKET	1
20	5692534	HOUSING ASSEMBLY	1
21	103868, 444746	PLUG, Filler	1
22	5670325	SEAL	1
23	5666683	CUP, Upper worm bearing	1
24	5666693	BEARING, Upper worm	1
25	7812988	WORM SHAFT & BALL NUT ASSEMBLY	1
26	5672804	GUIDE, Ball	4
27	5674273	CLAMP, Ball guide	1
28	187375	SCREW, Ballguide clamp	1
29	7808541	BALL	50
30	7812843	NUT, Ball (included in item #25)	1
31	5666693	BEARING, Lower ball	1
32	5666683	CUP, Lower ball bearing	1
33	5666682	ADJUSTER, Worm bearing	1
34	5676217	NUT, Wormbearing adjuster lock	1
35	51299	ARM, Pitman	1
36	51449	FLANGE	2
37	48050	BEARING, Ball, with collar	1
38	51470	SUPPORT, Steering column	1
39	51096	LINK, Steering	1
	47001	ROD END, Steering link	2



"Old Style" Alternator and Regulator

Fig. 19 - ELECTRICAL SYSTEM
(see next page for continuation)

Note: Circled numbers are wire numbers;
Plain numbers refer to parts list.

Fig. 19 - ELECTRICAL SYSTEM (continued)

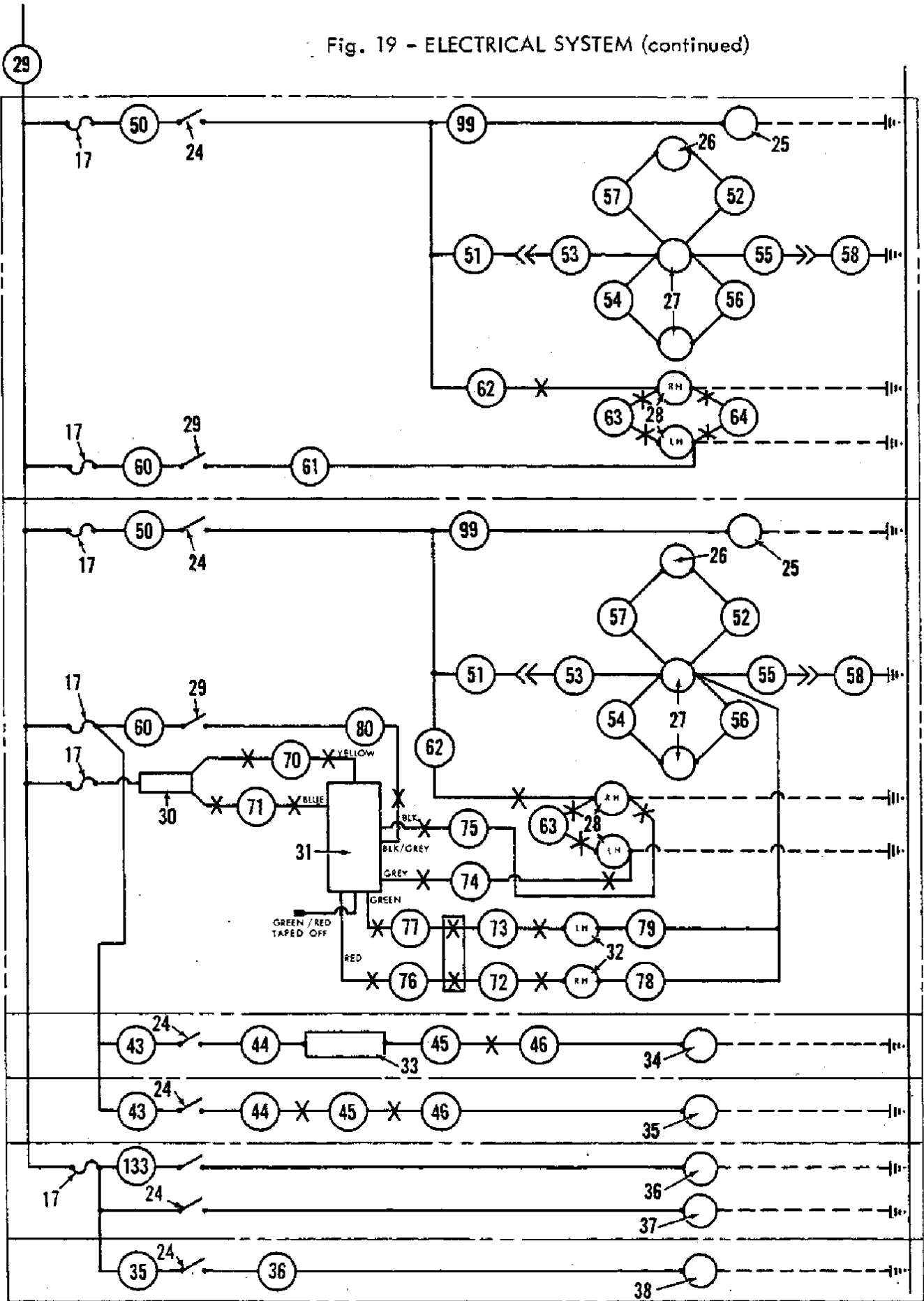


Fig. 19 - ELECTRICAL SYSTEM

Ref. No.	TENNANT Part No.	Description	Qty.
1	29830-10	CABLE, Battery positive	1
2	37183	BATTERY, (60 amp/hr)	1
3	29831-4	CABLE, Battery, negative	1
4	44078	SWITCH, Shaker	1
5	24108-2	LEAD, Shaker motor, 45"	2
6	24108-3	LEAD, Shaker motor, 60"	2
7	23625	MOTOR, Shaker	2
8		SOLENOID, Starter (included in starter motor)	1
9	+	MOTOR, Starter	1
10	50543A	ALTERNATOR, w/built-in regulator	1
10A	39703-6	WIRE HARNESS, Alternator	1
11	53988-2	REGULATOR, Voltage	1
11A	+	ALTERNATOR	1
12	54180	AMMETER	1
13	62530	SWITCH, ignition (Key No 62530-1)	1
14	51805	SWITCH, Oil pressure (LP only)	1
15	53395-1	FILTER-FUELOCK, (LP only)	1
16	+	COIL, Ignition	1
17	07423	FUSE, 15 amp	6
	14141	BLOCK, Fuse	1
18	32300	RELAY, Horn	1
19	47010	BUTTON, Horn	1
20	14138A	HORN	1
21	47474	SENDING UNIT, Fuel level	1
	14131	GASKET	1
22	47472	GAUGE, Fuel level	1
23	24518	METER, Hour	1
	28838	DAMPER, Hour meter	1
24	10701	SWITCH	1
	07421	PLATE, On - off	1
25	46711	LIGHT, Instrument panel	1
	GE #68HD	BULB	1
26	22465	CURBLIGHT	1
	32827	BULB	1
27	51569	HEAD LIGHT ASSEMBLY	2
	51570	BULB, Sealed beam	1
28	51572	TAILLIGHT ASSEMBLY	2
	45780	BULB	2
29	13959	SENDING UNIT, Brake light	1
30	180*	FLASHER, Turnsignal	1
31	14135A	SWITCH, Turnsignal	1
32	46683	TURN SIGNAL, Front	2
	GE #1889	BULB	2
33	24576	FLASHER	1
34	47535-2	LIGHT ASSEMBLY, Flashing	1
	GE #1196	BULB	1

4/82

(next page)

Fig. 19 - ELECTRICAL SYSTEM (continued)

Ref. No.	TENNANT Part No.	Description	Qty.
35	46928	LIGHT ASSEMBLY, Rotating	1
	45670	BULB	1
36		MOTOR, Heater fan	1
37	13711	MOTOR, Defroster fan	1
38	23945	MOTOR, Wiper	1
	14347	STRIP, Terminal	1
	52528	GAUGE, Temperature, mechanical(one-piece unit includes both sending unit on engine & gauge)	1
	14346	STRIP, Terminal	1
	52926A	** WIRE ASSEMBLY, Complete	1
	52964A	HARNESS, Wire	1
	45586A	WIRE KIT, Horn ,includes wires 5,21,33,37,83	1
39	50565	DIODE ASSEMBLY, (LP Only)	1
	49287	CLAMP, Wire Harness	1
	62084	TIE, Cable	3
	09385	CLAMP, Cable	3

** Before serial no. 4411, wire assembly 52926A was 52926. For field replacement of 52926, order SK2263.

+ See Engine Parts Section for part numbers.

MODEL 92 LIST OF DECALS

TENNANT Part No.	Description	Qty.
51684	Data Plate #92 Power Sweeper	1
24049	Data Plate, LP	1
10735	Data Plate, UL Label Type LP	1
52937	Decal	1
51911	* Decal Kit, 92	1
51708	Decal, #92 Blue background	1
48242	Decal, Alternator	1
47890	Decal, Caution 92 Standard	1
62088	Decal, Caution Rotating Fins	1
45850	Decal, Diesel Fuel Only	1
52013	Decal, Engine Throttle	1
36793	Decal, Fan Control	1
62090	Decal, Filter Shaker	1
62690	Decal, Fuel Level Check	1
19048	Decal, Gasoline Only	1
45851	Decal, Hydraulic Oil	1
48088-6	Decal, Instructions	1
51773	Decal, Main Brush Lift	1
51774	Decal, Side Brush On	1
45742-6	Decal, TENNANT Black letters	1
54807	Decal, Throttle	1
62770	Decal, Tire Pressure	1
48195	Decal, Warning-Run Engine At	1
65072	Decal, Caution Hopper	1
45581	Decal, Factory Mutual Type D	1
45579	Decal, Factory Mutual Type G	1
45580	Decal, Factory Mutual Type LP	1
53348B-2	Decal, Filter Element	1
53733-3	Decal for Motor 53733	1
62550-1	Decal for Valve 62550	1
65022	Decal, Hopper Door	1
65082	Decal, Hopper Door	1
52599	Decal, Hydraulic Valve	1
46193	Decal, TENNANT, Blue green background	1
48318	Decal, UL Type D	1
47454	Decal, UL Type G	1
51368	Decal, Warning Keep Radiator Fins Clean	1
36603	Decal, Patent, power sweeper	1
32399	Decal, Hydraulic fluid	1
47891	Decal, Caution, 92 Hi-Dumps	2
52960	Tape, Trim, black, 1" x 53" (25 x 1,346 mm)	1
52960-1	Tape, Trim, black, 1" x 124" (25 x 3,150 mm)	1
52961	Tape, Trim, black, 2" x 83" (51, x 2,108 mm)	1

92 HI-DUMP POWER SWEEPER

hi-dump parts

CONTENTS	PAGE
Fig. - Main Frame & Related Parts	1-3
Fig. 2 - Filter Box & Hopper (Current)	4-6
Fig. 2A - Filter Box & Hopper (Obsolete)	7-9
Fig. 3 - Filter Bag, Bumper	10-11
Fig. 4 - Side Brush Suspension	12
Fig. 5 - Complete Hydraulic System	13
Fig. 5A - Hydraulic Tank	14
Fig. 5B - Hydraulic Wheel Drive Motor	15
Fig. 5C - Hydraulic Filter & Fan	16-17
Fig. 5D - Hydraulic Lift Cylinder & Main Brush	18-19
Fig. 5E - Hydraulic Hopper Dump Cylinder	20-21
Fig. 5F - Hydraulic Side Brush Motor	22-23
Fig. 5G - Hydraulic Control Valves	24-25
Fig. 5H - Hydraulic Pump & Controls	26-27
Fig. 6 - Electrical Diagram	28-33
Fig. 7 - Electrical System Parts List	34-35
Fig. 8 - Rear Tire & Wheel Assembly	36

NOTE: The parts shown in this section are used only on the Hi-Dump Model. All other parts which are common to both the Hi-Dump Model and the standard machine are shown in the standard "PARTS LIST".

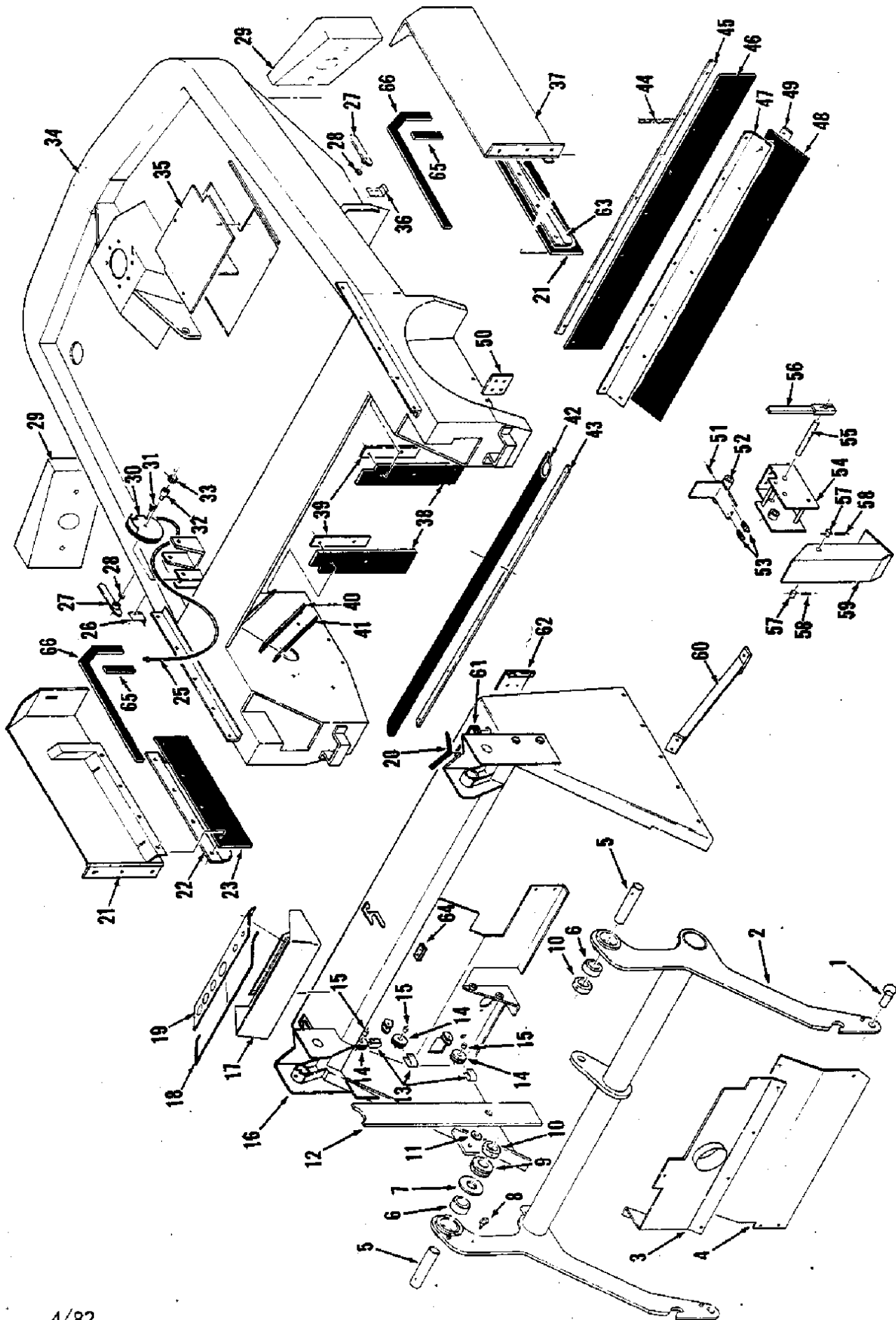


Fig. 1 - MODEL 92 HI-DUMP MAIN FRAME & RELATED PARTS

FIG. 1 - MODEL 92 HI-DUMP MAIN FRAME & RELATED PARTS

Ref. No.	TENNANT Part No.	Description	Qty.
1	51316	PIN, Hopper lift arm	2
2	52055	ARM, Hopper Lift	1
3	36203	* PANEL, Lintel access	1
4	36735	* PANEL, Lintel access	1
5	52062	PIN, Lift arm pivot	2
6	42120-9	BEARING, Lift arm pivot pin	2
7	32818	WASHER	1
8	11893	EYE-BOLT	1
9	32817	*** SHEAVE, Cable	1
10	32816	*** COLLAR, Locking	2
11	24227	WASHER, Safety arm	1
12	52607	ARM, Safety	1
13	46327	GUIDE, Cable	3
14	46328	ROLLER, Cable	3
15	01275	BUSHING, Cable roller	3
16	36727	** LINTEL	1
17	51478	WRAP, Instrument panel	1
18	51559	SEAL, Instrument panel	1
19	51476	PANEL, Instrument	1
20	62595-6	MOLDING	3
21	62104	DOOR, Brush, right hand	1
22	62629	RETAINER, Side skirt, R.H.	1
23	62169	SKIRT, Side, floor	1
25	62792	CABLE, Speed limiter	1
26	51172	CLIP, Brush door, right hand	1
27	52290	LATCH, Brush door	2
28	52296	WASHER, Nylon	2
29	52115	COUNTER-WEIGHT	2
30	62664	STOP, Foot pedal	1
31	29087	BOLT, Special shouldered	1
32	62667	SLEEVE	1
33	20029	SPRING, Speed limiter return	1
34	62632	FRAME, Main	1
35	52493	PLATE, Frame cover	1
36	51172-1	CLIP, Brush door, left hand	1
37	62109	DOOR, Brush, left hand	1
38	51090	SEAL, Side, hopper	2
39	51091	BACKING, Side seal	2
40	65076	SEAL, Side	2
41	65107	RETAINER, Side seal	2
42	51233	SEAL, Hopper top	1
43	51094	STRIP, Hopper top seal	1
44	09342	CHAIN	1
45	62111	RETAINER, Rear skirt	1
46	65073	SKIRT, Rear, floor	1
47	62152	BRACKET, Deflector	1

(Continued on next page)

FIG. 1 - MODEL 92 HI-DUMP MAIN FRAME & RELATED PARTS (continued)

Ref. No.	TENNANT Part No.	Description	Qty.
48	62153	SKIRT, Deflector	1
49	62644	RETAINER, Deflector skirt	1
50	52571	PLATE, Safety leg mounting	1
	52564	SUPPORT ASSEMBLY, Safety leg	1
51	23999-3	PIN, Roll	1
52	52575	STOP, Safety leg bracket	1
53	13352	SPRING	2
54	52570	MOUNT, Leg	1
55	52577	SHAFT, Safety leg	1
56	52576	LEVER, Safety leg stop	1
57	52568	PIN, Safety leg pivot	2
58	26239	PIN, Roll	2
59	52565	CHANNEL, Safety leg	1
60	65054	BRACE, Lintel	1
61	40642-1	MOLDING, Lintel	1
	62587	PLATE, Lintel cover	1
	51911	DECAL KIT (consists of "Tennant" & "92")	1
62	62421	PLATE, Fuse block mounting	1
63	62629-1	RETAINER, Side skirt, L.H.	1
64	36847	STRIP	1
65	65079-1	SEAL, Brush door, 4.3" (826 mm)	2
66	65079	SEAL, Brush door, 32.5" (109 mm)	2
	78139	FASTENER	1
	47954	SLEEVE, Drag Chain	1

*NOTE: 36203 & 36735 replaces the obsolete #62723 one-piece lintel access panel.

**NOTE: New 36727 Lintel (with welded-on pivot towers) replaces obsolete #52850 lintel & #52265 bolted-on pivot towers.

***NOTE: Machines with serial number up to and including 5117 used cable roller 62793A. To replace 62793A, order SK2535.

FIG. 2
 MODEL 92 HI-DUMP FILTER BOX
 & HOPPER ASSEMBLY
 CURRENT DESIGN WITH "SPLIT-
 TYPE" DOOR
 (First used on machine serial #923873)

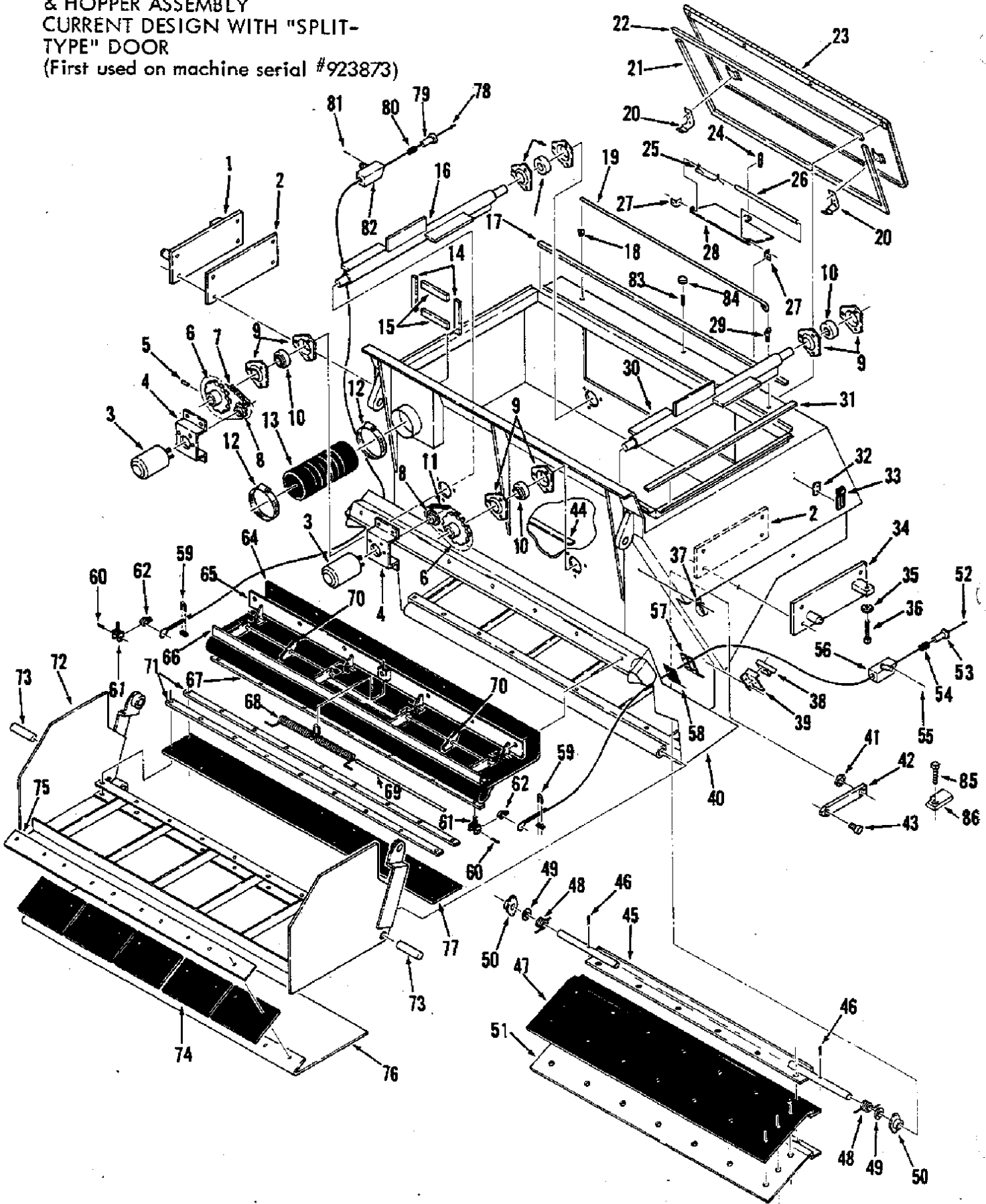


FIG. 2 - 92 HI-DUMP HOPPER & FILTER BOX GROUP
 (Current design used on machines with serial number 3873 and above)

Ref. No.	TENNANT Part No.	Description	Qty.
1	51156	ADJUSTER, Hopper (left)	1
2	51728	PLATE, Inner hopper	2
3	23625	MOTOR, Shaker (sealed motor)	2
	00500-5	KEY, Shaker motor	1
4	51402	MOUNT, Shaker motor, left hand	2
5	23146	PIN, Roll	2
6	23628	SPROCKET, Large	2
	23630	CHAIN	1
8	23626	SPROCKET, Small	2
9	51137	FLANGE, Bearing	8
10	23624	BEARING & COLLAR	4
11	23630	CHAIN	2
12	23498	CLAMP, Wormdrive	2
13	52074	DUCT	1
14	51085	SEAL, Vacuum cover	2
15	51084	SEAL, Vacuum cover	2
16	51089	SHAKER	1
17	51159	GASKET, Hopper cover (long)	2
18	23446	CLAMP, Hood support rod	1
19	62794	ROD, Hood support	1
20	51934	CATCH, Hopper door	2
21	51164	GASKET, Hopper door	1
22	51163	GASKET, Hopper door	1
23	51047	DOOR, Hopper	1
24	5K1511	LINK, Fusible (Fire safety link)	1
25	51372	SPRING, Fire door	1
26	46088	HINGE, Fire door	1
27	46087	PIVOT, Fire door	2
28	51149	DOOR, Fire	1
29	11893	EYE BOLT	1
30	51089	SHAKER	1
31	51162	GASKET, Hopper cover (short)	2
32	23515	STRIP	2
33	48048	LATCH, Hopper cover	2
34	51151	ADJUSTER, Hopper (right)	1
35	52501	NUT, Hex, 0.75" - 10	2
36	52502	BOLT, 0.75" - 10 x 2"	2
37	09384	CLAMP, Cable	2
38	44847	SWITCH, Hopper door	1
39	65080	BRACKET, Hopper door switch	1
40	32804	HOPPER	1
41	75371	COLLAR, Locking	2
42	36894	ARM, Control	1
43	48930	CAM, Follower	1
44	36890	SEAL	1
45	36892	ROD, Dust Control Door	1
46	----	PIN, Cotter, 0.06" x 0.75"	2
47	36889	SEAL, Dust	1

(CONTINUED ON NEXT PAGE)

FIG. 2 - 92 HI-DUMP HOPPER & FILTER BOX (continued)

Ref. No.	TENNANT Part No.	Description	Qty.
48	36896	SPRING, Dust Control door	2
49	----	WASHER, Flat - 1/2	2
50	47585	BEARING, Flange	2
51	36888	DOOR, Dust Control	1
	39569	CABLE ASSEMBLY, Upper Door, R.H.	1
52	39572A	CABLE ASSEMBLY, Ball & Plain	1
53	39570 A	RETAINER, Spring	1
54	39577	SPRING, Compression	1
55	23146	PIN, Roll	1
56	39583	HOUSING, Cable & Spring R.H.	1
57	39565	RETAINER, Seal	4
58	39588	SEAL	2
59	39576	CLIP, Wire Rope	2
60	----	PIN COTTER , 0.13 x 1.25"	2
61	39598	CLEVIS, Cable	2
62	39575	THIMBLE, Wire Rope	2
63	65073	SKIRT, Hopper, rear	1
64	39589	SEAL	1
65	39590	PLATE, Hinged Door, Upper	1
66	*39629	HINGED DOOR, Upper	1
67	39587	STRIP	1
68	39573A	SPRING	1
69	39597	ROD, Hinge	1
70	39574	STOP, Door	2
71	65034	RETAINER, Hopper Seal, Lower	2
72	+32592	DOOR, Hopper	1
73	65046	PIN, Hopper Door	2
74	39567	SKIRT, Hopper Door	5
75	62752	RETAINER, Hopper Door, Skirt	1
76	39578-1	PLATE, Hopper ware	1
77	65033	SKIRT, Hopper, Lower	1
	39568	CABLE ASSEMBLY, Upper Door, L.H.	1
78	39572A	CABLE ASSEMBLY, Ball & Plain	1
79	39570 A	RETAINER, Spring	1
80	39577	SPRING, Compression	1
81	23146	PIN, Roll	1
82	39582	HOUSING, Cable & Spring	1
83	51139	STUD, Latch fastener	1
84	51140	FASTENER, Cover latch	1
85	-	SCREW, Square head, 5/16" - 18 x 2"	1
86	39561	BLOCK, Adjusting screw	1
	47571	FASTENER	2
	09900-1	SLEEVE	3

*Note: Before Serial No. 3873 , the Upper Hinged Door 39629 was 39593; Spring 39573A was 39573. To replace the previous parts, order SK2547

** Note: Before Serial No. 4451, Hopper 32804 was 65050A. To update old-style hopper to new dust dump door design, order SK2204.

+ Machines with serial number up to and including 5117 used previous hopper door 39579. To replace door 39579, order SK2596

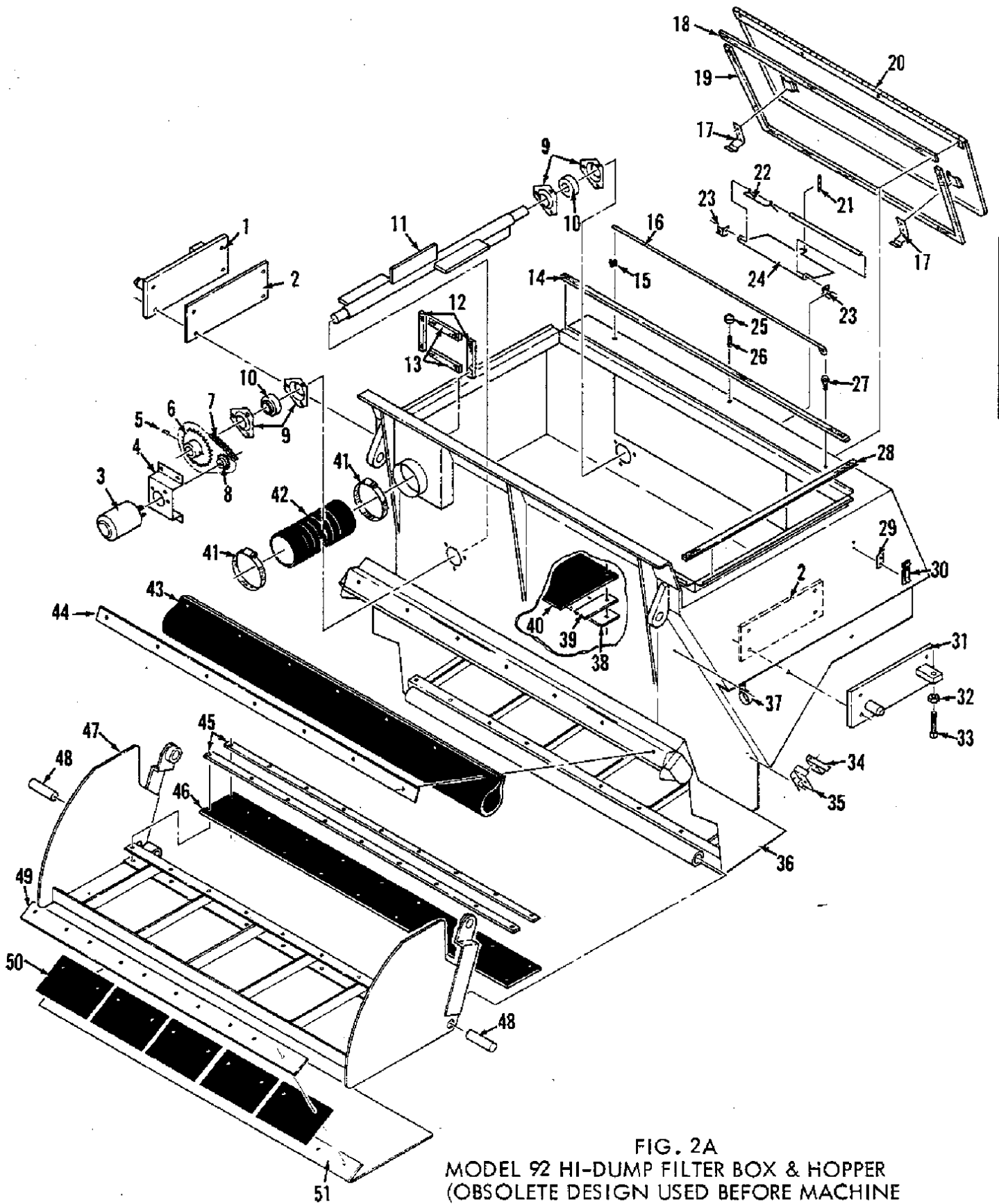
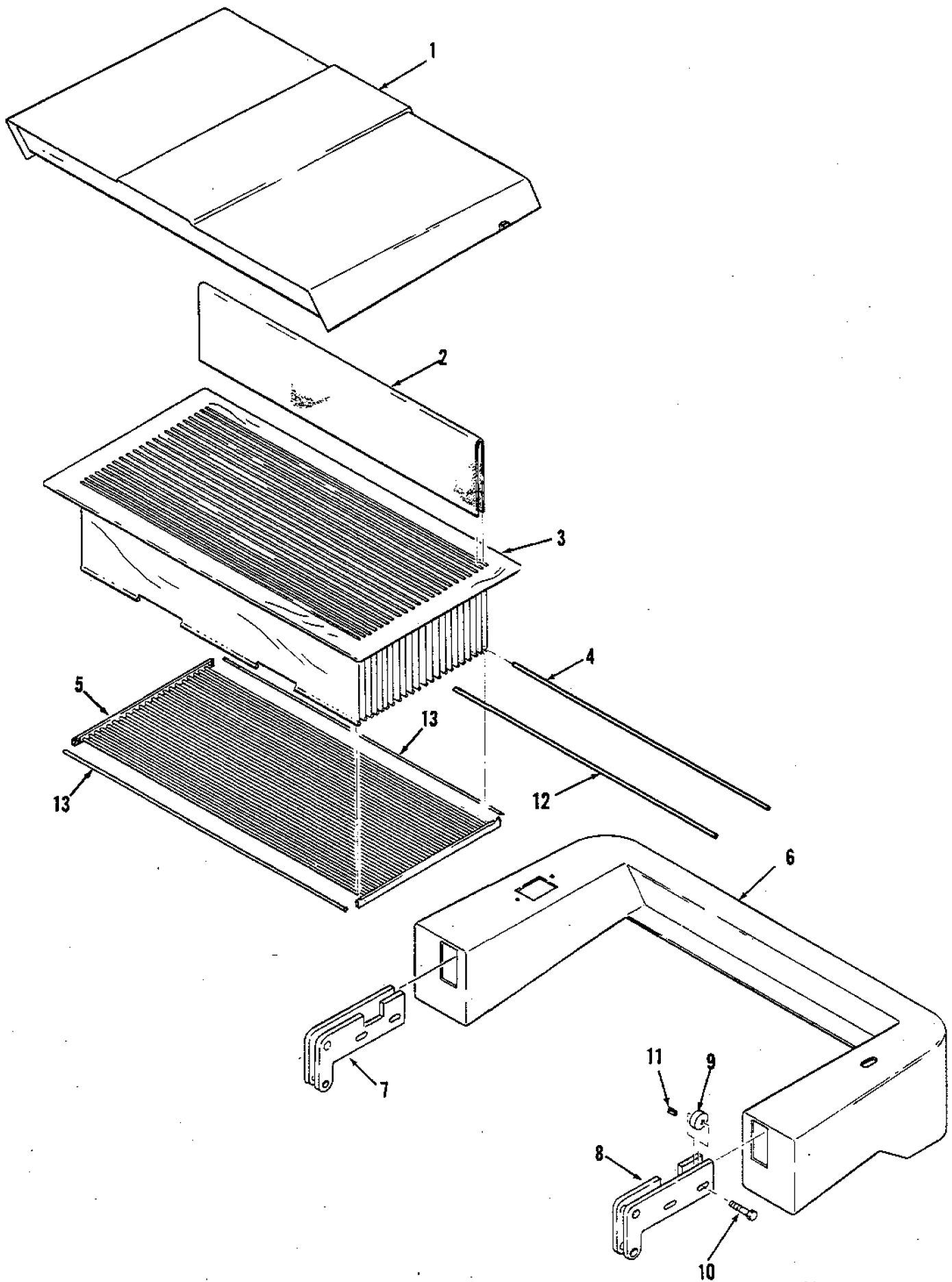


Fig.2A - MODEL 92 HI-DUMP FILTER BOX & HOPPER ASSEMBLY
 (Obsolete design used on machines with serial number up to and including 3872)

Ref. No.	TENNANT Part No.	Description	Qty.
1	51156	ADJUSTER, Hopper (left)	1
2	51728	PLATE, Inner hopper	2
3	23625	MOTOR, Shaker (sealed motor, not repairable)	2
	00500-5	KEY, Shaker motor	1
4	51402	MOUNT, Shaker motor	2
5	23146	PIN, Roll	2
6	23628	SPROCKET, Large	2
7	23630	CHAIN	2
8	23626	SPROCKET, Small	2
9	51137	FLANGE, Bearing	8
10	23624	BEARING & COLLAR, Shaker	4
11	51089	SHAKER	2
12	51085	SEAL, Vacuum cover	2
13	51084	SEAL, Vacuum cover	2
14	51159	GASKET, Hopper cover (long)	2
15	23446	CLAMP, Hood support rod	1
16	62794	ROD, Hood support	1
17	51934	CATCH, Hopper door	2
18	51163	GASKET, Hopper door	2
19	51164	GASKET, Hopper door	2
20	51047	DOOR, Hopper	1
21	SK1511	LINK, Fusible	1
22	51372	SPRING, Fire door	1
23	46087	PIVOT, Fire door	2
24	51149	DOOR, Fire	1
25	51140	FASTENER, Cover latch	1
26	51139	STUD, Latch fastener	1
27	11893	EYE-BOLT	1
28	51162	GASKET, Hopper cover (short)	2
29	23515	STRIP	2
30	48048	LATCH, Hopper cover	2
31	51151	ADJUSTER, Hopper (right)	1
32	52501	NUT, Hex (3/4" -10)	2
33	52502	BOLT (3/4" -10 x 2)	2
34	44847	SWITCH, Hopper door	1
35	65080	BRACKET, Hopper door switch	1
36	65050	HOPPER	1
37	09384	CLAMP, Cable	2
38	65036	RETAINER, Seal	1
39	62748	SPRING	3
40	65035	SEAL	1
41	23498	CLAMP, Duct	2

Fig.2A - MODEL 92 HI-DUMP FILTER BOX & HOPPER ASSEMBLY (cont.)

Ref. No.	TENNANT Part No.	Description	Qty.
42	52074	DUCT	1
43	65071	SKIRT, Hopper, upper	1
44	65070	RETAINER, Hopper seal, upper	1
45	65034	RETAINER, Hopper skirt, lower	2
46	65033	SKIRT, Hopper lower	1
47	62750	DOOR, Hopper	1
48	65046	PIN, Hopper door	2
49	62752	RETAINER, Hopper door skirt	1
50	62756	SKIRT, Hopper door	5
51	62755-1	PLATE, Hopper wear	1



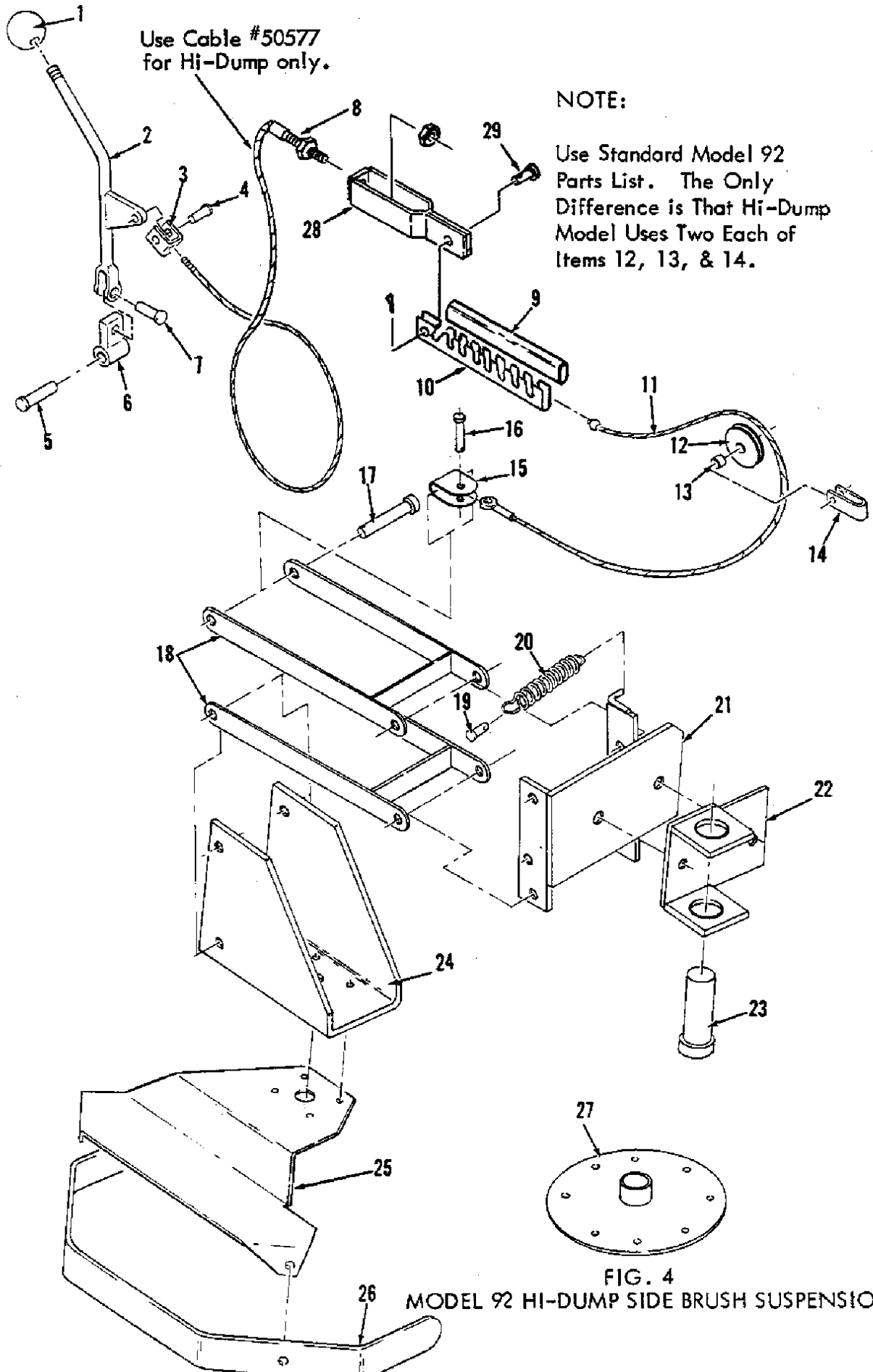
5/79

Fig. 3 - MODEL 92 HI-DUMP FILTER BAG, BUMPER & RELATED PARTS

FIG. 3 - BUMPER, FILTER BAG & RELATED PARTS

Ref. No.	TENNANT Part No.	Description	Qty.
1	65060	COVER, Filter box	1
2	51135	SEPARATOR, Bag	11
3	*50466	BAG, Filter	1
4	51188	ROD, Bag straightener	19
5	*50465	RACK, Bag	1
6	65026	BUMPER, Front	1
7	51116	ADAPTER, Hopper, left hand	1
8	51116-1	ADAPTER, Hopper, right hand	1
9	51128	CAM, Lift bar	4
10	51108	BOLT, Special , 0.63" - 11 x 3"	4
11	00500-5	KEY, Woodruff (in cam)	4
12	65067	ROD, Bag straightener, hardened	3
13	51081-1	TUBE, Bag rack	2

*NOTE: Previous filter bag was #51045, used only with 51082 bag rack. This design did not use the two bag rack tubes, item # 13. To replace bag #51045 and rack #51082, order kit #SK2138.



Home

Find...

Go To..

12

↑

↓

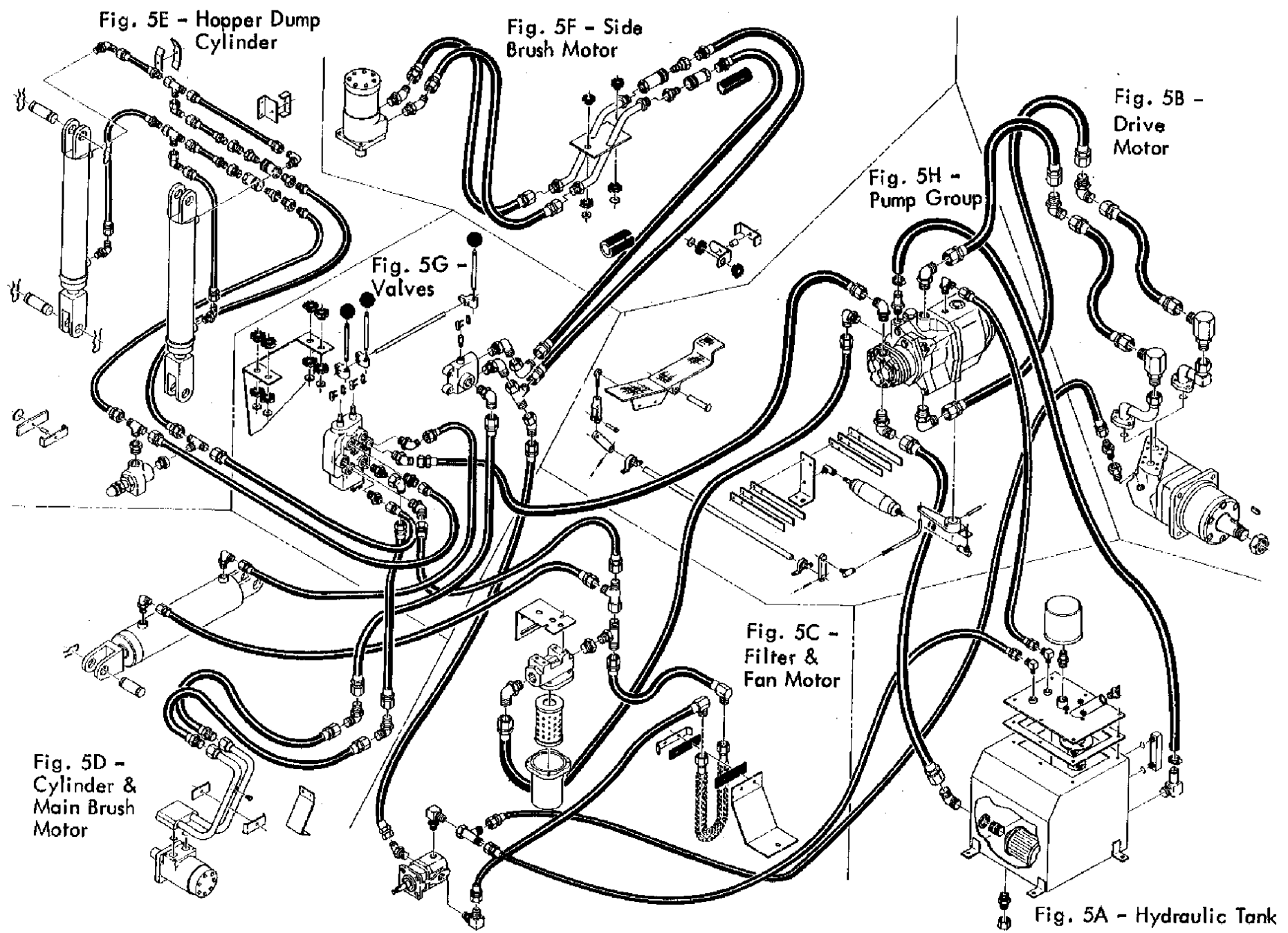
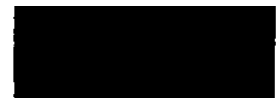


Fig. 5 - MODEL 92 HI-DUMP HYDRAULIC SYSTEM (see following pages for parts groups)



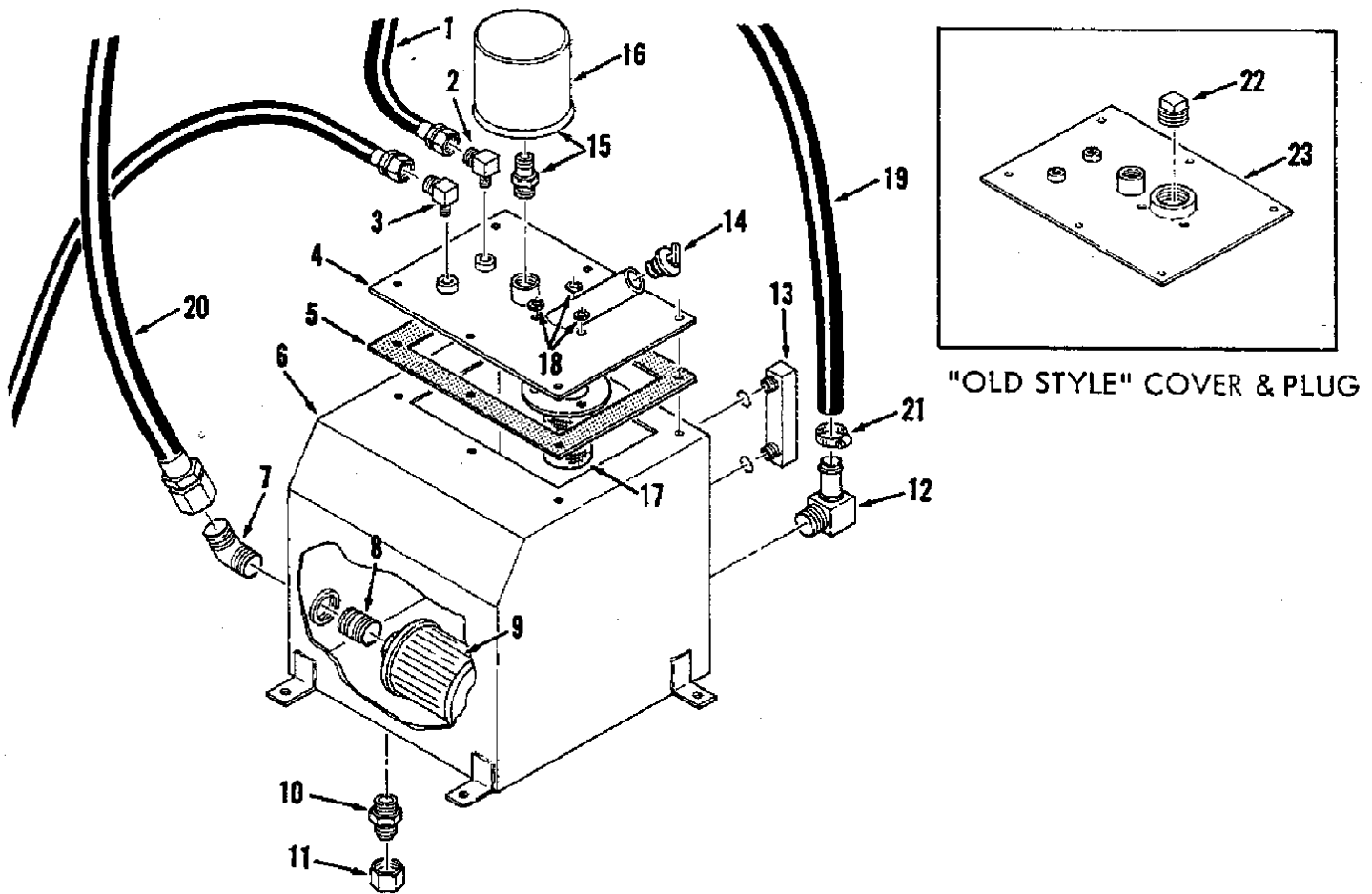


Fig. 5A - MODEL 92 HI-DUMP HYDRAULIC TANK PARTS GROUP

Ref No.	TENNANT Part No.	Description	Qty.
1	44862	HOSE	1
2	45476	ELBOW	1
	39709	TANK ASSEMBLY, Hydraulic	1
3	55455	ELBOW	1
4	*39720	COVER, Tank	1
5	52733	GASKET, Cover	1
6	52729	TANK, Hydraulic fluid	1
7	62391	ELBOW	1
8	02546	NIPPLE	1
9	51835	FILTER, Sump	1
10	46607	ADAPTER, Drain plug	1
11	47579	PLUG, Drain	1
12	47822	ELBOW	1
13	48081	GAUGE, Oil level sight	1
14	39727	CAP, Tank filler	1
15	53430	VALVE, Breather & relief	1
16	53431	ELEMENT, Breather	1
17	48086	SCREEN, Hydraulic tank	1
18	50022	WASHER	3
19	47821	HOSE.	1
20	53164-3	HOSE	1
21	11399	CLAMP, Wormdrive	1
22	48117	PLUG, Filler	1
23	SK2056	COVER, Hydraulic tank	1

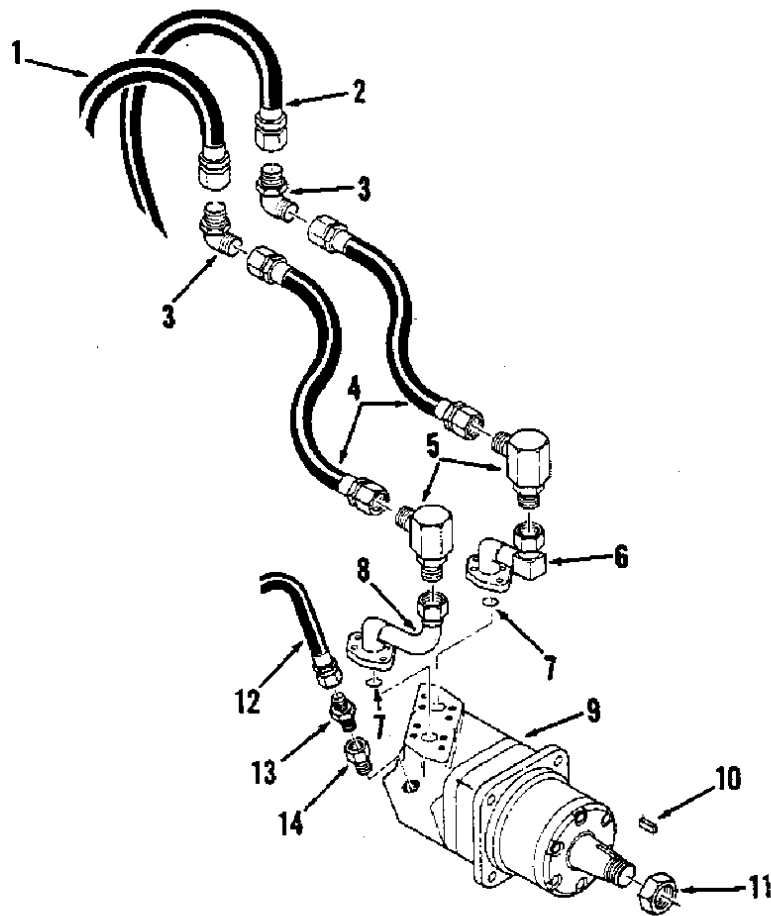


Fig. 5B - MODEL 92 HI-DUMP DRIVE MOTOR GROUP

Ref. No.	TENNANT Part No.	Description	Qty.
1	51748	HOSE	1
2	51748	HOSE	1
3	51785	ELBOW, Bulkhead	2
4	51809	HOSE	2
5	62717	ELBOW (Seal Kit SK1172)	2
6	62716	TUBE ASSEMBLY	1
7	11453	"O"-RING	2
8	62715	TUBE ASSEMBLY	1
9	75025	+MOTOR, Hydraulic drive (Seal Kit SK2457)	1
	SK1614	SEAL KIT, overhaul	1
	SK1547	SEAL KIT, shaft	1
10	45623	KEY	1
11	45622	NUT	1
12	50955	* HOSE, Case drain	1
13	56708	* CONNECTOR	1
14	76835	* CONNECTOR	1

* Used on machines with drive motor case drain system

+ Before serial no. 4729, Char-Lynn Motor was 47936-1. Motor 47936-1 replaced motor 42162-1 beginning with serial no. 2990. To replace 42162-1, order SK2004.

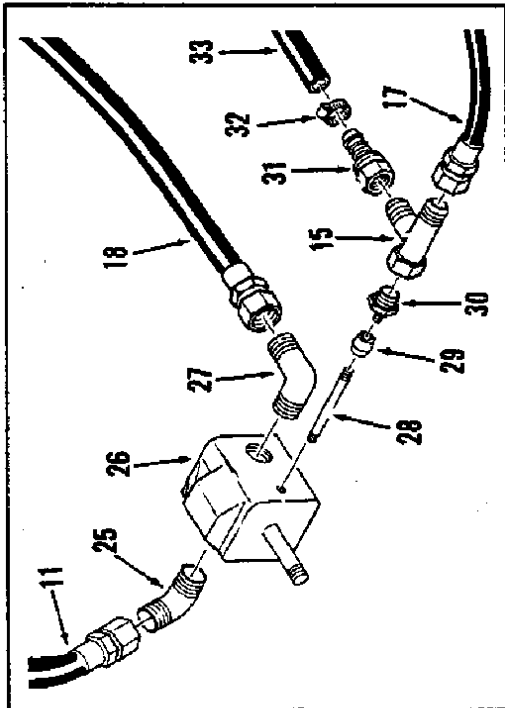
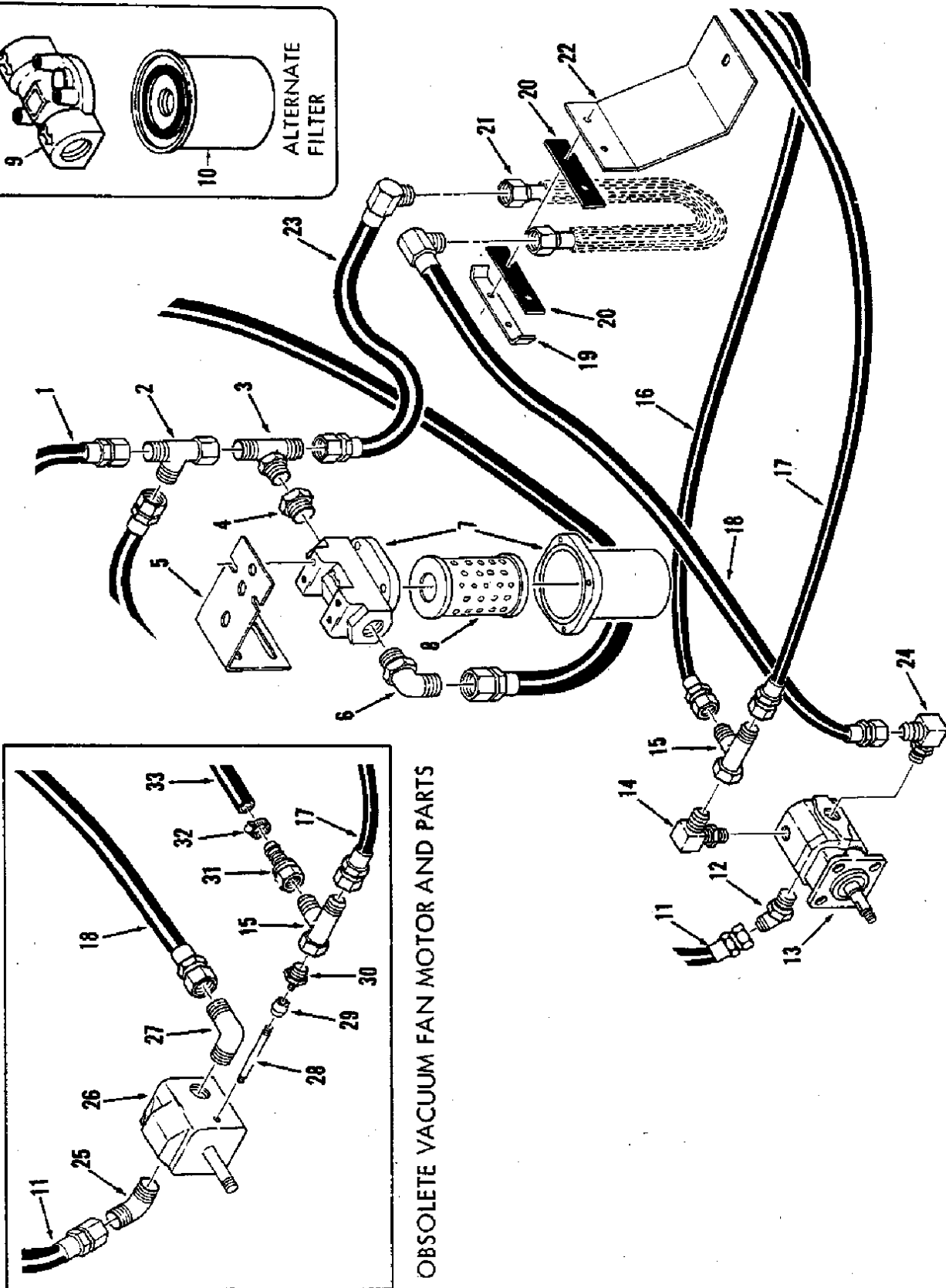
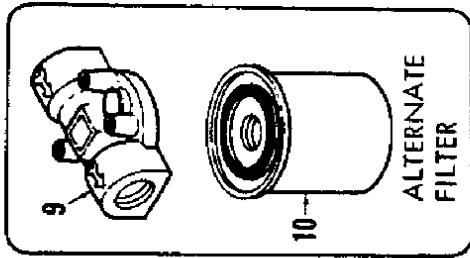


Fig. 5C - MODEL 92 HI-DUMP HYDRAULIC FILTER & FAN MOTOR GROUP.

FIG. 5C - MODEL 92 HI-DUMP HYDRAULIC FILTER &
FAN MOTOR PART GROUP

Ref No.	TENNANT Part No.	Description	Qty.
1	53083-8	HOSE	1
2	51779	TEE	1
3	48286	TEE	1
4	47516	CONNECTOR	1
5	62645	BRACKET, Filter mounting	1
6	46481	ELBOW	1
7	53348B	* FILTER ASSEMBLY, Hydraulic (Standard Ripley)	1
8	53348-1	ELEMENT, Filter	1
9	67718	* FILTER ASSEMBLY, Hydraulic (Alternate Deluxe)	1
10	67718-2	ELEMENT, Filter	1
11	62157	HOSE	1
12	77099	ELBOW, 45°	1
13	77100	* MOTOR, Vacuum fan (includes hardware)	1
	SK2561	SEAL KIT	1
14	77098	ELBOW	1
15	42215	TEE	1
16	50955	HOSE	1
17	62714	HOSE	1
18	62008	HOSE	1
19	52997	CLAMP, Mounting bracket	1
20	52996	STRIP, Rubber	2
21	52909	HEAT EXCHANGER	1
22	62179	BRACKET, Heat exchanger mounting	1
23	62185	HOSE	1
24	56827	ELBOW	1
25	46485	ELBOW	1
26	53733 & -1	MOTOR, Vacuum fan (obsolete)	1
	SK2561	SEAL KIT	1
27	46611	ELBOW	1
28	54279	NIPPLE	1
29	11848	COUPLING	1
30	56708	CONNECTOR	1
31	76590	CONNECTOR	1
32	54333	CLAMP	1
33	32320	HOSE	1

* Either hydraulic oil filter may be used on your machine. Check filter for correct part number (located on filter) before ordering parts or replacement.

* To replace the obsolete vacuum fan motors 53923 and 53923-1, order SK2560.

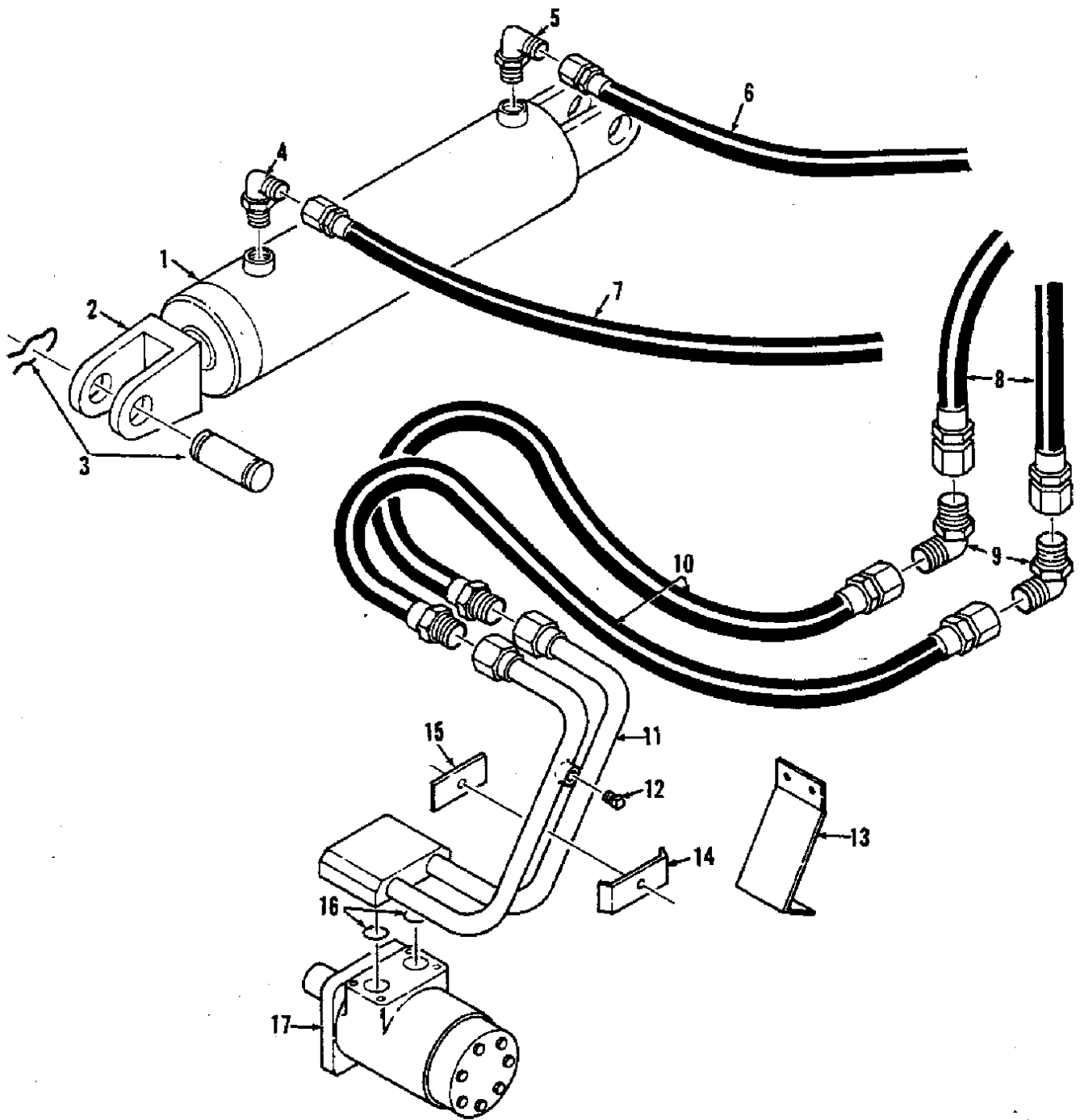


Fig. 5D- MODEL 92 HI-DUMP LIFT CYLINDER & MAIN BRUSH MOTOR

Fig. 5D MODEL 92 HI-DUMP LIFT CYLINDER & MAIN BRUSH MOTOR

Ref. No.	TENNANT Part No.	Description	Qty.
	62760	CYLINDER ASSEMBLY, Hopper lift	1
1	62710	CYLINDER, Lift (Green)	1
	SK1820	SEAL KIT	1
2	1234-2 (Green#)	CLEVIS	1
3	859 (Green#)	PIN & RETAINER	2
4	42213	ELBOW	1
5	62711-1	ELBOW	1
6	42222	HOSE	1
7	47517-1	HOSE	1
8	51753-1	HOSE	2
9	42243	ELBOW, Bulkhead	2
10	62156	HOSE	2
11	62151	BLOCK, Porting	1
12	10552	PLUG, Pressure testing	1
13	62121	BRACKET, Hose	1
14	51030	BRACKET, Porting block retaining	1
15	51029	STRIP, Rubber	1
16	51403	O-RING	2
17	47650	*MOTOR, Main brush (standard Char-Lynn)	1
	SK1600	SEAL KIT	1
	47514	*MOTOR, Main brush (alternate Ross)	(1)
	SK1694	SEAL KIT	(1)

* Either standard or alternate motor may be used.
 Check your machine for correct motor before ordering parts or seal kits.

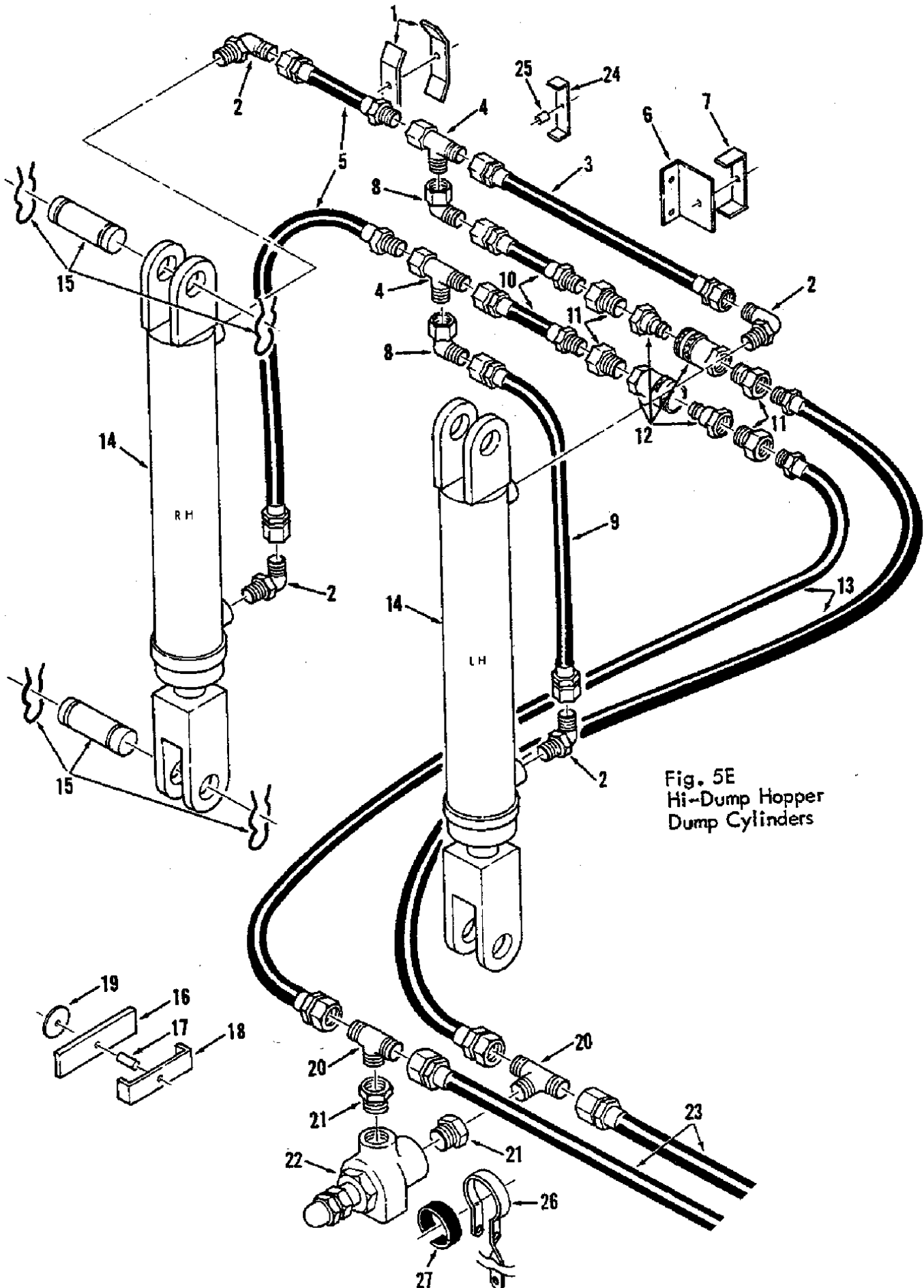


Fig. 5E
Hi-Dump Hopper
Dump Cylinders

FIG. 5E - MODEL 92 HI-DUMP HOPPER DUMP CYLINDERS

Ref No	TENNANT Part No.	Description	Qty.
1	62696	BRACKET, Hose mounting	4
2	55820	ELBOW	4
3	55555	HOSE	1
4	42215	TEE	2
5	42210-9	HOSE	2
6	65093	BRACKET, Hose mounting	1
7	65094	BRACKET, Hose mounting	1
8	47504	ELBOW	2
9	56703	HOSE	1
10	62112	HOSE	2
11	47637	CONNECTOR	4
12	65084	COUPLING, Quick disconnect (set)	2
13	65118	HOSE	2
14	62722	CYLINDER ASSEMBLY, Hopper dump	2
	SK1819	SEAL KIT	1
15	*C-4668	PIN & KEEPERS	2
16	62662	STRIP, Rubber	1
17	62663	SLEEVE, Rubber	1
18	65131	BRACKET, Hose mounting (4 hoses)	1
19	29240	WASHER, Nylon	1
20	44867	TEE	2
21	42214	CONNECTOR	2
22	65117	VALVE, Relief	1
	SK1704	SEAL KIT	1
23	65116	HOSE	2
24	65131	RETAINER, Hose	1
25	09900-1	SLEEVE	1
	51715	CLAMP, Hose	1
26	39546	BRACKET, Relief valve mounting	1
27	39547	PAD, Relief valve mount	1

* Green Company part number

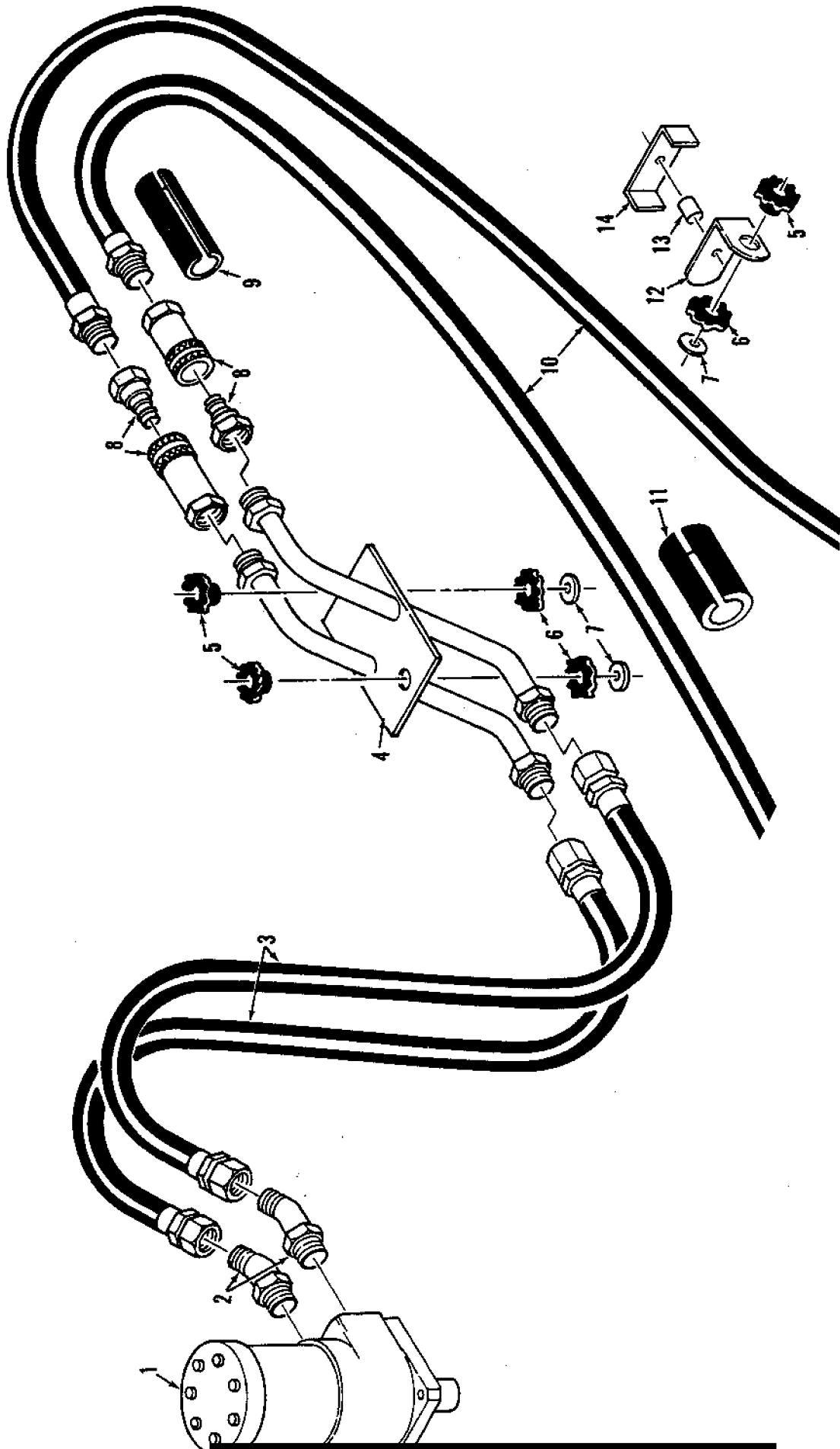


Fig. 5F - MODEL 92 HI-DUMP SIDE BRUSH MOTOR GROUP

Fig. 5F - MODEL 92 HI-DUMP SIDE BRUSH MOTOR GROUP

Ref. No.	TENNANT Part No.	Description	Qty.
1	47640	*MOTOR, Side brush (standard Ross)	1
	SK1694	SEAL KIT	1
	47650-1	*MOTOR, Side brush (alternate Char-Lynn)	(1)
	SK1600	SEAL KIT	(1)
2	47513	ELBOW, 45°	2
3	51752	HOSE	2
4	62707	TUBE ASSEMBLY	1
5	62173	BUSHING, Rubber	3
6	62172	RING, Rubber	3
7	30013	WASHER	3
8	42224	COUPLING, Quick-disconnect	2
9	51918	SLEEVE, Hose guard	2
10	62738	HOSE	2
11	62695	SLEEVE, Lintel hose guard	2
12	62697	BRACKET, Hose clamp	1
13	09900-1	SLEEVE	1
14	51715	CLAMP, Hose	1

NOTE: When alternate numbers are listed, be sure to check your machine for the correct part number before ordering seal kits or parts.

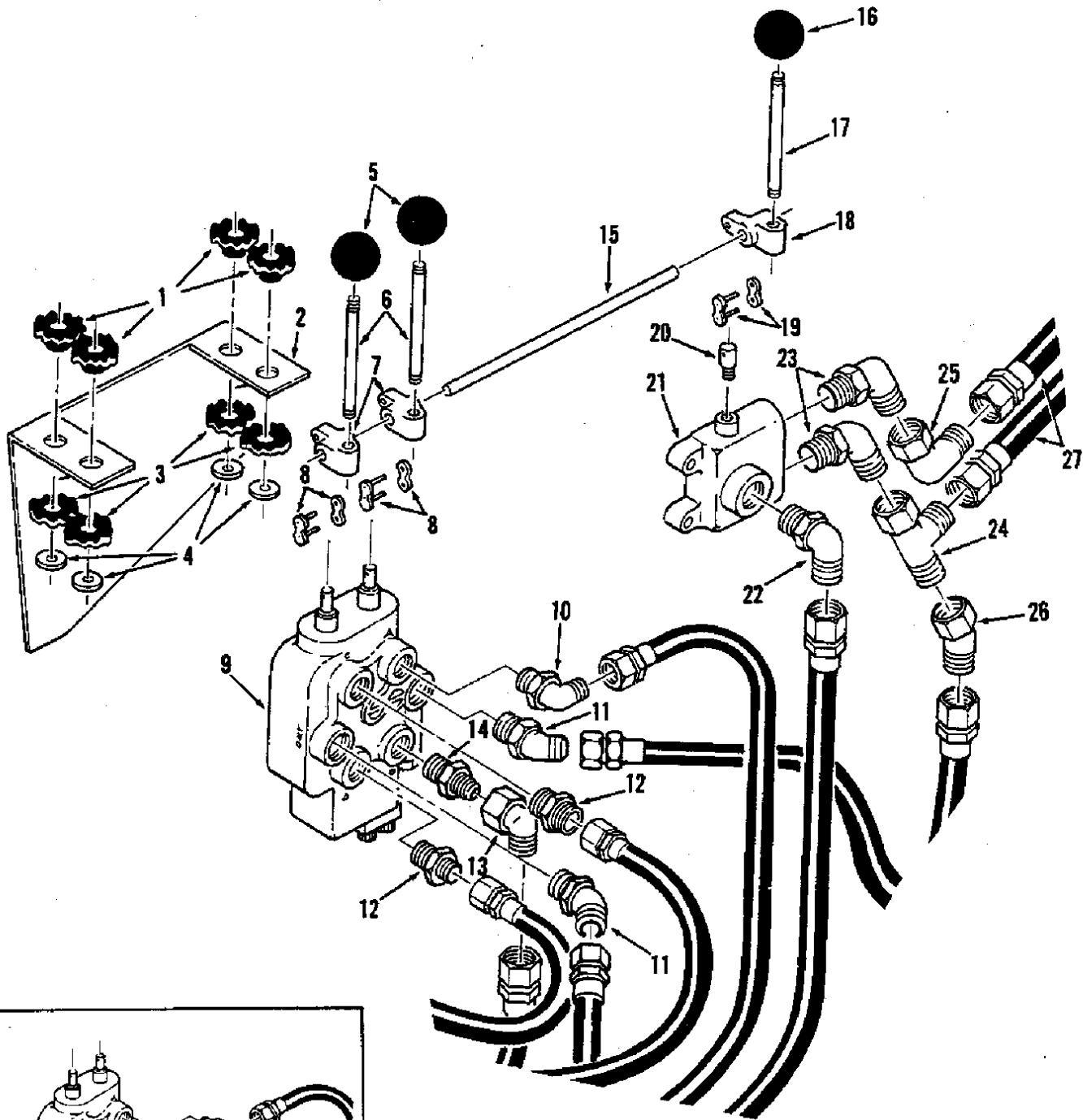
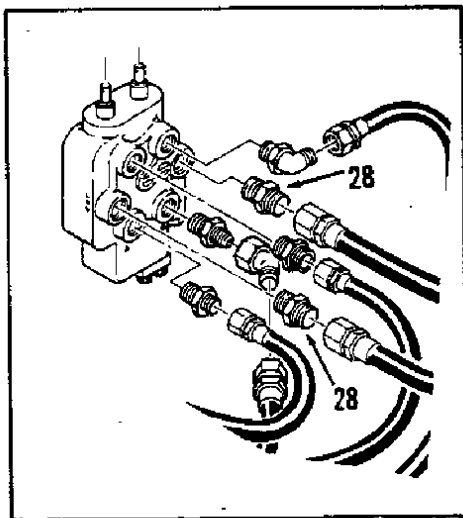


Fig. 5G - MODEL 92 HI-DUMP CONTROL VALVES GROUP



"OLD STYLE CONNECTOR"

FIG. 5G - 92 HI-DUMP CONTROL VALVES GROUP

Ref. No.	TENNANT Part No.	Description	Qty.
1	62173	BUSHING, Rubber	4
2	62679A	BRACKET, Valve mounting	1
3	62172	RING, Rubber	4
4	30013	WASHER	4
5	26565	KNOB	2
	62686	VALVE ASSEMBLY, Main control	1
6	62701	HANDLE	2
7	56757	PIVOT, Handle control	2
8	09318	LINK	2
9	65104	VALVE, Main control (Cessna)	1
	SK1745	SEAL KIT for 65104 valve	1
10	47512	ELBOW	1
11	44936	ELBOW, 45°	2
12	52402	CONNECTOR	2
13	54194	ELBOW	1
14	47518	CONNECTOR	1
15	62762	ROD	1
16	26565	KNOB	1
	62684	VALVE ASSEMBLY, Side brush shut-off	1
17	62701	HANDLE	1
18	56757	PIVOT, Handle control	1
19	09318	LINK	1
20	51311	ADAPTER, Handle	1
21	48108A	*VALVE, Shut-off (Gresen)	1
	SK1288	SEAL KIT for 48108A valve	1
	48108B	*VALVE, Shut-off (alternate Victor-Dukes)	1
	SK1806	SEAL KIT for 48108B valve	1
22	51782	ELBOW	1
23	44936	ELBOW, 45°	2
24	51779	TEE	1
25	54194	ELBOW	1
26	54017	ELBOW, 45°	1
27	62738	HOSE	2
28	46480	CONNECTOR	2

* NOTE: When standard & alternate components are listed, check your machine to determine which one was used before ordering a replacement or Seal Kit.

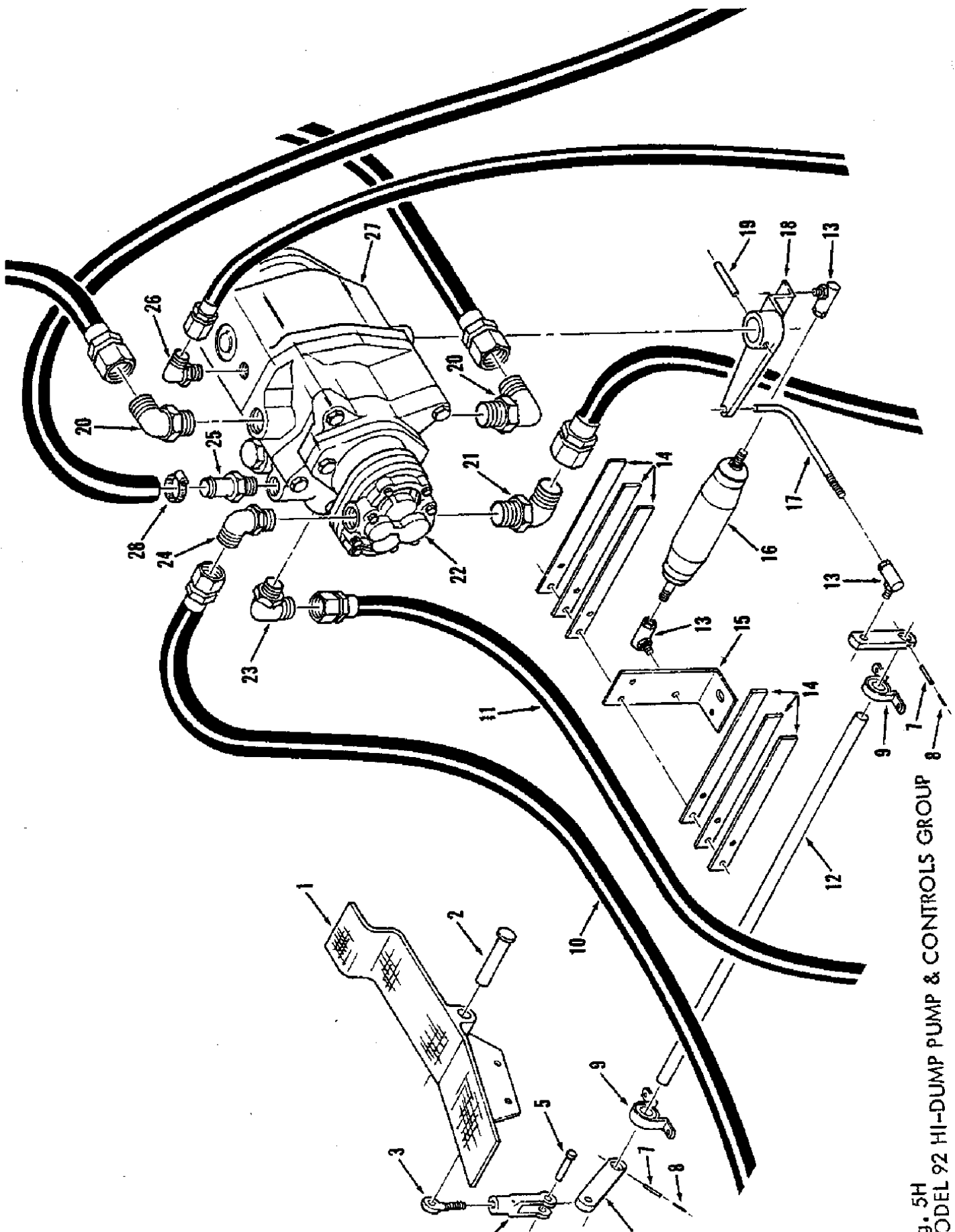


Fig. 5H
MODEL 92 HI-DUMP PUMP & CONTROLS GROUP

Fig. 5 H - MODEL 92 HI-DUMP PUMP & CONTROLS GROUP

Ref. No.	TENNANT Part No.	Description	Qty.
1	42240	PEDAL, Foot	1
2	06474A	PIN, Foot pedal	1
3	51303	EYE BOLT	1
4	14330	CLEVIS, Pump control	1
5	14331	PIN, Clevis	1
6	52789	ARM, Control	2
7	22134	PIN, Roll	2
8	46029	PIN, Roll	2
9	51304-1	BEARING, Pump control rod	2
10	53083-5	HOSE	1
11	62388	HOSE	1
12	52790	ROD, Pump control	1
13	14506	BALLJOINT	3
14	49681	SPRING, Pump control	6
15	52689	BRACKET, Pump control spring	1
16	62700	SHOCK ABSORBER	1
17	62720	ROD, Pump control	1
	52758	PUMP ASSEMBLY, Cessna	1
	65145-1	O-RING GLAND	1
18	62702	ARM, Pump control	1
19	14854	PIN, Roll	1
20	46481	ELBOW	2
21	52142	ELBOW	1
22	65145	PUMP, ACCESSORY	1
	SK1700	SEAL KIT	1
23	56827	ELBOW	1
24	51782	ELBOW	1
25	47823	CONNECTOR	1
26	56820	ELBOW	1
27	62584	*PUMP, Propelling	1
	SK1699	SEAL KIT	1
28	11399	CLAMP	1

*Note: Previous pump was #65144 (Cessna #70442-RBK). Pump Part No. is stamped on pump flange. To modify this pump with improved Rotating Group and Cam Plate, order Modification Kit No. SK1873.

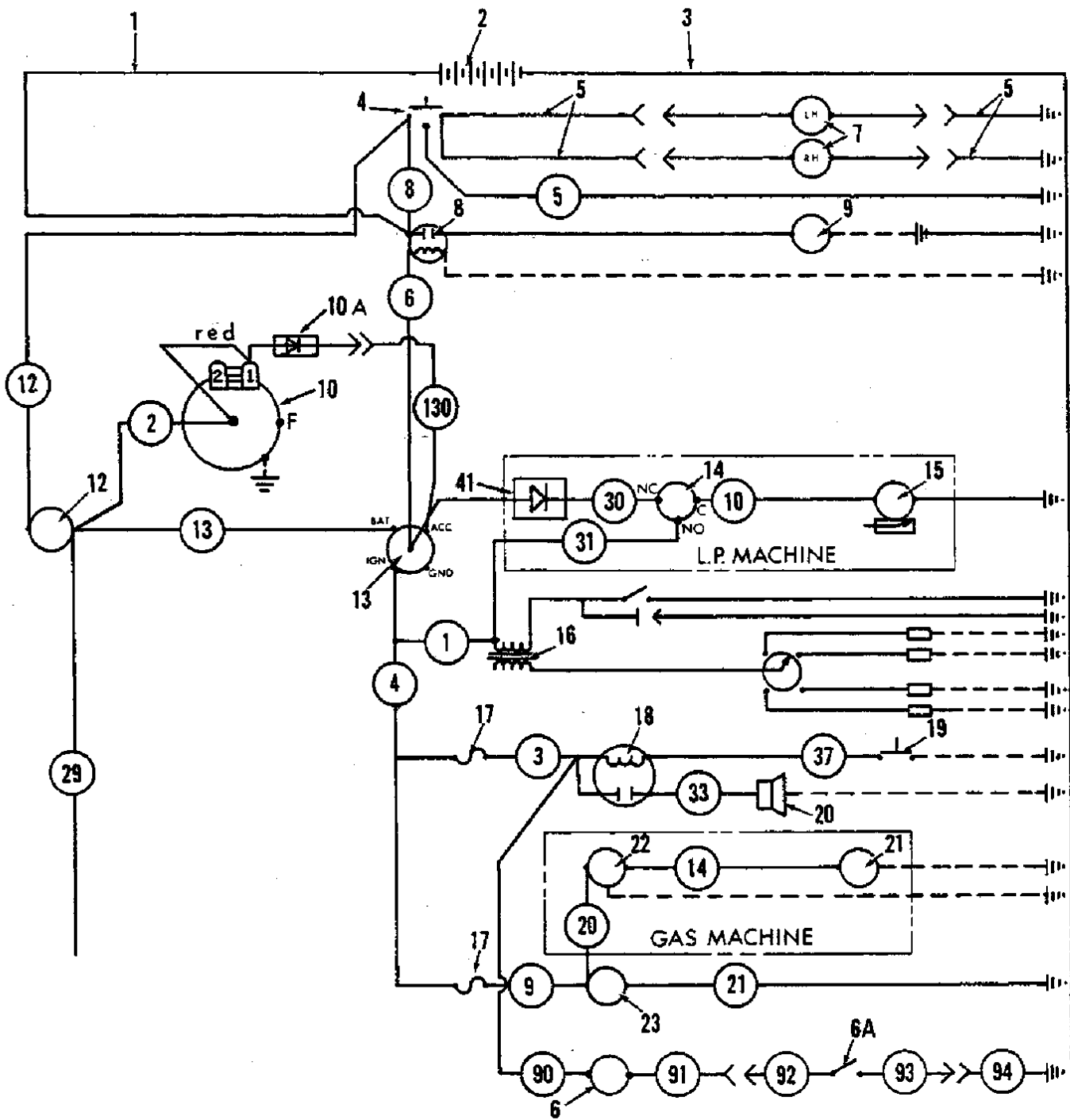


Fig. 6 - MODEL 92 HI-DUMP ELECTRICAL SYSTEM

(see next page for continuation)

Note: Circled numbers are wire no.'s.
Plain numbers refer to parts lists.

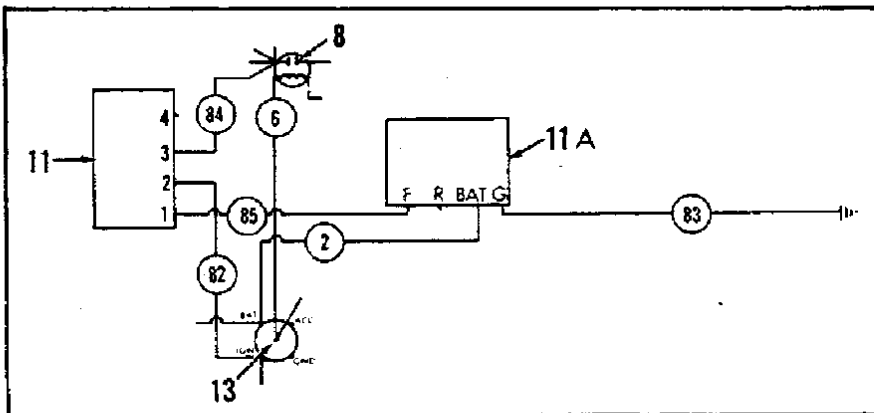


FIG. 6 - ELECTRICAL SYSTEM (Continued)

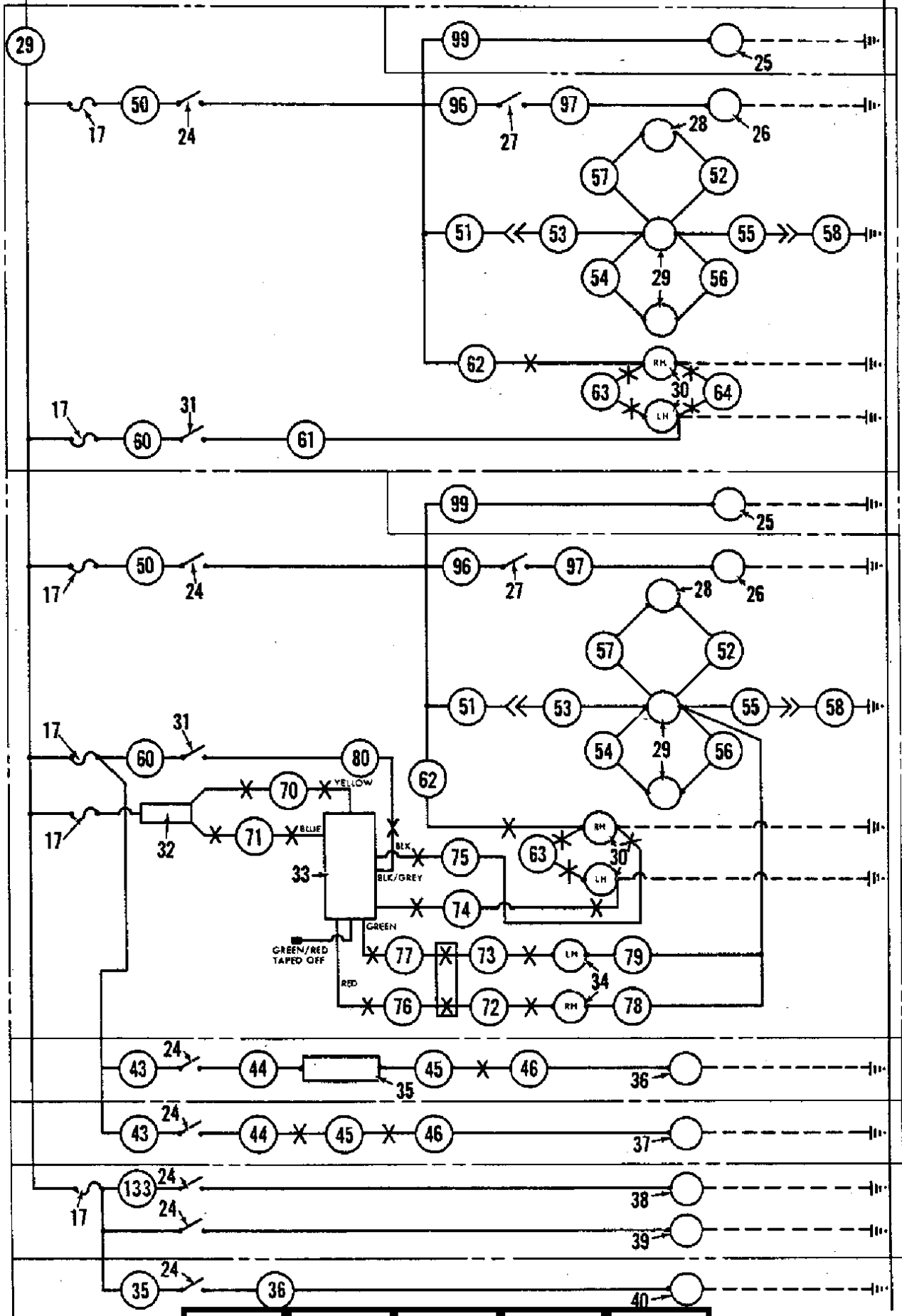


FIG. 6 - MODEL 92 HI-DUMP ELECTRICAL SYSTEM

Gas & LP Machines

Ref. No.	TENNANT Part No.	Description	Qty.
1	29830-10	CABLE, Battery positive	1
2	61034	BATTERY, (84 amp/hr)	1
3	29831-4	CABLE, Battery, negative	1
4	44078	SWITCH, Shaker	1
5	24108-3	LEAD, Shaker motor	4
6	48070	LIGHT, Hopper door indicator	1
6A	44847	SWITCH, Hopper door	1
7	23625	MOTOR, Shaker	2
8		SOLENOID, Starter (included in starter motor)	1
9	*	MOTOR, Starter	1
10	50543A	ALTERNATOR	1
10A	39703-6	WIRE HARNESS, Alternator	1
11	53988-2	REGULATOR	1
11A	*	ALTERNATOR	1
12	54180	AMMETER	1
13	62530	SWITCH, Ignition (Key No. 62530-1)	1
14	51805	SWITCH, Oil pressure (LP only)	1
15	53395-1	FILTER-FUELOCK (LP only)	1
16	*	COIL, Ignition	1
17	07423	FUSE, 15 amp	6
	14141	BLOCK, Fuse	1
18	32300	RELAY, Horn	1
19	47010	BUTTON, Horn	1
20	14138A	HORN	1
21	47474	SENDING UNIT, Fuel level	1
	14131	GASKET	1
22	47472	GAUGE, Fuel level	1
23	24518	METER, Hour	1
	28838	DAMPER, Hour meter	1
24	10701	SWITCH	1
	07421	PLATE, On-Off	1
25	46711	LIGHT, Instrument panel	1
	GE #68HD	BULB	1
26	22465	SPOT LIGHT	1
	32827	BULB	1
27	40128-1	SWITCH, Spotlight mercury	1
28	22465	CURBLIGHT	1
	32827	BULB	1
29	51569	HEAD LIGHT ASSEMBLY	2
	51570	BULB, Sealed beam	1
30	51572	TAILLIGHT ASSEMBLY	2
	45780	BULB	2
31	13959	SENDING UNIT, Brake light	1
32	180**	FLASHER, Turn Signal	1
33	14135A	SWITCH, Turn Signal	1

(Continued on next page)

FIG. 6 - MODEL 92 HI-DUMP ELECTRICAL SYSTEM (continued)

Ref. No.	TENNANT Part No.	Description	Qty.
34	46683	TURN SIGNAL, Front	2
	GE #1889	BULB	2
35	24576	FLASHER	1
36	47535-2	LIGHT ASSEMBLY, Flashing	1
	GE #1196	BULB	1
37	46928	LIGHT ASSEMBLY, Rotating	1
	45670	BULB	1
38		MOTOR, Heater fan	1
39	13711	MOTOR, Defroster fan	1
40	23945	MOTOR, Wiper	1
	52926A	*** WIRE ASSEMBLY, Complete	1
	52964A	HARNESS, Wire	1
	45586A	WIRE KIT, Horn , includes wires 5,21,33,37,83	1
	65088	WIRE KIT, Hopper door , includes wires 90,91,94	1
	65087	WIRE KIT, Hopper door , includes wires 92,93	1
	52528	GAUGE, Temperature, mechanical	1
	14346	STRIP, Terminal	1
	14347	STRIP, Terminal, short	1
41	50565	DIODE ASSEMBLY , (LP only)	1

* Refer to Engine Parts Section for part numbers.

** Signal-Stat Co. Part No.

*** Before Serial No. 4411, Wire Assembly 52926A was 52926. To replace 52926, order SK2263.

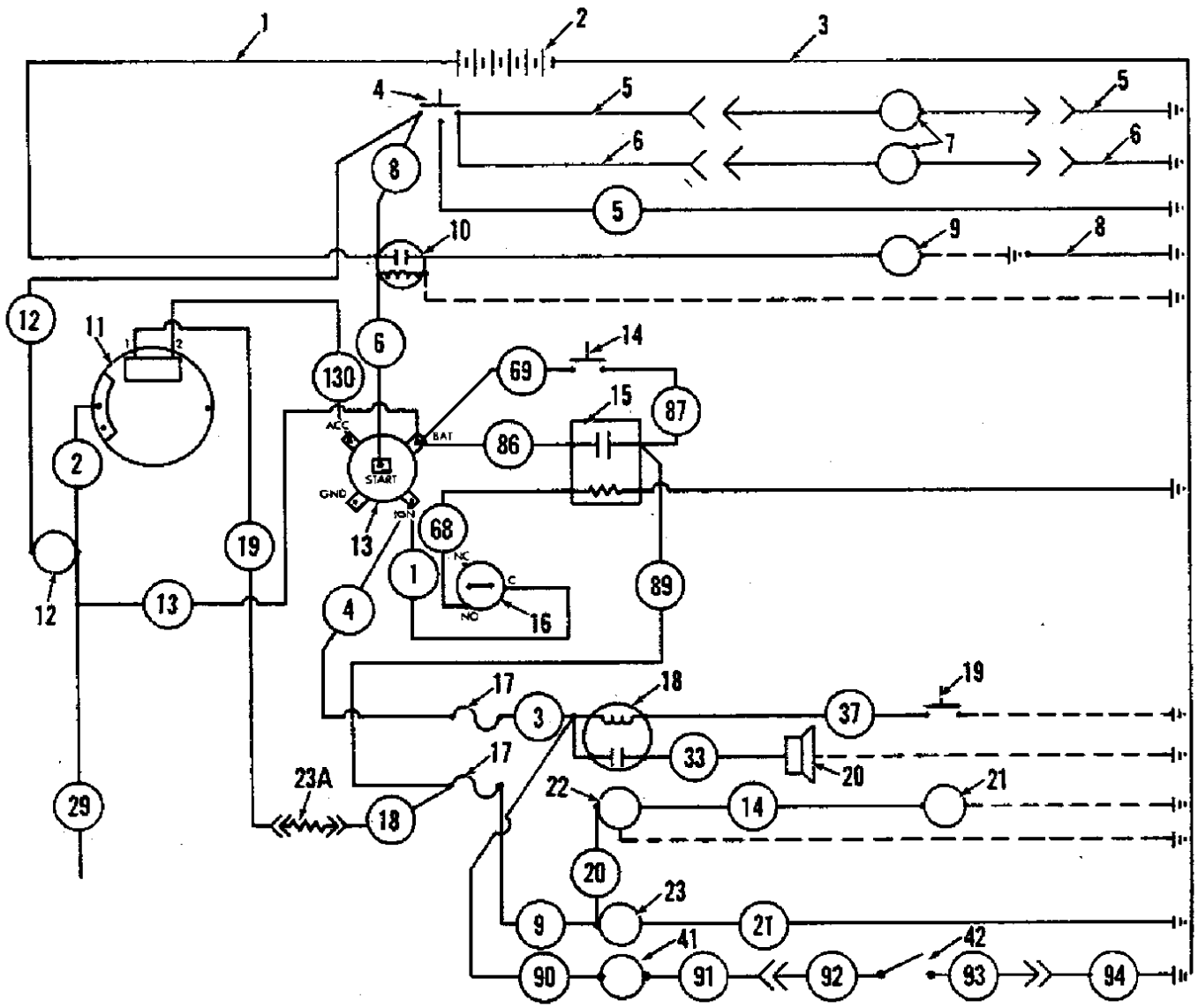


Fig. 7 - MODEL 92 DIESEL HI-DUMP ELECTRICAL SYSTEM

(see next page for continuation of diagram)

NOTE: Circled numbers are wire numbers, plain numbers refer to parts list.

Fig. 7 - DIESEL ELECTRICAL SYSTEM (continued)

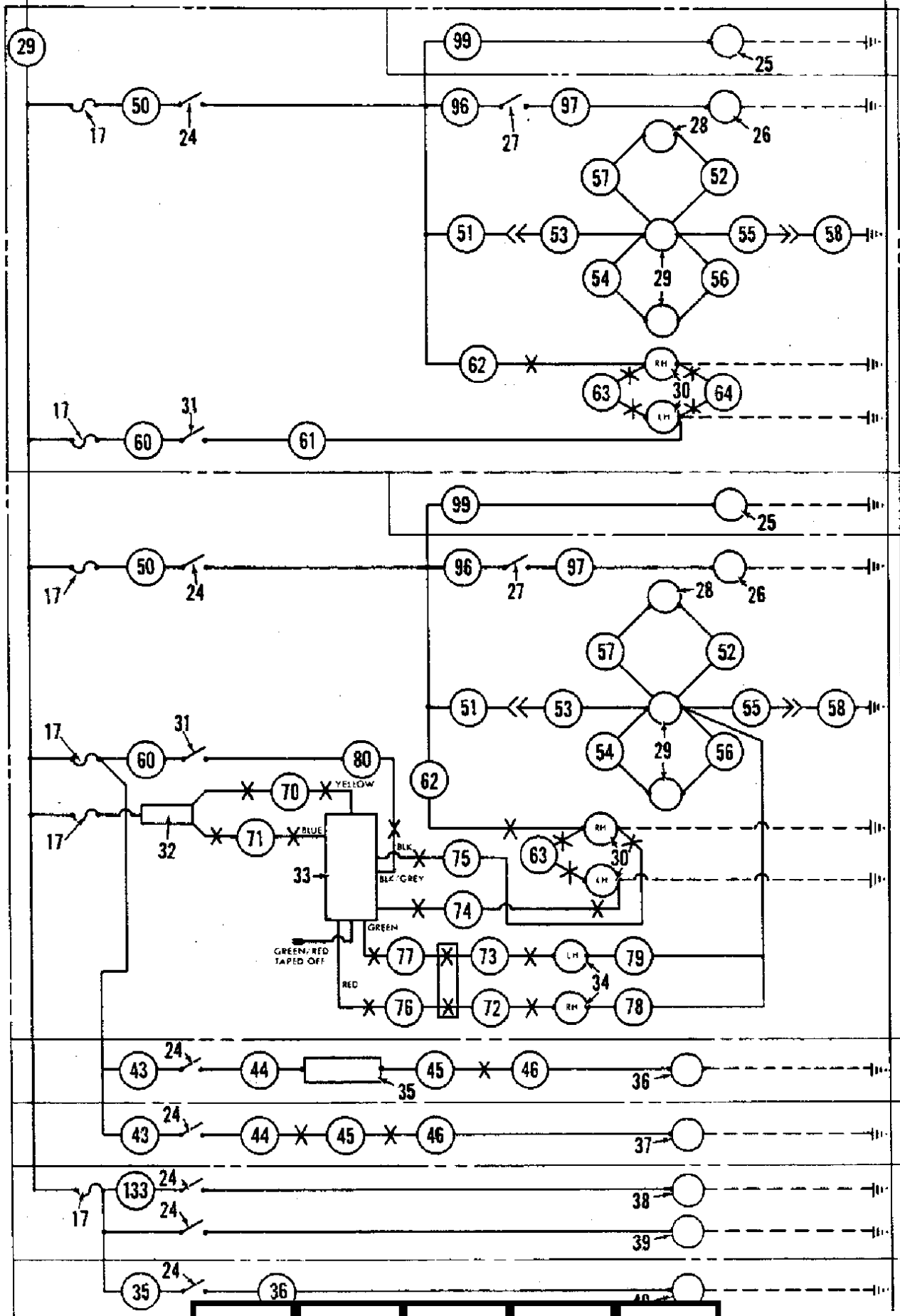


Fig. 7 - MODEL 92 DIESEL HI-DUMP ELECTRICAL SYSTEM

Ref. No.	TENNANT Part No.	Description	Qty.
1	29830-II	CABLE, Battery positive	1
2	37183	BATTERY, 60 amp.	1
3	29831-4	CABLE, Negative	1
4	44078	SWITCH, Shaker motor	1
5	24108-2	LEAD, Shaker motor	1
6	24108	LEAD, Shaker motor	1
7	23625	MOTOR, Shaker	2
8	52508-1	CABLE, Engine grounding	1
9	*	MOTOR, Starter	1
10		SOLENOID, Starter motor	1
11	*	ALTERNATOR (W/built-in regulator)	1
12	54180	AMMETER	1
13	62530	SWITCH, Ignition	1
14	44828	SWITCH, Fuel level push button	1
15	17677	RELAY, Fuel level	1
16	51805	SWITCH, Oil pressure	1
17	07423	FUSE	5
	14141	BLOCK, Fuse	1
18	32300	RELAY, Horn	1
19	47010	BUTTON, Horn	1
20	14138A	HORN	1
21	47474	SENDING UNIT, Fuel level	1
	14131	GASKET	1
22	47472	GAUGE, Fuel level	1
23	24518	METER, Hour	1
	28838	DAMPER, Hour meter	1
23A	44325	RESISTOR, 10 Ohm	1
24	10701	SWITCH	1
	07421	PLATE, On - off	1
25	46711	LIGHT, Instrument panel	1
	GE #68HD	BULB	1
26	22465	SPOT LIGHT	1
	32827	BULB	1
27	40128-1	SWITCH, Spotlight mercury	1
28	22465	CURBLIGHT	1
	32827	BULB	1
29	51569	HEAD LIGHT ASSEMBLY	2
	51570	BULB, Sealed beam	1
30	51572	TAILLIGHT ASSEMBLY	2
	45780	BULB	2
31	13959	SENDING UNIT, Brake light	1
32	180**	FLASHER, Turnsignal	1
33	14135A	SWITCH, Turnsignal	1

FIG. 7 - 92 DIESEL HI-DUMP ELECTRICAL SYSTEM (Continued)

Ref. No.	TENNANT Part No.	Description	Qty.
34	46683	TURN SIGNAL, Front	2
	GE#1889	BULB	2
35	24576	FLASHER	1
36	47535-2	LIGHT ASSEMBLY, Flashing	1
	GE#1196	BULB	1
37	46928	LIGHT ASSEMBLY, Rotating	1
	45670	BULB	1
38		MOTOR, Heater fan	1
39	13711	MOTOR, Defroster fan	1
40	23945	MOTOR, Wiper	1
	52528	GAUGE, Temperature, mechanical	1
	14346	STRIP, Terminal	1
	14347	STRIP, Terminal, short	1
	52926A	WIRE KIT, Complete	1
	52964A	WIRE HARNESS	1
	45586A	WIRE KIT, Horn ,includes wires 5,21,33,37,83	1
	65087	WIRE KIT, Hopper door light ,includes wires 92,93	1
	65088	WIRE KIT, Hopper door light ,includes wires 90,91,94	1
41	48070	LIGHT, Hopper Door	1
42	44847	SWITCH, Hopper door light	1
	45588A	WIRE KIT, Diesel ,includes wires 68,69,86,89	1

* Refer to Engine Parts Section for part numbers.

** Signal-Stat part number

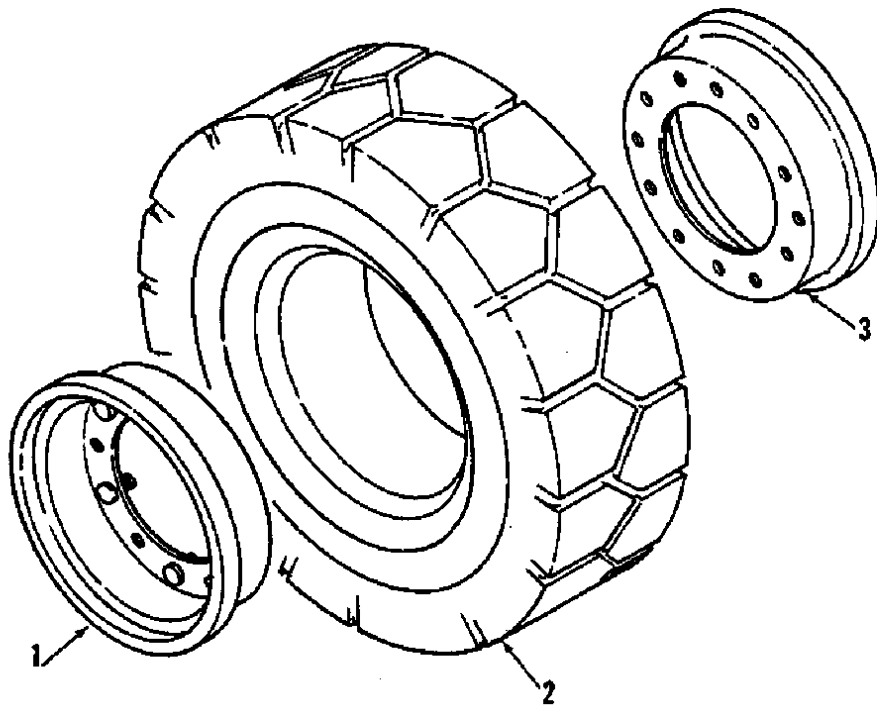


Fig. 8 - MODEL 92 HI-DUMP REAR TIRE & WHEEL ASSEMBLY

Ref. No.	TENNANT Part No.	Description	Qty.
1	51705	TIRE ASSEMBLY, Rear, solid	1
	51006	RIM ASSEMBLY	1
	51355	STUDS	6
2	51711	TIRE, SOLID	1
3	51358	RIM	1
	24339	NUT, Wheel	6

92 DIESEL

POWER SWEEPER

Fig. 1 - Main Frame & Related Parts	2 - 3
Fig. 2 - Shrouding, Seat, Guard & Related Parts	4 - 5
Fig. 3A- Engine & Related Parts	6 - 7
Fig. 3B - Throttle & Fuel Shut-off	8 - 9
Fig. 4 - Engine Cooling System	10
Fig. 5 - Engine Air Cleaner	11 - 12
Fig. 6 - Engine Exhaust System	12
Fig. 7 - Fuel Tank	11 - 12
Fig. 8 - Complete Hydraulic System	13
Fig. 8A- Hydraulic Tank	14 - 15
Fig. 8B - Drive Motor Group	16 - 17
Fig. 8C- Cylinder & Main Brush Motor Group	18 - 19
Fig. 8D- Control Valves Group	20 - 21
Fig. 8E - Side Brush Motor Group	22 - 23
Fig. 8F- Filter, Vacuum Fan Motor & Heat Exch.	24 - 25
Fig. 8G- Hydraulic Pump & Controls	26 - 27
Fig. 9 - Rear Axle & Related Parts	28
Fig. 10 - Rear Wheel Assembly	29
Fig. 11 - Front Wheel Brake System	30 - 31
Fig. 12 - Front Wheel Assembly	32 - 33
Fig. 13 - Main Brush Suspension	34 - 35
Fig. 14 - Side Brush Suspension	36 - 37
Fig. 15 - Filter Box & Hopper	38 - 39
Fig. 16 - Bumper, Filter Bag & Related Parts	40 - 41
Fig. 17 - Vacuum Fan Assembly	42 - 43
Fig. 18 - Steering Assembly	44 - 45
Fig. 19 - Electrical System	46 - 49

standard parts

Parts listed in this section cover a standard machine. For parts in the Hi-Dump Model, see "Hi-Dump Section". Engine parts are listed "Engine Section". Parts breakdowns of hydraulic units are shown in the "Hydraulic Components Section".

Home

Find...

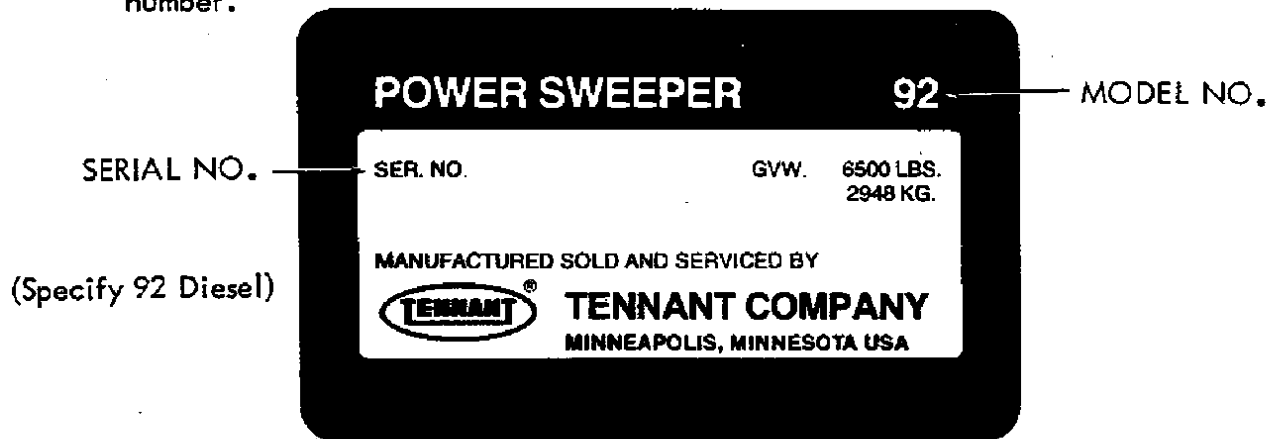
Go To..



INSTRUCTIONS FOR ORDERING REPAIR PARTS

To avoid errors or delay in filling your parts orders, please furnish all information requested.

1. Refer to TENNANT data plate. Always specify the model number and serial number.

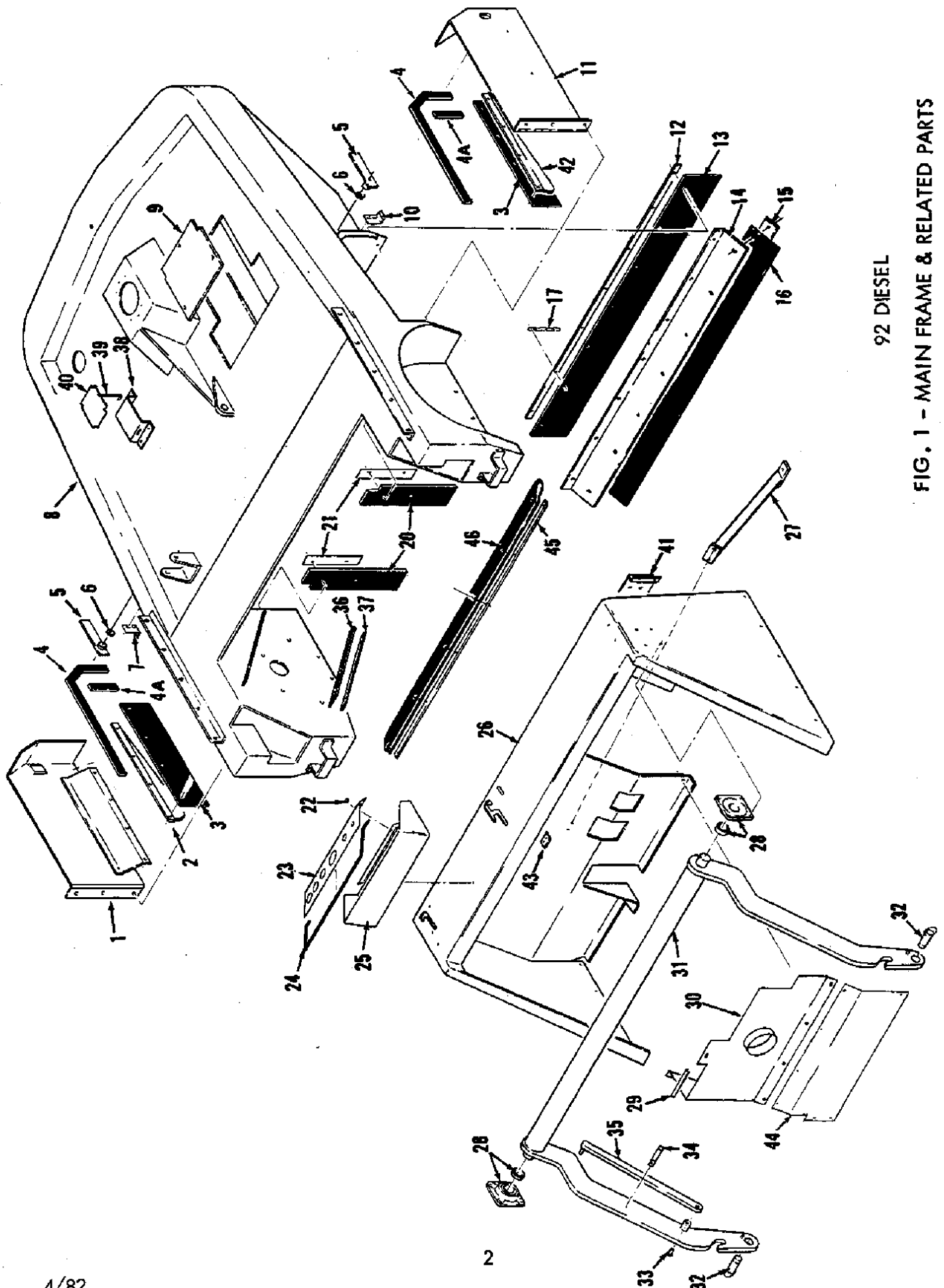


2. Give part number, description and quantity needed of each item on order. Do NOT order by reference number or illustrated figure numbers only.
3. Indented items indicate parts of assemblies.
4. If old part cannot be identified, send it to us for sample with quantity needed specified on order.
5. State definite shipping instructions to include shipping address and/or billing address if there is a difference.
6. We shall be glad to quote on any part or group of parts at your specific request.

Any claim for loss or damage to a shipment in transit should be filed promptly against the transportation company making the delivery. Shipments will be complete unless the packing list or order acknowledgement indicate items back ordered.

If parts received are suspected to be incorrect or defective, please write, wire, or phone our Customer Services Department, Minneapolis Office. DIRECT ORDER PHONE NUMBER IS - 612-540-1315. They will give you authorization for return and/or handle replacement shipments when required.

NOTE: When engine service or engine repair parts are required, we recommend your contacting your nearest authorized engine dealer.



92 DIESEL

FIG. 1 - MAIN FRAME & RELATED PARTS

FIG. 1 - MAIN FRAME & RELATED PARTS (92 DIESEL)

Ref. No.	TENNANT Part No.	Description	Qty.
1	62104	DOOR, Brush, right hand	1
2	62629	RETAINER, Side skirt R.H.	1
3	62169	SKIRT, Side	2
4	65079	SEAL, Brush door, 32.5"	2
4A	65079-1	SEAL, Brush door, 4.3"	2
5	52290	LATCH, Brush door	2
6	52296	WASHER, Nylon	2
7	51172	CLIP, Brush door, right hand	1
8	62630	FRAME, Main	1
9	52493	PANEL, Engine access	1
10	51172-1	CLIP, Brush door, left hand	1
11	62109	DOOR, Brush, left hand	1
12	62111	RETAINER, Rear skirt	1
13	65073	SKIRT, Rear, floor	1
14	62152	BRACKET, Deflector	1
15	62644	RETAINER, Deflector skirt	1
16	62153	SKIRT, Deflector	1
17	09342	CHAIN, Static safety	1
20	51090	SEAL, Side hopper	2
21	51091	BACKING, Side seal	2
22	47178-3	PLUG BUTTON	1
23	51476	PANEL, Instrument	1
24	51559	SEAL, Instrument panel	1
25	62370	WRAP, Instrument panel	1
26	36726	LINTEL	1
27	65054	BRACE, Lintel	1
28	51315	BEARING, Flange	2
29	62170-4	MOLDING, Access panel	1
30	36203	PANEL, Access	1
31	47909	ARM, Lift	1
	47890	DECAL	1
32	51316	PIN, Lift arm release	2
33	51876	PIN, Clevis	1
34	52036	CATCH, Safety arm	1
35	51883	ARM, Safety	1
36	65076	SEAL	2
37	65107	RETAINER, Seal	2
38	51270	MOUNT, Battery	1
39	13015-2	BOLT, Battery hold-down	2
40	13016	BRACKET, Battery hold-down	1
41	62421	PLATE, Fuse block mounting	1
42	62629-1	RETAINER, Side skirt L.H.	1
43	36847	STRIP	1
44	36735	PLATE, Lower shroud	1
45	51094	STRIP, Hopper seal	1
46	51233	SEAL, Hopper	1
	47954	SLEEVE, Drag chain	1

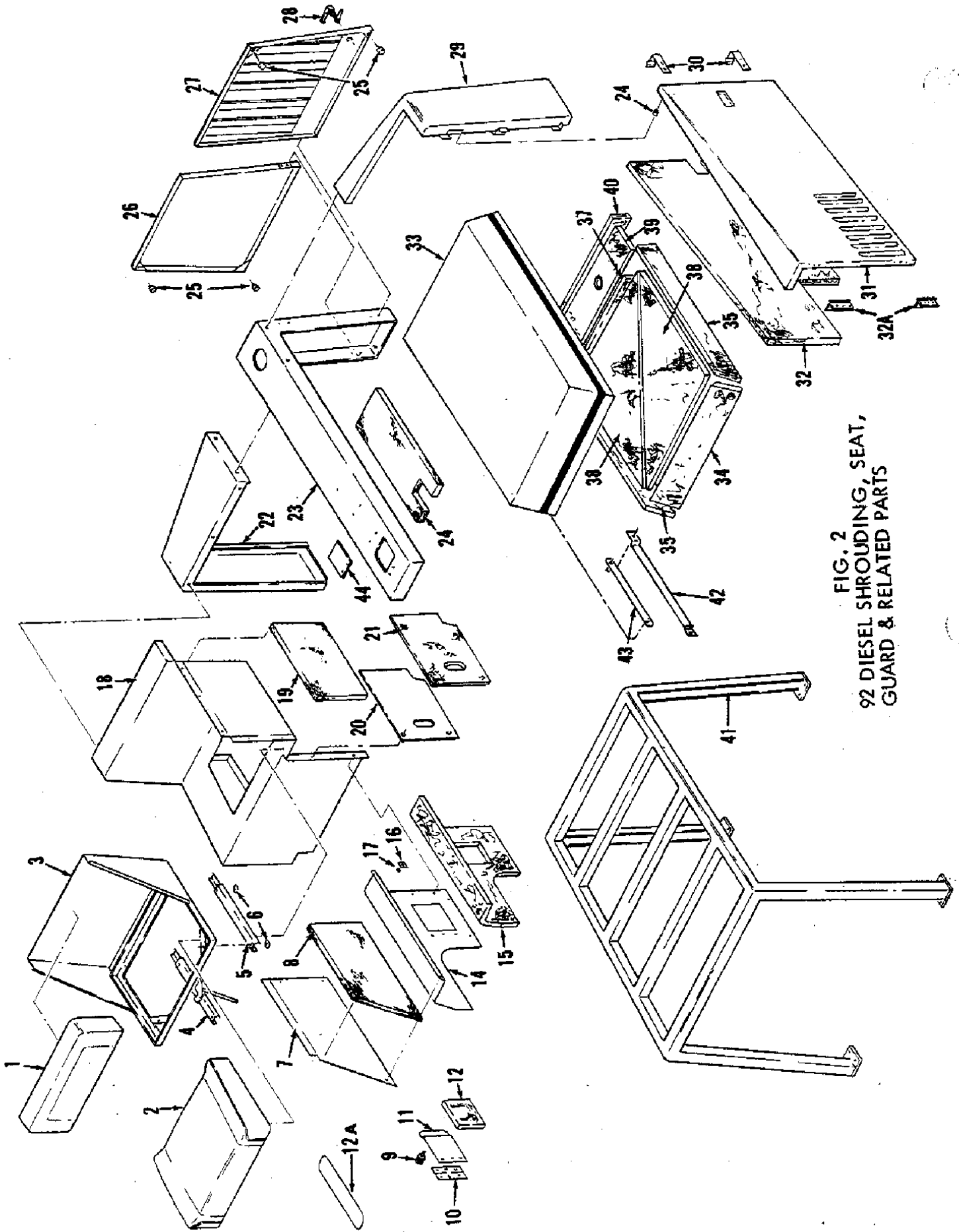


FIG. 2
92 DIESEL SHROUDING, SEAT,
GUARD & RELATED PARTS

Fig. 2-SHROUDING, SEAT & RELATED PARTS

Ref. No.	TENNANT Part No.	Description	Qty.
1	51878	BACKREST, Seat	1
2	51710	CUSHION, Seat	1
3	51324	FRAME, Seat	1
4	51458	ADJUSTER, Seat w/latch	1
5	51459	ADJUSTER, Seat	1
6	52615	SPACER, Seat adjuster	4
7	51995	PANEL, Access	1
8	51971-1	INSULATION, Access panel	1
9	62612	FASTENER, Access door	1
10	62615	HINGE, Access door	1
11	62614	DOOR, Access	1
12	62616	INSULATION, Access door	1
12A	75430	PAD, Tread	1
14	62613	SHIELD, Dust	1
15	62617	INSULATION, Dust shield	1
16	55655-5	RECEPTACLE	1
17	55655-4	RETAINER, Receptacle	1
18	52944	SUPPORT, Seat	1
19	51970-1	INSULATION, Seat support	1
20	62209-1	PANEL	1
21	62210	INSULATION, Panel	1
22	51325	PANEL, Corner, right, rear	1
23	62653	STIFFENER, Lintel	1
24	51972-1	INSULATION, Lintel stiffener	1
25	51787	BUMPER, Rubber	6
26	52883	DOOR, Rear, right hand	1
27	52882	DOOR, Rear, left hand	1
28	51375-1	LATCH, Rear door	2
29	52867	PANEL, Corner, left rear	1
30	53697	CATCH, Side cover	1
	52990	DOOR ASSEMBLY, Engine side	1
31	52890A	DOOR, Engine side	1
32	52951	INSULATION, Side door	1
	62368A	HOOD ASSEMBLY, Engine	1
32A	47974	HINGE	2
33	52892A-3	HOOD, Engine	1
34	52846	INSULATION, Engine hood	1
35	52848	INSULATION, Engine hood	2
	62170, -1, -2	MOLDING, Channel	1 ea.
37	52843	INSULATION, Engine hood	1
38	52849-3	INSULATION, Engine hood	2
39	62054	INSULATION, Engine hood	1
40	62055	INSULATION, Engine hood	1
41	62009	GUARD, Overhead	1
42	62757	ARM, Hinge, engine hood, long	1
43	62759	ARM, Hinge, engine hood, short	1
44	62650	PLATE, Lintel cover	1

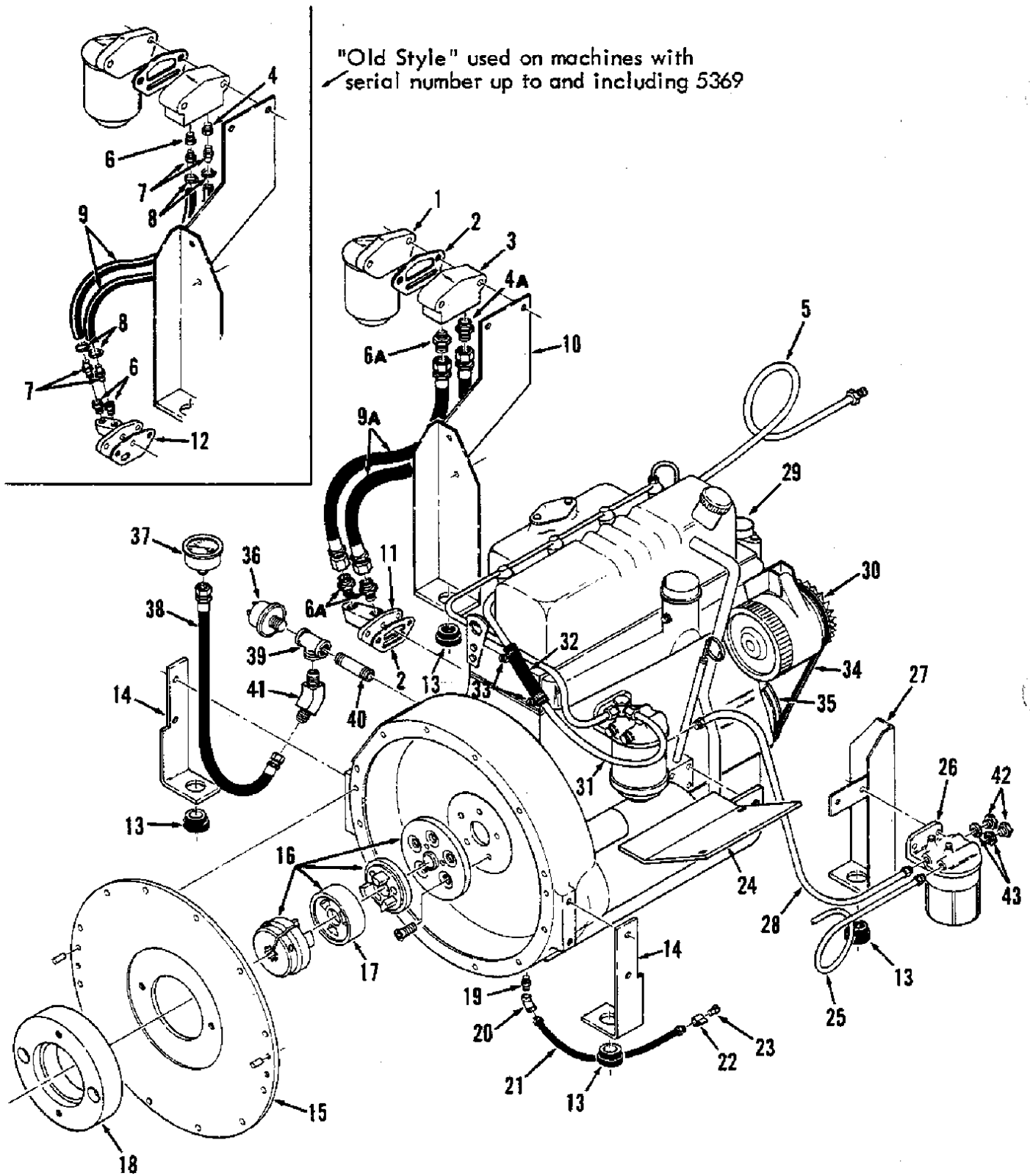


FIG. 3A - MODEL 92 DIESEL ENGINE & RELATED PARTS

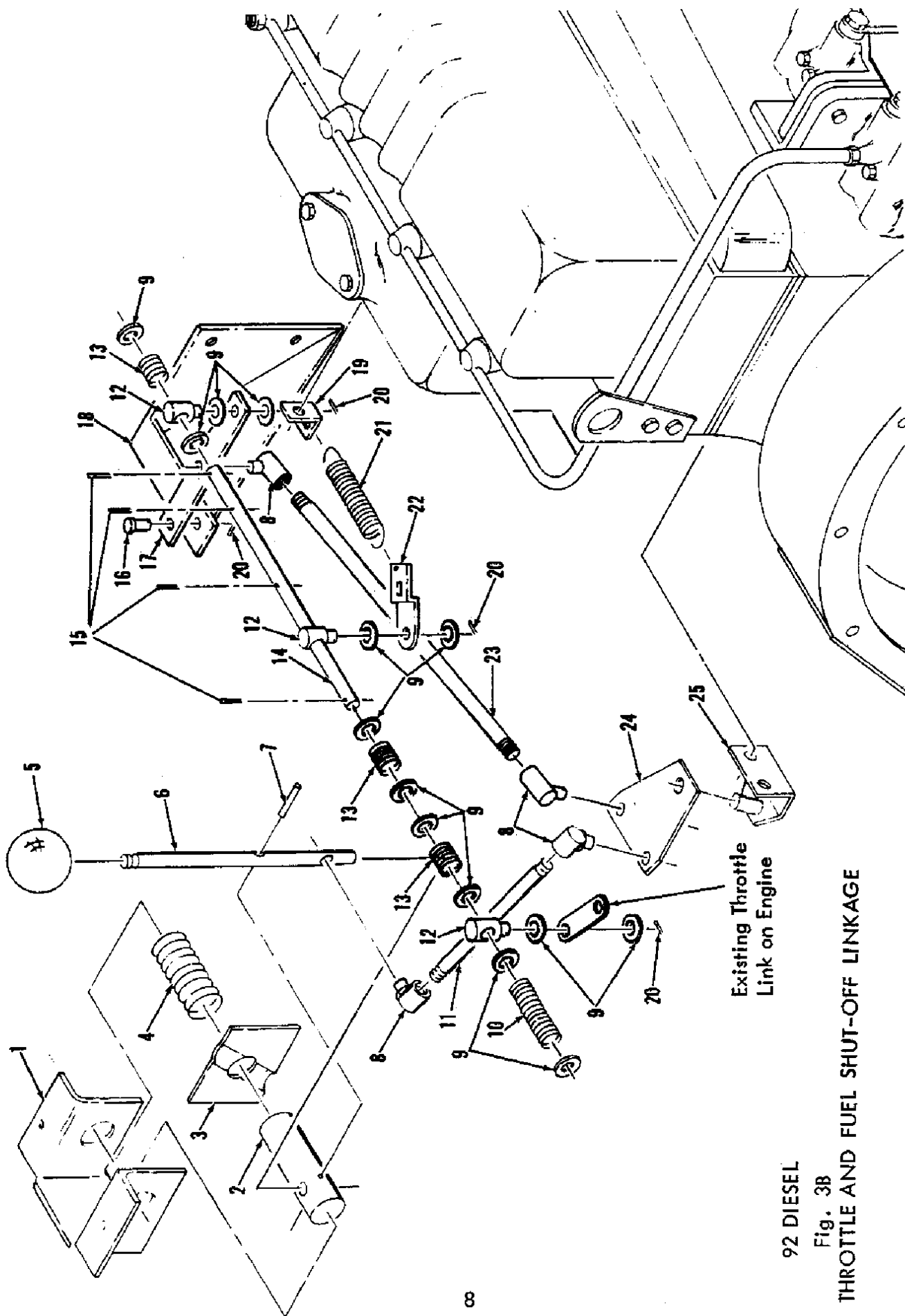
FIG. 3A - MODEL 92 DIESEL ENGINE & RELATED PARTS

Ref. No.	TENNANT Part No.	Description	Qty.
1	52770-4	FILTER, Engine oil (Element is 52770-5)	1
2	32588	GASKET, Filter adaptor	2
3	52770-3	ADAPTER, Oil filter	1
4	17400-22	*CONNECTOR	1
4A	06743	CONNECTOR	1
5	32823	TUBE ASSEMBLY (uses nut 15554)	1
	46236	CLAMP, Cable	2
6	09114	*CONNECTOR	3
6A	15687	CONNECTOR	3
7	43246	CONNECTOR	4
8	54333	*CLAMP, Hose	4
9	47826	*HOSE	2
9A	42212	HOSE	2
10	32446	MOUNT, Engine, front, R.H.	1
11	52770-2	ADAPTER, Filter, cylinder block	1
12	52770-6	*GASKET, Filter adaptor	1
13	51176	DAMPNER, Engine	4
	51564	WASHER	8
14	62225	MOUNT, Engine, rear	2
15	76290	PLATE ASSEMBLY, Pump mounting	1
	23999-8	PIN, Roll	2
16	32702	COUPLING, Spline	1
	32701	SCREW	5
17	76291	INSERT, Pump drive	1
18	76289	PLATE, Adaptor	1
19	62465	CONNECTOR	1
20	62466	ELBOW, 45°	1
21	17400-28	HOSE	1
22	62380	ADAPTER, Oil drain	1
23	17521	DRAIN COCK	1
24	***19892	PANEL, Deflector	1
25	62359	FUEL LINE ASSEMBLY	1
26	52770-8	FILTER, Water trap, fuel	1
	32587	NUT, Water trap	2
	32590	OLIVE, Rubber	2
27	62218	MOUNT, Engine front, L.H.	1
28	62049-4	TUBE, Fuel	1
29	**32586	ENGINE, Perkins	1
30	39693-1	ALTERNATOR	1
	39754	REGULATOR	1
31	32809	TUBE	1
32	32808	HOSE, Fuel	1
33	43844	CLAMP, Hose	2
34	39976	V-BELT	1
35	54914	SHEAVE	1
36	51805	SWITCH, Oil pressure	1
37	47436	GAUGE, Oil pressure	1
38	32552	HOSE	1
39	22309	TEE	1
40	54279	NIPPLE	1
41	52915	ELBOW, 45°	1

* Obsolete style used on machines with S/N up to and including 5369.

** SK2527 replaces engine 52770A-1 on machines with S/N up to and including 5009.

*** SK2540 replaces [redacted] to and including 5009.



92 DIESEL
 Fig. 3B
 THROTTLE AND FUEL SHUT-OFF LINKAGE

92 DIESEL

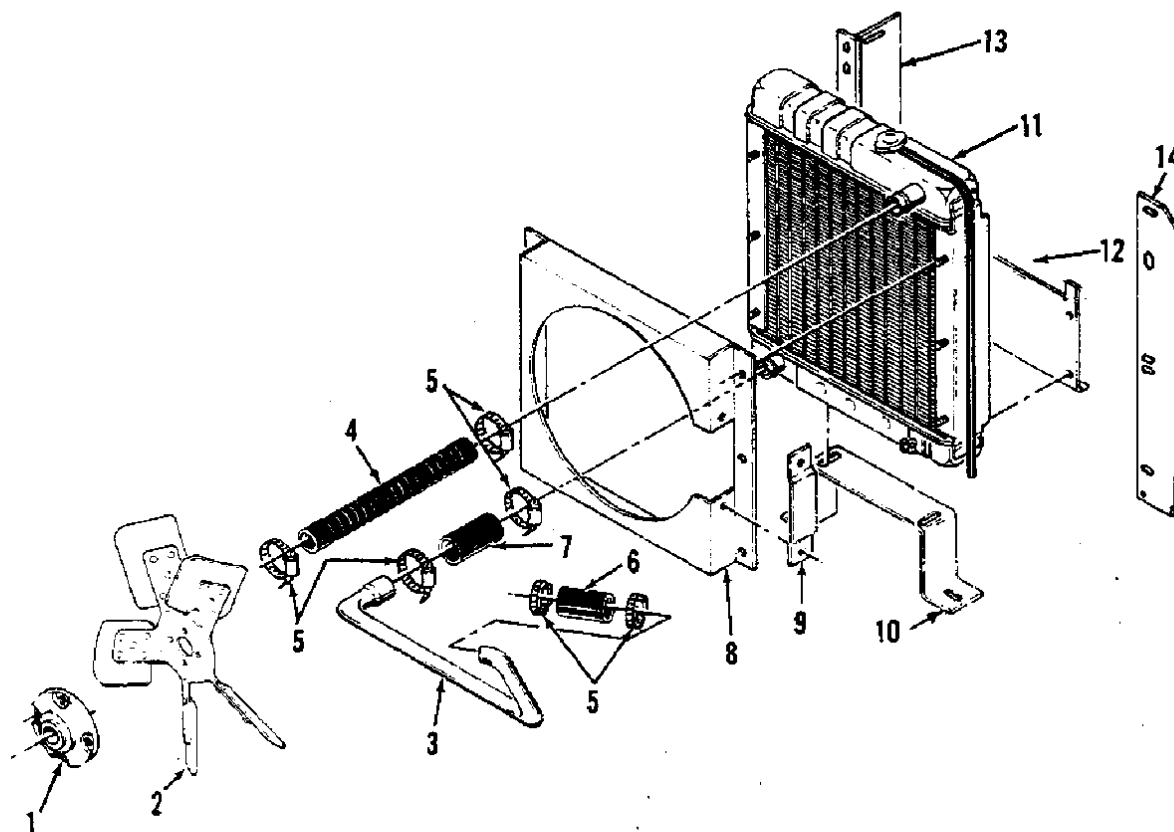
Fig. 3B - THROTTLE & FUEL SHUT-OFF LINKAGE

Ref. No.	TENNANT Part No.	Description	Qty.
1	51689	BRACKET, Throttle	1
2	51692	PIN, Throttle pivot	1
3	51691	PLATE, Throttle	1
4	51693	SPRING	1
5	26565	KNOB	1
6	51690	ROD, Throttle control	1
7	20021	PIN, Roll	1
8	14601	BALLJOINT	4
9		WASHER, 1/4	14
10	54743	SPRING	1
11	62344	ROD, Throttle control	1
12	54742	CONNECTOR, Rod	3
13	62341	SPRING	3
14	54741	ROD	1
15		PIN, Cotter	5
16	23786	PIN, Clevis	1
17	54739	ARM	1
18	54738	BRACKET, Mounting	1
19	54744	CLIP, Spring	1
20		PIN, Cotter	4
21	54745	SPRING	1
22	54740	LINK, Fuel shut-off	1
23	62694	ROD, Throttle	1
24	62348	ARM, Throttle	1
25	62347	BRACKET, Throttle arm mounting	1
	52770-14	SOLENOID, Fuel shut off	1
	39867	WASHER, Throttle arm	2

92 DIESEL

FIG. 4 - ENGINE COOLING SYSTEM

Ref. No.	Part No.	Description	Qty.
1	62214	SPACER, Fan	1
2	68064	FAN, Cooling	1
3	62353	TUBE, Radiator-lower	1
4	10323-1	HOSE, Radiator, 1.50" x 19.9" (38.1 x 505.5 mm)	1
5	11531	CLAMP-WORMDRIVE, 2" (50.8 mm) dia	6
6	62378	HOSE, Radiator, 1.25" x 3" (31.8 x 76.2 mm)	1
7	62377	HOSE, Radiator, 1.50" x 3" (38.1 x 76.2 mm)	1
8	50965	SHROUD, Fan	1
9	62211	PANEL, Fan shroud, side	1
10	62223	BRACKET, Mounting, radiator	1
11	52852	RADIATOR, Modine (Standard)	1
	47665	RADIATOR, McCord (Alternate)	1
	59361	PRESSURE CAP, Radiator	1
12	50848	PANEL, Lower	1
13	50858	PANEL, Air-recirculation, radiator	1
14	50859	PANEL	1



9/81

92 DIESEL
MISCELLANEOUS ENGINE-
RELATED PARTS GROUPS
(see Parts Lists on next page)

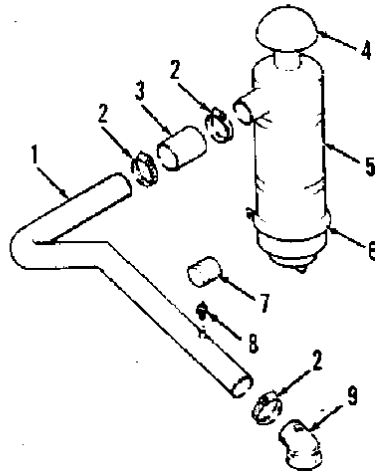


Fig. 5 - ENGINE
AIR CLEANER

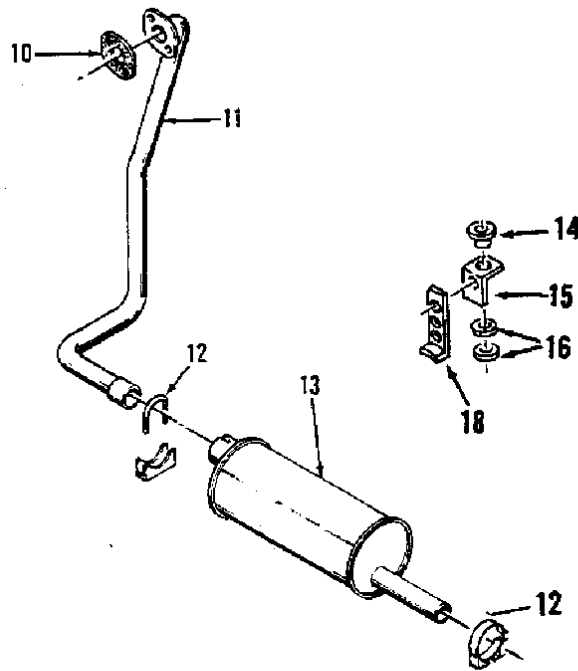


Fig. 6 - ENGINE
EXHAUST

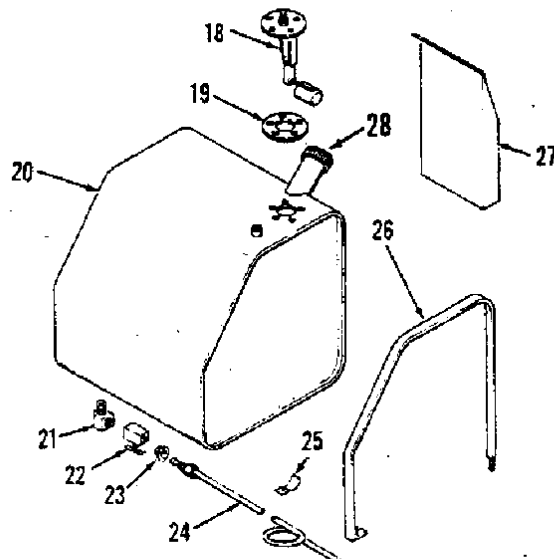


Fig. 7 - ENGINE
FUEL TANK

92 DIESEL

Ref. No.	TENNANT Part No.	Description	Qty.
----------	------------------	-------------	------

Fig. 5 - ENGINE AIR CLEANER SYSTEM

1	62354	TUBE, Air cleaner	1
2	22297	CLAMP, Hose	3
3	15543	HOSE, Air cleaner	1
4	51560-2	CAP, Air stack	1
5	51560-1	BODY, Air cleaner	1
	51561	ELEMENT, Air cleaner	1
6	52450	BAND, Mounting	2
7	51658-5	INDICATOR, Service	1
8	51560-5	FILTER, Service indicator	1
9	52770-11	ELBOW, Air cleaner	1
	14432	CLAMP	1

Fig. 6 - ENGINE EXHAUST SYSTEM

10	52770-10	GASKET, Exhaust	1
11	62361	TUBE, Exhaust	1
12	05881	CLAMP, Muffler	2
13	52906	MUFFLER	1
14	54274	ISOLATOR, Vibrator	1
15	47989	BRACKET, Muffler support	1
16	09832	WASHER	2
18	47990	BRACKET, Muffler hanger	1

Fig. 7 - ENGINE FUEL TANK

18	47474	SENDING UNIT, Fuel level	1
19	14131	GASKET, Sending unit	1
20	62358	TANK, Fuel	1
21	11984	ELBOW	1
22	13988	VALVE, Fuel shut-off	1
23	40585	CONNECTOR	1
24	62359	TUBE, Fuel line	1
25	40678	CLIP, Fuel line	1
26	51520	STRAP, Fuel tank	2
27	62046	SPILLWAY, Fuel tank	1
	47472	GAUGE, Fuel	1
28	48267	CAP, Filler	

(Fuel Filter Element replacement kit is Perkins #26560017 - see Engine Parts Section)

Fig. 8C - Side Brush Motor Group

Fig. 8B - Drive Motor Group

Fig. 8G - Pump Group

Fig. 8A - Hydraulic Tank

Fig. 8F - Filter & Vacuum Fan Motor

Fig. 8E - Valves Group

Fig. 8D - Cylinder & Main Brush Motor

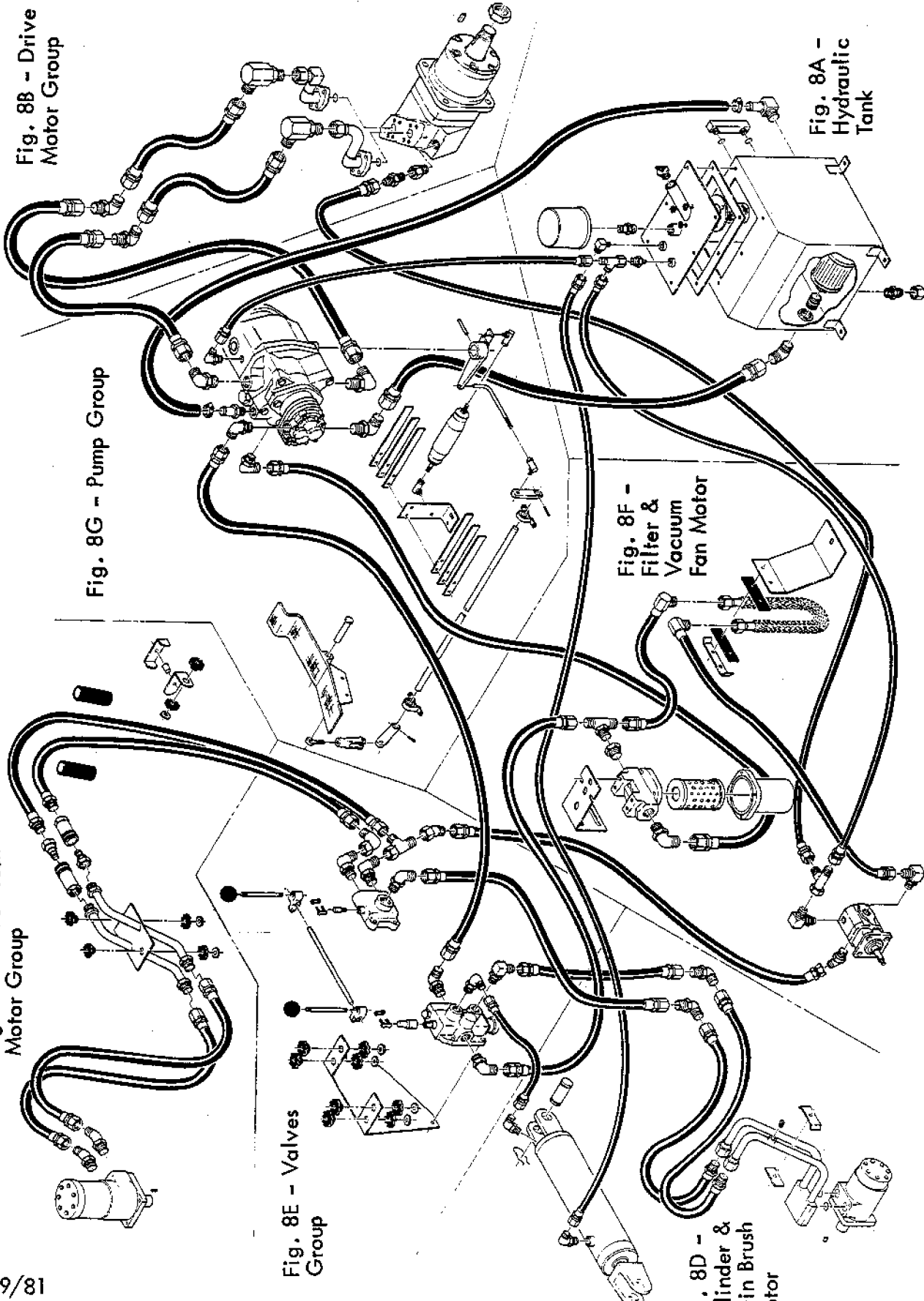


Fig. 8 - 92 DIESEL COMPLETE HYDRAULIC SYSTEM (see following pages for parts group)

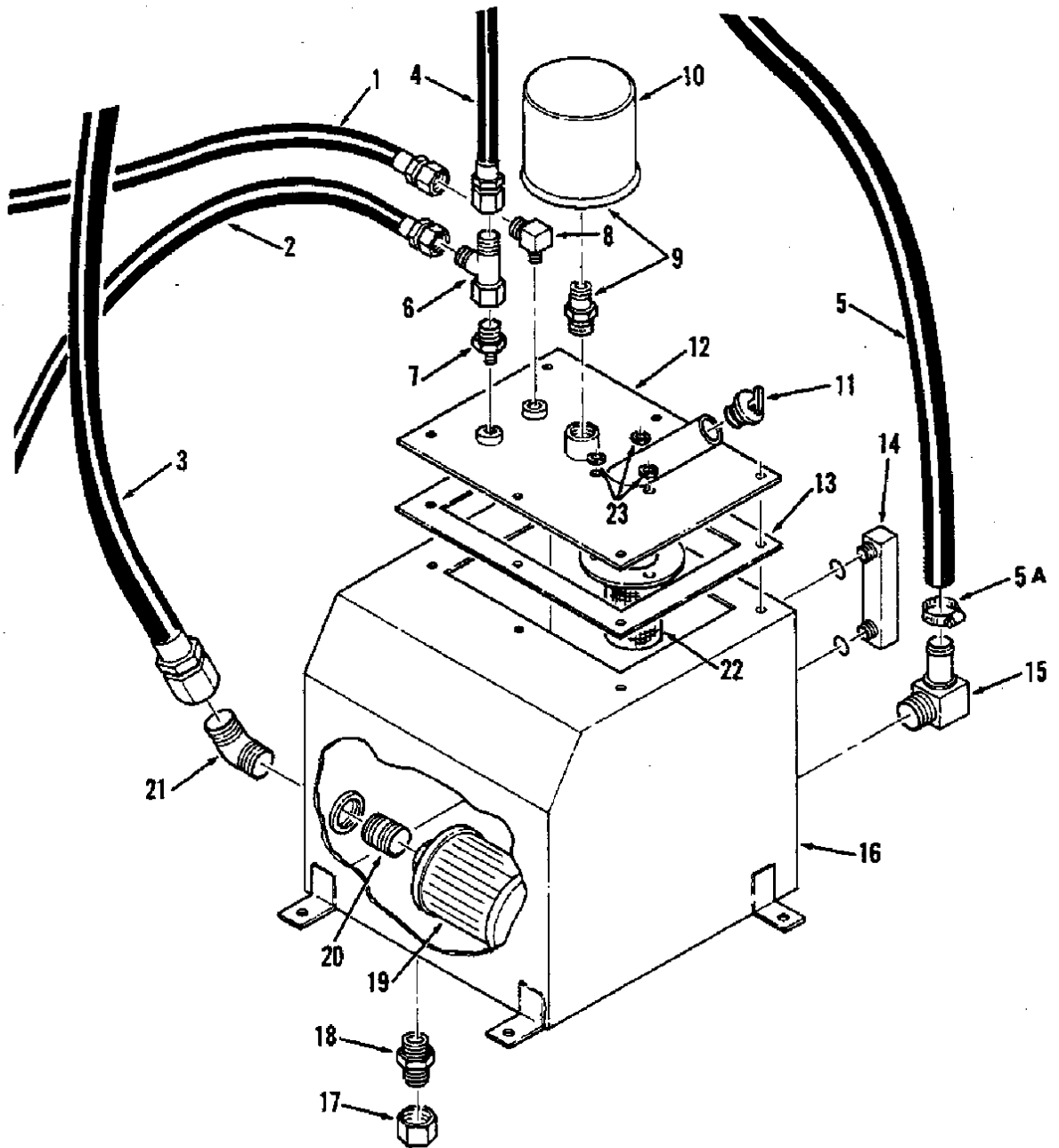
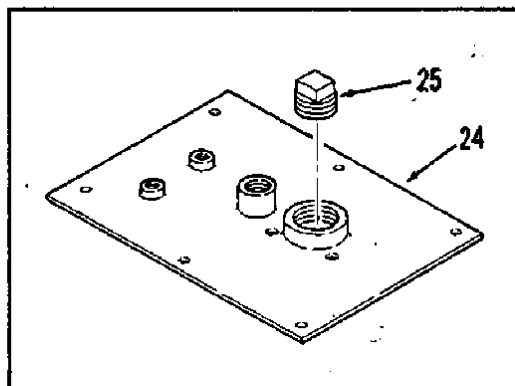


Fig. 8A - 92 DIESEL HYDRAULIC TANK PARTS GROUP



"Old Style" Cover & Plug

14

Fig. 8A - 92 DIESEL HYDRAULIC TANK GROUP

Ref. No.	TENNANT Part No.	Description	Qty.
1	62714	HOSE	1
2	42221	HOSE	1
3	53164-3	HOSE	1
4	44862	HOSE	1
5	47821	HOSE	1
5A	11399	CLAMP, Wormdrive	1
6	42215	TEE	1
7	56708	CONNECTOR	1
	39709	TANK ASSEMBLY, Hydraulic fluid	1
8	55455	ELBOW	1
9	53430	BREATHER & RELIEF VALVE	1
10	53431	ELEMENT, Breather	1
11	39727	CAP, Tank filler	1
12	39720	COVER, Hydraulic tank	1
13	52733	GASKET, Tank cover	1
14	48081	GAUGE, Hydraulic oil level	1
15	47822	ELBOW	1
16	52729	TANK, Hydraulic fluid	1
17	47579	PLUG, Drain	1
18	46607	ADAPTER, Drain	1
19	51885	FILTER, Sump	1
20	02546	CONNECTOR	1
21	62391	ELBOW, 45°	1
22	48086	SCREEN, Tank filler	1
23	50022	WASHER, Nylon	3
24	SK2056	COVER, Hydraulic tank	1
25	48117	PLUG	1

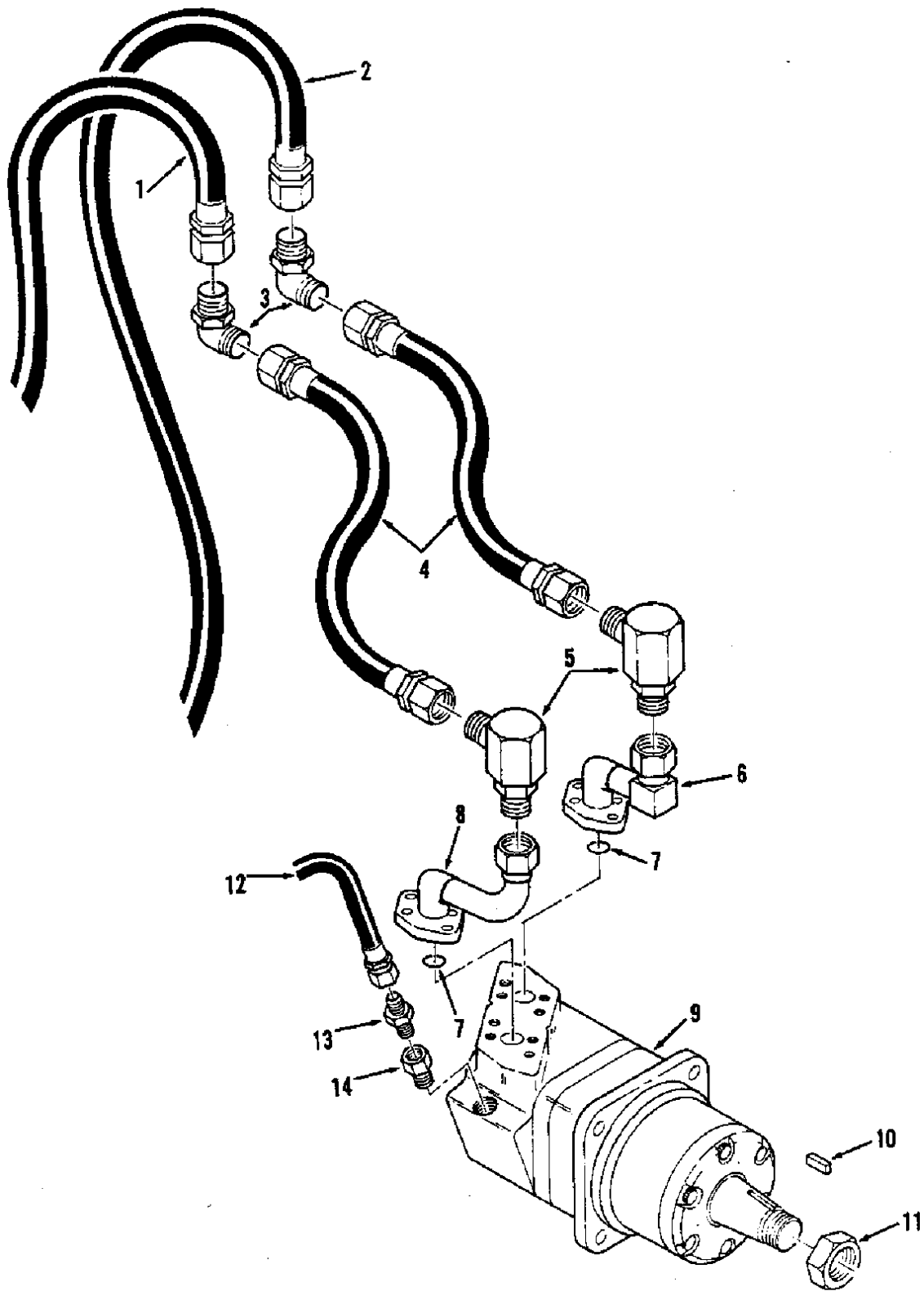


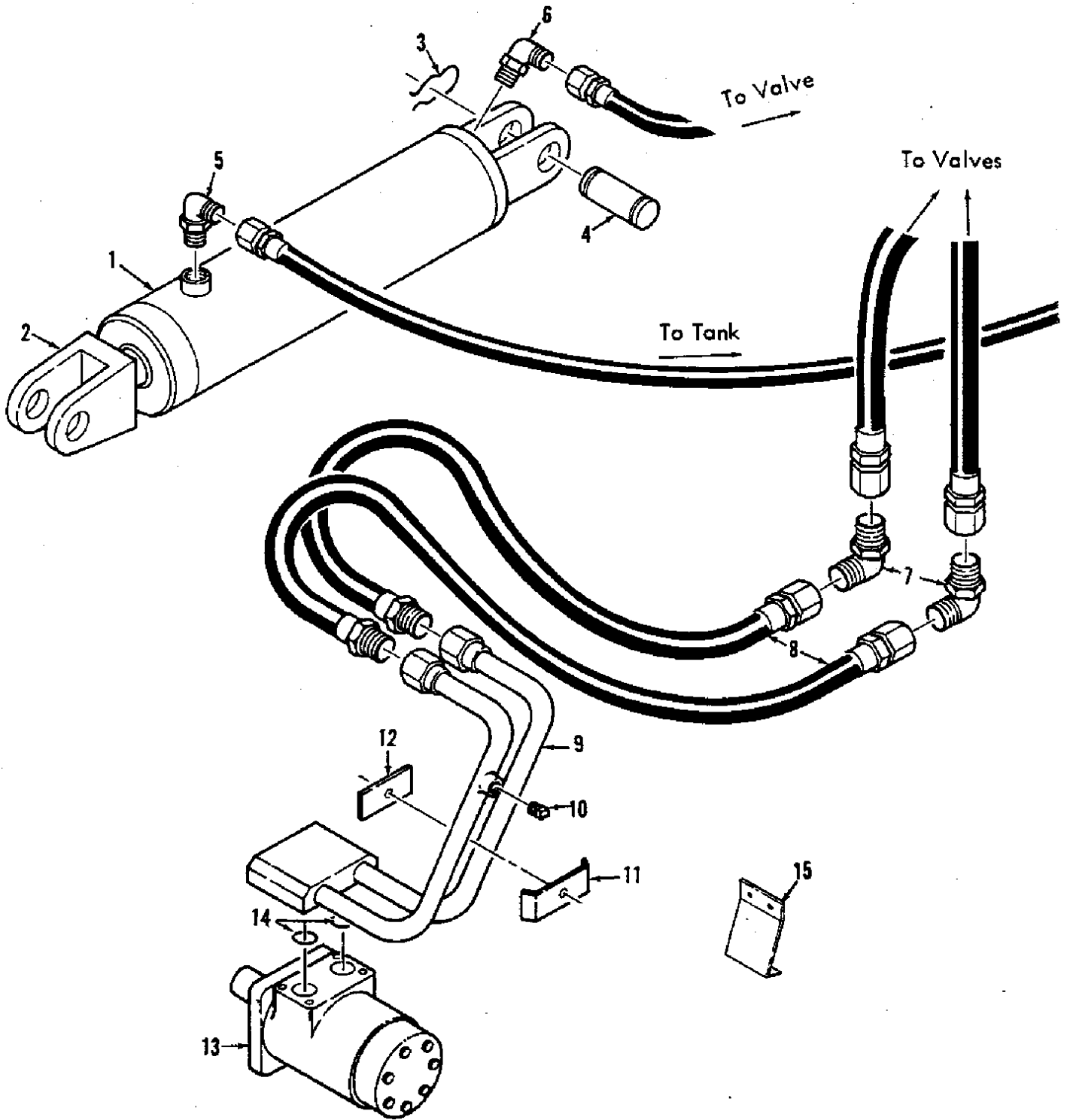
Fig. 88 - 92 DIESEL DRIVE MOTOR GROUP

Fig. 8B - DRIVE MOTOR GROUP

Ref. No.	TENNANT Part No.	Description	Qty.
1	51748	HOSE	1
2	51748	HOSE	1
3	51785	ELBOW, Bulkhead	2
4	51809	HOSE	2
5	62717	ELBOW (Seal Kit SK1172)	2
6	62716	TUBE ASSEMBLY	1
7	11453	"O"-RING	2
8	62715	TUBE ASSEMBLY	1
9	75025	+MOTOR, Hydraulic drive	1
	SK1614	SEAL KIT, overhaul	1
	SK1547	SEAL KIT, shaft	1
10	45623	KEY	1
11	45622	NUT	1
12	50955	* HOSE, Case drain	1
13	56708	CONNECTOR	1
14	76835	CONNECTOR	1

* Used on machines with motor case drain system.

+ Before serial no. 4729, Char-Lynn Motor was 47936-1. Motor 47936-1 replaced motor 42162-1 beginning with serial no. 2990. To replace 42162-1, order SK2004.



92 DIESEL

Fig. 8C - HOPPER CYLINDER & MAIN BRUSH MOTOR GROUP

92 DIESEL

Fig. 8C - HOPPER CYLINDER & MAIN BRUSH MOTOR GROUP

Ref. No.	TENNANT Part No.	Description	Qty.
1	62658	CYLINDER ASSEMBLY, Lift	1
	62657	CYLINDER, Lift (Prince)	1
	SK2108	SEAL KIT, for cylinder	1
2	100000014**	CLEVIS	1
3	190400002**	CLIP	4
4	190400001**	PIN, Clevis	2
5	56820	ELBOW	1
6	62711	ELBOW	1
7	42243	ELBOW, Bulkhead	2
8	62156	HOSE	2
9	62151	BLOCK, Porting	1
10	10552	PLUG	1
11	51030	CLAMP, Tube	1
12	51029	STRIP, Rubber	1
13	47650	*MOTOR, Main brush (standard, Char-Lynn)	1
	SK1600	* SEAL KIT	1
	47514	*MOTOR, Main brush (alternate, Ross)	(1)
	SK1694	* SEAL KIT	(1)
14	51403	'O' RING	2
15	62121	SUPPORT, Hose	1

*Note: When alternate numbers are listed, be sure to check your machine for the correct part number before ordering seal kits or parts.

** Prince Manufacturing Corporation Part No.

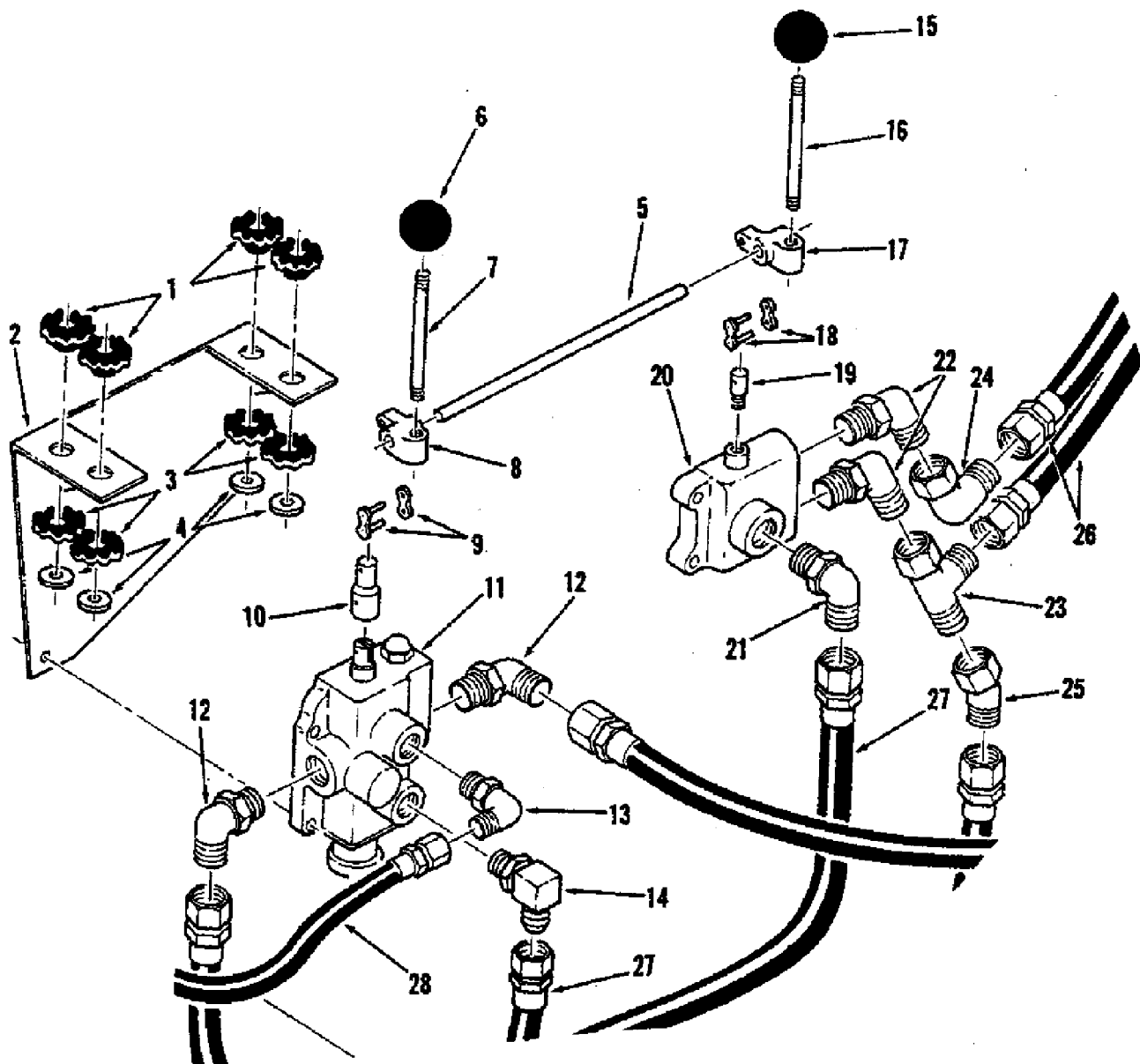
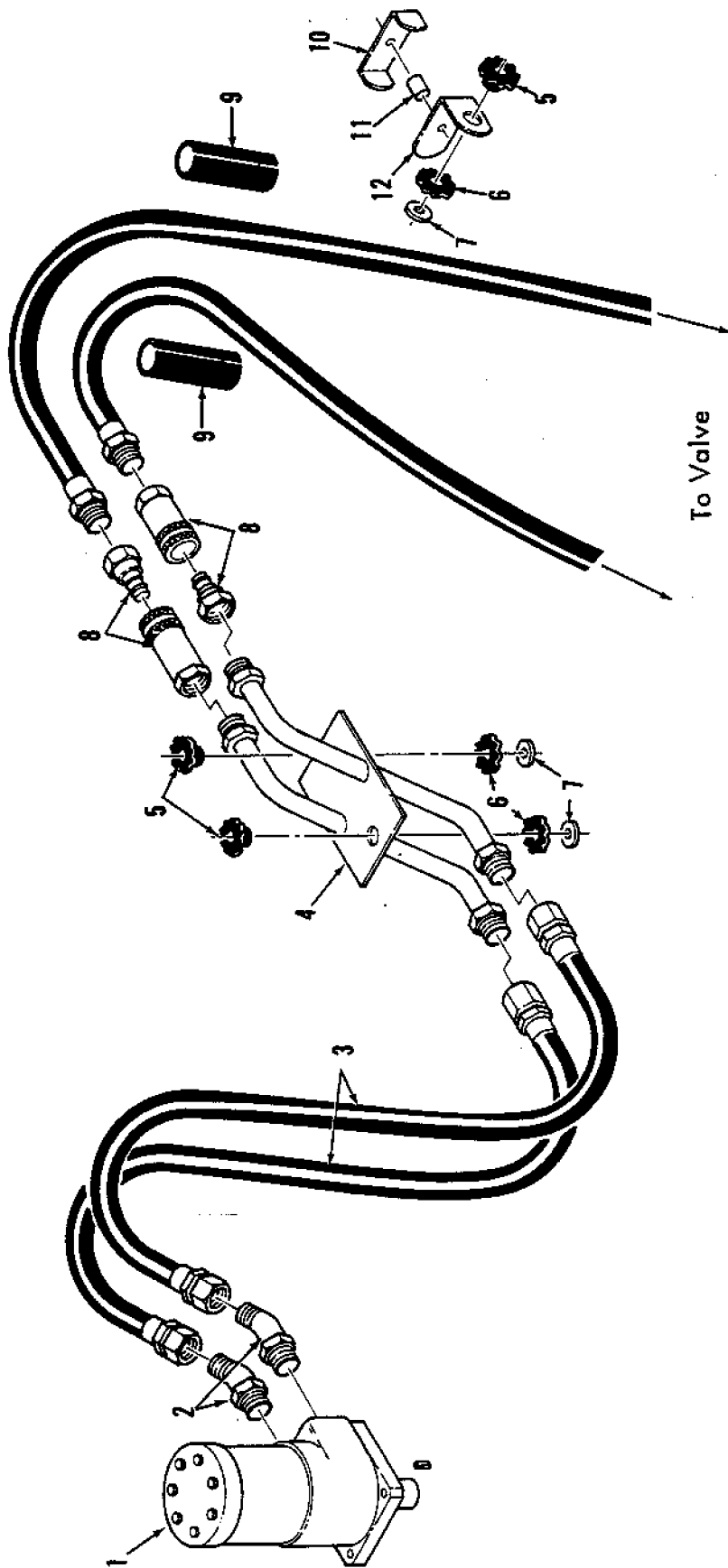


Fig. 8D - 92 DIESEL CONTROL VALVES GROUP

Fig. 8D - 92 DIESEL CONTROL VALVES GROUP

Ref. No.	TENNANT Part No.	Description	Qty.
1	62173	BUSHING, Rubber	4
2	62679A	BRACKET, Valve mounting	1
3	62172	RING, Rubber	4
4	30013	WASHER	4
5	62762	ROD, Pivot	1
6	26565	KNOB	1
	62685	VALVE ASSEMBLY, Main Control	1
7	62701	HANDLE	1
8	56757	PIVOT, Handle control	1
9	09318	LINK, Connecting	1
10	48342	ADAPTER, Handle	1
11	* 62550	VALVE, Main control (Dukes-Victor)	1
	SK1863	SEAL KIT for 62550 valve	1
12	51782	ELBOW	2
13	47512	ELBOW	1
14	56827	ELBOW, 45°	1
	23994-4	PIN	1
15	26565	KNOB	1
	62684	VALVE ASSEMBLY, Side brush	1
16	62701	HANDLE	1
17	56757	PIVOT, Handle control	1
18	09318	LINK, Connecting	1
19	51311	ADAPTER, Handle	1
20	48108A	VALVE, Side brush (Gresen)	1
	SK1288	SEAL KIT	1
21	51782	ELBOW	1
22	44936	ELBOW 45°	2
23	51779	TEE	1
24	54194	ELBOW	1
25	54017	ELBOW, 45°	1
26	62708	HOSE	2
27	51753-1	HOSE	2
28	42222	HOSE	1

* Note: Before Serial No. 2692, Main Control Valve #62550 was #62585



92 DIESEL

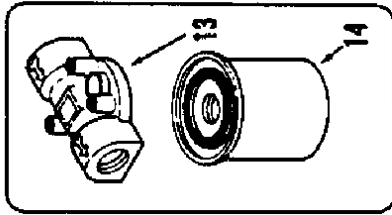
FIG. 8E - SIDE BRUSH MOTOR GROUP

92 DIESEL

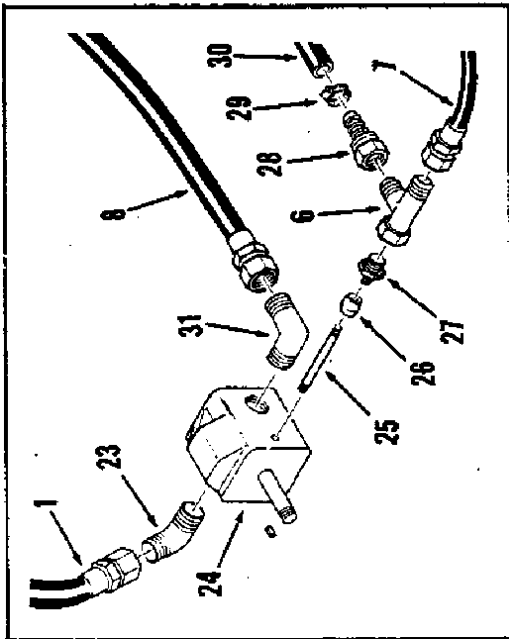
Fig. 8E - SIDE BRUSH MOTOR PARTS GROUP

Ref. No.	TENNANT Part No.	Description	Qty.
1	47640	*MOTOR, Sidebrush (standard, Ross)	1
	SK1694	* SEAL KIT for 47640	1
	47650-1	*MOTOR, Sidebrush (alternate, Char-Lynn)	(1)
	SK1600	* SEAL KIT for 47650-1	(1)
2	47513	ELBOW, 45°	2
3	51752	HOSE	2
4	62707	TUBE ASSEMBLY	1
5	62173	BUSHING, Rubber	3
6	62172	RING, Rubber	3
7	30013	WASHER	3
8	42224	COUPLING, Push-pull set	2
9	51918	SLEEVE, Rubber protective	2
10	51715	CLAMP, Hose	1
11	09900-1	SLEEVE	1
12	62697	BRACKET, Hose stand-off	1

* Note: When alternate numbers are listed, be sure to check your machine for the correct part number before ordering seal kits or parts.



ALTERNATE
FILTER



OBSOLETE VACUUM FAN MOTOR AND PARTS

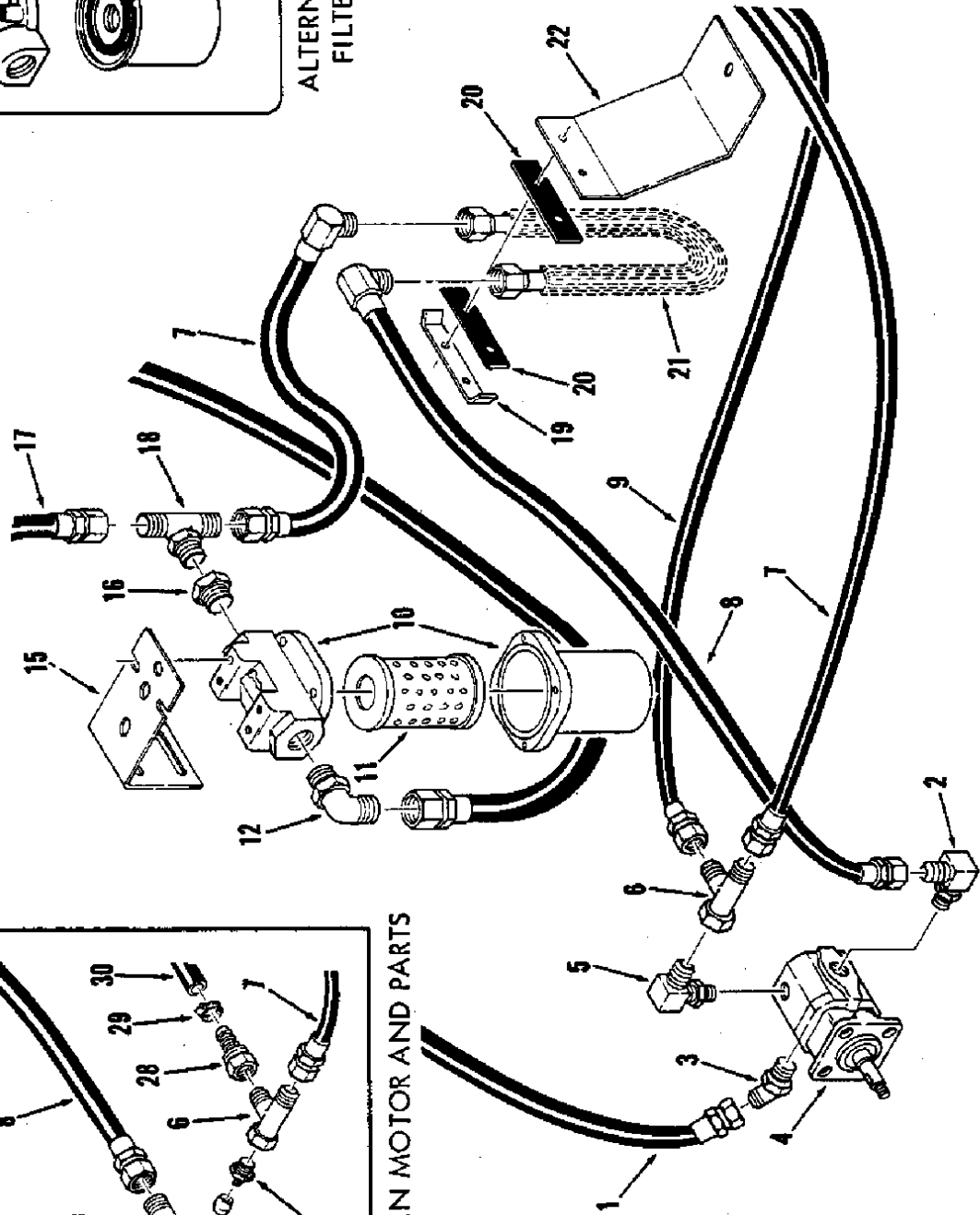


Fig. 8F - 92 DIESEL FILTER, VACUUM FAN MOTOR & HEAT EXCHANGER

FIG. 8F - FILTER, VACUUM FAN MOTOR & HEAT EXCHANGER

Ref. No.	TENNANT Part No.	Description	Qty.
1	62157	HOSE	1
2	56827	ELBOW	1
3	77099	ELBOW, 45°	1
4	77100	**MOTOR, Vacuum fan (includes mounting hardware	1
	SK2561	SEAL KIT	1
5	77098	ELBOW	1
6	42215	TEE	1
7	62185	HOSE	1
8	62008	HOSE	1
9	50955	HOSE	1
10	53348B	*FILTER ASSEMBLY, Hydraulic fluid (Ripley)	1
11	53348-1	ELEMENT, Filter	1
12	46481	ELBOW	1
13	67718	*FILTER ASSEMBLY, Hydraulic fluid (Deluxe)	1
14	67718-2	ELEMENT, Filter	1
15	62645	BRACKET, Filter mounting	1
16	47516	CONNECTOR	1
17	53083-8	HOSE	1
18	48286	TEE	1
19	52997	CLAMP, Mounting	1
20	52996	STRIP, Rubber	2
21	52909	HEAT EXCHANGER	1
22	62179	BRACKET, Heat exchanger mounting	1
23	46485	ELBOW, 45°	1
24	53923 & -1	MOTOR, Vacuum fan (obsolete)	1
	SK2561	SEAL KIT	1
25	32529	NIPPLE	1
26	11848	COUPLING	1
27	56708	CONNECTOR	1
28	76590	CONNECTOR, Barbed	1
29	54333	CLAMP	1
30	32320	HOSE	1

* Either hydraulic oil filter may be used on your machine. Check filter for correct part number (located on filter) before ordering parts or replacement.

** To replace the obsolete vacuum fan motors 53923 and 53923-1, order SK2560.

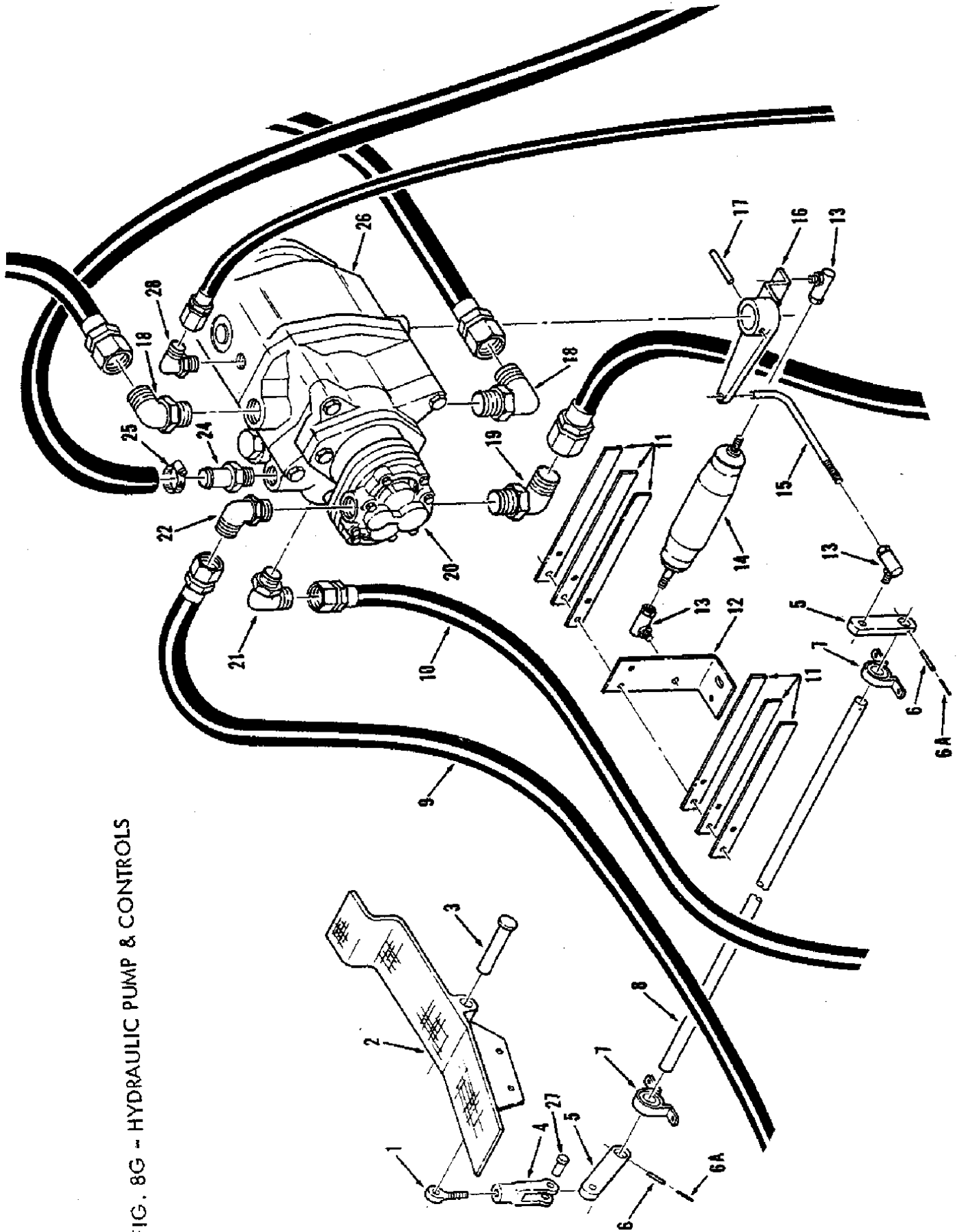


FIG. 8G - HYDRAULIC PUMP & CONTROLS

FIG. 8G - HYDRAULIC PUMP & CONTROLS

Ref. No.	TENNANT Part No.	Description	Qty.
1	51303	EYE-BOLT	1
2	42240	PEDAL, Foot	1
3	06474A	PIN	1
4	14330	CLEVIS	1
5	52789	ARM, Control	2
6	46029	PIN, Roll (small)	2
6A	22134	PIN, Roll (large)	2
7	51304-1	BEARING	2
8	52790	ROD, Pump control	1
9	53083-5	HOSE	1
10	62388	HOSE	1
11	49681	SPRING, Pump control	6
12	52689	BRACKET, Pump control spring	1
13	14506	BALLJOINT	3
14	62700	SHOCK ABSORBER	1
15	32700	ROD, Pump control	1
	52758	PUMP ASSEMBLY	1
16	62702	ARM, Pump control	1
17	14854	PIN, Roll	1
18	46481	ELBOW	2
19	52142	ELBOW	1
20	65145	PUMP, Accessory	1
	SK1700	SEAL KIT FOR 65145 Pump	1
	65145-1	GASKET, Tandem pump	1
21	56827	ELBOW	1
22	51782	ELBOW	1
24	47823	CONNECTOR	1
25	11399	CLAMP	1
26	62584	*PUMP, Propelling	1
	SK1699	SEAL KIT	
27	14331	PIN, Clevis	1
28	56820	ELBOW	1

Pump Model No. is stamped on pump flange. To modify pump #65144 with improved rotating group and cam plate, order Modification Kit No. SK1873.

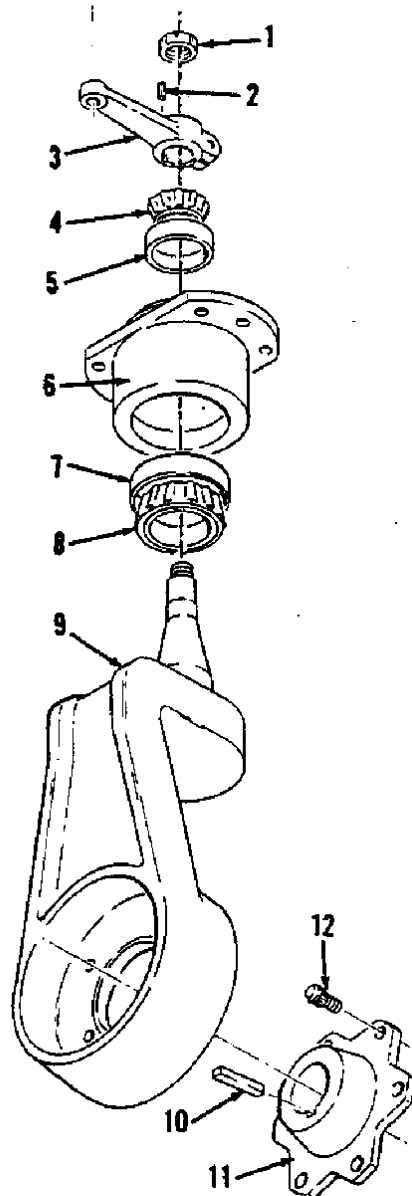


Fig. 9 - 92 DIESEL REAR AXLE & RELATED PARTS

Ref. No.	TENNANT Part No.	Description	Qty.
1	14242	NUT	1
2	00928	KEY, 0.25" x 0.25" x 1" (6.35 x 6.35 x 25.4 mm)	1
3	51283	ARM, Rear steering	1
4	51339	BEARING	1
	51002	BLOCK ASSEMBLY, Spindle	1
	47801	FITTING, Grease	1
5	51338	CUP, Bearing	1
6	51274	BLOCK, Spindle	1
7	51340	CUP, Bearing	1
8	51341	BEARING	1
9	62433	SPINDLE, Rear axle	1
10	*14232	KEY	1
11	62456	HUB ASSEMBLY, Rear drive	1
12	05936	STUD	6

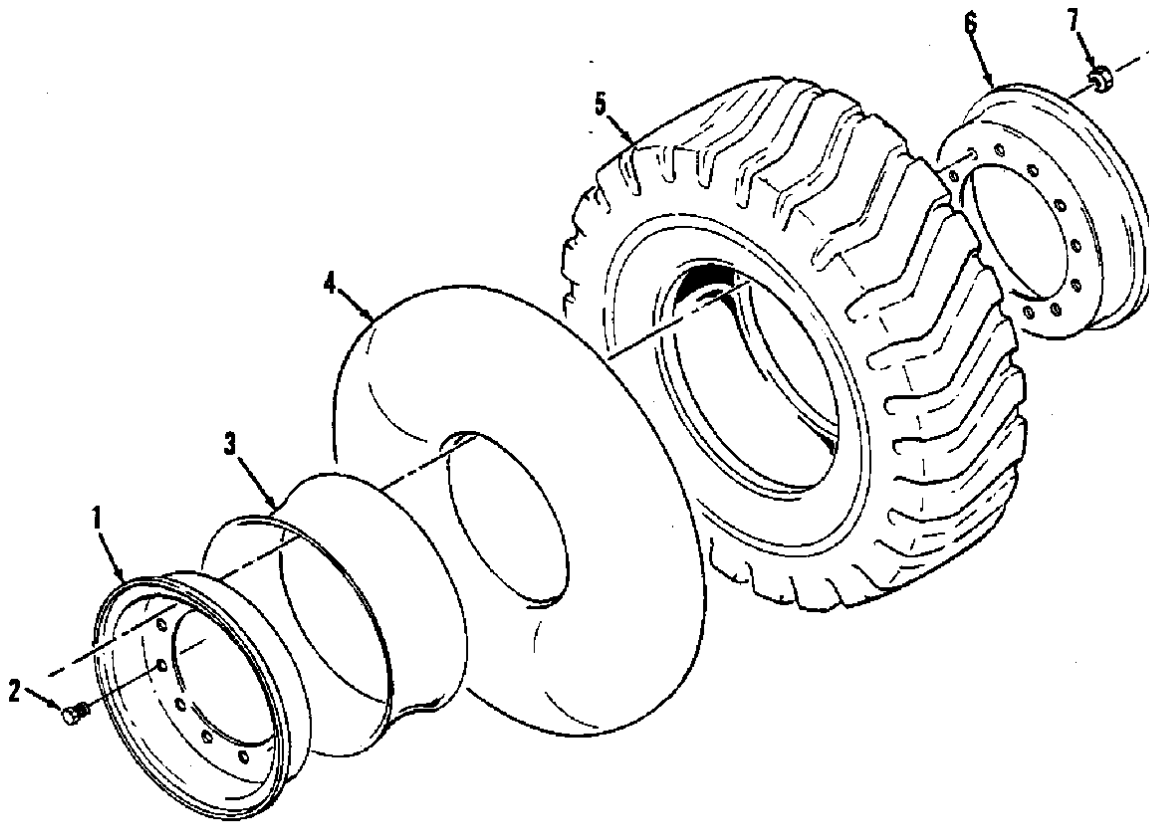
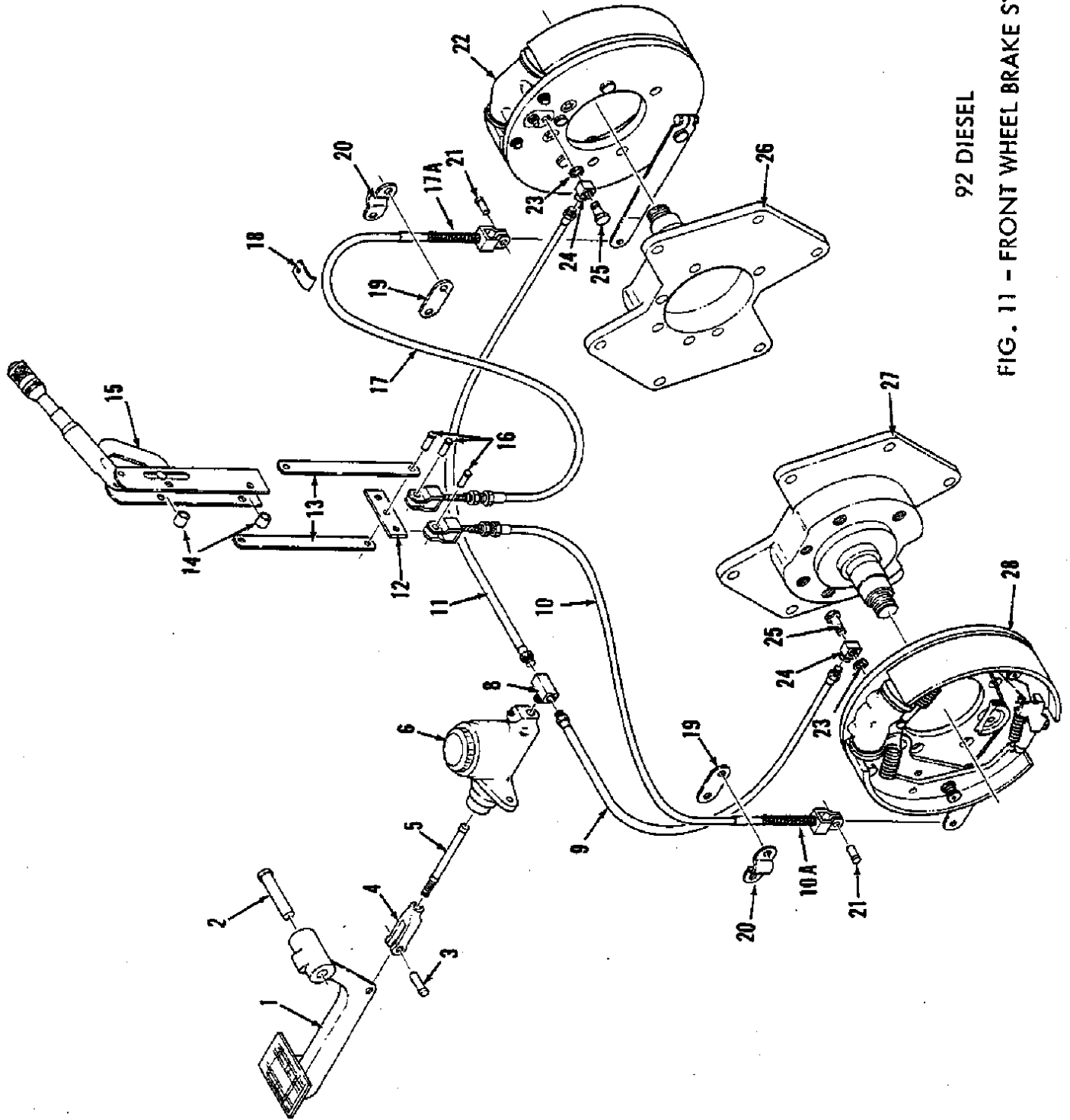


Fig. 10 - 92 DIESEL REAR WHEEL ASSEMBLY

Ref. No.	TENNANT Part No.	Description	Qty.
	51357	TIRE & RIM ASSEMBLY	1
	51006	RIM ASSEMBLY, Outer	1
1	51359	WHEEL HALF, Outer	1
2	51355	STUD, Wheel	6
	52510	TIRE ASSEMBLY	1
3	51362	FLAP	1
4	51361	TUBE	1
5	51360	TIRE	1
6	51358	WHEEL HALF, Inner	1
7	24339	NUT, Wheel , 0.50" - 20	6



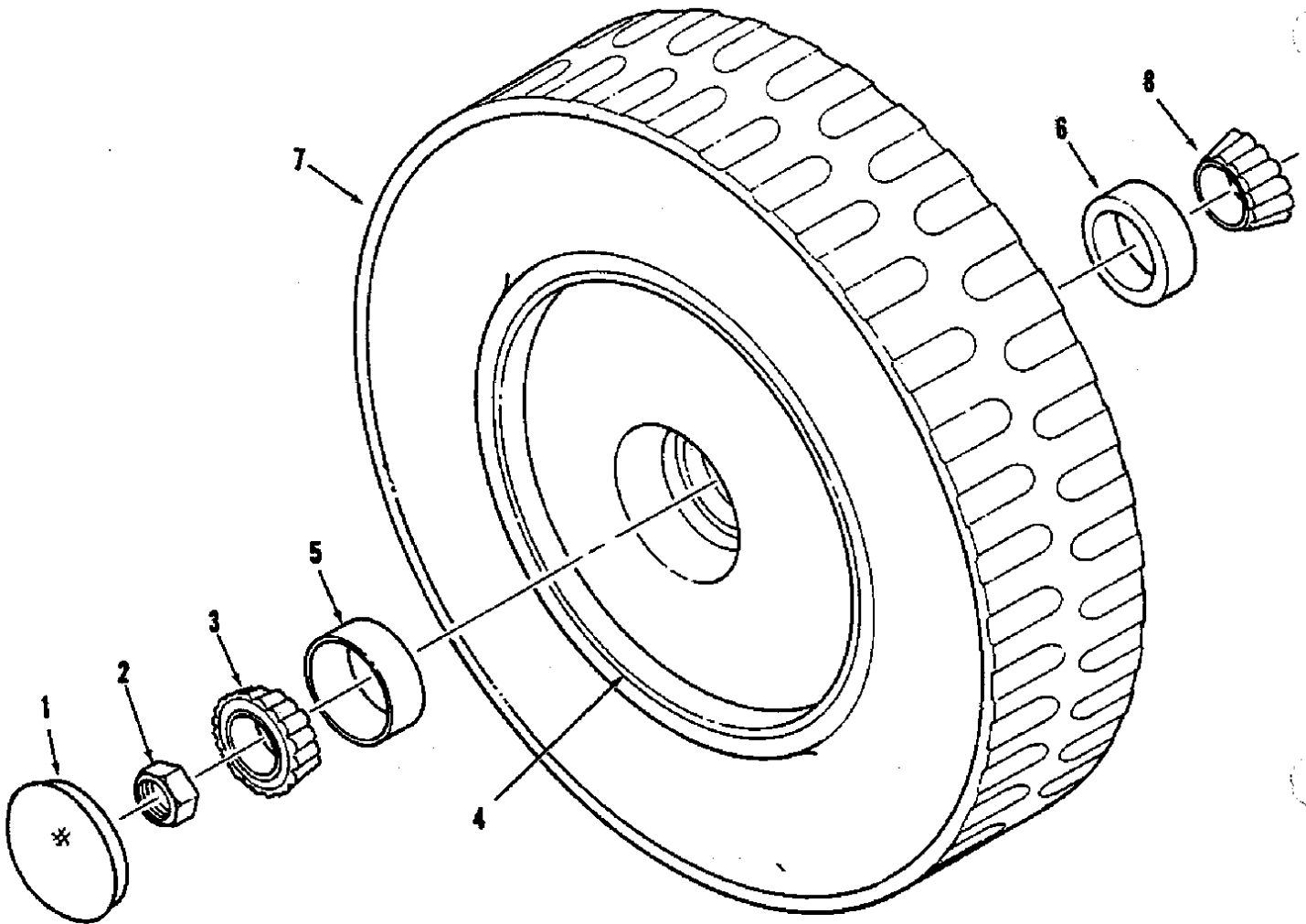
92 DIESEL

FIG. 11 - FRONT WHEEL BRAKE SYSTEM

92 DIESEL

Fig. 11 - BRAKE SYSTEM

Ref. No.	TENNANT Part No.	Description	Qty.
1	65128	PEDAL, Brake	1
2	23683	PIN, Brake pedal	1
3	14331	PIN, Clevis	1
4	14330	CLEVIS, Brake pedal	1
5	52163	ROD, Push	1
6	SK2136	CYLINDER, Master brake	1
	52031	REPAIR KIT, (Wagner)	1
8	51483	TEE	1
9	42241	TUBE ASSEMBLY, right hand	1
10	47963	CABLE ASSEMBLY, Hand brake, right hand	1
10A	47960	SPRING	1
11	76058	TUBE ASSEMBLY, left hand	1
12	40354	BAR, Brake equalizer	1
13	51912	LINK	2
14	51562	SPACER	2
15	51545	LEVER ASSEMBLY, Handbrake	1
16	10120	PIN CLEVIS	3
17	47963-1	CABLE ASSEMBLY, Handbrake, left hand	1
17A	47960	SPRING	1
18	04681	CLAMP, Cable	1
19	65129-1	CLAMP, Brake cable	2
20	65129	CLAMP, Brake cable	2
21	14605	PIN, Clevis	2
22	65114-1	BRAKE ASSEMBLY, left hand	1
23	13962	WASHER	2
24	36739	FITTING	2
25	36740	BOLT, Special	2
26	65122	SPINDLE, Front axle, left hand	1
27	65121	SPINDLE, Front axle, right hand	1
28	65115-1	BRAKE ASSEMBLY, right hand	1
(not shown)	SK1875	REPAIR KIT, Brake cylinder, wheel	2
(not shown)	SK1876	REPAIR KIT, Brake shoe (one wheel)	2



92 DIESEL

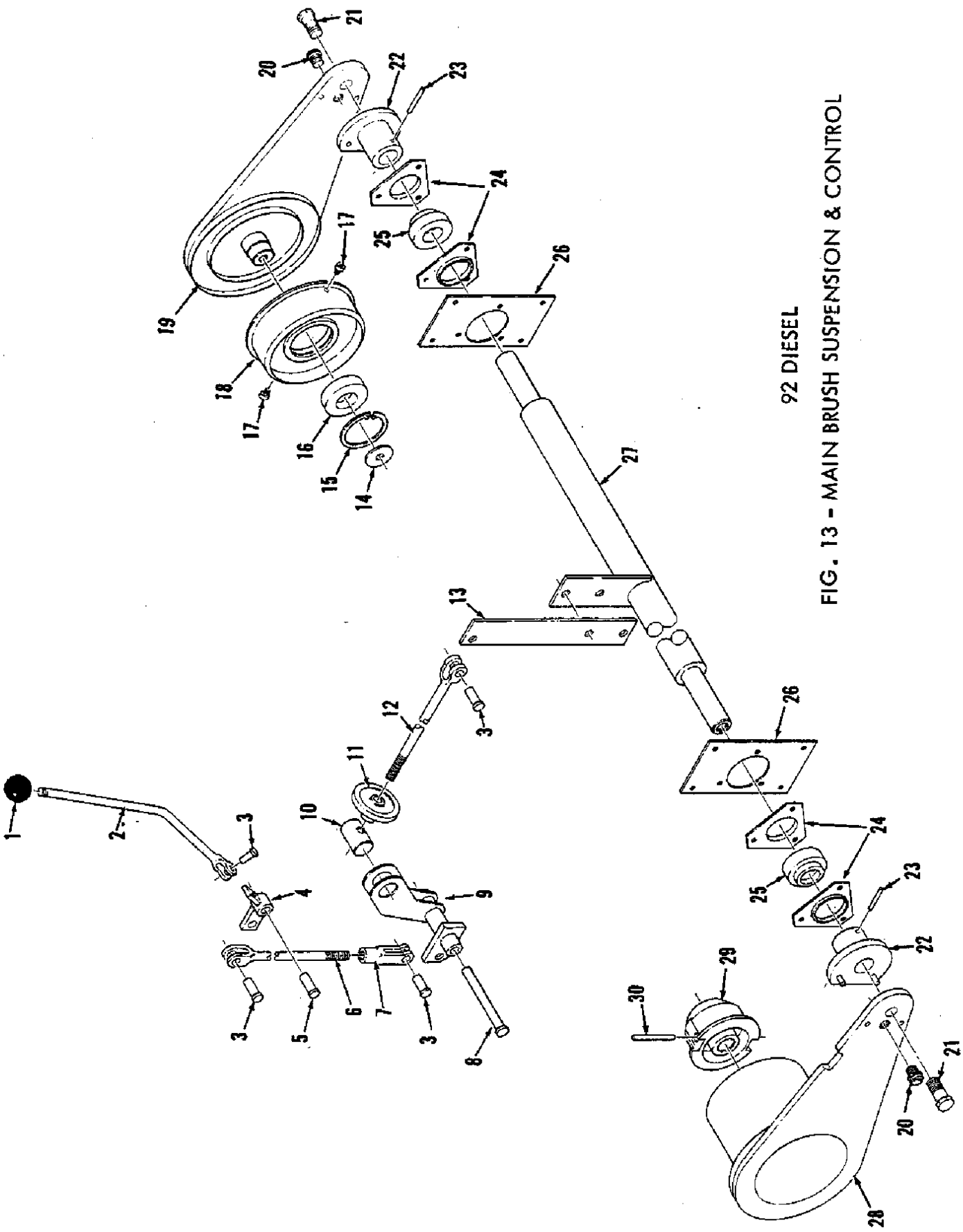
FIG. 12 - FRONT WHEEL ASSEMBLY

Fig. 12 - 92 DIESEL FRONT WHEEL & RELATED PARTS

Ref. No.	TENNANT Part No.	Description	Qty.
1	51373	CAP, Dust	2
2	14242	NUT	2
3	51193	CONE, Bearing	2
	47879	TIRE & WHEEL ASSEMBLY	2
	47883	WHEEL & BEARING CUP ASSEMBLY	1
4	*	WHEEL	1
5	51338	CUP, Bearing	1
6	17808	CUP, Bearing	1
7	47878	TIRE (Replaceable, pressed-on)	2
8	17809	CONE, Bearing	2

* Not available separately.

NOTE: Previous tire was molded on rim and was not replaceable separately (part #65119 tire & rim assembly). To replace with new style wheel and pressed-on tire, order kit #SK2059.



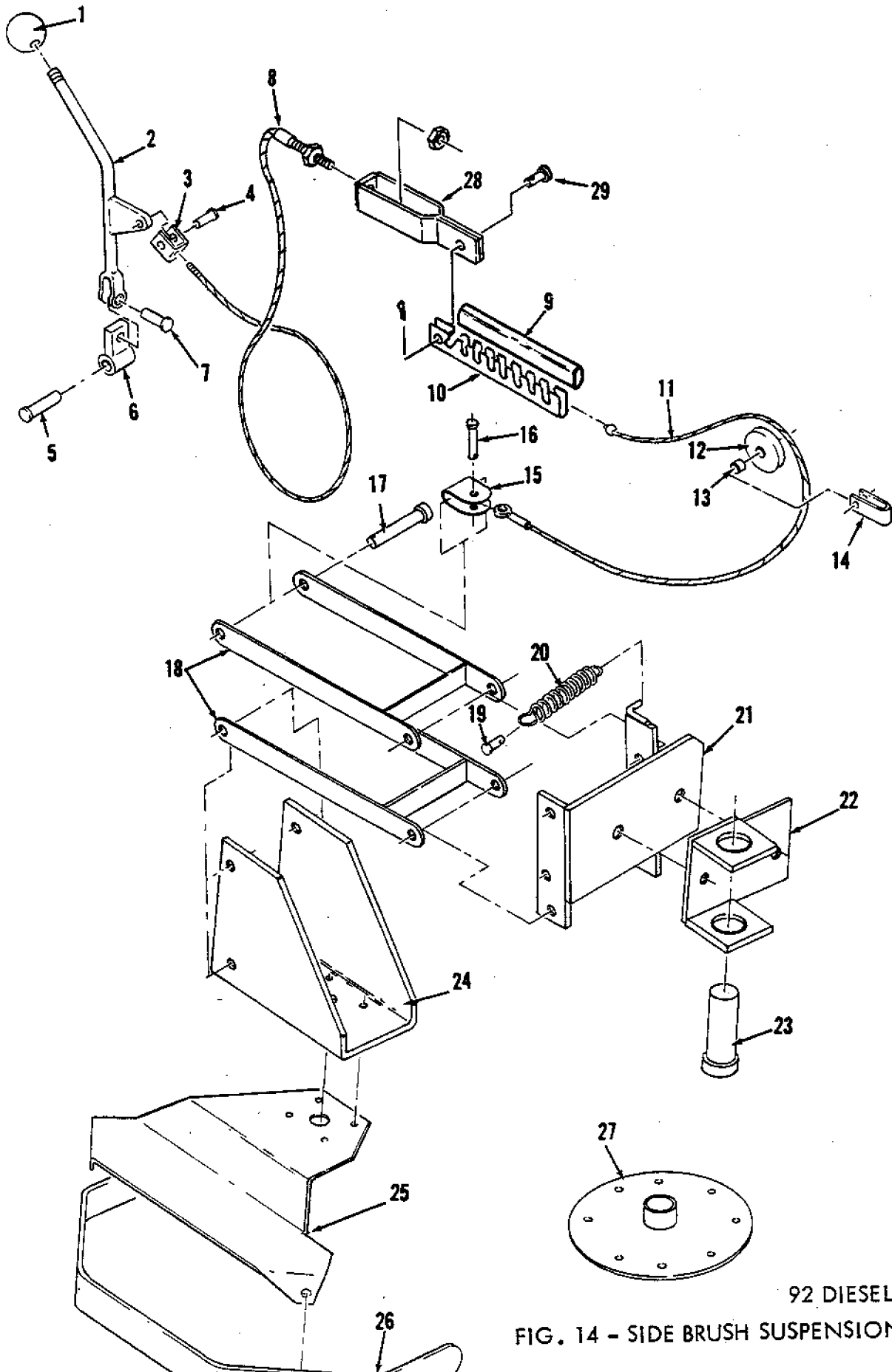
92 DIESEL

FIG. 13 - MAIN BRUSH SUSPENSION & CONTROL

92 DIESEL

Fig. 13 - MAIN BRUSH SUSPENSION

Ref. No.	TENNANT Part No.	Description	Qty.
1	26156	KNOB	1
2	51447-1	HANDLE	1
3	06598	PIN, Clevis	4
4	51492	BELLCRANK	1
5	06279	PIN, Clevis	1
6	62618	LINK, Main brush lift	1
7	51462	CLEVIS, Adjustable	1
8	51225	PIN, Clevis	1
9	62620	BELLCRANK, Brush lift	1
10	51391	SWIVEL, Main brush lift	1
11	51452	HANDLE, Main brush adjusting	1
12	62619	LINK, Main brush lift adjusting	1
13	62625	LINK, Pivot shaft	1
14	51564	WASHER, Flat	1
15	51046	RING, Retaining	1
16	24899	BEARING	1
	51984	PLUG ASSEMBLY, Brush idler	1
17	T5905	SCREW, Hex cap , 0.31" - 18 x 0.50"	2
18	51450	PLUG , Brush idler	1
19	62637	ARM, Brush idler, left hand	1
20	51938	PLUG	2
21	—	BOLT, 0.75" - 10 x 1.50"	2
22	51059	HUB, Pivot shaft	2
23	51317	PIN, Roll	2
24	51449	FLANGE, Bearing	4
25	51448	BEARING, (includes collar)	2
26	62649-1	MOUNT, Pivot shaft	2
27	62626	SHAFT, Brush pivot	1
28	62639	ARM, Brush drive, right hand	1
29	51036	PLUG, Mainbrush drive	1
30	20050	PIN, Roll	1
	51865 A	WRENCH, Brush removal	1



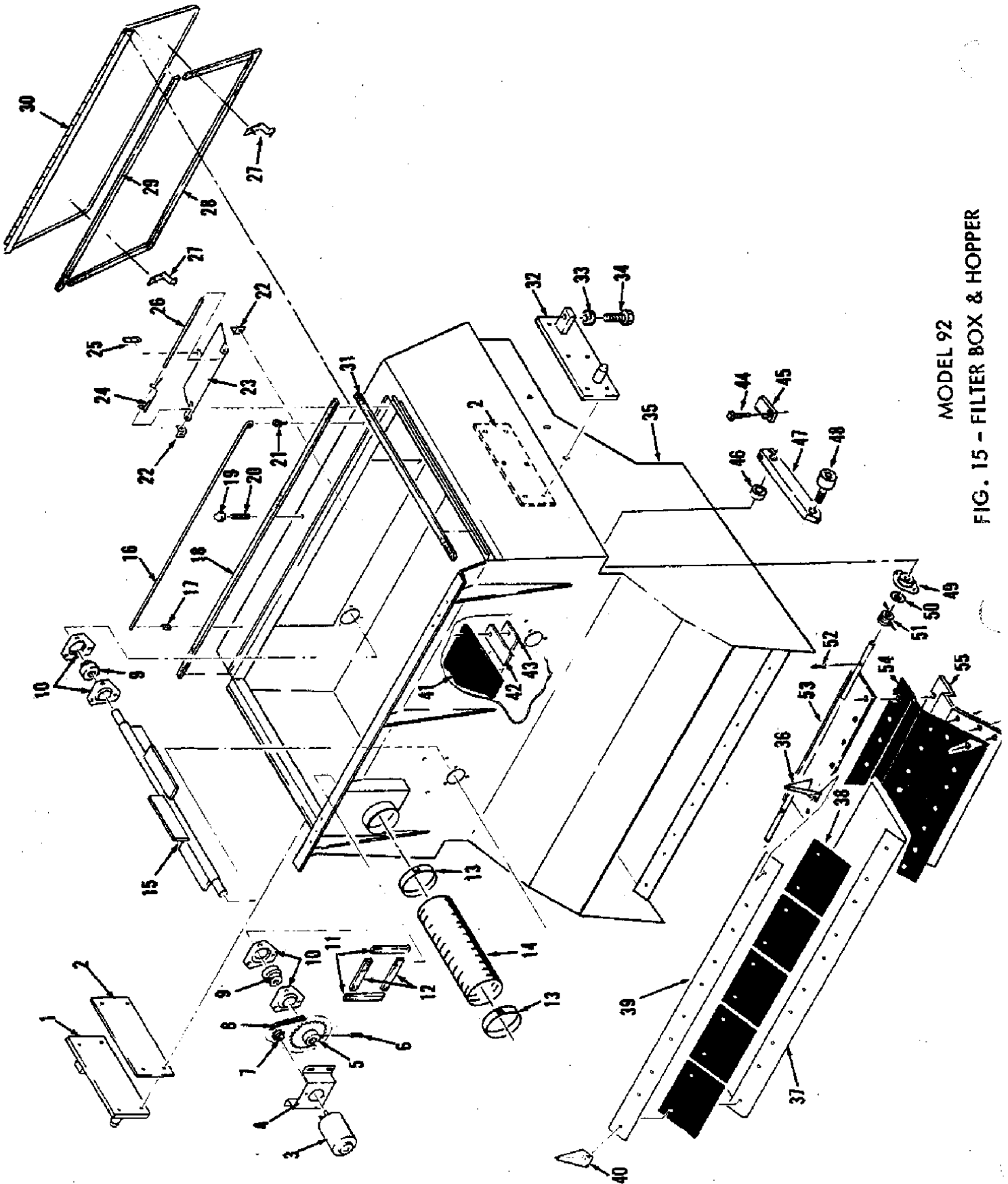
92 DIESEL

FIG. 14 - SIDE BRUSH SUSPENSION

92 DIESEL

Fig. 14 - SIDE BRUSH SUSPENSION

Ref. No.	TENNANT Part No.	Description	Qty.
1	26156	KNOB	1
2	52066	HANDLE, Side brush lift	1
3	51356	CLEVIS, Cable end	1
4	04743	PIN, Clevis	1
5	51534	PIN, Clevis	1
6	51221	LIFT, Side brush	1
7	06598	PIN, Clevis	1
8	50576	CABLE, Side brush lift	1
9	52745	HOSE, Vinyl	1
10	52743A	CHANNEL	1
11	52744	CABLE, Lift	1
12	46328	ROLLER, Cable	1
13	01275	BUSHING, Cable roller	1
14	46327	GUIDE, Cable	1
15	52742	CONNECTOR	1
16	46657	PIN, Clevis	1
17	51225	PIN, Clevis	4
18	45599	LINK, Parallel	2
19	46800	PIN, Clevis	1
20	47745	SPRING	1
21	52663	BRACKET, Side brush	1
22	52667	PIVOT, Side brush	1
23	51414	PIN, Clevis	1
24	62303	BRACKET, Motor	1
25	51209A	BRACKET, Bumper support	1
26	51210	BUMPER, Side brush	1
27	51963	PLATE, Side brush drive	1
28	50580	CLEVIS	1
29	76782	PIN, Clevis	1



MODEL 92
 FIG. 15 - FILTER BOX & HOPPER

MODEL 92
Fig. 15 - FILTER BOX & HOPPER

Ref. No.	TENNANT Part No.	Description	Qty.
1	51156	ADJUSTER, Hopper, left	1
2	51728	PLATE, Inner hopper	2
3	23625	MOTOR, Shaker (sealed motor, not repairable)	2
	00500-5	KEY	1
4	51402	MOUNT, Shaker motor	2
5	23628	SPROCKET, Lower	2
6	23146	PIN, Roll	2
7	23626	SPROCKET, Upper	2
8	23630	CHAIN	2
9	23624	BEARING & COLLAR, Shaker	4
10	51137	FLANGE, Bearing	8
11	51085	SEAL, Vacuum cover	2
12	51084	SEAL, Vacuum cover	2
13	23498	CLAMP, Duct	2
14	51881	DUCT	1
15	51089	SHAKER	2
16	62794	ROD, Hood support	1
17	23446	CLAMP	1
18	51159	GASKET, Hopper cover (long)	2
19	51140	FASTENER, Cover latch	1
20	51139	STUD, Latch fastener	1
21	11893	EYE-BOLT	1
22	46087	PIVOT, Fire door	2
23	51149	DOOR, Fire	1
24	51372	SPRING, Fire door	1
25	SK1511	LINK, Fusible	1
26	46088	HINGE, Fire door	1
27	51934	CATCH, Spring	2
28	51163	GASKET, Hopper door	1
29	51164	GASKET, Hopper door	1
30	51047	DOOR, Hopper	1
31	51162	GASKET, Hopper cover (short)	2
32	51151	ADJUSTER, Hopper, (right)	1
33	52501	NUT, Hex . 0.75" - 10	2
34	52502	BOLT, 0.75" - 10 x 2"	2
35	* 62776B	HOPPER	1
36	** 46596	DEFLECTOR, Dirt, left hand	1
37	51143	PLATE, Hopper wear	1
38	39566	LIP, Rubber, hopper	5
39	51142	STRIP, Hopper bolting	1
40	** 46595	DEFLECTOR, Dirt, right hand	1
41	** 65035	SEAL	1
42	** 62748	SPRING	3
43	** 65036	RETAINER, Seal	1
	** 22303	SCREW, Hex, 0.62" 11 x 3"	1

FIG. 15 - FILTER BOX & HOPPER (continued)

Ref. No.	TENNANT Part No.	Description	Qty.
44	-	SCREW, Square head, 0.31" - 18 x 2"	1
45	39561	BLOCK, Adjusting screw	1
46	75371	COLLAR, Locking	2
47	36894	ARM, Control	1
48	48930	CAM, Follower	1
49	47585	BEARING, Flange	2
50	-	WASHER, Flat	2
51	36896	SPRING	2
52	-	PIN, Cotter, 0.06" x 0.75"	2
53	36892	ROD, Dust control door	1
54	36882	SEAL	1
55	36898	DOOR, Dust control	1
	36890	SEAL, Foam, 0.31" x 0.38" x 48"	1

* Machines with serial number up to and including 4446 used old-style hopper 62776A.
 ** These parts were used with the old-style hopper. To up-date old-style hopper to the new dust dump door design, order SK2205.

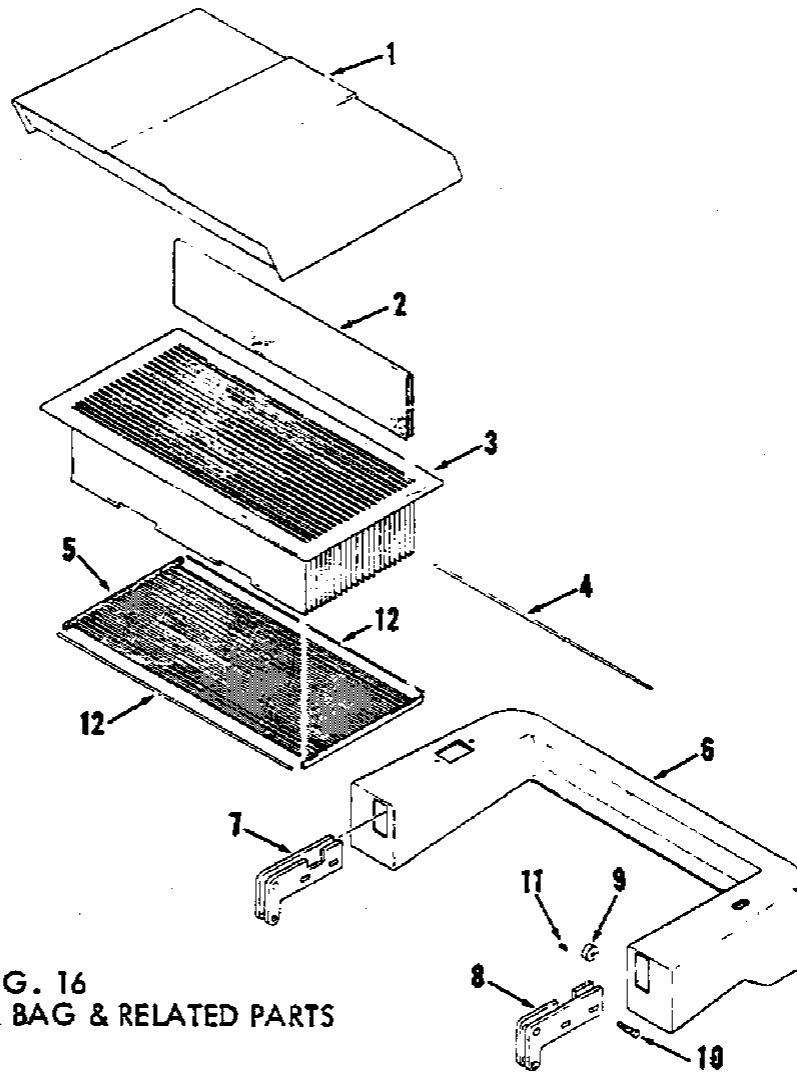


FIG. 16
BUMPER, FILTER BAG & RELATED PARTS

Ref. No.	TENNANT Part No.	Description	Qty.
1	51052	COVER, Filter box	1
2	51135	SEPARATOR, Bag	11
3	*50466	BAG, Filter	1
4	51188	ROD, Bag	22
5	*50465	RACK, Bag	1
6	65026	BUMPER, Front	1
7	51116	ADAPTER, Hopper, left hand	1
8	51116-1	ADAPTER, Hopper, right hand	1
9	51128	CAM, Lift bar	4
10	51108	BOLT, Special, 0.63" - 11 x 3"	4
11	00500-5	KEY, Woodruff (in cam)	4
12	51081-1	TUBE	2

*NOTE: Previous filter bag was #51045, used only with previous bag rack #51082. This design did not use the two bag rack tubes, item #12. To replace bag #51045 and rack #51082, order SK2138.

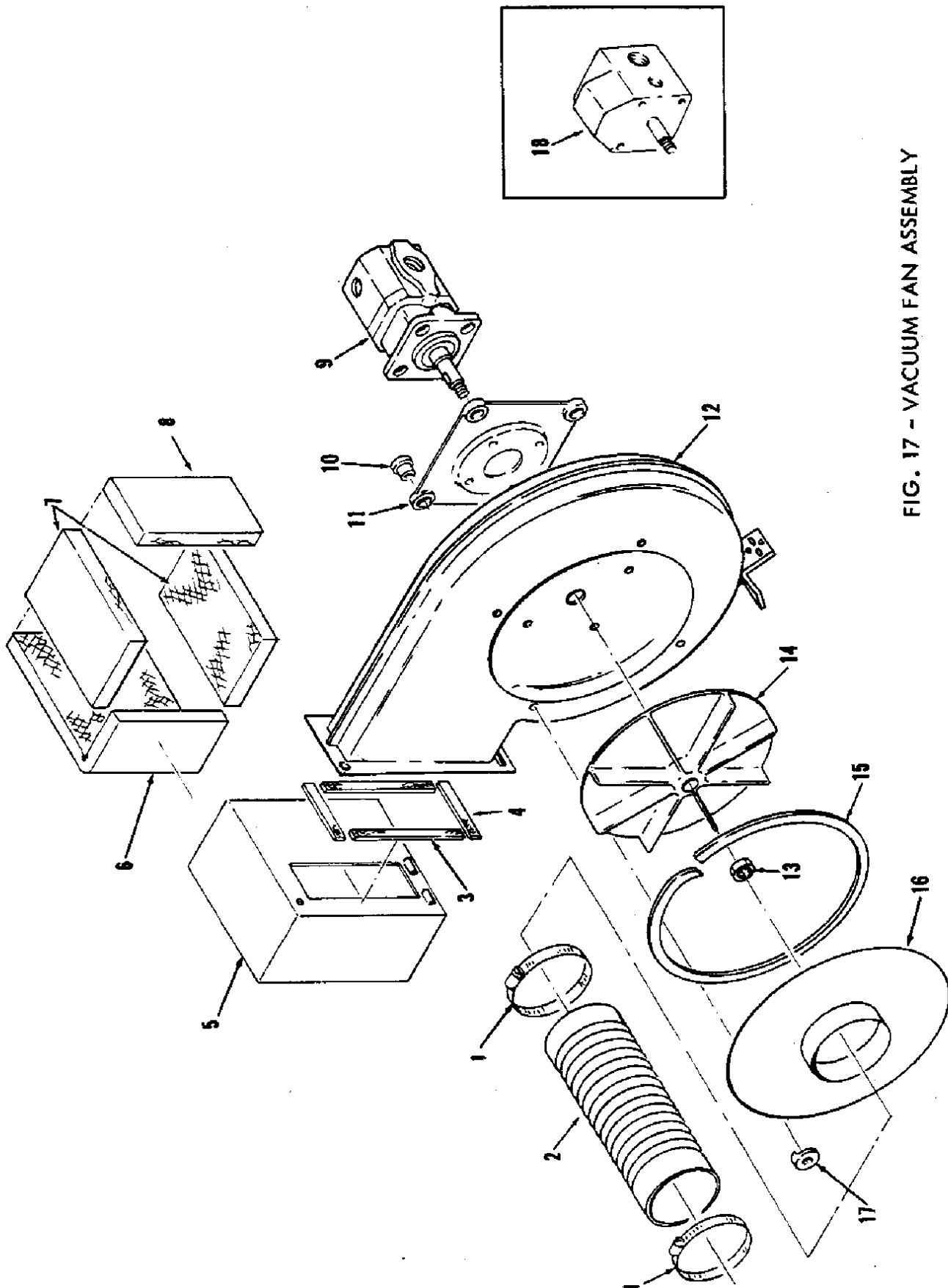
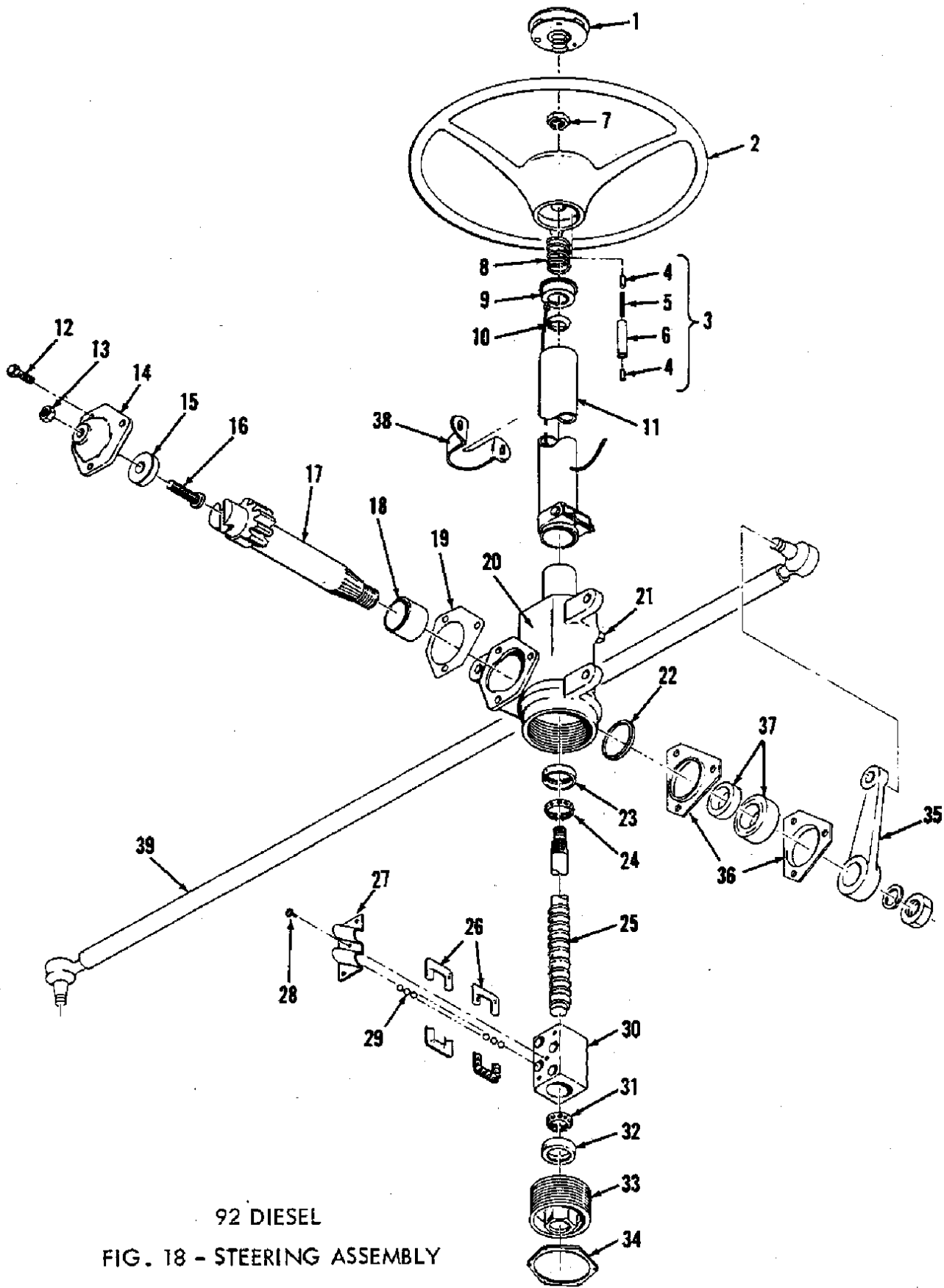


FIG. 17 - VACUUM FAN ASSEMBLY

Fig. 17 - VACUUM FAN ASSEMBLY

Ref. No.	TENNANT Part No.	Description	Qty.
1	23498	CLAMP	2
2	51768A	HOSE	1
	62187	MUFFLER ASSEMBLY, Vacuum fan	1
3	54272	SEAL	2
4	54271	SEAL	2
5	62180	HOUSING, Muffler	1
6	62177	INSULATION	1
7	62176	INSULATION	2
8	62178	INSULATION	1
9	77100	MOTOR, Vacuum fan (includes hardware)	1
	SK2561	SEAL KIT	1
10	54274	ISOLATOR, Vibration	4
11	54275A	BRACKET, Mounting	1
12	62647A	HOUSING, Impeller	1
13	51824	NUT	1
14	53034-1	IMPELLER	1
15	23542	SEAL	1
16	18158-1	DUCT, Intake	1
17	03467A	CLIP	4
18	SK2560	MOTOR, Vacuum fan (Obsolete)	1
	SK2561	SEAL KIT	1

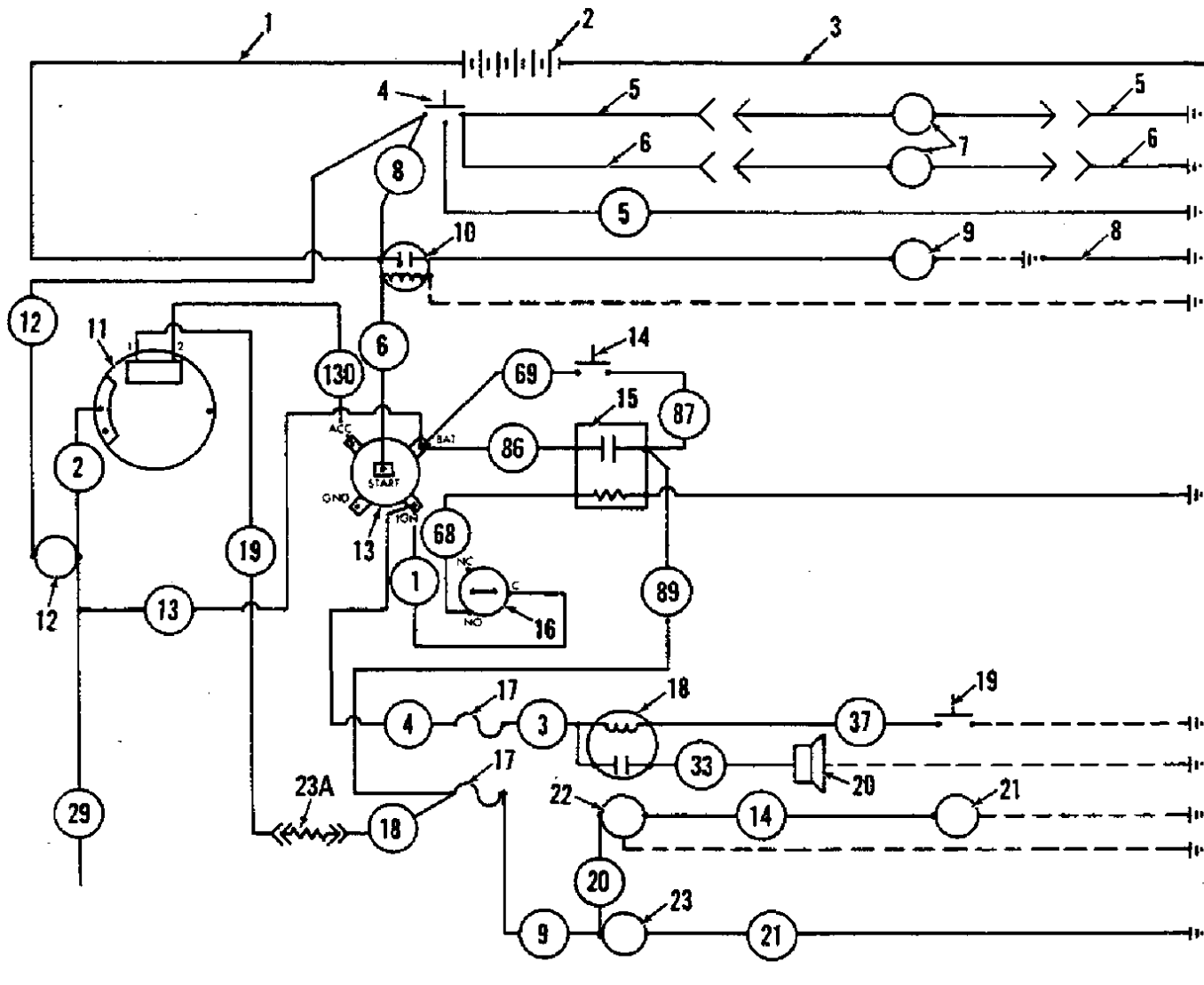


92 DIESEL
 FIG. 18 - STEERING ASSEMBLY

92 DIESEL

Fig. 18 - STEERING WHEEL & RELATED PARTS

Ref. No.	Part No.	Description	Qty.
	51363	STEERING GEAR ASSEMBLY (items 1 - 35)	1
1	47010	BUTTON, Horn	1
2	47008	STEERING WHEEL	1
3	47011	BRUSH UNIT, Horn	1
4	46311	BRUSH, Horn	2
5	46313	SPRING	1
6	46312	SLEEVE	1
	47007	COLUMN & GEAR ASSEMBLY (items 7 - 35)	1
7	114496	NUT, Steering wheel	1
8	264832	SPRING	1
9	5695951	BEARING & CABLE ASSEMBLY	1
10	264831	SEAT, Spring	1
11	5695956	JACKET TUBE ASSEMBLY	1
12	7807009	BOLT, Side cover	3
13	114496	NUT, Lash adjuster lock	1
14	7802483	COVER, Side housing & bushing assembly	1
15	266903, 5, 7, 9	SHIM, Lash adjusting	1
16	7802482	ADJUSTER, Lash	1
17	7812838	SECTOR & SHAFT	1
18	266316	BUSHING, Sector shaft	1
19	5666734	GASKET	1
20	5692534	HOUSING ASSEMBLY	1
21	103868	PLUG, Filler	1
22	5670325	SEAL	1
23	5666683	CUP, Upper worm bearing	1
24	5666693	BEARING, Upper worm	1
25	7812988	WORM SHAFT & BALL NUT ASSEMBLY	1
26	5672804	GUIDE, Ball	4
27	5674273	CLAMP, Ball guide	1
28	187375	SCREW, Ballguide clamp	1
29	7808541	BALL	50
30	7812843	NUT, Ball (included in item #25)	1
31	5666693	BEARING, Lower ball	1
32	5666683	CUP, Lower ball bearing	1
33	5666682	ADJUSTER, Worm bearing	1
34	5676217	NUT, Wormbearing adjuster lock	1
35	51299	ARM, Pitman	1
36	51449	FLANGE	2
37	48050	BEARING, Ball, with collar	1
38	51470	SUPPORT, Steering column	1
39	51096	LINK, Steering	1
	47001	ROD END, Steering link	2



92 DIESEL

Fig. 19 - ELECTRICAL SYSTEM

(See next page for remainder of electrical diagram)

NOTE: Circled numbers are wire numbers, plain numbers refer to Parts List.

Fig. 19 - ELECTRICAL SYSTEM (continued)

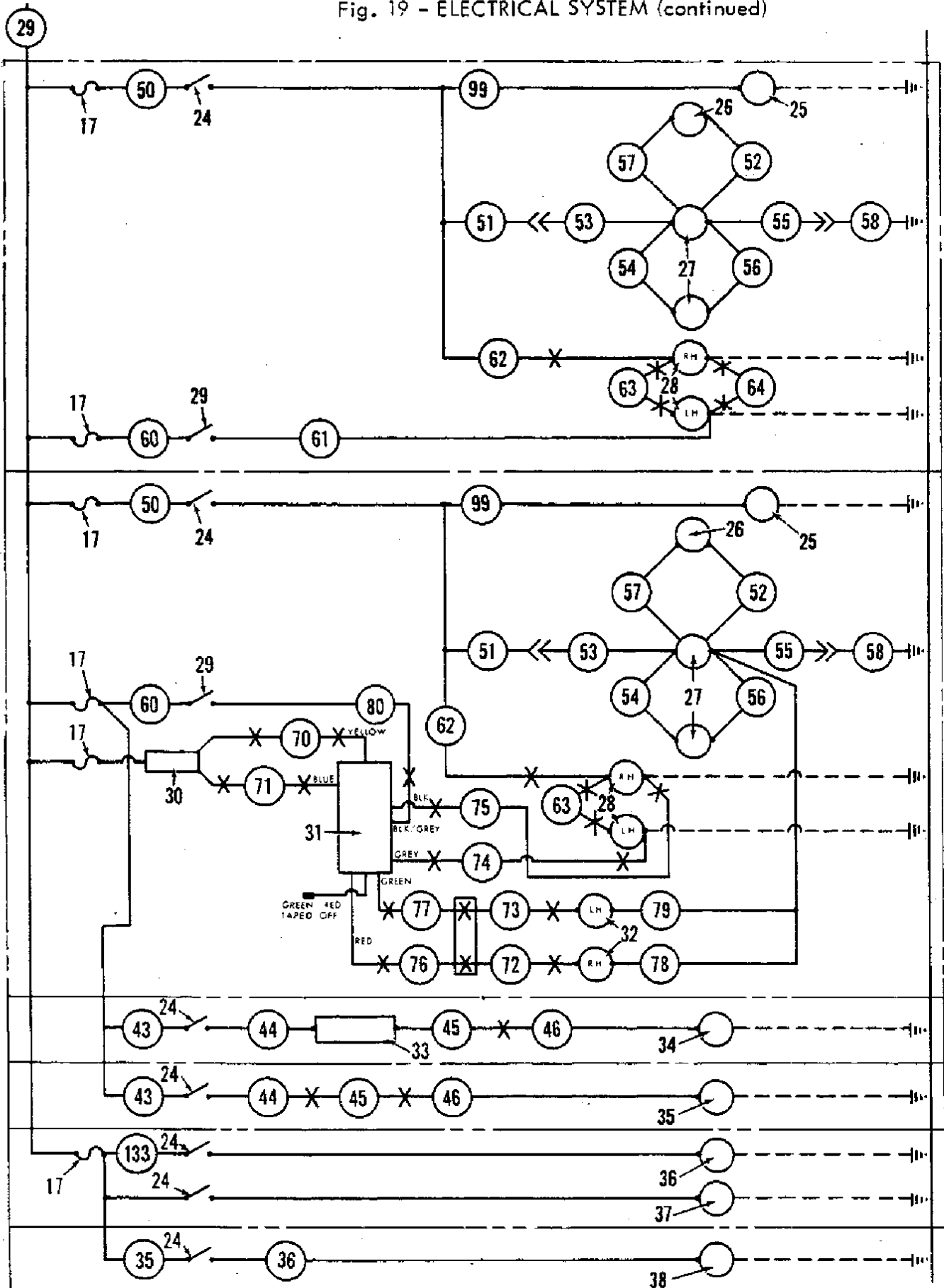


FIG. 19 - 92 DIESEL ELECTRICAL SYSTEM

Ref. No.	TENNANT Part No.	Description	Qty.
1	29830-11	CABLE, Battery positive	1
2	61034	BATTERY	1
3	29831-4	CABLE, Negative	1
4	44078	SWITCH, Shaker motor	1
5	24108-2	LEAD, Shaker motor, 45"	1
6	24108-3	LEAD, Shaker motor, 60"	1
7	23625	MOTOR, Shaker	2
8	52508-1	CABLE, Engine grounding	1
9	1107588*	MOTOR, Starter (Perkins #NA000034)	1
10		SOLENOID, Starter motor	1
11	50543A	ALTERNATOR, (W/Built-in regulator)	1
12	54180	AMMETER	1
13	62530	SWITCH, Ignition	1
14	44828	SWITCH, Fuel level push button	1
15	17677	RELAY, Fuel level	1
16	51805	SWITCH, Oil pressure	1
17	07423	FUSE	6
	14141	BLOCK, Fuse	1
18	32300	RELAY, Horn	1
19	47010	BUTTON, Horn	1
20	14138A	HORN	1
21	47474	SENDING UNIT, Fuel level	1
	14131	GASKET	1
22	47472	GAUGE, Fuel level	1
	47436	GAUGE, Oil pressure	1
23	24518	METER, Hour	1
	28838	DAMPER, Hour meter	1
23A	62588	RESISTOR KIT	1
24	10701	SWITCH	1
	07421	PLATE, On - off	1
25	46711	LIGHT, Instrument panel	1
	GE #68HD	BULB	1
26	22465	CURBLIGHT	1
	GE #1141	BULB	1
27	51569	HEAD LIGHT ASSEMBLY	2
	GE #51570	BULB, Sealed beam	1
28	51572	TAILLIGHT ASSEMBLY	2
	GE #1157	BULB	2
29	13959	SENDING UNIT, Brake light	1
30	180**	FLASHER, Turnsignal	1
31	14135A	SWITCH, Turnsignal	1
32	46683	TURN SIGNAL, Front	2
	GE #1889	BULB	2
33	24576	FLASHER	1
34	47535-2	LIGHT ASSEMBLY, Flashing	1
	GE #1196	BULB	1

FIG. 19 - 92 DIESEL ELECTRICAL SYSTEM (cont.)

Ref. No.	TENNANT Part No.	Description	Qty.
35	46928	LIGHT ASSEMBLY, Rotating	1
	GE #4416	BULB	1
36		MOTOR, Heater fan	1
37	13711	MOTOR, Defroster fan	1
38	23945	MOTOR, Wiper	1
	62796 A	WIRE ASSEMBLY, Complete	1
	52964A	HARNESS, Wire	1
	45586A	WIRE KIT, Horn, includes wires 5,21,33,37,83	1
	45588A	WIRE KIT, Diesel, includes wires 68,69,86,89	1
	52528	GAUGE, Temperature, mechanical	1
	14346	STRIP, Terminal	1

* Delco Part No.

** Signal-Stat Co. Part No.

92

POWER SWEEPERCONTENTS:

Farr Engine Air Cleaner	1
Solid Rear Tire & Wheel	1
Headlight, Taillight, Brake Light & Turn Signal	2 - 3
Flashing Light	4
Revolving Light	5
Side Brush Dust Control (Standard Machine)	6 - 7
Side Brush Dust Control (Hi-Dump Model)	8 - 9
Cab, Cab Roof, Roof & Windshield	10 - 11
Instrument Panel Light	12
Protectoseal Gasoline Tank Cap	12
Hopper Dolly	12
Fire Extinguisher	12
Heater & Defroster	13
Speed Control	13
Extra Traction Rear Tire	13
Foam Filled Rear Tire	13
Decal Kit	13
Debris Deflector Kit	13
Filter By-Pass Kit	13
Vacuum Wand Kit	13

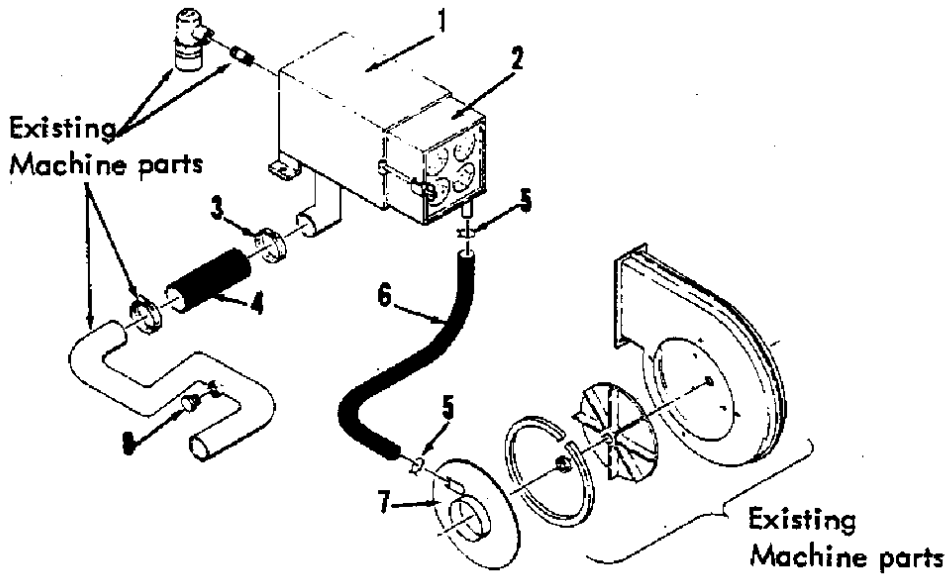

accessories

Home

Find...

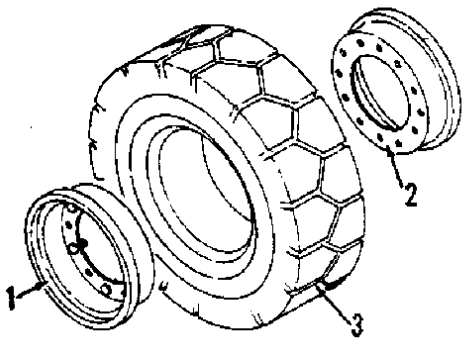
Go To..





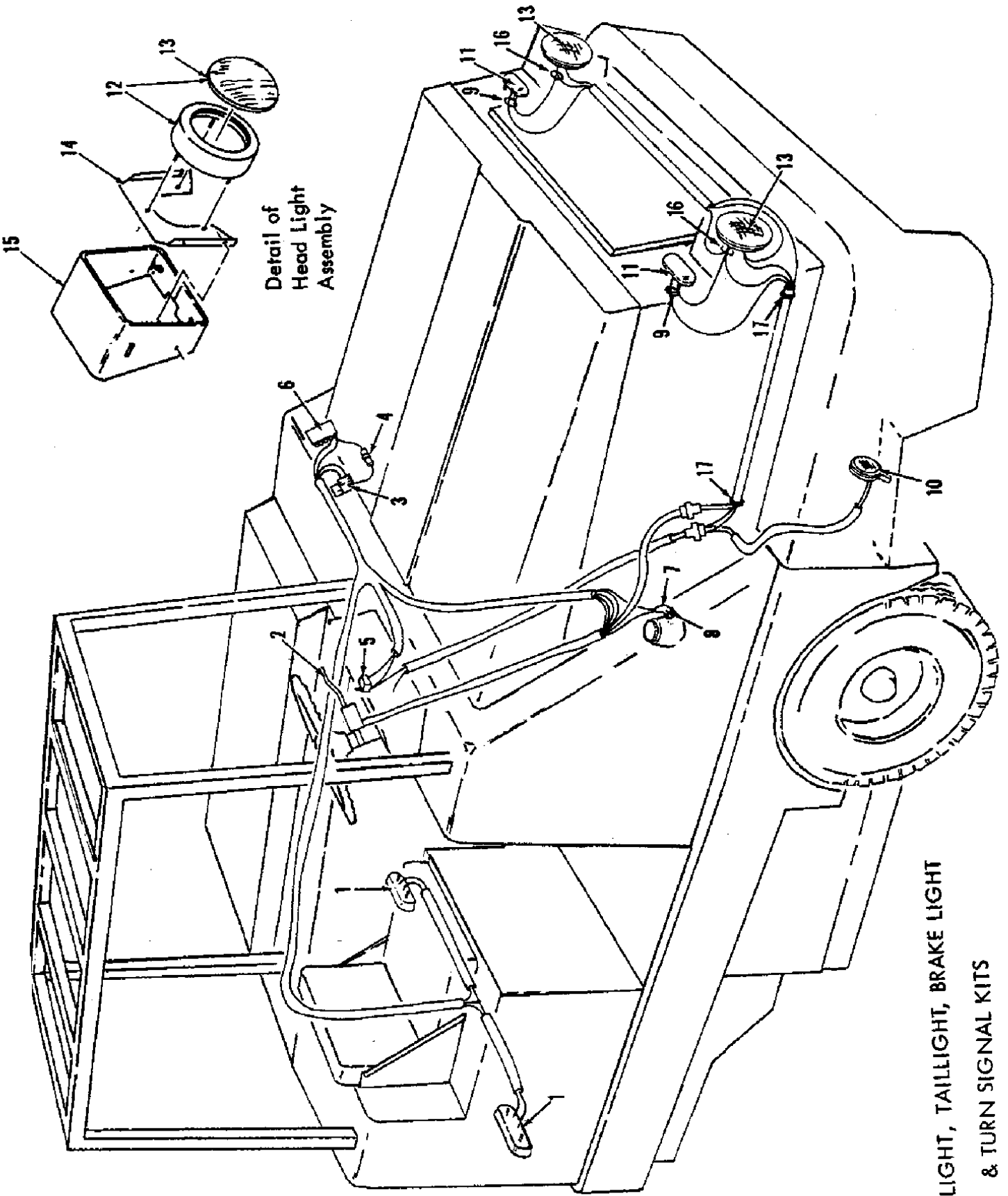
52916 FARR AIR CLEANER

1	52917	HOUSING	1
2	54028-1	PANEL, Pre-cleaner	1
	48127	ELEMENT	1
3	54333	CLAMP, Wormdrive	1
4	15543-1	HOSE, Air cleaner	1
5	51841	CLAMP, Hose	2
6	52922	HOSE	1
7	52924	DUCT, Fan intake	1
8	02246	PLUG, Pipe	1
	56094	CLAMP, Cable	1
	49195	FASTENER ASSEMBLY	2



51705 SOLID REAR TIRE & WHEEL ASSEMBLY

1	52775	RIM ASSEMBLY (includes items 1 & 3)	1
	51006	RIM	1
	51355	STUD	6
2	51358	RIM	1
3	51711	TIRE, Solid	1



Detail of Head Light Assembly

HEADLIGHT, TAILLIGHT, BRAKE LIGHT & TURN SIGNAL KITS

	Standard Machine	Hi-Dump Machine
HEADLIGHTS, BRAKE & TAILLIGHTS	#52965	#65085
HEADLIGHTS, BRAKE, TAILLIGHTS & TURNSIGNALS	#52967	#65086

Ref. No	TENNANT Part No.	Description	Qty.
1	51572	TAILLIGHT ASSEMBLY	2
	45780	BULB	2
2	14135A	SWITCH, Directional signal(includes flasher conn.)	1
3	*180	FLASHER	1
4	29763	HOLDER, Fuse	1
5	10701	SWITCH, Light	1
	07421	PLATE, On-Off switch	1
6	14141	BLOCK, Fuse	1
	07423	FUSE, 15 amp	3
7	18342	BOOT, Stoplight sending unit	
8	13959	SWITCH, Stoplight sending unit	1
9	01574	GROMMET	2
10	22465	CURBLIGHT-HOPPER DUMP LIGHT(Hi-dump only)	2
	51570	BULB	1
(not shown)**	32430	SWITCH, Hopper dump,mercury (Hi-dump only)	1
11	46683A	LIGHT ASSEMBLY, Turn signal	2
	GE#1889	BULB	2
12	51569	HEADLIGHT ASSEMBLY	2
13	51570	BULB, Sealed beam	1
14	46110	PLATE, Headlight mounting	2
15	51665	WRAP, Headlight mounting	2
	52968A	WIRE KIT, Turn signal , hopper	1
	52966A	WIRE KIT, Operating lights (Hi-dump only)	1
16	51798	GROMMET	2
17	56390	GROMMET	2
	32349	WIRE KIT, For switch 32430	1
	04174B	CONNECTOR, For switch 32430	1
	32172	WIRE KIT, Operating lights	1
	32173	WIRE KIT, Turn signal	1

* Note: Signal-Stat Company Part Number

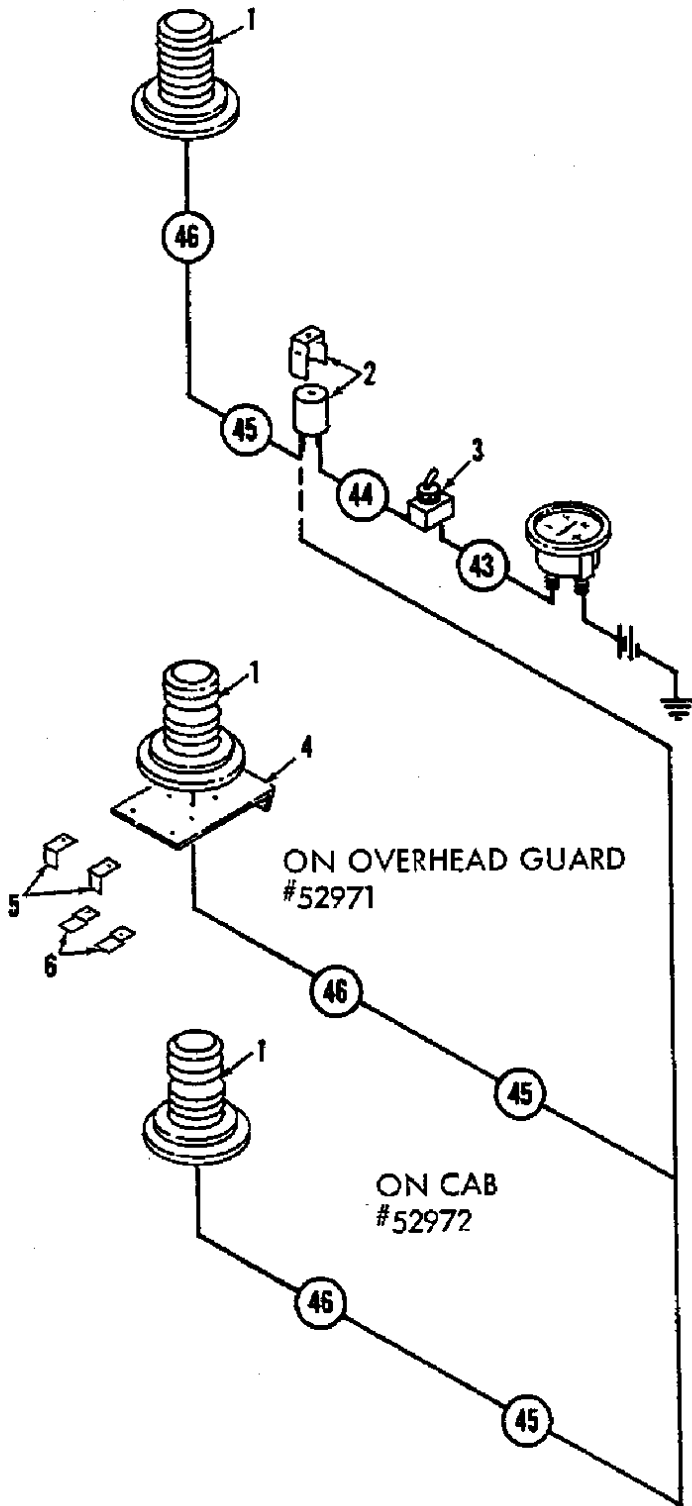
** Note: To replace previous switch 40128-1, order SK2471

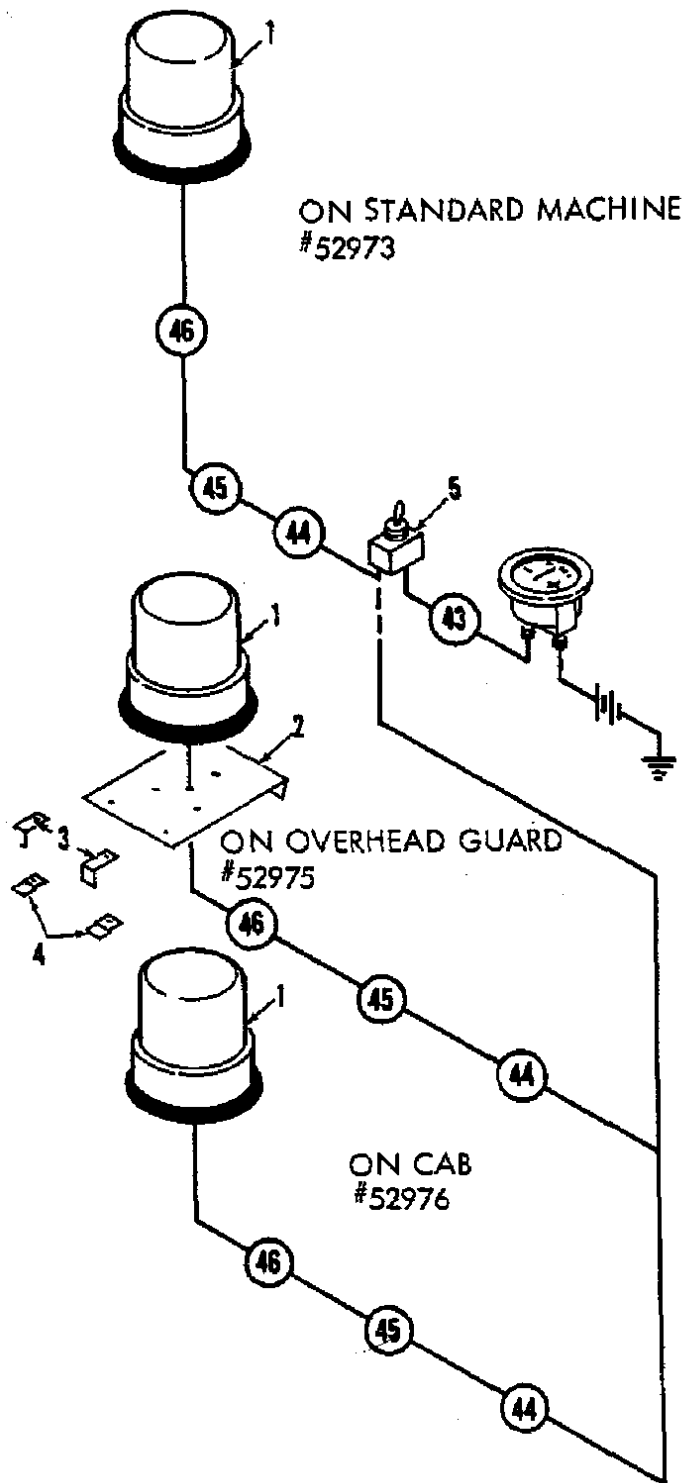
ON STANDARD MACHINE
#52969

FLASHING LIGHT KITS *

1	47535-2	*LAMP ASSEMBLY, Flashing red	1
	47535-1	* LENS, Red	1
	GE#1196	BULB	1
	47536-2	*LAMP ASSEMBLY, Flashing amber	1
	47536-1	* LENS, Amber	1
	47537-2	*LAMP ASSEMBLY, Flashing Blue	1
	47537-1	* LENS Blue	1
2	24576-1	FLASHER	1
	24576	BRACKET, Flasher	1
3	10701	SWITCH	1
	07421	PLATE, On-Off	1
	07423	FUSE	1
	52970	WIRING KIT	1
4	62044	PLATE, Top	1
5	62149	BRACKET, "L"	2
6	62045	CLIP	2
	09384	CLAMP, Cable	3

*Note: Select color of light or lens desired

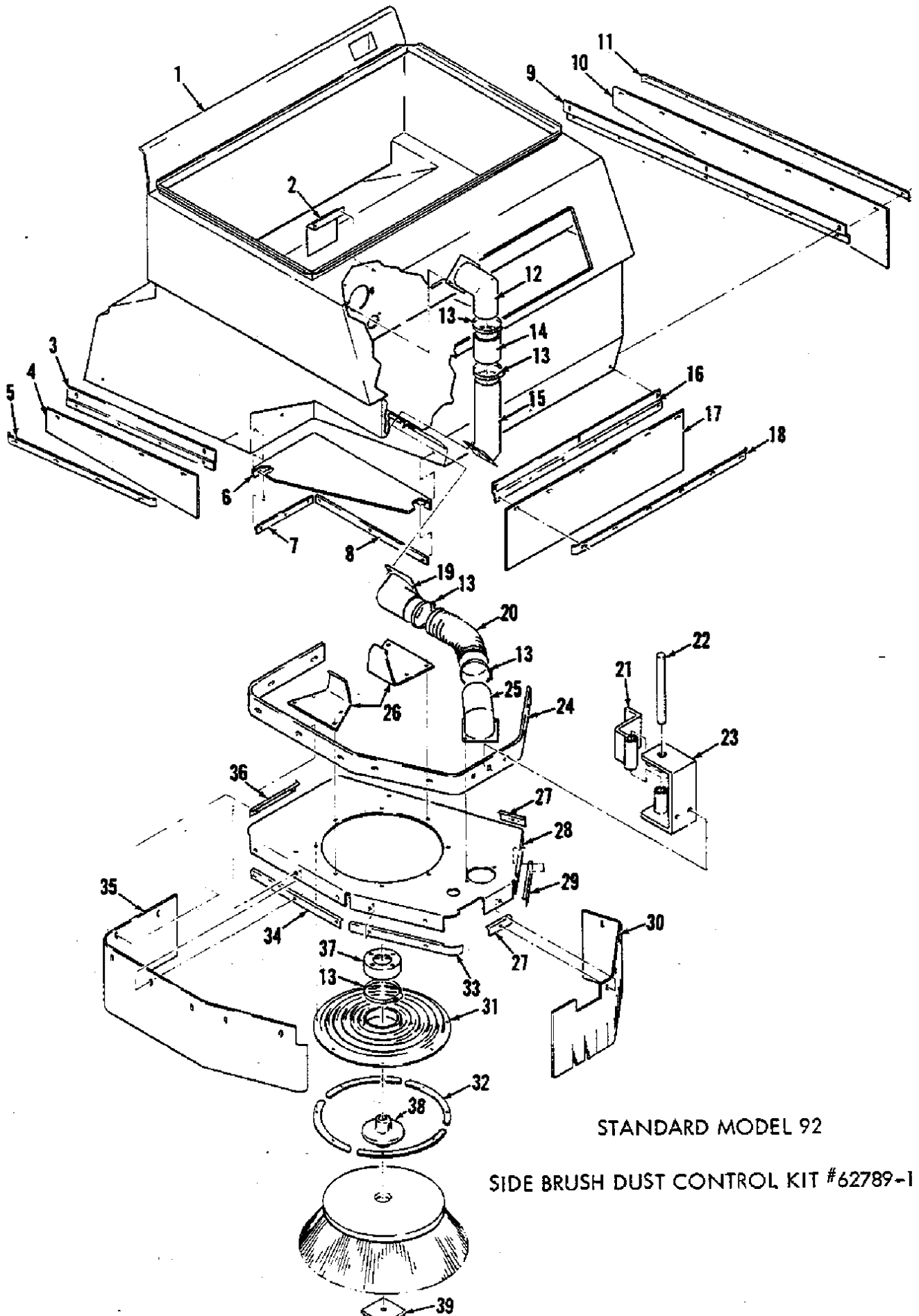




REVOLVING LIGHT KITS

1	46928	*LIGHT, Revolving	1
	45670	BULB	1
	46928-1	* LENS, Red	1
	46928-2	* LENS, Blue	1
	46928-3	* LENS, Amber	1
	01574	GROMMET	1
	09384	CLAMP, Wire	3
2	62044	PLATE, Top	1
3	62149	BRACKET, 'L'	2
4	62045	CLIP	2
	52974	WIRING KIT	1
	46314	GROMMET	1
	26395-2	CLAMP, Cable	1
5	10701	SWITCH	1
	07421	PLATE, On-Off	1
	07423	FUSE	1

Note: Select color of lens desired

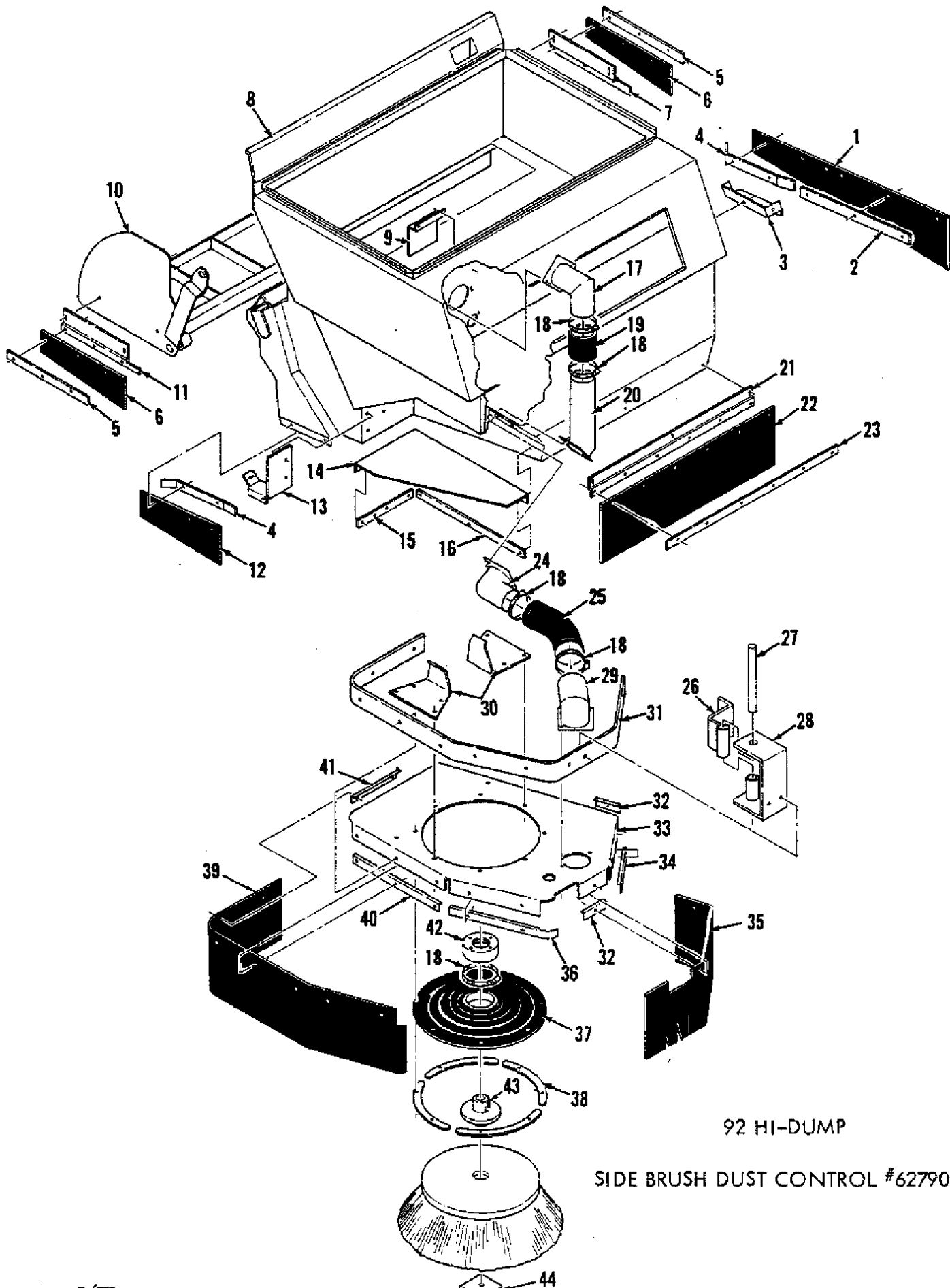


STANDARD MODEL 92

SIDE BRUSH DUST CONTROL KIT #62789-1

STANDARD MODEL 92 - SIDE BRUSH DUST CONTROL KIT #62789-1

Ref. No.	TENNANT Part No.	Description	Qty.
1	62776B-3	HOPPER, Dust control	1
2	51955	BAFFLE, Vacuum tube	1
3	52228	MOUNT, Side skirt, right hand	1
4	51919	SKIRT, Side, right hand	1
5	52234	RETAINER, Side skirt, right hand	1
6	51914	SEAL, Brush top	1
7	51930	RETAINER, Rear brush top	1
8	51922	RETAINER, Side brush top	1
9	52232	MOUNT, Skirt, left hand	1
10	51920	SKIRT, Hopper, side, left hand	1
11	52233	RETAINER, Hopper, side, skirt, left hand	1
12	52261	TUBE, Vacuum top	1
13	23498	CLAMP, Worm drive	5
14	52012	SLEEVE	1
15	51950	TUBE, Vacuum	1
16	52230	MOUNT, Front skirt	1
17	51931	SKIRT, Hopper front	1
18	51923	RETAINER, Hopper front skirt	1
19	51928	PLATE & TUBE	1
20	51929	HOSE, Vacuum	1
21	51901	BRACKET, Pivot	1
22	51935	PIN, Special	1
	52263	SHROUD ASSEMBLY, Side brush	1
23	51908	BRACKET, Bumper	1
24	51899	BUMPER	1
25	51928	PLATE & TUBE	1
26	51989	PLATE, Push	1
27	52215	RETAINER	2
28	51898	SHROUD, Side brush	1
29	52217	RETAINER	1
30	51933	SKIRT, Front side brush	1
31	51900	COVER, Expansion	1
32	51909	RING, Segment	4
33	52218	RETAINER	1
34	52219	RETAINER	1
35	51932	SKIRT, Side sidebrush	1
36	52216	RETAINER	1
37	52349	TUBE, Expansion cover collar	1
38	52236	ADAPTER, Brush	1
39	52235	PLATE, Adapter	1



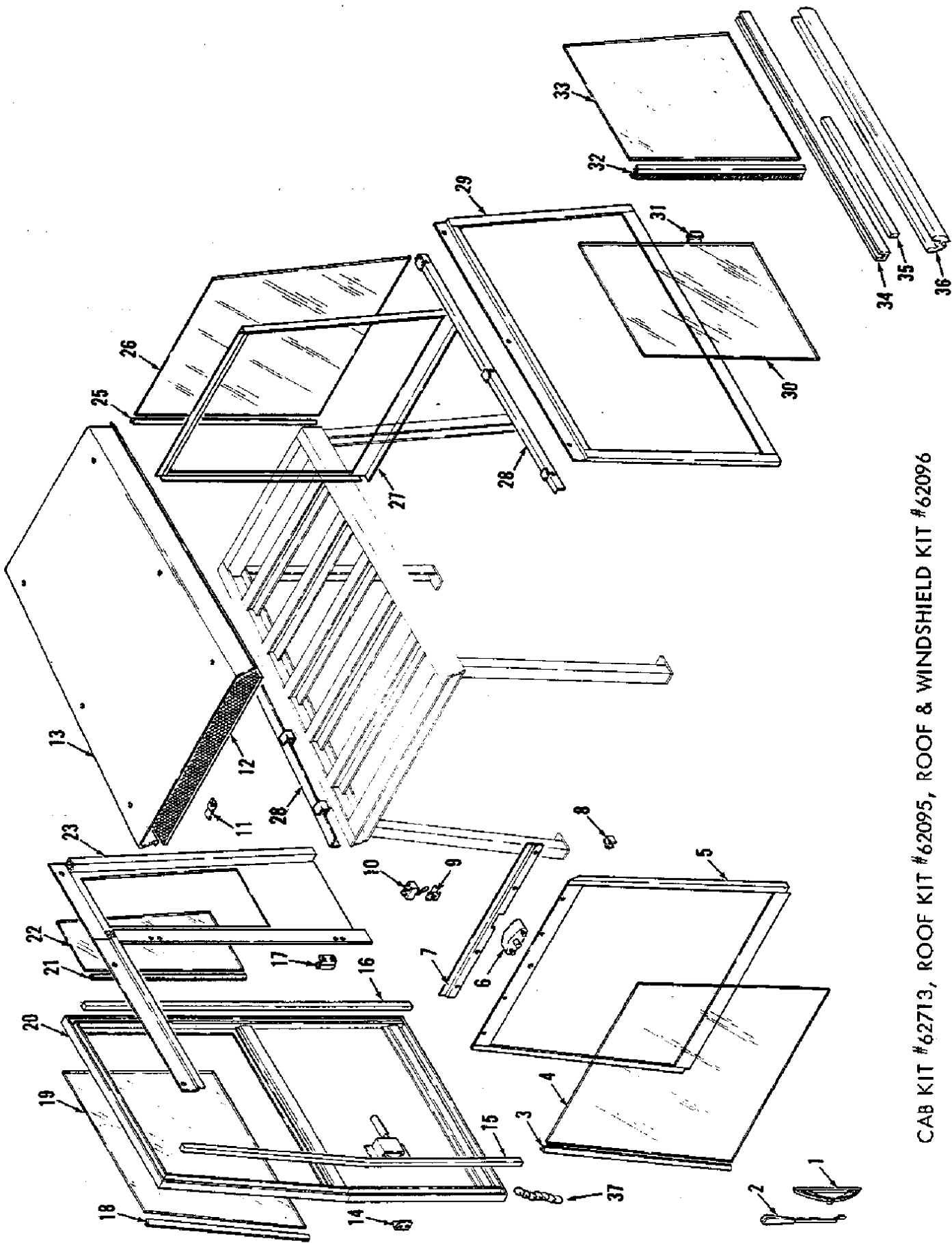
92 HI-DUMP

SIDE BRUSH DUST CONTROL #62790-1

92 HI-DUMP - SIDE BRUSH DUST CONTROL #62790-1

Ref. No.	TENNANT Part No.	Description	Qty.
1	62108	SKIRT, Hopper, side	1
2	62110-1	RETAINER, Side skirt	1
3	62576	CAP, Pocket	1
4	62579-1	RETAINER, Side skirt	2
5	65077	RETAINER, Door skirt	2
6	62116	SKIRT, Hopper door	2
7	62115-1	MOUNT, Door skirt, left hand	1
8	65050B-3	HOPPER, Hi-dump	1
9	51955	BAFFLE, Vacuum tube	1
10	62750-1	DOOR, Hopper	1
11	62114-1	MOUNT, Door skirt, right hand	1
12	62107	SKIRT, Hopper, side	1
13	62577-1	CAP, Pocket, right hand	1
14	51914	SEAL, Brush top	1
15	51930	RETAINER, Rear brush top seal	1
16	51922	RETAINER, Side top seal	1
17	52261	TUBE, Top vacuum	1
18	23498	CLAMP, Worm drive	5
19	52012	SLEEVE	1
20	51950	TUBE, Vacuum	1
21	52230	MOUNT, Front skirt	1
22	51931	SKIRT, Front hopper	1
23	51923	RETAINER, Front skirt	1
24	51928	PLATE & TUBE	1
25	51929	HOSE, Vacuum	1
26	51901	BRACKET, Pivot	1
27	51935	PIN, Special	1
	52263	SHROUD ASSEMBLY, Side brush	1
28	51908	BRACKET, Bumper	1
29	51928	PLATE & TUBE	1
30	51989	PLATE, Push	1
31	51899	BUMPER	1
32	52215	RETAINER	2
33	51898	SHROUD, Sidebrush	1
34	52217	RETAINER	1
35	51933	SKIRT, Front, sidebrush	1
36	52218	RETAINER	1
37	51900	COVER, Expansion	1
38	51909	RING, Segment	4
39	51932	SKIRT, Side brush	1
40	52219	RETAINER	1
41	52216	RETAINER	1
42	52349	TUBE, Expansion cover collar	1
43	52236	ADAPTER, Brush	1
44	52235	PLATE, Adapter	1

9/80



CAB KIT #62713, ROOF KIT #62095, ROOF & WINDSHIELD KIT #62096

CAB KIT # 62713, ROOF KIT #62095, ROOF & WINDSHIELD KIT #62096

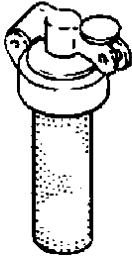
Ref. No.	TENNANT Part No.	CAB KIT (For both Standard & Hi-Dump Models)	Qty.
	62041	FRAME & WINDSHIELD ASSEMBLY	1
1	23947	BLADE, Windshield wiper	1
2	15121	ARM, Windshield wiper	1
3	51596	WEATHERSTRIP, Windshield	1
4	52370	GLASS, Windshield	1
5	62035	FRAME, Windshield	1
6	23945	MOTOR, Windshield wiper	1
7	62028	RAIL, Attaching	1
8	51675	CLIP, Attaching	1
9	62039	ANGLE, Switch mounting	1
10	10701	SWITCH, Windshield wiper	1
	07421	PLATE, On-Off switch	1
	51702	WIRE KIT, Wiper motor	1
	46236	CLAMP, Cable	1
	62095	ROOF ASSEMBLY, Cab	1
11	62045	CLIP	7
12	62098	INSULATION	1
13	62043	ROOF, Cab	1
14	51673	PLATE, Strike	1
	51792	DOOR ASSEMBLY, Cab	1
15	51681	SEAL	1
16	51762	SEAL	1
17	51670	HINGE	2
18	51678	WEATHERSTRIP, Door	1
19	51676	GLASS, Door	1
20	51620	DOOR, Cab	1
	51978	SEAL, Door	1
	51791	PANEL ASSEMBLY, Cab filler	1
21	51975	WEATHERSTRIP, Filler panel	1
22	51974	GLASS, Filler panel	1
23	51615	PANEL, Filler	1
	62042	WINDOW ASSEMBLY, Rear	1
25	51602	WEATHERSTRIP, Rear window	1
26	51682	GLASS, Rear window	1
27	62024	FRAME, Rear window	1
28	62029A	ANGLE, Cab attaching,	2
	51789	WINDOW ASSEMBLY, Cab, side, left hand	1
29	51610	FRAME, Window	1
30	51607	GLASS, Sliding window	1
31	15066	PULL & LOCK SET	1
32	51677	CHANNEL, Rigid	1
33	51606	GLASS, Stationary side window	1
34	51611	CHANNEL, Glassrun	1
35	51608	SPACER, Rubber	1
36	51609	WEATHERSTRIP, Rubber	1
	15295	TAPE, Setting	1
37	28499-3	CHAIN, Cab	1
	43363	HOOK	1
	44851	BUMPER, Rubber	1



51949
24427

PANEL LIGHT KIT
BULB

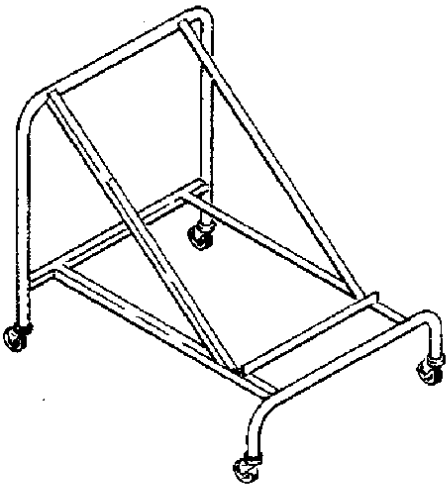
1
1



02506-6

"PROTECTOSEAL" Fuel
Tank cap

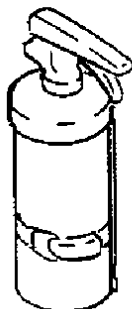
1



1 52001
2 51997
2 51701A

HOPPER DOLLY ASSEMBLY
DOLLY, Hopper
CASTER, Dolly

1
1
4



50615
25312

FIRE EXTINGUISHER KIT
FIRE EXTINGUISHER

1
1

ACCESSORIES NOT ILLUSTRATED

52931	HEATER & DEFROSTER KIT (for both 92 standard & Hi-Dump)	1
52433-1	HEATER	1
52433-2	DEFLECTOR, Air	2
52360	PLATE, Mounting	1
13711	FAN, Defroster	1
09114	REDUCER	1
<hr/>		
52276	SPEED CONTROL KIT (for both 92 standard & Hi-Dump)	1
43290	PIN, Clevis	1
<hr/>		
52459	REAR TIRE & RIM ASSEMBLY, Extra traction (standard 92 only)	1
51006	RIM ASSEMBLY	1
51355	STUD	6
51358	RIM	1
52458	TIRE	1
51361	TUBE, Tire	1
51362	FLAP, Tire	1
<hr/>		
62280	FOAM FILLED REAR TIRE (standard 92 only)	1
<hr/>		
51911	DECAL Kit (for both standard 92 & Hi-Dump)	1
<hr/>		
36779	DEBRIS DEFLECTOR KIT	1
36789	SKIRT	2
36790	RETAINER	2
<hr/>		
39550	FILTER BY-PASS KIT	1
39551	STIFFENER, Door seal	1
39554	DOOR ASSEMBLY, Air by-pass	1
39559	ARM, Control	1
09092-1	CLAMP, Gasoline hold-down	1
56202	SCOOP, Air	1
08317	SEAL	1
<hr/>		
32198	VACUUM WAND KIT	1

92

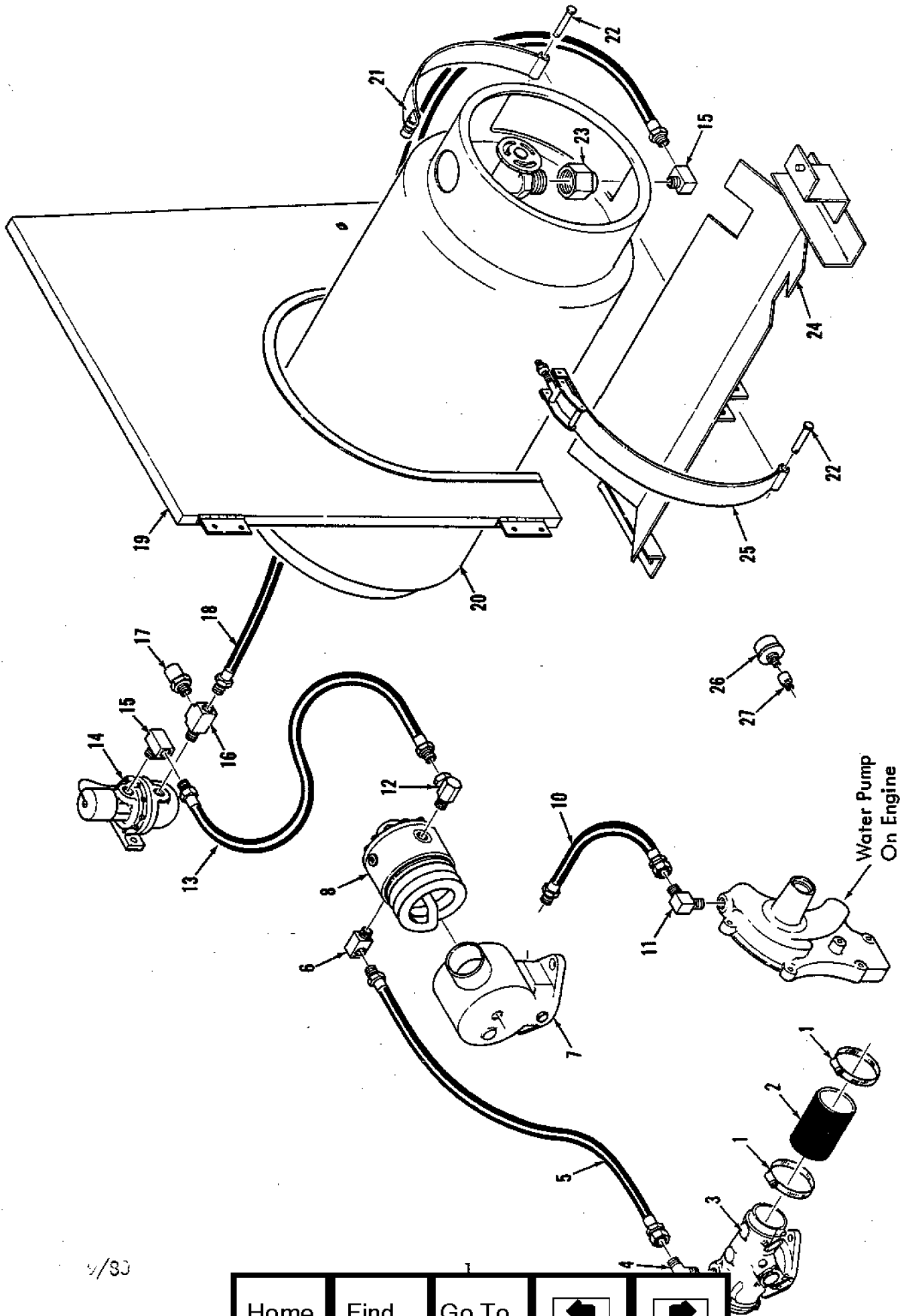
POWER SWEEPER

CONTENTS:

LP System Parts Illustration & Parts List

NOTE: Only LP System Parts Are Shown.
Refer to Standard Parts Section For
All Other Non-LP Related Parts.

1 PG



MODEL 92 LP FUEL SYSTEM PARTS

9/83

MODEL 92 LP FUEL SYSTEM COMPONENTS

(Note: These are LP Fuel System parts only, all other parts are in standard parts catalog)

Ref. No.	TENNANT Part No.	Description	Qty.
1	22297	CLAMP, Hose	2
2	15543	HOSE, Air	1
3	45647	CARBURETOR, L.P.	1
	78082A	** ENGINE, Spec. no. 4518	
4	50509	ELBOW, Carburetor fuel inlet	1
5	50508	HOSE, Vaporizer to carburetor	1
6	50501	ELBOW, Vaporizer to outlet	1
7	50503	VAPORIZER & WATER ELBOW ASSEMBLY	1
8	54238	VAPORIZER, L.P. (replacement)	
	SK1839	REPAIR KIT, Vaporizer	1
	45629	BELT	
10	50502	HOSE	1
11	50501	ELBOW, Water pump	1
	50504	STUD, (water elbow to engine)	2
	50505	NUT, (water elbow to engine)	2
	47675	COVER, Fuel pump hole	1
	47680	GASKET, Fuel pump hole cover	1
12	11442-1	ELBOW	1
13	47192	HOSE, L.P.	1
14	53395-1	FILTER-FUELOCK ASSEMBLY	1
	SK1444	REPAIR KIT, Filter/seal	1
15	27048	ELBOW	2
16	24929	TEE	1
17	24047	VALVE, Pressure relief	1
18	10754	HOSE, L.P.	1
19	62000	DOOR, Rear (right hand)	1
20	24928	TANK, LPG	1
21	52409	STRAP, L.P. Tank catch	1
22	51813	PIN, Clevis	2
23	26496	COUPLING	1
24	52420	CRADLE, L.P. Tank	1
25	52410	STRAP, L.P. Tank	1
26	51805	SWITCH, Oil pressure safety	1
27	17414	REDUCER	1
	62006A	*** WIRING KIT, L.P. machine	1
	29830-11	CABLE ASSEMBLY, Battery positive	1
	24049	PLATE, L.P. Data	1
	26395-1	CLAMP, Wire	3
	32666	HOSE, Carburetor	1

** To replace the previous engine assembly which included engine 52897C-1, order SK2233.

*** Before Serial No.4798 Wiring Kit 62006A was 62006. For field replacement of 62006 order SK2297.

92

POWER SWEEPERCONTENTS:

Current Wheel Drive Hydraulic Motor	1-3
Obsolete Wheel Drive Hydraulic Motor	4-5
Char-Lynn Side & Main Brush Motors	6-7
Ross Side & Main Brush Motors	8-9
Cessna Propelling Pump	10-13
Cessna Accessory Pump	14-15
Hi-Dump Hopper Door Cylinder	16
Hopper Lift Cylinder	17-18
Hi-Dump Hopper Lift Cylinder	19
Vacuum Fan Hydraulic Motor	20

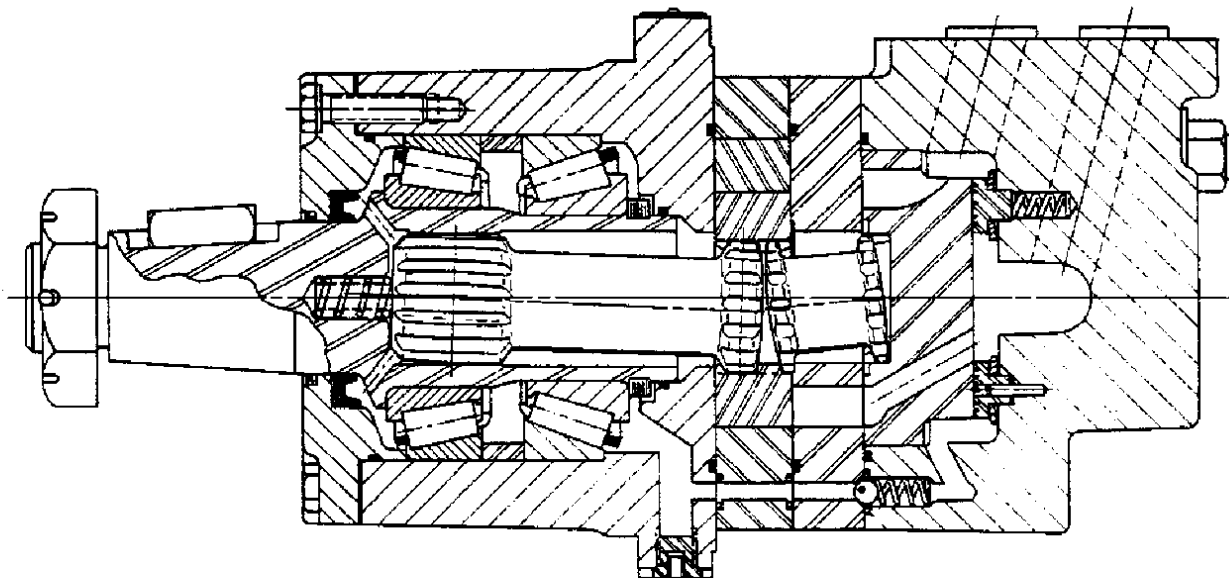
ATTENTION: The motors, pumps and valves covered here have been modified for use on TENNANT Company machines. Repair parts should be ordered only from the parts lists provided in this section.

Production requirements may occasionally dictate that hydraulic motors made by other manufacturers must be used. Please check your motor for the manufacturer's name and model number before ordering parts or seal kits.

hydraulic components

Char-Lynn

Parts Information



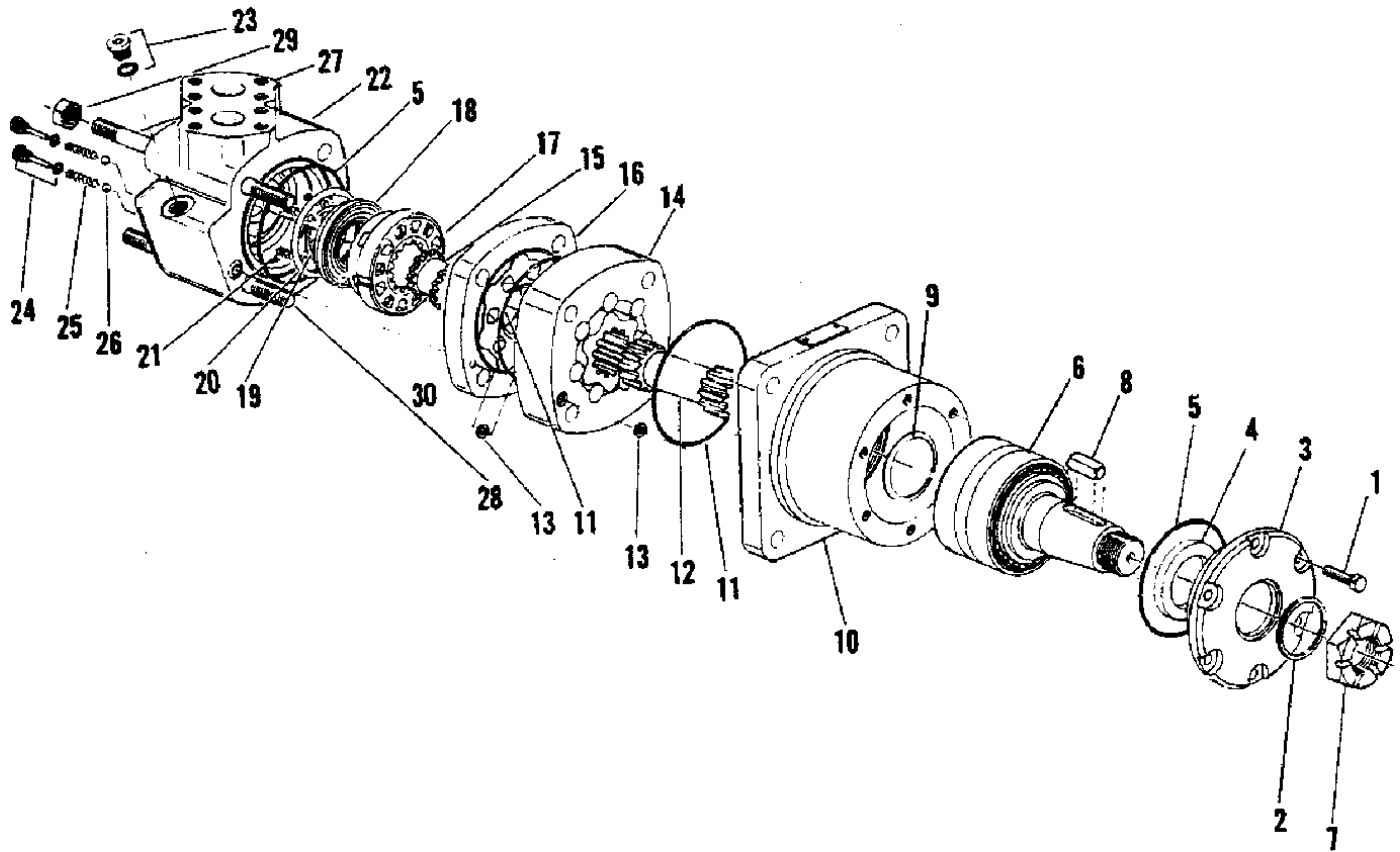
CHAR-LYNN 6000 SERIES

SPECIAL HYDRAULIC DRIVE MOTOR

TENNANT NO. 75025

(ALSO OBSOLETE MOTORS NO. 42162-1 & 47936-1)

EAT•N Fluid Power
Products



"CURRENT" REAR WHEEL HYDRAULIC DRIVE MOTOR #75025

PARTS LIST FOR "CURRENT" REAR WHEEL HYDRAULIC DRIVE MOTOR #75025
Char-Lynn Design Series -005

Replaces obsolete motor #42162-1 (used before serial no. 2990) and Char-Lynn motor #47936-1 (used before serial no. 4729)

Ref. No.	Char-Lynn Part No.	Description	Qty.
1	14253	SCREW, Cap	6
2	9039-1	SEAL, Dust	1
3	7547	RETAINER, Front	1
4	9068-1	SEAL, Shaft	1
5	15062	SEAL, 3.625" ID	2
6	8711-2	SHAFT & BEARING KIT (includes:)	1
		SHAFT	1
		CONE, Bearing	1
		CUP, Bearing	1
		SPACER, Bearing	1
		RETAINER, Ring	1
7	14230	NUT, Hex	1
8	14232	KEY, (TENNANT Co. #45623)	1
9	9080-1	SEAL, Shaft face	1
10	8494	HOUSING, Bearing	1
11	9022-9	SEAL, 3.75" ID	2
12	8509-5	DRIVE	1
13	9022-3	SEAL, 0.25" ID	2
14	8507-5	GEROLER	1
15	8508	DRIVE, Valve	1
16	8479	PLATE, Valve	1
17	8497	VALVE	1
18	6981	PLATE, Balance Assembly	1
19	6992	SEAL, Face, inner	1
20	6993	SEAL, Face, outer	1
21	6203	SPRING	3
22	8502-2	HOUSING, Valve	1
23	9072-3	PLUG ASSEMBLY	1
24	8350	CHECK PLUG ASSEMBLY	2
	2500003-903	O-RING	2
25	6464	SPRING	2
26	18026	BALL, Steel	3
27	9081-12	BOLT	2
28	9081-5	BOLT	2
29	14213	NUT	4
30	9022-12	SEAL	1

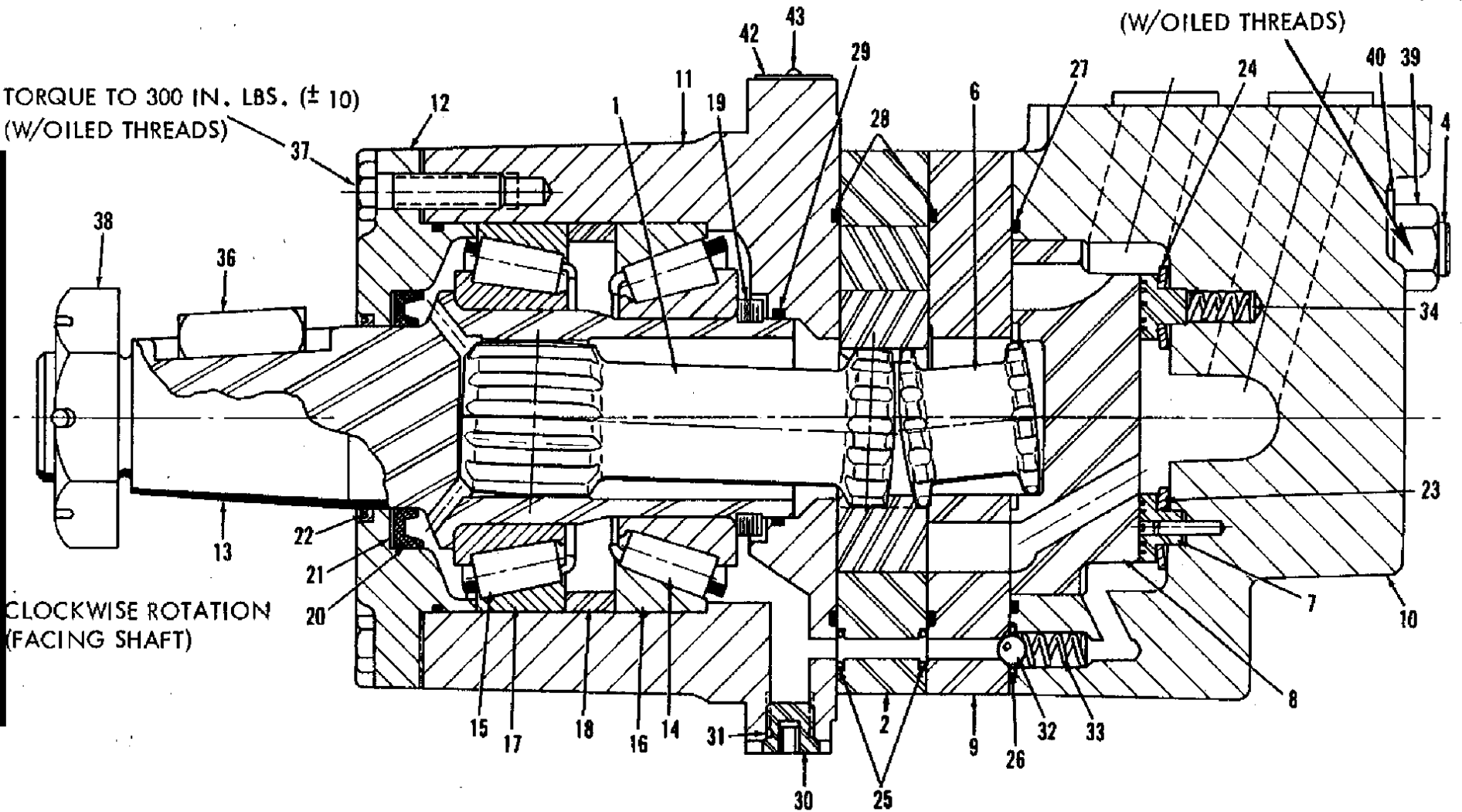
* Note: Included in Shaft Seal Kit SK1547

**Note: Included in Overhaul Seal Kit SK1614

(Seal Kits include instructions)

TORQUE TO 750 IN. LBS. (± 25)
(W/OILED THREADS)

TORQUE TO 300 IN. LBS. (± 10)
(W/OILED THREADS)



CLOCKWISE ROTATION
(FACING SHAFT)

(OBSOLETE)

CHAR-LYNN 6000 SERIES REAR WHEEL HYDRAULIC DRIVE MOTOR
TENNANT NO. 47936-1

(Also obsolete motor No. 42162-1)

Home

Find...

Go To..

↑

↓

PARTS LIST FOR REAR WHEEL HYDRAULIC DRIVE MOTORS #47936-1 & 42162-1
 Char-Lynn Design Series -004, -003
 (OBSOLETE)

Ref. No.	CHAR-LYNN Part No.	Description	Qty.
1	7006	DRIVE	1
2	7962-6	GEROLER ASSEMBLY (was 7557-6 in 42162-1 motor)	1
3	9033-6	STUD (Not shown), Short (7" long)	2
4	9033-11	STUD, Long (8.38" long)	2
5	6980-3	SPACER, Geroler (Not shown, between drives)	1
6	6995	DRIVE, Valve	1
7	6981	PLATE, Balancing assembly	1
8	6979	VALVE	1
9	7560	PLATE, Valve	1
10	7082	HOUSING, Valve	1
11	7568	HOUSING, Bearing	1
12	7559	RETAINER, Front	1
	61109	SHAFT & BEARING KIT, Includes:	
13		SHAFT, Output	1
14		CONE, Bearing	1
15		CONE, Bearing	1
16		CUP, Bearing	1
17		CUP, Bearing	1
18		SPACER, Bearing	1
19		RING, Retainer	1
20	*+9034-1	SEAL, Shaft	1
21	*+6991	WASHER, Backup	1
22	*+9039-1	SEAL, Dust	1
23	*6993	FACE, Seal, inner	1
24	*6992	FACE, Seal, outer	1
25	*9022-3	SEAL, 0.25" ID	4
26	*9022-4	SEAL, 3.38" ID	2
27	*+15062	SEAL, 3.63" ID	2
28	*9022-9	SEAL, 3.75" ID	2
29	*+15079	SEAL, 1.989 I.D.	1
30	6833	PLUG	2
31	*15073	O-RING	2
32	18026	BALL	2
33	6464	SPRING	2
34	6203	SPRING	3
36	14232	KEY (Tennant #45623)	1
37	14253	SCREW, Cap	6
38	14230	NUT, Hex slotted (Tennant #45622)	1
39	14213	NUT, Hex	4
40	14082	WASHER	4
42	9029-1	PLATE, Name	1
43	14239	SCREW, Drive	2

+Included in Shaft Seal Kit SK1547

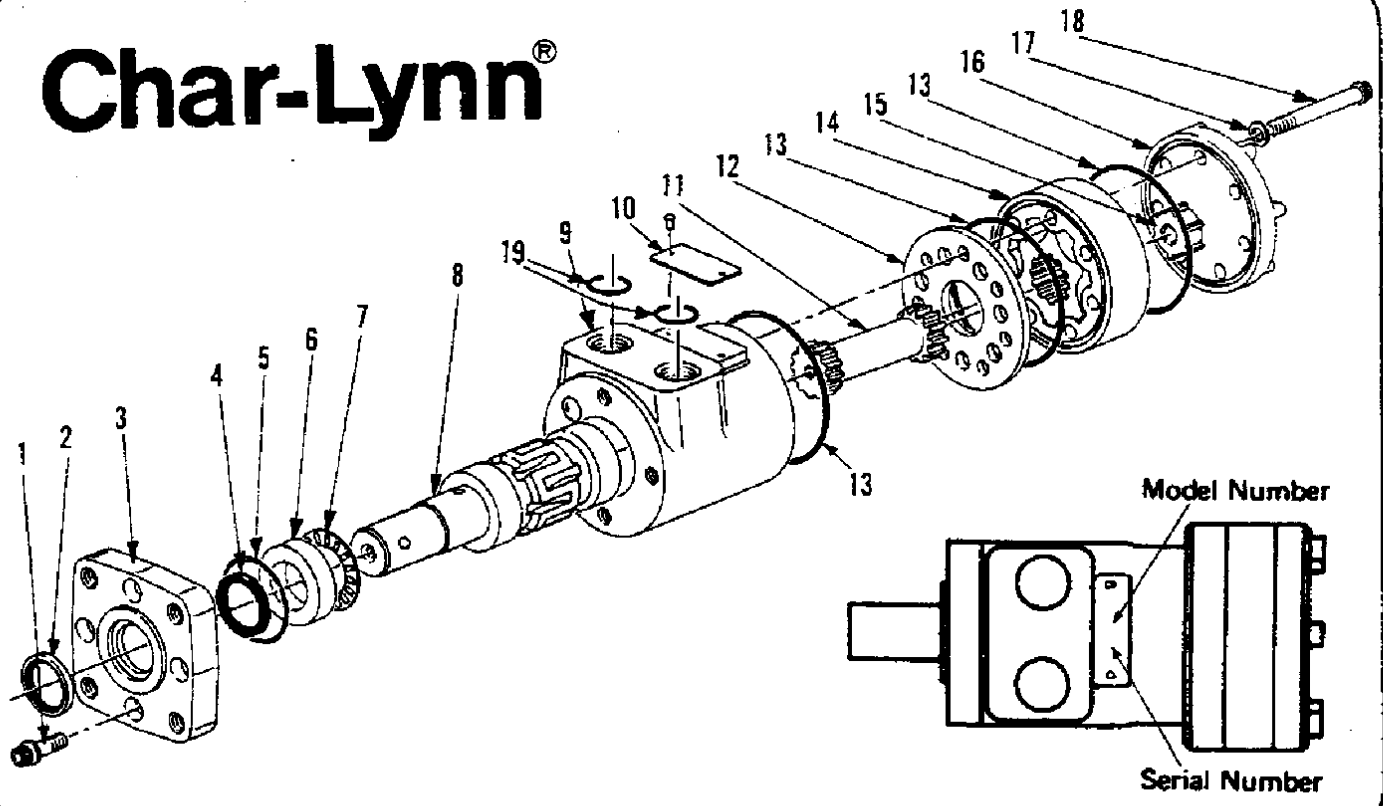
NOTE: Seal Kits include instructions

*Included in Overhaul Seal Kit SK1614

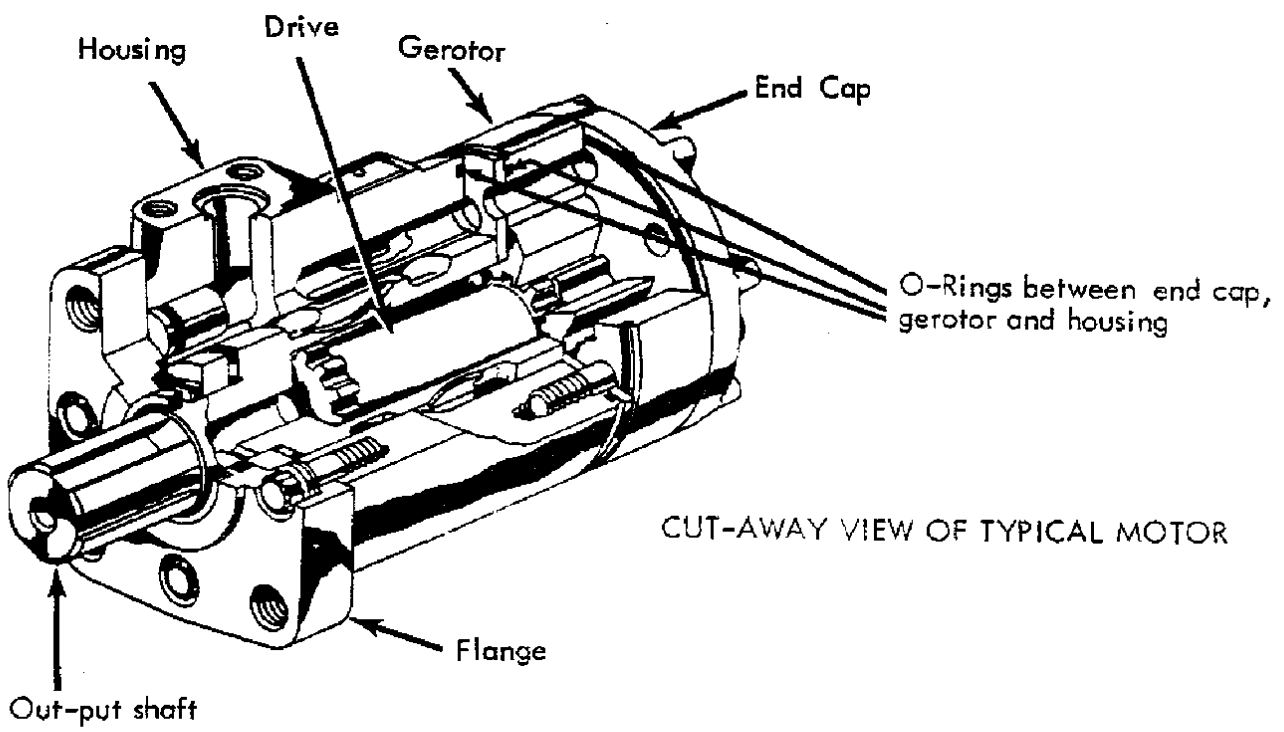
**Obsolete motor #42162-1 was used before machine serial number 922990.

9/80

Char-Lynn®



EXPLODED VIEW OF CHAR-LYNN HYDRAULIC MOTORS (-007 SERIES)
 USED FOR SIDE BRUSH & MAIN BRUSH
 (Reference numbers refer to Parts List)



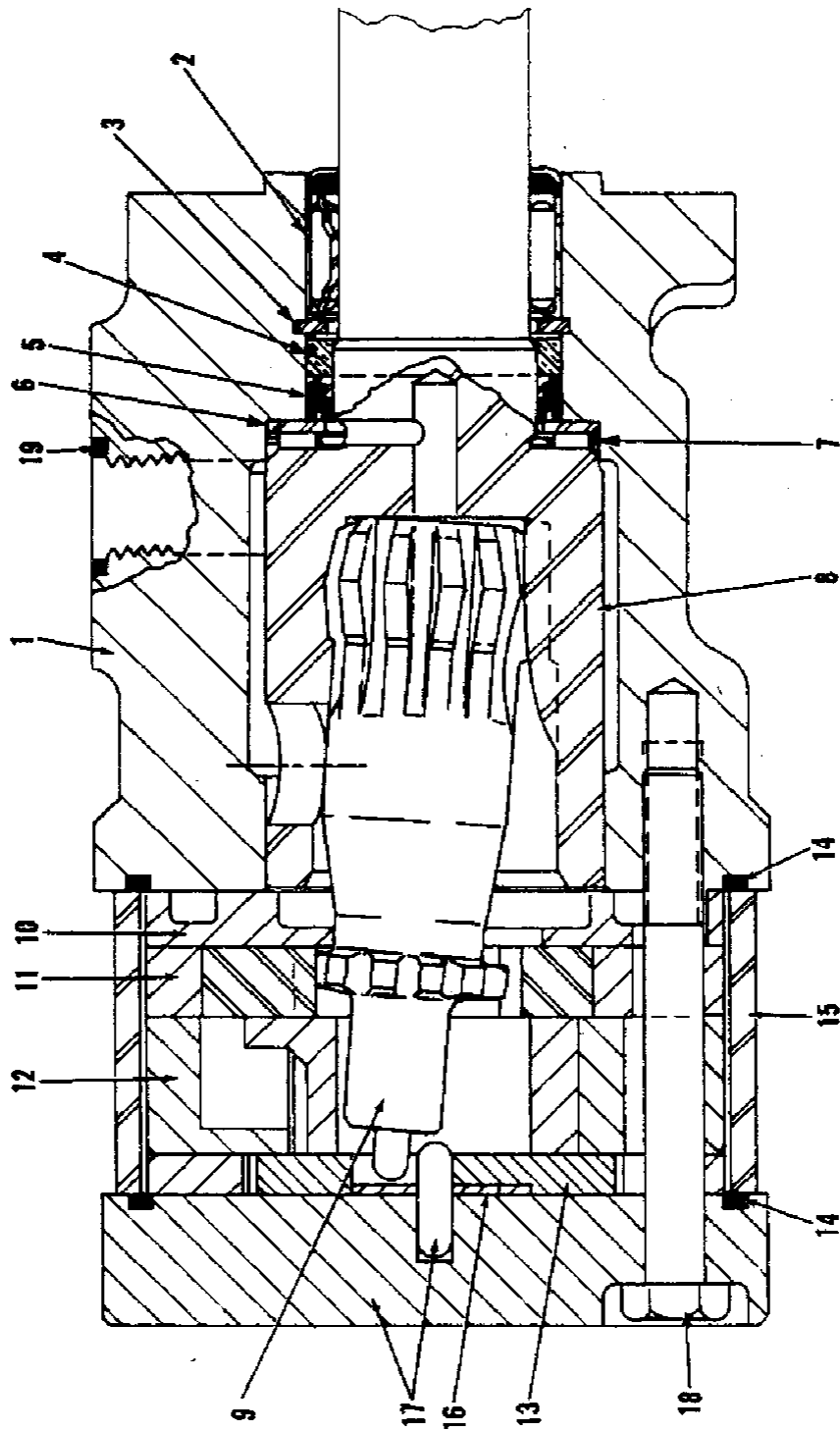
CUT-AWAY VIEW OF TYPICAL MOTOR

PARTS LIST FOR CHAR-LYNN HYDRAULIC MOTORS (-007 Series)
USED ON SIDE BRUSH & MAIN BRUSH

Ref. No.	Main Brush Char-Lynn Design Series -007	Side Brush Char-Lynn	Description	Qty.
	TENNANT # 47650	TENNANT # 47650-1		
1	5777	5777	SCREW, Cap	4
*2	9055-1	9055-1	SEAL, Dust, shaft	1
3	7464	7464	FLANGE, Mounting	1
*4	9057-1	9057-1	SEAL, Shaft (alternate seal & back-up ring may be used, however, for re- placement order #9057-1)	1
*5	15048	15048	O-RING	1
6	7462	7462	RACE, Thrust bearing	1
7	7537	7537	BEARING, Thrust, needle	1
8	7360-7	7360-15	SHAFT, Output	1
9	7359-3	7359-2	HOUSING	1
10	9029-1	9029-1	NAMEPLATE	1
11	602	616	DRIVE	1
12	7358	7358	PLATE, Spacer	1
*13	5776	5776	O-RING	3
14	7357-2	7357-7	GEROTOR ASSEMBLY (includes ring & star)	1
15	none	6901-6	SPACER	1
16	7461	7461	CAP, End	1
17	6049	6049	WASHER, Seal	7
18	5389-2	5389-7	SCREW, Cap	7
*19	15058 (Tennant #51503)		O-RING, Port	2

NOTES:

1. * Indicates parts of Seal Kit No SK1600, which includes instructions.
2. Before ordering parts, check motor nameplate to determine which motor model was used on your machine. Remember that Ross and Char-Lynn hydraulic motors are used as alternates.
3. All component parts numbers are Char-Lynn part numbers.



ROSS MOTORS #47514 (MAIN BRUSH) & #47640 (SIDE BRUSH)

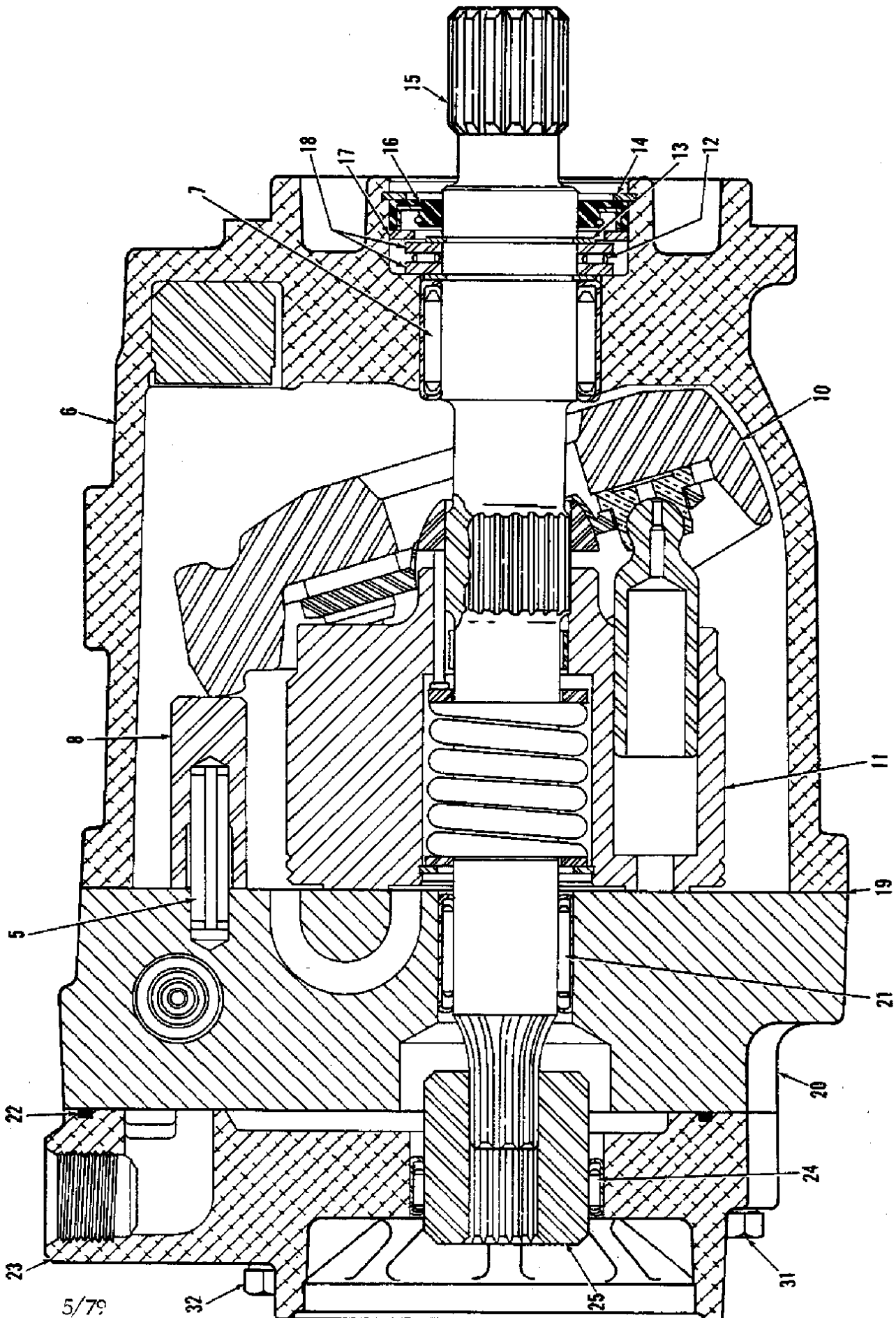
PARTS LISTS FOR

ROSS MOTOR #47514 (Main brush) and #47640 (Side brush)

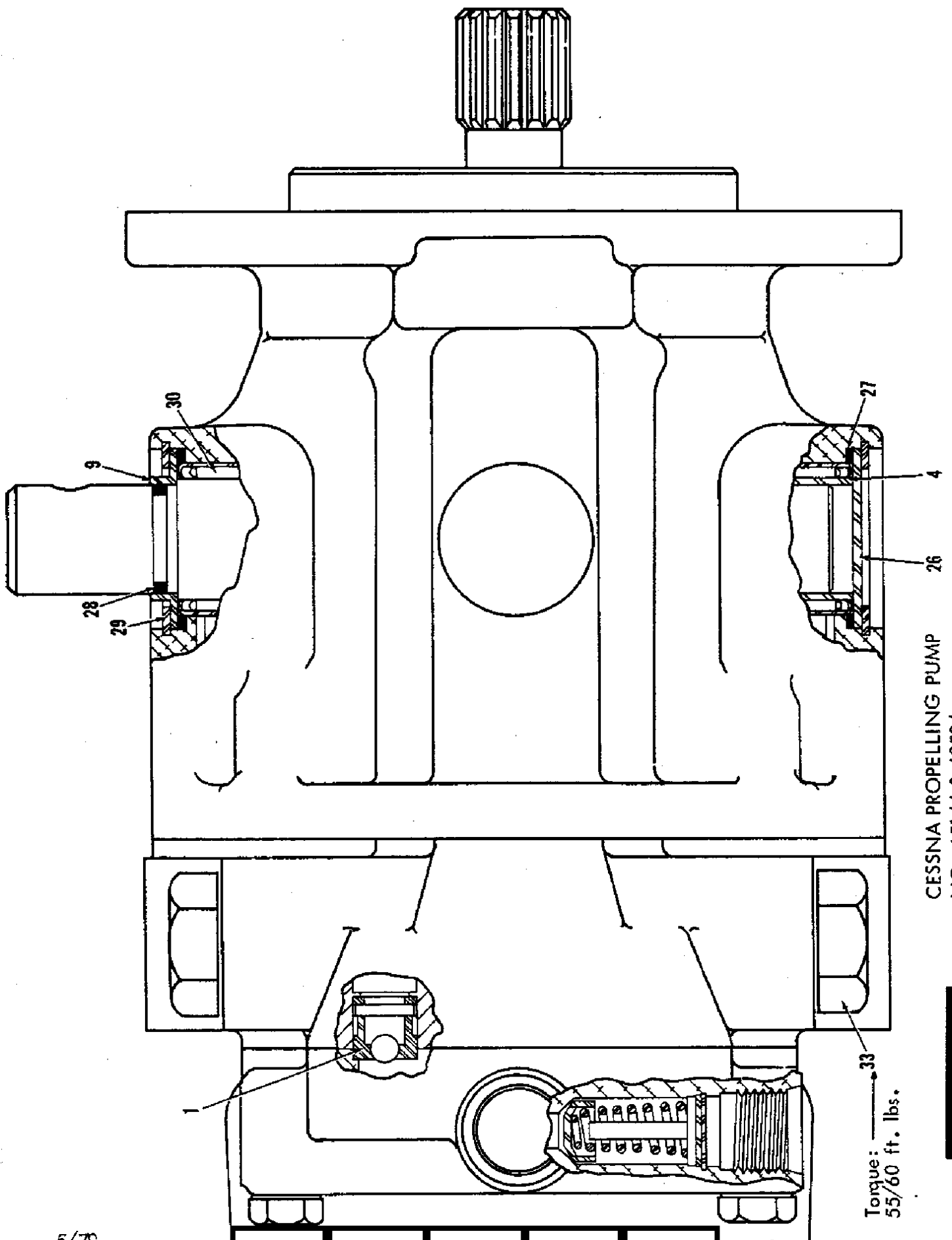
Ref. No.	Main Brush Ross Part	Side Brush Ross Part	Description	Qty.
	TENNANT #47514	TENNANT #47640		
1	MAC012007X1	MAC012008 X1	HOUSING	1
2	065503	065503	BEARING, Needle	1
3	401369	401369	RING, Retaining	1
*4	028414	028414	SPACER	1
*5	032377	032377	SEAL, Shaft	1
6	400108	400108	WASHER, Thrust	1
7	066980	066980	BEARING, Thrust	1
8	091430	091446	SHAFT, Coupling	1
9	MAC063000A1	MAC243000A1	DRIVE LINK ASSEMBLY	1
10	477255	477255	SPACER	1
11	MAC067000	MAC247001	ROTOR SET	1
12	MAC015000	MAC015001	MANIFOLD	1
13	MAC014000A1	MAC014000A1	COMMUTATOR ASSEMBLY	1
*14	032582	032582	O-RING	2
15	099061	099058	RETAINER, Seal	1
16	028395	028395	WASHER	1
17	402364X1	402364X1	END COVER ASSEMBLY	1
18	021306	021308	SCREW	7
19	032200-10	-	O-RING, Port	2

NOTES:

- * Included in Seal Kit SK1694 (includes instructions)
- CAUTION: Before ordering parts, check motor model number stamped on motor to determine which motor is used.
- All reference part numbers are Ross part numbers.



CESSNA PROPELLING PUMP, PISTON TYPE, TENNANT NO 65144 & 62584



CESSNA PROPELLING PUMP
FIG. 20119 & 20501

Torque: \rightarrow 33
 55/60 ft. lbs.

PARTS LIST FOR CESSNA PISTON PUMP (Propelling Pump)
 TENNANT NO. 65144 (Obsolete Cessna "RBK" design)
 Replaced by TENNANT NO. 62584 (Current "RBX" design)
 (Cessna Model No. is stamped on pump flange)

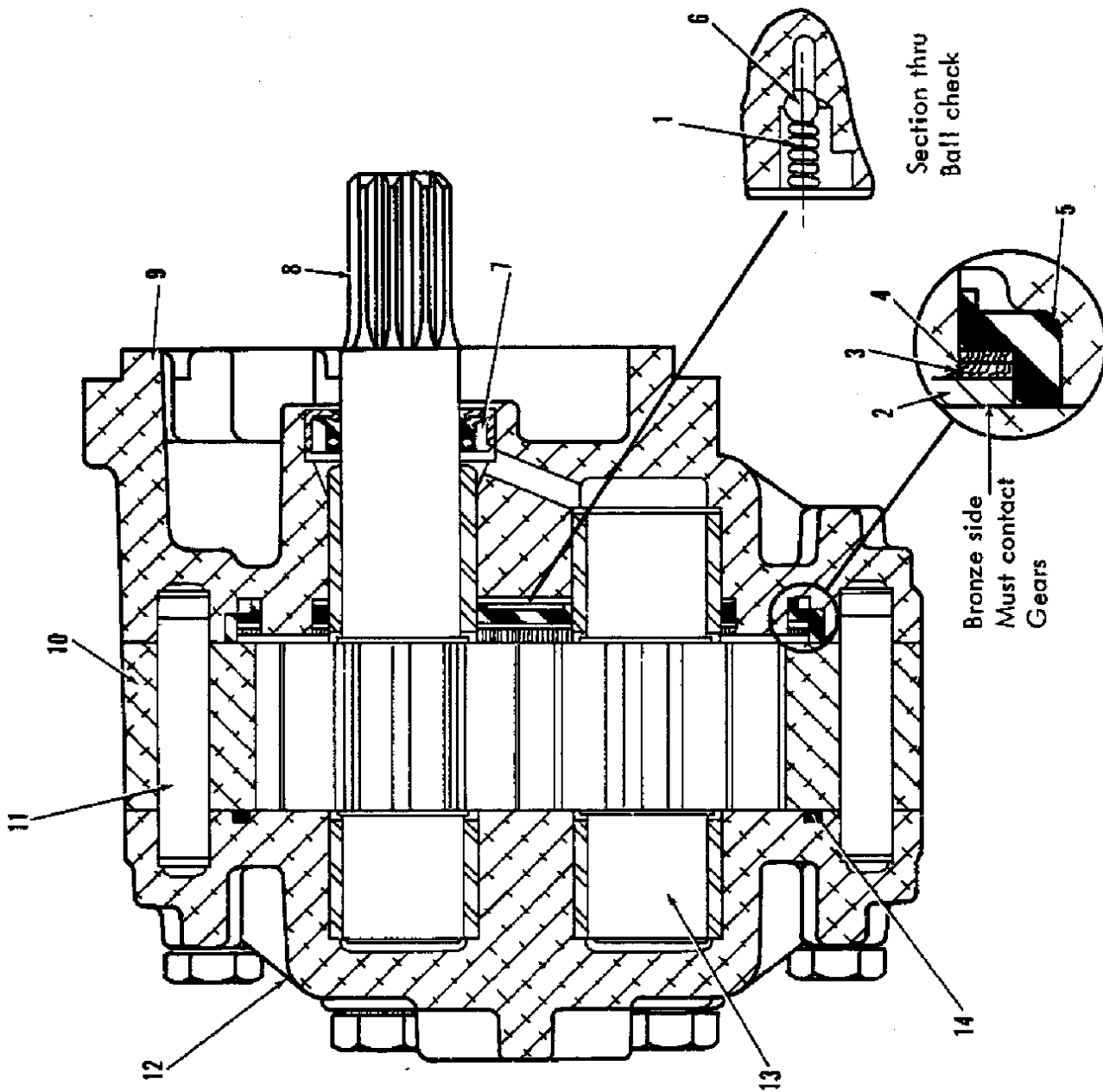
Ref. No.	Cessna Part No.	Description	Qty.
1	70111-505	CHECK VALVE ASSEMBLY	2
2	16015-1-90	*O-RING ,0.63 x 0.44" I.D.	2
3	16101-201	*WASHER, Back-up	2
4	70402-100	RACE, Inner, Bearing	2
	70402-312	HOUSING ASSEMBLY	1
5	16026-808	PIN, Roll	2
6	NSS	HOUSING	1
7	16238-11816	BEARING	1
8	NSS	STOP, Cam	1
9	70402-600	COVER, Sleeve	1
10	70402-614	**PLATE, Cam (for 62584 pump only)	1
11	70402-615	**ROTATING KIT ASSEMBLY (for 62584 pump only) (contains piston block & pistons)	1
12	74308-101	BEARING, Thrust	1
13	16078-18	*RING, Retaining	2
14	16077-32	*RING, Retaining	1
15	70442-205	SHAFT, Drive	1
16	16253-18	*SEAL, Shaft	1
17	16048-319	WASHER	1
18	74308-100	RACE, Thrust	2
19	70412-626	*GASKET, Housing	1
20	SK1801	BACK PLATE ASSEMBLY KIT (includes backplate, bearing, cam stop and 2 roll pins)	1
21	52200-23	BEARING	1
22	16015-57	*O-RING	1
23	70442-372	TANDEM ADAPTER ASSEMBLY	1

(continued on next page)

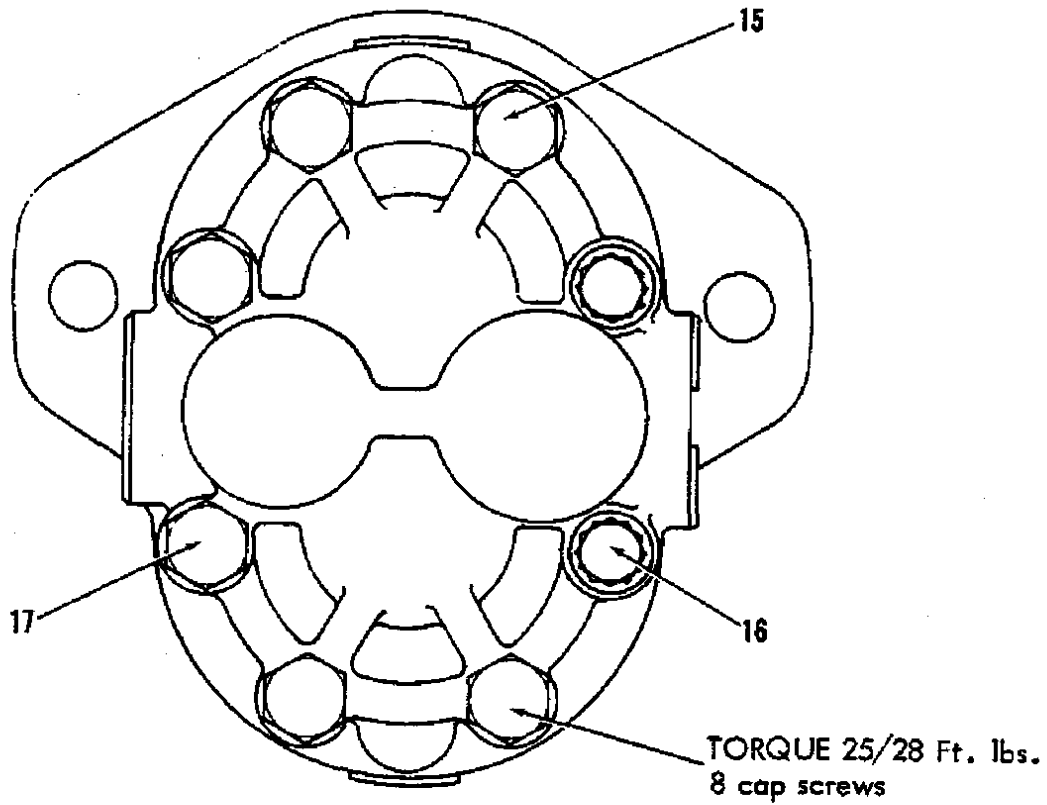
PARTS LIST FOR CESSNA PISTON PUMP (continued)

Ref. No.	Cessna Part No.	Description	Qty.
25	70411-613	COUPLER	1
26	70412-607	COVER, Trunnion	1
27	16015-27	*O-RING	2
28	16015-217	*O-RING	1
29	*16077-26	*RING, Retaining	1
30	70412-151	BEARING, Needle	2
31	16032-634	SCREW, Cap , 0.38"-18 HT x 3.50" L	2
32	16032-640	SCREW, Cap , 0.38"-18 HT x 4" L	2
33	32040-XA	RELIEF VALVE ASSEMBLY ,4500 psi (31,027 kPa)	2

- NOTES:
1. * Included in Seal Kit No. SK1699 (includes instructions).
 2. NSS - Not serviceable separately.
 3. ** Pump No. 65144 (Cessna Design Series "RBK") has a different Complete & Rotating Kit Assembly. To order these parts for Cessna "RBK" pump, order SK1873, which includes the new design parts used in Pump No. 62584 and instructions.



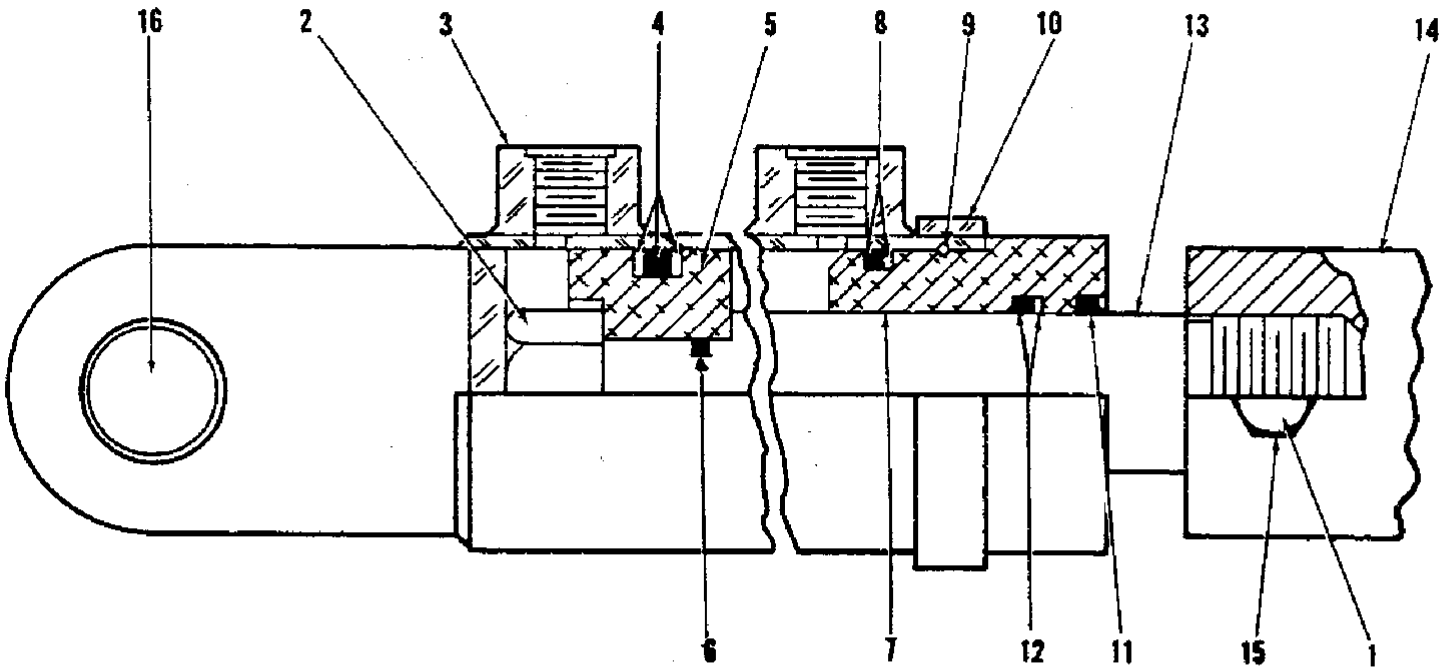
CROSS-SECTION OF CESSNA ACCESSORY PUMP NO. 65145



PARTS LIST FOR CESSNA ACCESSORY PUMP NO. 65145

Ref. No.	Cessna Part No.	Description	Qty.
1	15147-112	*SPRING	2
2	24300-655	*DIAPHRAGM	1
3	15511-11	*GASKET, Back-up	1
4	24300-637	*GASKET, Protector	1
5	24300-635	*SEAL, Diaphragm	1
6	16006-7	*BALL	2
7	15511-85	*SEAL, Shaft	1
8	24304-328	DRIVE GEAR & SHAFT ASSEMBLY	1
9	24300-506	FRONT PLATE ASSEMBLY	1
10	24304-250	BODY	1
11	16028-512	PIN, Dowell	2
12	24300-182	BACK PLATE ASSEMBLY	1
13	24304-301	IDLER GEAR ASSEMBLY	1
14	16007-13	*O-RING	1
15	16032-522	SCREW, Cap , 0.31" - 18 HT x 2.25"	4
16	16119-524	SCREW, Cap , 0.31" - 18 x 2.50"	2
17	16032-524	SCREW, Cap , 0.31" - 18 HT x 2.50"	2

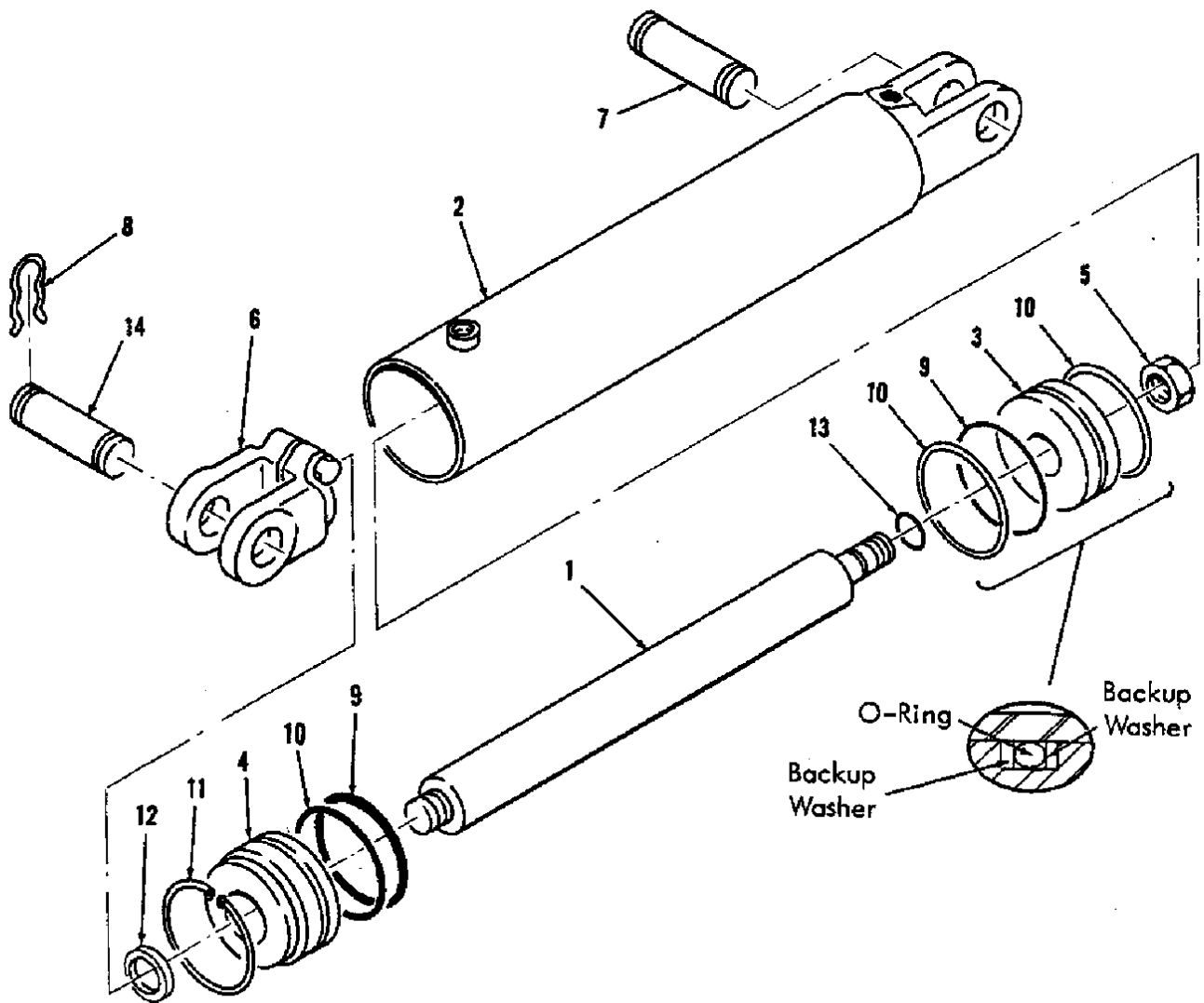
* Included in Seal Kit No. SK1700 (includes instructions)



PARTS LIST FOR #62722 HOPPER
 DOOR CYLINDER (GREEN MFG. CO.)
 (USED ON HI-DUMP MACHINES)

Ref. No.	Green Part No.	Description	Qty.
1	C-4035	BOLT, Clamp	1
2	962	NUT, Lock	1
3	C-4410	BARREL	1
4	867-1	*O-RING & 2 BACK-UPS ASSEMBLY, Piston	1
5	C-4066	PISTON	1
6	809-0	*O-RING	1
7	C-4067	HEAD, Cylinder	1
8	810-1	*O-RING & BACK-UP ASSEMBLY	1
9	922	WIRE, Lock	1
10	1757	BAND (with set screw)	1
11	RW-927	*WIPER, Piston rod	1
12	844-1	*O-RING & BACK-UP ASSEMBLY	1
13	R-1263	ROD, Piston	1
14	C-4670	CLEVIS	1
15	C-4034	LOCK, Nylon	1
16	C-4668	PIN, Clevis (and 2 keepers)	2

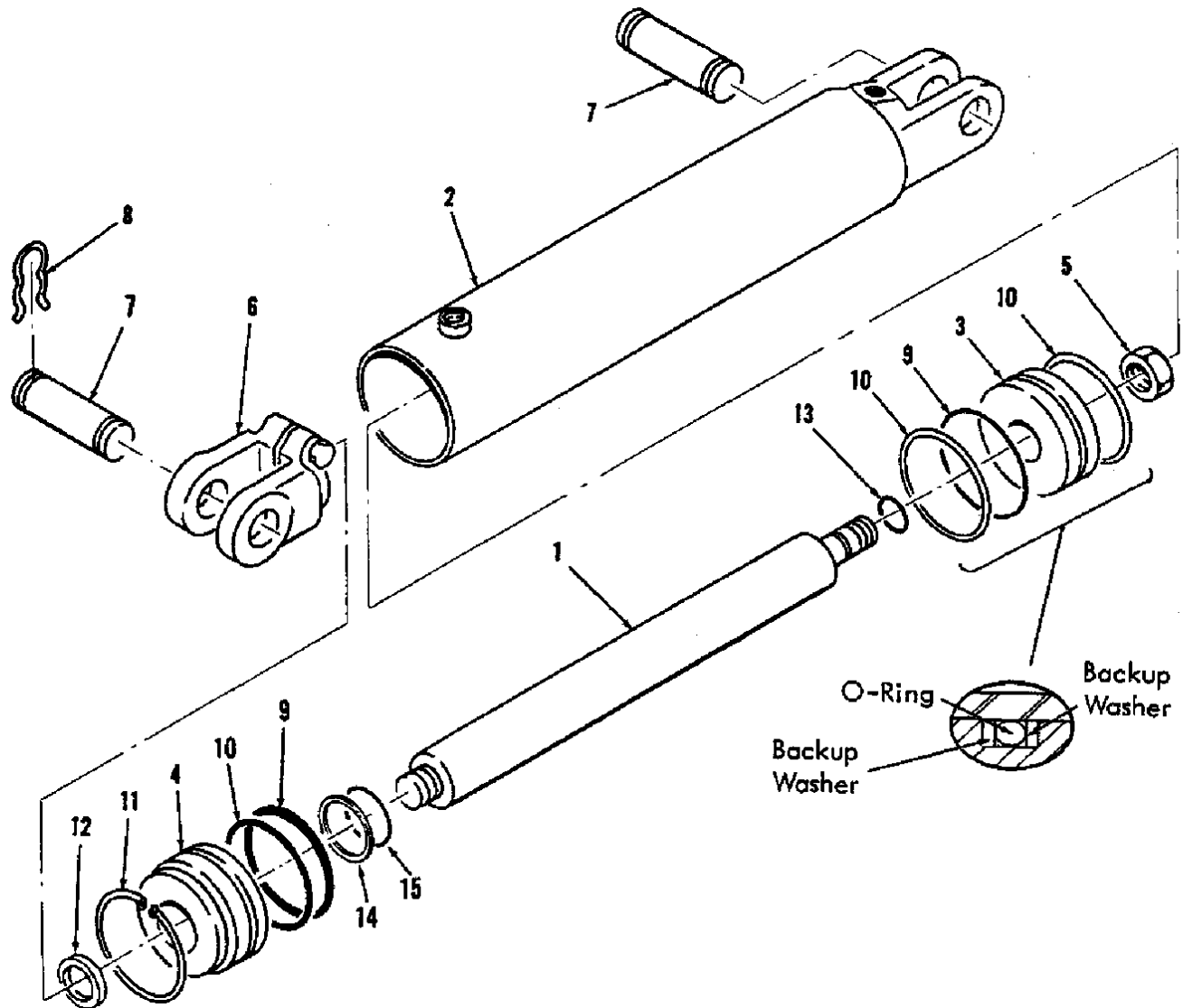
* Included in Seal Kit No. SK1819 (includes instructions)



#62709 HOPPER LIFT CYLINDER (PRINCE)

Ref. No.	Prince Part No.	Description	Qty.
1	010700132	ROD, Piston	1
2	061500183	TUBE	1
3	071500079	PISTON	1
4	081500100	GLAND	1
5	220000208	NUT	1
6	100000014	CLEVIS	1
7	190400001	PIN, Clevis	1
8	190400002	CLIP, Hairpin	4
9	240000334	*O-RING	2
10	240005334	*BACK-UP, Washer,	3
11	230001300	*RING, Snap	1
12	250002220	*WIPER, Piston Rod	1
13	240000113	*O-RING	1
14	190400001	PIN, Clevis	1

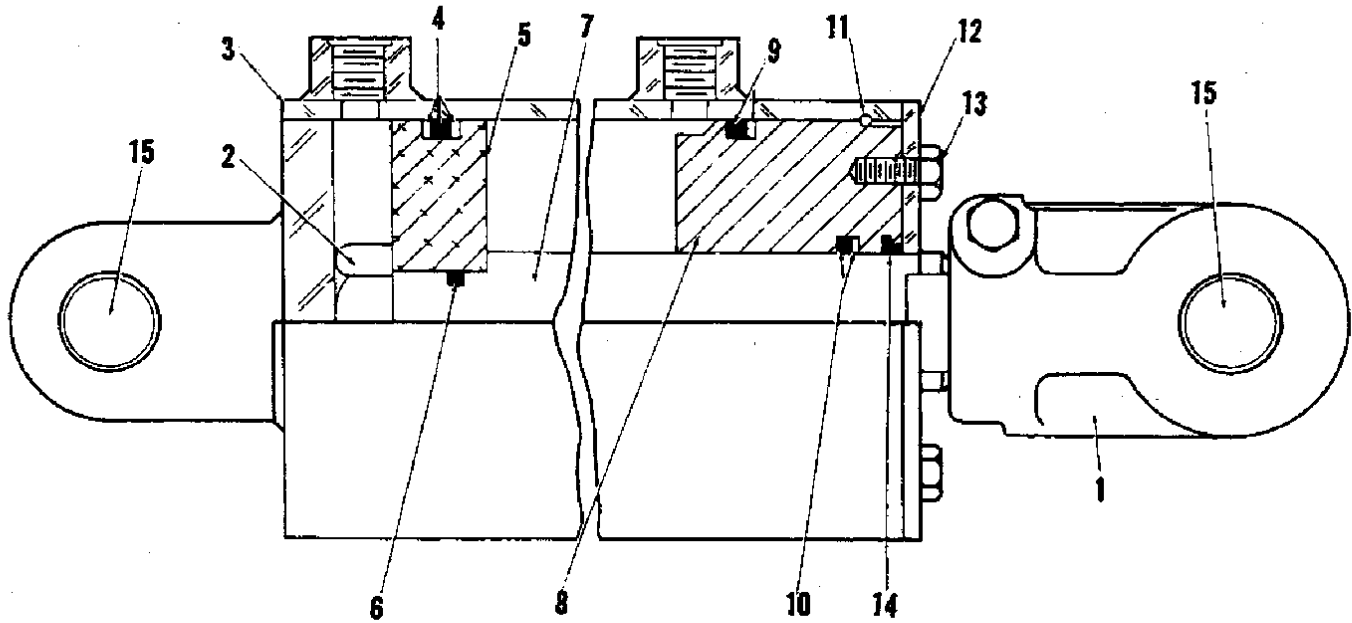
*Included in Seal Kit # 5K140 (1/2" x 1/4" x 1/8")



#62657 HOPPER LIFT CYLINDER (PRINCE MFG. CORP.)

Ref. No.	Prince Part No.	Description	Qty.
1	010700132	ROD, Piston	1
2	061500183	TUBE	1
3	071500079	PISTON	1
4	081500171	GLAND	1
5	220000208	NUT, Lock	1
6	100000014	CLEVIS	1
7	190400001	PIN, Clevis	2
8	190400002	CLIP, Pin	4
9	240000334	*O-RING	2
10	240005334	*WASHER, Back-up	3
11	230001300	RING, Snap	1
12	250002220	*WIPER, Piston rod	1
13	240000113	*O-RING	1
14	240000220	*O-RING	1
15	240005220	*WASHER, Back-up	1

*Indicates parts included in Seal Kit SK2108.



PARTS LIST FOR #62710
HOPPER LIFT CYLINDER FOR MODEL 92 HI-DUMP ONLY (Green Mfg. Co.)

Ref. No.	Green Part No.	Description	Qty.
1	1234-2	CLEVIS	1
2	913	NUT, Lock	1
3	C-4411	BARREL	1
4	842-2	*O-RING WITH TWO BACK-UPS ASSEMBLY	1
5	C-3639	PISTON	1
6	802-0	*O-RING	1
7	R-1160	ROD, Piston	1
8	C-4214	SLEEVE (Cylinder head)	1
9	842-1	*O-RING WITH BACK-UP ASSEMBLY	1
10	836-1	*O-RING WITH BACK-UP ASSEMBLY	1
11	914	WIRE, Lock	1
12	1330	WASHER	1
13	925	SCREW, Cap	2
14	RW-931	*WIPER, Piston rod	1
15	859	PIN, Clevis with 2 keepers	2

* Included in Seal Kit No. SK1820 (includes instructions).

PARTS LIST FOR OBSOLETE VACUUM FAN MOTOR 53923

Barnes Part No.	Description	Qty.
GC-5901-C	STATOR	1
GC-5946-D	HOUSING, Gear	1
GC-4506-D-7	GEAR	2
GC-5391-D	SHAFT, Drive	1
GC-1430-D-4	SHAFT, Idler	1
GC-895	KEY, Square	1
PA-7276	SEAL, Oil	1
GC-4685	BEARING, Needle	5
GC-3562	PIN, Drive	1
GC-1525	PLUG	1
GC-4850-14-8	PIN, Dowel	2
GC-3590-16	SCREW , 0.25" - 20 x 2"	4
GC-3590-14	SCREW , 0.25" - 20 x 1.75"	4
GC-1448	RING, Snap	2
GC-219	RING, Snap	2
GC-1050	NAMEPLATE	1
PA-9389	FASTENER	2
GC-2733-B	GASKET	1
PA-7510-B	KEY, #213 Woodruff	1
PA-7104-4	CAP	1
GC-2150-A	SPRING & BALL ASSEMBLY	1
PA-7116	GASKET	1
GC-1458	PLUG	1
PA-7511	PLUG	1

NOTE: All seals are included in Seal Kit SK0104, which includes instructions.

92

POWER SWEEPER

<u>CONTENTS:</u>	<u>Page</u>
Engine Service Kits	2
Oversize & Undersize Parts	3
Fig. 1 - Cylinder Head, Crankcase & Oil Pan	4 - 6
Fig. 2 - Valve & Camshaft	7
Fig. 3 - Piston, Crankshaft & Flywheel	8
Fig. 4 - Front End Plate & Gear Cover	10
Fig. 5 - Oil Pump	11
Water Pump	12
Governor	12
PCV System	12
Fuel Pump	12
Carburetors & Related Parts	13
Water Outlet Parts	13
Exhaust & Intake Manifolds	14
Distributor, Coil & Spark Plugs	14
Oil Filter	15
Starter & Alternator	16

gas & lpg engine parts

Home

Find...

Go To..



Service Parts Catalog

CONTINENTAL® F163 SERIES INDUSTRIAL ENGINES

This parts catalog covers only the following Continental Engines, which are specifically designed for use on TENNANT Machines. The engine Spec. No. is stamped on the engine data plate.

Model	Specification No.	Fuel	TENNANT No.
F163	04331	Gasoline	52810B-1 (Obsolete, Last S/N 2357)
F163	04359	Gasoline	52810B-1 (Obsolete, 1st. S/N 2358)
F163	04333	LPG	52897B-1 (Obsolete, Last S/N 2309)
F163	04360	LPG	52897B-1 (Obsolete, 1st. S/N 2310)
F163	04506	Gasoline	52810C-1 (Obsolete, Last S/N 4410)
F163	04507	LPG	52897C-1 (Obsolete, Last S/N 4797)
F163	04519	Gasoline	52810D-1 (Obsolete, Last S/N 4940)
F163	04520	LPG	52897D-1 (Obsolete)
F163	04517	Gasoline	76873A (Current)
F163	04518	LPG	32458 (Current)

NOTICE

Part numbers appearing herein are trademarks of

 **TELEDYNE CONTINENTAL MOTORS**
Industrial Products Division

ENGINE SERVICE KITS

For Spec. No's. 4331, 4333, 4359 & 4360	For Specs. 4506, 4507, 4519 & 4520	Service Kit Description
F4U01003	F4U-1002	Gasket Set, Top
F4U03001	F4U-3001	Gasket Set, Bottom (without RTV sealant)
	F4U-3002	Gasket Set, Bottom (with RTV sealant)
F4U02004	F4U-2004	Gasket Set, Front
F163T00119	Same	Piston Ring Kit, Re-Ring
F400T00352	Same	Connecting Rod Bearing Kit
F163T00103	Same	Crankshaft Bearing Kit
F400T00181	Same	Camshaft Bushing Kit
F6T02002	Same	Oil Pump Repair Kit
F6T01014	Same	Water Pump Repair Kit
F4U06008R	Same	Crankcase "R" Assembly

When ordering parts, it is always advisable to list the engine model and specification or serial number. (This can be found on the name-plate attached to the crankcase). With this information we can check your order for any incorrect part number. Do Not order parts by figure and index number. Use part number and complete nomenclature to assure proper identification.

OVERSIZE AND UNDERSIZE PARTS

To designate a size other than standard, the oversize or undersize required should be listed with the part number.

EXAMPLE: Timing gears, available in std., 0.001, 0.002 and 0.003 over and undersize, may be identified as follows:

F124H00410P01 indicates 0.001 oversize.
F124H00401M01 indicates 0.001 undersize.

OVERSIZE PISTONS

Pistons available in std., 0.020, 0.030, 0.040 and 0.060 oversize and semi-finished.

EXAMPLE: F163A0403 1E Standard
F613A0403 1ESF Semi-finished
F163A0403 1E20 0.020 oversize

OVERSIZE PISTON PINS

Piston pins available in std., 0.003, 0.005 and 0.010 oversize.

EXAMPLE: F600A00214 Standard
F600A00214003 0.003 oversize

OVERSIZE PISTON RINGS

Piston rings available in std., 0.020, 0.030, 0.040 and 0.060 oversize.

EXAMPLE: F163T00119 Standard Ring Kit, re-ring
F163T00119020 0.020 oversize

UNDERSIZE BEARINGS (MAIN AND ROD)

Main and Connecting Rod Bearings available in std., 0.002, 0.010, 0.020, 0.030 and 0.040 undersize.

EXAMPLE: F600G03911 Standard
F600G03911002 0.002 undersize

OVERSIZE TAPPETS

Tappets available in std., 0.001, 0.003, 0.005, 0.010, 0.015 and 0.020 oversize.

EXAMPLE: F600I02520 Standard
F600I02520001 0.001 oversize

OVERSIZE EXHAUST VALVE INSERT

EXAMPLE: F140A00216010 0.010 oversize

ABBREVIATION

UAR Use as Required
Rf Reference

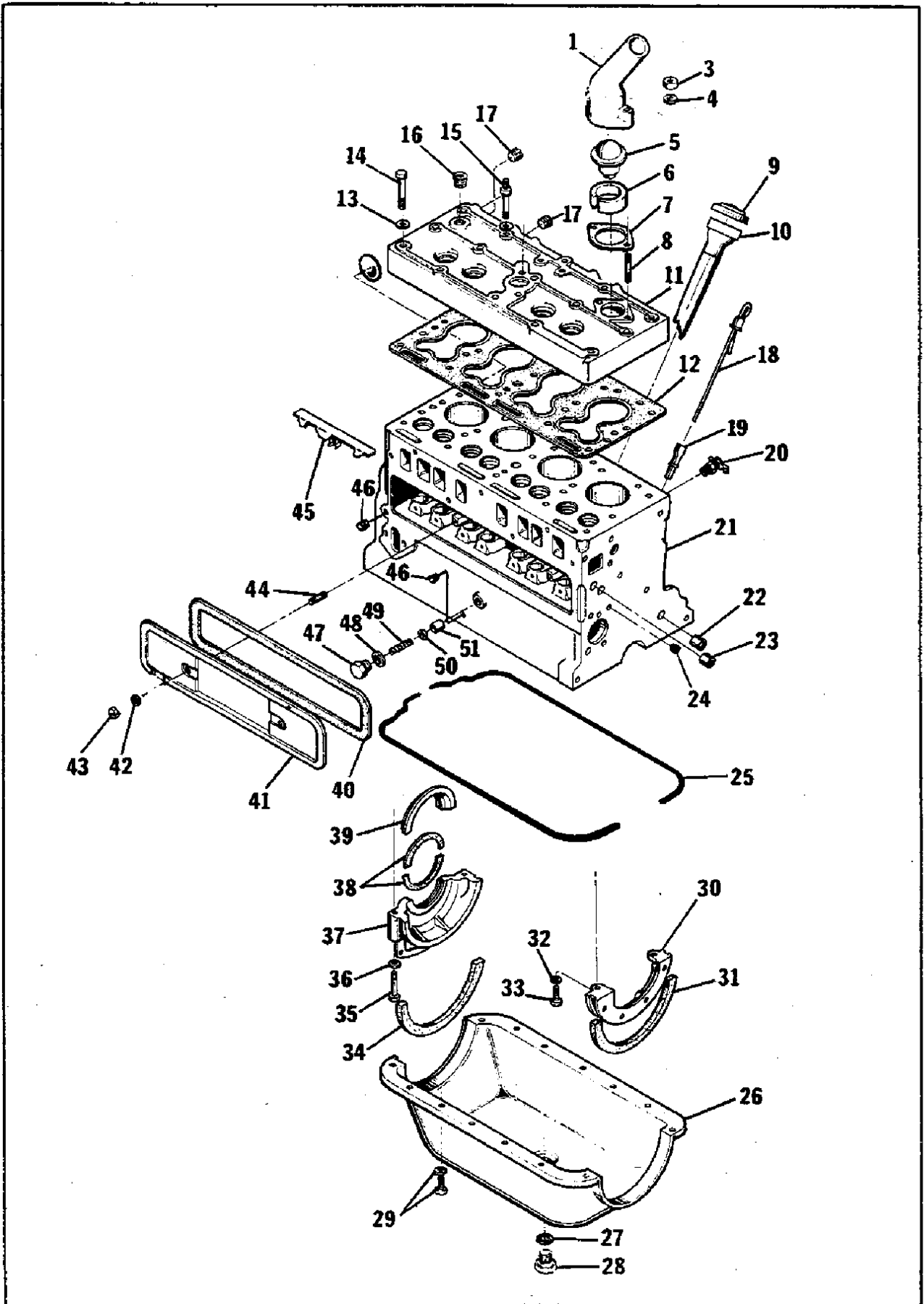


FIGURE 1 - CYLINDER HEAD, CRANKCASE & OIL PAN

FIG. 1 - CYLINDER HEAD, CRANKCASE & OIL PAN GROUP

Ref. No	Continental Part No.	Description	Qty.
1	*	ELBOW, Water outlet	1
3	*	NUT, Water outlet elbow-to cylinder head	2
4	X00202B	LOCKWASHER, Water outlet elbow-to cylinder head	2
5	53988-13	THERMOSTAT, 180 Degree (Cont'l #F601K-303)	1
6	53988-14	RING, Thermostat adapter (Cont'l. #F218K-202)	1
7	*	GASKET, Water outlet elbow	1
8	*	STUD, Water outlet elbow-to-cylinder head	2
9	20CL02020	CAP, Oil filler	1
10	F400L04300	BODY, Oil filler, crankcase	1
11	F401A06021	HEAD, Cylinder	1
12	F401A00403	GASKET, Cylinder head	1
14	X22127026	SCREW, Cylinder head-to-crankcase	10
15	X22128	SCREW, Special, cylinder head-to-crankcase (4,5,10,11.&15)	5
16	X00101B	PLUG, Cylinder head, top rear	1
17	X00101B	PLUG, Cylinder head, left side	2
18	F401L00402	ROD, Oil gauge	1
19	F401L00304	SUPPORT, Oil gauge rod	1
	F401L00203	BRACE, Oil gauge support (not shown)	1
20	X01015	VALVE, Cylinder water drain	1
21	F400A612625R	+ #CRANKCASE (service "R")	1
22	8TC00200	DOWEL, Ring, gear cover and front end plate-to-crankcase	1
23	7TC00215	DOWEL, Ring, front end plate-to-crankcase, upper right	1
24	X00137A	PLUG, Crankcase oil header	2
25	X-7814	+ GASKET, Oil	1
26	F401B-4321	+ PAN, Oil	1
27	X14583	WASHER, Drain plug	1
28	F400B-282	PLUG, Oil drain	1
29	X-22115	+ SCREW AND LOCKWASHER, Oil pan-to-crankcase	14
30	F601B-305	+ BLOCK, Filler, front	1
31	F400B00255	GASKET, Filler block, front	1
33	X03924	SCREW, Front filler block-to-crankcase	2
34	F400B00255	GASKET, Filler block, rear	1
35	X02958	SCREW, Rear filler block-to-crankcase	2
37	F601B-425	+ BLOCK, Filler, rear	1
38	T427B00201	SEAL, Rear bearing, oil	2
39	F600B0399	GUARD, Rear bearing, oil	1
40	F401A00410	GASKET, Valve chamber cover	1
41	F401A04110	COVER, Valve chamber	1
42	X00366	WASHER, Copper, valve chamber cover-to-crankcase	2

(Continued on next page)

Fig. 1 - CYLINDER HEAD, CRANKCASE & OIL PAN GROUP (continued)

Ref. No.	Continental Part No.	Description	Qty.
43	X18327	NUT, Valve chamber cover-to-crankcase	2
44	X04038	STUD, Valve chamber cover-to-crankcase	2
45	F600A03990	BAFFLE, Valve chamber oil drain, rear	1
	F401A03340	BAFFLE, Valve chamber oil drain, front	1
46	X00137A	PLUG, Socket, crankcase oil outlet	2
47	41AL00200	PLUG, Oil relief valve	1
48	X00365	GASKET, Copper, oil pressure relief valve	1
49	10EL00230	SPRING, Oil pressure relief valve	1
50	X14324	WASHER, Plain, oil pressure relief valve	UAR
51	155L00211	VALVE, Relief, oil pressure	1
	F140B0320	HOUSING, Flywheel (not shown) bearing	1
(not shown)	X03368	SCREW, Fly-housing to crankcase	2
(not shown)	X03362	SCREW, Fly-housing to crankcase	3
(not shown)	8FC00205	COVER, Timing hole	1

*See "Water Outlet" Parts Group

#Cylinder & Crankcase "R" Service Assembly Short Block consists of:

- Complete valve mechanism
- Pistons and Rings
- Connecting rods
- Crankshaft
- Camshaft
- Cylinder & Crankcase block
- Front end plate

+ Note: Part number listed is for Spec. numbers: 4506, 4507, 4519, 4520.
For obsolete engines with Spec. numbers, 4331, 4333, 4359, & 4360:

Item 21 was F400AG12730S - Includes:	Complete valve mechanism
Item 25 was F400B-2067	Pistons and Rings
Item 26 was F400B-4000	Connecting rods
Item 29 was X03896	Crankshaft
Item 30 was D600B-340	Camshaft
Item 37 was F400B-482	Cylinder & Crankcase block
	Cylinder head
	Oil pump
	Oil pan
	Front end plate
	Gear cover
	Filler blocks, bearings, bolts, etc.

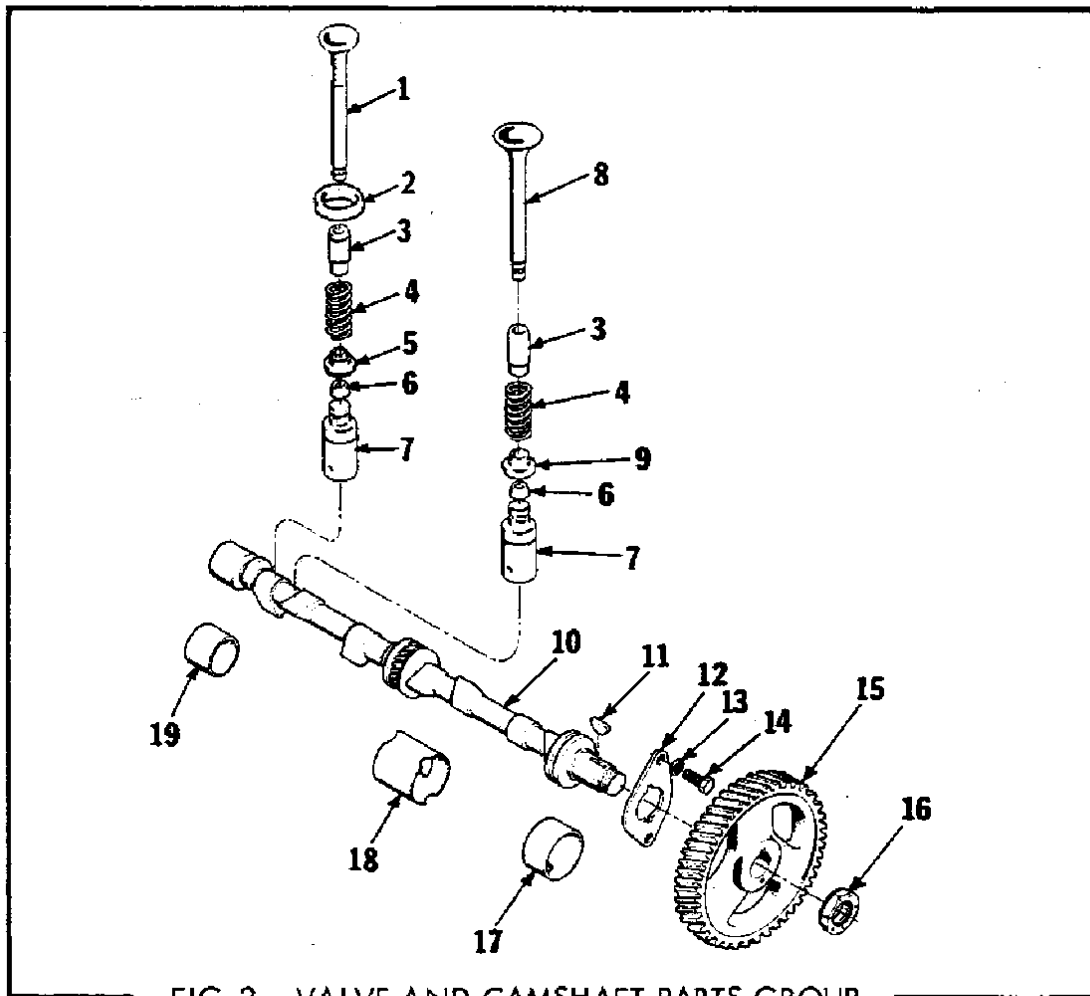


FIG.2 - VALVE AND CAMSHAFT PARTS GROUP.

Ket. No.	Continental Part No.	Description	No. Req.
1	F601100303	VALVE, Exhaust	4
2	F140A00216010	INSERT, Valve seat, exhaust (0.010 oversize for service)	4
3	F400100251	GUIDE, Valve stem, intake and exhaust	8
4	Y400100215	SPRING, Valve, intake and exhaust	8
5	F601100301	ROTO COIL, Exhaust	4
6	CVT03234	LOCK, Valve spring retainer, intake and exhaust	16
7	F600102520	TAPPET, Valve (std., .001, .003, .005, .010, & .015 oversize available)	8
8	F600100347	VALVE, Intake & .015 oversize available)	4
9	F601100200	RETAINER, Valve spring, intake	4
10	F400100343	CAMSHAFT	1
11	X00506	KEY, Cam gear-to-camshaft	1
12	F400100246	PLATE, Camshaft thrust	1
13	X00297A	LOCKWASHER, Thrust plate-to-crankcase	2
14	X03203	SCREW, Thrust plate-to-crankcase	2
15	F124H00302	GEAR, Camshaft	1
16	X18521	NUT, Cam gear-to-camshaft	1
17	Bushing	BUSHING, Camshaft, front	1
18	Kit No.	BUSHING, Camshaft, center	1
19	F400		1

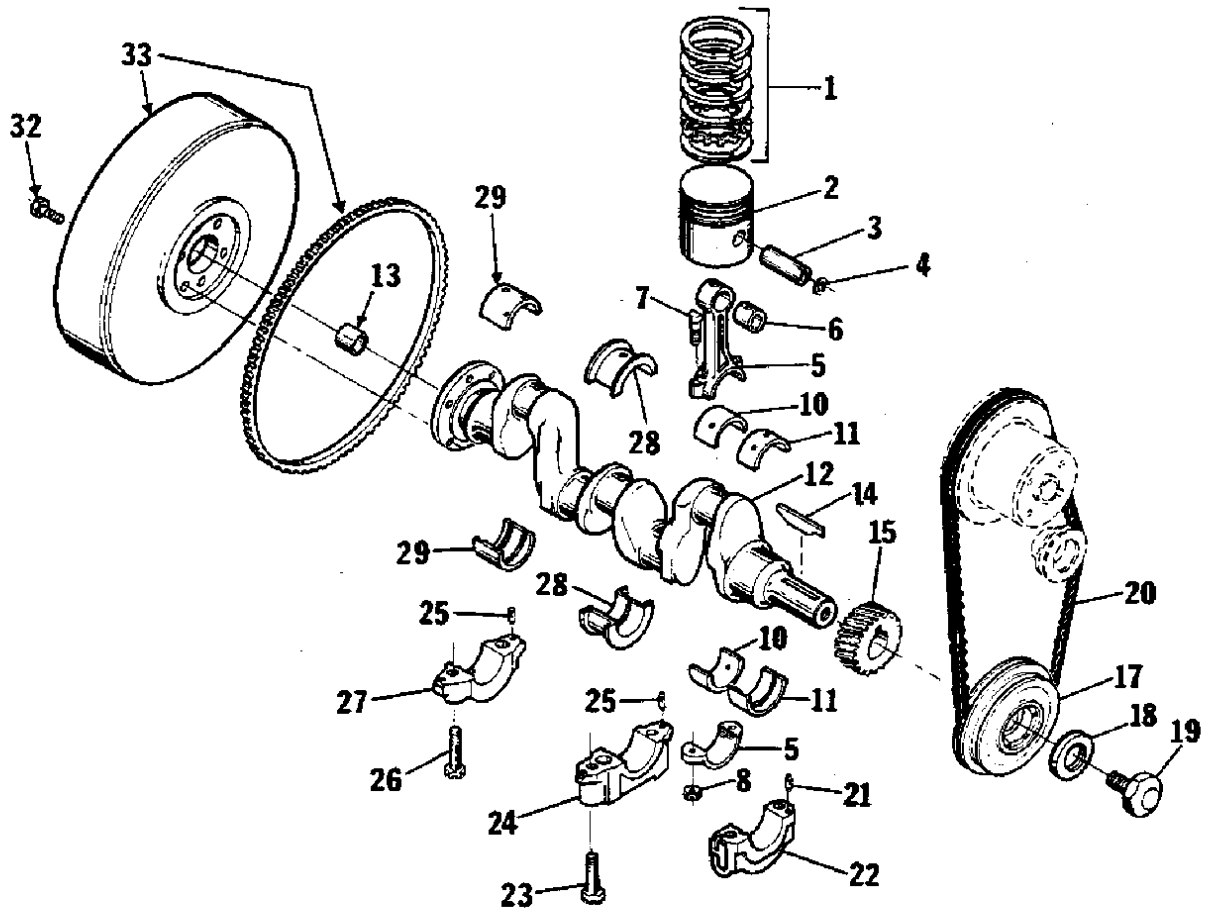


Figure 3 - PISTON, CRANKSHAFT AND FLYWHEEL PARTS GROUP.

FIG. 3 - PISTON, CRANKSHAFT & FLYWHEEL PARTS GROUP

Ref. No.	Continental Part No.	Description	Qty.
1	F163T00119	*RING KIT, Re-ring	1
2	F163A04081E	**PISTON (Includes: piston, pin & retaining rings)	4
3	F600A00214	PIN, Piston	4
4	X07 011	RING, Retaining	8
5	F226D04002	ROD, Connecting, less bearings (incl. bushing) bolts & nuts)	4
6	F400G00211	BUSHING, Piston pin	4
7	F400D00202	BOLT, Connecting rod	8
8	X18546	NUT, Connecting rod bolt	8
10		+BEARING, Connecting rod, upper	4
		+BEARING, Connecting rod, lower	4
11		°BEARING, Crankshaft front, upper & lower	1
12	F400C02351	#CRANKSHAFT (Special, with tapped holes in flange)	1
13	15LG00202	BEARING, Crankshaft pilot	1
14	X00675	KEY, Crankshaft gear	1
15	D600H00300	GEAR, Crankshaft	1
17	F401C00416	PULLEY, Crankshaft	1
18	X14235	WASHER, Pulley-to-crankshaft	1
19	X02959	SCREW, Pulley-to-crankshaft	1
20	X27019454	BELT, Alternator & water pump drive	1
21	F600B00242	DOWEL, Bearing cap-to-crankcase, front	2
22	F600B00470	CAP, Crankshaft bearing, front	1
23	X06920	BOLT, Place, bearing cap-to-crankcase, center	2
24	F400B00359	CAP, Crankshaft bearing, center	1
25	F600B00247	DOWEL, Bearing cap-to-crankcase, center & rear	4
26	X06503	BOLT, Place, bearing cap-to-crankcase, front-rear	4
27	F401B00301	CAP, Crankshaft bearing, rear	1
28		°BEARING, Crankshaft, center, upper & lower	1
29		°BEARING, Crankshaft, rear, upper & lower	1
32	X06828	SCREW, Flywheel-to-crankshaft (special)	6
33	F601C04350 F244C00317	FLYWHEEL (including ring gear) GEAR, Ring	1

#This crankshaft first used on: Gasoline Engine No. 52810B-1, machine serial No. 922358. LPG Engine No. 52897B-1, machine serial No. 922231.

Previous crankshaft was #F400C05091, with studs in flange.

*Piston rings available in standard, .020, .030, .040 & .060 oversize.

**Pistons available in standard, .020, .030, .040, .060 oversize. Piston pins available in standard, .003, .005 oversize.

+Connecting rod bearings available in std, .002, .010, .020, .030, .040 undersize. Connecting rod bearing kit is #F400T00352.

°Main bearings available in std., .002, .010, .020, .030, .040 undersize. Kit # is F163T00103.

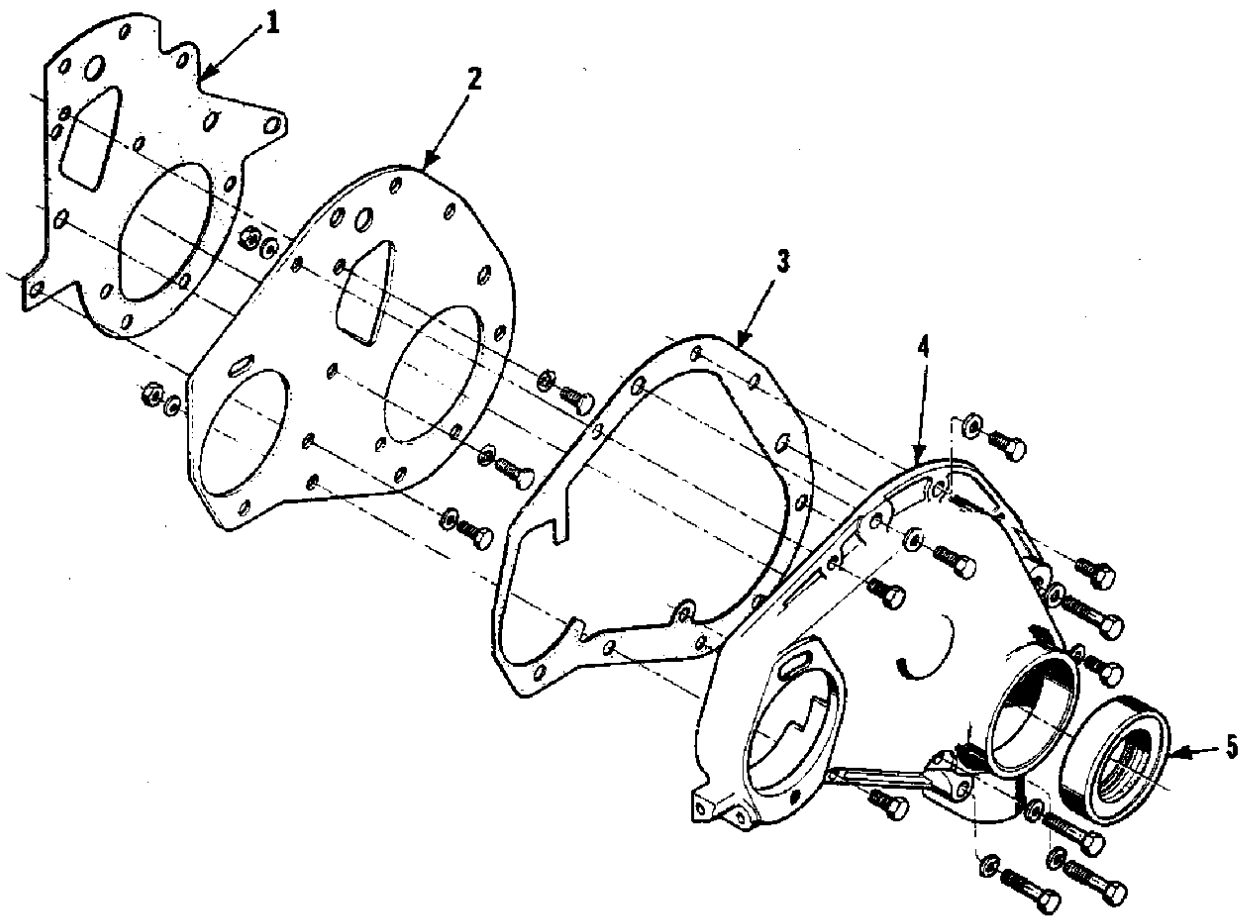


FIG. 4 - FRONT END PLATE AND GEAR COVER PARTS GROUP

Ref. No.	Continental Part No.	Description	Qty.
1	F401B-342	GASKET, Front end plate	1
2	F401B-333	PLATE, Front end	1
3	F400B-383	GASKET, Gear cover	1
4	F400B-522	COVER, Gear	1
5	X07810	SEAL, Oil	1
	F401B00308	POINTER, Ignition timing	1

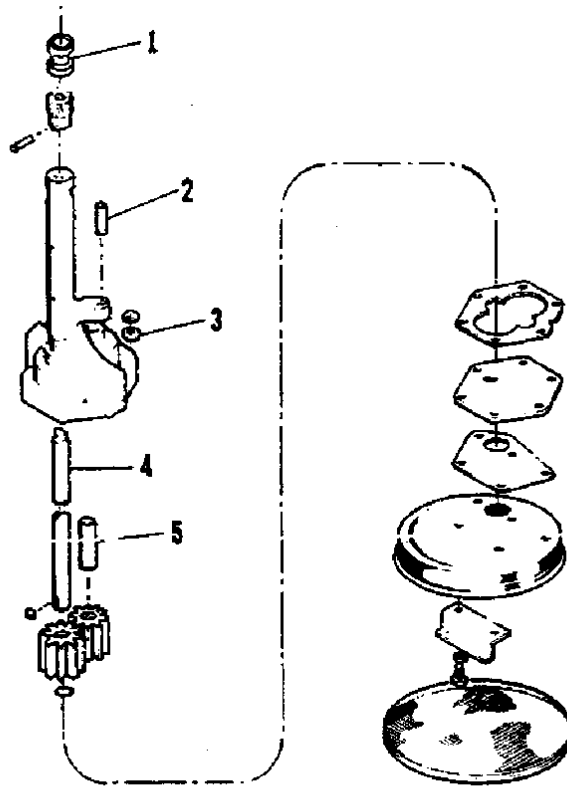


FIG. 5 - OIL PUMP PARTS GROUP

Ref. No.	Continental Part No.	Description	Qty.
	F600L04132	PUMP, Oil, complete	1
1	F400L00210	BUSHING, Oil pump drive shaft (in crankcase)	1
2	X04182	STUD, Oil pump body-to-center bearing cap	1
3	X18387	NUT, Oil pump-to-center bearing cap	1
4	F218L00204	SHAFT, Oil pump drive	1
5	8UL00212	STUD, Oil pump idler gear	1
	F6T02002	OIL PUMP REPAIR KIT	1

MISCELLANIOUS PARTS GROUPS -- NOT ILLUSTRATED

TENNANT Part No.	Continental Part No.	Description	Qty.
---------------------	-------------------------	-------------	------

WATER PUMP PARTS GROUP

45617	F400K-4471	PUMP, Water Service (less pulley)	1
45639	F401K-324	* PULLEY, Water pump	1
	F600K00371	GASKET, Water pump	1
	F6T01014	REPAIR KIT, Water pump	1
	X12016	ELBOW, Water pump (LP only)	1
	X12144	BUSHING (LP only)	1
	X12517	NIPPLE (Gas only)	1
	X12191	ELBOW (gas only)	2

GOVERNOR PARTS GROUP

45659	*F401S00407	GOVERNOR,	1
	X07811	GASKET, Governor to cover	1
	X05692122	ROD, Control, governor to carburetor	1
	X13203	BALL-JOINT, Governor rod to gov. arm	1
	F401S-227	SEAL, Governor	1
	X13201	BALL-JOINT, Governor rod to carburetor	1
	X18137	NUT, Ball-joint to carburetor	4
	X18402	NUT, Governor arm to rod	1
	F401H-303	GEAR, Governor	1
	F401S-230	SPRING	1

*Before engine serial #234340, governor # was F400S04350.

PCV SYSTEM

	X26125	ELBOW Restrictor, intake manifold	1
	X08253040	HOSE, Tube to restrictor elbow	1
	F400F00478	TUBE, Manifold to tee	1
	X08253040	HOSE, Manifold tube to tee	1
	X02751	CLAMP, Hose	6
	X02614	TEE	1
	X08253080	HOSE, Tee to filler tube	1

FUEL PUMP

45676	F600F00461	PUMP, Fuel (gasoline engine only)	1
47680	X01698	GASKET, Fuel pump	1
	X03182	SCREW, Fuel pump mounting	2
	F401F04200	TUBE, Fuel pump to carburetor (gas only)	1
	X12251	ELBOW, Fuel pump tube (gas only)	1
	F600B00234	COVER, Fuel pump hole (LP only)	1

(Continued on next page)

* Follow pump pulley installation instructions (Form x-30078) when assembling pulley to water pump.

Miscellaneous Parts Groups - not illustrated (continued)

CARBURETORS AND RELATED PARTS

(Note: Check spec. # on engine to determine carburetor #)

TENNANT Part No.	Continental Part No.	Description	Qty.
50509	X01802G	NUT, Carburetor to manifold	2
	X12251	ELBOW, Carburetor (gasoline)	1
	X12774	ELBOW, Carburetor (LP)	1
45647 *	M330F00253	GASKET, Carburetor	1
	F400F263	CARBURETOR, Gasoline (Zenith #12026D)	1
	CA10F319	CARBURETOR, LP (Zenith #13266A)	1

WATER OUTLET PARTS (Gasoline Engine Only)

53988-16	F124K00334	ELBOW, Water outlet	1
	C400K00215	GASKET, Water outlet	1
	X04136	STUD, Water outlet	2
	X12517	NIPPLE, Water outlet elbow	1
	X01801E	NUT, Water outlet elbow	2
	X400K00261	HOSE, Outlet elbow to by-pass	1
	X12191	ELBOW, By-pass	1

WATER OUTLET PARTS (LP Engine Only)

50503 54238 SK1839	F400K04260	ELBOW, Water outlet (incl. LP vaporizer)	1
		VAPORIZER, LP (replacement)	1
		REPAIR KIT, Vaporizer	1
50506 50508 50502 50501	X04107	STUD, Water outlet	2
	C400K00215	GASKET, Water outlet	1
	X01801E	NUT, Water outlet stud	2
	X08072120	HOSE, Vaporizer to carburetor	1
	X08100102	HOSE, Water recirculating	1
	X12474	ELBOW, Vaporizer outlet	1

*NOTE: This gasoline carburetor is used only on some new machines with gasoline engine spec. #04506.

CA10F-353	CARBURETOR, Gasoline (made by Facet, dust-sealed model.)	1
-----------	---	---

EXHAUST AND INTAKE MANIFOLD PARTS GROUP

Continental Part No.	Description	Qty.
X04057	STUD, Exhaust & Intake manifold to crankcase	6
X04182	STUD, Exhaust manifold outlet	3
F400E00303	GASKET, Manifold	1
F400E00423	MANIFOLD, Intake & exhaust	1
X14141	WASHER, Plain, exhaust & intake	5
X14323	WASHER, Manifold to crankcase	2
X18067	NUT, Exhaust & intake manifold to crankcase	6
24XX03063	SCREW, Manifold to crankcase, center	1
X04182	STUD, Carburetor to manifold	2

DISTRIBUTOR, COIL, SPARK PLUGS & WIRES GROUP

Continental Part No.	Description	Qty.
F401M-405	*DISTRIBUTOR (Prestolite)	1
+37422	CAP	1
+37421	ROTOR	1
+37420	CONTACT POINT SET	1
+45631	CONDENSER	1
	or	
F400M-532	*DISTRIBUTOR (Delco)	1
1960833	CAP	1
45632	ROTOR	1
45625	POINT SET	1
45631	CONDENSER	1
X19002	STUD, Distributor to head	1
F400M00279	SHAFT, Distributor to drive	1
F400M00393	CLAMP, Distributor (used with Delco distributor)	1
E600M00305	COIL, Ignition (used with Delco distributor)	1
F400M-293	CLAMP, Distributor (used with Prestolite distributor)	1
22RM-303	COIL, Prestolite (used with Prestolite distributor)	1
45770-7	+PLUG, Spark	4
HW00204100	WIRE, Distributor to plugs (10" long)	4
HW00248140	WIRE, Distributor to coil (14" long)	1

*NOTE: Either Prestolite or Delco distributors and coils may have been used. Check your distributor nameplate to determine which distributor was used before ordering parts.

+Tennant Company part number

OIL FILTER

Continental Part No.	Description	Qty.
*F600L-4340	FILTER, Oil (spin-on type)	1
*F600L-446	BASE, Oil filter	1
*F600L-436	BRACKET, Oil filter	1
*X08016120	HOSE, Oil (crankcase to filter)	2
*X12143	BUSHING, Reducing	1
*X12502	ELBOW, Crankcase oil outlet at bushing	1
*X12511	ELBOW, Oil filter inlet and outlet	2
*X12502	ELBOW, Crankcase oil inlet	1
*X08016100	HOSE, Oil filter outlet to crankcase inlet	1

* These parts are used on machines having engine 76873A (Tennant Company number), Spec. number 4517 - gas, and machines having LPG engine 32458 (Tennant Company part number) Spec. number 4518.

STARTER AND ALTERNATOR PARTS GROUP
(not illustrated)

Continental Part No.	Description	Qty.
X03063	SCREW, Starter-to-flywheel housing	2
F401M-338	STARTER, 12 Volt (including solenoid switch) (Delco #1109091)	1
X03942	SCREW, Starter-to-flywheel housing at solenoid	1
13XX18505	NUT, Alternator battery terminal	1
13XX05323	LOCKWASHER, Alternator battery terminal	1
X14234	SPACER, Alternator-to-bracket, rear	1
F401M00345	ALTERNATOR, 12 V, 32 A, metric	1
X07579	*CONNECTOR, Voltage regulator wire	1
53988-2	*REGULATOR, Voltage	1
HD277M00407	FAN, Alternator	1
X14531	SPACER, Between alternator pulley and fan	1
F600M00379	PULLEY, Alternator	1
X18387	NUT, Lock, alternator-to-bracket	1
X03270A	SCREW, Alternator-to-bracket	1
F401M00407	BRACKET, Alternator	1
X19002	STUD, Alternator bracket-to-crankcase	2
X03593	SCREW, Adjusting strap-to-water pump	1
X00203	LOCKWASHER, Adjusting strap-to-water pump	1
F401M00201	STRAP, Alternator, adjusting	1
X14141	WASHER, Plain, adjusting strap-to-alternator	1
X00202B	LOCKWASHER, Adjusting strap-to-alternator	1
X03159	SCREW, Adjusting strap-to-alternator	1
X18387	NUT, Lock, alternator bracket-to-crankcase	2
F401M00332	HARNESS, Wire, alternator	1

*Note: Used on engines with spec. numbers previous to #4519 & 4520

92 DIESEL

POWER SWEEPER

Description	Page
Fig. 1 - Cylinder Block	2 & 3
Fig. 2 - Camshaft & Bearings, Cylinder Block	4 & 5
Fig. 3 - Timing Gears Assembly	6 & 7
Fig. 4 - Crankshaft, Pistons, Rings & Rods	8 & 9
Fig. 5 - Valve Rocker Arm Assembly	10 & 11
Fig. 6 - Cylinder Head Assembly	12 & 13
Fig. 7 - Oil Pump Assembly	14
Fig. 8 - Flywheel & Housing	15
Fig. 9 - Exhaust Manifold Assembly	16
Fig. 10 - Valve Cover Assembly	17
Fig. 11 - Crankshaft Pulley	17
Fig. 12 - Water Outlet	18
Fig. 13 - Air Intake Manifold	18
Fig. 14 - Starting Motor	19
Fig. 15 - Oil Pan Assembly	20 & 21
Fig. 16 - Engine Oil Filter	21
Fig. 17 - Water Pump Assembly	22 & 23
Fig. 18 - Alternator Assembly	24 & 25
Fig. 19 - Fuel Injectors	26 & 27
Fig. 20 - Fuel Pump	28 & 29
Fig. 21 - Fuel Filters	30 & 31
Fig. 22 - Fuel Pre-Filter Assembly	32
Fig. 23 - Gaskets & Seals Parts List	33 & 34

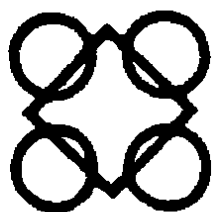
diesel engine parts

Home

Find...

Go To..





PERKINS

4.108 Parts book

PERKINS MODEL 4.108 DIESEL ENGINE
SPECIFICATION NO. 4.108
TENNANT PART NO. 32586

Dealer Parts Service Information:

Parts No.

Codes:	B00	-	Oil Pan
	C01	-	Crankshaft Pulley
	D00	-	Lube Oil Filter
	E00	-	Valve Cover & Filler
	H00	-	Water Outlet Connection
	J05	-	Induction Manifold
	K02	-	Fuel Injection Pump
	M00	-	Exhaust Manifold
	N60	-	Fuel Filters
	P00	-	Oil Pressure Switch
	R006	-	Flywheel Housing
	S05	-	Starter Motor & Spacer
	W08	-	Alternator & Water Pump
	A15	-	Water Trap

Perkins Engines Limited

Peterborough England

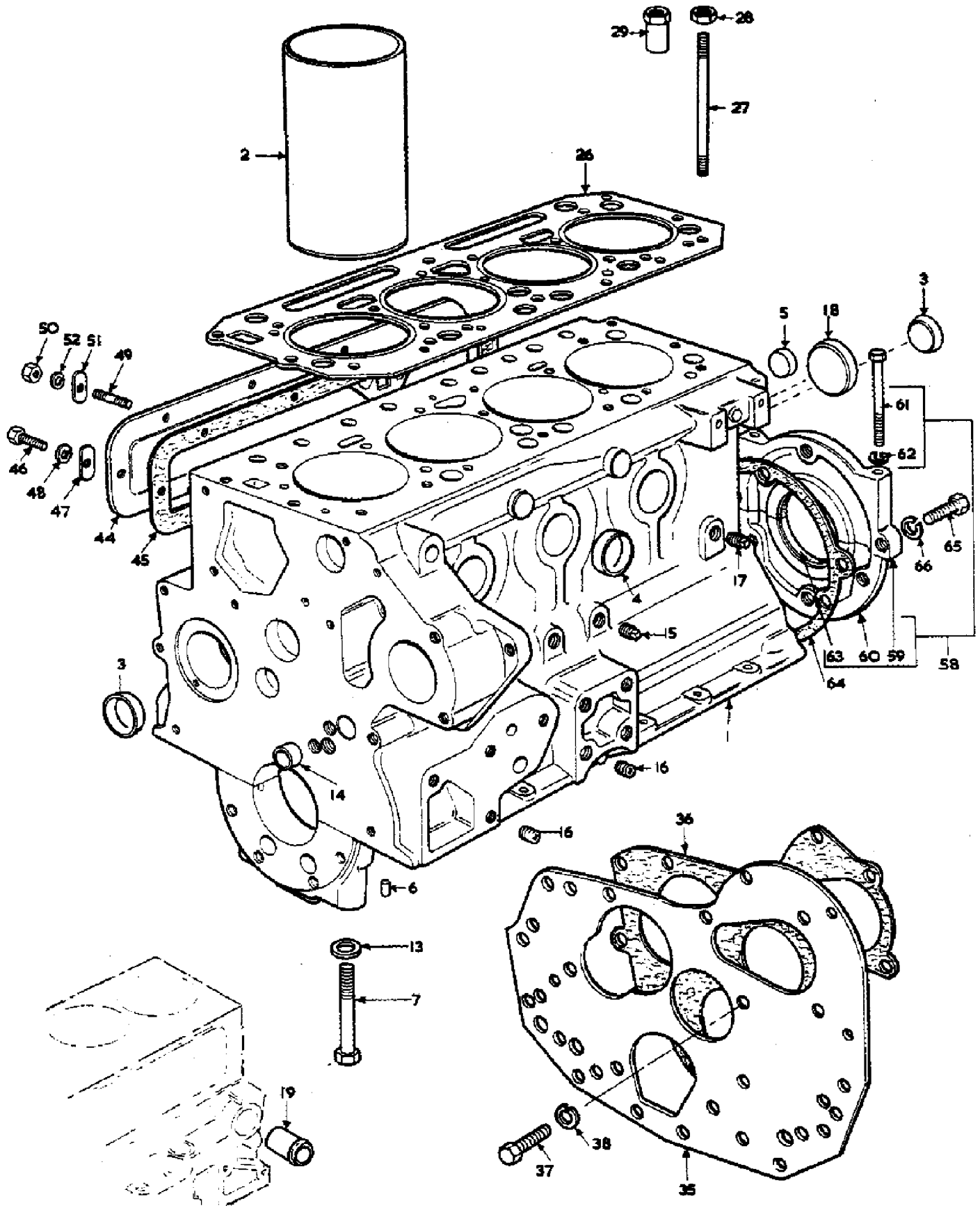


FIG. 1
CYLINDER BLOCK ASSEMBLY

FIG. 1 - CYLINDER BLOCK

Ref. No.	PERKINS Part No.	Description	Qty.
1	93654	BLOCK	1
2	31358117	Liner	4
3	0650710	Plug	2
4	0650563	Plug	3
5	0650664	Plug	1
6	0350014	Dowel	6
7	32166216	Screw, Cap	6
13	33115408	SHIMWASHER	6
14	0650717	PLUG	2
15	0650594	PLUG	1
16	32114481	PLUG	2
17	32161114	PLUG, water drain	2
18	0650777	PLUG	1
19	0201297	CONNECTION	1
26	36812134	GASKET	1
27	*0826631	STUD (up to 108US3317)	18
28	33287314	NUT	(1)
29	33531117	NUT	(6)
	33221317	NUT	(11)
35	36256717	PLATE	1
36	0490740	GASKET	1
37	0746254	SCREW, Cap	4
38	0920053	WASHER	4
44	**37554572	COVER (up to 108US6073)	1
45	36846412	GASKET	1
46	0746254	SCREW, Cap	2
47	36151505	WASHER	2
48	0920053	WASHER	2
49	0826249	STUD	8
50	0576002	NUT	8
51	36151505	WASHER	8
52	0920053	WASHER	8
58	90990	HOUSING	1
59		Order Assembly 55281	1
60		Order Assembly 55281	1
61	0096238	Screw, Cap	2
62	0920053	Washer	2
63	36883107	Seal	2
64	36826114	JOINT	1
65	0746259	SCREW, Cap	6
66	0920053	WASHER	6
	20612	BLOCK, Short	1

* 32524148 Stud (18) and 33115411 Washer (18) - (from 108US3318 onward)

** 37554591 Cover (1) - (from 108US6074 onward)

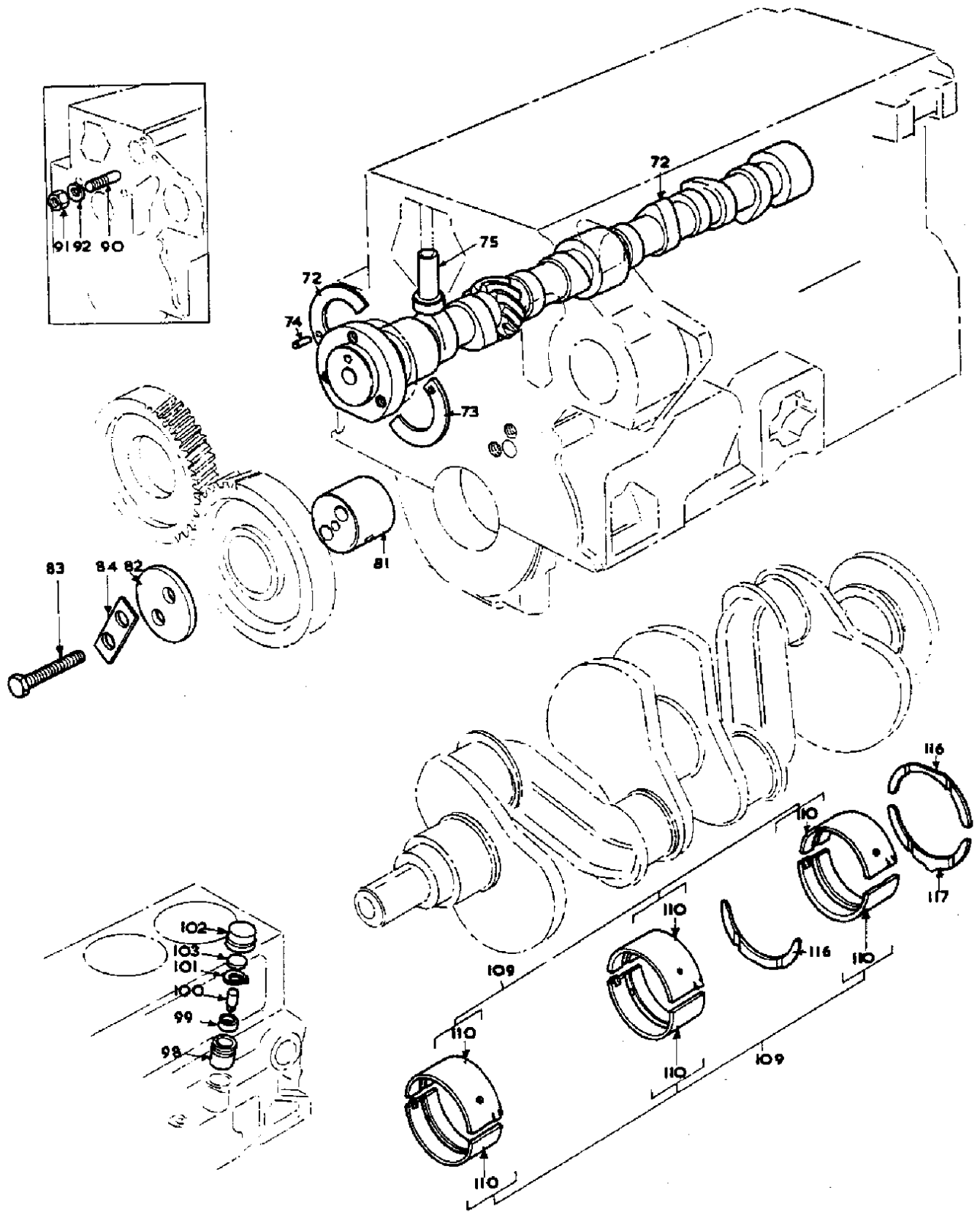


FIG. 2 - CAMSHAFT AND BEARINGS, CYLINDER BLOCK

FIG. 2 - CAMSHAFT AND BEARINGS, CYLINDER BLOCK

Ref. No.	PERKINS Part No.	Description	No. Req.
72	31415303	CAMSHAFT	1
73	36178509	THRUSTWASHER	2
74	2116053	PIN	1
75	31434152	TAPPET	8
81	33426516	HUB	1
82	0941044	PLATE	1
83	0746461	SCREW, Cap	2
84	0921159	TABWASHER	1
90	0826209	STUD	1
91	0576002	NUT	1
92	0920053	WASHER	1
98	0770101	SLEEVE	1
99	0050358	BEARING	1
100	33473107	SHAFT	1
101	0170052	CIRCLIP	1
102	32813106	CAPNUT	1
109(A)	84992	BEARING STD	1
109(A)	84992A	BEARING (-0.010")	1
109(A)	84992B	BEARING (-0.020")	1
109(A)	84992C	BEARING (-0.030")	1
110		Order Assembly 84992	1 kit
116	0921120	WASHER	2
116	091120A	WASHER (+0.007")	
117	0921118	WASHER	1
117	0921118A	WASHER (+0.007")	

NOTE: (A) Bearings are pre-finished.

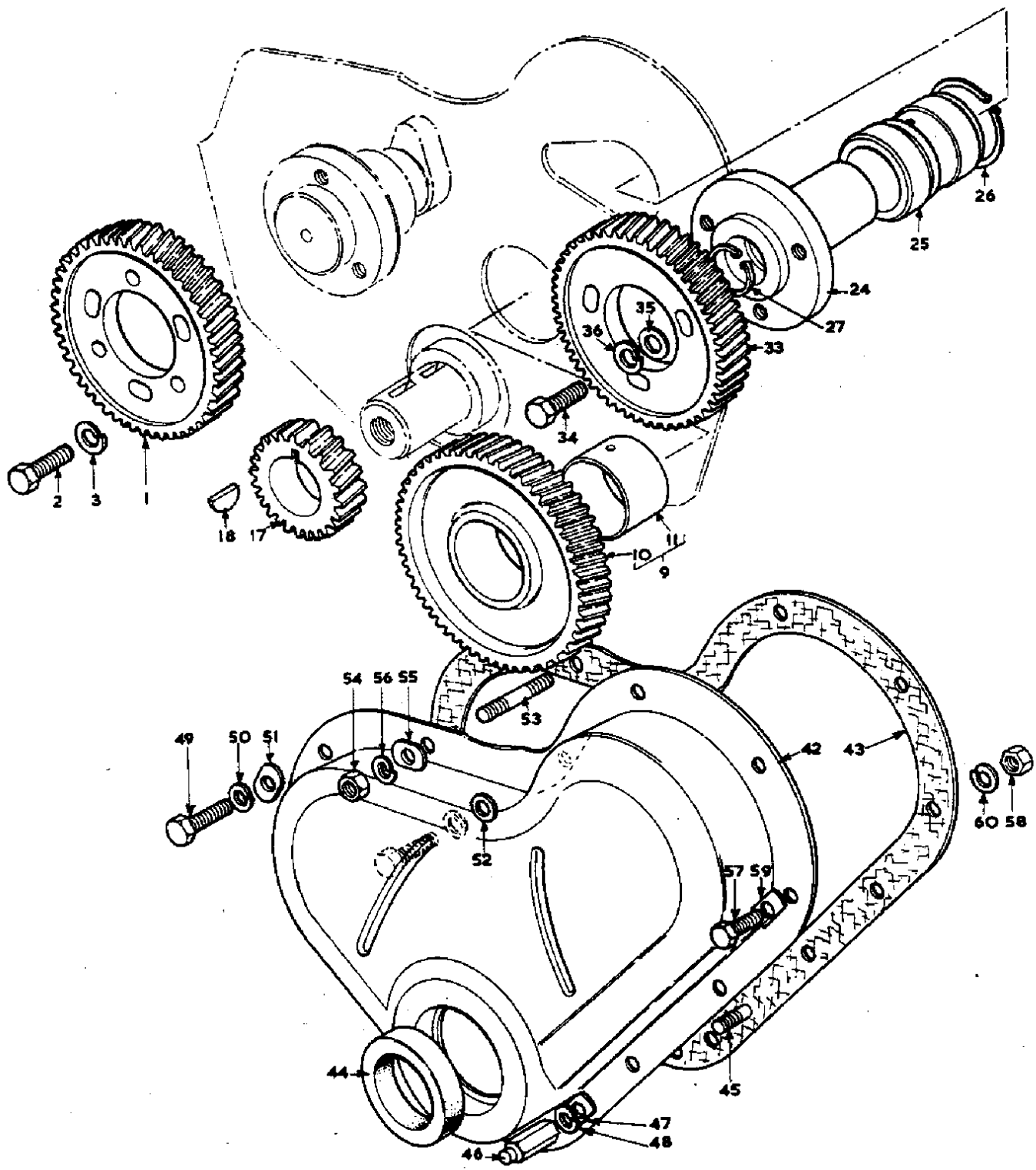


FIG . 3 - TIMING GEARS ASSEMBLY

FIG . 3 - TIMING GEARS ASSEMBLY

Ref. No.	PERKINS Part No.	Description	No. Req.
1	31171541	GEAR	1
2	0746255	SCREW, Cap	3
3	0920053	WASHER	3
9	41115036	GEAR	1
10		Order Assembly 41115036	1
11	31134137	Bushing	1
17	31171245	GEAR	1
18	0500006	KEY	1
24	*33472491	HUB	1
25	*0050323	BEARING	1
26	*0170148	CIRCLIP	1
27	0170048	CIRCLIP	1
33	31171542	GEAR	1
34	0746355	SCREW, Cap	3
35	0920003	WASHER	3
36	0920053	WASHER	3
42	37161104	HOUSING	1
43	36813145	GASKET	1
44	0730098	SEAL	1
45	0826248	STUD	1
46	32726511	PIN	1
47	36151505	WASHER	1
48	0920053	WASHER	1
49	0746255	SCREW, Cap	8
50	0920053	WASHER	8
51	36151505	WASHER	7
52	0920003	WASHER	1
53	0826201	STUD	1
54	0576002	NUT	1
55	36151505	WASHER	1
56	0920053	WASHER	1
57	0746052	BOLT	4
58	0576001	NUT	4
59	36151506	WASHER	4
60	0920052	WASHER	4

up to serial # 108US 8749

* From Serial #108US8750 onward - use:

33472494	HUB	1
41425781	HOUSING ASSEMBLY INCLUDES:	1
2511447	Bushing	2
2724436	Circlip	1

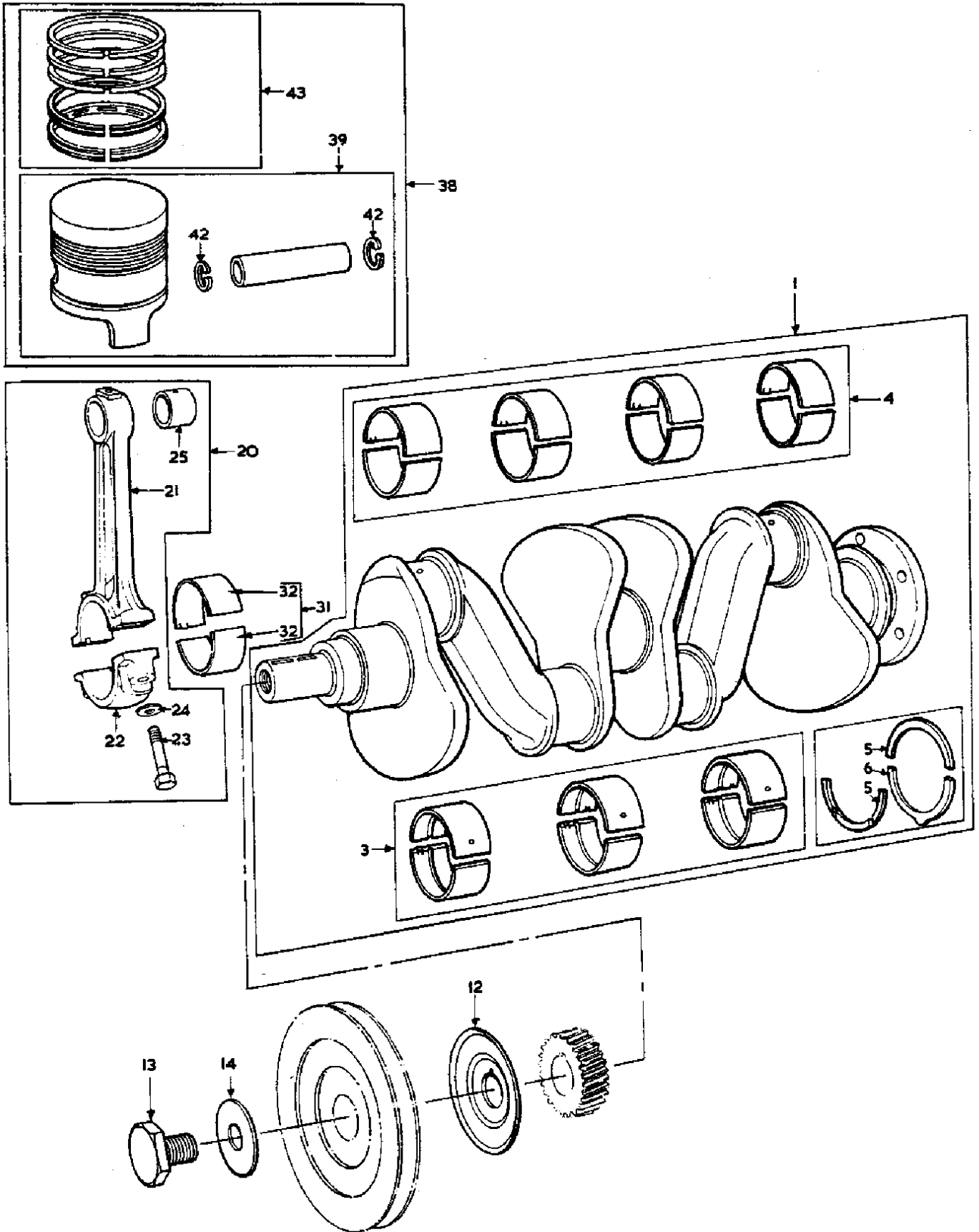


FIG . 4 - CRANKSHAFT, PISTONS, RINGS, AND RODS

FIG . 4 - CRANKSHAFT, PISTONS, RINGS, AND RODS

Ref. No.	PERKINS Part No.	Description	No. Req.
1	84417	CRANKSHAFT & BEARINGS KIT	1
3		Bearings	1
4		Bearings	1
5		Washer	2
6		Washer	1
12	33474003	FLANGE	1
13	32162316	SCREW	1
14	33124119	WASHER	1
20	83417	ROD	4
23	0095314	Screw, cap	2
24	33115121	Washer	2
25	31134145	Bushing	1
31	85037	BEARING, Standard size	1
31	85037A	BEARING (-0.010")	1
31	85037B	BEARING (-0.020")	1
31	85037C	BEARING (-0.030")	1
38	89215	PISTON ASSEMBLY	4
39		Piston (part of 86738 assembly)	1
42	2721124	Circlip	2
43	86764	KIT	1

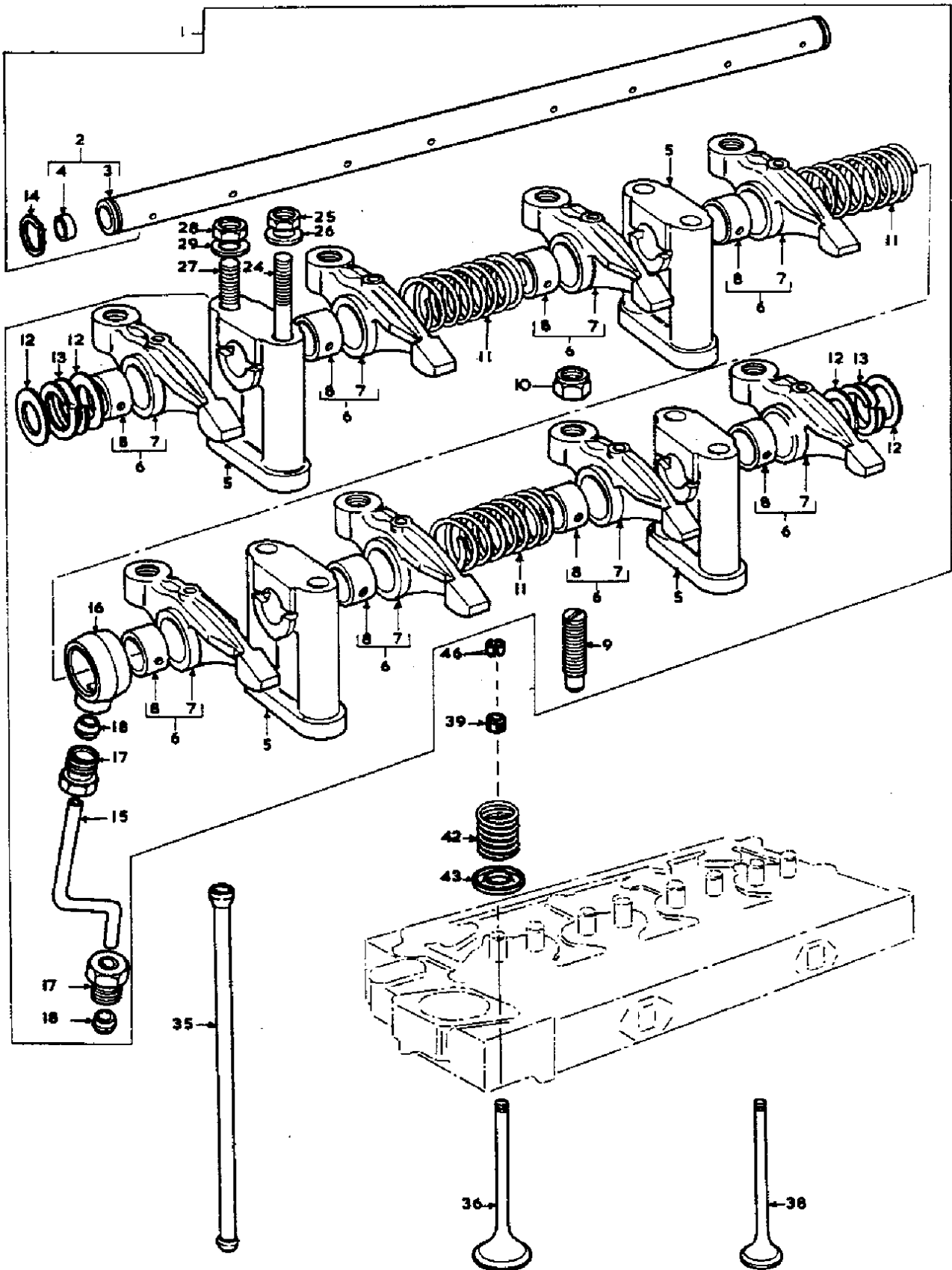


FIG. 5 - VALVE ROCKER ARM ASSEMBLY

FIG. 5 - VALVE ROCKER ARM ASSEMBLY

Ref. No.	PERKINS Part No.	Description	No. Req.
1	58529	SHAFT ASSEMBLY	1
2	55286	Shaft Assembly	1
3		Shaft	1
4	0650507	Plug	2
5	0102202	Bracket	4
6	41151448	Lever Assembly	8
7		Lever Assembly	1
8	0050132	Bushing	1
9	0720790	Screw	8
10	0576151	Locknut	8
11	0780261	Spring	3
12	0920485	Washer	4
13	0921122	Washer	2
14	0170033	Circlip	2
15	34414122	Pipe	1
16	0201318	Connection	1
17	0571351	Nut	2
18	0566002	Ferrule	2
24	0825219	STUD	2
25	0576302	NUT	2
26	0920003	WASHER	2
27	0826250	STUD	6
28	0576302	NUT	6
29	0920003	WASHER	6
35	31434306	PUSHROD	8
36	0910060	VALVE, Inlet	4
38	0910061	VALVE, Exhaust	4
39	33817403	SEAL	8
42	0780144	SPRING	8
43	0921117	SEAT	8
44	0150129	CAP	8
46	0230001	COTTER (1 pair)	16

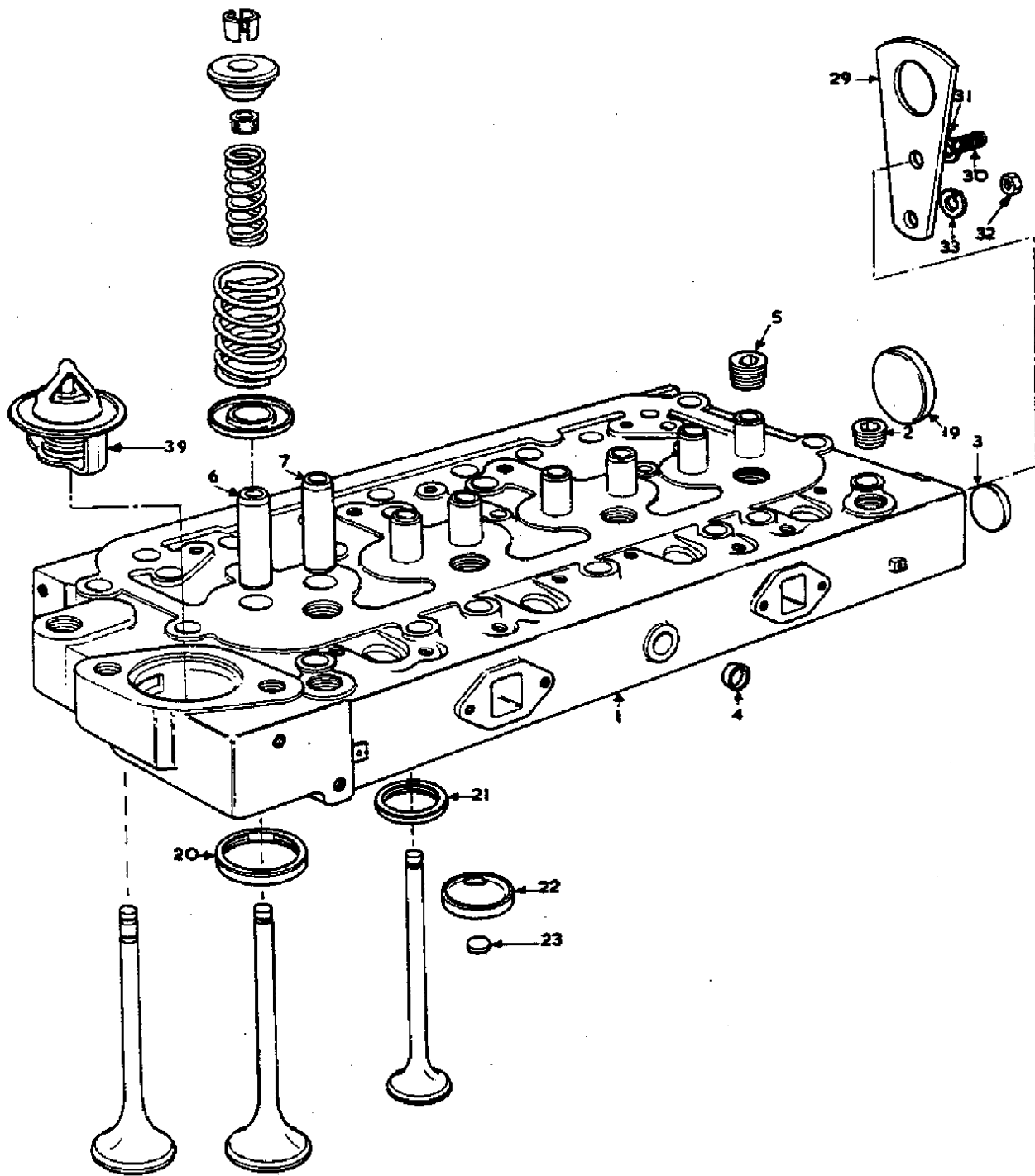


FIG. 6 - CYLINDER HEAD ASSEMBLY

FIG. 6 - CYLINDER HEAD ASSEMBLY

Ref. No.	PERKINS Part No.	Description	No. Req.
1	89191	HEAD	1
2	2431154	Plug	3
3	0650576	Plug	1
4	0650664	Plug	1
5	0650586	Plug	4
6	33261741	Guide	4
7	33261723	Guide	4
19	0650563	PLUG	1
20	33124424	INSERT	4
21	33123411	INSERT	4
22	37443591	INSERT	4
23	0921249	WASHER	4
29	0940990	PLATE	2
30	0826478	STUD	2
31	0920054	WASHER	1
32	0576051	NUT	2
33	0920054	WASHER	1
39	2485666	THERMOSTAT	1

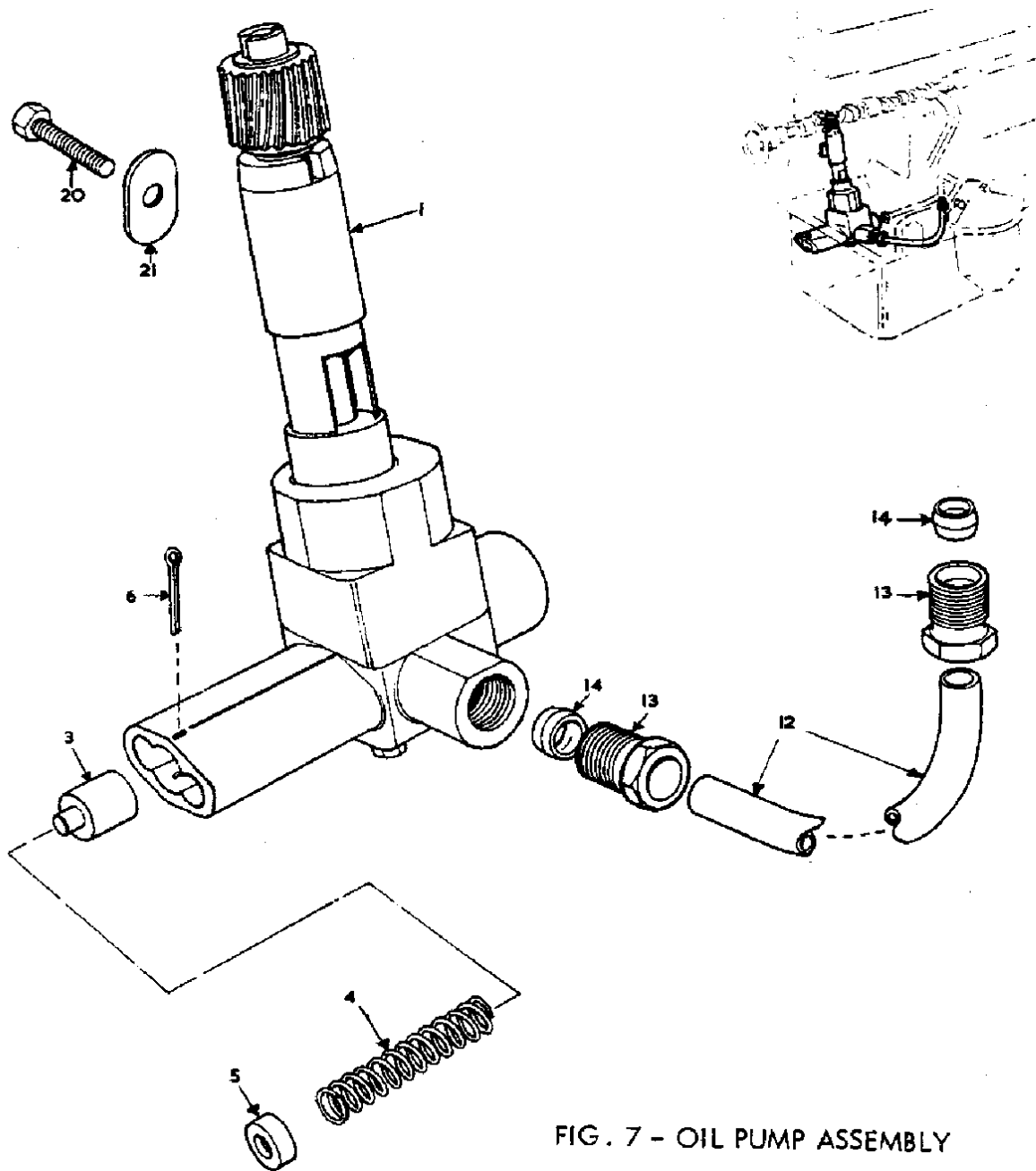


FIG. 7 - OIL PUMP ASSEMBLY

Ref. No.	PERKINS Part No.	Description	No. Req.
1	41314092	PUMP ASSEMBLY	1
3	32712715	Plunger	1
4	31742128	Spring	1
5	0150144	Cap	1
6	0610011	Pin	1
12	0623293	PIPE	1
13	0571352	NUT	2
14	0566007	FERRULE	2
20	0746201	SCREW, Cap	1
21	36151507	TABWASHER	1

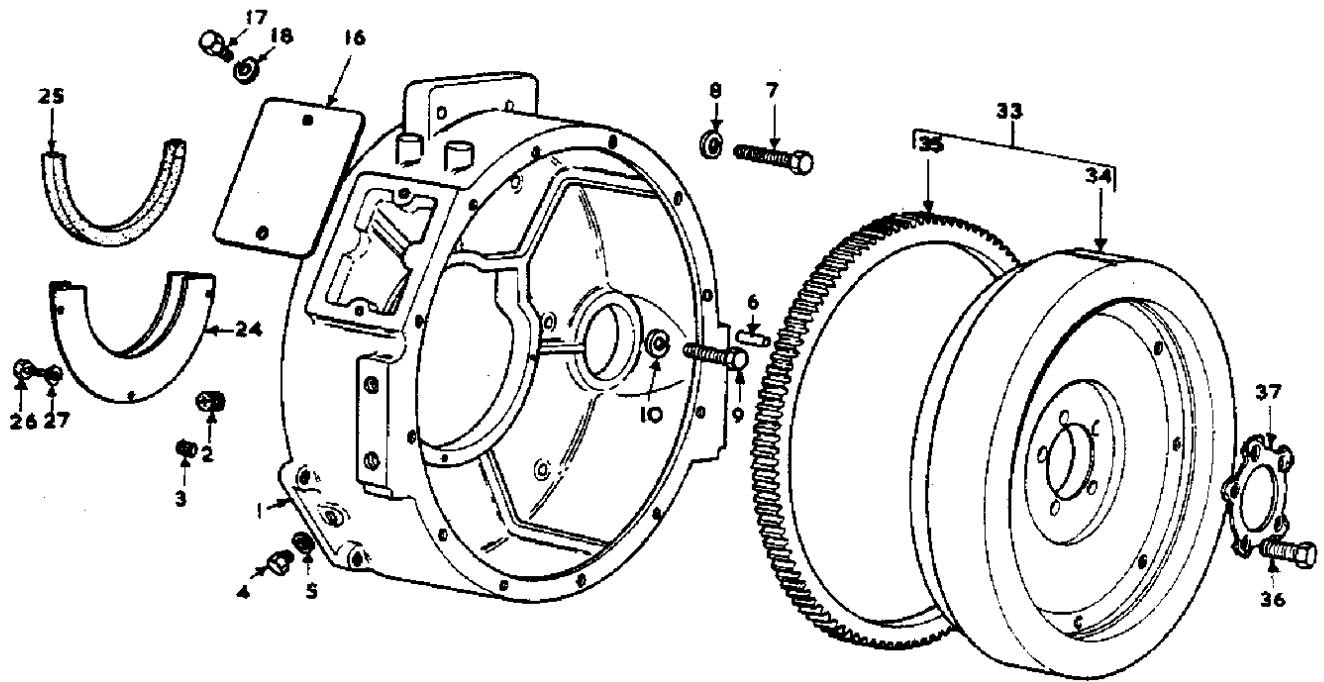


FIG . 8 - FLYWHEEL AND HOUSING

Ref. No.	PERKINS Part No.	Description	No. Req.
1	3713802	HOUSING	1
1	0650542	PLUG	1
2	32114471	PLUG	4
3	32114461	PLUG	2
4	0650203	PLUG	1
5	2411157	WASHER	1
6	0350017	DOWEL	2
7	0096433	SCREW, Cap	2
8	0920054	WASHER	2
9	0746424	SCREW, Cap	4
10	0920054	WASHER	4
16	0941221	PLATE	1
17	0746252	SCREW, Cap	2
18	0920053	WASHER	2
24	0994788	COVER	1
25	0730144	SEAL	1
26	0726258	SCREW	3
27	0920051	WASHER	3
33	0999573	FLYWHEEL	1
34		(part of item #33)	1
35	0410277	Starter Ring	1
36	0746653	SCREW, Cap	5
37	31734129	TABWASHER	1

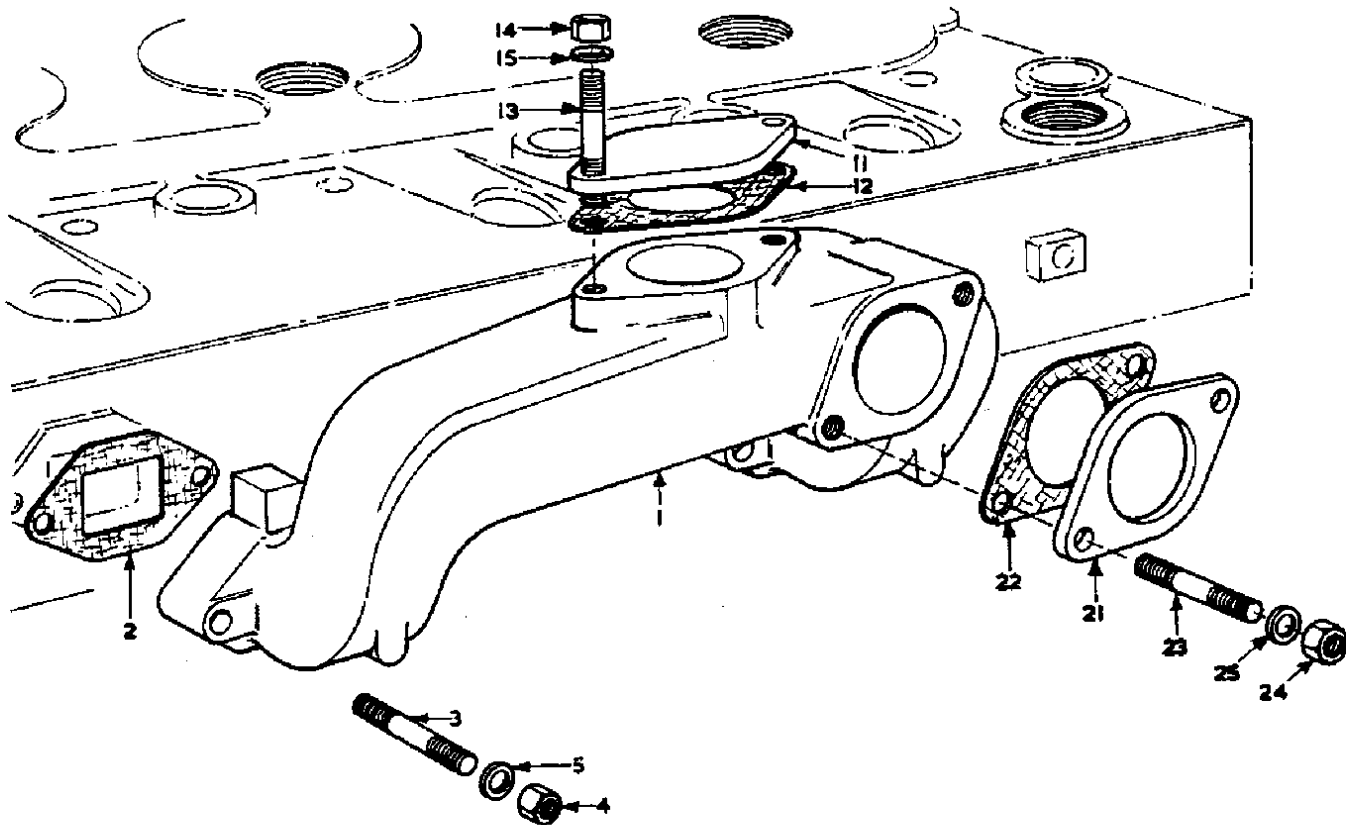


FIG. 9 - EXHAUST MANIFOLD ASSEMBLY

Ref. No.	PERKINS Part No.	Description	No. Req.
1	37783543	MANIFOLD	1
2	0490656	GASKET	4
3	0826260	STUD	4
4	2188134	NUT	4
5	0920003	WASHER	4
11	0940357	PLATE	1
12	0490228	GASKET	1
13	0826242	STUD	2
14	2188134	NUT	2
15	0920003	WASHER	2
21	0380068	FLANGE	1
22	0490228	GASKET	1
23	0826242	STUD	2
24	2188134	NUT	2
25	0920003	WASHER	2

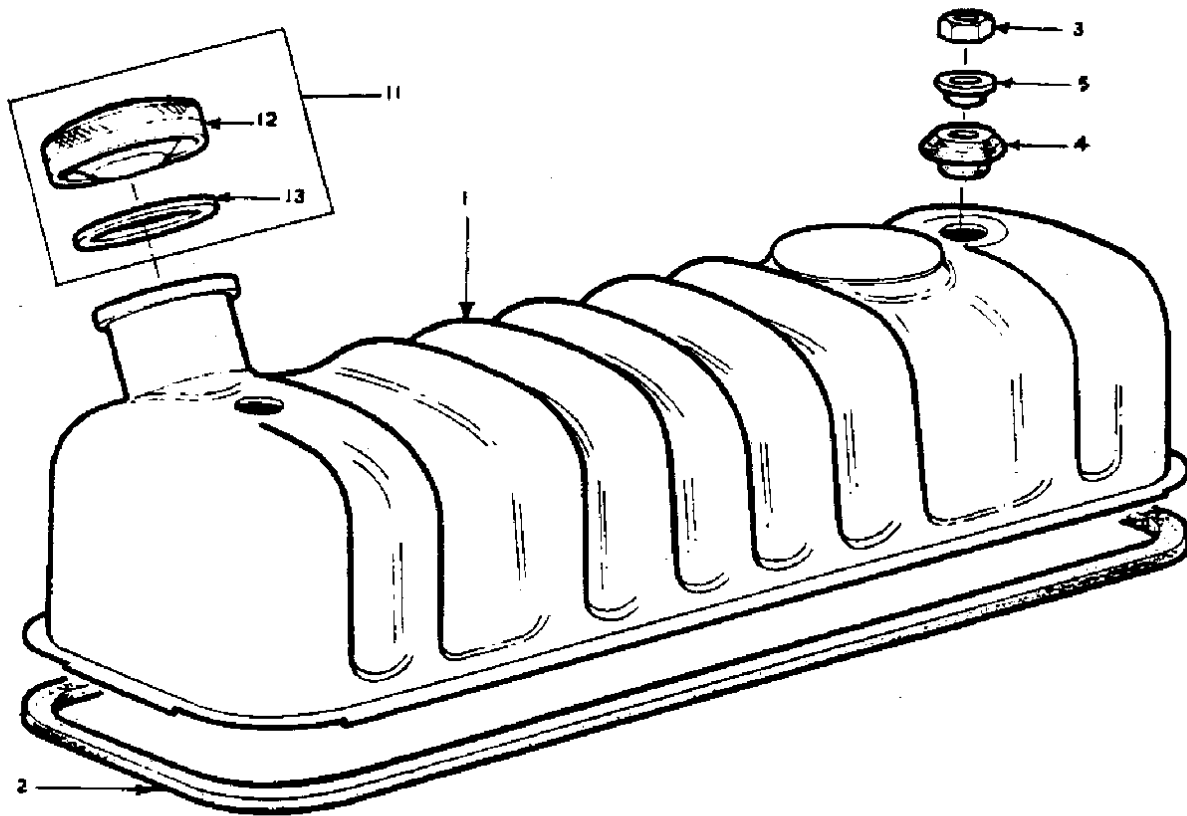


FIG. 10 - VALVE COVER ASSEMBLY

Ref. No.	Perkins Part No.	Description	Qty.
1	37188137	COVER	1
2	0490724	GASKET	1
3	0576102	NUT	2
4	0730116	SEAL	2
5	0921116	WASHER	2
11	2487841	CAP	1
12		(Part of Item #11)	1
13	24870001	GASKET	1
	A2652845	BREATHER, Body	1
	2481803	CLIP, breather body	1

FIG. 11 - CRANKSHAFT PULLEY (not illustrated)

Perkins Part No.	Description	Qty.
31147633	PULLEY	1
0500006	KEY	1

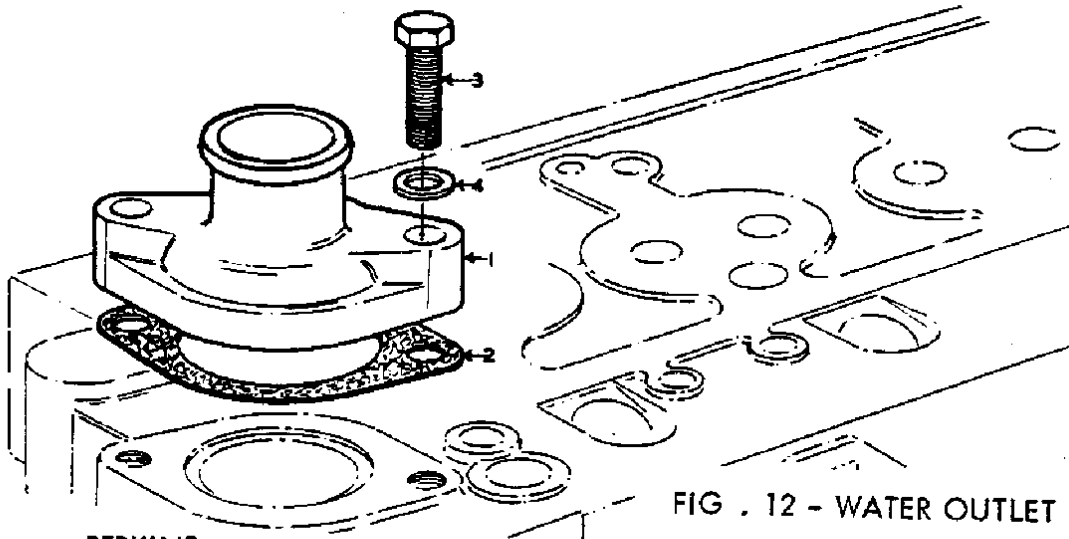


FIG . 12 - WATER OUTLET

Ref. No.	PERKINS Part No.	Description	No. Req.
1	0200666	CONNECTION	1
2	0490184	GASKET	1
3	0096433	SCREW, Cap	2
4	0920155	WASHER	2

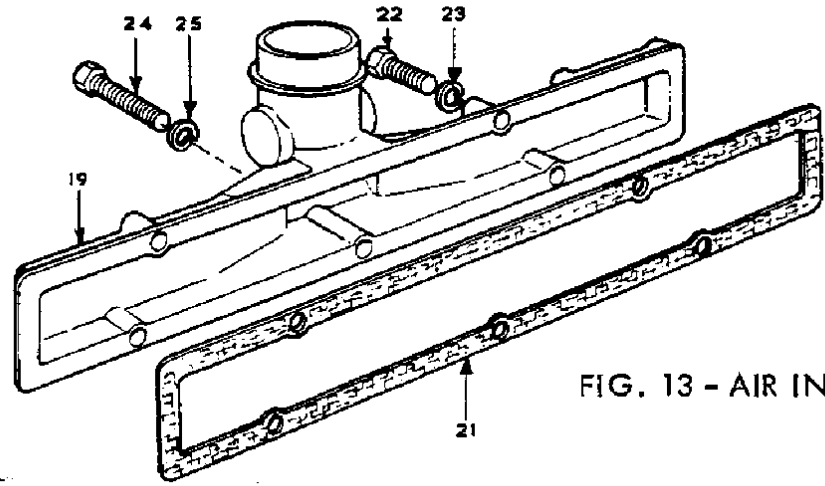


FIG. 13 - AIR INTAKE MANIFOLD

Ref. No.	PERKINS Part No.	Description	No. Req.
19	37786175	MANIFOLD (from 108US2975)	1
19	37786166	MANIFOLD, up to (108US2974)	1
21	0490652	GASKET, up to (108US2974)	1
21	36846415	GASKET (from 108US2975)	1
22	0096233	SCREW, Cap	2
23	0920053	WASHER	2
	0096231	SETSCREW } From 108US2975	2
	0920053	WASHER } From 108US2975	2
24	0096237	SCREW, Cap	1
25	0920053	WASHER	1
	0201455	CONNECTION-Ind. man. inlet	1
	0180118	CLIP, Conn.	1
	0180114	CLIP, Conn.	1

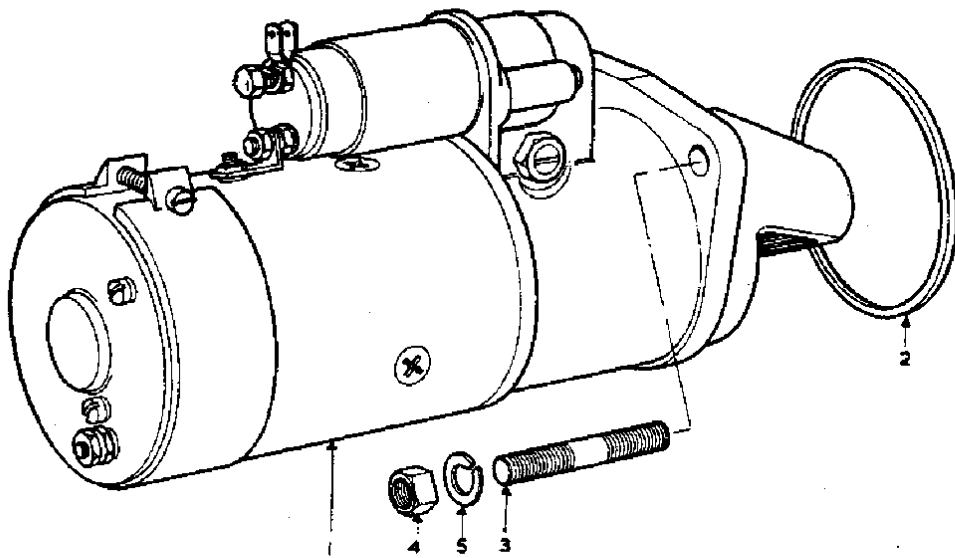


FIG . 14 - STARTING MOTOR

Ref. No.	PERKINS Part No.	Description	No. Req.
1		*MOTOR, Starter (12-Volt, 18 amp, dust proof)	1
2	37444693	SPACER	1
3	0827802	STUD, Starter to engine	3
4	0576051	NUT	3
5	0920054	WASHER, Spring	3
*Delco-Remy 1107588			
	NA 003750	NUT, battery terminal	1
	2134177	WASHER	1
	NA003671	NUT, switch & resistor terminal	2
	0920051	WASHER	2
	NA003727	PLAQUE, starting instructions	

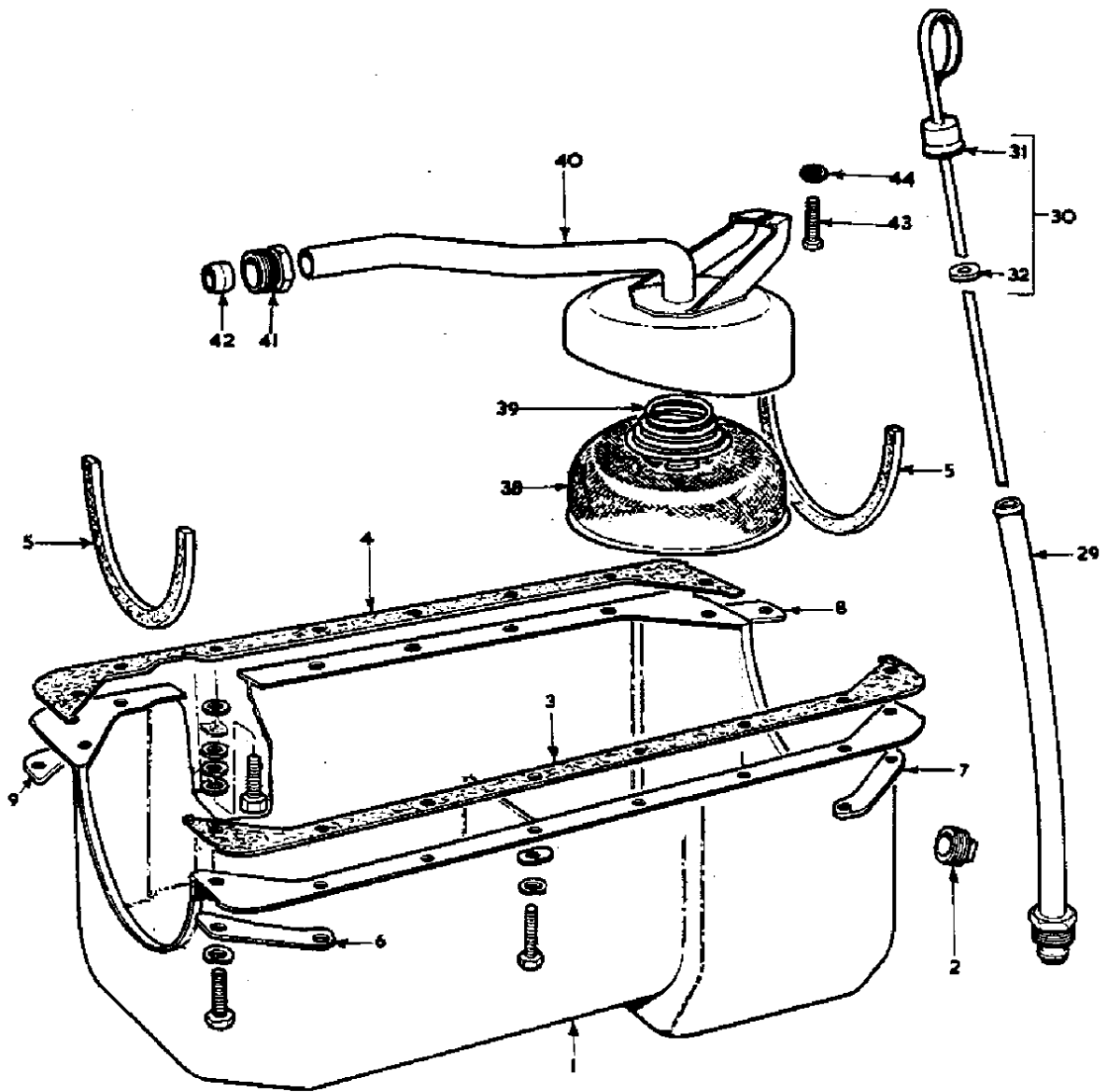


FIG . 15 - OIL PAN ASSEMBLY

FIG. 15 - OIL PAN ASSEMBLY

Ref. No.	PERKINS Part No.	Description	Qty.
1	37171116	PAN, Oil	1
2	0650540	PLUG, Drain	1
3	41424207	GASKET (Assembly)	1
4			
5	0490775	GASKET	2
6	0941039	PLATE	1
7	0941040	PLATE	1
8	0941041	PLATE	1
9	0941042	PLATE	1
	0746255	SETSCREW	9
	0746254	SETSCREW	7
	0920005	SPACER	
	0920003	WASHER	1
	36151505	WASHER	7
	0920053	WASHER	16
29	35772607	TUBE	1
30	31785417	DIPSTICK	1
31	----	(Part of #30)	1
32	33811407	WASHER	1
38	37725448	STRAINER	1
39	0780310	SPRING	1
40	35736145	PIPE	1
41	33532121	NUT	1
42	0560244	FERRULE	1
43	0746254	SCREW	1
44	0920003	WASHER	1
	0920053	WASHER	1
	37763541	ADAPTER, Lube oil pipe	1
	37586241	ADAPTER, Lube oil pipe	1
	36862525	GASKET, Adaptor	1
	36861713	GASKET, Adaptor	1

FIG. 16 - ENGINE OIL FILTER (not illustrated)

Perkins Part No.	TENNANT Part No.	Description	Qty.
7764181	52770-4	BODY	1
2654403	52770-5	ELEMENT, Engine oil filter	1

FIG. 17 - WATER PUMP ASSEMBLY

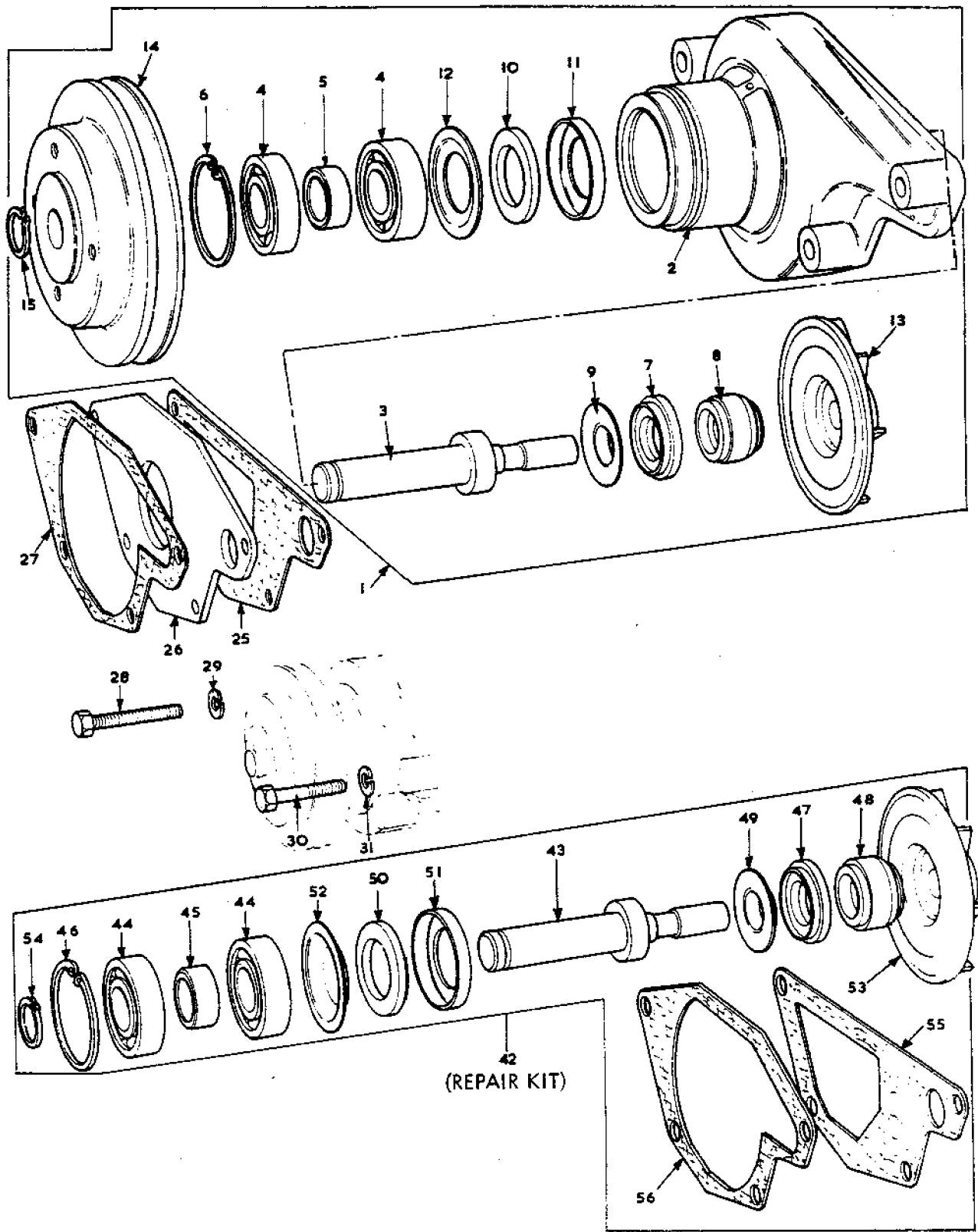


FIG. 17 - WATER PUMP ASSEMBLY

Ref. No.	PERKINS Part No.	Description	Qty.
1	41312471	PUMP, Water	1
2	**	Body	1
3	*	Shaft	1
4	*	Bearing	2
5	*	Spacer	1
6	0170046	Circlip	1
7	2415217	Insert	1
8	2417204	Seal	1
9	*	Flange	1
10	33813313	Seal	1
11	*	Retainer	1
12	*	Flange	1
13	*	Impeller	1
14	31145803	Pulley	1
15	0170051	Circlip	1
25	36866713	GASKET	1
26	36243515	PLATE	1
27	36866421	GASKET	1
28	0096236	SCREW, Cap	1
29	0920053	WASHER	1
30	0096234	SCREW, Cap	1
31	0920053	WASHER	1
34		STUD	1
35		NUT	1
36		WASHER	1
42	89029	KIT, Repair	1
43	*	Shaft	1
44	*	Bearing	2
45	*	Spacer	1
46	0170046	Circlip	1
47	*	Insert	1
48	*	Seal	1
49	*	Flange	1
50	33813313	Seal	1
51	*	Retainer	1
52	*	Flange	1
53	*	Impeller	1
54	0170051	Circlip	1
55	36866713	Gasket	1
56	36866421	Gasket	1

*Parts available only in Repair Kit, item #42.
 ** Not sold separately.

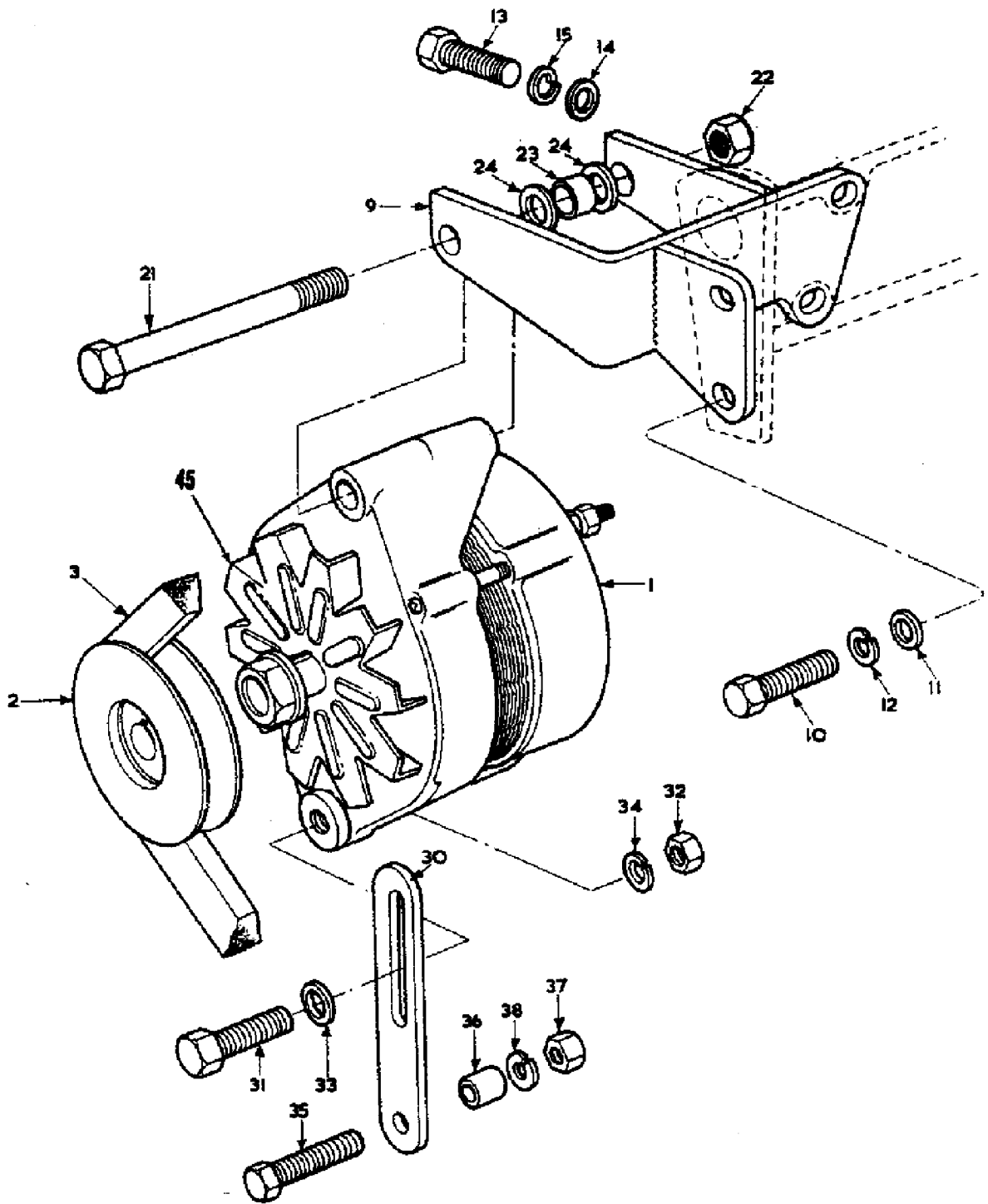


Fig. 18 - ALTERNATOR ASSEMBLY

FIG. 18 - ALTERNATOR

Ref. No.	PERKINS Part No.	Description	Qty.
1	*39693-1	ALTERNATOR	1
2	31141645	PULLEY	1
3	2612019	BELT	1
9	38163113	BRACKET, Alternator	1
10	0746424	SCREW, Cap	2
11	0920004	WASHER	2
12	0920054	WASHER	2
13	0096235	SCREW, Cap	2
14	0920003	WASHER	2
15	0920053	WASHER	2
21	0096448	BOLT	1
22	2211224	NUT	1
23	33283514	BUSHING	1
24	0920004	WASHER	2
30	36548423	LEVER	1
31	0748414	BOLT, Clamping	1
32	2211224	NUT	1
33	0920004	WASHER	1
34	0920054	WASHER	1
35	0746254	BOLT	1
36	33245114	SPACER	1
37	0576002	NUT	1
38	0920053	WASHER	1
45	2871954	FAN, Alternator cooling	1
	NA003400	CONNECTOR, Alternator terminal	1
	NA000904	CONNECTOR, Terminal wiring	2

*Note: Alternator Tennant Company part number 39693-1 (12 V, 18 A, dustproof) is not included in basic diesel engine 39030.

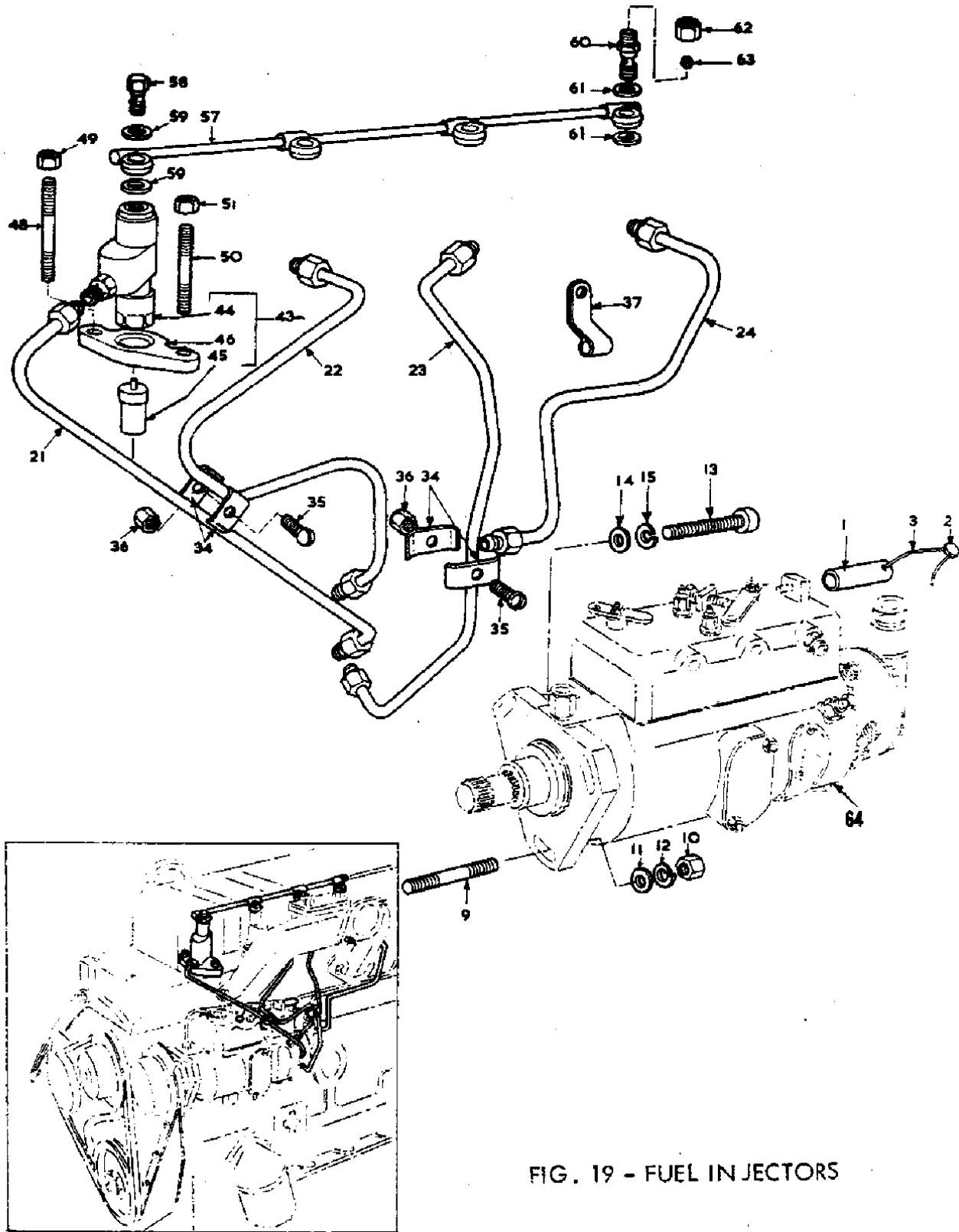


FIG. 19 - FUEL INJECTORS

FIG. 19 - FUEL INJECTORS

Ref. No.	PERKINS Part No.	Description	No. Req.
1	2644951	SLEEVE	1
2	31718104	SEAL	1
3	31718105	WIRE	1
9	0826244	STUD	2
10	0576002	NUT	2
11	0920003	WASHER	2
12	0920053	WASHER	2
13	2172692	CAPSCREW	1
14	0920003	WASHER	1
15	0920053	WASHER	1
21	35353247	PIPE	1
22	35354242	PIPE	1
23	35354243	PIPE	1
24	35354244	PIPE	1
34	0180637	CLIP	4
35	0726264	BOLT	2
36	2211401	NUT	2
37	36644132	CLIP	1
43	2645559	ATOMISER (assembly)	4
44		Holder, order assembly	1
45	33435	Nozzle	1
46	36173452	Flange	1
	0920113	WASHER, atomiser seating	4
48	0826274	STUD	4
49	0576002	NUT	4
50	0826232	STUD	4
51	0576002	NUT	4
57	35587355	PIPE	1
58	0095315	BOLT	3
59	0921176	WASHER	6
60	0201526	BOLT	1
61	0921176	WASHER	2
62	0576111	NUT	1
63	0566002	OLIVE	1
64	37902	PUMP, Fuel Injection (LUCAS - CAV)	1
65	0490685	GASKET, Fuel Injection Pump (not shown)	1

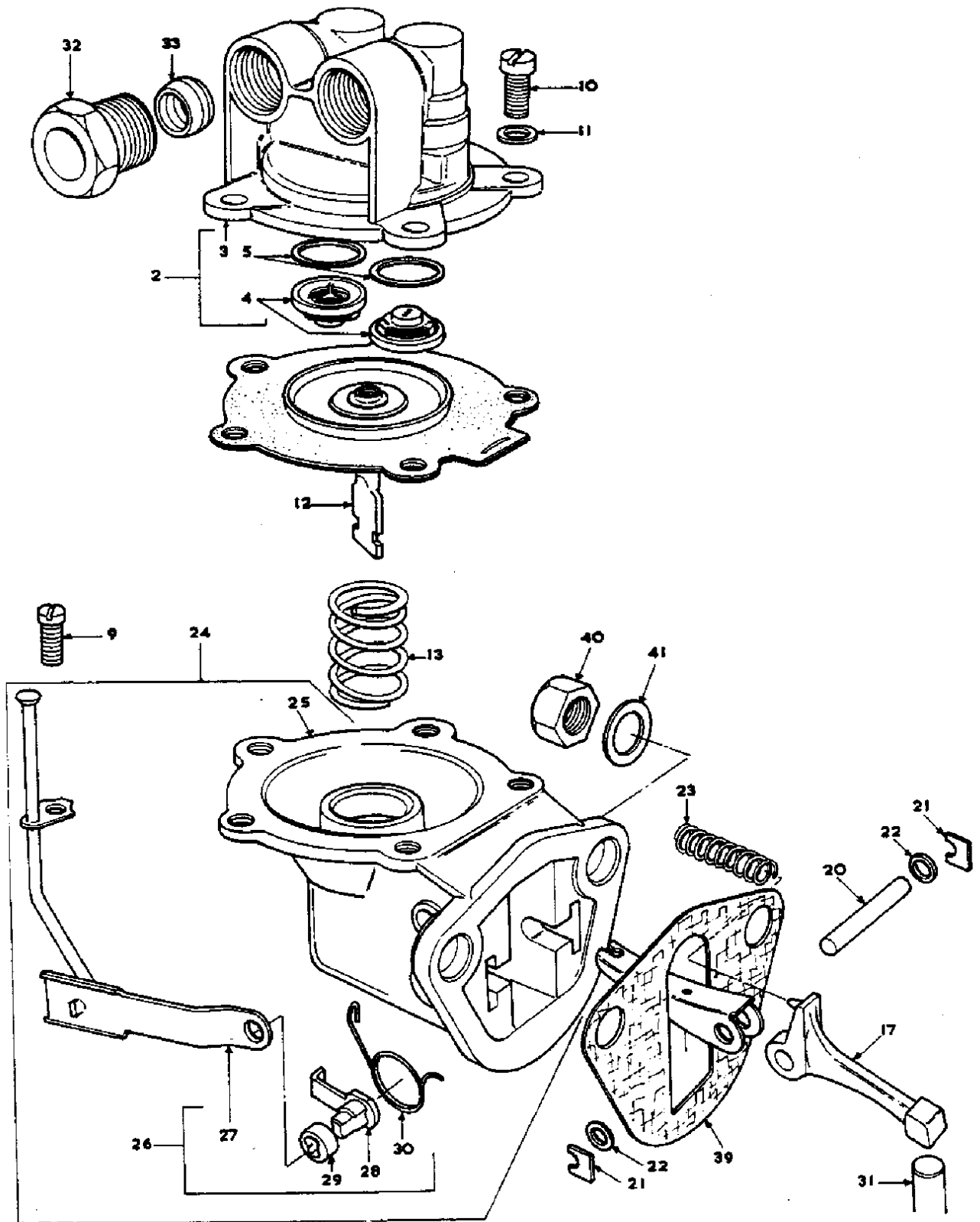


FIG. 20 - FUEL PUMP

FIG. 20 - FUEL PUMP

Ref. No.	PERKINS Part No.	Description	Qty.
1	2641314	LIFT PUMP (assembly) up to 108US3415	1
	2641702	PUMP ASSEMBLY (4 bolt)(from engine 108US3416)	1
2	*	HOUSING ASSEMBLY	1
3		Housing (Part of #2)	1
4	*	Valve	2
5	*	Gasket	2
9	*	SCREW	1
10	*	SCREW	4
11	*	WASHER	4
12	*	DIAPHRAGM	1
13	*	SPRING	1
16	*	LEVER	1
17	*	ARM	1
20	*	PIN	1
21	*	RETAINER	2
22	*	WASHER	2
23	*	SPRING	1
24	*	BODY ASSEMBLY	1
25		Body (part of #24)	1
26	*	Primer Assembly	1
27		(Part of #26)	1
28		(Part of #26)	1
29		(Part of #26)	1
30	*	Spring	1
31	0700279	PUSHROD	1
32	0571346	NUT	1
33	0566004	FERRULE	1
39	36851113	GASKET (from 108US3416)	1
39	36862179	GASKET, (up to 108US3415)	1
40	33221115	NUT (up to 108US3415)	1
	33221115	NUT From Engine 108US3416	4
	36241316	PLATE	2
41	33114412	WASHER (up to 108US3415)	2
	26410096	KIT, Repair, fuel pump (from 108US3416)	1
	26410009	KIT, Repair, fuel pump, (up to 108US3415)	1

*Not serviced separately - order lift pump assembly.

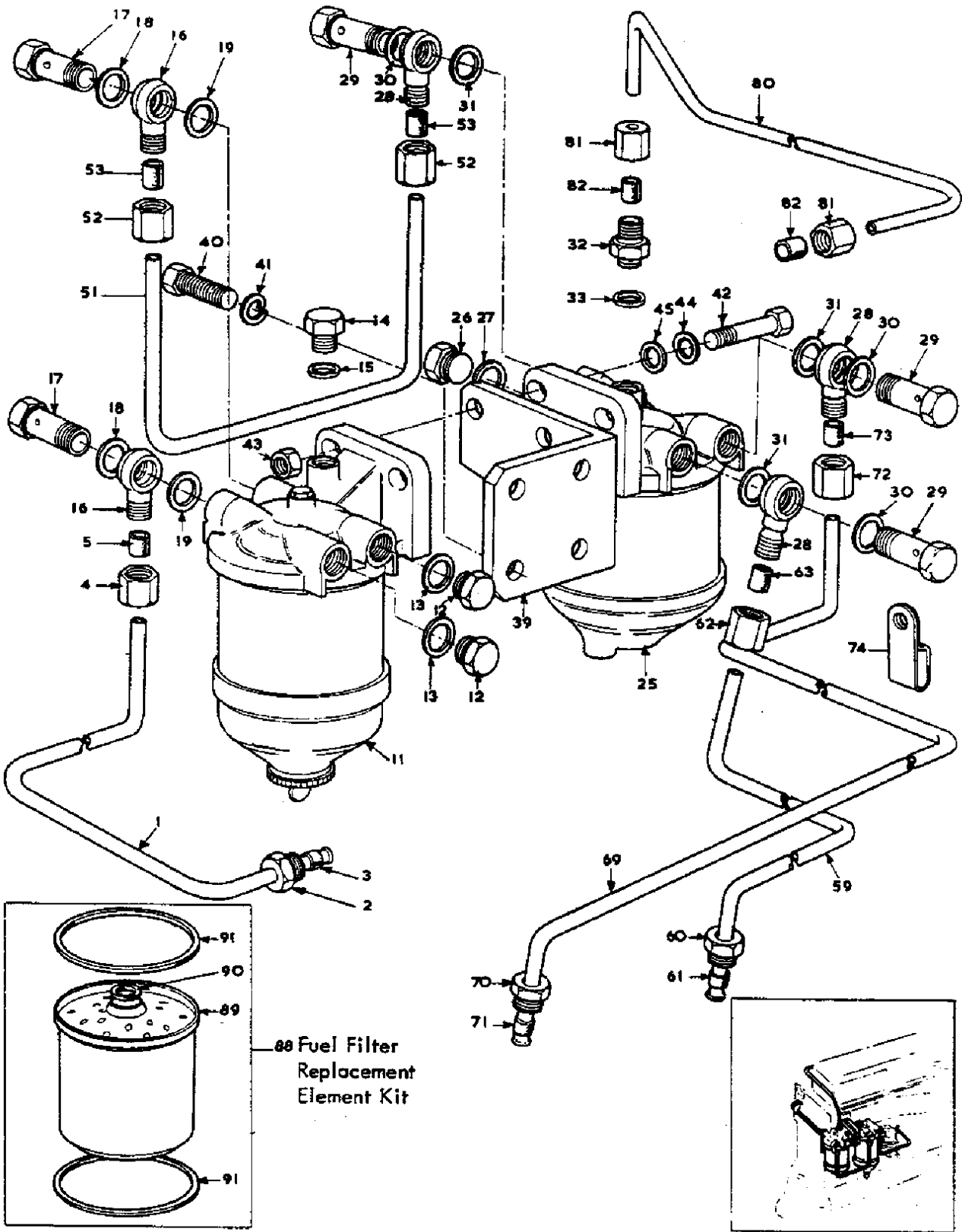


FIG. 21 - FUEL FILTERS

FIG. 21 - FUEL FILTERS

Ref. No.	PERKINS Part No.	Description	No. Req.
1	35842006	PIPE	1
2	33532128	Nut	1
3	33811113	Ferrule	1
4	33225413	NUT	1
5	33811115	FERRULE	1
11	2656617	FILTER, Metal bowl (repl's 2656615 glass)	1
12	0650204	PLUG	2
13	0920112	WASHER	2
14	32161113	PLUG	1
15	0920155	WASHER	1
16	0201091	CONNECTION	2
17	0095332	BOLT	2
18	0920127	WASHER	2
19	0920154	WASHER	2
25	2656613	FILTER	1
26	0650204	PLUG	1
27	0920112	WASHER	1
28	0201091	CONNECTION	3
29	0095332	BOLT	3
30	0920127	WASHER	3
31	0920154	WASHER	3
32	33555338	ADAPTOR	1
33	0920146	WASHER	1
39	36444318	BRACKET	1
40	0746453	SCREW, Cap	2
41	0920054	WASHER	2
42	0096434	BOLT	2
43	0576051	NUT	2
44	0920054	WASHER	2
45	0920004	WASHER	2
51	34237308	PIPE	1
52	33225413	NUT	2
53	33811115	FERRULE	2
59	35842068	PIPE	1
60	33532128	Nut	1
61	33811113	Ferrule	1
62	33225413	NUT	1
63	33811115	FERRULE	1
69	35843081	PIPE	1
70	33532128	Nut	1
71	33811113	Ferrule	1
72	33225413	NUT	1
73	33811115	FERRULE	1
74	0181029	CLIP	1
80	34416314	PIPE	1
81	33225412	NUT	2
82	33811112	FERRULE	2
88	26560017	ELEMENT KIT, Replacement	2 per engine
89	(TENNANT NO. 52770-9)	(part of 88)	1
90	26560014	Seal, small	1
91	0490786	Seal, large	2

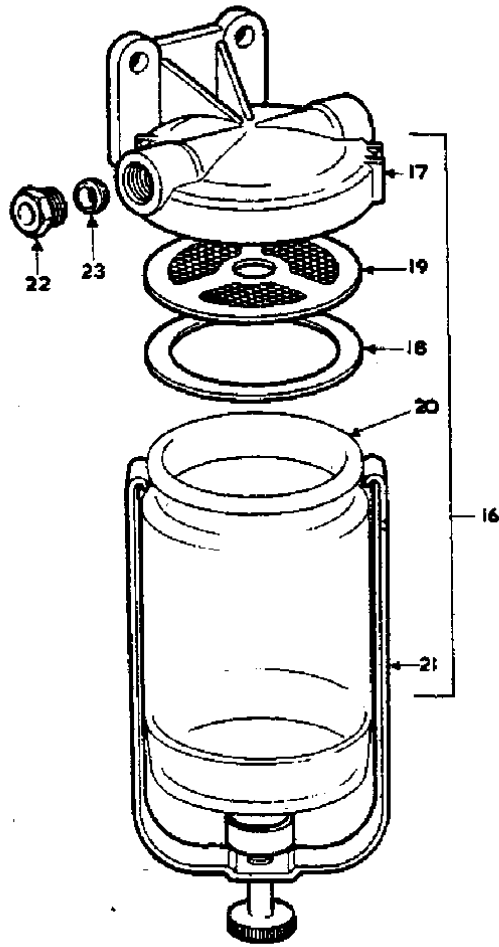


FIG. 22 - FUEL PRE-FILTER ASSEMBLY

Ref. No.	PERKINS Part No.	Description	No. Req.
16	2656084	PRE-FILTER ASSEMBLY	1
17		Headcasting	1
18		Gasket	1
19		Strainer	1
20		Bowl	1
21		Stirrup	1
22	0571346	NUT	2
23	0566004	FERRULE	2

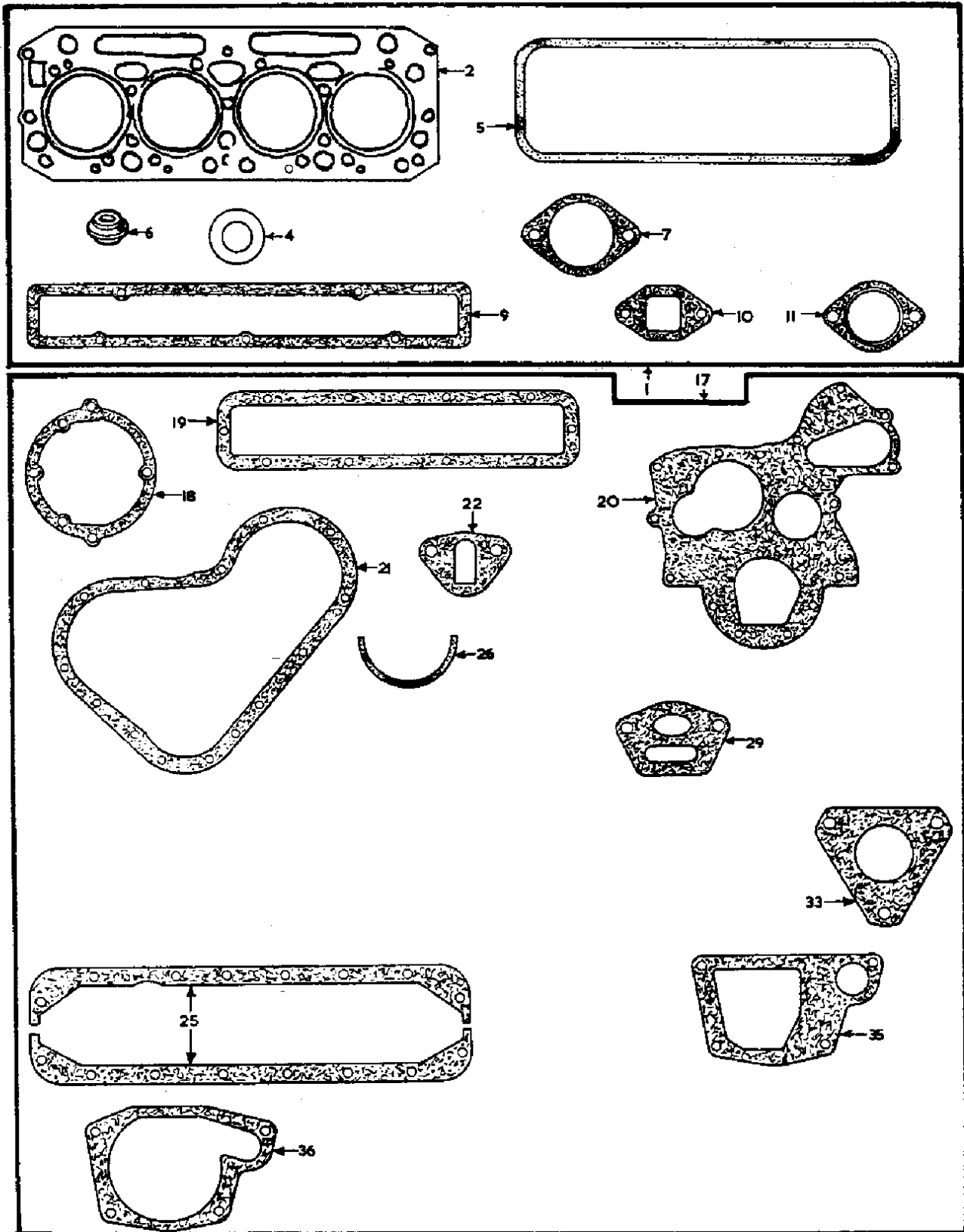


FIG. 23 - GASKETS AND SEALS

FIG. 23 - GASKETS AND SEALS PARTS LIST

Ref. No.	PERKINS Part No.	Description	Qty.
1	92425	GASKET KIT, Top	1
2	36812129	Gasket	1
4	0920113	Washer	4
5	0490724	Gasket	1
6	0730116	Seal	2
7	0490184	Gasket	1
9	0490652	Gasket	1
10	0490656	Gasket	2
11	0490228	Gasket	1
17	92453	GASKET KIT, Overhaul	1
18	36826114	Gasket	1
19	36846412	Gasket	1
20	0490740	Gasket	1
21	36813145	Gasket	1
22	36862167	Gasket	2
25	0999659	Gasket Set for Oil Pan	1
26	0490775	Gasket	2
29	36862525	Gasket	1
33	0490685	Gasket	1
35	36866713	Gasket	1
36	36866421	Gasket	1