

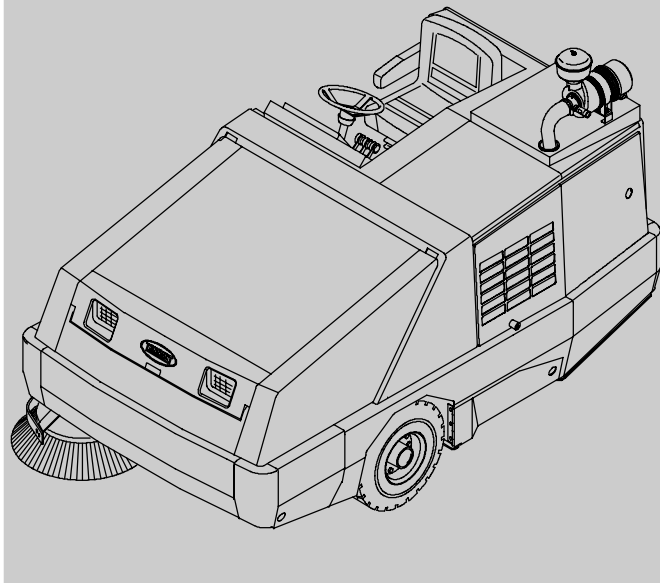
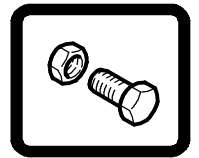


810

(Gas/LPG)

(SN/ 003000-)

Sweeper Parts Manual



North America / International

www.tennantco.com

330160
Rev. 15 (05-2009)



When ordering replacement parts, use the illustrated parts list section in this manual. Before ordering parts or supplies, be sure to have your machine model number and serial number available. Only use TENNANT Company supplied or equivalent parts. Parts and supplies may be ordered online, by phone, or mail from any authorized parts and service center, distributor or from any of the manufacturer's subsidiaries.

This machine will provide excellent service. However, the best results will be obtained at minimum costs if:

- The machine is operated with reasonable care.
- The machine is maintained regularly - per the machine maintenance instructions provided.
- The machine is maintained with manufacturer supplied or equivalent parts.

MACHINE DATA

Please fill out at time of installation for future reference.

Model No. - _____

Serial No. - _____

Machine Options - _____

Sales Rep. - _____

Sales Rep. phone no. - _____

Customer Number - _____

Installation Date - _____

Tennant Company

PO Box 1452

Minneapolis, MN 55440

Phone: (800) 553-8033 or (763) 513-2850

www.tennantco.com

Power Throw, II Speed and Thermo-Sentry, are US registered and unregistered trademarks of Tennant Company.

Specifications and parts are subject to change without notice.

Original instructions, Copyright © 1998-2000, 2002-2005, 2006-2009 TENNANT Company, Printed in U.S.A.

HOW TO USE THIS MANUAL

This section on *HOW TO USE THIS MANUAL* will tell you how to:

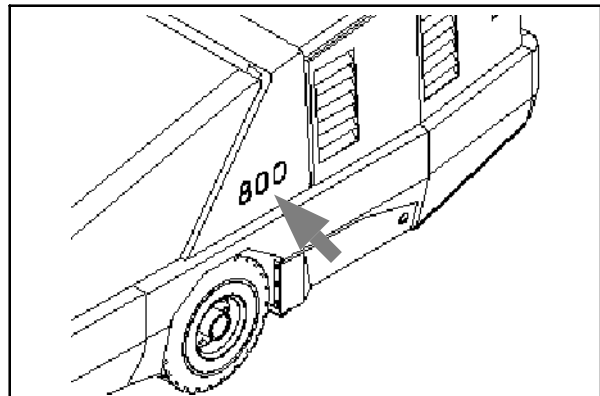
- Find important machine information for ordering correct repair parts.
- Find TENNANT part numbers.
- Order TENNANT parts and supplies.

IMPORTANT INFORMATION

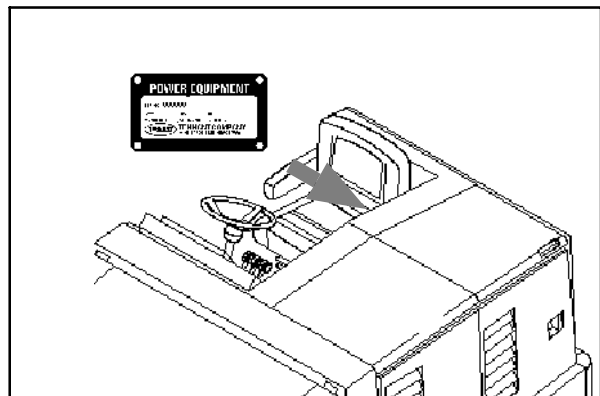
When placing an order for parts, the machine model and machine serial number are important. Refer to the *MACHINE DATA* box which is filled out during the installation of your machine. The *MACHINE DATA* box is located on the inside of the front cover of this manual.

MACHINE DATA	
<i>Please fill out at time of installation for future reference.</i>	
Machine Model Number -	810
Machine Serial Number -	_____
Machine Options -	_____
TENNANT Representative/phone no. -	_____
Customer ID Number -	_____
Date of Installation -	_____
Manual Number -	330160
Revision:	00
Published:	6-97

The model number of your machine is on the side of the machine.



The serial number of your machine is printed on the machine data plate located as shown.



HOW TO USE THIS MANUAL

FINDING A TENNANT PART NUMBER

This manual contains the following sections:

- HOW TO USE THIS MANUAL
- STANDARD PARTS
- OPTIONS
- BREAKDOWNS
- PERKINS ENGINE BREAKDOWN
- CAT ENGINE BREAKDOWN
- CROSS REFERENCE

The STANDARD PARTS section lists repair parts for standard machines. They are grouped in this general order:

- General wear parts.
- Machine frame and related parts.
- Machine propelling system.
- Sweeping components.
- Electrical parts.

The OPTION section lists repair parts of options.

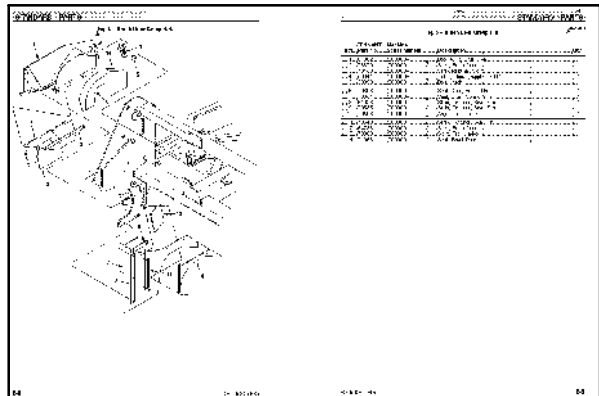
The BREAKDOWN section lists available repair parts of major components.

All sections in this manual consist of parts illustrations and corresponding parts lists.

The parts illustrations are numbered with **Ref** numbers which refer to corresponding parts lists.

The parts lists include a number of columns of information:

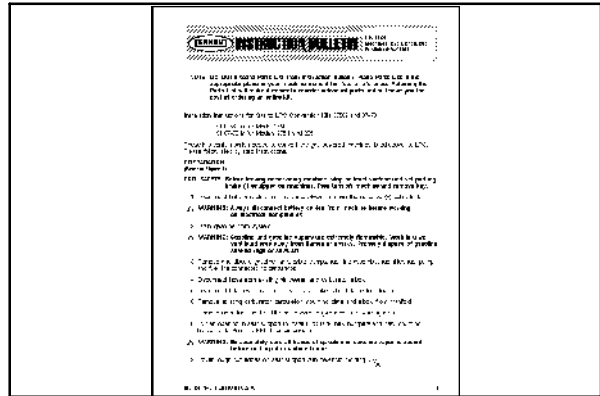
- **Ref** - column refers to the reference number on the parts illustration.
 ▽ - indicates the part is an assembly.
 ▲ - indicates the part is included in the assembly listed just before it.
- **TENNANT Part No.** - column lists the TENNANT part number for the part.
- **Serial Number** - column indicates the set of machines the part number is applicable to. Serial numbers change when the machine design has been modified. The most current design of the machine is shown in the main illustration, older designs are boxed in a corner of the illustration.
- **Description** - column is a brief description of the part.
- **Qty.** - column lists the quantity of that part used in that area of the machine.



TENNANT Machine	Ref. Part No.	Serial number	Description	Qty.
	53670	000000	Repair Kit, Instl. Pwd.	ea 1
	1 53676	000000	Repair Kit, Case	ea 1
	2 53677	000000	Repair Kit, Seal	ea 1
	3 53674	000000	Repair Kit, Oil Brand	ea 1
	4 53678	000000	Repair Kit, Hornet	ea 1
	5 53679	000000	Repair Kit, Tauro Panel	ea 1
	6 53671	000000	Repair Kit, Lamp, Backlighting (B)	ea 2
	7 53646	000000	Repair Kit, Lamp (C)	ea 1
	8 13632-5	000000	Grommet, br, 0.25H, For O9Matl.	ea 4
	9 01509	000000	Switch, Rocker, Dpnt.	ea 1
	10 67807	000000	Cover, Rocker Switch Seal.	ea 1
	11 07036	000000	Switch, Ignition	ea 1
	12 87666	000000	Key Set, Switch K.	ea 1
	13 72109	000000	Repair Kit, Sun Shield	ea 1
	14 85445	000000	Panel, Cover, Dash	ea 1
	15 73637	000000	Seal, Hard, Valve	ea 1

NOTE: If a service kit is installed on your machine, be sure to keep the **INSTRUCTION BULLETIN** which came with the kit. It contains repair parts numbers needed for ordering future parts.

NOTE: Fasteners used in this machine may be metric or non-metric. Take care when replacing hardware to replace with same thread size.



PLACING AN ORDER

Orders may be placed by phone, fax, or by mail. Phone orders may need written confirmation. Follow the steps below to insure prompt delivery:

1. Identify the model number of your machine.
2. Identify the serial number of your machine.
3. Find the part number of the part you need. Do not order by page number or reference number. If you are not able to find the part number, call your TENNANT representative for help or send the old part as a sample.
4. Determine the quantity of the part you need.
5. Provide the following company information:
 - Company name
 - Customer ID Number
 - Shipping address
 - Billing address
 - First and last name of person ordering parts
 - Telephone number
 - Purchase order number
6. Provide definitive shipping instructions.

HOW TO USE THIS MANUAL

Any claim for loss or damage to a shipment in transit should be filed promptly with the transportation company making the delivery. Shipments will be complete unless the packing list or order acknowledgement indicates items back ordered.

If parts received are suspected to be incorrect or defective, please contact the TENNANT representative from whom you ordered the part. They will give authorization for return and/or handle replacement shipments when required.

SECTION 2

Contents	Page
Fig. 1 - General Recommended Maintenance Items	2-4
Fig. 2 - Brushes, Replacement	2-5
Fig. 3 - Main Frame, Skirt and Seals Group	2-6
Fig. 4 - Main Frame Left Brush Door Group	2-8
Fig. 5 - Main Frame Right Brush Door Group	2-10
Fig. 6 - Main Frame Operator Station Group	2-12
Fig. 7 - Main Frame Engine Cover and Lintel Group	2-14
Fig. 8 - Main Frame Engine Side Door Group (003000-004499)	2-16
Fig. 9 - Main Frame Engine Side Door Group (004500-)	2-18
Fig. 10 - Hydraulic Cooler, Filter and Rear Door Group	2-20
Fig. 11 - Hopper Lift Arms Group	2-22
Fig. 12 - Hopper Lift Cylinders Group	2-24
Fig. 13 - Hopper Group	2-26
Fig. 14 - Hopper Door Group	2-28
Fig. 15 - Hopper Cover Group	2-30
Fig. 16 - Hopper Bumper Group	2-32
Fig. 17 - Hopper Filter Shaker Group	2-34
Fig. 18 - Hopper Pressure Switch Group	2-36
Fig. 19 - Engine and Alternator Group (003000-003178)	2-38
Fig. 20 - Engine Mount Group (003000-003178)	2-40
Fig. 21 - Engine Group (003179-003999)	2-42
Fig. 22 - Engine Group (004000-004499)	2-44
Fig. 23 - Engine Group (004500-)	2-46
Fig. 24 - Engine Alternator Group (003179-003999)	2-50
Fig. 25 - Engine Alternator Group (004000-004499)	2-52
Fig. 26 - Engine Alternator Group (004500-)	2-54
Fig. 27 - Engine Oil Filter and Drain Group (003179-)	2-56
Fig. 28 - Engine Carburetor and Governor Group, Gasoline (003000-003178)	2-58
Fig. 29 - Engine Electronic Fuel Ignition Group, Gas (003179-003999)	2-60
Fig. 30 - Engine Electronic Fuel Ignition Group, Gas (004000-004499)	2-62
Fig. 31 - Engine Electronic Fuel Ignition Group, Gas (004500-)	2-64
Fig. 32 - Engine Carburetor and Governor Group, LPG (003000-003178)	2-66
Fig. 33 - Engine Vaporizer Group, LPG (003000-003144)	2-68
Fig. 34 - Engine Vaporizer Group, LPG (003145-003178)	2-70

Contents	Page
Fig. 35 - Engine Electronic Fuel Ignition and Vaporizer Group, LPG (003179-003999)	2-72
Fig. 36 - Engine Electronic Fuel Ignition and Vaporizer Group, LPG (004000-004499)	2-74
Fig. 37 - Engine Electronic Fuel Ignition and Vaporizer Group, LPG (004500-)	2-78
Fig. 38 - Engine Air Cleaner Group (003000-003178)	2-82
Fig. 39 - Engine Air Cleaner Group (003179-003999)	2-84
Fig. 40 - Engine Air Cleaner Group, Gas (004000-004499)	2-86
Fig. 41 - Engine Air Cleaner Group, Gas (004500-)	2-88
Fig. 42 - Engine Air Cleaner Group, LPG (004000-004499)	2-90
Fig. 43 - Engine Air Cleaner Group, LPG (004500-)	2-92
Fig. 44 - Engine Muffler Group (003000-003178)	2-94
Fig. 45 - Engine Muffler Group, Catalytic (003179-003999)	2-96
Fig. 46 - Engine Muffler Group, Catalytic (004000-004499)	2-98
Fig. 47 - Engine Muffler Group, Catalytic (004500-)	2-100
Fig. 48 - Engine Fuel Tank Group, Gas (003000-003178)	2-102
Fig. 49 - Engine Fuel Tank Group, Gas (003179-003999)	2-104
Fig. 50 - Engine Fuel Tank Group, Gas (004000-004499)	2-106
Fig. 51 - Engine Fuel Tank Group, Gas (004500-)	2-108
Fig. 52 - Engine Fuel Tank Group, LPG (003000-003178)	2-110
Fig. 53 - Engine Fuel Tank Group, LPG (003179-003999)	2-112
Fig. 54 - Engine Fuel Tank Group, LPG (004000-004499)	2-114
Fig. 55 - Engine Fuel Tank Group, LPG (004500-)	2-116
Fig. 56 - Engine Radiator Hose Group (003000-003178)	2-118
Fig. 57 - Engine Radiator Hose Group (003179-003999)	2-120
Fig. 58 - Engine Radiator Hose Group (004000-004499)	2-122
Fig. 59 - Engine Radiator Hose Group (004500-)	2-124

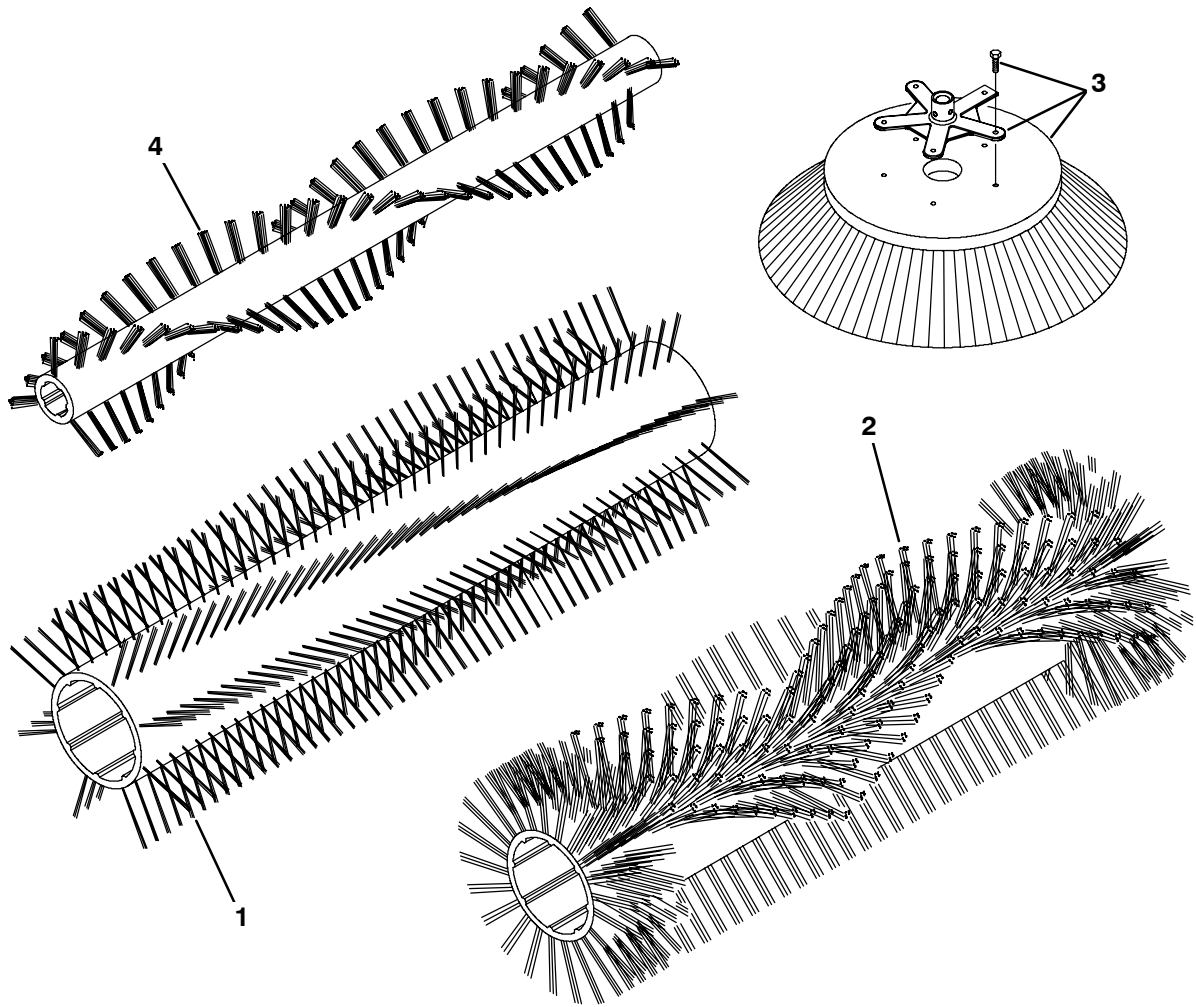
STANDARD PARTS

Contents	Page	Contents	Page
Fig. 60 - Engine Radiator and Cooling Fan Group (003000-004048)	2-126	Fig. 97 - Wire Harnesses Group, Gas/LPG, Injectors (004000-004499)	2-218
Fig. 61 - Engine Radiator and Cooling Fan Group (004049-004499)	2-128	Fig. 98 - Wire Harnesses Group, Gas/LPG, Engine (004500-)	2-219
Fig. 62 - Engine Radiator and Cooling Fan Group (004500-)	2-130	Fig. 99 - Wire Harnesses Schematic, Gas Engine (004500-)	2-220
Fig. 63 - Engine Battery Group (003000-004499)	2-132	Fig. 100 - Wire Harnesses Schematic, LPG Engine (004500-)	2-223
Fig. 64 - Engine Battery Group (004500-)	2-134	Fig. 101 - Wire Harnesses Group, Gas/LPG, Adaptor (004000-004499)	2-226
Fig. 65 - Wheel Drive Group, Rear	2-136	Fig. 102 - Wire Harnesses Group, Gas/LPG, Adaptor (004500-)	2-228
Fig. 66 - Wheels and Brakes Group, Front	2-138	Fig. 103 - Label Group	2-230
Fig. 67 - Wheel Assembly	2-140		
Fig. 68 - Brake Pedals Group	2-142		
Fig. 69 - Directional Pedal Group	2-144		
Fig. 70 - Hydraulic Pumps Group	2-146		
Fig. 71 - Hydraulic Schematic	2-148		
Fig. 72 - Hydraulic Hose Group (003000-003178)	2-150		
Fig. 73 - Hydraulic Hose Group (003179-)	2-152		
Fig. 74 - Hydraulic Reservoir Group	2-154		
Fig. 75 - Hydraulic Solenoid Valve Group	2-156		
Fig. 76 - Hydraulic Lift Valve Group	2-158		
Fig. 77 - Brush Group, Side	2-160		
Fig. 78 - Brush Lift Group, Side	2-164		
Fig. 79 - Brush Drive Group, Main	2-168		
Fig. 80 - Brush Drive Group, Front	2-170		
Fig. 81 - Brush Lift Group, Front and Main	2-172		
Fig. 82 - Brush Adjustment Group, Main	2-174		
Fig. 83 - Vacuum Fan Impeller Group	2-176		
Fig. 84 - Vacuum Fan Motor Group	2-178		
Fig. 85 - Steering Group	2-180		
Fig. 86 - Electrical Instrument Panel Assembly	2-182		
Fig. 87 - Electrical Circuit Breaker and Relay Group	2-184		
Fig. 88 - Electrical Schematic (003000-003178)	2-185		
Fig. 89 - Electrical Schematic (003179-003999)	2-189		
Fig. 90 - Electrical Schematic (004000-)	2-194		
Fig. 91 - Wire Harnesses Group, Gas/LPG, Main (003000-003057)	2-200		
Fig. 92 - Wire Harnesses Group, Gas/LPG, Hopper (003000-)	2-204		
Fig. 93 - Wire Harnesses Group, Gas/LPG, Tail Lights (003000-)	2-205		
Fig. 94 - Wire Harnesses Group, Gas/LPG, Main (003058-003178)	2-206		
Fig. 95 - Wire Harnesses Group, Gas/LPG, Main (003179-)	2-210		
Fig. 96 - Wire Harnesses Group, Gas/LPG, Engine (004000-004499)	2-215		

Fig. 1 - General Recommended Maintenance Items

Ref.	Part No.	Serial Number	Description	Qty.
▽	77632	(003000-) Maintenance Kit, Skirts	1
▲	73870	(003000-) Skirt, Brush Door	2
▲	64788	(003000-) Skirt, Brush Door	2
▲	70453	(003000-) Strip, Retainer, Skirt	2
▲	62955	(003000-) Skirt, Seal, Main Brush	1
▲	62957	(003000-) Channel, Retainer, Seal, Rear	1
▲	62954	(003000-) Blade, Deflector	1
▲	62956	(003000-) Strap, Retainer, Seal	1
▲	43500	(003000-) Chain, Link#2/0, 7Links	1
▽	79031	(003000-) Maintenance Kit, Skirts 810	1
▲	64919	(003000-) Seal, Pan, Top	1
▲	64920	(003000-) Channel, Retainer	1
▲	70807	(003000-) Seal, Brush Comp, Side	2
▲	73889	(003000-) Skirt, Slotted	2
▽	380709	(003000-003178) Maintenance Kit, 400HR 800/810 gas	1
▲	39703-2	(003000-003178) Filter Element, Oil, Cont. Gas-SE	4
▲	60846	(003000-003178) Spark Plug-10 FD	4
▲	84883	(003000-003178) Valve, PCV	1
▲	36050	(003000-003178) Filter, Fuel	2
▲	60933	(003000-004499) Element, Filter, Air	1
▲	60934	(003000-004499) Element, Filter, Air	1
▽	380710	(003000-003178) Maintenance Kit, 400HR 800/810 lpg	1
▲	39703-2	(003000-003178) Filter Element, Oil, Cont. Gas-SE	4
▲	60846	(003000-003178) Spark Plug-10 FD	4
▲	84883	(003000-003178) Valve, PCV	1
▲	60933	(003000-004499) Element, Filter, Air	1
▲	60934	(003000-004499) Element, Filter, Air	1
▽	77634	(003000-) Maintenance Kit, 800HR 800/810	1
▲	34306	(003000-) Breather, Hyd 40Mic No Ds	1
▲	31613	(003000-) Strainer-Hyd Suction 25-100-03	1
▲	10664	(003000-) Filter Assy, Spin-on	1
▲	65869-5	(003000-) Fluid, Hyd Oil, SHP 15/40 5Gal	3
	393982	(003179-) Element, Fltr, Oil, Eng, Spin-on[Gm]	1
	393934	(003179-) Sparkplug [Gm 3.0]	4
	372652	(004500-) Element, Fltr, Air [Dn]	1
	372651	(004500-) Element, Fltr, Air	1

Fig. 2 - Brushes, Replacement



07628 - 810

Ref.	Part No.	Serial Number	Description	Qty.	
1	35326	(003000-) Brush-Sweep -Polypropylene	1	
1	35324	(003000-) Brush-Sweep -Polypropylene&Wire	1	
1	35327	(003000-) Brush-Sweep -Wire	1	
1	35325	(003000-) Brush-Outsd -Polypropylene	1	
1	35336	(003000-) Brush-Patrl -Nylon	1	
1	35323	(003000-) Brush-Sweep -Nylon (24SR)	1	
1	66020	(004000-) Brush-Sweep -Nylon (8DR)	1	
2	370011	(003000-) Brush, Swp, Wedge, Polypropylene	1	
▽	3	75011	(003000-) Brush-Side Swp -Assy-Nylon	1
▲		51021N	(003000-) Brush-Side Swp -Nylon	1
▲		1042969	(003000-) Hub, Drive, Brush, Side, 1.00b 8.8bc	1
▲		39394	(003000-) Screw, Hex, .31-09 X 1.25, Wood	5
▽	3	75010	(003000-) Brush-Side Swp -Assy-Flat Wire	1
▲		51542	(003000-) Brush-Side Swp -Flat Wire	1
▲		1042969	(003000-) Hub, Drive, Brush, Side, 1.00b 8.8bc	1
▲		39394	(003000-) Screw, Hex, .31-09 X 1.25, Wood	5
▽	3	70649	(003000-) Brush-Side Swp -Assy-Polypropylene	1
▲		70538	(003000-) Brush-Side Swp -Polypropylene	1
▲		1042969	(003000-) Hub, Drive, Brush, Side, 1.00b 8.8bc	1
▲		39394	(003000-) Screw, Hex, .31-09 X 1.25, Wood	5
4	70471	(003000-) Brush-Sweep -Polypropylene	1	

Fig. 3 - Main Frame, Skirt and Seals Group

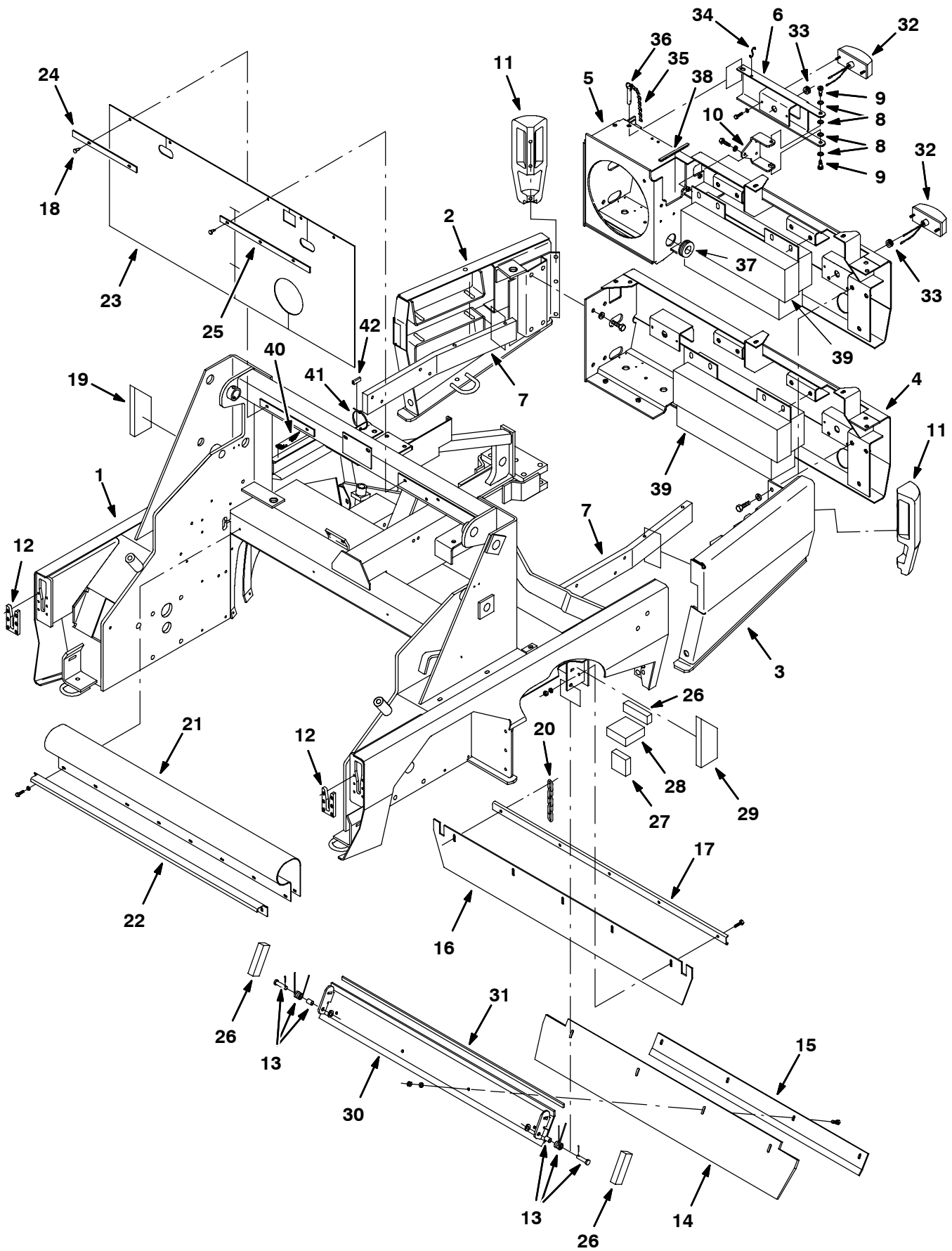


Fig. 3 - Main Frame Skirt and Seals Group

Ref.	Part No.	Serial Number	Description	Qty.	
1	77777	(003000-) Frame	1	
2	77782	(003000-) Panel Wldt, Rear, Rh	1	
3	77734	(003000-) Panel Wldt, Rear, Lh	1	
4	79680	(003000-004499) Bumper Wldt., Rear, Gas/Die	1	
4	1028300	(004500-) Bumper Wldt, Rear, Gas/Dsl	1	
5	79681	(003000-004499) Bumper Wldt., Rear, LPG	1	
5	1032075	(004500-) Bumper Wldt, Rear, Lpg	1	
6	77680	(003000-) Door, Bumper, Lpg	1	
7	77593	(003000-) Bar, Frame	2	
8	86860	(003000-) Bearing, Thrust .500	4	
9	36758	(003000-) Scr-Shld .500Dx0.50L .38-16	2	
10	70517	(003000-) Bracket	1	
11	63544	(003000-) Bumper, Corner, Mach	2	
12	63663	(003000-) Plate, Guide, Bumper	2	
13	69904	(003000-) Spring, Recirculation	1	
14	62954	(003000-) Blade, Deflector	1	
15	62956	(003000-) Strap, Retainer, Seal	1	
16	62955	(003000-) Skirt, Seal, Main Brush	1	
17	62957	(003000-) Channel, Retainer, Seal,Rear	1	
18	21168	(003000-) Clip, Pine-Tree .250h Plastic	5	
19	74066	(003000-) Insulation, S/Foam	1	
20	43500	(003000-) Chain,Link#2/0,7Links	1	
21	64919	(003000-) Seal, Pan, Top	1	
22	64920	(003000-) Channel, Retainer	1	
23	73724	(003000-) Shield, Dust	1	
24	70843	(003000-) Strip, Retainer, Shield, Rh	1	
25	70844	(003000-) Strip, Retainer, Shield, Lh	1	
26	74064	(003000-) Insulation, S/Foam	4	
27	73863	(003000-) Insulation, S/Foam 1.0X3.0X3.0	2	
28	73862	(003000-) Insulation, S/Foam 1.5X4.0X4.0	2	
29	74067	(003000-) Insulation, S/Foam	1	
30	73645	(003000-) Channel, Mounting	1	
31	79010	(003000-) Seal	1	
▽	32	57941	(003000-) Light Assy Stop/Red 12V- . A	2
▲	45780	(003000-) Bulb, 12V .5A 4Cp #1157	1	
33	87515	(003000-) Grommet,Rbr,0.50ld,For .25Matl	2	
34	43363	(003000-) Hook, S-.120 X 1.31, Zinc Pl.	1	
35	06121	(003000-) Chain, Sash, #35, 06.0l 11 Link	1	
36	79608	(003000-) Pin, Hitch .50D X 1.50L	1	
37	74920	(003000-) Grommet, Flexible .25	1	
38	79670	(003000-) Strip, Edging	1	
39	79671	(003000-) Weight, LPG/Gas	1	
40	86798	(003000-) Pad, Tread	1	
41	49263	(003000-) Tie, Cable, Nyl, 11.4l .19w 3.0 Max D	1	
42	361160	(003000-) Molding, Trim, Pvc, .08-.11 01.0l	1	

Fig. 4 - Main Frame Left Brush Door Group

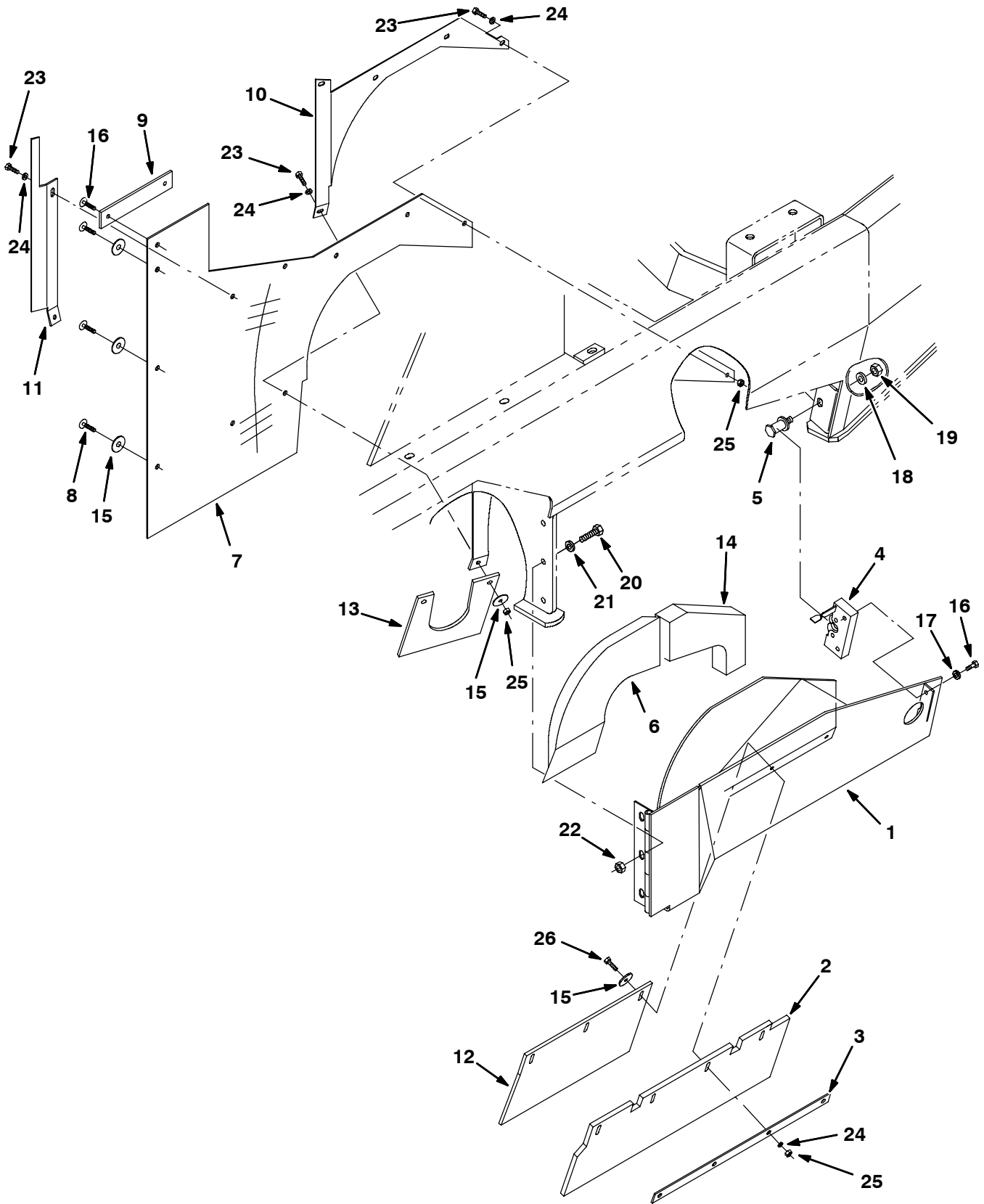


Fig. 4 - Main Frame Left Brush Door Group

Ref.	Part No.	Serial Number	Description	Qty.
1	64801	(003000-) Door Wldt, Brush, Lh	1
2	73870	(003000-) Skirt, Brush Door	1
3	70453	(003000-) Strip, Retainer, Skirt	1
4	58489	(003000-) Latch, Hook (Supplier's Rh)	1
5	58898	(003000-) Bolt, Latch	1
6	70809	(003000-) Seal, Door, Brush, Lh	1
7	70807	(003000-) Seal, Brush Comp, Side 810	1
8	21168	(003000-) Rivet, Plastic	5
9	21282	(003000-) Strip, Retainer, Seal, Side	1
10	70597	(003000-) Angle, Retainer, Seal	1
11	73649	(003000-) Strip, Retainer, Seal, Lh	1
12	64788	(003000-) Skirt, Brush Door	1
13	73889	(003000-) Skirt, Slotted	1
14	74062	(003000-) Seal, Brush Door	1
15	41178	(003000-) Fender Washer	7
16	34323	(003000-) Screw, Hex, .25-20 X 0.75, NI	2
17	41185	(003000-) Washer, Flat, Belleville, .25	2
18	39346	(003000-) Washer, Flat, 0.44, Std	1
19	43955	(003000-) Nut, Hex, Std, .44-14, 5	1
20	39283	(003000-) Screw, Hex, M10 X 1.5 X 25, 8.8	3
21	32492	(003000-) Washer, Flat, 0.38, Std	3
22	07792	(003000-) Nut, Hex, Flng, M10 X 1.50	3
23	06944	(003000-) Screw, Hex, M6 X 1.0 X 25, 8.8	5
24	32483	(003000-) Washer, Flat, 0.25, Sae	14
25	08708	(003000-) Nut, Hex, Lock, M6 X 1.00, NI	11
26	06946	(003000-) Screw, Hex, M6 X 1.0 X 35, 8.8	4

Fig. 5 - Main Frame Right Brush Door Group

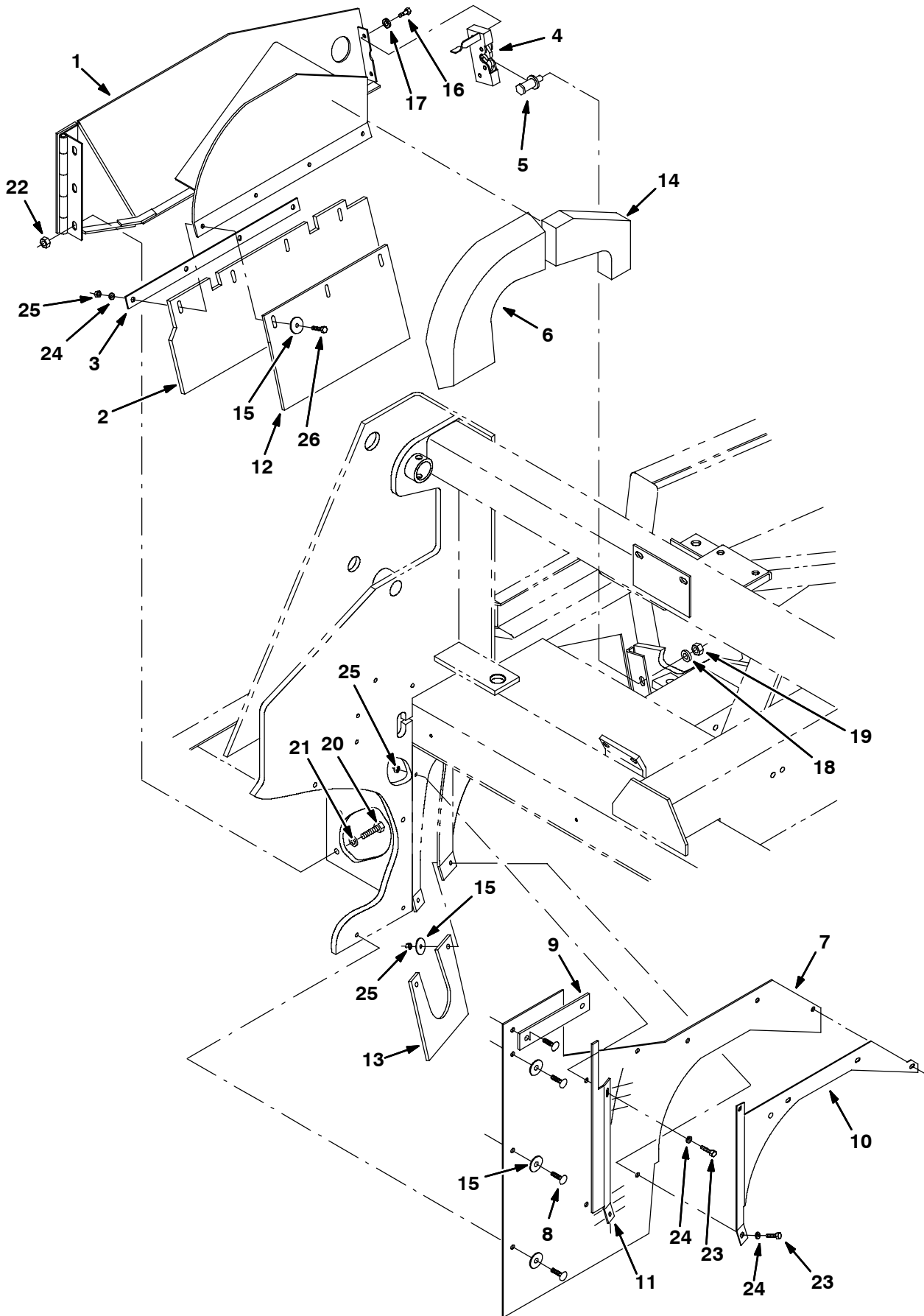


Fig. 5 - Main Frame Right Brush Door Group

Ref.	Part No.	Serial Number	Description	Qty.
1	64802	(003000-) Door Wldt, Brush, Rh	1
2	73870	(003000-) Skirt, Brush Door	1
3	70453	(003000-) Strip, Retainer, Skirt	1
4	58844	(003000-) Latch, Hook (Supplier's Lh)	1
5	58898	(003000-) Bolt, Latch	1
6	70808	(003000-) Seal, Door, Brush, Rh	1
7	70807	(003000-) Seal, Brush Comp, Side 810	1
8	21168	(003000-) Rivet, Plastic	5
9	21282	(003000-) Strip, Retainer, Seal, Side	1
10	70598	(003000-) Angle, Retainer, Seal	1
11	73648	(003000-) Strip, Retainer, Seal, Rh	1
12	64788	(003000-) Skirt, Brush Door	1
13	73889	(003000-) Skirt, Slotted	1
14	74063	(003000-) Seal, Brush Door	1
15	41178	(003000-) Fender Washer	9
16	34323	(003000-) Screw, Hex, .25-20 X 0.75, NI	2
17	41185	(003000-) Washer, Flat, Belleville, .25	2
18	39346	(003000-) Washer, Flat, 0.44, Std	1
19	43955	(003000-) Nut, Hex, Std, .44-14, 5	1
20	39283	(003000-) Screw, Hex, M10 X 1.5 X 25, 8.8	3
21	32492	(003000-) Washer, Flat, 0.38, Std	3
22	07792	(003000-) Nut, Hex, Flng, M10 X 1.50	3
23	06944	(003000-) Screw, Hex, M6 X 1.0 X 25, 8.8	5
24	32483	(003000-) Washer, Flat, 0.25, Sae	14
25	08708	(003000-) Nut, Hex, Lock, M6 X 1.00, NI	11
26	06946	(003000-) Screw, Hex, M6 X 1.0 X 35, 8.8	4

Fig. 6 - Main Frame Operator Station Group

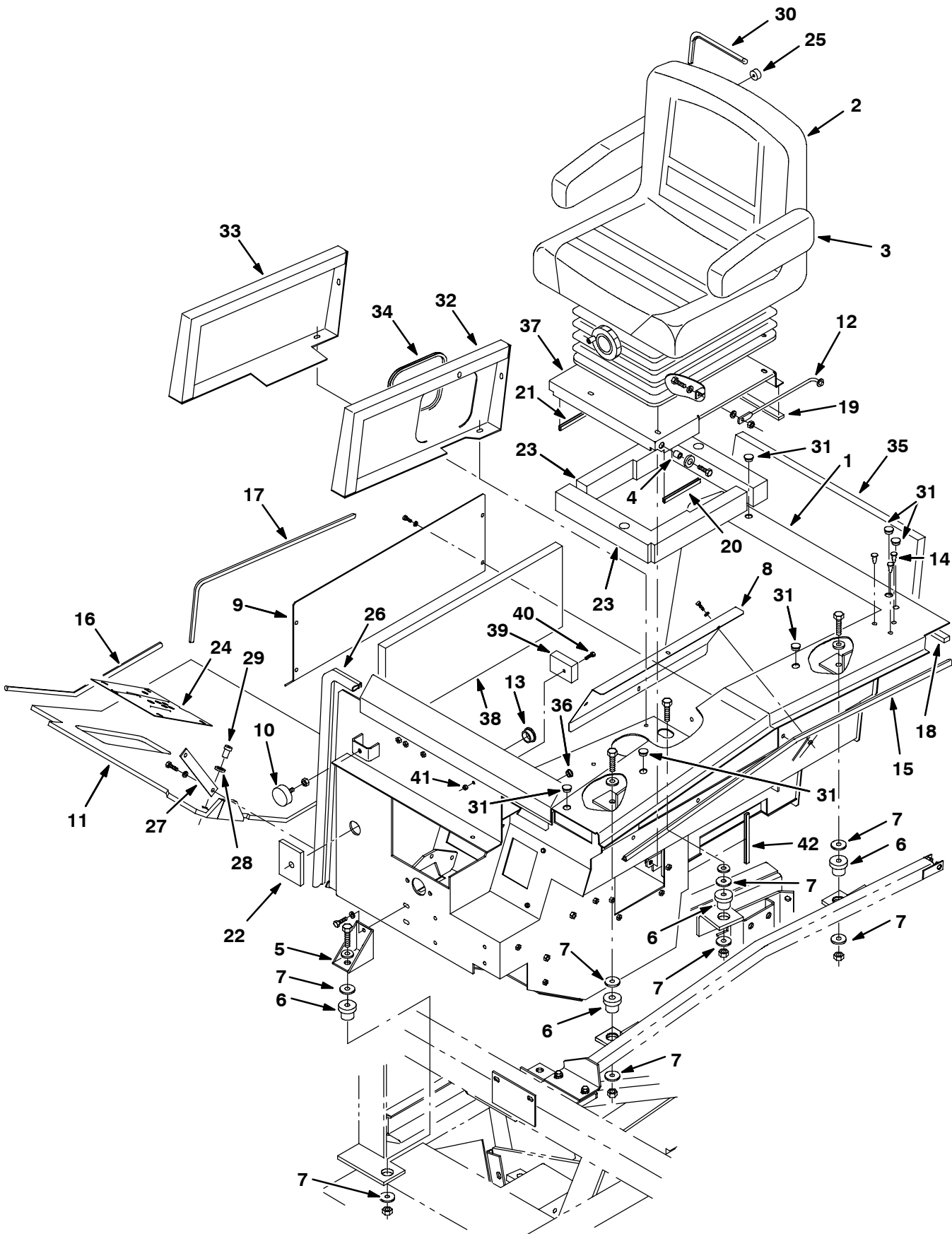


Fig. 6 - Main Frame Operator Station Group

Ref.	Part No.	Serial Number	Description	Qty.
	1	380680	(003000-) Panel Wldt w/label	1
▽	2	63294	(003000-) Seat, Suspension	1
▲	3	311336	(003000-) Armrest, Black	1
	4	40716	(003000-) Sleeve, .385B .62D .62 Cd.Cad	2
	5	63751	(003000-) Bracket, Oper Comp	1
	6	51176	(003000-) Dampner, Engine	4
	7	04414	(003000-) Washer, .531B 1.88D .12Hard Zn	8
	8	64884	(003000-) Panel, Cover, Access	1
	9	70450	(003000-003084) Panel, Air Conditioning	1
	9	375696	(003085-) Panel, Air Conditioning	1
	10	70756	(003000-) Bumper, Rubber	1
	11	76495	(003000-) Tread, Floormat, Rubber	1
	12	54615	(003000-) Rod, Seat	1
	13	76888	(003000-) Plugbtn 1.25h .12 Max Blacknyl	1
	14	77399	(003000-) Clip, Pine-tree .236h Plastic	3
	15	57820	(003000-) Seal, 48.0 Lg.	1
	16	73903	(003000-) Seal, Bulb, Sd-0504 24.50Lg	1
	17	73901	(003000-) Seal, 7.00 Lg	1
	18	74081	(003000-) Seal	1
	19	44777	(003000-) Seal,Foam Rbr, .31 .75W 14.8L	1
	20	62595-3	(003000-) Molding, Trim 11-14Ga 5.75	1
	21	62595-2	(003000-) Molding, Trim 11-14Ga 15.75	1
	22	79028	(003000-) Seal, Rod, Adjuster	1
▽		76494	(003000-) Sealing Kit, Operator Comp	1
▲	23	76285	(003000-) Insulation, S/Foam, Seat	2
▲	24	79116	(003000-) Seal, Dust	1
	25	82921	(003000-) Bumper, Rubber	1
	26	77340	(003000-) Seal, Bulb, Sd-0504 28.00 Lg	1
	27	76492	(003000-) Bar, Retainer	1
	28	41178	(003000-) Washer-Flt .25 Fender Rltd.	1
	29	21246	(003000-) Rivet, Plastic .325D X .787	1
	30	49282	(003000-) Molding, Trim 16Ga&Thinnr 10.0	1
	31	75428	(003000-) Plugbtn .75h .03-.12 Blacknyl	7
	32	380728	(003000-) Panel, Fuel Inlet w/label	1
	33	70704	(003000-) Panel, Fuel, Inlet, Lpg	1
	34	380692	(003000-) Trim	1
	35	23946	(003000-) Insulation	1
	36	33806	(003000-) Plugbutton	1
	37	70478	(003000-) Panel, Support, Seat	1
	38	375698	(003000-) Insulation, Acstc, 1.o 09.9w 25.0l	1
	39	382422	(003000-) Timer, 12vdc, 5 Sec On Delay	1
	40	24199	(003000-) Screw, Hex, M5 X 0.8 X 16, Ss	1
	41	09739	(003000-) Nut, Hex, Lock, M5 X 0.8, NI, Ss	1
	42	62595-16	(003000-) Molding, Trim, Pvc, .08-.11 08.5l	1

Fig. 7 - Main Frame Engine Cover and Lintel Group

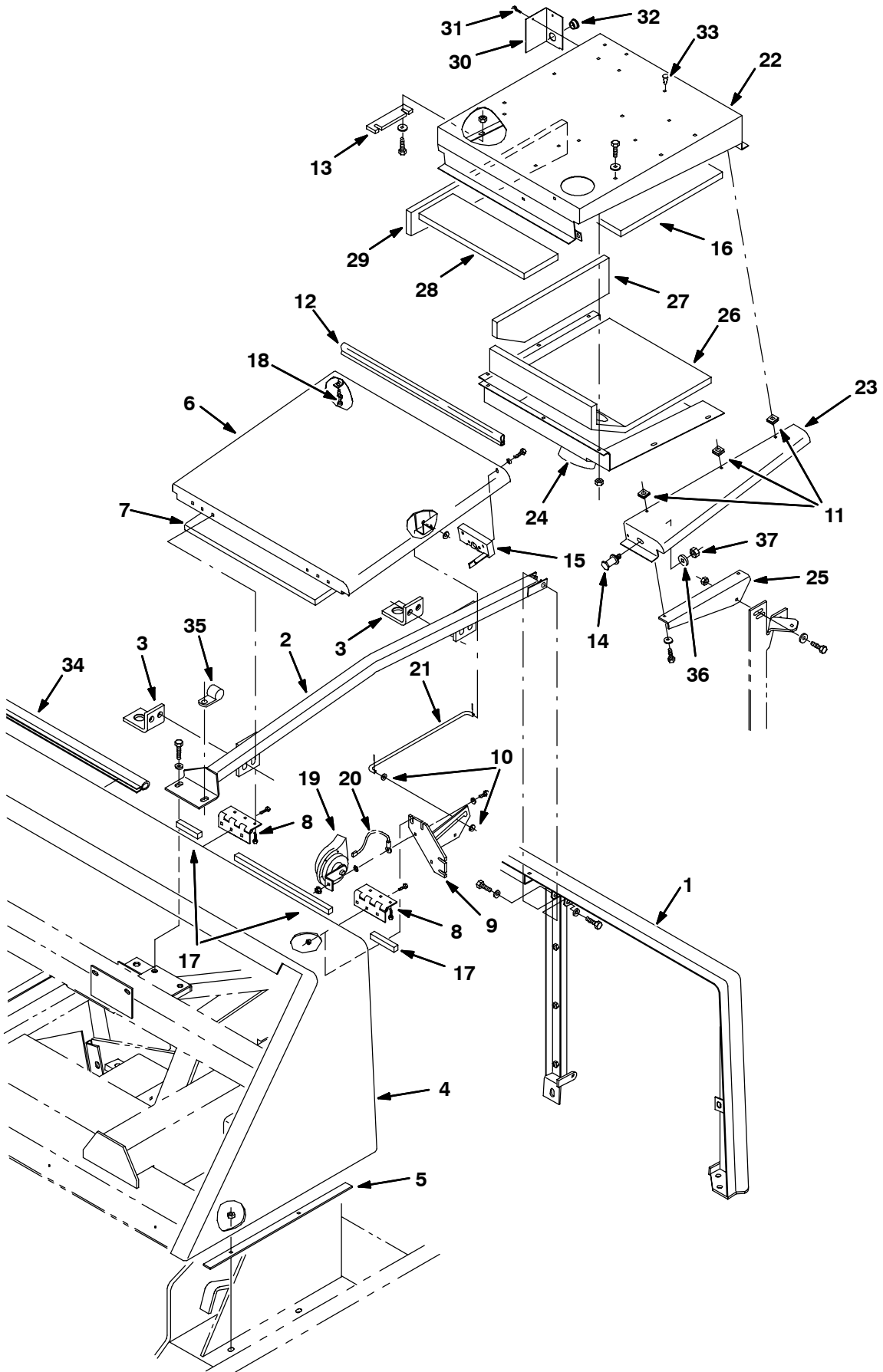


Fig. 7 - Main Frame Engine Cover and Lintel Group

Ref.	Part No.	Serial Number	Description	Qty.
1	64312	(003000-) Lintel, Rear	1
2	380533	(003000-) Tube Wldt, Brace, Center	1
3	380532	(003000-) Bracket, Brace Center	2
4	64278	(003000-) Lintel, Main	1
5	64279	(003000-) Strip, Spacer	2
6	75303	(003000-) Cover Wldt, Engine Se	1
7	76870	(003000-) Insulation,S/Foam .8X19.3X20.3	1
8	74040	(003000-) Hinge	2
9	21131	(003000-) Bracket Wldt, Gas Spring	1
10	43454	(003000-) Washer, .344B .69D .06Nylon	2
11	12271	(003000-) M6 U-Nut Clip	3
12	77778	(003000-) Seal, Bulb, Sd-0504 19.75Lg	1
13	21230	(003000-) Plate, Support, Cover Se	1
14	59192	(003000-) Latch, Bolt	1
15	58844	(003000-) Latch, Hook, Rh	1
16	375537	(003000-) Insulation, S/Foam .5T 17.0X	1
17	53461-2	(003000-) Seal,Foam Rbr, .62 .62W 24.5L	1
18	75128	(003000-) Spindle, Adjustment	1
19	369704	(003000-) Horn, 12 Volt	1
20	21643	(003000-) Wire, Lead	1
21	75883	(003000-) Rod, Support Cover	1
22	375536	(003000-004003) Panel Wldt, Cover Engine	1
22	1014456	(004004-) Panel Wldt, Cover Engine	1
23	77711	(003000-) Panel, Cover, Corner	1
24	47958	(003000-) Panel, Vacuum Duct	1
25	375513	(003000-) Bracket, L 12.0L Hood Support	1
26	380761	(003000-) Insulation, S/Foam, .8T 17.0X15	1
27	380762	(003000-) Insulation, S/Foam, .8T 18.0X4.5	1
28	380763	(003000-) Insulation, S/Foam, .8T 16.5X5	1
29	380764	(003000-) Insulation, S/Foam, .8T 23.0X4X3	1
30	380760	(003000-) Panel, Corner, Eng Cover	1
31	55845	(003000-) Scr-Hxfmgm 5X0.8 16 pltd	1
32	82727	(003000-) Plugbutton .88H .03-.12 Blacknyl	1
33	77399	(003000-) Clip, Tree	11
34	55756	(003000-) Seal	1
35	58366	(003000-) Clamp, Cable, Stl, 1.25d X 1.00w, 1h	1
36	41619	(003000-) Washer, Flat, 0.56b 1.38d .11, Ss	1
37	07788	(003000-) Nut, Hex, Std, M12 X 1.75, Ss	1

Fig. 8 - Main Frame Engine Side Door Group (003000-004499)

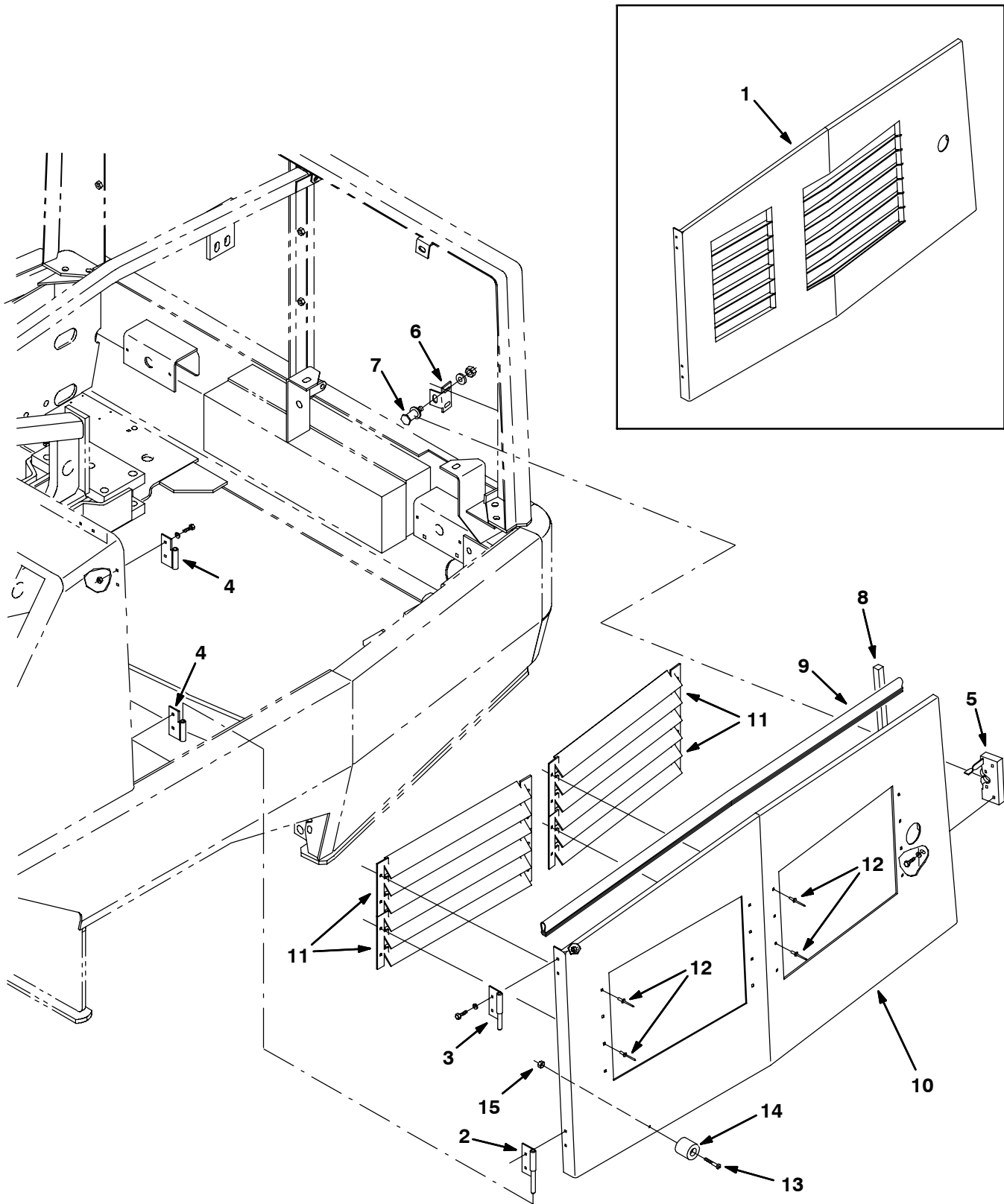


Fig. 8 - Main Frame Engine Side Door Group (003000-004499)

Ref.	Part No.	Serial Number	Description	Qty.
1	23950	(003000-003081)	Door Wldt, Engine	1
2	64543	(003000-004499)	Hinge, W/Pin	1
3	70628	(003000-004499)	Hinge, W/Pin	1
4	64545	(003000-004499)	Hinge	2
5	58489	(003000-004499)	Latch, Hook Rh	1
6	70407	(003000-004499)	Angle, Bolt, Latch	1
7	59192	(003000-004499)	Latch, Bolt	1
8	53461-2	(003000-004499)	Seal,Foam Rbr, .62 .62W 24.5L	1
9	57820	(003000-004499)	Seal, 48.0 Lg.	1
10	375695	(003082-004499)	Door Wldt, Engine	1
11	375693	(003082-004499)	Panel, Louver	4
12	06524	(003082-004499)	Rivet, Pop	16
13	09258	(003171-004499)	Screw, Pan, M 6 X 1.0 X 40, 4.8	1
14	44851	(003171-004499)	Bumper, Rbr, 1.5d 1.50 0.28h	1
15	08708	(003171-004499)	Nut, Hex, Lock, M06 X 1.0, NI	1
16	32493	(003000-004499)	Washer, Flat, 0.50, Std	1
17	39313	(003000-004499)	Nut, Hex, Std, M12 X 1.75	1

Fig. 9 - Main Frame Engine Side Door Group (004500-)

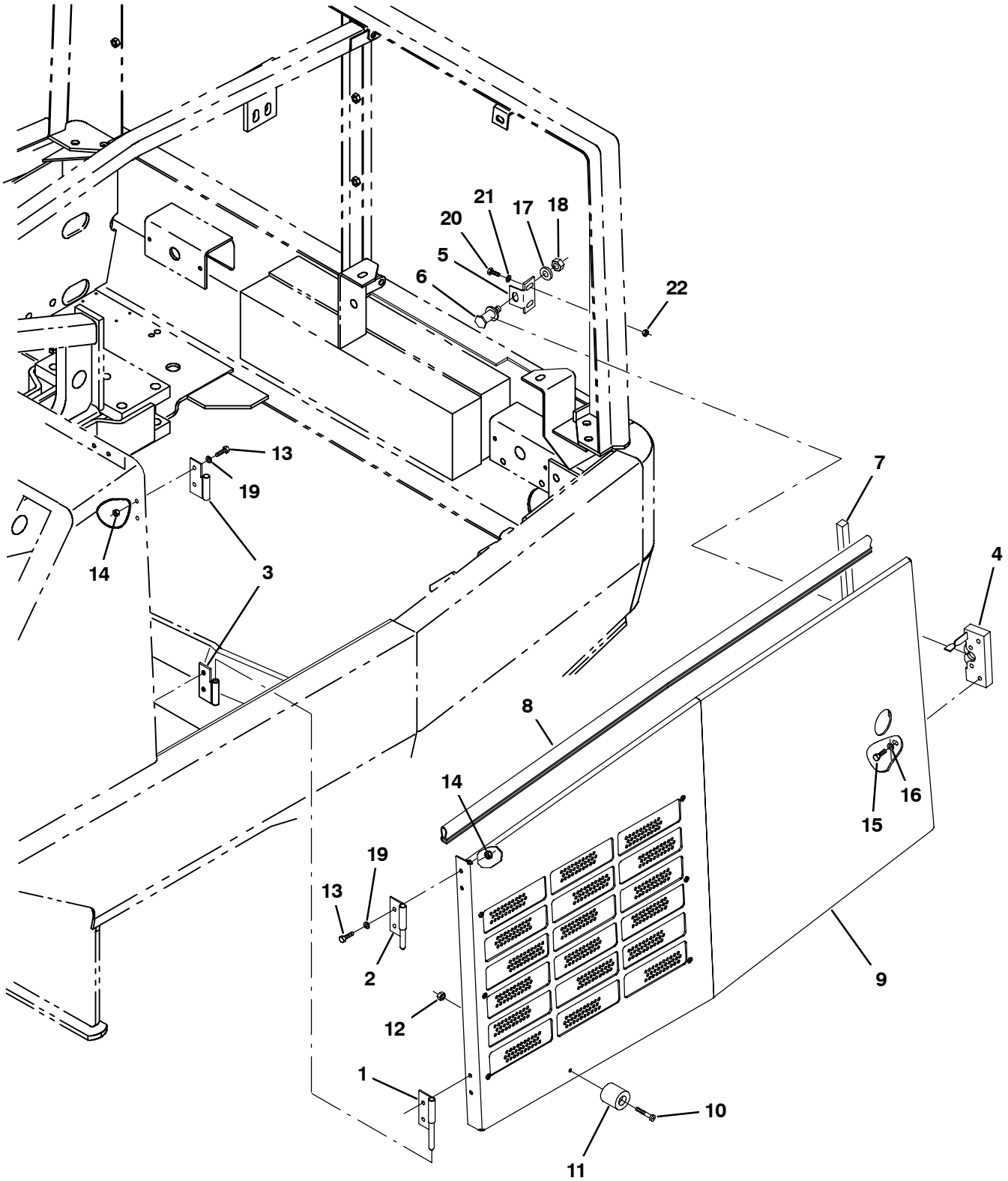


Fig. 9 - Main Frame Engine Side Door Group (004500-)

Ref.	Part No.	Serial Number	Description	Qty.
1	64543	(004500-)	Hinge, W/Pin	1
2	70628	(004500-)	Hinge, W/Pin	1
3	64545	(004500-)	Hinge	2
4	58489	(004500-)	Latch, Hook Rh	1
5	70407	(004500-)	Angle, Bolt, Latch	1
6	59192	(004500-)	Latch, Bolt	1
7	53461-2	(004500-)	Seal,Foam Rbr, .62 .62W 24.5L	1
8	57820	(004500-)	Seal, 48.0 Lg.	1
▽	9	1046389	(004500-) Door Assy [800/810 08]	1
▲		9004327	(004500-) Screen Kit, Door, Side, Modif	1
10	09258	(004500-)	Screw, Pan, M 6 X 1.0 X 40, 4.8	1
11	44851	(004500-)	Bumper, Rbr, 1.5d 1.50 0.28h	1
12	08708	(004500-)	Nut, Hex, Lock, M06 X 1.0, NI	1
13	06943	(004500-)	Screw, Hex, M6 X 1.0 X 20, 8.8	8
14	07790	(004500-)	Nut, Hex, Flng, M6 X 1.00	8
15	34323	(004500-)	Screw, Hex, .25-20 X 0.75, NI	2
16	32490	(004500-)	Washer, Flat, 0.25, Std	2
17	32493	(004500-)	Washer, Flat, 0.50, Std	1
18	39313	(004500-)	Nut, Hex, Std, M12 X 1.75	1
19	41185	(004500-)	Washer, Flat, Belleville, .25	8
20	16931	(004500-)	Screw, Hex, M8 X 1.25 X 20, 8.8	2
21	32491	(004500-)	Washer, Flat, 0.31, Std	2
22	39311	(004500-)	Nut, Hex, Std, M8 X 1.25	2

Fig. 10 - Hydraulic Cooler, Filter and Rear Door Group

Ref.	Part No.	Serial Number	Description	Qty.
1	48006	(003000-) Door Wldt, Rear	1
2	51787	(003000-) Bumper, Rubber	3
3	64419	(003000-) Cooler-Hyd	1
4	42260	(003000-) Ftg-Hyd Str Jm12/Om12	2
5	51322	(003000-) Isolator-Vibration .31-18	4
6	59661	(003000-) Latch	1
7	65252	(003000-) Plate, Striker	1
8	36192	(003000-) Lanyard Assy.	1
9	82830	(003000-) Sleeve, Nyl 16.0 L	3
▽	10	10664	(003000-) Filter Assy, Spin-on	1
▲	11	65221	(003000-) Filter Element	1
	12	46481	(003000-) Ftg-Hyd E90 Jm12/om12	2
	13	65222	(003000-) Sender, Filter, Hydraulic	1
	14	32984	(003000-) Washer, Lock, Int, 0.31	4
	15	19313	(003000-) Nut, Hex, Std, .31-18	4

Fig. 11 - Hopper Lift Arms Group

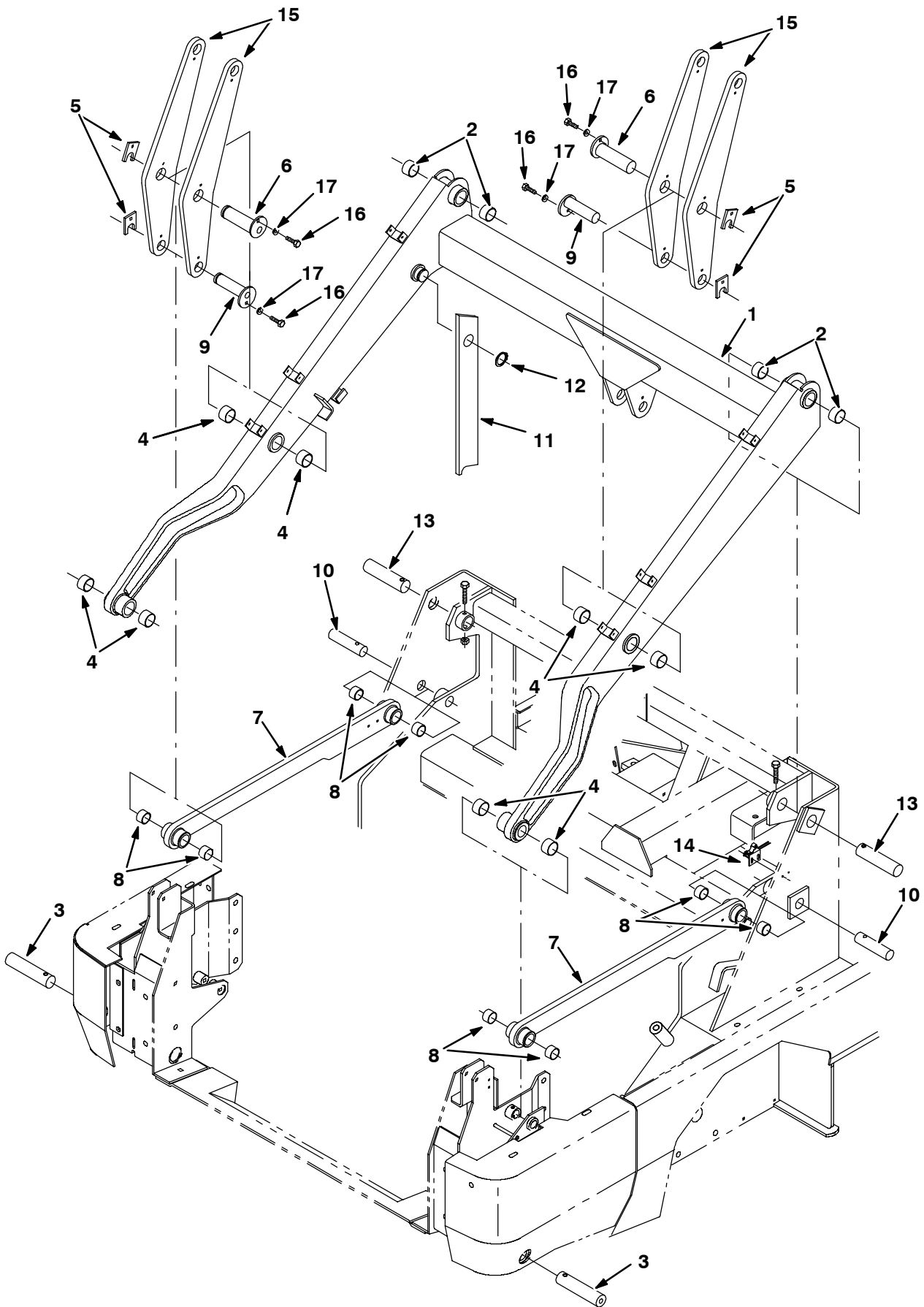


Fig. 11 - Hopper Lift Arms Group

Ref.	Part No.	Serial Number	Description	Qty.
1	75861	(003000-) Arm Wldt, Hopper Lift w label	1
2	58293	(003000-) Bearng-Journal	4
3	77463	(003000-) Pin, 1.500 0Dx7.81, Drilled	2
4	58293	(003000-) Bearng-Journal	8
5	83554	(003000-) Plate, Pin Retainer	4
6	83551	(003000-) Pin Weldt.	2
7	76235	(003000-) Bar, Arm, Lower, Machining	2
8	57936	(003000-) Bearing-Journal	2
9	83553	(003000-) Pin Weldt.	2
10	76470	(003000-) Pin	2
11	380681	(003000-) Arm, Safety W/Label	1
12	63926	(003000-) Ring, Retaining, Ex 1.5 Dia Hd	1
13	76471	(003000-) Pin	2
14	59965	(003000-) Switch, Roller	1
15	83549	(003000-) Plate, Link	4
16	10959	(003000-) Screw, Hex, M10 X 1.5 X 20, Ss, NI	4
17	32492	(003000-) Washer, Flat, 0.38 Std	4

Fig. 12 - Hopper Lift Cylinders Group

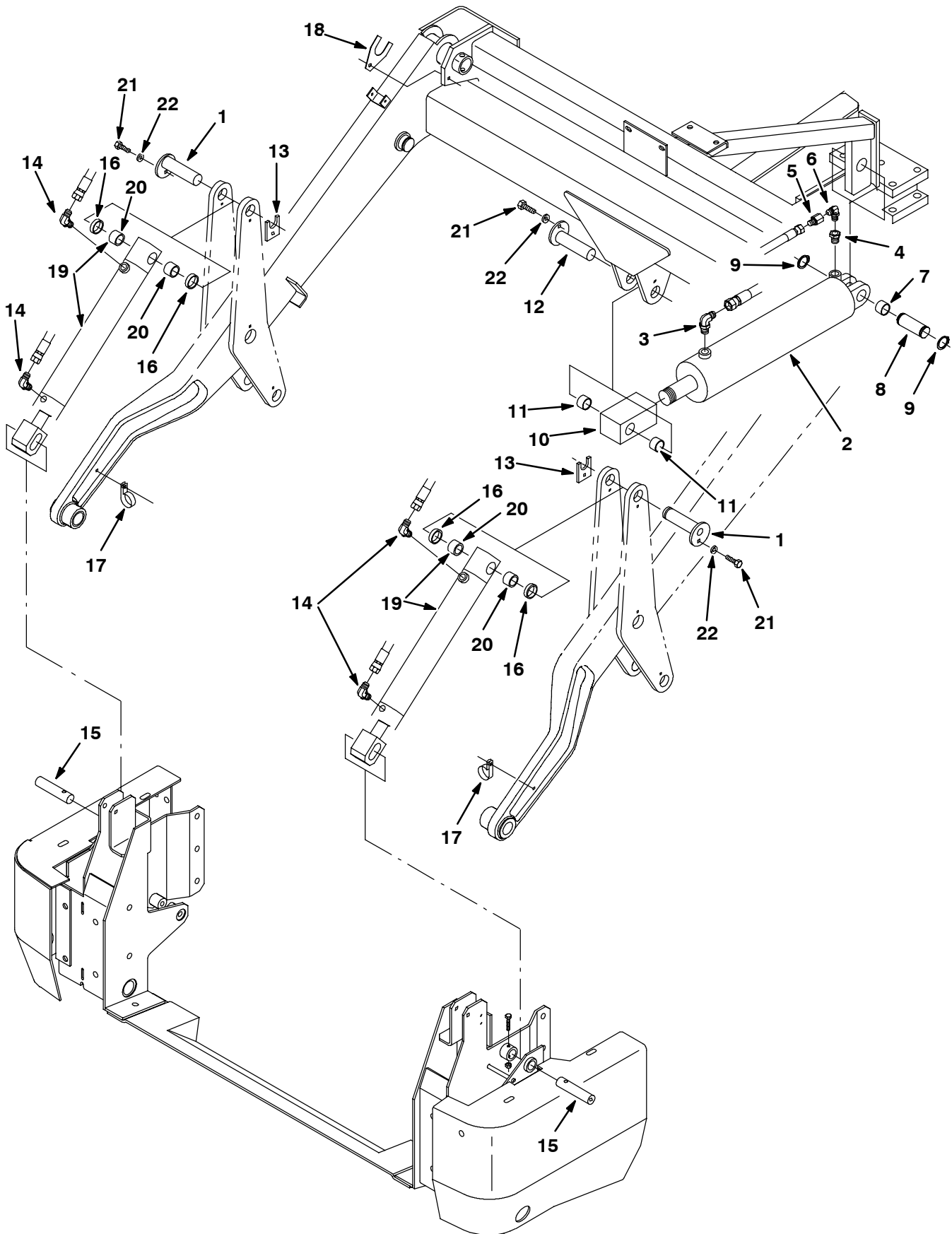


Fig. 12 - Hopper Lift Cylinders Group

Ref.	Part No.	Serial Number	Description	Qty.
1	83553	(003000-) Pin Wldt.	2
2	1026719	(003000-) Cylinder, Hyd, 4.0b 29.1l 14.50strk 2500 (See Breakdowns)	1
3	47512	(003000-) Ftg-Hyd E90 Jm06/Om08	1
4	55686	(003000-) Ftg-Hyd Str Jm04/Om08	1
5	16456	(003000-) Ftg-Hyd Rst Jm04/.063	1
6	39210	(003000-) Ftg-Hyd E90 Jm04/Jf04	1
7	59866	(003000-) Bearing, Journal	1
8	63583	(003000-) Pin, 1.25 Odx 3.50, Grooved	1
9	58359	(003000-) Retaining Ring-External, 1.25D	2
10	64156	(003000-) Bar, Cylinder End	1
11	57936	(003000-) Bearing-Journal	2
12	83553	(003000-) Pin, 1.250 Od X 4.50	1
13	83554	(003000-) Plate, Pin Retainer	2
14	47638	(003000-) Ftg-Hyd E90 Jm04/Om06	4
15	63584	(003000-) Pin, 1.00 Odx 4.50, Drilled	2
16	83555	(003000-) Spacer	4
17	67767	(003000-) Clamp-Cable,.69Dia. 62Wth	2
18	75891	(003000-) Plate, Spacer	2
▽	19	1042110	(003000-) Cylinder, Hyd, 2.0b 23.8l 14.90strk 2500	2
▲	20	57936	(003000-) Bearing-Journal	2
21	10959	(003000-) Screw, Hex, M10 X 1.5 X 20, Ss, NI	3
22	32492	(003000-) Washer, Flat, 0.38 Std	3

Fig. 13 - Hopper Group

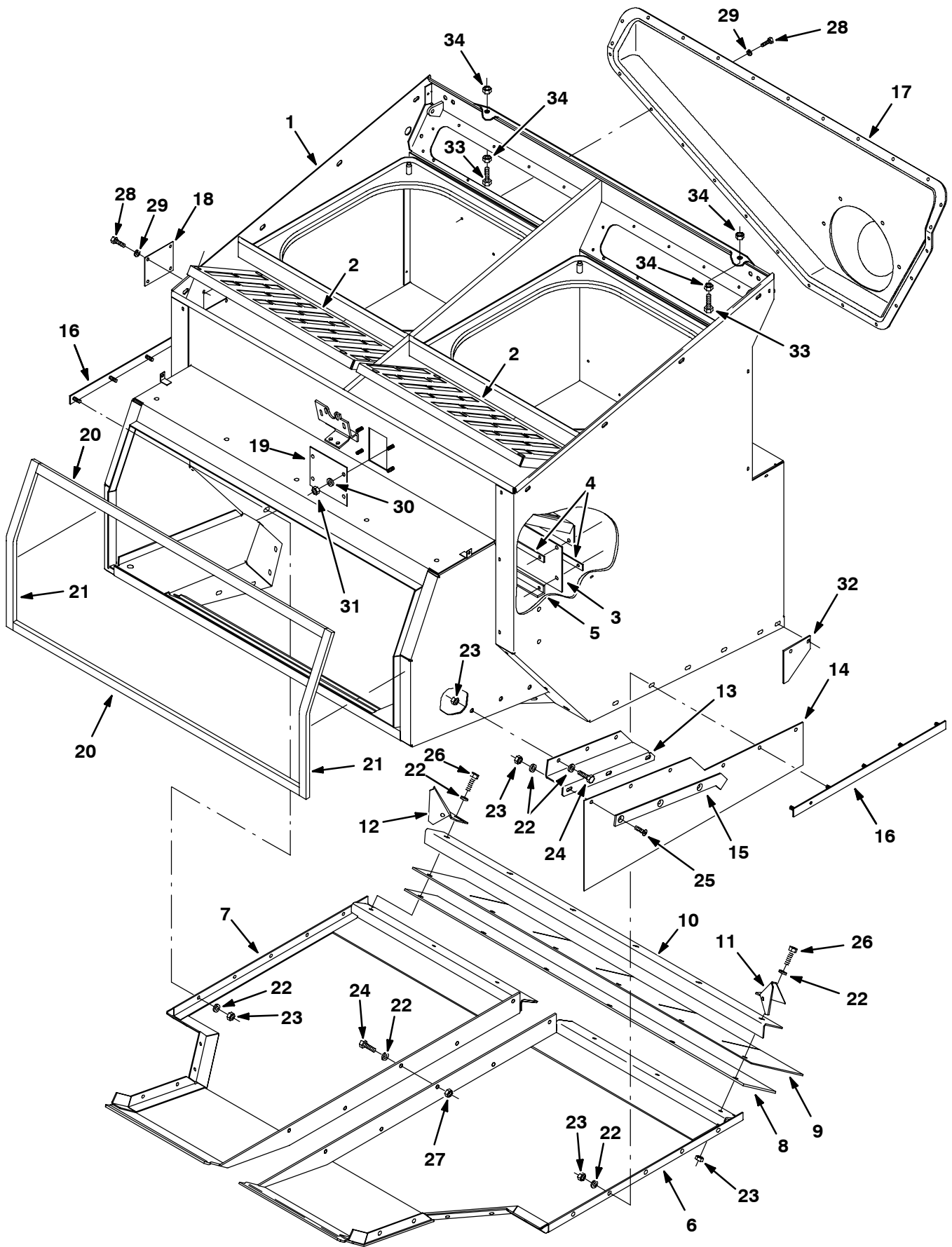


Fig. 13 - Hopper Group

Ref.	Part No.	Serial Number	Description	Qty.
1	76487	(003000-) Hopper Wldt	1
2	63665	(003000-) Panel, Permafilter, Upper	2
3	63667	(003000-) Seal, Dust	1
4	63668	(003000-) Bar, Retainer, Dust Seal	2
5	63669	(003000-) Angle, Dust Seal	1
6	76475	(003000-) Panel, Hopper, Bottom, Lh	1
7	76472	(003000-) Panel, Bottom, Hopper, Rh	1
8	73678	(003000-) Skirt, Lip	1
9	73679	(003000-) Skirt, Lip	1
10	63647	(003000-) Angle, Retainer, Lip	1
11	74046	(003000-) Panel, Deflector, Dirt, Rh	1
12	74045	(003000-) Panel, Deflector, Dirt, Lh	1
13	73772	(003000-) Bracket, Mtg, Skirt	1
14	73771	(003000-) Skirt, Deflector	1
15	73749	(003000-) Strip, Retainer, Skirt, Front	1
16	79139	(003000-) Strip, Hopper	2
17	70388	(003000-) Duct, Inlet, Vac Fan	1
18	74069	(003000-) Plate, Cover	1
19	73887	(003000-) Plate, Cover	1
20	79597	(003000-) Seal, Foam, Urethane Covered	2
21	79600	(003000-) Seal, Foam, Urethane Covered	2
22	01685	(003000-) Washer, Flat, 0.38b 0.88d .08, Ss	27
23	08713	(003000-) Nut, Hex, Lock, M8 X 1.25, NI, Ss	22
24	09740	(003000-) Screw, Hex, M8 X 1.25 X 20, Ss	18
25	79506	(003000-) Screw, Flt, M8 X 1.25 X 30, Ss	3
26	09011	(003000-) Screw, Hex, M8 X 1.25 X 30, Ss	6
27	07791	(003000-) Nut, Hex, Flng, M8 X 1.25	15
28	74455	(003000-) Screw, Hex, M6 X 1.0 X 12, Fmg	33
29	19066	(003000-) Washer, Flat, #10	33
30	39349	(003000-) Washer, Flat, 0.31, Sae	4
31	08709	(003000-) Nut, Hex, Lock, M8 X 1.25, NI	4
32	70470	(003000-) Lip, Side, Hopper	2
33	06972	(003000-) Screw, Hex, M12 X 1.75 X 60, 8.8	2
34	39313	(003000-) Nut, Hex, Std, M12 X 1.75	4

Fig. 14 - Hopper Door Group

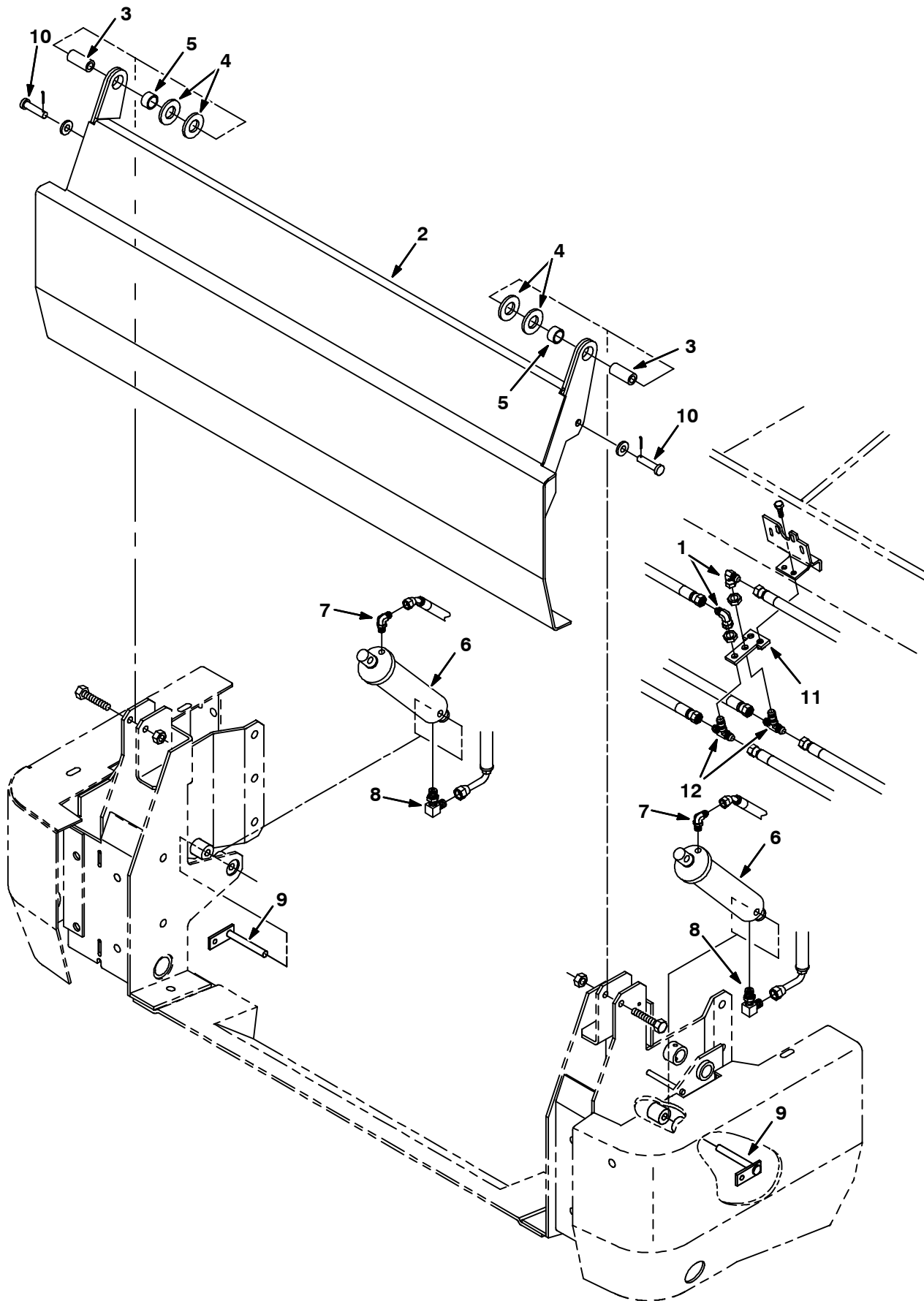


Fig. 14 - Hopper Door Group

Ref.	Part No.	Serial Number	Description	Qty.
1	39210	(003000-) Ftg-Hyd E90 Jm04/Jf04	2
2	83618	(003000-) Door Wldt, Hopper	1
3	79138	(003000-) Sleeve, Pivot, Door	2
4	79596	(003000-) Washer, 1.015B 1.75D .11Hrs	4
5	35688	(003000-) Bearing, Journal	2
6	1041090	(003000-) Cylinder, Hyd, 2.0b 12.0l 08.00strk 2500	2
7	82825	(003000-) Ftg-Hyd E90 Jm04/Om04	2
8	77097	(003000-) Ftg-Hyd E90 Jm04/Om04	2
9	64893	(003000-) Pin	2
10	21722	(003000-) Pin, Clevis .50 Dia X 2.25 Lg	2
11	75012	(003000-) Bracket, Mtg, Ftg	1
12	34392	(003000-) Ftg-Hyd Tee Jm04Jmjm	2

Fig. 15 - Hopper Cover Group

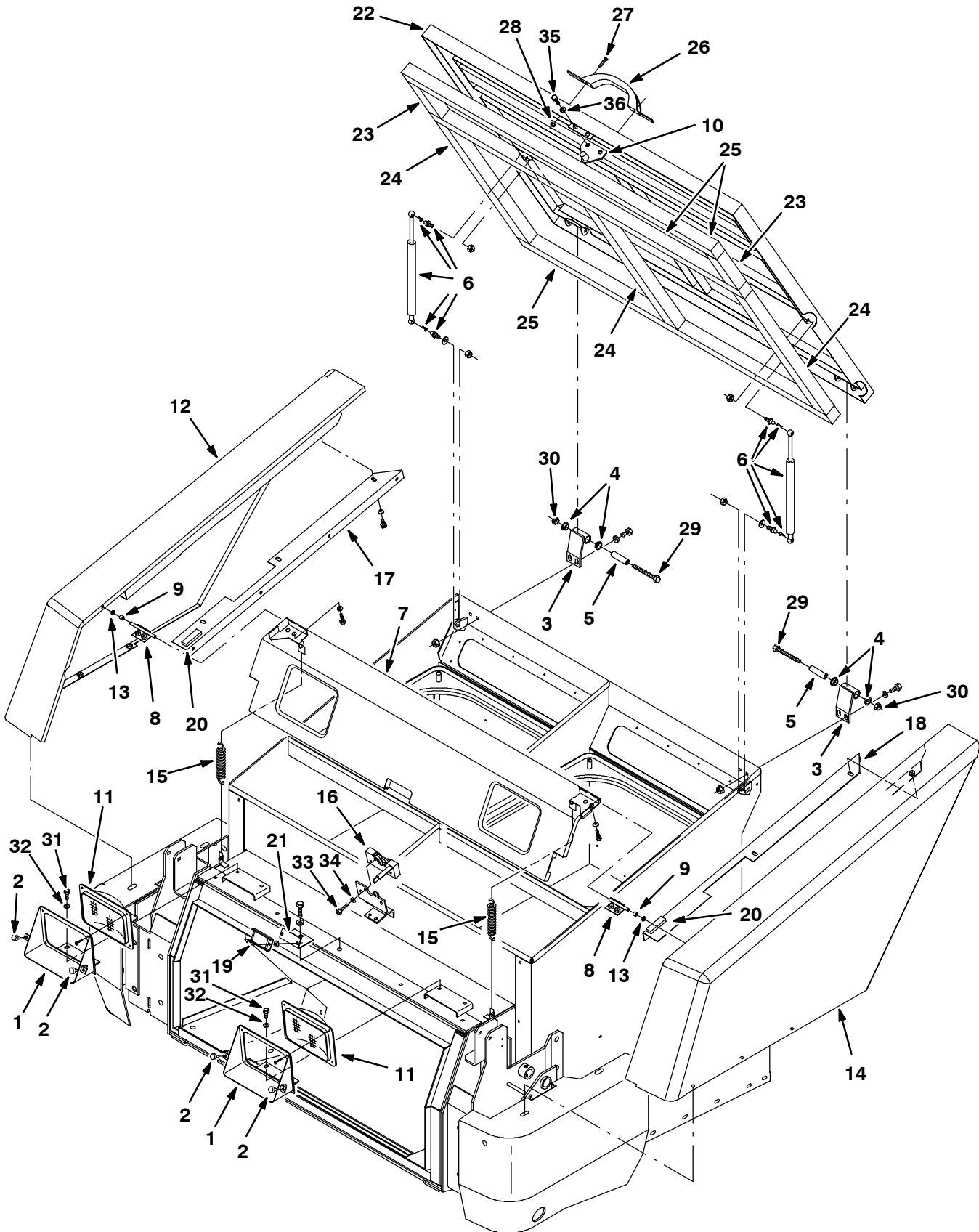


Fig. 15 - Hopper Cover Group

Ref.	Part No.	Serial Number	Description	Qty.	
1	77388	(003000-) Bracket, Mounting, Headlamp	2	
2	51787	(003000-) Bumper, Rubber	4	
3	70762	(003000-) Hinge	2	
4	04843	(003000-) Bearing, Flange .625 Bore	4	
5	70761	(003000-) Tube, 0.62D .44B 2.44, Stl	2	
6	69906	(003000-) Spring-Gas, Engine Cover	2	
7	77394	(003000-) Panel, Headlight	1	
8	70730	(003000-) Hinge	2	
9	74015	(003000-) Sleeve, .320B .32D .49 Lc Stl	2	
10	70742	(003000-) Pin Wldt, Latch	1	
11	58524	(003000-) Headlight, 12V.Rect.	2	
12	65278	(003000-) Panel Wldt, Fender, Rh	1	
13	11747	(003000-) Bearing, Nylon	2	
14	65281	(003000-) Panel Wldt, Fender, Lh	1	
15	01274	(003000-) Sprng,Tens,0.965Odx.09Wire4.4L	2	
16	79019	(003000-) Latch, Hook, Rh, Single Catch	1	
17	75047	(003000-) Bracket, Rh	1	
18	75046	(003000-) Bracket, Lh	1	
19	63378	(003000-) Magnet, Drive Brush	1	
20	79591	(003000-) Bumper, Cover, Hopper	2	
21	77400	(003000-) Angle, Mount	1	
▽	22	21221	(003000-) Cover Assy, Hopper	1
▲	23	375564	(003000-) Seal, Urethane Covered Foam	2
▲	24	375565	(003000-) Seal, Urethane Covered Foam	3
▲	25	375566	(003000-) Seal, Urethane Covered Foam	3
▲	26	381962	(003111-) Handle, Container	1
▲	27	382726	(003111-) Screw, Pan, m06	2
▲	28	08708	(003111-) Nut, Hex Lock m06	2
	29	03193	(003000-) Screw, Hex, M10 X 1.5 X 90, 8.8	2
	30	41430	(003000-) Nut, Hex, Lock, M10 X 1.5, NI	2
	31	16931	(003000-) Screw, Hex, M8 X 1.25 X 20, 8.8	4
	32	32491	(003000-) Washer, Flat, 0.31 Std	4
	33	12274	(003000-) Screw, Hex, M6 X 1.0 X 20, 8.8, NI	4
	34	19066	(003000-) Washer, Flat, #10	4
	35	16735	(003000-) Screw, Hex, M8 X 1.25 X 16, 8.8	2
	36	41186	(003000-) Washer, Belleville, .31	2

Fig. 16 - Hopper Bumper Group

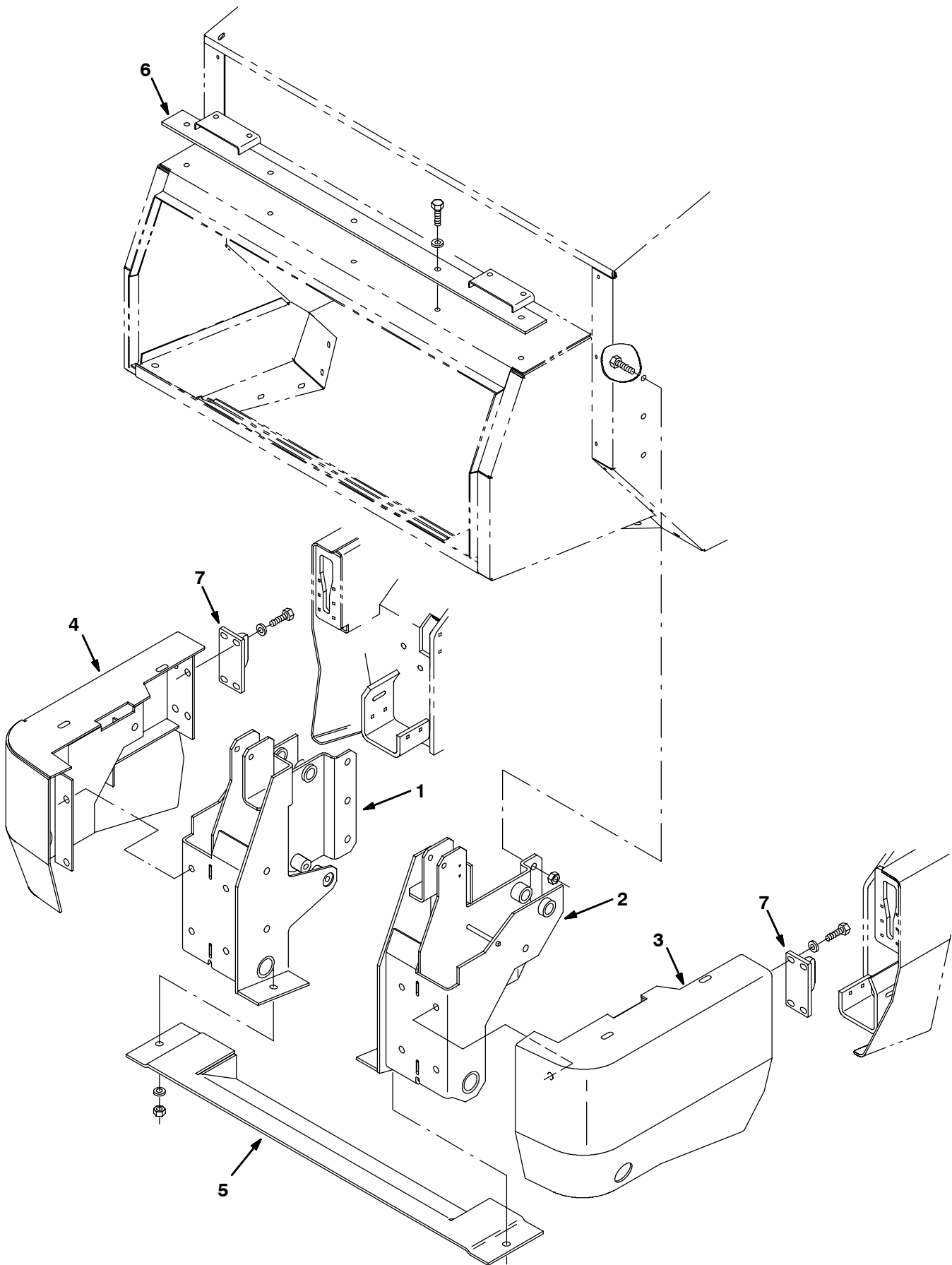


Fig. 16 - Hopper Bumper Group

Ref.	Part No.	Serial Number	Description	Qty.
1	83547	(003000-) Bumper Wldt, Sppt, Hopper, Rh	1
2	83548	(003000-) Support Wldt, Sppt, Hopper Lh	1
3	83620	(003000-) Bumper Wldt, Lh	1
4	83622	(003000-) Bumper Wldt, Rh	1
5	77523	(003000-) Guard Wldt, Hopper	1
6	77516	(003000-) Bracket Wldt, Mtg, Headlight	1
7	63671	(003000-) Latch, Bumper	2

Fig. 17 - Hopper Filter Shaker Group

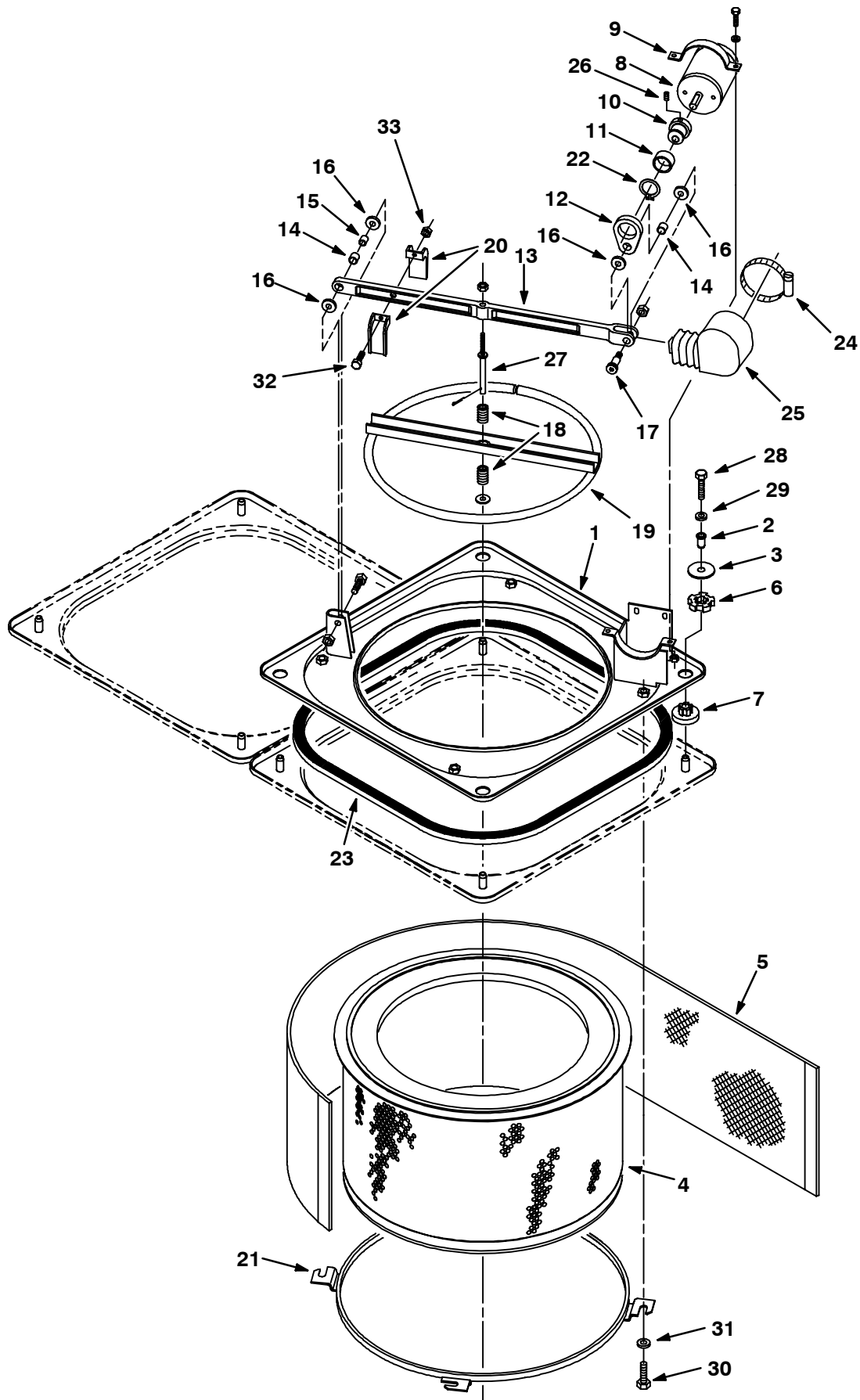


Fig. 17 - Hopper Filter Shaker Group

Ref.	Part No.	Serial Number	Description	Qty.	
1	64580	(003000-) Panel Wldt, Shaker	2	
2	64874	(003000-) Ferrule	8	
3	64873	(003000-) Disc	8	
4	48069	(003000-) Filter Assy, Fine, Hopper (option)	2	
▽	4	63297	(003000-) Filter Assy, (standard)	2
▲	5	63311	(003000-) Screen, Filter	1
6	64618	(003000-) Ring, Isolator, Outer, Rbr	8	
7	64621	(003000-) Bushing, Isolator	8	
8	31999	(003000-) Motor, Electric, 13.6 Vdc	2	
9	64559	(003000-) Clamp, Mtg, Motor, Upper	2	
10	64567	(003000-) Shaft, Eccentric	2	
11	32006	(003000-) Bearing	2	
12	64394	(003000-) Link, Eccentric	2	
▽	13	77471	(003000-) Shaker Bar Replacement Kit	2
▲	14	63233	(003000-) Bearing, Fiberglide .50 X .50	2
▲	15	63234	(003000-) Sleeve, Bearing	1
▲	16	59633	(003000-) Bearing, Thrust - Fiberglide	4
▲	17	58357	(003000-) Shoulder Screw	2
18	64392	(003000-) Spring	4	
19	64501	(003000-) Ring Wldt, Shaker	2	
20	64410	(003000-) Guide	4	
21	64500	(003000-) Ring Wldt, Mtg, Filter	2	
22	70651	(003000-) Ring, Retaining, Ext 1.12	2	
23	21303	(003000-) Seal Kit, Shaker Panel	2	
24	43555	(003000-) Clamp-Wormdrive, 1.62- 3.50D	2	
25	73734	(003000-) Seal, Dust	2	
26	70650	(003000-) Set Screw	2	
27	32009	(003000-) Bar, Shaker Stem	2	
28	39284	(003000-) Screw, Hex, M10 X 1.5 X 35, 8.8	8	
29	32492	(003000-) Washer, Flat, 0.38 Std	8	
30	09028	(003000-) Screw, Hex, M10 X 1.5 X 25, Ss	8	
31	01686	(003000-) Washer, Flat, 0.44b 1.00 .08, Ss	8	
32	09164	(003000-) Screw, Pan, M6 X 1.0 X 20, 4.8	2	
33	08708	(003000-) Nut, Hex, Lock, M6 X 1.0, NI	2	

Fig. 18 - Hopper Pressure Switch Group

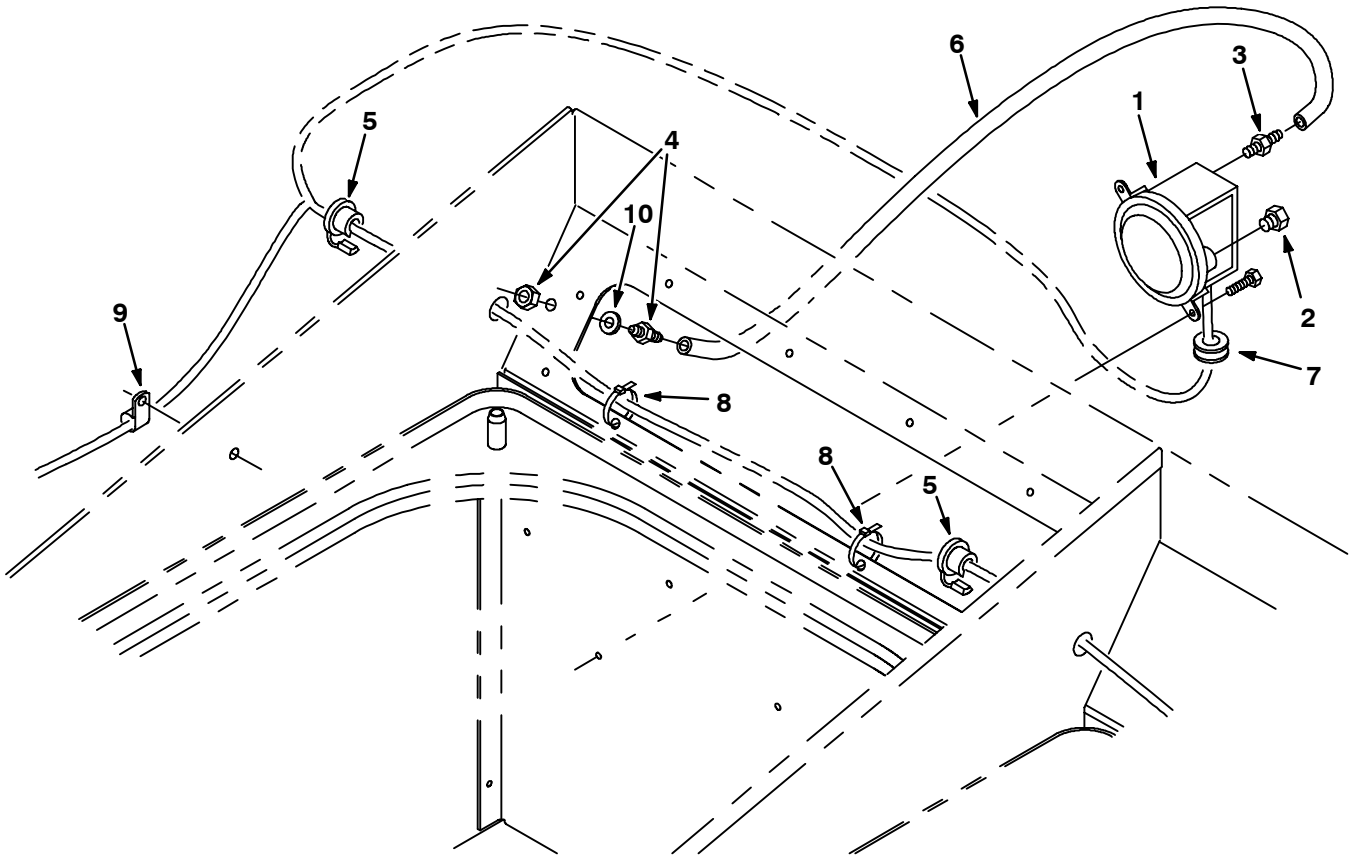


Fig. 18 - Hopper Pressure Switch Group

Ref.	Part No.	Serial Number	Description	Qty.
1	75465	(003000-) Switch, Pressure	1
2	82739	(003000-) Ftg, Breather	1
3	40607	(003000-) Ftg-Brs Str Bm03/Pm02	1
4	39923	(003000-) Ftg,Bulkhead-Barb Wh 1074X4	1
5	34864	(003000-) Strain,Relief	2
6	73727	(003000-) Hose, Vac, Rubber	1
7	10632-4	(003000-) Grommet,Rbr,0.62ld,For .06Matl	1
8	49266	(003000-) Tie, Cable 1.75D Max 7.50Lg	8
9	40678	(003000-) Clamp, Cable, Stl, 0.44d X 0.62w, 1h	2
10	43454	(003000-) Washer	1

Fig. 19 - Engine and Alternator Group (003000-003178)

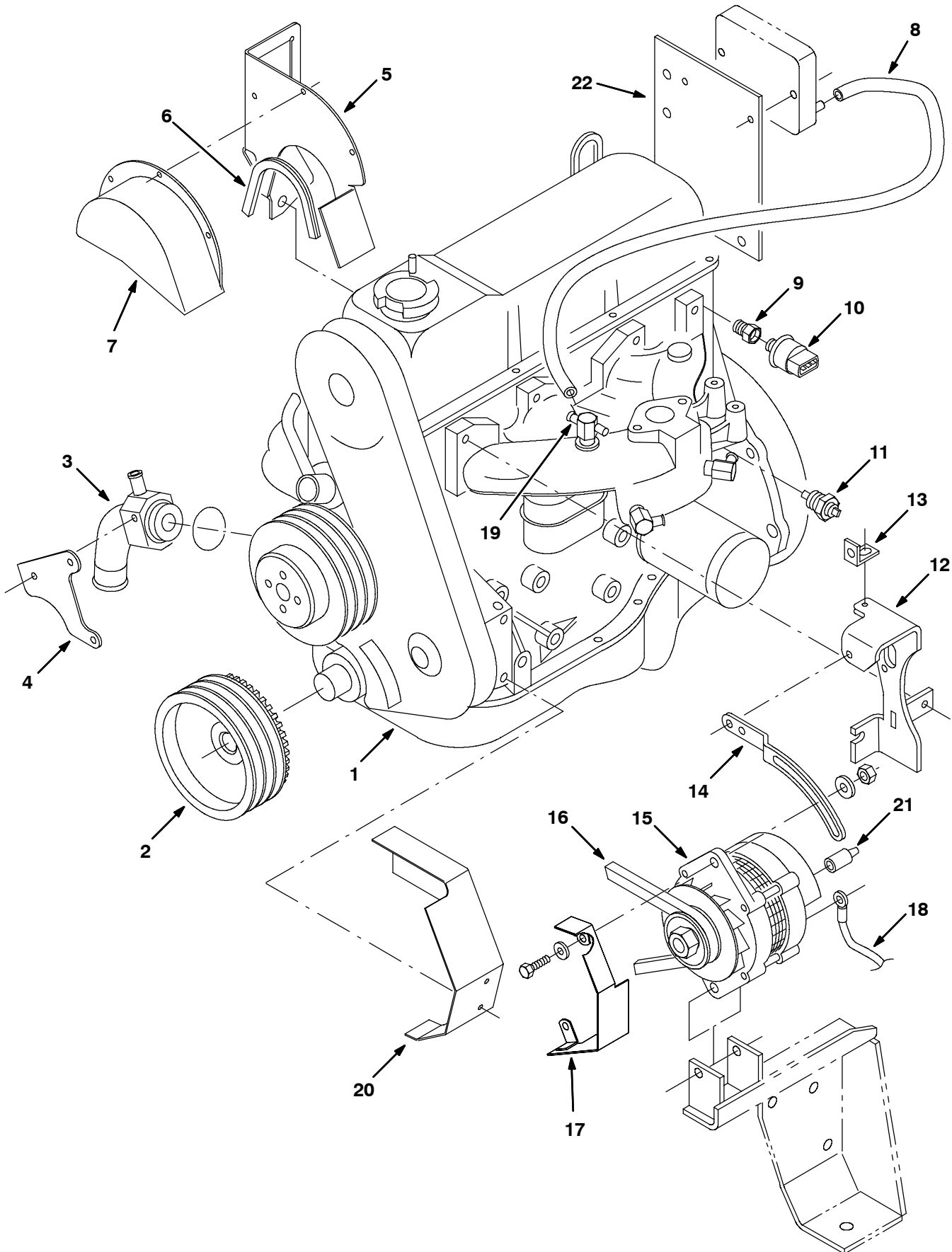


Fig. 19 - Engine and Alternator Group (003000-003178)

Ref.	Part No.	Serial Number	Description	Qty.	
1	83652	(003000-003042)	Engine Purch Kit, Lrg 423 (See 2.3L Engine Bkdn)	1	
1	1044235	(003043-003178)	Engine [Ford, 2.5l Reman] (See 2.5L Engine Brkdn)	1	
2	83664	(003000-003178)	Sheave, Eng Crank,Fd W/Tg 2Gr	1	
3	83729	(003000-003178)	Adaptor, Water Pump Machined	1	
4	83731	(003000-003178)	Plate, Mounting, Water Pump	1	
5	385417	(003000-003178)	Bracket, Mtg, Coil	1	
6	59375	(003000-003178)	Extrusion,.062 Matl10.10Lg	1	
7	21294	(003000-003178)	Cover	1	
8	19774	(003000-003178)	Hose, Vacuum,.16ld X 15.0 Lg	1	
9	17414	(003000-003178)	Ftg-Hyd Str Pm04/Pf02	1	
10	1055106	(003000-003178)	Switch, Press, 0006psi Dpdt	1	
11	36165	(003000-003178)	Send Unit, Temperature	1	
12	83750	(003000-003178)	Bracket Wldt, Alternator Mtg	1	
13	31038	(003000-003178)	Brkt-L,1.2 1.0 .12 .8L2/H&S	1	
14	31526	(003000-003178)	Arm Alternator	1	
▽	15	60559	(003000-003178)	Alternator, 50A/12V Mando	1
▲		61931	(003000-003178)	Regulator	1
▲		86041	(003000-003178)	Bearing,Ball.669B 1.575D .472W	1
▲		61529	(003000-003178)	Brush Kit	1
▲		61531	(003000-003178)	Rectifier	1
▲		70160	(003000-003178)	Pulley, Alternator	1
	16	83692	(003000-003178)	Belt, V, Hc 38-46.375	1
	17	83581	(003000-003178)	Guard	1
	18	82731	(003000-003178)	Wire-Ground, Alternator	1
	19	630094	(003000-003178)	Cap	1
	20	83853	(003000-003178)	Cover Weldt.	1
	21	61363	(003000-003178)	Boot, Str .42ID .12H .25L	2
	22	83747	(003000-003178)	Bracket, Ignition	1

Fig. 20 - Engine Mount Group (003000-003178)

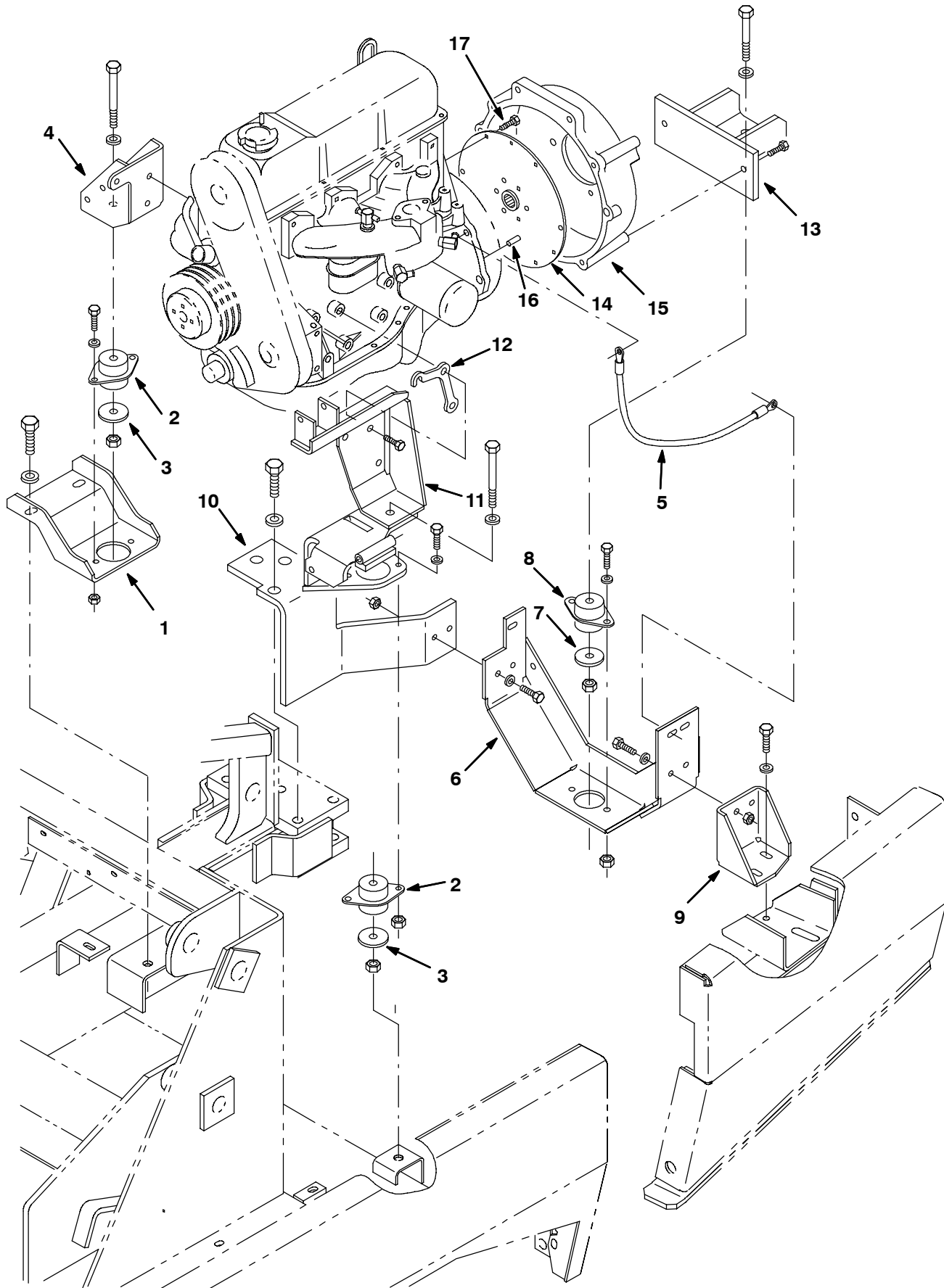


Fig. 20 - Engine Mount Group (003000-003178)

Ref.	Part No.	Serial Number	Description	Qty.
1	83674	(003000-003178)	Bracket, Mtg, Eng, Rh	1
2	63695	(003000-003178)	Isolator, Mounting	2
3	04414	(003000-003178)	Washer, .531B 1.88D .12Hard Zn	2
4	385426	(003000-003178)	Bracket, Eng Mtg Rh	1
5	57773	(003000-003178)	Wire Ass'Y-Elect.,Ground	1
6	77430	(003000-003178)	Bracket, Mounting, Eng, Rear	1
7	57048	(003000-003178)	Washer, .532B 2.13D .11Hr.Znc	1
8	63263	(003000-003178)	Isolator, Mtg	1
9	77434	(003000-003178)	Bracket, Mounting, Eng,Rear Lh	1
10	77435	(003000-003178)	Bracket, Mtg, Eng, Rear	1
11	380598	(003000-003178)	Bracket Wldt, Eng/Alt Mount	1
12	83673	(003000-003178)	Plate, Spacer, Mtg, Eng 2.3Fd	1
13	63535	(003000-003042)	Channel Wldt, Mtg, Engine,Rear	1
13	385412	(003043-003178)	Channel Wldt, Mtg, Engine,Rear	1
14	35980	(003000-003178)	Coupling Flywheel	1
15	83689	(003000-003042)	Housing, Flywheel, Machined 2.3 Lrg	1
15	385433	(003043-003178)	Housing, Flywheel, 2.5 Lrg	1
16	14296	(003043-003178)	Pin, Roll	3
17	375193	(003000-003178)	Screw, Hex, M08 X 1.00 X 16, 10.9	6

Fig. 21 - Engine Group (003179-003999)

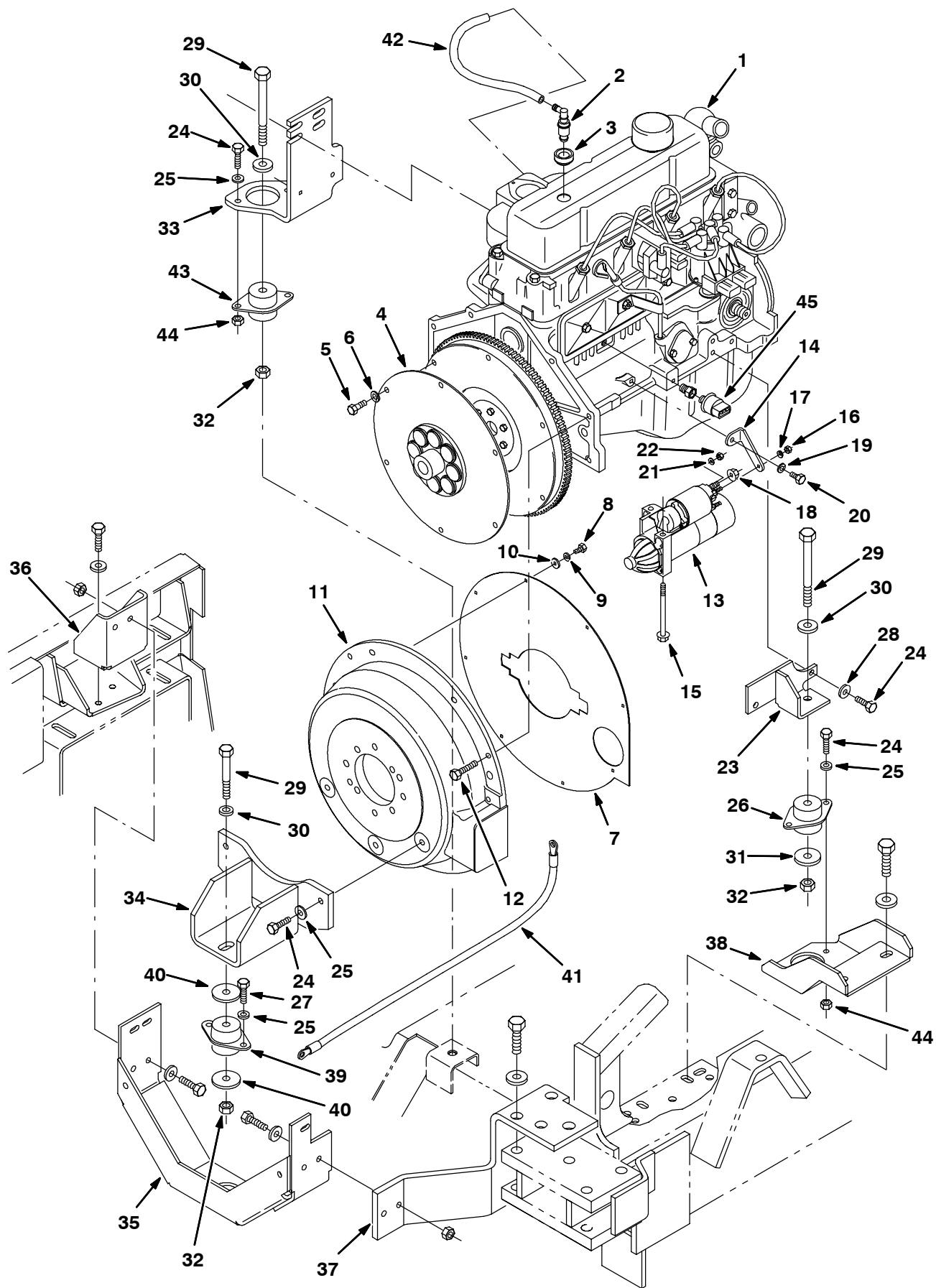


Fig. 21 - Engine Group (003179-003999)

Ref.	Part No.	Serial Number	Description	Qty.
1	392561	(003179-003999)	Engine, Gm, 3.0 Liter, Gas (See GM Engine Breakdown)	1
1	392563	(003179-003999)	Engine, Gm, 3.0 Liter, Lpg (See GM Engine Breakdown)	1
2	393975	(003179-003999)	Valve, [Pcv]	1
3	393984	(003179-003999)	Grommet	1
4	371507	(003179-003999)	Plate, Drive	1
5	371508	(003179-003999)	Bolt, Clutch	6
6	371509	(003179-003999)	Washer, Lock, .38	11
7	371761	(003179-003999)	Shield, Dust	1
8	19315	(003179-003999)	Screw, Hex, .25-20 X 0.50, 5	8
9	371512	(003179-003999)	Washer, Lock, .25	8
10	32483	(003179-003999)	Washer, Flat, .25 Sae	8
11	371762	(003179-003999)	Housing	1
12	55347	(003179-003999)	Screw, Hex, .38-16 X 2.00, FI	1
13	371516	(003179-003999)	Starter	1
14	371517	(003179-003999)	Bracket, Starter	1
15	371518	(003179-003999)	Bolt, Starter	1
16	50335	(003179-003999)	Nut, Hex, Std, M05 X 0.8	2
17	371519	(003179-003999)	Washer, Loc, M5	1
18	07791	(003179-003999)	Nut, Hex, Flng, M08 X 1.25	1
19	393994	(003179-003999)	Washer, Lock, .31	1
20	54396	(003179-003999)	Screw, Hex, .31-18 X 0.75, 5	1
21	371520	(003179-003999)	Washer, Lock, #10	1
22	19311	(003179-003999)	Nut, Hex, Std, #10-24	1
23	392622	(003179-003999)	Bracket, Mtg, Eng, Rh	1
24	21197	(003179-003999)	Screw, Hex, .38-16 X 1.00, 5	8
25	32492	(003179-003999)	Washer, Flat, .38 Std	8
26	63695	(003179-003999)	Isolator, Vib, Flng, 1.3l .5b 2/.39h	1
27	21198	(003179-003999)	Screw, Hex, M08 X 1.25 X 25, 8.8	4
28	32425	(003179-003999)	Washer, Flat, .31 Std	2
29	06972	(003179-003999)	Screw, Hex, M12 X 1.75 X 60, 8.8	4
30	32493	(003179-003999)	Washer, Flat, .50 Std	4
31	04414	(003179-003999)	Washer, 0.53b 1.88d .12, Stl, Pl	3
32	08711	(003179-003999)	Nut, Hex, Lock, M12 X 1.75, NI	4
33	392642	(003179-003999)	Bracket, Mtg, Eng, Lh	1
34	392619	(003179-003999)	Channel Wldt, Mtg, Eng, Rear	1
35	77430	(003179-003999)	Bracket, Mounting, Eng, Rear	1
36	77434	(003179-003999)	Bracket, Mounting, Eng, Rear Lh	1
37	77435	(003179-003999)	Bracket, Mtg, Eng, Rear	1
38	83674	(003179-003999)	Bracket, Mtg, Eng, Rh	1
39	63263	(003179-003999)	Isolator, Mtg	1
40	57048	(003179-003999)	Washer, .532B 2.13D .11Hr.Znc	2
41	57773	(003179-003999)	Wire Ass'Y-Elect., Ground	1
42	393973	(003179-003999)	Hose, [Pcv]	1
43	75768	(003179-003999)	Isolator, Vib, Flng, 2.0l .5b 2/.41h	1
44	50902	(003179-003999)	Nut, Hex, Lock, .38-16, NI	4
45	371572	(003179-003999)	Sending unit, Oil Press	1

Fig. 22 - Engine Group (004000-004499)

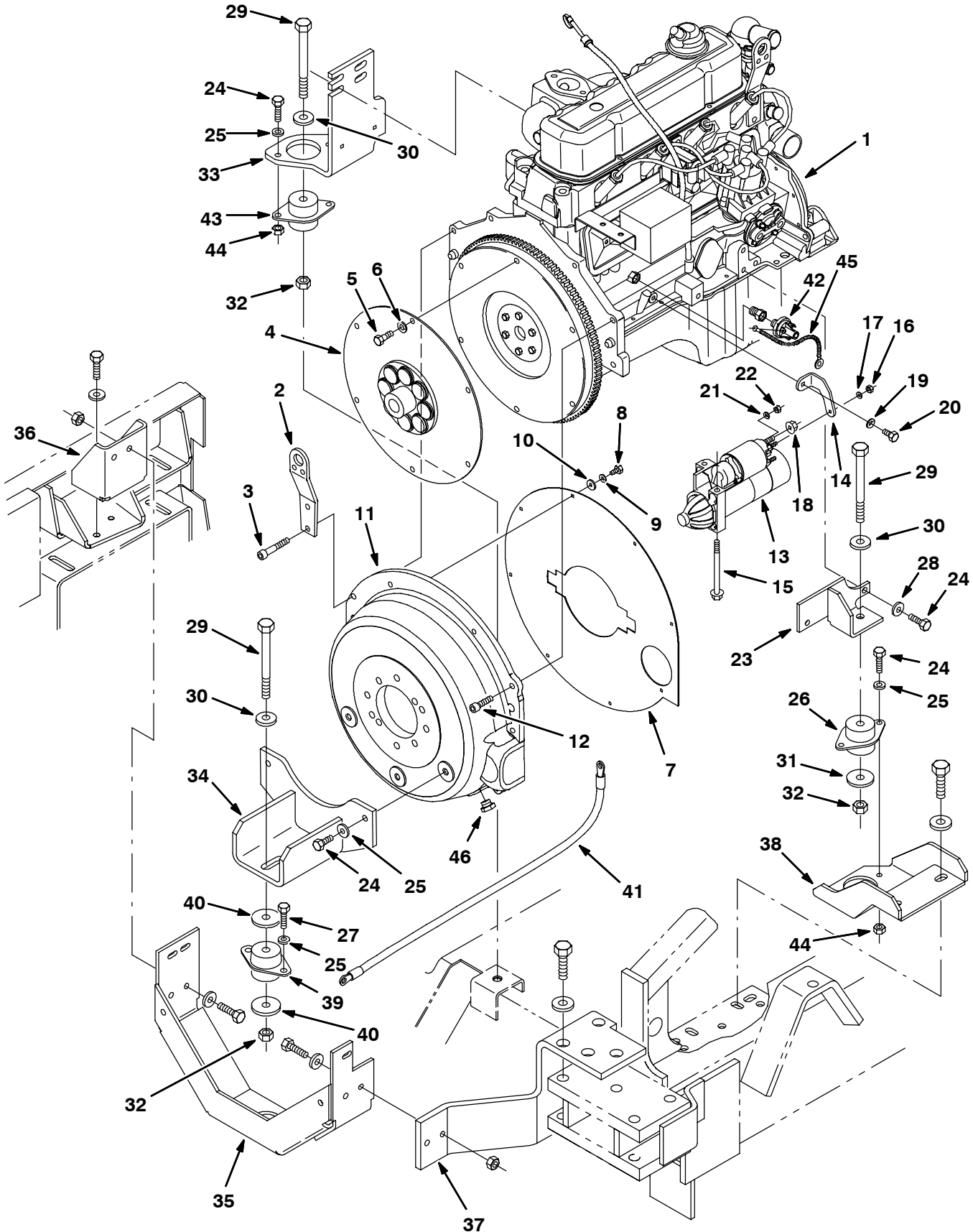


Fig. 22 - Engine Group (004000-004499)

Ref.	Part No.	Serial Number	Description	Qty.
1	1012719	(004000-004499)	Engine Assy, Gas, Clsd Loop [Gm, 3.0] (See GM Engine Breakdown)	1
1	1012720	(004000-004499)	Engine Assy, LPG, Clsd Loop [Gm, 3.0] (See GM Engine Breakdown)	1
2	372457	(004000-004499)	Bolt, Eye, Lift	1
3	372479	(004000-004499)	Screw, Soc, .38-16 X 2.25, G5	1
4	372456	(004000-004499)	Plate, Drive	1
5	371508	(004000-004499)	Bolt, Clutch	6
6	371509	(004000-004499)	Washer, Lock, .38	11
7	371761	(004000-004499)	Shield, Dust	1
8	19315	(004000-004499)	Screw, Hex, .25-20 X 0.50, 5	8
9	371512	(004000-004499)	Washer, Lock, .25	8
10	32483	(004000-004499)	Washer, Flat, .25 Sae	8
11	372458	(004000-004499)	Housing	1
12	10831	(004000-004499)	Screw, Soc, .38-16 X 1.25, Al	5
13	371516	(004000-004499)	Starter	1
14	372473	(004000-004499)	Bracket, Starter	1
15	371518	(004000-004499)	Bolt, Starter	1
16	50335	(004000-004499)	Nut, Hex, Std, M05 X 0.8	2
17	371519	(004000-004499)	Washer, Loc, M5	1
18	07791	(004000-004499)	Nut, Hex, Flng, M08 X 1.25	1
19	393994	(004000-004499)	Washer, Lock, .31	1
20	54396	(004000-004499)	Screw, Hex, .31-18 X 0.75, 5	1
21	371520	(004000-004499)	Washer, Lock, #10	1
22	19311	(004000-004499)	Nut, Hex, Std, #10-24	1
23	392622	(004000-004499)	Bracket, Mtg, Eng, Rh	1
24	21197	(004000-004499)	Screw, Hex, .38-16 X 1.00, 5	8
25	32492	(004000-004499)	Washer, Flat, .38 Std	8
26	63695	(004000-004499)	Isolator, Vib, Flng, 1.3l .5b 2/.39h	1
27	21198	(004000-004499)	Screw, Hex, M08 X 1.25 X 25, 8.8	4
28	32425	(004000-004499)	Washer, Flat, .31 Std	2
29	06972	(004000-004499)	Screw, Hex, M12 X 1.75 X 60, 8.8	4
30	32493	(004000-004499)	Washer, Flat, .50 Std	4
31	04414	(004000-004499)	Washer, 0.53b 1.88d .12, Stl, Pl	3
32	08711	(004000-004499)	Nut, Hex, Lock, M12 X 1.75, NI	4
33	392642	(004000-004499)	Bracket, Mtg, Eng, Lh	1
34	1014411	(004000-004499)	Channel Wldt, Mtg, Eng, Rear	1
35	77430	(004000-004499)	Bracket, Mounting, Eng, Rear	1
36	77434	(004000-004499)	Bracket, Mounting, Eng, Rear Lh	1
37	77435	(004000-004499)	Bracket, Mtg, Eng, Rear	1
38	83674	(004000-004499)	Bracket, Mtg, Eng, Rh	1
39	63263	(004000-004499)	Isolator, Mtg	1
40	57048	(004000-004499)	Washer, .532B 2.13D .11Hr.Znc	2
41	57773	(004000-004499)	Wire Ass'Y-Elect.,Ground	1
42	372445	(004000-004499)	Sending unit, Oil Press	1
43	75768	(004000-004499)	Isolator, Vib, Flng, 2.0l .5b 2/.41h	1
44	50902	(004000-004499)	Nut, Hex, Lock, .38-16, NI	4
45	372474	(004000-004499)	Harness, Switch, Oil Press, Ground Wire	1
46	1018573	(004000-004499)	Screw, Hex, .62-18 X 0.31	1

Fig. 23 - Engine Group (004500-)

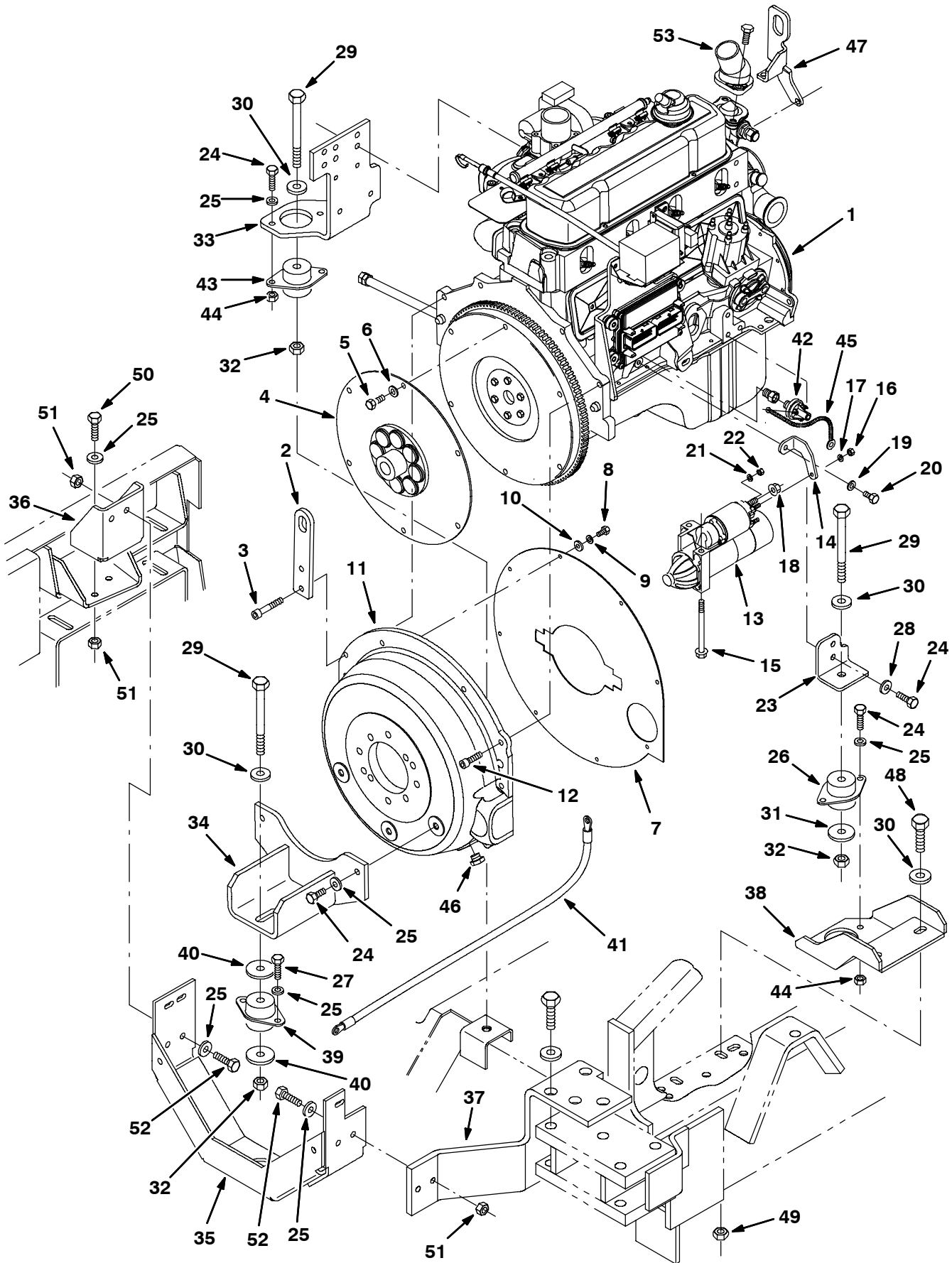


Fig. 23 - Engine Group (004500-)

Ref.	Part No.	Serial Number	Description	Qty.
1	385019	(004500-)	Engine, Block, Long [Gm3.0l] (See GM Engine Break-down)	1
2	1034105	(004500-)	Hook, Lift [Gm3.0l 2007]	1
3	372479	(004500-)	Screw, Soc, .38-16 X 2.25, G5	1
4	372456	(004500-)	Plate, Drive	1
5	371508	(004500-)	Bolt, Clutch	6
6	371509	(004500-)	Washer, Lock, .38	11
7	371761	(004500-)	Shield, Dust	1
8	19315	(004500-)	Screw, Hex, .25-20 X 0.50, 5	8
9	371512	(004500-)	Washer, Lock, .25	8
10	32483	(004500-)	Washer, Flat, .25 Sae	8
11	372458	(004500-)	Housing	1
12	10831	(004500-)	Screw, Soc, .38-16 X 1.25, Al	5
13	371516	(004500-)	Starter	1
14	372473	(004500-)	Bracket, Starter	1
15	371518	(004500-)	Bolt, Starter	1
16	50335	(004500-)	Nut, Hex, Std, M05 X 0.8	2
17	371519	(004500-)	Washer, Loc, M5	1
18	07791	(004500-)	Nut, Hex, Flng, M08 X 1.25	1
19	393994	(004500-)	Washer, Lock, .31	1
20	54396	(004500-)	Screw, Hex, .31-18 X 0.75, 5	1
21	371520	(004500-)	Washer, Lock, #10	1
22	19311	(004500-)	Nut, Hex, Std, #10-24	1
23	1029375	(004500-)	Bracket, Mtg, Eng, Rh	1
24	21197	(004500-)	Screw, Hex, .38-16 X 1.00, 5	8
25	32492	(004500-)	Washer, Flat, .38 Std	11
26	63695	(004500-)	Isolator, Vib, Flng, 1.3l .5b 2/.39h	1
27	21198	(004500-)	Screw, Hex, M08 X 1.25 X 25, 8.8	4
28	32425	(004500-)	Washer, Flat, .31 Std	2
29	06972	(004500-)	Screw, Hex, M12 X 1.75 X 60, 8.8	4
30	32493	(004500-)	Washer, Flat, .50 Std	6
31	04414	(004500-)	Washer, 0.53b 1.88d .12, Stl, Pl	3
32	08711	(004500-)	Nut, Hex, Lock, M12 X 1.75, NI	4
33	1031961	(004500-)	Bracket, Mtg, Eng, Lh	1
34	1014411	(004500-)	Channel Wldt, Mtg, Eng, Rear	1
35	77430	(004500-)	Bracket, Mounting, Eng, Rear	1
36	77434	(004500-)	Bracket, Mounting, Eng, Rear Lh	1
37	77435	(004500-)	Bracket, Mtg, Eng, Rear	1
38	83674	(004500-)	Bracket, Mtg, Eng, Rh	1
39	63263	(004500-)	Isolator, Mtg	1
40	57048	(004500-)	Washer, .532B 2.13D .11Hr.Znc	2
41	57773	(004500-)	Wire Ass'Y-Elect., Ground	1
42	372445	(004500-)	Sending unit, Oil Press	1
43	75768	(004500-)	Isolator, Vib, Flng, 2.0l .5b 2/.41h	1
44	50902	(004500-)	Nut, Hex, Lock, .38-16, NI	4

Fig. 23 - Engine Group (004500-)

Ref.	Part No.	Serial Number	Description	Qty.
45	372474	(004500-) Harness, Switch, Oil Press, Ground Wire	1
46	1018573	(004500-) Screw, Hex, .62-18 X 0.31	1
47	1029334	(004500-) Hook, Lift [Gm3.0l 2007]	1
48	06968	(004500-) Screw, Hex, M12 X 1.75 X 35, 8.8	2
49	08711	(004500-) Nut, Hex, Lock, M12 X 1.75,NI	2
50	03192	(004500-) Screw, Hex, M10 X 1.5 X 30, 8.8	2
51	41430	(004500-) Nut, Hex, Lock, M10 X 1.5, NI	6
52	39284	(004500-) Screw, Hex, M10 X 1.5 X 35, 8.8	4
53	1030272	(004500-) Thermostat Housing [Gm3.0l 2007]	1

Fig. 24 - Engine Alternator Group (003179-003999)

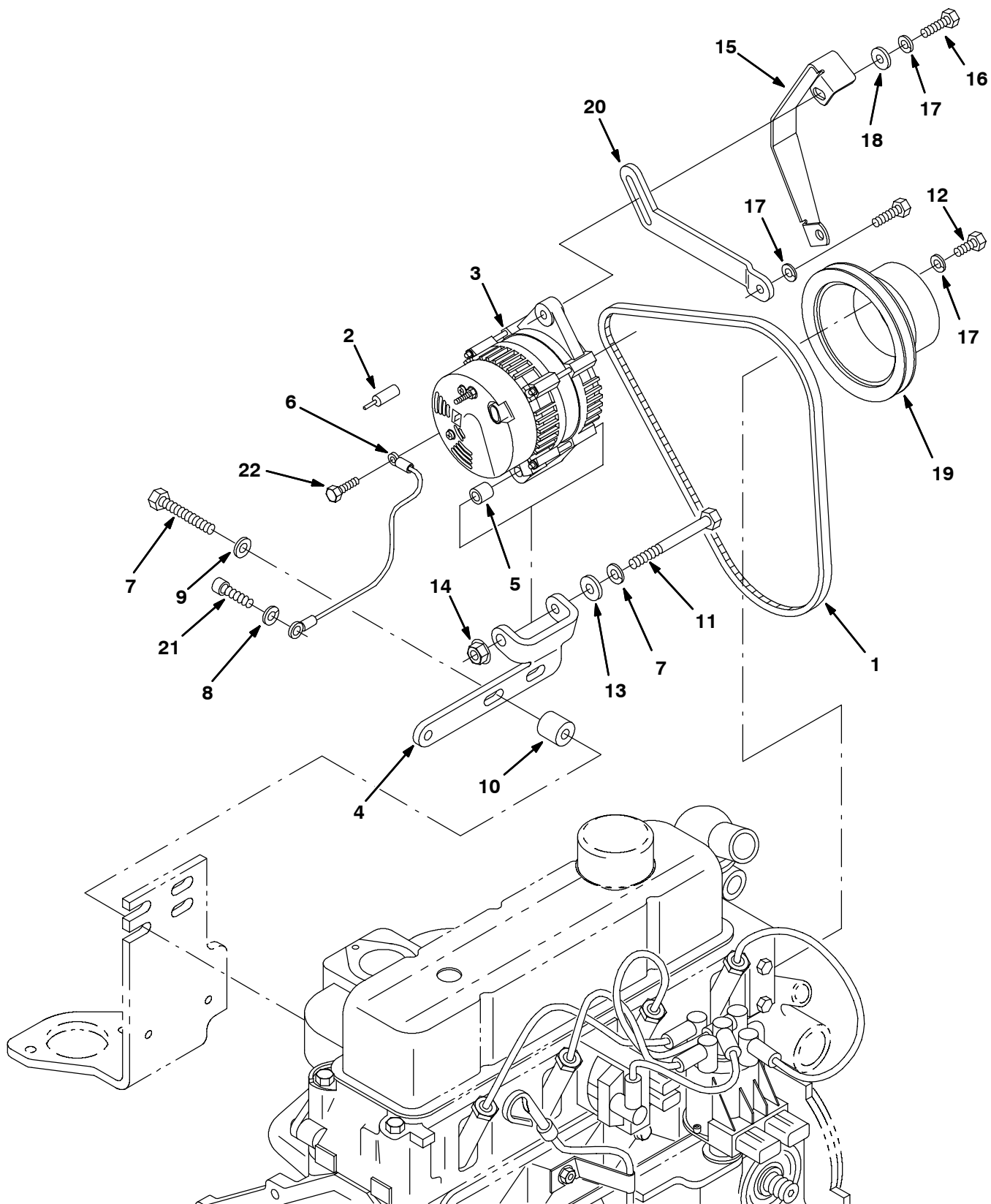


Fig. 24 - Engine Alternator Group (003179-003999)

Ref.	Part No.	Serial Number	Description	Qty.
1	64899	(003179-003999)	Belt, V, [3v] 40.0l, 1only [Hc38]	1
2	61363	(003179-003999)	Boot, Str 0.42id .12h 0.25l	1
3	392611	(003179-003999)	Alternator, 12vdc, 075a [Valeo]	1
4	1008094	(003179-003999)	Bracket, Alternator	1
5	371526	(003179-003999)	Sleeve, Alternator	1
6	371527	(003179-003999)	Wire, Ground	1
7	371509	(003179-003999)	Washer, Lock, .38	2
8	27991	(003179-003999)	Screw, Hex, .38-16 X 2.25, 5	2
9	32492	(003179-003999)	Washer, Flat, .38 Std	2
10	35756	(003179-003999)	Tube, 01.00d 00.50b 01.0l Stl Pnt	2
11	371529	(003179-003999)	Screw, .38-24 X 4.0	1
12	07592	(003179-003999)	Screw, Hex, .31-24 X 0.75, 5	4
13	32485	(003179-003999)	Washer, Flat, .38 Sae	1
14	371528	(003179-003999)	Nut, Flanged, .38-24	1
15	83581	(003179-003999)	Guard, Belt, Alternator	1
16	76956	(003179-003999)	Screw, Hex, .31-18 X 1.25, 5	1
17	393994	(003179-003999)	Washer, Lock, .31	6
18	32491	(003179-003999)	Washer, Flat, .31 Std	1
19	393998	(003179-003999)	Pulley, Fan	1
20	1007162	(003179-003999)	Arm, Alternator	1
21	371770	(003179-003999)	Screw	1
22	42011	(003179-003999)	Screw	1

Fig. 25 - Engine Alternator Group (004000-004499)

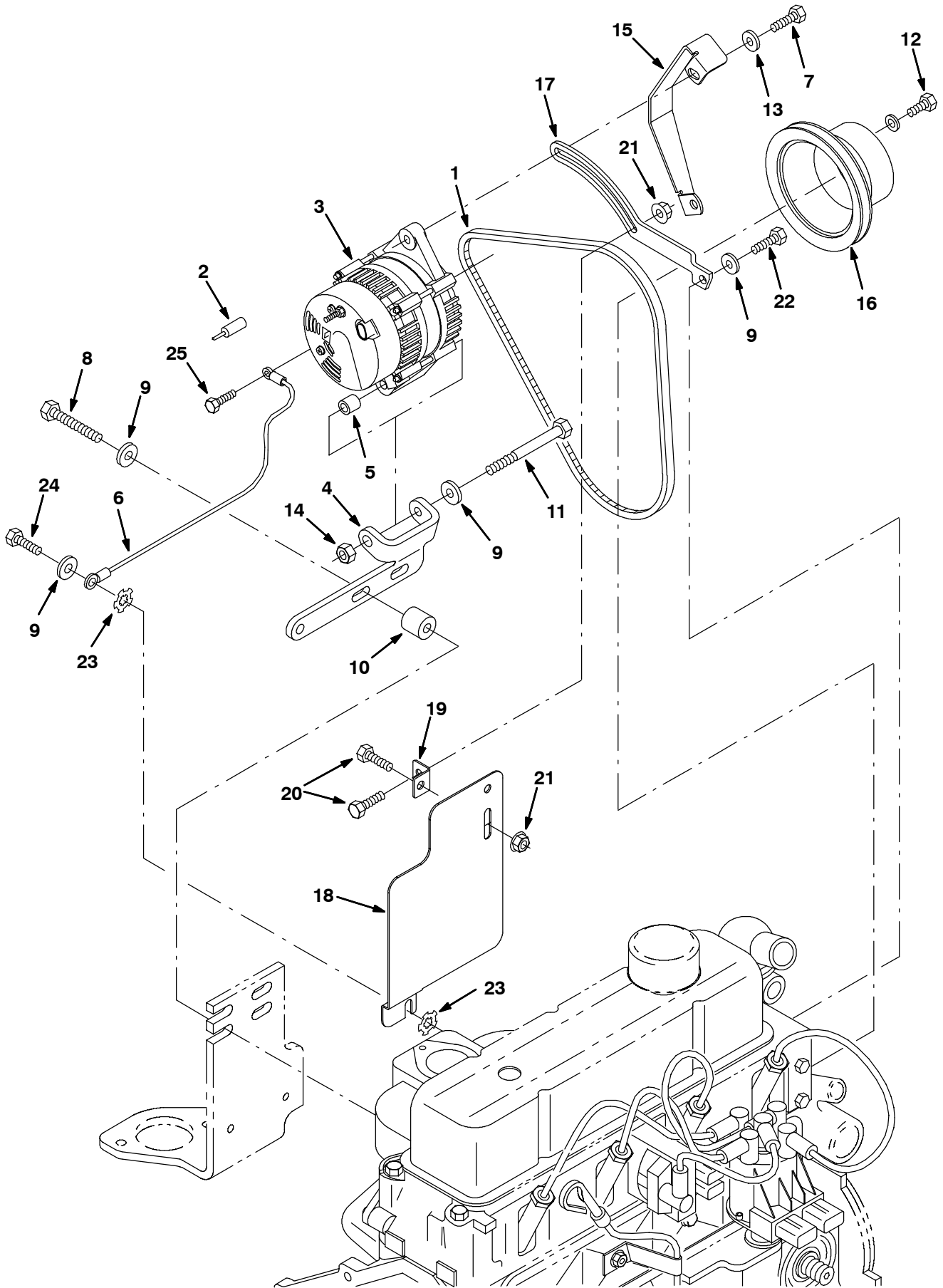


Fig. 25 - Engine Alternator Group (004000-004499)

Ref.	Part No.	Serial Number	Description	Qty.
1	393227	(004000-004499)	Belt, V, [3v] 39.6l [Hc41]	1
2	61363	(004000-004499)	Boot, Str 0.42id .12h 0.25l	1
3	392611	(004000-004499)	Alternator, 12vdc, 075a [Valeo]	1
4	1008094	(004000-004499)	Bracket, Alternator	1
5	371526	(004000-004499)	Sleeve, Alternator	1
6	371527	(004000-004499)	Wire, Ground	1
7	76955	(004000-004499)	Screw, Hex, .31-18 X 1.00, 5	1
8	27991	(004000-004499)	Screw, Hex, .38-16 X 2.25, 5	2
9	32485	(004000-004499)	Washer, Flat, 0.38 Sae	5
10	35756	(004000-004499)	Tube, 01.00d 00.50b 01.0l Stl Pnt	2
11	20177	(004000-004499)	Screw, Hex, .38-16 X 4.00, 5	1
12	07592	(004000-004499)	Screw, Hex, .31-24 X 0.75, 5	4
13	41186	(004000-004499)	Washer, Belleville, .31	1
14	50902	(004000-004499)	Nut, Hex, Lock, .38-16, NI	1
15	83581	(004000-004499)	Guard, Belt, Alternator	1
16	393998	(004000-004499)	Pulley, Fan	1
17	1007162	(004000-004499)	Arm, Adj, Alternator	1
18	1019513	(004000-004499)	Plate, Shield, Heat	1
19	1008513	(004000-004499)	Angle, Heat, Shield	1
20	16735	(004000-004499)	Screw, Hex, M8 X 1.25 X 16, 8.8	2
21	07791	(004000-004499)	Nut, Hex, Flng, M8 X 1.25	2
22	21195	(004000-004499)	Screw, Hex, .38-16 X 0.75, 5	1
23	41142	(004000-004499)	Washer, Lock, Int-ext, .38	2
24	21197	(004000-004499)	Screw, Hex, .38-16 X 1.00, 5	1
25	42011	(004000-004499)	Screw, Hex, #10-24 X 0.50, Ss	1

Fig. 26 - Engine Alternator Group (004500-)

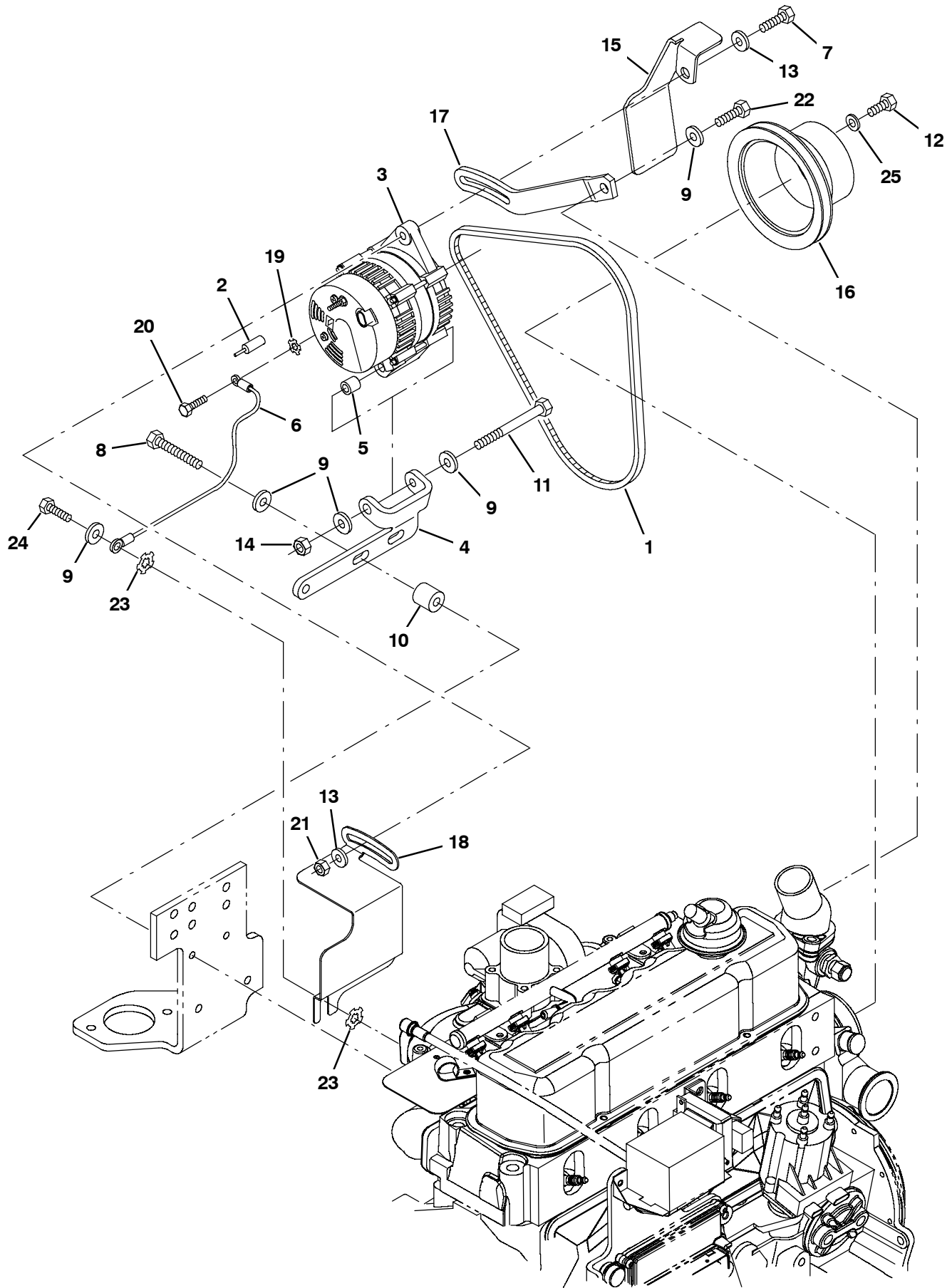


Fig. 26 - Engine Alternator Group (004500-)

Ref.	Part No.	Serial Number	Description	Qty.
1	393227	(004500-) Belt, V, [3v] 39.6l [Hc41]	1
2	61363	(004500-) Boot, Str 0.42id .12h 0.25l	1
3	392611	(004500-) Alternator, 12vdc, 075a [Valeo]	1
4	1008094	(004500-) Bracket, Alternator	1
5	371526	(004500-) Sleeve, Alternator	1
6	371527	(004500-) Wire, Ground	1
7	76955	(004500-) Screw, Hex, .31-18 X 1.00, 5	1
8	27991	(004500-) Screw, Hex, .38-16 X 2.25, 5	2
9	32485	(004500-) Washer, Flat, 0.38 Sae	6
10	35756	(004500-) Tube, 01.00d 00.50b 01.0l Stl Pnt	2
11	20177	(004500-) Screw, Hex, .38-16 X 4.00, 5	1
12	07592	(004500-) Screw, Hex, .31-24 X 0.75, 5	4
13	41186	(004500-) Washer, Belleville, .31	2
14	50902	(004500-) Nut, Hex, Lock, .38-16, NI	1
15	1008538	(004500-) Bracket, Guard, Alternator, Hd [Gm3.0l]	1
16	393998	(004500-) Pulley, Fan	1
17	1029649	(004500-) Arm, Adjmt, Alternator	1
18	1030635	(004500-) Shield, Heat, Alternator [2007]	1
19	32980	(004500-) Washer, Lock, Int, #10	1
20	42011	(004500-) Screw, Hex, #10-24 X 0.50, Ss	1
21	07791	(004500-) Nut, Hex, Flng, M8 X 1.25	1
22	21195	(004500-) Screw, Hex, .38-16 X 0.75, 5	1
23	41142	(004500-) Washer, Lock, Int-ext, .38	2
24	21197	(004500-) Screw, Hex, .38-16 X 1.00, 5	1
25	371865	(004500-) Washer, Flat, 0.31, Hardened	4

Fig. 27 - Engine Oil Filter and Drain Group (003179-)

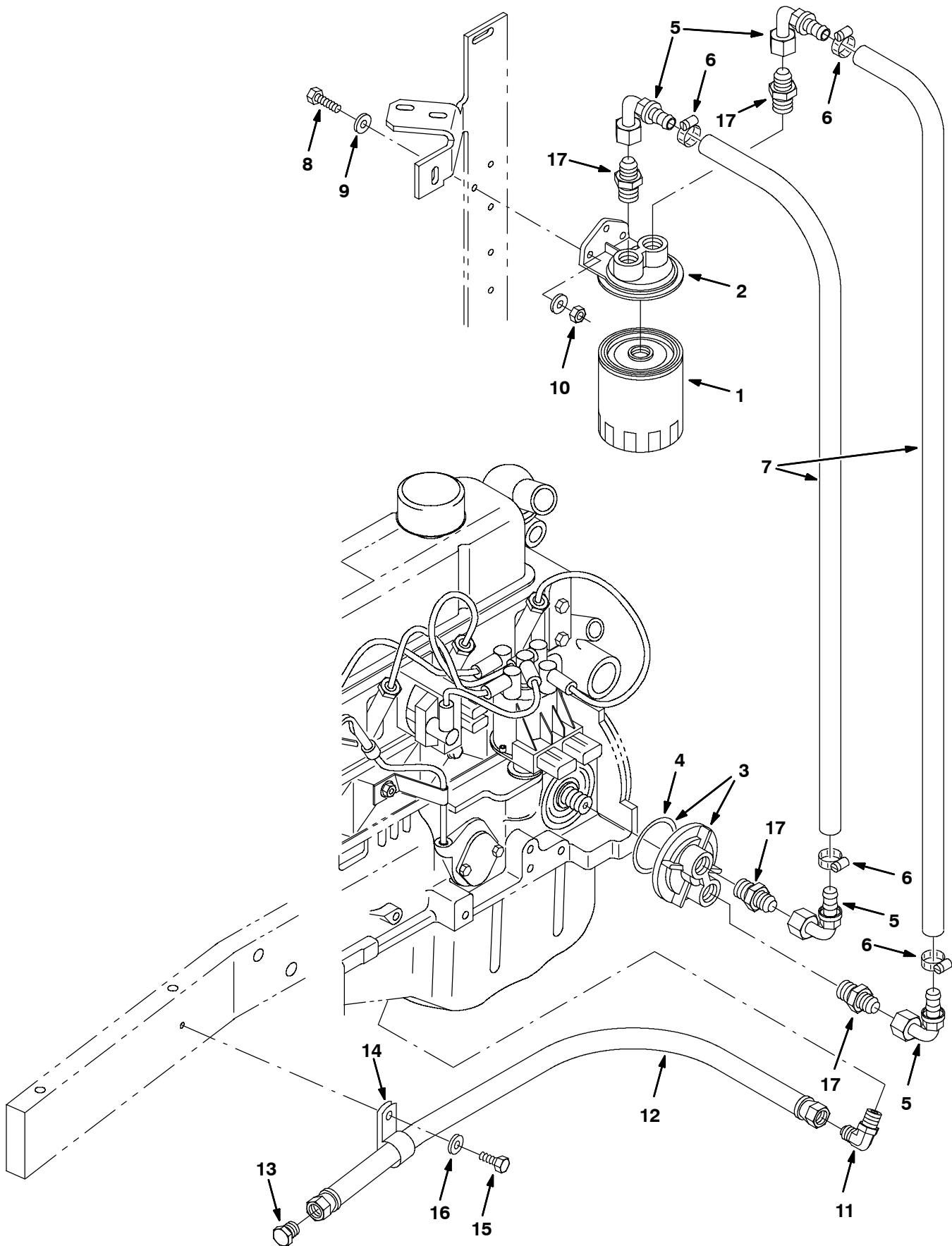


Fig. 27 - Engine Oil Filter and Drain Group (003179-)

Ref.	Part No.	Serial Number	Description	Qty.
	1	393982	(003179-) Filter, Oil	1
	2	371503	(003179-) Mount, Filter, Remote	1
▽	3	371504	(003179-) Adaptor, Filter, Remote	1
▲	4	1032382	(003179-) Seal, Org, .139 X 03.109 Id	1
	5	371500	(003179-) Fitting, 90 Deg	4
	6	11399	(003179-) Clamp, Hose, Wormdrive, 0.81-1.50d	4
	7	371502	(003179-) Hose, .50	2
	8	25046	(004937-) Screw, Hex, .25-20 X 1.00, 5	2
	9	19066	(004937-) Washer, Flat, #10	2
	10	32981	(004937-) Nut, Hex, Lock, .25-20, NI	2
	11	49934	(003179-) Fitting, Hyd, E90, Pm06/Jm06	1
	12	76762	(003179-) Hose, Hyd,Low06, Jf06str /Jf06str , 26.0	1
	13	19747	(003179-) Fitting, Hyd, Plug, Jm06	1
	14	58366	(003179-) Clamp, Cable, Stl, 1.25d X 1.00w, 1h	1
	15	12273	(003179-) Screw, Hex, M8 X 1.25 X 20, Ss, NI	1
	16	01685	(003179-) Washer, Flat, 0.38 Ss	1
	17	371505	(003179-) Fitting	4

Fig. 28 - Engine Carburetor and Governor Group, Gasoline (003000-003178)

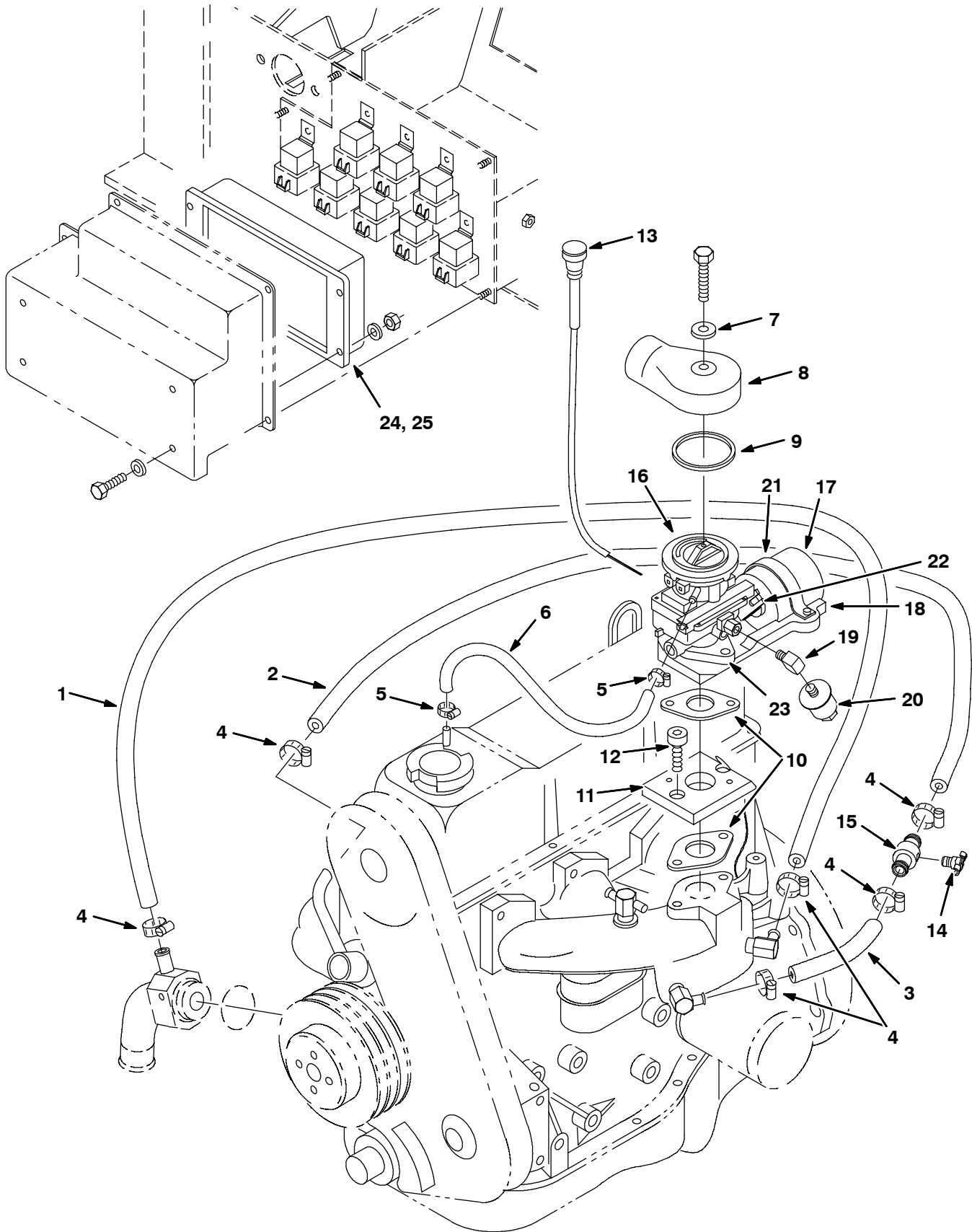


Fig. 28 - Engine Carburetor and Governor Group, Gasoline (003000-003178)

Ref.	Part No.	Serial Number	Description	Qty.
1	30389	(003000-003178)	Hose, Heater .62ldx53.0Lg	1
2	13048	(003000-003178)	Hose, .62 Id X 38. Lng Heater	1
3	60762	(003000-003178)	Hose, Heater .62 Id X 15.0Lg	1
4	63810	(003000-003178)	Clamp-Wormdrive, 0.56- 1.06D	6
5	43844	(003000-003178)	Clamp-Wormdrive, 0.25- 0.62D	2
6	70876	(003000-003069)	Hose, Rubber.38ldx.62Od 21.0Lg	1
6	375718	(003070-003178)	Hose, Rubber	1
7	24924	(003000-003178)	Washer, .281B .62D .06Nylon	1
8	57934	(003000-003178)	Adaptor, Elbow, Carb, Gas	1
9	16738	(003000-003178)	Gasket, Carburetor Air Horn	1
10	74443	(003000-003178)	Gasket, Carb To Engine	2
11	83686	(003000-003178)	Adapter, Carburetor, Ford 2.3	1
12	33951	(003000-003178)	Scr Soc M6x1.0 20	2
13	47313A	(003000-003178)	Cable Assy, Choke 67.00Lg	1
14	83580	(003000-003178)	Fitting, Brass Drain Cock	1
15	83578	(003000-003178)	Tube, Air Bleed	1
▽	83678	(003000-003069)	Governor and Control Unit Assy, Gas	1
▲▽	83639	(003000-003069)	Governor Assy, Gas	1
▲▲	16 78897	(003000-003069)	Carburetor, Gas	1
▲▲	17 83683	(003000-003069)	Actuator-Lh, Governor	1
▲▲	18 83682	(003000-003069)	Bracket-Mtg, Governor	1
▲▲	19 11984	(003000-003069)	Ftg, El90 Npt/02Pf-02Pm	1
▲▲	20 36050	(003000-003069)	Filter, Fuel	1
▲▲	21 83685	(003000-003069)	Strap, Mounting	1
▲▲	22 83684	(003000-003069)	Linkage Kit, Governor	1
▲▲	23 74443	(003000-003069)	Gasket, Carb To Engine	1
▲▽	24 83758	(003000-003069)	Control Unit, Gov.	1
▲▲	374625	(003000-003069)	Plug, Control Box	2
▽	385415	(003070-003178)	Governor and Control Unit Assy, Gas	1
▲▽	83639	(003070-003178)	Governor Assy, Gas	1
▲▲	16 385414	(003070-003178)	Carburetor, Gas	1
▲▲	17 83683	(003070-003178)	Actuator-Lh, Governor	1
▲▲	18 83682	(003070-003178)	Bracket-Mtg, Governor	1
▲▲	19 11984	(003070-003178)	Ftg, El90 Npt/02Pf-02Pm	1
▲▲	20 36050	(003070-003178)	Filter, Fuel	1
▲▲	21 83685	(003070-003178)	Strap, Mounting	1
▲▲	22 83684	(003070-003178)	Linkage Kit, Governor	1
▲▲	23 74443	(003070-003178)	Gasket, Carb To Engine	1
▲▲	24 374127	(xxxxxx-003178)	Kit, Replmt, Control, Govnr, [All Purps]	1
▽	25 1040835	(003070- xxxxxx)	Control, Govnr [All Purpose]	1
▲	374625	(003070- xxxxxx)	Plug, Control Box	2

STANDARD PARTS

Fig. 29 - Engine Electronic Fuel Ignition Group, Gas (003179-003999)

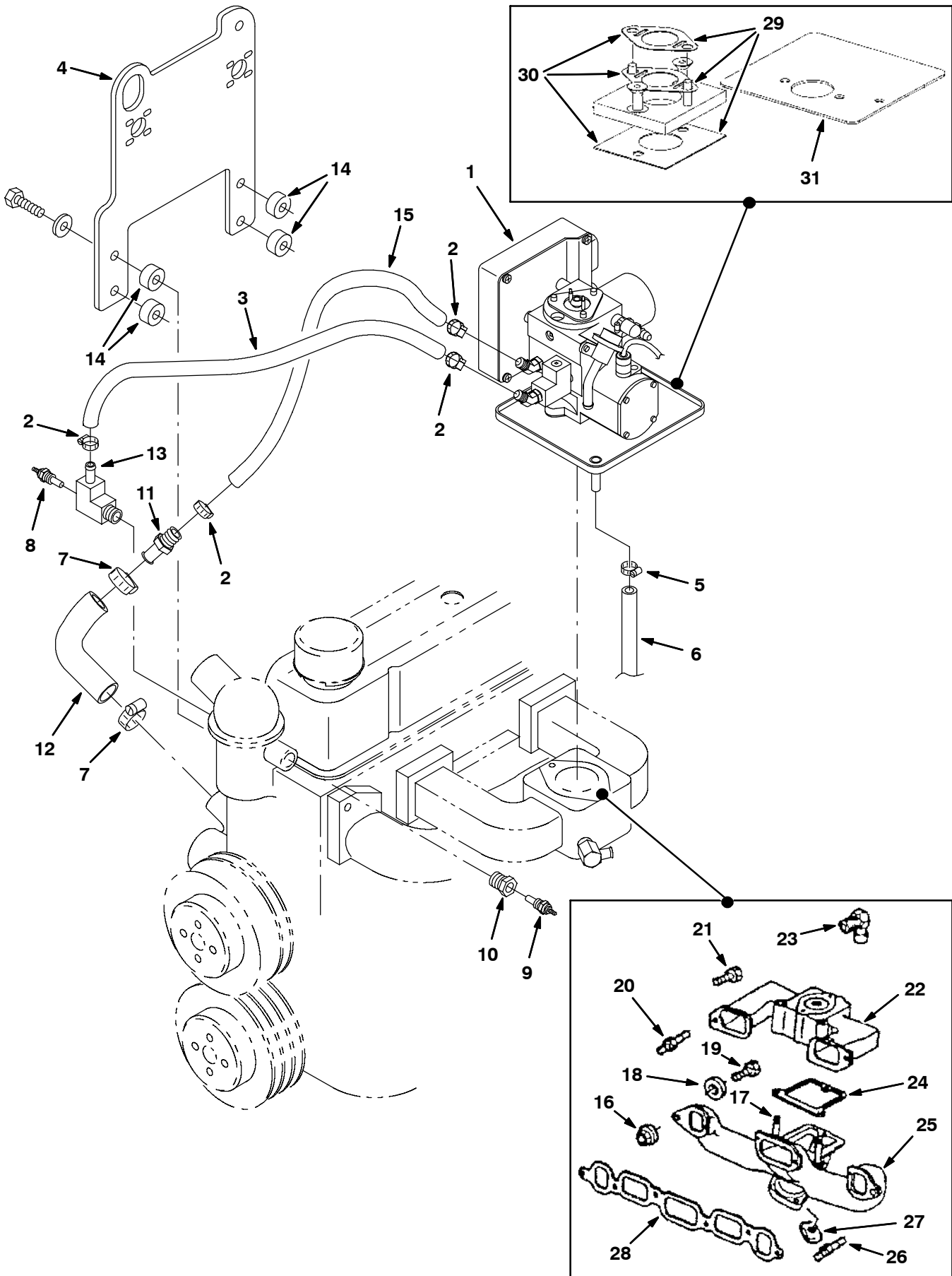


Fig. 29 - Engine Electronic Fuel Ignition Group, Gas (003179-003999)

Ref.	Part No.	Serial Number	Description	Qty.	
1	371896	(003179-003999)	Housing Assy, Throttle, Gas, [With Ecu] (See Breakdowns)	1	
1	371897	(003179-003999)	Housing Assy, Throttle, Gas, [Without Ecu] (See Breakdowns)	1	
2	371538	(003179-003999)	Clamp	5	
3	371532	(003179-003999)	Hose, Heater, 0.38id	1	
4	392570	(003179-003999)	Plate	1	
5	86824	(003179-003999)	Clamp, Hose, Wormdrive, 0.50-1.06d	1	
6	16387	(003179-003999)	Hose, Fuel, 0.50id 52.0l	1	
7	11399	(003179-003999)	Clamp, Hose, Wormdrive, 0.81-1.50d	2	
8	371764	(003179-003999)	Sensor, Temp, Water	1	
9	36165	(003179-003999)	Send-unit, Water, Temperature, .38npt	1	
10	47167	(003179-003999)	Fitting, Brs, Str, Pm08/Pf06	1	
11	371763	(003179-003999)	Fitting, Hose	1	
12	371765	(003179-003999)	Hose	1	
13	371766	(003179-003999)	Fitting, Elbow	1	
14	371767	(003179-003999)	Spacer	4	
15	769808	(003179-003999)	Hose, Heater, 0.38id x 18.0 L	1	
16	393905	(003179-003999)	Nut	8	
17	393906	(003179-003999)	Stud	2	
18	393907	(003179-003999)	Washer	-	
19	393898	(003179-003999)	Bolt	3	
20	393908	(003179-003999)	Stud	1	
21	393909	(003179-003999)	Bolt	-	
22	393910	(003179-003999)	Manifold, Intake	1	
23	393911	(003179-003999)	Fitting	1	
24	393912	(003179-003999)	Gasket	1	
25	393913	(003179-003999)	Manifold, Exhaust	1	
26	393914	(003179-003999)	Stud	2	
27	393915	(003179-003999)	Clamp	4	
28	393916	(003179-003999)	Gasket	1	
▽	29	371646	(003179-003999)	Kit, Adaptor, Manifold	1
▲	30	371647	(003179-003999)	Kit, Gasket, Manifold	1
	31	371658	(003179-003999)	Shield, Heat	1

Fig. 30 - Engine Electronic Fuel Ignition Group, Gas (004000-004499)

Ref.	Part No.	Serial Number	Description	Qty.
1	372860	(004000-004499)	Module, Ecu, Gas [Gm 3.0]	1
2	372891	(004000-004499)	Sensor, Temp, Coolant	1
3	372472	(004000-004499)	Sensor, Temp	1
4	372483	(004000-004499)	Valve, [Pcv]	1
5	372489	(004000-004499)	Hose, 9.5mm X 450mm [Pcv]	1
6	1013350	(004000-004499)	Tray Wldt, Drip, Gas [3.0]	1
7	372490	(004000-004499)	Gasket, Carb	1
8	372466	(004000-004499)	Stud, .38-16 X 1.2	2
9	63810	(004000-004499)	Clamp, Hose, Wormdrive, 0.56-1.06d, .56w	1
10	16387	(004000-004499)	Hose, Fuel, 0.50id 52.0l	1
11	372488	(004000-004499)	Housing Assy, Throttle, Gas	1
12	372482	(004000-004499)	Housing, Throttle, 40mm [Bosch]	1
13	372545	(004000-004499)	Gasket, Body, Throttle, Gas	1
14	393984	(004000-004499)	Grommet	1
15	372492	(004000-004499)	Sensor, Speed, Timing Wheel [3.0]	1
16	372493	(004000-004499)	Sensor, [Tmap]	1
17	372490	(004000-004499)	Gasket, Carb	1
18	393905	(004000-004499)	Nut	8
19	393906	(004000-004499)	Stud	2
20	393907	(004000-004499)	Washer	-
21	393898	(004000-004499)	Bolt	3
22	393908	(004000-004499)	Stud	1
23	393909	(004000-004499)	Bolt	-
24	393910	(004000-004499)	Manifold, Intake	1
25	393911	(004000-004499)	Fitting	1
26	393912	(004000-004499)	Gasket	1
27	393913	(004000-004499)	Manifold, Exhaust	1
28	393914	(004000-004499)	Stud	2
29	393915	(004000-004499)	Clamp	4
30	393916	(004000-004499)	Gasket	1

STANDARD PARTS

Fig. 31 - Engine Electronic Fuel Ignition Group, Gas (004500-)

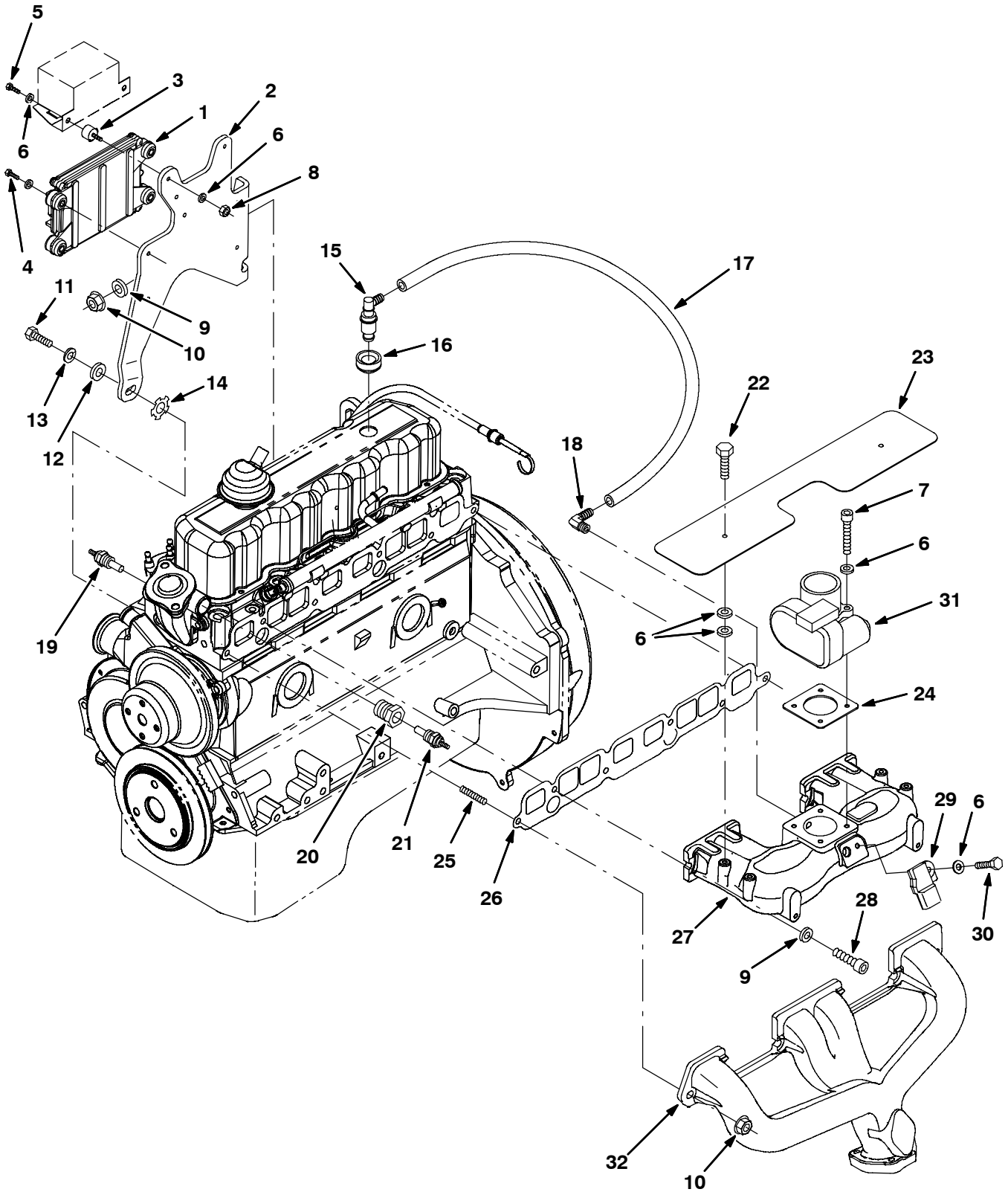


Fig. 31 - Engine Electronic Fuel Ignition Group, Gas (004500-)

Ref.	Part No.	Serial Number	Description	Qty.
1	1032804	(004500-)	Module, Ecu, Gas [Gm3.0l 2007]	1
2	385008	(004500-)	Bracket, Box, Relay	1
3	372470	(004500-)	Isolator, Box, Relay	2
4	25047	(004500-)	Screw, Hex, .25-20 X 1.25, G5	4
5	19315	(004500-)	Screw, Hex, .25-20 X 0.50, G5	2
6	32490	(004500-)	Washer, Flat, 0.25, Std	13
7	06948	(004500-)	Screw, Hex, M6 X 1.0 X 45, 8.8	4
8	19312	(004500-)	Nut, Hex, Std, .25-20	2
9	371877	(004500-)	Washer, Flat, 0.38, Hardened	5
10	27980	(004500-)	Nut, Hex, Flng, .38-16	3
11	371553	(004500-)	Screw, .38-16 X 1.00	1
12	371877	(004500-)	Washer, Flat, 0.38, Hardened	1
13	371509	(004500-)	Washer, Lock, 0.38	1
14	371875	(004500-)	Washer, Lock, Int / Ext, 0.38	1
15	372483	(004500-)	Valve [Pcv]	1
16	393984	(004500-)	Grommet	1
17	385001	(004500-)	Hose, Fuel, .38d, Rbr	1
18	385002	(004500-)	Fitting, E90	1
19	371764	(004500-)	Sensor, Temp, Water	1
20	385000	(004500-)	Fitting, Bshg	1
21	372472	(004500-)	Sensor, Temp	1
22	385007	(004500-)	Screw, M6 X 10mm	2
23	385006	(004500-)	Shield, Heat, Manifold	1
24	372545	(004500-)	Gasket, Body, Throttle [1.6]	1
25	372466	(004500-)	Stud, .38-16 X 1.2l	2
26	385003	(004500-)	Gasket, Manifold, Intake	1
27	385004	(004500-)	Manifold, Intake [2007]	1
28	10830	(004500-)	Screw, Soc, .38-16 X 1.00, Al	4
29	384985	(004500-)	Sensor [T Map]	1
30	19317	(004500-)	Screw, Hex, .25-20 X 0.75, G5	1
31	384974	(004500-)	Housing, Throttle, 40mm [Bosch]	1
32	385005	(004500-)	Manifold, Exhaust [2007]	1

Fig. 32 - Engine Carburetor and Governor Group, LPG (003000-003178)

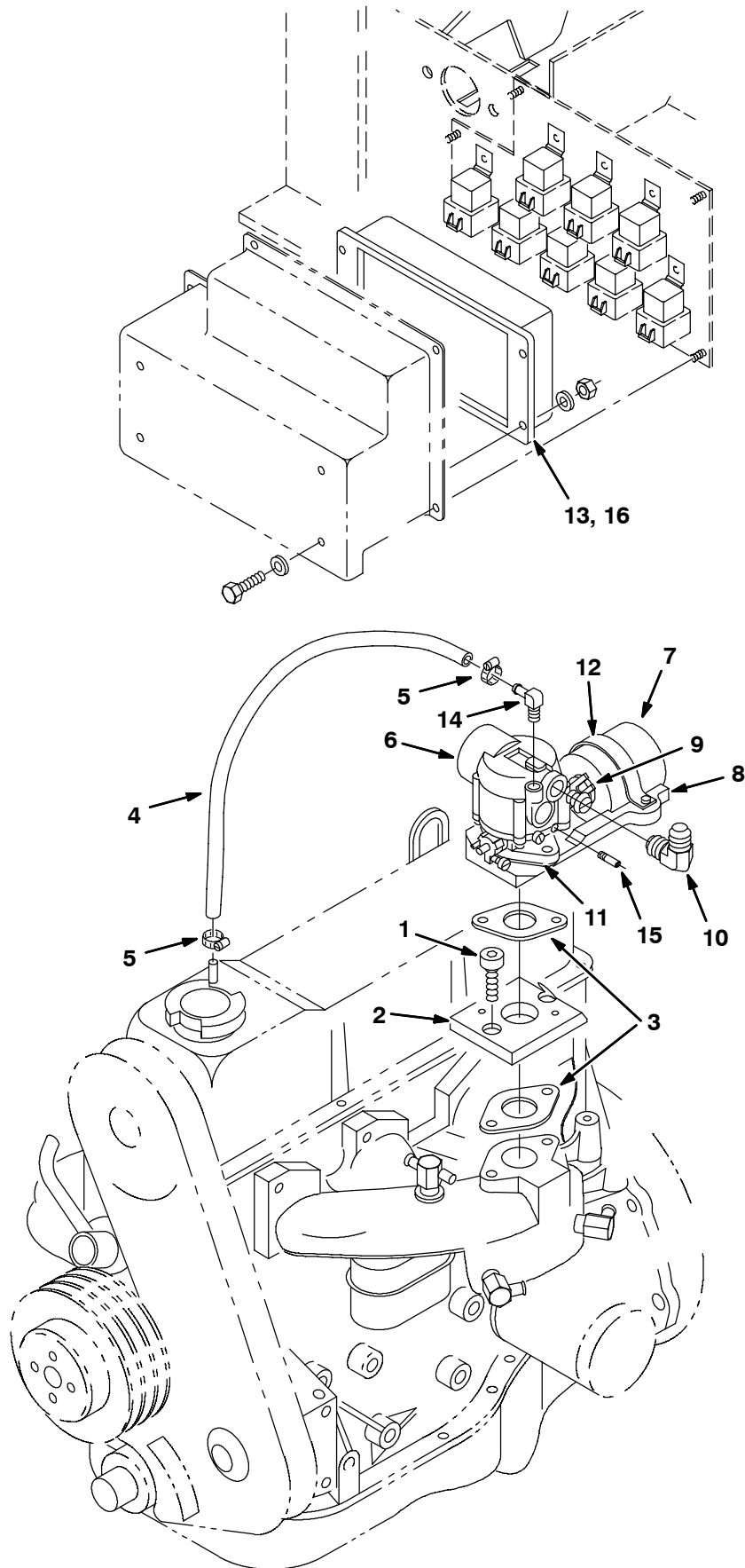


Fig. 32 - Engine Carburetor and Governor Group, LPG (003000-003178)

Ref.	Part No.	Serial Number	Description	Qty.
1	33951	(003000-003178)	Scr Soc M6x1.0 20	2
2	83686	(003000-003178)	Adapter, Carburetor, Ford 2.3	1
3	74443	(003000-003178)	Gasket, Carb To Engine	2
4	70876	(003000-003069)	Hose, Rubber.38Idx.62Od 21.0Lg	1
4	375718	(003070-003178)	Hose, Rubber	1
5	43844	(003000-003178)	Clamp-Wormdrive, 0.25- 0.62D	2
▽	83679	(003000-003178)	Governor and Control Unit Assy, Lpg 2.3	1
▲▽	83640	(003000-003178)	Governor Assy, Lpg	1
▲▲	6 73017	(003000-003178)	Carburetor, Lpg W/Gasket	1
▲▲	7 83683	(003000-003178)	Actuator-Lh, Governor	1
▲▲	8 83682	(003000-003178)	Bracket-Mtg, Governor	1
▲▲	9 83684	(003000-003178)	Linkage Kit, Governor	1
▲▲	10 69097	(003000-003178)	Ftg-Hyd E90 Pm06/Jm10	1
▲▲	11 74443	(003000-003178)	Gasket, Carb To Engine	1
▲▲	12 83685	(003000-003178)	Strap, Mounting	1
▲▲	13 374127	(xxxxxx-003178)	Kit, Replmt, Control, Govnr, [All Purps]	1
▲	14 53029	(003000-003178)	Ftg-Brs E90 Bm05/Pm02	1
▲	15 74402	(003000-003178)	Fitting, Special, Carb	1
▽	16 83758	(003000- xxxxxx)	Control Unit, Gov. (Repl. by 374127)	1
▲	374625	(003000- xxxxxx)	Plug, Control Box	2

Fig. 33 - Engine Vaporizer Group, LPG (003000-003144)

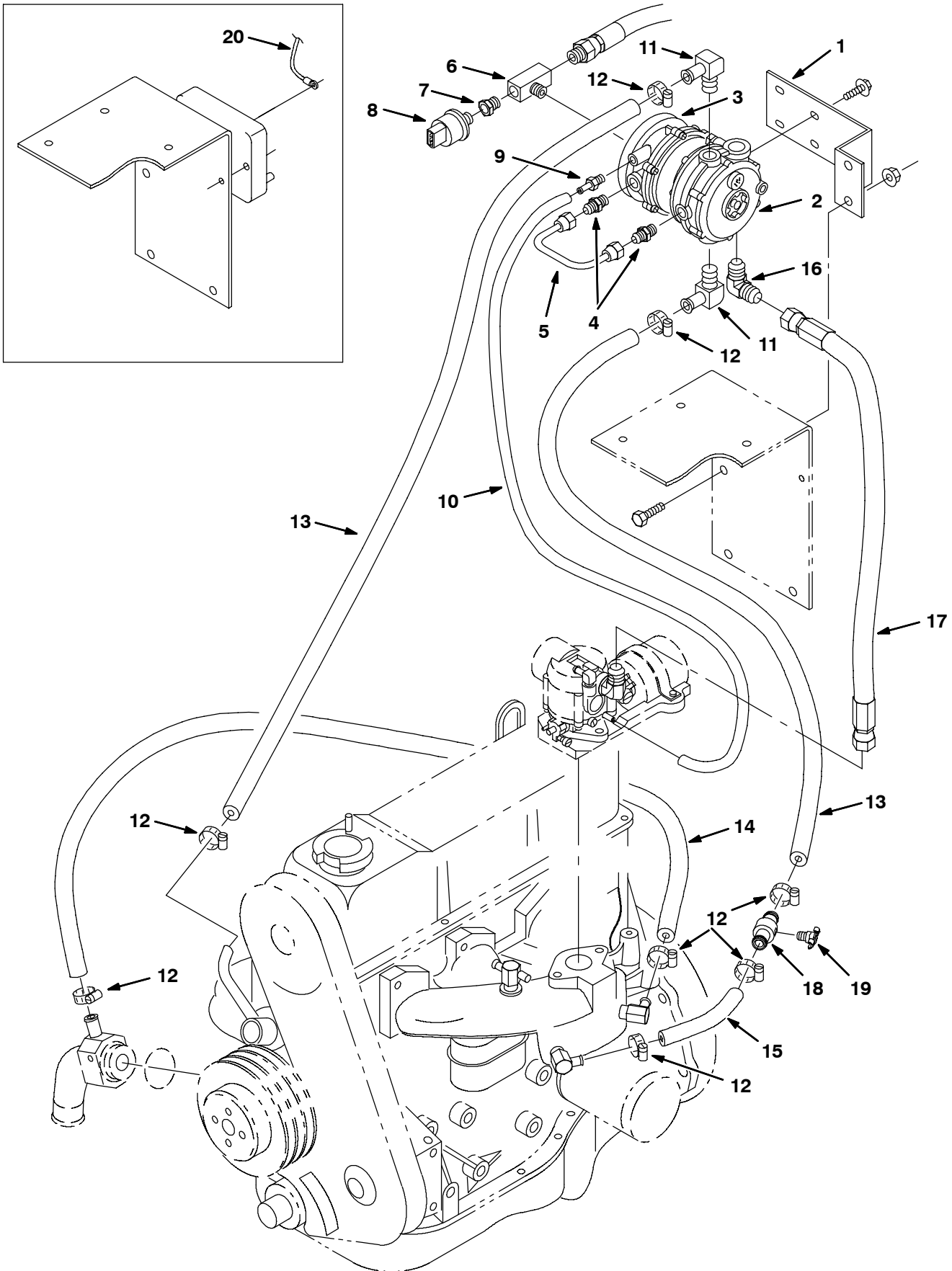


Fig. 33 - Engine Vaporizer Group, LPG (003000-003144)

Ref.	Part No.	Serial Number	Description	Qty.
	1	70849	(003000-003144) Bracket, Mounting, Vaporizer	1
▽	2	374648	(003000-003144) Vaporizer, Lpg	1
▲		374649	(003000-003144) Vaporizer Repair Kit	1
▽	3	73020	(003000-003144) Filter, Fuellockoff, Lpg	1
▲		65527	(003000-003144) Fuellock Replacement Kit	1
	4	15724	(003000-003144) Ftg-Hyd Str Pm04/Jm06	2
	5	59808	(003000-003144) Fuelline, .375 Od	1
	6	53268	(003000-003144) Ftg,Brass Tee 04Pf- 04Pm- 04Pf	1
	7	17414	(003000-003144) Ftg-Hyd Str Pm04/Pf02	1
	8	23156	(003000-003144) Switch, Pressure, Lpg	1
	9	40607	(003000-003144) Ftg,Brass,St Bm03/Pm02	1
	10	34072	(003000-003144) Hose, Vacuum,.16ld X 21.0Lg	1
	11	51839	(003000-003144) Ftg-Brs E90 Bm10/Pm06	2
	12	63810	(003000-003144) Clamp-Wormdrive, 0.56- 1.06D	8
	13	72979	(003000-003144) Hose, .62ld X 20.0 Lng Heater	2
	14	30389	(003000-003144) Hose,Heater .62ldx53.0Lg	1
	15	60726	(003000-003144) Hose,Heater .62ldx15.0Lg	1
	16	46611	(003000-003144) Ftg-Hyd E90 Pm08/Jm10	1
	17	60725	(003000-003144) Hose Lpg, 10Lpg 28In.Lg	1
	18	83578	(003000-003144) Tube, Air Bleed	1
	19	83580	(003000-003144) Fitting, Brass Drain Cock	1
	20	374615	(003000-003042) Wire Kit, LP	1

Fig. 34 - Engine Vaporizer Group, LPG (003145-003178)

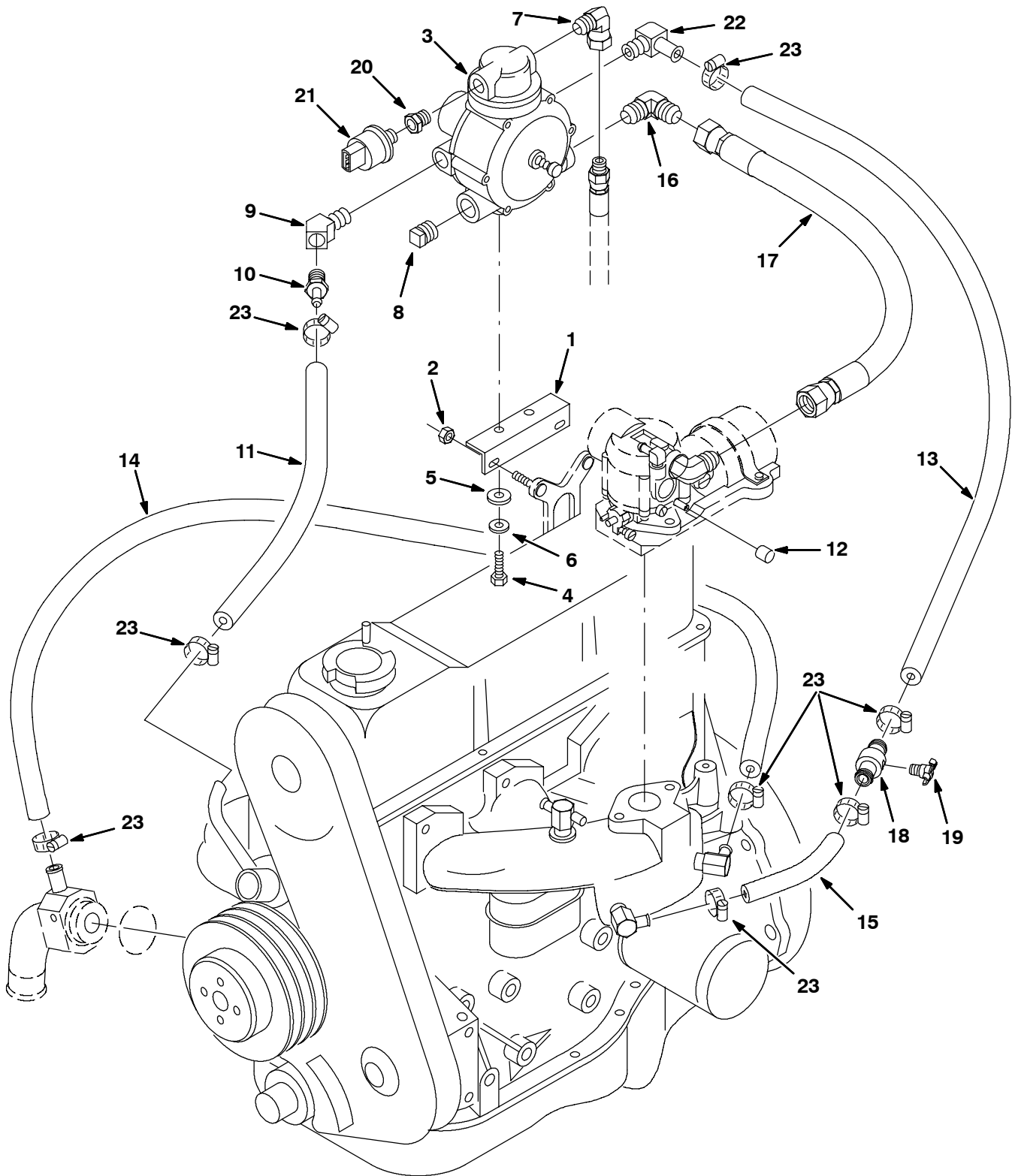


Fig. 34 - Engine Vaporizer Group, LPG (003145-003178)

Ref.	Part No.	Serial Number	Description	Qty.	
1	374154	(003145-003178)	Angle, Mtg, .12x1x1x4.5L	1	
2	07789	(003145-003178)	Nut, Hex, Flng, M05 X 0.8	2	
▽	3	383170	(003145-003178)	Controller, Lpg, 12Vdc	1
▲	383014	(003145-003178)	Kit, Repair, Vaporizer, F/383170	1	
4	06942	(003145-003178)	Screw, Hex, M06 X 1.0 X 16, 8.8	2	
5	32483	(003145-003178)	Washer, Flt, .25 Sae	2	
6	32982	(003145-003178)	Washer, Lock, Int, .25	2	
7	27048	(003145-003178)	Fitting, Brs, E90, Pm04/Pf04	1	
8	17521	(003145-003178)	Fitting, Plug, Pm08 Sq Head	1	
9	1043095	(003145-003178)	Fitting, Brs, E45, Pm06/Pf06	1	
10	27767	(003145-003178)	Fitting, Brs, Str, Pm06/Em10	1	
11	60726	(003145-003178)	Hose, Heater, Str, 0.62id 15.0	1	
12	63810	(003145-003178)	Clamp-Wormdrive, 0.56- 1.06D	8	
13	72979	(003145-003178)	Hose, .62ld X 20.0 Lng Heater	2	
14	30389	(003145-003178)	Hose,Heater .62ldx53.0Lg	1	
15	60726	(003145-003178)	Hose,Heater .62ldx15.0Lg	1	
16	46611	(003145-003178)	Ftg-Hyd E90 Pm08/Jm10	1	
17	60725	(003145-003178)	Hose Lpg, 10Lpg 28In.Lg	1	
18	83578	(003145-003178)	Tube, Air Bleed	1	
19	83580	(003145-003178)	Fitting, Brass Drain Cock	1	
20	17414	(003145-003178)	Fitting, Hyd, Str, Pm04/Pf02	1	
21	23156	(003145-003178)	Switch	1	
22	51839	(003145-003178)	Fitting, Brs, E90, Pm06/Em10	1	
23	63810	(003145-003178)	Clamp, Hose, Wormdrive, 0.56-1.06d	8	

Fig. 35 - Engine Electronic Fuel Ignition and Vaporizer Group, LPG (003179-003999)

Ref.	Part No.	Serial Number	Description	Qty.	
1	371894	(003179-003999)	Housing Assy, Throttle, Lpg, [With Ecu] (See Breakdowns)	1	
1	371895	(003179-003999)	Housing Assy, Throttle, Lpg, [Without Ecu] (See Breakdowns)	1	
2	392570	(003179-003999)	Plate	1	
3	371749	(003179-003999)	Vaporizer	1	
4	371754	(003179-003999)	Fitting	1	
5	371755	(003179-003999)	Pipe	1	
6	371750	(003179-003999)	Regulator	1	
7	371768	(003179-003999)	Fitting	1	
8	371757	(003179-003999)	Fitting	1	
9	393972	(003179-003999)	Hose, Conv	1	
10	11399	(003179-003999)	Clamp, Hose, Wormdrive, 0.81-1.50d	8	
11	371759	(003179-003999)	Screw	8	
12	371764	(003179-003999)	Sensor, Water Temp	1	
13	36165	(003179-003999)	Send-unit, Water, Temperature, .38npt	1	
14	47167	(003179-003999)	Fitting, Brs, Str, Pm08/Pf06	1	
15	371767	(003179-003999)	Spacer	4	
16	371766	(003179-003999)	Fitting, Elbow	1	
17	769806	(003179-003999)	Hose, Heater, 0.38id x 21.0id	1	
18	1017477	(003179-003999)	Hose, Lpg, Med08, Jf08str/Jf08str , 37.5	1	
19	1017272	(003179-003999)	Fitting, Hyd, E90, Jm08/Pm04	4	
20	150516	(003179-003999)	Fitting, Brs, Str, Pm04/Bm06, T	1	
21	1017239	(003179-003999)	Fitting, Brs, Rst, Pf04/.69-16f, .063	1	
22	1017598	(003179-003999)	Fitting, Plstc, Str, Bm06/M.69-16	1	
23	1017080	(003179-003999)	Bracket, Fltr, Lpg [6600]	1	
24	29570	(003179-003999)	Washer, Flat, 0.28b 1.00d .06, Stl	2	
25	1017476	(003179-003999)	Hose, Lpg, Med08, Jf08str/Jf08str , 35.0	1	
26	02247	(003179-003999)	Fitting, Pipe, Plug, Pm04 Hex Soc	2	
▽	27	1017500	(003179-003999)	Filter, Fuel, Lpg [Coalescent]	1
▲	28	372937	(003179-003999)	Element, Fltr, Fuel Lpg [Coalescent]	1
29	51305	(003179-003999)	Fitting, Draincock, .25npt 90	1	
30	311828	(003179-003999)	Fitting, Brs, Str, Pm08/Pf04	1	
31	392258	(003179-003999)	Hose, Pvc, Clr, 0.38id 0.56od 13.00l	1	
32	64740	(003179-003999)	Fitting, Plstc, Tee, Bm12/Pf08/Bm12	1	
33	1017662	(003179-003999)	Label, Instr, Filter Drain	1	
34	19317	(003179-003999)	Screw, Hex, .25-20 X 0.75, 5	2	
	130041	(003179-003999)	Tie, Wire 11-1/2x.19 Ny (not shown)	6	
35	393905	(003179-003999)	Nut	8	
36	393906	(003179-003999)	Stud	2	
37	393907	(003179-003999)	Washer	-	
38	393898	(003179-003999)	Bolt	3	
39	393908	(003179-003999)	Stud	1	
40	393909	(003179-003999)	Bolt	-	
41	393910	(003179-003999)	Manifold, Intake	1	
42	393911	(003179-003999)	Fitting	1	
43	393912	(003179-003999)	Gasket	1	
44	393913	(003179-003999)	Manifold, Exhaust	1	
45	393914	(003179-003999)	Stud	2	
46	393915	(003179-003999)	Clamp	4	
47	393916	(003179-003999)	Gasket	1	

STANDARD PARTS

354329 - 800, LP

Fig. 35 - Engine Electronic Fuel Ignition and Vaporizer Group, LPG (004937-005999)

	Ref.	Part No.	Serial Number	Description	Qty.
▽	48	371646	(003179-003999)	Kit, Adaptor, Manifold	1
▲	49	371647	(003179-003999)	Kit, Gasket, Manifold	1
	50	371658	(003179-003999)	Shield, Heat	1

STANDARD PARTS

Fig. 36 - Engine Electronic Fuel Ignition and Vaporizer Group, LPG (004000-004499)

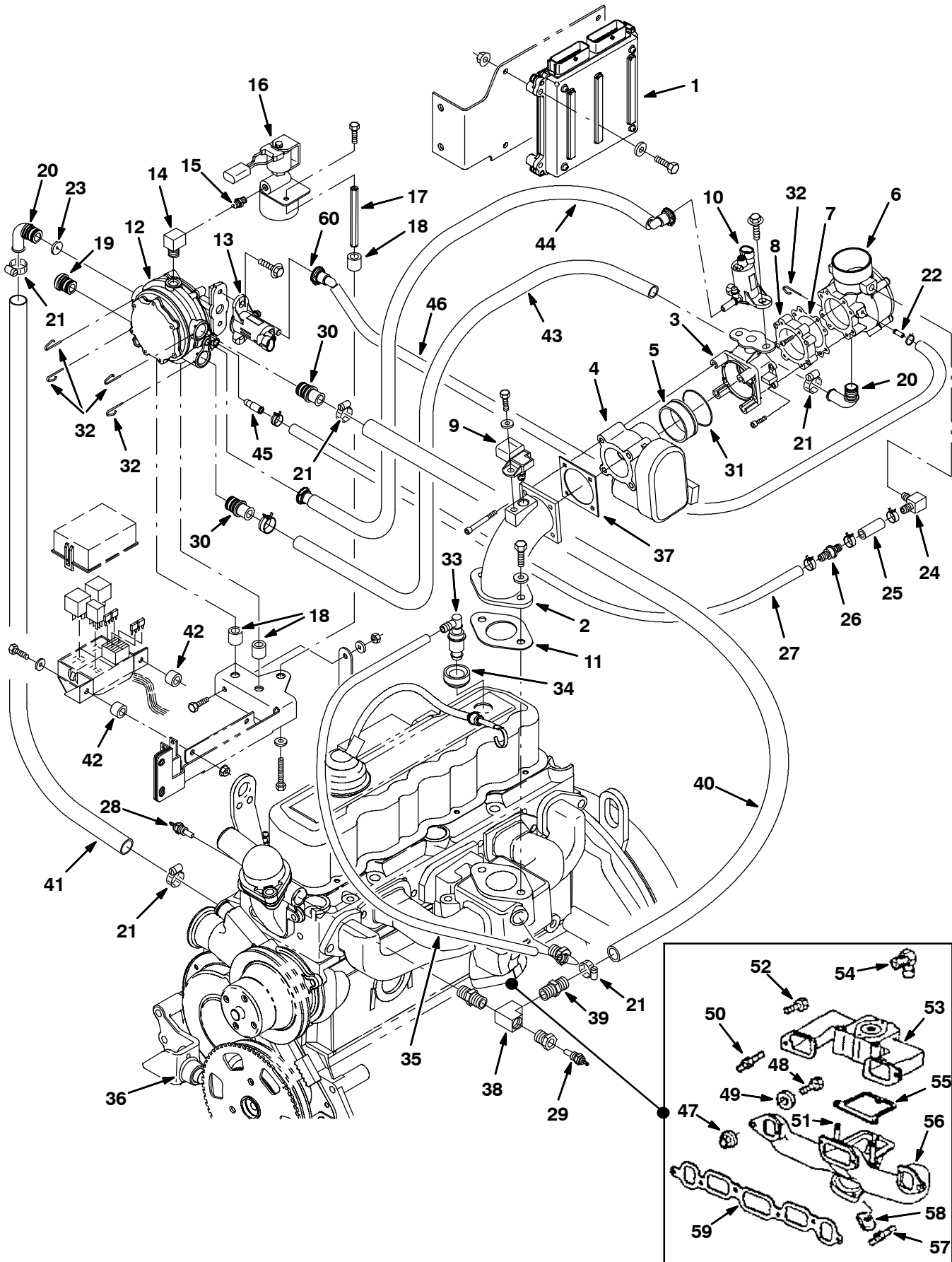


Fig. 36 - Engine Electronic Fuel Ignition and Vaporizer Group, LPG (004000-004499)

Ref.	Part No.	Serial Number	Description	Qty.	
1	372859	(004000-004499)	Module, Ecu, Lpg [Gm 3.0]	1	
2	372495	(004000-004499)	Adaptor, Intake, Lpg [3.0]	1	
3	372496	(004000-004499)	Adaptor, Valve, Fuel Trim	1	
4	372482	(004000-004499)	Housing, Throttle, 40mm [Bosch]	1	
5	372498	(004000-004499)	Sleeve, Throttle [Bosch], Plstc	1	
6	372899	(004000-004499)	Housing Assy, Throttle, Lpg [Gm 3.0]	1	
7	372608	(004000-004499)	Gasket	1	
8	372612	(004000-004499)	Adapter, Throttle Body	1	
9	372493	(004000-004499)	Sensor, [Tmap]	1	
10	372497	(004000-004499)	Valve, Trim, Fuel, Lpg	1	
11	372490	(004000-004499)	Gasket, Carb	1	
12	372500	(004000-004499)	Converter, Lpg	1	
13	372501	(004000-004499)	Valve, Trim, Press, Lpg	1	
14	372611	(004000-004499)	Fitting, Str, E90, .25npt	1	
15	372610	(004000-004499)	Fitting, Nipple, .25npt, Brs	1	
▽	16	372503	(004000-004499)	Valve, Fuelock, Lpg, W/ Wire Connector	1
▲	17	372615	(004000-004499)	Filter Kit, Lpg Lockoff	1
	17	372577	(004000-004499)	Spacer, Sppt, Filter Lock Off	1
	18	372518	(004000-004499)	Isolator Kit, Mtg, Vaporizer, Rbr	3
	19	372515	(004000-004499)	Fitting, Cap	1
	20	372512	(004000-004499)	Fitting, E70	2
	21	63810	(004000-004499)	Clamp, Hose, Wormdrive, 0.56-1.06d	5
	22	372511	(004000-004499)	Fitting, Hose, Vacuum, .25	1
	23	372517	(004000-004499)	Restrictor, Jet, Coolant	1
	24	372510	(004000-004499)	Fitting, E90	1
	25	372507	(004000-004499)	Hose, Balancing, Press, 45mm	1
	26	372569	(004000-004499)	Valve, Check	1
	27	372506	(004000-004499)	Hose, Balancing, Press, 680mm	1
	28	372891	(004000-004499)	Sensor, Temp, Coolant	1
	29	372472	(004000-004499)	Sensor, Temp	1
	30	372514	(004000-004499)	Fitting, Str	2
	31	372484	(004000-004499)	Seal, Org	1
	32	372523	(004000-004499)	Pin, Retainer	5
	33	372483	(004000-004499)	Valve, [Pcv]	1
	34	393984	(004000-004499)	Grommet	1
	35	372489	(004000-004499)	Hose, 9.5mm X 450mm [Pcv]	1
	36	372492	(004000-004499)	Sensor, Speed, Timing Wheel [3.0]	1
	37	372545	(004000-004499)	Gasket, Body, Throttle [1.6]	1
	38	372527	(004000-004499)	Fitting, Pipe, Tee, Pm06/Pf06/Pf06	1
	39	372526	(004000-004499)	Fitting, Hose, 10hose/Pm06	1
	40	372531	(004000-004499)	Hose, Mold, .62 X 37.0	1
	41	372528	(004000-004499)	Hose, Mold, .62 To .75	1
	42	372470	(004000-004499)	Isolator, Box, Relay	2
	43	372508	(004000-004499)	Hose, Fuel, 165mm	1
	44	372504	(004000-004499)	Hose, Valve, Fuel Trim, 325mm	1
	45	372516	(004000-004499)	Fitting, Brs, Adapter	1
	46	372505	(004000-004499)	Hose, Valve, Press Trim, 405mm	1
	47	393905	(004000-004499)	Nut	8
	48	393906	(004000-004499)	Stud	2
	49	393907	(004000-004499)	Washer	-
	50	393898	(004000-004499)	Bolt	3

STANDARD PARTS

354175 - 800, LP

Fig. 36 - Engine Electronic Fuel Ignition and Vaporizer Group, LPG (004000-004499)

Ref.	Part No.	Serial Number	Description	Qty.
51	393908	(004000-004499)	Stud	1
52	393909	(004000-004499)	Bolt	-
53	393910	(004000-004499)	Manifold, Intake	1
54	393911	(004000-004499)	Fitting	1
55	393912	(004000-004499)	Gasket	1
56	393913	(004000-004499)	Manifold, Exhaust	1
57	393914	(004000-004499)	Stud	2
58	393915	(004000-004499)	Clamp	4
59	393916	(004000-004499)	Gasket	1
60	9004539	(004000-004499)	Clamp, Valve, Trim [Impco]	1

STANDARD PARTS

Fig. 37 - Engine Electronic Fuel Ignition and Vaporizer Group, LPG (004500-)

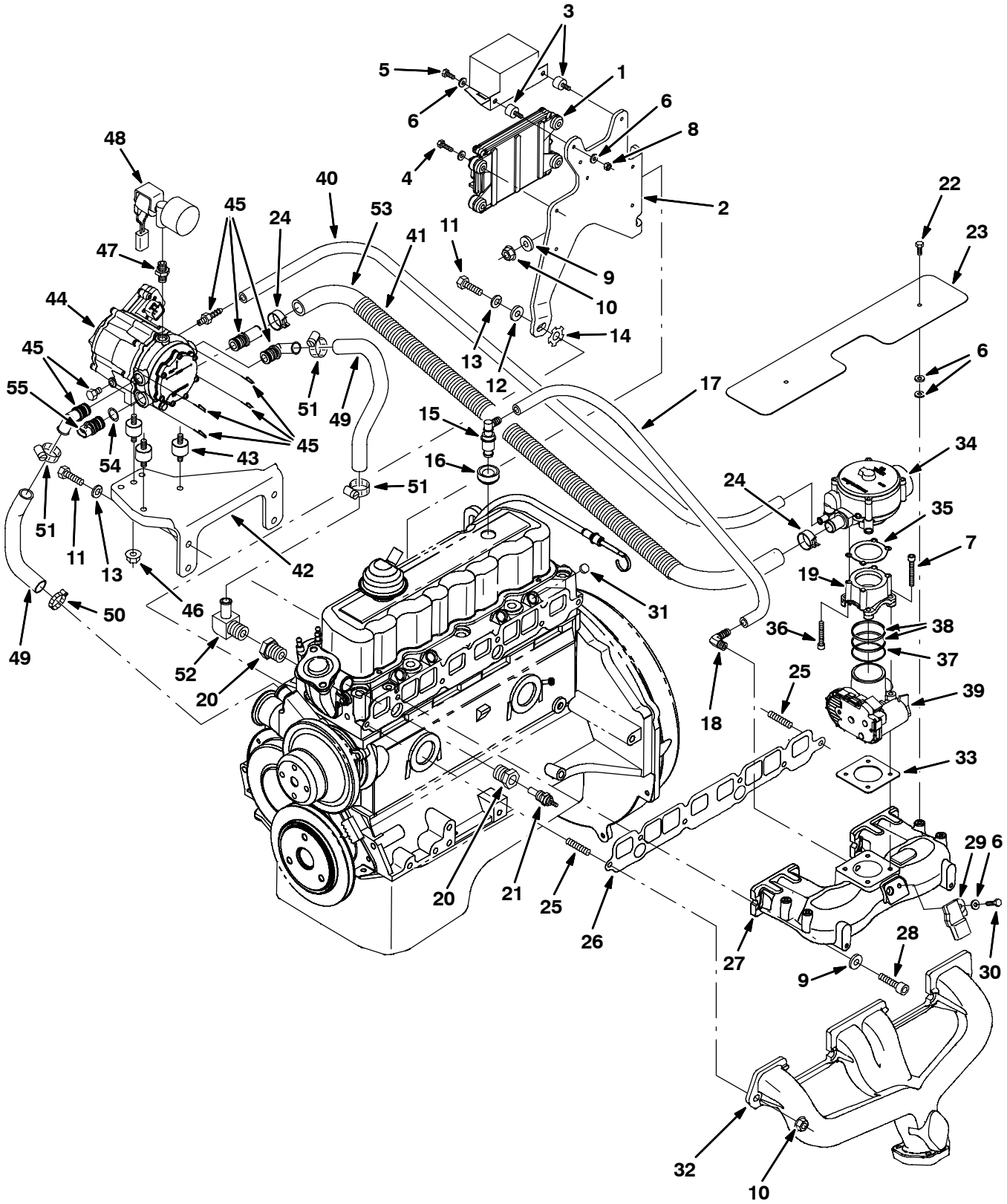


Fig. 37 - Engine Electronic Fuel Ignition and Vaporizer Group, LPG (004500-)

Ref.	Part No.	Serial Number	Description	Qty.
1	1032805	(004500-) Module, Ecu, Lpg [Gm3.0l 2007]	1
2	385008	(004500-) Bracket, Box, Relay	1
3	372470	(004500-) Isolator, Box, Relay	2
4	25047	(004500-) Screw, Hex, .25-20 X 1.25, G5	4
5	19315	(004500-) Screw, Hex, .25-20 X 0.50, G5	2
6	32490	(004500-) Washer, Flat, 0.25, Std	13
7	385016	(004500-) Screw, Soc, M6 X 1.00 X 70	4
8	19312	(004500-) Nut, Hex, Std, .25-20	2
9	371877	(004500-) Washer, Flat, 0.38, Hardened	5
10	27980	(004500-) Nut, Hex, Flng, .38-16	3
11	371553	(004500-) Screw, .38-16 X 1.00	5
12	371877	(004500-) Washer, Flat, 0.38, Hardened	1
13	371509	(004500-) Washer, Lock, 0.38	5
14	371875	(004500-) Washer, Lock, Int / Ext, 0.38	1
15	372483	(004500-) Valve [Pcv]	1
16	393984	(004500-) Grommet	1
17	385001	(004500-) Hose, Fuel, .38d, Rbr	1
18	385002	(004500-) Fitting, E90	1
19	384996	(004500-) Adapter, Valve, 400mm [Bosch]	1
20	385000	(004500-) Fitting, Bshg	2
21	372472	(004500-) Sensor, Temp	1
22	385007	(004500-) Screw, M6 X 10mm	2
23	385006	(004500-) Shield, Heat, Manifold	1
24	384979	(004500-) Clamp, Hose, Spring, 0.62d	2
25	372466	(004500-) Stud, .38-16 X 1.2l	2
26	385003	(004500-) Gasket, Manifold, Intake	1
27	385004	(004500-) Manifold, Intake [2007]	1
28	10830	(004500-) Screw, Soc, .38-16 X 1.00, Al	4
29	384985	(004500-) Sensor [T Map]	1
30	19317	(004500-) Screw, Hex, .25-20 X 0.75, G5	1
31	372579	(004500-) Plug, Hole, Injector	4
32	385005	(004500-) Manifold, Exhaust [2007]	1
33	372545	(004500-) Gasket, Body, Throttle [1.6l]	1
34	385012	(004500-) Valve, Lpg [Mixer]	1
35	1037313	(004500-) Gasket, Lpg, Adapter [Gm 2007]	1
36	385017	(004500-) Screw, Soc, #12-24 X 1.50	4
37	1037311	(004500-) Seal,Org, Lpg, Mixer [Gm 2007]	1
38	1037312	(004500-) Gasket, Lpg, Mixer [Gm 2007]	2
39	384974	(004500-) Housing, Throttle, 40mm [Bosch]	1
40	384973	(004500-) Hose, Supply, Gas, .25id	1
41	384971	(004500-) Cover, Hose	1
42	385014	(004500-) Bracket [Epr]	2
43	384986	(004500-) Isolator [Epr]	3
44	384977	(004500-) Regulator [Ep]	1
45	384978	(004500-) Fitting Kit [Epr]	1
46	385015	(004500-) Nut, Flng, M8	3
47	372529	(004500-) Fitting, Nipple, .25mal	1
48	384975	(004500-) Valve, Lock Off	1
49	372528	(004500-) Hose, Mold, .62 To .75	2
50	63810	(004500-) Clamp, Hose, Wormdrive, 0.56-1.06d, .56w	1

STANDARD PARTS

Fig. 37 - Engine Electronic Fuel Ignition and Vaporizer Group, LPG (004500-

354175 - 800, LP

)

Ref.	Part No.	Serial Number	Description	Qty.
51	372539	(004500-) Clamp, Hose, 1.0	3
52	385011	(004500-) Fitting, E90	1
53	385013	(004500-) Hose, Mold [Epr To Mixer]	1
54	1041151	(004500-) Seal, Org, Sensor, Temp [Epr]	1
55	1041152	(004500-) Sensor, Temp [Epr]	1

Fig. 38 - Engine Air Cleaner Group (003000-003178)

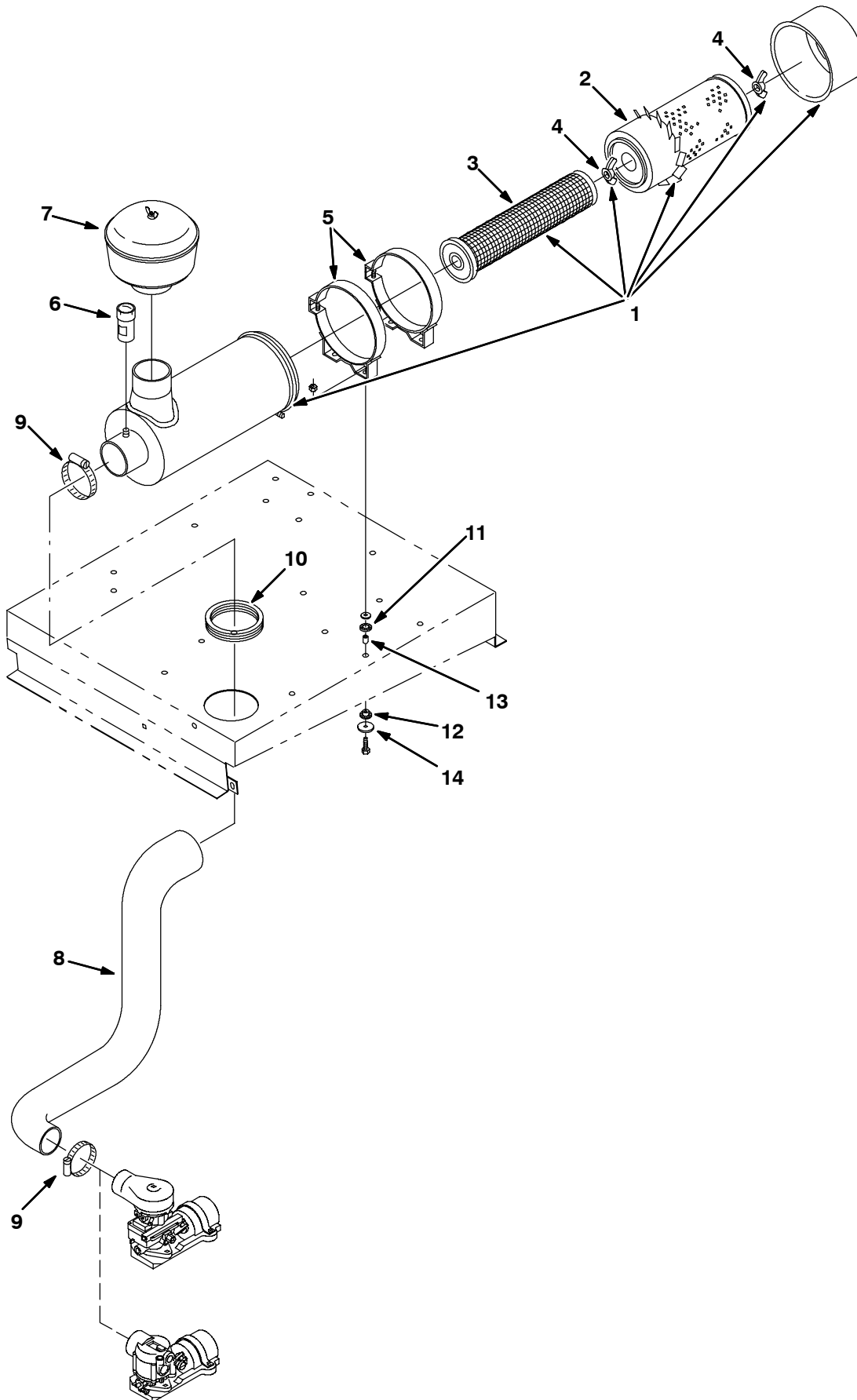


Fig. 38 - Engine Air Cleaner Group (003000-003178)

Ref.	Part No.	Serial Number	Description	Qty.
▽	1	48014	(003000-003178) Cleaner, Air Al Se	1
▲	2	60934	(003000-003178) Element, Air Cleaner	1
▲	3	60933	(003000-003178) Element, Filter Safety	1
▲	4	07562	(003000-003178) Nut,Wing .44-20 Special	2
	5	76321	(003000-003178) Band,Mtg.	2
	6	03026	(003000-003178) Indicator Service Air Filter	1
	7	75666	(003000-003178) Filter, Pre-Cleaner, A/C	1
	8	380592	(003000-003178) Hose, Molded	1
	9	43555	(003000-003178) Clamp-Wormdrive, 1.62- 3.50D	2
	10	380591	(003000-003178) Grommet, Rbr, 3.75ld F/ 4.0H .	1
	11	54527	(003000-003178) Ring, Rubber	4
	12	54528	(003000-003178) Bushing, Rubber	4
	13	45177	(003000-003178) Sleeve	4
	14	41178	(003000-003178) Washer, Fender	4

Fig. 39 - Engine Air Cleaner Group (003179-003999)

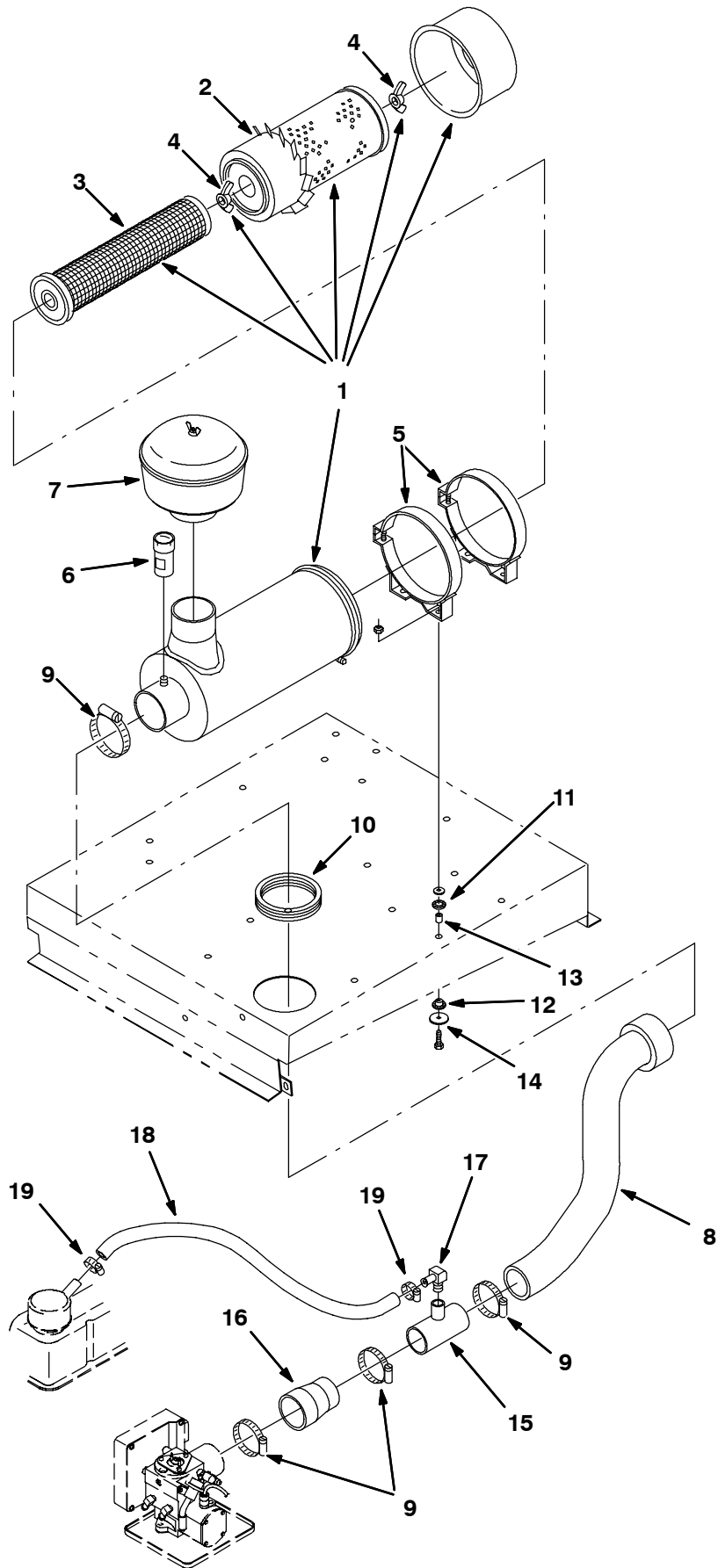


Fig. 39 - Engine Air Cleaner Group (003179-003999)

Ref.	Part No.	Serial Number	Description	Qty.
▽	1	48014	(003179-003999) Cleaner, Air Al Se	1
▲	2	60934	(003179-003999) Element, Air Cleaner	1
▲	3	60933	(003179-003999) Element, Filter Safety	1
▲	4	07562	(003179-003999) Nut,Wing .44-20 Special	2
	5	76321	(003179-003999) Band,Mtg.	2
	6	03026	(003179-003999) Indicator Service Air Filter	1
	7	75666	(003179-003999) Filter, Pre-Cleaner, A/C	1
	8	393208	(003179-003999) Hose, Molded	1
	9	43555	(003179-003999) Clamp-Wormdrive, 1.62- 3.50D	4
	10	380591	(003179-003999) Grommet, Rbr, 3.75ld F/ 4.0H .	1
	11	54527	(003179-003999) Ring, Rubber	4
	12	54528	(003179-003999) Bushing, Rubber	4
	13	45177	(003179-003999) Sleeve	4
	14	41178	(003179-003999) Washer, Fender	4
	15	393207	(003179-003999) Tube Wldt, Intake, 2.0d .38npt	1
	16	393205	(003179-003999) Tube, Intake, 2.0d 04.0l	1
	17	51839	(003179-003999) Fitting, Brs, E90, Em10/Pm06	1
	18	72978	(003179-003999) Hose, Heater, 0.62id 13.0l	1
	19	63810	(003179-003999) Clamp, Hose, Wormdrive, 0.56-1.06d	2

Fig. 40 - Engine Air Cleaner Group, Gas (004000-004499)

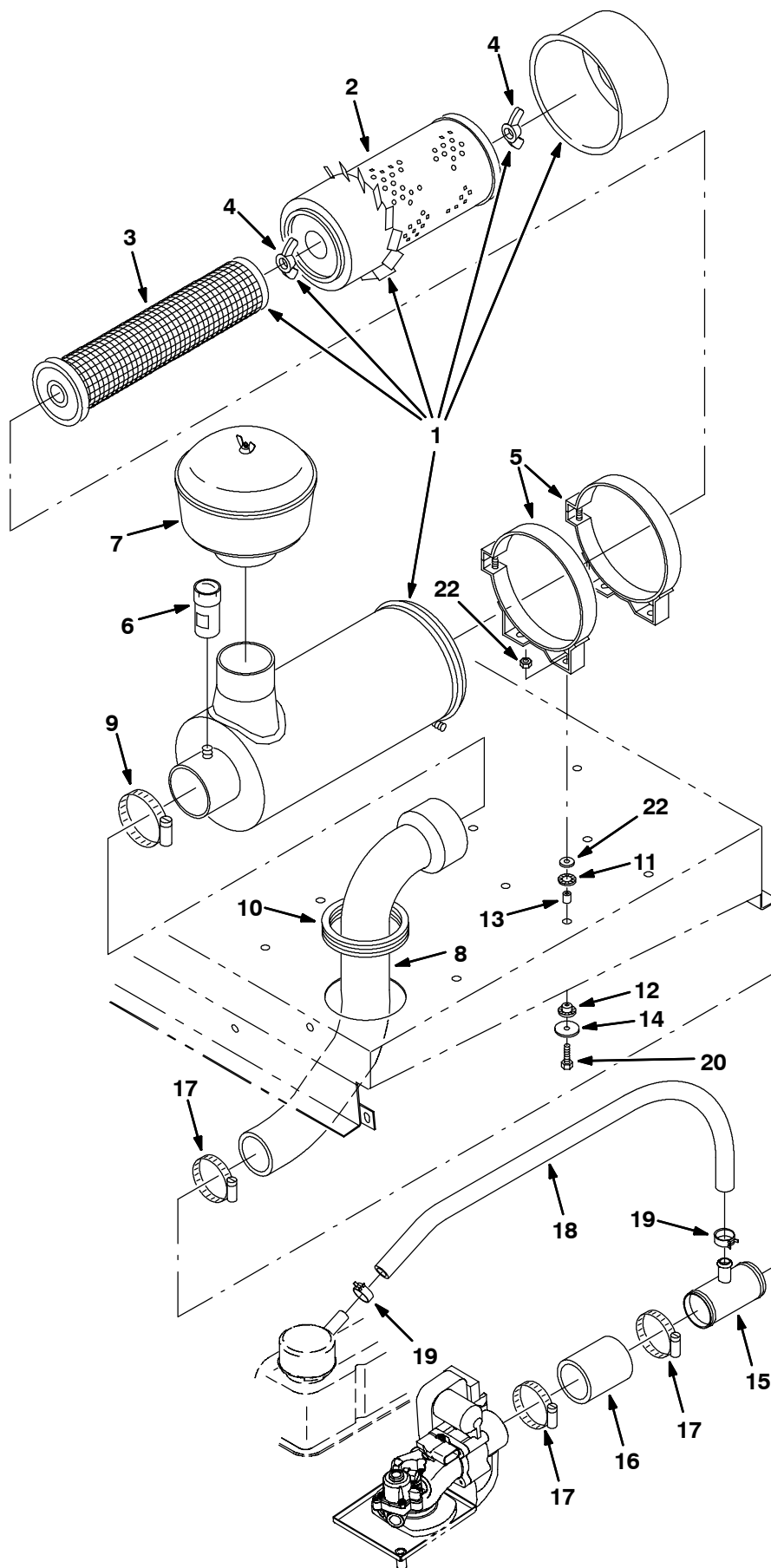


Fig. 40 - Engine Air Cleaner Group, Gas (004000-004499)

Ref.	Part No.	Serial Number	Description	Qty.
▽	1	48014	(004000-004499) Cleaner, Air Al Se	1
▲	2	60934	(004000-004499) Element, Air Cleaner	1
▲	3	60933	(004000-004499) Element, Filter Safety	1
▲	4	07562	(004000-004499) Nut,Wing .44-20 Special	2
	5	76321	(004000-004499) Band,Mtg.	2
	6	03026	(004000-004499) Indicator Service Air Filter	1
	7	75666	(004000-004499) Filter, Pre-Cleaner, A/C	1
	8	393208	(004000-004499) Hose, Molded	1
	9	43555	(004000-004499) Clamp-Wormdrive, 1.62- 3.50D	1
	10	380591	(004000-004499) Grommet, Rbr, 3.75ld F/ 4.0H .	1
	11	54527	(004000-004499) Ring, Rubber	4
	12	54528	(004000-004499) Bushing, Rubber	4
	13	45177	(004000-004499) Sleeve	4
	14	41178	(004000-004499) Washer, Fender	4
	15	1011780	(004000-004499) Tube Wldt, Tee	1
	16	15543	(004000-004499) Hose, Rbr, 2.00id 2.50od 03.0l	1
	17	83584	(004000-004499) Clamp, Hose, Wormdrive, 1.31-3.25d	1
	18	13124	(004000-004499) Hose, Heater, 0.62id 18.0l	1
	19	1011899	(004000-004499) Clamp, Hose, Spring Stl, 0.86d X 0.38w	2
	20	06944	(004000-004499) Screw, Hex, M6 X 1.0 X 25, 8.8	1
	21	32490	(004000-004499) Washer, Flat, 0.25 Std	1
	22	08708	(004000-004499) Nut, Hex, Lock, M6 X 1.0, NI	1

Fig. 41 - Engine Air Cleaner Group, Gas (004500-)

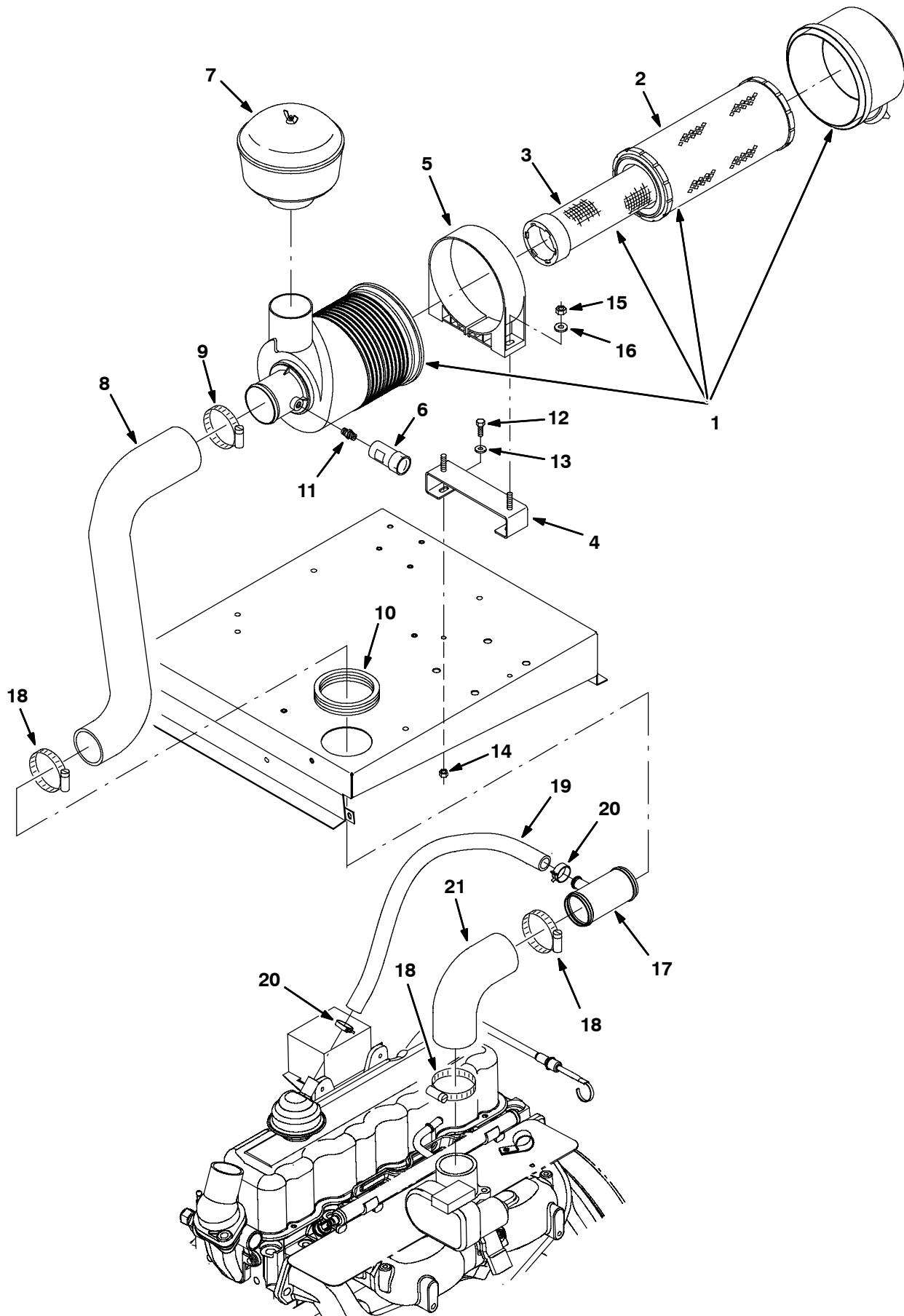


Fig. 41 - Engine Air Cleaner Group, Gas (004500-)

Ref.	Part No.	Serial Number	Description	Qty.
▽	1	1013344	(004500-) Filter Assy, Air, 3.0 Inlet [Dn#G070070]	1
▲	2	372652	(004500-) Element, Fltr, Air [Dn]	1
▲	3	372651	(004500-) Element, Fltr, Air	1
	4	1012754	(004500-) Bracket, Stand-Off, Fltr, Air	2
	5	1013366	(004500-) Strap, Mtg, Fltr, Air, 7.17id	2
	6	03026	(004500-) Indicator, Service, Fltr, Air [20h20 Dn]	1
	7	75666	(004500-) Filter, Air, Pre-Cln, A/C	1
	8	393208	(004500-) Hose, Intake, Mold, Rwk 380592	1
	9	43555	(004500-) Clamp, Hose, Wormdrive, 2.50-3.50d, .50w	1
	10	380591	(004500-) Grommet, Rbr, 3.25id, F/3.5h, .06 Matl	1
	11	51560-5	(004500-) Fitting, Brs, Str, Pm02, Service	1
	12	06949	(004500-) Screw, Hex, M6 X 1.0 X 50, 8.8	2
	13	19066	(004500-) Washer, Flat, #10	2
	14	07791	(004500-) Nut, Hex, Flng, M8 X 1.25	2
	15	08709	(004500-) Nut, Hex, Lock, M8 X 1.25, NI	2
	16	32491	(004500-) Washer, Flat, 0.31, Std	2
	17	1011780	(004500-) Tube Wldt, Tee	1
	18	83584	(004500-) Clamp, Hose, Wormdrive, 2.25-3.25d, .50w	3
	19	393373	(004500-) Hose, Heater, 0.62id, 024.0l	1
	20	1011899	(004500-) Clamp, Hose, Spring Stl, 0.86d X 0.38w	2
	21	76825	(004500-) Hose, Rbr, E90, 2.00id 2.00id 03.5 03.5	1

Fig. 42 - Engine Air Cleaner Group, LPG (004000-004499)

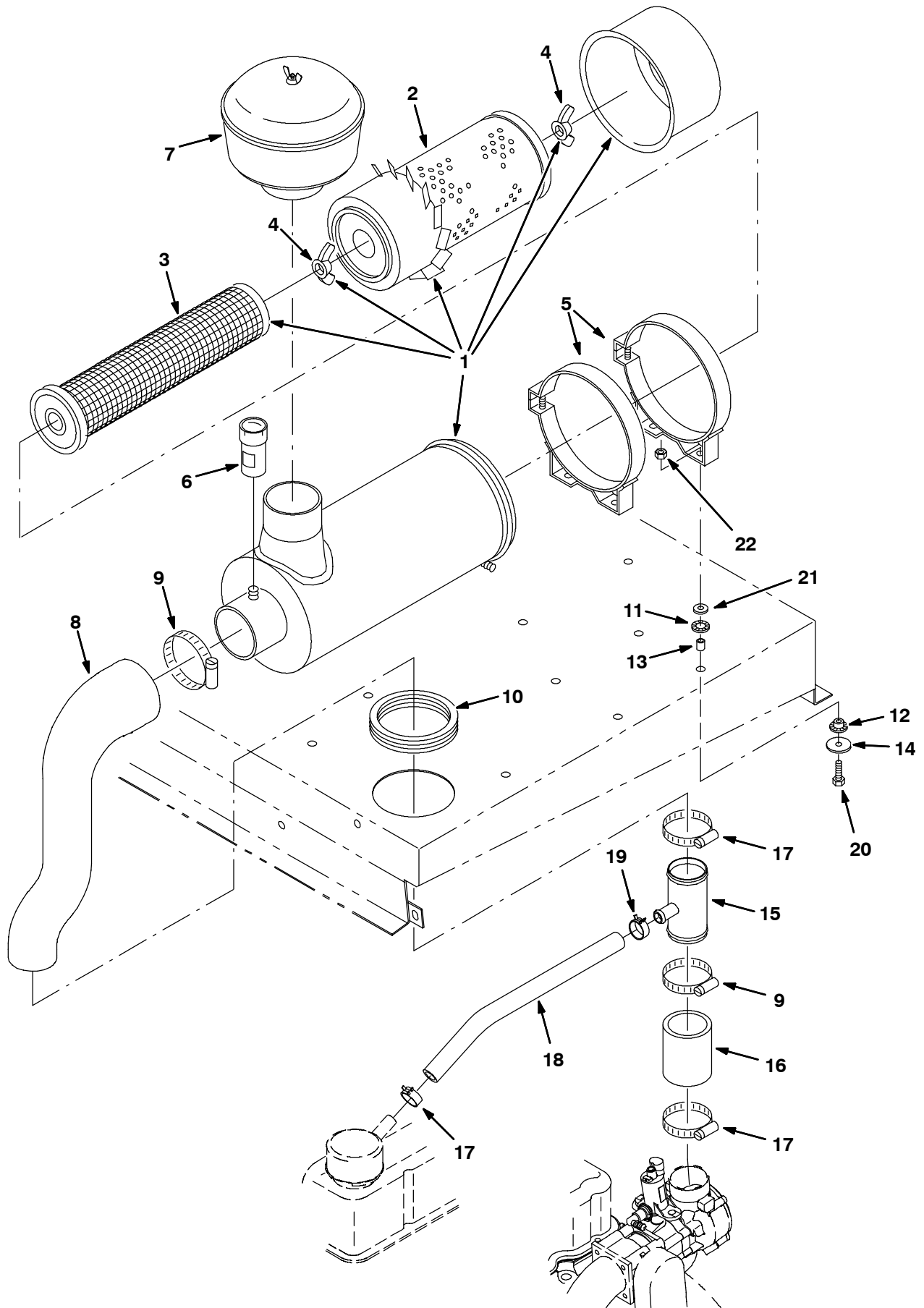


Fig. 42 - Engine Air Cleaner Group, LPG (004000-004499)

Ref.	Part No.	Serial Number	Description	Qty.
▽	1	48014	(004000-004499) Cleaner, Air Al Se	1
▲	2	60934	(004000-004499) Element, Air Cleaner	1
▲	3	60933	(004000-004499) Element, Filter Safety	1
▲	4	07562	(004000-004499) Nut,Wing .44-20 Special	2
	5	76321	(004000-004499) Band,Mtg.	2
	6	03026	(004000-004499) Indicator Service Air Filter	1
	7	75666	(004000-004499) Filter, Pre-Cleaner, A/C	1
	8	1011702	(004000-004499) Hose, Molded	1
	9	43555	(004000-004499) Clamp-Wormdrive, 1.62- 3.50D	1
	10	380591	(004000-004499) Grommet, Rbr, 3.75ld F/ 4.0H .	1
	11	54527	(004000-004499) Ring, Rubber	4
	12	54528	(004000-004499) Bushing, Rubber	4
	13	45177	(004000-004499) Sleeve	4
	14	41178	(004000-004499) Washer, Fender	4
	15	1011780	(004000-004499) Tube Wldt, Tee	1
	16	15543	(004000-004499) Hose, Rbr, 2.00id 2.50od 03.0l	1
	17	83584	(004000-004499) Clamp, Hose, Wormdrive, 1.31-3.25d, .50w	3
	18	393373	(004000-004499) Hose, Heater, 0.62id 24.0l	1
	19	1011899	(004000-004499) Clamp, Hose, Spring Stl, 0.86d X 0.38w	2
	20	06944	(004000-004499) Screw, Hex, M6 X 1.0 X 25, 8.8	1
	21	32490	(004000-004499) Washer, Flat, 0.25 Std	1
	22	08708	(004000-004499) Nut, Hex, Lock, M6 X 1.0, NI	1

Fig. 43 - Engine Air Cleaner Group, LPG (004500-)

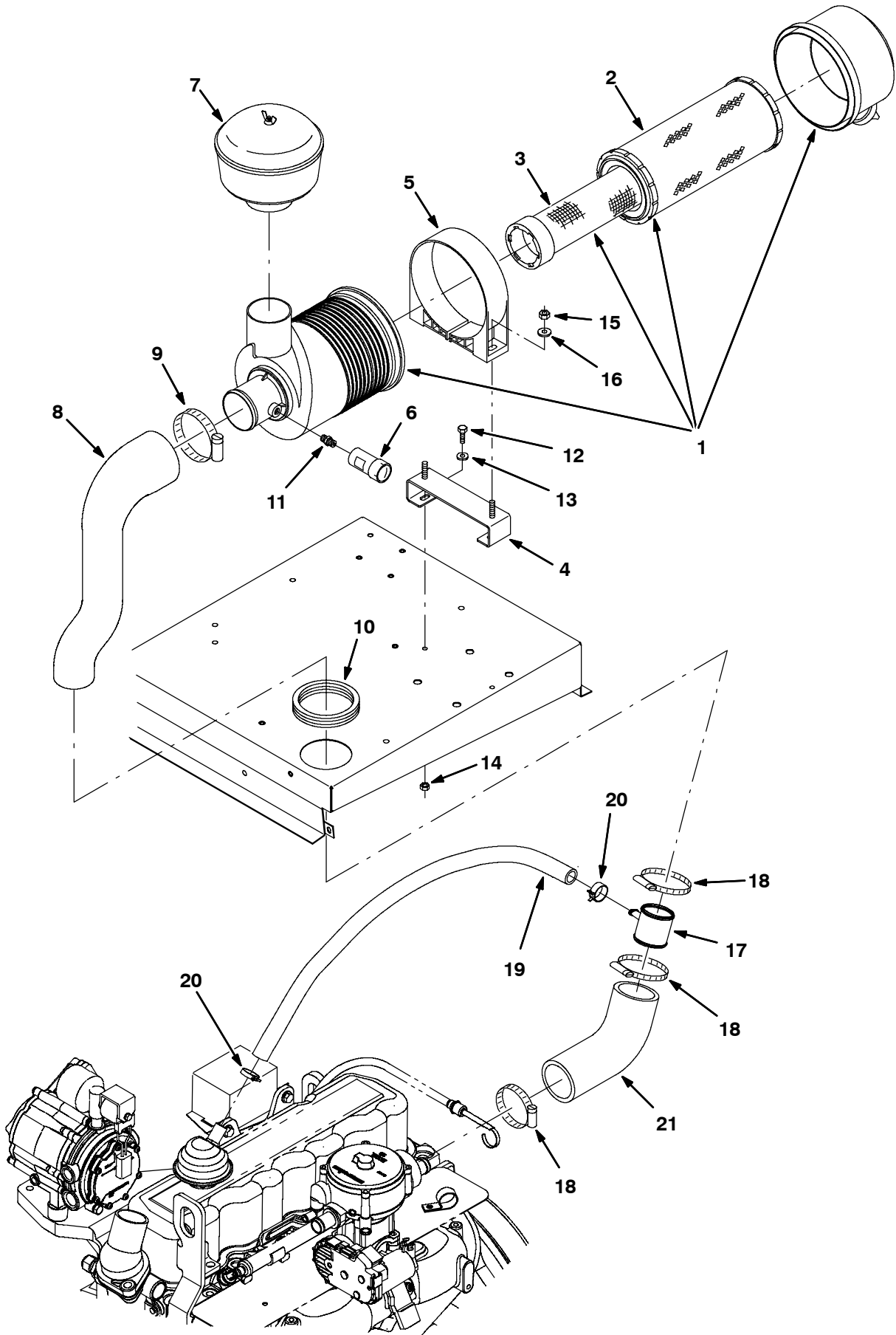


Fig. 43 - Engine Air Cleaner Group, LPG (004500-)

Ref.	Part No.	Serial Number	Description	Qty.
▽ 1	1013344	(004500-) Filter Assy, Air, 3.0 Inlet [Dn#G070070]	1
▲ 3	372651	(004500-) Element, Fltr, Air	1
4	1012754	(004500-) Bracket, Stand-Off, Fltr, Air	2
5	1013366	(004500-) Strap, Mtg, Fltr, Air, 7.17id	2
6	03026	(004500-) Indicator, Service, Fltr, Air [20h20 Dn]	1
7	75666	(004500-) Filter, Air, Pre-Cln, A/C	1
8	1011702	(004500-) Hose, Intake, Mold, 3.00id 2.00id [Epdm]	1
9	43555	(004500-) Clamp, Hose, Wormdrive, 2.50-3.50d, .50w	1
10	380591	(004500-) Grommet, Rbr, 3.25id, F/3.5h, .06 Matl	1
11	51560-5	(004500-) Fitting, Brs, Str, Pm02, Service	1
12	06949	(004500-) Screw, Hex, M6 X 1.0 X 50, 8.8	2
13	19066	(004500-) Washer, Flat, #10	2
14	07791	(004500-) Nut, Hex, Flng, M8 X 1.25	2
15	08709	(004500-) Nut, Hex, Lock, M8 X 1.25, NI	2
16	32491	(004500-) Washer, Flat, 0.31, Std	2
17	1011780	(004500-) Tube Wldt, Tee	1
18	83584	(004500-) Clamp, Hose, Wormdrive, 2.25-3.25d, .50w	3
19	393373	(004500-) Hose, Heater, 0.62id, 024.0l	1
20	1011899	(004500-) Clamp, Hose, Spring Stl, 0.86d X 0.38w	2
21	1032032	(004500-) Hose, Intake, Mold, 2.00id [Epdm]	1

Fig. 44 - Engine Muffler Group (003000-003178)

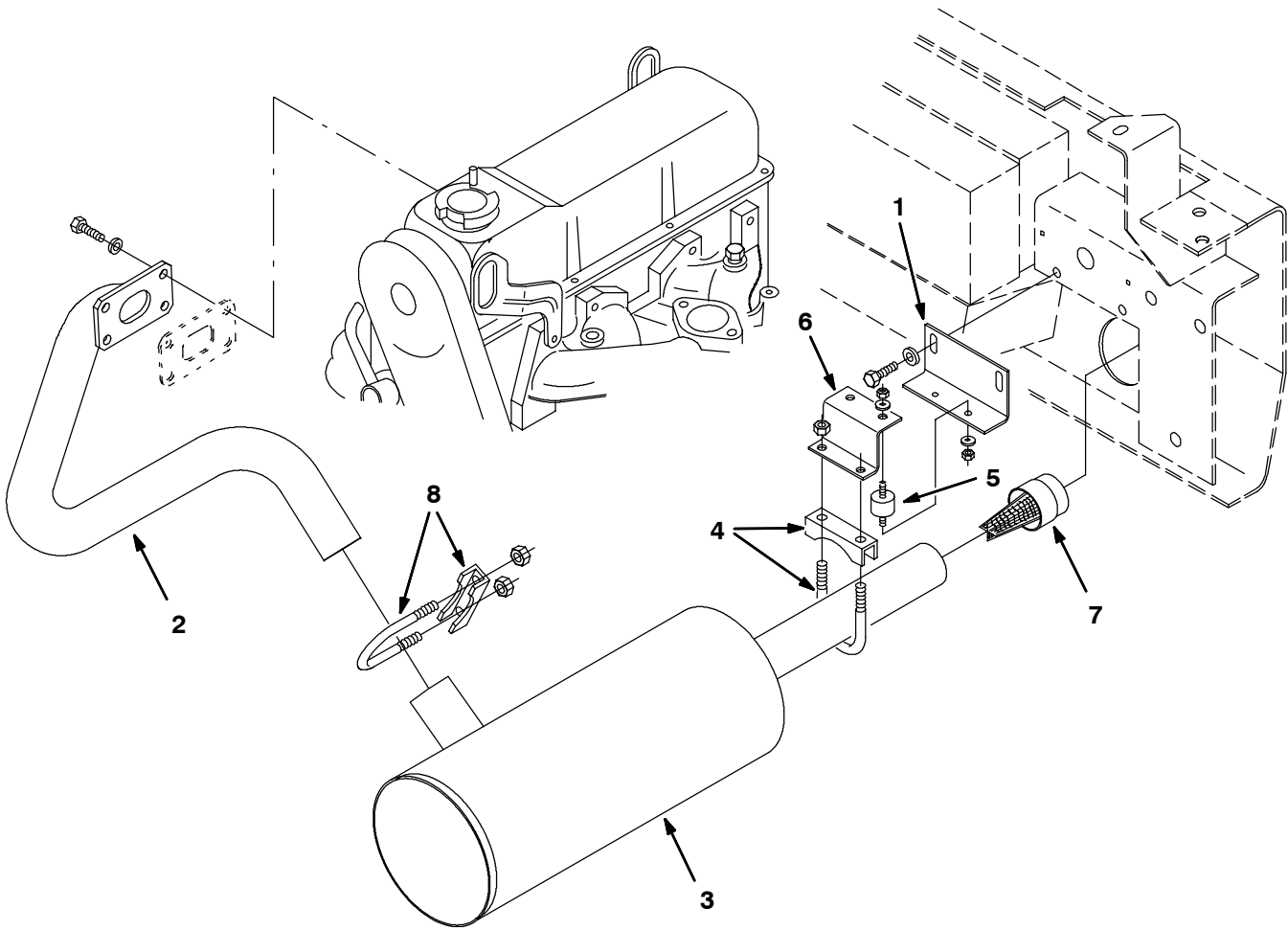


Fig. 44 - Engine Muffler Group (003000-003178)

Ref.	Part No.	Serial Number	Description	Qty.
1	21138	(003000-003178)	Bracket, Tail Pipe	1
2	70631	(003000-003178)	Pipe Wldt, Exhaust, Gas/Lpg	1
3	76383	(003000-003178)	Muffler, Exhaust	1
4	05881	(003000-003178)	Clamp-Muffler,For 2.00 Od Tube	1
5	82661	(003000-003178)	Isolator-Vibration .25-20	2
6	21136	(003000-003178)	Bracket, Tail Pipe	1
7	70832	(003000-003178)	Screen, Muffler	1
8	05880	(003000-003178)	Clamp-Muffler,For 1.87 Od Tube	1

Fig. 45 - Engine Muffler Group, Catalytic (003179-003999)

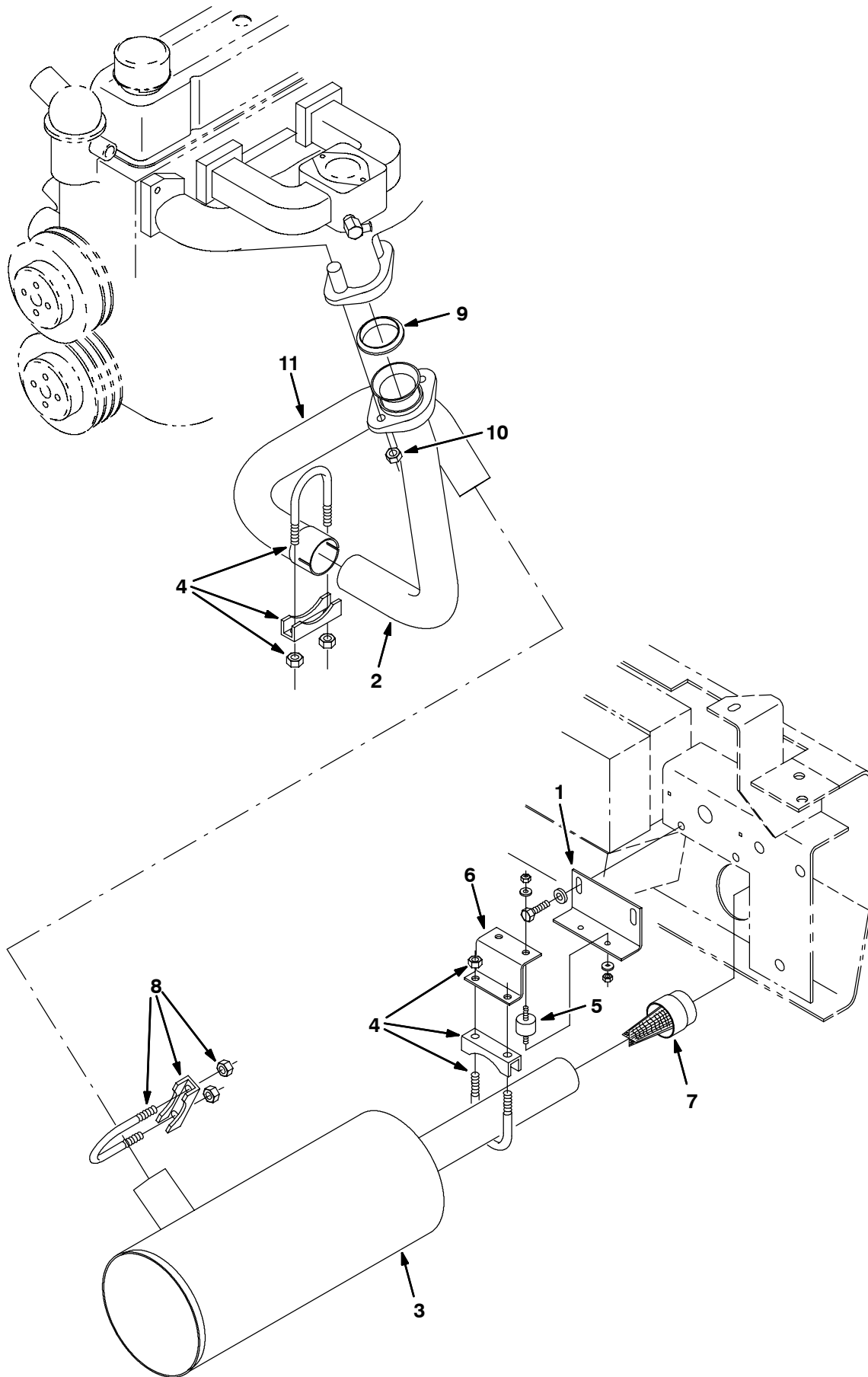


Fig. 45 - Engine Muffler Group, Catalytic (003179-003999)

Ref.	Part No.	Serial Number	Description	Qty.
1	21138	(003179-003999)	Bracket, Tail Pipe	1
2	393253	(003179-003999)	Tube, Exhaust, 2.0d [Gm3.0] [800/810]	1
3	76383	(003179-003999)	Muffler, Exhaust	1
4	05881	(003179-003999)	Clamp-Muffler,For 2.00 Od Tube	2
5	82661	(003179-003999)	Isolator-Vibration .25-20	2
6	21136	(003179-003999)	Bracket, Tail Pipe	1
7	70832	(003179-003999)	Screen, Muffler	1
8	05880	(003179-003999)	Clamp-Muffler,For 1.87 Od Tube	1
9	371573	(003179-003999)	Gasket	1
10	25014	(003179-003999)	Nut, Hex, Std, .38-16	2
11	393252	(003179-003999)	Tube, Exhaust, 2.0d [Gm3.0] [800/810]	1

Fig. 46 - Engine Muffler Group, Catalytic (004000-004499)

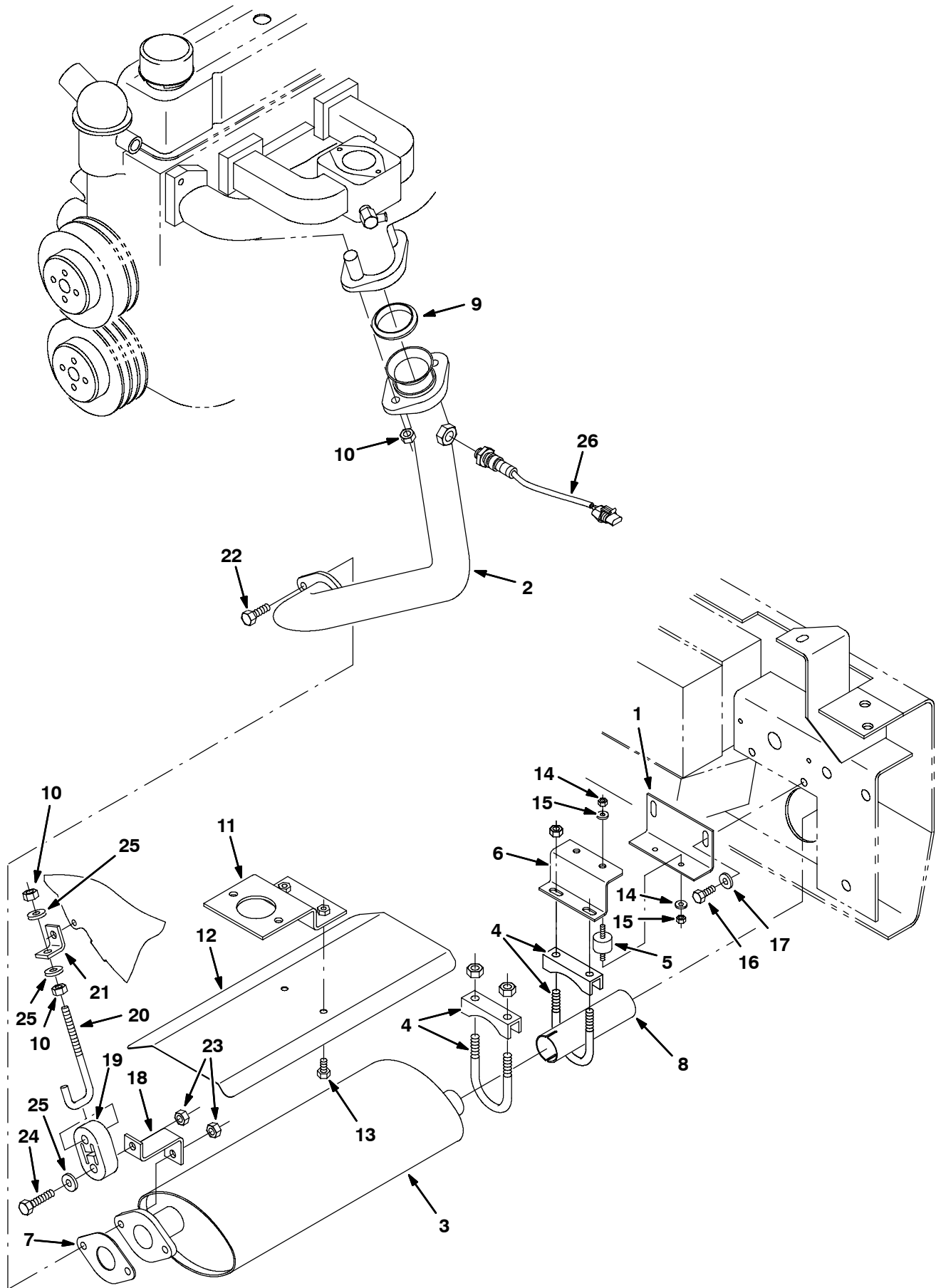


Fig. 46 - Engine Muffler Group, Catalytic (004000-004499)

Ref.	Part No.	Serial Number	Description	Qty.
1	21138	(004000-004499)	Bracket, Tail Pipe	1
2	1011944	(004000-004499)	Tube, Exhaust, 2.0d [Gm3.0] [800/810]	1
3	1011259	(004000-004499)	Muffler, Catalytic [Gm 1.6/3.0]	1
4	24012	(004000-004499)	Clamp, Muffler, 1.62d	2
5	1013588	(004000-004499)	Isolator, Vib, Ring, 1.0d .25-20/.25-20	2
6	1012012	(004000-004499)	Bracket, Tailpipe	1
7	1011216	(004000-004499)	Gasket, Exhaust, 2 Hole, 3.4bc	1
8	1011959	(004000-004499)	Tube, Exhaust, Rear	1
9	371573	(004000-004499)	Gasket	1
10	25014	(004000-004499)	Nut, Hex, Std, .38-16	4
11	1012990	(004000-004499)	Bracket, Mtg, Heat Shield	1
12	1012999	(004000-004499)	Shield, Heat	1
13	16735	(004000-004499)	Screw, Hex, M8 X 1.25 X 16, 8.8	2
14	19312	(004000-004499)	Nut, Hex, Std, .25-20	4
15	32982	(004000-004499)	Washer, Lock, Int, 0.25	4
16	16931	(004000-004499)	Screw, Hex, M8 X 1.25 X 20, 8.8	2
17	32491	(004000-004499)	Washer, Flat, 0.31 Std	2
18	1013116	(004000-004499)	Bracket, Isolator	1
19	1013031	(004000-004499)	Isolator, Rubber	1
20	1013117	(004000-004499)	Rod, Hanger, Isolator	1
21	1013113	(004000-004499)	Bracket, Mtg, Isolator	1
22	03192	(004000-004499)	Screw, Hex, M10 X 1.5 X 30, 8.8	2
23	08166	(004000-004499)	Nut, Hex, Stover, M10 X 1.5	3
24	06962	(004000-004499)	Screw, Hex, M10 X 1.5 X 45, 8.8	1
25	32492	(004000-004499)	Washer, Flat, 0.38 Std	3
26	372491	(004000-004499)	Sensor, Oxygen	1

Fig. 47 - Engine Muffler Group, Catalytic (004500-)

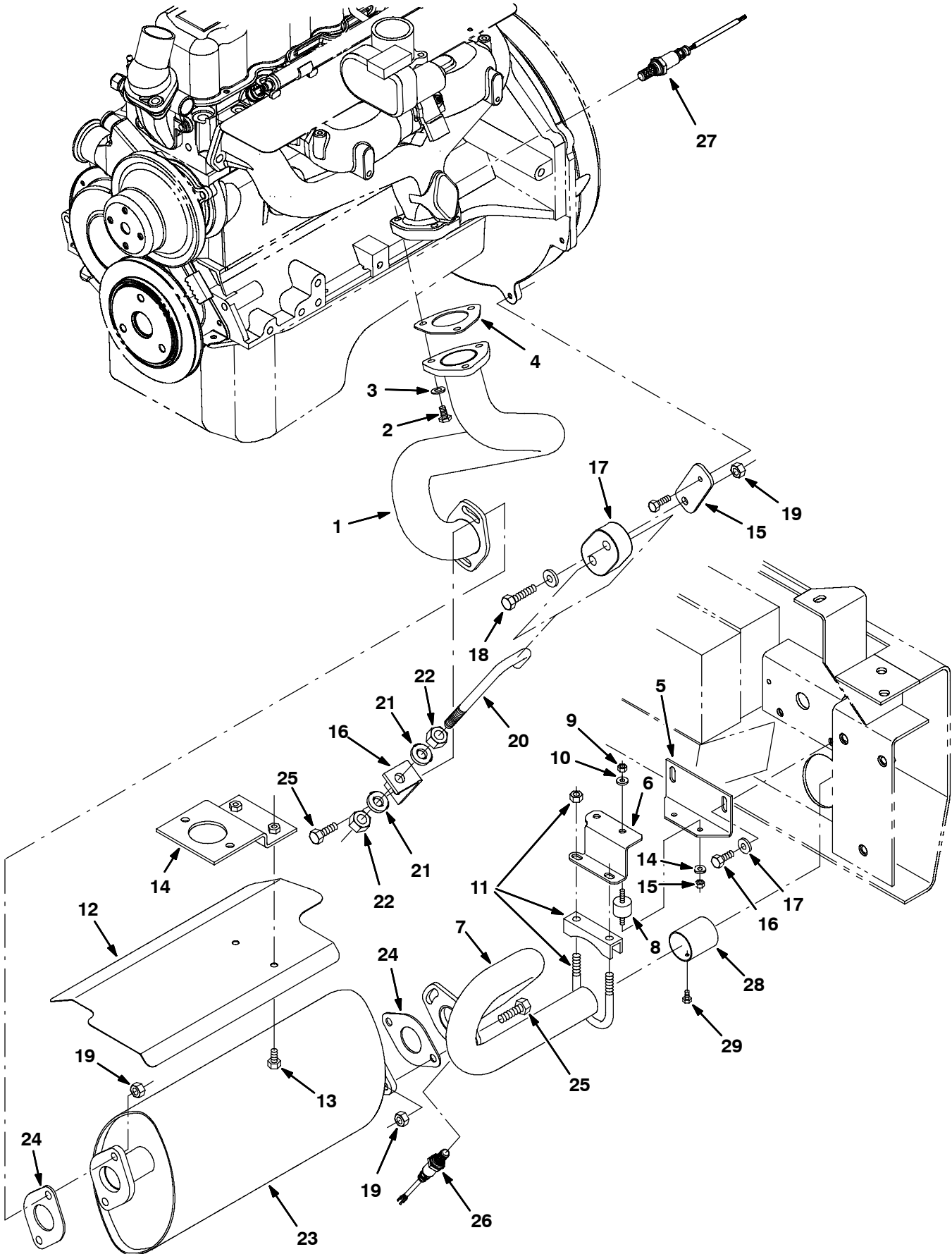


Fig. 47 - Engine Muffler Group, Catalytic (004500-)

Ref.	Part No.	Serial Number	Description	Qty.
1	1032083	(004500-) Tube, Exhaust, Lower, [800/810, 2007]	1
2	76570	(004500-) Screw, Hex, M8 X 1.25 X 30, 8.8	3
3	32491	(004500-) Washer, Flat, 0.31, Std	5
4	1033739	(004500-) Gasket, Flng, Exhaust	1
5	1030502	(004500-) Bracket, Tailpipe [800/810 2007]	1
6	1030501	(004500-) Bracket, Tailpipe [800/810 2007]	1
7	1029996	(004500-) Tube, Exhaust, Rear [Gm3.0l 800/810 07]	1
8	82661	(004500-) Isolator, Vib, Ring, 1.0d .25-20/.25-20	2
9	19312	(004500-) Nut, Hex, Std, .25-20	4
10	32982	(004500-) Washer, Lock, Int, 0.25	4
11	24012	(004500-) Clamp, Muffler, 1.62d	1
12	1028836	(004500-) Shield, Heat	1
13	16931	(004500-) Screw, Hex, M8 X 1.25 X 20, 8.8	4
14	1028835	(004500-) Bracket, Mtg, Heat Shield	1
15	1030122	(004500-) Link, 0.18, 1.5w 03.6l, 1/0.4h 1/0.3h	1
16	1030134	(004500-) Bracket, Mtg, Isolator [800/810 07]	1
17	1013031	(004500-) Isolator, Rbr	1
18	06962	(004500-) Screw, Hex, M10 X 1.5 X 45, 8.8	1
19	08166	(004500-) Nut, Hex, M10 X 1.50 [Stover]	5
20	1032142	(004500-) Rod, Hanger, Isolator	1
21	32492	(004500-) Washer, Flat, 0.38, Std	2
22	25014	(004500-) Nut, Hex, Std, .38-16	2
23	1030533	(004500-) Muffler, Catalytic [Gm 3.0l 2007]	1
24	1011216	(004500-) Gasket, Exhaust, 2hole, 3.4bc	2
25	39284	(004500-) Screw, Hex, M10 X 1.5 X 35, 8.8	4
26	1028558	(004500-) Sensor, Exhaust, Tailpipe	1
27	1028559	(004500-) Sensor, Oxygen [Gm 1.6l/3.0l 2007]	1
28	1038293	(004500-) Tube, Tailpipe	1
29	01706	(004500-) Screw, Hex, #08-32 X 0.38, Tcut	1

Fig. 48 - Engine Fuel Tank Group, Gas (003000-003178)

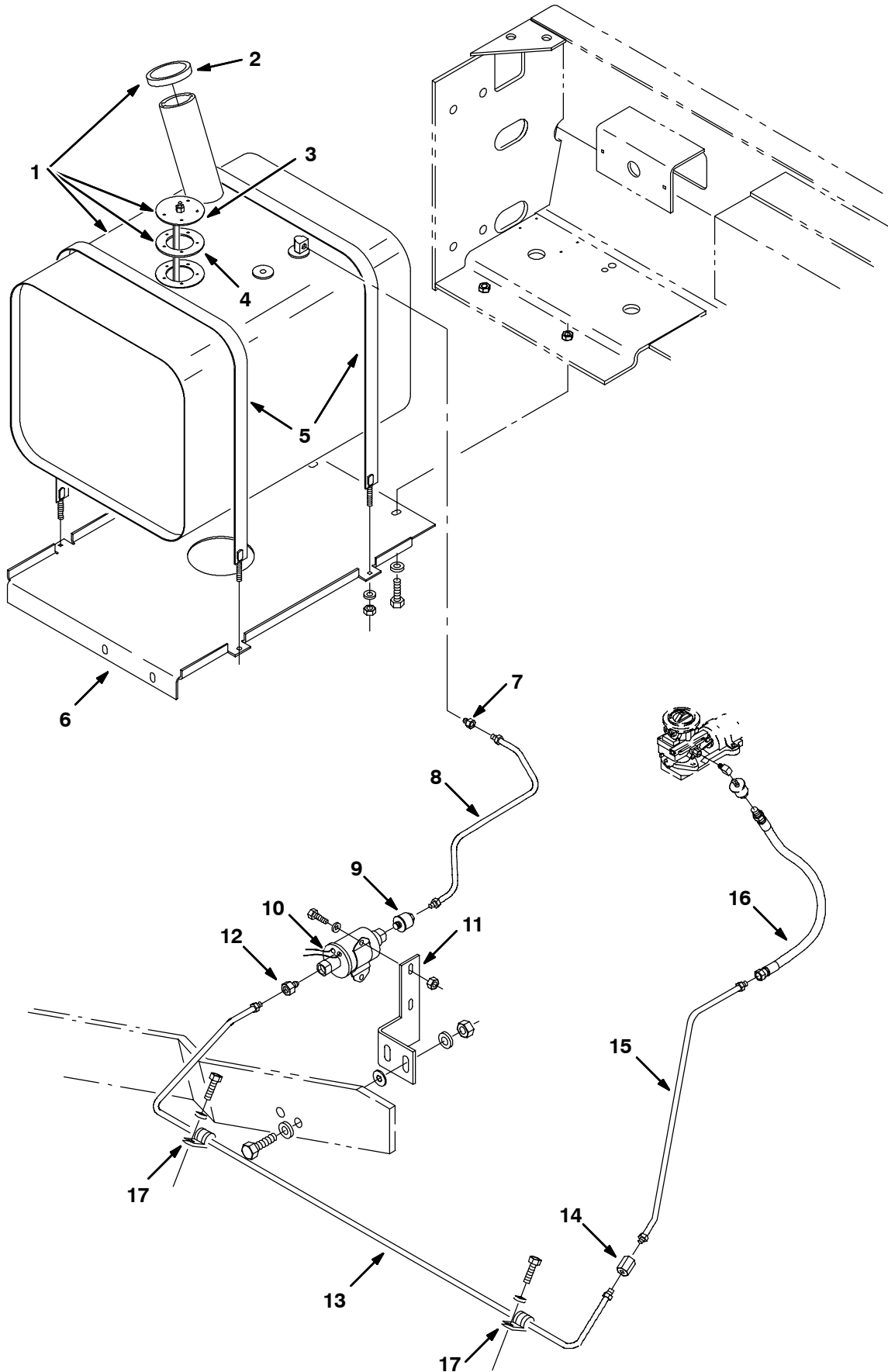


Fig. 48 - Engine Fuel Tank Group, Gas (003000-003178)

	Ref.	Part No.	Serial Number	Description	Qty.
▽	1	76907	(003000-003178)	Tank, Fuel	1
▲	2	48267	(003000-003178)	Cap, Fuel	1
▲	3	21731	(003000-003178)	Send Unit	1
▲	4	21732	(003000-003178)	Gasket, 2.7D 1.5B.12T 5/ 2.1Bc	1
	5	87396	(003000-003178)	Strap Weldmt, Gas Tank	2
	6	70477	(003000-003178)	Plate, Mounting, Tank, Gas	1
	7	78043	(003000-003178)	Fitting-Brs Str	1
	8	77558	(003000-003178)	Fuelline, .312 Od	1
	9	36050	(003000-003178)	Filter, Fuel	1
	10	59015	(003000-003178)	Pump, Fuel	1
	11	75854	(003000-003178)	Bracket, Pump, Fuel	1
	12	40585	(003000-003178)	Ftg-Brs Str If05/Pm02	1
	13	83644	(003000-003178)	Fuelline, .312 Od	1
	14	25610	(003000-003178)	Ftg-Brs If05/If05	1
	15	83643	(003000-003178)	Tube Assy, Fuel .31Od	1
	16	70173	(003000-003178)	Hose, Fuelline, 10.0L	1
	17	76736	(003000-003178)	Clamp-Cable, 0.38Dia 0.62Wth	2

Fig. 49 - Engine Fuel Tank Group, Gas (003179-003999)

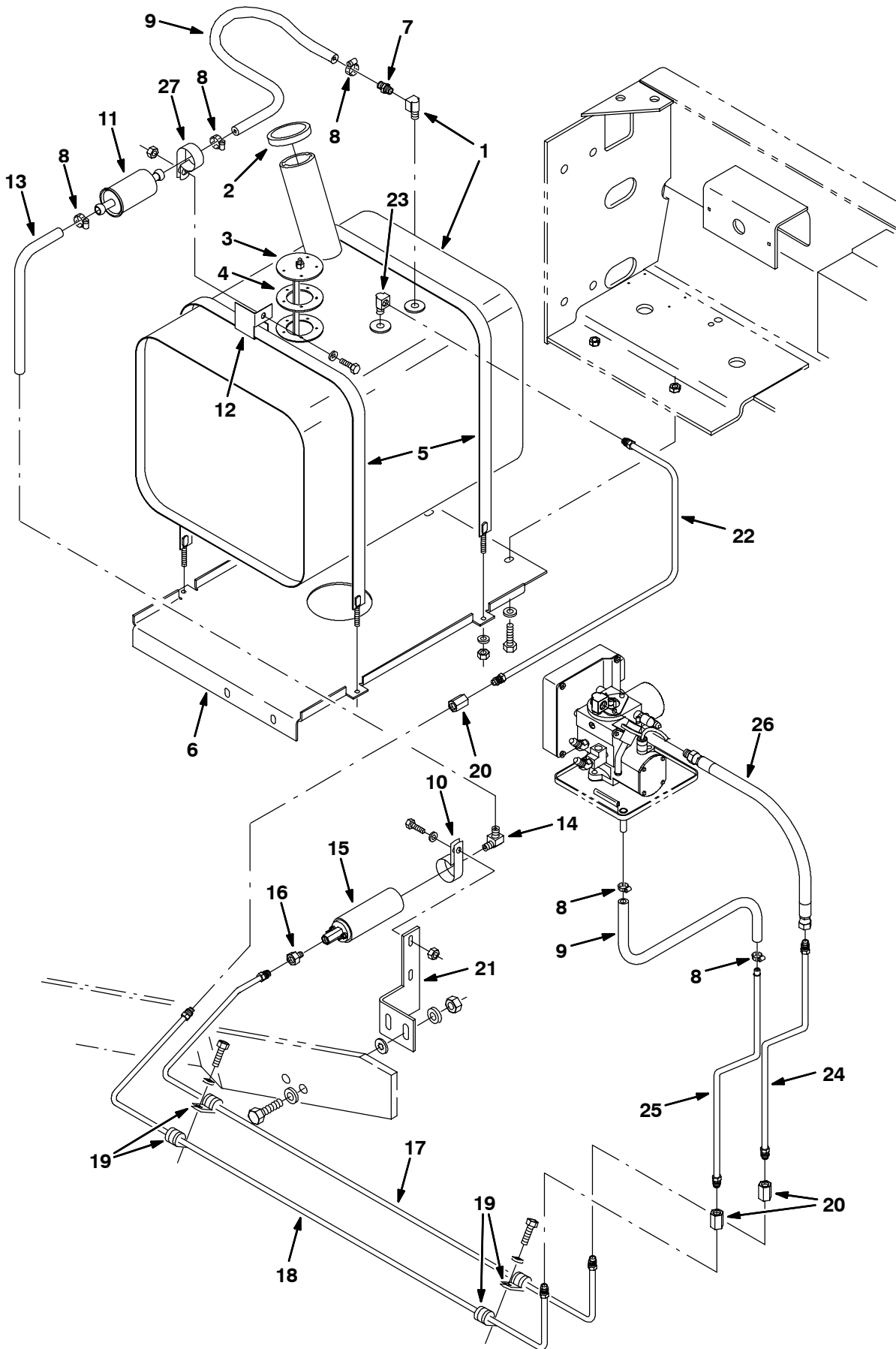


Fig. 49 - Engine Fuel Tank Group, Gas (003179-003999)

Ref.	Part No.	Serial Number	Description	Qty.
▽	1	76907	(003179-003999) Tank, Fuel, 14 Gas 14.7 13.0 19.0l	1
▲	2	48267	(003179-003999) Cap, Tank, Fuel, 2.3neck 2.6d	1
▲	3	21731	(003179-003999) Send-Unit	1
▲	4	21732	(003179-003999) Gasket, Send-Unit	1
	5	87396	(003179-003999) Strap Wldt, Tank, .06th X 1.0w, 37.7l	2
	6	70477	(003179-003999) Plate, Mtg, Tank, Gas	1
	7	392629	(003179-003999) Fitting, Brs, Str, Bm05/Pm04	1
	8	43844	(003179-003999) Clamp, Hose, Wormdrive, 0.25-0.62d	5
	9	82509	(003179-003999) Hose, Fuel, 0.31id 11.0l	2
	10	86328	(003179-003999) Clamp, Cable, Stl, 1.50d X 0.75w, 1h	1
	11	371662	(003179-003999) Filter, Fuel	1
	12	70767	(003179-003999) Bracket, Mtg, Fuelline	1
	13	82510	(003179-003999) Hose, Fuel, 0.31id 14.0l	1
	14	53029	(003179-003999) Fitting, Brs, E90, Em05/Pm02	1
	15	371661	(003179-003999) Pump, Fuel, Gas	1
	16	40585	(003179-003999) Fitting, Brs, Str, lf05/Pm02	1
	17	392594	(003179-003999) Fuelline, .31d 05if/05if	2
	18	392593	(003179-003999) Fuelline, .31d 05if/05f	1
	19	76736	(003179-003999) Clamp, Cable, Stl, 0.38d X 0.62w, 1h	4
	20	25610	(003179-003999) Fitting, Brs, Str, lf05/lf05	3
	21	75854	(003179-003999) Bracket, Pump, Fuel	1
	22	392597	(003179-003999) Fuelline, .31d 05if/05if	1
	23	15555-1	(003179-003999) Fitting, Brs, E90, lf05/Pm02	1
	24	393200	(003179-003999) Fuelline, .31d 05if/05if	1
	25	392649	(003179-003999) Fuelline, .31d 05if/Bea	1
	26	70173	(003179-003999) Hose, 0050, 04, lm05str /lf05str , 10.0	1
	27	41016	(003179-003999) Clamp, Cable, Stl, 2.25d X 1.0w, 1h	1

STANDARD PARTS

Fig. 50 - Engine Fuel Tank Group, Gas (004000-004499)

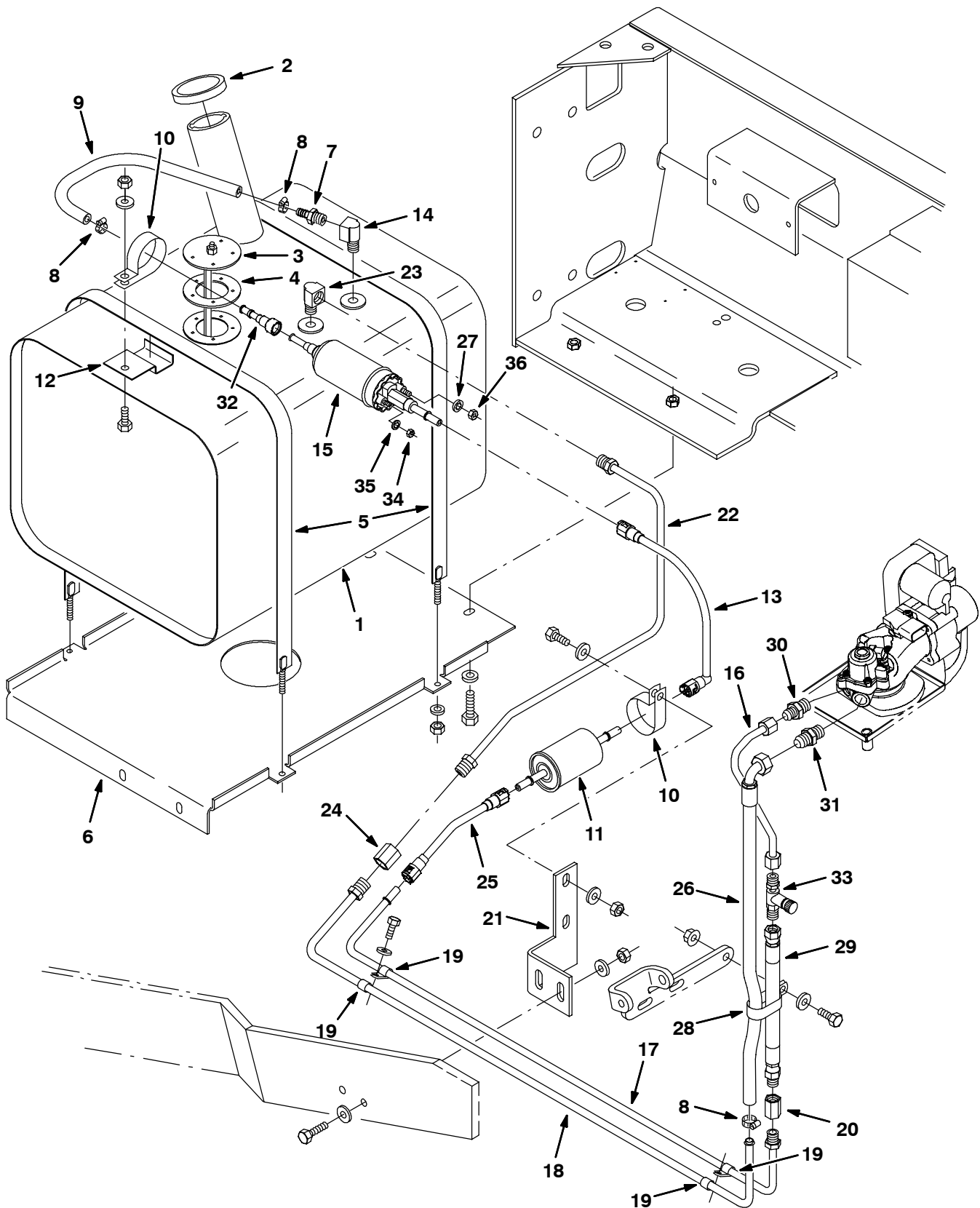


Fig. 50 - Engine Fuel Tank Group, Gas (004000-004499)

Ref.	Part No.	Serial Number	Description	Qty.
▽	1	1012110	(004000-004499) Tank, Fuel, 14 Gas 14.7 13.0 19.0	1
▲	2	48267	(004000-004499) Cap, Tank, Fuel, 2.3neck 2.6d	1
▲	3	21731	(004000-004499) Send-Unit, Fuel, Ohm	1
▲	4	21732	(004000-004499) Gasket, Sender, Fuel	1
	5	87396	(004000-004499) Strap Wldt, Tank, .06th X 1.0w, 37.7l	2
	6	70477	(004000-004499) Plate, Mtg, Tank, Gas	1
	7	392629	(004000-004499) Fitting, Brs, Str, Pm04/Bm05	1
	8	43844	(004000-004499) Clamp, Hose, Wormdrive, 0.25-0.62d	3
	9	83591	(004000-004499) Hose, Fuel, 0.31id 16.0l	1
	10	1011895	(004000-004499) Clamp, Cable, Stl, 2.00d X 0.75w, 1h	2
	11	372440	(004000-004499) Fuel, Fltr [Gm 1.6l/3.0l]	1
	12	1008988	(004000-004499) Bracket, Fltr, Fuel	1
	13	1012250	(004000-004499) Fuelline, .31d Str/E90, Plstc	1
	14	27048	(004000-004499) Fitting, Brs, E90, Pm04/Pf04	1
	15	1011107	(004000-004499) Pump, Fuel, Hi-Press [Gm 1.6l/3.0l]	1
	16	1012469	(004000-004499) Fuelline, .31d 05if/05jf Stl	1
	17	1011943	(004000-004499) Fuelline, .31d 05if/Qm Stl	2
	18	1011942	(004000-004499) Fuelline, .38d 06if/Bea Stl	1
	19	76736	(004000-004499) Clamp, Cable, Stl, 0.38d X 0.62w, 1h	4
	20	25610	(004000-004499) Fitting, Brs, Str, lf05/lf05	1
	21	1012018	(004000-004499) Bracket, Pump, Fuel	1
	22	1011941	(004000-004499) Fuelline, .38d 06if/06if Stl	1
	23	54140	(004000-004499) Fitting, Brs, E90, lf06/Pm04	1
	24	392598	(004000-004499) Fitting, Brs, Str, lf06/lf06	1
	25	1012248	(004000-004499) Fuelline, .31d Str/Str, Plstc	1
	26	1013030	(004000-004499) Hose, Fuel, Jf06e90, 20.3l	1
	27	32980	(004000-004499) Washer, Lock, Int, #10	1
	28	09570	(004000-004499) Clamp, Cable, Stl, 0.9x1.8x0.62w, 1h	1
	29	70173	(004000-004499) Hose, 0050, 04, lm05str /lf05str , 10.0	1
	30	1012677	(004000-004499) Fitting, Hyd, Str, Jm05/Om06	1
	31	56690	(004000-004499) Fitting, Hyd, Str, Jm06/Om06	1
	32	1013086	(004000-004499) Connector, Fuel, Qf	1
	33	1014595	(004000-004499) Adaptor, Fuelline	1
	34	42368	(004000-004499) Nut, Hex, Std, M4 X 0.7, 8	1
	35	32978	(004000-004499) Washer, Lock, Int, #08	1
	36	50335	(004000-004499) Nut, Hex, Std, M5 X 0.8, 8	1

STANDARD PARTS

Fig. 51 - Engine Fuel Tank Group, Gas (004500-)

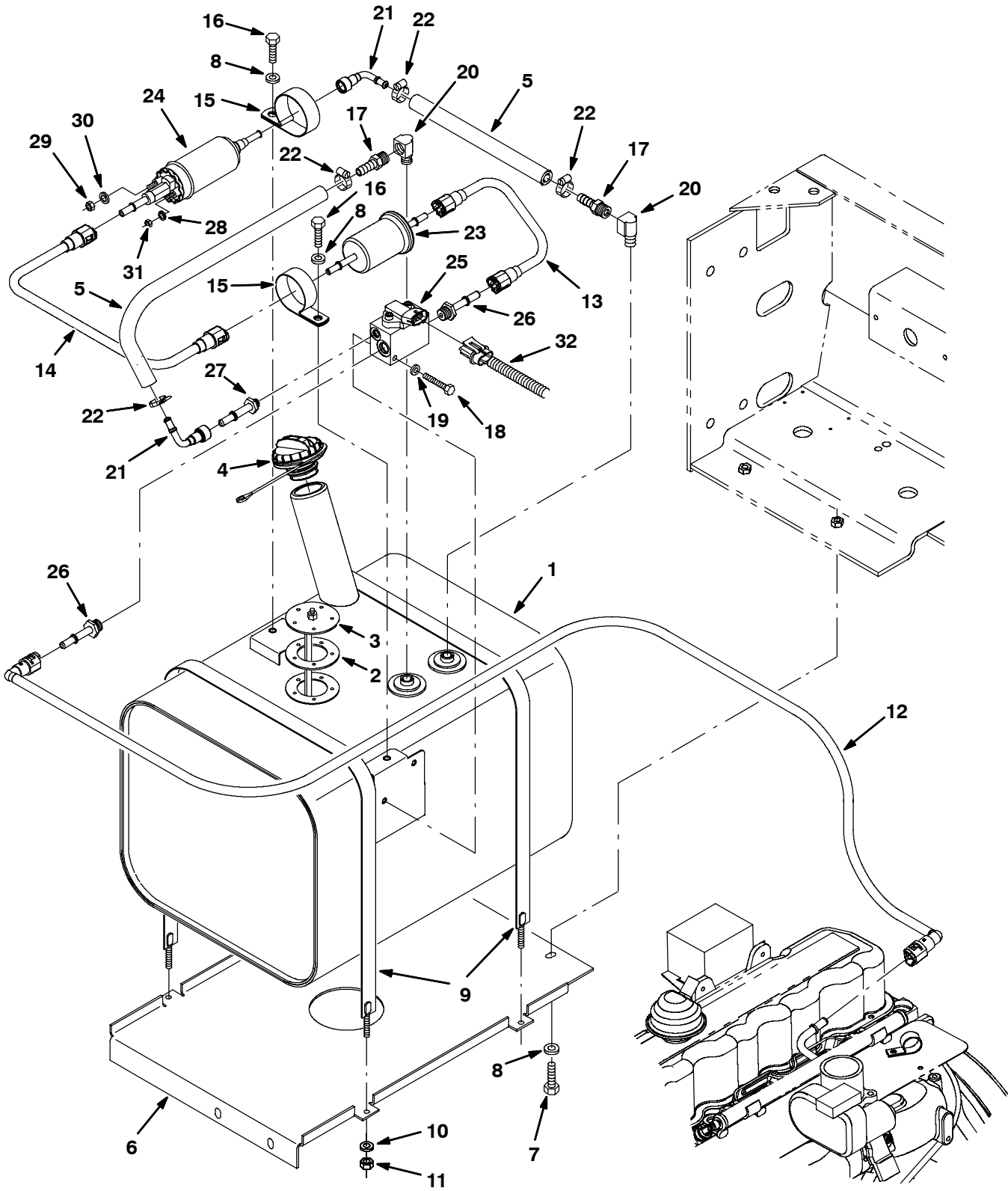


Fig. 51 - Engine Fuel Tank Group, Gas (004500-)

Ref.	Part No.	Serial Number	Description	Qty.
▽	1	1029502	(004500-) Tank, Fuel, 14.0gal, 14.66w 13.0hi 19.0l	1
▲	2	1033897	(004500-) Gasket, Sender, Fuel	1
▲	3	1033899	(004500-) Send-Unit, Fuel [800/810 2007]	1
▲	4	1032812	(004500-) Cap, Fuel, Tank	1
	5	1033746	(004500-) Hose, Fuel, 0.31id [Evap Emission 07]	2
	6	70477	(004500-) Plate, Mtg, Tank, Gas	1
	7	16931	(004500-) Screw, Hex, M8 X 1.25 X 20, 8.8	4
	8	32491	(004500-) Washer, Flat, 0.31, Std	6
	9	87396	(004500-) Strap Wldt, Tank, 0.06 1.0w 37.7l	2
	10	32483	(004500-) Washer, Flat, 0.25, Sae	4
	11	32981	(004500-) Nut, Hex, Lock, .25-20, NI	4
	12	1030485	(004500-) Fuelline, .31d E90, 05/06, Plstc	1
	13	1013509	(004500-) Fuelline, .31d Str/Str, Plstc [8200]	1
	14	1034676	(004500-) Fuelline, .31d Str/Str,Plstc[M20/T20 07]	1
	15	1011895	(004500-) Clamp, Cable, Stl, 2.00d X 0.75w, 1hole	1
	16	16931	(004500-) Screw, Hex, M8 X 1.25 X 20, 8.8	1
	17	392629	(004500-) Fitting, Brs, Str, Bm05/Pm04	2
	18	06949	(004500-) Screw, Hex, M6 X 1.0 X 50, 8.8	2
	19	32490	(004500-) Washer, Flat, 0.25, Std	2
	20	9000355	(004500-) Fitting, Brs, E90, Em05/Pm04	2
	21	1019939	(004500-) Connector, Fuel, E90, Qf	1
	22	43844	(004500-) Clamp, Hose, Wormdrive, 0.25-0.62d, .31w	4
	23	372440	(004500-) Filter, Fuel [Gm 1.6l/3.0l]	1
	24	1011107	(004500-) Pump, Fuel, Hi Press [Gm 1.6l/3.0l]	1
	25	1028924	(004500-) Manifold, Gas, Relief, Valve	1
	26	1029293	(004500-) Fitting, Fuel, Str, 0.56-18 [07 Eng]	2
	27	1029295	(004500-) Fitting, Fuel, Str, 0.38-24 [07 Eng]	1
	28	32980	(004500-) Washer, Lock, Int, #10	1
	29	42368	(004500-) Nut, Hex, Std, M4 X 0.70, 8	1
	30	32978	(004500-) Washer, Lock, Int, #08	1
	31	50335	(004500-) Nut, Hex, Std, M5 X 0.80, 8	1
	32	385009	(004500-) Harness, Eng	1

Fig. 52 - Engine Fuel Tank Group, LPG (003000-003178)

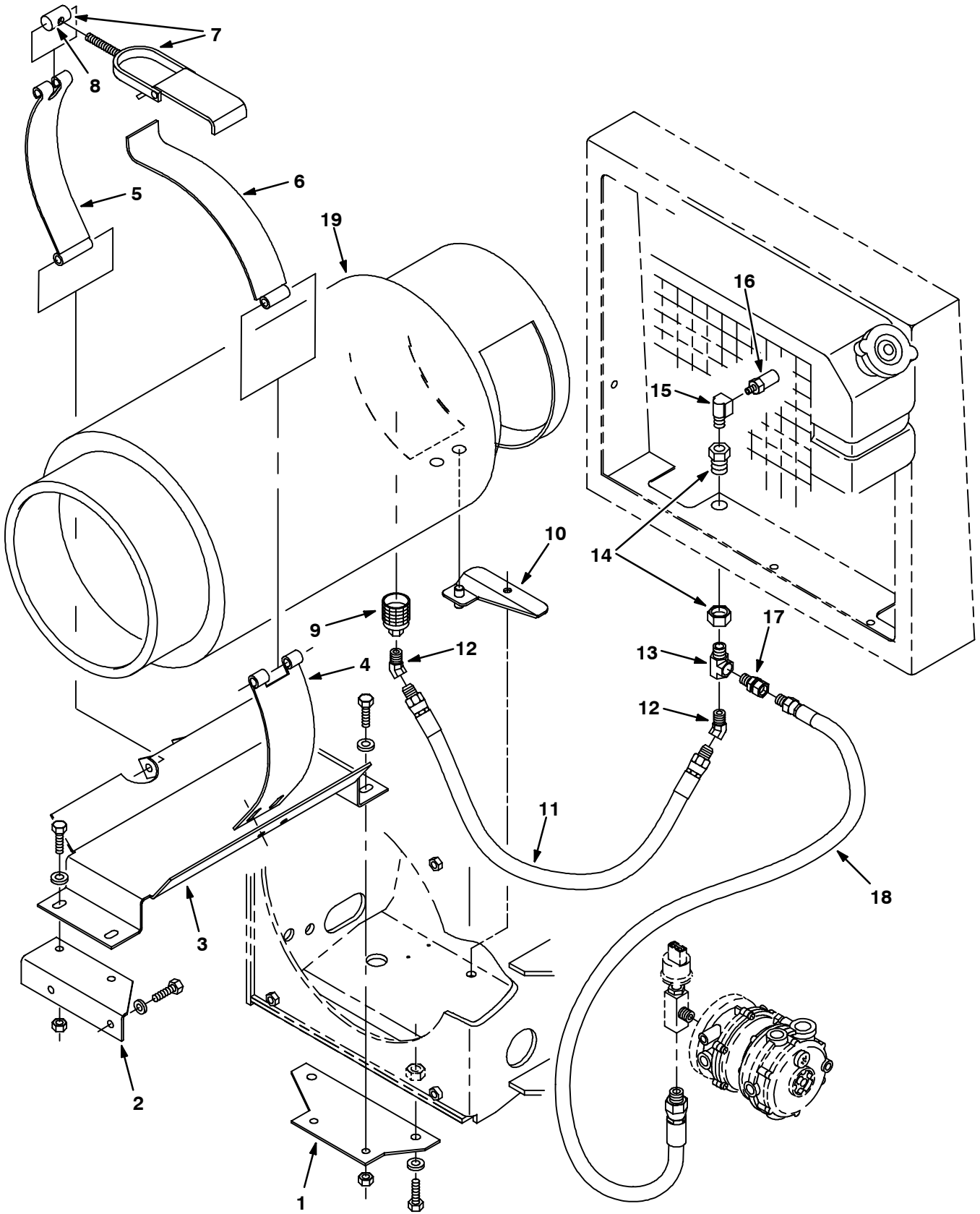


Fig. 52 - Engine Fuel Tank Group, LPG (003000-003178)

Ref.	Part No.	Serial Number	Description	Qty.	
1	70718	(003000-003178)	Plate, Mtg	1	
2	70719	(003000-003178)	Angle, Mtg	1	
3	70435	(003000-003178)	Bracket Wldt, Tank, Lpg	1	
4	58589	(003000-003178)	Strap, Mtg.- Lp Tank	1	
5	58590	(003000-003178)	Strap, Tank Retainer - Lp	1	
6	57297	(003000-003178)	Strap, Hinge - Lp Tank Mtg	1	
▽	7	53400-1	(003000-003178)	Latch Assy, Lpg Tank Mtg,W/Nut	1
▲	8	53400-4	(003000-003178)	Nut, Adjustable, Lpg Tank Mtg	1
9	26496	(003000-003178)	Coupling,Quickdisc, Lpg, Shwd	1	
10	74089	(003000-003178)	Plate Wldt.	1	
11	22308-3	(003000-003178)	Hose, Lpg, 4Lpg X 35.0Lg	1	
12	47720	(003000-003178)	Ftg-Hyd E45 Pm04/Pf04	2	
13	56976A	(003000-003178)	Ftg-Tee Npt 04Pm- 04Pf- 04Pf	1	
14	78122	(003000-003178)	Ftg,Bulkhead .25Npt Wh W21204	1	
15	27048	(003000-003178)	Ftg-El90 Npt/Npt 04Pf/04Pm	1	
16	24047	(003000-003178)	Valve, Press Relief, Lpg Rego	1	
17	11442-23	(003000-003178)	Ftg-Str Npt/Npt S04Pf-04Pm	1	
18	374158	(003000-003178)	Hose, Lpg, 4Lpg X 40.0Lg	1	
19	24928-1	(003000-003178)	Tank-Lp, 33#,Liq,Both,Fill Ga	1	

STANDARD PARTS

Fig. 53 - Engine Fuel Tank Group, LPG (003179-003999)

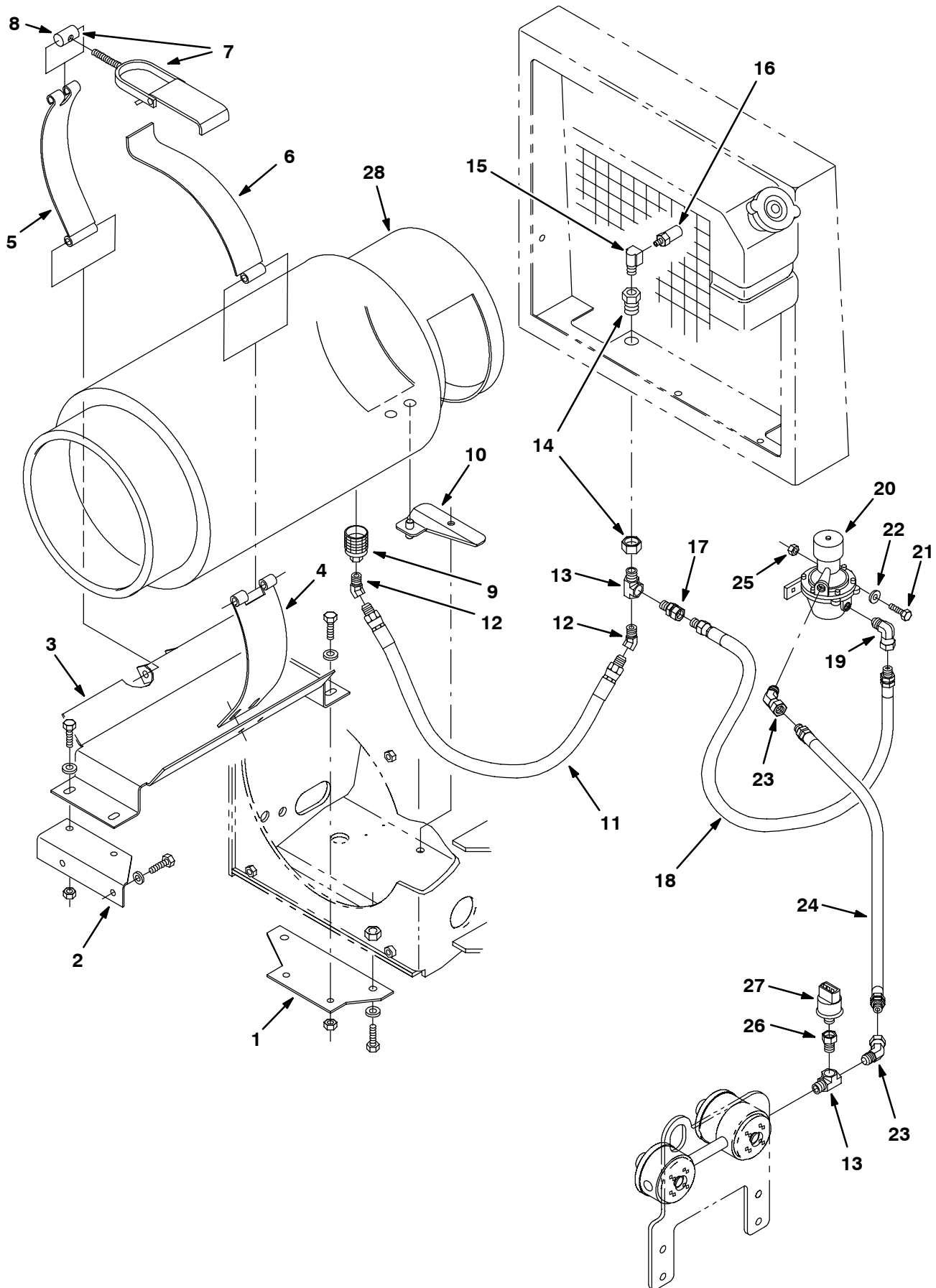


Fig. 53 - Engine Fuel Tank Group, LPG (003179-003999)

Ref.	Part No.	Serial Number	Description	Qty.	
1	70718	(003179-003999)	Plate, Mtg	1	
2	70719	(003179-003999)	Angle, Mtg	1	
3	70435	(003179-003999)	Bracket Wldt, Tank, Lpg	1	
4	58589	(003179-003999)	Strap, Mtg.- Lp Tank	1	
5	58590	(003179-003999)	Strap, Tank Retainer - Lp	1	
6	57297	(003179-003999)	Strap, Hinge - Lp Tank Mtg	1	
▽	7	53400-1	(003179-003999)	Latch Assy, Lpg Tank Mtg,W/Nut	1
▲	8	53400-4	(003179-003999)	Nut, Adjustable, Lpg Tank Mtg	1
9	26496	(003179-003999)	Coupling,Quickdisc, Lpg, Shwd	1	
10	74089	(003179-003999)	Plate Wldt.	1	
11	22308-3	(003179-003999)	Hose, Lpg, 4Lpg X 35.0Lg	1	
12	47720	(003179-003999)	Ftg-Hyd E45 Pm04/Pf04	2	
13	56976A	(003179-003999)	Ftg-Tee Npt 04Pm- 04Pf- 04Pf	2	
14	78122	(003179-003999)	Ftg,Bulkhead .25Npt Wh W21204	1	
15	27048	(003179-003999)	Ftg-El90 Npt/Npt 04Pf/04Pm	1	
16	24047	(003179-003999)	Valve, Press Relief, Lpg Rego	1	
17	11442-23	(003179-003999)	Ftg-Str Npt/Npt S04Pf-04Pm	1	
18	22324	(003179-003999)	Hose, Lpg, Med05, Pm04str/Sm04str, 31.0l	1	
19	11442-1	(003179-003999)	Fitting, Hyd, E90, Swivel Pf04/Pm04	1	
▽	20	53395-2	(003179-003999)	Filter, Fuelock, [Ballwin#4-2384b]	1
▲	48282	(003179-003999)	Kit, Repair, Fuelock, Mv 310-6	1	
21	12316	(003179-003999)	Screw, Hex, M05 X 0.8 X 25, Ss	2	
22	386063	(003179-003999)	Washer, 0.25b 1.12d .12, Ss	2	
23	47720	(003179-003999)	Fitting, Hyd, E45, Pm04/Pf04	2	
24	62865	(003179-003999)	Hose, Lpg, Med05, Pm04str/Sm04str, 67.0l	1	
25	50335	(003179-003999)	Nut, Hex, Std, M05 X 0.8	2	
26	17414	(003179-003999)	Fitting, Pipe, Str, Pm04/Pf02	1	
27	23156	(003179-003999)	Switch, Press, 12vdc 08a Spst Nc 0070psi	1	
28	24928-1	(003179-003999)	Tank-Lp, 33#,Liq,Both,Fill Ga	1	

STANDARD PARTS

Fig. 54 - Engine Fuel Tank Group, LPG (004000-004499)

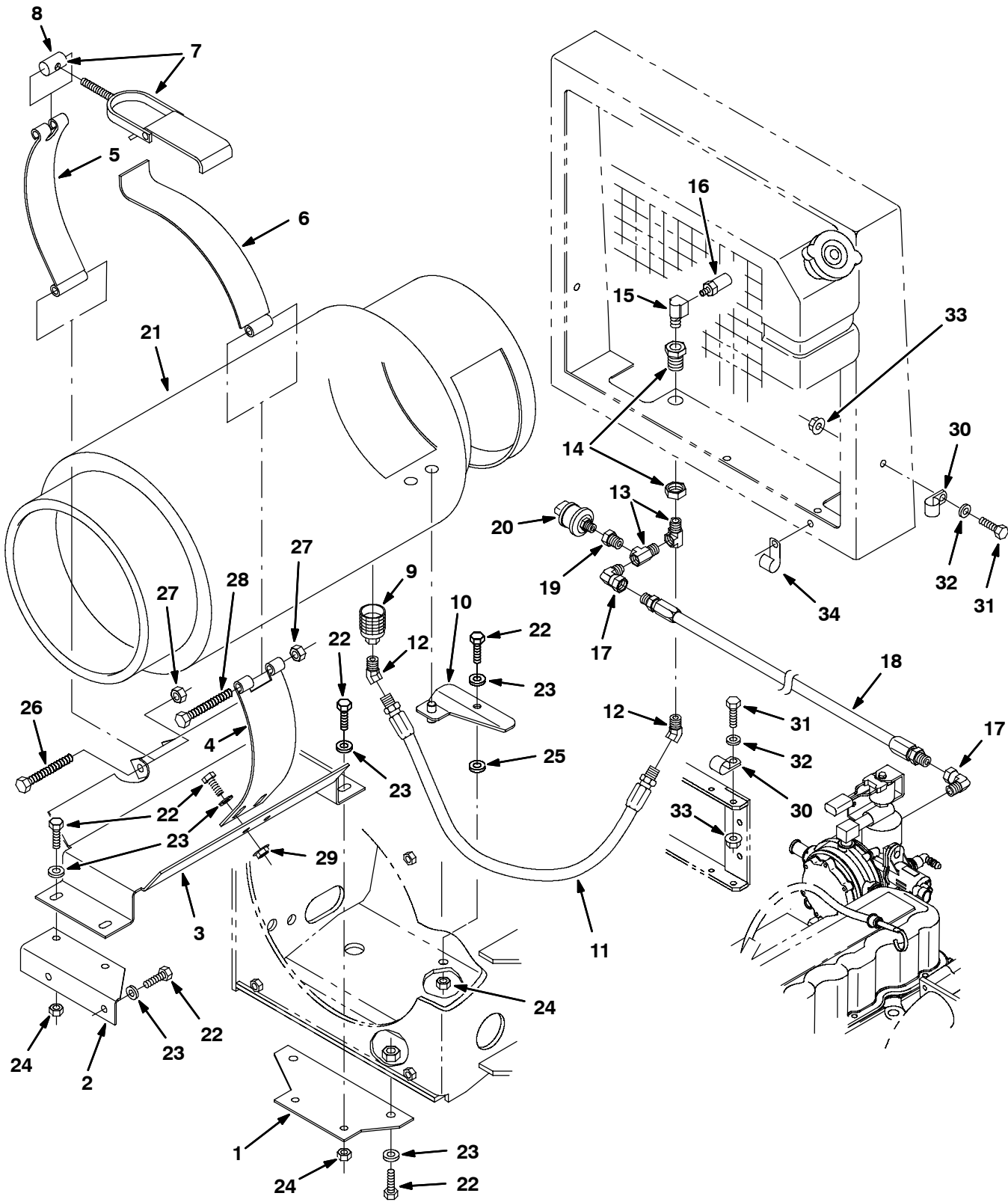


Fig. 54 - Engine Fuel Tank Group, LPG (004000-004499)

Ref.	Part No.	Serial Number	Description	Qty.	
1	70718	(004000-004499)	Plate, Mtg	1	
2	70719	(004000-004499)	Angle, Mtg	1	
3	70435	(004000-004499)	Bracket Wldt, Tank, Lpg	1	
4	58589	(004000-004499)	Strap, Mtg.- Lp Tank	1	
5	58590	(004000-004499)	Strap, Tank Retainer - Lp	1	
6	57297	(004000-004499)	Strap, Hinge - Lp Tank Mtg	1	
▽	7	53400-1	(004000-004499)	Latch Assy, Lpg Tank Mtg,W/Nut	1
▲	8	53400-4	(004000-004499)	Nut, Adjustable, Lpg Tank Mtg	1
9	26496	(004000-004499)	Coupling,Quickdisc, Lpg, Shwd	1	
10	74089	(004000-004499)	Plate Wldt.	1	
11	374158	(004000-004499)	Hose, Lpg, Med05, Pm04str/Sm04str, 46.0l	1	
12	47720	(004000-004499)	Ftg-Hyd E45 Pm04/Pf04	2	
13	56976A	(004000-004499)	Ftg-Tee Npt 04Pm- 04Pf- 04Pf	2	
14	78122	(004000-004499)	Ftg,Bulkhead .25Npt Wh W21204	1	
15	27048	(004000-004499)	Ftg-El90 Npt/Npt 04Pf/04Pm	1	
16	24047	(004000-004499)	Valve, Press Relief, Lpg Rego	1	
17	11442-1	(004000-004499)	Fitting, Hyd, E90, Swivel Pf04/Pm04	2	
18	22308-3	(004000- xxxxxx)	Hose, Lpg, 4Lpg X 35.0Lg	1	
18	19760	(xxxxxx-004499)	Hose, Lpg, Med05, Pm04str/Sm04str, 055.0	1	
19	17414	(004000-004499)	Fitting, Pipe, Str, Pm04/Pf02	1	
20	23156	(004000-004499)	Switch, Press, 12vdc 08a Spst Nc 0070psi	1	
21	24928-1	(004000-004499)	Tank-Lp, 33#,Liq,Both,Fill Ga	1	
22	16931	(004000-004499)	Screw, Hex, M8 X 1.25 X 20, 8.8	11	
23	32491	(004000-004499)	Washer, Flat, 0.31, Std	11	
24	08709	(004000-004499)	Nut, Hex, Lock, M8 X 1.25, NI	7	
25	43611	(004000-004499)	Washer, Flat, 0.39b 0.75d .06, Nyl	1	
26	35707	(004000-004499)	Screw, Hex, .38-16 X 3.00, G5	1	
27	50902	(004000-004499)	Nut, Hex, Lock, .38-16, NI	2	
28	20177	(004000-004499)	Screw, Hex, .38-16 X 4.00, G5	1	
29	07791	(004000-004499)	Nut, Hex, Flng, M8 X 1.25	2	
30	67767	(xxxxxx-004499)	Clamp, Cable, Stl, 0.69d X 0.62w, 1hole	2	
31	06942	(xxxxxx-004499)	Screw, Hex, M6 X 1.0 X 16, 8.8	2	
32	19066	(xxxxxx-004499)	Washer, Flat, #10	2	
33	07790	(xxxxxx-004499)	Nut, Hex, Flng, M6 X 1.00	2	
34	30407	(xxxxxx-004499)	Clip, Keeper, Open	1	

STANDARD PARTS

Fig. 55 - Engine Fuel Tank Group, LPG (004500-)

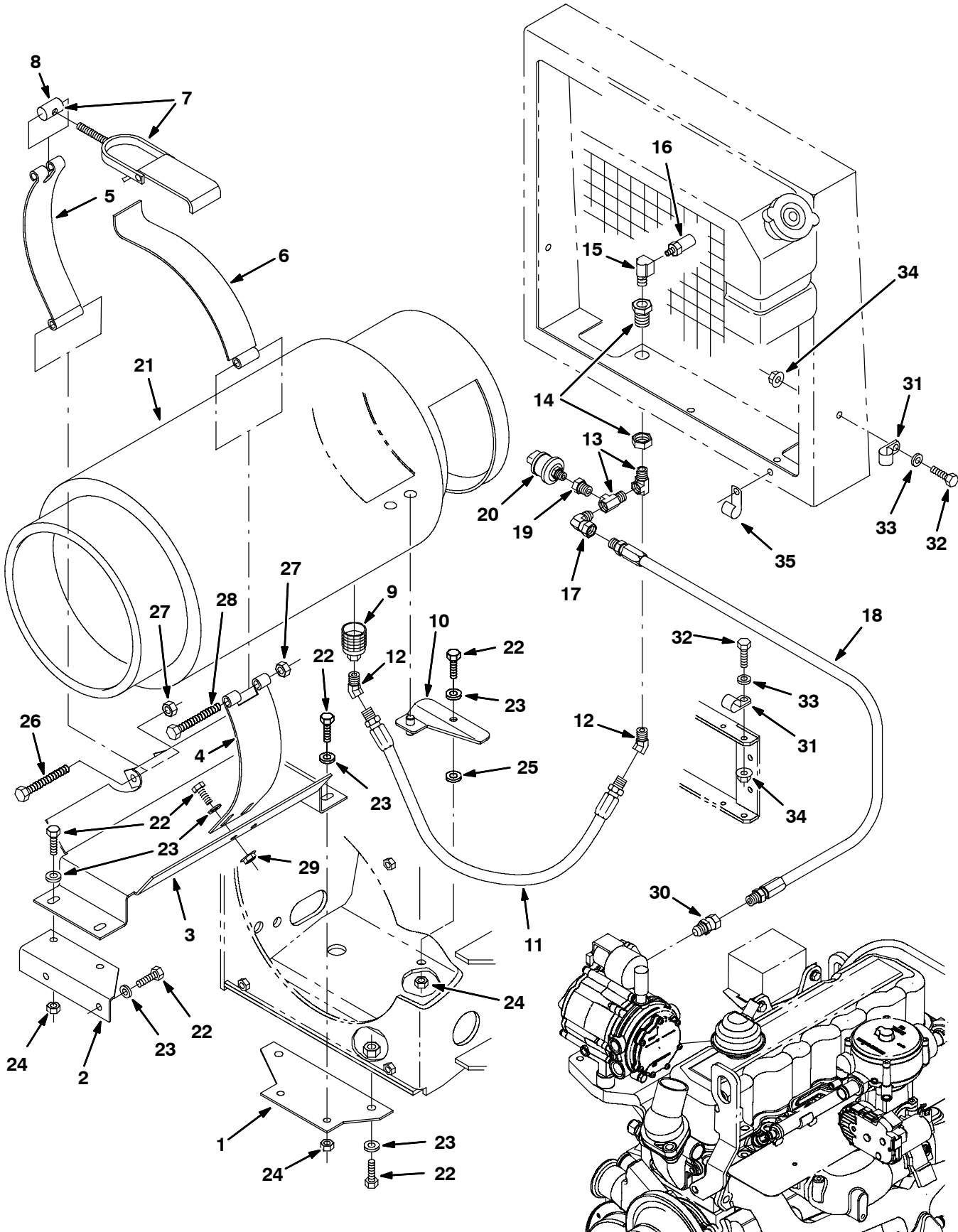


Fig. 55 - Engine Fuel Tank Group, LPG (004500-)

Ref.	Part No.	Serial Number	Description	Qty.
1	70718	(004500-) Plate, Mtg	1
2	70719	(004500-) Angle, Mtg	1
3	70435	(004500-) Bracket Wldt, Tank, Lpg	1
4	58589	(004500-) Strap, Mtg.- Lp Tank	1
5	58590	(004500-) Strap, Tank Retainer - Lp	1
6	57297	(004500-) Strap, Hinge - Lp Tank Mtg	1
▽	7	53400-1	(004500-) Latch Assy, Lpg Tank Mtg,W/Nut	1
▲	8	53400-4	(004500-) Nut, Adjustable, Lpg Tank Mtg	1
9	26496	(004500-) Coupling,Quickdisc, Lpg, Shwd	1
10	74089	(004500-) Plate Wldt.	1
11	374158	(004500-) Hose, Lpg, Med05, Pm04str/Sm04str, 46.0l	1
12	47720	(004500-) Ftg-Hyd E45 Pm04/Pf04	2
13	56976A	(004500-) Ftg-Tee Npt 04Pm- 04Pf- 04Pf	2
14	78122	(004500-) Ftg,Bulkhead .25Npt Wh W21204	1
15	27048	(004500-) Ftg-El90 Npt/Npt 04Pf/04Pm	1
16	24047	(004500-) Valve, Press Relief, Lpg Rego	1
17	11442-1	(004500-) Fitting, Hyd, E90, Swivel Pf04/Pm04	2
18	62865	(004500-) Hose, Lpg, Med05, Pm04str/Sm04str, 067.0	1
19	17414	(004500-) Fitting, Pipe, Str, Pm04/Pf02	1
20	23156	(004500-) Switch, Press, 12vdc 08a Spst Nc 0070psi	1
21	24928-1	(004500-) Tank-Lp, 33#,Liq,Both,Fill Ga	1
22	16931	(004500-) Screw, Hex, M8 X 1.25 X 20, 8.8	9
23	32491	(004500-) Washer, Flat, 0.31, Std	9
24	08709	(004500-) Nut, Hex, Lock, M8 X 1.25, NI	7
25	43611	(004500-) Washer, Flat, 0.39b 0.75d .06, Nyl	1
26	35707	(004500-) Screw, Hex, .38-16 X 3.00, G5	1
27	50902	(004500-) Nut, Hex, Lock, .38-16, NI	2
28	20177	(004500-) Screw, Hex, .38-16 X 4.00, G5	1
29	07791	(004500-) Nut, Hex, Flng, M8 X 1.25	2
30	11442-23	(004500-) Fitting, Pipe, Str, Pm04/Sf04	1
31	67767	(004500-) Clamp, Cable, Stl, 0.69d X 0.62w, 1hole	2
32	06942	(004500-) Screw, Hex, M6 X 1.0 X 16, 8.8	2
33	19066	(004500-) Washer, Flat, #10	2
34	07790	(004500-) Nut, Hex, Flng, M6 X 1.00	2
35	30407	(004500-) Clip, Keeper, Open	1

Fig. 56 - Engine Radiator Hose Group (003000-003178)

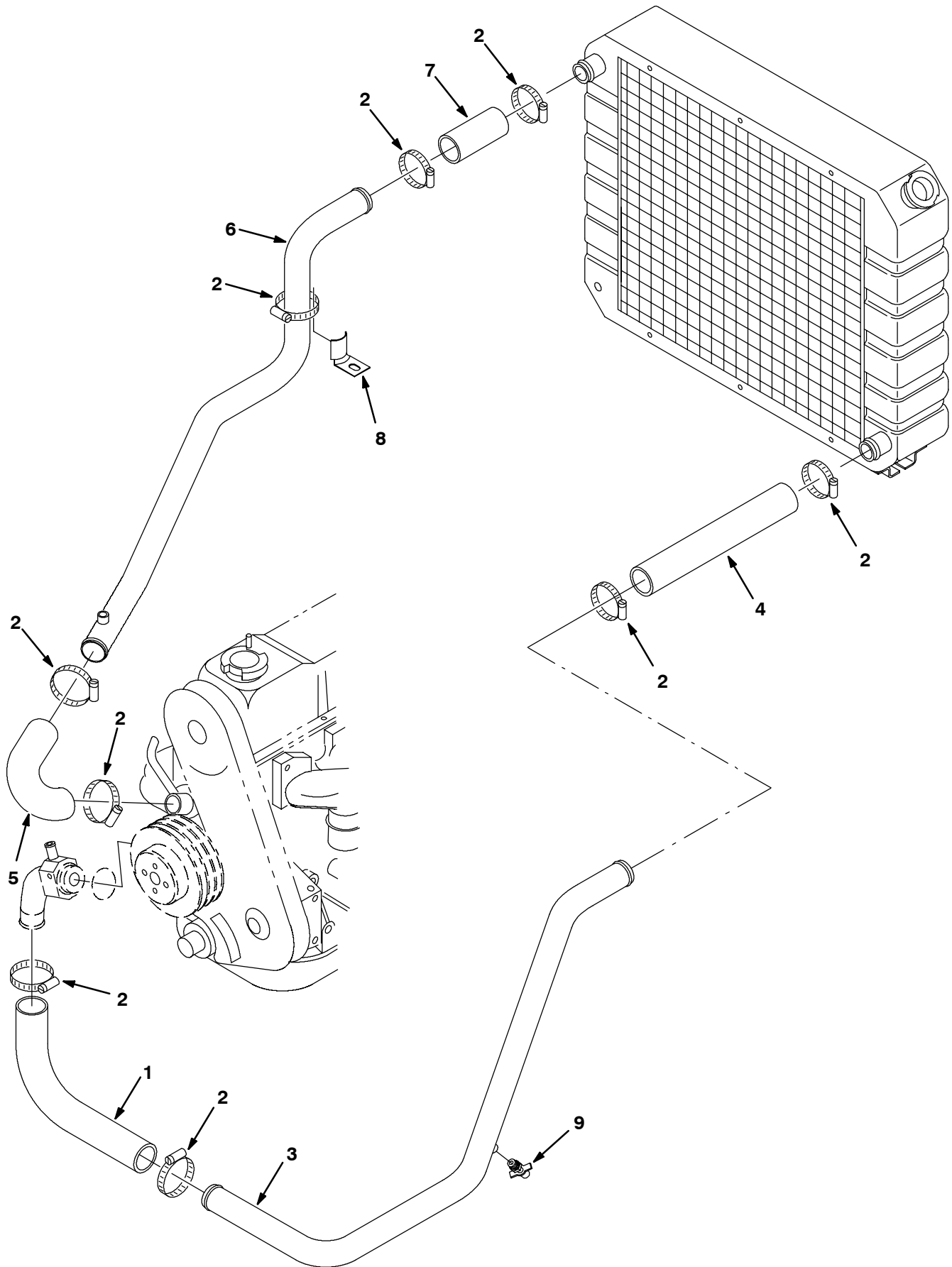


Fig. 56 - Engine Radiator Hose Group (003000-003178)

Ref.	Part No.	Serial Number	Description	Qty.
1	83690	(003000-003178)	Hose, Radiator, Lower	1
2	11531	(003000-003178)	Clamp-Wormdrive, 1.06- 2.00D	9
3	70754	(003000-003178)	Tube, Coolant, 1.5od Lower	1
4	70635	(003000-003178)	Hose, Rbr 1.50id 1.88od 12.0 L	1
5	70636	(003000-003178)	Hose, Radiator, Upper	1
6	83691	(003000-003178)	Tube, Radiator, Upper, Gas/Lpg	1
7	78750	(003000-003178)	Hose, Rbr, 1.50id 1.88od 6.0 L	1
8	74058	(003000-003178)	Bracket	1
9	54911-32	(003000-003178)	Drain Cock, .25npt	1

Fig. 57 - Engine Radiator Hose Group (003179-003999)

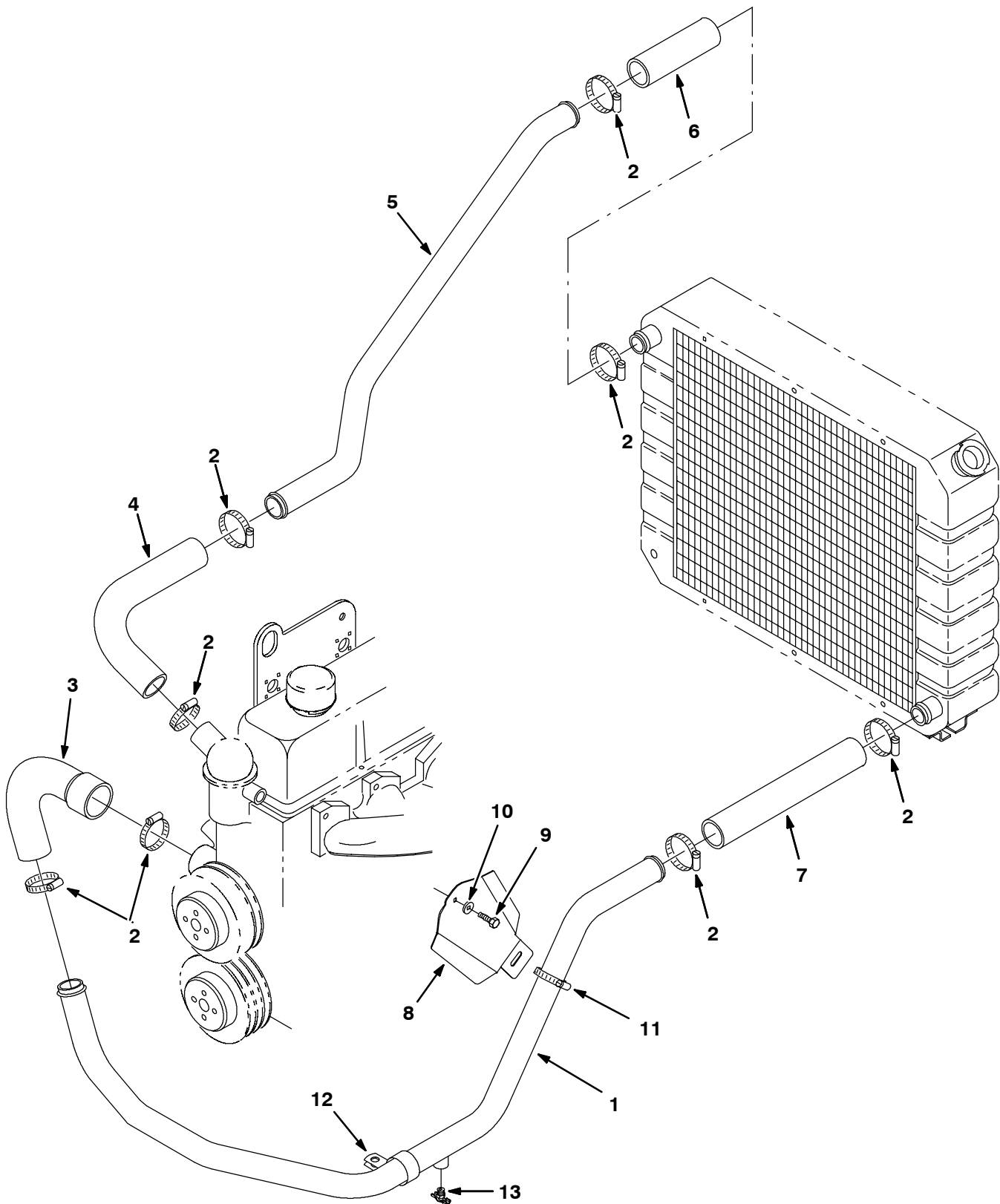


Fig. 57 - Engine Radiator Hose Group (003179-003999)

Ref.	Part No.	Serial Number	Description	Qty.
1	392590	(003179-003999)	Tube, Coolant, 1.5d W/.25npt Low, G/Lpg	1
2	11531	(003179-003999)	Clamp, Hose, Wormdrive, 1.06-2.00d	8
3	393229	(003179-003999)	Hose, Rbr, E120 1.50id 1.20id 06.4 2.7	1
4	83690	(003179-003999)	Hose, Rbr, E90 1.50id 1.50id 09.4 6.3	1
5	392591	(003179-003999)	Tube, Coolant, 1.5d Upper, Gas/Lpg	1
6	78750	(003179-003999)	Hose, Rbr, 1.50id 1.88od 12.0l	1
7	70635	(003179-003999)	Hose, Rbr, 1.50id 1.88od 06.0l	1
8	393216	(003179-003999)	Plate, Shield, Heat, W/Label	1
9	54396	(003179-003999)	Screw, Hex, .31-18 X 0.75, 5	1
10	32491	(003179-003999)	Washer, Flat, .31 Std	1
11	79381	(003179-003999)	Clamp, Hose, Wormdrive, 1.25-2.00d	1
12	53468	(003179-003999)	Clamp, Cable, Stl, 1.75d X 1.00w, 1h	1
13	54911-32	(003179-003999)	Fitting, Draincock, .25npt	1

Fig. 58 - Engine Radiator Hose Group (004000-004499)

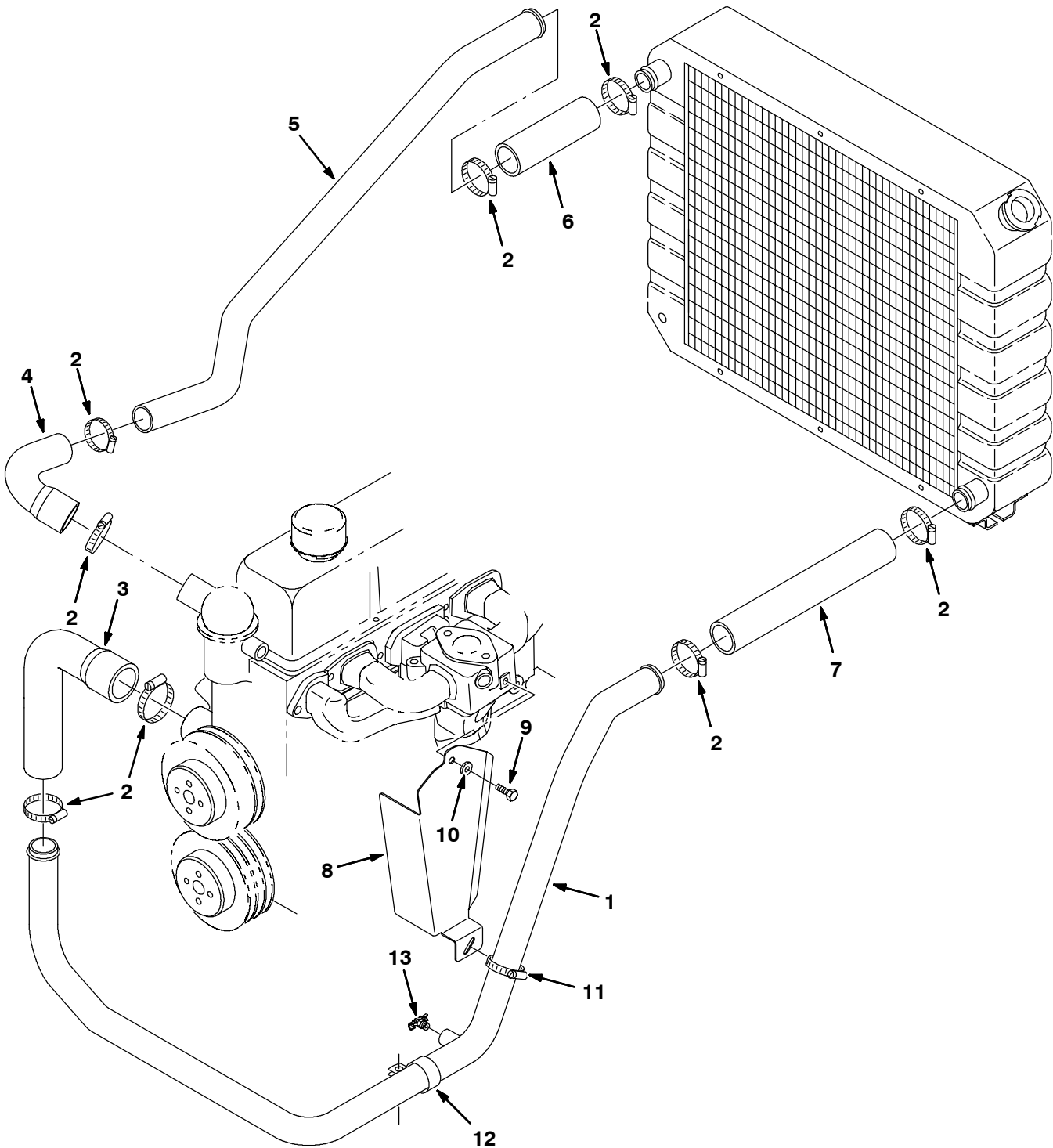


Fig. 58 - Engine Radiator Hose Group (004000-004499)

Ref.	Part No.	Serial Number	Description	Qty.
1	392590	(004000-004499)	Tube, Coolant, 1.5d W/.25npt Low, G/Lpg	1
2	11531	(004000-004499)	Clamp, Hose, Wormdrive, 1.06-2.00d	8
3	392647	(004000-004499)	Hose, Coolant, 1.50id To 1.75id, Mold	1
4	393229	(004000-004031)	Hose, Rbr, E120 1.50id 1.20id 05.0 05.2	1
4	1012737	(004032-004499)	Hose, Rbr, E90 1.50id 1.62id 0.40 04.0	1
5	392591	(004000-004499)	Tube, Coolant, 1.5d Upper, Gas/Lpg	1
6	78750	(004000-004499)	Hose, Rbr, 1.50id 1.88od 06.0l	1
7	70635	(004000-004499)	Hose, Rbr, 1.50id 1.88od 12.0l	1
8	9000360	(004000-004499)	Plate, Shield, Heat, W/Label	1
9	54396	(004000-004499)	Screw, Hex, .31-18 X 0.75, 5	1
10	32491	(004000-004499)	Washer, Flat, .31 Std	1
11	79381	(004000-004499)	Clamp, Hose, Wormdrive, 1.25-2.00d	1
12	53468	(004000-004499)	Clamp, Cable, Stl, 1.75d X 1.00w, 1h	1
13	54911-32	(004000-004499)	Fitting, Draincock, .25npt	1

Fig. 59 - Engine Radiator Hose Group (004500-)

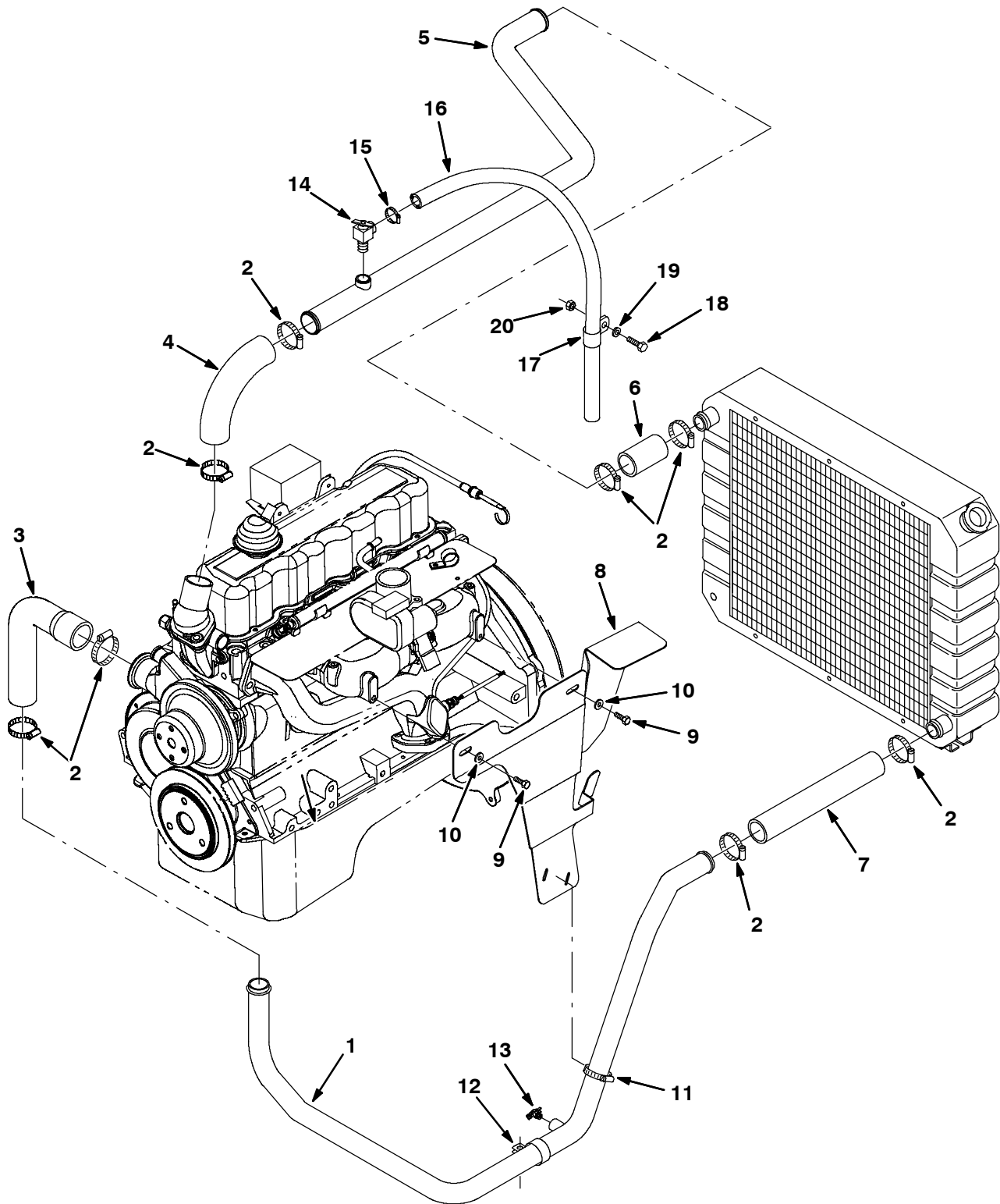


Fig. 59 - Engine Radiator Hose Group (004500-)

Ref.	Part No.	Serial Number	Description	Qty.
1	392590	(004500-) Tube, Coolant, 1.5d W/.25npt Low, G/Lpg	1
2	11531	(004500-) Clamp, Hose, Wormdrive, 1.06-2.00d	8
3	392647	(004500-) Hose, Coolant, 1.50id To 1.75id, Mold	1
4	380748	(004500-) Hose, Rbr, E90, 1.50id 1.50id 06.3 04.5	1
5	1030189	(004500-) Tube, Radiator, Upper [800gas/Lpg]	1
6	74944	(004500-) Hose, Rbr, 1.50id 1.88od 04.0l	1
7	70635	(004500-) Hose, Rbr, 1.50id 1.88od 12.0l	1
8	1029737	(004500-) Shield Wldt, Heat, Manifold	1
9	06941	(004500-) Screw, Hex, M6 X 1.0 X 10, 8.8	2
10	32483	(004500-) Washer, Flat, 0.25, Sae	2
11	83584	(004500-) Clamp, Hose, Wormdrive, 2.25-3.25d, .50w	1
12	53468	(004500-) Clamp, Cable, Stl, 1.75d X 1.00w, 1hole	1
13	54911-32	(004500-) Fitting, Draincock, .25npt	1
14	51305	(004500-) Fitting, Draincock, E90, .25npt	1
15	43844	(004500-) Clamp, Hose, Wormdrive, 0.25-0.62d, .31w	1
16	41295	(004500-) Hose, Pvc, Clr, 0.38id 0.56od 048.0l	1
17	62234	(004500-) Handle, Valve, Cntrl	1
18	06944	(004500-) Screw, Hex, M6 X 1.0 X 25, 8.8	1
19	32483	(004500-) Washer, Flat, 0.25, Sae	1
20	08708	(004500-) Nut, Hex, Lock, M6 X 1.00, NI	1

STANDARD PARTS

Fig. 60 - Engine Radiator and Cooling Fan Group (003000-004048)

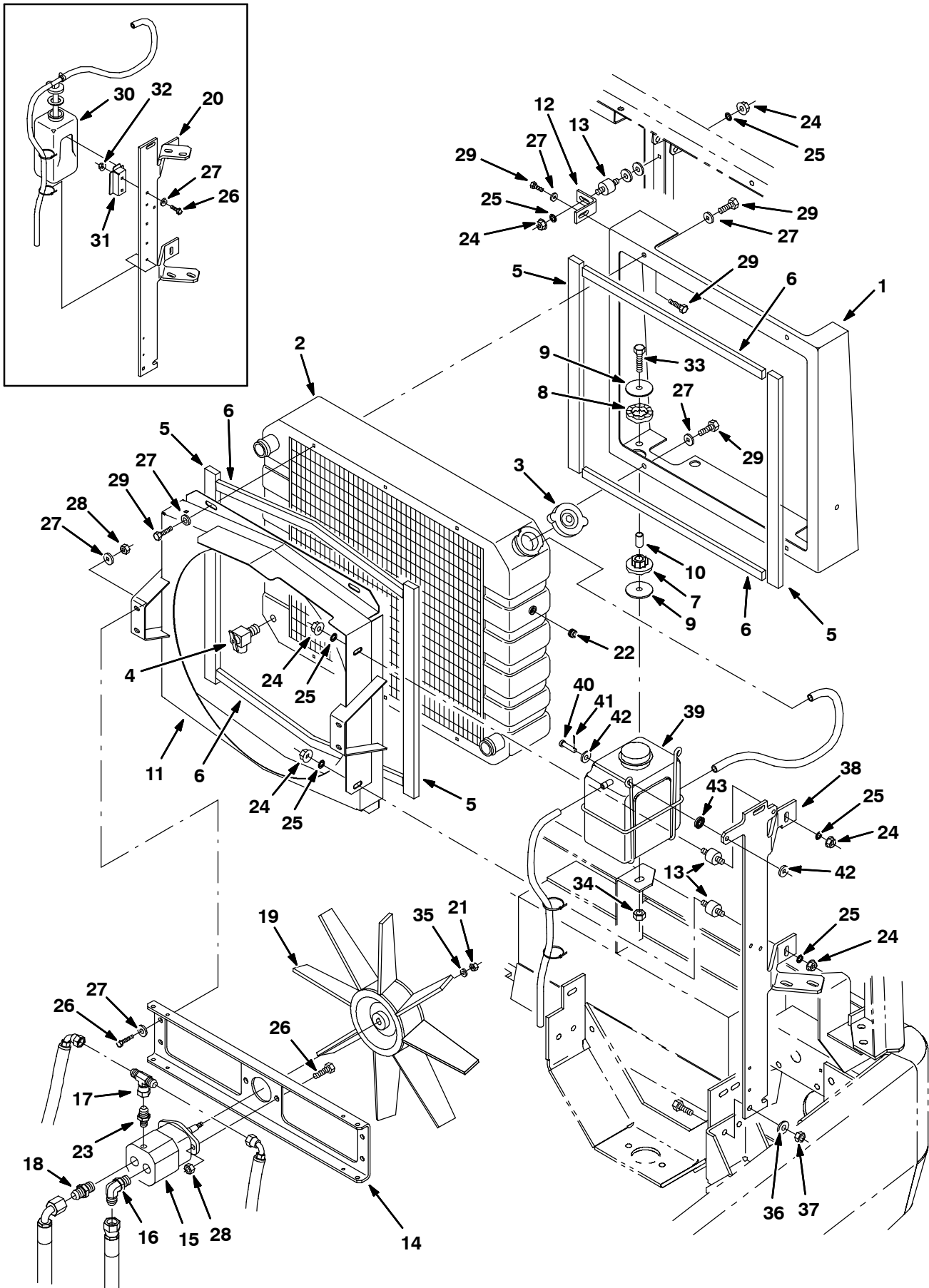


Fig. 60 - Engine Radiator and Cooling Fan Group (003000-004048)

Ref.	Part No.	Serial Number	Description	Qty.
1	48056	(003000-004048)	Duct, Rear	1
2	1042089AM	(003000-004048)	Radiator	1
3	1045764	(003000-004048)	Cap, Radiator, 14psi [Stant]	1
4	51305	(003000-004048)	Drain Cock, .25Npt Wh#120 Angl	1
5	63818	(003000-004048)	Seal, Duct	4
6	374230	(003000-004048)	Seal, Ure, 0.38 0.75w 19.5l Adh	4
7	64621	(003000-004048)	Bushing, Isolator	2
8	64618	(003000-004048)	Ring, Isolator, Outer Rbr	2
9	58228	(003000-004048)	Washer, Flat, 0.44b 2.00d .12, Stl, Pl	4
10	77452	(003000-004048)	Spacer	2
11	9001070	(003000-004048)	Shroud, Fan, Radiator, W/ Label [800]	1
12	375511	(003000-004048)	Bracket, L, 2.20,2.00, .18T,1.	1
13	51322	(003000-004048)	Isolator-Vibration .31-18	3
14	1019188	(003000-004048)	Channel, Mtg, Fan Motor	1
15	63542	(003000-004048)	Motor-Hyd, Gear In 10.0 (See Breakdowns)	1
16	47512	(003000-004048)	Ftg-Hyd E90 Jm06/Om08	1
17	31599	(003000-003178)	Ftg-Hyd Tee Jm04Omjm	1
18	52402	(003000-004048)	Ftg-Hyd Str Jm06/Om08	1
19	375586	(003000-004048)	Fan, Radiator	1
20	380754	(003000-004033)	Bracket, Mtg, Fltr, Oil, W/ Label [800]	1
21	74082	(003000-004048)	Nut-Hxlocnyln .31-24 Reg Pltd	1
22	02247	(003093-004048)	Fitting, Plug	1
23	50960	(003179-004048)	Fitting, Hyd, Str, Jm06/Om04	1
24	19313	(003000-004048)	Nut, Hex, Std, .31-18	6
25	32984	(003000-004048)	Washer, Lock, Int, 0.31	6
26	39277	(003000-004048)	Screw, Hex, M8 X 1.25 X 25, 8.8	8
27	32491	(003000-004048)	Washer, Flat, 0.31 Std	14
28	08709	(003000-004048)	Nut, Hex, Lock, M8 X 1.25, NI	7
29	16931	(003000-004048)	Screw, Hex, M8 X 1.25 X 20, 8.8	9
30	87972	(003000-004033)	Tank, Coolant, 03.5 03.0 06.5deep 1.0 Qt	1
31	382507	(003000-004033)	Bracket, Mtg, Tank, Coolant F/87972	1
32	07790	(003000-004048)	Nut, Hex, Flng, M6 X 1.0	2
33	27990	(003000-004048)	Screw, Hex, .38-16 X 2.00, 5	2
34	50902	(003000-004048)	Nut, Hex, Lock, .38-16, NI	2
35	41186	(003000-004048)	Washer, Belleville, .31	1
36	32492	(003000-004048)	Washer, Flat, 0.38 Std	2
37	41430	(003000-004048)	Nut, Hex, Lock, M10 X 1.5, NI	2
38	9001183	(003000-004048)	Bracket, Mtg, Fltr, Oil, W/Label [800]	1
39	768897	(003000-004048)	Tank, Coolant, 06.0 04.5 06.9deep 2.5 Qt	1
40	46800	(003000-004048)	Pin, Clevis, 0.31 D X 0.75l	2
41	44906	(003000-004048)	Pin, Hair Cotter, 0.69 D .092 Wir	2
42	32490	(003000-004048)	Washer, Flat, 0.25 Std	4
43	63416	(003000-004048)	Washer, Rbr, .12 0.31b 0.88d	2

STANDARD PARTS

Fig. 61 - Engine Radiator and Cooling Fan Group (004049-004499)

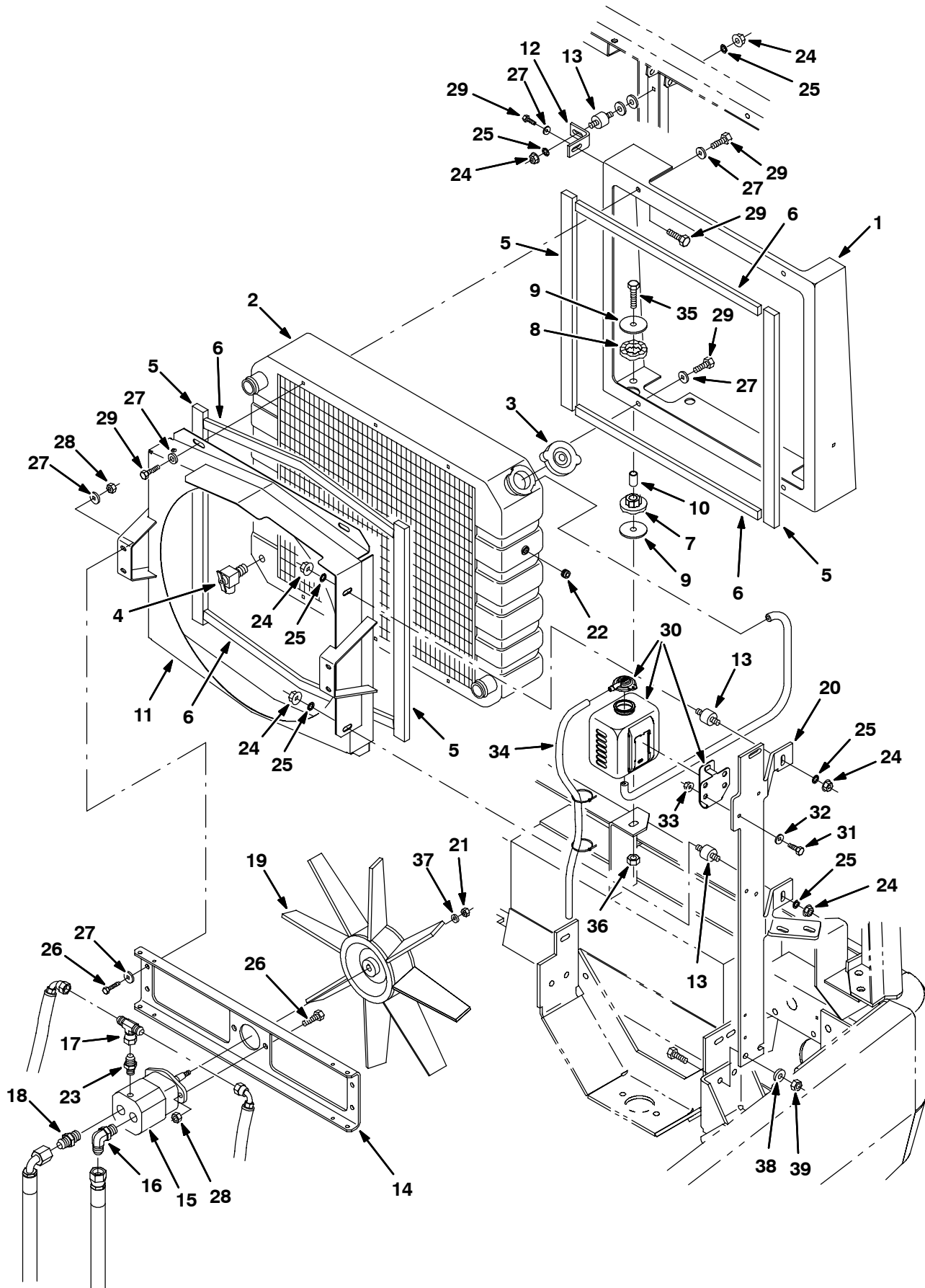


Fig. 61 - Engine Radiator and Cooling Fan Group (004049-004499)

Ref.	Part No.	Serial Number	Description	Qty.
1	48056	(004049-004499)	Duct, Rear	1
2	1042089AM	(004049-004499)	Radiator	1
3	1045764	(004049-004499)	Cap, Radiator, 14psi [Stant]	1
4	51305	(004049-004499)	Drain Cock, .25Npt Wh#120 Angl	1
5	63818	(004049-004499)	Seal, Duct	4
6	374230	(004049-004499)	Seal, Ure, 0.38 0.75w 19.5l Adh	4
7	64621	(004049-004499)	Bushing, Isolator	2
8	64618	(004049-004499)	Ring, Isolator, Outer Rbr	2
9	58228	(004049-004499)	Washer, Flat, 0.44b 2.00d .12, Stl, Pl	4
10	77452	(004049-004499)	Spacer	2
11	9001070	(004049-004499)	Shroud, Fan, Radiator, W/ Label [800]	1
12	375511	(004049-004499)	Bracket, L, 2.20,2.00, .18T,1.	1
13	51322	(004049-004499)	Isolator-Vibration .31-18	3
14	1019188	(004049-004499)	Channel, Mtg, Fan Motor	1
15	63542	(004049-004499)	Motor-Hyd, Gear In 10.0 (See Breakdowns)	1
16	47512	(004049-004499)	Ftg-Hyd E90 Jm06/Om08	1
17	31599	(004049-004499)	Ftg-Hyd Tee Jm04Omjm	1
18	52402	(004049-004499)	Ftg-Hyd Str Jm06/Om08	1
19	375586	(004049-004499)	Fan, Radiator	1
20	9001554	(004049-004499)	Bracket, Mtg, Fltr, Oil, W/Label [800]	1
21	74082	(004049-004499)	Nut-Hxlocnyln .31-24 Reg Pltd	1
22	02247	(004049-004499)	Fitting, Plug	1
23	50960	(004049-004499)	Fitting, Hyd, Str, Jm06/Om04	1
24	19313	(004049-004499)	Nut, Hex, Std, .31-18	6
25	32984	(004049-004499)	Washer, Lock, Int, 0.31	6
26	39277	(004049-004499)	Screw, Hex, M8 X 1.25 X 25, 8.8	8
27	32491	(004049-004499)	Washer, Flat, 0.31 Std	14
28	08709	(004049-004499)	Nut, Hex, Lock, M8 X 1.25, NI	7
29	16931	(004049-004499)	Screw, Hex, M8 X 1.25 X 20, 8.8	9
30	1023853	(004049-004499)	Tank, Coolant, 04.7 03.3 4.7deep, 1liter	1
31	06943	(004049-004499)	Screw, Hex, M6 X 1.0 X 20, 8.8	2
32	19066	(004049-004499)	Washer, Flat, #10	2
33	07790	(004049-004499)	Nut, Hex, Flng, M6 X 1.0	2
34	381391	(004049-004499)	Hose, Drain, Overflow, Radiator	1
35	27990	(004049-004499)	Screw, Hex, .38-16 X 2.00, 5	2
36	50902	(004049-004499)	Nut, Hex, Lock, .38-16, NI	2
37	41186	(004049-004499)	Washer, Belleville, .31	1
38	32492	(004049-004499)	Washer, Flat, 0.38 Std	2
39	41430	(004049-004499)	Nut, Hex, Lock, M10 X 1.5, NI	2

STANDARD PARTS

Fig. 62 - Engine Radiator and Cooling Fan Group (004500-)

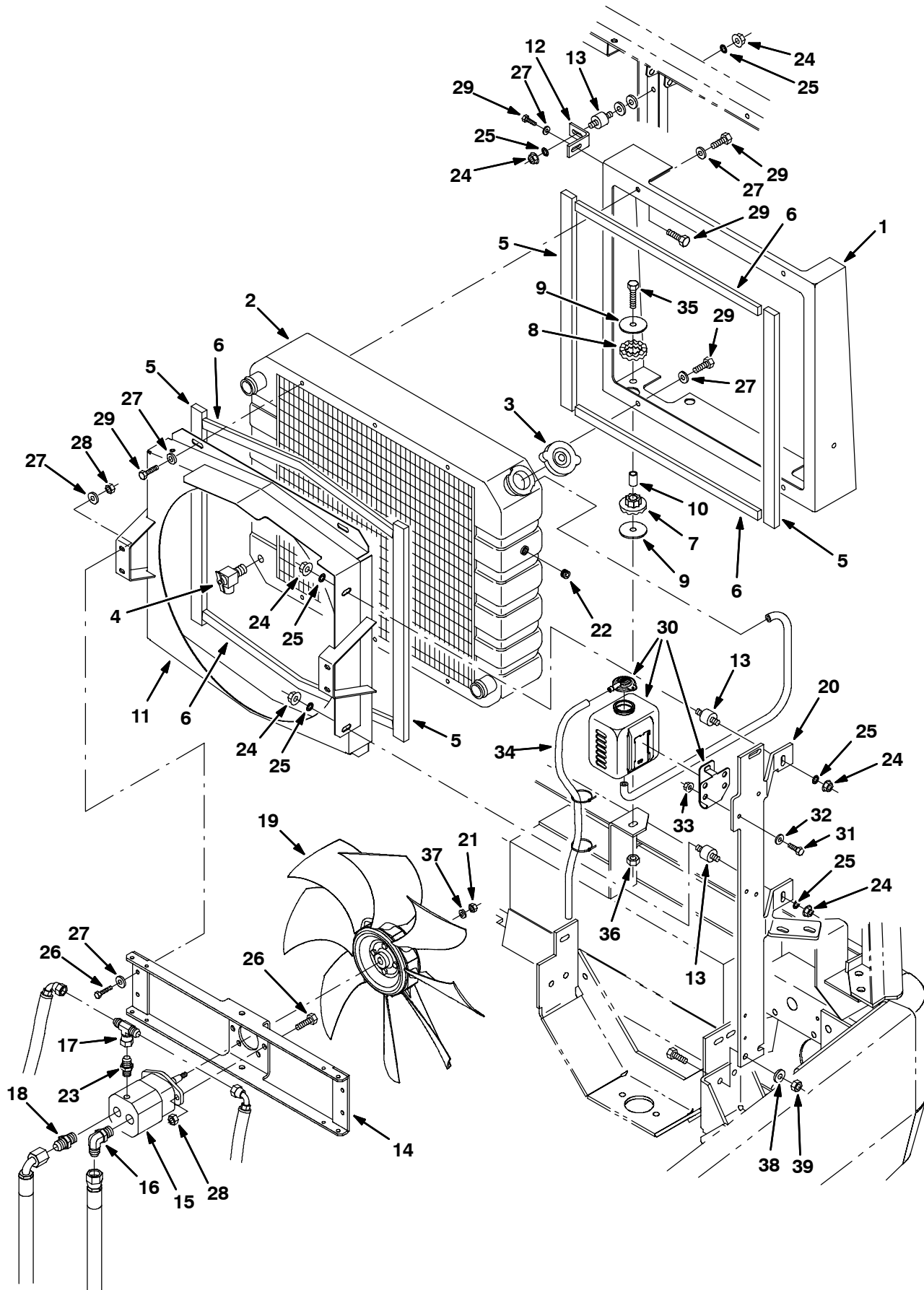


Fig. 62 - Engine Radiator and Cooling Fan Group (004500-)

Ref.	Part No.	Serial Number	Description	Qty.
1	48056	(004500-) Duct, Rear	1
2	1042089AM	(004500-) Radiator	1
3	1045764	(004500-) Cap, Radiator, 14psi [Stant]	1
4	51305	(004500-) Drain Cock, .25Npt Wh#120 Angl	1
5	63818	(004500-) Seal, Duct	4
6	374230	(004500-) Seal, Ure, 0.38 0.75w 19.5l Adh	4
7	64621	(004500-) Bushing, Isolator	2
8	64618	(004500-) Ring, Isolator, Outer Rbr	2
9	58228	(004500-) Washer, Flat, 0.44b 2.00d .12, Stl, Pl	4
10	77452	(004500-) Spacer	2
11	9001070	(004500-) Shroud, Fan, Radiator, W/ Label [800]	1
12	375511	(004500-) Bracket, L, 2.20,2.00, .18T,1.	1
13	51322	(004500-) Isolator-Vibration .31-18	3
14	1033344	(004500-) Bracket Wldt, Mtg, Motor [2007]	1
15	63542	(004500-) Motor-Hyd, Gear In 10.0 (See Breakdowns)	1
16	47512	(004500-) Ftg-Hyd E90 Jm06/Om08	1
17	31599	(004500-) Ftg-Hyd Tee Jm04Omjm	1
18	52402	(004500-) Ftg-Hyd Str Jm06/Om08	1
19	1033497	(004500-) Fan, Cooling, 18.0d, 8 Blade, 0.5b Taper	1
20	9001554	(004500-) Bracket, Mtg, Fltr, Oil, W/Label [800]	1
21	74082	(004500-) Nut-Hxlocnyln .31-24 Reg Pltd	1
22	02247	(004500-) Fitting, Plug	1
23	50960	(004500-) Fitting, Hyd, Str, Jm06/Om04	1
24	19313	(004500-) Nut, Hex, Std, .31-18	6
25	32984	(004500-) Washer, Lock, Int, 0.31	6
26	39277	(004500-) Screw, Hex, M8 X 1.25 X 25, 8.8	8
27	32491	(004500-) Washer, Flat, 0.31 Std	14
28	08709	(004500-) Nut, Hex, Lock, M8 X 1.25, NI	7
29	16931	(004500-) Screw, Hex, M8 X 1.25 X 20, 8.8	9
30	1023853	(004500-) Tank, Coolant, 04.7 03.3 4.7deep, 1liter	1
31	06943	(004500-) Screw, Hex, M6 X 1.0 X 20, 8.8	2
32	19066	(004500-) Washer, Flat, #10	2
33	07790	(004500-) Nut, Hex, Flng, M6 X 1.0	2
34	381391	(004500-) Hose, Drain, Overflow, Radiator	1
35	27990	(004500-) Screw, Hex, .38-16 X 2.00, 5	2
36	50902	(004500-) Nut, Hex, Lock, .38-16, NI	2
37	41186	(004500-) Washer, Belleville, .31	1
38	32492	(004500-) Washer, Flat, 0.38 Std	2
39	41430	(004500-) Nut, Hex, Lock, M10 X 1.5, NI	2

Fig. 63 - Engine Battery Group (003000-004499)

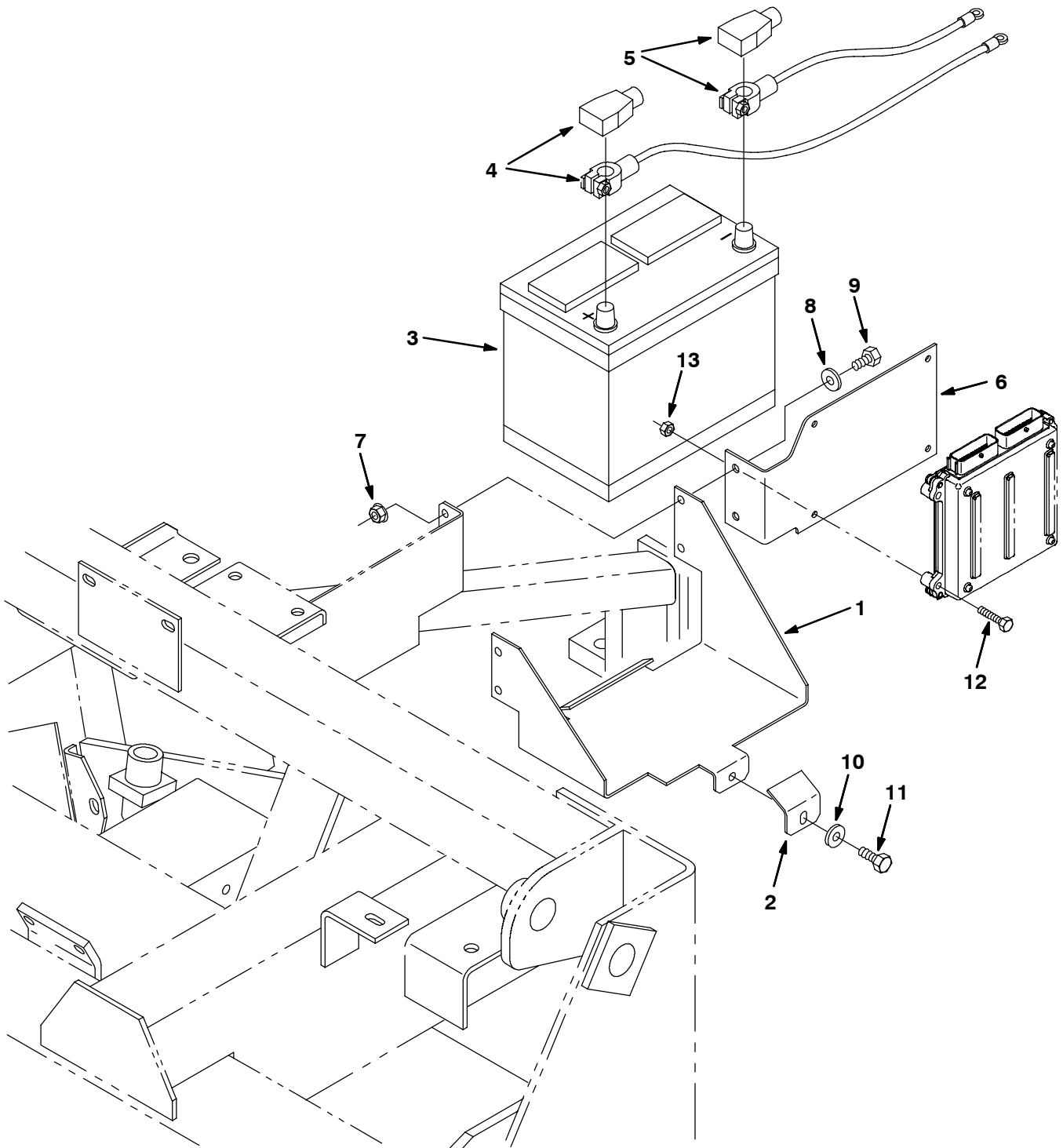


Fig. 63 - Engine Battery Group (003000-004499)

Ref.	Part No.	Serial Number	Description	Qty.
1	77490	(003000-004499)	Bracket, Mtg, Battery	1
2	77579	(003000-004499)	Bracket, Battery	1
3	77602	(003000-004499)	Battery, 12V, Wet	1
4	68869	(003000-004499)	Cable Assy-Batt,Pos, 48.0, 2Ga	1
5	60293	(003000-004499)	Wire, 42.0 Lg, 2Ga, Neg	1
6	1011655	(004000-004499)	Bracket, Eng	1
7	07791	(004000-004499)	Nut, Hex, Flng, M8 X 1.25	2
8	32491	(004000-004499)	Washer, Flat, 0.31 Std	2
9	16931	(004000-004499)	Screw, Hex, M8 X 1.25 X 20, 8.8	2
10	41186	(004000-004499)	Washer, Belleville, .31	1
11	39277	(004000-004499)	Screw, Hex, M8 X 1.25 X 25, 8.8	1
12	06946	(004000-004499)	Screw, Hex, M6 X 1.0 X 35, 8.8	4
13	08708	(004000-004499)	Nut, Hex, Lock, M 6 X 1.0, NI	4

Fig. 64 - Engine Battery Group (004500-)

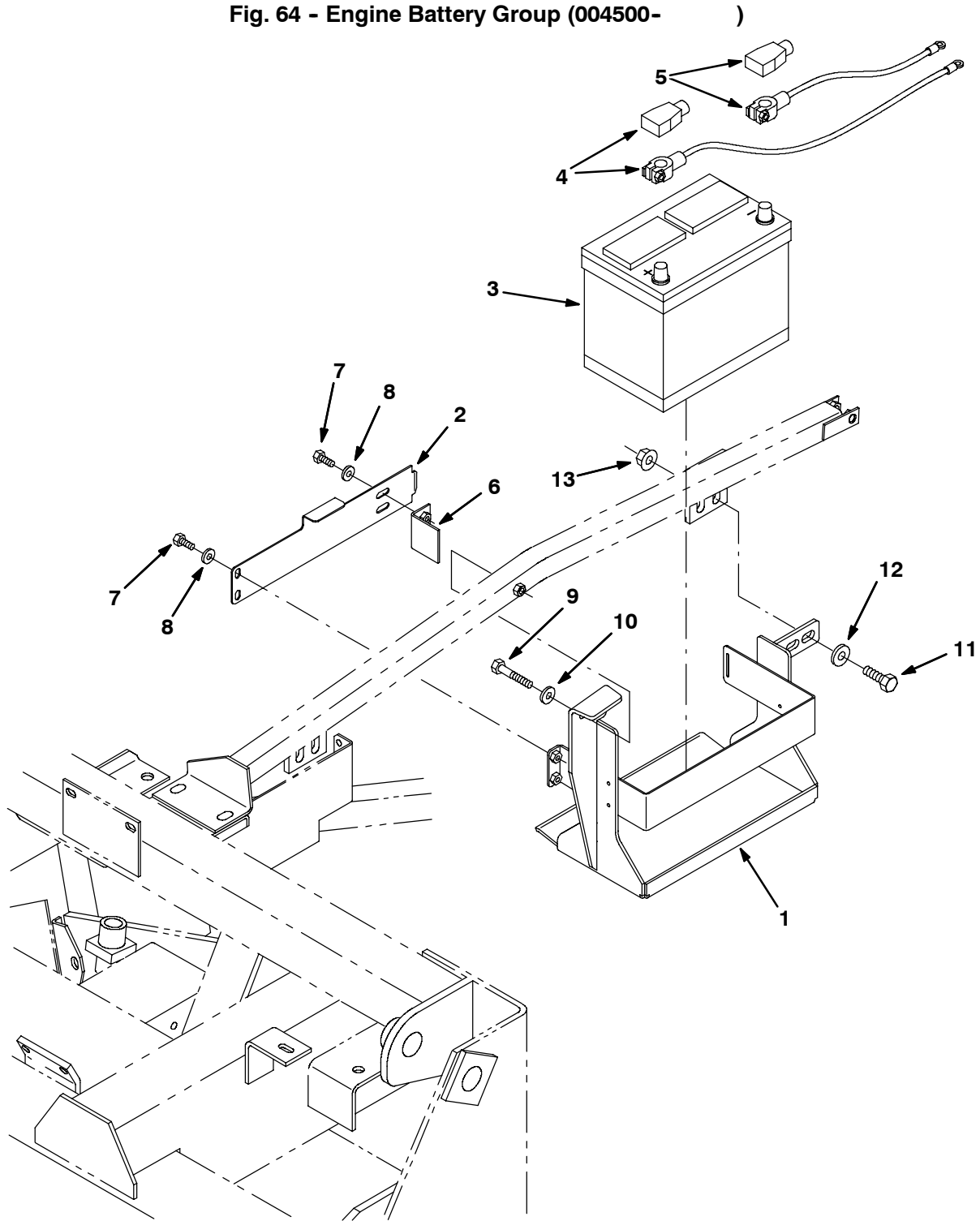


Fig. 64 - Engine Battery Group (004500-)

Ref.	Part No.	Serial Number	Description	Qty.
1	1012785	(004500-) Bracket Wldt, Mtg, Battery	1
2	1011788	(004500-) Bracket, Retainer, Battery	1
3	77602	(004500-) Battery, Wet, 12vdc 0700cca	1
4	68869	(004500-) Cable, Battery, 02ga 48.0l Red .41ring	1
5	34821	(004500-) Cable, Battery, 02ga 36.0l Blk .38ring	1
6	1011795	(004500-) Bracket, Retainer, Battery	1
7	16931	(004500-) Screw, Hex, M8 X 1.25 X 20, 8.8	2
8	41186	(004500-) Washer, Flat, Belleville, .31	2
9	06963	(004500-) Screw, Hex, M10 X 1.5 X 60, 8.8	2
10	32492	(004500-) Washer, Flat, 0.38, Std	2
11	06969	(004500-) Screw, Hex, M12 X 1.75 X 40, 8.8	2
12	32486	(004500-) Washer, Flat, 0.50, Sae	2
13	07793	(004500-) Nut, Hex, Flng, M12 X 1.75	2

Fig. 65 - Wheel Drive Group, Rear

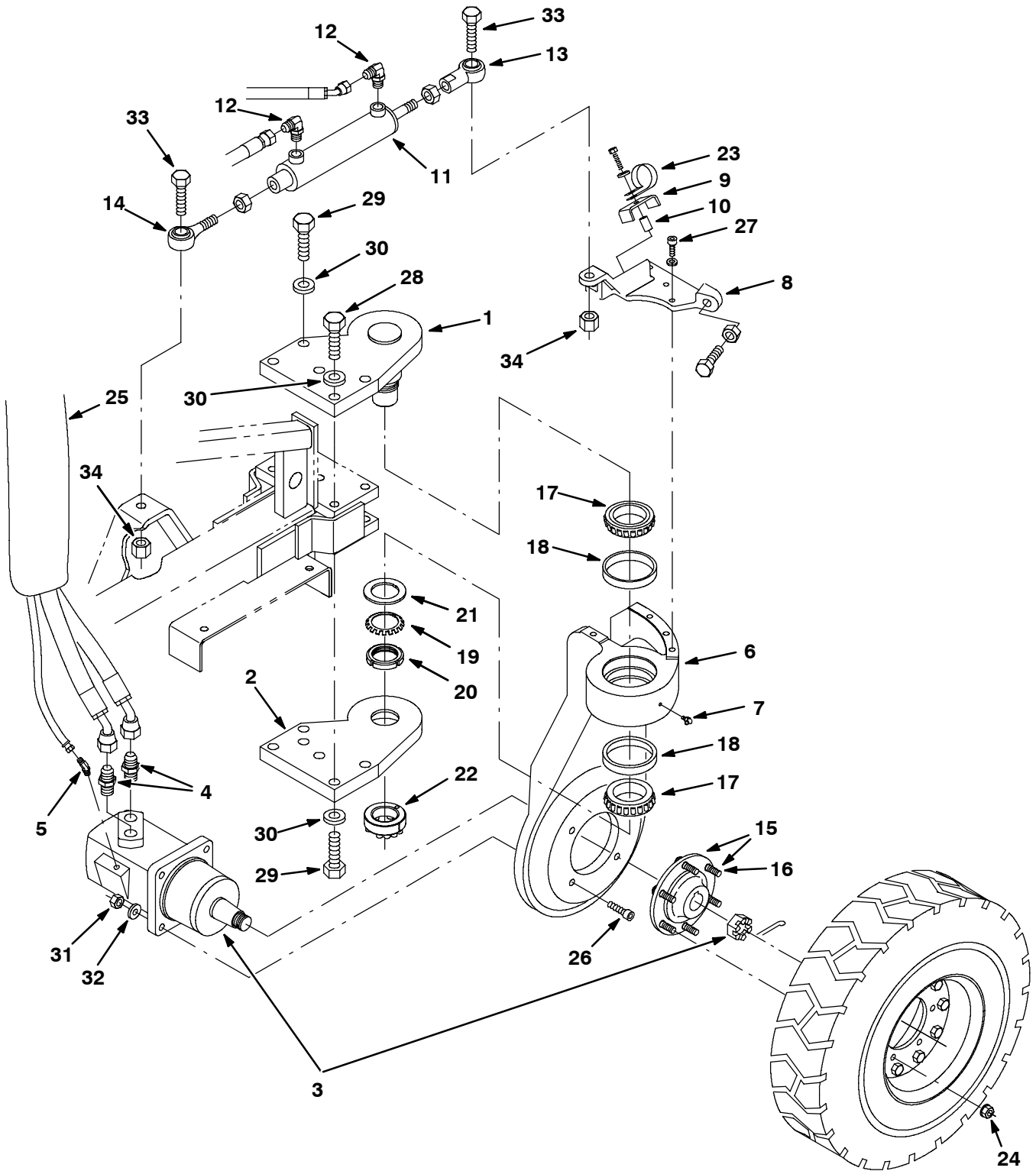


Fig. 65 - Wheel Drive Group, Rear

Ref.	Part No.	Serial Number	Description	Qty.	
1	63491	(003000-) Pivot Wldt, Wheel	1	
2	63471	(003000-) Plate, Pivot, Wheel	1	
3	63426	(003000-003039) Motor-Hyd Gear In (See Breakdowns)	1	
3	22626	(003040-003178) Motor-Hyd Gear (See Breakdowns)	1	
3	373464	(003179-) Motor-Hyd Gear (See Breakdowns)	1	
4	67310	(003000-) Ftg-Hyd Str Jm12/Om16	2	
5	34359	(003000-003178) Ftg-Hyd E45 Jm04/Om04	1	
5	47522	(003179-) Ftg-Hyd E45 Jm04/Om04	1	
6	63540	(003000-003005) Housing, Sppt, Wheel (Repl. by 375534)	1	
6	21740	(003006-) House, Wheel	1	
7	09718	(003000-) Ftg, Grease.25-28Th 90 .75L	1	
8	63543	(003000-003005) Bracket, Steering, Machining (Repl. by 375534)	1	
8	375575	(003006-) Bracket, Steering, Machining	1	
9	73733	(003000-) Channel, Retainer	1	
10	73731	(003000-) Sleeve, .375B .62D1.06 Stl	1	
11	53601	(003000-004077) Cylinder, Hyd, 2.0b,15.0l, Rep.By1028492 (See Breakdowns)	1	
11	1028492	(004078-) Cylinder, Hyd, 2.0b 15.0l 08.00strk 1500	1	
12	56820	(003000-) Ftg-Hyd E90 Jm06/Om06	2	
13	64887	(003000-) Balljoint, Rod End	1	
14	64886	(003000-) Balljoint, Rod End	1	
▽	15	79140	(003000-) Hub and Stud Assy.	1
▲	16	79152	(003000-) Stud, Wheel .56-18x2.13	6
	17	51341	(003000-) Bearing-Cone, 2.63Bore 0.87Wth	2
	18	51340	(003000-) Bearing-Cup , 4.33Dia 0.74Wth	2
	19	369701	(003000-) Washer,Lock Special	1
	20	41073	(003000-) Nut,Lock-Special 2.16-18Uns	1
	21	375762	(003000-) Washer	1
	22	63496	(003000-) Ring, Retainer, Lock	1
	23	67767	(003000-) Clamp, Cable	1
	24	79153	(003000-) Nut, Wheel Lug	6
	25	82832	(003000-) Sleeve, Nyl, 37, 25.0l	1
	26	39305	(003000-) Scr-soc .50-13x2.75 Alloypltd	4
	27	375576	(003000-) Scr-soc M12x1.75 60	4
	28	06995	(003000-) Screw, Hex, M20 X 2.5 X 70, 8.8	3
	29	06993	(003000-) Screw, Hex, M20 X 2.5 X 60, 8.8	7
	30	39350	(003000-) Washer, Flat, 0.75, Sae	10
	31	32985	(003000-) Nut, Hex, Lock, .50-13, NI	4
	32	32486	(003000-) Washer, Flat, 0.50, Sae	4
	33	54833	(003000-) Screw, Hex, .75-10 X 2.50, G5	2
	34	32987	(003000-) Nut, Hex, Lock, .75-10, NI	2

Fig. 66 - Wheels and Brakes Group, Front

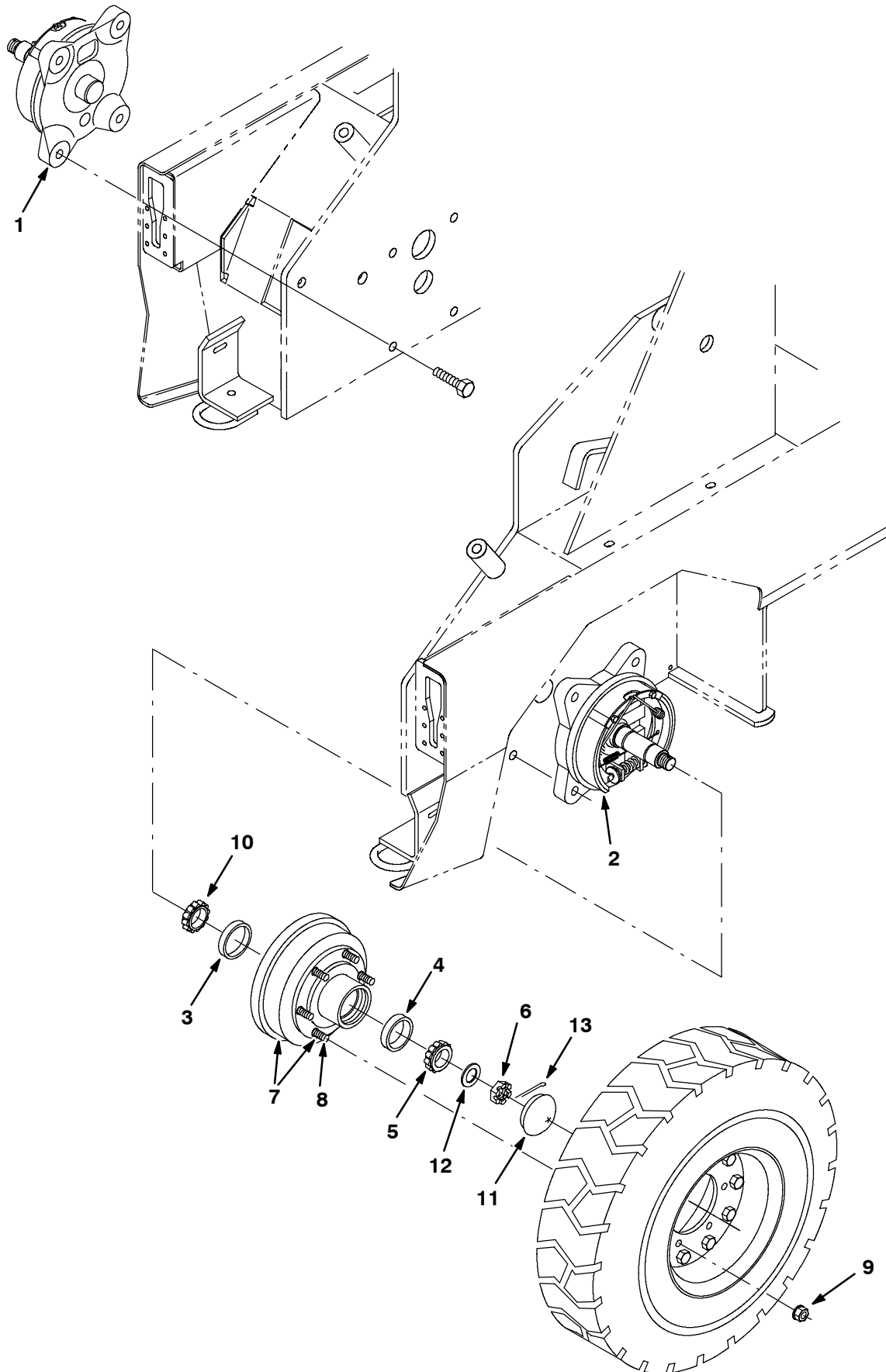


Fig. 66 - Wheels and Brakes Group, Front

Ref.	Part No.	Serial Number	Description	Qty.
1	77790	(003000-) Brake Assy, Rh (See Breakdowns)	1
2	77770	(003000-) Brake Assy, Lh (See Breakdowns)	1
3	17808	(003000-) Bearing-Cup, 2.72Dia 0.59Wth	2
4	51338	(003000-) Bearing-Cup, 2.56Dia 0.55Wth	2
5	51193	(003000-) Bearing-Cone, 1.38Bore 0.72Wth	2
6	14242	(003000-) Nut-Hxslot 1.00-20 Pltd	2
▽	7	79151	(003000-) Drum Assy, Brake 9/16	2
▲	8	79152	(003000-) Stud, Wheel .56-18x2.13	6
9	79153	(003000-) Nut, Wheel Lug, 9/16-18	12
10	17809	(003000-) Bearing-Cone, 1.50Bore 0.75Wth	2
11	51373	(003000-) Cap, Grease Black Paint	2
12	32598	(003000-) Washer, Flat, 1.02b 1.75d .12, Stl	2
13	08180	(003000-) Pin, Cotter, .125 X 2.00	2

Fig. 67 - Wheel Assembly

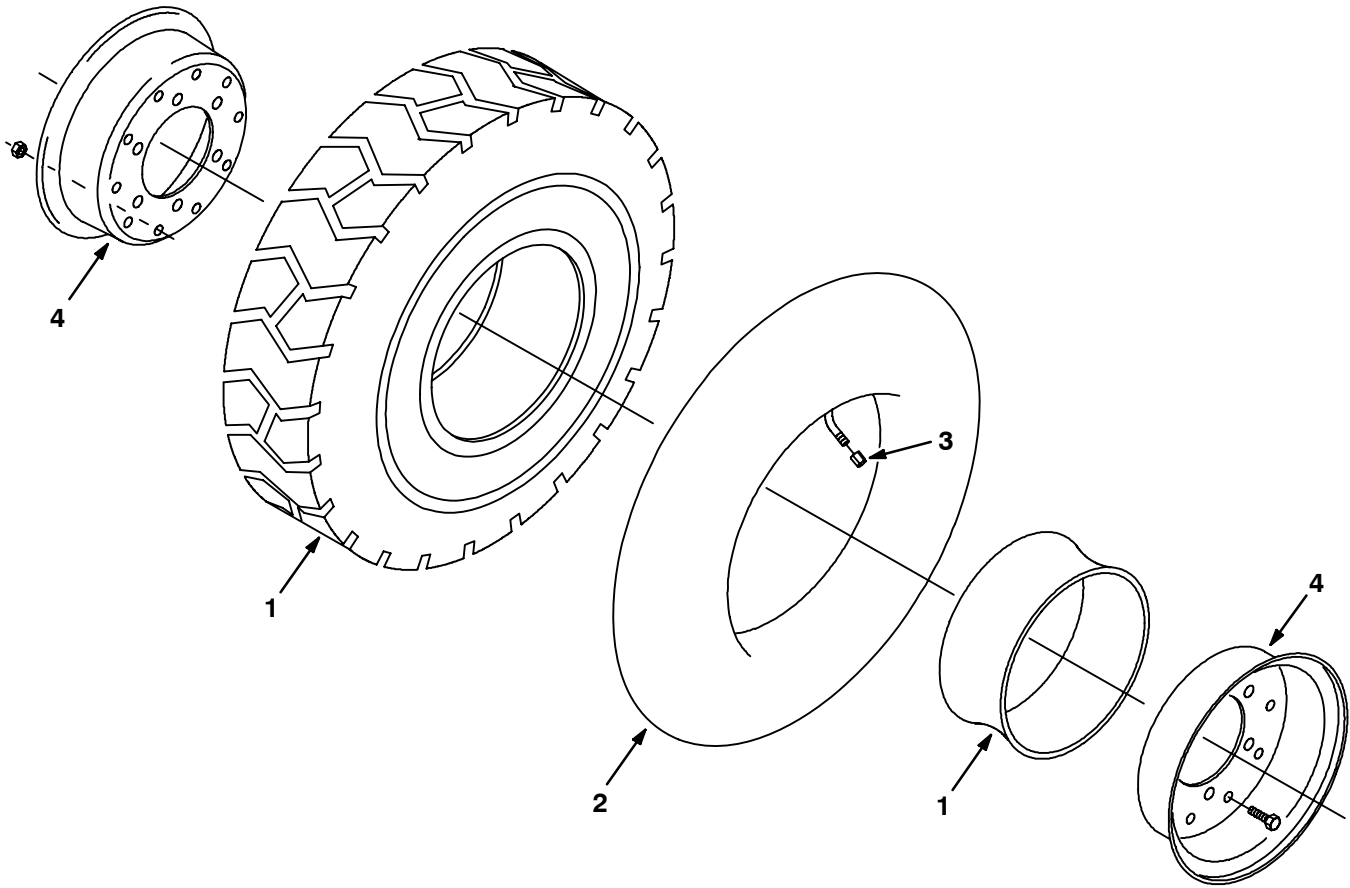


Fig. 67 - Wheel Assembly

	Ref.	Part No.	Serial Number	Description	Qty.
▽		375567	(003000-) Tire & Rim Assy, Pneu 6.50-10	3
▲	1	64059	(003000-) Tire & Flap Assy	1
▲	2	64058	(003000-) Tube, Inner	1
▲	3	45786	(003000-) Cap, Valve Stem	1
▲	4	21672	(003000-) Hub Assy	1

Fig. 68 - Brake Pedals Group

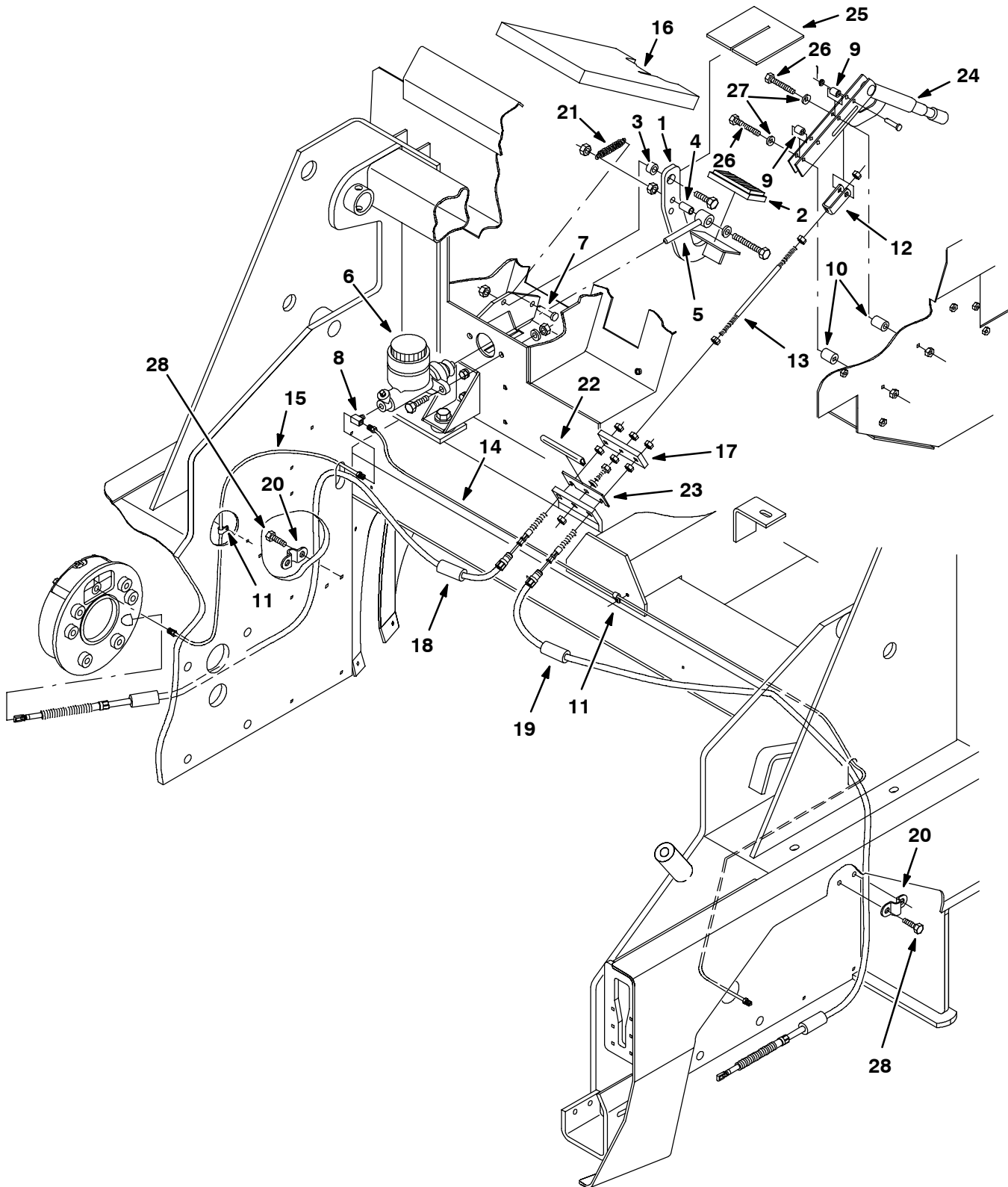


Fig. 68 - Brake Pedals Group

Ref.	Part No.	Serial Number	Description	Qty.	
1	63295	(003000-) Pedal Wldt	1	
2	51109	(003000-) Pad	1	
3	64635	(003000-) Spacer	1	
4	57311	(003000-) Spacer-.50 Od X .055W X 1.0	1	
5	70550	(003000-) Rod Wldt, Push, Brake	1	
▽	6	64950	(003000-) Cylinder, Master Brake	1
▲	374230	(003000-) Cap, Cyl Assy, Master Brake	1	
7	76653	(003000-) Pin, Clevis .375D X 1.000 Lg	1	
8	51483	(003000-) Ftg, Brass, Tee 06lf- 02Pm- 06lf	1	
9	51562	(003000-) Sleeve, .344B .50D .81 Cr.Anc	2	
10	86034	(003000-) Spacer, Brake	2	
11	46236	(003000-) Clamp-Cable, 0.25Dia 0.56Wth	4	
12	76491	(003000-) Bracket, Adjuster, Brake	1	
13	76490	(003000-) Rod-Thread, 2End M08X1.25X10Lg	1	
14	79593	(003000-) Tube Assy, Brake	1	
15	79594	(003000-) Tube Assy, Brake	1	
16	375526	(003000-) Insulation, S/Foam 1.0 Seal Brake Pedal	1	
17	70506	(003000-) Bar, Equalizer	1	
18	64556	(003000-) Cable, Brake, Park	1	
19	64558	(003000-) Cable, Brake, Park	1	
20	65129	(003000-) Clamp, Cable- Brake	2	
21	75575	(003000-) Spring, Tens, 0.5Dx.06Wire 2.5L	1	
22	31775	(003000-) Molding, Trim 11-14Ga 4.0	1	
23	74022	(003000-) Strip, Retainer, Brake Cable	1	
24	51545	(003000-) Lever, Brake	1	
25	380717	(003000-) Insulation, Sound Foam	1	
26	39279	(003000-) Screw, Hex, M8 X 1.25 X 70, 8.8	2	
27	32491	(003000-) Washer, Flat, 0.31 Std	2	
28	16735	(003000-) Screw, Hex, M8 X 1.25 X 16, 8.8	4	

Fig. 69 - Directional Pedal Group

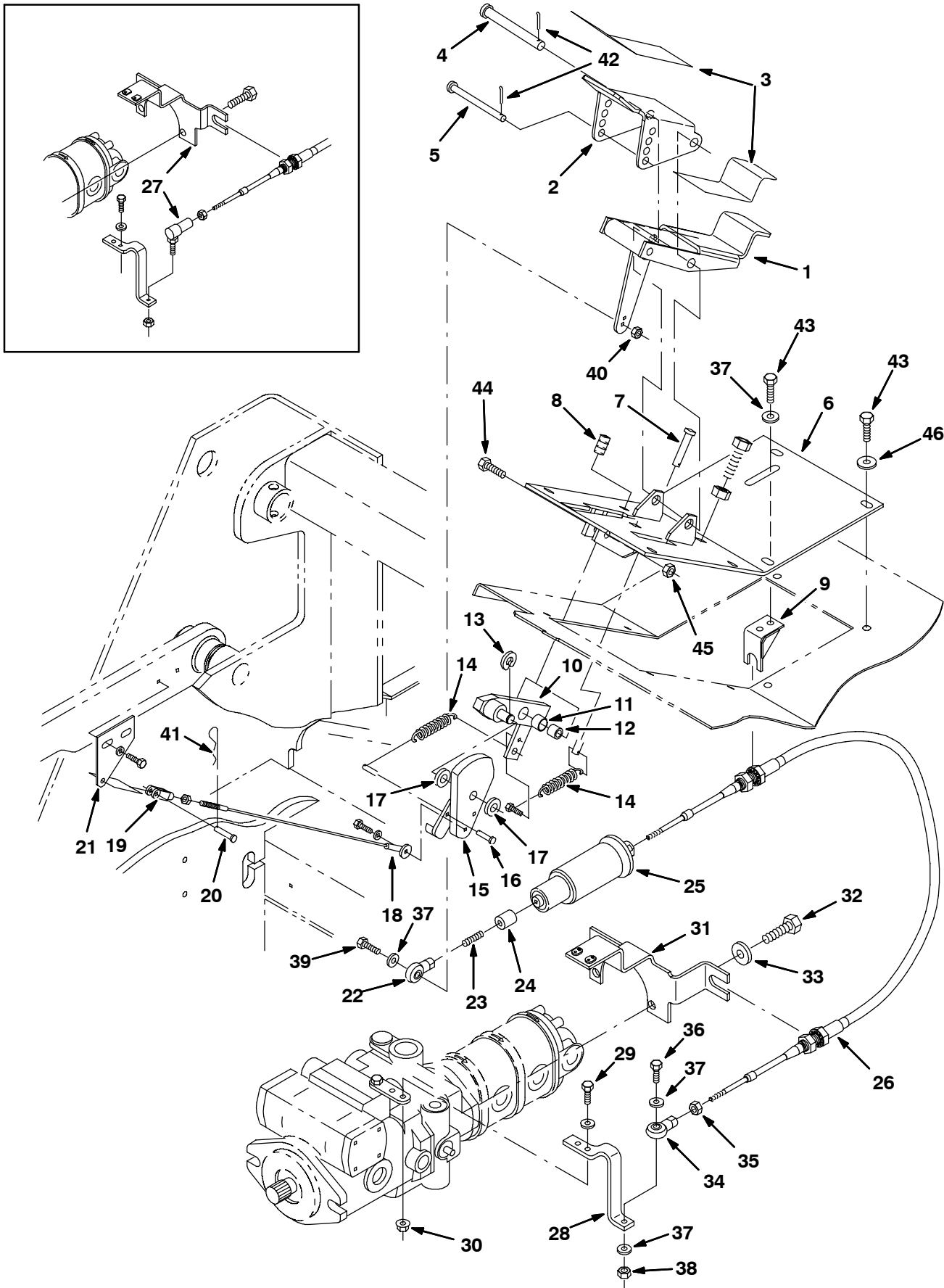


Fig. 69 - Directional Pedal Group

Ref.	Part No.	Serial Number	Description	Qty.
1	380683	(003000-) Pedal Wldt, Propel Lower W/tread	1
2	84103	(003000-) Pedal, Upper W/tread	1
3	82839	(003000-) Pad, Tread	1
4	59668	(003000-) Pin, Clevis .50 Dia X 4.50 Lg	1
5	59672	(003000-) Pin, Clevis .31 Dia X 4.50 Lg	1
6	380566	(003000-) Panel Wldt, Access Floor	1
7	76647	(003000-) Pin, Clevis .375D X 1.312 Lg	1
8	76523	(003000-) Screw-Set M10 X 1.50 2045H	1
9	380567	(003000-) Bracket, Wldt,Cable Mtg	1
10	70747	(003000-) Bar Wldt, Pivot	1
11	07449	(003000-) Bearing, Fiberglide	1
12	74051	(003000-) Sleeve, .408B .62D .53Stl	1
13	86953	(003000-) Ring,Retain,Ex,0.50 Stl Steel	1
14	54222	(003000-) Sprng,Tens,1.00Odx.09Wire 2.8L	2
15	70783	(003000-) Cam	1
16	82168	(003000-) Pin, Clevis .25 Dia, 1.000 Lg.	1
17	41722	(003000-) Washer, .516B .90D .07Cr.	2
18	70749	(003000-) Cable, Speed Control	1
19	14595-1	(003000-) Clevis,Adjust.0.25-28Th.Cad.	1
20	14605	(003000-) Pin, Clevis	1
21	70725	(003000-) Plate	1
22	68866	(003000-) Rod End .250-28 .25Dia	1
23	36971	(003000-) Rod-Thrd, Full .25-28	1
24	380568	(003000-) Spacer, .75D .9L .25-28 Th	1
25	63292	(003000-) Spring, Propel, Centering	1
26	63276	(003000-) Cable, Push,Pull	1
27	9001293	(003000-004034) Bracket Kit, Mtg, Cable, Replmt[800/810]	1
28	380514	(003000-) Lever, Pump, Propel	1
29	06943	(003000-) Screw, Hex, M6 X 1.0 X 20, 8.8	2
30	07790	(003000-) Nut, Hex, Flng, M6 X 1.0	2
31	1020982	(004035-) Bracket, Mtg, Propel Cable	1
32	21198	(003000-) Screw, Hex, .38-16 X 1.25, 5	2
33	32485	(003000-) Washer, Flat, 0.38 Sae	2
34	68866	(004035-) Rod-End, .25-28rh Fem 0.25b [Teflon]	1
35	32899	(003000-) Nut, Hex, Jam, .25-28	1
36	25046	(004035-) Screw, Hex, .25-20 X 1.00, 5	1
37	32490	(004035-) Washer, Flat, 0.25 Std	5
38	41169	(004035-) Nut, Hex, Lock, .25-20, NI, Ss	1
39	07805	(003000-) Screw, Hex, M6 X 1.0 X 35, Ss	1
40	08712	(003000-) Nut, Hex, Lock, M6 X 1.0, Ss, NI	1
41	08085	(003000-) Pin, Haircotter .31D .058Wire	1
42	08346	(003000-) Pin, Cotter, .125 X 0.75	2
43	12273	(003000-) Screw, Hex, M8 X 1.25 X 20, Ss, NI	9
44	39285	(003000-) Screw, Hex, M10 X 1.5 X 40, 8.8	1
45	41430	(003000-) Nut, Hex, Lock, M10 X 1.5, NI	1
46	1017218	(003000-) Washer, Flat, 0.321b 1.00d .12, Ss	7

Fig. 70 - Hydraulic Pumps Group

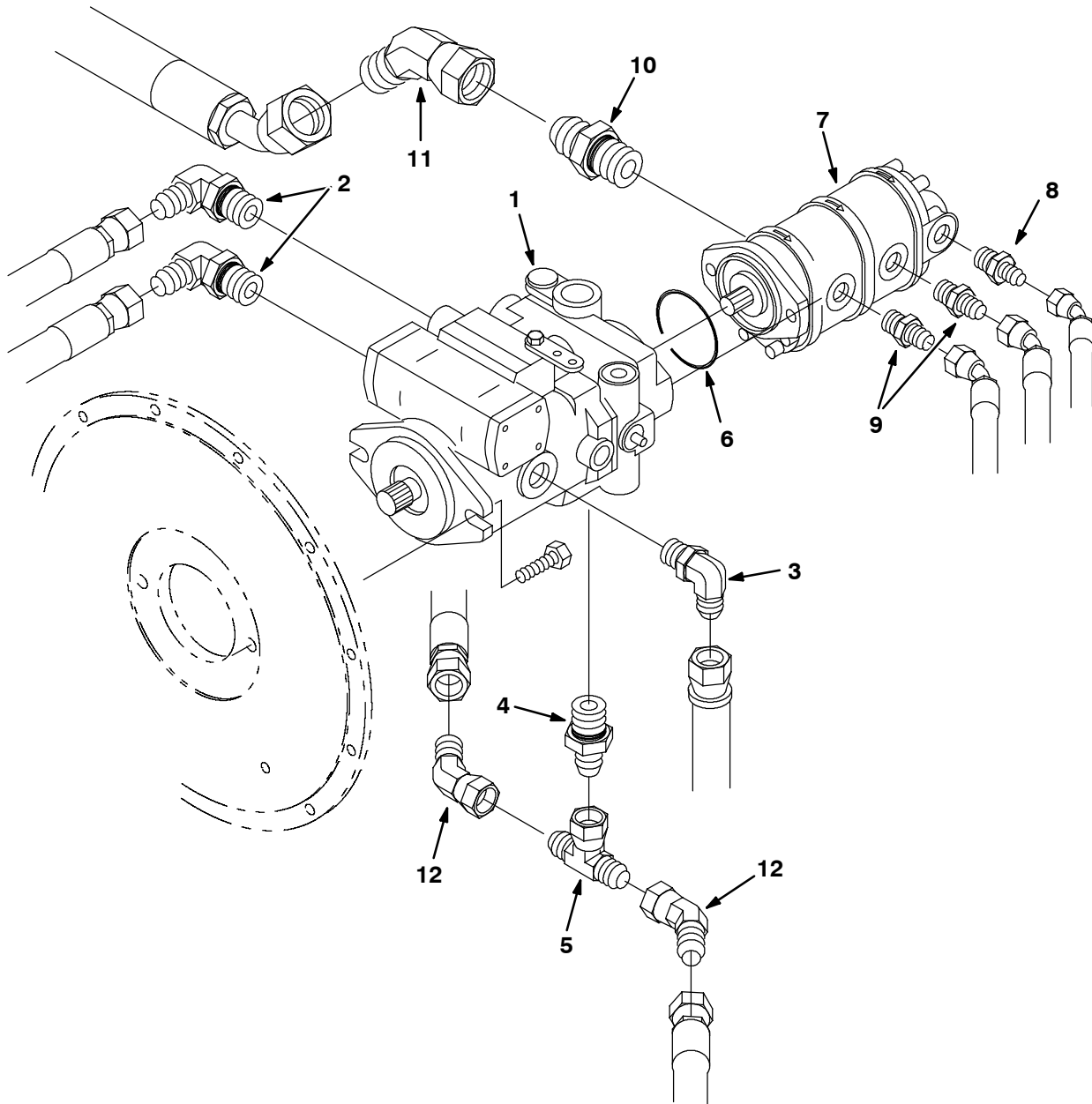


Fig. 70 - Hydraulic Pumps Group

Ref.	Part No.	Serial Number	Description	Qty.
1	74163	(003000-003106)	Pump-Hyd Piston V (See Breakdowns)	1
1	373404	(003107-)	Pump-Hyd Piston V (See Breakdowns)	1
2	52911	(003000-)	Ftg-Hyd E90 Jm12/Om16	2
3	46481	(003000-)	Ftg-Hyd E90 Jm12/Om12	1
4	67310	(003000-)	Ftg-Hyd Str Jm12/Om16	1
5	62389	(003000-)	Ftg-Hyd Tee Jm12/Jfjm	1
6	65145-1	(003000-)	O-Ring Gland	1
7	62561	(003000-003178)	Pump-Hyd Gear Ex (See Breakdowns)	1
7	373254	(003179-)	Pump-Hyd Gear Ex (See Breakdowns)	1
8	47508	(003000-)	Ftg-Hyd Str Jm06/Om10	1
9	56692	(003000-)	Ftg-Hyd Str Jm08/Om10	2
10	58858	(003000-)	Ftg-Hyd Str Jm20/Om20	1
11	19544	(003000-)	Ftg-Hyd E45 Jm20/Jf20	1
12	07934	(003000-)	Ftg-Hyd E45 Jm12/Jf12	2

Fig. 71 - Hydraulic Schematic

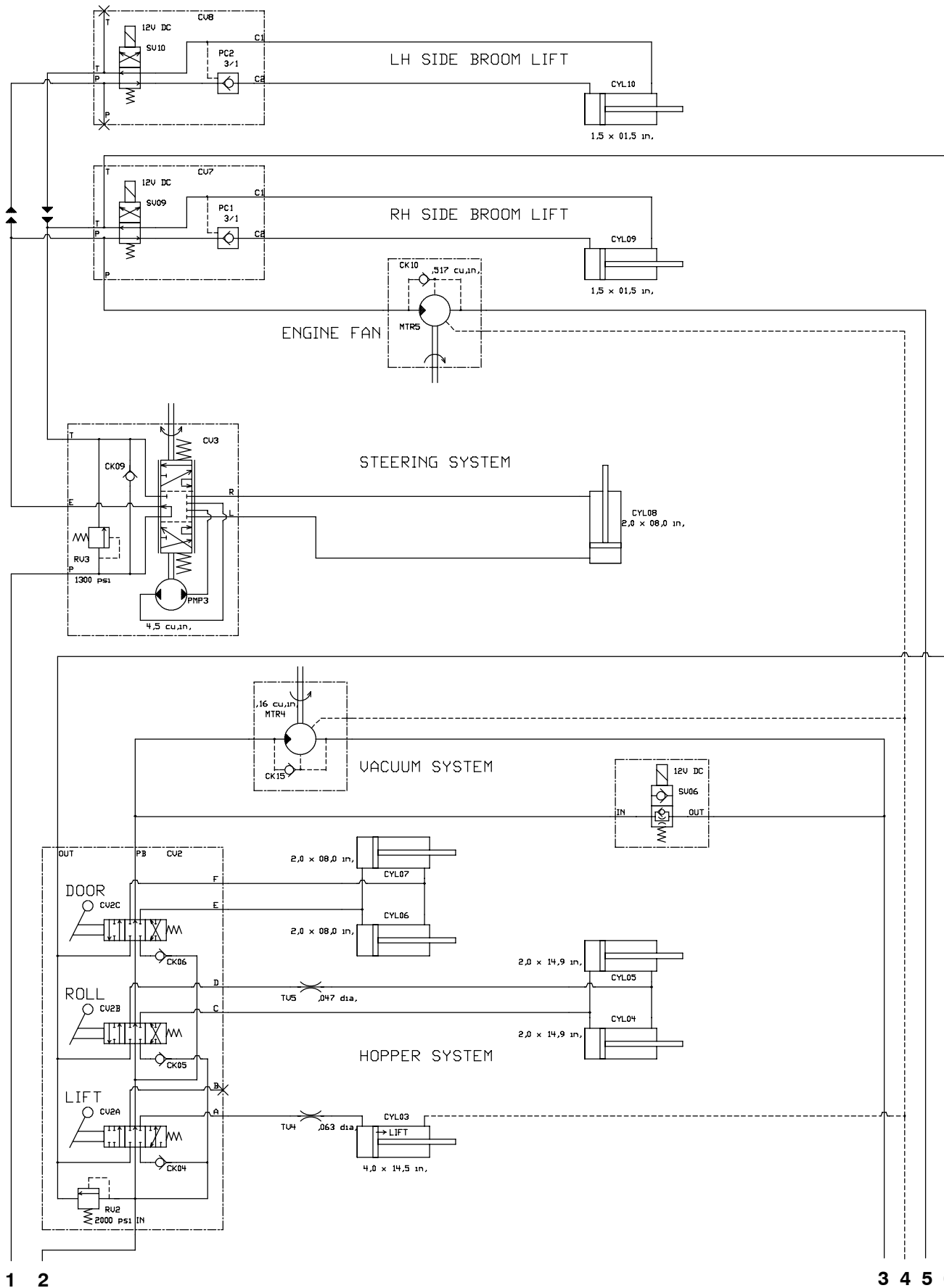
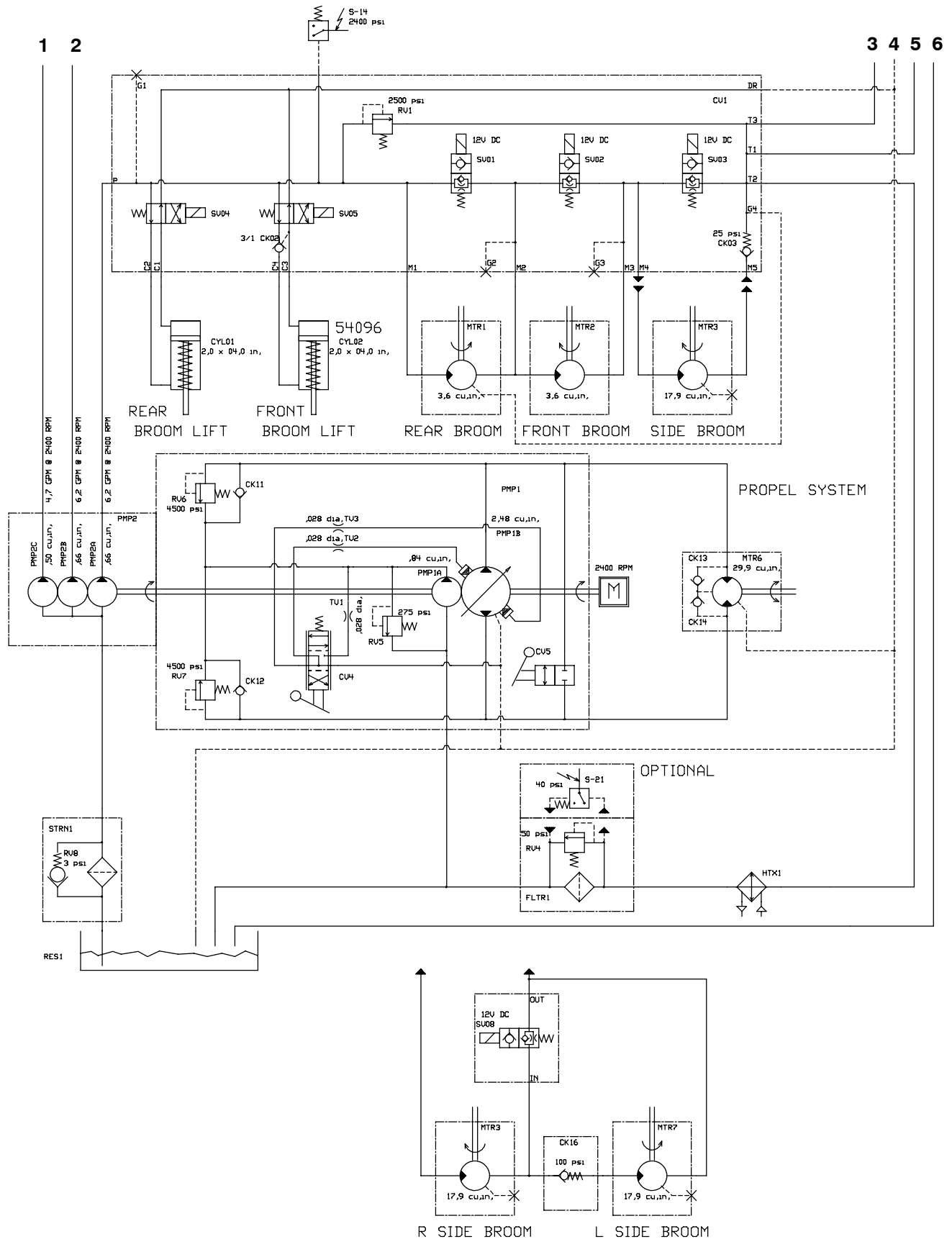


Fig. 71 - Hydraulic Schematic



09911 - 810

Fig. 72 - Hydraulic Hose Group (003000-003178)

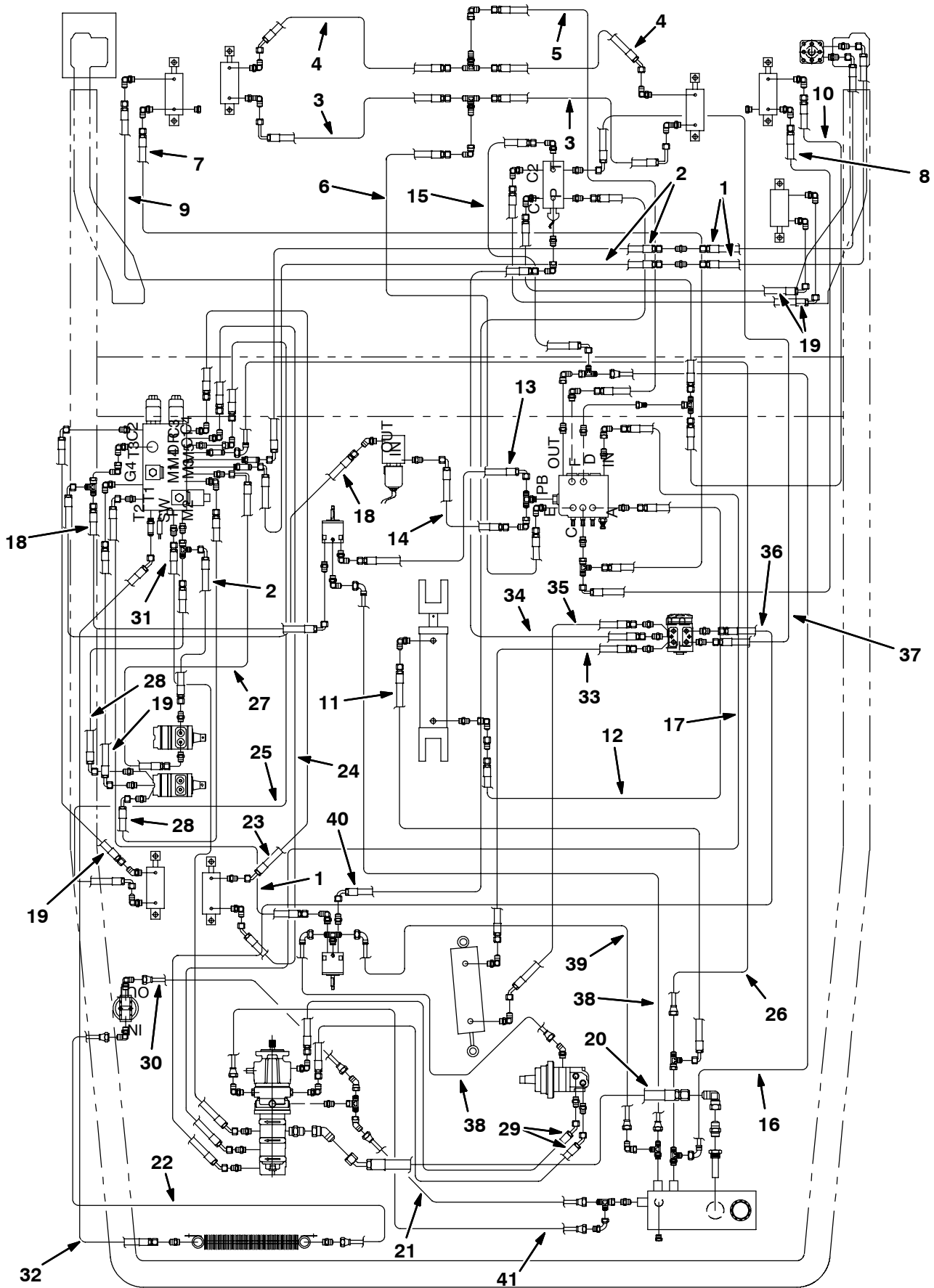


Fig. 72 - Hydraulic Hose Group (003000-003178)

Ref.	Part No.	Serial Number	Description	Qty.
1	65194	(003000-003178)	Hose-Hyd Med06	3
2	65197	(003000-003178)	Hose-Hyd Med08	3
3	65188	(003000-003178)	Hose-Hyd	2
4	57173	(003000-003178)	Hose-Hyd Med04 Jf/J4	2
5	76498	(003000-003178)	Hose-Hyd Ar 04	1
6	79642	(003000-003178)	Hose-Hyd Ar04	1
7	21117	(003000-003178)	Hose-Hyd Ar 04	1
8	21119	(003000-003178)	Hose-Hyd Ar 04	1
9	77641	(003000-003178)	Hose-Hyd Ar 04	1
10	77640	(003000-003178)	Hose-Hyd Ar 04	1
11	71552	(003000-003178)	Hose-Hyd	1
12	55700	(003000-003178)	Hose-Hyd Med04 Jf/Jf	1
13	82843	(003000-003178)	Hose-Hyd Med08 Jf/J9	1
14	82820	(003000-003178)	Hose-Hyd Med78 Jf/J9	1
15	65195	(003000-003178)	Hose-Hyd Med06	1
16	65212	(003000-003178)	Hose-Hyd Low06	1
17	65204	(003000-003178)	Hose-Hyd Med08	1
18	34355	(003000-003178)	Hose-Hyd Med08 Jf/J9	2
19	57963	(003000-003178)	Hose-Hyd Med04	4
20	77473	(003000-003178)	Hose-Hyd Suc20 Spcl 22.5	1
21	65202	(003000-003178)	Hose-Hyd Low12	1
22	82835	(003000-003178)	Hose-Hyd Low12 Jf/Jf	1
23	65207	(003000-003178)	Hose-Hyd	1
24	65206	(003000-003178)	Hose-Hyd Med04	1
25	34379	(003000-003178)	Hose-Hyd Med04 Jf/J9	1
26	65213	(003000-003178)	Hose-Hyd Low06	1
27	65198	(003000-003178)	Hose-Hyd Med08	1
28	34360	(003000-003178)	Hose-Hyd Med08 Jf/J9	2
29	65201	(003000-003178)	Hose-Hyd Med12	2
30	65205	(003000-003178)	Hose-Hyd Low12	1
31	33799	(003000-003178)	Hose-Hyd Med08 Jf/J4	1
32	65199	(003000-003178)	Hose-Hyd Med12	1
33	01987	(003000-003178)	Hose-Hyd Med06 Jf/Jf	1
34	16431	(003000-003178)	Hose-Hyd Med06 Jf/Jf	1
35	76497	(003000-003178)	Hose-Hyd Med06	1
36	65191	(003000-003178)	Hose-Hyd Med06	1
37	57944	(003000-003178)	Hose-Hyd Med06 Jf/J9	1
38	21729	(003000-003178)	Hose-Hyd Low04 Jf/J9	2
39	65196	(003000-003178)	Hose-Hyd Low 04	1
40	31563	(003000-003178)	Hose-Hyd Med06 Jf/J9	1
41	380675	(003000-003178)	Hose-Hyd Low12 Jf/jf	1

Fig. 73 - Hydraulic Hose Group (003179-)

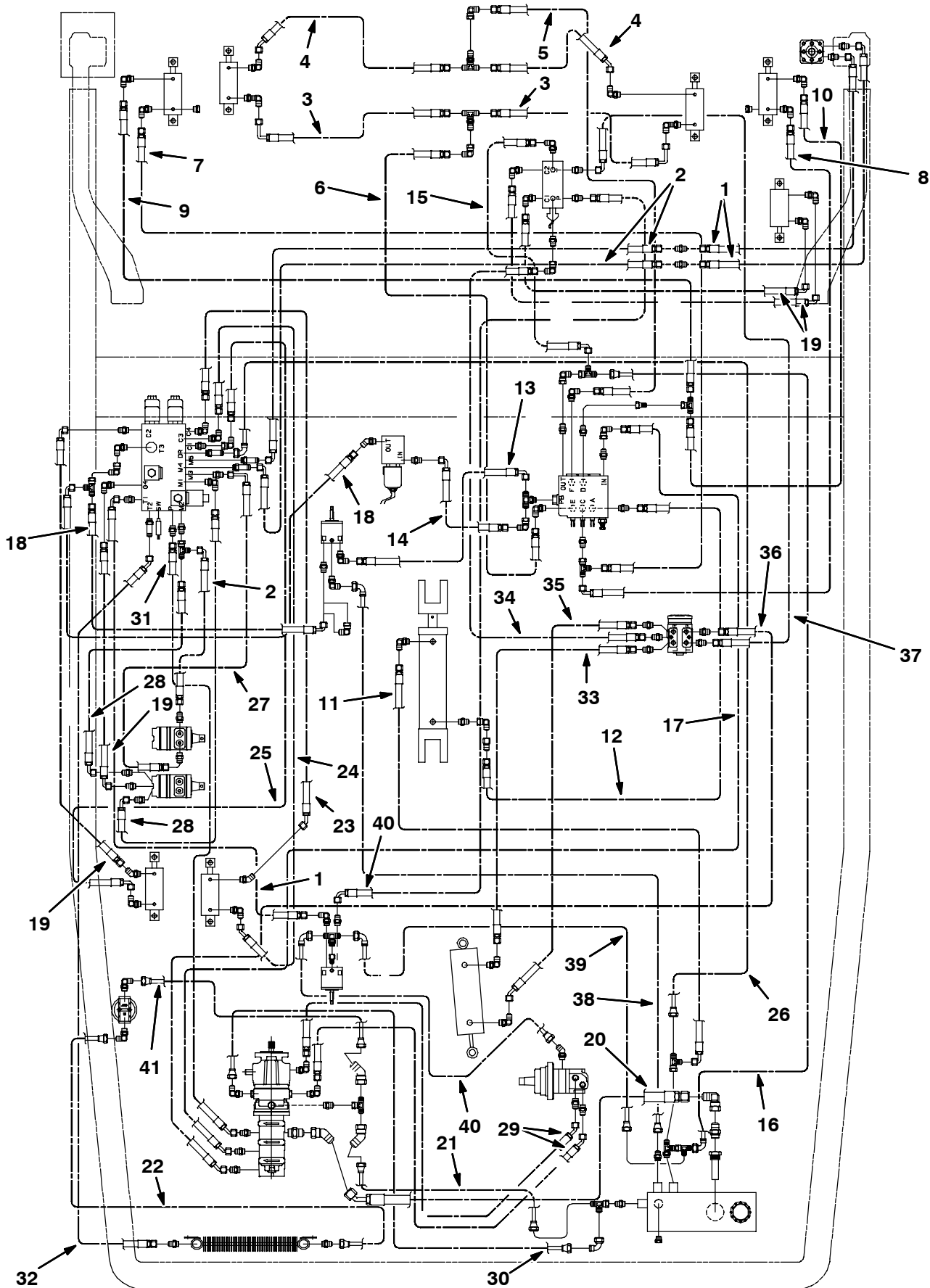


Fig. 73 - Hydraulic Hose Group (003179-)

Ref.	Part No.	Serial Number	Description	Qty.
1	65194	(003179-) Hose-Hyd Med06	3
2	65197	(003179-) Hose-Hyd Med08	3
3	65188	(003179-) Hose-Hyd	2
4	57173	(003179-) Hose-Hyd Med04 Jf/J4	2
5	76498	(003179-) Hose-Hyd Ar 04	1
6	79642	(003179-) Hose-Hyd Ar04	1
7	21117	(003179-) Hose-Hyd Ar 04	1
8	21119	(003179-) Hose-Hyd Ar 04	1
9	77641	(003179-) Hose-Hyd Ar 04	1
10	77640	(003179-) Hose-Hyd Ar 04	1
11	71552	(003179-) Hose-Hyd	1
12	55700	(003179-) Hose-Hyd Med04 Jf/Jf	1
13	82843	(003179-) Hose-Hyd Med08 Jf/J9	1
14	82820	(003179-) Hose-Hyd Med78 Jf/J9	1
15	65195	(003179-) Hose-Hyd Med06	1
16	65212	(003179-) Hose-Hyd Low06	1
17	65204	(003179-) Hose-Hyd Med08	1
18	34355	(003179-) Hose-Hyd Med08 Jf/J9	2
19	57963	(003179-) Hose-Hyd Med04	4
20	77473	(003179-) Hose-Hyd Suc20 Spcl 22.5	1
21	57568	(003179-) Hose-Hyd Low12	1
22	82835	(003179-) Hose-Hyd Low12 Jf/Jf	1
23	65207	(003179-) Hose-Hyd	1
24	65206	(003179-) Hose-Hyd Med04	1
25	34379	(003179-) Hose-Hyd Med04 Jf/J9	1
26	65213	(003179-) Hose-Hyd Low06	1
27	65198	(003179-) Hose-Hyd Med08	1
28	34360	(003179-) Hose-Hyd Med08 Jf/J9	2
29	65201	(003179-) Hose-Hyd Med12	2
30	65205	(003179-) Hose-Hyd Low12	1
31	33799	(003179-) Hose-Hyd Med08 Jf/J4	1
32	65199	(003179-) Hose-Hyd Med12	1
33	01987	(003179-) Hose-Hyd Med06 Jf/Jf	1
34	16431	(003179-) Hose-Hyd Med06 Jf/Jf	1
35	76497	(003179-) Hose-Hyd Med06	1
36	65191	(003179-) Hose-Hyd Med06	1
37	57944	(003179-) Hose-Hyd Med06 Jf/J9	1
38	21729	(003179-) Hose-Hyd Low04 Jf/J9	1
39	31603	(003179-) Hose-Hyd Low 04	1
40	31563	(003179-) Hose-Hyd Med06 Jf/J9	2
41	380675	(003179-) Hose-Hyd Low12 Jf/jf	1

Fig. 74 - Hydraulic Reservoir Group

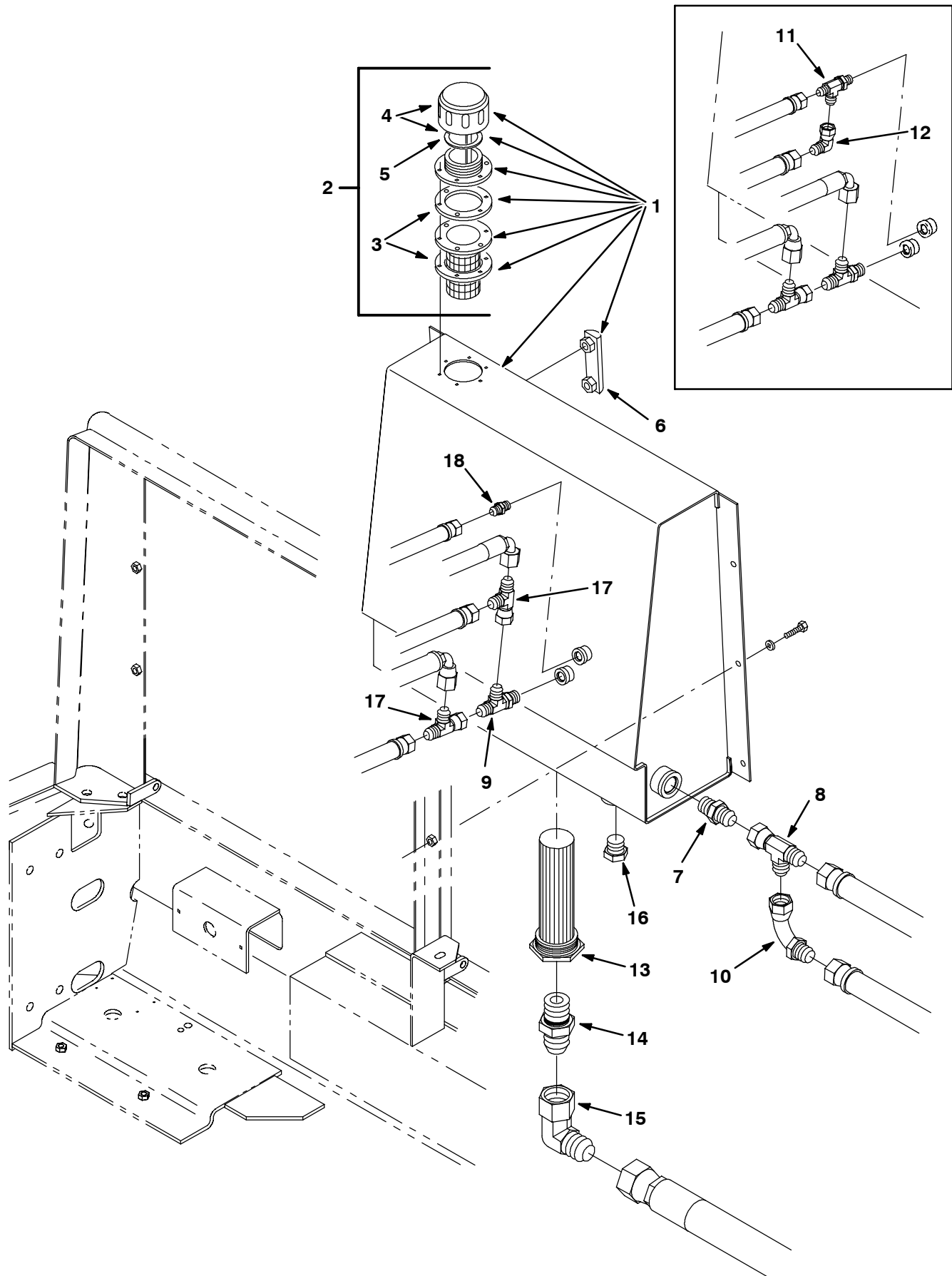


Fig. 74 - Hydraulic Reservoir Group

Ref.	Part No.	Serial Number	Description	Qty.
▽	1	380736	(003000-) Tank Wldt, Hydraulic w/label	1
▲▽	2	34306	(003000-) Breather, Hyd	1
▲▲	3	61288	(003000-) Gasket, Hyd Tank Breather	2
▲▲	4	70072	(003000-) Breather Cap and Gasket	1
▲▲	5	70006	(003000-) Gasket, Hyd Cap	1
▲	6	65215	(003000-) Gauge, Sight Lh	1
	7	42260	(003000-) Ftg-Hyd Str Jm12/Om12	1
	8	40514	(003000-) Ftg-Hyd Tee Jm12Jmjf	1
	9	76316	(003000-) Ftg-Hyd Tee Jm06Jmom	1
	10	57994	(003000-) Ftg-Hyd E90 Special Jm12/Jf12	1
	11	34390	(003000-003178) Ftg-Hyd Tee Jm04Jmom	1
	12	39210	(003000-003178) Ftg-Hyd E90 Jm04/Jf04	1
	13	31613	(003000-) Strainer-Hyd Suction 25-100-03	1
	14	58858	(003000-) Ftg-Hyd Str Jm20/Om20	1
	15	19459	(003000-) Ftg-Hyd E90	1
	16	33817	(003000-) Ftg-Hyd Plg Om12	1
	17	42215	(003179-) Ftg-Hyd Tee Jm06Jmjf	2
	18	55586	(003179-) Fitting, Hyd, Str, Jm04/Om04	1

Fig. 75 - Hydraulic Solenoid Valve Group

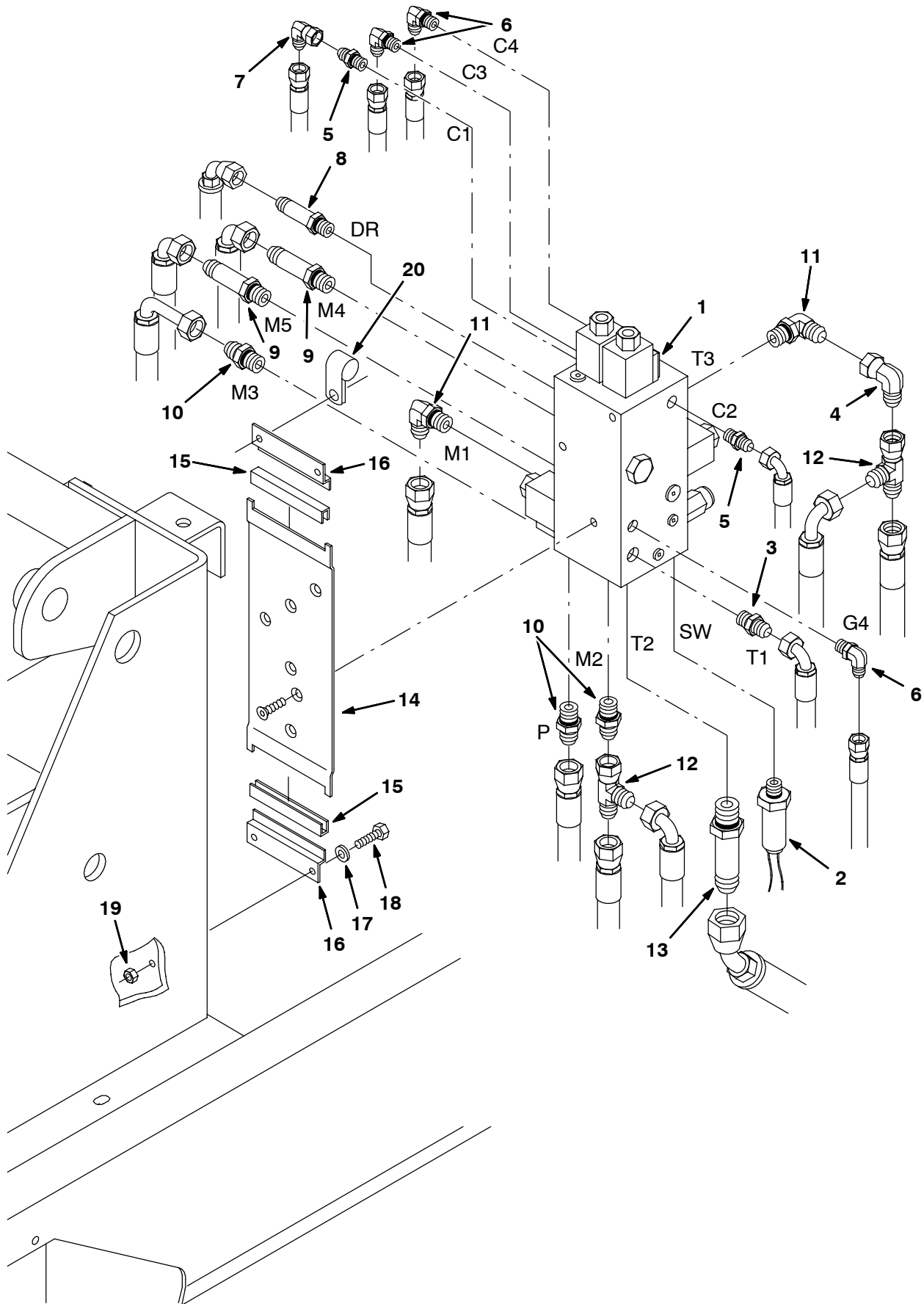


Fig. 75 - Hydraulic Solenoid Valve Group

Ref.	Part No.	Serial Number	Description	Qty.
1	84013	(003000-005041)	Valve-Hyd, Solenoid (See Breakdowns)	1
1	1049209	(005042-)	Valve, Cntrl, Hyd, Solenoid, 12vdc 08gpm (See Break-downs)	1
2	77575	(003000-)	Switch Assy, Pressure, Hyd	1
3	56690	(003000-)	Ftg-Hyd Str Jm06/Om06	1
4	17980	(003000-)	Ftg-Hyd E90 JM08/JF08	1
5	55586	(003000-)	Ftg-Hyd Str Jm04/Om04	2
6	77097	(003000-)	Ftg-Hyd E90 Jm04/Om04	3
7	39210	(003000-)	Ftg-Hyd E90 Jm04/Jf04	1
8	59577	(003000-)	Ftg-Hyd Str Jm06Om06L	1
9	31605	(003000-)	Ftg-Hyd Str Jm08Om08L	2
10	44869	(003000-)	Ftg-Hyd Str Jm08/Om08	3
11	44868	(003000-)	Ftg-Hyd E90 Jm08/Om08	2
12	45482	(003000-)	Ftg-Hyd Tee Jm08Jmjf	2
13	57993	(003000-)	Ftg-Hyd Str Jm12Om12L	1
14	64228	(003000-)	Plate, Mtg, Valve, Solenoid	1
15	10911	(003000-)	Isolator, Vac Fan	2
16	06146	(003000-)	Bracket, Mounting	2
17	19066	(003000-)	Washer, Flat, #10	4
18	06943	(003000-)	Screw, Hex, M6 X 1.0 X 20, 8.8	4
19	07790	(003000-)	Nut, Hex, Flng, M6 X 1.0	4
20	69234	(004000-)	Clamp, Cable, Stl, 1.00d X 0.75w, 1h	1

Fig. 76 - Hydraulic Lift Valve Group

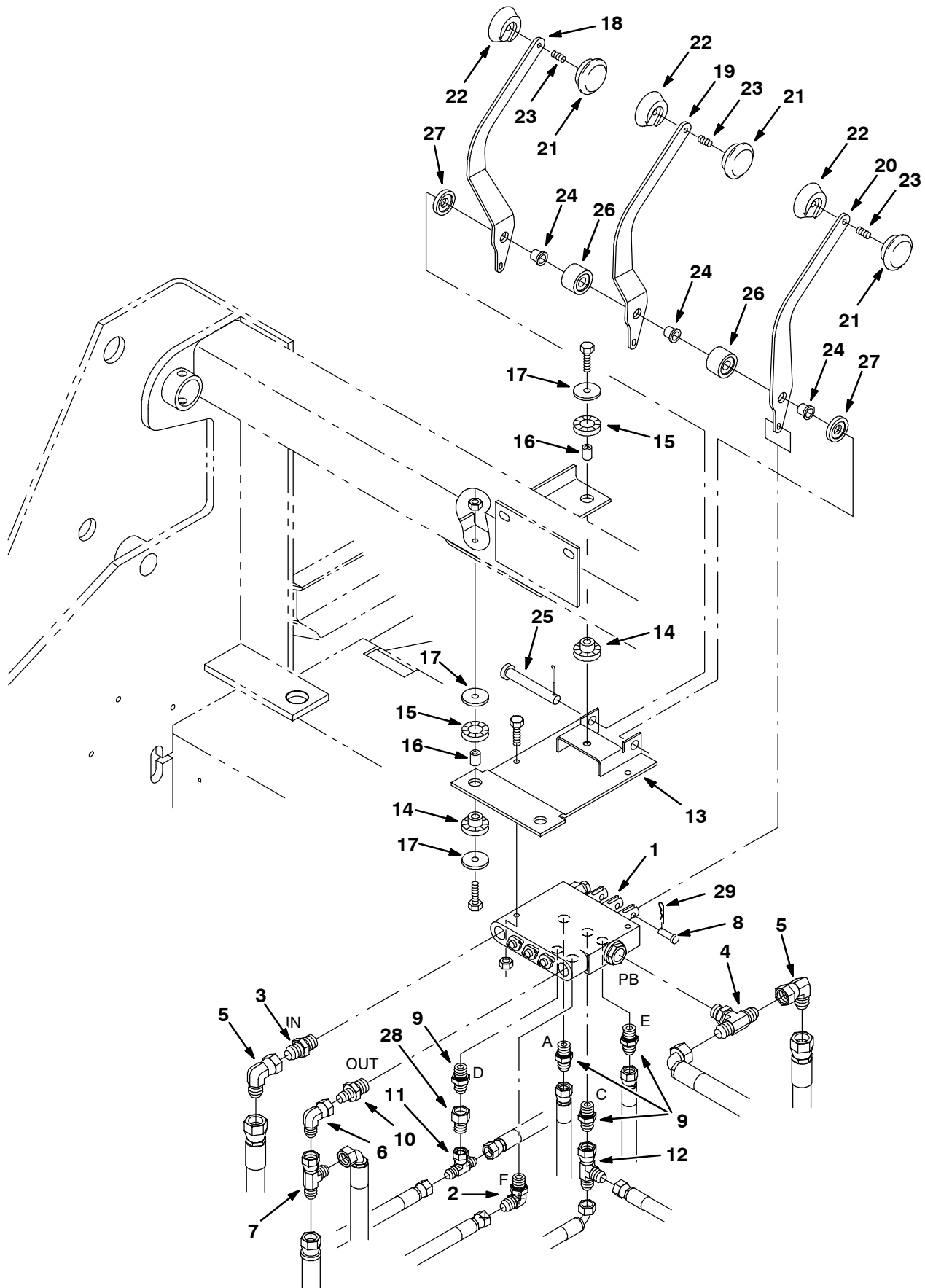


Fig. 76 - Hydraulic Lift Valve Group

Ref.	Part No.	Serial Number	Description	Qty.
1	375563	(003000-) Valve, Hyd Control Man (See Breakdowns)	1
2	47638	(003000-) Ftg-Hyd E90 Jm04/Om06	1
3	44869	(003000-) Ftg-Hyd Str Jm08/Om08	1
4	49933	(003000-) Ftg-Hyd Tee Jm08Omjm	1
5	17980	(003000-) Ftg-Hyd E90 Jm08/Jf08	2
6	47504	(003000-) Ftg-Hyd E90 Jm06/Jf06	1
7	42215	(003000-) Ftg-Hyd Tee Jm06Jmjf	2
8	77488	(003000-) Pin, Clevis .18 Dia.X .62 Lg	3
9	55685	(003000-) Ftg-Hyd Str Jm04/Om06	3
10	52402	(003000-) Ftg-Hyd Str Jm06/Om08	1
11	57411	(003000-) Ftg-Hyd Tee Jm04Jfjm	1
12	57988	(003000-) Ftg-Hyd Tee Jm04Jmjf	1
13	77485	(003000-) Bracket Wldt, Mounting, Valve	1
14	62173	(003000-) Bushing, Isolator-Inner,Rbr.	3
15	62172	(003000-) Ring	3
16	64905	(003000-) Sleeve, .259B .38D .62 Dom	3
17	1014491	(003000-) Washer, Flat, 0.28b 1.38d .12, Hrs Pl	5
18	77491	(003000-) Handle, Rh	1
19	77492	(003000-) Handle, Center	1
20	77493	(003000-) Handle, Lh	1
21	64434	(003000-) Knob	3
22	70827	(003000-) Knob	3
23	70847	(003000-) Screw Set M 6X1.020	3
24	36556	(003000-) Bearing, Nylon .50B	3
25	06474A	(003000-) Pin,Clevis,0.50 Dia.X 3.50 Lg	1
26	77498	(003000-) Spacer, .90L	2
27	77499	(003000-) Spacer, .25 L	2
28	16455	(003000-) Ftg-Hyd Rst JM04/.047	1
29	08085	(003000-) Pin, Haircotter .31d .058wire	3

Fig. 77 - Brush Group, Side

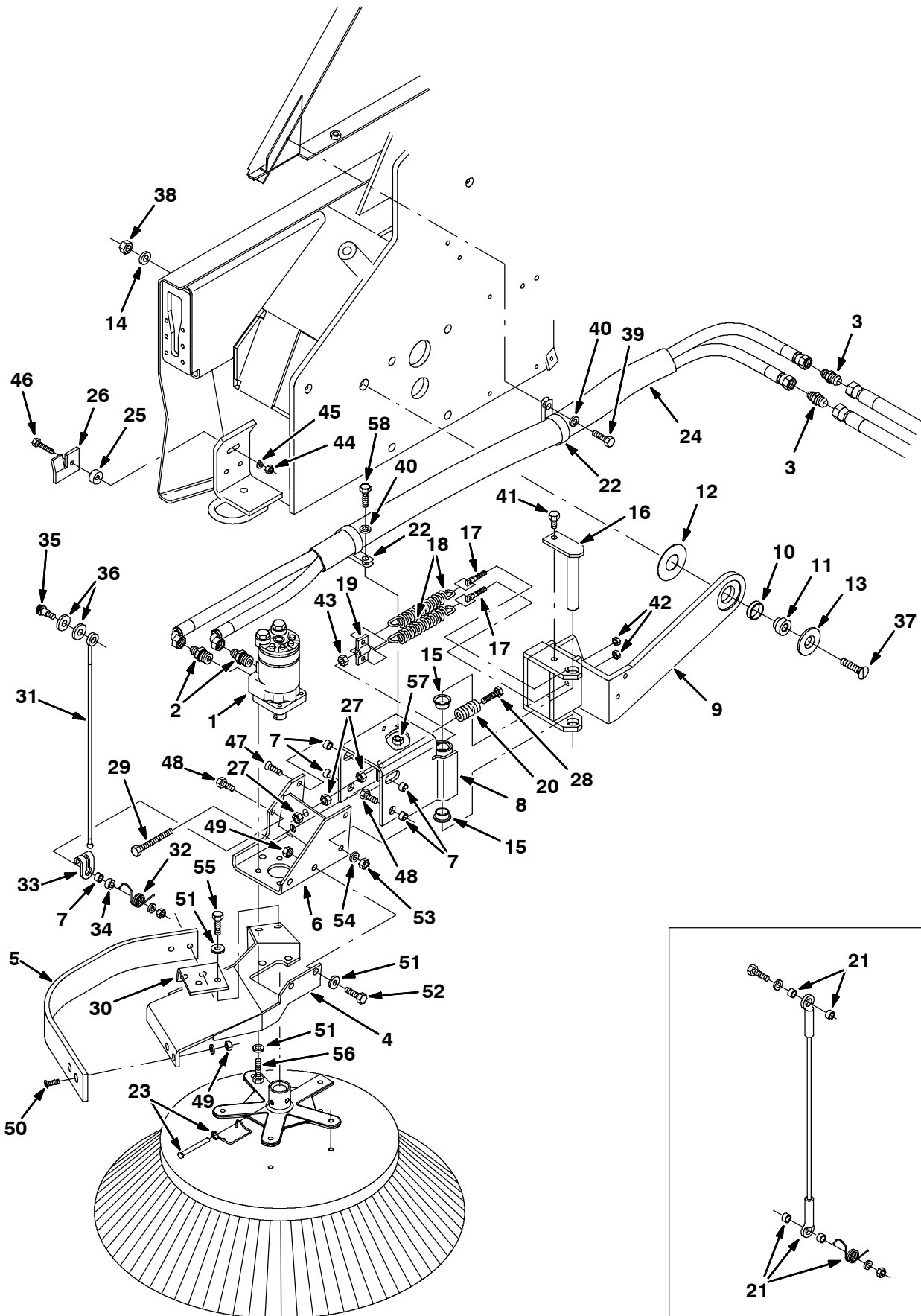


Fig. 77 - Brush Group, Side

Ref.	Part No.	Serial Number	Description	Qty.
1	79781	(003000-) Motor, Hyd, (See Breakdowns)	1
2	47508	(003000-) Ftg-Hyd Str Jm06/Om10	2
3	42207	(003000-) Ftg-Hyd Str Jm08/Jm06	2
4	21224	(003000-) Guard Wldt, Side Brush	1
5	21238	(003000-) Guard, Side Brush	1
6	65168	(003000-) Bracket, Mounting, Motor	1
7	65174	(003000-) Spacer	5
8	65170	(003000-) Bracket, Pivot	1
9	70521	(003000-) Bracket, Lift	1
10	70627	(003000-) Bearing	1
11	70526	(003000-) Shaft, Pivot	1
12	70524	(003000-) Washer, 1.300B 3.000	1
13	70525	(003000-) Spacer	1
14	36328	(003000-) Washer-Belleville .50 Pltd	1
15	04761	(003000-) Bearing, Flange .875 Bore	2
16	70431	(003000-) Pin	1
17	70626	(003000-) Bolt-Eye M8-1.25	2
18	65160	(003000-) Spring, Extension	2
19	65173	(003000-) Bracket, Spring	1
20	65180	(003000-) Spring, Comp	1
21	375400	(003000- xxxxxx) Replacement Kit, Rh. Side Brush Cable	1
22	67366	(003000-) Clamp, Cable, Stl, 1.0x2.0x0.62w, 1hole	1
23	84581	(003000-) Pin Assy, Side Brush W/clip	1
24	75028	(003000-) Sleeve, Nylon #27 65.0L	1
25	74059	(003000-) Spacer	1
26	74060	(003000-) Bracket, Angle	1
27	07787	(004000-) Nut, Hex, Std, M10 X 1.5, Ss	3
28	06537	(003000-) Screw-Hex M10X1.5	1
29	76438	(003000-) Screw-Hex M10X1.5 90 Full Thd	1
30	21215	(003000-) Plate, Angle	1
31	375401	(xxxxxx-) Cable	1
32	375402	(xxxxxx-) Spring, Torsion, Rh	1
33	1017898	(xxxxxx-) Hook, Cable, .44d Ball	1
34	375404	(xxxxxx-) Spacer	1
35	36758	(xxxxxx-) Bolt, Shld, .50d X 0.50, .38-16	1
36	32486	(xxxxxx-) Washer	2
37	20192	(003000-) Screw, Flt, .50-13 X 2.00, Al	1
38	32985	(003000-) Nut, Hex, Lock, .50-13, NI	1
39	12459	(003000-) Screw, Hex, M6 X 1.0 X 20, Fmg	1
40	41185	(003000-) Washer, Belleville, .25	1
41	09291	(003000-) Screw, Hex, M10 X 1.5 X 20, Ss	1
42	39311	(003000-) Nut, Hex, Std, M8 X 1.25	2
43	39312	(003000-) Nut, Hex, Std, M10 X 1.5	1
44	08709	(003000-) Nut, Hex, Lock, M8 X 1.25, NI	1
45	32496	(003000-) Screw, Pan, #10-24 X 0.50, Fmg	1
46	41342	(003000-) Screw, Hex, M8 X 1.25 X 40, 8.8	1
47	06535	(003000-) Screw, Flt, M10 X 1.5 X 35, 10.9	1
48	39284	(003000-) Screw, Hex, M10 X 1.5 X 35, 8.8	3
49	07792	(003000-) Nut, Hex, Flng, M10 X 1.5	8
50	09081	(003000-) Screw, Flt, M10 X 1.5 X 25, 10.9	4

Fig. 77 - Brush Group, Side

Ref.	Part No.	Serial Number	Description	Qty.
51	32485	(003000-) Washer, Flat, 0.38 Sae	9
52	39283	(003000-) Screw, Hex, M10 X 1.5 X 25, 8.8	2
53	41430	(003000-) Nut, Hex, Lock, M10 X 1.5, NI	4
54	32492	(003000-) Washer, Flat, 0.38 Std	7
55	09770	(003000-) Screw, Hex, M10 X 1.5 X 25, Ss, NI	4
56	34195	(003000-) Screw, Hex, .38-16 X 1.00, NI	4
57	07790	(003000-) Nut, Hex, Flng, M6 X 1.00	1
58	06944	(003000-) Screw, Hex, M6 X 1.0 X 25, 8.8	1

Fig. 78 - Brush Lift Group, Side

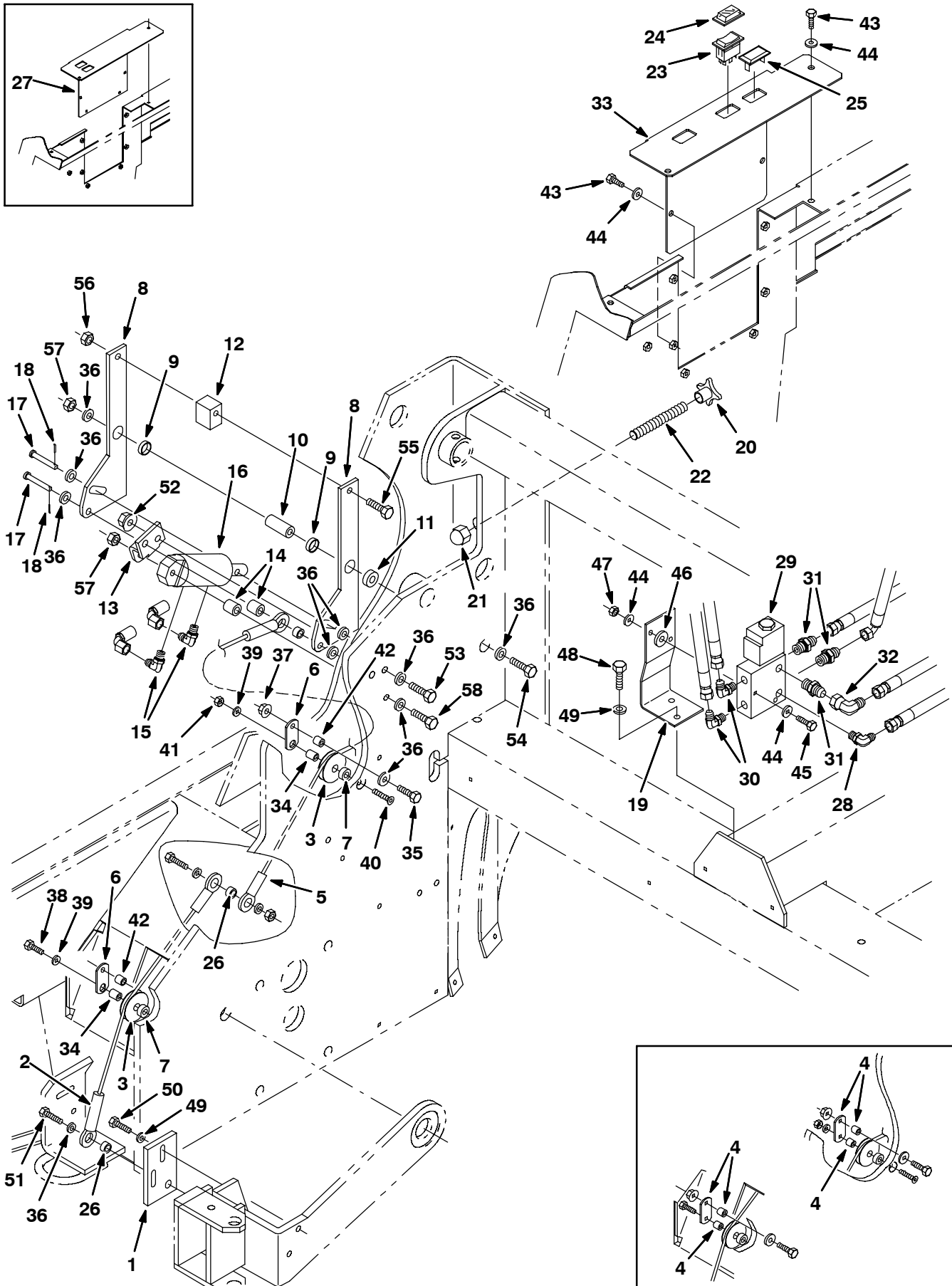


Fig. 78 - Brush Lift Group, Side

Ref.	Part No.	Serial Number	Description	Qty.
1	77669	(003000-) Plate Wldt	1
2	23936	(003000-) Cable, Retaining, S Br	1
3	74391	(003000-) Pulley Assy, Cable, 1.5 Dia	2
4	375416	(003000- xxxxxx) Replacement Kit, Roller, Side Brush Lift	1
5	70532	(003000-) Cable, Side Brush, Lift	1
6	375415	(xxxxxx-) Plate, Side Brush Roller	2
7	73737	(003000-) Sleeve, .375B .75D .32 Stl	2
8	77584	(003000-) Plate	2
9	74090	(003000-) Bearing	2
10	77597	(003000-) Sleeve, 0.406B 0.75D1.80 Stl	1
11	77727	(003000-) Sleeve, .438B 1.00D .35 Stl	1
12	77459	(003000-) Spacer	1
13	77601	(003000-) Plate, Angle	1
14	77600	(003000-) Sleeve,0.406B .750D .800 Stl	1
15	77097	(003000-) Ftg-Hyd E90 Jm04/Om04	2
16	1041034	(003000-) Cylinder, Hyd 1.5B 1.5S 2500	1
17	51813	(003000-) Pin,Clevis,0.37 Dia.X 2.12 Lg	2
18	08179	(003000-) Pin, Cotter .094X1.00	2
19	21231	(003000-) Plate	1
20	77605	(003000-) Knob, Plastic	1
21	41131	(003000-) Nut Low Crown .62-18	1
22	77682	(003000-) Rod, Thread	1
23	65561	(003000-) Switch Rocker Spst	1
24	57807	(003000-) Cover, Rocker Switch Seal	1
25	57772	(003000-) Plate-Cover	1
26	65174	(003000-) Spacer	3
27	21109	(003000-003057) Plate, Cover	1
28	56820	(003000-) Ftg-Hyd E90	1
29	84016	(003000-005041) Valve, Hyd Solenoid (See Breakdowns)	1
29	1049211	(005042-) Valve, Cntrl, Hyd, Solenoid, 12vdc 06gpm (See Break-downs)	1
30	77097	(003000-) Ftg-Hyd E90 Jm04/Om04	2
31	56690	(003000-) Ftg-Hyd str	3
32	47504	(003000-) Ftg-Hyd E90	1
33	375666	(003058-) Plate, Cover	1
34	80395	(xxxxxx-) Sleeve, P/M, 0.496d 0.318b 0.65l 430ss	2
35	76570	(xxxxxx-) Screw, Hex m08	2
36	32492	(xxxxxx-) Washer, Flat	12
37	07791	(xxxxxx-) Nut, Hex, Flange	2
38	41342	(xxxxxx-) Screw, Hex m08	2
39	33924	(xxxxxx-) Washer, Flat m10	2
40	09028	(xxxxxx-) Screw, Hex m10	1
41	32715	(xxxxxx-) Nut, Hex Lock m10	1
42	222460	(xxxxxx-) Sleeve, P/M, 0.496d 0.318b 0.50l 430ss	2
43	06943	(003000-) Screw, Hex, M6 X 1.0 X 20, 8.8	4
44	19066	(003000-) Washer, Flat, #10	8
45	06548	(003000-) Screw, Hex, M6 X 1.0 X 60, 8.8	2
46	63416	(003000-) Washer, Rbr, .12 0.31b 0.88d	2
47	08708	(003000-) Nut, Hex, Lock, M6 X 1.0, NI	2
48	16931	(003000-) Screw, Hex, M8 X 1.25 X 20, 8.8	2

Fig. 78 - Brush Lift Group, Side

Ref.	Part No.	Serial Number	Description	Qty.
49	32491	(003000-) Washer, Flat, 0.31 Std	3
50	09010	(003000-) Screw, Hex, M8 X 1.25 X 25, Ss	2
51	39283	(003000-) Screw, Hex, M10 X 1.5 X 25, 8.8	2
52	07792	(003000-) Nut, Hex, Flng, M10 X 1.5	2
53	39284	(003000-) Screw, Hex, M10 X 1.5 X 35, 8.8	1
54	03193	(003000-) Screw, Hex, M10 X 1.5 X 90, 8.8	1
55	06957	(003000-) Screw, Hex, M8 X 1.25 X 60, 8.8	1
56	08709	(003000-) Nut, Hex, Lock, M8 X 1.25, NI	1
57	41430	(003000-) Nut, Hex, Lock, M10 X 1.5, NI	1
58	06965	(003000-) Screw, Hex, M10 X 1.5 X 80, 8.8	1

Fig. 79 - Brush Drive Group, Main

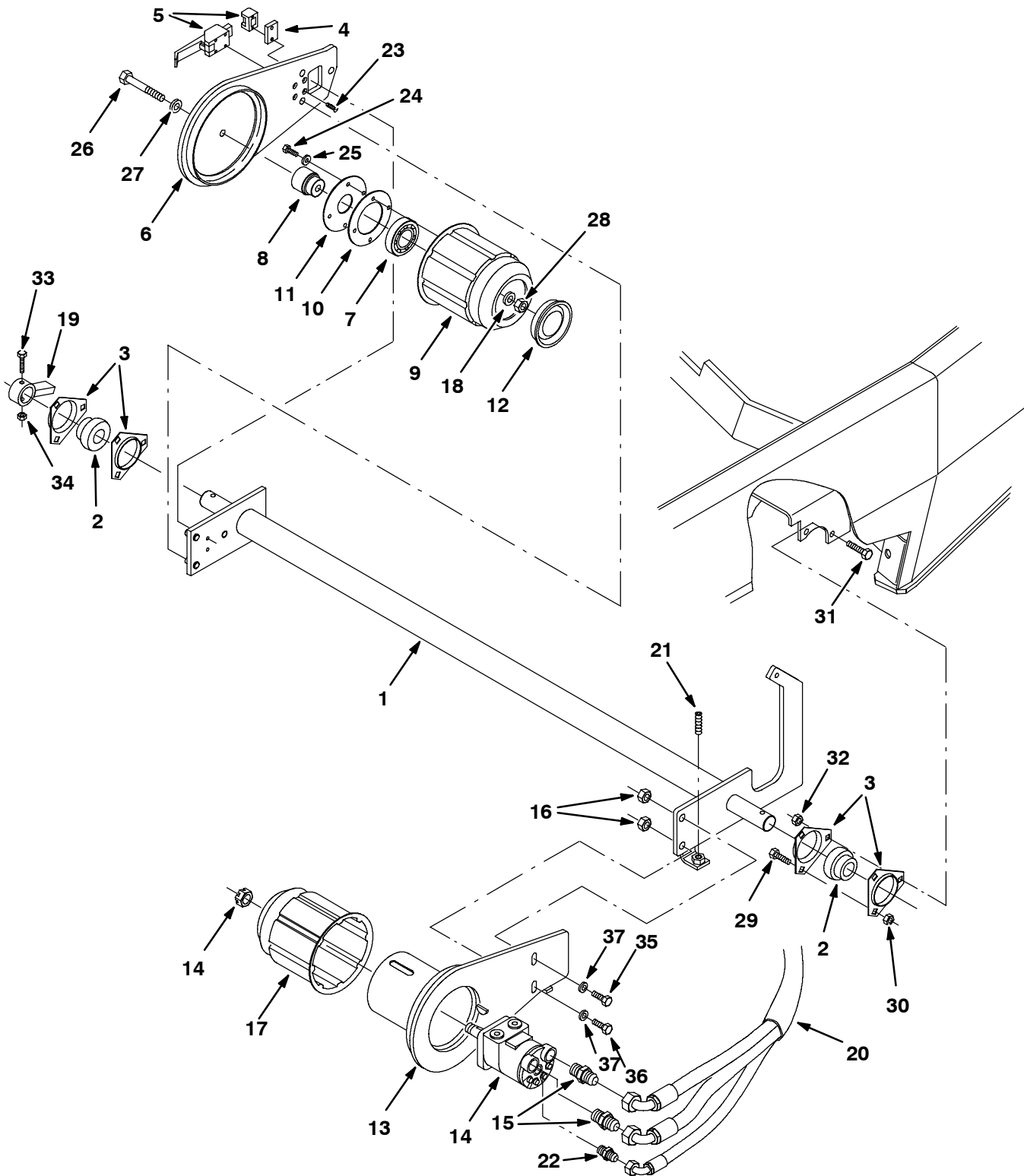


Fig. 79 - Brush Drive Group, Main

Ref.	Part No.	Serial Number	Description	Qty.
1	63436	(003000-) Shaft Wldt, Main Brush	1
2	51448	(003000-) Bearing&Clr , 1.25B 2.44D 1.41W	2
3	51449	(003000-) Flange,Brg,3 Hole	4
4	63541	(003000-) Plate, Mtg, Latch	1
5	54878	(003000-) Latch	1
6	63449	(003000-) Arm Wldt, M Br, Idler	1
7	24899	(003000-) Bearing-Ball, 1.38B 2.83D 0.67W	1
8	30251	(003000-) Shaft, Idler	1
9	55779	(003000-) Plug Wldt, Idler	1
10	30252	(003000-) Strip, Retainer, Bearing	1
11	30253	(003000-) Plate, Seal	1
12	30255	(003000-) Plug, Tube	1
13	63450	(003000-) Arm Wldt, M Br, Motor	1
14	62563	(003000-) Motor-Hyd Gear In (See Breakdowns)	1
15	44869	(003000-) Ftg-Hyd Str Jm08/Om08	2
16	07793	(003000-) Nut, Hex, Flng, M12 X 1.75	2
17	87631	(003000-) Plug Weld, Brush Drive, Sweep	1
18	51564	(003000-) Washer, .531B 1.75D .12Cr.Znc	1
19	64811	(003000-) Bar Wldt, Brush Pressure	1
20	34330	(003000-) Sleeve, Hyd 30"	1
21	75612	(003000-) Screw, Set	1
22	55586	(003000-) Ftg-Hyd Str Jm04/Om04	1
23	09120	(003000-) Screw, Flt, M5 X 0.8 X 16, 10.9	6
24	12274	(003000-) Screw, Hex, M6 X 1.0 X 20, 8.8, NI	4
25	32483	(003000-) Washer, Flat, 0.25 Sae	4
26	32895	(003000-) Screw, Hex, .50-13 X 3.50, 5	1
27	36328	(003000-) Washer, Belleville, .50	1
28	02931	(003000-) Nut, Hex, Lock, .50-13, NI, Ss	1
29	10819	(003000-) Bolt, Carriage, .38-16 X 1.00	2
30	50902	(003000-) Nut, Hex, Lock, .38-16, NI	2
31	39283	(003000-) Screw, Hex, M10 X 1.5 X 25, 8.8	4
32	07792	(003000-) Nut, Hex, Flng, M10 X 1.5	4
33	06957	(003000-) Screw, Hex, M8 X 1.25 X 60, 8.8	1
34	08709	(003000-) Nut, Hex, Lock, M8 X 1.25, NI	1
35	06968	(003000-) Screw, Hex, M12 X 1.75 X 35, 8.8	1
36	41346	(003000-) Screw, Hex, M12 X 1.75 X 30, 8.8	1
37	32486	(003000-) Washer, Flat, 0.50 Sae	2

Fig. 80 - Brush Drive Group, Front

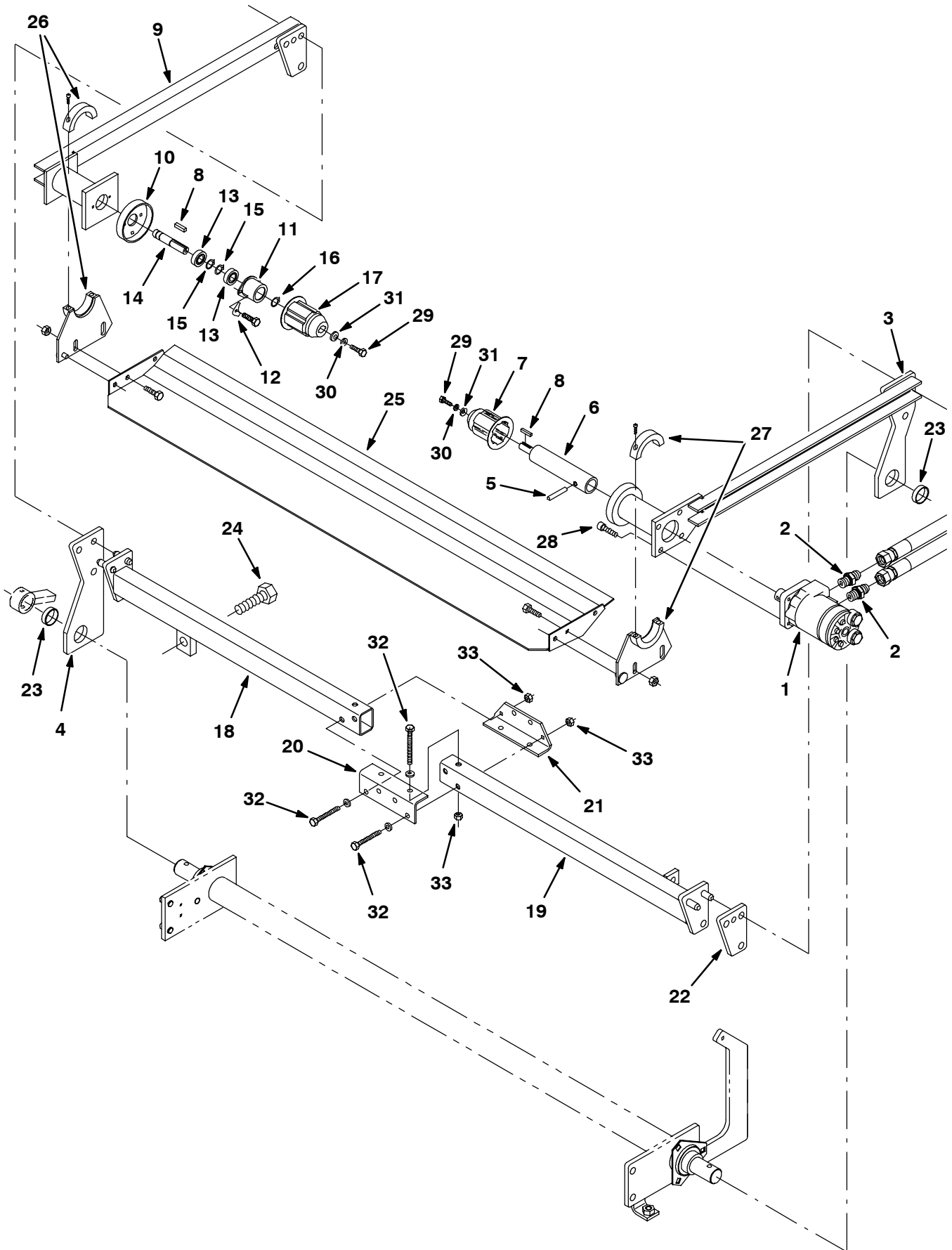


Fig. 80 - Brush Drive Group, Front

Ref.	Part No.	Serial Number	Description	Qty.
1	77406	(003000-003095)	Motor, Hyd Gear (See Breakdowns)	1
1	375719	(003096-)	Motor, Hyd Gear (See Breakdowns)	1
2	56692	(003000-)	Ftg-Hyd Str Jm08/Om10	2
3	21225	(003000-)	Arm Wldt, Brush Arm, Front, Lh	1
4	64350	(003000-)	Plate, Mtg, Brush, Front	1
5	23574	(003000-)	Pin,Roll,.31Odx1.37L,.312/.318	1
6	62607	(003000-)	Shaft, Drive	1
7	86810	(003000-)	Driveplug, Brush - Mach.	1
8	00912	(003000-)	Key Square 0.18 0.18 01.00 Lg	2
9	63338	(003000-)	Arm Wldt, Brush Arm, Front, Rh	1
10	32720	(003000-)	Shield, Plug	1
11	41362	(003000-)	Cup,Bearing,Drive Flange,Pntd	1
12	32408	(003000-)	Plate, Hold Down	2
13	41360	(003000-)	Bearing-Ball,0.59B 1.26D 0.35W	2
14	15522	(003000-)	Shaft, Idler	1
15	01516	(003000-)	Ring,Retain,Ex,0.59Od,Basic	2
16	86773	(003000-)	Ring,Retain,Ex,.59D.Basic	1
17	12269	(003000-)	Plug, Brush Drive - Nylon	1
18	73720	(003000-)	Tube Wldt, Torque, Front Brush	1
19	73721	(003000-)	Tube Wldt, Torque, Front Brush	1
20	74888	(003000-)	Angle, Torque, Tube	1
21	74889	(003000-)	Angle, Torque, Tube	1
22	74056	(003000-)	Plate, Brush Suspension, Front	1
23	62986	(003000-)	Bearing, Journal	2
24	70848	(003000-)	Scr-Hex M20X2.5 80 Full Thd	1
25	375635	(003096-)	Plate, Wldt. Sweep	1
26	375639	(003096-)	Bracket, Mtg, Plate, Rh	1
27	375638	(003096-)	Bracket, Mtg, Plate, Lh	1
28	48998	(003000-)	Screw, Flt, .38-16 X 1.00, Al	4
29	11329	(003000-)	Screw, Hex, M6 X 1.0 X 16, Ss, NI	2
30	01685	(003000-)	Washer, Flat, 0.31 Ss	2
31	41185	(003000-)	Washer, Belleville, .25	2
32	39279	(003000-)	Screw, Hex, M8 X 1.25 X 70, 8.8	6
33	08709	(003000-)	Nut, Hex, Lock, M8 X 1.25, NI	6

Fig. 81 - Brush Lift Group, Front and Main

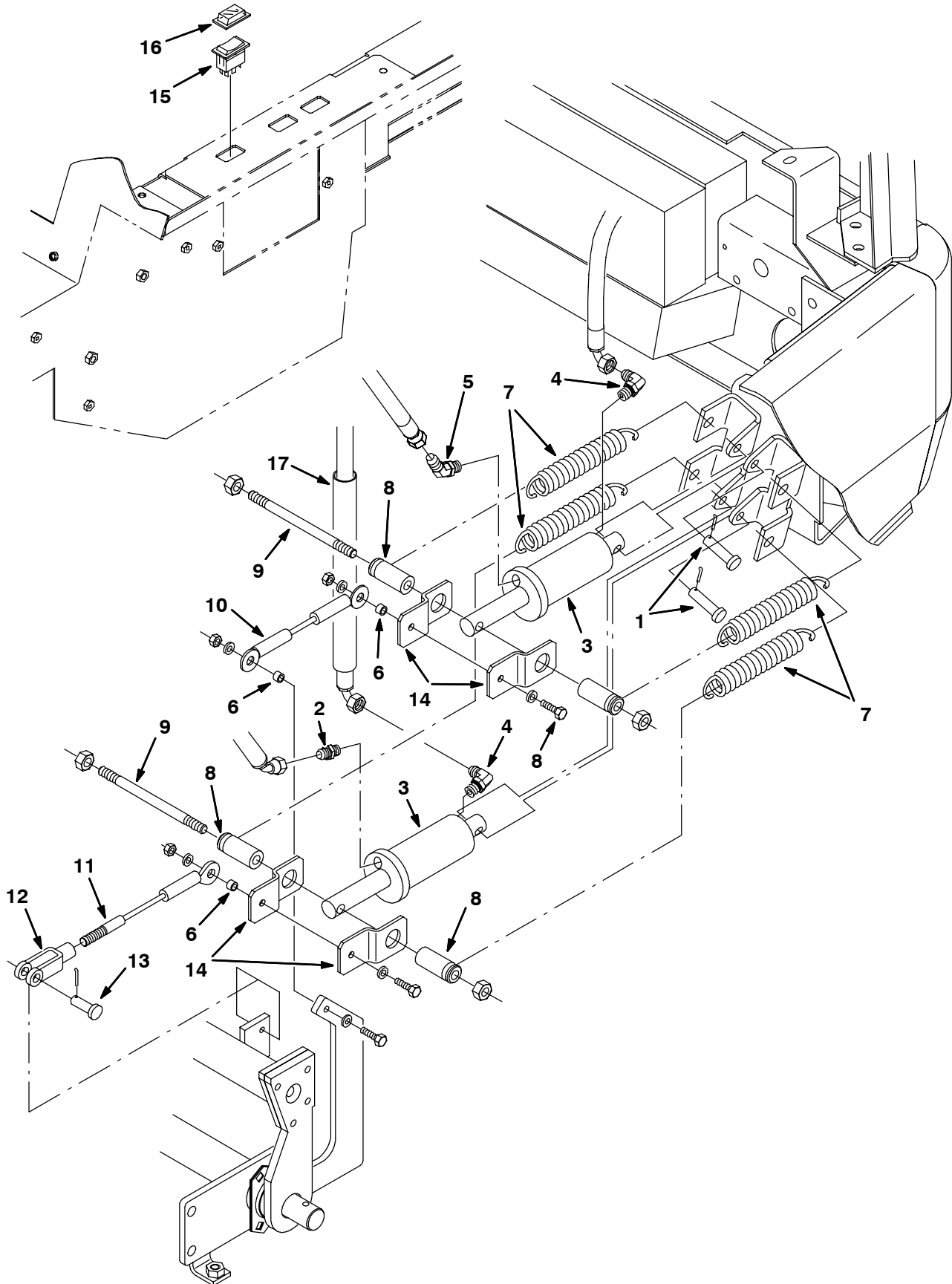


Fig. 81 - Brush Lift Group, Front and Main

Ref.	Part No.	Serial Number	Description	Qty.
1	51534	(003000-) Pin,Clevis,0.50 Dia.X 2.00 Lg	2
2	1012657	(003000-) Rod, Thrd, 2 End .50-13 05.75	1
3	54096	(003000-) Cylinder, Hyd	2
4	77097	(003000-) Ftg-Hyd E90 Jm04/Om04	2
5	34359	(003000-) Ftg-Hyd E45 Jm04/Om04	1
6	65249	(003000-) Tube, Spacer, Brush Lift	3
7	33404	(003000-) Spring, Tension	4
8	1012656	(003000-) Tube, Retainer, Spring	4
9	1012657	(003000-) Rod, Threaded .50-13	2
10	64233	(003000-) Cable, Lift, Main Brush	1
11	64870	(003000-) Cable, Lift, Brush, Front	1
12	51462	(003000-) Clevis,Adjust.0.50-13Th.Cad.	1
13	06598	(003000-) Pin,Clevis,0.50 Dia.X 1.42 Lg	1
14	65248	(003000-) Bracket, Brush Lift, Main	4
15	61969	(003058-) Switch, Rocker, Dpdt.	1
16	57807	(003058-) Cover,Rocker,Switch Seal	1
17	1015036	(003000-) Hose, Sleeve, Fire	1

Fig. 82 - Brush Adjustment Group, Main

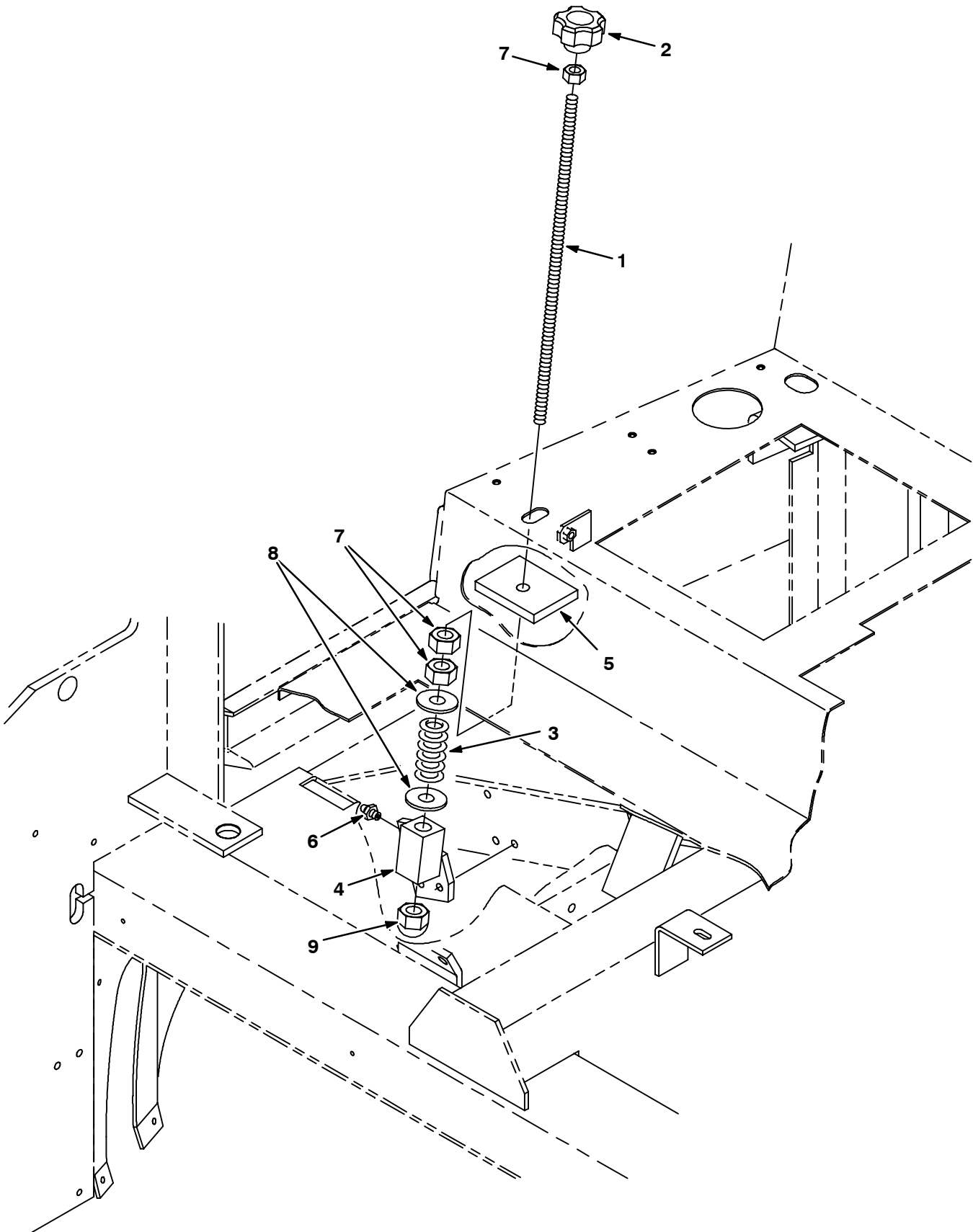


Fig. 82 - Brush Adjustment Group, Main

Ref.	Part No.	Serial Number	Description	Qty.
1	77578	(003000-) Rod, Thread	1
2	77605	(003000-) Knob, Plastic	1
3	51693	(003000-) Sprng,Comp,0.87ldx.10Wire 2.5L	1
4	77580	(003000-) Plate, Adj, Brush	1
5	79028	(003000-) Seal, Rod, Adjuster	1
6	11716	(003000-) Ftg, Grease.12 Npt 45 .88L	1
7	77583	(003000-) Nut, Hex, Std, .62-18	3
8	15331	(003000-) Washer, Flat, 0.62, Sae	2
9	41131	(003000-) Nut, Low Crown, .62-18	1

Fig. 83 - Vacuum Fan Impeller Group

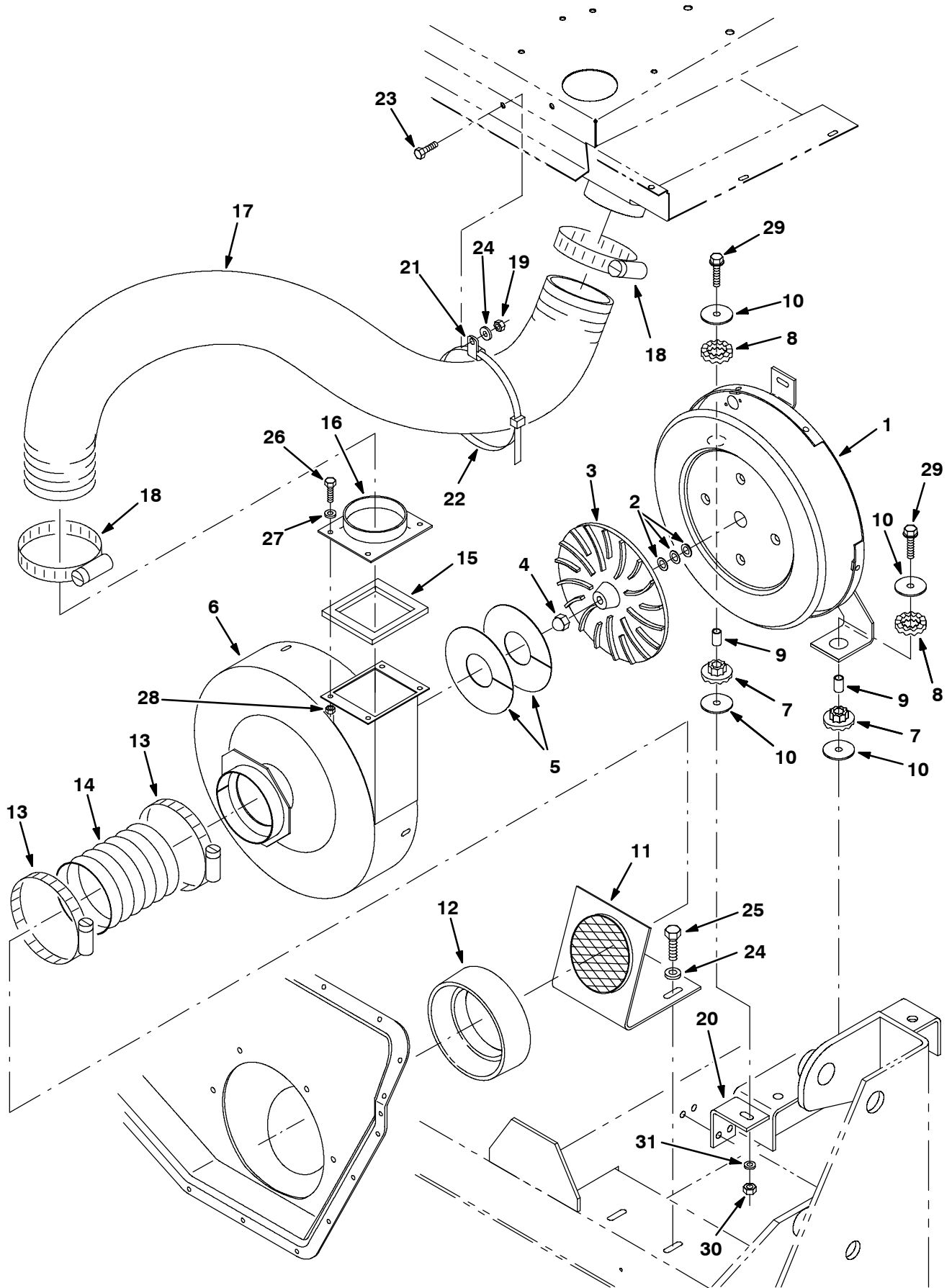


Fig. 83 - Vacuum Fan Impeller Group

Ref.	Part No.	Serial Number	Description	Qty.
1	77531	(003000-) Housing Wldt, Vac Fan, Rear	1
2	75456	(003000-) Shim .003Th 0.88Odx0.506ld	1
2	75456-1	(003000-) Shim .005Th 0.88Odx0.506ld	1
2	75456-2	(003000-) Shim .010Th 0.88Odx0.506ld	1
2	75456-3	(003000-) Shim .020Th 0.88Odx0.506ld	3
2	75456-4	(003000-) Shim .060Th 0.880Dxo.506ld	3
3	03922	(003000-) Impeller 9.5 Dia. 18 Blade Mac	1
4	41130	(003000-) Nut-Low Crown .50-20 Pltd	1
5	58114	(003000-) Fan, Repair Kit, Reassembly	1
6	77532	(003000-) Housing Wldt, Vac Fan, Front	1
7	64621	(003000-) Bushing, Isolator	2
8	64618	(003000-) Ring, Isolator, Outer Rbr	2
9	64299	(003000-) Spacer	2
10	58228	(003000-) Plate, Spring - Side Brush	4
11	70825	(003000-) Bracket Wldt, Fan Inlet	1
12	21241	(003000-) Kit, Replmt, Seal, Vacfan, [800]	1
13	73685	(003000-) Clamp-Wormdrive, 3.62- 5.50D	2
14	73646	(003000-) Hose, Fan Inlet	1
15	73650	(003000-) Insulation, Acoustic, Fan	1
16	77553	(003000-) Plate, Vac Fan	1
17	40870-8	(003000-) Hose&cuff Assy, Vinyl4.0ldx50	1
18	23498	(003000-) Clamp-Wormdrive, 2.63- 4.50D	2
19	08709	(003000-) Nut, Hex, Lock, M8 X 1.25, NI	1
20	375721	(003077-) Bracket, Angle	1
21	69234	(003000-) Clamp, Cable, Stl, 1.00d X 0.75w, 1h	1
22	763113	(003000-) Tie, Cable, 20.0l, 6.00d Max	1
23	16931	(003000-) Screw, Hex, M8 X 1.25 X 20, 8.8	1
24	32491	(003000-) Washer, Flat, 0.31 Std	1
25	76570	(003000-) Screw, Hex, M8 X 1.25 X 30, 8.8	2
26	06943	(003000-) Screw, Hex, M6 X 1.0 X 20, 8.8	4
27	32483	(003000-) Washer, Flat, 0.25, Sae	4
28	08708	(003000-) Nut, Hex, Lock, M6 X 1.00, NI	4
29	16930	(003000-) Screw, Hex, M10 X 1.5 X 50, 8.8	2
30	41430	(003000-) Nut, Hex, Lock, M10 X 1.5, NI	2
31	32492	(003000-) Washer, Flat, 0.38, Std	2

Fig. 84 - Vacuum Fan Motor Group

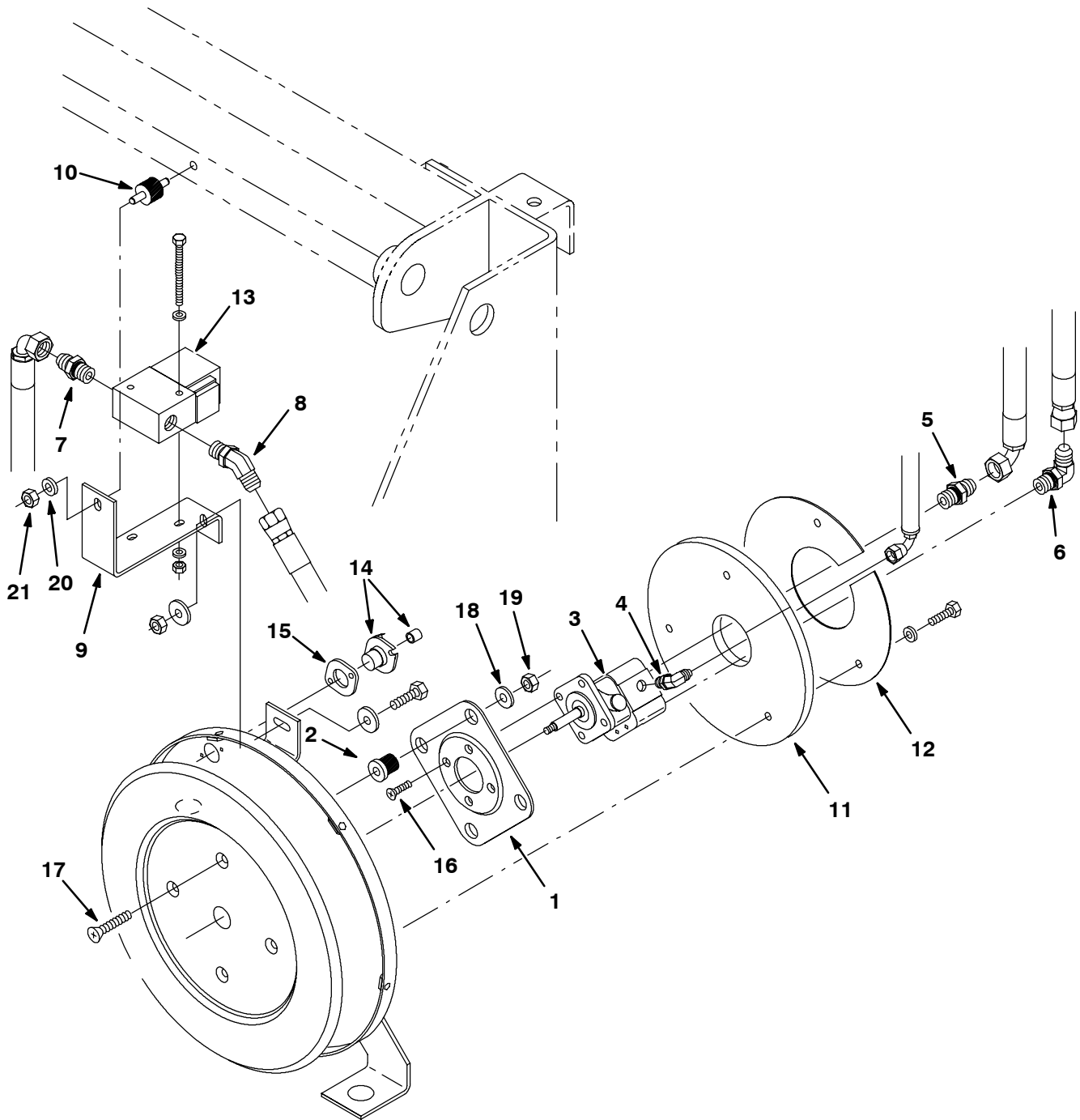


Fig. 84 - Vacuum Fan Motor Group

Ref.	Part No.	Serial Number	Description	Qty.
1	54275A	(003000-) Bracket, Mounting Motor	1
2	54274	(003000-) Isolator-Vibration,60 Lb.Ratng	4
3	19117	(003000-) Motor-Hyd Gear Ex (See Breakdowns)	1
4	77097	(003000-) Ftg-Hyd E90 Jm04/Om04	1
5	56692	(003000-) Ftg-Hyd Str Jm08/Om10	1
6	56821	(003000-) Ftg-Hyd E90 Jm08/Om10	1
7	44869	(003000-) Ftg-Hyd Str Jm08/Jm08	1
8	42226	(003000-) Ftg-Hyd E45 Jm08/Om08	1
9	70775	(003000-) Bracket, Mtg, Valve	1
10	05611	(003000-) Isolator, Vibration	1
11	70810	(003000-) Insulation, Acoustic, Vac Fan	1
12	70790	(003000-) Plate, Retainer, Foam	1
13	84015	(003000-005041) Valve-Hyd, Solenoid (See Breakdowns)	1
13	1049210	(005042-) Valve, Cntrl, Hyd, Solenoid, 12vdc 12gpm (See Break-downs)	1
14	02713	(003000-) Thermostat Assembly, 155 Deg	1
15	82733	(003000-) Gasket, Fire Switch	1
16	39534	(003000-) Screw, Flt	4
17	54862	(003000-) Screw, Flt	4
18	13248	(003000-) Washer, Flat, 0.40b 1.12d .12, Stl, PI	4
19	50902	(003000-) Nut, Hex, Lock, .38-16, NI	4
20	32984	(003000-) Washer, Lock, Int, 0.31	2
21	19313	(003000-) Nut, Hex, Std, .31-18	2

Fig. 85 - Steering Group

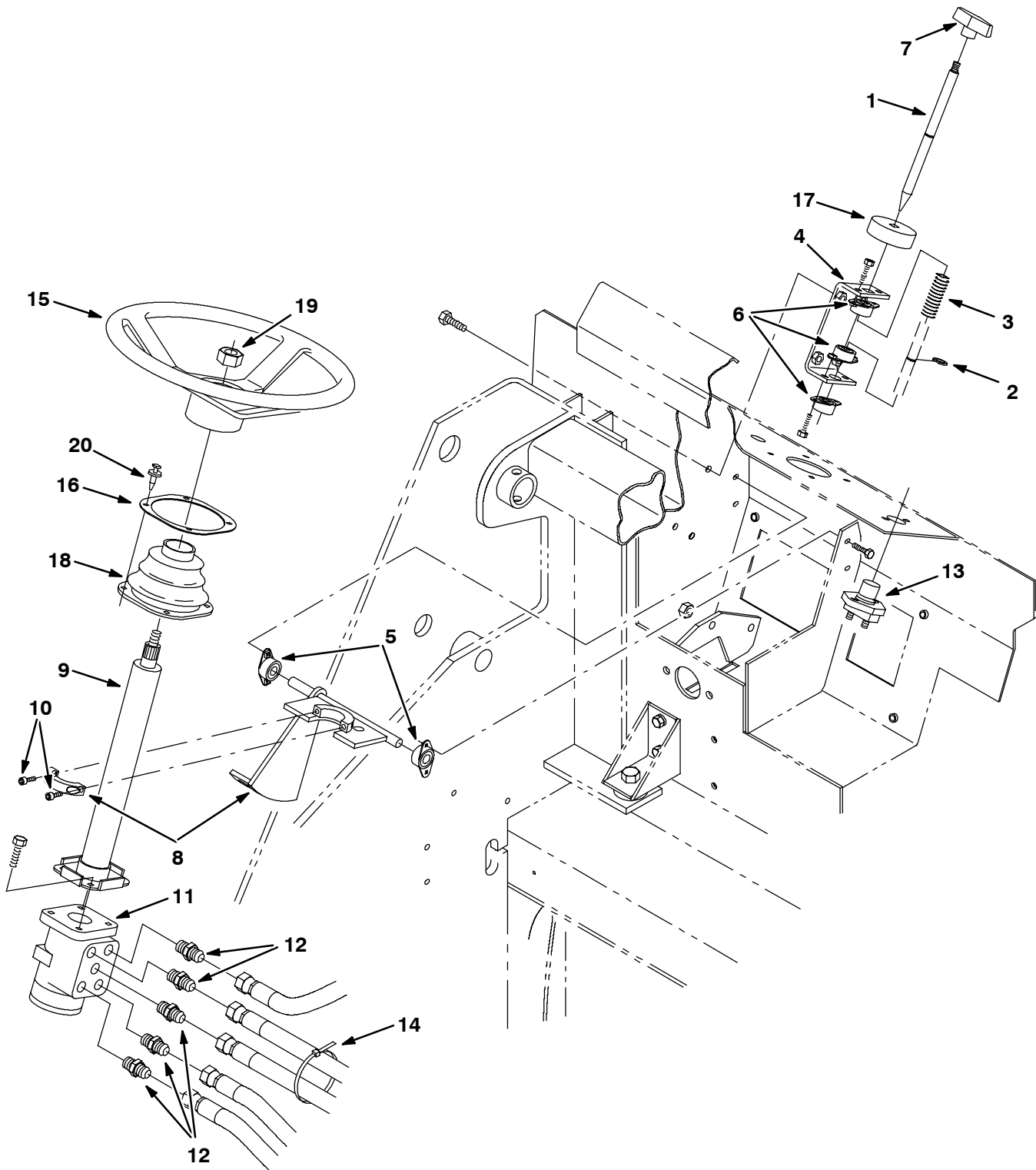


Fig. 85 - Steering Group

Ref.	Part No.	Serial Number	Description	Qty.	
1	64651	(003000-) Rod, Latch, Steering, Tilt	1	
2	70717	(003000-) Ring, Retain, Ex, 0.50Od, Heavy Dt	1	
3	22290	(003000-) Sprng, Comp, 0.62Idx. 06Wire 2.3L	1	
4	64655	(003000-) Channel, Mtg, Steering Latch	1	
5	70709	(003000-) Bearing, Flange .500B	2	
6	47585	(003000-) Bearing-Flange, 2 Hole 0.50Bore	3	
7	04706	(003000-) Handle, Lift, Brush	1	
8	64586	(003000-) Bracket Wldt, Steering Tilt	1	
▽	9	64631	(003000-) Column, Steering 12"	1
▲	64631	(003000-) Boot	1	
10	21195	(003000-) Scr Hex .38-16X0.75	2	
11	65242	(003000-) Steer Control, Hyd	1	
12	56690	(003000-) Ftg-Hyd Str Jm06/Om06	5	
13	44078	(003000-) Switch, Pushmom, Spst100A 12V	1	
14	49263	(003000-) Tie, Cable 3.00D Max 11.41Lg	3	
▽	15	56398	(003000-) Wheel, Steering	1
▲	70218	(003000-) Cap, Wheel, Steering	1	
▲	70219	(003000-) Insert, Wheel, Steering	1	
16	70623	(003000-) Plate, Mtg, Steering Boot	1	
17	75968	(003000-) Seal, Bearing	1	
18	70622	(003000-) Seal, Boot, Steering Column	1	
19	56185	(003000-) Nut-hx Jam M20x1.5 4 Pltd	1	
20	72970	(003000-) Rivet, Plastic .250Dx.898	4	

Fig. 86 - Electrical Instrument Panel Assembly

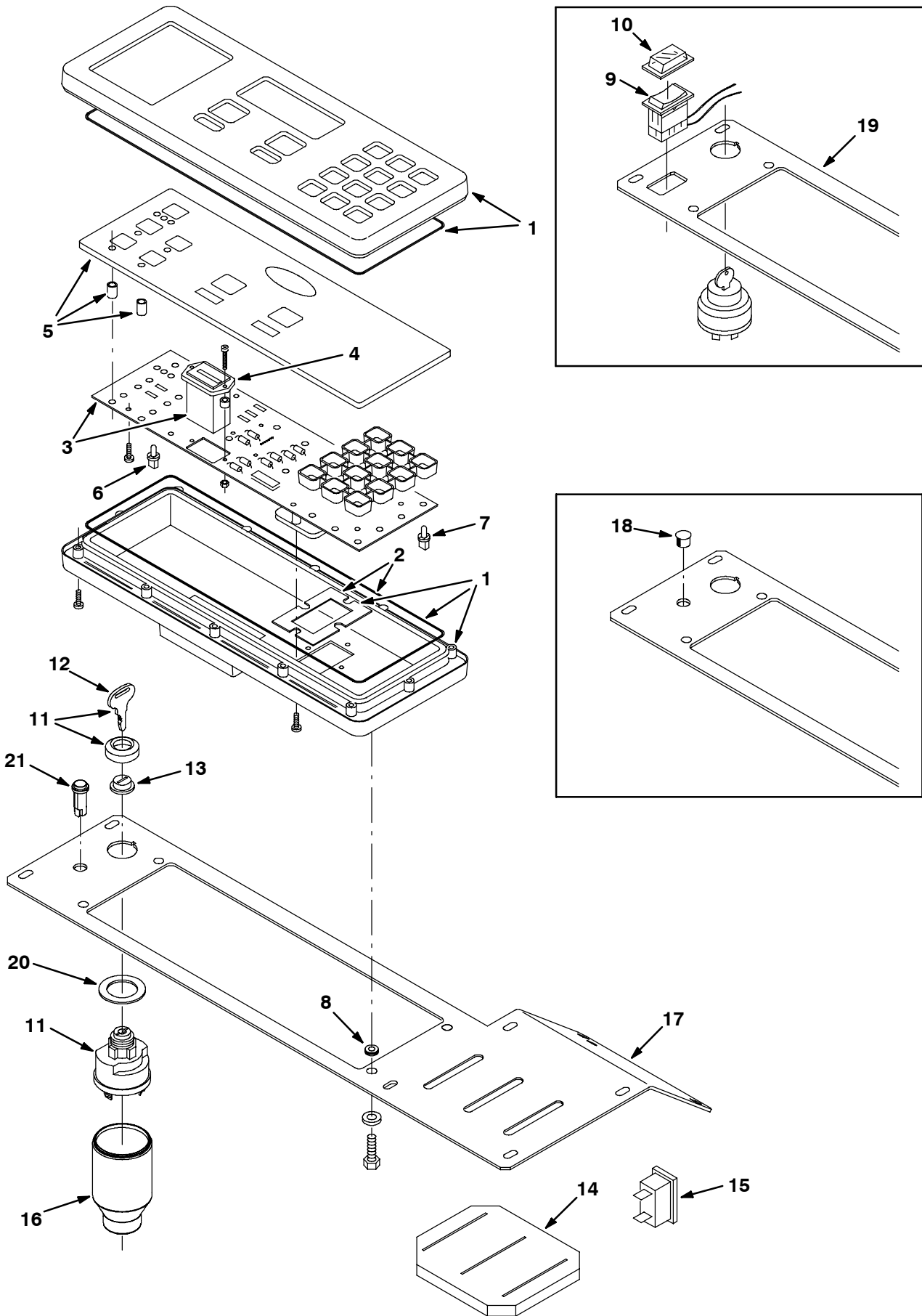
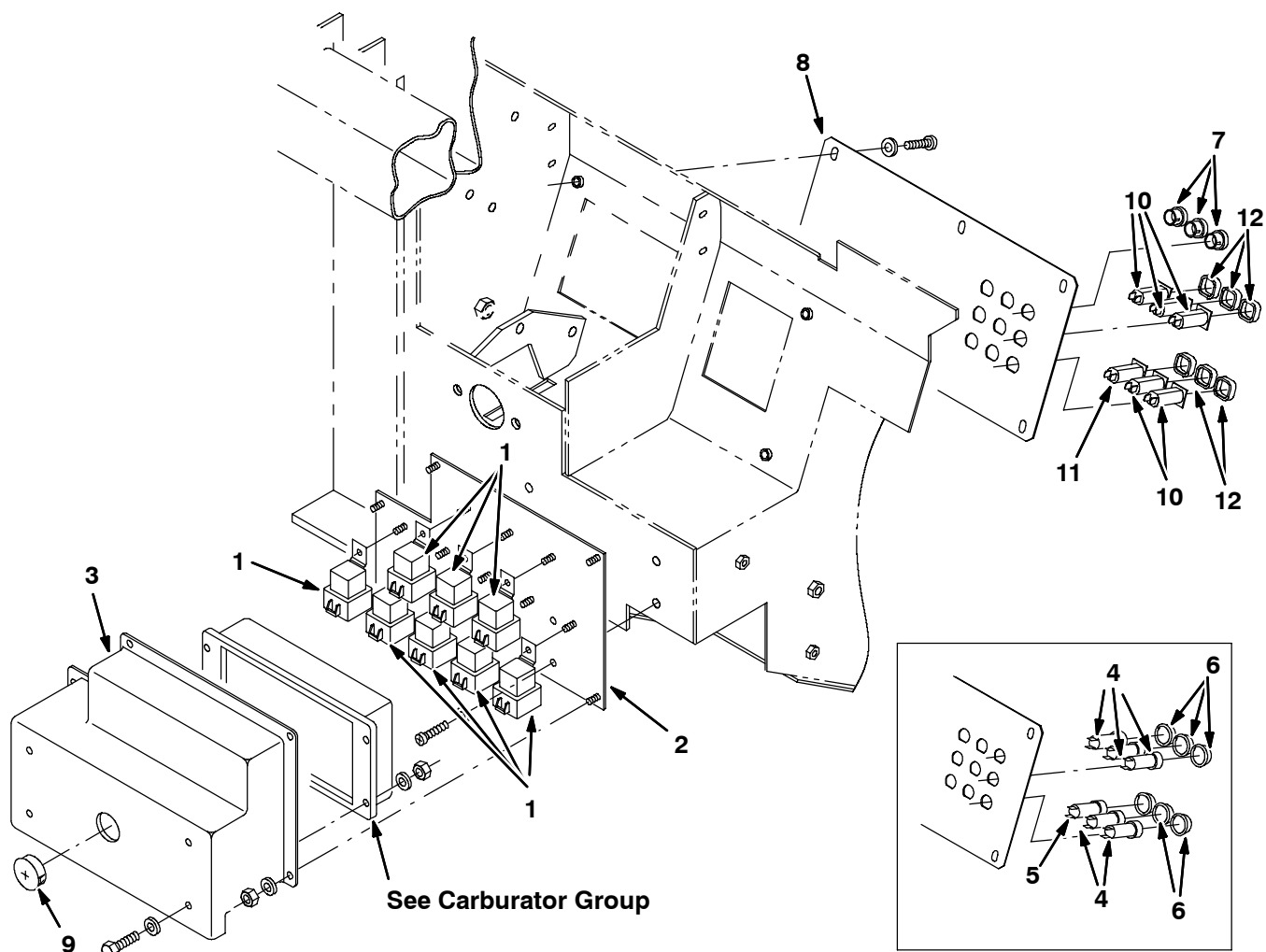


Fig. 86 - Electrical Instrument Panel Assembly

	Ref.	Part No.	Serial Number	Description	Qty.
▽		59970	(003000-) Replm Kit, Instr Panel	1
▲	1	59976	(003000-) Replm Kit, Case	1
▲	2	59977	(003000-) Replm Kit, Seal	1
▲▽	3	59974	(003000-) Replm Kit, Cir Board	1
▲▲	4	59978	(003000-) Replm Kit, Hourmeter	1
▲	5	59979	(003000-) Replm Kit, Touch Panel	1
▲	6	59971	(003000-) Replm Kit, Lamp, Backlighting (Set of 8)	2
▲	7	56346	(003000-) Replm Kit, Lamp, Fault (Set of 8)	1
	8	10632-5	(003000-) Grommet,Rbr,0.25ld,For .09Matl	4
	9	61969	(003000-003057) Switch, Rocker, Dpdt	1
	10	57807	(003000-003057) Cover, Rocker Switch Seal	1
▽	11	87536	(003000-) Switch Ignition	1
▲	12	87866	(003000-) Key Set,Switch Ku	1
	13	382516	(003000-) Boot, Switch	1
	14	79648	(003000-) Seal, Handle, Valve	1
	15	64141	(003000-) Light, Indicator 14V Red 1.2x0.7	1
	16	383165	(003072-) Boot, Switch, Ignition	1
	17	1012670	(003058-) Panel, Cover, Dash	1
	18	56992	(003058-003999) Plugbutton	1
	19	65245	(003000-003057) Panel, Cover, Dash	1
	20	73736	(003000-) Washer	1
	21	1012185	(004000-) Light, Check Eng, Amb, 14vdc	1

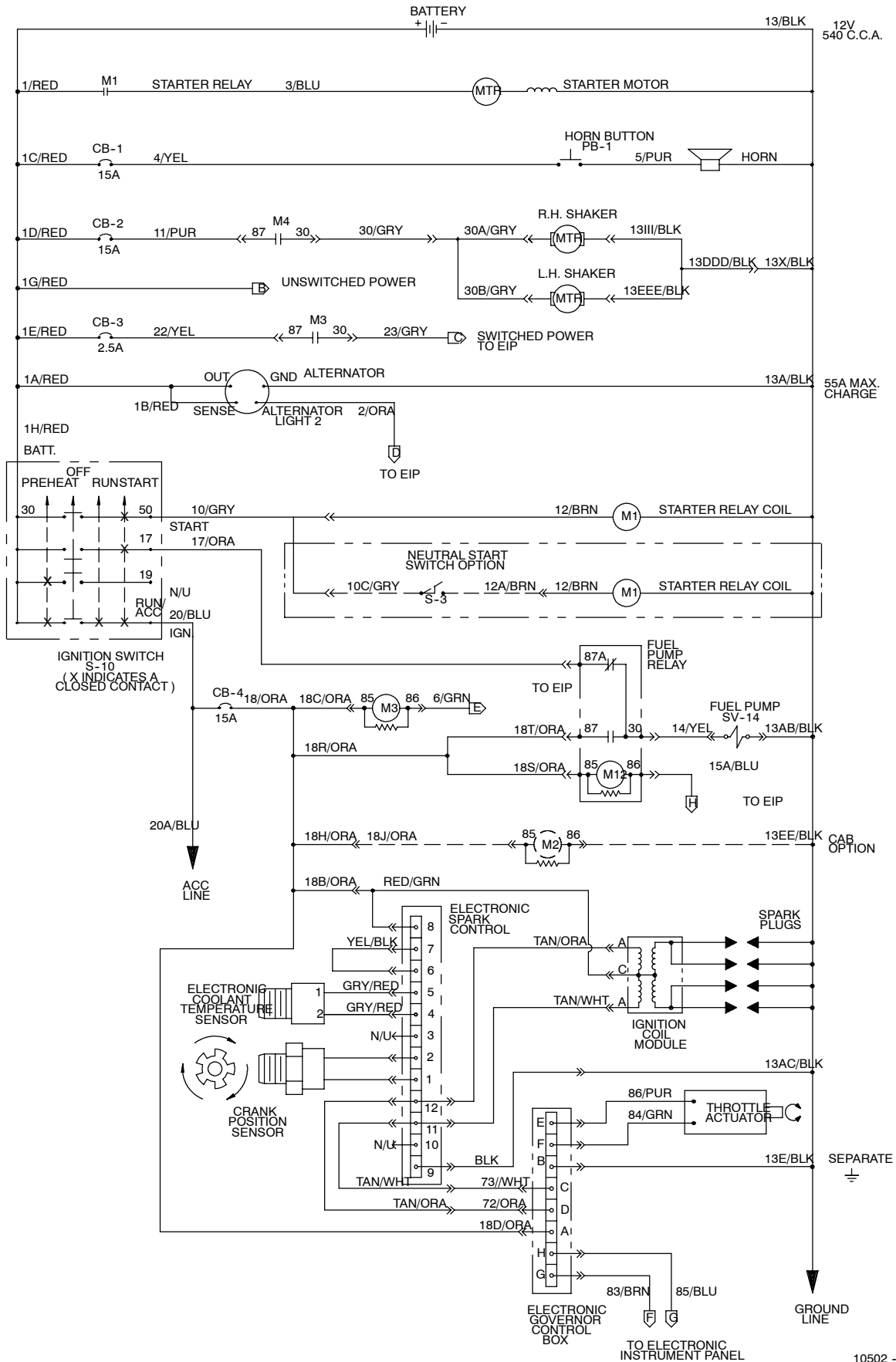
Fig. 87 - Electrical Circuit Breaker and Relay Group



07735 - G, LP

Ref.	Part No.	Serial Number	Description	Qty.
1	56186	(003000-)	Relay, Shrouded, 12 Vdc	8
2	70398	(003000-)	Plate, Mtg, Relay	1
3	70402	(003000-)	Cover, Relay Panel	1
4	57803	(003000-005036)	Breaker-Circuit, 15 Resetbl	5
5	87583	(003000-005036)	Breaker-Circuit, 2.5 Resetbl	1
6	57751	(003000-005036)	Boot-Circuit Breaker	6
7	57167	(003000-)	Plugbtn .62H .03-.12 Blacknyl	3
8	70411	(003000-)	Plate, Circuit Breaker	1
9	76888	(003000-)	Button, Plug 1.25H	1
10	1045858	(005037-)	Circuitbreaker, 15A, Restable	5
11	1046152	(005037-)	Circuitbreaker, 2.5A, Restable	1
12	1046173	(005037-)	Boot, Circuitbreaker	6

Fig. 88 - Electrical Schematic (003000-003178)



10502 - G, LP

Fig. 88 - Electrical Schematic (003000-003178)

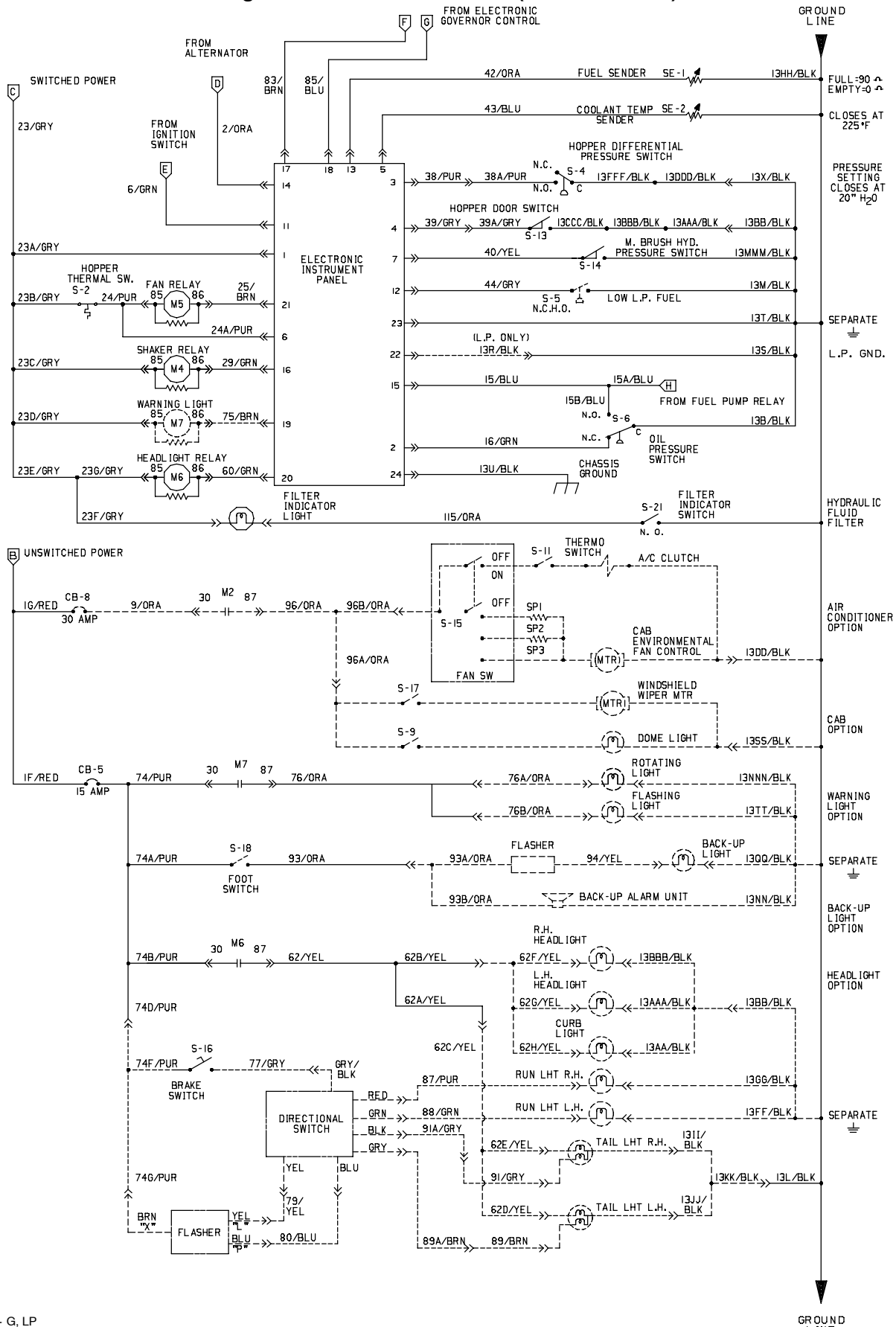
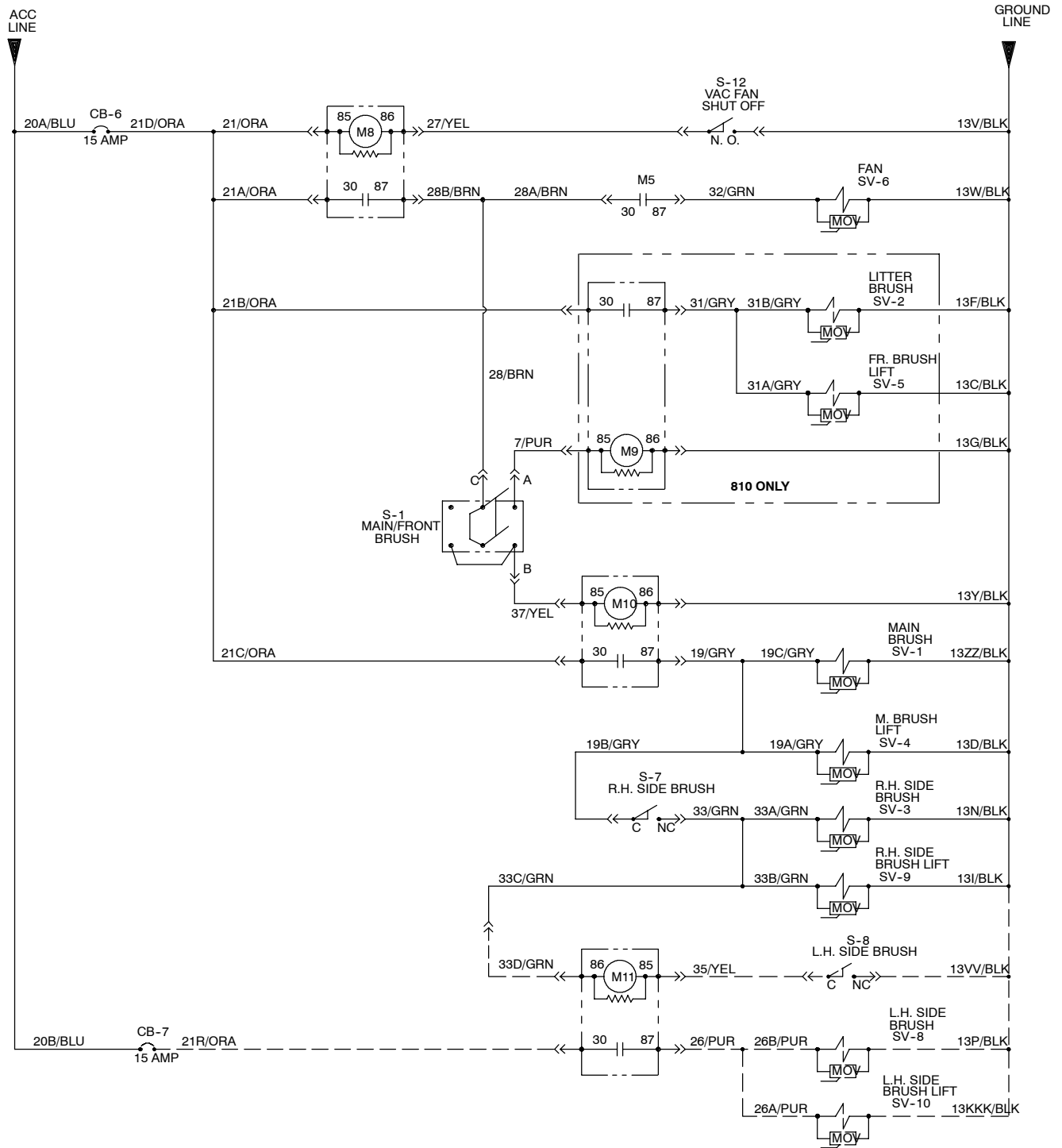
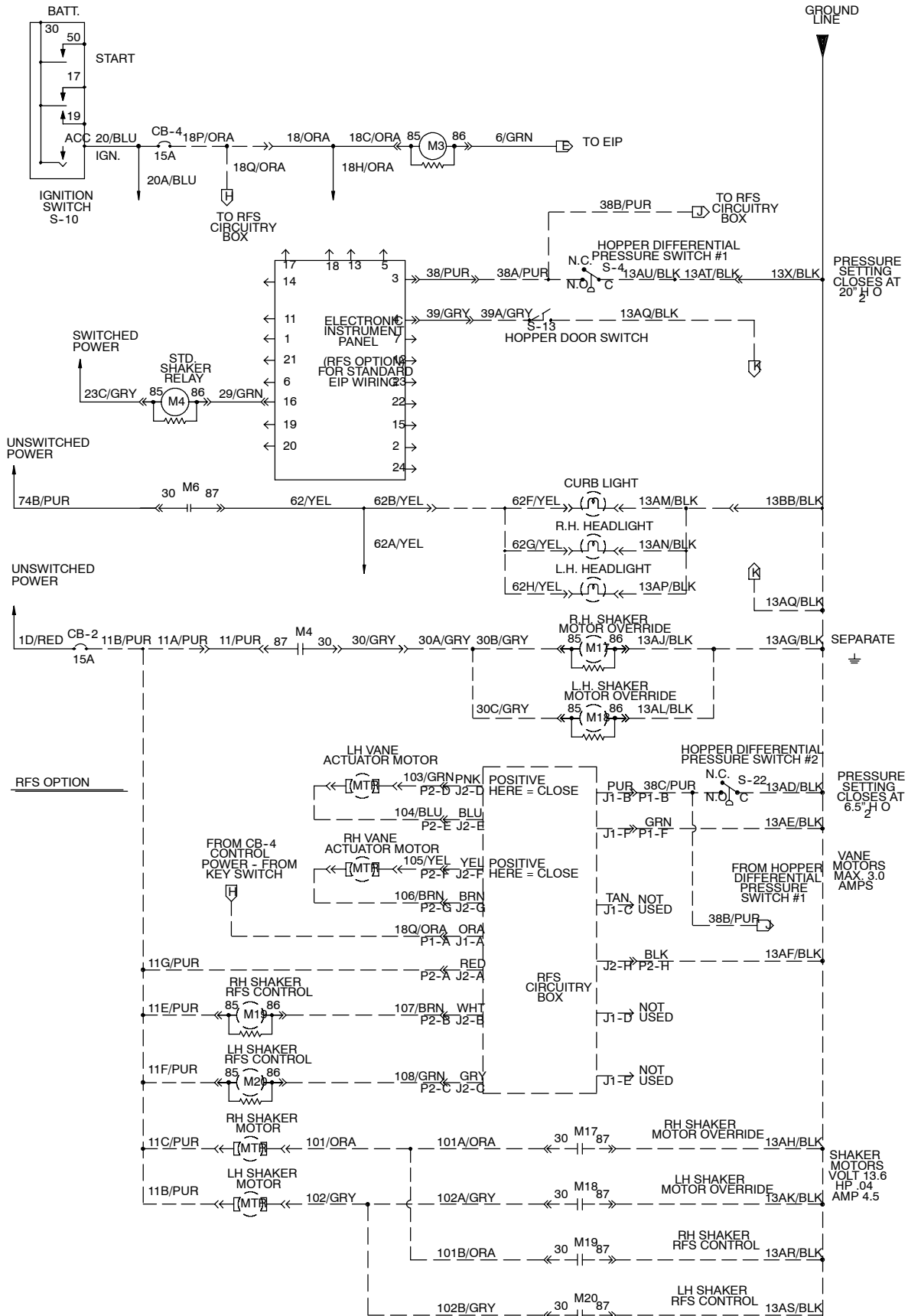


Fig. 88 - Electrical Schematic (003000-003178)



LEGEND			
M	POWER RELAY	HM	HOURLMETER
MTR	MOTOR	SV	SOLENOID VALVE
CB	CIRCUIT BREAKER	S	SWITCH
PM	PERMANENT MAGNET	ACC	ACCESSORY
J	JACK-FEM. SOCKET	GND	GROUND CHASSIS
P	PLUG-MALE PIN	C	COMMON
PB	PUSHBUTTON	N.O.	NORMALLY OPEN
VM	VOLTMETER	N.C.	NORMALLY CLOSED
FU	FUSE	NOV	METAL OXIDE VARISTOR

Fig. 88 - Electrical Schematic (003000-003178)



10502 - G, LP

Fig. 89 - Electrical Schematic (003179-003999)

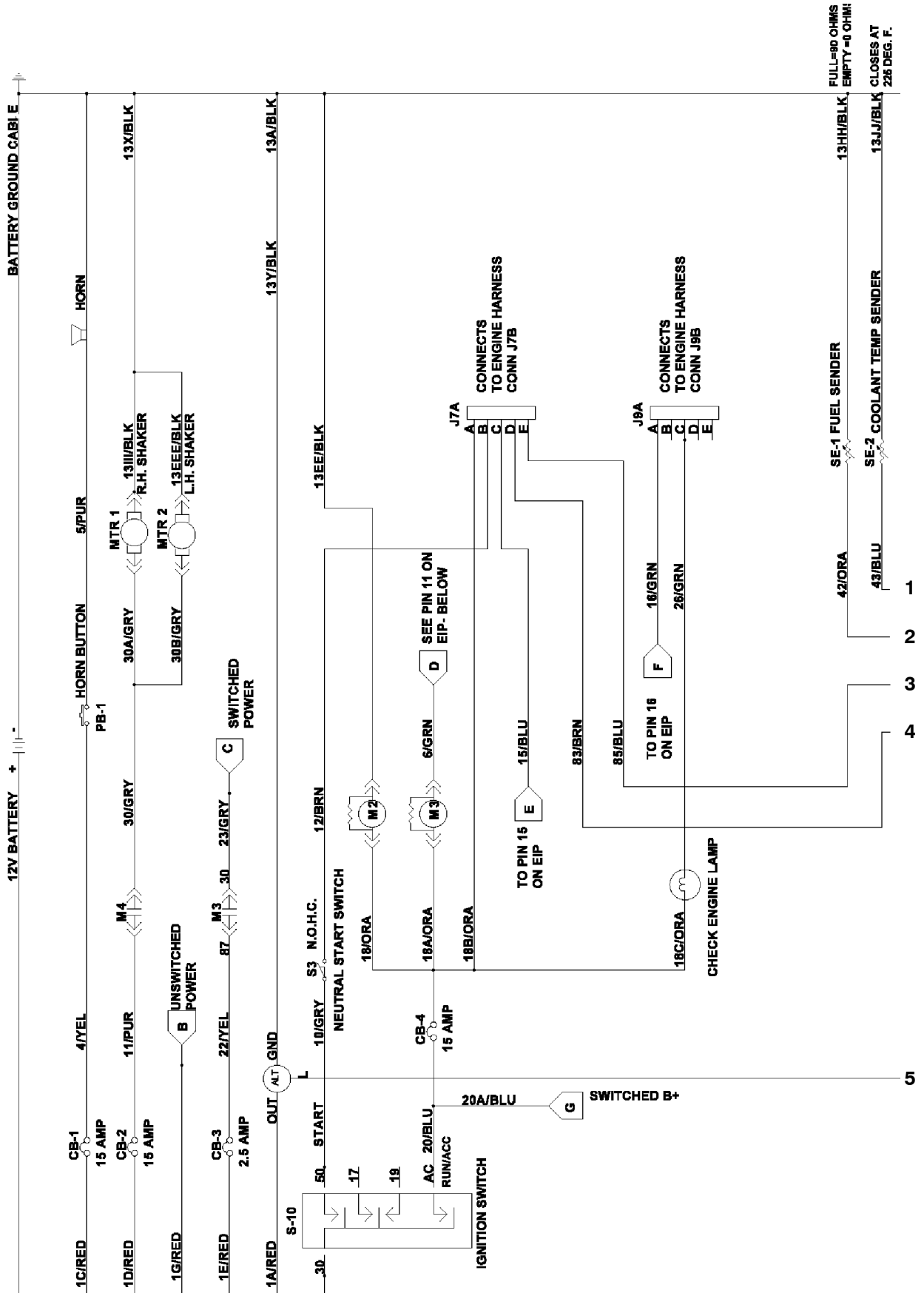


Fig. 89 - Electrical Schematic (003179-003999)

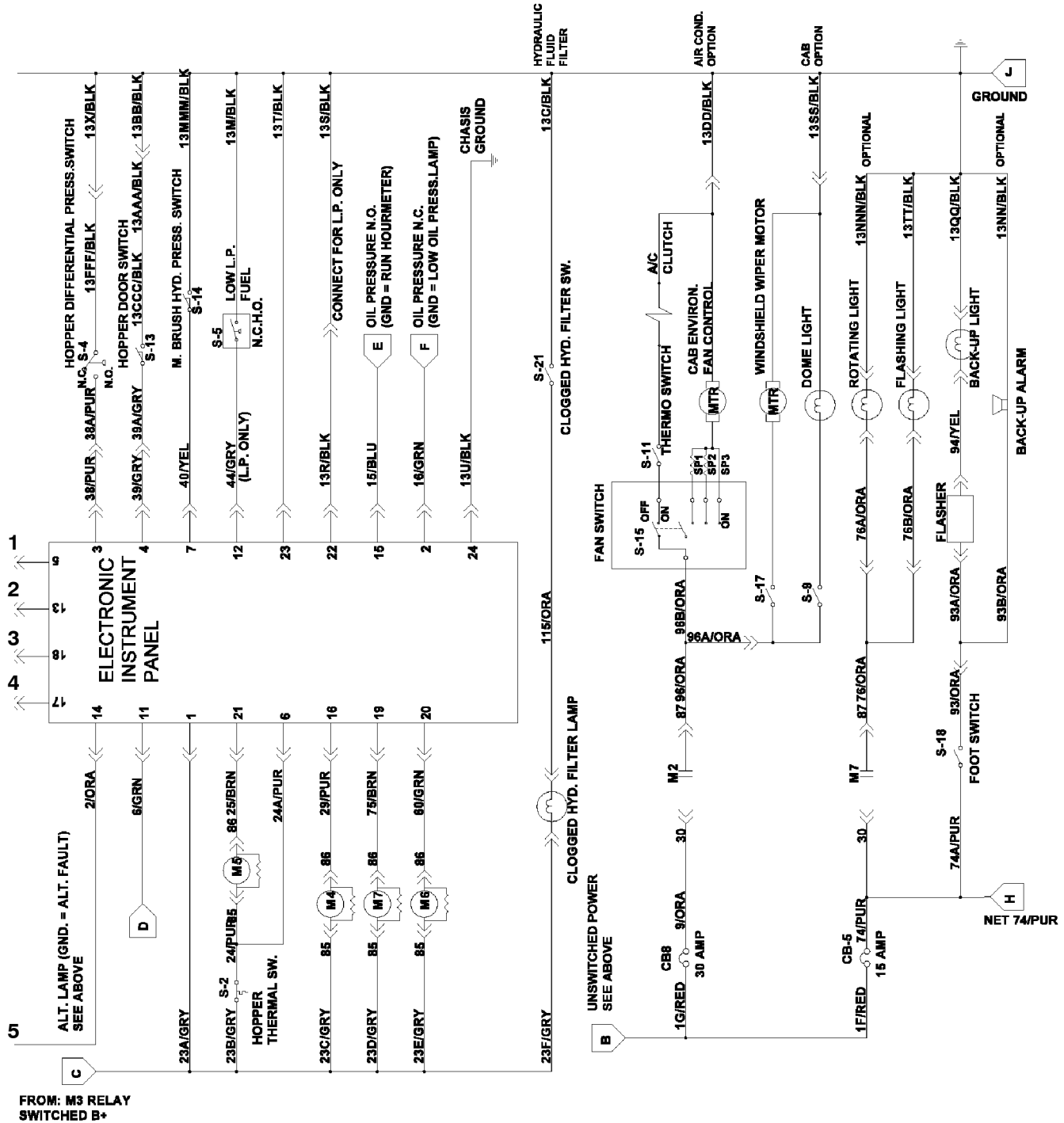


Fig. 89 - Electrical Schematic (003179-003999)

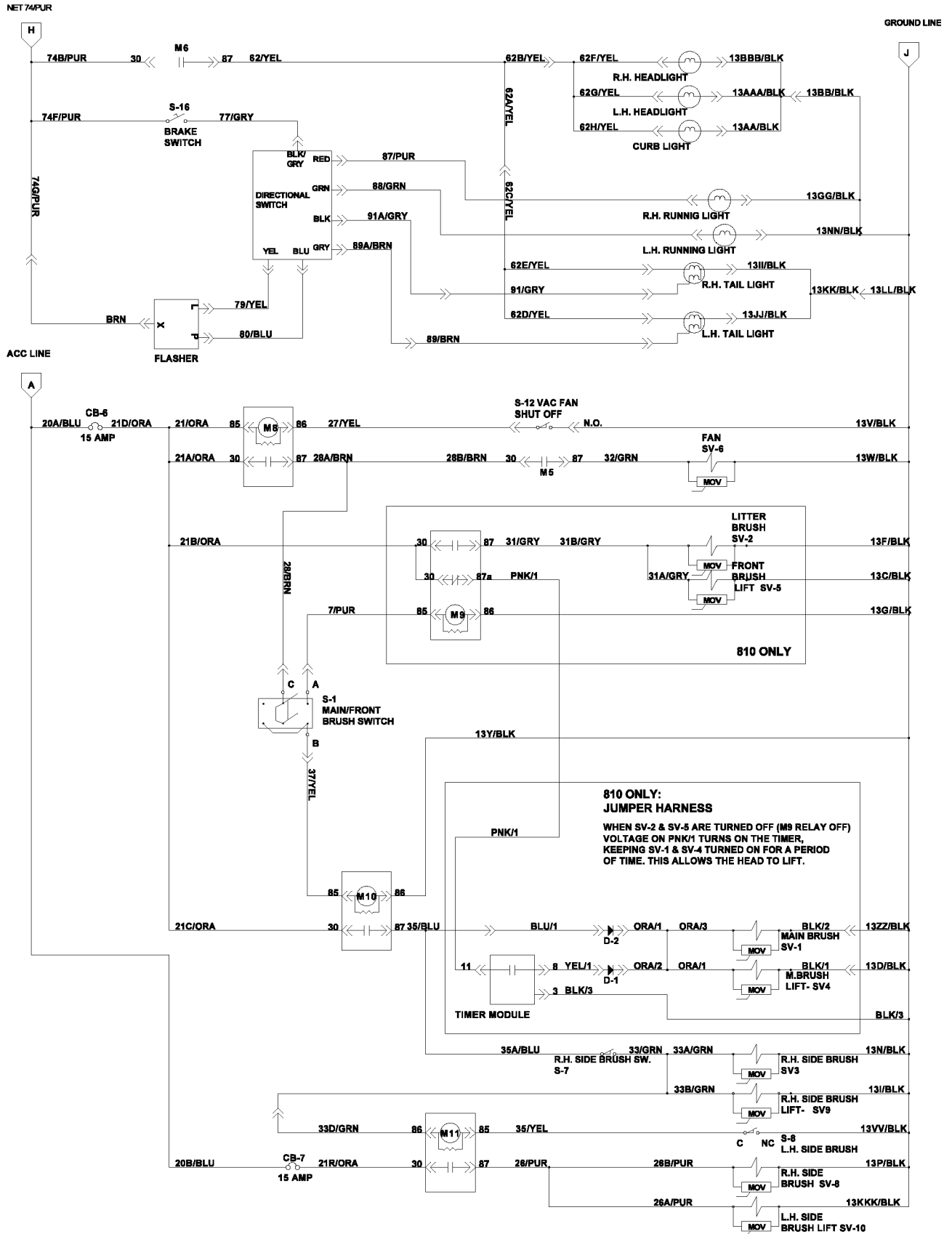
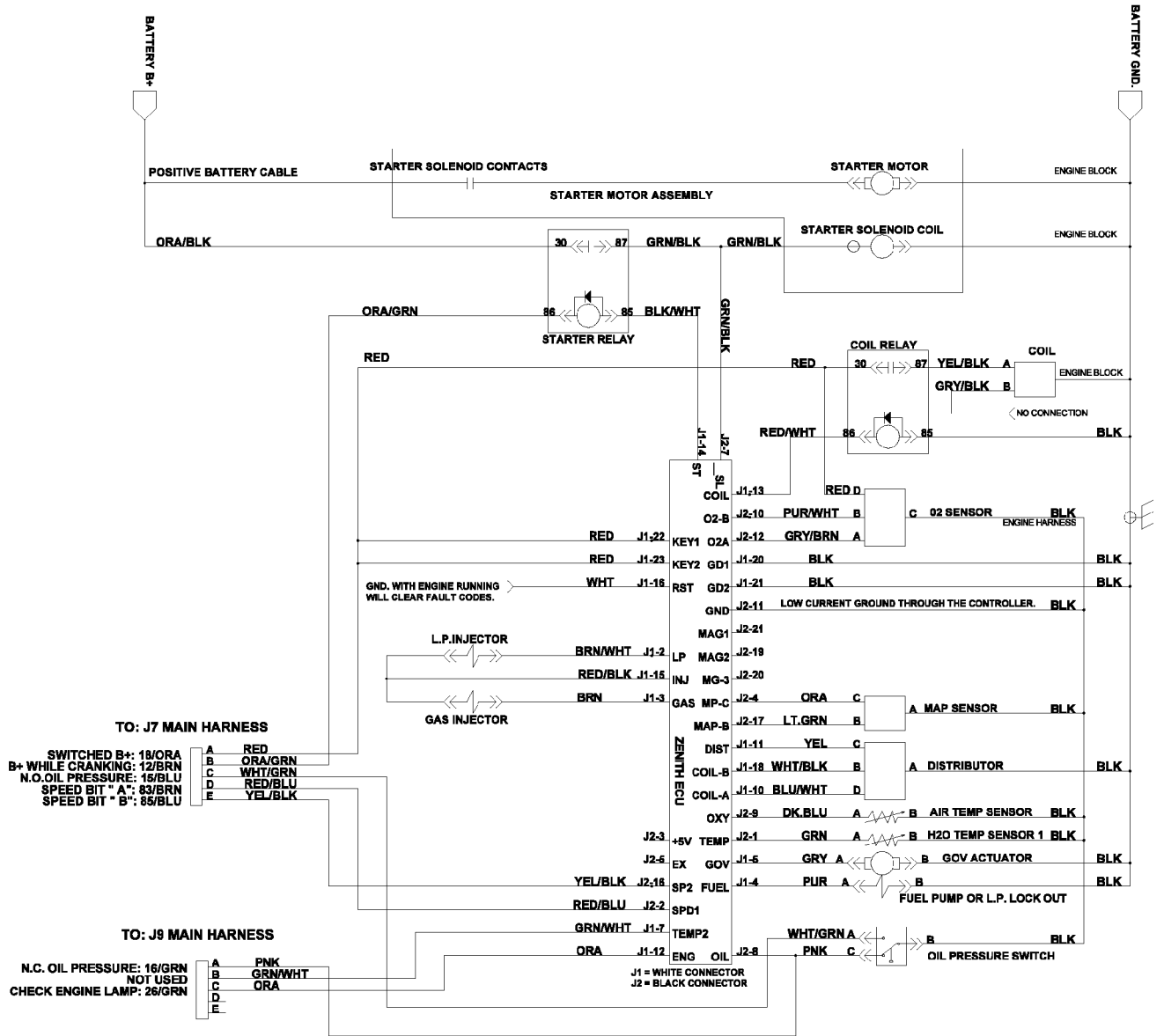


Fig. 89 - Electrical Schematic (003179-003999)



393277 - 800, 810, G, Lp

Fig. 89 - Electrical Schematic (003179-003999)

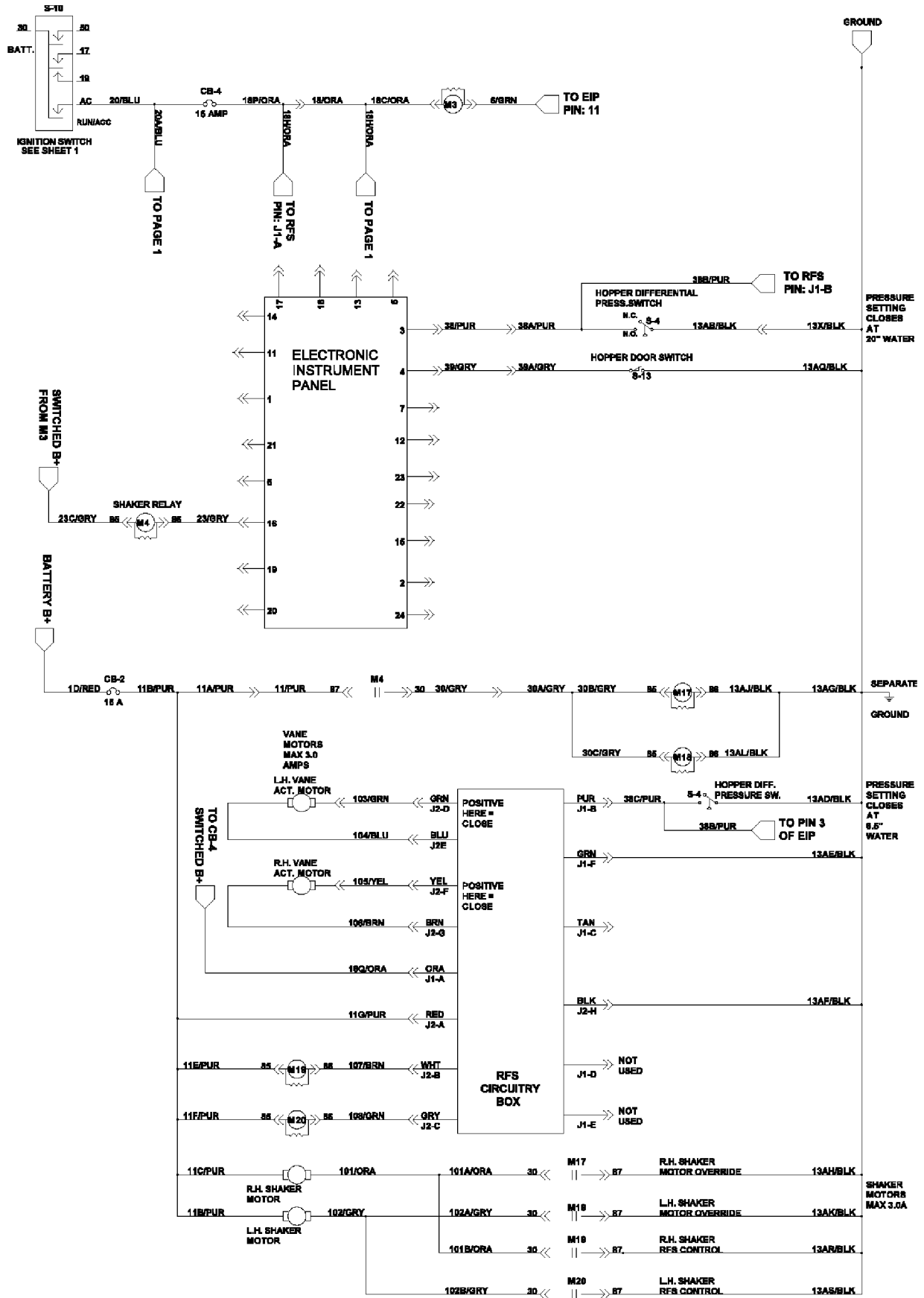
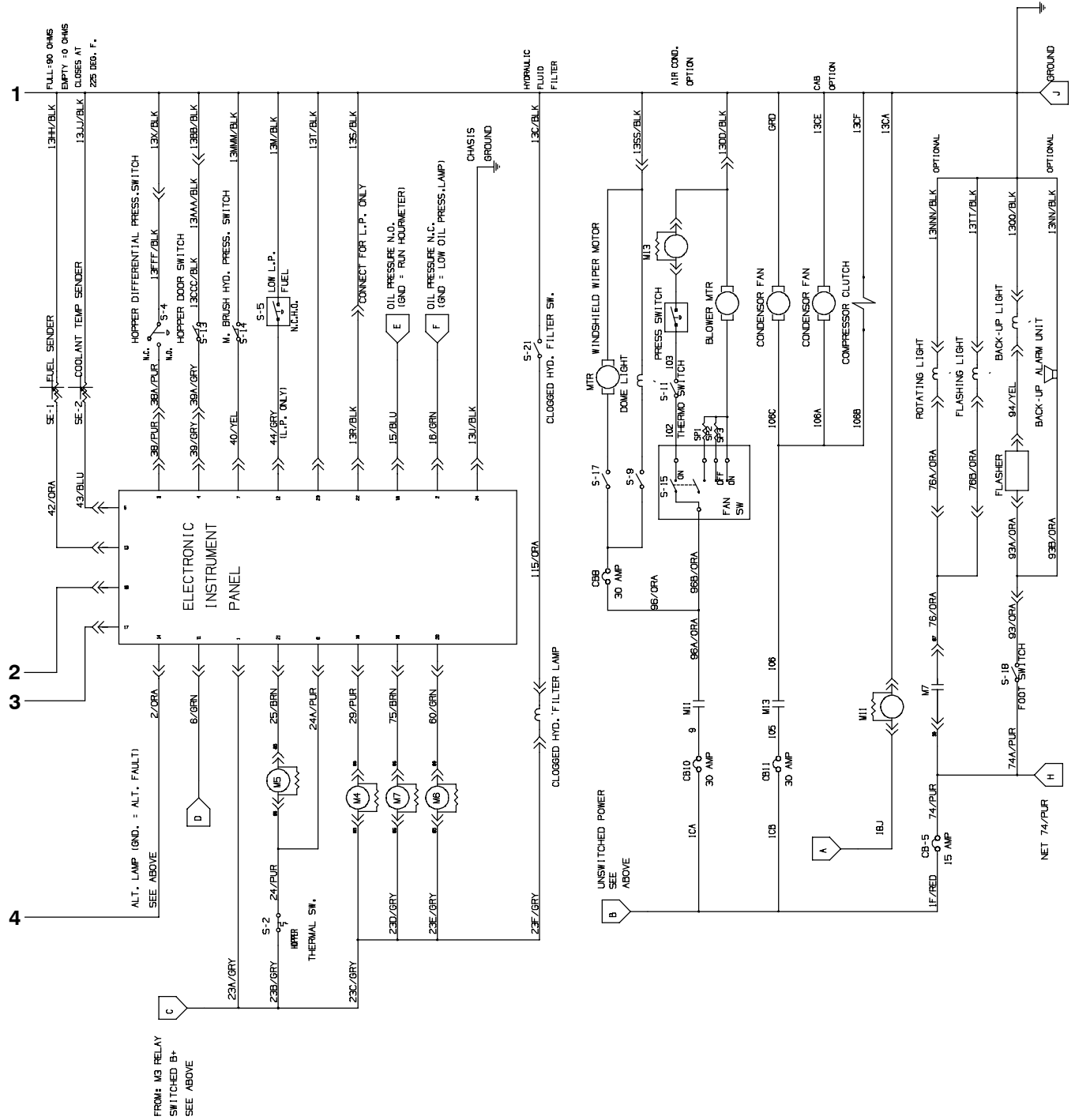


Fig. 90 - Electrical Schematic (004000-)

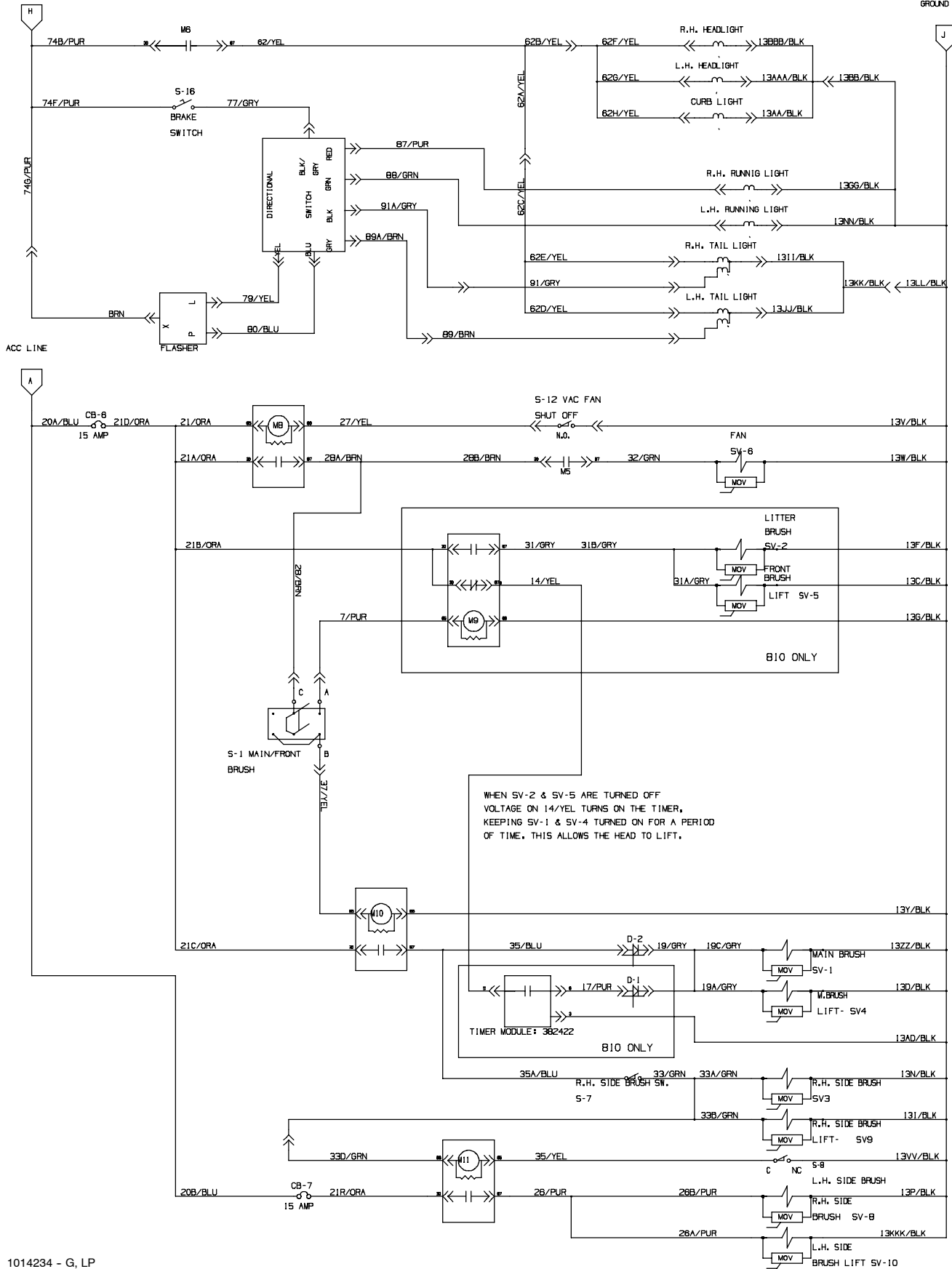


1014234 - G, LP

Fig. 90 - Electrical Schematic (004000-)

NET 74/PUR

GROUND LINE



1014234 - G, LP

Fig. 90 - Electrical Schematic (004000-)

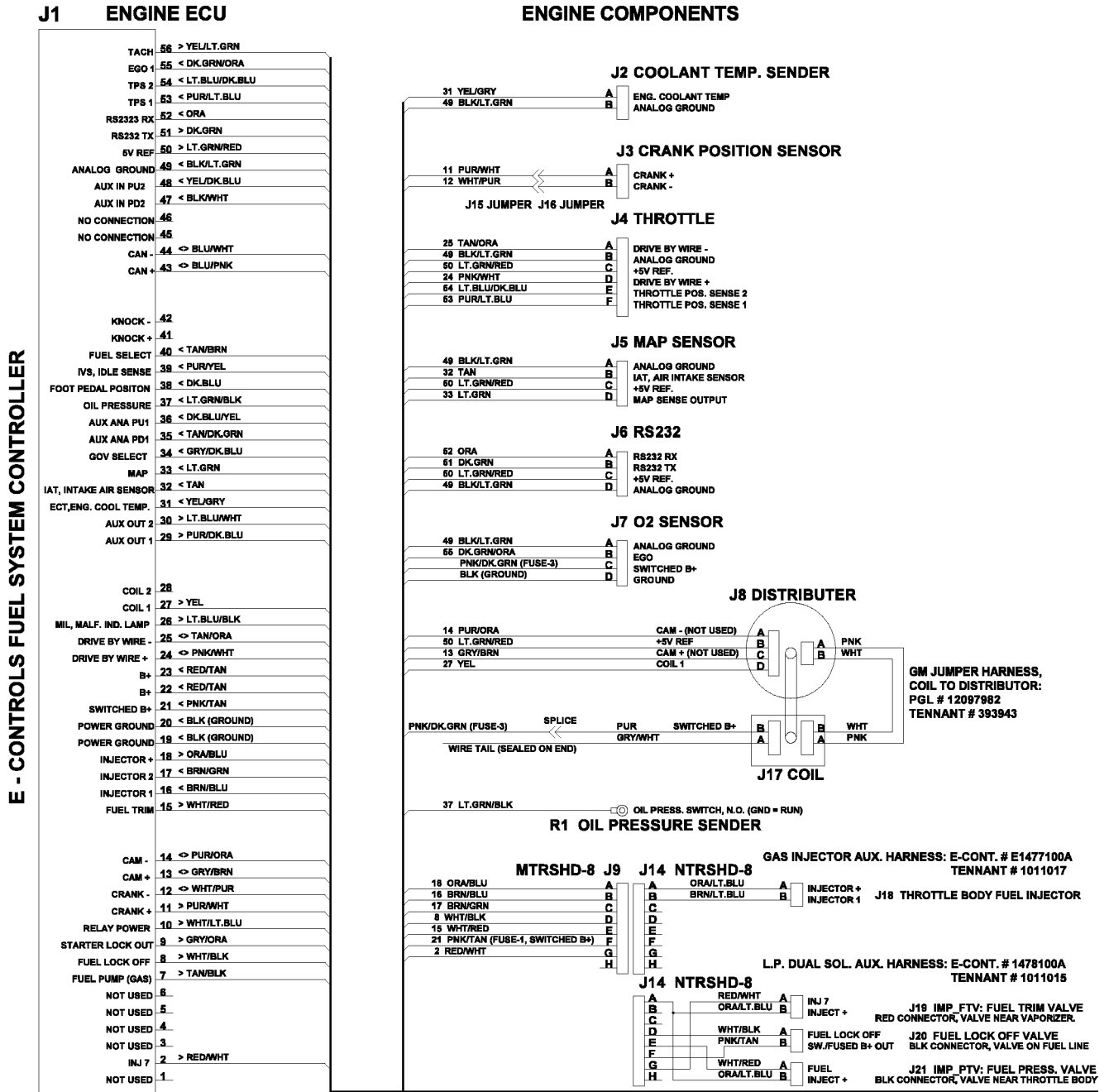
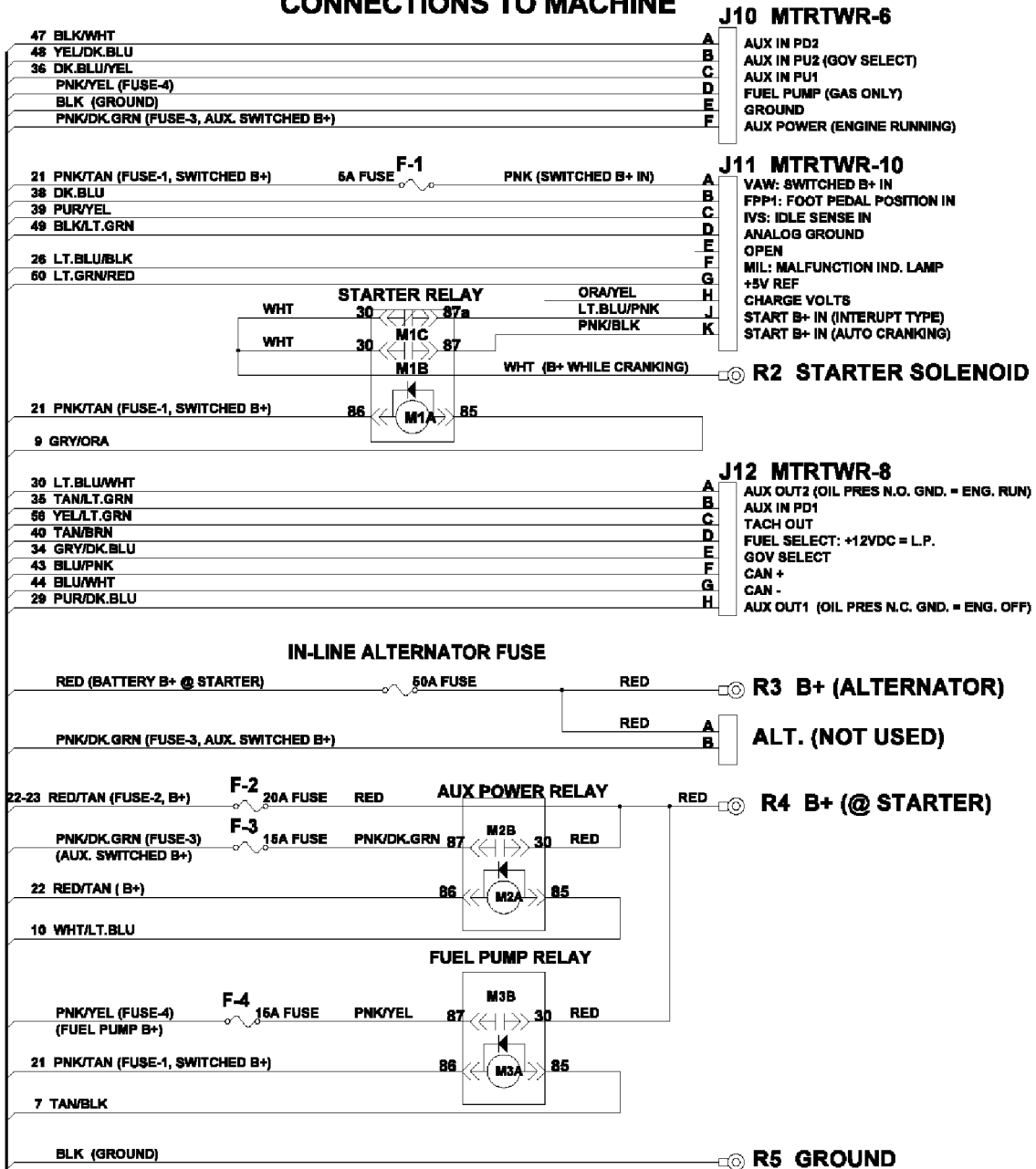
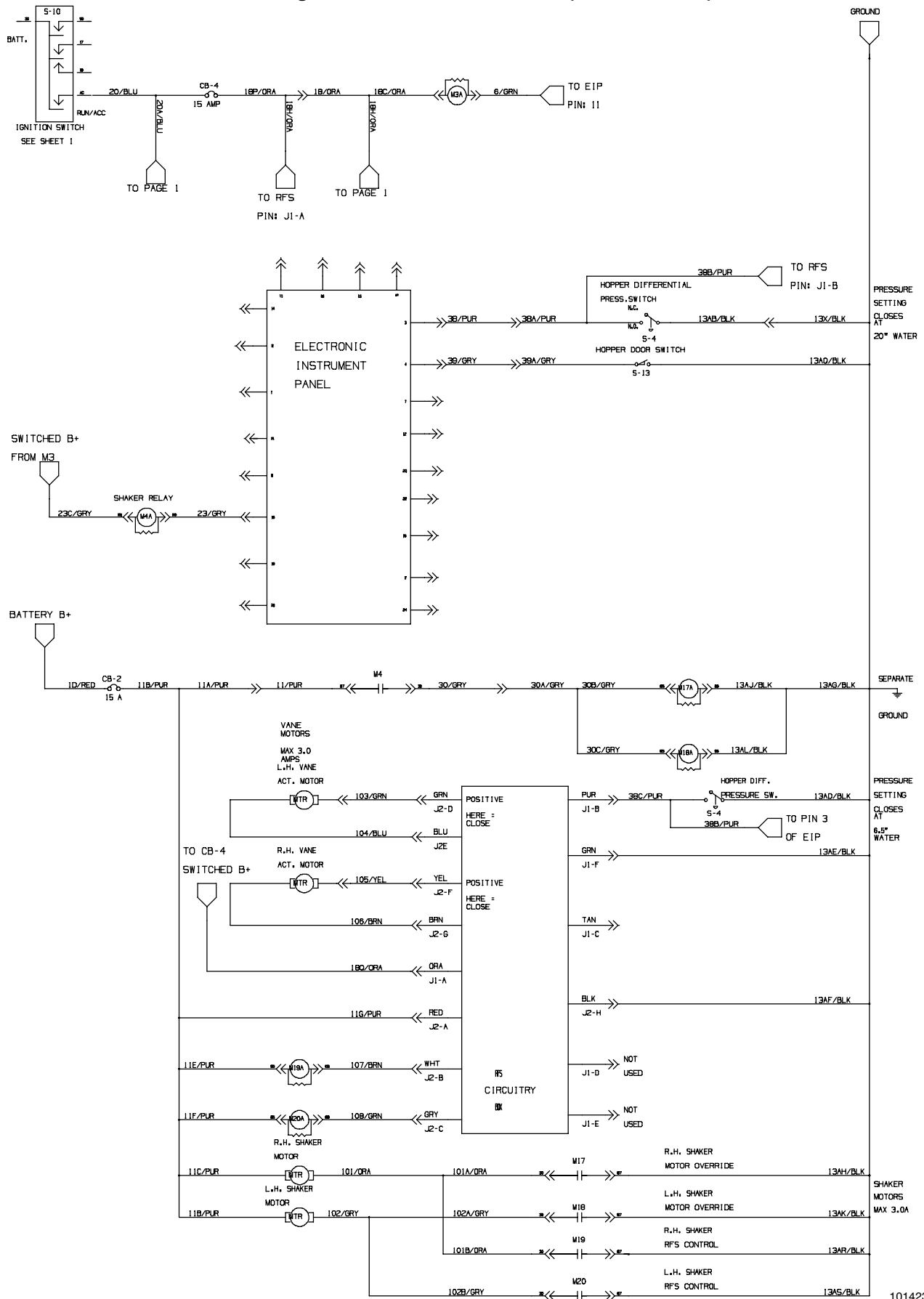


Fig. 90 - Electrical Schematic (004000-)
CONNECTIONS TO MACHINE



- NOTES:**
- 1) VENDOR: E-CONTROLS #E1350010E
 - 2) ALL WIRE TO BE: SAE J1128 TXL
 - 3) 3.0L GAS ENGINES INC. AUX. INJECTOR HARNESS: E-CONTROLS #E1477100A / TENNANT #1011017.
 - 4) L.P. ENGINES INCLUDE AUX. INJECTOR HARNESS: E-CONTROLS #E1478100 / TENNANT #1011015

Fig. 90 - Electrical Schematic (004000-)



1014234 - G, LP

Fig. 91 - Wire Harness Group, Gas/LPG, Main (003000-003057)

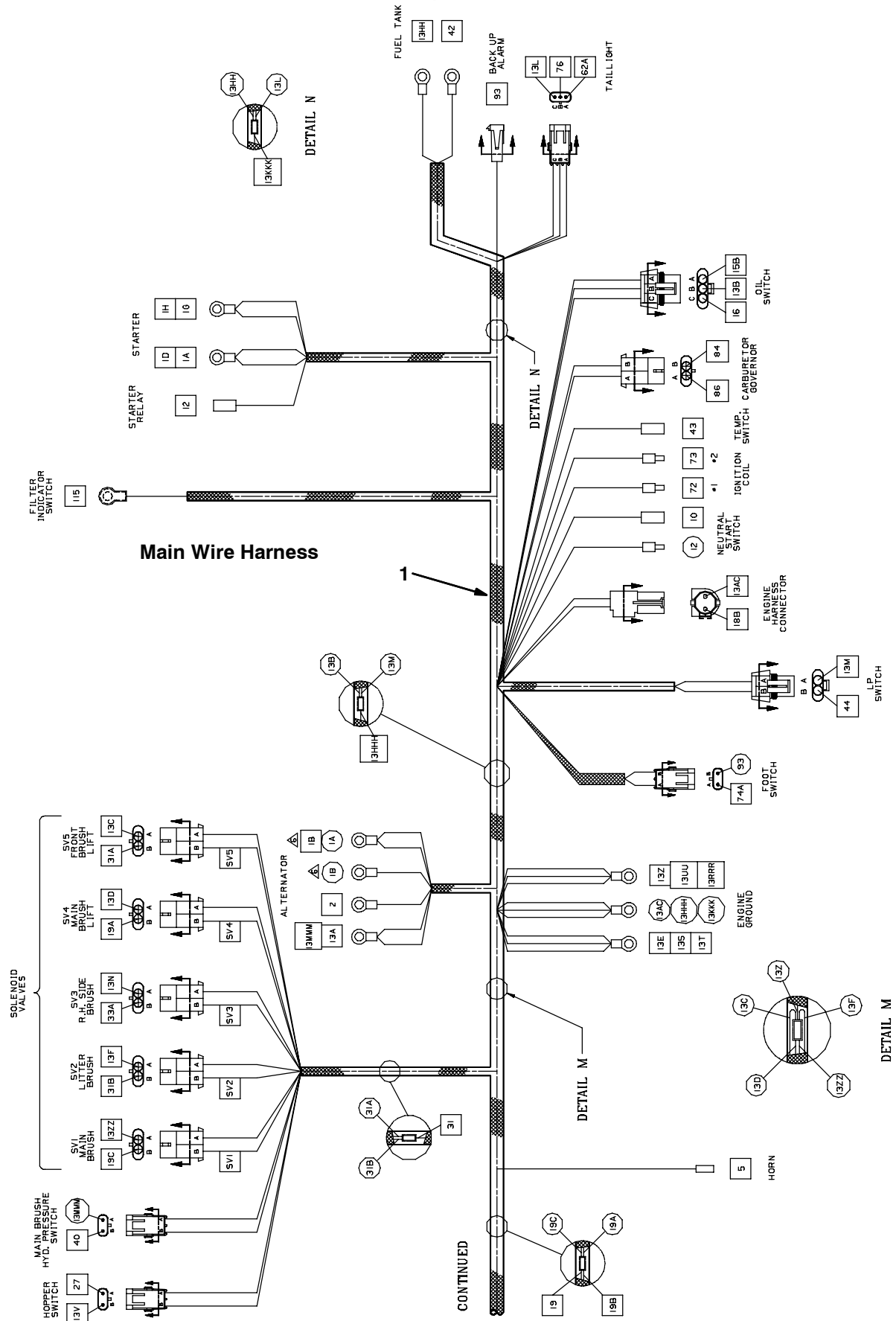
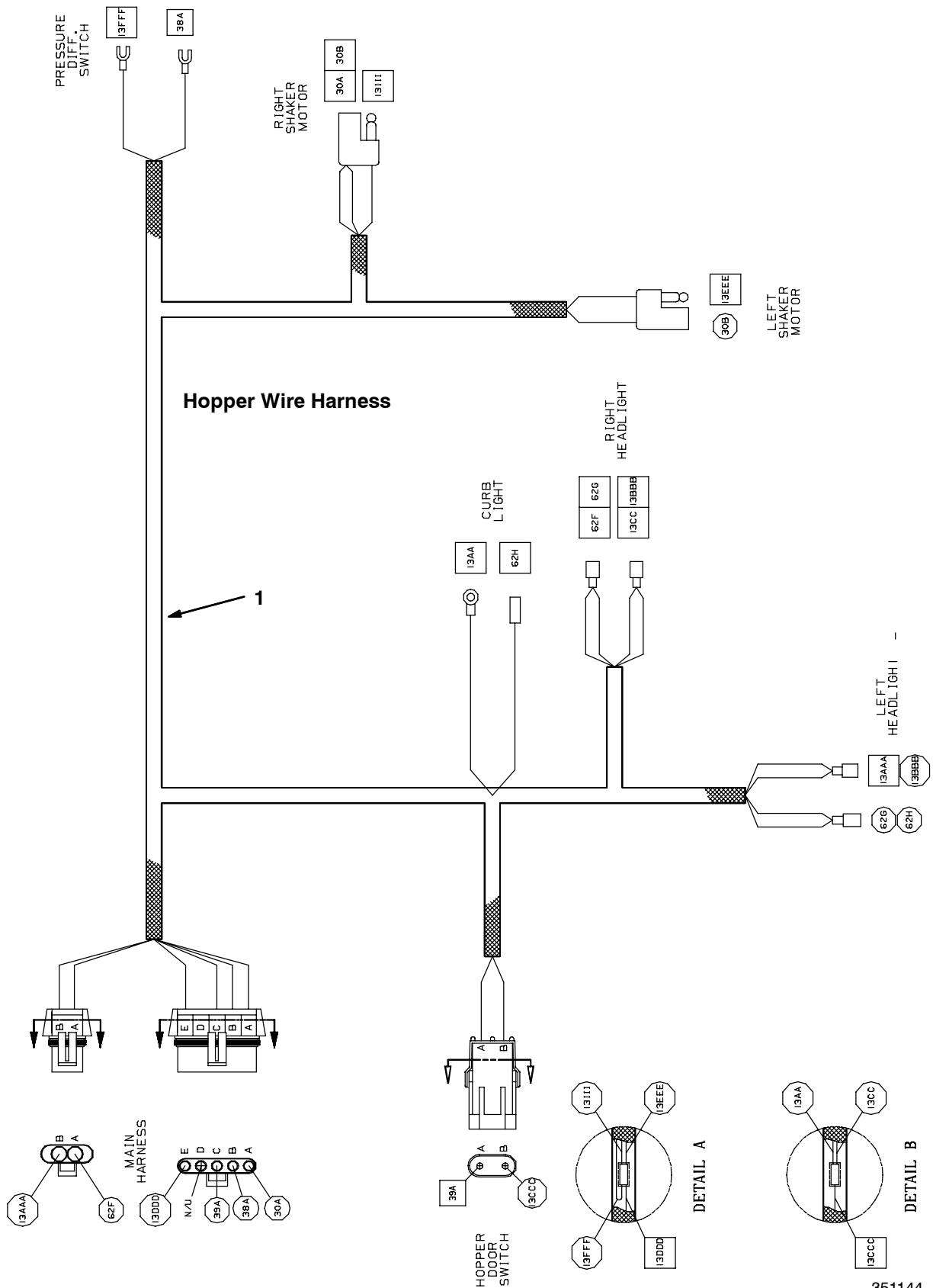


Fig. 91 - Wire Harnesses Group, Gas/LPG, Main (003000-003057)

Ref.	Part No.	Serial Number	Description	Qty.
1	83693	(003000-003057)	Harness, Main, Gas/LPG, Lrg	1

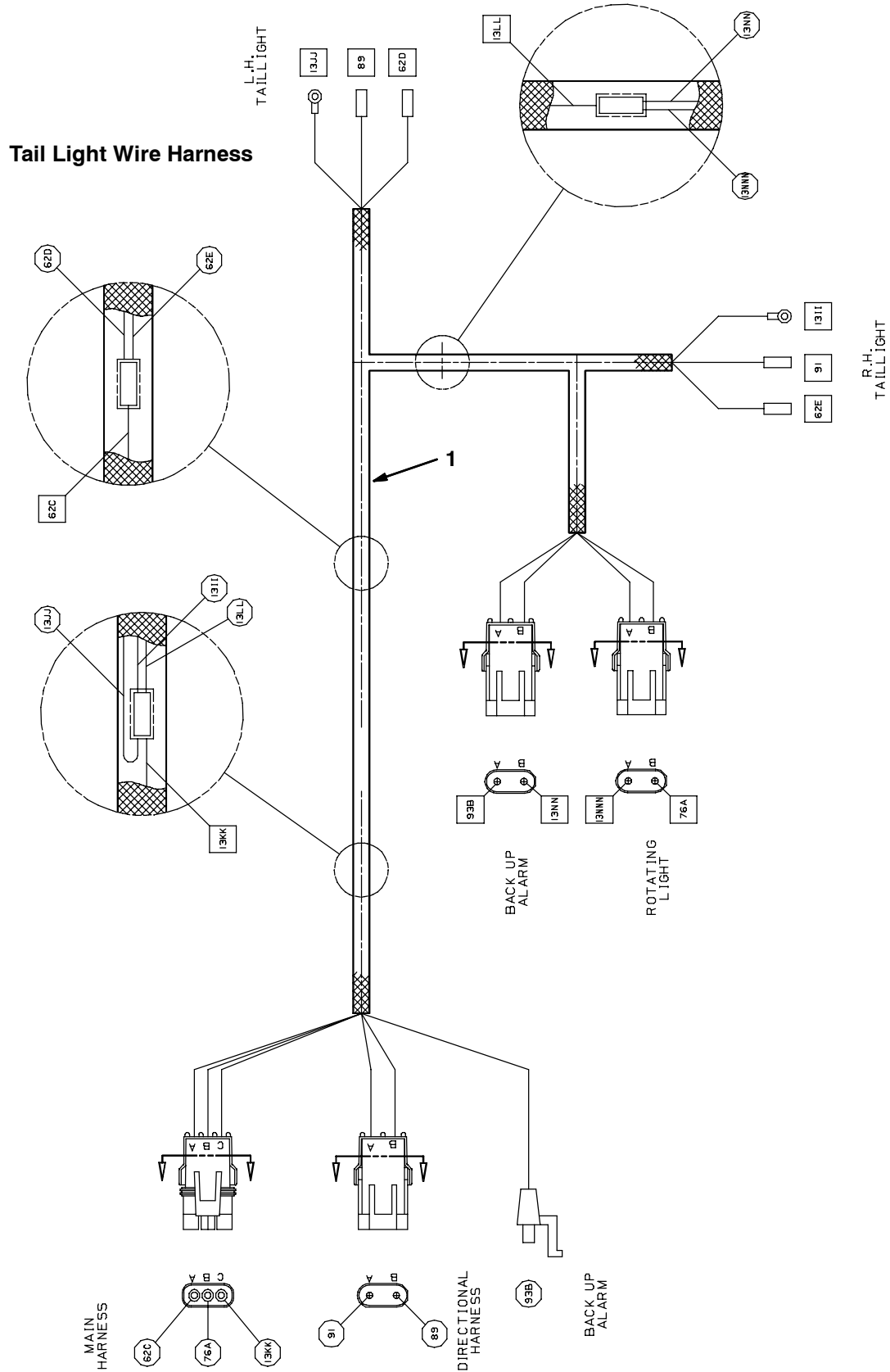
Fig. 92 - Wire Harnesses Group, Gas/LPG, Hopper (003000-)



351144 - G, LP

Ref.	Part No.	Serial Number	Description	Qty.
1	83695	(003000-)	Harness, Hopper 800/810	1

Fig. 93 - Wire Harnesses Group, Gas/LPG, Tail Lights (003000-)



351144 - G, LP

Ref.	Part No.	Serial Number	Description	Qty.
1	70400	(003000-)	Harness, Turn/Rotate/Tail Lights	1

Fig. 94 - Wire Harnesses Group, Gas/LPG, Main (003058-003178)

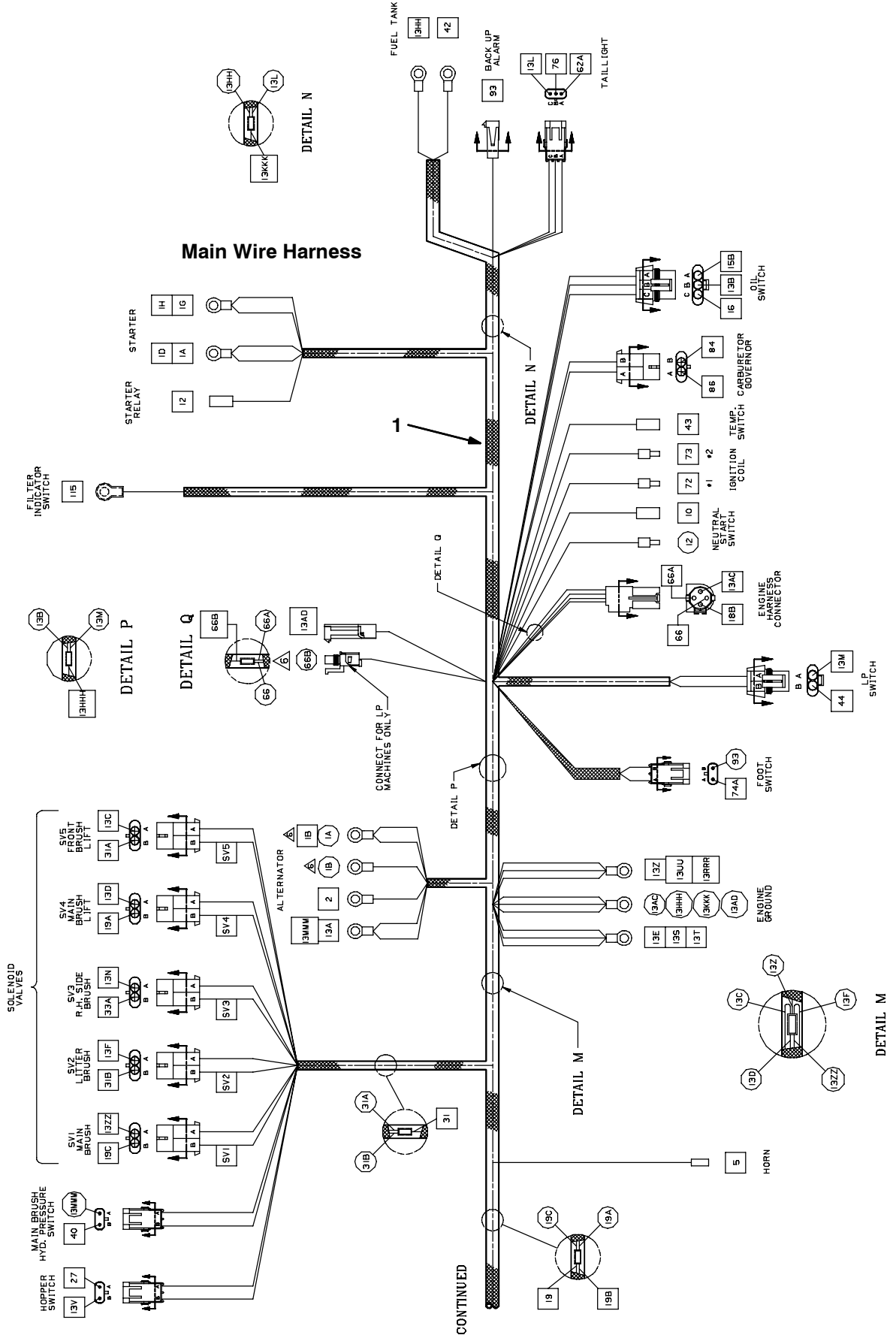


Fig. 94 - Wire Harness Group, Gas/LPG, Main (003058-003178)

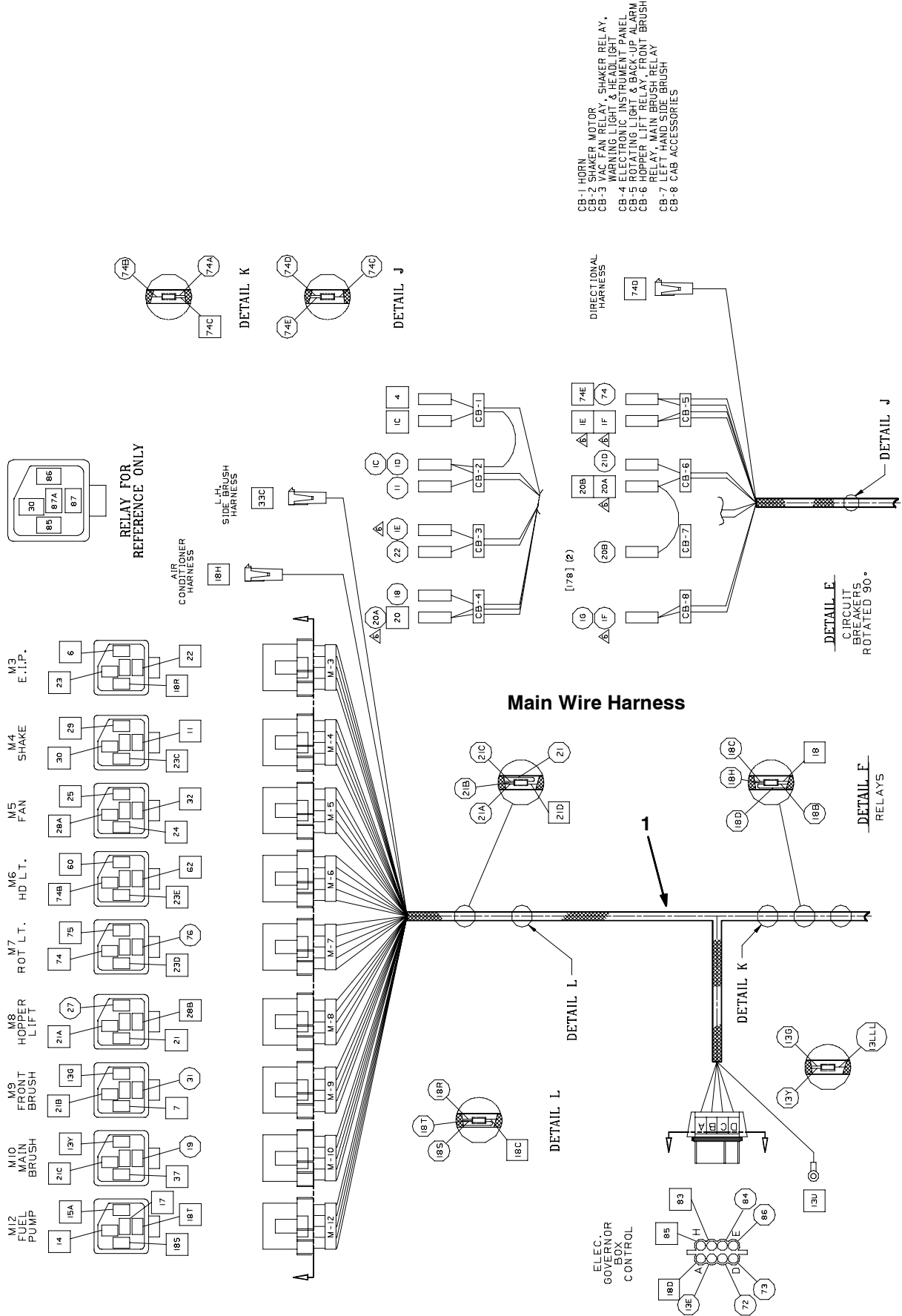


Fig. 94 - Wire Harnesses Group, Gas/LPG, Main (003058-003178)

Ref.	Part No.	Serial Number	Description	Qty.
1	398315	(003058-003178)	Harness, Main, Gas/LPG, Lrg	1

Fig. 95 - Wire Harness Group, Gas/LPG, Main (003179-)

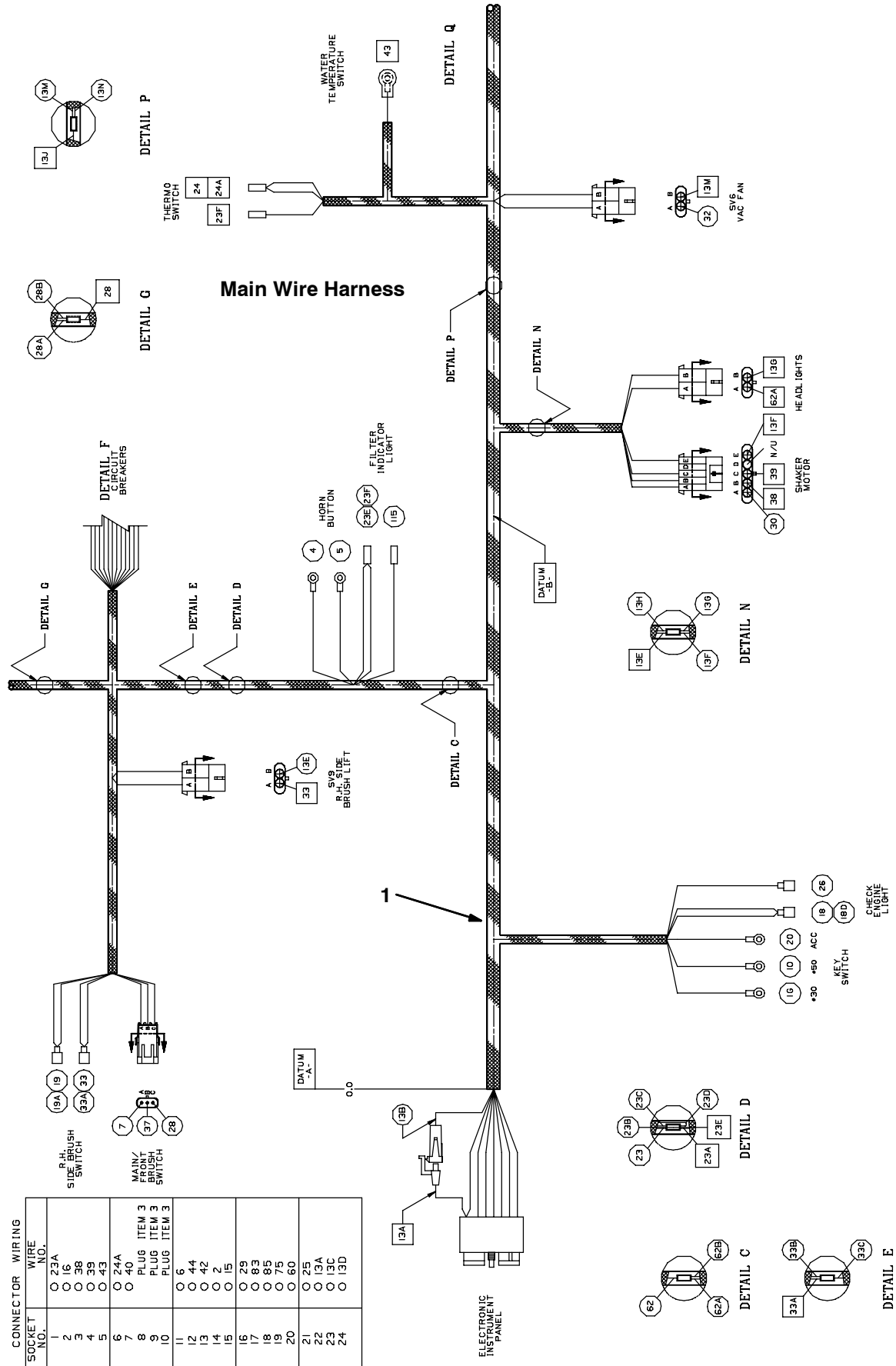


Fig. 95 - Wire Harnesses Group, Gas/LPG, Main (003179-)

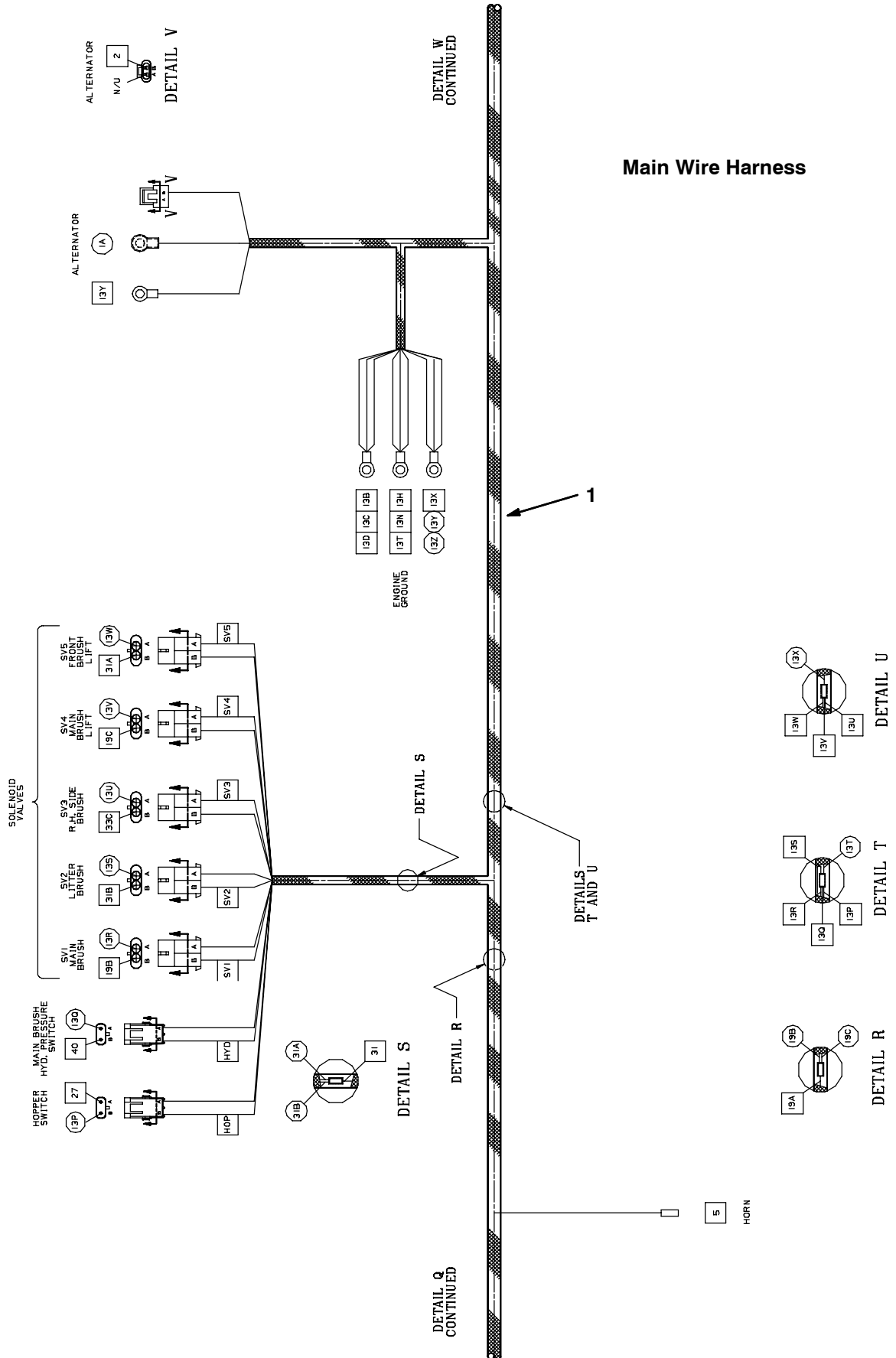


Fig. 95 - Wire Harnesses Group, Gas/LPG, Main (003179-)

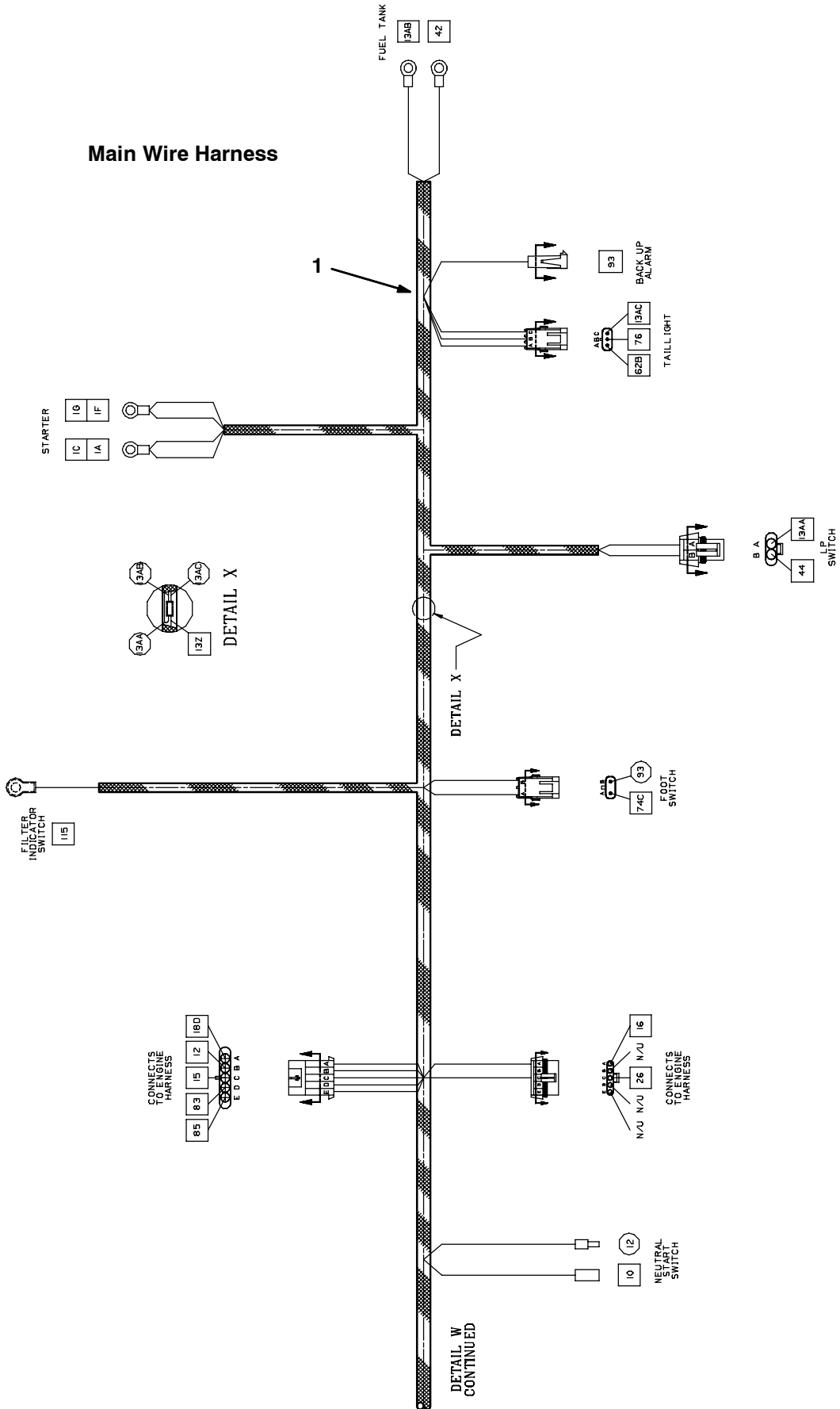
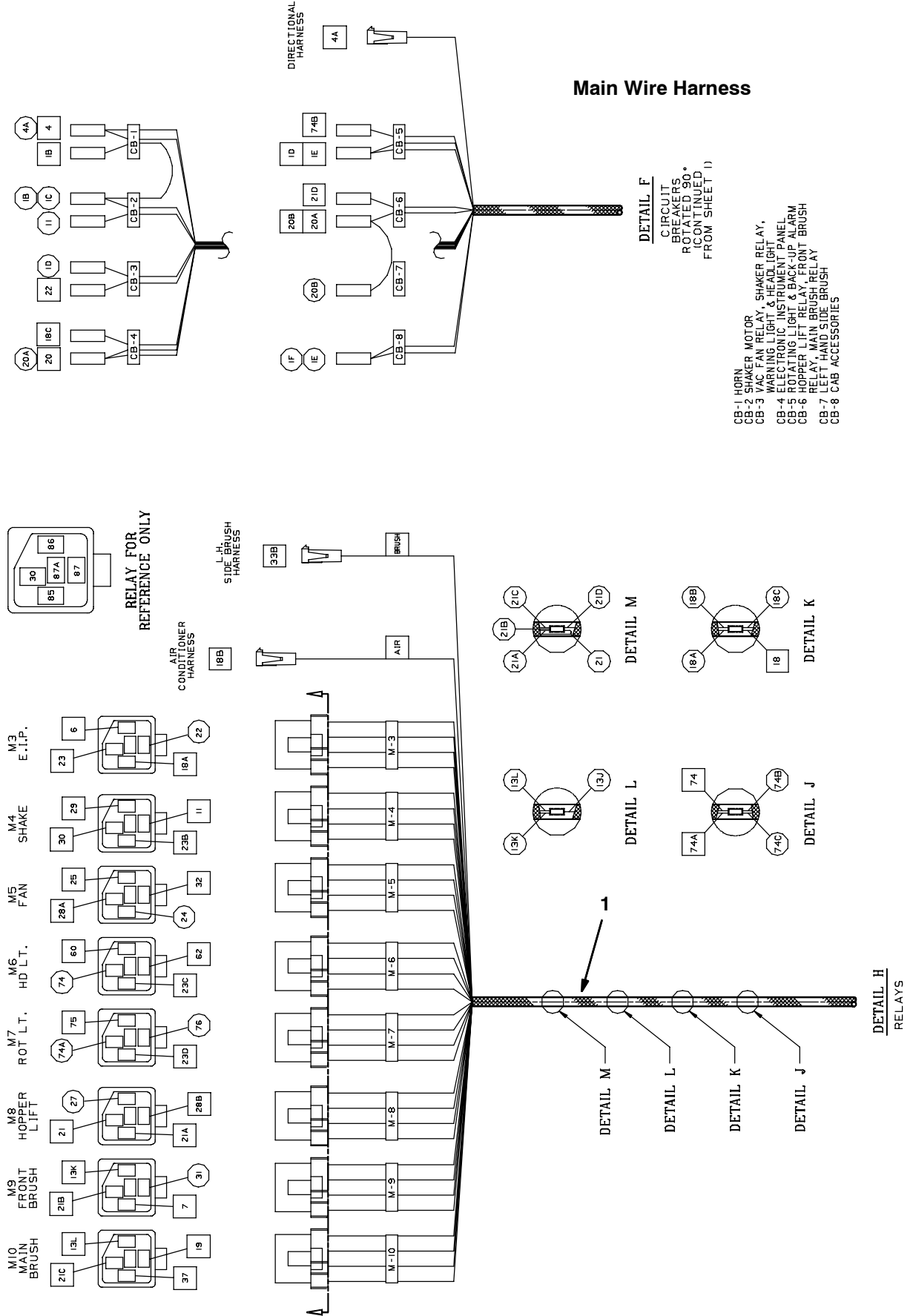


Fig. 95 - Wire Harnesses Group, Gas/LPG, Main (003179-)



STANDARD PARTS

353876 - G, LP

Fig. 95 - Wire Harnesses Group, Gas/LPG, Main (003179-)

Ref.	Part No.	Serial Number	Description	Qty.
1	392564	(003179-)	Harness, Main, Gas/LPG, Lrg	1
	371921	(003179-003999)	Harness, Gm 3.0 L Engine Harness	1

Fig. 96 - Wire Harnesses Group, Gas/LPG, Engine (004000-004499)

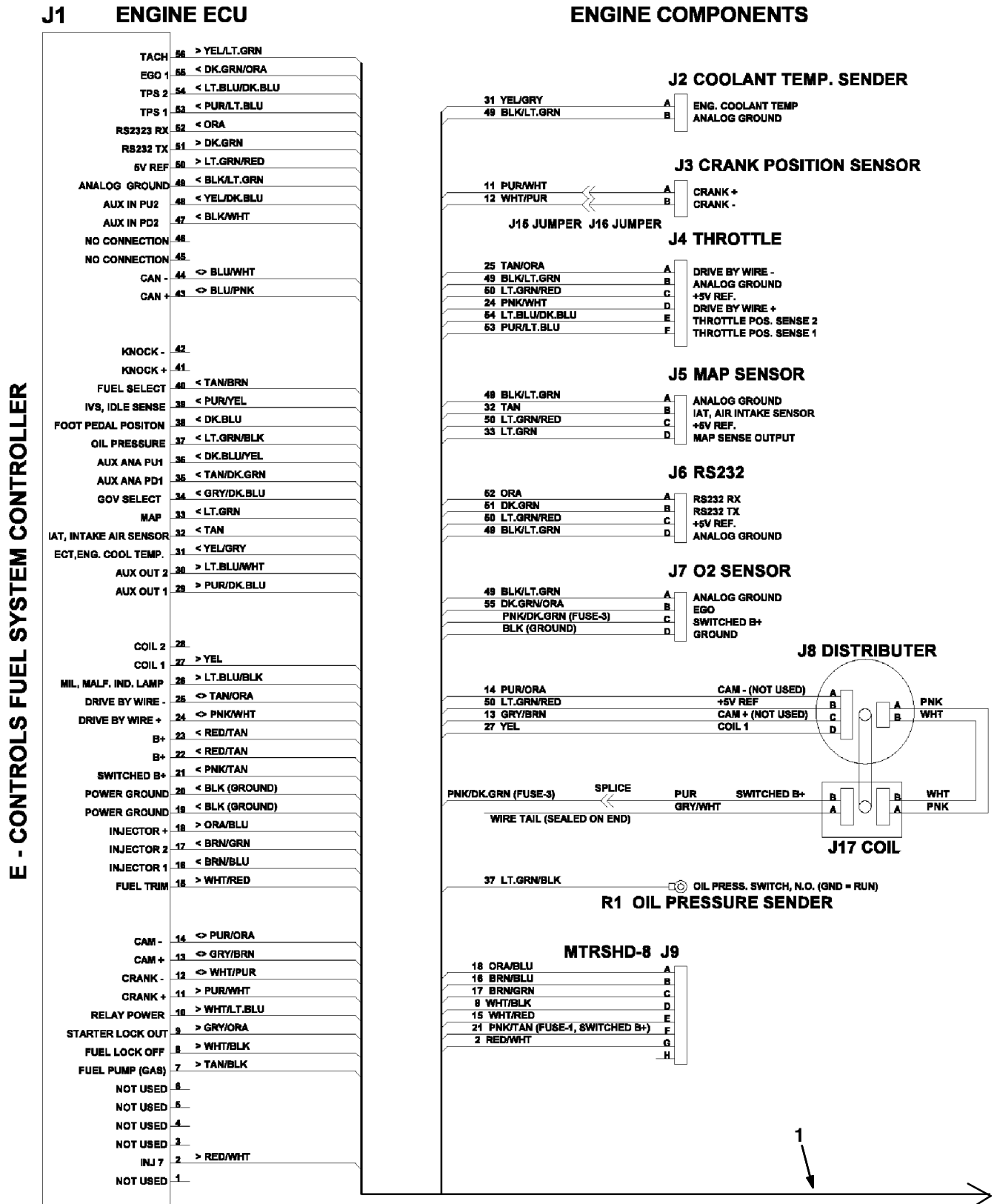


Fig. 96 - Wire Harnesses Group, Gas/LPG, Engine (004000-004499)

CONNECTIONS TO MACHINE

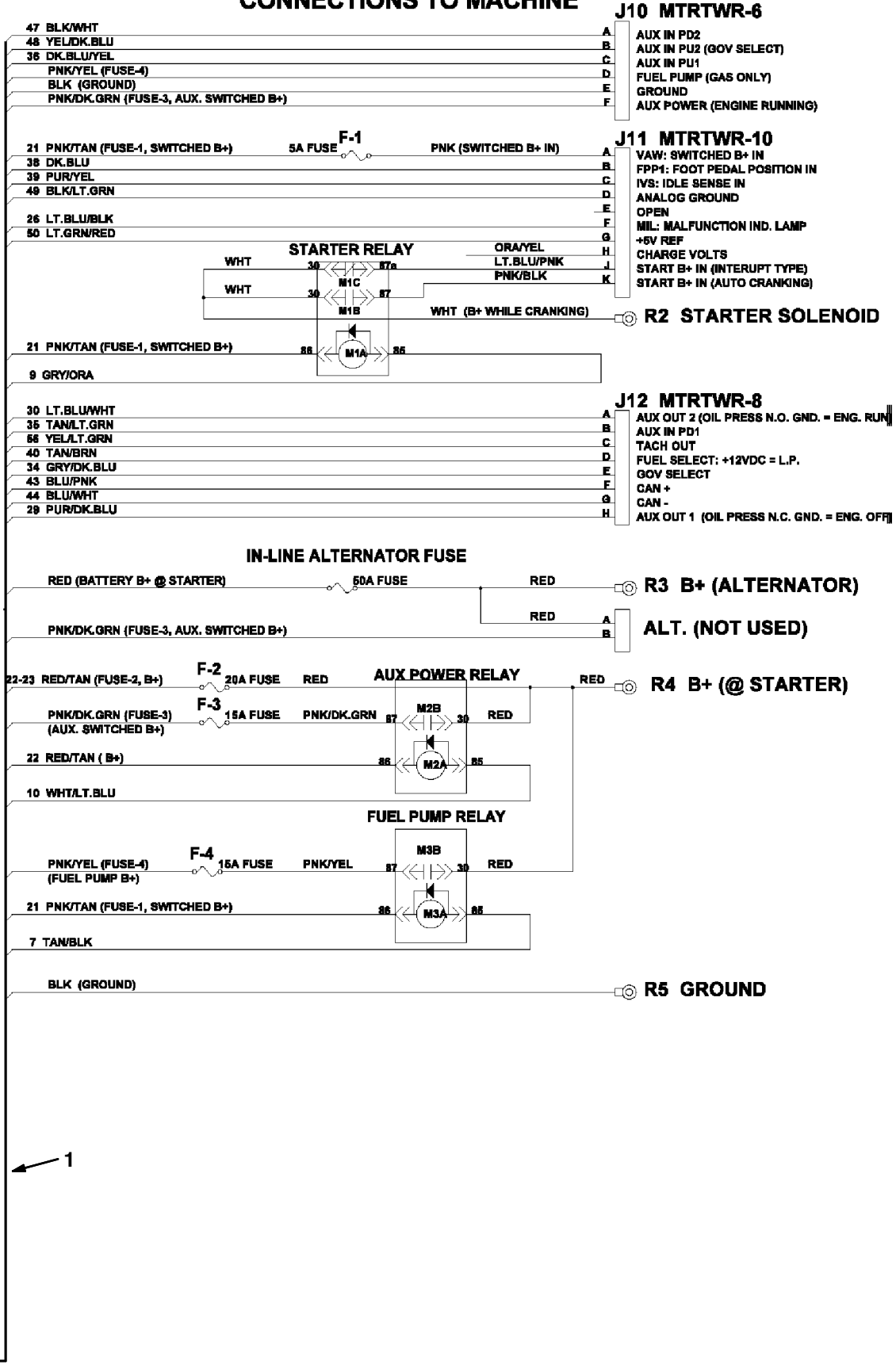
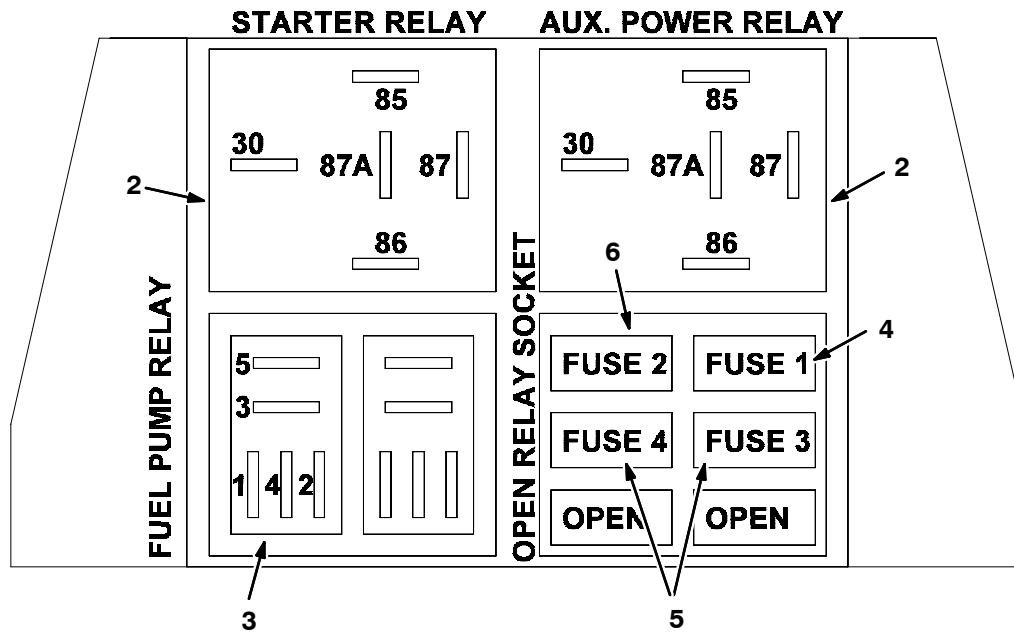


Fig. 96 - Wire Harnesses Group, Gas/LPG, Engine (004000-004499)



GM, G, LP

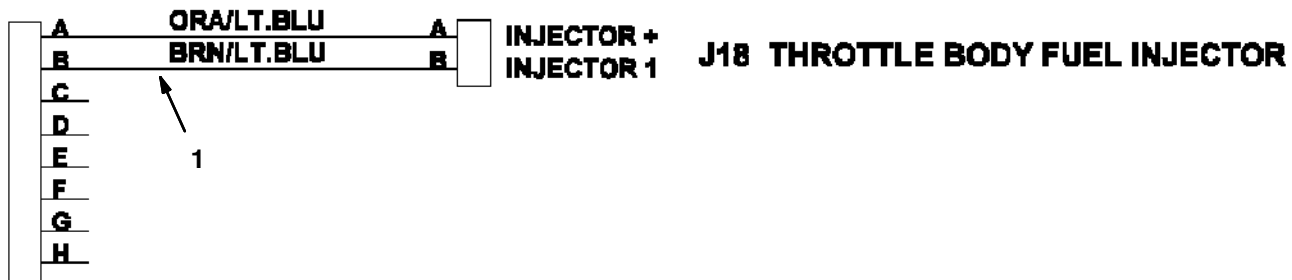
Ref.	Part No.	Serial Number	Description	Qty.
▽	1	1011011	(004000-004499) Harness, Eng [3.0l, Gm, E-cntrl]	1
▲	2	57804	(004000-004499) Relay, 12vdc, 40a, Spdt	2
▲	3	394916	(004000-004499) Relay, 12vdc, 20a, Spdt	1
▲	4	372235	(004000-004499) Fuse, 5 Amp, [Min-5]	1
▲	5	372236	(004000-004499) Fuse, 15 Amp, [Min-15]	2
▲	6	372237	(004000-004499) Fuse, 20 Amp, [Min-20]	1

STANDARD PARTS

Fig. 97 - Wire Harnesses Group, Gas/LPG, Injectors (004000-004499)

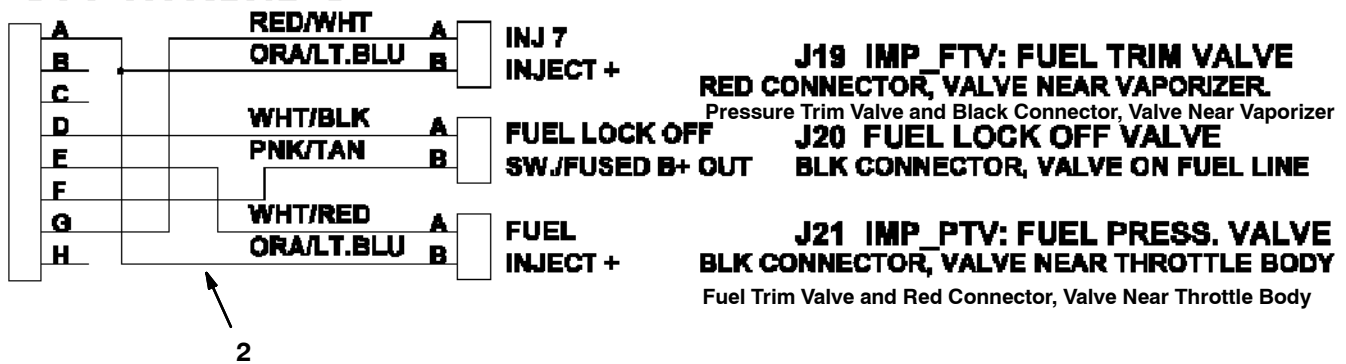
GAS INJECTOR AUX. HARNESS

J14 NTRSHD-8



L.P. DUAL SOL. AUX. HARNESS

J14 NTRSHD-8

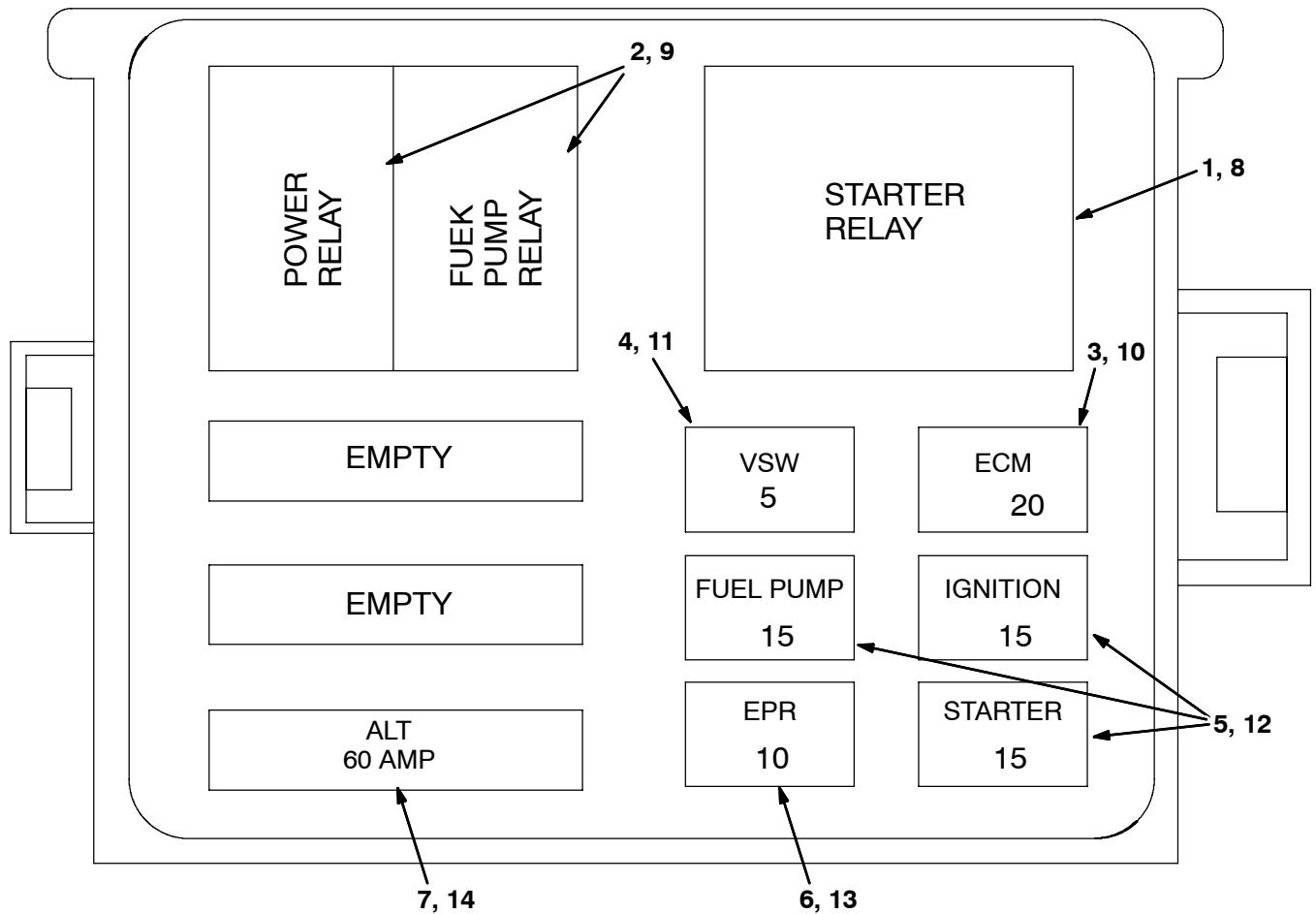


GM, G, LP

Ref.	Part No.	Serial Number	Description	Qty.
1	1011017	(004000-004499)	Harness, Injector, Gas[3.0l Gm,E-Cntrl]	1
2	1011015	(004000-004499)	Harness, Lpg Injector [3.0l, Gm,E-Cont]	1

Fig. 98 - Wire Harnesses Group, Gas/LPG, Engine (004500-)

**Gasoline/LPG Engine Harness
(004500-)**



GM, G, LP

Ref.	Part No.	Serial Number	Description	Qty.
▽	385010	(004500-)	Harness, Eng, Gas [3.0l 2007]	1
▲	1 394916	(004500-)	Relay, 12vdc, 20a, Spdt	1
▲	2 57804	(004500-)	Relay, 12vdc, 40a, Spdt	2
▲	3 372237	(004500-)	Fuse, 20 Amp, [Min-20]	1
▲	4 372235	(004500-)	Fuse, 5 Amp, [Min-5]	1
▲	5 372236	(004500-)	Fuse, 15 Amp, [Min-15]	2
▲	6 384999	(004500-)	Fuse, 10 Amp	1
▲	7 384998	(004500-)	Fuse, 60 Amp	1
▽	385018	(004500-)	Harness, Eng, Lpg [3.0l 2007]	1
▲	8 394916	(004500-)	Relay, 12vdc, 20a, Spdt	1
▲	9 57804	(004500-)	Relay, 12vdc, 40a, Spdt	2
▲	10 372237	(004500-)	Fuse, 20 Amp, [Min-20]	1
▲	11 372235	(004500-)	Fuse, 5 Amp, [Min-5]	1
▲	12 372236	(004500-)	Fuse, 15 Amp, [Min-15]	2
▲	13 384999	(004500-)	Fuse, 10 Amp	1
▲	14 384998	(004500-)	Fuse, 60 Amp	1

STANDARD PARTS

Fig. 99 - Wire Harness Schematic, Gas Engine (004500-)

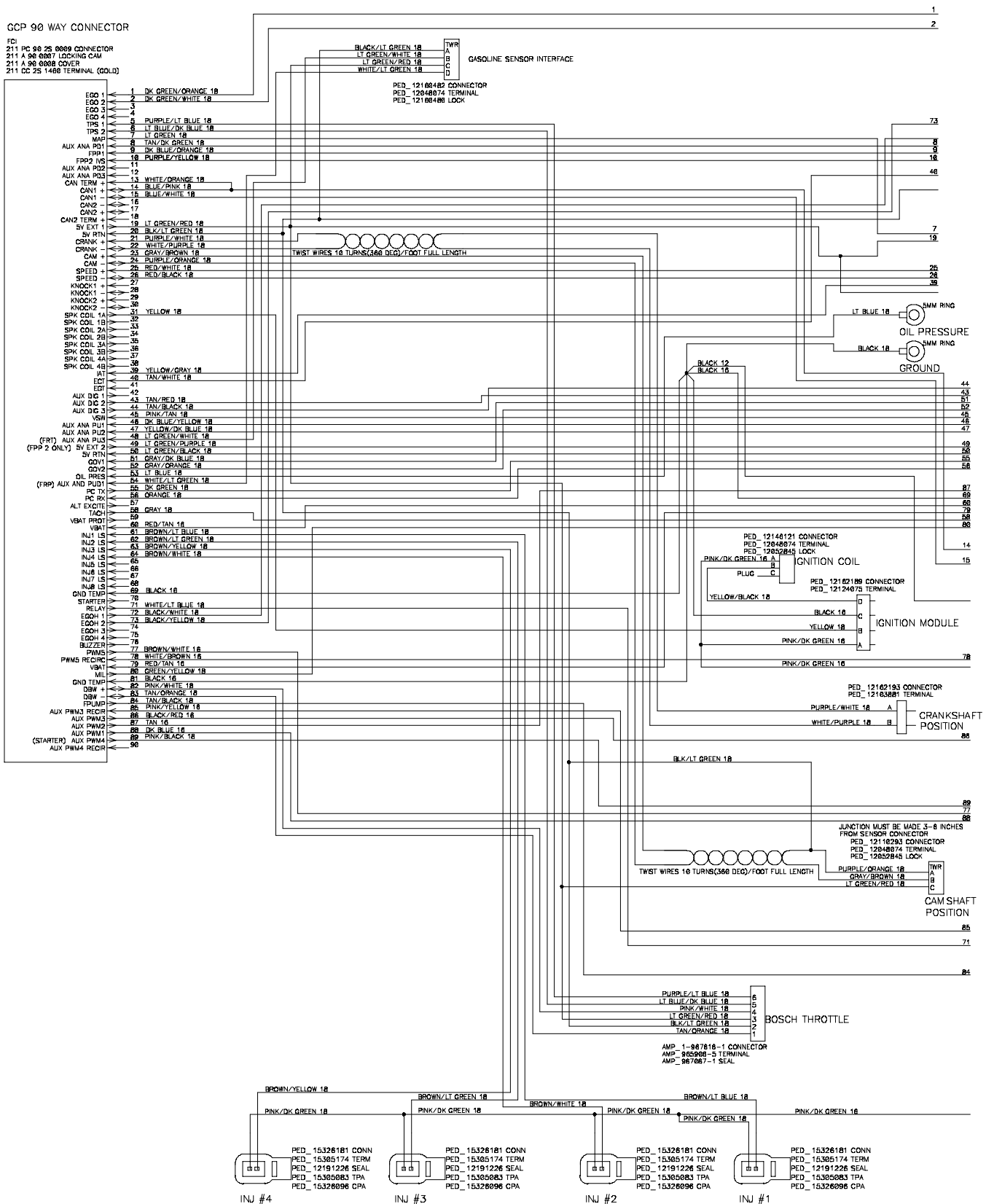


Fig. 99 - Wire Harness Schematic, Gas Engine (004500-)

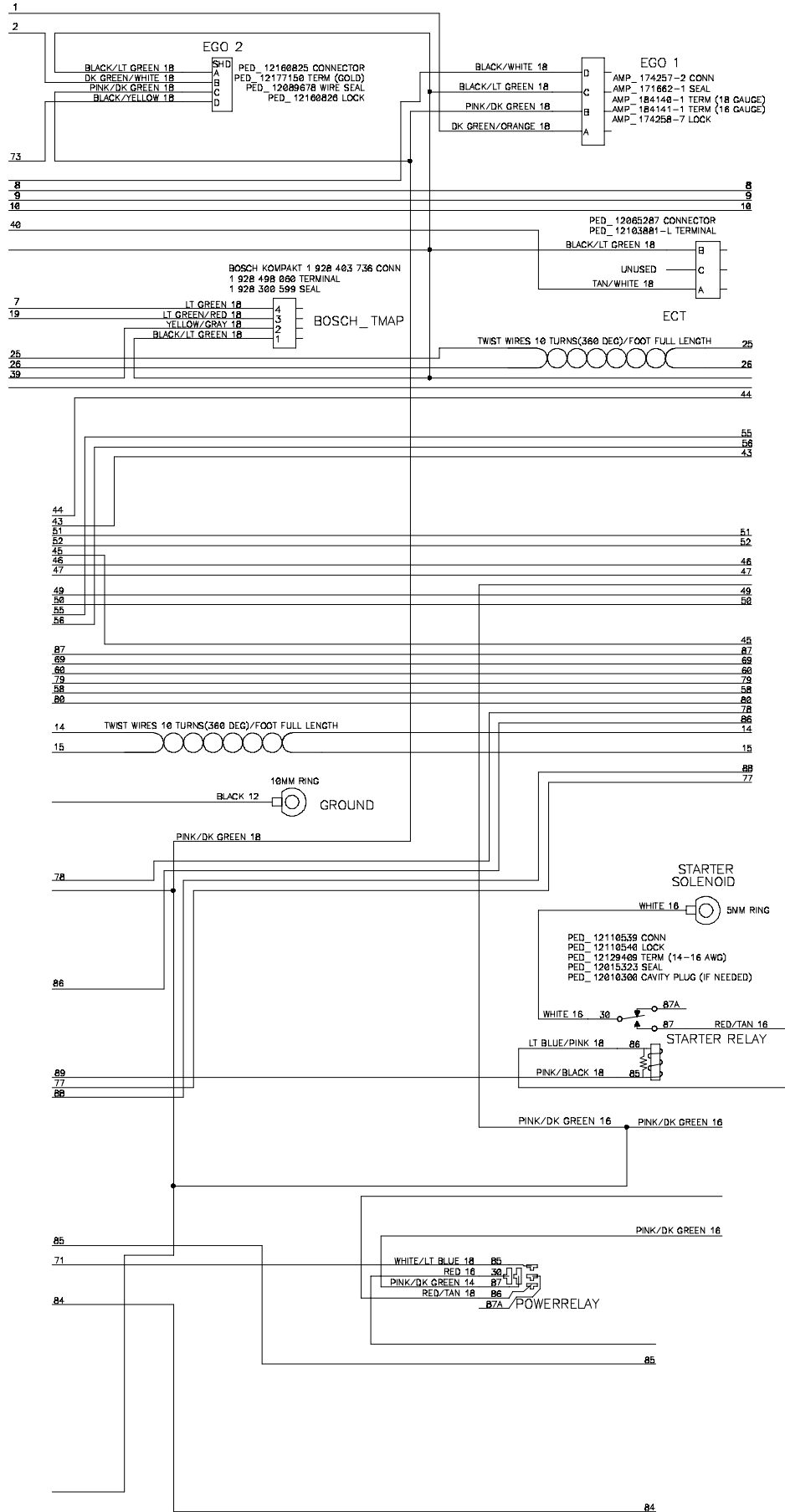


Fig. 100 - Wire Harness Schematic, LPG Engine (004500-)

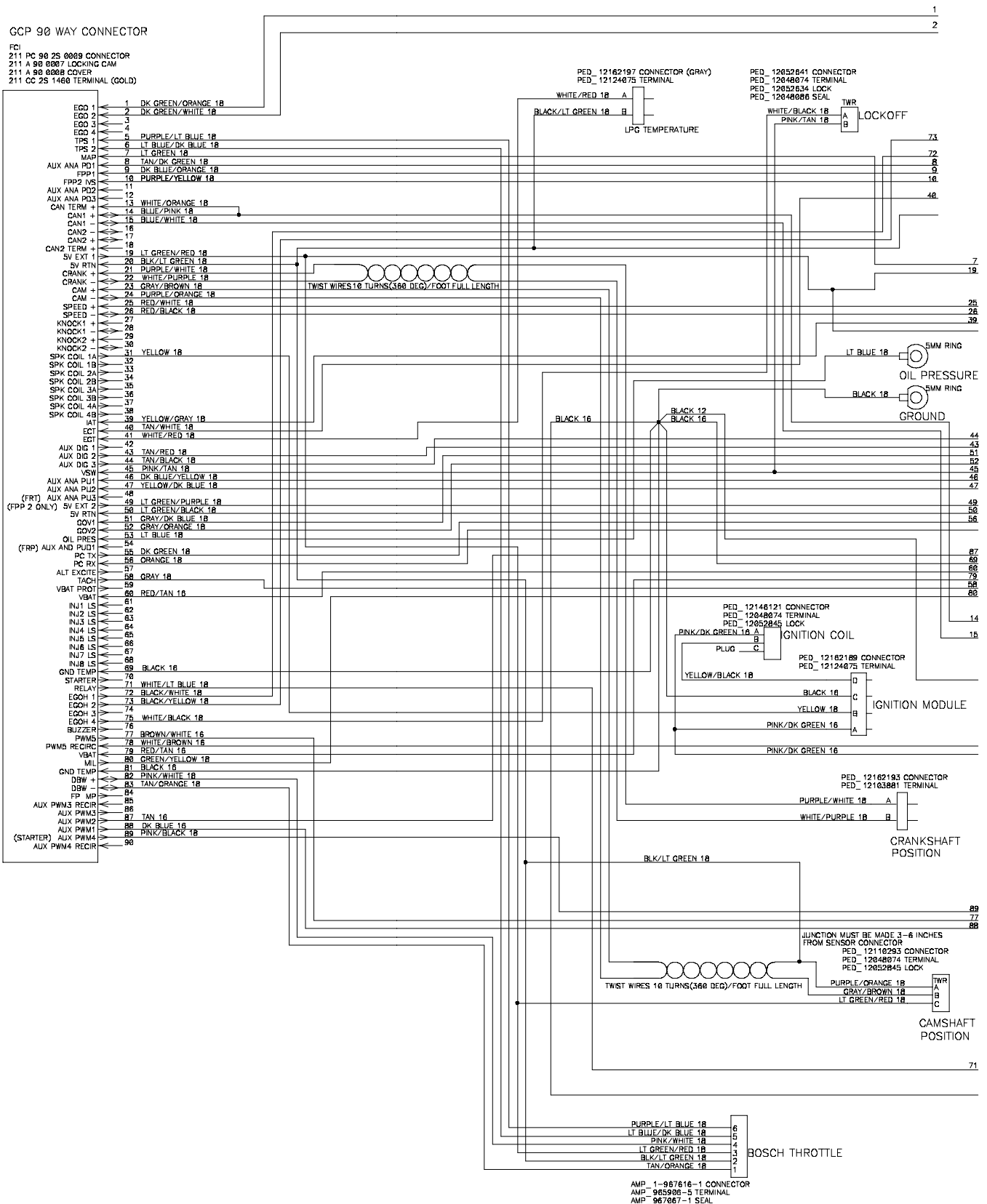


Fig. 100 - Wire Harness Schematic, LPG Engine (004500-)

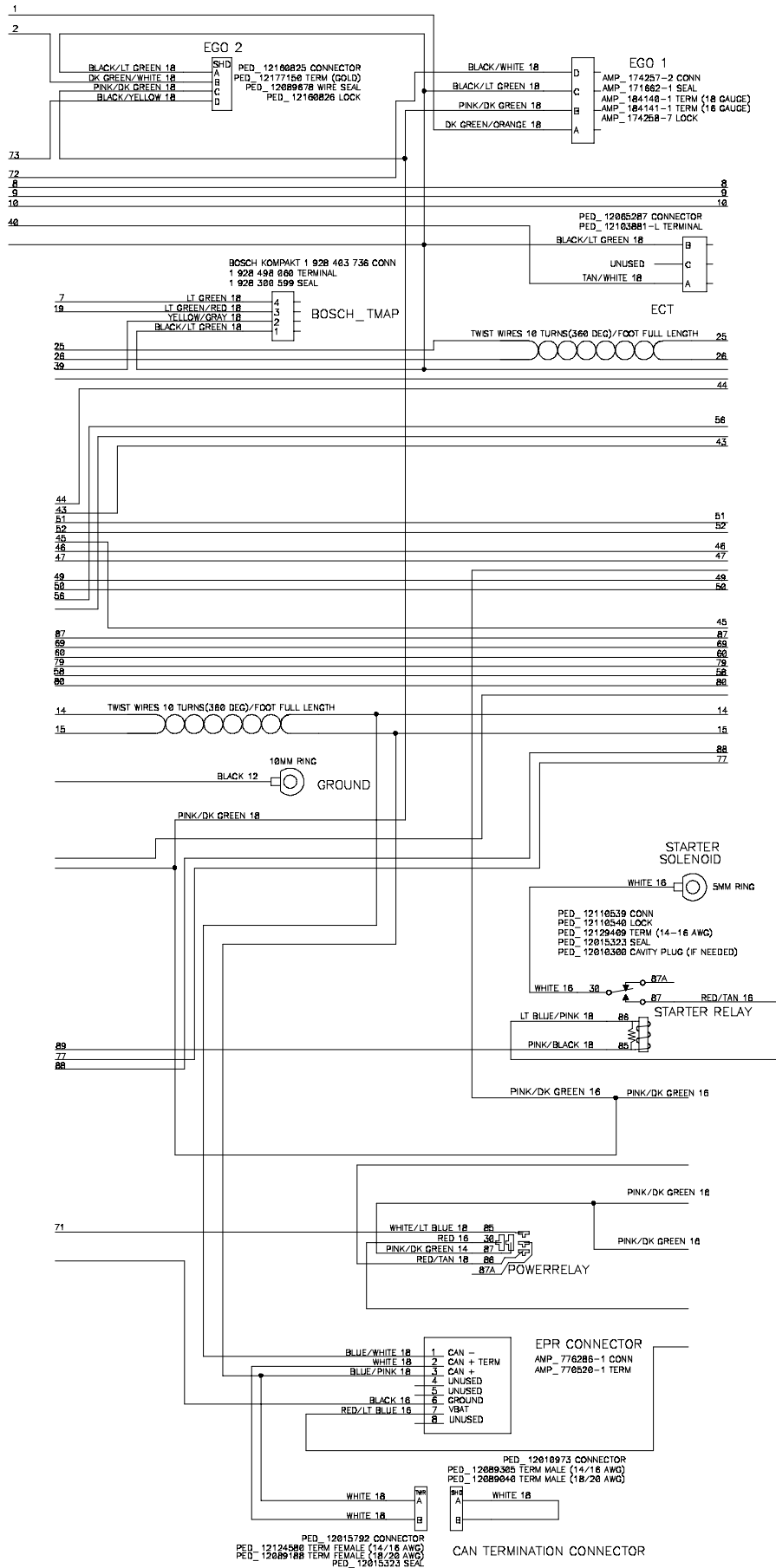


Fig. 100 - Wire Harness Schematic, LPG Engine (004500-)

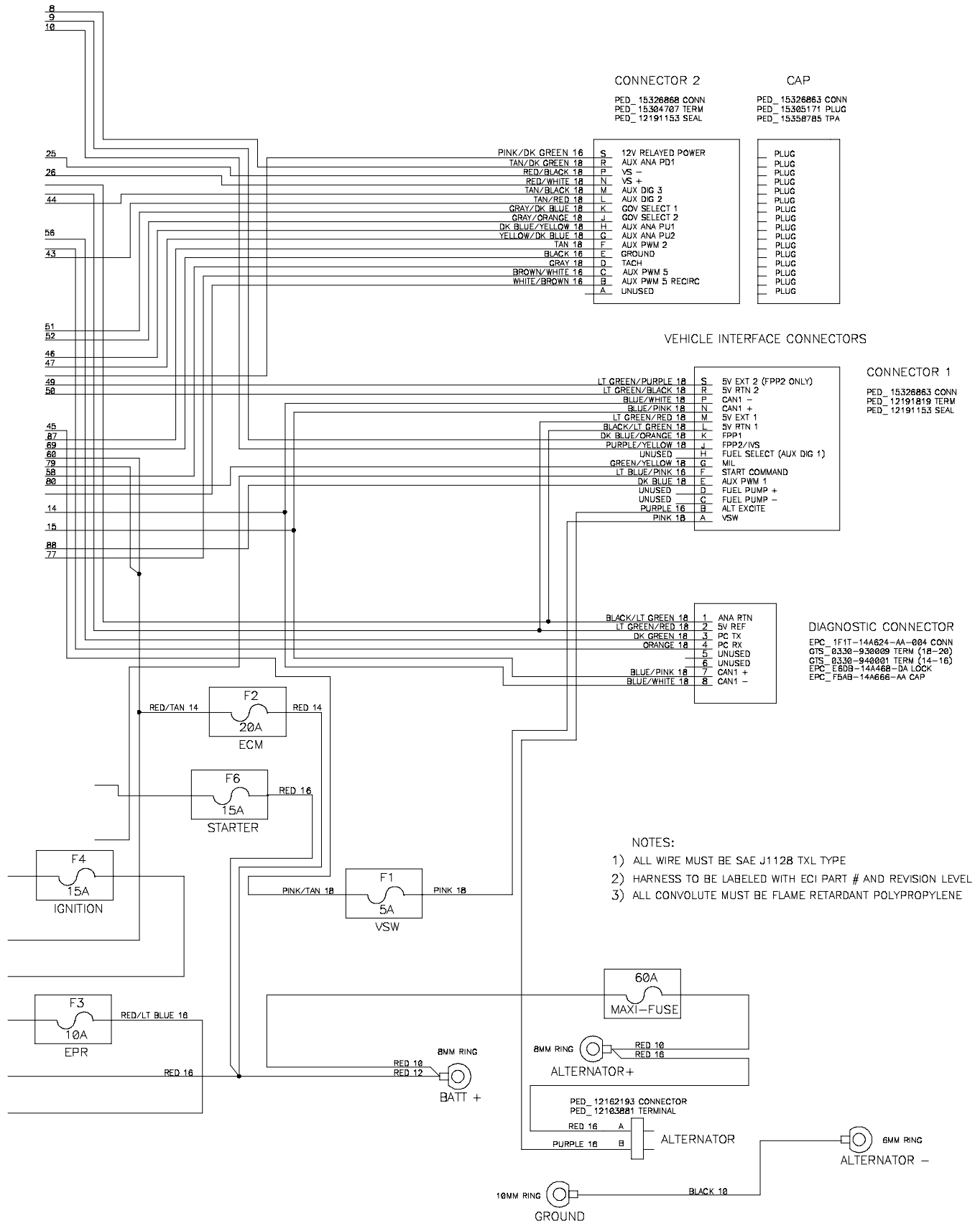


Fig. 101 - Wire Harnesses Group, Gas/LPG, Adaptor (004000-004499)

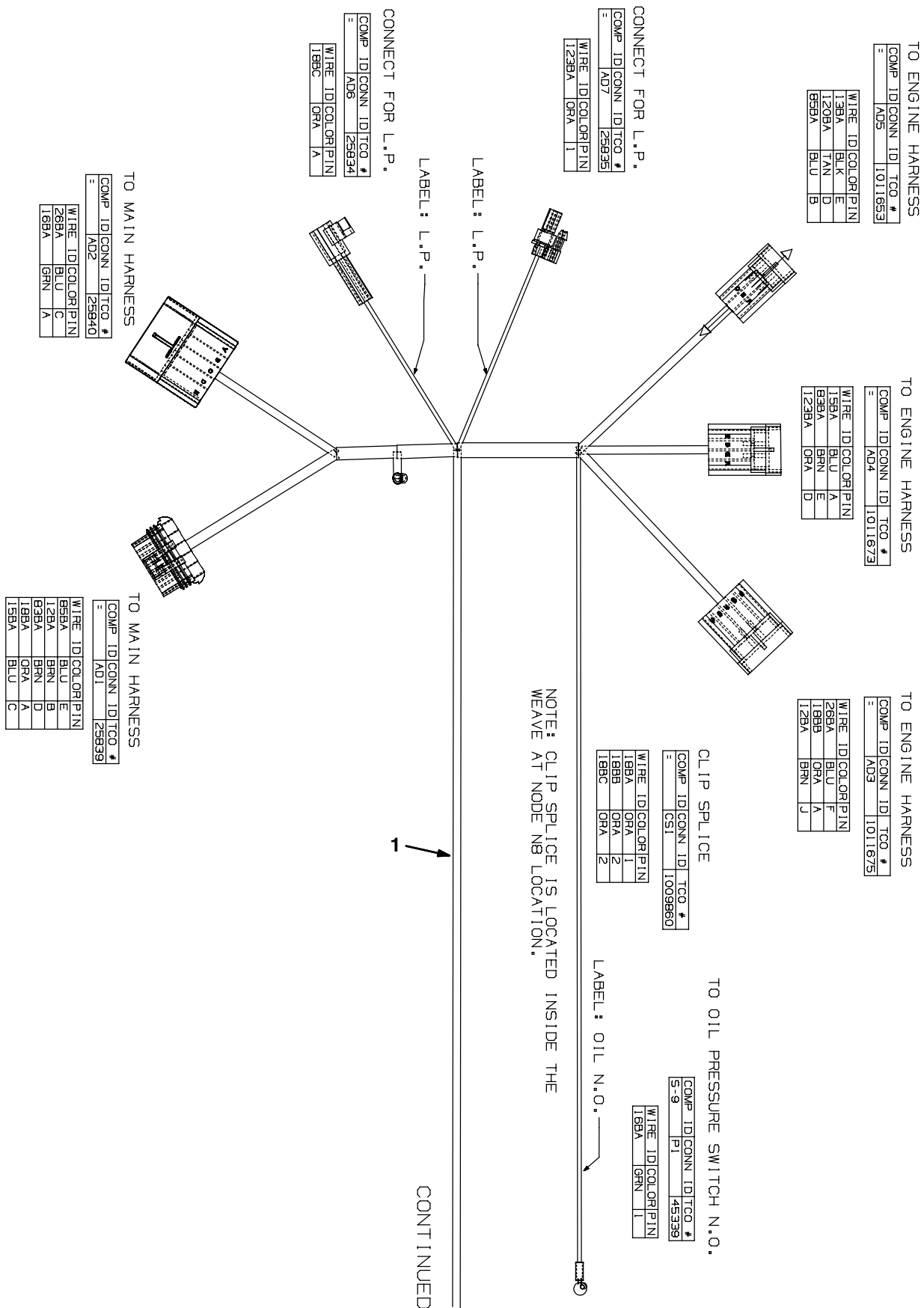
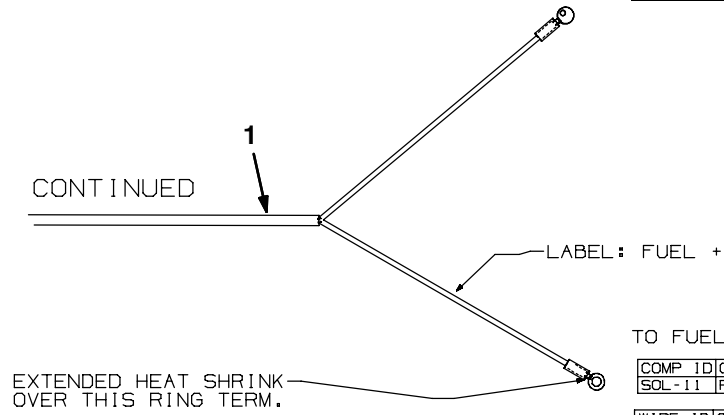


Fig. 101 - Wire Harnesses Group, Gas/LPG, Adaptor (004000-004499)

TO FUEL PUMP: GROUND

COMP ID	CONN ID	TCO #
SOL-11	P2	45339

WIRE ID	COLOR	PIN
13BA	BLK	1



TO FUEL PUMP: B+

COMP ID	CONN ID	TCO #
SOL-11	P1	55260

WIRE ID	COLOR	PIN
120BA	TAN	1

GM, G, LP

Ref.	Part No.	Serial Number	Description	Qty.
1	1012033	(004000-004499)	Harness, Adaptor [800/8410]	1

STANDARD PARTS

Fig. 102 - Wire Harnesses Group, Gas/LPG, Adaptor (004500-)

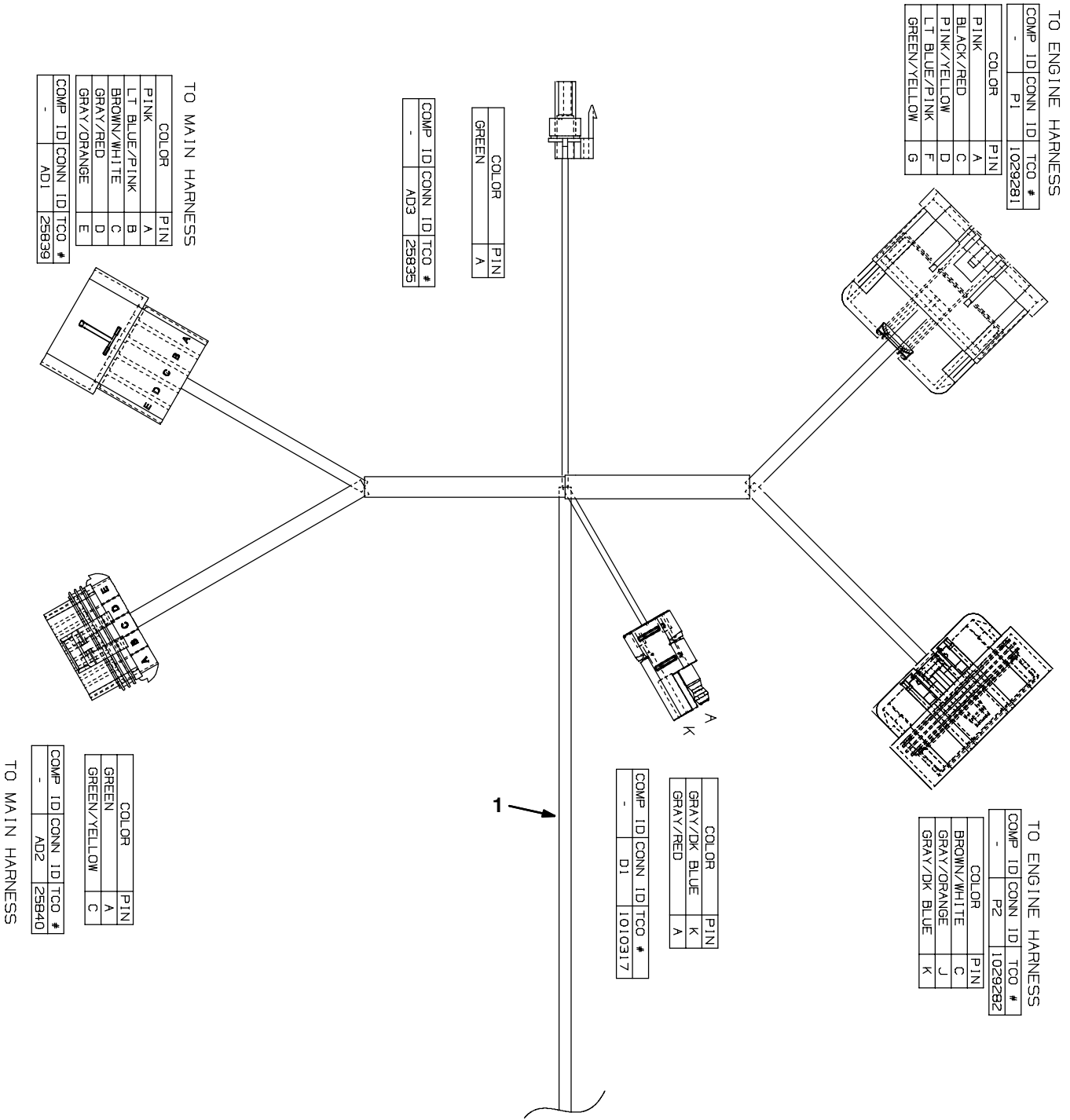
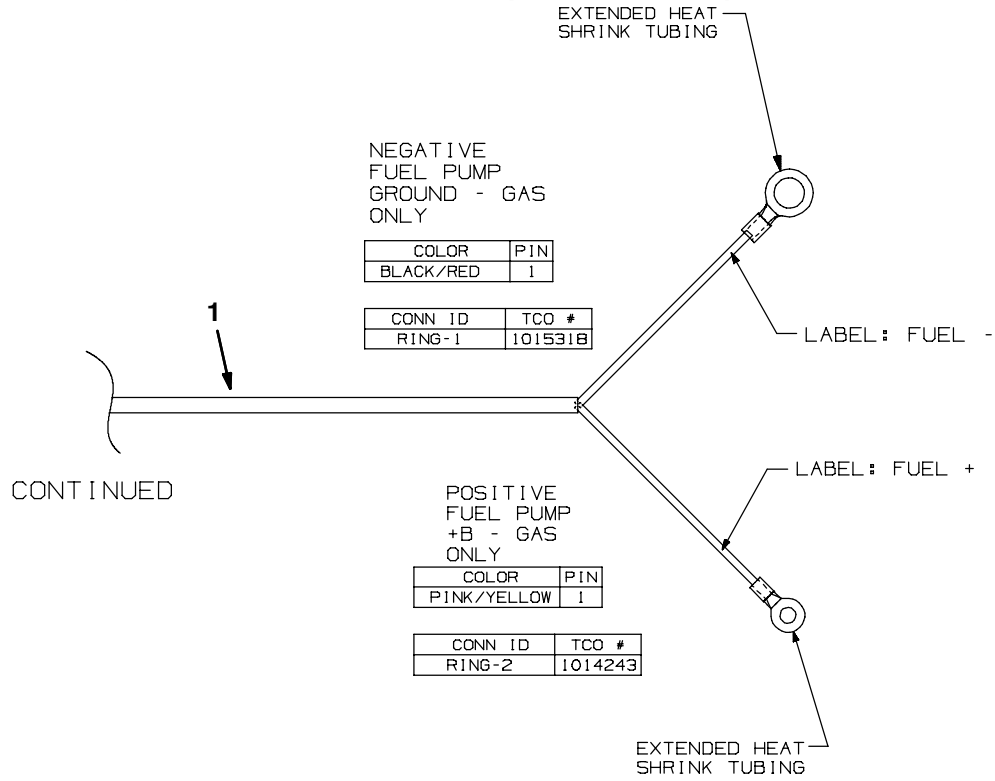


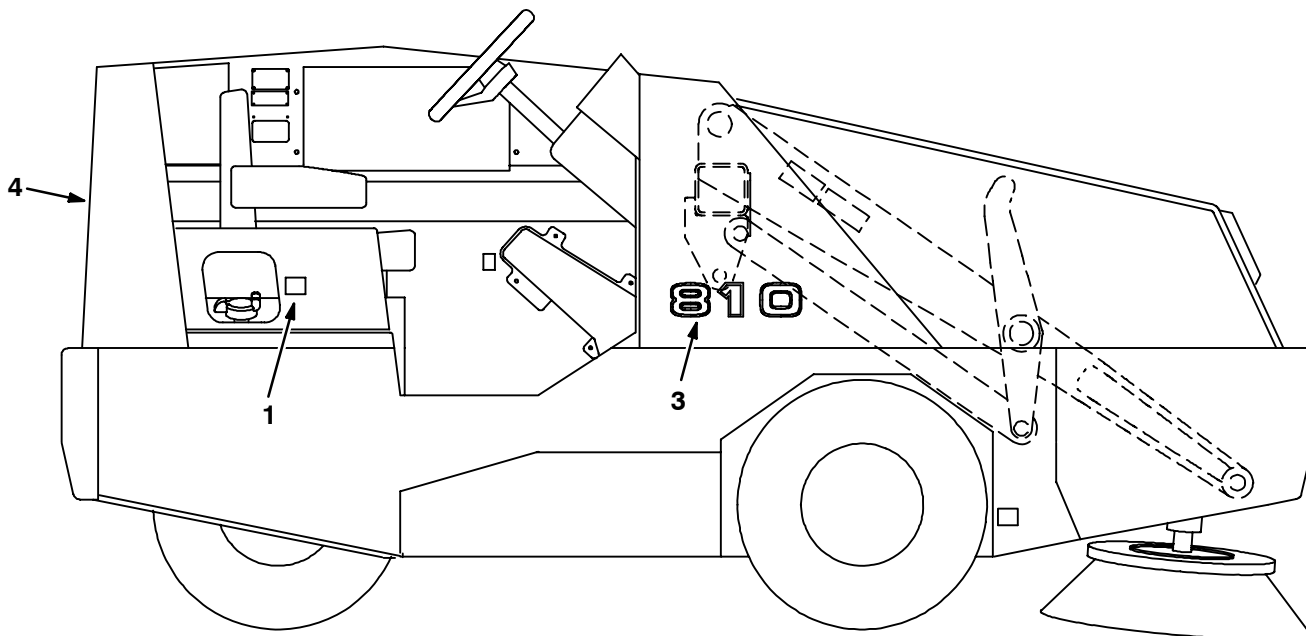
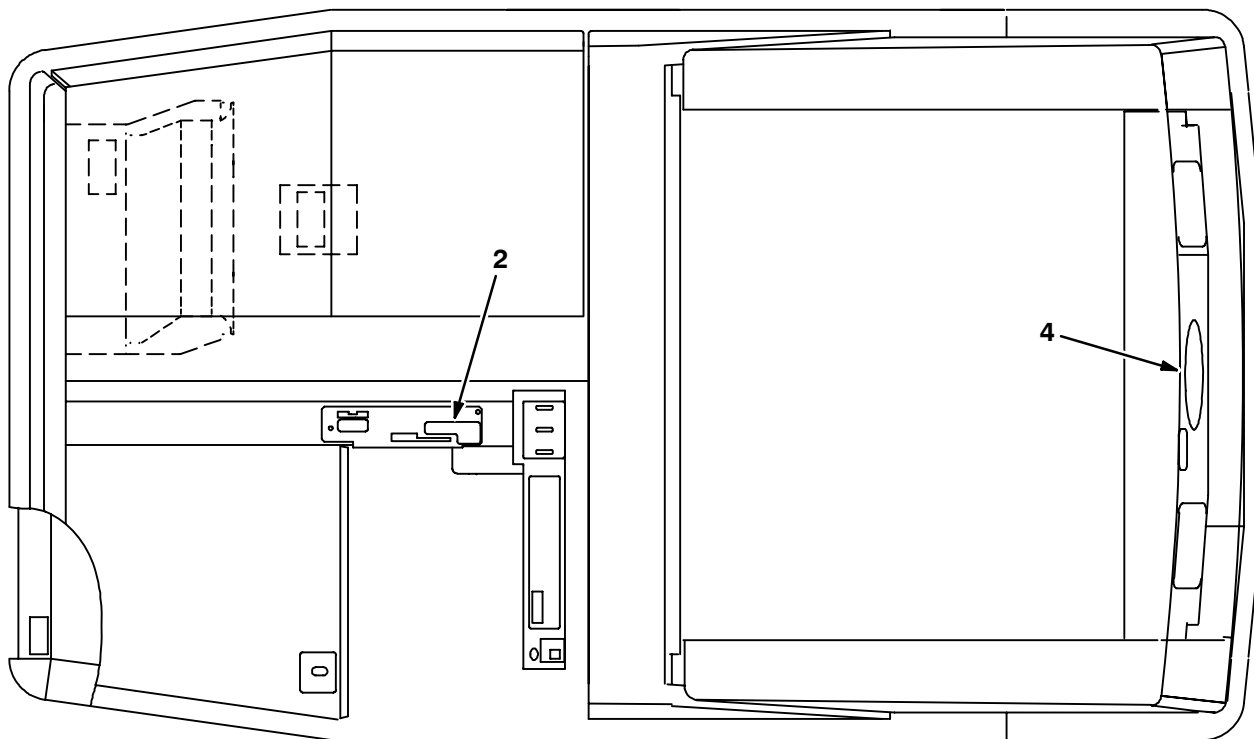
Fig. 102 - Wire Harnesses Group, Gas/LPG, Adaptor (004500-)



GM, G, LP

Ref.	Part No.	Serial Number	Description	Qty.
1	1032214	(004500-)	Harness, Adaptor, Eng, Gas/Lpg [Gm3.0]	1

Fig. 103 - Label Group



08775 - 810, NA

Ref.	Part No.	Serial Number	Description	Qty.
1	59767	(003000-) Label Set, Info & Hazard	1
2	70705	(003000-) Label Set, Operational 800	1
3	70537	(003000-) Label, Numerals 810	2
4	09806	(003000-) Label, Logo, 10.4l, Oval[Tennant,Blu/Grn]	2

SECTION 3

Contents	Page
Fig. 1 - Light Kit, Flashing Overhead Guard	3-2
Fig. 2 - Light Kit, Flashing Cab	3-4
Fig. 3 - Light Kit, Revolving Overhead Guard . . .	3-6
Fig. 4 - Light Kit, Revolving Cab	3-8
Fig. 5 - Light Kit, Flashing Low	3-10
Fig. 6 - Light Kit, Revolving Low	3-12
Fig. 7 - Back-Up Alarm Kit	3-14
Fig. 8 - Turn Signal Kit	3-16
Fig. 9 - Overhead Guard Kit	3-18
Fig. 10 - Hopper Floor Kit	3-20
Fig. 11 - Bumper Assembly, SE	3-21
Fig. 12 - Brush Lift Group, Side, L.H.	3-22
Fig. 13 - Brush Group, Side, L.H.	3-26
Fig. 14 - Brush Wire Harness Group, Side, L.H.	3-30
Fig. 15 - Brush Hydraulic Hose Group, Side, L.H.	3-31
Fig. 16 - Brush Light Kit, Side	3-32
Fig. 17 - Cab Kit	3-34
Fig. 18 - Cab Mirror Kit	3-36
Fig. 19 - Cab Seals Group	3-38
Fig. 20 - Cab AC and Heater Box Group, Ford .	3-40
Fig. 21 - Cab AC and Heater Hose Group, Ford	3-42
Fig. 22 - Cab AC Compressor Group, Ford	3-44
Fig. 23 - Cab AC and Heater Box Group, GM . .	3-46
Fig. 24 - Cab AC and Heater Hose Group, GM .	3-48
Fig. 25 - Cab AC Compressor Group, GM (003000-004499)	3-50
Fig. 26 - Cab AC Compressor Group, GM (004500-)	3-54
Fig. 27 - Cab Heater Box Group, Ford	3-56
Fig. 28 - Cab Heater Hose Group, Ford	3-58
Fig. 29 - Cab Heater Box Group, GM	3-60
Fig. 30 - Cab Heater Hose Group, GM	3-62
Fig. 31 - Alternator Group, SE, Ford	3-64
Fig. 32 - Heavy Duty Alternator Kit, GM (003179-004499)	3-66
Fig. 33 - Heavy Duty Alternator Kit, GM (004500-)	3-68
Fig. 34 - Vacuum Wand Kit	3-70
Fig. 35 - Side Brush Dust Control Kit	3-72
Fig. 36 - Protectoseal Fuel Tank Cap Group . . .	3-74
Fig. 37 - Fire Extinguisher Kit	3-75
Fig. 38 - Solid Tire and Rim Assembly	3-76
Fig. 39 - Seat Belt Kit	3-77
Fig. 40 - RFS Filter System Group	3-78
Fig. 41 - Cab AC Drain Hose Kit	3-80
Fig. 42 - Neutral Start Group	3-82
Fig. 43 - Muffler Group, Non-Catalytic	3-83
Fig. 44 - Documentation Group	3-84

Fig. 1 - Light Kit, Flashing Overhead Guard

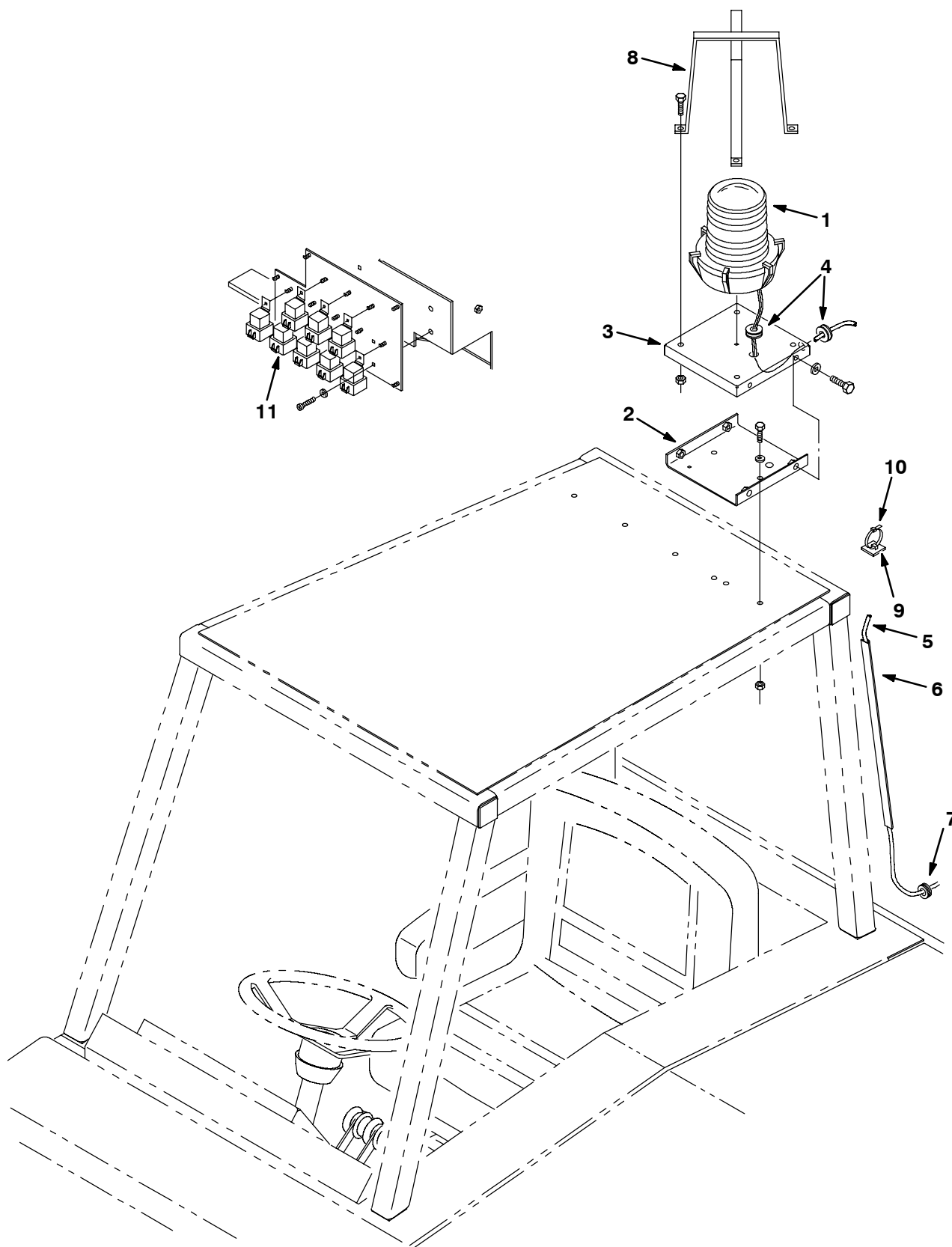


Fig. 1 - Light Kit, Flashing Overhead Guard

	Ref.	Part No.	Serial Number	Description	Qty.
▽		73755	(003000-) Light Kit Flsh 800L Ohg	1
▲▽	1	82063	(003000-) Light, Flashing, Amber, 12V-Re	1
▲▲		58520	(003000-) Lens,Flashing Lite Fr207 Amber	1
▲▲		45779	(003000-) Bulb, 12V	1
▲	2	73899	(003000-) Bracket	1
▲	3	73898	(003000-) Panel	1
▲	4	10632-20	(003000-) Grommet,Rbr,0.38ld,For .06Matl	2
▲	5	74000	(003000-) Harness,Rev/Flsh Light,Cab,Ohg	1
▲	6	77375	(003000-) Duct, Vyl, 0.40 X 0.75 .25d 24.0l	1
▲	7	10632-4	(003000-) Grommet,Rbr,0.63ld,For .06Matl	1
▲	8	45272	(003000-) Guard Wldt, Lights, Revl & Flsh	1
▲	9	55248	(003000-) Cable Tie Mount	1
▲	10	49266	(003000-) Tie, Cable	1
▲	11	56186	(003000-) Relay, Shrouded, 12V	1
		58518	(003000-) Lens,Flashing Lite Fr207 Red	1
		58519	(003000-) Lens,Flashing Lite Fr207 Blue	1

Fig. 2 - Light Kit, Flashing Cab

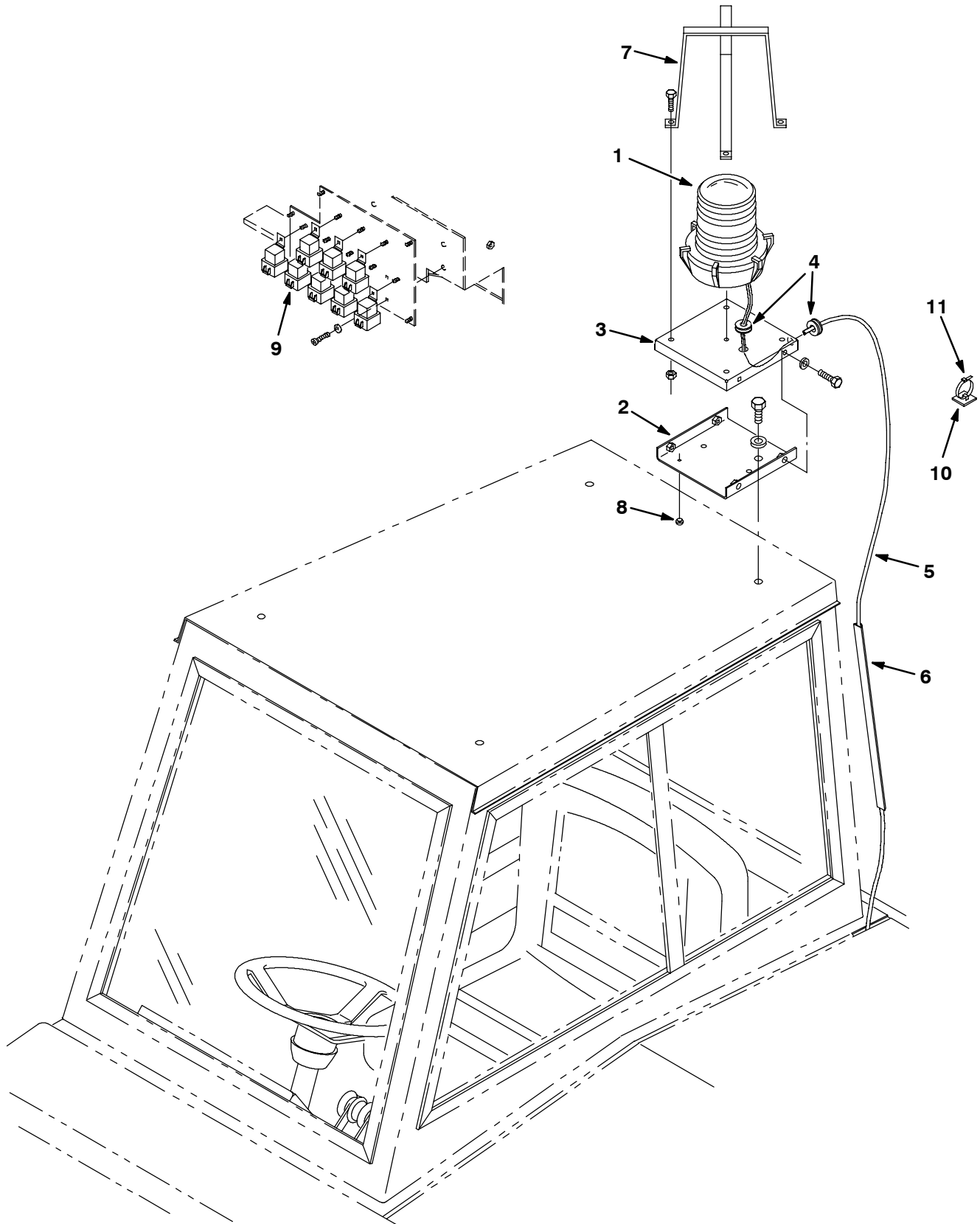


Fig. 2 - Light Kit, Flashing Cab

	Ref.	Part No.	Serial Number	Description	Qty.
▽		73751	(003000-) Light Kit Flsh 800L Cab	1
▲▽	1	82063	(003000-) Light, Flashing, Amber, 12V-Re	1
▲▲		58520	(003000-) Lens,Flashing Lite Fr207 Amber	1
▲▲		45779	(003000-) Bulb, 12V	1
▲	2	73899	(003000-) Bracket	1
▲	3	73898	(003000-) Panel	1
▲	4	10632-20	(003000-) Grommet,Rbr,0.38ld,For .06Matl	2
▲	5	74000	(003000-) Harness,Rev/Flsh Light,Cab,Ohg	1
▲	6	77375	(003000-) Duct, Vyl, 0.40 X 0.75 .25d 24.0l	1
▲	7	45272	(003000-) Guard Wldt, Lights, Revl & Flsh	1
▲	8	29233	(003000-) Bumper, Rubber	1
▲	9	56186	(003000-) Relay, Shrouded, 12V	1
▲	10	55248	(003000-) Cable Tie Mount	1
▲	11	49266	(003000-) Tie, Cable	1
		58518	(003000-) Lens,Flashing Lite Fr207 Red	1
		58519	(003000-) Lens,Flashing Lite Fr207 Blue	1

Fig. 3 - Light Kit, Revolving Overhead Guard

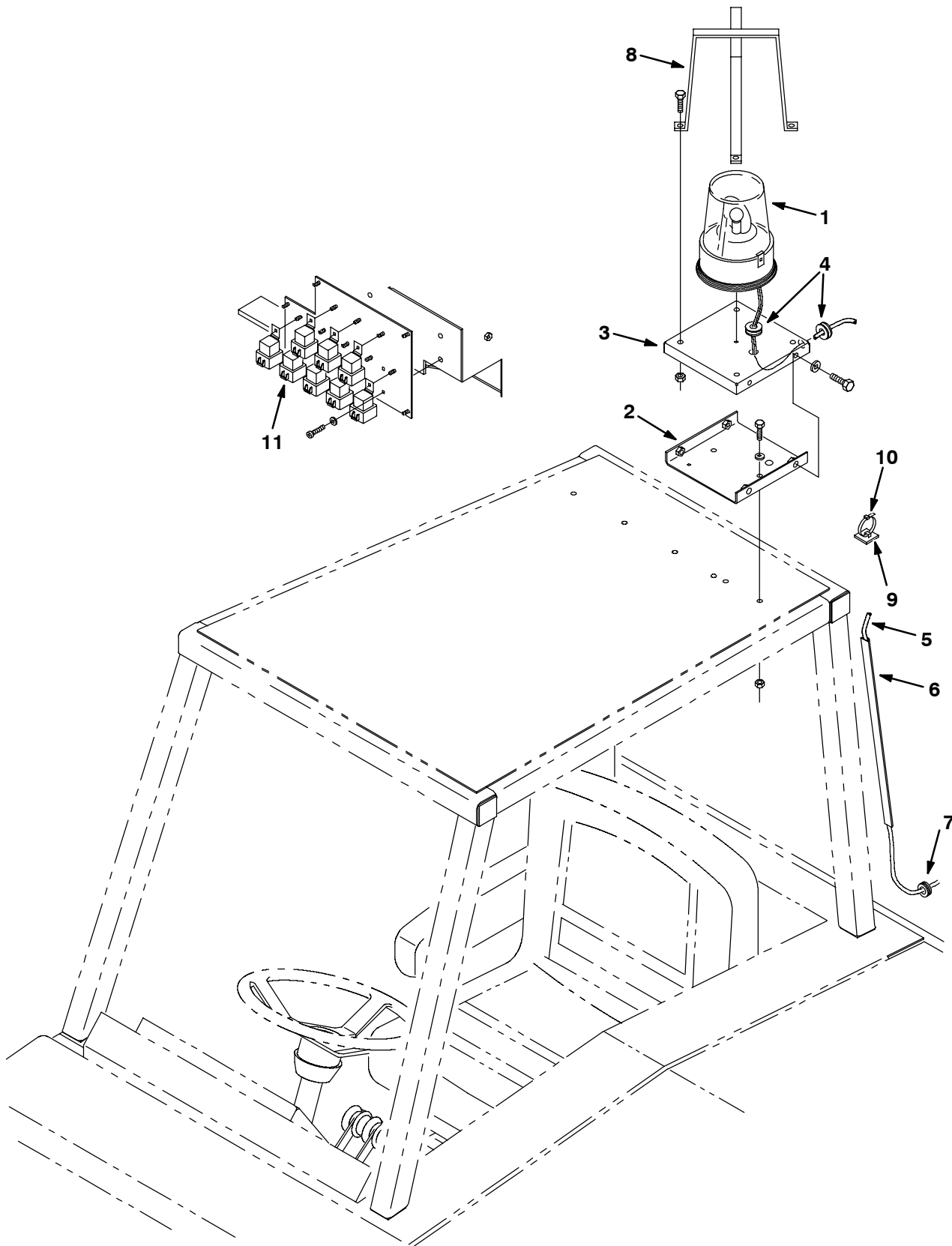


Fig. 3 - Light Kit, Revolving Overhead Guard

	Ref.	Part No.	Serial Number	Description	Qty.
▽		73757	(003000-) Light Kit Revl 800L Ohg	1
▲▽	1	82200	(003000-) Light,Rev.Amber 12V-Reworked	1
▲▲		44681-1	(003000-) Lens,Rev.Light,Amber	1
▲▲		45779	(003000-) Bulb, 12V	1
▲	2	73899	(003000-) Bracket	1
▲	3	73898	(003000-) Panel	1
▲	4	10632-20	(003000-) Grommet,Rbr,0.38ld,For .06Matl	2
▲	5	74000	(003000-) Harness,Rev/Flsh Light,Cab,Ohg	1
▲	6	77375	(003000-) Duct, Vyl, 0.40 X 0.75 .25d 24.0l	1
▲	7	10632-4	(003000-) Grommet,Rbr,0.63ld,For .06Matl	1
▲	8	45272	(003000-) Guard Wldt, Lights, Revl & Flsh	1
▲	9	55248	(003000-) Cable Tie Mount	1
▲	10	49266	(003000-) Tie, Cable	1
▲	11	56186	(003000-) Relay, Shrouded, 12V	1
		44681	(003000-) Lens,Rev.Light,Red	1
		44681-2	(003000-) Lens,Rev.Light,Blue	1

Fig. 4 - Light Kit, Revolving Cab

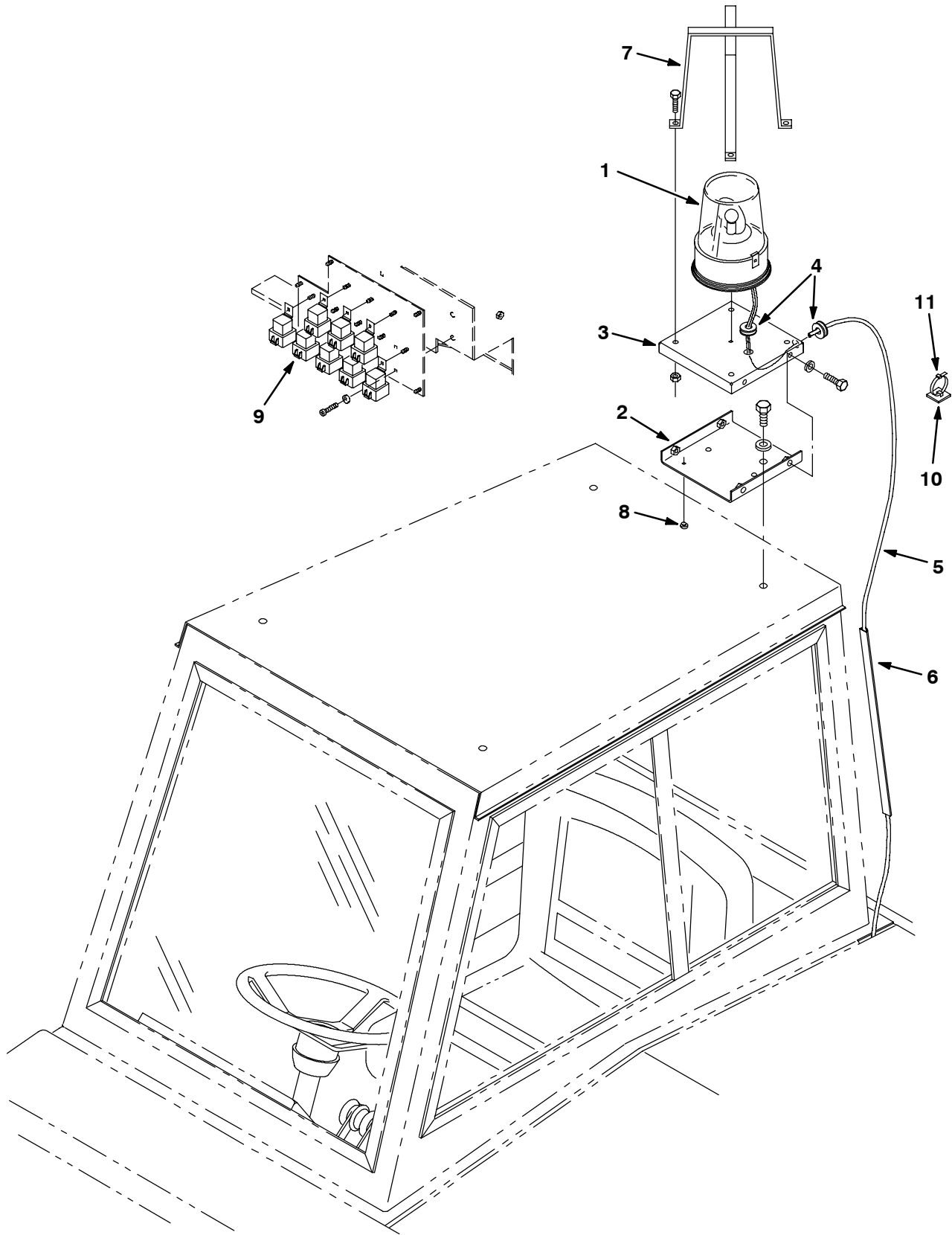


Fig. 4 - Light Kit, Revolving Cab

	Ref.	Part No.	Serial Number	Description	Qty.
▽		73753	(003000-) Light Kit Revl 800L Cab	1
▲▽	1	82200	(003000-) Light,Rev.Amber 12V-Reworked	1
▲▲		44681-1	(003000-) Lens,Rev.Light,Amber	1
▲▲		45779	(003000-) Bulb, 12V	1
▲	2	73899	(003000-) Bracket	1
▲	3	73898	(003000-) Panel	1
▲	4	10632-20	(003000-) Grommet,Rbr,0.38ld,For .06Matl	2
▲	5	74000	(003000-) Harness,Rev/Flsh Light,Cab,Ohg	1
▲	6	77375	(003000-) Duct, Vyl, 0.40 X 0.75 .25d 24.0l	1
▲	7	45272	(003000-) Guard Wldt, Lights, Revl & Flsh	1
▲	8	29233	(003000-) Bumper, Rubber	1
▲	9	56186	(003000-) Relay, Shrouded, 12V	1
▲	10	55248	(003000-) Cable Tie Mount	1
▲	11	49266	(003000-) Tie, Cable	1
		44681	(003000-) Lens,Rev.Light,Red	1
		44681-2	(003000-) Lens,Rev.Light,Blue	1

Fig. 5 - Light Kit, Flashing Low

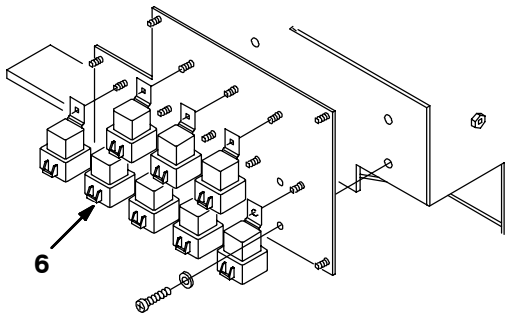
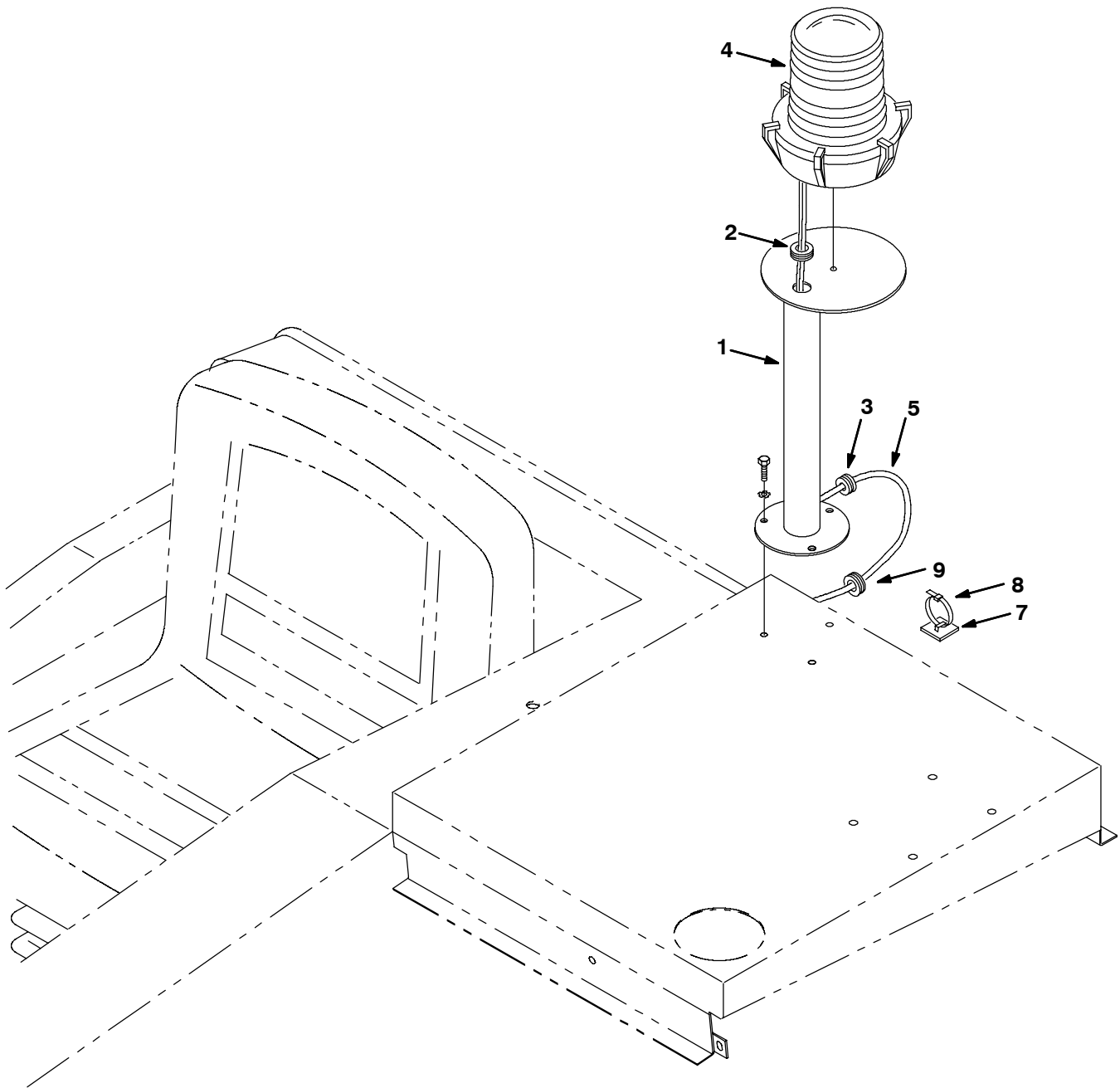


Fig. 5 - Light Kit, Flashing Low

	Ref.	Part No.	Serial Number	Description	Qty.
▽		380643	(003000-) Kit, Light, Flsh, Low	1
▲	1	31954	(003000-) Pedestal Wldt, Light	1
▲	2	10632-9	(003000-) Grommet, Rbr, 0.56 Id For .13mat	1
▲	3	10632-12	(003000-) Grommet, Rbr, 0.38 Id For .12mat	1
▲▽	4	82063	(003000-) Light, Flashing Amb 12v-re	1
▲▲		58520	(003000-) Lens, Flashing Amb 12V	1
▲▲		45779	(003000-) Bulb	1
▲	5	380691	(003000-) Harness, Alarm, Backup	1
▲	6	56186	(003000-) Relay 12Vdc 40A Spdt	1
▲	7	55248	(003000-) Cabletie Mount, Adhesive	2
▲	8	49266	(003000-) Tie, Cable 1.75D Max 7.50Lg	2
▲	9	10632-4	(003000-) Grommet	1
		58518	(003000-) Lens, Flashing Red	1
		58519	(003000-) Lens, Flashing Blue	1

Fig. 6 - Light Kit, Revolving Low

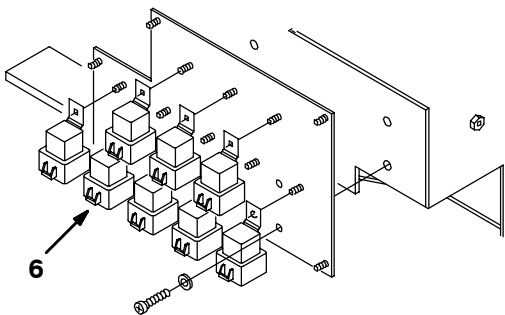
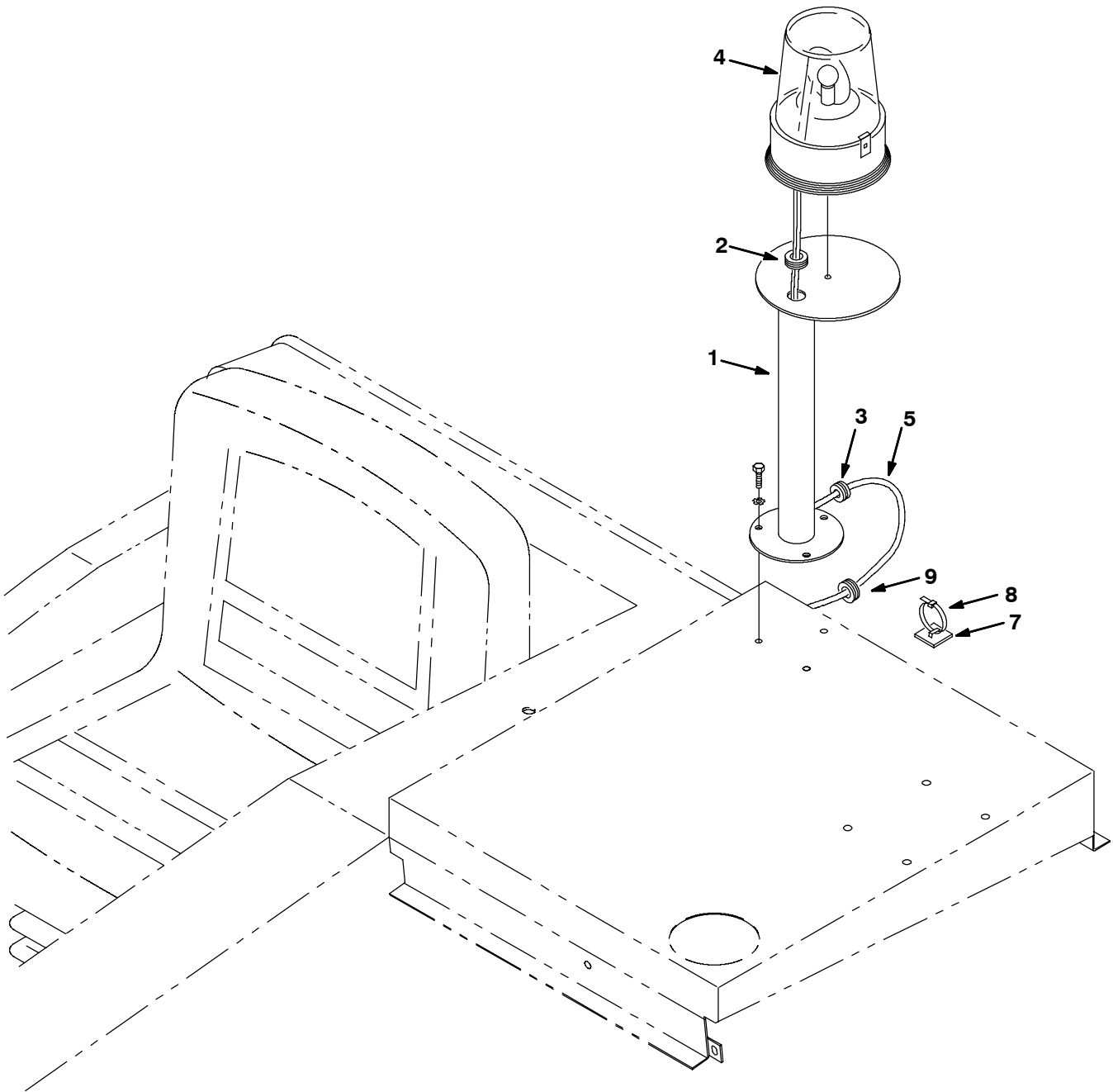


Fig. 6 - Light Kit, Revolving Low

	Ref.	Part No.	Serial Number	Description	Qty.
▽		380644	(003000-) Kit, Light, Revl, Low	1
▲	1	31954	(003000-) Pedestal Wldt, Light	1
▲	2	10632-9	(003000-) Grommet, Rbr, 0.56 Id For .13mat	1
▲	3	10632-12	(003000-) Grommet, Rbr, 0.38 Id For .12mat	1
▲▽	4	82200	(003000-) Light, Rev. Amber 12v-re	1
▲▲		44681-1	(003000-) Lens, Rev. Light, Amber	1
▲▲		45779	(003000-) Bulb	1
▲	5	380691	(003000-) Harness, Alarm, Backup	1
▲	6	56186	(003000-) Relay 12Vdc 40A Spdt	1
▲	7	55248	(003000-) Cabletie Mount, Adhesive	2
▲	8	49266	(003000-) Tie, Cable 1.75D Max 7.50Lg	2
▲	9	10632-4	(003000-) Grommet	1
		44681	(003000-) Lens, Rev. Light, Red	1
		44681-2	(003000-) Lens, Rev. Light, Blue	1

Fig. 7 - Back-Up Alarm Kit

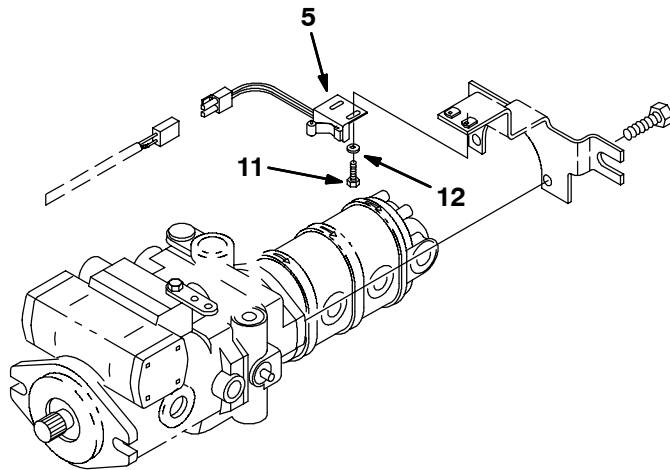
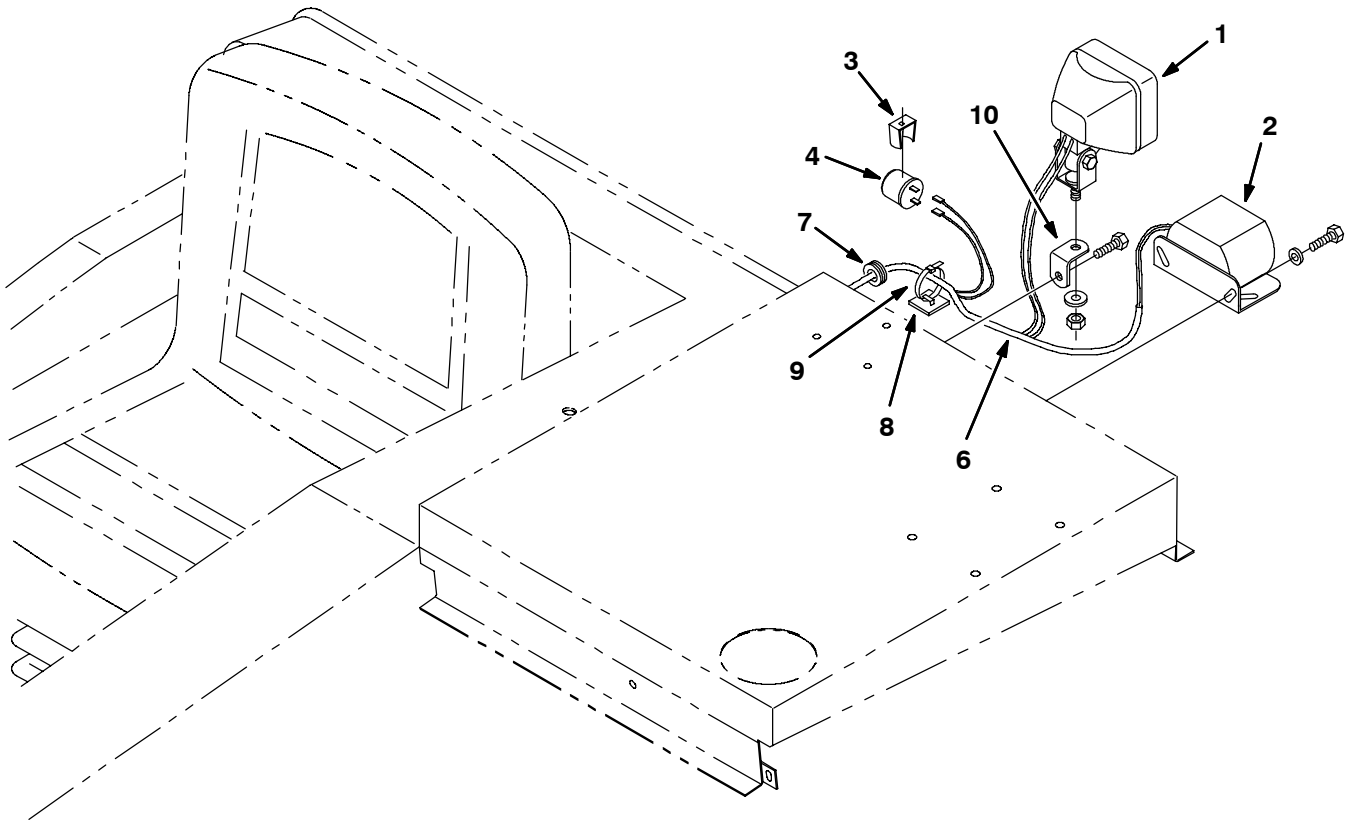


Fig. 7 - Back-Up Alarm Kit

	Ref.	Part No.	Serial Number	Description	Qty.
▽		380640	(003000-) Kit, Alarm, Backup	1
▲▽	1	382978	(003000-) Light, Spot 12V, 32cp	1
▲▲		393770	(003000-) Lamp, 12VDC 55w	1
▲	2	61923	(003000-) Horn, Back-up Alarm	1
▲	3	24576-1	(003000-) Bracket, Flasher	1
▲	4	24576	(003000-) Flasher, 12v	1
▲	5	59965	(003000-) Switch Assy, Roller-no	1
▲	6	380691	(003000-) Harness, Alarm, Back-up	1
▲	7	10632-4	(003000-) Grommet	1
▲	8	55248	(003000-) Mount, Tie	2
▲	9	49266	(003000-) Tie, Cable	2
▲	10	76385	(003000-) Bracket	1
▲	11	09206	(003000-) Screw, Hex, M4 X 0.70 X 12, 8.8	2
▲	12	19065	(003000-) Washer, Flat, 08	2

Fig. 8 - Turn Signal Kit

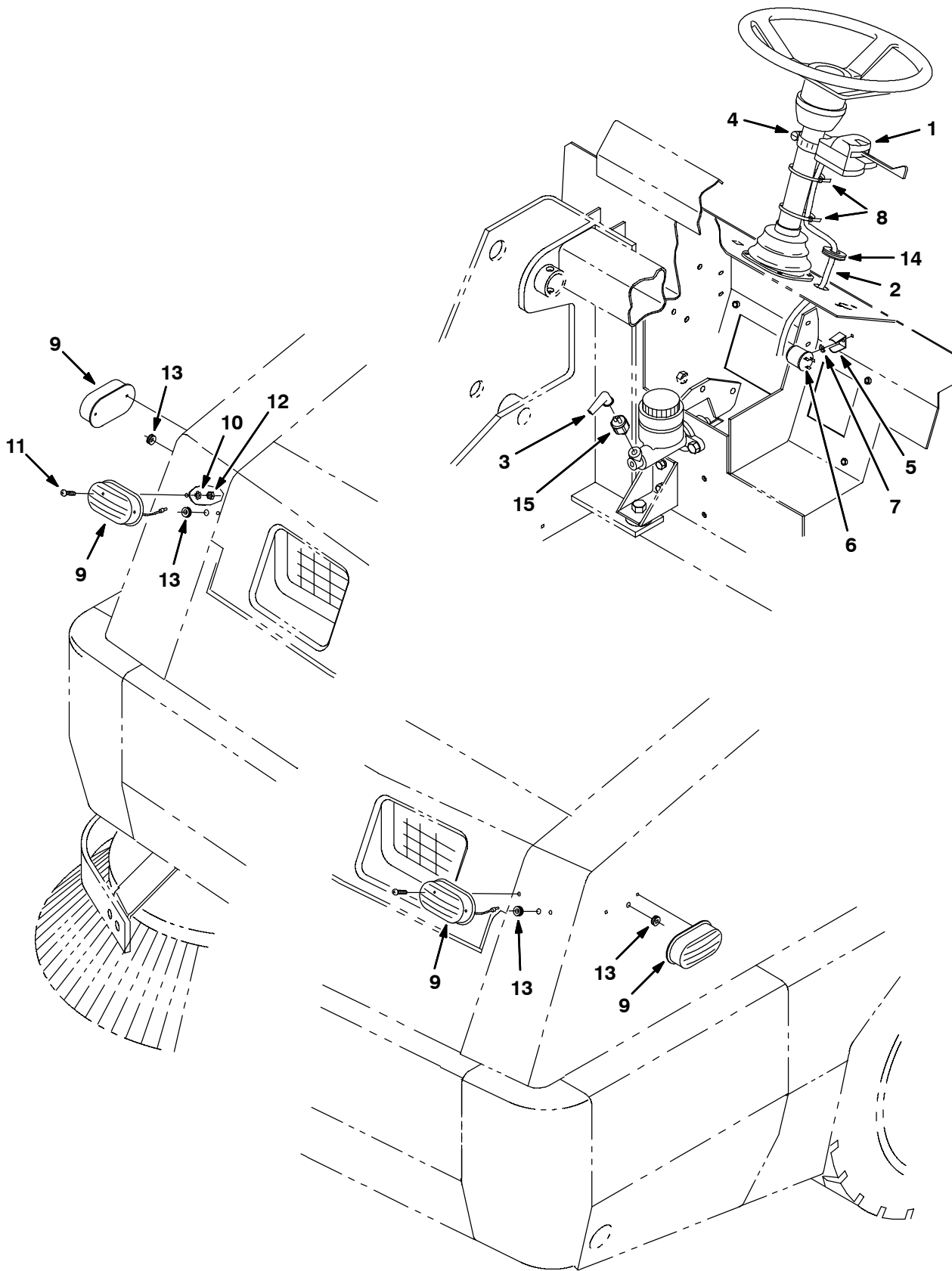


Fig. 8 - Turn Signal Kit

	Ref.	Part No.	Serial Number	Description	Qty.
▽		380712	(003000-) Kit, Signal, Turn	1
▲	1	60751	(003000-) Signal Turn	1
▲	2	76423	(003000-) Harness, Directional	1
▲	3	61365	(003000-) Boot, 90deg .44id 0.62id 1.69l, Blk	1
▲	4	11531	(003000-) Clamp-Wormdrive, 0.81 - 1.50D	1
▲	5	24576-1	(003000-) Bracket, Flasher	1
▲	6	31922	(003000-) Flasher Heavy Duty	1
▲	7	41139	(003000-) Washer-Loc Int-Ext 10 Pltd	1
▲	8	49266	(003000-) Tie, Cable	4
▲▽	9	34848	(003000-) Light Assy Mark/Yel 12V- . A	4
▲▲		87948	(003000-) Bulb, #194	1
▲	10	41140	(003000-) Washer-Loc Int-Ext .25 Pltd	8
▲	11	06927	(003000-) Screw, Pan, M04	8
▲	12	02850	(003000-) Nut, Hex, Lock	8
▲	13	10632-5	(003000-) Grommet Rbr 0.25ld For .09Matl	5
▲	14	10632-8	(003000-) Grommet,Rbr,0.75ld,For .13Matl	1
▲	15	13959	(003000-) Switch	1

Fig. 9 - Overhead Guard Kit

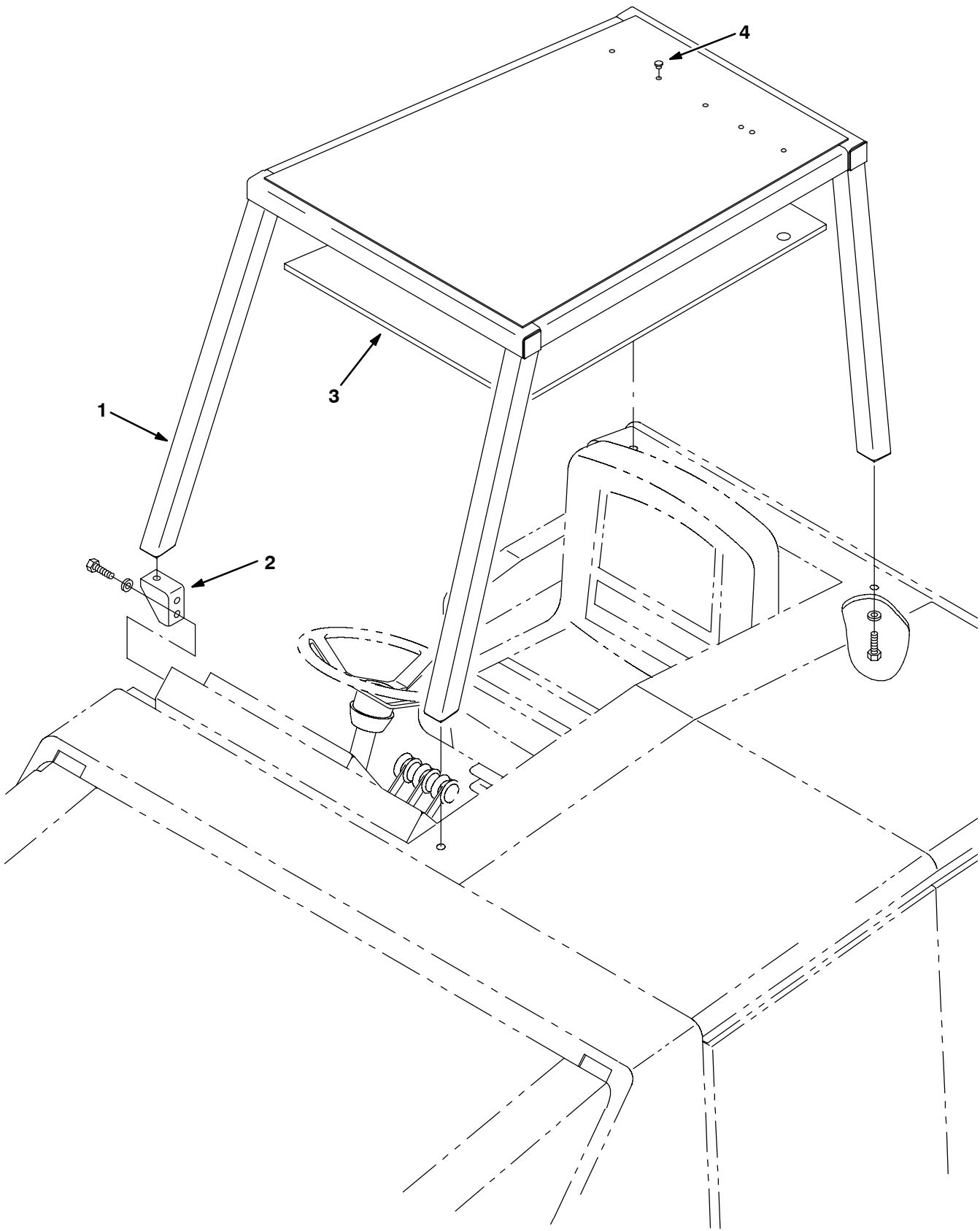
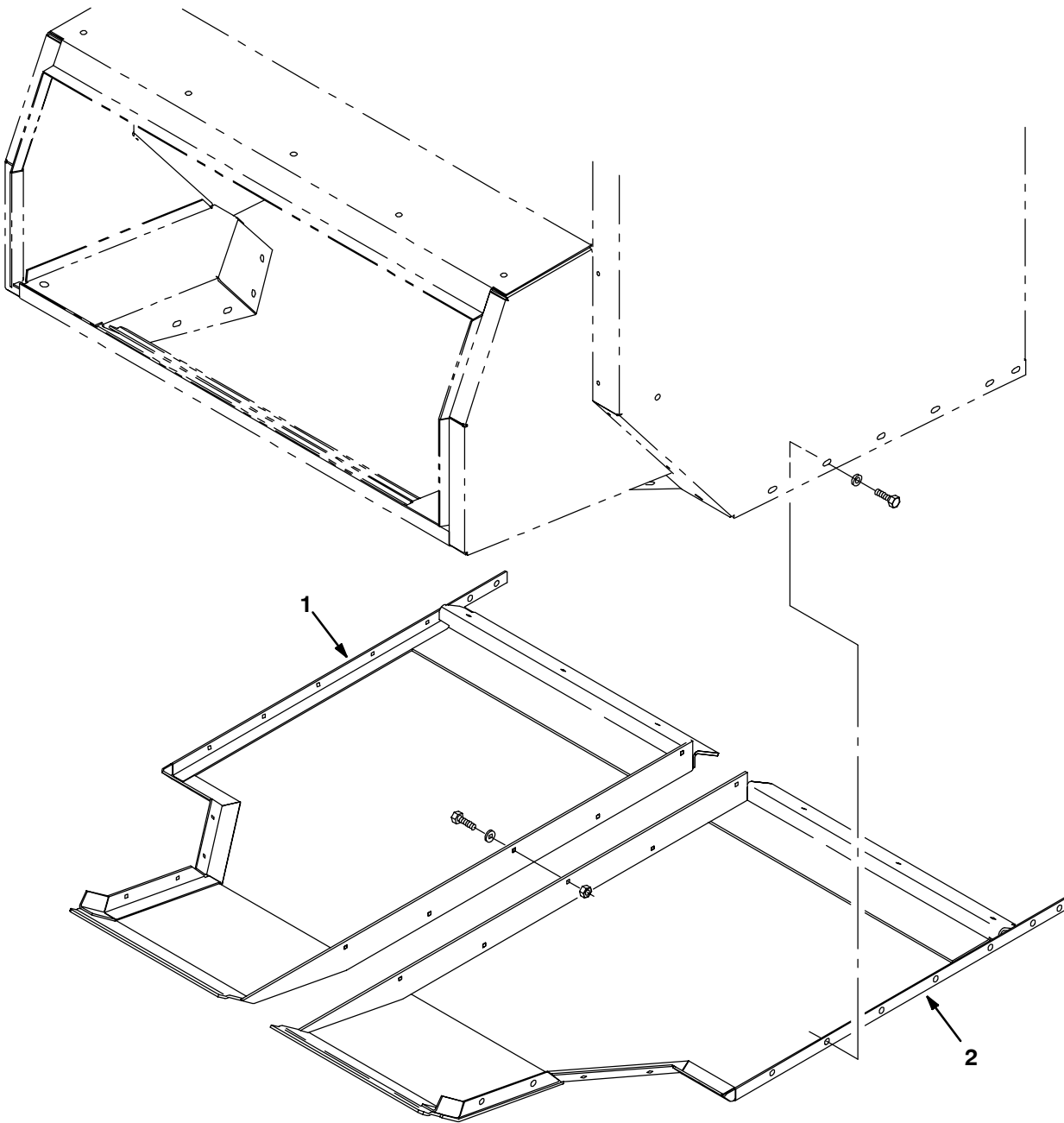


Fig. 9 - Overhead Guard Kit

	Ref.	Part No.	Serial Number	Description	Qty.
▽		70669	(003000-) Guard Kit, Overhead	1
▲	1	65258	(003000-) Guard Wldt, Overhead	1
▲	2	70454	(003000-) Bracket, Mtg, Ohg	1
▲	3	74007	(003000-) Foam, Insulation	1
▲	4	33806	(003000-) Plugbutton	6

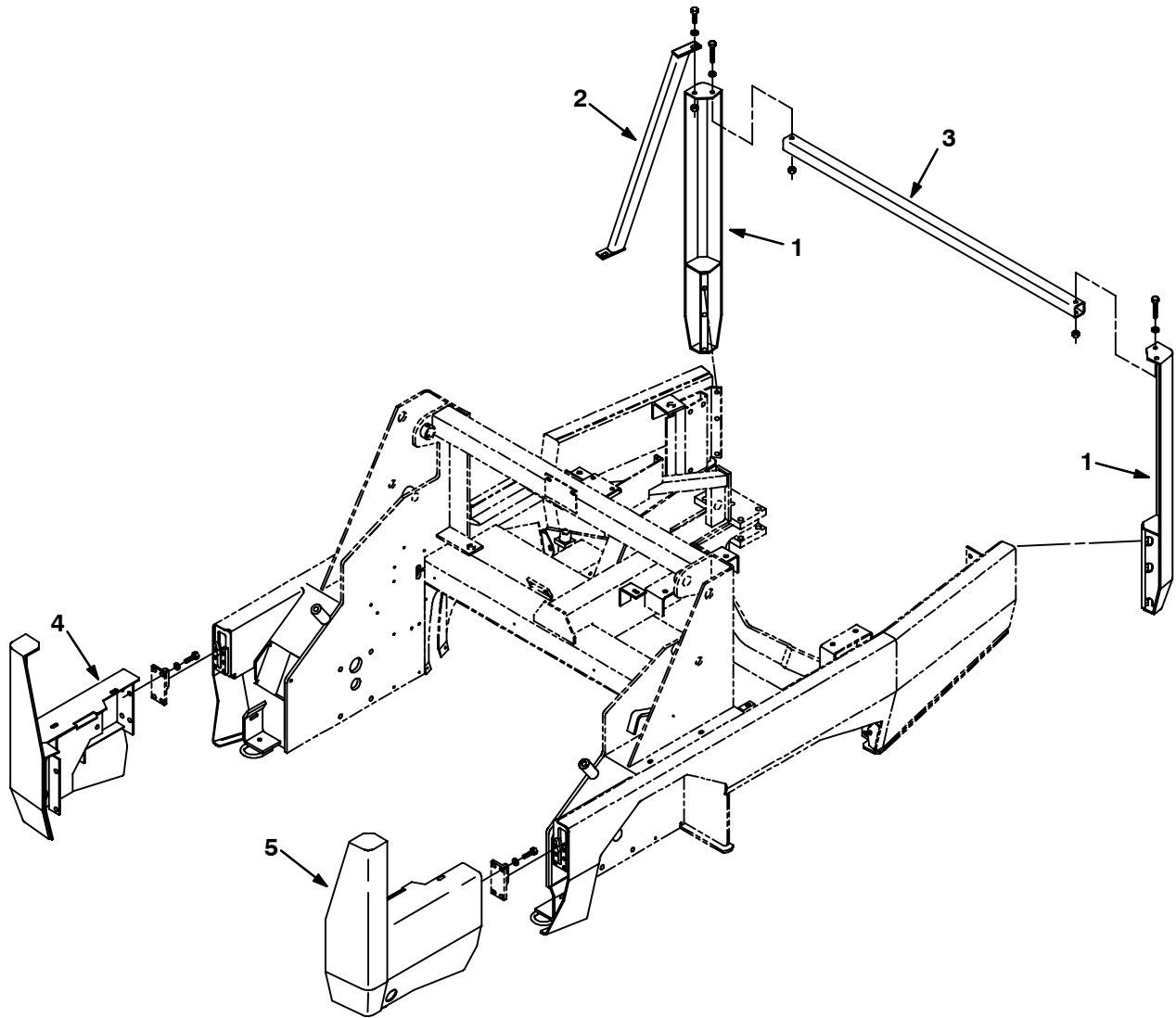
Fig. 10 - Hopper Floor Kit



07670 - 810

Ref.	Part No.	Serial Number	Description	Qty.
▽	73800	(003000-) Hopper Floor Kit, St Stl 810	1
▲	1 77612	(003000-) Panel Wldt, Hopper, Floor, RH	1
▲	2 77614	(003000-) Panel Wldt, Hopper, Floor, LH	1

Fig. 11 - Bumper Assembly, SE



09909 - ALL

Ref.	Part No.	Serial Number	Description	Qty.
▽	83557	(003000-) Bumper Assy, Se	1
▲	1 70802	(003000-) Leg Wldt, Bumper, Se	2
▲	2 70793	(003000-) Brace Wldt, Bumper, Se	1
▲	3 70815	(003000-) Tube, Cross, Bumper, Se	1
▲	4 83626	(003000-) Bumper Wldt, Se, Rh, Front	1
▲	5 83627	(003000-) Bumper Wldt, Se, Lh, Front	1

Fig. 12 - Brush Lift Group, Side, L.H.

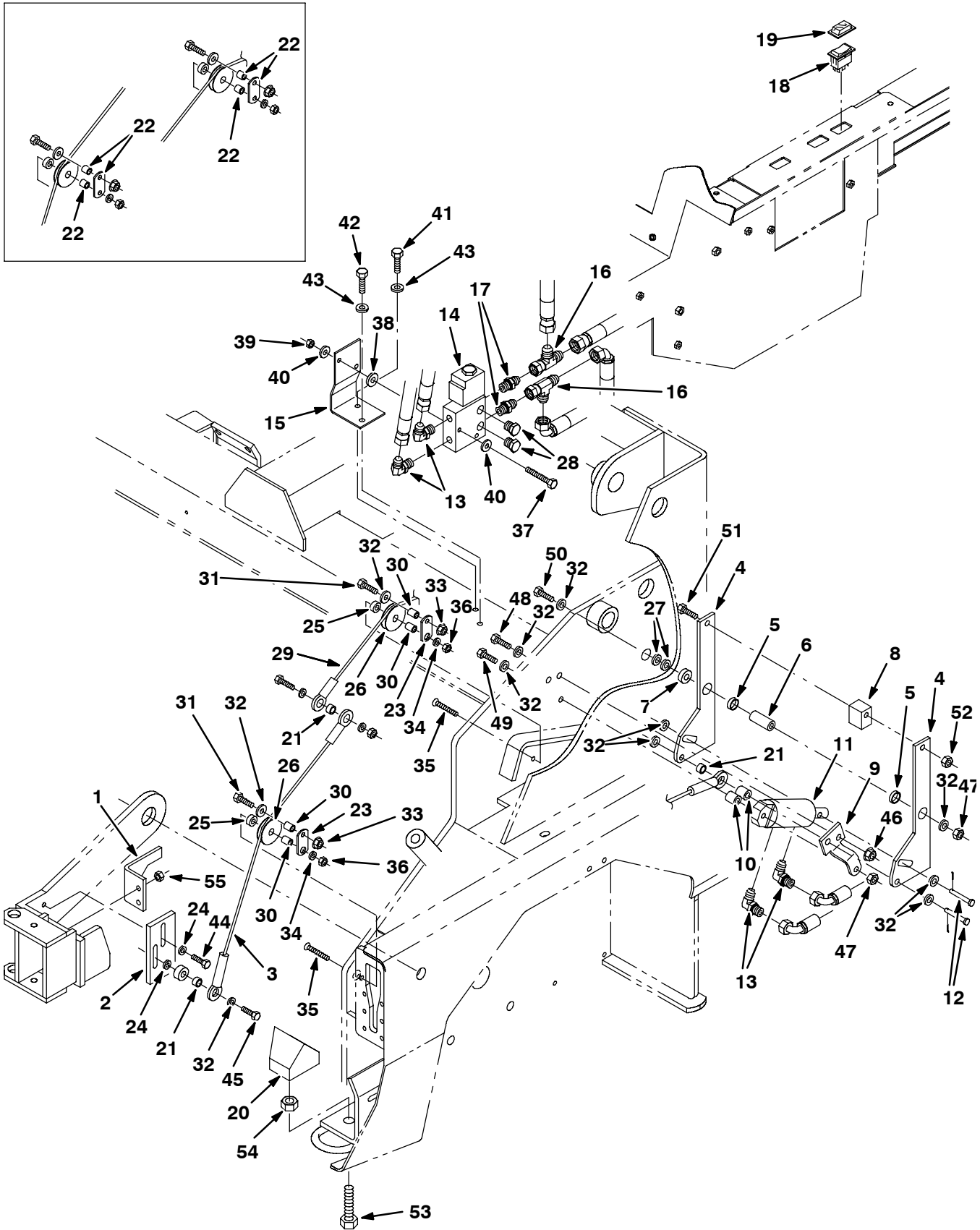


Fig. 12 - Brush Lift Group, Side, L.H.

Ref.	Part No.	Serial Number	Description	Qty.
1	77458	(003000-) Bracket, Angle	1
2	77569	(003000-) Plate Wldt	1
3	23936	(003000-) Cable, Retaining, S Br	1
4	77584	(003000-) Plate	2
5	74090	(003000-) Bearing	2
6	77597	(003000-) Sleeve, 0.406B 0.75D1.80 Stl	1
7	77727	(003000-) Sleeve .438B 1.00D .35Stl	1
8	77459	(003000-) Spacer	1
9	77783	(003000-) Plate, Angle	1
10	77600	(003000-) Sleeve, 0.406B .750D .800Stl	2
11	1041034	(003000-) Cylinder, Hyd, 1.5b 06.3l 01.50strk 2500	1
12	51813	(003000-) Pin,Clevis,0.37 Dia.X 2.12 Lg	2
13	77097	(003000-) Ftg-Hyd E90 Jm04/Om04	4
14	84016	(003000-005041) Valve, Hyd, Solenoid (See Breakdowns)	1
14	1049211	(005042-) Valve, Cntrl, Hyd, Solenoid, 12vdc 06gpm (See Break-downs)	1
15	21231	(003000-) Bracket, Side Brush, Valve	1
16	42215	(003000-) Fitting, Hyd, Tee, Jf06/Jm06/Jm06, Run	2
17	56690	(003000-) Ftg-Hyd Str Jm06/Om06	2
18	65561	(003000-) Switch Rocker Spst	1
19	57807	(003000-) Cover, Rocker Switch Seal	1
20	77738	(003000-) Block	1
21	65174	(003000-) Spacer	3
22	375416	(003000- xxxxxx) Replacement Kit, Roller, Side Brush Lift	1
23	375415	(xxxxxx-) Plate, Side Brush, Roller	2
24	41186	(003000-) Washer-Belleville .31 Pltd	2
25	73737	(003000-) Sleeve, .375B .75D .32 Stl	2
26	74391	(003000-) Pulley - Cable, 1.5 Dia	2
27	32492	(003000-) Flat Washer, 3/8" Hard	2
28	46482	(003000-) Ftg-Hyd Plg Om06	2
29	70532	(003000-) Cable, Side Brush, Lift	1
30	80395	(xxxxxx-) Sleeve	4
31	76570	(xxxxxx-) Screw, Hex m08	2
32	32492	(xxxxxx-) Washer, Flat	12
33	07791	(xxxxxx-) Nut, Hex, Flange	2
34	33924	(xxxxxx-) Washer, Flat m10	2
35	09028	(xxxxxx-) Screw, Hex m10	2
36	32715	(xxxxxx-) Nut, Hex Lock m10	2
37	06548	(003000-) Screw, Hex, M6 X 1.0 X 60, 8.8	2
38	63416	(003000-) Washer, Rbr, .12 0.31b 0.88d	2
39	08708	(003000-) Nut, Hex, Lock, M6 X 1.0, NI	2
40	19066	(003000-) Washer, Flat, #10	4
41	16931	(003000-) Screw, Hex, M8 X 1.25 X 20, 8.8	1
42	76570	(003000-) Screw, Hex, M8 X 1.25 X 30, 8.8	1
43	32491	(003000-) Washer, Flat, 0.31 Std	2
44	09010	(003000-) Screw, Hex, M8 X 1.25 X 25, Ss	2
45	39283	(003000-) Screw, Hex, M10 X 1.5 X 25, 8.8	2
46	07792	(003000-) Nut, Hex, Flng, M10 X 1.5	2
47	41430	(003000-) Nut, Hex, Lock, M10 X 1.5, NI	2
48	39284	(003000-) Screw, Hex, M10 X 1.5 X 35, 8.8	2

Fig. 12 - Brush Lift Group, Side, L.H.

Ref.	Part No.	Serial Number	Description	Qty.
49	06965	(003000-) Screw, Hex, M10 X 1.5 X 80, 8.8	1
50	03193	(003000-) Screw, Hex, M10 X 1.5 X 90, 8.8	1
51	06957	(003000-) Screw, Hex, M8 X 1.25 X 60, 8.8	1
52	08709	(003000-) Nut, Hex, Lock, M8 X 1.25, NI	1
53	77752	(003000-) Screw, Hex, M16 X 2.0 X 70, 8.8, FI	1
54	33342	(003000-) Nut, Hex, Lock, M16 X 2.0, NI	1
55	39311	(003000-) Nut, Hex, Std, M8 X 1.25	1

Fig. 13 - Brush Group, Side, L.H.

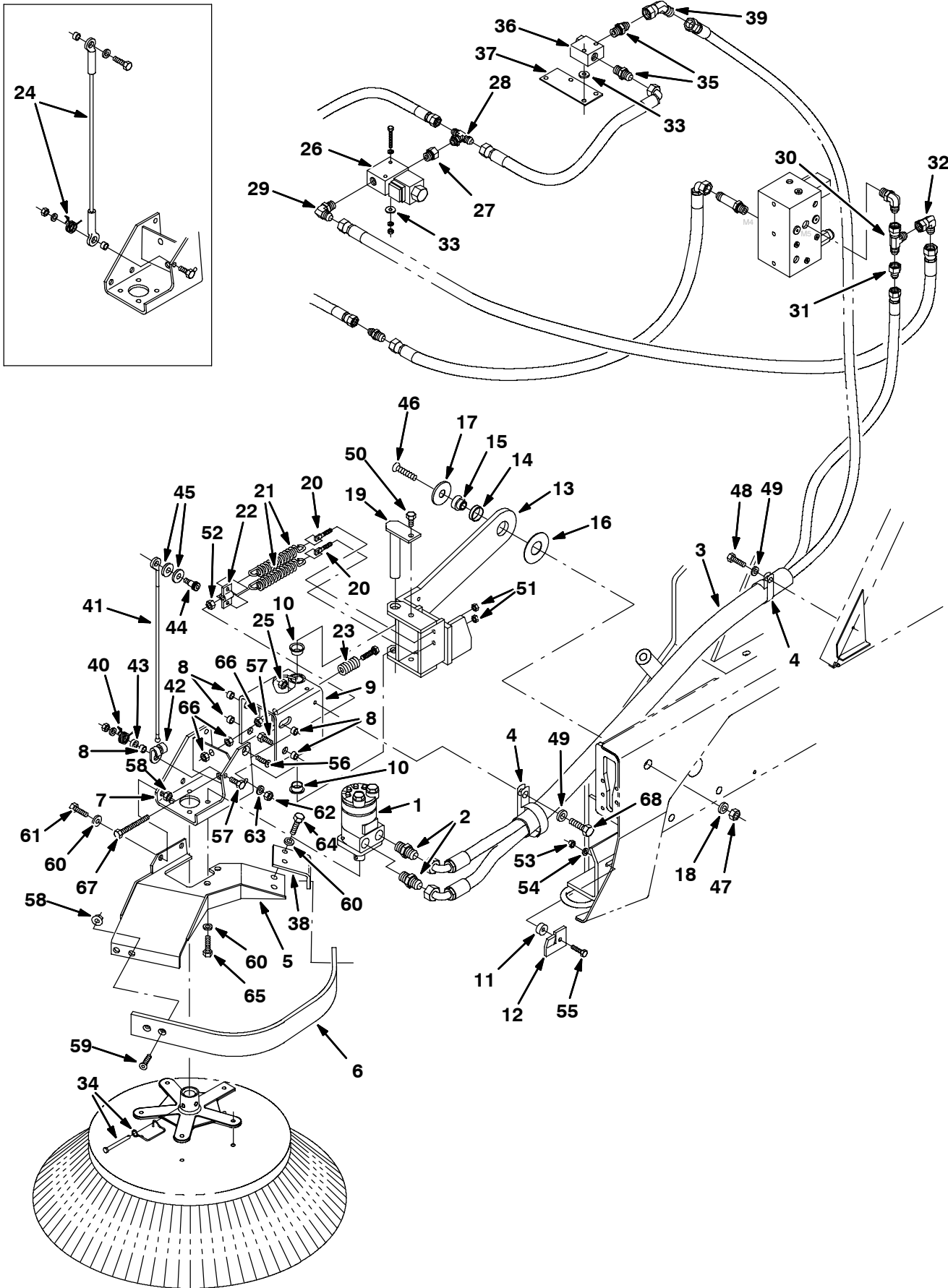


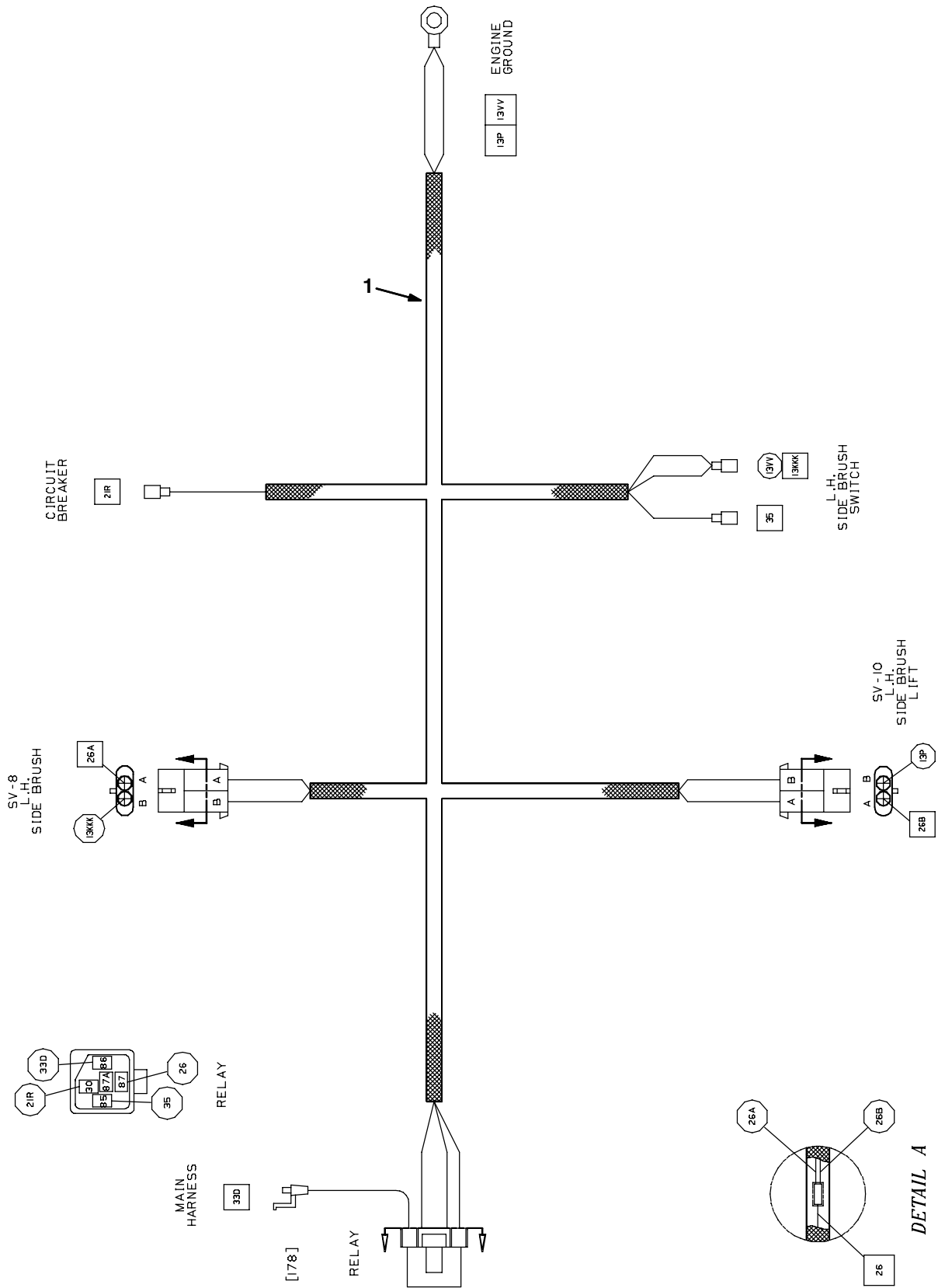
Fig. 13 - Brush Group, Side, L.H.

Ref.	Part No.	Serial Number	Description	Qty.
1	79781	(003000-) Motor, Hyd Gear In 17.9 B 1500 (See Breakdowns)	1
2	47508	(003000-) Ftg-Hyd StrJm06/Om10	2
3	76461	(003000-) Sleeve, Nylon #27 55.OI	1
4	67366	(003000-) Clamp, Cable, Stl, 1.0x2.0x0.62w, 1hole	2
5	21250	(003000-) Guard Wldt, Sidebrush	1
6	21252	(003000-) Guard, Side Brush	1
7	75142	(003000-) Bracket, Mounting, Motor	1
8	65174	(003000-) Spacer	5
9	75099	(003000-) Bracket Wldt, Pivot	1
10	04761	(003000-) Bearing, Flange .875 Bore	2
11	74059	(003000-) Spacer	1
12	75899	(003000-) Bracket, Angle	1
13	75117	(003000-) Bracket Wldt, Lift	1
14	70627	(003000-) Bearing	1
15	70526	(003000-) Shaft, Pivot	1
16	70524	(003000-) Washer, 1.300B 3.000	1
17	70525	(003000-) Spacer	1
18	36328	(003000-) Washer-Belleville .50 Pltd	1
19	70431	(003000-) Pin	1
20	70626	(003000-) Bolt-Eye M8-1.25	2
21	65160	(003000-) Spring, Extension	2
22	65173	(003000-) Bracket, Spring	1
23	65180	(003000-) Spring, Comp	1
24	375417	(003000- xxxxxx) Replacement Kit, Side Brush Cable, Lh	1
25	07790	(003000-) Nut, Hex, Flng, M6 X 1.00	1
26	84015	(003000-005041) Valve-Hyd, Solenoid (See Breakdowns)	1
26	1049210	(005042-) Valve, Cntrl, Hyd, Solenoid, 12vdc 12gpm (See Break-downs)	1
27	47637	(003000-) Ftg-Hyd Str Om08/Of06	1
28	67683	(003000-) Ftg-Hyd Tee Jm06/Omjm	1
29	44868	(003000-) Ftg-Hyd E90 Jm08/Om08	1
30	45482	(003000-) Ftg-Hyd Tee Jm08/Jmjf	1
31	47753	(003000-) Ftg-Hyd Str Jm06/Jf08	1
32	17980	(003000-) Ftg-Hyd E90 Jm08/Jf08	1
33	63416	(003000-) Washer, .310B .88D .12Rbr	4
34	84581	(003000-) Pin Assy, .312X3.0 W/Lanyard	1
35	56690	(003000-) Ftg-Hyd Str Jm06/Om06	2
36	79621	(003000-) Check Valve, 100 Psi	1
37	79622	(003000-) Plate, Mtg, Check Valve	1
38	21251	(003000-) Plate, Angle	1
39	16472	(003000-) Fitting - 45	1
40	375403	(003000-) Spring, Torsion	1
41	375401	(xxxxxx-) Cable	1
42	1017898	(xxxxxx-) Hook, Cable, .44d Ball	1
43	375404	(xxxxxx-) Spacer	1
44	36758	(xxxxxx-) Bolt, Shld, .50d X 0.50, .38-16	1
45	32486	(xxxxxx-) Washer, Flat	2
46	20192	(003000-) Screw, Flt, .50-13 X 2.00, Al	1
47	32985	(003000-) Nut, Hex, Lock, .50-13, NI	1
48	12459	(003000-) Screw, Hex, M6 X 1.0 X 20, Fmg	1
49	41185	(003000-) Washer, Belleville, .25	2
50	09291	(003000-) Screw, Hex, M10 X 1.5 X 20, Ss	1

Fig. 13 - Brush Group, Side, L.H.

Ref.	Part No.	Serial Number	Description	Qty.
51	39311	(003000-) Nut, Hex, Std, M8 X 1.25	2
52	39312	(003000-) Nut, Hex, Std, M10 X 1.5	1
53	08709	(003000-) Nut, Hex, Lock, M8 X 1.25, NI	1
54	32496	(003000-) Screw, Pan, #10-24 X 0.50, Fmg	1
55	41342	(003000-) Screw, Hex, M8 X 1.25 X 40, 8.8	1
56	06535	(003000-) Screw, Flt, M10 X 1.5 X 35, 10.9	1
57	39284	(003000-) Screw, Hex, M10 X 1.5 X 35, 8.8	3
58	07792	(003000-) Nut, Hex, Flng, M10 X 1.5	8
59	09081	(003000-) Screw, Flt, M10 X 1.5 X 25, 10.9	4
60	32485	(003000-) Washer, Flat, 0.38 Sae	9
61	39283	(003000-) Screw, Hex, M10 X 1.5 X 25, 8.8	2
62	41430	(003000-) Nut, Hex, Lock, M10 X 1.5, NI	4
63	32492	(003000-) Washer, Flat, 0.38 Std	7
64	09770	(003000-) Screw, Hex, M10 X 1.5 X 25, Ss, NI	4
65	34195	(003000-) Screw, Hex, .38-16 X 1.00, NI	4
66	07787	(003000-) Nut, Hex, Std, M10 X 1.5, Ss	3
67	76438	(003000-) Screw, Hex, M10 X 1.5 X 90, 8.8, FI	1
68	06944	(003000-) Screw, Hex, M6 X 1.0 X 25, 8.8	1

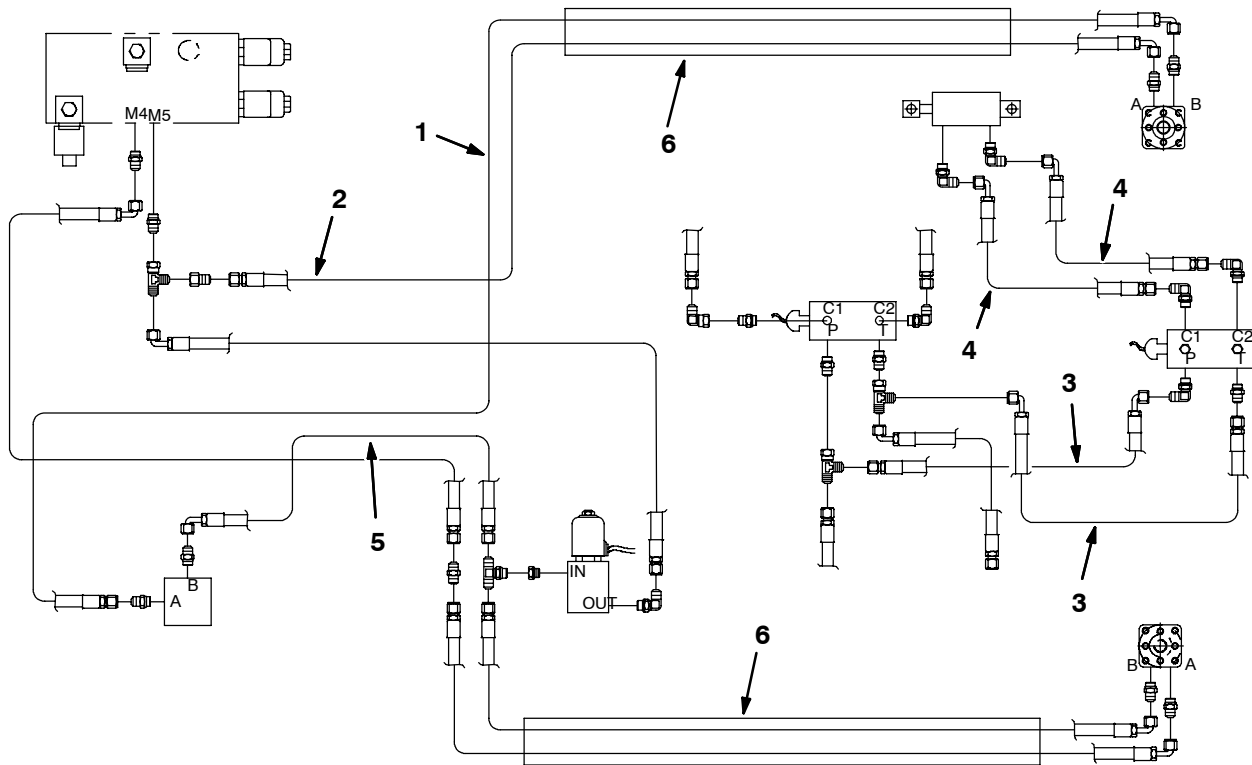
Fig. 14 - Brush Wire Harness Group, Side, L.H.



10501 - ALL

Ref.	Part No.	Serial Number	Description	Qty.
1	83699	(003000-) Harness, Side Brush, L.H.	1

Fig. 15 - Brush Hydraulic Hose Group, Side, L.H.



08765 - 810

Ref.	Part No.	Serial Number	Description	Qty.
1	76684	(003000-) Hose-Hyd Med 06	1
2	65194	(003000-) Hose-Hyd Med 06	1
3	78998	(003000-) Hose-Hyd Med 06	2
4	57963	(003000-) Hose-Hyd Med 04	2
5	01999	(003000-) Hose-Hyd Med 06	1
6	76461	(003000-) Sleeve, Nyl, #27 55.0l	2

Fig. 16 - Brush Light Kit, Side

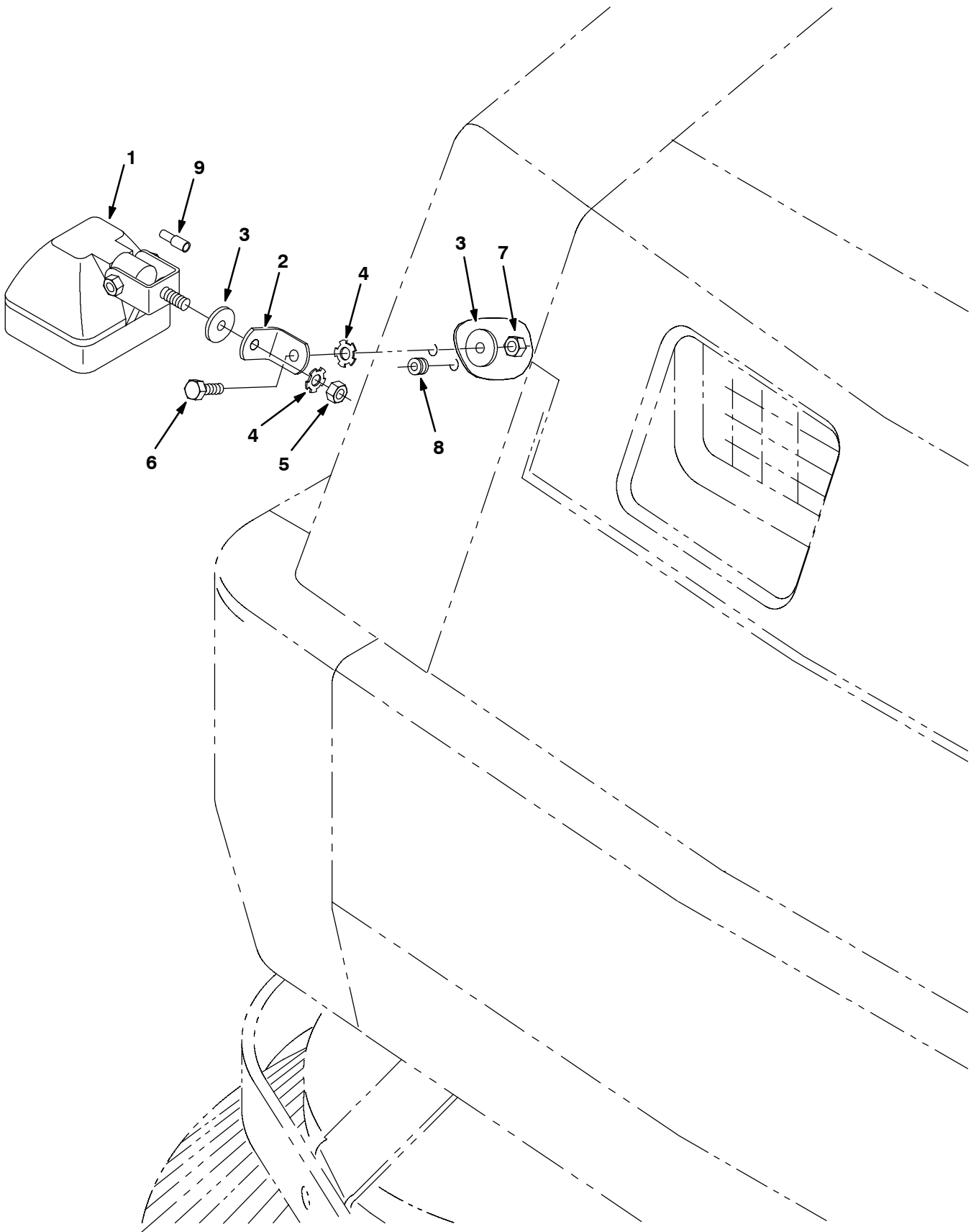


Fig. 16 - Brush Light Kit, Side

	Ref.	Part No.	Serial Number	Description	Qty.
▽		70699	(003000-) Light Kit, Side Brush	1
▲▽	1	382979	(003000-) Light, Spot, 12VDC 55w	1
▲▲		393770	(003000-) Lamp, 12VDC 55w	1
▲	2	76385	(003000-) Bracket, Angle	1
▲	3	30013	(003000-) Washer, Flat, 0.31 Fender	1
▲	4	41141	(003000-) Washer-Loc Int-Ext .31 Pltd	2
▲	5	32960	(003000-) Nut, Hex, Lock, .31-24, NI	1
▲	6	16931	(003000-) Screw, Hex, M08 X 1.25 X 20, 8.8	1
▲	7	08709	(003000-) Nut, Hex, Lock, M08 X 1.25,NI	1
▲	8	10632-5	(003000-) Grommet Rbr 0.25ld For .09Matl	1
▲	9	32668	(003000-) Connector, Ele, Plug, Femal, .156d	1

Fig. 17 - Cab Kit

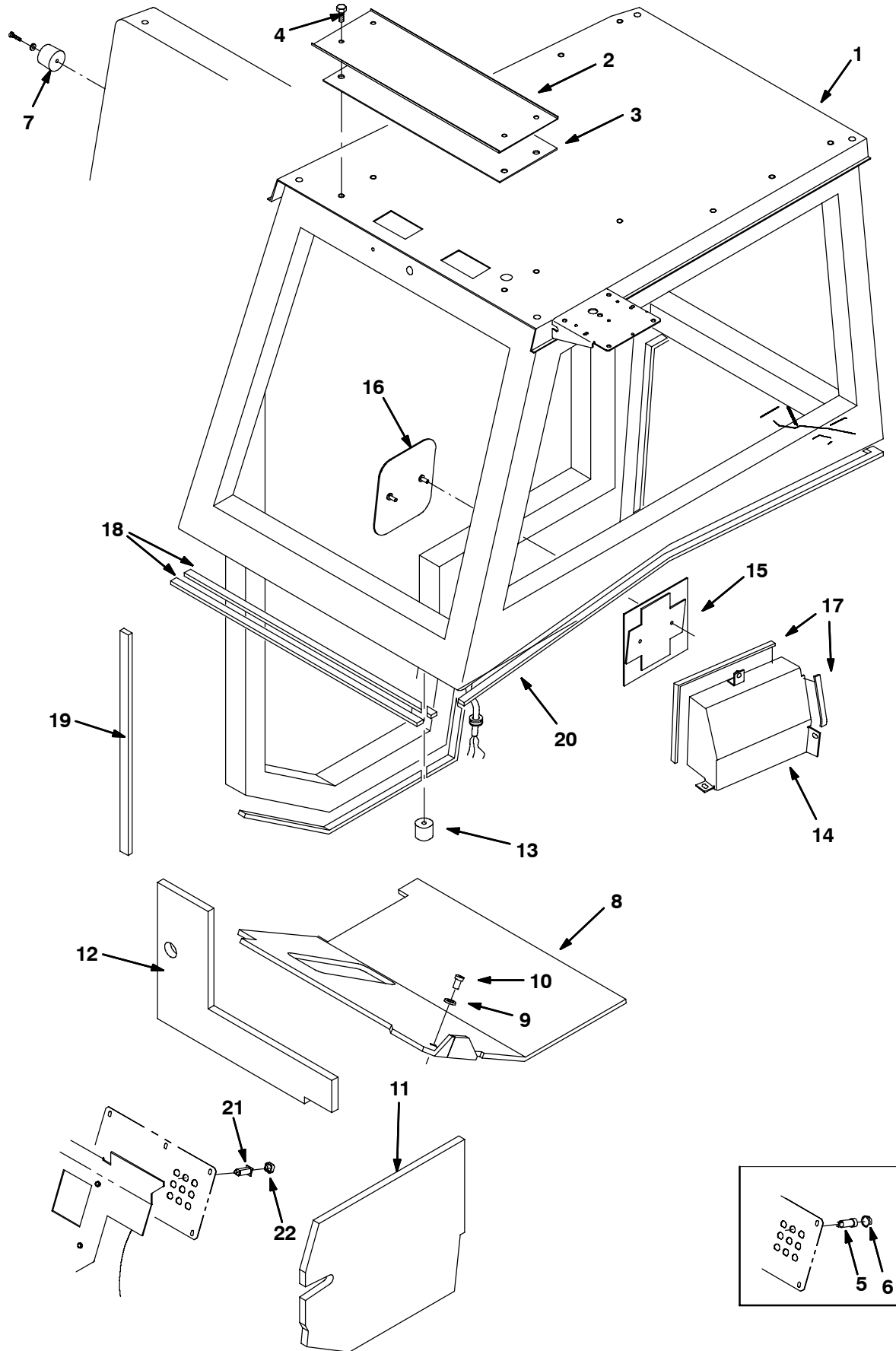


Fig. 17 - Cab Kit

NOTE: The Cab kit, TENNANT Part Number 380601 is for gas machines and includes Fig. 17, Fig. 18, and Fig. 19.

NOTE: The Cab kit, TENNANT Part Number 380604 is for Lpg machines and includes Fig. 17, Fig. 18, and Fig. 19.

Ref.	Part No.	Serial Number	Description	Qty.
1	380602	(003000-) Cab Assembly Operator (See Breakdowns)	1
2	380634	(003000-) Cover, Cab Pressurizer	1
3	380635	(003000-) Gasket, Cab Pressurizer	1
4	74455	(003000-) Scr-Hxfmgm 6x1.0 12 Pltd	4
5	57803	(003000-005036) Breaker-Circuit, 15 Resetable	1
6	57751	(003000-005036) Boot, Circuit Breaker	1
7	44851	(003000-) Bumper, Rubber	1
8	76522	(003000-) Tread, Rubber	1
9	41178	(003000-) Washer-Flt .25 Fender	1
10	21246	(003000-) Rivet, Plastic	1
11	77652	(003000-) Insulation, Acstc, Side, Lower, .8t	1
12	76516	(003000-) Insulation, Acstc, Front, Lower	1
13	383185	(003000-) Latch Assy, Rbr, 1.6d 1.4l/1.0d 1.0l	1
14	70620	(003000-) Cover Wldt, Fuel Inlet	1
15	70785	(003000-) Plate Wldt, Inlet, Fuel (LPG Only)	1
16	70788	(003000-) Cover Wldt, Inlet, Fuel (LPG Only)	1
17	79011	(003000-) Seal, Urethane	1
18	374760	(003000-) Seal, Urethane	1
19	374761	(003000-) Seal, Urethane	1
20	374762	(003000-) Seal, Urethane	1
21	1045858	(005037-) Circuitbreaker, 15A, Resetable	1
22	1046173	(005037-) Boot, Circuitbreaker	1

Fig. 18 - Cab Mirror Kit

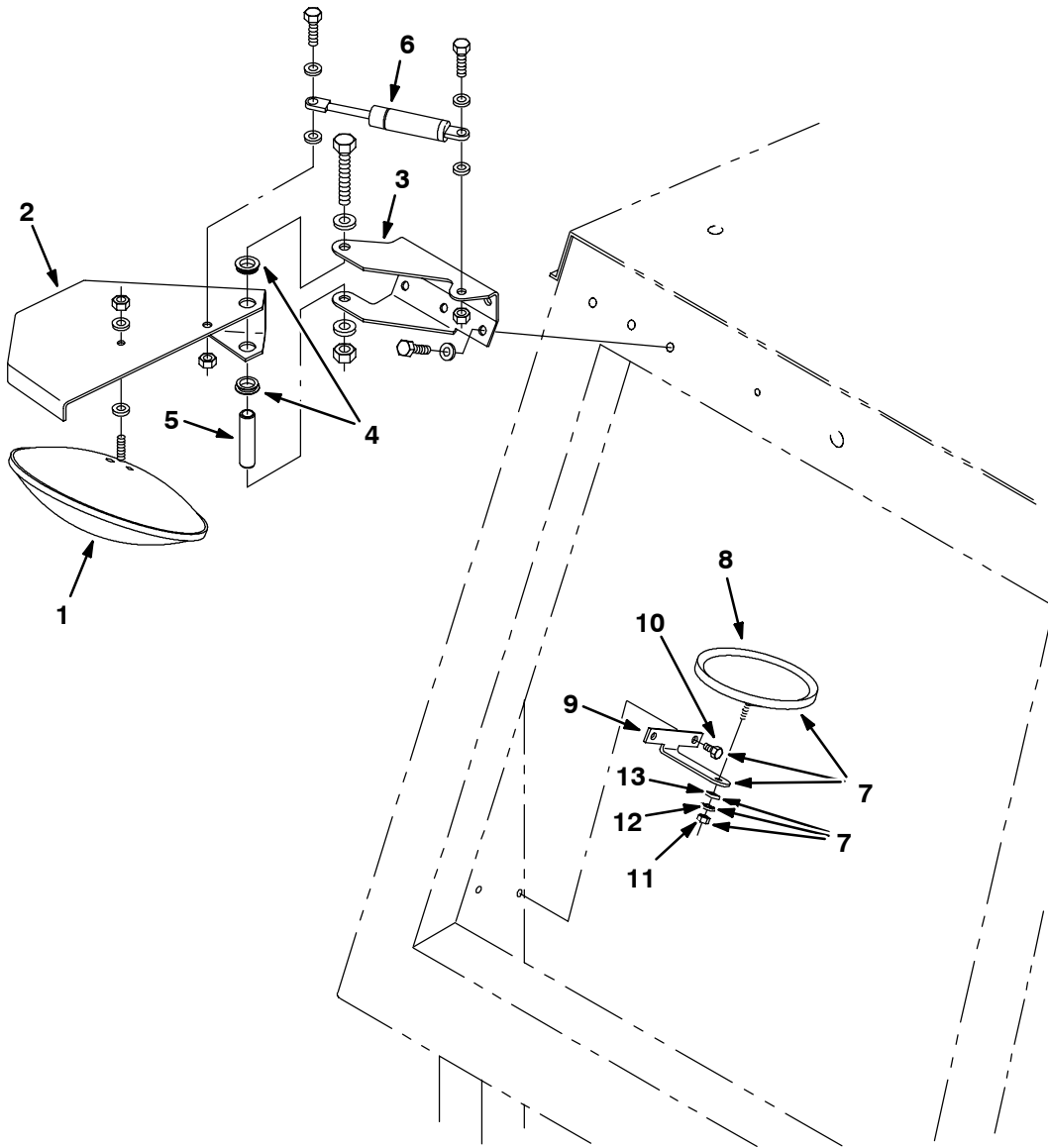


Fig. 18 - Cab Mirror Kit

NOTE: The Cab kit, TENNANT Part Number 380601 is for gas machines and includes Fig. 17, Fig. 18, and Fig. 19.

NOTE: The Cab kit, TENNANT Part Number 380604 is for Lpg machines and includes Fig. 17, Fig. 18, and Fig. 19.

	Ref.	Part No.	Serial Number	Description	Qty.
▽		76898	(003000-) Mirror Kit, Side Brush	1
▲	1	68445	(003000-) Mirror,8.0 Round,Convex	1
▲	2	75881	(003000-) Guard, Mirror	1
▲	3	75880	(003000-) Bracket, Mounting, Mirror	1
▲	4	41434	(003000-) Bshg,Flange,0.62Bx0.68Od,Nylon	2
▲	5	70761	(003000-) Tube, 0.62D .44B 2.44, Stl	1
▲	6	12549	(003000-) Spring, Gas 80 Lb	1
▲▽	7	369786	(003000-) Mirror Assembly	1
▲▲	8	1050295	(003000-) Mirror, Convex, 0.50d	1
▲▲	9	49032	(003000-) Bracket, Mtg, Mirror	1
▲▲	10	74455	(003000-) Screw, Hex m06	2
▲▲	11	01691	(003000-) Nut, Hex, Std, .31-18, Ss	1
▲▲	12	43952	(003000-) Washer, Lock, Int, 0.31 Ss	1
▲▲	13	01685	(003000-) Washer, Flat, 0.31 Ss	1

Fig. 19 - Cab Seals Group

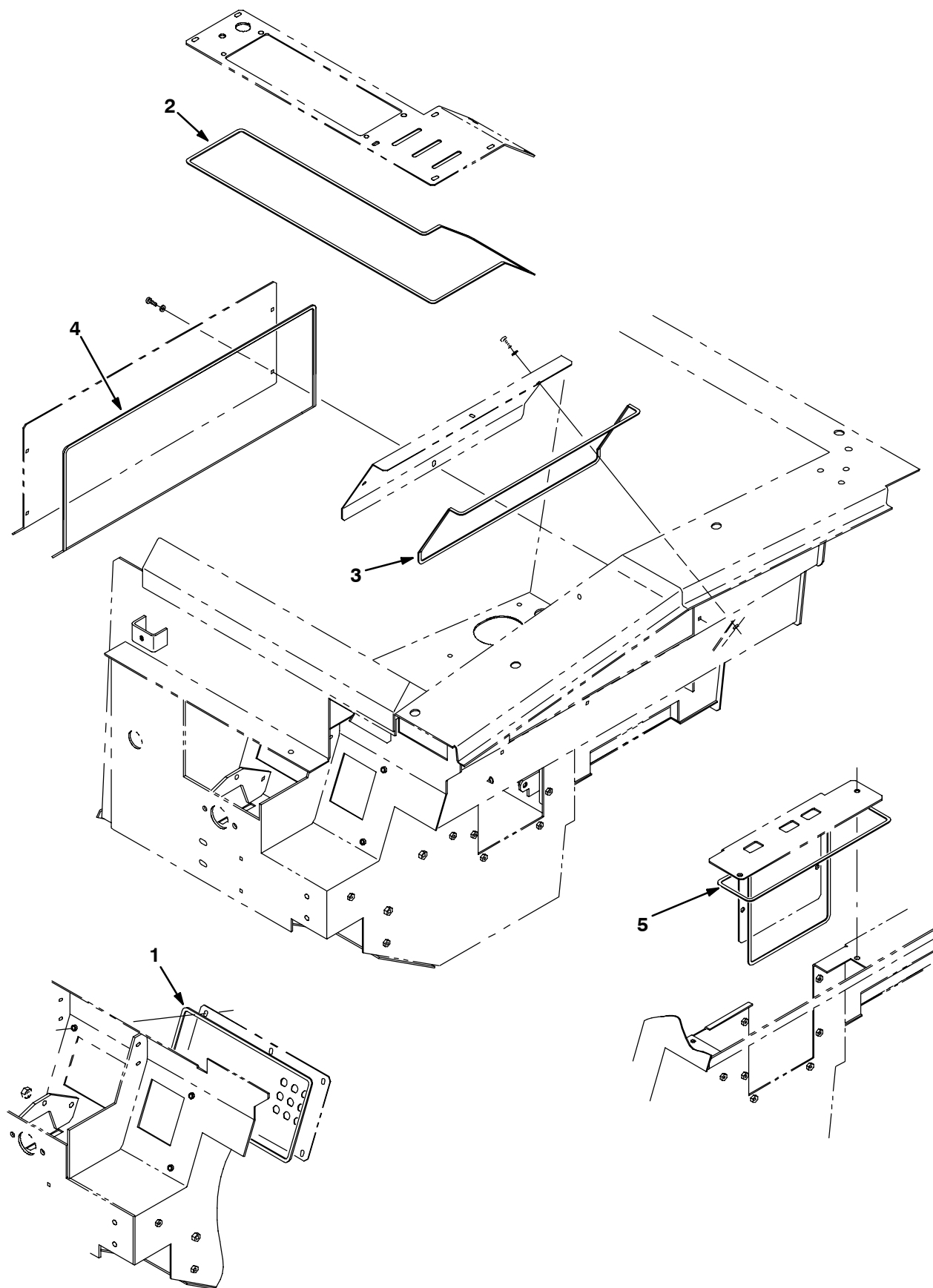


Fig. 19 - Cab Seals Group

NOTE: The Cab kit, TENNANT Part Number 380601 is for gas machines and includes Fig. 17, Fig. 18, and Fig. 19.

NOTE: The Cab kit, TENNANT Part Number 380604 is for Lpg machines and includes Fig. 17, Fig. 18, and Fig. 19.

Ref.	Part No.	Serial Number	Description	Qty.
1	1021969	(003000-) Seal, Foam, .06t .25w 42.0l	1
2	1021968	(003000-) Seal, Foam, .06t .25w 84.0l	1
3	1021937	(003000-) Seal, Foam, .06t .25w 54.0l	1
4	1021966	(003000-) Seal, Foam, .06t .25w 76.0l	1
5	1021951	(003000-) Seal, Foam, .06t .25w 34.0l	1

Fig. 20 - Cab AC and Heater Box Group, Ford

NOTE: AC/Heater kit, TENNANT Part Number 380574 includes Fig. 20, Fig. 21, and Fig. 22.

	Ref.	Part No.	Serial Number	Description	Qty.
▽		380576	(003000-003178)	Heater & A/C, W/ Fan, Roof	1
▲	1	380613	(003000-003178)	Box Assy, Heater, A/C (See Breakdowns)	1
▲	2	380689	(003000-003178)	Filter, Panel, Heat-A/C	1
▲	3	380625	(003000-003178)	Condenser, A/C, Roof (See Breakdowns)	1
▲	4	380630	(003000-003178)	Gauge, Sight, A/C	1
▲	5	380684	(003000-003178)	Hose, A/C, 06 09.0l	1
▲	6	380615	(003000-003178)	Fitting, Elbow	2
▲	7	380663	(003000-003178)	Label, Opertnl, Pull Heat	1
▲	8	380673	(003000-003178)	Label, Caution	1
▲	9	380617	(003000-003178)	Louver, Adj, Heat-A/C	2
▲	10	380619	(003000-003178)	Switch, 3 Pos, Blower, Heat	1
▲	11	380661	(003000-003178)	Knob, Rnd, Control, Heat-A/C	2
▲	12	380662	(003000-003178)	Label, Opertnl, Fan, Hi/Med/Low	1
▲	13	380690	(003000-003178)	Plate, Mtg, Switch, A/C	1
▲	14	380624	(003000-003178)	Switch, Thermo, A/C	1
▲	15	380665	(003000-003178)	Label, Opertnl, Temp	1
▲	16	374134	(003000-003178)	Hose Assy, Drain, A/C	1
▲	17	374135	(003000-003178)	Hose Assy, Drain, A/C	1
▲	18	49266	(003000-003178)	Tie, Cable, Nyl, 07.3l .19w 1.8 Max D	10
▲	19	55248	(003000-003178)	Mount, Cable Tie	10
	20	56186	(003000-003178)	Relay, 12vdc, 40a, Spdt N/O	2
	21	374210	(003000-003178)	Circuitbreaker, 20.0a, Thermal	2
	22	77811	(003000-003178)	Grommet, Cab, Harness, Wire	1

Fig. 21 - Cab AC and Heater Hose Group, Ford

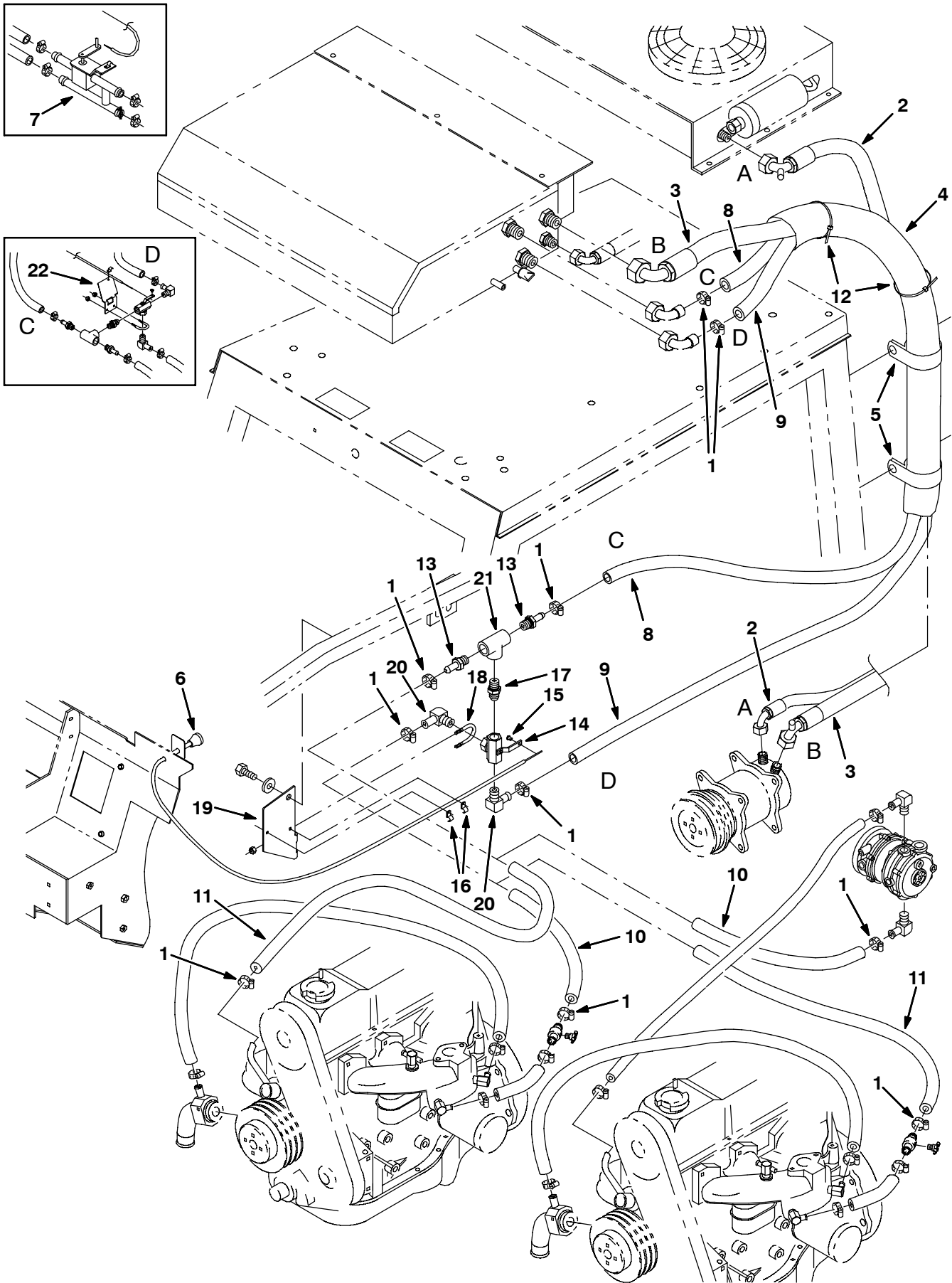


Fig. 21 - Cab AC and Heater Hose Group, Ford

NOTE: AC/Heater kit, TENNANT Part Number 380574 includes Fig. 20, Fig. 21, and Fig. 22.

Ref.	Part No.	Serial Number	Description	Qty.
1	63810	(003000-003178)	Clamp, Hose, Wormdrive, 0.56-1.06d	8
2	380685	(003000-003178)	Hose, A/C, 08 100.0l [R134]	1
3	380686	(003000-003091)	Hose, A/C, 12 107.0l [R134]	1
3	375751	(003092-003178)	Hose, A/C, 12 115.0l [R134]	1
4	375512	(003000-003178)	Sleeve, Nyl, #33 65.0l	1
5	41016	(003000-003178)	Clamp, Cable, Stl, 2.25d X 1.00w, 1h	1
6	43558A	(003000-003178)	Cable, Cntrl, Choke, 85/90l 1.4d Knob	1
7	380618	(003000-003076)	Valve, Water, Heater, H, 10bm	1
8	380621	(003000-003178)	Hose, Heater, 0.62id 80.0l	1
9	380620	(003000-003178)	Hose, Heater, 0.62id 77.0l	1
10	72979	(003000-003121)	Hose, Heater, 0.62id 20.0l	1
10	61870	(003122-003178)	Hose, Heater, 0.62id 31.0l	1
11	72978	(003000-003121)	Hose, Heater, 0.62id 13.0l	1
11	61869	(003122-003178)	Hose, Heater, 0.62id 24.0l	1
12	763116	(003000-003178)	Tie, Cable, Nyl, 15.3l . W 4.5 Max D	3
▽	375728	(003077-003178)	Valve Assy, Ball, 3 Way, Em10/Em10/Em10	1
▲	13 59901	(003077-003178)	Fitting, Brs, Str, Em10/Pm08	2
▲	14 31507	(003077-003178)	Valve, Ball, 3-way, 08pf/08pf/08pf Brs	1
▲	15 43242	(003077-003178)	Swivel	1
▲	16 1043352	(003077-003178)	Clamp, Cable, Stl, 0.18d X 0.75w, 1hole	2
▲	17 40573	(003077-003178)	Fitting, Hyd, Str, Pm08/Pm08	1
▲	18 45142	(003077-003178)	Bolt, U, .25-20 X 2.00, 1.10id	1
▲	19 374129	(003122-003178)	Bracket, Mtg, Valve, Cntrl, Heater	1
▲	20 30268	(003077-003178)	Fitting, Brs, E90, Em10/Pm08	2
▲	21 24450	(003077-003178)	Fitting, Brs, Tee, Pf08/Pf08/Pf08	1
	22 375726	(003077-003121)	Bracket, Mtg, Valve,Control, Heater	1

Fig. 22 - Cab AC Compressor Group, Ford

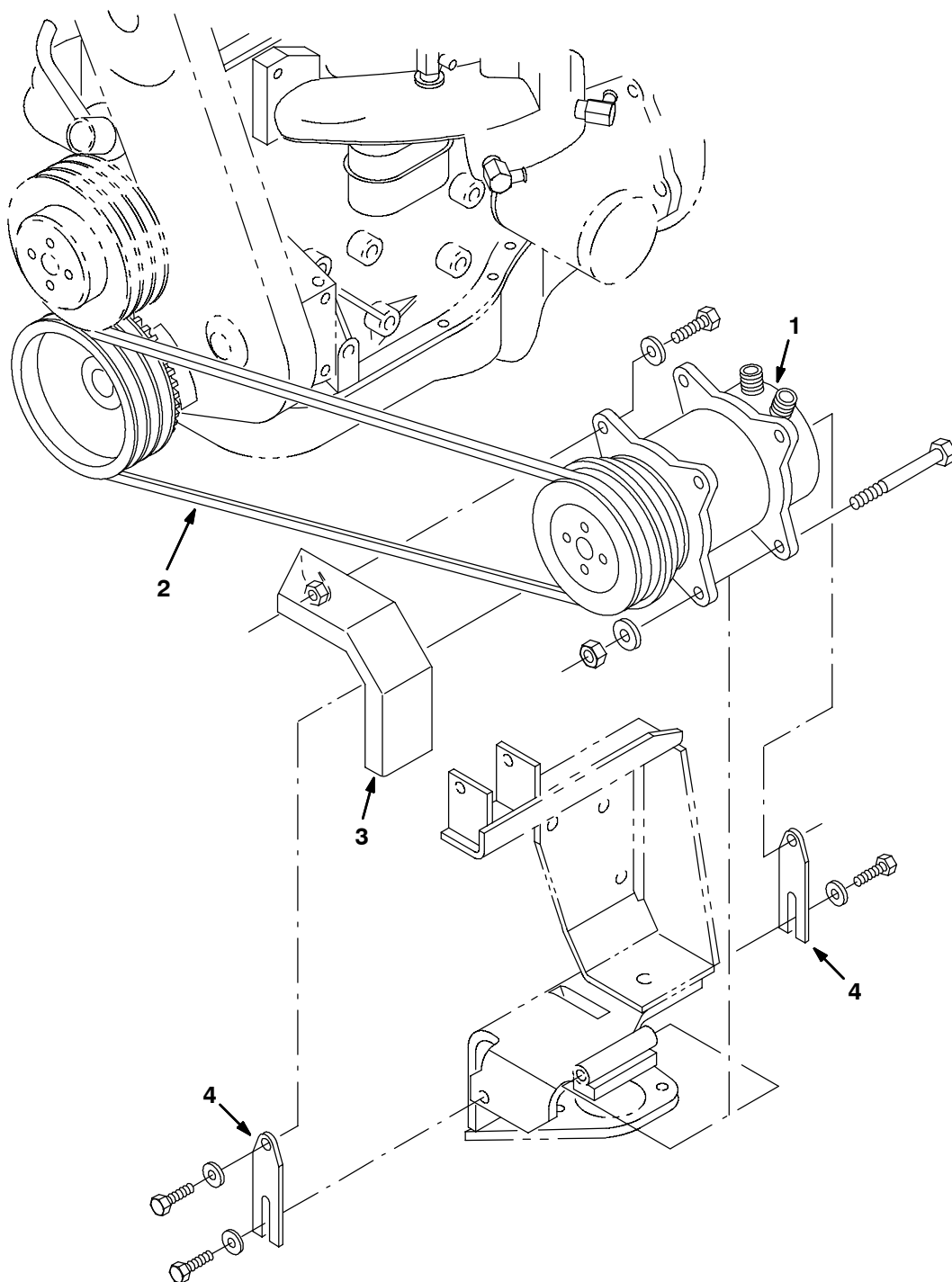


Fig. 22 - Cab AC Compressor Group, Ford

NOTE: AC/Heater kit, TENNANT Part Number 380574 includes Fig. 20, Fig. 21, and Fig. 22.

Ref.	Part No.	Serial Number	Description	Qty.
1	77674	(003000-003178)	Compressor, A/C	1
2	380676	(003000-003178)	Belt, V, Hc41 41.1L	1
2	375729	(003000-003178)	Belt, V, Hc41 40.1L	1
3	380563	(003000-003178)	Bracket, Belt, Guard, Ac	1
4	380697	(003000-003178)	Link, Tension 2.4L	2

Fig. 23 - Cab AC and Heater Box Group, GM

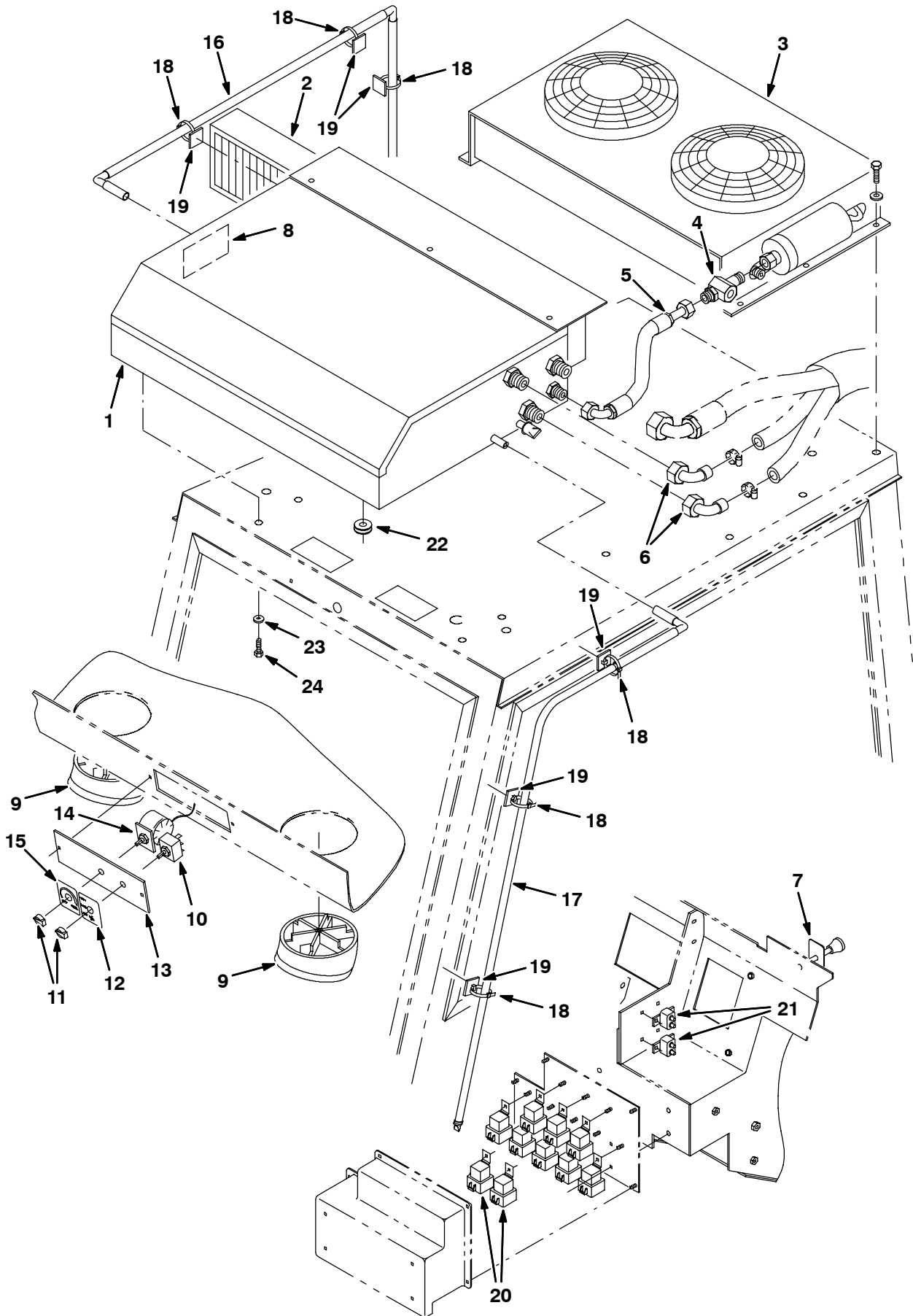


Fig. 23 - Cab AC and Heater Box Group, GM

NOTE: AC/Heater kit, TENNANT Part Number 374287 includes Fig. 23, Fig. 24, and Fig. 25.

Ref.	Part No.	Serial Number	Description	Qty.
▽	380576	(003179-) Heater & A/C, W/ Fan, Roof	1
▲	1 380613	(003179-) Box Assy, Heater, A/C (See Breakdowns)	1
▲	2 380689	(003179-) Filter, Panel, Heat-A/C	1
▲	3 380625	(003179-) Condenser, A/C, Roof (See Breakdowns)	1
▲	4 380630	(003179-) Gauge, Sight, A/C	1
▲	5 380684	(003179-) Hose, A/C, 06 09.0l	1
▲	6 380615	(003179-) Fitting, Elbow	2
▲	7 380663	(003179-) Label, Opertnl, Pull Heat	1
▲	8 380673	(003179-) Label, Caution	1
▲	9 380617	(003179-) Louver, Adj, Heat-A/C	2
▲	10 380619	(003179-) Switch, 3 Pos, Blower, Heat	1
▲	11 380661	(003179-) Knob, Rnd, Control, Heat-A/C	2
▲	12 380662	(003179-) Label, Opertnl, Fan, Hi/Med/Low	1
▲	13 380690	(003179-) Plate, Mtg, Switch, A/C	1
▲	14 380624	(003179-) Switch, Thermo, A/C	1
▲	15 380665	(003179-) Label, Opertnl, Temp	1
▲	16 374134	(003179-) Hose Assy, Drain, A/C	1
▲	17 374135	(003179-) Hose Assy, Drain, A/C	1
▲	18 49266	(003179-) Tie, Cable, Nyl, 07.3l .19w 1.8 Max D	10
▲	19 55248	(003179-) Mount, Cable Tie	10
	20 56186	(003179-) Relay, 12vdc, 40a, Spdt N/O	2
	21 374210	(003179-) Circuitbreaker, 20.0a, Thermal	2
	22 77811	(003179-) Grommet, Cab, Harness, Wire	1
	23 32490	(003179-) Washer, Flat, 0.25 Std	12
	24 12459	(003179-) Screw, Hex, M6 X 1.0 X 20, Fmg	12

Fig. 24 - Cab AC and Heater Hose Group, GM

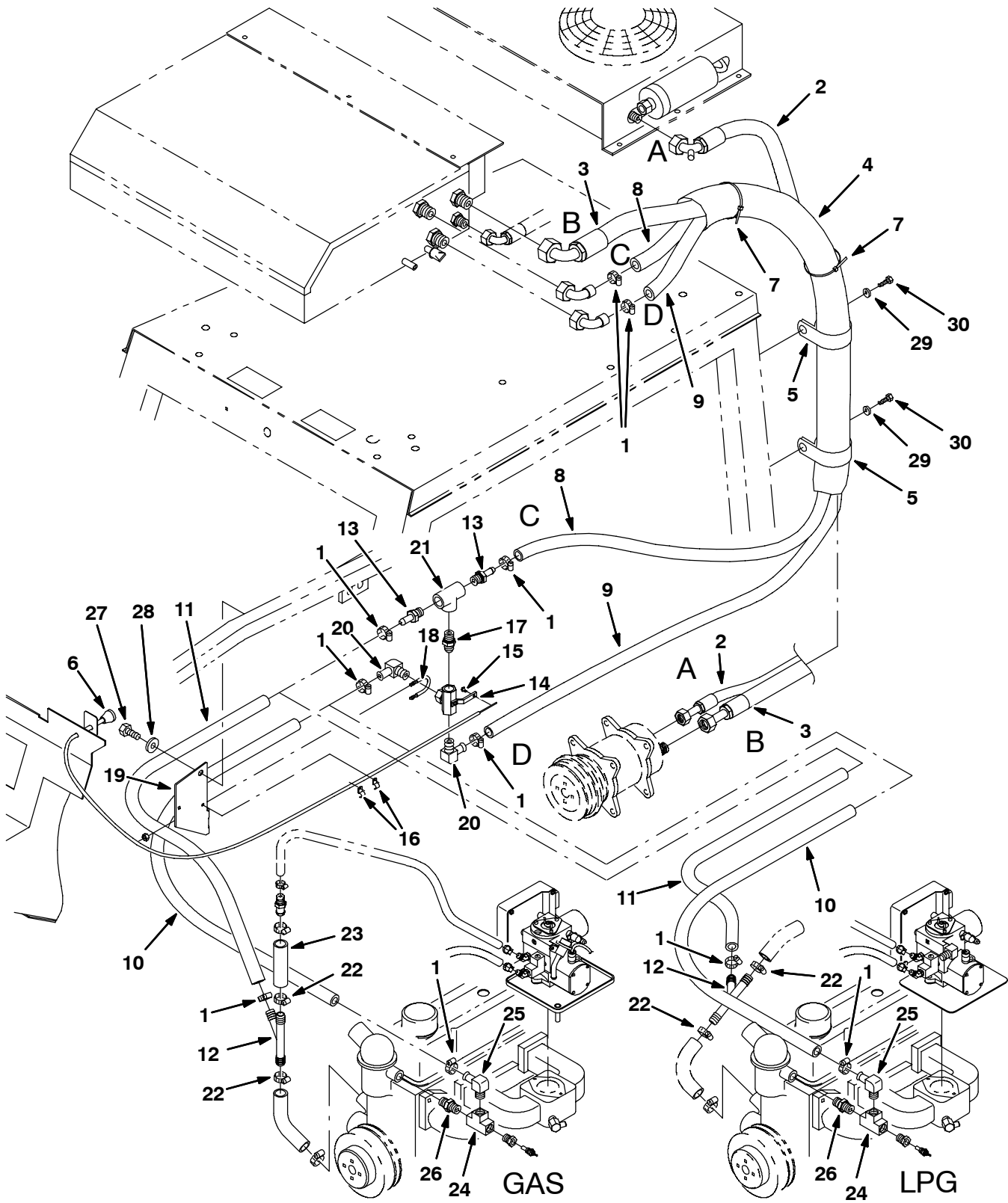


Fig. 24 - Cab AC and Heater Hose Group, GM

NOTE: AC/Heater kit, TENNANT Part Number 374287 includes Fig. 23, Fig. 24, and Fig. 25.

NOTE: AC/Heater kit, TENNANT Part Number 9002998 includes Fig. 23, Fig. 24, and .Fig. 26

Ref.	Part No.	Serial Number	Description	Qty.
1	63810	(003179-) Clamp, Hose, Wormdrive, 0.56-1.06d	8
2	1021799	(003179-) Hose, A/C, 08, Str/E90, 112.0l [R134]	1
3	1021797	(003179-) Hose, A/C, 12, Str/E90, 127.0l [R134]	1
4	375512	(003179-) Sleeve, Nyl, #33 65.0l	1
5	41016	(003179-) Clamp, Cable, Stl, 2.25d X 1.00w, 1h	1
6	43558A	(003179-) Cable, Cntrl, Choke, 85/90l 1.4d Knob	1
7	763116	(003179-) Tie, Cable, Nyl, 15.3l . W 4.5 Max D	3
8	380621	(003179-) Hose, Heater, 0.62id 80.0l	1
9	380620	(003179-) Hose, Heater, 0.62id 77.0l	1
10	61870	(003179-) Hose, Heater, 0.62id 31.0l	1
11	61869	(003179-) Hose, Heater, 0.62id 24.0l	1
12	393255	(003179-) Fitting, Plstc, Tee, Bm12/Bm12/Bm12	1
▽	375728	(003179-) Valve Assy, Ball, 3 Way, Em10/Em10/Em10	1
▲	13 59901	(003179-) Fitting, Brs, Str, Em10/Pm08	2
▲	14 31507	(003179-) Valve, Ball, 3-way, 08pf/08pf/08pf Brs	1
▲	15 43242	(003179-) Swivel	1
▲	16 1043352	(003179-) Clamp, Cable, Stl, 0.18d X 0.75w, 1hole	2
▲	17 40573	(003179-) Fitting, Hyd, Str, Pm08/Pm08	1
▲	18 45142	(003179-) Bolt, U, .25-20 X 2.00, 1.10id	1
▲	19 374129	(003179-) Bracket, Mtg, Valve, Cntrl, Heater	1
▲	20 30268	(003179-) Fitting, Brs, E90, Em10/Pm08	2
▲	21 24450	(003179-) Fitting, Brs, Tee, Pf08/Pf08/Pf08	1
	22 11399	(003179-) Clamp, Hose, Wormdrive, 0.81-1.50d	2
	23 75197	(003179-) Hose, Heater, 0.75id 04.0l	1
	24 24450	(003179-) Fitting, Brass, Tee	1
	25 30268	(003179-) Fitting, Brs, E90, Em10/Pm08	1
	26 40573	(003179-) Fitting, Hyd, Str, Pm08/Pm08	1
	27 16930	(003179-) Screw, Hex, M10 X 1.5 X 50, 8.8	1
	28 32492	(003179-) Washer, Flat, 0.38 Std	1
	29 32490	(003179-) Washer, Flat, 0.25 Std	2
	30 12459	(003179-) Screw, Hex, M6 X 1.0 X 20, Fmg	2

Fig. 25 - Cab AC Compressor Group, GM (003000-004499)

NOTE: AC/Heater kit, TENNANT Part Number 374287 includes Fig. 23, Fig. 24, and Fig. 25.

NOTE: AC/Heater kit, TENNANT Part Number 9002998 includes Fig. 23, Fig. 24, and .Fig. 26

Ref.	Part No.	Serial Number	Description	Qty.
1	393219	(003179-004499)	Compressor, A/C	1
2	20177	(003179-004054)	Screw, Hex, .38-16 X 4.00, 5	1
3	59156	(003179-004054)	Nut, Hex, Lock, .38-16, NI, Ss	1
4	73717	(003179-004054)	Arm, Tension, A/C, .18 1.3w 4.2l	1
5	76570	(003179-004054)	Screw, Hex, M8 X 1.25 X 30, 8.8	2
6	32491	(003179-004054)	Washer, Flat, 0.31 Std	4
7	08709	(003179-004054)	Nut, Hex, Lock, M8 X 1.25, NI	2
8	16931	(003179-004054)	Screw, Hex, M8 X 1.25 X 20, 8.8	4
9	64899	(003179-004054)	Belt, V, [3v] 40.0l, 1only [Hc38]	1
10	1007343	(003179-004054)	Bracket, Belt, Guard, A/C	1
11	1019513	(003179-004499)	Plate, Shield, Heat	1
12	1008513	(003179-004499)	Angle, Heat, Shield	1
13	39311	(003179-004499)	Nut, Hex, Std, M08 X 1.25	2
14	393201	(003179-004499)	Sheave, Aux, [Hc38], 1Grv 6.8od [Gm 3.0L]	1
15	39670	(003179-004499)	Screw, Hex, .38-24 X 1.50, 5	3
16	392613	(003179-004054)	Bracket Wldt, Mtg, A/C	1
17	75828	(003179-004499)	Alternator, 12vdc, 100A [Brushless]	1
18	77555	(003179-004499)	Sheave, [3L], 1Grv, 03.5Pd 0.67B	1
19	31525	(003179-004499)	Wire, 10ga 16.0l Blk .38ring /.25ring	1
20	371509	(003179-004499)	Washer, Lock, .38	1
21	39277	(003179-004499)	Screw, Hex, M8 X 1.25 X 25, 8.8	1
22	393244	(003179-004499)	Belt, V, [Hc41] 42.0l	1
23	1008512	(003179-004499)	Bushing, Sleeve, .40b X .50d X 1.06l	1
24	34877	(003179-004499)	Screw, Hex, M10 X 1.5 X 100, 8.8	1
25	07792	(003179-004499)	Nut, Hex, Flng, M10 X 1.5	1
26	41186	(003179-004499)	Washer, Belleville, .31	1
27	1008538	(003179-004499)	Bracket, Guard, Alternator, Hd [Gm3.0l]	1
28	21237	(003179-004499)	Screw, Hex, M4 X 0.7 X 6, 8.8	1
29	32978	(003179-004499)	Washer, Lock, Int, #08	1
30	1008510	(003179-004499)	Bracket, Mtg, Alternator, Hd,[Gm3.0l]	1
31	35756	(003179-004499)	Tube, 01.00d 00.50b 01.0l Stl Pnt	2
32	32492	(003179-004499)	Washer, Flat, 0.38 Std	4
33	27991	(003179-004499)	Screw, Hex, .38-16 X 2.25, 5	2
34	1008519	(003179-004499)	Arm, Alternator, Hd [Gm3.0l]	1
35	50902	(003179-004499)	Nut, Hex, Lock, .38-16, NI	2
36	04375	(003179-004499)	Screw, Hex, M 8 X 1.25 X 40, FI	1
37	32492	(003179-004054)	Washer, Flat, 0.38 Std	6
38	06537	(003179-004499)	Screw, Hex, M10 X 1.5 X 120, 8.8, FI	2
39	1017085	(004055-004499)	Bracket Wldt, Mtg, A/C	1
40	1017102	(004055-004499)	Arm, Tens	2
41	1017292	(004055-004499)	Tube, 00.75d 00.41b 03.3l Stl PI	2
42	1017515	(004055-004499)	Guard, Belt, A/C	1
43	07819	(004055-004499)	Screw, Hex, M10 X 1.5 X 130, 8.8	2
44	32715	(004055-004499)	Nut, Hex, Lock, M10 X 1.5, Ss	2

Fig. 25 - Cab AC Compressor Group, GM (003000-004499)

NOTE: AC/Heater kit, TENNANT Part Number 374287 includes Fig. 23, Fig. 24, and Fig. 25.

NOTE: AC/Heater kit, TENNANT Part Number 9002998 includes Fig. 23, Fig. 24, and .Fig. 26

Ref.	Part No.	Serial Number	Description	Qty.
45	39283	(004055-004499)	Screw, Hex, M10 X 1.5 X 25, 8.8	2
46	32485	(004055-004499)	Washer, Flat, 0.38 Sae	6
47	41430	(004055-004499)	Nut, Hex, Lock, M10 X 1.5, NI	2
48	32491	(004055-004499)	Washer, Flat, 0.31 Std	4
49	16931	(004055-004499)	Screw, Hex, M8 X 1.25 X 20, 8.8	4
50	380544	(004055-004499)	Belt, V, [3v] 38.5l [Hc38/41]	1

Fig. 26 - Cab AC Compressor Group, GM (004500-)

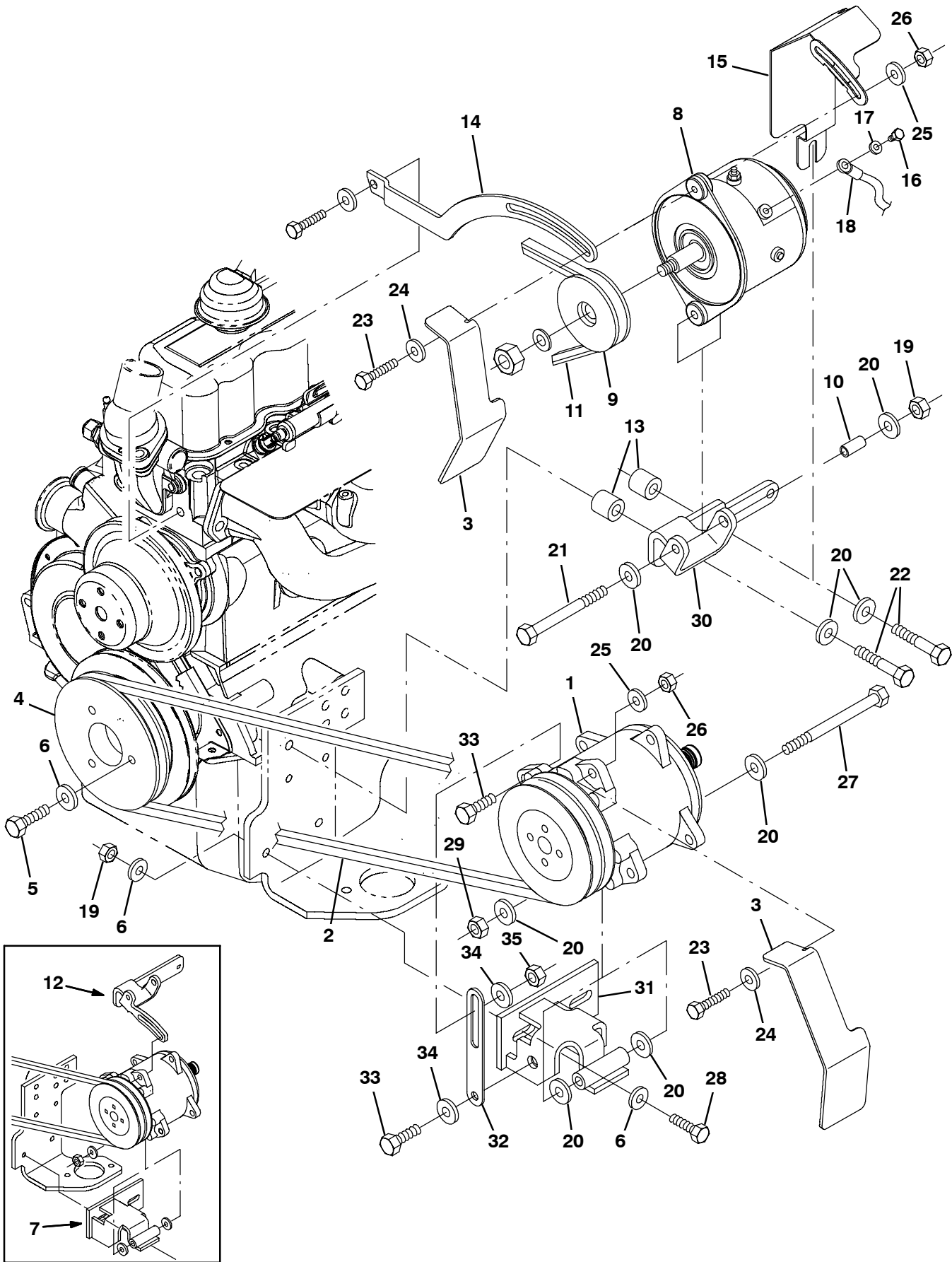


Fig. 26 - Cab AC Compressor Group, GM (004500-)

NOTE: AC/Heater kit, TENNANT Part Number 9002998 includes Fig. 23, Fig. 24, and .Fig. 26

Ref.	Part No.	Serial Number	Description	Qty.
1	1030582	(004500-) Compressor, A/C [2007]	1
2	380544	(004500-) Belt, V, 38.5l [Hc38]	1
3	1030762	(004500-) Bracket, Guard, Alternator, Hd [800/810]	2
4	393201	(004500-) Sheave, Aux, 1grv, 06.8od [Gm3.0l, Hc38]	1
5	39670	(004500-) Screw, Hex, .38-24 X 1.50, G5	3
6	32492	(004500-) Washer, Flat, 0.38, Std	7
7	1030657	(004500-005046) Bracket Wldt, Mtg, A/C [800 07]	1
8	1030627	(004500-) Alternator, Se [800/810, 07]	1
9	77555	(004500-) Sheave, 01grv, 03.5pd 0.67b [3l]	1
10	371526	(004500-) Sleeve, Alternator	1
11	78772	(004500-) Belt, V, 45.1l [Hc38]	1
12	1030654	(004500-005046) Bracket, Mtg, Alternator, Hd[800/810 07]	1
13	35756	(004500-) Tube, 0.50id 1.00od 01.0l, Stl, Pntd	2
14	1030708	(004500-) Arm, Adj, Alternator, Hd [800/810 07]	1
15	1032904	(004500-) Shield, Heat, Alternator, Hd[800/810 07]	1
16	21237	(004500-) Screw, Hex, M4 X 0.7 X 6, 8.8	1
17	32978	(004500-) Washer, Lock, Int, #08	1
18	31525	(004500-) Wire, 10ga 16.0l Blk .25ring /.38ring	1
19	50902	(004500-) Nut, Hex, Lock, .38-16, NI	3
20	32485	(004500-) Washer, Flat, 0.38, Sae	8
21	20177	(004500-) Screw, Hex, .38-16 X 4.00, G5	1
22	27992	(004500-) Screw, Hex, .38-16 X 2.50, G5	2
23	04375	(004500-) Screw, Hex, M8 X 1.25 X 40, 8.8, FI	2
24	41186	(004500-) Washer, Flat, Belleville, .31	2
25	32491	(004500-) Washer, Flat, 0.31, Std	2
26	08709	(004500-) Nut, Hex, Lock, M8 X 1.25, NI	2
27	06966	(004500-) Screw, Hex, M10 X 1.5 X 110, 8.8	1
28	21198	(004500-) Screw, Hex, .38-16 X 1.25, G5	2
29	32715	(004500-) Nut, Hex, Lock, M10 X 1.5, Ss	1
30	1051245	(005047-) Bracket, Mtg, Alternator, Hd[800/810 07]	1
31	1050610	(005047-) Bracket Wldt, Mtg, A/C [800 07]	1
32	1050584	(005047-) Arm, Tens [2008]	1
33	39283	(005047-) Screw, Hex, M10 X 1.50 X 25, 8.8	2
34	32485	(005047-) Washer, Flat, 0.38, Sae	2
35	41430	(005047-) Nut, Hex, Lock, M10 X 1.5, NI	1

Fig. 27 - Cab Heater Box Group, Ford

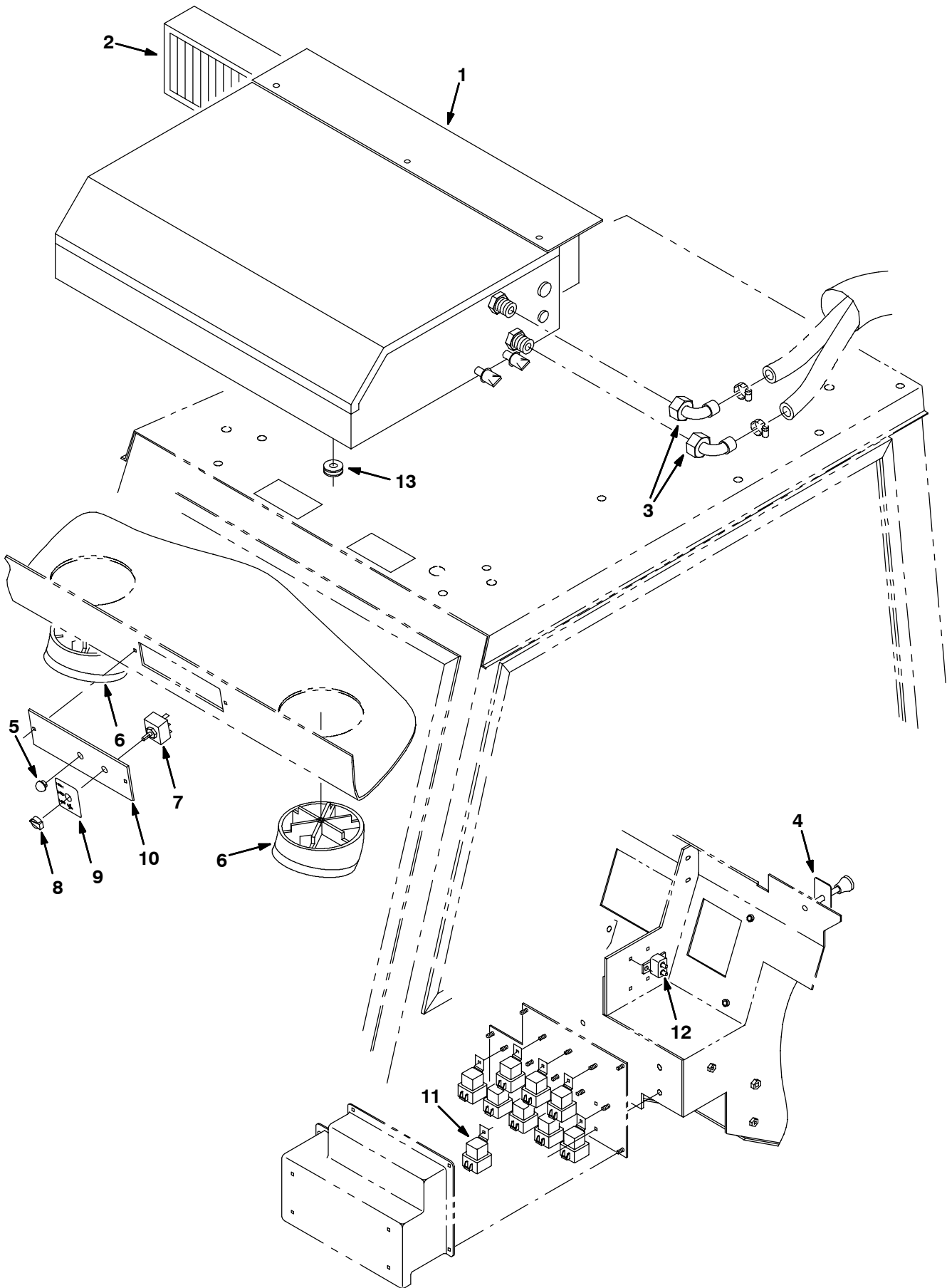


Fig. 27 - Cab Heater Box Group, Ford

NOTE: Heater kit, TENNANT Part Number 380610 includes Fig. 27, and Fig. 28.

	Ref.	Part No.	Serial Number	Description	Qty.
▽		380612	(003000-003178)	Heater & A/C, W/ Fan, Roof	1
▲	1	380614	(003000-003178)	Box Assy, Heater, A/C (See Breakdowns)	1
▲	2	380689	(003000-003178)	Filter, Panel, Heat-A/C	1
▲	3	380615	(003000-003178)	Fitting, Elbow	2
▲	4	380663	(003000-003178)	Label, Opertnl, Pull Heat	1
▲	5	56992	(003000-003178)	Button, Plug, 0.50h .03-.12 [Black Ny]	1
▲	6	380617	(003000-003178)	Louver, Adj, Heat-A/C	2
▲	7	380619	(003000-003178)	Switch, 3 Pos, Blower, Heat	1
▲	8	380661	(003000-003178)	Knob, Rnd, Control, Heat-A/C	1
▲	9	380662	(003000-003178)	Label, Opertnl, Fan, Hi/Med/Low	1
▲	10	380690	(003000-003178)	Plate, Mtg, Switch, A/C	1
	11	56186	(003000-003178)	Relay, 12vdc, 40a, Spdt N/O	1
	12	374210	(003000-003178)	Circuitbreaker, 20.0a, Thermal	1
	13	77811	(003000-003178)	Grommet, Cab, Harness, Wire	1

Fig. 28 - Cab Heater Hose Group, Ford

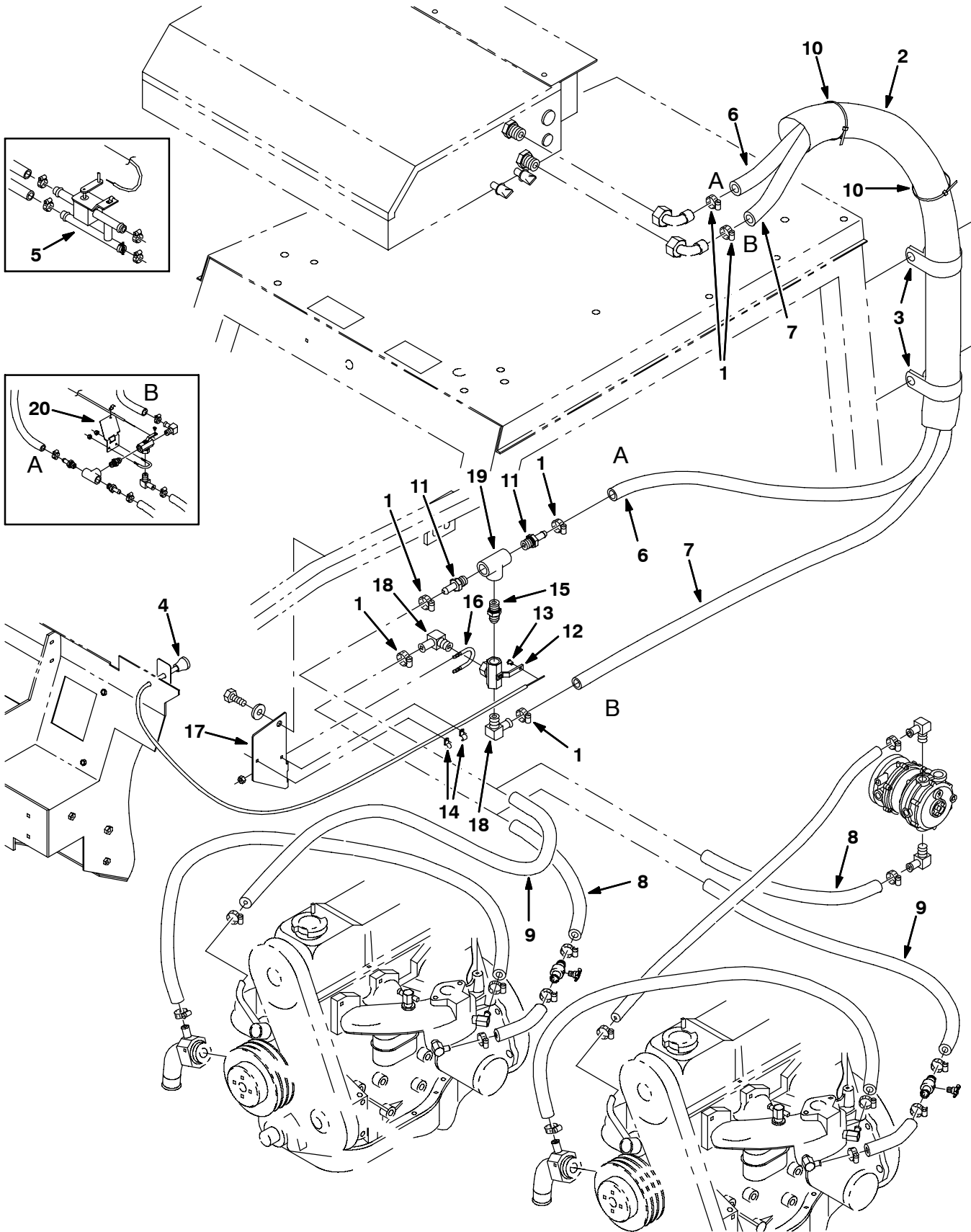


Fig. 28 - Cab Heater Hose Group, Ford

NOTE: Heater kit, TENNANT Part Number 380610 includes Fig. 27, and Fig. 28.

Ref.	Part No.	Serial Number	Description	Qty.
1	63810	(003000-003178)	Clamp, Hose, Wormdrive, 0.56-1.06d	6
2	375512	(003000-003178)	Sleeve, Nyl, #33 65.0l	1
3	41016	(003000-003178)	Clamp, Cable, Stl, 2.25d X 1.00w, 1h	1
4	43558A	(003000-003178)	Cable, Cntrl, Choke, 85/90l 1.4d Knob	1
5	380618	(003000-003076)	Valve, Water, Heater, H, 10bm	1
6	380621	(003000-003178)	Hose, Heater, 0.62id 80.0l	1
7	380620	(003000-003178)	Hose, Heater, 0.62id 77.0l	1
8	72979	(003000-003121)	Hose, Heater, 0.62id 20.0l	1
8	61870	(003122-003178)	Hose, Heater, 0.62id 31.0l	1
9	72978	(003000-003121)	Hose, Heater, 0.62id 13.0l	1
9	61869	(003122-003178)	Hose, Heater, 0.62id 24.0l	1
10	763116	(003000-003178)	Tie, Cable, Nyl, 15.3l . W 4.5 Max D	3
▽	375728	(003077-003178)	Valve Assy, Ball, 3 Way, Em10/Em10/Em10	1
▲	11 59901	(003077-003178)	Fitting, Brs, Str, Em10/Pm08	2
▲	12 31507	(003077-003178)	Valve, Ball, 3-way, 08pf/08pf/08pf Brs	1
▲	13 43242	(003077-003178)	Swivel	1
▲	14 1043352	(003077-003178)	Clamp, Cable, Stl, 0.18d X 0.75w, 1hole	2
▲	15 40573	(003077-003178)	Fitting, Hyd, Str, Pm08/Pm08	1
▲	16 45142	(003077-003178)	Bolt, U, .25-20 X 2.00, 1.10id	1
▲	17 374129	(003122-003178)	Bracket, Mtg, Valve, Cntrl, Heater	1
▲	18 30268	(003077-003178)	Fitting, Brs, E90, Em10/Pm08	2
▲	19 24450	(003077-003178)	Fitting, Brs, Tee, Pf08/Pf08/Pf08	1
	20 375726	(003077-003121)	Bracket, Mtg, Valve,Control, Heater	1

Fig. 29 - Cab Heater Box Group, GM

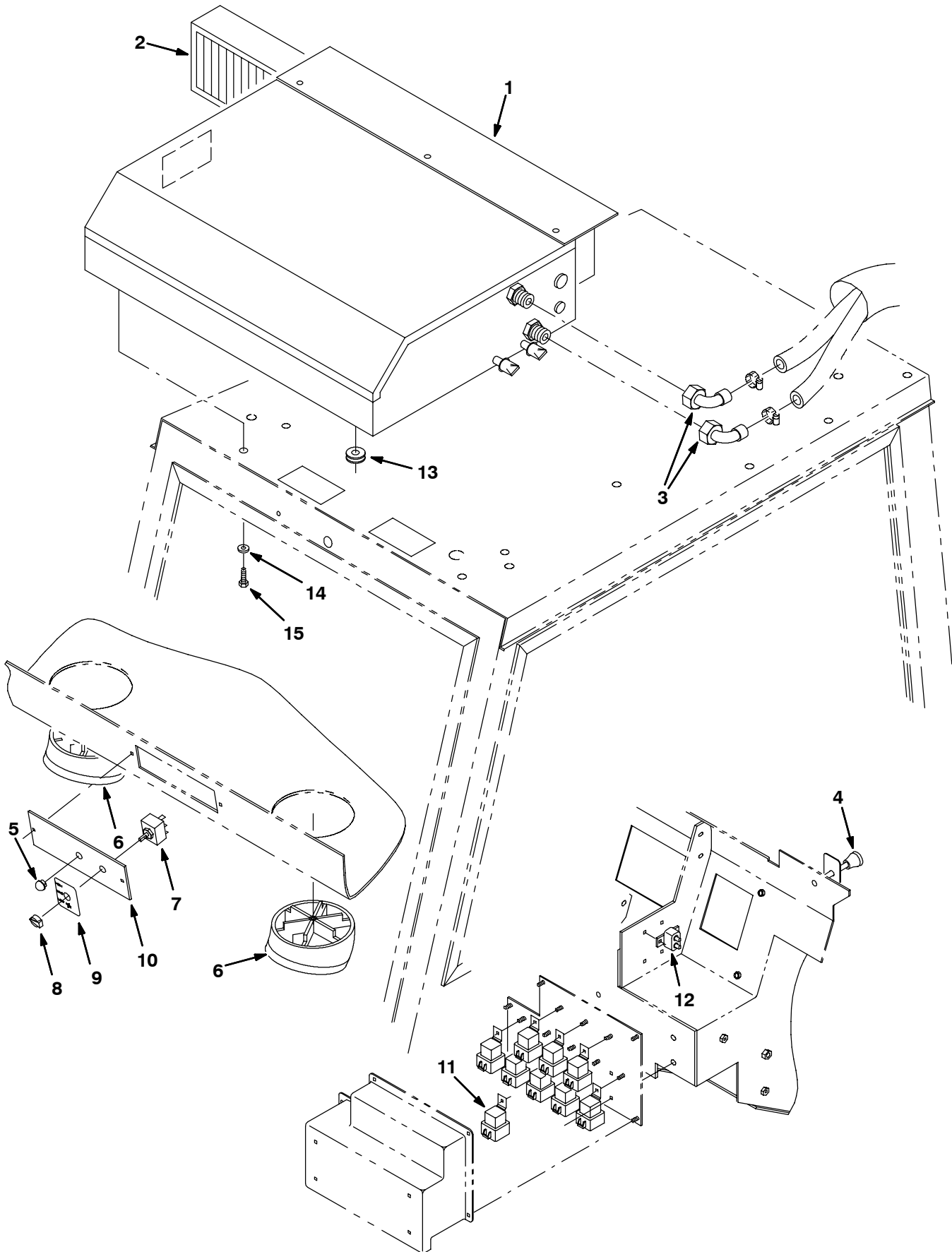


Fig. 29 - Cab Heater Box Group, GM

NOTE: Heater kit, TENNANT Part Number 374285 includes Fig. 29, and Fig. 30.

	Ref.	Part No.	Serial Number	Description	Qty.
▽		380612	(003179-) Heater & A/C, W/ Fan, Roof	1
▲	1	380614	(003179-) Box Assy, Heater, A/C (See Breakdowns)	1
▲	2	380689	(003179-) Filter, Panel, Heat-A/C	1
▲	3	380615	(003179-) Fitting, Elbow	2
▲	4	380663	(003179-) Label, Opertnl, Pull Heat	1
▲	5	56992	(003179-) Button, Plug, 0.50h .03-.12 [Black Ny]	1
▲	6	380617	(003179-) Louver, Adj, Heat-A/C	2
▲	7	380619	(003179-) Switch, 3 Pos, Blower, Heat	1
▲	8	380661	(003179-) Knob, Rnd, Control, Heat-A/C	1
▲	9	380662	(003179-) Label, Opertnl, Fan, Hi/Med/Low	1
▲	10	380690	(003179-) Plate, Mtg, Switch, A/C	1
	11	56186	(003179-) Relay, 12vdc, 40a, Spdt N/O	1
	12	374210	(003179-) Circuitbreaker, 20.0a, Thermal	1
	13	77811	(003179-) Grommet, Cab, Harness, Wire	1
	14	32490	(003179-) Washer, Flat, 0.25 Std	12
	15	12459	(003179-) Screw, Hex, M6 X 1.0 X 20, Fmg	12

Fig. 30 - Cab Heater Hose Group, GM

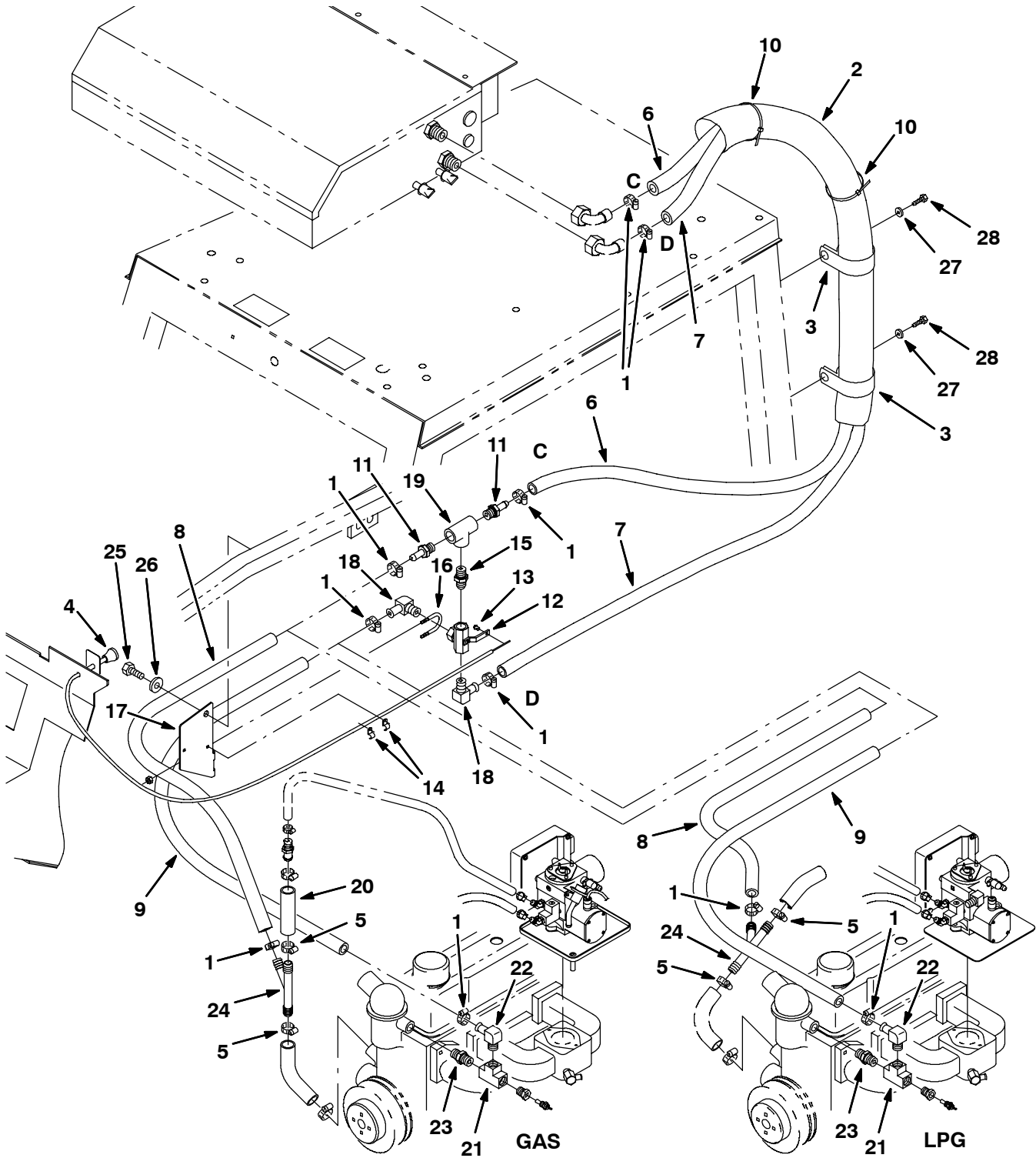


Fig. 30 - Cab Heater Hose Group, GM

NOTE: Heater kit, TENNANT Part Number 374285 includes Fig. 29, and Fig. 30.

Ref.	Part No.	Serial Number	Description	Qty.
1	63810	(003179-) Clamp, Hose, Wormdrive, 0.56-1.06d	8
2	375512	(003179-) Sleeve, Nyl, #33 65.0l	1
3	41016	(003179-) Clamp, Cable, Stl, 2.25d X 1.00w, 1h	1
4	43558A	(003179-) Cable, Cntrl, Choke, 85/90l 1.4d Knob	1
5	11399	(003179-) Clamp, Hose, Wormdrive, 0.81-1.50d	2
6	380621	(003179-) Hose, Heater, 0.62id 80.0l	1
7	380620	(003179-) Hose, Heater, 0.62id 77.0l	1
8	61870	(003179-) Hose, Heater, 0.62id 31.0l	1
9	61869	(003179-) Hose, Heater, 0.62id 24.0l	1
10	763116	(003179-) Tie, Cable, Nyl, 15.3l . W 4.5 Max D	3
▽	375728	(003179-) Valve Assy, Ball, 3 Way, Em10/Em10/Em10	1
▲	11 59901	(003179-) Fitting, Brs, Str, Em10/Pm08	2
▲	12 31507	(003179-) Valve, Ball, 3-way, 08pf/08pf/08pf Brs	1
▲	13 43242	(003179-) Swivel	1
▲	14 1043352	(003179-) Clamp, Cable, Stl, 0.18d X 0.75w, 1hole	2
▲	15 40573	(003179-) Fitting, Hyd, Str, Pm08/Pm08	1
▲	16 45142	(003179-) Bolt, U, .25-20 X 2.00, 1.10id	1
▲	17 374129	(003179-) Bracket, Mtg, Valve, Cntrl, Heater	1
▲	18 30268	(003179-) Fitting, Brs, E90, Em10/Pm08	2
▲	19 24450	(003179-) Fitting, Brs, Tee, Pf08/Pf08/Pf08	1
20	75197	(003179-) Hose, Heater, 0.75id 04.0l	1
21	24450	(003179-) Fitting, Brass, Tee	1
22	30268	(003179-) Fitting, Brs, E90, Em10/Pm08	1
23	40573	(003179-) Fitting, Hyd, Str, Pm08/Pm08	1
24	393255	(003179-) Fitting, Plstc, Tee, Bm12/Bm12/Bm12	1
25	16930	(003179-) Screw, Hex, M10 X 1.5 X 50, 8.8	1
26	32492	(003179-) Washer, Flat, 0.38 Std	1
27	32490	(003179-) Washer, Flat, 0.25 Std	2
28	12459	(003179-) Screw, Hex, M6 X 1.0 X 20, Fmg	2

Fig. 31 - Alternator Group, SE, Ford

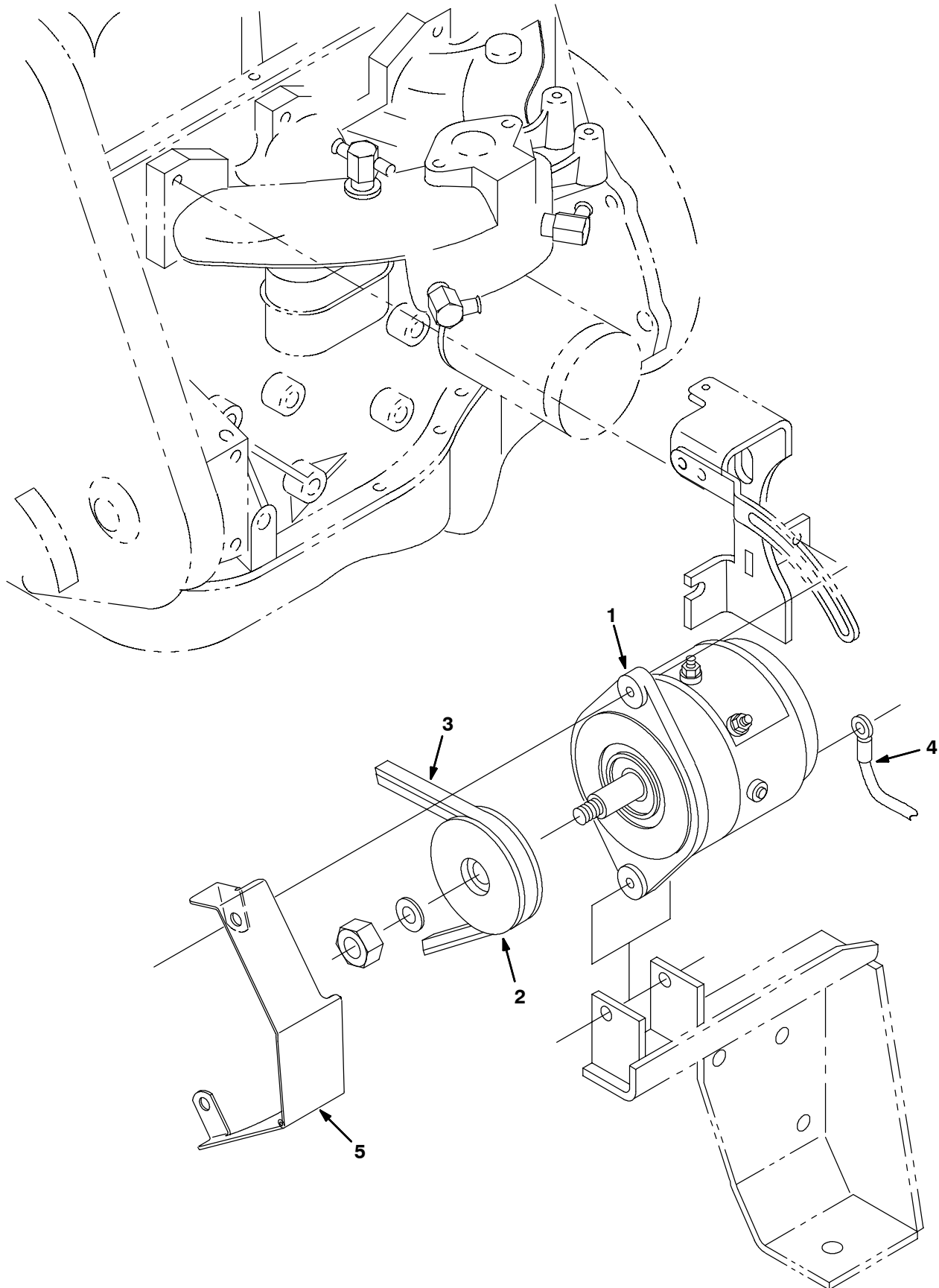


Fig. 31 - Alternator Group, SE, Ford

	Ref.	Part No.	Serial Number	Description	Qty.
▽		380702	(003000-003178)	Kit, Alternator, Hd, Gas/Lpg	1
▲	1	75828	(003000-003178)	Alternator	1
▲	2	77555	(003000-003178)	Sheave, Alternator, Se	1
▲	3	83641	(003000-003178)	Belt, V	1
▲	4	31525	(003000-003178)	Wire, Ground	1
▲	5	21223	(003000-003178)	Guard, Alternator	1

Fig. 32 - Heavy Duty Alternator Kit, GM (003179-004499)

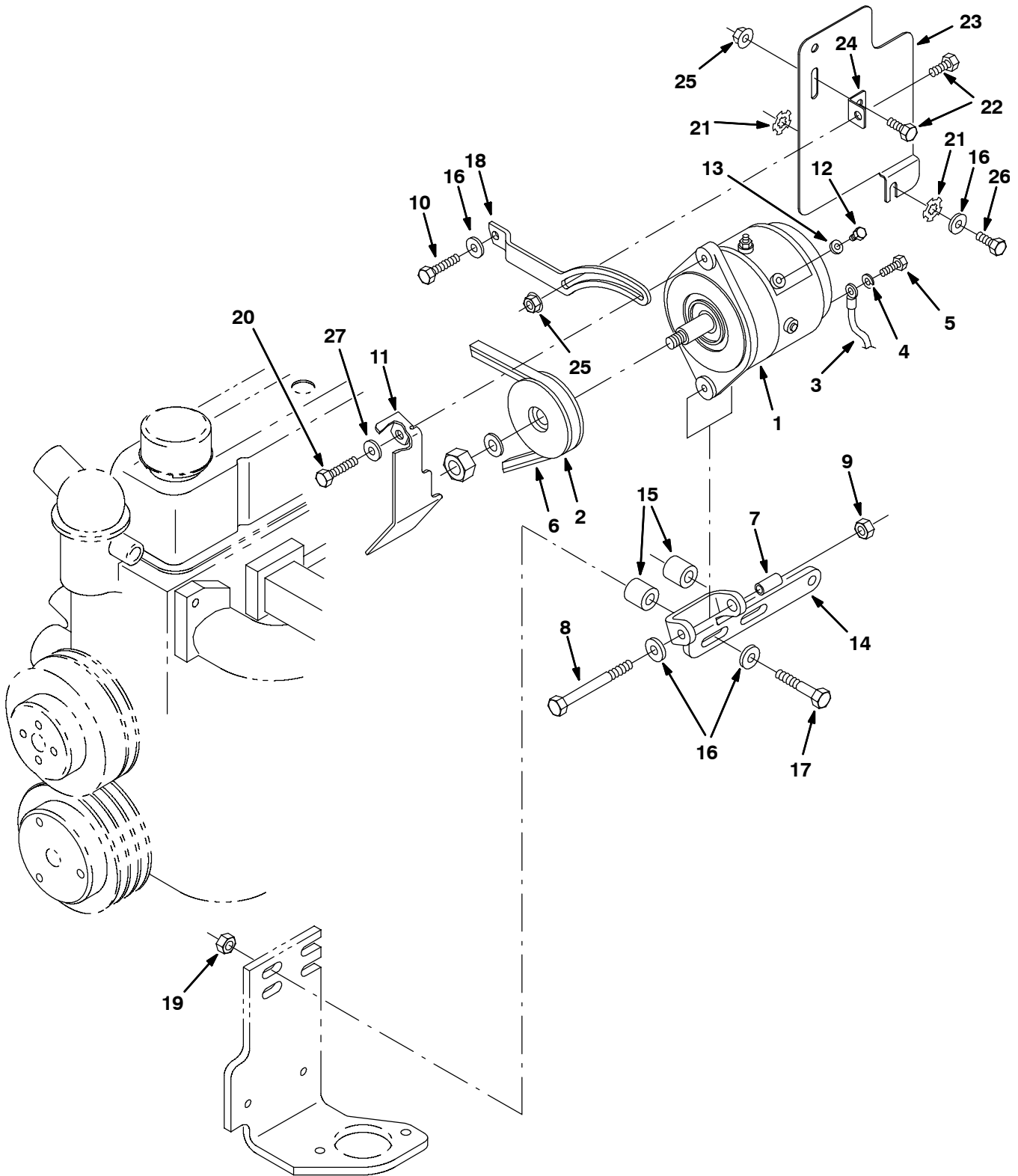


Fig. 32 - Heavy Duty Alternator Kit, GM (003179-004499)

Ref.	Part No.	Serial Number	Description	Qty.
▽	393241	(003179-004499)	Kit, Ci, Alternator, Hd,Gas/Lpg,[Gm3.0l]	1
▲	1 75828	(003179-004499)	Alternator, 12vdc, 100A [Brushless]	1
▲	2 77555	(003179-004499)	Sheave, [3L], 1Grv, 03.5Pd 0.67B	1
▲	3 31525	(003179-004499)	Wire, 10ga 16.0l Blk .38ring /.25ring	1
▲	4 371509	(003179-004499)	Washer, Lock, .38	1
▲	5 39277	(003179-004499)	Screw, Hex, M8 X 1.25 X 25, 8.8	1
▲	6 393244	(003179-004499)	Belt, V, [Hc41] 42.0l	1
▲	7 371526	(003179-004499)	Sleeve, Alternator	1
▲	8 34877	(003179-004499)	Screw, Hex, M10 X 1.5 X 100, 8.8	1
▲	9 07792	(003179-004499)	Nut, Hex, Flng, M10 X 1.5	1
▲	10 41186	(003179-004499)	Washer, Belleville, .31	1
▲	11 1008538	(003179-004499)	Bracket, Guard, Alternator, Hd [Gm3.0l]	1
▲	12 21237	(003179-004499)	Screw, Hex, M4 X 0.7 X 6, 8.8	1
▲	13 32978	(003179-004499)	Washer, Lock, Int, #08	1
▲	14 1008094	(003179-004499)	Bracket, Mtg, Alternator, Lower,[Gm3.0l]	1
▲	15 07274	(003179-004499)	Tube, 01.00d 00.44b 00.7l Stl Pit	2
▲	16 32492	(003179-004499)	Washer, Flat, 0.38 Std	2
▲	17 27990	(003179-004499)	Screw, Hex, .38-16 X 2.25, 5	2
▲	18 1008519	(003179-004499)	Arm, Alternator, Hd [Gm3.0l]	1
▲	19 50902	(003179-004499)	Nut, Hex, Lock, .38-16, NI	2
▲	20 04375	(003179-004499)	Screw, Hex, M 8 X 1.25 X 40, FI	1
▲	21 32491	(003179-004499)	Washer, Flat, 0.31 Std	2
▲	22 16931	(003179-004499)	Screw, Hex, M8 X 1.25 X 20, 8.8	2
▲	23 1019513	(003179-004499)	Plate, Shield, Heat	1
▲	24 1008513	(003179-004499)	Angle, Heat, Shield	1
▲	25 39311	(003179-004499)	Nut, Hex, Std, M08 X 1.25	2
▲	27 41186	(003179-004499)	Washer, Belleville, .31	1

Fig. 33 - Heavy Duty Alternator Kit, GM (004500-)

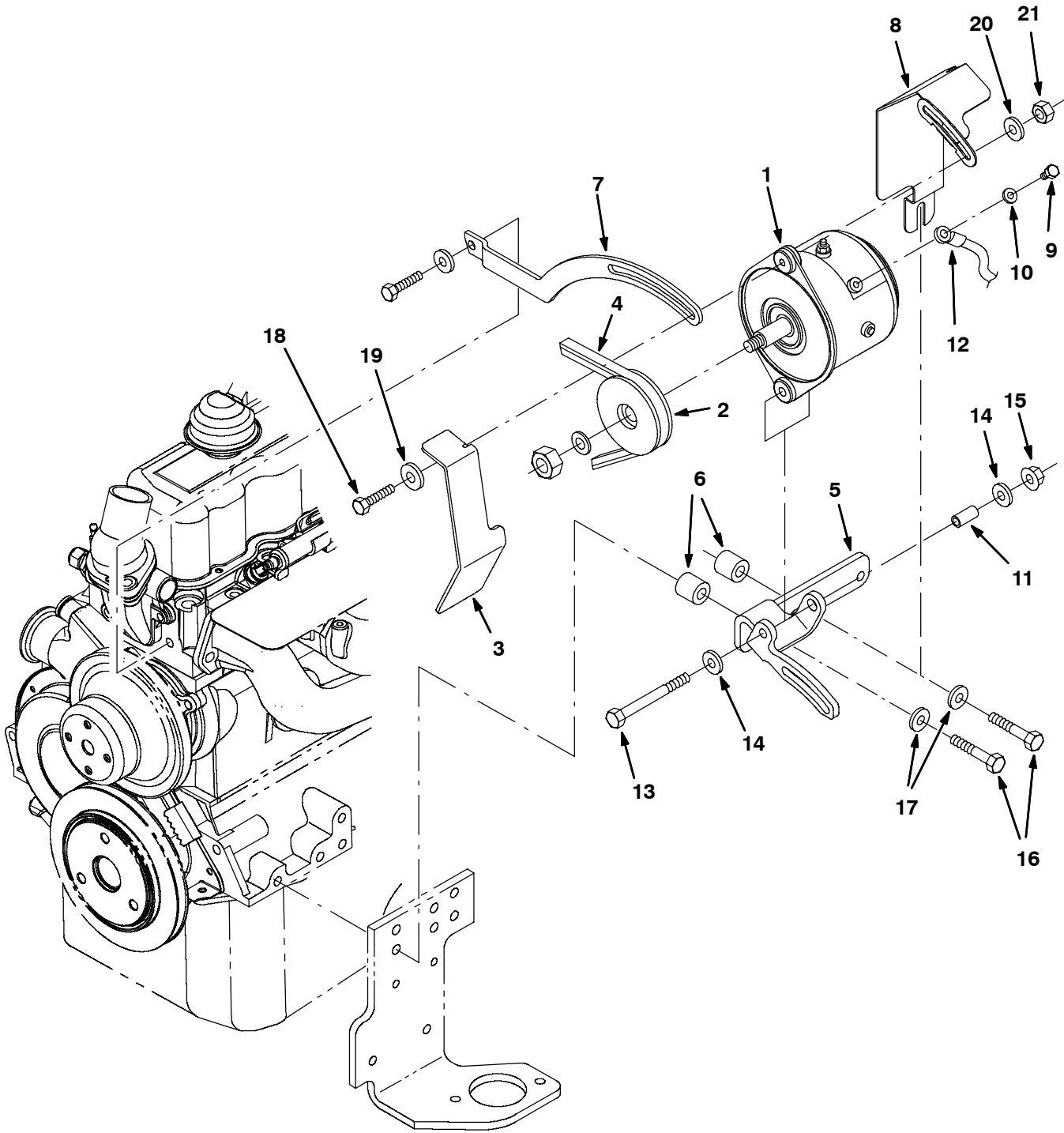


Fig. 33 - Heavy Duty Alternator Kit, GM (004500-)

	Ref.	Part No.	Serial Number	Description	Qty.
▽		9002915	(004500-)	Alternator Kit, Hd, Gas/Lpg, Ci[800/810]	1
▲	1	1030627	(004500-)	Alternator, Se [800/810, 07]	1
▲	2	77555	(004500-)	Sheave, 01grv, 03.5pd 0.67b [3]	1
▲	3	1030762	(004500-)	Bracket, Guard, Alternator, Hd [800/810]	1
▲	4	78772	(004500-)	Belt, V, 45.1l [Hc38]	1
▲	5	1030654	(004500-)	Bracket, Mtg, Alternator, Hd[800/810 07]	1
▲	6	35756	(004500-)	Tube, 0.50id 1.00od 01.0l, Stl, Pntd	2
▲	7	1030708	(004500-)	Arm, Adj, Alternator, Hd [800/810 07]	1
▲	8	1032904	(004500-)	Shield, Heat, Alternator, Hd[800/810 07]	1
▲	9	21237	(004500-)	Screw, Hex, M4 X 0.7 X 6, 8.8	1
▲	10	32978	(004500-)	Washer, Lock, Int, #08	1
▲	11	371526	(004500-)	Sleeve, Alternator	1
▲	12	31525	(004500-)	Wire, 10ga 16.0l Blk .25ring /.38ring	1
▲	13	20177	(004500-)	Screw, Hex, .38-16 X 4.00, G5	1
▲	14	32495	(004500-)	Washer, Flat, 0.75, Std	2
▲	15	50902	(004500-)	Nut, Hex, Lock, .38-16, NI	1
▲	16	27992	(004500-)	Screw, Hex, .38-16 X 2.50, G5	2
▲	17	32485	(004500-)	Washer, Flat, 0.38, Sae	2
▲	18	04375	(004500-)	Screw, Hex, M8 X 1.25 X 40, 8.8, FI	1
▲	19	41186	(004500-)	Washer, Flat, Belleville, .31	1
▲	20	32491	(004500-)	Washer, Flat, 0.31, Std	1
▲	21	08709	(004500-)	Nut, Hex, Lock, M8 X 1.25, NI	1

Fig. 34 - Vacuum Wand Kit

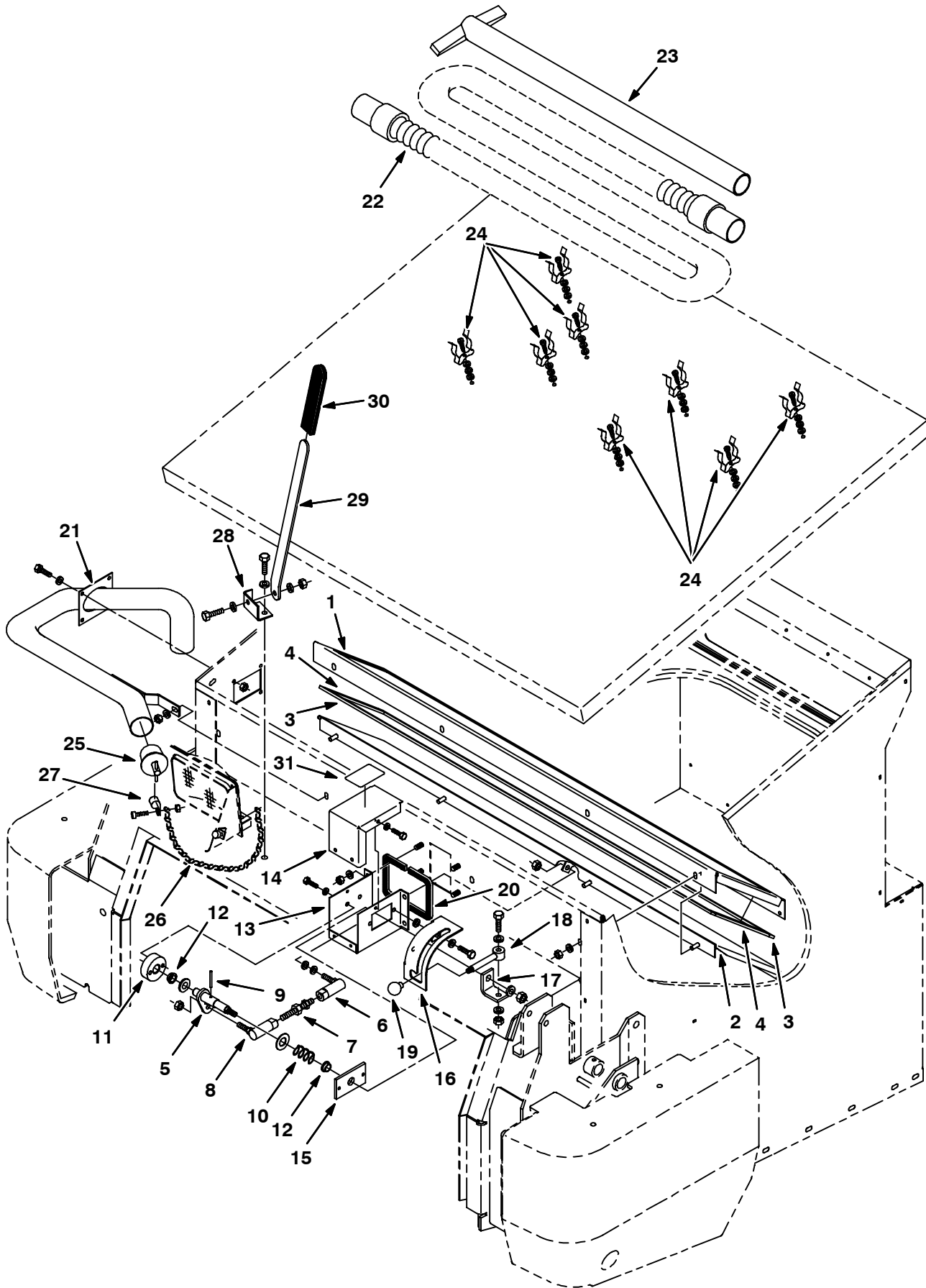


Fig. 34 - Vacuum Wand Kit

	Ref.	Part No.	Serial Number	Description	Qty.
▽		70668	(003000-) Wand Kit, Vac	1
▲	1	73871	(003000-) Plate, Mounting, Vac Door	1
▲	2	75701	(003000-) Plate Wldt, Vac Door	1
▲	3	75876	(003000-) Seal, Foam Rbr, .19 .75W 47.1L	2
▲	4	75877	(003000-) Seal, Foam Rbr .19 .75W 8.43L	2
▲	5	21047	(003000-) Shaft	1
▲	6	82962	(003000-) Balljoint .375-24 Lh	1
▲	7	11676	(003000-) Stud, Adjustment	1
▲	8	51531	(003000-) Ball Joint .375-24	1
▲	9	23146	(003000-) Pin,Roll,.18Odx1.62L,.187/.192	1
▲	10	19035	(003000-) Sprng,Comp,0.83ldx.07Wire 1.0L	1
▲	11	21041	(003000-) Disk	1
▲	12	04843	(003000-) Bearing, Flange .625 Bore	2
▲	13	21054	(003000-) Box, Mounting, Lever, Vac	1
▲	14	21104	(003000-) Panel, Cover	1
▲	15	73880	(003000-) Plate	1
▲	16	79646	(003000-) Plate, Latch	1
▲	17	79647	(003000-) Angle	1
▲	18	79644	(003000-) Handle	1
▲	19	26565	(003000-) Knob,0.38-16,1.25Dia,Plastic	1
▲	20	79674	(003000-) Seal	1
▲	21	74074	(003000-) Adaptor Wldt, Vac Wand	1
▲	22	54009	(003000-) Hose&2Cuff Assy,Vinyl2.0ld10Ft	1
▲	23	54012	(003000-) Wand	1
▲	24	36158	(003000-) Clip Finger Grip	8
▲	25	42124	(003000-) Plug, Drain	1
▲	26	374012	(003000-) Chain, Jack, #12, 08.5l 11 Links	1
▲	27	26395-2	(003000-) Clamp-Cable, 0.38Dia 0.38Wth	1
▲	28	76286	(003000-) Adaptor Wldt, Vac Wand	1
▲	29	76338	(003000-) Bar, Prop	1
▲	30	70659	(003000-) Grip, Handle, Flat	2
▲	31	76406	(003000-) Label, Vac Wand	1

Fig. 35 - Side Brush Dust Control Kit

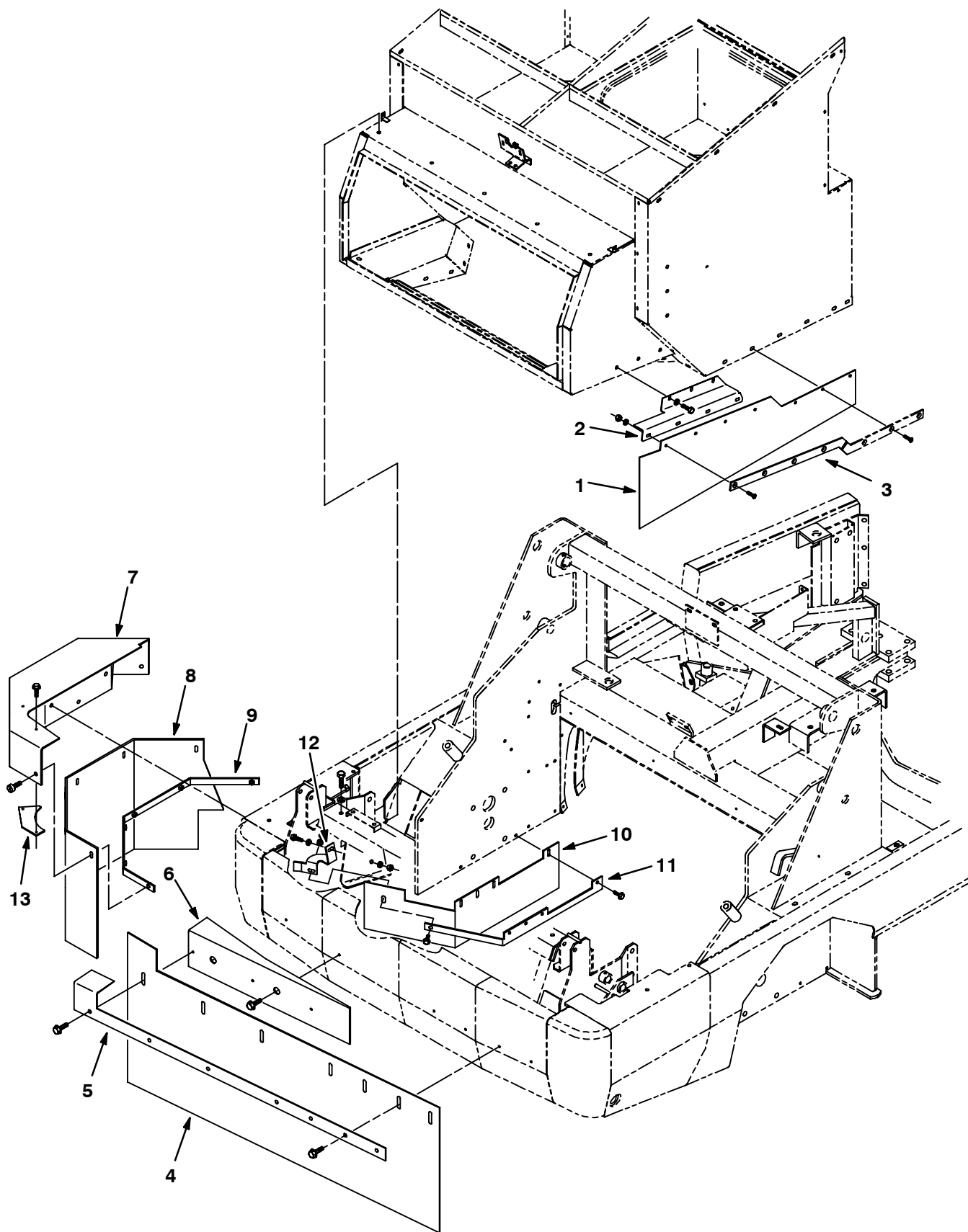
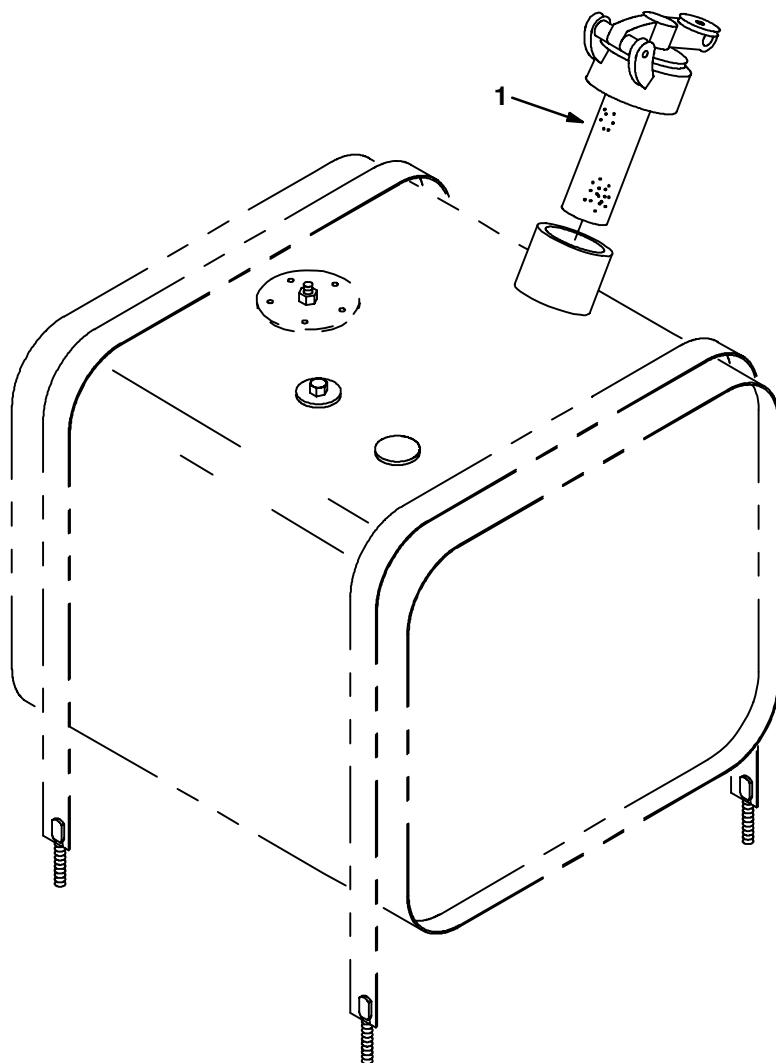


Fig. 35 - Side Brush Dust Control Kit

	Ref.	Part No.	Serial Number	Description	Qty.
▽		76100	(003000-) Dust Control Kit, Side Brush	1
▲	1	76036	(003000-) Skirt, Deflection	1
▲	2	76030	(003000-) Bracket, Mounting, Skirt	1
▲	3	76038	(003000-) Strip, Retainer, Skirt	1
▲	4	75901	(003000-) Skirt, Cover, Sbdc	1
▲	5	76049	(003000-) Skirt, Retainer	1
▲	6	77759	(003000-) Bracket Wldt	1
▲	7	75989	(003000-) Plate Wldt, Skirt	1
▲	8	76069	(003000-) Skirt, Cover, Sbdc	1
▲	9	76055	(003000-) Plate, Retainer	1
▲	10	76074	(003000-) Skirt	1
▲	11	76081	(003000-) Skirt	1
▲	12	76084	(003000-) Bracket	1
▲	13	77755	(003000-) Plate	1

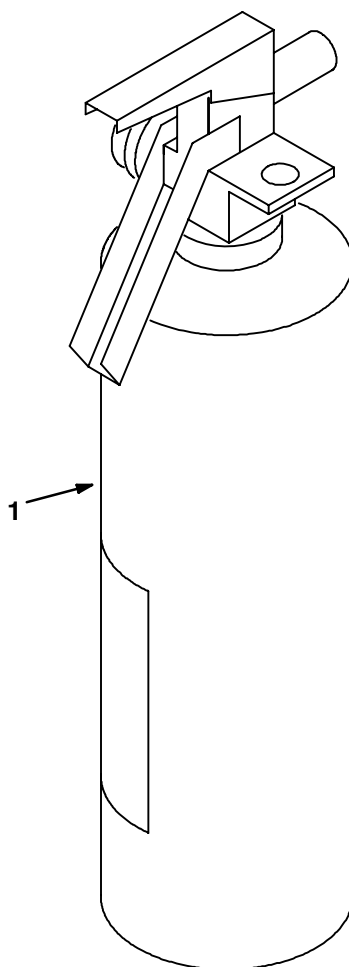
Fig. 36 - Protectoseal Fuel Tank Cap Group



07471 - ALL

Ref.	Part No.	Serial Number	Description	Qty.
1	02506-6	(003000-)	Gas Cap, Protectoseal	1

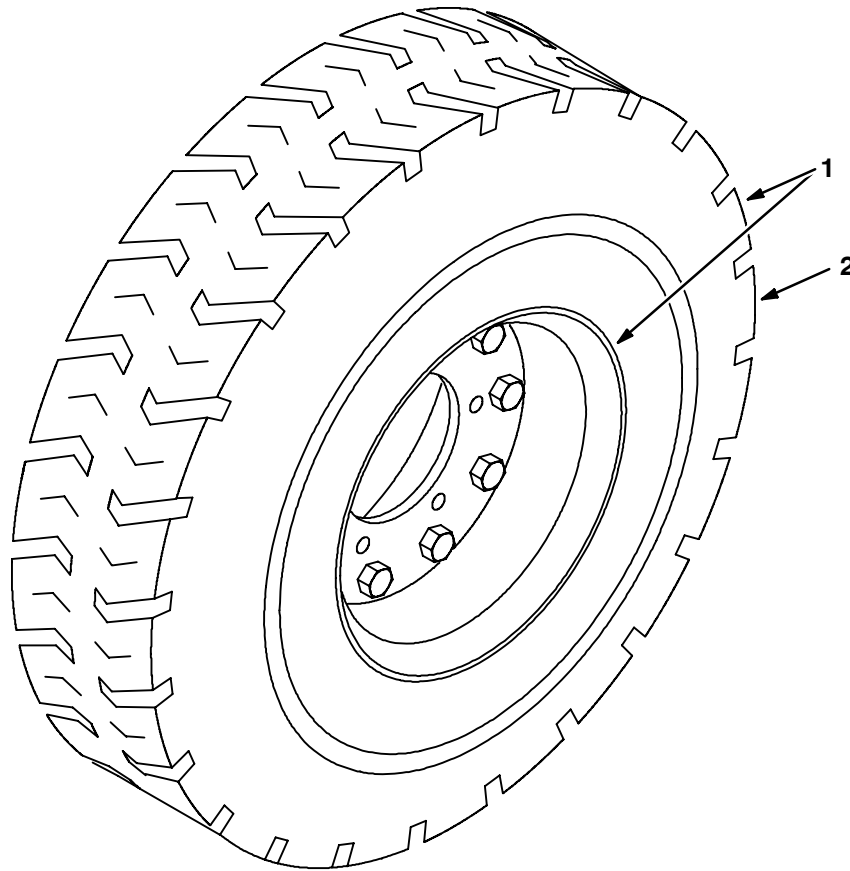
Fig. 37 - Fire Extinguisher Kit



07516 - JP, NA

	Ref.	Part No.	Serial Number	Description	Qty.
▽		70692	(003000-) Extinguisher Kit Fire 800	1
▲	1	25312	(003000-) Extinguisher, Fire	

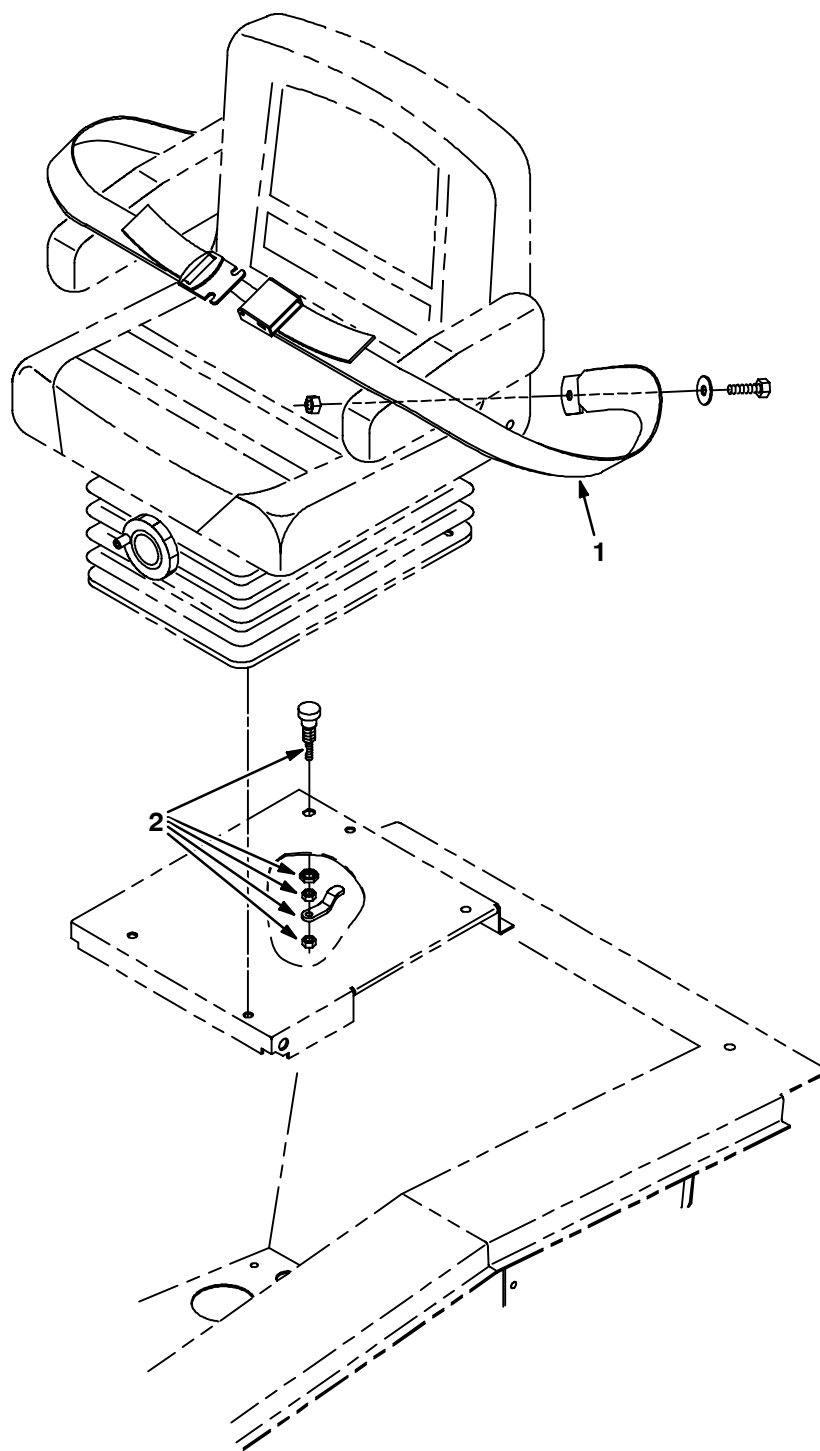
Fig. 38 - Solid Tire and Rim Assembly



07666 - ALL

	Ref.	Part No.	Serial Number	Description	Qty.
▽	1	21671	(003000-) Tire and Rim Assy, Solid 6.5	1
▲	2	63228	(003000-) Tire, Solid	1

Fig. 39 - Seat Belt Kit



07674 - ALL

	Ref.	Part No.	Serial Number	Description	Qty.
▽		70690	(003000-) Seat Belt Kit	1
▲	1	30533	(003000-) Belt, Seat	1
▲	2	87337	(003000-) Latch, Door	1

Fig. 40 - RFS Filter System Group

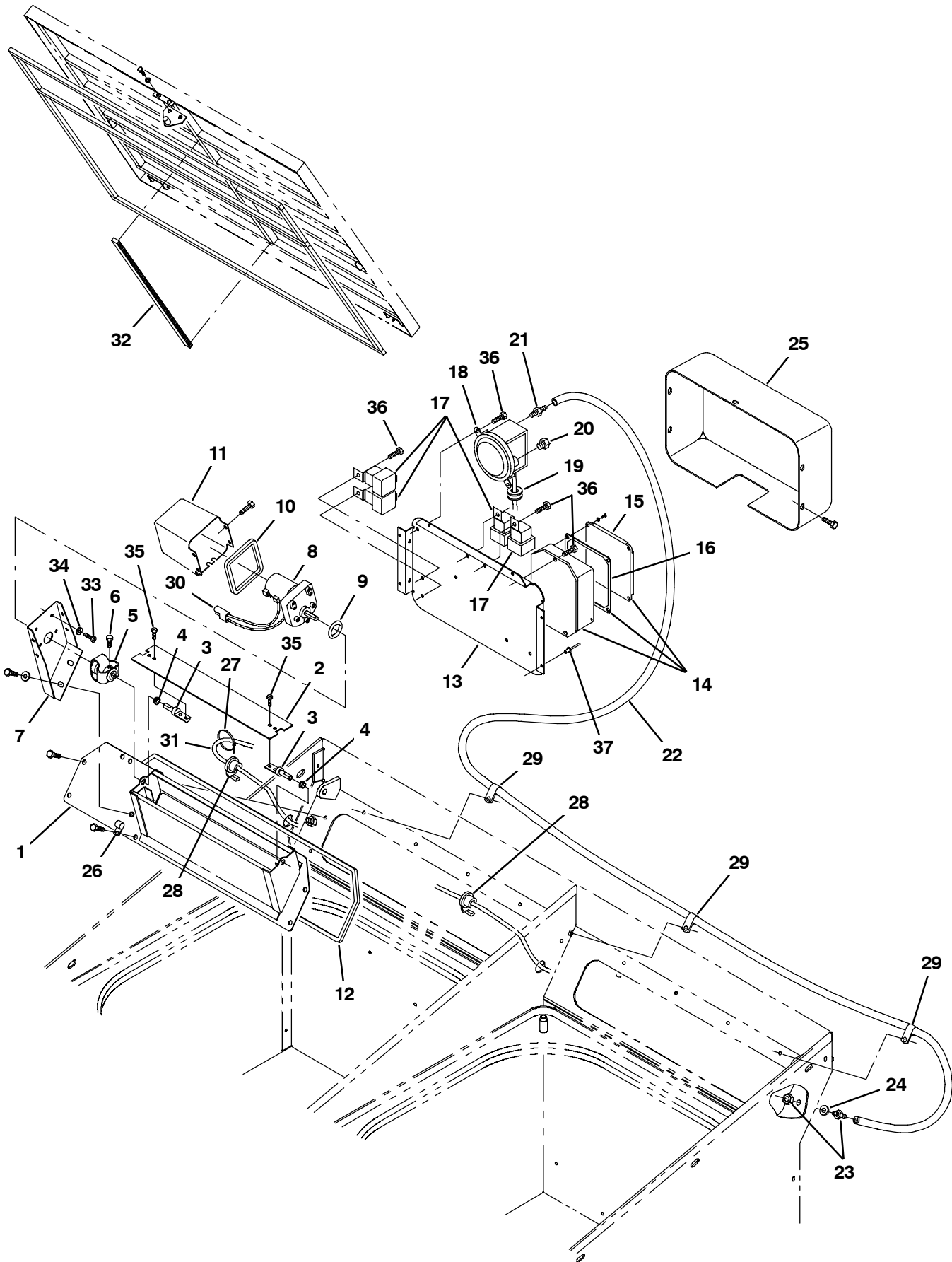


Fig. 40 - RFS Filter System Group

	Ref.	Part No.	Serial Number	Description	Qty.
▽		79174	(003000-) Rfs Kit	1
▲	1	79160	(003000-) Duct Wldt, Rfs	2
▲	2	79156	(003000-) Plate, Shutter	2
▲	3	79159	(003000-) Shaft, Pivot	4
▲	4	11747	(003000-) Bearing, Nylon	4
▲	5	79158	(003000-) Coupling	2
▲	6	42011	(003000-) Screw, Hex, 10-24 X 0.50, Ss	4
▲	7	79157	(003000-) Bracket, Mounting, Gearmotor	2
▲	8	79170	(003000-) Motor, Ele, Geared, 12Vdc	2
▲	9	79172	(003000-) Seal, O-Ring .787ldx.210Th	2
▲	10	79167	(003000-) Seal	2
▲	11	79155	(003000-) Cover, Motor	2
▲	12	79168	(003000-) Seal	2
▲	13	79177	(003000-) Plate, Mounting, Rfs Control	1
▲▽	14	79176	(003000-) Controller Assy, Rfs	1
▲▲	15	59954	(003000-) Cover, Housing, Electrical	1
▲▲	16	59921	(003000-) Gasket, Cover, Alum	1
▲	17	56186	(003000-) Relay, Shrouded, 12 Vdc	4
▲	18	75465	(003000-) Switch, Pressure	1
▲	19	10632-4	(003000-) Grommet,Rbr,0.62ld,For .06Matl	1
▲	20	82739	(003000-) Ftg, Breather	1
▲	21	40607	(003000-) Ftg,Brass,St Bm03/Pm02	1
▲	22	21301	(003000-) Hose, Vacuum, .16 ld X 76.0 Lg	1
▲	23	39923	(003000-) Ftg,Bulkhead-Barb Wh 1074X4	1
▲	24	43454	(003000-) Washer, .344B .69D .06Nylon	1
▲	25	79169	(003000-) Cover, Electrical	1
▲	26	40678	(003000-) Clamp,Cable .44D .62Wide	2
▲	27	49266	(003000-) Tie, Cable 1.75D Max 7.50Lg	12
▲	28	34864	(003000-) Strain,Relief	2
▲	29	46236	(003000-) Clamp-Cable, 0.25Dia 0.56Wth	3
▲	30	79025	(003000-) Harness, Motor, Duct	2
▲	31	79026	(003000-) Harness, Hopper, Rfs	1
▲		83706	(003000-) Harness, Rfs Jumper	1
▲	32	70851	(003000-) Seal, Urethane	1
▲		44961	(003000-) Tie, Cable 4.00 Max 14.50Lg	28
▲		23935	(003000-) Seal, Filter	2
▲		57809	(003000-) Breaker-Cicuit, 15 Resetable	2
▲	33	49766	(003000-) Screw, Hex, #08-32 X 0.38, Ss	8
▲	34	02938	(003000-) Washer, Lock, Int, 08 Ss	8
▲	35	06932	(003000-) Screw, Pan, M5 X 0.80 X 10, 4.8	8
▲	36	74455	(003000-) Screw, Hex, M6 X 1.0 X 12, Fmg	9
▲	37	34738	(003000-) Rivet, Blind, .125d X 0.32 X .25d, Stl	6

Fig. 41 - Cab AC Drain Hose Kit

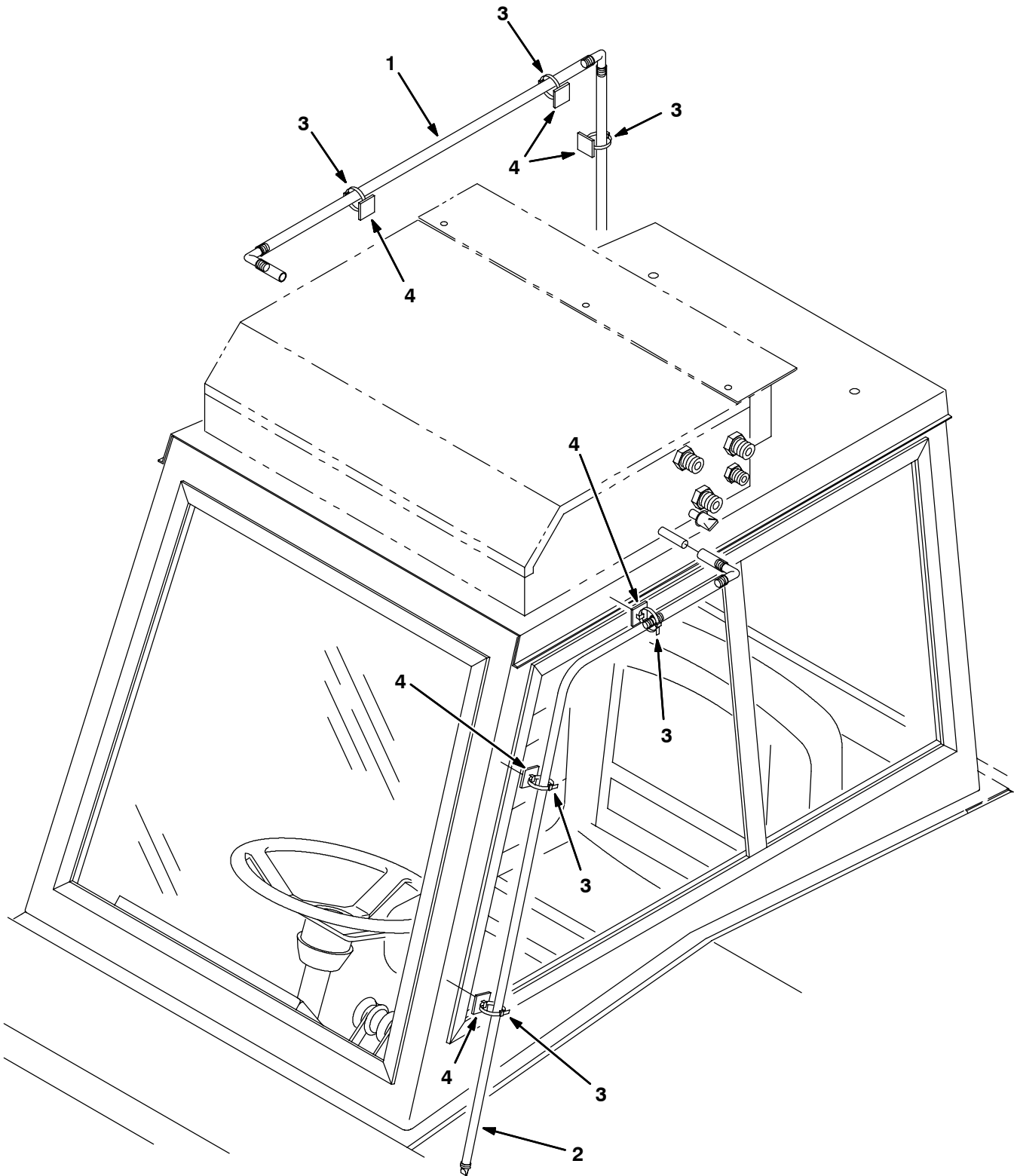
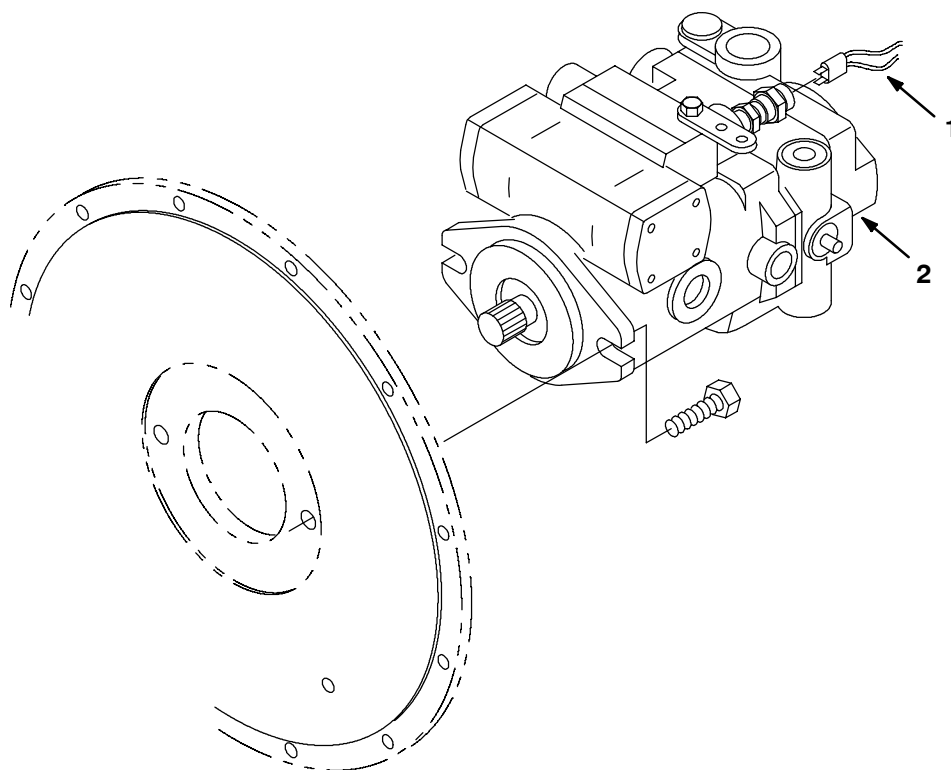


Fig. 41 - Cab AC Drain Hose Kit

	Ref.	Part No.	Serial Number	Description	Qty.
▽		374133	(003000-) Kit, Ci, Drain Hose, A/C	1
▲	1	374134	(003000-) Hose Assy, Drain, A/C	1
▲	2	374135	(003000-) Hose Assy, Drain, A/C	1
▲	3	49266	(003000-) Tie, Cable, Nyl, 07.3l .19w 1.8 Max D	10
▲	4	55248	(003000-) Mount, Cable Tie	10

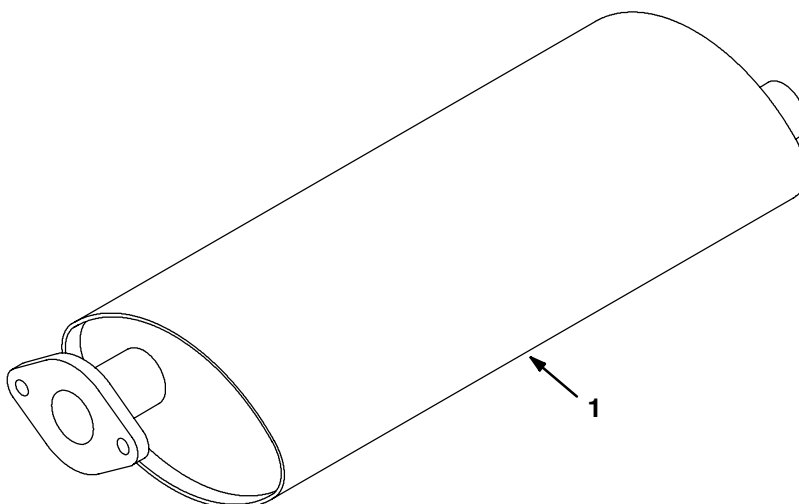
Fig. 42 - Neutral Start Group



09831 - ALL

Ref.	Part No.	Serial Number	Description	Qty.
1	63407	(003000-)	Harness, Neutral, Start	1
2	74164	(003000-003106)	Pump, Hyd Piston V 2.48 (See breakdowns)	1
2	373405	(003107-)	Pump, Hyd Piston V 2.48 (See breakdowns)	1

Fig. 43 - Muffler Group, Non-Catalytic



09831 - GM, G, LP

Ref.	Part No.	Serial Number	Description	Qty.
1	1012634	(006000-006999)	Muffler, Exhaust	1

Fig. 44 - Documentation Group

Ref.	Part No.	Serial Number	Description	Qty.
	330160	(003000-) Manual Pkg 810G	1
	MM337	(003000-) Manual, Service 800/810	1
	393223	(003000-) Manual, Service, Eng, [Gm 3.0L]	1
	21791	(003000-) Manual, Service FD (Lrg) 2.3L	1
	385439	(003000-) Manual, Service FD (Lrg) 2.5L	1
	330162	(003000-) Manual Op/Mt 810G Spanish	1
	330163	(003000-) Manual Op/Mt 810G French	1
	1052093	(003000-) Video, Oprtr, Training, Dvd [810]	1
	9003927	(004500-) Manual, Eng, Cd-Rom [Tier II, Gm3.0]	1

SECTION 4

Contents	Page	Contents	Page
Fig. 1 - Hydraulic Piston Pump Breakdown, 74163	4-2	Fig. 33 - AC Condenser Box Breakdown, 380625	4-57
Fig. 2 - Hydraulic Piston Pump Breakdown, 74163	4-4	Fig. 34 - AC and Heater Box Breakdown, 380613	4-58
Fig. 3 - Hydraulic Piston Pump Breakdown, 373404	4-6	Fig. 35 - Heater Box Breakdown, 380614	4-60
Fig. 4 - Hydraulic Piston Pump Breakdown, 373404	4-8	Fig. 36 - Right Hand (Rh) Brake Assy, 77790 ..	4-62
Fig. 5 - Hydraulic Manual Control Breakdown, 74273	4-10	Fig. 37 - Left Hand (L.h.) Brake Assy, 77770 ..	4-64
Fig. 6 - Hydraulic Piston Pump Breakdown, 74164	4-12	Fig. 38 - LPG Electronic Fuel Ignition Breakdown, 371894	4-66
Fig. 7 - Hydraulic Piston Pump Breakdown, 74164	4-14	Fig. 39 - LPG Electronic Fuel Ignition Breakdown, 371895	4-68
Fig. 8 - Hydraulic Piston Pump Breakdown, 373405	4-16	Fig. 40 - Gasoline Electronic Fuel Ignition Breakdown, 371896	4-70
Fig. 9 - Hydraulic Piston Pump Breakdown, 373405	4-18	Fig. 41 - Gasoline Electronic Fuel Ignition Breakdown, 371897	4-72
Fig. 10 - Hydraulic Manual Control Breakdown, 373369	4-20	Fig. 42 - Hydraulic Solenoid Valve Breakdown, 1049210	4-74
Fig. 11 - Hydraulic Gear Pump Breakdown, 62561	4-22	Fig. 43 - Hydraulic Solenoid Valve Breakdown, 1049209	4-76
Fig. 12 - Hydraulic Gear Pump Breakdown, 373254	4-24	Fig. 44 - Hydraulic Solenoid Valve Breakdown, 1049211	4-78
Fig. 13 - Hydraulic Motor Breakdown, 77406 ..	4-26		
Fig. 14 - Hydraulic Motor Breakdown, 375719 ..	4-28		
Fig. 15 - Hydraulic Motor Breakdown, 63426 ..	4-30		
Fig. 16 - Hydraulic Motor Breakdown, 22626 ..	4-32		
Fig. 17 - Hydraulic Motor Breakdown, 373464 ..	4-34		
Fig. 18 - Hydraulic Motor Breakdown, 62563 ..	4-36		
Fig. 19 - Hydraulic Motor Breakdown, 79781 ..	4-37		
Fig. 20 - Hydraulic Motor Breakdown, 19117 ..	4-38		
Fig. 21 - Hydraulic Motor Breakdown, 63542 ..	4-39		
Fig. 22 - Hydraulic Steering Valve Breakdown, 65242	4-40		
Fig. 23 - Hydraulic Solenoid Valve Breakdown, 84015	4-42		
Fig. 24 - Hydraulic Solenoid Valve Breakdown, 84016	4-43		
Fig. 25 - Hydraulic Valve Breakdown, 375563	4-44		
Fig. 26 - Hydraulic Solenoid Valve Breakdown, 84013	4-46		
Fig. 27 - Hydraulic Cylinder Breakdown, 53601	4-48		
Fig. 28 - Hydraulic Cylinder Breakdown, 1026719	4-49		
Fig. 29 - Cab Assembly	4-50		
Fig. 30 - Cab Door Assembly	4-52		
Fig. 31 - Cab Insulation Group	4-54		
Fig. 32 - Cab Wire Harness Group	4-56		

Fig. 1 - Hydraulic Piston Pump Breakdown, 74163

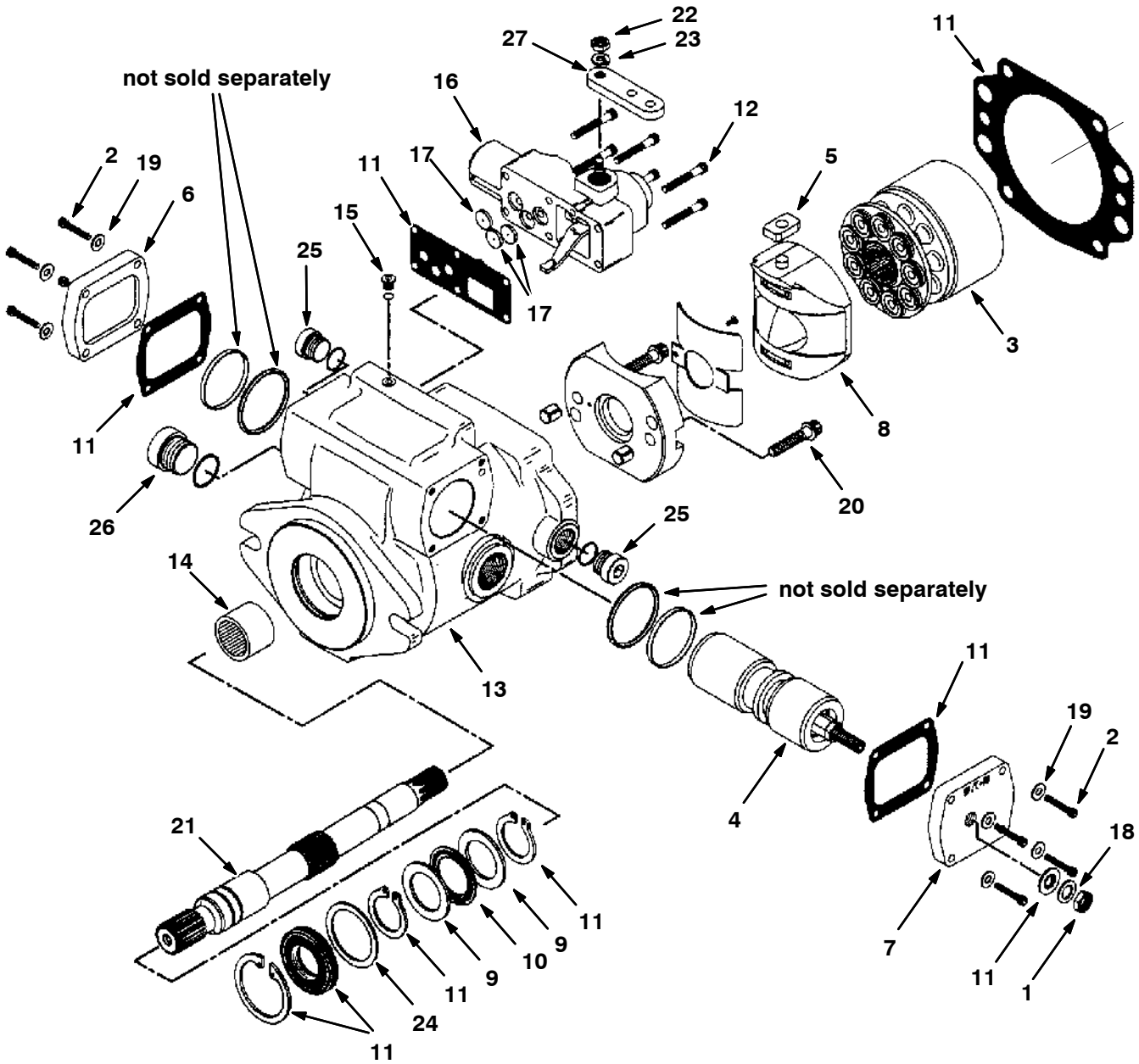


Fig. 1 - Hydraulic Piston Pump Breakdown, 74163

NOTE: Piston Pump, TENNANT Part Number 74163, includes Fig. 1, Fig. 2 and Fig. 5.

Ref.	Part No.	Serial Number	Description	Qty.	
1	74184	(000000-) Nut, Jam	1	
2	74223	(000000-) Screw, Cap	8	
3	61882	(000000-) Rotating Kit	1	
4	74253	(000000-) Piston, Servo	1	
5	74254	(000000-) Follower, Piston	1	
6	74256	(000000-) Plate, Cover En	1	
7	74257	(000000-) Plate, Cover En	1	
8	74258	(000000-) Camplate S/A En	1	
9	74240	(000000-) Race, Bearing Ce	2	
10	74210	(000000-) Bearing	1	
11	74283	(000000-) Seal Kit, Pump En	1	
12	74262	(000000-) Screw, Cap En	6	
▽	74263	(000000-) Housing S/A En	1	
▲	13	79771	(000000-) Housing En	1
▲	14	37462	(000000-) Bearing	1
▲	15	79742	(000000-) Plug S/A En	1
	16	74273	(000000-) Control, Manual (See Breakdowns)	1
	17	74276	(000000-) Orifice, Valve En	3
	18	74280	(000000-) Washer En	1
	19	74281	(000000-) Washer En	8
	20	79747	(000000-) Cap Screw En	2
	21	74265	(000000-) Shaft, Drive Sp En	1
	22	74266	(000000-) Nut En	1
	23	74267	(000000-) Lockwasher En	1
	24	37460	(000000-) Washer	1
	25	13907	(000000-) Plug #8	2
	26	79779	(000000-) Plug,#12 O-Ring Ph	1
	27	74272	(000000-) Arm, Control En	1

Fig. 2 - Hydraulic Piston Pump Breakdown, 74163

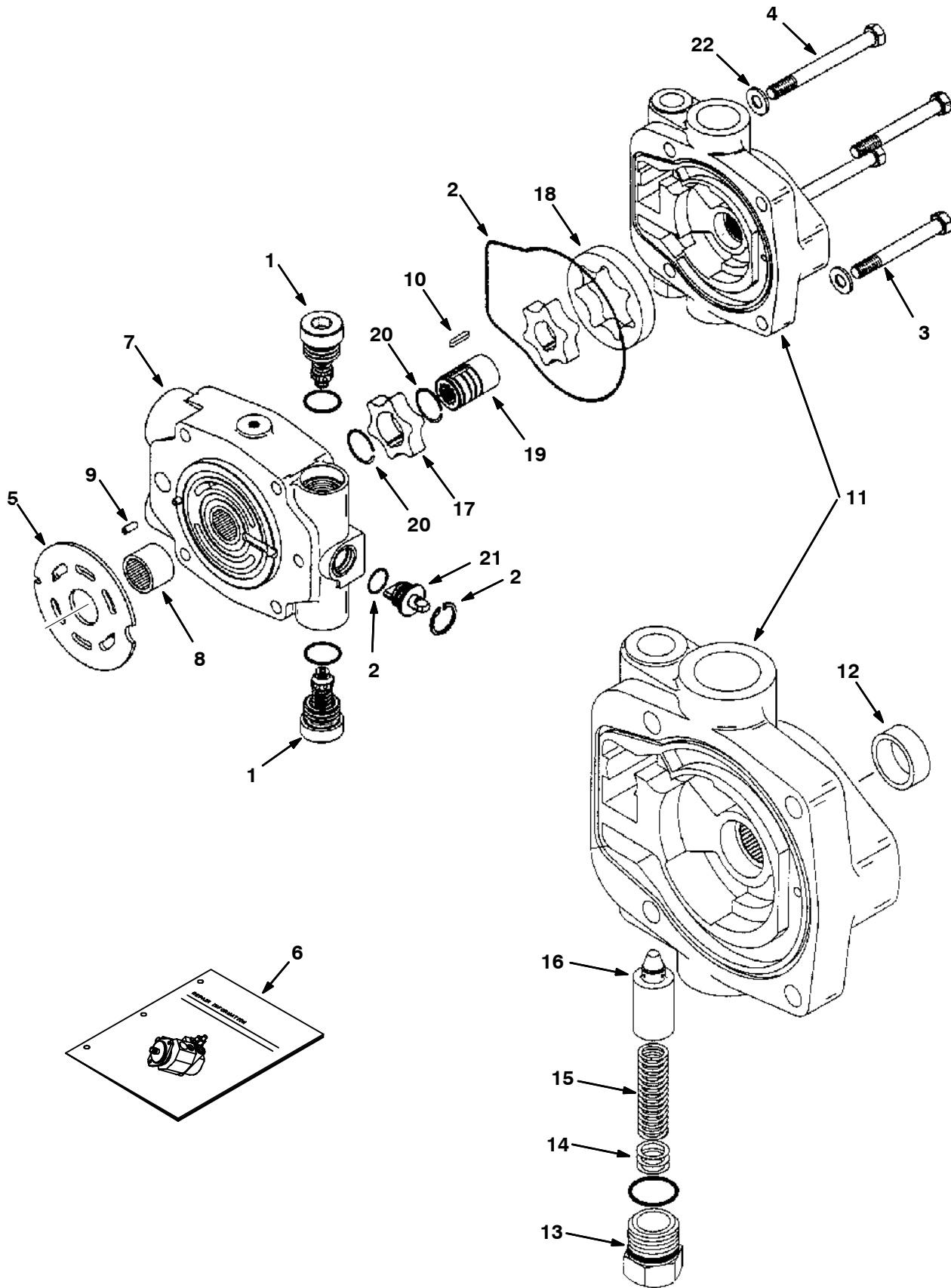


Fig. 2 - Hydraulic Piston Pump Breakdown, 74163

NOTE: Piston Pump, TENNANT Part Number 74163, includes Fig. 1, Fig. 2 and Fig. 5.

Ref.	Part No.	Serial Number	Description	Qty.
1	74259	(000000-) Relief Valve Sa En	2
2	74283	(000000-) Seal Kit, Pump En	1
3	74260	(000000-) Screw, Cap En	2
4	74261	(000000-) Screw, Cap En	2
5	61886	(000000-) Valve Plate	1
6	79708	(000000-) Repair Info,Pmp En	1
▽	7	74264	(000000-) Backplate S/A En	1
▲	8	34159	(000000-) Bearing	1
▲	9	79748	(000000-) Roll Pin En	1
10	74270	(000000-) Key En	1
▽	11	74271	(000000-) Charge Pmp Adap En	1
▲	12	79749	(000000-) Bushing En	1
▲	13	79750	(000000-) Plug En	1
▲	14	79751	(000000-) Shims En	1
▲	15	79752	(000000-) Spring En	1
▲	16	79753	(000000-) Poppet En	1
17	74274	(000000-) Geroter,Ring In En	1
18	74275	(000000-) Geroter,Ring Ot En	1
19	74277	(000000-) Coupler En	1
20	74278	(000000-) Ring, Retaining En	2
21	74279	(000000-) Actuator, Valve En	1
22	74282	(000000-) Washer En	4

Fig. 3 - Hydraulic Piston Pump Breakdown, 373404

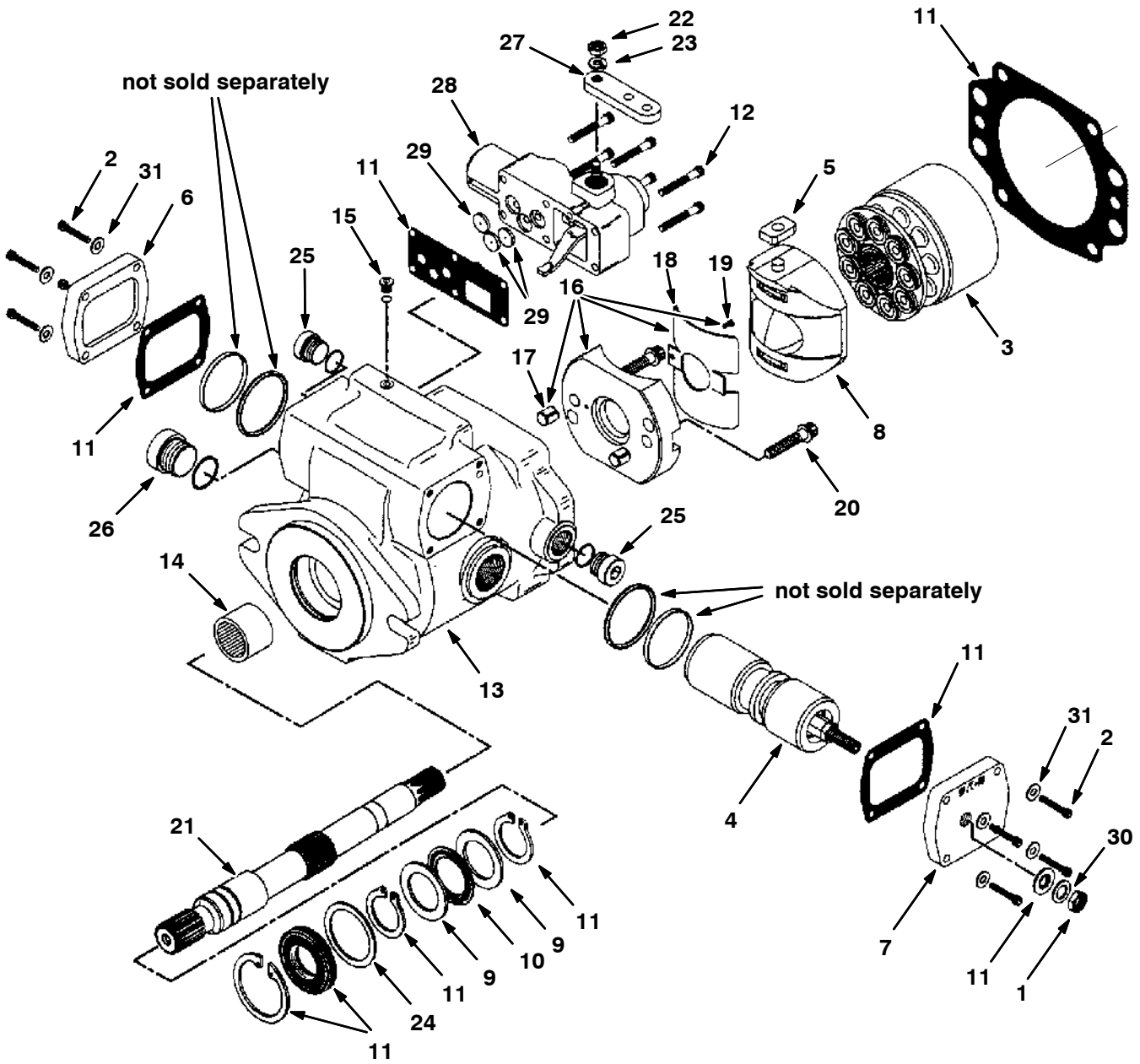


Fig. 3 - Hydraulic Piston Pump Breakdown, 373404

NOTE: Piston Pump, TENNANT Part Number 373404, includes Fig. 3, Fig. 4 and Fig. 5.

Ref.	Part No.	Serial Number	Description	Qty.
1	74184	(000000-) Nut, Jam	1
2	74223	(000000-) Screw, Cap	8
3	61882	(000000-) Rotating Kit	1
4	373407	(000000-) Piston, Servo	1
5	74254	(000000-) Follower, Piston	1
6	74256	(000000-) Plate, Cover En	1
7	74257	(000000-) Plate, Cover En	1
8	74258	(000000-) Camplate S/A En	1
9	74240	(000000-) Race, Bearing Ce	2
10	74210	(000000-) Bearing	1
11	74283	(000000-) Seal Kit, Pump En	1
12	74262	(000000-) Screw, Cap En	6
▽	373408	(000000-) Housing S/A En	1
▲	13 373409	(000000-) Housing En	1
▲	14 37462	(000000-) Bearing	1
▲	15 79742	(000000-) Plug S/A En	1
▽	16 373410	(000000-) Cradle Sub Assy En	1
▲	17 373218	(000000-) Dowel Bushing En	2
▲	18 373414	(000000-) Bushing En	1
▲	19 373415	(000000-) Cap Screw En	1
20	79747	(000000-) Cap Screw En	2
21	74265	(000000-) Shaft, Drive Sp En	1
22	74266	(000000-) Nut En	1
23	74267	(000000-) Lockwasher En	1
24	37460	(000000-) Washer	1
25	13907	(000000-) Plug #8	2
26	79779	(000000-) Plug,#12 O-Ring Ph	1
27	74272	(000000-) Arm, Control En	1
28	74273	(000000-) Control, Manual (See Breakdowns)	1
29	74276	(000000-) Orifice, Valve En	3
30	74280	(000000-) Washer En	1
31	74281	(000000-) Washer En	8

Fig. 4 - Hydraulic Piston Pump Breakdown, 373404

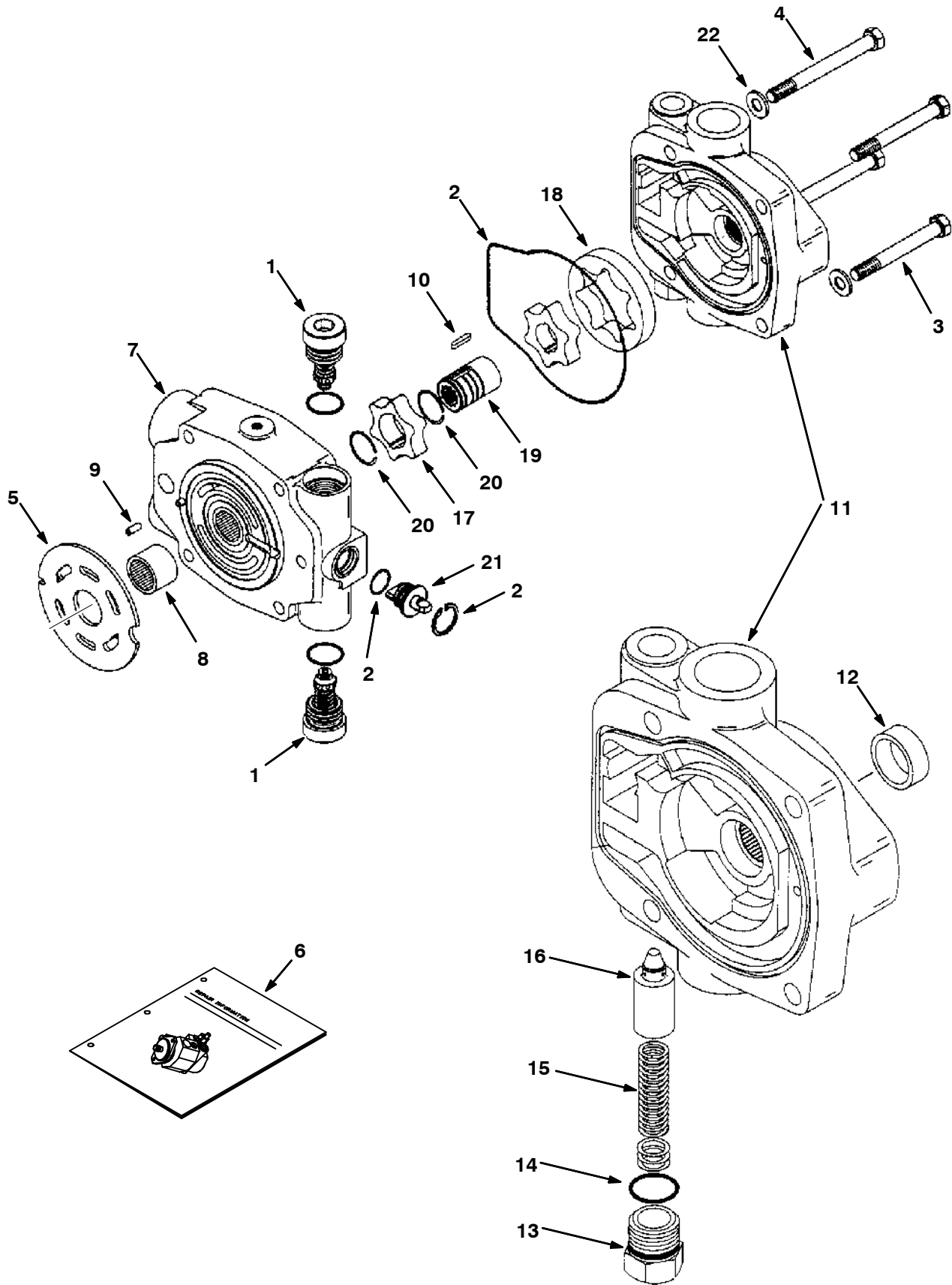


Fig. 4 - Hydraulic Piston Pump Breakdown, 373404

NOTE: Piston Pump, TENNANT Part Number 373404, includes .Fig. 3, Fig. 4 and Fig. 5.

Ref.	Part No.	Serial Number	Description	Qty.
1	74259	(000000-) Relief Valve Sa En	2
2	74283	(000000-) Seal Kit, Pump En	1
3	373374	(000000-) Screw, Cap En	2
4	373375	(000000-) Screw, Cap En	2
5	61886	(000000-) Valve Plate	1
6	373406	(000000-) Repair Info,Pmp En	1
▽	7	373412	(000000-) Backplate S/A En	1
▲	8	34159	(000000-) Bearing	1
▲	9	79748	(000000-) Roll Pin En	1
10	74270	(000000-) Key En	1
▽	11	74271	(000000-) Charge Pmp Adap En	1
▲	12	79749	(000000-) Bushing En	1
▲	13	79750	(000000-) Plug En	1
▲	14	79751	(000000-) Shims En	1
▲	15	79752	(000000-) Spring En	1
▲	16	79753	(000000-) Poppet En	1
17	74274	(000000-) Geroter,Ring In En	1
18	74275	(000000-) Geroter,Ring Ot En	1
19	74277	(000000-) Coupler En	1
20	74278	(000000-) Ring, Retaining En	2
21	373413	(000000-) Actuator, Valve En	1
22	74282	(000000-) Washer En	4

Fig. 5 - Hydraulic Manual Control Breakdown, 74273

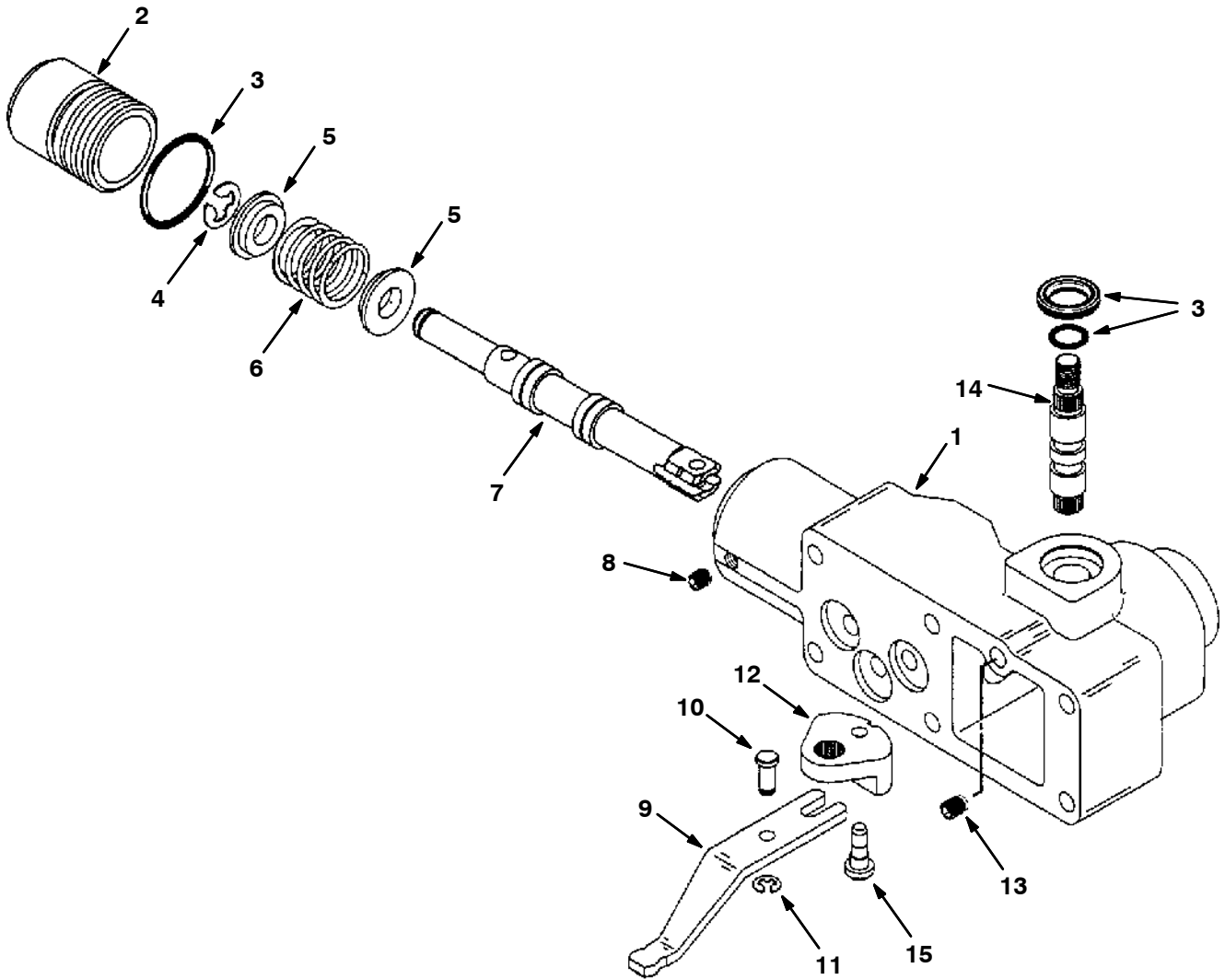


Fig. 5 - Hydraulic Manual Control Breakdown, 74273

NOTE: Piston Pump, TENNANT Part Number 74163, includes Fig. 1, Fig. 2 and Fig. 5.

NOTE: Piston Pump, TENNANT Part Number 373404, includes .Fig. 3, Fig. 4 and Fig. 5.

	Ref.	Part No.	Serial Number	Description	Qty.
▽		74273	(000000-) Control, Manual	1
▲	1	79754	(000000-) Housing,Control	1
▲	2	79755	(000000-) Plug	1
▲	3	79776	(000000-) Seal Kit,Cntrl	1
▲	4	79756	(000000-) Ring, Retaining	1
▲	5	79757	(000000-) Spring,Retainer	2
▲	6	79758	(000000-) Spring, Cntr	1
▲	7	79759	(000000-) Valve Spool	1
▲	8	79760	(000000-) Screw, Set	1
▲	9	79761	(000000-) Link, Feedback	1
▲	10	79762	(000000-) Dowel Pin	1
▲	11	79763	(000000-) Ring, Retaining	1
▲	12	79764	(000000-) Bell Crank	1
▲	13	79765	(000000-) Screw, Set	1
▲	14	79766	(000000-) Shaft, Input	1
▲	15	79767	(000000-) Pin, Headed	1

Fig. 6 - Hydraulic Piston Pump Breakdown, 74164

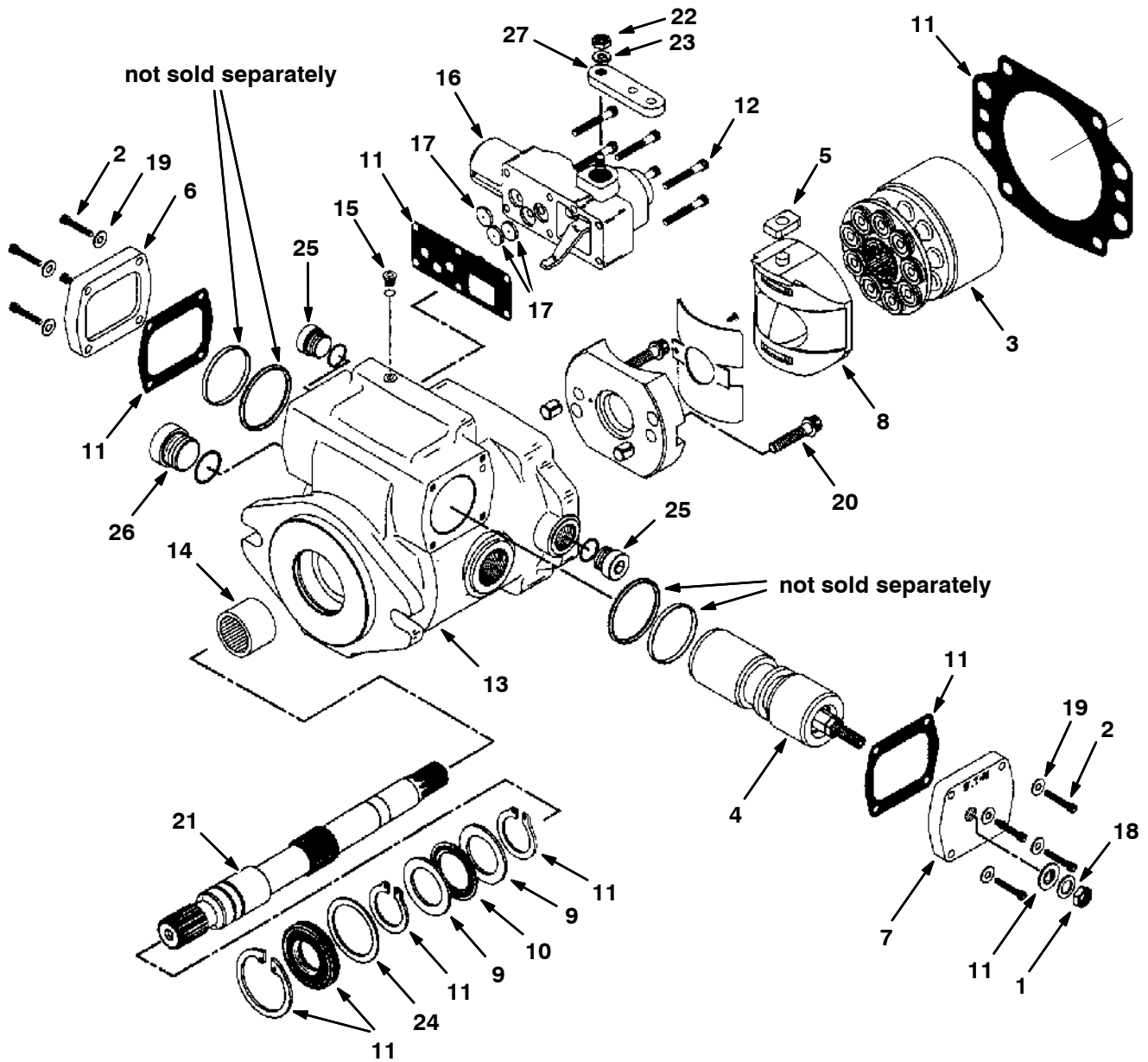


Fig. 6 - Hydraulic Piston Pump Breakdown, 74164

NOTE: Piston Pump, TENNANT Part Number 74164, includes Fig. 6, Fig. 7 and Fig. 10.

Ref.	Part No.	Serial Number	Description	Qty.	
1	74184	(000000-) Nut, Jam	1	
2	74223	(000000-) Screw, Cap	8	
3	61882	(000000-) Rotating Kit	1	
4	74253	(000000-) Piston, Servo	1	
5	74254	(000000-) Follower, Piston	1	
6	74256	(000000-) Plate, Cover En	1	
7	74257	(000000-) Plate, Cover En	1	
8	74258	(000000-) Camplate S/A En	1	
9	74240	(000000-) Race, Bearing Ce	2	
10	74210	(000000-) Bearing	1	
11	74283	(000000-) Seal Kit, Pump En	1	
12	74262	(000000-) Screw, Cap En	6	
▽	74263	(000000-) Housing S/A En	1	
▲	13	79771	(000000-) Housing En	1
▲	14	37462	(000000-) Bearing	1
▲	15	79742	(000000-) Plug S/A En	1
	16	373369	(000000-) Control, Manual (See Breakdowns)	1
	17	74276	(000000-) Orifice, Valve En	3
	18	74280	(000000-) Washer En	1
	19	74281	(000000-) Washer En	8
	20	79747	(000000-) Cap Screw En	2
	21	74265	(000000-) Shaft, Drive Sp En	1
	22	74266	(000000-) Nut En	1
	23	74267	(000000-) Lockwasher En	1
	24	37460	(000000-) Washer	1
	25	13907	(000000-) Plug #8	2
	26	79779	(000000-) Plug,#12 O-Ring Ph	1
	27	74272	(000000-) Arm, Control En	1

Fig. 7 - Hydraulic Piston Pump Breakdown, 74164

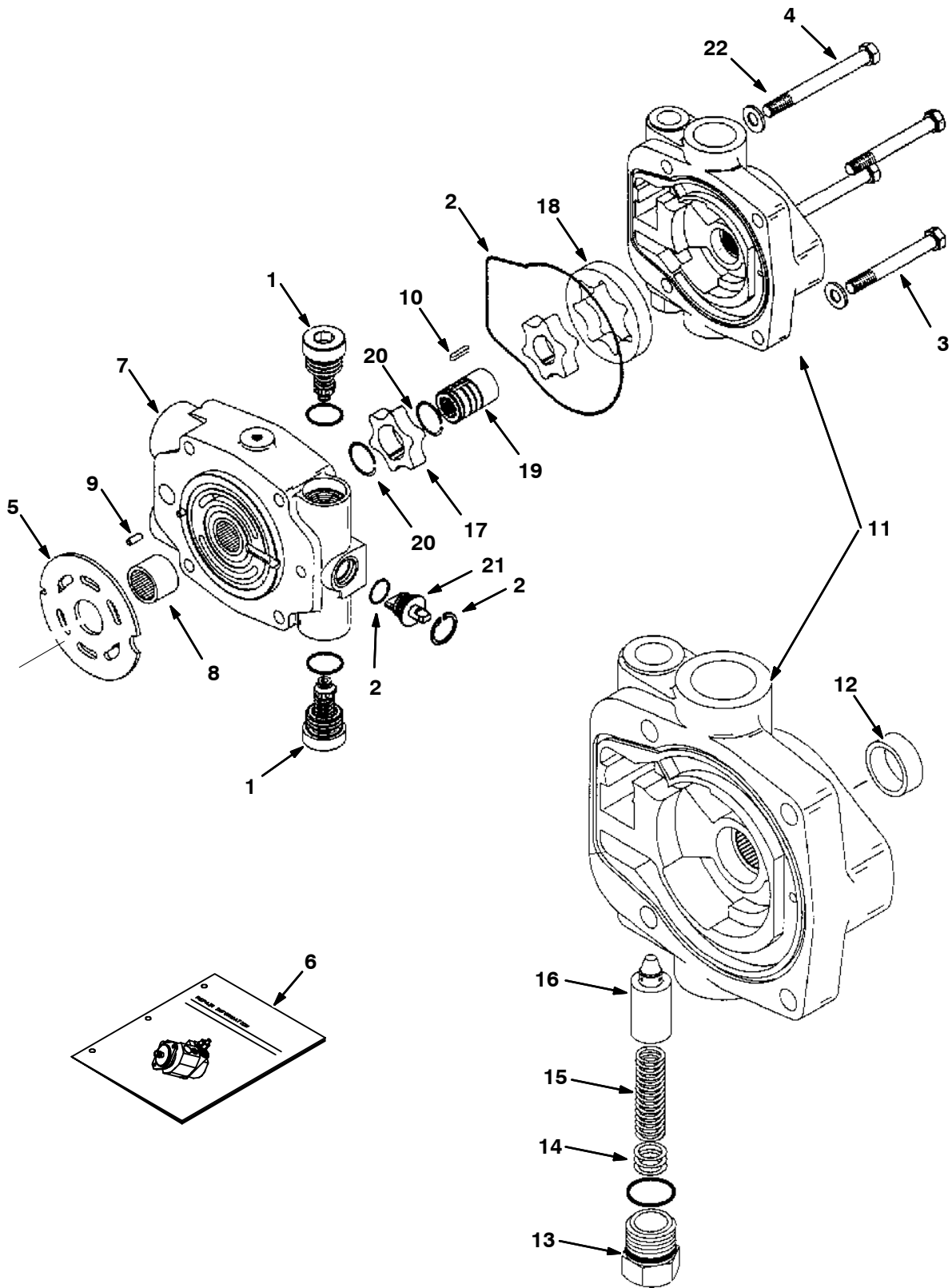


Fig. 7 - Hydraulic Piston Pump Breakdown, 74164

NOTE: Piston Pump, TENNANT Part Number 74164, includes Fig. 6, Fig. 7 and Fig. 10.

Ref.	Part No.	Serial Number	Description	Qty.
1	74259	(000000-) Relief Valve Sa En	2
2	74283	(000000-) Seal Kit, Pump En	1
3	74260	(000000-) Screw, Cap En	2
4	74261	(000000-) Screw, Cap En	2
5	61886	(000000-) Valve Plate	1
6	79708	(000000-) Repair Info,Pmp En	1
▽	7	74264	(000000-) Backplate S/A En	1
▲	8	34159	(000000-) Bearing	1
▲	9	79748	(000000-) Roll Pin En	1
10	74270	(000000-) Key En	1
▽	11	74271	(000000-) Charge Pmp Adap En	1
▲	12	79749	(000000-) Bushing En	1
▲	13	79750	(000000-) Plug En	1
▲	14	79751	(000000-) Shims En	1
▲	15	79752	(000000-) Spring En	1
▲	16	79753	(000000-) Poppet En	1
17	74274	(000000-) Geroter,Ring In En	1
18	74275	(000000-) Geroter,Ring Ot En	1
19	74277	(000000-) Coupler En	1
20	74278	(000000-) Ring, Retaining En	2
21	74279	(000000-) Actuator, Valve En	1
22	74282	(000000-) Washer En	4

Fig. 8 - Hydraulic Piston Pump Breakdown, 373405

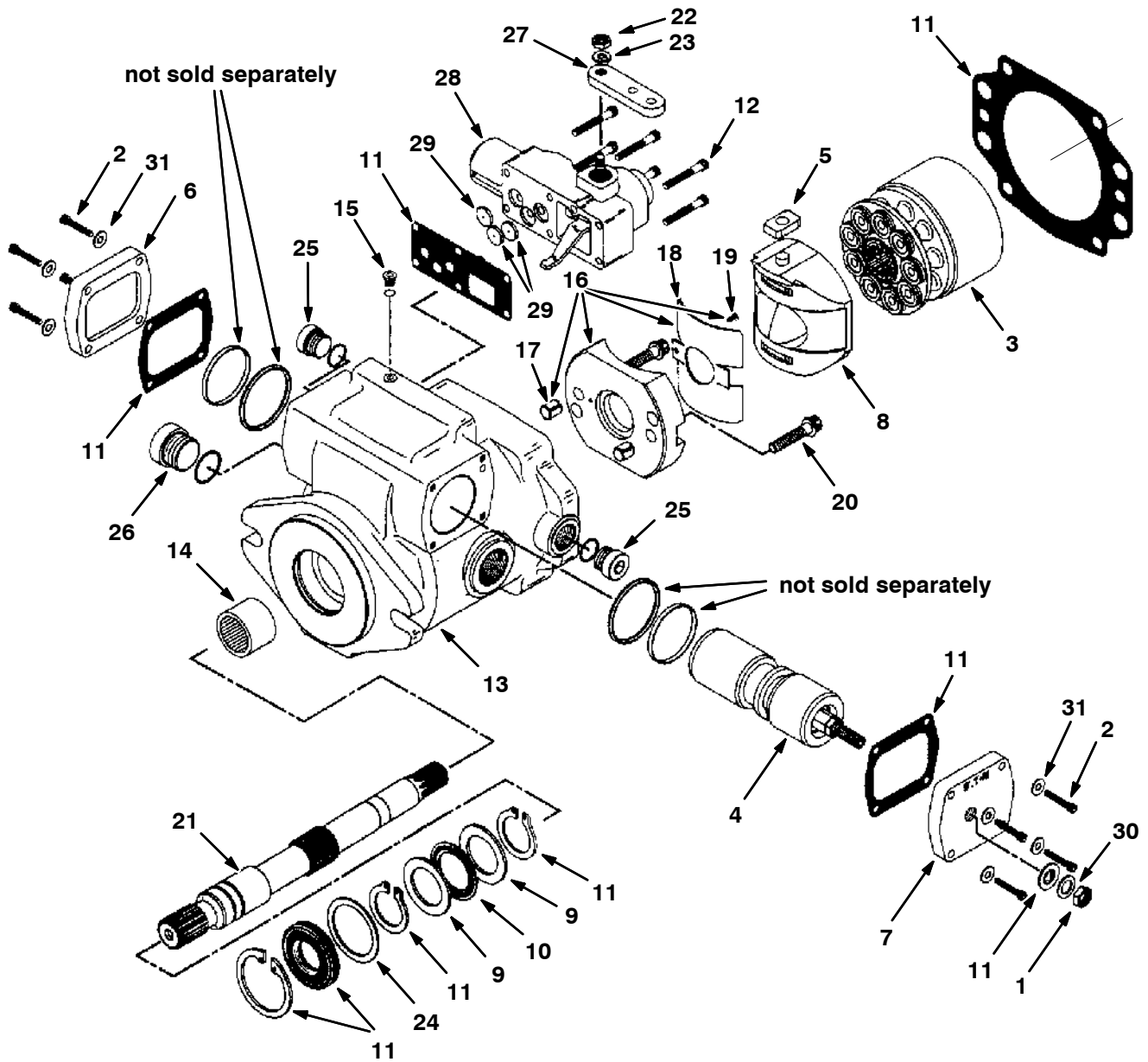


Fig. 8 - Hydraulic Piston Pump Breakdown, 373405

NOTE: Piston Pump, TENNANT Part Number 373405, includes Fig. 8, Fig. 9 and Fig. 10.

Ref.	Part No.	Serial Number	Description	Qty.
1	74184	(000000-) Nut, Jam	1
2	74223	(000000-) Screw, Cap	8
3	61882	(000000-) Rotating Kit	1
4	373407	(000000-) Piston, Servo	1
5	74254	(000000-) Follower, Piston	1
6	74256	(000000-) Plate, Cover En	1
7	74257	(000000-) Plate, Cover En	1
8	74258	(000000-) Camplate S/A En	1
9	74240	(000000-) Race, Bearing Ce	2
10	74210	(000000-) Bearing	1
11	74283	(000000-) Seal Kit, Pump En	1
12	74262	(000000-) Screw, Cap En	6
▽	373408	(000000-) Housing S/A En	1
▲	13 373409	(000000-) Housing En	1
▲	14 37462	(000000-) Bearing	1
▲	15 79742	(000000-) Plug S/A En	1
▽	16 373410	(000000-) Cradle Sub Assy En	1
▲	17 373218	(000000-) Dowel Bushing En	2
▲	18 373414	(000000-) Bushing En	1
▲	19 373415	(000000-) Cap Screw En	1
20	79747	(000000-) Cap Screw En	2
21	74265	(000000-) Shaft, Drive Sp En	1
22	74266	(000000-) Nut En	1
23	74267	(000000-) Lockwasher En	1
24	37460	(000000-) Washer	1
25	13907	(000000-) Plug #8	2
26	79779	(000000-) Plug,#12 O-Ring Ph	1
27	74272	(000000-) Arm, Control En	1
28	373369	(000000-) Control, Manual (See Breakdowns)	1
29	74276	(000000-) Orifice, Valve En	3
30	74280	(000000-) Washer En	1
31	74281	(000000-) Washer En	8

Fig. 9 - Hydraulic Piston Pump Breakdown, 373405

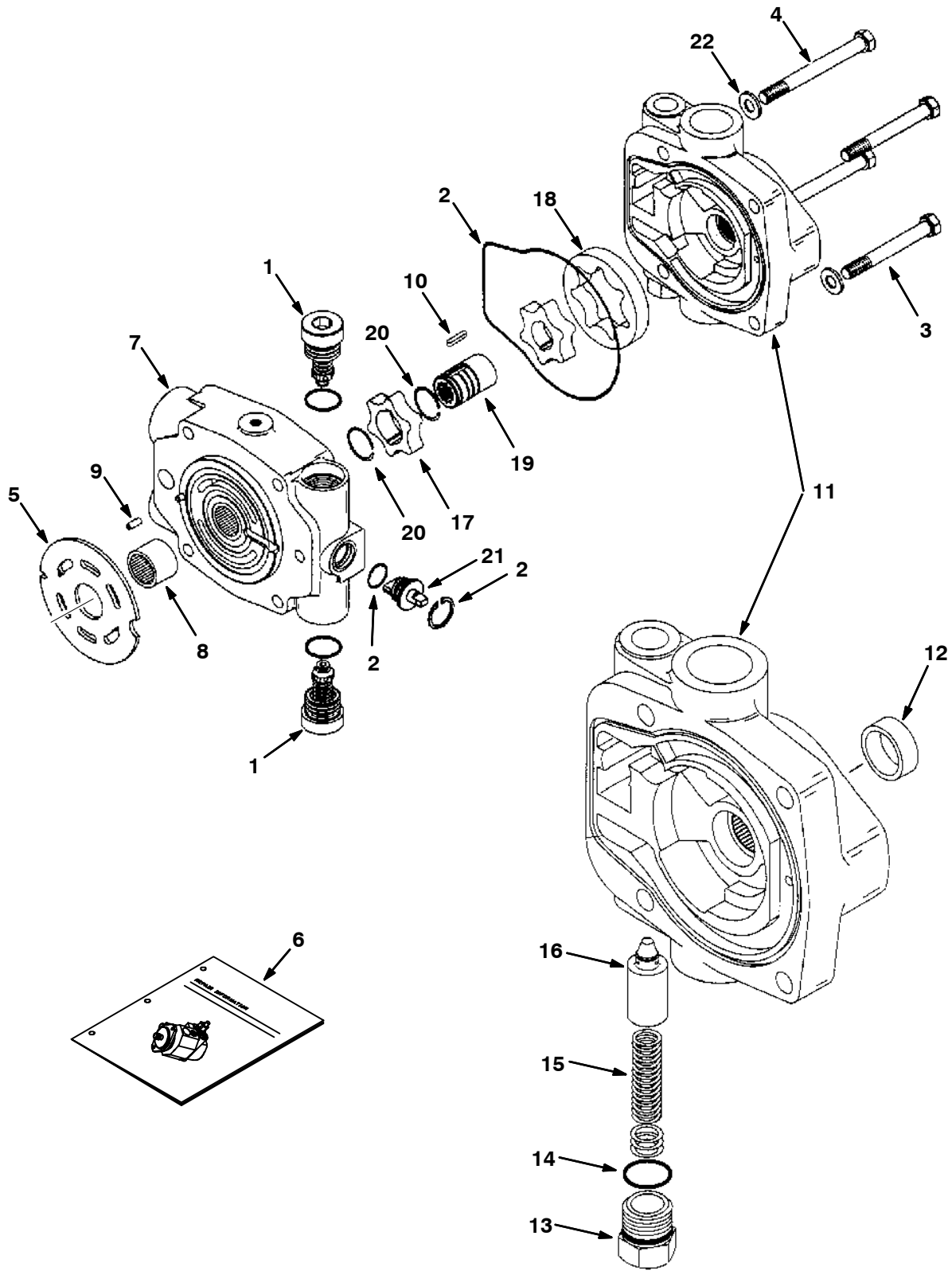


Fig. 9 - Hydraulic Piston Pump Breakdown, 373405

NOTE: Piston Pump, TENNANT Part Number 373405, includes Fig. 8, Fig. 9 and Fig. 10.

Ref.	Part No.	Serial Number	Description	Qty.	
1	74259	(000000-) Relief Valve Sa En	2	
2	74283	(000000-) Seal Kit, Pump En	1	
3	373374	(000000-) Screw, Cap En	2	
4	373375	(000000-) Screw, Cap En	2	
5	61886	(000000-) Valve Plate	1	
6	373406	(000000-) Repair Info,Pmp En	1	
▽	7	373412	(000000-) Backplate S/A En	1
▲	8	34159	(000000-) Bearing	1
▲	9	79748	(000000-) Roll Pin En	1
10	74270	(000000-) Key En	1	
▽	11	74271	(000000-) Charge Pmp Adap En	1
▲	12	79749	(000000-) Bushing En	1
▲	13	79750	(000000-) Plug En	1
▲	14	79751	(000000-) Shims En	1
▲	15	79752	(000000-) Spring En	1
▲	16	79753	(000000-) Poppet En	1
17	74274	(000000-) Geroter,Ring In En	1	
18	74275	(000000-) Geroter,Ring Ot En	1	
19	74277	(000000-) Coupler En	1	
20	74278	(000000-) Ring, Retaining En	2	
21	373413	(000000-) Actuator, Valve En	1	
22	74282	(000000-) Washer En	4	

Fig. 10 - Hydraulic Manual Control Breakdown, 373369

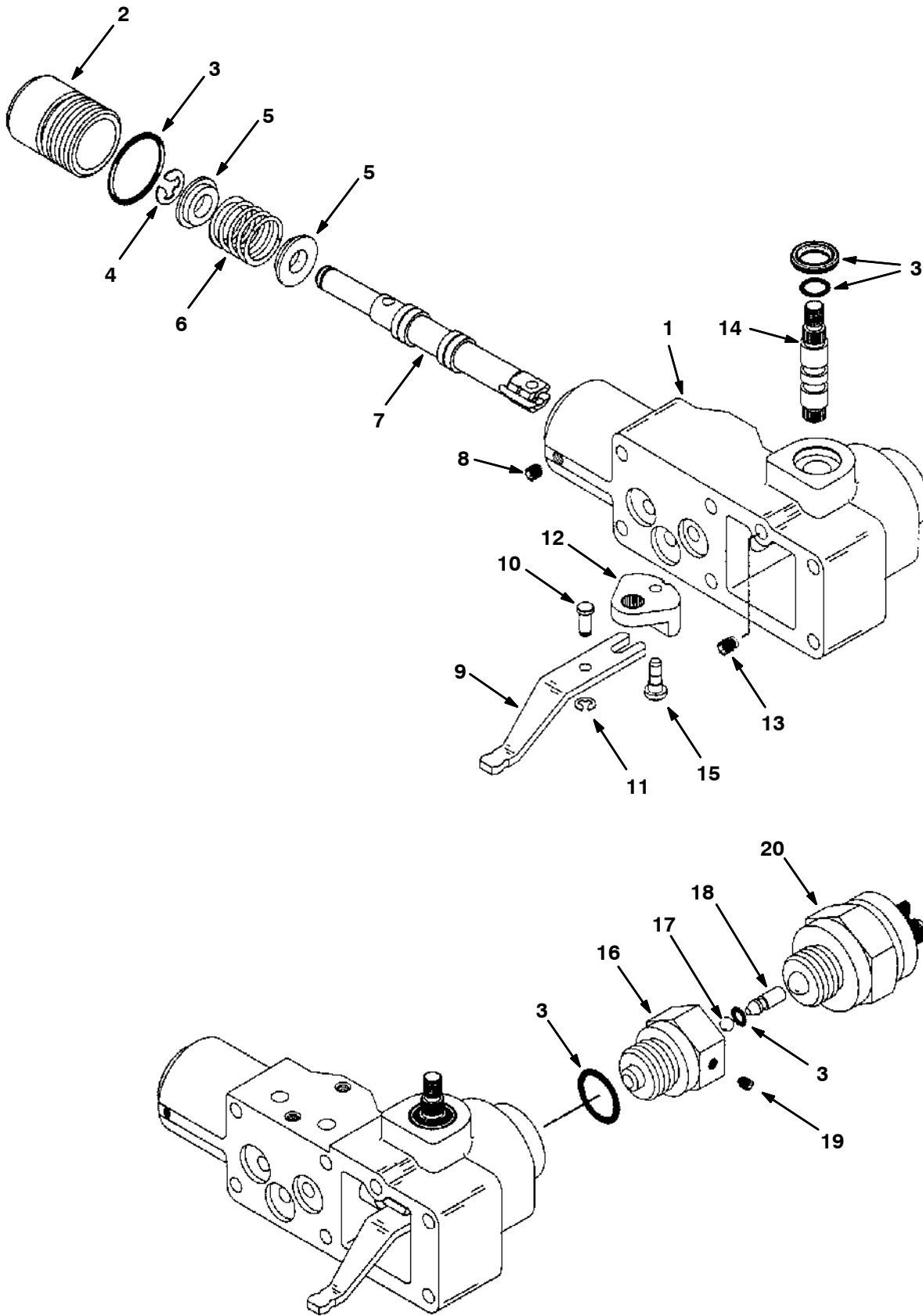


Fig. 10 - Hydraulic Manual Control Breakdown, 373369

NOTE: Piston Pump, TENNANT Part Number 74164, includes Fig. 6, Fig. 7 and Fig. 10.

NOTE: Piston Pump, TENNANT Part Number 373405, includes Fig. 8, Fig. 9 and Fig. 10.

	Ref.	Part No.	Serial Number	Description	Qty.
▽		373369	(000000-) Manual Control En	1
▲	1	79777	(000000-) Housing,Control En	1
▲	2	79755	(000000-) Plug En	1
▲	3	79776	(000000-) Seal Kit,Cntrl En	1
▲	4	79756	(000000-) Ring, Retaining En	1
▲	5	79757	(000000-) Spring,Retainer En	2
▲	6	79758	(000000-) Spring, Cntr En	1
▲	7	79772	(000000-) Vlv Spool Wide En	1
▲	8	79760	(000000-) Screw, Set En	1
▲	9	79761	(000000-) Link, Feedback En	1
▲	10	79762	(000000-) Dowel Pin En	1
▲	11	79763	(000000-) Ring, Retaining En	1
▲	12	79764	(000000-) Bell Crank En	1
▲	13	79765	(000000-) Screw, Set En	1
▲	14	79766	(000000-) Shaft, Input En	1
▲	15	79767	(000000-) Pin, Headed En	1
▲	16	373371	(000000-) Adaptor,Neutral En	1
▲	17	79774	(000000-) Ball En	1
▲	18	373372	(000000-) Pin, Cntrl Assy En	1
▲	19	79760	(000000-) Screw, Set En	1
▲	20	373373	(000000-) Switch,Lockout En	1

Fig. 11 - Hydraulic Gear Pump Breakdown, 62561

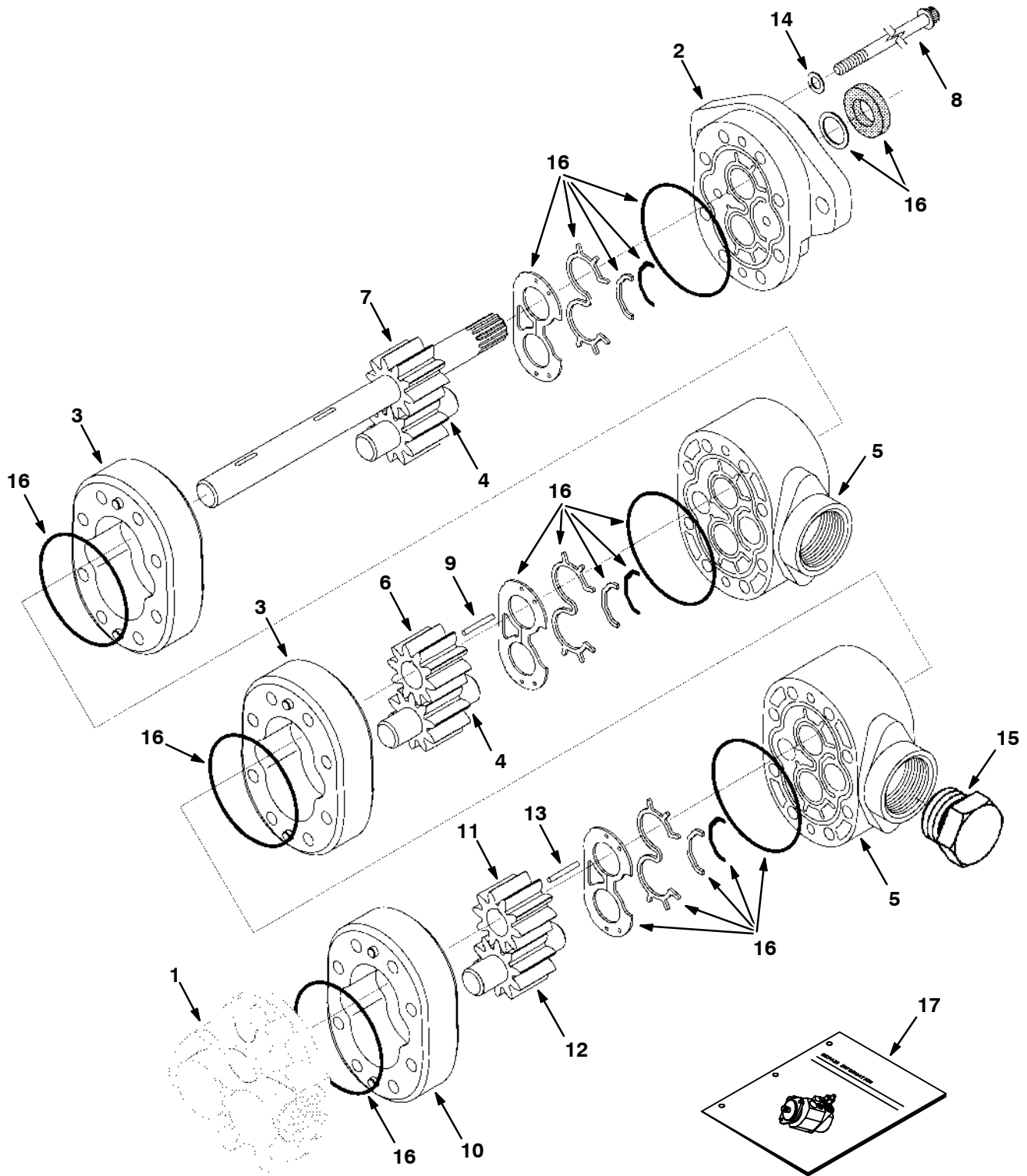


Fig. 11 - Hydraulic Gear Pump Breakdown, 62561

	Ref.	Part No.	Serial Number	Description	Qty.
▽		62561	(000000-) Pump, Hyd	1
▲	1	58242	(000000-) Plate, Back	1
▲	2	74149	(000000-) Plate, Front	1
▲	3	74150	(000000-) Body Assy	2
▲	4	74151	(000000-) Gear, Idler	2
▲	5	74152	(000000-) Plate, Adapter	2
▲	6	74148	(000000-) Gear, Slip Fit	1
▲	7	65226	(000000-) Drive Gear Assembly	1
▲	8	74154	(000000-) Screw, Cap	8
▲	9	74160	(000000-) Key, Round	1
▲	10	74157	(000000-) Body Assembly	1
▲	11	74153	(000000-) Gear	1
▲	12	74158	(000000-) Gear, Idler	1
▲	13	74156	(000000-) Key, Round	1
▲	14	74159	(000000-) Washer	4
▲	15	74161	(000000-) Plug, O-ring	1
▲	16	59305	(000000-) Kit, Seal, Hyd, Pump	1
	17	763483	(000000-) Repair Info, Pump	1

Fig. 12 - Hydraulic Gear Pump Breakdown, 373254

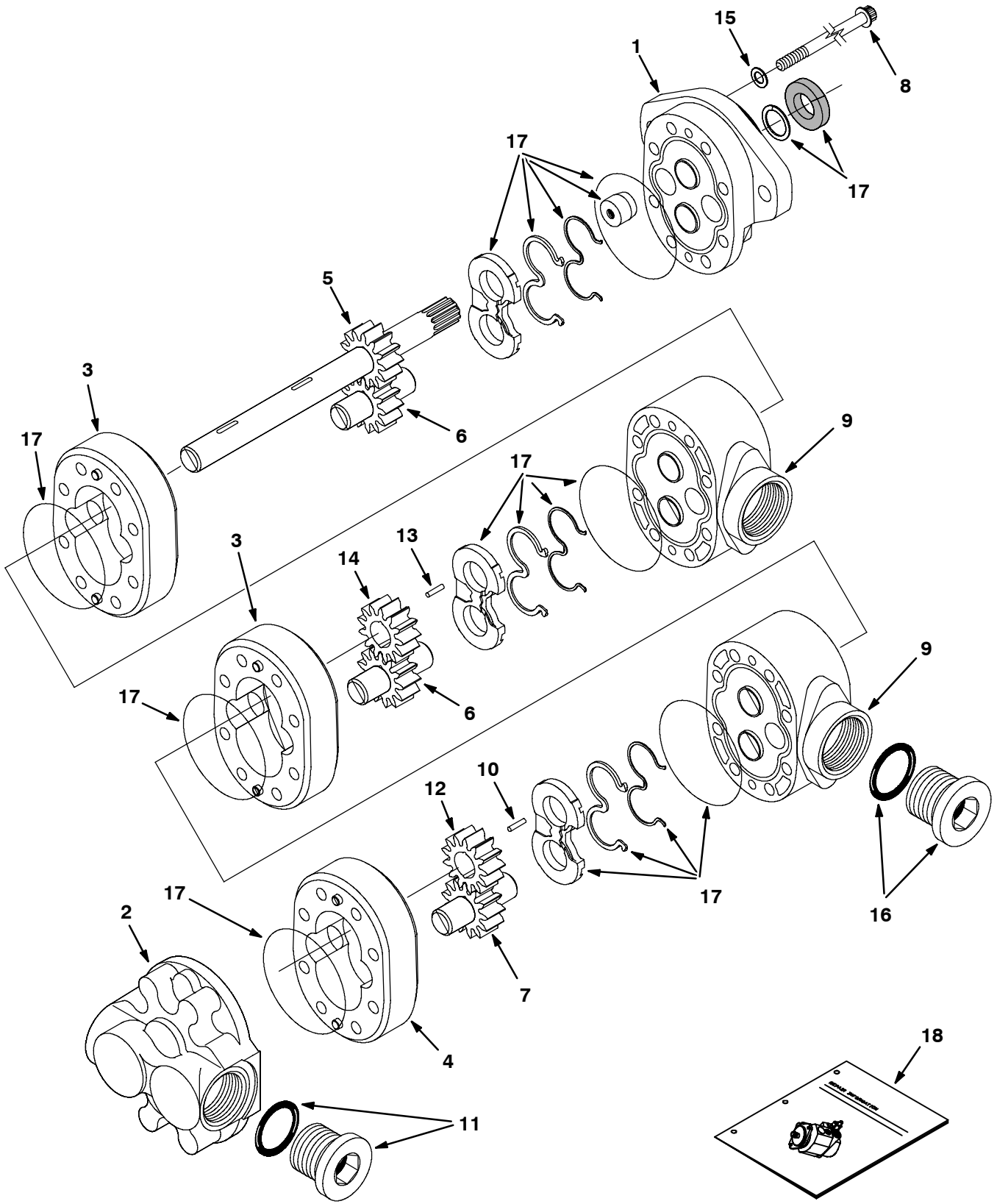


Fig. 12 - Hydraulic Gear Pump Breakdown, 373254

Ref.	Part No.	Serial Number	Description	Qty.
▽	373254	(000000-) Pump, Hyd, Gear, [Ex3] 0.66 [R] 3000	1
▲	1 373201	(000000-) Plate, Front, Pump, Hyd	1
▲	2 373276	(000000-) Plate, Back, Pump, Hyd	1
▲	3 373232	(000000-) Housing	1
▲	4 373256	(000000-) Body	2
▲	5 373457	(000000-) Gear, Drive	1
▲	6 373211	(000000-) Gear Assy, Idler	1
▲	7 373258	(000000-) Gear, Idler	2
▲	8 74154	(000000-) Screw, Cap, Motor, Hyd	8
▲	9 373235	(000000-) Plate, Adaptor	2
▲	10 373458	(000000-) Key	1
▲	11 71725	(000000-) Plug, O-Ring	1
▲	12 373259	(000000-) Gear, [Slip Fit]	1
▲	13 373284	(000000-) Key	1
▲	14 373242	(000000-) Gear	1
▲	15 373243	(000000-) Washer	4
▲	16 74161	(000000-) Plug, O-Ring	1
▲	17 373255	(000000-) Kit, Seal, Pump	1
▲	18 373207	(000000-) Instr, Kit, Repair, Pump, Hyd	1

Fig. 13 - Hydraulic Motor Breakdown, 77406

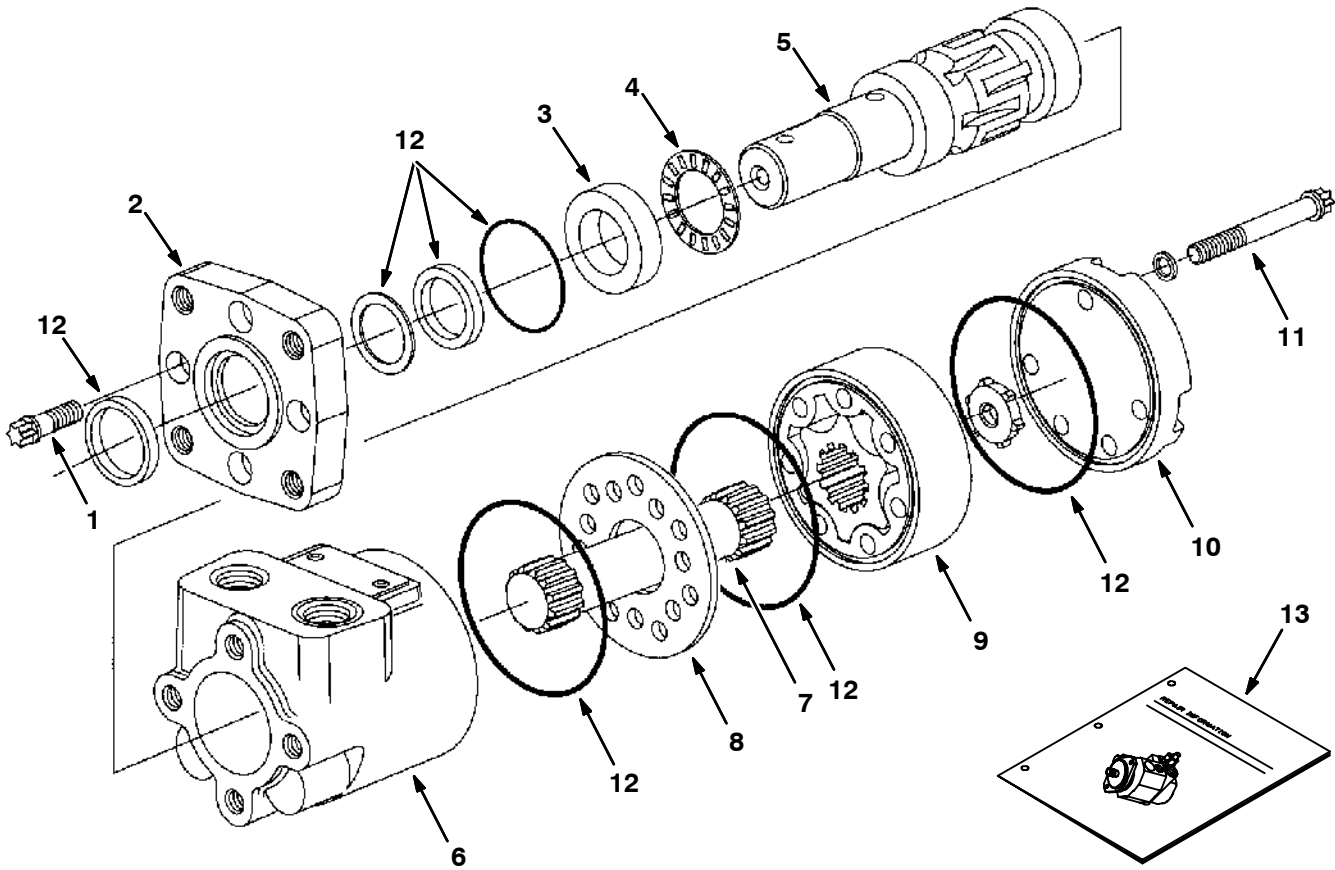


Fig. 13 - Hydraulic Motor Breakdown, 77406

	Ref.	Part No.	Serial Number	Description	Qty.
▽		77406	(000000-) Motor, Hyd Gear IN 03.6 B 1500	1
▲	1	37555	(000000-) Cap, Screw	4
▲	2	31354	(000000-) Flange, Mounting	1
▲	3	16695	(000000-) Race, Thrust	1
▲	4	45628	(000000-) Thrust Bearing	1
▲	5	31373	(000000-) Output Shaft Assembly	1
▲	6	74100	(000000-) Housing Cl	1
▲	7	31379	(000000-) Drive Cl	1
▲	8	74094	(000000-) Spacer Plate Cl	1
▲	9	27763	(000000-) Gerotor Set	1
▲	10	65230	(000000-) End Cap Cl	1
▲	11	65241	(000000-) Screw Cap Cl	5
▲	12	61490	(000000-) Seal Replmt Kit	1
	13	74250	(000000-) Repair Info. Cl	1

Fig. 14 - Hydraulic Motor Breakdown, 375719

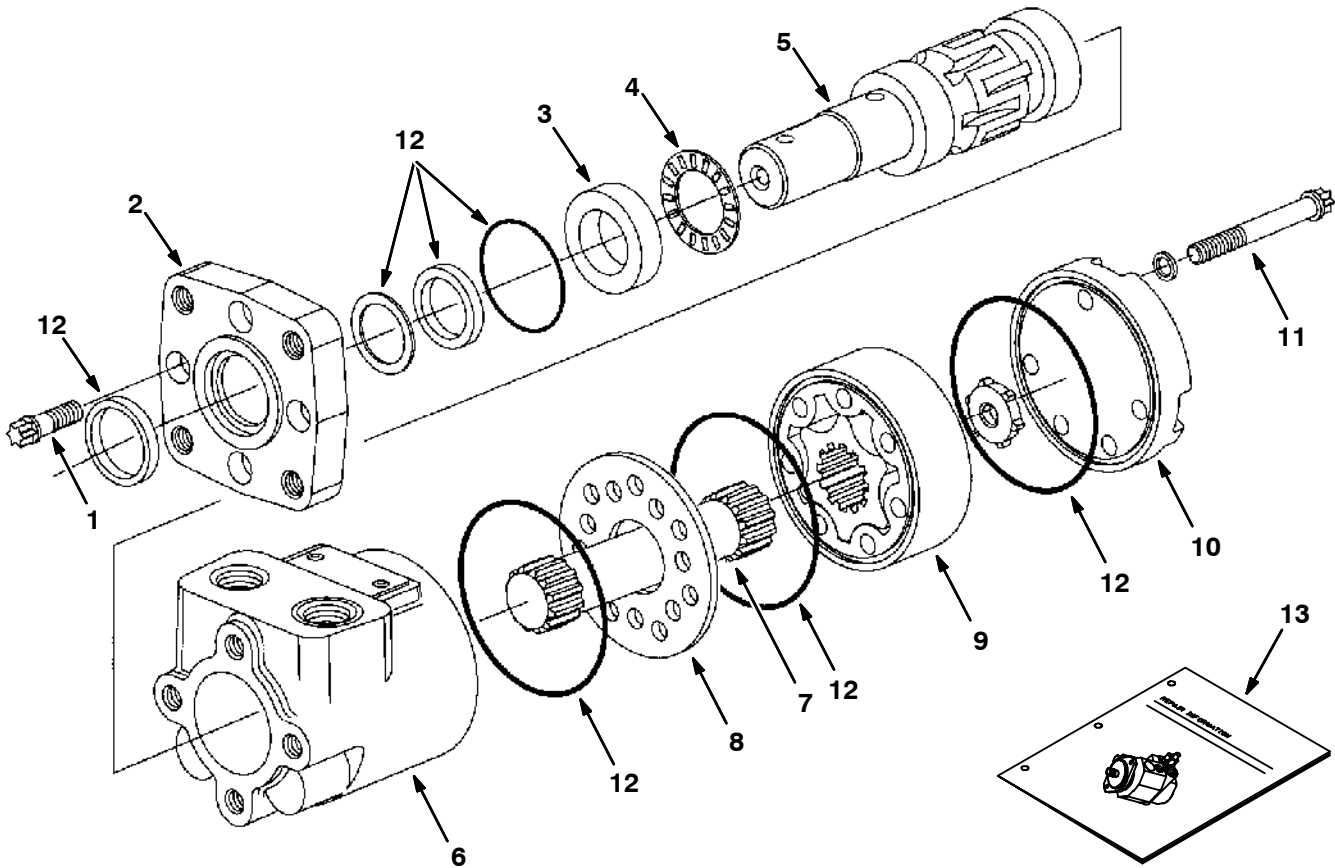


Fig. 14 - Hydraulic Motor Breakdown, 375719

	Ref.	Part No.	Serial Number	Description	Qty.
▽		375719	(000000-) Motor, Hyd Gear	1
▲	1	37555	(000000-) Cap, Screw	4
▲	2	31354	(000000-) Flange, Mounting	1
▲	3	16695	(000000-) Race, Thrust	1
▲	4	45628	(000000-) Thrust Bearing	1
▲	5	31373	(000000-) Output Shaft Assembly	1
▲	6	74100	(000000-) Housing Cl	1
▲	7	34176	(000000-) Drive, Motor, Hyd	1
▲	8	74094	(000000-) Spacer Plate Cl	1
▲	9	65229	(000000-) Gerotor Set	1
▲	10	65230	(000000-) End Cap Cl	1
▲	11	74174	(000000-) Screw Cap Cl	5
▲	12	22654	(000000-) Seal Replmt Kit	1
	13	74250	(000000-) Repair Info. Cl	1

Fig. 15 - Hydraulic Motor Breakdown, 63426

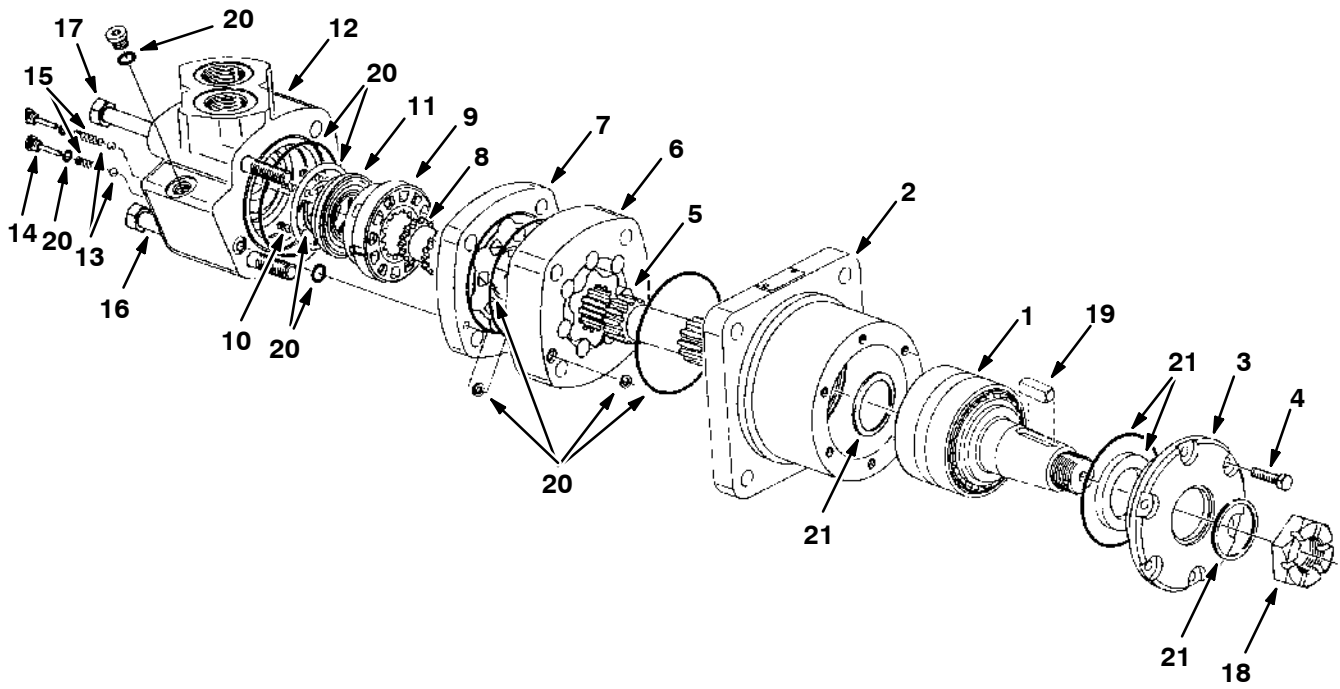


Fig. 15 - Hydraulic Motor Breakdown, 63426

	Ref.	Part No.	Serial Number	Description	Qty.
▽		63426	(000000-) Motor, Propelling	1
▲	1	34180	(000000-) Shaft and Brg	1
▲	2	74132	(000000-) Housing, Brg	1
▲	3	74133	(000000-) Retainer, Frt	1
▲	4	37943	(000000-) Bolt	6
▲	5	34181	(000000-) Drive	1
▲	6	34182	(000000-) Gerotor Set	1
▲	7	34184	(000000-) Valve Plate	1
▲	8	34183	(000000-) Drive, Valve	1
▲	9	34185	(000000-) Valve	1
▲	10	34178	(000000-) Spring	3
▲	11	37723	(000000-) Plate	1
▲	12	74134	(000000-) Housing Assy	1
▲	13	37766	(000000-) Ball	2
▲	14	74137	(000000-) Plug Assembly	2
▲	15	34179	(000000-) Spring	2
▲	16	74135	(000000-) Screw, Cap	2
▲	17	74136	(000000-) Screw, Cap	2
▲	18	45622	(000000-) Nut	1
▲	19	45623	(000000-) Key	1
▲	20	40380	(000000-) Seal Kit, Motor	1
▲	21	65227	(000000-) Seal Kit, Shaft	1

Fig. 16 - Hydraulic Motor Breakdown, 22626

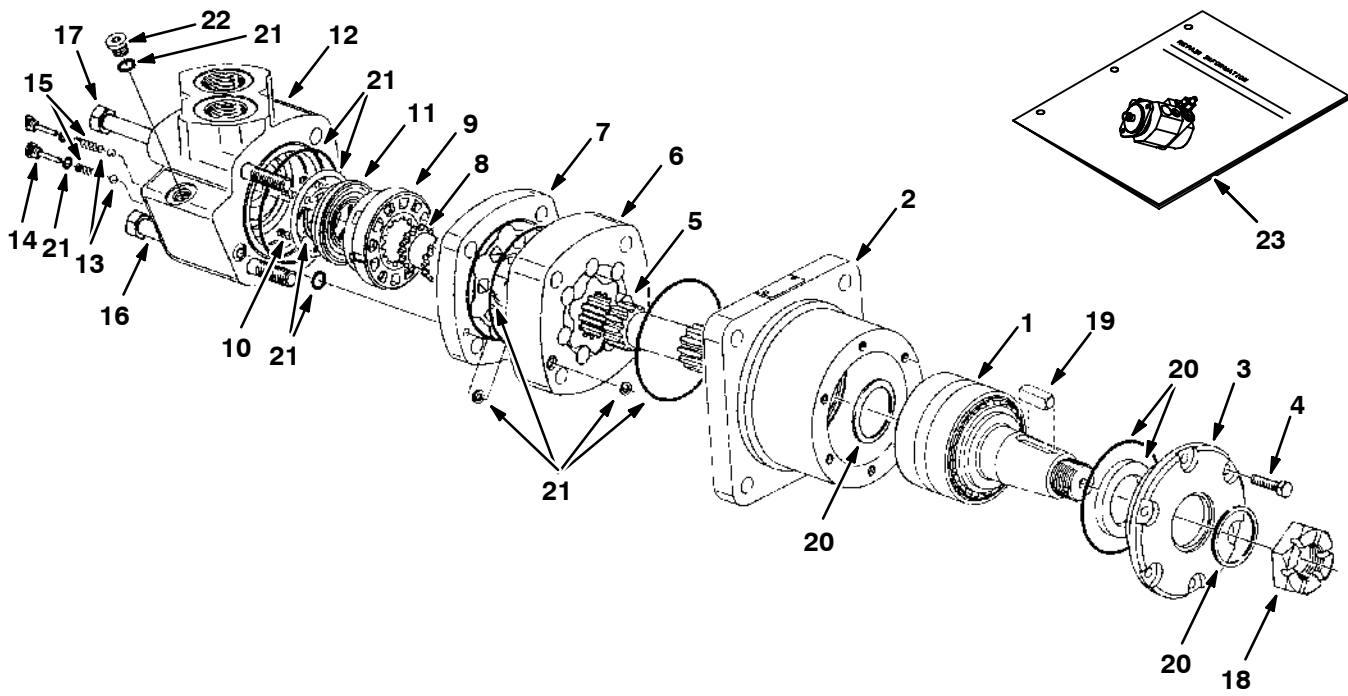


Fig. 16 - Hydraulic Motor Breakdown, 22626

	Ref.	Part No.	Serial Number	Description	Qty.
▽		22626	(000000-) Motor, Propelling	1
▲	1	22629	(000000-) Shaft and Brg	1
▲	2	22630	(000000-) Housing, Brg	1
▲	3	22636	(000000-) Retainer, Frt	1
▲	4	37943	(000000-) Bolt	6
▲	5	34181	(000000-) Drive	1
▲	6	74214	(000000-) Gerotor Set	1
▲	7	34184	(000000-) Valve Plate	1
▲	8	34183	(000000-) Drive, Valve	1
▲	9	34185	(000000-) Valve	1
▲	10	34178	(000000-) Spring	3
▲	11	37723	(000000-) Plate	1
▲	12	74134	(000000-) Housing Assy	1
▲	13	37766	(000000-) Ball	2
▲	14	74137	(000000-) Plug Assembly	2
▲	15	34179	(000000-) Spring	2
▲	16	74135	(000000-) Screw, Cap	2
▲	17	74136	(000000-) Screw, Cap	2
▲	18	45622	(000000-) Nut	1
▲	19	45623	(000000-) Key	1
▲▽	20	22645	(000000-) Seal Kit, Shaft	1
▲▲	21	22646	(000000-) Seal Kit, Motor	1
▲▲		74220	(000000-) Seal Kit, Rear	1
▲	22	74098	(000000-) Plug, O-Ring	1
	23	74246	(000000-) Repair Info, Motor	1

Fig. 17 - Hydraulic Motor Breakdown, 373464

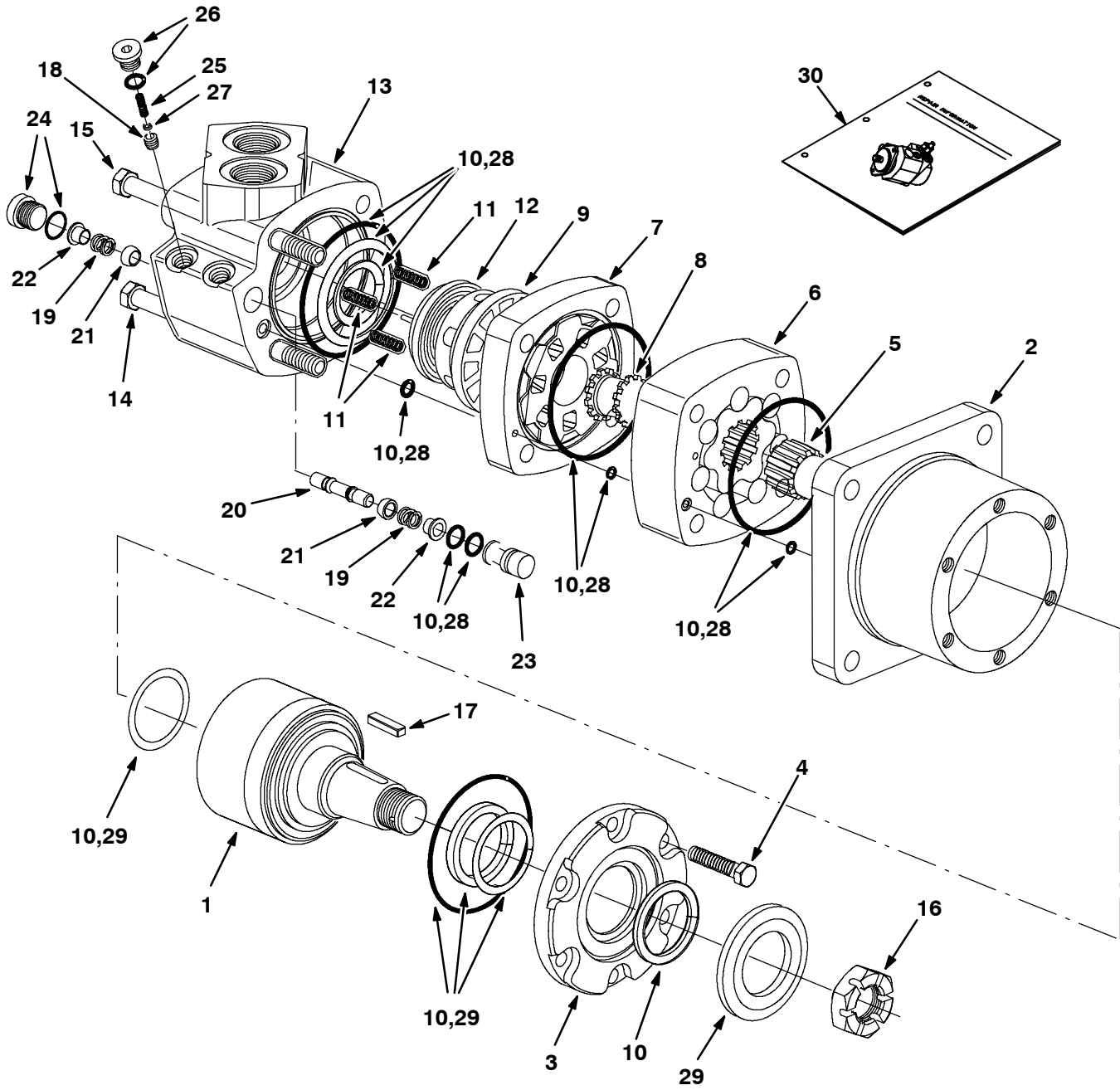
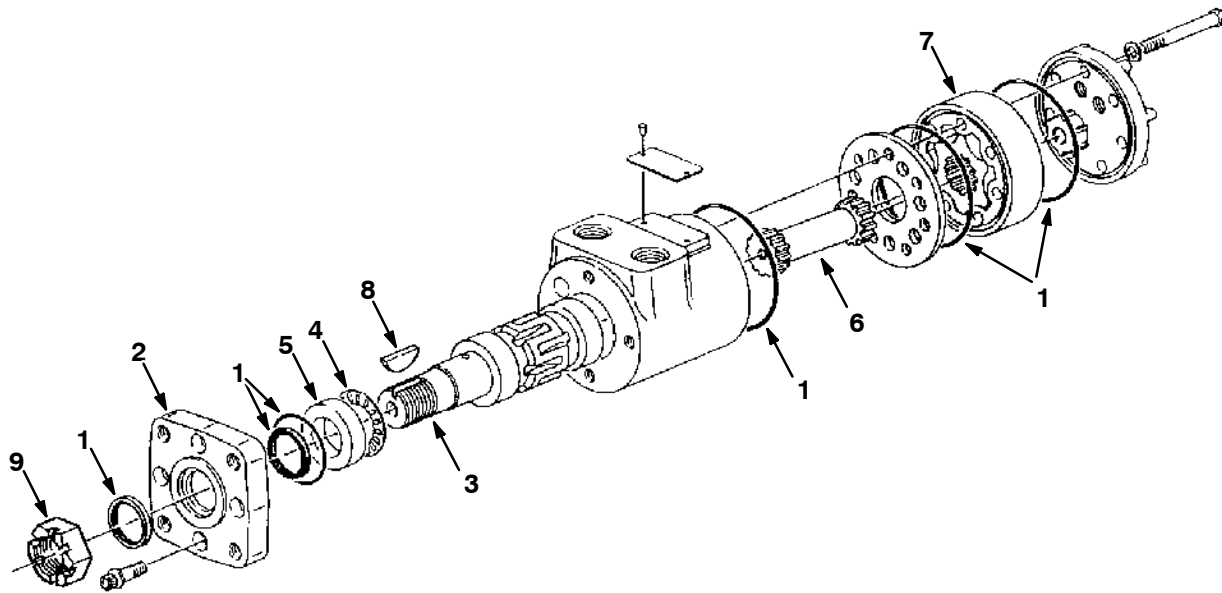


Fig. 17 - Hydraulic Motor Breakdown, 373464

Ref.	Part No.	Serial Number	Description	Qty.
▽	373464	(000000-) Motor, Hyd, Gear, [In] 29.9 B 3000	1
▲	1 22629	(000000-) Shaft, Motor, Hyd	1
▲	2 22630	(000000-) Housing, Bearing, Motor, Hyd	1
▲	3 22636	(000000-) Retainer, Front, Motor, Hyd	1
▲	4 37943	(000000-) Bolt, Motor, Hyd	6
▲	5 34181	(000000-) Drive, Motor, Hyd	1
▲	6 74214	(000000-) Geroler Set, Motor, Hyd	1
▲	7 34184	(000000-) Plate, Valve, Motor, Hyd	1
▲	8 34183	(000000-) Valve, Drive, Motor, Hyd	1
▲	9 373541	(000000-) Valve	1
▲	10 22646	(000000-) Kit, Seal, Motor, Hyd	1
▲	11 34178	(000000-) Spring, Motor, Hyd	3
▲	12 37723	(000000-) Plate, Motor, Hyd	1
▲	13 373549	(000000-) Housing, Valve	1
▲	14 74135	(000000-) Screw, Cap, Motor, Hyd	2
▲	15 74136	(000000-) Screw, Cap, Motor, Hyd	2
▲	16 45622	(000000-) Nut, Motor, Hyd	1
▲	17 45623	(000000-) Key, Motor, Hyd	1
▲	18 373542	(000000-) Poppet	1
▲	19 373291	(000000-) Spring	2
▲	20 373543	(000000-) Piston	1
▲	21 373226	(000000-) Poppet, Pump, Hyd, Gear	2
▲	22 373236	(000000-) Sleeve, Dashpo, Pump, Hyd, Gear	2
▲	23 373544	(000000-) Plug	1
▲	24 373545	(000000-) Plug Assy	1
▲	25 373546	(000000-) Spring	1
▲	26 373547	(000000-) Plug Assy	1
▲	27 373548	(000000-) Shim	1
▲	28 74220	(000000-) Kit, Seal, Hyd, Motor	1
▲	29 22645	(000000-) Kit, Seal, Motor, Hyd	1
	30 74246	(000000-) Repair Info,Mtr Cl	1

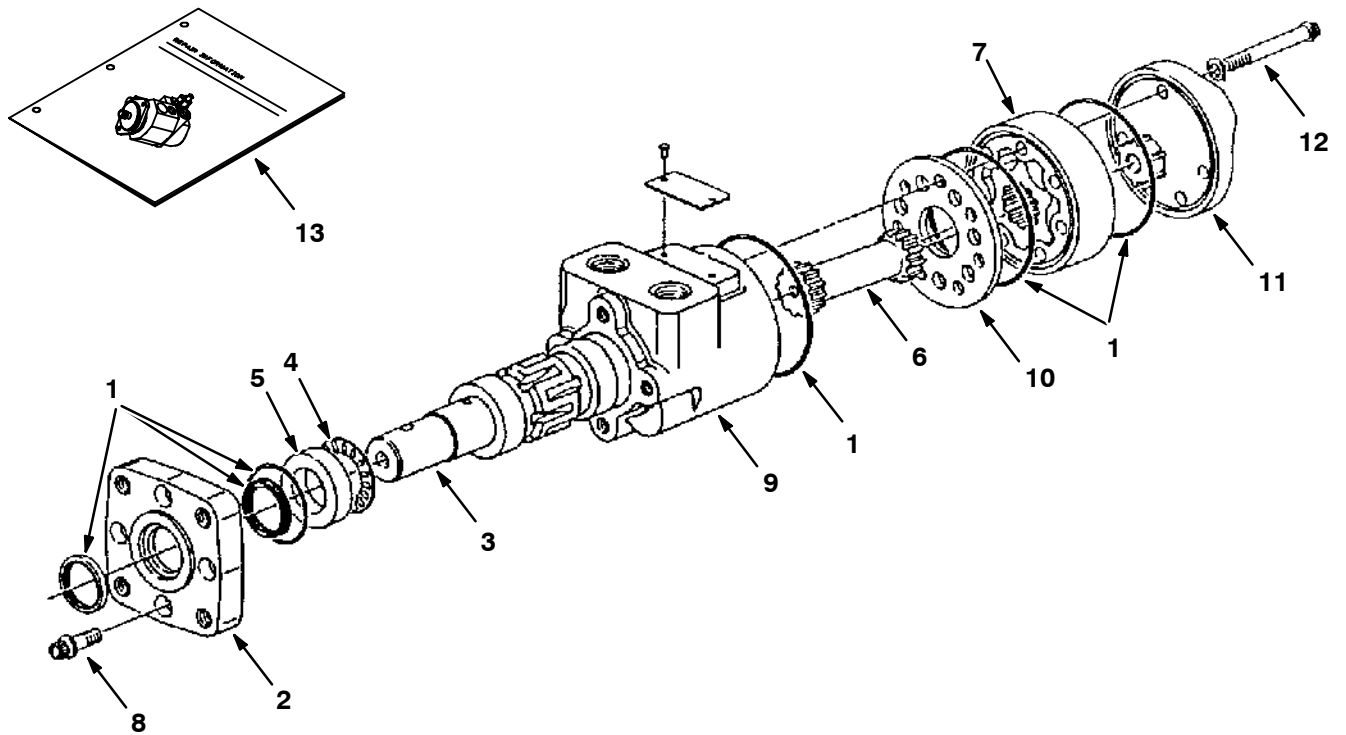
Fig. 18 - Hydraulic Motor Breakdown, 62563



05348 - ALL

Ref.	Part No.	Serial Number	Description	Qty.
▽	62563	(000000-) Motor, Hydraulic	1
▲	1 61490	(000000-) Seal Kit	1
▲	2 31354	(000000-) Flange, Mounting	1
▲	3 31375	(000000-) Shaft	1
▲	4 45628	(000000-) Bearing	1
▲	5 16695	(000000-) Race, Thrust	1
▲	6 34176	(000000-) Drive	1
▲	7 27763	(000000-) Gerotor Set	1
▲	8 00500-15	(000000-) Key, Woodruff	1
▲	9 39527	(000000-) Nut, slotted Hex	1

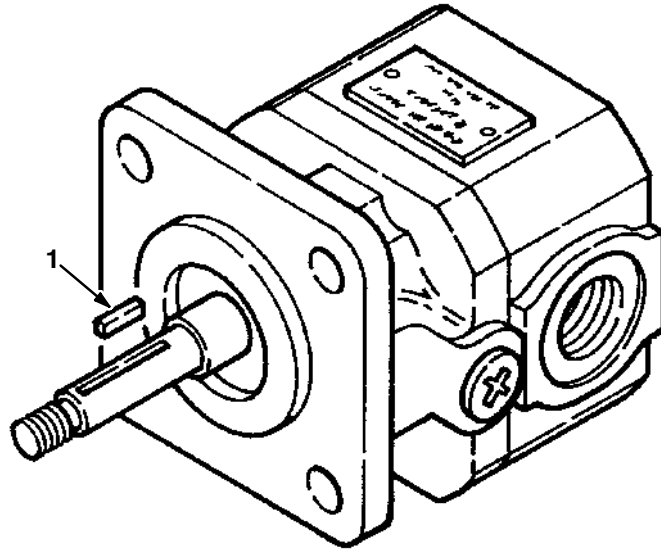
Fig. 19 - Hydraulic Motor Breakdown, 79781



07716,09670 - ALL

Ref.	Part No.	Serial Number	Description	Qty.
▽	79781	(000000-) Motor, Hydraulic	1
▲	1 61490	(000000-) Seal Kit	1
▲	2 79782	(000000-) Flange, Mounting	1
▲	3 16694	(000000-) Shaft	1
▲	4 45628	(000000-) Bearing Thrust	1
▲	5 16695	(000000-) Race, Thrust	1
▲	6 31380	(000000-) Drive	1
▲	7 31385	(000000-) Gerotor Set	1
▲	8 37555	(000000-) Screw	4
▲	9 74100	(000000-) Housing	1
▲	10 74094	(000000-) Spacer Plate	1
▲	11 74101	(000000-) End Cap	1
▲	12 65232	(000000-) Cap Screw	5
▲	13 74250	(000000-) Repair Info, Motor	1

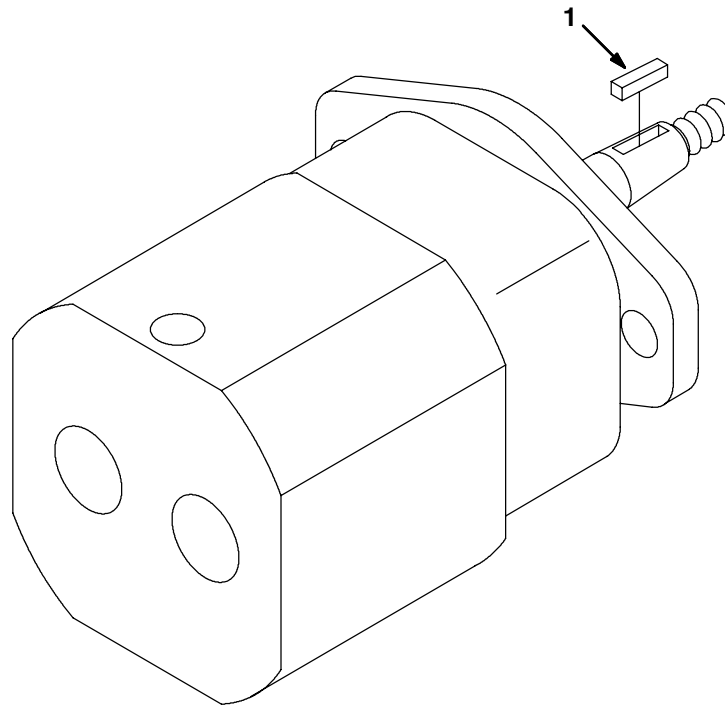
Fig. 20 - Hydraulic Motor Breakdown, 19117



05190 - ALL

	Ref.	Part No.	Serial Number	Description	Qty.
▽		19117	(000000-) Motor, Hydraulic	1
▲	1	00954	(000000-) Key	1
▲		74233	(000000-) Seal Kit	1

Fig. 21 - Hydraulic Motor Breakdown, 63542



10556 - ALL

	Ref.	Part No.	Serial Number	Description	Qty.
▽		63542	(000000-) Motor, Hydraulic	1
▲	1	00960	(000000-) Key, Square 0.12 0.12 00.50 LG	1
▲		74233	(000000-) Seal Kit, Hyd Mtr Gear	1

Fig. 22 - Hydraulic Steering Valve Breakdown, 65242

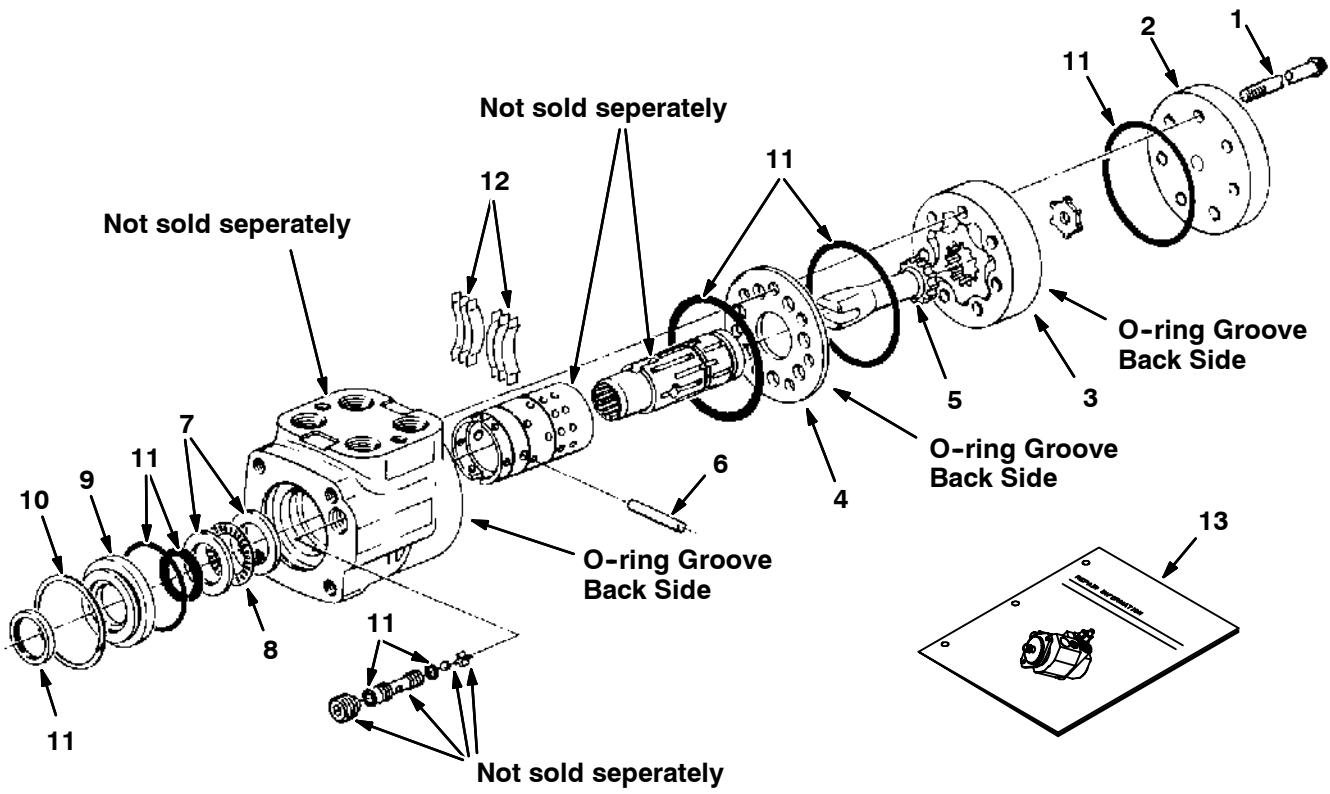
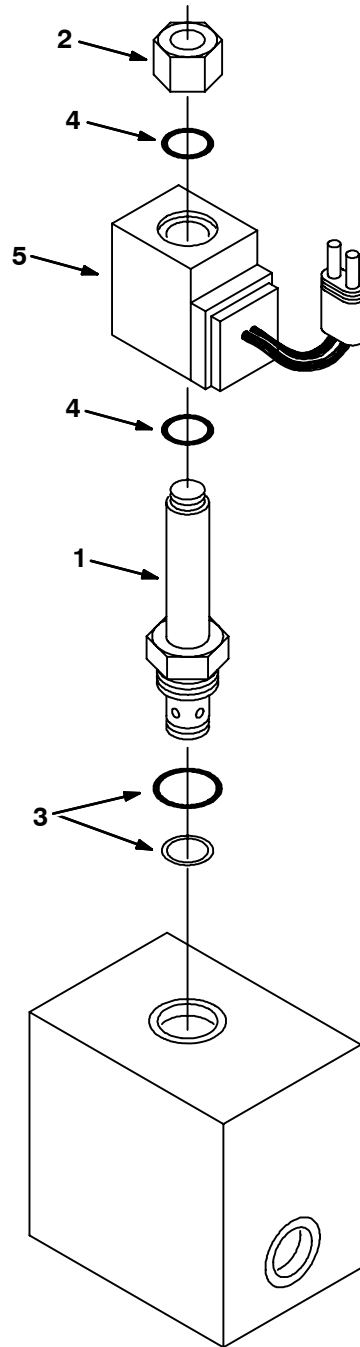


Fig. 22 - Hydraulic Steering Valve Breakdown, 65242

	Ref.	Part No.	Serial Number	Description	Qty.
▽		65242	(000000-) Steer Control Hyd#4 04.5 1300	1
▲	1	74174	(000000-) Cap, Screw	6
▲	2	74194	(000000-) Cap, End	1
▲	3	65235	(000000-) Gerotor Set Cl	1
▲	4	74182	(000000-) Plate, Wear	1
▲	5	58596	(000000-) Drive	1
▲	6	74218	(000000-) Pin	1
▲	7	74109	(000000-) Race, Bearing	2
▲	8	74110	(000000-) Bearing, Needle	1
▲	9	74112	(000000-) Bushing, Seal	1
▲	10	74111	(000000-) Ring, Retainer	1
▲	11	74190	(000000-) Seal Kit, Scu	1
▲	12	74195	(000000-) Spring Kit	1
	13	74251	(000000-) Repair Info,Scu Cl	1

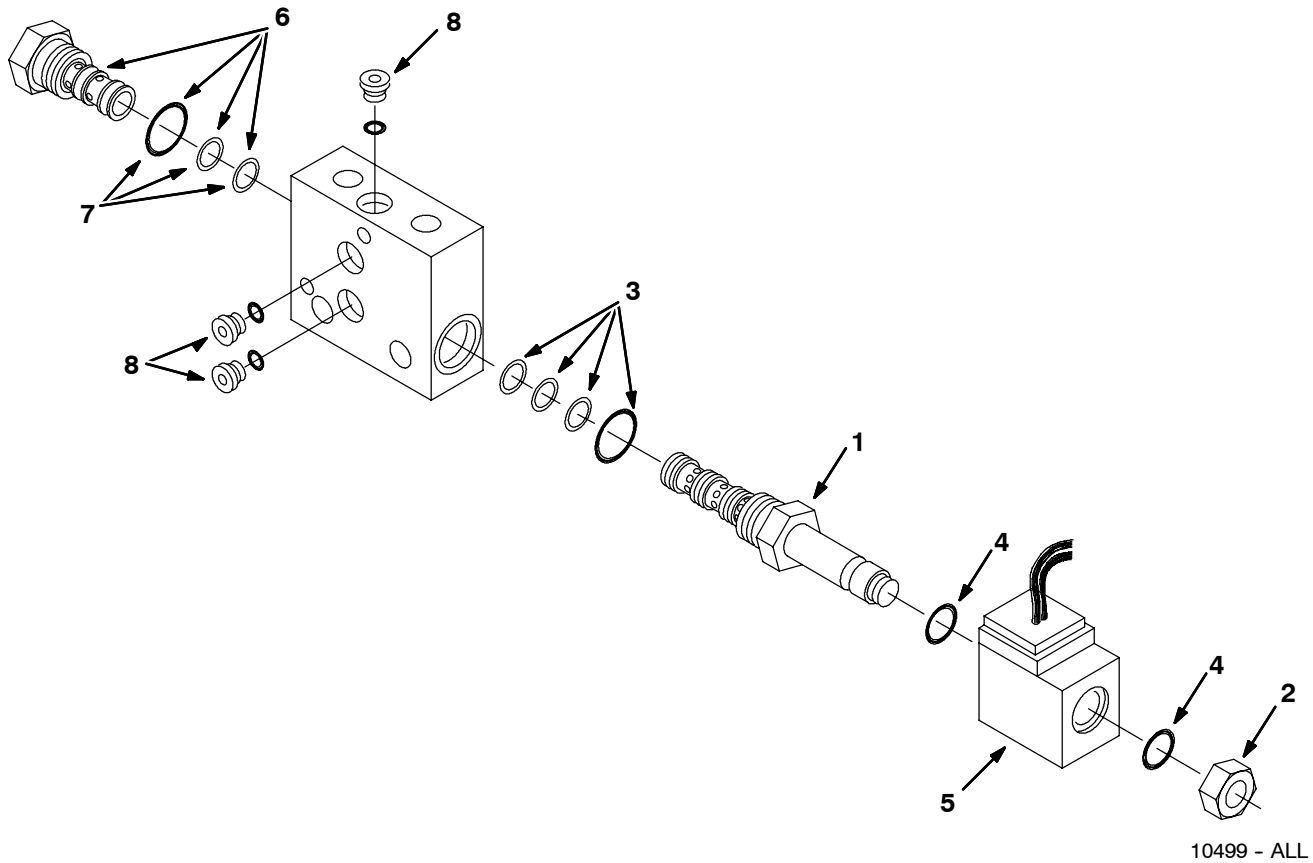
Fig. 23 - Hydraulic Solenoid Valve Breakdown, 84015



07639 - ALL

Ref.	Part No.	Serial Number	Description	Qty.
▽	84015	(000000-) Valve - Hyd., Solenoid	1
▲▽	1 79739	(000000-) Valve Stem, N.D.	1
▲▲	2 79731	(000000-) Nut, Cart., LNG.	1
▲▲	3 79711	(000000-) Seal Kit, Cart.	1
▲▲	4 79740	(000000-) Seal Kit, Coil	1
▲	5 21917	(000000-) Coil, 12V W/Var	1

Fig. 24 - Hydraulic Solenoid Valve Breakdown, 84016



10499 - ALL

Ref.	Part No.	Serial Number	Description	Qty.
▽	84016	(000000-) Valve, Hyd Control Solenoid	1
▲▽	1 79719	(000000-) Valve Stem 4W2P	1
▲▲	2 79728	(000000-) Nut, Cart., Sht	1
▲▲	3 79711	(000000-) Seal Kit, Cart	1
▲▲	4 79740	(000000-) Seal Kit, Coil	1
▲	5 21917	(000000-) Coil, 12V W/Var	1
▲▽	6 74145	(000000-) Cart, Pilot Cntr	1
▲▲	7 79711	(000000-) Seal Kit, Cart	1
▲	8 13902	(000000-) Plug, #2 O-Ring	3

Fig. 25 - Hydraulic Valve Breakdown, 375563

CONTROL VALVE	
Spool #1	Hopper Lift
Spool #2	Hopper Dump
Spool #3	Hopper Door

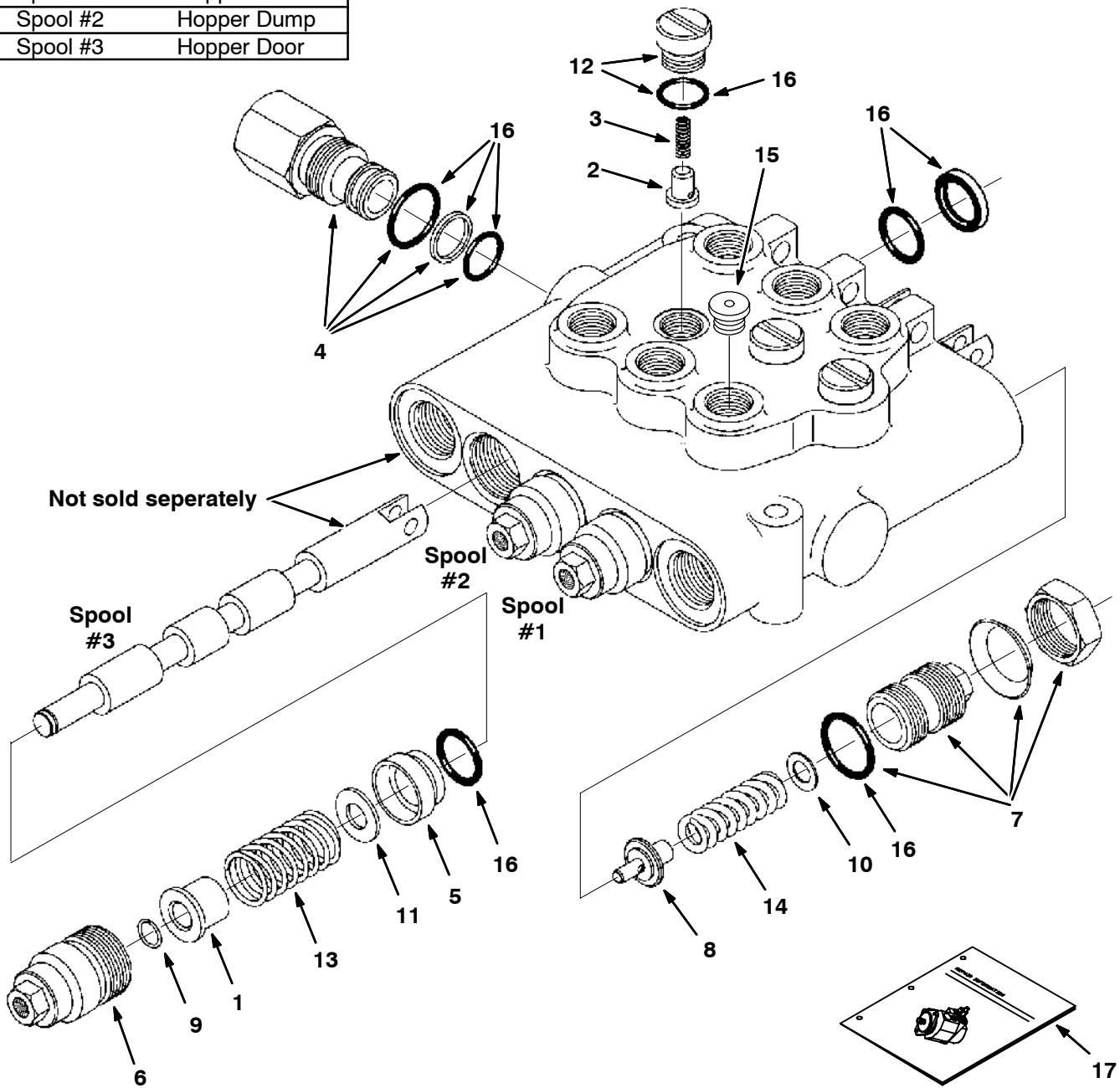


Fig. 25 - Hydraulic Solenoid Valve Breakdown, 375563

	Ref.	Part No.	Serial Number	Description	Qty.
▽		375563	(000000-) Valve, Hyd Control Man	1
▲	1	79822	(000000-) Spacer En	3
▲	2	79786	(000000-) Plunger En	3
▲	3	79787	(000000-) Spring En	3
▲	4	79823	(000000-) Plug Assy,Byd En	1
▲	5	79788	(000000-) Bushing En	3
▲	6	79789	(000000-) Cap Assembly En	3
▲	7	79790	(000000-) Plug Assembly En	1
▲	8	79791	(000000-) Poppet En	1
▲	9	79792	(000000-) Retaining Rng En	3
▲	10	79793	(000000-) Shim .035 Thk En	1
▲	10	79798	(000000-) Shim .015 Thk En	1
▲	10	79799	(000000-) Shim .010 Thk En	1
▲	11	79794	(000000-) Washer En	3
▲	12	79795	(000000-) Plug & O-Ring En	3
▲	13	79824	(000000-) Spring En	3
▲	14	79797	(000000-) Spring En	1
▲	15	13904	(000000-) Plug Gage #6	1
▲	16	79812	(000000-) Seal Kit, Vlv En	1
▲	17	79820	(000000-) Instr. Valve Repair Info	1

Fig. 26 - Hydraulic Solenoid Valve Breakdown, 84013

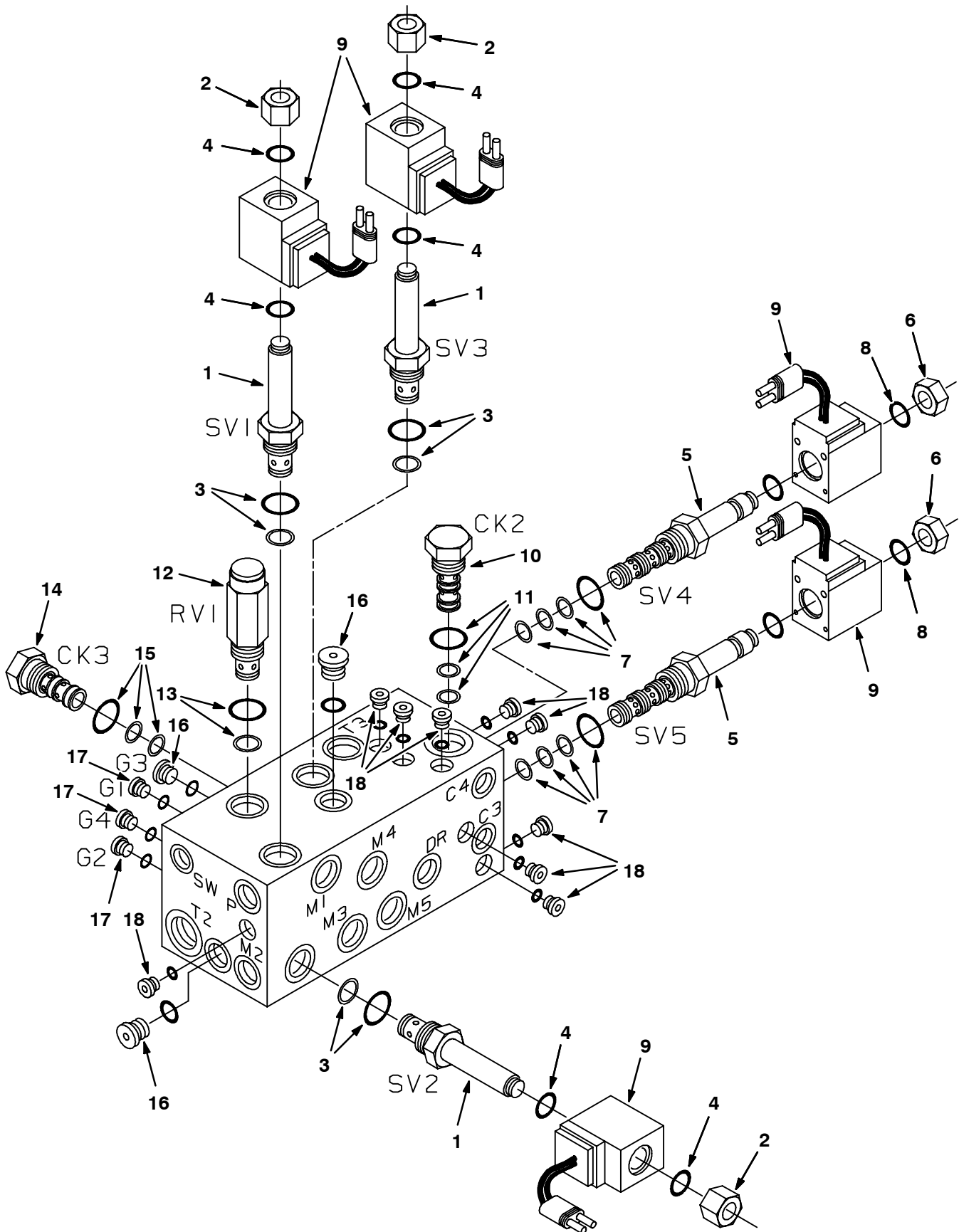
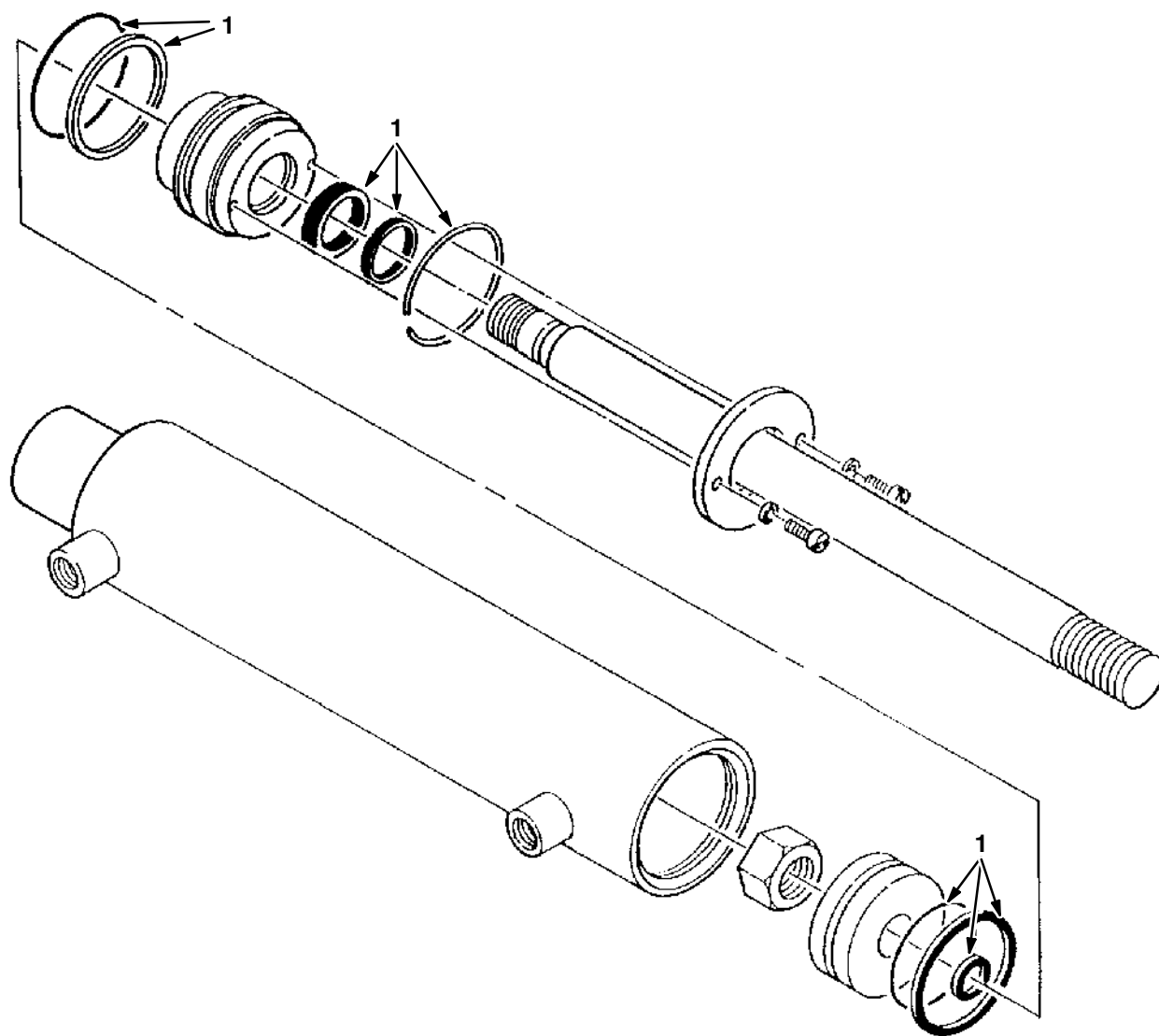


Fig. 26 - Hydraulic Solenoid Valve Breakdown, 84013

	Ref.	Part No.	Serial Number	Description	Qty.
▽		84013	(000000-) Valve-Hyd, Cntl Solenoid	1
▲▽	1	79739	(000000-) Valve Stem N.O. CP	3
▲▲	2	79731	(000000-) Nut, Cart., LNG CP	1
▲▲	3	79711	(000000-) Seal Kit, Cart. CP	1
▲▲	4	79740	(000000-) Seal Kit, COil CP	1
▲▽	5	79719	(000000-) Valve Stem 4W2P CP	2
▲▲	6	79728	(000000-) Nut, Cart., SHT CP	1
▲▲	7	79711	(000000-) Seal Kit, Cart. CP	1
▲▲	8	79740	(000000-) Seal Kit, COil CP	1
▲	9	21917	(000000-) Coil 12V CP	5
▲▽	10	74145	(000000-) Cart., Pilot CNTR CP	1
▲▲	11	79711	(000000-) Seal Kit, Cart. CP	1
▲▽	12	65240	(000000-) Cart., PSI CN CP	1
▲▲	13	79711	(000000-) Seal Kit, Cart. CP	1
▲▽	14	74146	(000000-) Cart., Check Valve CP	1
▲▲	15	79711	(000000-) Seal Kit, Cart. CP	1
▲	16	13904	(000000-) Plug Gage #6	3
▲	17	74098	(000000-) Plug Gage #4	3
▲	18	13902	(000000-) Plug #2	10

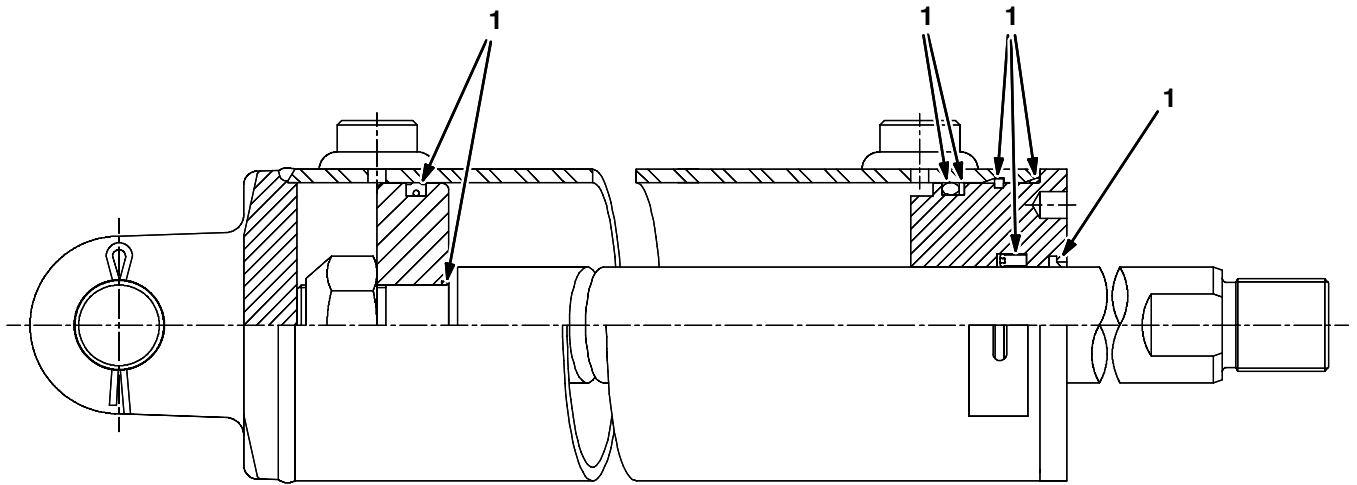
Fig. 27 - Hydraulic Cylinder Breakdown, 53601



07494 - ALL

	Ref.	Part No.	Serial Number	Description	Qty.
▽		53601	(000000-) Cylinder, Hyd, 2.0b,15.0l, Rep.By1028492	1
▲	1	04483	(000000-) Seal Kit	1

Fig. 28 - Hydraulic Cylinder Breakdown, 1026719



354486 - ALL

	Ref.	Part No.	Serial Number	Description	Qty.
▽		1026719	(000000-) Cylinder, Hyd, 4.0b 29.1l 14.50strk 2500	1
▲	1	9001702	(000000-) Seal Kit, Cyl, Hyd	1

Fig. 29 - Cab Assembly

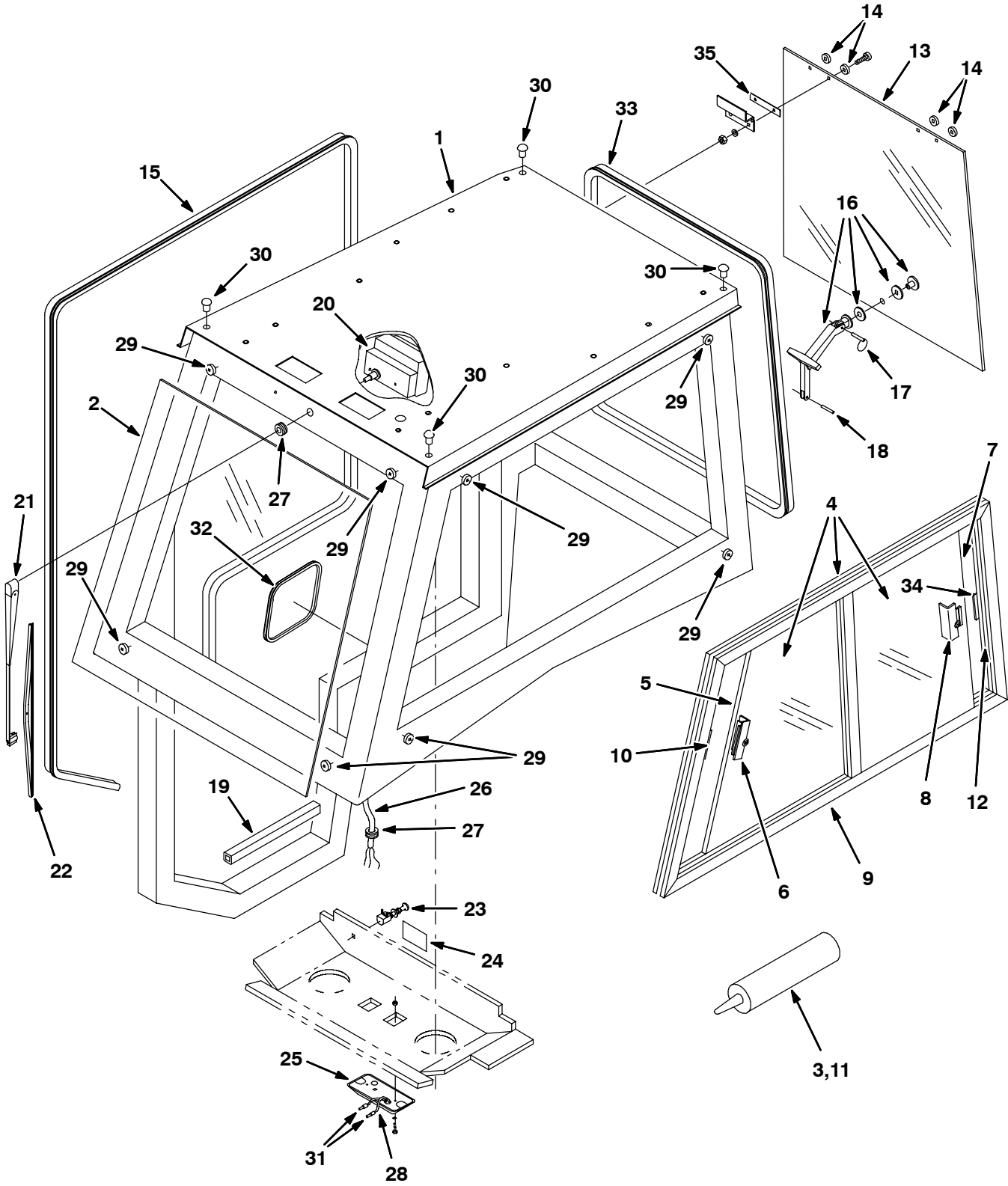


Fig. 29 - Cab Assembly

NOTE: The Cab Assembly, TENNANT Part Number 380602 includes Fig. 29, Fig. 30, Fig. 31, and .Fig. 32

Ref.	Part No.	Serial Number	Description	Qty.
	1	380732	(000000-) Cab Assy, W/Label (Gas)	1
	1	374758	(000000-) Cab Assy, W/Label (LPG)	1
▽	2	75822	(000000-) Pane, Glass, Windshield	1
▲	3	374769	(000000-) Adhesive	1
▽	4	75823	(000000-) Pane Assy, Glass, Sliding, Cab Lh	1
▲▽	5	21307	(000000-) Pane, Glass, Cab, Front	1
▲▲	6	374750	(000000-) Latch, Pane, Cab	1
▲▽	7	21308	(000000-) Pane, Glass, Cab, Rear	1
▲▲	8	374750	(000000-) Latch, Pane, Cab	1
▲▽	9	21309	(000000-) Frame, Pane, Cab, Side	1
▲▲	10	374765	(000000-) Keeper, Latch, Pane	1
▲	11	374769	(000000-) Adhesive	1
	12	21310	(000000-) Seal Kit, Pane, Cab	1
	13	75824	(000000-) Pane, Glass, Cab, Rear	1
	14	75825	(000000-) Spacer, Pane, Glass	5
	15	76948	(000000-) Gasket, Push On	2
	16	76950	(000000-) Latch, Rear Wind	1
	17	76971	(000000-) Ring, Rear Window	1
	18	380708	(000000-) Drive Pin, .31	1
	19	76973	(000000-) Seal Cw	1
	20	76977	(000000-) Motor, Wiper 12V	1
	21	76980	(000000-) Arm, Rear Wiper	1
	22	76982	(000000-) Blade Arm, Rear	1
	23	76985	(000000-) Switch, Wiper Motor	1
	24	380694	(000000-) Label, Wiper	1
▽	25	76996	(000000-) Light, Dome 12V	1
▲		374759	(000000-) Lamp	1
	26	380577	(000000-) Harness, Cab (See Fig. 32)	1
	27	77811	(000000-) Grommet	2
	28	77812	(000000-) Wire, Dome Light	2
	29	77813	(000000-) Spacer	8
	30	77814	(000000-) Closure	4
	31	77815	(000000-) Disconnect, Male	2
	32	380692	(000000-) Molding, Trim (Gasoline only)	1
	33	380695	(000000-) Seal, Rear Window	1
	34	374294	(000000-) Latch, Keeper, Pane [J-dak]	1
	35	374357	(000000-) Seal, Hinge, Cab Rear Glass [800]	2

Fig. 30 - Cab Door Assembly

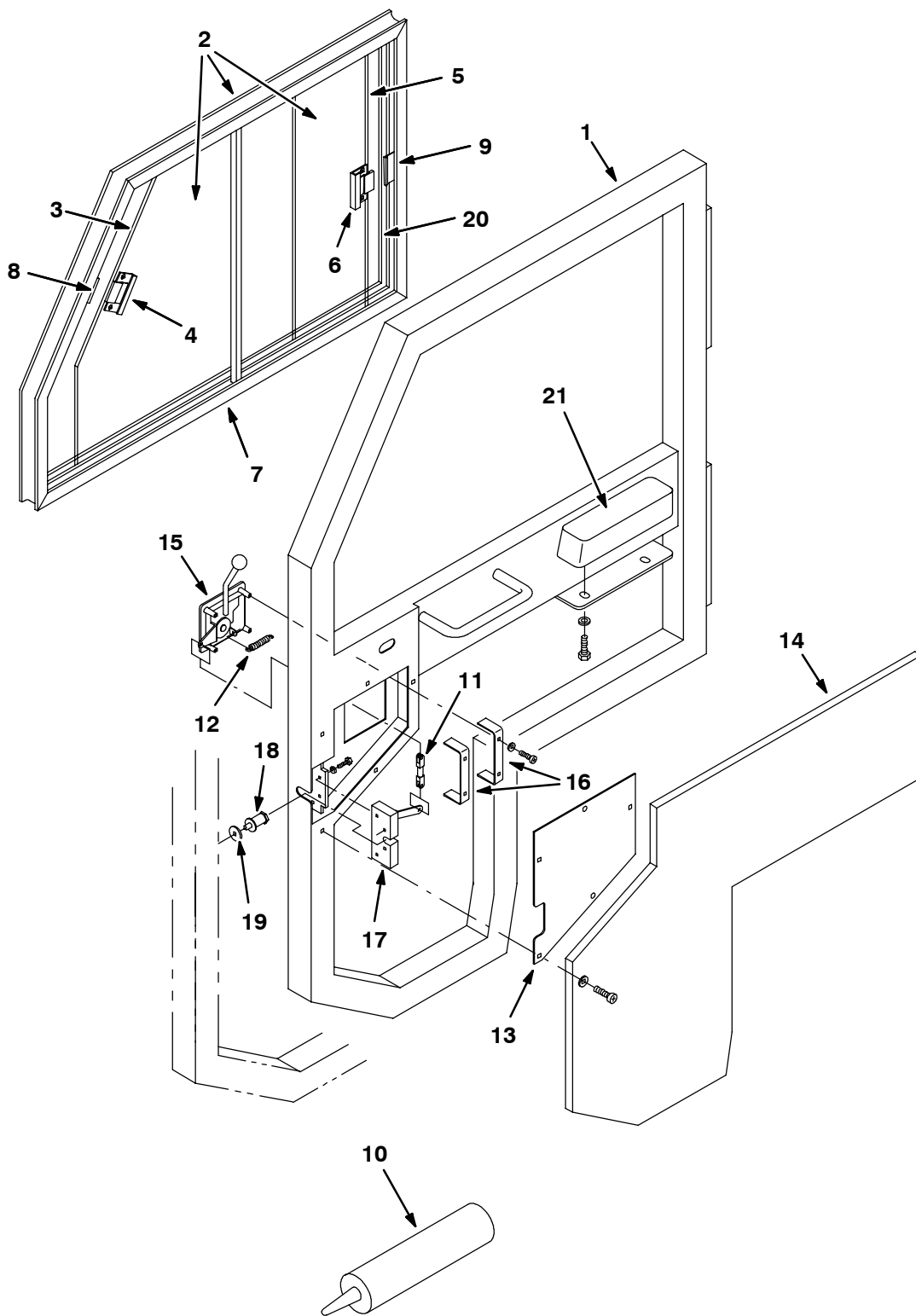


Fig. 30 - Cab Door Assembly

NOTE: The Cab Assembly, TENNANT Part Number 380602 includes Fig. 29, Fig. 30, Fig. 31, and .Fig. 32

	Ref.	Part No.	Serial Number	Description	Qty.
▽		75821	(000000-) Door Assembly, Cab	1
▲	1	77816	(000000-) Door Cw	1
▲▽	2	77817	(000000-) Pane Assy, Glass, Sliding, Cab, Door	1
▲▲	3	21311	(000000-) Pane, Glass, Door Front	1
▲▲	4	374750	(000000-) Latch, Pane, Cab	1
▲▲	5	21312	(000000-) Pane, Glass, Door, Rear	1
▲▲	6	374750	(000000-) Latch, Pane, Cab	1
▲▲	7	21313	(000000-) Frame, Pane, Door, Side	1
▲▲	8	374765	(000000-) Keeper, Latch, Pane	1
▲▲	9	374294	(000000-) LATCH, KEEPER, PANE [J-DAK]	1
▲▲	10	374769	(000000-) Adhesive	1
▲	11	77821	(000000-) Link, Connecting	1
▲	12	77822	(000000-) Pin Assy, Spring	2
▲	13	77823	(000000-) Plate	1
▲	14	77824	(000000-) Foam, Door	1
▲▽	15	77818	(000000-) Paddle Handle	1
▲▲		21150	(000000-) Key Set	1
▲	16	77819	(000000-) Bracket	2
▲	17	77820	(000000-) Clam Latch	1
	18	58490	(000000-) Pin, Latch	1
	19	76976	(000000-) Shim	2
	20	374757	(000000-) Seal Kit, Pane, Door	1
	21	311336	(000000-) Armrest, Black	1

Fig. 31 - Cab Insulation Group

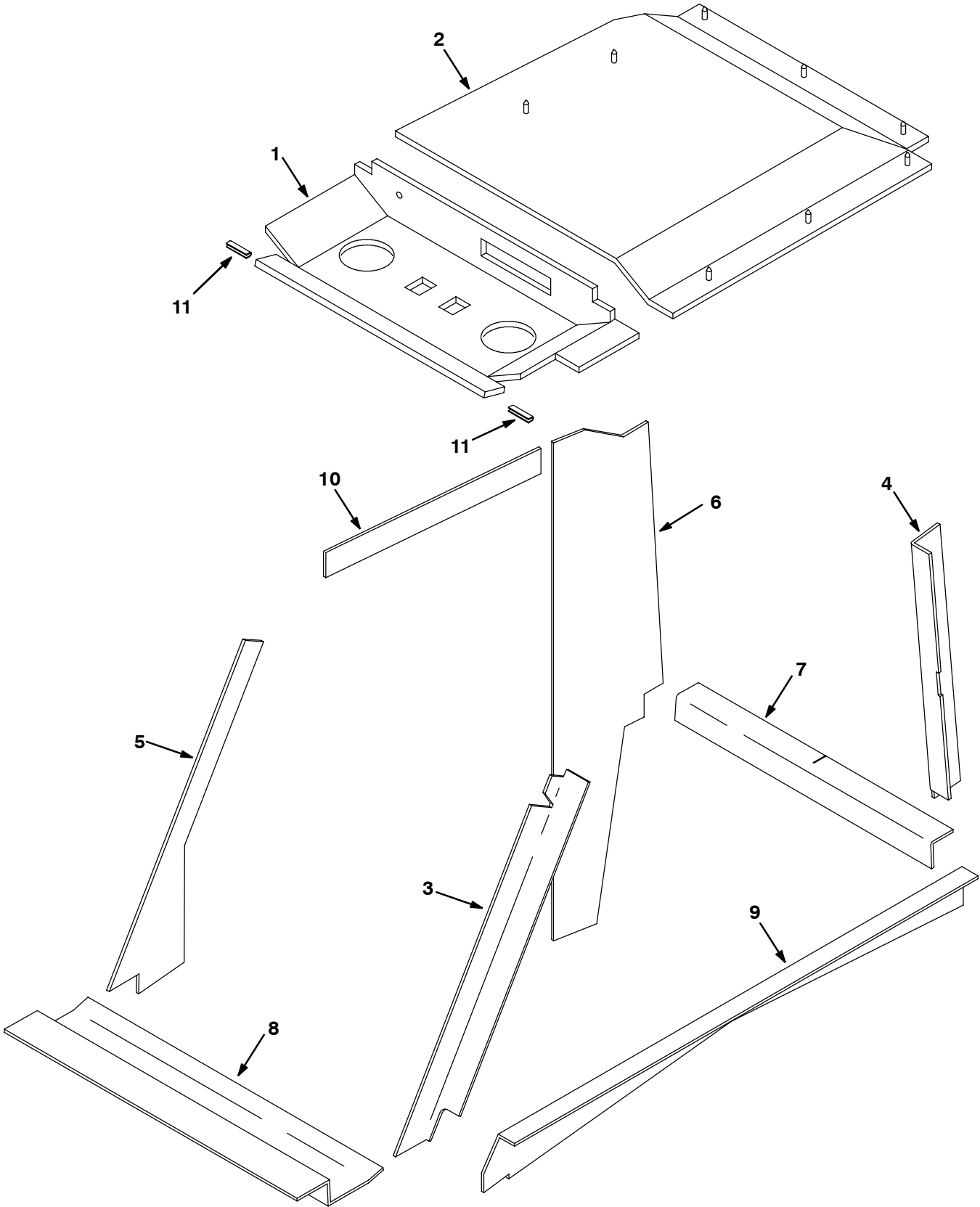
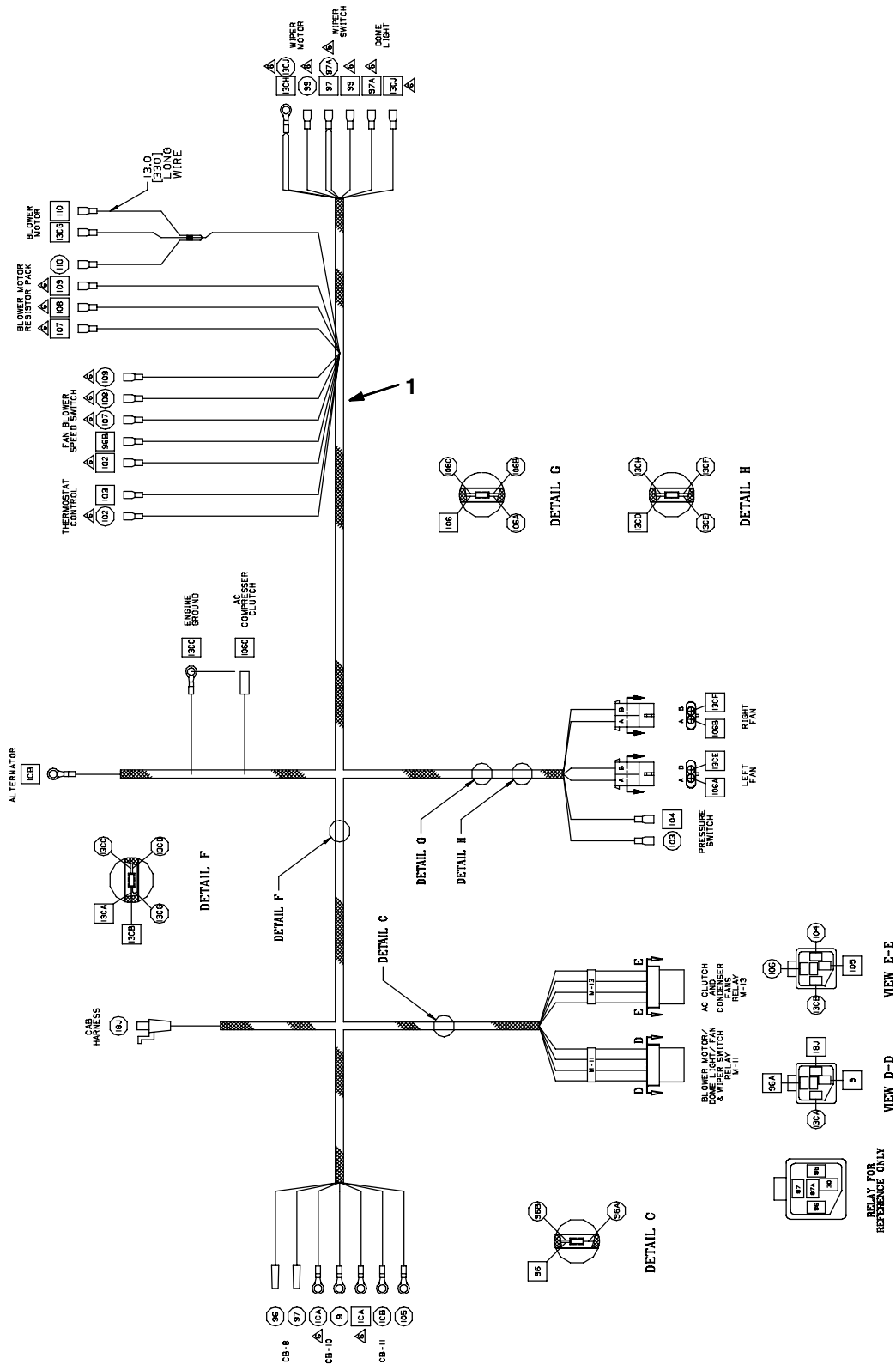


Fig. 31 - Cab Insulation Group

NOTE: The Cab Assembly, TENNANT Part Number 380602 includes Fig. 29, Fig. 30, Fig. 31, and .Fig. 32

Ref.	Part No.	Serial Number	Description	Qty.
1	77800	(000000-) Headliner, Front	1
2	77801	(000000-) Headliner, Rear Cw	1
3	77802	(000000-) Foam, Lh Front Pos	1
4	77803	(000000-) Foam, Lh Rear Pos	1
5	77804	(000000-) Foam, Rh Front Pos	1
6	77805	(000000-) Foam, Rh Rear Pos	1
7	77806	(000000-) Foam, Rear Sill	1
8	77807	(000000-) Foam, Front Sill	1
9	77808	(000000-) Foam, Lh Side Sill	1
10	77809	(000000-) Foam, Rh Upper Sill	1
11	384156	(000000-) Molding, Trim, Pvc,.18-.31 01.5l	2

Fig. 32 - Cab Wire Harness Group

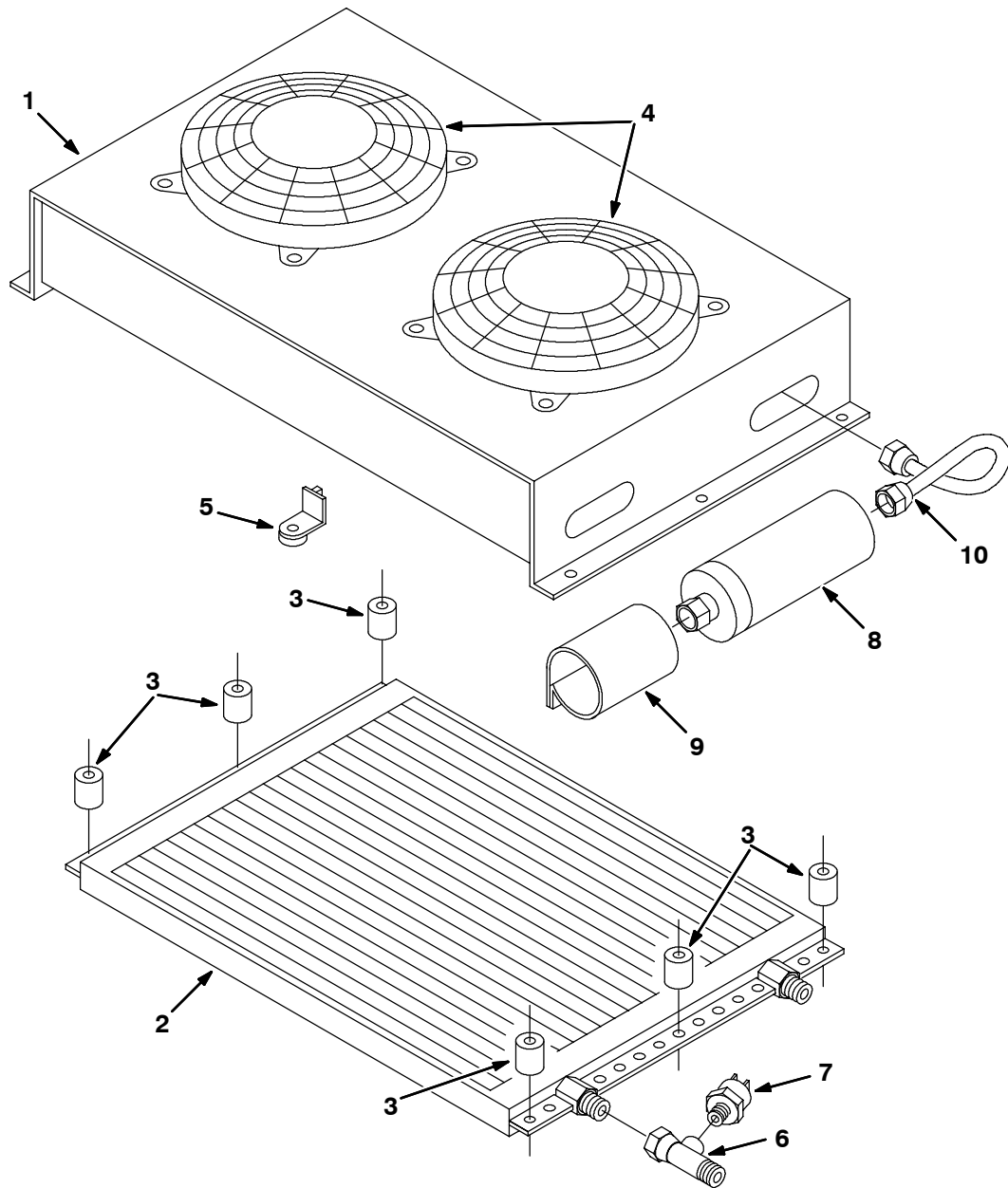


NOTE: The Cab Assembly, TENNANT Part Number 380602 includes Fig. 29, Fig. 30, Fig. 31, and Fig. 32

351143 - ALL

Ref.	Part No.	Serial Number	Description	Qty.
1	380577	(000000-) Harness, Cab, 800/810	1

Fig. 33 - AC Condenser Box Breakdown, 380625



350830 - ALL

Ref.	Part No.	Serial Number	Description	Qty.
▽	380625	(000000-) Condenser Assy, A/C	1
▲	1 380666	(000000-) Housing, Condenser	1
▲	2 380667	(000000-) Coil, Condenser	1
▲	3 380668	(000000-) Spacer, Condenser	6
▲	4 380669	(000000-) Fan, Condenser	2
▲	5 380670	(000000-) Foot, Fan	8
▲	6 380671	(000000-) Ftg, Shrader	1
▲	7 380672	(000000-) Binary	1
▲	8 380627	(000000-) Dryer, Ac	1
▲	9 380628	(000000-) Bracket,A/C Dryer	1
▲	10 380626	(000000-) Tube Asy,Cond/Dry	1

Fig. 34 - AC and Heater Box Breakdown, 380613

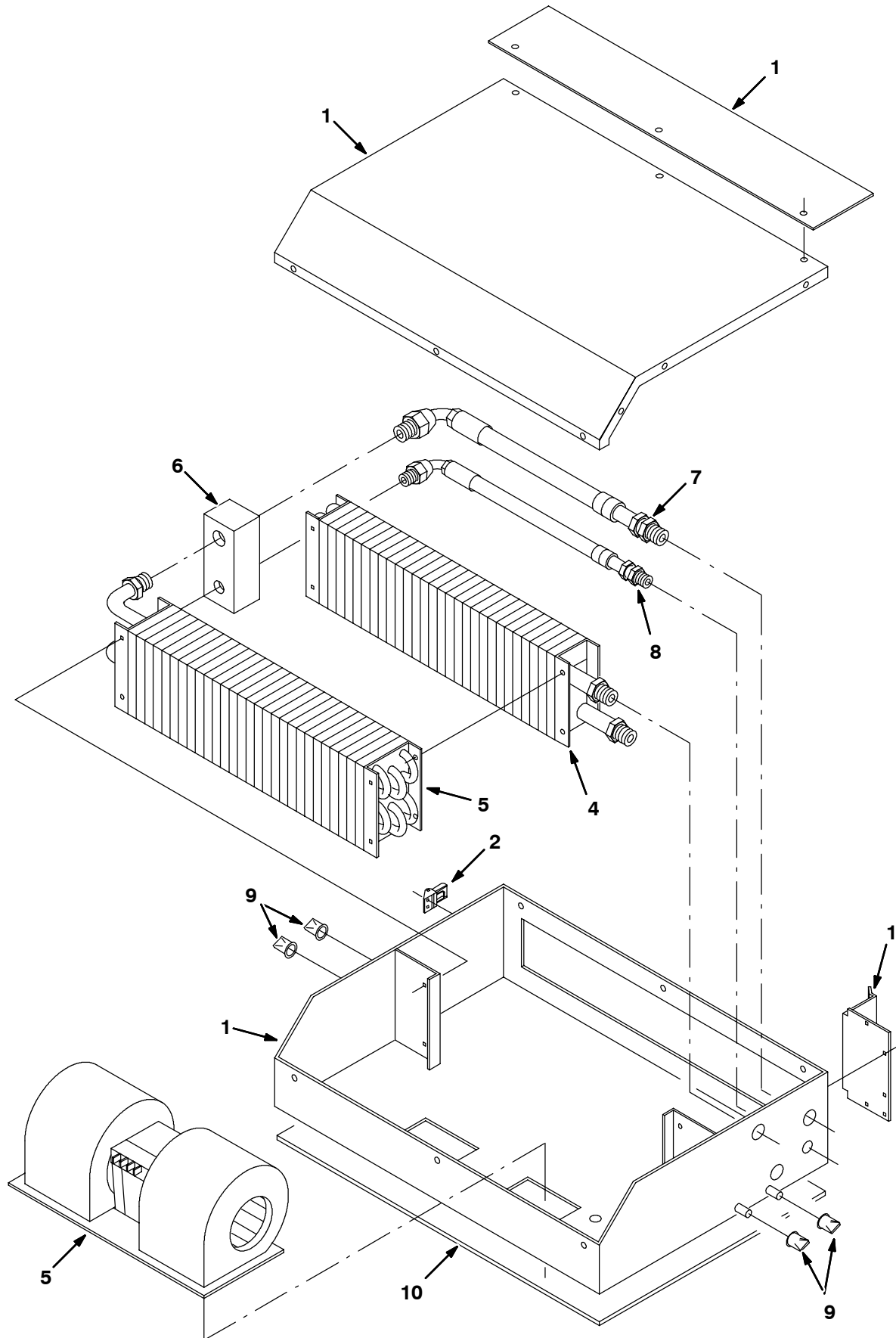


Fig. 34 - AC and Heater Box Breakdown, 380613

	Ref.	Part No.	Serial Number	Description	Qty.
▽		380613	(000000-) Box Assy, Heat/Ac	1
▲	1	388407	(000000-) Housing Assembly	1
▲	2	87579	(000000-) Latch, Tension	1
▲	3	380649	(000000-) Blower, Heat/Ac	1
▲	4	380650	(000000-) Heater Coil	1
▲	5	380651	(000000-) Coil, Evaporator	1
▲	6	380652	(000000-) Valve, Expansion	1
▲	7	380578	(000000-) A/C Hose#10 134A	1
▲	8	380579	(000000-) A/C Hose #6 134A	1
▲	9	380659	(000000-) Duck Bill	4
▲	10	380616	(000000-) Gasket, Box/Cab	1

Fig. 35 - Heater Box Breakdown, 380614

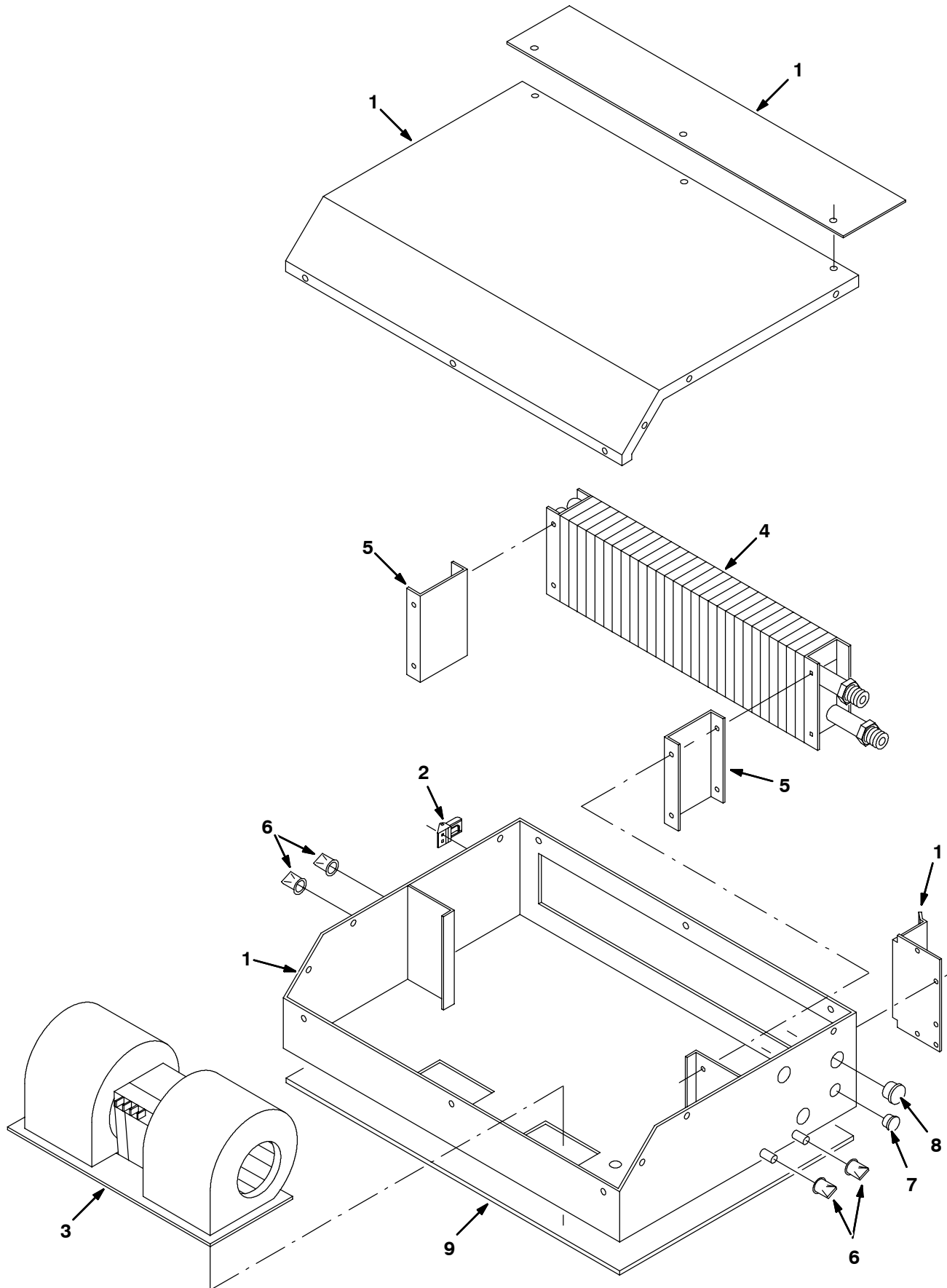


Fig. 35 - Heater Box Breakdown, 380614

	Ref.	Part No.	Serial Number	Description	Qty.
▽		380614	(000000-) Box Assy, Heat	1
▲	1	388407	(000000-) Housing Assembly	1
▲	2	87579	(000000-) Latch, Tension	1
▲	3	380649	(000000-) Blower, Heat/Ac	1
▲	4	380650	(000000-) Heater Coil	1
▲	5	380660	(000000-) Brkt,Mtg,Htr Coil	2
▲	6	380659	(000000-) Duck Bill	4
▲	7	57167	(000000-) Plugbtn .62H .03-.12 Blacknyl	1
▲	8	82727	(000000-) Plugbtn .88H .03-.12 Blacknyl	1
▲	9	380616	(000000-) Gasket, Box/Cab	1

Fig. 36 - Brake Assy, Right Hand (R.h.) 77790

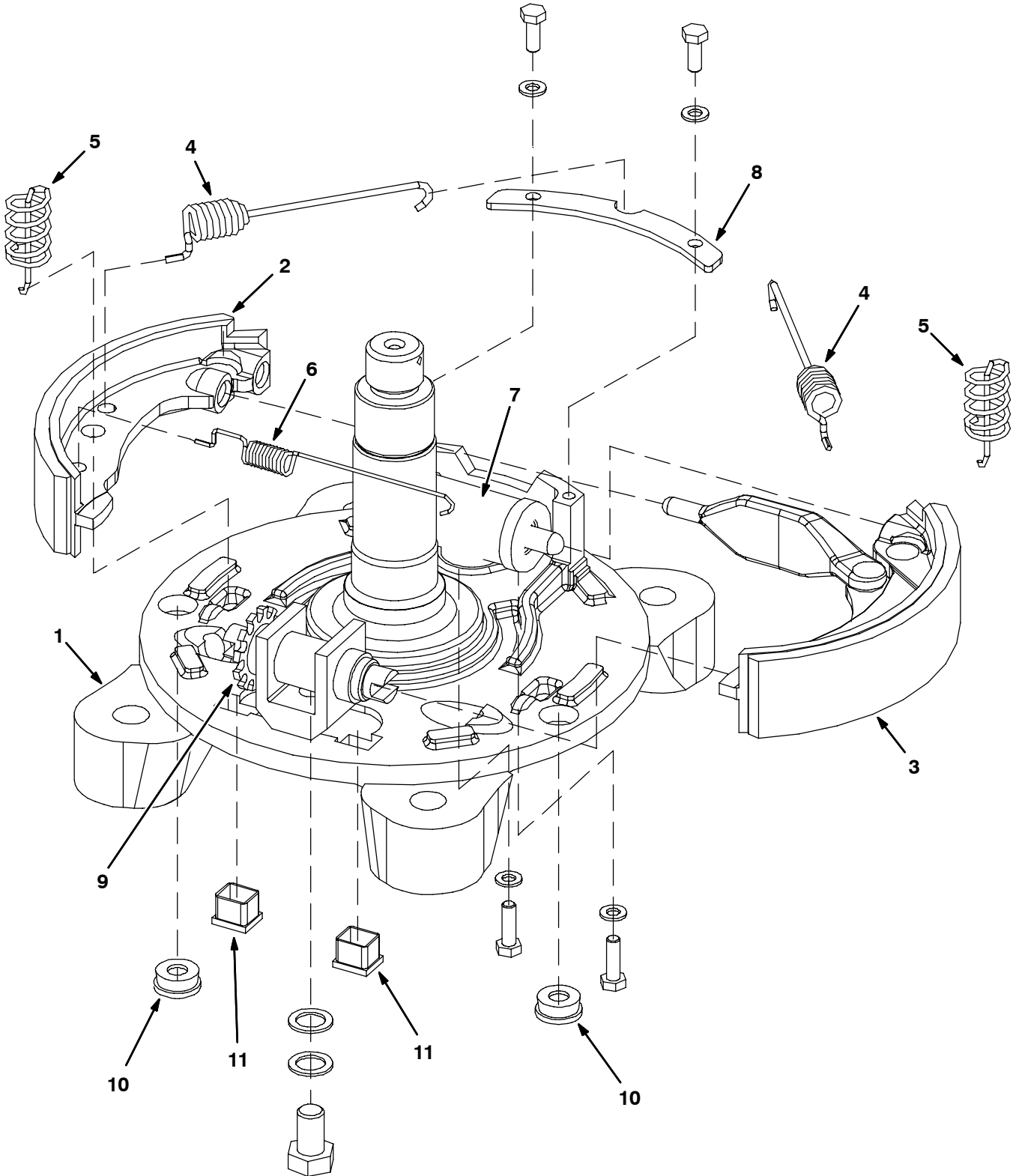


Fig. 36 - Brake Assy, Right Hand (R.h.) 77790

	Ref.	Part No.	Serial Number	Description	Qty.
▽		77790	(000000-) Brake Assy, Drum, Hyd, 08.8d 1.6w Rh	1
▲	1	77768	(000000-) Backing Plate Rh	1
▲	2	70613	(000000-) Shoe, Brake	1
▲	3	70612	(000000-) Shoe, Brake	1
▲	4	21728	(000000-) Spring	2
▲	5	70617	(000000-) Spring	2
▲	6	70618	(000000-) Spring	1
▲	7	70609	(000000-) Cylinder, Wheel, Brake	1
▲	8	70603	(000000-) Clamp, Hold Down	1
▲	9	70615	(000000-) Adjuster, Manual	1
▲	10	372950	(000000-) Plug, Rbr, Rnd	2
▲	11	372951	(000000-) Plug, Plstc, Sq	2

Fig. 37 - Brake Assy, Left Hand (L.h.) 77770

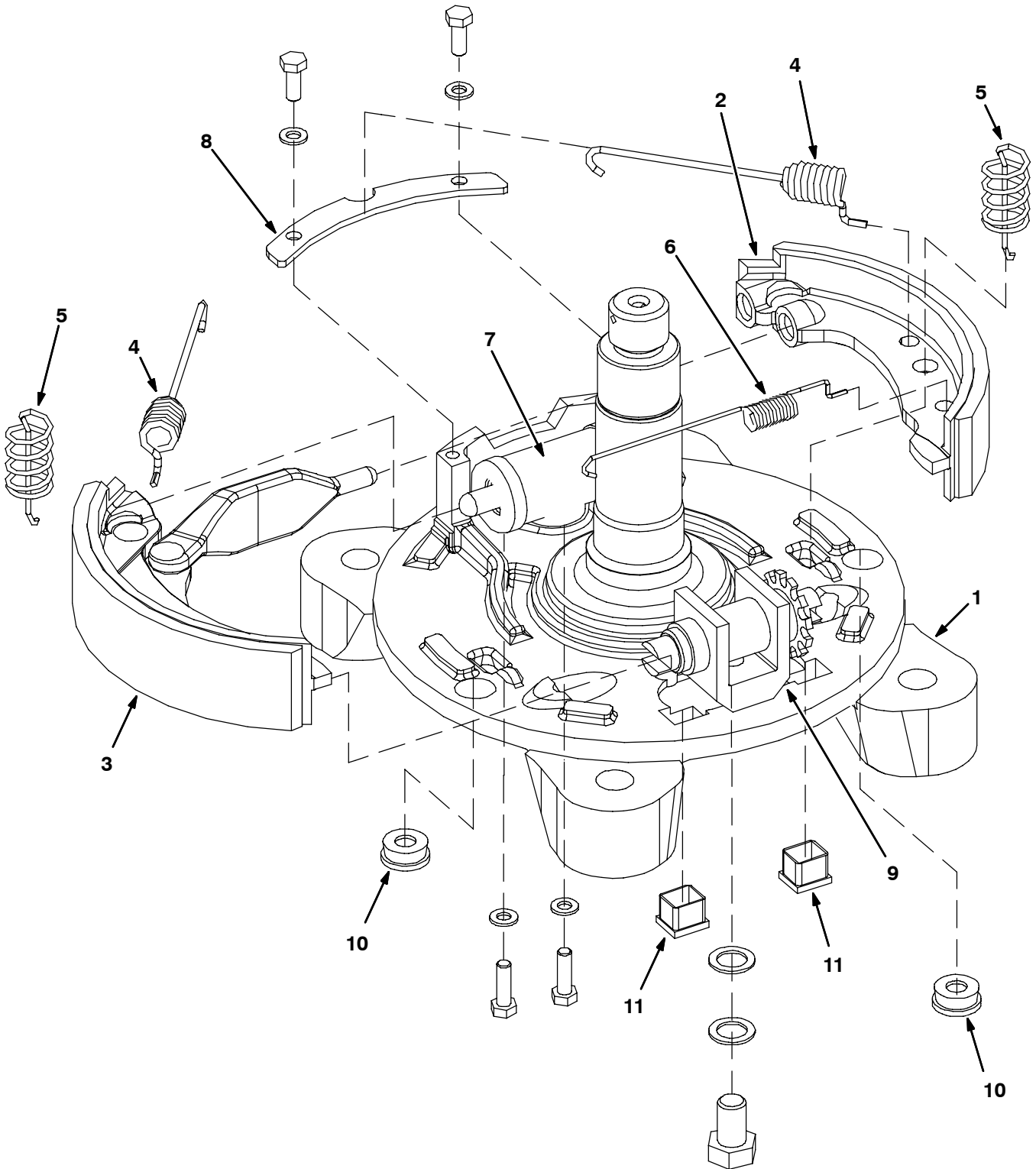


Fig. 37 - Brake Assy, Left Hand (L.h.) 77770

	Ref.	Part No.	Serial Number	Description	Qty.
▽		77770	(000000-) Brake Assy, Drum, Hyd, 08.0d 1.6w Lh	1
▲	1	77769	(000000-) Plate, Backing	1
▲	2	70613	(000000-) Shoe, Brake	1
▲	3	70611	(000000-) Shoe, Brake	1
▲	4	21728	(000000-) Spring	2
▲	5	70617	(000000-) Spring	2
▲	6	70618	(000000-) Spring	1
▲	7	70609	(000000-) Cylinder, Wheel, Brake	1
▲	8	70603	(000000-) Clamp, Hold Down	1
▲	9	70615	(000000-) Adjuster, Manual	1
▲	10	372950	(000000-) Plug, Rbr, Rnd	2
▲	11	372951	(000000-) Plug, Plstc, Sq	2

Fig. 38 - LPG Electronic Fuel Ignition Breakdown, 371894

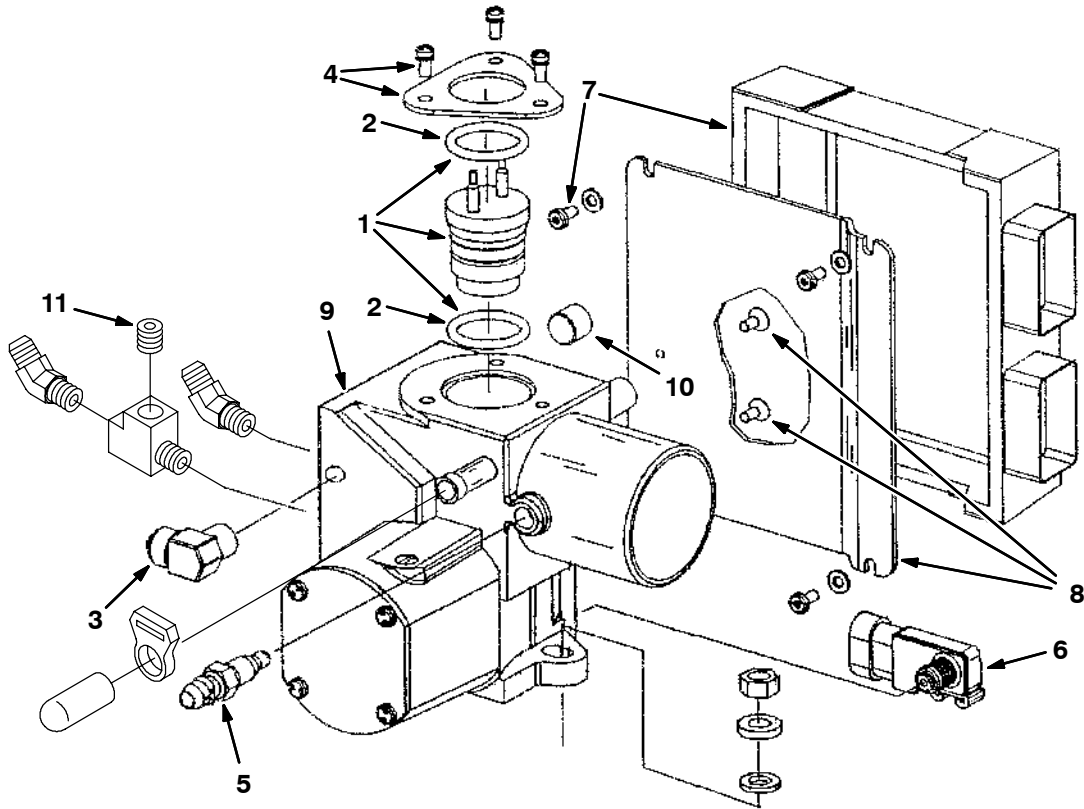


Fig. 38 - LPG Electronic Fuel Ignition Breakdown, 371894

	Ref.	Part No.	Serial Number	Description	Qty.
▽		371894	(000000-) Housing Assy, Throttle, Lpg, [With Ecu]	1
▲▽	1	1017270	(000000-) Injector, Fuel, Lpg [3.0l Gm] 8410	1
▲▲	2	371665	(000000-) Kit, Org, Injector, Top And Bottom, Lpg	1
▲	3	371666	(000000-) Fitting, Fuel Inlet, Lpg	1
▲	4	371651	(000000-) Plate, Injector Mtg, W/ Screw	1
▲	5	371653	(000000-) Sensor, Temp	1
▲		371714	(000000-) Kit, Connector, Coolant Sensor	1
▲		371715	(000000-) Kit, Connector, Sensor, [lat]	1
▲	6	371654	(000000-) Sensor, Manifold Press	1
▲		371713	(000000-) Kit, Connector, Sensor, [Map]	1
▲	7	9000823	(000000-) Kit, Replmt, Controller	1
▲	8	391891	(000000-) Plate, Mtg, W/ Screw, [Ecu], Lpg	1
▲	9	371669	(000000-) Housing, Throttle, Lpg	1
▲		371718	(000000-) Kit, Connector, Govnr	1
▲	10	371660	(000000-) Fitting, Coolant Plug	1
▲	11	10552	(000000-) Fitting, Pipe, Plug, Pm02 Soc Head	1

Fig. 39 - LPG Electronic Fuel Ignition Breakdown, 371895

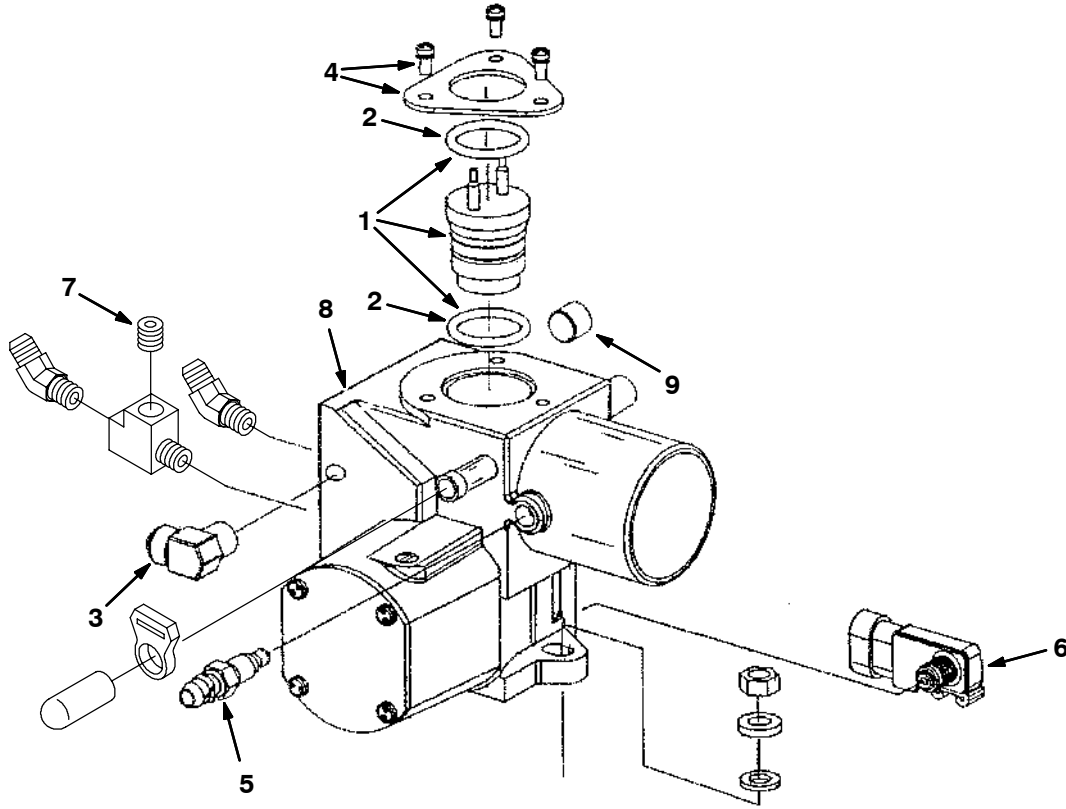


Fig. 39 - LPG Electronic Fuel Ignition Breakdown, 371895

	Ref.	Part No.	Serial Number	Description	Qty.
▽		371895	(000000-) Housing Assy, Throttle, Lpg, [Without Ecu]	1
▲▽	1	1017270	(000000-) Injector, Fuel, Lpg [3.0l Gm] 8410	1
▲▲	2	371665	(000000-) Kit, Org, Injector, Top And Bottom, Lpg	1
▲	3	371666	(000000-) Fitting, Fuel Inlet, Lpg	1
▲	4	371651	(000000-) Plate, Injector Mtg, W/ Screw	1
▲	5	371653	(000000-) Sensor, Temp	1
▲		371714	(000000-) Kit, Connector, Coolant Sensor	1
▲		371715	(000000-) Kit, Connector, Sensor, [lat]	1
▲	6	371654	(000000-) Sensor, Manifold Press	1
▲		371713	(000000-) Kit, Connector, Sensor, [Map]	1
▲	7	10552	(000000-) Fitting, Pipe, Plug, Pm02 Soc Head	1
▲	8	371669	(000000-) Housing, Throttle, Lpg	1
▲		371718	(000000-) Kit, Connector, Govnr	1
▲	9	371660	(000000-) Fitting, Coolant Plug	1

Fig. 40 - Gasoline Electronic Fuel Ignition Breakdown, 371896

	Ref.	Part No.	Serial Number	Description	Qty.
▽		371896	(000000-) Housing Assy, Throttle, Gas, [With Ecu]	1
▲▽	1	371899	(000000-) Injector, Gas, W/ Top And Bottom Org	1
▲▲	2	371649	(000000-) Kit, Org, Injector And Reg, Gas	1
▲		371716	(000000-) Kit, Connector, Gas Injector	1
▲	3	371908	(000000-) Kit, Reg, Gas Press	1
▲	4	371651	(000000-) Plate, Injector Mtg, W/ Screw	1
▲	5	15555-2	(000000-) Fitting, Brs, E90, If05/Pm04	1
▲		371714	(000000-) Kit, Connector, Coolant Sensor	1
▲		371715	(000000-) Kit, Connector, Sensor, [lat]	1
▲	6	371653	(000000-) Sensor, Temp	1
▲	7	371654	(000000-) Sensor, Manifold Press	1
▲	8	371901	(000000-) Control, Electronic, Gas	1
▲	9	391890	(000000-) Plate, Mtg, W/ Screw, [Ecu], Gas	1
▲	10	371902	(000000-) Housing, Throttle, Gas	1
▲		371718	(000000-) Kit, Connector, Govnr	1
▲	11	10552	(000000-) Fitting, Pipe, Plug, Pm02 Soc Head	1
▲	12	371660	(000000-) Fitting, Coolant Plug	1

Fig. 41 - Gasoline Electronic Fuel Ignition Breakdown, 371897

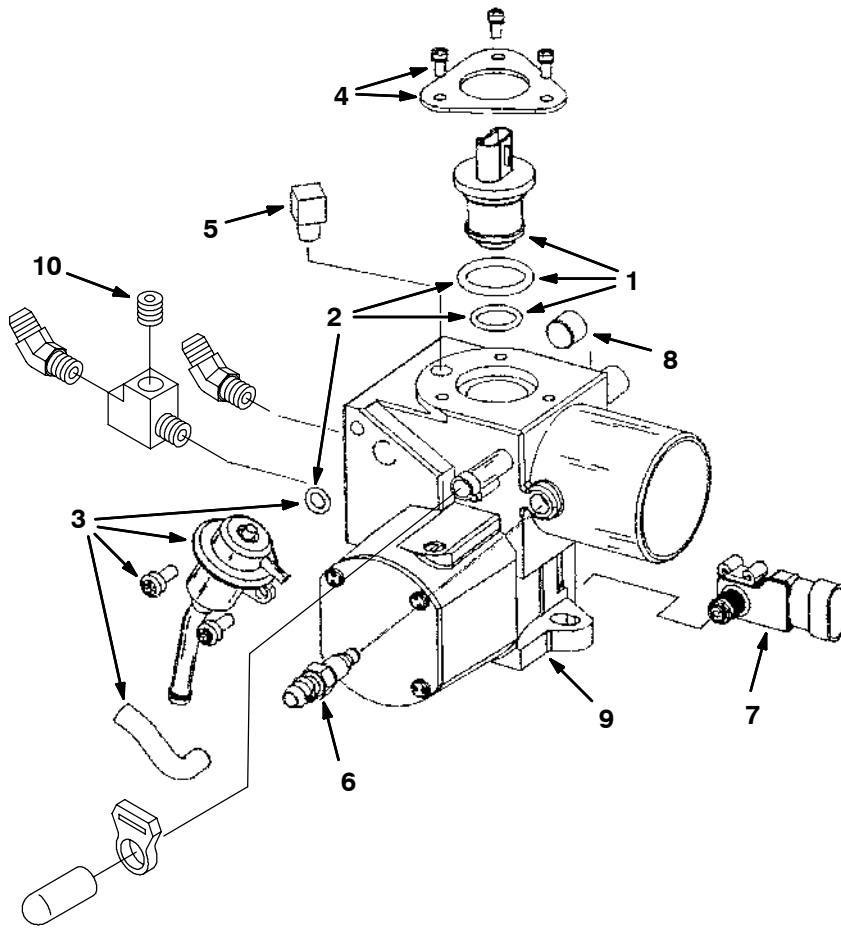


Fig. 41 - Gasoline Electronic Fuel Ignition Breakdown, 371897

	Ref.	Part No.	Serial Number	Description	Qty.
▽		371897	(000000-) Housing Assy, Throttle, Gas, [Without Ecu]	1
▲▽	1	371899	(000000-) Injector, Gas, W/ Top And Bottom Org	1
▲▲	2	371649	(000000-) Kit, Org, Injector And Reg, Gas	1
▲		371716	(000000-) Kit, Connector, Gas Injector	1
▲	3	371908	(000000-) Kit, Reg, Gas Press	1
▲	4	371651	(000000-) Plate, Injector Mtg, W/ Screw	1
▲	5	15555-2	(000000-) Fitting, Brs, E90, If05/Pm04	1
▲		371714	(000000-) Kit, Connector, Coolant Sensor	1
▲		371715	(000000-) Kit, Connector, Sensor, [lat]	1
▲	6	371653	(000000-) Sensor, Temp	1
▲	7	371654	(000000-) Sensor, Manifold Press	1
▲	8	371660	(000000-) Fitting, Coolant Plug	1
▲	9	371902	(000000-) Housing, Throttle, Gas	1
▲		371718	(000000-) Kit, Connector, Govnr	1
▲	10	10552	(000000-) Fitting, Pipe, Plug, Pm02 Soc Head	1

Fig. 42 - Hydraulic Solenoid Valve Breakdown, 1049210

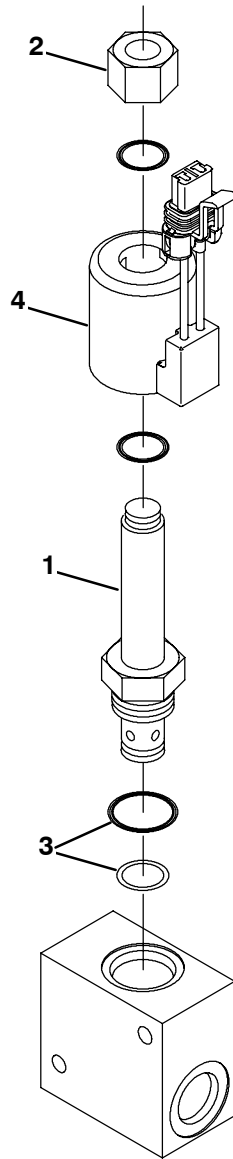


Fig. 42 - Hydraulic Solenoid Valve Breakdown, 1049210

	Ref.	Part No.	Serial Number	Description	Qty.
▽		1049210	(000000-) Valve, Cntrl, Hyd, Solenoid, 12vdc 12gpm	1
▲	1	1050812	(000000-) Stem, Valve, Hyd	1
▲	2	1050811	(000000-) Nut, Valve, Cartridge	1
▲	3	1050780	(000000-) Seal Kit, Cartridge	1
▲	4	1050809	(000000-) Solenoid, Valve, Hyd, 36vdc	1

Fig. 43 - Hydraulic Solenoid Valve Breakdown, 1049209

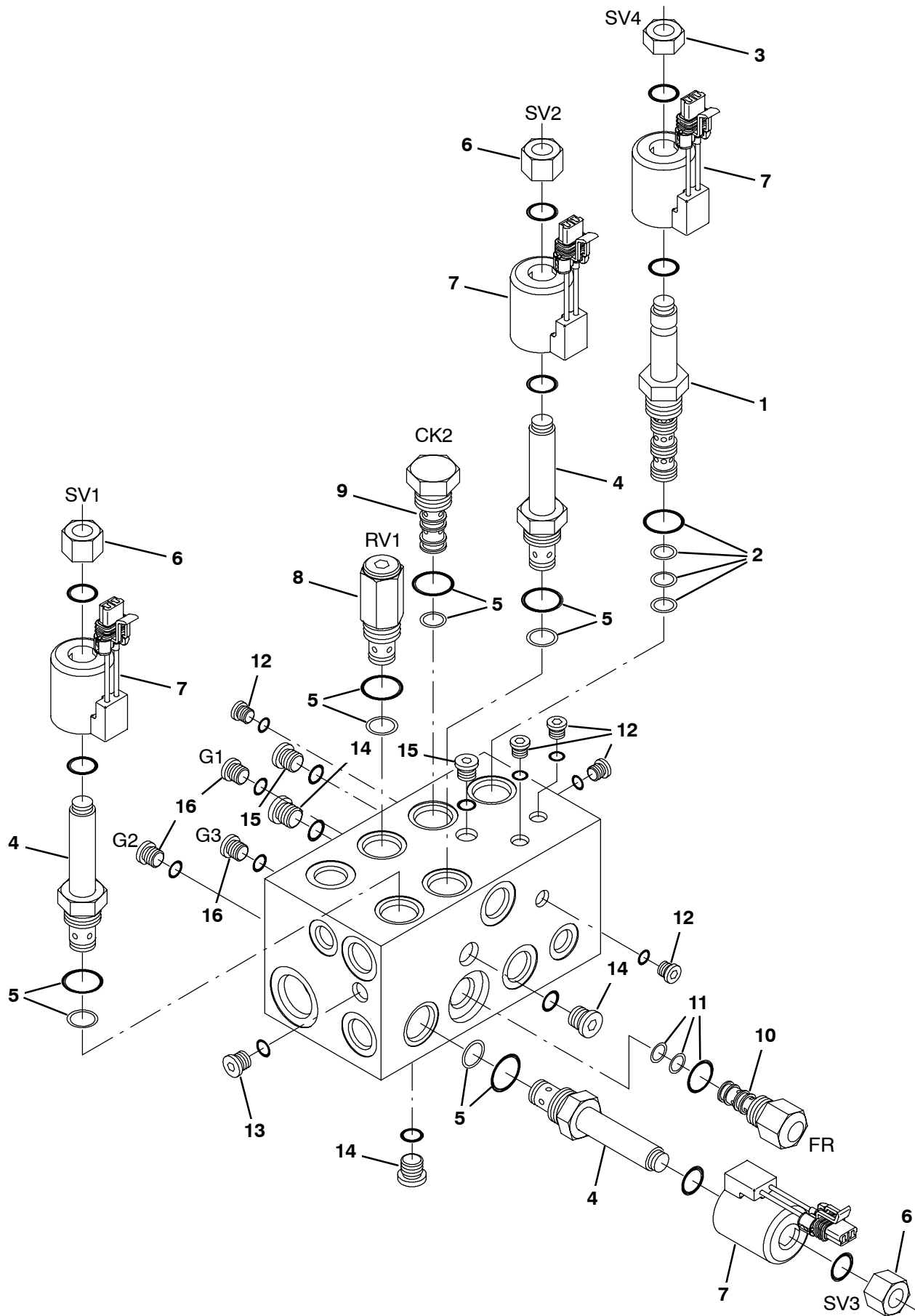
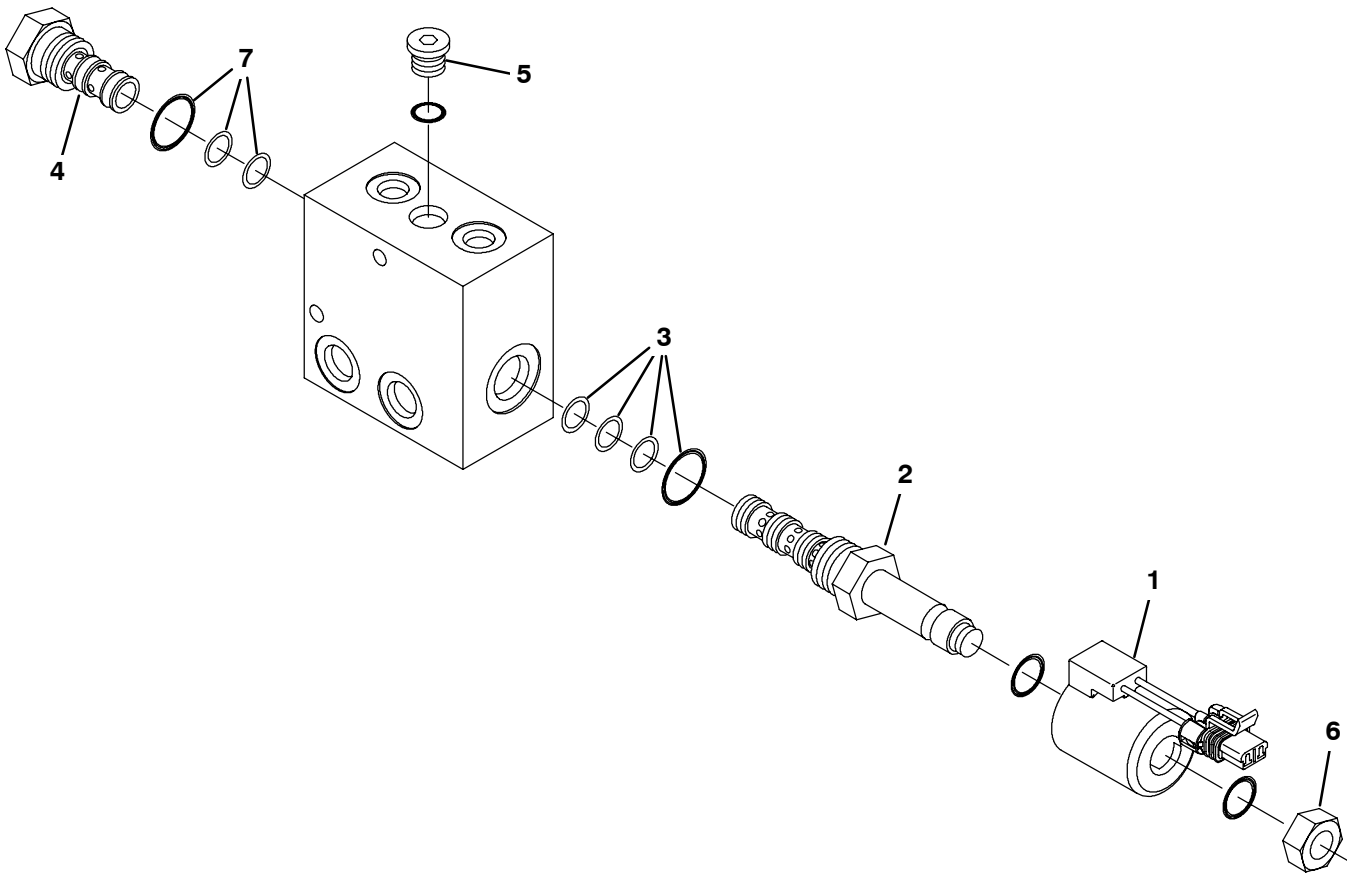


Fig. 43 - Hydraulic Solenoid Valve Breakdown, 1049209

	Ref.	Part No.	Serial Number	Description	Qty.
▽		1049209	(000000-) Valve, Cntrl, Hyd, Solenoid, 12vdc 08gpm	1
▲	1	1050861	(000000-) Solenoid, Valve, Hyd	1
▲	2	1050870	(000000-) Seal Kit, Cartridge	1
▲	3	1051078	(000000-) Nut, Valve, Cartridge	1
▲	4	1050812	(000000-) Stem, Valve, Hyd	3
▲	5	1050780	(000000-) Seal Kit, Cartridge	1
▲	6	1050811	(000000-) Nut, Valve, Cartridge	3
▲	7	1050809	(000000-) Solenoid, Valve, Hyd, 36vdc	4
▲	8	1050862	(000000-) Valve, Cartridge, Relief	1
▲	9	1050863	(000000-) Valve, Cartridge, Check	1
▲	10	1050864	(000000-) Valve, Cartridge, Flow Reg	1
▲	11	1050871	(000000-) Seal Kit, Cartridge	1
▲	12	1050865	(000000-) Fitting, Plug, Om02, Valve	5
▲	13	1050866	(000000-) Fitting, Plug, Om04, Valve	1
▲	14	1050867	(000000-) Fitting, Plug, Om06, Valve	3
▲	15	1050868	(000000-) Fitting, Plug, Om05, Valve	2
▲	16	1050869	(000000-) Fitting, Plug, Om04, Valve	3

Fig. 44 - Hydraulic Solenoid Valve Breakdown, 1049211



354900 - ALL

Ref.	Part No.	Serial Number	Description	Qty.	
▽	1049211	(000000-) Valve, Cntrl, Hyd, Solenoid, 12vdc 06gpm	1	
▲	1	1050809	(000000-) Solenoid, Valve, Hyd, 36vdc	1
▲	2	1050861	(000000-) Solenoid, Valve, Hyd	1
▲	3	1050870	(000000-) Seal Kit, Cartridge	1
▲	4	1050872	(000000-) Valve, Cartridge, Check	1
▲	5	1050873	(000000-) Fitting, Plug, Om06, Valve	1
▲	6	1051078	(000000-) Nut, Valve, Cartridge	1
▲	7	1051079	(000000-) Seal Kit, Cartridge	1

SECTION 5

Contents	Page
Fig. 1 - Engine Block Group	5-2
Fig. 2 - Gaskets Group	5-4
Fig. 3 - Cylinder Head Group	5-6
Fig. 4 - Cylinder Front Cover Group	5-7
Fig. 5 - Starter Breakdown	5-8
Fig. 6 - Oil Pan Group	5-10
Fig. 7 - Crankshaft Group	5-12
Fig. 8 - Manifolds Group	5-14
Fig. 9 - Flywheel Group	5-15
Fig. 10 - Camshaft And Sprocket Group	5-16
Fig. 11 - Valve And Rocker Arm Cover Group ..	5-18
Fig. 12 - Piston And Connecting Rod Group ...	5-20
Fig. 13 - Water Pump, Thermostat and Fan Group	5-21
Fig. 14 - Ignition Group	5-22

2.3L ENGINE BREAKDOWN

Fig. 1 - Engine Block Group

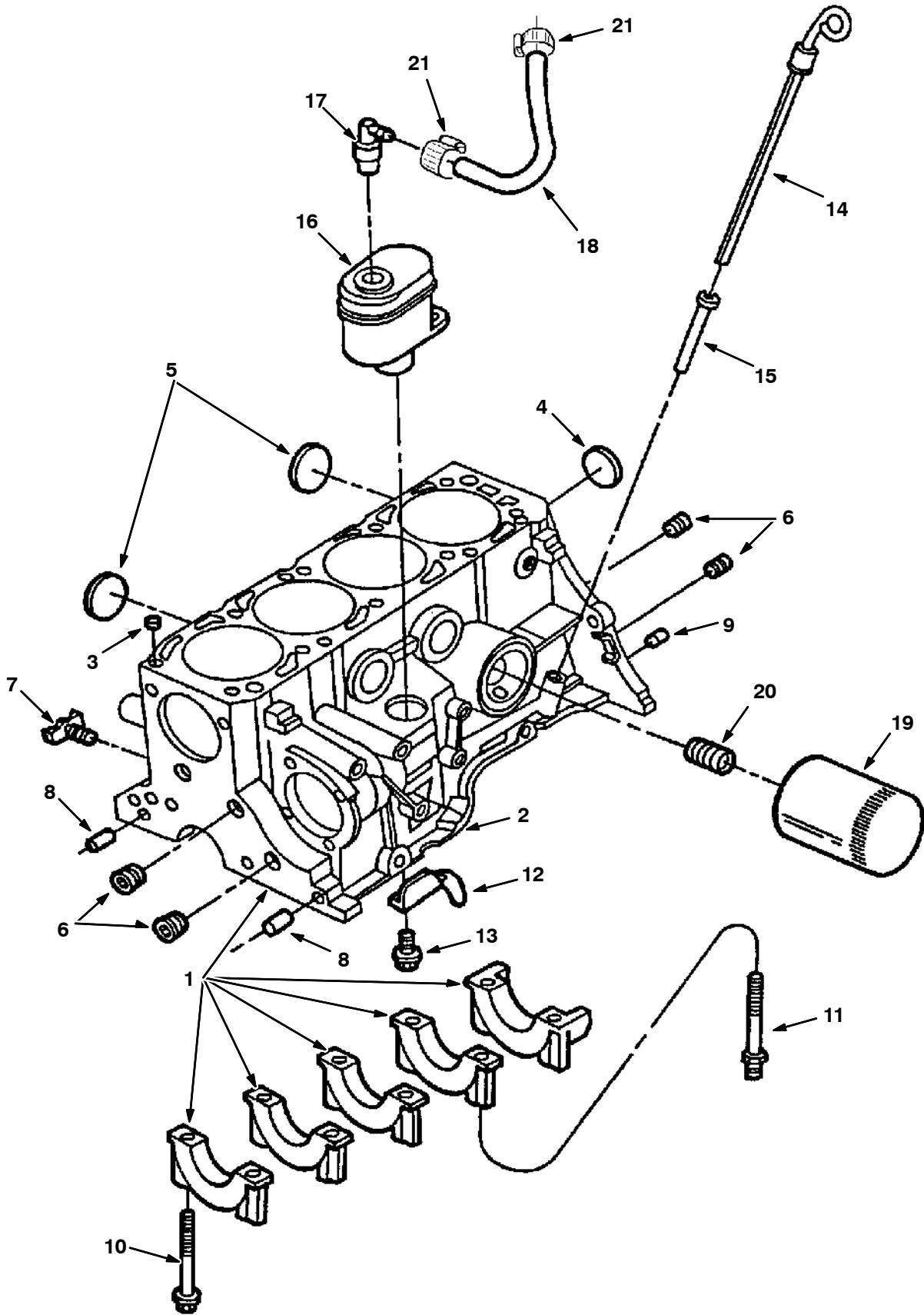


Fig. 1 - Engine Block Group

Ref.	Part No.	Description	Qty.
	1 84875	Cyl Block Assy (Short Block Assy)	1
▽	2 84876	Block Assy	1
▲	3 73958	Dowel	2
▲	4 73921	Plug-Std 2.078	1
▲	4 73920	Plug .06 O/S	-
▲	5 84877	Plug, 1.50 Cup	4
▲	6 73917	Plug 3/8 Npt	5
▲	6 36268	Plug 1/4 Npt	2
▲	7 54911-32	Draincock,End.Block	1
▲	8 84878	Dowel,Frnt Cover	2
▲	9 73975	Dowel	2
▲	10 73950	Bolt M12	9
▲	11 74516	Stud M12	1
▲	12 84879	Baffle	1
	13 84880	Bolt, M6X16.5mm	2
	14 10723	Indicator,Oil	1
	15 10724	Short Tube	1
	16 84882	Separator	1
	17 84883	Pcv Vlv Asy	1
	18 84884	Hose	1
	19 39703-2	Filter Element, Oil	1
	20 84962	Insert-Oilfilt	1
	21 54333	Clamp, Hose, Wormdrive	2

2.3L ENGINE BREAKDOWN

Fig. 2 - Gaskets Group

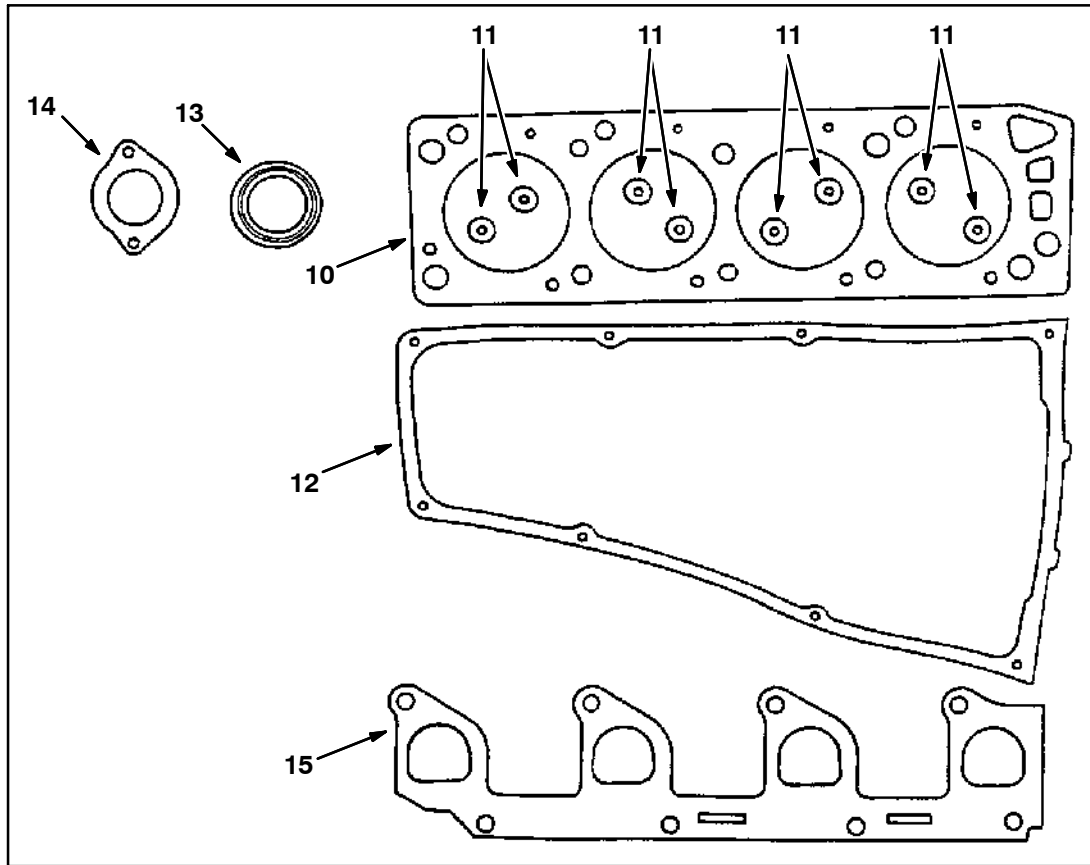
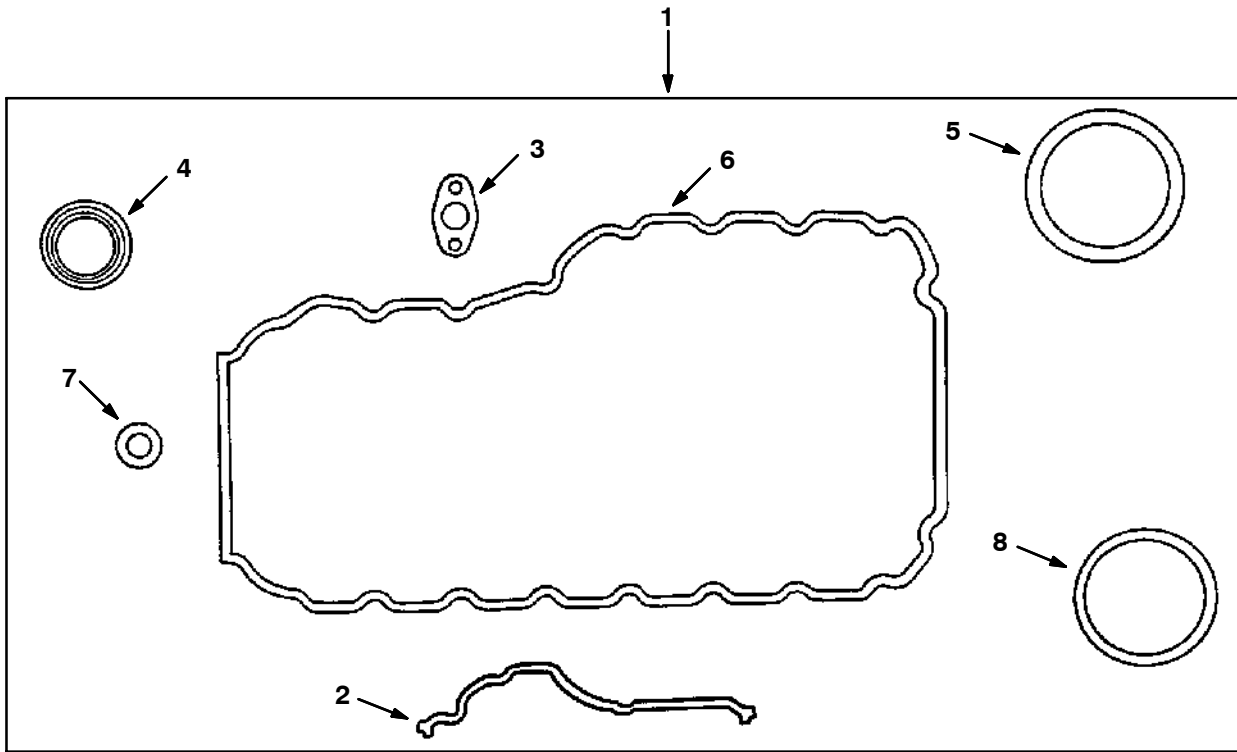
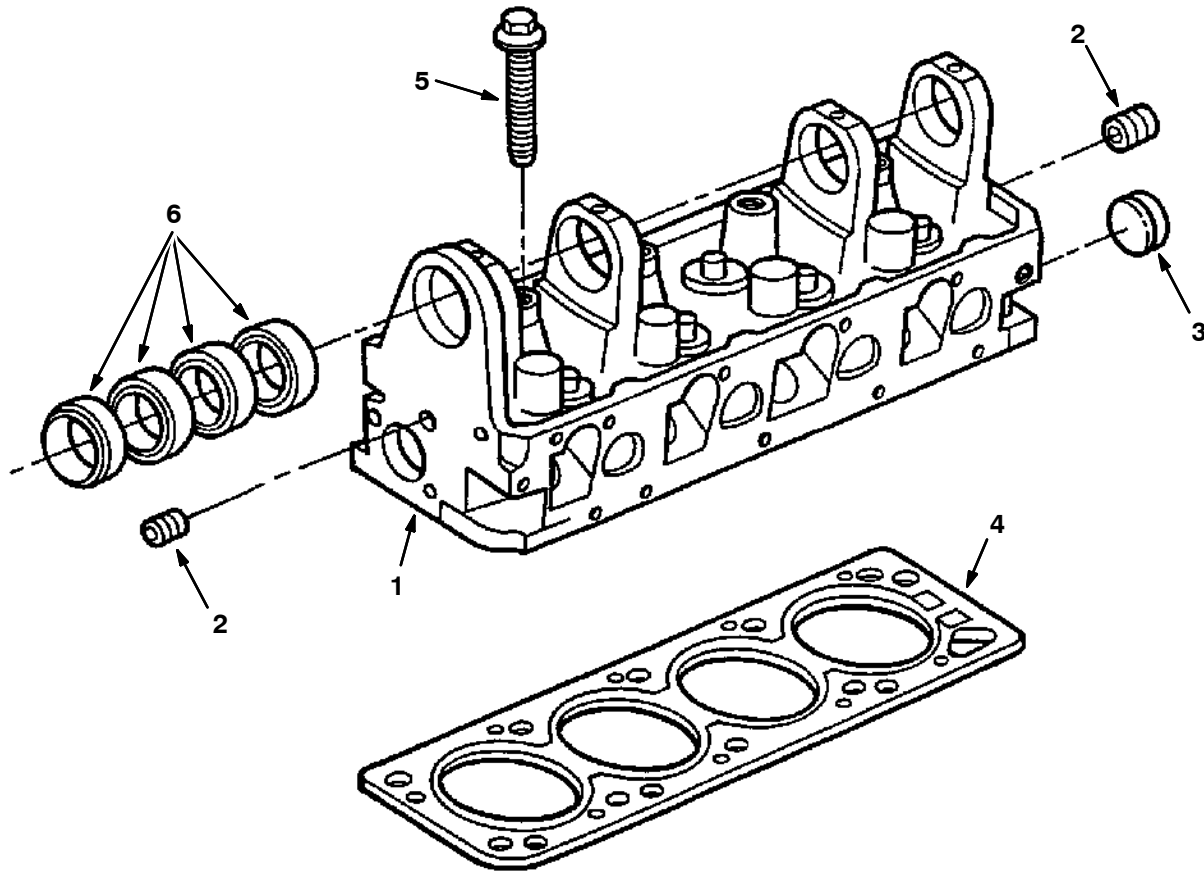


Fig. 2 - Gaskets Group

	Ref.	Part No.	Description	Qty.
▽	1	84885	Gskt Kit,Lower	1
▲	2	84886	Gskt,Frnt Cvr	1
▲	3	84887	Gskt,Pmp/Putube	1
▲	4	60833	Oil Seal, Front	1
▲	5	84888	Seal, Rear	1
▲	6	84889	Gasket,Oil Pan	1
▲	7	37157	Gasket Oil	1
▲	8	84983	Gskt,Water Pump	1
▽	9	84891	Gskt Kit,Upper	1
▲	10	60806	Gasket, Head	1
▲	11	84892	Seal,Valve Stem	8
▲	12	84893	Gskt,Rockr Cvr	1
▲	13	60833	Oil Seal, Front	1
▲	14	74538	Gskt-Waterout	1
▲	15	84894	Gskt,In.Manfld	1

2.3L ENGINE BREAKDOWN

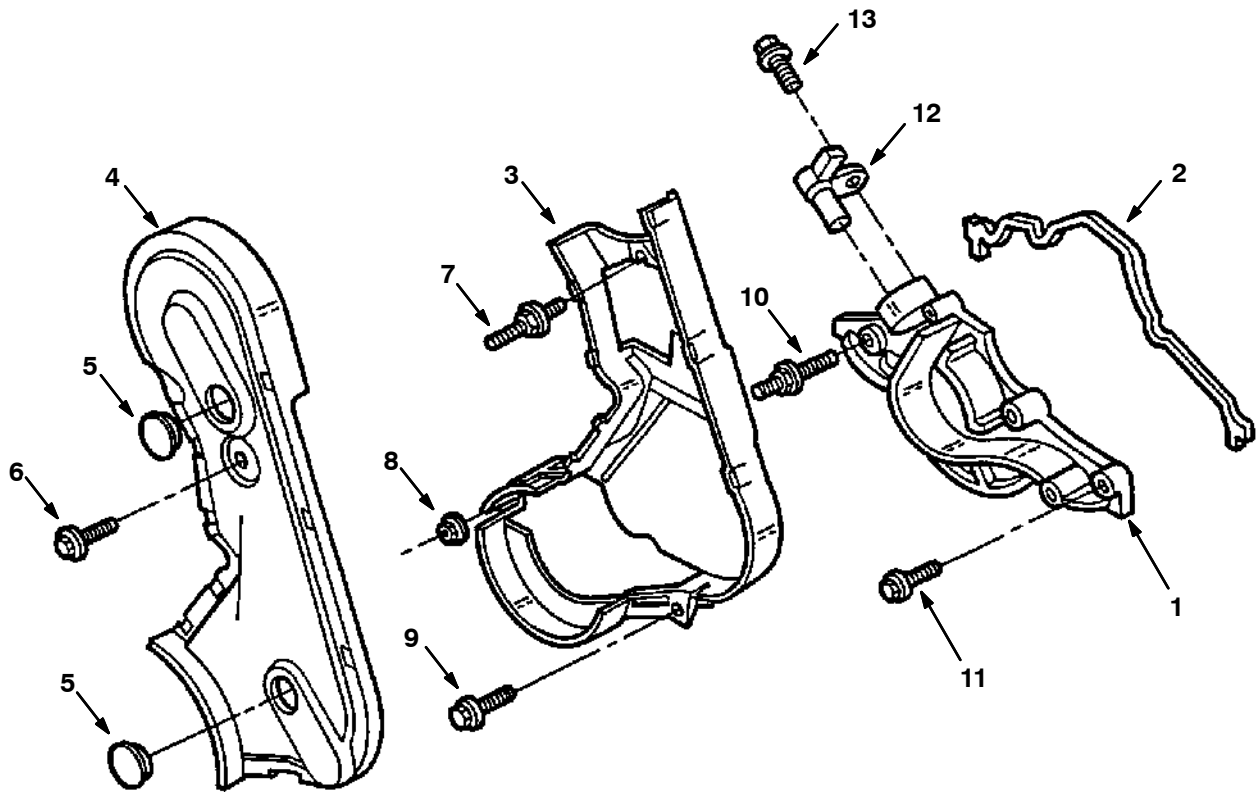
Fig. 3 - Cylinder Head Group



10445 - 800L, 8410, G, LP

Ref.	Part No.	Description	Qty.
1	84907	Head-W/O Valves	1
2	36268	Plug 1/4 Npt	2
3	84910	Plug, 1.50 Cup	1
4	60806	Gasket, Head	1
5	73927	Bolt M12	10
6	60817	Bearing Cam,	4
6	73936	Bearing, .016 Camshaft	-

Fig. 4 - Cylinder Front Cover Group



10446 - 800L, 8410, G, LP

Ref.	Part No.	Description	Qty.
1	84895	Lower Cover	1
2	84896	Gskt,Front Cvr	1
3	84897	Inner Cover	1
4	84898	Outer Cover	1
5	74536	Plug	2
6	84899	Bolt, M8 X 17 Schd	1
7	84900	Stud,M8X51.0mm	1
8	84901	Nut, M6	1
9	84902	Scr&Wsh,M6X22.5	1
10	84903	Stud,M6X61.8mm	1
11	84904	Bolt,M6X37.5mm	3
12	84905	Sensor,Crnksft	1
13	84906	Screw,M6X22.5mm	1

2.3L ENGINE BREAKDOWN

Fig. 5 - Starter Breakdown

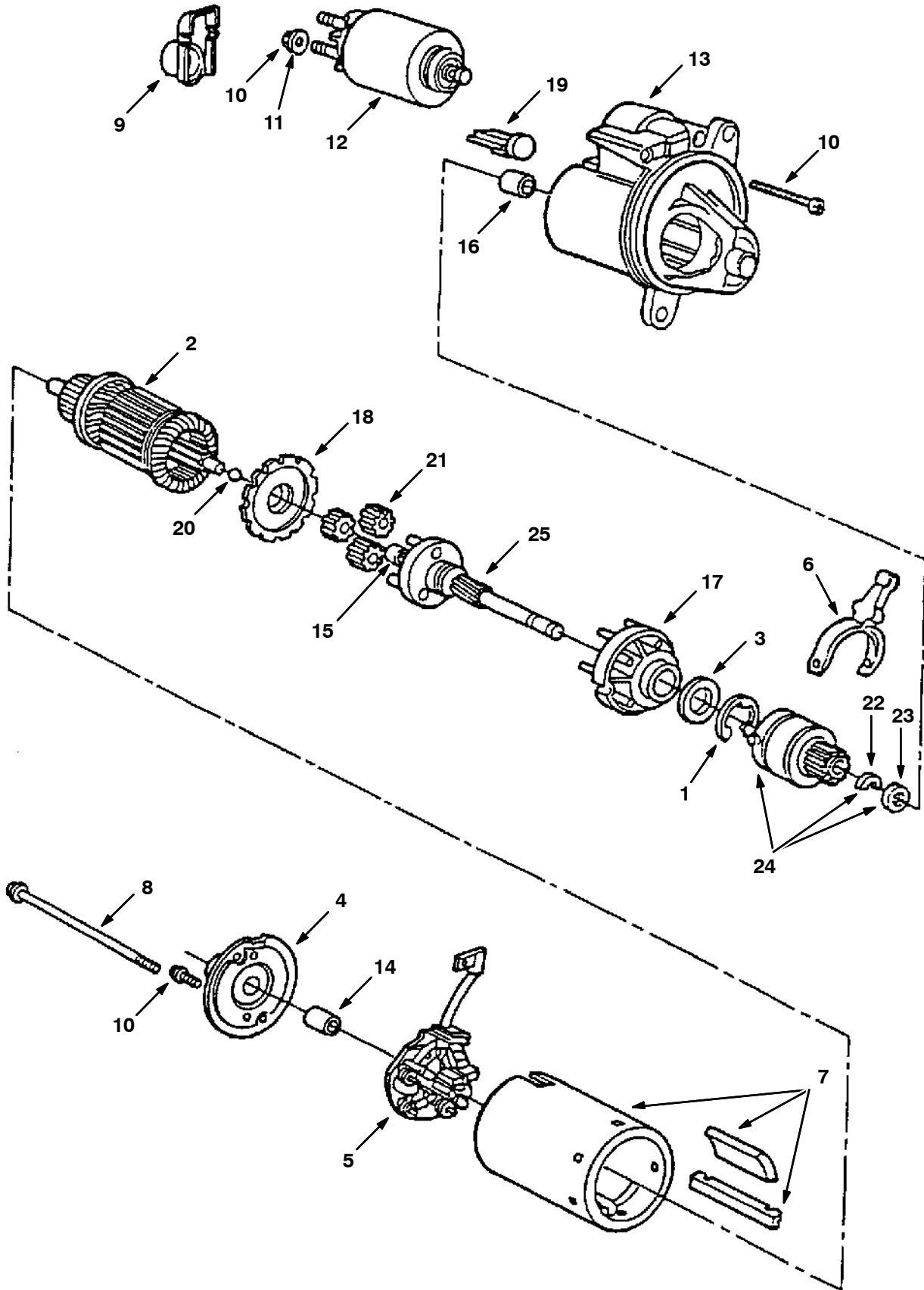


Fig. 5 - Starter Breakdown

	Ref.	Part No.	Description	Qty.
▽		60938	Motor, Starting, Perm Mag, 12V	1
▲	1	79640	Retaining Ring	1
▲	2	84999	Armature	1
▲	3	79956	Washer	1
▲	4	79628	Plate & Brg	1
▲	5	79629	Brush Holder	1
▲	6	79630	Lever	1
▲	7	79631	Frame&Mag.As	1
▲	8	79632	Bolt-Thru	2
▲	9	79970	Term.Cover	1
▲▽	10	79633	Kit-Attaching	1
▲▲	11	79957	Nut&Washer,M8	1
▲	12	370829	Solenoid	1
▲	13	79634	Hsg W/Brg	1
▲	14	79635	Bearing	1
▲	15	79960	Planet Bearing	3
▲	16	79961	Bearing	1
▲	17	79962	Statnry Gear	1
▲	18	79963	Retnr.Gear	1
▲	19	79964	Seal	1
▲	20	79965	Arm.Thr.Ball	1
▲	21	79966	Gear Assy	3
▲	22	79636	Ring-Drv.Stop	1
▲	23	79967	Retainer	1
▲	24	79638	Drive Assy	1
▲	25	79969	Shft Asy,Output	1

Fig. 6 - Oil Pan Group

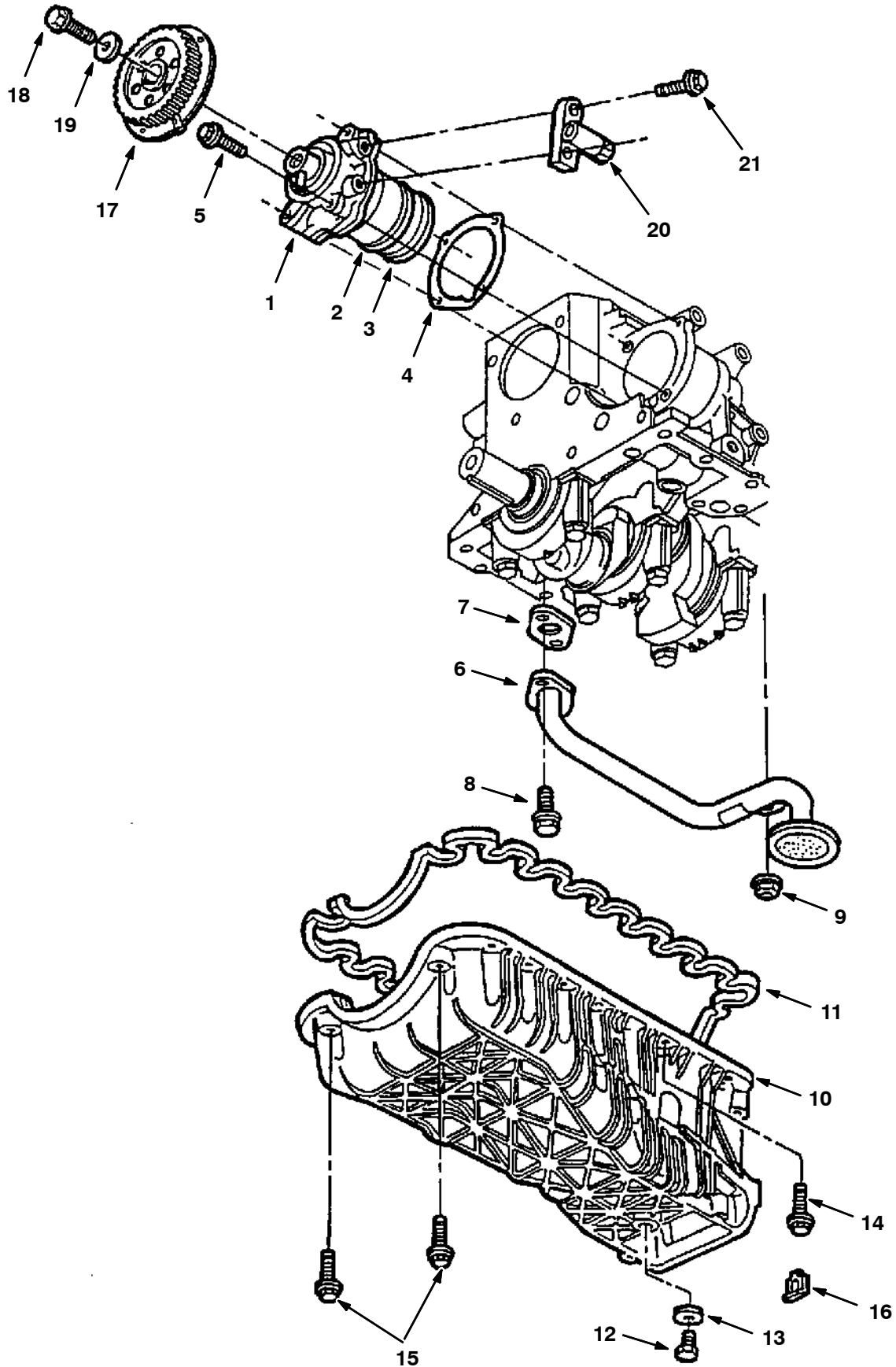


Fig. 6 - Oil Pan Group

Ref.	Part No.	Description	Qty.
1	84963	Oil Pump	1
2	84964	O-Ring,2.375	1
3	84965	O-Ring-2.250	1
4	84966	Gskt,Oilpmp/Blk	1
5	84967	Bolt,M6X47.5mm	4
6	84968	Oil Pickup Tube	1
7	84969	Gskt,Pu Tube	1
8	84970	Bolt,M8X20.0mm	2
9	84971	Nut,M10	1
10	84972	Oil Pan Assy	1
11	84889	Gasket,Oil Pan	1
12	37127	Oil Plug	1
13	37157	Gasket Oil	1
14	84973	Bolt,M6X27.5mm	16
15	84974	Bolt,M6X52.5mm	2
16	84975	Oil Pan Spacer	-
16	84976	Oil Pan Spacer	-
16	84977	Oil Pan Spacer	-
17	84978	Oil Pmp Sprkt	1
18	84979	Bolt,M10X40.0mm	1
19	74561	Washer	1
20	84980	Camsft.Sensor	1
21	84981	Bolt,M5X20.0M	2

2.3L ENGINE BREAKDOWN

Fig. 7 - Crankshaft Group

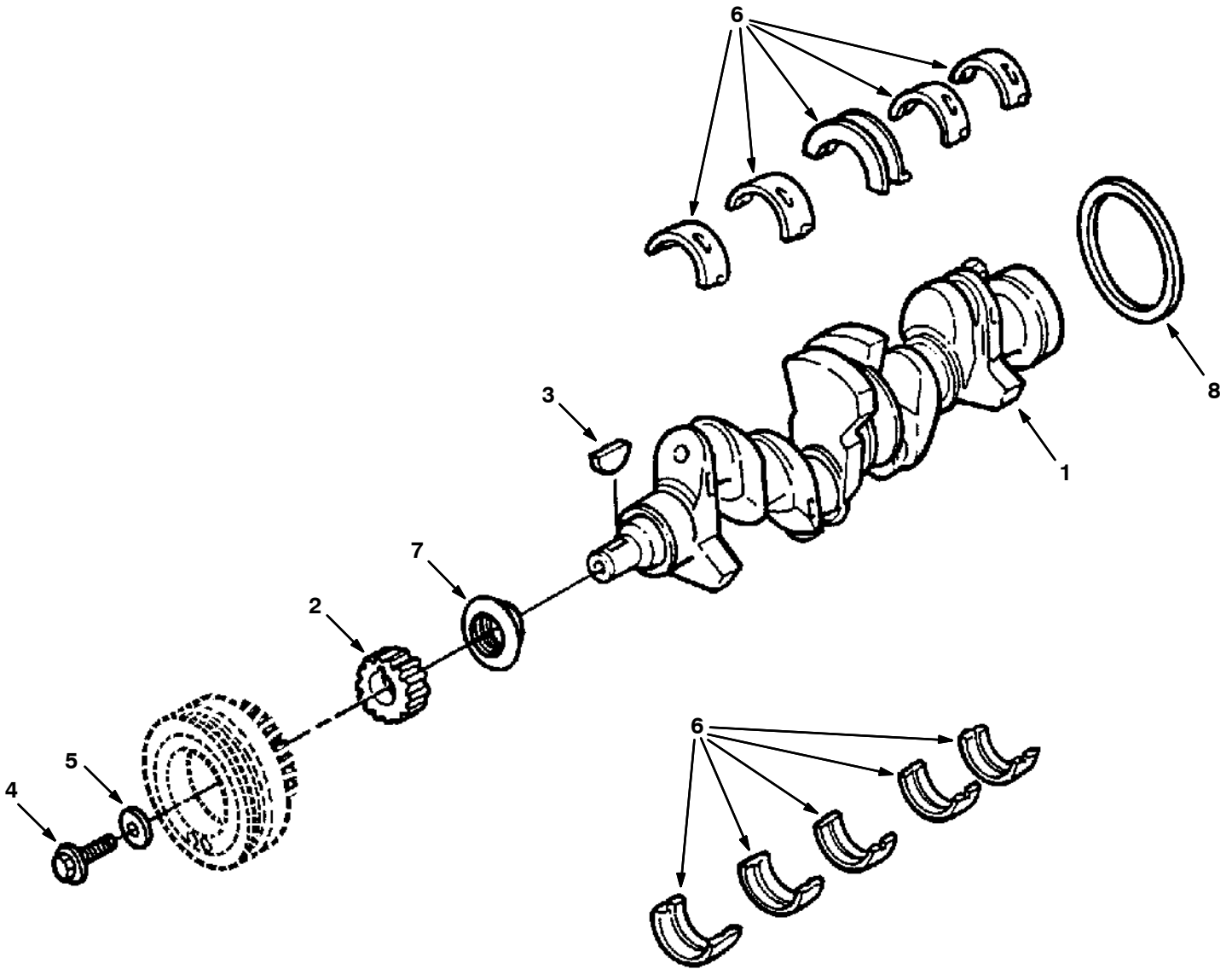


Fig. 7 - Crankshaft Group

Ref.	Part No.	Description	Qty.
1	84923	Crankshaft Asy	1
2	84924	Crnksft Sprckt	1
3	84925	Crnkshaft Key	1
4	84926	Bolt,M14X55.0M	1
5	84927	Wash M15 1.53Od	1
6	1051175	Bearing Kit, Cshft, Std[F2.3/2.5]	4
6	1051167	Bearing Kit, Cshft, .040[F2.3/2.5]	-
6	1051174	Bearing Kit, Cshft, .010[F2.3/2.5]	-
6	1051173	Bearing Kit, Cshft, .020[F2.3/2.5]	-
6	1051172	Bearing Kit, Cshft, .030[F2.3/2.5]	-
7	60833	Oil Seal, Front	1
8	84947	Crnksft Seal-Rear	1

2.3L ENGINE BREAKDOWN

Fig. 8 - Manifolds Group

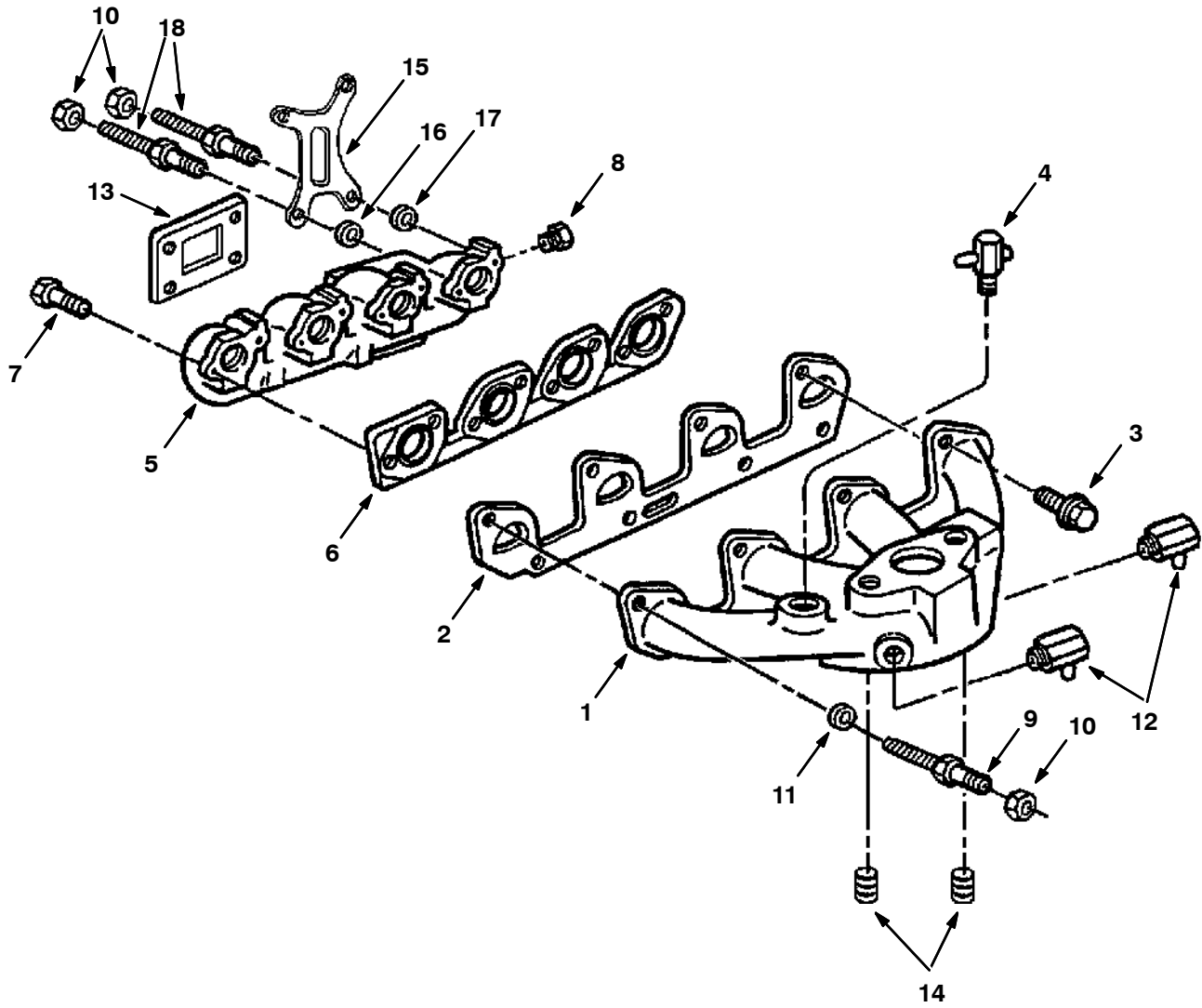


Fig. 8 - Manifolds Group

Ref.	Part No.	Description	Qty.
1	84990	Int.Manifold	1
2	84991	Gskt,Int.Mnflid	1
3	84992	Bolt,M8X25.0mm	7
4	74527	Vac.Fitting	1
5	74509	Exh.Manifold	1
6	84995	Gskt,Exh.Mnflid	1
7	84996	Bolt,M10X55.0M	6
8	84997	Plug, 1/2Npt	1
9	79972	Stud	1
10	79973	Nut M8-1.25	3
11	79974	Spacer	1
12	84985	Elbow,90 deg	2
13	36048	Gasket, Exh. Flange	1
14	73917	Plug 3/8 NPT	2
15	79976	Lifting Eye	1
16	21792	Spacer	1
17	21793	Spacer	1
18	21794	Stud	2

Fig. 9 - Flywheel Group

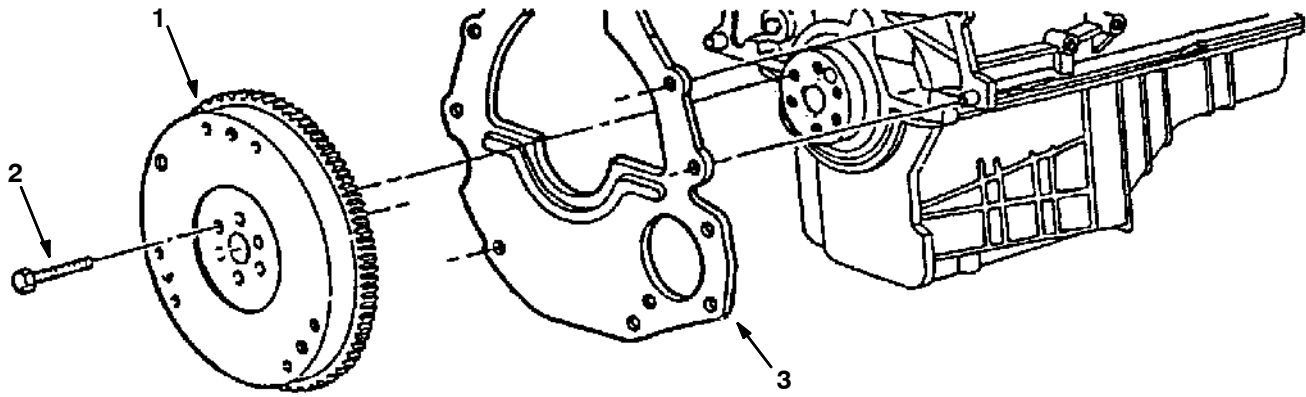


Fig. 9 - Flywheel Group

Ref.	Part No.	Description	Qty.
1	370103	Replm Kit, Flywheel	1
	370102	Flywheel	1
	84659	Flywheel Ring Gear	1
2	64038	Bolt	12
3	83669	Rear Plate	12

2.3L ENGINE BREAKDOWN

Fig. 10 - Camshaft And Sprocket Group

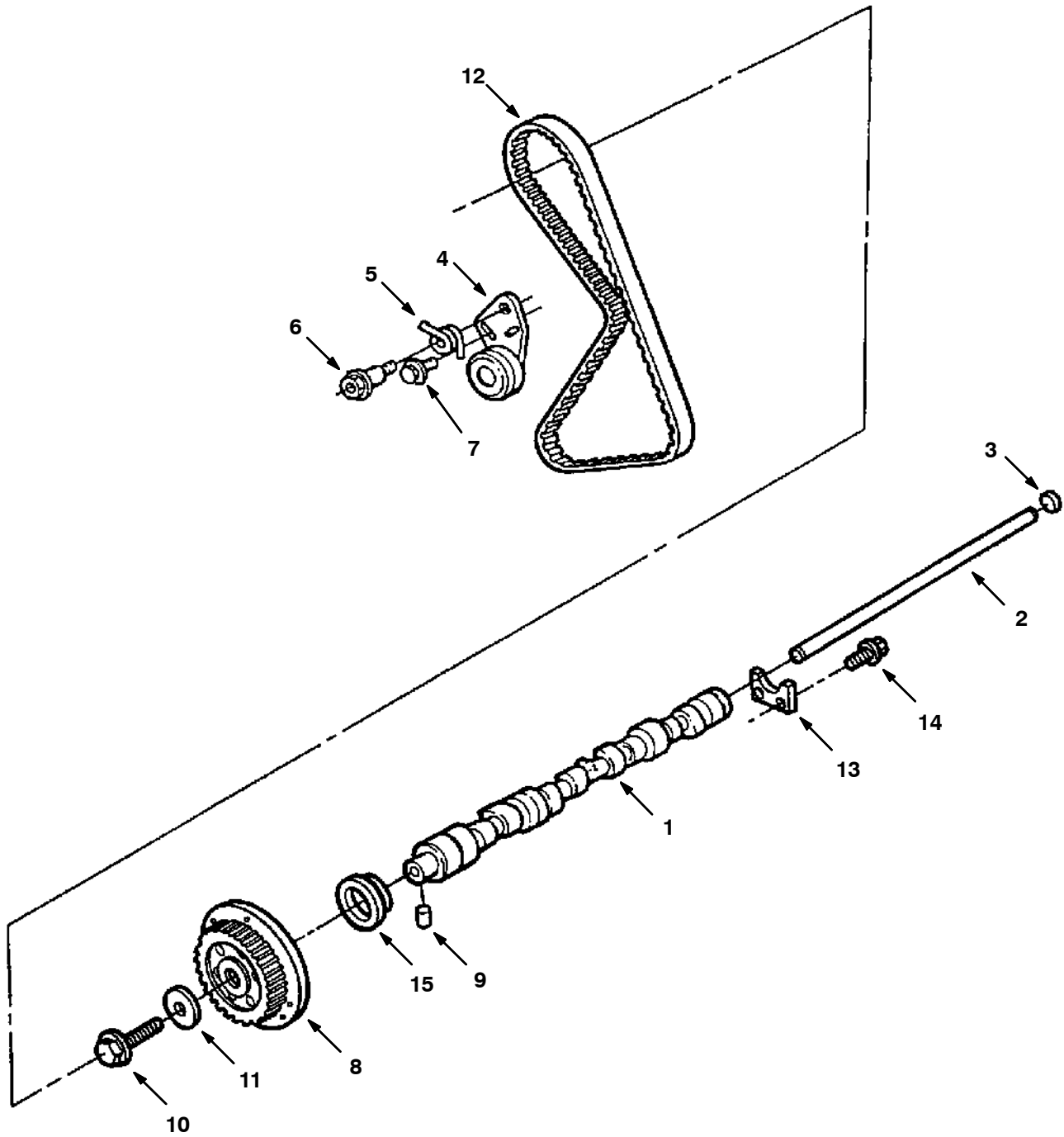


Fig. 10 - Camshaft And Sprocket Group

Ref.	Part No.	Description	Qty.
1	84915	Camshaft	1
2	84916	Rod	1
3	84917	Plug	1
4	73967	Tensioner, Arm	1
5	73970	Spring, Tension	1
6	84919	Bolt, Tens. Sprn	1
7	74552	Bolt	1
8	84978	Camshft Sprckt	1
9	84921	Pin, 1/4X.32	1
10	74545	Bolt M12X45	1
11	73937	Washer	1
12	84936	Timing Belt	1
13	73954	Plate	1
14	74548	Scr&Wash M6	2
15	60833	Oil Seal, Front	1

2.3L ENGINE BREAKDOWN

Fig. 11 - Valve And Rocker Arm Cover Group

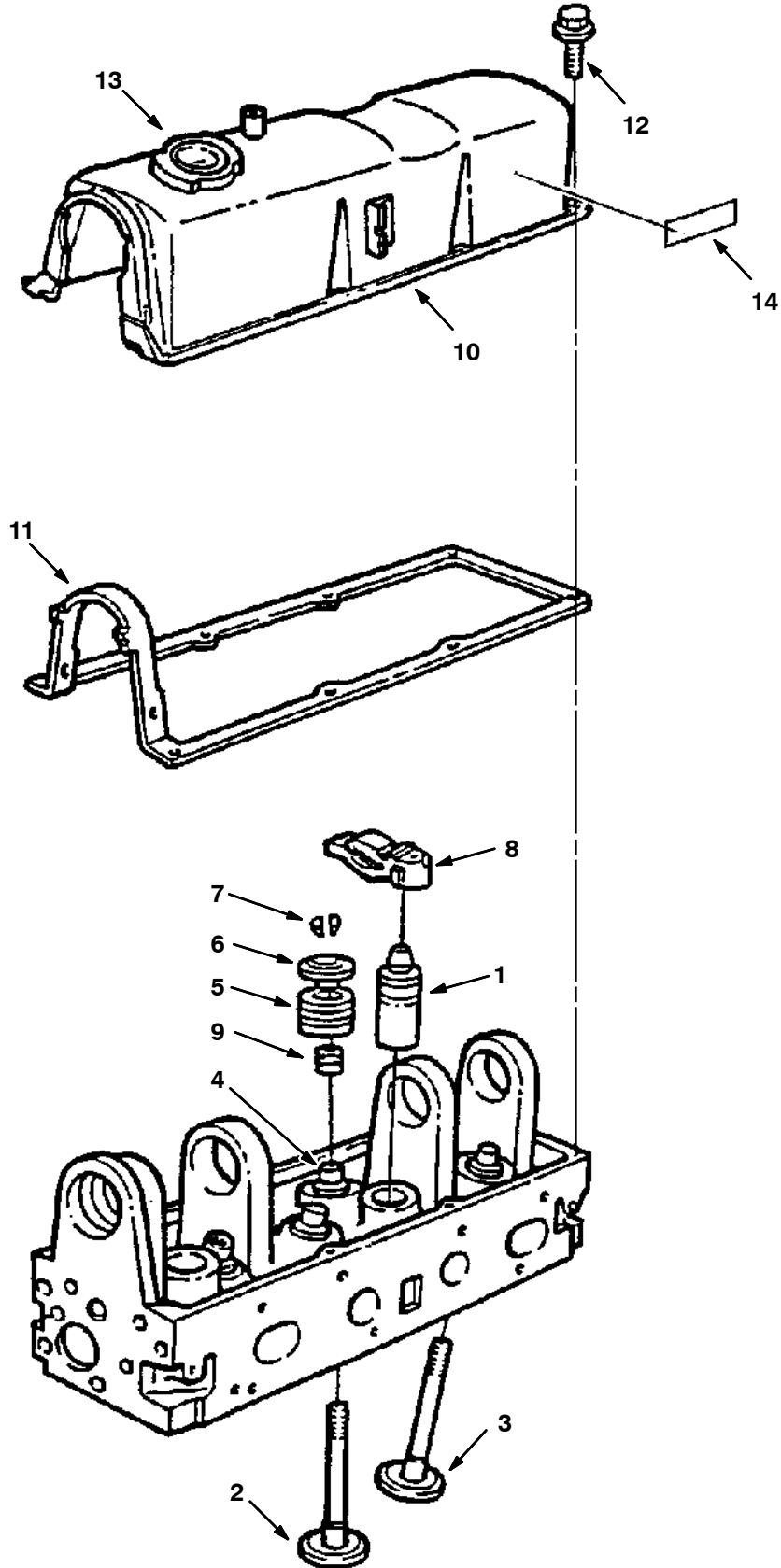
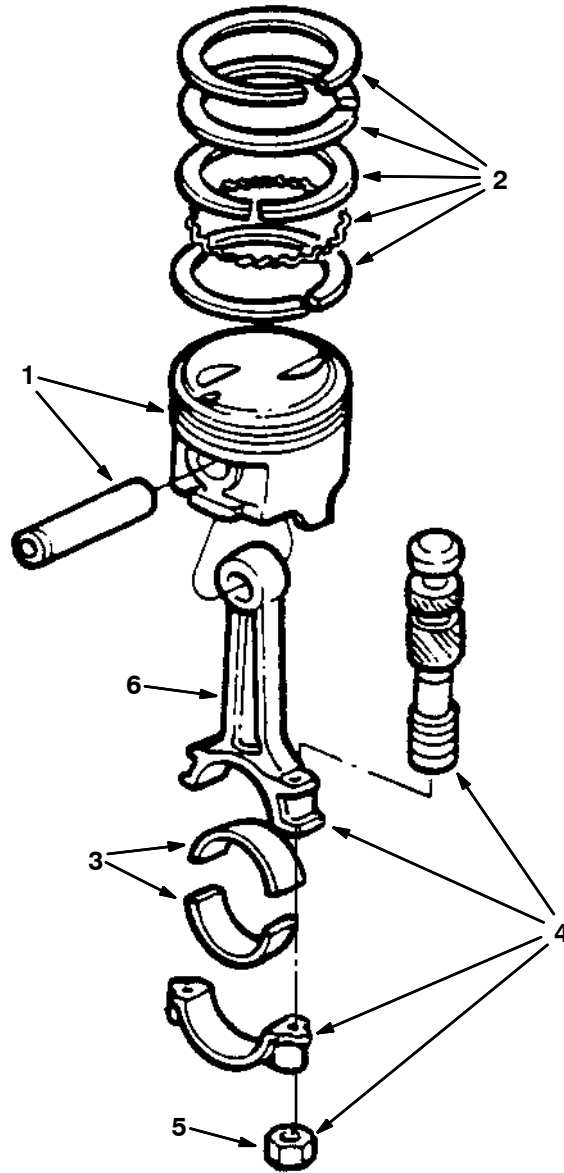


Fig. 11 - Valves And Rocker Arm Cover Group

Ref.	Part No.	Description	Qty.
1	84950	Tap.Assy-Valve	8
2	84951	Std.Exh.Valve	4
3	84952	Std.Int.Valve	4
4	84953	Valve Guide Bushing	-
5	84954	Valve Spring	8
6	84955	Valve Spring Retainer	8
7	84956	Valve Spring Key	16
8	84957	Valve Rocker Arm	8
9	84958	Valve Stem Seal	8
10	370876	Valve Rocker Arm Cover	1
11	73995	Gasket,Rocker Cover	1
12	84961	Scr&Wsh,M6X15.0M	8
13	60836	Breather Cap	1
14	36164	Warning Label, Starter	1

2.3L ENGINE BREAKDOWN

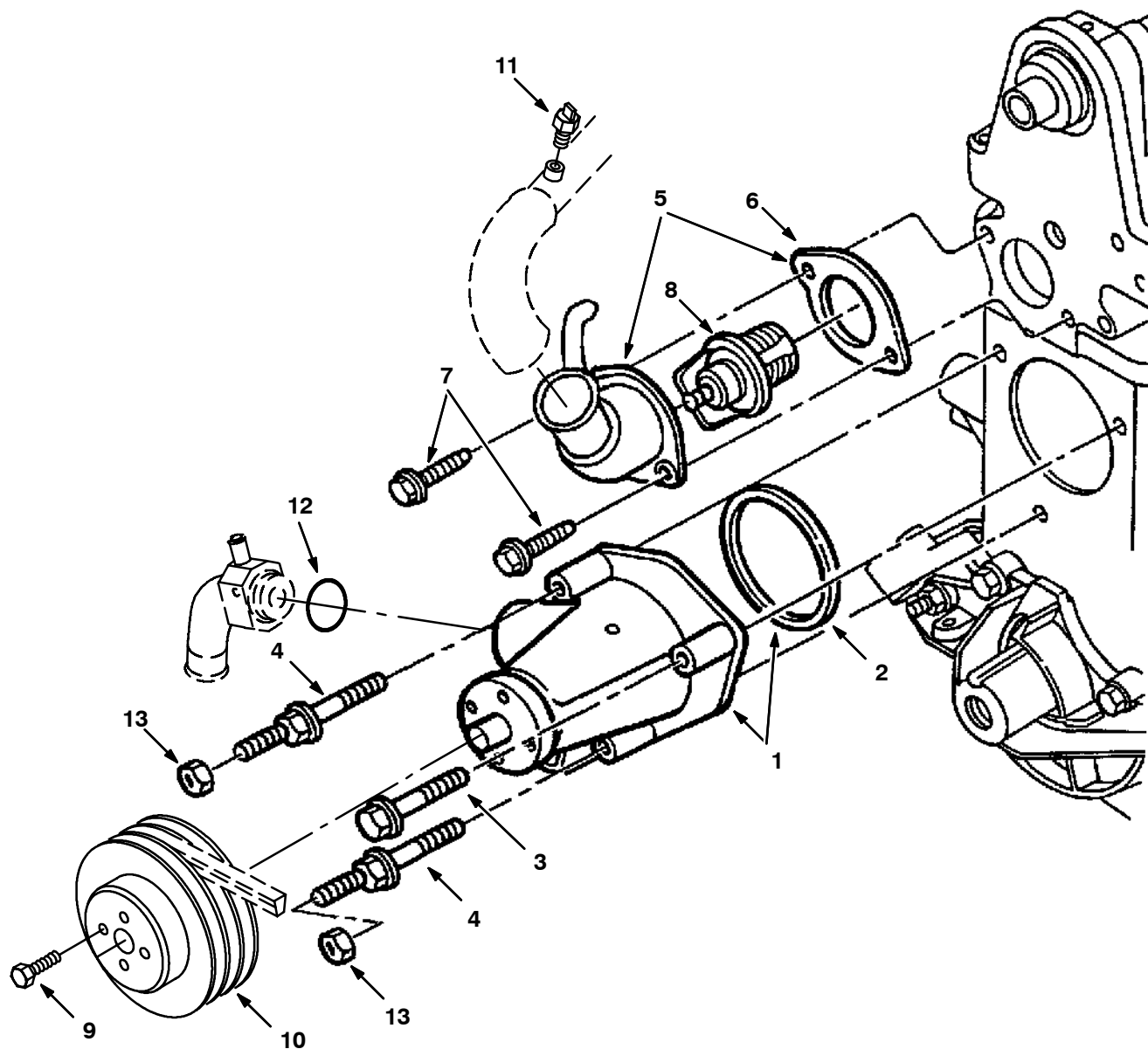
Fig. 12 - Piston And Connecting Rod Group



10447 - 800L, 8410, G, LP

Ref.	Part No.	Description	Qty.	
1	84911	Piston, Std.	4	
2	84913	Ring Set, Std.	2	
3	60812	Bearing	8	
3	73977	Brg-Conn.Rod	-	
3	73978	Brg-Conn.Rod	-	
3	73979	Brg-Conn.Rod	-	
3	73980	Brg-Conn.Rod	-	
3	73981	Brg-Conn.Rod	-	
3	73982	Brg-Conn.Rod	-	
▽	4	84914	Connecting Rd	4
▲	5	60813	Nut, Conrod-8	8
▲	6	60814	Bolt-Conrod-4	8

Fig. 13 - Water Pump, Thermostat and Fan Group

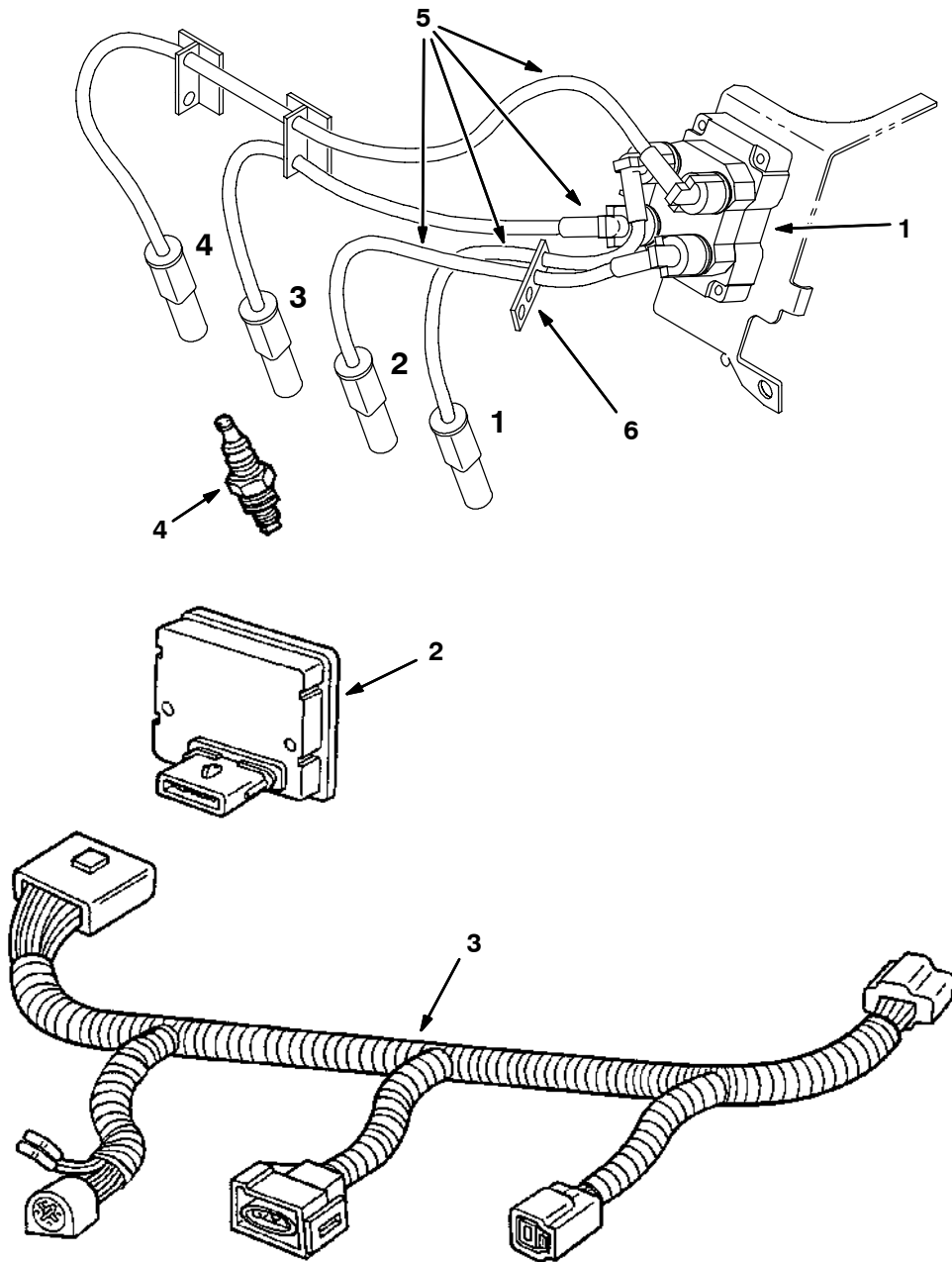


10528 - 800L, 8410, G, LP

Ref.	Part No.	Description	Qty.	
▽	1	84982	Water Pump	1
▲	2	84983	Gskt,Water Pump	1
	3	84984	Bolt,M8X53.0mm	1
	4	84998	Stud	2
▽	5	73996	Water Outlet	1
▲	6	74538	Gasket Water Outlet Connection	1
	7	84988	Bolt,M8X18.0M	2
	8	84987	Therm 190 W/Gsk	1
	9	84994	Bolt, M8X12.0mm	1
	10	36014	Sheave, Water Pump	1
	11	84989	Temperature sensor	1
	12	79975	O-Ring, Water Pump Adaptor	1
	13	84993	Locknut	2

2.3L ENGINE BREAKDOWN

Fig. 14 - Ignition Group



10524-350562 - 800L, 8410, G, LP

Ref.	Part No.	Description	Qty.
1	83732	Ignition Coil	1
2	9003676	Module Kit, Ignition, Replmt [Ford 2.3l]	1
3	83707	Wire Harness	1
4	60846	Spark Plug	4
5	83677	Wire Asy, Spark Plug	1
6	84882	Separator	1

SECTION 6

Contents	Page
Fig. 1 - Engine Block Group	6-2
Fig. 2 - Gaskets Group	6-4
Fig. 3 - Cylinder Head Group	6-6
Fig. 4 - Cylinder Front Cover Group	6-7
Fig. 5 - Starter Breakdown	6-8
Fig. 6 - Oil Pan Group	6-10
Fig. 7 - Crankshaft Group	6-12
Fig. 8 - Manifolds Group	6-14
Fig. 9 - Flywheel Group	6-16
Fig. 10 - Camshaft And Sprocket Group	6-18
Fig. 11 - Valve And Rocker Arm Cover Group ..	6-20
Fig. 12 - Piston And Connecting Rod Group ...	6-22
Fig. 13 - Water Pump, Thermostat and Fan Group	6-23
Fig. 14 - Ignition Group	6-24

2.5L ENGINE BREAKDOWN

Fig. 1 - Engine Block Group

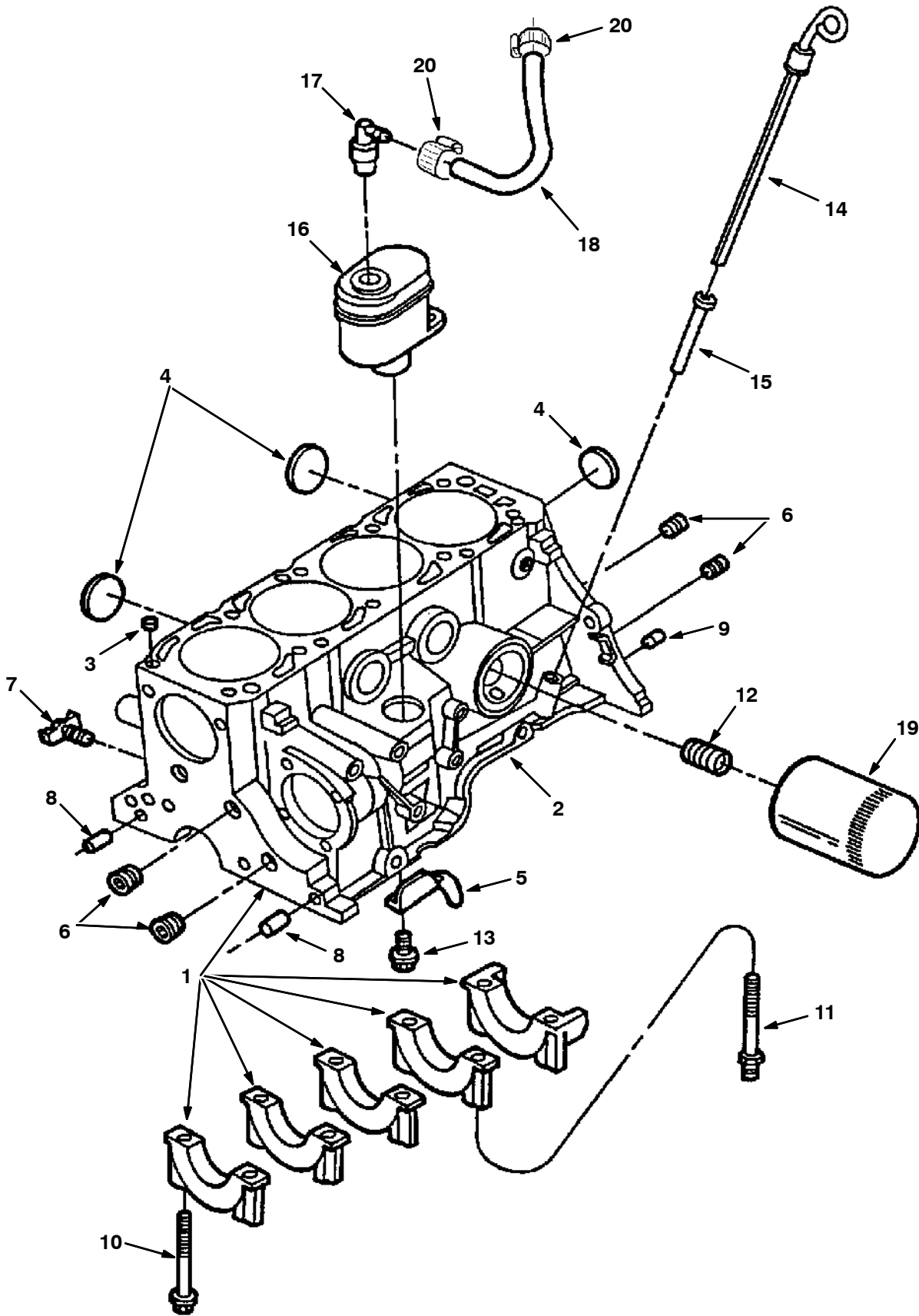


Fig. 1 - Engine Block Group

Ref.	Part No.	Description	Qty.
	1	370847 Cyl Block Assy (Short Block Assy)	1
▽	2	370848 Block Assy	1
▲	3	73958 Dowel	2
▲	4	73921 Plug-Std 2.078	5
▲	4	73920 Plug .06 O/S	-
▲	5	84879 Baffle	1
▲	6	73917 Plug 3/8 Npt	5
▲	6	36268 Plug 1/4 Npt	2
▲	7	54911-32 Draincock,End.Block	1
▲	8	84878 Dowel,Frnt Cover	2
▲	9	370873 Dowel	2
▲	10	73950 Bolt M12	9
▲	11	74516 Stud M12	1
	12	84962 Insert-Oilfilt	1
	13	84880 Bolt, M6X16.5mm	2
	14	370850 Indicator,Oil	1
	15	10724 Short Tube	1
	16	84882 Separator	1
	17	84883 Pcv Vlv Asy	1
	18	84884 Hose	1
	19	39703-2 Filter Element, Oil	1
	20	54333 Clamp, Hose, Wormdrive	2

2.5L ENGINE BREAKDOWN

Fig. 2 - Gaskets Group

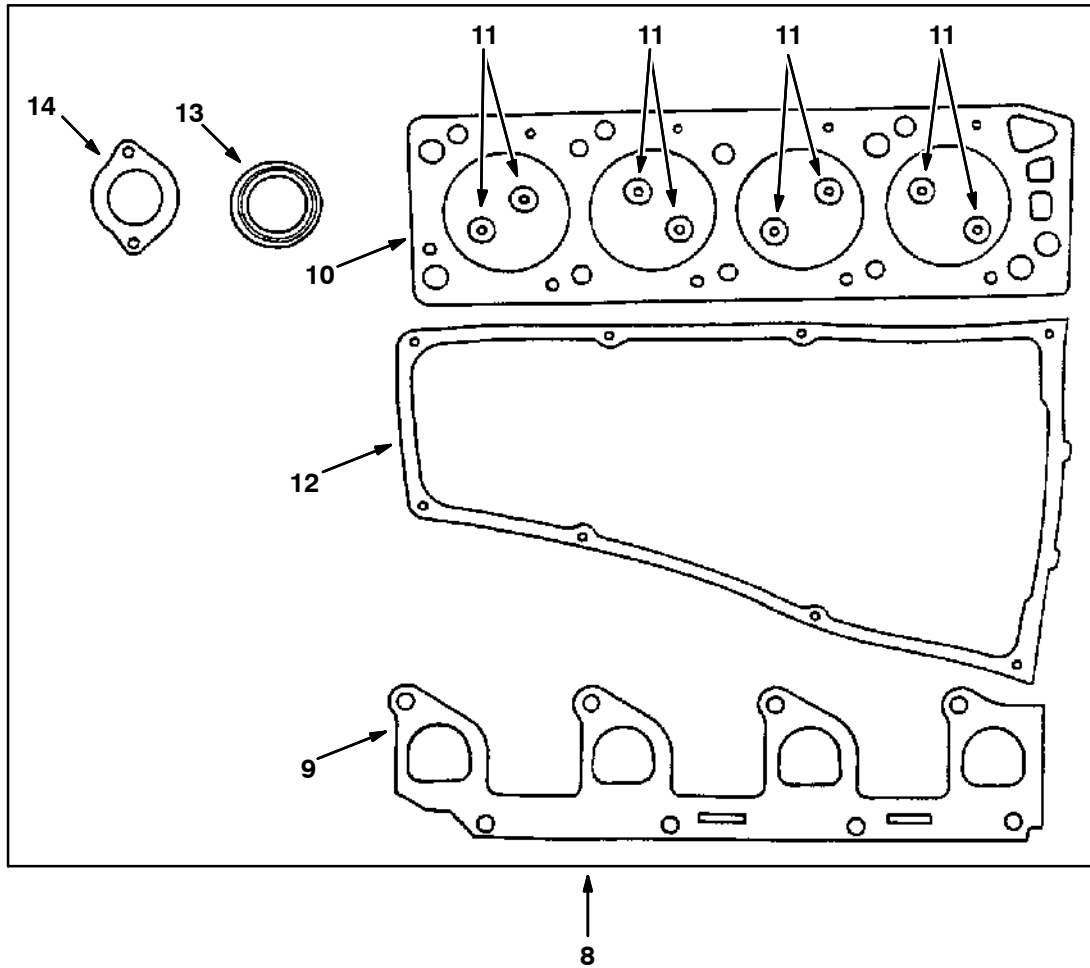
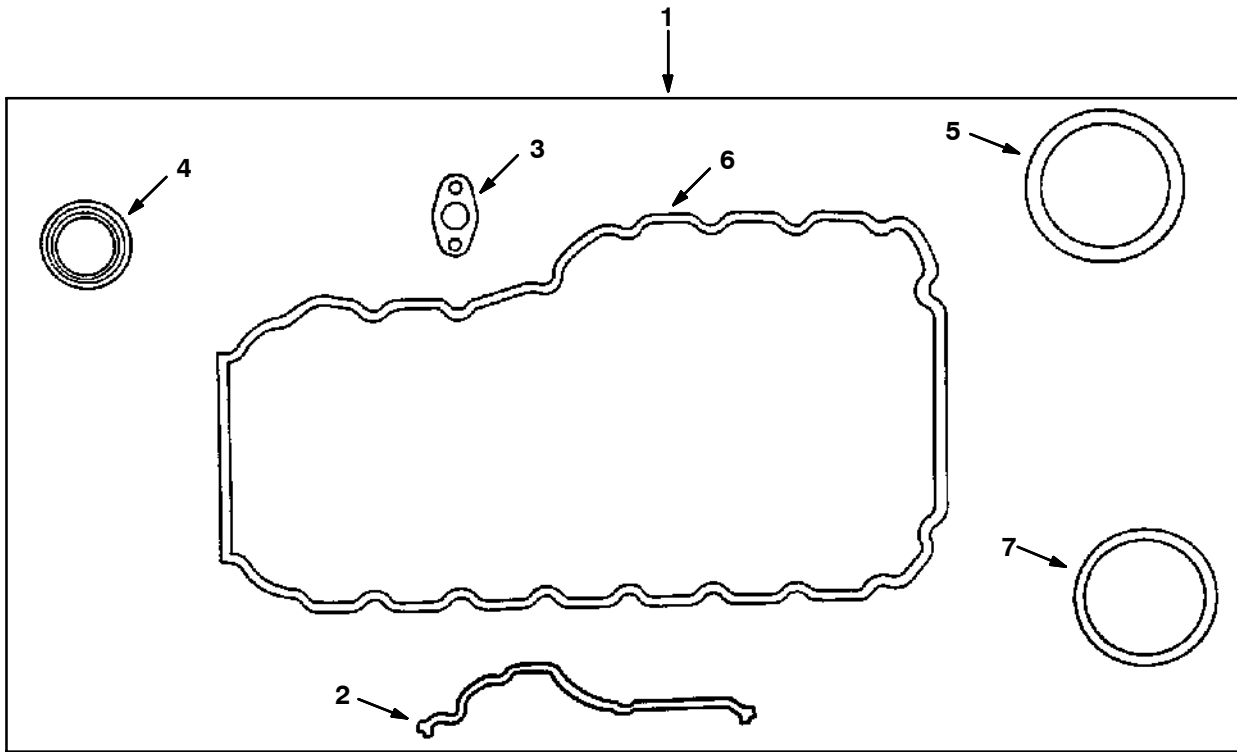
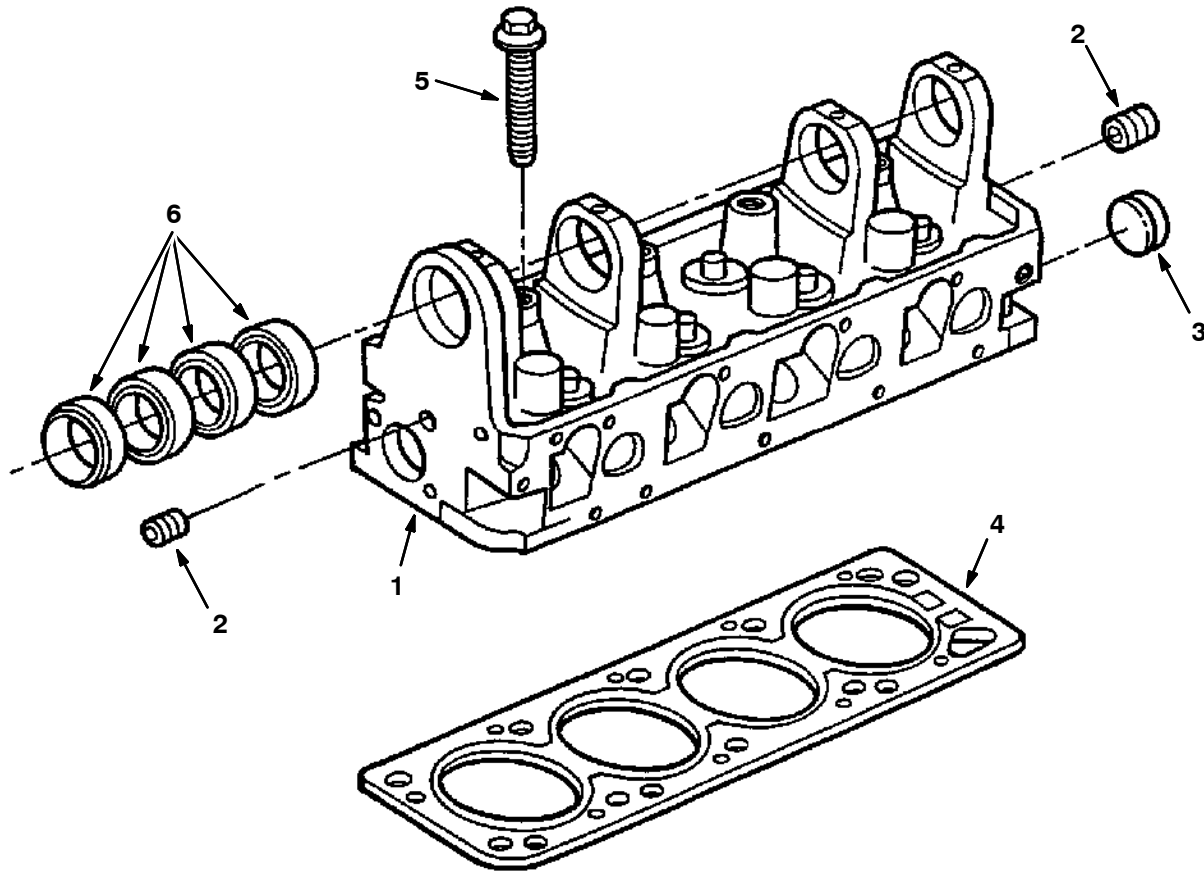


Fig. 2 - Gaskets Group

	Ref.	Part No.	Description	Qty.
▽	1	370851	Gskt Kit,Lower	1
▲	2	84896	Gskt,Frnt Cvr	1
▲	3	84887	Gskt,Pmp/Putube	1
▲	4	60833	Oil Seal, Front	1
▲	5	60834	Seal, Rear	1
▲	6	84889	Gasket,Oil Pan	1
▲	7	84983	Gskt,Water Pump	1
▽	8	84891	Gskt Kit,Upper	1
▲	9	84991	Gskt,In.Manfld	1
▲	10	60806	Gasket, Head	1
▲	11	84958	Seal,Valve Stem	8
▲	12	73995	Gskt,Rockr Cvr	1
▲	13	60833	Oil Seal, Front	1
▲	14	74538	Gskt-Waterout	1

2.5L ENGINE BREAKDOWN

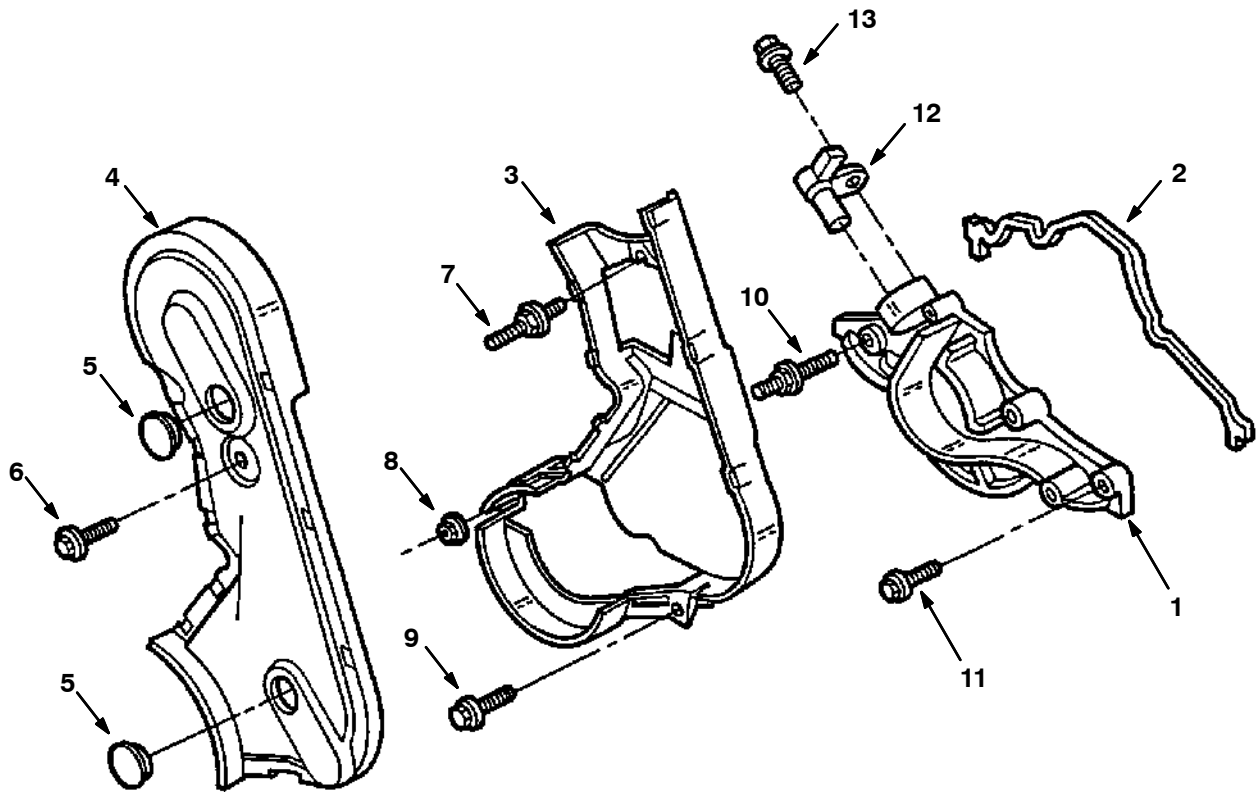
Fig. 3 - Cylinder Head Group



10445 - 800L, 8410, G, LP

Ref.	Part No.	Description	Qty.
1	84907	Head-W/O Valves	1
2	36268	Plug 1/4 Npt	2
3	84910	Plug, 1.50 Cup	1
4	60806	Gasket, Head	1
5	73927	Bolt M12	10
6	60817	Bearing Cam,	4
6	73936	Bearing, .016 Camshaft	-

Fig. 4 - Cylinder Front Cover Group



10446 - 800L, 8410, G, LP

Ref.	Part No.	Description	Qty.
1	84895	Lower Cover	1
2	84896	Gskt,Front Cvr	1
3	84897	Inner Cover	1
4	84898	Outer Cover	1
5	74536	Plug	2
6	84899	Bolt, M8 X 17 Schd	1
7	84900	Stud,M8X51.0mm	1
8	84901	Nut, M6	1
9	84902	Scr&Wsh,M6X22.5	1
10	84903	Stud,M6X61.8mm	1
11	84904	Bolt,M6X37.5mm	3
12	84905	Sensor,Crnksft	1
13	84906	Screw,M6X22.5mm	1

Fig. 5 - Starter Breakdown

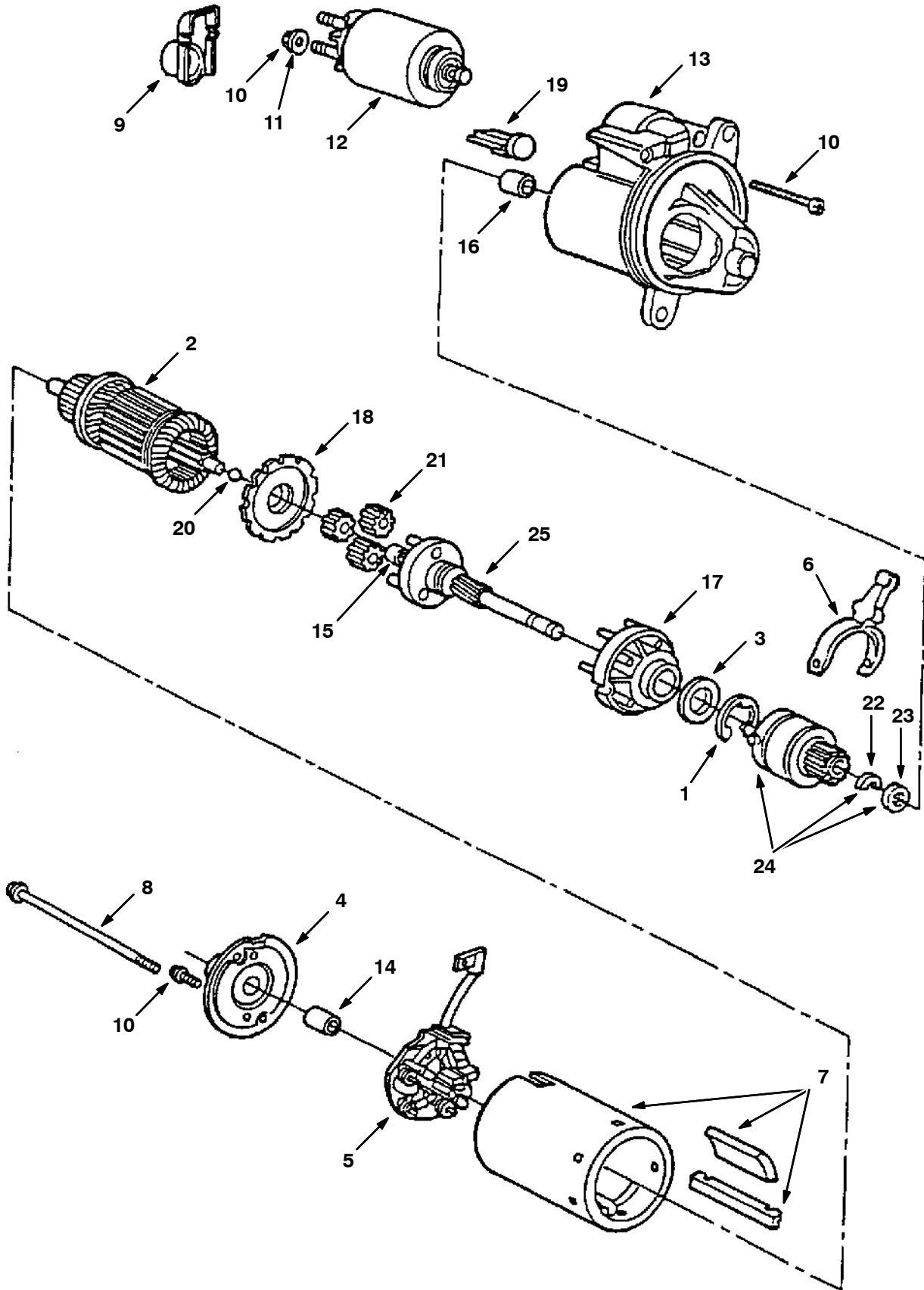


Fig. 5 - Starter Breakdown

	Ref.	Part No.	Description	Qty.
▽		60938	Motor, Starting, Perm Mag, 12V	1
▲	1	79640	Retaining Ring	1
▲	2	84999	Armature	1
▲	3	79956	Washer	1
▲	4	79628	Plate & Brg	1
▲	5	79629	Brush Holder	1
▲	6	79630	Lever	1
▲	7	79631	Frame&Mag.As	1
▲	8	79632	Bolt-Thru	2
▲	9	79970	Term.Cover	1
▲▽	10	79633	Kit-Attaching	1
▲▲	11	79957	Nut&Washer,M8	1
▲	12	370829	Solenoid	1
▲	13	79634	Hsg W/Brg	1
▲	14	79635	Bearing	1
▲	15	79960	Planet Bearing	3
▲	16	79961	Bearing	1
▲	17	79962	Statnry Gear	1
▲	18	79963	Retnr.Gear	1
▲	19	79964	Seal	1
▲	20	79965	Arm.Thr.Ball	1
▲	21	79966	Gear Assy	3
▲	22	79636	Ring-Drv.Stop	1
▲	23	79967	Retainer	1
▲	24	79638	Drive Assy	1
▲	25	79969	Shft Asy,Output	1

Fig. 6 - Oil Pan Group

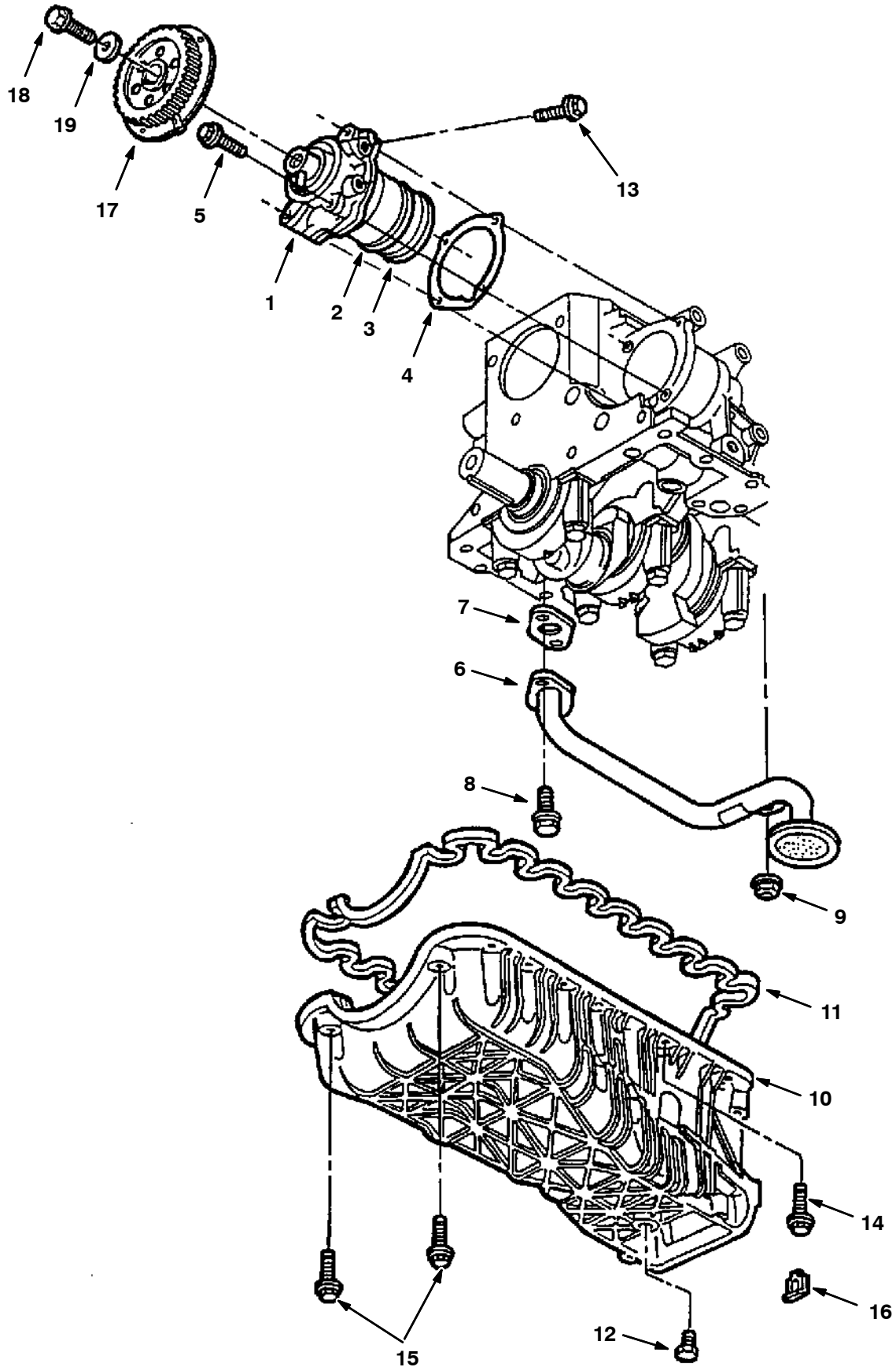


Fig. 6 - Oil Pan Group

Ref.	Part No.	Description	Qty.
1	84963	Oil Pump	1
2	84964	O-Ring,2.375	1
3	84965	O-Ring-2.250	1
4	84966	Gskt,Oilpmp/Blk	1
5	84967	Bolt,M6X47.5mm	4
6	370852	Oil Pickup Tube	1
7	84969	Gskt,Pu Tube	1
8	84970	Bolt,M8X20.0mm	2
9	84971	Nut,M10	1
10	370853	Oil Pan Assy	1
11	84889	Gasket,Oil Pan	1
12	370854	Oil Plug	1
13	84981	Bolt,M5X20.0M	2
14	84973	Bolt,M6X27.5mm	16
15	84974	Bolt,M6X52.5mm	2
16	84975	Oil Pan Spacer	-
16	84976	Oil Pan Spacer	-
16	84977	Oil Pan Spacer	-
17	84978	Oil Pmp Sprkt	1
18	84979	Bolt,M10X40.0mm	1
19	74561	Washer	1

Fig. 7 - Crankshaft Group

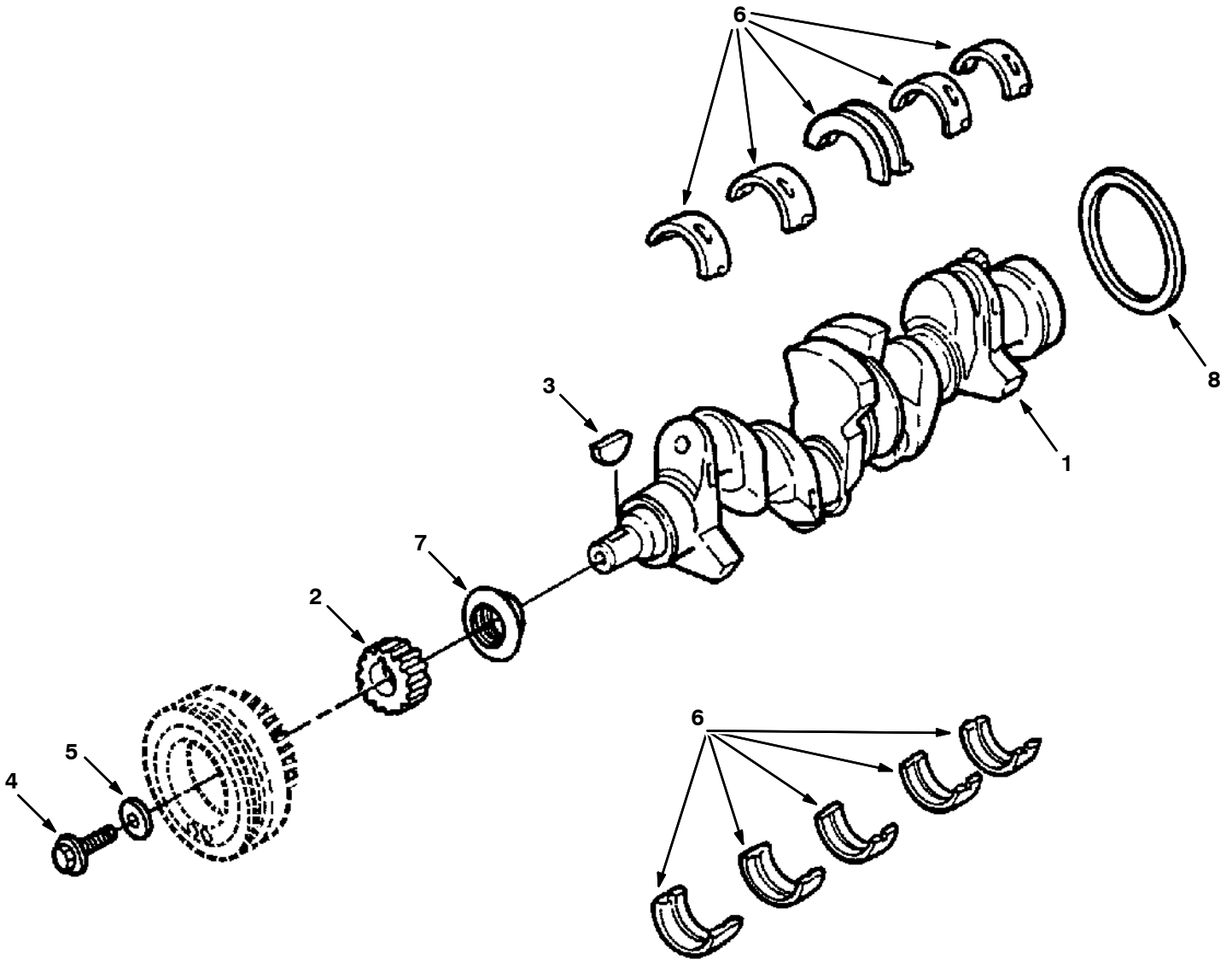


Fig. 7 - Crankshaft Group

Ref.	Part No.	Description	Qty.
1	370855	Crankshaft Asy	1
2	84924	Crnksft Sprckt	1
3	84925	Crnkshaft Key	1
4	84926	Bolt,M14X55.0M	1
5	84927	Wash M15 1.53Od	1
6	1051175	Bearing Kit, Cshft, Std[F2.3/2.5]	4
6	1051167	Bearing Kit, Cshft, .040[F2.3/2.5]	-
6	1051174	Bearing Kit, Cshft, .010[F2.3/2.5]	-
6	1051173	Bearing Kit, Cshft, .020[F2.3/2.5]	-
6	1051172	Bearing Kit, Cshft, .030[F2.3/2.5]	-
7	60833	Oil Seal, Front	1
8	60834	Crnksft Seal-Rear	1

Fig. 8 - Manifolds Group

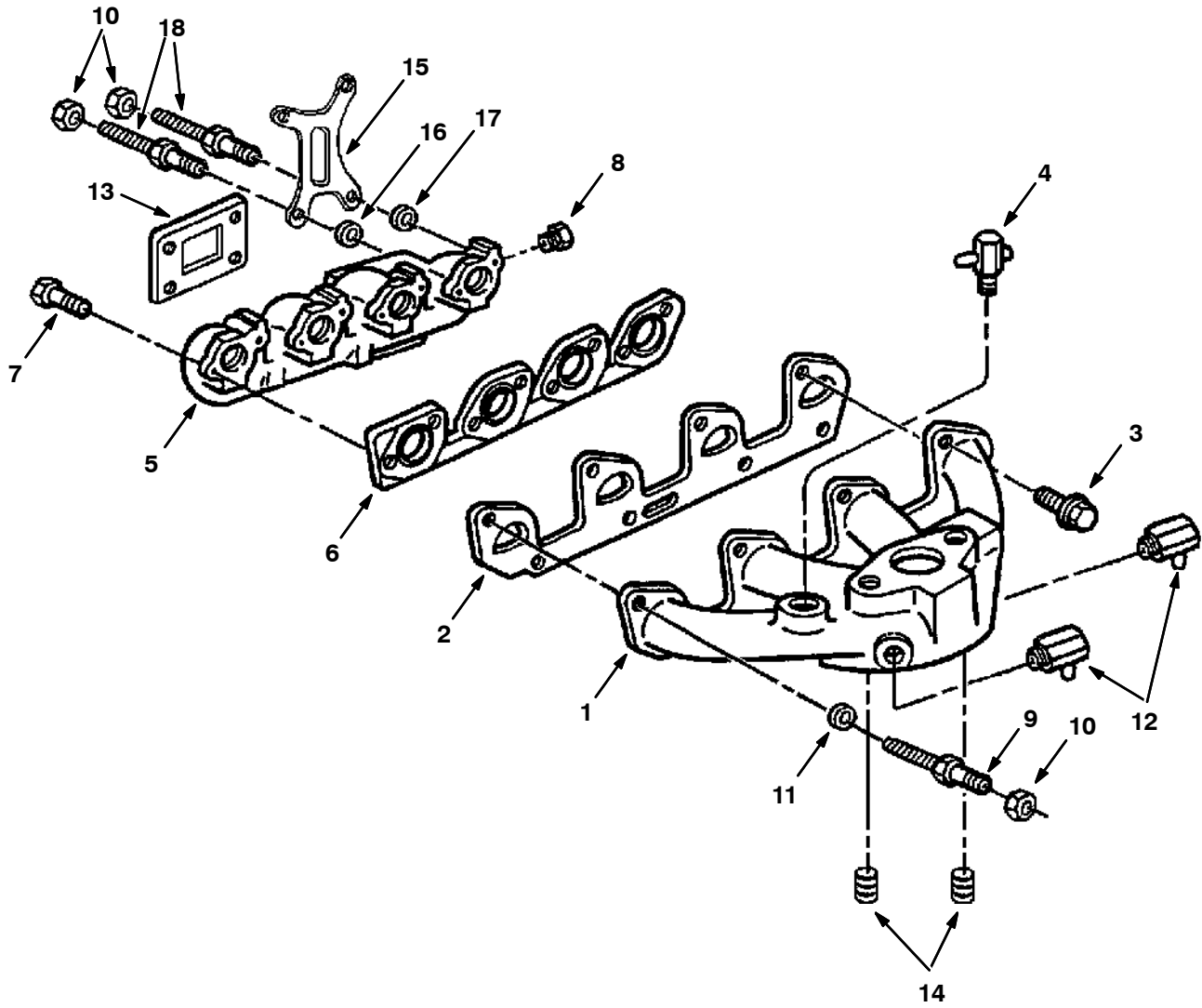


Fig. 8 - Manifolds Group

Ref.	Part No.	Description	Qty.
1	84990	Int.Manifold	1
2	84991	Gskt,Int.Mnflid	1
3	84992	Bolt,M8X25.0mm	7
4	74527	Vac.Fitting	1
5	74509	Exh.Manifold	1
6	84995	Gskt,Exh.Mnflid	1
7	84996	Bolt,M10X55.0M	6
8	84997	Plug, 1/2Npt	1
9	79972	Stud	1
10	79973	Nut M8-1.25	3
11	79974	Spacer	1
12	84985	Elbow,90 deg	2
13	36048	Gasket, Exh. Flange	1
14	73917	Plug 3/8 NPT	2
15	79976	Lifting Eye	1
16	21792	Spacer	1
17	21793	Spacer	1
18	21794	Stud	2

Fig. 9 - Flywheel Group

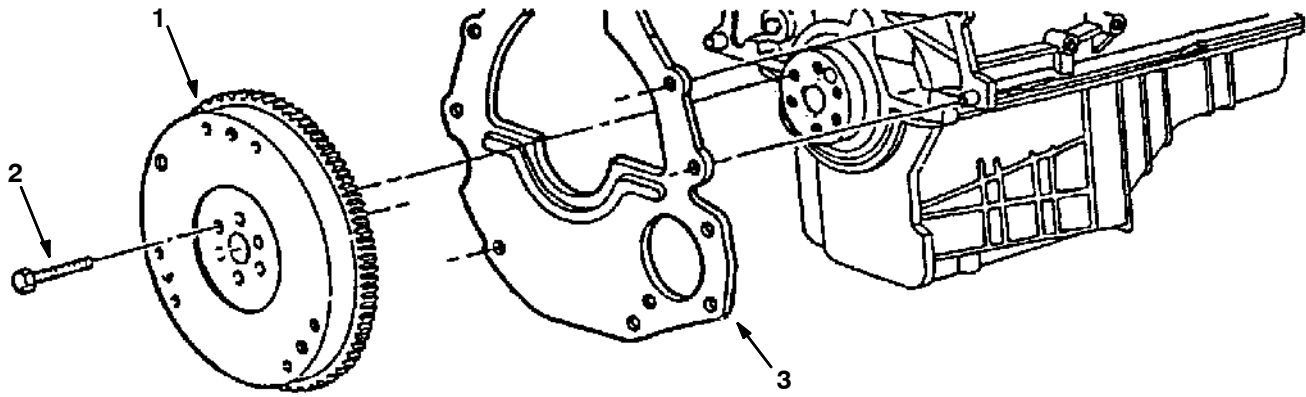


Fig. 9 - Flywheel Group

	Ref.	Part No.	Description	Qty.
▽	1	370102	Flywheel	1
▲		84659	Gear, Ring [Fd]	1
	2	64038	Bolt, M10X58.0mm	6
	3	83669	Rear Plate	1

2.5L ENGINE BREAKDOWN

Fig. 10 - Camshaft And Sprocket Group

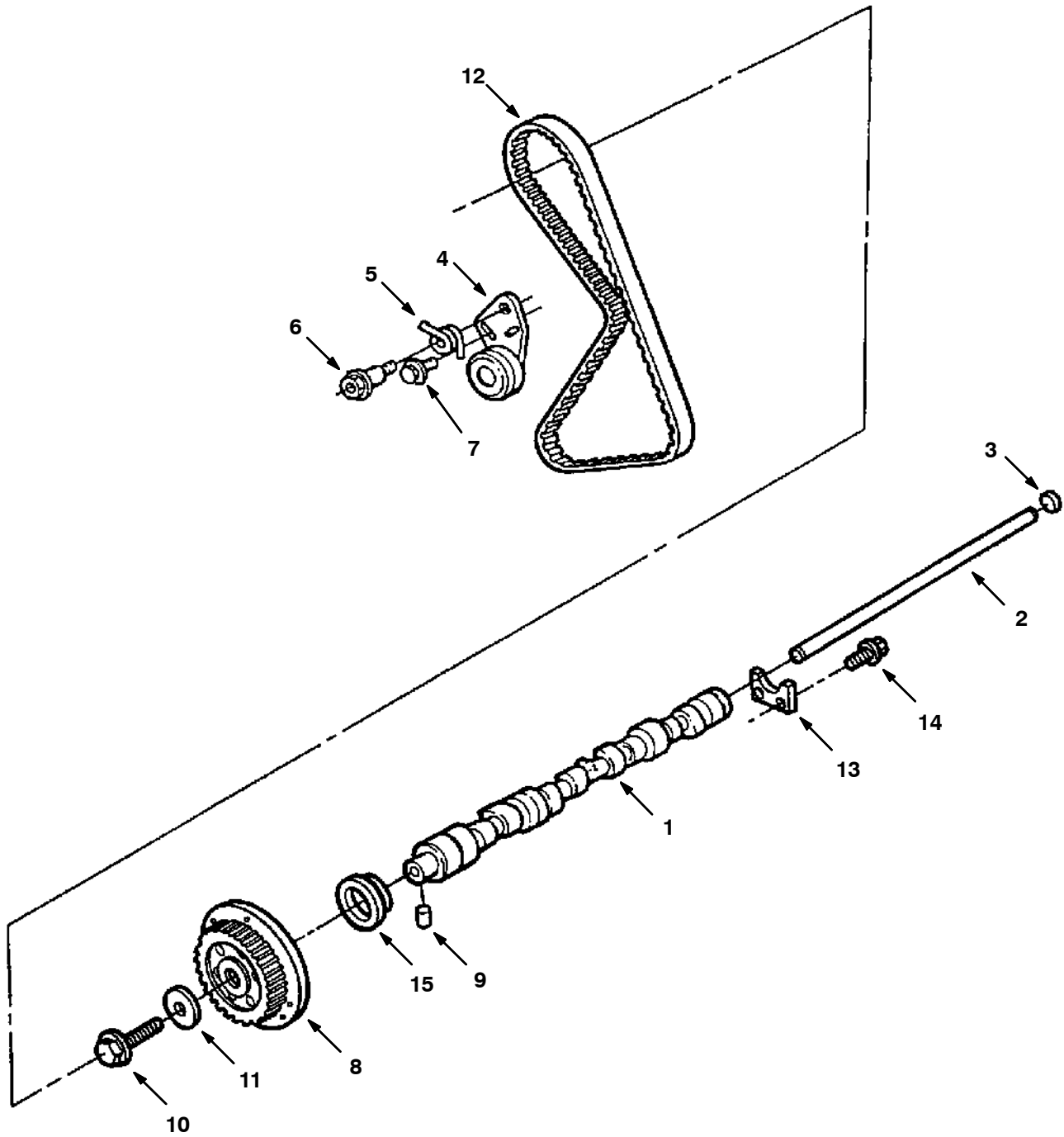


Fig. 10 - Camshaft And Sprocket Group

Ref.	Part No.	Description	Qty.
1	84915	Camshaft	1
2	84916	Rod	1
3	84917	Plug	1
4	73967	Tensioner, Arm	1
5	73970	Spring, Tension	1
6	84919	Bolt, Tens. Sprn	1
7	74552	Bolt	1
8	84978	Camshft Sprckt	1
9	84921	Pin, 1/4X.32	1
10	74545	Bolt M12X45	1
11	73937	Washer	1
12	84936	Timing Belt	1
13	73954	Plate	1
14	74548	Scr&Wash M6	2
15	60833	Oil Seal, Front	1

2.5L ENGINE BREAKDOWN

Fig. 11 - Valve And Rocker Arm Cover Group

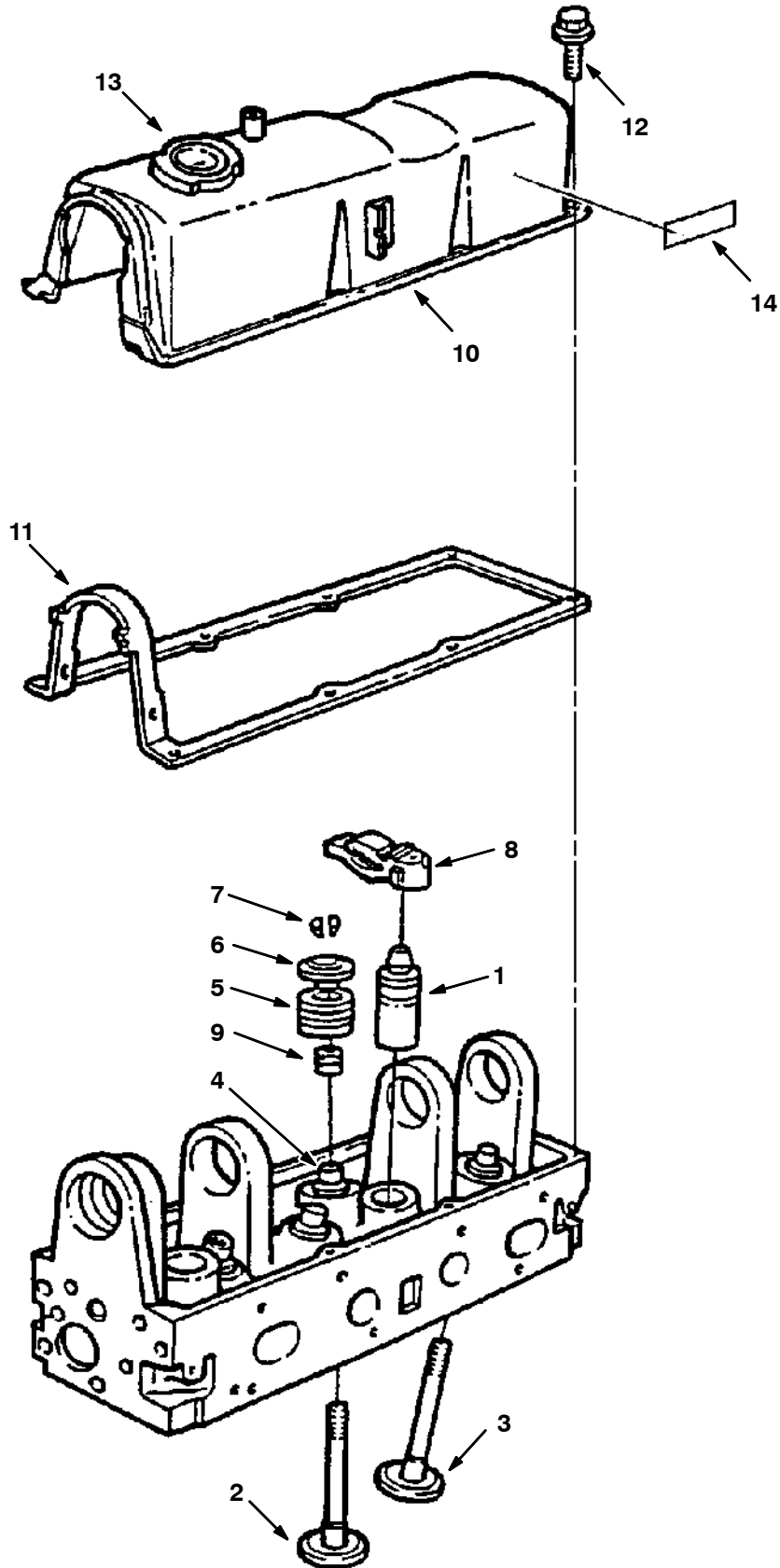
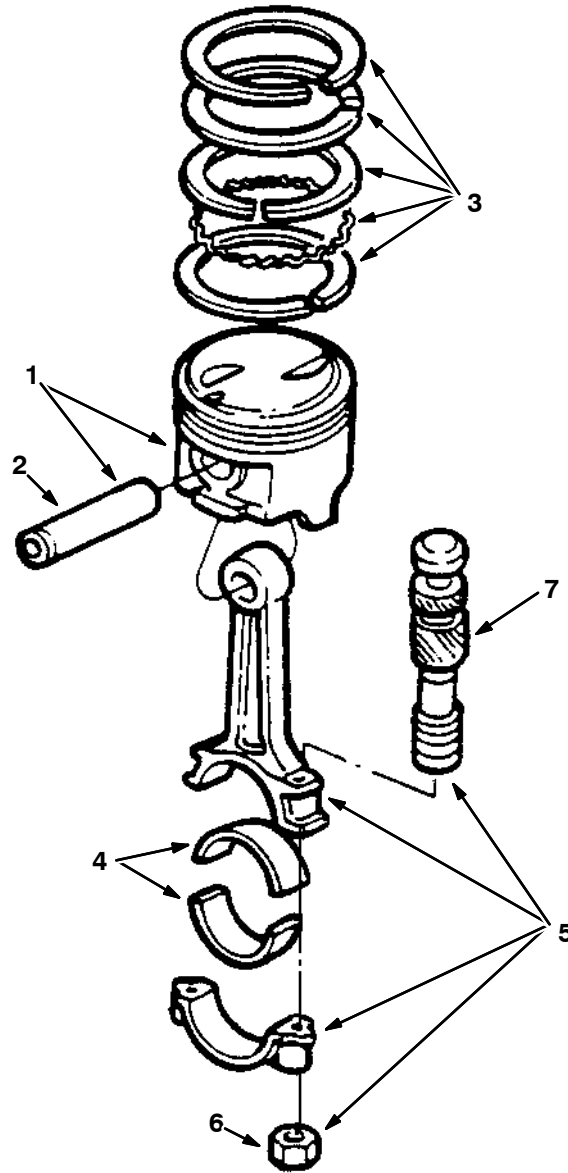


Fig. 11 - Valves And Rocker Arm Cover Group

Ref.	Part No.	Description	Qty.
1	84950	Tap.Assy-Valve	8
2	84951	Std.Exh.Valve	4
3	84952	Std.Int.Valve	4
4	84953	Valve Guide Bushing	-
5	84954	Valve Spring	8
6	84955	Valve Spring Retainer	8
7	84956	Valve Spring Key	16
8	84957	Valve Rocker Arm	8
9	84958	Valve Stem Seal	8
10	370876	Valve Rocker Arm Cover	1
11	73995	Gasket,Rocker Cover	1
12	84961	Scr&Wsh,M6X15.0M	8
13	60836	Breather Cap	1
14	36164	Warning Label, Starter	1

2.5L ENGINE BREAKDOWN

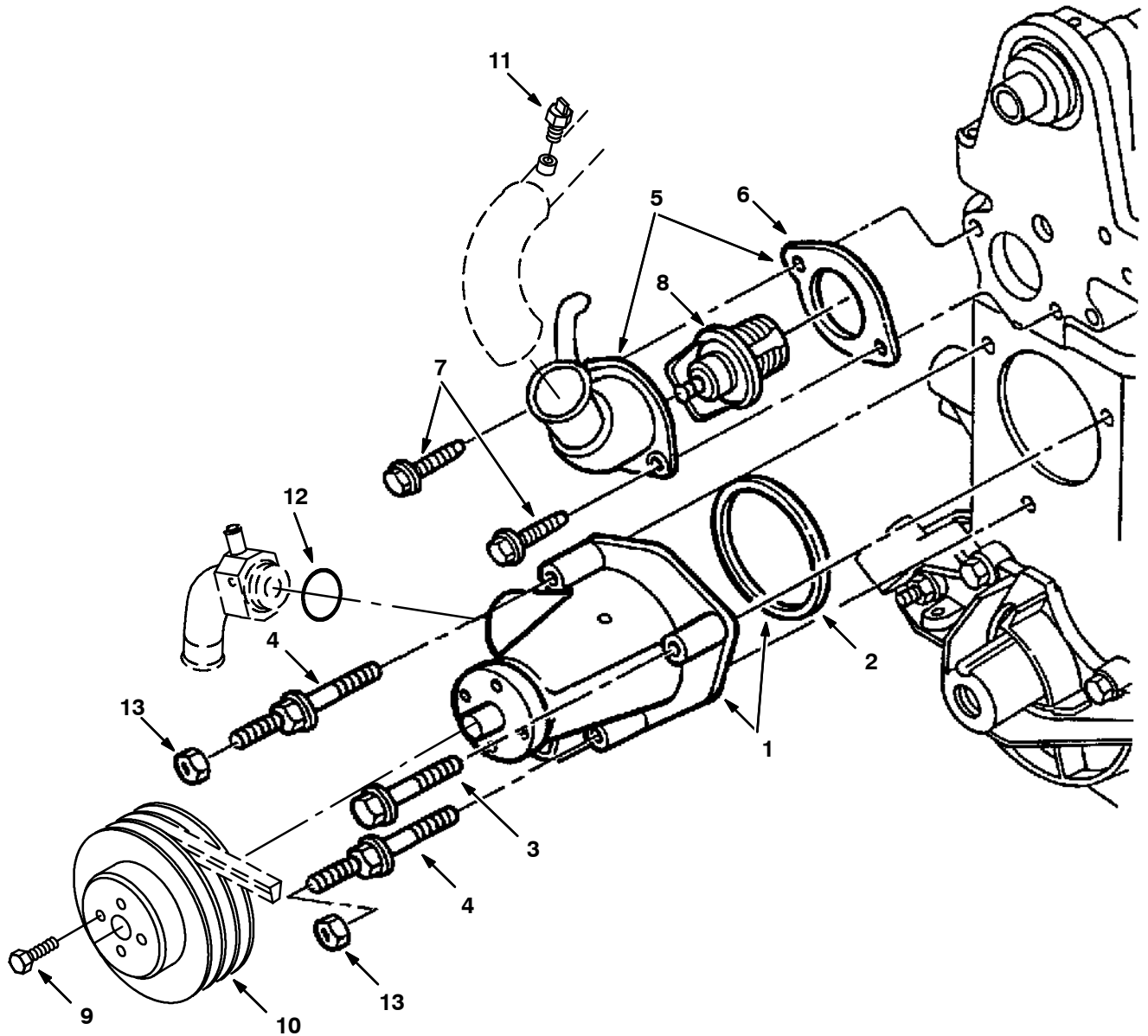
Fig. 12 - Piston And Connecting Rod Group



10447 - 800L, 8410, G, LP

Ref.	Part No.	Description	Qty.	
1	370888	Piston, Std.	4	
2	370889	Piston Pin	4	
3	370890	Ring Set, Std.	2	
4	370891	Bearing	8	
▽	5	370892	Connecting Rd	4
▲	6	60813	Nut, Conrod-8	8
▲	7	60814	Bolt-Conrod-4	8

Fig. 13 - Water Pump, Thermostat and Fan Group

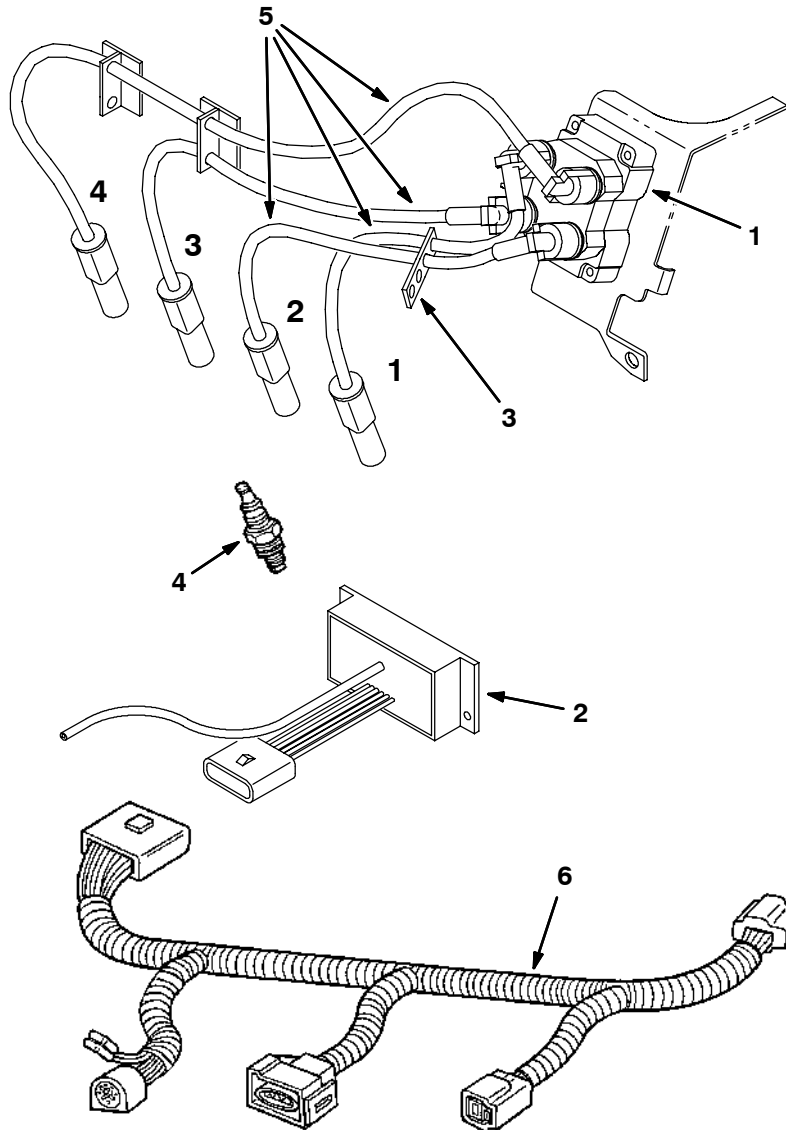


10528 - 800L, 8410, G, LP

Ref.	Part No.	Description	Qty.	
▽	1	84982	Water Pump	1
▲	2	84983	Gskt,Water Pump	1
	3	84984	Bolt,M8X53.0mm	1
	4	84998	Stud	2
▽	5	73996	Water Outlet	1
▲	6	74538	Gasket Water Outlet Connection	1
	7	84988	Bolt,M8X18.0M	2
	8	84987	Therm 190 W/Gsk	1
	9	84994	Bolt, M8X12.0mm	1
	10	36014	Sheave, Water Pump	1
	11	84989	Temperature sensor	1
	12	79975	O-Ring, Water Pump Adaptor	1
	13	84993	Locknut	2

2.5L ENGINE BREAKDOWN

Fig. 14 - Ignition Group



10524-350562 - 800L, 8410, G, LP

Ref.	Part No.	Description	Qty.
1	83732	Ignition Coil	1
2	374274	Ignition Module Kit	1
3	84882	Separator	1
4	60846	Spark Plug	4
5	83677	Wire Asy, Spark Plug	1
6	370875	Harness, Wire, Eng	1

SECTION 7

Contents	Page
Fig. 1 - Cylinder Head, Valves Group	7-2
Fig. 2 - Distributor and Ignition Group	7-4
Fig. 3 - Engine Block and Piston Group	7-6
Fig. 4 - Oil Pump and Oil Pan Group	7-8
Fig. 5 - Crankshaft Group	7-10
Fig. 6 - Camshaft and Water Pump Group	7-12

Fig. 1 - Cylinder Head, Valves Group

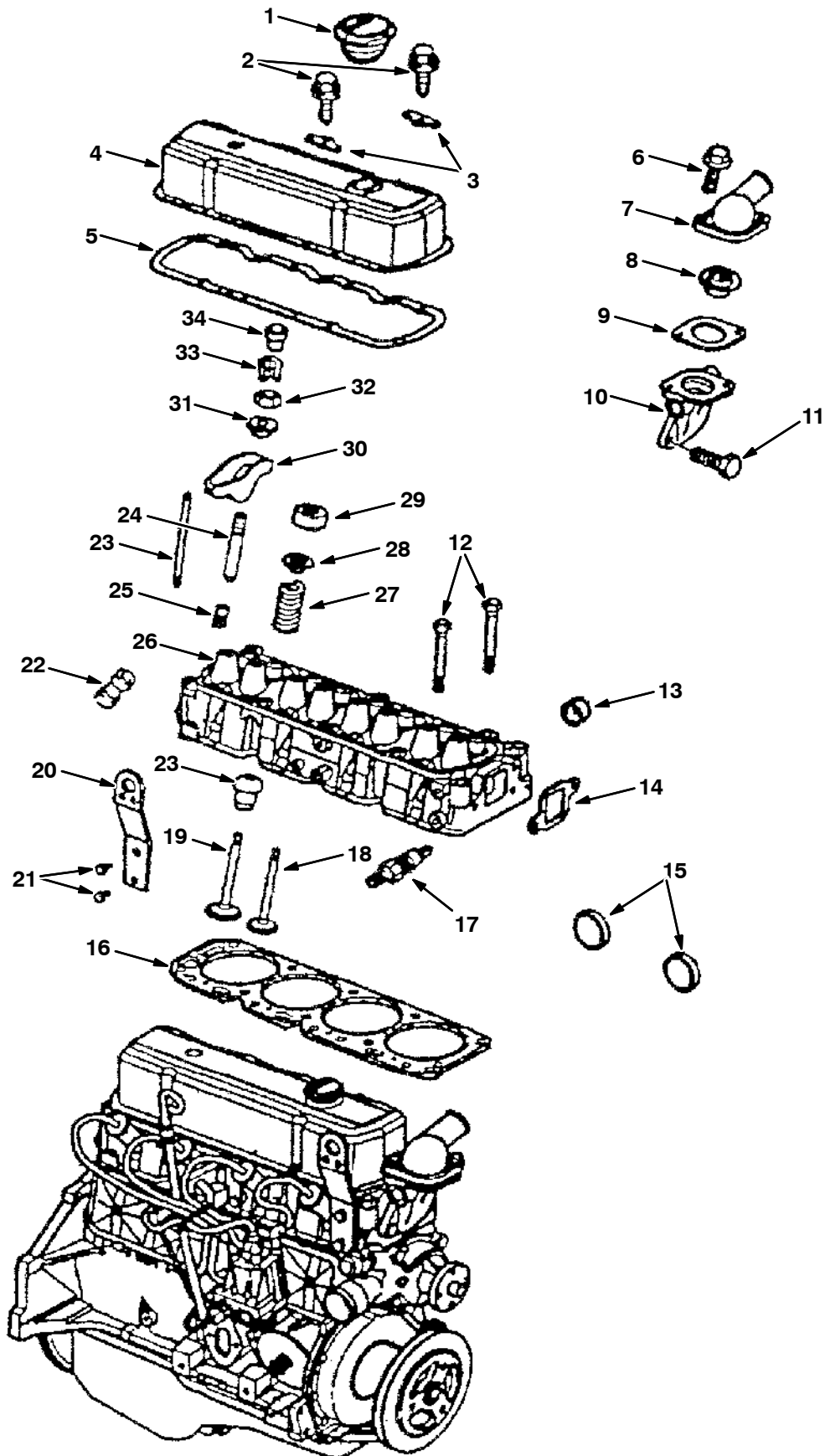


Fig. 1 - Cylinder Head, Valves Group

Ref.	Part No.	Description	Qty.
1	371891	Cap, Fill, Oil	1
2	393824	Bolt	-
3	393895	Reinforcement	-
4	393896	Cover	1
5	393897	Gasket	-
6	393898	Bolt	3
7	393899	Outlet For engine serial numbers (003179-004499)	1
8	393900	Thermostat	1
9	393901	Gasket	1
10	393902	Housing	1
11	393898	Bolt	3
12	393903	Bolt	-
13	393904	Plug	2
14	393917	Gasket	1
15	393918	Plug	-
16	393933	Gasket	1
17	393934	Spark Plug	4
18	393935	Valve, Exhaust	4
19	393936	Valve, Intake	4
20	393937	Bracket	1
21	393938	Bolt	8
22	393951	Lifter	8
23	393952	Rod	8
24	393953	Stud, .003" O.S.	8
24	393954	Stud, .013" O.S.	8
25	393955	Sealer	8
26	393956	Head	1
27	393957	Spring	8
28	393958	Cap, Valve Spring	8
29	393959	Shield	12
30	393960	Arm Kit	8
31	393961	Ball	8
32	393962	Nut	8
33	393963	Key	16
34	393964	Rotator	4

Fig. 2 - Distributor and Ignition Group

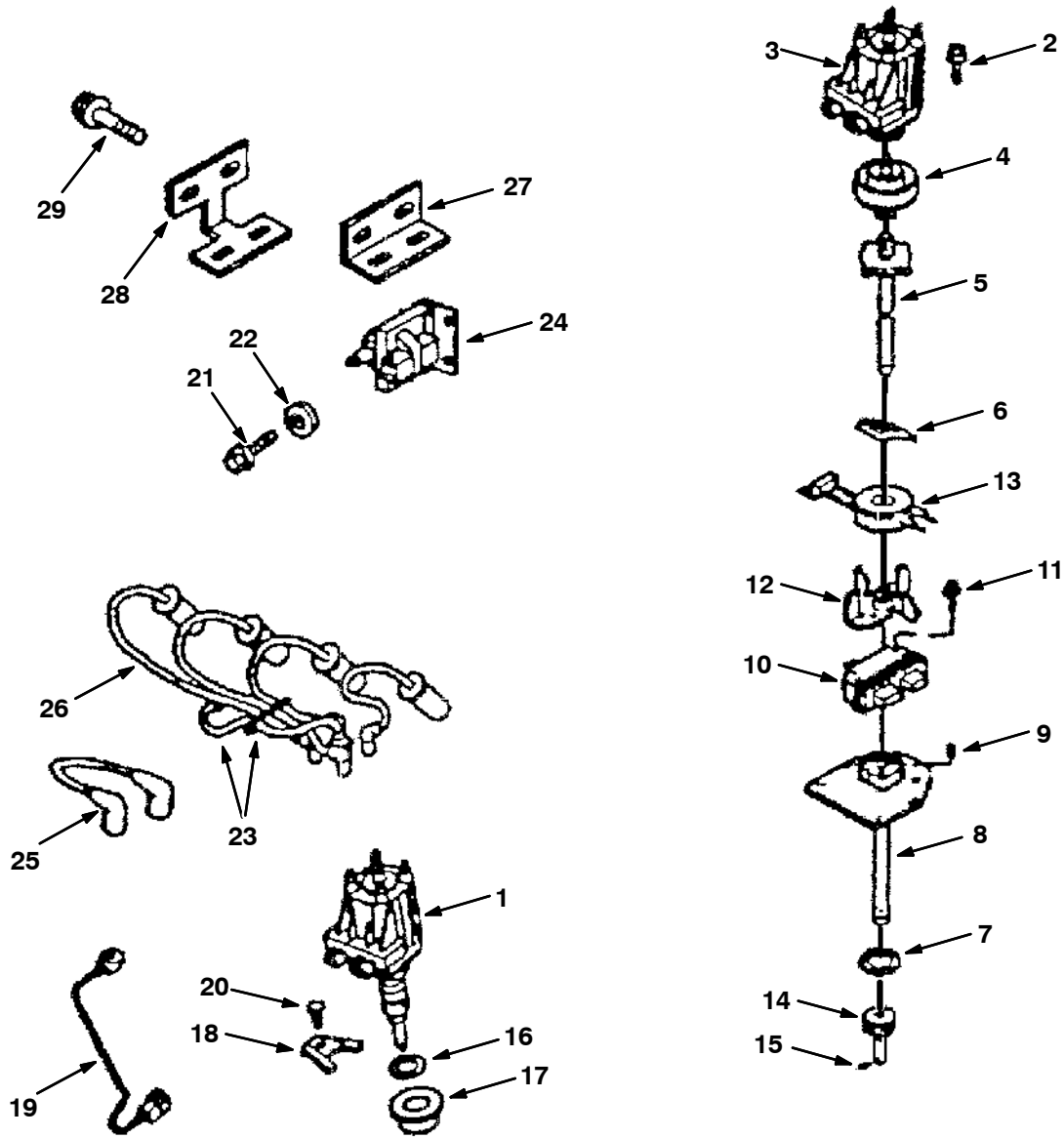


Fig. 2 - Distributor and Ignition Group

	Ref.	Part No.	Description	Qty.
▽	1	393939	Distributor	1
▲	2	393919	Bolt	2
▲	3	393920	Cap, Distributor	1
▲	4	393921	Rotor	1
▲	5	393922	Shaft	1
▲	6	393923	Retainer	1
▲	7	393924	Sealer	1
▲	8	393925	Housing	1
▲	9	393926	Pin	1
▲	10	393927	Module	1
▲	11	393928	Bolt	2
▲	12	393929	Pole Piece	1
▲	13	393930	Coil	1
▲	14	393931	Gear	1
▲	15	393932	Pin	1
	16	393940	Gasket	1
	17	393941	Washer	1
	18	393942	Clamp	1
	19	393943	Wire	1
	20	393898	Bolt	3
	21	21194	Screw, Hex, .38-16 X 0.62, 5	1
	22	393946	Washer	2
	23	393947	Retainer	-
	24	393948	Coil	1
	25	393949	Wire	1
	26	393950	Spark Plug Wires	1
	27	393965	Bracket, Top	1
	28	393966	Bracket, Bottom	1
	29	393967	Bolt	-

Fig. 3 - Engine Block and Piston Group

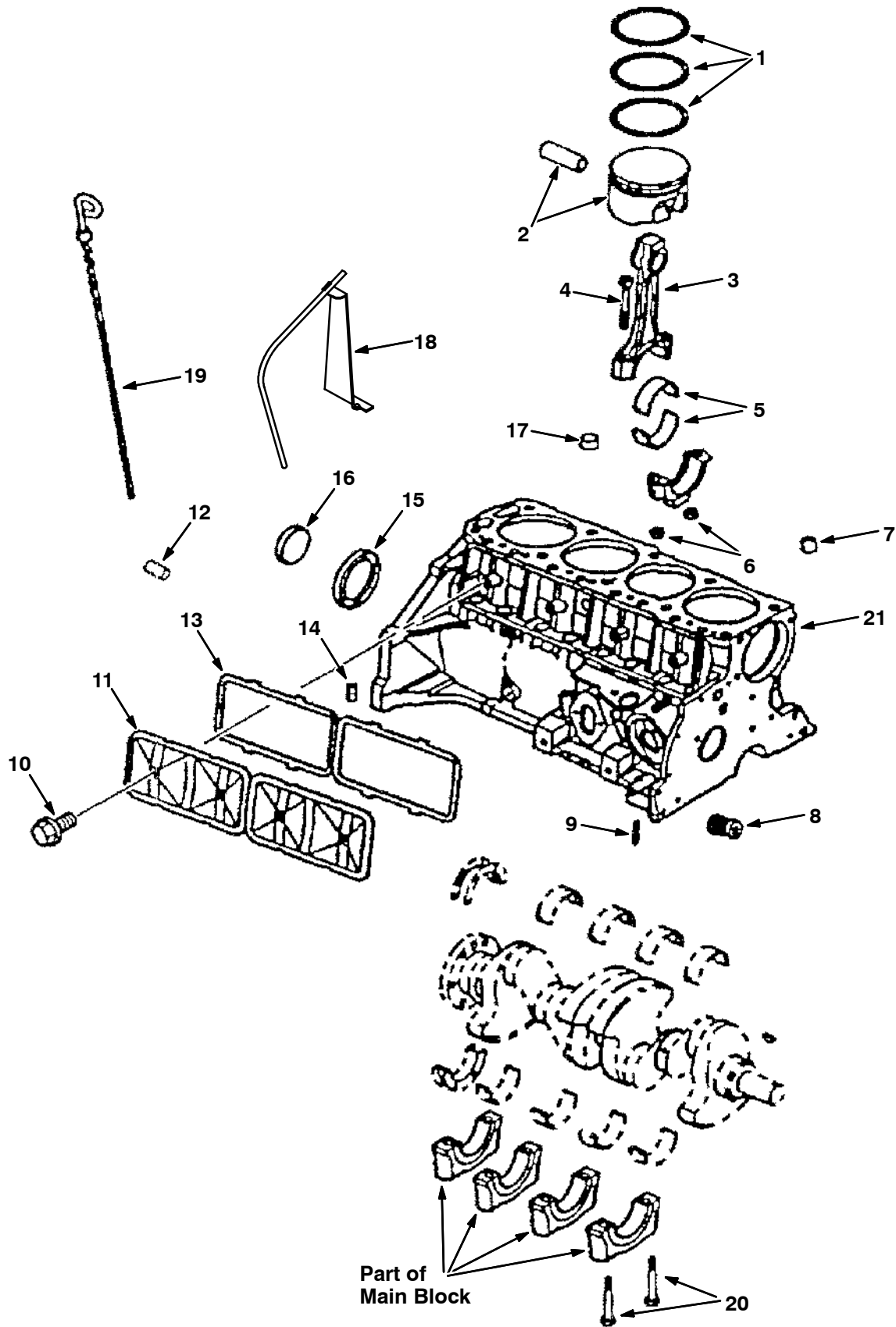


Fig. 3 - Engine Block and Piston Group

Ref.	Part No.	Description	Qty.
1	393806	Ring Kit, Std	4
1	393807	Ring Kit, .030" O.S.	4
2	393808	Piston, STD	4
2	393809	Piston, Hi-limit	4
2	393810	Piston, .020" O.S.	4
3	393811	Conn Rod	4
4	393812	Bolt	8
5	393813	Bearing Kit, Std	4
5	393814	Bearing Kit, .001 U.S.	4
6	393815	Nut, Conn Rod	8
7	393816	Bearing Kit	1
8	393832	Valve	1
9	393833	Pin	8
10	393882	Bolt	4
11	393883	Cover	1
12	393884	Pin	2
13	393662	Sealant, [Rtv], 03.35oz	-
13	393663	Sealant, [Rtv], 05.00oz	-
14	393886	Plug	1
15	393888	Plug	1
16	393889	Plug	-
17	393890	Plug	1
18	372464	Tube, Ds	1
19	372251	Dipstick	1
20	393872	Bolt	10
21	393887	Engine, Partial (Includes block, pistons, rods, crankshaft, bearings, rear seal gasket)	1

Fig. 4 - Oil Pump and Oil Pan Group

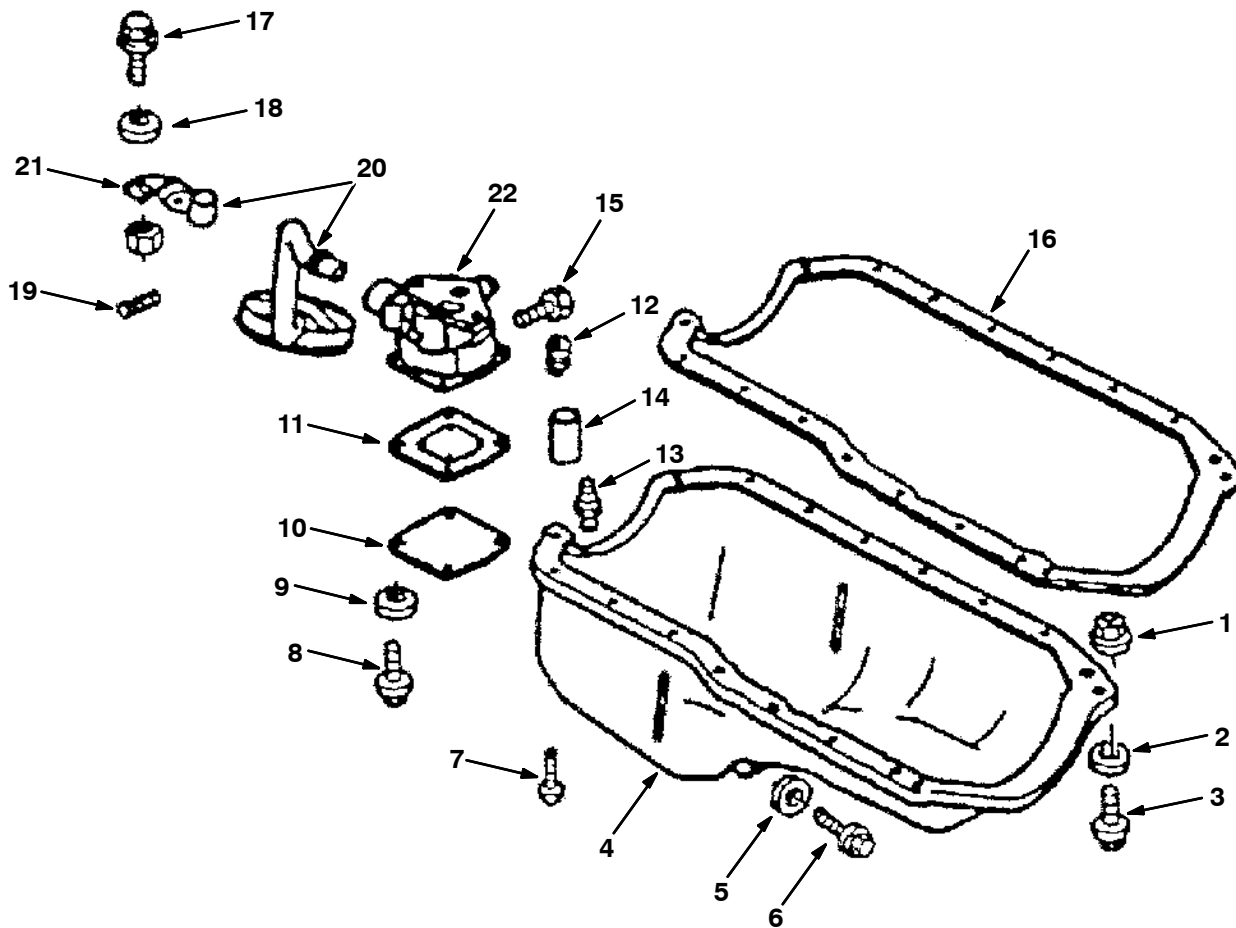


Fig. 4 - Oil Pump and Oil Pan Group

	Ref.	Part No.	Description	Qty.
	1	393848	Nut	-
	2	393849	Washer	-
	3	393850	Bolt	-
▽	4	393853	Oil Pan	1
▲	5	393852	Gasket	1
▲	6	393851	Plug	1
	7	393824	Bolt (1/4-20x1/2)	2
	7	393850	Bolt (1/4-20x.62)	2
	7	393854	Bolt (5/16-18x5/8)	12
	8	393855	Screw	4
	9	393849	Washer	4
	10	393856	Cover	1
	11	393857	Gasket	1
	12	393858	Spring	1
	13	393859	Plug	1
	14	393860	Valve	1
	15	393861	Bolt	3
	16	393862	Gasket	1
	17	393867	Bolt	-
	18	393868	Washer	-
	19	393869	Pin	1
	20	393871	Screen, w/Tube	1
▽	20	393870	Screen, w/Suction Pipe	1
▲	21	393865	Bracket	1
	22	393863	Pump	1

Fig. 5 - Crankshaft Group

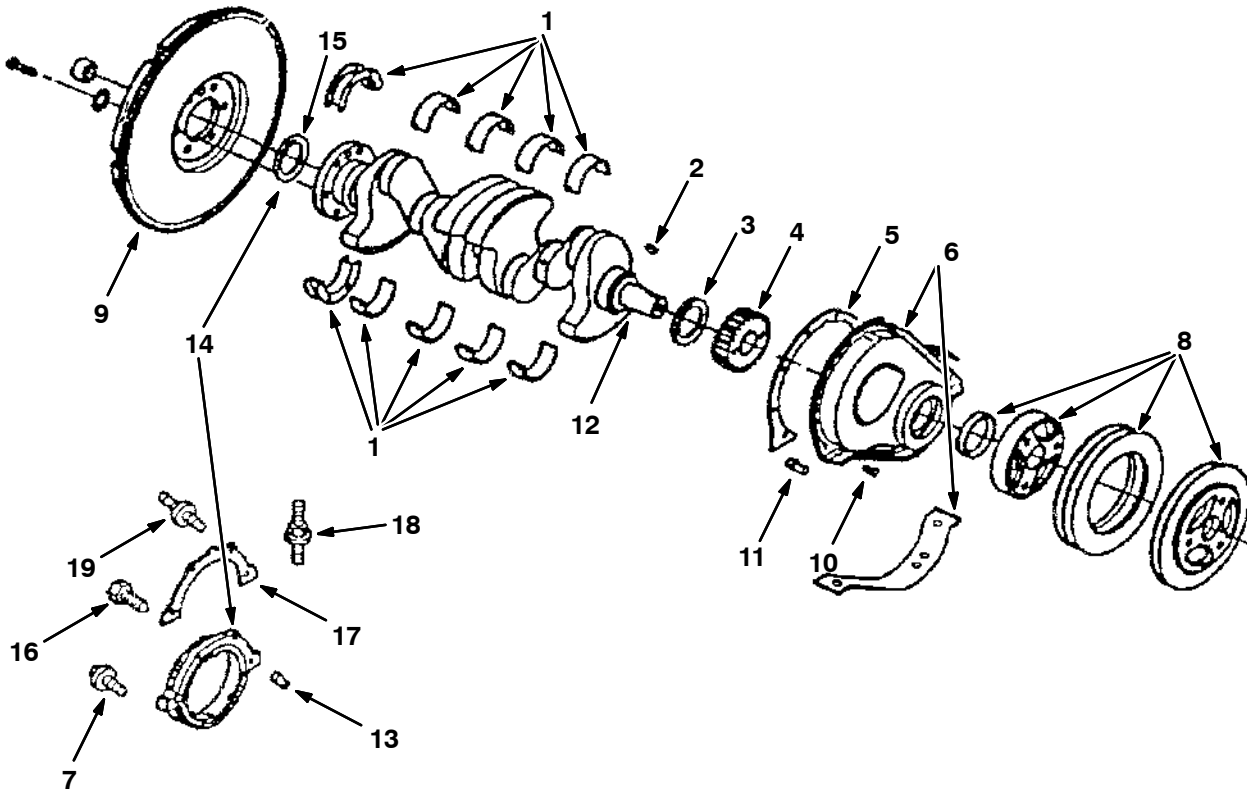
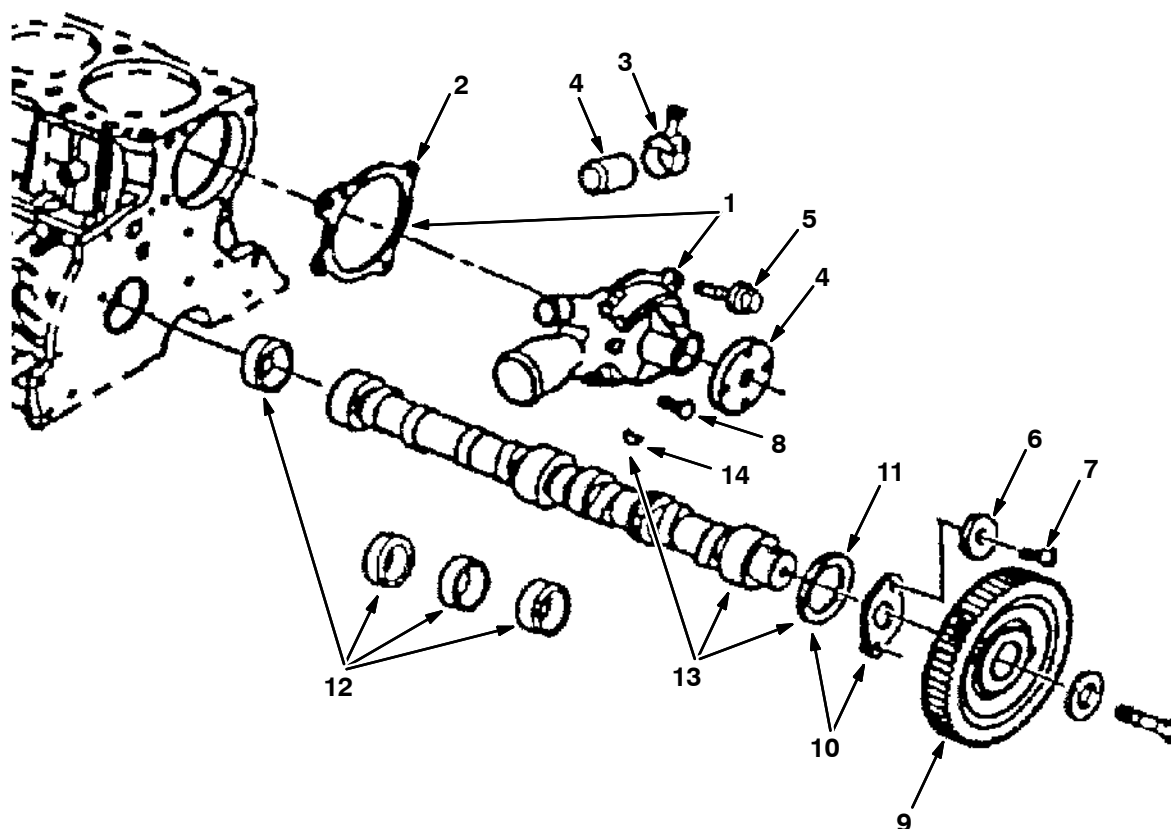


Fig. 5 - Crankshaft Group

Ref.	Part No.	Description	Qty.	
1	393837	Bearing Kit, Std #1, 2, 3, 4	4	
1	393838	Bearing Kit, .001" #1, 2, 3, 4	4	
1	393839	Bearing Kit, .010" #1, 2, 3, 4	1	
1	393840	Bearing Kit, .020" #1, 2, 3, 4	1	
1	393841	Bearing Kit, .030" #1, 2, 3, 4	1	
1	393836	Bearing Kit, Std #5	4	
1	393834	Bearing Kit, .001" #5	4	
1	393835	Bearing Kit, .025" #5	4	
2	393826	Key	1	
3	393842	Seal	1	
4	393843	Gear	1	
5	393844	Gasket	1	
6	393845	Cover	1	
7	393875	Bolt	-	
8	393846	Balancer	1	
9	393881	Gear	1	
10	393824	Bolt	8	
11	393864	Nozzle	1	
12	393866	Crankshaft	1	
13	393873	Pin	1	
▽	14	393874	Housing	1
▲	15	393880	Seal	1
	16	393876	Bolt	-
	17	393877	Gasket	1
	18	393878	Stud	1
	19	393879	Stud	2

Fig. 6 - Camshaft and Water Pump Group



G, LP

	Ref.	Part No.	Description	Qty.
▽	1	393820	Water Pump	1
▲	2	393817	Gasket	1
	4	393818	Cap	1
	3	393819	Clamp	1
	5	393821	Bolt	1
	6	393822	Washer	1
	7	393823	Bolt (1/4-20x1/12 Hex)	1
	7	393824	Bolt (1/4-20x1/12)	3
	8	393825	Bolt (5/16-18x1.5 Hex)	2
	9	393827	Gear	1
▽	10	393828	Plate Kit	1
▲	11	393829	Ring	3
	12	393830	Bearing Kit	1
▽	13	393831	Camshaft	2
▲	14	393826	Key	1

SECTION 8

CONTENTS

PAGE

PART NUMBER TO PAGE NUMBER CROSS REFERENCE LIST 8-2
PART DESCRIPTION TO PAGE NUMBER CROSS REFERENCE LIST 8-18

CROSS REFERENCE

PART NUMBER TO PAGE NUMBER CROSS REFERENCE LIST

Part Number	Page Number	Part Number	Page Number	Part Number	Page Number
MM337	3-84	06957	2-168, 2-171, 3-24	09028	2-35, 2-167, 3-23
00500-15	4-36	06962	2-101, 2-103	09081	2-163, 3-28
00912	2-173	06963	2-137	09120	2-171
00954	4-38	06965	2-168, 3-24	09164	2-35
00960	4-39	06966	3-55	09206	3-15
01274	2-31	06968	2-48, 2-171	09258	2-17, 2-19
01516	2-173	06969	2-137	09291	2-163, 3-27
01685	2-27, 2-57, 2-173, 3-37	06972	2-27, 2-43, 2-45, 2-47	09570	2-109
01686	2-35	06993	2-139	09718	2-139
01691	3-37	06995	2-139	09739	2-13
01706	2-103	07274	3-67	09740	2-27
01987	2-153, 2-155	07449	2-147	09770	2-164, 3-28
01999	3-31	07562	2-85, 2-87, 2-89, 2-93	09806	2-232
02247	2-73, 2-129, 2-131, 2-133	07592	2-51, 2-53, 2-55	1007162	2-51, 2-53
02506-6	3-74	07787	2-163, 3-28	1007343	3-51
02713	2-181	07788	2-15	1008094	2-51, 2-53, 2-55, 3-67
02850	3-17	07789	2-71	1008510	3-51
02931	2-171	07790	2-19, 2-117, 2-119, 2-129, 2-131, 2-133, 2-147, 2-159, 2-164, 3-27	1008512	3-51
02938	3-79	07791	2-27, 2-43, 2-45, 2-47, 2-53, 2-55, 2-91, 2-95, 2-117, 2-119, 2-135, 2-167, 3-23	1008513	2-53, 3-51, 3-67
03026	2-85, 2-87, 2-89, 2-91, 2-93, 2-95	07792	2-9, 2-11, 2-163, 2-168, 2-171, 3-23, 3-28, 3-51, 3-67	1008519	3-51, 3-67
03192	2-48, 2-101	07793	2-137, 2-171	1008538	2-55, 3-51, 3-67
03193	2-31, 2-168, 3-24	07805	2-147	1008988	2-109
03922	2-179	07819	3-51	1011011	2-219
04375	3-51, 3-55, 3-67, 3-69	07934	2-149	1011015	2-220
04414	2-13, 2-41, 2-43, 2-45, 2-47	08085	2-147, 2-161	1011017	2-220
04483	4-48	08166	2-101, 2-103	1011107	2-109, 2-111
04706	2-183	08179	2-167	1011216	2-101, 2-103
04761	2-163, 3-27	08180	2-141	1011259	2-101
04843	2-31, 3-71	08346	2-147	1011655	2-135
05611	2-181	08708	2-9, 2-11, 2-17, 2-19, 2-31, 2-35, 2-89, 2-93, 2-127, 2-135, 2-167, 2-179, 3-23	1011702	2-93, 2-95
05880	2-97, 2-99	08709	2-27, 2-91, 2-95, 2-117, 2-119, 2-129, 2-131, 2-133, 2-163, 2-168, 2-171, 2-173, 2-179, 3-24, 3-28, 3-33, 3-51, 3-55, 3-69	1011780	2-89, 2-91, 2-93, 2-95
05881	2-97, 2-99	08711	2-43, 2-45, 2-47, 2-48	1011788	2-137
06121	2-7	08712	2-147	1011795	2-137
06146	2-159	08713	2-27	1011895	2-109, 2-111
06474A	2-161	09010	2-168, 3-23	1011899	2-89, 2-91, 2-93, 2-95
06524	2-17	09011	2-27	1011941	2-109
06535	2-163, 3-28			1011942	2-109
06537	2-163, 3-51			1011943	2-109
06548	2-167, 3-23			1011944	2-101
06598	2-175			1011959	2-101
06927	3-17			1012012	2-101
06932	3-79			1012018	2-109
06941	2-127			1012033	2-229
06942	2-71, 2-117, 2-119			1012110	2-109
06943	2-19, 2-131, 2-133, 2-147, 2-159, 2-167, 2-179			1012185	2-185
06944	2-9, 2-11, 2-89, 2-93, 2-127, 2-164, 3-28			1012248	2-109
06946	2-9, 2-11, 2-135			1012250	2-109
06948	2-65			1012469	2-109
06949	2-91, 2-95, 2-111			1012634	3-83
				1012656	2-175
				1012657	2-175
				1012670	2-185
				1012677	2-109
				1012719	2-45
				1012720	2-45

CROSS REFERENCE

Part Number	Page Number	Part Number	Page Number	Part Number	Page Number
1012737	2-125	1029375	2-47	1049209	2-159, 4-76
1012754	2-91, 2-95	1029502	2-111	1049210	2-181, 3-27, 4-74
1012785	2-137	1029649	2-55	1049211	2-167, 3-23, 4-77
1012990	2-101	1029737	2-127	1050295	3-37
1012999	2-101	1029996	2-103	1050780	4-74, 4-76
1013030	2-109	1030122	2-103	1050809	4-74, 4-76, 4-77
1013031	2-101, 2-103	1030134	2-103	1050811	4-74, 4-76
1013086	2-109	1030189	2-127	1050812	4-74, 4-76
1013113	2-101	1030272	2-48	1050861	4-76, 4-77
1013116	2-101	1030485	2-111	1050862	4-76
1013117	2-101	1030501	2-103	1050863	4-76
1013344	2-91, 2-95	1030502	2-103	1050864	4-76
1013350	2-63	1030533	2-103	1050865	4-76
1013366	2-91, 2-95	1030582	3-55	1050866	4-76
1013509	2-111	1030627	3-55, 3-69	1050867	4-76
1013588	2-101	1030635	2-55	1050868	4-76
1014411	2-45, 2-47	1030654	3-55, 3-69	1050869	4-76
1014456	2-15	1030657	3-55	1050870	4-76, 4-77
1014491	2-161	1030708	3-55, 3-69	1050871	4-76
1014595	2-109	1030762	3-55, 3-69	1050872	4-77
1015036	2-175	1031961	2-47	1050873	4-77
1017080	2-73	1032032	2-95	1051078	4-76, 4-77
1017085	3-51	1032075	2-7	1051079	4-77
1017102	3-51	1032083	2-103	1051167	5-13, 6-13
1017218	2-147	1032142	2-103	1051172	5-13, 6-13
1017239	2-73	1032214	2-231	1051173	5-13, 6-13
1017270	4-67, 4-69	1032382	2-57	1051174	5-13, 6-13
1017272	2-73	1032804	2-65	1051175	5-13, 6-13
1017292	3-51	1032805	2-81	1052093	3-84
1017476	2-73	1032812	2-111	1055106	2-39
1017477	2-73	1032904	3-55, 3-69	10552	4-67, 4-69, 4-71, 4-73
1017500	2-73	1033344	2-133	10632-12	3-11, 3-13
1017515	3-51	1033497	2-133	10632-20	3-3, 3-5, 3-7, 3-9
1017598	2-73	1033739	2-103	10632-4	2-37, 3-3, 3-7, 3-11, 3-13, 3-15, 3-79
1017662	2-73	1033746	2-111	10632-5	2-185, 3-17, 3-33
1017898	2-163, 3-27	1033897	2-111	10632-8	3-17
1018573	2-45, 2-48	1033899	2-111	10632-9	3-11, 3-13
1019188	2-129, 2-131	1034105	2-47	10664	2-4, 2-21
1019513	2-53, 3-51, 3-67	1034676	2-111	10723	5-3
1019939	2-111	1037311	2-81	10724	5-3, 6-3
1020982	2-147	1037312	2-81	10819	2-171
1021797	3-49	1037313	2-81	10830	2-65, 2-81
1021799	3-49	1038293	2-103	10831	2-45, 2-47
1021937	3-39	1040835	2-59	10911	2-159
1021951	3-39	1041034	2-167, 3-23	10959	2-23, 2-25
1021966	3-39	1041090	2-29	11329	2-173
1021968	3-39	1041151	2-82	11399	2-57, 2-61, 2-73, 3-49, 3-63
1021969	3-39	1041152	2-82	11442-1	2-115, 2-117, 2-119
1023853	2-131, 2-133	1042089AM	2-129, 2-131, 2-133	11442-23	2-113, 2-115, 2-119
1026719	2-25, 4-49	1042110	2-25	11531	2-121, 2-123, 2-125, 2-127, 3-17
1028300	2-7	1042969	2-5	11676	3-71
1028492	2-139	1043095	2-71	11716	2-177
1028558	2-103	1043352	3-43, 3-49, 3-59, 3-63	11747	2-31, 3-79
1028559	2-103	1044235	2-39	11984	2-59
1028835	2-103	1045764	2-129, 2-131, 2-133	12269	2-173
1028836	2-103	1045858	2-186, 3-35	12271	2-15
1028924	2-111	1046152	2-186		
1029293	2-111	1046173	2-186, 3-35		
1029295	2-111	1046389	2-19		
1029334	2-48				

CROSS REFERENCE

Part Number	Page Number	Part Number	Page Number	Part Number	Page Number
12273	2-57, 2-147	19313	2-21, 2-129, 2-131, 2-133, 2-181	21672	2-143
12274	2-31, 2-171			21722	2-29
12316	2-115	19315	2-43, 2-45, 2-47, 2-65, 2-81	21728	4-63, 4-65
12459	2-163, 3-27, 3-47, 3-49, 3-61, 3-63	19317	2-65, 2-73, 2-81	21729	2-153, 2-155
12549	3-37	19459	2-157	21731	2-105, 2-107, 2-109
130041	2-73	19544	2-149	21732	2-105, 2-107, 2-109
13048	2-59	19747	2-57	21740	2-139
13124	2-89	19760	2-117	21791	3-84
13248	2-181	19774	2-39	21792	5-15, 6-15
13902	4-43, 4-47	20177	2-53, 2-55, 2-117, 2-119, 3-51, 3-55, 3-69	21793	5-15, 6-15
13904	4-45, 4-47			21794	5-15, 6-15
13907	4-3, 4-7, 4-13, 4-17	20192	2-163, 3-27	21917	4-42, 4-43, 4-47
13959	3-17	21041	3-71	222460	2-167
14242	2-141	21047	3-71	22290	2-183
14296	2-41	21054	3-71	22308-3	2-113, 2-115, 2-117
14595-1	2-147	21104	3-71	22324	2-115
14605	2-147	21109	2-167	22626	2-139, 4-33
150516	2-73	21117	2-153, 2-155	22629	4-33, 4-35
15331	2-177	21119	2-153, 2-155	22630	4-33, 4-35
15522	2-173	21131	2-15	22636	4-33, 4-35
15543	2-89, 2-93	21136	2-97, 2-99	22645	4-33, 4-35
15555-1	2-107	21138	2-97, 2-99, 2-101	22646	4-33, 4-35
15555-2	4-71, 4-73	21150	4-53	22654	4-29
15724	2-69	21168	2-7, 2-9, 2-11	23146	3-71
16387	2-61, 2-63	21194	7-5	23156	2-69, 2-71, 2-115, 2-117, 2-119
16431	2-153, 2-155	21195	2-53, 2-55, 2-183	23498	2-179
16455	2-161	21197	2-43, 2-45, 2-47, 2-53, 2-55	23574	2-173
16456	2-25			23935	3-79
16472	3-27	21198	2-43, 2-45, 2-47, 2-147, 3-55	23936	2-167, 3-23
16694	4-37			23946	2-13
16695	4-27, 4-29, 4-36, 4-37	21215	2-163	23950	2-17
16735	2-31, 2-53, 2-101, 2-145	21221	2-31	24012	2-101, 2-103
16738	2-59	21223	3-65	24047	2-113, 2-115, 2-117, 2-119
16930	2-179, 3-49, 3-63	21224	2-163	24199	2-13
16931	2-19, 2-31, 2-101, 2-103, 2-111, 2-117, 2-119, 2-129, 2-131, 2-133, 2-135, 2-137, 2-167, 2-179, 3-23, 3-33, 3-51, 3-52, 3-67	21225	2-173	24450	3-43, 3-49, 3-59, 3-63
17414	2-39, 2-69, 2-71, 2-115, 2-117, 2-119	21230	2-15	24576-1	3-15, 3-17
17521	2-71	21231	2-167, 3-23	24576	3-15
17808	2-141	21237	3-51, 3-55, 3-67, 3-69	24899	2-171
17809	2-141	21238	2-163	24924	2-59
17980	2-159, 2-161, 3-27	21241	2-179	24928-1	2-113, 2-115, 2-117, 2-119
19035	3-71	21246	2-13, 3-35	25014	2-99, 2-101, 2-103
19065	3-15	21250	3-27	25046	2-57, 2-147
19066	2-27, 2-31, 2-57, 2-91, 2-95, 2-117, 2-119, 2-131, 2-133, 2-159, 2-167, 3-23	21251	3-27	25047	2-65, 2-81
19117	2-181, 4-38	21252	3-27	25312	3-75
19311	2-43, 2-45, 2-47	21282	2-9, 2-11	25610	2-105, 2-107, 2-109
19312	2-65, 2-81, 2-101, 2-103	21294	2-39	26395-2	3-71
		21301	3-79	26496	2-113, 2-115, 2-117, 2-119
		21303	2-35	26565	3-71
		21307	4-51	27048	2-71, 2-109, 2-113, 2-115, 2-117, 2-119
		21308	4-51	27763	4-27, 4-36
		21309	4-51	27767	2-71
		21310	4-51	27980	2-65, 2-81
		21311	4-53	27990	2-129, 2-131, 2-133, 3-67
		21312	4-53		
		21313	4-53		
		21643	2-15		
		21671	3-76		

CROSS REFERENCE

Part Number	Page Number	Part Number	Page Number	Part Number	Page Number
27991	2-51, 2-53, 2-55, 3-51	32491	2-19, 2-31, 2-51, 2-91, 2-95, 2-101, 2-103, 2-111, 2-117, 2-119, 2-123, 2-125, 2-129, 2-131, 2-133, 2-135, 2-145, 2-168, 2-179, 3-23, 3-51, 3-52, 3-55, 3-67, 3-69	34195	2-164, 3-28
27992	3-55, 3-69			34306	2-4, 2-157
29233	3-5, 3-9			34323	2-9, 2-11, 2-19
29570	2-73			34330	2-171
30013	3-33			34355	2-153, 2-155
30251	2-171			34359	2-139, 2-175
30252	2-171			34360	2-153, 2-155
30253	2-171			34379	2-153, 2-155
30255	2-171	32492	2-9, 2-11, 2-23, 2-25, 2-35, 2-43, 2-45, 2-47, 2-51, 2-101, 2-103, 2-129, 2-131, 2-133, 2-137, 2-164, 2-167, 2-179, 3-23, 3-28, 3-49, 3-51, 3-55, 3-63, 3-67	34390	2-157
30268	3-43, 3-49, 3-59, 3-63			34392	2-29
30389	2-59, 2-69, 2-71			34738	3-79
30407	2-117, 2-119			34821	2-137
30533	3-77			34848	3-17
31038	2-39			34864	2-37, 3-79
311336	2-13, 4-53			34877	3-51, 3-67
311828	2-73			35323	2-5
31354	4-27, 4-29, 4-36	32493	2-17, 2-19, 2-43, 2-45, 2-47	35324	2-5
31373	4-27, 4-29			35325	2-5
31375	4-36	32495	3-69	35326	2-5
31379	4-27	32496	2-163, 3-28	35327	2-5
31380	4-37	32598	2-141	35336	2-5
31385	4-37	32668	3-33	35688	2-29
31507	3-43, 3-49, 3-59, 3-63	32715	2-167, 3-23, 3-51, 3-55	35707	2-117, 2-119
31525	3-51, 3-55, 3-65, 3-67, 3-69	32720	2-173	35756	2-51, 2-53, 2-55, 3-51, 3-55, 3-69
31526	2-39	32895	2-171	35980	2-41
31563	2-153, 2-155	32899	2-147	36014	5-23, 6-23
31599	2-129, 2-131, 2-133	32960	3-33	36048	5-15, 6-15
31603	2-155	32978	2-109, 2-111, 3-51, 3-55, 3-67, 3-69	36050	2-4, 2-59, 2-105
31605	2-159			361160	2-7
31613	2-4, 2-157	32980	2-55, 2-109, 2-111	36158	3-71
31775	2-145	32981	2-57, 2-111	36164	5-21, 6-21
31922	3-17	32982	2-71, 2-101, 2-103	36165	2-39, 2-61, 2-73
31954	3-11, 3-13	32984	2-21, 2-129, 2-131, 2-133, 2-181	36192	2-21
31999	2-35			36268	5-3, 5-6, 6-3, 6-6
32006	2-35	32985	2-139, 2-163, 3-27	36328	2-163, 2-171, 3-27
32009	2-35	32987	2-139	36556	2-161
32408	2-173	330160	3-84	36758	2-7, 2-163, 3-27
32425	2-43, 2-45, 2-47	330162	3-84	369701	2-139
32483	2-9, 2-11, 2-43, 2-45, 2-47, 2-71, 2-111, 2-127, 2-171, 2-179	330163	3-84	369704	2-15
32485	2-51, 2-53, 2-55, 2-147, 2-164, 3-28, 3-52, 3-55, 3-69	33342	3-24	36971	2-147
32486	2-137, 2-139, 2-163, 2-171, 3-27	33404	2-175	369786	3-37
32490	2-19, 2-65, 2-81, 2-89, 2-93, 2-111, 2-129, 2-147, 3-47, 3-49, 3-61, 3-63	33799	2-153, 2-155	370011	2-5
		33806	2-13, 3-19	370102	5-17, 6-17
		33817	2-157	370103	5-17
		33924	2-167, 3-23	370829	5-9, 6-9
		33951	2-59, 2-67	370847	6-3
		34072	2-69	370848	6-3
		34159	4-5, 4-9, 4-15, 4-19	370850	6-3
		34176	4-29, 4-36	370851	6-5
		34178	4-31, 4-33, 4-35	370852	6-11
		34179	4-31, 4-33	370853	6-11
		34180	4-31	370854	6-11
		34181	4-31, 4-33, 4-35	370855	6-13
		34182	4-31	370873	6-3
		34183	4-31, 4-33, 4-35	370875	6-24
		34184	4-31, 4-33, 4-35	370876	5-21, 6-21
		34185	4-31, 4-33	370888	6-22
				370889	6-22
				370890	6-22

CROSS REFERENCE

Part Number	Page Number	Part Number	Page Number	Part Number	Page Number
370891	6-22	371759	2-73	372507	2-77
370892	6-22	371761	2-43, 2-45, 2-47	372508	2-77
37127	5-11	371762	2-43	372510	2-77
371500	2-57	371763	2-61	372511	2-77
371502	2-57	371764	2-61, 2-65, 2-73	372512	2-77
371503	2-57	371765	2-61	372514	2-77
371504	2-57	371766	2-61, 2-73	372515	2-77
371505	2-57	371767	2-61, 2-73	372516	2-77
371507	2-43	371768	2-73	372517	2-77
371508	2-43, 2-45, 2-47	371770	2-51	372518	2-77
371509	2-43, 2-45, 2-47, 2-51, 2-65, 2-81, 3-51, 3-67	371865	2-55	372523	2-77
371512	2-43, 2-45, 2-47	371875	2-65, 2-81	372526	2-77
371516	2-43, 2-45, 2-47	371877	2-65, 2-81	372527	2-77
371517	2-43	371891	7-3	372528	2-77, 2-81
371518	2-43, 2-45, 2-47	371894	2-73, 4-67	372529	2-81
371519	2-43, 2-45, 2-47	371895	2-73, 4-69	372531	2-77
371520	2-43, 2-45, 2-47	371896	2-61, 4-71	372539	2-82
371526	2-51, 2-53, 2-55, 3-55, 3-67, 3-69	371897	2-61, 4-73	372545	2-63, 2-65, 2-77, 2-81
371527	2-51, 2-53, 2-55	371899	4-71, 4-73	372569	2-77
371528	2-51	371901	4-71	372577	2-77
371529	2-51	371902	4-71, 4-73	372579	2-81
371532	2-61	371908	4-71, 4-73	372608	2-77
371538	2-61	371921	2-216	372610	2-77
371553	2-65, 2-81	372235	2-219, 2-221	372611	2-77
37157	5-5, 5-11	372236	2-219, 2-221	372612	2-77
371572	2-43	372237	2-219, 2-221	372615	2-77
371573	2-99, 2-101	372251	7-7	372651	2-4, 2-91, 2-95
371646	2-61, 2-74	372440	2-109, 2-111	372652	2-4, 2-91
371647	2-61, 2-74	372445	2-45, 2-47	372859	2-77
371649	4-71, 4-73	372456	2-45, 2-47	372860	2-63
371651	4-67, 4-69, 4-71, 4-73	372457	2-45	372891	2-63, 2-77
371653	4-67, 4-69, 4-71, 4-73	372458	2-45, 2-47	372899	2-77
371654	4-67, 4-69, 4-71, 4-73	372464	7-7	372937	2-73
371658	2-61, 2-74	372466	2-63, 2-65, 2-81	372950	4-63, 4-65
371660	4-67, 4-69, 4-71, 4-73	372470	2-65, 2-77, 2-81	372951	4-63, 4-65
371661	2-107	372472	2-63, 2-65, 2-77, 2-81	373201	4-25
371662	2-107	372473	2-45, 2-47	373207	4-25
371665	4-67, 4-69	372474	2-45, 2-48	373211	4-25
371666	4-67, 4-69	372479	2-45, 2-47	373218	4-7, 4-17
371669	4-67, 4-69	372482	2-63, 2-77	373226	4-35
371713	4-67, 4-69	372483	2-63, 2-65, 2-77, 2-81	373232	4-25
371714	4-67, 4-69, 4-71, 4-73	372484	2-77	373235	4-25
371715	4-67, 4-69, 4-71, 4-73	372488	2-63	373236	4-35
371716	4-71, 4-73	372489	2-63, 2-77	373242	4-25
371718	4-67, 4-69, 4-71, 4-73	372490	2-63, 2-77	373243	4-25
371749	2-73	372491	2-101	373254	2-149, 4-25
371750	2-73	372492	2-63, 2-77	373255	4-25
371754	2-73	372493	2-63, 2-77	373256	4-25
371755	2-73	372495	2-77	373258	4-25
371757	2-73	372496	2-77	373259	4-25
		372497	2-77	373276	4-25
		372498	2-77	373284	4-25
		372500	2-77	373291	4-35
		372501	2-77	373369	4-13, 4-17, 4-21
		372503	2-77	373371	4-21
		372504	2-77	373372	4-21
		372505	2-77	373373	4-21
		372506	2-77	373374	4-9, 4-19
				373375	4-9, 4-19

CROSS REFERENCE

Part Number	Page Number	Part Number	Page Number	Part Number	Page Number
373404	2-149	375415	2-167, 3-23	380615	3-41, 3-47, 3-57, 3-61
373405	3-82	375416	2-167, 3-23	380616	4-59, 4-61
373406	4-9, 4-19	375417	3-27	380617	3-41, 3-47, 3-57, 3-61
373407	4-7, 4-17	375511	2-129, 2-131, 2-133	380618	3-43, 3-59
373408	4-7, 4-17	375512	3-43, 3-49, 3-59, 3-63	380619	3-41, 3-47, 3-57, 3-61
373409	4-7, 4-17	375513	2-15	380620	3-43, 3-49, 3-59, 3-63
373410	4-7, 4-17	375526	2-145	380621	3-43, 3-49, 3-59, 3-63
373412	4-9, 4-19	375536	2-15	380624	3-41, 3-47
373413	4-9, 4-19	375537	2-15	380625	3-41, 3-47, 4-57
373414	4-7, 4-17	37555	4-27, 4-29, 4-37	380626	4-57
373415	4-7, 4-17	375563	2-161, 4-45	380627	4-57
373457	4-25	375564	2-31	380628	4-57
373458	4-25	375565	2-31	380630	3-41, 3-47
373464	2-139, 4-35	375566	2-31	380634	3-35
373541	4-35	375567	2-143	380635	3-35
373542	4-35	375575	2-139	380640	3-15
373543	4-35	375576	2-139	380643	3-11
373544	4-35	375576	2-139	380644	3-13
373545	4-35	375586	2-129, 2-131	380649	4-59, 4-61
373546	4-35	375586	2-129, 2-131	380650	4-59, 4-61
373547	4-35	375635	2-173	380651	4-59
373548	4-35	375638	2-173	380652	4-59
373549	4-35	375639	2-173	380659	4-59, 4-61
374012	3-71	375666	2-167	380660	4-61
374127	2-59, 2-67	375693	2-17	380661	3-41, 3-47, 3-57, 3-61
374129	3-43, 3-49, 3-59, 3-63	375695	2-17	380662	3-41, 3-47, 3-57, 3-61
374133	3-81	375696	2-13	380663	3-41, 3-47, 3-57, 3-61
374134	3-41, 3-47, 3-81	375718	2-59, 2-67	380665	3-41, 3-47
374135	3-41, 3-47, 3-81	375719	2-173, 4-29	380666	4-57
374154	2-71	375721	2-179	380667	4-57
374158	2-113, 2-117, 2-119	375726	3-43, 3-59	380668	4-57
374210	3-41, 3-47, 3-57, 3-61	375728	3-43, 3-49, 3-59, 3-63	380669	4-57
374230	2-129, 2-131, 2-133, 2-145	375729	3-45	380670	4-57
374274	6-24	375751	3-43	380671	4-57
374294	4-51, 4-53	375762	2-139	380672	4-57
374357	4-51	37723	4-31, 4-33, 4-35	380673	3-41, 3-47
37460	4-3, 4-7, 4-13, 4-17	37766	4-31, 4-33	380675	2-153, 2-155
374615	2-69	37943	4-31, 4-33, 4-35	380676	3-45
37462	4-3, 4-7, 4-13, 4-17	380514	2-147	380680	2-13
374625	2-59, 2-67	380532	2-15	380681	2-23
374648	2-69	380533	2-15	380683	2-147
374649	2-69	380544	3-52, 3-55	380684	3-41, 3-47
374750	4-51, 4-53	380563	3-45	380685	3-43
374757	4-53	380566	2-147	380686	3-43
374758	4-51	380567	2-147	380689	3-41, 3-47, 3-57, 3-61
374759	4-51	380568	2-147	380690	3-41, 3-47, 3-57, 3-61
374760	3-35	380576	3-41, 3-47	380691	3-11, 3-13, 3-15
374761	3-35	380577	4-51, 4-56	380692	2-13, 4-51
374762	3-35	380578	4-59	380694	4-51
374765	4-51, 4-53	380579	4-59	380695	4-51
374769	4-51, 4-53	380591	2-85, 2-87, 2-89, 2-91, 2-93, 2-95		
375193	2-41	380592	2-85		
375400	2-163	380598	2-41		
375401	2-163, 3-27	380602	3-35		
375402	2-163	380612	3-57, 3-61		
375403	3-27	380613	3-41, 3-47, 4-59		
375404	2-163, 3-27	380614	3-57, 3-61, 4-61		

CROSS REFERENCE

Part Number	Page Number	Part Number	Page Number	Part Number	Page Number
380697	3-45	385018	2-221	393244	3-51, 3-67
380702	3-65	385019	2-47	393252	2-99
380708	4-51	385412	2-41	393253	2-99
380709	2-4	385414	2-59	393255	3-49, 3-63
380710	2-4	385415	2-59	393373	2-91, 2-93, 2-95
380712	3-17	385417	2-39	39346	2-9, 2-11
380717	2-145	385426	2-41	39349	2-27
380728	2-13	385433	2-41	39350	2-139
380732	4-51	385439	3-84	393662	7-7
380736	2-157	386063	2-115	393663	7-7
380748	2-127	388407	4-59, 4-61	393770	3-15, 3-33
380754	2-129	391890	4-71	393806	7-7
380760	2-15	391891	4-67	393807	7-7
380761	2-15	39210	2-25, 2-29, 2-157,	393808	7-7
380762	2-15		2-159	393809	7-7
380763	2-15	392258	2-73	393810	7-7
380764	2-15	392561	2-43	393811	7-7
381391	2-131, 2-133	392563	2-43	393812	7-7
381962	2-31	392564	2-216	393813	7-7
382422	2-13	392570	2-61, 2-73	393814	7-7
382507	2-129	392590	2-123, 2-125, 2-127	393815	7-7
382516	2-185	392591	2-123, 2-125	393816	7-7
382726	2-31	392593	2-107	393817	7-12
382978	3-15	392594	2-107	393818	7-12
382979	3-33	392597	2-107	393819	7-12
383014	2-71	392598	2-109	393820	7-12
383165	2-185	392611	2-51, 2-53, 2-55	393821	7-12
383170	2-71	392613	3-51	393822	7-12
383185	3-35	392619	2-43	393823	7-12
384156	4-55	392622	2-43, 2-45	393824	7-3, 7-9, 7-11, 7-12
384971	2-81	392629	2-107, 2-109, 2-111	393825	7-12
384973	2-81	392642	2-43, 2-45	393826	7-11, 7-12
384974	2-65, 2-81	392647	2-125, 2-127	393827	7-12
384975	2-81	392649	2-107	393828	7-12
384977	2-81	39277	2-129, 2-131, 2-133,	393829	7-12
384978	2-81		2-135, 3-51, 3-67	393830	7-12
384979	2-81	39279	2-145, 2-173	393831	7-12
384985	2-65, 2-81	39283	2-9, 2-11, 2-164,	393832	7-7
384986	2-81		2-168, 2-171, 3-23,	393833	7-7
384996	2-81		3-28, 3-52	393834	7-11
384998	2-221	39284	2-35, 2-48, 2-103,	393835	7-11
384999	2-221		2-163, 2-168, 3-23,	393836	7-11
385000	2-65, 2-81		3-28	393837	7-11
385001	2-65, 2-81	39285	2-147	393838	7-11
385002	2-65, 2-81	39305	2-139	393839	7-11
385003	2-65, 2-81	39311	2-19, 2-163, 3-24,	393840	7-11
385004	2-65, 2-81		3-28, 3-51, 3-67	393841	7-11
385005	2-65, 2-81	39312	2-163, 3-28	393842	7-11
385006	2-65, 2-81	39313	2-17, 2-19, 2-27	393843	7-11
385007	2-65, 2-81	393200	2-107	393844	7-11
385008	2-65, 2-81	393201	3-51, 3-55	393845	7-11
385009	2-111	393205	2-87	393846	7-11
385010	2-221	393207	2-87	393848	7-9
385011	2-82	393208	2-87, 2-89, 2-91	393849	7-9
385012	2-81	393216	2-123	393850	7-9
385013	2-82	393219	3-51	393851	7-9
385014	2-81	393223	3-84	393852	7-9
385015	2-81	393227	2-53, 2-55	393853	7-9
385016	2-81	393229	2-123, 2-125	393854	7-9
385017	2-81	393241	3-67	393855	7-9

CROSS REFERENCE

Part Number	Page Number	Part Number	Page Number	Part Number	Page Number
393856	7-9	393912	2-61, 2-63, 2-73, 2-78	393972	2-73
393857	7-9			393973	2-43
393858	7-9	393913	2-61, 2-63, 2-73, 2-78	393975	2-43
393859	7-9			393982	2-4, 2-57
393860	7-9	393914	2-61, 2-63, 2-73, 2-78	393984	2-43, 2-63, 2-65, 2-77, 2-81
393861	7-9			393994	2-43, 2-45, 2-47, 2-51
393862	7-9	393915	2-61, 2-63, 2-73, 2-78	393998	2-51, 2-53, 2-55
393863	7-9			394916	2-219, 2-221
393864	7-11	393916	2-61, 2-63, 2-73, 2-78	39527	4-36
393865	7-9			39534	2-181
393866	7-11	393917	7-3	39670	3-51, 3-55
393867	7-9	393918	7-3	39703-2	2-4, 5-3, 6-3
393868	7-9	393919	7-5	398315	2-211
393869	7-9	393920	7-5	39923	2-37, 3-79
393870	7-9	393921	7-5	40380	4-31
393871	7-9	393922	7-5	40514	2-157
393872	7-7	393923	7-5	40573	3-43, 3-49, 3-59, 3-63
393873	7-11	393924	7-5	40585	2-105, 2-107
393874	7-11	393925	7-5	40607	2-37, 2-69, 3-79
393875	7-11	393926	7-5	40678	2-37, 3-79
393876	7-11	393927	7-5	40716	2-13
393877	7-11	393928	7-5	40870-8	2-179
393878	7-11	393929	7-5	41016	2-107, 3-43, 3-49, 3-59, 3-63
393879	7-11	393930	7-5		
393880	7-11	393931	7-5	41073	2-139
393881	7-11	393932	7-5	41130	2-179
393882	7-7	393933	7-3	41131	2-167, 2-177
393883	7-7	393934	2-4, 7-3	41139	3-17
393884	7-7	393935	7-3	41140	3-17
393886	7-7	393936	7-3	41141	3-33
393887	7-7	393937	7-3	41142	2-53, 2-55
393888	7-7	393938	7-3	41169	2-147
393889	7-7	393939	7-5	41178	2-9, 2-11, 2-13, 2-85, 2-87, 2-89, 2-93, 3-35
393890	7-7	39394	2-5		
393895	7-3	393940	7-5	41185	2-9, 2-11, 2-19, 2-163, 2-173, 3-27
393896	7-3	393941	7-5		
393897	7-3	393942	7-5	41186	2-31, 2-53, 2-55, 2-129, 2-131, 2-133, 2-135, 2-137, 3-23, 3-51, 3-55, 3-67, 3-69
393898	2-61, 2-63, 2-73, 2-77, 7-3, 7-5	393943	7-5		
		393946	7-5	41295	2-127
393899	7-3	393947	7-5	41342	2-163, 2-167, 3-28
393900	7-3	393948	7-5	41346	2-171
393901	7-3	393949	7-5	41360	2-173
393902	7-3	393950	7-5	41362	2-173
393903	7-3	393951	7-3	41430	2-31, 2-48, 2-129, 2-131, 2-133, 2-147, 2-164, 2-168, 2-179, 3-23, 3-28, 3-52
393904	7-3	393952	7-3		
393905	2-61, 2-63, 2-73, 2-77	393953	7-3	41434	3-37
		393954	7-3	41619	2-15
393906	2-61, 2-63, 2-73, 2-77	393955	7-3	41722	2-147
		393956	7-3	42011	2-51, 2-53, 2-55, 3-79
393907	2-61, 2-63, 2-73, 2-77	393957	7-3		
		393958	7-3	42124	3-71
393908	2-61, 2-63, 2-73, 2-78	393959	7-3		
		393960	7-3		
393909	2-61, 2-63, 2-73, 2-78	393961	7-3		
		393962	7-3		
393910	2-61, 2-63, 2-73, 2-78	393963	7-3		
		393964	7-3		
393911	2-61, 2-63, 2-73, 2-78	393965	7-5		
		393966	7-5		
		393967	7-5		

CROSS REFERENCE

Part Number	Page Number	Part Number	Page Number	Part Number	Page Number
42207	2-163	47720	2-113, 2-115, 2-117, 2-119	52911	2-149
42215	2-157, 2-161, 3-23	47753	3-27	53029	2-67, 2-107
42226	2-181	47958	2-15	53268	2-69
42260	2-21, 2-157	48006	2-21	53395-2	2-115
42368	2-109, 2-111	48014	2-85, 2-87, 2-89, 2-93	53400-1	2-113, 2-115, 2-117, 2-119
43242	3-43, 3-49, 3-59, 3-63	48056	2-129, 2-131, 2-133	53400-4	2-113, 2-115, 2-117, 2-119
43363	2-7	48069	2-35	53461-2	2-15, 2-17, 2-19
43454	2-15, 2-37, 3-79	48267	2-105, 2-107, 2-109	53468	2-123, 2-125, 2-127
43500	2-4, 2-7	48282	2-115	53601	2-139, 4-48
43555	2-35, 2-85, 2-87, 2-89, 2-91, 2-93, 2-95	48998	2-173	54009	3-71
43558A	3-43, 3-49, 3-59, 3-63	49032	3-37	54012	3-71
43611	2-117, 2-119	49263	2-7, 2-183	54096	2-175
43844	2-59, 2-67, 2-107, 2-109, 2-111, 2-127	49266	2-37, 3-3, 3-5, 3-7, 3-9, 3-11, 3-13, 3-15, 3-17, 3-41, 3-47, 3-79, 3-81	54140	2-109
43952	3-37	49282	2-13	54222	2-147
43955	2-9, 2-11	49766	3-79	54274	2-181
44078	2-183	49933	2-161	54275A	2-181
44681-1	3-7, 3-9, 3-13	49934	2-57	54333	5-3, 6-3
44681-2	3-7, 3-9, 3-13	50335	2-43, 2-45, 2-47, 2-109, 2-111, 2-115	54396	2-43, 2-45, 2-47, 2-123, 2-125
44681	3-7, 3-9, 3-13	50902	2-43, 2-45, 2-47, 2-53, 2-55, 2-117, 2-119, 2-129, 2-131, 2-133, 2-171, 2-181, 3-51, 3-55, 3-67, 3-69	54527	2-85, 2-87, 2-89, 2-93
44777	2-13	50960	2-129, 2-131, 2-133	54528	2-85, 2-87, 2-89, 2-93
44851	2-17, 2-19, 3-35	51021N	2-5	54615	2-13
44868	2-159, 3-27	51109	2-145	54833	2-139
44869	2-159, 2-161, 2-171, 2-181	51176	2-13	54862	2-181
44906	2-129	51193	2-141	54878	2-171
44961	3-79	51305	2-73, 2-127, 2-129, 2-131, 2-133	54911-32	2-121, 2-123, 2-125, 2-127, 5-3, 6-3
45142	3-43, 3-49, 3-59, 3-63	51322	2-21, 2-129, 2-131, 2-133	55248	3-3, 3-5, 3-7, 3-9, 3-11, 3-13, 3-15, 3-41, 3-47, 3-81
45177	2-85, 2-87, 2-89, 2-93	51338	2-141	55347	2-43
45272	3-3, 3-5, 3-7, 3-9	51340	2-139	55586	2-157, 2-159, 2-171
45482	2-159, 3-27	51341	2-139	55685	2-161
45622	4-31, 4-33, 4-35	51373	2-141	55686	2-25
45623	4-31, 4-33, 4-35	51448	2-171	55700	2-153, 2-155
45628	4-27, 4-29, 4-36, 4-37	51449	2-171	55756	2-15
45779	3-3, 3-5, 3-7, 3-9, 3-11, 3-13	51462	2-175	55779	2-171
45780	2-7	51483	2-145	55845	2-15
45786	2-143	51531	3-71	56185	2-183
46236	2-145, 3-79	51534	2-175	56186	2-186, 3-3, 3-5, 3-7, 3-9, 3-11, 3-13, 3-41, 3-47, 3-57, 3-61, 3-79
46481	2-21, 2-149	51542	2-5	56346	2-185
46482	3-23	51545	2-145	56398	2-183
46611	2-69, 2-71	51560-5	2-91, 2-95	56690	2-109, 2-159, 2-167, 2-183, 3-23, 3-27
46800	2-129	51562	2-145	56692	2-149, 2-173, 2-181
47167	2-61, 2-73	51564	2-171	56820	2-139, 2-167
47313A	2-59	51693	2-177	56821	2-181
47504	2-161, 2-167	51787	2-21, 2-31	56976A	2-113, 2-115, 2-117, 2-119
47508	2-149, 2-163, 3-27	51813	2-167, 3-23	56992	2-185, 3-57, 3-61
47512	2-25, 2-129, 2-131, 2-133	51839	2-69, 2-71, 2-87	57048	2-41, 2-43, 2-45, 2-47
47522	2-139	52402	2-129, 2-131, 2-133, 2-161	57167	2-186, 4-61
47585	2-183				
47637	3-27				
47638	2-25, 2-161				

CROSS REFERENCE

Part Number	Page Number	Part Number	Page Number	Part Number	Page Number
57173	2-153, 2-155	59901	3-43, 3-49, 3-59, 3-63	62954	2-4, 2-7
57297	2-113, 2-115, 2-117, 2-119	59921	3-79	62955	2-4, 2-7
57311	2-145	59954	3-79	62956	2-4, 2-7
57411	2-161	59965	2-23, 3-15	62957	2-4, 2-7
57568	2-155	59970	2-185	62986	2-173
57751	2-186, 3-35	59971	2-185	630094	2-39
57772	2-167	59974	2-185	63228	3-76
57773	2-41, 2-43, 2-45, 2-47	59976	2-185	63233	2-35
57803	2-186, 3-35	59977	2-185	63234	2-35
57804	2-219, 2-221	59978	2-185	63263	2-41, 2-43, 2-45, 2-47
57807	2-167, 2-175, 2-185, 3-23	59979	2-185	63276	2-147
57809	3-79	60293	2-135	63292	2-147
57820	2-13, 2-17, 2-19	60559	2-39	63294	2-13
57934	2-59	60725	2-69, 2-71	63295	2-145
57936	2-23, 2-25	60726	2-69, 2-71	63297	2-35
57941	2-7	60751	3-17	63311	2-35
57944	2-153, 2-155	60762	2-59	63338	2-173
57963	2-153, 2-155, 3-31	60806	5-5, 5-6, 6-5, 6-6	63378	2-31
57988	2-161	60812	5-22	63407	3-82
57993	2-159	60813	5-22, 6-22	63416	2-129, 2-167, 3-23, 3-27
57994	2-157	60814	5-22, 6-22	63426	2-139, 4-31
58114	2-179	60817	5-6, 6-6	63436	2-171
58228	2-129, 2-131, 2-133, 2-179	60833	5-5, 5-13, 5-19, 6-5, 6-13, 6-19	63449	2-171
58242	4-23	60834	6-5, 6-13	63450	2-171
58293	2-23	60836	5-21, 6-21	63471	2-139
58357	2-35	60846	2-4, 5-24, 6-24	63491	2-139
58359	2-25	60933	2-4, 2-85, 2-87, 2-89, 2-93	63496	2-139
58366	2-15, 2-57	60934	2-4, 2-85, 2-87, 2-89, 2-93	63535	2-41
58489	2-9, 2-17, 2-19	60938	5-9, 6-9	63540	2-139
58490	4-53	61288	2-157	63541	2-171
58518	3-3, 3-5, 3-11	61363	2-39, 2-51, 2-53, 2-55	63542	2-129, 2-131, 2-133, 4-39
58519	3-3, 3-5, 3-11	61365	3-17	63543	2-139
58520	3-3, 3-5, 3-11	61490	4-27, 4-36, 4-37	63544	2-7
58524	2-31	61529	2-39	63583	2-25
58589	2-113, 2-115, 2-117, 2-119	61531	2-39	63584	2-25
58590	2-113, 2-115, 2-117, 2-119	61869	3-43, 3-49, 3-59, 3-63	63647	2-27
58596	4-41	61870	3-43, 3-49, 3-59, 3-63	63663	2-7
58844	2-11, 2-15	61882	4-3, 4-7, 4-13, 4-17	63665	2-27
58858	2-149, 2-157	61886	4-5, 4-9, 4-15, 4-19	63667	2-27
58898	2-9, 2-11	61923	3-15	63668	2-27
59015	2-105	61931	2-39	63669	2-27
59156	3-51	61969	2-175, 2-185	63671	2-33
59192	2-15, 2-17, 2-19	62172	2-161	63695	2-41, 2-43, 2-45, 2-47
59305	4-23	62173	2-161	63751	2-13
59375	2-39	62234	2-127	63810	2-59, 2-63, 2-69, 2-71, 2-77, 2-81, 2-87, 3-43, 3-49, 3-59, 3-63
59577	2-159	62389	2-149	63818	2-129, 2-131, 2-133
59633	2-35	62561	2-149, 4-23	63926	2-23
59661	2-21	62563	2-171, 4-36	64038	5-17, 6-17
59668	2-147	62595-16	2-13	64058	2-143
59672	2-147	62595-2	2-13	64059	2-143
59767	2-232	62595-3	2-13	64141	2-185
59808	2-69	62607	2-173	64156	2-25
59866	2-25	62865	2-115, 2-119	64228	2-159

CROSS REFERENCE

Part Number	Page Number	Part Number	Page Number	Part Number	Page Number
64233	2-175	65197	2-153, 2-155	70435	2-113, 2-115, 2-117, 2-119
64278	2-15	65198	2-153, 2-155	70450	2-13
64279	2-15	65199	2-153, 2-155	70453	2-4, 2-9, 2-11
64299	2-179	65201	2-153, 2-155	70454	3-19
64312	2-15	65202	2-153	70470	2-27
64350	2-173	65204	2-153, 2-155	70471	2-5
64392	2-35	65205	2-153, 2-155	70477	2-105, 2-107, 2-109, 2-111
64394	2-35	65206	2-153, 2-155	70478	2-13
64410	2-35	65207	2-153, 2-155	70506	2-145
64419	2-21	65212	2-153, 2-155	70517	2-7
64434	2-161	65213	2-153, 2-155	70521	2-163
64500	2-35	65215	2-157	70524	2-163, 3-27
64501	2-35	65221	2-21	70525	2-163, 3-27
64543	2-17, 2-19	65222	2-21	70526	2-163, 3-27
64545	2-17, 2-19	65226	4-23	70532	2-167, 3-23
64556	2-145	65227	4-31	70537	2-232
64558	2-145	65229	4-29	70538	2-5
64559	2-35	65230	4-27, 4-29	70550	2-145
64567	2-35	65232	4-37	70597	2-9
64580	2-35	65235	4-41	70598	2-11
64586	2-183	65240	4-47	70603	4-63, 4-65
64618	2-35, 2-129, 2-131, 2-133, 2-179	65241	4-27	70609	4-63, 4-65
64621	2-35, 2-129, 2-131, 2-133, 2-179	65242	2-183, 4-41	70611	4-65
64631	2-183	65245	2-185	70612	4-63
64635	2-145	65248	2-175	70613	4-63, 4-65
64651	2-183	65249	2-175	70615	4-63, 4-65
64655	2-183	65252	2-21	70617	4-63, 4-65
64740	2-73	65258	3-19	70618	4-63, 4-65
64788	2-4, 2-9, 2-11	65278	2-31	70620	3-35
64801	2-9	65281	2-31	70622	2-183
64802	2-11	65527	2-69	70623	2-183
64811	2-171	65561	2-167, 3-23	70626	2-163, 3-27
64870	2-175	65869-5	2-4	70627	2-163, 3-27
64873	2-35	66020	2-5	70628	2-17, 2-19
64874	2-35	67310	2-139, 2-149	70631	2-97
64884	2-13	67366	2-163, 3-27	70635	2-121, 2-123, 2-125, 2-127
64886	2-139	67683	3-27	70636	2-121
64887	2-139	67767	2-25, 2-117, 2-119, 2-139	70649	2-5
64893	2-29	68445	3-37	70650	2-35
64899	2-51, 3-51	68866	2-147	70651	2-35
64905	2-161	68869	2-135, 2-137	70659	3-71
64919	2-4, 2-7	69097	2-67	70668	3-71
64920	2-4, 2-7	69234	2-159, 2-179	70669	3-19
64950	2-145	69904	2-7	70690	3-77
65129	2-145	69906	2-31	70692	3-75
65145-1	2-149	70006	2-157	70699	3-33
65160	2-163, 3-27	70072	2-157	70704	2-13
65168	2-163	70160	2-39	70705	2-232
65170	2-163	70173	2-105, 2-107, 2-109	70709	2-183
65173	2-163, 3-27	70218	2-183	70717	2-183
65174	2-163, 2-167, 3-23, 3-27	70219	2-183	70718	2-113, 2-115, 2-117, 2-119
65180	2-163, 3-27	70388	2-27	70719	2-113, 2-115, 2-117, 2-119
65188	2-153, 2-155	70398	2-186	70725	2-147
65191	2-153, 2-155	70400	2-207	70730	2-31
65194	2-153, 2-155, 3-31	70402	2-186	70742	2-31
65195	2-153, 2-155	70407	2-17, 2-19		
65196	2-153	70411	2-186		
		70431	2-163, 3-27		

CROSS REFERENCE

Part Number	Page Number	Part Number	Page Number	Part Number	Page Number
70747	2-147	73771	2-27	74100	4-27, 4-29, 4-37
70749	2-147	73772	2-27	74101	4-37
70754	2-121	73800	3-20	74109	4-41
70756	2-13	73862	2-7	74110	4-41
70761	2-31, 3-37	73863	2-7	74111	4-41
70762	2-31	73870	2-4, 2-9, 2-11	74112	4-41
70767	2-107	73871	3-71	74132	4-31
70775	2-181	73880	3-71	74133	4-31
70783	2-147	73887	2-27	74134	4-31, 4-33
70785	3-35	73889	2-4, 2-9, 2-11	74135	4-31, 4-33, 4-35
70788	3-35	73898	3-3, 3-5, 3-7, 3-9	74136	4-31, 4-33, 4-35
70790	2-181	73899	3-3, 3-5, 3-7, 3-9	74137	4-31, 4-33
70793	3-21	73901	2-13	74145	4-43, 4-47
70802	3-21	73903	2-13	74146	4-47
70807	2-4, 2-9, 2-11	73917	5-3, 5-15, 6-3, 6-15	74148	4-23
70808	2-11	73920	5-3, 6-3	74149	4-23
70809	2-9	73921	5-3, 6-3	74150	4-23
70810	2-181	73927	5-6, 6-6	74151	4-23
70815	3-21	73936	5-6, 6-6	74152	4-23
70825	2-179	73937	5-19, 6-19	74153	4-23
70827	2-161	73950	5-3, 6-3	74154	4-23, 4-25
70832	2-97, 2-99	73954	5-19, 6-19	74156	4-23
70843	2-7	73958	5-3, 6-3	74157	4-23
70844	2-7	73967	5-19, 6-19	74158	4-23
70847	2-161	73970	5-19, 6-19	74159	4-23
70848	2-173	73975	5-3	74160	4-23
70849	2-69	73977	5-22	74161	4-23, 4-25
70851	3-79	73978	5-22	74163	2-149
70876	2-59, 2-67	73979	5-22	74164	3-82
71552	2-153, 2-155	73980	5-22	74174	4-29, 4-41
71725	4-25	73981	5-22	74182	4-41
72970	2-183	73982	5-22	74184	4-3, 4-7, 4-13, 4-17
72978	2-87, 3-43, 3-59	73995	5-21, 6-5, 6-21	74190	4-41
72979	2-69, 2-71, 3-43, 3-59	73996	5-23, 6-23	74194	4-41
73017	2-67	74000	3-3, 3-5, 3-7, 3-9	74195	4-41
73020	2-69	74007	3-19	74210	4-3, 4-7, 4-13, 4-17
73645	2-7	74015	2-31	74214	4-33, 4-35
73646	2-179	74022	2-145	74218	4-41
73648	2-11	74040	2-15	74220	4-33, 4-35
73649	2-9	74045	2-27	74223	4-3, 4-7, 4-13, 4-17
73650	2-179	74046	2-27	74233	4-38, 4-39
73678	2-27	74051	2-147	74240	4-3, 4-7, 4-13, 4-17
73679	2-27	74056	2-173	74246	4-33, 4-35
73685	2-179	74058	2-121	74250	4-27, 4-29, 4-37
73717	3-51	74059	2-163, 3-27	74251	4-41
73720	2-173	74060	2-163	74253	4-3, 4-13
73721	2-173	74062	2-9	74254	4-3, 4-7, 4-13, 4-17
73724	2-7	74063	2-11	74256	4-3, 4-7, 4-13, 4-17
73727	2-37	74064	2-7	74257	4-3, 4-7, 4-13, 4-17
73731	2-139	74066	2-7	74258	4-3, 4-7, 4-13, 4-17
73733	2-139	74067	2-7	74259	4-5, 4-9, 4-15, 4-19
73734	2-35	74069	2-27	74260	4-5, 4-15
73736	2-185	74074	3-71	74261	4-5, 4-15
73737	2-167, 3-23	74081	2-13	74262	4-3, 4-7, 4-13, 4-17
73749	2-27	74082	2-129, 2-131, 2-133	74263	4-3, 4-13
73751	3-5	74089	2-113, 2-115, 2-117, 2-119	74264	4-5, 4-15
73753	3-9	74090	2-167, 3-23	74265	4-3, 4-7, 4-13, 4-17
73755	3-3	74094	4-27, 4-29, 4-37	74266	4-3, 4-7, 4-13, 4-17
73757	3-7	74098	4-33, 4-47	74267	4-3, 4-7, 4-13, 4-17
				74270	4-5, 4-9, 4-15, 4-19

CROSS REFERENCE

Part Number	Page Number	Part Number	Page Number	Part Number	Page Number
74271	4-5, 4-9, 4-15, 4-19	75823	4-51	76647	2-147
74272	4-3, 4-7, 4-13, 4-17	75824	4-51	76653	2-145
74273	4-3, 4-7, 4-11	75825	4-51	76684	3-31
74274	4-5, 4-9, 4-15, 4-19	75828	3-51, 3-65, 3-67	76736	2-105, 2-107, 2-109
74275	4-5, 4-9, 4-15, 4-19	75854	2-105, 2-107	76762	2-57
74276	4-3, 4-7, 4-13, 4-17	75861	2-23	76825	2-91
74277	4-5, 4-9, 4-15, 4-19	75876	3-71	76870	2-15
74278	4-5, 4-9, 4-15, 4-19	75877	3-71	76888	2-13, 2-186
74279	4-5, 4-15	75880	3-37	768897	2-129
74280	4-3, 4-7, 4-13, 4-17	75881	3-37	76898	3-37
74281	4-3, 4-7, 4-13, 4-17	75883	2-15	76907	2-105, 2-107
74282	4-5, 4-9, 4-15, 4-19	75891	2-25	76948	4-51
74283	4-3, 4-5, 4-7, 4-9, 4-13, 4-15, 4-17, 4-19	75899	3-27	76950	4-51
74391	2-167, 3-23	75901	3-73	76955	2-53, 2-55
74402	2-67	75968	2-183	76956	2-51
74443	2-59, 2-67	75989	3-73	76971	4-51
74455	2-27, 3-35, 3-37, 3-79	76030	3-73	76973	4-51
74509	5-15, 6-15	76036	3-73	76976	4-53
74516	5-3, 6-3	76038	3-73	76977	4-51
74527	5-15, 6-15	76049	3-73	76980	4-51
74536	5-7, 6-7	76055	3-73	769806	2-73
74538	5-5, 5-23, 6-5, 6-23	76069	3-73	769808	2-61
74545	5-19, 6-19	76074	3-73	76982	4-51
74548	5-19, 6-19	76081	3-73	76985	4-51
74552	5-19, 6-19	76084	3-73	76996	4-51
74561	5-11, 6-11	76100	3-73	77097	2-29, 2-159, 2-167, 2-175, 2-181, 3-23
74888	2-173	76235	2-23	77340	2-13
74889	2-173	76285	2-13	77375	3-3, 3-5, 3-7, 3-9
74920	2-7	76286	3-71	77388	2-31
74944	2-127	763113	2-179	77394	2-31
75010	2-5	763116	3-43, 3-49, 3-59, 3-63	77399	2-13, 2-15
75011	2-5	76316	2-157	77400	2-31
75012	2-29	76321	2-85, 2-87, 2-89, 2-93	77406	2-173, 4-27
75028	2-163	76338	3-71	77430	2-41, 2-43, 2-45, 2-47
75046	2-31	763483	4-23	77434	2-41, 2-43, 2-45, 2-47
75047	2-31	76383	2-97, 2-99	77435	2-41, 2-43, 2-45, 2-47
75099	3-27	76385	3-15, 3-33	77452	2-129, 2-131, 2-133
75117	3-27	76406	3-71	77458	3-23
75128	2-15	76423	3-17	77459	2-167, 3-23
75142	3-27	76438	2-163, 3-28	77463	2-23
75197	3-49, 3-63	76461	3-27, 3-31	77471	2-35
75303	2-15	76470	2-23	77473	2-153, 2-155
75428	2-13	76471	2-23	77485	2-161
75456-1	2-179	76472	2-27	77488	2-161
75456-2	2-179	76475	2-27	77490	2-135
75456-3	2-179	76487	2-27	77491	2-161
75456-4	2-179	76490	2-145	77492	2-161
75456	2-179	76491	2-145	77493	2-161
75465	2-37, 3-79	76492	2-13	77498	2-161
75575	2-145	76494	2-13	77499	2-161
75612	2-171	76495	2-13	77516	2-33
75666	2-85, 2-87, 2-89, 2-91, 2-93, 2-95	76497	2-153, 2-155	77523	2-33
75701	3-71	76498	2-153, 2-155	77531	2-179
75768	2-43, 2-45, 2-47	76516	3-35	77532	2-179
75821	4-53	76522	3-35	77553	2-179
75822	4-51	76523	2-147		
		76570	2-103, 2-167, 2-179, 3-23, 3-51		

CROSS REFERENCE

Part Number	Page Number	Part Number	Page Number	Part Number	Page Number
77555	3-51, 3-55, 3-65, 3-67, 3-69	77818	4-53	79635	5-9, 6-9
77558	2-105	77819	4-53	79636	5-9, 6-9
77569	3-23	77820	4-53	79638	5-9, 6-9
77575	2-159	77821	4-53	79640	5-9, 6-9
77578	2-177	77822	4-53	79642	2-153, 2-155
77579	2-135	77823	4-53	79644	3-71
77580	2-177	77824	4-53	79646	3-71
77583	2-177	78043	2-105	79647	3-71
77584	2-167, 3-23	78122	2-113, 2-115, 2-117, 2-119	79648	2-185
77593	2-7	78750	2-121, 2-123, 2-125	79670	2-7
77597	2-167, 3-23	78772	3-55, 3-69	79671	2-7
77600	2-167, 3-23	78897	2-59	79674	3-71
77601	2-167	78998	3-31	79680	2-7
77602	2-135, 2-137	79010	2-7	79681	2-7
77605	2-167, 2-177	79011	3-35	79708	4-5, 4-15
77612	3-20	79019	2-31	79711	4-42, 4-43, 4-47
77614	3-20	79025	3-79	79719	4-43, 4-47
77632	2-4	79026	3-79	79728	4-43, 4-47
77634	2-4	79028	2-13, 2-177	79731	4-42, 4-47
77640	2-153, 2-155	79031	2-4	79739	4-42, 4-47
77641	2-153, 2-155	79116	2-13	79740	4-42, 4-43, 4-47
77652	3-35	79138	2-29	79742	4-3, 4-7, 4-13, 4-17
77669	2-167	79139	2-27	79747	4-3, 4-7, 4-13, 4-17
77674	3-45	79140	2-139	79748	4-5, 4-9, 4-15, 4-19
77680	2-7	79151	2-141	79749	4-5, 4-9, 4-15, 4-19
77682	2-167	79152	2-139, 2-141	79750	4-5, 4-9, 4-15, 4-19
77711	2-15	79153	2-139, 2-141	79751	4-5, 4-9, 4-15, 4-19
77727	2-167, 3-23	79155	3-79	79752	4-5, 4-9, 4-15, 4-19
77734	2-7	79156	3-79	79753	4-5, 4-9, 4-15, 4-19
77738	3-23	79157	3-79	79754	4-11
77752	3-24	79158	3-79	79755	4-11, 4-21
77755	3-73	79159	3-79	79756	4-11, 4-21
77759	3-73	79160	3-79	79757	4-11, 4-21
77768	4-63	79167	3-79	79758	4-11, 4-21
77769	4-65	79168	3-79	79759	4-11
77770	2-141, 4-65	79169	3-79	79760	4-11, 4-21
77777	2-7	79170	3-79	79761	4-11, 4-21
77778	2-15	79172	3-79	79762	4-11, 4-21
77782	2-7	79174	3-79	79763	4-11, 4-21
77783	3-23	79176	3-79	79764	4-11, 4-21
77790	2-141, 4-63	79177	3-79	79765	4-11, 4-21
77800	4-55	79381	2-123, 2-125	79766	4-11, 4-21
77801	4-55	79506	2-27	79767	4-11, 4-21
77802	4-55	79591	2-31	79771	4-3, 4-13
77803	4-55	79593	2-145	79772	4-21
77804	4-55	79594	2-145	79774	4-21
77805	4-55	79596	2-29	79776	4-11, 4-21
77806	4-55	79597	2-27	79777	4-21
77807	4-55	79600	2-27	79779	4-3, 4-7, 4-13, 4-17
77808	4-55	79608	2-7	79781	2-163, 3-27, 4-37
77809	4-55	79621	3-27	79782	4-37
77811	3-41, 3-47, 3-57, 3-61, 4-51	79622	3-27	79786	4-45
77812	4-51	79628	5-9, 6-9	79787	4-45
77813	4-51	79629	5-9, 6-9	79788	4-45
77814	4-51	79630	5-9, 6-9	79789	4-45
77815	4-51	79631	5-9, 6-9	79790	4-45
77816	4-53	79632	5-9, 6-9	79791	4-45
77817	4-53	79633	5-9, 6-9	79792	4-45
		79634	5-9, 6-9	79793	4-45
				79794	4-45

CROSS REFERENCE

Part Number	Page Number	Part Number	Page Number	Part Number	Page Number
79795	4-45	83618	2-29	84891	5-5, 6-5
79797	4-45	83620	2-33	84892	5-5
79798	4-45	83622	2-33	84893	5-5
79799	4-45	83626	3-21	84894	5-5
79812	4-45	83627	3-21	84895	5-7, 6-7
79820	4-45	83639	2-59	84896	5-7, 6-5, 6-7
79822	4-45	83640	2-67	84897	5-7, 6-7
79823	4-45	83641	3-65	84898	5-7, 6-7
79824	4-45	83643	2-105	84899	5-7, 6-7
79956	5-9, 6-9	83644	2-105	84900	5-7, 6-7
79957	5-9, 6-9	83652	2-39	84901	5-7, 6-7
79960	5-9, 6-9	83664	2-39	84902	5-7, 6-7
79961	5-9, 6-9	83669	5-17, 6-17	84903	5-7, 6-7
79962	5-9, 6-9	83673	2-41	84904	5-7, 6-7
79963	5-9, 6-9	83674	2-41, 2-43, 2-45,	84905	5-7, 6-7
79964	5-9, 6-9		2-47	84906	5-7, 6-7
79965	5-9, 6-9	83677	5-24, 6-24	84907	5-6, 6-6
79966	5-9, 6-9	83678	2-59	84910	5-6, 6-6
79967	5-9, 6-9	83679	2-67	84911	5-22
79969	5-9, 6-9	83682	2-59, 2-67	84913	5-22
79970	5-9, 6-9	83683	2-59, 2-67	84914	5-22
79972	5-15, 6-15	83684	2-59, 2-67	84915	5-19, 6-19
79973	5-15, 6-15	83685	2-59, 2-67	84916	5-19, 6-19
79974	5-15, 6-15	83686	2-59, 2-67	84917	5-19, 6-19
79975	5-23, 6-23	83689	2-41	84919	5-19, 6-19
79976	5-15, 6-15	83690	2-121, 2-123	84921	5-19, 6-19
80395	2-167, 3-23	83691	2-121	84923	5-13
82063	3-3, 3-5, 3-11	83692	2-39	84924	5-13, 6-13
82168	2-147	83693	2-205	84925	5-13, 6-13
82200	3-7, 3-9, 3-13	83695	2-206	84926	5-13, 6-13
82509	2-107	83699	3-30	84927	5-13, 6-13
82510	2-107	83706	3-79	84936	5-19, 6-19
82661	2-97, 2-99, 2-103	83707	5-24	84947	5-13
82727	2-15, 4-61	83729	2-39	84950	5-21, 6-21
82731	2-39	83731	2-39	84951	5-21, 6-21
82733	2-181	83732	5-24, 6-24	84952	5-21, 6-21
82739	2-37, 3-79	83747	2-39	84953	5-21, 6-21
82820	2-153, 2-155	83750	2-39	84954	5-21, 6-21
82825	2-29	83758	2-59, 2-67	84955	5-21, 6-21
82830	2-21	83853	2-39	84956	5-21, 6-21
82832	2-139	84013	2-159, 4-47	84957	5-21, 6-21
82835	2-153, 2-155	84015	2-181, 3-27, 4-42	84958	5-21, 6-5, 6-21
82839	2-147	84016	2-167, 3-23, 4-43	84961	5-21, 6-21
82843	2-153, 2-155	84103	2-147	84962	5-3, 6-3
82921	2-13	84581	2-163, 3-27	84963	5-11, 6-11
82962	3-71	84659	5-17, 6-17	84964	5-11, 6-11
83547	2-33	84875	5-3	84965	5-11, 6-11
83548	2-33	84876	5-3	84966	5-11, 6-11
83549	2-23	84877	5-3	84967	5-11, 6-11
83551	2-23	84878	5-3, 6-3	84968	5-11
83553	2-23, 2-25	84879	5-3, 6-3	84969	5-11, 6-11
83554	2-23, 2-25	84880	5-3, 6-3	84970	5-11, 6-11
83555	2-25	84882	5-3, 5-24, 6-3, 6-24	84971	5-11, 6-11
83557	3-21	84883	2-4, 5-3, 6-3	84972	5-11
83578	2-59, 2-69, 2-71	84884	5-3, 6-3	84973	5-11, 6-11
83580	2-59, 2-69, 2-71	84885	5-5	84974	5-11, 6-11
83581	2-39, 2-51, 2-53	84886	5-5	84975	5-11, 6-11
83584	2-89, 2-91, 2-93,	84887	5-5, 6-5	84976	5-11, 6-11
	2-95, 2-127	84888	5-5	84977	5-11, 6-11
83591	2-109	84889	5-5, 5-11, 6-5, 6-11		

Part Number	Page Number
84978	5-11, 5-19, 6-11, 6-19
84979	5-11, 6-11
84980	5-11
84981	5-11, 6-11
84982	5-23, 6-23
84983	5-5, 5-23, 6-5, 6-23
84984	5-23, 6-23
84985	5-15, 6-15
84987	5-23, 6-23
84988	5-23, 6-23
84989	5-23, 6-23
84990	5-15, 6-15
84991	5-15, 6-5, 6-15
84992	5-15, 6-15
84993	5-23, 6-23
84994	5-23, 6-23
84995	5-15, 6-15
84996	5-15, 6-15
84997	5-15, 6-15
84998	5-23, 6-23
84999	5-9, 6-9
86034	2-145
86041	2-39
86328	2-107
86773	2-173
86798	2-7
86810	2-173
86824	2-61
86860	2-7
86953	2-147
87337	3-77
87396	2-105, 2-107, 2-109, 2-111
87515	2-7
87536	2-185
87579	4-59, 4-61
87583	2-186
87631	2-171
87866	2-185
87948	3-17
87972	2-129
9000355	2-111
9000360	2-125
9000823	4-67
9001070	2-129, 2-131, 2-133
9001183	2-129
9001293	2-147
9001554	2-131, 2-133
9001702	4-49
9002915	3-69
9003676	5-24
9003927	3-84
9004327	2-19
9004539	2-78

PART DESCRIPTION TO PAGE NUMBER CROSS REFERENCE LIST

A
 A/C Hose #6 134A, 4-59
 A/C Hose#10 134A, 4-59
 Actuator, Valve En, 4-5, 4-9, 4-15, 4-19
 Actuator-Lh, Governor, 2-59, 2-67
 Adapter, Carburetor, Ford 2.3, 2-59, 2-67
 Adapter, Throttle Body, 2-77
 Adapter, Valve, 400mm [Bosch], 2-81
 Adaptor Wldt, Vac Wand, 3-71
 Adaptor, Elbow, Carb, Gas, 2-59
 Adaptor, Filter, Remote, 2-57
 Adaptor, Fuelline, 2-109
 Adaptor, Intake, Lpg [3.0l], 2-77
 Adaptor, Valve, Fuel Trim, 2-77
 Adaptor, Water Pump Machined, 2-39
 Adaptor, Neutral En, 4-21
 Adhesive, 4-51, 4-53
 Adjuster, Manual, 4-63, 4-65
 Alternator Kit, Hd, Gas/Lpg, Cj[800/810], 3-69
 Alternator, 12vdc, 075a [Valeo], 2-51, 2-53, 2-55
 Alternator, 12vdc, 100A [Brushless], 3-51, 3-67
 Alternator, 50A/12V Mando, 2-39
 Alternator, Se [800/810, 07], 3-55, 3-69
 Alternator, 3-65
 Angle, Bolt, Latch, 2-17, 2-19
 Angle, Dust Seal, 2-27
 Angle, Heat, Shield, 2-53, 3-51, 3-67
 Angle, Mount, 2-31
 Angle, Mtg, .12x1x1x4.5L, 2-71
 Angle, Mtg, 2-113, 2-115, 2-117, 2-119
 Angle, Retainer, Lip, 2-27
 Angle, Retainer, Seal, 2-9, 2-11
 Angle, Torque, Tube, 2-173
 Angle, 3-71
 Arm Alternator, 2-39
 Arm Kit, 7-3
 Arm Wldt, Brush Arm, Front, Lh, 2-173
 Arm Wldt, Brush Arm, Front, Rh, 2-173
 Arm Wldt, Hopper Lift w label, 2-23
 Arm Wldt, M Br, Idler, 2-171
 Arm Wldt, M Br, Motor, 2-171
 Arm, Thr, Ball, 5-9, 6-9
 Arm, Adj, Alternator, Hd [800/810 07], 3-55, 3-69
 Arm, Adj, Alternator, 2-53
 Arm, Adjmt, Alternator, 2-55
 Arm, Alternator, Hd [Gm3.0l], 3-51, 3-67
 Arm, Alternator, 2-51
 Arm, Control En, 4-3, 4-7, 4-13, 4-17
 Arm, Rear Wiper, 4-51
 Arm, Safety W/Label, 2-23
 Arm, Tens, 3-51
 Arm, Tension, A/C, .18 1.3w 4.2l, 3-51
 Armature, 5-9, 6-9
 Armrest, Black, 2-13, 4-53

B
 Backing Plate Rh, 4-63
 Backplate S/A En, 4-5, 4-9, 4-15, 4-19
 Baffle, 5-3, 6-3
 Balancer, 7-11
 Ball En, 4-21
 Ball Joint .375-24, 3-71
 Ball, 4-31, 4-33, 7-3
 Balljoint .375-24 Lh, 3-71
 Balljoint, Rod End, 2-139
 Band, Mtg., 2-85, 2-87, 2-89, 2-93
 Bar Wldt, Brush Pressure, 2-171
 Bar Wldt, Pivot, 2-147
 Bar, Arm, Lower, Machining, 2-23
 Bar, Cylinder End, 2-25
 Bar, Equalizer, 2-145
 Bar, Frame, 2-7
 Bar, Prop, 3-71
 Bar, Retainer, Dust Seal, 2-27
 Bar, Retainer, 2-13
 Bar, Shaker Stem, 2-35
 Battery, 12V, Wet, 2-135
 Battery, Wet, 12vdc 0700cca, 2-137
 Bearing Cam., 5-6, 6-6
 Bearing Kit, .001 U.S., 7-7
 Bearing Kit, .001" #1, 2, 3, 4, 7-11
 Bearing Kit, .001" #5, 7-11
 Bearing Kit, .010" #1, 2, 3, 4, 7-11
 Bearing Kit, .020" #1, 2, 3, 4, 7-11
 Bearing Kit, .025" #5, 7-11
 Bearing Kit, .030" #1, 2, 3, 4, 7-11
 Bearing Kit, Cshft, .010[F2.3/2.5], 5-13, 6-13
 Bearing Kit, Cshft, .020[F2.3/2.5], 5-13, 6-13
 Bearing Kit, Cshft, .030[F2.3/2.5], 5-13, 6-13
 Bearing Kit, Cshft, .040[F2.3/2.5], 5-13, 6-13
 Bearing Kit, Cshft, Std[F2.3/2.5], 5-13, 6-13
 Bearing Kit, Std #1, 2, 3, 4, 7-11
 Bearing Kit, Std #5, 7-11
 Bearing Kit, Std, 7-7
 Bearing Kit, 7-7, 7-12
 Bearing Thrust, 4-37
 Bearing, .016 Camshaft, 5-6, 6-6
 Bearing, Fiberglide .50 X .50, 2-35
 Bearing, Fiberglide, 2-147
 Bearing, Flange .500B, 2-183
 Bearing, Flange .625 Bore, 2-31, 3-71
 Bearing, Flange .875 Bore, 2-163, 3-27
 Bearing, Journal, 2-25, 2-29, 2-173
 Bearing, Needle, 4-41
 Bearing, Nylon .50B, 2-161
 Bearing, Nylon, 2-31, 3-79
 Bearing, Thrust .500, 2-7
 Bearing, Thrust - Fiberglide, 2-35
 Bearing, Ball, 669B 1.575D .472W, 2-39
 Bearing & Clr, .1.25B 2.44D 1.41W, 2-171
 Bearing-Ball, 0.59B 1.26D 0.35W, 2-173

Bearing-Ball, 1.38B 2.83D 0.67W, 2-171
 Bearing-Cone, 1.38Bore 0.72Wth, 2-141
 Bearing-Cone, 1.50Bore 0.75Wth, 2-141
 Bearing-Cone, 2.63Bore 0.87Wth, 2-139
 Bearing-Cup, .433Dia 0.74Wth, 2-139
 Bearing-Cup, 2.56Dia 0.55Wth, 2-141
 Bearing-Cup, 2.72Dia 0.59Wth, 2-141
 Bearing-Flange, 2 Hole 0.50Bore, 2-183
 Bearing-Journal, 2-23, 2-25
 Bearing, 2-35, 2-163, 2-167, 3-23, 3-27, 4-3, 4-5, 4-7, 4-9, 4-13, 4-15, 4-17, 4-19, 4-36, 5-9, 5-22, 6-9, 6-22
 Bearng-Journal, 2-23
 Bell Crank En, 4-21
 Bell Crank, 4-11
 Belt, Seat, 3-77
 Belt, V, [3v] 39.6l [Hc41], 2-53, 2-55
 Belt, V, [3v] 38.5l [Hc38/41], 3-52
 Belt, V, [3v] 40.0l, 1only [Hc38], 2-51, 3-51
 Belt, V, [Hc41] 42.0l, 3-51, 3-67
 Belt, V, 38.5l [Hc38], 3-55
 Belt, V, 45.1l [Hc38], 3-55, 3-69
 Belt, V, Hc 38-46.375, 2-39
 Belt, V, Hc41 40.1L, 3-45
 Belt, V, Hc41 41.1L, 3-45
 Belt, V, 3-65
 Binary, 4-57
 Blade Arm, Rear, 4-51
 Blade, Deflector, 2-4, 2-7
 Block Assy, 5-3, 6-3
 Block, 3-23
 Blower, Heat/Ac, 4-59, 4-61
 Body Assembly, 4-23
 Body Assy, 4-23
 Body, 4-25
 Bolt (1/4-20x.62), 7-9
 Bolt (5/16-18x5/8), 7-9
 Bolt (1/4-20x1/12 Hex), 7-12
 Bolt (1/4-20x1/12), 7-12
 Bolt (1/4-20x1/2), 7-9
 Bolt (5/16-18x1.5 Hex), 7-12
 Bolt M12, 5-3, 5-6, 6-3, 6-6
 Bolt M12X45, 5-19, 6-19
 Bolt, Carriage, .38-16 X 1.00, 2-171
 Bolt, Clutch, 2-43, 2-45, 2-47
 Bolt, Eye, Lift, 2-45
 Bolt, Latch, 2-9, 2-11
 Bolt, M6X16.5mm, 5-3, 6-3
 Bolt, M8 X 17 Schd, 5-7, 6-7
 Bolt, M8X12.0mm, 5-23, 6-23
 Bolt, Motor, Hyd, 4-35
 Bolt, Shld, .50d X 0.50, .38-16, 2-163, 3-27
 Bolt, Starter, 2-43, 2-45, 2-47
 Bolt, U, .25-20 X 2.00, 1.10id, 3-43, 3-49, 3-59, 3-63
 Bolt, M10X40.0mm, 5-11, 6-11
 Bolt, M10X55.0M, 5-15, 6-15
 Bolt, M10X58.0mm, 6-17

- Bolt,M14X55.0M, 5-13, 6-13
- Bolt,M5X20.0M, 5-11, 6-11
- Bolt,M6X27.5mm, 5-11, 6-11
- Bolt,M6X37.5mm, 5-7, 6-7
- Bolt,M6X47.5mm, 5-11, 6-11
- Bolt,M6X52.5mm, 5-11, 6-11
- Bolt,M8X18.0M, 5-23, 6-23
- Bolt,M8X20.0mm, 5-11, 6-11
- Bolt,M8X25.0mm, 5-15, 6-15
- Bolt,M8X53.0mm, 5-23, 6-23
- Bolt,Tens.Sprn, 5-19, 6-19
- Bolt-Conrod-4, 5-22, 6-22
- Bolt-Eye M8-1.25, 2-163, 3-27
- Bolt-Thru, 5-9, 6-9
- Bolt, 2-61, 2-63, 2-73, 2-77, 2-78, 4-31, 4-33, 5-17, 5-19, 6-19, 7-3, 7-5, 7-7, 7-9, 7-11, 7-12
- Boot, 90deg .44id 0.62id 1.69l, Blk, 3-17
- Boot, Circuit Breaker, 3-35
- Boot, Circuitbreaker, 2-186, 3-35
- Boot, Str .42ID .12H .25L, 2-39
- Boot, Str 0.42id .12h 0.25l, 2-51, 2-53, 2-55
- Boot, Switch, Ignition, 2-185
- Boot, Switch, 2-185
- Boot-Circuit Breaker, 2-186
- Boot, 2-183
- Box Assy, Heat/Ac, 4-59
- Box Assy, Heat, 4-61
- Box Assy, Heater, A/C (See Breakdowns), 3-41, 3-47, 3-57, 3-61
- Box, Mounting, Lever, Vac, 3-71
- Brace Wldt, Bumper, Se, 3-21
- Bracket [Epr], 2-81
- Bracket Kit, Mtg, Cable, Replmt[800/810], 2-147
- Bracket Wldt, Alternator Mtg, 2-39
- Bracket Wldt, Eng/Alt Mount, 2-41
- Bracket Wldt, Fan Inlet, 2-179
- Bracket Wldt, Gas Spring, 2-15
- Bracket Wldt, Lift, 3-27
- Bracket Wldt, Mounting, Valve, 2-161
- Bracket Wldt, Mtg, A/C [800 07], 3-55
- Bracket Wldt, Mtg, A/C, 3-51
- Bracket Wldt, Mtg, Battery, 2-137
- Bracket Wldt, Mtg, Headlight, 2-33
- Bracket Wldt, Mtg, Motor [2007], 2-133
- Bracket Wldt, Pivot, 3-27
- Bracket Wldt, Steering Tilt, 2-183
- Bracket Wldt, Tank, Lpg, 2-113, 2-115, 2-117, 2-119
- Bracket Wldt, 3-73
- Bracket, Bottom, 7-5
- Bracket, Adjuster, Brake, 2-145
- Bracket, Alternator, 2-51, 2-53, 2-55
- Bracket, Angle, 2-163, 2-179, 3-23, 3-27, 3-33
- Bracket, Battery, 2-135
- Bracket, Belt, Guard, A/C, 3-51
- Bracket, Belt, Guard, Ac, 3-45
- Bracket, Box, Relay, 2-65, 2-81
- Bracket, Brace Center, 2-15
- Bracket, Brush Lift, Main, 2-175
- Bracket, Eng Mtg Rh, 2-41
- Bracket, Eng, 2-135
- Bracket, Flasher, 3-15, 3-17
- Bracket, Fltr, Fuel, 2-109
- Bracket, Fltr, Lpg [6600], 2-73
- Bracket, Guard, Alternator, Hd [800/810], 3-55, 3-69
- Bracket, Guard, Alternator, Hd [Gm3.0l], 2-55, 3-51, 3-67
- Bracket, Ignition, 2-39
- Bracket, Isolator, 2-101
- Bracket, L 12.0L Hood Support, 2-15
- Bracket, L, 2.20,2.00, .18T,1., 2-129, 2-131, 2-133
- Bracket, Lh, 2-31
- Bracket, Lift, 2-163
- Bracket, Mounting Motor, 2-181
- Bracket, Mounting, Eng, Rear, 2-41, 2-43, 2-45, 2-47
- Bracket, Mounting, Eng,Rear Lh, 2-41, 2-43, 2-45, 2-47
- Bracket, Mounting, Gearmotor, 3-79
- Bracket, Mounting, Headlamp, 2-31
- Bracket, Mounting, Mirror, 3-37
- Bracket, Mounting, Motor, 2-163, 3-27
- Bracket, Mounting, Skirt, 3-73
- Bracket, Mounting, Vaporizer, 2-69
- Bracket, Mounting, 2-159
- Bracket, Mtg, Alternator, Hd,[Gm3.0l], 3-51
- Bracket, Mtg, Alternator, Hd[800/810 07], 3-55, 3-69
- Bracket, Mtg, Alternator, Lower,[Gm3.0l], 3-67
- Bracket, Mtg, Battery, 2-135
- Bracket, Mtg, Coil, 2-39
- Bracket, Mtg, Eng, Lh, 2-43, 2-45, 2-47
- Bracket, Mtg, Eng, Rear, 2-41, 2-43, 2-45, 2-47
- Bracket, Mtg, Eng, Rh, 2-41, 2-43, 2-45, 2-47
- Bracket, Mtg, Fltr, Oil, W/ Label [800l], 2-129
- Bracket, Mtg, Fltr, Oil, W/Label [800l], 2-129, 2-131, 2-133
- Bracket, Mtg, Ftg, 2-29
- Bracket, Mtg, Fuelline, 2-107
- Bracket, Mtg, Heat Shield, 2-101, 2-103
- Bracket, Mtg, Isolator [800/810 07], 2-103
- Bracket, Mtg, Isolator, 2-101
- Bracket, Mtg, Mirror, 3-37
- Bracket, Mtg, Ohg, 3-19
- Bracket, Mtg, Plate, Lh, 2-173
- Bracket, Mtg, Plate, Rh, 2-173
- Bracket, Mtg, Propel Cable, 2-147
- Bracket, Mtg, Skirt, 2-27
- Bracket, Mtg, Tank, Coolant F/87972, 2-129
- Bracket, Mtg, Valve, Cntrl, Heater, 3-43, 3-49, 3-59, 3-63
- Bracket, Mtg, Valve,Control, Heater, 3-43, 3-59
- Bracket, Mtg, Valve, 2-181
- Bracket, Oper Comp, 2-13
- Bracket, Pivot, 2-163
- Bracket, Pump, Fuel, 2-105, 2-107, 2-109
- Bracket, Retainer, Battery, 2-137
- Bracket, Rh, 2-31
- Bracket, Side Brush, Valve, 3-23
- Bracket, Spring, 2-163, 3-27
- Bracket, Stand-Off, Fltr, Air, 2-91, 2-95
- Bracket, Starter, 2-43, 2-45, 2-47
- Bracket, Steering, Machining (Repl. by 375534), 2-139
- Bracket, Steering, Machining, 2-139
- Bracket, Tail Pipe, 2-97, 2-99, 2-101
- Bracket, Tailpipe [800/810 2007], 2-103
- Bracket, Tailpipe, 2-101
- Bracket, Top, 7-5
- Bracket, Wldt,Cable Mtg, 2-147
- Bracket,A/C Dryer, 4-57
- Bracket-Mtg, Governor, 2-59, 2-67
- Bracket, 2-7, 2-121, 3-3, 3-5, 3-7, 3-9, 3-15, 3-73, 4-53, 7-3, 7-9
- Brake Assy, Drum, Hyd, 08.0d 1.6w Lh, 4-65
- Brake Assy, Drum, Hyd, 08.8d 1.6w Rh, 4-63
- Brake Assy, Lh (See Breakdowns), 2-141
- Brake Assy, Rh (See Breakdowns), 2-141
- Breaker-Circuit, 15 Resetable, 3-79
- Breaker-Circuit, 2.5 Resetbl, 2-186
- Breaker-Circuit, 15 Resetbl, 2-186
- Breaker-Circuit, 15 Resetable, 3-35
- Breather Cap and Gasket, 2-157
- Breather Cap, 5-21, 6-21
- Breather, Hyd 40Mic No Ds, 2-4
- Breather, Hyd, 2-157
- Brg-Conn.Rod, 5-22
- Brkt,Mtg,Htr Coil, 4-61
- Brkt-L,1.2 1.0 .12 .8L2/H&S, 2-39
- Brush Holder, 5-9, 6-9
- Brush Kit, 2-39
- Brush, Swp, Wedge, Polypropylene, 2-5
- Brush-Outsd -Polypropylene, 2-5
- Brush-Patrl -Nylon, 2-5
- Brush-Side Swp -Assy-Nylon, 2-5
- Brush-Side Swp -Assy-Polypropylene, 2-5
- Brush-Side Swp -Nylon, 2-5
- Brush-Side Swp -Polypropylene, 2-5
- Brush-Side Swp -Assy-Flat Wire, 2-5
- Brush-Side Swp -Flat Wire, 2-5
- Brush-Sweep -Nylon (24SR), 2-5
- Brush-Sweep -Nylon (8DR), 2-5
- Brush-Sweep -Polypropylene&Wire, 2-5
- Brush-Sweep -Polypropylene, 2-5
- Brush-Sweep -Wire, 2-5
- Bshg,Flange,0.62Bx0.68Od,Nylon, 3-37
- Bulb, #194, 3-17
- Bulb, 12V .5A 4Cp #1157, 2-7
- Bulb, 12V, 3-3, 3-5, 3-7, 3-9
- Bulb, 3-11, 3-13
- Bumper Assy, Se, 3-21
- Bumper Wldt., Rear, Gas/Die, 2-7
- Bumper Wldt., Rear, LPG, 2-7

CROSS REFERENCE

Bumper Wldt, Lh, 2-33
Bumper Wldt, Rear, Gas/Dsl, 2-7
Bumper Wldt, Rear, Lpg, 2-7
Bumper Wldt, Rh, 2-33
Bumper Wldt, Se, Rh, Front, 3-21
Bumper Wldt, Sppt, Hopper, Rh, 2-33
Bumper Wldt, Se, Lh, Front, 3-21
Bumper, Corner, Mach, 2-7
Bumper, Cover, Hopper, 2-31
Bumper, Rbr, 1.5d 1.50 0.28h, 2-17, 2-19
Bumper, Rubber, 2-13, 2-21, 2-31, 3-5, 3-9, 3-35
Bushing En, 4-7, 4-17
Bushing En, 4-5, 4-9, 4-15, 4-19, 4-45
Bushing, Isolator-Inner, Rbr., 2-161
Bushing, Isolator, 2-35, 2-129, 2-131, 2-133, 2-179
Bushing, Rubber, 2-85, 2-87, 2-89, 2-93
Bushing, Seal, 4-41
Bushing, Sleeve, .40b X .50d X 1.06l, 3-51
Button, Plug 1.25H, 2-186
Button, Plug, 0.50h .03-.12 [Black Nyl], 3-57, 3-61

C

Cab Assembly Operator (See Breakdowns), 3-35
Cab Assy, W/Label (Gas), 4-51
Cab Assy, W/Label (LPG), 4-51
Cable Assy, Choke 67.00Lg, 2-59
Cable Assy-Batt, Pos, 48.0, 2Ga, 2-135
Cable Tie Mount, 3-3, 3-5, 3-7, 3-9
Cable, Battery, 02ga 36.0l Blk .38ring, 2-137
Cable, Battery, 02ga 48.0l Red .41ring, 2-137
Cable, Brake, Park, 2-145
Cable, Cntrl, Choke, 85/90l 1.4d Knob, 3-43, 3-49, 3-59, 3-63
Cable, Lift, Brush, Front, 2-175
Cable, Lift, Main Brush, 2-175
Cable, Push, Pull, 2-147
Cable, Retaining, S Br, 2-167, 3-23
Cable, Side Brush, Lift, 2-167, 3-23
Cable, Speed Control, 2-147
Cable, 2-163, 3-27
Cabletie Mount, Adhesive, 3-11, 3-13
Cam, 2-147
Camplate S/A En, 4-3, 4-7, 4-13, 4-17
Camsft. Sensor, 5-11
Camshaft, 5-19, 6-19, 7-12
Camshft Sprckt, 5-19, 6-19
Cap Assembly En, 4-45
Cap Screw En, 4-3, 4-7, 4-13, 4-17
Cap Screw, 4-37
Cap, Cyl Assy, Master Brake, 2-145
Cap, Distributor, 7-5
Cap, End, 4-41
Cap, Fill, Oil, 7-3
Cap, Fuel, Tank, 2-111
Cap, Fuel, 2-105
Cap, Grease Black Paint, 2-141

Cap, Radiator, 14psi [Stant], 2-129, 2-131, 2-133
Cap, Screw, 4-27, 4-29, 4-41
Cap, Tank, Fuel, 2.3neck 2.6d, 2-107, 2-109
Cap, Valve Spring, 7-3
Cap, Valve Stem, 2-143
Cap, Wheel, Steering, 2-183
Cap, 2-39, 7-12
Carburetor, Gas, 2-59
Carburetor, Lpg W/Gasket, 2-67
Cart., Check Valve CP, 4-47
Cart., Pilot CNTR CP, 4-47
Cart., PSI CN CP, 4-47
Cart, Pilot Cntr, 4-43
Chain, Jack, #12, 08.5l 11 Links, 3-71
Chain, Link#2/0, 7Links, 2-4
Chain, Sash, #35, 06.0l 11 Link, 2-7
Chain, Link#2/0, 7Links, 2-7
Channel Wldt, Mtg, Eng, Rear, 2-43, 2-45, 2-47
Channel Wldt, Mtg, Engine, Rear, 2-41
Channel, Mounting, 2-7
Channel, Mtg, Fan Motor, 2-129, 2-131
Channel, Mtg, Steering Latch, 2-183
Channel, Retainer, Seal, Rear, 2-4
Channel, Retainer, Seal, Rear, 2-7
Channel, Retainer, 2-4, 2-7, 2-139
Charge Pmp Adap En, 4-5, 4-9, 4-15, 4-19
Check Valve, 100 Psi, 3-27
Circuitbreaker, 20.0a, Thermal, 3-41, 3-47, 3-57, 3-61
Circuitbreaker, 15A, Resetable, 3-35
Circuitbreaker, 15A, Restable, 2-186
Circuitbreaker, 2.5A, Restable, 2-186
Clam Latch, 4-53
Clamp, Cable, Stil, 0.18d X 0.75w, 1hole, 3-43, 3-49, 3-59, 3-63
Clamp, Cable, Stil, 0.38d X 0.62w, 1h, 2-107, 2-109
Clamp, Cable, Stil, 0.44d X 0.62w, 1h, 2-37
Clamp, Cable, Stil, 0.69d X 0.62w, 1hole, 2-117, 2-119
Clamp, Cable, Stil, 0.9x1.8x0.62w, 1h, 2-109
Clamp, Cable, Stil, 1.00d X 0.75w, 1h, 2-159, 2-179
Clamp, Cable, Stil, 1.0x2.0x0.62w, 1hole, 2-163, 3-27
Clamp, Cable, Stil, 1.25d X 1.00w, 1h, 2-15, 2-57
Clamp, Cable, Stil, 1.50d X 0.75w, 1h, 2-107
Clamp, Cable, Stil, 1.75d X 1.00w, 1h, 2-123, 2-125
Clamp, Cable, Stil, 1.75d X 1.00w, 1hole, 2-127
Clamp, Cable, Stil, 2.00d X 0.75w, 1h, 2-109
Clamp, Cable, Stil, 2.00d X 0.75w, 1hole, 2-111

Clamp, Cable, Stil, 2.25d X 1.00w, 1h, 3-43, 3-49, 3-59, 3-63
Clamp, Cable, Stil, 2.25d X 1.0w, 1h, 2-107
Clamp, Cable- Brake, 2-145
Clamp, Cable, 2-139
Clamp, Hold Down, 4-63, 4-65
Clamp, Hose, 1.0, 2-82
Clamp, Hose, Spring Stil, 0.86d X 0.38w, 2-89, 2-91, 2-93, 2-95
Clamp, Hose, Spring, 0.62d, 2-81
Clamp, Hose, Wormdrive, 0.25-0.62d, .31w, 2-111, 2-127
Clamp, Hose, Wormdrive, 0.25-0.62d, 2-107, 2-109
Clamp, Hose, Wormdrive, 0.50-1.06d, 2-61
Clamp, Hose, Wormdrive, 0.56-1.06d, .56w, 2-63, 2-81
Clamp, Hose, Wormdrive, 0.56-1.06d, 2-71, 2-77, 2-87, 3-43, 3-49, 3-59, 3-63
Clamp, Hose, Wormdrive, 0.81-1.50d, 2-57, 2-61, 2-73, 3-49, 3-63
Clamp, Hose, Wormdrive, 1.06-2.00d, 2-123, 2-125, 2-127
Clamp, Hose, Wormdrive, 1.25-2.00d, 2-123, 2-125
Clamp, Hose, Wormdrive, 1.31-3.25d, .50w, 2-93
Clamp, Hose, Wormdrive, 1.31-3.25d, 2-89
Clamp, Hose, Wormdrive, 2.25-3.25d, .50w, 2-91, 2-95, 2-127
Clamp, Hose, Wormdrive, 2.50-3.50d, .50w, 2-91, 2-95
Clamp, Hose, Wormdrive, 5-3, 6-3
Clamp, Mtg, Motor, Upper, 2-35
Clamp, Muffler, 1.62d, 2-101, 2-103
Clamp, Valve, Trim [Impco], 2-78
Clamp, Cable .44D .62Wide, 3-79
Clamp-Cable, 0.25Dia 0.56Wth, 2-145, 3-79
Clamp-Cable, 0.38Dia 0.38Wth, 3-71
Clamp-Cable, 0.38Dia 0.62Wth, 2-105
Clamp-Cable, .69Dia. 62Wth, 2-25
Clamp-Muffler, For 1.87 Od Tube, 2-97, 2-99
Clamp-Muffler, For 2.00 Od Tube, 2-97, 2-99
Clamp-Wormdrive, 0.25- 0.62D, 2-59, 2-67
Clamp-Wormdrive, 0.56- 1.06D, 2-59, 2-69, 2-71
Clamp-Wormdrive, 0.81- 1.50D, 3-17
Clamp-Wormdrive, 1.06- 2.00D, 2-121
Clamp-Wormdrive, 1.62- 3.50D, 2-35, 2-85, 2-87, 2-89, 2-93
Clamp-Wormdrive, 2.63- 4.50D, 2-179
Clamp-Wormdrive, 3.62- 5.50D, 2-179
Clamp, 2-61, 2-63, 2-73, 2-78, 7-5, 7-12
Cleaner, Air Al Se, 2-85, 2-87, 2-89, 2-93

Clevis, Adjust. 0.25-28Th. Cad., 2-147
 Clevis, Adjust. 0.50-13Th. Cad., 2-175
 Clip Finger Grip, 3-71
 Clip, Keeper, Open, 2-117, 2-119
 Clip, Pine-tree .236h Plastic, 2-13
 Clip, Pine-Tree .250h Plastic, 2-7
 Clip, Tree, 2-15
 Closure, 4-51
 Coil 12V CP, 4-47
 Coil, 12V W/Var, 4-42, 4-43
 Coil, Condenser, 4-57
 Coil, Evaporator, 4-59
 Coil, 7-5
 Column, Steering 12", 2-183
 Compressor, A/C [2007], 3-55
 Compressor, A/C, 3-45, 3-51
 Condenser Assy, A/C, 4-57
 Condenser, A/C, Roof (See Breakdowns),
 3-41, 3-47
 Conn Rod, 7-7
 Connecting Rd, 5-22, 6-22
 Connector, Ele, Plug, Femal, .156d, 3-33
 Connector, Fuel, E90, Qf, 2-111
 Connector, Fuel, Qf, 2-109
 Control Unit, Gov. (Repl. by 374127), 2-67
 Control Unit, Gov., 2-59
 Control, Electronic, Gas, 4-71
 Control, Govnr [All Purpose], 2-59
 Control, Manual (See Breakdowns), 4-3,
 4-7, 4-13, 4-17
 Control, Manual, 4-11
 Controller Assy, Rfs, 3-79
 Controller, Lpg, 12Vdc, 2-71
 Converter, Lpg, 2-77
 Cooler-Hyd, 2-21
 Coupler En, 4-5, 4-9, 4-15, 4-19
 Coupling Flywheel, 2-41
 Coupling, Quickdisc, Lpg, Shwd, 2-113,
 2-115, 2-117, 2-119
 Coupling, 3-79
 Cover Assy, Hopper, 2-31
 Cover Weldt., 2-39
 Cover Wldt, Engine Se, 2-15
 Cover Wldt, Fuel Inlet, 3-35
 Cover Wldt, Inlet, Fuel (LPG Only), 3-35
 Cover, Cab Pressurizer, 3-35
 Cover, Electrical, 3-79
 Cover, Hose, 2-81
 Cover, Housing, Electrical, 3-79
 Cover, Motor, 3-79
 Cover, Relay Panel, 2-186
 Cover, Rocker Switch Seal, 2-167, 2-185,
 3-23
 Cover, Rocker, Switch Seal, 2-175
 Cover, 2-39, 7-3, 7-7, 7-9, 7-11
 Cradle Sub Assy En, 4-7, 4-17
 Crankshaft Assy, 5-13, 6-13
 Crankshaft, 7-11
 Crnksft Seal-Rear, 5-13, 6-13
 Crnksft Sprckt, 5-13, 6-13
 Crnksft Key, 5-13, 6-13
 Cup, Bearing, Drive Flange, Pntd, 2-173

Cyl Block Assy (Short Block Assy), 5-3,
 6-3
 Cylinder, Hyd 1.5B 1.5S 2500, 2-167
 Cylinder, Hyd, 1.5b 06.3l 01.50strk 2500,
 3-23
 Cylinder, Hyd, 2.0b 12.0l 08.00strk 2500,
 2-29
 Cylinder, Hyd, 2.0b 15.0l 08.00strk 1500,
 2-139
 Cylinder, Hyd, 2.0b 23.8l 14.90strk 2500,
 2-25
 Cylinder, Hyd, 2.0b, 15.0l, Rep. By 1028492
 (See Breakdowns), 2-139
 Cylinder, Hyd, 2.0b, 15.0l, Rep. By 1028492,
 4-48
 Cylinder, Hyd, 4.0b 29.1l 14.50strk 2500
 (See Breakdowns), 2-25
 Cylinder, Hyd, 4.0b 29.1l 14.50strk 2500,
 4-49
 Cylinder, Hyd, 2-175
 Cylinder, Master Brake, 2-145
 Cylinder, Wheel, Brake, 4-63, 4-65

D

Dampner, Engine, 2-13
 Dipstick, 7-7
 Disc, 2-35
 Disconnect, Male, 4-51
 Disk, 3-71
 Distributor, 7-5
 Door Cw, 4-53
 Door Assembly, Cab, 4-53
 Door Assy [800/810 08], 2-19
 Door Wldt, Brush, Lh, 2-9
 Door Wldt, Brush, Rh, 2-11
 Door Wldt, Engine, 2-17
 Door Wldt, Hopper, 2-29
 Door Wldt, Rear, 2-21
 Door, Bumper, Lpg, 2-7
 Dowel Bushing En, 4-7, 4-17
 Dowel Pin En, 4-21
 Dowel Pin, 4-11
 Dowel, Frnt Cover, 5-3, 6-3
 Dowel, 5-3, 6-3
 Drain Cock, .25npt, 2-121
 Drain Cock, .25Npt Wh#120 Angl, 2-129,
 2-131, 2-133
 Draincock, End. Block, 5-3, 6-3
 Drive Assy, 5-9, 6-9
 Drive Cl, 4-27
 Drive Gear Assembly, 4-23
 Drive Pin, .31, 4-51
 Drive, Motor, Hyd, 4-29, 4-35
 Drive, Valve, 4-31, 4-33
 Drive, 4-31, 4-33, 4-36, 4-37, 4-41
 Driveplug, Brush - Mach., 2-173
 Drum Assy, Brake 9/16, 2-141
 Dryer, Ac, 4-57
 Duck Bill, 4-59, 4-61
 Duct Wldt, Rfs, 3-79
 Duct, Inlet, Vac Fan, 2-27
 Duct, Rear, 2-129, 2-131, 2-133

Duct, Vyl, 0.40 X 0.75 .25d 24.0l, 3-3,
 3-5, 3-7, 3-9
 Dust Control Kit, Side Brush, 3-73

E

Elbow, 90 deg, 5-15, 6-15
 Element, Air Cleaner, 2-85, 2-87, 2-89,
 2-93
 Element, Filter Safety, 2-85, 2-87, 2-89,
 2-93
 Element, Filter, Air, 2-4
 Element, Fltr, Air [Dn], 2-4, 2-91
 Element, Fltr, Air, 2-4, 2-91, 2-95
 Element, Fltr, Fuel Lpg [Coalescent, 2-73
 Element, Fltr, Oil, Eng, Spin-on[Gm], 2-4
 End Cap Cl, 4-27, 4-29
 End Cap, 4-37
 Engine [Ford, 2.5l Reman] (See 2.5L
 Engine Brkdn), 2-39
 Engine Assy, Gas, Clsd Loop [Gm, 3.0l]
 (See GM Engine Breakdown), 2-45
 Engine Assy, LPG, Clsd Loop [Gm, 3.0l]
 (See GM Engine Breakdown), 2-45
 Engine Purch Kit, Lrg 423 (See 2.3L
 Engine Bkdn), 2-39
 Engine, Block, Long [Gm3.0l] (See GM
 Engine Breakdown), 2-47
 Engine, Gm, 3.0 Liter, Gas (See GM
 Engine Breakdown), 2-43
 Engine, Gm, 3.0 Liter, Lpg (See GM
 Engine Breakdown), 2-43
 Engine, Partial (Includes block, pistons,
 rods, crankshaft, bearings, rear seal
 gasket), 7-7
 Exh. Manifold, 5-15, 6-15
 Extinguisher Kit Fire 800, 3-75
 Extinguisher, Fire, 3-75
 Extrusion, .062 Matl 10.10Lg, 2-39

F

Fan, Condenser, 4-57
 Fan, Cooling, 18.0d, 8 Blade, 0.5b Taper,
 2-133
 Fan, Radiator, 2-129, 2-131
 Fan, Repair Kit, Reassembly, 2-179
 Fender Washer, 2-9, 2-11
 Ferrule, 2-35
 Filter Assy, (standard), 2-35
 Filter Assy, Air, 3.0 Inlet [Dn#G070070],
 2-91, 2-95
 Filter Assy, Fine, Hopper (option), 2-35
 Filter Assy, Spin-on, 2-4, 2-21
 Filter Element, Oil, Cont. Gas-SE, 2-4
 Filter Element, Oil, 5-3, 6-3
 Filter Element, 2-21
 Filter Kit, Lpg Lockoff, 2-77
 Filter, Air, Pre-Cln, A/C, 2-91, 2-95
 Filter, Fuel [Gm 1.6l/3.0l], 2-111
 Filter, Fuel, Lpg [Coalescent], 2-73
 Filter, Fuel, 2-4, 2-59, 2-105, 2-107

CROSS REFERENCE

- Filter, Fuelock, [Ballwin#4-2384b], 2-115
Filter, Fuelockoff, Lpg, 2-69
Filter, Oil, 2-57
Filter, Panel, Heat-A/C, 3-41, 3-47, 3-57, 3-61
Filter, Pre-Cleaner, A/C, 2-85, 2-87, 2-89, 2-93
Fitting - 45, 3-27
Fitting Kit [Epr], 2-81
Fitting, 90 Deg, 2-57
Fitting, Brass Drain Cock, 2-59, 2-69, 2-71
Fitting, Brass, Tee, 3-49, 3-63
Fitting, Brs, Adapter, 2-77
Fitting, Brs, E45, Pm06/Pf06, 2-71
Fitting, Brs, E90, Em05/Pm02, 2-107
Fitting, Brs, E90, Em10/Pm06, 2-87
Fitting, Brs, E90, Em10/Pm08, 3-43, 3-49, 3-59, 3-63
Fitting, Brs, E90, lf05/Pm02, 2-107
Fitting, Brs, E90, lf05/Pm04, 4-71, 4-73
Fitting, Brs, E90, Pm04/Pf04, 2-71
Fitting, Brs, E90, Pm06/Em10, 2-71
Fitting, Brs, E90, Em05/Pm04, 2-111
Fitting, Brs, E90, lf06/Pm04, 2-109
Fitting, Brs, E90, Pm04/Pf04, 2-109
Fitting, Brs, Rst, Pf04/.69-16f, .063, 2-73
Fitting, Brs, Str, Bm05/Pm04, 2-107
Fitting, Brs, Str, Em10/Pm08, 3-43, 3-49, 3-59, 3-63
Fitting, Brs, Str, lf05/lf05, 2-107
Fitting, Brs, Str, lf05/Pm02, 2-107
Fitting, Brs, Str, Pm06/Em10, 2-71
Fitting, Brs, Str, Pm08/Pf06, 2-61, 2-73
Fitting, Brs, Str, Bm05/Pm04, 2-111
Fitting, Brs, Str, lf05/lf05, 2-109
Fitting, Brs, Str, lf06/lf06, 2-109
Fitting, Brs, Str, Pm02, Service, 2-91, 2-95
Fitting, Brs, Str, Pm04/Bm05, 2-109
Fitting, Brs, Str, Pm04/Bm06, T, 2-73
Fitting, Brs, Str, Pm08/Pf04, 2-73
Fitting, Brs, Tee, Pf08/Pf08/Pf08, 3-43, 3-49, 3-59, 3-63
Fitting, Bshg, 2-65, 2-81
Fitting, Cap, 2-77
Fitting, Coolant Plug, 4-67, 4-69, 4-71, 4-73
Fitting, Draincock, .25npt 90, 2-73
Fitting, Draincock, .25npt, 2-123, 2-125, 2-127
Fitting, Draincock, E90, .25npt, 2-127
Fitting, E70, 2-77
Fitting, E90, 2-65, 2-77, 2-81, 2-82
Fitting, Elbow, 2-61, 2-73, 3-41, 3-47, 3-57, 3-61
Fitting, Fuel Inlet, Lpg, 4-67, 4-69
Fitting, Fuel, Str, 0.38-24 [07 Eng], 2-111
Fitting, Fuel, Str, 0.56-18 [07 Eng], 2-111
Fitting, Hose, 10hose/Pm06, 2-77
Fitting, Hose, Vacuum, .25, 2-77
Fitting, Hose, 2-61
Fitting, Hyd, E45, Pm04/Pf04, 2-115
Fitting, Hyd, E90, Jm08/Pm04, 2-73
Fitting, Hyd, E90, Pm06/Jm06, 2-57
Fitting, Hyd, E90, Swivel Pf04/Pm04, 2-115, 2-117, 2-119
Fitting, Hyd, Plug, Jm06, 2-57
Fitting, Hyd, Str, Jm04/Om04, 2-157
Fitting, Hyd, Str, Jm05/Om06, 2-109
Fitting, Hyd, Str, Jm06/Om04, 2-129, 2-131, 2-133
Fitting, Hyd, Str, Jm06/Om06, 2-109
Fitting, Hyd, Str, Pm04/Pf02, 2-71
Fitting, Hyd, Str, Pm08/Pm08, 3-43, 3-49, 3-59, 3-63
Fitting, Hyd, Tee, Jf06/Jm06/Jm06, Run, 3-23
Fitting, Nipple, .25mal, 2-81
Fitting, Nipple, .25npt, Brs, 2-77
Fitting, Pipe, Plug, Pm02 Soc Head, 4-67, 4-69, 4-71, 4-73
Fitting, Pipe, Plug, Pm04 Hex Soc, 2-73
Fitting, Pipe, Str, Pm04/Pf02, 2-115, 2-117, 2-119
Fitting, Pipe, Str, Pm04/Sf04, 2-119
Fitting, Pipe, Tee, Pm06/Pf06/Pf06, 2-77
Fitting, Plstc, Tee, Bm12/Bm12/Bm12, 3-49, 3-63
Fitting, Plstc, Tee, Bm12/Pf08/Bm12, 2-73
Fitting, Plug, Om02, Valve, 4-76
Fitting, Plug, Om04, Valve, 4-76
Fitting, Plug, Om05, Valve, 4-76
Fitting, Plug, Om06, Valve, 4-76, 4-77
Fitting, Plug, Pm08 Sq Head, 2-71
Fitting, Plug, 2-129, 2-131, 2-133
Fitting, Special, Carb, 2-67
Fitting, Str, E90, .25npt, 2-77
Fitting, Str, 2-77
Fitting-Brs Str, 2-105
Fitting, 2-57, 2-61, 2-63, 2-73, 2-78
Fitting, Plstc, Str, Bm06/M.69-16, 2-73
Flange, Mounting, 4-27, 4-29, 4-36, 4-37
Flange, Brg, 3 Hole, 2-171
Flasher Heavy Duty, 3-17
Flasher, 12v, 3-15
Flat Washer, 3/8" Hard, 3-23
Fluid, Hyd Oil, SHP 15/40 5Gal, 2-4
Flywheel Ring Gear, 5-17
Flywheel, 5-17, 6-17
Foam, Door, 4-53
Foam, Front Sill, 4-55
Foam, Insulation, 3-19
Foam, Lh Front Pos, 4-55
Foam, Lh Rear Pos, 4-55
Foam, Lh Side Sill, 4-55
Foam, Rear Sill, 4-55
Foam, Rh Front Pos, 4-55
Foam, Rh Rear Pos, 4-55
Foam, Rh Upper Sill, 4-55
Follower, Piston, 4-3, 4-7, 4-13, 4-17
Foot, Fan, 4-57
Frame, Pane, Cab, Side, 4-51
Frame, Pane, Door, Side, 4-53
Frame&Mag.As, 5-9, 6-9
Frame, 2-7
Ftg, Breather, 2-37, 3-79
Ftg, El90 Npt/02Pf-02Pm, 2-59
Ftg, Grease.12 Npt 45 .88L, 2-177
Ftg, Grease.25-28Th 90 .75L, 2-139
Ftg, Shrader, 4-57
Ftg, Brass Tee 04Pf- 04Pm- 04Pf, 2-69
Ftg, Brass, St Bm03/Pm02, 2-69, 3-79
Ftg, Brass, Tee 06lf- 02Pm- 06lf, 2-145
Ftg, Bulkhead .25Npt Wh W21204, 2-113, 2-115, 2-117, 2-119
Ftg, Bulkhead-Barb Wh 1074X4, 3-79
Ftg, Bulkhead-Barb Wh 1074X4, 2-37
Ftg-Brs E90 Bm05/Pm02, 2-67
Ftg-Brs E90 Bm10/Pm06, 2-69
Ftg-Brs lf05/lf05, 2-105
Ftg-Brs Str Bm03/Pm02, 2-37
Ftg-Brs Str lf05/Pm02, 2-105
Ftg-El90 Npt/Npt 04Pf/04Pm, 2-113, 2-115, 2-117, 2-119
Ftg-Hyd E45 Jm04/Om04, 2-139, 2-175
Ftg-Hyd E45 Jm08/Om08, 2-181
Ftg-Hyd E45 Jm12/Jf12, 2-149
Ftg-Hyd E45 Jm20/Jf20, 2-149
Ftg-Hyd E45 Pm04/Pf04, 2-113, 2-115, 2-117, 2-119
Ftg-Hyd E90 Jm04/Om04, 2-167
Ftg-Hyd E90 Jm04/Jf04, 2-25, 2-29, 2-157, 2-159
Ftg-Hyd E90 Jm04/Om04, 2-29, 2-159, 2-167, 2-175, 2-181, 3-23
Ftg-Hyd E90 Jm04/Om06, 2-25, 2-161
Ftg-Hyd E90 Jm06/Jf06, 2-161
Ftg-Hyd E90 Jm06/Om06, 2-139
Ftg-Hyd E90 Jm06/Om08, 2-25, 2-129, 2-131, 2-133
Ftg-Hyd E90 JM08/JF08, 2-159
Ftg-Hyd E90 Jm08/Jf08, 2-161, 3-27
Ftg-Hyd E90 Jm08/Om08, 2-159, 3-27
Ftg-Hyd E90 Jm08/Om10, 2-181
Ftg-Hyd E90 Jm12/Om12, 2-149
Ftg-Hyd E90 Jm12/om12, 2-21
Ftg-Hyd E90 Jm12/Om16, 2-149
Ftg-Hyd E90 Pm06/Jm10, 2-67
Ftg-Hyd E90 Pm08/Jm10, 2-69, 2-71
Ftg-Hyd E90 Special Jm12/Jf12, 2-157
Ftg-Hyd E90, 2-157, 2-167
Ftg-Hyd Plg Om06, 3-23
Ftg-Hyd Plg Om12, 2-157
Ftg-Hyd Rst JM04/.047, 2-161
Ftg-Hyd Rst Jm04/.063, 2-25
Ftg-Hyd Str Jm12/Om16, 2-149
Ftg-Hyd Str Jm04/Om04, 2-159, 2-171
Ftg-Hyd Str Jm04/Om06, 2-161
Ftg-Hyd Str Jm04/Om08, 2-25
Ftg-Hyd Str Jm06/Jf08, 3-27
Ftg-Hyd Str Jm06/Om06, 2-159, 2-183, 3-23, 3-27
Ftg-Hyd Str Jm06/Om08, 2-129, 2-131, 2-133, 2-161
Ftg-Hyd Str Jm06/Om10, 2-149, 2-163
Ftg-Hyd Str Jm06Om06L, 2-159
Ftg-Hyd Str Jm08/Jm06, 2-163
Ftg-Hyd Str Jm08/Jm08, 2-181

Ftg-Hyd Str Jm08/Om08, 2-159, 2-161, 2-171
 Ftg-Hyd Str Jm08/Om10, 2-149, 2-173, 2-181
 Ftg-Hyd Str Jm08Om08L, 2-159
 Ftg-Hyd Str Jm12/Om12, 2-21, 2-157
 Ftg-Hyd Str Jm12/Om16, 2-139
 Ftg-Hyd Str Jm12Om12L, 2-159
 Ftg-Hyd Str Jm20/Om20, 2-149, 2-157
 Ftg-Hyd Str Om08/Of06, 3-27
 Ftg-Hyd Str Pm04/Jm06, 2-69
 Ftg-Hyd Str Pm04/Pf02, 2-39, 2-69
 Ftg-Hyd str, 2-167
 Ftg-Hyd StrJm06/Om10, 3-27
 Ftg-Hyd Tee Jm04Jfjm, 2-161
 Ftg-Hyd Tee Jm04Jmjf, 2-161
 Ftg-Hyd Tee Jm04Jmj, 2-29
 Ftg-Hyd Tee Jm04Jmom, 2-157
 Ftg-Hyd Tee Jm04Omjm, 2-129, 2-131, 2-133
 Ftg-Hyd Tee Jm06Jmjf, 2-157, 2-161
 Ftg-Hyd Tee Jm06Jmom, 2-157
 Ftg-Hyd Tee Jm06Omjm, 3-27
 Ftg-Hyd Tee Jm08Jmjf, 2-159, 3-27
 Ftg-Hyd Tee Jm08Omjm, 2-161
 Ftg-Hyd Tee Jm12Jfjm, 2-149
 Ftg-Hyd Tee Jm12Jmjf, 2-157
 Ftg-Str Npt/Npt S04Pf-04Pm, 2-113, 2-115
 Ftg-Tee Npt 04Pm- 04Pf- 04Pf, 2-113, 2-115, 2-117, 2-119
 Fuel, Fltr [Gm 1.6/3.0], 2-109
 Fuelline, .31d 05if/05jf Stl, 2-109
 Fuelline, .31d Str/E90, Plstc, 2-109
 Fuelline, .31d Str/Str, Plstc, 2-109
 Fuelline, .312 Od, 2-105
 Fuelline, .31d 05if/05f, 2-107
 Fuelline, .31d 05if/05if, 2-107
 Fuelline, .31d 05if/Bea, 2-107
 Fuelline, .31d 05if/Qm Stl, 2-109
 Fuelline, .31d E90, 05/06, Plstc, 2-111
 Fuelline, .31d Str/Str, Plstc [8200], 2-111
 Fuelline, .31d Str/Str,Plstc[M20/T20 07], 2-111
 Fuelline, .375 Od, 2-69
 Fuelline, .38d 06if/06if Stl, 2-109
 Fuelline, .38d 06if/Bea Stl, 2-109
 Fuelock Replacement Kit, 2-69
 Fuse, 10 Amp, 2-221
 Fuse, 15 Amp, [Min-15], 2-219, 2-221
 Fuse, 20 Amp, [Min-20], 2-219, 2-221
 Fuse, 5 Amp, [Min-5], 2-219, 2-221
 Fuse, 60 Amp, 2-221

G

Gas Cap, Protectoseal, 3-74
 Gasket Oil, 5-5, 5-11
 Gasket Water Outlet Connection, 5-23, 6-23
 Gasket, 2.7D 1.5B.12T 5/ 2.1Bc, 2-105
 Gasket, Body, Throttle [1.6], 2-65, 2-77, 2-81

Gasket, Body, Throttle, Gas, 2-63
 Gasket, Box/Cab, 4-59, 4-61
 Gasket, Cab Pressurizer, 3-35
 Gasket, Carb To Engine, 2-59, 2-67
 Gasket, Carb, 2-63, 2-77
 Gasket, Carburetor Air Horn, 2-59
 Gasket, Cover, Alum, 3-79
 Gasket, Exh. Flange, 5-15, 6-15
 Gasket, Exhaust, 2 Hole, 3.4bc, 2-101
 Gasket, Exhaust, 2hole, 3.4bc, 2-103
 Gasket, Fire Switch, 2-181
 Gasket, Fing, Exhaust, 2-103
 Gasket, Head, 5-5, 5-6, 6-5, 6-6
 Gasket, Hyd Cap, 2-157
 Gasket, Hyd Tank Breather, 2-157
 Gasket, Lpg, Adapter [Gm 2007], 2-81
 Gasket, Lpg, Mixer [Gm 2007], 2-81
 Gasket, Manifold, Intake, 2-65, 2-81
 Gasket, Push On, 4-51
 Gasket, Send-Unit, 2-107
 Gasket, Sender, Fuel, 2-109, 2-111
 Gasket,Oil Pan, 5-5, 5-11, 6-5, 6-11
 Gasket,Rocker Cover, 5-21, 6-21
 Gasket, 2-61, 2-63, 2-73, 2-77, 2-78, 2-99, 2-101, 7-3, 7-5, 7-9, 7-11, 7-12
 Gauge, Sight Lh, 2-157
 Gauge, Sight, A/C, 3-41, 3-47
 Gear Assy, Idler, 4-25
 Gear Assy, 5-9, 6-9
 Gear, [Slip Fit], 4-25
 Gear, Drive, 4-25
 Gear, Idler, 4-23, 4-25
 Gear, Ring [Fd], 6-17
 Gear, Slip Fit, 4-23
 Gear, 4-23, 4-25, 7-5, 7-11, 7-12
 Geroler Set, Motor, Hyd, 4-35
 Geroter,Ring In En, 4-5, 4-9, 4-15, 4-19
 Geroter,Ring Ot En, 4-5, 4-9, 4-15, 4-19
 Geroter Set Cl, 4-41
 Gerotor Set, 4-27, 4-29, 4-31, 4-33, 4-36, 4-37
 Governor and Control Unit Assy, Gas, 2-59
 Governor and Control Unit Assy, Lpg 2.3, 2-67
 Governor Assy, Gas, 2-59
 Governor Assy, Lpg, 2-67
 Grip, Handle, Flat, 3-71
 Grommet Rbr 0.25ld For .09Matl, 3-17, 3-33
 Grommet, Cab, Harness, Wire, 3-41, 3-47, 3-57, 3-61
 Grommet, Flexible .25, 2-7
 Grommet, Rbr, 0.38 ld For .12mat, 3-11, 3-13
 Grommet, Rbr, 0.56 ld For .13mat, 3-11, 3-13
 Grommet, Rbr, 3.25id, F/3.5h, .06 Matl, 2-91, 2-95
 Grommet, Rbr, 3.75ld F/ 4.0H ., 2-85, 2-87, 2-89, 2-93
 Grommet,Rbr,0.25ld,For .09Matl, 2-185

Grommet,Rbr,0.38ld,For .06Matl, 3-3, 3-5, 3-7, 3-9
 Grommet,Rbr,0.50ld,For .25Matl, 2-7
 Grommet,Rbr,0.62ld,For .06Matl, 2-37, 3-79
 Grommet,Rbr,0.63ld,For .06Matl, 3-3, 3-7
 Grommet,Rbr,0.75ld,For .13Matl, 3-17
 Grommet, 2-43, 2-63, 2-65, 2-77, 2-81, 3-11, 3-13, 3-15, 4-51
 Gskt Kit,Lower, 5-5, 6-5
 Gskt Kit,Upper, 5-5, 6-5
 Gskt,Exh.Mnflid, 5-15, 6-15
 Gskt,Frnt Cvr, 5-5, 6-5
 Gskt,Front Cvr, 5-7, 6-7
 Gskt,In.Manflid, 5-5, 6-5
 Gskt,Int.Mnflid, 5-15, 6-15
 Gskt,Oilpmp/Blk, 5-11, 6-11
 Gskt,Pmp/Putube, 5-5, 6-5
 Gskt,Pu Tube, 5-11, 6-11
 Gskt,Rockr Cvr, 5-5, 6-5
 Gskt,Water Pump, 5-5, 5-23, 6-5, 6-23
 Gskt-Waterout, 5-5, 6-5
 Guard Kit, Overhead, 3-19
 Guard Wldt, Hopper, 2-33
 Guard Wldt, Lights, Revl & Flsh, 3-3, 3-5, 3-7, 3-9
 Guard Wldt, Overhead, 3-19
 Guard Wldt, Side Brush, 2-163
 Guard Wldt, Sidebrush, 3-27
 Guard, Alternator, 3-65
 Guard, Belt, A/C, 3-51
 Guard, Belt, Alternator, 2-51, 2-53
 Guard, Mirror, 3-37
 Guard, Side Brush, 2-163, 3-27
 Guard, 2-39
 Guide, 2-35

H

Handle, Center, 2-161
 Handle, Container, 2-31
 Handle, Lh, 2-161
 Handle, Lift, Brush, 2-183
 Handle, Rh, 2-161
 Handle, Valve, Cntrl, 2-127
 Handle, 3-71
 Harness, Rfs Jumper, 3-79
 Harness, Adapter, Eng, Gas/Lpg [Gm3.0], 2-231
 Harness, Adaptor [800/8410], 2-229
 Harness, Alarm, Back-up, 3-15
 Harness, Alarm, Backup, 3-11, 3-13
 Harness, Cab (See Fig. 32), 4-51
 Harness, Cab, 800/810, 4-56
 Harness, Directional, 3-17
 Harness, Eng [3.0], Gm, E-cntrl], 2-219
 Harness, Eng, Gas [3.0l 2007], 2-221
 Harness, Eng, Lpg [3.0l 2007], 2-221
 Harness, Eng, 2-111
 Harness, Gm 3.0 L Engine Harness, 2-216
 Harness, Hopper 800/810, 2-206
 Harness, Hopper, Rfs, 3-79

CROSS REFERENCE

- Harness, Injector, Gas[3.0l Gm,E-Cntrl], 2-220
Harness, Lpg Injector [3.0l, Gm,E-Cont], 2-220
Harness, Main, Gas/LPG, Lrg, 2-205, 2-211, 2-216
Harness, Motor, Duct, 3-79
Harness, Neutral, Start, 3-82
Harness, Side Brush, L.H., 3-30
Harness, Switch, Oil Press, Ground Wire, 2-45, 2-48
Harness, Turn/Rotate/Tail Lights, 2-207
Harness, Wire, Eng, 6-24
Harness,Rev/Fish Light,Cab,Ohg, 3-3, 3-5, 3-7, 3-9
Head-W/O Valves, 5-6, 6-6
Head, 7-3
Headlight, 12V.Rect., 2-31
Headliner, Front, 4-55
Headliner, Rear Cw, 4-55
Heater & A/C, W/ Fan, Roof, 3-41, 3-47, 3-57, 3-61
Heater Coil, 4-59, 4-61
Hinge, W/Pin, 2-17, 2-19
Hinge, 2-15, 2-17, 2-19, 2-31
Hook, Cable, .44d Ball, 2-163, 3-27
Hook, Lift [Gm3.0l 2007], 2-47, 2-48
Hook, S-.120 X 1.31, Zinc Pl., 2-7
Hopper Floor Kit, St Stil 810, 3-20
Hopper Wldt, 2-27
Horn, 12 Volt, 2-15
Horn, Back-up Alarm, 3-15
Hose Assy, Drain, A/C, 3-41, 3-47, 3-81
Hose Lpg, 10Lpg 28In.Lg, 2-69, 2-71
Hose, .50, 2-57
Hose, .62 Id X 38. Lng Heater, 2-59
Hose, .62ld X 20.0 Lng Heater, 2-69, 2-71
Hose, [Pcv], 2-43
Hose, 0050, 04, Im05str /lf05str , 10.0, 2-107, 2-109
Hose, 9.5mm X 450mm [Pcv], 2-63, 2-77
Hose, A/C, 06 09.0l, 3-41, 3-47
Hose, A/C, 08 100.0l [R134], 3-43
Hose, A/C, 08, Str/E90, 112.0l [R134], 3-49
Hose, A/C, 12 107.0l [R134], 3-43
Hose, A/C, 12 115.0l [R134], 3-43
Hose, A/C, 12, Str/E90, 127.0l [R134], 3-49
Hose, Balancing, Press, 45mm, 2-77
Hose, Balancing, Press, 680mm, 2-77
Hose, Conv, 2-73
Hose, Coolant, 1.50id To 1.75id, Mold, 2-125, 2-127
Hose, Drain, Overflow, Radiator, 2-131, 2-133
Hose, Fan Inlet, 2-179
Hose, Fuel, 0.31id [Evap Emission 07], 2-111
Hose, Fuel, .38d, Rbr, 2-65, 2-81
Hose, Fuel, 0.31id 11.0l, 2-107
Hose, Fuel, 0.31id 14.0l, 2-107
Hose, Fuel, 0.31id 16.0l, 2-109
Hose, Fuel, 0.50id 52.0l, 2-61, 2-63
Hose, Fuel, 165mm, 2-77
Hose, Fuel, Jf06e90, 20.3l, 2-109
Hose, Fuelline, 10.0L, 2-105
Hose, Heater .62 Id X 15.0Lg, 2-59
Hose, Heater, 0.38id x 18.0 L, 2-61
Hose, Heater, 0.38id x 21.0id, 2-73
Hose, Heater, 0.38id, 2-61
Hose, Heater, 0.62id 13.0l, 2-87, 3-43, 3-59
Hose, Heater, 0.62id 18.0l, 2-89
Hose, Heater, 0.62id 20.0l, 3-43, 3-59
Hose, Heater, 0.62id 24.0l, 2-93, 3-43, 3-49, 3-59, 3-63
Hose, Heater, 0.62id 31.0l, 3-43, 3-49, 3-59, 3-63
Hose, Heater, 0.62id 77.0l, 3-43, 3-49, 3-59, 3-63
Hose, Heater, 0.62id 80.0l, 3-43, 3-49, 3-59, 3-63
Hose, Heater, 0.62id, 024.0l, 2-91, 2-95
Hose, Heater, 0.75id 04.0l, 3-49, 3-63
Hose, Heater, Str, 0.62id 15.0, 2-71
Hose, Hyd,Low06, Jf06str /Jf06str , 26.0, 2-57
Hose, Intake, Mold, 2.00id [Epdm], 2-95
Hose, Intake, Mold, 3.00id 2.00id [Epdm], 2-95
Hose, Intake, Mold, Rwk 380592, 2-91
Hose, Lpg, 4Lpg X 35.0Lg, 2-113, 2-115, 2-117
Hose, Lpg, 4Lpg X 40.0Lg, 2-113
Hose, Lpg, Med05, Pm04str/Sm04str, 055.0, 2-117
Hose, Lpg, Med05, Pm04str/Sm04str, 067.0, 2-119
Hose, Lpg, Med05, Pm04str/Sm04str, 31.0l, 2-115
Hose, Lpg, Med05, Pm04str/Sm04str, 46.0l, 2-117, 2-119
Hose, Lpg, Med05, Pm04str/Sm04str, 67.0l, 2-115
Hose, Lpg, Med08, Jf08str/Jf08str , 35.0, 2-73
Hose, Lpg, Med08, Jf08str/Jf08str , 37.5, 2-73
Hose, Mold [Epr To Mixer], 2-82
Hose, Mold, .62 To .75, 2-77, 2-81
Hose, Mold, .62 X 37.0, 2-77
Hose, Molded, 2-85, 2-87, 2-89, 2-93
Hose, Pvc, Clr, 0.38id 0.56od 13.00l, 2-73
Hose, Pvc, Clr, 0.38id 0.56od 048.0l, 2-127
Hose, Radiator, Lower, 2-121
Hose, Radiator, Upper, 2-121
Hose, Rbr 1.50id 1.88od 12.0 L, 2-121
Hose, Rbr, 1.50id 1.88od 06.0l, 2-123, 2-125
Hose, Rbr, 1.50id 1.88od 12.0l, 2-123, 2-125, 2-127
Hose, Rbr, 1.50id 1.88od 04.0l, 2-127
Hose, Rbr, 1.50id 1.88od 6.0 L, 2-121
Hose, Rbr, 2.00id 2.50od 03.0l, 2-89, 2-93
Hose, Rbr, E120 1.50id 1.20id 05.0 05.2, 2-125
Hose, Rbr, E120 1.50id 1.20id 06.4 2.7, 2-123
Hose, Rbr, E90 1.50id 1.50id 09.4 6.3, 2-123
Hose, Rbr, E90 1.50id 1.62id 0.40 04.0, 2-125
Hose, Rbr, E90, 1.50id 1.50id 06.3 04.5, 2-127
Hose, Rbr, E90, 2.00id 2.00id 03.5 03.5, 2-91
Hose, Rubber.38ldx.62Od 21.0Lg, 2-59, 2-67
Hose, Rubber, 2-59, 2-67
Hose, Sleeve, Fire, 2-175
Hose, Supply, Gas, .25id, 2-81
Hose, Vac, Rubber, 2-37
Hose, Vacuum, .16 Id X 76.0 Lg, 3-79
Hose, Vacuum,.16ld X 15.0 Lg, 2-39
Hose, Vacuum,.16ld X 21.0Lg, 2-69
Hose, Valve, Fuel Trim, 325mm, 2-77
Hose, Valve, Press Trim, 405mm, 2-77
Hose,Heater .62ldx15.0Lg, 2-69, 2-71
Hose,Heater .62ldx53.0Lg, 2-59, 2-69, 2-71
Hose&2Cuff Assy,Vinyl2.0ld10ft, 3-71
Hose&cuff Assy, Vinyl4.0ldx50, 2-179
Hose-Hyd Ar 04, 2-153, 2-155
Hose-Hyd Ar04, 2-153, 2-155
Hose-Hyd Low 04, 2-153, 2-155
Hose-Hyd Low04 Jf/J9, 2-153, 2-155
Hose-Hyd Low06, 2-153, 2-155
Hose-Hyd Low12 Jf/Jf, 2-153, 2-155
Hose-Hyd Low12 Jf/jf, 2-153, 2-155
Hose-Hyd Low12, 2-153, 2-155
Hose-Hyd Med 04, 3-31
Hose-Hyd Med 06, 3-31
Hose-Hyd Med04 Jf/J4, 2-153, 2-155
Hose-Hyd Med04 Jf/J9, 2-153, 2-155
Hose-Hyd Med04 Jf/Jf, 2-153, 2-155
Hose-Hyd Med04, 2-153, 2-155
Hose-Hyd Med06 Jf/J9, 2-153, 2-155
Hose-Hyd Med06 Jf/Jf, 2-153, 2-155
Hose-Hyd Med06, 2-153, 2-155
Hose-Hyd Med08 Jf/J4, 2-153, 2-155
Hose-Hyd Med08 Jf/J9, 2-153, 2-155
Hose-Hyd Med08, 2-153, 2-155
Hose-Hyd Med12, 2-153, 2-155
Hose-Hyd Med78 Jf/J9, 2-153, 2-155
Hose-Hyd Suc20 Spcl 22.5, 2-153, 2-155
Hose-Hyd, 2-153, 2-155
Hose, 2-61, 5-3, 6-3
House, Wheel, 2-139
Housing Assembly, 4-59, 4-61
Housing Assy, Throttle, Gas, [With Ecu] (See Breakdowns), 2-61
Housing Assy, Throttle, Gas, [With Ecu], 4-71
Housing Assy, Throttle, Gas, [Without Ecu] (See Breakdowns), 2-61

Housing Assy, Throttle, Gas, [Without Ecu], 4-73
 Housing Assy, Throttle, Gas, 2-63
 Housing Assy, Throttle, Lpg [Gm 3.0], 2-77
 Housing Assy, Throttle, Lpg, [With Ecu] (See Breakdowns), 2-73
 Housing Assy, Throttle, Lpg, [With Ecu], 4-67
 Housing Assy, Throttle, Lpg, [Without Ecu] (See Breakdowns), 2-73
 Housing Assy, Throttle, Lpg, [Without Ecu], 4-69
 Housing Assy, 4-31, 4-33
 Housing Cl, 4-27, 4-29
 Housing En, 4-3, 4-7, 4-13, 4-17
 Housing S/A En, 4-3, 4-7, 4-13, 4-17
 Housing Wldt, Vac Fan, Front, 2-179
 Housing Wldt, Vac Fan, Rear, 2-179
 Housing, Bearing, Motor, Hyd, 4-35
 Housing, Brg, 4-31, 4-33
 Housing, Condenser, 4-57
 Housing, Flywheel, 2.5 Lrg, 2-41
 Housing, Flywheel, Machined 2.3 Lrg, 2-41
 Housing, Sppt, Wheel (Repl. by 375534), 2-139
 Housing, Throttle, 40mm [Bosch], 2-63, 2-65, 2-77, 2-81
 Housing, Throttle, Gas, 4-71, 4-73
 Housing, Throttle, Lpg, 4-67, 4-69
 Housing, Valve, 4-35
 Housing, Control En, 4-21
 Housing, Control, 4-11
 Housing, 2-43, 2-45, 2-47, 4-25, 4-37, 7-3, 7-5, 7-11
 Hsg W/Brg, 5-9, 6-9
 Hub and Stud Assy., 2-139
 Hub Assy, 2-143
 Hub, Drive, Brush, Side, 1.00b 8.8bc, 2-5

I

Ignition Coil, 5-24, 6-24
 Ignition Module Kit, 6-24
 Impeller 9.5 Dia. 18 Blade Mac, 2-179
 Indicator Service Air Filter, 2-85, 2-87, 2-89, 2-93
 Indicator, Service, Fltr, Air [20h20 Dn], 2-91, 2-95
 Indicator, Oil, 5-3, 6-3
 Injector, Fuel, Lpg [3.0l Gm] 8410, 4-67, 4-69
 Injector, Gas, W/ Top And Bottom Org, 4-71, 4-73
 Inner Cover, 5-7, 6-7
 Insert, Wheel, Steering, 2-183
 Insert-Oilfilt, 5-3, 6-3
 Instr. Valve Repair Info, 4-45
 Instr, Kit, Repair, Pump, Hyd, 4-25
 Insulation, Acoustic, Fan, 2-179
 Insulation, Acoustic, Vac Fan, 2-181
 Insulation, Acstc, 1.0 09.9w 25.0l, 2-13

Insulation, Acstc, Front, Lower, 3-35
 Insulation, Acstc, Side, Lower, .8t, 3-35
 Insulation, S/Foam .5T 17.0X, 2-15
 Insulation, S/Foam 1.0 Seal Brake Pedal, 2-145
 Insulation, S/Foam 1.0X3.0X3.0, 2-7
 Insulation, S/Foam 1.5X4.0X4.0, 2-7
 Insulation, S/Foam, .8T 16.5X5, 2-15
 Insulation, S/Foam, .8T 17.0X15, 2-15
 Insulation, S/Foam, .8T 18.0X4.5, 2-15
 Insulation, S/Foam, .8T 23.0X4X3, 2-15
 Insulation, S/Foam, Seat, 2-13
 Insulation, S/Foam, 2-7
 Insulation, Sound Foam, 2-145
 Insulation, S/Foam .8X19.3X20.3, 2-15
 Insulation, 2-13
 Int. Manifold, 5-15, 6-15
 Isolator [Epr], 2-81
 Isolator Kit, Mtg, Vaporizer, Rbr, 2-77
 Isolator, Box, Relay, 2-65, 2-77, 2-81
 Isolator, Mounting, 2-41
 Isolator, Mtg, 2-41, 2-43, 2-45, 2-47
 Isolator, Rbr, 2-103
 Isolator, Rubber, 2-101
 Isolator, Vac Fan, 2-159
 Isolator, Vib, Flng, 1.3l .5b 2/.39h, 2-43, 2-45, 2-47
 Isolator, Vib, Flng, 2.0l .5b 2/.41h, 2-43, 2-45, 2-47
 Isolator, Vib, Ring, 1.0d .25-20/.25-20, 2-101, 2-103
 Isolator, Vibration, 2-181
 Isolator-Vibration .25-20, 2-97, 2-99
 Isolator-Vibration .31-18, 2-21, 2-129, 2-131, 2-133
 Isolator-Vibration, 60 Lb. Ratng, 2-181

K

Keeper, Latch, Pane, 4-51, 4-53
 Key En, 4-5, 4-9, 4-15, 4-19
 Key Set, Switch Ku, 2-185
 Key Set, 4-53
 Key Square 0.18 0.18 01.00 Lg, 2-173
 Key, Motor, Hyd, 4-35
 Key, Round, 4-23
 Key, Square 0.12 0.12 00.50 LG, 4-39
 Key, Woodruff, 4-36
 Key, 4-25, 4-31, 4-33, 4-38, 7-3, 7-11, 7-12
 Kit, Adaptor, Manifold, 2-61, 2-74
 Kit, Alarm, Backup, 3-15
 Kit, Alternator, Hd, Gas/Lpg, 3-65
 Kit, Ci, Alternator, Hd, Gas/Lpg, [Gm3.0], 3-67
 Kit, Ci, Drain Hose, A/C, 3-81
 Kit, Connector, Coolant Sensor, 4-67, 4-69, 4-71, 4-73
 Kit, Connector, Gas Injector, 4-71, 4-73
 Kit, Connector, Govnr, 4-67, 4-69, 4-71, 4-73
 Kit, Connector, Sensor, [lat], 4-67, 4-69, 4-71, 4-73

Kit, Connector, Sensor, [Map], 4-67, 4-69
 Kit, Gasket, Manifold, 2-61, 2-74
 Kit, Light, Flsh, Low, 3-11
 Kit, Light, Revl, Low, 3-13
 Kit, Org, Injector And Reg, Gas, 4-71, 4-73
 Kit, Org, Injector, Top And Bottom, Lpg, 4-67, 4-69
 Kit, Reg, Gas Press, 4-71, 4-73
 Kit, Repair, Fuelock, Mv 310-6, 2-115
 Kit, Repair, Vaporizer, F/383170, 2-71
 Kit, Replmt, Control, Govnr, [All Purps], 2-59, 2-67
 Kit, Replmt, Controller, 4-67
 Kit, Replmt, Seal, Vacfan, [800], 2-179
 Kit, Seal, Hyd, Motor, 4-35
 Kit, Seal, Hyd, Pump, 4-23
 Kit, Seal, Motor, Hyd, 4-35
 Kit, Seal, Pump, 4-25
 Kit, Signal, Turn, 3-17
 Kit-Attaching, 5-9, 6-9
 Knob, Plastic, 2-167, 2-177
 Knob, Rnd, Control, Heat-A/C, 3-41, 3-47, 3-57, 3-61
 Knob, 0.38-16, 1.25Dia, Plastic, 3-71
 Knob, 2-161

L

Label Set, Info & Hazard, 2-232
 Label Set, Operational 800, 2-232
 Label, Caution, 3-41, 3-47
 Label, Instr, Filter Drain, 2-73
 Label, Logo, 10.4l, Oval [Tennant, Blu/Grn], 2-232
 Label, Numerals 810, 2-232
 Label, Opertnl, Fan, Hi/Med/Low, 3-41, 3-47, 3-57, 3-61
 Label, Opertnl, Pull Heat, 3-41, 3-47, 3-57, 3-61
 Label, Opertnl, Temp, 3-41, 3-47
 Label, Vac Wand, 3-71
 Label, Wiper, 4-51
 Lamp, 12VDC 55w, 3-15, 3-33
 Lamp, 4-51
 Lanyard Assy., 2-21
 Latch Assy, Lpg Tank Mtg, W/Nut, 2-113, 2-115, 2-117, 2-119
 Latch Assy, Rbr, 1.6d 1.4l/1.0d 1.0l, 3-35
 Latch, Bolt, 2-15, 2-17, 2-19
 Latch, Bumper, 2-33
 Latch, Door, 3-77
 Latch, Hook (Supplier's Lh), 2-11
 Latch, Hook (Supplier's Rh), 2-9
 Latch, Hook Rh, 2-17, 2-19
 Latch, Hook, Rh, Single Catch, 2-31
 Latch, Hook, Rh, 2-15
 LATCH, KEEPER, PANE [J-DAK], 4-53
 Latch, Keeper, Pane [J-dak], 4-51
 Latch, Pane, Cab, 4-51, 4-53
 Latch, Rear Wind, 4-51
 Latch, Tension, 4-59, 4-61
 Latch, 2-21, 2-171

CROSS REFERENCE

Leg Wldt, Bumper, Se, 3-21
Lens, Flashing Amb 12V, 3-11
Lens, Flashing Blue, 3-11
Lens, Flashing Red, 3-11
Lens, Rev. Light, Amber, 3-13
Lens, Rev. Light, Blue, 3-13
Lens, Rev. Light, Red, 3-13
Lens, Flashing Lite Fr207 Amber, 3-3, 3-5
Lens, Flashing Lite Fr207 Blue, 3-3, 3-5
Lens, Flashing Lite Fr207 Red, 3-3, 3-5
Lens, Rev. Light, Amber, 3-7, 3-9
Lens, Rev. Light, Blue, 3-7, 3-9
Lens, Rev. Light, Red, 3-7, 3-9
Lever, Brake, 2-145
Lever, Pump, Propel, 2-147
Lever, 5-9, 6-9
Lifter, 7-3
Lifting Eye, 5-15, 6-15
Light Assy Mark/Yel 12V- . A, 3-17
Light Assy Stop/Red 12V- . A, 2-7
Light Kit Flsh 800L Cab, 3-5
Light Kit Flsh 800L Ohg, 3-3
Light Kit Revl 800L Cab, 3-9
Light Kit Revl 800L Ohg, 3-7
Light Kit, Side Brush, 3-33
Light, Check Eng, Amb, 14vdc, 2-185
Light, Dome 12V, 4-51
Light, Flashing Amb 12v-re, 3-11
Light, Flashing, Amber, 12V-Re, 3-3, 3-5
Light, Indicator 14V Red 1.2x0.7, 2-185
Light, Rev. Amber 12v-re, 3-13
Light, Spot 12V, 32cp, 3-15
Light, Spot, 12VDC 55w, 3-33
Light, Rev. Amber 12V-Reworked, 3-7, 3-9
Link, 0.18, 1.5w 03.6l, 1/0.4h 1/0.3h, 2-103
Link, Connecting, 4-53
Link, Eccentric, 2-35
Link, Feedback En, 4-21
Link, Feedback, 4-11
Link, Tension 2.4L, 3-45
Linkage Kit, Governor, 2-59, 2-67
Lintel, Main, 2-15
Lintel, Rear, 2-15
Lip, Side, Hopper, 2-27
Locknut, 5-23, 6-23
Lockwasher En, 4-3, 4-7, 4-13, 4-17
Louver, Adj, Heat-A/C, 3-41, 3-47, 3-57, 3-61
Lower Cover, 5-7, 6-7

M

M6 U-Nut Clip, 2-15
Magnet, Drive Brush, 2-31
Maintenance Kit, 400HR 800/810 gas, 2-4
Maintenance Kit, 400HR 800/810 lpg, 2-4
Maintenance Kit, 800HR 800/810, 2-4
Maintenance Kit, Skirts 810, 2-4
Maintenance Kit, Skirts, 2-4
Manifold, Exhaust [2007], 2-65, 2-81
Manifold, Exhaust, 2-61, 2-63, 2-73, 2-78
Manifold, Gas, Relief, Valve, 2-111

Manifold, Intake [2007], 2-65, 2-81
Manifold, Intake, 2-61, 2-63, 2-73, 2-78
Manual Op/Mt 810G French, 3-84
Manual Control En, 4-21
Manual Op/Mt 810G Spanish, 3-84
Manual Pkg 810G, 3-84
Manual, Eng, Cd-Rom [Tier II, Gm3.0L], 3-84
Manual, Service 800/810, 3-84
Manual, Service FD (Lrg) 2.3L, 3-84
Manual, Service FD (Lrg) 2.5L, 3-84
Manual, Service, Eng, [Gm 3.0L], 3-84
Mirror Assembly, 3-37
Mirror Kit, Side Brush, 3-37
Mirror, Convex, 0.50d, 3-37
Mirror, 8.0 Round, Convex, 3-37
Module Kit, Ignition, Replmt [Ford 2.3L], 5-24
Module, Ecu, Gas [Gm 3.0L], 2-63
Module, Ecu, Gas [Gm3.0l 2007], 2-65
Module, Ecu, Lpg [Gm 3.0L], 2-77
Module, Ecu, Lpg [Gm3.0l 2007], 2-81
Module, 7-5
Molding, Trim (Gasoline only), 4-51
Molding, Trim 11-14Ga 4.0, 2-145
Molding, Trim 11-14Ga 15.75, 2-13
Molding, Trim 11-14Ga 5.75, 2-13
Molding, Trim 16Ga&Thinnr 10.0, 2-13
Molding, Trim, Pvc, .08-.11 01.0l, 2-7
Molding, Trim, Pvc, .08-.11 08.5l, 2-13
Molding, Trim, Pvc, .18-.31 01.5l, 4-55
Motor, Ele, Geared, 12Vdc, 3-79
Motor, Electric, 13.6 Vdc, 2-35
Motor, Hyd Gear (See Breakdowns), 2-173
Motor, Hyd Gear IN 03.6 B 1500, 4-27
Motor, Hyd Gear In 17.9 B 1500 (See Breakdowns), 3-27
Motor, Hyd Gear, 4-29
Motor, Hyd, (See Breakdowns), 2-163
Motor, Hyd, Gear, [In] 29.9 B 3000, 4-35
Motor, Hydraulic, 4-36, 4-37, 4-38, 4-39
Motor, Propelling, 4-31, 4-33
Motor, Starting, Perm Mag, 12V, 5-9, 6-9
Motor, Wiper 12V, 4-51
Motor-Hyd Gear (See Breakdowns), 2-139
Motor-Hyd Gear Ex (See Breakdowns), 2-181
Motor-Hyd Gear In (See Breakdowns), 2-139, 2-171
Motor-Hyd, Gear In 10.0 (See Breakdowns), 2-129, 2-131, 2-133
Mount, Cable Tie, 3-41, 3-47, 3-81
Mount, Filter, Remote, 2-57
Mount, Tie, 3-15
Muffler, Catalytic [Gm 1.6/3.0], 2-101
Muffler, Catalytic [Gm 3.0l 2007], 2-103
Muffler, Exhaust, 2-97, 2-99, 3-83

N

Nozzle, 7-11
Nut En, 4-3, 4-7, 4-13, 4-17
Nut Low Crown .62-18, 2-167

Nut M8-1.25, 5-15, 6-15
Nut, Adjustable, Lpg Tank Mtg, 2-113, 2-115, 2-117, 2-119
Nut, Cart., LNG CP, 4-47
Nut, Cart., LNG., 4-42
Nut, Cart., SHT CP, 4-47
Nut, Cart., Sht, 4-43
Nut, Conn Rod, 7-7
Nut, Conrod-8, 5-22, 6-22
Nut, Flanged, .38-24, 2-51
Nut, Flng, M8, 2-81
Nut, Hex Lock m06, 2-31
Nut, Hex Lock m10, 2-167, 3-23
Nut, Hex, Flange, 2-167, 3-23
Nut, Hex, Flng, .38-16, 2-65, 2-81
Nut, Hex, Flng, M05 X 0.8, 2-71
Nut, Hex, Flng, M08 X 1.25, 2-43, 2-45, 2-47
Nut, Hex, Flng, M10 X 1.5, 2-163, 2-168, 2-171, 3-23, 3-28, 3-51, 3-67
Nut, Hex, Flng, M10 X 1.50, 2-9, 2-11
Nut, Hex, Flng, M12 X 1.75, 2-137, 2-171
Nut, Hex, Flng, M6 X 1.0, 2-129, 2-131, 2-133, 2-147, 2-159
Nut, Hex, Flng, M6 X 1.00, 2-19, 2-117, 2-119, 2-164, 3-27
Nut, Hex, Flng, M8 X 1.25, 2-27, 2-53, 2-55, 2-91, 2-95, 2-117, 2-119, 2-135
Nut, Hex, Jam, .25-28, 2-147
Nut, Hex, Lock, .25-20, NI, Ss, 2-147
Nut, Hex, Lock, .25-20, NI, 2-57, 2-111
Nut, Hex, Lock, .31-24, NI, 3-33
Nut, Hex, Lock, .38-16, NI, Ss, 3-51
Nut, Hex, Lock, .38-16, NI, 2-43, 2-45, 2-47, 2-53, 2-55, 2-117, 2-119, 2-129, 2-131, 2-133, 2-171, 2-181, 3-51, 3-55, 3-67, 3-69
Nut, Hex, Lock, .50-13, NI, Ss, 2-171
Nut, Hex, Lock, .50-13, NI, 2-139, 2-163, 3-27
Nut, Hex, Lock, .75-10, NI, 2-139
Nut, Hex, Lock, M 6 X 1.0, NI, 2-135
Nut, Hex, Lock, M06 X 1.0, NI, 2-17, 2-19
Nut, Hex, Lock, M08 X 1.25, NI, 3-33
Nut, Hex, Lock, M10 X 1.5, NI, 2-31, 2-48, 2-129, 2-131, 2-133, 2-147, 2-164, 2-168, 2-179, 3-23, 3-28, 3-52
Nut, Hex, Lock, M10 X 1.5, Ss, 3-51, 3-55
Nut, Hex, Lock, M12 X 1.75, NI, 2-43, 2-45, 2-47, 2-48
Nut, Hex, Lock, M16 X 2.0, NI, 3-24
Nut, Hex, Lock, M5 X 0.8, NI, Ss, 2-13
Nut, Hex, Lock, M6 X 1.0, NI, 2-35, 2-89, 2-93, 2-167, 3-23
Nut, Hex, Lock, M6 X 1.0, Ss, NI, 2-147
Nut, Hex, Lock, M6 X 1.00, NI, 2-9, 2-11, 2-127, 2-179
Nut, Hex, Lock, M8 X 1.25, NI, Ss, 2-27
Nut, Hex, Lock, M8 X 1.25, NI, 2-27, 2-91, 2-95, 2-117, 2-119, 2-129, 2-131, 2-133, 2-163, 2-168, 2-171, 2-173, 2-179, 3-24, 3-28, 3-51, 3-55, 3-69

Nut, Hex, Lock, 3-17
 Nut, Hex, M10 X 1.50 [Stover], 2-103
 Nut, Hex, Std, .25-20, 2-65, 2-81, 2-101, 2-103
 Nut, Hex, Std, .31-18, Ss, 3-37
 Nut, Hex, Std, .31-18, 2-21, 2-129, 2-131, 2-133, 2-181
 Nut, Hex, Std, .38-16, 2-99, 2-101, 2-103
 Nut, Hex, Std, .44-14, 5, 2-9, 2-11
 Nut, Hex, Std, .62-18, 2-177
 Nut, Hex, Std, #10-24, 2-43, 2-45, 2-47
 Nut, Hex, Std, M05 X 0.8, 2-43, 2-45, 2-47, 2-115
 Nut, Hex, Std, M08 X 1.25, 3-51, 3-67
 Nut, Hex, Std, M10 X 1.5, Ss, 2-163, 3-28
 Nut, Hex, Std, M10 X 1.5, 2-163, 3-28
 Nut, Hex, Std, M12 X 1.75, Ss, 2-15
 Nut, Hex, Std, M12 X 1.75, 2-17, 2-19, 2-27
 Nut, Hex, Std, M4 X 0.7, 8, 2-109
 Nut, Hex, Std, M4 X 0.70, 8, 2-111
 Nut, Hex, Std, M5 X 0.8, 8, 2-109
 Nut, Hex, Std, M5 X 0.80, 8, 2-111
 Nut, Hex, Std, M8 X 1.25, 2-19, 2-163, 3-24, 3-28
 Nut, Hex, Stover, M10 X 1.5, 2-101
 Nut, Jam, 4-3, 4-7, 4-13, 4-17
 Nut, Low Crown, .62-18, 2-177
 Nut, M6, 5-7, 6-7
 Nut, Motor, Hyd, 4-35
 Nut, slotted Hex, 4-36
 Nut, Valve, Cartridge, 4-74, 4-76, 4-77
 Nut, Wheel Lug, 9/16-18, 2-141
 Nut, Wheel Lug, 2-139
 Nut, Lock-Special 2.16-18Uns, 2-139
 Nut, M10, 5-11, 6-11
 Nut, Wing .44-20 Special, 2-85, 2-87, 2-89, 2-93
 Nut&Washer, M8, 5-9, 6-9
 Nut-hx Jam M20x1.5 4 Pltd, 2-183
 Nut-Hxlocnyln .31-24 Reg Pltd, 2-129, 2-131, 2-133
 Nut-Hxslot 1.00-20 Pltd, 2-141
 Nut-Low Crown .50-20 Pltd, 2-179
 Nut, 2-61, 2-63, 2-73, 2-77, 4-31, 4-33, 7-3, 7-9

O

O-Ring Gland, 2-149
 O-Ring, Water Pump Adaptor, 5-23, 6-23
 O-Ring, 2.375, 5-11, 6-11
 O-Ring-2.250, 5-11, 6-11
 Oil Pan Assy, 5-11, 6-11
 Oil Pan Spacer, 5-11, 6-11
 Oil Pan, 7-9
 Oil Pickup Tube, 5-11, 6-11
 Oil Plug, 5-11, 6-11
 Oil Pmp Sprkt, 5-11, 6-11
 Oil Pump, 5-11, 6-11
 Oil Seal, Front, 5-5, 5-13, 5-19, 6-5, 6-13, 6-19
 Orifice, Valve En, 4-3, 4-7, 4-13, 4-17

Outer Cover, 5-7, 6-7
 Outlet For engine serial numbers (003179-004499), 7-3
 Output Shaft Assembly, 4-27, 4-29

P

Pad, Tread, 2-7, 2-147
 Pad, 2-145
 Paddle Handle, 4-53
 Pane Assy, Glass, Sliding, Cab Lh, 4-51
 Pane Assy, Glass, Sliding, Cab, Door, 4-53
 Pane, Glass, Cab, Front, 4-51
 Pane, Glass, Cab, Rear, 4-51
 Pane, Glass, Door Front, 4-53
 Pane, Glass, Door, Rear, 4-53
 Pane, Glass, Windshield, 4-51
 Panel Wldt w/label, 2-13
 Panel Wldt, Access Floor, 2-147
 Panel Wldt, Cover Engine, 2-15
 Panel Wldt, Fender, Lh, 2-31
 Panel Wldt, Fender, Rh, 2-31
 Panel Wldt, Hopper, Floor, LH, 3-20
 Panel Wldt, Hopper, Floor, RH, 3-20
 Panel Wldt, Rear, Lh, 2-7
 Panel Wldt, Rear, Rh, 2-7
 Panel Wldt, Shaker, 2-35
 Panel, Air Conditioning, 2-13
 Panel, Bottom, Hopper, Rh, 2-27
 Panel, Corner, Eng Cover, 2-15
 Panel, Cover, Access, 2-13
 Panel, Cover, Corner, 2-15
 Panel, Cover, Dash, 2-185
 Panel, Cover, 3-71
 Panel, Deflector, Dirt, Lh, 2-27
 Panel, Deflector, Dirt, Rh, 2-27
 Panel, Fuel Inlet w/label, 2-13
 Panel, Fuel, Inlet, Lpg, 2-13
 Panel, Headlight, 2-31
 Panel, Hopper, Bottom, Lh, 2-27
 Panel, Louver, 2-17
 Panel, Permafilter, Upper, 2-27
 Panel, Support, Seat, 2-13
 Panel, Vacuum Duct, 2-15
 Panel, 3-3, 3-5, 3-7, 3-9
 Pcv Vlv Asy, 5-3, 6-3
 Pedal Wldt, Propel Lower W/tread, 2-147
 Pedal Wldt, 2-145
 Pedal, Upper W/tread, 2-147
 Pedestal Wldt, Light, 3-11, 3-13
 Pin Assy, .312X3.0 W/Lanyard, 3-27
 Pin Assy, Side Brush W/clip, 2-163
 Pin Assy, Spring, 4-53
 Pin Weldt., 2-23
 Pin Wldt., 2-25
 Pin Wldt, Latch, 2-31
 Pin, 1.00 Odx 4.50, Drilled, 2-25
 Pin, 1.25 Odx 3.50, Grooved, 2-25
 Pin, 1.250 Od X 4.50, 2-25
 Pin, 1.500 ODx7.81, Drilled, 2-23
 Pin, 1/4X.32, 5-19, 6-19
 Pin, Clevis .18 Dia.X .62 Lg, 2-161

Pin, Clevis .25 Dia, 1.000 Lg., 2-147
 Pin, Clevis .31 Dia X 4.50 Lg, 2-147
 Pin, Clevis .375D X 1.000 Lg, 2-145
 Pin, Clevis .375D X 1.312 Lg, 2-147
 Pin, Clevis .50 Dia X 2.25 Lg, 2-29
 Pin, Clevis .50 Dia X 4.50 Lg, 2-147
 Pin, Clevis, 0.31 D X 0.75l, 2-129
 Pin, Clevis, 2-147
 Pin, Cntrl Assy En, 4-21
 Pin, Cotter .094X1.00, 2-167
 Pin, Cotter, .125 X 0.75, 2-147
 Pin, Cotter, .125 X 2.00, 2-141
 Pin, Hair Cotter, 0.69 D .092 Wir, 2-129
 Pin, Haircotter .31D .058Wire, 2-147
 Pin, Haircotter .31d .058wire, 2-161
 Pin, Headed En, 4-21
 Pin, Headed, 4-11
 Pin, Hitch .50D X 1.50L, 2-7
 Pin, Latch, 4-53
 Pin, Retainer, 2-77
 Pin, Roll, 2-41
 Pin, Clevis, 0.37 Dia. X 2.12 Lg, 2-167, 3-23
 Pin, Clevis, 0.50 Dia. X 1.42 Lg, 2-175
 Pin, Clevis, 0.50 Dia. X 2.00 Lg, 2-175
 Pin, Clevis, 0.50 Dia. X 3.50 Lg, 2-161
 Pin, Roll, .18Odx1.62L, .187/.192, 3-71
 Pin, Roll, .31Odx1.37L, .312/.318, 2-173
 Pin, 2-23, 2-29, 2-163, 3-27, 4-41, 7-5, 7-7, 7-9, 7-11
 Pipe Wldt, Exhaust, Gas/Lpg, 2-97
 Pipe, 2-73
 Piston Pin, 6-22
 Piston, .020" O.S., 7-7
 Piston, Hi-limit, 7-7
 Piston, Servo, 4-3, 4-7, 4-13, 4-17
 Piston, Std., 5-22, 6-22
 Piston, STD, 7-7
 Piston, 4-35
 Pivot Wldt, Wheel, 2-139
 Planet Bearing, 5-9, 6-9
 Plate & Brg, 5-9, 6-9
 Plate Kit, 7-12
 Plate Wldt., 2-113, 2-115, 2-117, 2-119
 Plate Wldt, Inlet, Fuel (LPG Only), 3-35
 Plate Wldt, Skirt, 3-73
 Plate Wldt, Vac Door, 3-71
 Plate Wldt, 2-167, 3-23
 Plate, Adapter, 4-23
 Plate, Adaptor, 4-25
 Plate, Adj, Brush, 2-177
 Plate, Angle, 2-163, 2-167, 3-23, 3-27
 Plate, Back, Pump, Hyd, 4-25
 Plate, Back, 4-23
 Plate, Backing, 4-65
 Plate, Brush Suspension, Front, 2-173
 Plate, Circuit Breaker, 2-186
 Plate, Cover En, 4-3, 4-7, 4-13, 4-17
 Plate, Cover, 2-27, 2-167
 Plate, Drive, 2-43, 2-45, 2-47
 Plate, Front, Pump, Hyd, 4-25
 Plate, Front, 4-23
 Plate, Guide, Bumper, 2-7

CROSS REFERENCE

- Plate, Hold Down, 2-173
Plate, Injector Mtg, W/ Screw, 4-67, 4-69, 4-71, 4-73
Plate, Latch, 3-71
Plate, Link, 2-23
Plate, Motor, Hyd, 4-35
Plate, Mounting, Rfs Control, 3-79
Plate, Mounting, Tank, Gas, 2-105
Plate, Mounting, Vac Door, 3-71
Plate, Mounting, Water Pump, 2-39
Plate, Mtg, Brush, Front, 2-173
Plate, Mtg, Check Valve, 3-27
Plate, Mtg, Latch, 2-171
Plate, Mtg, Relay, 2-186
Plate, Mtg, Steering Boot, 2-183
Plate, Mtg, Switch, A/C, 3-41, 3-47, 3-57, 3-61
Plate, Mtg, Tank, Gas, 2-107, 2-109, 2-111
Plate, Mtg, Valve, Solenoid, 2-159
Plate, Mtg, W/ Screw, [Ecu], Gas, 4-71
Plate, Mtg, W/ Screw, [Ecu], Lpg, 4-67
Plate, Mtg, 2-113, 2-115, 2-117, 2-119
Plate, Pin Retainer, 2-23, 2-25
Plate, Pivot, Wheel, 2-139
Plate, Retainer, Foam, 2-181
Plate, Retainer, 3-73
Plate, Seal, 2-171
Plate, Shield, Heat, W/Label, 2-123, 2-125
Plate, Shield, Heat, 2-53, 3-51, 3-67
Plate, Shutter, 3-79
Plate, Side Brush Roller, 2-167
Plate, Side Brush, Roller, 3-23
Plate, Spacer, Mtg, Eng 2.3Fd, 2-41
Plate, Spacer, 2-25
Plate, Spring - Side Brush, 2-179
Plate, Striker, 2-21
Plate, Support, Cover Se, 2-15
Plate, Vac Fan, 2-179
Plate, Valve, Motor, Hyd, 4-35
Plate, Wear, 4-41
Plate, Wldt. Sweep, 2-173
Plate-Cover, 2-167
Plate, 2-61, 2-73, 2-147, 2-167, 3-23, 3-71, 3-73, 4-31, 4-33, 4-53, 5-19, 6-19
Plug .06 O/S, 5-3, 6-3
Plug & O-Ring En, 4-45
Plug #2, 4-47
Plug #8, 4-3, 4-7, 4-13, 4-17
Plug 1/4 Npt, 5-3, 5-6, 6-3, 6-6
Plug 3/8 NPT, 5-15, 6-15
Plug 3/8 Npt, 5-3, 6-3
Plug Assembly En, 4-45
Plug Assembly, 4-31, 4-33
Plug Assy,Byd En, 4-45
Plug Assy, 4-35
Plug En, 4-5, 4-9, 4-15, 4-19, 4-21
Plug Gage #4, 4-47
Plug Gage #6, 4-45, 4-47
Plug S/A En, 4-3, 4-7, 4-13, 4-17
Plug Weld, Brush Drive, Sweep, 2-171
Plug Wldt, Idler, 2-171
Plug, #2 O-Ring, 4-43
Plug, 1.50 Cup, 5-3
Plug, 1/2Npt, 5-15, 6-15
Plug, Brush Drive - Nylon, 2-173
Plug, Control Box, 2-59, 2-67
Plug, Drain, 3-71
Plug, Hole, Injector, 2-81
Plug, O-Ring, 4-25, 4-33
Plug, O-ring, 4-23
Plug, Plstc, Sq, 4-63, 4-65
Plug, Rbr, Rnd, 4-63, 4-65
Plug, Tube, 2-171
Plug,#12 O-Ring Ph, 4-3, 4-7, 4-13, 4-17
Plug,1.50 Cup, 5-6, 6-6
Plug-Std 2.078, 5-3, 6-3
Plug, 4-11, 4-35, 5-7, 5-19, 6-7, 6-19, 7-3, 7-7, 7-9
Plugbtn .62H .03-.12 Blacknyl, 2-186
Plugbtn .62H .03-.12 Blacknyl, 4-61
Plugbtn .75h .03-.12 Blacknyl, 2-13
Plugbtn .88H .03-.12 Blacknyl, 4-61
Plugbtn 1.25h .12 Max Blacknyl, 2-13
Plugbutton .88H .03-.12 Blacknyl, 2-15
Plugbutton, 2-13, 2-185, 3-19
Plunger En, 4-45
Pole Piece, 7-5
Poppet En, 4-5, 4-9, 4-15, 4-19, 4-45
Poppet, Pump, Hyd, Gear, 4-35
Poppet, 4-35
Pulley - Cable, 1.5 Dia, 3-23
Pulley Assy, Cable, 1.5 Dia, 2-167
Pulley, Alternator, 2-39
Pulley, Fan, 2-51, 2-53, 2-55
Pump, Fuel, Gas, 2-107
Pump, Fuel, Hi Press [Gm 1.6/3.0], 2-111
Pump, Fuel, Hi-Press [Gm 1.6/3.0], 2-109
Pump, Fuel, 2-105
Pump, Hyd Piston V 2.48 (See breakdowns), 3-82
Pump, Hyd, Gear, [Ex3] 0.66 [R] 3000, 4-25
Pump, Hyd, 4-23
Pump-Hyd Gear Ex (See Breakdowns), 2-149
Pump-Hyd Piston V (See Breakdowns), 2-149
Pump, 7-9
- R**
- Race, Bearing Ce, 4-3, 4-7, 4-13, 4-17
Race, Bearing, 4-41
Race, Thrust, 4-27, 4-29, 4-36, 4-37
Radiator, 2-129, 2-131, 2-133
Rear Plate, 5-17, 6-17
Rectifier, 2-39
Regulator [Ep], 2-81
Regulator, 2-39, 2-73
Reinforcement, 7-3
Relay 12Vdc 40A Spdt, 3-11, 3-13
Relay, 12vdc, 20a, Spdt, 2-219, 2-221
Relay, 12vdc, 40a, Spdt N/O, 3-41, 3-47, 3-57, 3-61
Relay, 12vdc, 40a, Spdt, 2-219, 2-221
Relay, Shrouded, 12 Vdc, 2-186, 3-79
Relay, Shrouded, 12V, 3-3, 3-5, 3-7, 3-9
Relief Valve Sa En, 4-5, 4-9, 4-15, 4-19
Repair Info. Cl, 4-27, 4-29
Repair Info, Motor, 4-33, 4-37
Repair Info, Pump, 4-23
Repair Info,Mtr Cl, 4-35
Repair Info,Pmp En, 4-5, 4-9, 4-15, 4-19
Repair Info,Scu Cl, 4-41
Replacement Kit, Rh. Side Brush Cable, 2-163
Replacement Kit, Roller, Side Brush Lift, 2-167, 3-23
Replacement Kit, Side Brush Cable, Lh, 3-27
Replm Kit, Case, 2-185
Replm Kit, Cir Board, 2-185
Replm Kit, Flywheel, 5-17
Replm Kit, Hourmeter, 2-185
Replm Kit, Instr Panel, 2-185
Replm Kit, Lamp, Backlighting (Set of 8), 2-185
Replm Kit, Lamp, Fault (Set of 8), 2-185
Replm Kit, Seal, 2-185
Replm Kit, Touch Panel, 2-185
Restrictor, Jet, Coolant, 2-77
Retainer, Front, Motor, Hyd, 4-35
Retainer, Frt, 4-31, 4-33
Retainer, 5-9, 6-9, 7-5
Retaining Ring-External, 1.25D, 2-25
Retaining Ring, 5-9, 6-9
Retaining Rng En, 4-45
Retnr.Gear, 5-9, 6-9
Rfs Kit, 3-79
Ring Kit, .030" O.S., 7-7
Ring Kit, Std, 7-7
Ring Set,Std., 5-22, 6-22
Ring Wldt, Mtg, Filter, 2-35
Ring Wldt, Shaker, 2-35
Ring, Isolator, Outer Rbr, 2-129, 2-131, 2-133, 2-179
Ring, Isolator, Outer, Rbr, 2-35
Ring, Rear Window, 4-51
Ring, Retainer, Lock, 2-139
Ring, Retainer, 4-41
Ring, Retaining En, 4-5, 4-9, 4-15, 4-19, 4-21
Ring, Retaining, Ex 1.5 Dia Hd, 2-23
Ring, Retaining, Ext 1.12, 2-35
Ring, Retaining, 4-11
Ring, Rubber, 2-85, 2-87, 2-89, 2-93
Ring,Retain,Ex,.59D.Basic, 2-173
Ring,Retain,Ex,0.50 Stl Steel, 2-147
Ring,Retain,Ex,0.50Od,Heavy Dt, 2-183
Ring,Retain,Ex,0.59Od,Basic, 2-173
Ring-Drv.Stop, 5-9, 6-9
Ring, 2-161, 7-12
Rivet, Blind, .125d X 0.32 X .25d, Stl, 3-79
Rivet, Plastic .250Dx.898, 2-183

Rivet, Plastic .325D X .787, 2-13
 Rivet, Plastic, 2-9, 2-11, 3-35
 Rivet, Pop, 2-17
 Rod End .250-28 .25Dia, 2-147
 Rod Wldt, Push, Brake, 2-145
 Rod, Hanger, Isolator, 2-101, 2-103
 Rod, Latch, Steering, Tilt, 2-183
 Rod, Seat, 2-13
 Rod, Support Cover, 2-15
 Rod, Thrd, 2 End .50-13 05.75, 2-175
 Rod, Thread, 2-167, 2-177
 Rod, Threaded .50-13, 2-175
 Rod-End, .25-28rh Fem 0.25b [Teflon],
 2-147
 Rod-Thrd, Full .25-28, 2-147
 Rod-Thread, 2End M08X1.25X10Lg,
 2-145
 Rod, 5-19, 6-19, 7-3
 Roll Pin En, 4-5, 4-9, 4-15, 4-19
 Rotating Kit, 4-3, 4-7, 4-13, 4-17
 Rotator, 7-3
 Rotor, 7-5

S

Scr Hex .38-16X0.75, 2-183
 Scr Soc M6x1.0 20, 2-59, 2-67
 Scr&Wash M6, 5-19, 6-19
 Scr&Wsh,M6X15.0M, 5-21, 6-21
 Scr&Wsh,M6X22.5, 5-7, 6-7
 Scr-Hex M20X2.5 80 Full Thd, 2-173
 Scr-Hxfmgm 5X0.8 16 pltd, 2-15
 Scr-Hxfmgm 6x1.0 12 Pltd, 3-35
 Scr-Shld .500Dx0.50L .38-16, 2-7
 Scr-soc .50-13x2.75 Alloypltd, 2-139
 Scr-soc M12x1.75 60, 2-139
 Screen Kit, Door, Side, Modif, 2-19
 Screen, Filter, 2-35
 Screen, Muffler, 2-97, 2-99
 Screen, w/Suction Pipe, 7-9
 Screen, w/Tube, 7-9
 Screw Cap Cl, 4-27, 4-29
 Screw Set M 6X1.020, 2-161
 Screw, .38-16 X 1.00, 2-65, 2-81
 Screw, .38-24 X 4.0, 2-51
 Screw, Cap En, 4-3, 4-5, 4-7, 4-9, 4-13,
 4-15, 4-17, 4-19
 Screw, Cap, Motor, Hyd, 4-25, 4-35
 Screw, Cap, 4-3, 4-7, 4-13, 4-17, 4-23,
 4-31, 4-33
 Screw, Flt, .38-16 X 1.00, Al, 2-173
 Screw, Flt, .50-13 X 2.00, Al, 2-163, 3-27
 Screw, Flt, M10 X 1.5 X 25, 10.9, 2-163,
 3-28
 Screw, Flt, M10 X 1.5 X 35, 10.9, 2-163,
 3-28
 Screw, Flt, M5 X 0.8 X 16, 10.9, 2-171
 Screw, Flt, M8 X 1.25 X 30, Ss, 2-27
 Screw, Flt, 2-181
 Screw, Hex m06, 3-37
 Screw, Hex m08, 2-167, 3-23
 Screw, Hex m10, 2-167, 3-23

Screw, Hex, .25-20 X 0.50, 5, 2-43, 2-45,
 2-47
 Screw, Hex, .25-20 X 0.50, G5, 2-65,
 2-81
 Screw, Hex, .25-20 X 0.75, 5, 2-73
 Screw, Hex, .25-20 X 0.75, G5, 2-65,
 2-81
 Screw, Hex, .25-20 X 0.75, NI, 2-9, 2-11,
 2-19
 Screw, Hex, .25-20 X 1.00, 5, 2-57, 2-147
 Screw, Hex, .25-20 X 1.25, G5, 2-65,
 2-81
 Screw, Hex, .31-09 X 1.25, Wood, 2-5
 Screw, Hex, .31-18 X 0.75, 5, 2-43, 2-45,
 2-47, 2-123, 2-125
 Screw, Hex, .31-18 X 1.00, 5, 2-53, 2-55
 Screw, Hex, .31-18 X 1.25, 5, 2-51
 Screw, Hex, .31-24 X 0.75, 5, 2-51, 2-53,
 2-55
 Screw, Hex, .38-16 X 0.62, 5, 7-5
 Screw, Hex, .38-16 X 0.75, 5, 2-53, 2-55
 Screw, Hex, .38-16 X 1.00, 5, 2-43, 2-45,
 2-47, 2-53, 2-55
 Screw, Hex, .38-16 X 1.00, NI, 2-164,
 3-28
 Screw, Hex, .38-16 X 1.25, 5, 2-147
 Screw, Hex, .38-16 X 1.25, G5, 3-55
 Screw, Hex, .38-16 X 2.00, 5, 2-129,
 2-131, 2-133
 Screw, Hex, .38-16 X 2.00, Fl, 2-43
 Screw, Hex, .38-16 X 2.25, 5, 2-51, 2-53,
 2-55, 3-51, 3-67
 Screw, Hex, .38-16 X 2.50, G5, 3-55,
 3-69
 Screw, Hex, .38-16 X 3.00, G5, 2-117,
 2-119
 Screw, Hex, .38-16 X 4.00, 5, 2-53, 2-55,
 3-51
 Screw, Hex, .38-16 X 4.00, G5, 2-117,
 2-119, 3-55, 3-69
 Screw, Hex, .38-24 X 1.50, 5, 3-51
 Screw, Hex, .38-24 X 1.50, G5, 3-55
 Screw, Hex, .50-13 X 3.50, 5, 2-171
 Screw, Hex, .62-18 X 0.31, 2-45, 2-48
 Screw, Hex, .75-10 X 2.50, G5, 2-139
 Screw, Hex, #08-32 X 0.38, Ss, 3-79
 Screw, Hex, #08-32 X 0.38, Tcut, 2-103
 Screw, Hex, #10-24 X 0.50, Ss, 2-53,
 2-55
 Screw, Hex, 10-24 X 0.50, Ss, 3-79
 Screw, Hex, M 8 X 1.25 X 40, Fl, 3-51,
 3-67
 Screw, Hex, M05 X 0.8 X 25, Ss, 2-115
 Screw, Hex, M06 X 1.0 X 16, 8.8, 2-71
 Screw, Hex, M08 X 1.00 X 16, 10.9, 2-41
 Screw, Hex, M08 X 1.25 X 20, 8.8, 3-33
 Screw, Hex, M08 X 1.25 X 25, 8.8, 2-43,
 2-45, 2-47
 Screw, Hex, M10 X 1.5 X 30, 8.8, 2-101
 Screw, Hex, M10 X 1.5 X 45, 8.8, 2-101
 Screw, Hex, M10 X 1.5 X 100, 8.8, 3-51,
 3-67
 Screw, Hex, M10 X 1.5 X 110, 8.8, 3-55

Screw, Hex, M10 X 1.5 X 120, 8.8, Fl,
 3-51
 Screw, Hex, M10 X 1.5 X 130, 8.8, 3-51
 Screw, Hex, M10 X 1.5 X 20, Ss, NI, 2-23,
 2-25
 Screw, Hex, M10 X 1.5 X 20, Ss, 2-163,
 3-27
 Screw, Hex, M10 X 1.5 X 25, 8.8, 2-9,
 2-11, 2-164, 2-168, 2-171, 3-23,
 3-28, 3-52
 Screw, Hex, M10 X 1.5 X 25, Ss, NI,
 2-164, 3-28
 Screw, Hex, M10 X 1.5 X 25, Ss, 2-35
 Screw, Hex, M10 X 1.5 X 30, 8.8, 2-48
 Screw, Hex, M10 X 1.5 X 35, 8.8, 2-35,
 2-48, 2-103, 2-163, 2-168, 3-23,
 3-28
 Screw, Hex, M10 X 1.5 X 40, 8.8, 2-147
 Screw, Hex, M10 X 1.5 X 45, 8.8, 2-103
 Screw, Hex, M10 X 1.5 X 50, 8.8, 2-179,
 3-49, 3-63
 Screw, Hex, M10 X 1.5 X 60, 8.8, 2-137
 Screw, Hex, M10 X 1.5 X 80, 8.8, 2-168,
 3-24
 Screw, Hex, M10 X 1.5 X 90, 8.8, Fl, 3-28
 Screw, Hex, M10 X 1.5 X 90, 8.8, 2-31,
 2-168, 3-24
 Screw, Hex, M12 X 1.75 X 60, 8.8, 2-43,
 2-45, 2-47
 Screw, Hex, M12 X 1.75 X 30, 8.8, 2-171
 Screw, Hex, M12 X 1.75 X 35, 8.8, 2-48,
 2-171
 Screw, Hex, M12 X 1.75 X 40, 8.8, 2-137
 Screw, Hex, M12 X 1.75 X 60, 8.8, 2-27
 Screw, Hex, M16 X 2.0 X 70, 8.8, Fl, 3-24
 Screw, Hex, M20 X 2.5 X 60, 8.8, 2-139
 Screw, Hex, M20 X 2.5 X 70, 8.8, 2-139
 Screw, Hex, M4 X 0.7 X 6, 8.8, 3-51,
 3-67
 Screw, Hex, M4 X 0.7 X 6, 8.8, 3-55, 3-69
 Screw, Hex, M4 X 0.70 X 12, 8.8, 3-15
 Screw, Hex, M5 X 0.8 X 16, Ss, 2-13
 Screw, Hex, M6 X 1.0 X 35, 8.8, 2-135
 Screw, Hex, M6 X 1.0 X 10, 8.8, 2-127
 Screw, Hex, M6 X 1.0 X 12, Fmg, 2-27,
 3-79
 Screw, Hex, M6 X 1.0 X 16, 8.8, 2-117,
 2-119
 Screw, Hex, M6 X 1.0 X 16, Ss, NI, 2-173
 Screw, Hex, M6 X 1.0 X 20, 8.8, NI, 2-31,
 2-171
 Screw, Hex, M6 X 1.0 X 20, 8.8, 2-19,
 2-131, 2-133, 2-147, 2-159, 2-167,
 2-179
 Screw, Hex, M6 X 1.0 X 20, Fmg, 2-163,
 3-27, 3-47, 3-49, 3-61, 3-63
 Screw, Hex, M6 X 1.0 X 25, 8.8, 2-9,
 2-11, 2-89, 2-93, 2-127, 2-164,
 3-28
 Screw, Hex, M6 X 1.0 X 35, 8.8, 2-9, 2-11
 Screw, Hex, M6 X 1.0 X 35, Ss, 2-147
 Screw, Hex, M6 X 1.0 X 45, 8.8, 2-65

CROSS REFERENCE

- Screw, Hex, M6 X 1.0 X 50, 8.8, 2-91, 2-95, 2-111
Screw, Hex, M6 X 1.0 X 60, 8.8, 2-167, 3-23
Screw, Hex, M8 X 1.25 X 16, 8.8, 2-101
Screw, Hex, M8 X 1.25 X 20, 8.8, 2-101, 2-135, 3-51, 3-67
Screw, Hex, M8 X 1.25 X 25, 8.8, 2-135, 3-51, 3-67
Screw, Hex, M8 X 1.25 X 16, 8.8, 2-31, 2-53, 2-145
Screw, Hex, M8 X 1.25 X 20, 8.8, 2-19, 2-31, 2-103, 2-111, 2-117, 2-119, 2-129, 2-131, 2-133, 2-137, 2-167, 2-179, 3-23, 3-52
Screw, Hex, M8 X 1.25 X 20, Ss, NI, 2-57, 2-147
Screw, Hex, M8 X 1.25 X 20, Ss, 2-27
Screw, Hex, M8 X 1.25 X 25, 8.8, 2-129, 2-131, 2-133
Screw, Hex, M8 X 1.25 X 25, Ss, 2-168, 3-23
Screw, Hex, M8 X 1.25 X 30, 8.8, 2-103, 2-179, 3-23, 3-51
Screw, Hex, M8 X 1.25 X 30, Ss, 2-27
Screw, Hex, M8 X 1.25 X 40, 8.8, Fl, 3-55, 3-69
Screw, Hex, M8 X 1.25 X 40, 8.8, 2-163, 3-28
Screw, Hex, M8 X 1.25 X 60, 8.8, 2-168, 2-171, 3-24
Screw, Hex, M8 X 1.25 X 70, 8.8, 2-145, 2-173
Screw, M6 X 10mm, 2-65, 2-81
Screw, Pan, #10-24 X 0.50, Fmg, 2-163, 3-28
Screw, Pan, M 6 X 1.0 X 40, 4.8, 2-17, 2-19
Screw, Pan, M04, 3-17
Screw, Pan, m06, 2-31
Screw, Pan, M5 X 0.80 X 10, 4.8, 3-79
Screw, Pan, M6 X 1.0 X 20, 4.8, 2-35
Screw, Set En, 4-21
Screw, Set, 2-171, 4-11
Screw, Soc, .38-16 X 1.00, Al, 2-65, 2-81
Screw, Soc, .38-16 X 1.25, Al, 2-45, 2-47
Screw, Soc, .38-16 X 2.25, G5, 2-45, 2-47
Screw, Soc, #12-24 X 1.50, 2-81
Screw, Soc, M6 X 1.00 X 70, 2-81
Screw, M6X22.5mm, 5-7, 6-7
Screw-Hex M10X1.5 90 Full Thd, 2-163
Screw-Hex M10X1.5, 2-163
Screw-Set M10 X 1.50 2045H, 2-147
Screw, 2-51, 2-73, 4-37, 7-9
Seal Cw, 4-51
Seal Kit, 4-36, 4-37
Seal Kit, COil CP, 4-47
Seal Kit, Cart. CP, 4-47
Seal Kit, Cart., 4-42
Seal Kit, Cart, 4-43
Seal Kit, Cartridge, 4-74, 4-76, 4-77
Seal Kit, Coil, 4-42, 4-43
Seal Kit, Cyl, Hyd, 4-49
Seal Kit, Hyd Mtr Gear, 4-39
Seal Kit, Motor, 4-31, 4-33
Seal Kit, Pane, Cab, 4-51
Seal Kit, Pane, Door, 4-53
Seal Kit, Pump En, 4-3, 4-5, 4-7, 4-9, 4-13, 4-15, 4-17, 4-19
Seal Kit, Rear, 4-33
Seal Kit, Scu, 4-41
Seal Kit, Shaft, 4-31, 4-33
Seal Kit, Shaker Panel, 2-35
Seal Kit, Vlv En, 4-45
Seal Kit, Cntrl En, 4-21
Seal Kit, Cntrl, 4-11
Seal Kit, 4-38, 4-48
Seal Replmt Kit, 4-27, 4-29
Seal, 48.0 Lg., 2-13, 2-17, 2-19
Seal, 7.00 Lg, 2-13
Seal, Bearing, 2-183
Seal, Boot, Steering Column, 2-183
Seal, Brush Comp, Side 810, 2-9, 2-11
Seal, Brush Comp, Side, 2-4
Seal, Brush Door, 2-9, 2-11
Seal, Bulb, Sd-0504 19.75Lg, 2-15
Seal, Bulb, Sd-0504 24.50Lg, 2-13
Seal, Bulb, Sd-0504 28.00 Lg, 2-13
Seal, Door, Brush, Lh, 2-9
Seal, Door, Brush, Rh, 2-11
Seal, Duct, 2-129, 2-131, 2-133
Seal, Dust, 2-13, 2-27, 2-35
Seal, Filter, 3-79
Seal, Foam Rbr .19 .75W 8.43L, 3-71
Seal, Foam Rbr, .19 .75W 47.1L, 3-71
Seal, Foam, .06t .25w 34.0l, 3-39
Seal, Foam, .06t .25w 42.0l, 3-39
Seal, Foam, .06t .25w 54.0l, 3-39
Seal, Foam, .06t .25w 76.0l, 3-39
Seal, Foam, .06t .25w 84.0l, 3-39
Seal, Foam, Urethane Covered, 2-27
Seal, Handle, Valve, 2-185
Seal, Hinge, Cab Rear Glass [800]], 4-51
Seal, O-Ring .787ldx.210Th, 3-79
Seal, Org, .139 X 03.109 Id, 2-57
Seal, Org, Sensor, Temp [Epr], 2-82
Seal, Org, 2-77
Seal, Pan, Top, 2-4, 2-7
Seal, Rear Window, 4-51
Seal, Rear, 5-5, 6-5
Seal, Rod, Adjuster, 2-13, 2-177
Seal, Ure, 0.38 0.75w 19.5l Adh, 2-129, 2-131, 2-133
Seal, Urethane Covered Foam, 2-31
Seal, Urethane, 3-35, 3-79
Seal, Foam Rbr, .31 .75W 14.8L, 2-13
Seal, Foam Rbr, .62 .62W 24.5L, 2-15, 2-17, 2-19
Seal, Org, Lpg, Mixer [Gm 2007], 2-81
Seal, Valve Stem, 5-5, 6-5
Seal, 2-7, 2-13, 2-15, 3-71, 3-79, 5-9, 6-9, 7-11
Sealant, [Rtv], 03.35oz, 7-7
Sealant, [Rtv], 05.00oz, 7-7
Sealer, 7-3, 7-5
Sealing Kit, Operator Comp, 2-13
Seat Belt Kit, 3-77
Seat, Suspension, 2-13
Send Unit, Temperature, 2-39
Send Unit, 2-105
Send-Unit, Fuel [800/810 2007], 2-111
Send-Unit, Fuel, Ohm, 2-109
Send-unit, Water, Temperature, .38npt, 2-61, 2-73
Send-Unit, 2-107
Sender, Filter, Hydraulic, 2-21
Sending unit, Oil Press, 2-43, 2-45, 2-47
Sensor [T Map], 2-65, 2-81
Sensor, [Tmap], 2-63, 2-77
Sensor, Exhaust, Tailpipe, 2-103
Sensor, Manifold Press, 4-67, 4-69, 4-71, 4-73
Sensor, Oxygen [Gm 1.6l/3.0l 2007], 2-103
Sensor, Oxygen, 2-101
Sensor, Speed, Timing Wheel [3.0l], 2-63, 2-77
Sensor, Temp [Epr], 2-82
Sensor, Temp, Coolant, 2-63, 2-77
Sensor, Temp, Water, 2-61, 2-65
Sensor, Temp, 2-63, 2-65, 2-77, 2-81, 4-67, 4-69, 4-71, 4-73
Sensor, Water Temp, 2-73
Sensor, Crnksft, 5-7, 6-7
Separator, 5-3, 5-24, 6-3, 6-24
Set Screw, 2-35
Shaft and Brg, 4-31, 4-33
Shaft Wldt, Main Brush, 2-171
Shaft, Drive Sp En, 4-3, 4-7, 4-13, 4-17
Shaft, Drive, 2-173
Shaft, Eccentric, 2-35
Shaft, Idler, 2-171, 2-173
Shaft, Input En, 4-21
Shaft, Input, 4-11
Shaft, Motor, Hyd, 4-35
Shaft, Pivot, 2-163, 3-27, 3-79
Shaft, 3-71, 4-36, 4-37, 7-5
Shaker Bar Replacement Kit, 2-35
Sheave, [3L], 1Grv, 03.5Pd 0.67B, 3-51, 3-67
Sheave, 01grv, 03.5pd 0.67b [3l], 3-55, 3-69
Sheave, Alternator, Se, 3-65
Sheave, Aux, [Hc38], 1Grv 6.8od [Gm 3.0L], 3-51
Sheave, Aux, 1grv, 06.8od [Gm3.0l, Hc38], 3-55
Sheave, Eng Crank, Fd W/Tg 2Gr, 2-39
Sheave, Water Pump, 5-23, 6-23
Shft Asy, Output, 5-9, 6-9
Shield Wldt, Heat, Manifold, 2-127
Shield, Dust, 2-7, 2-43, 2-45, 2-47
Shield, Heat, Alternator [2007], 2-55
Shield, Heat, Alternator, Hd[800/810 07], 3-55, 3-69
Shield, Heat, Manifold, 2-65, 2-81
Shield, Heat, 2-61, 2-74, 2-101, 2-103
Shield, Plug, 2-173

Shield, 7-3
 Shim .003Th 0.88Odx0.506ld, 2-179
 Shim .005Th 0.88Odx0.506ld, 2-179
 Shim .010 Thk En, 4-45
 Shim .010Th 0.88Odx0.506ld, 2-179
 Shim .015 Thk En, 4-45
 Shim .020Th 0.88Odx0.506ld, 2-179
 Shim .035 Thk En, 4-45
 Shim .060Th 0.880Dxo.506ld, 2-179
 Shim, 4-35, 4-53
 Shims En, 4-5, 4-9, 4-15, 4-19
 Shoe, Brake, 4-63, 4-65
 Short Tube, 5-3, 6-3
 Shoulder Screw, 2-35
 Shroud, Fan, Radiator, W/ Label [800],
 2-129, 2-131, 2-133
 Signal Turn, 3-17
 Skirt, Brush Door, 2-4, 2-9, 2-11
 Skirt, Cover, Sbdc, 3-73
 Skirt, Deflection, 3-73
 Skirt, Deflector, 2-27
 Skirt, Lip, 2-27
 Skirt, Retainer, 3-73
 Skirt, Seal, Main Brush, 2-4, 2-7
 Skirt, Slotted, 2-4, 2-9, 2-11
 Skirt, 3-73
 Sleeve .438B 1.00D .35Stl, 3-23
 Sleeve, .259B .38D .62 Dom, 2-161
 Sleeve, .320B .32D .49 Lc Stl, 2-31
 Sleeve, .344B .50D .81 Cr.Anc, 2-145
 Sleeve, .375B .62D1.06 Stl, 2-139
 Sleeve, .375B .75D .32 Stl, 2-167, 3-23
 Sleeve, .385B .62D .62 Cd.Cad, 2-13
 Sleeve, .408B .62D .53Stl, 2-147
 Sleeve, .438B 1.00D .35 Stl, 2-167
 Sleeve, 0.406B .750D .800Stl, 3-23
 Sleeve, 0.406B 0.75D1.80 Stl, 2-167,
 3-23
 Sleeve, Alternator, 2-51, 2-53, 2-55,
 3-55, 3-67, 3-69
 Sleeve, Bearing, 2-35
 Sleeve, Dashpo, Pump, Hyd, Gear, 4-35
 Sleeve, Hyd 30", 2-171
 Sleeve, Nyl 16.0 L, 2-21
 Sleeve, Nyl, #27 55.0l, 3-31
 Sleeve, Nyl, #33 65.0l, 3-43, 3-49, 3-59,
 3-63
 Sleeve, Nyl, 37, 25.0l, 2-139
 Sleeve, Nylon #27 65.0L, 2-163
 Sleeve, Nylon #27 55.0l, 3-27
 Sleeve, P/M, 0.496d 0.318b 0.50l 430ss,
 2-167
 Sleeve, P/M, 0.496d 0.318b 0.65l 430ss,
 2-167
 Sleeve, Pivot, Door, 2-29
 Sleeve, Throttle [Bosch], Plstc, 2-77
 Sleeve, 0.406B .750D .800 Stl, 2-167
 Sleeve, 2-85, 2-87, 2-89, 2-93, 3-23
 Solenoid, Valve, Hyd, 36vdc, 4-74, 4-76,
 4-77
 Solenoid, Valve, Hyd, 4-76, 4-77
 Solenoid, 5-9, 6-9
 Spacer En, 4-45

Spacer Plate Cl, 4-27, 4-29
 Spacer Plate, 4-37
 Spacer, .25 L, 2-161
 Spacer, .75D .9L .25-28 Th, 2-147
 Spacer, .90L, 2-161
 Spacer, Brake, 2-145
 Spacer, Condenser, 4-57
 Spacer, Pane, Glass, 4-51
 Spacer, Sppt, Filter Lock Off, 2-77
 Spacer-.50 Od X .055W X 1.0, 2-145
 Spacer, 2-25, 2-61, 2-73, 2-129, 2-131,
 2-133, 2-145, 2-163, 2-167, 2-179,
 3-23, 3-27, 4-51, 5-15, 6-15
 Spark Plug Wires, 7-5
 Spark Plug-10 FD, 2-4
 Spark Plug, 5-24, 6-24, 7-3
 Sparkplug [Gm 3.0], 2-4
 Spindle, Adjustment, 2-15
 Spring En, 4-45
 Spring En, 4-5, 4-9, 4-15, 4-19, 4-45
 Spring Kit, 4-41
 Spring, Cntr En, 4-21
 Spring, Cntr, 4-11
 Spring, Comp, 2-163, 3-27
 Spring, Extension, 2-163, 3-27
 Spring, Gas 80 Lb, 3-37
 Spring, Motor, Hyd, 4-35
 Spring, Propel, Centering, 2-147
 Spring, Recirculation, 2-7
 Spring, Tens, 0.5Dx.06Wire 2.5L, 2-145
 Spring, Tension, 2-175, 5-19, 6-19
 Spring, Torsion, Rh, 2-163
 Spring, Torsion, 3-27
 Spring, Retainer En, 4-21
 Spring, Retainer, 4-11
 Spring-Gas, Engine Cover, 2-31
 Spring, 2-35, 4-31, 4-33, 4-35, 4-63,
 4-65, 7-3, 7-9
 Sprng, Comp, 0.62ldx.06Wire 2.3L, 2-183
 Sprng, Comp, 0.83ldx.07Wire 1.0L, 3-71
 Sprng, Comp, 0.87ldx.10Wire 2.5L, 2-177
 Sprng, Tens, 0.965Odx.09Wire4.4L, 2-31
 Sprng, Tens, 1.00Odx.09Wire 2.8L, 2-147
 Starter, 2-43, 2-45, 2-47
 Statnry Gear, 5-9, 6-9
 Std.Exh.Valve, 5-21, 6-21
 Std.Int.Valve, 5-21, 6-21
 Steer Control Hyd#4 04.5 1300, 4-41
 Steer Control, Hyd, 2-183
 Stem, Valve, Hyd, 4-74, 4-76
 Strain, Relief, 2-37, 3-79
 Strainer-Hyd Suction 25-100-03, 2-4,
 2-157
 Strap Weldmt, Gas Tank, 2-105
 Strap Wldt, Tank, .06th X 1.0w, 37.7l,
 2-107, 2-109
 Strap Wldt, Tank, 0.06 1.0w 37.7l, 2-111
 Strap, Hinge - Lp Tank Mtg, 2-113, 2-115,
 2-117, 2-119
 Strap, Mounting, 2-59, 2-67
 Strap, Mtg.- Lp Tank, 2-113, 2-115,
 2-117, 2-119
 Strap, Mtg, Fltr, Air, 7.17id, 2-91, 2-95

Strap, Retainer, Seal, 2-4, 2-7
 Strap, Tank Retainer - Lp, 2-113, 2-115,
 2-117, 2-119
 Strip, Edging, 2-7
 Strip, Hopper, 2-27
 Strip, Retainer, Bearing, 2-171
 Strip, Retainer, Brake Cable, 2-145
 Strip, Retainer, Seal, Lh, 2-9
 Strip, Retainer, Seal, Rh, 2-11
 Strip, Retainer, Seal, Side, 2-9, 2-11
 Strip, Retainer, Shield, Lh, 2-7
 Strip, Retainer, Shield, Rh, 2-7
 Strip, Retainer, Skirt, Front, 2-27
 Strip, Retainer, Skirt, 2-4, 2-9, 2-11, 3-73
 Strip, Spacer, 2-15
 Stud M12, 5-3, 6-3
 Stud, .003" O.S., 7-3
 Stud, .013" O.S., 7-3
 Stud, .38-16 X 1.2l, 2-63, 2-65, 2-81
 Stud, Adjustment, 3-71
 Stud, Wheel .56-18x2.13, 2-139, 2-141
 Stud, M6X61.8mm, 5-7, 6-7
 Stud, M8X51.0mm, 5-7, 6-7
 Stud, 2-61, 2-63, 2-73, 2-77, 2-78, 5-15,
 5-23, 6-15, 6-23, 7-11
 Support Wldt, Sppt, Hopper Lh, 2-33
 Switch Assy, Pressure, Hyd, 2-159
 Switch Assy, Roller-no, 3-15
 Switch Ignition, 2-185
 Switch Rocker Spst, 2-167, 3-23
 Switch, 3 Pos, Blower, Heat, 3-41, 3-47,
 3-57, 3-61
 Switch, Press, 0006psi Dpdt, 2-39
 Switch, Press, 12vdc 08a Spst Nc 0070psi,
 2-115, 2-117, 2-119
 Switch, Pressure, Lpg, 2-69
 Switch, Pressure, 2-37, 3-79
 Switch, Pushmom, Spst100A 12V, 2-183
 Switch, Rocker, Dpdt., 2-175
 Switch, Rocker, Dpdt, 2-185
 Switch, Roller, 2-23
 Switch, Thermo, A/C, 3-41, 3-47
 Switch, Wiper Motor, 4-51
 Switch, Lockout En, 4-21
 Switch, 2-71, 3-17
 Swivel, 3-43, 3-49, 3-59, 3-63

T

Tank Wldt, Hydraulic w/label, 2-157
 Tank, Coolant, 03.5 03.0 06.5deep 1.0 Qt,
 2-129
 Tank, Coolant, 04.7 03.3 4.7deep, 1liter,
 2-131, 2-133
 Tank, Coolant, 06.0 04.5 06.9deep 2.5 Qt,
 2-129
 Tank, Fuel, 14 Gas 14.7 13.0 19.0l, 2-107
 Tank, Fuel, 14 Gas 14.7 13.0 19.0, 2-109
 Tank, Fuel, 14.Ogal, 14.66w 13.0hi 19.0l,
 2-111
 Tank, Fuel, 2-105
 Tank-Lp, 33#, Liq, Both, Fill Ga, 2-113,
 2-115, 2-117, 2-119

CROSS REFERENCE

Tap Assy-Valve, 5-21, 6-21
Temperature sensor, 5-23, 6-23
Tensioner, Arm, 5-19, 6-19
Term.Cover, 5-9, 6-9
Therm 190 W/Gsk, 5-23, 6-23
Thermostat Assembly, 155 Deg, 2-181
Thermostat Housing [Gm3.0l 2007], 2-48
Thermostat, 7-3
Thrust Bearing, 4-27, 4-29
Tie, Cable 1.75D Max 7.50Lg, 2-37
Tie, Cable 1.75D Max 7.50Lg, 3-11, 3-13, 3-79
Tie, Cable 3.00D Max 11.41Lg, 2-183
Tie, Cable 4.00 Max 14.50Lg, 3-79
Tie, Cable, 20.0l, 6.00d Max, 2-179
Tie, Cable, Nyl, 07.3l .19w 1.8 Max D, 3-41, 3-47, 3-81
Tie, Cable, Nyl, 11.4l .19w 3.0 Max D, 2-7
Tie, Cable, Nyl, 15.3l . W 4.5 Max D, 3-43, 3-49, 3-59, 3-63
Tie, Cable, 3-3, 3-5, 3-7, 3-9, 3-15, 3-17
Tie, Wire 11-1/2x.19 Ny (not shown), 2-73
Timer, 12vdc, 5 Sec On Delay, 2-13
Timing Belt, 5-19, 6-19
Tire & Flap Assy, 2-143
Tire & Rim Assy, Pneu 6.50-10, 2-143
Tire and Rim Assy, Solid 6.5, 3-76
Tire, Solid, 3-76
Tray Wldt, Drip, Gas [3.0l], 2-63
Tread, Floor mat, Rubber, 2-13
Tread, Rubber, 3-35
Trim, 2-13
Tube Assy, Brake, 2-145
Tube Assy, Fuel .31Od, 2-105
Tube Asy,Cond/Dry, 4-57
Tube Wldt, Brace, Center, 2-15
Tube Wldt, Intake, 2.0d .38npt, 2-87
Tube Wldt, Tee, 2-89, 2-91, 2-93, 2-95
Tube Wldt, Torque, Front Brush, 2-173
Tube, 0.50id 1.00od 01.0l, Stl, Pntd, 3-55, 3-69
Tube, 0.62D .44B 2.44, Stl, 2-31, 3-37
Tube, 00.75d 00.41b 03.3l Stl Plt, 3-51
Tube, 01.00d 00.44b 00.7l Stl Plt, 3-67
Tube, 01.00d 00.50b 01.0l Stl Pnt, 3-51
Tube, 01.00d 00.50b 01.0l Stl Pnt, 2-51, 2-53, 2-55
Tube, Air Bleed, 2-59, 2-69, 2-71
Tube, Coolant, 1.5d Upper, Gas/Lpg, 2-123, 2-125
Tube, Coolant, 1.5d W/.25npt Low, G/Lpg, 2-123, 2-125, 2-127
Tube, Coolant, 1.5od Lower, 2-121
Tube, Cross, Bumper, Se, 3-21
Tube, Ds, 7-7
Tube, Exhaust, 2.0d [Gm3.0] [800/810], 2-99, 2-101
Tube, Exhaust, Lower, [800/810, 2007], 2-103
Tube, Exhaust, Rear [Gm3.0l 800/810 07], 2-103
Tube, Exhaust, Rear, 2-101

Tube, Inner, 2-143
Tube, Intake, 2.0d 04.0l, 2-87
Tube, Radiator, Upper [800gas/Lpg], 2-127
Tube, Radiator, Upper, Gas/Lpg, 2-121
Tube, Retainer, Spring, 2-175
Tube, Spacer, Brush Lift, 2-175
Tube, Tailpipe, 2-103

V

Vac.Fitting, 5-15, 6-15
Valve [Pcv], 2-65, 2-81
Valve - Hyd., Solenoid, 4-42
Valve Assy, Ball, 3 Way, Em10/Em10/Em10, 3-43, 3-49, 3-59, 3-63
Valve Guide Bushing, 5-21, 6-21
Valve Plate, 4-5, 4-9, 4-15, 4-19, 4-31, 4-33
Valve Rocker Arm Cover, 5-21, 6-21
Valve Rocker Arm, 5-21, 6-21
Valve Spool, 4-11
Valve Spring Key, 5-21, 6-21
Valve Spring Retainer, 5-21, 6-21
Valve Spring, 5-21, 6-21
Valve Stem N.O. CP, 4-47
Valve Stem 4W2P CP, 4-47
Valve Stem 4W2P, 4-43
Valve Stem Seal, 5-21, 6-21
Valve Stem, N.D., 4-42
Valve, [Pcv], 2-43, 2-63, 2-77
Valve, Ball, 3-way, 08pf/08pf/08pf Brs, 3-43, 3-49, 3-59, 3-63
Valve, Cartridge, Check, 4-76, 4-77
Valve, Cartridge, Flow Reg, 4-76
Valve, Cartridge, Relief, 4-76
Valve, Check, 2-77
Valve, Cntrl, Hyd, Solenoid, 12vdc 06gpm (See Breakdowns), 2-167, 3-23
Valve, Cntrl, Hyd, Solenoid, 12vdc 06gpm, 4-77
Valve, Cntrl, Hyd, Solenoid, 12vdc 08gpm (See Breakdowns), 2-159
Valve, Cntrl, Hyd, Solenoid, 12vdc 08gpm, 4-76
Valve, Cntrl, Hyd, Solenoid, 12vdc 12gpm (See Breakdowns), 2-181, 3-27
Valve, Cntrl, Hyd, Solenoid, 12vdc 12gpm, 4-74
Valve, Drive, Motor, Hyd, 4-35
Valve, Exhaust, 7-3
Valve, Expansion, 4-59
Valve, Fuelock, Lpg, W/ Wire Connector, 2-77
Valve, Hyd Control Man (See Breakdowns), 2-161
Valve, Hyd Control Man, 4-45
Valve, Hyd Control Solenoid, 4-43
Valve, Hyd Solenoid (See Breakdowns), 2-167
Valve, Hyd, Solenoid (See Breakdowns), 3-23

Valve, Intake, 7-3
Valve, Lock Off, 2-81
Valve, Lpg [Mixer], 2-81
Valve, PCV, 2-4
Valve, Press Relief, Lpg Rego, 2-113, 2-115, 2-117, 2-119
Valve, Trim, Fuel, Lpg, 2-77
Valve, Trim, Press, Lpg, 2-77
Valve, Water, Heater, H, 10bm, 3-43, 3-59
Valve-Hyd, Cntl Solenoid, 4-47
Valve-Hyd, Solenoid (See Breakdowns), 2-159, 2-181, 3-27
Valve, 4-31, 4-33, 4-35, 7-7, 7-9
Vaporizer Repair Kit, 2-69
Vaporizer, Lpg, 2-69
Vaporizer, 2-73
Video, Oprtr, Training, Dvd [810], 3-84
Vlv Spool Wide En, 4-21

W

Wand Kit, Vac, 3-71
Wand, 3-71
Warning Label, Starter, 5-21, 6-21
Wash M15 1.53Od, 5-13, 6-13
Washer, 7-9
Washer En, 4-3, 4-5, 4-7, 4-9, 4-13, 4-15, 4-17, 4-19, 4-45
Washer, .281B .62D .06Nylon, 2-59
Washer, .310B .88D .12Rbr, 3-27
Washer, .344B .69D .06Nylon, 3-79
Washer, .344B .69D .06Nylon, 2-15
Washer, .516B .90D .07Cr., 2-147
Washer, .531B 1.75D .12Cr.Znc, 2-171
Washer, .531B 1.88D .12Hard Zn, 2-13, 2-41
Washer, .532B 2.13D .11Hr.Znc, 2-41, 2-43, 2-45, 2-47
Washer, 0.25b 1.12d .12, Ss, 2-115
Washer, 0.53b 1.88d .12, Stl, Pl, 2-43, 2-45, 2-47
Washer, 1.015B 1.75D .11Hrs, 2-29
Washer, 1.300B 3.000, 2-163, 3-27
Washer, Belleville, .25, 2-163, 2-173, 3-27
Washer, Belleville, .31, 2-31, 2-53, 2-55, 2-129, 2-131, 2-133, 2-135, 3-51, 3-67
Washer, Belleville, .50, 2-171
Washer, Fender, 2-85, 2-87, 2-89, 2-93
Washer, Flat m10, 2-167, 3-23
Washer, Flat, .25 Sae, 2-43, 2-45, 2-47
Washer, Flat, .31 Std, 2-43, 2-45, 2-47, 2-51, 2-123, 2-125
Washer, Flat, .38 Sae, 2-51
Washer, Flat, .38 Std, 2-43, 2-45, 2-47, 2-51
Washer, Flat, .50 Std, 2-43, 2-45, 2-47
Washer, Flat, #10, 2-27, 2-31, 2-57, 2-91, 2-95, 2-117, 2-119, 2-131, 2-133, 2-159, 2-167, 3-23
Washer, Flat, 0.25 Sae, 2-171

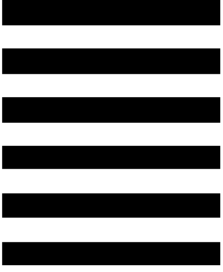
Washer, Flat, 0.25 Std, 2-89, 2-93, 2-129,
 2-147, 3-47, 3-49, 3-61, 3-63
 Washer, Flat, 0.25, Sae, 2-9, 2-11, 2-111,
 2-127, 2-179
 Washer, Flat, 0.25, Std, 2-19, 2-65, 2-81,
 2-111
 Washer, Flat, 0.28b 1.00d .06, Stl, 2-73
 Washer, Flat, 0.28b 1.38d .12, Hrs Pl,
 2-161
 Washer, Flat, 0.31 Fender, 3-33
 Washer, Flat, 0.31 Ss, 2-173, 3-37
 Washer, Flat, 0.31 Std, 2-31, 2-101,
 2-129, 2-131, 2-133, 2-135, 2-145,
 2-168, 2-179, 3-23, 3-51, 3-52,
 3-67
 Washer, Flat, 0.31, Hardened, 2-55
 Washer, Flat, 0.31, Sae, 2-27
 Washer, Flat, 0.31, Std, 2-19, 2-91, 2-95,
 2-103, 2-111, 2-117, 2-119, 3-55,
 3-69
 Washer, Flat, 0.321b 1.00d .12, Ss, 2-147
 Washer, Flat, 0.38 Sae, 2-53, 2-55,
 2-147, 2-164, 3-28, 3-52
 Washer, Flat, 0.38 Ss, 2-57
 Washer, Flat, 0.38 Std, 2-23, 2-25, 2-35,
 2-101, 2-129, 2-131, 2-133, 2-164,
 3-28, 3-49, 3-51, 3-63, 3-67
 Washer, Flat, 0.38, Hardened, 2-65, 2-81
 Washer, Flat, 0.38, Sae, 3-55, 3-69
 Washer, Flat, 0.38, Std, 2-9, 2-11, 2-103,
 2-137, 2-179, 3-55
 Washer, Flat, 0.38b 0.88d .08, Ss, 2-27
 Washer, Flat, 0.39b 0.75d .06, Nyl, 2-117,
 2-119
 Washer, Flat, 0.40b 1.12d .12, Stl, Pl,
 2-181
 Washer, Flat, 0.44, Std, 2-9, 2-11
 Washer, Flat, 0.44b 1.00 .08, Ss, 2-35
 Washer, Flat, 0.44b 2.00d .12, Stl, Pl,
 2-129, 2-131, 2-133
 Washer, Flat, 0.50 Sae, 2-171
 Washer, Flat, 0.50, Sae, 2-137, 2-139
 Washer, Flat, 0.50, Std, 2-17, 2-19
 Washer, Flat, 0.56b 1.38d .11, Ss, 2-15
 Washer, Flat, 0.62, Sae, 2-177
 Washer, Flat, 0.75, Sae, 2-139
 Washer, Flat, 0.75, Std, 3-69
 Washer, Flat, 08, 3-15
 Washer, Flat, 1.02b 1.75d .12, Stl, 2-141
 Washer, Flat, Belleville, .25, 2-9, 2-11,
 2-19
 Washer, Flat, Belleville, .31, 2-137, 3-55,
 3-69
 Washer, Flat, 2-167, 3-23, 3-27
 Washer, Flt, .25 Sae, 2-71
 Washer, Loc, M5, 2-43, 2-45, 2-47
 Washer, Lock, .25, 2-43, 2-45, 2-47
 Washer, Lock, .31, 2-43, 2-45, 2-47, 2-51
 Washer, Lock, .38, 2-43, 2-45, 2-47,
 2-51, 3-51, 3-67
 Washer, Lock, #10, 2-43, 2-45, 2-47
 Washer, Lock, 0.38, 2-65, 2-81
 Washer, Lock, Int / Ext, 0.38, 2-65, 2-81
 Washer, Lock, Int, .25, 2-71
 Washer, Lock, Int, #08, 2-109, 2-111,
 3-51, 3-55, 3-67, 3-69
 Washer, Lock, Int, #10, 2-55, 2-109,
 2-111
 Washer, Lock, Int, 0.25, 2-101, 2-103
 Washer, Lock, Int, 0.31 Ss, 3-37
 Washer, Lock, Int, 0.31, 2-21, 2-129,
 2-131, 2-133, 2-181
 Washer, Lock, Int, 08 Ss, 3-79
 Washer, Lock, Int-ext, .38, 2-53, 2-55
 Washer, Rbr, .12 0.31b 0.88d, 2-129,
 2-167, 3-23
 Washer, Lock Special, 2-139
 Washer-Belleville .31 Pltd, 3-23
 Washer-Belleville .50 Pltd, 2-163
 Washer-Belleville .50 Pltd, 3-27
 Washer-Flt .25 Fender Rltd., 2-13
 Washer-Flt .25 Fender, 3-35
 Washer-Loc Int-Ext .31 Pltd, 3-33
 Washer-Loc Int-Ext .25 Pltd, 3-17
 Washer-Loc Int-Ext 10 Pltd, 3-17
 Washer, 2-37, 2-61, 2-63, 2-73, 2-77,
 2-139, 2-163, 2-185, 4-3, 4-7, 4-13,
 4-17, 4-23, 4-25, 5-9, 5-11, 5-19,
 6-9, 6-11, 6-19, 7-5, 7-9, 7-12
 Water Outlet, 5-23, 6-23
 Water Pump, 5-23, 6-23, 7-12
 Weight, LPG/Gas, 2-7
 Wheel, Steering, 2-183
 Wire Ass'Y-Elect., Ground, 2-41, 2-43,
 2-45, 2-47
 Wire Asy, Spark Plug, 5-24, 6-24
 Wire Harness, 5-24
 Wire Kit, LP, 2-69
 Wire, 10ga 16.0l Blk .38ring /.25ring,
 3-51, 3-67
 Wire, 10ga 16.0l Blk .25ring /.38ring, 3-55,
 3-69
 Wire, 42.0 Lg, 2Ga, Neg, 2-135
 Wire, Dome Light, 4-51
 Wire, Ground, 2-51, 2-53, 2-55, 3-65
 Wire, Lead, 2-15
 Wire-Ground, Alternator, 2-39
 Wire, 7-5



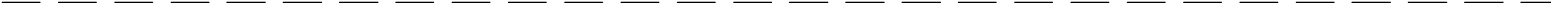
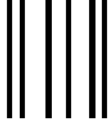
TENNANT COMPANY
 Technical Publications #15
 701 North Lilac Drive
 P.O. Box 1452
 Minneapolis, MN 55440-9947

POSTAGE WILL BE PAID BY ADDRESSEE

BUSINESS REPLY MAIL
 FIRST CLASS MAIL PERMIT NO. 94 MINNEAPOLIS, MN

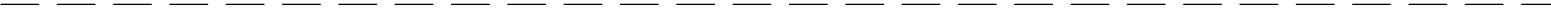


NO POSTAGE
 NECESSARY
 IF MAILED
 IN THE
 UNITED STATES



Fold along dotted lines

Tape here

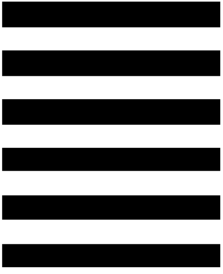




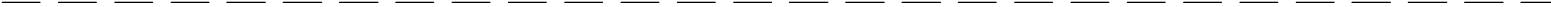
TENNANT COMPANY
 Technical Publications #15
 701 North Lilac Drive
 P.O. Box 1452
 Minneapolis, MN 55440-9947

POSTAGE WILL BE PAID BY ADDRESSEE

BUSINESS REPLY MAIL
 FIRST CLASS MAIL PERMIT NO. 94 MINNEAPOLIS, MN



NO POSTAGE
 NECESSARY
 IF MAILED
 IN THE
 UNITED STATES



Fold along dotted lines

Tape here

