

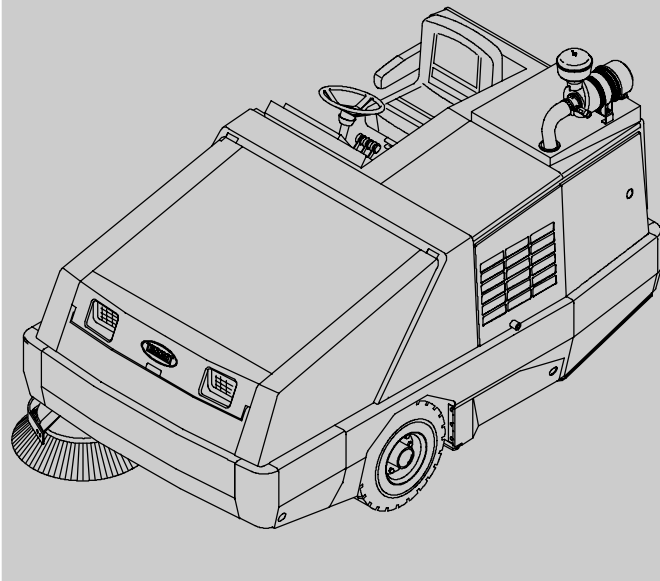
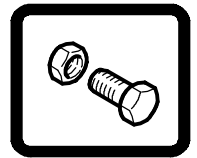


800

(Gas/LPG)

(SN/ 004000-)

Sweeper Parts Manual



North America / International

www.tennantco.com

330120
Rev. 15 (05-2009)



When ordering replacement parts, use the illustrated parts list section in this manual. Before ordering parts or supplies, be sure to have your machine model number and serial number available. Only use TENNANT Company supplied or equivalent parts. Parts and supplies may be ordered online, by phone, or mail from any authorized parts and service center, distributor or from any of the manufacturer's subsidiaries.

This machine will provide excellent service. However, the best results will be obtained at minimum costs if:

- The machine is operated with reasonable care.
- The machine is maintained regularly - per the machine maintenance instructions provided.
- The machine is maintained with manufacturer supplied or equivalent parts.

MACHINE DATA

Please fill out at time of installation for future reference.

Model No. - _____

Serial No. - _____

Machine Options - _____

Sales Rep. - _____

Sales Rep. phone no. - _____

Customer Number - _____

Installation Date - _____

Tennant Company

PO Box 1452

Minneapolis, MN 55440

Phone: (800) 553-8033 or (763) 513-2850

www.tennantco.com

II Speed and Thermo-Sentry, are US registered and unregistered trademarks of Tennant Company.

Specifications and parts are subject to change without notice.

Original instructions, Copyright © 1998-2000, 2002-2005, 2007-2009 TENNANT Company, Printed in U.S.A.

HOW TO USE THIS MANUAL

This section on *HOW TO USE THIS MANUAL* will tell you how to:

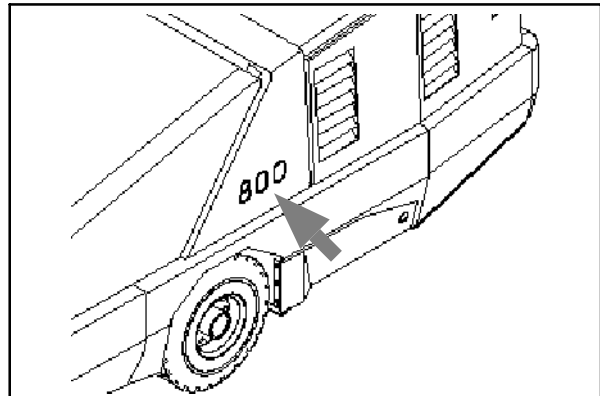
- Find important machine information for ordering correct repair parts.
- Find TENNANT part numbers.
- Order TENNANT parts and supplies.

IMPORTANT INFORMATION

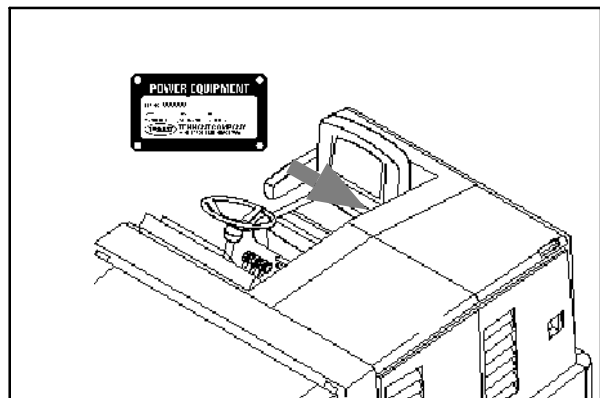
When placing an order for parts, the machine model and machine serial number are important. Refer to the *MACHINE DATA* box which is filled out during the installation of your machine. The *MACHINE DATA* box is located on the inside of the front cover of this manual.

| MACHINE DATA | |
|--|--------|
| <i>Please fill out at time of installation for future reference.</i> | |
| Machine Model Number - | 800 |
| Machine Serial Number - | _____ |
| Machine Options - | _____ |
| TENNANT Representative/phone no. - | _____ |
| Customer ID Number - | _____ |
| Date of Installation - | _____ |
| Manual Number - | 330120 |
| Revision: | 00 |
| Published: | 9-97 |

The model number of your machine is on the side of the machine.



The serial number of your machine is printed on the machine data plate located as shown.



HOW TO USE THIS MANUAL

FINDING A TENNANT PART NUMBER

This manual contains the following sections:

- HOW TO USE THIS MANUAL
- STANDARD PARTS
- OPTIONS
- BREAKDOWNS
- PERKINS ENGINE BREAKDOWN
- CAT ENGINE BREAKDOWN
- CROSS REFERENCE

The STANDARD PARTS section lists repair parts for standard machines. They are grouped in this general order:

- General wear parts.
- Machine frame and related parts.
- Machine propelling system.
- Sweeping components.
- Electrical parts.

The OPTION section lists repair parts of options.

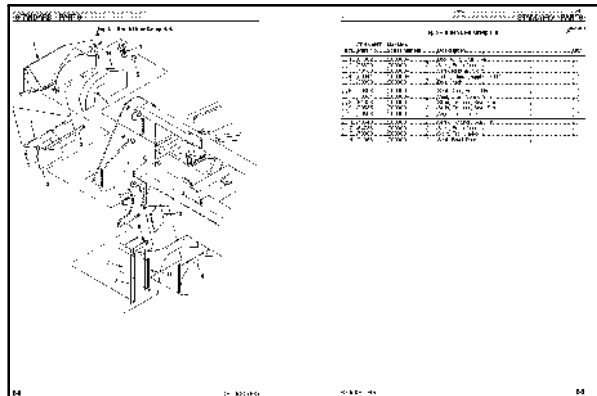
The BREAKDOWN section lists available repair parts of major components.

All sections in this manual consist of parts illustrations and corresponding parts lists.

The parts illustrations are numbered with **Ref** numbers which refer to corresponding parts lists.

The parts lists include a number of columns of information:

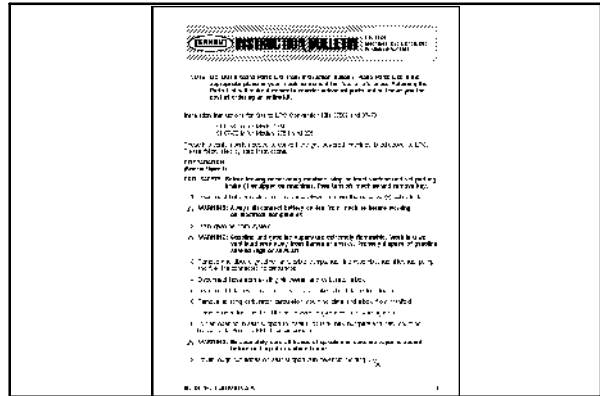
- **Ref** - column refers to the reference number on the parts illustration.
 ▽ - indicates the part is an assembly.
 ▲ - indicates the part is included in the assembly listed just before it.
- **TENNANT Part No.** - column lists the TENNANT part number for the part.
- **Serial Number** - column indicates the set of machines the part number is applicable to. Serial numbers change when the machine design has been modified. The most current design of the machine is shown in the main illustration, older designs are boxed in a corner of the illustration.
- **Description** - column is a brief description of the part.
- **Qty.** - column lists the quantity of that part used in that area of the machine.



| TENNANT Machine | Ref. Part No. | Serial number | Description | Qty. |
|-----------------|---------------|---------------|------------------------------------|------|
| | 53670 | 000000 | Repair Kit, Instl. Pwd. | ea1 |
| | 1 53676 | 000000 | Repair Kit, Case | ea1 |
| | 2 53677 | 000000 | Repair Kit, Seal | ea1 |
| | 3 53674 | 000000 | Repair Kit, Or. Brand | ea1 |
| | 4 53678 | 000000 | Repair Kit, Hornsecr. | ea1 |
| | 5 53679 | 000000 | Repair Kit, Turb. Panel | ea1 |
| | 6 53671 | 000000 | Repair Kit, Lamp, Backlighting (B) | ea2 |
| | 7 53646 | 000000 | Repair Kit, Lamp (C) | ea1 |
| | 8 13632-5 | 000000 | Grommet, br, 0.25H, For O9Matl. | ea4 |
| | 9 01509 | 000000 | Switch, Rocker, Dpdt. | ea1 |
| | 10 67807 | 000000 | Cover, Rocker Switch Seal | ea1 |
| | 11 07036 | 000000 | Switch, Ignition | ea1 |
| | 12 87666 | 000000 | Key Set, Switch K | ea1 |
| | 13 72109 | 000000 | Repair Kit, Sun Shield | ea1 |
| | 14 85445 | 000000 | Panel, Cover, Dash | ea1 |
| | 15 73637 | 000000 | Seal, Hard. Valve | ea1 |

NOTE: If a service kit is installed on your machine, be sure to keep the **INSTRUCTION BULLETIN** which came with the kit. It contains repair parts numbers needed for ordering future parts.

NOTE: Fasteners used in this machine may be metric or non-metric. Take care when replacing hardware to replace with same thread size.



PLACING AN ORDER

Orders may be placed by phone, fax, or by mail. Phone orders may need written confirmation. Follow the steps below to insure prompt delivery:

1. Identify the model number of your machine.
2. Identify the serial number of your machine.
3. Find the part number of the part you need. Do not order by page number or reference number. If you are not able to find the part number, call your TENNANT representative for help or send the old part as a sample.
4. Determine the quantity of the part you need.
5. Provide the following company information:
 - Company name
 - Customer ID Number
 - Shipping address
 - Billing address
 - First and last name of person ordering parts
 - Telephone number
 - Purchase order number
6. Provide definitive shipping instructions.

HOW TO USE THIS MANUAL

Any claim for loss or damage to a shipment in transit should be filed promptly with the transportation company making the delivery. Shipments will be complete unless the packing list or order acknowledgement indicates items back ordered.

If parts received are suspected to be incorrect or defective, please contact the TENNANT representative from whom you ordered the part. They will give authorization for return and/or handle replacement shipments when required.

SECTION 2

| Contents | Page | Contents | Page |
|--|-------------|--|-------------|
| Fig. 1 - General Recommended Maintenance Items | 2-4 | Fig. 35 - Engine Electronic Fuel Ignition and Vaporizer Group, LPG (004937-005999) | 2-72 |
| Fig. 2 - Brushes, Replacement | 2-5 | Fig. 36 - Engine Electronic Fuel Ignition and Vaporizer Group, LPG (006000-006999) | 2-76 |
| Fig. 3 - Main Frame Skirt and Seals Group | 2-6 | Fig. 37 - Engine Electronic Fuel Ignition and Vaporizer Group, LPG (007000-) | 2-80 |
| Fig. 4 - Main Frame Left Brush Door Group ... | 2-8 | Fig. 38 - Engine Air Cleaner Group (004000-004936) | 2-84 |
| Fig. 5 - Main Frame Right Brush Door Group . | 2-10 | Fig. 39 - Engine Air Cleaner Group (004937-005999) | 2-86 |
| Fig. 6 - Main Frame Operator Station Group . | 2-12 | Fig. 40 - Engine Air Cleaner Group, Gas (006000-006999) | 2-88 |
| Fig. 7 - Main Frame Engine Cover and Lintel Group | 2-14 | Fig. 41 - Engine Air Cleaner Group, Gas (007000-) | 2-90 |
| Fig. 8 - Main Frame Engine Side Door Group (004000-006999) | 2-16 | Fig. 42 - Engine Air Cleaner Group, LPG (006000-006999) | 2-92 |
| Fig. 9 - Main Frame Engine Side Door Group (007000-) | 2-18 | Fig. 43 - Engine Air Cleaner Group, LPG (007000-) | 2-94 |
| Fig. 10 - Hydraulic Cooler, Filter and Rear Door Group | 2-20 | Fig. 44 - Engine Muffler Group (004000-004936) | 2-96 |
| Fig. 11 - Hopper Lift Arms Group | 2-22 | Fig. 45 - Engine Muffler Group, Catalytic (004937-005999) | 2-98 |
| Fig. 12 - Hopper Lift Cylinders Group | 2-24 | Fig. 46 - Engine Muffler Group, Catalytic (006000-006999) | 2-100 |
| Fig. 13 - Hopper Group | 2-26 | Fig. 47 - Engine Muffler Group, Catalytic (007000-) | 2-102 |
| Fig. 14 - Hopper Door Group | 2-28 | Fig. 48 - Engine Fuel Tank Group, Gas (004000-004936) | 2-104 |
| Fig. 15 - Hopper Cover Group | 2-30 | Fig. 49 - Engine Fuel Tank Group, Gas (004937-005999) | 2-106 |
| Fig. 16 - Hopper Bumper Group | 2-32 | Fig. 50 - Engine Fuel Tank Group, Gas (006000-006999) | 2-108 |
| Fig. 17 - Hopper Filter Shaker Group | 2-34 | Fig. 51 - Engine Fuel Tank Group, Gas (007000-) | 2-110 |
| Fig. 18 - Hopper Pressure Switch Group | 2-36 | Fig. 52 - Engine Fuel Tank Group, LPG (004000-004936) | 2-112 |
| Fig. 19 - Engine and Alternator Group (004000-004936) | 2-38 | Fig. 53 - Engine Fuel Tank Group, LPG (004937-005999) | 2-114 |
| Fig. 20 - Engine Mount Group (004000-004936) | 2-40 | Fig. 54 - Engine Fuel Tank Group, LPG (006000-006999) | 2-116 |
| Fig. 21 - Engine Group (004937-005999) | 2-42 | Fig. 55 - Engine Fuel Tank Group, LPG (007000-) | 2-118 |
| Fig. 22 - Engine Group (006000-006999) | 2-44 | Fig. 56 - Engine Radiator Hose Group (004000-004936) | 2-120 |
| Fig. 23 - Engine Group (007000-) ... | 2-46 | Fig. 57 - Engine Radiator Hose Group (004937-005999) | 2-122 |
| Fig. 24 - Engine Alternator Group (004937-005999) | 2-50 | Fig. 58 - Engine Radiator Hose Group (006000-006999) | 2-124 |
| Fig. 25 - Engine Alternator Group (006000-006999) | 2-52 | Fig. 59 - Engine Radiator Hose Group (007000-) | 2-126 |
| Fig. 26 - Engine Alternator Group (007000-) | 2-54 | | |
| Fig. 27 - Engine Oil Filter and Drain Group (004937-) | 2-56 | | |
| Fig. 28 - Engine Carburetor and Governor Group, Gasoline (004000-004936) . | 2-58 | | |
| Fig. 29 - Engine Electronic Fuel Ignition Group, Gas (004937-005999) | 2-60 | | |
| Fig. 30 - Engine Electronic Fuel Ignition Group, Gas (006000-006999) | 2-62 | | |
| Fig. 31 - Engine Electronic Fuel Ignition Group, Gas (007000-) | 2-64 | | |
| Fig. 32 - Engine Carburetor and Governor Group, LPG (004000-004936) | 2-66 | | |
| Fig. 33 - Engine Vaporizer Group, LPG (004000-004818) | 2-68 | | |
| Fig. 34 - Engine Vaporizer Group, LPG (004819-004936) | 2-70 | | |

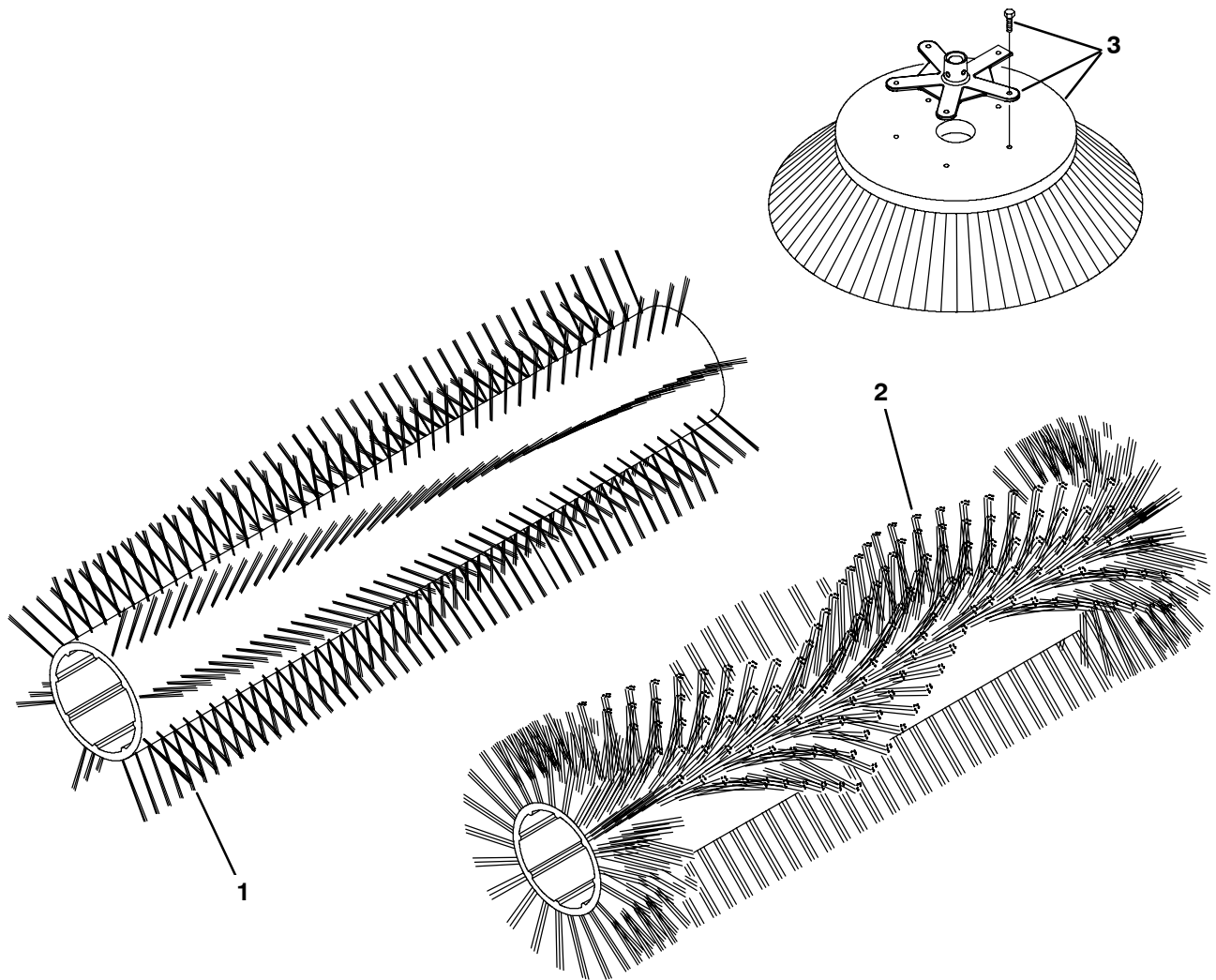
STANDARD PARTS

| Contents | Page | Contents | Page |
|--|-------|---|-------|
| Fig. 60 - Engine Radiator and Cooling Fan Group (004000-006308) | 2-128 | Fig. 98 - Wire Harnesses Schematic, Gas Engine (007000-) | 2-220 |
| Fig. 61 - Engine Radiator and Cooling Fan Group (006309-006999) | 2-130 | Fig. 99 - Wire Harnesses Schematic, LPG Engine (007000-) | 2-223 |
| Fig. 62 - Engine Radiator and Cooling Fan Group (007000-) | 2-132 | Fig. 100 - Wire Harnesses Group, Gas/LPG, Adaptor (006000-006999) | 2-226 |
| Fig. 63 - Engine Battery Group (006000-006999) | 2-134 | Fig. 101 - Wire Harnesses Group, Gas/LPG, Adaptor (007000-) | 2-228 |
| Fig. 64 - Engine Battery Group (007000-) | 2-136 | Fig. 102 - Label Group | 2-230 |
| Fig. 65 - Wheel Group, Rear Drive | 2-138 | | |
| Fig. 66 - Wheels and Brakes Group, Front | 2-140 | | |
| Fig. 67 - Wheel Assembly | 2-142 | | |
| Fig. 68 - Brake Pedals Group | 2-144 | | |
| Fig. 69 - Directional Pedal Group | 2-146 | | |
| Fig. 70 - Hydraulic Pumps Group | 2-148 | | |
| Fig. 71 - Hydraulic Schematic | 2-150 | | |
| Fig. 72 - Hydraulic Hose Group (004000-004936) | 2-152 | | |
| Fig. 73 - Hydraulic Hose Group (004937-) | 2-154 | | |
| Fig. 74 - Hydraulic Reservoir Group | 2-156 | | |
| Fig. 75 - Hydraulic Solenoid Valve Group | 2-158 | | |
| Fig. 76 - Hydraulic Lift Valve Group | 2-160 | | |
| Fig. 77 - Brush Group, Side | 2-162 | | |
| Fig. 78 - Brush Lift Group, Side | 2-166 | | |
| Fig. 79 - Brush Drive Group, Main | 2-170 | | |
| Fig. 80 - Brush Lift Group, Main | 2-172 | | |
| Fig. 81 - Brush Adjustment Group, Main | 2-174 | | |
| Fig. 82 - Vacuum Fan Impeller Group | 2-176 | | |
| Fig. 83 - Vacuum Fan Motor Group | 2-178 | | |
| Fig. 84 - Steering Group | 2-180 | | |
| Fig. 85 - Electrical Instrument Panel Assembly | 2-182 | | |
| Fig. 86 - Electrical Circuit Breaker and Relay Group | 2-184 | | |
| Fig. 87 - Electrical Schematic (004000-004936) | 2-185 | | |
| Fig. 88 - Electrical Schematic (004937-005999) | 2-189 | | |
| Fig. 89 - Electrical Schematic (006000-) | 2-194 | | |
| Fig. 90 - Wire Harnesses Group, Gas/LPG, Main (004000- 004274) | 2-200 | | |
| Fig. 91 - Wire Harnesses Group, Gas/LPG, Hopper (004000-) | 2-204 | | |
| Fig. 92 - Wire Harnesses Group, Gas/LPG, Tail Lights (004000-) | 2-205 | | |
| Fig. 93 - Wire Harnesses Group, Gas/LPG, Main (004275-004936) | 2-206 | | |
| Fig. 94 - Wire Harnesses Group, Gas/LPG, Main (004937-) | 2-210 | | |
| Fig. 95 - Wire Harnesses Group, Gas/LPG Engine (006000-006999) | 2-215 | | |
| Fig. 96 - Wire Harnesses Group, Gas/LPG, Injectors (006000-006999) | 2-218 | | |
| Fig. 97 - Wire Harnesses Group, Gas/LPG Engine (007000-) | 2-219 | | |

Fig. 1 - General Recommended Maintenance Items

| Ref. | Part No. | Serial Number | Description | Qty. |
|------|----------|----------------|--|------|
| ▽ | 77632 | (004000- |) Maintenance Kit, Skirts | 1 |
| ▲ | 73870 | (004000- |) Skirt, Brush Door | 2 |
| ▲ | 64788 | (004000- |) Skirt, Brush Door | 2 |
| ▲ | 70453 | (004000- |) Strip, Retainer, Skirt | 2 |
| ▲ | 62955 | (004000- |) Skirt, Seal, Main Brush | 1 |
| ▲ | 62957 | (004000- |) Channel, Retainer, Seal, Rear | 1 |
| ▲ | 62954 | (004000- |) Blade, Deflector | 1 |
| ▲ | 62956 | (004000- |) Strap, Retainer, Seal | 1 |
| ▲ | 43500 | (004000- |) Chain, Link#2/0, 7Links | 1 |
| ▽ | 79032 | (004000- |) Maintenance Kit, Skirts 800 | 1 |
| ▲ | 64919 | (004000- |) Seal, Pan, Top | 1 |
| ▲ | 64920 | (004000- |) Channel, Retainer | 1 |
| ▲ | 73654 | (004000- |) Seal, Brush Comp, Side | 2 |
| ▲ | 73888 | (004000- |) Skirt, Front, Indoor | 2 |
| ▽ | 380709 | (004000-004936 |) Maintenance Kit, 400HR 800/810 gas | 1 |
| ▲ | 39703-2 | (004000-004936 |) Filter Element, Oil, Cont. Gas-SE | 4 |
| ▲ | 60846 | (004000-004936 |) Spark Plug-10 FD | 4 |
| ▲ | 84883 | (004000-004936 |) Valve, PCV | 1 |
| ▲ | 36050 | (004000-004936 |) Filter, Fuel | 2 |
| ▲ | 60933 | (004000-006999 |) Element, Filter, Air | 1 |
| ▲ | 60934 | (004000-006999 |) Element, Filter, Air | 1 |
| ▽ | 380710 | (004000-004936 |) Maintenance Kit, 400HR 800/810 lpg | 1 |
| ▲ | 39703-2 | (004000-004936 |) Filter Element, Oil, Cont. Gas-SE | 4 |
| ▲ | 60846 | (004000-004936 |) Spark Plug-10 FD | 4 |
| ▲ | 84883 | (004000-004936 |) Valve, PCV | 1 |
| ▲ | 60933 | (004000-006999 |) Element, Filter, Air | 1 |
| ▲ | 60934 | (004000-006999 |) Element, Filter, Air | 1 |
| ▽ | 77634 | (004000- |) Maintenance Kit, 800HR 800/810 | 1 |
| ▲ | 34306 | (004000- |) Breather, Hyd 40Mic NO DS | 1 |
| ▲ | 31613 | (004000- |) Strainer-Hyd Suction 25-100-03 | 1 |
| ▲ | 10664 | (004000- |) Filter Assy, Spin-on | 1 |
| ▲ | 65869-5 | (004000- |) Fluid, Hyd Oil, SHP 15/40 5Gal | 3 |
| | 393982 | (004937- |) Element, Fltr, Oil, Eng, Spin-on[Gm] | 1 |
| | 393934 | (004937- |) Sparkplug [Gm 3.0] | 4 |
| | 372652 | (007000- |) Element, Fltr, Air [Dn] | 1 |
| | 372651 | (007000- |) Element, Fltr, Air | 1 |

Fig. 2 - Brushes, Replacement



07628 - 800

| Ref. | Part No. | Serial Number | Description | Qty. | |
|------|----------|---------------|------------------------------------|--|---|
| 1 | 35326 | (004000- |) Brush-Sweep -Polypropylene | 1 | |
| 1 | 35324 | (004000- |) Brush-Sweep -Polypropylene&Wire | 1 | |
| 1 | 35327 | (004000- |) Brush-Sweep -Wire | 1 | |
| 1 | 35325 | (004000- |) Brush-Outsd -Polypropylene | 1 | |
| 1 | 35336 | (004000- |) Brush-Patrl -Nylon | 1 | |
| 1 | 35323 | (004000- |) Brush-Sweep -Nylon (24SR) | 1 | |
| 1 | 66020 | (004000- |) Brush-Sweep -Nylon (8DR) | 1 | |
| 2 | 370011 | (004000- |) Brush, Swp, Wedge, Polypropylene | 1 | |
| ▽ | 3 | 75011 | (004000- |) Brush-Side Swp -Assy-Nylon | 1 |
| ▲ | | 51021N | (004000- |) Brush-Side Swp -Nylon | 1 |
| ▲ | | 1042969 | (004000- |) Hub, Drive, Brush, Side, 1.00b 8.8bc | 1 |
| ▲ | | 39394 | (004000- |) Screw, Hex, .31-09 X 1.25, Wood | 5 |
| ▽ | 3 | 75010 | (004000- |) Brush-Side Swp -Assy-Flat Wire | 1 |
| ▲ | | 51542 | (004000- |) Brush-Side Swp -Flat Wire | 1 |
| ▲ | | 1042969 | (004000- |) Hub, Drive, Brush, Side, 1.00b 8.8bc | 1 |
| ▲ | | 39394 | (004000- |) Screw, Hex, .31-09 X 1.25, Wood | 5 |
| ▽ | 3 | 70649 | (004000- |) Brush-Side Swp -Assy-Polypropylene | 1 |
| ▲ | | 70538 | (004000- |) Brush-Side Swp -Polypropylene | 1 |
| ▲ | | 1042969 | (004000- |) Hub, Drive, Brush, Side, 1.00b 8.8bc | 1 |
| ▲ | | 39394 | (004000- |) Screw, Hex, .31-09 X 1.25, Wood | 5 |

Fig. 3 - Main Frame Skirt and Seals Group

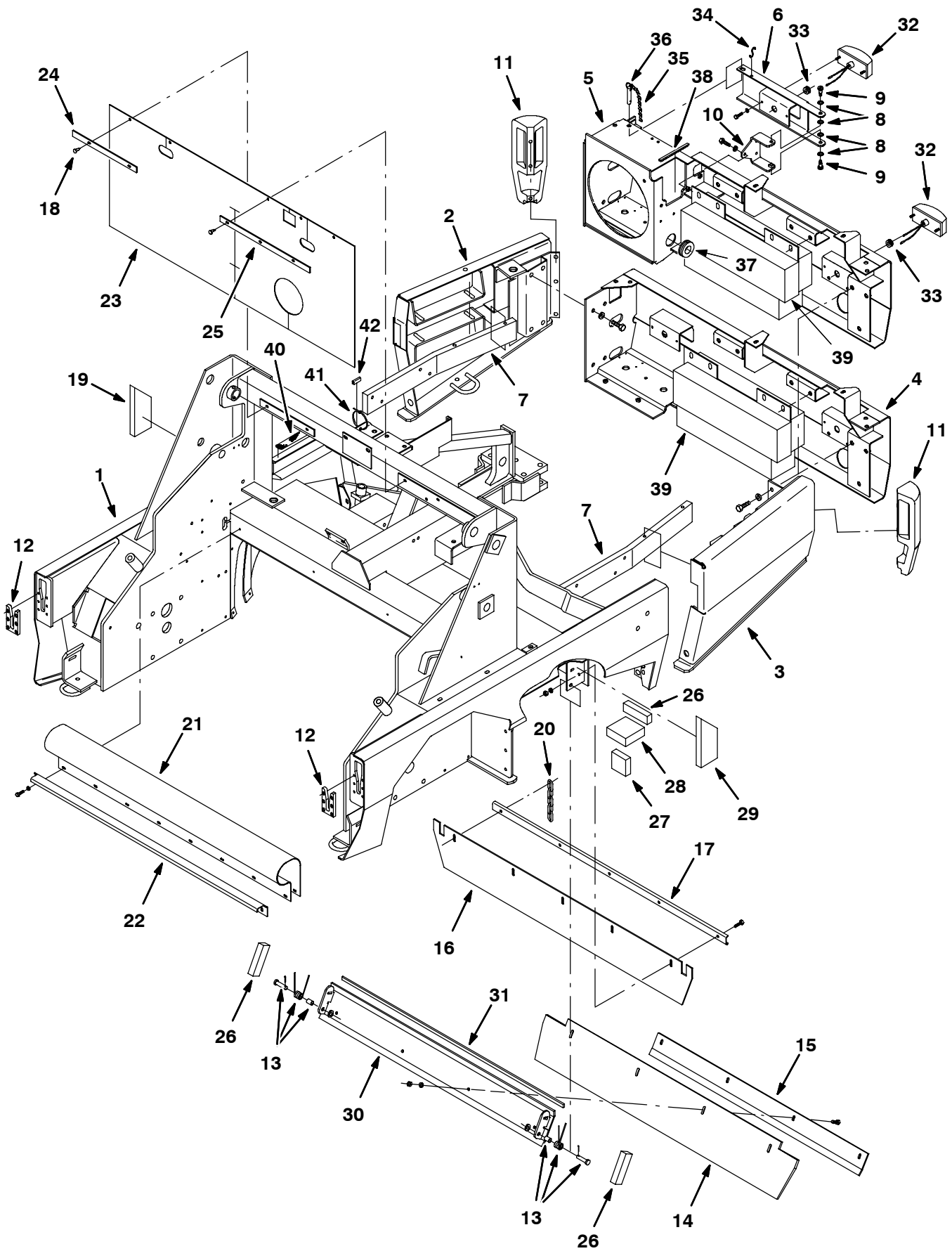


Fig. 3 - Main Frame Skirt and Seals Group

| Ref. | Part No. | Serial Number | Description | Qty. | |
|------|----------|----------------|---|--------------------------------|---|
| 1 | 77777 | (004000- |) Frame | 1 | |
| 2 | 77782 | (004000- |) Panel Wldt, Rear, Rh | 1 | |
| 3 | 77734 | (004000- |) Panel Wldt, Rear, Lh | 1 | |
| 4 | 79680 | (004000-006999 |) Bumper Wldt., Rear, Gas/Die | 1 | |
| 4 | 1028300 | (007000- |) Bumper Wldt, Rear, Gas/Dsl | 1 | |
| 5 | 79681 | (004000-006999 |) Bumper Wldt., Rear, LPG | 1 | |
| 5 | 1032075 | (007000- |) Bumper Wldt, Rear, Lpg | 1 | |
| 6 | 77680 | (004000- |) Door, Bumper, Lpg | 1 | |
| 7 | 77593 | (004000- |) Bar, Frame | 2 | |
| 8 | 86860 | (004000- |) Bearing, Thrust .500 | 4 | |
| 9 | 36758 | (004000- |) Scr-Shld .500Dx0.50L .38-16 | 2 | |
| 10 | 70517 | (004000- |) Bracket | 1 | |
| 11 | 63544 | (004000- |) Bumper, Corner, Mach | 2 | |
| 12 | 63663 | (004000- |) Plate, Guide, Bumper | 2 | |
| 13 | 69904 | (004000- |) Spring, Recirculation | 1 | |
| 14 | 62954 | (004000- |) Blade, Deflector | 1 | |
| 15 | 62956 | (004000- |) Strap, Retainer, Seal | 1 | |
| 16 | 62955 | (004000- |) Skirt, Seal, Main Brush | 1 | |
| 17 | 62957 | (004000- |) Channel, Retainer, Seal,Rear | 1 | |
| 18 | 21168 | (004000- |) Clip, Pine-Tree .250h Plastic | 5 | |
| 19 | 74066 | (004000- |) Insulation, S/Foam | 1 | |
| 20 | 43500 | (004000- |) Chain,Link#2/0,7Links | 1 | |
| 21 | 64919 | (004000- |) Seal, Pan, Top | 1 | |
| 22 | 64920 | (004000- |) Channel, Retainer | 1 | |
| 23 | 73724 | (004000- |) Shield, Dust | 1 | |
| 24 | 70843 | (004000- |) Strip, Retainer, Shield, Rh | 1 | |
| 25 | 70844 | (004000- |) Strip, Retainer, Shield, Lh | 1 | |
| 26 | 74064 | (004000- |) Insulation, S/Foam | 4 | |
| 27 | 73863 | (004000- |) Insulation, S/Foam 1.0X3.0X3.0 | 2 | |
| 28 | 73862 | (004000- |) Insulation, S/Foam 1.5X4.0X4.0 | 2 | |
| 29 | 74067 | (004000- |) Insulation, S/Foam | 1 | |
| 30 | 73645 | (004000- |) Channel, Mounting | 1 | |
| 31 | 79010 | (004000- |) Seal | 1 | |
| ▽ | 32 | 57941 | (004000- |) Light Assy Stop/Red 12V- . A | 2 |
| ▲ | 45780 | (004000- |) Bulb, 12V .5A 4Cp #1157 | 1 | |
| 33 | 87515 | (004000- |) Grommet,Rbr,0.50ld,For .25Matl | 2 | |
| 34 | 43363 | (004000- |) Hook, S-.120 X 1.31, Zinc Pl. | 1 | |
| 35 | 06121 | (004000- |) Chain, Sash, #35, 06.0l 11 Link | 1 | |
| 36 | 79608 | (004000- |) Pin, Hitch .50D X 1.50L | 1 | |
| 37 | 74920 | (004000- |) Grommet, Flexible .25 | 1 | |
| 38 | 79670 | (004000- |) Strip, Edging | 1 | |
| 39 | 79671 | (004000- |) Weight, LPG/Gas | 1 | |
| 40 | 86798 | (004000- |) Pad, Tread | 1 | |
| 41 | 49263 | (004000- |) Tie, Cable, Nyl, 11.4l .19w 3.0 Max D | 1 | |
| 42 | 361160 | (004000- |) Molding, Trim, Pvc, .08-.11 01.0l | 1 | |

Fig. 4 - Main Frame Left Brush Door Group

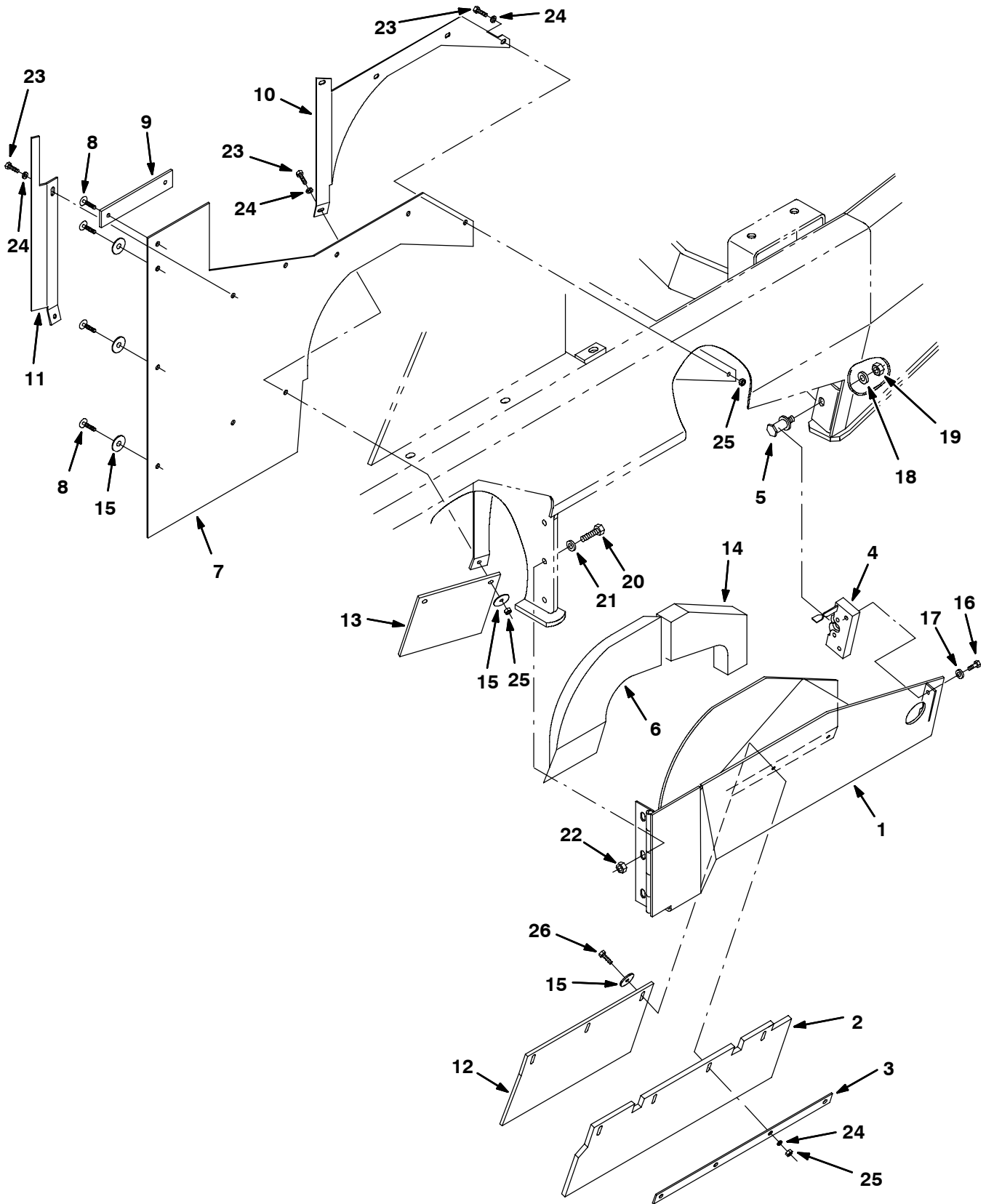


Fig. 4 - Main Frame Left Brush Door Group

| Ref. | Part No. | Serial Number | Description | Qty. |
|------|----------|---------------|-----------------------------------|------|
| 1 | 64801 | (004000- |) Door Wldt, Brush, Lh | 1 |
| 2 | 73870 | (004000- |) Skirt, Brush Door | 1 |
| 3 | 70453 | (004000- |) Strip, Retainer, Skirt | 1 |
| 4 | 58489 | (004000- |) Latch, Hook (Supplier's Rh) | 1 |
| 5 | 58898 | (004000- |) Bolt, Latch | 1 |
| 6 | 70809 | (004000- |) Seal, Door, Brush, Lh | 1 |
| 7 | 73654 | (004000- |) Seal, Brush Comp, Side | 1 |
| 8 | 21168 | (004000- |) Rivet, Plastic | 5 |
| 9 | 21282 | (004000- |) Strip, Retainer, Seal, Side | 1 |
| 10 | 70597 | (004000- |) Angle, Retainer, Seal | 1 |
| 11 | 73648 | (004000- |) Strip, Retainer, Seal, Lh | 1 |
| 12 | 64788 | (004000- |) Skirt, Brush Door | 1 |
| 13 | 73888 | (004000- |) Skirt, Front, Indoor | 1 |
| 14 | 74062 | (004000- |) Seal, Brush Door | 1 |
| 15 | 41178 | (004000- |) Fender Washer | 9 |
| 16 | 34323 | (004000- |) Screw, Hex, .25-20 X 0.75, NI | 2 |
| 17 | 41185 | (004000- |) Washer, Flat, Belleville, .25 | 2 |
| 18 | 39346 | (004000- |) Washer, Flat, 0.44, Std | 1 |
| 19 | 43955 | (004000- |) Nut, Hex, Std, .44-14, 5 | 1 |
| 20 | 39283 | (004000- |) Screw, Hex, M10 X 1.5 X 25, 8.8 | 3 |
| 21 | 32492 | (004000- |) Washer, Flat, 0.38, Std | 3 |
| 22 | 07792 | (004000- |) Nut, Hex, Flng, M10 X 1.50 | 3 |
| 23 | 06944 | (004000- |) Screw, Hex, M6 X 1.0 X 25, 8.8 | 5 |
| 24 | 32483 | (004000- |) Washer, Flat, 0.25, Sae | 14 |
| 25 | 08708 | (004000- |) Nut, Hex, Lock, M6 X 1.00, NI | 11 |
| 26 | 06946 | (004000- |) Screw, Hex, M6 X 1.0 X 35, 8.8 | 4 |

Fig. 5 - Main Frame Right Brush Door Group

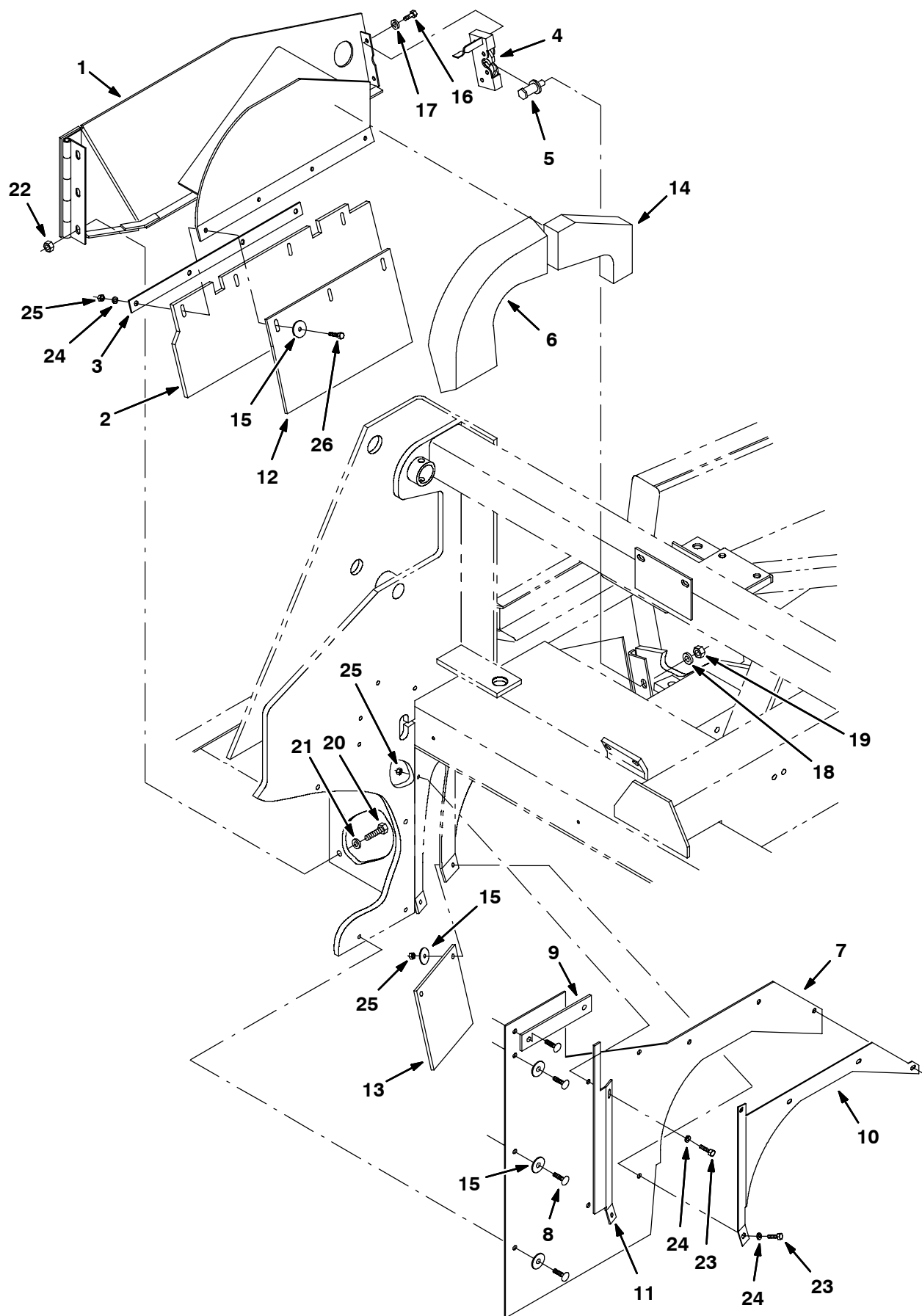


Fig. 5 - Main Frame Right Brush Door Group

| Ref. | Part No. | Serial Number | Description | Qty. |
|------|----------|---------------|-----------------------------------|------|
| 1 | 64802 | (004000- |) Door Wldt, Brush, Rh | 1 |
| 2 | 73870 | (004000- |) Skirt, Brush Door | 1 |
| 3 | 70453 | (004000- |) Strip, Retainer, Skirt | 1 |
| 4 | 58844 | (004000- |) Latch, Hook (Supplier's Lh) | 1 |
| 5 | 58898 | (004000- |) Bolt, Latch | 1 |
| 6 | 70808 | (004000- |) Seal, Door, Brush, Rh | 1 |
| 7 | 73654 | (004000- |) Seal, Brush Comp, Side | 1 |
| 8 | 21168 | (004000- |) Rivet, Plastic | 5 |
| 9 | 21282 | (004000- |) Strip, Retainer, Seal, Side | 1 |
| 10 | 70598 | (004000- |) Angle, Retainer, Seal | 1 |
| 11 | 73649 | (004000- |) Strip, Retainer, Seal, Rh | 1 |
| 12 | 64788 | (004000- |) Skirt, Brush Door | 1 |
| 13 | 73888 | (004000- |) Skirt, Front, Indoor | 1 |
| 14 | 74063 | (004000- |) Seal, Brush Door | 1 |
| 15 | 41178 | (004000- |) Fender Washer | 9 |
| 16 | 34323 | (004000- |) Screw, Hex, .25-20 X 0.75, NI | 2 |
| 17 | 41185 | (004000- |) Washer, Flat, Belleville, .25 | 2 |
| 18 | 39346 | (004000- |) Washer, Flat, 0.44, Std | 1 |
| 19 | 43955 | (004000- |) Nut, Hex, Std, .44-14, 5 | 1 |
| 20 | 39283 | (004000- |) Screw, Hex, M10 X 1.5 X 25, 8.8 | 3 |
| 21 | 32492 | (004000- |) Washer, Flat, 0.38, Std | 3 |
| 22 | 07792 | (004000- |) Nut, Hex, Flng, M10 X 1.50 | 3 |
| 23 | 06944 | (004000- |) Screw, Hex, M6 X 1.0 X 25, 8.8 | 5 |
| 24 | 32483 | (004000- |) Washer, Flat, 0.25, Sae | 14 |
| 25 | 08708 | (004000- |) Nut, Hex, Lock, M6 X 1.00, NI | 11 |
| 26 | 06946 | (004000- |) Screw, Hex, M6 X 1.0 X 35, 8.8 | 4 |

Fig. 6 - Main Frame Operator Station Group

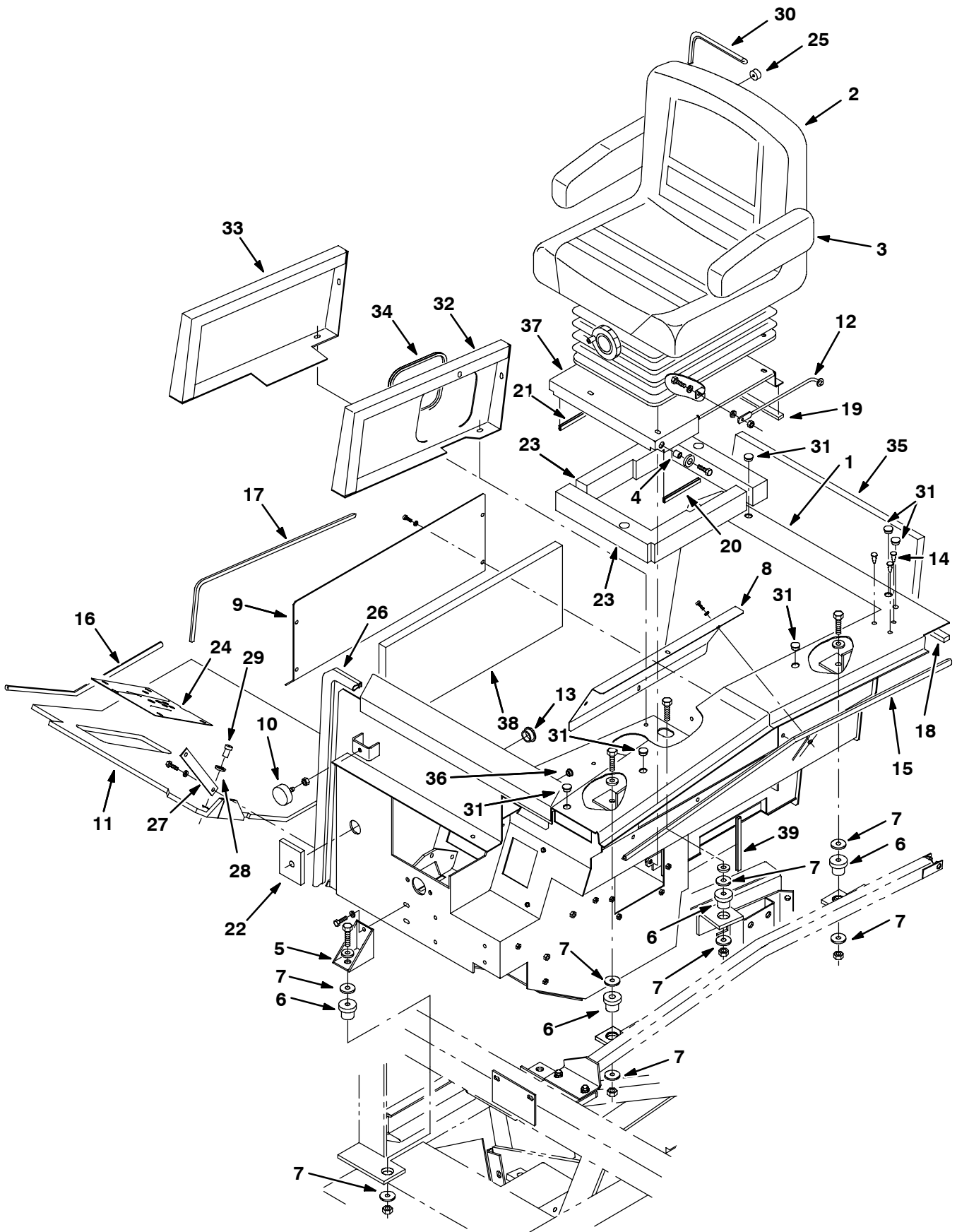


Fig. 6 - Main Frame Operator Station Group

| Ref. | Part No. | Serial Number | Description | Qty. |
|------|----------|---------------|---|------|
| | 1 | 380680 | (004000-) Panel Wldt w/label | 1 |
| ▽ | 2 | 63294 | (004000-) Seat, Suspension | 1 |
| ▲ | 3 | 311336 | (004000-) Armrest, Black | 1 |
| | 4 | 40716 | (004000-) Sleeve, .385B .62D .62 Cd.Cad | 2 |
| | 5 | 63751 | (004000-) Bracket, Oper Comp | 1 |
| | 6 | 51176 | (004000-) Dampner, Engine | 4 |
| | 7 | 04414 | (004000-) Washer, .531B 1.88D .12Hard Zn | 8 |
| | 8 | 64884 | (004000-) Panel, Cover, Access | 1 |
| | 9 | 70450 | (004000-004439) Panel, Air Conditioning | 1 |
| | 9 | 375696 | (004440-) Panel, Air Conditioning | 1 |
| | 10 | 70756 | (004000-) Bumper, Rubber | 1 |
| | 11 | 76495 | (004000-) Tread, Floormat, Rubber | 1 |
| | 12 | 54615 | (004000-) Rod, Seat | 1 |
| | 13 | 76888 | (004000-) Plugbtn 1.25h .12 Max Blacknyl | 1 |
| | 14 | 77399 | (004000-) Clip, Pine-tree .236h Plastic | 3 |
| | 15 | 57820 | (004000-) Seal, 48.0 Lg. | 1 |
| | 16 | 73903 | (004000-) Seal, Bulb, Sd-0504 24.50Lg | 1 |
| | 17 | 73901 | (004000-) Seal, 7.00 Lg | 1 |
| | 18 | 74081 | (004000-) Seal | 1 |
| | 19 | 44777 | (004000-) Seal,Foam Rbr, .31 .75W 14.8L | 1 |
| | 20 | 62595-3 | (004000-) Molding, Trim 11-14Ga 5.75 | 1 |
| | 21 | 62595-2 | (004000-) Molding, Trim 11-14Ga 15.75 | 1 |
| | 22 | 79028 | (004000-) Seal, Rod, Adjuster | 1 |
| ▽ | | 76494 | (004000-) Sealing Kit, Operator Comp | 1 |
| ▲ | 23 | 76285 | (004000-) Insulation, S/Foam, Seat | 2 |
| ▲ | 24 | 79116 | (004000-) Seal, Dust | 1 |
| | 25 | 82921 | (004000-) Bumper, Rubber | 1 |
| | 26 | 77340 | (004000-) Seal, Bulb, Sd-0504 28.00 Lg | 1 |
| | 27 | 76492 | (004000-) Bar, Retainer | 1 |
| | 28 | 41178 | (004000-) Washer-Flt .25 Fender Rltd. | 1 |
| | 29 | 21246 | (004000-) Rivet, Plastic .325D X .787 | 1 |
| | 30 | 49282 | (004000-) Molding, Trim 16Ga&Thinnr 10.0 | 1 |
| | 31 | 75428 | (004000-) Plugbtn .75h .03-.12 Blacknyl | 7 |
| | 32 | 380728 | (004000-) Panel, Fuel Inlet w/label | 1 |
| | 33 | 70704 | (004000-) Panel, Fuel, Inlet, Lpg | 1 |
| | 34 | 380692 | (004000-) Trim | 1 |
| | 35 | 23946 | (004000-) Insulation | 1 |
| | 36 | 33806 | (004000-) Plugbutton | 1 |
| | 37 | 70478 | (004000-) Panel, Support, Seat | 1 |
| | 38 | 375698 | (004000-) Insulation, Acstc, 1.o 09.9w 25.0l | 1 |
| | 39 | 62595-16 | (007000-) Molding, Trim, Pvc, .08-.11 08.5l (Gas only) | 1 |

Fig. 7 - Main Frame Engine Cover and Lintel Group

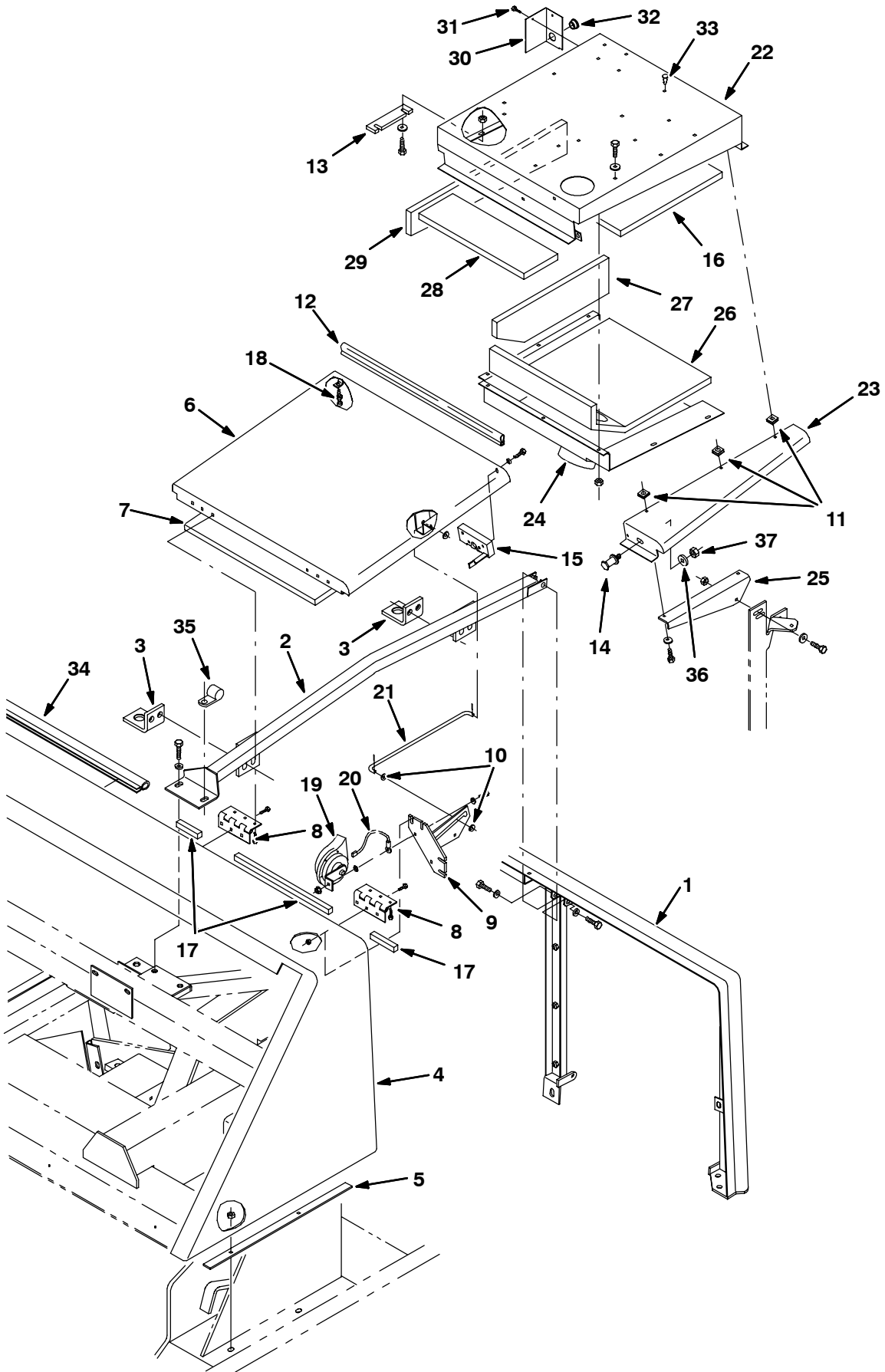


Fig. 7 - Main Frame Engine Cover and Lintel Group

| Ref. | Part No. | Serial Number | Description | Qty. |
|------|----------|----------------|--|------|
| 1 | 64312 | (004000- |) Lintel, Rear | 1 |
| 2 | 380533 | (004000- |) Tube Wldt, Brace, Center | 1 |
| 3 | 380532 | (004000- |) Bracket, Brace Center | 2 |
| 4 | 64278 | (004000- |) Lintel, Main | 1 |
| 5 | 64279 | (004000- |) Strip, Spacer | 2 |
| 6 | 75303 | (004000- |) Cover Wldt, Engine Se | 1 |
| 7 | 76870 | (004000- |) Insulation,S/Foam .8X19.3X20.3 | 1 |
| 8 | 74040 | (004000- |) Hinge | 2 |
| 9 | 21131 | (004000- |) Bracket Wldt, Gas Spring | 1 |
| 10 | 43454 | (004000- |) Washer, .344B .69D .06Nylon | 2 |
| 11 | 12271 | (004000- |) U-Nut Clip, M6 | 3 |
| 12 | 77778 | (004000- |) Seal, Bulb, Sd-0504 19.75Lg | 1 |
| 13 | 21230 | (004000- |) Plate, Support, Cover Se | 1 |
| 14 | 59192 | (004000- |) Latch, Bolt | 1 |
| 15 | 58844 | (004000- |) Latch, Hook, Rh | 1 |
| 16 | 375537 | (004000- |) Insulation, S/Foam .5T 17.0X 15 | 1 |
| 17 | 53461-2 | (004000- |) Seal,Foam Rbr, .62 .62W 24.5L | 1 |
| 18 | 75128 | (004000- |) Spindle, Adjustment | 1 |
| 19 | 369704 | (004000- |) Horn, 12 Volt | 1 |
| 20 | 21643 | (004000- |) Wire, Lead | 1 |
| 21 | 75883 | (004000- |) Rod, Support Cover | 1 |
| 22 | 375536 | (004000-006008 |) Panel Wldt, Cover Engine | 1 |
| 22 | 1014456 | (006009- |) Panel Wldt, Cover Engine | 1 |
| 23 | 77711 | (004000- |) Panel, Cover, Corner | 1 |
| 24 | 47958 | (004000- |) Panel, Vacuum Duct | 1 |
| 25 | 375513 | (004000- |) Bracket, L 12.0L Hood Support | 1 |
| 26 | 380761 | (004000- |) Insulation, S/Foam, .8T 17.0X15 | 1 |
| 27 | 380762 | (004000- |) Insulation, S/Foam, .8T 18.0X4.5 | 1 |
| 28 | 380763 | (004000- |) Insulation, S/Foam, .8T 16.5X5 | 1 |
| 29 | 380764 | (004000- |) Insulation, S/Foam, .8T 23.0X4X3 | 1 |
| 30 | 380760 | (004000- |) Panel, Corner, Eng Cover | 1 |
| 31 | 55845 | (004000- |) Scr-Hxfmgm 5X0.8 16 pltd | 1 |
| 32 | 82727 | (004000- |) Plugbutton .88H .03-.12 Blacknyl | 1 |
| 33 | 77399 | (004000- |) Clip, Tree | 11 |
| 34 | 55756 | (004000- |) Seal | 1 |
| 35 | 58366 | (004000- |) Clamp, Cable, Stl, 1.25d X 1.00w, 1h | 1 |
| 36 | 41619 | (004000- |) Washer, Flat, 0.56b 1.38d .11, Ss | 1 |
| 37 | 07788 | (004000- |) Nut, Hex, Std, M12 X 1.75, Ss | 1 |

Fig. 8 - Main Frame Engine Side Door Group (004000-006999)

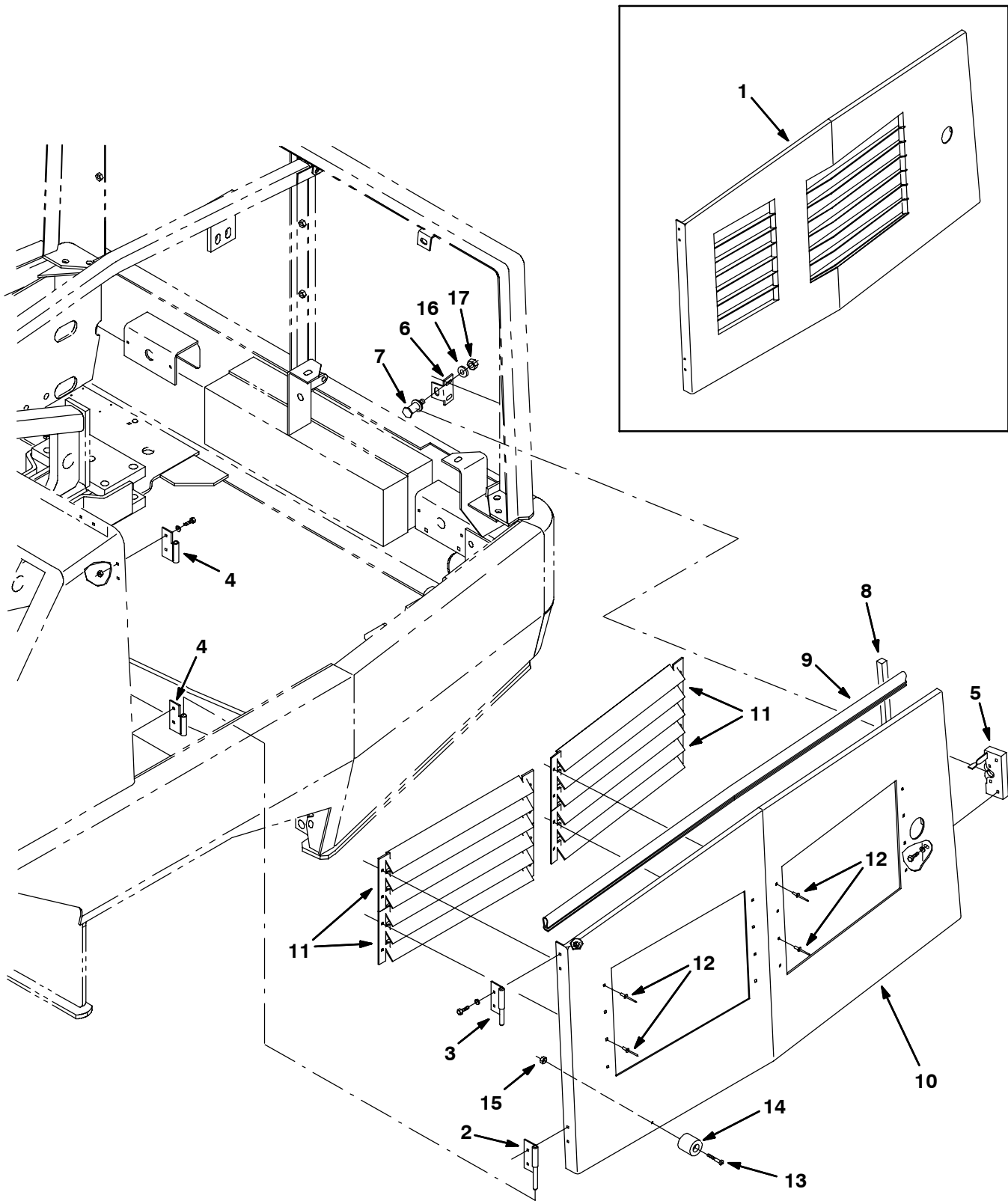


Fig. 8 - Main Frame Engine Side Door Group (004000-006999)

| Ref. | Part No. | Serial Number | Description | Qty. |
|------|----------|------------------|---------------------------------|------|
| 1 | 23950 | (004000-004408) | Door Wldt, Engine | 1 |
| 2 | 64543 | (004000-006999) | Hinge, W/Pin | 1 |
| 3 | 70628 | (004000-006999) | Hinge, W/Pin | 1 |
| 4 | 64545 | (004000-006999) | Hinge | 2 |
| 5 | 58489 | (004000-006999) | Latch, Hook Rh | 1 |
| 6 | 70407 | (004000-006999) | Angle, Bolt, Latch | 1 |
| 7 | 59192 | (004000-006999) | Latch, Bolt | 1 |
| 8 | 53461-2 | (004000-006999) | Seal,Foam Rbr, .62 .62W 24.5L | 1 |
| 9 | 57820 | (004000-006999) | Seal, 48.0 Lg. | 1 |
| 10 | 375695 | (004409-006999) | Door Wldt, Engine | 1 |
| 11 | 375693 | (004409-006999) | Panel, Louver | 4 |
| 12 | 06524 | (004409-006999) | Rivet, Pop | 16 |
| 13 | 09258 | (004903-006999) | Screw, Pan, M 6 X 1.0 X 40, 4.8 | 1 |
| 14 | 44851 | (004903-006999) | Bumper, Rbr, 1.5d 1.50 0.28h | 1 |
| 15 | 08708 | (004903-006999) | Nut, Hex, Lock, M06 X 1.0, NI | 1 |
| 16 | 32493 | (004000-006999) | Washer, Flat, 0.50, Std | 1 |
| 17 | 39313 | (004000-006999) | Nut, Hex, Std, M12 X 1.75 | 1 |

Fig. 9 - Main Frame Engine Side Door Group (007000-)

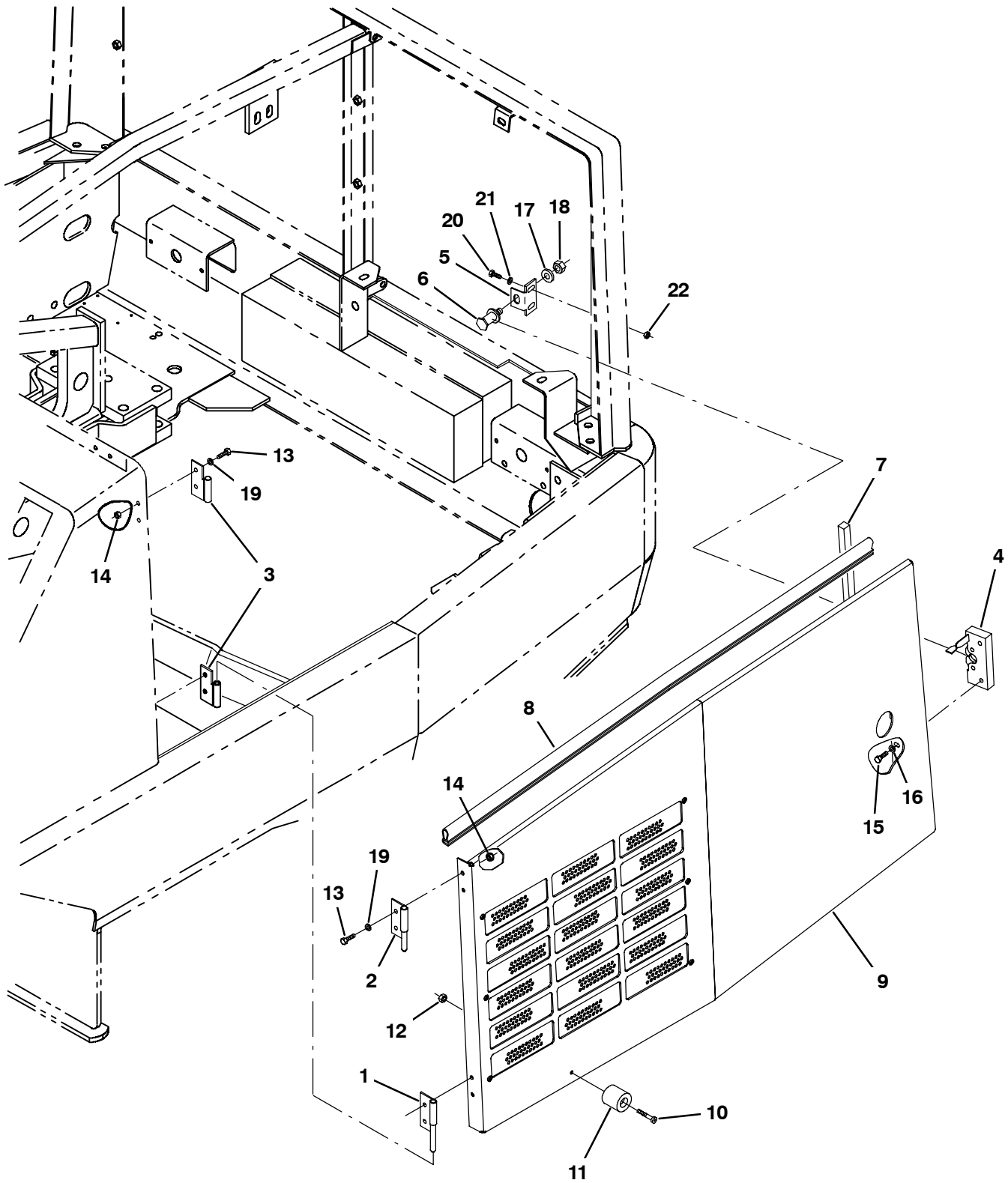


Fig. 9 - Main Frame Engine Side Door Group (007000-)

| Ref. | Part No. | Serial Number | Description | Qty. | |
|------|----------|---------------|-----------------------------------|---------------------------------|---|
| 1 | 64543 | (007000- |) Hinge, W/Pin | 1 | |
| 2 | 70628 | (007000- |) Hinge, W/Pin | 1 | |
| 3 | 64545 | (007000- |) Hinge | 2 | |
| 4 | 58489 | (007000- |) Latch, Hook Rh | 1 | |
| 5 | 70407 | (007000- |) Angle, Bolt, Latch | 1 | |
| 6 | 59192 | (007000- |) Latch, Bolt | 1 | |
| 7 | 53461-2 | (007000- |) Seal,Foam Rbr, .62 .62W 24.5L | 1 | |
| 8 | 57820 | (007000- |) Seal, 48.0 Lg. | 1 | |
| ▽ | 9 | 1046389 | (007000- |) Door Assy [800/810 08] | 1 |
| ▲ | | 9004327 | (007000- |) Screen Kit, Door, Side, Modif | 1 |
| 10 | 09258 | (007000- |) Screw, Pan, M 6 X 1.0 X 40, 4.8 | 1 | |
| 11 | 44851 | (007000- |) Bumper, Rbr, 1.5d 1.50 0.28h | 1 | |
| 12 | 08708 | (007000- |) Nut, Hex, Lock, M06 X 1.0, NI | 1 | |
| 13 | 06943 | (007000- |) Screw, Hex, M6 X 1.0 X 20, 8.8 | 8 | |
| 14 | 07790 | (007000- |) Nut, Hex, Flng, M6 X 1.00 | 8 | |
| 15 | 34323 | (007000- |) Screw, Hex, .25-20 X 0.75, NI | 2 | |
| 16 | 32490 | (007000- |) Washer, Flat, 0.25, Std | 2 | |
| 17 | 32493 | (007000- |) Washer, Flat, 0.50, Std | 1 | |
| 18 | 39313 | (007000- |) Nut, Hex, Std, M12 X 1.75 | 1 | |
| 19 | 41185 | (007000- |) Washer, Flat, Belleville, .25 | 8 | |
| 20 | 16931 | (007000- |) Screw, Hex, M8 X 1.25 X 20, 8.8 | 2 | |
| 21 | 32491 | (007000- |) Washer, Flat, 0.31, Std | 2 | |
| 22 | 39311 | (007000- |) Nut, Hex, Std, M8 X 1.25 | 2 | |

Fig. 10 - Hydraulic Cooler, Filter and Rear Door Group

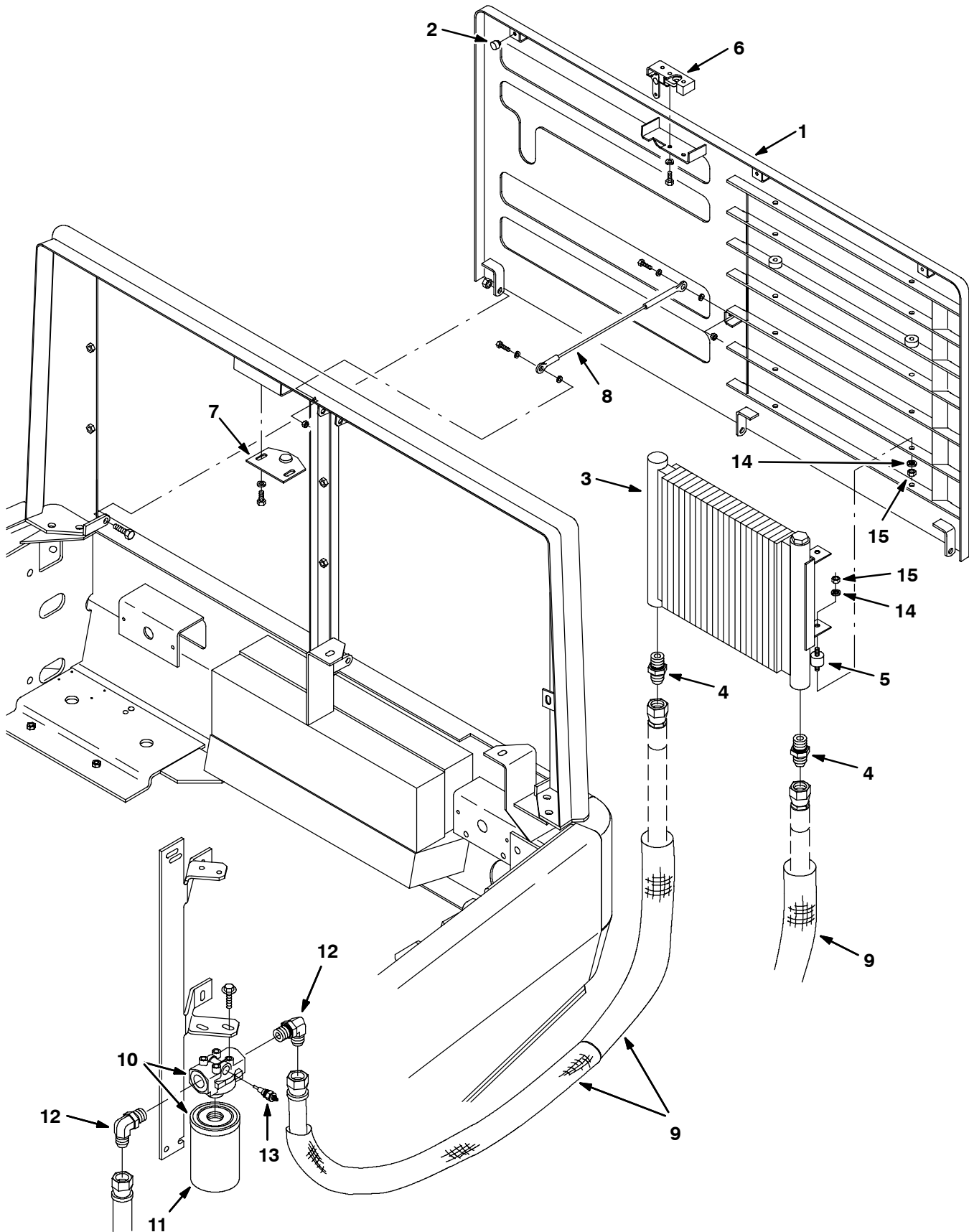


Fig. 10 - Hydraulic Cooler, Filter and Rear Door Group

| Ref. | Part No. | Serial Number | Description | Qty. |
|------|----------|---------------|-------------------------------------|------|
| 1 | 48006 | (004000- |) Door Wldt, Rear | 1 |
| 2 | 51787 | (004000- |) Bumper, Rubber | 3 |
| 3 | 64419 | (004000- |) Cooler-Hyd | 1 |
| 4 | 42260 | (004000- |) Ftg-Hyd Str Jm12/Om12 | 2 |
| 5 | 51322 | (004000- |) Isolator-Vibration .31-18 | 4 |
| 6 | 59661 | (004000- |) Latch | 1 |
| 7 | 65252 | (004000- |) Plate, Striker | 1 |
| 8 | 36192 | (004000- |) Lanyard Assy. | 1 |
| 9 | 82830 | (004000- |) Sleeve, Nyl 16.0 L | 3 |
| ▽ | 10 | 10664 | (004000-) Filter Assy, Spin-on | 1 |
| ▲ | 11 | 65221 | (004000-) Filter Element | 1 |
| | 12 | 46481 | (004000-) Ftg-Hyd E90 Jm12/om12 | 2 |
| | 13 | 65222 | (004000-) Sender, Filter, Hydraulic | 1 |
| | 14 | 32984 | (004000-) Washer, Lock, Int, 0.31 | 4 |
| | 15 | 19313 | (004000-) Nut, Hex, Std, .31-18 | 4 |

Fig. 11 - Hopper Lift Arms Group

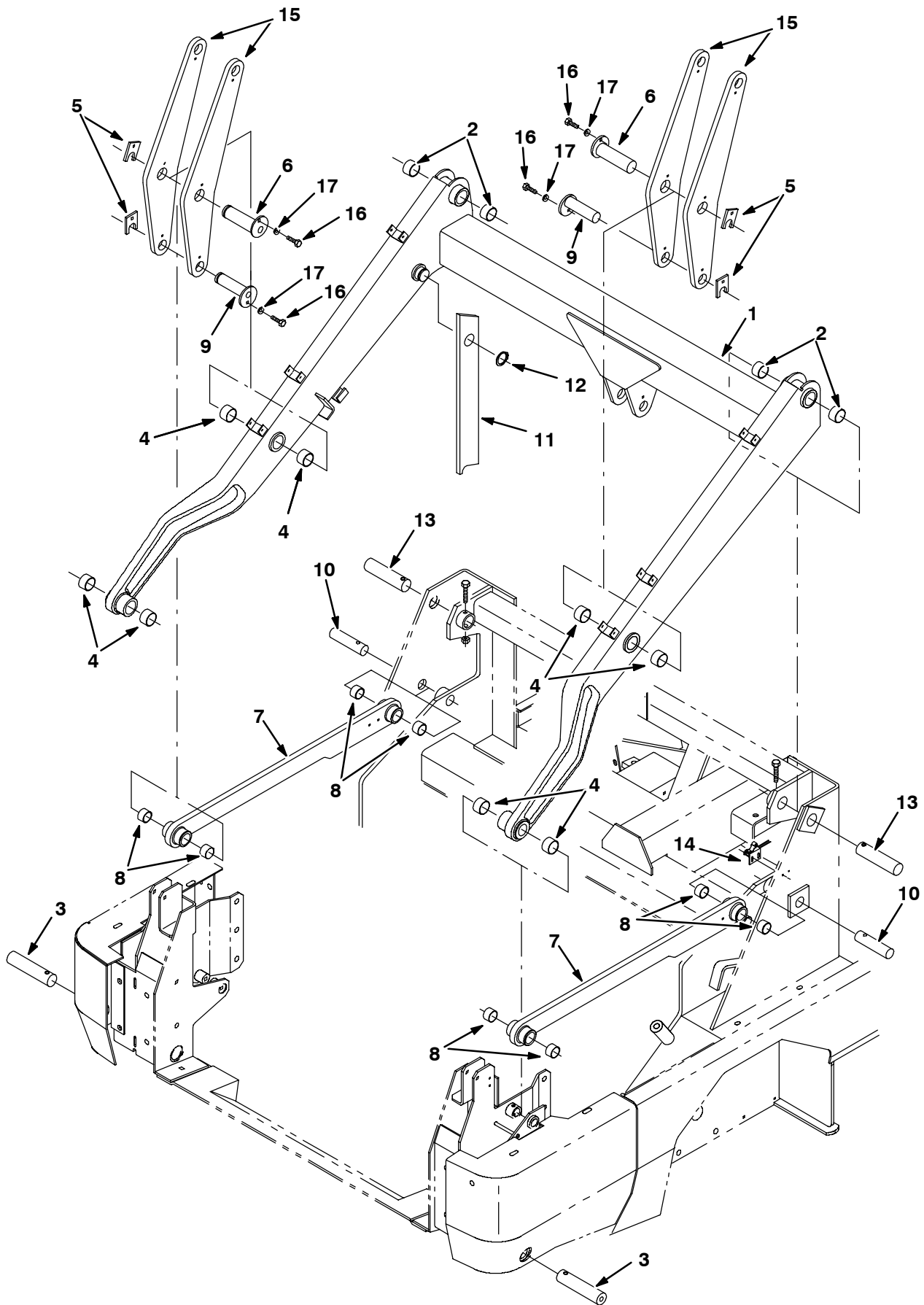


Fig. 11 - Hopper Lift Arms Group

| Ref. | Part No. | Serial Number | Description | Qty. |
|------|----------|---------------|--------------------------------------|------|
| 1 | 75861 | (004000- |) Arm Wldt, Hopper Lift w label | 1 |
| 2 | 58293 | (004000- |) Bearng-Journal | 4 |
| 3 | 77463 | (004000- |) Pin, 1.500 0Dx7.81, Drilled | 2 |
| 4 | 58293 | (004000- |) Bearng-Journal | 8 |
| 5 | 83554 | (004000- |) Plate, Pin Retainer | 4 |
| 6 | 83551 | (004000- |) Pin Weldt. | 2 |
| 7 | 76235 | (004000- |) Bar, Arm, Lower, Machining | 2 |
| 8 | 57936 | (004000- |) Bearing-Journal | 2 |
| 9 | 83553 | (004000- |) Pin Weldt. | 2 |
| 10 | 76470 | (004000- |) Pin | 2 |
| 11 | 380681 | (004000- |) Arm, Safety W/Label | 1 |
| 12 | 63926 | (004000- |) Ring, Retaining, Ex 1.5 Dia Hd | 1 |
| 13 | 76471 | (004000- |) Pin | 2 |
| 14 | 59965 | (004000- |) Switch, Roller | 1 |
| 15 | 83549 | (004000- |) Plate, Link | 4 |
| 16 | 10959 | (004000- |) Screw, Hex, M10 X 1.5 X 20, Ss, NI | 4 |
| 17 | 32492 | (004000- |) Washer, Flat, 0.38 Std | 4 |

Fig. 12 - Hopper Lift Cylinders Group

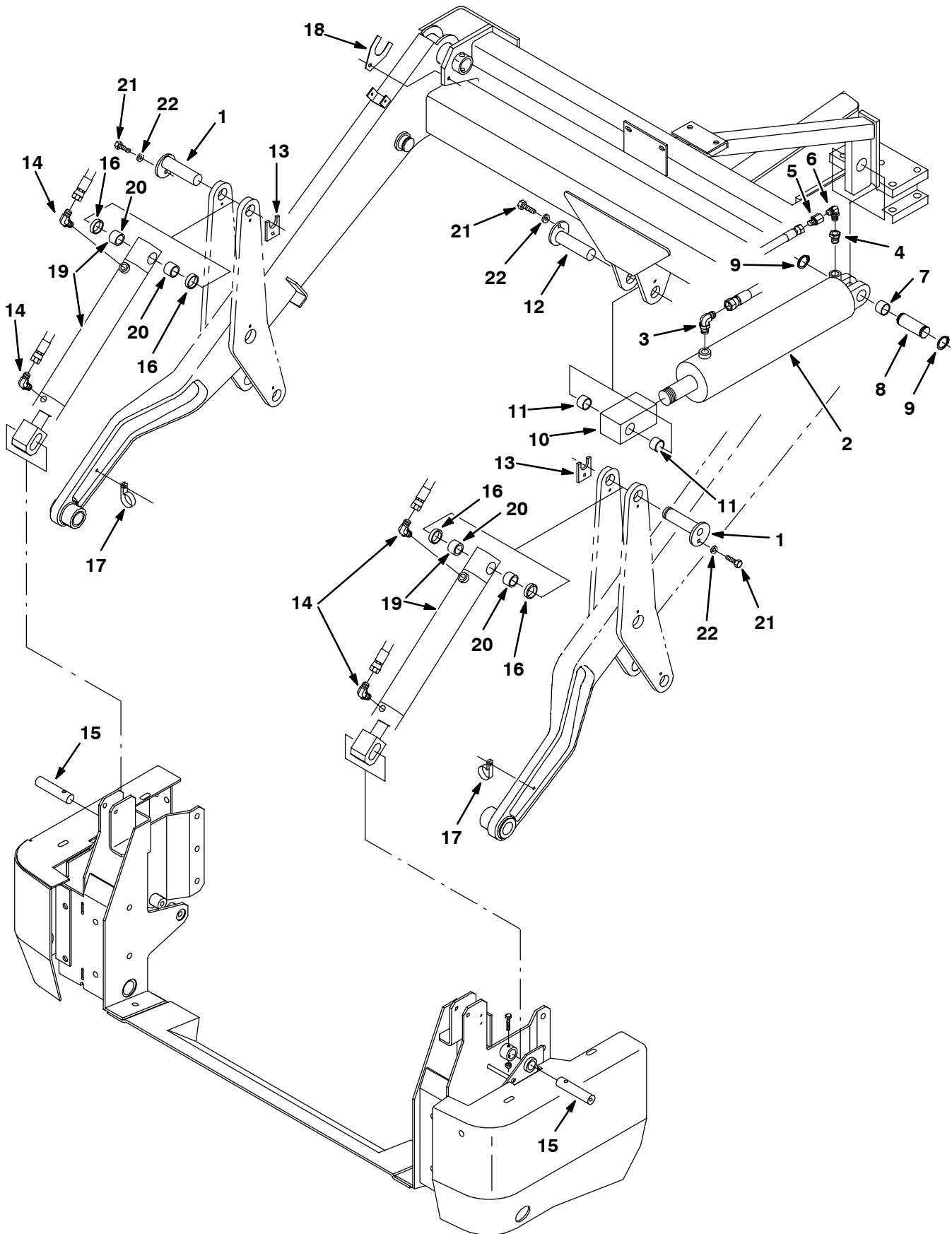


Fig. 12 - Hopper Lift Cylinders Group

| Ref. | Part No. | Serial Number | Description | Qty. |
|------|----------|---------------|---|------|
| 1 | 83553 | (004000- |) Pin Wldt. | 2 |
| 2 | 1026719 | (004000- |) Cylinder, Hyd, 4.0b 29.1l 14.50strk 2500 (See Breakdowns) | 1 |
| 3 | 47512 | (004000- |) Ftg-Hyd E90 Jm06/Om08 | 1 |
| 4 | 55686 | (004000- |) Ftg-Hyd Str Jm04/Om08 | 1 |
| 5 | 16456 | (004000- |) Ftg-Hyd Rst Jm04/.063 | 1 |
| 6 | 39210 | (004000- |) Ftg-Hyd E90 Jm04/Jf04 | 1 |
| 7 | 59866 | (004000- |) Bearing, Journal | 1 |
| 8 | 63583 | (004000- |) Pin, 1.25 Odx 3.50, Grooved | 1 |
| 9 | 58359 | (004000- |) Retaining Ring-External, 1.25D | 2 |
| 10 | 64156 | (004000- |) Bar, Cylinder End | 1 |
| 11 | 57936 | (004000- |) Bearing-Journal | 2 |
| 12 | 83553 | (004000- |) Pin, 1.250 Od X 4.50 | 1 |
| 13 | 83554 | (004000- |) Plate, Pin Retainer | 2 |
| 14 | 47638 | (004000- |) Ftg-Hyd E90 Jm04/Om06 | 4 |
| 15 | 63584 | (004000- |) Pin, 1.00 Odx 4.50, Drilled | 2 |
| 16 | 83555 | (004000- |) Spacer | 4 |
| 17 | 67767 | (004000- |) Clamp-Cable,.69Dia. 62Wth | 2 |
| 18 | 75891 | (004000- |) Plate, Spacer | 2 |
| ▽ | 19 | 1042110 | (004000-) Cylinder, Hyd, 2.0b 23.8l 14.90strk 2500 | 2 |
| ▲ | 20 | 57936 | (004000-) Bearing-Journal | 2 |
| 21 | 10959 | (004000- |) Screw, Hex, M10 X 1.5 X 20, Ss, NI | 3 |
| 22 | 32492 | (004000- |) Washer, Flat, 0.38 Std | 3 |

Fig. 13 - Hopper Group

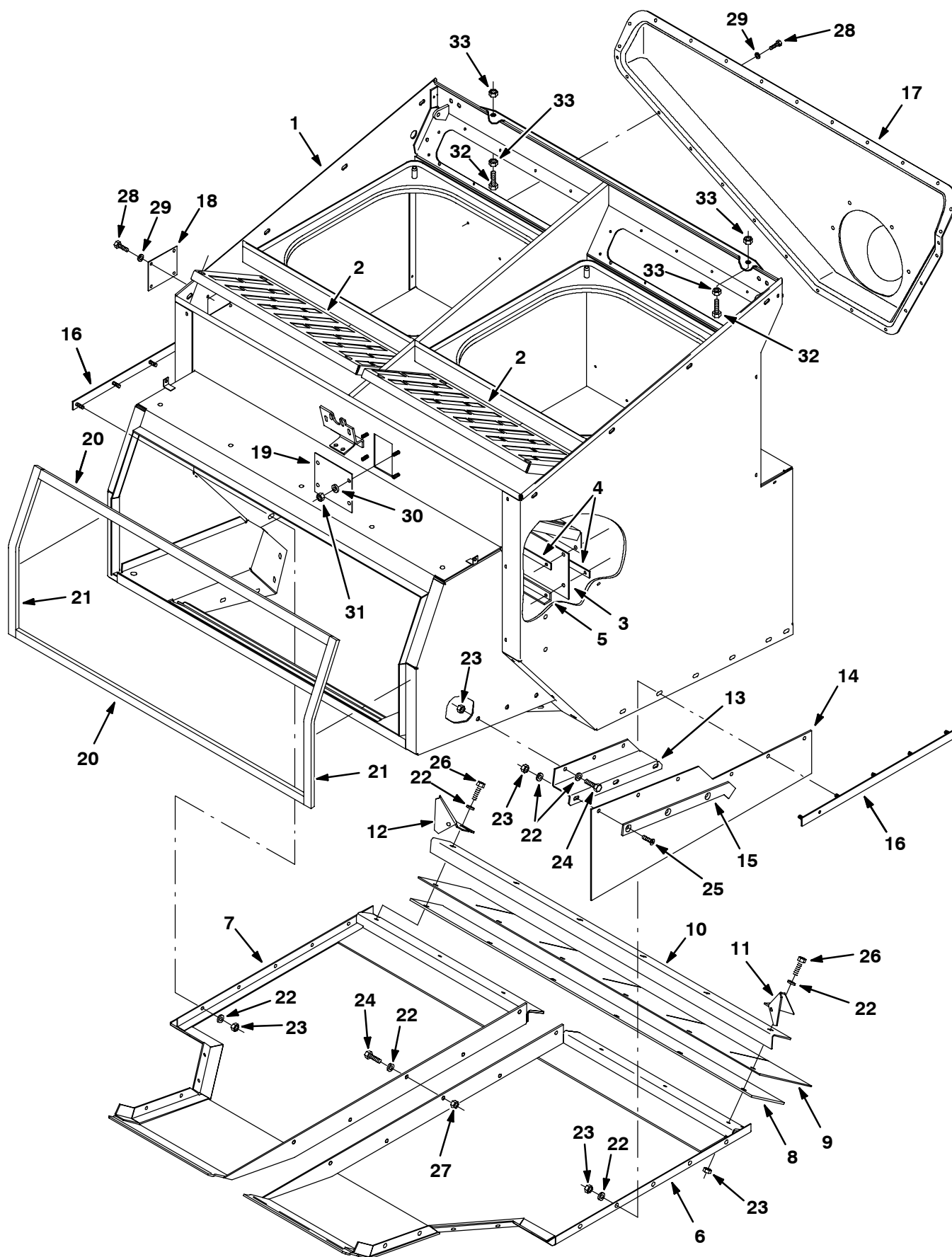


Fig. 13 - Hopper Group

| Ref. | Part No. | Serial Number | Description | Qty. |
|------|----------|---------------|-------------------------------------|------|
| 1 | 76487 | (004000- |) Hopper Wldt | 1 |
| 2 | 63665 | (004000- |) Panel, Permafilter, Upper | 2 |
| 3 | 63667 | (004000- |) Seal, Dust | 1 |
| 4 | 63668 | (004000- |) Bar, Retainer, Dust Seal | 2 |
| 5 | 63669 | (004000- |) Angle, Dust Seal | 1 |
| 6 | 76474 | (004000- |) Panel, Hopper, Bottom, Lh | 1 |
| 7 | 76384 | (004000- |) Panel, Bottom, Hopper, Rh | 1 |
| 8 | 73678 | (004000- |) Skirt, Lip | 1 |
| 9 | 73679 | (004000- |) Skirt, Lip | 1 |
| 10 | 63647 | (004000- |) Angle, Retainer, Lip | 1 |
| 11 | 74046 | (004000- |) Panel, Deflector, Dirt, Rh | 1 |
| 12 | 74045 | (004000- |) Panel, Deflector, Dirt, Lh | 1 |
| 13 | 73772 | (004000- |) Bracket, Mtg, Skirt | 1 |
| 14 | 73771 | (004000- |) Skirt, Deflector | 1 |
| 15 | 73749 | (004000- |) Strip, Retainer, Skirt, Front | 1 |
| 16 | 79139 | (004000- |) Strip, Hopper | 2 |
| 17 | 70388 | (004000- |) Duct, Inlet, Vac Fan | 1 |
| 18 | 74069 | (004000- |) Plate, Cover | 1 |
| 19 | 73887 | (004000- |) Plate, Cover | 1 |
| 20 | 79597 | (004000- |) Seal, Foam, Urethane Covered | 2 |
| 21 | 79600 | (004000- |) Seal, Foam, Urethane Covered | 2 |
| 22 | 01685 | (004000- |) Washer, Flat, 0.38b 0.88d .08, Ss | 27 |
| 23 | 08713 | (004000- |) Nut, Hex, Lock, M8 X 1.25, NI, Ss | 22 |
| 24 | 09740 | (004000- |) Screw, Hex, M8 X 1.25 X 20, Ss | 18 |
| 25 | 79506 | (004000- |) Screw, Flt, M8 X 1.25 X 30, Ss | 3 |
| 26 | 09011 | (004000- |) Screw, Hex, M8 X 1.25 X 30, Ss | 6 |
| 27 | 07791 | (004000- |) Nut, Hex, Flng, M8 X 1.25 | 15 |
| 28 | 74455 | (004000- |) Screw, Hex, M6 X 1.0 X 12, Fmg | 33 |
| 29 | 19066 | (004000- |) Washer, Flat, #10 | 33 |
| 30 | 39349 | (004000- |) Washer, Flat, 0.31, Sae | 4 |
| 31 | 08709 | (004000- |) Nut, Hex, Lock, M8 X 1.25, NI | 4 |
| 32 | 06972 | (004000- |) Screw, Hex, M12 X 1.75 X 60, 8.8 | 2 |
| 33 | 39313 | (004000- |) Nut, Hex, Std, M12 X 1.75 | 4 |

Fig. 14 - Hopper Door Group

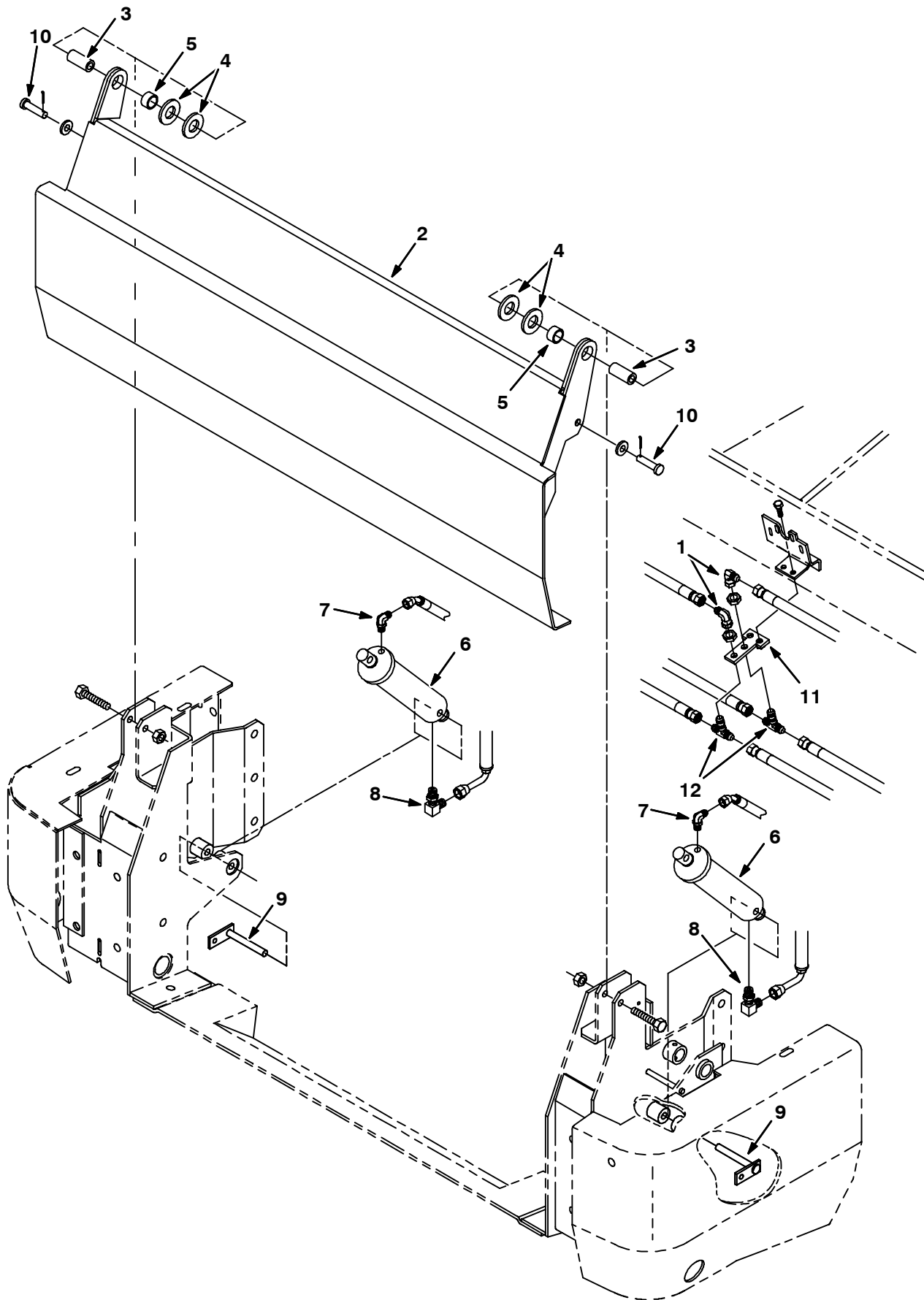


Fig. 14 - Hopper Door Group

| Ref. | Part No. | Serial Number | Description | Qty. |
|------|----------|---------------|--|------|
| 1 | 39210 | (004000- |) Ftg-Hyd E90 Jm04/Jf04 | 2 |
| 2 | 83618 | (004000- |) Door Wldt, Hopper | 1 |
| 3 | 79138 | (004000- |) Sleeve, Pivot, Door | 2 |
| 4 | 79596 | (004000- |) Washer, 1.015B 1.75D .11Hrs | 4 |
| 5 | 35688 | (004000- |) Bearing, Journal | 2 |
| 6 | 1041090 | (004000- |) Cylinder, Hyd, 2.0b 12.0l 08.00strk 2500 | 2 |
| 7 | 82825 | (004000- |) Ftg-Hyd E90 Jm04/Om04 | 2 |
| 8 | 77097 | (004000- |) Ftg-Hyd E90 Jm04/Om04 | 2 |
| 9 | 64893 | (004000- |) Pin | 2 |
| 10 | 21722 | (004000- |) Pin, Clevis .50 Dia X 2.25 Lg | 2 |
| 11 | 75012 | (004000- |) Bracket, Mtg, Ftg | 1 |
| 12 | 34392 | (004000- |) Ftg-Hyd Tee Jm04Jmjm | 2 |

Fig. 15 - Hopper Cover Group

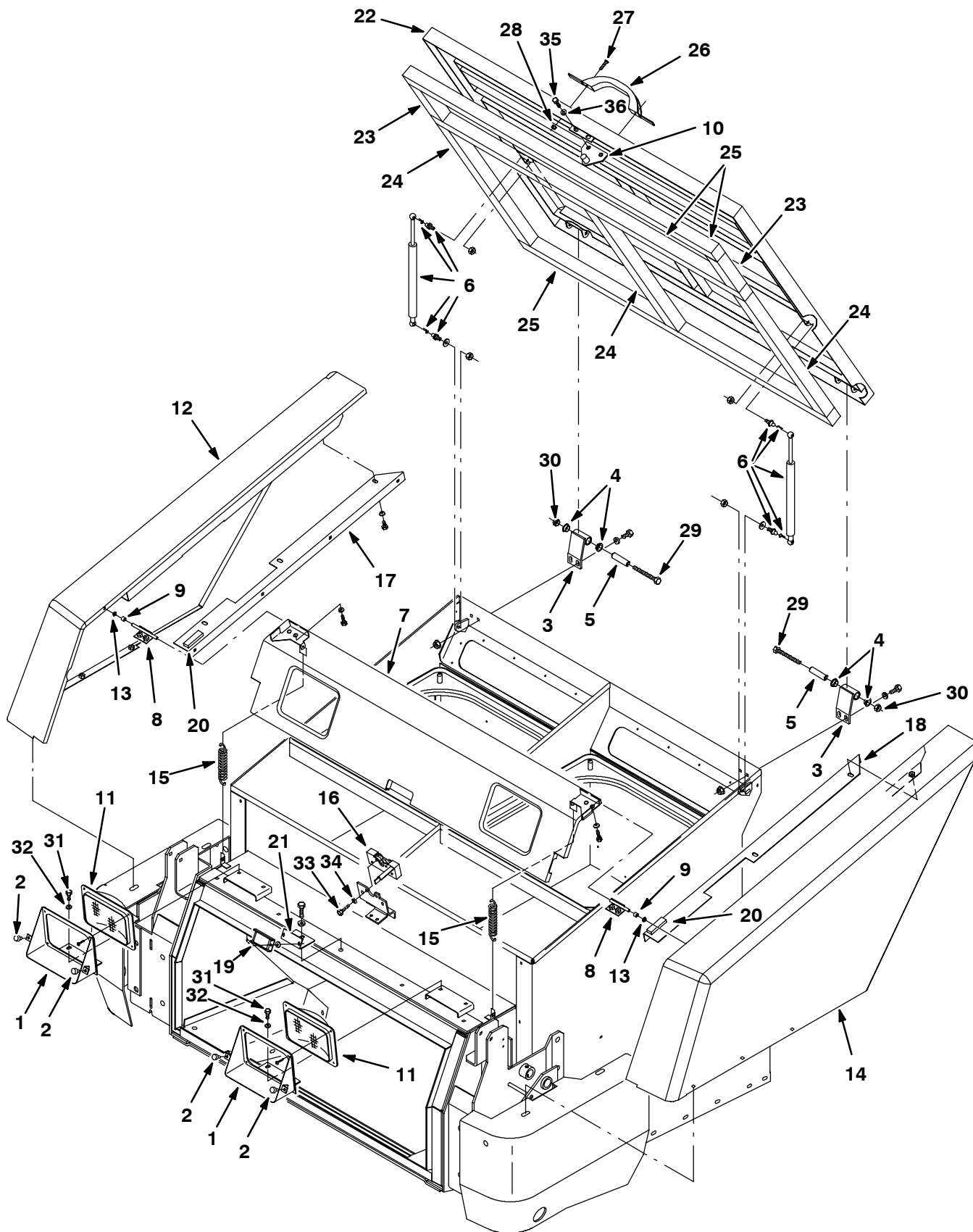


Fig. 15 - Hopper Cover Group

| Ref. | Part No. | Serial Number | Description | Qty. | |
|------|----------|---------------|----------------------------------|--------------------------------------|---|
| 1 | 77388 | (004000- |) Bracket, Mounting, Headlamp | 2 | |
| 2 | 51787 | (004000- |) Bumper, Rubber | 4 | |
| 3 | 70762 | (004000- |) Hinge | 2 | |
| 4 | 04843 | (004000- |) Bearing, Flange .625 Bore | 4 | |
| 5 | 70761 | (004000- |) Tube, 0.62D .44B 2.44, Stl | 2 | |
| 6 | 69906 | (004000- |) Spring-Gas, Engine Cover | 2 | |
| 7 | 77394 | (004000- |) Panel, Headlight | 1 | |
| 8 | 70730 | (004000- |) Hinge | 2 | |
| 9 | 74015 | (004000- |) Sleeve, .320B .32D .49 Lc Stl | 2 | |
| 10 | 70742 | (004000- |) Pin Wldt, Latch | 1 | |
| 11 | 58524 | (004000- |) Headlight, 12V.Rect. | 2 | |
| 12 | 65278 | (004000- |) Panel Wldt, Fender, Rh | 1 | |
| 13 | 11747 | (004000- |) Bearing, Nylon | 2 | |
| 14 | 65281 | (004000- |) Panel Wldt, Fender, Lh | 1 | |
| 15 | 01274 | (004000- |) Sprng,Tens,0.965Odx.09Wire4.4L | 2 | |
| 16 | 79019 | (004000- |) Latch, Hook, Rh, Single Catch | 1 | |
| 17 | 75047 | (004000- |) Bracket, Rh | 1 | |
| 18 | 75046 | (004000- |) Bracket, Lh | 1 | |
| 19 | 63378 | (004000- |) Magnet, Drive Brush | 1 | |
| 20 | 79591 | (004000- |) Bumper, Cover, Hopper | 2 | |
| 21 | 77400 | (004000- |) Angle, Mount | 1 | |
| ▽ | 22 | 21221 | (004000- |) Cover Assy, Hopper | 1 |
| ▲ | 23 | 375564 | (004000- |) Seal, Urethane Covered Foam | 2 |
| ▲ | 24 | 375565 | (004000- |) Seal, Urethane Covered Foam | 3 |
| ▲ | 25 | 375566 | (004000- |) Seal, Urethane Covered Foam | 3 |
| ▲ | 26 | 381962 | (004625- |) Handle, Container | 1 |
| ▲ | 27 | 382726 | (004625- |) Screw, Pan, m06 | 2 |
| ▲ | 28 | 08708 | (004625- |) Nut, Hex Lock m06 | 2 |
| | 29 | 03193 | (004000- |) Screw, Hex, M10 X 1.5 X 90, 8.8 | 2 |
| | 30 | 41430 | (004000- |) Nut, Hex, Lock, M10 X 1.5, NI | 2 |
| | 31 | 16931 | (004000- |) Screw, Hex, M8 X 1.25 X 20, 8.8 | 4 |
| | 32 | 32491 | (004000- |) Washer, Flat, 0.31 Std | 4 |
| | 33 | 12274 | (004000- |) Screw, Hex, M6 X 1.0 X 20, 8.8, NI | 4 |
| | 34 | 19066 | (004000- |) Washer, Flat, #10 | 4 |
| | 35 | 16735 | (004000- |) Screw, Hex, M8 X 1.25 X 16, 8.8 | 2 |
| | 36 | 41186 | (004000- |) Washer, Belleville, .31 | 2 |

Fig. 16 - Hopper Bumper Group

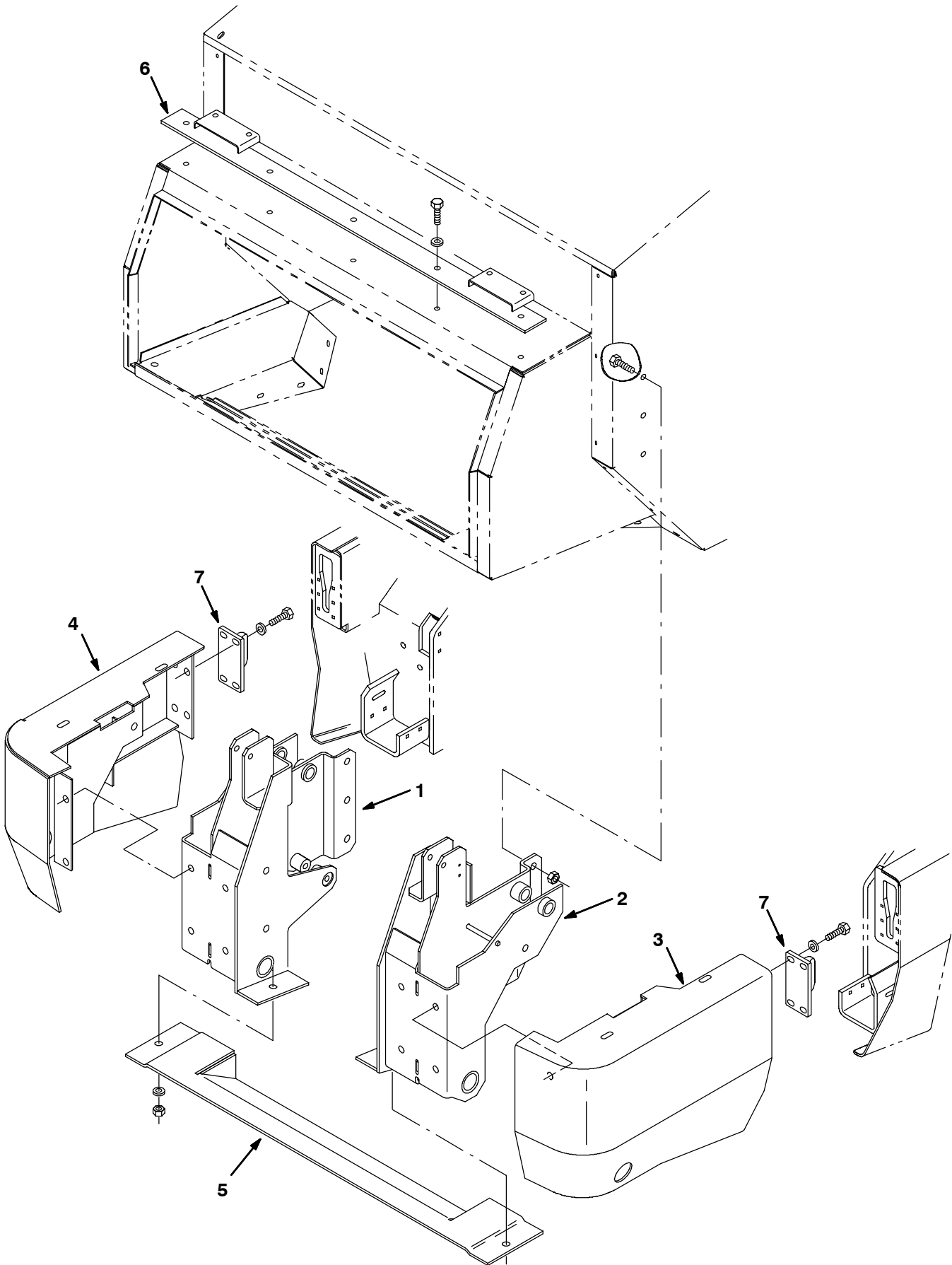


Fig. 16 - Hopper Bumper Group

| Ref. | Part No. | Serial Number | Description | Qty. |
|------|----------|---------------|---------------------------------|------|
| 1 | 83547 | (004000- |) Bumper Wldt, Sppt, Hopper, Rh | 1 |
| 2 | 83548 | (004000- |) Support Wldt, Sppt, Hopper Lh | 1 |
| 3 | 83620 | (004000- |) Bumper Wldt, Lh | 1 |
| 4 | 83622 | (004000- |) Bumper Wldt, Rh | 1 |
| 5 | 77523 | (004000- |) Guard Wldt, Hopper | 1 |
| 6 | 77516 | (004000- |) Bracket Wldt, Mtg, Headlight | 1 |
| 7 | 63671 | (004000- |) Latch, Bumper | 2 |

Fig. 17 - Hopper Filter Shaker Group

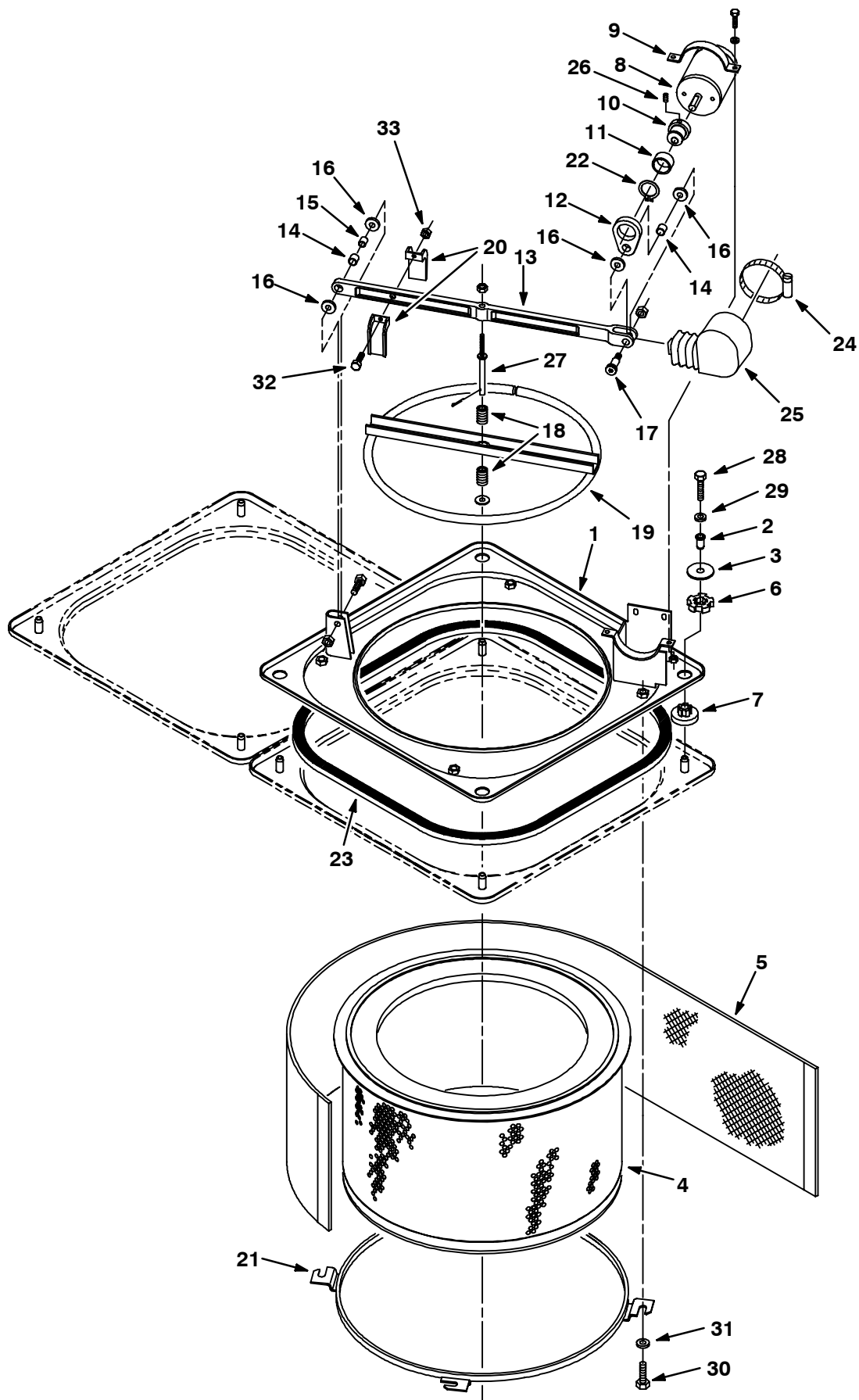


Fig. 17 - Hopper Filter Shaker Group

| Ref. | Part No. | Serial Number | Description | Qty. | |
|------|----------|---------------|--------------------------------------|---------------------------------|---|
| 1 | 64580 | (004000- |) Panel Wldt, Shaker | 2 | |
| 2 | 64874 | (004000- |) Ferrule | 8 | |
| 3 | 64873 | (004000- |) Disc | 8 | |
| 4 | 48069 | (004000- |) Filter Assy, Fine, Hopper (option) | 2 | |
| ▽ | 4 | 63297 | (004000- |) Filter Assy, (standard) | 2 |
| ▲ | 5 | 63311 | (004000- |) Screen, Filter | 1 |
| 6 | 64618 | (004000- |) Ring, Isolator, Outer, Rbr | 8 | |
| 7 | 64621 | (004000- |) Bushing, Isolator | 8 | |
| 8 | 31999 | (004000- |) Motor, Electric, 13.6 Vdc | 2 | |
| 9 | 64559 | (004000- |) Clamp, Mtg, Motor, Upper | 2 | |
| 10 | 64567 | (004000- |) Shaft, Eccentric | 2 | |
| 11 | 32006 | (004000- |) Bearing | 2 | |
| 12 | 64394 | (004000- |) Link, Eccentric | 2 | |
| ▽ | 13 | 77471 | (004000- |) Shaker Bar Replacement Kit | 2 |
| ▲ | 14 | 63233 | (004000- |) Bearing, Fiberglide .50 X .50 | 2 |
| ▲ | 15 | 63234 | (004000- |) Sleeve, Bearing | 1 |
| ▲ | 16 | 59633 | (004000- |) Bearing, Thrust - Fiberglide | 4 |
| ▲ | 17 | 58357 | (004000- |) Shoulder Screw | 2 |
| 18 | 64392 | (004000- |) Spring | 4 | |
| 19 | 64501 | (004000- |) Ring Wldt, Shaker | 2 | |
| 20 | 64410 | (004000- |) Guide | 4 | |
| 21 | 64500 | (004000- |) Ring Wldt, Mtg, Filter | 2 | |
| 22 | 70651 | (004000- |) Ring, Retaining, Ext 1.12 | 2 | |
| 23 | 21303 | (004000- |) Seal Kit, Shaker Panel | 2 | |
| 24 | 43555 | (004000- |) Clamp-Wormdrive, 1.62- 3.50D | 2 | |
| 25 | 73734 | (004000- |) Seal, Dust | 2 | |
| 26 | 70650 | (004000- |) Set Screw | 2 | |
| 27 | 32009 | (004000- |) Bar, Shaker Stem | 2 | |
| 28 | 39284 | (004000- |) Screw, Hex, M10 X 1.5 X 35, 8.8 | 8 | |
| 29 | 32492 | (004000- |) Washer, Flat, 0.38 Std | 8 | |
| 30 | 09028 | (004000- |) Screw, Hex, M10 X 1.5 X 25, Ss | 8 | |
| 31 | 01686 | (004000- |) Washer, Flat, 0.44b 1.00 .08, Ss | 8 | |
| 32 | 09164 | (004000- |) Screw, Pan, M6 X 1.0 X 20, 4.8 | 2 | |
| 33 | 08708 | (004000- |) Nut, Hex, Lock, M6 X 1.0, NI | 2 | |

Fig. 18 - Hopper Pressure Switch Group

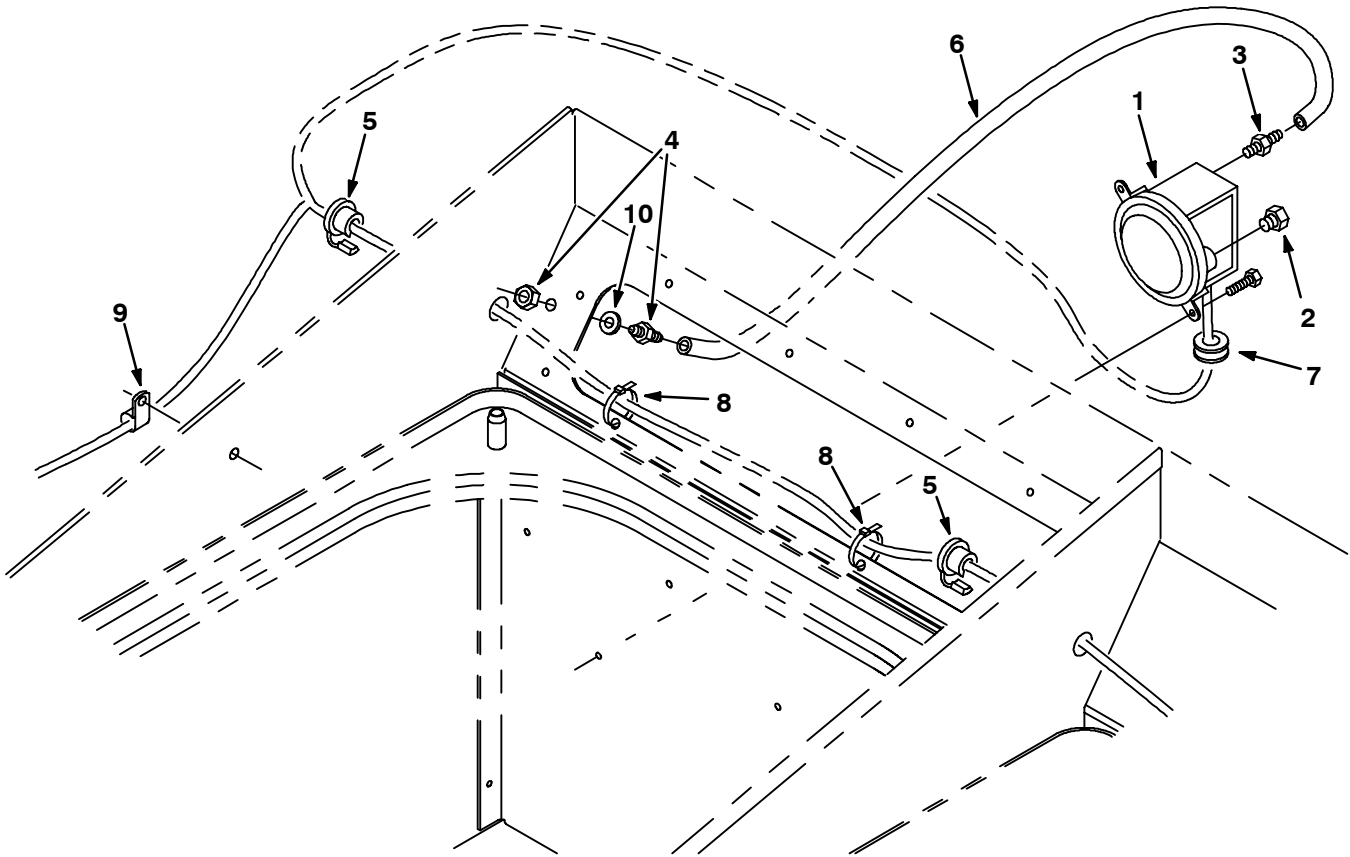


Fig. 18 - Hopper Pressure Switch Group

| Ref. | Part No. | Serial Number | Description | Qty. |
|------|----------|---------------|--|------|
| 1 | 75465 | (004000- |) Switch, Pressure | 1 |
| 2 | 82739 | (004000- |) Ftg, Breather | 1 |
| 3 | 40607 | (004000- |) Ftg-Brs Str Bm03/Pm02 | 1 |
| 4 | 39923 | (004000- |) Ftg,Bulkhead-Barb Wh 1074X4 | 1 |
| 5 | 34864 | (004000- |) Strain,Relief | 2 |
| 6 | 73727 | (004000- |) Hose, Vac, Rubber | 1 |
| 7 | 10632-4 | (004000- |) Grommet,Rbr,0.62ld,For .06Matl | 1 |
| 8 | 49266 | (004000- |) Tie, Cable 1.75D Max 7.50Lg | 8 |
| 9 | 40678 | (004000- |) Clamp, Cable, Stl, 0.44d X 0.62w, 1h | 2 |
| 10 | 43454 | (004000- |) Washer | 1 |

Fig. 19 - Engine and Alternator Group (004000-004936)

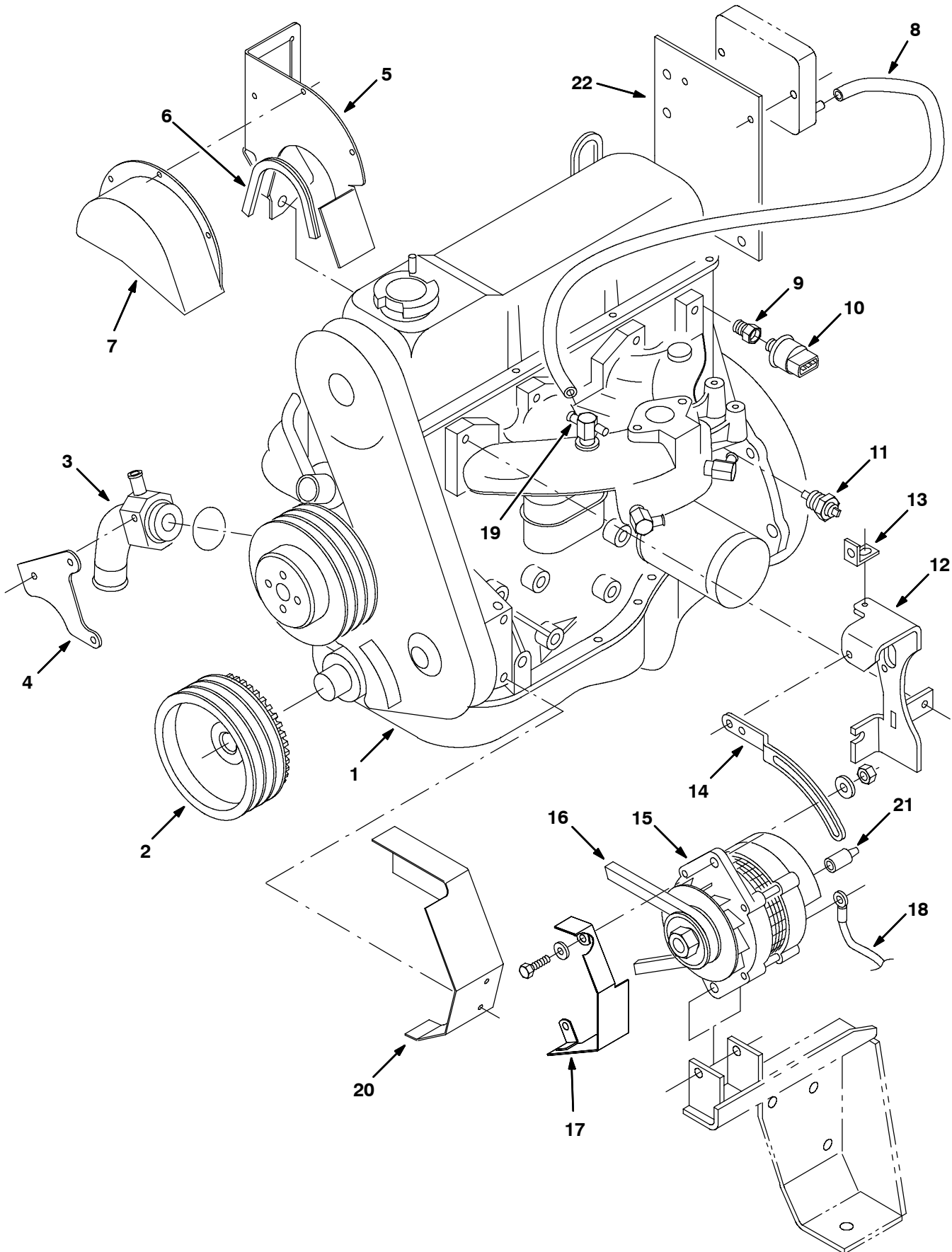


Fig. 19 - Engine and Alternator Group (004000-004936)

| Ref. | Part No. | Serial Number | Description | Qty. | |
|------|----------|------------------|---|---------------------------------|---|
| 1 | 83652 | (004000-004215) | Engine Purch Kit, Lrg423 (See 2.3L Engine Brkdn) | 1 | |
| 1 | 1044235 | (004216-004936) | Engine [Ford, 2.5l Reman] (See 2.5L Engine Brkdn) | 1 | |
| 2 | 83664 | (004000-004936) | Sheave, Eng Crank,Fd W/Tg 2Gr | 1 | |
| 3 | 83729 | (004000-004936) | Adaptor, Water Pump Machined | 1 | |
| 4 | 83731 | (004000-004936) | Plate, Mounting, Water Pump | 1 | |
| 5 | 385417 | (004000-004936) | Bracket, Mtg, Coil | 1 | |
| 6 | 59375 | (004000-004936) | Extrusion,.062 Matl10.10Lg | 1 | |
| 7 | 21294 | (004000-004936) | Cover | 1 | |
| 8 | 19774 | (004000-004936) | Hose, Vacuum,.16ld X 15.0 Lg | 1 | |
| 9 | 17414 | (004000-004936) | Ftg-Hyd Str Pm04/Pf02 | 1 | |
| 10 | 1055106 | (004000-004936) | Switch, Press, 0006psi Dpdt | 1 | |
| 11 | 36165 | (004000-004936) | Send Unit, Temperature | 1 | |
| 12 | 83750 | (004000-004936) | Bracket Wldt, Alternator Mtg | 1 | |
| 13 | 31038 | (004000-004936) | Brkt-L,1.2 1.0 .12 .8L2/H&S | 1 | |
| 14 | 31526 | (004000-004936) | Arm Alternator | 1 | |
| ▽ | 15 | 60559 | (004000-004936) | Alternator, 50A/12V Mando | 1 |
| ▲ | | 61931 | (004000-004936) | Regulator | 1 |
| ▲ | | 86041 | (004000-004936) | Bearing,Ball.669B 1.575D .472W | 1 |
| ▲ | | 61529 | (004000-004936) | Brush Kit | 1 |
| ▲ | | 61531 | (004000-004936) | Rectifier | 1 |
| ▲ | | 70160 | (004000-004936) | Pulley, Alternator | 1 |
| | 16 | 83692 | (004000-004936) | Belt, V, Hc 38-46.375 | 1 |
| | 17 | 74076 | (004000-004936) | Guard Wldt, Alternator, F/60559 | 1 |
| | 18 | 82731 | (004000-004936) | Wire-Ground, Alternator | 1 |
| | 19 | 630094 | (004000-004936) | Cap | 1 |
| | 20 | 83853 | (004000-004936) | Cover Weldt. | 1 |
| | 21 | 61363 | (004000-004936) | Boot, Str .42ID .12H .25L | 2 |
| | 22 | 83747 | (004000-004936) | Bracket, Ignition | 1 |

Fig. 20 - Engine Mount Group (004000-004936)

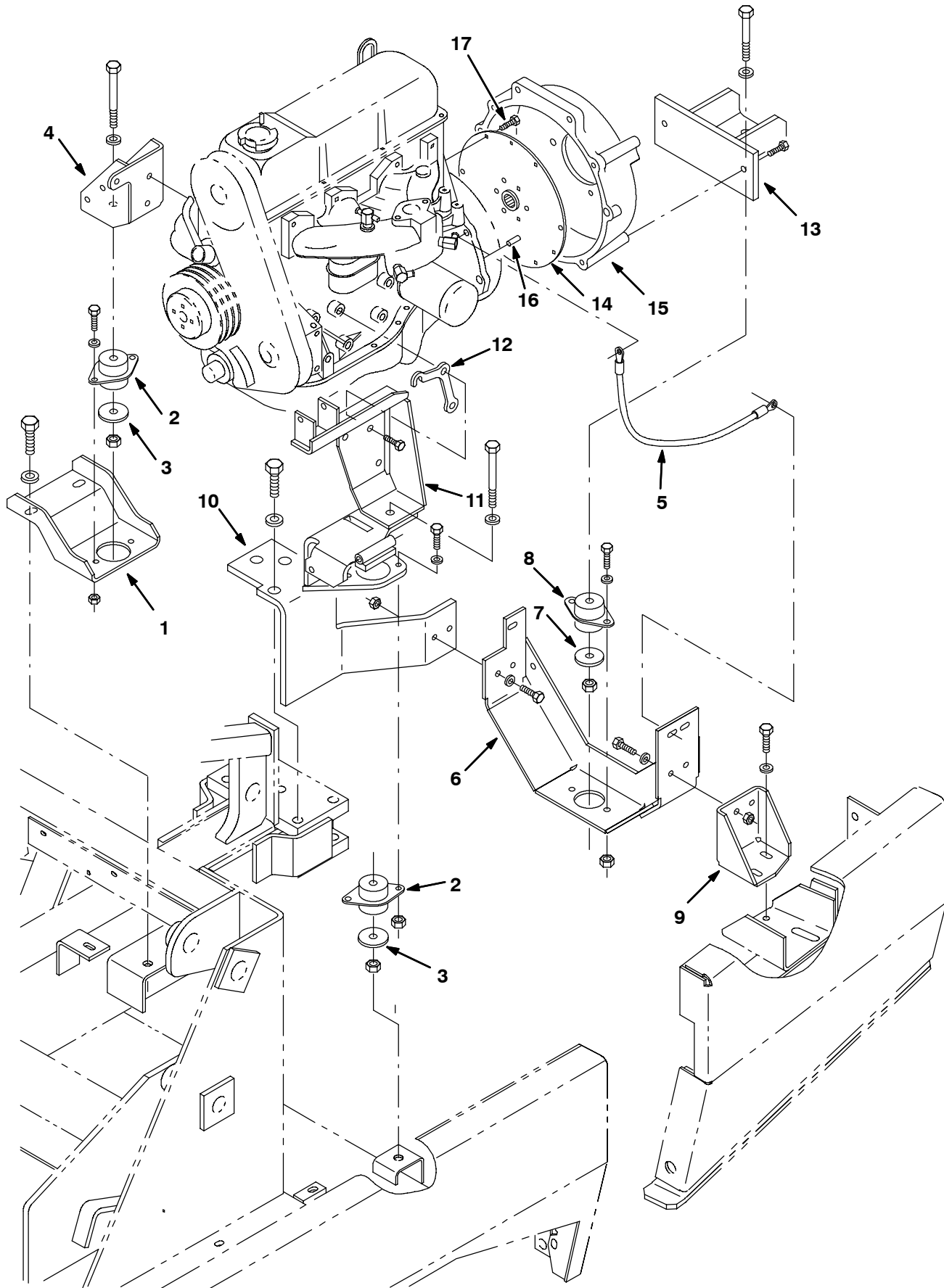


Fig. 20 - Engine Mount Group (004000-004936)

| Ref. | Part No. | Serial Number | Description | Qty. |
|------|----------|------------------|-------------------------------------|------|
| 1 | 83674 | (004000-004936) | Bracket, Mtg, Eng, Rh | 1 |
| 2 | 63695 | (004000-004936) | Isolator, Mounting | 2 |
| 3 | 04414 | (004000-004936) | Washer, .531B 1.88D .12Hard Zn | 2 |
| 4 | 385426 | (004000-004936) | Bracket, Eng Mtg Rh | 1 |
| 5 | 57773 | (004000-004936) | Wire Ass'Y-Elect.,Ground | 1 |
| 6 | 77430 | (004000-004936) | Bracket, Mounting, Eng, Rear | 1 |
| 7 | 57048 | (004000-004936) | Washer, .532B 2.13D .11Hr.Znc | 1 |
| 8 | 63263 | (004000-004936) | Isolator, Mtg | 1 |
| 9 | 77434 | (004000-004936) | Bracket, Mounting, Eng,Rear Lh | 1 |
| 10 | 77435 | (004000-004936) | Bracket, Mtg, Eng, Rear | 1 |
| 11 | 380598 | (004000-004936) | Bracket Wldt, Eng/Alt Mount | 1 |
| 12 | 83673 | (004000-004936) | Plate, Spacer, Mtg, Eng 2.3Fd | 1 |
| 13 | 63535 | (004000-004215) | Channel Wldt, Mtg, Engine,Rear | 1 |
| 13 | 385412 | (004216-004936) | Channel Wldt, Mtg, Engine,Rear | 1 |
| 14 | 35980 | (004000-004936) | Coupling Flywheel | 1 |
| 15 | 83689 | (004000-004215) | Housing, Flywheel, Machined 2.3 Lrg | 1 |
| 15 | 385433 | (004216-004936) | Housing, Flywheel, 2.5 Lrg | 1 |
| 16 | 14296 | (004216-004936) | Pin, Roll | 3 |
| 17 | 375193 | (004000-004936) | Screw, Hex, M08 X 1.00 X 16, 10.9 | 6 |

Fig. 21 - Engine Group (004937-005999)

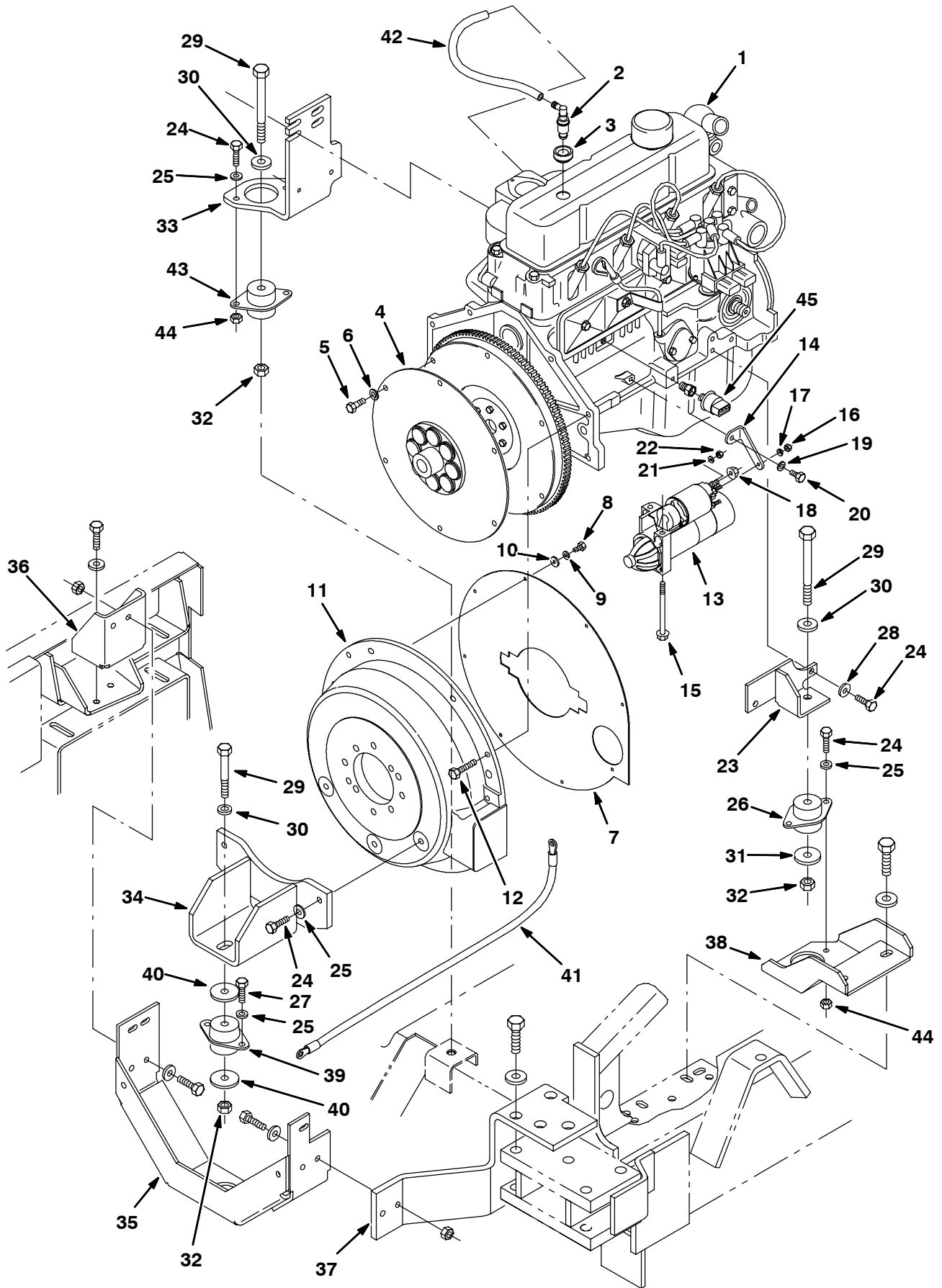


Fig. 21 - Engine Group (004937-005999)

| Ref. | Part No. | Serial Number | Description | Qty. |
|------|----------|------------------|--|------|
| 1 | 392561 | (004937-005999) | Engine, Gm, 3.0 Liter, Gas (See GM Engine Breakdown) | 1 |
| 1 | 392563 | (004937-005999) | Engine, Gm, 3.0 Liter, Lpg (See GM Engine Breakdown) | 1 |
| 2 | 393975 | (004937-005999) | Valve, [Pcv] | 1 |
| 3 | 393984 | (004937-005999) | Grommet | 1 |
| 4 | 371507 | (004937-005999) | Plate, Drive | 1 |
| 5 | 371508 | (004937-005999) | Bolt, Clutch | 6 |
| 6 | 371509 | (004937-005999) | Washer, Lock, .38 | 11 |
| 7 | 371761 | (004937-005999) | Shield, Dust | 1 |
| 8 | 19315 | (004937-005999) | Screw, Hex, .25-20 X 0.50, 5 | 8 |
| 9 | 371512 | (004937-005999) | Washer, Lock, .25 | 8 |
| 10 | 32483 | (004937-005999) | Washer, Flat, .25 Sae | 8 |
| 11 | 371762 | (004937-005999) | Housing | 1 |
| 12 | 55347 | (004937-005999) | Screw, Hex, .38-16 X 2.00, FI | 5 |
| 13 | 371516 | (004937-005999) | Starter | 1 |
| 14 | 371517 | (004937-005999) | Bracket, Starter | 1 |
| 15 | 371518 | (004937-005999) | Bolt, Starter | 1 |
| 16 | 50335 | (004937-005999) | Nut, Hex, Std, M05 X 0.8 | 2 |
| 17 | 371519 | (004937-005999) | Washer, Loc, M5 | 1 |
| 18 | 07791 | (004937-005999) | Nut, Hex, Flng, M08 X 1.25 | 1 |
| 19 | 393994 | (004937-005999) | Washer, Lock, .31 | 1 |
| 20 | 54396 | (004937-005999) | Screw, Hex, .31-18 X 0.75, 5 | 1 |
| 21 | 371520 | (004937-005999) | Washer, Lock, #10 | 1 |
| 22 | 19311 | (004937-005999) | Nut, Hex, Std, #10-24 | 1 |
| 23 | 392622 | (004937-005999) | Bracket, Mtg, Eng, Rh | 1 |
| 24 | 21197 | (004937-005999) | Screw, Hex, .38-16 X 1.00, 5 | 8 |
| 25 | 32492 | (004937-005999) | Washer, Flat, .38 Std | 8 |
| 26 | 63695 | (004937-005999) | Isolator, Vib, Flng, 1.3l .5b 2/.39h | 1 |
| 27 | 21198 | (004937-005999) | Screw, Hex, M08 X 1.25 X 25, 8.8 | 4 |
| 28 | 32425 | (004937-005999) | Washer, Flat, .31 Std | 2 |
| 29 | 06972 | (004937-005999) | Screw, Hex, M12 X 1.75 X 60, 8.8 | 4 |
| 30 | 32493 | (004937-005999) | Washer, Flat, .50 Std | 4 |
| 31 | 04414 | (004937-005999) | Washer, 0.53b 1.88d .12, Stl, Pl | 3 |
| 32 | 08711 | (004937-005999) | Nut, Hex, Lock, M12 X 1.75, NI | 4 |
| 33 | 392642 | (004937-005999) | Bracket, Mtg, Eng, Lh | 1 |
| 34 | 392619 | (004937-005999) | Channel Wldt, Mtg, Eng, Rear | 1 |
| 35 | 77430 | (004937-005999) | Bracket, Mounting, Eng, Rear | 1 |
| 36 | 77434 | (004937-005999) | Bracket, Mounting, Eng, Rear Lh | 1 |
| 37 | 77435 | (004937-005999) | Bracket, Mtg, Eng, Rear | 1 |
| 38 | 83674 | (004937-005999) | Bracket, Mtg, Eng, Rh | 1 |
| 39 | 63263 | (004937-005999) | Isolator, Mtg | 1 |
| 40 | 57048 | (004937-005999) | Washer, .532B 2.13D .11Hr.Znc | 2 |
| 41 | 57773 | (004937-005999) | Wire Ass'Y-Elect., Ground | 1 |
| 42 | 393973 | (004937-005999) | Hose, [Pcv] | 1 |
| 43 | 75768 | (004937-005999) | Isolator, Vib, Flng, 2.0l .5b 2/.41h | 1 |
| 44 | 50902 | (004937-005999) | Nut, Hex, Lock, .38-16, NI | 4 |
| 45 | 371572 | (004937-005999) | Sending unit, Oil Press | 1 |

Fig. 22 - Engine Group (006000-006999)

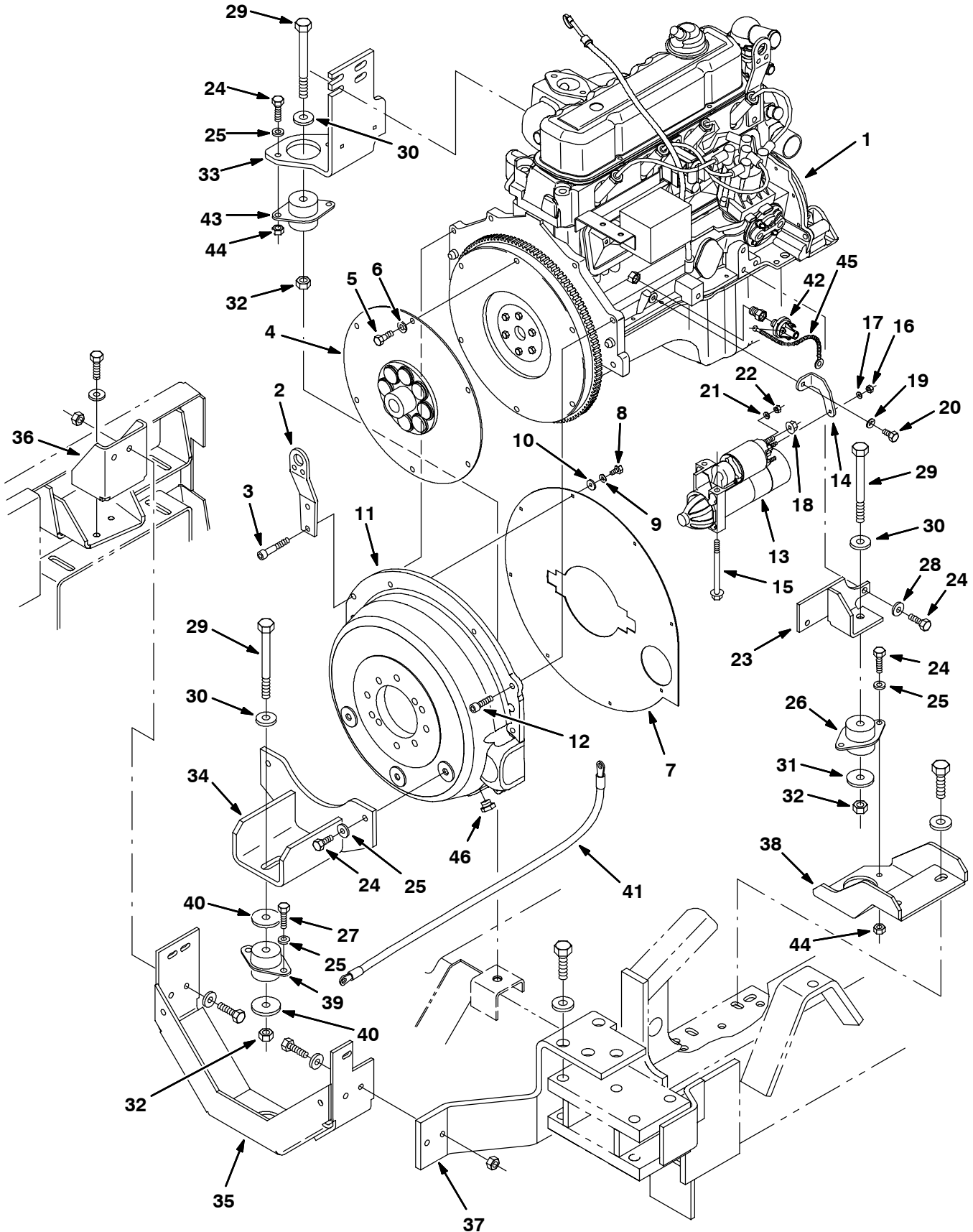


Fig. 22 - Engine Group (006000-006999)

| Ref. | Part No. | Serial Number | Description | Qty. |
|------|----------|------------------|---|------|
| 1 | 1012719 | (006000-006999) | Engine Assy, Gas, Clsd Loop [Gm, 3.0] (See GM Engine Breakdown) | 1 |
| 1 | 1012720 | (006000-006999) | Engine Assy, LPG, Clsd Loop [Gm, 3.0] (See GM Engine Breakdown) | 1 |
| 2 | 372457 | (006000-006999) | Bolt, Eye, Lift | 1 |
| 3 | 372479 | (006000-006999) | Screw, Soc, .38-16 X 2.25, G5 | 1 |
| 4 | 372456 | (006000-006999) | Plate, Drive | 1 |
| 5 | 371508 | (006000-006999) | Bolt, Clutch | 6 |
| 6 | 371509 | (006000-006999) | Washer, Lock, .38 | 11 |
| 7 | 371761 | (006000-006999) | Shield, Dust | 1 |
| 8 | 19315 | (006000-006999) | Screw, Hex, .25-20 X 0.50, 5 | 8 |
| 9 | 371512 | (006000-006999) | Washer, Lock, .25 | 8 |
| 10 | 32483 | (006000-006999) | Washer, Flat, .25 Sae | 8 |
| 11 | 372458 | (006000-006999) | Housing | 1 |
| 12 | 10831 | (006000-006999) | Screw, Soc, .38-16 X 1.25, Al | 5 |
| 13 | 371516 | (006000-006999) | Starter | 1 |
| 14 | 372473 | (006000-006999) | Bracket, Starter | 1 |
| 15 | 371518 | (006000-006999) | Bolt, Starter | 1 |
| 16 | 50335 | (006000-006999) | Nut, Hex, Std, M05 X 0.8 | 2 |
| 17 | 371519 | (006000-006999) | Washer, Loc, M5 | 1 |
| 18 | 07791 | (006000-006999) | Nut, Hex, Flng, M08 X 1.25 | 1 |
| 19 | 393994 | (006000-006999) | Washer, Lock, .31 | 1 |
| 20 | 54396 | (006000-006999) | Screw, Hex, .31-18 X 0.75, 5 | 1 |
| 21 | 371520 | (006000-006999) | Washer, Lock, #10 | 1 |
| 22 | 19311 | (006000-006999) | Nut, Hex, Std, #10-24 | 1 |
| 23 | 392622 | (006000-006999) | Bracket, Mtg, Eng, Rh | 1 |
| 24 | 21197 | (006000-006999) | Screw, Hex, .38-16 X 1.00, 5 | 8 |
| 25 | 32492 | (006000-006999) | Washer, Flat, .38 Std | 8 |
| 26 | 63695 | (006000-006999) | Isolator, Vib, Flng, 1.3l .5b 2/.39h | 1 |
| 27 | 21198 | (006000-006999) | Screw, Hex, M08 X 1.25 X 25, 8.8 | 4 |
| 28 | 32425 | (006000-006999) | Washer, Flat, .31 Std | 2 |
| 29 | 06972 | (006000-006999) | Screw, Hex, M12 X 1.75 X 60, 8.8 | 4 |
| 30 | 32493 | (006000-006999) | Washer, Flat, .50 Std | 4 |
| 31 | 04414 | (006000-006999) | Washer, 0.53b 1.88d .12, Stl, Pl | 3 |
| 32 | 08711 | (006000-006999) | Nut, Hex, Lock, M12 X 1.75, NI | 4 |
| 33 | 392642 | (006000-006999) | Bracket, Mtg, Eng, Lh | 1 |
| 34 | 1014411 | (006000-006999) | Channel Wldt, Mtg, Eng, Rear | 1 |
| 35 | 77430 | (006000-006999) | Bracket, Mounting, Eng, Rear | 1 |
| 36 | 77434 | (006000-006999) | Bracket, Mounting, Eng, Rear Lh | 1 |
| 37 | 77435 | (006000-006999) | Bracket, Mtg, Eng, Rear | 1 |
| 38 | 83674 | (006000-006999) | Bracket, Mtg, Eng, Rh | 1 |
| 39 | 63263 | (006000-006999) | Isolator, Mtg | 1 |
| 40 | 57048 | (006000-006999) | Washer, .532B 2.13D .11Hr.Znc | 2 |
| 41 | 57773 | (006000-006999) | Wire Ass'Y-Elect.,Ground | 1 |
| 42 | 372445 | (006000-006999) | Sending unit, Oil Press | 1 |
| 43 | 75768 | (006000-006999) | Isolator, Vib, Flng, 2.0l .5b 2/.41h | 1 |
| 44 | 50902 | (006000-006999) | Nut, Hex, Lock, .38-16, NI | 4 |
| 45 | 372474 | (006000-006999) | Harness, Switch, Oil Press, Ground Wire | 1 |
| 46 | 1018573 | (006000-006999) | Screw, Hex, .62-18 X 0.31 | 1 |

Fig. 23 - Engine Group (007000-)

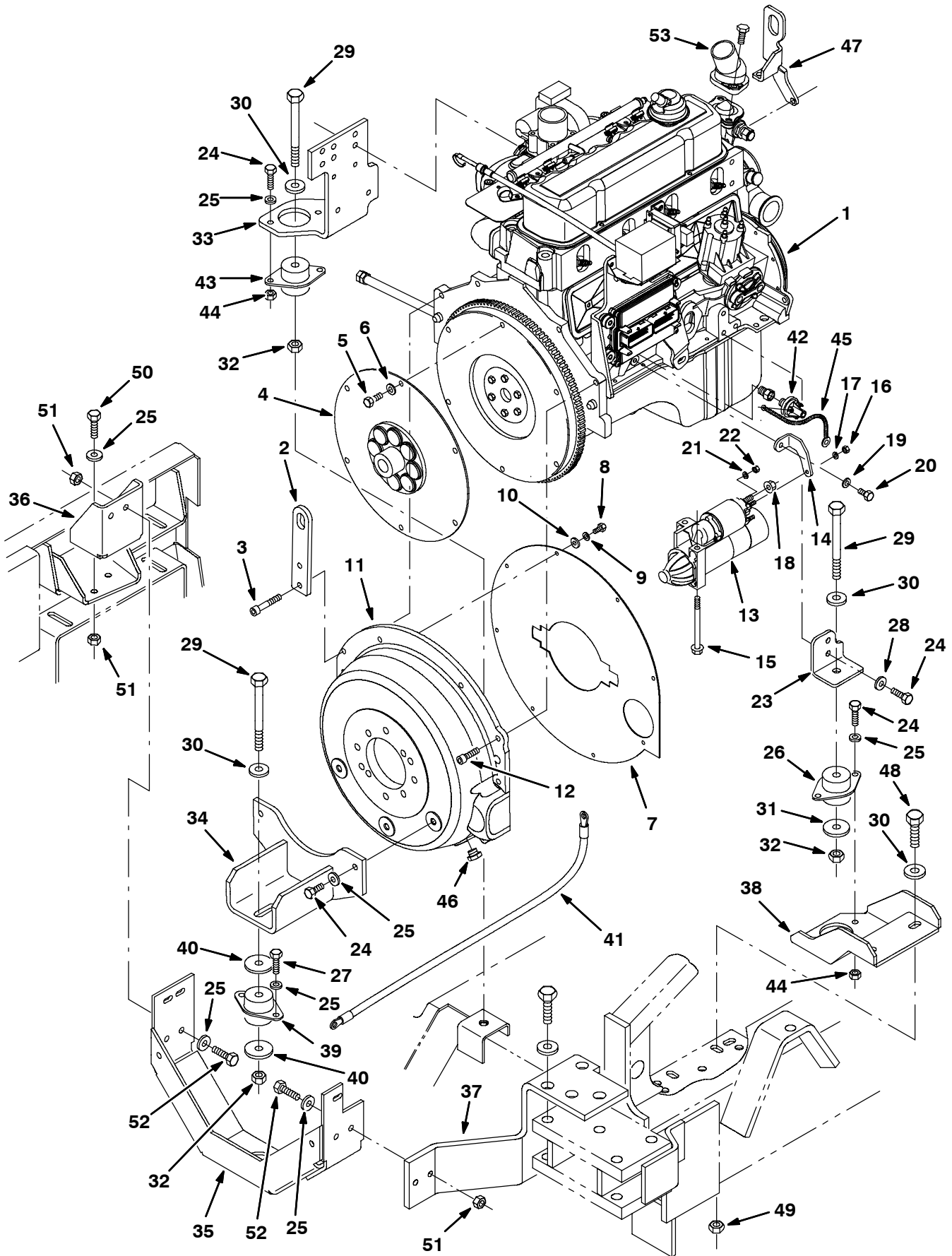


Fig. 23 - Engine Group (007000-)

| Ref. | Part No. | Serial Number | Description | Qty. |
|------|----------|---------------|---|------|
| 1 | 385019 | (007000- |) Engine, Block, Long [Gm3.0l] (See GM Engine Break-down) | 1 |
| 2 | 1034105 | (007000- |) Hook, Lift [Gm3.0l 2007] | 1 |
| 3 | 372479 | (007000- |) Screw, Soc, .38-16 X 2.25, G5 | 1 |
| 4 | 372456 | (007000- |) Plate, Drive | 1 |
| 5 | 371508 | (007000- |) Bolt, Clutch | 6 |
| 6 | 371509 | (007000- |) Washer, Lock, .38 | 11 |
| 7 | 371761 | (007000- |) Shield, Dust | 1 |
| 8 | 19315 | (007000- |) Screw, Hex, .25-20 X 0.50, 5 | 8 |
| 9 | 371512 | (007000- |) Washer, Lock, .25 | 8 |
| 10 | 32483 | (007000- |) Washer, Flat, .25 Sae | 8 |
| 11 | 372458 | (007000- |) Housing | 1 |
| 12 | 10831 | (007000- |) Screw, Soc, .38-16 X 1.25, Al | 5 |
| 13 | 371516 | (007000- |) Starter | 1 |
| 14 | 372473 | (007000- |) Bracket, Starter | 1 |
| 15 | 371518 | (007000- |) Bolt, Starter | 1 |
| 16 | 50335 | (007000- |) Nut, Hex, Std, M05 X 0.8 | 2 |
| 17 | 371519 | (007000- |) Washer, Loc, M5 | 1 |
| 18 | 07791 | (007000- |) Nut, Hex, Flng, M08 X 1.25 | 1 |
| 19 | 393994 | (007000- |) Washer, Lock, .31 | 1 |
| 20 | 54396 | (007000- |) Screw, Hex, .31-18 X 0.75, 5 | 1 |
| 21 | 371520 | (007000- |) Washer, Lock, #10 | 1 |
| 22 | 19311 | (007000- |) Nut, Hex, Std, #10-24 | 1 |
| 23 | 1029375 | (007000- |) Bracket, Mtg, Eng, Rh | 1 |
| 24 | 21197 | (007000- |) Screw, Hex, .38-16 X 1.00, 5 | 8 |
| 25 | 32492 | (007000- |) Washer, Flat, .38 Std | 11 |
| 26 | 63695 | (007000- |) Isolator, Vib, Flng, 1.3l .5b 2/.39h | 1 |
| 27 | 21198 | (007000- |) Screw, Hex, M08 X 1.25 X 25, 8.8 | 4 |
| 28 | 32425 | (007000- |) Washer, Flat, .31 Std | 2 |
| 29 | 06972 | (007000- |) Screw, Hex, M12 X 1.75 X 60, 8.8 | 4 |
| 30 | 32493 | (007000- |) Washer, Flat, .50 Std | 6 |
| 31 | 04414 | (007000- |) Washer, 0.53b 1.88d .12, Stl, Pl | 3 |
| 32 | 08711 | (007000- |) Nut, Hex, Lock, M12 X 1.75, NI | 4 |
| 33 | 1031961 | (007000- |) Bracket, Mtg, Eng, Lh | 1 |
| 34 | 1014411 | (007000- |) Channel Wldt, Mtg, Eng, Rear | 1 |
| 35 | 77430 | (007000- |) Bracket, Mounting, Eng, Rear | 1 |
| 36 | 77434 | (007000- |) Bracket, Mounting, Eng, Rear Lh | 1 |
| 37 | 77435 | (007000- |) Bracket, Mtg, Eng, Rear | 1 |
| 38 | 83674 | (007000- |) Bracket, Mtg, Eng, Rh | 1 |
| 39 | 63263 | (007000- |) Isolator, Mtg | 1 |
| 40 | 57048 | (007000- |) Washer, .532B 2.13D .11Hr.Znc | 2 |
| 41 | 57773 | (007000- |) Wire Ass'Y-Elect., Ground | 1 |
| 42 | 372445 | (007000- |) Sending unit, Oil Press | 1 |
| 43 | 75768 | (007000- |) Isolator, Vib, Flng, 2.0l .5b 2/.41h | 1 |
| 44 | 50902 | (007000- |) Nut, Hex, Lock, .38-16, NI | 4 |

Fig. 23 - Engine Group (007000-)

| Ref. | Part No. | Serial Number | Description | Qty. |
|-------------|-----------------|----------------------|---|-------------|
| 45 | 372474 | (007000- |) Harness, Switch, Oil Press, Ground Wire | 1 |
| 46 | 1018573 | (007000- |) Screw, Hex, .62-18 X 0.31 | 1 |
| 47 | 1029334 | (007000- |) Hook, Lift [Gm3.0l 2007] | 1 |
| 48 | 06968 | (007000- |) Screw, Hex, M12 X 1.75 X 35, 8.8 | 2 |
| 49 | 08711 | (007000- |) Nut, Hex, Lock, M12 X 1.75,NI | 2 |
| 50 | 03192 | (007000- |) Screw, Hex, M10 X 1.5 X 30, 8.8 | 2 |
| 51 | 41430 | (007000- |) Nut, Hex, Lock, M10 X 1.5, NI | 6 |
| 52 | 39284 | (007000- |) Screw, Hex, M10 X 1.5 X 35, 8.8 | 4 |
| 53 | 1030272 | (007000- |) Thermostat Housing [Gm3.0l 2007] | 1 |

Fig. 24 - Engine Alternator Group (004937-005999)

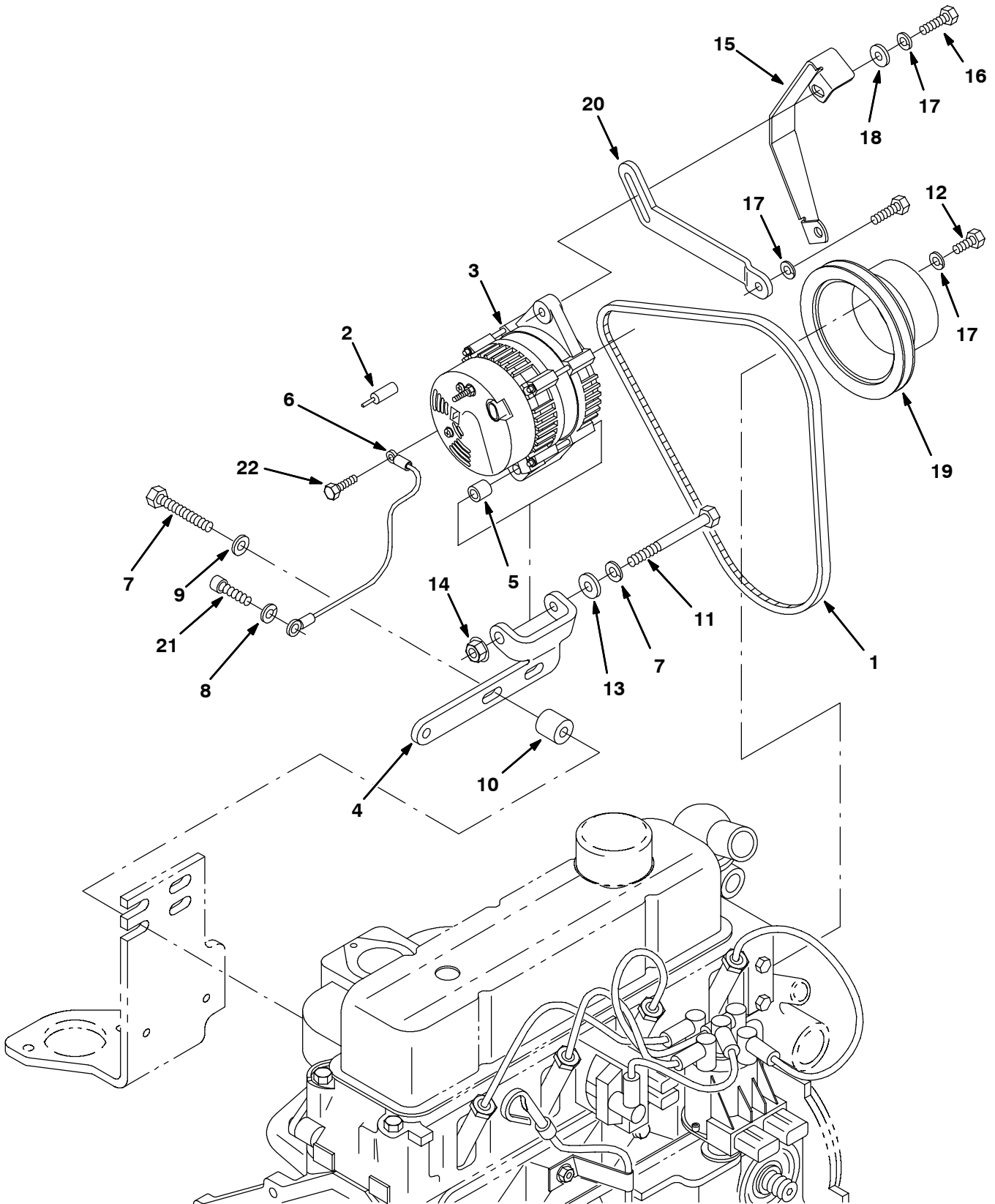


Fig. 24 - Engine Alternator Group (004937-005999)

| Ref. | Part No. | Serial Number | Description | Qty. |
|------|----------|------------------|-----------------------------------|------|
| 1 | 64899 | (004937-005999) | Belt, V, [3v] 40.0l, 1only [Hc38] | 1 |
| 2 | 61363 | (004937-005999) | Boot, Str 0.42id .12h 0.25l | 1 |
| 3 | 392611 | (004937-005999) | Alternator, 12vdc, 075a [Valeo] | 1 |
| 4 | 1008094 | (004937-005999) | Bracket, Alternator | 1 |
| 5 | 371526 | (004937-005999) | Sleeve, Alternator | 1 |
| 6 | 371527 | (004937-005999) | Wire, Ground | 1 |
| 7 | 371509 | (004937-005999) | Washer, Lock, .38 | 2 |
| 8 | 27991 | (004937-005999) | Screw, Hex, .38-16 X 2.25, 5 | 2 |
| 9 | 32492 | (004937-005999) | Washer, Flat, .38 Std | 2 |
| 10 | 35756 | (004937-005999) | Tube, 01.00d 00.50b 01.0l Stl Pnt | 2 |
| 11 | 371529 | (004937-005999) | Screw, .38-24 X 4.0 | 1 |
| 12 | 07592 | (004937-005999) | Screw, Hex, .31-24 X 0.75, 5 | 4 |
| 13 | 32485 | (004937-005999) | Washer, Flat, .38 Sae | 1 |
| 14 | 371528 | (004937-005999) | Nut, Flanged, .38-24 | 1 |
| 15 | 83581 | (004937-005999) | Guard, Belt, Alternator | 1 |
| 16 | 76956 | (004937-005999) | Screw, Hex, .31-18 X 1.25, 5 | 1 |
| 17 | 393994 | (004937-005999) | Washer, Lock, .31 | 6 |
| 18 | 32491 | (004937-005999) | Washer, Flat, .31 Std | 1 |
| 19 | 393998 | (004937-005999) | Pulley, Fan | 1 |
| 20 | 1007162 | (004937-005999) | Arm, Alternator | 1 |
| 21 | 371770 | (004937-005999) | Screw | 1 |
| 22 | 42011 | (004937-005999) | Screw | 1 |

Fig. 25 - Engine Alternator Group (006000-006999)

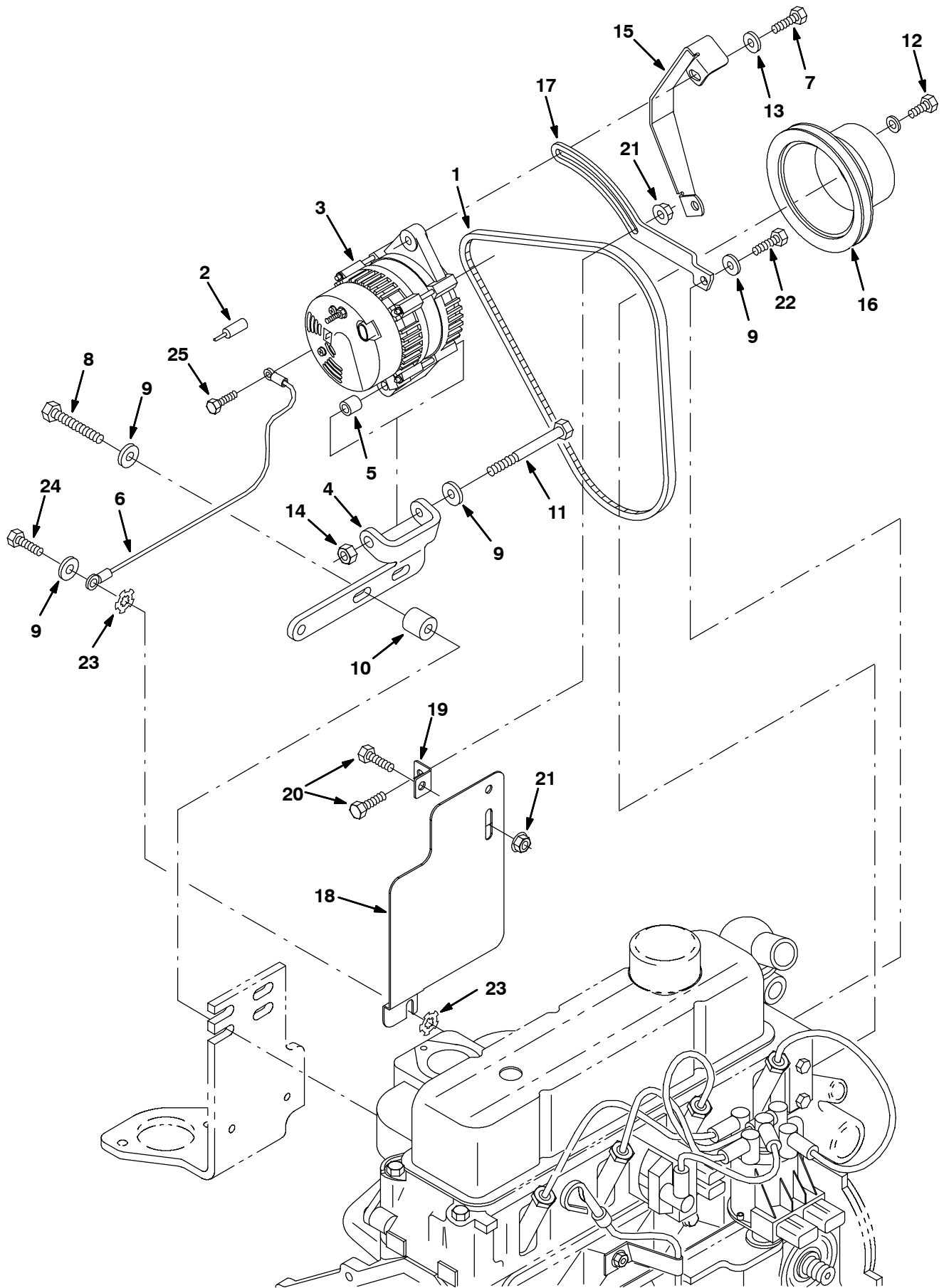


Fig. 25 - Engine Alternator Group (006000-006999)

| Ref. | Part No. | Serial Number | Description | Qty. |
|------|----------|------------------|-----------------------------------|------|
| 1 | 393227 | (006000-006999) | Belt, V, [3v] 39.6l [Hc41] | 1 |
| 2 | 61363 | (006000-006999) | Boot, Str 0.42id .12h 0.25l | 1 |
| 3 | 392611 | (006000-006999) | Alternator, 12vdc, 075a [Valeo] | 1 |
| 4 | 1008094 | (006000-006999) | Bracket, Alternator | 1 |
| 5 | 371526 | (006000-006999) | Sleeve, Alternator | 1 |
| 6 | 371527 | (006000-006999) | Wire, Ground | 1 |
| 7 | 76955 | (006000-006999) | Screw, Hex, .31-18 X 1.00, 5 | 1 |
| 8 | 27991 | (006000-006999) | Screw, Hex, .38-16 X 2.25, 5 | 2 |
| 9 | 32485 | (006000-006999) | Washer, Flat, 0.38 Sae | 5 |
| 10 | 35756 | (006000-006999) | Tube, 01.00d 00.50b 01.0l Stl Pnt | 2 |
| 11 | 20177 | (006000-006999) | Screw, Hex, .38-16 X 4.00, 5 | 1 |
| 12 | 07592 | (006000-006999) | Screw, Hex, .31-24 X 0.75, 5 | 4 |
| 13 | 41186 | (006000-006999) | Washer, Belleville, .31 | 1 |
| 14 | 50902 | (006000-006999) | Nut, Hex, Lock, .38-16, NI | 1 |
| 15 | 83581 | (006000-006999) | Guard, Belt, Alternator | 1 |
| 16 | 393998 | (006000-006999) | Pulley, Fan | 1 |
| 17 | 1007162 | (006000-006999) | Arm, Adj, Alternator | 1 |
| 18 | 1019513 | (006000-006999) | Plate, Shield, Heat | 1 |
| 19 | 1008513 | (006000-006999) | Angle, Heat, Shield | 1 |
| 20 | 16735 | (006000-006999) | Screw, Hex, M8 X 1.25 X 16, 8.8 | 2 |
| 21 | 07791 | (006000-006999) | Nut, Hex, Flng, M8 X 1.25 | 2 |
| 22 | 21195 | (006000-006999) | Screw, Hex, .38-16 X 0.75, 5 | 1 |
| 23 | 41142 | (006000-006999) | Washer, Lock, Int-ext, .38 | 2 |
| 24 | 21197 | (006000-006999) | Screw, Hex, .38-16 X 1.00, 5 | 1 |
| 25 | 42011 | (006000-006999) | Screw, Hex, #10-24 X 0.50, Ss | 1 |

Fig. 26 - Engine Alternator Group (007000-)

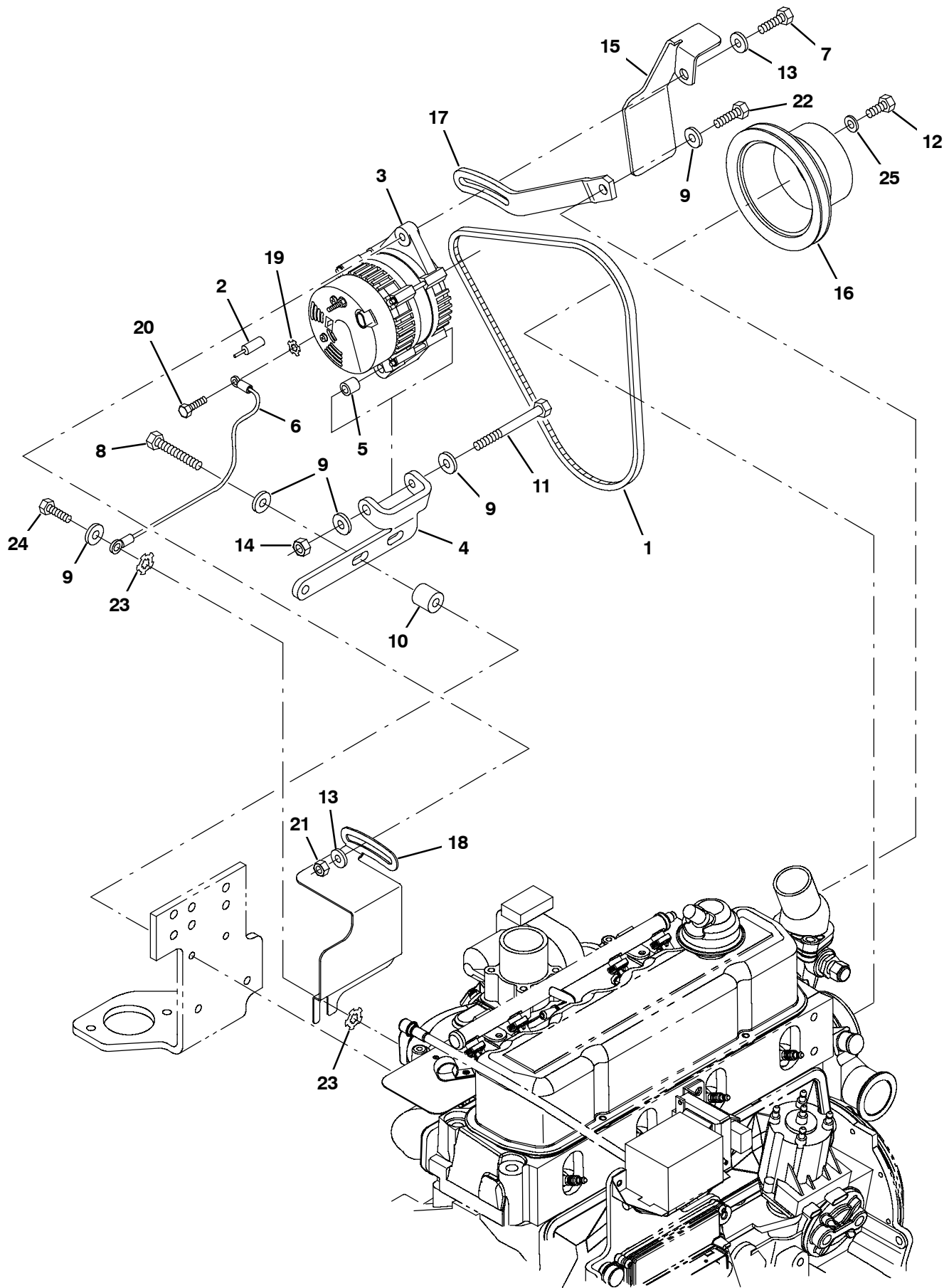


Fig. 26 - Engine Alternator Group (007000-)

| Ref. | Part No. | Serial Number | Description | Qty. |
|------|----------|---------------|---|------|
| 1 | 393227 | (007000- |) Belt, V, [3v] 39.6l [Hc41] | 1 |
| 2 | 61363 | (007000- |) Boot, Str 0.42id .12h 0.25l | 1 |
| 3 | 392611 | (007000- |) Alternator, 12vdc, 075a [Valeo] | 1 |
| 4 | 1008094 | (007000- |) Bracket, Alternator | 1 |
| 5 | 371526 | (007000- |) Sleeve, Alternator | 1 |
| 6 | 371527 | (007000- |) Wire, Ground | 1 |
| 7 | 76955 | (007000- |) Screw, Hex, .31-18 X 1.00, 5 | 1 |
| 8 | 27991 | (007000- |) Screw, Hex, .38-16 X 2.25, 5 | 2 |
| 9 | 32485 | (007000- |) Washer, Flat, 0.38 Sae | 6 |
| 10 | 35756 | (007000- |) Tube, 01.00d 00.50b 01.0l Stl Pnt | 2 |
| 11 | 20177 | (007000- |) Screw, Hex, .38-16 X 4.00, 5 | 1 |
| 12 | 07592 | (007000- |) Screw, Hex, .31-24 X 0.75, 5 | 4 |
| 13 | 41186 | (007000- |) Washer, Belleville, .31 | 2 |
| 14 | 50902 | (007000- |) Nut, Hex, Lock, .38-16, NI | 1 |
| 15 | 1008538 | (007000- |) Bracket, Guard, Alternator, Hd [Gm3.0l] | 1 |
| 16 | 393998 | (007000- |) Pulley, Fan | 1 |
| 17 | 1029649 | (007000- |) Arm, Adjmt, Alternator | 1 |
| 18 | 1030635 | (007000- |) Shield, Heat, Alternator [2007] | 1 |
| 19 | 32980 | (007000- |) Washer, Lock, Int, #10 | 1 |
| 20 | 42011 | (007000- |) Screw, Hex, #10-24 X 0.50, Ss | 1 |
| 21 | 07791 | (007000- |) Nut, Hex, Flng, M8 X 1.25 | 1 |
| 22 | 21195 | (007000- |) Screw, Hex, .38-16 X 0.75, 5 | 1 |
| 23 | 41142 | (007000- |) Washer, Lock, Int-ext, .38 | 2 |
| 24 | 21197 | (007000- |) Screw, Hex, .38-16 X 1.00, 5 | 1 |
| 25 | 371865 | (007000- |) Washer, Flat, 0.31, Hardened | 4 |

Fig. 27 - Engine Oil Filter and Drain Group (004937-)

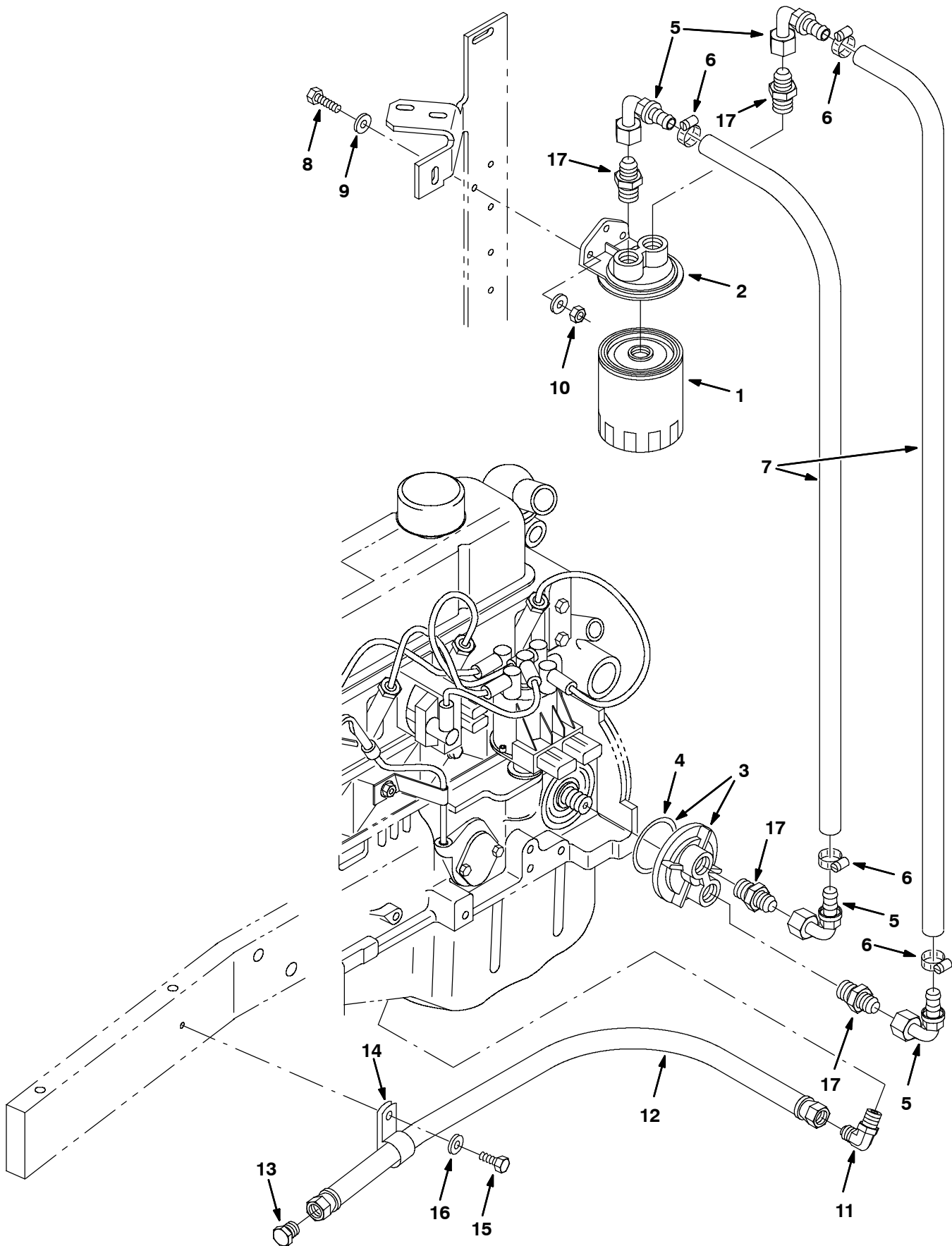


Fig. 27 - Engine Oil Filter and Drain Group (004937-)

| Ref. | Part No. | Serial Number | Description | Qty. |
|------|----------|---------------|---|------|
| | 1 | 393982 | (004937-) Element, Fltr, Oil, Eng, Spin-on[Gm] | 1 |
| | 2 | 371503 | (004937-) Mount, Filter, Remote | 1 |
| ▽ | 3 | 371504 | (004937-) Adaptor, Filter, Remote | 1 |
| ▲ | 4 | 1032382 | (004937-) Seal, Org, .139 X 03.109 Id | 1 |
| | 5 | 371500 | (004937-) Fitting, 90 Deg | 4 |
| | 6 | 11399 | (004937-) Clamp, Hose, Wormdrive, 0.81-1.50d | 4 |
| | 7 | 371502 | (004937-) Hose, .50 | 2 |
| | 8 | 25046 | (004937-) Screw, Hex, .25-20 X 1.00, 5 | 2 |
| | 9 | 19066 | (004937-) Washer, Flat, #10 | 2 |
| | 10 | 32981 | (004937-) Nut, Hex, Lock, .25-20, NI | 2 |
| | 11 | 49934 | (004937-) Fitting, Hyd, E90, Pm06/Jm06 | 1 |
| | 12 | 76762 | (004937-) Hose, Hyd,Low06, Jf06str /Jf06str , 26.0 | 1 |
| | 13 | 19747 | (004937-) Fitting, Hyd, Plug, Jm06 | 1 |
| | 14 | 58366 | (004937-) Clamp, Cable, Stl, 1.25d X 1.00w, 1h | 1 |
| | 15 | 12273 | (004937-) Screw, Hex, M8 X 1.25 X 20, Ss, NI | 1 |
| | 16 | 01685 | (004937-) Washer, Flat, 0.38 Ss | 1 |
| | 17 | 371505 | (004937-) Fitting | 4 |

Fig. 28 - Engine Carburetor and Governor Group, Gasoline (004000-004936)

| Ref. | Part No. | Serial Number | Description | Qty. |
|------|------------|-------------------|--|------|
| 1 | 30389 | (004000-004936) | Hose, Heater .62ldx53.0Lg | 1 |
| 2 | 13048 | (004000-004936) | Hose, Heater .62ld X 38.0Lg | 1 |
| 3 | 60762 | (004000-004936) | Hose, Heater .62ld X 15.0Lg | 1 |
| 4 | 63810 | (004000-004936) | Clamp-Wormdrive, 0.56- 1.06D | 6 |
| 5 | 43844 | (004000-004936) | Clamp-Wormdrive, 0.25- 0.62D | 2 |
| 6 | 70876 | (004000-004309) | Hose, Rubber.38ldx.62Od 21.0Lg | 1 |
| 6 | 375718 | (004310-004936) | Hose, Rubber | 1 |
| 7 | 24924 | (004000-004936) | Washer, .281B .62D .06Nylon | 1 |
| 8 | 57934 | (004000-004936) | Adaptor, Elbow, Carb, Gas | 1 |
| 9 | 16738 | (004000-004936) | Gasket, Carburetor Air Horn | 1 |
| 10 | 74443 | (004000-004936) | Gasket, Carb To Engine | 2 |
| 11 | 83686 | (004000-004936) | Adapter, Carburetor, Ford 2.3 | 1 |
| 12 | 33951 | (004000-004936) | Scr Soc M6x1.0 20 | 2 |
| 13 | 47313A | (004000-004936) | Cable Assy, Choke 67.00Lg | 1 |
| 14 | 83580 | (004000-004936) | Fitting, Brass Drain Cock | 1 |
| 15 | 83578 | (004000-004936) | Tube, Air Bleed | 1 |
| ▽ | 83678 | (004000-004306) | Governor and Control Unit Assy, Gas | 1 |
| ▲▽ | 83639 | (004000-004306) | Governor Assy, Gas | 1 |
| ▲▲ | 16 78897 | (004000-004306) | Carburetor, Gas | 1 |
| ▲▲ | 17 83683 | (004000-004306) | Actuator-Lh, Governor | 1 |
| ▲▲ | 18 83682 | (004000-004306) | Bracket-Mtg, Governor | 1 |
| ▲▲ | 19 11984 | (004000-004306) | Ftg, El90 Npt/02Pf-02Pm | 1 |
| ▲▲ | 20 36050 | (004000-004306) | Filter, Fuel | 1 |
| ▲▲ | 21 83685 | (004000-004306) | Strap, Mounting | 1 |
| ▲▲ | 22 83684 | (004000-004306) | Linkage Kit, Governor | 1 |
| ▲▲ | 23 74443 | (004000-004306) | Gasket, Carb To Engine | 1 |
| ▲▽ | 24 83758 | (004000-004306) | Control Unit, Gov. | 1 |
| ▲▲ | 374625 | (004000-004306) | Plug, Control Box | 2 |
| ▽ | 385415 | (004307-004936) | Governor and Control Unit Assy, Gas | 1 |
| ▲▽ | 83639 | (004307-004936) | Governor Assy, Gas | 1 |
| ▲▲ | 16 385414 | (004307-004936) | Carburetor, Gas | 1 |
| ▲▲ | 17 83683 | (004307-004936) | Actuator-Lh, Governor | 1 |
| ▲▲ | 18 83682 | (004307-004936) | Bracket-Mtg, Governor | 1 |
| ▲▲ | 19 11984 | (004307-004936) | Ftg, El90 Npt/02Pf-02Pm | 1 |
| ▲▲ | 20 36050 | (004307-004936) | Filter, Fuel | 1 |
| ▲▲ | 21 83685 | (004307-004936) | Strap, Mounting | 1 |
| ▲▲ | 22 83684 | (004307-004936) | Linkage Kit, Governor | 1 |
| ▲▲ | 23 74443 | (004307-004936) | Gasket, Carb To Engine | 1 |
| ▲▲ | 24 374127 | (xxxxxx-004936) | Kit, Replmt, Control, Govnr, [All Purps] | 1 |
| ▽ | 25 1040835 | (004307- xxxxxx) | Control, Govnr [All Purpose] | 1 |
| ▲ | 374625 | (004307- xxxxxx) | Plug, Control Box | 2 |

Fig. 29 - Engine Electronic Fuel Ignition Group, Gas (004937-005999)

| Ref. | Part No. | Serial Number | Description | Qty. | |
|------|----------|------------------|---|------------------------|---|
| 1 | 371896 | (004937-005999) | Housing Assy, Throttle, Gas, [With Ecu] (See Breakdowns) | 1 | |
| 1 | 371897 | (004937-005999) | Housing Assy, Throttle, Gas, [Without Ecu] (See Breakdowns) | 1 | |
| 2 | 371538 | (004937-005999) | Clamp | 5 | |
| 3 | 371532 | (004937-005999) | Hose, Heater, 0.38id | 1 | |
| 4 | 392570 | (004937-005999) | Plate | 1 | |
| 5 | 86824 | (004937-005999) | Clamp, Hose, Wormdrive, 0.50-1.06d | 1 | |
| 6 | 16387 | (004937-005999) | Hose, Fuel, 0.50id 52.0l | 1 | |
| 7 | 11399 | (004937-005999) | Clamp, Hose, Wormdrive, 0.81-1.50d | 2 | |
| 8 | 371764 | (004937-005999) | Sensor, Temp, Water | 1 | |
| 9 | 36165 | (004937-005999) | Send-unit, Water, Temperature, .38npt | 1 | |
| 10 | 47167 | (004937-005999) | Fitting, Brs, Str, Pm08/Pf06 | 1 | |
| 11 | 371763 | (004937-005999) | Fitting, Hose | 1 | |
| 12 | 371765 | (004937-005999) | Hose | 1 | |
| 13 | 371766 | (004937-005999) | Fitting, Elbow | 1 | |
| 14 | 371767 | (004937-005999) | Spacer | 4 | |
| 15 | 769808 | (004937-005999) | Hose, Heater, 0.38id x 18.0 L | 1 | |
| 16 | 393905 | (004937-005999) | Nut | 8 | |
| 17 | 393906 | (004937-005999) | Stud | 2 | |
| 18 | 393907 | (004937-005999) | Washer | - | |
| 19 | 393898 | (004937-005999) | Bolt | 3 | |
| 20 | 393908 | (004937-005999) | Stud | 1 | |
| 21 | 393909 | (004937-005999) | Bolt | - | |
| 22 | 393910 | (004937-005999) | Manifold, Intake | 1 | |
| 23 | 393911 | (004937-005999) | Fitting | 1 | |
| 24 | 393912 | (004937-005999) | Gasket | 1 | |
| 25 | 393913 | (004937-005999) | Manifold, Exhaust | 1 | |
| 26 | 393914 | (004937-005999) | Stud | 2 | |
| 27 | 393915 | (004937-005999) | Clamp | 4 | |
| 28 | 393916 | (004937-005999) | Gasket | 1 | |
| ▽ | 29 | 371646 | (004937-005999) | Kit, Adaptor, Manifold | 1 |
| ▲ | 30 | 371647 | (004937-005999) | Kit, Gasket, Manifold | 1 |
| | 31 | 371658 | (004937-005999) | Shield, Heat | 1 |

Fig. 30 - Engine Electronic Fuel Ignition Group, Gas (006000-006999)

| Ref. | Part No. | Serial Number | Description | Qty. |
|------|----------|------------------|--|------|
| 1 | 372860 | (006000-006999) | Module, Ecu, Gas [Gm 3.0] | 1 |
| 2 | 372891 | (006000-006999) | Sensor, Temp, Coolant | 1 |
| 3 | 372472 | (006000-006999) | Sensor, Temp | 1 |
| 4 | 372483 | (006000-006999) | Valve, [Pcv] | 1 |
| 5 | 372489 | (006000-006999) | Hose, 9.5mm X 450mm [Pcv] | 1 |
| 6 | 1013350 | (006000-006999) | Tray Wldt, Drip, Gas [3.0] | 1 |
| 7 | 372490 | (006000-006999) | Gasket, Carb | 1 |
| 8 | 372466 | (006000-006999) | Stud, .38-16 X 1.2 | 2 |
| 9 | 63810 | (006000-006999) | Clamp, Hose, Wormdrive, 0.56-1.06d, .56w | 1 |
| 10 | 16387 | (006000-006999) | Hose, Fuel, 0.50id 52.0l | 1 |
| 11 | 372488 | (006000-006999) | Housing Assy, Throttle, Gas | 1 |
| 12 | 372482 | (006000-006999) | Housing, Throttle, 40mm [Bosch] | 1 |
| 13 | 372545 | (006000-006999) | Gasket, Body, Throttle, Gas | 1 |
| 14 | 393984 | (006000-006999) | Grommet | 1 |
| 15 | 372492 | (006000-006999) | Sensor, Speed, Timing Wheel [3.0] | 1 |
| 16 | 372493 | (006000-006999) | Sensor, [Tmap] | 1 |
| 17 | 372490 | (006000-006999) | Gasket, Carb | 1 |
| 18 | 393905 | (006000-006999) | Nut | 8 |
| 19 | 393906 | (006000-006999) | Stud | 2 |
| 20 | 393907 | (006000-006999) | Washer | - |
| 21 | 393898 | (006000-006999) | Bolt | 3 |
| 22 | 393908 | (006000-006999) | Stud | 1 |
| 23 | 393909 | (006000-006999) | Bolt | - |
| 24 | 393910 | (006000-006999) | Manifold, Intake | 1 |
| 25 | 393911 | (006000-006999) | Fitting | 1 |
| 26 | 393912 | (006000-006999) | Gasket | 1 |
| 27 | 393913 | (006000-006999) | Manifold, Exhaust | 1 |
| 28 | 393914 | (006000-006999) | Stud | 2 |
| 29 | 393915 | (006000-006999) | Clamp | 4 |
| 30 | 393916 | (006000-006999) | Gasket | 1 |

STANDARD PARTS

Fig. 31 - Engine Electronic Fuel Ignition Group, Gas (007000-)

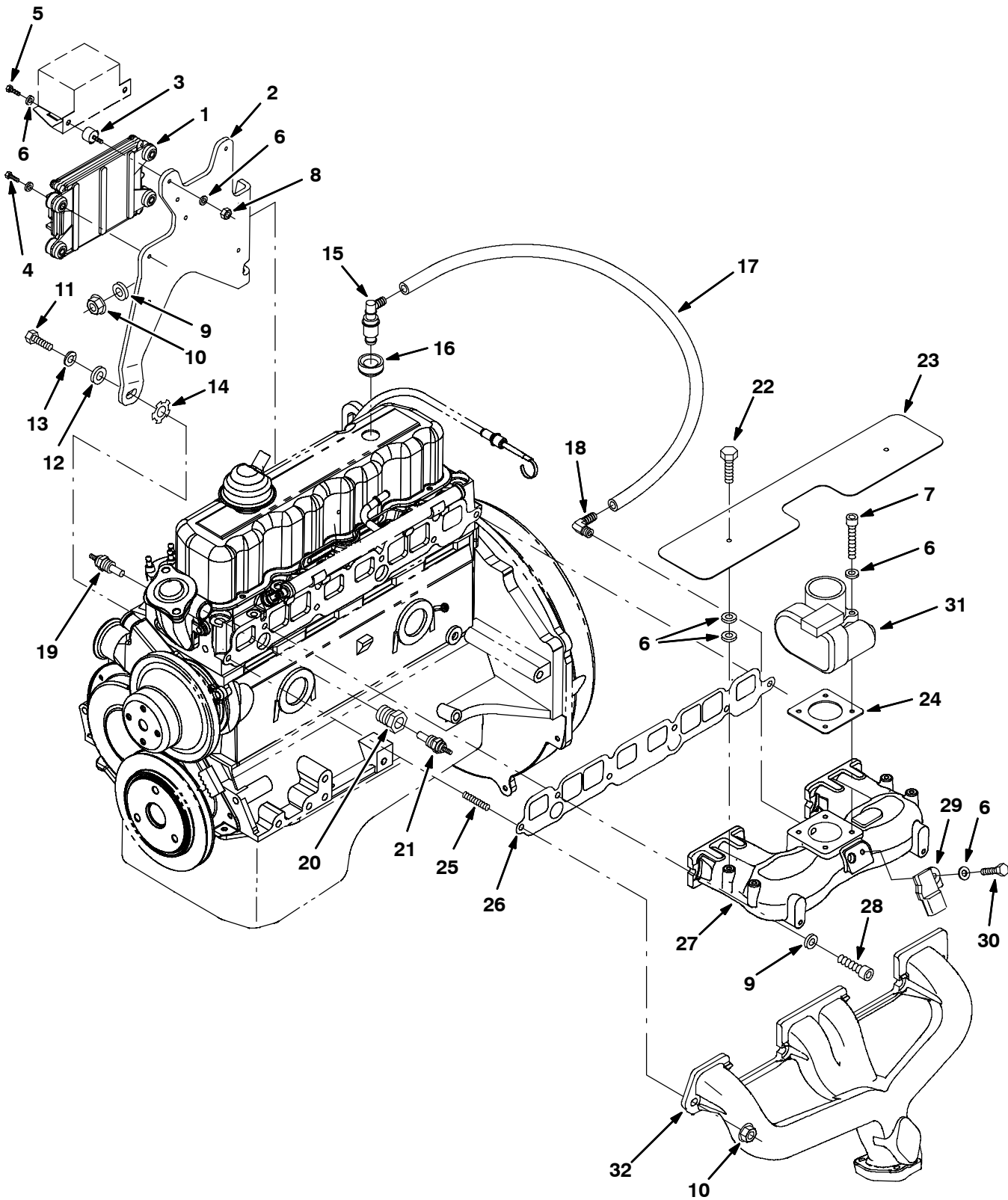


Fig. 31 - Engine Electronic Fuel Ignition Group, Gas (007000-)

| Ref. | Part No. | Serial Number | Description | Qty. |
|------|----------|---------------|------------------------------------|------|
| 1 | 1032804 | (007000- |) Module, Ecu, Gas [Gm3.0l 2007] | 1 |
| 2 | 385008 | (007000- |) Bracket, Box, Relay | 1 |
| 3 | 372470 | (007000- |) Vr, Isolator, Box, Relay | 2 |
| 4 | 25047 | (007000- |) Screw, Hex, .25-20 X 1.25, G5 | 4 |
| 5 | 19315 | (007000- |) Screw, Hex, .25-20 X 0.50, G5 | 2 |
| 6 | 32490 | (007000- |) Washer, Flat, 0.25, Std | 13 |
| 7 | 06948 | (007000- |) Screw, Hex, M6 X 1.0 X 45, 8.8 | 4 |
| 8 | 19312 | (007000- |) Nut, Hex, Std, .25-20 | 2 |
| 9 | 371877 | (007000- |) Vr, Washer, Flat, 0.38, Hardened | 5 |
| 10 | 27980 | (007000- |) Nut, Hex, Flng, .38-16 | 3 |
| 11 | 371553 | (007000- |) Screw, .38-16 X 1.00 | 1 |
| 12 | 371877 | (007000- |) Washer, Flat, 0.38, Hardened | 1 |
| 13 | 371509 | (007000- |) Washer, Lock, 0.38 | 1 |
| 14 | 371875 | (007000- |) Washer, Lock, Int / Ext, 0.38 | 1 |
| 15 | 372483 | (007000- |) Valve [Pcv] | 1 |
| 16 | 393984 | (007000- |) Grommet | 1 |
| 17 | 385001 | (007000- |) Hose, Fuel, .38d, Rbr | 1 |
| 18 | 385002 | (007000- |) Fitting, E90 | 1 |
| 19 | 371764 | (007000- |) Sensor, Temp, Water | 1 |
| 20 | 385000 | (007000- |) Fitting, Bshg | 1 |
| 21 | 372472 | (007000- |) Sensor, Temp | 1 |
| 22 | 385007 | (007000- |) Screw, M6 X 10mm | 2 |
| 23 | 385006 | (007000- |) Shield, Heat, Manifold | 1 |
| 24 | 372545 | (007000- |) Gasket, Body, Throttle [1.6] | 1 |
| 25 | 372466 | (007000- |) Stud, .38-16 X 1.2l | 2 |
| 26 | 385003 | (007000- |) Gasket, Manifold, Intake | 1 |
| 27 | 385004 | (007000- |) Manifold, Intake [2007] | 1 |
| 28 | 10830 | (007000- |) Screw, Soc, .38-16 X 1.00, Al | 4 |
| 29 | 384985 | (007000- |) Sensor [T Map] | 1 |
| 30 | 19317 | (007000- |) Screw, Hex, .25-20 X 0.75, G5 | 1 |
| 31 | 384974 | (007000- |) Housing, Throttle, 40mm [Bosch] | 1 |
| 32 | 385005 | (007000- |) Manifold, Exhaust [2007] | 1 |

Fig. 32 - Engine Carburetor and Governor Group, LPG (004000-004936)

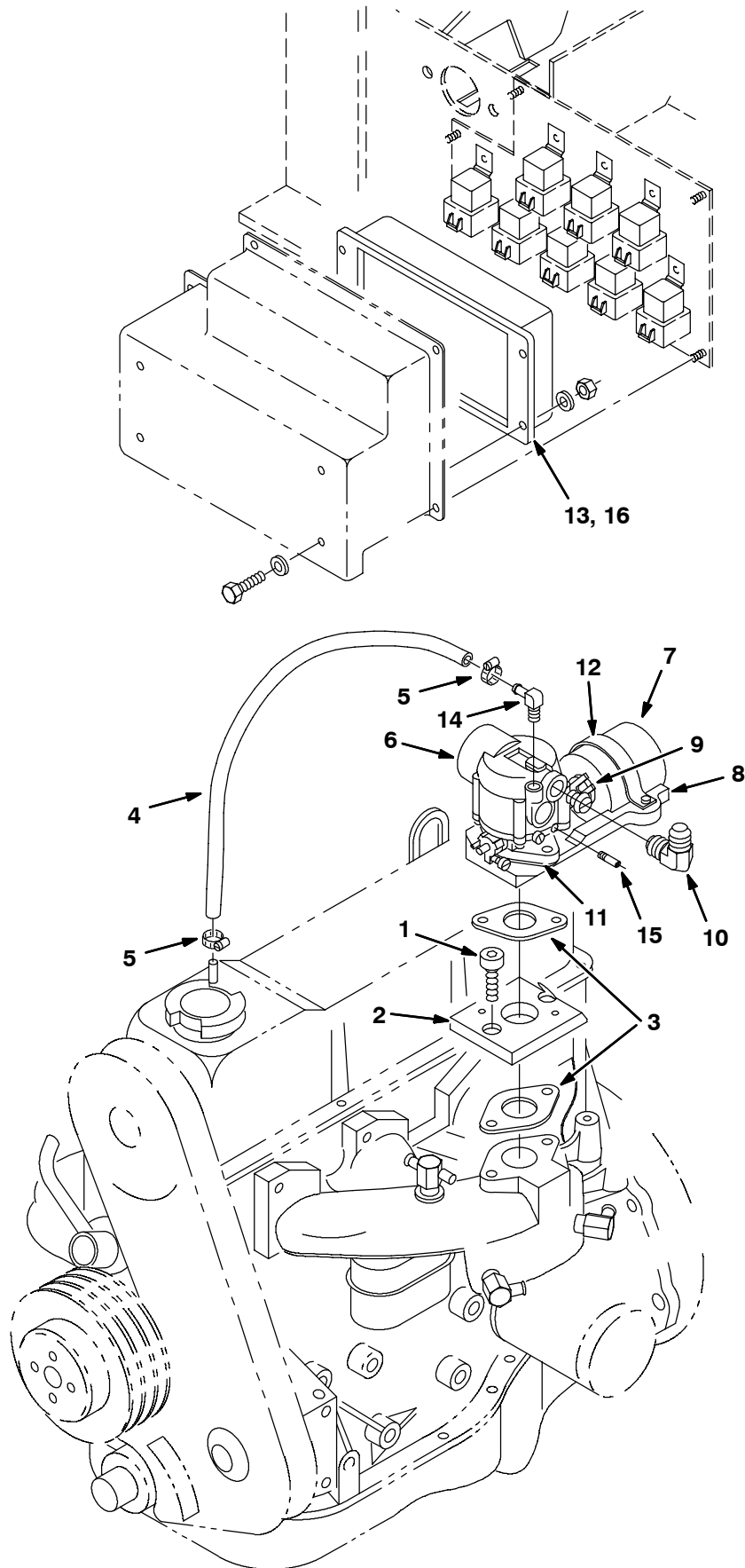


Fig. 32 - Engine Carburetor and Governor Group, LPG (004000-004936)

| Ref. | Part No. | Serial Number | Description | Qty. |
|------|-----------|-------------------|--|------|
| 1 | 33951 | (004000-004936) | Scr Soc M6x1.0 20 | 2 |
| 2 | 83686 | (004000-004936) | Adapter, Carburetor, Ford 2.3 | 1 |
| 3 | 74443 | (004000-004936) | Gasket, Carb To Engine | 2 |
| 4 | 70876 | (004000-004309) | Hose, Rubber.38Idx.62Od 21.0Lg | 1 |
| 4 | 375718 | (004310-004936) | Hose, Rubber | 1 |
| 5 | 43844 | (004000-004936) | Clamp-Wormdrive, 0.25- 0.62D | 2 |
| ▽ | 83679 | (004000-004936) | Governor and Control Unit Assy, Lpg 2.3 | 1 |
| ▲▽ | 83640 | (004000-004936) | Governor Assy, Lpg | 1 |
| ▲▲ | 6 73017 | (004000-004936) | Carburetor, Lpg W/Gasket | 1 |
| ▲▲ | 7 83683 | (004000-004936) | Actuator-Lh, Governor | 1 |
| ▲▲ | 8 83682 | (004000-004936) | Bracket-Mtg, Governor | 1 |
| ▲▲ | 9 83684 | (004000-004936) | Linkage Kit, Governor | 1 |
| ▲▲ | 10 69097 | (004000-004936) | Ftg-Hyd E90 Pm06/Jm10 | 1 |
| ▲▲ | 11 74443 | (004000-004936) | Gasket, Carb To Engine | 1 |
| ▲▲ | 12 83685 | (004000-004936) | Strap, Mounting | 1 |
| ▲▲ | 13 374127 | (xxxxxx-004936) | Kit, Replmt, Control, Govnr, [All Purps] | 1 |
| ▲ | 14 53029 | (004000-004936) | Ftg-Brs E90 Bm05/Pm02 | 1 |
| ▲ | 15 74402 | (004000-004936) | Fitting, Special, Carb | 1 |
| ▽ | 16 83758 | (004000- xxxxxx) | Control Unit, Gov. | 1 |
| ▲ | 374625 | (004000- xxxxxx) | Plug, Control Box | 2 |

Fig. 33 - Engine Vaporizer Group, LPG (004000-004818)

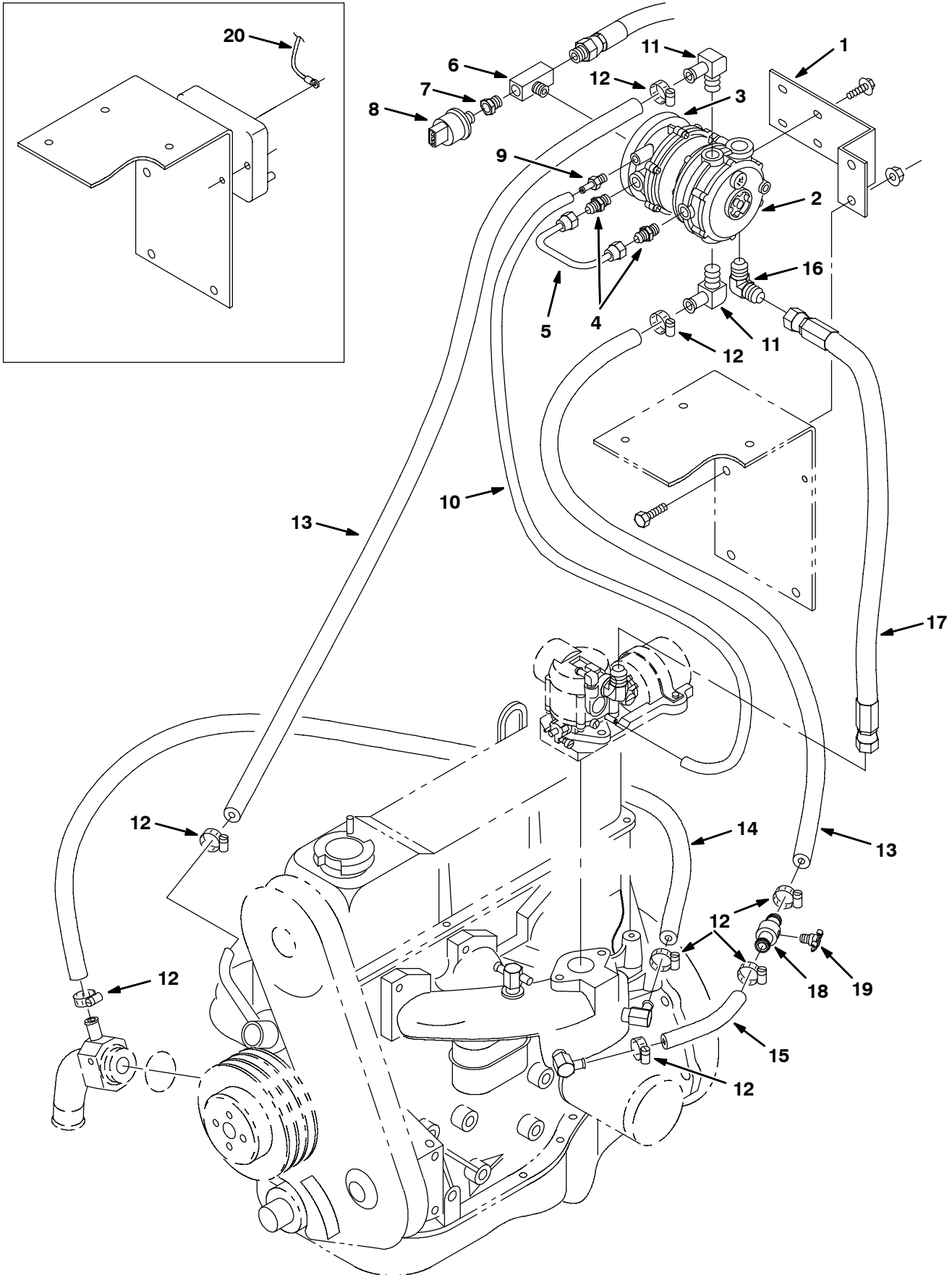


Fig. 33 - Engine Vaporizer Group, LPG (004000-004818)

| Ref. | Part No. | Serial Number | Description | Qty. |
|------|----------|---------------|---|------|
| | 1 | 70849 | (004000-004818) Bracket, Mounting, Vaporizer | 1 |
| ▽ | 2 | 374648 | (004000-004818) Vaporizer, Lpg | 1 |
| ▲ | | 374649 | (004000-004818) Vaporizer Repair Kit | 1 |
| ▽ | 3 | 73020 | (004000-004818) Filter, Fuellockoff, Lpg | 1 |
| ▲ | | 65527 | (004000-004818) Fuellock Replacement Kit | 1 |
| | 4 | 15724 | (004000-004818) Ftg-Hyd Str Pm04/Jm06 | 2 |
| | 5 | 59808 | (004000-004818) Fuelline, .375 Od | 1 |
| | 6 | 53268 | (004000-004818) Ftg,Brass Tee 04Pf- 04Pm- 04Pf | 1 |
| | 7 | 17414 | (004000-004818) Ftg-Hyd Str Pm04/Pf02 | 1 |
| | 8 | 23156 | (004000-004818) Switch, Pressure, Lpg | 1 |
| | 9 | 40607 | (004000-004818) Ftg,Brass,St Bm03/Pm02 | 1 |
| | 10 | 34072 | (004000-004818) Hose, Vacuum,.16ld X 21.0Lg | 1 |
| | 11 | 51839 | (004000-004818) Ftg-Brs E90 Bm10/Pm06 | 2 |
| | 12 | 63810 | (004000-004818) Clamp-Wormdrive, 0.56- 1.06D | 8 |
| | 13 | 72979 | (004000-004818) Hose, .62ld X 20.0 Lng Heater | 2 |
| | 14 | 30389 | (004000-004818) Hose,Heater .62ldx53.0Lg | 1 |
| | 15 | 60726 | (004000-004818) Hose,Heater .62ldx15.0Lg | 1 |
| | 16 | 46611 | (004000-004818) Ftg-Hyd E90 Pm08/Jm10 | 1 |
| | 17 | 60725 | (004000-004818) Hose Lpg, 10Lpg 28In.Lg | 1 |
| | 18 | 83578 | (004000-004818) Tube, Air Bleed | 1 |
| | 19 | 83580 | (004000-004818) Fitting, Brass Drain Cock | 1 |
| | 20 | 374615 | (004000-004215) Wire Kit, LP | 1 |

Fig. 34 - Engine Vaporizer Group, LPG (004819-004936)

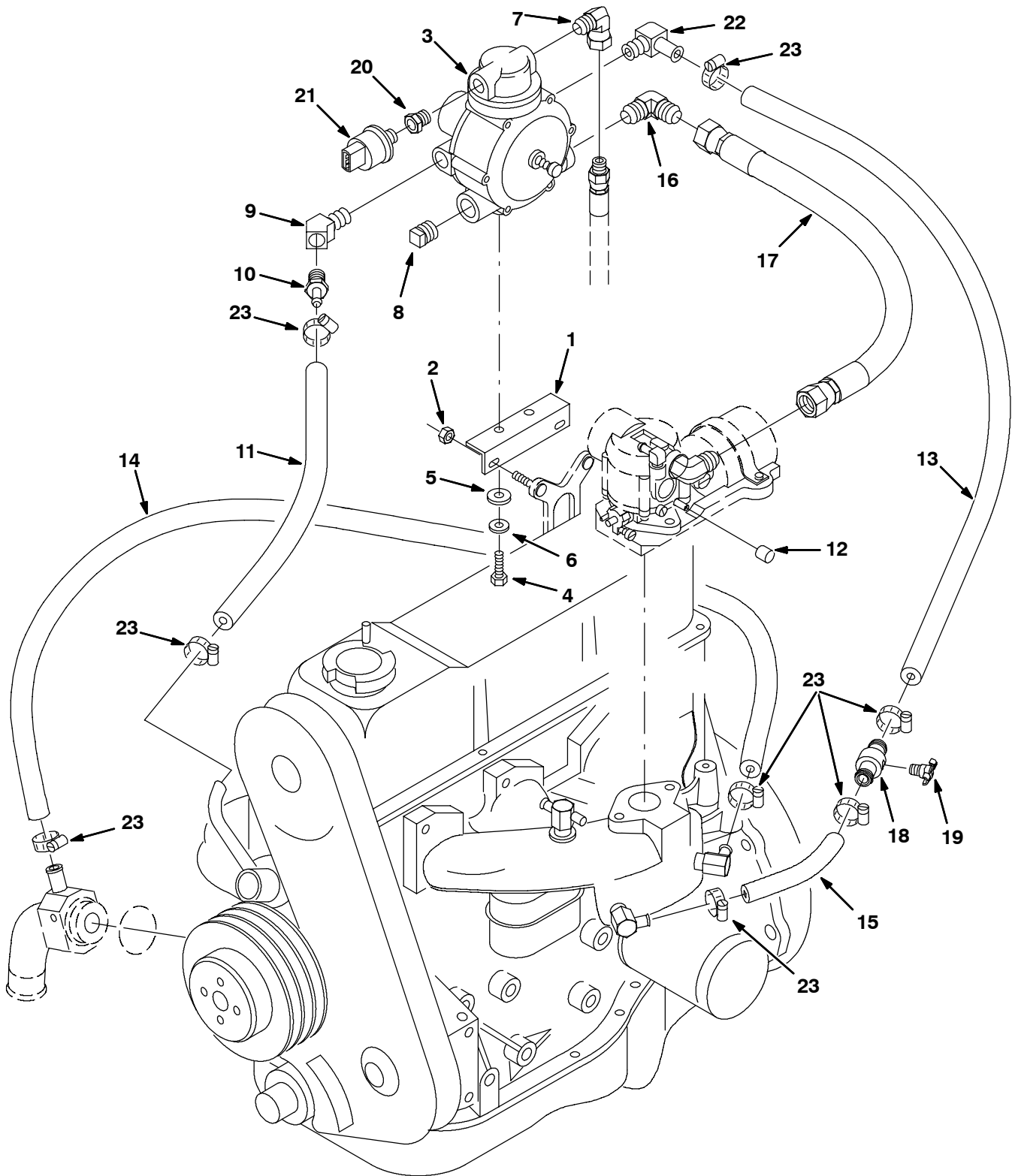


Fig. 34 - Engine Vaporizer Group, LPG (004819-004936)

| Ref. | Part No. | Serial Number | Description | Qty. | |
|------|----------|------------------|------------------------------------|------------------------|---|
| 1 | 374154 | (004819-004936) | Angle, Mtg, .12x1x1x4.5L | 1 | |
| 2 | 07789 | (004819-004936) | Nut, Hex, Flng, M05 X 0.8 | 2 | |
| ▽ | 3 | 383170 | (004819-004936) | Controller, Lpg, 12Vdc | 1 |
| ▲ | 383014 | (004819-004936) | Kit, Repair, Vaporizer, F/383170 | 1 | |
| 4 | 06942 | (004819-004936) | Screw, Hex, M06 X 1.0 X 16, 8.8 | 2 | |
| 5 | 32483 | (004819-004936) | Washer, Flt, .25 Sae | 2 | |
| 6 | 32982 | (004819-004936) | Washer, Lock, Int, .25 | 2 | |
| 7 | 27048 | (004819-004936) | Fitting, Brs, E90, Pm04/Pf04 | 1 | |
| 8 | 17521 | (004819-004936) | Fitting, Plug, Pm08 Sq Head | 1 | |
| 9 | 1043095 | (004819-004936) | Fitting, Brs, E45, Pm06/Pf06 | 1 | |
| 10 | 27767 | (004819-004936) | Fitting, Brs, Str, Pm06/Em10 | 1 | |
| 11 | 60726 | (004819-004936) | Hose, Heater, Str, 0.62id 15.0 | 1 | |
| 12 | 63810 | (004819-004936) | Clamp-Wormdrive, 0.56- 1.06D | 8 | |
| 13 | 72979 | (004819-004936) | Hose, .62ld X 20.0 Lng Heater | 2 | |
| 14 | 30389 | (004819-004936) | Hose, Heater .62ldx53.0Lg | 1 | |
| 15 | 60726 | (004819-004936) | Hose, Heater .62ldx15.0Lg | 1 | |
| 16 | 46611 | (004819-004936) | Ftg-Hyd E90 Pm08/Jm10 | 1 | |
| 17 | 60725 | (004819-004936) | Hose Lpg, 10Lpg 28In.Lg | 1 | |
| 18 | 83578 | (004819-004936) | Tube, Air Bleed | 1 | |
| 19 | 83580 | (004819-004936) | Fitting, Brass Drain Cock | 1 | |
| 20 | 17414 | (004819-004936) | Fitting, Hyd, Str, Pm04/Pf02 | 1 | |
| 21 | 23156 | (004819-004936) | Switch | 1 | |
| 22 | 51839 | (004819-004936) | Fitting, Brs, E90, Pm06/Em10 | 1 | |
| 23 | 63810 | (004819-004936) | Clamp, Hose, Wormdrive, 0.56-1.06d | 8 | |

STANDARD PARTS

Fig. 35 - Engine Electronic Fuel Ignition and Vaporizer Group, LPG (004937-005999)

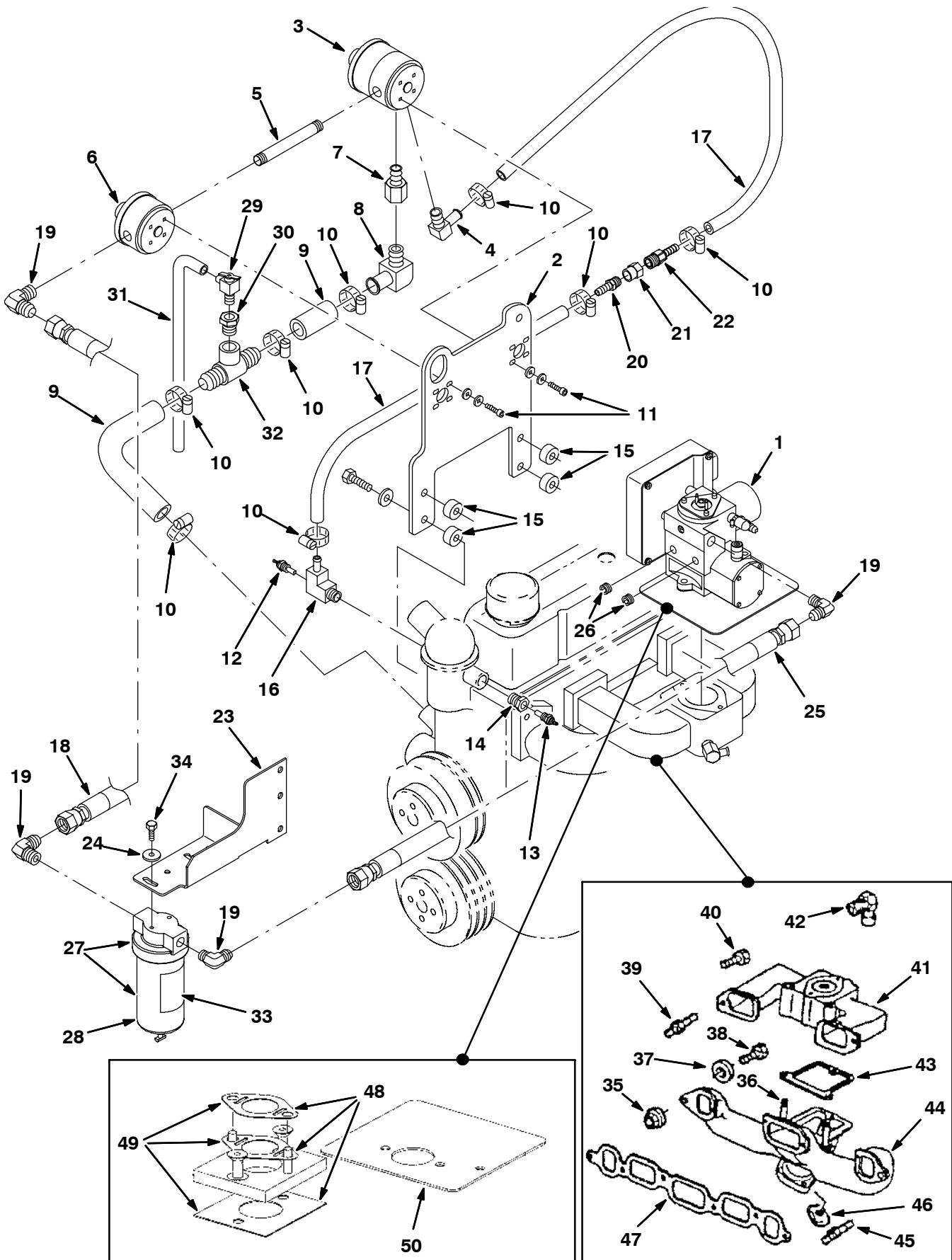


Fig. 35 - Engine Electronic Fuel Ignition and Vaporizer Group, LPG (004937-005999)

| Ref. | Part No. | Serial Number | Description | Qty. | |
|------|----------|------------------|---|--------------------------------------|---|
| 1 | 371894 | (004937-005999) | Housing Assy, Throttle, Lpg, [With Ecu] (See Breakdowns) | 1 | |
| 1 | 371895 | (004937-005999) | Housing Assy, Throttle, Lpg, [Without Ecu] (See Breakdowns) | 1 | |
| 2 | 392570 | (004937-005999) | Plate | 1 | |
| 3 | 371749 | (004937-005999) | Vaporizer | 1 | |
| 4 | 371754 | (004937-005999) | Fitting | 1 | |
| 5 | 371755 | (004937-005999) | Pipe | 1 | |
| 6 | 371750 | (004937-005999) | Regulator | 1 | |
| 7 | 371768 | (004937-005999) | Fitting | 1 | |
| 8 | 371757 | (004937-005999) | Fitting | 1 | |
| 9 | 393972 | (004937-005999) | Hose, Conv | 1 | |
| 10 | 11399 | (004937-005999) | Clamp, Hose, Wormdrive, 0.81-1.50d | 8 | |
| 11 | 371759 | (004937-005999) | Screw | 8 | |
| 12 | 371764 | (004937-005999) | Sensor, Water Temp | 1 | |
| 13 | 36165 | (004937-005999) | Send-unit, Water, Temperature, .38npt | 1 | |
| 14 | 47167 | (004937-005999) | Fitting, Brs, Str, Pm08/Pf06 | 1 | |
| 15 | 371767 | (004937-005999) | Spacer | 4 | |
| 16 | 371766 | (004937-005999) | Fitting, Elbow | 1 | |
| 17 | 769806 | (004937-005999) | Hose, Heater, 0.38id x 21.0id | 1 | |
| 18 | 1017477 | (004937-005999) | Hose, Lpg, Med08, Jf08str/Jf08str , 37.5 | 1 | |
| 19 | 1017272 | (004937-005999) | Fitting, Hyd, E90, Jm08/Pm04 | 4 | |
| 20 | 150516 | (004937-005999) | Fitting, Brs, Str, Pm04/Bm06, T | 1 | |
| 21 | 1017239 | (004937-005999) | Fitting, Brs, Rst, Pf04/.69-16f, .063 | 1 | |
| 22 | 1017598 | (004937-005999) | Fitting, Plstc, Str, Bm06/M.69-16 | 1 | |
| 23 | 1017080 | (004937-005999) | Bracket, Fltr, Lpg [6600] | 1 | |
| 24 | 29570 | (004937-005999) | Washer, Flat, 0.28b 1.00d .06, Stl | 2 | |
| 25 | 1017476 | (004937-005999) | Hose, Lpg, Med08, Jf08str/Jf08str , 35.0 | 1 | |
| 26 | 02247 | (004937-005999) | Fitting, Pipe, Plug, Pm04 Hex Soc | 2 | |
| ▽ | 27 | 1017500 | (004937-005999) | Filter, Fuel, Lpg [Coalescent] | 1 |
| ▲ | 28 | 372937 | (004937-005999) | Element, Fltr, Fuel Lpg [Coalescent] | 1 |
| 29 | 51305 | (004937-005999) | Fitting, Draincock, .25npt 90 | 1 | |
| 30 | 311828 | (004937-005999) | Fitting, Brs, Str, Pm08/Pf04 | 1 | |
| 31 | 392258 | (004937-005999) | Hose, Pvc, Clr, 0.38id 0.56od 13.00l | 1 | |
| 32 | 64740 | (004937-005999) | Fitting, Plstc, Tee, Bm12/Pf08/Bm12 | 1 | |
| 33 | 1017662 | (004937-005999) | Label, Instr, Filter Drain | 1 | |
| 34 | 19317 | (004937-005999) | Screw, Hex, .25-20 X 0.75, 5 | 2 | |
| | 130041 | (004937-005999) | Tie, Wire 11-1/2x.19 Ny (not shown) | 6 | |
| 35 | 393905 | (004937-005999) | Nut | 8 | |
| 36 | 393906 | (004937-005999) | Stud | 2 | |
| 37 | 393907 | (004937-005999) | Washer | - | |
| 38 | 393898 | (004937-005999) | Bolt | 3 | |
| 39 | 393908 | (004937-005999) | Stud | 1 | |
| 40 | 393909 | (004937-005999) | Bolt | - | |
| 41 | 393910 | (004937-005999) | Manifold, Intake | 1 | |
| 42 | 393911 | (004937-005999) | Fitting | 1 | |
| 43 | 393912 | (004937-005999) | Gasket | 1 | |
| 44 | 393913 | (004937-005999) | Manifold, Exhaust | 1 | |
| 45 | 393914 | (004937-005999) | Stud | 2 | |
| 46 | 393915 | (004937-005999) | Clamp | 4 | |
| 47 | 393916 | (004937-005999) | Gasket | 1 | |

STANDARD PARTS

354329 - 800, LP

Fig. 35 - Engine Electronic Fuel Ignition and Vaporizer Group, LPG (004937-005999)

| | Ref. | Part No. | Serial Number | Description | Qty. |
|---|-------------|-----------------|----------------------|--------------------------|-------------|
| ▽ | 48 | 371646 | (000000- |) Kit, Adaptor, Manifold | 1 |
| ▲ | 49 | 371647 | (000000- |) Kit, Gasket, Manifold | 1 |
| | 50 | 371658 | (000000- |) Shield, Heat | 1 |

STANDARD PARTS

Fig. 36 - Engine Electronic Fuel Ignition and Vaporizer Group, LPG (006000-006999)

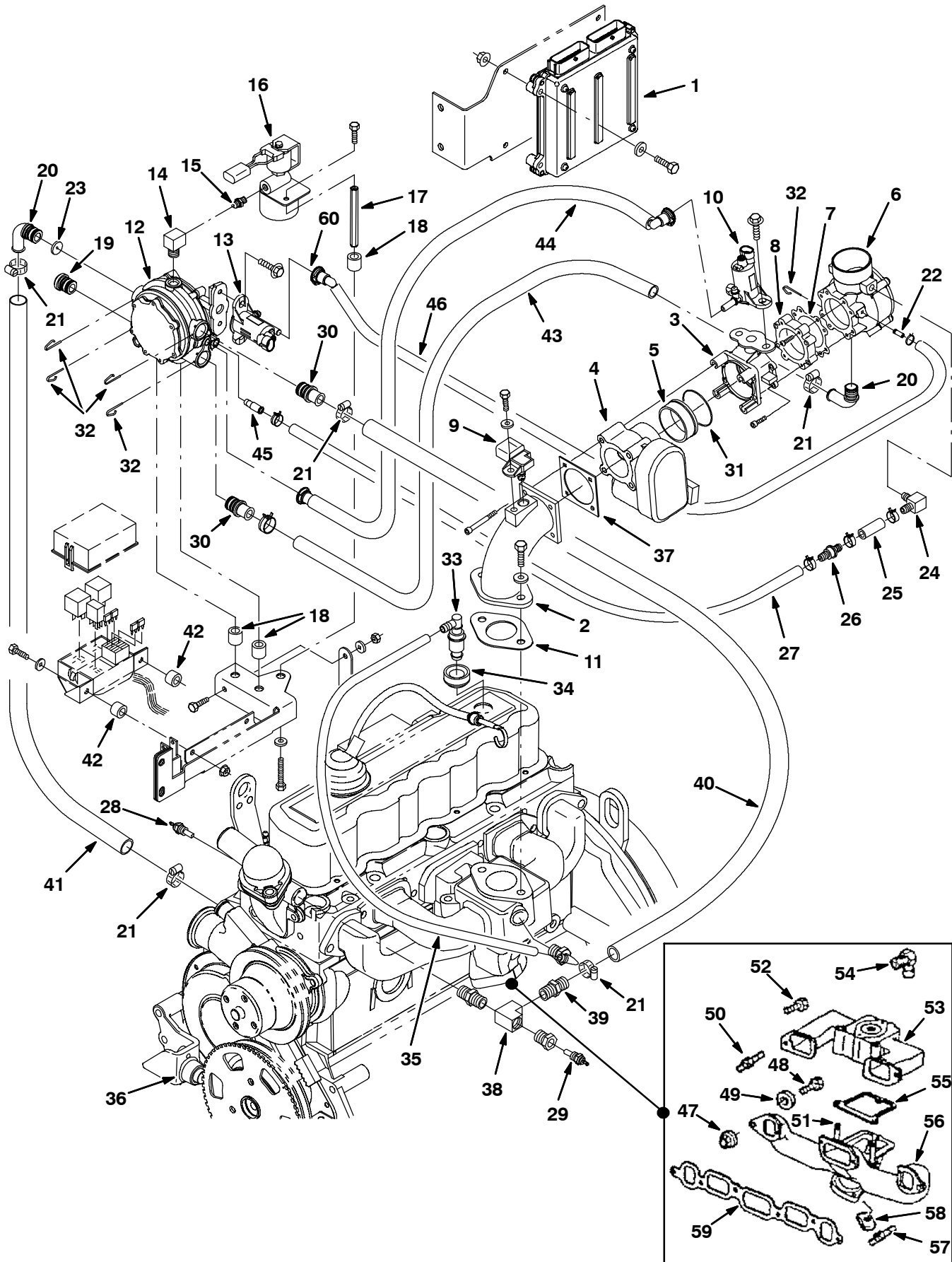


Fig. 36 - Engine Electronic Fuel Ignition and Vaporizer Group, LPG (006000-006999)

| Ref. | Part No. | Serial Number | Description | Qty. | |
|------|----------|------------------|--------------------------------------|--|---|
| 1 | 372859 | (006000-006999) | Module, Ecu, Lpg [Gm 3.0] | 1 | |
| 2 | 372495 | (006000-006999) | Adaptor, Intake, Lpg [3.0] | 1 | |
| 3 | 372496 | (006000-006999) | Adaptor, Valve, Fuel Trim | 1 | |
| 4 | 372482 | (006000-006999) | Housing, Throttle, 40mm [Bosch] | 1 | |
| 5 | 372498 | (006000-006999) | Sleeve, Throttle [Bosch], Plstc | 1 | |
| 6 | 372899 | (006000-006999) | Housing Assy, Throttle, Lpg [Gm 3.0] | 1 | |
| 7 | 372608 | (006000-006999) | Gasket | 1 | |
| 8 | 372612 | (006000-006999) | Adapter, Throttle Body | 1 | |
| 9 | 372493 | (006000-006999) | Sensor, [Tmap] | 1 | |
| 10 | 372497 | (006000-006999) | | 1 | |
| 11 | 372490 | (006000-006999) | Gasket, Carb | 1 | |
| 12 | 372500 | (006000-006999) | Converter, Lpg | 1 | |
| 13 | 372501 | (006000-006999) | Valve, Trim, Fuel, Normal Flow | 1 | |
| 14 | 372611 | (006000-006999) | Fitting, Str, E90, .25npt | 1 | |
| 15 | 372610 | (006000-006999) | Fitting, Nipple, .25npt, Brs | 1 | |
| ▽ | 16 | 372503 | (006000-006999) | Valve, Fuelock, Lpg, W/ Wire Connector | 1 |
| ▲ | 17 | 372615 | (006000-006999) | Filter Kit, Lpg Lockoff | 1 |
| | 17 | 372577 | (006000-006999) | Spacer, Sppt, Filter Lock Off | 1 |
| | 18 | 372518 | (006000-006999) | Isolator Kit, Mtg, Vaporizer, Rbr | 3 |
| | 19 | 372515 | (006000-006999) | Fitting, Cap | 1 |
| | 20 | 372512 | (006000-006999) | Fitting, E70 | 2 |
| | 21 | 63810 | (006000-006999) | Clamp, Hose, Wormdrive, 0.56-1.06d | 5 |
| | 22 | 372511 | (006000-006999) | Fitting, Hose, Vacuum, .25 | 1 |
| | 23 | 372517 | (006000-006999) | Restrictor, Jet, Coolant | 1 |
| | 24 | 372510 | (006000-006999) | Fitting, E90 | 1 |
| | 25 | 372507 | (006000-006999) | Hose, Balancing, Press, 45mm | 1 |
| | 26 | 372569 | (006000-006999) | Valve, Check | 1 |
| | 27 | 372506 | (006000-006999) | Hose, Balancing, Press, 680mm | 1 |
| | 28 | 372891 | (006000-006999) | Sensor, Temp, Coolant | 1 |
| | 29 | 372472 | (006000-006999) | Sensor, Temp | 1 |
| | 30 | 372514 | (006000-006999) | Fitting, Str | 2 |
| | 31 | 372484 | (006000-006999) | Seal, Org | 1 |
| | 32 | 372523 | (006000-006999) | Pin, Retainer | 5 |
| | 33 | 372483 | (006000-006999) | Valve, [Pcv] | 1 |
| | 34 | 393984 | (006000-006999) | Grommet | 1 |
| | 35 | 372489 | (006000-006999) | Hose, 9.5mm X 450mm [Pcv] | 1 |
| | 36 | 372492 | (006000-006999) | Sensor, Speed, Timing Wheel [3.0] | 1 |
| | 37 | 372545 | (006000-006999) | Gasket, Body, Throttle [1.6] | 1 |
| | 38 | 372527 | (006000-006999) | Fitting, Pipe, Tee, Pm06/Pf06/Pf06 | 1 |
| | 39 | 372526 | (006000-006999) | Fitting, Hose, 10hose/Pm06 | 1 |
| | 40 | 372531 | (006000-006999) | Hose, Mold, .62 X 37.0 | 1 |
| | 41 | 372528 | (006000-006999) | Hose, Mold, .62 To .75 | 1 |
| | 42 | 372470 | (006000-006999) | Isolator, Box, Relay | 2 |
| | 43 | 372508 | (006000-006999) | Hose, Fuel, 165mm | 1 |
| | 44 | 372504 | (006000-006999) | Hose, Valve, Fuel Trim, 325mm | 1 |
| | 45 | 372516 | (006000-006999) | Fitting, Brs, Adapter | 1 |
| | 46 | 372505 | (006000-006999) | Hose, Valve, Press Trim, 405mm | 1 |
| | 47 | 393905 | (006000-006999) | Nut | 8 |
| | 48 | 393906 | (006000-006999) | Stud | 2 |
| | 49 | 393907 | (006000-006999) | Washer | - |
| | 50 | 393898 | (006000-006999) | Bolt | 3 |

STANDARD PARTS

354175 - 800, LP

Fig. 36 - Engine Electronic Fuel Ignition and Vaporizer Group, LPG (006000-006999)

| Ref. | Part No. | Serial Number | Description | Qty. |
|-------------|-----------------|----------------------|----------------------------|-------------|
| 51 | 393908 | (006000-006999) | Stud | 1 |
| 52 | 393909 | (006000-006999) | Bolt | - |
| 53 | 393910 | (006000-006999) | Manifold, Intake | 1 |
| 54 | 393911 | (006000-006999) | Fitting | 1 |
| 55 | 393912 | (006000-006999) | Gasket | 1 |
| 56 | 393913 | (006000-006999) | Manifold, Exhaust | 1 |
| 57 | 393914 | (006000-006999) | Stud | 2 |
| 58 | 393915 | (006000-006999) | Clamp | 4 |
| 59 | 393916 | (006000-006999) | Gasket | 1 |
| 60 | 9004539 | (006000-006999) | Clamp, Valve, Trim [Impco] | 1 |

Fig. 37 - Engine Electronic Fuel Ignition and Vaporizer Group, LPG (007000-)

| Ref. | Part No. | Serial Number | Description | Qty. |
|------|----------|---------------|--|------|
| 1 | 1032805 | (007000- |) Module, Ecu, Lpg [Gm3.0l 2007] | 1 |
| 2 | 385008 | (007000- |) Bracket, Box, Relay | 1 |
| 3 | 372470 | (007000- |) Isolator, Box, Relay | 2 |
| 4 | 25047 | (007000- |) Screw, Hex, .25-20 X 1.25, G5 | 4 |
| 5 | 19315 | (007000- |) Screw, Hex, .25-20 X 0.50, G5 | 2 |
| 6 | 32490 | (007000- |) Washer, Flat, 0.25, Std | 13 |
| 7 | 385016 | (007000- |) Screw, Soc, M6 X 1.00 X 70 | 4 |
| 8 | 19312 | (007000- |) Nut, Hex, Std, .25-20 | 2 |
| 9 | 371877 | (007000- |) Washer, Flat, 0.38, Hardened | 5 |
| 10 | 27980 | (007000- |) Nut, Hex, Flng, .38-16 | 3 |
| 11 | 371553 | (007000- |) Screw, .38-16 X 1.00 | 5 |
| 12 | 371877 | (007000- |) Washer, Flat, 0.38, Hardened | 1 |
| 13 | 371509 | (007000- |) Washer, Lock, 0.38 | 5 |
| 14 | 371875 | (007000- |) Washer, Lock, Int / Ext, 0.38 | 1 |
| 15 | 372483 | (007000- |) Valve [Pcv] | 1 |
| 16 | 393984 | (007000- |) Grommet | 1 |
| 17 | 385001 | (007000- |) Hose, Fuel, .38d, Rbr | 1 |
| 18 | 385002 | (007000- |) Fitting, E90 | 1 |
| 19 | 384996 | (007000- |) Adapter, Valve, 400mm [Bosch] | 1 |
| 20 | 385000 | (007000- |) Fitting, Bshg | 2 |
| 21 | 372472 | (007000- |) Sensor, Temp | 1 |
| 22 | 385007 | (007000- |) Screw, M6 X 10mm | 2 |
| 23 | 385006 | (007000- |) Shield, Heat, Manifold | 1 |
| 24 | 384979 | (007000- |) Clamp, Hose, Spring, 0.62d | 2 |
| 25 | 372466 | (007000- |) Stud, .38-16 X 1.2l | 2 |
| 26 | 385003 | (007000- |) Gasket, Manifold, Intake | 1 |
| 27 | 385004 | (007000- |) Manifold, Intake [2007] | 1 |
| 28 | 10830 | (007000- |) Screw, Soc, .38-16 X 1.00, Al | 4 |
| 29 | 384985 | (007000- |) Sensor [T Map] | 1 |
| 30 | 19317 | (007000- |) Screw, Hex, .25-20 X 0.75, G5 | 1 |
| 31 | 372579 | (007000- |) Plug, Hole, Injector | 4 |
| 32 | 385005 | (007000- |) Manifold, Exhaust [2007] | 1 |
| 33 | 372545 | (007000- |) Gasket, Body, Throttle [1.6l] | 1 |
| 34 | 385012 | (007000- |) Valve, Lpg [Mixer] | 1 |
| 35 | 1037313 | (007000- |) Gasket, Lpg, Adapter [Gm 2007] | 1 |
| 36 | 385017 | (007000- |) Screw, Soc, #12-24 X 1.50 | 4 |
| 37 | 1037311 | (007000- |) Seal,Org, Lpg, Mixer [Gm 2007] | 1 |
| 38 | 1037312 | (007000- |) Gasket, Lpg, Mixer [Gm 2007] | 2 |
| 39 | 384974 | (007000- |) Housing, Throttle, 40mm [Bosch] | 1 |
| 40 | 384973 | (007000- |) Hose, Supply, Gas, .25id | 1 |
| 41 | 384971 | (007000- |) Cover, Hose | 1 |
| 42 | 385014 | (007000- |) Bracket [Epr] | 2 |
| 43 | 384986 | (007000- |) Isolator [Epr] | 3 |
| 44 | 384977 | (007000- |) Regulator [Ep] | 1 |
| 45 | 384978 | (007000- |) Fitting Kit [Epr] | 1 |
| 46 | 385015 | (007000- |) Nut, Flng, M8 | 3 |
| 47 | 372529 | (007000- |) Fitting, Nipple, .25mal | 1 |
| 48 | 384975 | (007000- |) Valve, Lock Off | 1 |
| 49 | 372528 | (007000- |) Hose, Mold, .62 To .75 | 2 |
| 50 | 63810 | (007000- |) Clamp, Hose, Wormdrive, 0.56-1.06d, .56w | 1 |

STANDARD PARTS

354175 - 800, LP

Fig. 37 - Engine Electronic Fuel Ignition and Vaporizer Group, LPG (007000-)

| Ref. | Part No. | Serial Number | Description | Qty. |
|-------------|-----------------|----------------------|---------------------------------|-------------|
| 51 | 372539 | (007000- |) Clamp, Hose, 1.0 | 3 |
| 52 | 385011 | (007000- |) Fitting, E90 | 1 |
| 53 | 385013 | (007000- |) Hose, Mold [Epr To Mixer] | 1 |
| 54 | 1041151 | (007000- |) Seal, Org, Sensor, Temp [Epr] | 1 |
| 55 | 1041152 | (007000- |) Sensor, Temp [Epr] | 1 |

Fig. 38 - Engine Air Cleaner Group (004000-004936)

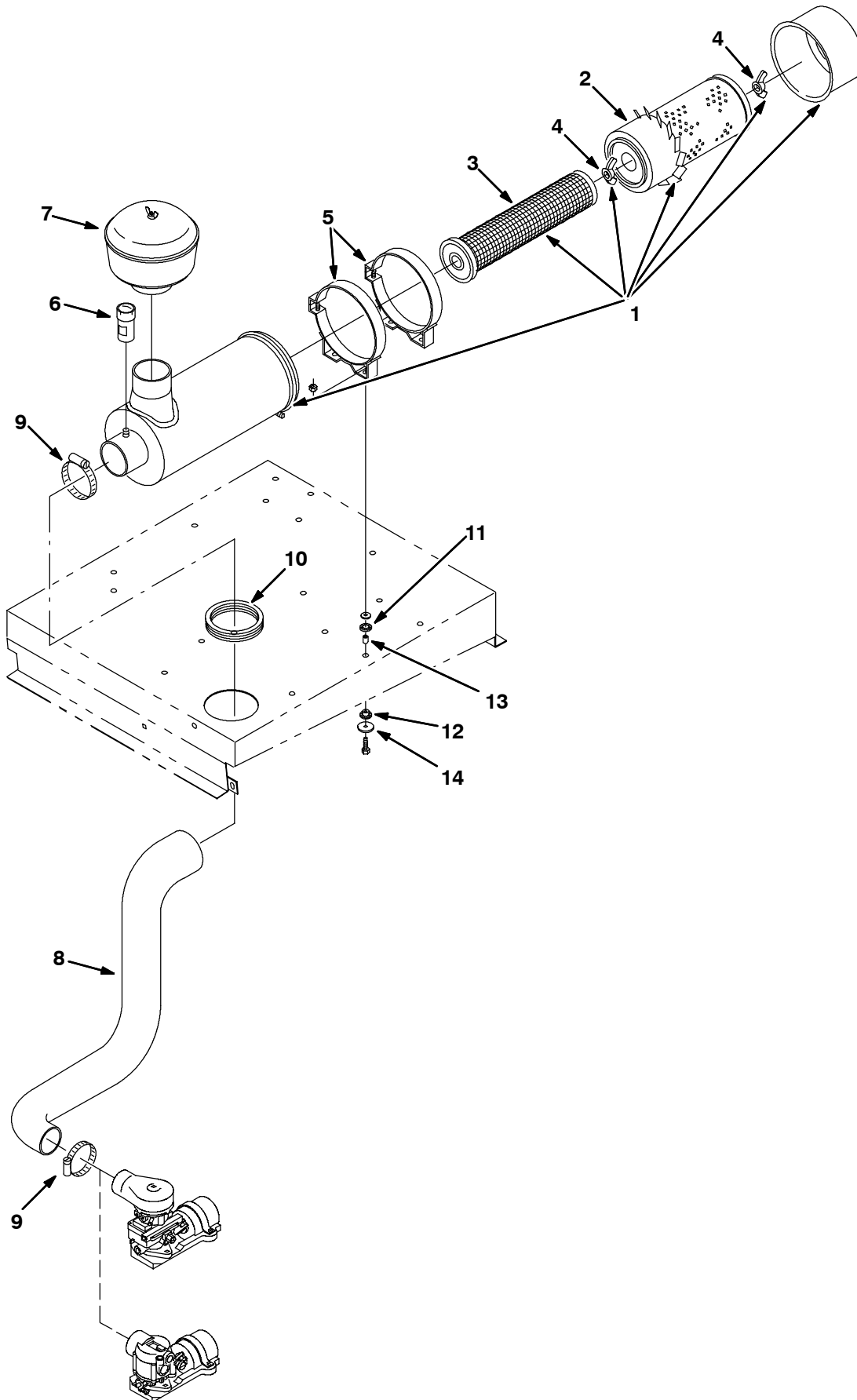


Fig. 38 - Engine Air Cleaner Group (004000-004936)

| Ref. | Part No. | Serial Number | Description | Qty. |
|------|----------|---------------|---|------|
| ▽ | 1 | 48014 | (004000-004936) Cleaner, Air Al Se | 1 |
| ▲ | 2 | 60934 | (004000-004936) Element, Air Cleaner | 1 |
| ▲ | 3 | 60933 | (004000-004936) Element, Filter Safety | 1 |
| ▲ | 4 | 07562 | (004000-004936) Nut,Wing .44-20 Special | 2 |
| | 5 | 76321 | (004000-004936) Band,Mtg. | 2 |
| | 6 | 03026 | (004000-004936) Indicator Service Air Filter | 1 |
| | 7 | 75666 | (004000-004936) Filter, Pre-Cleaner, A/C | 1 |
| | 8 | 380592 | (004000-004936) Hose, Molded | 1 |
| | 9 | 43555 | (004000-004936) Clamp-Wormdrive, 1.62- 3.50D | 2 |
| | 10 | 380591 | (004000-004936) Grommet, Rbr, 3.75ld F/ 4.0H . | 1 |
| | 11 | 54527 | (004000-004936) Ring, Rubber | 4 |
| | 12 | 54528 | (004000-004936) Bushing, Rubber | 4 |
| | 13 | 45177 | (004000-004936) Sleeve | 4 |
| | 14 | 41178 | (004000-004936) Washer, Fender | 4 |

Fig. 39 - Engine Air Cleaner Group (004937-005999)

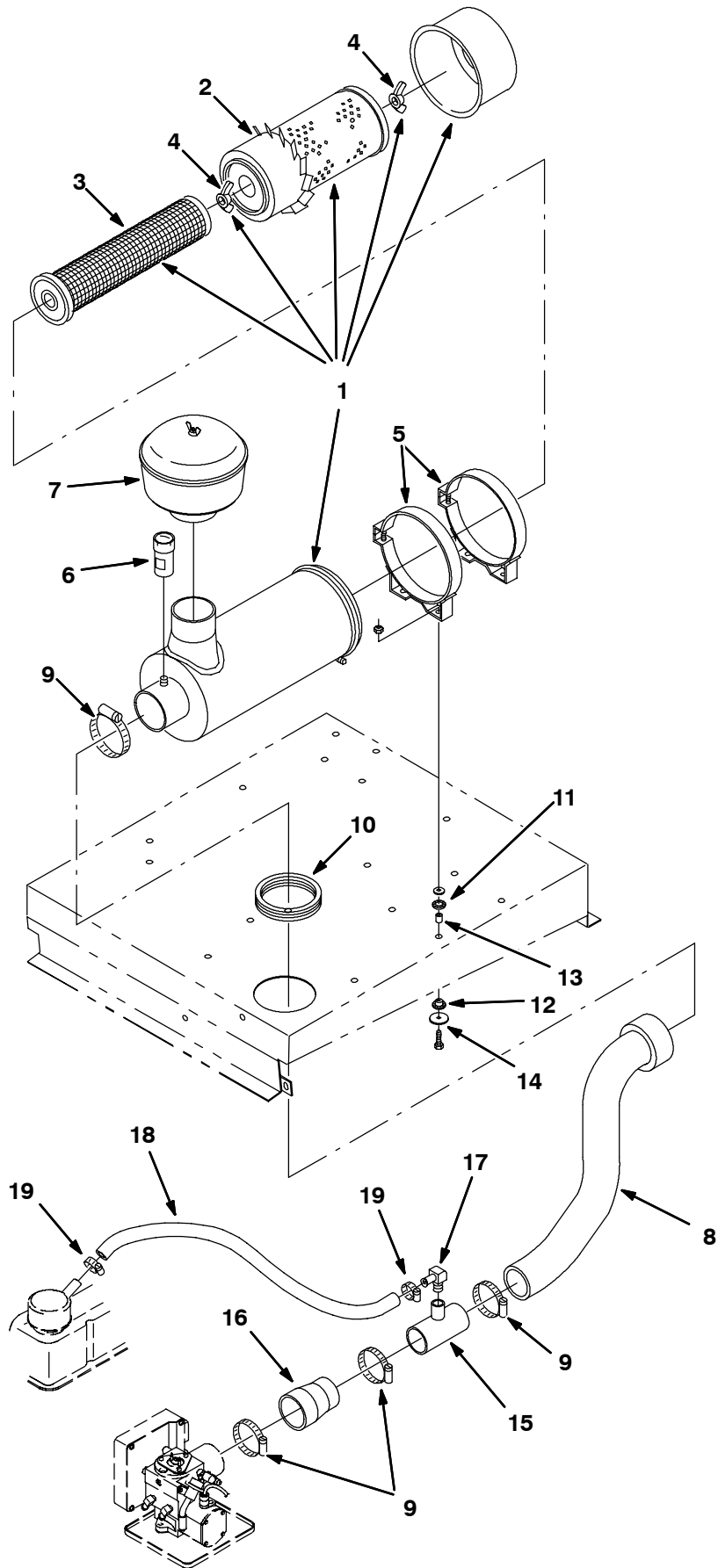


Fig. 39 - Engine Air Cleaner Group (004937-005999)

| Ref. | Part No. | Serial Number | Description | Qty. |
|------|----------|---------------|---|------|
| ▽ | 1 | 48014 | (004937-005999) Cleaner, Air Al Se | 1 |
| ▲ | 2 | 60934 | (004937-005999) Element, Air Cleaner | 1 |
| ▲ | 3 | 60933 | (004937-005999) Element, Filter Safety | 1 |
| ▲ | 4 | 07562 | (004937-005999) Nut,Wing .44-20 Special | 2 |
| | 5 | 76321 | (004937-005999) Band,Mtg. | 2 |
| | 6 | 03026 | (004937-005999) Indicator Service Air Filter | 1 |
| | 7 | 75666 | (004937-005999) Filter, Pre-Cleaner, A/C | 1 |
| | 8 | 393208 | (004937-005999) Hose, Molded | 1 |
| | 9 | 43555 | (004937-005999) Clamp-Wormdrive, 1.62- 3.50D | 4 |
| | 10 | 380591 | (004937-005999) Grommet, Rbr, 3.75ld F/ 4.0H . | 1 |
| | 11 | 54527 | (004937-005999) Ring, Rubber | 4 |
| | 12 | 54528 | (004937-005999) Bushing, Rubber | 4 |
| | 13 | 45177 | (004937-005999) Sleeve | 4 |
| | 14 | 41178 | (004937-005999) Washer, Fender | 4 |
| | 15 | 393207 | (004937-005999) Tube Wldt, Intake, 2.0d .38npt | 1 |
| | 16 | 393205 | (004937-005999) Tube, Intake, 2.0d 04.0l | 1 |
| | 17 | 51839 | (004937-005999) Fitting, Brs, E90, Em10/Pm06 | 1 |
| | 18 | 72978 | (004937-005999) Hose, Heater, 0.62id 13.0l | 1 |
| | 19 | 63810 | (004937-005999) Clamp, Hose, Wormdrive, 0.56-1.06d | 2 |

Fig. 40 - Engine Air Cleaner Group, Gas (006000-006999)

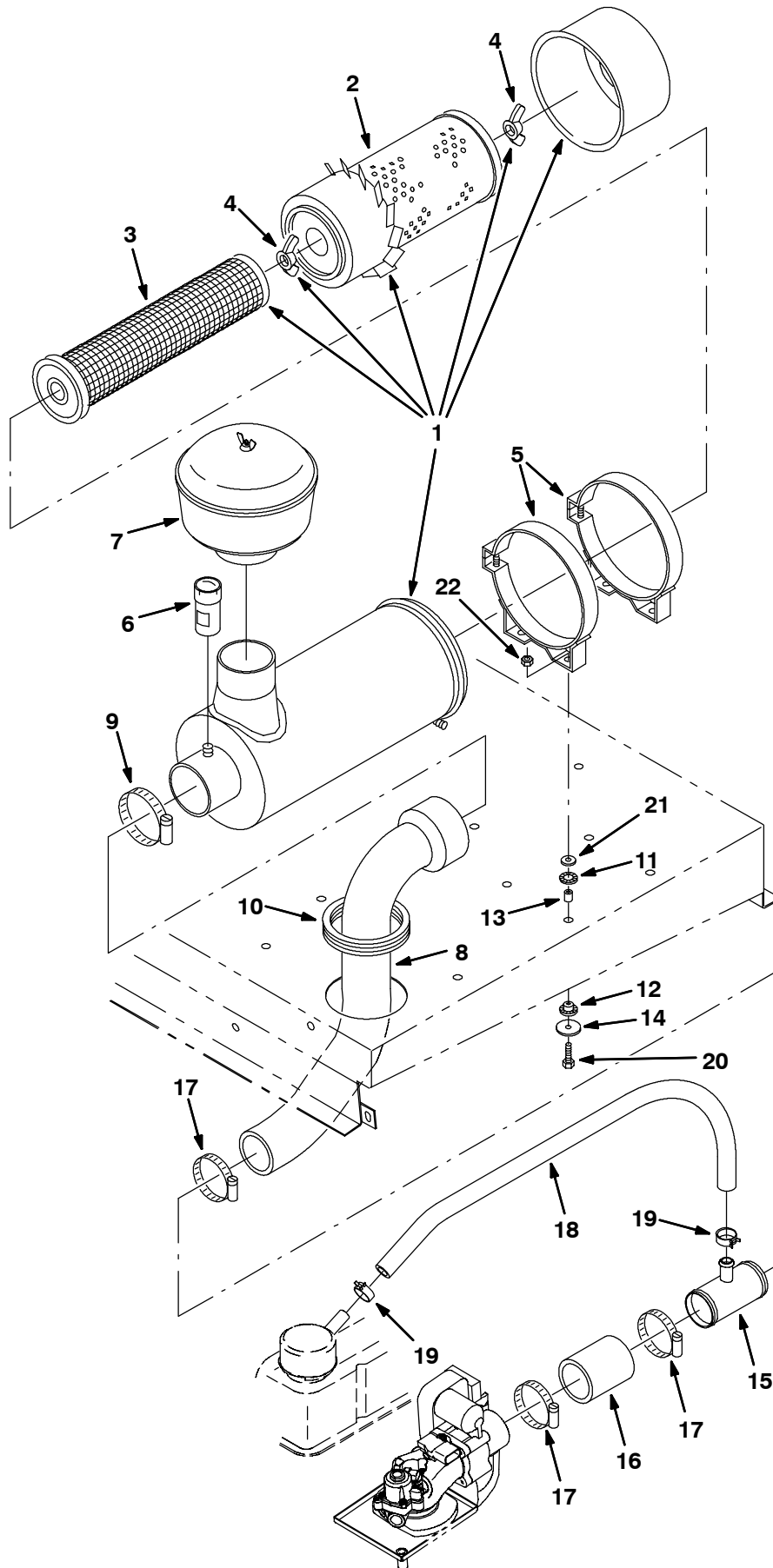


Fig. 40 - Engine Air Cleaner Group, Gas (006000-006999)

| Ref. | Part No. | Serial Number | Description | Qty. |
|------|----------|---------------|---|------|
| ▽ | 1 | 48014 | (006000-006999) Cleaner, Air Al Se | 1 |
| ▲ | 2 | 60934 | (006000-006999) Element, Air Cleaner | 1 |
| ▲ | 3 | 60933 | (006000-006999) Element, Filter Safety | 1 |
| ▲ | 4 | 07562 | (006000-006999) Nut,Wing .44-20 Special | 2 |
| | 5 | 76321 | (006000-006999) Band,Mtg. | 2 |
| | 6 | 03026 | (006000-006999) Indicator Service Air Filter | 1 |
| | 7 | 75666 | (006000-006999) Filter, Pre-Cleaner, A/C | 1 |
| | 8 | 393208 | (006000-006999) Hose, Molded | 1 |
| | 9 | 43555 | (006000-006999) Clamp-Wormdrive, 1.62- 3.50D | 1 |
| | 10 | 380591 | (006000-006999) Grommet, Rbr, 3.75ld F/ 4.0H . | 1 |
| | 11 | 54527 | (006000-006999) Ring, Rubber | 4 |
| | 12 | 54528 | (006000-006999) Bushing, Rubber | 4 |
| | 13 | 45177 | (006000-006999) Sleeve | 4 |
| | 14 | 41178 | (006000-006999) Washer, Fender | 4 |
| | 15 | 1011780 | (006000-006999) Tube Wldt, Tee | 1 |
| | 16 | 15543 | (006000-006999) Hose, Rbr, 2.00id 2.50od 03.0l | 1 |
| | 17 | 83584 | (006000-006999) Clamp, Hose, Wormdrive, 1.31-3.25d | 1 |
| | 18 | 13124 | (006000-006999) Hose, Heater, 0.62id 18.0l | 1 |
| | 19 | 1011899 | (006000-006999) Clamp, Hose, Spring Stl, 0.86d X 0.38w | 2 |
| | 20 | 06944 | (006000-006999) Screw, Hex, M6 X 1.0 X 25, 8.8 | 1 |
| | 21 | 32490 | (006000-006999) Washer, Flat, 0.25 Std | 1 |
| | 22 | 08708 | (006000-006999) Nut, Hex, Lock, M6 X 1.0, NI | 1 |

Fig. 41 - Engine Air Cleaner Group, Gas (007000-)

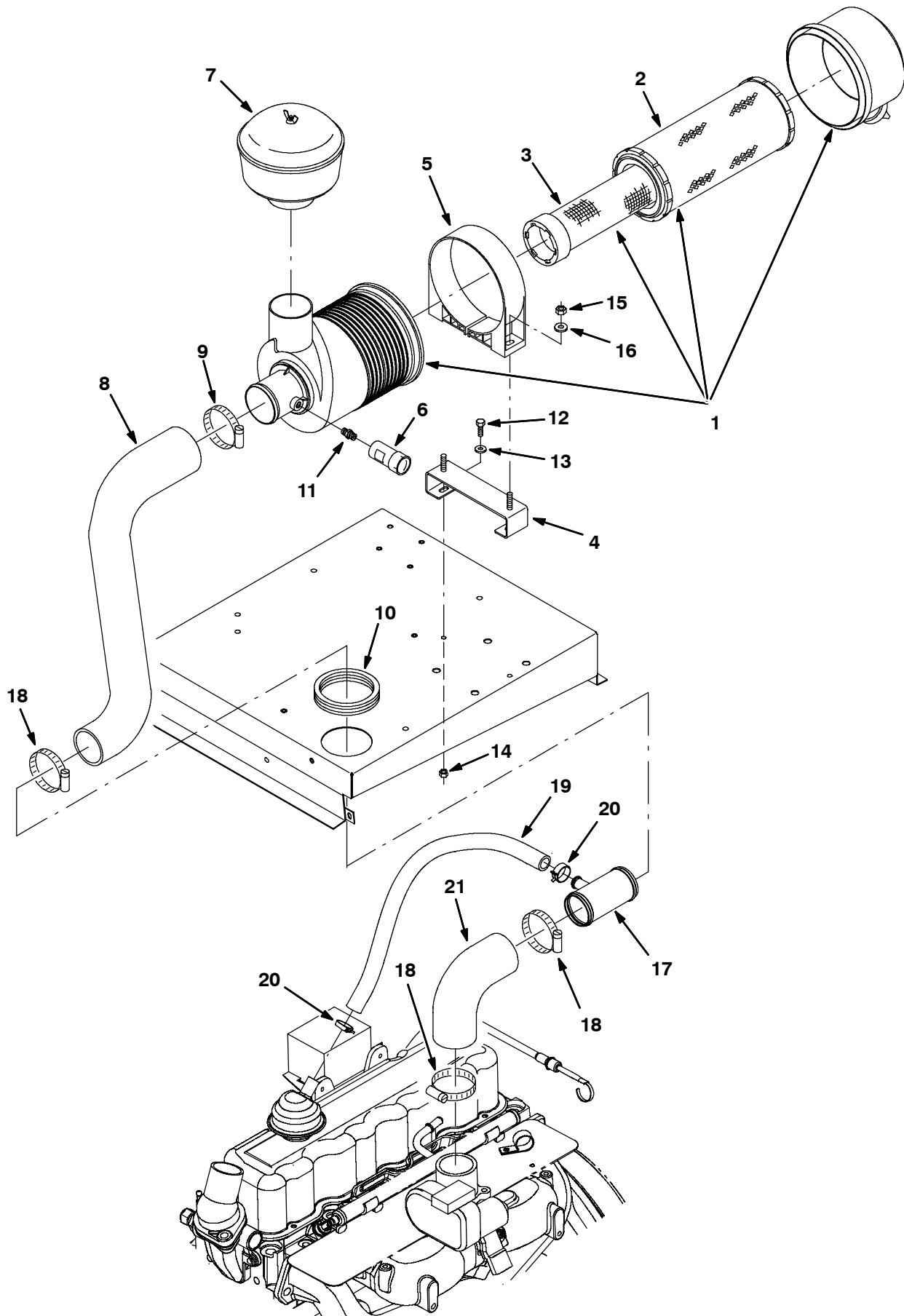


Fig. 41 - Engine Air Cleaner Group, Gas (007000-)

| Ref. | Part No. | Serial Number | Description | Qty. |
|------|----------|---------------|---|------|
| ▽ | 1 | 1013344 | (007000-) Filter Assy, Air, 3.0 Inlet [Dn#G070070] | 1 |
| ▲ | 2 | 372652 | (007000-) Element, Fltr, Air [Dn] | 1 |
| ▲ | 3 | 372651 | (007000-) Element, Fltr, Air | 1 |
| | 4 | 1012754 | (007000-) Bracket, Stand-Off, Fltr, Air | 2 |
| | 5 | 1013366 | (007000-) Strap, Mtg, Fltr, Air, 7.17id | 2 |
| | 6 | 03026 | (007000-) Indicator, Service, Fltr, Air [20h20 Dn] | 1 |
| | 7 | 75666 | (007000-) Filter, Air, Pre-Cln, A/C | 1 |
| | 8 | 393208 | (007000-) Hose, Intake, Mold, Rwk 380592 | 1 |
| | 9 | 43555 | (007000-) Clamp, Hose, Wormdrive, 2.50-3.50d, .50w | 1 |
| | 10 | 380591 | (007000-) Grommet, Rbr, 3.25id, F/3.5h, .06 Matl | 1 |
| | 11 | 51560-5 | (007000-) Fitting, Brs, Str, Pm02, Service | 1 |
| | 12 | 06949 | (007000-) Screw, Hex, M6 X 1.0 X 50, 8.8 | 2 |
| | 13 | 19066 | (007000-) Washer, Flat, #10 | 2 |
| | 14 | 07791 | (007000-) Nut, Hex, Flng, M8 X 1.25 | 2 |
| | 15 | 08709 | (007000-) Nut, Hex, Lock, M8 X 1.25, NI | 2 |
| | 16 | 32491 | (007000-) Washer, Flat, 0.31, Std | 2 |
| | 17 | 1011780 | (007000-) Tube Wldt, Tee | 1 |
| | 18 | 83584 | (007000-) Clamp, Hose, Wormdrive, 2.25-3.25d, .50w | 3 |
| | 19 | 393373 | (007000-) Hose, Heater, 0.62id, 024.0l | 1 |
| | 20 | 1011899 | (007000-) Clamp, Hose, Spring Stl, 0.86d X 0.38w | 2 |
| | 21 | 76825 | (007000-) Hose, Rbr, E90, 2.00id 2.00id 03.5 03.5 | 1 |

Fig. 42 - Engine Air Cleaner Group, LPG (006000-006999)

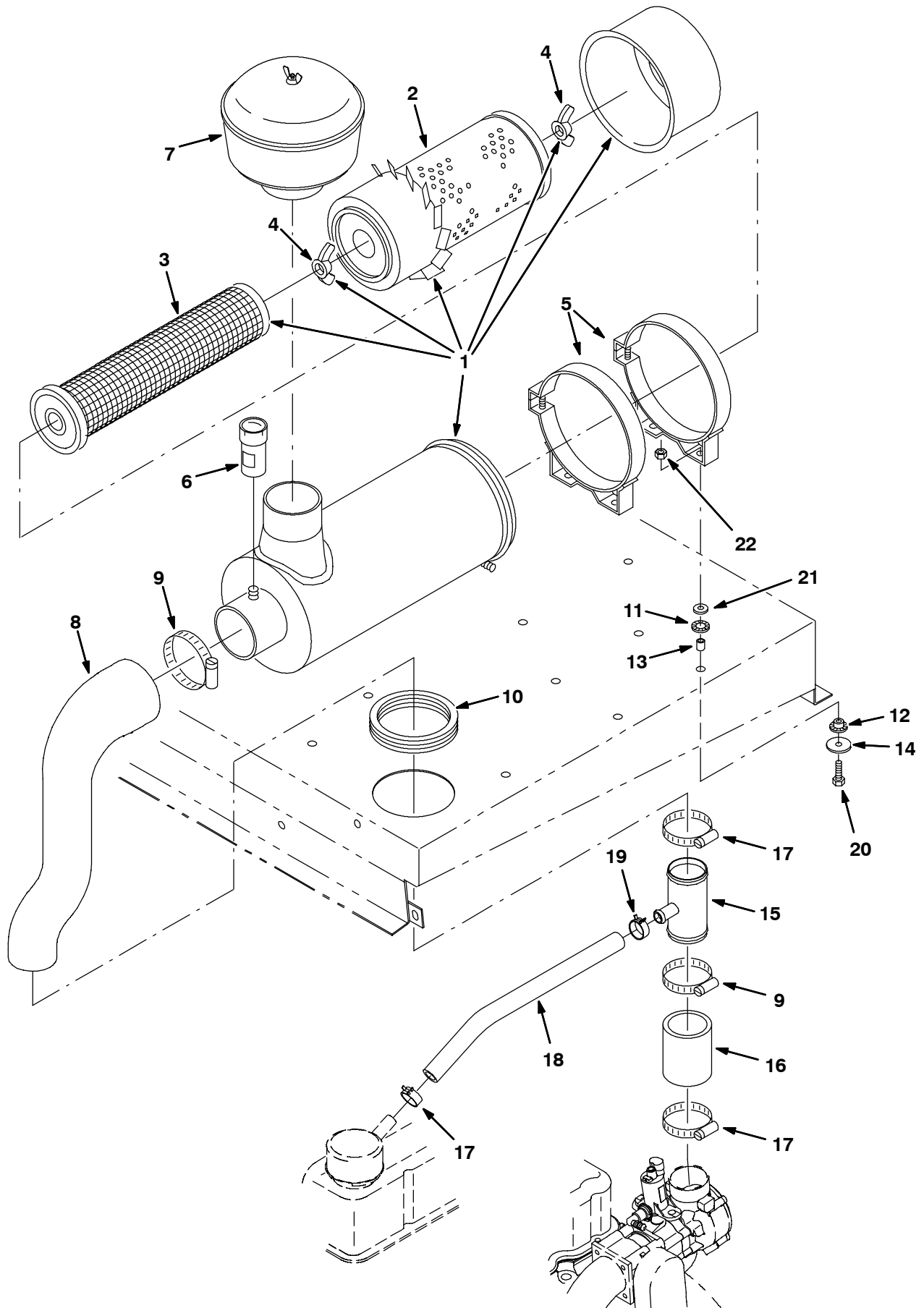


Fig. 42 - Engine Air Cleaner Group, LPG (006000-006999)

| Ref. | Part No. | Serial Number | Description | Qty. |
|------|----------|---------------|---|------|
| ▽ | 1 | 48014 | (006000-006999) Cleaner, Air Al Se | 1 |
| ▲ | 2 | 60934 | (006000-006999) Element, Air Cleaner | 1 |
| ▲ | 3 | 60933 | (006000-006999) Element, Filter Safety | 1 |
| ▲ | 4 | 07562 | (006000-006999) Nut,Wing .44-20 Special | 2 |
| | 5 | 76321 | (006000-006999) Band,Mtg. | 2 |
| | 6 | 03026 | (006000-006999) Indicator Service Air Filter | 1 |
| | 7 | 75666 | (006000-006999) Filter, Pre-Cleaner, A/C | 1 |
| | 8 | 1011702 | (006000-006999) Hose, Molded | 1 |
| | 9 | 43555 | (006000-006999) Clamp-Wormdrive, 1.62- 3.50D | 1 |
| | 10 | 380591 | (006000-006999) Grommet, Rbr, 3.75ld F/ 4.0H . | 1 |
| | 11 | 54527 | (006000-006999) Ring, Rubber | 4 |
| | 12 | 54528 | (006000-006999) Bushing, Rubber | 4 |
| | 13 | 45177 | (006000-006999) Sleeve | 4 |
| | 14 | 41178 | (006000-006999) Washer, Fender | 4 |
| | 15 | 1011780 | (006000-006999) Tube Wldt, Tee | 1 |
| | 16 | 15543 | (006000-006999) Hose, Rbr, 2.00id 2.50od 03.0l | 1 |
| | 17 | 83584 | (006000-006999) Clamp, Hose, Wormdrive, 1.31-3.25d, .50w | 3 |
| | 18 | 393373 | (006000-006999) Hose, Heater, 0.62id 24.0l | 1 |
| | 19 | 1011899 | (006000-006999) Clamp, Hose, Spring Stl, 0.86d X 0.38w | 2 |
| | 20 | 06944 | (006000-006999) Screw, Hex, M6 X 1.0 X 25, 8.8 | 1 |
| | 21 | 32490 | (006000-006999) Washer, Flat, 0.25 Std | 1 |
| | 22 | 08708 | (006000-006999) Nut, Hex, Lock, M6 X 1.0, NI | 1 |

Fig. 43 - Engine Air Cleaner Group, LPG (007000-)

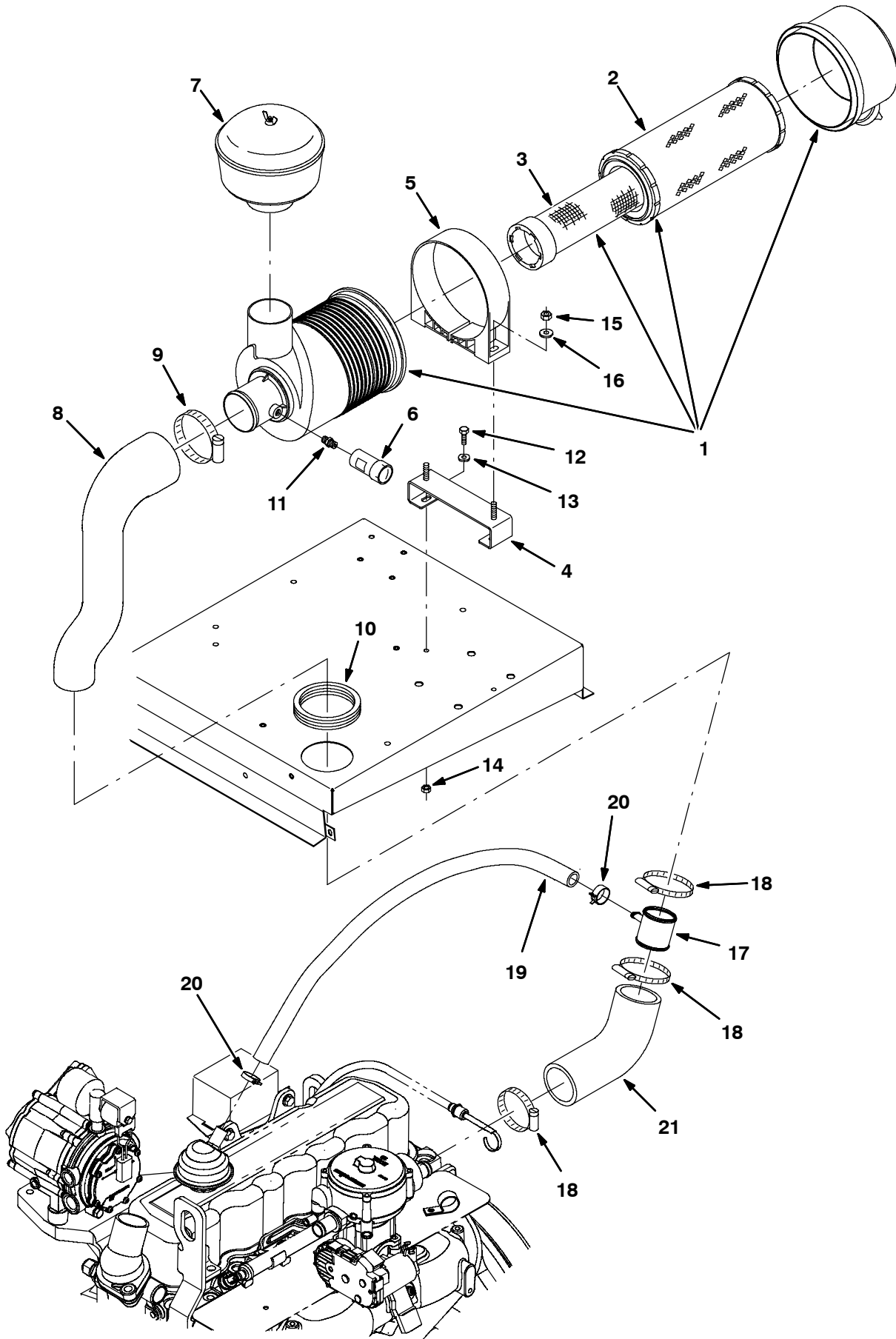


Fig. 43 - Engine Air Cleaner Group, LPG (007000-)

| Ref. | Part No. | Serial Number | Description | Qty. |
|------|----------|---------------|---|------|
| ▽ | 1 | 1013344 | (007000-) Filter Assy, Air, 3.0 Inlet [Dn#G070070] | 1 |
| ▲ | 2 | 372652 | (007000-) Element, Fltr, Air [Dn] | 1 |
| ▲ | 3 | 372651 | (007000-) Element, Fltr, Air | 1 |
| | 4 | 1012754 | (007000-) Bracket, Stand-Off, Fltr, Air | 2 |
| | 5 | 1013366 | (007000-) Strap, Mtg, Fltr, Air, 7.17id | 2 |
| | 6 | 03026 | (007000-) Indicator, Service, Fltr, Air [20h20 Dn] | 1 |
| | 7 | 75666 | (007000-) Filter, Air, Pre-Cln, A/C | 1 |
| | 8 | 1011702 | (007000-) Hose, Intake, Mold, 3.00id 2.00id [Epdm] | 1 |
| | 9 | 43555 | (007000-) Clamp, Hose, Wormdrive, 2.50-3.50d, .50w | 1 |
| | 10 | 380591 | (007000-) Grommet, Rbr, 3.25id, F/3.5h, .06 Matl | 1 |
| | 11 | 51560-5 | (007000-) Fitting, Brs, Str, Pm02, Service | 1 |
| | 12 | 06949 | (007000-) Screw, Hex, M6 X 1.0 X 50, 8.8 | 2 |
| | 13 | 19066 | (007000-) Washer, Flat, #10 | 2 |
| | 14 | 07791 | (007000-) Nut, Hex, Flng, M8 X 1.25 | 2 |
| | 15 | 08709 | (007000-) Nut, Hex, Lock, M8 X 1.25, NI | 2 |
| | 16 | 32491 | (007000-) Washer, Flat, 0.31, Std | 2 |
| | 17 | 1011780 | (007000-) Tube Wldt, Tee | 1 |
| | 18 | 83584 | (007000-) Clamp, Hose, Wormdrive, 2.25-3.25d, .50w | 3 |
| | 19 | 393373 | (007000-) Hose, Heater, 0.62id, 024.0l | 1 |
| | 20 | 1011899 | (007000-) Clamp, Hose, Spring Stl, 0.86d X 0.38w | 2 |
| | 21 | 1032032 | (007000-) Hose, Intake, Mold, 2.00id [Epdm] | 1 |

Fig. 44 - Engine Muffler Group (004000-004936)

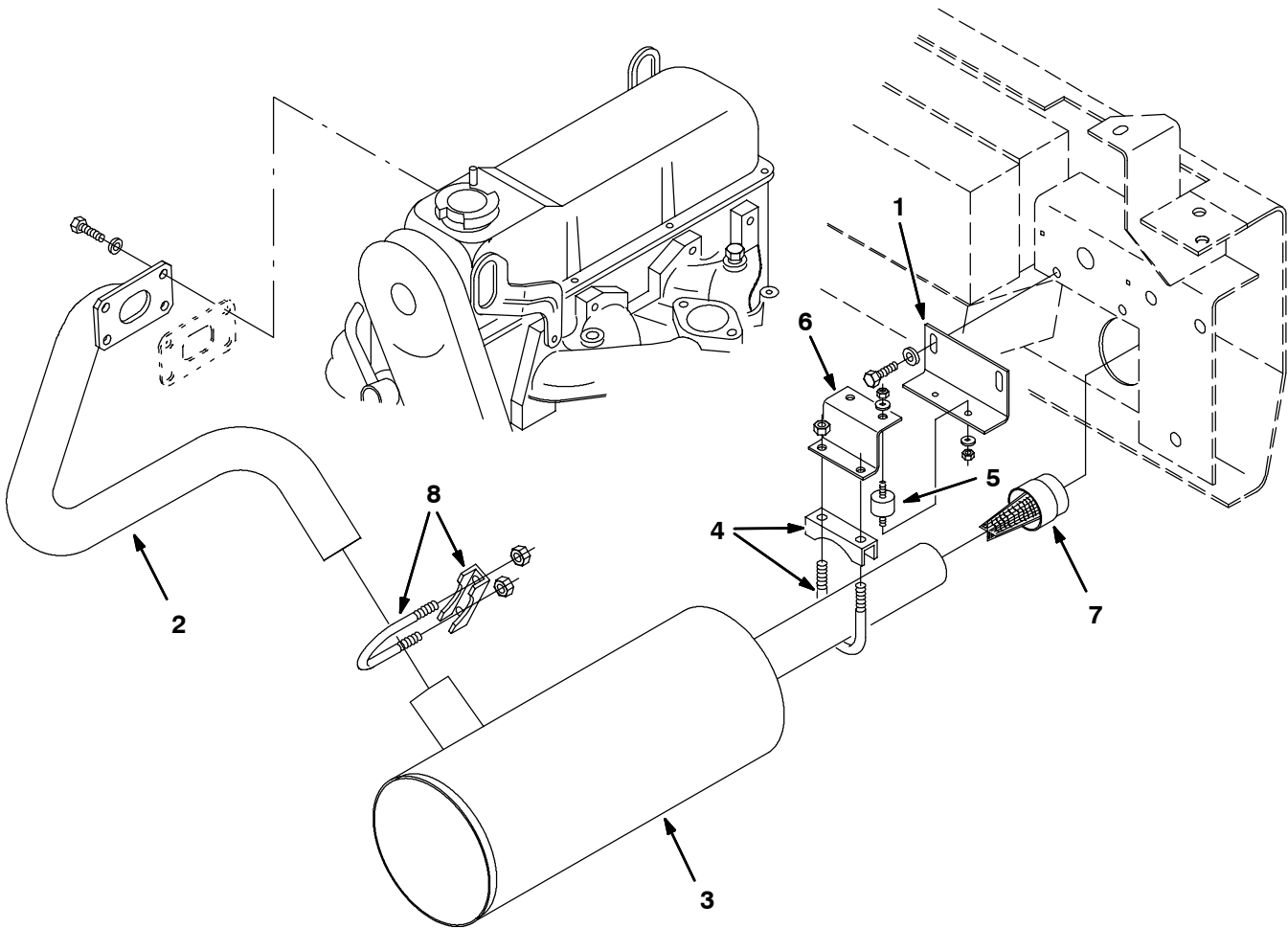


Fig. 44 - Engine Muffler Group (004000-004936)

| Ref. | Part No. | Serial Number | Description | Qty. |
|------|----------|------------------|--------------------------------|------|
| 1 | 21138 | (004000-004936) | Bracket, Tail Pipe | 1 |
| 2 | 70631 | (004000-004936) | Pipe Wldt, Exhaust, Gas/Lpg | 1 |
| 3 | 76383 | (004000-004936) | Muffler, Exhaust | 1 |
| 4 | 05881 | (004000-004936) | Clamp-Muffler,For 2.00 Od Tube | 1 |
| 5 | 82661 | (004000-004936) | Isolator-Vibration .25-20 | 2 |
| 6 | 21136 | (004000-004936) | Bracket, Tail Pipe | 1 |
| 7 | 70832 | (004000-004936) | Screen, Muffler | 1 |
| 8 | 05880 | (004000-004936) | Clamp-Muffler,For 1.87 Od Tube | 1 |

Fig. 45 - Engine Muffler Group, Catalytic (004937-005999)

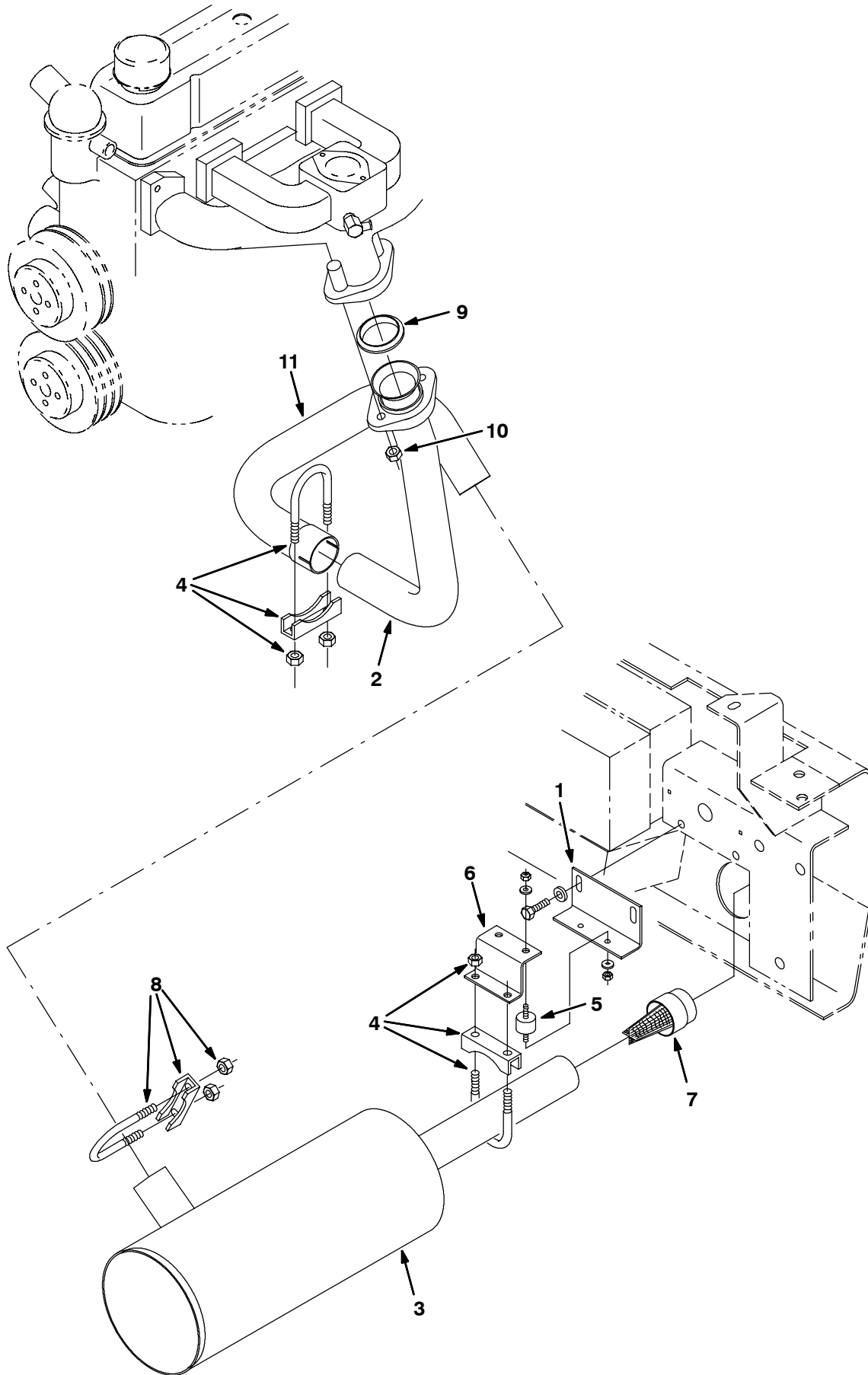


Fig. 45 - Engine Muffler Group, Catalytic (004937-005999)

| Ref. | Part No. | Serial Number | Description | Qty. |
|------|----------|------------------|---------------------------------------|------|
| 1 | 21138 | (004937-005999) | Bracket, Tail Pipe | 1 |
| 2 | 393253 | (004937-005999) | Tube, Exhaust, 2.0d [Gm3.0] [800/810] | 1 |
| 3 | 76383 | (004937-005999) | Muffler, Exhaust | 1 |
| 4 | 05881 | (004937-005999) | Clamp-Muffler,For 2.00 Od Tube | 2 |
| 5 | 82661 | (004937-005999) | Isolator-Vibration .25-20 | 2 |
| 6 | 21136 | (004937-005999) | Bracket, Tail Pipe | 1 |
| 7 | 70832 | (004937-005999) | Screen, Muffler | 1 |
| 8 | 05880 | (004937-005999) | Clamp-Muffler,For 1.87 Od Tube | 1 |
| 9 | 371573 | (004937-005999) | Gasket | 1 |
| 10 | 25014 | (004937-005999) | Nut, Hex, Std, .38-16 | 2 |
| 11 | 393252 | (004937-005999) | Tube, Exhaust, 2.0d [Gm3.0] [800/810] | 1 |

Fig. 46 - Engine Muffler Group, Catalytic (006000-006999)

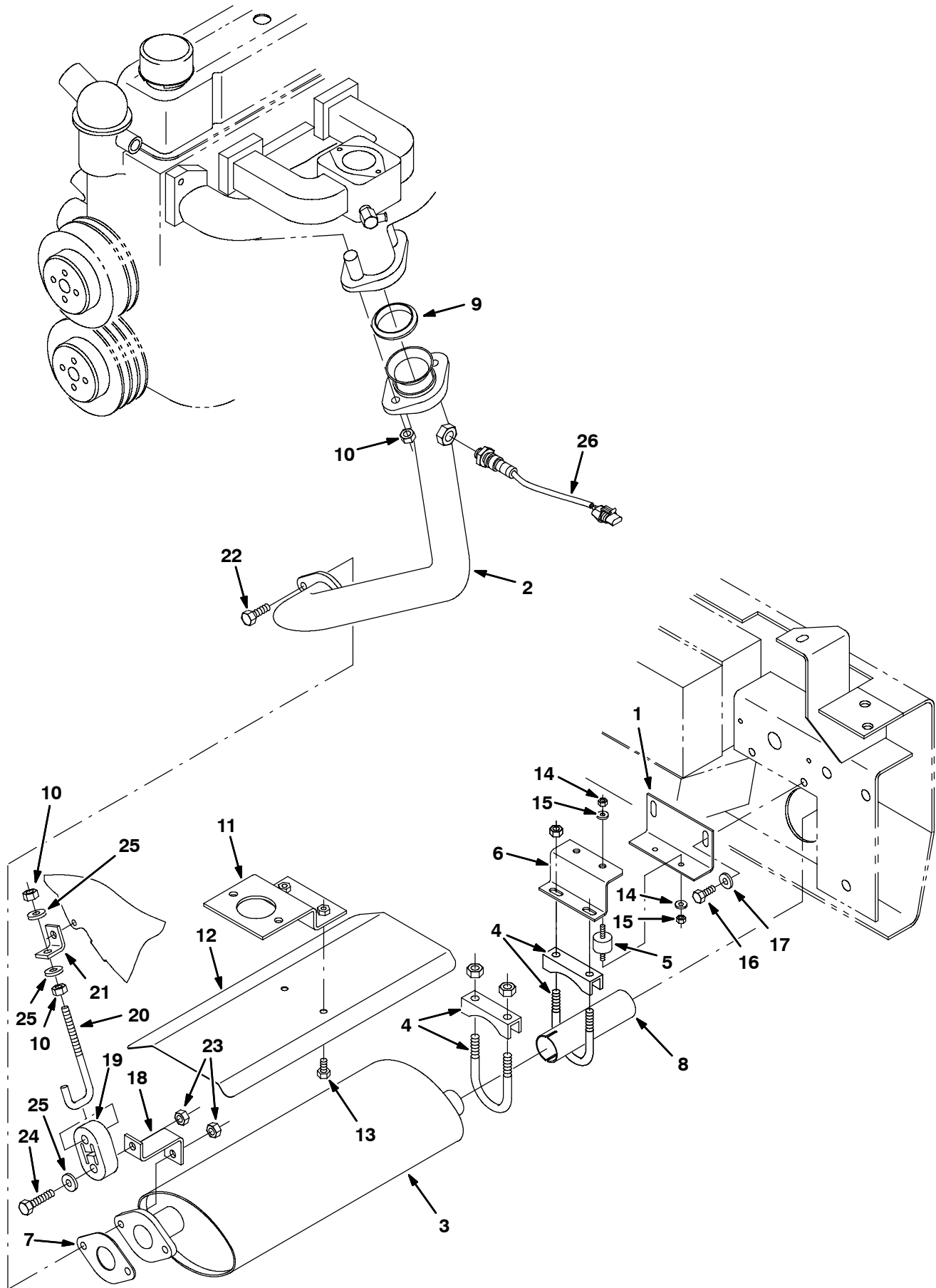


Fig. 46 - Engine Muffler Group, Catalytic (006000-006999)

| Ref. | Part No. | Serial Number | Description | Qty. |
|------|----------|------------------|---|------|
| 1 | 21138 | (006000-006999) | Bracket, Tail Pipe | 1 |
| 2 | 1011944 | (006000-006999) | Tube, Exhaust, 2.0d [Gm3.0] [800/810] | 1 |
| 3 | 1011259 | (006000-006999) | Muffler, Catalytic [Gm 1.6/3.0] | 1 |
| 4 | 24012 | (006000-006999) | Clamp, Muffler, 1.62d | 2 |
| 5 | 1013588 | (006000-006999) | Isolator, Vib, Ring, 1.0d .25-20/.25-20 | 2 |
| 6 | 1012012 | (006000-006999) | Bracket, Tailpipe | 1 |
| 7 | 1011216 | (006000-006999) | Gasket, Exhaust, 2 Hole, 3.4bc | 1 |
| 8 | 1011959 | (006000-006999) | Tube, Exhaust, Rear | 1 |
| 9 | 371573 | (006000-006999) | Gasket | 1 |
| 10 | 25014 | (006000-006999) | Nut, Hex, Std, .38-16 | 4 |
| 11 | 1012990 | (006000-006999) | Bracket, Mtg, Heat Shield | 1 |
| 12 | 1012999 | (006000-006999) | Shield, Heat | 1 |
| 13 | 16735 | (006000-006999) | Screw, Hex, M8 X 1.25 X 16, 8.8 | 2 |
| 14 | 19312 | (006000-006999) | Nut, Hex, Std, .25-20 | 4 |
| 15 | 32982 | (006000-006999) | Washer, Lock, Int, 0.25 | 4 |
| 16 | 16931 | (006000-006999) | Screw, Hex, M8 X 1.25 X 20, 8.8 | 2 |
| 17 | 32491 | (006000-006999) | Washer, Flat, 0.31 Std | 2 |
| 18 | 1013116 | (006000-006999) | Bracket, Isolator | 1 |
| 19 | 1013031 | (006000-006999) | Isolator, Rubber | 1 |
| 20 | 1013117 | (006000-006999) | Rod, Hanger, Isolator | 1 |
| 21 | 1013113 | (006000-006999) | Bracket, Mtg, Isolator | 1 |
| 22 | 03192 | (006000-006999) | Screw, Hex, M10 X 1.5 X 30, 8.8 | 2 |
| 23 | 08166 | (006000-006999) | Nut, Hex, Stover, M10 X 1.5 | 3 |
| 24 | 06962 | (006000-006999) | Screw, Hex, M10 X 1.5 X 45, 8.8 | 1 |
| 25 | 32492 | (006000-006999) | Washer, Flat, 0.38 Std | 3 |
| 26 | 372491 | (006000-006999) | Sensor, Oxygen | 1 |

Fig. 47 - Engine Muffler Group, Catalytic (007000-)

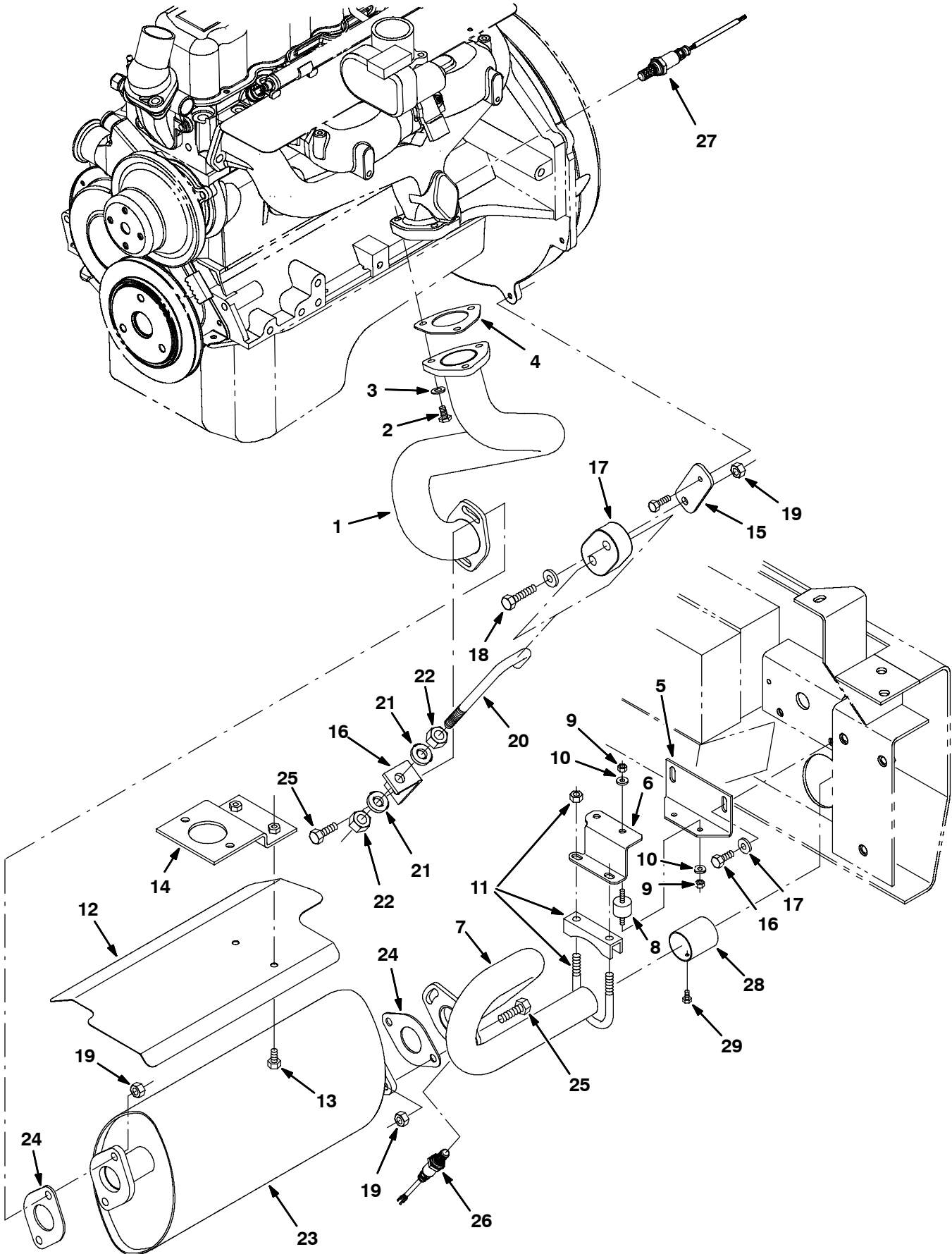


Fig. 47 - Engine Muffler Group, Catalytic (007000-)

| Ref. | Part No. | Serial Number | Description | Qty. |
|------|----------|---------------|---|------|
| 1 | 1032083 | (007000- |) Tube, Exhaust, Lower, [800/810, 2007] | 1 |
| 2 | 76570 | (007000- |) Screw, Hex, M8 X 1.25 X 30, 8.8 | 3 |
| 3 | 32491 | (007000- |) Washer, Flat, 0.31, Std | 5 |
| 4 | 1033739 | (007000- |) Gasket, Flng, Exhaust | 1 |
| 5 | 1030502 | (007000- |) Bracket, Tailpipe [800/810 2007] | 1 |
| 6 | 1030501 | (007000- |) Bracket, Tailpipe [800/810 2007] | 1 |
| 7 | 1029996 | (007000- |) Tube, Exhaust, Rear [Gm3.0l 800/810 07] | 1 |
| 8 | 82661 | (007000- |) Isolator, Vib, Ring, 1.0d .25-20/.25-20 | 2 |
| 9 | 19312 | (007000- |) Nut, Hex, Std, .25-20 | 4 |
| 10 | 32982 | (007000- |) Washer, Lock, Int, 0.25 | 4 |
| 11 | 24012 | (007000- |) Clamp, Muffler, 1.62d | 1 |
| 12 | 1028836 | (007000- |) Shield, Heat | 1 |
| 13 | 16931 | (007000- |) Screw, Hex, M8 X 1.25 X 20, 8.8 | 4 |
| 14 | 1028835 | (007000- |) Bracket, Mtg, Heat Shield | 1 |
| 15 | 1030122 | (007000- |) Link, 0.18, 1.5w 03.6l, 1/0.4h 1/0.3h | 1 |
| 16 | 1030134 | (007000- |) Bracket, Mtg, Isolator [800/810 07] | 1 |
| 17 | 1013031 | (007000- |) Isolator, Rbr | 1 |
| 18 | 06962 | (007000- |) Screw, Hex, M10 X 1.5 X 45, 8.8 | 1 |
| 19 | 08166 | (007000- |) Nut, Hex, M10 X 1.50 [Stover] | 5 |
| 20 | 1032142 | (007000- |) Rod, Hanger, Isolator | 1 |
| 21 | 32492 | (007000- |) Washer, Flat, 0.38, Std | 2 |
| 22 | 25014 | (007000- |) Nut, Hex, Std, .38-16 | 2 |
| 23 | 1030533 | (007000- |) Muffler, Catalytic [Gm 3.0l 2007] | 1 |
| 24 | 1011216 | (007000- |) Gasket, Exhaust, 2hole, 3.4bc | 2 |
| 25 | 39284 | (007000- |) Screw, Hex, M10 X 1.5 X 35, 8.8 | 4 |
| 26 | 1028558 | (007000- |) Sensor, Exhaust, Tailpipe | 1 |
| 27 | 1028559 | (007000- |) Sensor, Oxygen [Gm 1.6l/3.0l 2007] | 1 |
| 28 | 1038293 | (007000- |) Tube, Tailpipe | 1 |
| 29 | 01706 | (007000- |) Screw, Hex, #08-32 X 0.38, Tcut | 1 |

Fig. 48 - Engine Fuel Tank Group, Gas (004000-004936)

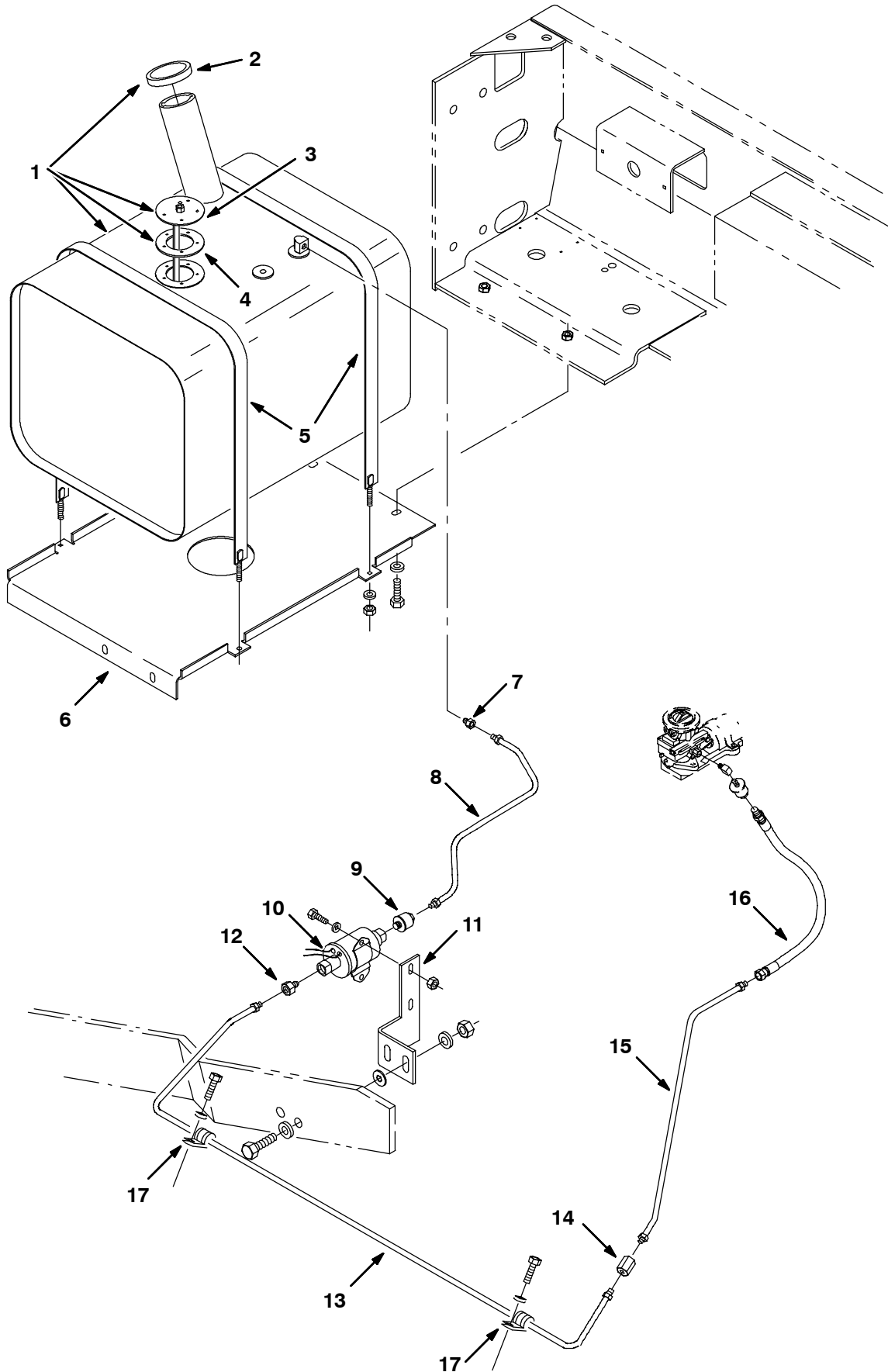


Fig. 48 - Engine Fuel Tank Group, Gas (004000-004936)

| | Ref. | Part No. | Serial Number | Description | Qty. |
|---|------|----------|------------------|--------------------------------|------|
| ▽ | 1 | 76907 | (004000-004936) | Tank, Fuel | 1 |
| ▲ | 2 | 48267 | (004000-004936) | Cap, Fuel | 1 |
| ▲ | 3 | 21731 | (004000-004936) | Send Unit | 1 |
| ▲ | 4 | 21732 | (004000-004936) | Gasket, 2.7D 1.5B.12T 5/ 2.1Bc | 1 |
| | 5 | 87396 | (004000-004936) | Strap Weldmt, Gas Tank | 2 |
| | 6 | 70477 | (004000-004936) | Plate, Mounting, Tank, Gas | 1 |
| | 7 | 78043 | (004000-004936) | Fitting-Brs Str | 1 |
| | 8 | 77558 | (004000-004936) | Fuelline, .312 Od | 1 |
| | 9 | 36050 | (004000-004936) | Filter, Fuel | 1 |
| | 10 | 59015 | (004000-004936) | Pump, Fuel | 1 |
| | 11 | 75854 | (004000-004936) | Bracket, Pump, Fuel | 1 |
| | 12 | 40585 | (004000-004936) | Ftg-Brs Str If05/Pm02 | 1 |
| | 13 | 83644 | (004000-004936) | Fuelline, .312 Od | 1 |
| | 14 | 25610 | (004000-004936) | Ftg-Brs If05/If05 | 1 |
| | 15 | 83643 | (004000-004936) | Tube Assy, Fuel .31Od | 1 |
| | 16 | 70173 | (004000-004936) | Hose, Fuelline, 10.0L | 1 |
| | 17 | 76736 | (004000-004936) | Clamp-Cable, 0.38Dia 0.62Wth | 2 |

Fig. 49 - Engine Fuel Tank Group, Gas (004937-005999)

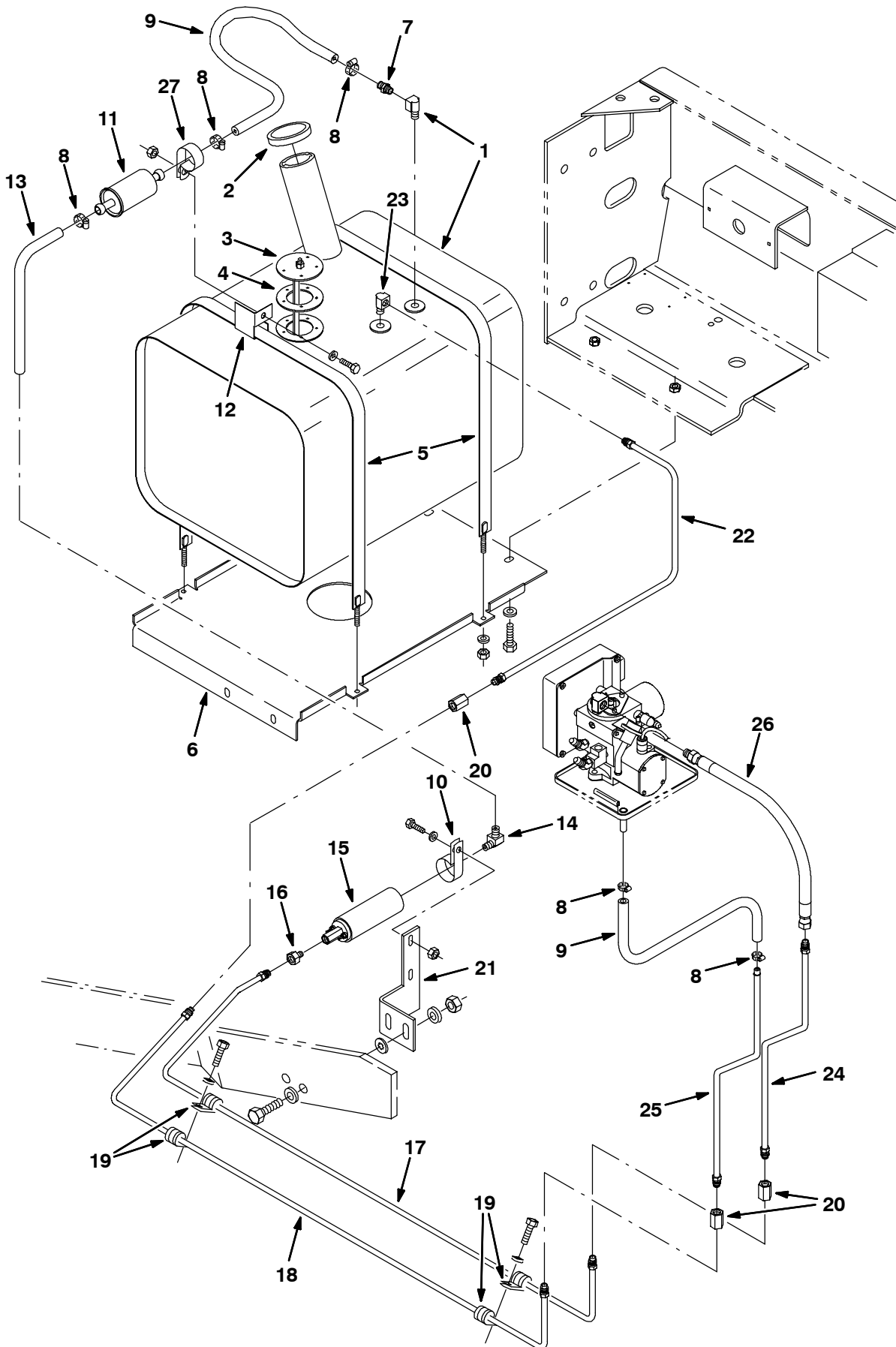


Fig. 49 - Engine Fuel Tank Group, Gas (004937-005999)

| Ref. | Part No. | Serial Number | Description | Qty. |
|------|----------|---------------|--|------|
| ▽ | 1 | 76907 | (004937-005999) Tank, Fuel, 14 Gas 14.7 13.0 19.0l | 1 |
| ▲ | 2 | 48267 | (004937-005999) Cap, Tank, Fuel, 2.3neck 2.6d | 1 |
| ▲ | 3 | 21731 | (004937-005999) Send-Unit | 1 |
| ▲ | 4 | 21732 | (004937-005999) Gasket, Send-Unit | 1 |
| | 5 | 87396 | (004937-005999) Strap Wldt, Tank, .06th X 1.0w, 37.7l | 2 |
| | 6 | 70477 | (004937-005999) Plate, Mtg, Tank, Gas | 1 |
| | 7 | 392629 | (004937-005999) Fitting, Brs, Str, Bm05/Pm04 | 1 |
| | 8 | 43844 | (004937-005999) Clamp, Hose, Wormdrive, 0.25-0.62d | 5 |
| | 9 | 82509 | (004937-005999) Hose, Fuel, 0.31id 11.0l | 2 |
| | 10 | 86328 | (004937-005999) Clamp, Cable, Stl, 1.50d X 0.75w, 1h | 1 |
| | 11 | 371662 | (004937-005999) Filter, Fuel | 1 |
| | 12 | 70767 | (004937-005999) Bracket, Mtg, Fuelline | 1 |
| | 13 | 82510 | (004937-005999) Hose, Fuel, 0.31id 14.0l | 1 |
| | 14 | 53029 | (004937-005999) Fitting, Brs, E90, Em05/Pm02 | 1 |
| | 15 | 371661 | (004937-005999) Pump, Fuel, Gas | 1 |
| | 16 | 40585 | (004937-005999) Fitting, Brs, Str, lf05/Pm02 | 1 |
| | 17 | 392594 | (004937-005999) Fuelline, .31d 05if/05if | 2 |
| | 18 | 392593 | (004937-005999) Fuelline, .31d 05if/05f | 1 |
| | 19 | 76736 | (004937-005999) Clamp, Cable, Stl, 0.38d X 0.62w, 1h | 4 |
| | 20 | 25610 | (004937-005999) Fitting, Brs, Str, lf05/lf05 | 3 |
| | 21 | 75854 | (004937-005999) Bracket, Pump, Fuel | 1 |
| | 22 | 392597 | (004937-005999) Fuelline, .31d 05if/05if | 1 |
| | 23 | 15555-1 | (004937-005999) Fitting, Brs, E90, lf05/Pm02 | 1 |
| | 24 | 393200 | (004937-005999) Fuelline, .31d 05if/05if | 1 |
| | 25 | 392649 | (004937-005999) Fuelline, .31d 05if/Bea | 1 |
| | 26 | 70173 | (004937-005999) Hose, 0050, 04, lm05str /lf05str , 10.0 | 1 |
| | 27 | 41016 | (004937-005999) Clamp, Cable, Stl, 2.25d X 1.0w, 1h | 1 |

STANDARD PARTS

Fig. 50 - Engine Fuel Tank Group, Gas (006000-006999)

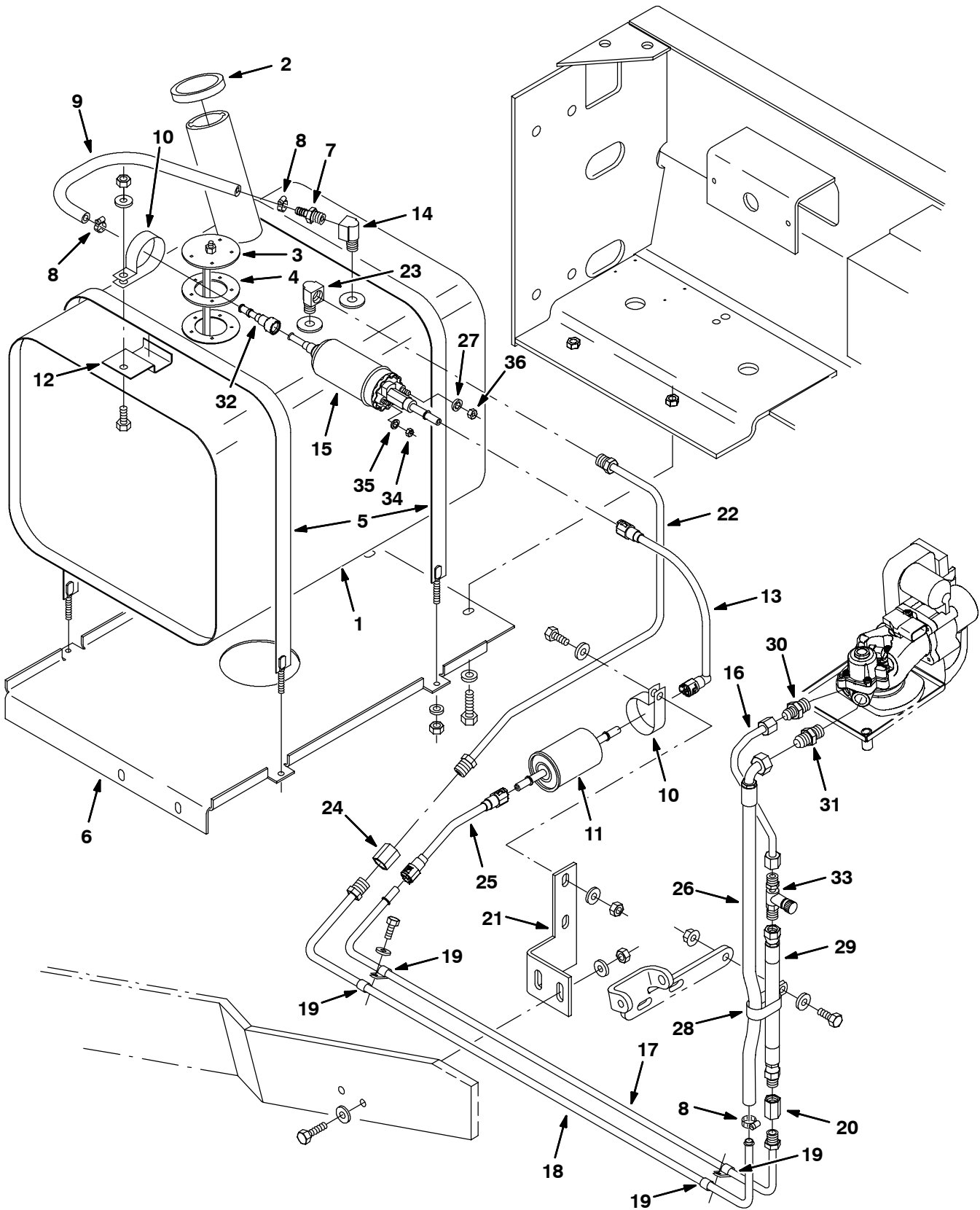


Fig. 50 - Engine Fuel Tank Group, Gas (006000-006999)

| Ref. | Part No. | Serial Number | Description | Qty. |
|------|----------|---------------|--|------|
| ▽ | 1 | 1012110 | (006000-006999) Tank, Fuel, 14 Gas 14.7 13.0 19.0 | 1 |
| ▲ | 2 | 48267 | (006000-006999) Cap, Tank, Fuel, 2.3neck 2.6d | 1 |
| ▲ | 3 | 21731 | (006000-006999) Send-Unit, Fuel, Ohm | 1 |
| ▲ | 4 | 21732 | (006000-006999) Gasket, Sender, Fuel | 1 |
| | 5 | 87396 | (006000-006999) Strap Wldt, Tank, .06th X 1.0w, 37.7l | 2 |
| | 6 | 70477 | (006000-006999) Plate, Mtg, Tank, Gas | 1 |
| | 7 | 392629 | (006000-006999) Fitting, Brs, Str, Pm04/Bm05 | 1 |
| | 8 | 43844 | (006000-006999) Clamp, Hose, Wormdrive, 0.25-0.62d | 3 |
| | 9 | 83591 | (006000-006999) Hose, Fuel, 0.31id 16.0l | 1 |
| | 10 | 1011895 | (006000-006999) Clamp, Cable, Stl, 2.00d X 0.75w, 1h | 2 |
| | 11 | 372440 | (006000-006999) Fuel, Fltr [Gm 1.6l/3.0l] | 1 |
| | 12 | 1008988 | (006000-006999) Bracket, Fltr, Fuel | 1 |
| | 13 | 1012250 | (006000-006999) Fuelline, .31d Str/E90, Plstc | 1 |
| | 14 | 27048 | (006000-006999) Fitting, Brs, E90, Pm04/Pf04 | 1 |
| | 15 | 1011107 | (006000-006999) Pump, Fuel, Hi-Press [Gm 1.6l/3.0l] | 1 |
| | 16 | 1012469 | (006000-006999) Fuelline, .31d 05if/05jf Stl | 1 |
| | 17 | 1011943 | (006000-006999) Fuelline, .31d 05if/Qm Stl | 2 |
| | 18 | 1011942 | (006000-006999) Fuelline, .38d 06if/Bea Stl | 1 |
| | 19 | 76736 | (006000-006999) Clamp, Cable, Stl, 0.38d X 0.62w, 1h | 4 |
| | 20 | 25610 | (006000-006999) Fitting, Brs, Str, lf05/lf05 | 1 |
| | 21 | 1012018 | (006000-006999) Bracket, Pump, Fuel | 1 |
| | 22 | 1011941 | (006000-006999) Fuelline, .38d 06if/06if Stl | 1 |
| | 23 | 54140 | (006000-006999) Fitting, Brs, E90, lf06/Pm04 | 1 |
| | 24 | 392598 | (006000-006999) Fitting, Brs, Str, lf06/lf06 | 1 |
| | 25 | 1012248 | (006000-006999) Fuelline, .31d Str/Str, Plstc | 1 |
| | 26 | 1013030 | (006000-006999) Hose, Fuel, Jf06e90, 20.3l | 1 |
| | 27 | 32980 | (006000-006999) Washer, Lock, Int, #10 | 1 |
| | 28 | 09570 | (006000-006999) Clamp, Cable, Stl, 0.9x1.8x0.62w, 1h | 1 |
| | 29 | 70173 | (006000-006999) Hose, 0050, 04, lm05str /lf05str , 10.0 | 1 |
| | 30 | 1012677 | (006000-006999) Fitting, Hyd, Str, Jm05/Om06 | 1 |
| | 31 | 56690 | (006000-006999) Fitting, Hyd, Str, Jm06/Om06 | 1 |
| | 32 | 1013086 | (006000-006999) Connector, Fuel, Qf | 1 |
| | 33 | 1014595 | (006000-006999) Adaptor, Fuelline | 1 |
| | 34 | 42368 | (006000-006999) Nut, Hex, Std, M4 X 0.7, 8 | 1 |
| | 35 | 32978 | (006000-006999) Washer, Lock, Int, #08 | 1 |
| | 36 | 50335 | (006000-006999) Nut, Hex, Std, M5 X 0.8, 8 | 1 |

STANDARD PARTS

Fig. 51 - Engine Fuel Tank Group, Gas (007000-)

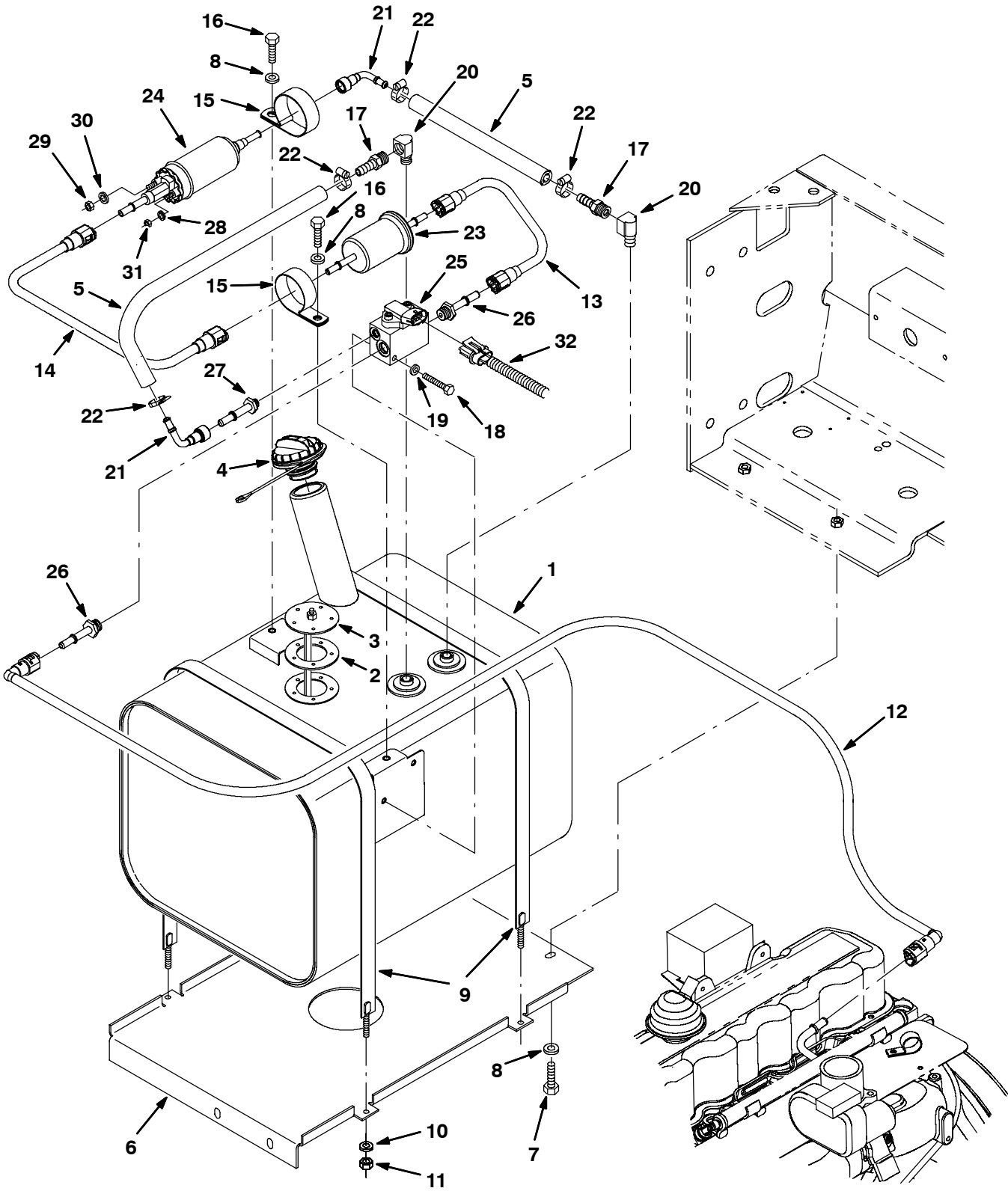


Fig. 51 - Engine Fuel Tank Group, Gas (007000-)

| Ref. | Part No. | Serial Number | Description | Qty. |
|------|----------|---------------|---|------|
| ▽ | 1 | 1029502 | (007000-) Tank, Fuel, 14.0gal, 14.66w 13.0hi 19.0l | 1 |
| ▲ | 2 | 1033897 | (007000-) Gasket, Sender, Fuel | 1 |
| ▲ | 3 | 1033899 | (007000-) Send-Unit, Fuel [800/810 2007] | 1 |
| ▲ | 4 | 1032812 | (007000-) Cap, Fuel, Tank | 1 |
| | 5 | 1033746 | (007000-) Hose, Fuel, 0.31id [Evap Emission 07] | 2 |
| | 6 | 70477 | (007000-) Plate, Mtg, Tank, Gas | 1 |
| | 7 | 16931 | (007000-) Screw, Hex, M8 X 1.25 X 20, 8.8 | 4 |
| | 8 | 32491 | (007000-) Washer, Flat, 0.31, Std | 6 |
| | 9 | 87396 | (007000-) Strap Wldt, Tank, 0.06 1.0w 37.7l | 2 |
| | 10 | 32483 | (007000-) Washer, Flat, 0.25, Sae | 4 |
| | 11 | 32981 | (007000-) Nut, Hex, Lock, .25-20, NI | 4 |
| | 12 | 1030485 | (007000-) Fuelline, .31d E90, 05/06, Plstc | 1 |
| | 13 | 1013509 | (007000-) Fuelline, .31d Str/Str, Plstc [8200] | 1 |
| | 14 | 1034676 | (007000-) Fuelline, .31d Str/Str,Plstc[M20/T20 07] | 1 |
| | 15 | 1011895 | (007000-) Clamp, Cable, Stl, 2.00d X 0.75w, 1hole | 1 |
| | 16 | 16931 | (007000-) Screw, Hex, M8 X 1.25 X 20, 8.8 | 1 |
| | 17 | 392629 | (007000-) Fitting, Brs, Str, Bm05/Pm04 | 2 |
| | 18 | 06949 | (007000-) Screw, Hex, M6 X 1.0 X 50, 8.8 | 2 |
| | 19 | 32490 | (007000-) Washer, Flat, 0.25, Std | 2 |
| | 20 | 9000355 | (007000-) Fitting, Brs, E90, Em05/Pm04 | 2 |
| | 21 | 1019939 | (007000-) Connector, Fuel, E90, Qf | 1 |
| | 22 | 43844 | (007000-) Clamp, Hose, Wormdrive, 0.25-0.62d, .31w | 4 |
| | 23 | 372440 | (007000-) Filter, Fuel [Gm 1.6l/3.0l] | 1 |
| | 24 | 1011107 | (007000-) Pump, Fuel, Hi Press [Gm 1.6l/3.0l] | 1 |
| | 25 | 1028924 | (007000-) Manifold, Gas, Relief, Valve | 1 |
| | 26 | 1029293 | (007000-) Fitting, Fuel, Str, 0.56-18 [07 Eng] | 2 |
| | 27 | 1029295 | (007000-) Fitting, Fuel, Str, 0.38-24 [07 Eng] | 1 |
| | 28 | 32980 | (007000-) Washer, Lock, Int, #10 | 1 |
| | 29 | 42368 | (007000-) Nut, Hex, Std, M4 X 0.70, 8 | 1 |
| | 30 | 32978 | (007000-) Washer, Lock, Int, #08 | 1 |
| | 31 | 50335 | (007000-) Nut, Hex, Std, M5 X 0.80, 8 | 1 |
| | 32 | 385009 | (007000-) Harness, Eng | 1 |

STANDARD PARTS

Fig. 52 - Engine Fuel Tank Group, LPG (004000-004936)

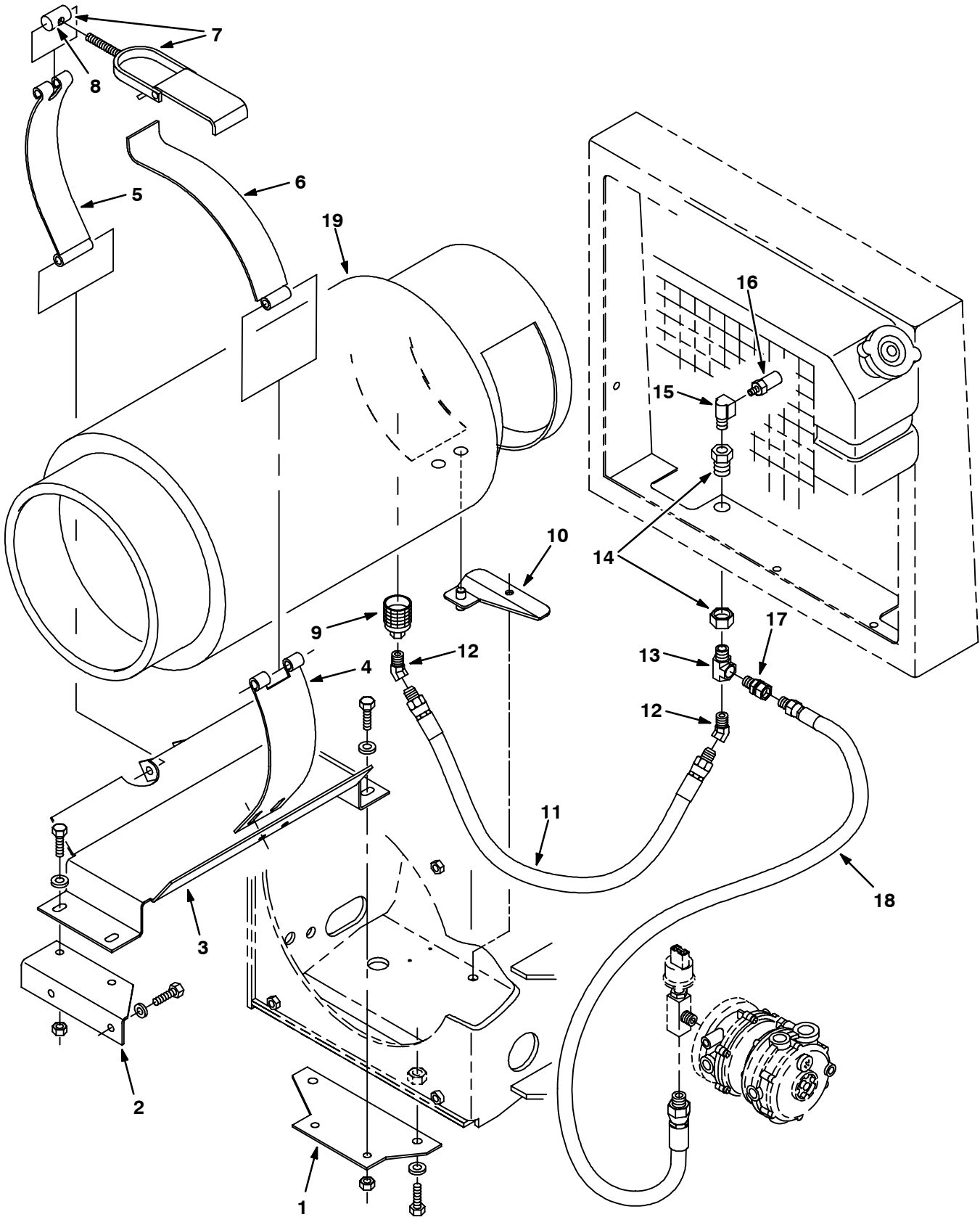


Fig. 52 - Engine Fuel Tank Group, LPG (004000-004936)

| Ref. | Part No. | Serial Number | Description | Qty. | |
|------|----------|------------------|-------------------------------|--------------------------------|---|
| 1 | 70718 | (004000-004936) | Plate, Mtg | 1 | |
| 2 | 70719 | (004000-004936) | Angle, Mtg | 1 | |
| 3 | 70435 | (004000-004936) | Bracket Wldt, Tank, Lpg | 1 | |
| 4 | 58589 | (004000-004936) | Strap, Mtg.- Lp Tank | 1 | |
| 5 | 58590 | (004000-004936) | Strap, Tank Retainer - Lp | 1 | |
| 6 | 57297 | (004000-004936) | Strap, Hinge - Lp Tank Mtg | 1 | |
| ▽ | 7 | 53400-1 | (004000-004936) | Latch Assy, Lpg Tank Mtg,W/Nut | 1 |
| ▲ | 8 | 53400-4 | (004000-004936) | Nut, Adjustable, Lpg Tank Mtg | 1 |
| 9 | 26496 | (004000-004936) | Coupling,Quickdisc, Lpg, Shwd | 1 | |
| 10 | 74089 | (004000-004936) | Plate Wldt. | 1 | |
| 11 | 22308-3 | (004000-004936) | Hose, Lpg, 4Lpg X 35.0Lg | 1 | |
| 12 | 47720 | (004000-004936) | Ftg-Hyd E45 Pm04/Pf04 | 2 | |
| 13 | 56976A | (004000-004936) | Ftg-Tee Npt 04Pm- 04Pf- 04Pf | 1 | |
| 14 | 78122 | (004000-004936) | Ftg,Bulkhead .25Npt Wh W21204 | 1 | |
| 15 | 27048 | (004000-004936) | Ftg-El90 Npt/Npt 04Pf/04Pm | 1 | |
| 16 | 24047 | (004000-004936) | Valve, Press Relief, Lpg Rego | 1 | |
| 17 | 11442-23 | (004000-004936) | Ftg-Str Npt/Npt S04Pf-04Pm | 1 | |
| 18 | 374158 | (004000-004936) | Hose, Lpg, 4Lpg X 40.0Lg | 1 | |
| 19 | 24928-1 | (004000-004936) | Tank-Lp, 33#,Liq,Both,Fill Ga | 1 | |

Fig. 53 - Engine Fuel Tank Group, LPG (004937-005999)

| Ref. | Part No. | Serial Number | Description | Qty. | |
|------|----------|------------------|--|------------------------------------|---|
| 1 | 70718 | (004937-005999) | Plate, Mtg | 1 | |
| 2 | 70719 | (004937-005999) | Angle, Mtg | 1 | |
| 3 | 70435 | (004937-005999) | Bracket Wldt, Tank, Lpg | 1 | |
| 4 | 58589 | (004937-005999) | Strap, Mtg.- Lp Tank | 1 | |
| 5 | 58590 | (004937-005999) | Strap, Tank Retainer - Lp | 1 | |
| 6 | 57297 | (004937-005999) | Strap, Hinge - Lp Tank Mtg | 1 | |
| ▽ | 7 | 53400-1 | (004937-005999) | Latch Assy, Lpg Tank Mtg,W/Nut | 1 |
| ▲ | 8 | 53400-4 | (004937-005999) | Nut, Adjustable, Lpg Tank Mtg | 1 |
| 9 | 26496 | (004937-005999) | Coupling,Quickdisc, Lpg, Shwd | 1 | |
| 10 | 74089 | (004937-005999) | Plate Wldt. | 1 | |
| 11 | 22308-3 | (004937-005999) | Hose, Lpg, 4Lpg X 35.0Lg | 1 | |
| 12 | 47720 | (004937-005999) | Ftg-Hyd E45 Pm04/Pf04 | 2 | |
| 13 | 56976A | (004937-005999) | Ftg-Tee Npt 04Pm- 04Pf- 04Pf | 2 | |
| 14 | 78122 | (004937-005999) | Ftg,Bulkhead .25Npt Wh W21204 | 1 | |
| 15 | 27048 | (004937-005999) | Ftg-El90 Npt/Npt 04Pf/04Pm | 1 | |
| 16 | 24047 | (004937-005999) | Valve, Press Relief, Lpg Rego | 1 | |
| 17 | 11442-23 | (004937-005999) | Ftg-Str Npt/Npt S04Pf-04Pm | 1 | |
| 18 | 22324 | (004937-005999) | Hose, Lpg, Med05, Pm04str/Sm04str, 31.0l | 1 | |
| 19 | 11442-1 | (004937-005999) | Fitting, Hyd, E90, Swivel Pf04/Pm04 | 1 | |
| ▽ | 20 | 53395-2 | (004937-005999) | Filter, Fuelock, [Ballwin#4-2384b] | 1 |
| ▲ | 48282 | (004937-005999) | Kit, Repair, Fuelock, Mv 310-6 | 1 | |
| 21 | 12316 | (004937-005999) | Screw, Hex, M05 X 0.8 X 25, Ss | 2 | |
| 22 | 386063 | (004937-005999) | Washer, 0.25b 1.12d .12, Ss | 2 | |
| 23 | 47720 | (004937-005999) | Fitting, Hyd, E45, Pm04/Pf04 | 2 | |
| 24 | 62865 | (004937-005999) | Hose, Lpg, Med05, Pm04str/Sm04str, 67.0l | 1 | |
| 25 | 50335 | (004937-005999) | Nut, Hex, Std, M05 X 0.8 | 2 | |
| 26 | 17414 | (004937-005999) | Fitting, Pipe, Str, Pm04/Pf02 | 1 | |
| 27 | 23156 | (004937-005999) | Switch, Press, 12vdc 08a Spst Nc 0070psi | 1 | |
| 28 | 24928-1 | (004937-005999) | Tank-Lp, 33#,Liq,Both,Fill Ga | 1 | |

STANDARD PARTS

Fig. 54 - Engine Fuel Tank Group, LPG (006000-006999)

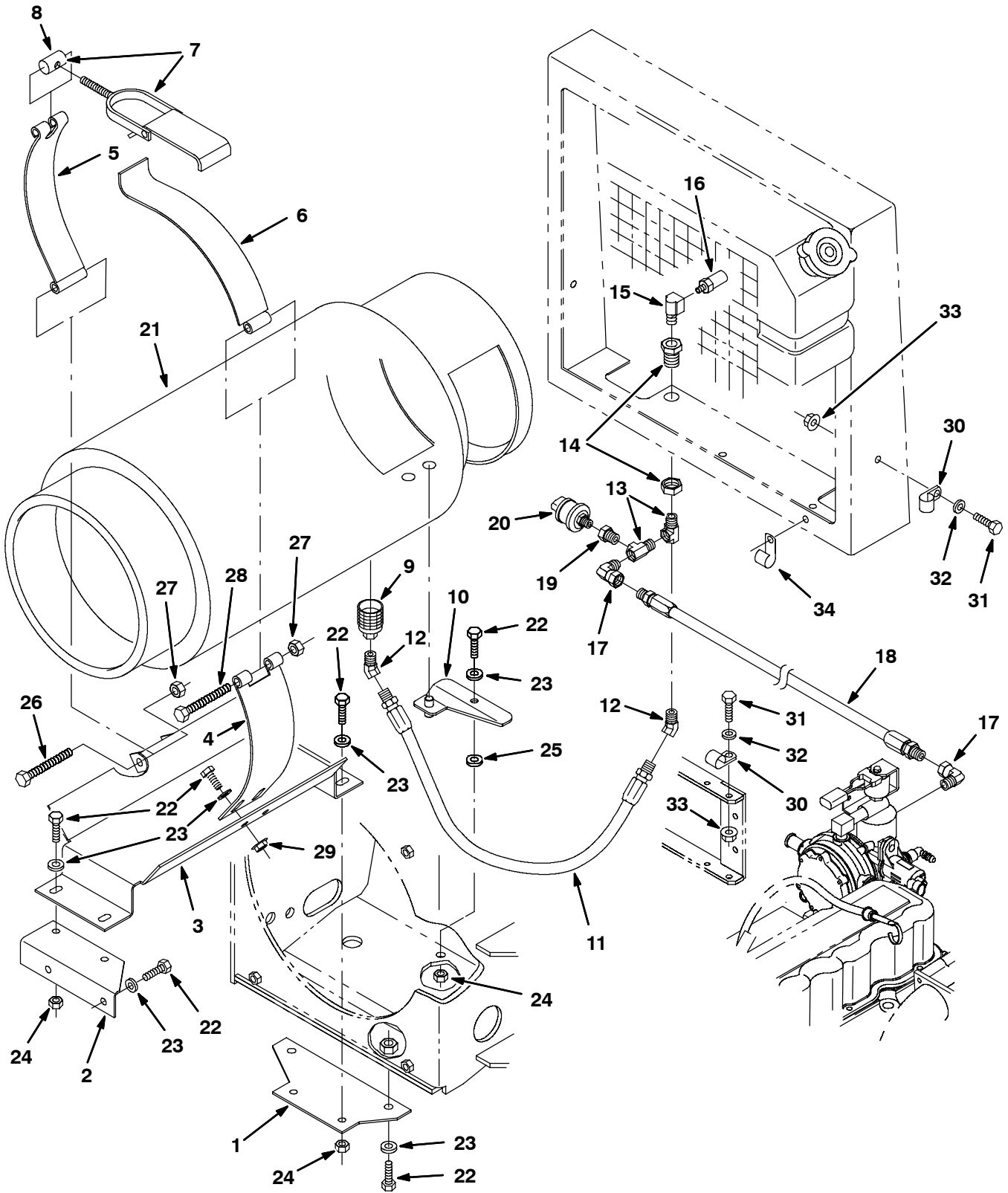


Fig. 54 - Engine Fuel Tank Group, LPG (006000-006999)

| Ref. | Part No. | Serial Number | Description | Qty. | |
|------|----------|------------------|--|--------------------------------|---|
| 1 | 70718 | (006000-006999) | Plate, Mtg | 1 | |
| 2 | 70719 | (006000-006999) | Angle, Mtg | 1 | |
| 3 | 70435 | (006000-006999) | Bracket Wldt, Tank, Lpg | 1 | |
| 4 | 58589 | (006000-006999) | Strap, Mtg.- Lp Tank | 1 | |
| 5 | 58590 | (006000-006999) | Strap, Tank Retainer - Lp | 1 | |
| 6 | 57297 | (006000-006999) | Strap, Hinge - Lp Tank Mtg | 1 | |
| ▽ | 7 | 53400-1 | (006000-006999) | Latch Assy, Lpg Tank Mtg,W/Nut | 1 |
| ▲ | 8 | 53400-4 | (006000-006999) | Nut, Adjustable, Lpg Tank Mtg | 1 |
| 9 | 26496 | (006000-006999) | Coupling,Quickdisc, Lpg, Shwd | 1 | |
| 10 | 74089 | (006000-006999) | Plate Wldt. | 1 | |
| 11 | 374158 | (006000-006999) | Hose, Lpg, Med05, Pm04str/Sm04str, 46.0l | 1 | |
| 12 | 47720 | (006000-006999) | Ftg-Hyd E45 Pm04/Pf04 | 2 | |
| 13 | 56976A | (006000-006999) | Ftg-Tee Npt 04Pm- 04Pf- 04Pf | 2 | |
| 14 | 78122 | (006000-006999) | Ftg,Bulkhead .25Npt Wh W21204 | 1 | |
| 15 | 27048 | (006000-006999) | Ftg-El90 Npt/Npt 04Pf/04Pm | 1 | |
| 16 | 24047 | (006000-006999) | Valve, Press Relief, Lpg Rego | 1 | |
| 17 | 11442-1 | (006000-006999) | Fitting, Hyd, E90, Swivel Pf04/Pm04 | 2 | |
| 18 | 22308-3 | (006000-006527) | Hose, Lpg, 4Lpg X 35.0Lg | 1 | |
| 18 | 19760 | (006528-006999) | Hose, Lpg, Med05, Pm04str/Sm04str, 055.0 | 1 | |
| 19 | 17414 | (006000-006999) | Fitting, Pipe, Str, Pm04/Pf02 | 1 | |
| 20 | 23156 | (006000-006999) | Switch, Press, 12vdc 08a Spst Nc 0070psi | 1 | |
| 21 | 24928-1 | (006000-006999) | Tank-Lp, 33#,Liq,Both,Fill Ga | 1 | |
| 22 | 16931 | (006000-006999) | Screw, Hex, M8 X 1.25 X 20, 8.8 | 11 | |
| 23 | 32491 | (006000-006999) | Washer, Flat, 0.31, Std | 11 | |
| 24 | 08709 | (006000-006999) | Nut, Hex, Lock, M8 X 1.25, NI | 7 | |
| 25 | 43611 | (006000-006999) | Washer, Flat, 0.39b 0.75d .06, Nyl | 1 | |
| 26 | 35707 | (006000-006999) | Screw, Hex, .38-16 X 3.00, G5 | 1 | |
| 27 | 50902 | (006000-006999) | Nut, Hex, Lock, .38-16, NI | 2 | |
| 28 | 20177 | (006000-006999) | Screw, Hex, .38-16 X 4.00, G5 | 1 | |
| 29 | 07791 | (006000-006999) | Nut, Hex, Flng, M8 X 1.25 | 2 | |
| 30 | 67767 | (006528-006999) | Clamp, Cable, Stl, 0.69d X 0.62w, 1hole | 2 | |
| 31 | 06942 | (006528-006999) | Screw, Hex, M6 X 1.0 X 16, 8.8 | 2 | |
| 32 | 19066 | (006528-006999) | Washer, Flat, #10 | 2 | |
| 33 | 07790 | (006528-006999) | Nut, Hex, Flng, M6 X 1.00 | 2 | |
| 34 | 30407 | (006528-006999) | Clip, Keeper, Open | 1 | |

STANDARD PARTS

Fig. 55 - Engine Fuel Tank Group, LPG (007000-)

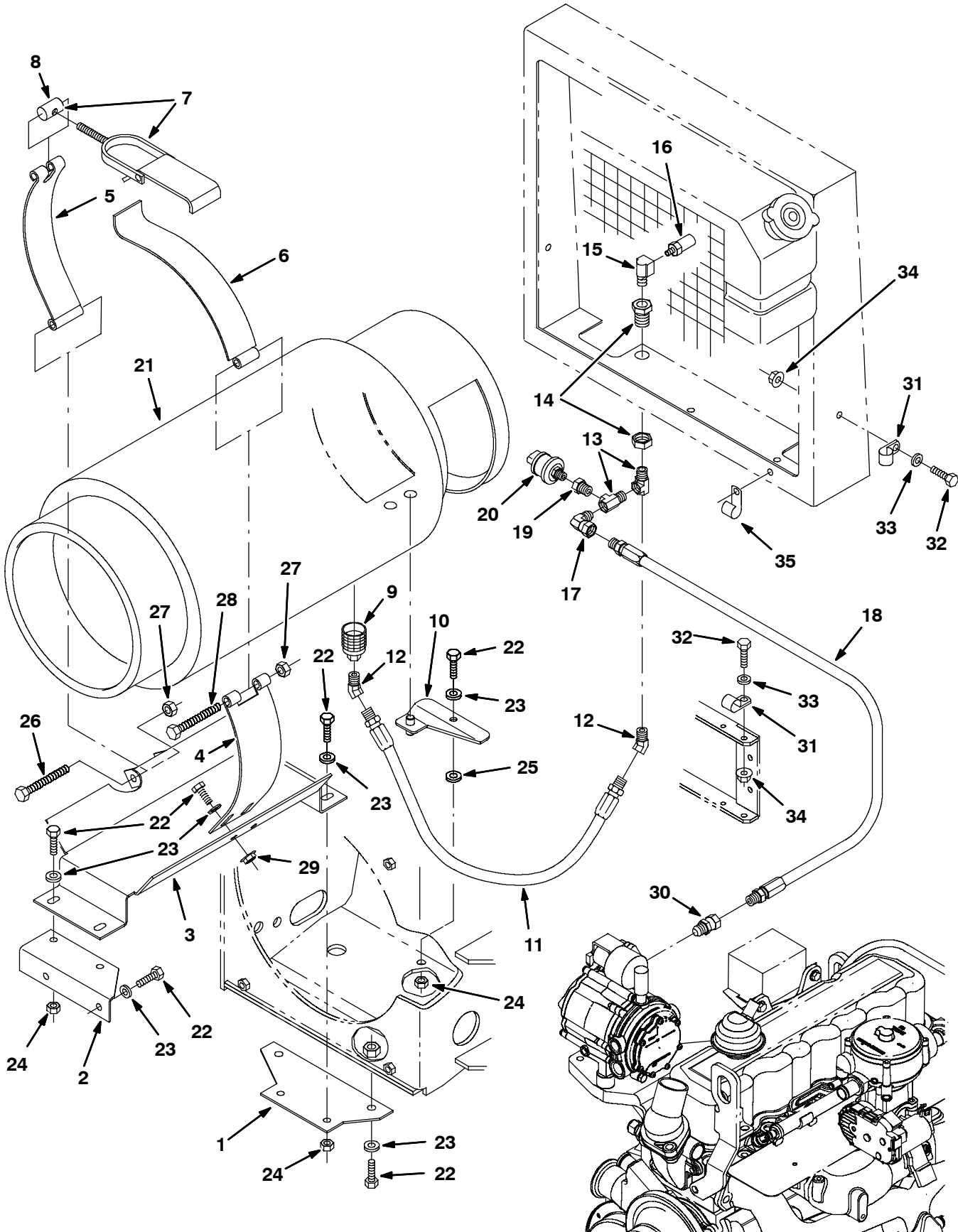


Fig. 55 - Engine Fuel Tank Group, LPG (007000-)

| Ref. | Part No. | Serial Number | Description | Qty. | |
|------|----------|---------------|--|----------------------------------|---|
| 1 | 70718 | (007000- |) Plate, Mtg | 1 | |
| 2 | 70719 | (007000- |) Angle, Mtg | 1 | |
| 3 | 70435 | (007000- |) Bracket Wldt, Tank, Lpg | 1 | |
| 4 | 58589 | (007000- |) Strap, Mtg.- Lp Tank | 1 | |
| 5 | 58590 | (007000- |) Strap, Tank Retainer - Lp | 1 | |
| 6 | 57297 | (007000- |) Strap, Hinge - Lp Tank Mtg | 1 | |
| ▽ | 7 | 53400-1 | (007000- |) Latch Assy, Lpg Tank Mtg,W/Nut | 1 |
| ▲ | 8 | 53400-4 | (007000- |) Nut, Adjustable, Lpg Tank Mtg | 1 |
| 9 | 26496 | (007000- |) Coupling,Quickdisc, Lpg, Shwd | 1 | |
| 10 | 74089 | (007000- |) Plate Wldt. | 1 | |
| 11 | 374158 | (007000- |) Hose, Lpg, Med05, Pm04str/Sm04str, 46.0l | 1 | |
| 12 | 47720 | (007000- |) Ftg-Hyd E45 Pm04/Pf04 | 2 | |
| 13 | 56976A | (007000- |) Ftg-Tee Npt 04Pm- 04Pf- 04Pf | 2 | |
| 14 | 78122 | (007000- |) Ftg,Bulkhead .25Npt Wh W21204 | 1 | |
| 15 | 27048 | (007000- |) Ftg-El90 Npt/Npt 04Pf/04Pm | 1 | |
| 16 | 24047 | (007000- |) Valve, Press Relief, Lpg Rego | 1 | |
| 17 | 11442-1 | (007000- |) Fitting, Hyd, E90, Swivel Pf04/Pm04 | 2 | |
| 18 | 62865 | (007000- |) Hose, Lpg, Med05, Pm04str/Sm04str, 067.0 | 1 | |
| 19 | 17414 | (007000- |) Fitting, Pipe, Str, Pm04/Pf02 | 1 | |
| 20 | 23156 | (007000- |) Switch, Press, 12vdc 08a Spst Nc 0070psi | 1 | |
| 21 | 24928-1 | (007000- |) Tank-Lp, 33#,Liq,Both,Fill Ga | 1 | |
| 22 | 16931 | (007000- |) Screw, Hex, M8 X 1.25 X 20, 8.8 | 9 | |
| 23 | 32491 | (007000- |) Washer, Flat, 0.31, Std | 9 | |
| 24 | 08709 | (007000- |) Nut, Hex, Lock, M8 X 1.25, NI | 7 | |
| 25 | 43611 | (007000- |) Washer, Flat, 0.39b 0.75d .06, Nyl | 1 | |
| 26 | 35707 | (007000- |) Screw, Hex, .38-16 X 3.00, G5 | 1 | |
| 27 | 50902 | (007000- |) Nut, Hex, Lock, .38-16, NI | 2 | |
| 28 | 20177 | (007000- |) Screw, Hex, .38-16 X 4.00, G5 | 1 | |
| 29 | 07791 | (007000- |) Nut, Hex, Flng, M8 X 1.25 | 2 | |
| 30 | 11442-23 | (007000- |) Fitting, Pipe, Str, Pm04/Sf04 | 1 | |
| 31 | 67767 | (007000- |) Clamp, Cable, Stl, 0.69d X 0.62w, 1hole | 2 | |
| 32 | 06942 | (007000- |) Screw, Hex, M6 X 1.0 X 16, 8.8 | 2 | |
| 33 | 19066 | (007000- |) Washer, Flat, #10 | 2 | |
| 34 | 07790 | (007000- |) Nut, Hex, Flng, M6 X 1.00 | 2 | |
| 35 | 30407 | (007000- |) Clip, Keeper, Open | 1 | |

Fig. 56 - Engine Radiator Hose Group (004000-004936)

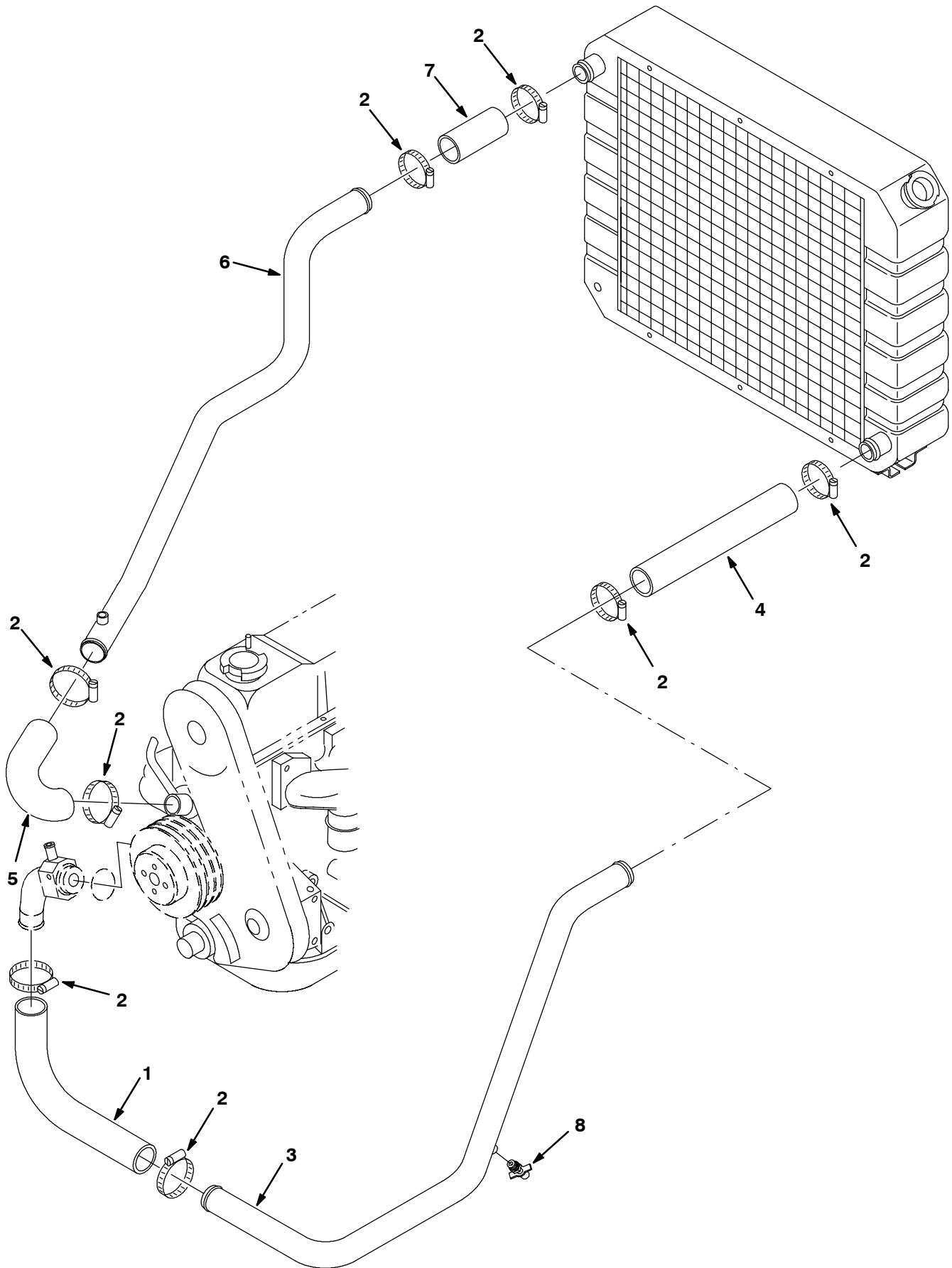


Fig. 56 - Engine Radiator Hose Group (004000-004936)

| Ref. | Part No. | Serial Number | Description | Qty. |
|------|----------|------------------|--------------------------------|------|
| 1 | 83690 | (004000-004936) | Hose, Radiator, Lower | 1 |
| 2 | 11531 | (004000-004936) | Clamp-Wormdrive, 1.06- 2.00D | 8 |
| 3 | 70754 | (004000-004936) | Tube, Coolant, 1.5od Lower | 1 |
| 4 | 70635 | (004000-004936) | Hose, Rbr 1.50id 1.88od 12.0 L | 1 |
| 5 | 70636 | (004000-004936) | Hose, Radiator, Upper | 1 |
| 6 | 83691 | (004000-004936) | Tube, Radiator, Upper, Gas/Lpg | 1 |
| 7 | 78750 | (004000-004936) | Hose, Rbr, 1.50id 1.88od 6.0 L | 1 |
| 8 | 54911-32 | (004000-004936) | Drain Cock, .25npt | 1 |

Fig. 57 - Engine Radiator Hose Group (004937-005999)

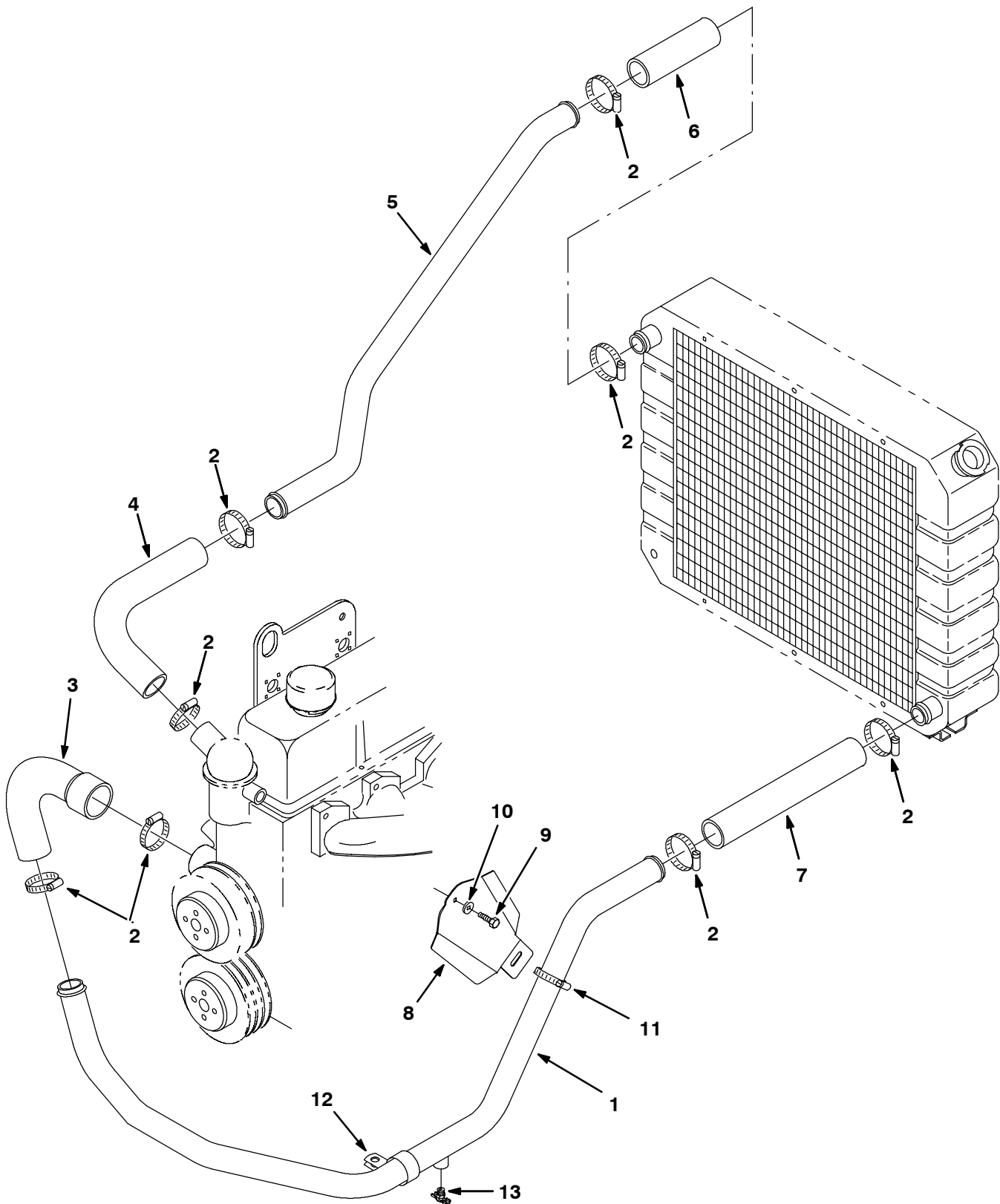


Fig. 57 - Engine Radiator Hose Group (004937-005999)

| Ref. | Part No. | Serial Number | Description | Qty. |
|------|----------|------------------|---|------|
| 1 | 392590 | (004937-005999) | Tube, Coolant, 1.5d W/.25npt Low, G/Lpg | 1 |
| 2 | 11531 | (004937-005999) | Clamp, Hose, Wormdrive, 1.06-2.00d | 8 |
| 3 | 393229 | (004937-005999) | Hose, Rbr, E120 1.50id 1.20id 06.4 2.7 | 1 |
| 4 | 83690 | (004937-005999) | Hose, Rbr, E90 1.50id 1.50id 09.4 6.3 | 1 |
| 5 | 392591 | (004937-005999) | Tube, Coolant, 1.5d Upper, Gas/Lpg | 1 |
| 6 | 78750 | (004937-005999) | Hose, Rbr, 1.50id 1.88od 12.0l | 1 |
| 7 | 74944 | (004937-005999) | Hose, Rbr, 1.50id 1.88od 06.0l | 1 |
| 8 | 393216 | (004937-005999) | Plate, Shield, Heat, W/Label | 1 |
| 9 | 54396 | (004937-005999) | Screw, Hex, .31-18 X 0.75, 5 | 1 |
| 10 | 32491 | (004937-005999) | Washer, Flat, .31 Std | 1 |
| 11 | 79381 | (004937-005999) | Clamp, Hose, Wormdrive, 1.25-2.00d | 1 |
| 12 | 53468 | (004937-005999) | Clamp, Cable, Stl, 1.75d X 1.00w, 1h | 1 |
| 13 | 54911-32 | (004937-005999) | Fitting, Draincock, .25npt | 1 |

Fig. 58 - Engine Radiator Hose Group (006000-006999)

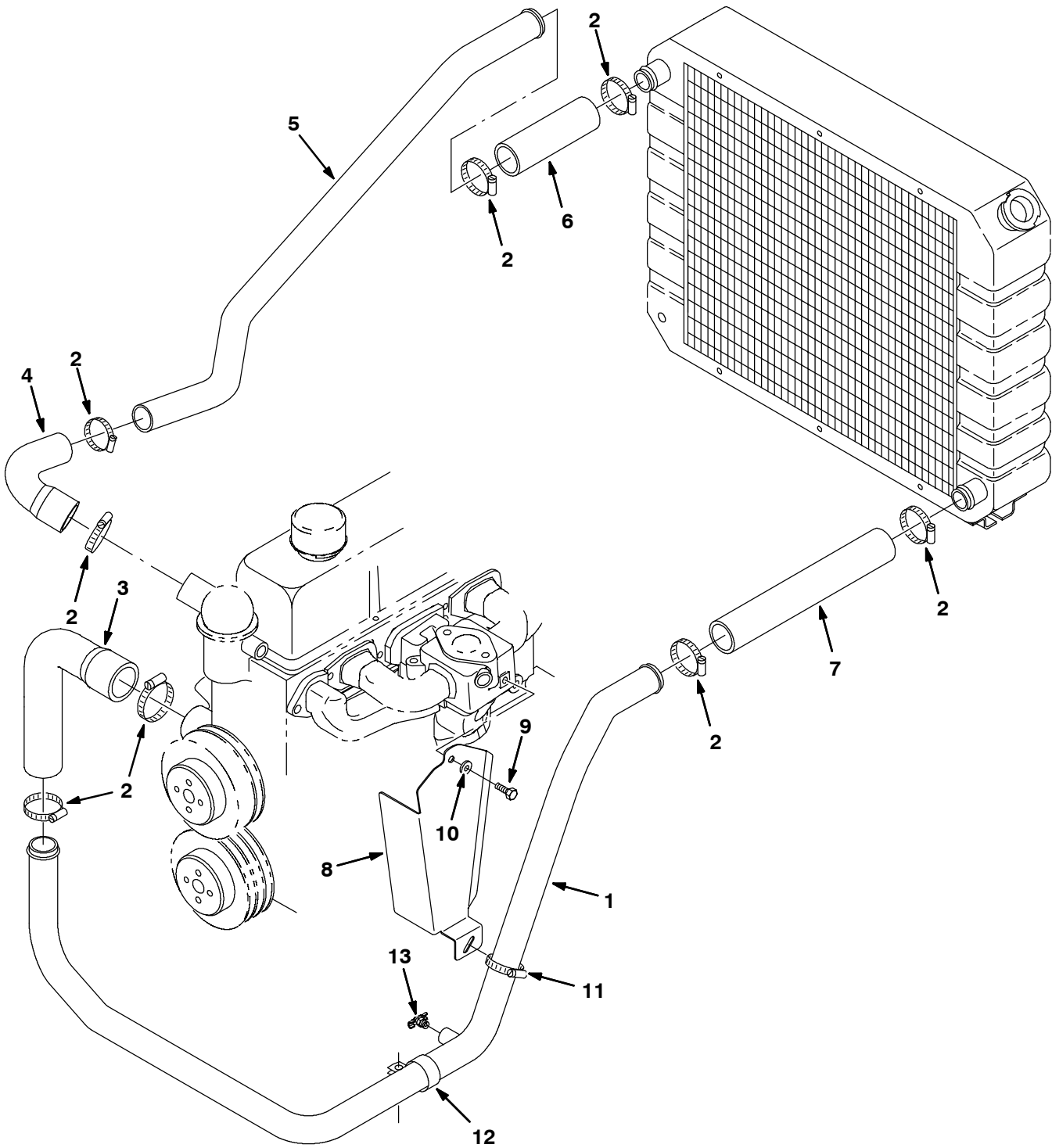


Fig. 58 - Engine Radiator Hose Group (006000-006999)

| Ref. | Part No. | Serial Number | Description | Qty. |
|------|----------|------------------|---|------|
| 1 | 392590 | (006000-006999) | Tube, Coolant, 1.5d W/.25npt Low, G/Lpg | 1 |
| 2 | 11531 | (006000-006999) | Clamp, Hose, Wormdrive, 1.06-2.00d | 8 |
| 3 | 392647 | (006000-006999) | Hose, Coolant, 1.50id To 1.75id, Mold | 1 |
| 4 | 393229 | (006000-006171) | Hose, Rbr, E120 1.50id 1.20id 05.0 05.2 | 1 |
| 4 | 1012737 | (006172-006999) | Hose, Rbr, E90 1.50id 1.62id 0.40 04.0 | 1 |
| 5 | 392591 | (006000-006999) | Tube, Coolant, 1.5d Upper, Gas/Lpg | 1 |
| 6 | 78750 | (006000-006999) | Hose, Rbr, 1.50id 1.88od 06.0l | 1 |
| 7 | 70635 | (006000-006999) | Hose, Rbr, 1.50id 1.88od 12.0l | 1 |
| 8 | 9000360 | (006000-006999) | Plate, Shield, Heat, W/Label | 1 |
| 9 | 54396 | (006000-006999) | Screw, Hex, .31-18 X 0.75, 5 | 1 |
| 10 | 32491 | (006000-006999) | Washer, Flat, .31 Std | 1 |
| 11 | 79381 | (006000-006999) | Clamp, Hose, Wormdrive, 1.25-2.00d | 1 |
| 12 | 53468 | (006000-006999) | Clamp, Cable, Stl, 1.75d X 1.00w, 1h | 1 |
| 13 | 54911-32 | (006000-006999) | Fitting, Draincock, .25npt | 1 |

Fig. 59 - Engine Radiator Hose Group (007000-)

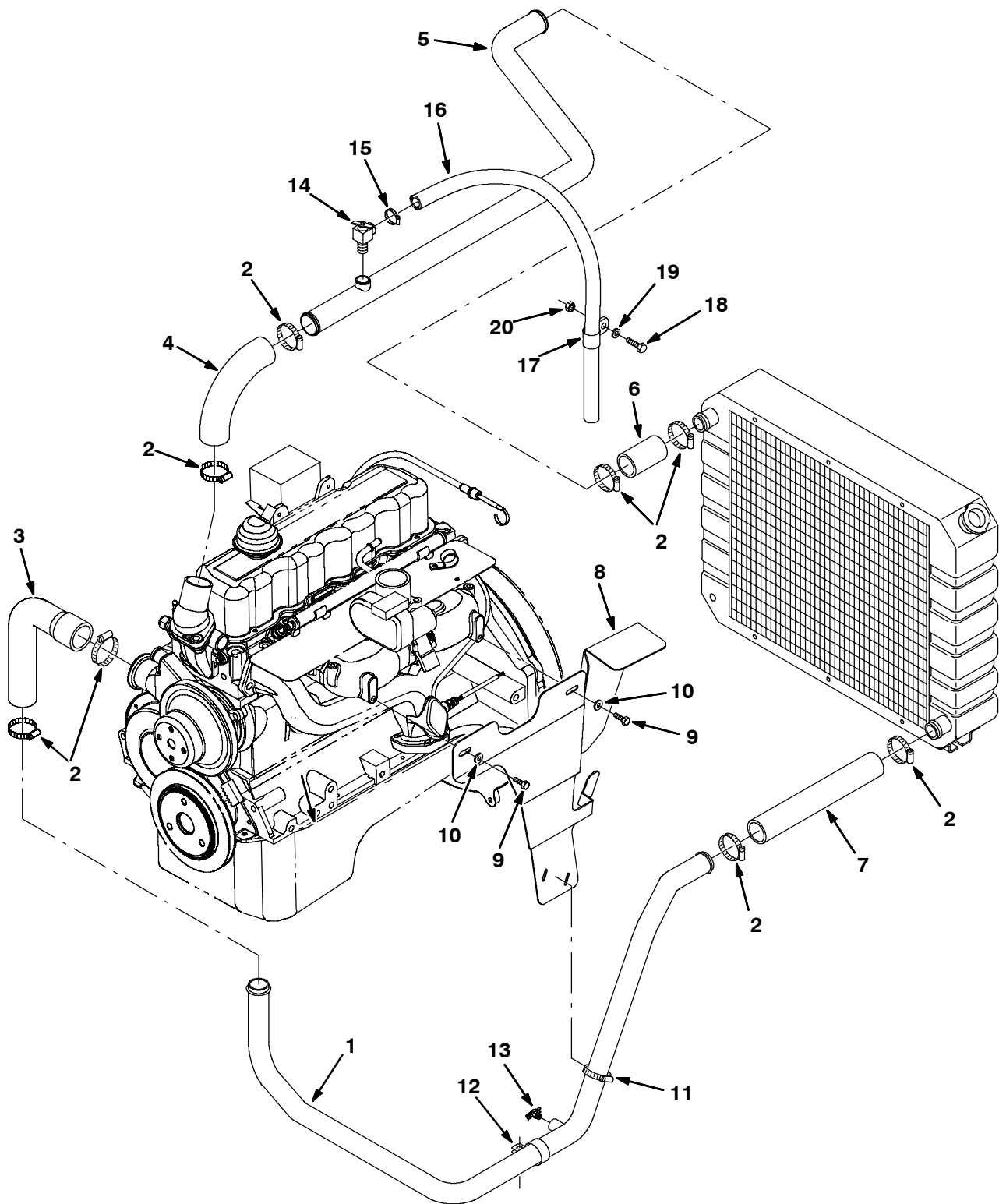


Fig. 59 - Engine Radiator Hose Group (007000-)

| Ref. | Part No. | Serial Number | Description | Qty. |
|------|----------|---------------|--|------|
| 1 | 392590 | (007000- |) Tube, Coolant, 1.5d W/.25npt Low, G/Lpg | 1 |
| 2 | 11531 | (007000- |) Clamp, Hose, Wormdrive, 1.06-2.00d | 8 |
| 3 | 392647 | (007000- |) Hose, Coolant, 1.50id To 1.75id, Mold | 1 |
| 4 | 380748 | (007000- |) Hose, Rbr, E90, 1.50id 1.50id 06.3 04.5 | 1 |
| 5 | 1030189 | (007000- |) Tube, Radiator, Upper [800gas/Lpg] | 1 |
| 6 | 74944 | (007000- |) Hose, Rbr, 1.50id 1.88od 04.0l | 1 |
| 7 | 70635 | (007000- |) Hose, Rbr, 1.50id 1.88od 12.0l | 1 |
| 8 | 1029737 | (007000- |) Shield Wldt, Heat, Manifold | 1 |
| 9 | 06941 | (007000- |) Screw, Hex, M6 X 1.0 X 10, 8.8 | 2 |
| 10 | 32483 | (007000- |) Washer, Flat, 0.25, Sae | 2 |
| 11 | 83584 | (007000- |) Clamp, Hose, Wormdrive, 2.25-3.25d, .50w | 1 |
| 12 | 53468 | (007000- |) Clamp, Cable, Stl, 1.75d X 1.00w, 1hole | 1 |
| 13 | 54911-32 | (007000- |) Fitting, Draincock, .25npt | 1 |
| 14 | 51305 | (007000- |) Fitting, Draincock, E90, .25npt | 1 |
| 15 | 43844 | (007000- |) Clamp, Hose, Wormdrive, 0.25-0.62d, .31w | 1 |
| 16 | 41295 | (007000- |) Hose, Pvc,Clr, 0.38id 0.56od 048.0l | 1 |
| 17 | 62234 | (007000- |) Handle, Valve, Cntrl | 1 |
| 18 | 06944 | (007000- |) Screw, Hex, M6 X 1.0 X 25, 8.8 | 1 |
| 19 | 32483 | (007000- |) Washer, Flat, 0.25, Sae | 1 |
| 20 | 08708 | (007000- |) Nut, Hex, Lock, M6 X 1.00, NI | 1 |

STANDARD PARTS

Fig. 60 - Engine Radiator and Cooling Fan Group (004000-006308)

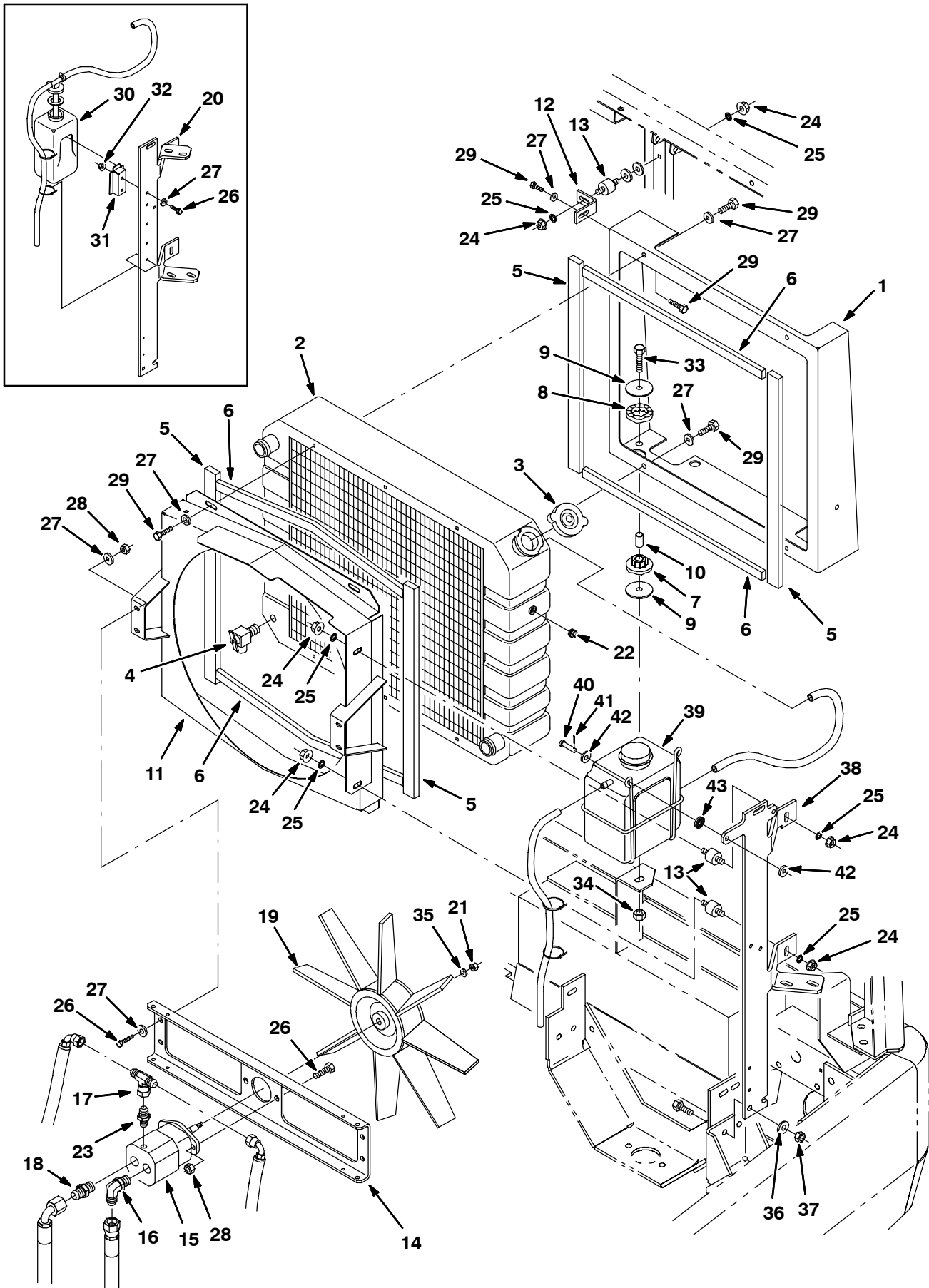


Fig. 60 - Engine Radiator and Cooling Fan Group (004000-006308)

| Ref. | Part No. | Serial Number | Description | Qty. |
|------|-----------|------------------|--|------|
| 1 | 48056 | (004000-006308) | Duct, Rear | 1 |
| 2 | 1042089AM | (004000-006308) | Radiator | 1 |
| 3 | 1045764 | (004000-006308) | Cap, Radiator, 14psi [Stant] | 1 |
| 4 | 51305 | (004000-006308) | Drain Cock, .25Npt Wh#120 Angl | 1 |
| 5 | 63818 | (004000-006308) | Seal, Duct | 4 |
| 6 | 374230 | (004000-006308) | Seal, Ure, 0.38 0.75w 19.5l Adh | 4 |
| 7 | 64621 | (004000-006308) | Bushing, Isolator | 2 |
| 8 | 64618 | (004000-006308) | Ring, Isolator, Outer Rbr | 2 |
| 9 | 58228 | (004000-006308) | Washer, Flat, 0.44b 2.00d .12, Stl, PI | 4 |
| 10 | 77452 | (004000-006308) | Spacer | 2 |
| 11 | 9001070 | (004000-006308) | Shroud, Fan, Radiator, W/ Label [800] | 1 |
| 12 | 375511 | (004000-006308) | Bracket, L, 2.20,2.00, .18T,1. | 1 |
| 13 | 51322 | (004000-006308) | Isolator-Vibration .31-18 | 3 |
| 14 | 1019188 | (004000-006308) | Channel, Mtg, Fan Motor | 1 |
| 15 | 63542 | (004000-006308) | Motor-Hyd, Gear In 10.0 (See Breakdowns) | 1 |
| 16 | 47512 | (004000-006308) | Ftg-Hyd E90 Jm06/Om08 | 1 |
| 17 | 31599 | (004000-004936) | Ftg-Hyd Tee Jm04Omjm | 1 |
| 18 | 52402 | (004000-006308) | Ftg-Hyd Str Jm06/Om08 | 1 |
| 19 | 375586 | (004000-006308) | Fan, Radiator | 1 |
| 20 | 380754 | (004000-006183) | Bracket, Mtg, Fltr, Oil, W/ Label [800] | 1 |
| 21 | 74082 | (004000-006308) | Nut-Hxlocnyln .31-24 Reg Pltd | 1 |
| 22 | 02247 | (004495-006308) | Fitting, Plug | 1 |
| 23 | 50960 | (004937-006308) | Fitting, Hyd, Str, Jm06/Om04 | 1 |
| 24 | 19313 | (004000-006308) | Nut, Hex, Std, .31-18 | 6 |
| 25 | 32984 | (004000-006308) | Washer, Lock, Int, 0.31 | 6 |
| 26 | 39277 | (004000-006308) | Screw, Hex, M8 X 1.25 X 25, 8.8 | 8 |
| 27 | 32491 | (004000-006308) | Washer, Flat, 0.31 Std | 14 |
| 28 | 08709 | (004000-006308) | Nut, Hex, Lock, M8 X 1.25, NI | 7 |
| 29 | 16931 | (004000-006308) | Screw, Hex, M8 X 1.25 X 20, 8.8 | 9 |
| 30 | 87972 | (004000-006183) | Tank, Coolant, 03.5 03.0 06.5deep 1.0 Qt | 1 |
| 31 | 382507 | (004000-006183) | Bracket, Mtg, Tank, Coolant F/87972 | 1 |
| 32 | 07790 | (004000-006308) | Nut, Hex, Flng, M6 X 1.0 | 2 |
| 33 | 27990 | (004000-006308) | Screw, Hex, .38-16 X 2.00, 5 | 2 |
| 34 | 50902 | (004000-006308) | Nut, Hex, Lock, .38-16, NI | 2 |
| 35 | 41186 | (004000-006308) | Washer, Belleville, .31 | 1 |
| 36 | 32492 | (004000-006308) | Washer, Flat, 0.38 Std | 2 |
| 37 | 41430 | (004000-006308) | Nut, Hex, Lock, M10 X 1.5, NI | 2 |
| 38 | 9001183 | (004000-006308) | Bracket, Mtg, Fltr, Oil, W/Label [800] | 1 |
| 39 | 768897 | (004000-006308) | Tank, Coolant, 06.0 04.5 06.9deep 2.5 Qt | 1 |
| 40 | 46800 | (004000-006308) | Pin, Clevis, 0.31 D X 0.75l | 2 |
| 41 | 44906 | (004000-006308) | Pin, Hair Cotter, 0.69 D .092 Wir | 2 |
| 42 | 32490 | (004000-006308) | Washer, Flat, 0.25 Std | 4 |
| 43 | 63416 | (004000-006308) | Washer, Rbr, .12 0.31b 0.88d | 2 |

STANDARD PARTS

Fig. 61 - Engine Radiator and Cooling Fan Group (006309-006999)

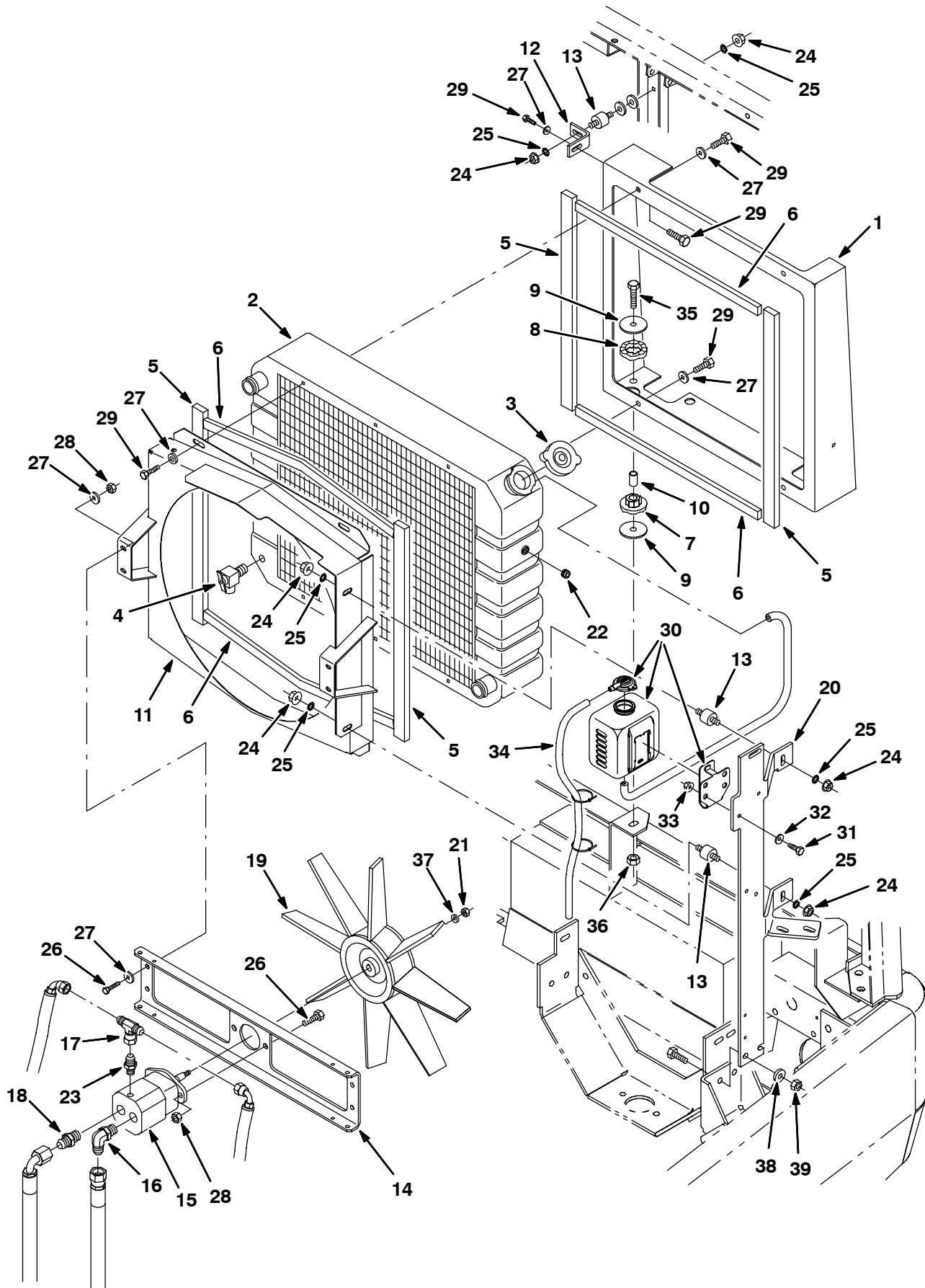


Fig. 61 - Engine Radiator and Cooling Fan Group (006309-006999)

| Ref. | Part No. | Serial Number | Description | Qty. |
|------|-----------|---------------|--|------|
| 1 | 48056 | 006309-006999 |) Duct, Rear | 1 |
| 2 | 1042089AM | 006309-006999 |) Radiator | 1 |
| 3 | 1045764 | 006309-006999 |) Cap, Radiator, 14psi [Stant] | 1 |
| 4 | 51305 | 006309-006999 |) Drain Cock, .25Npt Wh#120 Angl | 1 |
| 5 | 63818 | 006309-006999 |) Seal, Duct | 4 |
| 6 | 374230 | 006309-006999 |) Seal, Ure, 0.38 0.75w 19.5l Adh | 4 |
| 7 | 64621 | 006309-006999 |) Bushing, Isolator | 2 |
| 8 | 64618 | 006309-006999 |) Ring, Isolator, Outer Rbr | 2 |
| 9 | 58228 | 006309-006999 |) Washer, Flat, 0.44b 2.00d .12, Stl, Pl | 4 |
| 10 | 77452 | 006309-006999 |) Spacer | 2 |
| 11 | 9001070 | 006309-006999 |) Shroud, Fan, Radiator, W/ Label [800] | 1 |
| 12 | 375511 | 006309-006999 |) Bracket, L, 2.20,2.00, .18T,1. | 1 |
| 13 | 51322 | 006309-006999 |) Isolator-Vibration .31-18 | 3 |
| 14 | 1019188 | 006309-006999 |) Channel, Mtg, Fan Motor | 1 |
| 15 | 63542 | 006309-006999 |) Motor-Hyd, Gear In 10.0 (See Breakdowns) | 1 |
| 16 | 47512 | 006309-006999 |) Ftg-Hyd E90 Jm06/Om08 | 1 |
| 17 | 31599 | 006309-006999 |) Ftg-Hyd Tee Jm04Omjm | 1 |
| 18 | 52402 | 006309-006999 |) Ftg-Hyd Str Jm06/Om08 | 1 |
| 19 | 375586 | 006309-006999 |) Fan, Radiator | 1 |
| 20 | 9001554 | 006309-006999 |) Bracket, Mtg, Fltr, Oil, W/Label [800] | 1 |
| 21 | 74082 | 006309-006999 |) Nut-Hxlocnyln .31-24 Reg Pltd | 1 |
| 22 | 02247 | 006309-006999 |) Fitting, Plug | 1 |
| 23 | 50960 | 006309-006999 |) Fitting, Hyd, Str, Jm06/Om04 | 1 |
| 24 | 19313 | 006309-006999 |) Nut, Hex, Std, .31-18 | 6 |
| 25 | 32984 | 006309-006999 |) Washer, Lock, Int, 0.31 | 6 |
| 26 | 39277 | 006309-006999 |) Screw, Hex, M8 X 1.25 X 25, 8.8 | 8 |
| 27 | 32491 | 006309-006999 |) Washer, Flat, 0.31 Std | 14 |
| 28 | 08709 | 006309-006999 |) Nut, Hex, Lock, M8 X 1.25, NI | 7 |
| 29 | 16931 | 006309-006999 |) Screw, Hex, M8 X 1.25 X 20, 8.8 | 9 |
| 30 | 1023853 | 006309-006999 |) Tank, Coolant, 04.7 03.3 4.7deep, 1liter | 1 |
| 31 | 06943 | 006309-006999 |) Screw, Hex, M6 X 1.0 X 20, 8.8 | 2 |
| 32 | 19066 | 006309-006999 |) Washer, Flat, #10 | 2 |
| 33 | 07790 | 006309-006999 |) Nut, Hex, Flng, M6 X 1.0 | 2 |
| 34 | 381391 | 006309-006999 |) Hose, Drain, Overflow, Radiator | 1 |
| 35 | 27990 | 006309-006999 |) Screw, Hex, .38-16 X 2.00, 5 | 2 |
| 36 | 50902 | 006309-006999 |) Nut, Hex, Lock, .38-16, NI | 2 |
| 37 | 41186 | 006309-006999 |) Washer, Belleville, .31 | 1 |
| 38 | 32492 | 006309-006999 |) Washer, Flat, 0.38 Std | 2 |
| 39 | 41430 | 006309-006999 |) Nut, Hex, Lock, M10 X 1.5, NI | 2 |

Fig. 62 - Engine Radiator and Cooling Fan Group (007000-)

| Ref. | Part No. | Serial Number | Description | Qty. |
|------|-----------|---------------|--|------|
| 1 | 48056 | (007000- |) Duct, Rear | 1 |
| 2 | 1042089AM | (007000- |) Radiator | 1 |
| 3 | 1045764 | (007000- |) Cap, Radiator, 14psi [Stant] | 1 |
| 4 | 51305 | (007000- |) Drain Cock, .25Npt Wh#120 Angl | 1 |
| 5 | 63818 | (007000- |) Seal, Duct | 4 |
| 6 | 374230 | (007000- |) Seal, Ure, 0.38 0.75w 19.5l Adh | 4 |
| 7 | 64621 | (007000- |) Bushing, Isolator | 2 |
| 8 | 64618 | (007000- |) Ring, Isolator, Outer Rbr | 2 |
| 9 | 58228 | (007000- |) Washer, Flat, 0.44b 2.00d .12, Stl, PI | 4 |
| 10 | 77452 | (007000- |) Spacer | 2 |
| 11 | 9001070 | (007000- |) Shroud, Fan, Radiator, W/ Label [800] | 1 |
| 12 | 375511 | (007000- |) Bracket, L, 2.20,2.00, .18T,1. | 1 |
| 13 | 51322 | (007000- |) Isolator-Vibration .31-18 | 3 |
| 14 | 1033344 | (007000- |) Bracket Wldt, Mtg, Motor [2007] | 1 |
| 15 | 63542 | (007000- |) Motor-Hyd, Gear In 10.0 (See Breakdowns) | 1 |
| 16 | 47512 | (007000- |) Ftg-Hyd E90 Jm06/Om08 | 1 |
| 17 | 31599 | (007000- |) Ftg-Hyd Tee Jm04Omjm | 1 |
| 18 | 52402 | (007000- |) Ftg-Hyd Str Jm06/Om08 | 1 |
| 19 | 1033497 | (007000- |) Fan, Cooling, 18.0d, 8 Blade, 0.5b Taper | 1 |
| 20 | 9001554 | (007000- |) Bracket, Mtg, Fltr, Oil, W/Label [800] | 1 |
| 21 | 74082 | (007000- |) Nut-Hxlocnyln .31-24 Reg Pltd | 1 |
| 22 | 02247 | (007000- |) Fitting, Plug | 1 |
| 23 | 50960 | (007000- |) Fitting, Hyd, Str, Jm06/Om04 | 1 |
| 24 | 19313 | (007000- |) Nut, Hex, Std, .31-18 | 6 |
| 25 | 32984 | (007000- |) Washer, Lock, Int, 0.31 | 6 |
| 26 | 39277 | (007000- |) Screw, Hex, M8 X 1.25 X 25, 8.8 | 8 |
| 27 | 32491 | (007000- |) Washer, Flat, 0.31 Std | 14 |
| 28 | 08709 | (007000- |) Nut, Hex, Lock, M8 X 1.25, NI | 7 |
| 29 | 16931 | (007000- |) Screw, Hex, M8 X 1.25 X 20, 8.8 | 9 |
| 30 | 1023853 | (007000- |) Tank, Coolant, 04.7 03.3 4.7deep, 1liter | 1 |
| 31 | 06943 | (007000- |) Screw, Hex, M6 X 1.0 X 20, 8.8 | 2 |
| 32 | 19066 | (007000- |) Washer, Flat, #10 | 2 |
| 33 | 07790 | (007000- |) Nut, Hex, Flng, M6 X 1.0 | 2 |
| 34 | 381391 | (007000- |) Hose, Drain, Overflow, Radiator | 1 |
| 35 | 27990 | (007000- |) Screw, Hex, .38-16 X 2.00, 5 | 2 |
| 36 | 50902 | (007000- |) Nut, Hex, Lock, .38-16, NI | 2 |
| 37 | 41186 | (007000- |) Washer, Belleville, .31 | 1 |
| 38 | 32492 | (007000- |) Washer, Flat, 0.38 Std | 2 |
| 39 | 41430 | (007000- |) Nut, Hex, Lock, M10 X 1.5, NI | 2 |

Fig. 63 - Engine Battery Group (006000-006999)

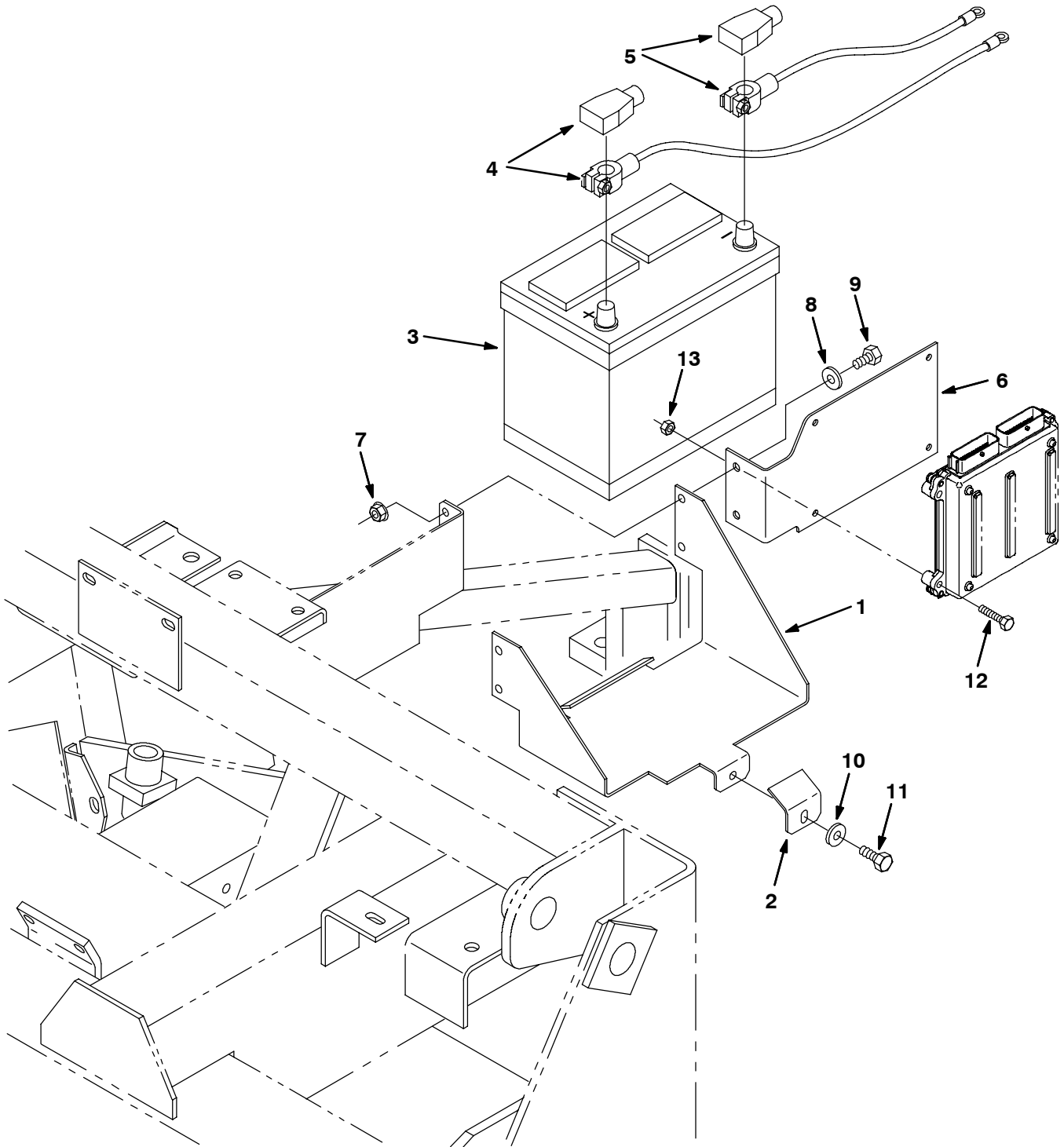


Fig. 63 - Engine Battery Group (004000-006999)

| Ref. | Part No. | Serial Number | Description | Qty. |
|------|----------|------------------|---------------------------------|------|
| 1 | 77490 | (004000-006999) | Bracket, Mtg, Battery | 1 |
| 2 | 77579 | (004000-006999) | Bracket, Battery | 1 |
| 3 | 77602 | (004000-006999) | Battery, 12V, Wet | 1 |
| 4 | 68869 | (004000-006999) | Cable Assy-Batt,Pos, 48.0, 2Ga | 1 |
| 5 | 60293 | (004000-006999) | Wire, 42.0 Lg, 2Ga, Neg | 1 |
| 6 | 1011655 | (006000-006999) | Bracket, Eng | 1 |
| 7 | 07791 | (006000-006999) | Nut, Hex, Flng, M8 X 1.25 | 2 |
| 8 | 32491 | (006000-006999) | Washer, Flat, 0.31 Std | 2 |
| 9 | 16931 | (006000-006999) | Screw, Hex, M8 X 1.25 X 20, 8.8 | 2 |
| 10 | 41186 | (006000-006999) | Washer, Belleville, .31 | 1 |
| 11 | 39277 | (006000-006999) | Screw, Hex, M8 X 1.25 X 25, 8.8 | 1 |
| 12 | 06946 | (006000-006999) | Screw, Hex, M6 X 1.0 X 35, 8.8 | 4 |
| 13 | 08708 | (006000-006999) | Nut, Hex, Lock, M 6 X 1.0, NI | 4 |

Fig. 64 - Engine Battery Group (007000-)

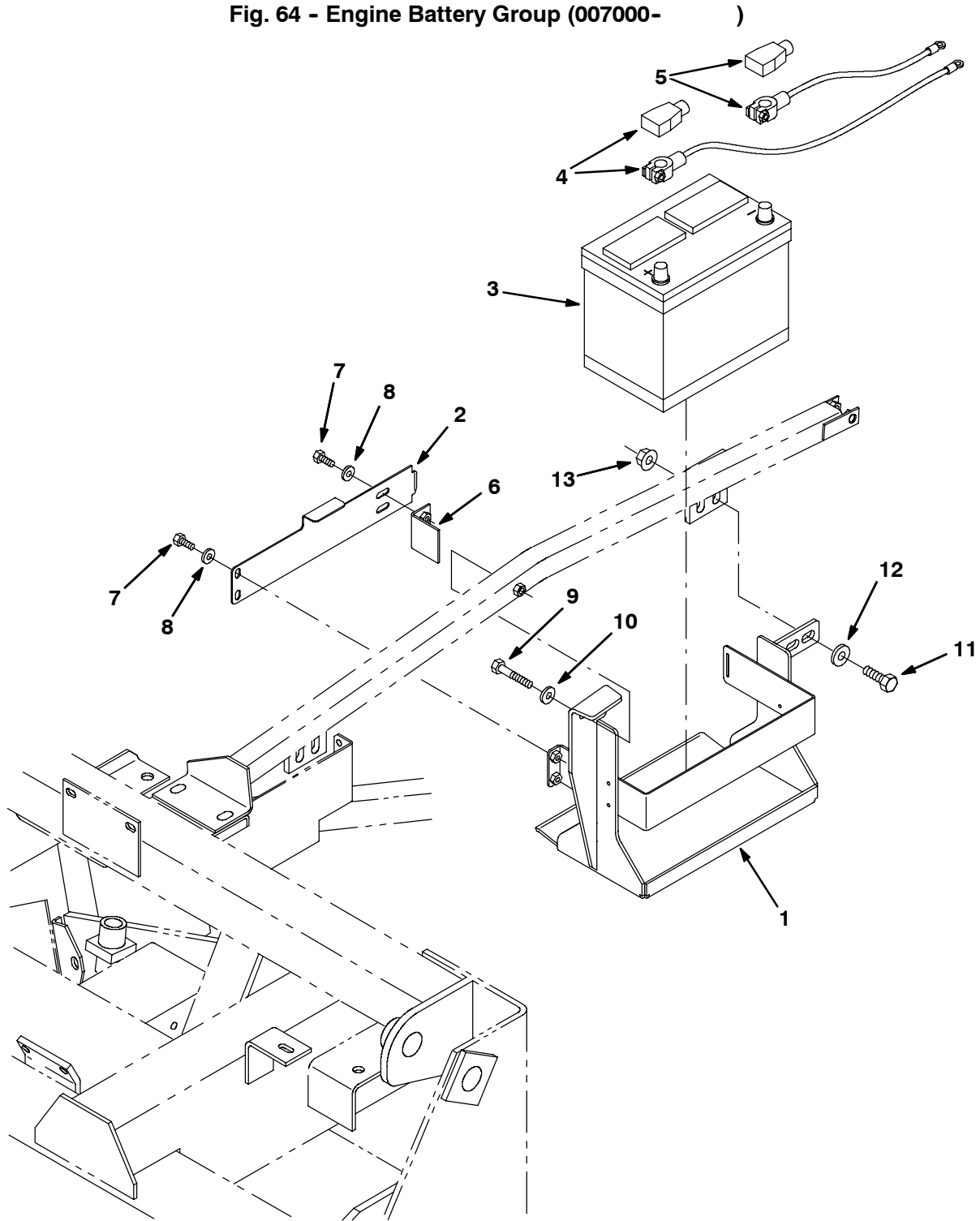


Fig. 64 - Engine Battery Group (007000-)

| Ref. | Part No. | Serial Number | Description | Qty. |
|------|----------|---------------|--|------|
| 1 | 1012785 | (007000- |) Bracket Wldt, Mtg, Battery | 1 |
| 2 | 1011788 | (007000- |) Bracket, Retainer, Battery | 1 |
| 3 | 77602 | (007000- |) Battery, Wet, 12vdc 0700cca | 1 |
| 4 | 68869 | (007000- |) Cable, Battery, 02ga 48.0l Red .41ring | 1 |
| 5 | 34821 | (007000- |) Cable, Battery, 02ga 36.0l Blk .38ring | 1 |
| 6 | 1011795 | (007000- |) Bracket, Retainer, Battery | 1 |
| 7 | 16931 | (007000- |) Screw, Hex, M8 X 1.25 X 20, 8.8 | 2 |
| 8 | 41186 | (007000- |) Washer, Flat, Belleville, .31 | 2 |
| 9 | 06963 | (007000- |) Screw, Hex, M10 X 1.5 X 60, 8.8 | 2 |
| 10 | 32492 | (007000- |) Washer, Flat, 0.38, Std | 2 |
| 11 | 06969 | (007000- |) Screw, Hex, M12 X 1.75 X 40, 8.8 | 2 |
| 12 | 32486 | (007000- |) Washer, Flat, 0.50, Sae | 2 |
| 13 | 07793 | (007000- |) Nut, Hex, Flng, M12 X 1.75 | 2 |

Fig. 65 - Wheel Group, Rear Drive

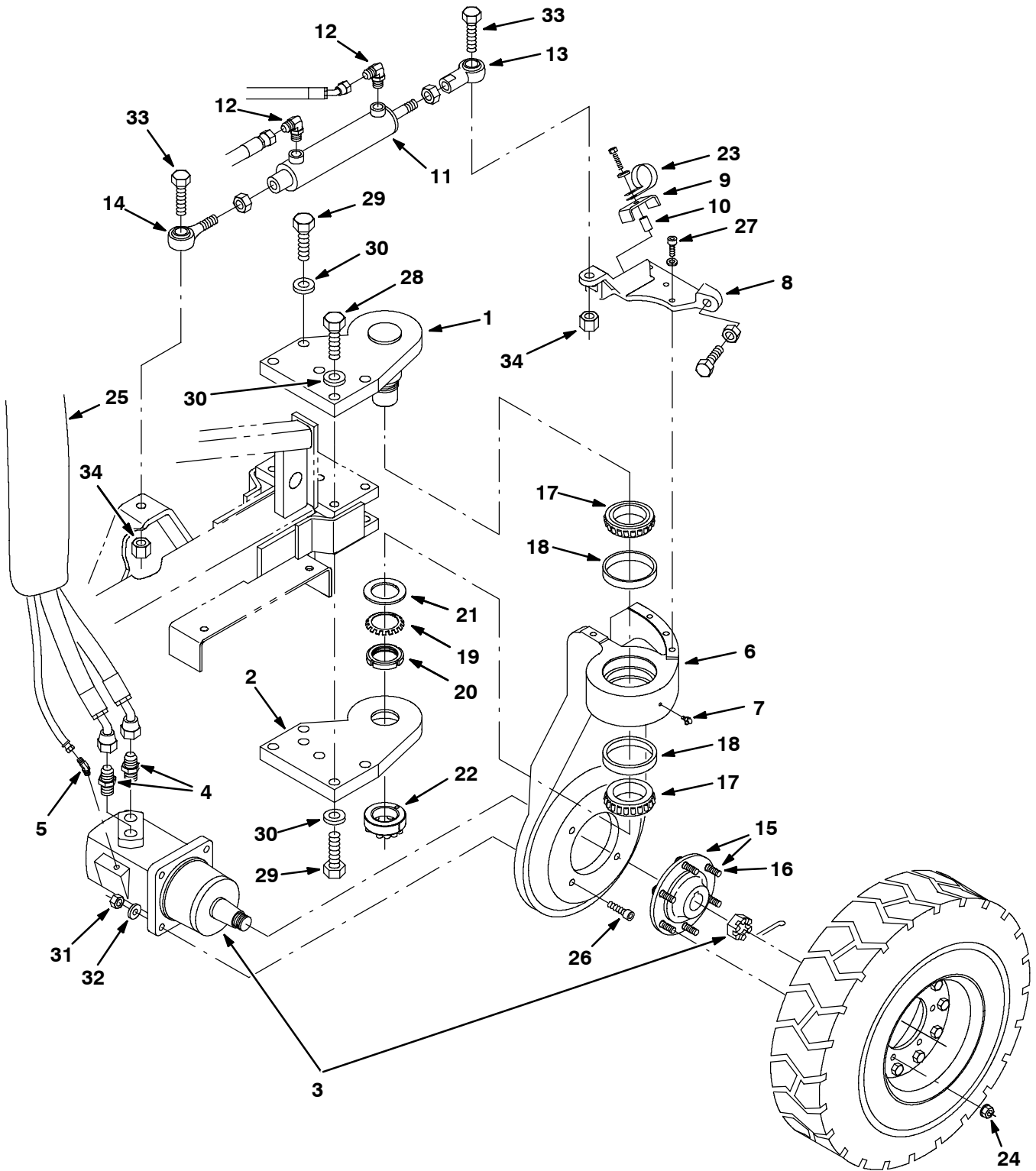


Fig. 65 - Wheel Group, Rear Drive

| Ref. | Part No. | Serial Number | Description | Qty. | |
|------|----------|----------------|---|-----------------------------------|----|
| 1 | 63491 | (004000- |) Pivot Wldt, Wheel | 1 | |
| 2 | 63471 | (004000- |) Plate, Pivot, Wheel | 1 | |
| 3 | 63426 | (004000-004206 |) Motor-Hyd Gear In (See Breakdowns) | 1 | |
| 3 | 22626 | (004207-004936 |) Motor-Hyd Gear (See Breakdowns) | 1 | |
| 3 | 373464 | (004937- |) Motor-Hyd Gear (See Breakdowns) | 1 | |
| 4 | 67310 | (004000- |) Ftg-Hyd Str Jm12/Om16 | 2 | |
| 5 | 34359 | (004000-004936 |) Ftg-Hyd E45 Jm04/Om04 | 1 | |
| 5 | 47522 | (004937- |) Fitting, Hyd, E45, Jm06/Om06 | 1 | |
| 6 | 63540 | (004000-004033 |) Housing, Sppt, Wheel (Repl. by 375534) | 1 | |
| 6 | 21740 | (004034- |) House, Wheel | 1 | |
| 7 | 09718 | (004000- |) Ftg, Grease.25-28Th 90 .75L | 1 | |
| 8 | 63543 | (004000-004033 |) Bracket, Steering, Machining (Repl. by 375534) | 1 | |
| 8 | 375575 | (004034- |) Bracket, Steering, Machining | 1 | |
| 9 | 73733 | (004000- |) Channel, Retainer | 1 | |
| 10 | 73731 | (004000- |) Sleeve, .375B .62D1.06 Stl | 1 | |
| 11 | 53601 | (004000-006460 |) Cylinder, Hyd, 2.0b,15.0l, Rep.By1028492 (See Breakdowns) | 1 | |
| 11 | 1028492 | (006461- |) Cylinder, Hyd, 2.0b 15.0l 08.00strk 1500 | 1 | |
| 12 | 56820 | (004000- |) Ftg-Hyd E90 Jm06/Om06 | 2 | |
| 13 | 64887 | (004000- |) Balljoint, Rod End | 1 | |
| 14 | 64886 | (004000- |) Balljoint, Rod End | 1 | |
| ▽ | 15 | 79140 | (004000- |) Hub and Stud Assy. | 1 |
| ▲ | 16 | 79152 | (004000- |) Stud, Wheel .56-18x2.13 | 6 |
| | 17 | 51341 | (004000- |) Bearing-Cone, 2.63Bore 0.87Wth | 2 |
| | 18 | 51340 | (004000- |) Bearing-Cup , 4.33Dia 0.74Wth | 2 |
| | 19 | 369701 | (004000- |) Washer,Lock Special | 1 |
| | 20 | 41073 | (004000- |) Nut,Lock-Special 2.16-18Uns | 1 |
| | 21 | 375762 | (004000- |) Washer | 1 |
| | 22 | 63496 | (004000- |) Ring, Retainer, Lock | 1 |
| | 23 | 67767 | (004000- |) Clamp, Cable | 1 |
| | 24 | 79153 | (004000- |) Nut, Wheel Lug | 6 |
| | 25 | 82832 | (004000- |) Sleeve, Nyl, 37, 25.0l | 1 |
| | 26 | 39305 | (004000- |) Scr-soc .50-13x2.75 Alloypltd | 4 |
| | 27 | 375576 | (004000- |) Scr-soc M12x1.75 60 | 4 |
| | 28 | 06995 | (004000- |) Screw, Hex, M20 X 2.5 X 70, 8.8 | 3 |
| | 29 | 06993 | (004000- |) Screw, Hex, M20 X 2.5 X 60, 8.8 | 7 |
| | 30 | 39350 | (004000- |) Washer, Flat, 0.75, Sae | 10 |
| | 31 | 32985 | (004000- |) Nut, Hex, Lock, .50-13, NI | 4 |
| | 32 | 32486 | (004000- |) Washer, Flat, 0.50, Sae | 4 |
| | 33 | 54833 | (004000- |) Screw, Hex, .75-10 X 2.50, G5 | 2 |
| | 34 | 32987 | (004000- |) Nut, Hex, Lock, .75-10, NI | 2 |

Fig. 66 - Wheels and Brakes Group, Front

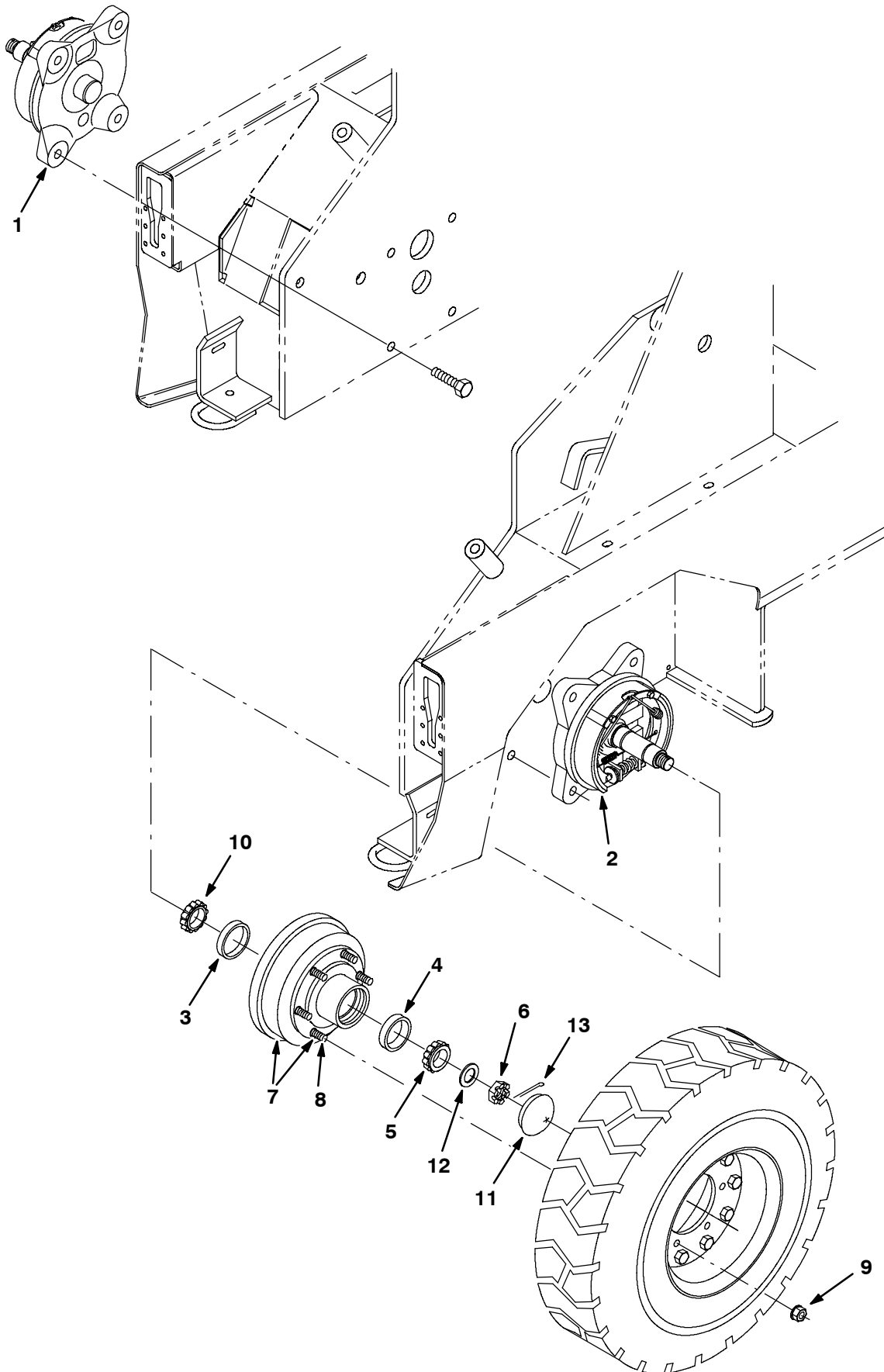


Fig. 66 - Wheels and Brakes Group, Front

| Ref. | Part No. | Serial Number | Description | Qty. | |
|------|----------|---------------|--------------------------------------|---------------------------|---|
| 1 | 77790 | (004000- |) Brake Assy, Rh (See Breakdowns) | 1 | |
| 2 | 77770 | (004000- |) Brake Assy, Lh (See Breakdowns) | 1 | |
| 3 | 17808 | (004000- |) Bearing-Cup, 2.72Dia 0.59Wth | 2 | |
| 4 | 51338 | (004000- |) Bearing-Cup, 2.56Dia 0.55Wth | 2 | |
| 5 | 51193 | (004000- |) Bearing-Cone, 1.38Bore 0.72Wth | 2 | |
| 6 | 14242 | (004000- |) Nut-Hxslot 1.00-20 Pltd | 2 | |
| ▽ | 7 | 79151 | (004000- |) Drum Assy, Brake 9/16 | 2 |
| ▲ | 8 | 79152 | (004000- |) Stud, Wheel .56-18x2.13 | 6 |
| 9 | 79153 | (004000- |) Nut, Wheel Lug, 9/16-18 | 12 | |
| 10 | 17809 | (004000- |) Bearing-Cone, 1.50Bore 0.75Wth | 2 | |
| 11 | 51373 | (004000- |) Cap, Grease Black Paint | 2 | |
| 12 | 32598 | (004000- |) Washer, Flat, 1.02b 1.75d .12, Stl | 2 | |
| 13 | 08180 | (004000- |) Pin, Cotter, .125 X 2.00 | 2 | |

Fig. 67 - Wheel Assembly

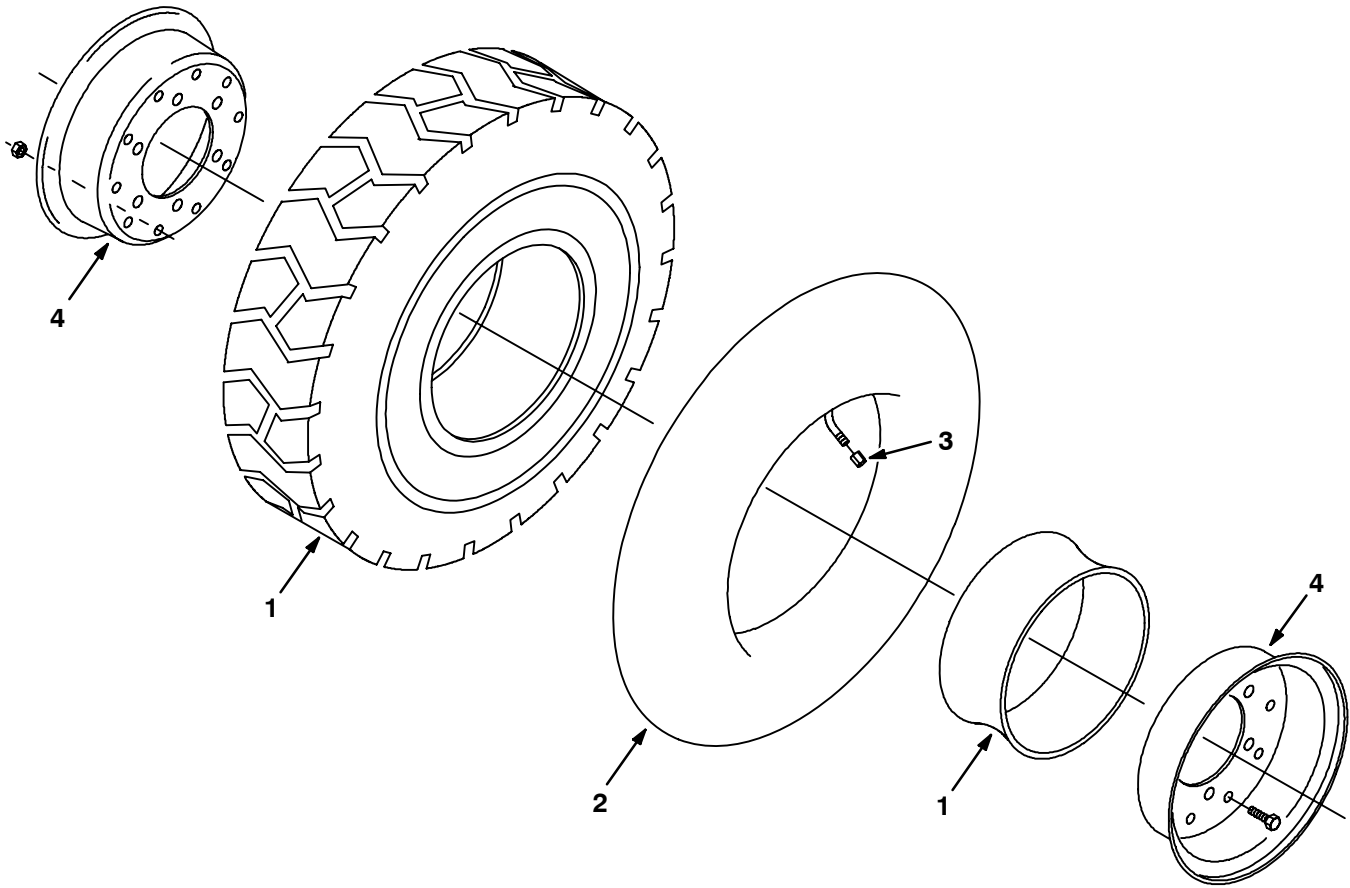


Fig. 67 - Wheel Assembly

| | Ref. | Part No. | Serial Number | Description | Qty. |
|---|------|----------|---------------|---------------------------------|------|
| ▽ | | 375567 | (004000- |) Tire & Rim Assy, Pneu 6.50-10 | 3 |
| ▲ | 1 | 64059 | (004000- |) Tire & Flap Assy | 1 |
| ▲ | 2 | 64058 | (004000- |) Tube, Inner | 1 |
| ▲ | 3 | 45786 | (004000- |) Cap, Valve Stem | 1 |
| ▲ | 4 | 21672 | (004000- |) Hub Assy | 1 |

Fig. 68 - Brake Pedals Group

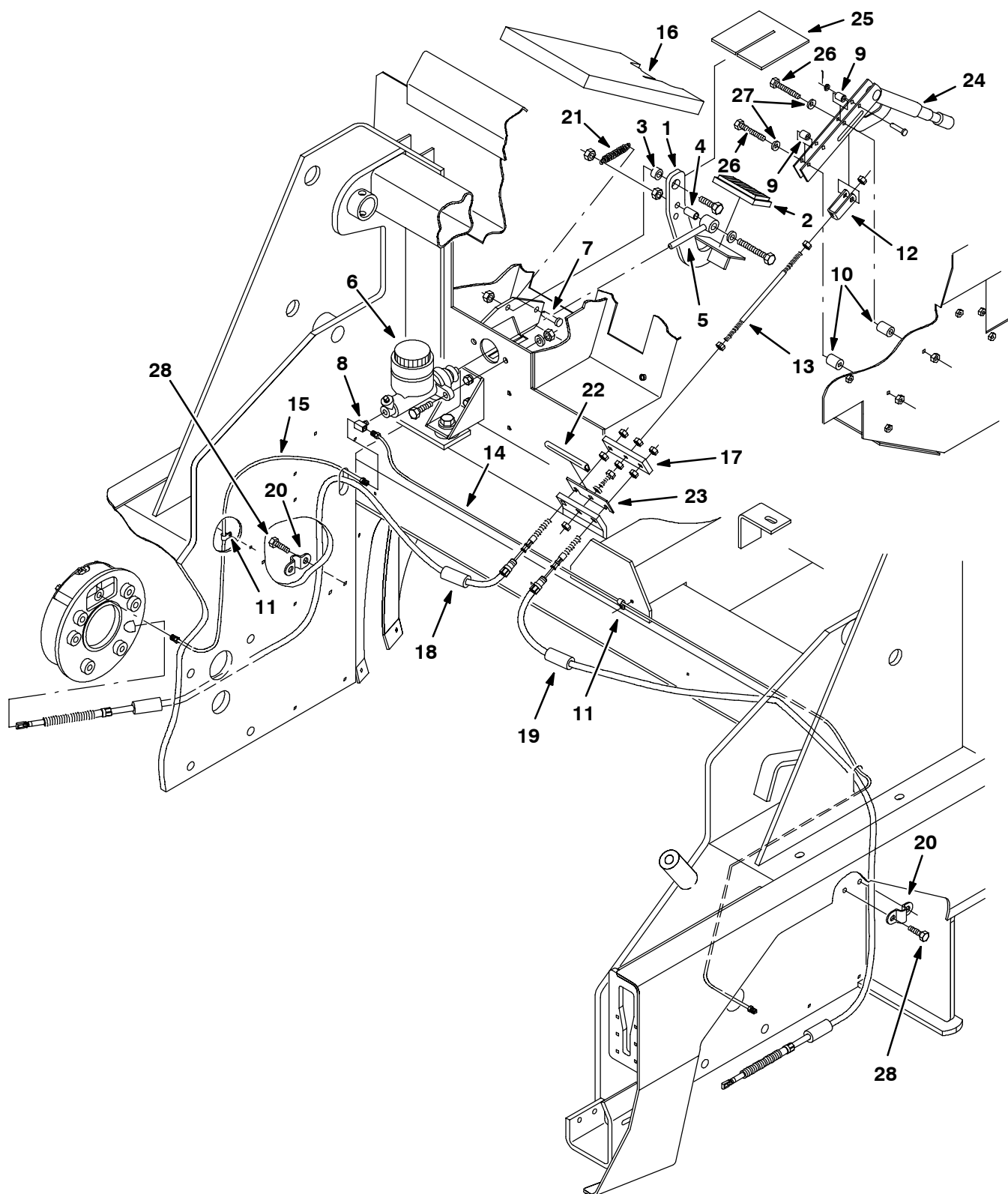


Fig. 68 - Brake Pedals Group

| Ref. | Part No. | Serial Number | Description | Qty. | |
|------|----------|---------------|---|--------------------------|---|
| 1 | 63295 | (004000- |) Pedal Wldt | 1 | |
| 2 | 51109 | (004000- |) Pad | 1 | |
| 3 | 64635 | (004000- |) Spacer | 1 | |
| 4 | 57311 | (004000- |) Spacer-.50 Od X .055W X 1.0 | 1 | |
| 5 | 70550 | (004000- |) Rod Wldt, Push, Brake | 1 | |
| ▽ | 6 | 64950 | (004000- |) Cylinder, Master Brake | 1 |
| ▲ | 374240 | (004000- |) Cap, Cyl Assy, Master Brake | 1 | |
| 7 | 76653 | (004000- |) Pin, Clevis .375D X 1.000 Lg | 1 | |
| 8 | 51483 | (004000- |) Ftg, Brass, Tee 06lf- 02Pm- 06lf | 1 | |
| 9 | 51562 | (004000- |) Sleeve, .344B .50D .81 Cr.Anc | 2 | |
| 10 | 86034 | (004000- |) Spacer, Brake | 2 | |
| 11 | 46236 | (004000- |) Clamp-Cable, 0.25Dia 0.56Wth | 4 | |
| 12 | 76491 | (004000- |) Bracket, Adjuster, Brake | 1 | |
| 13 | 76490 | (004000- |) Rod-Thread, 2End M08X1.25X10Lg | 1 | |
| 14 | 79593 | (004000- |) Tube Assy, Brake | 1 | |
| 15 | 79594 | (004000- |) Tube Assy, Brake | 1 | |
| 16 | 375526 | (004000- |) Insulation, S/Foam 1.0 Seal Brake Pedal | 1 | |
| 17 | 70506 | (004000- |) Bar, Equalizer | 1 | |
| 18 | 64556 | (004000- |) Cable, Brake, Park | 1 | |
| 19 | 64558 | (004000- |) Cable, Brake, Park | 1 | |
| 20 | 65129 | (004000- |) Clamp, Cable- Brake | 2 | |
| 21 | 75575 | (004000- |) Spring, Tens, 0.5Dx.06Wire 2.5L | 1 | |
| 22 | 31775 | (004000- |) Molding, Trim 11-14Ga 4.0 | 1 | |
| 23 | 74022 | (004000- |) Strip, Retainer, Brake Cable | 1 | |
| 24 | 51545 | (004000- |) Lever, Brake | 1 | |
| 25 | 380717 | (004000- |) Insulation, Sound Foam | 1 | |
| 26 | 39279 | (004000- |) Screw, Hex, M8 X 1.25 X 70, 8.8 | 2 | |
| 27 | 32491 | (004000- |) Washer, Flat, 0.31 Std | 2 | |
| 28 | 16735 | (004000- |) Screw, Hex, M8 X 1.25 X 16, 8.8 | 4 | |

Fig. 69 - Directional Pedal Group

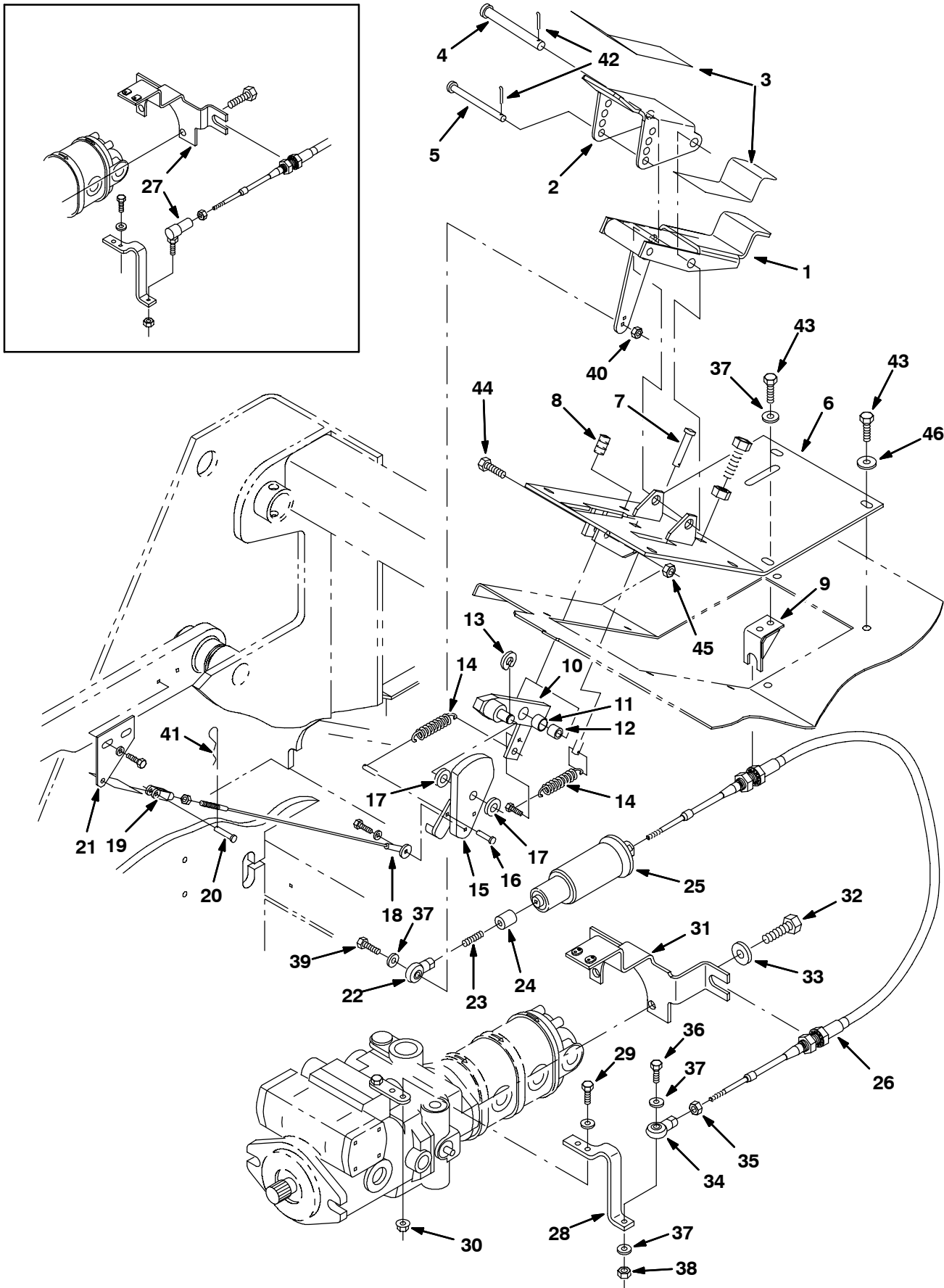


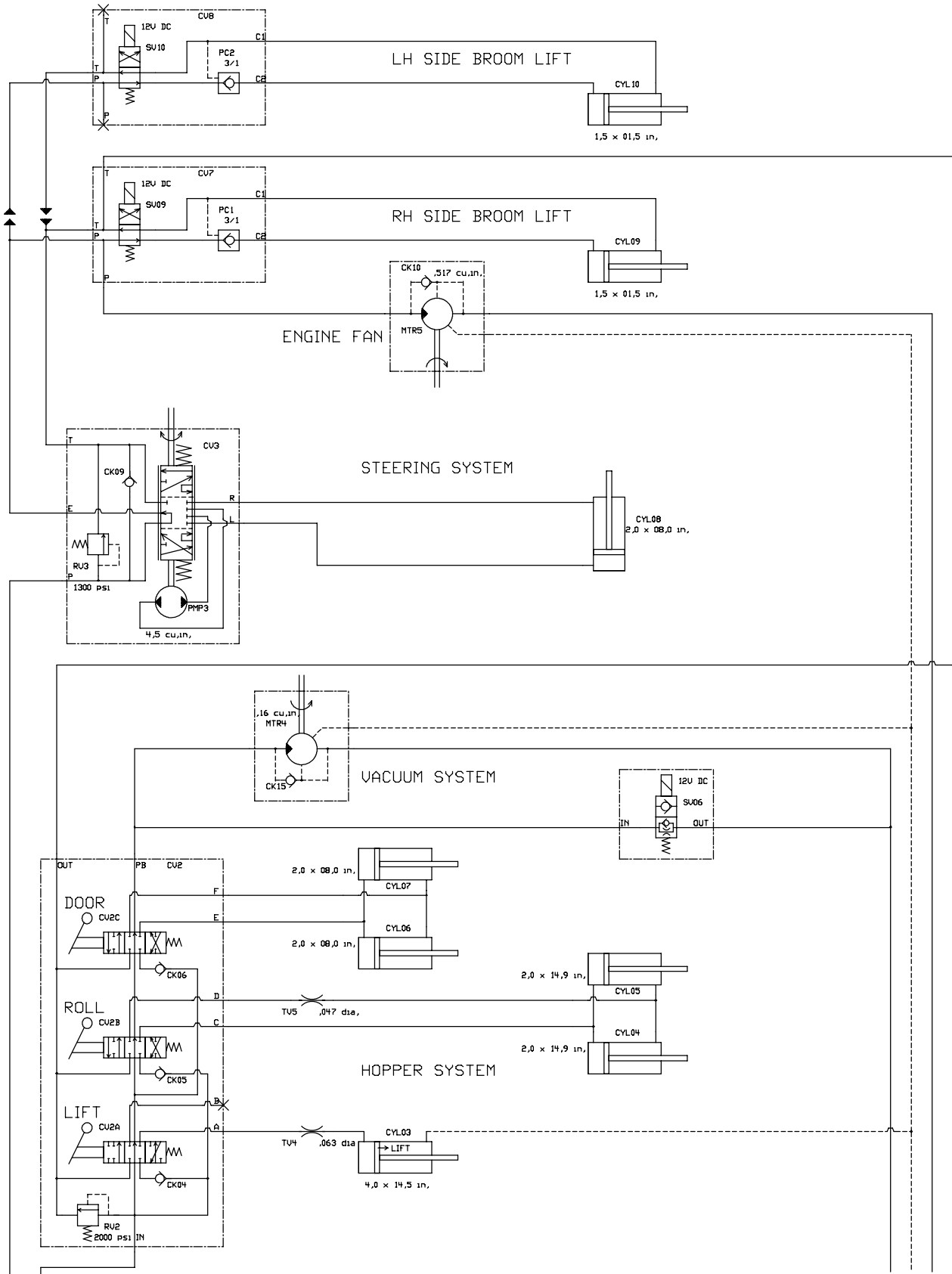
Fig. 69 - Directional Pedal Group

| Ref. | Part No. | Serial Number | Description | Qty. |
|------|----------|----------------|--|------|
| 1 | 380683 | (003000- |) Pedal Wldt, Propel Lower W/tread | 1 |
| 2 | 84103 | (003000- |) Pedal, Upper W/tread | 1 |
| 3 | 82839 | (003000- |) Pad, Tread | 1 |
| 4 | 59668 | (003000- |) Pin, Clevis .50 Dia X 4.50 Lg | 1 |
| 5 | 59672 | (003000- |) Pin, Clevis .31 Dia X 4.50 Lg | 1 |
| 6 | 380566 | (003000- |) Panel Wldt, Access Floor | 1 |
| 7 | 76647 | (003000- |) Pin, Clevis .375D X 1.312 Lg | 1 |
| 8 | 76523 | (003000- |) Screw-Set M10 X 1.50 2045H | 1 |
| 9 | 380567 | (003000- |) Bracket, Wldt,Cable Mtg | 1 |
| 10 | 70747 | (003000- |) Bar Wldt, Pivot | 1 |
| 11 | 07449 | (003000- |) Bearing, Fiberglide | 1 |
| 12 | 74051 | (003000- |) Sleeve, .408B .62D .53Stl | 1 |
| 13 | 86953 | (003000- |) Ring,Retain,Ex,0.50 Stl Steel | 1 |
| 14 | 54222 | (003000- |) Sprng,Tens,1.00Odx.09Wire 2.8L | 2 |
| 15 | 70783 | (003000- |) Cam | 1 |
| 16 | 82168 | (003000- |) Pin, Clevis .25 Dia, 1.000 Lg. | 1 |
| 17 | 41722 | (003000- |) Washer, .516B .90D .07Cr. | 2 |
| 18 | 70749 | (003000- |) Cable, Speed Control | 1 |
| 19 | 14595-1 | (003000- |) Clevis,Adjust.0.25-28Th.Cad. | 1 |
| 20 | 14605 | (003000- |) Pin, Clevis | 1 |
| 21 | 70725 | (003000- |) Plate | 1 |
| 22 | 68866 | (003000- |) Rod End .250-28 .25Dia | 1 |
| 23 | 36971 | (003000- |) Rod-Thrd, Full .25-28 | 1 |
| 24 | 380568 | (003000- |) Spacer, .75D .9L .25-28 Th | 1 |
| 25 | 63292 | (003000- |) Spring, Propel, Centering | 1 |
| 26 | 63276 | (003000- |) Cable, Push,Pull | 1 |
| 27 | 9001293 | (003000-004034 |) Bracket Kit, Mtg, Cable, Replmt[800/810] | 1 |
| 28 | 380514 | (003000- |) Lever, Pump, Propel | 1 |
| 29 | 06943 | (003000- |) Screw, Hex, M6 X 1.0 X 20, 8.8 | 2 |
| 30 | 07790 | (003000- |) Nut, Hex, Flng, M6 X 1.0 | 2 |
| 31 | 1020982 | (004035- |) Bracket, Mtg, Propel Cable | 1 |
| 32 | 21198 | (003000- |) Screw, Hex, .38-16 X 1.25, 5 | 2 |
| 33 | 32485 | (003000- |) Washer, Flat, 0.38 Sae | 2 |
| 34 | 68866 | (004035- |) Rod-End, .25-28rh Fem 0.25b [Teflon] | 1 |
| 35 | 32899 | (003000- |) Nut, Hex, Jam, .25-28 | 1 |
| 36 | 25046 | (004035- |) Screw, Hex, .25-20 X 1.00, 5 | 1 |
| 37 | 32490 | (004035- |) Washer, Flat, 0.25 Std | 5 |
| 38 | 41169 | (004035- |) Nut, Hex, Lock, .25-20, NI, Ss | 1 |
| 39 | 07805 | (003000- |) Screw, Hex, M6 X 1.0 X 35, Ss | 1 |
| 40 | 08712 | (003000- |) Nut, Hex, Lock, M6 X 1.0, Ss, NI | 1 |
| 41 | 08085 | (003000- |) Pin, Haircotter .31D .058Wire | 1 |
| 42 | 08346 | (003000- |) Pin, Cotter, .125 X 0.75 | 2 |
| 43 | 12273 | (003000- |) Screw, Hex, M8 X 1.25 X 20, Ss, NI | 9 |
| 44 | 39285 | (003000- |) Screw, Hex, M10 X 1.5 X 40, 8.8 | 1 |
| 45 | 41430 | (003000- |) Nut, Hex, Lock, M10 X 1.5, NI | 1 |
| 46 | 1017218 | (003000- |) Washer, Flat, 0.321b 1.00d .12, Ss | 7 |

Fig. 70 - Hydraulic Pumps Group

| Ref. | Part No. | Serial Number | Description | Qty. |
|------|----------|---------------|---|------|
| | 1 | 74163 | (004000-004586) Pump-Hyd Piston V (See Breakdowns) | 1 |
| ▽ | 1 | 373404 | (004587-) Pump-Hyd Piston V (See Breakdowns) | 1 |
| ▲ | 2 | 65145-1 | (004000-) O-Ring Gland | 1 |
| | 3 | 46481 | (004000-) Ftg-Hyd E90 Jm12/Om12 | 1 |
| | 4 | 67310 | (004000-) Ftg-Hyd Str Jm12/Om16 | 1 |
| | 5 | 62389 | (004000-) Ftg-Hyd Tee Jm12/Jfjm | 1 |
| | 6 | 52911 | (004000-) Ftg-Hyd E90 Jm12/Om16 | 2 |
| | 7 | 62561 | (004000-004936) Pump-Hyd Gear Ex (See Breakdowns) | 1 |
| | 7 | 373254 | (004937-) Pump-Hyd Gear Ex (See Breakdowns) | 1 |
| | 8 | 47508 | (004000-) Ftg-Hyd Str Jm06/Om10 | 1 |
| | 9 | 56692 | (004000-) Ftg-Hyd Str Jm08/Om10 | 2 |
| | 10 | 58858 | (004000-) Ftg-Hyd Str Jm20/Om20 | 1 |
| | 11 | 19544 | (004000-) Ftg-Hyd E45 Jm20/Jf20 | 1 |
| | 12 | 07934 | (004000-) Ftg-Hyd E45 Jm12/Jf12 | 2 |

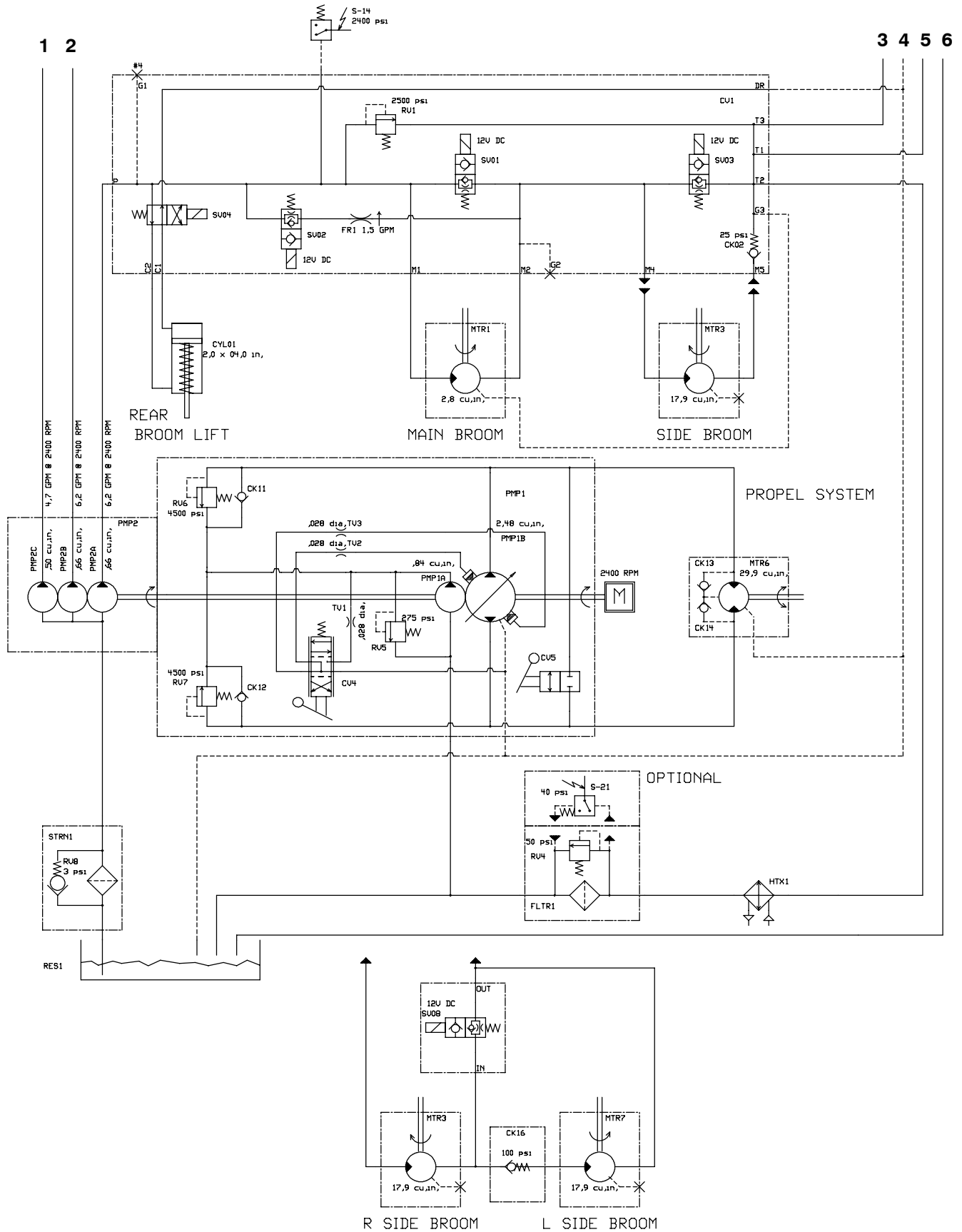
Fig. 71 - Hydraulic Schematic



1 2

3 4 5 6

Fig. 71 - Hydraulic Schematic



09912 - 800

Fig. 72 - Hydraulic Hose Group (004000-004936)

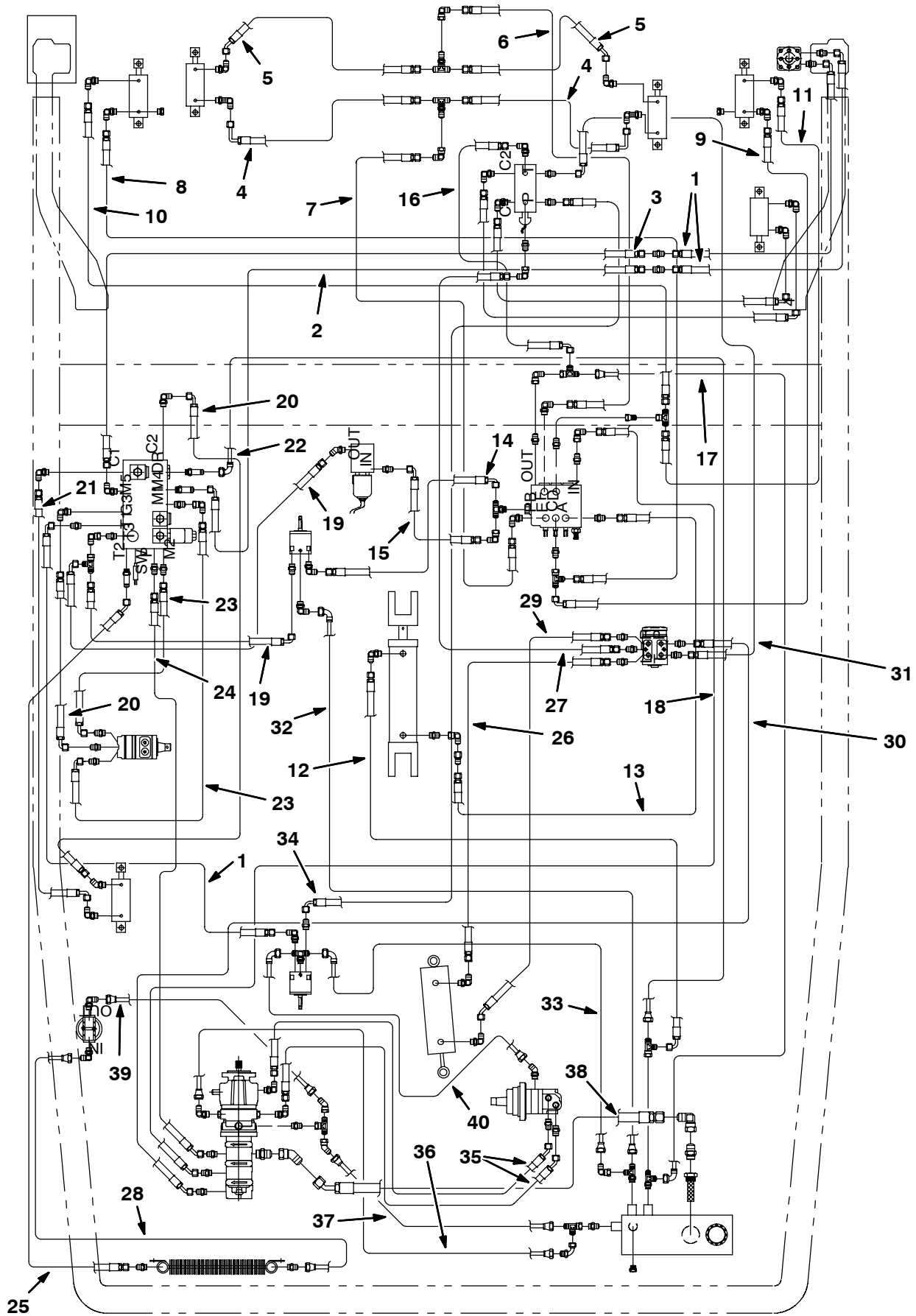


Fig. 72 - Hydraulic Hose Group (004000-004936)

| Ref. | Part No. | Serial Number | Description | Qty. |
|------|----------|------------------|--------------------------------|------|
| 1 | 65194 | (004000-004936) | Hose-Hyd Med06 | 3 |
| 2 | 65197 | (004000-004936) | Hose-Hyd Med08 | 1 |
| 3 | 65224 | (004000-004936) | Hose-Hyd Med08 | 1 |
| 4 | 65188 | (004000-004936) | Hose-Hyd | 2 |
| 5 | 57173 | (004000-004936) | Hose-Hyd Med04 Jf/J4 | 2 |
| 6 | 76498 | (004000-004936) | Hose-Hyd Ar 04 | 1 |
| 7 | 79642 | (004000-004936) | Hose-Hyd Ar04 | 1 |
| 8 | 21117 | (004000-004936) | Hose-Hyd Ar 04 | 1 |
| 9 | 21119 | (004000-004936) | Hose-Hyd Ar 04 | 1 |
| 10 | 77641 | (004000-004936) | Hose-Hyd Ar 04 | 1 |
| 11 | 77640 | (004000-004936) | Hose-Hyd Ar 04 | 1 |
| 12 | 71552 | (004000-004936) | Hose-Hyd | 1 |
| 13 | 55700 | (004000-004936) | Hose-Hyd Med04 Jf/Jf | 1 |
| 14 | 82843 | (004000-004936) | Hose-Hyd Med08 Jf/J9 | 1 |
| 15 | 82820 | (004000-004936) | Hose-Hyd Med78 Jf/J9 | 1 |
| 16 | 65195 | (004000-004936) | Hose-Hyd Med06 | 1 |
| 17 | 65212 | (004000-004936) | Hose-Hyd Low06 | 1 |
| 18 | 65204 | (004000-004936) | Hose-Hyd Med08 | 1 |
| 19 | 34355 | (004000-004936) | Hose-Hyd Med08 Jf/J9 | 2 |
| 20 | 57963 | (004000-004936) | Hose-Hyd Med04 | 4 |
| 21 | 34379 | (004000-004936) | Hose-Hyd Med04 | 1 |
| 22 | 65213 | (004000-004936) | Hose-Hyd Low06 | 1 |
| 23 | 34360 | (004000-004936) | Hose-Hyd Med08 Jf/J9 | 2 |
| 24 | 33799 | (004000-004936) | Hose-Hyd Med08 Jf/J4 | 1 |
| 25 | 65199 | (004000-004936) | Hose-Hyd Med12 | 1 |
| 26 | 01987 | (004000-004936) | Hose-Hyd Med06 Jf/Jf | 1 |
| 27 | 16431 | (004000-004936) | Hose-Hyd Med06 Jf/Jf | 1 |
| 28 | 82835 | (004000-004936) | Hose-Hyd Low12 Jf/Jf | 1 |
| 29 | 76497 | (004000-004936) | Hose-Hyd Med06 | 1 |
| 30 | 65191 | (004000-004936) | Hose-Hyd Med06 | 1 |
| 31 | 57944 | (004000-004936) | Hose-Hyd Med06 Jf/J9 | 1 |
| 32 | 21729 | (004000-004936) | Hose-Hyd Low04 Jf/J9 | 2 |
| 33 | 65196 | (004000-004936) | Hose-Hyd Low 04 | 1 |
| 34 | 31563 | (004000-004936) | Hose-Hyd Med06 Jf/J9 | 1 |
| 35 | 65201 | (004000-004936) | Hose-Hyd Med12 | 2 |
| 36 | 65205 | (004000-004936) | Hose-Hyd Low12 | 1 |
| 37 | 65202 | (004000-004936) | Hose-Hyd Low12 | 1 |
| 38 | 77473 | (004000-004936) | Hose-Hyd Suc20 Spcl 22.5 | 1 |
| 39 | 380675 | (004000-004936) | Hose-Hyd Low12 Jf/jf | 1 |
| 40 | 02549 | (004000-004936) | Hose, Hyd,Low04, Jf04str /Jf04 | 1 |

Fig. 73 - Hydraulic Hose Group (004937-)

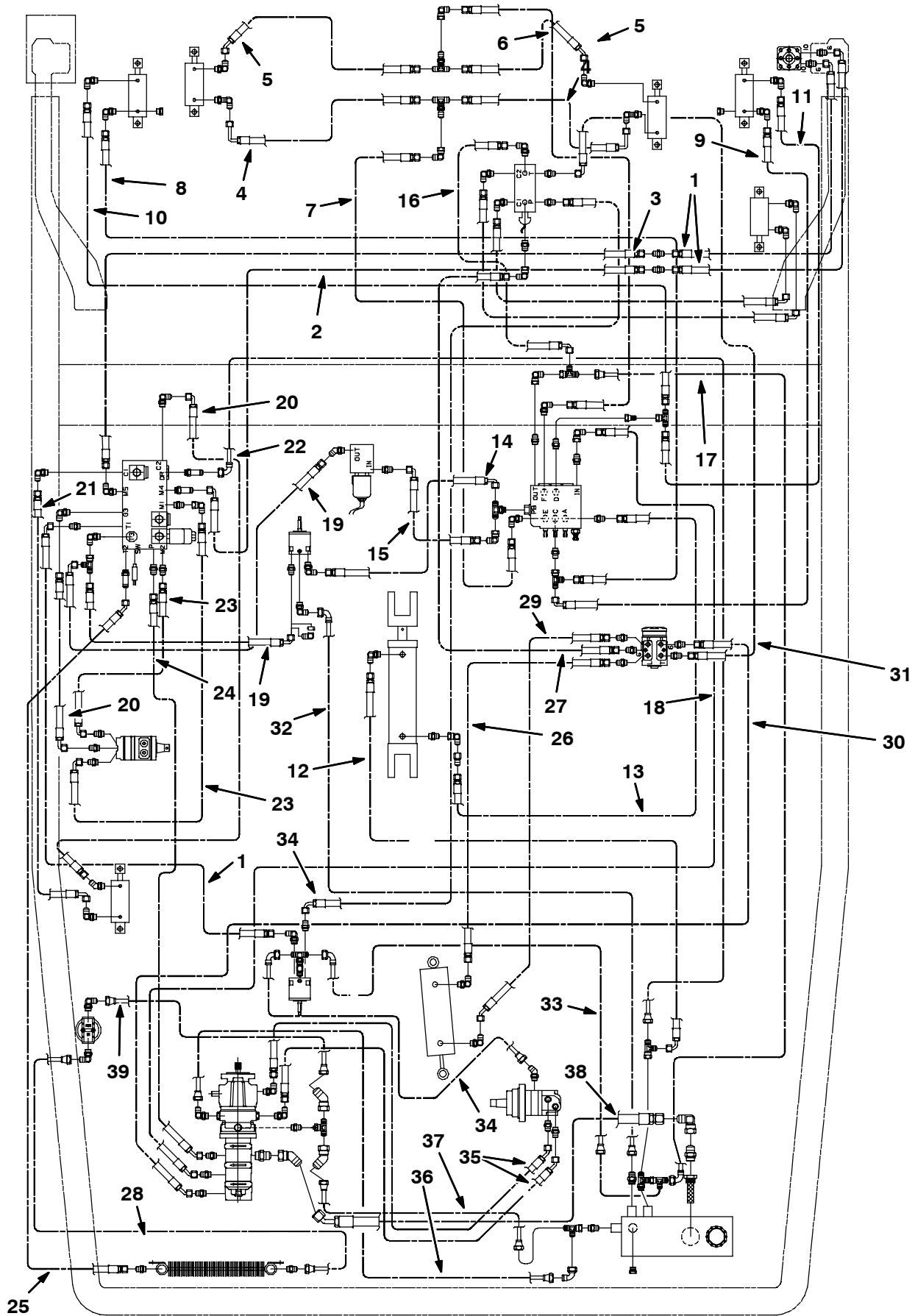


Fig. 73 - Hydraulic Hose Group (004937-)

| Ref. | Part No. | Serial Number | Description | Qty. |
|------|----------|---------------|----------------------------|------|
| 1 | 65194 | (004937- |) Hose-Hyd Med06 | 3 |
| 2 | 65197 | (004937- |) Hose-Hyd Med08 | 1 |
| 3 | 65224 | (004937- |) Hose-Hyd Med08 | 1 |
| 4 | 65188 | (004937- |) Hose-Hyd | 2 |
| 5 | 57173 | (004937- |) Hose-Hyd Med04 Jf/J4 | 2 |
| 6 | 76498 | (004937- |) Hose-Hyd Ar 04 | 1 |
| 7 | 79642 | (004937- |) Hose-Hyd Ar04 | 1 |
| 8 | 21117 | (004937- |) Hose-Hyd Ar 04 | 1 |
| 9 | 21119 | (004937- |) Hose-Hyd Ar 04 | 1 |
| 10 | 77641 | (004937- |) Hose-Hyd Ar 04 | 1 |
| 11 | 77640 | (004937- |) Hose-Hyd Ar 04 | 1 |
| 12 | 71552 | (004937- |) Hose-Hyd | 1 |
| 13 | 55700 | (004937- |) Hose-Hyd Med04 Jf/Jf | 1 |
| 14 | 82843 | (004937- |) Hose-Hyd Med08 Jf/J9 | 1 |
| 15 | 82820 | (004937- |) Hose-Hyd Med78 Jf/J9 | 1 |
| 16 | 65195 | (004937- |) Hose-Hyd Med06 | 1 |
| 17 | 65212 | (004937- |) Hose-Hyd Low06 | 1 |
| 18 | 65204 | (004937- |) Hose-Hyd Med08 | 1 |
| 19 | 34355 | (004937- |) Hose-Hyd Med08 Jf/J9 | 2 |
| 20 | 57963 | (004937- |) Hose-Hyd Med04 | 4 |
| 21 | 34379 | (004937- |) Hose-Hyd Med04 | 1 |
| 22 | 65213 | (004937- |) Hose-Hyd Low06 | 1 |
| 23 | 34360 | (004937- |) Hose-Hyd Med08 Jf/J9 | 2 |
| 24 | 33799 | (004937- |) Hose-Hyd Med08 Jf/J4 | 1 |
| 25 | 65199 | (004937- |) Hose-Hyd Med12 | 1 |
| 26 | 01987 | (004937- |) Hose-Hyd Med06 Jf/Jf | 1 |
| 27 | 16431 | (004937- |) Hose-Hyd Med06 Jf/Jf | 1 |
| 28 | 82835 | (004937- |) Hose-Hyd Low12 Jf/Jf | 1 |
| 29 | 76497 | (004937- |) Hose-Hyd Med06 | 1 |
| 30 | 65191 | (004937- |) Hose-Hyd Med06 | 1 |
| 31 | 57944 | (004937- |) Hose-Hyd Med06 Jf/J9 | 1 |
| 32 | 21729 | (004937- |) Hose-Hyd Low04 Jf/J9 | 2 |
| 33 | 31603 | (004937- |) Hose-Hyd Low 04 | 1 |
| 34 | 31563 | (004937- |) Hose-Hyd Med06 Jf/J9 | 2 |
| 35 | 65201 | (004937- |) Hose-Hyd Med12 | 2 |
| 36 | 65205 | (004937- |) Hose-Hyd Low12 | 1 |
| 37 | 57568 | (004937- |) Hose-Hyd Low12 | 1 |
| 38 | 77473 | (004937- |) Hose-Hyd Suc20 Spcl 22.5 | 1 |
| 39 | 380675 | (004937- |) Hose-Hyd Low12 Jf/jf | 1 |

Fig. 74 - Hydraulic Reservoir Group

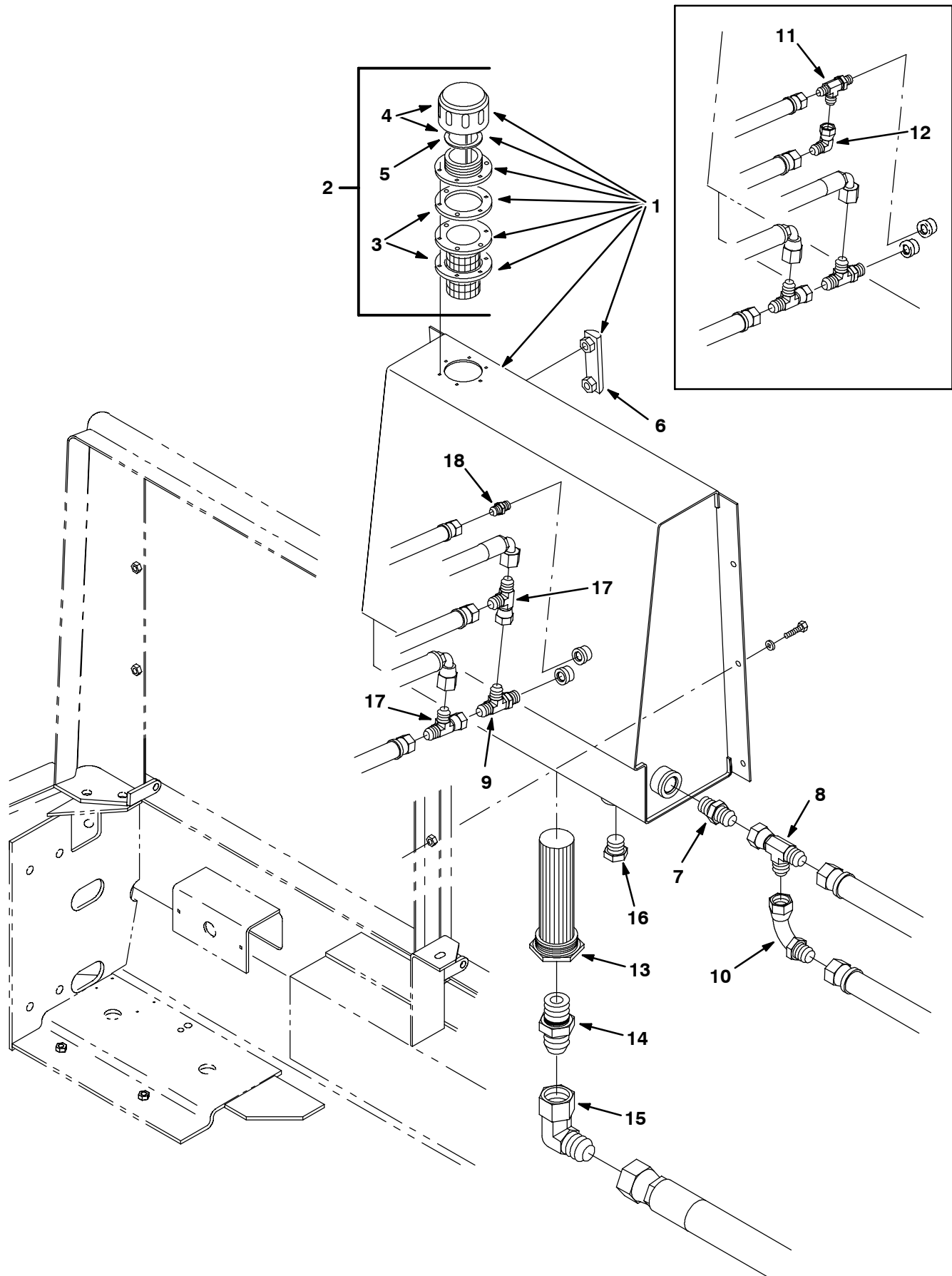


Fig. 74 - Hydraulic Reservoir Group

| | Ref. | Part No. | Serial Number | Description | Qty. |
|----|------|----------|----------------|----------------------------------|------|
| ▽ | 1 | 380736 | (004000- |) Tank Wldt, Hydraulic w/label | 1 |
| ▲▽ | 2 | 34306 | (004000- |) Breather, Hyd | 1 |
| ▲▲ | 3 | 61288 | (004000- |) Gasket, Hyd Tank Breather | 2 |
| ▲▲ | 4 | 70072 | (004000- |) Breather Cap and Gasket | 1 |
| ▲▲ | 5 | 70006 | (004000- |) Gasket, Hyd Cap | 1 |
| ▲ | 6 | 65215 | (004000- |) Gauge, Sight Lh | 1 |
| | 7 | 42260 | (004000- |) Ftg-Hyd Str Jm12/Om12 | 1 |
| | 8 | 40514 | (004000- |) Ftg-Hyd Tee Jm12Jmjf | 1 |
| | 9 | 76316 | (004000- |) Ftg-Hyd Tee Jm06Jmom | 1 |
| | 10 | 57994 | (004000- |) Ftg-Hyd E90 Special Jm12/Jf12 | 1 |
| | 11 | 34390 | (004000-004936 |) Ftg-Hyd Tee Jm04Jmom | 1 |
| | 12 | 39210 | (004000-004936 |) Ftg-Hyd E90 Jm04/Jf04 | 1 |
| | 13 | 31613 | (004000- |) Strainer-Hyd Suction 25-100-03 | 1 |
| | 14 | 58858 | (004000- |) Ftg-Hyd Str Jm20/Om20 | 1 |
| | 15 | 19459 | (004000- |) Ftg-Hyd E90 | 1 |
| | 16 | 33817 | (004000- |) Ftg-Hyd Plg Om12 | 1 |
| | 17 | 42215 | (004937- |) Ftg-Hyd Tee Jm06Jmjf | 2 |
| | 18 | 55586 | (004937- |) Fitting, Hyd, Str, Jm04/Om04 | 1 |

Fig. 75 - Hydraulic Solenoid Valve Group

| Ref. | Part No. | Serial Number | Description | Qty. |
|------|----------|----------------|---|------|
| 1 | 32129 | (004000- |) Scr Flt M8x1.25 20 | 3 |
| 2 | 44869 | (004000- |) Ftg-Hyd Str Jm08/Om08 | 3 |
| 3 | 17980 | (004000- |) Ftg-Hyd E90 Jm08/Jf08 | 1 |
| 4 | 44868 | (004000- |) Ftg-Hyd E90 Jm08/Om08 | 2 |
| 5 | 45482 | (004000- |) Ftg-Hyd Tee Jm08Jmjf | 1 |
| 6 | 56690 | (004000- |) Ftg-Hyd Str Jm06/Om06 | 1 |
| 7 | 77097 | (004000- |) Ftg-Hyd E90 Jm04/Om04 | 3 |
| 8 | 59577 | (004000- |) Ftg-Hyd Str Jm06Om06L | 1 |
| 9 | 31605 | (004000- |) Ftg-Hyd Str Jm08Om08L | 1 |
| 10 | 77575 | (004000- |) Switch Assy, Pressure, Hyd | 1 |
| 11 | 57993 | (004000- |) Ftg-Hyd Str Jm12Om12L | 1 |
| 12 | 64228 | (004000- |) Plate, Mtg, Valve, Solenoid | 1 |
| 13 | 10911 | (004000- |) Isolator, Vac Fan | 2 |
| 14 | 06146 | (004000- |) Bracket, Mounting | 2 |
| 15 | 84014 | (004000-007338 |) Valve-Hyd, Solenoid (See Breakdowns) | 1 |
| 15 | 1049209 | (007339- |) Valve, Cntrl, Hyd, Solenoid, 12vdc 08gpm (See Breakdowns) | 1 |
| 16 | 19066 | (004000- |) Washer, Flat, #10 | 4 |
| 17 | 06943 | (004000- |) Screw, Hex, M6 X 1.0 X 20, 8.8 | 4 |
| 18 | 07790 | (004000- |) Nut, Hex, Flng, M6 X 1.0 | 4 |
| 19 | 69234 | (004000- |) Clamp, Cable, Stl, 1.00d X 0.75w, 1h | 1 |

Fig. 76 - Hydraulic Lift Valve Group

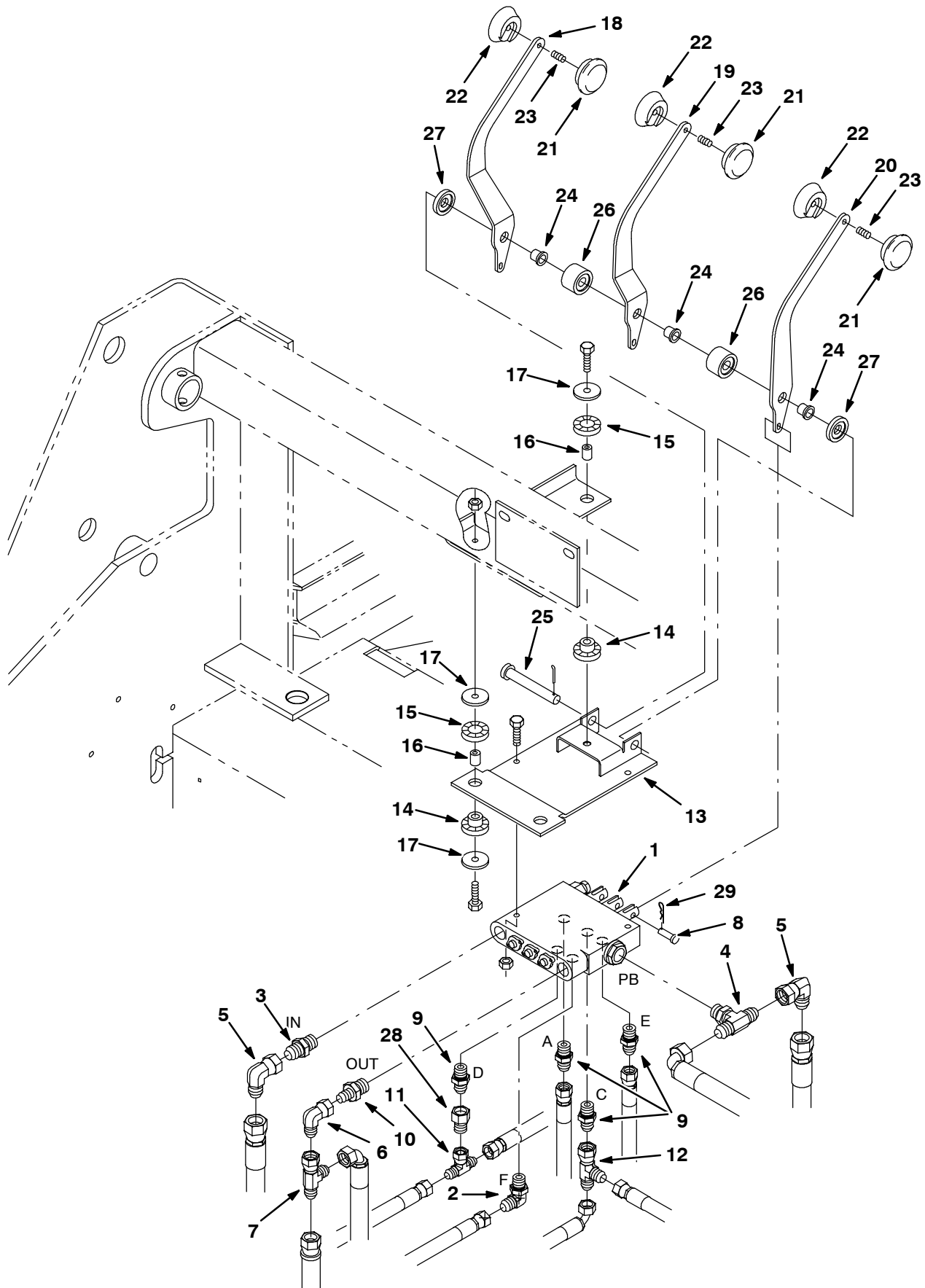


Fig. 76 - Hydraulic Lift Valve Group

| Ref. | Part No. | Serial Number | Description | Qty. |
|------|----------|---------------|---|------|
| 1 | 375563 | (004000- |) Valve, Hyd Control Man (See Breakdowns) | 1 |
| 2 | 47638 | (004000- |) Ftg-Hyd E90 Jm04/Om06 | 1 |
| 3 | 44869 | (004000- |) Ftg-Hyd Str Jm08/Om08 | 1 |
| 4 | 49933 | (004000- |) Ftg-Hyd Tee Jm08Omjm | 1 |
| 5 | 17980 | (004000- |) Ftg-Hyd E90 Jm08/Jf08 | 2 |
| 6 | 47504 | (004000- |) Ftg-Hyd E90 Jm06/Jf06 | 1 |
| 7 | 42215 | (004000- |) Ftg-Hyd Tee Jm06Jmjf | 2 |
| 8 | 77488 | (004000- |) Pin, Clevis .18 Dia.X .62 Lg | 3 |
| 9 | 55685 | (004000- |) Ftg-Hyd Str Jm04/Om06 | 3 |
| 10 | 52402 | (004000- |) Ftg-Hyd Str Jm06/Om08 | 1 |
| 11 | 57411 | (004000- |) Ftg-Hyd Tee Jm04Jfjm | 1 |
| 12 | 57988 | (004000- |) Ftg-Hyd Tee Jm04Jmjf | 1 |
| 13 | 77485 | (004000- |) Bracket Wldt, Mounting, Valve | 1 |
| 14 | 62173 | (004000- |) Bushing, Isolator-Inner,Rbr. | 3 |
| 15 | 62172 | (004000- |) Ring | 3 |
| 16 | 64905 | (004000- |) Sleeve, .259B .38D .62 Dom | 3 |
| 17 | 1014491 | (004000- |) Washer, Flat, 0.28b 1.38d .12, Hrs Pl | 5 |
| 18 | 77491 | (004000- |) Handle, Rh | 1 |
| 19 | 77492 | (004000- |) Handle, Center | 1 |
| 20 | 77493 | (004000- |) Handle, Lh | 1 |
| 21 | 64434 | (004000- |) Knob | 3 |
| 22 | 70827 | (004000- |) Knob | 3 |
| 23 | 70847 | (004000- |) Screw Set M 6X1.020 | 3 |
| 24 | 36556 | (004000- |) Bearing, Nylon .50B | 3 |
| 25 | 06474A | (004000- |) Pin,Clevis,0.50 Dia.X 3.50 Lg | 1 |
| 26 | 77498 | (004000- |) Spacer, .90L | 2 |
| 27 | 77499 | (004000- |) Spacer, .25 L | 2 |
| 28 | 16455 | (004000- |) Ftg-Hyd Rst JM04/.047 | 1 |
| 29 | 08085 | (004000- |) Pin, Haircotter .31d .058wire | 3 |

Fig. 77 - Brush Group, Side

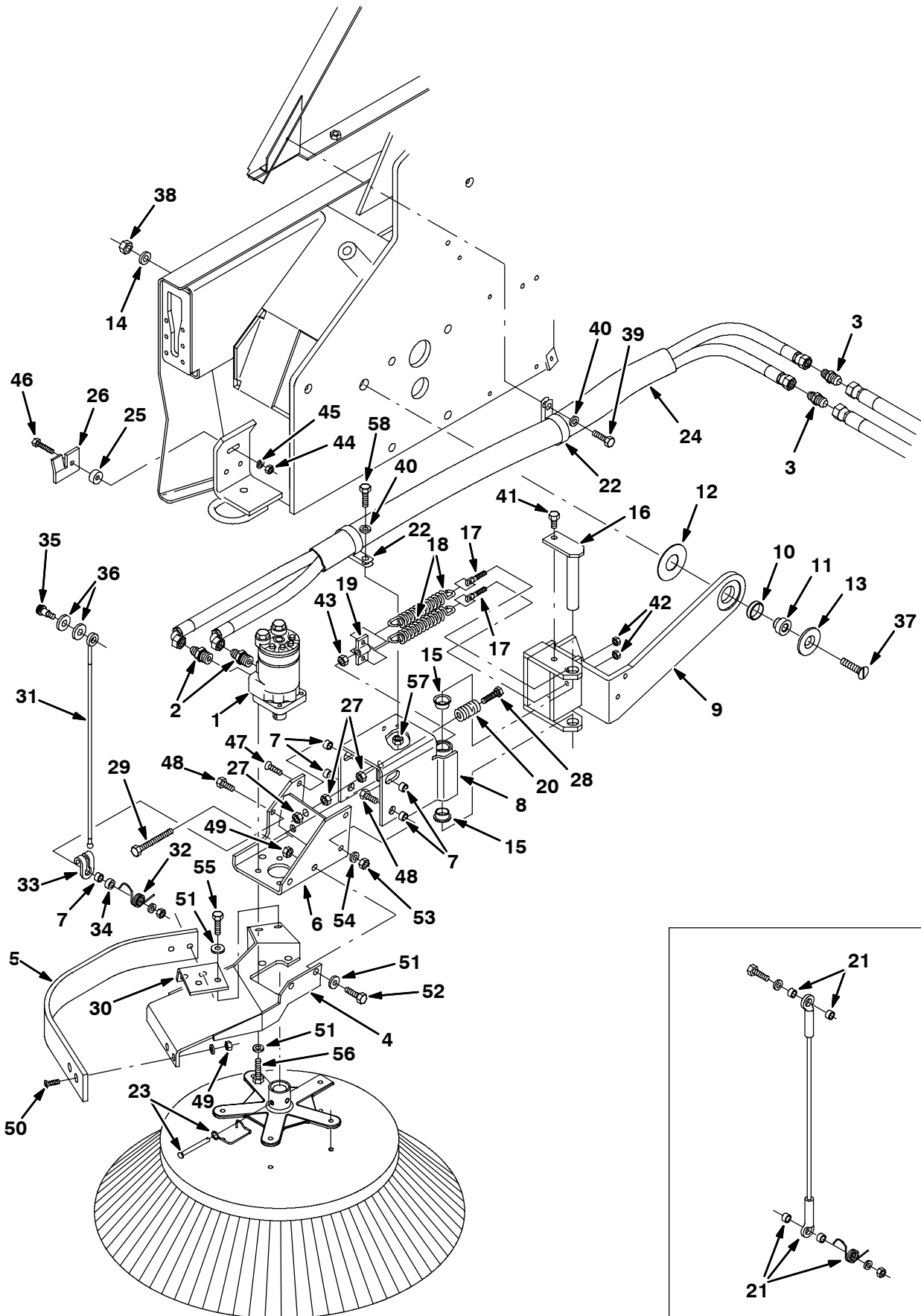


Fig. 77 - Brush Group, Side

| Ref. | Part No. | Serial Number | Description | Qty. |
|------|----------|-----------------|---|------|
| 1 | 79781 | (004000- |) Motor, Hyd, (See Breakdowns) | 1 |
| 2 | 47508 | (004000- |) Ftg-Hyd Str Jm06/Om10 | 2 |
| 3 | 42207 | (004000- |) Ftg-Hyd Str Jm08/Jm06 | 2 |
| 4 | 21224 | (004000- |) Guard Wldt, Side Brush | 1 |
| 5 | 21238 | (004000- |) Guard, Side Brush | 1 |
| 6 | 65168 | (004000- |) Bracket, Mounting, Motor | 1 |
| 7 | 65174 | (004000- |) Spacer | 5 |
| 8 | 65170 | (004000- |) Bracket, Pivot | 1 |
| 9 | 70521 | (004000- |) Bracket, Lift | 1 |
| 10 | 70627 | (004000- |) Bearing | 1 |
| 11 | 70526 | (004000- |) Shaft, Pivot | 1 |
| 12 | 70524 | (004000- |) Washer, 1.300B 3.000 | 1 |
| 13 | 70525 | (004000- |) Spacer | 1 |
| 14 | 36328 | (004000- |) Washer-Belleville .50 Pltd | 1 |
| 15 | 04761 | (004000- |) Bearing, Flange .875 Bore | 2 |
| 16 | 70431 | (004000- |) Pin | 1 |
| 17 | 70626 | (004000- |) Bolt-Eye M8-1.25 | 2 |
| 18 | 65160 | (004000- |) Spring, Extension | 2 |
| 19 | 65173 | (004000- |) Bracket, Spring | 1 |
| 20 | 65180 | (004000- |) Spring, Comp | 1 |
| 21 | 375400 | (004000- xxxxxx |) Replacement Kit, Rh. Side Brush Cable | 1 |
| 22 | 67366 | (004000- |) Clamp, Cable, Stl, 1.0x2.0x0.62w, 1hole | 1 |
| 23 | 84581 | (004000- |) Pin Assy, Side Brush W/clip | 1 |
| 24 | 75028 | (004000- |) Sleeve, Nylon #27 65.0L | 1 |
| 25 | 74059 | (004000- |) Spacer | 1 |
| 26 | 74060 | (004000- |) Bracket, Angle | 1 |
| 27 | 07787 | (004000- |) Nut, Hex, Std, M10 X 1.5, Ss | 3 |
| 28 | 06537 | (004000- |) Screw-Hex M10X1.5 | 1 |
| 29 | 76438 | (004000- |) Screw-Hex M10X1.5 90 Full Thd | 1 |
| 30 | 21215 | (004000- |) Plate, Angle | 1 |
| 31 | 375401 | (xxxxxx- |) Cable | 1 |
| 32 | 375402 | (xxxxxx- |) Spring, Torsion, Rh | 1 |
| 33 | 1017898 | (xxxxxx- |) Hook, Cable, .44d Ball | 1 |
| 34 | 375404 | (xxxxxx- |) Spacer | 1 |
| 35 | 36758 | (xxxxxx- |) Bolt, Shld, .50d X 0.50, .38-16 | 1 |
| 36 | 32486 | (xxxxxx- |) Washer | 2 |
| 37 | 20192 | (004000- |) Screw, Flt, .50-13 X 2.00, Al | 1 |
| 38 | 32985 | (004000- |) Nut, Hex, Lock, .50-13, NI | 1 |
| 39 | 12459 | (004000- |) Screw, Hex, M6 X 1.0 X 20, Fmg | 1 |
| 40 | 41185 | (004000- |) Washer, Belleville, .25 | 1 |
| 41 | 09291 | (004000- |) Screw, Hex, M10 X 1.5 X 20, Ss | 1 |
| 42 | 39311 | (004000- |) Nut, Hex, Std, M8 X 1.25 | 2 |
| 43 | 39312 | (004000- |) Nut, Hex, Std, M10 X 1.5 | 1 |
| 44 | 08709 | (004000- |) Nut, Hex, Lock, M8 X 1.25, NI | 1 |
| 45 | 32496 | (004000- |) Screw, Pan, #10-24 X 0.50, Fmg | 1 |
| 46 | 41342 | (004000- |) Screw, Hex, M8 X 1.25 X 40, 8.8 | 1 |
| 47 | 06535 | (004000- |) Screw, Flt, M10 X 1.5 X 35, 10.9 | 1 |
| 48 | 39284 | (004000- |) Screw, Hex, M10 X 1.5 X 35, 8.8 | 3 |
| 49 | 07792 | (004000- |) Nut, Hex, Flng, M10 X 1.5 | 8 |
| 50 | 09081 | (004000- |) Screw, Flt, M10 X 1.5 X 25, 10.9 | 4 |

Fig. 77 - Brush Group, Side

| Ref. | Part No. | Serial Number | Description | Qty. |
|-------------|-----------------|----------------------|--------------------------------------|-------------|
| 51 | 32485 | (004000- |) Washer, Flat, 0.38 Sae | 9 |
| 52 | 39283 | (004000- |) Screw, Hex, M10 X 1.5 X 25, 8.8 | 2 |
| 53 | 41430 | (004000- |) Nut, Hex, Lock, M10 X 1.5, NI | 4 |
| 54 | 32492 | (004000- |) Washer, Flat, 0.38 Std | 7 |
| 55 | 09770 | (004000- |) Screw, Hex, M10 X 1.5 X 25, Ss, NI | 4 |
| 56 | 34195 | (004000- |) Screw, Hex, .38-16 X 1.00, NI | 4 |
| 57 | 07790 | (004000- |) Nut, Hex, Flng, M6 X 1.00 | 1 |
| 58 | 06944 | (004000- |) Screw, Hex, M6 X 1.0 X 25, 8.8 | 1 |

Fig. 78 - Brush Lift Group, Side

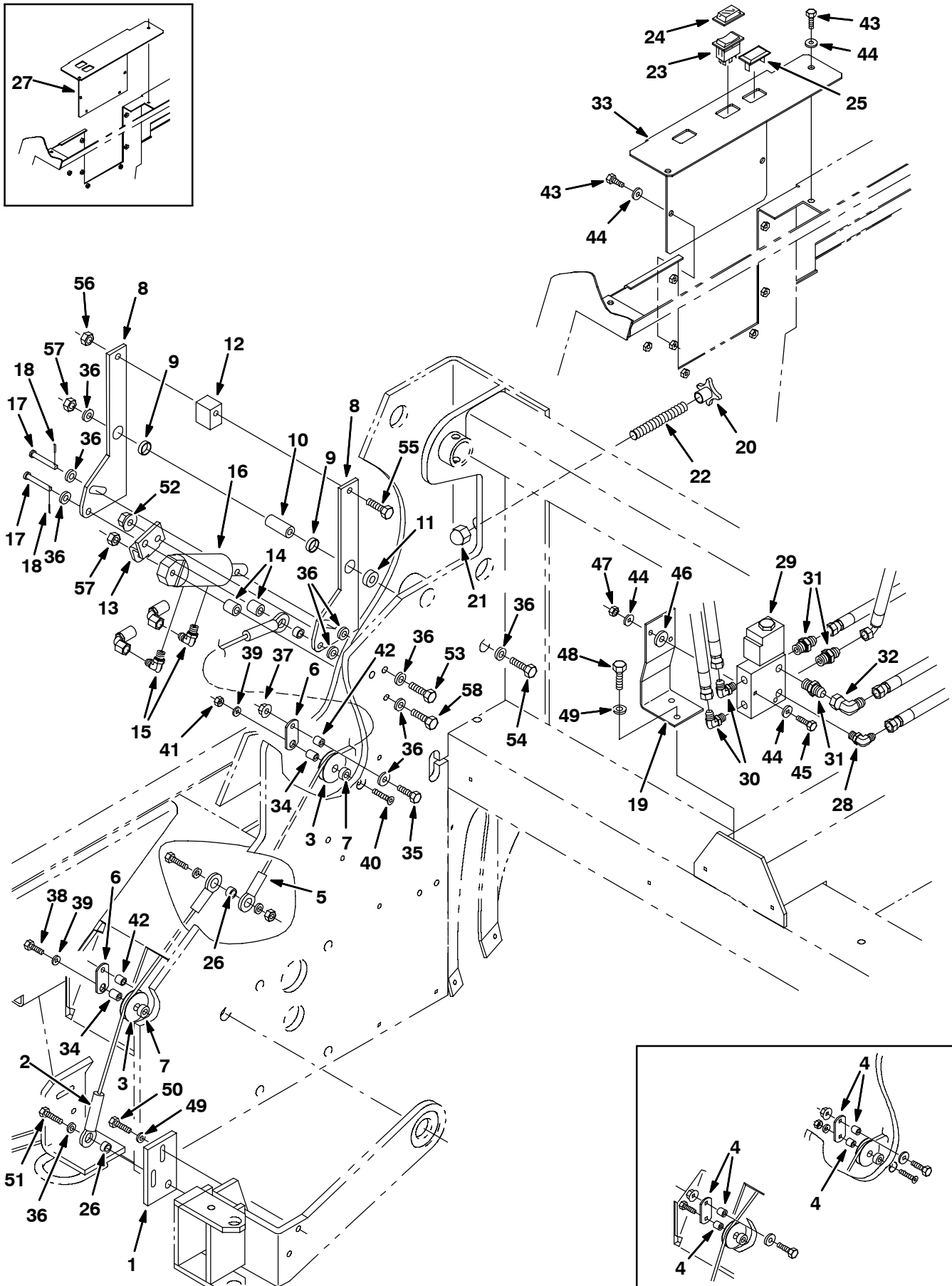


Fig. 78 - Brush Lift Group, Side

| Ref. | Part No. | Serial Number | Description | Qty. |
|------|----------|-----------------|--|------|
| 1 | 77669 | (004000- |) Plate Wldt | 1 |
| 2 | 23936 | (004000- |) Cable, Retaining, S Br | 1 |
| 3 | 74391 | (004000- |) Pulley Assy, Cable, 1.5 Dia | 2 |
| 4 | 375416 | (004000- xxxxxx |) Replacement Kit, Roller, Side Brush Lift | 1 |
| 5 | 70532 | (004000- |) Cable, Side Brush, Lift | 1 |
| 6 | 375415 | (xxxxxx- |) Plate, Side Brush Roller | 2 |
| 7 | 73737 | (004000- |) Sleeve, .375B .75D .32 Stl | 2 |
| 8 | 77584 | (004000- |) Plate | 2 |
| 9 | 74090 | (004000- |) Bearing | 2 |
| 10 | 77597 | (004000- |) Sleeve, 0.406B 0.75D1.80 Stl | 1 |
| 11 | 77727 | (004000- |) Sleeve, .438B 1.00D .35 Stl | 1 |
| 12 | 77459 | (004000- |) Spacer | 1 |
| 13 | 77601 | (004000- |) Plate, Angle | 1 |
| 14 | 77600 | (004000- |) Sleeve,0.406B .750D .800 Stl | 1 |
| 15 | 77097 | (004000- |) Ftg-Hyd E90 Jm04/Om04 | 2 |
| 16 | 1041034 | (004000- |) Cylinder, Hyd, 1.5b 06.3l 01.50strk 2500 | 1 |
| 17 | 51813 | (004000- |) Pin,Clevis,0.37 Dia.X 2.12 Lg | 2 |
| 18 | 08179 | (004000- |) Pin, Cotter .094X1.00 | 2 |
| 19 | 21231 | (004000- |) Plate | 1 |
| 20 | 77605 | (004000- |) Knob, Plastic | 1 |
| 21 | 41131 | (004000- |) Nut Low Crown .62-18 | 1 |
| 22 | 77682 | (004000- |) Rod, Thread | 1 |
| 23 | 65561 | (004000- |) Switch Rocker Spst | 1 |
| 24 | 57807 | (004000- |) Cover, Rocker Switch Seal | 1 |
| 25 | 57772 | (004000- |) Plate-Cover | 1 |
| 26 | 65174 | (004000- |) Spacer | 3 |
| 27 | 21109 | (004000-004274 |) Plate, Cover | 1 |
| 28 | 56820 | (004000- |) Ftg-Hyd E90 | 1 |
| 29 | 84016 | (004000-007338 |) Valve, Hyd Solenoid (See Breakdowns) | 1 |
| 29 | 1049211 | (007339- |) Valve, Cntrl, Hyd, Solenoid, 12vdc 06gpm (See Break-downs) | 1 |
| 30 | 77097 | (004000- |) Ftg-Hyd E90 Jm04/Om04 | 2 |
| 31 | 56690 | (004000- |) Ftg-Hyd str | 3 |
| 32 | 47504 | (004000- |) Ftg-Hyd E90 | 1 |
| 33 | 375666 | (004275- |) Plate, Cover | 1 |
| 34 | 80395 | (xxxxxx- |) Sleeve, P/M, 0.496d 0.318b 0.65l 430ss | 2 |
| 35 | 76570 | (xxxxxx- |) Screw, Hex m08 | 2 |
| 36 | 32492 | (xxxxxx- |) Washer, Flat | 12 |
| 37 | 07791 | (xxxxxx- |) Nut, Hex, Flange | 2 |
| 38 | 41342 | (xxxxxx- |) Screw, Hex m08 | 2 |
| 39 | 33924 | (xxxxxx- |) Washer, Flat m10 | 2 |
| 40 | 09028 | (xxxxxx- |) Screw, Hex m10 | 1 |
| 41 | 32715 | (xxxxxx- |) Nut, Hex Lock m10 | 1 |
| 42 | 222460 | (xxxxxx- |) Sleeve, P/M, 0.496d 0.318b 0.50l 430ss | 2 |
| 43 | 06943 | (004000- |) Screw, Hex, M6 X 1.0 X 20, 8.8 | 4 |
| 44 | 19066 | (004000- |) Washer, Flat, #10 | 8 |
| 45 | 06548 | (004000- |) Screw, Hex, M6 X 1.0 X 60, 8.8 | 2 |
| 46 | 63416 | (004000- |) Washer, Rbr, .12 0.31b 0.88d | 2 |
| 47 | 08708 | (004000- |) Nut, Hex, Lock, M6 X 1.0, NI | 2 |
| 48 | 16931 | (004000- |) Screw, Hex, M8 X 1.25 X 20, 8.8 | 2 |

Fig. 78 - Brush Lift Group, Side

| Ref. | Part No. | Serial Number | Description | Qty. |
|------|----------|---------------|-----------------------------------|------|
| 49 | 32491 | (004000- |) Washer, Flat, 0.31 Std | 3 |
| 50 | 09010 | (004000- |) Screw, Hex, M8 X 1.25 X 25, Ss | 2 |
| 51 | 39283 | (004000- |) Screw, Hex, M10 X 1.5 X 25, 8.8 | 2 |
| 52 | 07792 | (004000- |) Nut, Hex, Flng, M10 X 1.5 | 2 |
| 53 | 39284 | (004000- |) Screw, Hex, M10 X 1.5 X 35, 8.8 | 1 |
| 54 | 03193 | (004000- |) Screw, Hex, M10 X 1.5 X 90, 8.8 | 1 |
| 55 | 06957 | (004000- |) Screw, Hex, M8 X 1.25 X 60, 8.8 | 1 |
| 56 | 08709 | (004000- |) Nut, Hex, Lock, M8 X 1.25, NI | 1 |
| 57 | 41430 | (004000- |) Nut, Hex, Lock, M10 X 1.5, NI | 1 |
| 58 | 06965 | (004000- |) Screw, Hex, M10 X 1.5 X 80, 8.8 | 1 |

Fig. 79 - Brush Drive Group, Main

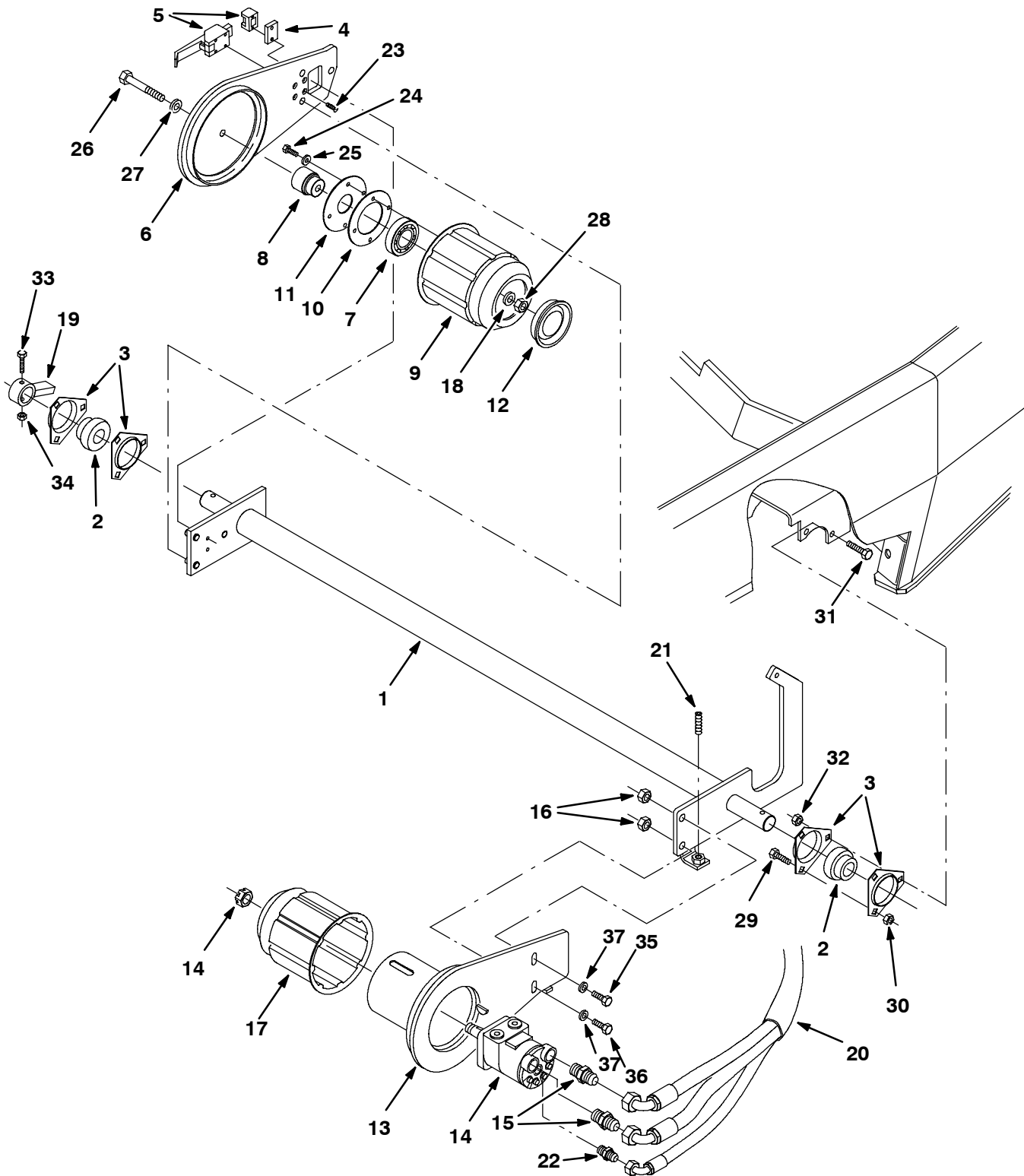


Fig. 79 - Brush Drive Group, Main

| Ref. | Part No. | Serial Number | Description | Qty. |
|------|----------|---------------|--------------------------------------|------|
| 1 | 63436 | (004000- |) Shaft Wldt, Main Brush | 1 |
| 2 | 51448 | (004000- |) Bearing&Clr , 1.25B 2.44D 1.41W | 2 |
| 3 | 51449 | (004000- |) Flange,Brg,3 Hole | 4 |
| 4 | 63541 | (004000- |) Plate, Mtg, Latch | 1 |
| 5 | 54878 | (004000- |) Latch | 1 |
| 6 | 63449 | (004000- |) Arm Wldt, M Br, Idler | 1 |
| 7 | 24899 | (004000- |) Bearing-Ball,1.38B 2.83D 0.67W | 1 |
| 8 | 30251 | (004000- |) Shaft, Idler | 1 |
| 9 | 55779 | (004000- |) Plug Wldt, Idler | 1 |
| 10 | 30252 | (004000- |) Strip, Retainer, Bearing | 1 |
| 11 | 30253 | (004000- |) Plate, Seal | 1 |
| 12 | 30255 | (004000- |) Plug, Tube | 1 |
| 13 | 63450 | (004000- |) Arm Wldt, M Br, Motor | 1 |
| 14 | 53434 | (004000- |) Motor-Hyd Gear In (See Breakdowns) | 1 |
| 15 | 44869 | (004000- |) Ftg-Hyd Str Jm08/Om08 | 2 |
| 16 | 07793 | (004000- |) Nut, Hex, Flng, M12 X 1.75 | 2 |
| 17 | 87631 | (004000- |) Plug Weld, Brush Drive, Sweep | 1 |
| 18 | 51564 | (004000- |) Washer, .531B 1.75D .12Cr.Znc | 1 |
| 19 | 64811 | (004000- |) Bar Wldt, Brush Pressure | 1 |
| 20 | 34330 | (004000- |) Sleeve, Hyd 30" | 1 |
| 21 | 75612 | (004000- |) Screw, Set | 1 |
| 22 | 55586 | (004000- |) Ftg-Hyd Str Jm04/Om04 | 1 |
| 23 | 09120 | (004000- |) Screw, Flt, M5 X 0.8 X 16, 10.9 | 6 |
| 24 | 12274 | (004000- |) Screw, Hex, M6 X 1.0 X 20, 8.8, NI | 4 |
| 25 | 32483 | (004000- |) Washer, Flat, 0.25 Sae | 4 |
| 26 | 32895 | (004000- |) Screw, Hex, .50-13 X 3.50, 5 | 1 |
| 27 | 36328 | (004000- |) Washer, Belleville, .50 | 1 |
| 28 | 02931 | (004000- |) Nut, Hex, Lock, .50-13, NI, Ss | 1 |
| 29 | 10819 | (004000- |) Bolt, Carriage, .38-16 X 1.00 | 2 |
| 30 | 50902 | (004000- |) Nut, Hex, Lock, .38-16, NI | 2 |
| 31 | 39283 | (004000- |) Screw, Hex, M10 X 1.5 X 25, 8.8 | 4 |
| 32 | 07792 | (004000- |) Nut, Hex, Flng, M10 X 1.5 | 4 |
| 33 | 06957 | (004000- |) Screw, Hex, M8 X 1.25 X 60, 8.8 | 1 |
| 34 | 08709 | (004000- |) Nut, Hex, Lock, M8 X 1.25, NI | 1 |
| 35 | 06968 | (004000- |) Screw, Hex, M12 X 1.75 X 35, 8.8 | 1 |
| 36 | 41346 | (004000- |) Screw, Hex, M12 X 1.75 X 30, 8.8 | 1 |
| 37 | 32486 | (004000- |) Washer, Flat, 0.50 Sae | 2 |

Fig. 80 - Brush Lift Group, Main

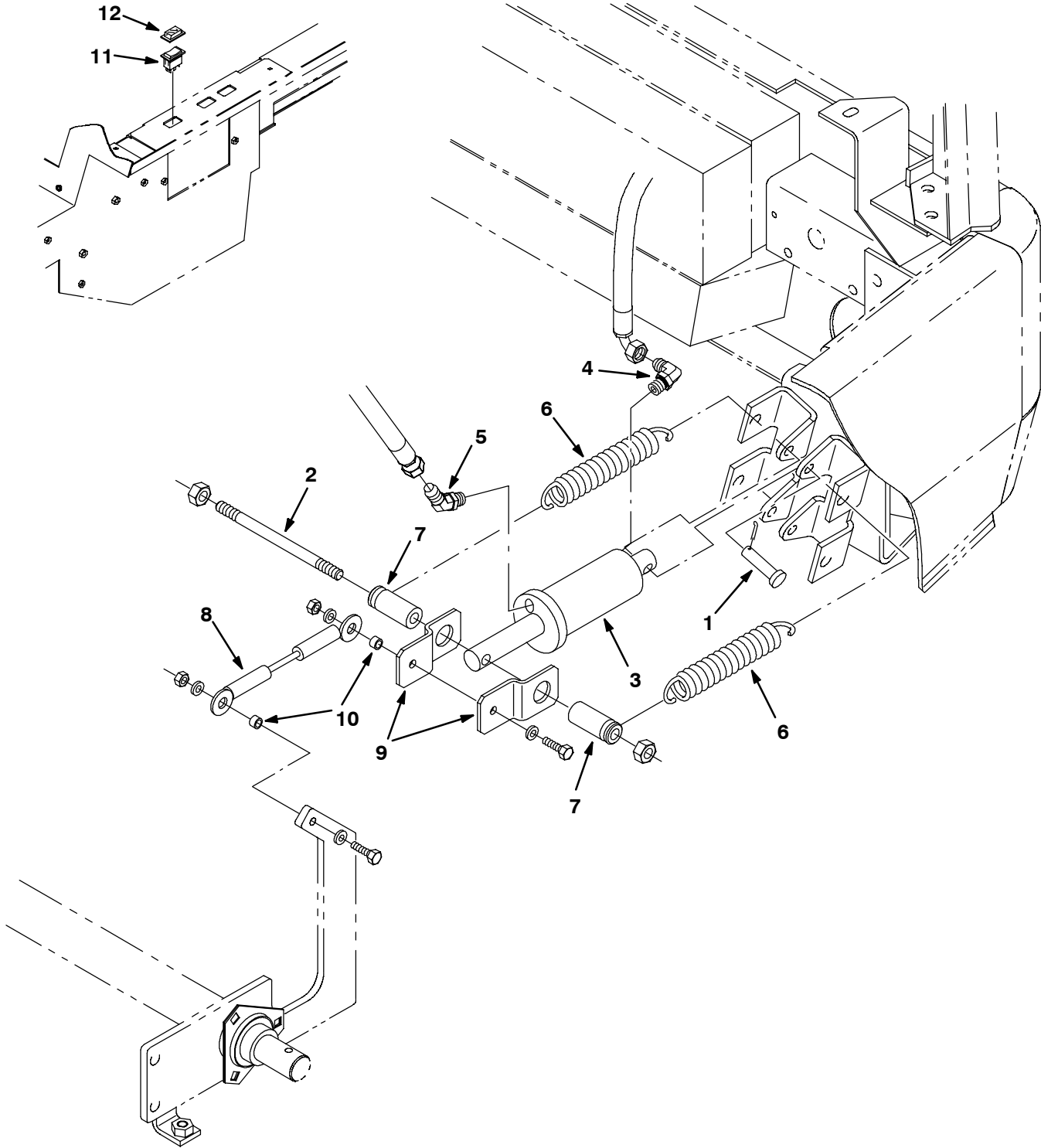


Fig. 80 - Brush Lift Group, Main

| Ref. | Part No. | Serial Number | Description | Qty. |
|------|----------|---------------|--|------|
| 1 | 51534 | (004000- |) Pin,Clevis,0.50 Dia.X 2.00 Lg | 1 |
| 2 | 1012657 | (004000- |) Rod, Thrd, 2 End .50-13 05.75 | 1 |
| 3 | 1038176 | (004000- |) Cylinder, Hyd, 2.0b 08.0l 04.00strk 2500 | 1 |
| 4 | 77097 | (004000- |) Ftg-Hyd E90 Jm04/Om04 | 1 |
| 5 | 34359 | (004000- |) Ftg-Hyd E45 Jm04/Om04 | 1 |
| 6 | 33404 | (004000- |) Spring, Tension | 2 |
| 7 | 1012656 | (004000- |) Tube, Mach, Retainer, Spring , 1.0d 1.7l | 2 |
| 8 | 64233 | (004000- |) Cable, Lift, Main Brush | 1 |
| 9 | 65248 | (004000- |) Bracket, Brush Lift, Main | 2 |
| 10 | 65249 | (004000- |) Tube, Spacer, Brush Lift | 2 |
| 11 | 61969 | (004275- |) Switch, Rocker, Dpdt | 1 |
| 12 | 57807 | (004275- |) Cover, Rocker Switch Seal | 1 |

Fig. 81 - Brush Adjustment Group, Main

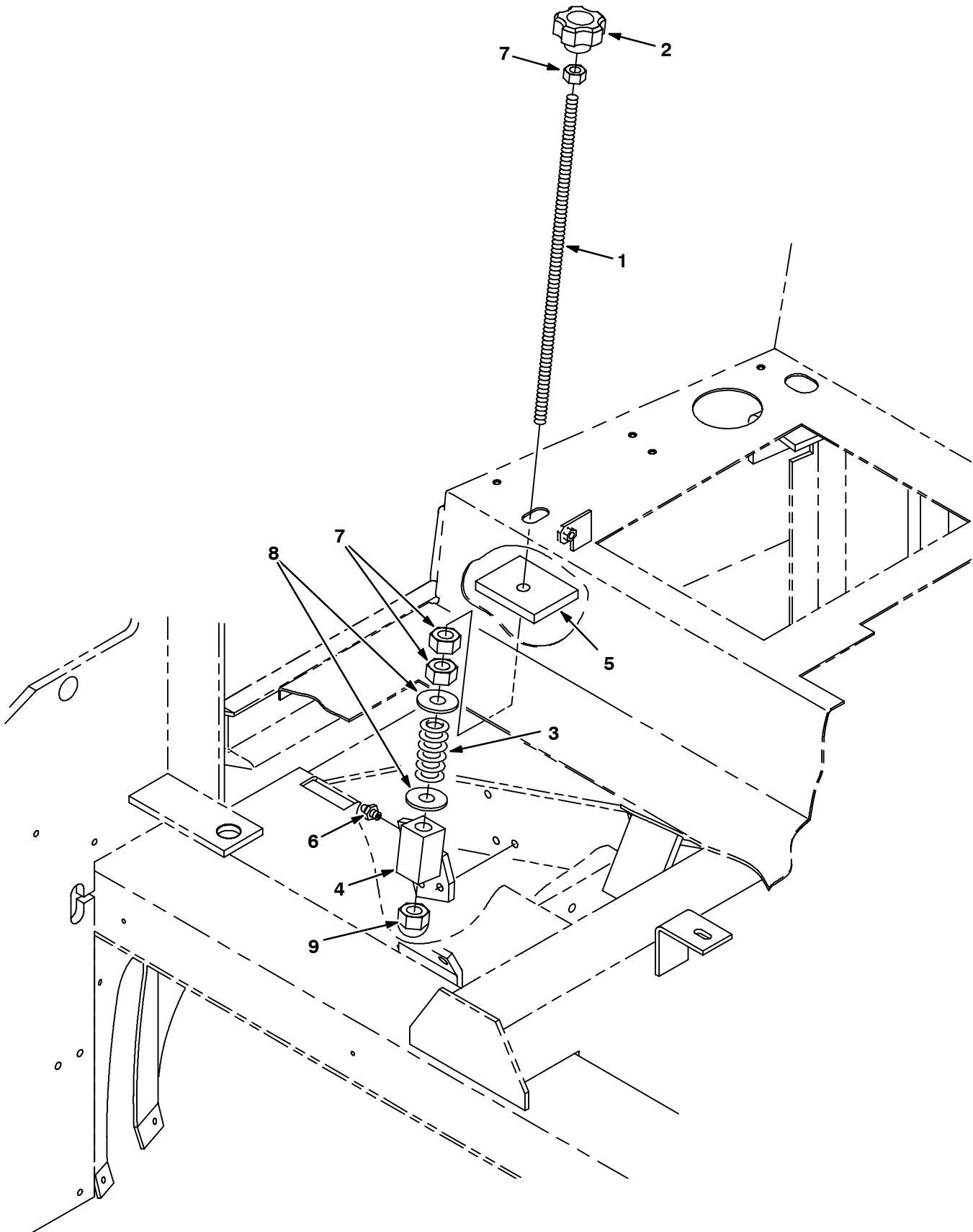


Fig. 81 - Brush Adjustment Group, Main

| Ref. | Part No. | Serial Number | Description | Qty. |
|------|----------|---------------|----------------------------------|------|
| 1 | 77578 | (004000- |) Rod, Thread | 1 |
| 2 | 77605 | (004000- |) Knob, Plastic | 1 |
| 3 | 51693 | (004000- |) Sprng,Comp,0.87Idx.10Wire 2.5L | 1 |
| 4 | 77580 | (004000- |) Plate, Adj, Brush | 1 |
| 5 | 79028 | (004000- |) Seal, Rod, Adjuster | 1 |
| 6 | 11716 | (004000- |) Ftg, Grease.12 Npt 45 .88L | 1 |
| 7 | 77583 | (004000- |) Nut, Hex, Std, .62-18 | 3 |
| 8 | 15331 | (004000- |) Washer, Flat, 0.62, Sae | 2 |
| 9 | 41131 | (004000- |) Nut, Low Crown, .62-18 | 1 |

Fig. 82 - Vacuum Fan Impeller Group

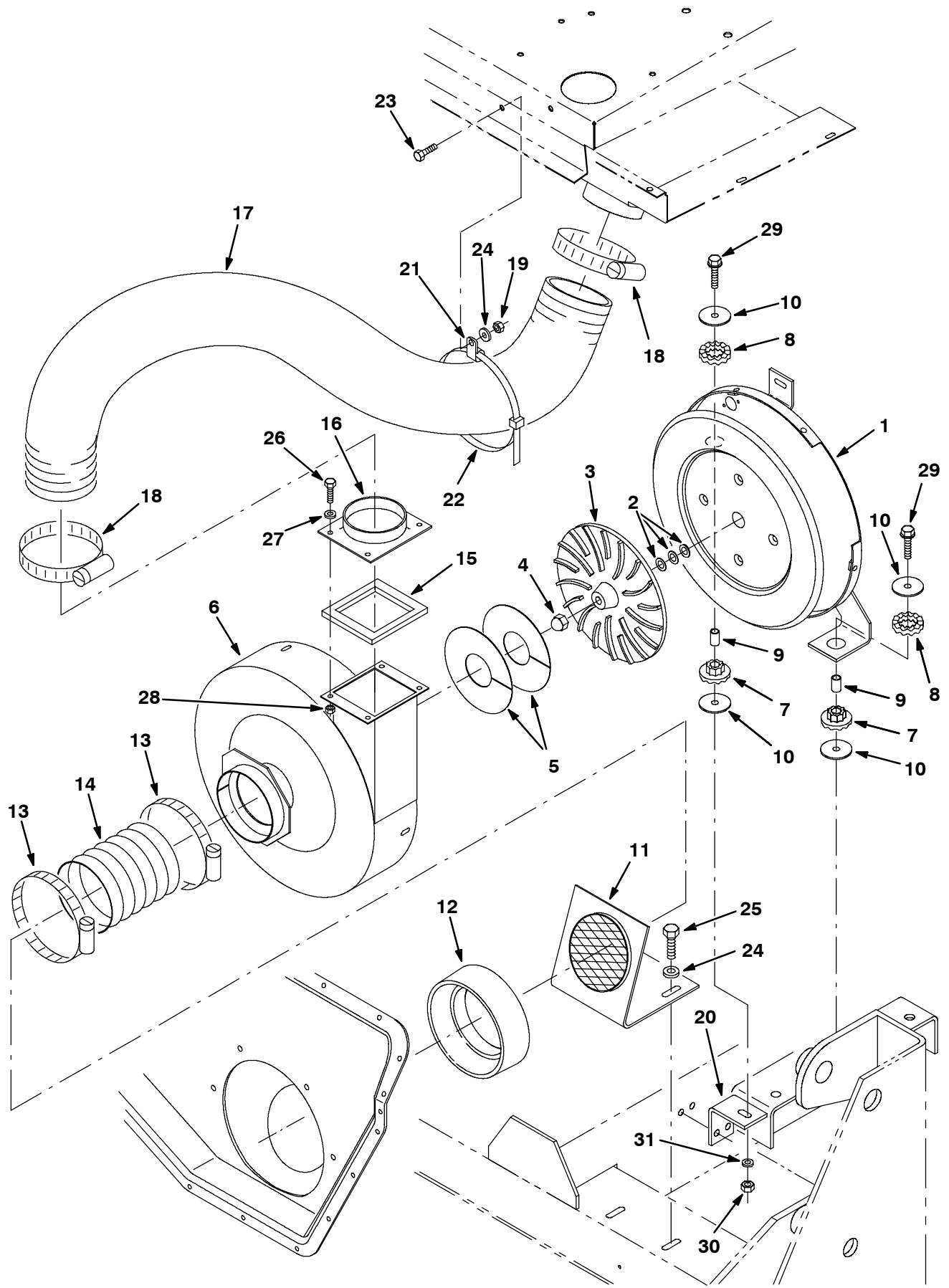


Fig. 82 - Vacuum Fan Impeller Group

| Ref. | Part No. | Serial Number | Description | Qty. |
|------|----------|---------------|--|------|
| 1 | 77531 | (004000- |) Housing Wldt, Vac Fan, Rear | 1 |
| 2 | 75456 | (004000- |) Shim .003Th 0.88Odx0.506ld | 1 |
| 2 | 75456-1 | (004000- |) Shim .005Th 0.88Odx0.506ld | 1 |
| 2 | 75456-2 | (004000- |) Shim .010Th 0.88Odx0.506ld | 1 |
| 2 | 75456-3 | (004000- |) Shim .020Th 0.88Odx0.506ld | 3 |
| 2 | 75456-4 | (004000- |) Shim .060Th 0.880Dxo.506ld | 3 |
| 3 | 03922 | (004000- |) Impeller 9.5 Dia. 18 Blade Mac | 1 |
| 4 | 41130 | (004000- |) Nut-Low Crown .50-20 Pltd | 1 |
| 5 | 58114 | (004000- |) Fan, Repair Kit, Reassembly | 1 |
| 6 | 77532 | (004000- |) Housing Wldt, Vac Fan, Front | 1 |
| 7 | 64621 | (004000- |) Bushing, Isolator | 2 |
| 8 | 64618 | (004000- |) Ring, Isolator, Outer Rbr | 2 |
| 9 | 64299 | (004000- |) Spacer | 2 |
| 10 | 58228 | (004000- |) Plate, Spring - Side Brush | 4 |
| 11 | 70825 | (004000- |) Bracket Wldt, Fan Inlet | 1 |
| 12 | 21241 | (004000- |) Gasket Kit, Vacfan, Replmt [800] | 1 |
| 13 | 73685 | (004000- |) Clamp-Wormdrive, 3.62- 5.50D | 2 |
| 14 | 73646 | (004000- |) Hose, Fan Inlet | 1 |
| 15 | 73650 | (004000- |) Insulation, Acoustic, Fan | 1 |
| 16 | 77553 | (004000- |) Plate, Vac Fan | 1 |
| 17 | 40870-8 | (004000- |) Hose&cuff Assy, Vinyl4.0ldx50 | 1 |
| 18 | 23498 | (004000- |) Clamp-Wormdrive, 2.63- 4.50D | 2 |
| 19 | 08709 | (004000- |) Nut, Hex, Lock, M8 X 1.25, NI | 1 |
| 20 | 375721 | (004380- |) Bracket, Angle | 1 |
| 21 | 69234 | (004000- |) Clamp, Cable, Stl, 1.00d X 0.75w, 1h | 1 |
| 22 | 763113 | (004000- |) Tie, Cable, 20.0l, 6.00d Max | 1 |
| 23 | 16931 | (004000- |) Screw, Hex, M8 X 1.25 X 20, 8.8 | 1 |
| 24 | 32491 | (004000- |) Washer, Flat, 0.31 Std | 3 |
| 25 | 76570 | (004000- |) Screw, Hex, M8 X 1.25 X 30, 8.8 | 2 |
| 26 | 06943 | (004000- |) Screw, Hex, M6 X 1.0 X 20, 8.8 | 4 |
| 27 | 32483 | (004000- |) Washer, Flat, 0.25, Sae | 4 |
| 28 | 08708 | (004000- |) Nut, Hex, Lock, M6 X 1.00, NI | 4 |
| 29 | 16930 | (004000- |) Screw, Hex, M10 X 1.5 X 50, 8.8 | 2 |
| 30 | 41430 | (004000- |) Nut, Hex, Lock, M10 X 1.5, NI | 2 |
| 31 | 32492 | (004000- |) Washer, Flat, 0.38, Std | 2 |

Fig. 83 - Vacuum Fan Motor Group

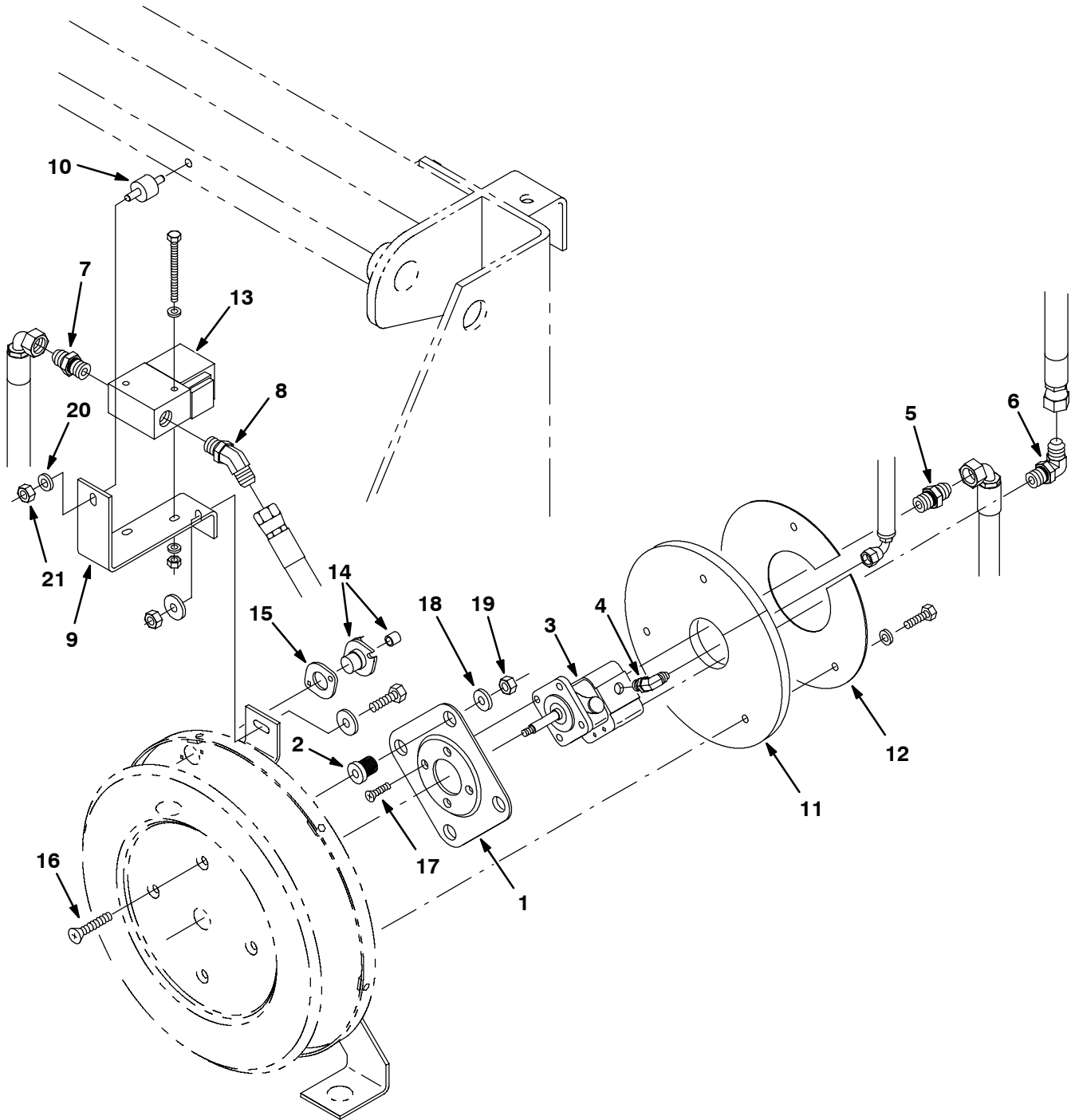


Fig. 83 - Vacuum Fan Motor Group

| Ref. | Part No. | Serial Number | Description | Qty. |
|------|----------|----------------|--|------|
| 1 | 54275A | (004000- |) Bracket, Mounting Motor | 1 |
| 2 | 54274 | (004000- |) Isolator-Vibration,60 Lb.Ratng | 4 |
| 3 | 19117 | (004000- |) Motor-Hyd Gear Ex (See Breakdowns) | 1 |
| 4 | 77097 | (004000- |) Ftg-Hyd E90 Jm04/Om04 | 1 |
| 5 | 56692 | (004000- |) Ftg-Hyd Str Jm08/Om10 | 1 |
| 6 | 56821 | (004000- |) Ftg-Hyd E90 Jm08/Om10 | 1 |
| 7 | 44869 | (004000- |) Ftg-Hyd Str Jm08/Jm08 | 1 |
| 8 | 42226 | (004000- |) Ftg-Hyd E45 Jm08/Om08 | 1 |
| 9 | 70775 | (004000- |) Bracket, Mtg, Valve | 1 |
| 10 | 05611 | (004000- |) Isolator, Vibration | 1 |
| 11 | 70810 | (004000- |) Insulation, Acoustic, Vac Fan | 1 |
| 12 | 70790 | (004000- |) Plate, Retainer, Foam | 1 |
| 13 | 84015 | (004000-007338 |) Valve-Hyd, Solenoid (See Breakdowns) | 1 |
| 13 | 1049210 | (007339- |) Valve, Cntrl, Hyd, Solenoid, 12vdc 12gpm (See Break-downs) | 1 |
| 14 | 02713 | (004000- |) Thermostat Assembly, 155 Deg | 1 |
| 15 | 82733 | (004000- |) Gasket, Fire Switch | 1 |
| 16 | 54862 | (004000- |) Screw Flt | 4 |
| 17 | 39534 | (004000- |) Screw Flt | 4 |
| 18 | 13248 | (004000- |) Washer, Flat, 0.40b 1.12d .12, Stl, PI | 4 |
| 19 | 50902 | (004000- |) Nut, Hex, Lock, .38-16, NI | 4 |
| 20 | 32984 | (004000- |) Washer, Lock, Int, 0.31 | 2 |
| 21 | 19313 | (004000- |) Nut, Hex, Std, .31-18 | 2 |

Fig. 84 - Steering Group

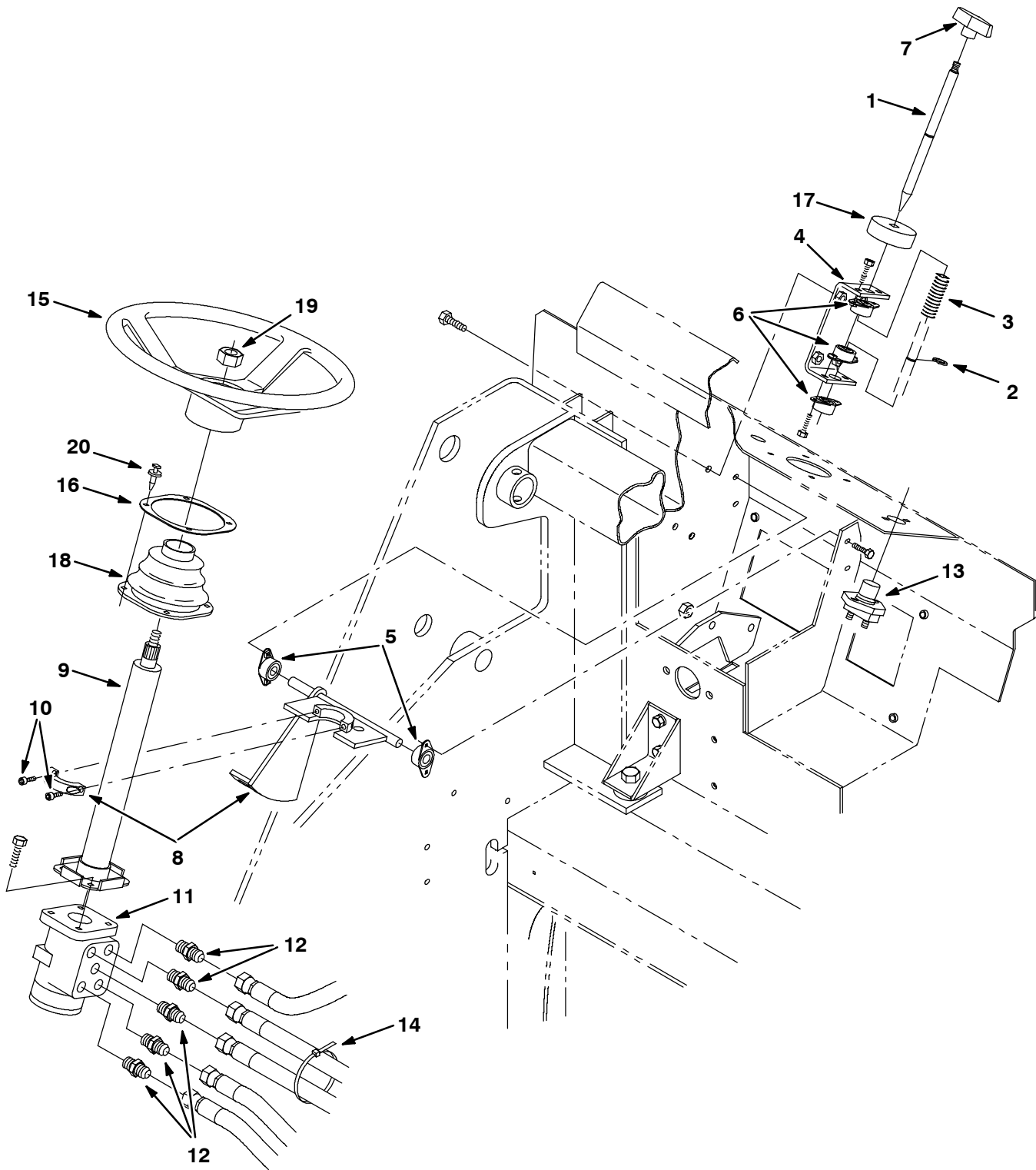


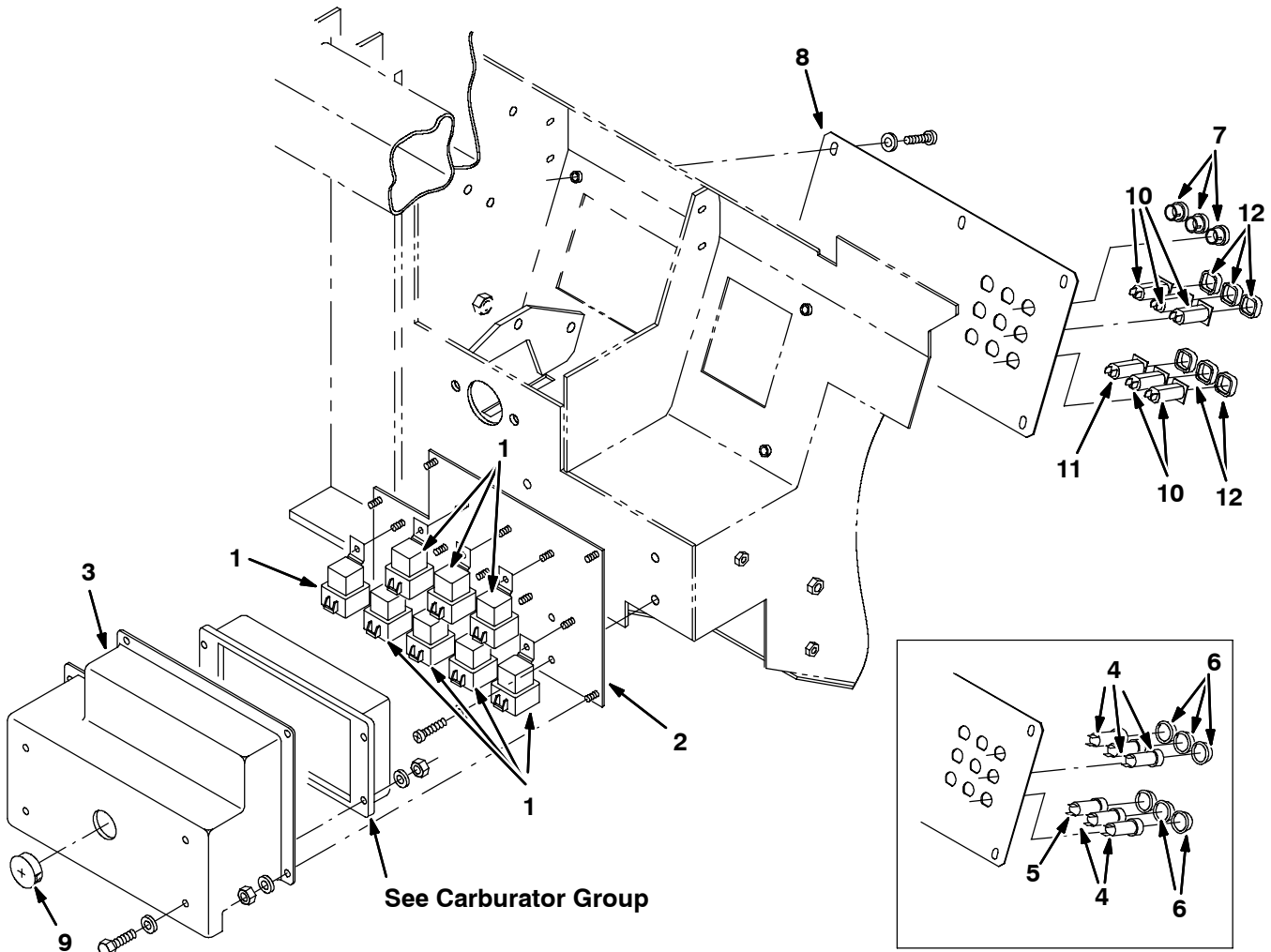
Fig. 84 - Steering Group

| Ref. | Part No. | Serial Number | Description | Qty. | |
|------|----------|---------------|--------------------------------------|------------------------|---|
| 1 | 64651 | (004000- |) Rod, Latch, Steering, Tilt | 1 | |
| 2 | 70717 | (004000- |) Ring, Retain, Ex, 0.50Od, Heavy Dt | 1 | |
| 3 | 22290 | (004000- |) Sprng, Comp, 0.62ldx.06Wire 2.3L | 1 | |
| 4 | 64655 | (004000- |) Channel, Mtg, Steering Latch | 1 | |
| 5 | 70709 | (004000- |) Bearing, Flange .500B | 2 | |
| 6 | 47585 | (004000- |) Bearing-Flange, 2 Hole 0.50Bore | 3 | |
| 7 | 04706 | (004000- |) Handle, Lift, Brush | 1 | |
| 8 | 64586 | (004000- |) Bracket Wldt, Steering Tilt | 1 | |
| ▽ | 9 | 64631 | (004000- |) Column, Steering 12" | 1 |
| ▲ | 74142 | (004000- |) Boot | 1 | |
| 10 | 21195 | (004000- |) Scr Hex .38-16X0.75 | 2 | |
| 11 | 65242 | (004000- |) Steer Control, Hyd | 1 | |
| 12 | 56690 | (004000- |) Ftg-Hyd Str Jm06/Om06 | 5 | |
| 13 | 44078 | (004000- |) Switch, Pushmom, Spst100A 12V | 1 | |
| 14 | 49263 | (004000- |) Tie, Cable 3.00D Max 11.41Lg | 3 | |
| ▽ | 15 | 56398 | (004000- |) Wheel, Steering | 1 |
| ▲ | 70218 | (004000- |) Cap, Wheel, Steering | 1 | |
| ▲ | 70219 | (004000- |) Insert, Wheel, Steering | 1 | |
| 16 | 70623 | (004000- |) Plate, Mtg, Steering Boot | 1 | |
| 17 | 75968 | (004000- |) Seal, Bearing | 1 | |
| 18 | 70622 | (004000- |) Seal, Boot, Steering Column | 1 | |
| 19 | 56185 | (004000- |) Nut-hx Jam M20x1.5 4 Pltd | 1 | |
| 20 | 72970 | (004000- |) Rivet, Plastic .250Dx.898 | 4 | |

Fig. 85 - Electrical Instrument Panel Assembly

| | Ref. | Part No. | Serial Number | Description | Qty. |
|----|------|----------|----------------|--|------|
| ▽ | | 59970 | (004000- |) Replm Kit, Instr Panel | 1 |
| ▲ | 1 | 59976 | (004000- |) Replm Kit, Case | 1 |
| ▲ | 2 | 59977 | (004000- |) Replm Kit, Seal | 1 |
| ▲▽ | 3 | 59974 | (004000- |) Replm Kit, Cir Board | 1 |
| ▲▲ | 4 | 59978 | (004000- |) Replm Kit, Hourmeter | 1 |
| ▲ | 5 | 59979 | (004000- |) Replm Kit, Touch Panel | 1 |
| ▲ | 6 | 59971 | (004000- |) Replm Kit, Lamp, Backlighting (Set of 8) | 2 |
| ▲ | 7 | 56346 | (004000- |) Replm Kit, Lamp, Fault (Set of 8) | 1 |
| | 8 | 10632-5 | (004000- |) Grommet,Rbr,0.25ld,For .09Matl | 4 |
| | 9 | 61969 | (004000-004274 |) Switch, Rocker, Dpdt | 1 |
| | 10 | 57807 | (004000-004274 |) Cover, Rocker Switch Seal | 1 |
| ▽ | 11 | 87536 | (004000- |) Switch Ignition | 1 |
| ▲ | 12 | 87866 | (004000- |) Key Set,Switch Ku | 1 |
| | 13 | 382516 | (004000- |) Boot, Switch | 1 |
| | 14 | 79648 | (004000- |) Seal, Handle, Valve | 1 |
| | 15 | 64141 | (004000- |) Light, Indicator 14V Red 1.2x0.7 | 1 |
| | 16 | 383165 | (004322- |) Boot, Switch, Ignition | 1 |
| | 17 | 1012670 | (004275- |) Panel, Cover, Dash | 1 |
| | 18 | 56992 | (004275-005999 |) Plugbutton | 1 |
| | 19 | 65245 | (004000-004274 |) Panel, Cover, Dash | 1 |
| | 20 | 73736 | (004000- |) Washer | 1 |
| | 21 | 1012185 | (006000- |) Light, Check Eng, Amb, 14vdc | 1 |

Fig. 86 - Electrical Circuit Breaker and Relay Group



07735 - G, LP

| Ref. | Part No. | Serial Number | Description | Qty. |
|------|----------|------------------|--------------------------------|------|
| 1 | 56186 | (004000-) | Relay, Shrouded, 12 Vdc | 8 |
| 2 | 70398 | (004000-) | Plate, Mtg, Relay | 1 |
| 3 | 70402 | (004000-) | Cover, Relay Panel | 1 |
| 4 | 57803 | (004000-007289) | Breaker-Circuit, 15 Resetbl | 5 |
| 5 | 87583 | (004000-007289) | Breaker-Circuit, 2.5 Resetbl | 1 |
| 6 | 57751 | (004000-007289) | Boot-Circuit Breaker | 6 |
| 7 | 57167 | (004000-) | Plugbtn .62H .03-.12 Blacknyl | 3 |
| 8 | 70411 | (004000-) | Plate, Circuit Breaker | 1 |
| 9 | 76888 | (004000-) | Button, Plug 1.25H | 1 |
| 10 | 1045858 | (007290-) | Circuitbreaker, 15A, Restable | 5 |
| 11 | 1046152 | (007290-) | Circuitbreaker, 2.5A, Restable | 1 |
| 12 | 1046173 | (007290-) | Boot, Circuitbreaker | 6 |

Fig. 87 - Electrical Schematic (004000-004936)

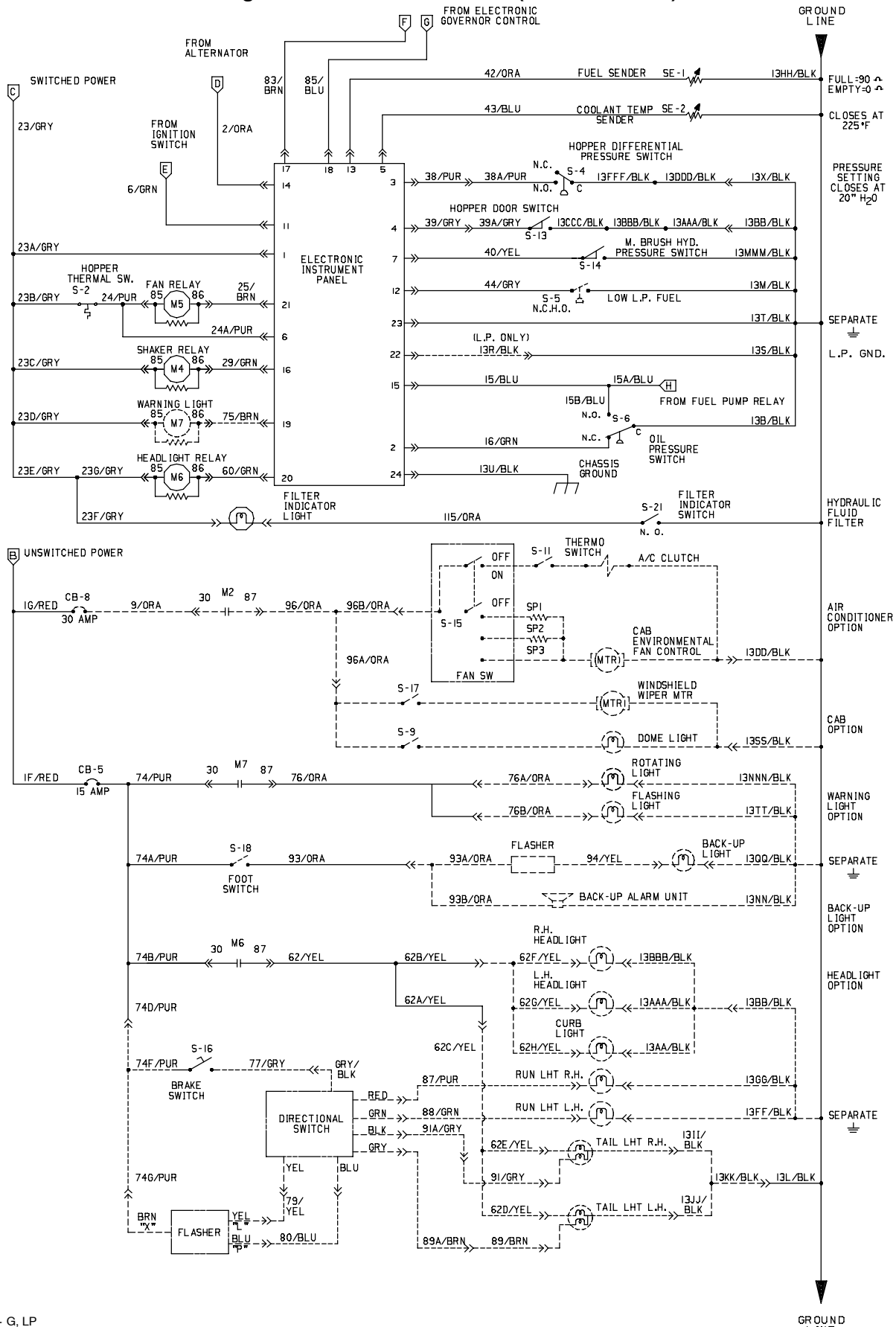
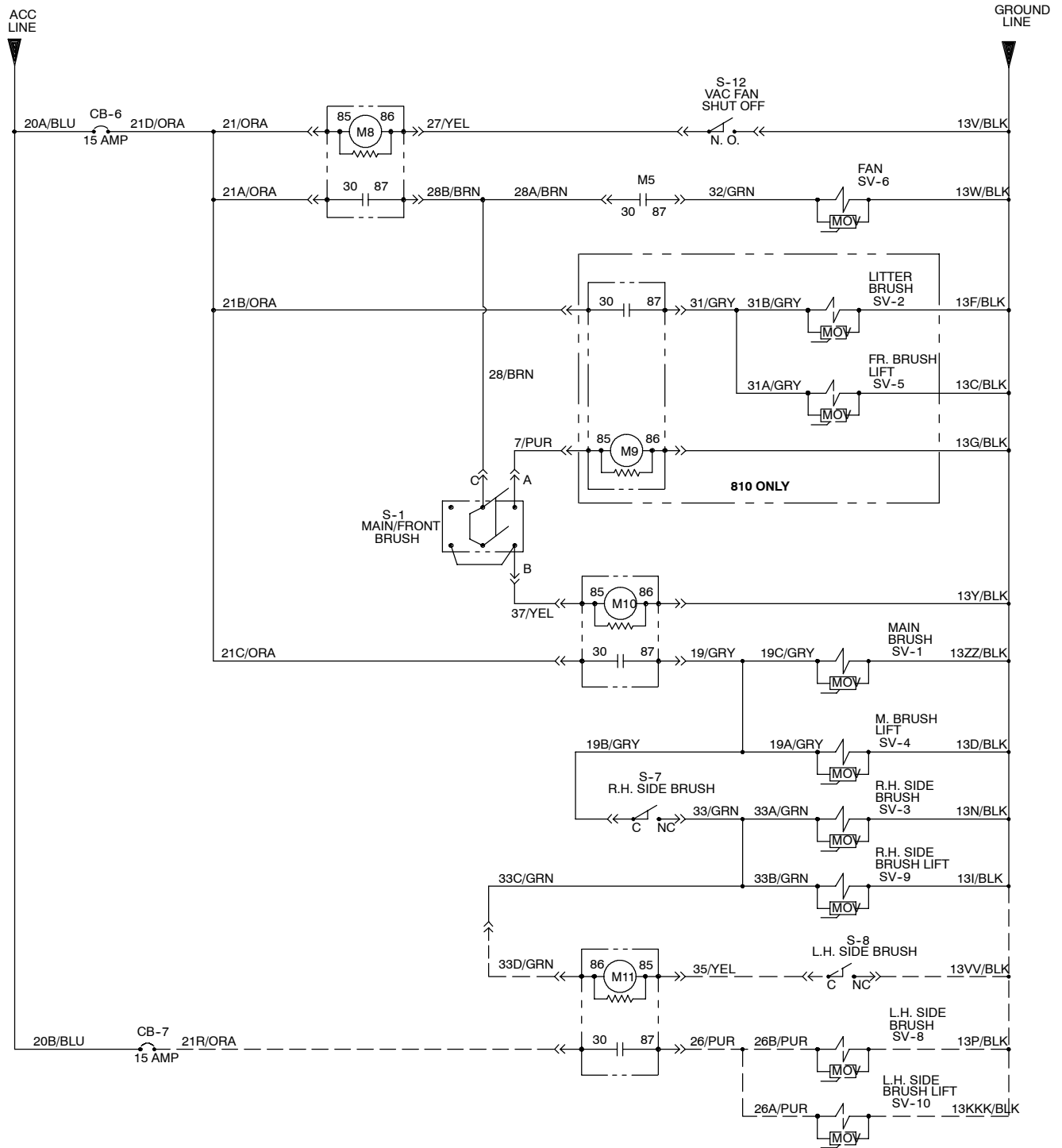
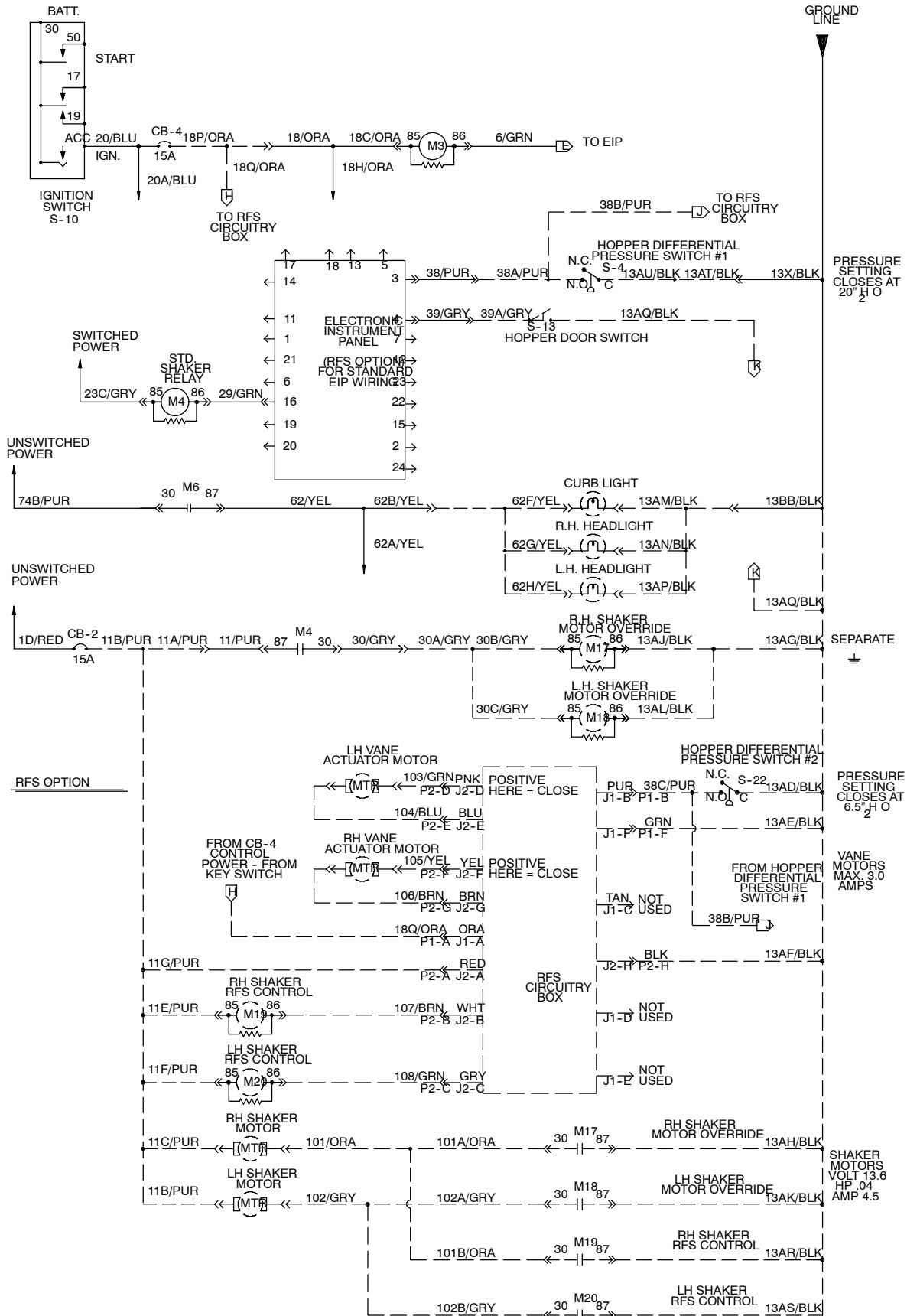


Fig. 87 - Electrical Schematic (004000-004936)



| LEGEND | | | |
|--------|------------------|------|----------------------|
| M | POWER RELAY | HM | HOURLMETER |
| MTR | MOTOR | SV | SOLENOID VALVE |
| CB | CIRCUIT BREAKER | S | SWITCH |
| PM | PERMANENT MAGNET | ACC | ACCESSORY |
| J | JACK-FEM. SOCKET | GND | GROUND CHASSIS |
| P | PLUG-MALE PIN | C | COMMON |
| PB | PUSHBUTTON | N.O. | NORMALLY OPEN |
| VM | VOLTMETER | N.C. | NORMALLY CLOSED |
| FU | FUSE | NOV | METAL OXIDE VARISTOR |

Fig. 87 - Electrical Schematic (004000-004936)



10502 - G, LP

Fig. 88 - Electrical Schematic (004937-005999)

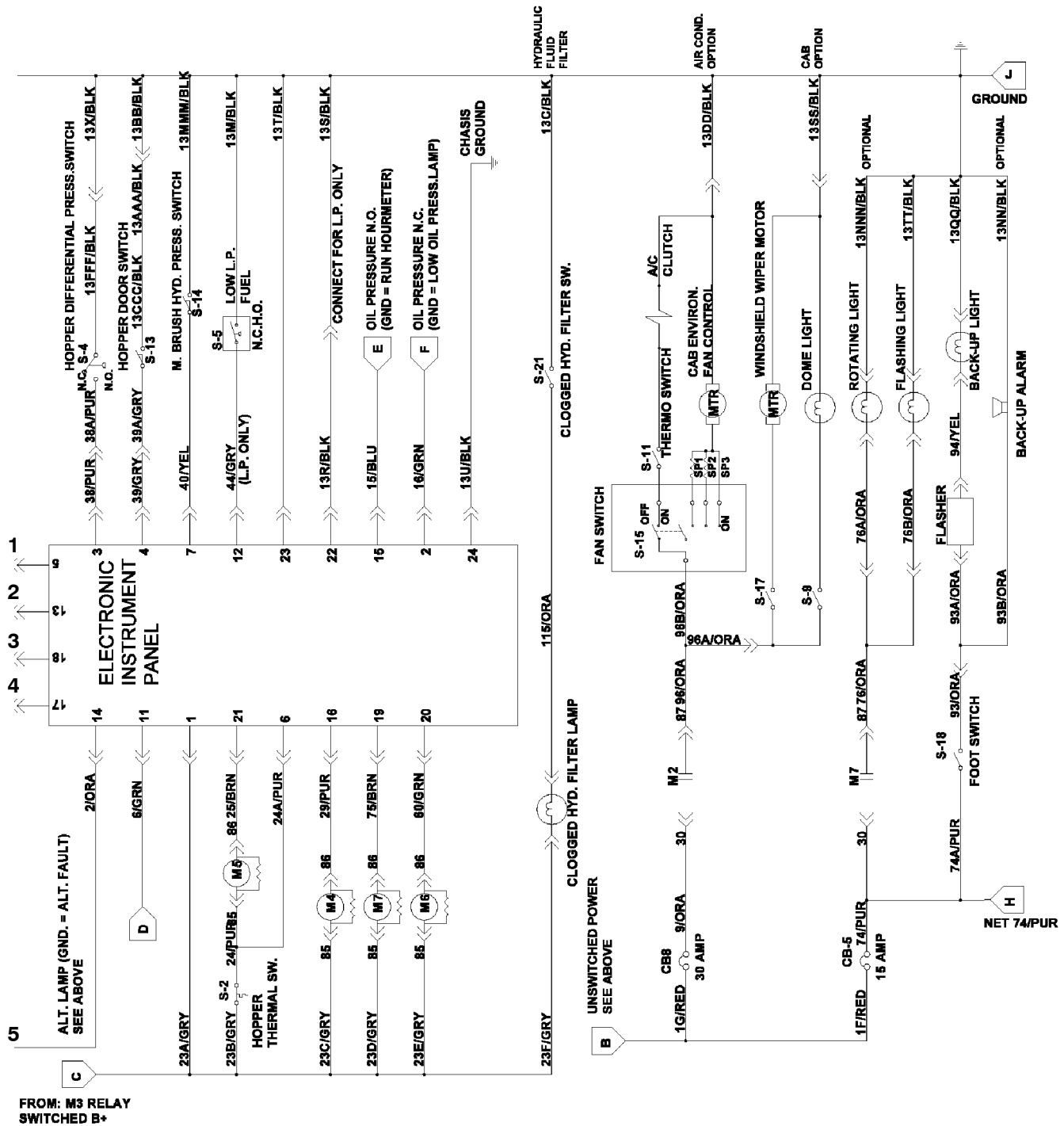


Fig. 88 - Electrical Schematic (004937-005999)

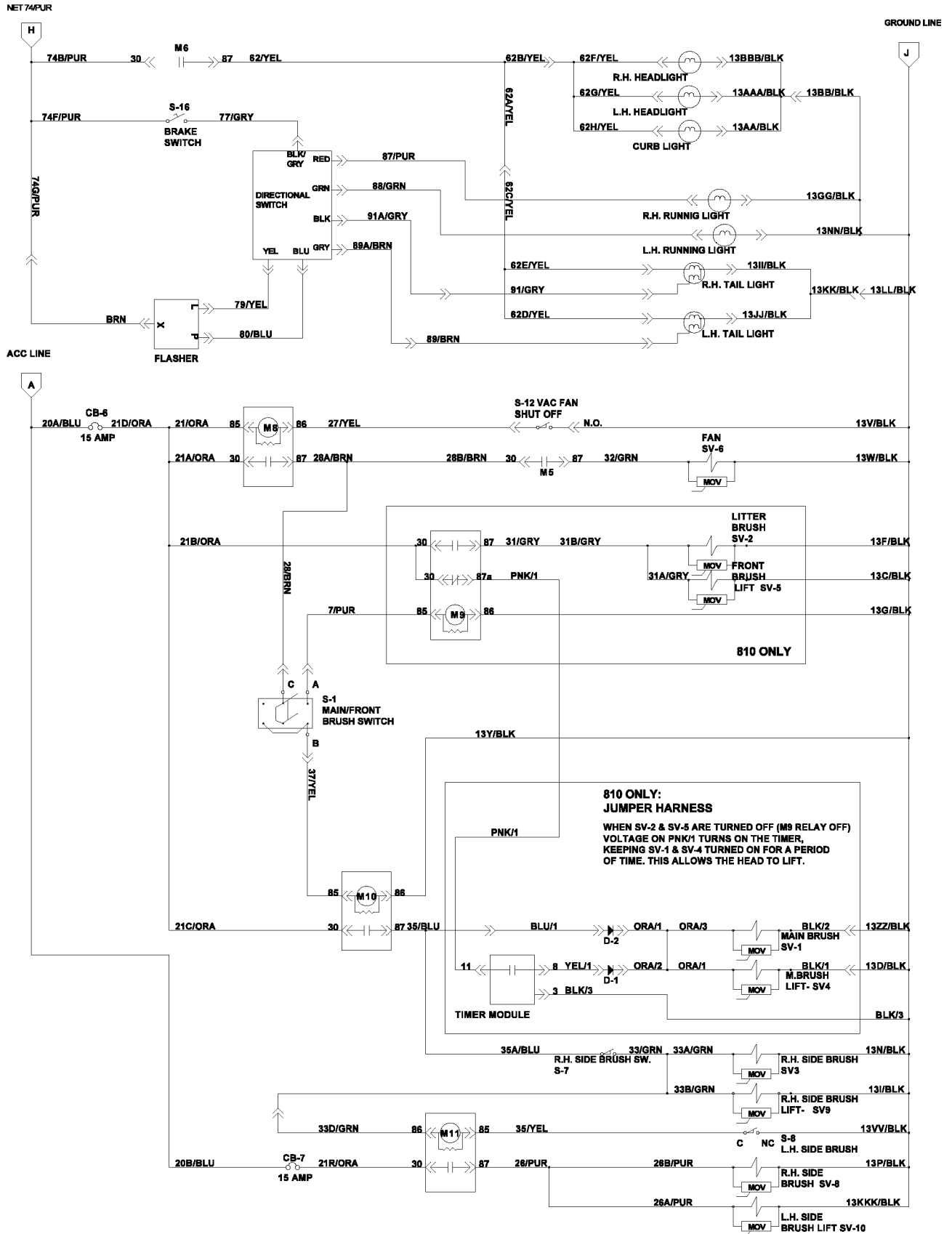
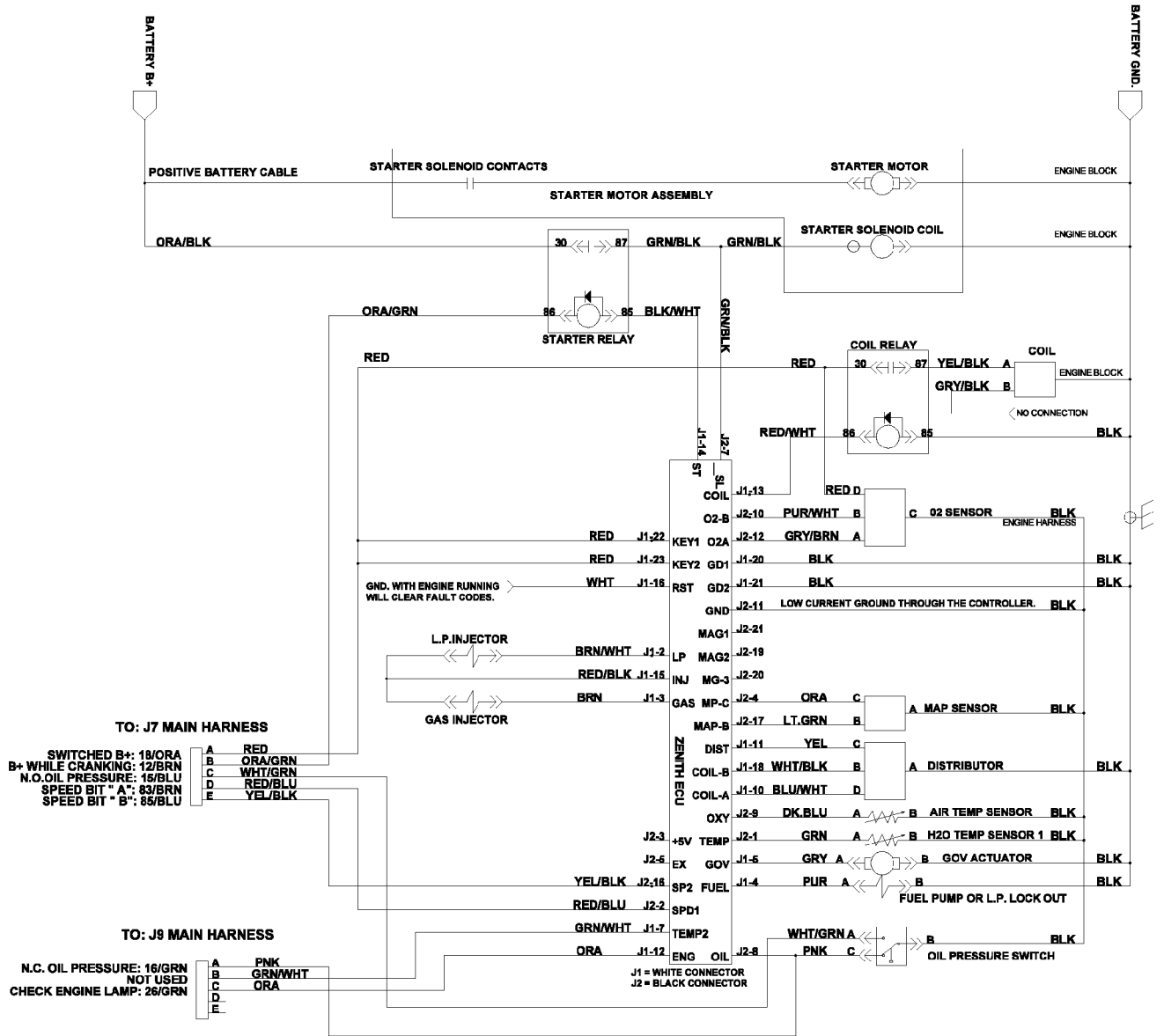


Fig. 88 - Electrical Schematic (004937-005999)



393277 - 800, 810, G, Lp

Fig. 88 - Electrical Schematic (004937-005999)

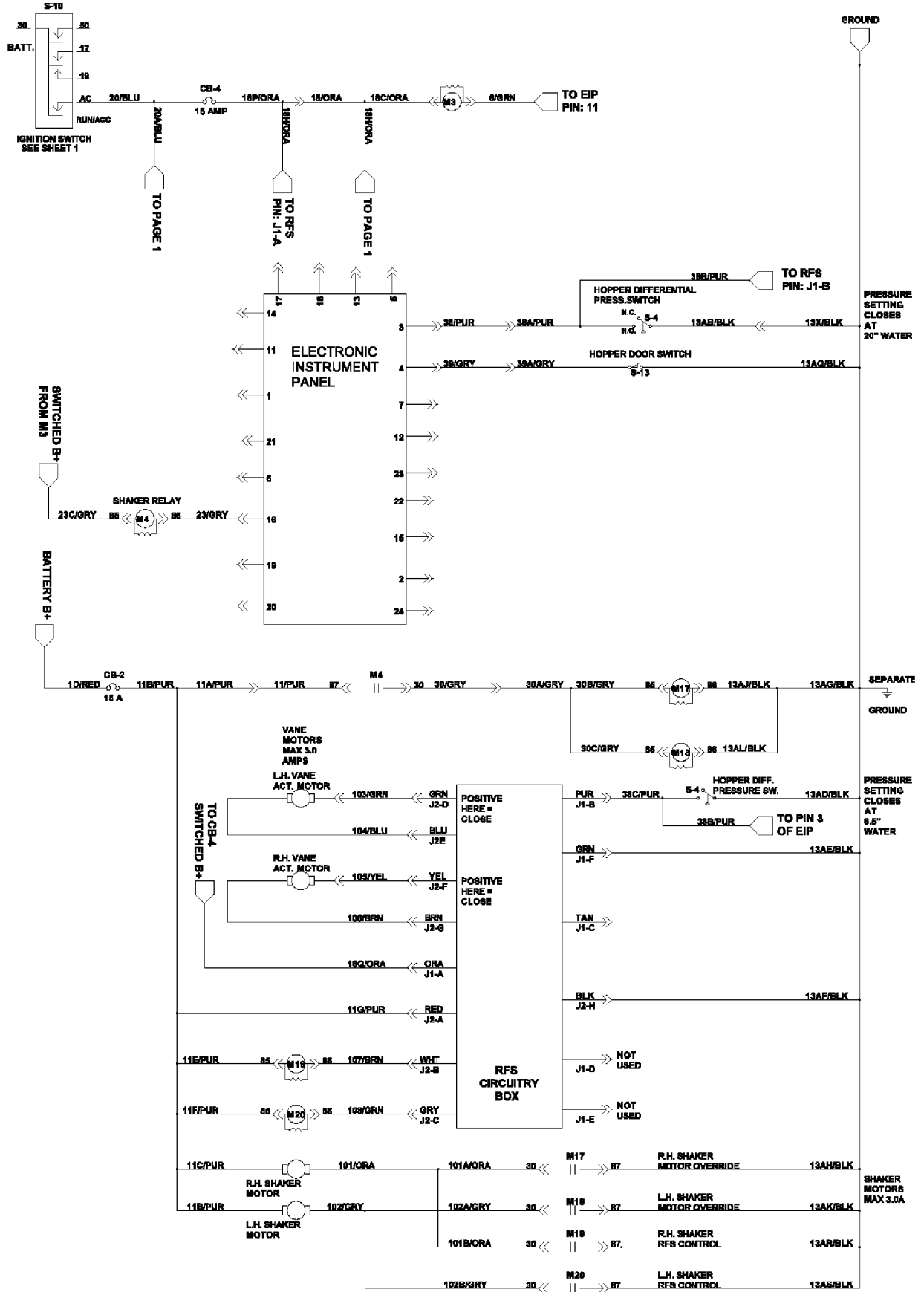
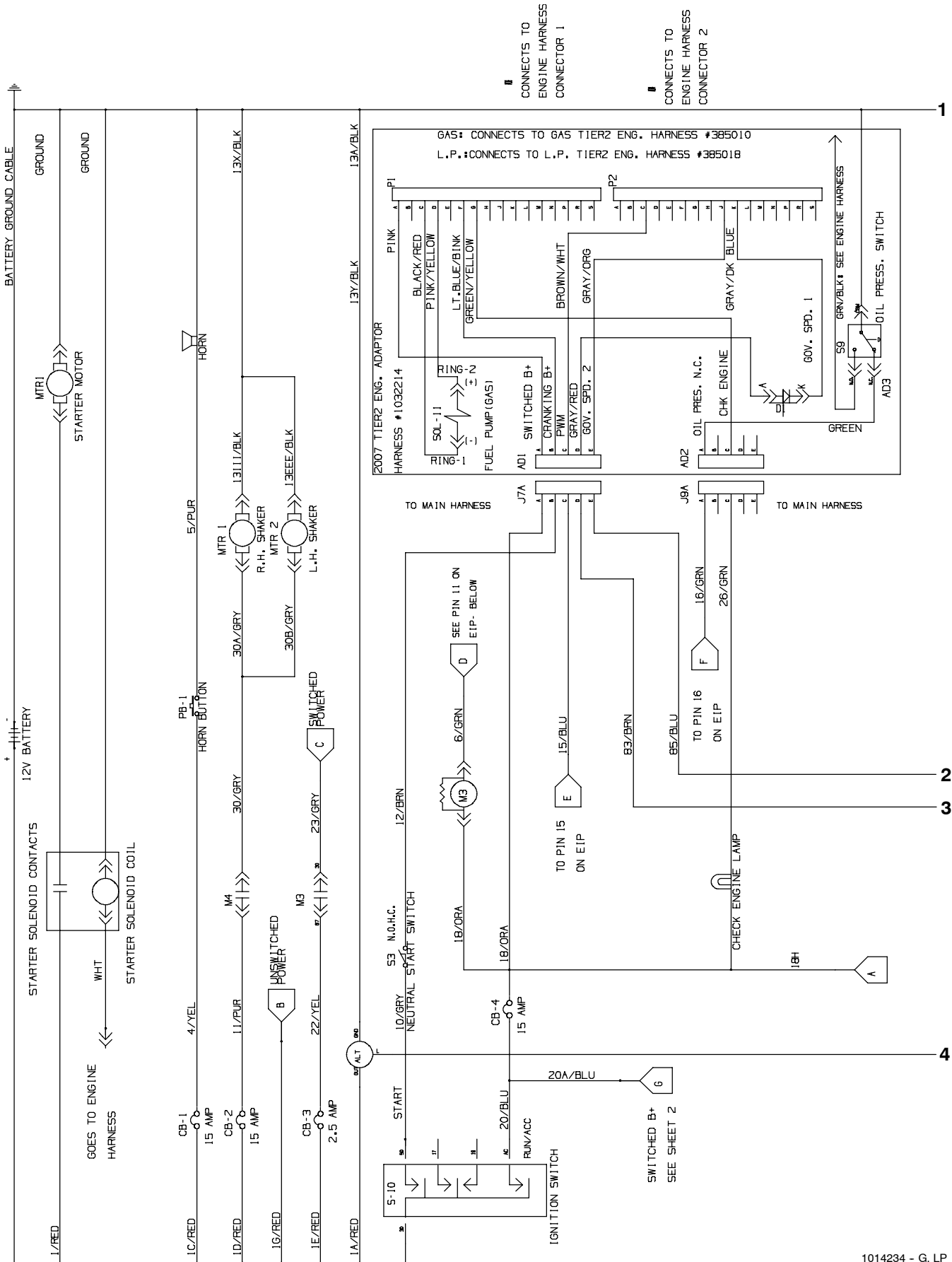


Fig. 89 - Electrical Schematic (006000-)

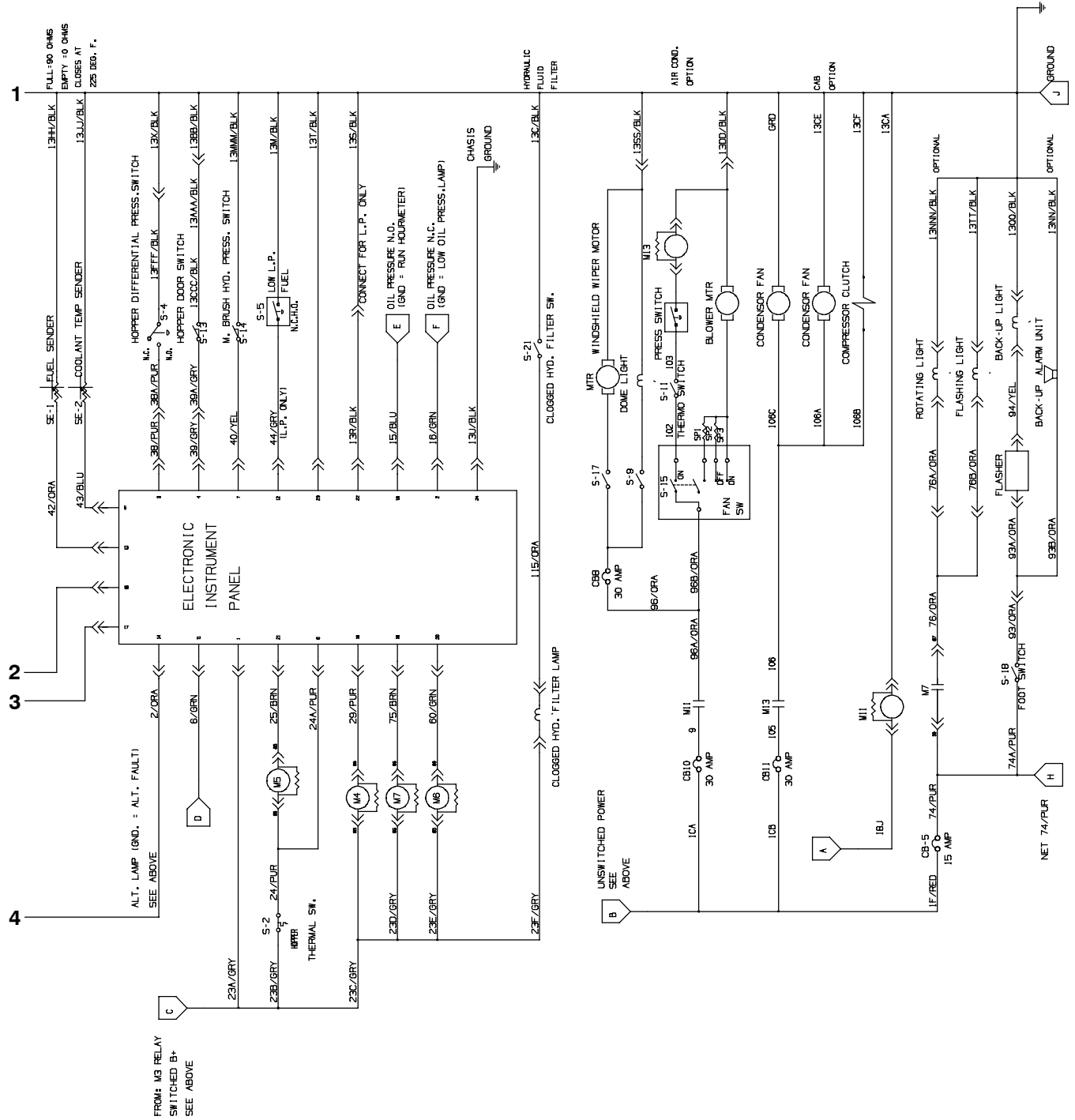


CONNECTS TO ENGINE HARNESS CONNECTOR 1

CONNECTS TO ENGINE HARNESS CONNECTOR 2

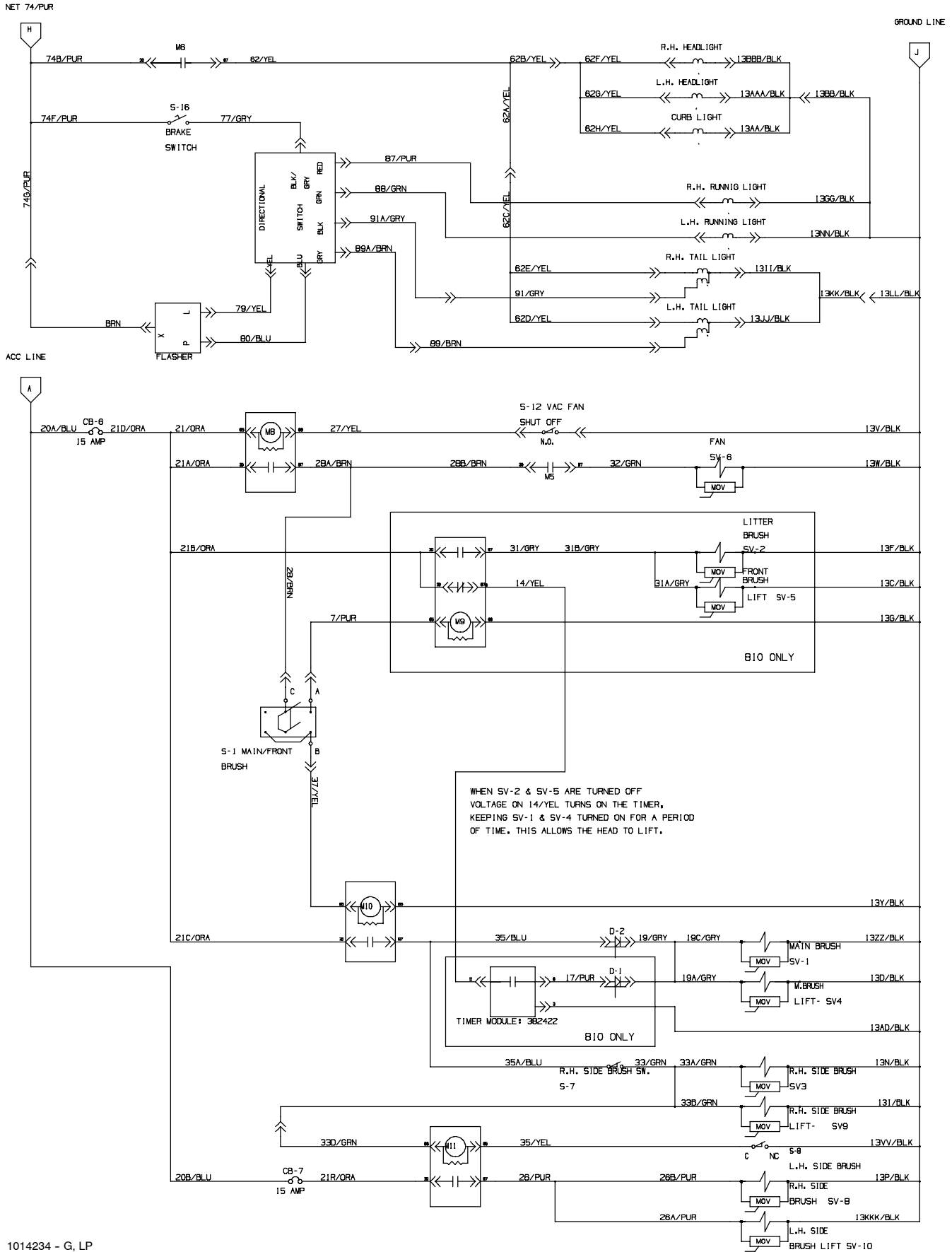
1014234 - G, LP

Fig. 89 - Electrical Schematic (006000-)



1014234 - G, LP

Fig. 89 - Electrical Schematic (006000-)



1014234 - G, LP

Fig. 89 - Electrical Schematic (006000-)

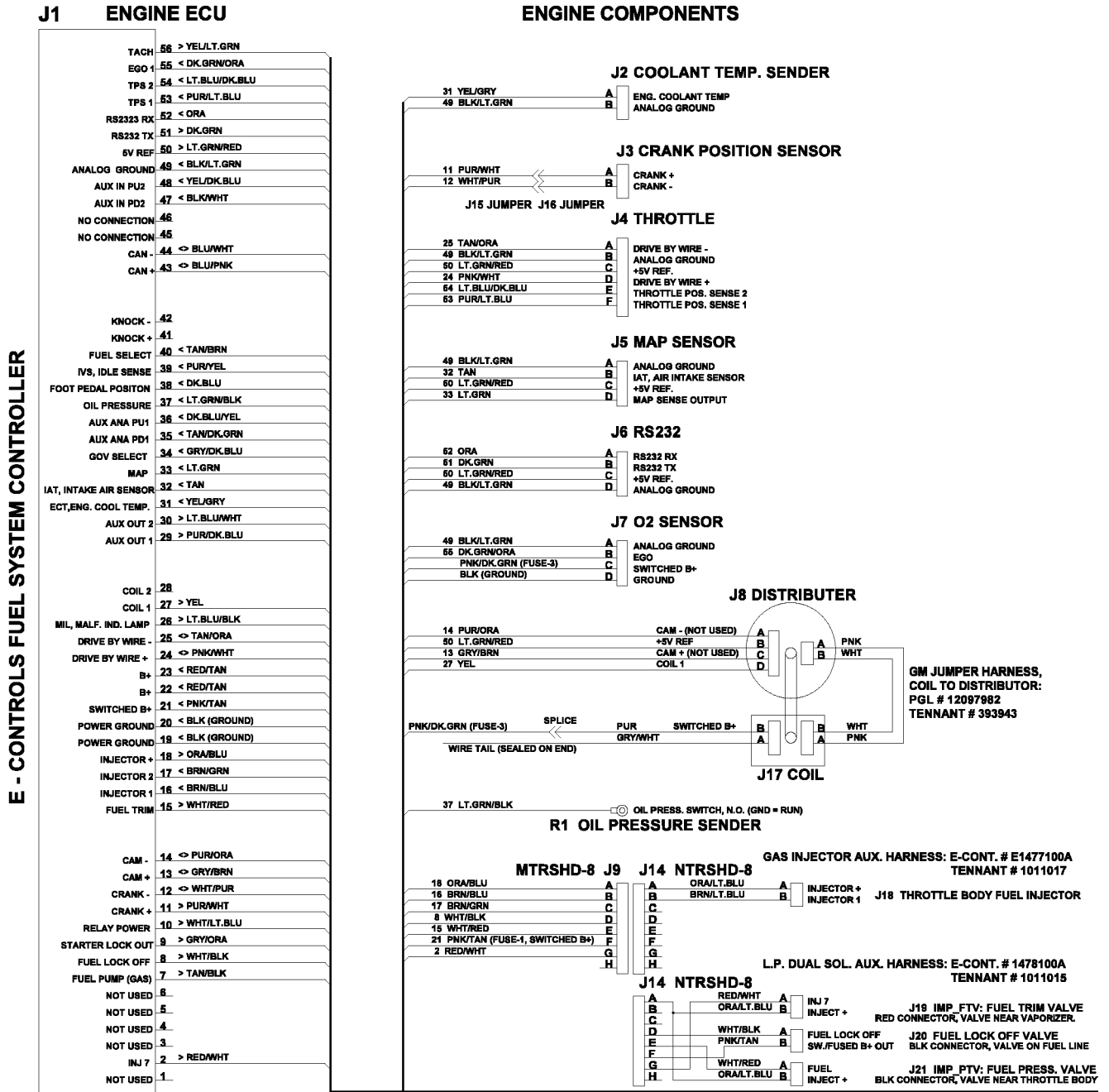
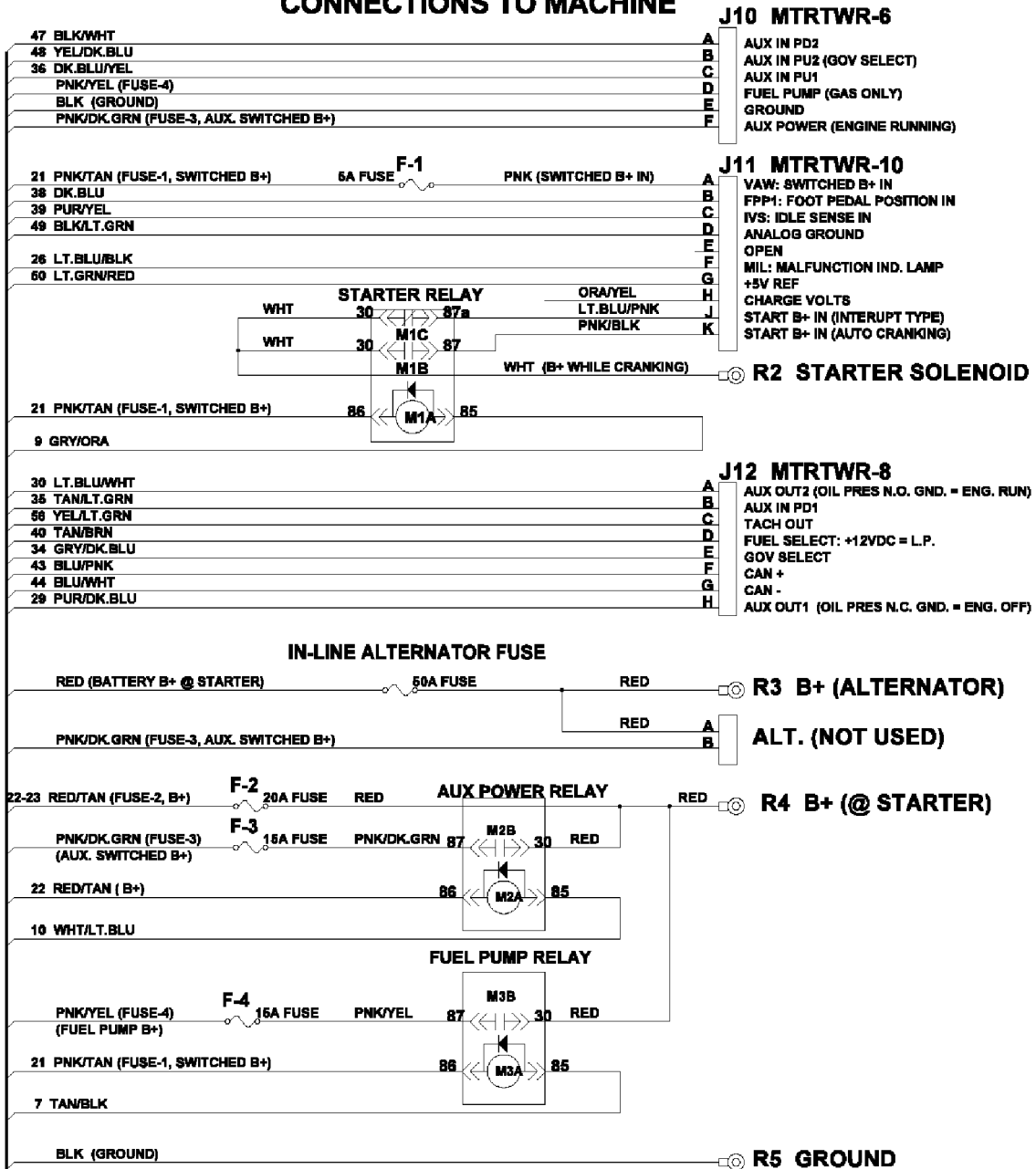


Fig. 89 - Electrical Schematic (006000-)
CONNECTIONS TO MACHINE



NOTES:

- 1) VENDOR: E-CONTROLS #E1350010E
- 2) ALL WIRE TO BE: SAE J1128 TXL
- 3) 3.0L GAS ENGINES INC. AUX. INJECTOR HARNESS:
 E-CONTROLS #E1477100A / TENNANT #1011017.
- 4) L.P. ENGINES INCLUDE AUX. INJECTOR HARNESS:
 E-CONTROLS #E1478100 / TENNANT #1011015

Fig. 90 - Wire Harness Group, Gas/LPG, Main (004000- 004274)

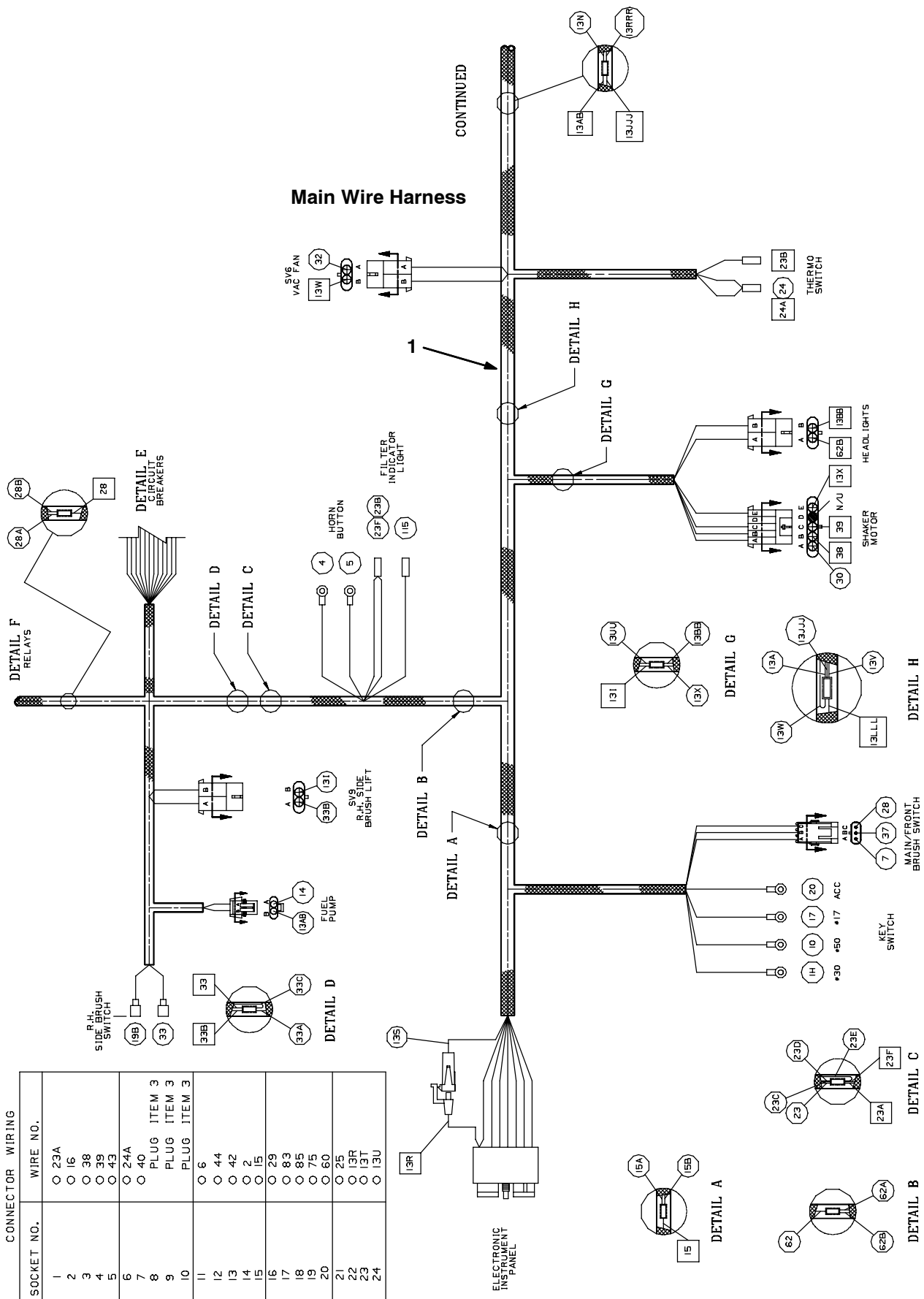


Fig. 90 - Wire Harness Group, Gas/LPG, Main (004000- 004274)

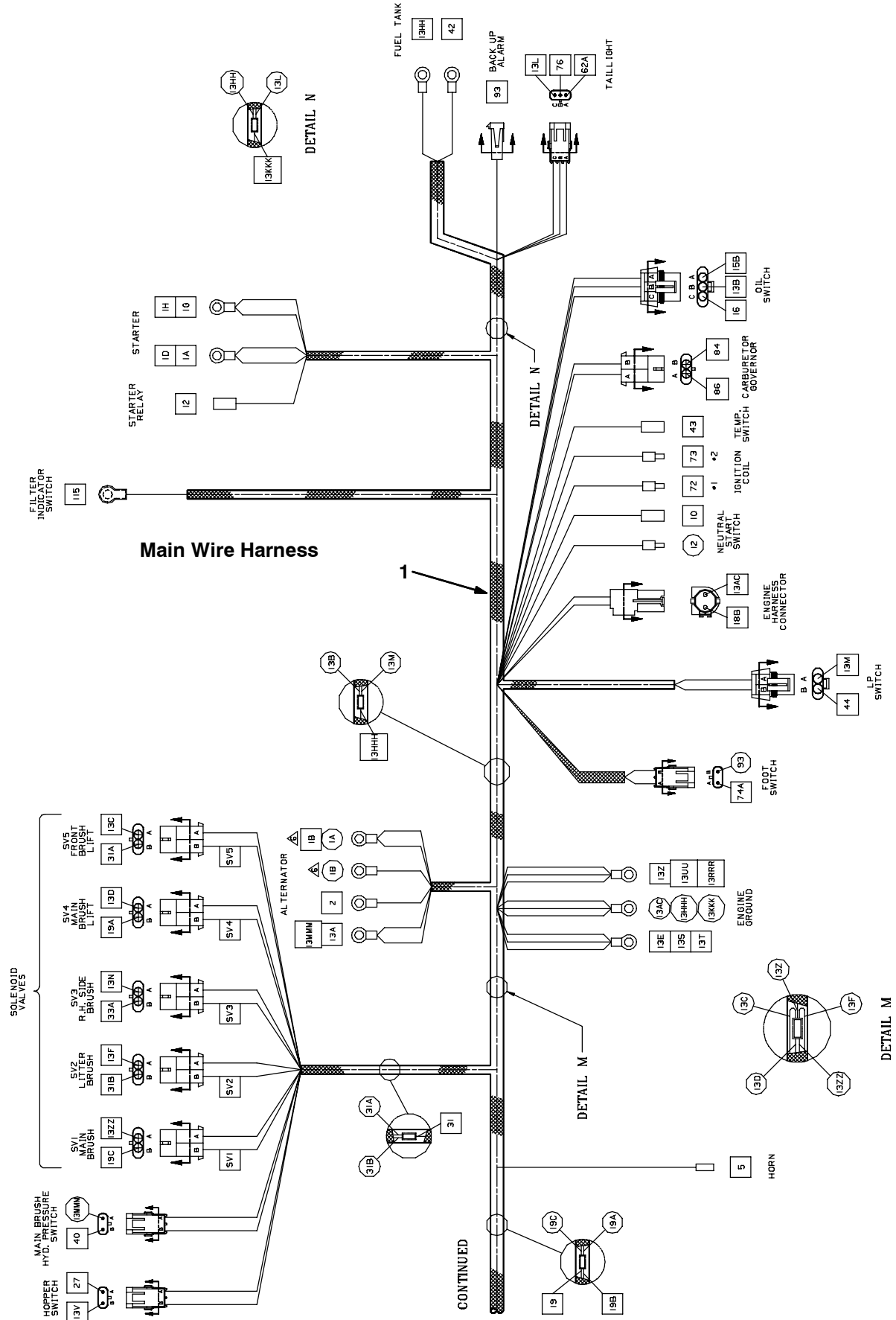
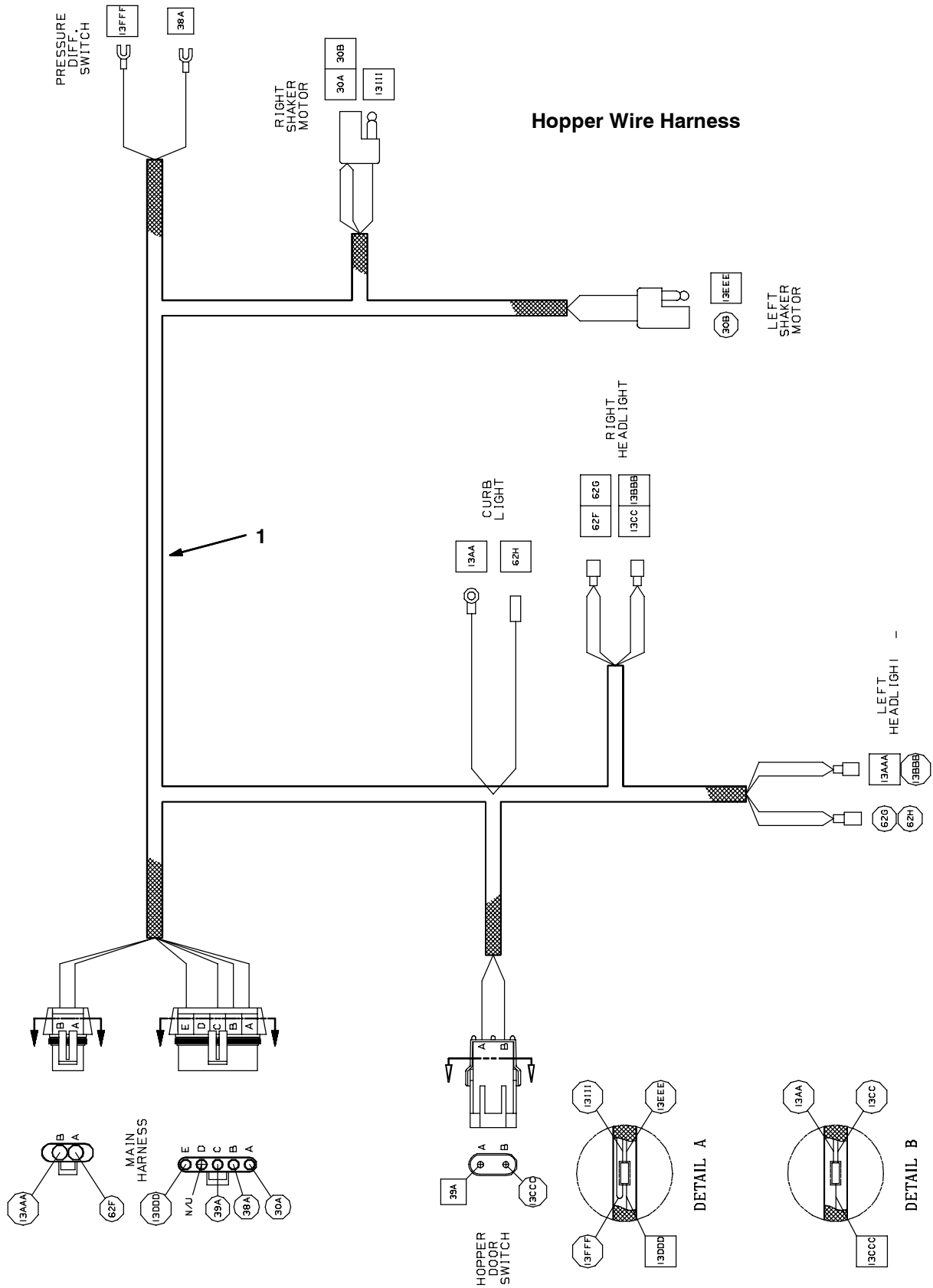


Fig. 90 - Wire Harnesses Group, Gas/LPG, Main (004000- 004274)

| Ref. | Part No. | Serial Number | Description | Qty. |
|-------------|-----------------|----------------------|-----------------------------|-------------|
| 1 | 83693 | (004000-004274) | Harness, Main, Gas/LPG, Lrg | 1 |

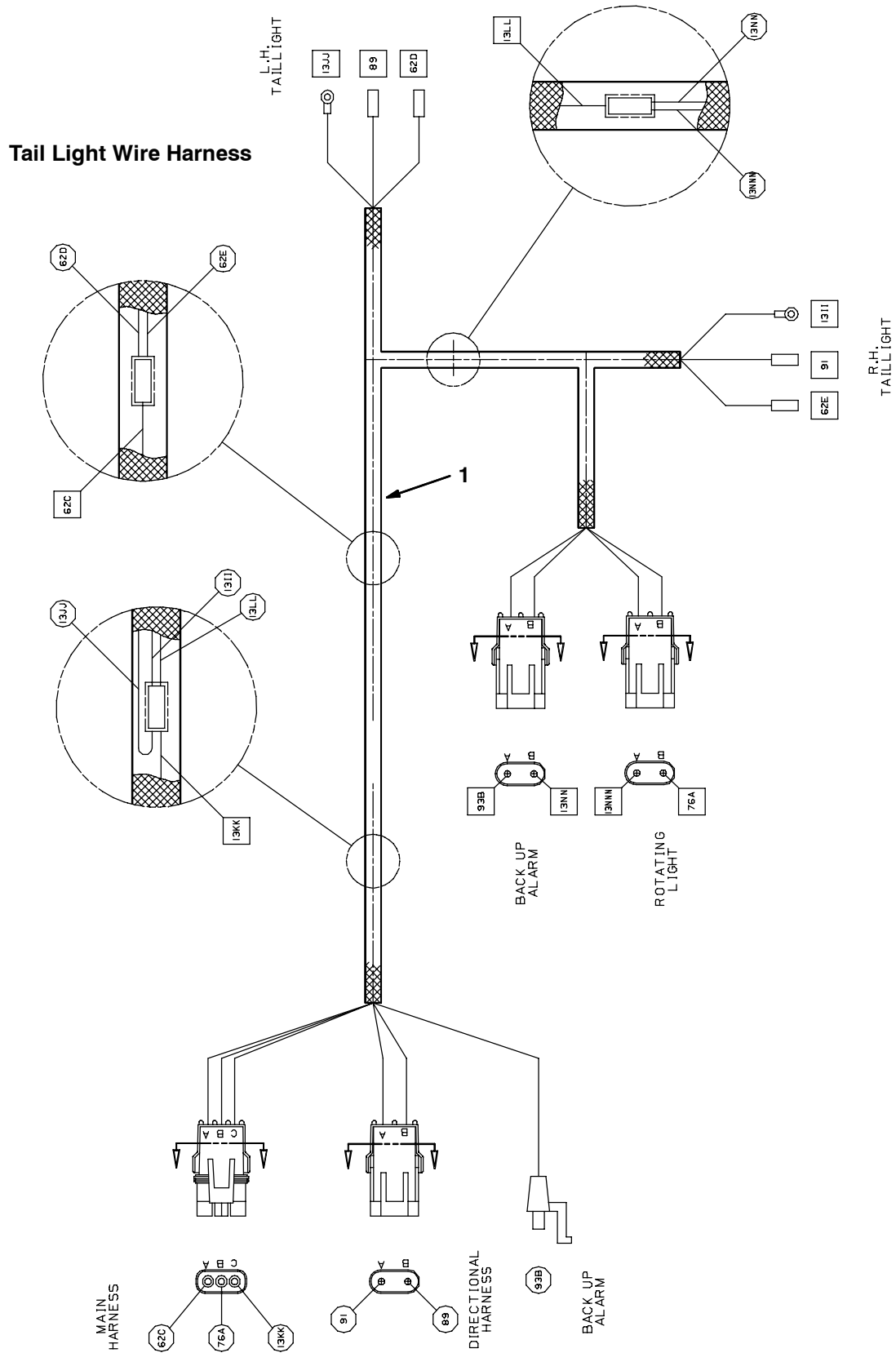
Fig. 91 - Wire Harnesses Group, Gas/LPG, Hopper (004000-)



351144 - G, LP

| Ref. | Part No. | Serial Number | Description | Qty. |
|------|----------|---------------|-------------------------|------|
| 1 | 83695 | (004000-) | Harness, Hopper 800/810 | 1 |

Fig. 92 - Wire Harnesses Group, Gas/LPG, Tail Lights (004000-)



351145 - G, LP

| Ref. | Part No. | Serial Number | Description | Qty. |
|------|----------|---------------|----------------------------------|------|
| 1 | 70400 | (004000-) | Harness, Turn/Rotate/Tail Lights | 1 |

Fig. 93 - Wire Harness Group, Gas/LPG, Main (004275-004936)

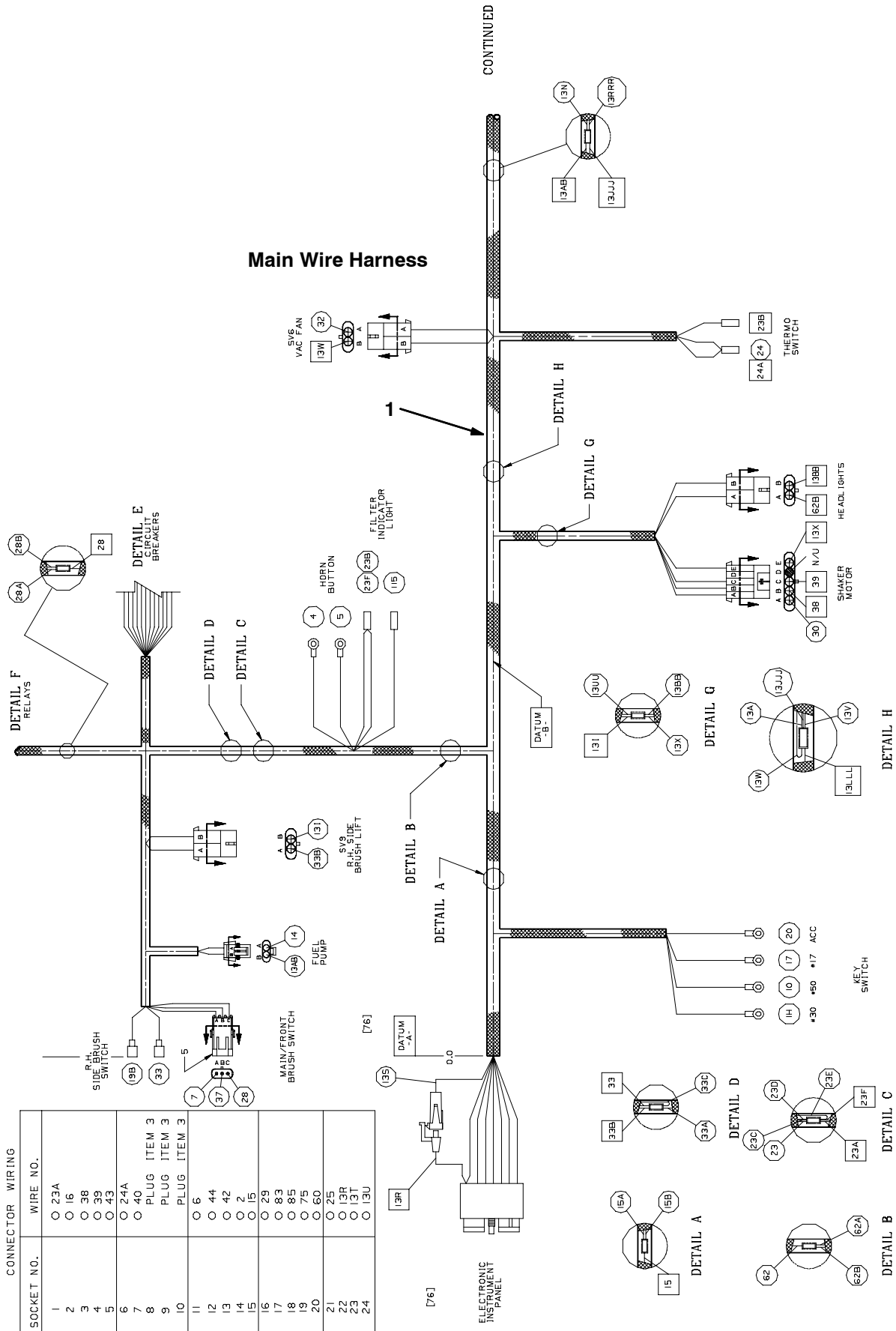
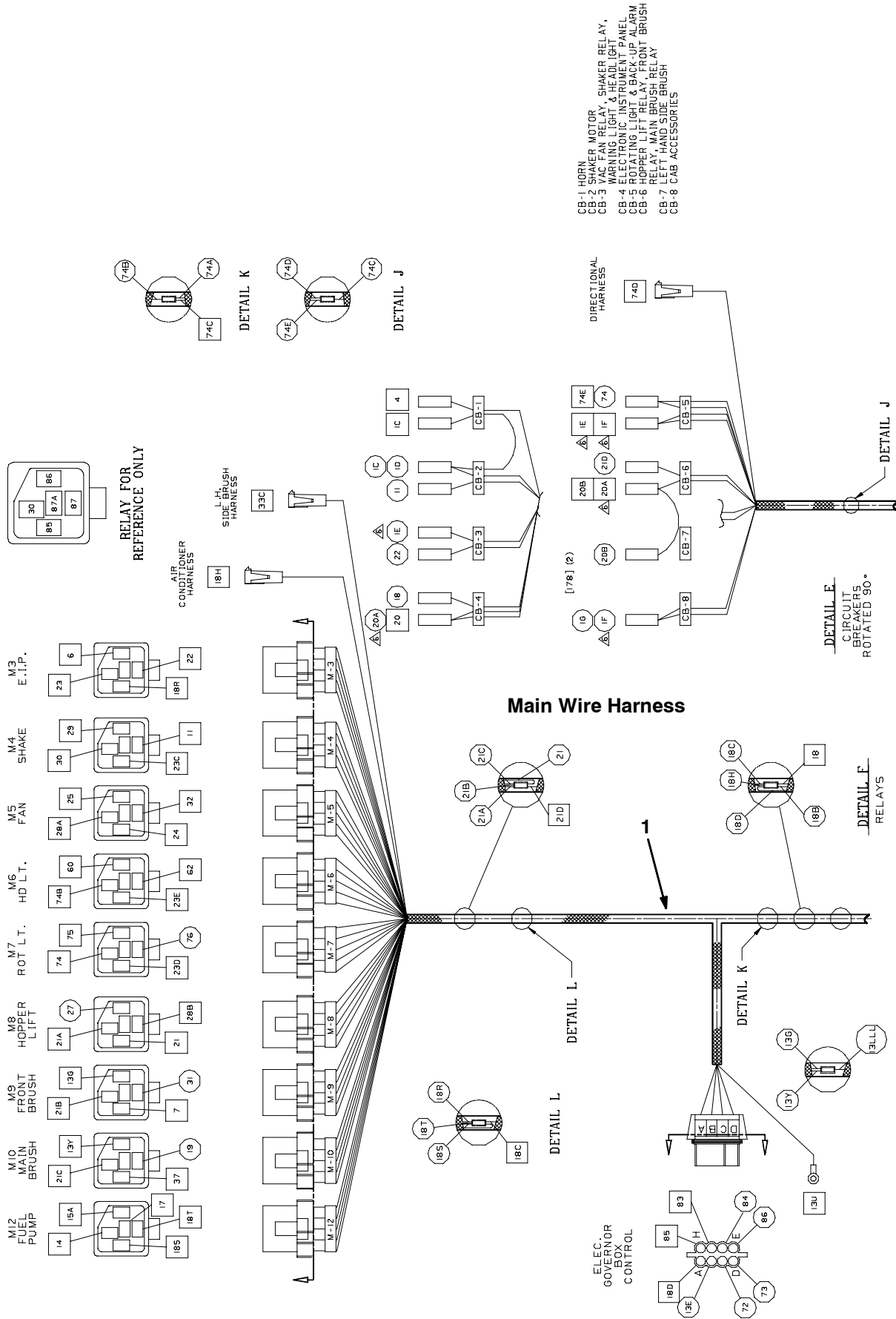


Fig. 93 - Wire Harnesses Group, Gas/LPG, Main (004275-004936)



- CB-1 HORN
- CB-2 SHAKER MOTOR
- CB-3 VAC FAN RELAY, SHAKER RELAY, WARNING LIGHT & HEADLIGHT
- CB-4 ELECTRONIC MS POWER UP PANEL
- CB-5 HOPPER LIFT RELAY
- CB-6 RELAY
- CB-7 LEFT HAND SIDE BRUSH
- CB-8 CAB ACCESSORIES

Fig. 93 - Wire Harnesses Group, Gas/LPG, Main (004275-004936)

| Ref. | Part No. | Serial Number | Description | Qty. |
|-------------|-----------------|----------------------|-----------------------------|-------------|
| 1 | 398315 | (004275-004936) | Harness, Main, Gas/LPG, Lrg | 1 |

Fig. 94 - Wire Harness Group, Gas/LPG, Main (004937-)

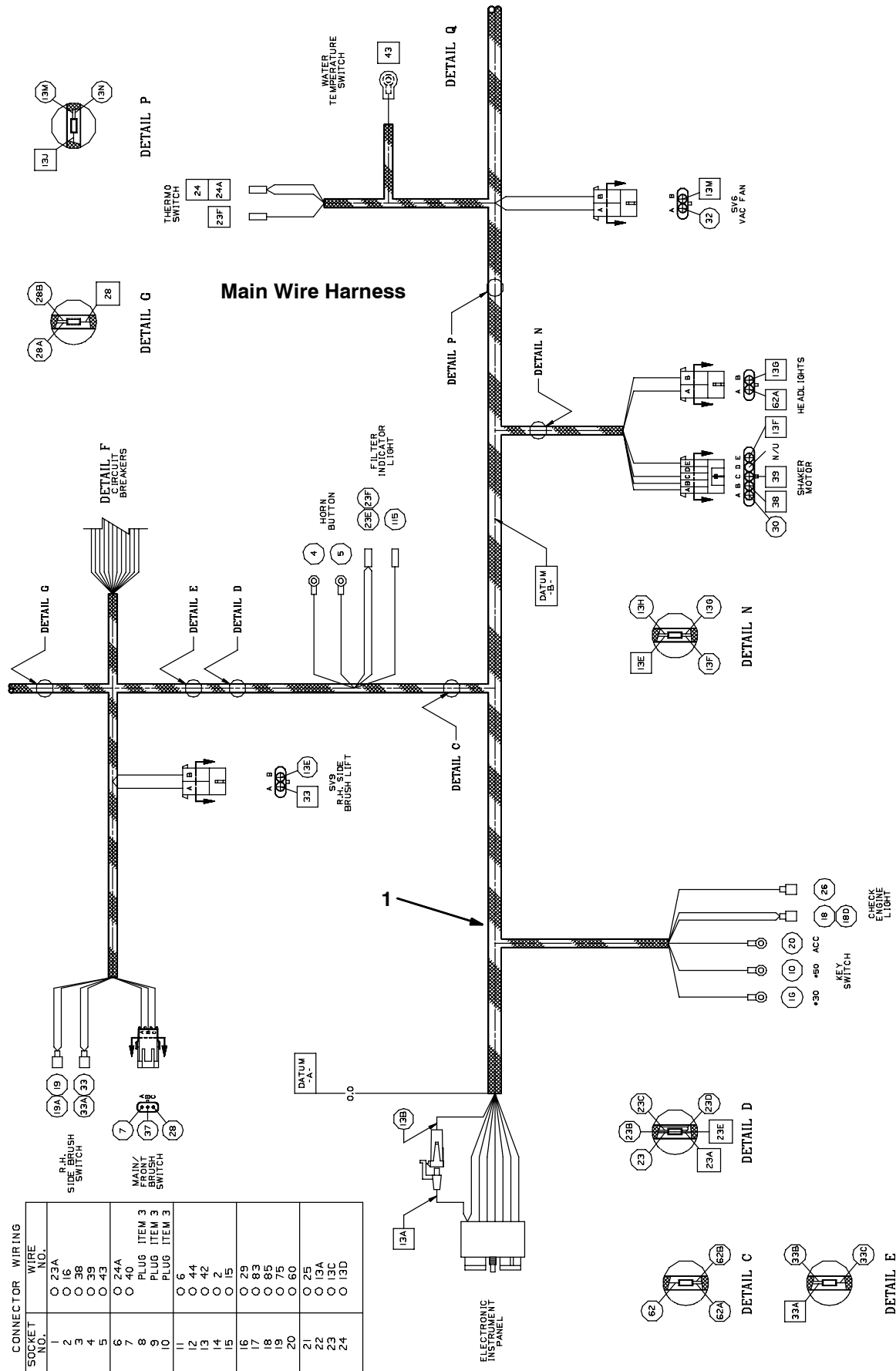


Fig. 94 - Wire Harnesses Group, Gas/LPG, Main (004937-)

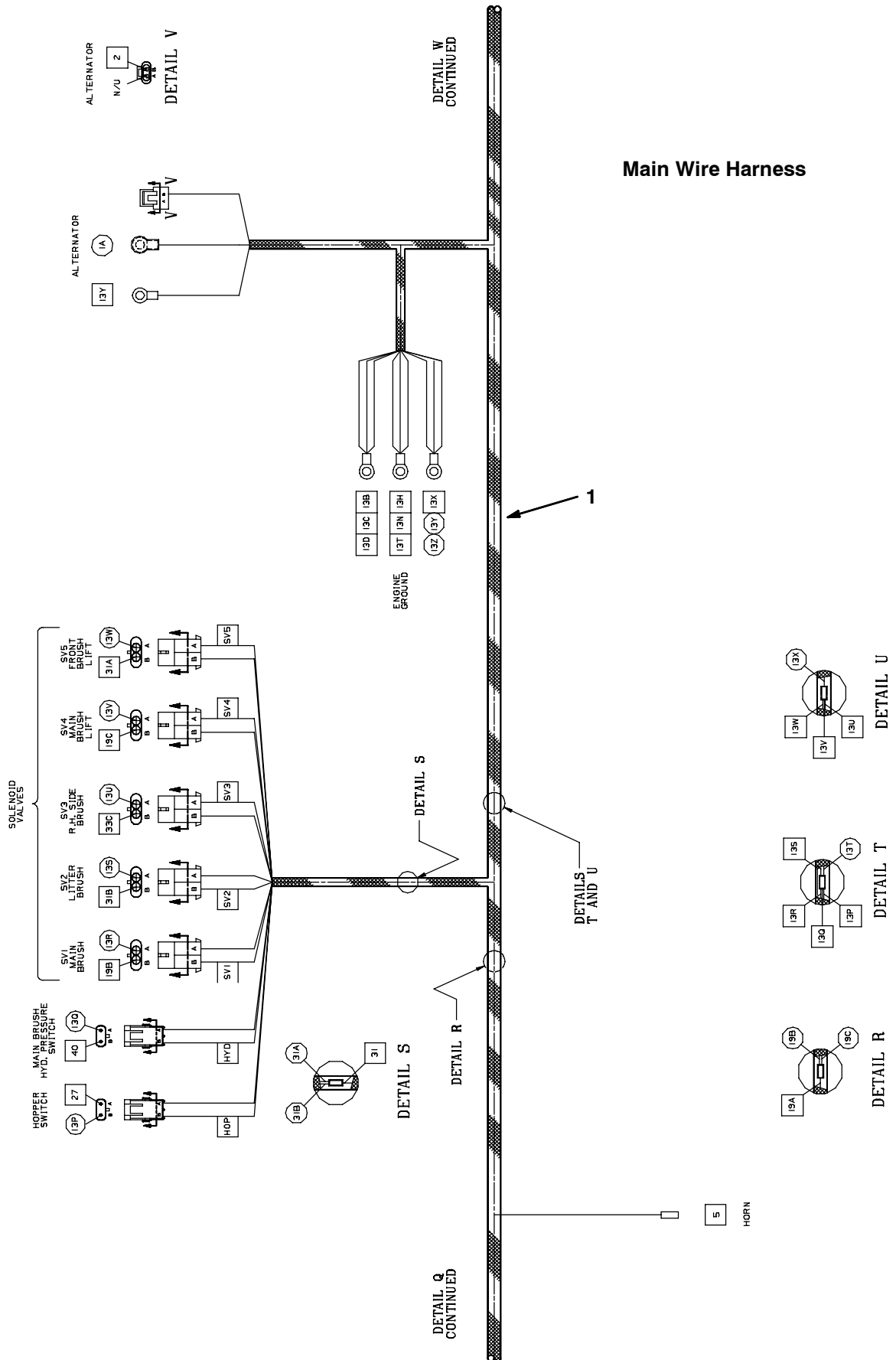


Fig. 94 - Wire Harnesses Group, Gas/LPG, Main (004937-)

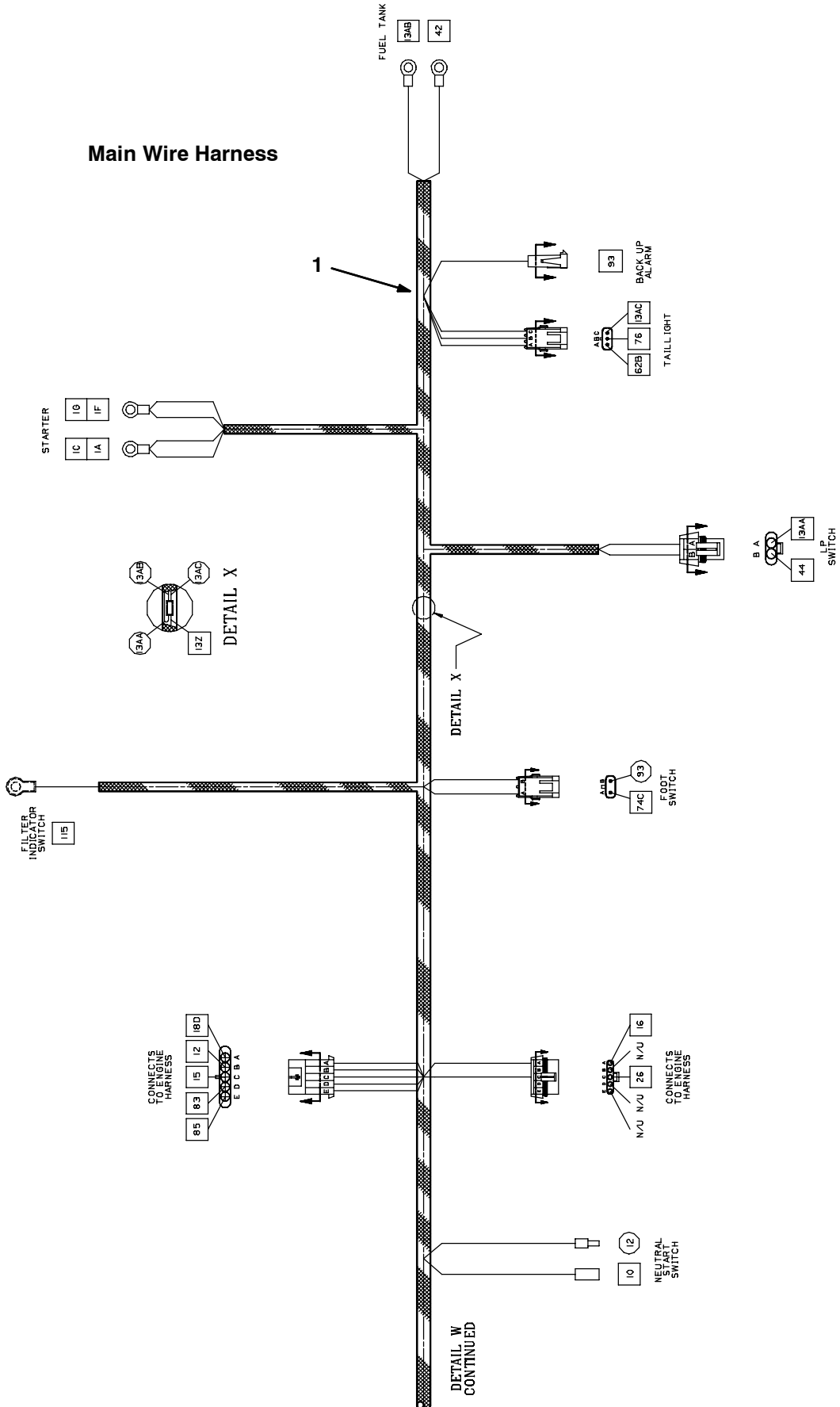
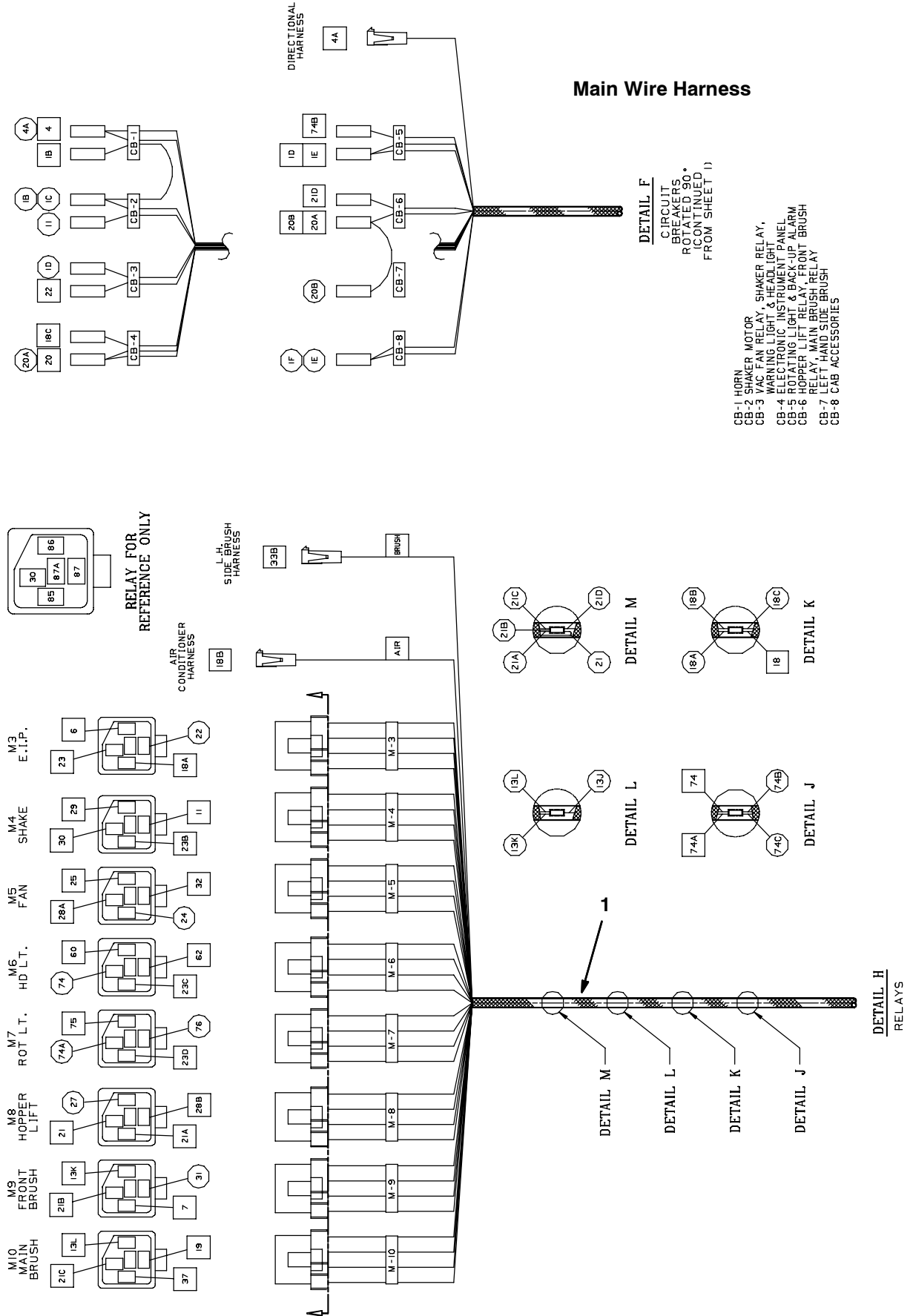


Fig. 94 - Wire Harnesses Group, Gas/LPG, Main (004937-)



STANDARD PARTS

353876 - GM, G, LP

Fig. 94 - Wire Harnesses Group, Gas/LPG Main (004937-)

| Ref. | Part No. | Serial Number | Description | Qty. |
|-------------|-----------------|----------------------|----------------------------------|-------------|
| 1 | 392564 | (004937-) | Harness, Main, Gas/LPG, Lrg | 1 |
| | 371921 | (004937-005999) | Harness, Gm 3.0 L Engine Harness | 1 |

Fig. 95 - Wire Harnesses Group, Gas/LPG Engine (006000-006999)

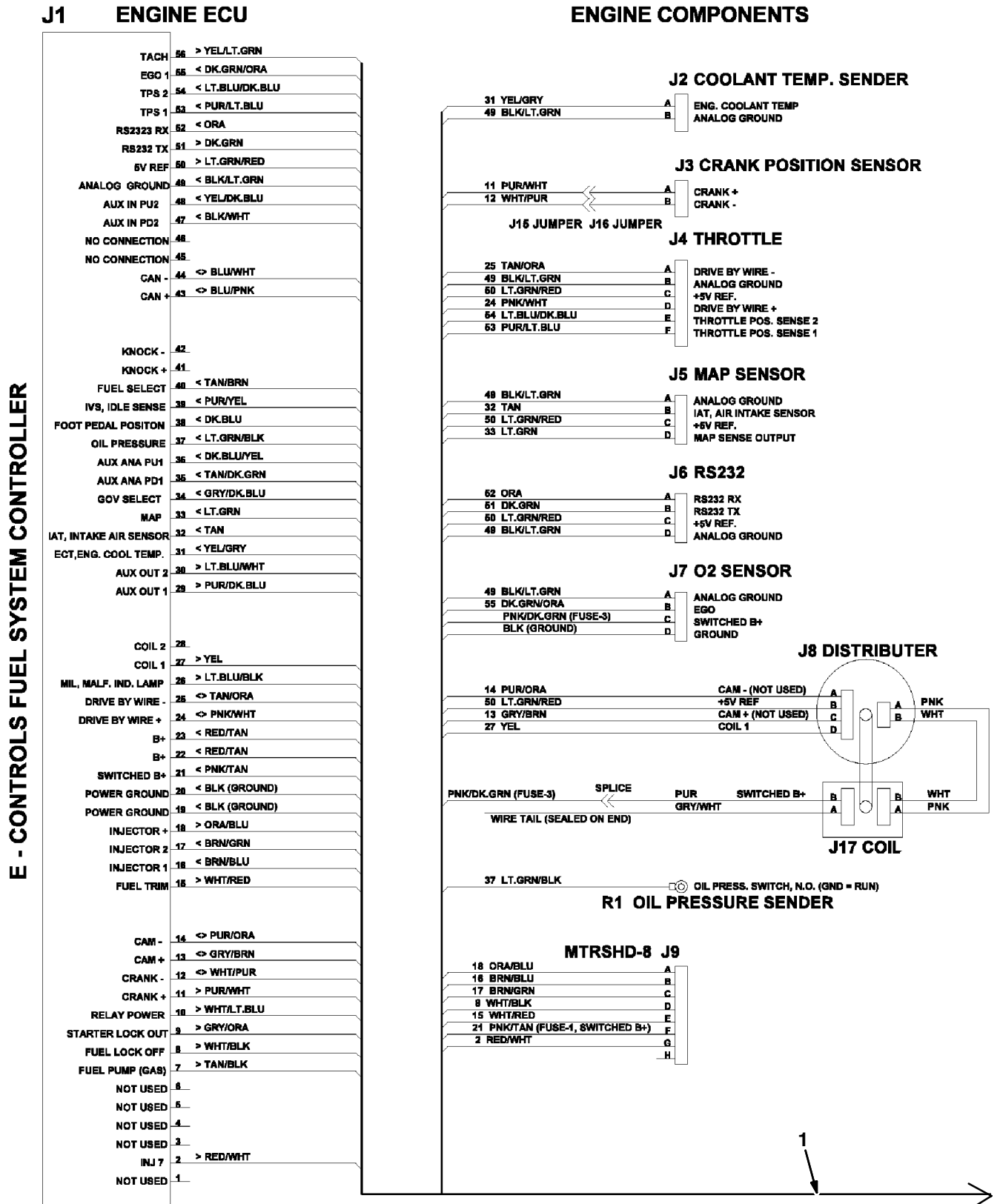


Fig. 95 - Wire Harnesses Group, Gas/LPG Engine (006000-006999)

CONNECTIONS TO MACHINE

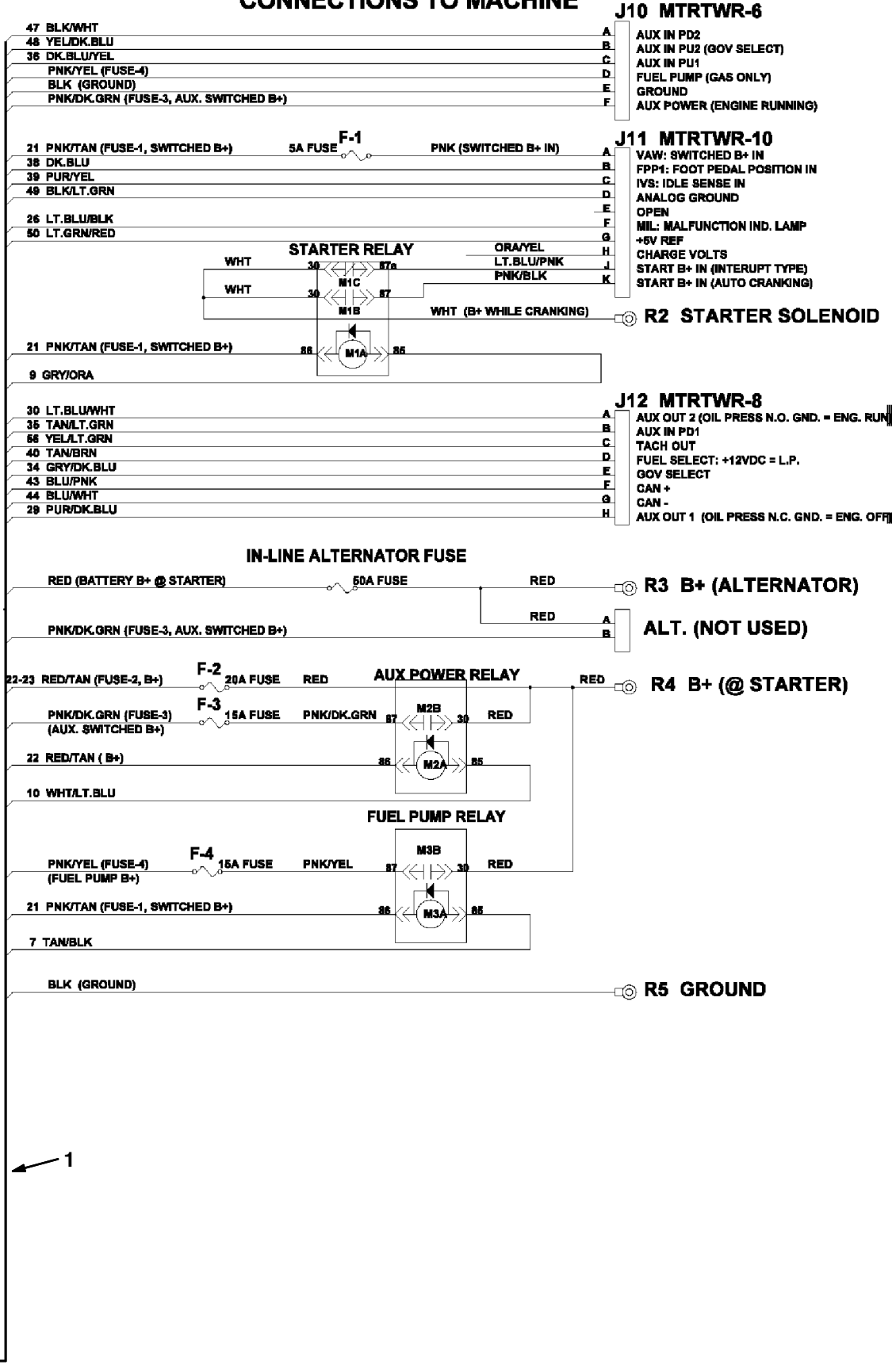
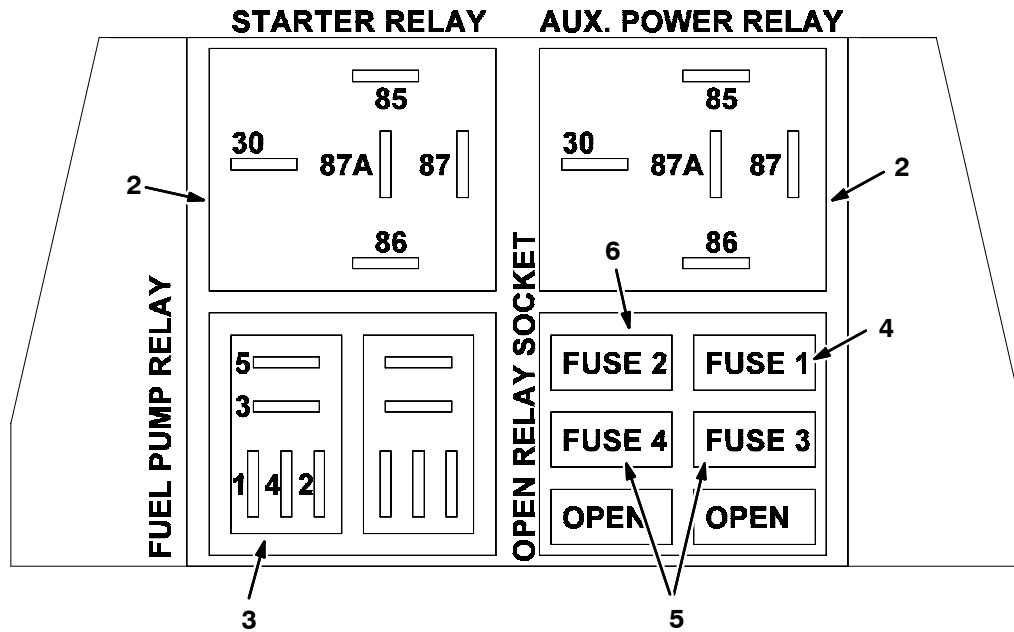


Fig. 95 - Wire Harnesses Group, Gas/LPG Engine (006000-006999)



GM, G, LP

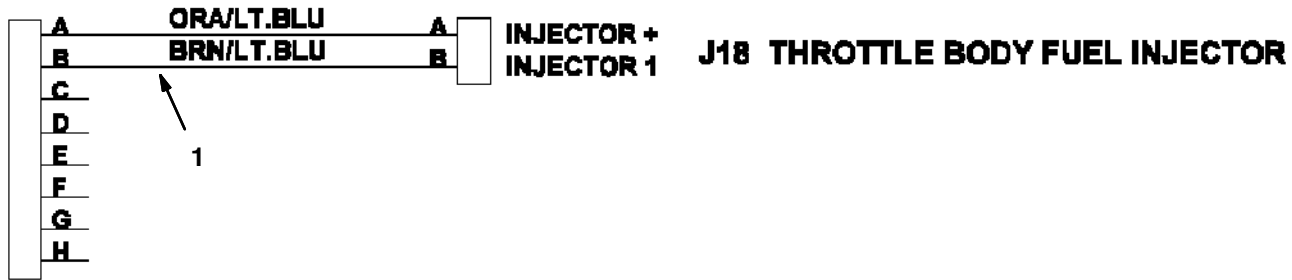
| Ref. | Part No. | Serial Number | Description | Qty. |
|------|----------|---------------|---|------|
| ▽ | 1 | 1011011 | (006000-006999) Harness, Eng [3.0l, Gm, E-cntrl] | 1 |
| ▲ | 2 | 57804 | (006000-006999) Relay, 12vdc, 40a, Spdt | 2 |
| ▲ | 3 | 394916 | (006000-006999) Relay, 12vdc, 20a, Spdt | 1 |
| ▲ | 4 | 372235 | (006000-006999) Fuse, 5 Amp, [Min-5] | 1 |
| ▲ | 5 | 372236 | (006000-006999) Fuse, 15 Amp, [Min-15] | 2 |
| ▲ | 6 | 372237 | (006000-006999) Fuse, 20 Amp, [Min-20] | 1 |

STANDARD PARTS

Fig. 96 - Wire Harnesses Group, Gas/LPG, Injectors (006000-006999)

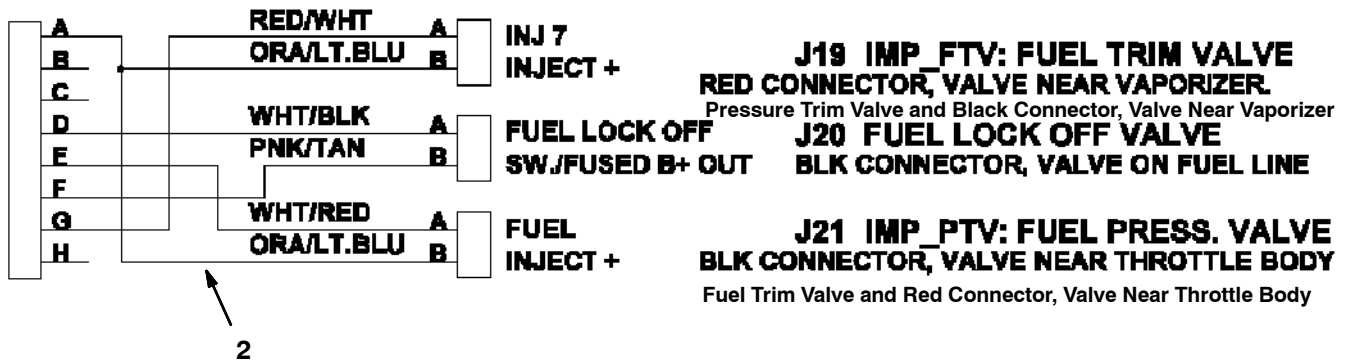
GAS INJECTOR AUX. HARNESS

J14 NTRSHD-8



L.P. DUAL SOL. AUX. HARNESS

J14 NTRSHD-8

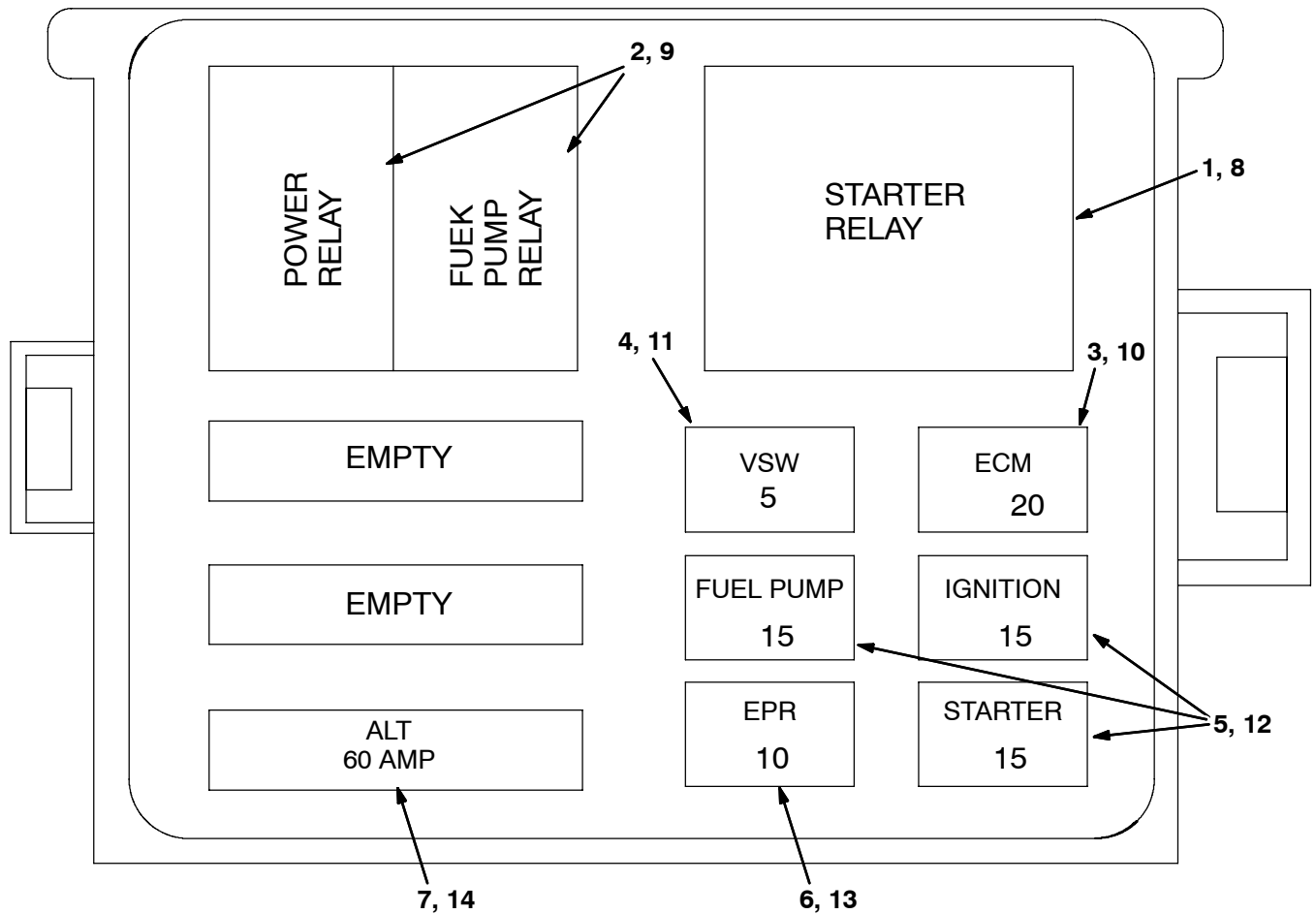


GM, G, LP

| Ref. | Part No. | Serial Number | Description | Qty. |
|------|----------|------------------|---|------|
| 1 | 1011017 | (006000-006999) | Harness, Injector, Gas[3.0l Gm,E-Cntrl] | 1 |
| 2 | 1011015 | (006000-006999) | Harness, Lpg Injector [3.0l, Gm,E-Cont] | 1 |

Fig. 97 - Wire Harnesses Group, Gas/LPG Engine (007000-)

Gasoline/LPG Engine Harness
(007000-)



GM, G, LP

| Ref. | Part No. | Serial Number | Description | Qty. |
|------|-----------|---------------|-------------------------------|------|
| ▽ | 385010 | (007000-) | Harness, Eng, Gas [3.0l 2007] | 1 |
| ▲ | 1 394916 | (007000-) | Relay, 12vdc, 20a, Spdt | 1 |
| ▲ | 2 57804 | (007000-) | Relay, 12vdc, 40a, Spdt | 2 |
| ▲ | 3 372237 | (007000-) | Fuse, 20 Amp, [Min-20] | 1 |
| ▲ | 4 372235 | (007000-) | Fuse, 5 Amp, [Min-5] | 1 |
| ▲ | 5 372236 | (007000-) | Fuse, 15 Amp, [Min-15] | 2 |
| ▲ | 6 384999 | (007000-) | Fuse, 10 Amp | 1 |
| ▲ | 7 384998 | (007000-) | Fuse, 60 Amp | 1 |
| ▽ | 385018 | (007000-) | Harness, Eng, Lpg [3.0l 2007] | 1 |
| ▲ | 8 394916 | (007000-) | Relay, 12vdc, 20a, Spdt | 1 |
| ▲ | 9 57804 | (007000-) | Relay, 12vdc, 40a, Spdt | 2 |
| ▲ | 10 372237 | (007000-) | Fuse, 20 Amp, [Min-20] | 1 |
| ▲ | 11 372235 | (007000-) | Fuse, 5 Amp, [Min-5] | 1 |
| ▲ | 12 372236 | (007000-) | Fuse, 15 Amp, [Min-15] | 2 |
| ▲ | 13 384999 | (007000-) | Fuse, 10 Amp | 1 |
| ▲ | 14 384998 | (007000-) | Fuse, 60 Amp | 1 |

STANDARD PARTS

Fig. 98 - Wire Harness Schematic, Gas Engine (007000-)

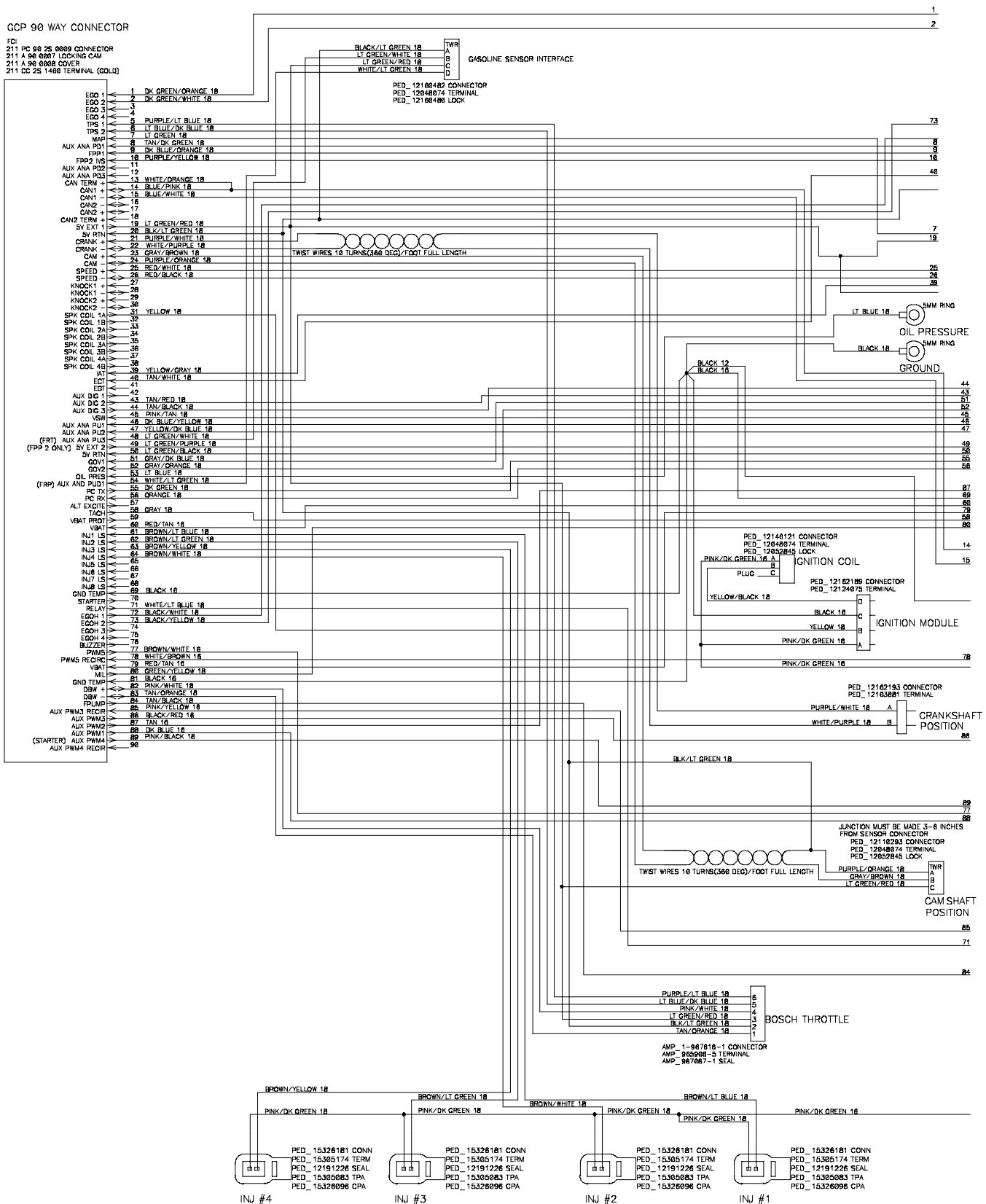


Fig. 99 - Wire Harness Schematic, LPG Engine (007000-)

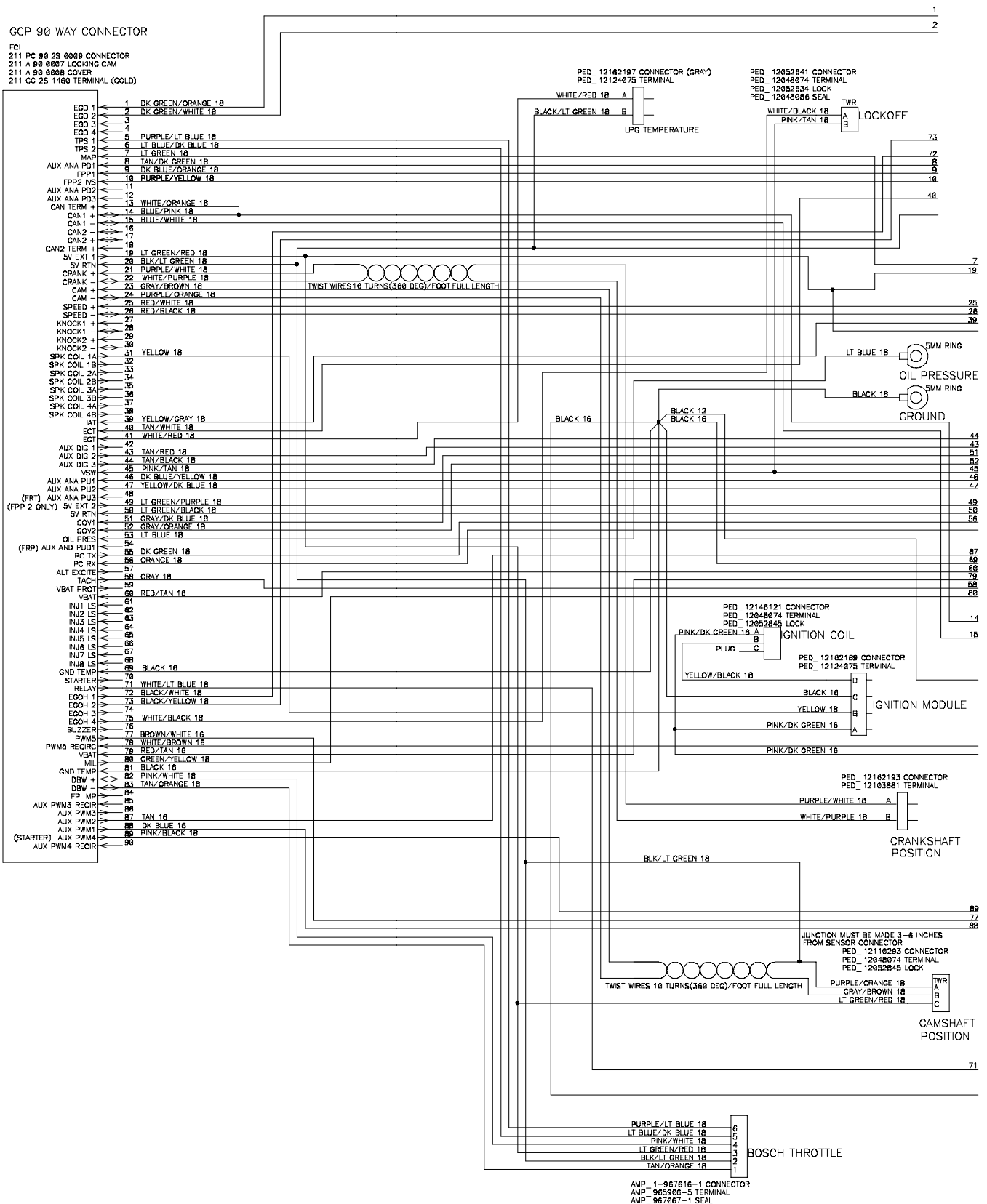


Fig. 99 - Wire Harness Schematic, LPG Engine (007000-)

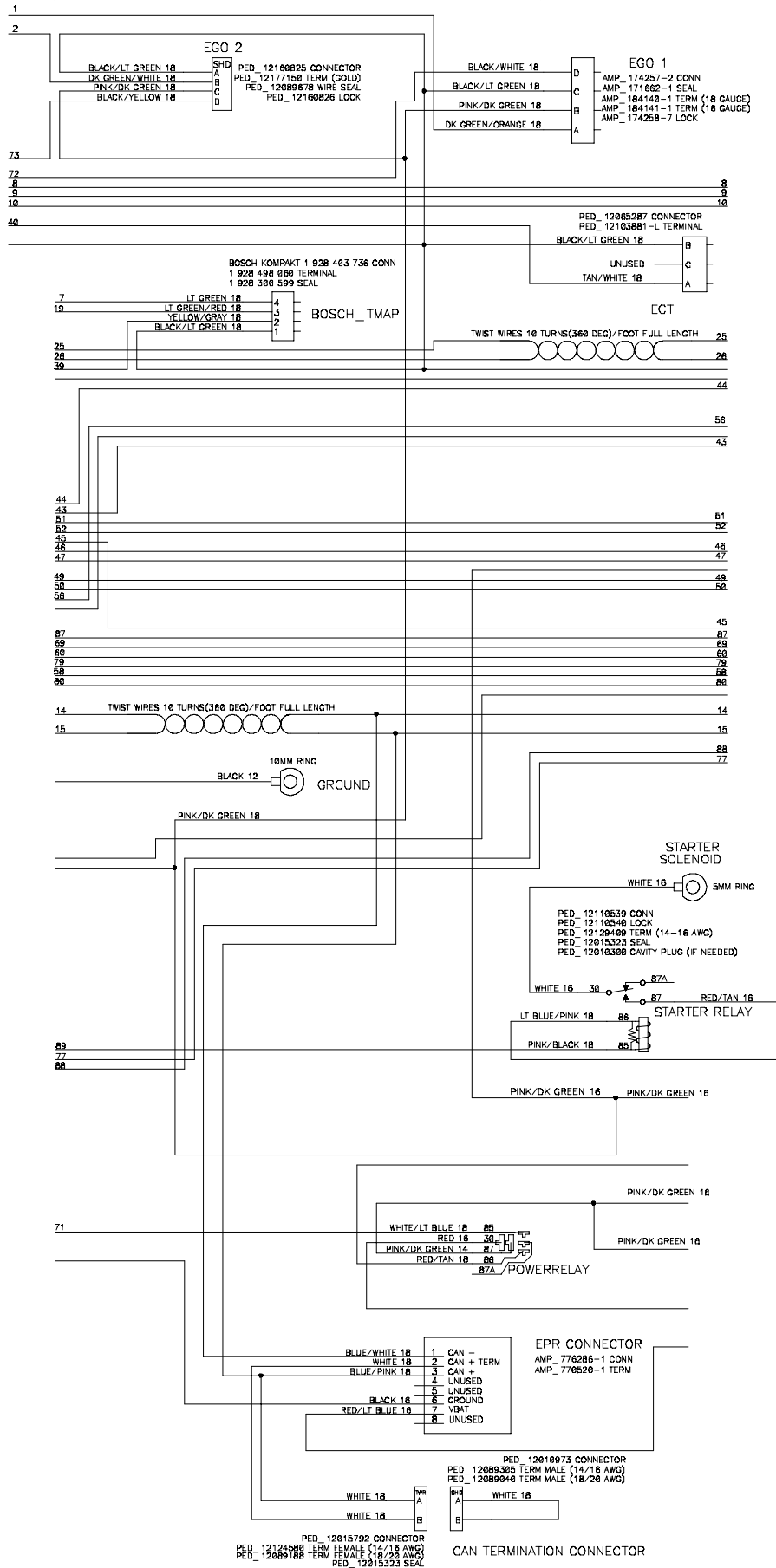
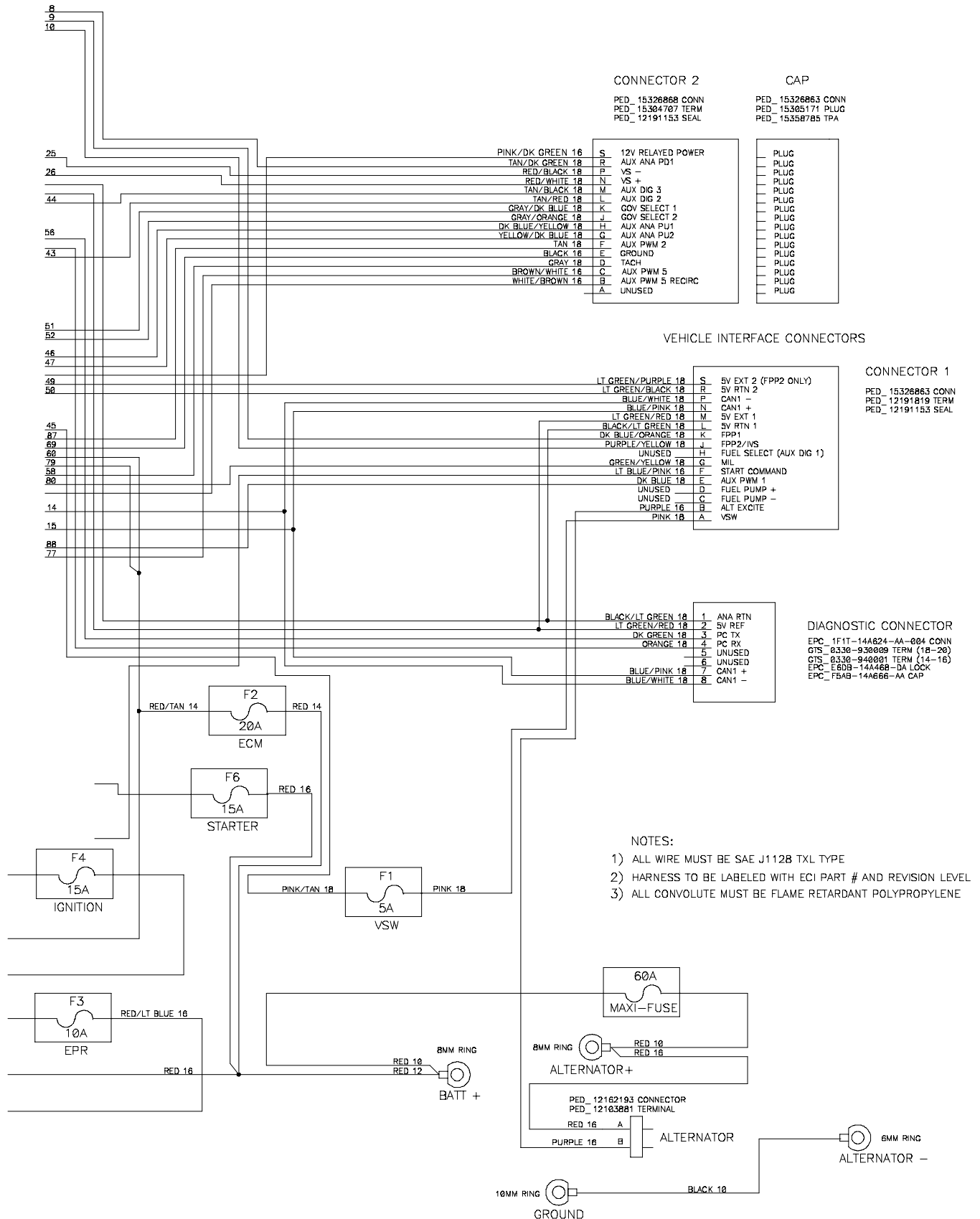


Fig. 99 - Wire Harness Schematic, LPG Engine (007000-)



STANDARD PARTS

Fig. 100 - Wire Harnesses Group, Gas/LPG, Adaptor (006000-006999)

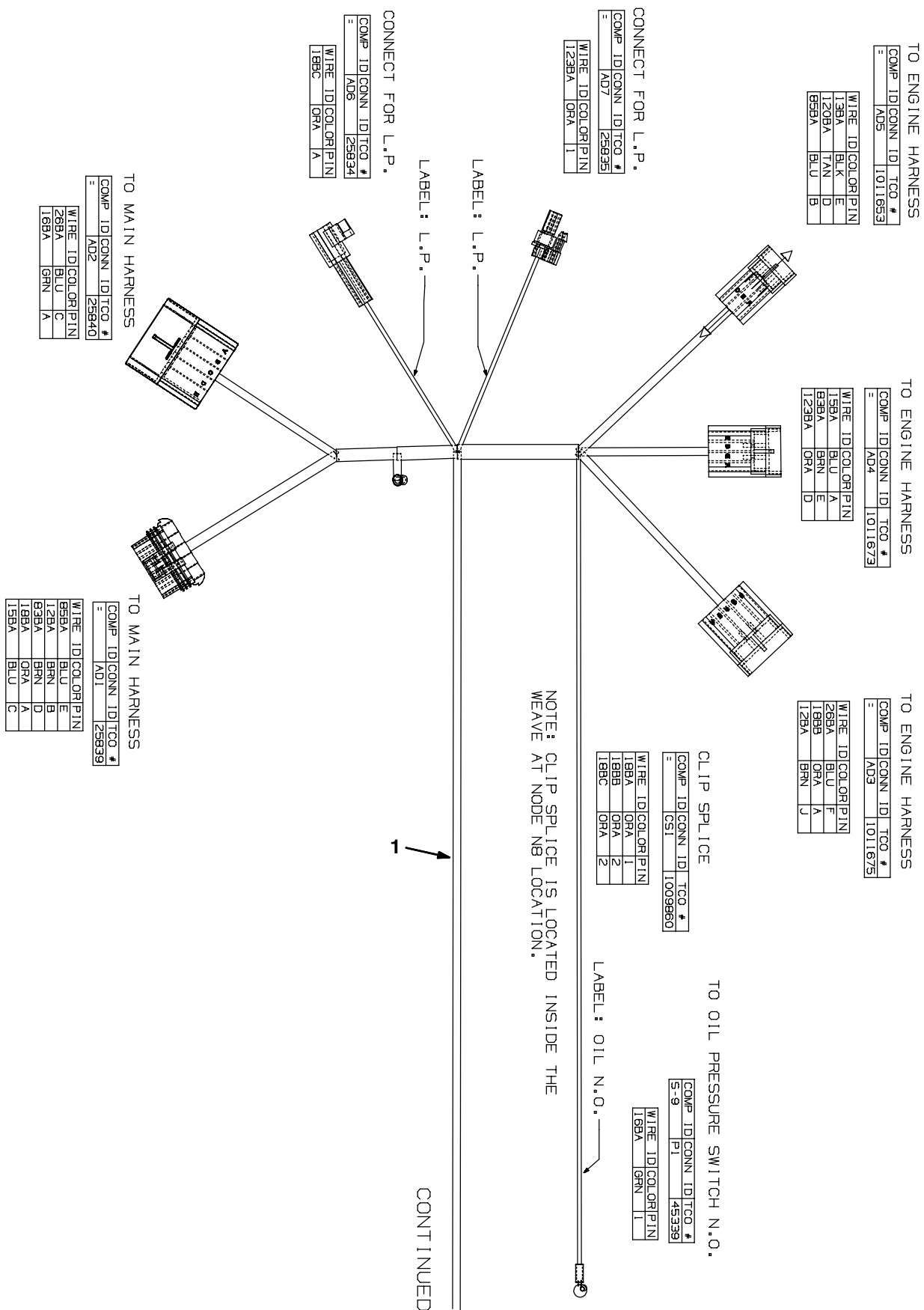
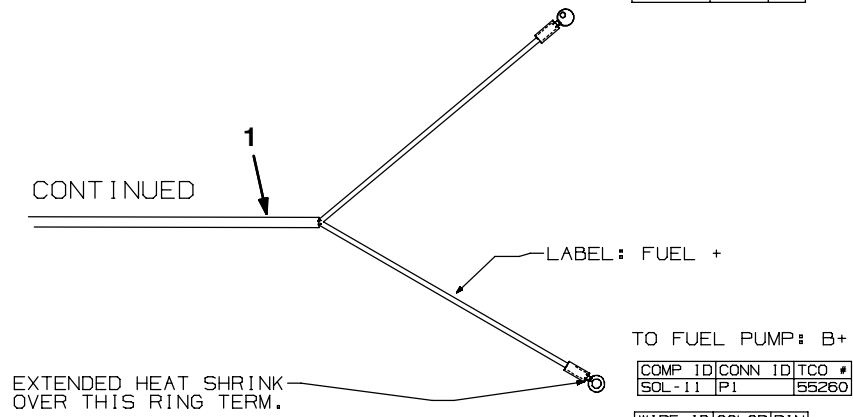


Fig. 100 - Wire Harnesses Group, Gas/LPG, Adaptor (006000-006999)

TO FUEL PUMP: GROUND

| COMP ID | CONN ID | TCO # |
|---------|---------|-------|
| SOL-11 | P2 | 45339 |

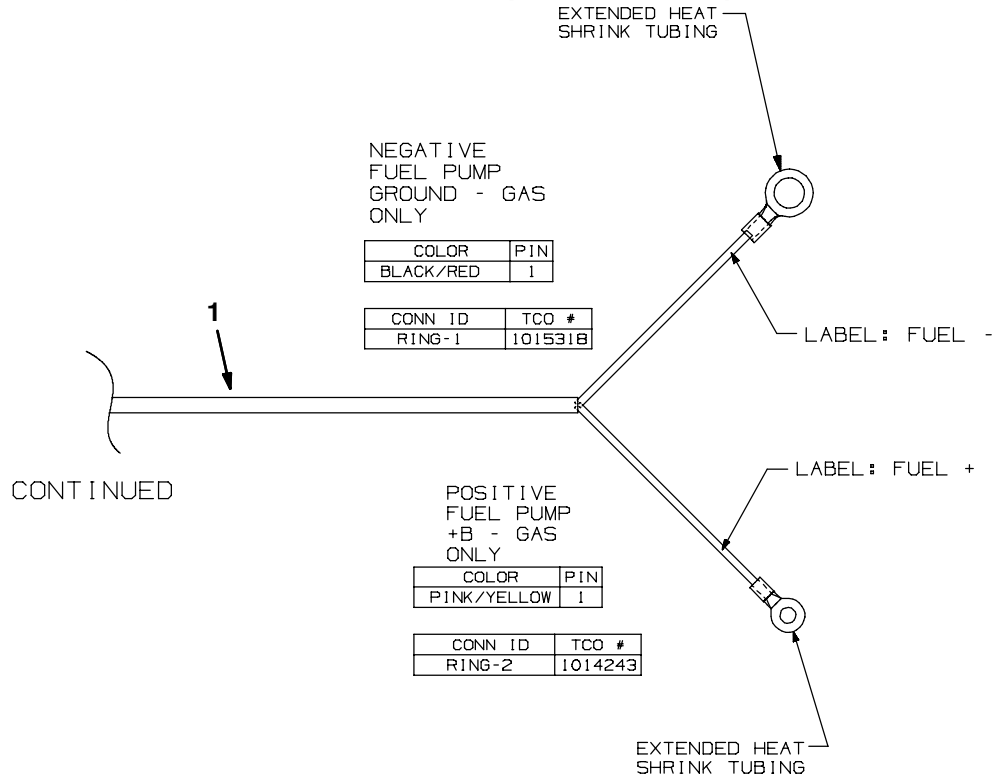
| WIRE ID | COLOR | PIN |
|---------|-------|-----|
| 13BA | BLK | 1 |



GM, G, LP

| Ref. | Part No. | Serial Number | Description | Qty. |
|------|----------|------------------|-----------------------------|------|
| 1 | 1012033 | (006000-006999) | Harness, Adaptor [800/8410] | 1 |

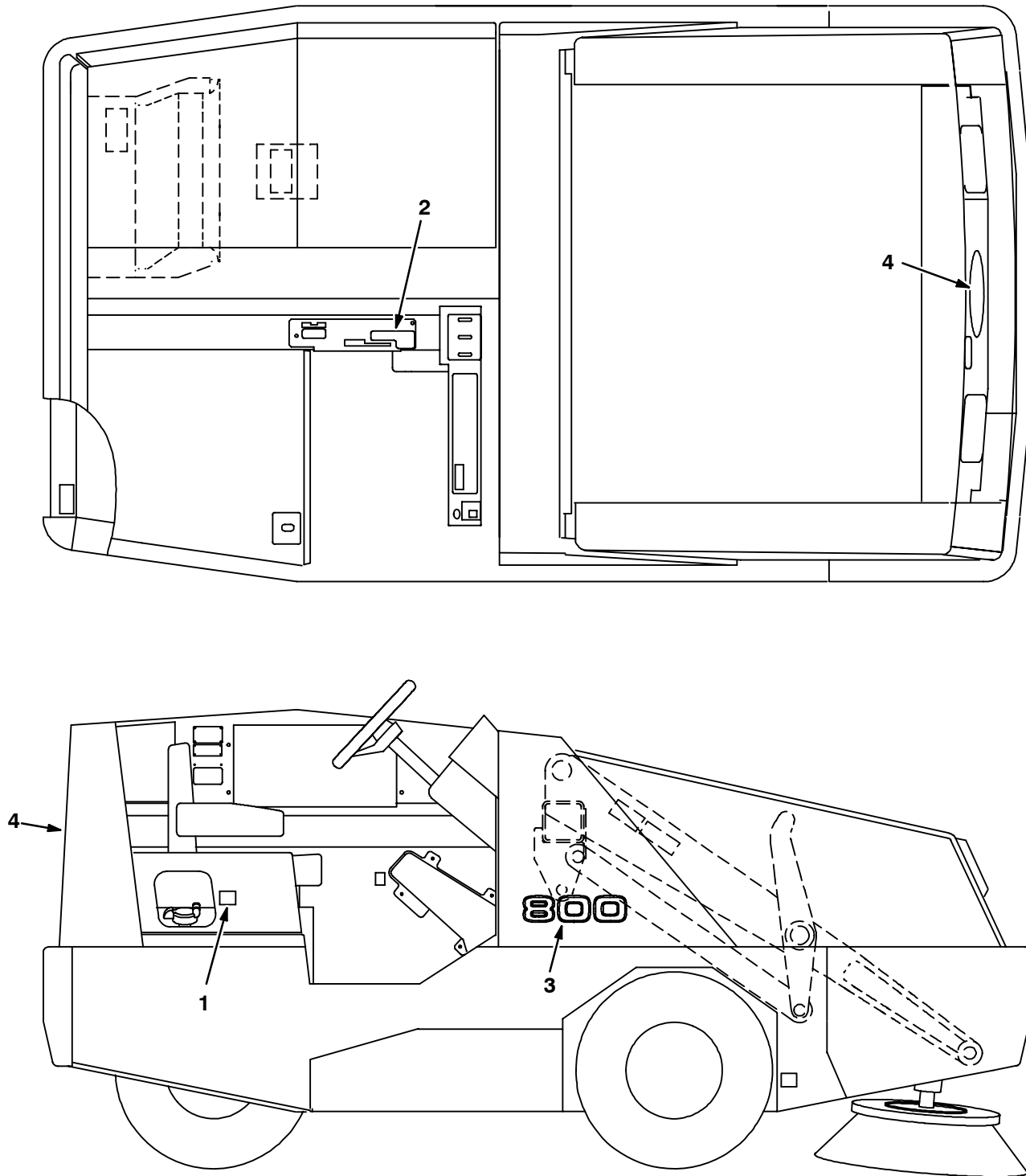
Fig. 101 - Wire Harnesses Group, Gas/LPG, Adaptor (007000-)



GM, G, LP

| Ref. | Part No. | Serial Number | Description | Qty. |
|------|----------|---------------|--|------|
| 1 | 1032214 | (007000-) | Harness, Adaptor, Eng, Gas/Lpg [Gm3.0] | 1 |

Fig. 102 - Label Group



08774 - 800, NA

| Ref. | Part No. | Serial Number | Description | Qty. |
|------|----------|---------------|--|------|
| 1 | 59767 | (004000-) | Label Set, Info & Hazard | 1 |
| 2 | 70705 | (004000-) | Label Set, Operational 800 | 1 |
| 3 | 70536 | (004000-) | Label, Numerals 800 | 2 |
| 4 | 09806 | (004000-) | Label, Logo, 10.4l,Oval[Tennant,Blu/Grn] | 2 |

SECTION 3

| Contents | Page |
|--|------|
| Fig. 1 - Light Kit, Flashing Overhead Guard | 3-2 |
| Fig. 2 - Light Kit, Flashing Cab | 3-4 |
| Fig. 3 - Light Kit, Revolving Overhead Guard . . . | 3-6 |
| Fig. 4 - Light Kit, Revolving Cab | 3-8 |
| Fig. 5 - Light Kit, Flashing Low | 3-10 |
| Fig. 6 - Light Kit, Revolving Low | 3-12 |
| Fig. 7 - Back-Up Alarm Kit | 3-14 |
| Fig. 8 - Turn Signal Kit | 3-16 |
| Fig. 9 - Overhead Guard Kit | 3-18 |
| Fig. 10 - Hopper Floor Kit | 3-20 |
| Fig. 11 - Bumper Assembly, SE | 3-21 |
| Fig. 12 - Brush Lift Group, Side, L.H. | 3-22 |
| Fig. 13 - Brush Group, Side, L.H. | 3-26 |
| Fig. 14 - Brush Wire Harness Group, Side, L.H. | 3-30 |
| Fig. 15 - Brush Hydraulic Hose Group, Side, L.H. | 3-31 |
| Fig. 16 - Brush Light Kit, Side | 3-32 |
| Fig. 17 - Cab Kit | 3-34 |
| Fig. 18 - Cab Mirror Kit | 3-36 |
| Fig. 19 - Cab Seals Group | 3-38 |
| Fig. 20 - Cab AC and Heater Box Group, Ford . | 3-40 |
| Fig. 21 - Cab AC and Heater Hose Group, Ford | 3-42 |
| Fig. 22 - Cab AC Compressor Group, Ford | 3-44 |
| Fig. 23 - Cab AC and Heater Box Group, GM . . | 3-46 |
| Fig. 24 - Cab AC and Heater Hose Group, GM . | 3-48 |
| Fig. 25 - Cab AC Compressor Group, GM (004937-006999) | 3-50 |
| Fig. 26 - Cab AC Compressor Group, GM (007000-) | 3-54 |
| Fig. 27 - Cab Heater Box Group, Ford | 3-56 |
| Fig. 28 - Cab Heater Hose Group, Ford | 3-58 |
| Fig. 29 - Cab Heater Box Group, GM | 3-60 |
| Fig. 30 - Cab Heater Hose Group, GM | 3-62 |
| Fig. 31 - Alternator Group, SE, Ford | 3-64 |
| Fig. 32 - Heavy Duty Alternator Kit, GM (004937-006999) | 3-66 |
| Fig. 33 - Heavy Duty Alternator Kit, GM (007000-) | 3-68 |
| Fig. 34 - Vacuum Wand Kit | 3-70 |
| Fig. 35 - Side Brush Dust Control Kit | 3-72 |
| Fig. 36 - Protectoseal Fuel Tank Cap Group . . . | 3-74 |
| Fig. 37 - Fire Extinguisher Kit | 3-75 |
| Fig. 38 - Solid Tire and Rim Assembly | 3-76 |
| Fig. 39 - Seat Belt Kit | 3-77 |
| Fig. 40 - RFS Filter System Group | 3-78 |
| Fig. 41 - Cab AC Drain Hose Kit | 3-80 |
| Fig. 42 - Neutral Start Group | 3-82 |
| Fig. 43 - Muffler Group, Non-Catalytic | 3-83 |
| Fig. 44 - Documentation Group | 3-84 |

Fig. 1 - Light Kit, Flashing Overhead Guard

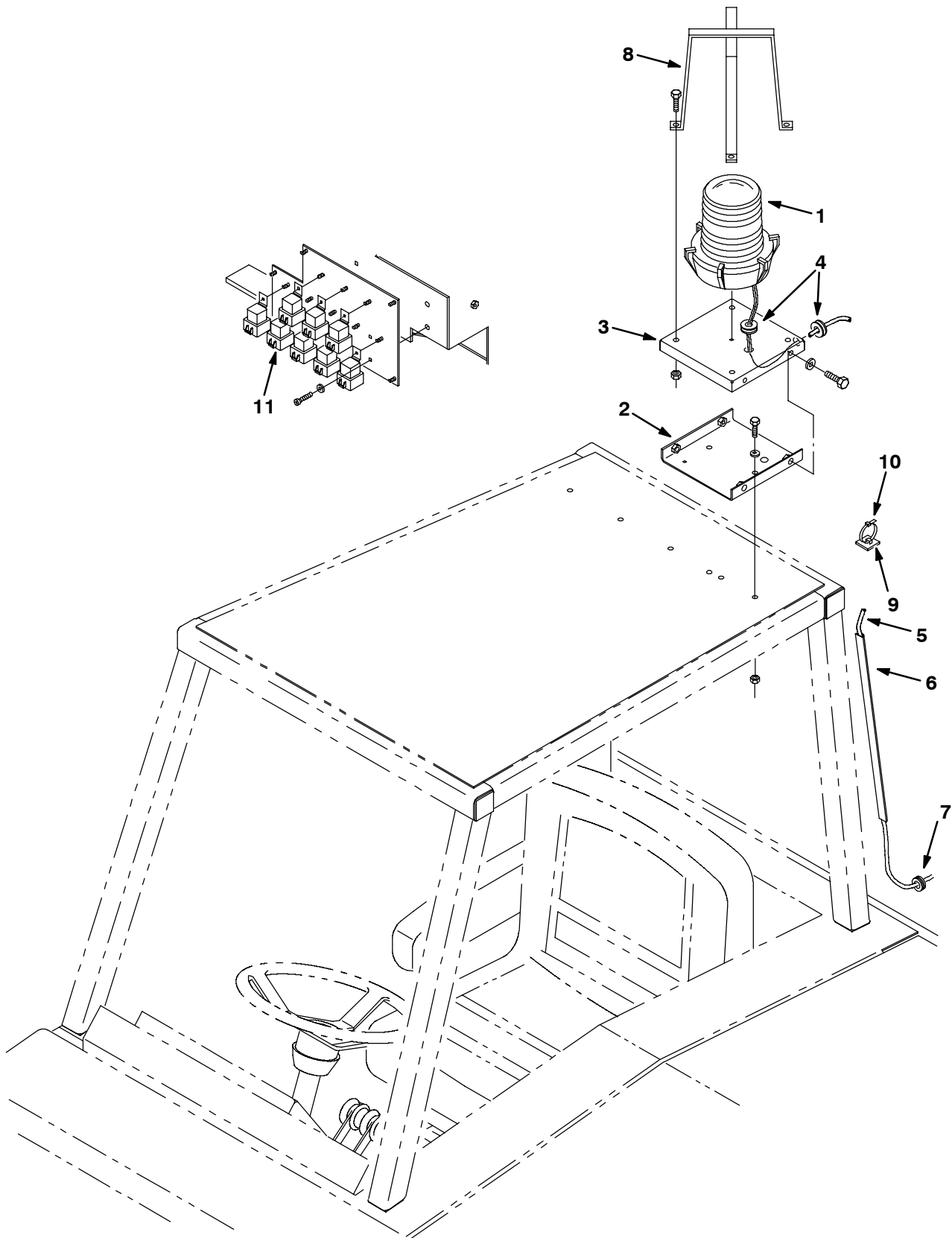


Fig. 1 - Light Kit, Flashing Overhead Guard

| | Ref. | Part No. | Serial Number | Description | Qty. |
|----|-------------|-----------------|----------------------|-------------------------------------|-------------|
| ▽ | | 73755 | (004000- |) Light Kit Flsh 800L Ohg | 1 |
| ▲▽ | 1 | 82063 | (004000- |) Light, Flashing, Amber, 12V-Re | 1 |
| ▲▲ | | 58520 | (004000- |) Lens,Flashing Lite Fr207 Amber | 1 |
| ▲▲ | | 45779 | (004000- |) Bulb, 12V | 1 |
| ▲ | 2 | 73899 | (004000- |) Bracket | 1 |
| ▲ | 3 | 73898 | (004000- |) Panel | 1 |
| ▲ | 4 | 10632-20 | (004000- |) Grommet,Rbr,0.38ld,For .06Matl | 2 |
| ▲ | 5 | 74000 | (004000- |) Harness,Rev/Flsh Light,Cab,Ohg | 1 |
| ▲ | 6 | 77375 | (004000- |) Duct, Vyl, 0.40 X 0.75 .25d 24.0l | 1 |
| ▲ | 7 | 10632-4 | (004000- |) Grommet,Rbr,0.63ld,For .06Matl | 1 |
| ▲ | 8 | 45272 | (004000- |) Guard Wldt, Lights, Revl & Flsh | 1 |
| ▲ | 9 | 55248 | (004000- |) Cable Tie Mount | 1 |
| ▲ | 10 | 49266 | (004000- |) Tie, Cable | 1 |
| ▲ | 11 | 56186 | (004000- |) Relay, Shrouded, 12V | 1 |
| | | 58518 | (004000- |) Lens,Flashing Lite Fr207 Red | 1 |
| | | 58519 | (004000- |) Lens,Flashing Lite Fr207 Blue | 1 |

Fig. 2 - Light Kit, Flashing Cab

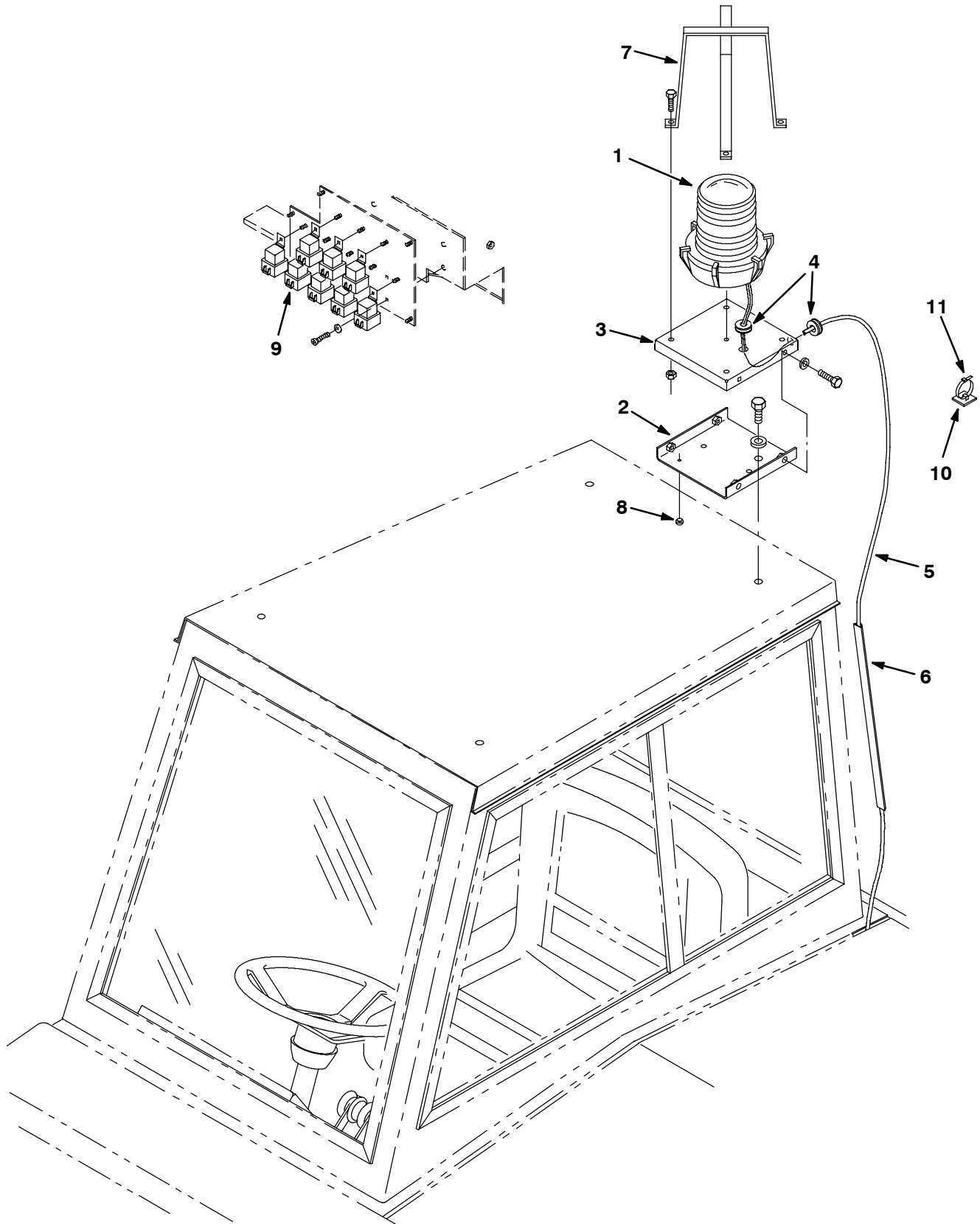


Fig. 2 - Light Kit, Flashing Cab

| | Ref. | Part No. | Serial Number | Description | Qty. |
|----|-------------|-----------------|----------------------|-------------------------------------|-------------|
| ▽ | | 73751 | (004000- |) Light Kit Flsh 800L Cab | 1 |
| ▲▽ | 1 | 82063 | (004000- |) Light, Flashing, Amber, 12V-Re | 1 |
| ▲▲ | | 58520 | (004000- |) Lens,Flashing Lite Fr207 Amber | 1 |
| ▲▲ | | 45779 | (004000- |) Bulb, 12V | 1 |
| ▲ | 2 | 73899 | (004000- |) Bracket | 1 |
| ▲ | 3 | 73898 | (004000- |) Panel | 1 |
| ▲ | 4 | 10632-20 | (004000- |) Grommet,Rbr,0.38ld,For .06Matl | 2 |
| ▲ | 5 | 74000 | (004000- |) Harness,Rev/Flsh Light,Cab,Ohg | 1 |
| ▲ | 6 | 77375 | (004000- |) Duct, Vyl, 0.40 X 0.75 .25d 24.0l | 1 |
| ▲ | 7 | 45272 | (004000- |) Guard Wldt, Lights, Revl & Flsh | 1 |
| ▲ | 8 | 29233 | (004000- |) Bumper, Rubber | 1 |
| ▲ | 9 | 56186 | (004000- |) Relay, Shrouded, 12V | 1 |
| ▲ | 10 | 55248 | (004000- |) Cable Tie Mount | 1 |
| ▲ | 11 | 49266 | (004000- |) Tie, Cable | 1 |
| | | 58518 | (004000- |) Lens,Flashing Lite Fr207 Red | 1 |
| | | 58519 | (004000- |) Lens,Flashing Lite Fr207 Blue | 1 |

Fig. 3 - Light Kit, Revolving Overhead Guard

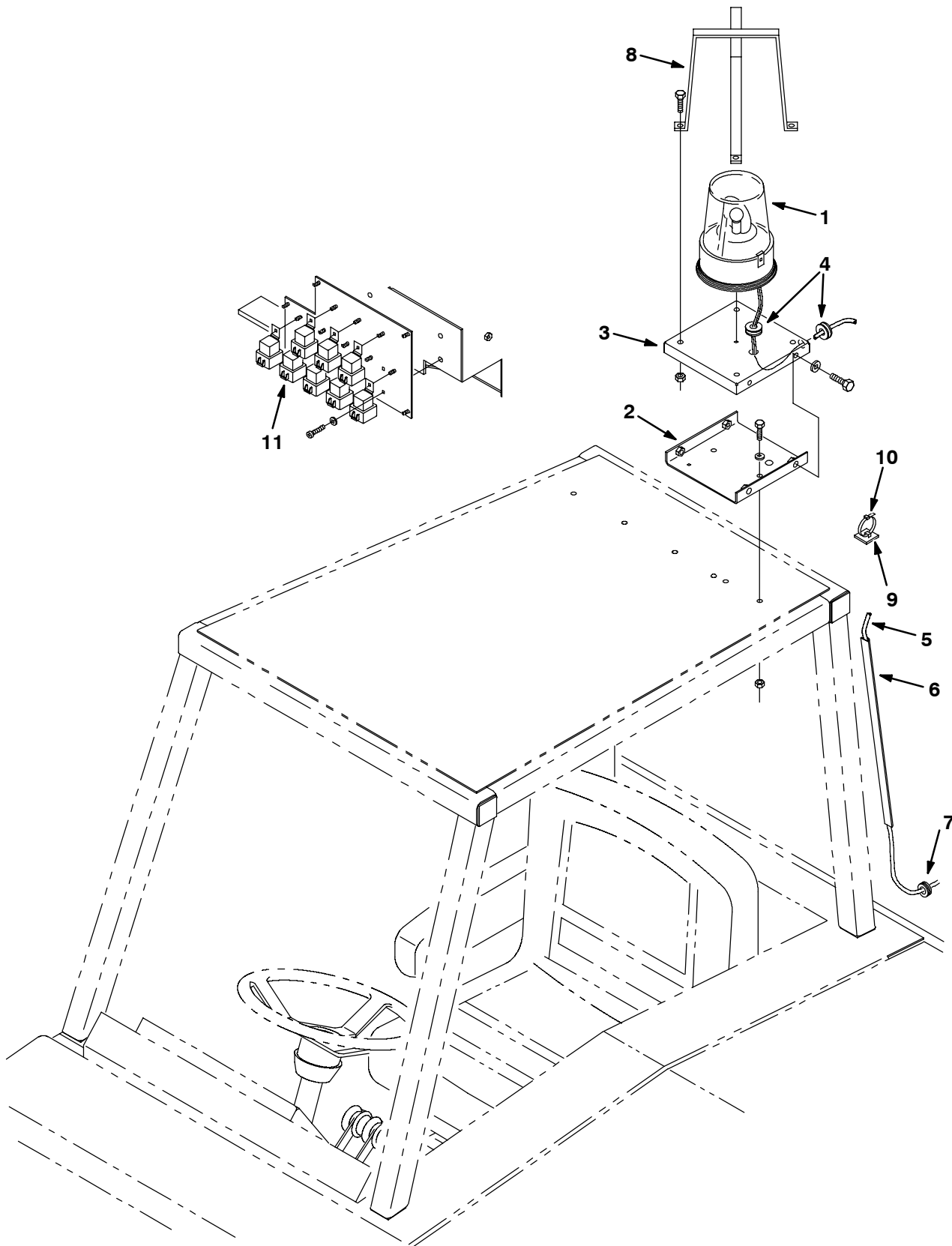


Fig. 3 - Light Kit, Revolving Overhead Guard

| | Ref. | Part No. | Serial Number | Description | Qty. |
|----|-------------|-----------------|----------------------|-------------------------------------|-------------|
| ▽ | | 73757 | (004000- |) Light Kit Revl 800L Ohg | 1 |
| ▲▽ | 1 | 82200 | (004000- |) Light,Rev.Amber 12V-Reworked | 1 |
| ▲▲ | | 44681-1 | (004000- |) Lens,Rev.Light,Amber | 1 |
| ▲▲ | | 45779 | (004000- |) Bulb, 12V | 1 |
| ▲ | 2 | 73899 | (004000- |) Bracket | 1 |
| ▲ | 3 | 73898 | (004000- |) Panel | 1 |
| ▲ | 4 | 10632-20 | (004000- |) Grommet,Rbr,0.38ld,For .06Matl | 2 |
| ▲ | 5 | 74000 | (004000- |) Harness,Rev/Flsh Light,Cab,Ohg | 1 |
| ▲ | 6 | 77375 | (004000- |) Duct, Vyl, 0.40 X 0.75 .25d 24.0l | 1 |
| ▲ | 7 | 10632-4 | (004000- |) Grommet,Rbr,0.63ld,For .13Matl | 1 |
| ▲ | 8 | 45272 | (004000- |) Guard Wldt, Lights, Revl & Flsh | 1 |
| ▲ | 9 | 55248 | (004000- |) Cable Tie Mount | 1 |
| ▲ | 10 | 49266 | (004000- |) Tie, Cable | 1 |
| ▲ | 11 | 56186 | (004000- |) Relay, Shrouded, 12V | 1 |
| | | 44681 | (004000- |) Lens,Rev.Light,Red | 1 |
| | | 44681-2 | (004000- |) Lens,Rev.Light,Blue | 1 |

Fig. 4 - Light Kit, Revolving Cab

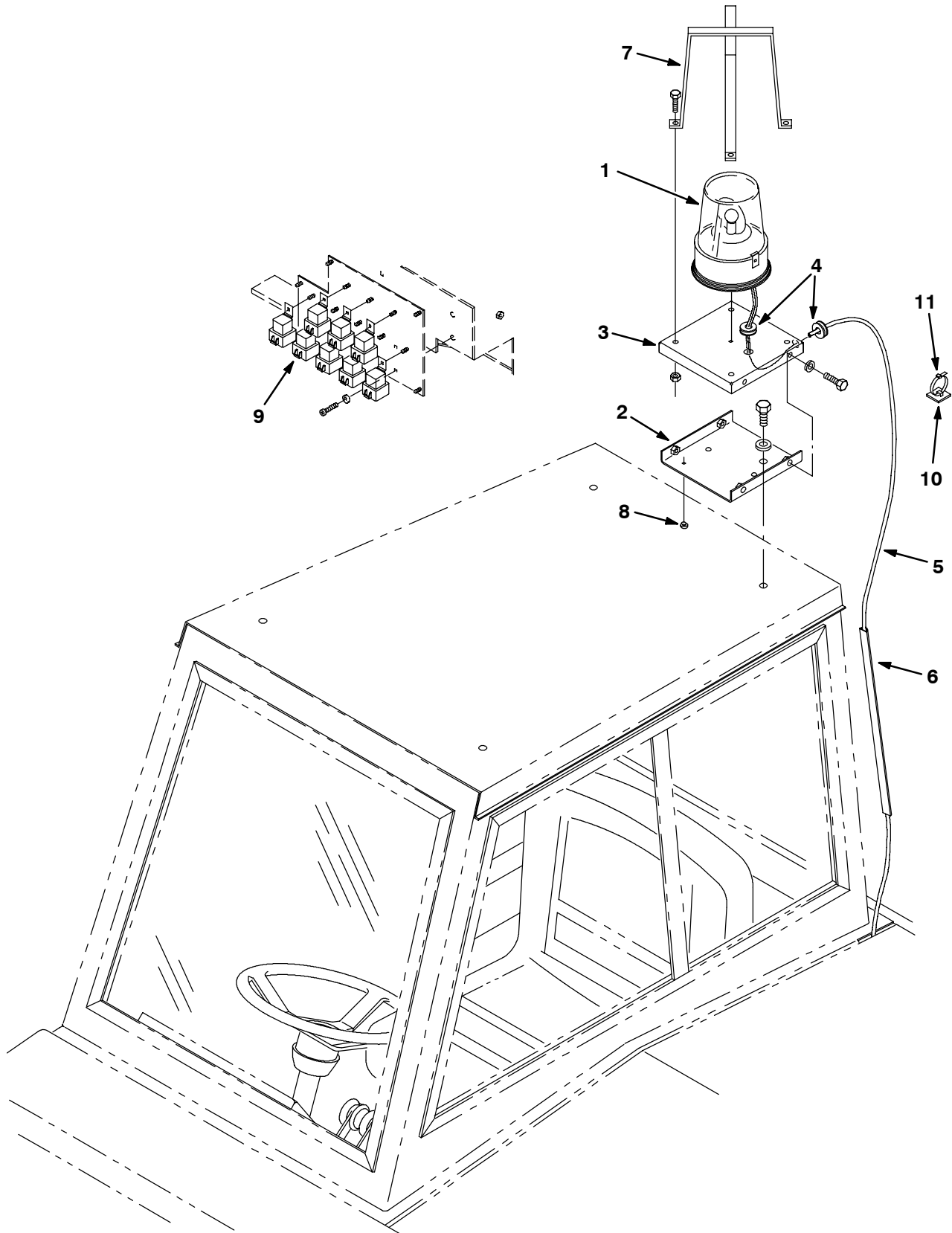


Fig. 4 - Light Kit, Revolving Cab

| | Ref. | Part No. | Serial Number | Description | Qty. |
|----|-------------|-----------------|----------------------|-------------------------------------|-------------|
| ▽ | | 73753 | (004000- |) Light Kit Revl 800L Cab | 1 |
| ▲▽ | 1 | 82200 | (004000- |) Light,Rev.Amber 12V-Reworked | 1 |
| ▲▲ | | 44681-1 | (004000- |) Lens,Rev.Light,Amber | 1 |
| ▲▲ | | 45779 | (004000- |) Bulb, 12V | 1 |
| ▲ | 2 | 73899 | (004000- |) Bracket | 1 |
| ▲ | 3 | 73898 | (004000- |) Panel | 1 |
| ▲ | 4 | 10632-20 | (004000- |) Grommet,Rbr,0.38ld,For .06Matl | 2 |
| ▲ | 5 | 74000 | (004000- |) Harness,Rev/Flsh Light,Cab,Ohg | 1 |
| ▲ | 6 | 77375 | (004000- |) Duct, Vyl, 0.40 X 0.75 .25d 24.0l | 1 |
| ▲ | 7 | 45272 | (004000- |) Guard Wldt, Lights, Revl & Flsh | 1 |
| ▲ | 8 | 29233 | (004000- |) Bumper, Rubber | 1 |
| ▲ | 9 | 56186 | (004000- |) Relay, Shrouded, 12V | 1 |
| ▲ | 10 | 55248 | (004000- |) Cable Tie Mount | 1 |
| ▲ | 11 | 49266 | (004000- |) Tie, Cable | 1 |
| | | 44681 | (004000- |) Lens,Rev.Light,Red | 1 |
| | | 44681-2 | (004000- |) Lens,Rev.Light,Blue | 1 |

Fig. 5 - Light Kit, Flashing Low

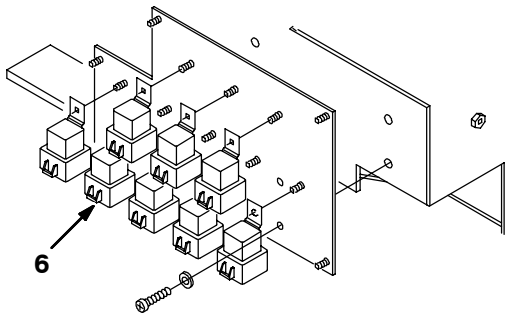
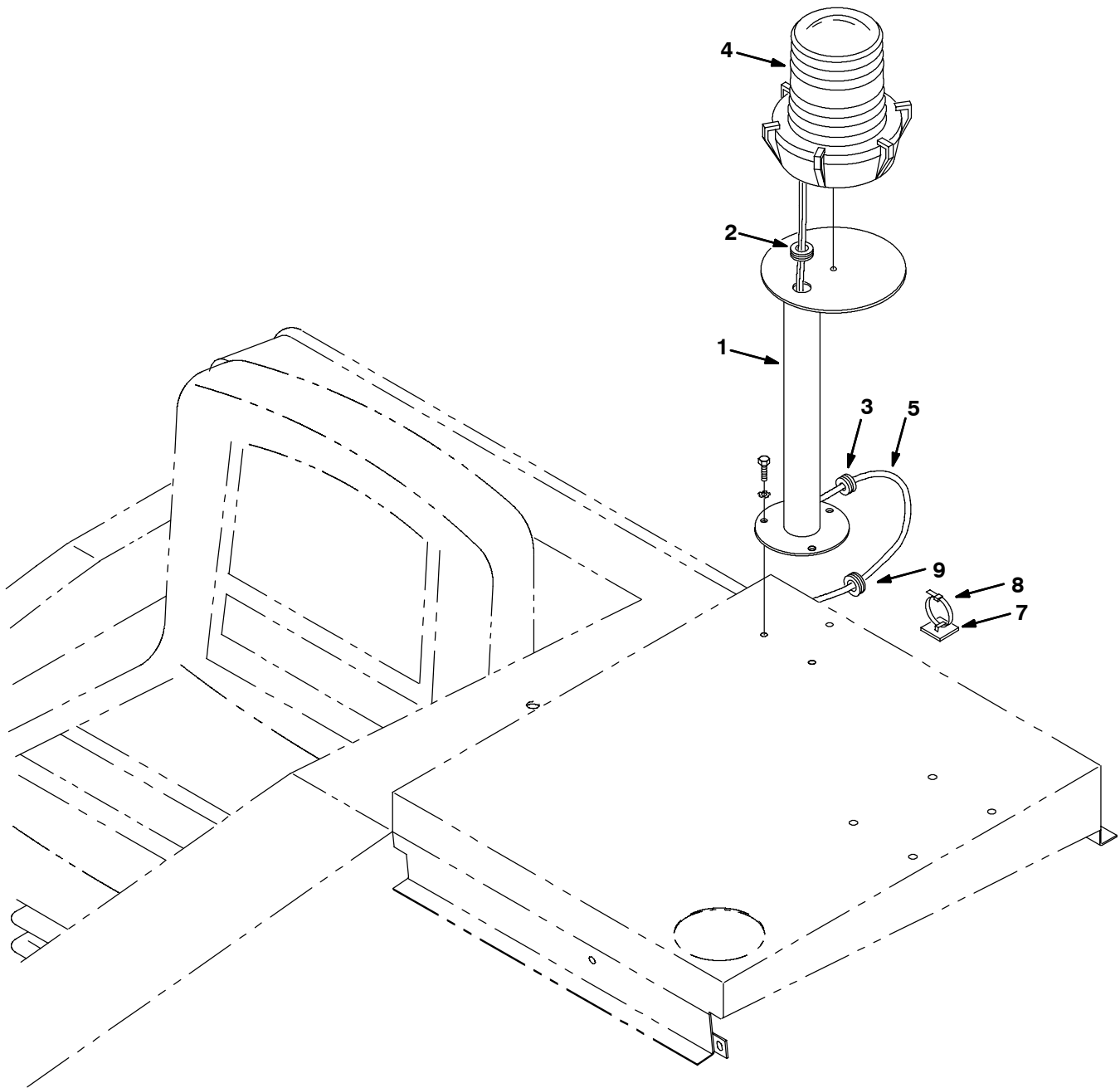


Fig. 5 - Light Kit, Flashing Low

| | Ref. | Part No. | Serial Number | Description | Qty. |
|----|-------------|-----------------|----------------------|------------------------------------|-------------|
| ▽ | | 380643 | (004000- |) Kit, Light, Flsh, Low | 1 |
| ▲ | 1 | 31954 | (004000- |) Pedestal Wldt, Light | 1 |
| ▲ | 2 | 10632-9 | (004000- |) Grommet, Rbr, 0.56 Id For .13mat | 1 |
| ▲ | 3 | 10632-12 | (004000- |) Grommet, Rbr, 0.38 Id For .12mat | 1 |
| ▲▽ | 4 | 82063 | (004000- |) Light, Flashing Amb 12v-re | 1 |
| ▲▲ | | 58520 | (004000- |) Lens, Flashing Amb 12V | 1 |
| ▲▲ | | 45779 | (004000- |) Bulb | 1 |
| ▲ | 5 | 380691 | (004000- |) Harness, Alarm, Backup | 1 |
| ▲ | 6 | 56186 | (004000- |) Relay 12Vdc 40A Spdt | 1 |
| ▲ | 7 | 55248 | (004000- |) Cabletie Mount, Adhesive | 2 |
| ▲ | 8 | 49266 | (004000- |) Tie, Cable 1.75D Max 7.50Lg | 2 |
| ▲ | 9 | 10632-4 | (004000- |) Grommet | 1 |
| | | 58518 | (004000- |) Lens, Flashing Red | 1 |
| | | 58519 | (004000- |) Lens, Flashing Blue | 1 |

Fig. 6 - Light Kit, Revolving Low

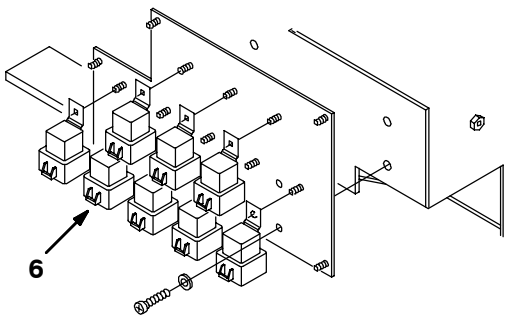
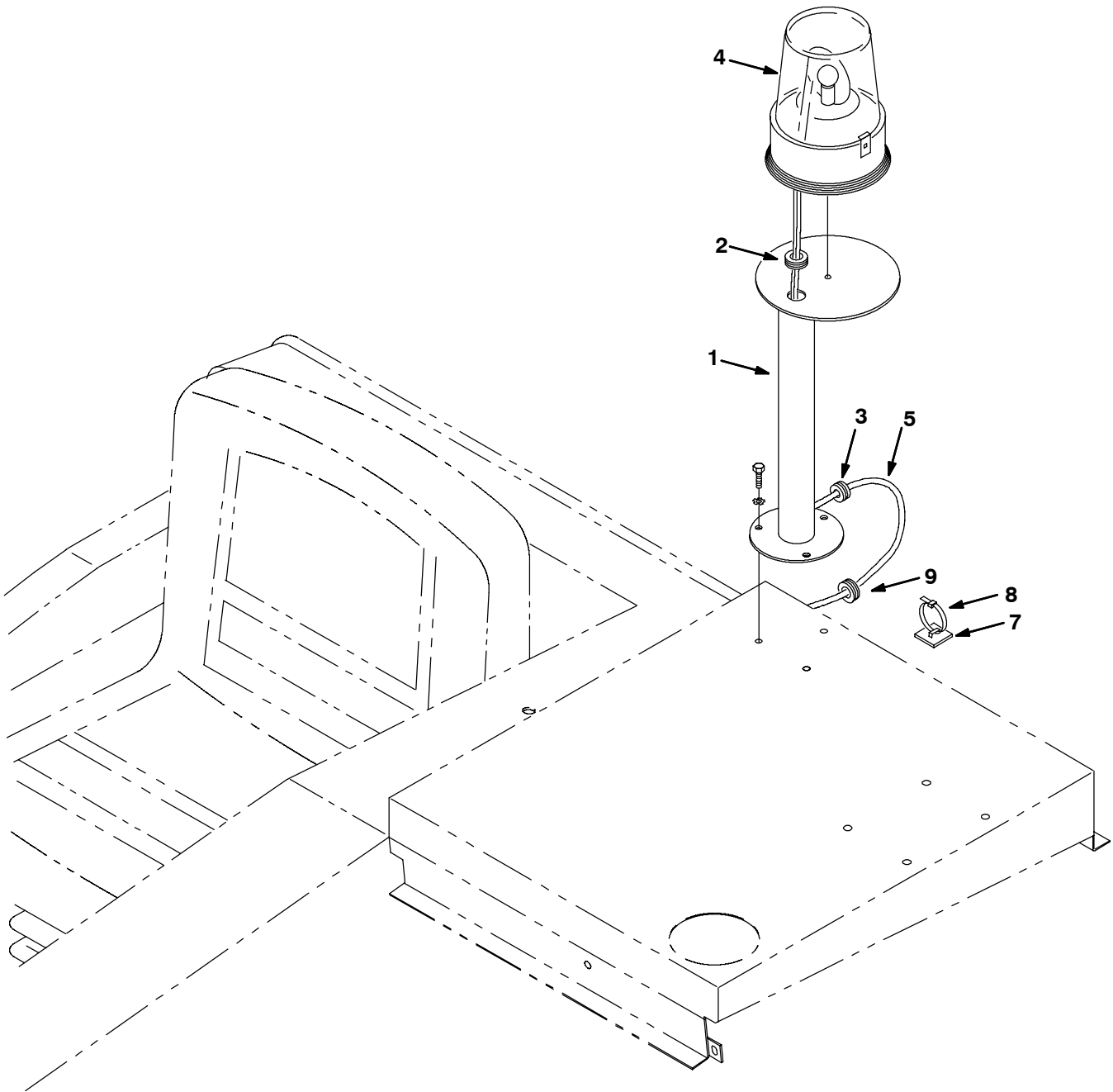


Fig. 6 - Light Kit, Revolving Low

| | Ref. | Part No. | Serial Number | Description | Qty. |
|----|-------------|-----------------|----------------------|------------------------------------|-------------|
| ▽ | | 380644 | (004000- |) Kit, Light, Revl, Low | 1 |
| ▲ | 1 | 31954 | (004000- |) Pedestal Wldt, Light | 1 |
| ▲ | 2 | 10632-9 | (004000- |) Grommet, Rbr, 0.56 Id For .13mat | 1 |
| ▲ | 3 | 10632-12 | (004000- |) Grommet, Rbr, 0.38 Id For .12mat | 1 |
| ▲▽ | 4 | 82200 | (004000- |) Light, Rev. Amber 12v-re | 1 |
| ▲▲ | | 44681-1 | (004000- |) Lens, Rev. Light, Amber | 1 |
| ▲▲ | | 45779 | (004000- |) Bulb | 1 |
| ▲ | 5 | 380691 | (004000- |) Harness, Alarm, Backup | 1 |
| ▲ | 6 | 56186 | (004000- |) Relay 12Vdc 40A Spdt | 1 |
| ▲ | 7 | 55248 | (004000- |) Cabletie Mount, Adhesive | 2 |
| ▲ | 8 | 49266 | (004000- |) Tie, Cable 1.75D Max 7.50Lg | 2 |
| ▲ | 9 | 10632-4 | (004000- |) Grommet | 1 |
| | | 44681 | (004000- |) Lens, Rev. Light, Red | 1 |
| | | 44681-2 | (004000- |) Lens, Rev. Light, Blue | 1 |

Fig. 7 - Back-Up Alarm Kit

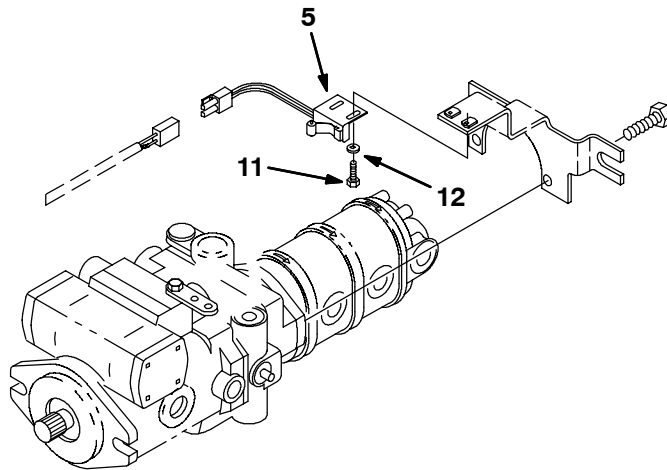
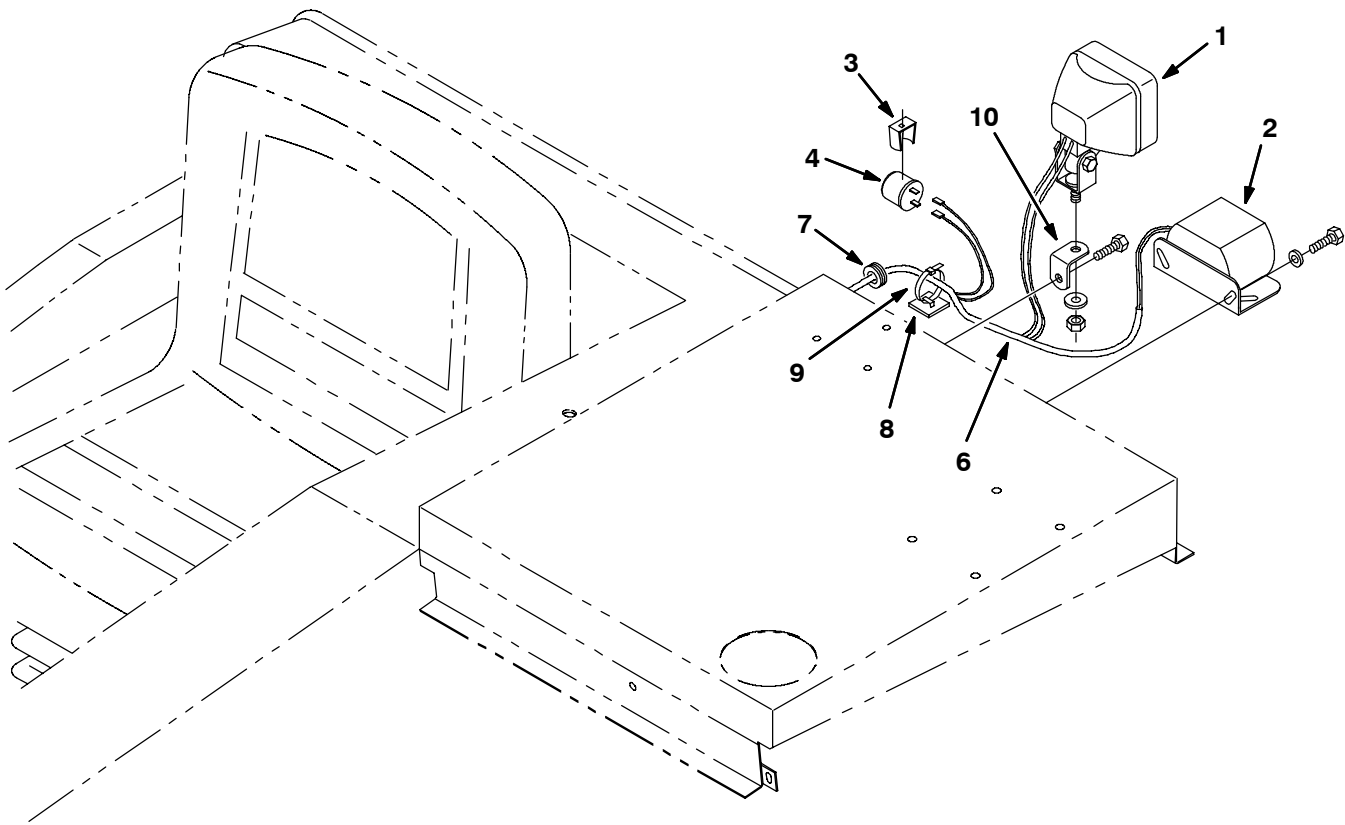


Fig. 7 - Back-Up Alarm Kit

| | Ref. | Part No. | Serial Number | Description | Qty. |
|----|-------------|-----------------|----------------------|-----------------------------------|-------------|
| ▽ | | 380640 | (004000- |) Kit, Alarm, Backup | 1 |
| ▲▽ | 1 | 382978 | (004000- |) Light, Spot 12V, 32cp | 1 |
| ▲▲ | | 393770 | (004000- |) Lamp, 12VDC 55w | 1 |
| ▲ | 2 | 61923 | (004000- |) Horn, Back-up Alarm | 1 |
| ▲ | 3 | 24576-1 | (004000- |) Bracket, Flasher | 1 |
| ▲ | 4 | 24576 | (004000- |) Flasher, 12v | 1 |
| ▲ | 5 | 59965 | (004000- |) Switch Assy, Roller-no | 1 |
| ▲ | 6 | 380691 | (004000- |) Harness, Alarm, Back-up | 1 |
| ▲ | 7 | 10632-4 | (004000- |) Grommet | 1 |
| ▲ | 8 | 55248 | (004000- |) Mount, Tie | 2 |
| ▲ | 9 | 49266 | (004000- |) Tie, Cable | 2 |
| ▲ | 10 | 76385 | (004000- |) Bracket | 1 |
| ▲ | 11 | 09206 | (004000- |) Screw, Hex, M4 X 0.70 X 12, 8.8 | 2 |
| ▲ | 12 | 19065 | (004000- |) Washer, Flat, 08 | 2 |

Fig. 8 - Turn Signal Kit

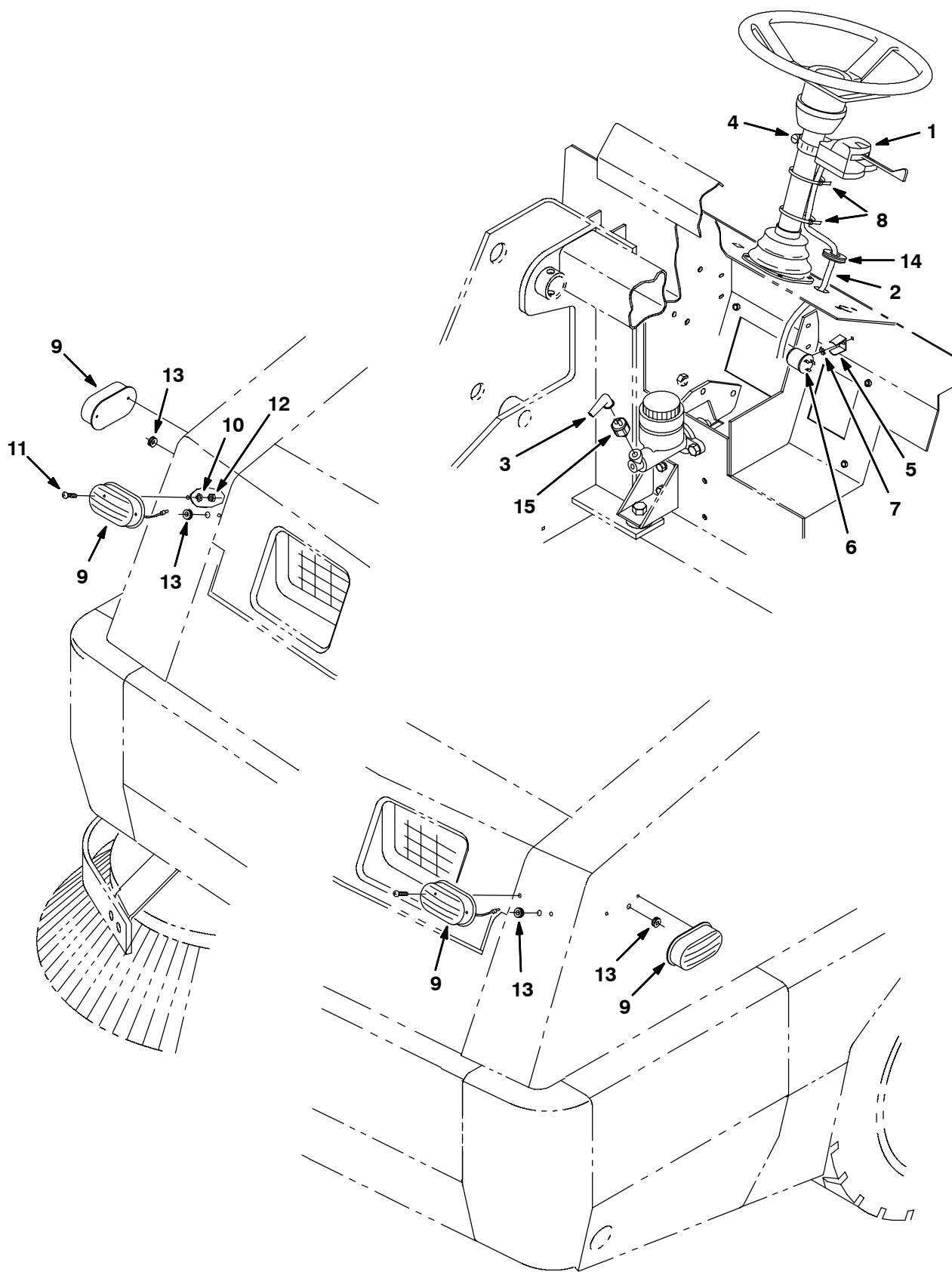


Fig. 8 - Turn Signal Kit

| | Ref. | Part No. | Serial Number | Description | Qty. |
|----|-------------|-----------------|----------------------|---------------------------------------|-------------|
| ▽ | | 380712 | (004000- |) Kit, Signal, Turn | 1 |
| ▲ | 1 | 60751 | (004000- |) Signal Turn | 1 |
| ▲ | 2 | 76423 | (004000- |) Harness, Directional | 1 |
| ▲ | 3 | 61365 | (004000- |) Boot, 90deg .44id 0.62id 1.69l, Blk | 1 |
| ▲ | 4 | 11531 | (004000- |) Clamp-Wormdrive, 0.81- 1.50D | 1 |
| ▲ | 5 | 24576-1 | (004000- |) Bracket, Flasher | 1 |
| ▲ | 6 | 31922 | (004000- |) Flasher Heavy Duty | 1 |
| ▲ | 7 | 41139 | (004000- |) Washer-Loc Int-Ext 10 Pltd | 1 |
| ▲ | 8 | 49266 | (004000- |) Tie, Cable | 4 |
| ▲▽ | 9 | 34848 | (004000- |) Light Assy Mark/Yel 12V- . A | 4 |
| ▲▲ | | 87948 | (004000- |) Bulb, #194 | 1 |
| ▲ | 10 | 41140 | (004000- |) Washer-Loc Int-Ext .25 Pltd | 8 |
| ▲ | 11 | 06927 | (004000- |) Screw, Pan, M04 | 8 |
| ▲ | 12 | 02850 | (004000- |) Nut, Hex, Lock | 8 |
| ▲ | 13 | 10632-5 | (004000- |) Grommet Rbr 0.25ld For .09Matl | 5 |
| ▲ | 14 | 10632-8 | (004000- |) Grommet,Rbr,0.75ld,For .13Matl | 1 |
| ▲ | 15 | 13959 | (004000- |) Switch | 1 |

Fig. 9 - Overhead Guard Kit

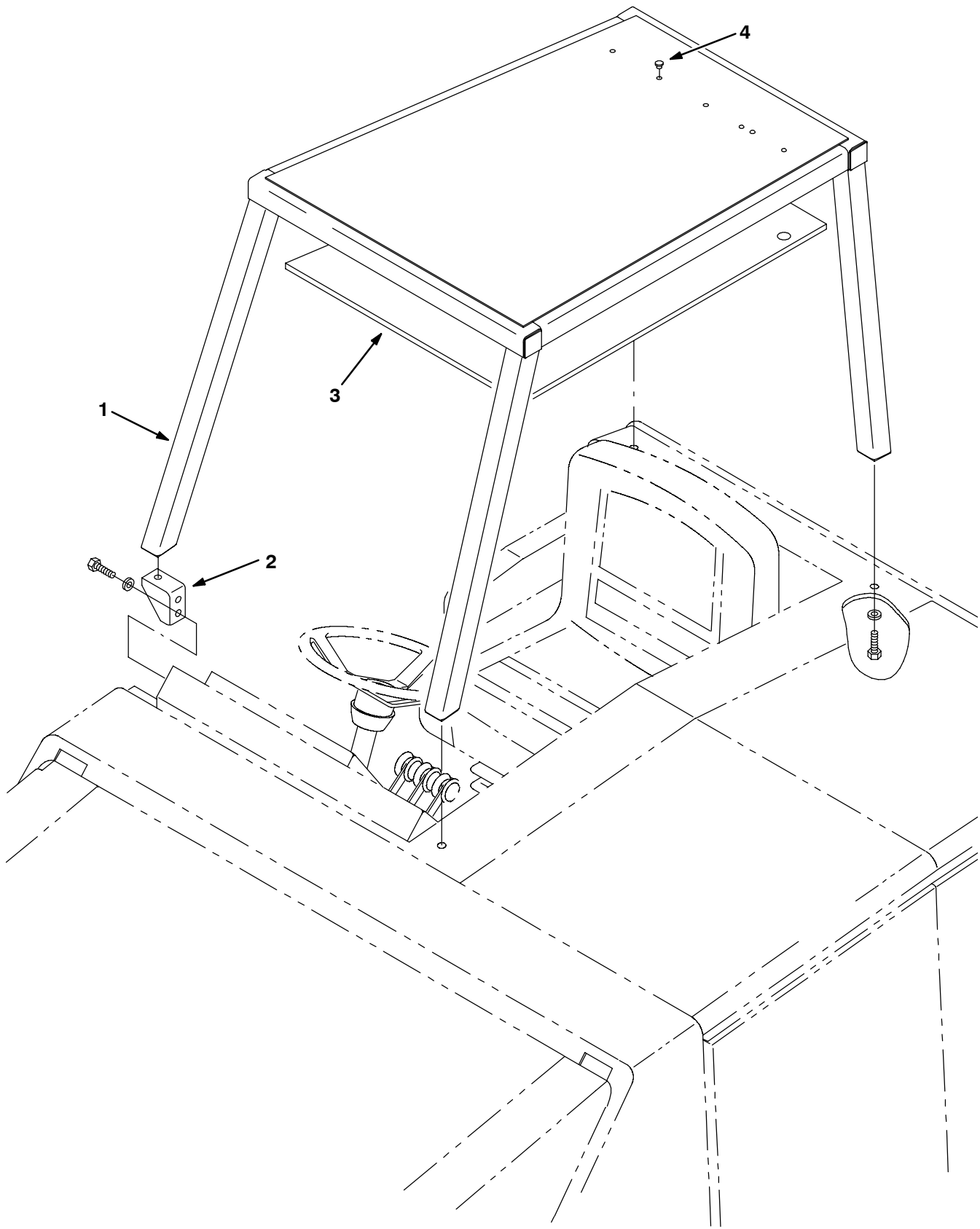
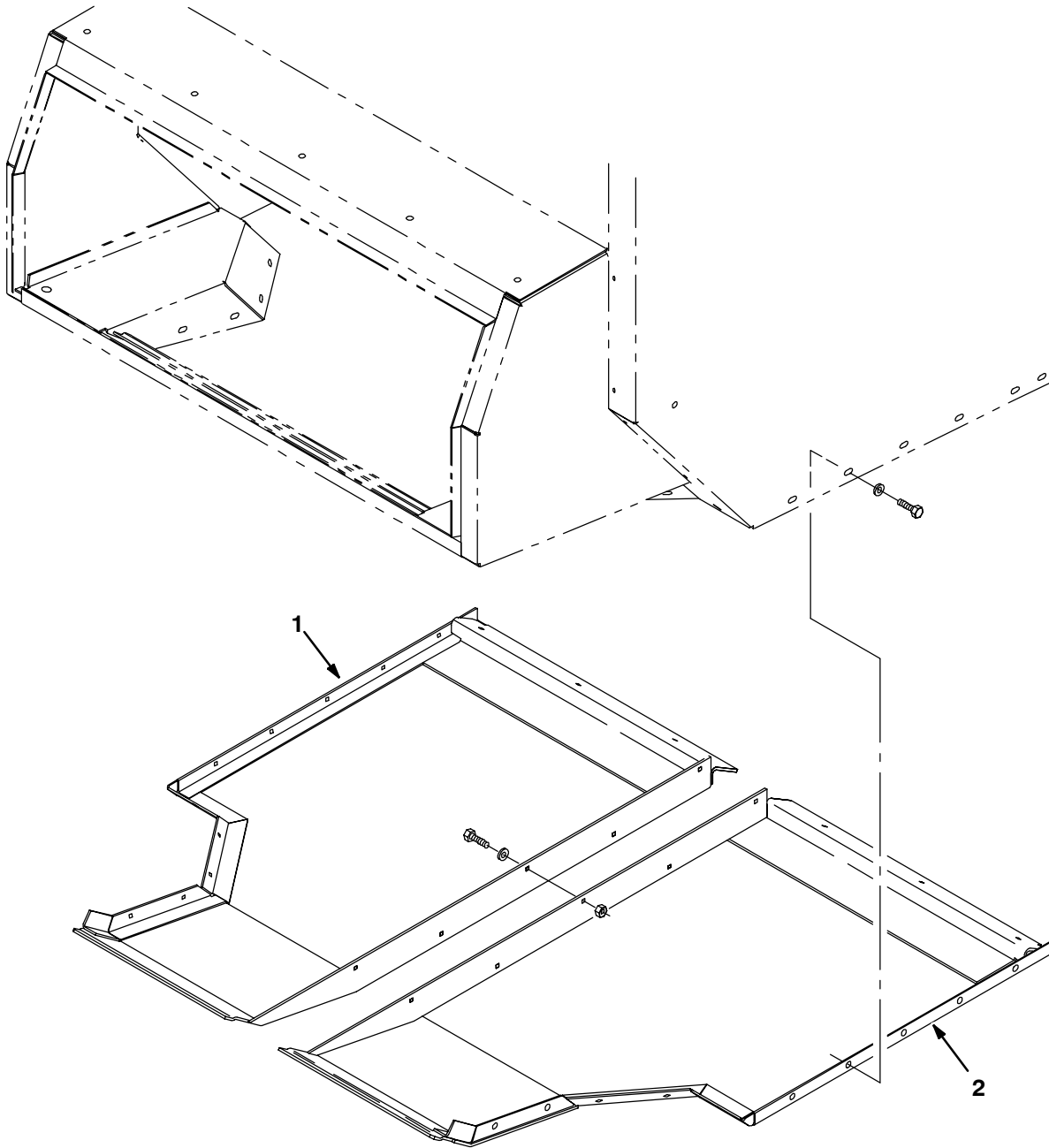


Fig. 9 - Overhead Guard Kit

| | Ref. | Part No. | Serial Number | Description | Qty. |
|---|-------------|-----------------|----------------------|------------------------|-------------|
| ▽ | | 70669 | (004000- |) Guard Kit, Overhead | 1 |
| ▲ | 1 | 65258 | (004000- |) Guard Wldt, Overhead | 1 |
| ▲ | 2 | 70454 | (004000- |) Bracket, Mtg, Ohg | 1 |
| ▲ | 3 | 74007 | (004000- |) Foam, Insulation | 1 |
| ▲ | 4 | 33806 | (004000- |) Plugbutton | 6 |

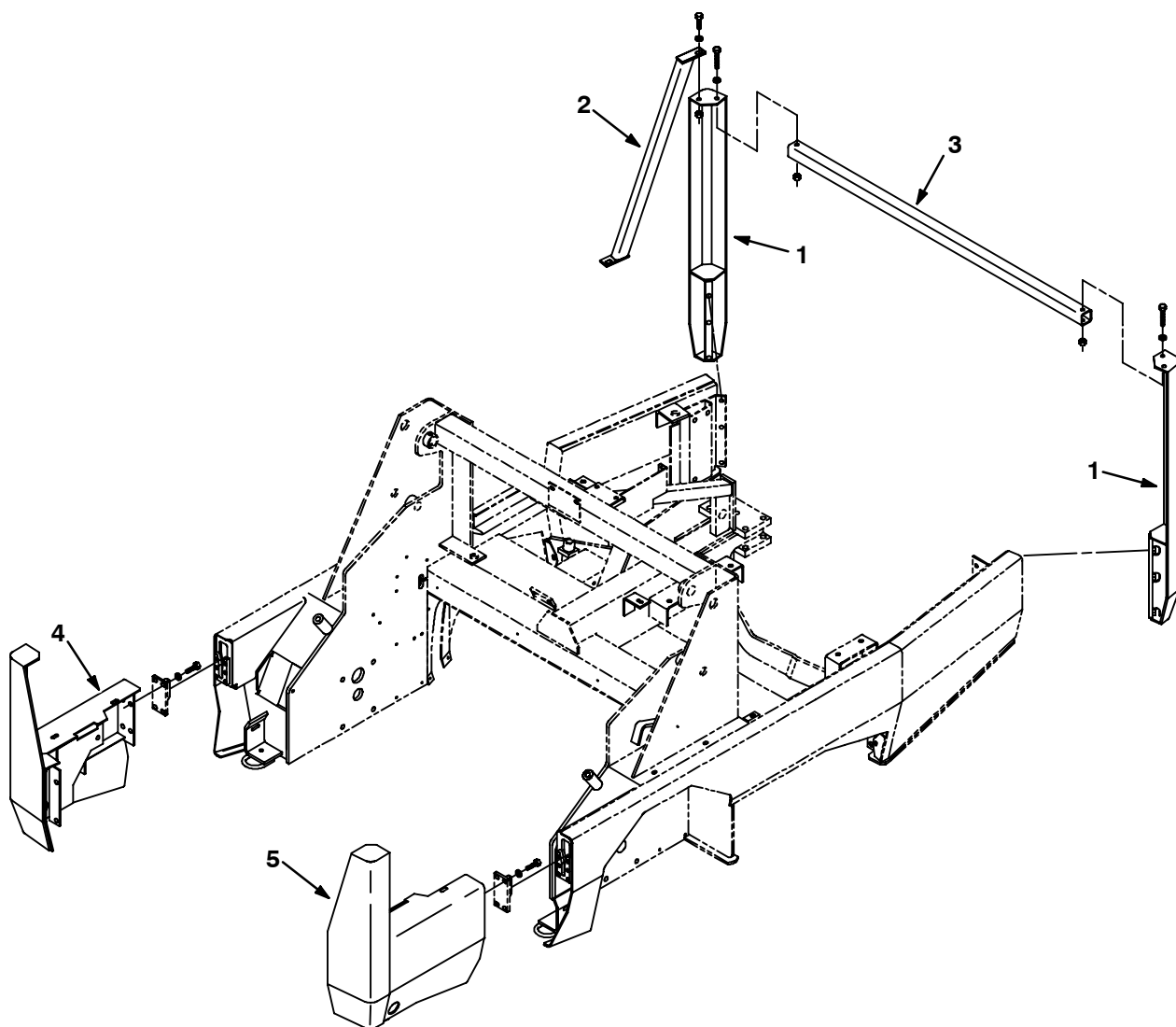
Fig. 10 - Hopper Floor Kit



07668 - 800

| Ref. | Part No. | Serial Number | Description | Qty. |
|------|----------|---------------|---------------------------------|------|
| ▽ | 70686 | (004000- |) Hopper Floor Kit, St Stl 800 | 1 |
| ▲ | 1 77611 | (004000- |) Panel Wldt, Hopper, Floor, RH | 1 |
| ▲ | 2 77613 | (004000- |) Panel Wldt, Hopper, Floor, LH | 1 |

Fig. 11 - Bumper Assembly, SE



09909 - ALL

| Ref. | Part No. | Serial Number | Description | Qty. |
|------|----------|---------------|------------------------------|------|
| ▽ | 83557 | (004000- |) Bumper Assy, Se | 1 |
| ▲ | 1 70802 | (004000- |) Leg Wldt, Bumper, Se | 2 |
| ▲ | 2 70793 | (004000- |) Brace Wldt, Bumper, Se | 1 |
| ▲ | 3 70815 | (004000- |) Tube, Cross, Bumper, Se | 1 |
| ▲ | 4 83626 | (004000- |) Bumper Wldt, Se, Rh, Front | 1 |
| ▲ | 5 83627 | (004000- |) Bumper Wldt, Se, Lh, Front | 1 |

Fig. 12 - Brush Lift Group, Side, L.H.

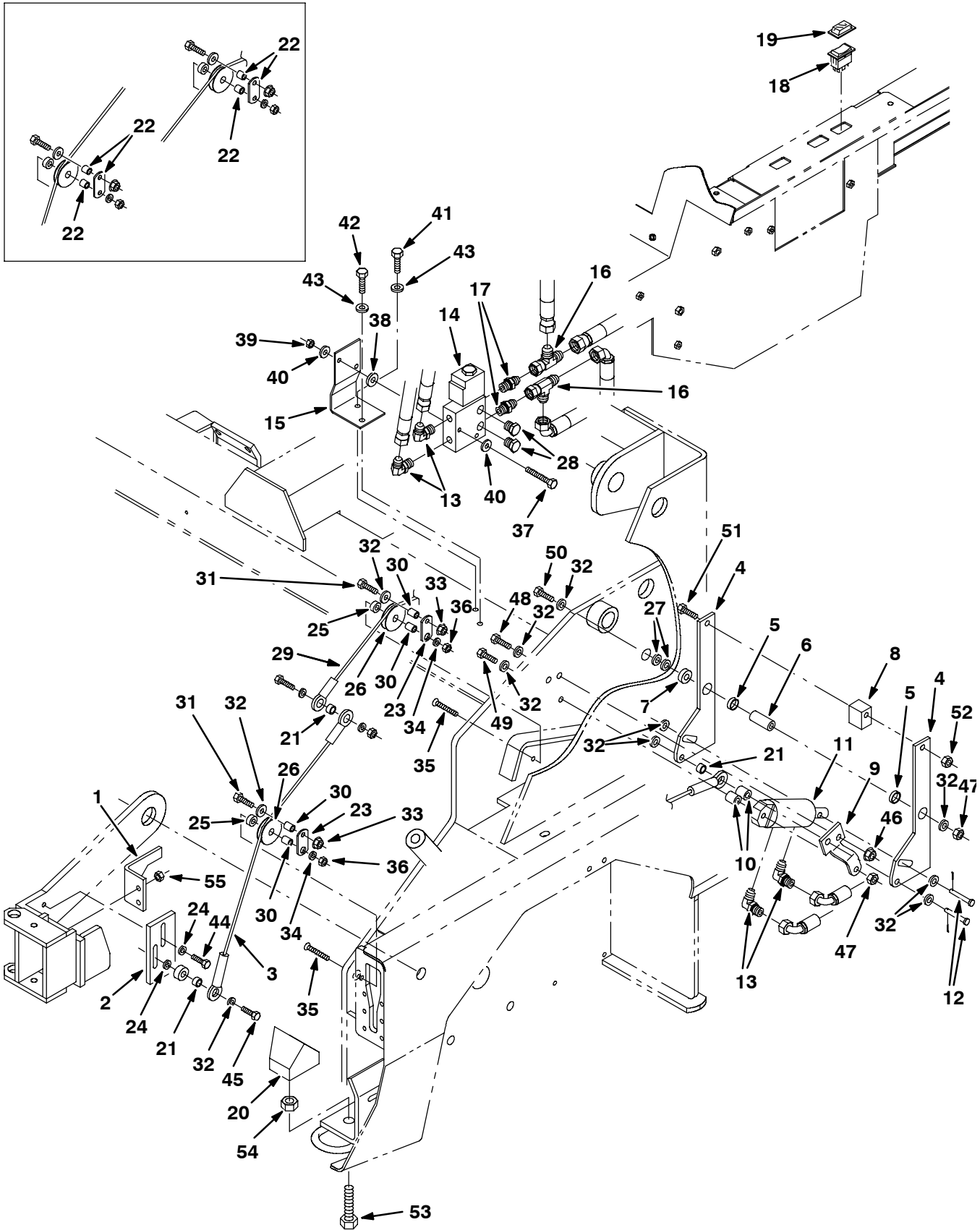


Fig. 12 - Brush Lift Group, Side, L.H.

| Ref. | Part No. | Serial Number | Description | Qty. |
|------|----------|-----------------|--|------|
| 1 | 77458 | (004000- |) Bracket, Angle | 1 |
| 2 | 77569 | (004000- |) Plate Wldt | 1 |
| 3 | 23936 | (004000- |) Cable, Retaining, S Br | 1 |
| 4 | 77584 | (004000- |) Plate | 2 |
| 5 | 74090 | (004000- |) Bearing | 2 |
| 6 | 77597 | (004000- |) Sleeve, 0.406B 0.75D1.80 Stl | 1 |
| 7 | 77727 | (004000- |) Sleeve .438B 1.00D .35Stl | 1 |
| 8 | 77459 | (004000- |) Spacer | 1 |
| 9 | 77783 | (004000- |) Plate, Angle | 1 |
| 10 | 77600 | (004000- |) Sleeve, 0.406B .750D .800Stl | 2 |
| 11 | 1041034 | (004000- |) Cylinder, Hyd, 1.5b 06.3l 01.50strk 2500 | 1 |
| 12 | 51813 | (004000- |) Pin,Clevis,0.37 Dia.X 2.12 Lg | 2 |
| 13 | 77097 | (004000- |) Ftg-Hyd E90 Jm04/Om04 | 4 |
| 14 | 84016 | (004000-007338 |) Valve, Hyd, Solenoid (See Breakdowns) | 1 |
| 14 | 1049211 | (007339- |) Valve, Cntrl, Hyd, Solenoid, 12vdc 06gpm (See Break-downs) | 1 |
| 15 | 21231 | (004000- |) Bracket, Side Brush, Valve | 1 |
| 16 | 42215 | (004000- |) Fitting, Hyd, Tee, Jf06/Jm06/Jm06, Run | 2 |
| 17 | 56690 | (004000- |) Ftg-Hyd Str Jm06/Om06 | 2 |
| 18 | 65561 | (004000- |) Switch Rocker Spst | 1 |
| 19 | 57807 | (004000- |) Cover, Rocker Switch Seal | 1 |
| 20 | 77738 | (004000- |) Block | 1 |
| 21 | 65174 | (004000- |) Spacer | 3 |
| 22 | 375416 | (004000- xxxxxx |) Replacement Kit, Roller, Side Brush Lift | 1 |
| 23 | 375415 | (xxxxxx- |) Plate, Side Brush, Roller | 2 |
| 24 | 41186 | (004000- |) Washer-Belleville .31 Pltd | 2 |
| 25 | 73737 | (004000- |) Sleeve, .375B .75D .32 Stl | 2 |
| 26 | 74391 | (004000- |) Pulley - Cable, 1.5 Dia | 2 |
| 27 | 32492 | (004000- |) Flat Washer, 3/8" Hard | 2 |
| 28 | 46482 | (004000- |) Ftg-Hyd Plg Om06 | 2 |
| 29 | 70532 | (004000- |) Cable, Side Brush, Lift | 1 |
| 30 | 80395 | (xxxxxx- |) Sleeve | 4 |
| 31 | 76570 | (xxxxxx- |) Screw, Hex m08 | 2 |
| 32 | 32492 | (xxxxxx- |) Washer, Flat | 12 |
| 33 | 07791 | (xxxxxx- |) Nut, Hex, Flange | 2 |
| 34 | 33924 | (xxxxxx- |) Washer, Flat m10 | 2 |
| 35 | 09028 | (xxxxxx- |) Screw, Hex m10 | 2 |
| 36 | 32715 | (xxxxxx- |) Nut, Hex Lock m10 | 2 |
| 37 | 06548 | (004000- |) Screw, Hex, M6 X 1.0 X 60, 8.8 | 2 |
| 38 | 63416 | (004000- |) Washer, Rbr, .12 0.31b 0.88d | 2 |
| 39 | 08708 | (004000- |) Nut, Hex, Lock, M6 X 1.0, NI | 2 |
| 40 | 19066 | (004000- |) Washer, Flat, #10 | 4 |
| 41 | 16931 | (004000- |) Screw, Hex, M8 X 1.25 X 20, 8.8 | 1 |
| 42 | 76570 | (004000- |) Screw, Hex, M8 X 1.25 X 30, 8.8 | 1 |
| 43 | 32491 | (004000- |) Washer, Flat, 0.31 Std | 2 |
| 44 | 09010 | (004000- |) Screw, Hex, M8 X 1.25 X 25, Ss | 2 |
| 45 | 39283 | (004000- |) Screw, Hex, M10 X 1.5 X 25, 8.8 | 2 |
| 46 | 07792 | (004000- |) Nut, Hex, Flng, M10 X 1.5 | 2 |
| 47 | 41430 | (004000- |) Nut, Hex, Lock, M10 X 1.5, NI | 2 |
| 48 | 39284 | (004000- |) Screw, Hex, M10 X 1.5 X 35, 8.8 | 2 |

Fig. 12 - Brush Lift Group, Side, L.H.

| Ref. | Part No. | Serial Number | Description | Qty. |
|-------------|-----------------|----------------------|---------------------------------------|-------------|
| 49 | 06965 | (004000- |) Screw, Hex, M10 X 1.5 X 80, 8.8 | 1 |
| 50 | 03193 | (004000- |) Screw, Hex, M10 X 1.5 X 90, 8.8 | 1 |
| 51 | 06957 | (004000- |) Screw, Hex, M8 X 1.25 X 60, 8.8 | 1 |
| 52 | 08709 | (004000- |) Nut, Hex, Lock, M8 X 1.25, NI | 1 |
| 53 | 77752 | (004000- |) Screw, Hex, M16 X 2.0 X 70, 8.8, FI | 1 |
| 54 | 33342 | (004000- |) Nut, Hex, Lock, M16 X 2.0, NI | 1 |
| 55 | 39311 | (004000- |) Nut, Hex, Std, M8 X 1.25 | 1 |

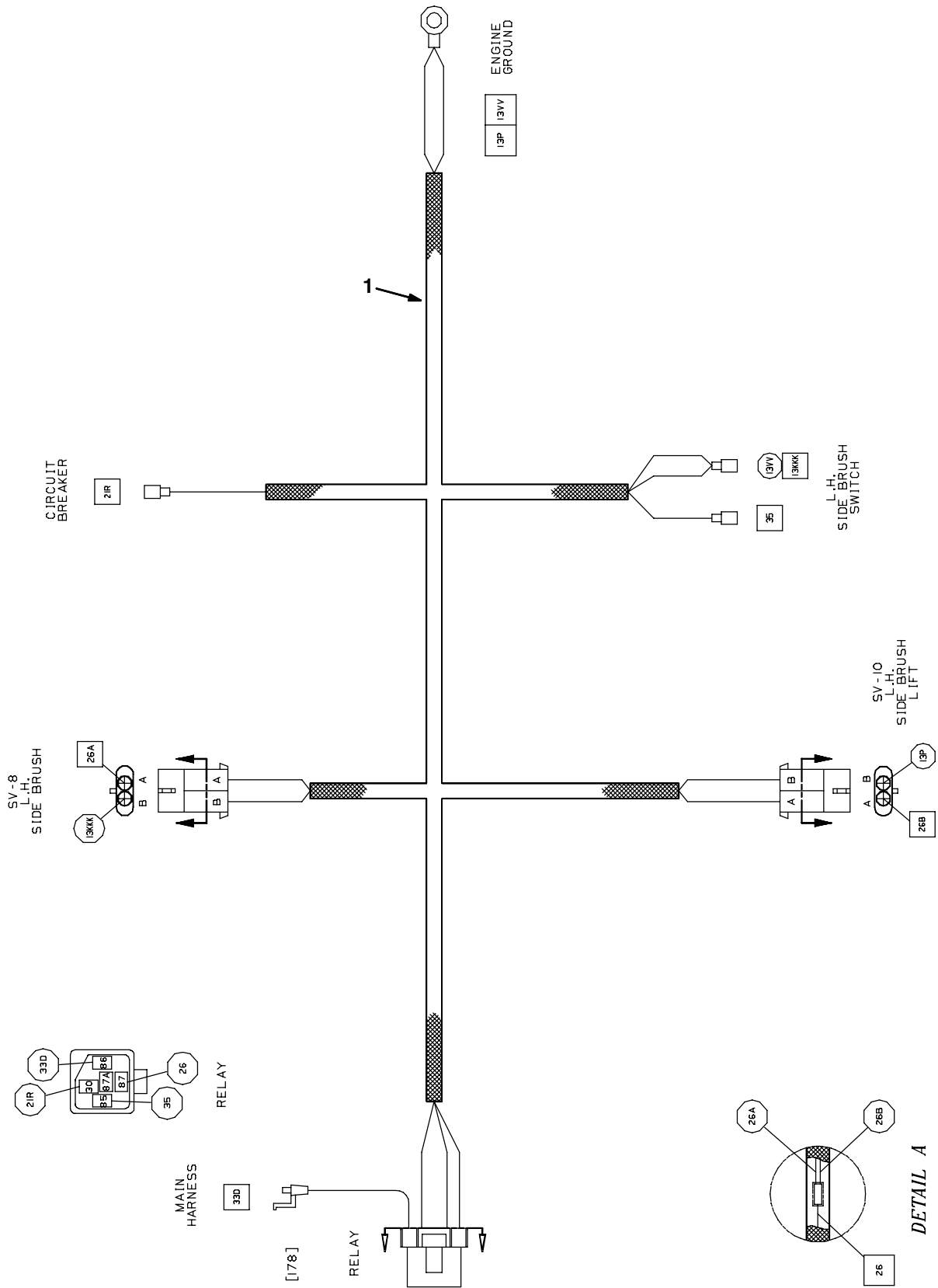
Fig. 13 - Brush Group, Side, L.H.

| Ref. | Part No. | Serial Number | Description | Qty. |
|------|----------|-------------------|--|------|
| 1 | 79781 | (004000- |) Motor, Hyd Gear In 17.9 B 1500 (See Breakdowns) | 1 |
| 2 | 47508 | (004000- |) Ftg-Hyd StrJm06/Om10 | 2 |
| 3 | 76461 | (004000- |) Sleeve, Nylon #27 55.OI | 1 |
| 4 | 67366 | (004000- |) Clamp, Cable, Stl, 1.0x2.0x0.62w, 1hole | 2 |
| 5 | 21250 | (004000- |) Guard Wldt, Sidebrush | 1 |
| 6 | 21252 | (004000- |) Guard, Side Brush | 1 |
| 7 | 75142 | (004000- |) Bracket, Mounting, Motor | 1 |
| 8 | 65174 | (004000- |) Spacer | 5 |
| 9 | 75099 | (004000- |) Bracket Wldt, Pivot | 1 |
| 10 | 04761 | (004000- |) Bearing, Flange .875 Bore | 2 |
| 11 | 74059 | (004000- |) Spacer | 1 |
| 12 | 75899 | (004000- |) Bracket, Angle | 1 |
| 13 | 75117 | (004000- |) Bracket Wldt, Lift | 1 |
| 14 | 70627 | (004000- |) Bearing | 1 |
| 15 | 70526 | (004000- |) Shaft, Pivot | 1 |
| 16 | 70524 | (004000- |) Washer, 1.300B 3.000 | 1 |
| 17 | 70525 | (004000- |) Spacer | 1 |
| 18 | 36328 | (004000- |) Washer-Belleville .50 Pltd | 1 |
| 19 | 70431 | (004000- |) Pin | 1 |
| 20 | 70626 | (004000- |) Bolt-Eye M8-1.25 | 2 |
| 21 | 65160 | (004000- |) Spring, Extension | 2 |
| 22 | 65173 | (004000- |) Bracket, Spring | 1 |
| 23 | 65180 | (004000- |) Spring, Comp | 1 |
| 24 | 375417 | (004000- xxxxxx) | Replacement Kit, Side Brush Cable, Lh | 1 |
| 25 | 07790 | (004000- |) Nut, Hex, Flng, M6 X 1.00 | 1 |
| 26 | 84015 | (004000-007338) | Valve-Hyd, Solenoid (See Breakdowns) | 1 |
| 26 | 1049210 | (007339- |) Valve, Cntrl, Hyd, Solenoid, 12vdc 12gpm (See Break-downs) | 1 |
| 27 | 47637 | (004000- |) Ftg-Hyd Str Om08/Of06 | 1 |
| 28 | 67683 | (004000- |) Ftg-Hyd Tee Jm06Omjm | 1 |
| 29 | 44868 | (004000- |) Ftg-Hyd E90 Jm08/Om08 | 1 |
| 30 | 45482 | (004000- |) Ftg-Hyd Tee Jm08Jmjf | 1 |
| 31 | 47753 | (004000- |) Ftg-Hyd Str Jm06/Jf08 | 1 |
| 32 | 17980 | (004000- |) Ftg-Hyd E90 Jm08/Jf08 | 1 |
| 33 | 63416 | (004000- |) Washer, .310B .88D .12Rbr | 4 |
| 34 | 84581 | (004000- |) Pin Assy, .312X3.0 W/Lanyard | 1 |
| 35 | 56690 | (004000- |) Ftg-Hyd Str Jm06/Om06 | 2 |
| 36 | 79621 | (004000- |) Check Valve, 100 Psi | 1 |
| 37 | 79622 | (004000- |) Plate, Mtg, Check Valve | 1 |
| 38 | 21251 | (004000- |) Plate, Angle | 1 |
| 39 | 16472 | (004000- |) Fitting - 45 | 1 |
| 40 | 375403 | (004000- |) Spring, Torsion | 1 |
| 41 | 375401 | (xxxxxx- |) Cable | 1 |
| 42 | 1017898 | (xxxxxx- |) Hook, Cable, .44d Ball | 1 |
| 43 | 375404 | (xxxxxx- |) Spacer | 1 |
| 44 | 36758 | (xxxxxx- |) Bolt, Shld, .50d X 0.50, .38-16 | 1 |
| 45 | 32486 | (xxxxxx- |) Washer, Flat | 2 |
| 46 | 20192 | (004000- |) Screw, Flt, .50-13 X 2.00, Al | 1 |
| 47 | 32985 | (004000- |) Nut, Hex, Lock, .50-13, NI | 1 |
| 48 | 12459 | (004000- |) Screw, Hex, M6 X 1.0 X 20, Fmg | 1 |
| 49 | 41185 | (004000- |) Washer, Belleville, .25 | 2 |
| 50 | 09291 | (004000- |) Screw, Hex, M10 X 1.5 X 20, Ss | 1 |

Fig. 13 - Brush Group, Side, L.H.

| Ref. | Part No. | Serial Number | Description | Qty. |
|-------------|-----------------|----------------------|---------------------------------------|-------------|
| 51 | 39311 | (004000- |) Nut, Hex, Std, M8 X 1.25 | 2 |
| 52 | 39312 | (004000- |) Nut, Hex, Std, M10 X 1.5 | 1 |
| 53 | 08709 | (004000- |) Nut, Hex, Lock, M8 X 1.25, NI | 1 |
| 54 | 32496 | (004000- |) Screw, Pan, #10-24 X 0.50, Fmg | 1 |
| 55 | 41342 | (004000- |) Screw, Hex, M8 X 1.25 X 40, 8.8 | 1 |
| 56 | 06535 | (004000- |) Screw, Flt, M10 X 1.5 X 35, 10.9 | 1 |
| 57 | 39284 | (004000- |) Screw, Hex, M10 X 1.5 X 35, 8.8 | 3 |
| 58 | 07792 | (004000- |) Nut, Hex, Flng, M10 X 1.5 | 8 |
| 59 | 09081 | (004000- |) Screw, Flt, M10 X 1.5 X 25, 10.9 | 4 |
| 60 | 32485 | (004000- |) Washer, Flat, 0.38 Sae | 9 |
| 61 | 39283 | (004000- |) Screw, Hex, M10 X 1.5 X 25, 8.8 | 2 |
| 62 | 41430 | (004000- |) Nut, Hex, Lock, M10 X 1.5, NI | 4 |
| 63 | 32492 | (004000- |) Washer, Flat, 0.38 Std | 7 |
| 64 | 09770 | (004000- |) Screw, Hex, M10 X 1.5 X 25, Ss, NI | 4 |
| 65 | 34195 | (004000- |) Screw, Hex, .38-16 X 1.00, NI | 4 |
| 66 | 07787 | (004000- |) Nut, Hex, Std, M10 X 1.5, Ss | 3 |
| 67 | 76438 | (004000- |) Screw, Hex, M10 X 1.5 X 90, 8.8, FI | 1 |
| 68 | 06944 | (004000- |) Screw, Hex, M6 X 1.0 X 25, 8.8 | 1 |

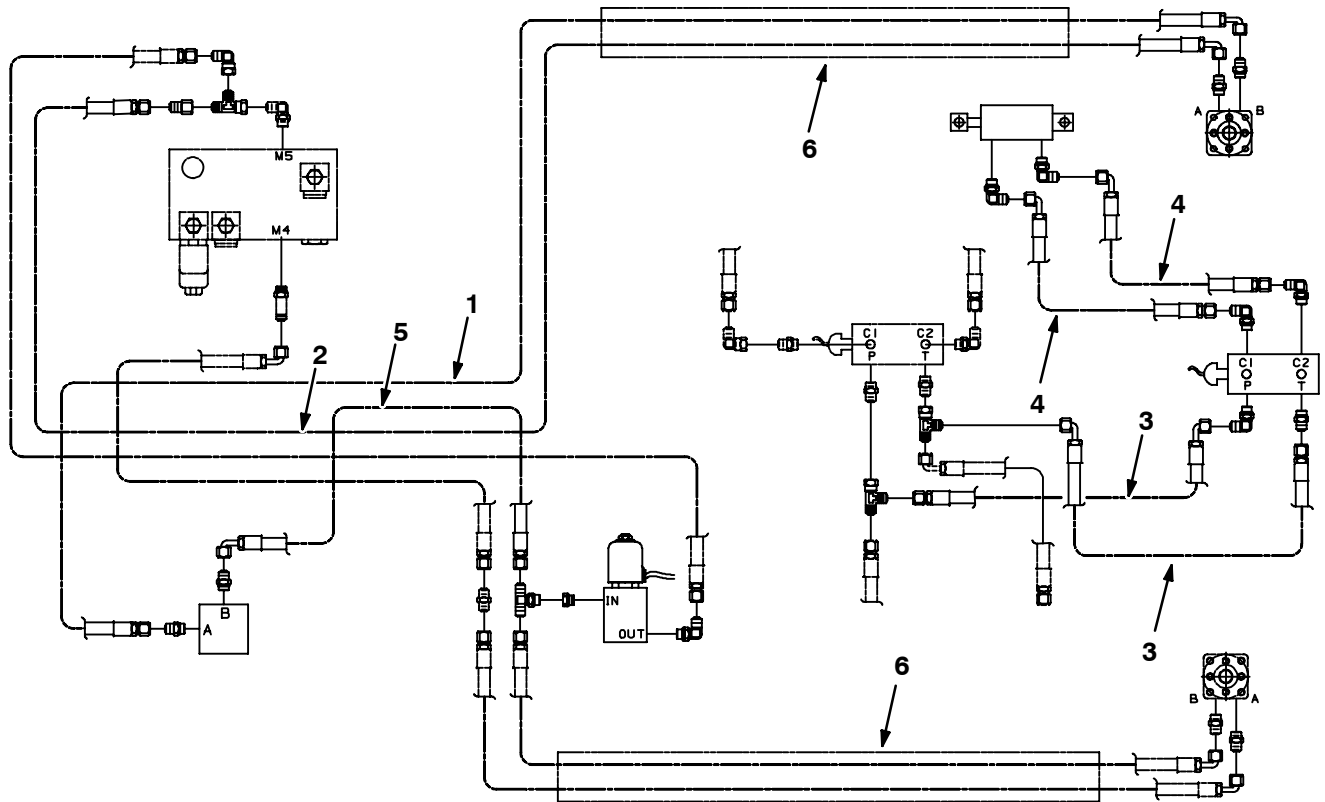
Fig. 14 - Brush Wire Harness Group, Side, L.H.



10501 - ALL

| Ref. | Part No. | Serial Number | Description | Qty. |
|------|----------|---------------|---------------------------|------|
| 1 | 83699 | (004000-) | Harness, Side Brush, L.H. | 1 |

Fig. 15 - Brush Hydraulic Hose Group, Side, L.H.



08763 - 800

| Ref. | Part No. | Serial Number | Description | Qty. |
|------|----------|---------------|--|------|
| 1 | 76684 | (004000- |) Hose-Hyd Med 06 | 1 |
| 2 | 31597 | (004000- |) Hose, Hyd, Med06, Jf06e90/Jf06str, 068.0 | 1 |
| 3 | 78998 | (004000- |) Hose-Hyd Med 06 | 2 |
| 4 | 57963 | (004000- |) Hose-Hyd Med 04 | 2 |
| 5 | 01999 | (004000- |) Hose-Hyd Med 06 | 1 |
| 6 | 76461 | (004000- |) Sleeve, Nyl, #27 55.0l | 2 |

Fig. 16 - Brush Light Kit, Side

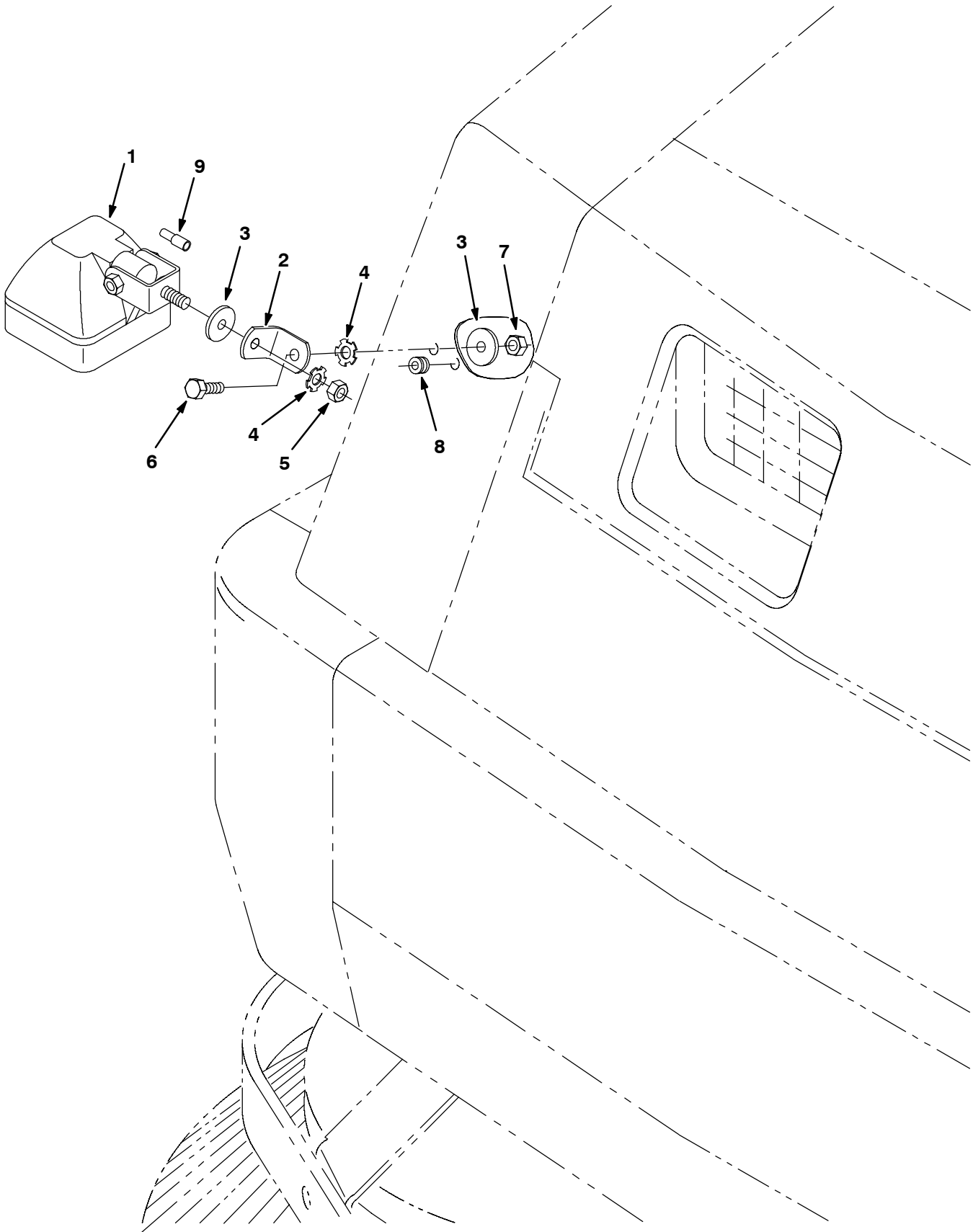


Fig. 16 - Brush Light Kit, Side

| | Ref. | Part No. | Serial Number | Description | Qty. |
|----|-------------|-----------------|----------------------|--------------------------------------|-------------|
| ▽ | | 70699 | (004000- |) Light Kit, Side Brush | 1 |
| ▲▽ | 1 | 382979 | (004000- |) Light, Spot, 12VDC 55w | 1 |
| ▲▲ | | 393770 | (004000- |) Lamp, 12VDC 55w | 1 |
| ▲ | 2 | 76385 | (004000- |) Bracket, Angle | 1 |
| ▲ | 3 | 30013 | (004000- |) Washer, Flat, 0.31 Fender | 1 |
| ▲ | 4 | 41141 | (004000- |) Washer-Loc Int-Ext .31 Pltd | 2 |
| ▲ | 5 | 32960 | (004000- |) Nut, Hex, Lock, .31-24, NI | 1 |
| ▲ | 6 | 16931 | (004000- |) Screw, Hex, M08 X 1.25 X 20, 8.8 | 1 |
| ▲ | 7 | 08709 | (004000- |) Nut, Hex, Lock, M08 X 1.25,NI | 1 |
| ▲ | 8 | 10632-5 | (004000- |) Grommet Rbr 0.25ld For .09Matl | 1 |
| ▲ | 9 | 32668 | (004000- |) Connector, Ele, Plug, Femal, .156d | 1 |

Fig. 17 - Cab Kit

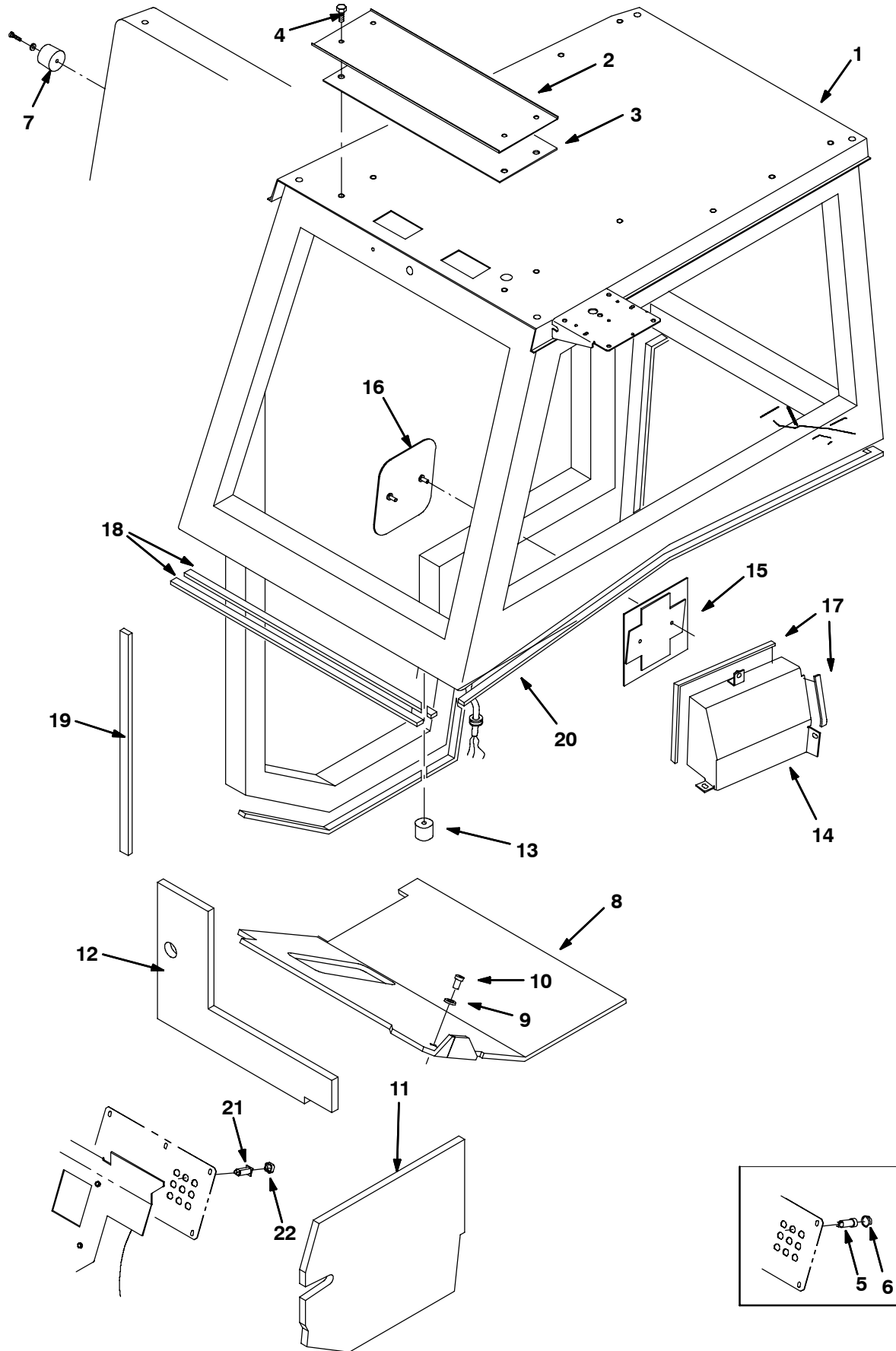


Fig. 17 - Cab Kit

NOTE: The Cab kit, TENNANT Part Number 380601 is for gas machines and includes Fig. 17, Fig. 18 and Fig. 19.

NOTE: The Cab kit, TENNANT Part Number 380604 is for Lpg machines and includes Fig. 17, Fig. 18, and Fig. 19.

| Ref. | Part No. | Serial Number | Description | Qty. |
|-------------|-----------------|----------------------|--|-------------|
| 1 | 380602 | (004000- |) Cab Assembly Operator (See Breakdowns) | 1 |
| 2 | 380634 | (004000- |) Cover, Cab Pressurizer | 1 |
| 3 | 380635 | (004000- |) Gasket, Cab Pressurizer | 1 |
| 4 | 74455 | (004000- |) Scr-Hxfmgm 6x1.0 12 Pltd | 4 |
| 5 | 57803 | (004000-007289 |) Breaker-Circuit, 15 Resetable | 1 |
| 6 | 57751 | (004000-007289 |) Boot, Circuit Breaker | 1 |
| 7 | 44851 | (004000- |) Bumper, Rubber | 1 |
| 8 | 76522 | (004000- |) Tread, Rubber | 1 |
| 9 | 41178 | (004000- |) Washer-Flt .25 Fender | 1 |
| 10 | 21246 | (004000- |) Rivet, Plastic | 1 |
| 11 | 77652 | (004000- |) Insulation, Acstc, Side, Lower, .8t | 1 |
| 12 | 76516 | (004000- |) Insulation, Acstc, Front, Lower | 1 |
| 13 | 383185 | (004000- |) Latch Assy, Rbr, 1.6d 1.4l/1.0d 1.0l | 1 |
| 14 | 70620 | (004000- |) Cover Wldt, Fuel Inlet | 1 |
| 15 | 70785 | (004000- |) Plate Wldt, Inlet, Fuel (LPG Only) | 1 |
| 16 | 70788 | (004000- |) Cover Wldt, Inlet, Fuel (LPG Only) | 1 |
| 17 | 79011 | (004000- |) Seal, Urethane | 1 |
| 18 | 374760 | (004000- |) Seal, Urethane | 1 |
| 19 | 374761 | (004000- |) Seal, Urethane | 1 |
| 20 | 374762 | (004000- |) Seal, Urethane | 1 |
| 21 | 1045858 | (007290- |) Circuitbreaker, 15A, Resetable | 1 |
| 22 | 1046173 | (007290- |) Boot, Circuitbreaker | 1 |

Fig. 18 - Cab Mirror Kit

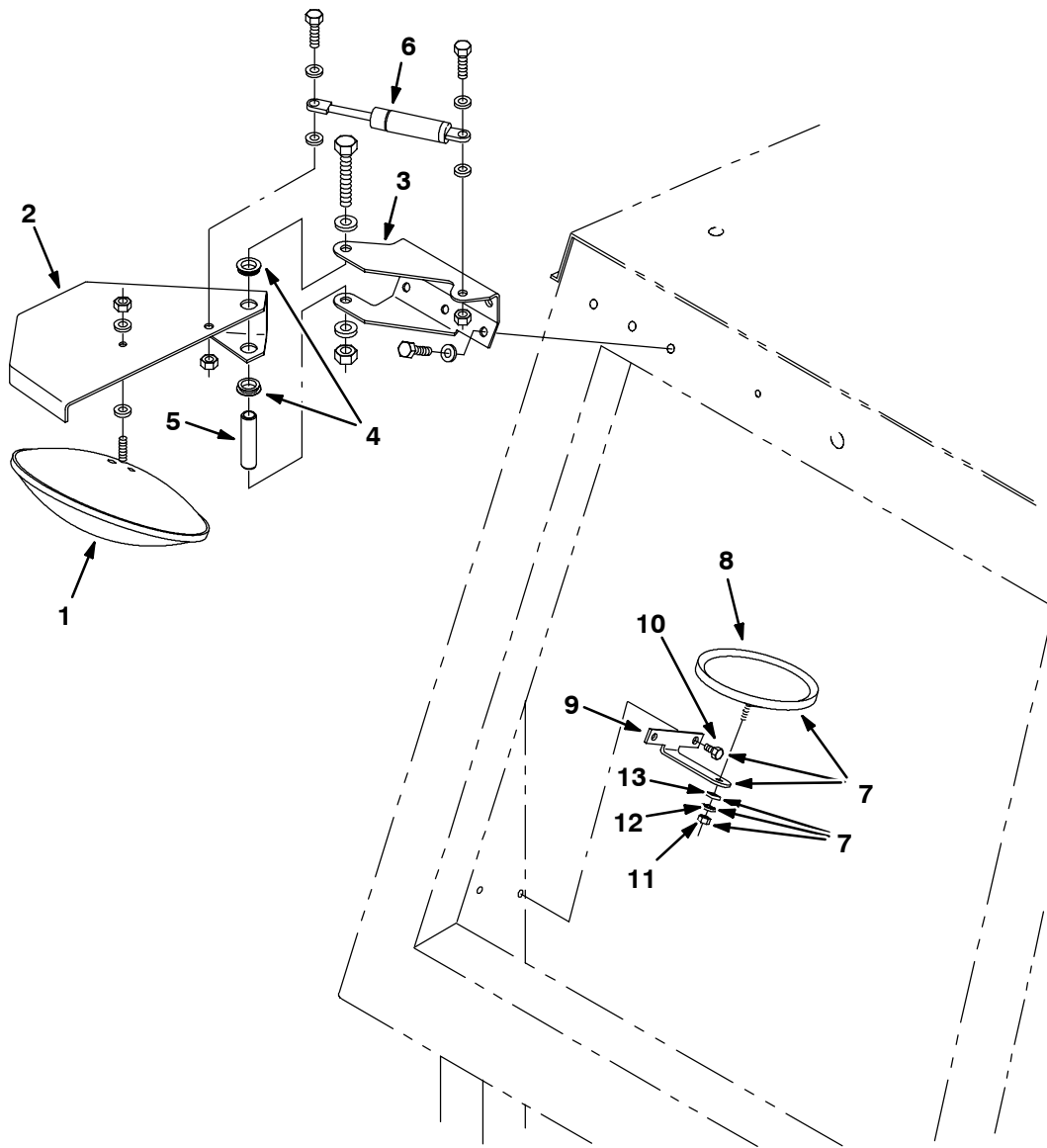


Fig. 18 - Cab Mirror Kit

NOTE: The Cab kit, TENNANT Part Number 380601 is for gas machines and includes Fig. 17, Fig. 18 and Fig. 19.

NOTE: The Cab kit, TENNANT Part Number 380604 is for Lpg machines and includes Fig. 17, Fig. 18 and Fig. 19.

| | Ref. | Part No. | Serial Number | Description | Qty. |
|----|-------------|-----------------|----------------------|----------------------------------|-------------|
| ▽ | | 76898 | (004000- |) Mirror Kit, Side Brush | 1 |
| ▲ | 1 | 68445 | (004000- |) Mirror,8.0 Round,Convex | 1 |
| ▲ | 2 | 75881 | (004000- |) Guard, Mirror | 1 |
| ▲ | 3 | 75880 | (004000- |) Bracket, Mounting, Mirror | 1 |
| ▲ | 4 | 41434 | (004000- |) Bshg,Flange,0.62Bx0.68Od,Nylon | 2 |
| ▲ | 5 | 70761 | (004000- |) Tube, 0.62D .44B 2.44, Stl | 1 |
| ▲ | 6 | 12549 | (004000- |) Spring, Gas 80 Lb | 1 |
| ▲▽ | 7 | 369786 | (004000- |) Mirror Assembly | 1 |
| ▲▲ | 8 | 1050295 | (004000- |) Mirror, Convex, 0.50d | 1 |
| ▲▲ | 9 | 49032 | (004000- |) Bracket, Mtg, Mirror | 1 |
| ▲▲ | 10 | 74455 | (004000- |) Screw, Hex m06 | 2 |
| ▲▲ | 11 | 01691 | (004000- |) Nut, Hex, Std, .31-18, Ss | 1 |
| ▲▲ | 12 | 43952 | (004000- |) Washer, Lock, Int, 0.31 Ss | 1 |
| ▲▲ | 13 | 01685 | (004000- |) Washer, Flat, 0.31 Ss | 1 |

Fig. 19 - Cab Seals Group

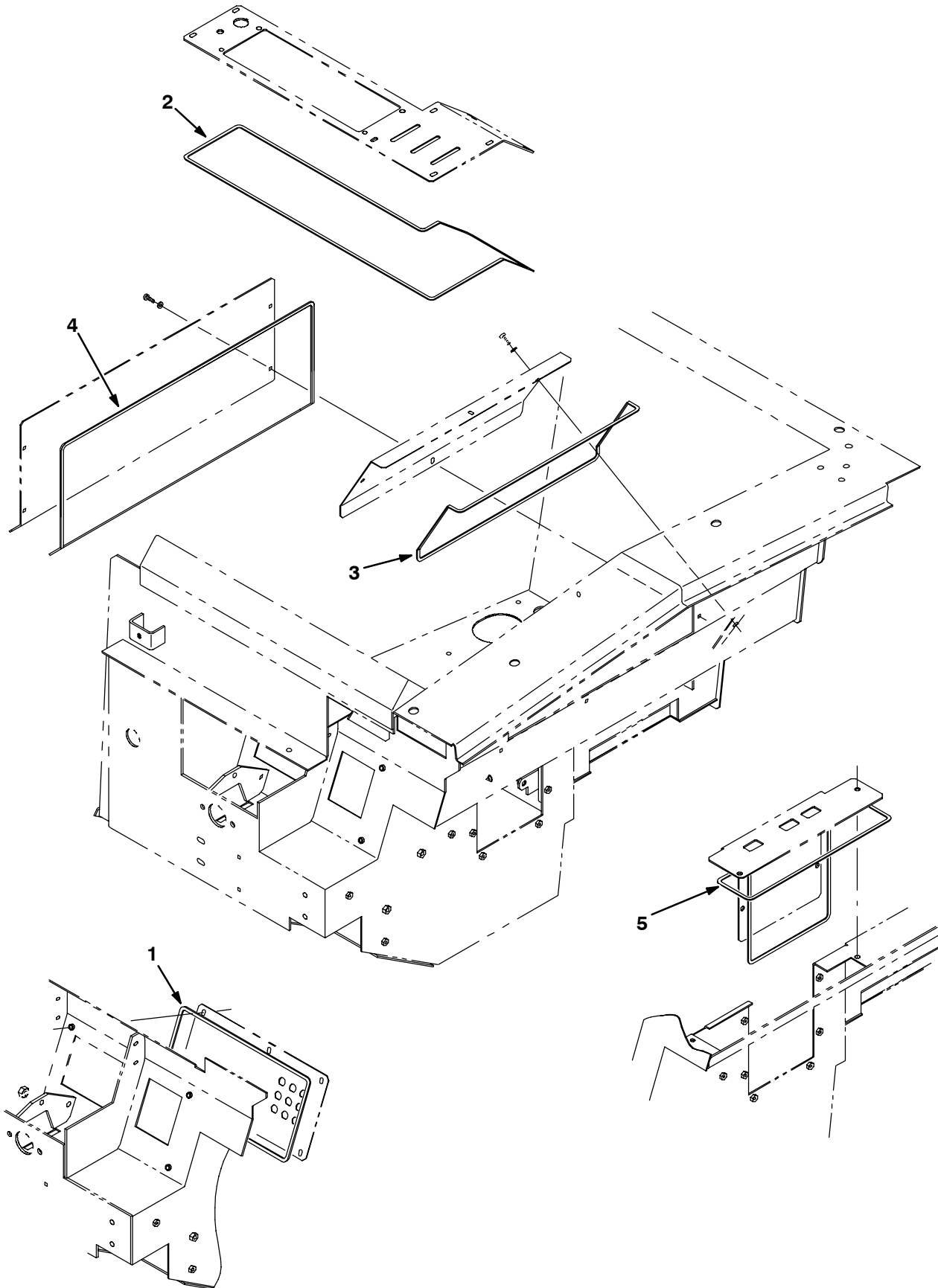


Fig. 19 - Cab Seals Group

NOTE: The Cab kit, TENNANT Part Number 380601 is for gas machines and includes Fig. 17, Fig. 18 and Fig. 19.

NOTE: The Cab kit, TENNANT Part Number 380604 is for Lpg machines and includes Fig. 17, Fig. 18 and Fig. 19.

| Ref. | Part No. | Serial Number | Description | Qty. |
|-------------|-----------------|----------------------|-------------------------------|-------------|
| 1 | 1021969 | (004000- |) Seal, Foam, .06t .25w 42.0l | 1 |
| 2 | 1021968 | (004000- |) Seal, Foam, .06t .25w 84.0l | 1 |
| 3 | 1021937 | (004000- |) Seal, Foam, .06t .25w 54.0l | 1 |
| 4 | 1021966 | (004000- |) Seal, Foam, .06t .25w 76.0l | 1 |
| 5 | 1021951 | (004000- |) Seal, Foam, .06t .25w 34.0l | 1 |

Fig. 20 - Cab AC and Heater Box Group, Ford

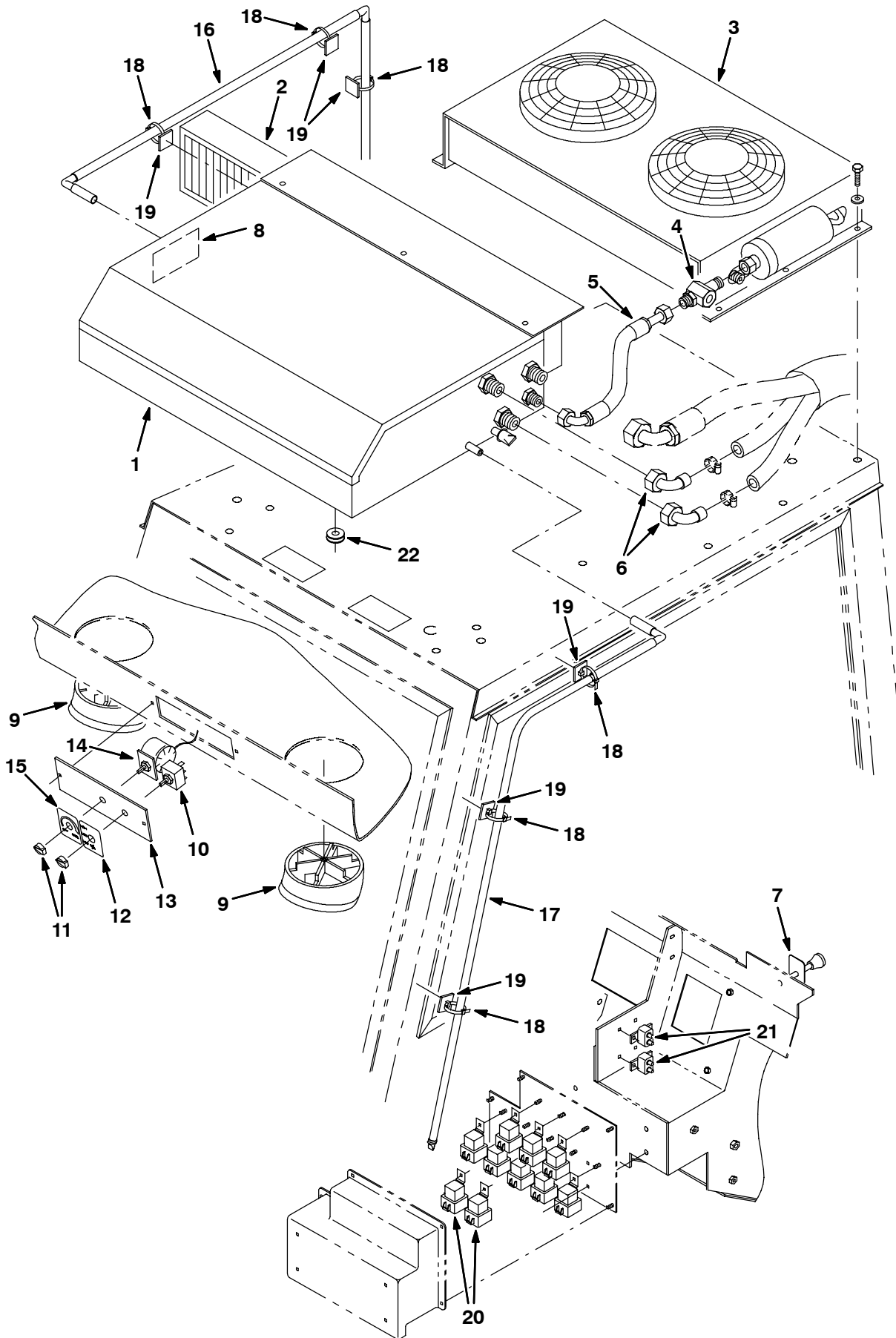


Fig. 20 - Cab AC and Heater Box Group, Ford

NOTE: AC/Heater kit, TENNANT Part Number 380574 includes Fig. 20, Fig. 21, and Fig. 22.

| Ref. | Part No. | Serial Number | Description | Qty. |
|------|-----------|------------------|--|------|
| ▽ | 380576 | (004000-004936) | Heater & A/C, W/ Fan, Roof | 1 |
| ▲ | 1 380613 | (004000-004936) | Box Assy, Heater, A/C (See Breakdowns) | 1 |
| ▲ | 2 380689 | (004000-004936) | Filter, Panel, Heat-A/C | 1 |
| ▲ | 3 380625 | (004000-004936) | Condenser, A/C, Roof (See Breakdowns) | 1 |
| ▲ | 4 380630 | (004000-004936) | Gauge, Sight, A/C | 1 |
| ▲ | 5 380684 | (004000-004936) | Hose, A/C, 06 09.0l | 1 |
| ▲ | 6 380615 | (004000-004936) | Fitting, Elbow | 2 |
| ▲ | 7 380663 | (004000-004936) | Label, Opertnl, Pull Heat | 1 |
| ▲ | 8 380673 | (004000-004936) | Label, Caution | 1 |
| ▲ | 9 380617 | (004000-004936) | Louver, Adj, Heat-A/C | 2 |
| ▲ | 10 380619 | (004000-004936) | Switch, 3 Pos, Blower, Heat | 1 |
| ▲ | 11 380661 | (004000-004936) | Knob, Rnd, Control, Heat-A/C | 2 |
| ▲ | 12 380662 | (004000-004936) | Label, Opertnl, Fan, Hi/Med/Low | 1 |
| ▲ | 13 380690 | (004000-004936) | Plate, Mtg, Switch, A/C | 1 |
| ▲ | 14 380624 | (004000-004936) | Switch, Thermo, A/C | 1 |
| ▲ | 15 380665 | (004000-004936) | Label, Opertnl, Temp | 1 |
| ▲ | 16 374134 | (004000-004936) | Hose Assy, Drain, A/C | 1 |
| ▲ | 17 374135 | (004000-004936) | Hose Assy, Drain, A/C | 1 |
| ▲ | 18 49266 | (004000-004936) | Tie, Cable, Nyl, 07.3l .19w 1.8 Max D | 10 |
| ▲ | 19 55248 | (004000-004936) | Mount, Cable Tie | 10 |
| | 20 56186 | (004000-004936) | Relay, 12vdc, 40a, Spdt N/O | 2 |
| | 21 374210 | (004000-004936) | Circuitbreaker, 20.0a, Thermal | 2 |
| | 22 77811 | (004000-004936) | Grommet, Cab, Harness, Wire | 1 |

Fig. 21 - Cab AC and Heater Hose Group, Ford

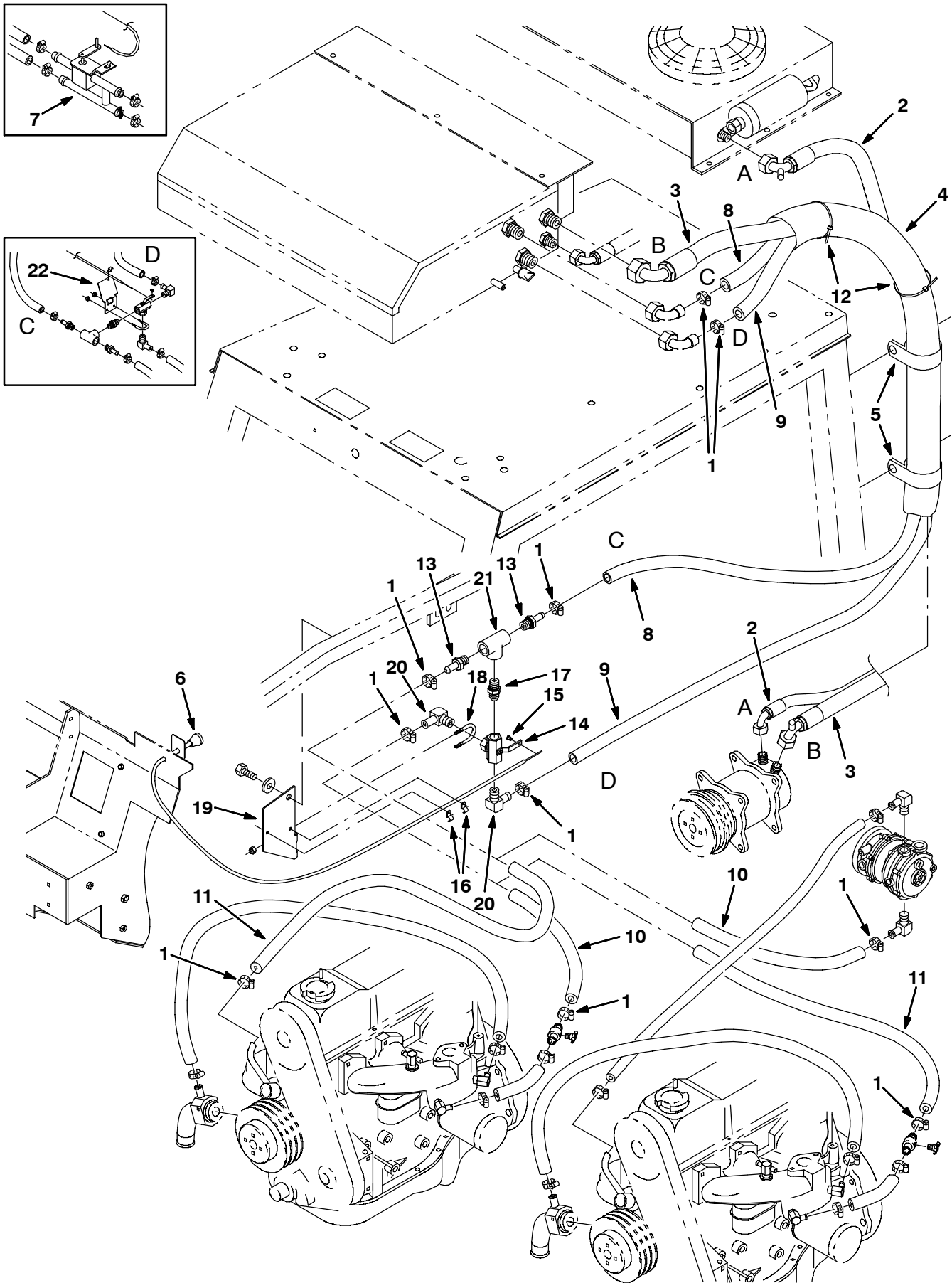


Fig. 21 - Cab AC and Heater Hose Group, Ford

NOTE: AC/Heater kit, TENNANT Part Number 380574 includes Fig. 20, Fig. 21, and Fig. 22.

| Ref. | Part No. | Serial Number | Description | Qty. |
|------|------------|------------------|---|------|
| 1 | 63810 | (004000-004936) | Clamp, Hose, Wormdrive, 0.56-1.06d | 8 |
| 2 | 380685 | (004000-004936) | Hose, A/C, 08 100.0l [R134] | 1 |
| 3 | 380686 | (004000-004480) | Hose, A/C, 12 107.0l [R134] | 1 |
| 3 | 375751 | (004481-004936) | Hose, A/C, 12 115.0l [R134] | 1 |
| 4 | 375512 | (004000-004936) | Sleeve, Nyl, #33 65.0l | 1 |
| 5 | 41016 | (004000-004936) | Clamp, Cable, Stl, 2.25d X 1.00w, 1h | 1 |
| 6 | 43558A | (004000-004936) | Cable, Cntrl, Choke, 85/90l 1.4d Knob | 1 |
| 7 | 380618 | (004000-004374) | Valve, Water, Heater, H, 10bm | 1 |
| 8 | 380621 | (004000-004936) | Hose, Heater, 0.62id 80.0l | 1 |
| 9 | 380620 | (004000-004936) | Hose, Heater, 0.62id 77.0l | 1 |
| 10 | 72979 | (004000-004718) | Hose, Heater, 0.62id 20.0l | 1 |
| 10 | 61870 | (004719-004936) | Hose, Heater, 0.62id 31.0l | 1 |
| 11 | 72978 | (004000-004718) | Hose, Heater, 0.62id 13.0l | 1 |
| 11 | 61869 | (004719-004936) | Hose, Heater, 0.62id 24.0l | 1 |
| 12 | 763116 | (004000-004936) | Tie, Cable, Nyl, 15.3l . W 4.5 Max D | 3 |
| ▽ | 375728 | (004375-004936) | Valve Assy, Ball, 3 Way, Em10/Em10/Em10 | 1 |
| ▲ | 13 59901 | (004375-004936) | Fitting, Brs, Str, Em10/Pm08 | 2 |
| ▲ | 14 31507 | (004375-004936) | Valve, Ball, 3-way, 08pf/08pf/08pf Brs | 1 |
| ▲ | 15 43242 | (004375-004936) | Swivel | 1 |
| ▲ | 16 1043352 | (004375-004936) | Clamp, Cable, Stl, 0.18d X 0.75w, 1hole | 2 |
| ▲ | 17 40573 | (004375-004936) | Fitting, Hyd, Str, Pm08/Pm08 | 1 |
| ▲ | 18 45142 | (004375-004936) | Bolt, U, .25-20 X 2.00, 1.10id | 1 |
| ▲ | 19 374129 | (004719-004936) | Bracket, Mtg, Valve, Cntrl, Heater | 1 |
| ▲ | 20 30268 | (004375-004936) | Fitting, Brs, E90, Em10/Pm08 | 2 |
| ▲ | 21 24450 | (004375-004936) | Fitting, Brs, Tee, Pf08/Pf08/Pf08 | 1 |
| | 22 375726 | (004375-004718) | Bracket, Mtg, Valve,Control, Heater | 1 |

Fig. 22 - Cab AC Compressor Group, Ford

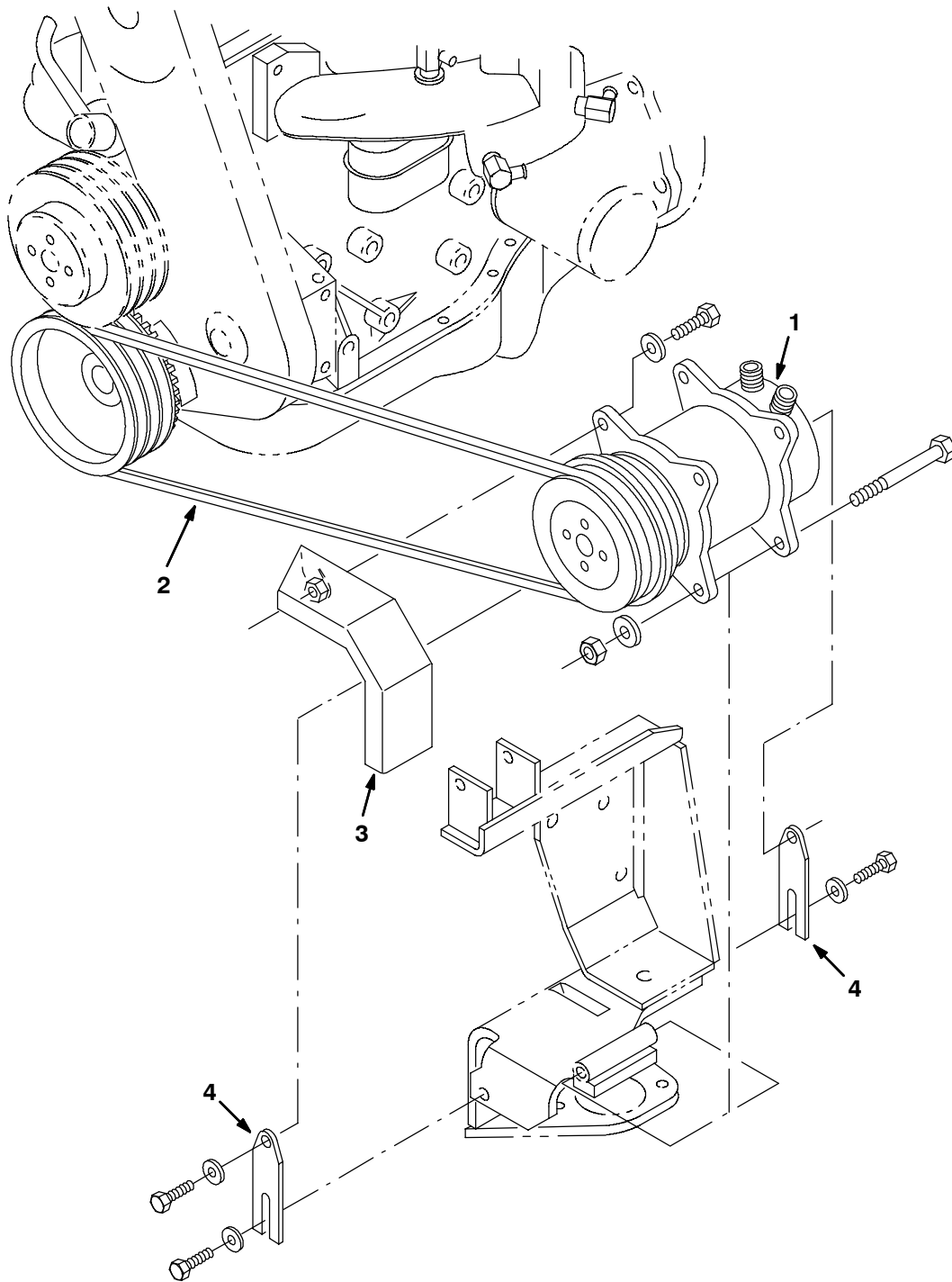


Fig. 22 - Cab AC Compressor Group, Ford

NOTE: AC/Heater kit, TENNANT Part Number 380574 includes Fig. 20, Fig. 21, and Fig. 22.

| Ref. | Part No. | Serial Number | Description | Qty. |
|-------------|-----------------|----------------------|--------------------------|-------------|
| 1 | 77674 | (004000-004936) | Compressor, A/C | 1 |
| 2 | 380676 | (004000- xxxxxx) | Belt, V, Hc41 41.1L | 1 |
| 2 | 375729 | (xxxxxx-004936) | Belt, V, Hc41 40.1L | 1 |
| 3 | 380563 | (004000-004936) | Bracket, Belt, Guard, Ac | 1 |
| 4 | 380697 | (004000-004936) | Link, Tension 2.4L | 2 |

Fig. 23 - Cab AC and Heater Box Group, GM

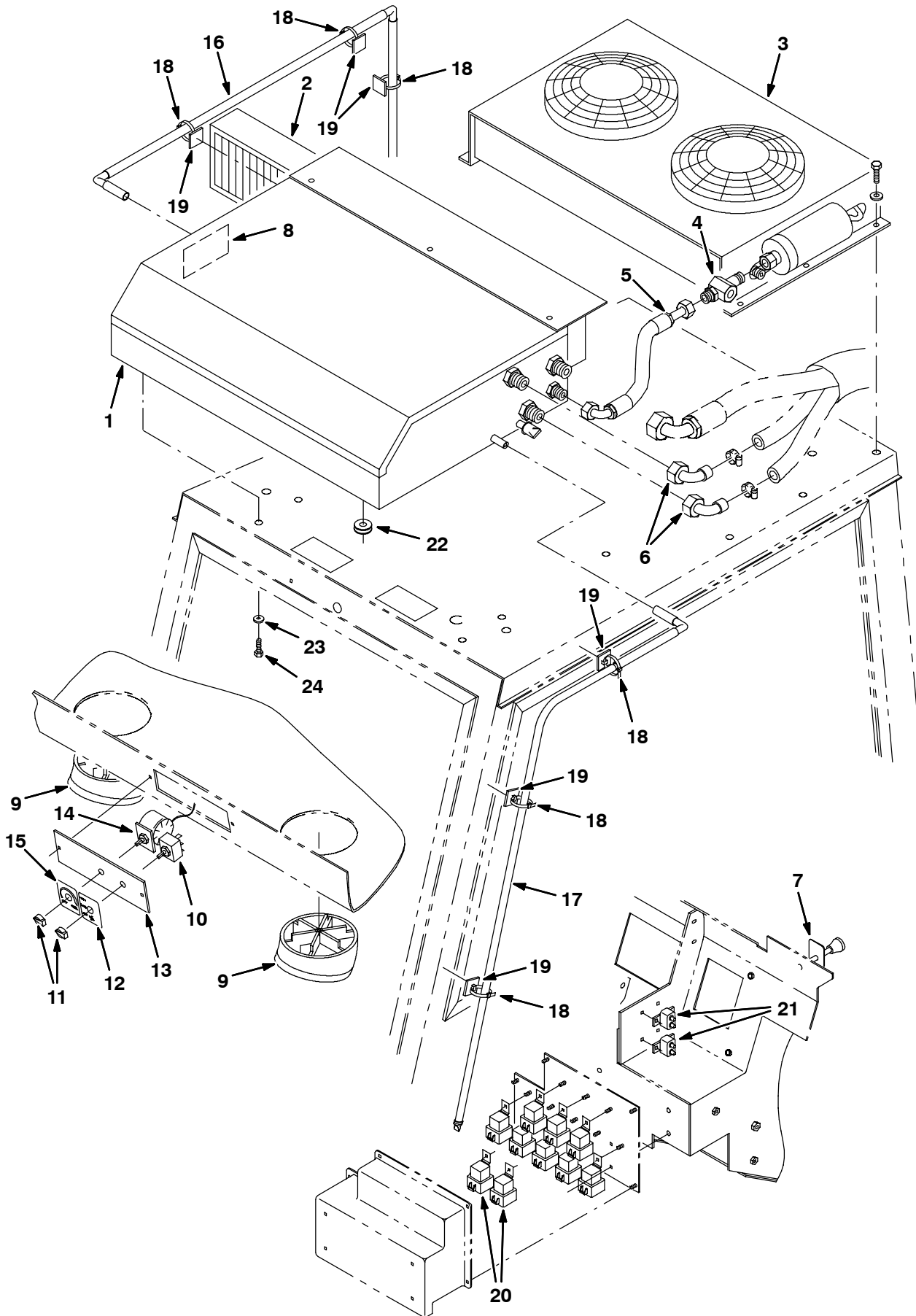


Fig. 23 - Cab AC and Heater Box Group, GM

NOTE: AC/Heater kit, TENNANT Part Number 374287 includes Fig. 23, Fig. 24, and Fig. 25.

NOTE: AC/Heater kit, TENNANT Part Number 9002998 includes Fig. 23, Fig. 24, and .Fig. 26

| Ref. | Part No. | Serial Number | Description | Qty. |
|------|-----------|---------------|--|------|
| ▽ | 380576 | (004937- |) Heater & A/C, W/ Fan, Roof | 1 |
| ▲ | 1 380613 | (004937- |) Box Assy, Heater, A/C (See Breakdowns) | 1 |
| ▲ | 2 380689 | (004937- |) Filter, Panel, Heat-A/C | 1 |
| ▲ | 3 380625 | (004937- |) Condenser, A/C, Roof (See Breakdowns) | 1 |
| ▲ | 4 380630 | (004937- |) Gauge, Sight, A/C | 1 |
| ▲ | 5 380684 | (004937- |) Hose, A/C, 06 09.0l | 1 |
| ▲ | 6 380615 | (004937- |) Fitting, Elbow | 2 |
| ▲ | 7 380663 | (004937- |) Label, Opertnl, Pull Heat | 1 |
| ▲ | 8 380673 | (004937- |) Label, Caution | 1 |
| ▲ | 9 380617 | (004937- |) Louver, Adj, Heat-A/C | 2 |
| ▲ | 10 380619 | (004937- |) Switch, 3 Pos, Blower, Heat | 1 |
| ▲ | 11 380661 | (004937- |) Knob, Rnd, Control, Heat-A/C | 2 |
| ▲ | 12 380662 | (004937- |) Label, Opertnl, Fan, Hi/Med/Low | 1 |
| ▲ | 13 380690 | (004937- |) Plate, Mtg, Switch, A/C | 1 |
| ▲ | 14 380624 | (004937- |) Switch, Thermo, A/C | 1 |
| ▲ | 15 380665 | (004937- |) Label, Opertnl, Temp | 1 |
| ▲ | 16 374134 | (004937- |) Hose Assy, Drain, A/C | 1 |
| ▲ | 17 374135 | (004937- |) Hose Assy, Drain, A/C | 1 |
| ▲ | 18 49266 | (004937- |) Tie, Cable, Nyl, 07.3l .19w 1.8 Max D | 10 |
| ▲ | 19 55248 | (004937- |) Mount, Cable Tie | 10 |
| | 20 56186 | (004937- |) Relay, 12vdc, 40a, Spdt N/O | 2 |
| | 21 374210 | (004937- |) Circuitbreaker, 20.0a, Thermal | 2 |
| | 22 77811 | (004937- |) Grommet, Cab, Harness, Wire | 1 |
| | 23 32490 | (004937- |) Washer, Flat, 0.25 Std | 12 |
| | 24 12459 | (004937- |) Screw, Hex, M6 X 1.0 X 20, Fmg | 12 |

Fig. 24 - Cab AC and Heater Hose Group, GM

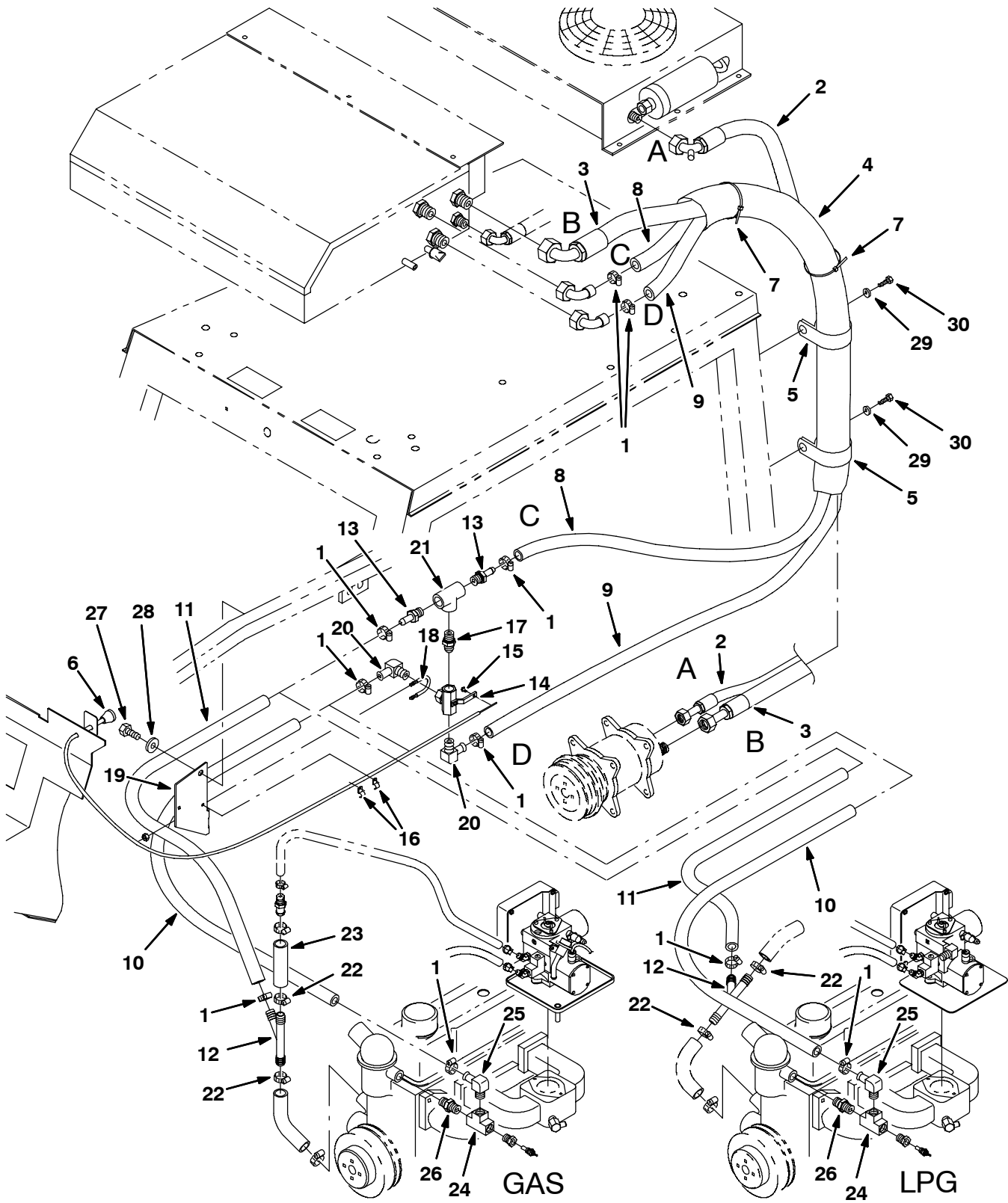


Fig. 24 - Cab AC and Heater Hose Group, GM

NOTE: AC/Heater kit, TENNANT Part Number 374287 includes Fig. 23, Fig. 24, and Fig. 25.

NOTE: AC/Heater kit, TENNANT Part Number 9002998 includes Fig. 23, Fig. 24, and .Fig. 26

| Ref. | Part No. | Serial Number | Description | Qty. |
|------|------------|---------------|---|------|
| 1 | 63810 | (004937- |) Clamp, Hose, Wormdrive, 0.56-1.06d | 8 |
| 2 | 1021799 | (004937- |) Hose, A/C, 08, Str/E90, 112.0l [R134] | 1 |
| 3 | 1021797 | (004937- |) Hose, A/C, 12, Str/E90, 127.0l [R134] | 1 |
| 4 | 375512 | (004937- |) Sleeve, Nyl, #33 65.0l | 1 |
| 5 | 41016 | (004937- |) Clamp, Cable, Stl, 2.25d X 1.00w, 1h | 2 |
| 6 | 43558A | (004937- |) Cable, Cntrl, Choke, 85/90l 1.4d Knob | 1 |
| 7 | 763116 | (004937- |) Tie, Cable, Nyl, 15.3l . W 4.5 Max D | 3 |
| 8 | 380621 | (004937- |) Hose, Heater, 0.62id 80.0l | 1 |
| 9 | 380620 | (004937- |) Hose, Heater, 0.62id 77.0l | 1 |
| 10 | 61870 | (004937- |) Hose, Heater, 0.62id 31.0l | 1 |
| 11 | 61869 | (004937- |) Hose, Heater, 0.62id 24.0l | 1 |
| 12 | 393255 | (004937- |) Fitting, Plstc, Tee, Bm12/Bm12/Bm12 | 1 |
| ▽ | 375728 | (004937- |) Valve Assy, Ball, 3 Way, Em10/Em10/Em10 | 1 |
| ▲ | 13 59901 | (004937- |) Fitting, Brs, Str, Em10/Pm08 | 2 |
| ▲ | 14 31507 | (004937- |) Valve, Ball, 3-way, 08pf/08pf/08pf Brs | 1 |
| ▲ | 15 43242 | (004937- |) Swivel | 1 |
| ▲ | 16 1043352 | (004937- |) Clamp, Cable, Stl, 0.18d X 0.75w, 1hole | 2 |
| ▲ | 17 40573 | (004937- |) Fitting, Hyd, Str, Pm08/Pm08 | 1 |
| ▲ | 18 45142 | (004937- |) Bolt, U, .25-20 X 2.00, 1.10id | 1 |
| ▲ | 19 374129 | (004937- |) Bracket, Mtg, Valve, Cntrl, Heater | 1 |
| ▲ | 20 30268 | (004937- |) Fitting, Brs, E90, Em10/Pm08 | 2 |
| ▲ | 21 24450 | (004937- |) Fitting, Brs, Tee, Pf08/Pf08/Pf08 | 1 |
| | 22 11399 | (004937- |) Clamp, Hose, Wormdrive, 0.81-1.50d | 2 |
| | 23 75197 | (004937- |) Hose, Heater, 0.75id 04.0l | 1 |
| | 24 24450 | (004937- |) Fitting, Brass, Tee | 1 |
| | 25 30268 | (004937- |) Fitting, Brs, E90, Em10/Pm08 | 1 |
| | 26 40573 | (004937- |) Fitting, Hyd, Str, Pm08/Pm08 | 1 |
| | 27 16930 | (004937- |) Screw, Hex, M10 X 1.5 X 50, 8.8 | 1 |
| | 28 32492 | (004937- |) Washer, Flat, 0.38 Std | 1 |
| | 29 32490 | (004937- |) Washer, Flat, 0.25 Std | 2 |
| | 30 12459 | (004937- |) Screw, Hex, M6 X 1.0 X 20, Fmg | 2 |

Fig. 25 - Cab AC Compressor Group, GM (004937-006999)

NOTE: AC/Heater kit, TENNANT Part Number 374287 includes Fig. 23, Fig. 24, and Fig. 25.

NOTE: AC/Heater kit, TENNANT Part Number 9002998 includes Fig. 23, Fig. 24, and .Fig. 26

| Ref. | Part No. | Serial Number | Description | Qty. |
|------|----------|------------------|---|------|
| 1 | 393219 | (004937-006999) | Compressor, A/C | 1 |
| 2 | 20177 | (004937-006348) | Screw, Hex, .38-16 X 4.00, 5 | 1 |
| 3 | 59156 | (004937-006348) | Nut, Hex, Lock, .38-16, NI, Ss | 1 |
| 4 | 73717 | (004937-006348) | Arm, Tension, A/C, .18 1.3w 4.2l | 1 |
| 5 | 76570 | (004937-006348) | Screw, Hex, M8 X 1.25 X 30, 8.8 | 2 |
| 6 | 32491 | (004937-006348) | Washer, Flat, 0.31 Std | 4 |
| 7 | 08709 | (004937-006348) | Nut, Hex, Lock, M8 X 1.25, NI | 2 |
| 8 | 16931 | (004937-006348) | Screw, Hex, M8 X 1.25 X 20, 8.8 | 4 |
| 9 | 64899 | (004937-006348) | Belt, V, [3v] 40.0l, 1only [Hc38] | 1 |
| 10 | 1007343 | (004937-006348) | Bracket, Belt, Guard, A/C | 1 |
| 11 | 1019513 | (004937-006999) | Plate, Shield, Heat | 1 |
| 12 | 1008513 | (004937-006999) | Angle, Heat, Shield | 1 |
| 13 | 39311 | (004937-006999) | Nut, Hex, Std, M08 X 1.25 | 2 |
| 14 | 393201 | (004937-006999) | Sheave, Aux, [Hc38], 1Grv 6.8od [Gm 3.0L] | 1 |
| 15 | 39670 | (004937-006999) | Screw, Hex, .38-24 X 1.50, 5 | 3 |
| 16 | 392613 | (004937-006348) | Bracket Wldt, Mtg, A/C | 1 |
| 17 | 75828 | (004937-006999) | Alternator, 12vdc, 100A [Brushless] | 1 |
| 18 | 77555 | (004937-006999) | Sheave, [3L], 1Grv, 03.5Pd 0.67B | 1 |
| 19 | 31525 | (004937-006999) | Wire, 10ga 16.0l Blk .38ring /.25ring | 1 |
| 20 | 371509 | (004937-006999) | Washer, Lock, .38 | 1 |
| 21 | 39277 | (004937-006999) | Screw, Hex, M8 X 1.25 X 25, 8.8 | 1 |
| 22 | 393244 | (004937-006999) | Belt, V, [Hc41] 42.0l | 1 |
| 23 | 1008512 | (004937-006999) | Bushing, Sleeve, .40b X .50d X 1.06l | 1 |
| 24 | 34877 | (004937-006999) | Screw, Hex, M10 X 1.5 X 100, 8.8 | 1 |
| 25 | 07792 | (004937-006999) | Nut, Hex, Flng, M10 X 1.5 | 1 |
| 26 | 41186 | (004937-006999) | Washer, Belleville, .31 | 1 |
| 27 | 1008538 | (004937-006999) | Bracket, Guard, Alternator, Hd [Gm3.0l] | 1 |
| 28 | 21237 | (004937-006999) | Screw, Hex, M4 X 0.7 X 6, 8.8 | 1 |
| 29 | 32978 | (004937-006999) | Washer, Lock, Int, #08 | 1 |
| 30 | 1008510 | (004937-006999) | Bracket, Mtg, Alternator, Hd,[Gm3.0l] | 1 |
| 31 | 35756 | (004937-006999) | Tube, 01.00d 00.50b 01.0l Stl Pnt | 2 |
| 32 | 32492 | (004937-006999) | Washer, Flat, 0.38 Std | 4 |
| 33 | 27991 | (004937-006999) | Screw, Hex, .38-16 X 2.25, 5 | 2 |
| 34 | 1008519 | (004937-006999) | Arm, Alternator, Hd [Gm3.0l] | 1 |
| 35 | 50902 | (004937-006999) | Nut, Hex, Lock, .38-16, NI | 2 |
| 36 | 04375 | (004937-006999) | Screw, Hex, M 8 X 1.25 X 40, FI | 1 |
| 37 | 32492 | (004937-006348) | Washer, Flat, 0.38 Std | 6 |
| 38 | 06537 | (004937-006999) | Screw, Hex, M10 X 1.5 X 120, 8.8, FI | 2 |
| 39 | 1017085 | (006349-006999) | Bracket Wldt, Mtg, A/C | 1 |
| 40 | 1017102 | (006349-006999) | Arm, Tens | 2 |
| 41 | 1017292 | (006349-006999) | Tube, 00.75d 00.41b 03.3l Stl PI | 2 |
| 42 | 1017515 | (006349-006999) | Guard, Belt, A/C | 1 |
| 43 | 07819 | (006349-006999) | Screw, Hex, M10 X 1.5 X 130, 8.8 | 2 |
| 44 | 32715 | (006349-006999) | Nut, Hex, Lock, M10 X 1.5, Ss | 2 |

Fig. 25 - Cab AC Compressor Group, GM (004937-006999)

NOTE: AC/Heater kit, TENNANT Part Number 374287 includes Fig. 23, Fig. 24, and Fig. 25.

NOTE: AC/Heater kit, TENNANT Part Number 9002998 includes Fig. 23, Fig. 24, and .Fig. 26

| Ref. | Part No. | Serial Number | Description | Qty. |
|-------------|-----------------|----------------------|---------------------------------|-------------|
| 45 | 39283 | (006349-006999) | Screw, Hex, M10 X 1.5 X 25, 8.8 | 2 |
| 46 | 32485 | (006349-006999) | Washer, Flat, 0.38 Sae | 6 |
| 47 | 41430 | (006349-006999) | Nut, Hex, Lock, M10 X 1.5, NI | 2 |
| 48 | 32491 | (006349-006999) | Washer, Flat, 0.31 Std | 4 |
| 49 | 16931 | (006349-006999) | Screw, Hex, M8 X 1.25 X 20, 8.8 | 4 |
| 50 | 380544 | (006349-006999) | Belt, V, [3v] 38.5l [Hc38/41] | 1 |

Fig. 26 - Cab AC Compressor Group, GM (007000-)

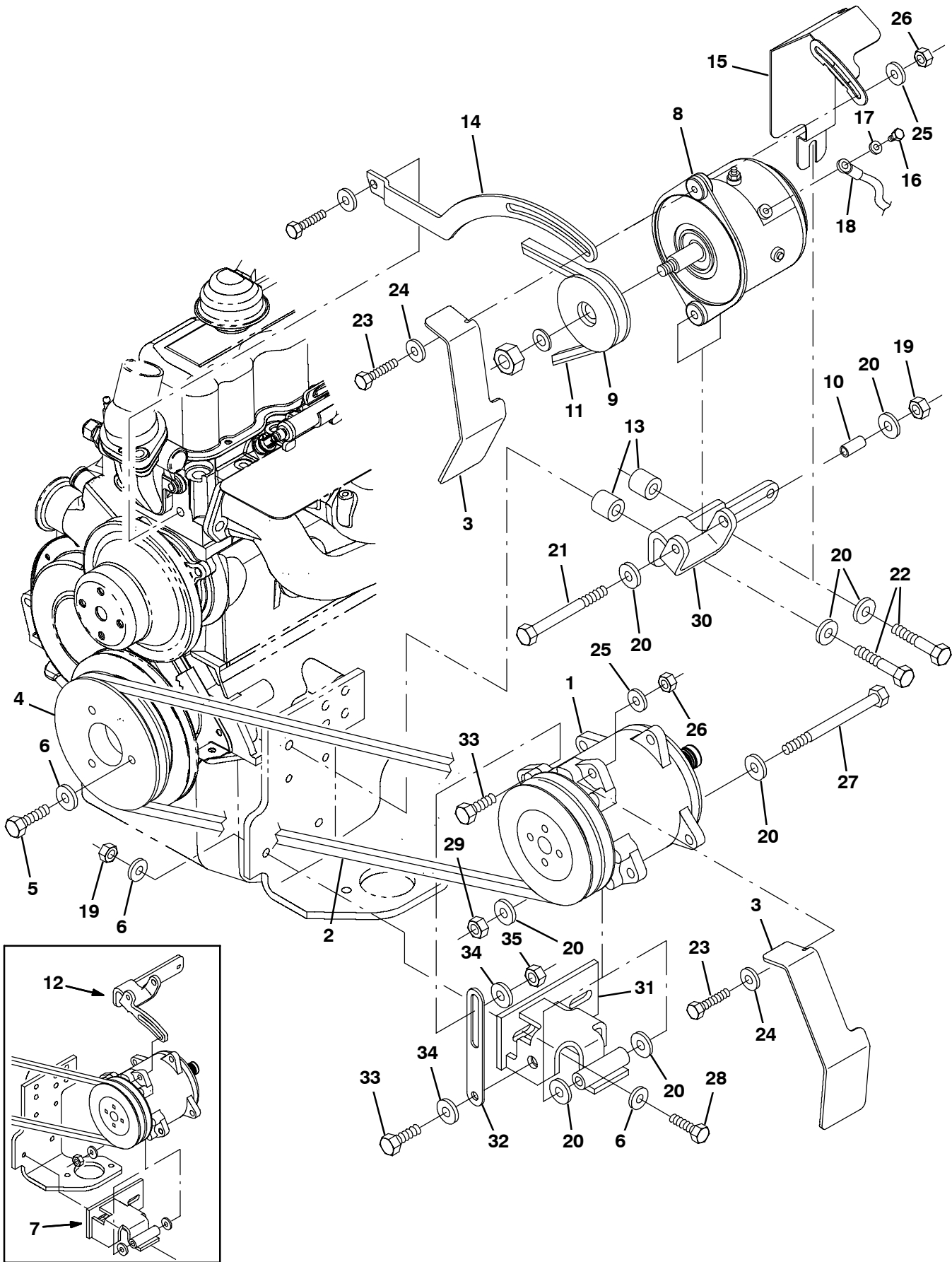


Fig. 26 - Cab AC Compressor Group, GM (007000-)

NOTE: AC/Heater kit, TENNANT Part Number 9002998 includes Fig. 23, Fig. 24, and .Fig. 26

| Ref. | Part No. | Serial Number | Description | Qty. |
|------|----------|----------------|--|------|
| 1 | 1030582 | (007000- |) Compressor, A/C [2007] | 1 |
| 2 | 380544 | (007000- |) Belt, V, 38.5l [Hc38] | 1 |
| 3 | 1030762 | (007000- |) Bracket, Guard, Alternator, Hd [800/810] | 2 |
| 4 | 393201 | (007000- |) Sheave, Aux, 1grv, 06.8od [Gm3.0l, Hc38] | 1 |
| 5 | 39670 | (007000- |) Screw, Hex, .38-24 X 1.50, G5 | 3 |
| 6 | 32492 | (007000- |) Washer, Flat, 0.38, Std | 7 |
| 7 | 1030657 | (007000-007367 |) Bracket Wldt, Mtg, A/C [800 07] | 1 |
| 8 | 1030627 | (007000- |) Alternator, Se [800/810, 07] | 1 |
| 9 | 77555 | (007000- |) Sheave, 01grv, 03.5pd 0.67b [3l] | 1 |
| 10 | 371526 | (007000- |) Sleeve, Alternator | 1 |
| 11 | 78772 | (007000- |) Belt, V, 45.1l [Hc38] | 1 |
| 12 | 1030654 | (007000-007367 |) Bracket, Mtg, Alternator, Hd[800/810 07] | 1 |
| 13 | 35756 | (007000- |) Tube, 0.50id 1.00od 01.0l, Stl, Pntd | 2 |
| 14 | 1030708 | (007000- |) Arm, Adj, Alternator, Hd [800/810 07] | 1 |
| 15 | 1032904 | (007000- |) Shield, Heat, Alternator, Hd[800/810 07] | 1 |
| 16 | 21237 | (007000- |) Screw, Hex, M4 X 0.7 X 6, 8.8 | 1 |
| 17 | 32978 | (007000- |) Washer, Lock, Int, #08 | 1 |
| 18 | 31525 | (007000- |) Wire, 10ga 16.0l Blk .25ring /.38ring | 1 |
| 19 | 50902 | (007000- |) Nut, Hex, Lock, .38-16, NI | 3 |
| 20 | 32485 | (007000- |) Washer, Flat, 0.38, Sae | 8 |
| 21 | 20177 | (007000- |) Screw, Hex, .38-16 X 4.00, G5 | 1 |
| 22 | 27992 | (007000- |) Screw, Hex, .38-16 X 2.50, G5 | 2 |
| 23 | 04375 | (007000- |) Screw, Hex, M8 X 1.25 X 40, 8.8, FI | 2 |
| 24 | 41186 | (007000- |) Washer, Flat, Belleville, .31 | 2 |
| 25 | 32491 | (007000- |) Washer, Flat, 0.31, Std | 2 |
| 26 | 08709 | (007000- |) Nut, Hex, Lock, M8 X 1.25, NI | 2 |
| 27 | 06966 | (007000- |) Screw, Hex, M10 X 1.5 X 110, 8.8 | 1 |
| 28 | 21198 | (007000- |) Screw, Hex, .38-16 X 1.25, G5 | 2 |
| 29 | 32715 | (007000- |) Nut, Hex, Lock, M10 X 1.5, Ss | 1 |
| 30 | 1051245 | (007368- |) Bracket, Mtg, Alternator, Hd[800/810 07] | 1 |
| 31 | 1050610 | (007368- |) Bracket Wldt, Mtg, A/C [800 07] | 1 |
| 32 | 1050584 | (007368- |) Arm, Tens [2008] | 1 |
| 33 | 39283 | (007368- |) Screw, Hex, M10 X 1.50 X 25, 8.8 | 2 |
| 34 | 32485 | (007368- |) Washer, Flat, 0.38, Sae | 2 |
| 35 | 41430 | (007368- |) Nut, Hex, Lock, M10 X 1.5, NI | 1 |

Fig. 27 - Cab Heater Box Group, Ford

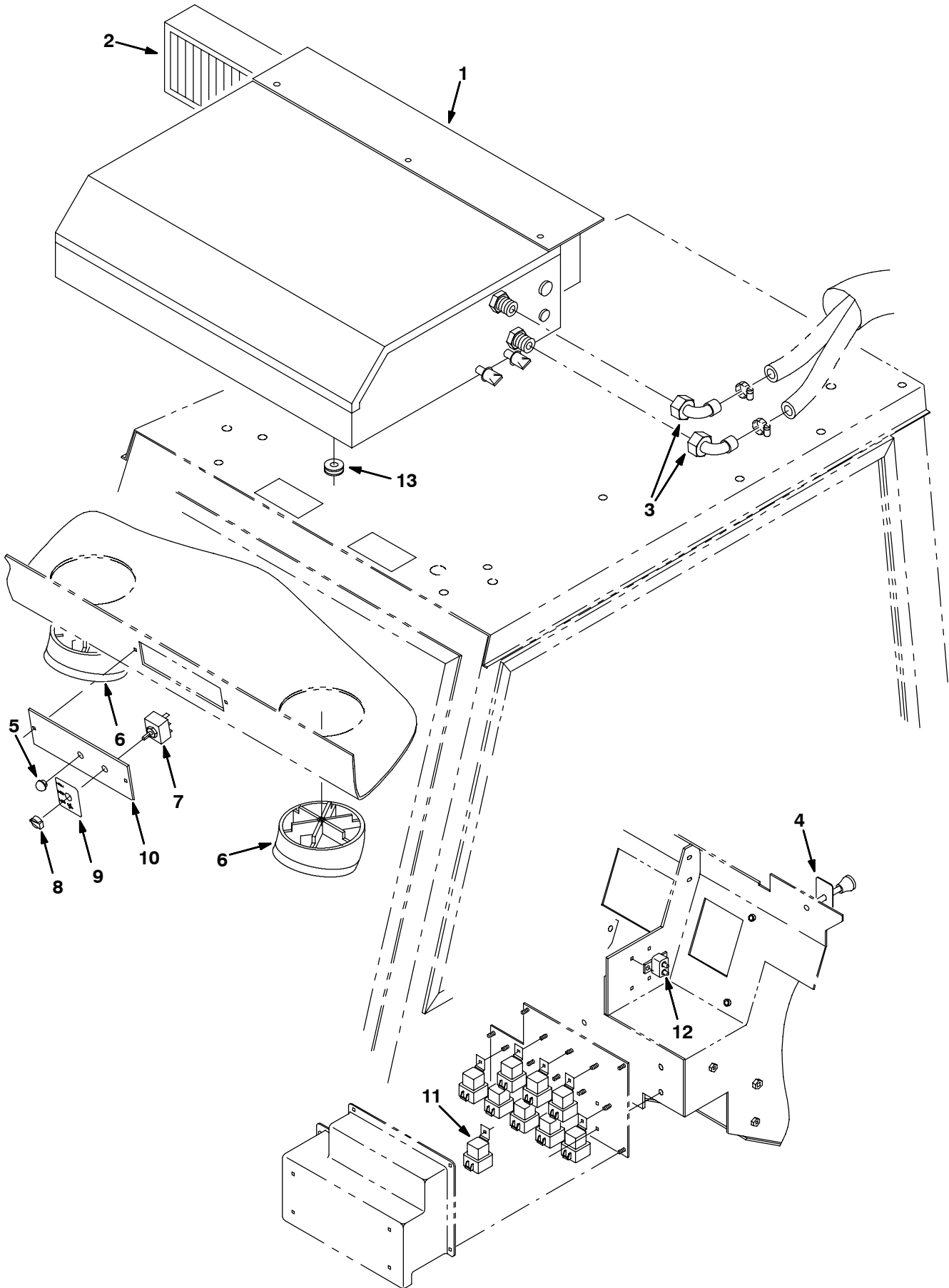


Fig. 27 - Cab Heater Box Group, Ford

NOTE: Heater kit, TENNANT Part Number 380610 includes Fig. 27, and Fig. 28.

| | Ref. | Part No. | Serial Number | Description | Qty. |
|---|-------------|-----------------|----------------------|--|-------------|
| ▽ | | 380612 | (004000-004936) | Heater & A/C, W/ Fan, Roof | 1 |
| ▲ | 1 | 380614 | (004000-004936) | Box Assy, Heater, A/C (See Breakdowns) | 1 |
| ▲ | 2 | 380689 | (004000-004936) | Filter, Panel, Heat-A/C | 1 |
| ▲ | 3 | 380615 | (004000-004936) | Fitting, Elbow | 2 |
| ▲ | 4 | 380663 | (004000-004936) | Label, Opertnl, Pull Heat | 1 |
| ▲ | 5 | 56992 | (004000-004936) | Button, Plug, 0.50h .03-.12 [Black Ny] | 1 |
| ▲ | 6 | 380617 | (004000-004936) | Louver, Adj, Heat-A/C | 2 |
| ▲ | 7 | 380619 | (004000-004936) | Switch, 3 Pos, Blower, Heat | 1 |
| ▲ | 8 | 380661 | (004000-004936) | Knob, Rnd, Control, Heat-A/C | 1 |
| ▲ | 9 | 380662 | (004000-004936) | Label, Opertnl, Fan, Hi/Med/Low | 1 |
| ▲ | 10 | 380690 | (004000-004936) | Plate, Mtg, Switch, A/C | 1 |
| | 11 | 56186 | (004000-004936) | Relay, 12vdc, 40a, Spdt N/O | 1 |
| | 12 | 374210 | (004000-004936) | Circuitbreaker, 20.0a, Thermal | 1 |
| | 13 | 77811 | (004000-004936) | Grommet, Cab, Harness, Wire | 1 |

Fig. 28 - Cab Heater Hose Group, Ford

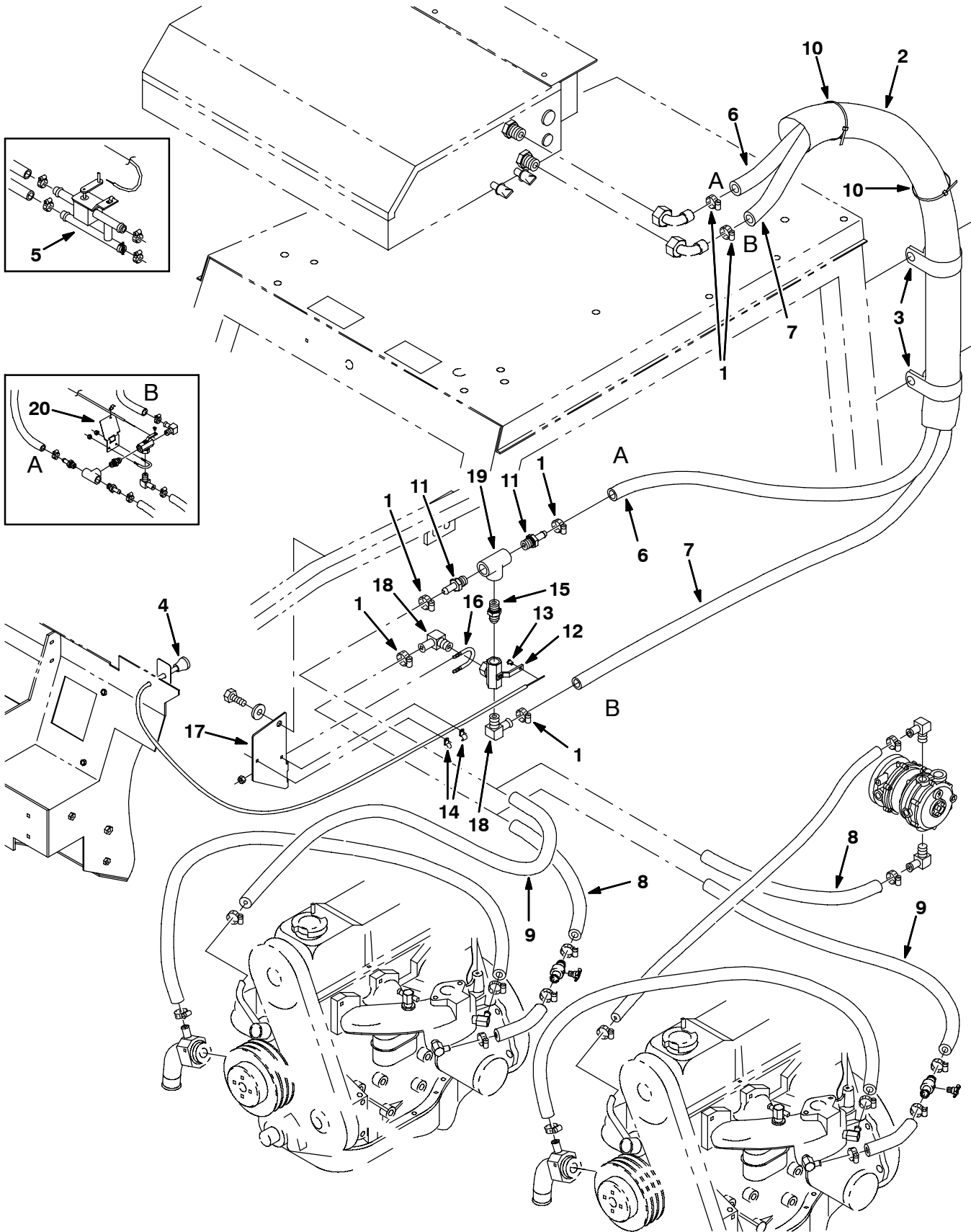


Fig. 28 - Cab Heater Hose Group, Ford

NOTE: Heater kit, TENNANT Part Number 380610 includes Fig. 27, and Fig. 28.

| Ref. | Part No. | Serial Number | Description | Qty. |
|------|------------|------------------|---|------|
| 1 | 63810 | (004000-004936) | Clamp, Hose, Wormdrive, 0.56-1.06d | 6 |
| 2 | 375512 | (004000-004936) | Sleeve, Nyl, #33 65.0l | 1 |
| 3 | 41016 | (004000-004936) | Clamp, Cable, Stl, 2.25d X 1.00w, 1h | 2 |
| 4 | 43558A | (004000-004936) | Cable, Cntrl, Choke, 85/90l 1.4d Knob | 1 |
| 5 | 380618 | (004000-004374) | Valve, Water, Heater, H, 10bm | 1 |
| 6 | 380621 | (004000-004936) | Hose, Heater, 0.62id 80.0l | 1 |
| 7 | 380620 | (004000-004936) | Hose, Heater, 0.62id 77.0l | 1 |
| 8 | 72979 | (004000-004718) | Hose, Heater, 0.62id 20.0l | 1 |
| 8 | 61870 | (004719-004936) | Hose, Heater, 0.62id 31.0l | 1 |
| 9 | 72978 | (004000-004718) | Hose, Heater, 0.62id 13.0l | 1 |
| 9 | 61869 | (004719-004936) | Hose, Heater, 0.62id 24.0l | 1 |
| 10 | 763116 | (004000-004936) | Tie, Cable, Nyl, 15.3l . W 4.5 Max D | 3 |
| ▽ | 375728 | (004375-004936) | Valve Assy, Ball, 3 Way, Em10/Em10/Em10 | 1 |
| ▲ | 11 59901 | (004375-004936) | Fitting, Brs, Str, Em10/Pm08 | 2 |
| ▲ | 12 31507 | (004375-004936) | Valve, Ball, 3-way, 08pf/08pf/08pf Brs | 1 |
| ▲ | 13 43242 | (004375-004936) | Swivel | 1 |
| ▲ | 14 1043352 | (004375-004936) | Clamp, Cable, Stl, 0.18d X 0.75w, 1hole | 2 |
| ▲ | 15 40573 | (004375-004936) | Fitting, Hyd, Str, Pm08/Pm08 | 1 |
| ▲ | 16 45142 | (004375-004936) | Bolt, U, .25-20 X 2.00, 1.10id | 1 |
| ▲ | 17 374129 | (004719-004936) | Bracket, Mtg, Valve, Cntrl, Heater | 1 |
| ▲ | 18 30268 | (004375-004936) | Fitting, Brs, E90, Em10/Pm08 | 2 |
| ▲ | 19 24450 | (004375-004936) | Fitting, Brs, Tee, Pf08/Pf08/Pf08 | 1 |
| | 20 375726 | (004375-004718) | Bracket, Mtg, Valve,Control, Heater | 1 |

Fig. 29 - Cab Heater Box Group, GM

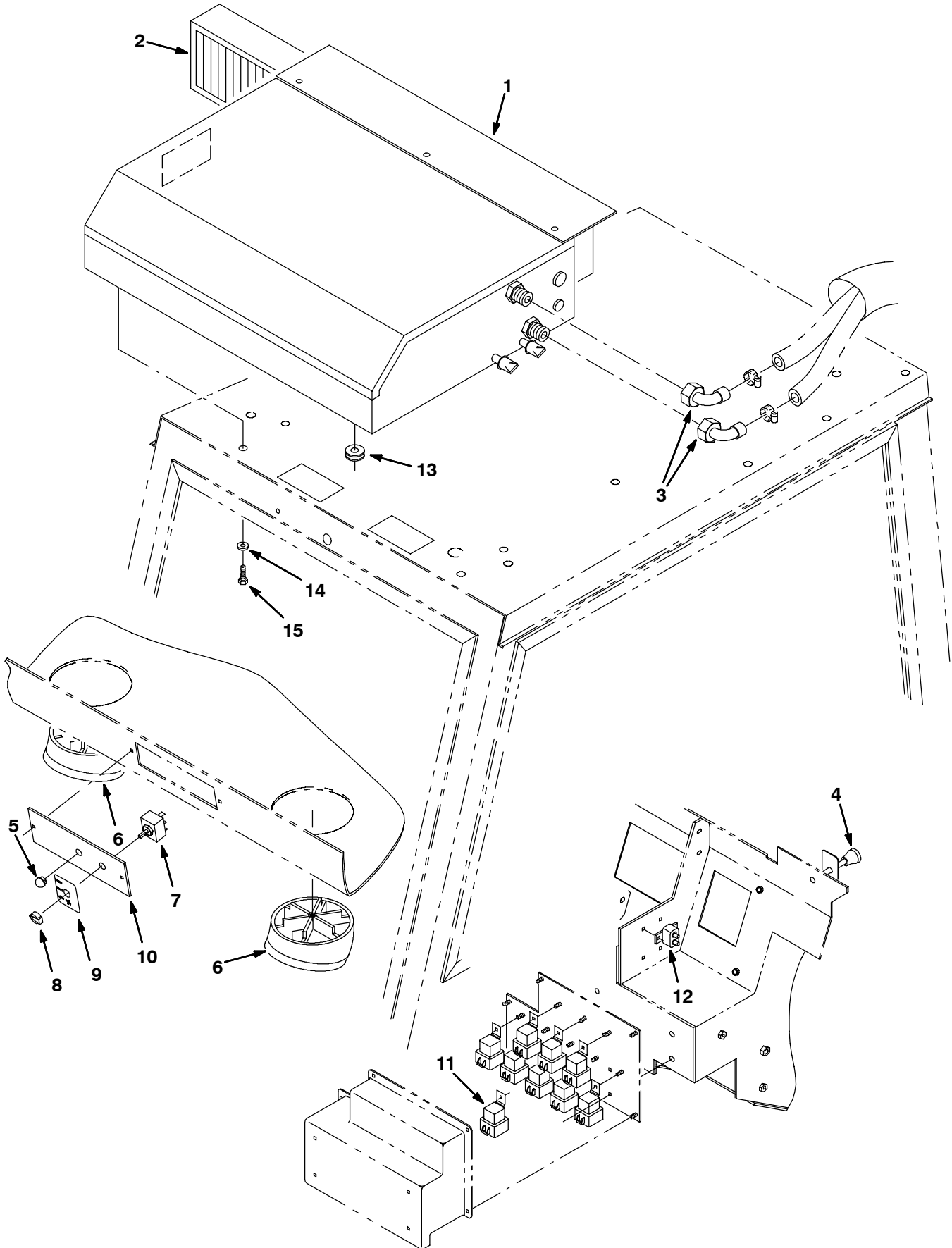


Fig. 29 - Cab Heater Box Group, GM

NOTE: Heater kit, TENNANT Part Number 374285 includes Fig. 29, and Fig. 30.

| | Ref. | Part No. | Serial Number | Description | Qty. |
|---|-------------|-----------------|----------------------|--|-------------|
| ▽ | | 380612 | (004937- |) Heater & A/C, W/ Fan, Roof | 1 |
| ▲ | 1 | 380614 | (004937- |) Box Assy, Heater, A/C (See Breakdowns) | 1 |
| ▲ | 2 | 380689 | (004937- |) Filter, Panel, Heat-A/C | 1 |
| ▲ | 3 | 380615 | (004937- |) Fitting, Elbow | 2 |
| ▲ | 4 | 380663 | (004937- |) Label, Opertnl, Pull Heat | 1 |
| ▲ | 5 | 56992 | (004937- |) Button, Plug, 0.50h .03-.12 [Black Ny] | 1 |
| ▲ | 6 | 380617 | (004937- |) Louver, Adj, Heat-A/C | 2 |
| ▲ | 7 | 380619 | (004937- |) Switch, 3 Pos, Blower, Heat | 1 |
| ▲ | 8 | 380661 | (004937- |) Knob, Rnd, Control, Heat-A/C | 1 |
| ▲ | 9 | 380662 | (004937- |) Label, Opertnl, Fan, Hi/Med/Low | 1 |
| ▲ | 10 | 380690 | (004937- |) Plate, Mtg, Switch, A/C | 1 |
| | 11 | 56186 | (004937- |) Relay, 12vdc, 40a, Spdt N/O | 1 |
| | 12 | 374210 | (004937- |) Circuitbreaker, 20.0a, Thermal | 1 |
| | 13 | 77811 | (004937- |) Grommet, Cab, Harness, Wire | 1 |
| | 14 | 32490 | (004937- |) Washer, Flat, 0.25 Std | 12 |
| | 15 | 12459 | (004937- |) Screw, Hex, M6 X 1.0 X 20, Fmg | 12 |

Fig. 30 - Cab Heater Hose Group, GM

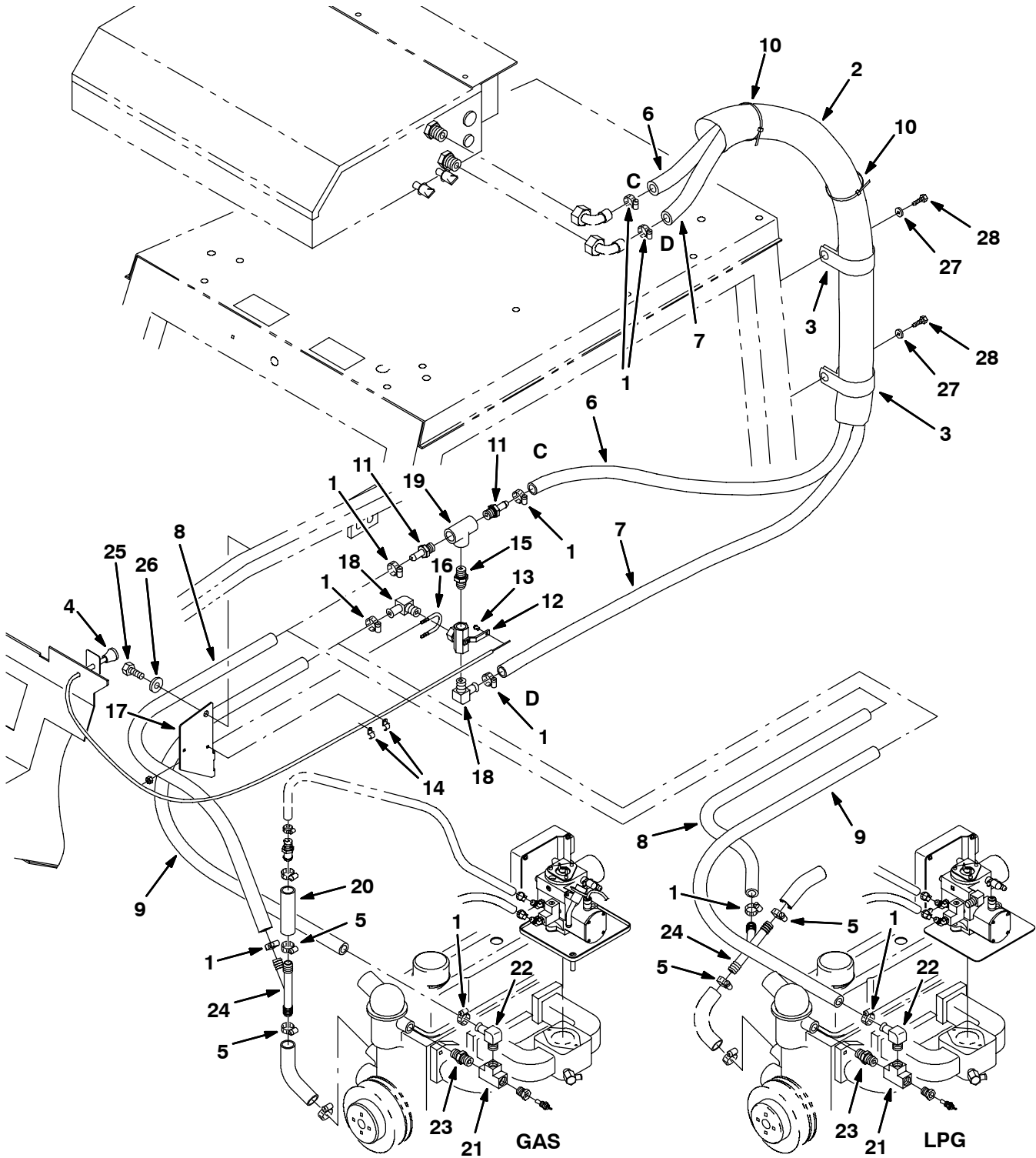


Fig. 30 - Cab Heater Hose Group, GM

NOTE: Heater kit, TENNANT Part Number 374285 includes Fig. 29, and Fig. 30.

| Ref. | Part No. | Serial Number | Description | Qty. |
|------|------------|---------------|---|------|
| 1 | 63810 | (004937- |) Clamp, Hose, Wormdrive, 0.56-1.06d | 8 |
| 2 | 375512 | (004937- |) Sleeve, Nyl, #33 65.0l | 1 |
| 3 | 41016 | (004937- |) Clamp, Cable, Stl, 2.25d X 1.00w, 1h | 1 |
| 4 | 43558A | (004937- |) Cable, Cntrl, Choke, 85/90l 1.4d Knob | 1 |
| 5 | 11399 | (004937- |) Clamp, Hose, Wormdrive, 0.81-1.50d | 2 |
| 6 | 380621 | (004937- |) Hose, Heater, 0.62id 80.0l | 1 |
| 7 | 380620 | (004937- |) Hose, Heater, 0.62id 77.0l | 1 |
| 8 | 61870 | (004937- |) Hose, Heater, 0.62id 31.0l | 1 |
| 9 | 61869 | (004937- |) Hose, Heater, 0.62id 24.0l | 1 |
| 10 | 763116 | (004937- |) Tie, Cable, Nyl, 15.3l . W 4.5 Max D | 3 |
| ▽ | 375728 | (004937- |) Valve Assy, Ball, 3 Way, Em10/Em10/Em10 | 1 |
| ▲ | 11 59901 | (004937- |) Fitting, Brs, Str, Em10/Pm08 | 2 |
| ▲ | 12 31507 | (004937- |) Valve, Ball, 3-way, 08pf/08pf/08pf Brs | 1 |
| ▲ | 13 43242 | (004937- |) Swivel | 1 |
| ▲ | 14 1043352 | (004937- |) Clamp, Cable, Stl, 0.18d X 0.75w, 1hole | 2 |
| ▲ | 15 40573 | (004937- |) Fitting, Hyd, Str, Pm08/Pm08 | 1 |
| ▲ | 16 45142 | (004937- |) Bolt, U, .25-20 X 2.00, 1.10id | 1 |
| ▲ | 17 374129 | (004937- |) Bracket, Mtg, Valve, Cntrl, Heater | 1 |
| ▲ | 18 30268 | (004937- |) Fitting, Brs, E90, Em10/Pm08 | 2 |
| ▲ | 19 24450 | (004937- |) Fitting, Brs, Tee, Pf08/Pf08/Pf08 | 1 |
| 20 | 75197 | (004937- |) Hose, Heater, 0.75id 04.0l | 1 |
| 21 | 24450 | (004937- |) Fitting, Brass, Tee | 1 |
| 22 | 30268 | (004937- |) Fitting, Brs, E90, Em10/Pm08 | 1 |
| 23 | 40573 | (004937- |) Fitting, Hyd, Str, Pm08/Pm08 | 1 |
| 24 | 393255 | (004937- |) Fitting, Plstc, Tee, Bm12/Bm12/Bm12 | 1 |
| 25 | 16930 | (004937- |) Screw, Hex, M10 X 1.5 X 50, 8.8 | 1 |
| 26 | 32492 | (004937- |) Washer, Flat, 0.38 Std | 1 |
| 27 | 32490 | (004937- |) Washer, Flat, 0.25 Std | 2 |
| 28 | 12459 | (004937- |) Screw, Hex, M6 X 1.0 X 20, Fmg | 2 |

Fig. 31 - Alternator Group, SE, Ford

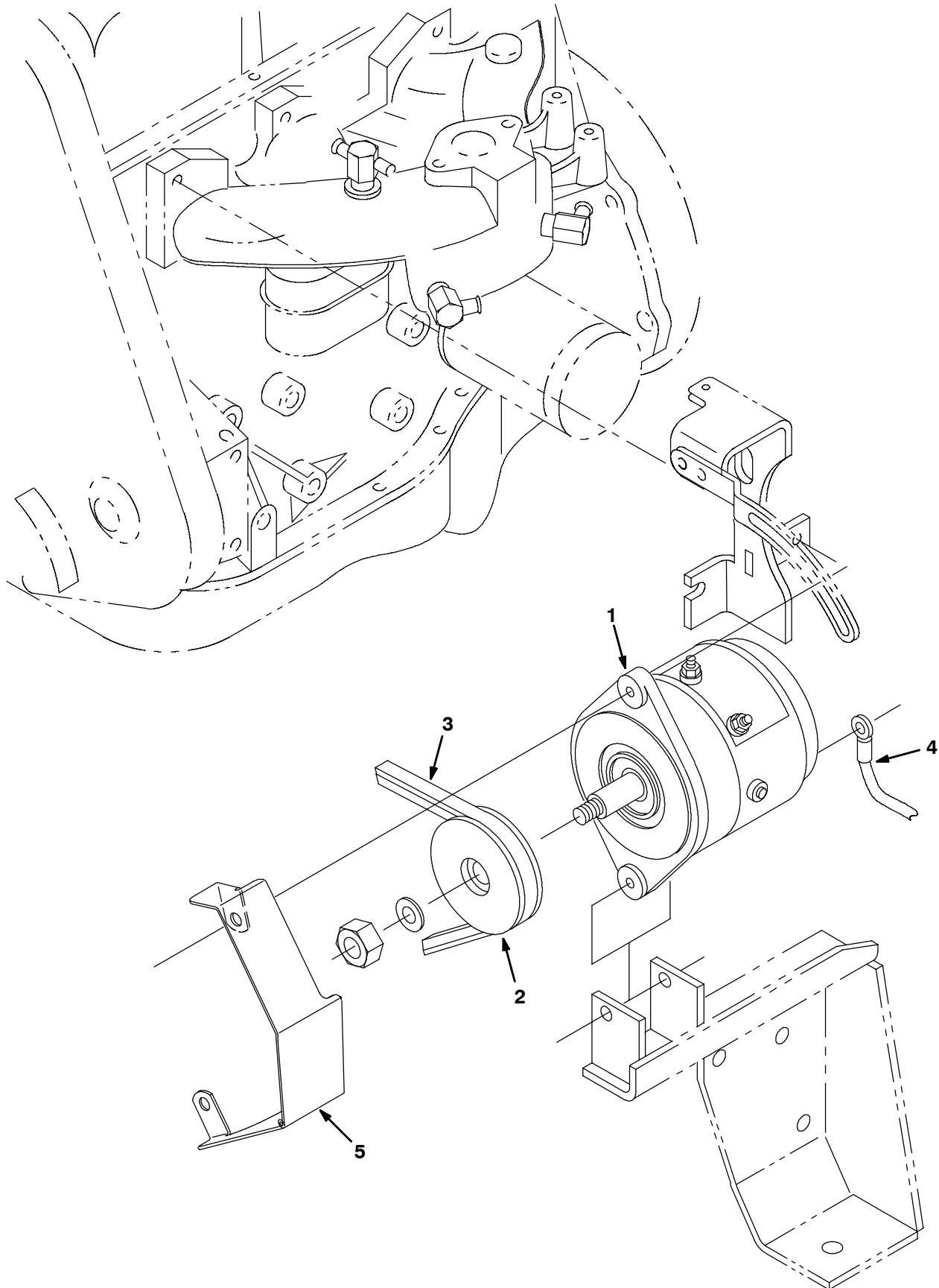


Fig. 31 - Alternator Group, SE, Ford

| | Ref. | Part No. | Serial Number | Description | Qty. |
|---|-------------|-----------------|----------------------|------------------------------|-------------|
| ▽ | | 380702 | (004000-004937) | Kit, Alternator, Hd, Gas/Lpg | 1 |
| ▲ | 1 | 75828 | (004000-004937) | Alternator | 1 |
| ▲ | 2 | 77555 | (004000-004937) | Sheave, Alternator, Se | 1 |
| ▲ | 3 | 83641 | (004000-004937) | Belt, V | 1 |
| ▲ | 4 | 31525 | (004000-004937) | Wire, Ground | 1 |
| ▲ | 5 | 21223 | (004000-004937) | Guard, Alternator | 1 |

Fig. 32 - Heavy Duty Alternator Kit, GM (004937-006999)

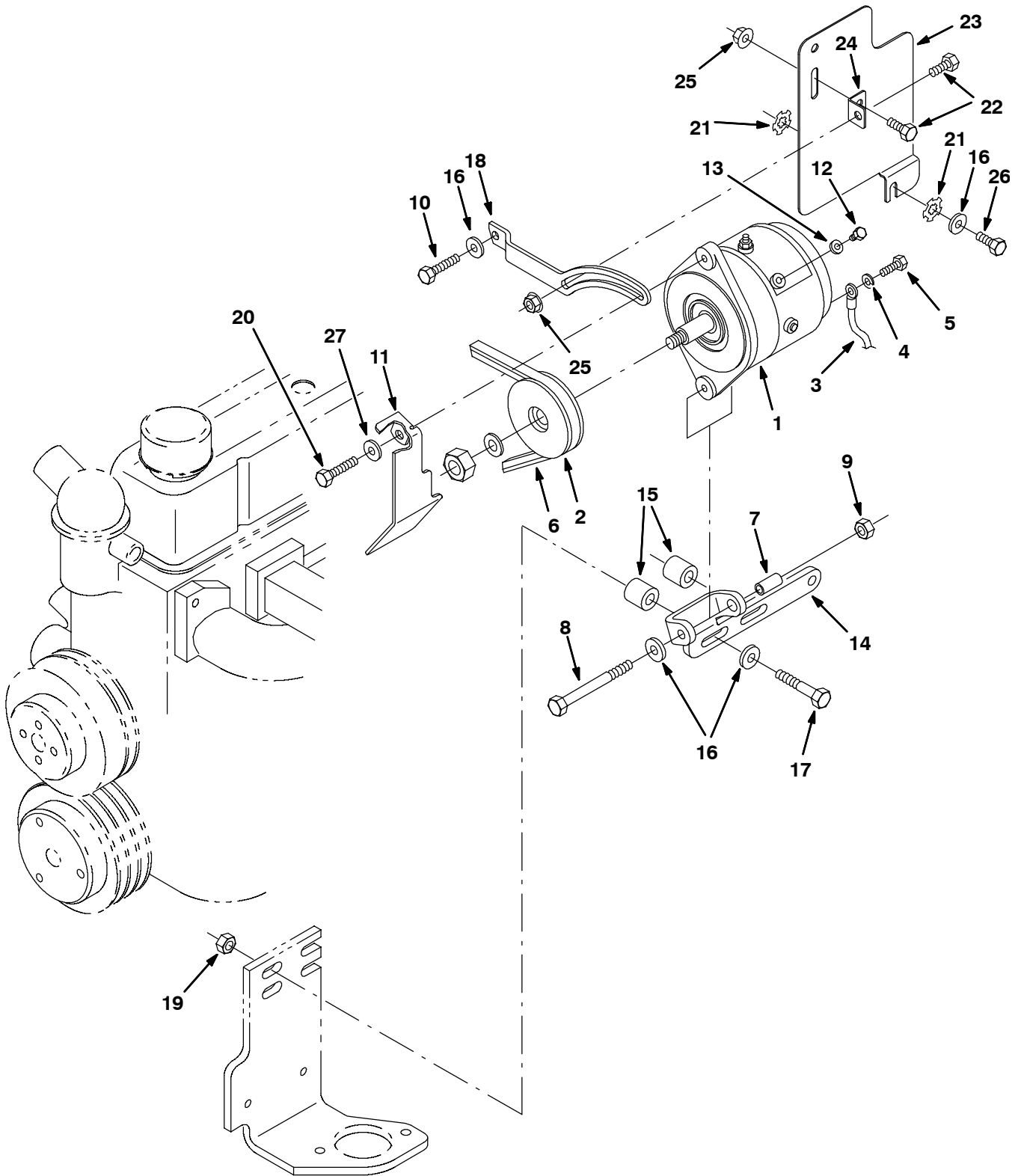


Fig. 32 - Heavy Duty Alternator Kit, GM (004937-006999)

| Ref. | Part No. | Serial Number | Description | Qty. |
|------|------------|------------------|--|------|
| ▽ | 393241 | (004937-006999) | Kit, Ci, Alternator, Hd,Gas/Lpg,[Gm3.0l] | 1 |
| ▲ | 1 75828 | (004937-006999) | Alternator, 12vdc, 100A [Brushless] | 1 |
| ▲ | 2 77555 | (004937-006999) | Sheave, [3L], 1Grv, 03.5Pd 0.67B | 1 |
| ▲ | 3 31525 | (004937-006999) | Wire, 10ga 16.0l Blk .38ring /.25ring | 1 |
| ▲ | 4 371509 | (004937-006999) | Washer, Lock, .38 | 1 |
| ▲ | 5 39277 | (004937-006999) | Screw, Hex, M8 X 1.25 X 25, 8.8 | 1 |
| ▲ | 6 393244 | (004937-006999) | Belt, V, [Hc41] 42.0l | 1 |
| ▲ | 7 371526 | (004937-006999) | Sleeve, Alternator | 1 |
| ▲ | 8 20177 | (004937-006999) | Screw, Hex, .38-16 X 4.00, 5 | 1 |
| ▲ | 9 50902 | (004937-006999) | Nut, Hex, Lock, .38-16, NI | 1 |
| ▲ | 10 21195 | (004937-006999) | Screw, Hex, .38-16 X 0.75, 5 | 1 |
| ▲ | 11 1008538 | (004937-006999) | Bracket, Guard, Alternator, Hd [Gm3.0l] | 1 |
| ▲ | 12 21237 | (004937-006999) | Screw, Hex, M4 X 0.7 X 6, 8.8 | 1 |
| ▲ | 13 32978 | (004937-006999) | Washer, Lock, Int, #08 | 1 |
| ▲ | 14 1008094 | (004937-006999) | Bracket, Mtg, Alternator, Lower,[Gm3.0l] | 1 |
| ▲ | 15 07274 | (004937-006999) | Tube, 01.00d 00.44b 00.7l Stl Pit | 2 |
| ▲ | 16 32485 | (004937-006999) | Washer, Flat, .38 Sae | 5 |
| ▲ | 17 27990 | (004937-006999) | Screw, Hex, .38-16 X 2.25, 5 | 2 |
| ▲ | 18 1008519 | (004937-006999) | Arm, Alternator, Hd [Gm3.0l] | 1 |
| ▲ | 19 50902 | (004937-006999) | Nut, Hex, Lock, .38-16, NI | 2 |
| ▲ | 20 39277 | (004937-006999) | Screw, Hex, M8 X 1.25 X 25, 8.8 | 1 |
| ▲ | 21 41142 | (004937-006999) | Washer, Lock, Int-ext, .38 | 2 |
| ▲ | 22 16735 | (004937-006999) | Screw, Hex, M8 X 1.25 X 16, 8.8 | 2 |
| ▲ | 23 1019513 | (004937-006999) | Plate, Shield, Heat | 1 |
| ▲ | 24 1008513 | (004937-006999) | Angle, Heat, Shield | 1 |
| ▲ | 25 07791 | (004937-006999) | Nut, Hex, Flng, M8 X 1.25 | 2 |
| ▲ | 26 21197 | (004937-006999) | Screw, Hex, .38-16 X 1.00, 5 | 1 |
| ▲ | 27 41186 | (004937-006999) | Washer, Belleville, .31 | 1 |

Fig. 33 - Heavy Duty Alternator Kit, GM (007000-)

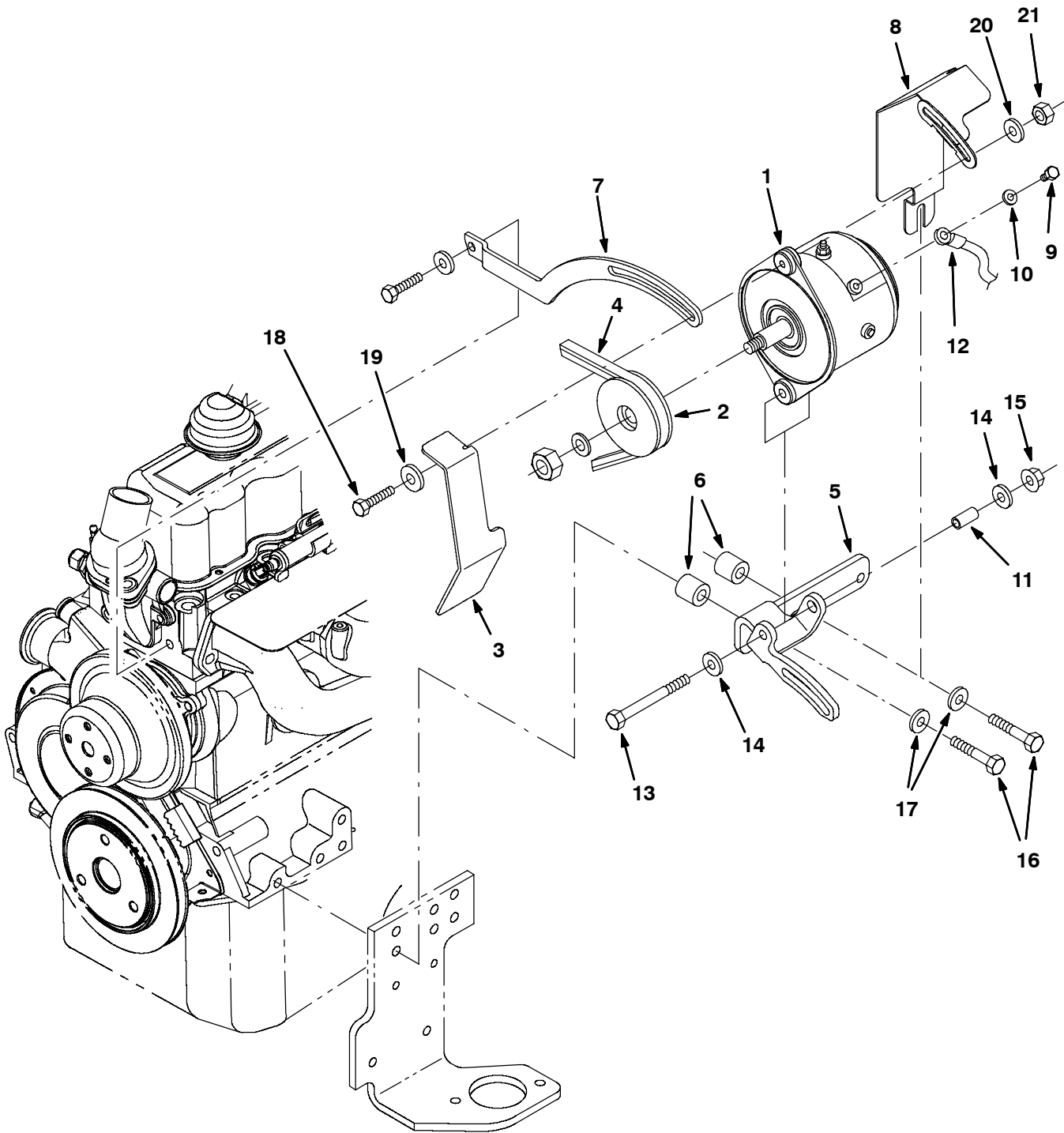


Fig. 33 - Heavy Duty Alternator Kit, GM (007000-)

| | Ref. | Part No. | Serial Number | Description | Qty. |
|---|-------------|-----------------|----------------------|--|-------------|
| ▽ | | 9002915 | (007000- |) Alternator Kit, Hd, Gas/Lpg, Ci[800/810] | 1 |
| ▲ | 1 | 1030627 | (007000- |) Alternator, Se [800/810, 07] | 1 |
| ▲ | 2 | 77555 | (007000- |) Sheave, 01grv, 03.5pd 0.67b [3] | 1 |
| ▲ | 3 | 1030762 | (007000- |) Bracket, Guard, Alternator, Hd [800/810] | 1 |
| ▲ | 4 | 78772 | (007000- |) Belt, V, 45.1l [Hc38] | 1 |
| ▲ | 5 | 1030654 | (007000- |) Bracket, Mtg, Alternator, Hd[800/810 07] | 1 |
| ▲ | 6 | 35756 | (007000- |) Tube, 0.50id 1.00od 01.0l, Stl, Pntd | 2 |
| ▲ | 7 | 1030708 | (007000- |) Arm, Adj, Alternator, Hd [800/810 07] | 1 |
| ▲ | 8 | 1032904 | (007000- |) Shield, Heat, Alternator, Hd[800/810 07] | 1 |
| ▲ | 9 | 21237 | (007000- |) Screw, Hex, M4 X 0.7 X 6, 8.8 | 1 |
| ▲ | 10 | 32978 | (007000- |) Washer, Lock, Int, #08 | 1 |
| ▲ | 11 | 371526 | (007000- |) Vr, Sleeve, Alternator | 1 |
| ▲ | 12 | 31525 | (007000- |) Wire, 10ga 16.0l Blk .25ring /.38ring | 1 |
| ▲ | 13 | 20177 | (007000- |) Screw, Hex, .38-16 X 4.00, G5 | 1 |
| ▲ | 14 | 32495 | (007000- |) Washer, Flat, 0.75, Std | 2 |
| ▲ | 15 | 50902 | (007000- |) Nut, Hex, Lock, .38-16, NI | 1 |
| ▲ | 16 | 27992 | (007000- |) Screw, Hex, .38-16 X 2.50, G5 | 2 |
| ▲ | 17 | 32485 | (007000- |) Washer, Flat, 0.38, Sae | 2 |
| ▲ | 18 | 04375 | (007000- |) Screw, Hex, M8 X 1.25 X 40, 8.8, FI | 1 |
| ▲ | 19 | 41186 | (007000- |) Washer, Flat, Belleville, .31 | 1 |
| ▲ | 20 | 32491 | (007000- |) Washer, Flat, 0.31, Std | 1 |
| ▲ | 21 | 08709 | (007000- |) Nut, Hex, Lock, M8 X 1.25, NI | 1 |

Fig. 34 - Vacuum Wand Kit

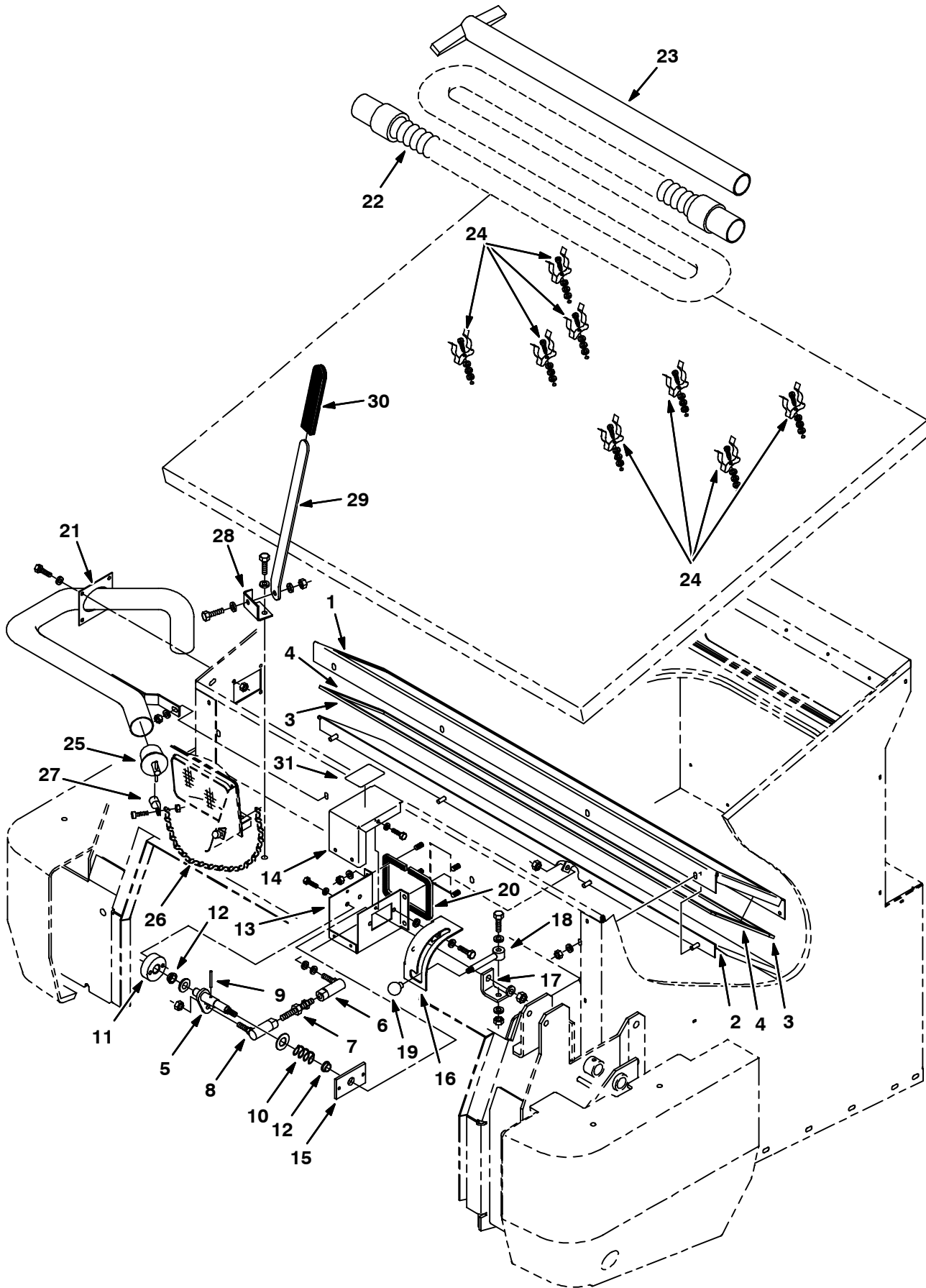


Fig. 34 - Vacuum Wand Kit

| | Ref. | Part No. | Serial Number | Description | Qty. |
|---|-------------|-----------------|----------------------|------------------------------------|-------------|
| ▽ | | 70668 | (004000- |) Wand Kit, Vac | 1 |
| ▲ | 1 | 73871 | (004000- |) Plate, Mounting, Vac Door | 1 |
| ▲ | 2 | 75701 | (004000- |) Plate Wldt, Vac Door | 1 |
| ▲ | 3 | 75876 | (004000- |) Seal, Foam Rbr, .19 .75W 47.1L | 2 |
| ▲ | 4 | 75877 | (004000- |) Seal, Foam Rbr .19 .75W 8.43L | 2 |
| ▲ | 5 | 21047 | (004000- |) Shaft | 1 |
| ▲ | 6 | 82962 | (004000- |) Balljoint .375-24 Lh | 1 |
| ▲ | 7 | 11676 | (004000- |) Stud, Adjustment | 1 |
| ▲ | 8 | 51531 | (004000- |) Ball Joint .375-24 | 1 |
| ▲ | 9 | 23146 | (004000- |) Pin,Roll,.18Odx1.62L,.187/.192 | 1 |
| ▲ | 10 | 19035 | (004000- |) Sprng,Comp,0.83ldx.07Wire 1.0L | 1 |
| ▲ | 11 | 21041 | (004000- |) Disk | 1 |
| ▲ | 12 | 04843 | (004000- |) Bearing, Flange .625 Bore | 2 |
| ▲ | 13 | 21054 | (004000- |) Box, Mounting, Lever, Vac | 1 |
| ▲ | 14 | 21104 | (004000- |) Panel, Cover | 1 |
| ▲ | 15 | 73880 | (004000- |) Plate | 1 |
| ▲ | 16 | 79646 | (004000- |) Plate, Latch | 1 |
| ▲ | 17 | 79647 | (004000- |) Angle | 1 |
| ▲ | 18 | 79644 | (004000- |) Handle | 1 |
| ▲ | 19 | 26565 | (004000- |) Knob,0.38-16,1.25Dia,Plastic | 1 |
| ▲ | 20 | 79674 | (004000- |) Seal | 1 |
| ▲ | 21 | 74074 | (004000- |) Adaptor Wldt, Vac Wand | 1 |
| ▲ | 22 | 54009 | (004000- |) Hose&2Cuff Assy,Vinyl2.0ld10Ft | 1 |
| ▲ | 23 | 54012 | (004000- |) Wand | 1 |
| ▲ | 24 | 36158 | (004000- |) Clip Finger Grip | 8 |
| ▲ | 25 | 42124 | (004000- |) Plug, Drain | 1 |
| ▲ | 26 | 374012 | (004000- |) Chain, Jack, #12, 08.5l 11 Links | 1 |
| ▲ | 27 | 26395-2 | (004000- |) Clamp-Cable, 0.38Dia 0.38Wth | 1 |
| ▲ | 28 | 76286 | (004000- |) Adaptor Wldt, Vac Wand | 1 |
| ▲ | 29 | 76338 | (004000- |) Bar, Prop | 1 |
| ▲ | 30 | 70659 | (004000- |) Grip, Handle, Flat | 2 |
| ▲ | 31 | 76406 | (004000- |) Label, Vac Wand | 1 |

Fig. 35 - Side Brush Dust Control Kit

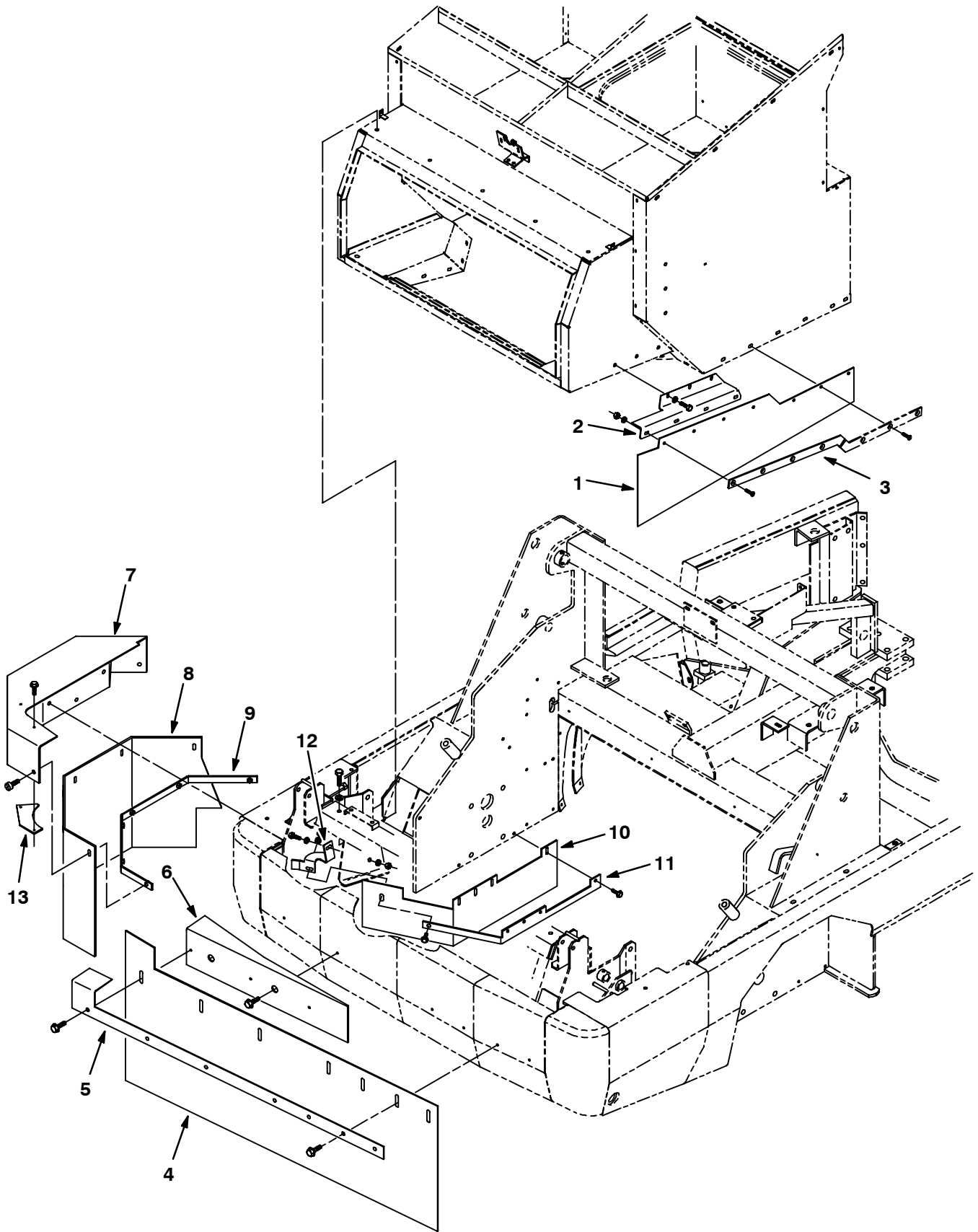
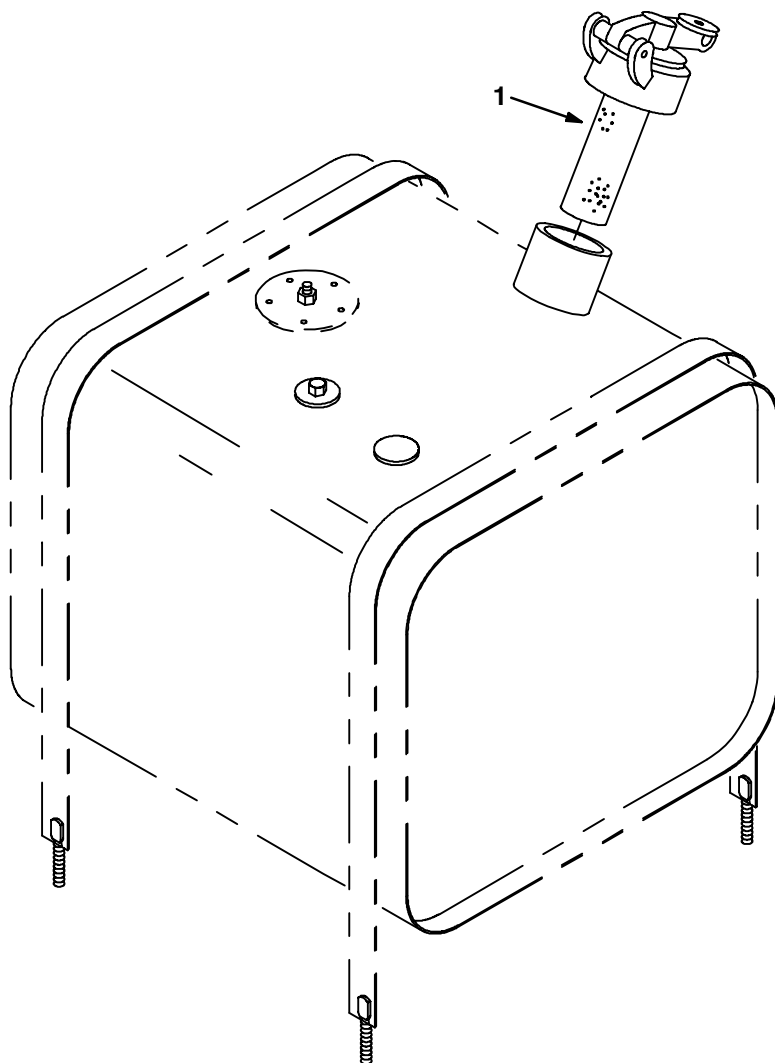


Fig. 35 - Side Brush Dust Control Kit

| | Ref. | Part No. | Serial Number | Description | Qty. |
|---|-------------|-----------------|----------------------|--------------------------------|-------------|
| ▽ | | 76100 | (004000- |) Dust Control Kit, Side Brush | 1 |
| ▲ | 1 | 76036 | (004000- |) Skirt, Deflection | 1 |
| ▲ | 2 | 76030 | (004000- |) Bracket, Mounting, Skirt | 1 |
| ▲ | 3 | 76038 | (004000- |) Strip, Retainer, Skirt | 1 |
| ▲ | 4 | 75901 | (004000- |) Skirt, Cover, Sbdc | 1 |
| ▲ | 5 | 76049 | (004000- |) Skirt, Retainer | 1 |
| ▲ | 6 | 77759 | (004000- |) Bracket Wldt | 1 |
| ▲ | 7 | 75989 | (004000- |) Plate Wldt, Skirt | 1 |
| ▲ | 8 | 76069 | (004000- |) Skirt, Cover, Sbdc | 1 |
| ▲ | 9 | 76055 | (004000- |) Plate, Retainer | 1 |
| ▲ | 10 | 76074 | (004000- |) Skirt | 1 |
| ▲ | 11 | 76081 | (004000- |) Skirt | 1 |
| ▲ | 12 | 76084 | (004000- |) Bracket | 1 |
| ▲ | 13 | 77755 | (004000- |) Plate | 1 |

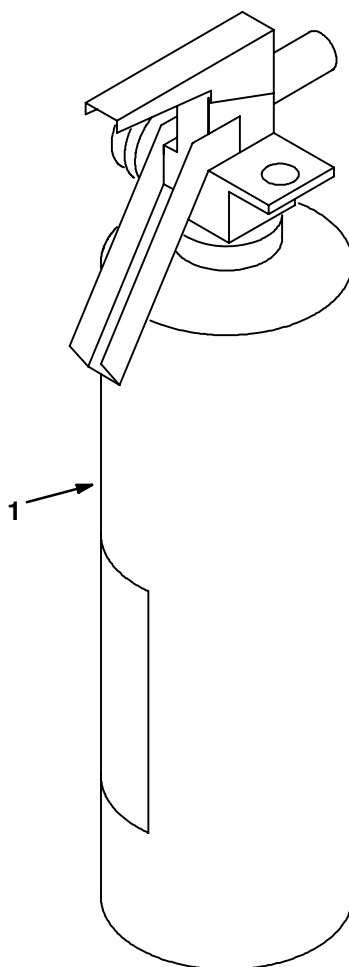
Fig. 36 - Protectoseal Fuel Tank Cap Group



07471 - ALL

| Ref. | Part No. | Serial Number | Description | Qty. |
|------|----------|---------------|-----------------------|------|
| 1 | 02506-6 | (004000-) | Gas Cap, Protectoseal | 1 |

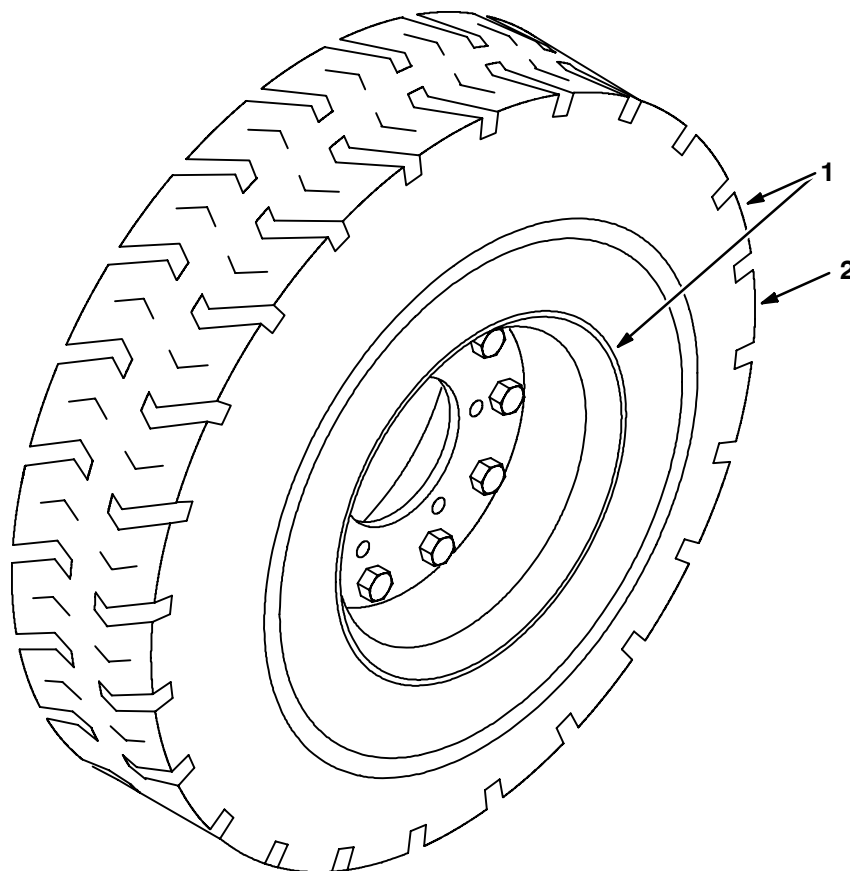
Fig. 37 - Fire Extinguisher Kit



07516 - JP, NA

| | Ref. | Part No. | Serial Number | Description | Qty. |
|---|------|----------|---------------|-----------------------------|------|
| ▽ | | 70692 | (004000- |) Extinguisher Kit Fire 800 | 1 |
| ▲ | 1 | 25312 | (004000- |) Extinguisher, Fire | |

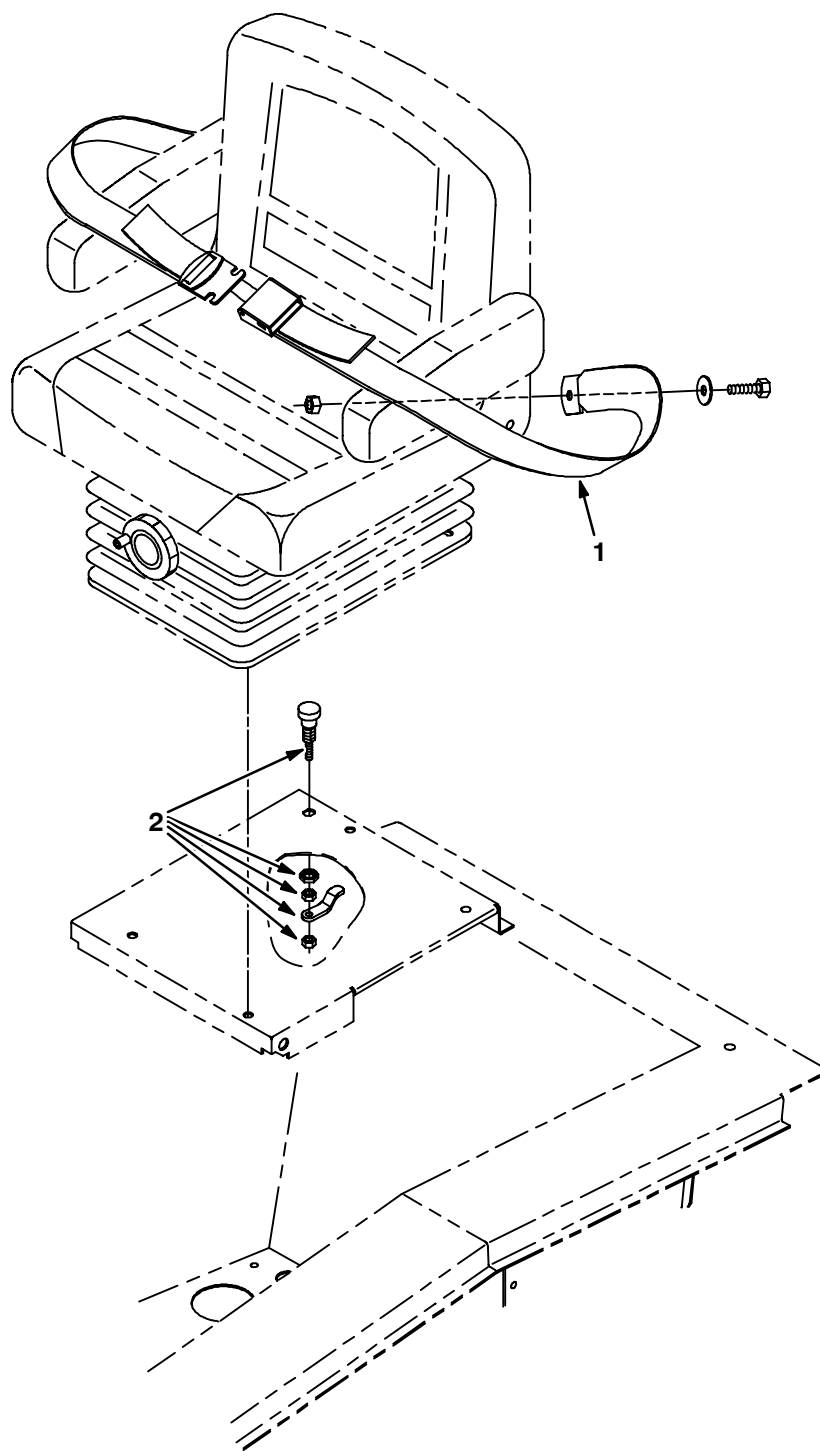
Fig. 38 - Solid Tire and Rim Assembly



07666 - ALL

| | Ref. | Part No. | Serial Number | Description | Qty. |
|---|-------------|-----------------|----------------------|--------------------------------|-------------|
| ▽ | 1 | 21671 | (004000- |) Tire and Rim Assy, Solid 6.5 | 1 |
| ▲ | 2 | 63228 | (004000- |) Tire, Solid | 1 |

Fig. 39 - Seat Belt Kit



07674 - ALL

| | Ref. | Part No. | Serial Number | Description | Qty. |
|---|------|----------|---------------|-----------------|------|
| ▽ | | 70690 | (004000- |) Seat Belt Kit | 1 |
| ▲ | 1 | 30533 | (004000- |) Belt, Seat | 1 |
| ▲ | 2 | 87337 | (004000- |) Latch, Door | 1 |

Fig. 40 - RFS Filter System Group

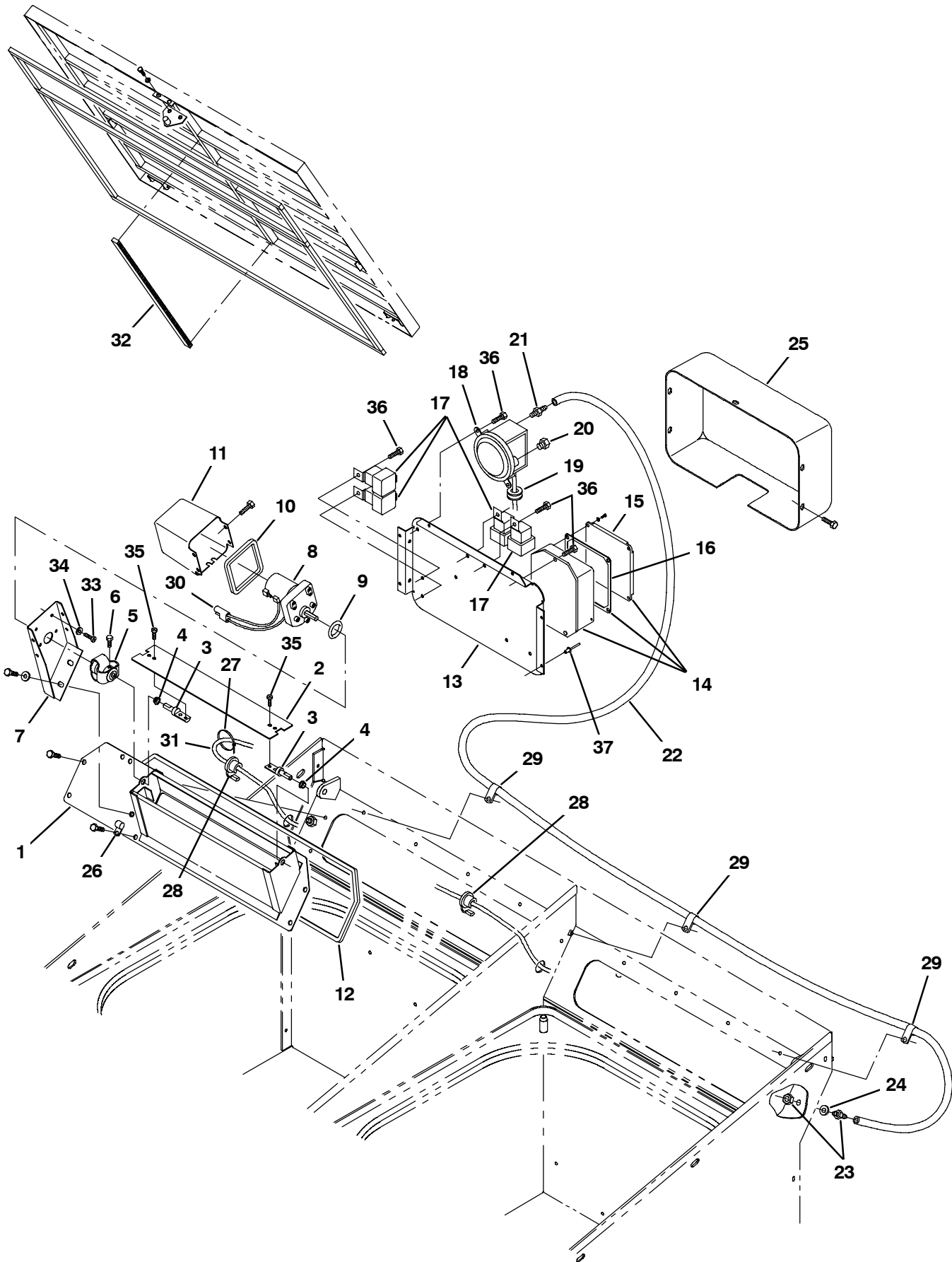


Fig. 40 - RFS Filter System Group

| | Ref. | Part No. | Serial Number | Description | Qty. |
|----|-------------|-----------------|----------------------|--|-------------|
| ▽ | | 79174 | (004000- |) Rfs Kit | 1 |
| ▲ | 1 | 79160 | (004000- |) Duct Wldt, Rfs | 2 |
| ▲ | 2 | 79156 | (004000- |) Plate, Shutter | 2 |
| ▲ | 3 | 79159 | (004000- |) Shaft, Pivot | 4 |
| ▲ | 4 | 11747 | (004000- |) Bearing, Nylon | 4 |
| ▲ | 5 | 79158 | (004000- |) Coupling | 2 |
| ▲ | 6 | 42011 | (004000- |) Screw, Hex, 10-24 X 0.50, Ss | 4 |
| ▲ | 7 | 79157 | (004000- |) Bracket, Mounting, Gearmotor | 2 |
| ▲ | 8 | 79170 | (004000- |) Motor, Ele, Geared, 12Vdc | 2 |
| ▲ | 9 | 79172 | (004000- |) Seal, O-Ring .787Idx.210Th | 2 |
| ▲ | 10 | 79167 | (004000- |) Seal | 2 |
| ▲ | 11 | 79155 | (004000- |) Cover, Motor | 2 |
| ▲ | 12 | 79168 | (004000- |) Seal | 2 |
| ▲ | 13 | 79177 | (004000- |) Plate, Mounting, Rfs Control | 1 |
| ▲▽ | 14 | 79176 | (004000- |) Controller Assy, Rfs | 1 |
| ▲▲ | 15 | 59954 | (004000- |) Cover, Housing, Electrical | 1 |
| ▲▲ | 16 | 59921 | (004000- |) Gasket, Cover, Alum | 1 |
| ▲ | 17 | 56186 | (004000- |) Relay, Shrouded, 12 Vdc | 4 |
| ▲ | 18 | 75465 | (004000- |) Switch, Pressure | 1 |
| ▲ | 19 | 10632-4 | (004000- |) Grommet,Rbr,0.62ld,For .06Matl | 1 |
| ▲ | 20 | 82739 | (004000- |) Ftg, Breather | 1 |
| ▲ | 21 | 40607 | (004000- |) Ftg,Brass,St Bm03/Pm02 | 1 |
| ▲ | 22 | 21301 | (004000- |) Hose, Vacuum, .16 Id X 76.0 Lg | 1 |
| ▲ | 23 | 39923 | (004000- |) Ftg,Bulkhead-Barb Wh 1074X4 | 1 |
| ▲ | 24 | 43454 | (004000- |) Washer, .344B .69D .06Nylon | 1 |
| ▲ | 25 | 79169 | (004000- |) Cover, Electrical | 1 |
| ▲ | 26 | 40678 | (004000- |) Clamp,Cable .44D .62Wide | 2 |
| ▲ | 27 | 49266 | (004000- |) Tie, Cable 1.75D Max 7.50Lg | 12 |
| ▲ | 28 | 34864 | (004000- |) Strain,Relief | 2 |
| ▲ | 29 | 46236 | (004000- |) Clamp-Cable, 0.25Dia 0.56Wth | 3 |
| ▲ | 30 | 79025 | (004000- |) Harness, Motor, Duct | 2 |
| ▲ | 31 | 79026 | (004000- |) Harness, Hopper, Rfs | 1 |
| ▲ | | 83706 | (004000- |) Harness, Rfs Jumper | 1 |
| ▲ | 32 | 70851 | (004000- |) Seal, Urethane | 1 |
| ▲ | | 44961 | (004000- |) Tie, Cable 4.00 Max 14.50Lg | 28 |
| ▲ | | 23935 | (004000- |) Seal, Filter | 2 |
| ▲ | | 57809 | (004000- |) Breaker-Cicuit, 15 Resetable | 2 |
| ▲ | 33 | 49766 | (004000- |) Screw, Hex, #08-32 X 0.38, Ss | 8 |
| ▲ | 34 | 02938 | (004000- |) Washer, Lock, Int, 08 Ss | 8 |
| ▲ | 35 | 06932 | (004000- |) Screw, Pan, M5 X 0.80 X 10, 4.8 | 8 |
| ▲ | 36 | 74455 | (004000- |) Screw, Hex, M6 X 1.0 X 12, Fmg | 9 |
| ▲ | 37 | 34738 | (004000- |) Rivet, Blind, .125d X 0.32 X .25d, Stl | 6 |

Fig. 41 - Cab AC Drain Hose Kit

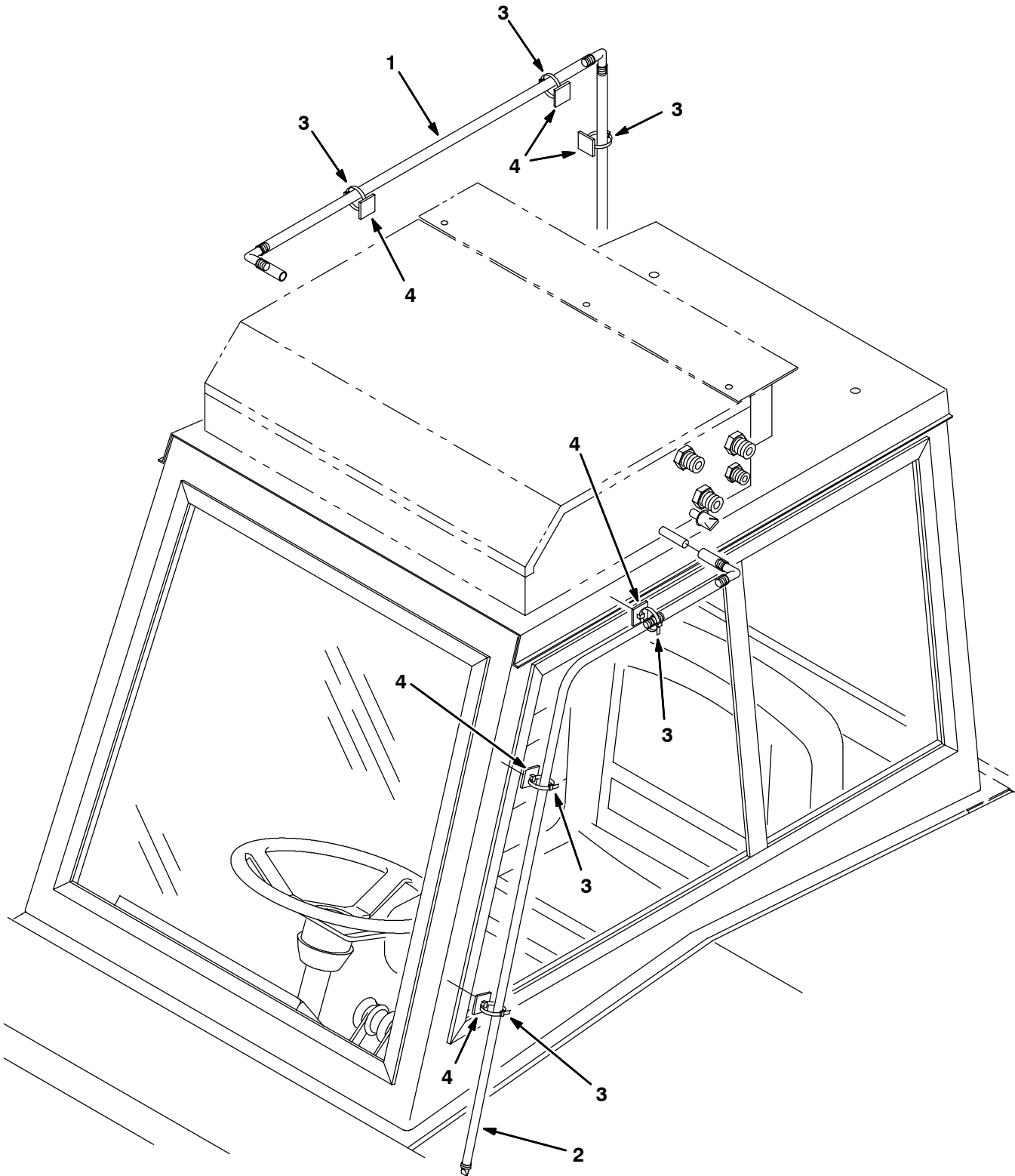
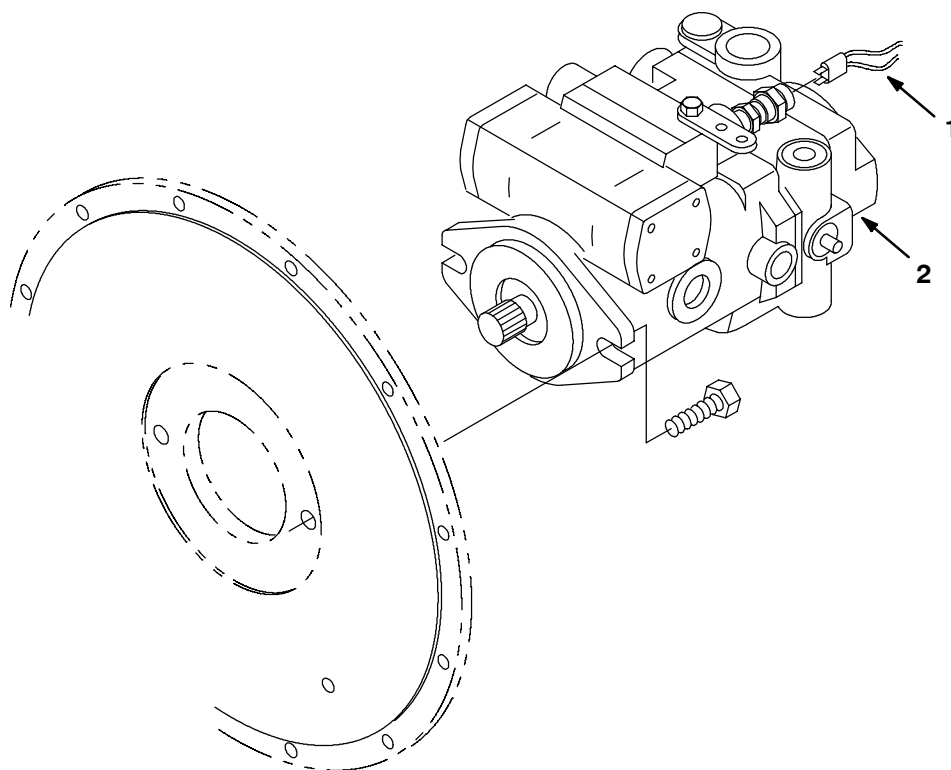


Fig. 41 - Cab AC Drain Hose Kit

| | Ref. | Part No. | Serial Number | Description | Qty. |
|---|-------------|-----------------|----------------------|---|-------------|
| ▽ | | 374133 | (004000- |) Kit, Ci, Drain Hose, A/C | 1 |
| ▲ | 1 | 374134 | (004000- |) Hose Assy, Drain, A/C | 1 |
| ▲ | 2 | 374135 | (004000- |) Hose Assy, Drain, A/C | 1 |
| ▲ | 3 | 49266 | (004000- |) Tie, Cable, Nyl, 07.3l .19w 1.8 Max D | 10 |
| ▲ | 4 | 55248 | (004000- |) Mount, Cable Tie | 10 |

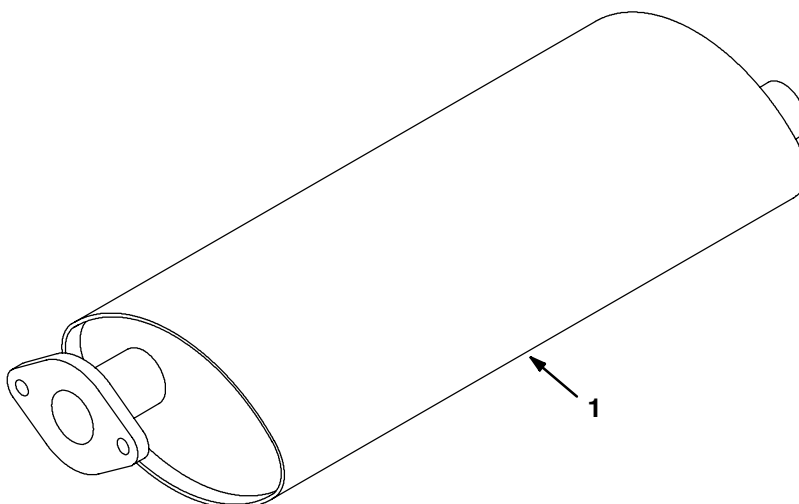
Fig. 42 - Neutral Start Group



09831 - ALL

| Ref. | Part No. | Serial Number | Description | Qty. |
|------|----------|------------------|--|------|
| 1 | 63407 | (004000-) | Harness, Neutral, Start | 1 |
| 2 | 74164 | (004000-004586) | Pump, Hyd Piston V 2.48 (See breakdowns) | 1 |
| 2 | 373405 | (004587-) | Pump, Hyd Piston V 2.48 (See breakdowns) | 1 |

Fig. 43 - Muffler Group, Non-Catalytic



09831 - GM, G, LP

| Ref. | Part No. | Serial Number | Description | Qty. |
|-------------|-----------------|----------------------|--------------------|-------------|
| 1 | 1012634 | (006000-006999) | Muffler, Exhaust | 1 |

Fig. 44 - Documentation Group

| Ref. | Part No. | Serial Number | Description | Qty. |
|-------------|-----------------|----------------------|--|-------------|
| | 330120 | (004000- |) Manual Pkg 800G | 1 |
| | MM337 | (004000- |) Manual, Service 800/810 | 1 |
| | 393223 | (004000- |) Manual, Service, Eng, [Gm 3.0L] | 1 |
| | 21791 | (004000- |) Manual, Service FD (Lrg) 2.3L | 1 |
| | 385439 | (004000- |) Manual, Service FD (Lrg) 2.5L | 1 |
| | 330122 | (004000- |) Manual Op/Mt 800G Spanish | 1 |
| | 330123 | (004000- |) Manual Op/Mt 800G French | 1 |
| | 1052092 | (004000- |) Video, Oprtr, Training, Dvd [800] | 1 |
| | 9003927 | (007000- |) Manual, Eng, Cd-Rom [Tier Ii,Gm3.0l] | 1 |

SECTION 4

| Contents | Page | Contents | Page |
|---|------|--|------|
| Fig. 1 - Hydraulic Piston Pump Breakdown, 74163 | 4-2 | Fig. 32 - AC and Heater Box Breakdown, 380613 | 4-54 |
| Fig. 2 - Hydraulic Piston Pump Breakdown, 74163 | 4-4 | Fig. 33 - Heater Box Breakdown, 380614 | 4-56 |
| Fig. 3 - Hydraulic Piston Pump Breakdown, 373404 | 4-6 | Fig. 34 - Brake Assy, Right Hand (R.h.) 77790 . | 4-58 |
| Fig. 4 - Hydraulic Piston Pump Breakdown, 373404 | 4-8 | Fig. 35 - Brake Assy, Left Hand (L.h.) 77770 . . . | 4-60 |
| Fig. 5 - Hydraulic Manual Control Breakdown, 74273 | 4-10 | Fig. 36 - LPG EFI Breakdown, 371894 | 4-62 |
| Fig. 6 - Hydraulic Piston Pump Breakdown, 74164 | 4-12 | Fig. 37 - LPG EFI Breakdown, 371895 | 4-64 |
| Fig. 7 - Hydraulic Piston Pump Breakdown, 74164 | 4-14 | Fig. 38 - Gasoline EFI Breakdown, 371896 | 4-66 |
| Fig. 8 - Hydraulic Piston Pump Breakdown, 373405 | 4-16 | Fig. 39 - Gasoline Electronic Fuel Ignition Breakdown, 371897 | 4-68 |
| Fig. 9 - Hydraulic Piston Pump Breakdown, 373405 | 4-18 | Fig. 40 - Hydraulic Solenoid Valve Breakdown, 1049210 | 4-70 |
| Fig. 10 - Hydraulic Manual Control Breakdown, 373369 | 4-20 | Fig. 41 - Hydraulic Solenoid Valve Breakdown, 1049209 | 4-72 |
| Fig. 11 - Hydraulic Gear Pump Breakdown, 62561 | 4-22 | Fig. 42 - Hydraulic Solenoid Valve Breakdown, 1049211 | 4-74 |
| Fig. 12 - Hydraulic Gear Pump Breakdown, 373254 | 4-24 | | |
| Fig. 13 - Hydraulic Motor Breakdown, 63426 . . . | 4-26 | | |
| Fig. 14 - Hydraulic Motor Breakdown, 22626 . . . | 4-28 | | |
| Fig. 15 - Hydraulic Motor Breakdown, 373464 . . | 4-30 | | |
| Fig. 16 - Hydraulic Motor Breakdown, 53434 . . . | 4-32 | | |
| Fig. 17 - Hydraulic Motor Breakdown, 79781 . . . | 4-33 | | |
| Fig. 18 - Hydraulic Motor Breakdown, 19117 . . . | 4-34 | | |
| Fig. 19 - Hydraulic Motor Breakdown, 63542 . . . | 4-35 | | |
| Fig. 20 - Hydraulic Steering Valve Breakdown, 65242 | 4-36 | | |
| Fig. 21 - Hydraulic Solenoid Valve Breakdown, 84015 | 4-38 | | |
| Fig. 22 - Hydraulic Solenoid Valve Breakdown, 84016 | 4-39 | | |
| Fig. 23 - Hydraulic Valve Breakdown, 375563 . . | 4-40 | | |
| Fig. 24 - Hydraulic Solenoid Valve Breakdown, 84014 | 4-42 | | |
| Fig. 25 - Hydraulic Cylinder Breakdown, 53601 | 4-44 | | |
| Fig. 26 - Hydraulic Cylinder Breakdown, 1026719 | 4-45 | | |
| Fig. 27 - Cab Assembly | 4-46 | | |
| Fig. 28 - Cab Door Assembly | 4-48 | | |
| Fig. 29 - Cab Insulation Group | 4-50 | | |
| Fig. 30 - Cab Wire Harness Group | 4-52 | | |
| Fig. 31 - AC Condenser Box Breakdown, 380625 | 4-53 | | |

Fig. 1 - Hydraulic Piston Pump Breakdown, 74163

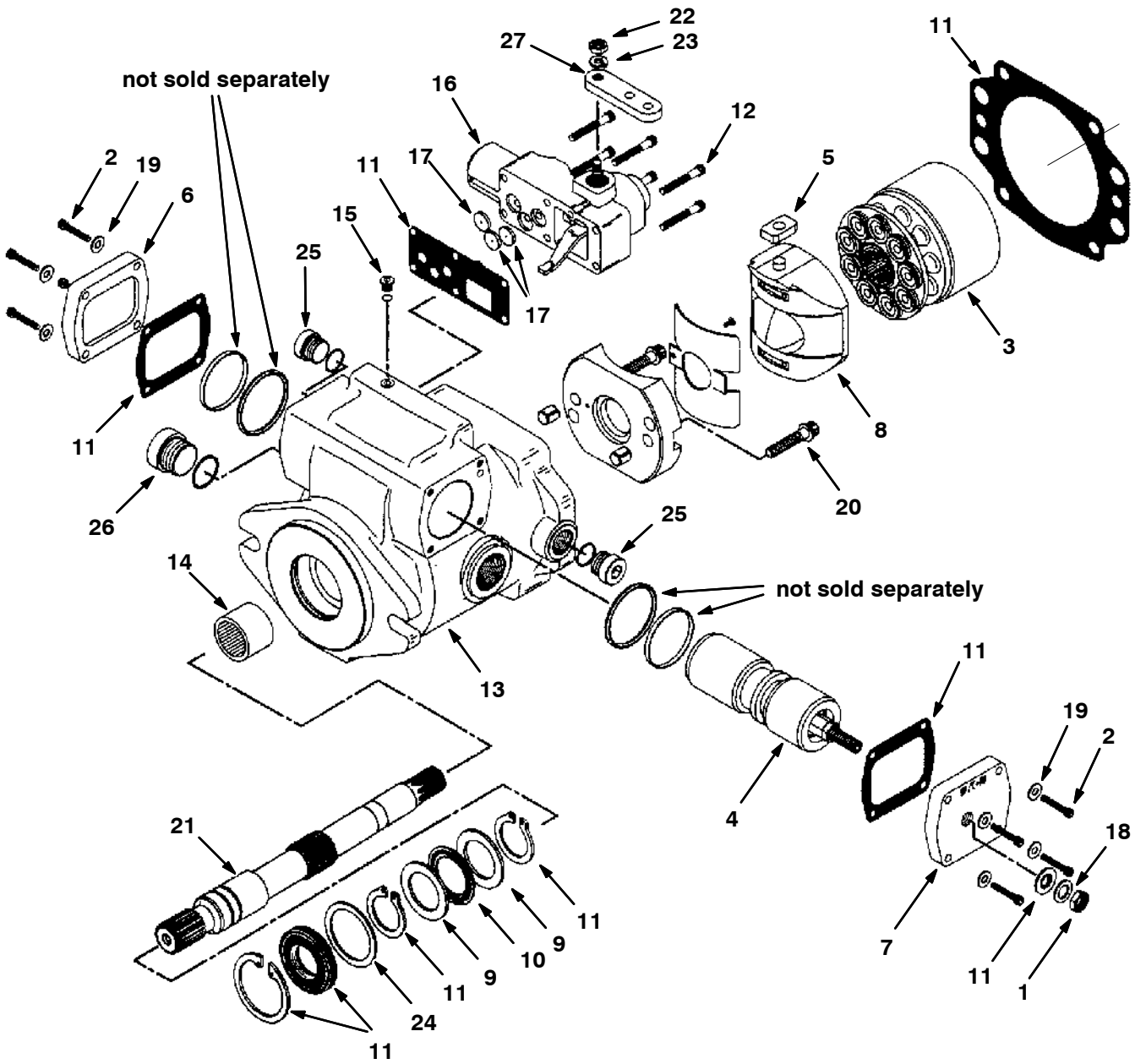


Fig. 1 - Hydraulic Piston Pump Breakdown, 74163

NOTE: Piston Pump, TENNANT Part Number 74163, includes Fig. 1, Fig. 2 and Fig. 5.

| Ref. | Part No. | Serial Number | Description | Qty. |
|------|----------|---------------|------------------------------------|------|
| 1 | 74184 | (000000- |) Nut, Jam | 1 |
| 2 | 74223 | (000000- |) Screw, Cap | 8 |
| 3 | 61882 | (000000- |) Rotating Kit | 1 |
| 4 | 74253 | (000000- |) Piston, Servo | 1 |
| 5 | 74254 | (000000- |) Follower, Piston | 1 |
| 6 | 74256 | (000000- |) Plate, Cover En | 1 |
| 7 | 74257 | (000000- |) Plate, Cover En | 1 |
| 8 | 74258 | (000000- |) Camplate S/A En | 1 |
| 9 | 74240 | (000000- |) Race, Bearing Ce | 2 |
| 10 | 74210 | (000000- |) Bearing | 1 |
| 11 | 74283 | (000000- |) Seal Kit, Pump En | 1 |
| 12 | 74262 | (000000- |) Screw, Cap En | 6 |
| ▽ | 74263 | (000000- |) Housing S/A En | 1 |
| ▲ | 13 79771 | (000000- |) Housing En | 1 |
| ▲ | 14 37462 | (000000- |) Bearing | 1 |
| ▲ | 15 79742 | (000000- |) Plug S/A En | 1 |
| 16 | 74273 | (000000- |) Control, Manual (See Breakdowns) | 1 |
| 17 | 74276 | (000000- |) Orifice, Valve En | 3 |
| 18 | 74280 | (000000- |) Washer En | 1 |
| 19 | 74281 | (000000- |) Washer En | 8 |
| 20 | 79747 | (000000- |) Cap Screw En | 2 |
| 21 | 74265 | (000000- |) Shaft, Drive Sp En | 1 |
| 22 | 74266 | (000000- |) Nut En | 1 |
| 23 | 74267 | (000000- |) Lockwasher En | 1 |
| 24 | 37460 | (000000- |) Washer | 1 |
| 25 | 13907 | (000000- |) Plug #8 | 2 |
| 26 | 79779 | (000000- |) Plug,#12 O-Ring Ph | 1 |
| 27 | 74272 | (000000- |) Arm, Control En | 1 |

Fig. 2 - Hydraulic Piston Pump Breakdown, 74163

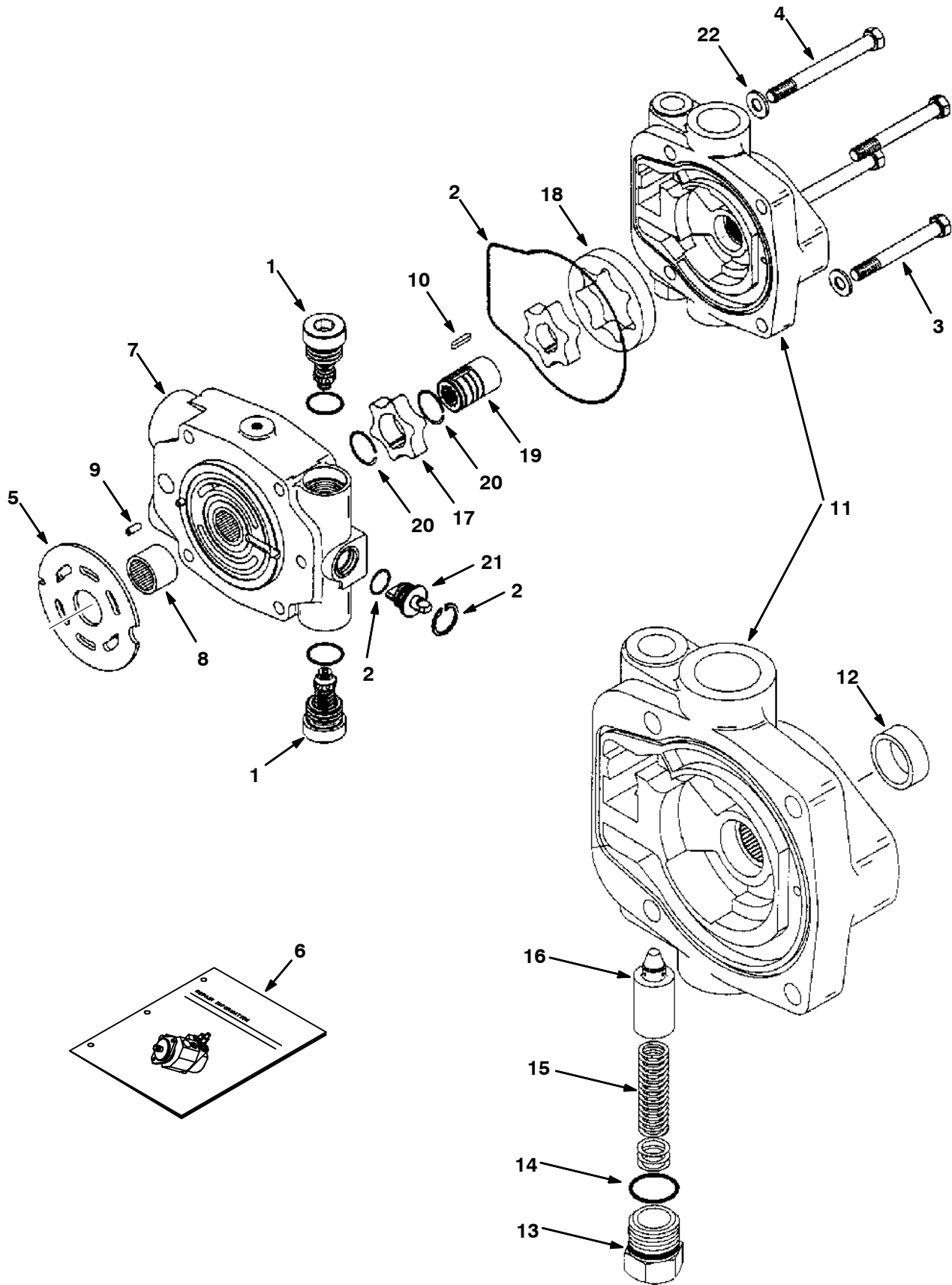


Fig. 2 - Hydraulic Piston Pump Breakdown, 74163

NOTE: Piston Pump, TENNANT Part Number 74163, includes Fig. 1, Fig. 2 and Fig. 5.

| Ref. | Part No. | Serial Number | Description | Qty. |
|------|----------|---------------|------------------------------|------|
| 1 | 74259 | (000000- |) Relief Valve Sa En | 2 |
| 2 | 74283 | (000000- |) Seal Kit, Pump En | 1 |
| 3 | 74260 | (000000- |) Screw, Cap En | 2 |
| 4 | 74261 | (000000- |) Screw, Cap En | 2 |
| 5 | 61886 | (000000- |) Valve Plate | 1 |
| 6 | 79708 | (000000- |) Repair Info,Pmp En | 1 |
| ▽ | 7 | 74264 | (000000-) Backplate S/A En | 1 |
| ▲ | 8 | 34159 | (000000-) Bearing | 1 |
| ▲ | 9 | 79748 | (000000-) Roll Pin En | 1 |
| 10 | 74270 | (000000- |) Key En | 1 |
| ▽ | 11 | 74271 | (000000-) Charge Pmp Adap En | 1 |
| ▲ | 12 | 79749 | (000000-) Bushing En | 1 |
| ▲ | 13 | 79750 | (000000-) Plug En | 1 |
| ▲ | 14 | 79751 | (000000-) Shims En | 1 |
| ▲ | 15 | 79752 | (000000-) Spring En | 1 |
| ▲ | 16 | 79753 | (000000-) Poppet En | 1 |
| 17 | 74274 | (000000- |) Geroter,Ring In En | 1 |
| 18 | 74275 | (000000- |) Geroter,Ring Ot En | 1 |
| 19 | 74277 | (000000- |) Coupler En | 1 |
| 20 | 74278 | (000000- |) Ring, Retaining En | 2 |
| 21 | 74279 | (000000- |) Actuator, Valve En | 1 |
| 22 | 74282 | (000000- |) Washer En | 4 |

Fig. 3 - Hydraulic Piston Pump Breakdown, 373404

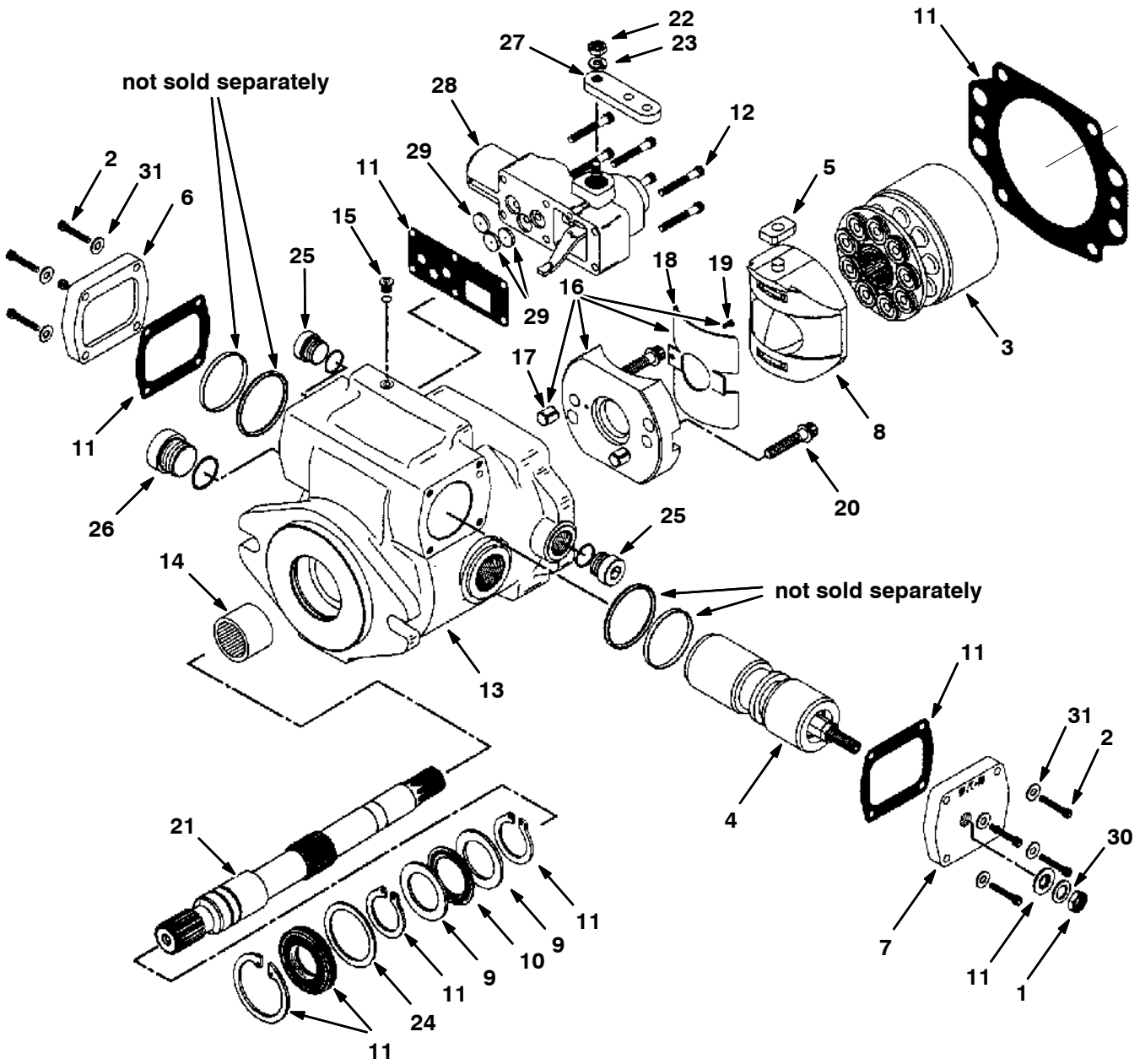


Fig. 3 - Hydraulic Piston Pump Breakdown, 373404

NOTE: Piston Pump, TENNANT Part Number 373404, includes Fig. 3, Fig. 4 and Fig. 5.

| Ref. | Part No. | Serial Number | Description | Qty. |
|------|-----------|---------------|------------------------------------|------|
| 1 | 74184 | (000000- |) Nut, Jam | 1 |
| 2 | 74223 | (000000- |) Screw, Cap | 8 |
| 3 | 61882 | (000000- |) Rotating Kit | 1 |
| 4 | 373407 | (000000- |) Piston, Servo | 1 |
| 5 | 74254 | (000000- |) Follower, Piston | 1 |
| 6 | 74256 | (000000- |) Plate, Cover En | 1 |
| 7 | 74257 | (000000- |) Plate, Cover En | 1 |
| 8 | 74258 | (000000- |) Camplate S/A En | 1 |
| 9 | 74240 | (000000- |) Race, Bearing Ce | 2 |
| 10 | 74210 | (000000- |) Bearing | 1 |
| 11 | 74283 | (000000- |) Seal Kit, Pump En | 1 |
| 12 | 74262 | (000000- |) Screw, Cap En | 6 |
| ▽ | 373408 | (000000- |) Housing S/A En | 1 |
| ▲ | 13 373409 | (000000- |) Housing En | 1 |
| ▲ | 14 37462 | (000000- |) Bearing | 1 |
| ▲ | 15 79742 | (000000- |) Plug S/A En | 1 |
| ▽ | 16 373410 | (000000- |) Cradle Sub Assy En | 1 |
| ▲ | 17 373218 | (000000- |) Dowel Bushing En | 2 |
| ▲ | 18 373414 | (000000- |) Bushing En | 1 |
| ▲ | 19 373415 | (000000- |) Cap Screw En | 1 |
| 20 | 79747 | (000000- |) Cap Screw En | 2 |
| 21 | 74265 | (000000- |) Shaft, Drive Sp En | 1 |
| 22 | 74266 | (000000- |) Nut En | 1 |
| 23 | 74267 | (000000- |) Lockwasher En | 1 |
| 24 | 37460 | (000000- |) Washer | 1 |
| 25 | 13907 | (000000- |) Plug #8 | 2 |
| 26 | 79779 | (000000- |) Plug,#12 O-Ring Ph | 1 |
| 27 | 74272 | (000000- |) Arm, Control En | 1 |
| 28 | 74273 | (000000- |) Control, Manual (See Breakdowns) | 1 |
| 29 | 74276 | (000000- |) Orifice, Valve En | 3 |
| 30 | 74280 | (000000- |) Washer En | 1 |
| 31 | 74281 | (000000- |) Washer En | 8 |

Fig. 4 - Hydraulic Piston Pump Breakdown, 373404

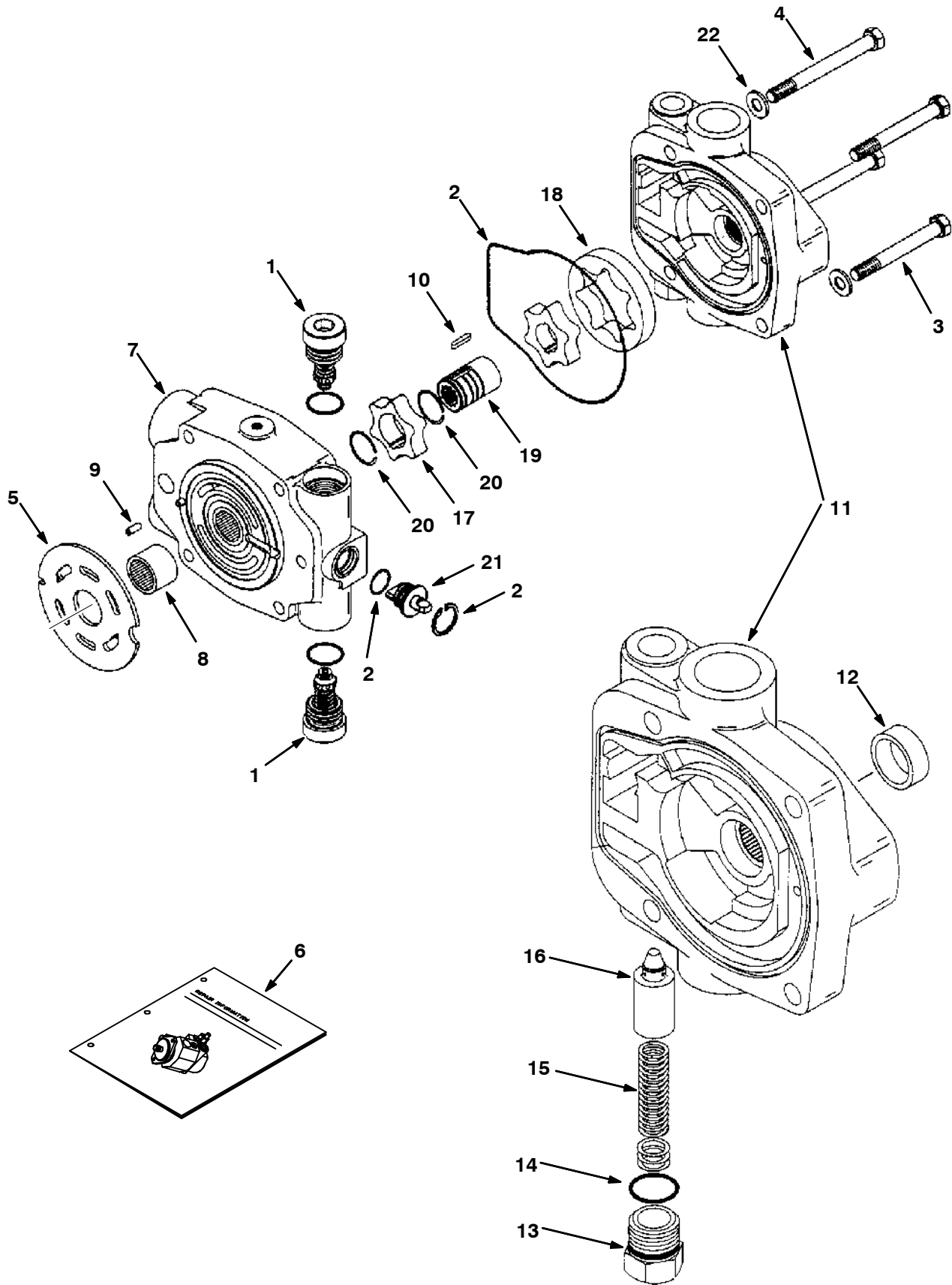


Fig. 4 - Hydraulic Piston Pump Breakdown, 373404

NOTE: Piston Pump, TENNANT Part Number 373404, includes .Fig. 3, Fig. 4 and Fig. 5.

| Ref. | Part No. | Serial Number | Description | Qty. | |
|------|----------|---------------|----------------------|----------------------|---|
| 1 | 74259 | (000000- |) Relief Valve Sa En | 2 | |
| 2 | 74283 | (000000- |) Seal Kit, Pump En | 1 | |
| 3 | 373374 | (000000- |) Screw, Cap En | 2 | |
| 4 | 373375 | (000000- |) Screw, Cap En | 2 | |
| 5 | 61886 | (000000- |) Valve Plate | 1 | |
| 6 | 373406 | (000000- |) Repair Info,Pmp En | 1 | |
| ▽ | 7 | 373412 | (000000- |) Backplate S/A En | 1 |
| ▲ | 8 | 34159 | (000000- |) Bearing | 1 |
| ▲ | 9 | 79748 | (000000- |) Roll Pin En | 1 |
| 10 | 74270 | (000000- |) Key En | 1 | |
| ▽ | 11 | 74271 | (000000- |) Charge Pmp Adap En | 1 |
| ▲ | 12 | 79749 | (000000- |) Bushing En | 1 |
| ▲ | 13 | 79750 | (000000- |) Plug En | 1 |
| ▲ | 14 | 79751 | (000000- |) Shims En | 1 |
| ▲ | 15 | 79752 | (000000- |) Spring En | 1 |
| ▲ | 16 | 79753 | (000000- |) Poppet En | 1 |
| 17 | 74274 | (000000- |) Geroter,Ring In En | 1 | |
| 18 | 74275 | (000000- |) Geroter,Ring Ot En | 1 | |
| 19 | 74277 | (000000- |) Coupler En | 1 | |
| 20 | 74278 | (000000- |) Ring, Retaining En | 2 | |
| 21 | 373413 | (000000- |) Actuator, Valve En | 1 | |
| 22 | 74282 | (000000- |) Washer En | 4 | |

Fig. 5 - Hydraulic Manual Control Breakdown, 74273

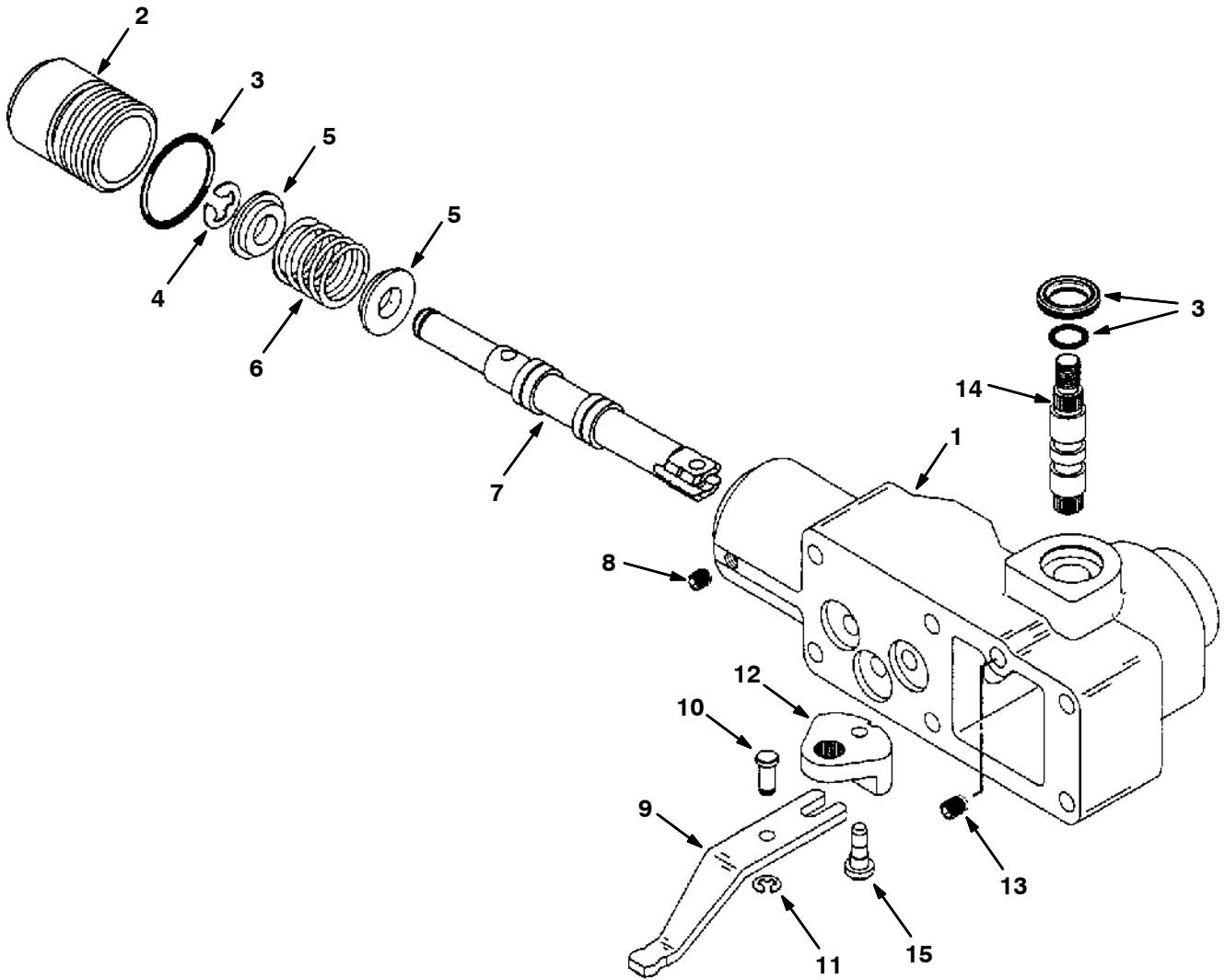


Fig. 5 - Hydraulic Manual Control Breakdown, 74273

NOTE: Piston Pump, TENNANT Part Number 74163, includes Fig. 1, Fig. 2 and Fig. 5.

NOTE: Piston Pump, TENNANT Part Number 373404, includes .Fig. 3, Fig. 4 and Fig. 5.

| | Ref. | Part No. | Serial Number | Description | Qty. |
|---|------|----------|---------------|-------------------|------|
| ▽ | | 74273 | (000000- |) Control, Manual | 1 |
| ▲ | 1 | 79754 | (000000- |) Housing,Control | 1 |
| ▲ | 2 | 79755 | (000000- |) Plug | 1 |
| ▲ | 3 | 79776 | (000000- |) Seal Kit,Cntrl | 1 |
| ▲ | 4 | 79756 | (000000- |) Ring, Retaining | 1 |
| ▲ | 5 | 79757 | (000000- |) Spring,Retainer | 2 |
| ▲ | 6 | 79758 | (000000- |) Spring, Cntr | 1 |
| ▲ | 7 | 79759 | (000000- |) Valve Spool | 1 |
| ▲ | 8 | 79760 | (000000- |) Screw, Set | 1 |
| ▲ | 9 | 79761 | (000000- |) Link, Feedback | 1 |
| ▲ | 10 | 79762 | (000000- |) Dowel Pin | 1 |
| ▲ | 11 | 79763 | (000000- |) Ring, Retaining | 1 |
| ▲ | 12 | 79764 | (000000- |) Bell Crank | 1 |
| ▲ | 13 | 79765 | (000000- |) Screw, Set | 1 |
| ▲ | 14 | 79766 | (000000- |) Shaft, Input | 1 |
| ▲ | 15 | 79767 | (000000- |) Pin, Headed | 1 |

Fig. 6 - Hydraulic Piston Pump Breakdown, 74164

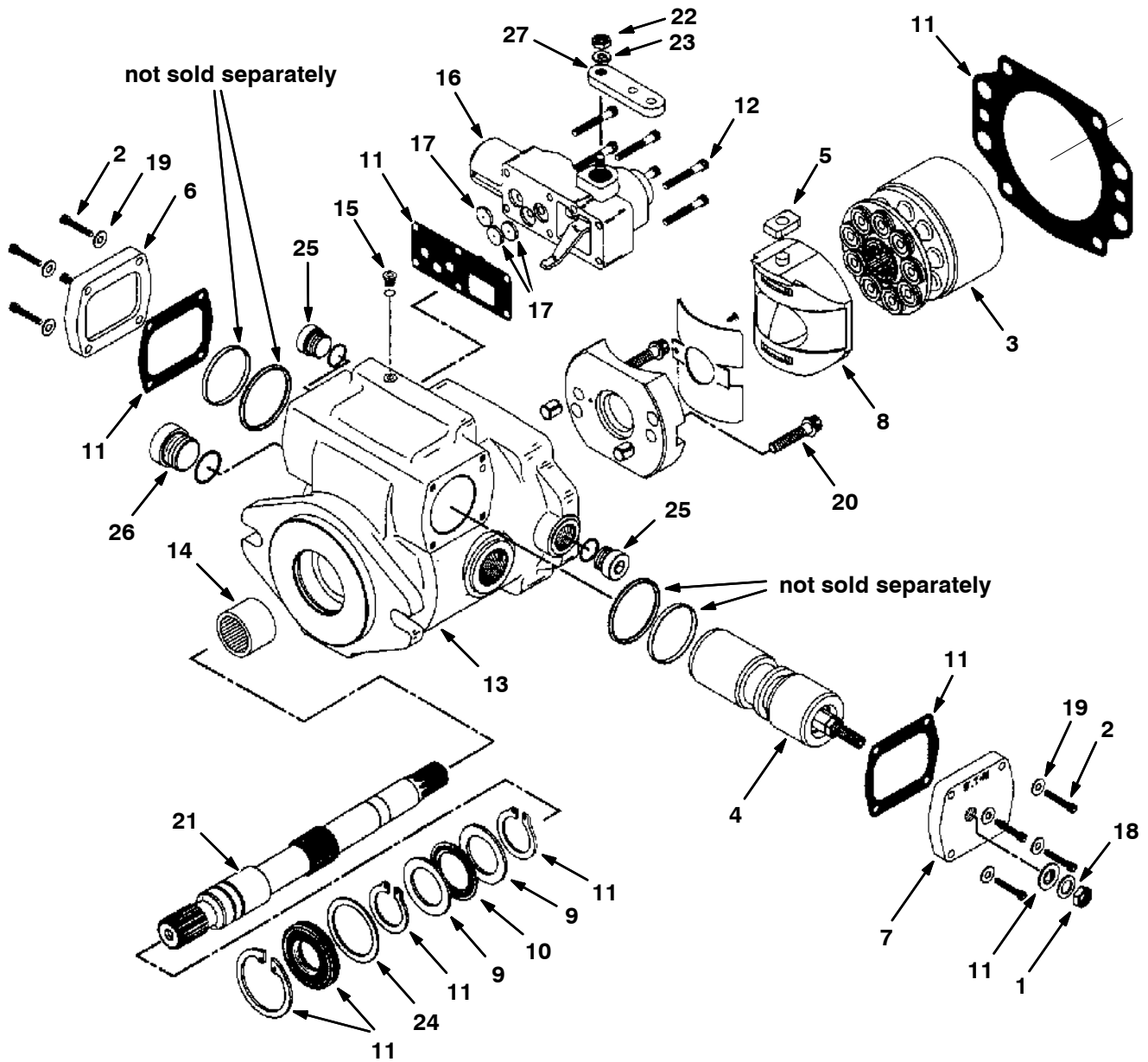


Fig. 6 - Hydraulic Piston Pump Breakdown, 74164

NOTE: Piston Pump, TENNANT Part Number 74164, includes Fig. 6, Fig. 7 and Fig. 10.

| Ref. | Part No. | Serial Number | Description | Qty. | |
|------|----------|---------------|---------------------|------------------------------------|---|
| 1 | 74184 | (000000- |) Nut, Jam | 1 | |
| 2 | 74223 | (000000- |) Screw, Cap | 8 | |
| 3 | 61882 | (000000- |) Rotating Kit | 1 | |
| 4 | 74253 | (000000- |) Piston, Servo | 1 | |
| 5 | 74254 | (000000- |) Follower, Piston | 1 | |
| 6 | 74256 | (000000- |) Plate, Cover En | 1 | |
| 7 | 74257 | (000000- |) Plate, Cover En | 1 | |
| 8 | 74258 | (000000- |) Camplate S/A En | 1 | |
| 9 | 74240 | (000000- |) Race, Bearing Ce | 2 | |
| 10 | 74210 | (000000- |) Bearing | 1 | |
| 11 | 74283 | (000000- |) Seal Kit, Pump En | 1 | |
| 12 | 74262 | (000000- |) Screw, Cap En | 6 | |
| ▽ | 74263 | (000000- |) Housing S/A En | 1 | |
| ▲ | 13 | 79771 | (000000- |) Housing En | 1 |
| ▲ | 14 | 37462 | (000000- |) Bearing | 1 |
| ▲ | 15 | 79742 | (000000- |) Plug S/A En | 1 |
| | 16 | 373369 | (000000- |) Control, Manual (See Breakdowns) | 1 |
| | 17 | 74276 | (000000- |) Orifice, Valve En | 3 |
| | 18 | 74280 | (000000- |) Washer En | 1 |
| | 19 | 74281 | (000000- |) Washer En | 8 |
| | 20 | 79747 | (000000- |) Cap Screw En | 2 |
| | 21 | 74265 | (000000- |) Shaft, Drive Sp En | 1 |
| | 22 | 74266 | (000000- |) Nut En | 1 |
| | 23 | 74267 | (000000- |) Lockwasher En | 1 |
| | 24 | 37460 | (000000- |) Washer | 1 |
| | 25 | 13907 | (000000- |) Plug #8 | 2 |
| | 26 | 79779 | (000000- |) Plug,#12 O-Ring Ph | 1 |
| | 27 | 74272 | (000000- |) Arm, Control En | 1 |

Fig. 7 - Hydraulic Piston Pump Breakdown, 74164

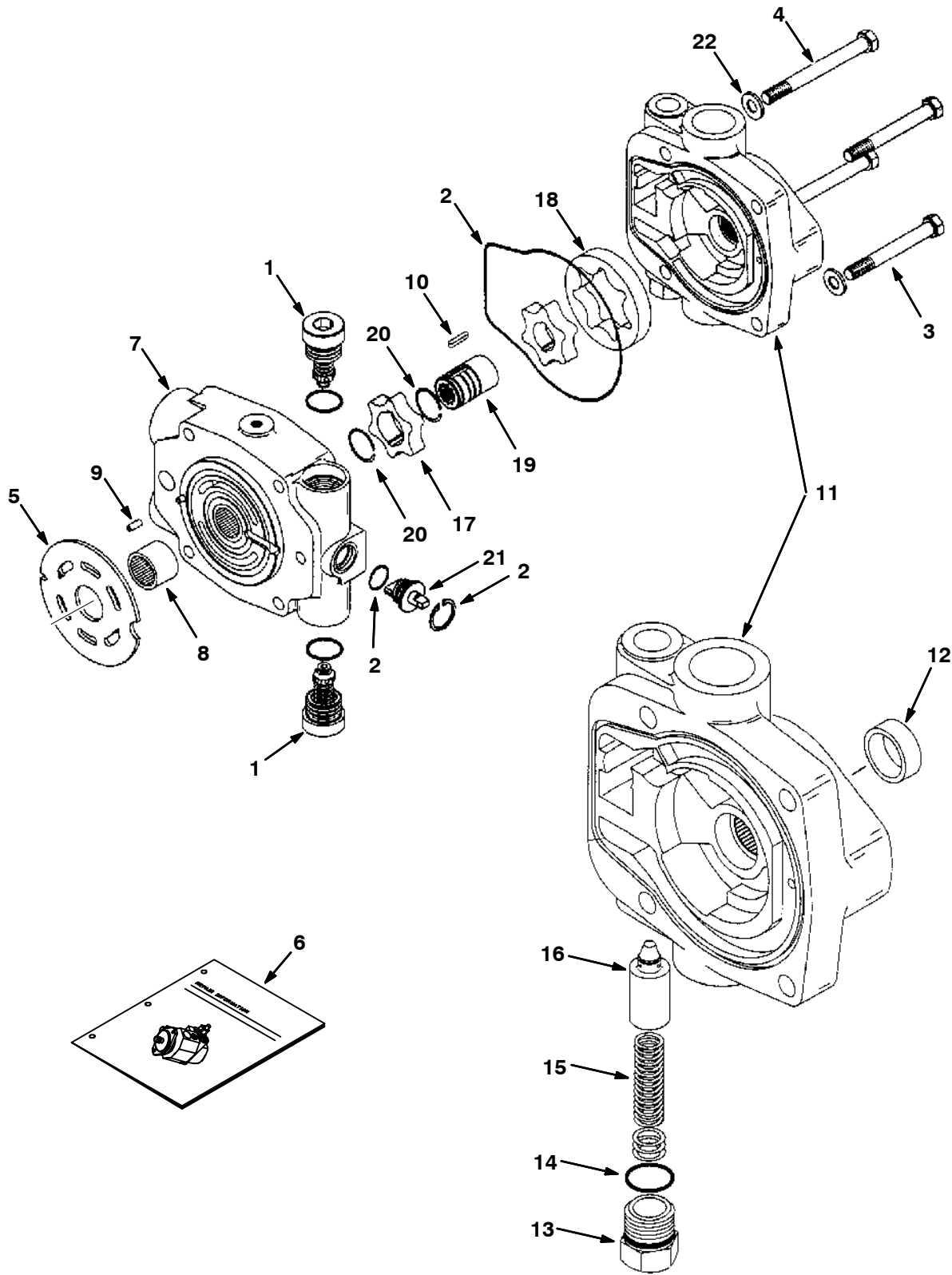


Fig. 7 - Hydraulic Piston Pump Breakdown, 74164

NOTE: Piston Pump, TENNANT Part Number 74164, includes Fig. 6, Fig. 7 and Fig. 10.

| Ref. | Part No. | Serial Number | Description | Qty. |
|------|----------|---------------|------------------------------|------|
| 1 | 74259 | (000000- |) Relief Valve Sa En | 2 |
| 2 | 74283 | (000000- |) Seal Kit, Pump En | 1 |
| 3 | 74260 | (000000- |) Screw, Cap En | 2 |
| 4 | 74261 | (000000- |) Screw, Cap En | 2 |
| 5 | 61886 | (000000- |) Valve Plate | 1 |
| 6 | 79708 | (000000- |) Repair Info,Pmp En | 1 |
| ▽ | 7 | 74264 | (000000-) Backplate S/A En | 1 |
| ▲ | 8 | 34159 | (000000-) Bearing | 1 |
| ▲ | 9 | 79748 | (000000-) Roll Pin En | 1 |
| 10 | 74270 | (000000- |) Key En | 1 |
| ▽ | 11 | 74271 | (000000-) Charge Pmp Adap En | 1 |
| ▲ | 12 | 79749 | (000000-) Bushing En | 1 |
| ▲ | 13 | 79750 | (000000-) Plug En | 1 |
| ▲ | 14 | 79751 | (000000-) Shims En | 1 |
| ▲ | 15 | 79752 | (000000-) Spring En | 1 |
| ▲ | 16 | 79753 | (000000-) Poppet En | 1 |
| 17 | 74274 | (000000- |) Geroter,Ring In En | 1 |
| 18 | 74275 | (000000- |) Geroter,Ring Ot En | 1 |
| 19 | 74277 | (000000- |) Coupler En | 1 |
| 20 | 74278 | (000000- |) Ring, Retaining En | 2 |
| 21 | 74279 | (000000- |) Actuator, Valve En | 1 |
| 22 | 74282 | (000000- |) Washer En | 4 |

Fig. 8 - Hydraulic Piston Pump Breakdown, 373405

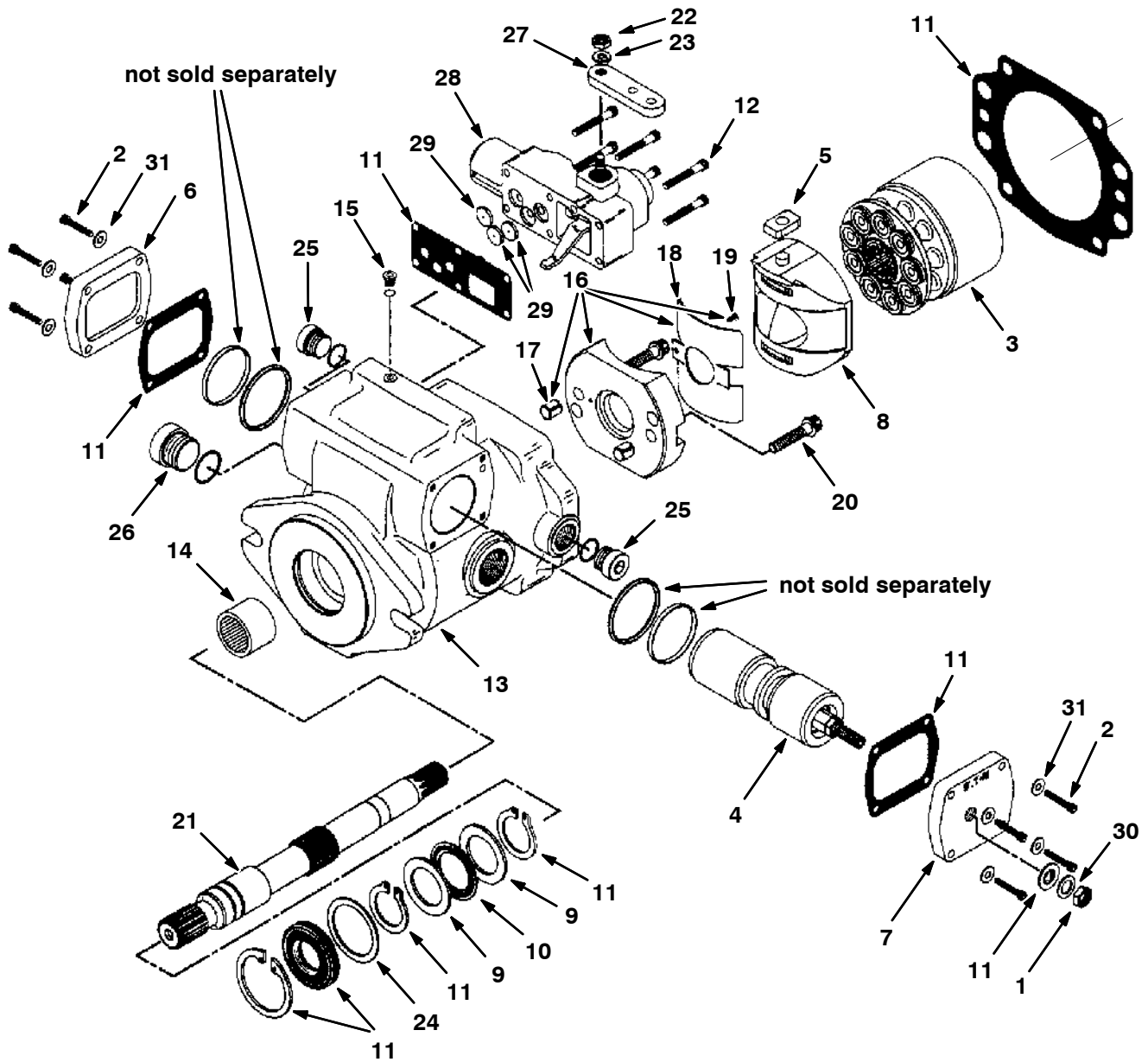


Fig. 8 - Hydraulic Piston Pump Breakdown, 373405

NOTE: Piston Pump, TENNANT Part Number 373405, includes Fig. 8, Fig. 9 and Fig. 10.

| Ref. | Part No. | Serial Number | Description | Qty. |
|------|-----------|---------------|------------------------------------|------|
| 1 | 74184 | (000000- |) Nut, Jam | 1 |
| 2 | 74223 | (000000- |) Screw, Cap | 8 |
| 3 | 61882 | (000000- |) Rotating Kit | 1 |
| 4 | 373407 | (000000- |) Piston, Servo | 1 |
| 5 | 74254 | (000000- |) Follower, Piston | 1 |
| 6 | 74256 | (000000- |) Plate, Cover En | 1 |
| 7 | 74257 | (000000- |) Plate, Cover En | 1 |
| 8 | 74258 | (000000- |) Camplate S/A En | 1 |
| 9 | 74240 | (000000- |) Race, Bearing Ce | 2 |
| 10 | 74210 | (000000- |) Bearing | 1 |
| 11 | 74283 | (000000- |) Seal Kit, Pump En | 1 |
| 12 | 74262 | (000000- |) Screw, Cap En | 6 |
| ▽ | 373408 | (000000- |) Housing S/A En | 1 |
| ▲ | 13 373409 | (000000- |) Housing En | 1 |
| ▲ | 14 37462 | (000000- |) Bearing | 1 |
| ▲ | 15 79742 | (000000- |) Plug S/A En | 1 |
| ▽ | 16 373410 | (000000- |) Cradle Sub Assy En | 1 |
| ▲ | 17 373218 | (000000- |) Dowel Bushing En | 2 |
| ▲ | 18 373414 | (000000- |) Bushing En | 1 |
| ▲ | 19 373415 | (000000- |) Cap Screw En | 1 |
| 20 | 79747 | (000000- |) Cap Screw En | 2 |
| 21 | 74265 | (000000- |) Shaft, Drive Sp En | 1 |
| 22 | 74266 | (000000- |) Nut En | 1 |
| 23 | 74267 | (000000- |) Lockwasher En | 1 |
| 24 | 37460 | (000000- |) Washer | 1 |
| 25 | 13907 | (000000- |) Plug #8 | 2 |
| 26 | 79779 | (000000- |) Plug,#12 O-Ring Ph | 1 |
| 27 | 74272 | (000000- |) Arm, Control En | 1 |
| 28 | 373369 | (000000- |) Control, Manual (See Breakdowns) | 1 |
| 29 | 74276 | (000000- |) Orifice, Valve En | 3 |
| 30 | 74280 | (000000- |) Washer En | 1 |
| 31 | 74281 | (000000- |) Washer En | 8 |

Fig. 9 - Hydraulic Piston Pump Breakdown, 373405

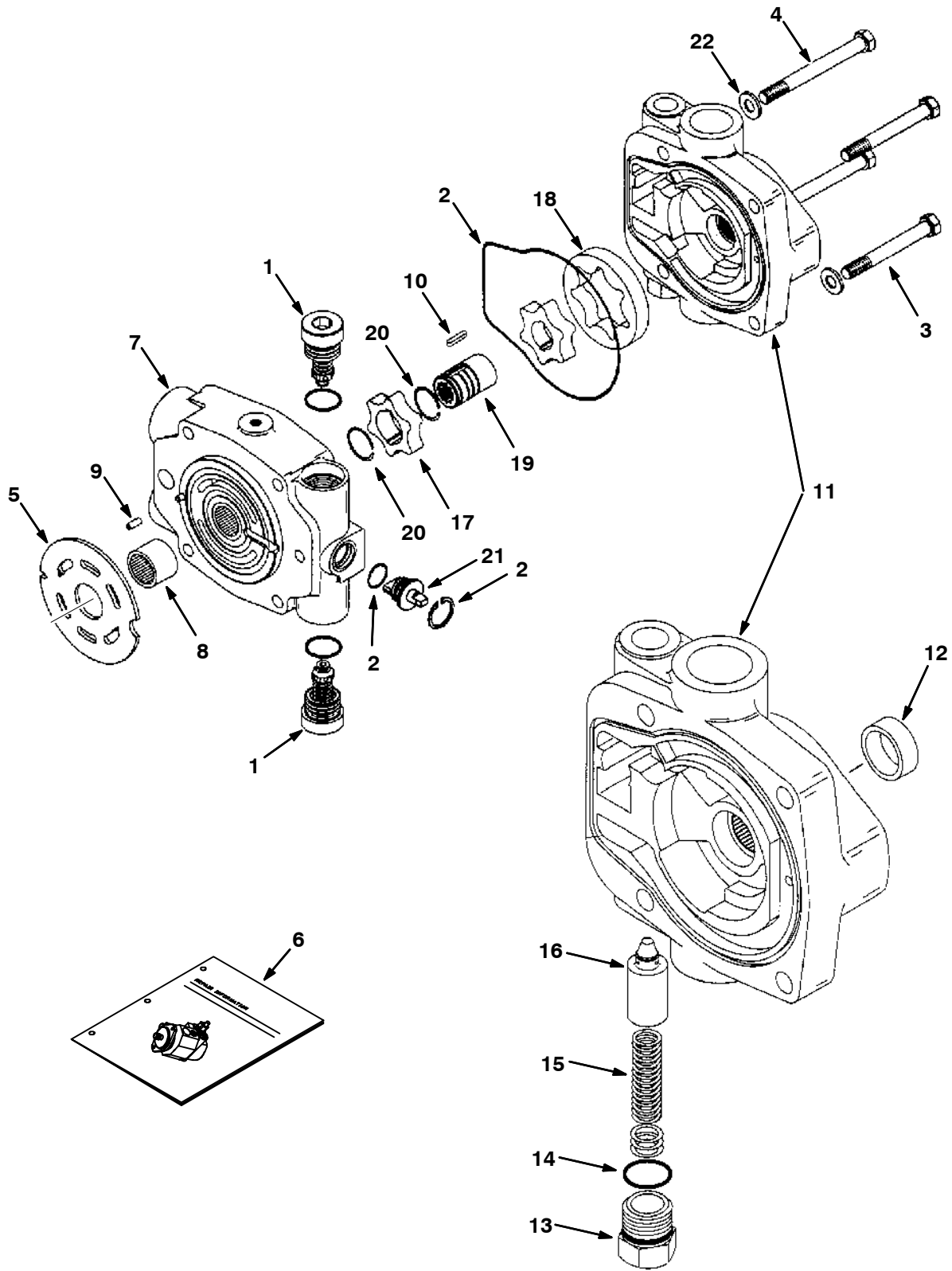


Fig. 9 - Hydraulic Piston Pump Breakdown, 373405

NOTE: Piston Pump, TENNANT Part Number 373405, includes Fig. 8, Fig. 9 and Fig. 10.

| Ref. | Part No. | Serial Number | Description | Qty. | |
|------|----------|---------------|----------------------|----------------------|---|
| 1 | 74259 | (000000- |) Relief Valve Sa En | 2 | |
| 2 | 74283 | (000000- |) Seal Kit, Pump En | 1 | |
| 3 | 373374 | (000000- |) Screw, Cap En | 2 | |
| 4 | 373375 | (000000- |) Screw, Cap En | 2 | |
| 5 | 61886 | (000000- |) Valve Plate | 1 | |
| 6 | 373406 | (000000- |) Repair Info,Pmp En | 1 | |
| ▽ | 7 | 373412 | (000000- |) Backplate S/A En | 1 |
| ▲ | 8 | 34159 | (000000- |) Bearing | 1 |
| ▲ | 9 | 79748 | (000000- |) Roll Pin En | 1 |
| 10 | 74270 | (000000- |) Key En | 1 | |
| ▽ | 11 | 74271 | (000000- |) Charge Pmp Adap En | 1 |
| ▲ | 12 | 79749 | (000000- |) Bushing En | 1 |
| ▲ | 13 | 79750 | (000000- |) Plug En | 1 |
| ▲ | 14 | 79751 | (000000- |) Shims En | 1 |
| ▲ | 15 | 79752 | (000000- |) Spring En | 1 |
| ▲ | 16 | 79753 | (000000- |) Poppet En | 1 |
| 17 | 74274 | (000000- |) Geroter,Ring In En | 1 | |
| 18 | 74275 | (000000- |) Geroter,Ring Ot En | 1 | |
| 19 | 74277 | (000000- |) Coupler En | 1 | |
| 20 | 74278 | (000000- |) Ring, Retaining En | 2 | |
| 21 | 373413 | (000000- |) Actuator, Valve En | 1 | |
| 22 | 74282 | (000000- |) Washer En | 4 | |

Fig. 10 - Hydraulic Manual Control Breakdown, 373369

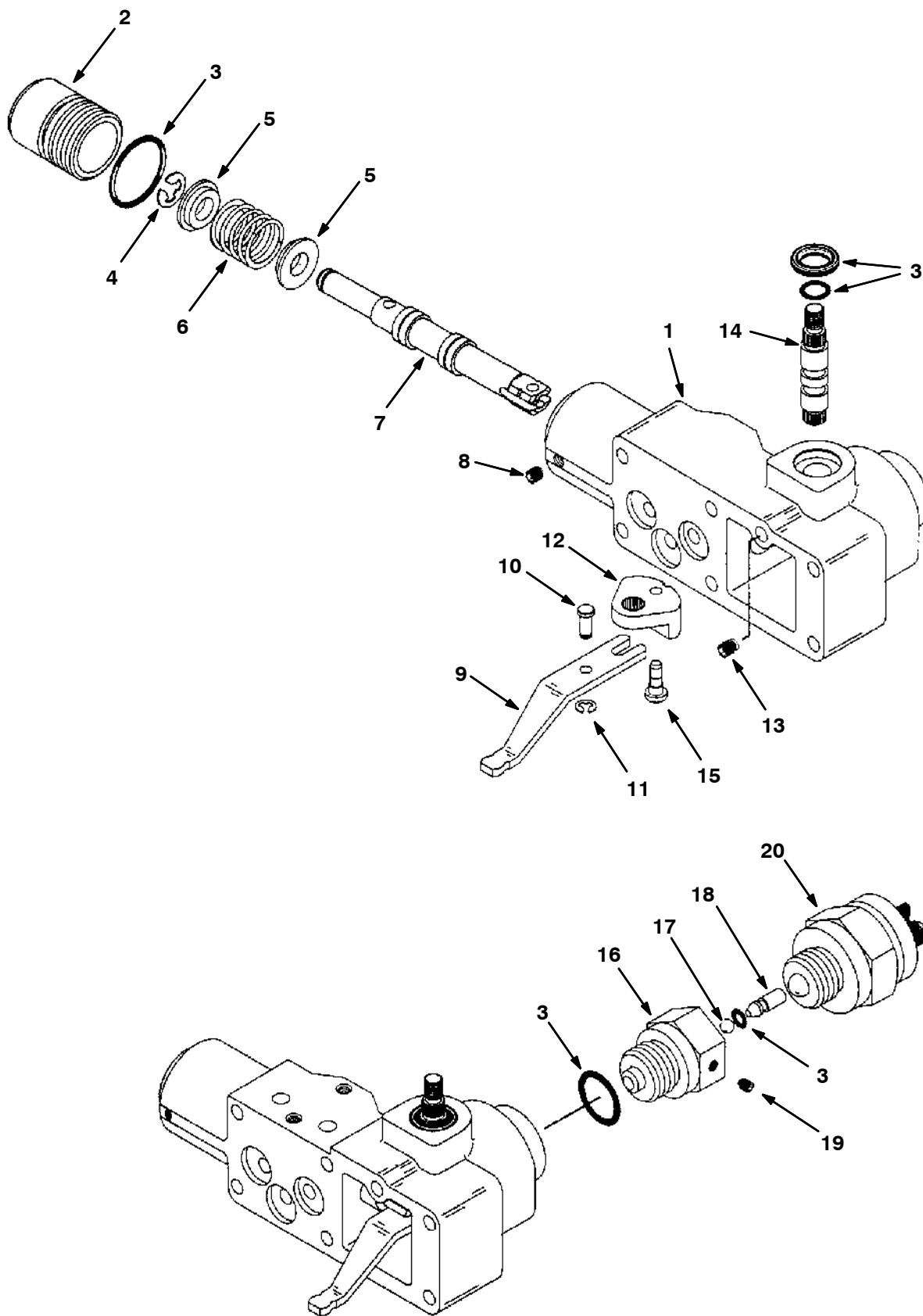


Fig. 10 - Hydraulic Manual Control Breakdown, 373369

NOTE: Piston Pump, TENNANT Part Number 74164, includes Fig. 6, Fig. 7 and Fig. 10.

NOTE: Piston Pump, TENNANT Part Number 373405, includes Fig. 8, Fig. 9 and Fig. 10.

| | Ref. | Part No. | Serial Number | Description | Qty. |
|---|------|----------|---------------|----------------------|------|
| ▽ | | 373369 | (000000- |) Manual Control En | 1 |
| ▲ | 1 | 79777 | (000000- |) Housing,Control En | 1 |
| ▲ | 2 | 79755 | (000000- |) Plug En | 1 |
| ▲ | 3 | 79776 | (000000- |) Seal Kit,Cntrl En | 1 |
| ▲ | 4 | 79756 | (000000- |) Ring, Retaining En | 1 |
| ▲ | 5 | 79757 | (000000- |) Spring,Retainer En | 2 |
| ▲ | 6 | 79758 | (000000- |) Spring, Cntr En | 1 |
| ▲ | 7 | 79772 | (000000- |) Vlv Spool Wide En | 1 |
| ▲ | 8 | 79760 | (000000- |) Screw, Set En | 1 |
| ▲ | 9 | 79761 | (000000- |) Link, Feedback En | 1 |
| ▲ | 10 | 79762 | (000000- |) Dowel Pin En | 1 |
| ▲ | 11 | 79763 | (000000- |) Ring, Retaining En | 1 |
| ▲ | 12 | 79764 | (000000- |) Bell Crank En | 1 |
| ▲ | 13 | 79765 | (000000- |) Screw, Set En | 1 |
| ▲ | 14 | 79766 | (000000- |) Shaft, Input En | 1 |
| ▲ | 15 | 79767 | (000000- |) Pin, Headed En | 1 |
| ▲ | 16 | 373371 | (000000- |) Adaptor,Neutral En | 1 |
| ▲ | 17 | 79774 | (000000- |) Ball En | 1 |
| ▲ | 18 | 373372 | (000000- |) Pin, Cntrl Assy En | 1 |
| ▲ | 19 | 79760 | (000000- |) Screw, Set En | 1 |
| ▲ | 20 | 373373 | (000000- |) Switch,Lockout En | 1 |

Fig. 11 - Hydraulic Gear Pump Breakdown, 62561

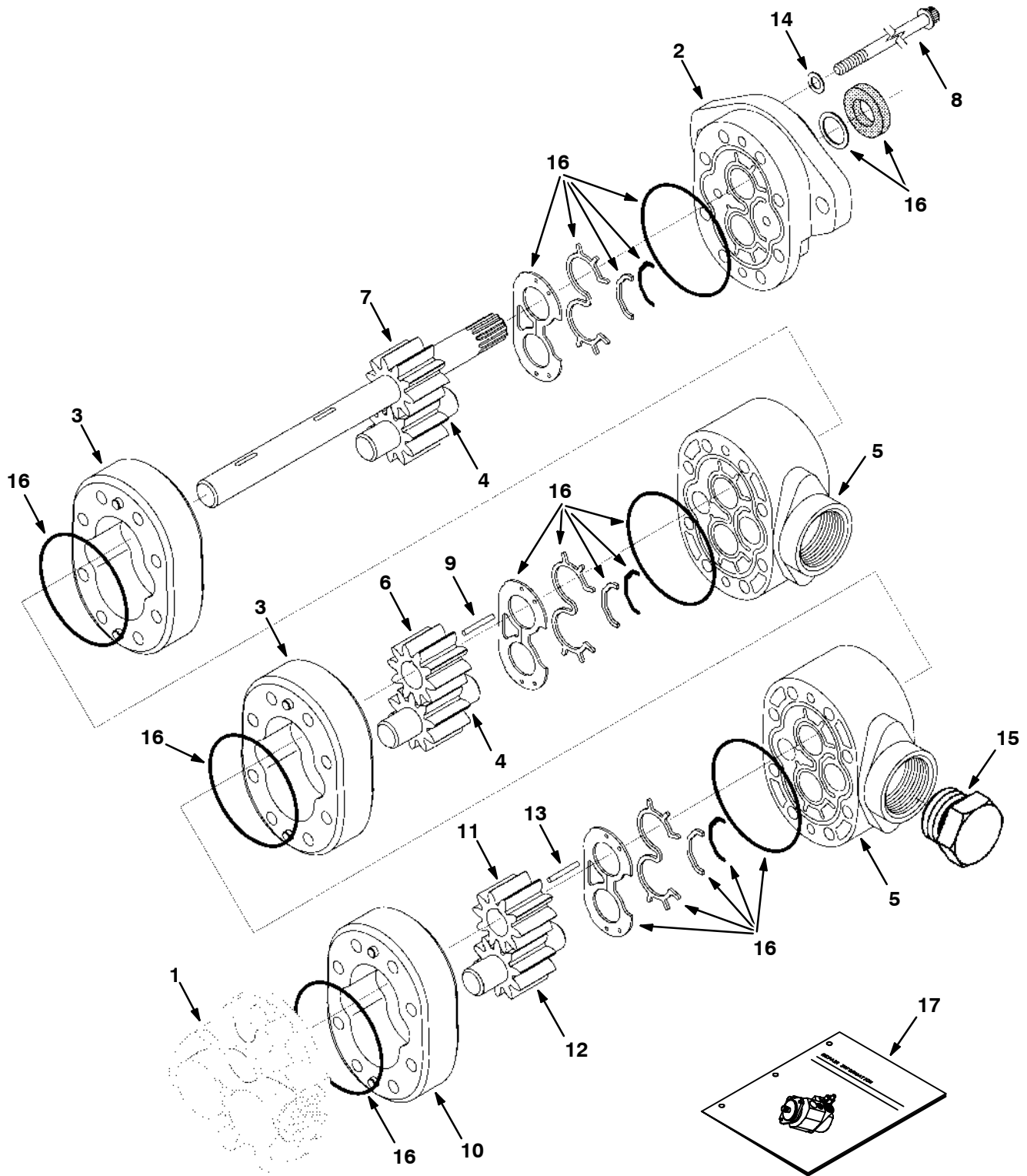


Fig. 11 - Hydraulic Gear Pump Breakdown, 62561

| | Ref. | Part No. | Serial Number | Description | Qty. |
|---|------|----------|---------------|------------------------|------|
| ▽ | | 62561 | (000000- |) Pump, Hyd | 1 |
| ▲ | 1 | 58242 | (000000- |) Plate, Back | 1 |
| ▲ | 2 | 74149 | (000000- |) Plate, Front | 1 |
| ▲ | 3 | 74150 | (000000- |) Body Assy | 2 |
| ▲ | 4 | 74151 | (000000- |) Gear, Idler | 2 |
| ▲ | 5 | 74152 | (000000- |) Plate, Adapter | 2 |
| ▲ | 6 | 74148 | (000000- |) Gear, Slip Fit | 1 |
| ▲ | 7 | 65226 | (000000- |) Drive Gear Assembly | 1 |
| ▲ | 8 | 74154 | (000000- |) Screw, Cap | 8 |
| ▲ | 9 | 74160 | (000000- |) Key, Round | 1 |
| ▲ | 10 | 74157 | (000000- |) Body Assembly | 1 |
| ▲ | 11 | 74153 | (000000- |) Gear | 1 |
| ▲ | 12 | 74158 | (000000- |) Gear, Idler | 1 |
| ▲ | 13 | 74156 | (000000- |) Key, Round | 1 |
| ▲ | 14 | 74159 | (000000- |) Washer | 4 |
| ▲ | 15 | 74161 | (000000- |) Plug, O-ring | 1 |
| ▲ | 16 | 59305 | (000000- |) Kit, Seal, Hyd, Pump | 1 |
| ▲ | 17 | 763483 | (000000- |) Repair Info, Pump | 1 |

Fig. 12 - Hydraulic Gear Pump Breakdown, 373254

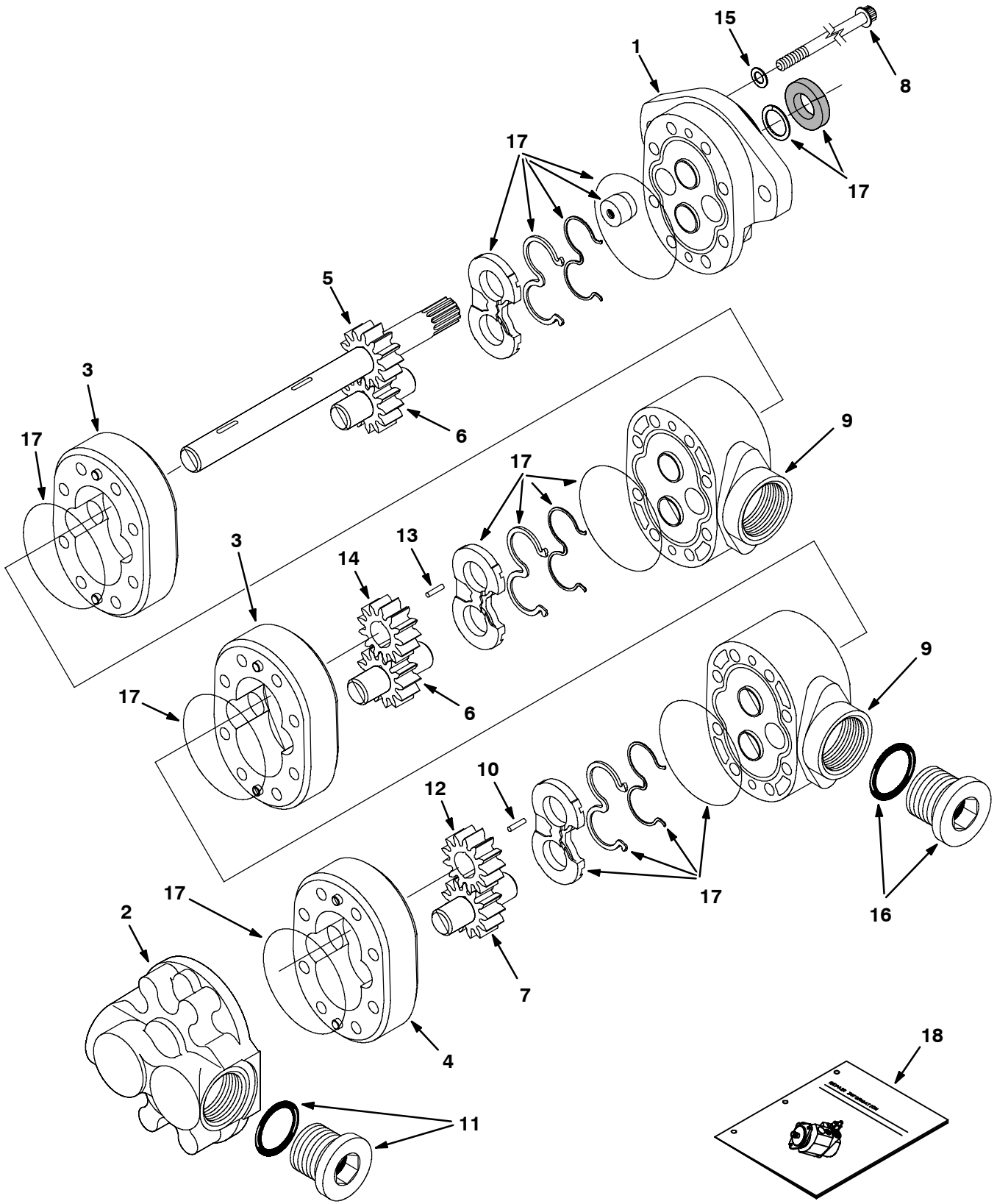


Fig. 12 - Hydraulic Gear Pump Breakdown, 373254

| Ref. | Part No. | Serial Number | Description | Qty. |
|------|----------|---------------|--|------|
| ▽ | 373254 | (000000- |) Pump, Hyd, Gear, [Ex3] 0.66 [R] 3000 | 1 |
| ▲ 1 | 373201 | (000000- |) Plate, Front, Pump, Hyd | 1 |
| ▲ 2 | 373276 | (000000- |) Plate, Back, Pump, Hyd | 1 |
| ▲ 3 | 373232 | (000000- |) Housing | 1 |
| ▲ 4 | 373256 | (000000- |) Body | 2 |
| ▲ 5 | 373457 | (000000- |) Gear, Drive | 1 |
| ▲ 6 | 373211 | (000000- |) Gear Assy, Idler | 1 |
| ▲ 7 | 373258 | (000000- |) Gear, Idler | 2 |
| ▲ 8 | 74154 | (000000- |) Screw, Cap, Motor, Hyd | 8 |
| ▲ 9 | 373235 | (000000- |) Plate, Adaptor | 2 |
| ▲ 10 | 373458 | (000000- |) Key | 1 |
| ▲ 11 | 71725 | (000000- |) Plug, O-Ring | 1 |
| ▲ 12 | 373259 | (000000- |) Gear, [Slip Fit] | 1 |
| ▲ 13 | 373284 | (000000- |) Key | 1 |
| ▲ 14 | 373242 | (000000- |) Gear | 1 |
| ▲ 15 | 373243 | (000000- |) Washer | 4 |
| ▲ 16 | 74161 | (000000- |) Plug, O-Ring | 1 |
| ▲ 17 | 373255 | (000000- |) Kit, Seal, Pump | 1 |
| ▲ 18 | 373207 | (000000- |) Instr, Kit, Repair, Pump, Hyd | 1 |

Fig. 13 - Hydraulic Motor Breakdown, 63426

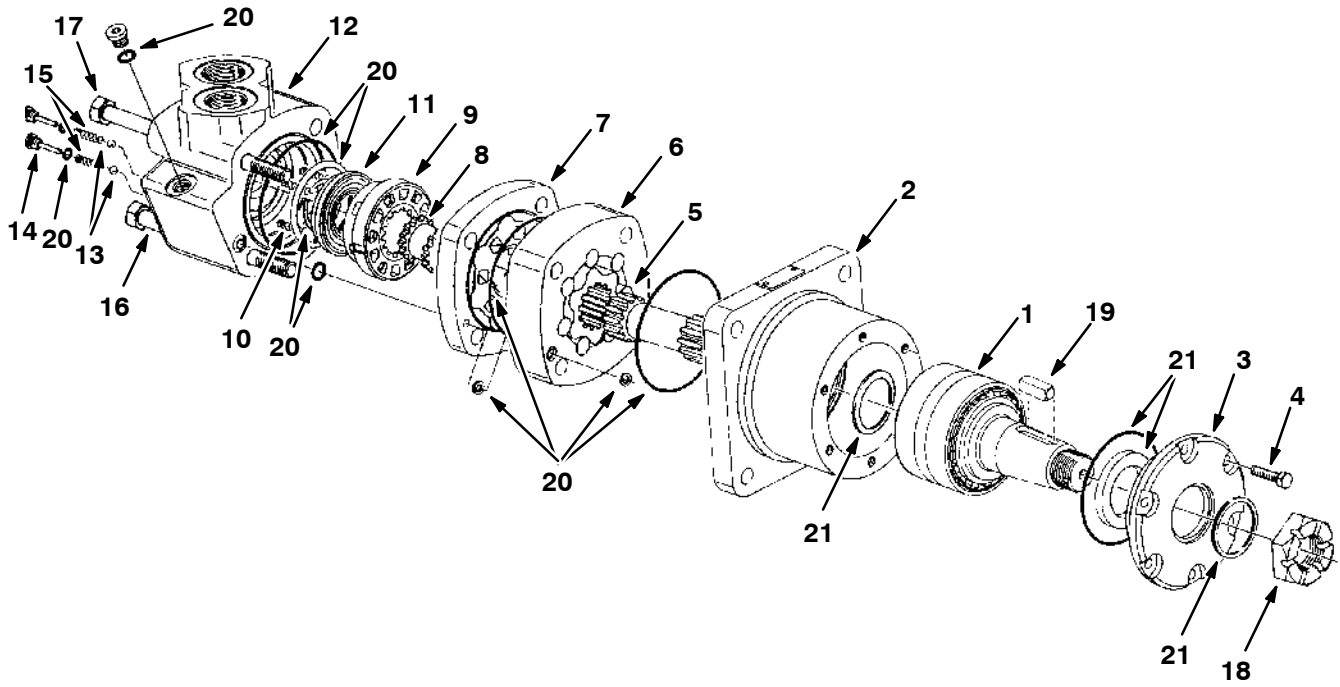


Fig. 13 - Hydraulic Motor Breakdown, 63426

| | Ref. | Part No. | Serial Number | Description | Qty. |
|---|------|----------|---------------|---------------------|------|
| ▽ | | 63426 | (000000- |) Motor, Propelling | 1 |
| ▲ | 1 | 34180 | (000000- |) Shaft and Brg | 1 |
| ▲ | 2 | 74132 | (000000- |) Housing, Brg | 1 |
| ▲ | 3 | 74133 | (000000- |) Retainer, Frt | 1 |
| ▲ | 4 | 37943 | (000000- |) Bolt | 6 |
| ▲ | 5 | 34181 | (000000- |) Drive | 1 |
| ▲ | 6 | 34182 | (000000- |) Gerotor Set | 1 |
| ▲ | 7 | 34184 | (000000- |) Valve Plate | 1 |
| ▲ | 8 | 34183 | (000000- |) Drive, Valve | 1 |
| ▲ | 9 | 34185 | (000000- |) Valve | 1 |
| ▲ | 10 | 34178 | (000000- |) Spring | 3 |
| ▲ | 11 | 37723 | (000000- |) Plate | 1 |
| ▲ | 12 | 74134 | (000000- |) Housing Assy | 1 |
| ▲ | 13 | 37766 | (000000- |) Ball | 2 |
| ▲ | 14 | 74137 | (000000- |) Plug Assembly | 2 |
| ▲ | 15 | 34179 | (000000- |) Spring | 2 |
| ▲ | 16 | 74135 | (000000- |) Screw, Cap | 2 |
| ▲ | 17 | 74136 | (000000- |) Screw, Cap | 2 |
| ▲ | 18 | 45622 | (000000- |) Nut | 1 |
| ▲ | 19 | 45623 | (000000- |) Key | 1 |
| ▲ | 20 | 40380 | (000000- |) Seal Kit, Motor | 1 |
| ▲ | 21 | 65227 | (000000- |) Seal Kit, Shaft | 1 |

Fig. 14 - Hydraulic Motor Breakdown, 22626

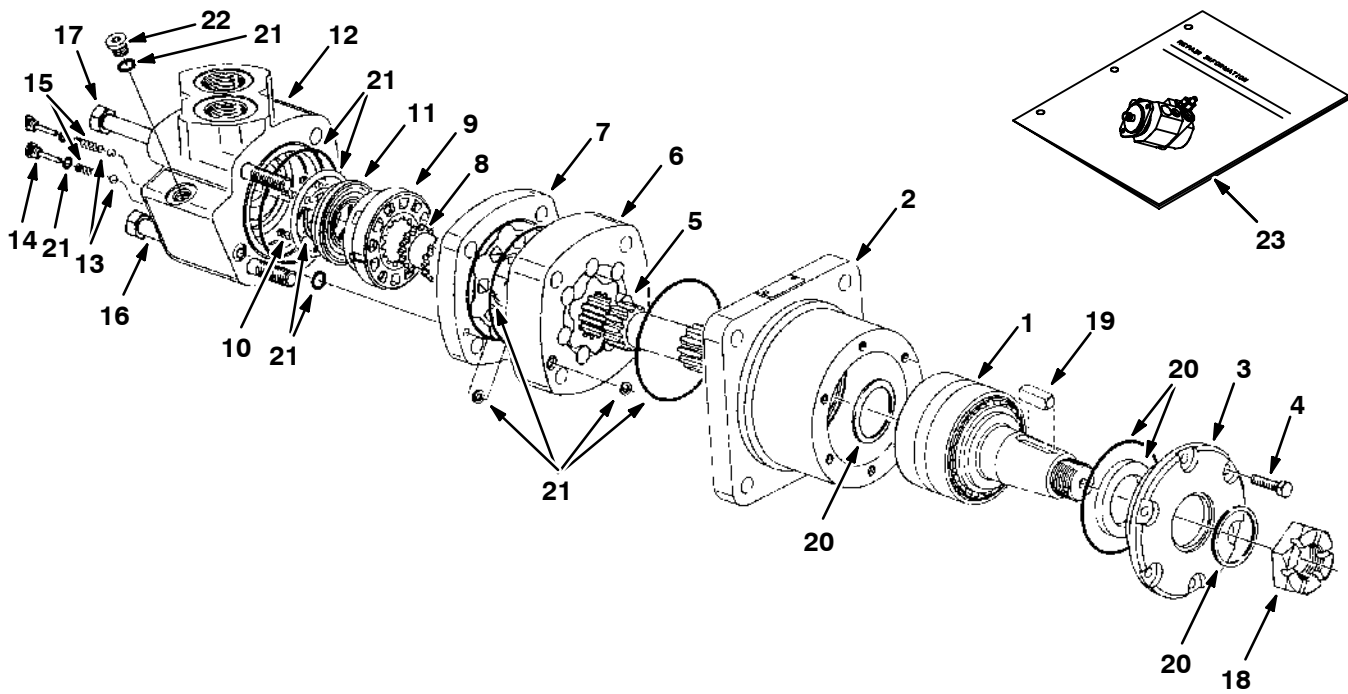


Fig. 14 - Hydraulic Motor Breakdown, 22626

| | Ref. | Part No. | Serial Number | Description | Qty. |
|----|------|----------|---------------|----------------------|------|
| ▽ | | 22626 | (000000- |) Motor, Propelling | 1 |
| ▲ | 1 | 22629 | (000000- |) Shaft and Brg | 1 |
| ▲ | 2 | 22630 | (000000- |) Housing, Brg | 1 |
| ▲ | 3 | 22636 | (000000- |) Retainer, Frt | 1 |
| ▲ | 4 | 37943 | (000000- |) Bolt | 6 |
| ▲ | 5 | 34181 | (000000- |) Drive | 1 |
| ▲ | 6 | 74214 | (000000- |) Gerotor Set | 1 |
| ▲ | 7 | 34184 | (000000- |) Valve Plate | 1 |
| ▲ | 8 | 34183 | (000000- |) Drive, Valve | 1 |
| ▲ | 9 | 34185 | (000000- |) Valve | 1 |
| ▲ | 10 | 34178 | (000000- |) Spring | 3 |
| ▲ | 11 | 37723 | (000000- |) Plate | 1 |
| ▲ | 12 | 74134 | (000000- |) Housing Assy | 1 |
| ▲ | 13 | 37766 | (000000- |) Ball | 2 |
| ▲ | 14 | 74137 | (000000- |) Plug Assembly | 2 |
| ▲ | 15 | 34179 | (000000- |) Spring | 2 |
| ▲ | 16 | 74135 | (000000- |) Screw, Cap | 2 |
| ▲ | 17 | 74136 | (000000- |) Screw, Cap | 2 |
| ▲ | 18 | 45622 | (000000- |) Nut | 1 |
| ▲ | 19 | 45623 | (000000- |) Key | 1 |
| ▲▽ | 20 | 22645 | (000000- |) Seal Kit, Shaft | 1 |
| ▲▲ | 21 | 22646 | (000000- |) Seal Kit, Motor | 1 |
| ▲▲ | | 74220 | (000000- |) Seal Kit, Rear | 1 |
| ▲ | 22 | 74098 | (000000- |) Plug, O-Ring | 1 |
| | 23 | 74246 | (000000- |) Repair Info, Motor | 1 |

Fig. 15 - Hydraulic Motor Breakdown, 373464

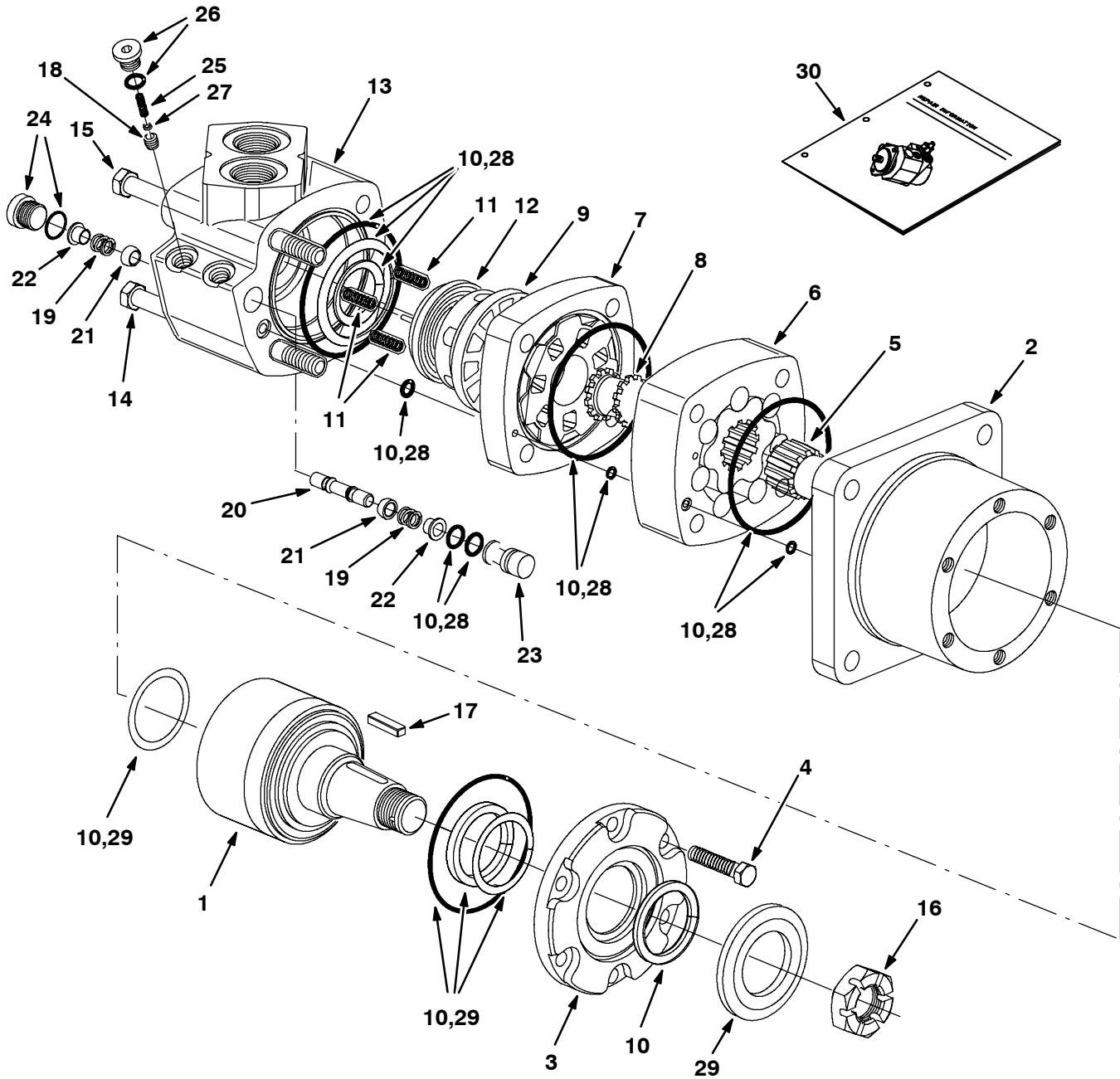
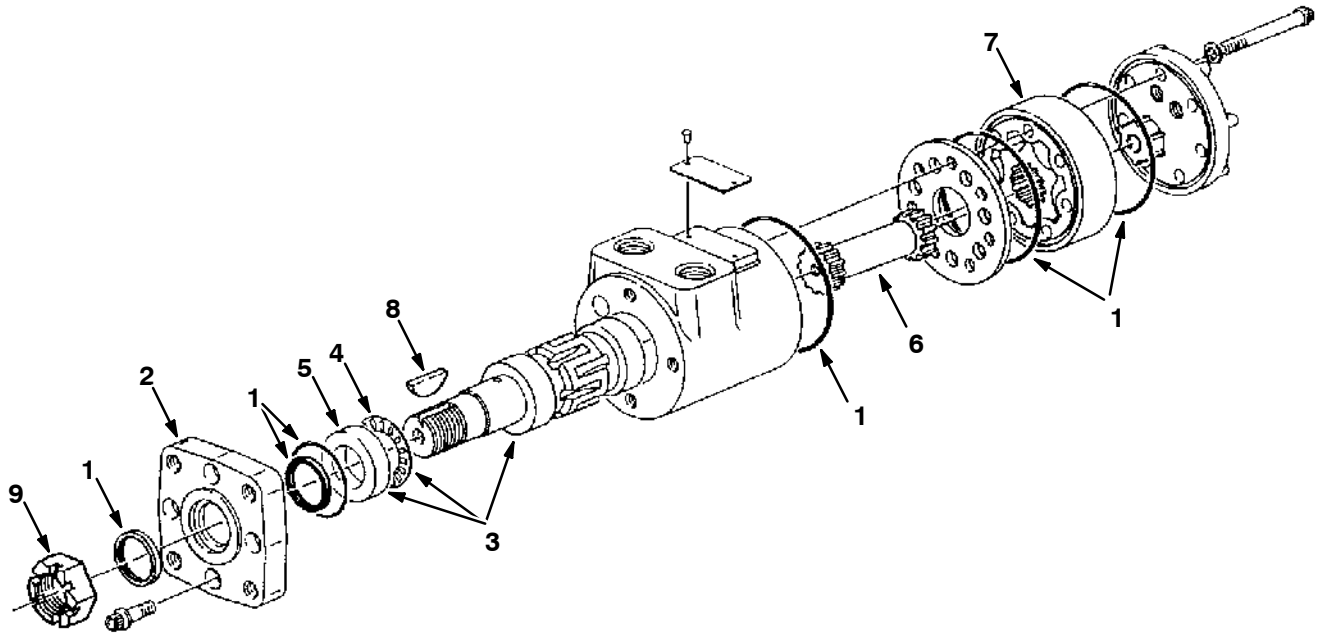


Fig. 15 - Hydraulic Motor Breakdown, 373464

| Ref. | Part No. | Serial Number | Description | Qty. |
|------|-----------|---------------|--------------------------------------|------|
| ▽ | 373464 | (000000- |) Motor, Hyd, Gear, [In] 29.9 B 3000 | 1 |
| ▲ | 1 22629 | (000000- |) Shaft, Motor, Hyd | 1 |
| ▲ | 2 22630 | (000000- |) Housing, Bearing, Motor, Hyd | 1 |
| ▲ | 3 22636 | (000000- |) Retainer, Front, Motor, Hyd | 1 |
| ▲ | 4 37943 | (000000- |) Bolt, Motor, Hyd | 6 |
| ▲ | 5 34181 | (000000- |) Drive, Motor, Hyd | 1 |
| ▲ | 6 74214 | (000000- |) Geroler Set, Motor, Hyd | 1 |
| ▲ | 7 34184 | (000000- |) Plate, Valve, Motor, Hyd | 1 |
| ▲ | 8 34183 | (000000- |) Valve, Drive, Motor, Hyd | 1 |
| ▲ | 9 373541 | (000000- |) Valve | 1 |
| ▲ | 10 22646 | (000000- |) Kit, Seal, Motor, Hyd | 1 |
| ▲ | 11 34178 | (000000- |) Spring, Motor, Hyd | 3 |
| ▲ | 12 37723 | (000000- |) Plate, Motor, Hyd | 1 |
| ▲ | 13 373549 | (000000- |) Housing, Valve | 1 |
| ▲ | 14 74135 | (000000- |) Screw, Cap, Motor, Hyd | 2 |
| ▲ | 15 74136 | (000000- |) Screw, Cap, Motor, Hyd | 2 |
| ▲ | 16 45622 | (000000- |) Nut, Motor, Hyd | 1 |
| ▲ | 17 45623 | (000000- |) Key, Motor, Hyd | 1 |
| ▲ | 18 373542 | (000000- |) Poppet | 1 |
| ▲ | 19 373291 | (000000- |) Spring | 2 |
| ▲ | 20 373543 | (000000- |) Piston | 1 |
| ▲ | 21 373226 | (000000- |) Poppet, Pump, Hyd, Gear | 2 |
| ▲ | 22 373236 | (000000- |) Sleeve, Dashpo, Pump, Hyd, Gear | 2 |
| ▲ | 23 373544 | (000000- |) Plug | 1 |
| ▲ | 24 373545 | (000000- |) Plug Assy | 1 |
| ▲ | 25 373546 | (000000- |) Spring | 1 |
| ▲ | 26 373547 | (000000- |) Plug Assy | 1 |
| ▲ | 27 373548 | (000000- |) Shim | 1 |
| ▲ | 28 74220 | (000000- |) Kit, Seal, Hyd, Motor | 1 |
| ▲ | 29 22645 | (000000- |) Kit, Seal, Motor, Hyd | 1 |
| | 30 74246 | (000000- |) Repair Info,Mtr Cl | 1 |

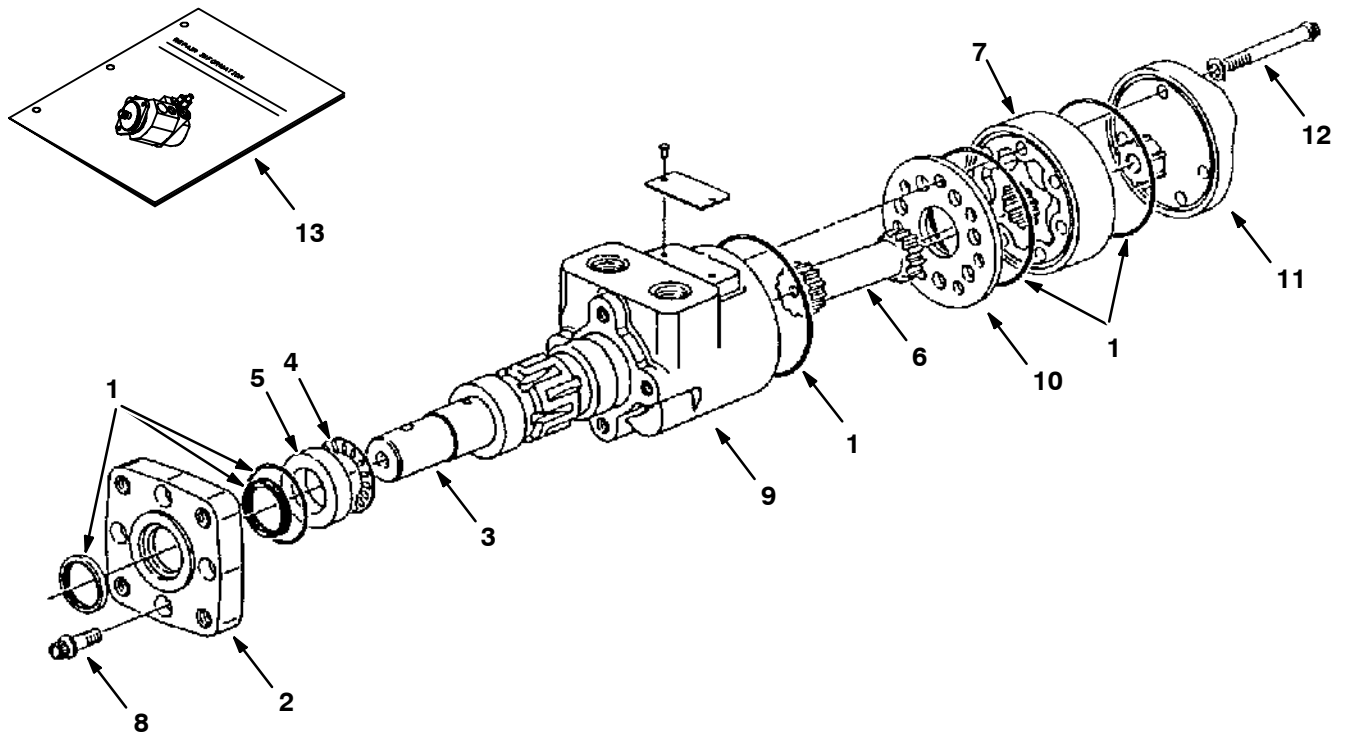
Fig. 16 - Hydraulic Motor Breakdown, 53434



05348 - ALL

| Ref. | Part No. | Serial Number | Description | Qty. | |
|------|----------|---------------|--------------------|-------------------------|---|
| ▽ | 53434 | (000000- |) Motor, Hydraulic | 1 | |
| ▲ | 1 | 61490 | (000000- |) Seal Kit | 1 |
| ▲ | 2 | 31354 | (000000- |) Flange, Mounting | 1 |
| ▲▽ | 3 | 58278 | (000000- |) Output Shaft Assembly | 1 |
| ▲▲ | 4 | 45628 | (000000- |) Bearing | 1 |
| ▲▲ | 5 | 16695 | (000000- |) Race, Thrust | 1 |
| ▲ | 6 | 34176 | (000000- |) Drive | 1 |
| ▲ | 7 | 58270 | (000000- |) Gerotor Set | 1 |
| ▲ | 8 | 00500-15 | (000000- |) Key, Woodruff | 1 |
| ▲ | 9 | 39527 | (000000- |) Nut, Slotted Hex | 1 |

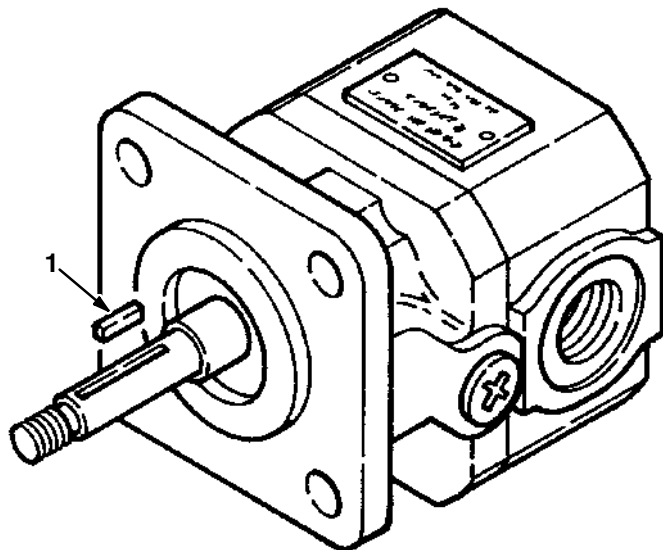
Fig. 17 - Hydraulic Motor Breakdown, 79781



07716,09670 - ALL

| Ref. | Part No. | Serial Number | Description | Qty. |
|------|----------|---------------|----------------------|------|
| ▽ | 79781 | (000000- |) Motor, Hydraulic | 1 |
| ▲ | 1 61490 | (000000- |) Seal Kit | 1 |
| ▲ | 2 79782 | (000000- |) Flange, Mounting | 1 |
| ▲ | 3 16694 | (000000- |) Shaft | 1 |
| ▲ | 4 45628 | (000000- |) Bearing Thrust | 1 |
| ▲ | 5 16695 | (000000- |) Race, Thrust | 1 |
| ▲ | 6 31380 | (000000- |) Drive | 1 |
| ▲ | 7 31385 | (000000- |) Gerotor Set | 1 |
| ▲ | 8 37555 | (000000- |) Screw | 4 |
| ▲ | 9 74100 | (000000- |) Housing | 1 |
| ▲ | 10 74094 | (000000- |) Spacer Plate | 1 |
| ▲ | 11 74101 | (000000- |) End Cap | 1 |
| ▲ | 12 65232 | (000000- |) Cap Screw | 5 |
| ▲ | 13 74250 | (000000- |) Repair Info, Motor | 1 |

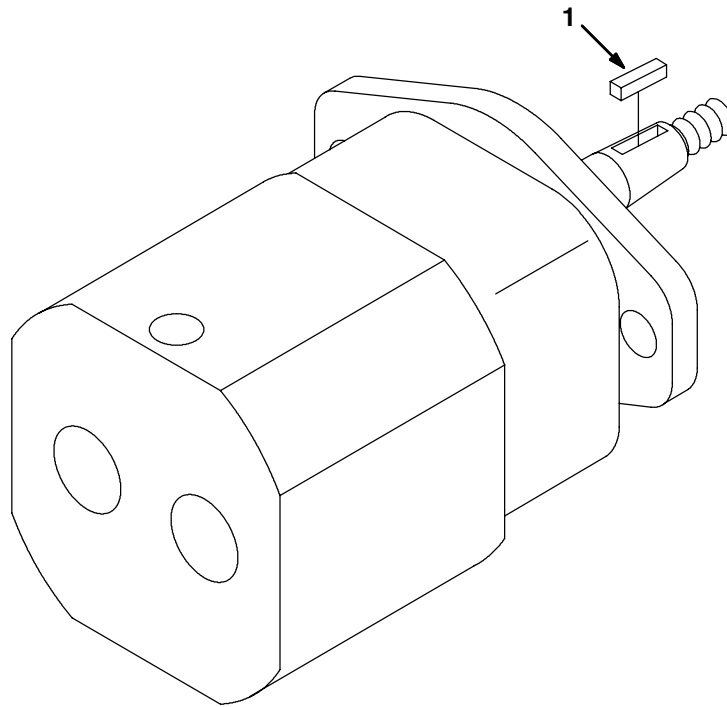
Fig. 18 - Hydraulic Motor Breakdown, 19117



05190 - ALL

| | Ref. | Part No. | Serial Number | Description | Qty. |
|---|-------------|-----------------|----------------------|--------------------|-------------|
| ▽ | | 19117 | (000000- |) Motor, Hydraulic | 1 |
| ▲ | 1 | 00954 | (000000- |) Key | 1 |
| ▲ | | 74233 | (000000- |) Seal Kit | 1 |

Fig. 19 - Hydraulic Motor Breakdown, 63542



10556 - ALL

| | Ref. | Part No. | Serial Number | Description | Qty. |
|---|-------------|-----------------|----------------------|----------------------------------|-------------|
| ▽ | | 63542 | (000000- |) Motor, Hydraulic | 1 |
| ▲ | 1 | 00960 | (000000- |) Key, Square 0.12 0.12 00.50 LG | 1 |
| ▲ | | 74233 | (000000- |) Seal Kit, Hyd Mtr Gear | 1 |

Fig. 20 - Hydraulic Steering Valve Breakdown, 65242

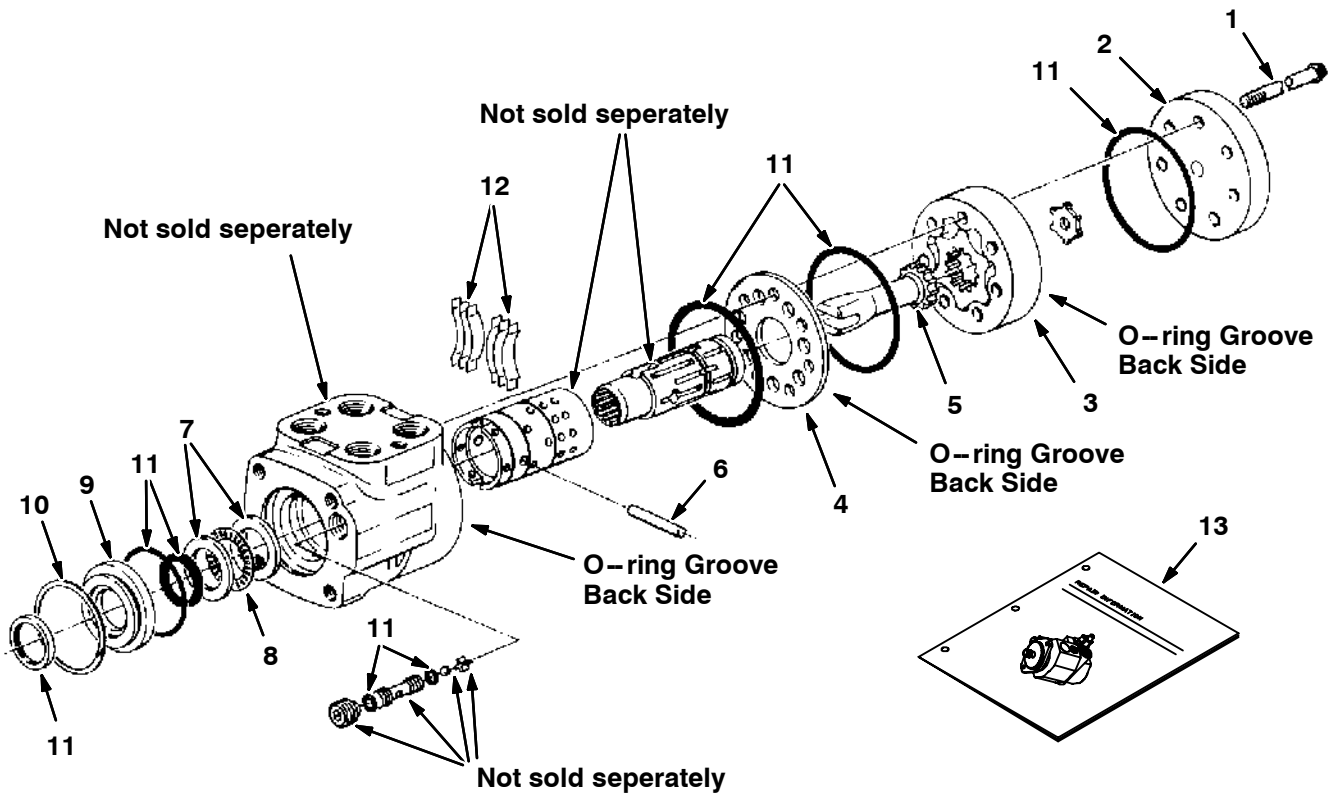
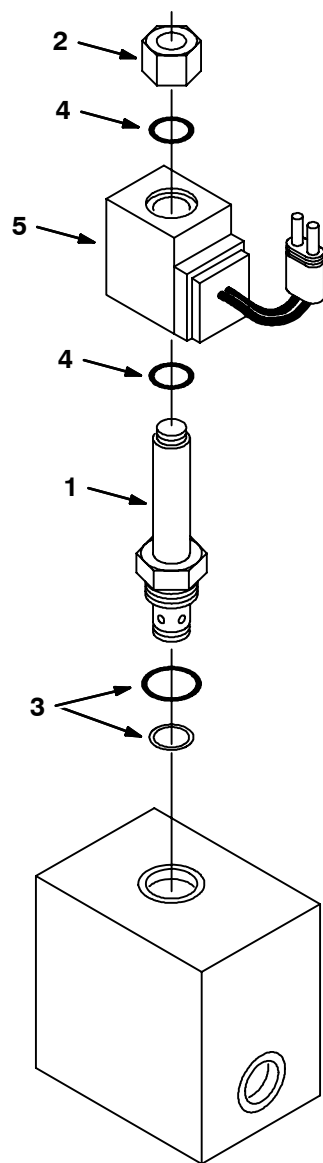


Fig. 20 - Hydraulic Steering Valve Breakdown, 65242

| | Ref. | Part No. | Serial Number | Description | Qty. |
|---|------|----------|---------------|---------------------------------|------|
| ▽ | | 65242 | (000000- |) Steer Control Hyd#4 04.5 1300 | 1 |
| ▲ | 1 | 74174 | (000000- |) Cap, Screw | 6 |
| ▲ | 2 | 74194 | (000000- |) Cap, End | 1 |
| ▲ | 3 | 65235 | (000000- |) Gerotor Set Cl | 1 |
| ▲ | 4 | 74182 | (000000- |) Plate, Wear | 1 |
| ▲ | 5 | 58596 | (000000- |) Drive | 1 |
| ▲ | 6 | 74218 | (000000- |) Pin | 1 |
| ▲ | 7 | 74109 | (000000- |) Race, Bearing | 2 |
| ▲ | 8 | 74110 | (000000- |) Bearing, Needle | 1 |
| ▲ | 9 | 74112 | (000000- |) Bushing, Seal | 1 |
| ▲ | 10 | 74111 | (000000- |) Ring, Retainer | 1 |
| ▲ | 11 | 74190 | (000000- |) Seal Kit, Scu | 1 |
| ▲ | 12 | 74195 | (000000- |) Spring Kit | 1 |
| | 13 | 74251 | (000000- |) Repair Info,Scu Cl | 1 |

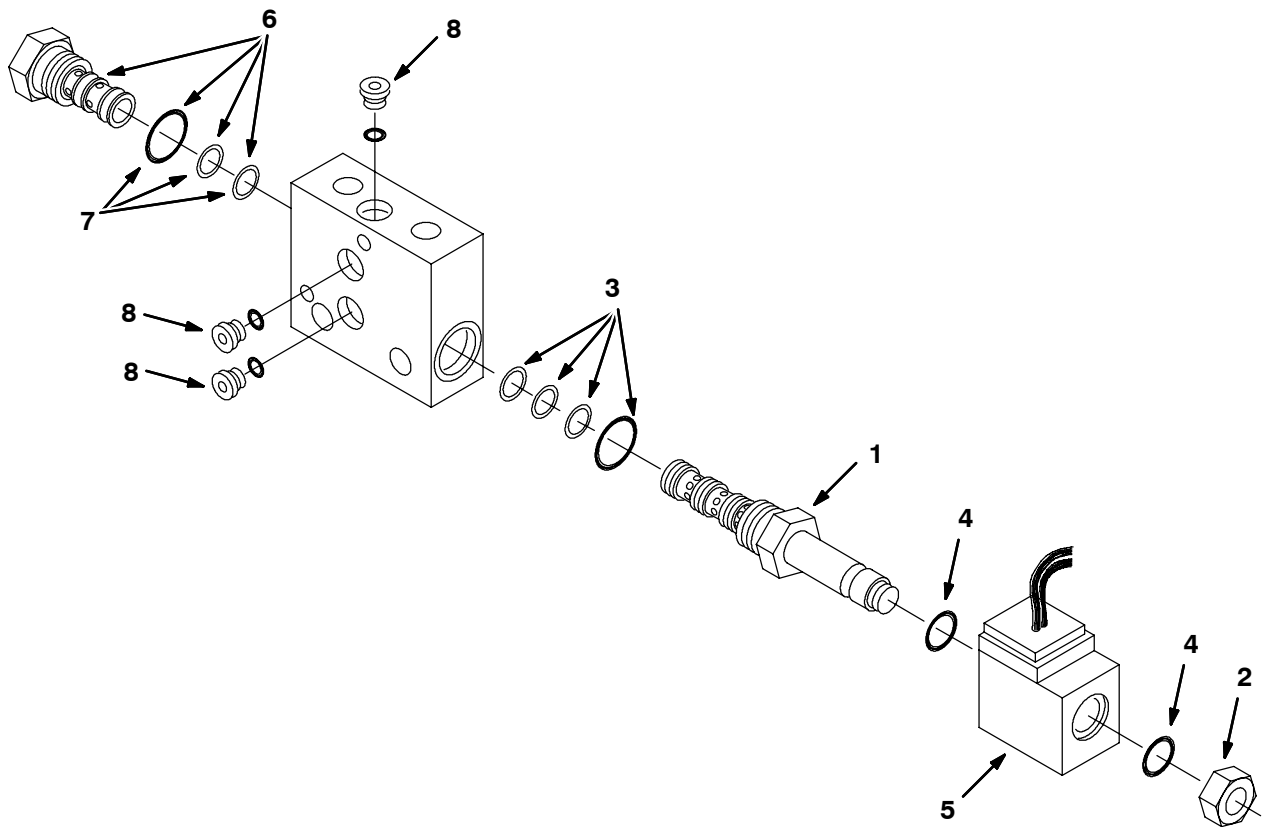
Fig. 21 - Hydraulic Solenoid Valve Breakdown, 84015



07639 - ALL

| Ref. | Part No. | Serial Number | Description | Qty. |
|------|----------|---------------|--------------------------|------|
| ▽ | 84015 | (000000- |) Valve - Hyd., Solenoid | 1 |
| ▲▽ | 1 79739 | (000000- |) Valve Stem, N.D. | 1 |
| ▲▲ | 2 79731 | (000000- |) Nut, Cart., LNG. | 1 |
| ▲▲ | 3 79711 | (000000- |) Seal Kit, Cart. | 1 |
| ▲▲ | 4 79740 | (000000- |) Seal Kit, Coil | 1 |
| ▲ | 5 21917 | (000000- |) Coil, 12V W/Var | 1 |

Fig. 22 - Hydraulic Solenoid Valve Breakdown, 84016



10499 - ALL

| Ref. | Part No. | Serial Number | Description | Qty. |
|------|----------|---------------|-------------------------------|------|
| ▽ | 84016 | (000000- |) Valve, Hyd Control Solenoid | 1 |
| ▲▽ | 1 79719 | (000000- |) Valve Stem 4W2P | 1 |
| ▲▲ | 2 79728 | (000000- |) Nut, Cart., Sht | 1 |
| ▲▲ | 3 79711 | (000000- |) Seal Kit, Cart | 1 |
| ▲▲ | 4 79740 | (000000- |) Seal Kit, Coil | 1 |
| ▲ | 5 21917 | (000000- |) Coil, 12V W/Var | 1 |
| ▲▽ | 6 74145 | (000000- |) Cart, Pilot Cntr | 1 |
| ▲▲ | 7 79711 | (000000- |) Seal Kit, Cart | 1 |
| ▲ | 8 13902 | (000000- |) Plug, #2 O-Ring | 3 |

Fig. 23 - Hydraulic Valve Breakdown, 375563

| CONTROL VALVE | |
|---------------|-------------|
| Spool #1 | Hopper Lift |
| Spool #2 | Hopper Dump |
| Spool #3 | Hopper Door |

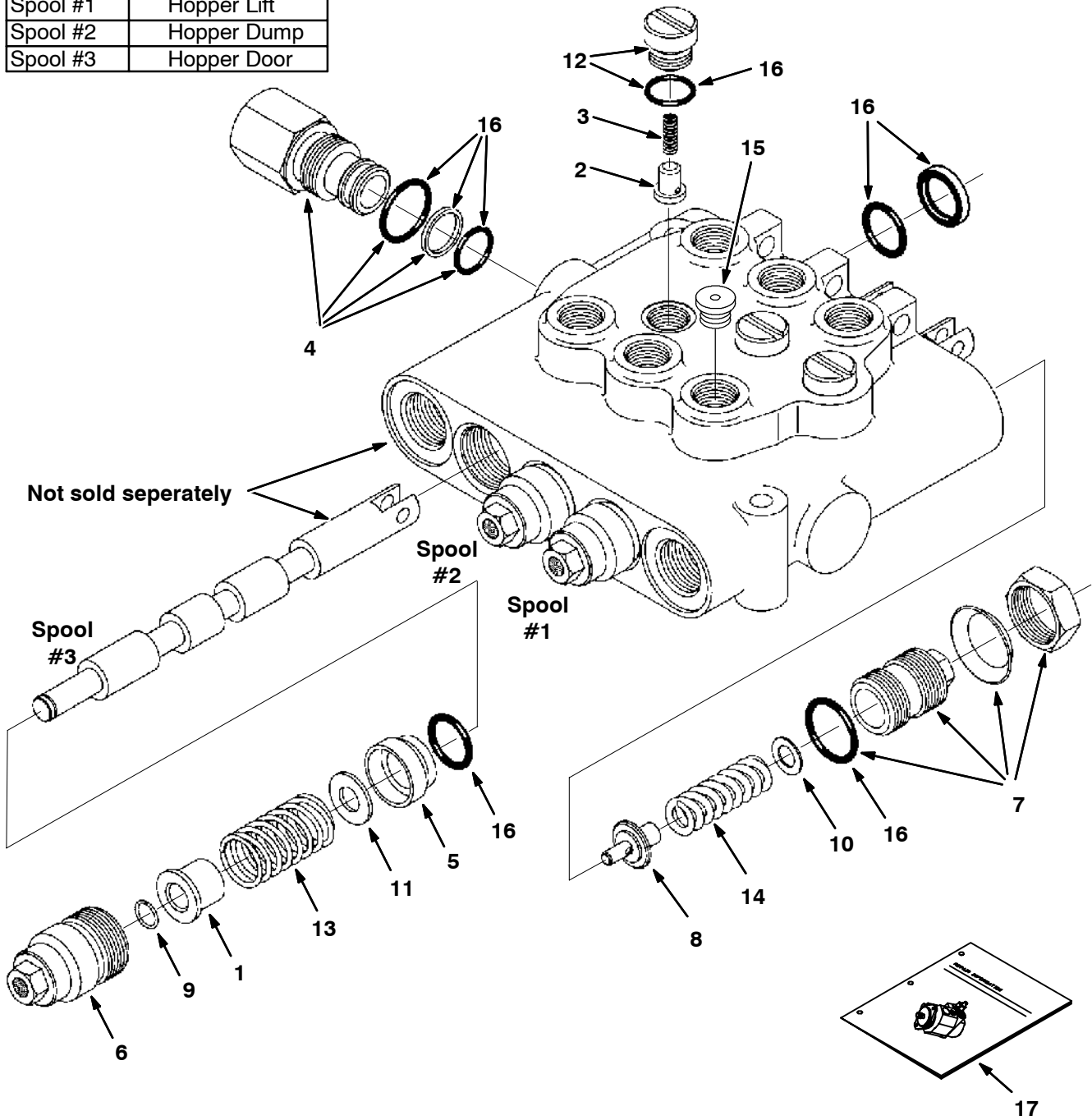


Fig. 23 - Hydraulic Valve Breakdown, 375563

| | Ref. | Part No. | Serial Number | Description | Qty. |
|---|------|----------|---------------|----------------------------|------|
| ▽ | | 375563 | (000000- |) Valve, Hyd Control Man | 1 |
| ▲ | 1 | 79822 | (000000- |) Spacer En | 3 |
| ▲ | 2 | 79786 | (000000- |) Plunger En | 3 |
| ▲ | 3 | 79787 | (000000- |) Spring En | 3 |
| ▲ | 4 | 79823 | (000000- |) Plug Assy,Byd En | 1 |
| ▲ | 5 | 79788 | (000000- |) Bushing En | 3 |
| ▲ | 6 | 79789 | (000000- |) Cap Assembly En | 3 |
| ▲ | 7 | 79790 | (000000- |) Plug Assembly En | 1 |
| ▲ | 8 | 79791 | (000000- |) Poppet En | 1 |
| ▲ | 9 | 79792 | (000000- |) Retaining Rng En | 3 |
| ▲ | 10 | 79793 | (000000- |) Shim .035 Thk En | 1 |
| ▲ | 10 | 79798 | (000000- |) Shim .015 Thk En | 1 |
| ▲ | 10 | 79799 | (000000- |) Shim .010 Thk En | 1 |
| ▲ | 11 | 79794 | (000000- |) Washer En | 3 |
| ▲ | 12 | 79795 | (000000- |) Plug & O-Ring En | 3 |
| ▲ | 13 | 79824 | (000000- |) Spring En | 3 |
| ▲ | 14 | 79797 | (000000- |) Spring En | 1 |
| ▲ | 15 | 13904 | (000000- |) Plug Gage #6 | 1 |
| ▲ | 16 | 79812 | (000000- |) Seal Kit, Vlv En | 1 |
| ▲ | 17 | 79820 | (000000- |) Instr. Valve Repair Info | 1 |

Fig. 24 - Hydraulic Solenoid Valve Breakdown, 84014

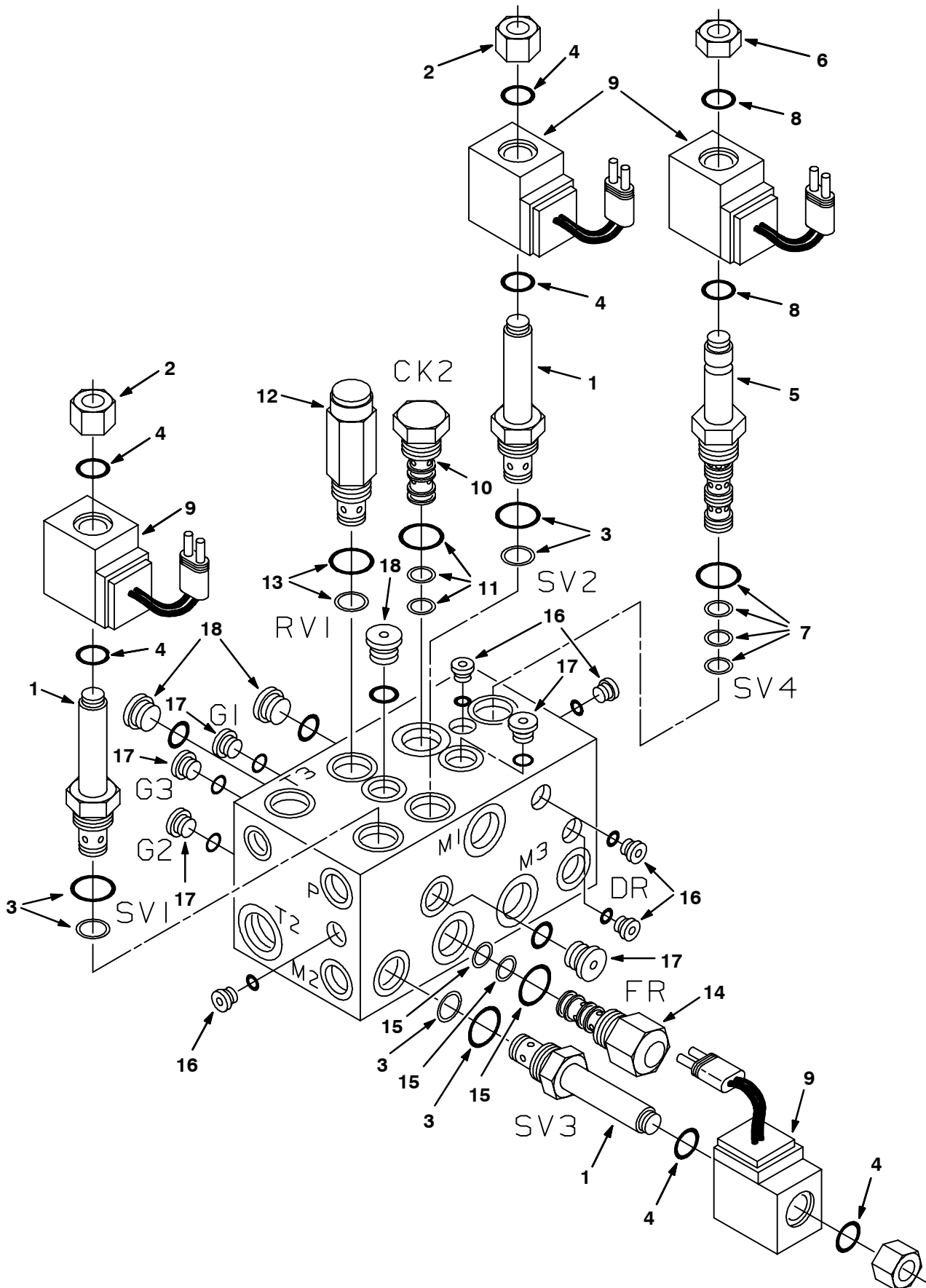
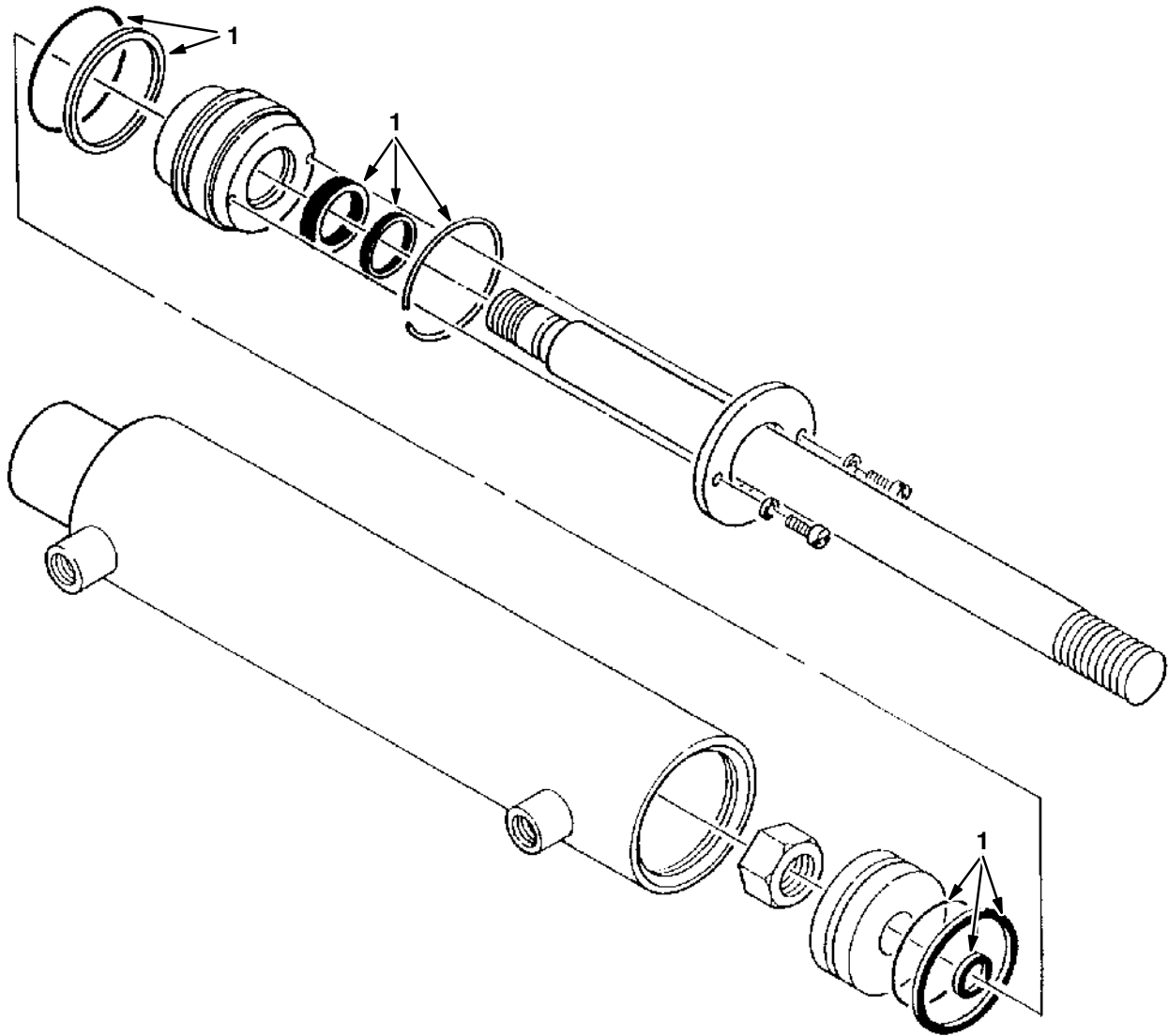


Fig. 24 - Hydraulic Solenoid Valve Breakdown, 84014

| | Ref. | Part No. | Serial Number | Description | Qty. |
|----|------|----------|---------------|-------------------------------|------|
| ▽ | | 84014 | (000000- |) Valve, Hyd Control Solenoid | 1 |
| ▲▽ | 1 | 79739 | (000000- |) Valve Stem N.O. CP | 3 |
| ▲▲ | 2 | 79731 | (000000- |) Nut, Cart., LNG CP | 1 |
| ▲▲ | 3 | 79711 | (000000- |) Seal Kit, Cart CP | 1 |
| ▲▲ | 4 | 79740 | (000000- |) Seal Kit, Coil CP | 1 |
| ▲▽ | 5 | 79719 | (000000- |) Valve Stem 4W2P CP | 1 |
| ▲▲ | 6 | 79728 | (000000- |) Nut, Cart., SHT CP | 1 |
| ▲▲ | 7 | 79711 | (000000- |) Seal Kit, Cart CP | 1 |
| ▲▲ | 8 | 79740 | (000000- |) Seal Kit, Coil CP | 1 |
| ▲ | 9 | 21917 | (000000- |) Coil 12V w/Var CP | 4 |
| ▲▽ | 10 | 74146 | (000000- |) Cart, Check Valve CP | 1 |
| ▲▲ | 11 | 79711 | (000000- |) Seal Kit, Cart CP | 1 |
| ▲▽ | 12 | 65240 | (000000- |) Cart, PSI CN CP | 1 |
| ▲▲ | 13 | 79711 | (000000- |) Seal Kit, Cart CP | 1 |
| ▲▽ | 14 | 74268 | (000000- |) Cart Flow Control CP | 1 |
| ▲▲ | 15 | 79711 | (000000- |) Seal Kit, Cart CP | 1 |
| ▲ | 16 | 13902 | (000000- |) Plug #2 | 6 |
| ▲ | 17 | 74098 | (000000- |) Plug Gage #4 | 5 |
| ▲ | 18 | 13904 | (000000- |) Plug Gage #6 | 3 |

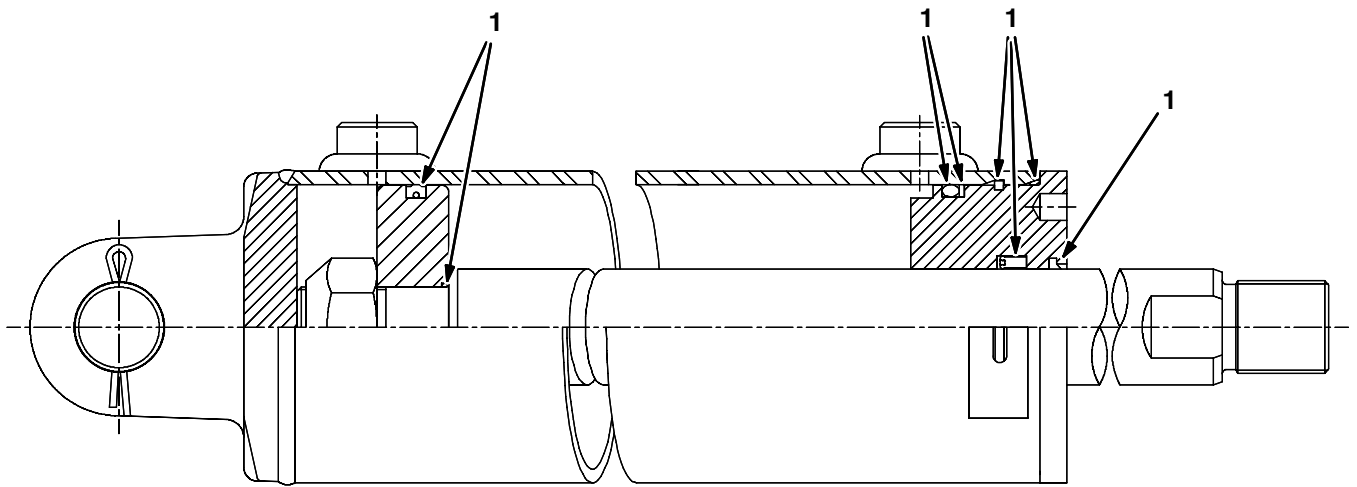
Fig. 25 - Hydraulic Cylinder Breakdown, 53601



07494 - ALL

| | Ref. | Part No. | Serial Number | Description | Qty. |
|---|-------------|-----------------|----------------------|--|-------------|
| ▽ | | 53601 | (000000-) | Cylinder, Hyd, 2.0b,15.0l, Rep.By1028492 | 1 |
| ▲ | 1 | 04483 | (000000-) | Seal Kit | 1 |

Fig. 26 - Hydraulic Cylinder Breakdown, 1026719



354486 - ALL

| | Ref. | Part No. | Serial Number | Description | Qty. |
|---|-------------|-----------------|----------------------|--|-------------|
| ▽ | | 1026719 | (000000- |) Cylinder, Hyd, 4.0b 29.1l 14.50strk 2500 | 1 |
| ▲ | 1 | 9001702 | (000000- |) Seal Kit, Cyl, Hyd | 1 |

Fig. 27 - Cab Assembly

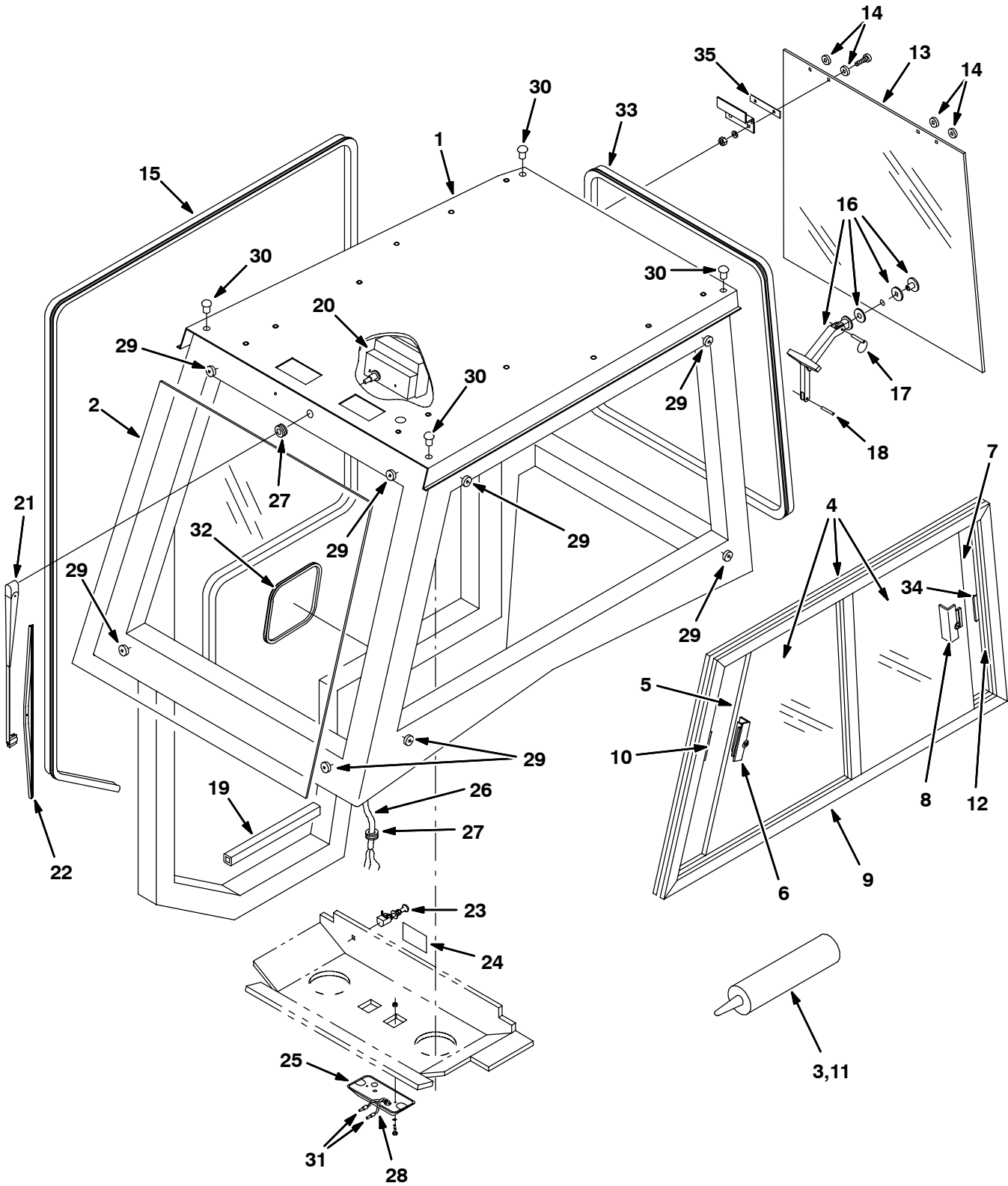


Fig. 27 - Cab Assembly

NOTE: The Cab Assembly, TENNANT Part Number 380602 includes Fig. 27, Fig. 28, Fig. 29, and .Fig. 30

| Ref. | Part No. | Serial Number | Description | Qty. |
|------|----------|---------------|--|------|
| | 1 | 380732 | (000000-) Cab Assy, W/Label (Gas) | 1 |
| | 1 | 374758 | (000000-) Cab Assy, W/Label (LPG) | 1 |
| ▽ | 2 | 75822 | (000000-) Pane, Glass, Windshield | 1 |
| ▲ | 3 | 374769 | (000000-) Adhesive | 1 |
| ▽ | 4 | 75823 | (000000-) Pane Assy, Glass, Sliding, Cab Lh | 1 |
| ▲▽ | 5 | 21307 | (000000-) Pane, Glass, Cab, Front | 1 |
| ▲▲ | 6 | 374750 | (000000-) Latch, Pane, Cab | 1 |
| ▲▽ | 7 | 21308 | (000000-) Pane, Glass, Cab, Rear | 1 |
| ▲▲ | 8 | 374750 | (000000-) Latch, Pane, Cab | 1 |
| ▲▽ | 9 | 21309 | (000000-) Frame, Pane, Cab, Side | 1 |
| ▲▲ | 10 | 374765 | (000000-) Keeper, Latch, Pane | 1 |
| ▲ | 11 | 374769 | (000000-) Adhesive | 1 |
| | 12 | 21310 | (000000-) Seal Kit, Pane, Cab | 1 |
| | 13 | 75824 | (000000-) Pane, Glass, Cab, Rear | 1 |
| | 14 | 75825 | (000000-) Spacer, Pane, Glass | 5 |
| | 15 | 76948 | (000000-) Seal, Bulb, 90, 0.65d, 180.0l | 2 |
| | 16 | 76950 | (000000-) Latch, Rear Wind | 1 |
| | 17 | 76971 | (000000-) Ring, Rear Window | 1 |
| | 18 | 380708 | (000000-) Drive Pin, .31 | 1 |
| | 19 | 76973 | (000000-) Seal Cw | 1 |
| | 20 | 76977 | (000000-) Motor, Wiper 12V | 1 |
| | 21 | 76980 | (000000-) Arm, Rear Wiper | 1 |
| | 22 | 76982 | (000000-) Blade Arm, Rear | 1 |
| | 23 | 76985 | (000000-) Switch, Wiper Motor | 1 |
| | 24 | 380694 | (000000-) Label, Wiper | 1 |
| ▽ | 25 | 76996 | (000000-) Light, Dome 12V | 1 |
| ▲ | | 374759 | (000000-) Lamp | 1 |
| | 26 | 380577 | (000000-) Harness, Cab (See Fig. 30) | 1 |
| | 27 | 77811 | (000000-) Grommet | 2 |
| | 28 | 77812 | (000000-) Wire, Dome Light | 2 |
| | 29 | 77813 | (000000-) Spacer | 8 |
| | 30 | 77814 | (000000-) Closure | 4 |
| | 31 | 77815 | (000000-) Disconnect, Male | 2 |
| | 32 | 380692 | (000000-) Molding, Trim (Gasoline only) | 1 |
| | 33 | 380695 | (000000-) Seal, Rear Window | 1 |
| | 34 | 374294 | (000000-) Latch, Keeper, Pane [J-dak] | 1 |
| | 35 | 374357 | (000000-) Seal, Hinge, Cab Rear Glass [800] | 2 |

Fig. 28 - Cab Door Assembly

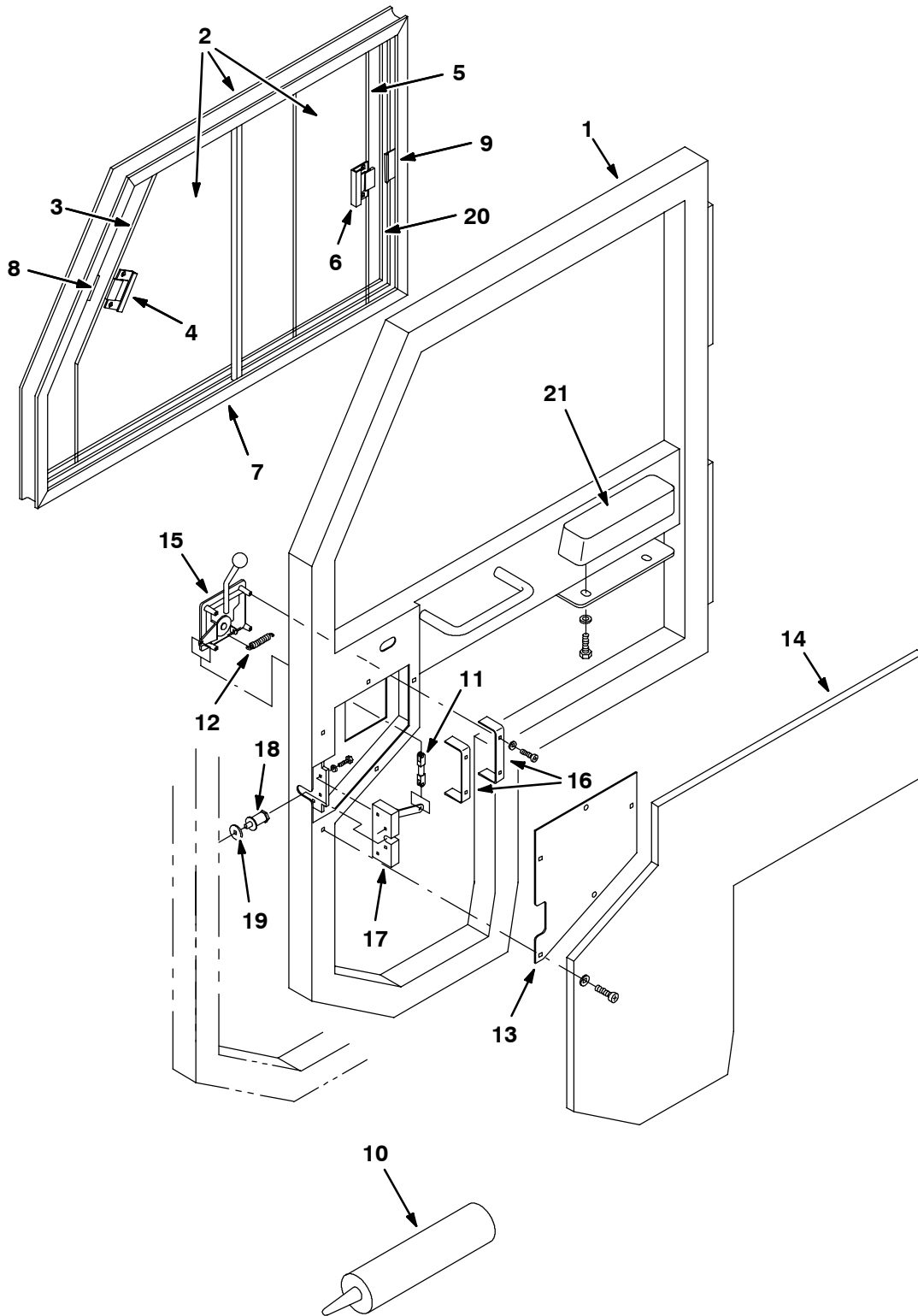


Fig. 28 - Cab Door Assembly

NOTE: The Cab Assembly, TENNANT Part Number 380602 includes Fig. 27, Fig. 28, Fig. 29, and .Fig. 30

| | Ref. | Part No. | Serial Number | Description | Qty. |
|----|------|----------|---------------|--|------|
| ▽ | | 75821 | (000000- |) Door Assembly, Cab | 1 |
| ▲ | 1 | 77816 | (000000- |) Door Cw | 1 |
| ▲▽ | 2 | 77817 | (000000- |) Pane Assy, Glass, Sliding, Cab, Door | 1 |
| ▲▲ | 3 | 21311 | (000000- |) Pane, Glass, Door Front | 1 |
| ▲▲ | 4 | 374750 | (000000- |) Latch, Pane, Cab | 1 |
| ▲▲ | 5 | 21312 | (000000- |) Pane, Glass, Door, Rear | 1 |
| ▲▲ | 6 | 374750 | (000000- |) Latch, Pane, Cab | 1 |
| ▲▲ | 7 | 21313 | (000000- |) Frame, Pane, Door, Side | 1 |
| ▲▲ | 8 | 374765 | (000000- |) Keeper, Latch, Pane | 1 |
| ▲▲ | 9 | 374294 | (000000- |) Latch, Keeper, Pane [J-dak] | 1 |
| ▲▲ | 10 | 374769 | (000000- |) Adhesive | 1 |
| ▲ | 11 | 77821 | (000000- |) Link, Connecting | 1 |
| ▲ | 12 | 77822 | (000000- |) Pin Assy, Spring | 2 |
| ▲ | 13 | 77823 | (000000- |) Plate | 1 |
| ▲ | 14 | 77824 | (000000- |) Foam, Door | 1 |
| ▲▽ | 15 | 77818 | (000000- |) Paddle Handle | 1 |
| ▲▲ | | 21150 | (000000- |) Key Set | 1 |
| ▲ | 16 | 77819 | (000000- |) Bracket | 2 |
| ▲ | 17 | 77820 | (000000- |) Clam Latch | 1 |
| | 18 | 58490 | (000000- |) Pin, Latch | 1 |
| | 19 | 76976 | (000000- |) Shim | 2 |
| | 20 | 374757 | (000000- |) Seal Kit, Pane, Door | 1 |
| | 21 | 311336 | (000000- |) Armrest, Black | 1 |

Fig. 29 - Cab Insulation Group

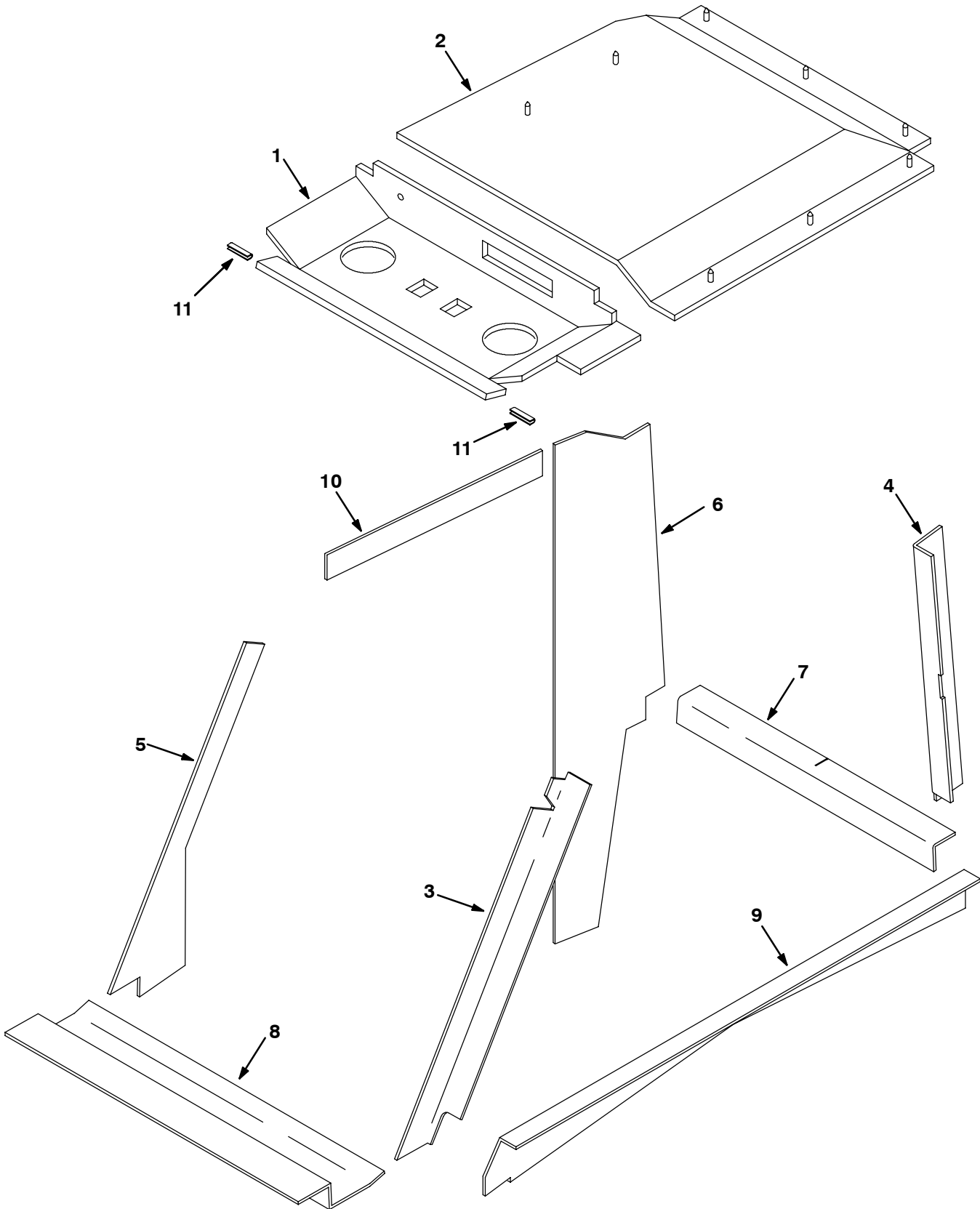
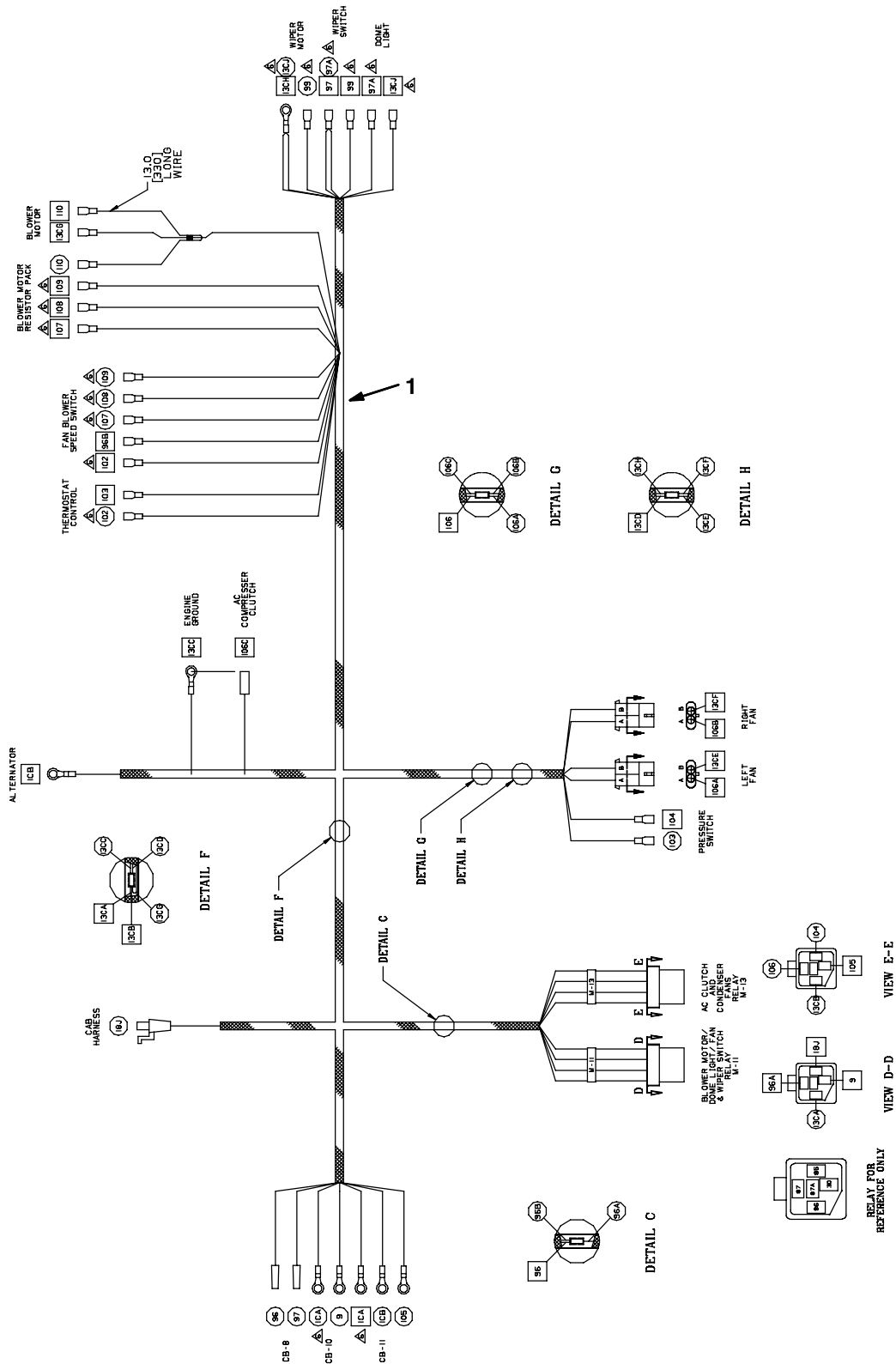


Fig. 29 - Cab Insulation Group

NOTE: The Cab Assembly, TENNANT Part Number 380602 includes Fig. 27, Fig. 28, Fig. 29, and .Fig. 30

| Ref. | Part No. | Serial Number | Description | Qty. |
|------|----------|---------------|------------------------------------|------|
| 1 | 77800 | (000000- |) Headliner, Front | 1 |
| 2 | 77801 | (000000- |) Headliner, Rear Cw | 1 |
| 3 | 77802 | (000000- |) Foam, Lh Front Pos | 1 |
| 4 | 77803 | (000000- |) Foam, Lh Rear Pos | 1 |
| 5 | 77804 | (000000- |) Foam, Rh Front Pos | 1 |
| 6 | 77805 | (000000- |) Foam, Rh Rear Pos | 1 |
| 7 | 77806 | (000000- |) Foam, Rear Sill | 1 |
| 8 | 77807 | (000000- |) Foam, Front Sill | 1 |
| 9 | 77808 | (000000- |) Foam, Lh Side Sill | 1 |
| 10 | 77809 | (000000- |) Foam, Rh Upper Sill | 1 |
| 11 | 384156 | (000000- |) Molding, Trim, Pvc,.18-.31 01.5l | 2 |

Fig. 30 - Cab Wire Harness Group

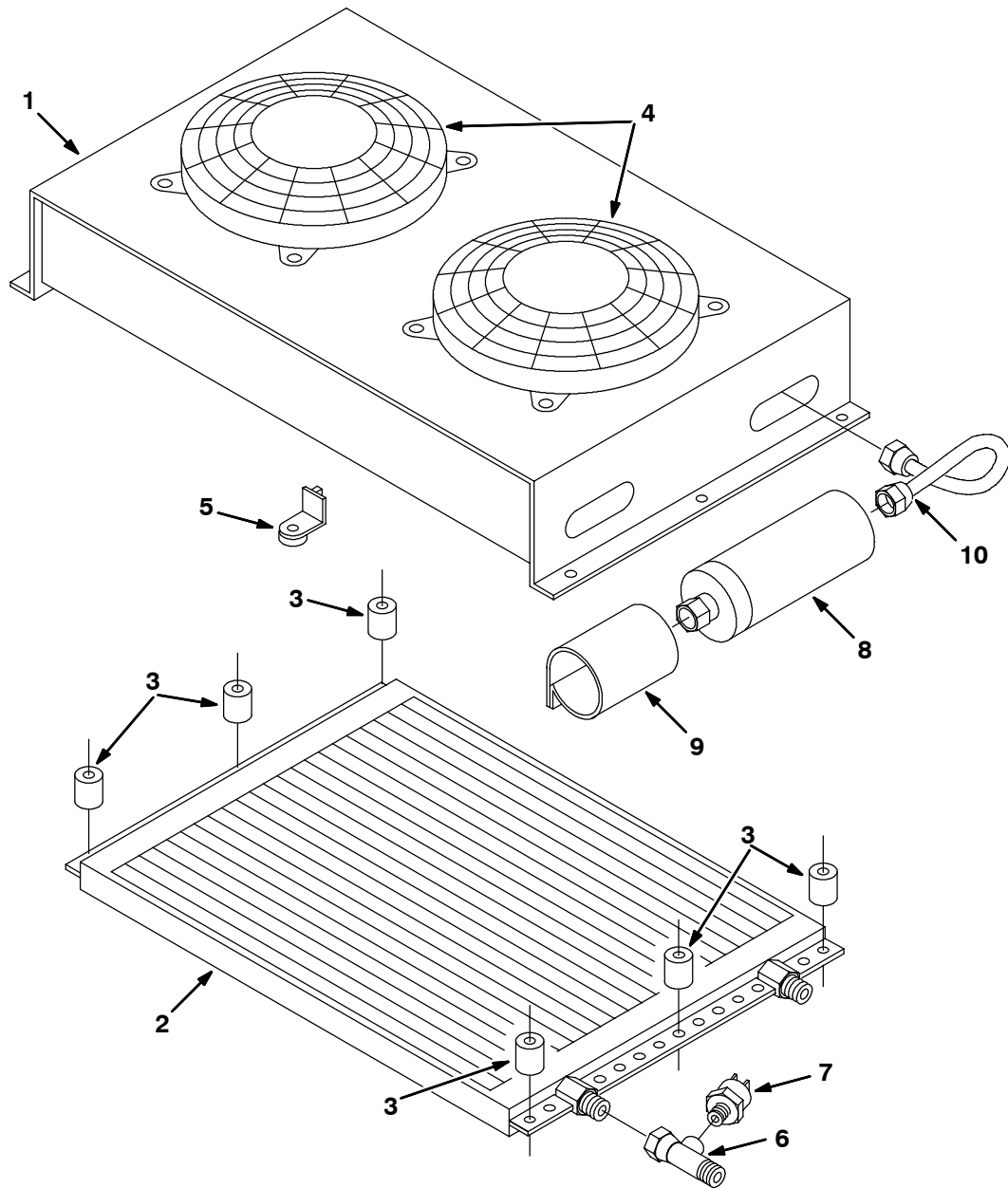


NOTE: The Cab Assembly, TENNANT Part Number 380602 includes Fig. 27, Fig. 28, Fig. 29, and Fig. 30

351143 - ALL

| Ref. | Part No. | Serial Number | Description | Qty. |
|------|----------|---------------|-------------------------|------|
| 1 | 380577 | (000000- |) Harness, Cab, 800/810 | 1 |

Fig. 31 - AC Condenser Box Breakdown, 380625



350830 - ALL

| Ref. | Part No. | Serial Number | Description | Qty. |
|------|-----------|---------------|-----------------------|------|
| ▽ | 380625 | (000000- |) Condenser Assy, A/C | 1 |
| ▲ | 1 380666 | (000000- |) Housing, Condenser | 1 |
| ▲ | 2 380667 | (000000- |) Coil, Condenser | 1 |
| ▲ | 3 380668 | (000000- |) Spacer, Condenser | 6 |
| ▲ | 4 380669 | (000000- |) Fan, Condenser | 2 |
| ▲ | 5 380670 | (000000- |) Foot, Fan | 8 |
| ▲ | 6 380671 | (000000- |) Ftg, Shradet | 1 |
| ▲ | 7 380672 | (000000- |) Binary | 1 |
| ▲ | 8 380627 | (000000- |) Dryer, Ac | 1 |
| ▲ | 9 380628 | (000000- |) Bracket,A/C Dryer | 1 |
| ▲ | 10 380626 | (000000- |) Tube Asy,Cond/Dry | 1 |

Fig. 32 - AC and Heater Box Breakdown, 380613

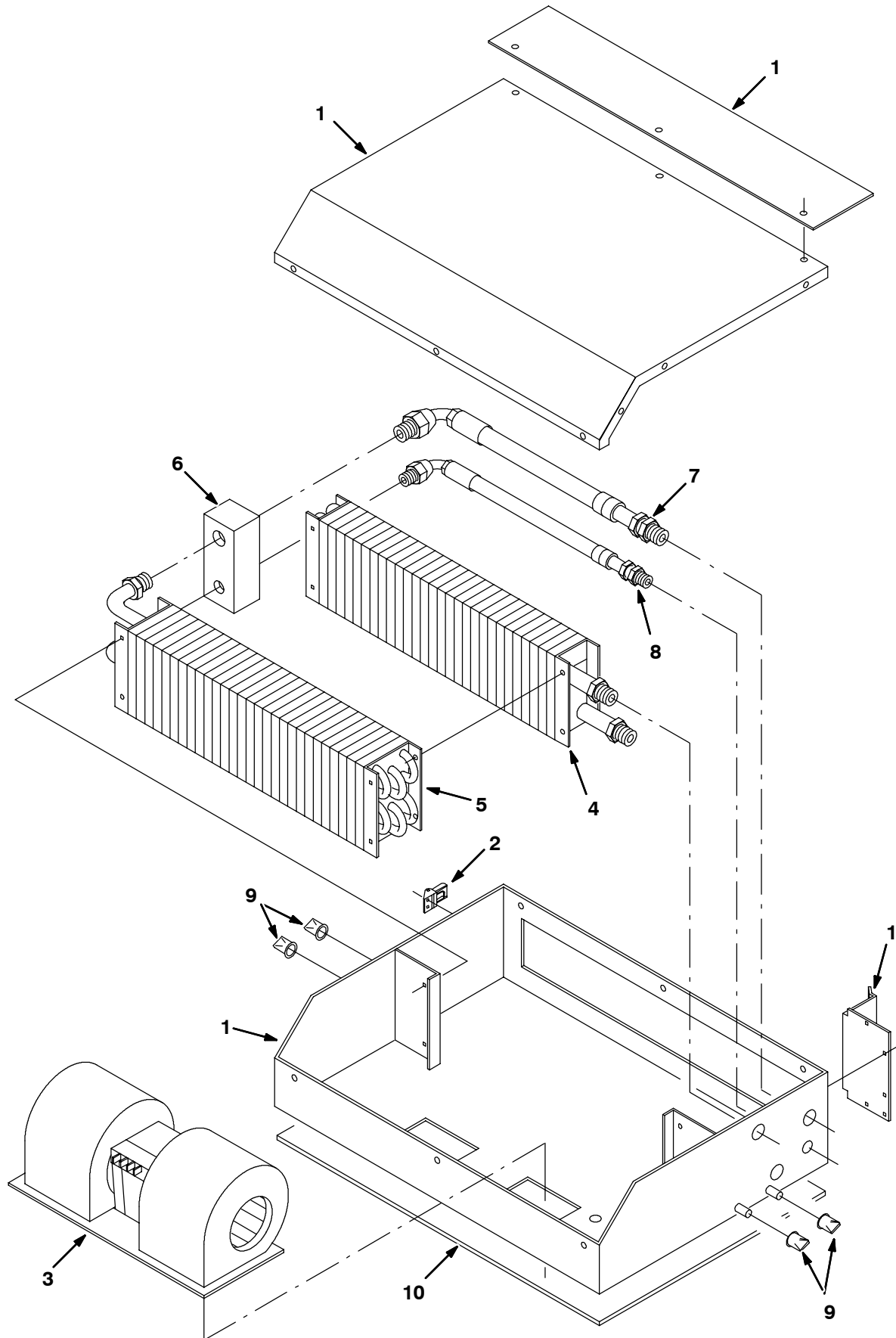


Fig. 32 - AC and Heater Box Breakdown, 380613

| | Ref. | Part No. | Serial Number | Description | Qty. |
|---|------|----------|---------------|---------------------|------|
| ▽ | | 380613 | (000000- |) Box Assy, Heat/Ac | 1 |
| ▲ | 1 | 388407 | (000000- |) Housing Assembly | 1 |
| ▲ | 2 | 87579 | (000000- |) Latch, Tension | 1 |
| ▲ | 3 | 380649 | (000000- |) Blower, Heat/Ac | 1 |
| ▲ | 4 | 380650 | (000000- |) Heater Coil | 1 |
| ▲ | 5 | 380651 | (000000- |) Coil, Evaporator | 1 |
| ▲ | 6 | 380652 | (000000- |) Valve, Expansion | 1 |
| ▲ | 7 | 380578 | (000000- |) A/C Hose#10 134A | 1 |
| ▲ | 8 | 380579 | (000000- |) A/C Hose #6 134A | 1 |
| ▲ | 9 | 380659 | (000000- |) Duck Bill | 4 |
| ▲ | 10 | 380616 | (000000- |) Gasket, Box/Cab | 1 |

Fig. 33 - Heater Box Breakdown, 380614

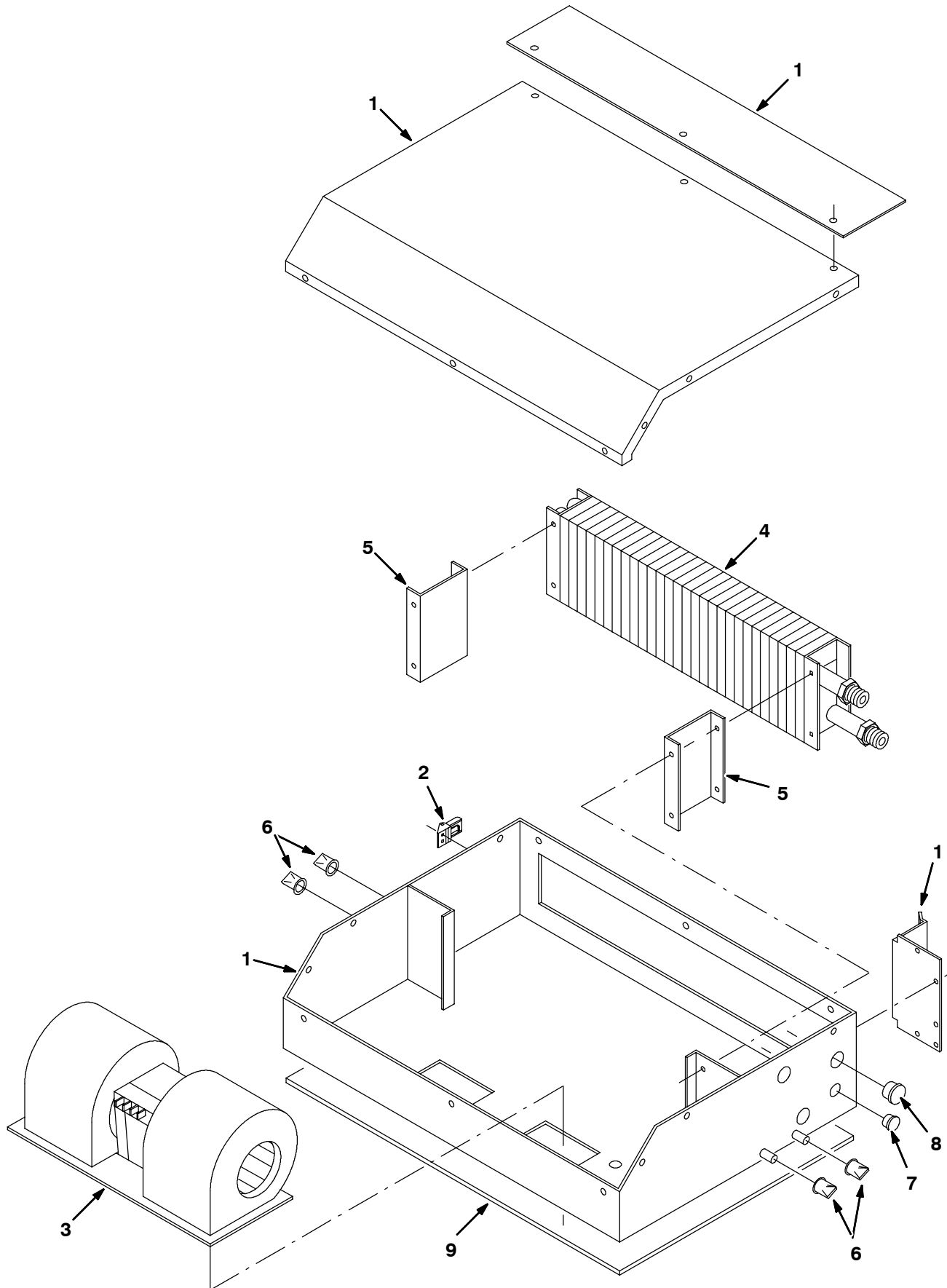


Fig. 33 - Heater Box Breakdown, 380614

| | Ref. | Part No. | Serial Number | Description | Qty. |
|---|------|----------|---------------|---------------------------------|------|
| ▽ | | 380614 | (000000- |) Box Assy, Heat | 1 |
| ▲ | 1 | 388407 | (000000- |) Housing Assembly | 1 |
| ▲ | 2 | 87579 | (000000- |) Latch, Tension | 1 |
| ▲ | 3 | 380649 | (000000- |) Blower, Heat/Ac | 1 |
| ▲ | 4 | 380650 | (000000- |) Heater Coil | 1 |
| ▲ | 5 | 380660 | (000000- |) Brkt,Mtg,Htr Coil | 2 |
| ▲ | 6 | 380659 | (000000- |) Duck Bill | 4 |
| ▲ | 7 | 57167 | (000000- |) Plugbtn .62H .03-.12 Blacknyl | 1 |
| ▲ | 8 | 82727 | (000000- |) Plugbtn .88H .03-.12 Blacknyl | 1 |
| ▲ | 9 | 380616 | (000000- |) Gasket, Box/Cab | 1 |

Fig. 34 - Brake Assy, Right Hand (R.h.) 77790

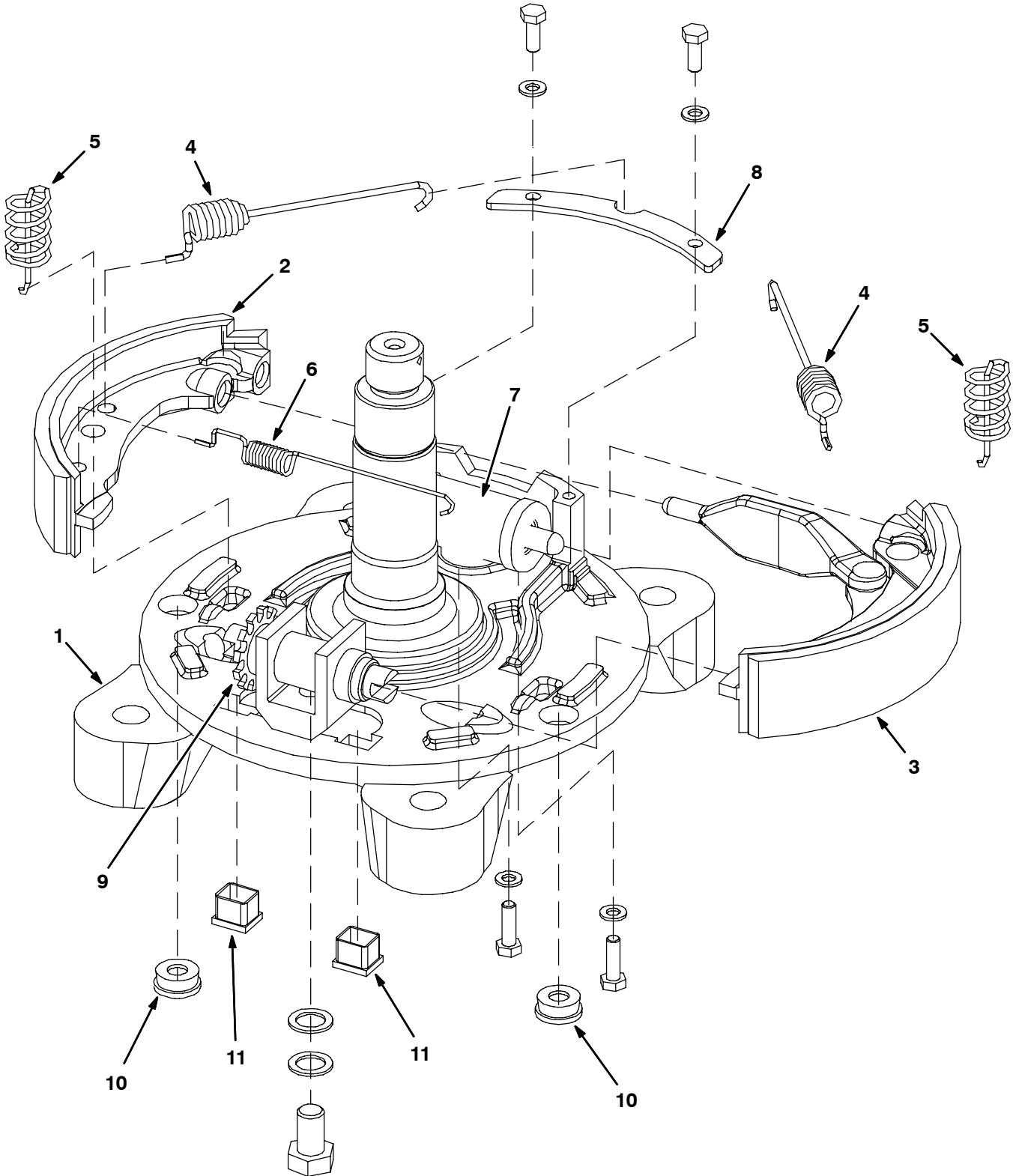


Fig. 34 - Brake Assy, Right Hand (R.h.) 77790

| | Ref. | Part No. | Serial Number | Description | Qty. |
|---|------|----------|---------------|--|------|
| ▽ | | 77790 | (000000- |) Brake Assy, Drum, Hyd, 08.8d 1.6w Rh | 1 |
| ▲ | 1 | 77768 | (000000- |) Backing Plate Rh | 1 |
| ▲ | 2 | 70613 | (000000- |) Shoe, Brake | 1 |
| ▲ | 3 | 70612 | (000000- |) Shoe, Brake | 1 |
| ▲ | 4 | 21728 | (000000- |) Spring | 2 |
| ▲ | 5 | 70617 | (000000- |) Spring | 2 |
| ▲ | 6 | 70618 | (000000- |) Spring | 1 |
| ▲ | 7 | 70609 | (000000- |) Cylinder, Wheel, Brake | 1 |
| ▲ | 8 | 70603 | (000000- |) Clamp, Hold Down | 1 |
| ▲ | 9 | 70615 | (000000- |) Adjuster, Manual | 1 |
| ▲ | 10 | 372950 | (000000- |) Plug, Rbr, Rnd | 2 |
| ▲ | 11 | 372951 | (000000- |) Plug, Plstc, Sq | 2 |

Fig. 35 - Brake Assy, Left Hand (L.h.) 77770

| | Ref. | Part No. | Serial Number | Description | Qty. |
|---|------|----------|---------------|--|------|
| ▽ | | 77770 | (000000- |) Brake Assy, Drum, Hyd, 08.0d 1.6w Lh | 1 |
| ▲ | 1 | 77769 | (000000- |) Plate, Backing | 1 |
| ▲ | 2 | 70613 | (000000- |) Shoe, Brake | 1 |
| ▲ | 3 | 70611 | (000000- |) Shoe, Brake | 1 |
| ▲ | 4 | 21728 | (000000- |) Spring | 2 |
| ▲ | 5 | 70617 | (000000- |) Spring | 2 |
| ▲ | 6 | 70618 | (000000- |) Spring | 1 |
| ▲ | 7 | 70609 | (000000- |) Cylinder, Wheel, Brake | 1 |
| ▲ | 8 | 70603 | (000000- |) Clamp, Hold Down | 1 |
| ▲ | 9 | 70615 | (000000- |) Adjuster, Manual | 1 |
| ▲ | 10 | 372950 | (000000- |) Plug, Rbr, Rnd | 2 |
| ▲ | 11 | 372951 | (000000- |) Plug, Plstc, Sq | 2 |

Fig. 36 - LPG EFI Breakdown, 371894

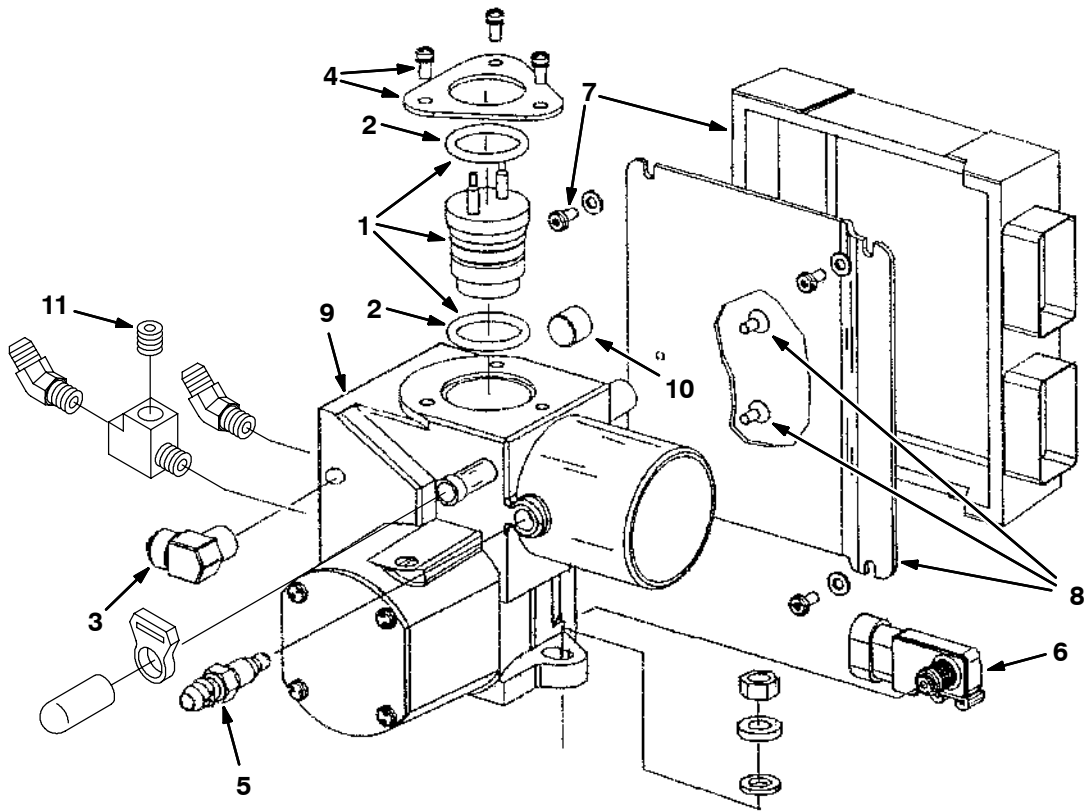


Fig. 36 - LPG EFI Breakdown, 371894

| | Ref. | Part No. | Serial Number | Description | Qty. |
|----|------|----------|---------------|---|------|
| ▽ | | 371894 | (000000- |) Housing Assy, Throttle, Lpg, [With Ecu] | 1 |
| ▲▽ | 1 | 1017270 | (000000- |) Injector, Fuel, Lpg [3.0l Gm] 8410 | 1 |
| ▲▲ | 2 | 371665 | (000000- |) Kit, Org, Injector, Top And Bottom, Lpg | 1 |
| ▲ | 3 | 371666 | (000000- |) Fitting, Fuel Inlet, Lpg | 1 |
| ▲ | 4 | 371651 | (000000- |) Plate, Injector Mtg, W/ Screw | 1 |
| ▲ | 5 | 371653 | (000000- |) Sensor, Temp | 1 |
| ▲ | | 371714 | (000000- |) Kit, Connector, Coolant Sensor | 1 |
| ▲ | | 371715 | (000000- |) Kit, Connector, Sensor, [lat] | 1 |
| ▲ | 6 | 371654 | (000000- |) Sensor, Manifold Press | 1 |
| ▲ | | 371713 | (000000- |) Kit, Connector, Sensor, [Map] | 1 |
| ▲ | 7 | 9000823 | (000000- |) Kit, Replmt, Controller | 1 |
| ▲ | 8 | 391891 | (000000- |) Plate, Mtg, W/ Screw, [Ecu], Lpg | 1 |
| ▲ | 9 | 371669 | (000000- |) Housing, Throttle, Lpg | 1 |
| ▲ | | 371718 | (000000- |) Kit, Connector, Govnr | 1 |
| ▲ | 10 | 371660 | (000000- |) Fitting, Coolant Plug | 1 |
| ▲ | 11 | 10552 | (000000- |) Fitting, Pipe, Plug, Pm02 Soc Head | 1 |

Fig. 37 - LPG EFI Breakdown, 371895

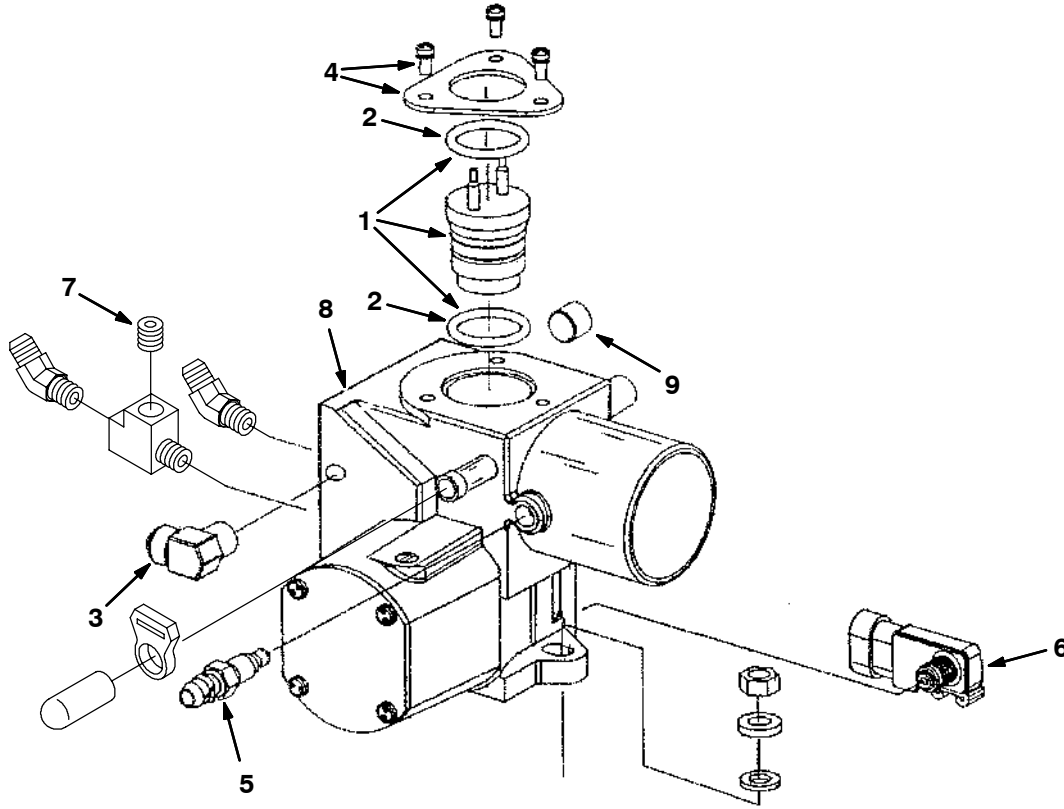


Fig. 37 - LPG EFI Breakdown, 371895

| | Ref. | Part No. | Serial Number | Description | Qty. |
|----|------|----------|---------------|--|------|
| ▽ | | 371895 | (000000- |) Housing Assy, Throttle, Lpg, [Without Ecu] | 1 |
| ▲▽ | 1 | 1017270 | (000000- |) Injector, Fuel, Lpg [3.0l Gm] 8410 | 1 |
| ▲▲ | 2 | 371665 | (000000- |) Kit, Org, Injector, Top And Bottom, Lpg | 1 |
| ▲ | 3 | 371666 | (000000- |) Fitting, Fuel Inlet, Lpg | 1 |
| ▲ | 4 | 371651 | (000000- |) Plate, Injector Mtg, W/ Screw | 1 |
| ▲ | 5 | 371653 | (000000- |) Sensor, Temp | 1 |
| ▲ | | 371714 | (000000- |) Kit, Connector, Coolant Sensor | 1 |
| ▲ | | 371715 | (000000- |) Kit, Connector, Sensor, [lat] | 1 |
| ▲ | 6 | 371654 | (000000- |) Sensor, Manifold Press | 1 |
| ▲ | | 371713 | (000000- |) Kit, Connector, Sensor, [Map] | 1 |
| ▲ | 7 | 10552 | (000000- |) Fitting, Pipe, Plug, Pm02 Soc Head | 1 |
| ▲ | 8 | 371669 | (000000- |) Housing, Throttle, Lpg | 1 |
| ▲ | | 371718 | (000000- |) Kit, Connector, Govnr | 1 |
| ▲ | 9 | 371660 | (000000- |) Fitting, Coolant Plug | 1 |

Fig. 38 - Gasoline EFI Breakdown, 371896

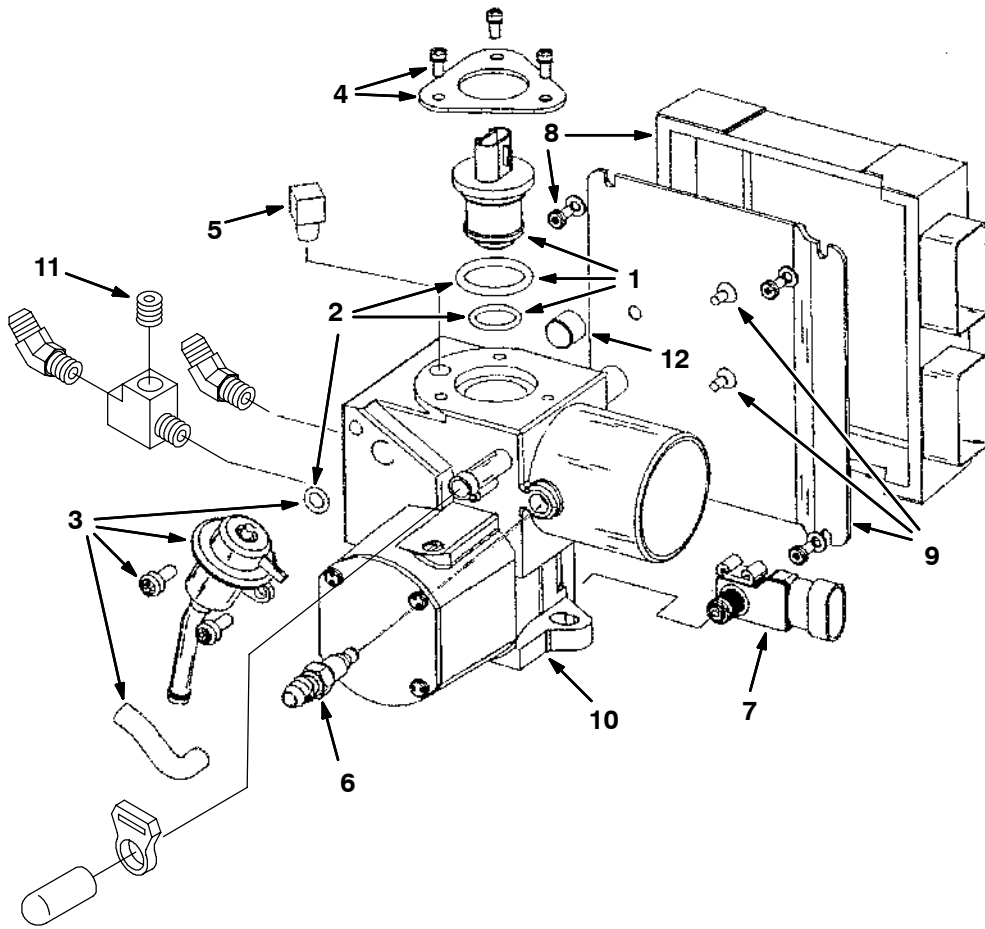


Fig. 38 - Gasoline EFI Breakdown, 371896

| | Ref. | Part No. | Serial Number | Description | Qty. |
|----|------|----------|---------------|---|------|
| ▽ | | 371896 | (000000- |) Housing Assy, Throttle, Gas, [With Ecu] | 1 |
| ▲▽ | 1 | 371899 | (000000- |) Injector, Gas, W/ Top And Bottom Org | 1 |
| ▲▲ | 2 | 371649 | (000000- |) Kit, Org, Injector And Reg, Gas | 1 |
| ▲ | | 371716 | (000000- |) Kit, Connector, Gas Injector | 1 |
| ▲ | 3 | 371908 | (000000- |) Kit, Reg, Gas Press | 1 |
| ▲ | 4 | 371651 | (000000- |) Plate, Injector Mtg, W/ Screw | 1 |
| ▲ | 5 | 15555-2 | (000000- |) Fitting, Brs, E90, If05/Pm04 | 1 |
| ▲ | | 371714 | (000000- |) Kit, Connector, Coolant Sensor | 1 |
| ▲ | | 371715 | (000000- |) Kit, Connector, Sensor, [lat] | 1 |
| ▲ | 6 | 371653 | (000000- |) Sensor, Temp | 1 |
| ▲ | 7 | 371654 | (000000- |) Sensor, Manifold Press | 1 |
| ▲ | 8 | 371901 | (000000- |) Control, Electronic, Gas | 1 |
| ▲ | 9 | 391890 | (000000- |) Plate, Mtg, W/ Screw, [Ecu], Gas | 1 |
| ▲ | 10 | 371902 | (000000- |) Housing, Throttle, Gas | 1 |
| ▲ | | 371718 | (000000- |) Kit, Connector, Govnr | 1 |
| ▲ | 11 | 10552 | (000000- |) Fitting, Pipe, Plug, Pm02 Soc Head | 1 |
| ▲ | 12 | 371660 | (000000- |) Fitting, Coolant Plug | 1 |

Fig. 39 - Gasoline Electronic Fuel Ignition Breakdown, 371897

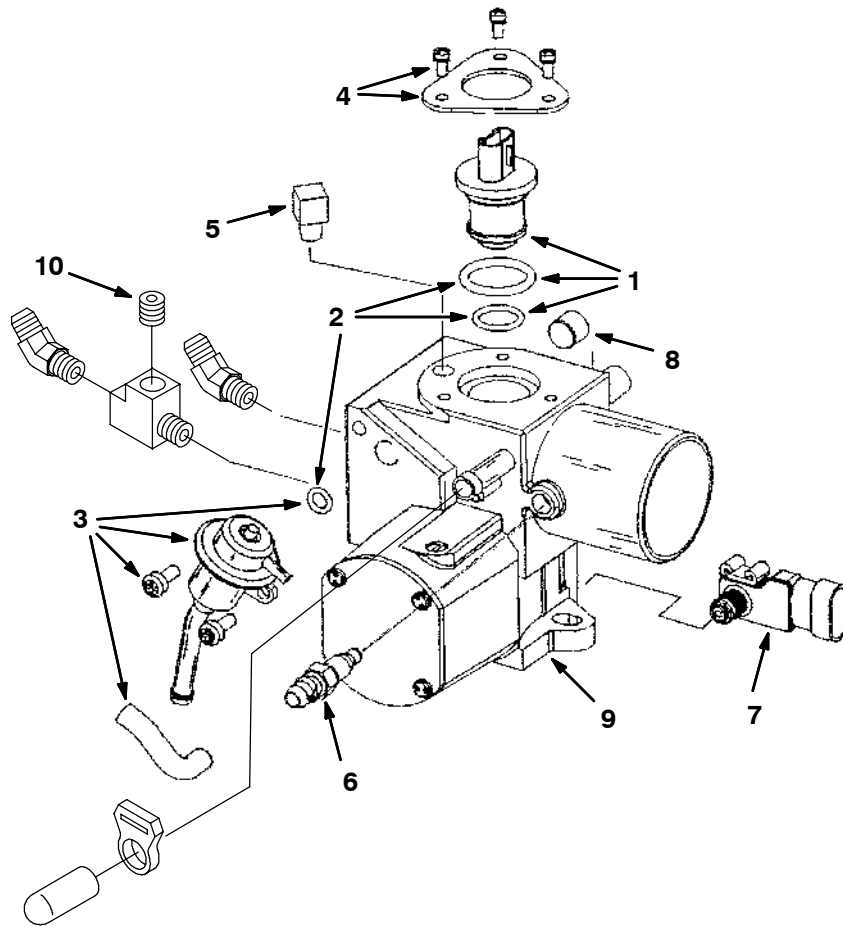


Fig. 39 - Gasoline Electronic Fuel Ignition Breakdown, 371897

| | Ref. | Part No. | Serial Number | Description | Qty. |
|----|------|----------|---------------|--|------|
| ▽ | | 371897 | (000000- |) Housing Assy, Throttle, Gas, [Without Ecu] | 1 |
| ▲▽ | 1 | 371899 | (000000- |) Injector, Gas, W/ Top And Bottom Org | 1 |
| ▲▲ | 2 | 371649 | (000000- |) Kit, Org, Injector And Reg, Gas | 1 |
| ▲ | | 371716 | (000000- |) Kit, Connector, Gas Injector | 1 |
| ▲ | 3 | 371908 | (000000- |) Kit, Reg, Gas Press | 1 |
| ▲ | 4 | 371651 | (000000- |) Plate, Injector Mtg, W/ Screw | 1 |
| ▲ | 5 | 15555-2 | (000000- |) Fitting, Brs, E90, If05/Pm04 | 1 |
| ▲ | | 371714 | (000000- |) Kit, Connector, Coolant Sensor | 1 |
| ▲ | | 371715 | (000000- |) Kit, Connector, Sensor, [lat] | 1 |
| ▲ | 6 | 371653 | (000000- |) Sensor, Temp | 1 |
| ▲ | 7 | 371654 | (000000- |) Sensor, Manifold Press | 1 |
| ▲ | 8 | 371660 | (000000- |) Fitting, Coolant Plug | 1 |
| ▲ | 9 | 371902 | (000000- |) Housing, Throttle, Gas | 1 |
| ▲ | | 371718 | (000000- |) Kit, Connector, Govnr | 1 |
| ▲ | 10 | 10552 | (000000- |) Fitting, Pipe, Plug, Pm02 Soc Head | 1 |

Fig. 40 - Hydraulic Solenoid Valve Breakdown, 1049210

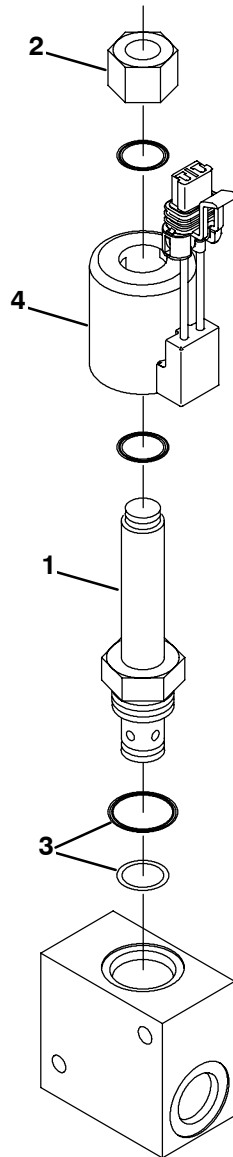


Fig. 40 - Hydraulic Solenoid Valve Breakdown, 1049210

| | Ref. | Part No. | Serial Number | Description | Qty. |
|---|------|----------|---------------|--|------|
| ▽ | | 1049210 | (000000- |) Valve, Cntrl, Hyd, Solenoid, 12vdc 12gpm | 1 |
| ▲ | 1 | 1050812 | (000000- |) Stem, Valve, Hyd | 1 |
| ▲ | 2 | 1050811 | (000000- |) Nut, Valve, Cartridge | 1 |
| ▲ | 3 | 1050780 | (000000- |) Seal Kit, Cartridge | 1 |
| ▲ | 4 | 1050809 | (000000- |) Solenoid, Valve, Hyd, 36vdc | 1 |

Fig. 41 - Hydraulic Solenoid Valve Breakdown, 1049209

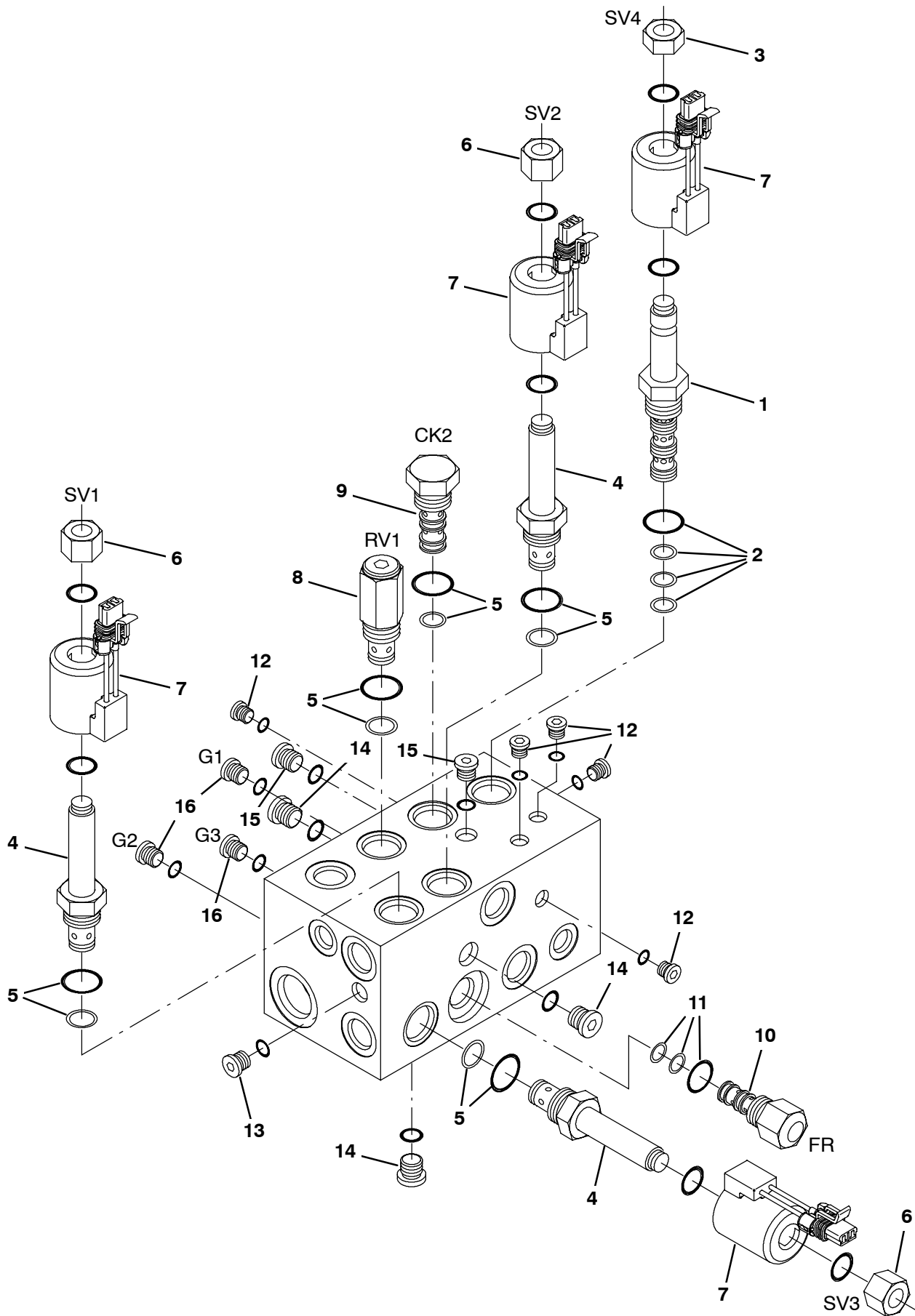
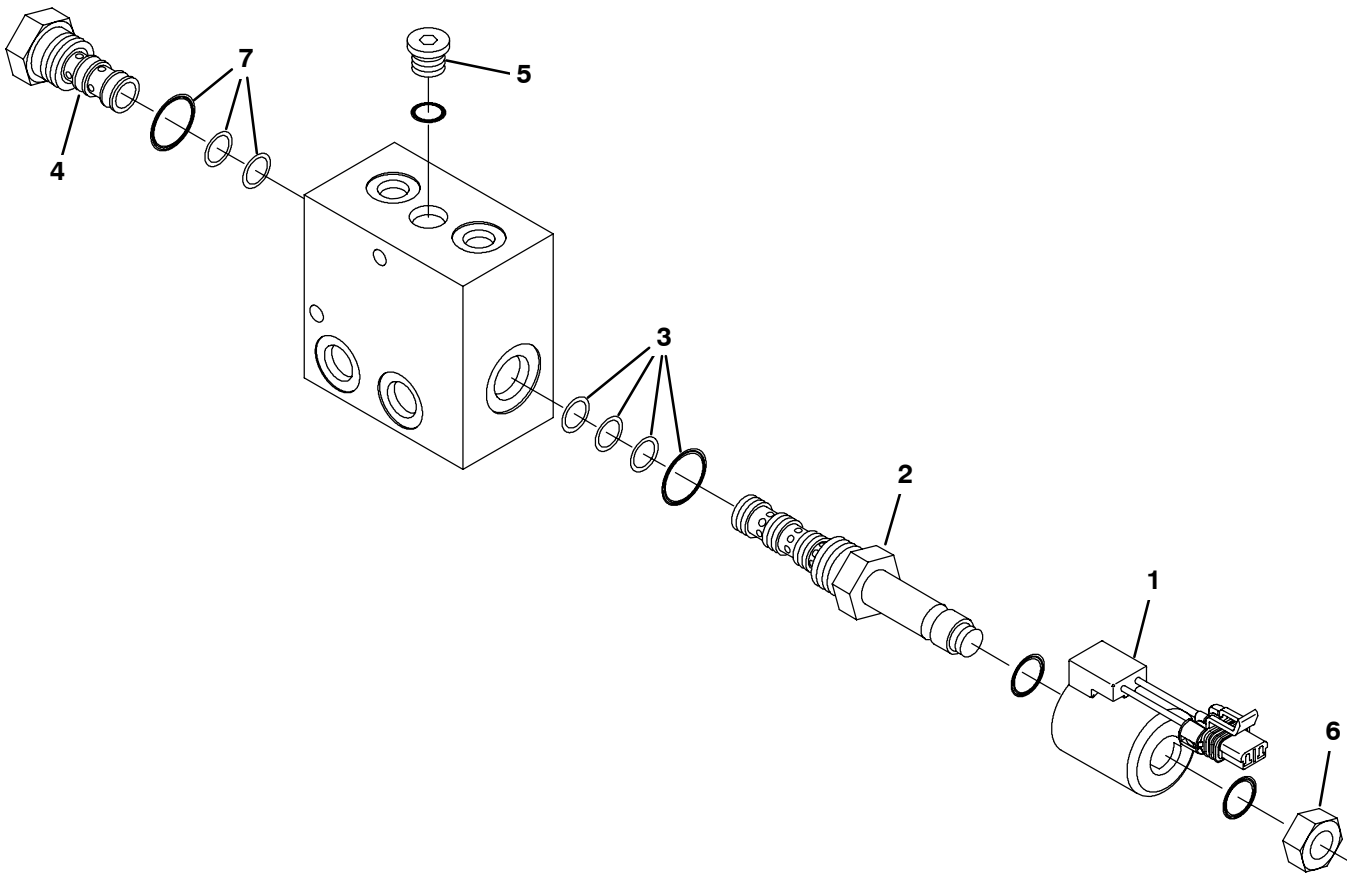


Fig. 41 - Hydraulic Solenoid Valve Breakdown, 1049209

| Ref. | Part No. | Serial Number | Description | Qty. |
|------|----------|---------------|--|------|
| ▽ | 1049209 | (000000- |) Valve, Cntrl, Hyd, Solenoid, 12vdc 08gpm | 1 |
| ▲ | 1 | 1050861 | (000000-) Solenoid, Valve, Hyd | 1 |
| ▲ | 2 | 1050870 | (000000-) Seal Kit, Cartridge | 1 |
| ▲ | 3 | 1051078 | (000000-) Nut, Valve, Cartridge | 1 |
| ▲ | 4 | 1050812 | (000000-) Stem, Valve, Hyd | 3 |
| ▲ | 5 | 1050780 | (000000-) Seal Kit, Cartridge | 1 |
| ▲ | 6 | 1050811 | (000000-) Nut, Valve, Cartridge | 3 |
| ▲ | 7 | 1050809 | (000000-) Solenoid, Valve, Hyd, 36vdc | 4 |
| ▲ | 8 | 1050862 | (000000-) Valve, Cartridge, Relief | 1 |
| ▲ | 9 | 1050863 | (000000-) Valve, Cartridge, Check | 1 |
| ▲ | 10 | 1050864 | (000000-) Valve, Cartridge, Flow Reg | 1 |
| ▲ | 11 | 1050871 | (000000-) Seal Kit, Cartridge | 1 |
| ▲ | 12 | 1050865 | (000000-) Fitting, Plug, Om02, Valve | 5 |
| ▲ | 13 | 1050866 | (000000-) Fitting, Plug, Om04, Valve | 1 |
| ▲ | 14 | 1050867 | (000000-) Fitting, Plug, Om06, Valve | 3 |
| ▲ | 15 | 1050868 | (000000-) Fitting, Plug, Om05, Valve | 2 |
| ▲ | 16 | 1050869 | (000000-) Fitting, Plug, Om04, Valve | 3 |

Fig. 42 - Hydraulic Solenoid Valve Breakdown, 1049211



354900 - ALL

| Ref. | Part No. | Serial Number | Description | Qty. | |
|------|----------|---------------|--|-------------------------------|---|
| ▽ | 1049211 | (000000- |) Valve, Cntrl, Hyd, Solenoid, 12vdc 06gpm | 1 | |
| ▲ | 1 | 1050809 | (000000- |) Solenoid, Valve, Hyd, 36vdc | 1 |
| ▲ | 2 | 1050861 | (000000- |) Solenoid, Valve, Hyd | 1 |
| ▲ | 3 | 1050870 | (000000- |) Seal Kit, Cartridge | 1 |
| ▲ | 4 | 1050872 | (000000- |) Valve, Cartridge, Check | 1 |
| ▲ | 5 | 1050873 | (000000- |) Fitting, Plug, Om06, Valve | 1 |
| ▲ | 6 | 1051078 | (000000- |) Nut, Valve, Cartridge | 1 |
| ▲ | 7 | 1051079 | (000000- |) Seal Kit, Cartridge | 1 |

SECTION 5

| Contents | Page |
|---|-------------|
| Fig. 1 - Engine Block Group | 5-2 |
| Fig. 2 - Gaskets Group | 5-4 |
| Fig. 3 - Cylinder Head Group | 5-6 |
| Fig. 4 - Cylinder Front Cover Group | 5-7 |
| Fig. 5 - Starter Breakdown | 5-8 |
| Fig. 6 - Oil Pan Group | 5-10 |
| Fig. 7 - Crankshaft Group | 5-12 |
| Fig. 8 - Manifolds Group | 5-14 |
| Fig. 9 - Flywheel Group | 5-16 |
| Fig. 10 - Camshaft And Sprocket Group | 5-18 |
| Fig. 11 - Valve And Rocker Arm Cover Group .. | 5-20 |
| Fig. 12 - Piston And Connecting Rod Group ... | 5-22 |
| Fig. 13 - Water Pump, Thermostat and Fan Group | 5-23 |
| Fig. 14 - Ignition Group | 5-24 |

2.3L ENGINE BREAKDOWN

Fig. 1 - Engine Block Group

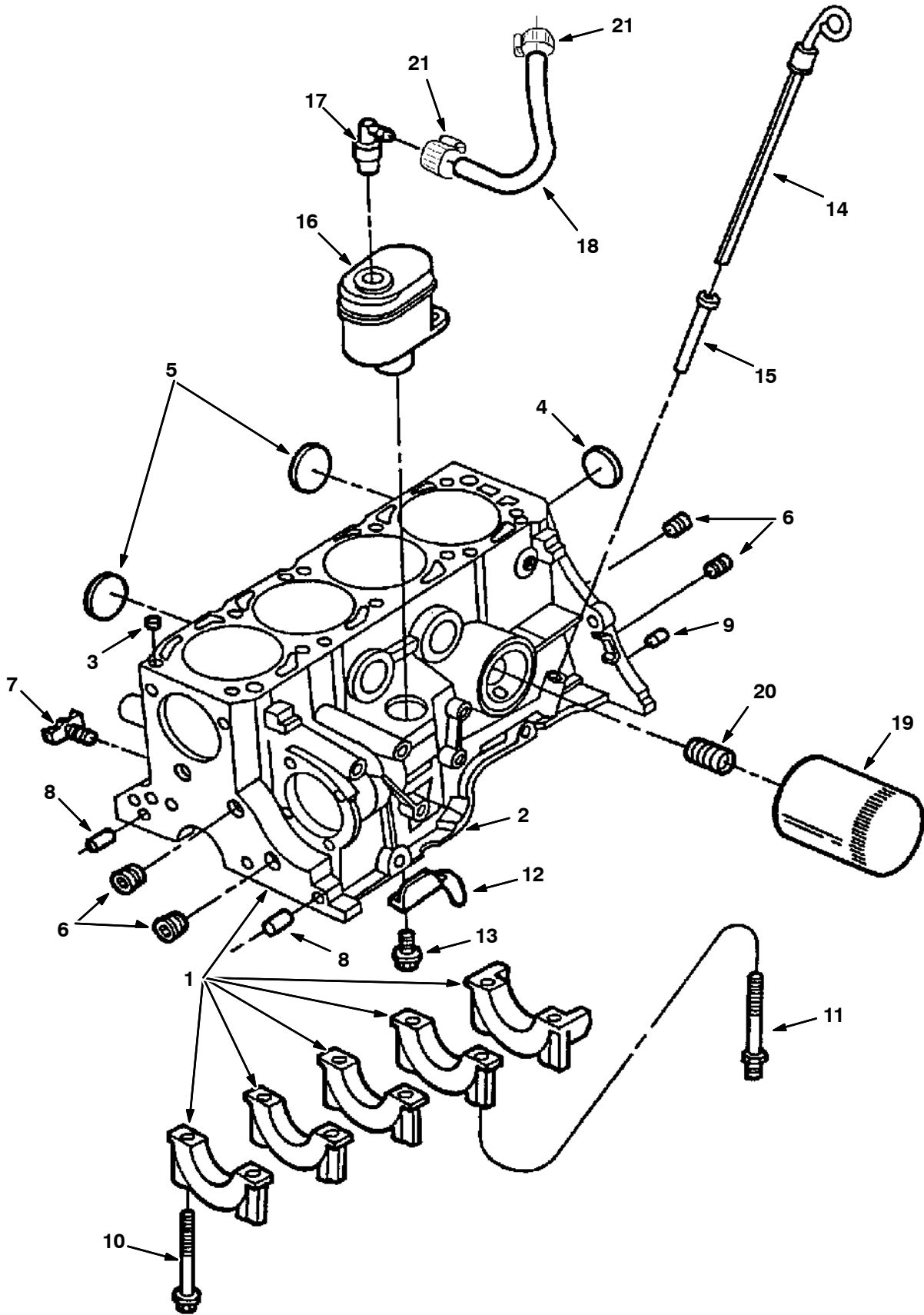


Fig. 1 - Engine Block Group

| Ref. | Part No. | Description | Qty. | |
|------|----------|-------------|-----------------------------------|---|
| | 1 | 84875 | Cyl Block Assy (Short Block Assy) | 1 |
| ▽ | 2 | 84876 | Block Assy | 1 |
| ▲ | 3 | 73958 | Dowel | 2 |
| ▲ | 4 | 73921 | Plug-Std 2.078 | 1 |
| ▲ | 4 | 73920 | Plug .06 O/S | - |
| ▲ | 5 | 84877 | Plug, 1.50 Cup | 4 |
| ▲ | 6 | 73917 | Plug 3/8 Npt | 5 |
| ▲ | 6 | 36268 | Plug 1/4 Npt | 2 |
| ▲ | 7 | 54911-32 | Draincock,End.Block | 1 |
| ▲ | 8 | 84878 | Dowel,Frnt Cover | 2 |
| ▲ | 9 | 73975 | Dowel | 2 |
| ▲ | 10 | 73950 | Bolt M12 | 9 |
| ▲ | 11 | 74516 | Stud M12 | 1 |
| ▲ | 12 | 84879 | Baffle | 1 |
| | 13 | 84880 | Bolt, M6X16.5mm | 2 |
| | 14 | 10723 | Indicator,Oil | 1 |
| | 15 | 10724 | Short Tube | 1 |
| | 16 | 84882 | Separator | 1 |
| | 17 | 84883 | Pcv Vlv Asy | 1 |
| | 18 | 84884 | Hose | 1 |
| | 19 | 39703-2 | Filter Element, Oil | 1 |
| | 20 | 84962 | Insert-Oilfilt | 1 |
| | 21 | 54333 | Clamp, Hose, Wormdrive | 2 |

2.3L ENGINE BREAKDOWN

Fig. 2 - Gaskets Group

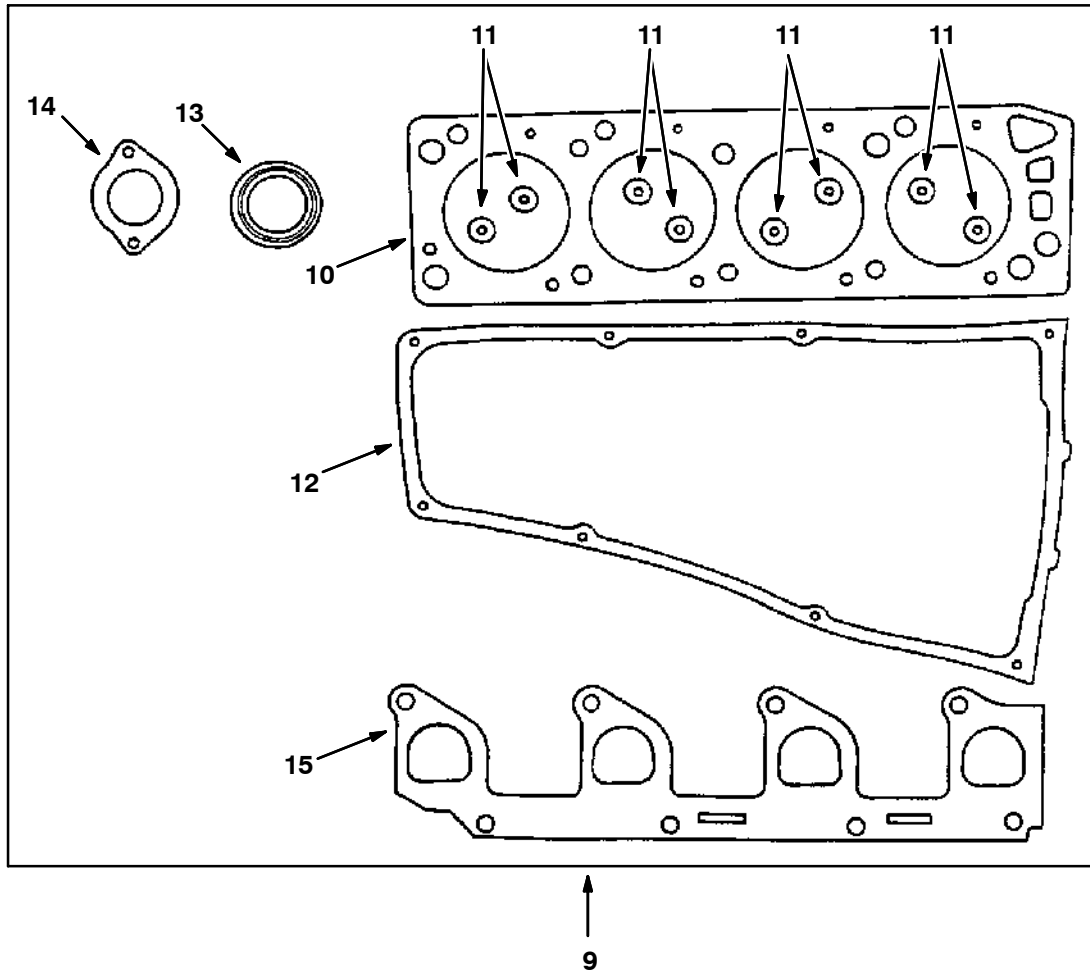
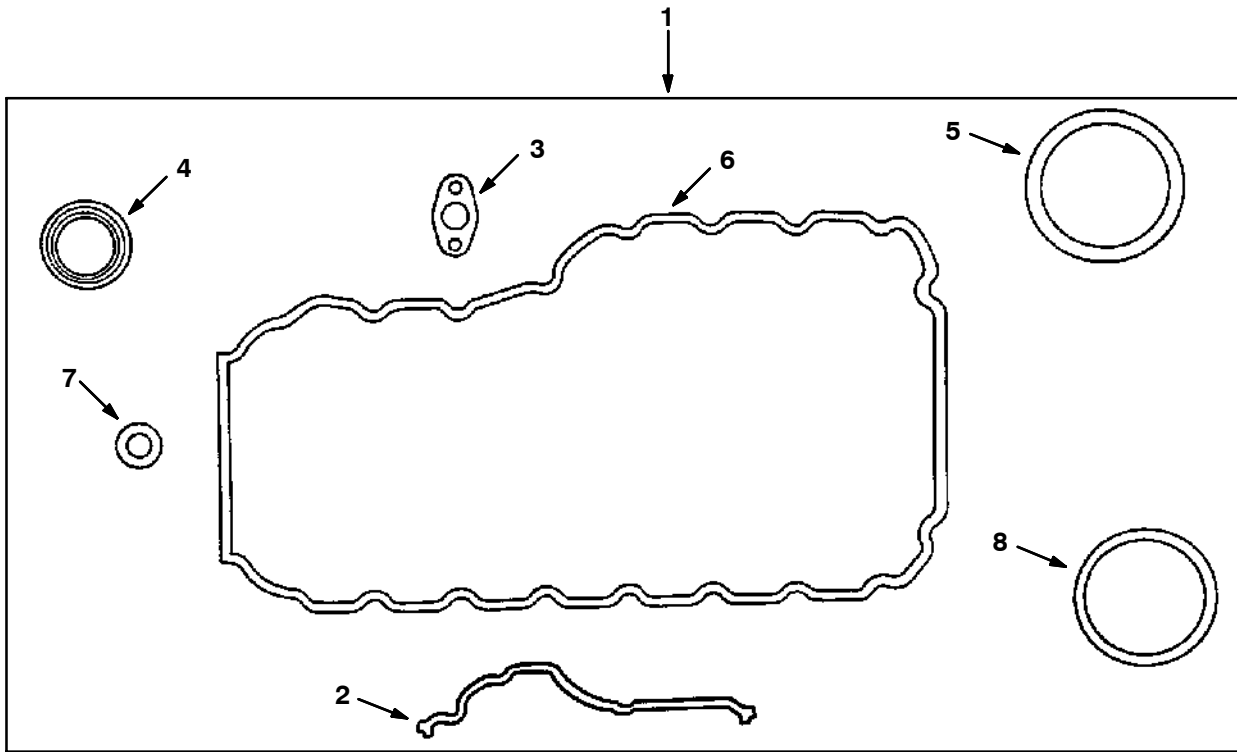
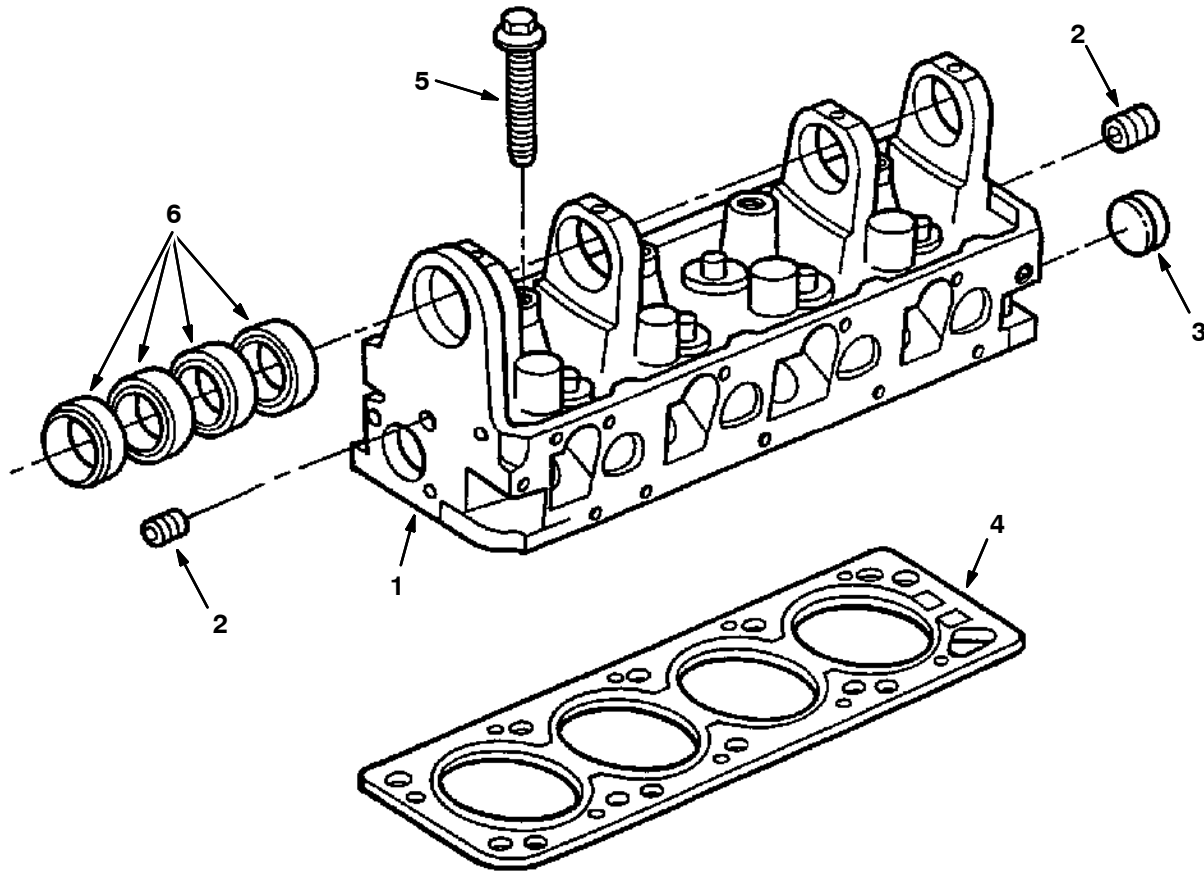


Fig. 2 - Gaskets Group

| | Ref. | Part No. | Description | Qty. |
|---|-------------|-----------------|--------------------|-------------|
| ▽ | 1 | 84885 | Gskt Kit,Lower | 1 |
| ▲ | 2 | 84886 | Gskt,Frnt Cvr | 1 |
| ▲ | 3 | 84887 | Gskt,Pmp/Putube | 1 |
| ▲ | 4 | 60833 | Oil Seal, Front | 1 |
| ▲ | 5 | 84888 | Seal, Rear | 1 |
| ▲ | 6 | 84889 | Gasket,Oil Pan | 1 |
| ▲ | 7 | 37157 | Gasket Oil | 1 |
| ▲ | 8 | 84983 | Gskt,Water Pump | 1 |
| ▽ | 9 | 84891 | Gskt Kit,Upper | 1 |
| ▲ | 10 | 60806 | Gasket, Head | 1 |
| ▲ | 11 | 84892 | Seal,Valve Stem | 8 |
| ▲ | 12 | 84893 | Gskt,Rockr Cvr | 1 |
| ▲ | 13 | 60833 | Oil Seal, Front | 1 |
| ▲ | 14 | 74538 | Gskt-Waterout | 1 |
| ▲ | 15 | 84894 | Gskt,In.Manfld | 1 |

2.3L ENGINE BREAKDOWN

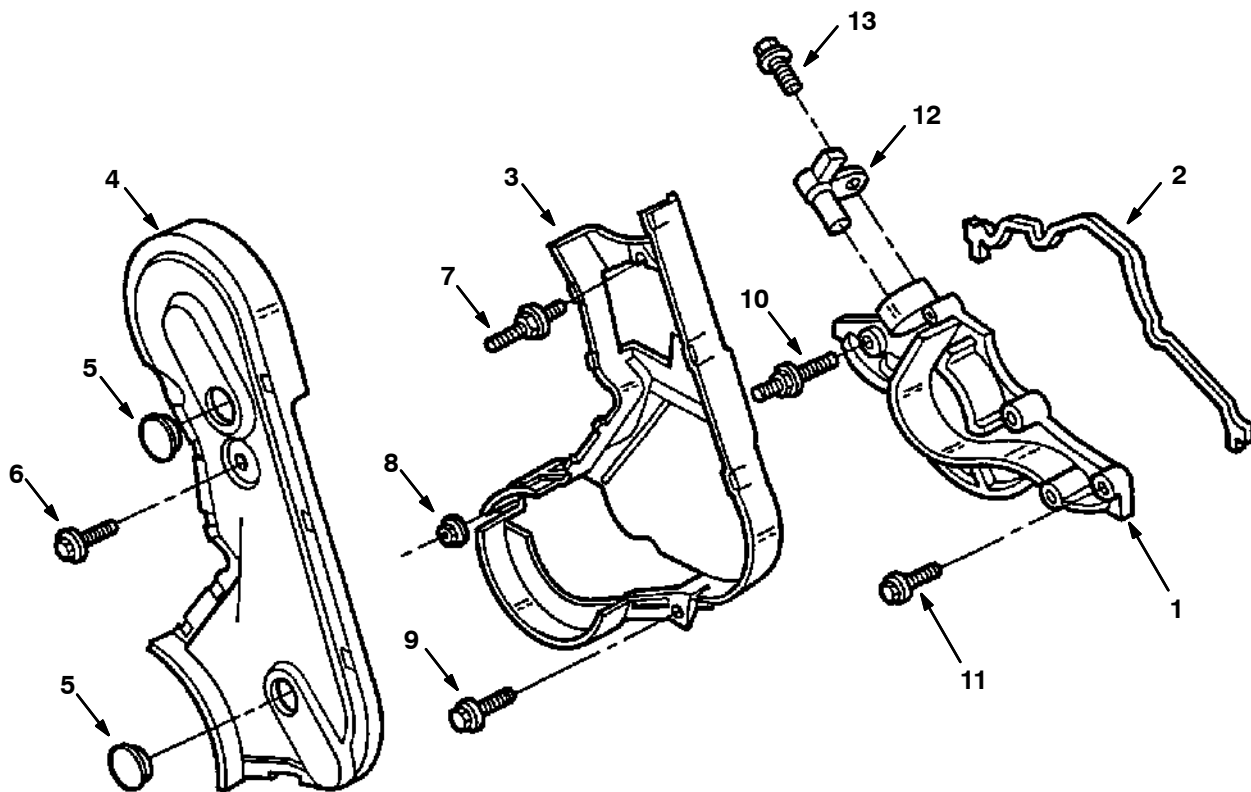
Fig. 3 - Cylinder Head Group



10445 - 800L, 8410, G, LP

| Ref. | Part No. | Description | Qty. |
|------|----------|------------------------|------|
| 1 | 84907 | Head-W/O Valves | 1 |
| 2 | 36268 | Plug 1/4 Npt | 2 |
| 3 | 84910 | Plug, 1.50 Cup | 1 |
| 4 | 60806 | Gasket, Head | 1 |
| 5 | 73927 | Bolt M12 | 10 |
| 6 | 60817 | Bearing Cam, | 4 |
| 6 | 73936 | Bearing, .016 Camshaft | - |

Fig. 4 - Cylinder Front Cover Group



10446 - 800L, 8410, G, LP

| Ref. | Part No. | Description | Qty. |
|------|----------|--------------------|------|
| 1 | 84895 | Lower Cover | 1 |
| 2 | 84896 | Gskt,Front Cvr | 1 |
| 3 | 84897 | Inner Cover | 1 |
| 4 | 84898 | Outer Cover | 1 |
| 5 | 74536 | Plug | 2 |
| 6 | 84899 | Bolt, M8 X 17 Schd | 1 |
| 7 | 84900 | Stud,M8X51.0mm | 1 |
| 8 | 84901 | Nut, M6 | 1 |
| 9 | 84902 | Scr&Wsh,M6X22.5 | 1 |
| 10 | 84903 | Stud,M6X61.8mm | 1 |
| 11 | 84904 | Bolt,M6X37.5mm | 3 |
| 12 | 84905 | Sensor,Crnksft | 1 |
| 13 | 84906 | Screw,M6X22.5mm | 1 |

2.3L ENGINE BREAKDOWN

Fig. 5 - Starter Breakdown

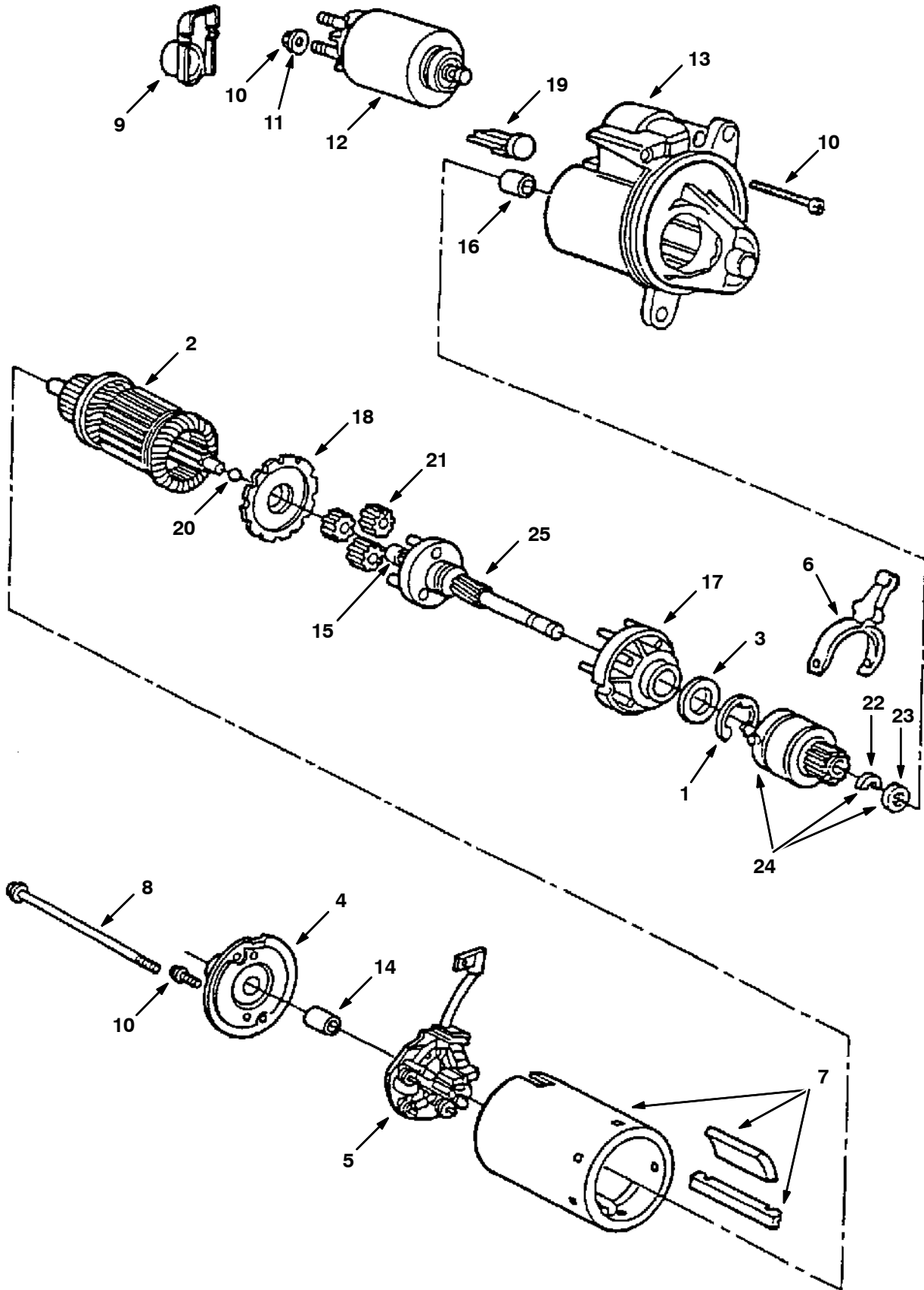


Fig. 5 - Starter Breakdown

| Ref. | Part No. | Description | Qty. |
|------|-----------|--------------------------------|------|
| ▽ | 60938 | Motor, Starting, Perm Mag, 12V | 1 |
| ▲ | 1 79640 | Retaining Ring | 1 |
| ▲ | 2 84999 | Armature | 1 |
| ▲ | 3 79956 | Washer | 1 |
| ▲ | 4 79628 | Plate & Brg | 1 |
| ▲ | 5 79629 | Brush Holder | 1 |
| ▲ | 6 79630 | Lever | 1 |
| ▲ | 7 79631 | Frame&Mag.As | 1 |
| ▲ | 8 79632 | Bolt-Thru | 2 |
| ▲ | 9 79970 | Term.Cover | 1 |
| ▲▽ | 10 79633 | Kit-Attaching | 1 |
| ▲▲ | 11 79957 | Nut&Washer,M8 | 1 |
| ▲ | 12 370829 | Solenoid | 1 |
| ▲ | 13 79634 | Hsg W/Brg | 1 |
| ▲ | 14 79635 | Bearing | 1 |
| ▲ | 15 79960 | Planet Bearing | 3 |
| ▲ | 16 79961 | Bearing | 1 |
| ▲ | 17 79962 | Statnry Gear | 1 |
| ▲ | 18 79963 | Retnr.Gear | 1 |
| ▲ | 19 79964 | Seal | 1 |
| ▲ | 20 79965 | Arm.Thr.Ball | 1 |
| ▲ | 21 79966 | Gear Assy | 3 |
| ▲ | 22 79636 | Ring-Drv.Stop | 1 |
| ▲ | 23 79967 | Retainer | 1 |
| ▲ | 24 79638 | Drive Assy | 1 |
| ▲ | 25 79969 | Shft Asy,Output | 1 |

Fig. 6 - Oil Pan Group

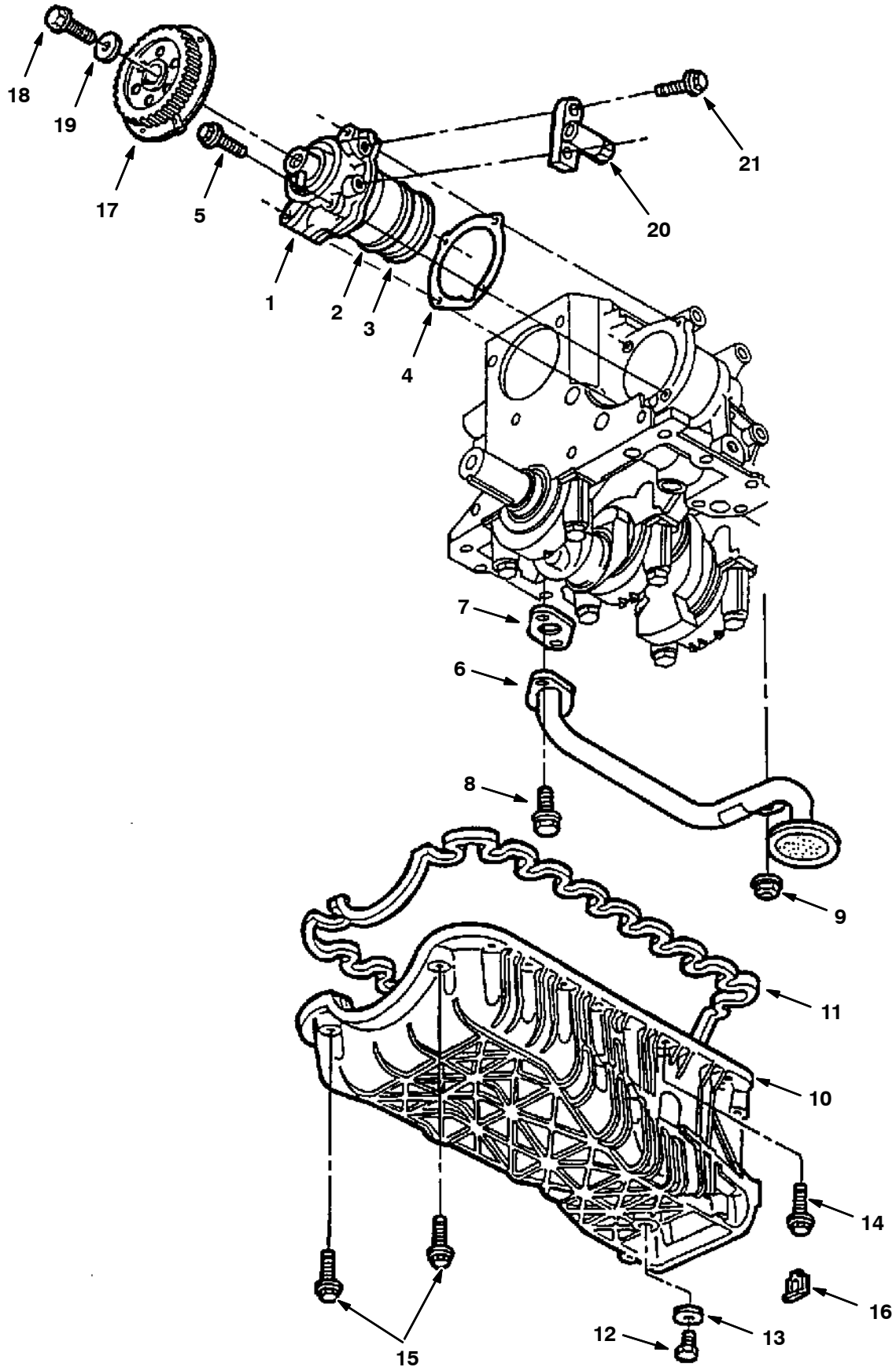


Fig. 6 - Oil Pan Group

| Ref. | Part No. | Description | Qty. |
|------|----------|-----------------|------|
| 1 | 84963 | Oil Pump | 1 |
| 2 | 84964 | O-Ring,2.375 | 1 |
| 3 | 84965 | O-Ring-2.250 | 1 |
| 4 | 84966 | Gskt,Oilpmp/Blk | 1 |
| 5 | 84967 | Bolt,M6X47.5mm | 4 |
| 6 | 84968 | Oil Pickup Tube | 1 |
| 7 | 84969 | Gskt,Pu Tube | 1 |
| 8 | 84970 | Bolt,M8X20.0mm | 2 |
| 9 | 84971 | Nut,M10 | 1 |
| 10 | 84972 | Oil Pan Assy | 1 |
| 11 | 84889 | Gasket,Oil Pan | 1 |
| 12 | 37127 | Oil Plug | 1 |
| 13 | 37157 | Gasket Oil | 1 |
| 14 | 84973 | Bolt,M6X27.5mm | 16 |
| 15 | 84974 | Bolt,M6X52.5mm | 2 |
| 16 | 84975 | Oil Pan Spacer | - |
| 16 | 84976 | Oil Pan Spacer | - |
| 16 | 84977 | Oil Pan Spacer | - |
| 17 | 84978 | Oil Pmp Sprkt | 1 |
| 18 | 84979 | Bolt,M10X40.0mm | 1 |
| 19 | 74561 | Washer | 1 |
| 20 | 84980 | Camsft.Sensor | 1 |
| 21 | 84981 | Bolt,M5X20.0M | 2 |

2.3L ENGINE BREAKDOWN

Fig. 7 - Crankshaft Group

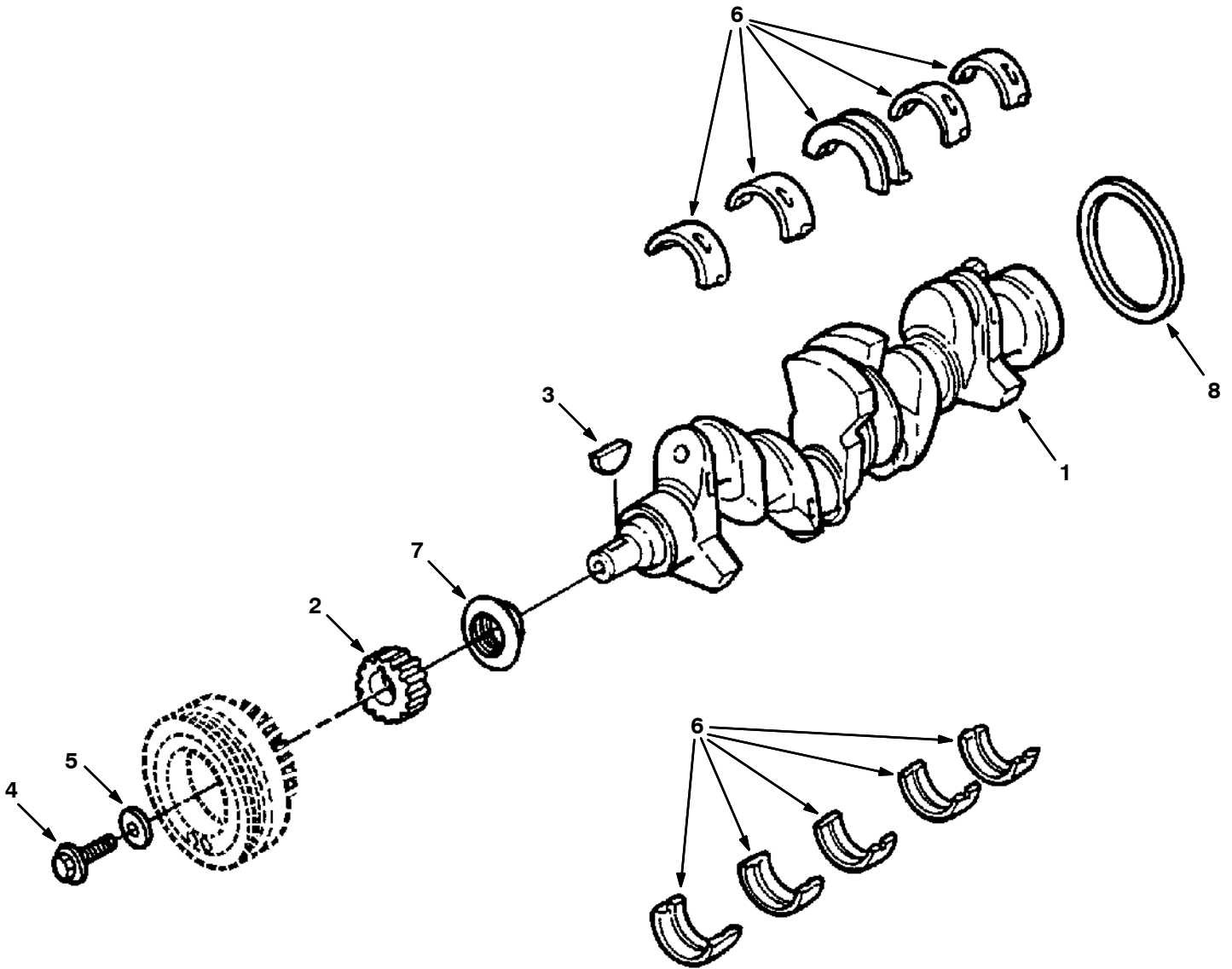


Fig. 7 - Crankshaft Group

| Ref. | Part No. | Description | Qty. |
|------|----------|-------------------------------------|------|
| 1 | 84923 | Crankshaft Asy | 1 |
| 2 | 84924 | Crnksft Sprckt | 1 |
| 3 | 84925 | Crnkshaft Key | 1 |
| 4 | 84926 | Bolt,M14X55.0M | 1 |
| 5 | 84927 | Wash M15 1.53Od | 1 |
| 6 | 1051175 | Bearing Kit, Cshft, Std[F2.3/2.5I] | 4 |
| 6 | 1051167 | Bearing Kit, Cshft, .040[F2.3/2.5I] | - |
| 6 | 1051174 | Bearing Kit, Cshft, .010[F2.3/2.5I] | - |
| 6 | 1051173 | Bearing Kit, Cshft, .020[F2.3/2.5I] | - |
| 6 | 1051172 | Bearing Kit, Cshft, .030[F2.3/2.5I] | - |
| 7 | 60833 | Oil Seal, Front | 1 |
| 8 | 84947 | Crnksft Seal-Rear | 1 |

2.3L ENGINE BREAKDOWN

Fig. 8 - Manifolds Group

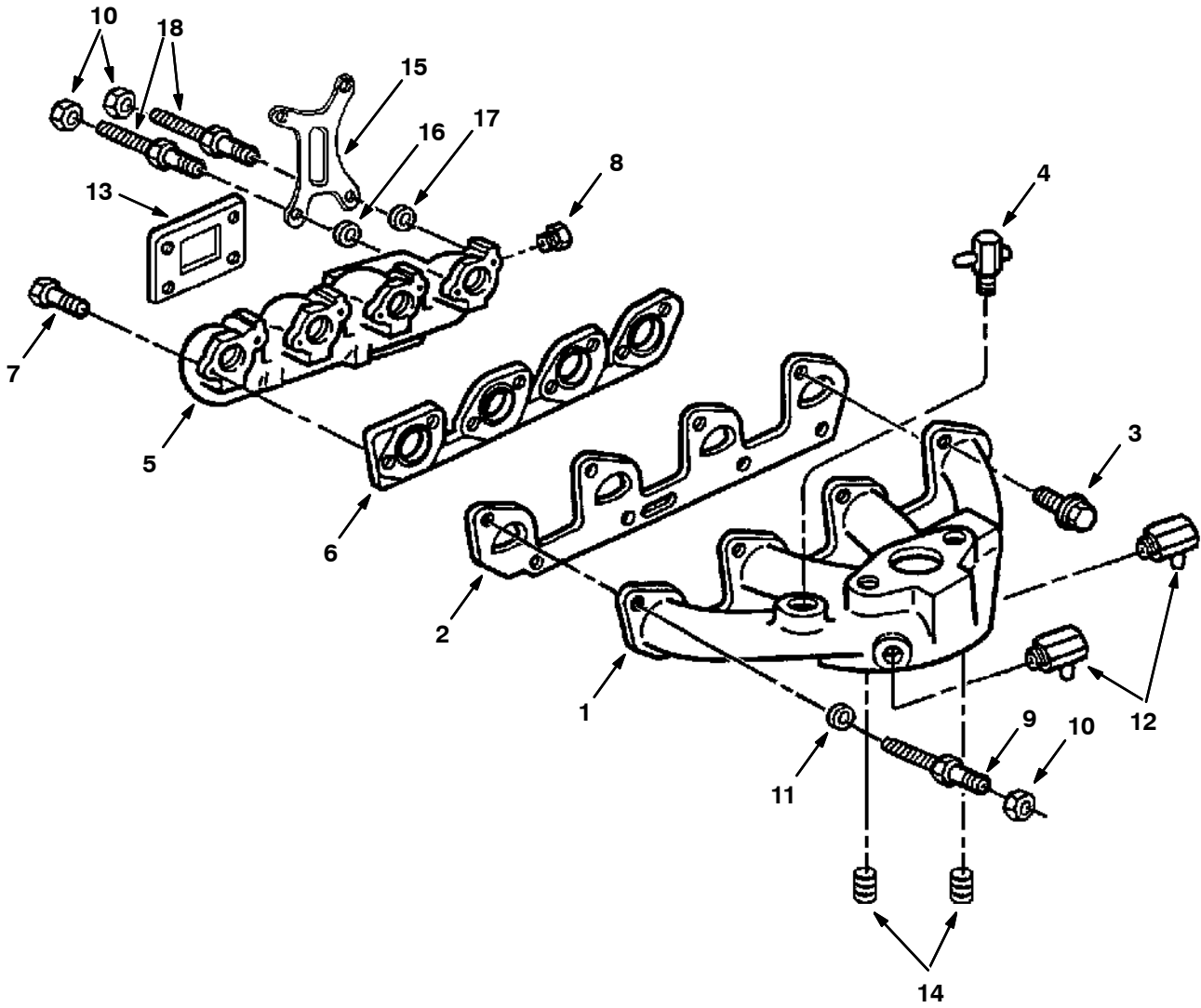


Fig. 8 - Manifolds Group

| Ref. | Part No. | Description | Qty. |
|------|----------|---------------------|------|
| 1 | 84990 | Int.Manifold | 1 |
| 2 | 84991 | Gskt,Int.Mnflid | 1 |
| 3 | 84992 | Bolt,M8X25.0mm | 7 |
| 4 | 74527 | Vac.Fitting | 1 |
| 5 | 74509 | Exh.Manifold | 1 |
| 6 | 84995 | Gskt,Exh.Mnflid | 1 |
| 7 | 84996 | Bolt,M10X55.0M | 6 |
| 8 | 84997 | Plug, 1/2Npt | 1 |
| 9 | 79972 | Stud | 1 |
| 10 | 79973 | Nut M8-1.25 | 3 |
| 11 | 79974 | Spacer | 1 |
| 12 | 84985 | Elbow,90 deg | 2 |
| 13 | 36048 | Gasket, Exh. Flange | 1 |
| 14 | 73917 | Plug 3/8 NPT | 2 |
| 15 | 79976 | Lifting Eye | 1 |
| 16 | 21792 | Spacer | 1 |
| 17 | 21793 | Spacer | 1 |
| 18 | 21794 | Stud | 2 |

Fig. 9 - Flywheel Group

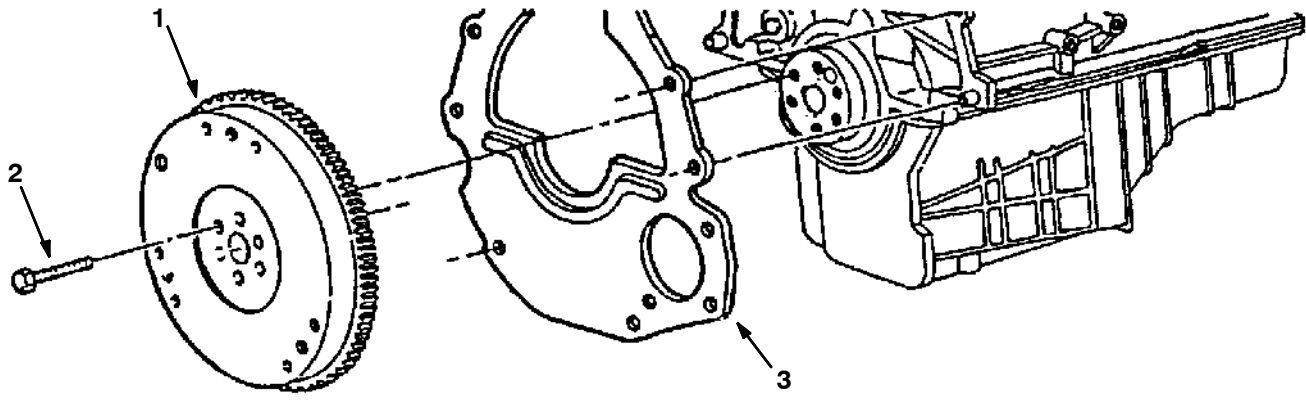


Fig. 9 - Flywheel Group

| Ref. | Part No. | Description | Qty. |
|-------------|-----------------|---------------------|-------------|
| 1 | 370103 | Replm Kit, Flywheel | 1 |
| | 370102 | Flywheel | 1 |
| | 84659 | Flywheel Ring Gear | 1 |
| 2 | 64038 | Bolt | 12 |
| 3 | 83669 | Rear Plate | 12 |

2.3L ENGINE BREAKDOWN

Fig. 10 - Camshaft And Sprocket Group

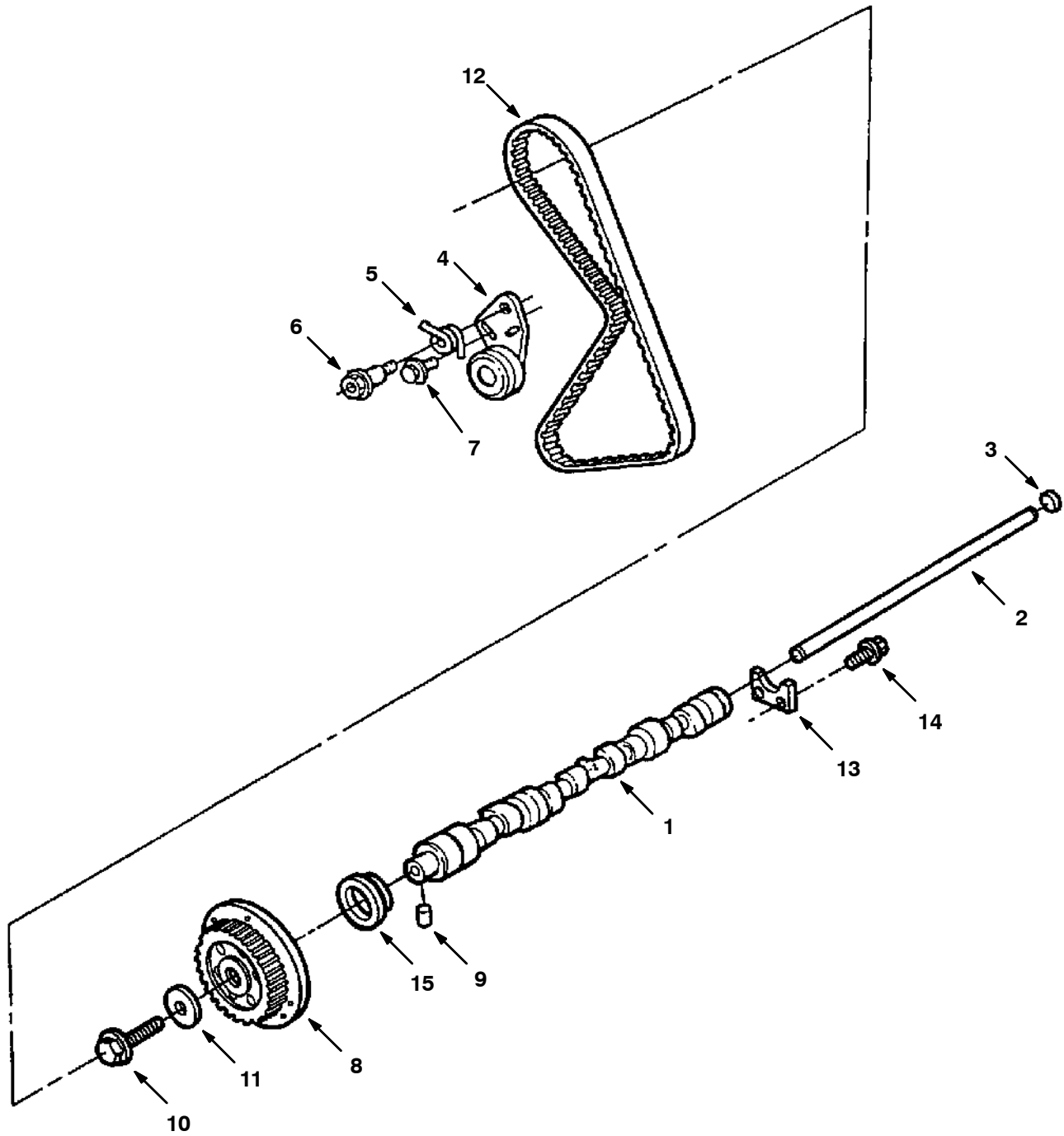


Fig. 10 - Camshaft And Sprocket Group

| Ref. | Part No. | Description | Qty. |
|------|----------|------------------|------|
| 1 | 84915 | Camshaft | 1 |
| 2 | 84916 | Rod | 1 |
| 3 | 84917 | Plug | 1 |
| 4 | 73967 | Tensioner, Arm | 1 |
| 5 | 73970 | Spring, Tension | 1 |
| 6 | 84919 | Bolt, Tens. Sprn | 1 |
| 7 | 74552 | Bolt | 1 |
| 8 | 84978 | Camshft Sprckt | 1 |
| 9 | 84921 | Pin, 1/4X.32 | 1 |
| 10 | 74545 | Bolt M12X45 | 1 |
| 11 | 73937 | Washer | 1 |
| 12 | 84936 | Timing Belt | 1 |
| 13 | 73954 | Plate | 1 |
| 14 | 74548 | Scr&Wash M6 | 2 |
| 15 | 60833 | Oil Seal, Front | 1 |

2.3L ENGINE BREAKDOWN

Fig. 11 - Valve And Rocker Arm Cover Group

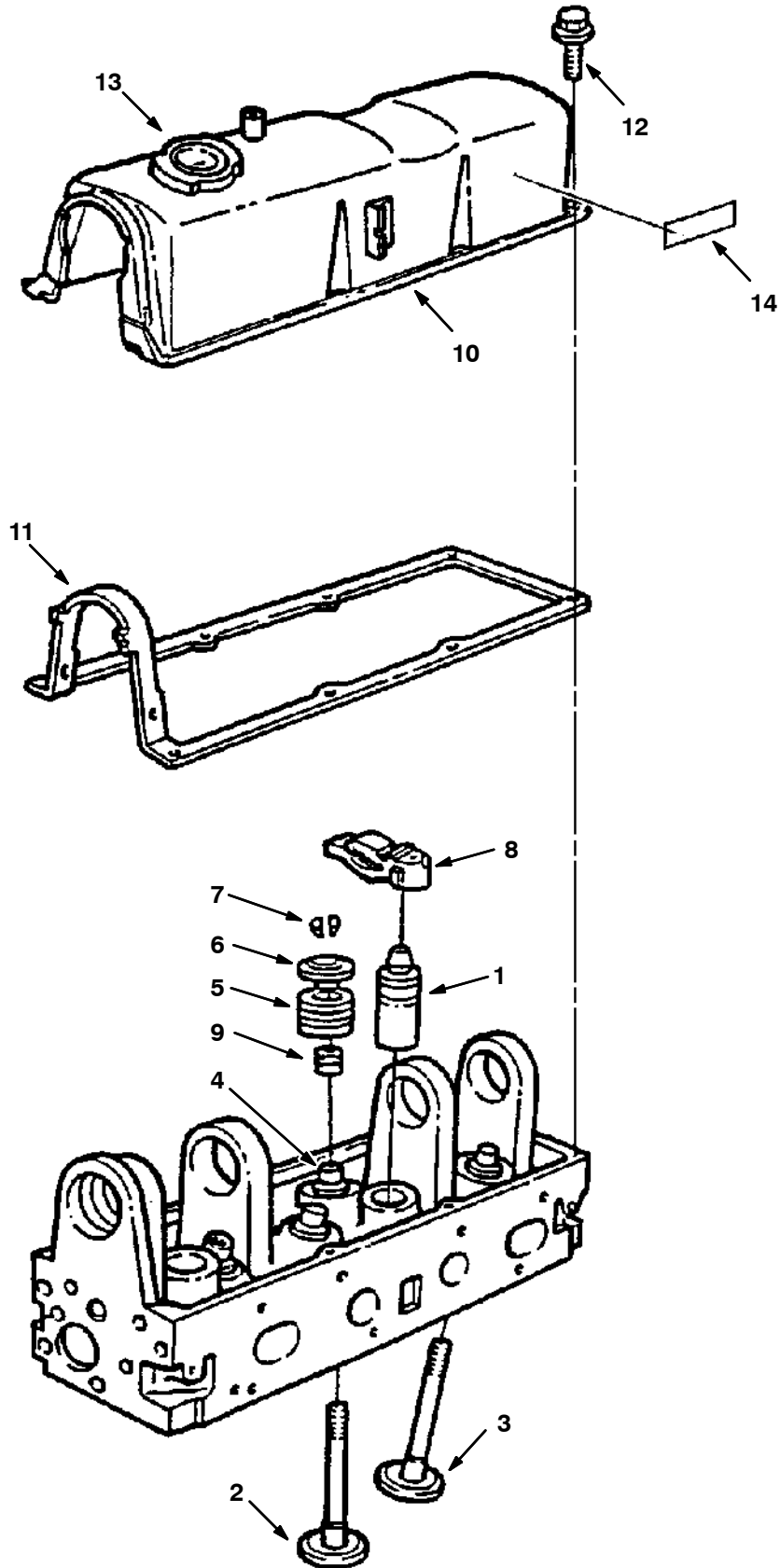
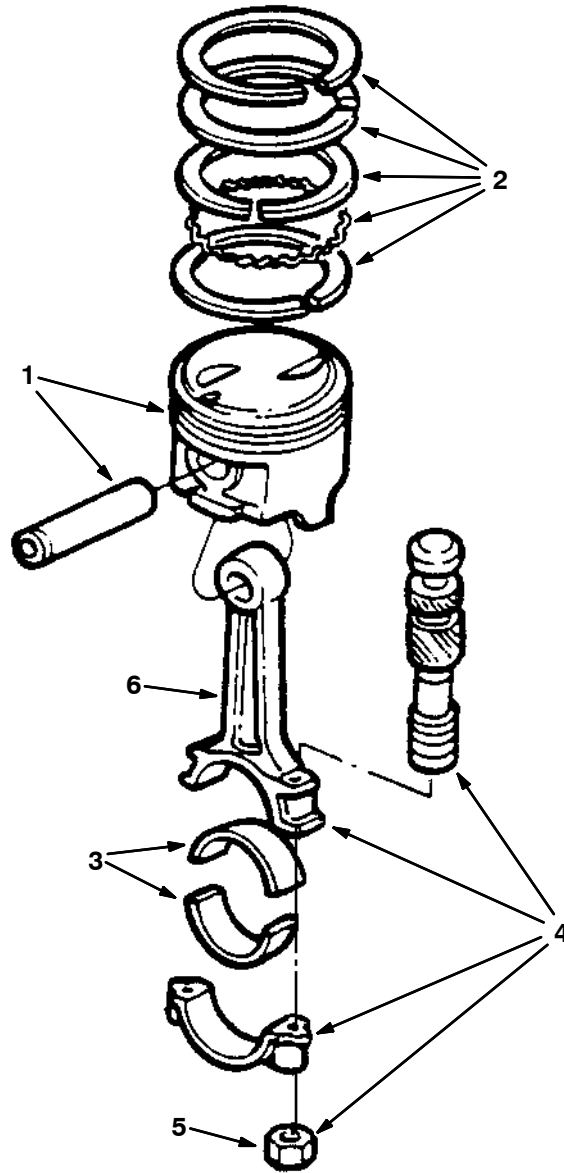


Fig. 11 - Valves And Rocker Arm Cover Group

| Ref. | Part No. | Description | Qty. |
|------|----------|------------------------|------|
| 1 | 84950 | Tap.Assy-Valve | 8 |
| 2 | 84951 | Std.Exh.Valve | 4 |
| 3 | 84952 | Std.Int.Valve | 4 |
| 4 | 84953 | Valve Guide Bushing | - |
| 5 | 84954 | Valve Spring | 8 |
| 6 | 84955 | Valve Spring Retainer | 8 |
| 7 | 84956 | Valve Spring Key | 16 |
| 8 | 84957 | Valve Rocker Arm | 8 |
| 9 | 84958 | Valve Stem Seal | 8 |
| 10 | 370876 | Valve Rocker Arm Cover | 1 |
| 11 | 73995 | Gasket,Rocker Cover | 1 |
| 12 | 84961 | Scr&Wsh,M6X15.0M | 8 |
| 13 | 60836 | Breather Cap | 1 |
| 14 | 36164 | Warning Label, Starter | 1 |

2.3L ENGINE BREAKDOWN

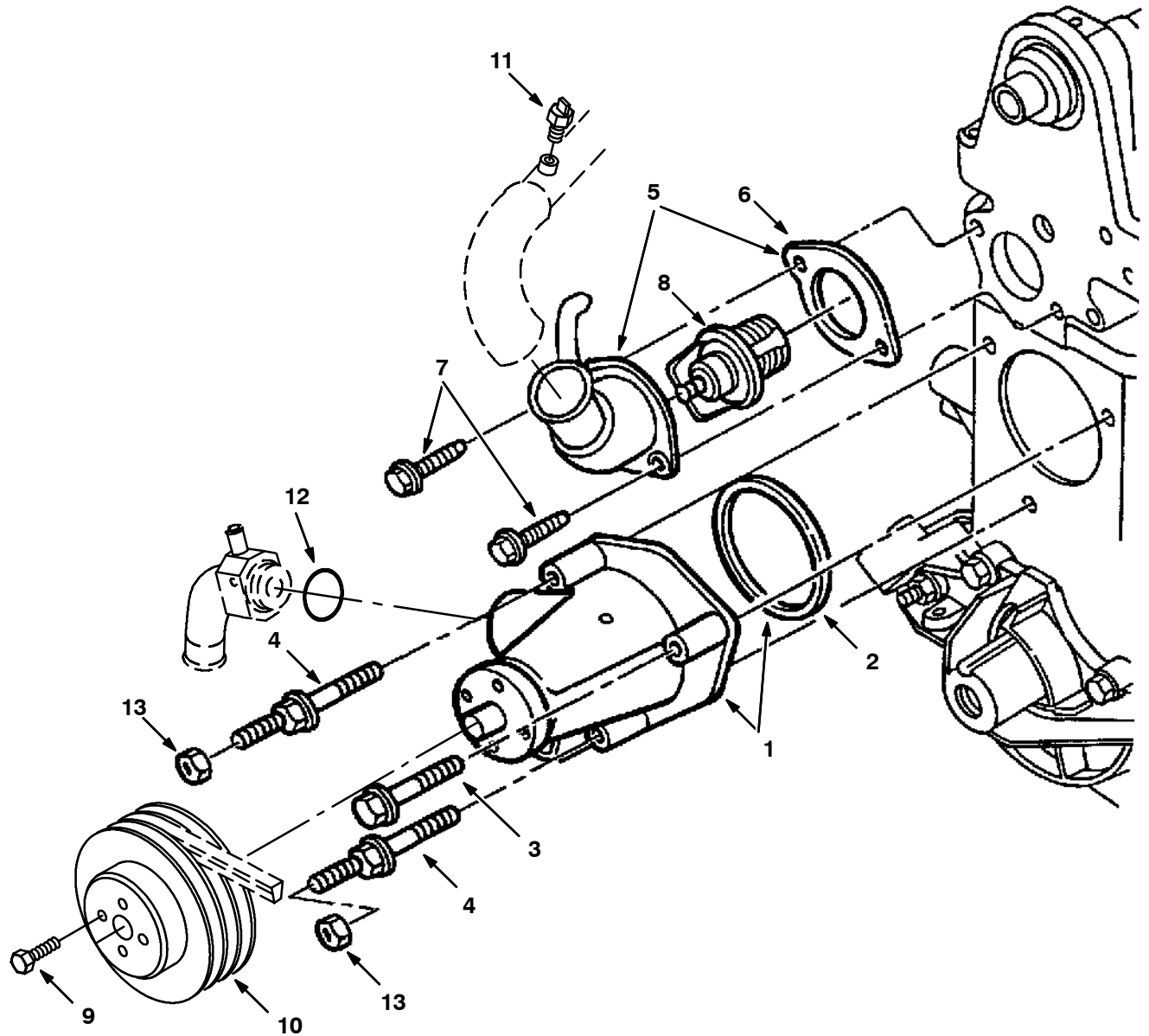
Fig. 12 - Piston And Connecting Rod Group



10447 - 800L, 8410, G, LP

| Ref. | Part No. | Description | Qty. | |
|------|----------|----------------|---------------|---|
| 1 | 84911 | Piston, Std. | 4 | |
| 2 | 84913 | Ring Set, Std. | 2 | |
| 3 | 60812 | Bearing | 8 | |
| 3 | 73977 | Brg-Conn.Rod | - | |
| 3 | 73978 | Brg-Conn.Rod | - | |
| 3 | 73979 | Brg-Conn.Rod | - | |
| 3 | 73980 | Brg-Conn.Rod | - | |
| 3 | 73981 | Brg-Conn.Rod | - | |
| 3 | 73982 | Brg-Conn.Rod | - | |
| ▽ | 4 | 84914 | Connecting Rd | 4 |
| ▲ | 5 | 60813 | Nut, Conrod-8 | 8 |
| ▲ | 6 | 60814 | Bolt-Conrod-4 | 8 |

Fig. 13 - Water Pump, Thermostat and Fan Group

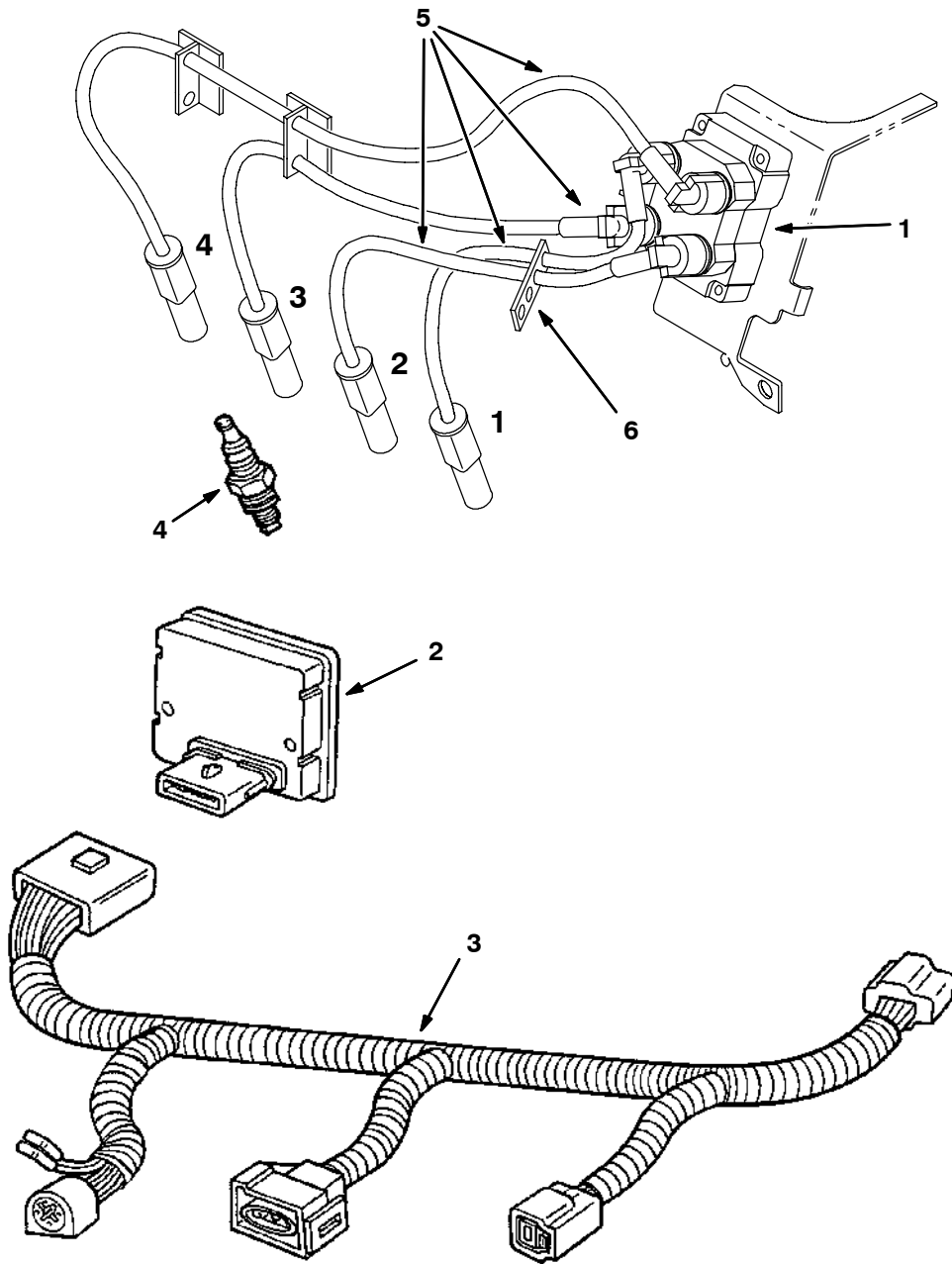


10528 - 800L, 8410, G, LP

| Ref. | Part No. | Description | Qty. | |
|------|----------|-------------|--------------------------------|---|
| ▽ | 1 | 84982 | Water Pump | 1 |
| ▲ | 2 | 84983 | Gskt,Water Pump | 1 |
| | 3 | 84984 | Bolt,M8X53.0mm | 1 |
| | 4 | 84998 | Stud | 2 |
| ▽ | 5 | 73996 | Water Outlet | 1 |
| ▲ | 6 | 74538 | Gasket Water Outlet Connection | 1 |
| | 7 | 84988 | Bolt,M8X18.0M | 2 |
| | 8 | 84987 | Therm 190 W/Gsk | 1 |
| | 9 | 84994 | Bolt, M8X12.0mm | 1 |
| | 10 | 36014 | Sheave, Water Pump | 1 |
| | 11 | 84989 | Temperature sensor | 1 |
| | 12 | 79975 | O-Ring, Water Pump Adaptor | 1 |
| | 13 | 84993 | Locknut | 2 |

2.3L ENGINE BREAKDOWN

Fig. 14 - Ignition Group



10524-350562 - 800L, 8410, G, LP

| Ref. | Part No. | Description | Qty. |
|------|----------|--|------|
| 1 | 83732 | Ignition Coil | 1 |
| 2 | 9003676 | Module Kit, Ignition, Replmt [Ford 2.3l] | 1 |
| 3 | 83707 | Wire Harness | 1 |
| 4 | 60846 | Spark Plug | 4 |
| 5 | 83677 | Wire Asy, Spark Plug | 1 |
| 6 | 84882 | Separator | 1 |

SECTION 6

| Contents | Page |
|---|-------------|
| Fig. 1 - Engine Block Group | 6-2 |
| Fig. 2 - Gaskets Group | 6-4 |
| Fig. 3 - Cylinder Head Group | 6-6 |
| Fig. 4 - Cylinder Front Cover Group | 6-7 |
| Fig. 5 - Starter Breakdown | 6-8 |
| Fig. 6 - Oil Pan Group | 6-10 |
| Fig. 7 - Crankshaft Group | 6-12 |
| Fig. 8 - Manifolds Group | 6-14 |
| Fig. 9 - Flywheel Group | 6-16 |
| Fig. 10 - Camshaft And Sprocket Group | 6-18 |
| Fig. 11 - Valve And Rocker Arm Cover Group .. | 6-20 |
| Fig. 12 - Piston And Connecting Rod Group ... | 6-22 |
| Fig. 13 - Water Pump, Thermostat and Fan Group | 6-23 |
| Fig. 14 - Ignition Group | 6-24 |

2.5L ENGINE BREAKDOWN

Fig. 1 - Engine Block Group

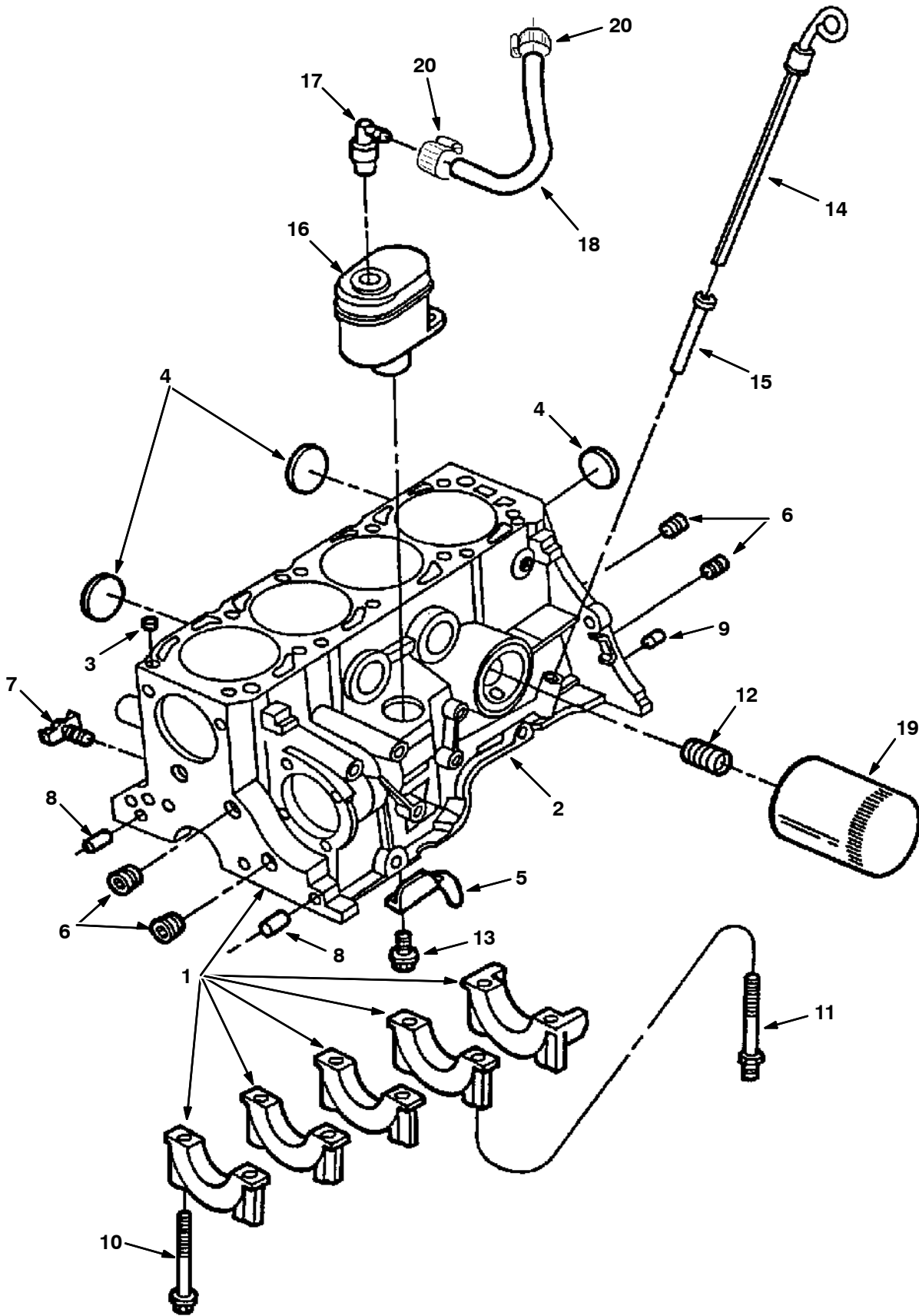


Fig. 1 - Engine Block Group

| Ref. | Part No. | Description | Qty. | |
|------|----------|-------------|-----------------------------------|---|
| | 1 | 370847 | Cyl Block Assy (Short Block Assy) | 1 |
| ▽ | 2 | 370848 | Block Assy | 1 |
| ▲ | 3 | 73958 | Dowel | 2 |
| ▲ | 4 | 73921 | Plug-Std 2.078 | 5 |
| ▲ | 4 | 73920 | Plug .06 O/S | - |
| ▲ | 5 | 84879 | Baffle | 1 |
| ▲ | 6 | 73917 | Plug 3/8 Npt | 5 |
| ▲ | 6 | 36268 | Plug 1/4 Npt | 2 |
| ▲ | 7 | 54911-32 | Draincock,End.Block | 1 |
| ▲ | 8 | 84878 | Dowel,Frnt Cover | 2 |
| ▲ | 9 | 370873 | Dowel | 2 |
| ▲ | 10 | 73950 | Bolt M12 | 9 |
| ▲ | 11 | 74516 | Stud M12 | 1 |
| | 12 | 84962 | Insert-Oilfilt | 1 |
| | 13 | 84880 | Bolt, M6X16.5mm | 2 |
| | 14 | 370850 | Indicator,Oil | 1 |
| | 15 | 10724 | Short Tube | 1 |
| | 16 | 84882 | Separator | 1 |
| | 17 | 84883 | Pcv Vlv Assy | 1 |
| | 18 | 84884 | Hose | 1 |
| | 19 | 39703-2 | Filter Element, Oil | 1 |
| | 20 | 54333 | Clamp, Hose, Wormdrive | 2 |

2.5L ENGINE BREAKDOWN

Fig. 2 - Gaskets Group

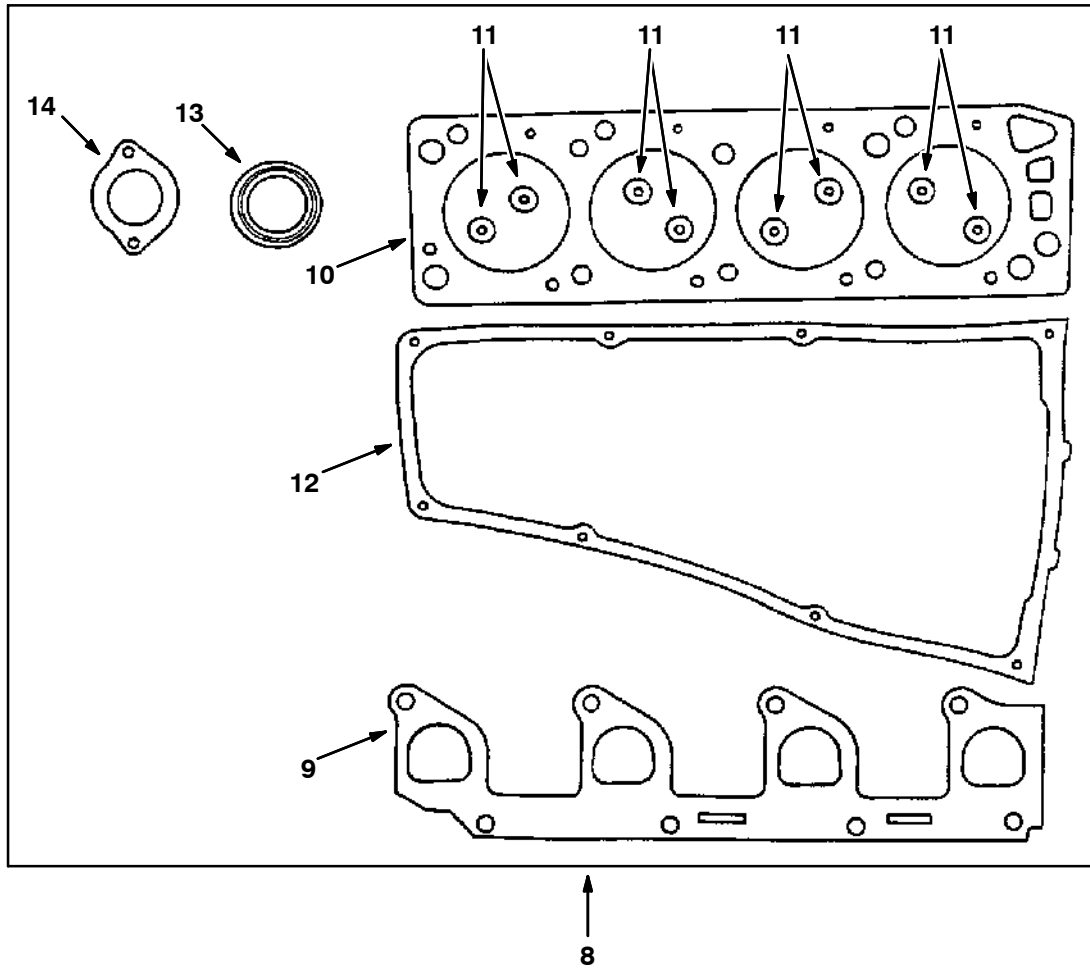
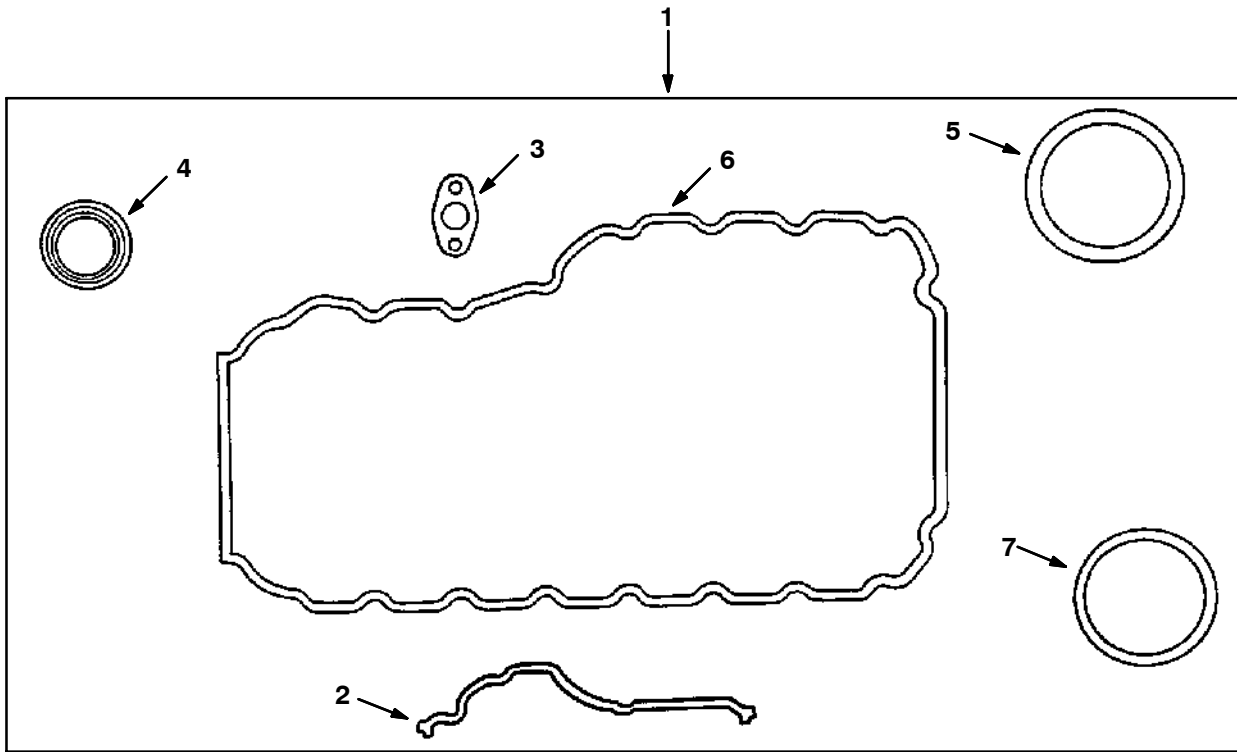
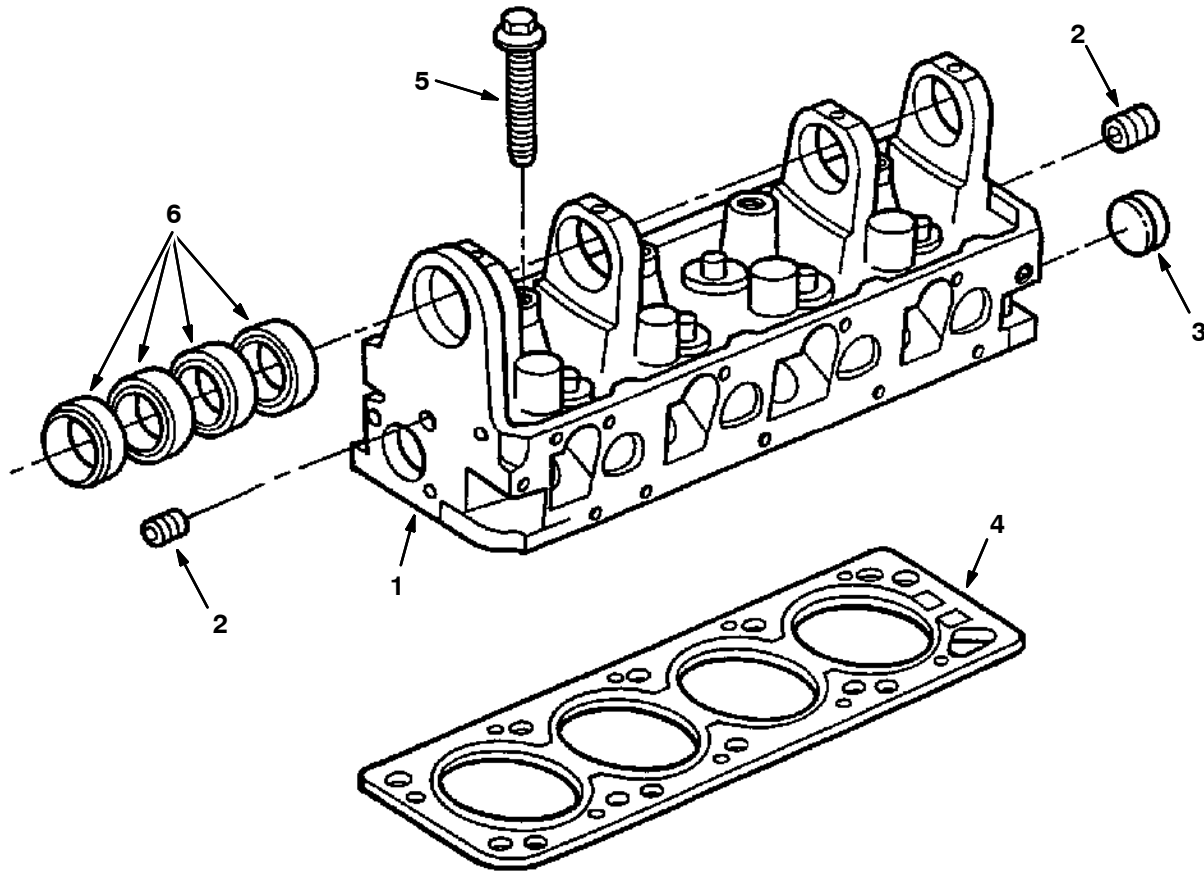


Fig. 2 - Gaskets Group

| | Ref. | Part No. | Description | Qty. |
|---|------|----------|-----------------|------|
| ▽ | 1 | 370851 | Gskt Kit,Lower | 1 |
| ▲ | 2 | 84896 | Gskt,Frnt Cvr | 1 |
| ▲ | 3 | 84887 | Gskt,Pmp/Putube | 1 |
| ▲ | 4 | 60833 | Oil Seal, Front | 1 |
| ▲ | 5 | 60834 | Seal, Rear | 1 |
| ▲ | 6 | 84889 | Gasket,Oil Pan | 1 |
| ▲ | 7 | 84983 | Gskt,Water Pump | 1 |
| ▽ | 8 | 84891 | Gskt Kit,Upper | 1 |
| ▲ | 9 | 84991 | Gskt,In.Manfld | 1 |
| ▲ | 10 | 60806 | Gasket, Head | 1 |
| ▲ | 11 | 84958 | Seal,Valve Stem | 8 |
| ▲ | 12 | 73995 | Gskt,Rockr Cvr | 1 |
| ▲ | 13 | 60833 | Oil Seal, Front | 1 |
| ▲ | 14 | 74538 | Gskt-Waterout | 1 |

2.5L ENGINE BREAKDOWN

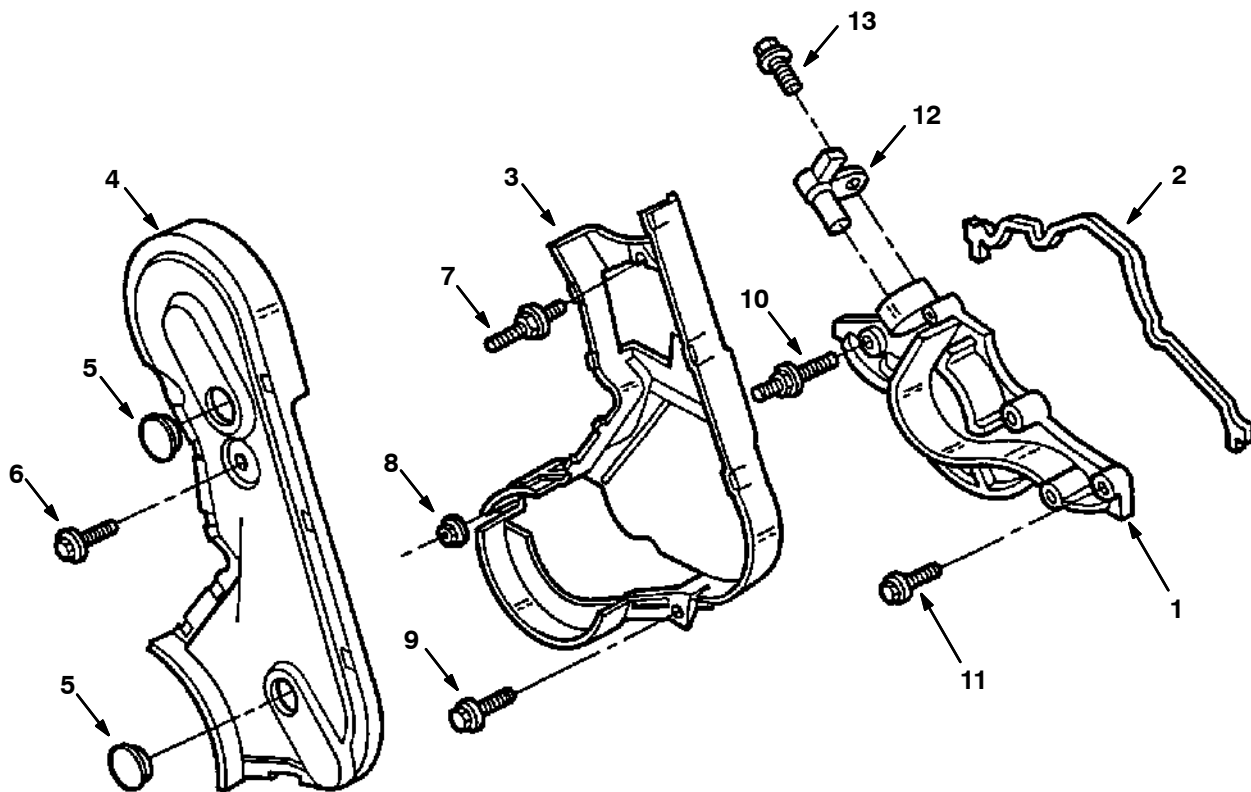
Fig. 3 - Cylinder Head Group



10445 - 800L, 8410, G, LP

| Ref. | Part No. | Description | Qty. |
|------|----------|------------------------|------|
| 1 | 84907 | Head-W/O Valves | 1 |
| 2 | 36268 | Plug 1/4 Npt | 2 |
| 3 | 84910 | Plug, 1.50 Cup | 1 |
| 4 | 60806 | Gasket, Head | 1 |
| 5 | 73927 | Bolt M12 | 10 |
| 6 | 60817 | Bearing Cam, | 4 |
| 6 | 73936 | Bearing, .016 Camshaft | - |

Fig. 4 - Cylinder Front Cover Group



10446 - 800L, 8410, G, LP

| Ref. | Part No. | Description | Qty. |
|------|----------|--------------------|------|
| 1 | 84895 | Lower Cover | 1 |
| 2 | 84896 | Gskt,Front Cvr | 1 |
| 3 | 84897 | Inner Cover | 1 |
| 4 | 84898 | Outer Cover | 1 |
| 5 | 74536 | Plug | 2 |
| 6 | 84899 | Bolt, M8 X 17 Schd | 1 |
| 7 | 84900 | Stud,M8X51.0mm | 1 |
| 8 | 84901 | Nut, M6 | 1 |
| 9 | 84902 | Scr&Wsh,M6X22.5 | 1 |
| 10 | 84903 | Stud,M6X61.8mm | 1 |
| 11 | 84904 | Bolt,M6X37.5mm | 3 |
| 12 | 84905 | Sensor,Crnksft | 1 |
| 13 | 84906 | Screw,M6X22.5mm | 1 |

Fig. 5 - Starter Breakdown

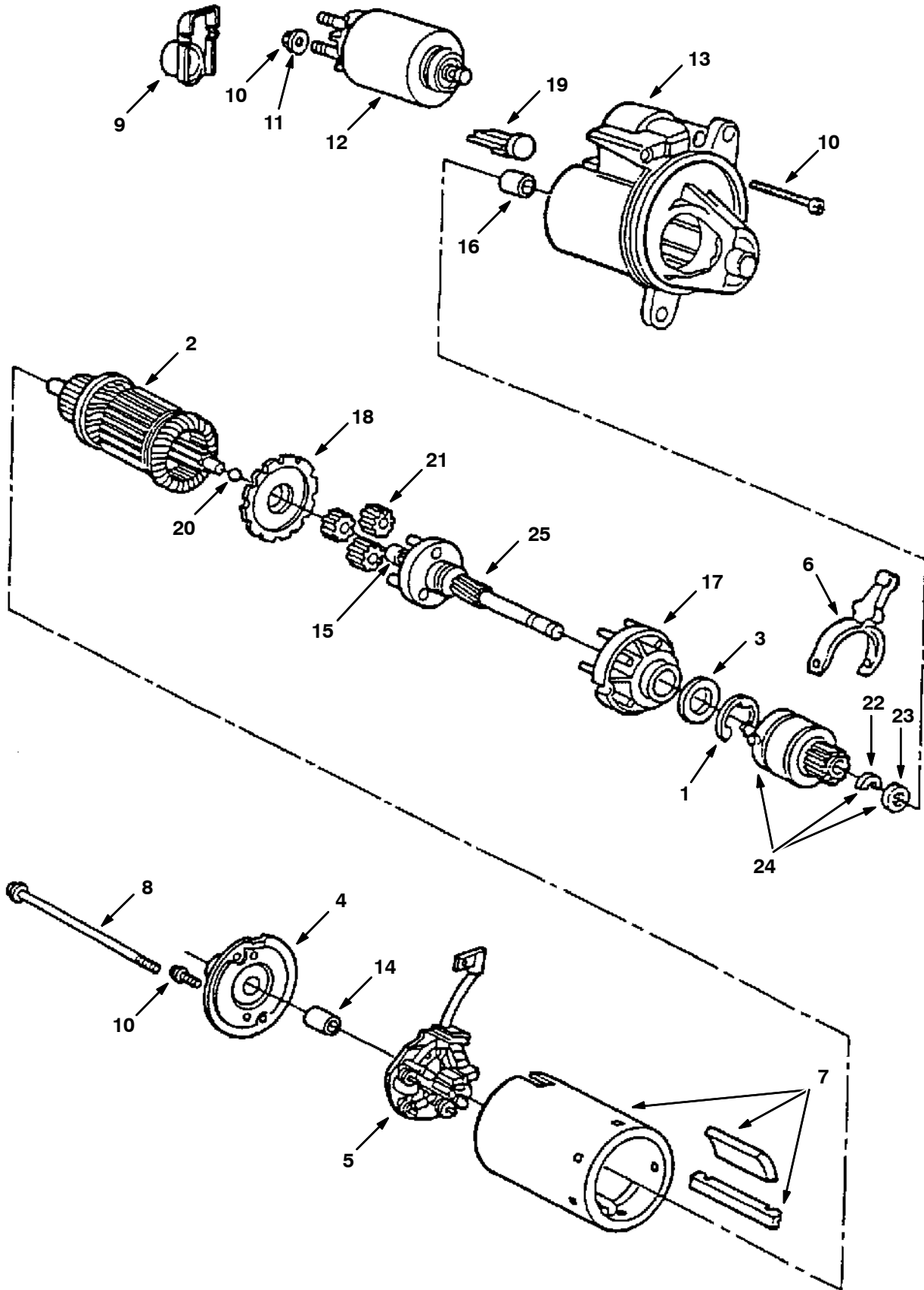


Fig. 5 - Starter Breakdown

| | Ref. | Part No. | Description | Qty. |
|----|-------------|-----------------|--------------------------------|-------------|
| ▽ | | 60938 | Motor, Starting, Perm Mag, 12V | 1 |
| ▲ | 1 | 79640 | Retaining Ring | 1 |
| ▲ | 2 | 84999 | Armature | 1 |
| ▲ | 3 | 79956 | Washer | 1 |
| ▲ | 4 | 79628 | Plate & Brg | 1 |
| ▲ | 5 | 79629 | Brush Holder | 1 |
| ▲ | 6 | 79630 | Lever | 1 |
| ▲ | 7 | 79631 | Frame&Mag.As | 1 |
| ▲ | 8 | 79632 | Bolt-Thru | 2 |
| ▲ | 9 | 79970 | Term.Cover | 1 |
| ▲▽ | 10 | 79633 | Kit-Attaching | 1 |
| ▲▲ | 11 | 79957 | Nut&Washer,M8 | 1 |
| ▲ | 12 | 370829 | Solenoid | 1 |
| ▲ | 13 | 79634 | Hsg W/Brg | 1 |
| ▲ | 14 | 79635 | Bearing | 1 |
| ▲ | 15 | 79960 | Planet Bearing | 3 |
| ▲ | 16 | 79961 | Bearing | 1 |
| ▲ | 17 | 79962 | Statnry Gear | 1 |
| ▲ | 18 | 79963 | Retnr.Gear | 1 |
| ▲ | 19 | 79964 | Seal | 1 |
| ▲ | 20 | 79965 | Arm.Thr.Ball | 1 |
| ▲ | 21 | 79966 | Gear Assy | 3 |
| ▲ | 22 | 79636 | Ring-Drv.Stop | 1 |
| ▲ | 23 | 79967 | Retainer | 1 |
| ▲ | 24 | 79638 | Drive Assy | 1 |
| ▲ | 25 | 79969 | Shft Asy,Output | 1 |

Fig. 6 - Oil Pan Group

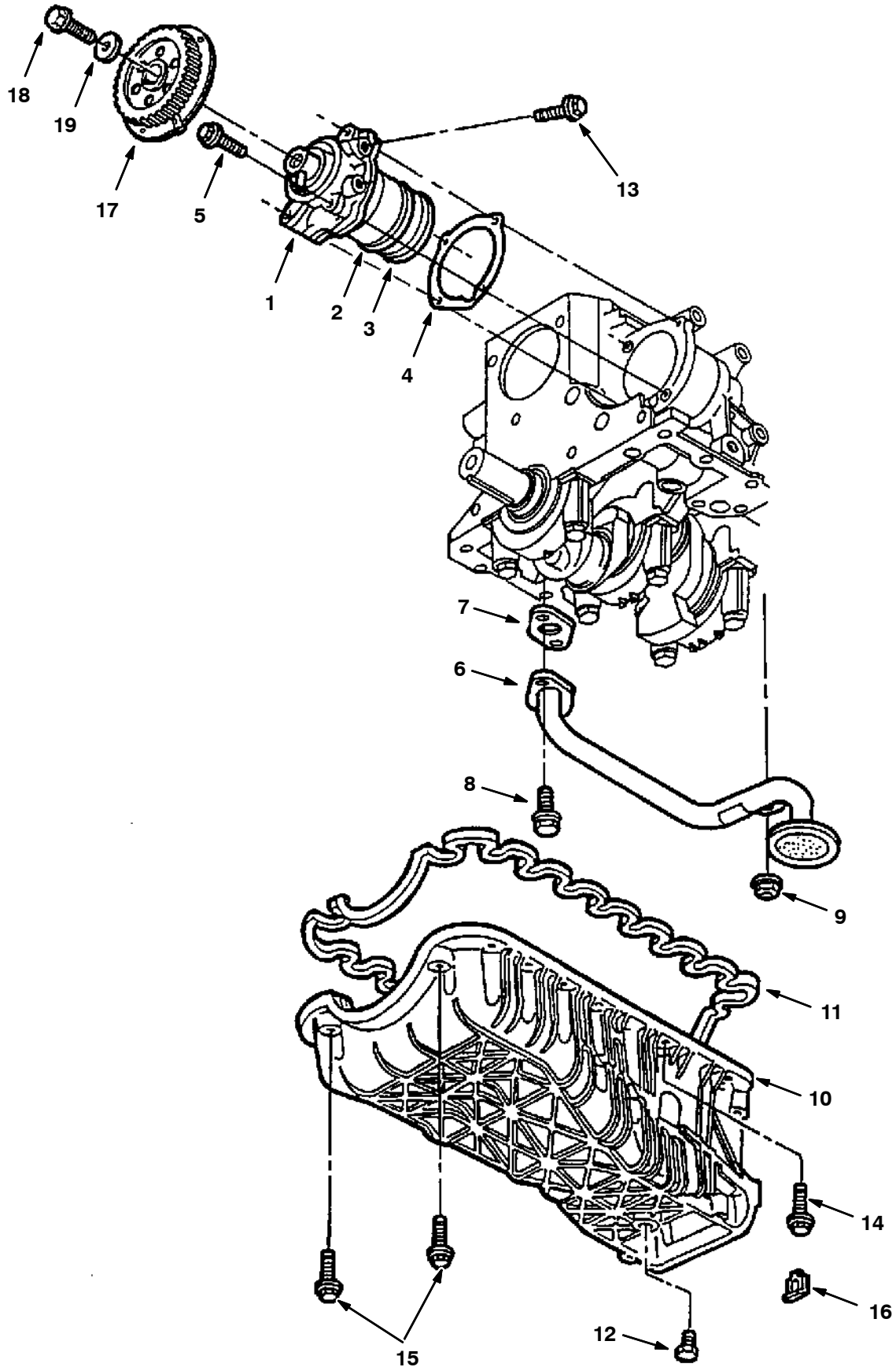


Fig. 6 - Oil Pan Group

| Ref. | Part No. | Description | Qty. |
|------|----------|-----------------|------|
| 1 | 84963 | Oil Pump | 1 |
| 2 | 84964 | O-Ring,2.375 | 1 |
| 3 | 84965 | O-Ring-2.250 | 1 |
| 4 | 84966 | Gskt,Oilpmp/Blk | 1 |
| 5 | 84967 | Bolt,M6X47.5mm | 4 |
| 6 | 370852 | Oil Pickup Tube | 1 |
| 7 | 84969 | Gskt,Pu Tube | 1 |
| 8 | 84970 | Bolt,M8X20.0mm | 2 |
| 9 | 84971 | Nut,M10 | 1 |
| 10 | 370853 | Oil Pan Assy | 1 |
| 11 | 84889 | Gasket,Oil Pan | 1 |
| 12 | 370854 | Oil Plug | 1 |
| 13 | 84981 | Bolt,M5X20.0M | 2 |
| 14 | 84973 | Bolt,M6X27.5mm | 16 |
| 15 | 84974 | Bolt,M6X52.5mm | 2 |
| 16 | 84975 | Oil Pan Spacer | - |
| 16 | 84976 | Oil Pan Spacer | - |
| 16 | 84977 | Oil Pan Spacer | - |
| 17 | 84978 | Oil Pmp Sprkt | 1 |
| 18 | 84979 | Bolt,M10X40.0mm | 1 |
| 19 | 74561 | Washer | 1 |

Fig. 7 - Crankshaft Group

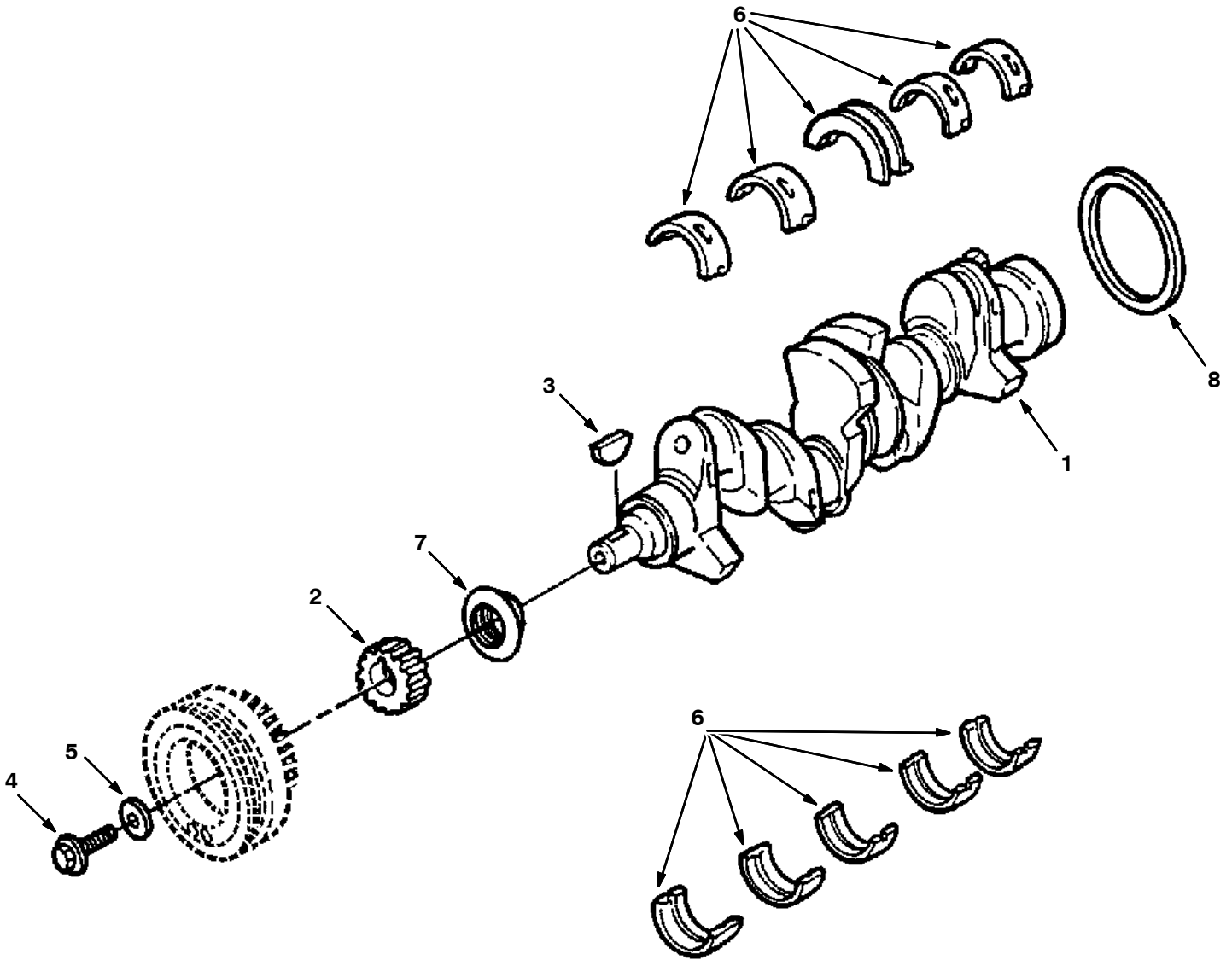


Fig. 7 - Crankshaft Group

| Ref. | Part No. | Description | Qty. |
|------|----------|------------------------------------|------|
| 1 | 370855 | Crankshaft Asy | 1 |
| 2 | 84924 | Crnksft Sprckt | 1 |
| 3 | 84925 | Crnkshaft Key | 1 |
| 4 | 84926 | Bolt,M14X55.0M | 1 |
| 5 | 84927 | Wash M15 1.53Od | 1 |
| 6 | 1051175 | Bearing Kit, Cshft, Std[F2.3/2.5] | 4 |
| 6 | 1051167 | Bearing Kit, Cshft, .040[F2.3/2.5] | - |
| 6 | 1051174 | Bearing Kit, Cshft, .010[F2.3/2.5] | - |
| 6 | 1051173 | Bearing Kit, Cshft, .020[F2.3/2.5] | - |
| 6 | 1051172 | Bearing Kit, Cshft, .030[F2.3/2.5] | - |
| 7 | 60833 | Oil Seal, Front | 1 |
| 8 | 60834 | Crnksft Seal-Rear | 1 |

2.5L ENGINE BREAKDOWN

Fig. 8 - Manifolds Group

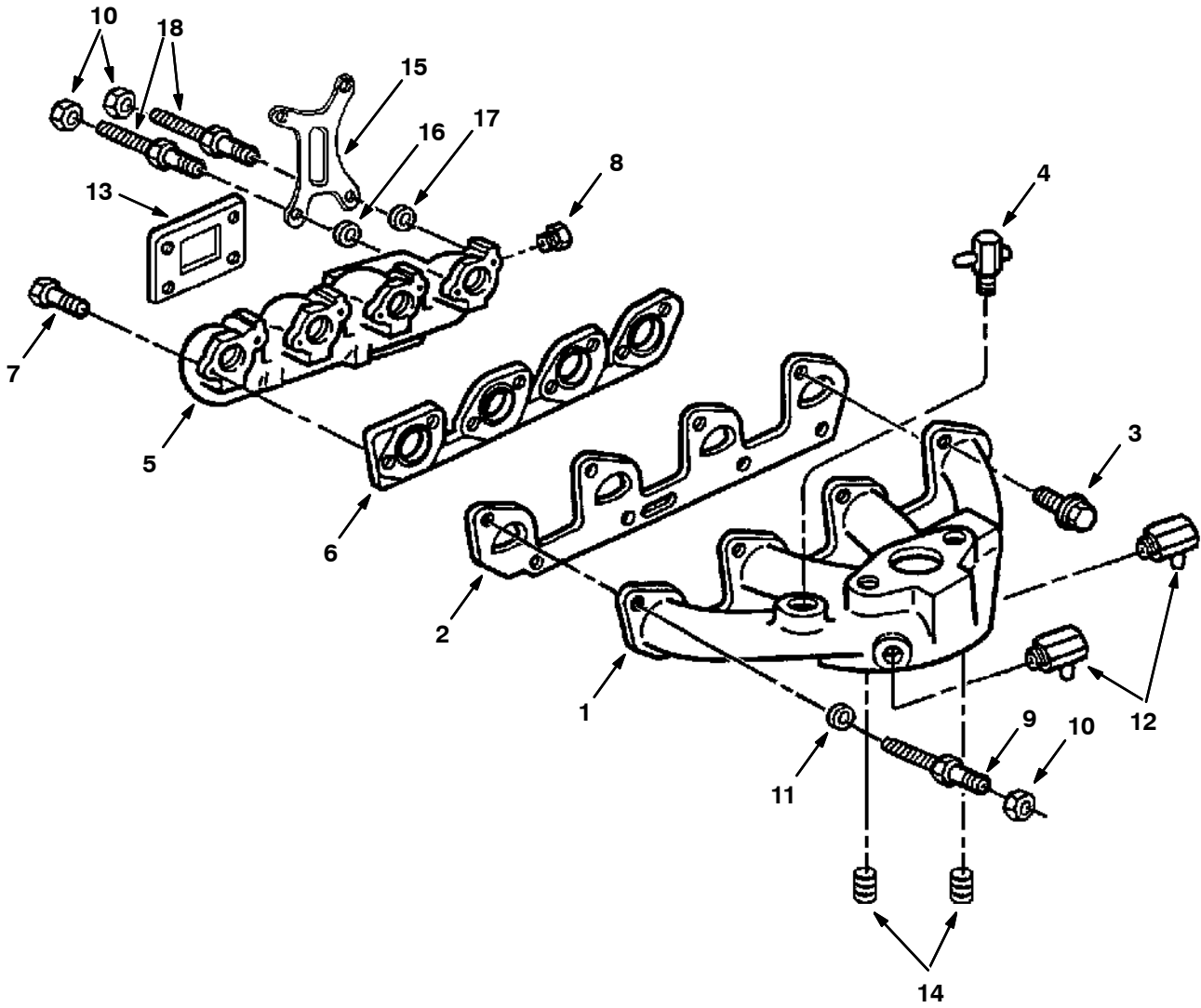


Fig. 8 - Manifolds Group

| Ref. | Part No. | Description | Qty. |
|------|----------|---------------------|------|
| 1 | 84990 | Int.Manifold | 1 |
| 2 | 84991 | Gskt,Int.Mnflid | 1 |
| 3 | 84992 | Bolt,M8X25.0mm | 7 |
| 4 | 74527 | Vac.Fitting | 1 |
| 5 | 74509 | Exh.Manifold | 1 |
| 6 | 84995 | Gskt,Exh.Mnflid | 1 |
| 7 | 84996 | Bolt,M10X55.0M | 6 |
| 8 | 84997 | Plug, 1/2Npt | 1 |
| 9 | 79972 | Stud | 1 |
| 10 | 79973 | Nut M8-1.25 | 3 |
| 11 | 79974 | Spacer | 1 |
| 12 | 84985 | Elbow,90 deg | 2 |
| 13 | 36048 | Gasket, Exh. Flange | 1 |
| 14 | 73917 | Plug 3/8 NPT | 2 |
| 15 | 79976 | Lifting Eye | 1 |
| 16 | 21792 | Spacer | 1 |
| 17 | 21793 | Spacer | 1 |
| 18 | 21794 | Stud | 2 |

Fig. 9 - Flywheel Group

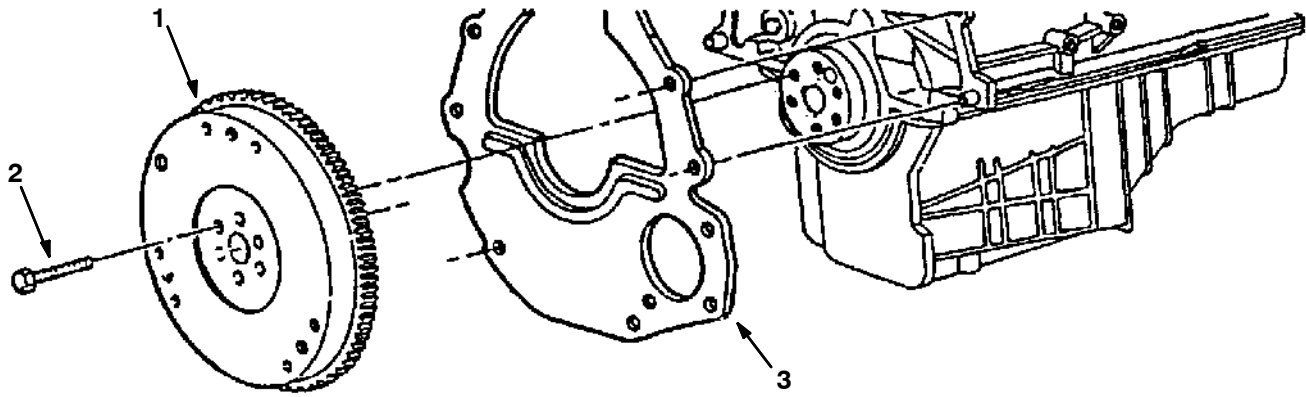


Fig. 9 - Flywheel Group

| | Ref. | Part No. | Description | Qty. |
|---|-------------|-----------------|--------------------|-------------|
| ▽ | 1 | 370102 | Flywheel | 1 |
| ▲ | | 84659 | Gear, Ring [Fd] | 1 |
| | 2 | 64038 | Bolt,M10X58.0mm | 6 |
| | 3 | 83669 | Rear Plate | 1 |

2.5L ENGINE BREAKDOWN

Fig. 10 - Camshaft And Sprocket Group

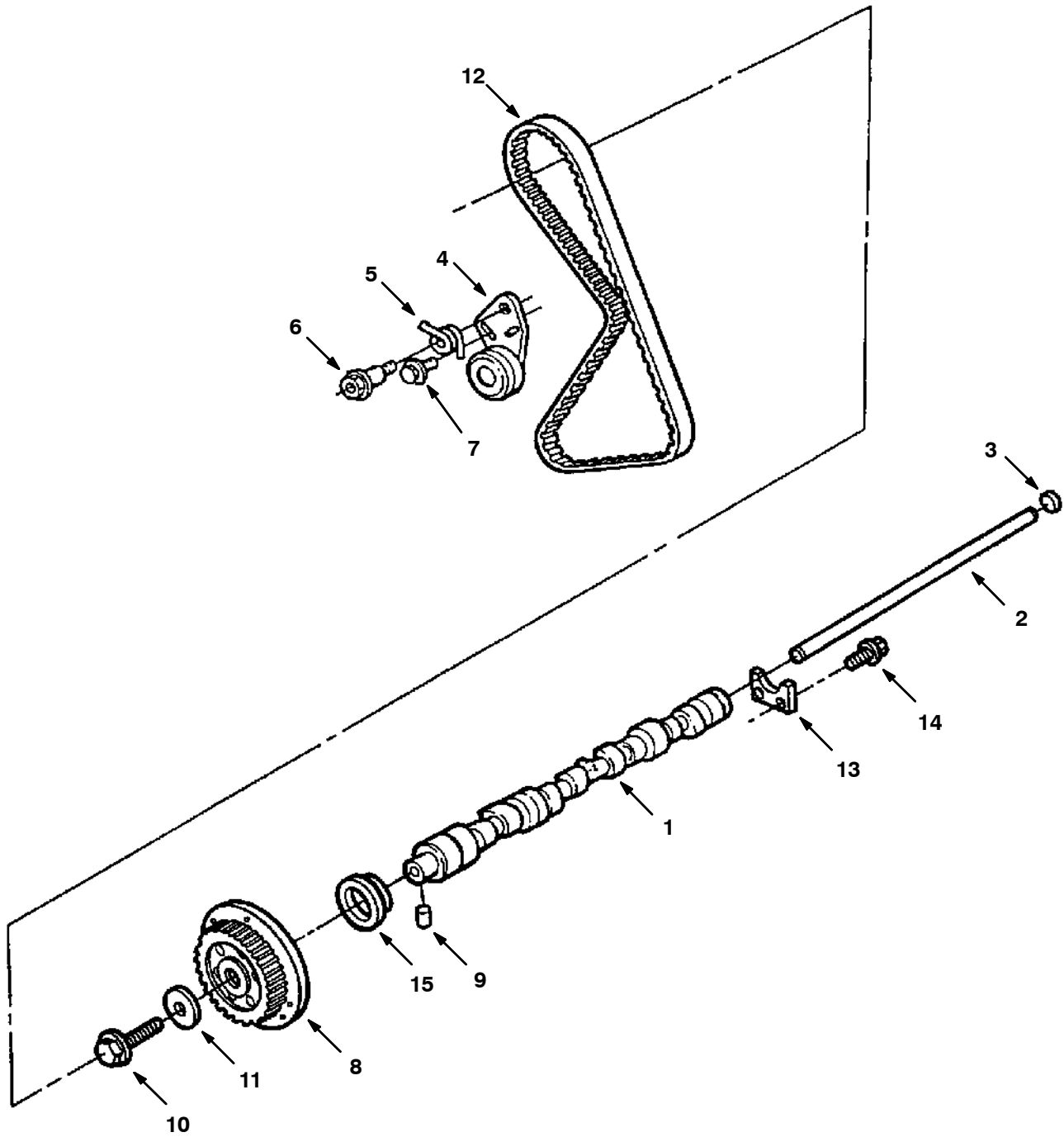


Fig. 10 - Camshaft And Sprocket Group

| Ref. | Part No. | Description | Qty. |
|------|----------|------------------|------|
| 1 | 84915 | Camshaft | 1 |
| 2 | 84916 | Rod | 1 |
| 3 | 84917 | Plug | 1 |
| 4 | 73967 | Tensioner, Arm | 1 |
| 5 | 73970 | Spring, Tension | 1 |
| 6 | 84919 | Bolt, Tens. Sprn | 1 |
| 7 | 74552 | Bolt | 1 |
| 8 | 84978 | Camshft Sprckt | 1 |
| 9 | 84921 | Pin, 1/4X.32 | 1 |
| 10 | 74545 | Bolt M12X45 | 1 |
| 11 | 73937 | Washer | 1 |
| 12 | 84936 | Timing Belt | 1 |
| 13 | 73954 | Plate | 1 |
| 14 | 74548 | Scr&Wash M6 | 2 |
| 15 | 60833 | Oil Seal, Front | 1 |

2.5L ENGINE BREAKDOWN

Fig. 11 - Valve And Rocker Arm Cover Group

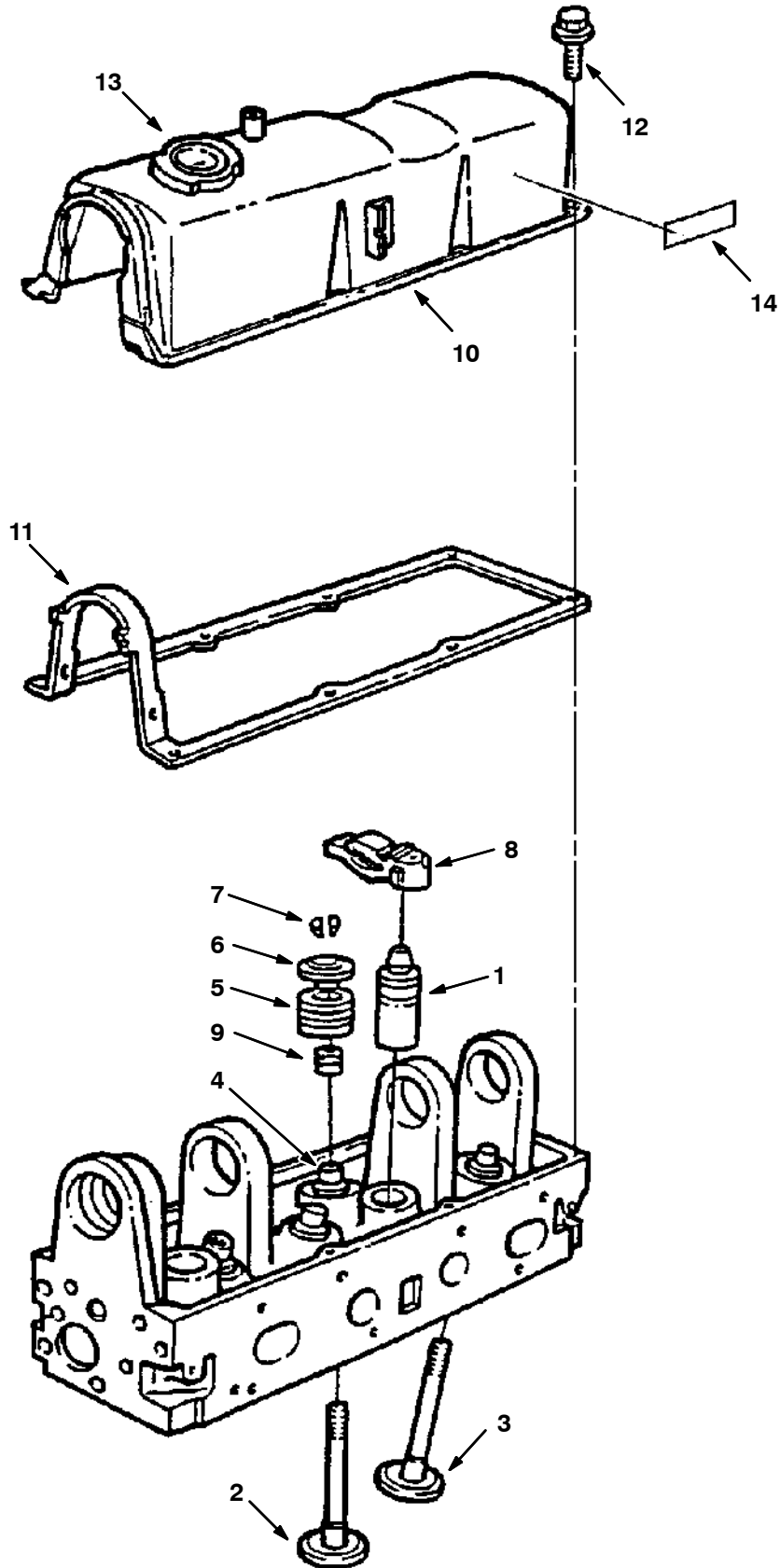
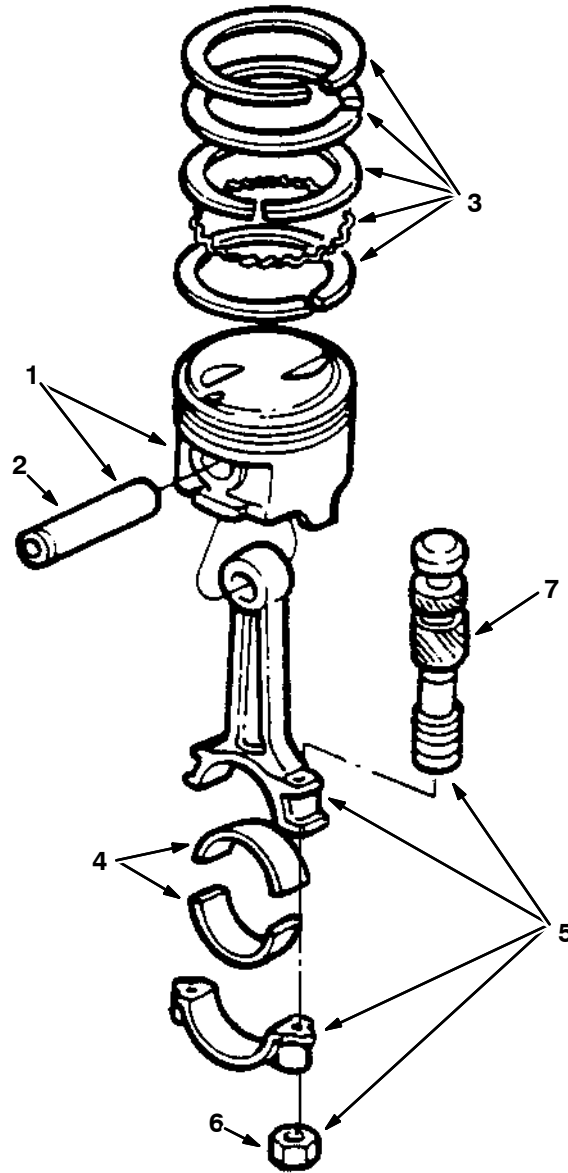


Fig. 11 - Valves And Rocker Arm Cover Group

| Ref. | Part No. | Description | Qty. |
|-------------|-----------------|------------------------|-------------|
| 1 | 84950 | Tap.Assy-Valve | 8 |
| 2 | 84951 | Std.Exh.Valve | 4 |
| 3 | 84952 | Std.Int.Valve | 4 |
| 4 | 84953 | Valve Guide Bushing | - |
| 5 | 84954 | Valve Spring | 8 |
| 6 | 84955 | Valve Spring Retainer | 8 |
| 7 | 84956 | Valve Spring Key | 16 |
| 8 | 84957 | Valve Rocker Arm | 8 |
| 9 | 84958 | Valve Stem Seal | 8 |
| 10 | 370876 | Valve Rocker Arm Cover | 1 |
| 11 | 73995 | Gasket,Rocker Cover | 1 |
| 12 | 84961 | Scr&Wsh,M6X15.0M | 8 |
| 13 | 60836 | Breather Cap | 1 |
| 14 | 36164 | Warning Label, Starter | 1 |

2.5L ENGINE BREAKDOWN

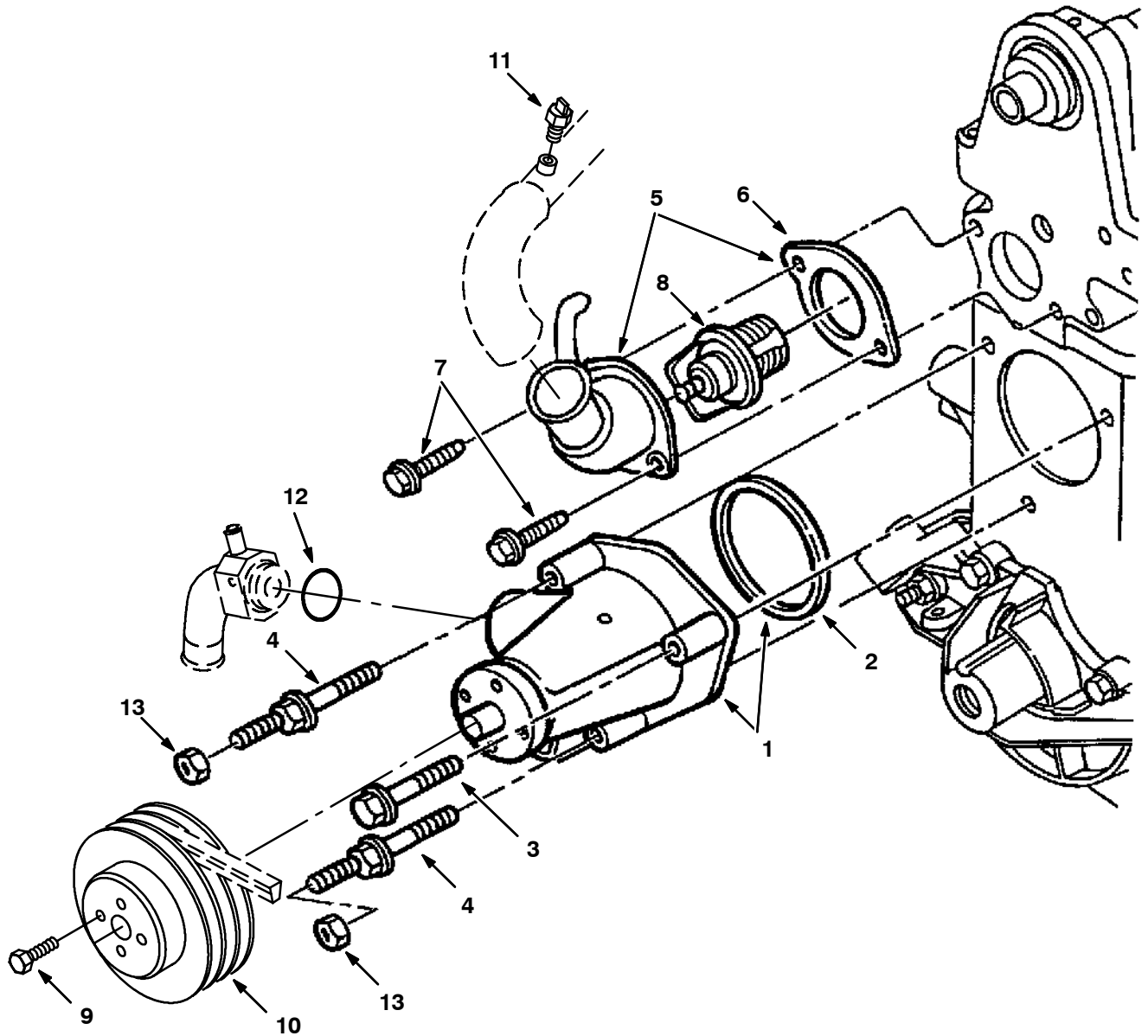
Fig. 12 - Piston And Connecting Rod Group



10447 - 800L, 8410, G, LP

| Ref. | Part No. | Description | Qty. | |
|------|----------|---------------|---------------|---|
| 1 | 370888 | Piston, Std. | 4 | |
| 2 | 370889 | Piston Pin | 4 | |
| 3 | 370890 | Ring Set,Std. | 2 | |
| 4 | 370891 | Bearing | 8 | |
| ▽ | 5 | 370892 | Connecting Rd | 4 |
| ▲ | 6 | 60813 | Nut, Conrod-8 | 8 |
| ▲ | 7 | 60814 | Bolt-Conrod-4 | 8 |

Fig. 13 - Water Pump, Thermostat and Fan Group

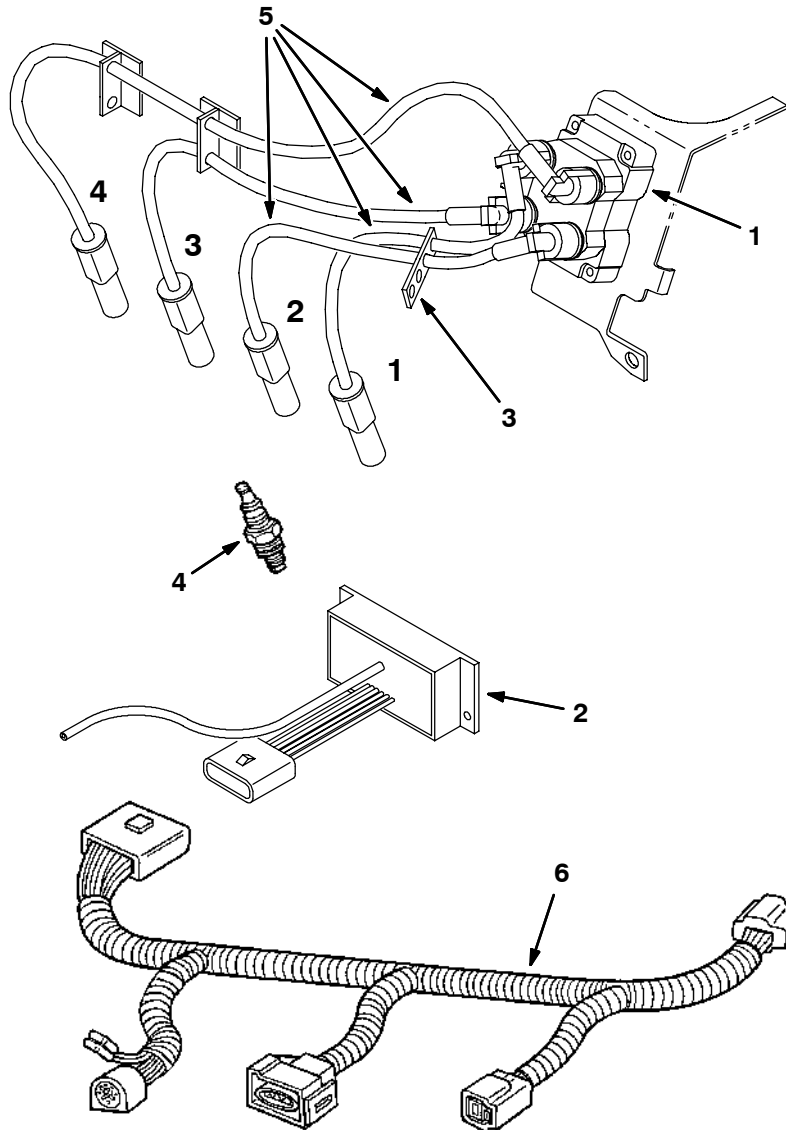


10528 - 800L, 8410, G, LP

| Ref. | Part No. | Description | Qty. | |
|------|----------|-------------|--------------------------------|---|
| ▽ | 1 | 84982 | Water Pump | 1 |
| ▲ | 2 | 84983 | Gskt,Water Pump | 1 |
| | 3 | 84984 | Bolt,M8X53.0mm | 1 |
| | 4 | 84998 | Stud | 2 |
| ▽ | 5 | 73996 | Water Outlet | 1 |
| ▲ | 6 | 74538 | Gasket Water Outlet Connection | 1 |
| | 7 | 84988 | Bolt,M8X18.0M | 2 |
| | 8 | 84987 | Therm 190 W/Gsk | 1 |
| | 9 | 84994 | Bolt, M8X12.0mm | 1 |
| | 10 | 36014 | Sheave, Water Pump | 1 |
| | 11 | 84989 | Temperature sensor | 1 |
| | 12 | 79975 | O-Ring, Water Pump Adaptor | 1 |
| | 13 | 84993 | Locknut | 2 |

2.5L ENGINE BREAKDOWN

Fig. 14 - Ignition Group



10524-350562 - 800L, 8410, G, LP

| Ref. | Part No. | Description | Qty. |
|------|----------|----------------------|------|
| 1 | 83732 | Ignition Coil | 1 |
| 2 | 374274 | Ignition Module Kit | 1 |
| 3 | 84882 | Separator | 1 |
| 4 | 60846 | Spark Plug | 4 |
| 5 | 83677 | Wire Asy, Spark Plug | 1 |
| 6 | 370875 | Harness, Wire, Eng | 1 |

SECTION 7

| Contents | Page |
|---|-------------|
| Fig. 1 - Cylinder Head, Valves Group | 7-2 |
| Fig. 2 - Distributor and Ignition Group | 7-4 |
| Fig. 3 - Engine Block and Piston Group | 7-6 |
| Fig. 4 - Oil Pump and Oil Pan Group | 7-8 |
| Fig. 5 - Crankshaft Group | 7-10 |
| Fig. 6 - Camshaft and Water Pump Group | 7-12 |

Fig. 1 - Cylinder Head, Valves Group

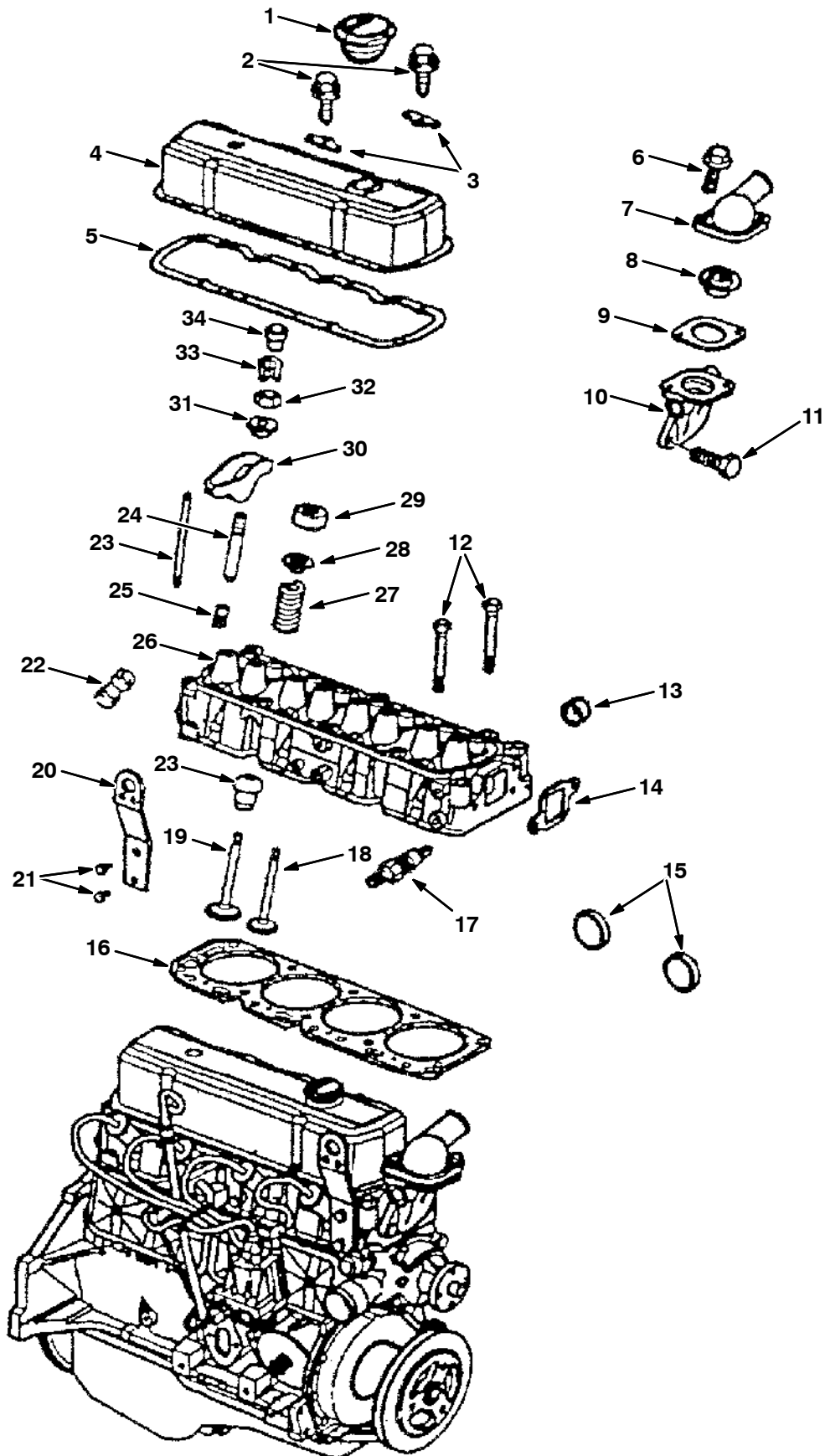


Fig. 1 - Cylinder Head, Valves Group

| Ref. | Part No. | Description | Qty. |
|------|----------|--|------|
| 1 | 371891 | Cap, Fill, Oil | 1 |
| 2 | 393824 | Bolt | - |
| 3 | 393895 | Reinforcement | - |
| 4 | 393896 | Cover | 1 |
| 5 | 393897 | Gasket | - |
| 6 | 393898 | Bolt | 3 |
| 7 | 393899 | Outlet For engine serial numbers (004937-006999) | 1 |
| 8 | 393900 | Thermostat | 1 |
| 9 | 393901 | Gasket | 1 |
| 10 | 393902 | Housing | 1 |
| 11 | 393898 | Bolt | 3 |
| 12 | 393903 | Bolt | - |
| 13 | 393904 | Plug | 2 |
| 14 | 393917 | Gasket | 1 |
| 15 | 393918 | Plug | - |
| 16 | 393933 | Gasket | 1 |
| 17 | 393934 | Sparkplug [Gm 3.0] | 4 |
| 18 | 393935 | Valve, Exhaust | 4 |
| 19 | 393936 | Valve, Intake | 4 |
| 20 | 393937 | Bracket | 1 |
| 21 | 393938 | Bolt | 8 |
| 22 | 393951 | Lifter | 8 |
| 23 | 393952 | Rod | 8 |
| 24 | 393953 | Stud, .003" O.S. | 8 |
| 24 | 393954 | Stud, .013" O.S. | 8 |
| 25 | 393955 | Sealer | 8 |
| 26 | 393956 | Head | 1 |
| 27 | 393957 | Spring | 8 |
| 28 | 393958 | Cap, Valve Spring | 8 |
| 29 | 393959 | Shield | 12 |
| 30 | 393960 | Arm Kit | 8 |
| 31 | 393961 | Ball | 8 |
| 32 | 393962 | Nut | 8 |
| 33 | 393963 | Key | 16 |
| 34 | 393964 | Rotator | 4 |

Fig. 2 - Distributor and Ignition Group

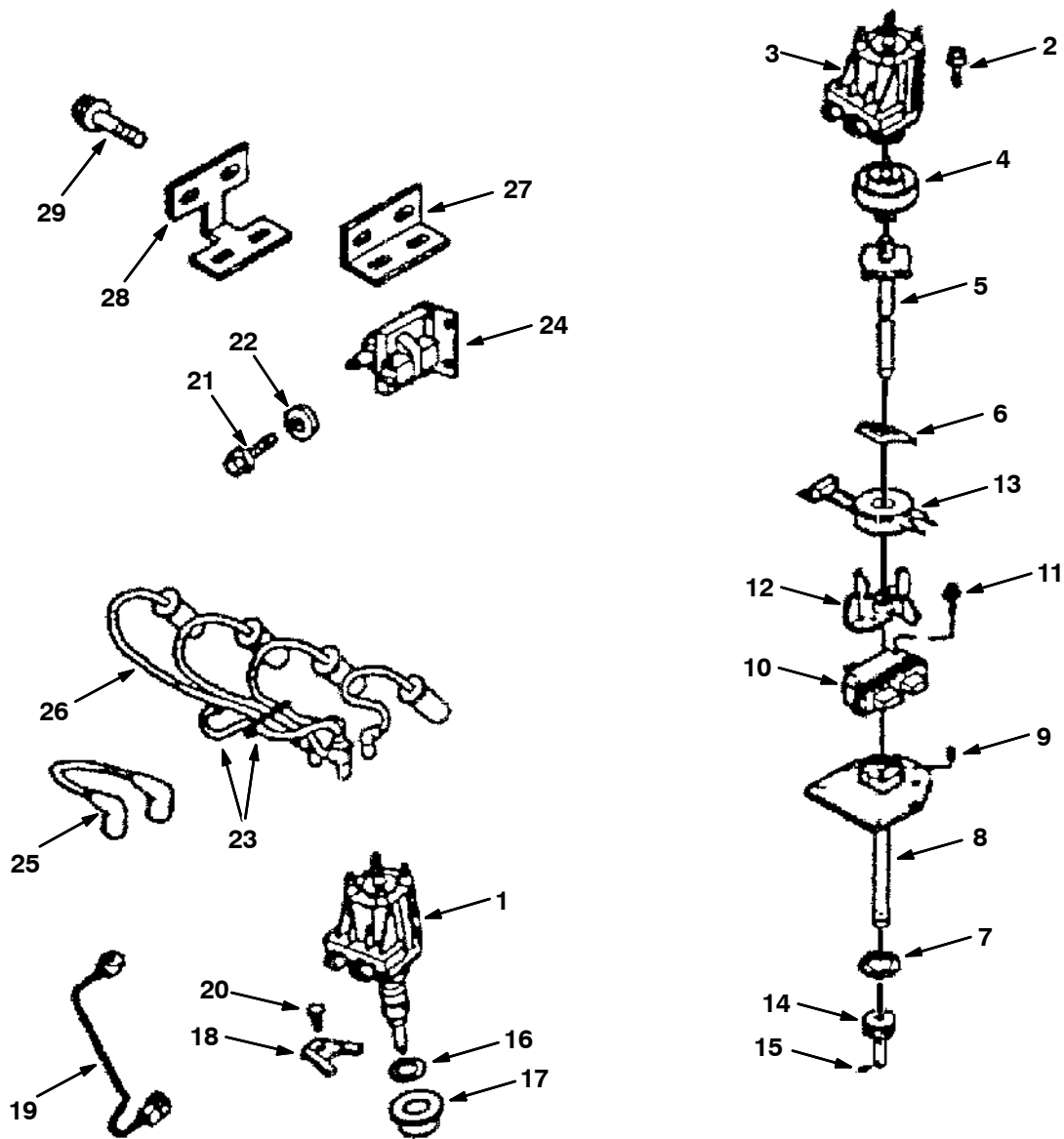


Fig. 2 - Distributor and Ignition Group

| | Ref. | Part No. | Description | Qty. |
|---|-------------|-----------------|------------------------------|-------------|
| ▽ | 1 | 393939 | Distributor | 1 |
| ▲ | 2 | 393919 | Bolt | 2 |
| ▲ | 3 | 393920 | Cap, Distributor | 1 |
| ▲ | 4 | 393921 | Rotor | 1 |
| ▲ | 5 | 393922 | Shaft | 1 |
| ▲ | 6 | 393923 | Retainer | 1 |
| ▲ | 7 | 393924 | Sealer | 1 |
| ▲ | 8 | 393925 | Housing | 1 |
| ▲ | 9 | 393926 | Pin | 1 |
| ▲ | 10 | 393927 | Module | 1 |
| ▲ | 11 | 393928 | Bolt | 2 |
| ▲ | 12 | 393929 | Pole Piece | 1 |
| ▲ | 13 | 393930 | Coil | 1 |
| ▲ | 14 | 393931 | Gear | 1 |
| ▲ | 15 | 393932 | Pin | 1 |
| | 16 | 393940 | Gasket | 1 |
| | 17 | 393941 | Washer | 1 |
| | 18 | 393942 | Clamp | 1 |
| | 19 | 393943 | Wire | 1 |
| | 20 | 393898 | Bolt | 3 |
| | 21 | 21194 | Screw, Hex, .38-16 X 0.62, 5 | 1 |
| | 22 | 393946 | Washer | 2 |
| | 23 | 393947 | Retainer | - |
| | 24 | 393948 | Coil | 1 |
| | 25 | 393949 | Wire | 1 |
| | 26 | 393950 | Spark Plug Wires | 1 |
| | 27 | 393965 | Bracket, Top | 1 |
| | 28 | 393966 | Bracket, Bottom | 1 |
| | 29 | 393967 | Bolt | - |

Fig. 3 - Engine Block and Piston Group

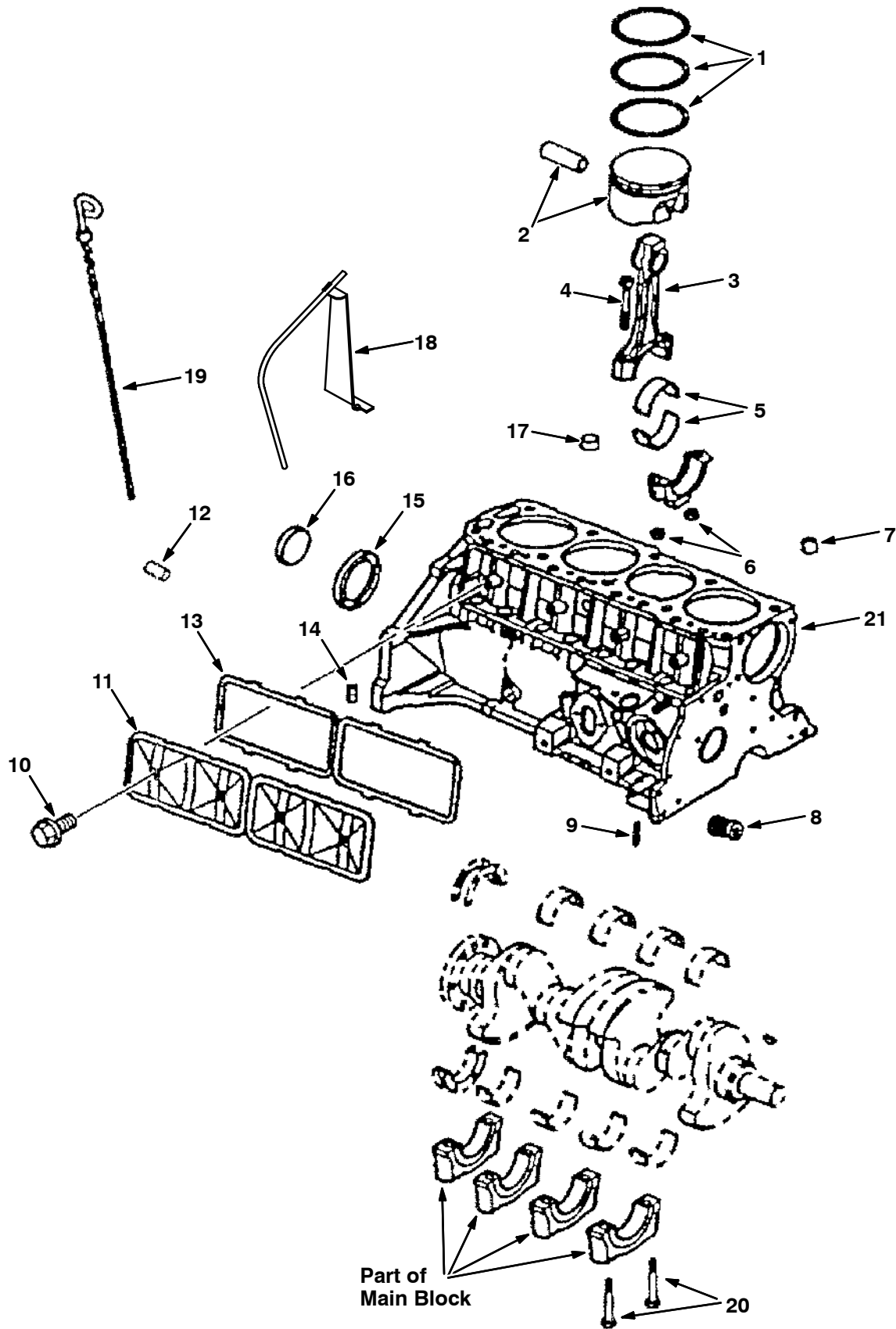


Fig. 3 - Engine Block and Piston Group

| Ref. | Part No. | Description | Qty. |
|-------------|-----------------|---|-------------|
| 1 | 393806 | Ring Kit, Std | 4 |
| 1 | 393807 | Ring Kit, .030" O.S. | 4 |
| 2 | 393808 | Piston, STD | 4 |
| 2 | 393809 | Piston, Hi-limit | 4 |
| 2 | 393810 | Piston, .020" O.S. | 4 |
| 3 | 393811 | Conn Rod | 4 |
| 4 | 393812 | Bolt | 8 |
| 5 | 393813 | Bearing Kit, Std | 4 |
| 5 | 393814 | Bearing Kit, .001 U.S. | 4 |
| 6 | 393815 | Nut, Conn Rod | 8 |
| 7 | 393816 | Bearing Kit | 1 |
| 8 | 393832 | Valve | 1 |
| 9 | 393833 | Pin | 8 |
| 10 | 393882 | Bolt | 4 |
| 11 | 393883 | Cover | 1 |
| 12 | 393884 | Pin | 2 |
| 13 | 393662 | Sealant, [Rtv], 03.35oz | - |
| 13 | 393663 | Sealant, [Rtv], 05.00oz | - |
| 14 | 393886 | Plug | 1 |
| 15 | 393888 | Plug | 1 |
| 16 | 393889 | Plug | - |
| 17 | 393890 | Plug | 1 |
| 18 | 372464 | Tube, Ds | 1 |
| 19 | 372251 | Dipstick | 1 |
| 20 | 393872 | Bolt | 10 |
| 21 | 393887 | Engine, Partial (Includes block, pistons, rods, crankshaft, bearings, rear seal gasket) | 1 |

Fig. 4 - Oil Pump and Oil Pan Group

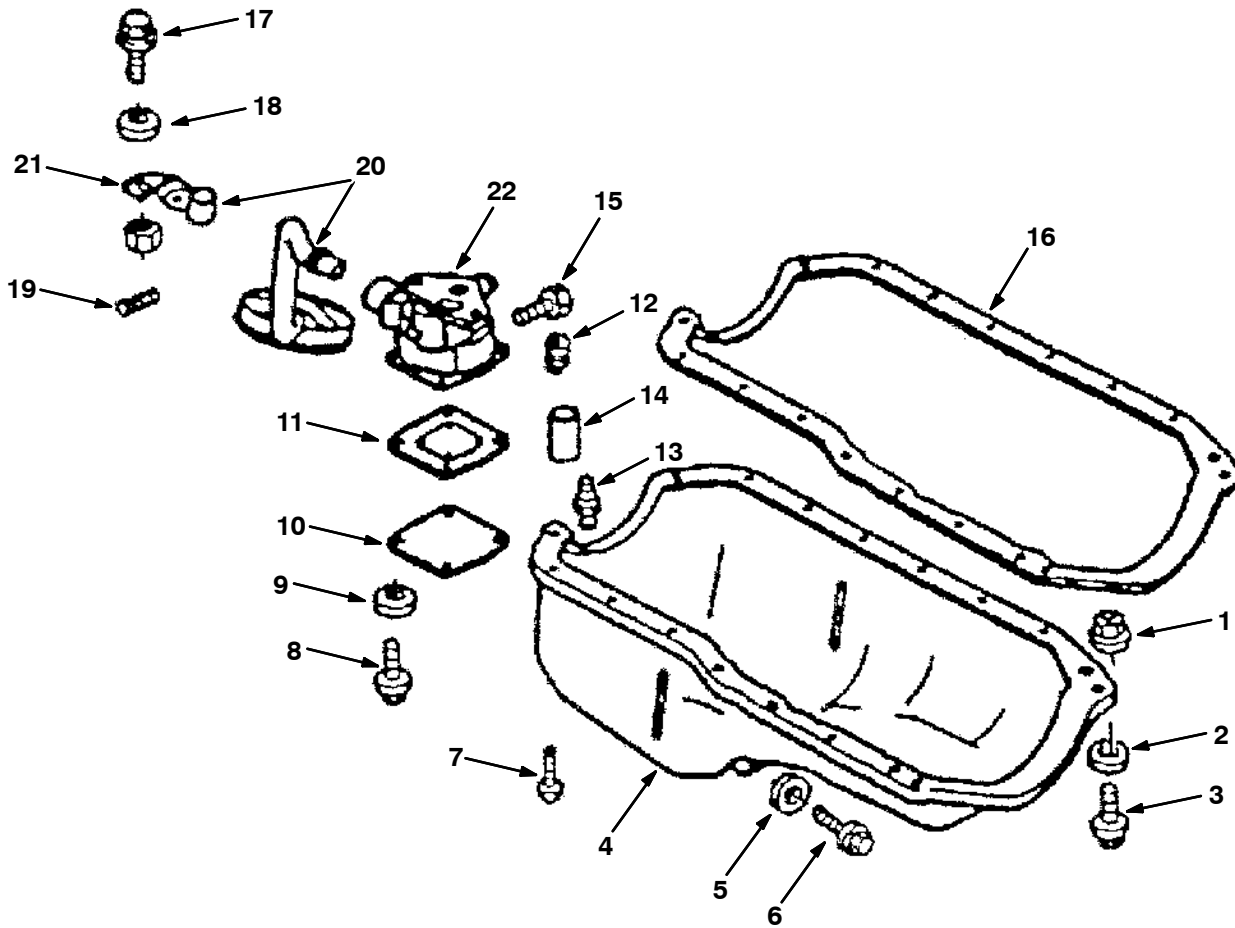


Fig. 4 - Oil Pump and Oil Pan Group

| | Ref. | Part No. | Description | Qty. |
|---|-------------|-----------------|------------------------|-------------|
| | 1 | 393848 | Nut | - |
| | 2 | 393849 | Washer | - |
| | 3 | 393850 | Bolt | - |
| ▽ | 4 | 393853 | Oil Pan | 1 |
| ▲ | 5 | 393852 | Gasket | 1 |
| ▲ | 6 | 393851 | Plug | 1 |
| | 7 | 393824 | Bolt (1/4-20x1/2) | 2 |
| | 7 | 393850 | Bolt (1/4-20x.62) | 2 |
| | 7 | 393854 | Bolt (5/16-18x5/8) | 12 |
| | 8 | 393855 | Screw | 4 |
| | 9 | 393849 | Washer | 4 |
| | 10 | 393856 | Cover | 1 |
| | 11 | 393857 | Gasket | 1 |
| | 12 | 393858 | Spring | 1 |
| | 13 | 393859 | Plug | 1 |
| | 14 | 393860 | Valve | 1 |
| | 15 | 393861 | Bolt | 3 |
| | 16 | 393862 | Gasket | 1 |
| | 17 | 393867 | Bolt | - |
| | 18 | 393868 | Washer | - |
| | 19 | 393869 | Pin | 1 |
| | 20 | 393871 | Screen, w/Tube | 1 |
| ▽ | 20 | 393870 | Screen, w/Suction Pipe | 1 |
| ▲ | 21 | 393865 | Bracket | 1 |
| | 22 | 393863 | Pump | 1 |

Fig. 5 - Crankshaft Group

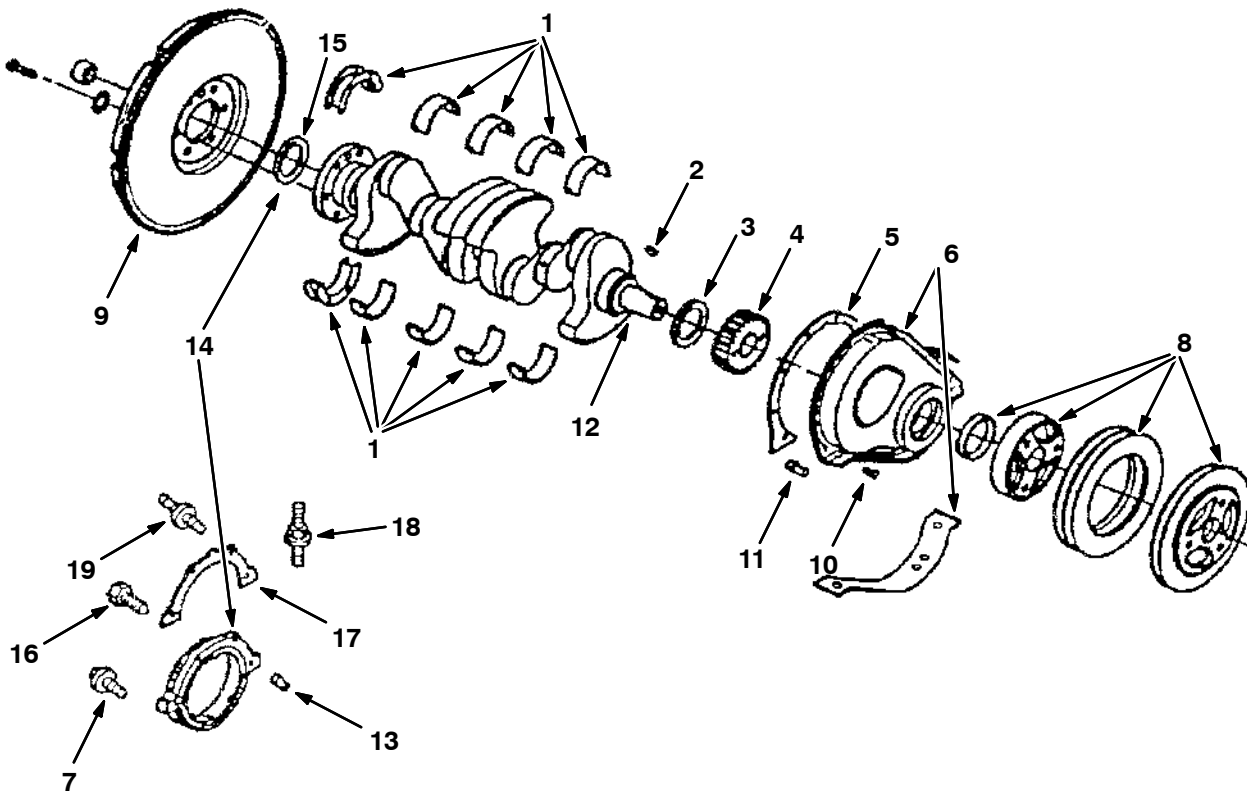
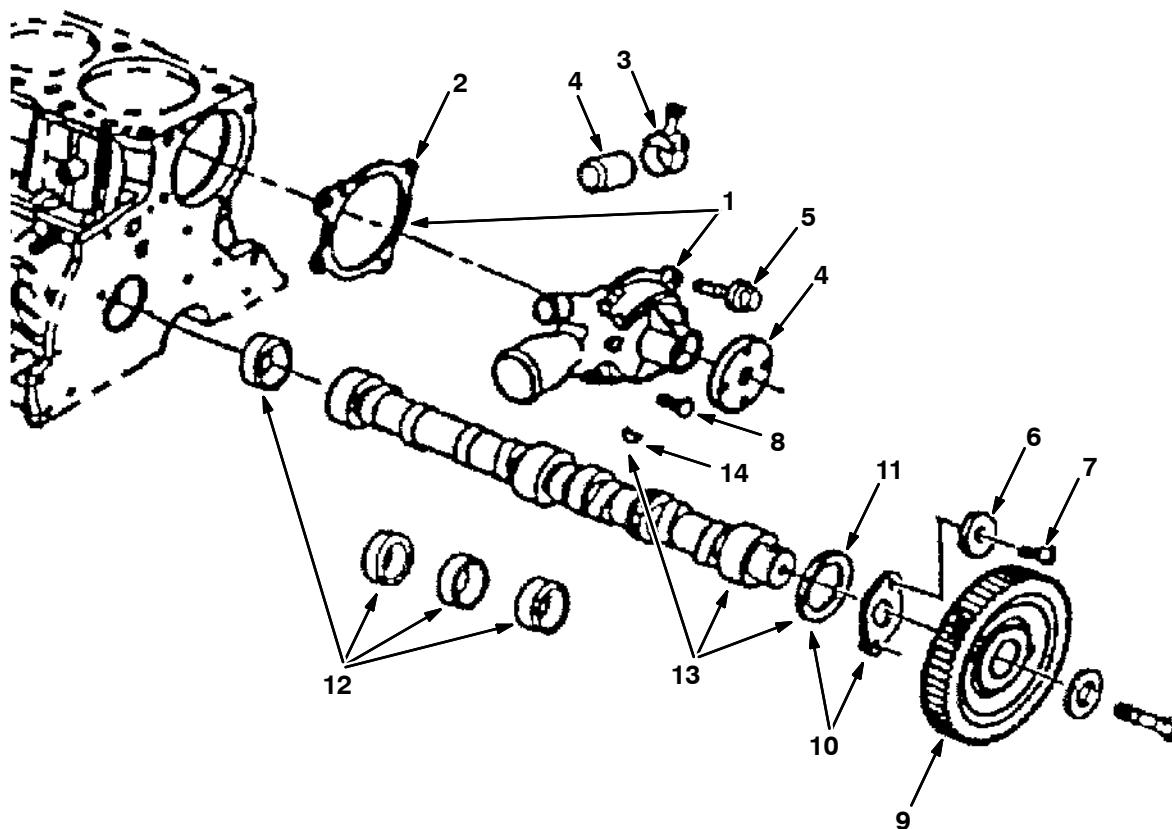


Fig. 5 - Crankshaft Group

| Ref. | Part No. | Description | Qty. | |
|-------------|-----------------|--------------------------------|-------------|---|
| 1 | 393837 | Bearing Kit, Std #1, 2, 3, 4 | 4 | |
| 1 | 393838 | Bearing Kit, .001" #1, 2, 3, 4 | 4 | |
| 1 | 393839 | Bearing Kit, .010" #1, 2, 3, 4 | 1 | |
| 1 | 393840 | Bearing Kit, .020" #1, 2, 3, 4 | 1 | |
| 1 | 393841 | Bearing Kit, .030" #1, 2, 3, 4 | 1 | |
| 1 | 393836 | Bearing Kit, Std #5 | 4 | |
| 1 | 393834 | Bearing Kit, .001" #5 | 4 | |
| 1 | 393835 | Bearing Kit, .025" #5 | 4 | |
| 2 | 393826 | Key | 1 | |
| 3 | 393842 | Seal | 1 | |
| 4 | 393843 | Gear | 1 | |
| 5 | 393844 | Gasket | 1 | |
| 6 | 393845 | Cover | 1 | |
| 7 | 393875 | Bolt | - | |
| 8 | 393846 | Balancer | 1 | |
| 9 | 393881 | Gear | 1 | |
| 10 | 393824 | Bolt | 8 | |
| 11 | 393864 | Nozzle | 1 | |
| 12 | 393866 | Crankshaft | 1 | |
| 13 | 393873 | Pin | 1 | |
| ▽ | 14 | 393874 | Housing | 1 |
| ▲ | 15 | 393880 | Seal | 1 |
| | 16 | 393876 | Bolt | - |
| | 17 | 393877 | Gasket | 1 |
| | 18 | 393878 | Stud | 1 |
| | 19 | 393879 | Stud | 2 |

Fig. 6 - Camshaft and Water Pump Group



G, LP

| | Ref. | Part No. | Description | Qty. |
|---|-------------|-----------------|------------------------|-------------|
| ▽ | 1 | 393820 | Water Pump | 1 |
| ▲ | 2 | 393817 | Gasket | 1 |
| | 4 | 393818 | Cap | 1 |
| | 3 | 393819 | Clamp | 1 |
| | 5 | 393821 | Bolt | 1 |
| | 6 | 393822 | Washer | 1 |
| | 7 | 393823 | Bolt (1/4-20x1/12 Hex) | 1 |
| | 7 | 393824 | Bolt (1/4-20x1/12) | 3 |
| | 8 | 393825 | Bolt (5/16-18x1.5 Hex) | 2 |
| | 9 | 393827 | Gear | 1 |
| ▽ | 10 | 393828 | Plate Kit | 1 |
| ▲ | 11 | 393829 | Ring | 3 |
| | 12 | 393830 | Bearing Kit | 1 |
| ▽ | 13 | 393831 | Camshaft | 2 |
| ▲ | 14 | 393826 | Key | 1 |

SECTION 8

CONTENTS

PAGE

PART NUMBER TO PAGE NUMBER CROSS REFERENCE LIST 8-2
PART DESCRIPTION TO PAGE NUMBER CROSS REFERENCE LIST 8-18

CROSS REFERENCE

PART NUMBER TO PAGE NUMBER CROSS REFERENCE LIST

| Part Number | Page Number | Part Number | Page Number | Part Number | Page Number |
|-------------|--|-------------|--|-------------|---------------------------|
| MM337 | 3-84 | 06966 | 3-55 | 09258 | 2-17, 2-19 |
| 00500-15 | 4-32 | 06968 | 2-48, 2-171 | 09291 | 2-163, 3-27 |
| 00954 | 4-34 | 06969 | 2-137 | 09570 | 2-109 |
| 00960 | 4-35 | 06972 | 2-27, 2-43, 2-45, 2-47 | 09718 | 2-139 |
| 01274 | 2-31 | 06993 | 2-139 | 09740 | 2-27 |
| 01685 | 2-27, 2-57, 3-37 | 06995 | 2-139 | 09770 | 2-164, 3-28 |
| 01686 | 2-35 | 07274 | 3-67 | 09806 | 2-230 |
| 01691 | 3-37 | 07449 | 2-147 | 1007162 | 2-51, 2-53 |
| 01706 | 2-103 | 07562 | 2-85, 2-87, 2-89, 2-93 | 1007343 | 3-51 |
| 01987 | 2-153, 2-155 | 07592 | 2-51, 2-53, 2-55 | 1008094 | 2-51, 2-53, 2-55, 3-67 |
| 01999 | 3-31 | 07787 | 2-163, 3-28 | 1008510 | 3-51 |
| 02247 | 2-73, 2-129, 2-131, 2-133 | 07788 | 2-15 | 1008512 | 3-51 |
| 02506-6 | 3-74 | 07789 | 2-71 | 1008513 | 2-53, 3-51, 3-67 |
| 02549 | 2-153 | 07790 | 2-19, 2-117, 2-119, 2-129, 2-131, 2-133, 2-147, 2-159, 2-164, 3-27 | 1008519 | 3-51, 3-67 |
| 02713 | 2-179 | 07791 | 2-27, 2-43, 2-45, 2-47, 2-53, 2-55, 2-91, 2-95, 2-117, 2-119, 2-135, 2-167, 3-23, 3-67 | 1008538 | 2-55, 3-51, 3-67 |
| 02850 | 3-17 | 07792 | 2-9, 2-11, 2-163, 2-168, 2-171, 3-23, 3-28, 3-51 | 1008988 | 2-109 |
| 02931 | 2-171 | 07793 | 2-137, 2-171 | 1011011 | 2-217 |
| 02938 | 3-79 | 07805 | 2-147 | 1011015 | 2-218 |
| 03026 | 2-85, 2-87, 2-89, 2-91, 2-93, 2-95 | 07819 | 3-51 | 1011017 | 2-218 |
| 03192 | 2-48, 2-101 | 07934 | 2-149 | 1011107 | 2-109, 2-111 |
| 03193 | 2-31, 2-168, 3-24 | 08085 | 2-147, 2-161 | 1011216 | 2-101, 2-103 |
| 03922 | 2-177 | 08166 | 2-101, 2-103 | 1011259 | 2-101 |
| 04375 | 3-51, 3-55, 3-69 | 08179 | 2-167 | 1011655 | 2-135 |
| 04414 | 2-13, 2-41, 2-43, 2-45, 2-47 | 08180 | 2-141 | 1011702 | 2-93, 2-95 |
| 04483 | 4-44 | 08346 | 2-147 | 1011780 | 2-89, 2-91, 2-93, 2-95 |
| 04706 | 2-181 | 08708 | 2-9, 2-11, 2-17, 2-19, 2-31, 2-35, 2-89, 2-93, 2-127, 2-135, 2-167, 2-177, 3-23 | 1011788 | 2-137 |
| 04761 | 2-163, 3-27 | 08709 | 2-27, 2-91, 2-95, 2-117, 2-119, 2-129, 2-131, 2-133, 2-163, 2-168, 2-171, 2-177, 3-24, 3-28, 3-33, 3-51, 3-55, 3-69 | 1011795 | 2-137 |
| 04843 | 2-31, 3-71 | 08711 | 2-43, 2-45, 2-47, 2-48 | 1011895 | 2-109, 2-111 |
| 05611 | 2-179 | 08712 | 2-147 | 1011899 | 2-89, 2-91, 2-93, 2-95 |
| 05880 | 2-97, 2-99 | 08713 | 2-27 | 1011941 | 2-109 |
| 05881 | 2-97, 2-99 | 09010 | 2-168, 3-23 | 1011942 | 2-109 |
| 06121 | 2-7 | 09011 | 2-27 | 1011943 | 2-109 |
| 06146 | 2-159 | 09028 | 2-35, 2-167, 3-23 | 1011944 | 2-101 |
| 06474A | 2-161 | 09081 | 2-163, 3-28 | 1011959 | 2-101 |
| 06524 | 2-17 | 09120 | 2-171 | 1012012 | 2-101 |
| 06535 | 2-163, 3-28 | 09164 | 2-35 | 1012018 | 2-109 |
| 06537 | 2-163, 3-51 | 09206 | 3-15 | 1012033 | 2-227 |
| 06548 | 2-167, 3-23 | | | 1012110 | 2-109 |
| 06927 | 3-17 | | | 1012185 | 2-183 |
| 06932 | 3-79 | | | 1012248 | 2-109 |
| 06941 | 2-127 | | | 1012250 | 2-109 |
| 06942 | 2-71, 2-117, 2-119 | | | 1012469 | 2-109 |
| 06943 | 2-19, 2-131, 2-133, 2-147, 2-159, 2-167, 2-177 | | | 1012634 | 3-83 |
| 06944 | 2-9, 2-11, 2-89, 2-93, 2-127, 2-164, 3-28 | | | 1012656 | 2-173 |
| 06946 | 2-9, 2-11, 2-135 | | | 1012657 | 2-173 |
| 06948 | 2-65 | | | 1012670 | 2-183 |
| 06949 | 2-91, 2-95, 2-111 | | | 1012677 | 2-109 |
| 06957 | 2-168, 2-171, 3-24 | | | 1012719 | 2-45 |
| 06962 | 2-101, 2-103 | | | 1012720 | 2-45 |
| 06963 | 2-137 | | | 1012737 | 2-125 |
| 06965 | 2-168, 3-24 | | | 1012754 | 2-91, 2-95 |
| | | | | 1012785 | 2-137 |
| | | | | 1012990 | 2-101 |
| | | | | 1012999 | 2-101 |
| | | | | 1013030 | 2-109 |

CROSS REFERENCE

| Part Number | Page Number | Part Number | Page Number | Part Number | Page Number |
|-------------|------------------|-------------|------------------------|-------------|--|
| 1013031 | 2-101, 2-103 | 1030189 | 2-127 | 1050780 | 4-70, 4-72 |
| 1013086 | 2-109 | 1030272 | 2-48 | 1050809 | 4-70, 4-72, 4-73 |
| 1013113 | 2-101 | 1030485 | 2-111 | 1050811 | 4-70, 4-72 |
| 1013116 | 2-101 | 1030501 | 2-103 | 1050812 | 4-70, 4-72 |
| 1013117 | 2-101 | 1030502 | 2-103 | 1050861 | 4-72, 4-73 |
| 1013344 | 2-91, 2-95 | 1030533 | 2-103 | 1050862 | 4-72 |
| 1013350 | 2-63 | 1030582 | 3-55 | 1050863 | 4-72 |
| 1013366 | 2-91, 2-95 | 1030627 | 3-55, 3-69 | 1050864 | 4-72 |
| 1013509 | 2-111 | 1030635 | 2-55 | 1050865 | 4-72 |
| 1013588 | 2-101 | 1030654 | 3-55, 3-69 | 1050866 | 4-72 |
| 1014411 | 2-45, 2-47 | 1030657 | 3-55 | 1050867 | 4-72 |
| 1014456 | 2-15 | 1030708 | 3-55, 3-69 | 1050868 | 4-72 |
| 1014491 | 2-161 | 1030762 | 3-55, 3-69 | 1050869 | 4-72 |
| 1014595 | 2-109 | 1031961 | 2-47 | 1050870 | 4-72, 4-73 |
| 1017080 | 2-73 | 1032032 | 2-95 | 1050871 | 4-72 |
| 1017085 | 3-51 | 1032075 | 2-7 | 1050872 | 4-73 |
| 1017102 | 3-51 | 1032083 | 2-103 | 1050873 | 4-73 |
| 1017218 | 2-147 | 1032142 | 2-103 | 1051078 | 4-72, 4-73 |
| 1017239 | 2-73 | 1032214 | 2-229 | 1051079 | 4-73 |
| 1017270 | 4-63, 4-65 | 1032382 | 2-57 | 1051167 | 5-13, 6-13 |
| 1017272 | 2-73 | 1032804 | 2-65 | 1051172 | 5-13, 6-13 |
| 1017292 | 3-51 | 1032805 | 2-81 | 1051173 | 5-13, 6-13 |
| 1017476 | 2-73 | 1032812 | 2-111 | 1051174 | 5-13, 6-13 |
| 1017477 | 2-73 | 1032904 | 3-55, 3-69 | 1051175 | 5-13, 6-13 |
| 1017500 | 2-73 | 1033344 | 2-133 | 1051245 | 3-55 |
| 1017515 | 3-51 | 1033497 | 2-133 | 1052092 | 3-84 |
| 1017598 | 2-73 | 1033739 | 2-103 | 1055106 | 2-39 |
| 1017662 | 2-73 | 1033746 | 2-111 | 10552 | 4-63, 4-65, 4-67, 4-69 |
| 1017898 | 2-163, 3-27 | 1033897 | 2-111 | 10632-12 | 3-11, 3-13 |
| 1018573 | 2-45, 2-48 | 1033899 | 2-111 | 10632-20 | 3-3, 3-5, 3-7, 3-9 |
| 1019188 | 2-129, 2-131 | 1034105 | 2-47 | 10632-4 | 2-37, 3-3, 3-7, 3-11, 3-13, 3-15, 3-79 |
| 1019513 | 2-53, 3-51, 3-67 | 1034676 | 2-111 | 10632-5 | 2-183, 3-17, 3-33 |
| 1019939 | 2-111 | 1037311 | 2-81 | 10632-8 | 3-17 |
| 1020982 | 2-147 | 1037312 | 2-81 | 10632-9 | 3-11, 3-13 |
| 1021797 | 3-49 | 1037313 | 2-81 | 10664 | 2-4, 2-21 |
| 1021799 | 3-49 | 1038176 | 2-173 | 10723 | 5-3 |
| 1021937 | 3-39 | 1038293 | 2-103 | 10724 | 5-3, 6-3 |
| 1021951 | 3-39 | 1040835 | 2-59 | 10724 | 5-3, 6-3 |
| 1021966 | 3-39 | 1041034 | 2-167, 3-23 | 10819 | 2-171 |
| 1021968 | 3-39 | 1041090 | 2-29 | 10830 | 2-65, 2-81 |
| 1021969 | 3-39 | 1041151 | 2-82 | 10831 | 2-45, 2-47 |
| 1023853 | 2-131, 2-133 | 1041152 | 2-82 | 10911 | 2-159 |
| 1026719 | 2-25, 4-45 | 1042089AM | 2-129, 2-131, 2-133 | 10959 | 2-23, 2-25 |
| 1028300 | 2-7 | 1042110 | 2-25 | 11399 | 2-57, 2-61, 2-73, 3-49, 3-63 |
| 1028492 | 2-139 | 1042969 | 2-5 | 11442-1 | 2-115, 2-117, 2-119 |
| 1028558 | 2-103 | 1043095 | 2-71 | 11442-23 | 2-113, 2-115, 2-119 |
| 1028559 | 2-103 | 1043352 | 3-43, 3-49, 3-59, 3-63 | 11531 | 2-121, 2-123, 2-125, 2-127, 3-17 |
| 1028835 | 2-103 | 1044235 | 2-39 | 11676 | 3-71 |
| 1028836 | 2-103 | 1045754 | 2-129, 2-131, 2-133 | 11716 | 2-175 |
| 1028924 | 2-111 | 1045858 | 2-184, 3-35 | 11747 | 2-31, 3-79 |
| 1029293 | 2-111 | 1046152 | 2-184 | 11984 | 2-59 |
| 1029295 | 2-111 | 1046173 | 2-184, 3-35 | 12271 | 2-15 |
| 1029334 | 2-48 | 1046389 | 2-19 | 12273 | 2-57, 2-147 |
| 1029375 | 2-47 | 1049209 | 4-72, 2-159 | 12274 | 2-31, 2-171 |
| 1029502 | 2-111 | 1049210 | 2-179, 3-27, 4-70 | 12316 | 2-115 |
| 1029649 | 2-55 | 1049211 | 2-167, 3-23, 4-73 | 12459 | 2-163, 3-27, 3-47, 3-49, 3-61, 3-63 |
| 1029737 | 2-127 | 1050295 | 3-37 | | |
| 1029996 | 2-103 | 1050584 | 3-55 | | |
| 1030122 | 2-103 | 1050610 | 3-55 | | |
| 1030134 | 2-103 | | | | |

CROSS REFERENCE

| Part Number | Page Number | Part Number | Page Number | Part Number | Page Number |
|-------------|---|-------------|--|-------------|--|
| 12549 | 3-37 | 19760 | 2-117 | 21792 | 5-15, 6-15 |
| 130041 | 2-73 | 19774 | 2-39 | 21793 | 5-15, 6-15 |
| 13048 | 2-59 | 20177 | 2-53, 2-55, 2-117, 2-119, 3-51, 3-55, 3-67, 3-69 | 21794 | 5-15, 6-15 |
| 13124 | 2-89 | 20192 | 2-163, 3-27 | 21917 | 4-38, 4-39, 4-43 |
| 13248 | 2-179 | 21041 | 3-71 | 222460 | 2-167 |
| 13902 | 4-39, 4-43 | 21047 | 3-71 | 22290 | 2-181 |
| 13904 | 4-41, 4-43 | 21054 | 3-71 | 22308-3 | 2-113, 2-115, 2-117 |
| 13907 | 4-3, 4-7, 4-13, 4-17 | 21104 | 3-71 | 22324 | 2-115 |
| 13959 | 3-17 | 21109 | 2-167 | 22626 | 2-139, 4-29 |
| 14242 | 2-141 | 21117 | 2-153, 2-155 | 22629 | 4-29, 4-31 |
| 14296 | 2-41 | 21119 | 2-153, 2-155 | 22630 | 4-29, 4-31 |
| 14595-1 | 2-147 | 21131 | 2-15 | 22636 | 4-29, 4-31 |
| 14605 | 2-147 | 21136 | 2-97, 2-99 | 22645 | 4-29, 4-31 |
| 150516 | 2-73 | 21138 | 2-97, 2-99, 2-101 | 22646 | 4-29, 4-31 |
| 15331 | 2-175 | 21150 | 4-49 | 23146 | 3-71 |
| 15543 | 2-89, 2-93 | 21168 | 2-7, 2-9, 2-11 | 23156 | 2-69, 2-71, 2-115, 2-117, 2-119 |
| 15555-1 | 2-107 | 21194 | 7-5 | 23498 | 2-177 |
| 15555-2 | 4-67, 4-69 | 21195 | 2-53, 2-55, 2-181, 3-67 | 23935 | 3-79 |
| 15724 | 2-69 | 21197 | 2-43, 2-45, 2-47, 2-53, 2-55, 3-67 | 23936 | 2-167, 3-23 |
| 16387 | 2-61, 2-63 | 21198 | 2-43, 2-45, 2-47, 2-147, 3-55 | 23946 | 2-13 |
| 16431 | 2-153, 2-155 | 21215 | 2-163 | 23950 | 2-17 |
| 16455 | 2-161 | 21221 | 2-31 | 24012 | 2-101, 2-103 |
| 16456 | 2-25 | 21223 | 3-65 | 24047 | 2-113, 2-115, 2-117, 2-119 |
| 16472 | 3-27 | 21224 | 2-163 | 24450 | 3-43, 3-49, 3-59, 3-63 |
| 16694 | 4-33 | 21230 | 2-15 | 24576-1 | 3-15, 3-17 |
| 16695 | 4-32, 4-33 | 21231 | 2-167, 3-23 | 24576 | 3-15 |
| 16735 | 2-31, 2-53, 2-101, 2-145, 3-67 | 21237 | 3-51, 3-55, 3-67, 3-69 | 24899 | 2-171 |
| 16738 | 2-59 | 21238 | 2-163 | 24924 | 2-59 |
| 16930 | 2-177, 3-49, 3-63 | 21241 | 2-177 | 24928-1 | 2-113, 2-115, 2-117, 2-119 |
| 16931 | 2-19, 2-31, 2-101, 2-103, 2-111, 2-117, 2-119, 2-129, 2-131, 2-133, 2-135, 2-137, 2-167, 2-177, 3-23, 3-33, 3-51, 3-52 | 21246 | 2-13, 3-35 | 25014 | 2-99, 2-101, 2-103 |
| 17414 | 2-39, 2-69, 2-71, 2-115, 2-117, 2-119 | 21250 | 3-27 | 25046 | 2-57, 2-147 |
| 17521 | 2-71 | 21251 | 3-27 | 25047 | 2-65, 2-81 |
| 17808 | 2-141 | 21252 | 3-27 | 25312 | 3-75 |
| 17809 | 2-141 | 21282 | 2-9, 2-11 | 25610 | 2-105, 2-107, 2-109 |
| 17980 | 2-159, 2-161, 3-27 | 21294 | 2-39 | 26395-2 | 3-71 |
| 19035 | 3-71 | 21301 | 3-79 | 26496 | 2-113, 2-115, 2-117, 2-119 |
| 19065 | 3-15 | 21303 | 2-35 | 26565 | 3-71 |
| 19066 | 2-27, 2-31, 2-57, 2-91, 2-95, 2-117, 2-119, 2-131, 2-133, 2-159, 2-167, 3-23 | 21307 | 4-47 | 27048 | 2-71, 2-109, 2-113, 2-115, 2-117, 2-119 |
| 19117 | 2-179, 4-34 | 21308 | 4-47 | 27767 | 2-71 |
| 19311 | 2-43, 2-45, 2-47 | 21309 | 4-47 | 27980 | 2-65, 2-81 |
| 19312 | 2-65, 2-81, 2-101, 2-103 | 21310 | 4-47 | 27990 | 2-129, 2-131, 2-133, 3-67 |
| 19313 | 2-21, 2-129, 2-131, 2-133, 2-179 | 21311 | 4-49 | 27991 | 2-51, 2-53, 2-55, 3-51 |
| 19315 | 2-43, 2-45, 2-47, 2-65, 2-81 | 21312 | 4-49 | 27992 | 3-55, 3-69 |
| 19317 | 2-65, 2-73, 2-81 | 21313 | 4-49 | 29233 | 3-5, 3-9 |
| 19459 | 2-157 | 21643 | 2-15 | 29570 | 2-73 |
| 19544 | 2-149 | 21671 | 3-76 | 30013 | 3-33 |
| 19747 | 2-57 | 21672 | 2-143 | 30251 | 2-171 |
| | | 21722 | 2-29 | 30252 | 2-171 |
| | | 21728 | 4-59, 4-61 | 30253 | 2-171 |
| | | 21729 | 2-153, 2-155 | 30255 | 2-171 |
| | | 21731 | 2-105, 2-107, 2-109 | 30268 | 3-43, 3-49, 3-59, 3-63 |
| | | 21732 | 2-105, 2-107, 2-109 | | |
| | | 21740 | 2-139 | | |
| | | 21791 | 3-84 | | |

CROSS REFERENCE

| Part Number | Page Number | Part Number | Page Number | Part Number | Page Number |
|-------------|--|-------------|--------------------------------------|-------------|--|
| 30389 | 2-59, 2-69, 2-71 | 32495 | 3-69 | 35688 | 2-29 |
| 30407 | 2-117, 2-119 | 32496 | 2-163, 3-28 | 35707 | 2-117, 2-119 |
| 30533 | 3-77 | 32598 | 2-141 | 35756 | 2-51, 2-53, 2-55, 3-51, 3-55, 3-69 |
| 31038 | 2-39 | 32668 | 3-33 | 35980 | 2-41 |
| 311336 | 2-13, 4-49 | 32715 | 2-167, 3-23, 3-51, 3-55 | 36014 | 5-23, 6-23 |
| 311828 | 2-73 | 32895 | 2-171 | 36048 | 5-15, 6-15 |
| 31354 | 4-32 | 32899 | 2-147 | 36050 | 2-4, 2-59, 2-105 |
| 31380 | 4-33 | 32960 | 3-33 | 361160 | 2-7 |
| 31385 | 4-33 | 32978 | 2-109, 2-111, 3-51, 3-55, 3-67, 3-69 | 36158 | 3-71 |
| 31507 | 3-43, 3-49, 3-59, 3-63 | 32980 | 2-55, 2-109, 2-111 | 36164 | 5-21, 6-21 |
| 31525 | 3-51, 3-55, 3-65, 3-67, 3-69 | 32981 | 2-57, 2-111 | 36165 | 2-39, 2-61, 2-73 |
| 31526 | 2-39 | 32982 | 2-71, 2-101, 2-103 | 36192 | 2-21 |
| 31563 | 2-153, 2-155 | 32984 | 2-21, 2-129, 2-131, 2-133, 2-179 | 36268 | 5-3, 5-6, 6-3, 6-6 |
| 31597 | 3-31 | 32985 | 2-139, 2-163, 3-27 | 36328 | 2-163, 2-171, 3-27 |
| 31599 | 2-129, 2-131, 2-133 | 32987 | 2-139 | 36556 | 2-161 |
| 31603 | 2-155 | 330120 | 3-84 | 36758 | 2-7, 2-163, 3-27 |
| 31605 | 2-159 | 330122 | 3-84 | 369701 | 2-139 |
| 31613 | 2-4, 2-157 | 330123 | 3-84 | 369704 | 2-15 |
| 31775 | 2-145 | 33342 | 3-24 | 36971 | 2-147 |
| 31922 | 3-17 | 33404 | 2-173 | 369786 | 3-37 |
| 31954 | 3-11, 3-13 | 33799 | 2-153, 2-155 | 370011 | 2-5 |
| 31999 | 2-35 | 33806 | 2-13, 3-19 | 370102 | 5-17, 6-17 |
| 32006 | 2-35 | 33817 | 2-157 | 370103 | 5-17 |
| 32009 | 2-35 | 33924 | 2-167, 3-23 | 370829 | 5-9, 6-9 |
| 32129 | 2-159 | 33951 | 2-59, 2-67 | 370847 | 6-3 |
| 32425 | 2-43, 2-45, 2-47 | 34072 | 2-69 | 370848 | 6-3 |
| 32483 | 2-9, 2-11, 2-43, 2-45, 2-47, 2-71, 2-111, 2-127, 2-171, 2-177 | 34159 | 4-5, 4-9, 4-15, 4-19 | 370850 | 6-3 |
| 32485 | 2-51, 2-53, 2-55, 2-147, 2-164, 3-28, 3-52, 3-55, 3-67, 3-69 | 34176 | 4-32 | 370851 | 6-5 |
| 32486 | 2-137, 2-139, 2-163, 2-171, 3-27 | 34178 | 4-27, 4-29, 4-31 | 370852 | 6-11 |
| 32490 | 2-19, 2-65, 2-81, 2-89, 2-93, 2-111, 2-129, 2-147, 3-47, 3-49, 3-61, 3-63 | 34179 | 4-27, 4-29 | 370853 | 6-11 |
| 32491 | 2-19, 2-31, 2-51, 2-91, 2-95, 2-101, 2-103, 2-111, 2-117, 2-119, 2-123, 2-125, 2-129, 2-131, 2-133, 2-135, 2-145, 2-168, 2-177, 3-23, 3-51, 3-52, 3-55, 3-69 | 34180 | 4-27 | 370854 | 6-11 |
| 32492 | 2-9, 2-11, 2-23, 2-25, 2-35, 2-43, 2-45, 2-47, 2-51, 2-101, 2-103, 2-129, 2-131, 2-133, 2-137, 2-164, 2-167, 2-177, 3-23, 3-28, 3-49, 3-51, 3-55, 3-63 | 34181 | 4-27, 4-29, 4-31 | 370855 | 6-13 |
| 32493 | 2-17, 2-19, 2-43, 2-45, 2-47 | 34182 | 4-27 | 370873 | 6-3 |
| | | 34183 | 4-27, 4-29, 4-31 | 370875 | 6-24 |
| | | 34184 | 4-27, 4-29, 4-31 | 370876 | 5-21, 6-21 |
| | | 34185 | 4-27, 4-29 | 370888 | 6-22 |
| | | 34195 | 2-164, 3-28 | 370889 | 6-22 |
| | | 34306 | 2-4, 2-157 | 370890 | 6-22 |
| | | 34323 | 2-9, 2-11, 2-19 | 370891 | 6-22 |
| | | 34330 | 2-171 | 370892 | 6-22 |
| | | 34355 | 2-153, 2-155 | 37127 | 5-11 |
| | | 34359 | 2-139, 2-173 | 371500 | 2-57 |
| | | 34360 | 2-153, 2-155 | 371502 | 2-57 |
| | | 34379 | 2-153, 2-155 | 371503 | 2-57 |
| | | 34390 | 2-157 | 371504 | 2-57 |
| | | 34392 | 2-29 | 371505 | 2-57 |
| | | 34738 | 3-79 | 371507 | 2-43 |
| | | 34821 | 2-137 | 371508 | 2-43, 2-45, 2-47 |
| | | 34848 | 3-17 | 371509 | 2-43, 2-45, 2-47, 2-51, 2-65, 2-81, 3-51, 3-67 |
| | | 34864 | 2-37, 3-79 | 371512 | 2-43, 2-45, 2-47 |
| | | 34877 | 3-51 | 371516 | 2-43, 2-45, 2-47 |
| | | 35323 | 2-5 | 371517 | 2-43 |
| | | 35324 | 2-5 | 371518 | 2-43, 2-45, 2-47 |
| | | 35325 | 2-5 | 371519 | 2-43, 2-45, 2-47 |
| | | 35326 | 2-5 | 371520 | 2-43, 2-45, 2-47 |
| | | 35327 | 2-5 | 371526 | 2-51, 2-53, 2-55, 3-55, 3-67, 3-69 |
| | | 35336 | 2-5 | | |

CROSS REFERENCE

| Part Number | Page Number | Part Number | Page Number | Part Number | Page Number |
|-------------|------------------------|-------------|------------------------|-------------|------------------|
| 371527 | 2-51, 2-53, 2-55 | 371908 | 4-67, 4-69 | 372579 | 2-81 |
| 371528 | 2-51 | 371921 | 2-214 | 372608 | 2-77 |
| 371529 | 2-51 | 372235 | 2-217, 2-219 | 372610 | 2-77 |
| 371532 | 2-61 | 372236 | 2-217, 2-219 | 372611 | 2-77 |
| 371538 | 2-61 | 372237 | 2-217, 2-219 | 372612 | 2-77 |
| 371553 | 2-65, 2-81 | 372251 | 7-7 | 372615 | 2-77 |
| 37157 | 5-5, 5-11 | 372440 | 2-109, 2-111 | 372651 | 2-4, 2-91, 2-95 |
| 371572 | 2-43 | 372445 | 2-45, 2-47 | 372652 | 2-4, 2-91, 2-95 |
| 371573 | 2-99, 2-101 | 372456 | 2-45, 2-47 | 372859 | 2-77 |
| 371646 | 2-61, 2-74 | 372457 | 2-45 | 372860 | 2-63 |
| 371647 | 2-61, 2-74 | 372458 | 2-45, 2-47 | 372891 | 2-63, 2-77 |
| 371649 | 4-67, 4-69 | 372464 | 7-7 | 372899 | 2-77 |
| 371651 | 4-63, 4-65, 4-67, 4-69 | 372466 | 2-63, 2-65, 2-81 | 372937 | 2-73 |
| 371653 | 4-63, 4-65, 4-67, 4-69 | 372470 | 2-65, 2-77, 2-81 | 372950 | 4-59, 4-61 |
| 371654 | 4-63, 4-65, 4-67, 4-69 | 372472 | 2-63, 2-65, 2-77, 2-81 | 372951 | 4-59, 4-61 |
| 371658 | 2-61, 2-74 | 372473 | 2-45, 2-47 | 373201 | 4-25 |
| 371660 | 4-63, 4-65, 4-67, 4-69 | 372474 | 2-45, 2-48 | 373207 | 4-25 |
| 371661 | 2-107 | 372479 | 2-45, 2-47 | 373211 | 4-25 |
| 371662 | 2-107 | 372482 | 2-63, 2-77 | 373218 | 4-7, 4-17 |
| 371665 | 4-63, 4-65 | 372483 | 2-63, 2-65, 2-77, 2-81 | 373226 | 4-31 |
| 371666 | 4-63, 4-65 | 372484 | 2-77 | 373232 | 4-25 |
| 371669 | 4-63, 4-65 | 372488 | 2-63 | 373235 | 4-25 |
| 371713 | 4-63, 4-65 | 372489 | 2-63, 2-77 | 373236 | 4-31 |
| 371714 | 4-63, 4-65, 4-67, 4-69 | 372490 | 2-63, 2-77 | 373242 | 4-25 |
| 371715 | 4-63, 4-65, 4-67, 4-69 | 372491 | 2-101 | 373243 | 4-25 |
| 371716 | 4-67, 4-69 | 372492 | 2-63, 2-77 | 373254 | 2-149, 4-25 |
| 371718 | 4-63, 4-65, 4-67, 4-69 | 372493 | 2-63, 2-77 | 373255 | 4-25 |
| 371749 | 2-73 | 372495 | 2-77 | 373256 | 4-25 |
| 371750 | 2-73 | 372496 | 2-77 | 373258 | 4-25 |
| 371754 | 2-73 | 372497 | 2-77 | 373259 | 4-25 |
| 371755 | 2-73 | 372498 | 2-77 | 373276 | 4-25 |
| 371757 | 2-73 | 372500 | 2-77 | 373284 | 4-25 |
| 371759 | 2-73 | 372501 | 2-77 | 373291 | 4-31 |
| 371761 | 2-43, 2-45, 2-47 | 372503 | 2-77 | 373369 | 4-13, 4-17, 4-21 |
| 371762 | 2-43 | 372504 | 2-77 | 373371 | 4-21 |
| 371763 | 2-61 | 372505 | 2-77 | 373372 | 4-21 |
| 371764 | 2-61, 2-65, 2-73 | 372506 | 2-77 | 373373 | 4-21 |
| 371765 | 2-61 | 372507 | 2-77 | 373374 | 4-9, 4-19 |
| 371766 | 2-61, 2-73 | 372508 | 2-77 | 373375 | 4-9, 4-19 |
| 371767 | 2-61, 2-73 | 372510 | 2-77 | 373404 | 2-149 |
| 371768 | 2-73 | 372511 | 2-77 | 373405 | 3-82 |
| 371770 | 2-51 | 372512 | 2-77 | 373406 | 4-9, 4-19 |
| 371865 | 2-55 | 372514 | 2-77 | 373407 | 4-7, 4-17 |
| 371875 | 2-65, 2-81 | 372515 | 2-77 | 373408 | 4-7, 4-17 |
| 371877 | 2-65, 2-81 | 372516 | 2-77 | 373409 | 4-7, 4-17 |
| 371891 | 7-3 | 372517 | 2-77 | 373410 | 4-7, 4-17 |
| 371894 | 2-73, 4-63 | 372518 | 2-77 | 373412 | 4-9, 4-19 |
| 371895 | 2-73, 4-65 | 372523 | 2-77 | 373413 | 4-9, 4-19 |
| 371896 | 2-61, 4-67 | 372526 | 2-77 | 373414 | 4-7, 4-17 |
| 371897 | 2-61, 4-69 | 372527 | 2-77 | 373415 | 4-7, 4-17 |
| 371899 | 4-67, 4-69 | 372528 | 2-77, 2-81 | 373457 | 4-25 |
| 371901 | 4-67 | 372529 | 2-81 | 373458 | 4-25 |
| 371902 | 4-67, 4-69 | 372531 | 2-77 | 373464 | 2-139, 4-31 |
| | | 372539 | 2-82 | 373541 | 4-31 |
| | | 372545 | 2-63, 2-65, 2-77, 2-81 | 373542 | 4-31 |
| | | 372569 | 2-77 | 373543 | 4-31 |
| | | 372577 | 2-77 | 373544 | 4-31 |
| | | | | 373545 | 4-31 |
| | | | | 373546 | 4-31 |
| | | | | 373547 | 4-31 |

CROSS REFERENCE

| Part Number | Page Number | Part Number | Page Number | Part Number | Page Number |
|-------------|---------------------------|-------------|---------------------------------------|-------------|---------------------------|
| 373548 | 4-31 | 375695 | 2-17 | 380651 | 4-55 |
| 373549 | 4-31 | 375696 | 2-13 | 380652 | 4-55 |
| 374012 | 3-71 | 375698 | 2-13 | 380659 | 4-55, 4-57 |
| 374127 | 2-59, 2-67 | 375718 | 2-59, 2-67 | 380660 | 4-57 |
| 374129 | 3-43, 3-49, 3-59, 3-63 | 375721 | 2-177 | 380661 | 3-41, 3-47, 3-57, 3-61 |
| 374133 | 3-81 | 375726 | 3-43, 3-59 | 380662 | 3-41, 3-47, 3-57, 3-61 |
| 374134 | 3-41, 3-47, 3-81 | 375728 | 3-43, 3-49, 3-59, 3-63 | 380663 | 3-41, 3-47, 3-57, 3-61 |
| 374135 | 3-41, 3-47, 3-81 | 375729 | 3-45 | 380665 | 3-41, 3-47 |
| 374154 | 2-71 | 375751 | 3-43 | 380666 | 4-53 |
| 374158 | 2-113, 2-117, 2-119 | 375762 | 2-139 | 380667 | 4-53 |
| 374210 | 3-41, 3-47, 3-57, 3-61 | 37723 | 4-27, 4-29, 4-31 | 380668 | 4-53 |
| 374230 | 2-129, 2-131, 2-133 | 37766 | 4-27, 4-29 | 380669 | 4-53 |
| 374240 | 2-145 | 379020 | 2-167 | 380670 | 4-53 |
| 374274 | 6-24 | 37943 | 4-27, 4-29, 4-31 | 380671 | 4-53 |
| 374294 | 4-47, 4-49 | 380514 | 2-147 | 380672 | 4-53 |
| 374357 | 4-47 | 380532 | 2-15 | 380673 | 3-41, 3-47 |
| 37460 | 4-3, 4-7, 4-13, 4-17 | 380533 | 2-15 | 380675 | 2-153, 2-155 |
| 374615 | 2-69 | 380544 | 3-52, 3-55 | 380676 | 3-45 |
| 37462 | 4-3, 4-7, 4-13, 4-17 | 380563 | 3-45 | 380680 | 2-13 |
| 374625 | 2-59, 2-67 | 380566 | 2-147 | 380681 | 2-23 |
| 374648 | 2-69 | 380567 | 2-147 | 380683 | 2-147 |
| 374649 | 2-69 | 380568 | 2-147 | 380684 | 3-41, 3-47 |
| 374750 | 4-47, 4-49 | 380576 | 3-41, 3-47 | 380685 | 3-43 |
| 374757 | 4-49 | 380577 | 4-47, 4-52 | 380686 | 3-43 |
| 374758 | 4-47 | 380578 | 4-55 | 380689 | 3-41, 3-47, 3-57, 3-61 |
| 374759 | 4-47 | 380579 | 4-55 | 380690 | 3-41, 3-47, 3-57, 3-61 |
| 374760 | 3-35 | 380591 | 2-85, 2-87, 2-89, 2-91, 2-93, 2-95 | 380691 | 3-11, 3-13, 3-15 |
| 374761 | 3-35 | 380592 | 2-85 | 380692 | 2-13, 4-47 |
| 374762 | 3-35 | 380598 | 2-41 | 380694 | 4-47 |
| 374765 | 4-47, 4-49 | 380602 | 3-35 | 380695 | 4-47 |
| 374769 | 4-47, 4-49 | 380612 | 3-57, 3-61 | 380697 | 3-45 |
| 375193 | 2-41 | 380613 | 3-41, 3-47, 4-55 | 380702 | 3-65 |
| 375400 | 2-163 | 380614 | 3-57, 3-61, 4-57 | 380708 | 4-47 |
| 375401 | 2-163, 3-27 | 380615 | 3-41, 3-47, 3-57, 3-61 | 380709 | 2-4 |
| 375402 | 2-163 | 380616 | 4-55, 4-57 | 380710 | 2-4 |
| 375403 | 3-27 | 380617 | 3-41, 3-47, 3-57, 3-61 | 380712 | 3-17 |
| 375404 | 2-163, 3-27 | 380618 | 3-43, 3-59 | 380717 | 2-145 |
| 375415 | 2-167, 3-23 | 380619 | 3-41, 3-47, 3-57, 3-61 | 380728 | 2-13 |
| 375416 | 2-167, 3-23 | 380620 | 3-43, 3-49, 3-59, 3-63 | 380732 | 4-47 |
| 375417 | 3-27 | 380621 | 3-43, 3-49, 3-59, 3-63 | 380736 | 2-157 |
| 375511 | 2-129, 2-131, 2-133 | 380624 | 3-41, 3-47 | 380748 | 2-127 |
| 375512 | 3-43, 3-49, 3-59, 3-63 | 380625 | 3-41, 3-47, 4-53 | 380754 | 2-129 |
| 375513 | 2-15 | 380626 | 4-53 | 380760 | 2-15 |
| 375526 | 2-145 | 380627 | 4-53 | 380761 | 2-15 |
| 375536 | 2-15 | 380628 | 4-53 | 380762 | 2-15 |
| 375537 | 2-15 | 380630 | 3-41, 3-47 | 380763 | 2-15 |
| 37555 | 4-33 | 380634 | 3-35 | 380764 | 2-15 |
| 375563 | 2-161, 4-41 | 380635 | 3-35 | 381391 | 2-131, 2-133 |
| 375564 | 2-31 | 380640 | 3-15 | 381962 | 2-31 |
| 375565 | 2-31 | 380643 | 3-11 | 382507 | 2-129 |
| 375566 | 2-31 | 380644 | 3-13 | 382516 | 2-183 |
| 375567 | 2-143 | 380649 | 4-55, 4-57 | 382726 | 2-31 |
| 375575 | 2-139 | 380650 | 4-55, 4-57 | 382978 | 3-15 |
| 375576 | 2-139 | | | 382979 | 3-33 |
| 375586 | 2-129, 2-131 | | | 383014 | 2-71 |
| 375666 | 2-167 | | | | |
| 375693 | 2-17 | | | | |

CROSS REFERENCE

| Part Number | Page Number | Part Number | Page Number | Part Number | Page Number |
|-------------|---------------------|-------------|--|-------------|----------------------|
| 383165 | 2-183 | 392613 | 3-51 | 393822 | 7-12 |
| 383170 | 2-71 | 392619 | 2-43 | 393823 | 7-12 |
| 383185 | 3-35 | 392622 | 2-43, 2-45 | 393824 | 7-3, 7-9, 7-11, 7-12 |
| 384156 | 4-51 | 392629 | 2-107, 2-109, 2-111 | 393825 | 7-12 |
| 384971 | 2-81 | 392642 | 2-43, 2-45 | 393826 | 7-11, 7-12 |
| 384973 | 2-81 | 392647 | 2-125, 2-127 | 393827 | 7-12 |
| 384974 | 2-65, 2-81 | 392649 | 2-107 | 393828 | 7-12 |
| 384975 | 2-81 | 39277 | 2-129, 2-131, 2-133, 2-135, 3-51, 3-67 | 393829 | 7-12 |
| 384977 | 2-81 | 39279 | 2-145 | 393830 | 7-12 |
| 384978 | 2-81 | 39283 | 2-9, 2-11, 2-164, 2-168, 2-171, 3-23, 3-28, 3-52, 3-55 | 393831 | 7-12 |
| 384979 | 2-81 | 39284 | 2-35, 2-48, 2-103, 2-163, 2-168, 3-23, 3-28 | 393832 | 7-7 |
| 384985 | 2-65, 2-81 | 39285 | 2-147 | 393833 | 7-7 |
| 384986 | 2-81 | 39305 | 2-139 | 393834 | 7-11 |
| 384996 | 2-81 | 39311 | 2-19, 2-163, 3-24, 3-28, 3-51 | 393835 | 7-11 |
| 384998 | 2-219 | 39312 | 2-163, 3-28 | 393836 | 7-11 |
| 384999 | 2-219 | 39313 | 2-17, 2-19, 2-27 | 393837 | 7-11 |
| 385000 | 2-65, 2-81 | 393200 | 2-107 | 393838 | 7-11 |
| 385001 | 2-65, 2-81 | 393201 | 3-51, 3-55 | 393839 | 7-11 |
| 385002 | 2-65, 2-81 | 393205 | 2-87 | 393840 | 7-11 |
| 385003 | 2-65, 2-81 | 393207 | 2-87 | 393841 | 7-11 |
| 385004 | 2-65, 2-81 | 393208 | 2-87, 2-89, 2-91 | 393842 | 7-11 |
| 385005 | 2-65, 2-81 | 393216 | 2-123 | 393843 | 7-11 |
| 385006 | 2-65, 2-81 | 393219 | 3-51 | 393844 | 7-11 |
| 385007 | 2-65, 2-81 | 393223 | 3-84 | 393845 | 7-11 |
| 385008 | 2-65, 2-81 | 393227 | 2-53, 2-55 | 393846 | 7-11 |
| 385009 | 2-111 | 393229 | 2-123, 2-125 | 393848 | 7-9 |
| 385010 | 2-219 | 393241 | 3-67 | 393849 | 7-9 |
| 385011 | 2-82 | 393244 | 3-51, 3-67 | 393850 | 7-9 |
| 385012 | 2-81 | 393252 | 2-99 | 393851 | 7-9 |
| 385013 | 2-82 | 393253 | 2-99 | 393852 | 7-9 |
| 385014 | 2-81 | 393255 | 3-49, 3-63 | 393853 | 7-9 |
| 385015 | 2-81 | 393273 | 2-91, 2-93, 2-95 | 393854 | 7-9 |
| 385016 | 2-81 | 39346 | 2-9, 2-11 | 393855 | 7-9 |
| 385017 | 2-81 | 39349 | 2-27 | 393856 | 7-9 |
| 385018 | 2-219 | 39350 | 2-139 | 393857 | 7-9 |
| 385019 | 2-47 | 39362 | 7-7 | 393858 | 7-9 |
| 385412 | 2-41 | 39363 | 7-7 | 393859 | 7-9 |
| 385414 | 2-59 | 393770 | 3-15, 3-33 | 393860 | 7-9 |
| 385415 | 2-59 | 393806 | 7-7 | 393861 | 7-9 |
| 385417 | 2-39 | 393807 | 7-7 | 393862 | 7-9 |
| 385426 | 2-41 | 393808 | 7-7 | 393863 | 7-9 |
| 385433 | 2-41 | 393809 | 7-7 | 393864 | 7-11 |
| 385439 | 3-84 | 393810 | 7-7 | 393865 | 7-9 |
| 386063 | 2-115 | 393811 | 7-7 | 393866 | 7-11 |
| 388407 | 4-55, 4-57 | 393812 | 7-7 | 393867 | 7-9 |
| 391890 | 4-67 | 393813 | 7-7 | 393868 | 7-9 |
| 391891 | 4-63 | 393814 | 7-7 | 393869 | 7-9 |
| 39210 | 2-25, 2-29, 2-157 | 393815 | 7-7 | 393870 | 7-9 |
| 392258 | 2-73 | 393816 | 7-7 | 393871 | 7-9 |
| 392561 | 2-43 | 393817 | 7-12 | 393872 | 7-7 |
| 392563 | 2-43 | 393818 | 7-12 | 393873 | 7-11 |
| 392564 | 2-214 | 393819 | 7-12 | 393874 | 7-11 |
| 392570 | 2-61, 2-73 | 393820 | 7-12 | 393875 | 7-11 |
| 392590 | 2-123, 2-125, 2-127 | 393821 | 7-12 | 393876 | 7-11 |
| 392591 | 2-123, 2-125 | | | 393877 | 7-11 |
| 392593 | 2-107 | | | 393878 | 7-11 |
| 392594 | 2-107 | | | 393879 | 7-11 |
| 392597 | 2-107 | | | 393880 | 7-11 |
| 392598 | 2-109 | | | 393881 | 7-11 |
| 392611 | 2-51, 2-53, 2-55 | | | 393882 | 7-7 |

CROSS REFERENCE

| Part Number | Page Number | Part Number | Page Number | Part Number | Page Number |
|-------------|-------------------------------------|-------------|----------------------------------|-------------|---|
| 393883 | 7-7 | 393935 | 7-3 | 41130 | 2-177 |
| 393884 | 7-7 | 393936 | 7-3 | 41131 | 2-167, 2-175 |
| 393886 | 7-7 | 393937 | 7-3 | 41139 | 3-17 |
| 393887 | 7-7 | 393938 | 7-3 | 41140 | 3-17 |
| 393888 | 7-7 | 393939 | 7-5 | 41141 | 3-33 |
| 393889 | 7-7 | 39394 | 2-5 | 41142 | 2-53, 2-55, 3-67 |
| 393890 | 7-7 | 393940 | 7-5 | 41169 | 2-147 |
| 393895 | 7-3 | 393941 | 7-5 | 41178 | 2-9, 2-11, 2-13, 2-85, 2-87, 2-89, 2-93, 3-35 |
| 393896 | 7-3 | 393942 | 7-5 | 41185 | 2-9, 2-11, 2-19, 2-163, 3-27 |
| 393897 | 7-3 | 393943 | 7-5 | 41186 | 2-31, 2-53, 2-55, 2-129, 2-131, 2-133, 2-135, 2-137, 3-23, 3-51, 3-55, 3-67, 3-69 |
| 393898 | 2-61, 2-63, 2-73, 2-77, 7-3, 7-5 | 393946 | 7-5 | 41295 | 2-127 |
| 393899 | 7-3 | 393947 | 7-5 | 41342 | 2-163, 2-167, 3-28 |
| 393900 | 7-3 | 393948 | 7-5 | 41346 | 2-171 |
| 393901 | 7-3 | 393949 | 7-5 | 41430 | 2-31, 2-48, 2-129, 2-131, 2-133, 2-147, 2-164, 2-168, 2-177, 3-23, 3-28, 3-52, 3-55 |
| 393902 | 7-3 | 393950 | 7-5 | 41434 | 3-37 |
| 393903 | 7-3 | 393951 | 7-3 | 41619 | 2-15 |
| 393904 | 7-3 | 393952 | 7-3 | 41722 | 2-147 |
| 393905 | 2-61, 2-63, 2-73, 2-77 | 393953 | 7-3 | 42011 | 2-51, 2-53, 2-55, 3-79 |
| 393906 | 2-61, 2-63, 2-73, 2-77 | 393954 | 7-3 | 42124 | 3-71 |
| 393907 | 2-61, 2-63, 2-73, 2-77 | 393955 | 7-3 | 42207 | 2-163 |
| 393908 | 2-61, 2-63, 2-73, 2-78 | 393956 | 7-3 | 42215 | 2-157, 2-161, 3-23 |
| 393909 | 2-61, 2-63, 2-73, 2-78 | 393957 | 7-3 | 42226 | 2-179 |
| 393910 | 2-61, 2-63, 2-73, 2-78 | 393958 | 7-3 | 42260 | 2-21, 2-157 |
| 393911 | 2-61, 2-63, 2-73, 2-78 | 393959 | 7-3 | 42368 | 2-109, 2-111 |
| 393912 | 2-61, 2-63, 2-73, 2-78 | 393960 | 7-3 | 43242 | 3-43, 3-49, 3-59, 3-63 |
| 393913 | 2-61, 2-63, 2-73, 2-78 | 393961 | 7-3 | 43363 | 2-7 |
| 393914 | 2-61, 2-63, 2-73, 2-78 | 393962 | 7-3 | 43454 | 2-15, 2-37, 3-79 |
| 393915 | 2-61, 2-63, 2-73, 2-78 | 393963 | 7-3 | 43500 | 2-4, 2-7 |
| 393916 | 2-61, 2-63, 2-73, 2-78 | 393964 | 7-3 | 43555 | 2-35, 2-85, 2-87, 2-89, 2-91, 2-93, 2-95 |
| 393917 | 7-3 | 393965 | 7-5 | 43558A | 3-43, 3-49, 3-59, 3-63 |
| 393918 | 7-3 | 393966 | 7-5 | 43611 | 2-117, 2-119 |
| 393919 | 7-5 | 393967 | 7-5 | 43844 | 2-59, 2-67, 2-107, 2-109, 2-111, 2-127 |
| 393920 | 7-5 | 393972 | 2-73 | 43952 | 3-37 |
| 393921 | 7-5 | 393973 | 2-43 | 43955 | 2-9, 2-11 |
| 393922 | 7-5 | 393975 | 2-43 | 44078 | 2-181 |
| 393923 | 7-5 | 393982 | 2-4, 2-57 | 44681-1 | 3-7, 3-9, 3-13 |
| 393924 | 7-5 | 393988 | 2-43, 2-63, 2-65, 2-77, 2-81 | 44681-2 | 3-7, 3-9, 3-13 |
| 393925 | 7-5 | 393994 | 2-43, 2-45, 2-47, 2-51 | 44681 | 3-7, 3-9, 3-13 |
| 393926 | 7-5 | 393998 | 2-51, 2-53, 2-55 | 44777 | 2-13 |
| 393927 | 7-5 | 394916 | 2-217, 2-219 | 44851 | 2-17, 2-19, 3-35 |
| 393928 | 7-5 | 39527 | 4-32 | 44868 | 2-159, 3-27 |
| 393929 | 7-5 | 39534 | 2-179 | 44869 | 2-159, 2-161, 2-171, 2-179 |
| 393930 | 7-5 | 39670 | 3-51, 3-55 | | |
| 393931 | 7-5 | 39703-2 | 2-4, 5-3, 6-3 | | |
| 393932 | 7-5 | 398315 | 2-209 | | |
| 393933 | 7-3 | 39923 | 2-37, 3-79 | | |
| 393934 | 2-4, 7-3 | 40380 | 4-27 | | |
| | | 40514 | 2-157 | | |
| | | 40573 | 3-43, 3-49, 3-59, 3-63 | | |
| | | 40585 | 2-105, 2-107 | | |
| | | 40607 | 2-37, 2-69, 3-79 | | |
| | | 40678 | 2-37, 3-79 | | |
| | | 40716 | 2-13 | | |
| | | 40870-8 | 2-177 | | |
| | | 41016 | 2-107, 3-43, 3-49, 3-59, 3-63 | | |
| | | 41073 | 2-139 | | |

CROSS REFERENCE

| Part Number | Page Number | Part Number | Page Number | Part Number | Page Number |
|-------------|----------------------|-------------|----------------------|-------------|-----------------------|
| 44906 | 2-129 | 51021N | 2-5 | 55248 | 3-3, 3-5, 3-7, 3-9, |
| 44961 | 3-79 | 51109 | 2-145 | | 3-11, 3-13, 3-15, |
| 45142 | 3-43, 3-49, 3-59, | 51176 | 2-13 | | 3-41, 3-47, 3-81 |
| 3-63 | | 51193 | 2-141 | 55347 | 2-43 |
| 45177 | 2-85, 2-87, 2-89, | 51305 | 2-73, 2-127, 2-129, | 55586 | 2-157, 2-171 |
| | 2-93 | | 2-131, 2-133 | 55685 | 2-161 |
| 45272 | 3-3, 3-5, 3-7, 3-9 | 51322 | 2-21, 2-129, 2-131, | 55686 | 2-25 |
| 45482 | 2-159, 3-27 | | 2-133 | 55700 | 2-153, 2-155 |
| 45622 | 4-27, 4-29, 4-31 | 51338 | 2-141 | 55756 | 2-15 |
| 45623 | 4-27, 4-29, 4-31 | 51340 | 2-139 | 55779 | 2-171 |
| 45628 | 4-32, 4-33 | 51341 | 2-139 | 55845 | 2-15 |
| 45779 | 3-3, 3-5, 3-7, 3-9, | 51373 | 2-141 | 56185 | 2-181 |
| | 3-11, 3-13 | 51448 | 2-171 | 56186 | 2-184, 3-3, 3-5, 3-7, |
| 45780 | 2-7 | 51449 | 2-171 | | 3-9, 3-11, 3-13, |
| 45786 | 2-143 | 51483 | 2-145 | | 3-41, 3-47, 3-57, |
| 46236 | 2-145, 3-79 | 51531 | 3-71 | | 3-61, 3-79 |
| 46481 | 2-21, 2-149 | 51534 | 2-173 | 56346 | 2-183 |
| 46482 | 3-23 | 51542 | 2-5 | 56398 | 2-181 |
| 46611 | 2-69, 2-71 | 51545 | 2-145 | 56690 | 2-109, 2-159, 2-167, |
| 46800 | 2-129 | 51560-5 | 2-91, 2-95 | | 2-181, 3-23, 3-27 |
| 47167 | 2-61, 2-73 | 51562 | 2-145 | 56692 | 2-149, 2-179 |
| 47313A | 2-59 | 51564 | 2-171 | 56820 | 2-139, 2-167 |
| 47504 | 2-161, 2-167 | 51693 | 2-175 | 56821 | 2-179 |
| 47508 | 2-149, 2-163, 3-27 | 51787 | 2-21, 2-31 | 56976A | 2-113, 2-115, 2-117, |
| 47512 | 2-25, 2-129, 2-131, | 51813 | 2-167, 3-23 | | 2-119 |
| | 2-133 | 51839 | 2-69, 2-71, 2-87 | 56992 | 2-183, 3-57, 3-61 |
| 47522 | 2-139 | 52402 | 2-129, 2-131, 2-133, | 57048 | 2-41, 2-43, 2-45, |
| 47585 | 2-181 | | 2-161 | | 2-47 |
| 47637 | 3-27 | 52911 | 2-149 | 57167 | 2-184, 4-57 |
| 47638 | 2-25, 2-161 | 53029 | 2-67, 2-107 | 57173 | 2-153, 2-155 |
| 47720 | 2-113, 2-115, 2-117, | 53268 | 2-69 | 57297 | 2-113, 2-115, 2-117, |
| | 2-119 | 53395-2 | 2-115 | | 2-119 |
| 47753 | 3-27 | 53400-1 | 2-113, 2-115, 2-117, | 57311 | 2-145 |
| 47958 | 2-15 | | 2-119 | 57411 | 2-161 |
| 48006 | 2-21 | 53400-4 | 2-113, 2-115, 2-117, | 57568 | 2-155 |
| 48014 | 2-85, 2-87, 2-89, | | 2-119 | 57751 | 2-184, 3-35 |
| | 2-93 | 53434 | 2-171, 4-32 | 57772 | 2-167 |
| 48056 | 2-129, 2-131, 2-133 | 53461-2 | 2-15, 2-17, 2-19 | 57773 | 2-41, 2-43, 2-45, |
| 48069 | 2-35 | 53468 | 2-123, 2-125, 2-127 | | 2-47 |
| 48267 | 2-105, 2-107, 2-109 | 53601 | 2-139, 4-44 | 57803 | 2-184, 3-35 |
| 48282 | 2-115 | 54009 | 3-71 | 57804 | 2-217, 2-219 |
| 49032 | 3-37 | 54012 | 3-71 | 57807 | 2-167, 2-173, 2-183, |
| 49263 | 2-7, 2-181 | 54140 | 2-109 | | 3-23 |
| 49266 | 2-37, 3-3, 3-5, 3-7, | 54222 | 2-147 | 57809 | 3-79 |
| | 3-9, 3-11, 3-13, | 54274 | 2-179 | 57820 | 2-13, 2-17, 2-19 |
| | 3-15, 3-17, 3-41, | 54275A | 2-179 | 57934 | 2-59 |
| | 3-47, 3-79, 3-81 | 54333 | 5-3, 6-3 | 57936 | 2-23, 2-25 |
| 49282 | 2-13 | 54396 | 2-43, 2-45, 2-47, | 57941 | 2-7 |
| 49766 | 3-79 | | 2-123, 2-125 | 57944 | 2-153, 2-155 |
| 49933 | 2-161 | 54527 | 2-85, 2-87, 2-89, | 57963 | 2-153, 2-155, 3-31 |
| 49934 | 2-57 | | 2-93 | 57988 | 2-161 |
| 50335 | 2-43, 2-45, 2-47, | 54528 | 2-85, 2-87, 2-89, | 57993 | 2-159 |
| | 2-109, 2-111, 2-115 | | 2-93 | 57994 | 2-157 |
| 50902 | 2-43, 2-45, 2-47, | 54615 | 2-13 | 58114 | 2-177 |
| | 2-53, 2-55, 2-117, | 54833 | 2-139 | 58228 | 2-129, 2-131, 2-133, |
| | 2-119, 2-129, 2-131, | 54862 | 2-179 | | 2-177 |
| | 2-133, 2-171, 2-179, | 54878 | 2-171 | 58242 | 4-23 |
| | 3-51, 3-55, 3-67, | 54911-32 | 2-121, 2-123, 2-125, | 58270 | 4-32 |
| | 3-69 | | 2-127, 5-3, 6-3 | 58278 | 4-32 |
| 50960 | 2-129, 2-131, 2-133 | | | 58293 | 2-23 |

CROSS REFERENCE

| Part Number | Page Number | Part Number | Page Number | Part Number | Page Number |
|-------------|-----------------------|-------------|----------------------|-------------|---------------------|
| 58357 | 2-35 | 60934 | 2-4, 2-85, 2-87, | 63543 | 2-139 |
| 58359 | 2-25 | | 2-89, 2-93 | 63544 | 2-7 |
| 58366 | 2-15, 2-57 | 60938 | 5-9, 6-9 | 63583 | 2-25 |
| 58489 | 2-9, 2-17, 2-19 | 61288 | 2-157 | 63584 | 2-25 |
| 58490 | 4-49 | 61363 | 2-39, 2-51, 2-53, | 63647 | 2-27 |
| 58518 | 3-3, 3-5, 3-11 | | 2-55 | 63663 | 2-7 |
| 58519 | 3-3, 3-5, 3-11 | 61365 | 3-17 | 63665 | 2-27 |
| 58520 | 3-3, 3-5, 3-11 | 61490 | 4-32, 4-33 | 63667 | 2-27 |
| 58524 | 2-31 | 61529 | 2-39 | 63668 | 2-27 |
| 58589 | 2-113, 2-115, 2-117, | 61531 | 2-39 | 63669 | 2-27 |
| | 2-119 | 61869 | 3-43, 3-49, 3-59, | 63671 | 2-33 |
| 58590 | 2-113, 2-115, 2-117, | | 3-63 | 63695 | 2-41, 2-43, 2-45, |
| | 2-119 | 61870 | 3-43, 3-49, 3-59, | | 2-47 |
| 58596 | 4-37 | | 3-63 | 63751 | 2-13 |
| 58844 | 2-11, 2-15 | 61882 | 4-3, 4-7, 4-13, 4-17 | 63810 | 2-59, 2-63, 2-69, |
| 58858 | 2-149, 2-157 | 61886 | 4-5, 4-9, 4-15, 4-19 | | 2-71, 2-77, 2-81, |
| 58898 | 2-9, 2-11 | 61923 | 3-15 | | 2-87, 3-43, 3-49, |
| 59015 | 2-105 | 61931 | 2-39 | | 3-59, 3-63 |
| 59156 | 3-51 | 61969 | 2-173, 2-183 | 63818 | 2-129, 2-131, 2-133 |
| 59192 | 2-15, 2-17, 2-19 | 62172 | 2-161 | 63926 | 2-23 |
| 59305 | 4-23 | 62173 | 2-161 | 64038 | 5-17, 6-17 |
| 59375 | 2-39 | 62234 | 2-127 | 64058 | 2-143 |
| 59577 | 2-159 | 62389 | 2-149 | 64059 | 2-143 |
| 59633 | 2-35 | 62561 | 2-149, 4-23 | 64141 | 2-183 |
| 59661 | 2-21 | 62595-16 | 2-13 | 64156 | 2-25 |
| 59668 | 2-147 | 62595-2 | 2-13 | 64228 | 2-159 |
| 59672 | 2-147 | 62595-3 | 2-13 | 64233 | 2-173 |
| 59767 | 2-230 | 62865 | 2-115, 2-119 | 64278 | 2-15 |
| 59808 | 2-69 | 62954 | 2-4, 2-7 | 64279 | 2-15 |
| 59866 | 2-25 | 62955 | 2-4, 2-7 | 64299 | 2-177 |
| 59901 | 3-43, 3-49, 3-59, | 62956 | 2-4, 2-7 | 64312 | 2-15 |
| | 3-63 | 62957 | 2-4, 2-7 | 64392 | 2-35 |
| 59921 | 3-79 | 630094 | 2-39 | 64394 | 2-35 |
| 59954 | 3-79 | 63228 | 3-76 | 64410 | 2-35 |
| 59965 | 2-23, 3-15 | 63233 | 2-35 | 64419 | 2-21 |
| 59970 | 2-183 | 63234 | 2-35 | 64434 | 2-161 |
| 59971 | 2-183 | 63263 | 2-41, 2-43, 2-45, | 64500 | 2-35 |
| 59974 | 2-183 | | 2-47 | 64501 | 2-35 |
| 59976 | 2-183 | 63276 | 2-147 | 64543 | 2-17, 2-19 |
| 59977 | 2-183 | 63292 | 2-147 | 64545 | 2-17, 2-19 |
| 59978 | 2-183 | 63294 | 2-13 | 64556 | 2-145 |
| 59979 | 2-183 | 63295 | 2-145 | 64558 | 2-145 |
| 60293 | 2-135 | 63297 | 2-35 | 64559 | 2-35 |
| 60559 | 2-39 | 63311 | 2-35 | 64567 | 2-35 |
| 60725 | 2-69, 2-71 | 63378 | 2-31 | 64580 | 2-35 |
| 60726 | 2-69, 2-71 | 63407 | 3-82 | 64586 | 2-181 |
| 60751 | 3-17 | 63416 | 2-129, 2-167, 3-23, | 64618 | 2-35, 2-129, 2-131, |
| 60762 | 2-59 | | 3-27 | | 2-133, 2-177 |
| 60806 | 5-5, 5-6, 6-5, 6-6 | 63426 | 2-139, 4-27 | 64621 | 2-35, 2-129, 2-131, |
| 60812 | 5-22 | 63436 | 2-171 | | 2-133, 2-177 |
| 60813 | 5-22, 6-22 | 63449 | 2-171 | 64631 | 2-181 |
| 60814 | 5-22, 6-22 | 63450 | 2-171 | 64635 | 2-145 |
| 60817 | 5-6, 6-6 | 63471 | 2-139 | 64651 | 2-181 |
| 60833 | 5-5, 5-13, 5-19, 6-5, | 63491 | 2-139 | 64655 | 2-181 |
| | 6-13, 6-19 | 63496 | 2-139 | 64740 | 2-73 |
| 60834 | 6-5, 6-13 | 63535 | 2-41 | 64788 | 2-4, 2-9, 2-11 |
| 60836 | 5-21, 6-21 | 63540 | 2-139 | 64801 | 2-9 |
| 60846 | 2-4, 5-24, 6-24 | 63541 | 2-171 | 64802 | 2-11 |
| 60933 | 2-4, 2-85, 2-87, | 63542 | 2-129, 2-131, 2-133, | 64811 | 2-171 |
| | 2-89, 2-93 | | 4-35 | 64873 | 2-35 |

CROSS REFERENCE

| Part Number | Page Number | Part Number | Page Number | Part Number | Page Number |
|-------------|------------------------------|-------------|-------------------------------|-------------|-------------------------------|
| 64874 | 2-35 | 68869 | 2-135, 2-137 | 70669 | 3-19 |
| 64884 | 2-13 | 69097 | 2-67 | 70686 | 3-20 |
| 64886 | 2-139 | 69234 | 2-159, 2-177 | 70690 | 3-77 |
| 64887 | 2-139 | 69904 | 2-7 | 70692 | 3-75 |
| 64893 | 2-29 | 69906 | 2-31 | 70699 | 3-33 |
| 64899 | 2-51, 3-51 | 70006 | 2-157 | 70704 | 2-13 |
| 64905 | 2-161 | 70072 | 2-157 | 70705 | 2-230 |
| 64919 | 2-4, 2-7 | 70160 | 2-39 | 70709 | 2-181 |
| 64920 | 2-4, 2-7 | 70173 | 2-105, 2-107, 2-109 | 70717 | 2-181 |
| 64950 | 2-145 | 70218 | 2-181 | 70718 | 2-113, 2-115, 2-117, 2-119 |
| 65129 | 2-145 | 70219 | 2-181 | 70719 | 2-113, 2-115, 2-117, 2-119 |
| 65145-1 | 2-149 | 70388 | 2-27 | 70725 | 2-147 |
| 65160 | 2-163, 3-27 | 70398 | 2-184 | 70730 | 2-31 |
| 65168 | 2-163 | 70400 | 2-205 | 70742 | 2-31 |
| 65170 | 2-163 | 70402 | 2-184 | 70747 | 2-147 |
| 65173 | 2-163, 3-27 | 70407 | 2-17, 2-19 | 70749 | 2-147 |
| 65174 | 2-163, 2-167, 3-23, 3-27 | 70411 | 2-184 | 70754 | 2-121 |
| 65180 | 2-163, 3-27 | 70431 | 2-163, 3-27 | 70756 | 2-13 |
| 65188 | 2-153, 2-155 | 70435 | 2-113, 2-115, 2-117, 2-119 | 70761 | 2-31, 3-37 |
| 65191 | 2-153, 2-155 | 70450 | 2-13 | 70762 | 2-31 |
| 65194 | 2-153, 2-155 | 70453 | 2-4, 2-9, 2-11 | 70767 | 2-107 |
| 65195 | 2-153, 2-155 | 70454 | 3-19 | 70775 | 2-179 |
| 65196 | 2-153 | 70477 | 2-105, 2-107, 2-109, 2-111 | 70783 | 2-147 |
| 65197 | 2-153, 2-155 | 70478 | 2-13 | 70785 | 3-35 |
| 65199 | 2-153, 2-155 | 70506 | 2-145 | 70788 | 3-35 |
| 65201 | 2-153, 2-155 | 70517 | 2-7 | 70790 | 2-179 |
| 65202 | 2-153 | 70521 | 2-163 | 70793 | 3-21 |
| 65204 | 2-153, 2-155 | 70524 | 2-163, 3-27 | 70802 | 3-21 |
| 65205 | 2-153, 2-155 | 70525 | 2-163, 3-27 | 70808 | 2-11 |
| 65212 | 2-153, 2-155 | 70526 | 2-163, 3-27 | 70809 | 2-9 |
| 65213 | 2-153, 2-155 | 70532 | 2-167, 3-23 | 70810 | 2-179 |
| 65215 | 2-157 | 70536 | 2-230 | 70815 | 3-21 |
| 65221 | 2-21 | 70538 | 2-5 | 70825 | 2-177 |
| 65222 | 2-21 | 70550 | 2-145 | 70827 | 2-161 |
| 65224 | 2-153, 2-155 | 70597 | 2-9 | 70832 | 2-97, 2-99 |
| 65226 | 4-23 | 70598 | 2-11 | 70843 | 2-7 |
| 65227 | 4-27 | 70598 | 2-11 | 70844 | 2-7 |
| 65232 | 4-33 | 70603 | 4-59, 4-61 | 70847 | 2-161 |
| 65235 | 4-37 | 70609 | 4-59, 4-61 | 70849 | 2-69 |
| 65240 | 4-43 | 70611 | 4-61 | 70851 | 3-79 |
| 65242 | 2-181, 4-37 | 70612 | 4-59 | 70876 | 2-59, 2-67 |
| 65245 | 2-183 | 70613 | 4-59, 4-61 | 71552 | 2-153, 2-155 |
| 65248 | 2-173 | 70615 | 4-59, 4-61 | 71725 | 4-25 |
| 65249 | 2-173 | 70617 | 4-59, 4-61 | 72970 | 2-181 |
| 65252 | 2-21 | 70618 | 4-59, 4-61 | 72978 | 2-87, 3-43, 3-59 |
| 65258 | 3-19 | 70620 | 3-35 | 72979 | 2-69, 2-71, 3-43, 3-59 |
| 65278 | 2-31 | 70622 | 2-181 | 73017 | 2-67 |
| 65281 | 2-31 | 70623 | 2-181 | 73020 | 2-69 |
| 65527 | 2-69 | 70626 | 2-163, 3-27 | 73645 | 2-7 |
| 65561 | 2-167, 3-23 | 70627 | 2-163, 3-27 | 73646 | 2-177 |
| 65869-5 | 2-4 | 70628 | 2-17, 2-19 | 73648 | 2-9 |
| 66020 | 2-5 | 70631 | 2-97 | 73649 | 2-11 |
| 67310 | 2-139, 2-149 | 70635 | 2-121, 2-125, 2-127 | 73650 | 2-177 |
| 67366 | 2-163, 3-27 | 70636 | 2-121 | 73654 | 2-4, 2-9, 2-11 |
| 67683 | 3-27 | 70649 | 2-5 | 73678 | 2-27 |
| 67767 | 2-25, 2-117, 2-119, 2-139 | 70650 | 2-35 | 73679 | 2-27 |
| 68445 | 3-37 | 70651 | 2-35 | 73685 | 2-177 |
| 68866 | 2-147 | 70659 | 3-71 | | |
| | | 70668 | 3-71 | | |

CROSS REFERENCE

| Part Number | Page Number | Part Number | Page Number | Part Number | Page Number |
|-------------|----------------------|-------------|----------------------------|-------------|--|
| 73717 | 3-51 | 74067 | 2-7 | 74257 | 4-3, 4-7, 4-13, 4-17 |
| 73724 | 2-7 | 74069 | 2-27 | 74258 | 4-3, 4-7, 4-13, 4-17 |
| 73727 | 2-37 | 74074 | 3-71 | 74259 | 4-5, 4-9, 4-15, 4-19 |
| 73731 | 2-139 | 74076 | 2-39 | 74260 | 4-5, 4-15 |
| 73733 | 2-139 | 74081 | 2-13 | 74261 | 4-5, 4-15 |
| 73734 | 2-35 | 74082 | 2-129, 2-131, 2-133 | 74262 | 4-3, 4-7, 4-13, 4-17 |
| 73736 | 2-183 | 74089 | 2-113, 2-115, 2-117, 2-119 | 74263 | 4-3, 4-13 |
| 73737 | 2-167, 3-23 | | | 74264 | 4-5, 4-15 |
| 73749 | 2-27 | 74090 | 2-167, 3-23 | 74265 | 4-3, 4-7, 4-13, 4-17 |
| 73751 | 3-5 | 74094 | 4-33 | 74266 | 4-3, 4-7, 4-13, 4-17 |
| 73753 | 3-9 | 74098 | 4-29, 4-43 | 74267 | 4-3, 4-7, 4-13, 4-17 |
| 73755 | 3-3 | 74100 | 4-33 | 74268 | 4-43 |
| 73757 | 3-7 | 74101 | 4-33 | 74270 | 4-5, 4-9, 4-15, 4-19 |
| 73771 | 2-27 | 74109 | 4-37 | 74271 | 4-5, 4-9, 4-15, 4-19 |
| 73772 | 2-27 | 74110 | 4-37 | 74272 | 4-3, 4-7, 4-13, 4-17 |
| 73862 | 2-7 | 74111 | 4-37 | 74273 | 4-3, 4-7, 4-11 |
| 73863 | 2-7 | 74112 | 4-37 | 74274 | 4-5, 4-9, 4-15, 4-19 |
| 73870 | 2-4, 2-9, 2-11 | 74132 | 4-27 | 74275 | 4-5, 4-9, 4-15, 4-19 |
| 73871 | 3-71 | 74133 | 4-27 | 74276 | 4-3, 4-7, 4-13, 4-17 |
| 73880 | 3-71 | 74134 | 4-27, 4-29 | 74277 | 4-5, 4-9, 4-15, 4-19 |
| 73887 | 2-27 | 74135 | 4-27, 4-29, 4-31 | 74278 | 4-5, 4-9, 4-15, 4-19 |
| 73888 | 2-4, 2-9, 2-11 | 74136 | 4-27, 4-29, 4-31 | 74279 | 4-5, 4-15 |
| 73898 | 3-3, 3-5, 3-7, 3-9 | 74137 | 4-27, 4-29 | 74280 | 4-3, 4-7, 4-13, 4-17 |
| 73899 | 3-3, 3-5, 3-7, 3-9 | 74142 | 2-181 | 74281 | 4-3, 4-7, 4-13, 4-17 |
| 73901 | 2-13 | 74145 | 4-39 | 74282 | 4-5, 4-9, 4-15, 4-19 |
| 73903 | 2-13 | 74146 | 4-43 | 74283 | 4-3, 4-5, 4-7, 4-9, 4-13, 4-15, 4-17, 4-19 |
| 73917 | 5-3, 5-15, 6-3, 6-15 | 74148 | 4-23 | | |
| 73920 | 5-3, 6-3 | 74149 | 4-23 | 74391 | 2-167, 3-23 |
| 73921 | 5-3, 6-3 | 74150 | 4-23 | 74402 | 2-67 |
| 73927 | 5-6, 6-6 | 74151 | 4-23 | 74443 | 2-59, 2-67 |
| 73936 | 5-6, 6-6 | 74152 | 4-23 | 74455 | 2-27, 3-35, 3-37, 3-79 |
| 73937 | 5-19, 6-19 | 74153 | 4-23 | | |
| 73950 | 5-3, 6-3 | 74154 | 4-23, 4-25 | 74509 | 5-15, 6-15 |
| 73954 | 5-19, 6-19 | 74156 | 4-23 | 74516 | 5-3, 6-3 |
| 73958 | 5-3, 6-3 | 74157 | 4-23 | 74527 | 5-15, 6-15 |
| 73967 | 5-19, 6-19 | 74158 | 4-23 | 74536 | 5-7, 6-7 |
| 73970 | 5-19, 6-19 | 74159 | 4-23 | 74538 | 5-5, 5-23, 6-5, 6-23 |
| 73975 | 5-3 | 74160 | 4-23 | 74545 | 5-19, 6-19 |
| 73977 | 5-22 | 74161 | 4-23, 4-25 | 74548 | 5-19, 6-19 |
| 73978 | 5-22 | 74163 | 2-149 | 74552 | 5-19, 6-19 |
| 73979 | 5-22 | 74164 | 3-82 | 74561 | 5-11, 6-11 |
| 73980 | 5-22 | 74174 | 4-37 | 74920 | 2-7 |
| 73981 | 5-22 | 74182 | 4-37 | 74944 | 2-123, 2-127 |
| 73982 | 5-22 | 74184 | 4-3, 4-7, 4-13, 4-17 | 75010 | 2-5 |
| 73995 | 5-21, 6-5, 6-21 | 74190 | 4-37 | 75011 | 2-5 |
| 73996 | 5-23, 6-23 | 74194 | 4-37 | 75012 | 2-29 |
| 74000 | 3-3, 3-5, 3-7, 3-9 | 74195 | 4-37 | 75028 | 2-163 |
| 74007 | 3-19 | 74210 | 4-3, 4-7, 4-13, 4-17 | 75046 | 2-31 |
| 74015 | 2-31 | 74214 | 4-29, 4-31 | 75047 | 2-31 |
| 74022 | 2-145 | 74218 | 4-37 | 75099 | 3-27 |
| 74040 | 2-15 | 74220 | 4-29, 4-31 | 75117 | 3-27 |
| 74045 | 2-27 | 74223 | 4-3, 4-7, 4-13, 4-17 | 75128 | 2-15 |
| 74046 | 2-27 | 74233 | 4-34, 4-35 | 75142 | 3-27 |
| 74051 | 2-147 | 74240 | 4-3, 4-7, 4-13, 4-17 | 75197 | 3-49, 3-63 |
| 74059 | 2-163, 3-27 | 74246 | 4-29, 4-31 | 75303 | 2-15 |
| 74060 | 2-163 | 74250 | 4-33 | 75428 | 2-13 |
| 74062 | 2-9 | 74251 | 4-37 | 75456-1 | 2-177 |
| 74063 | 2-11 | 74253 | 4-3, 4-13 | 75456-2 | 2-177 |
| 74064 | 2-7 | 74254 | 4-3, 4-7, 4-13, 4-17 | 75456-3 | 2-177 |
| 74066 | 2-7 | 74256 | 4-3, 4-7, 4-13, 4-17 | | |

CROSS REFERENCE

| Part Number | Page Number | Part Number | Page Number | Part Number | Page Number |
|-------------|---------------------------------------|-------------|---|-------------|---------------------------------|
| 75456-4 | 2-177 | 76491 | 2-145 | 77492 | 2-161 |
| 75456 | 2-177 | 76492 | 2-13 | 77493 | 2-161 |
| 75465 | 2-37, 3-79 | 76494 | 2-13 | 77498 | 2-161 |
| 75575 | 2-145 | 76495 | 2-13 | 77499 | 2-161 |
| 75612 | 2-171 | 76497 | 2-153, 2-155 | 77516 | 2-33 |
| 75666 | 2-85, 2-87, 2-89, 2-91, 2-93, 2-95 | 76498 | 2-153, 2-155 | 77523 | 2-33 |
| 75701 | 3-71 | 76516 | 3-35 | 77531 | 2-177 |
| 75768 | 2-43, 2-45, 2-47 | 76522 | 3-35 | 77532 | 2-177 |
| 75821 | 4-49 | 76523 | 2-147 | 77553 | 2-177 |
| 75822 | 4-47 | 76570 | 2-103, 2-167, 2-177, 3-23, 3-51 | 77555 | 3-51, 3-55, 3-65, 3-67, 3-69 |
| 75823 | 4-47 | 76647 | 2-147 | 77558 | 2-105 |
| 75824 | 4-47 | 76653 | 2-145 | 77569 | 3-23 |
| 75825 | 4-47 | 76684 | 3-31 | 77575 | 2-159 |
| 75828 | 3-51, 3-65, 3-67 | 76736 | 2-105, 2-107, 2-109 | 77578 | 2-175 |
| 75854 | 2-105, 2-107 | 76762 | 2-57 | 77579 | 2-135 |
| 75861 | 2-23 | 76825 | 2-91 | 77580 | 2-175 |
| 75876 | 3-71 | 76870 | 2-15 | 77583 | 2-175 |
| 75877 | 3-71 | 76888 | 2-13, 2-184 | 77584 | 2-167, 3-23 |
| 75880 | 3-37 | 768897 | 2-129 | 77593 | 2-7 |
| 75881 | 3-37 | 76898 | 3-37 | 77597 | 2-167, 3-23 |
| 75883 | 2-15 | 76907 | 2-105, 2-107 | 77600 | 2-167, 3-23 |
| 75891 | 2-25 | 76948 | 4-47 | 77601 | 2-167 |
| 75899 | 3-27 | 76950 | 4-47 | 77602 | 2-135, 2-137 |
| 75901 | 3-73 | 76955 | 2-53, 2-55 | 77605 | 2-167, 2-175 |
| 75968 | 2-181 | 76956 | 2-51 | 77611 | 3-20 |
| 75989 | 3-73 | 76971 | 4-47 | 77613 | 3-20 |
| 76030 | 3-73 | 76973 | 4-47 | 77632 | 2-4 |
| 76036 | 3-73 | 76976 | 4-49 | 77634 | 2-4 |
| 76038 | 3-73 | 76977 | 4-47 | 77640 | 2-153, 2-155 |
| 76049 | 3-73 | 76980 | 4-47 | 77641 | 2-153, 2-155 |
| 76055 | 3-73 | 769806 | 2-73 | 77652 | 3-35 |
| 76069 | 3-73 | 769808 | 2-61 | 77669 | 2-167 |
| 76074 | 3-73 | 76982 | 4-47 | 77674 | 3-45 |
| 76081 | 3-73 | 76985 | 4-47 | 77680 | 2-7 |
| 76084 | 3-73 | 76996 | 4-47 | 77682 | 2-167 |
| 76100 | 3-73 | 77097 | 2-29, 2-159, 2-167, 2-173, 2-179, 3-23 | 77711 | 2-15 |
| 76235 | 2-23 | 77340 | 2-13 | 77727 | 2-167, 3-23 |
| 76285 | 2-13 | 77375 | 3-3, 3-5, 3-7, 3-9 | 77734 | 2-7 |
| 76286 | 3-71 | 77388 | 2-31 | 77738 | 3-23 |
| 763113 | 2-177 | 77394 | 2-31 | 77752 | 3-24 |
| 763116 | 3-43, 3-49, 3-59, 3-63 | 77399 | 2-13, 2-15 | 77755 | 3-73 |
| 76316 | 2-157 | 77399 | 2-13, 2-15 | 77759 | 3-73 |
| 76321 | 2-85, 2-87, 2-89, 2-93 | 77400 | 2-31 | 77768 | 4-59 |
| 76338 | 3-71 | 77430 | 2-41, 2-43, 2-45, 2-47 | 77769 | 4-61 |
| 763483 | 4-23 | 77434 | 2-41, 2-43, 2-45, 2-47 | 77770 | 2-141, 4-61 |
| 76383 | 2-97, 2-99 | 77435 | 2-41, 2-43, 2-45, 2-47 | 77777 | 2-7 |
| 76384 | 2-27 | 77452 | 2-129, 2-131, 2-133 | 77778 | 2-15 |
| 76385 | 3-15, 3-33 | 77458 | 3-23 | 77782 | 2-7 |
| 76406 | 3-71 | 77459 | 2-167, 3-23 | 77783 | 3-23 |
| 76423 | 3-17 | 77463 | 2-23 | 77790 | 2-141, 4-59 |
| 76438 | 2-163, 3-28 | 77471 | 2-35 | 77800 | 4-51 |
| 76461 | 3-27, 3-31 | 77473 | 2-153, 2-155 | 77801 | 4-51 |
| 76470 | 2-23 | 77485 | 2-161 | 77802 | 4-51 |
| 76471 | 2-23 | 77488 | 2-161 | 77803 | 4-51 |
| 76474 | 2-27 | 77490 | 2-135 | 77804 | 4-51 |
| 76487 | 2-27 | 77491 | 2-161 | 77805 | 4-51 |
| 76490 | 2-145 | | | 77806 | 4-51 |
| | | | | 77807 | 4-51 |
| | | | | 77808 | 4-51 |

CROSS REFERENCE

| Part Number | Page Number | Part Number | Page Number | Part Number | Page Number |
|-------------|---------------------------------|-------------|----------------------|-------------|-------------------|
| 77809 | 4-51 | 79621 | 3-27 | 79786 | 4-41 |
| 77811 | 3-41, 3-47, 3-57, 3-61, 4-47 | 79622 | 3-27 | 79787 | 4-41 |
| 77812 | 4-47 | 79628 | 5-9, 6-9 | 79788 | 4-41 |
| 77813 | 4-47 | 79629 | 5-9, 6-9 | 79789 | 4-41 |
| 77814 | 4-47 | 79630 | 5-9, 6-9 | 79790 | 4-41 |
| 77815 | 4-47 | 79631 | 5-9, 6-9 | 79791 | 4-41 |
| 77816 | 4-49 | 79632 | 5-9, 6-9 | 79792 | 4-41 |
| 77817 | 4-49 | 79633 | 5-9, 6-9 | 79793 | 4-41 |
| 77818 | 4-49 | 79634 | 5-9, 6-9 | 79794 | 4-41 |
| 77819 | 4-49 | 79635 | 5-9, 6-9 | 79795 | 4-41 |
| 77820 | 4-49 | 79636 | 5-9, 6-9 | 79797 | 4-41 |
| 77821 | 4-49 | 79638 | 5-9, 6-9 | 79798 | 4-41 |
| 77822 | 4-49 | 79640 | 5-9, 6-9 | 79799 | 4-41 |
| 77823 | 4-49 | 79642 | 2-153, 2-155 | 79812 | 4-41 |
| 77824 | 4-49 | 79644 | 3-71 | 79820 | 4-41 |
| 78043 | 2-105 | 79646 | 3-71 | 79822 | 4-41 |
| 78122 | 2-113, 2-115, 2-117, 2-119 | 79647 | 3-71 | 79823 | 4-41 |
| 78750 | 2-121, 2-123, 2-125 | 79648 | 2-183 | 79824 | 4-41 |
| 78772 | 3-55, 3-69 | 79670 | 2-7 | 79956 | 5-9, 6-9 |
| 78897 | 2-59 | 79671 | 2-7 | 79957 | 5-9, 6-9 |
| 78998 | 3-31 | 79674 | 3-71 | 79960 | 5-9, 6-9 |
| 79010 | 2-7 | 79680 | 2-7 | 79961 | 5-9, 6-9 |
| 79011 | 3-35 | 79681 | 2-7 | 79962 | 5-9, 6-9 |
| 79019 | 2-31 | 79708 | 4-5, 4-15 | 79963 | 5-9, 6-9 |
| 79025 | 3-79 | 79711 | 4-38, 4-39, 4-43 | 79964 | 5-9, 6-9 |
| 79026 | 3-79 | 79719 | 4-39, 4-43 | 79965 | 5-9, 6-9 |
| 79028 | 2-13, 2-175 | 79728 | 4-39, 4-43 | 79966 | 5-9, 6-9 |
| 79032 | 2-4 | 79731 | 4-38, 4-43 | 79967 | 5-9, 6-9 |
| 79116 | 2-13 | 79739 | 4-38, 4-43 | 79969 | 5-9, 6-9 |
| 79138 | 2-29 | 79740 | 4-38, 4-39, 4-43 | 79970 | 5-9, 6-9 |
| 79139 | 2-27 | 79742 | 4-3, 4-7, 4-13, 4-17 | 79972 | 5-15, 6-15 |
| 79140 | 2-139 | 79747 | 4-3, 4-7, 4-13, 4-17 | 79973 | 5-15, 6-15 |
| 79151 | 2-141 | 79748 | 4-5, 4-9, 4-15, 4-19 | 79974 | 5-15, 6-15 |
| 79152 | 2-139, 2-141 | 79749 | 4-5, 4-9, 4-15, 4-19 | 79975 | 5-23, 6-23 |
| 79153 | 2-139, 2-141 | 79750 | 4-5, 4-9, 4-15, 4-19 | 79976 | 5-15, 6-15 |
| 79155 | 3-79 | 79751 | 4-5, 4-9, 4-15, 4-19 | 80395 | 2-167, 3-23 |
| 79156 | 3-79 | 79752 | 4-5, 4-9, 4-15, 4-19 | 82063 | 3-3, 3-5, 3-11 |
| 79157 | 3-79 | 79753 | 4-5, 4-9, 4-15, 4-19 | 82168 | 2-147 |
| 79158 | 3-79 | 79754 | 4-11 | 82200 | 3-7, 3-9, 3-13 |
| 79159 | 3-79 | 79755 | 4-11, 4-21 | 82509 | 2-107 |
| 79160 | 3-79 | 79756 | 4-11, 4-21 | 82510 | 2-107 |
| 79167 | 3-79 | 79757 | 4-11, 4-21 | 82661 | 2-97, 2-99, 2-103 |
| 79168 | 3-79 | 79758 | 4-11, 4-21 | 82727 | 2-15, 4-57 |
| 79169 | 3-79 | 79759 | 4-11 | 82731 | 2-39 |
| 79170 | 3-79 | 79760 | 4-11, 4-21 | 82733 | 2-179 |
| 79172 | 3-79 | 79761 | 4-11, 4-21 | 82739 | 2-37, 3-79 |
| 79174 | 3-79 | 79762 | 4-11, 4-21 | 82820 | 2-153, 2-155 |
| 79176 | 3-79 | 79763 | 4-11, 4-21 | 82825 | 2-29 |
| 79177 | 3-79 | 79764 | 4-11, 4-21 | 82830 | 2-21 |
| 79381 | 2-123, 2-125 | 79765 | 4-11, 4-21 | 82832 | 2-139 |
| 79506 | 2-27 | 79766 | 4-11, 4-21 | 82835 | 2-153, 2-155 |
| 79591 | 2-31 | 79767 | 4-11, 4-21 | 82839 | 2-147 |
| 79593 | 2-145 | 79771 | 4-3, 4-13 | 82843 | 2-153, 2-155 |
| 79594 | 2-145 | 79772 | 4-21 | 82921 | 2-13 |
| 79596 | 2-29 | 79774 | 4-21 | 82962 | 3-71 |
| 79597 | 2-27 | 79776 | 4-11, 4-21 | 83547 | 2-33 |
| 79600 | 2-27 | 79777 | 4-21 | 83548 | 2-33 |
| 79608 | 2-7 | 79779 | 4-3, 4-7, 4-13, 4-17 | 83549 | 2-23 |
| | | 79781 | 2-163, 3-27, 4-33 | 83551 | 2-23 |
| | | 79782 | 4-33 | 83553 | 2-23, 2-25 |

CROSS REFERENCE

| Part Number | Page Number | Part Number | Page Number | Part Number | Page Number |
|-------------|----------------------------------|-------------|----------------------|-------------|-------------------------------|
| 83554 | 2-23, 2-25 | 84880 | 5-3, 6-3 | 84970 | 5-11, 6-11 |
| 83555 | 2-25 | 84882 | 5-3, 5-24, 6-3, 6-24 | 84971 | 5-11, 6-11 |
| 83557 | 3-21 | 84883 | 2-4, 5-3, 6-3 | 84972 | 5-11 |
| 83578 | 2-59, 2-69, 2-71 | 84884 | 5-3, 6-3 | 84973 | 5-11, 6-11 |
| 83580 | 2-59, 2-69, 2-71 | 84885 | 5-5 | 84974 | 5-11, 6-11 |
| 83581 | 2-51, 2-53 | 84886 | 5-5 | 84975 | 5-11, 6-11 |
| 83584 | 2-89, 2-91, 2-93, 2-95, 2-127 | 84887 | 5-5, 6-5 | 84976 | 5-11, 6-11 |
| 83591 | 2-109 | 84888 | 5-5 | 84977 | 5-11, 6-11 |
| 83618 | 2-29 | 84889 | 5-5, 5-11, 6-5, 6-11 | 84978 | 5-11, 5-19, 6-11, 6-19 |
| 83620 | 2-33 | 84891 | 5-5, 6-5 | 84979 | 5-11, 6-11 |
| 83622 | 2-33 | 84892 | 5-5 | 84980 | 5-11 |
| 83626 | 3-21 | 84893 | 5-5 | 84981 | 5-11, 6-11 |
| 83627 | 3-21 | 84894 | 5-5 | 84982 | 5-23, 6-23 |
| 83639 | 2-59 | 84895 | 5-7, 6-7 | 84983 | 5-5, 5-23, 6-5, 6-23 |
| 83640 | 2-67 | 84896 | 5-7, 6-5, 6-7 | 84984 | 5-23, 6-23 |
| 83641 | 3-65 | 84897 | 5-7, 6-7 | 84985 | 5-15, 6-15 |
| 83643 | 2-105 | 84898 | 5-7, 6-7 | 84987 | 5-23, 6-23 |
| 83644 | 2-105 | 84899 | 5-7, 6-7 | 84988 | 5-23, 6-23 |
| 83652 | 2-39 | 84900 | 5-7, 6-7 | 84989 | 5-23, 6-23 |
| 83664 | 2-39 | 84901 | 5-7, 6-7 | 84990 | 5-15, 6-15 |
| 83669 | 5-17, 6-17 | 84902 | 5-7, 6-7 | 84991 | 5-15, 6-5, 6-15 |
| 83673 | 2-41 | 84903 | 5-7, 6-7 | 84992 | 5-15, 6-15 |
| 83674 | 2-41, 2-43, 2-45, 2-47 | 84904 | 5-7, 6-7 | 84993 | 5-23, 6-23 |
| 83677 | 5-24, 6-24 | 84905 | 5-7, 6-7 | 84994 | 5-23, 6-23 |
| 83678 | 2-59 | 84906 | 5-7, 6-7 | 84995 | 5-15, 6-15 |
| 83679 | 2-67 | 84907 | 5-6, 6-6 | 84996 | 5-15, 6-15 |
| 83682 | 2-59, 2-67 | 84910 | 5-6, 6-6 | 84997 | 5-15, 6-15 |
| 83683 | 2-59, 2-67 | 84911 | 5-22 | 84998 | 5-23, 6-23 |
| 83684 | 2-59, 2-67 | 84913 | 5-22 | 84999 | 5-9, 6-9 |
| 83685 | 2-59, 2-67 | 84914 | 5-22 | 86034 | 2-145 |
| 83686 | 2-59, 2-67 | 84915 | 5-19, 6-19 | 86041 | 2-39 |
| 83689 | 2-41 | 84916 | 5-19, 6-19 | 86328 | 2-107 |
| 83690 | 2-121, 2-123 | 84917 | 5-19, 6-19 | 86798 | 2-7 |
| 83691 | 2-121 | 84919 | 5-19, 6-19 | 86824 | 2-61 |
| 83692 | 2-39 | 84921 | 5-19, 6-19 | 86860 | 2-7 |
| 83693 | 2-203 | 84923 | 5-13 | 86953 | 2-147 |
| 83695 | 2-204 | 84924 | 5-13, 6-13 | 87337 | 3-77 |
| 83699 | 3-30 | 84925 | 5-13, 6-13 | 87396 | 2-105, 2-107, 2-109, 2-111 |
| 83706 | 3-79 | 84926 | 5-13, 6-13 | 87515 | 2-7 |
| 83707 | 5-24 | 84927 | 5-13, 6-13 | 87536 | 2-183 |
| 83729 | 2-39 | 84936 | 5-19, 6-19 | 87579 | 4-55, 4-57 |
| 83731 | 2-39 | 84947 | 5-13 | 87583 | 2-184 |
| 83732 | 5-24, 6-24 | 84950 | 5-21, 6-21 | 87631 | 2-171 |
| 83747 | 2-39 | 84951 | 5-21, 6-21 | 87866 | 2-183 |
| 83750 | 2-39 | 84952 | 5-21, 6-21 | 87948 | 3-17 |
| 83758 | 2-59, 2-67 | 84953 | 5-21, 6-21 | 87972 | 2-129 |
| 83853 | 2-39 | 84954 | 5-21, 6-21 | 9000355 | 2-111 |
| 84014 | 2-159, 4-43 | 84955 | 5-21, 6-21 | 9000360 | 2-125 |
| 84015 | 2-179, 3-27, 4-38 | 84956 | 5-21, 6-21 | 9000823 | 4-63 |
| 84016 | 2-167, 3-23, 4-39 | 84957 | 5-21, 6-21 | 9001070 | 2-129, 2-131, 2-133 |
| 84103 | 2-147 | 84958 | 5-21, 6-5, 6-21 | 9001183 | 2-129 |
| 84581 | 2-163, 3-27 | 84961 | 5-21, 6-21 | 9001293 | 2-147 |
| 84659 | 5-17, 6-17 | 84962 | 5-3, 6-3 | 9001554 | 2-131, 2-133 |
| 84875 | 5-3 | 84963 | 5-11, 6-11 | 9001702 | 4-45 |
| 84876 | 5-3 | 84964 | 5-11, 6-11 | 9002915 | 3-69 |
| 84877 | 5-3 | 84965 | 5-11, 6-11 | 9003676 | 5-24 |
| 84878 | 5-3, 6-3 | 84966 | 5-11, 6-11 | 9003927 | 3-84 |
| 84879 | 5-3, 6-3 | 84967 | 5-11, 6-11 | 9004327 | 2-19 |
| | | 84968 | 5-11 | | |
| | | 84969 | 5-11, 6-11 | | |

| Part Number | Page Number |
|------------------------|------------------------|
| 9004539 | 2-78 |

PART DESCRIPTION TO PAGE NUMBER CROSS REFERENCE LIST

A

A/C Hose #6 134A, 4-55
 A/C Hose#10 134A, 4-55
 Actuator, Valve En, 4-5, 4-9, 4-15, 4-19
 Actuator-Lh, Governor, 2-59, 2-67
 Adapter, Carburetor, Ford 2.3, 2-59, 2-67
 Adapter, Throttle Body, 2-77
 Adapter, Valve, 400mm [Bosch], 2-81
 Adaptor Wldt, Vac Wand, 3-71
 Adaptor, Elbow, Carb, Gas, 2-59
 Adaptor, Filter, Remote, 2-57
 Adaptor, Fuelline, 2-109
 Adaptor, Intake, Lpg [3.0l], 2-77
 Adaptor, Valve, Fuel Trim, 2-77
 Adaptor, Water Pump Machined, 2-39
 Adaptor,Neutral En, 4-21
 Adhesive, 4-47, 4-49
 Adjuster, Manual, 4-59, 4-61
 Alternator Kit, Hd, Gas/Lpg, Cj[800/810], 3-69
 Alternator, 12vdc, 075a [Valeo], 2-51, 2-53, 2-55
 Alternator, 12vdc, 100A [Brushless], 3-51, 3-67
 Alternator, 50A/12V Mando, 2-39
 Alternator, Se [800/810, 07], 3-55, 3-69
 Alternator, 3-65
 Angle, Bolt, Latch, 2-17, 2-19
 Angle, Dust Seal, 2-27
 Angle, Heat, Shield, 2-53, 3-51, 3-67
 Angle, Mount, 2-31
 Angle, Mtg, .12x1x1x4.5L, 2-71
 Angle, Mtg, 2-113, 2-115, 2-117, 2-119
 Angle, Retainer, Lip, 2-27
 Angle, Retainer, Seal, 2-9, 2-11
 Angle, 3-71
 Arm Alternator, 2-39
 Arm Kit, 7-3
 Arm Wldt, Hopper Lift w label, 2-23
 Arm Wldt, M Br, Idler, 2-171
 Arm Wldt, M Br, Motor, 2-171
 Arm,Thr.Ball, 5-9, 6-9
 Arm, Adj, Alternator, Hd [800/810 07], 3-55, 3-69
 Arm, Adj, Alternator, 2-53
 Arm, Adjmt, Alternator, 2-55
 Arm, Alternator, Hd [Gm3.0l], 3-51, 3-67
 Arm, Alternator, 2-51
 Arm, Control En, 4-3, 4-7, 4-13, 4-17
 Arm, Rear Wiper, 4-47
 Arm, Safety W/Label, 2-23
 Arm, Tens [2008], 3-55
 Arm, Tens, 3-51
 Arm, Tension, A/C, .18 1.3w 4.2l, 3-51
 Armature, 5-9, 6-9
 Armrest, Black, 2-13, 4-49

B

Backing Plate Rh, 4-59
 Backplate S/A En, 4-5, 4-9, 4-15, 4-19

Baffle, 5-3, 6-3
 Balancer, 7-11
 Ball En, 4-21
 Ball Joint .375-24, 3-71
 Ball, 4-27, 4-29, 7-3
 Balljoint .375-24 Lh, 3-71
 Balljoint, Rod End, 2-139
 Band,Mtg., 2-85, 2-87, 2-89, 2-93
 Bar Wldt, Brush Pressure, 2-171
 Bar Wldt, Pivot, 2-147
 Bar, Arm, Lower, Machining, 2-23
 Bar, Cylinder End, 2-25
 Bar, Equalizer, 2-145
 Bar, Frame, 2-7
 Bar, Prop, 3-71
 Bar, Retainer, Dust Seal, 2-27
 Bar, Retainer, 2-13
 Bar, Shaker Stem, 2-35
 Battery, 12V, Wet, 2-135
 Battery, Wet, 12vdc 0700cca, 2-137
 Bearing Cam,, 5-6, 6-6
 Bearing Kit, .001 U.S., 7-7
 Bearing Kit, .001" #1, 2, 3, 4, 7-11
 Bearing Kit, .001" #5, 7-11
 Bearing Kit, .010" #1, 2, 3, 4, 7-11
 Bearing Kit, .020" #1, 2, 3, 4, 7-11
 Bearing Kit, .025" #5, 7-11
 Bearing Kit, .030" #1, 2, 3, 4, 7-11
 Bearing Kit, Cshft, .010[F2.3/2.5], 5-13, 6-13
 Bearing Kit, Cshft, .020[F2.3/2.5], 5-13, 6-13
 Bearing Kit, Cshft, .030[F2.3/2.5], 5-13, 6-13
 Bearing Kit, Cshft, .040[F2.3/2.5], 5-13, 6-13
 Bearing Kit, Cshft, Std[F2.3/2.5], 5-13, 6-13
 Bearing Kit, Std #1, 2, 3, 4, 7-11
 Bearing Kit, Std #5, 7-11
 Bearing Kit, Std, 7-7
 Bearing Kit, 7-7, 7-12
 Bearing Thrust, 4-33
 Bearing, .016 Camshaft, 5-6, 6-6
 Bearing, Fiberglide .50 X .50, 2-35
 Bearing, Fiberglide, 2-147
 Bearing, Flange .500B, 2-181
 Bearing, Flange .625 Bore, 2-31, 3-71
 Bearing, Flange .875 Bore, 2-163, 3-27
 Bearing, Journal, 2-25, 2-29
 Bearing, Needle, 4-37
 Bearing, Nylon .50B, 2-161
 Bearing, Nylon, 2-31, 3-79
 Bearing, Thrust .500, 2-7
 Bearing, Thrust - Fiberglide, 2-35
 Bearing,Ball.669B 1.575D .472W, 2-39
 Bearing&Clr ,1.25B 2.44D 1.41W, 2-171
 Bearing-Ball,1.38B 2.83D 0.67W, 2-171
 Bearing-Cone, 1.38Bore 0.72Wth, 2-141
 Bearing-Cone, 1.50Bore 0.75Wth, 2-141
 Bearing-Cone, 2.63Bore 0.87Wth, 2-139

Bearing-Cup , 4.33Dia 0.74Wth, 2-139
 Bearing-Cup, 2.56Dia 0.55Wth, 2-141
 Bearing-Cup, 2.72Dia 0.59Wth, 2-141
 Bearing-Flange,2 Hole 0.50Bore, 2-181
 Bearing-Journal, 2-23, 2-25
 Bearing, 2-35, 2-163, 2-167, 3-23, 3-27, 4-3, 4-5, 4-7, 4-9, 4-13, 4-15, 4-17, 4-19, 4-32, 5-9, 5-22, 6-9, 6-22
 Bearng-Journal, 2-23
 Bell Crank En, 4-21
 Bell Crank, 4-11
 Belt, Seat, 3-77
 Belt, V, [3v] 39.6l [Hc41], 2-53, 2-55
 Belt, V, [3v] 38.5l [Hc38/41], 3-52
 Belt, V, [3v] 40.0l, 1only [Hc38], 2-51, 3-51
 Belt, V, [Hc41] 42.0l, 3-51, 3-67
 Belt, V, 38.5l [Hc38], 3-55
 Belt, V, 45.1l [Hc38], 3-55, 3-69
 Belt, V, Hc 38-46.375, 2-39
 Belt, V, Hc41 40.1L, 3-45
 Belt, V, Hc41 41.1L, 3-45
 Belt, V, 3-65
 Binary, 4-53
 Blade Arm, Rear, 4-47
 Blade, Deflector, 2-4, 2-7
 Block Assy, 5-3, 6-3
 Block, 3-23
 Blower, Heat/Ac, 4-55, 4-57
 Body Assembly, 4-23
 Body Assy, 4-23
 Body, 4-25
 Bolt (1/4-20x.62), 7-9
 Bolt (5/16-18x5/8), 7-9
 Bolt (1/4-20x1/12 Hex), 7-12
 Bolt (1/4-20x1/12), 7-12
 Bolt (1/4-20x1/2), 7-9
 Bolt (5/16-18x1.5 Hex), 7-12
 Bolt M12, 5-3, 5-6, 6-3, 6-6
 Bolt M12X45, 5-19, 6-19
 Bolt, Carriage, .38-16 X 1.00, 2-171
 Bolt, Clutch, 2-43, 2-45, 2-47
 Bolt, Eye, Lift, 2-45
 Bolt, Latch, 2-9, 2-11
 Bolt, M6X16.5mm, 5-3, 6-3
 Bolt, M8 X 17 Schd, 5-7, 6-7
 Bolt, M8X12.0mm, 5-23, 6-23
 Bolt, Motor, Hyd, 4-31
 Bolt, Shld, .50d X 0.50, .38-16, 2-163, 3-27
 Bolt, Starter, 2-43, 2-45, 2-47
 Bolt, U, .25-20 X 2.00, 1.10id, 3-43, 3-49, 3-59, 3-63
 Bolt,M10X40.0mm, 5-11, 6-11
 Bolt,M10X55.0M, 5-15, 6-15
 Bolt,M10X58.0mm, 6-17
 Bolt,M14X55.0M, 5-13, 6-13
 Bolt,M5X20.0M, 5-11, 6-11
 Bolt,M6X27.5mm, 5-11, 6-11
 Bolt,M6X37.5mm, 5-7, 6-7

- Bolt, M6X47.5mm, 5-11, 6-11
- Bolt, M6X52.5mm, 5-11, 6-11
- Bolt, M8X18.0M, 5-23, 6-23
- Bolt, M8X20.0mm, 5-11, 6-11
- Bolt, M8X25.0mm, 5-15, 6-15
- Bolt, M8X53.0mm, 5-23, 6-23
- Bolt, Tens. Sprn, 5-19, 6-19
- Bolt-Conrod-4, 5-22, 6-22
- Bolt-Eye M8-1.25, 2-163, 3-27
- Bolt-Thru, 5-9, 6-9
- Bolt, 2-61, 2-63, 2-73, 2-77, 2-78, 4-27, 4-29, 5-17, 5-19, 6-19, 7-3, 7-5, 7-7, 7-9, 7-11, 7-12
- Boot, 90deg .44id 0.62id 1.69l, Blk, 3-17
- Boot, Circuit Breaker, 3-35
- Boot, Circuitbreaker, 2-184, 3-35
- Boot, Str .42ID .12H .25L, 2-39
- Boot, Str 0.42id .12h 0.25l, 2-51, 2-53, 2-55
- Boot, Switch, Ignition, 2-183
- Boot, Switch, 2-183
- Boot-Circuit Breaker, 2-184
- Boot, 2-181
- Box Assy, Heat/Ac, 4-55
- Box Assy, Heat, 4-57
- Box Assy, Heater, A/C (See Breakdowns), 3-41, 3-47, 3-57, 3-61
- Box, Mounting, Lever, Vac, 3-71
- Brace Wldt, Bumper, Se, 3-21
- Bracket [Epr], 2-81
- Bracket Kit, Mtg, Cable, Replmt[800/810], 2-147
- Bracket Wldt, Alternator Mtg, 2-39
- Bracket Wldt, Eng/Alt Mount, 2-41
- Bracket Wldt, Fan Inlet, 2-177
- Bracket Wldt, Gas Spring, 2-15
- Bracket Wldt, Lift, 3-27
- Bracket Wldt, Mounting, Valve, 2-161
- Bracket Wldt, Mtg, A/C [800 07], 3-55
- Bracket Wldt, Mtg, A/C, 3-51
- Bracket Wldt, Mtg, Battery, 2-137
- Bracket Wldt, Mtg, Headlight, 2-33
- Bracket Wldt, Mtg, Motor [2007], 2-133
- Bracket Wldt, Pivot, 3-27
- Bracket Wldt, Steering Tilt, 2-181
- Bracket Wldt, Tank, Lpg, 2-113, 2-115, 2-117, 2-119
- Bracket Wldt, 3-73
- Bracket, Bottom, 7-5
- Bracket, Adjuster, Brake, 2-145
- Bracket, Alternator, 2-51, 2-53, 2-55
- Bracket, Angle, 2-163, 2-177, 3-23, 3-27, 3-33
- Bracket, Battery, 2-135
- Bracket, Belt, Guard, A/C, 3-51
- Bracket, Belt, Guard, Ac, 3-45
- Bracket, Box, Relay, 2-65, 2-81
- Bracket, Brace Center, 2-15
- Bracket, Brush Lift, Main, 2-173
- Bracket, Eng Mtg Rh, 2-41
- Bracket, Eng, 2-135
- Bracket, Flasher, 3-15, 3-17
- Bracket, Fltr, Fuel, 2-109
- Bracket, Fltr, Lpg [6600], 2-73
- Bracket, Guard, Alternator, Hd [800/810], 3-55, 3-69
- Bracket, Guard, Alternator, Hd [Gm3.0], 2-55, 3-51, 3-67
- Bracket, Ignition, 2-39
- Bracket, Isolator, 2-101
- Bracket, L 12.0L Hood Support, 2-15
- Bracket, L, 2.20, 2.00, .18T, 1., 2-129, 2-131, 2-133
- Bracket, Lh, 2-31
- Bracket, Lift, 2-163
- Bracket, Mounting Motor, 2-179
- Bracket, Mounting, Eng, Rear, 2-41, 2-43, 2-45, 2-47
- Bracket, Mounting, Eng, Rear Lh, 2-41, 2-43, 2-45, 2-47
- Bracket, Mounting, Gearmotor, 3-79
- Bracket, Mounting, Headlamp, 2-31
- Bracket, Mounting, Mirror, 3-37
- Bracket, Mounting, Motor, 2-163, 3-27
- Bracket, Mounting, Skirt, 3-73
- Bracket, Mounting, Vaporizer, 2-69
- Bracket, Mounting, 2-159
- Bracket, Mtg, Alternator, Hd, [Gm3.0], 3-51
- Bracket, Mtg, Alternator, Hd [800/810 07], 3-55, 3-69
- Bracket, Mtg, Alternator, Lower, [Gm3.0], 3-67
- Bracket, Mtg, Battery, 2-135
- Bracket, Mtg, Coil, 2-39
- Bracket, Mtg, Eng, Lh, 2-43, 2-45, 2-47
- Bracket, Mtg, Eng, Rear, 2-41, 2-43, 2-45, 2-47
- Bracket, Mtg, Eng, Rh, 2-41, 2-43, 2-45, 2-47
- Bracket, Mtg, Fltr, Oil, W/ Label [800], 2-129
- Bracket, Mtg, Fltr, Oil, W/Label [800], 2-129, 2-131, 2-133
- Bracket, Mtg, Ftg, 2-29
- Bracket, Mtg, Fueline, 2-107
- Bracket, Mtg, Heat Shield, 2-101, 2-103
- Bracket, Mtg, Isolator [800/810 07], 2-103
- Bracket, Mtg, Isolator, 2-101
- Bracket, Mtg, Mirror, 3-37
- Bracket, Mtg, Ohg, 3-19
- Bracket, Mtg, Propel Cable, 2-147
- Bracket, Mtg, Skirt, 2-27
- Bracket, Mtg, Tank, Coolant F/87972, 2-129
- Bracket, Mtg, Valve, Cntrl, Heater, 3-43, 3-49, 3-59, 3-63
- Bracket, Mtg, Valve, Control, Heater, 3-43, 3-59
- Bracket, Mtg, Valve, 2-179
- Bracket, Oper Comp, 2-13
- Bracket, Pivot, 2-163
- Bracket, Pump, Fuel, 2-105, 2-107, 2-109
- Bracket, Retainer, Battery, 2-137
- Bracket, Rh, 2-31
- Bracket, Side Brush, Valve, 3-23
- Bracket, Spring, 2-163, 3-27
- Bracket, Stand-Off, Fltr, Air, 2-91, 2-95
- Bracket, Starter, 2-43, 2-45, 2-47
- Bracket, Steering, Machining (Repl. by 375534), 2-139
- Bracket, Steering, Machining, 2-139
- Bracket, Tail Pipe, 2-97, 2-99, 2-101
- Bracket, Tailpipe [800/810 2007], 2-103
- Bracket, Tailpipe, 2-101
- Bracket, Top, 7-5
- Bracket, Wldt, Cable Mtg, 2-147
- Bracket, A/C Dryer, 4-53
- Bracket-Mtg, Governor, 2-59, 2-67
- Bracket, 2-7, 3-3, 3-5, 3-7, 3-9, 3-15, 3-73, 4-49, 7-3, 7-9
- Brake Assy, Drum, Hyd, 08.0d 1.6w Lh, 4-61
- Brake Assy, Drum, Hyd, 08.8d 1.6w Rh, 4-59
- Brake Assy, Lh (See Breakdowns), 2-141
- Brake Assy, Rh (See Breakdowns), 2-141
- Breaker-Circuit, 15 Resetable, 3-79
- Breaker-Circuit, 2.5 Resetbl, 2-184
- Breaker-Circuit, 15 Resetbl, 2-184
- Breaker-Circuit, 15 Resetable, 3-35
- Breather Cap and Gasket, 2-157
- Breather Cap, 5-21, 6-21
- Breather, Hyd 40Mic NO DS, 2-4
- Breather, Hyd, 2-157
- Brg-Conn.Rod, 5-22
- Brkt, Mtg, Htr Coil, 4-57
- Brkt-L, 1.2 1.0 .12 .8L2/H&S, 2-39
- Brush Holder, 5-9, 6-9
- Brush Kit, 2-39
- Brush, Swp, Wedge, Polypropylene, 2-5
- Brush-Outsd -Polypropylene, 2-5
- Brush-Patrl -Nylon, 2-5
- Brush-Side Swp -Assy-Nylon, 2-5
- Brush-Side Swp -Assy-Polypropylene, 2-5
- Brush-Side Swp -Nylon, 2-5
- Brush-Side Swp -Polypropylene, 2-5
- Brush-Side Swp -Assy-Flat Wire, 2-5
- Brush-Side Swp -Flat Wire, 2-5
- Brush-Sweep -Nylon (24SR), 2-5
- Brush-Sweep -Nylon (8DR), 2-5
- Brush-Sweep -Polypropylene&Wire, 2-5
- Brush-Sweep -Polypropylene, 2-5
- Brush-Sweep -Wire, 2-5
- Bshg, Flange, 0.62Bx0.68Od, Nylon, 3-37
- Bulb, #194, 3-17
- Bulb, 12V .5A 4Cp #1157, 2-7
- Bulb, 12V, 3-3, 3-5, 3-7, 3-9
- Bulb, 3-11, 3-13
- Bumper Assy, Se, 3-21
- Bumper Wldt., Rear, Gas/Die, 2-7
- Bumper Wldt., Rear, LPG, 2-7
- Bumper Wldt, Lh, 2-33
- Bumper Wldt, Rear, Gas/Dsl, 2-7
- Bumper Wldt, Rear, Lpg, 2-7
- Bumper Wldt, Rh, 2-33
- Bumper Wldt, Se, Rh, Front, 3-21
- Bumper Wldt, Sppt, Hopper, Rh, 2-33

CROSS REFERENCE

Bumper Wldt,Se, Lh, Front, 3-21
Bumper, Corner, Mach, 2-7
Bumper, Cover, Hopper, 2-31
Bumper, Rbr, 1.5d 1.50 0.28h, 2-17, 2-19
Bumper, Rubber, 2-13, 2-21, 2-31, 3-5,
3-9, 3-35
Bushing En, 4-7, 4-17
Bushing En, 4-5, 4-9, 4-15, 4-19, 4-41
Bushing, Isolator-Inner,Rbr., 2-161
Bushing, Isolator, 2-35, 2-129, 2-131,
2-133, 2-177
Bushing, Rubber, 2-85, 2-87, 2-89, 2-93
Bushing, Seal, 4-37
Bushing, Sleeve, .40b X .50d X 1.06l, 3-51
Button, Plug 1.25H, 2-184
Button, Plug, 0.50h .03-.12 [Black Nyl],
3-57, 3-61

C

Cab Assembly Operator (See
Breakdowns), 3-35
Cab Assy, W/Label (Gas), 4-47
Cab Assy, W/Label (LPG), 4-47
Cable Assy,Choke 67.00Lg, 2-59
Cable Assy-Batt,Pos, 48.0, 2Ga, 2-135
Cable Tie Mount, 3-3, 3-5, 3-7, 3-9
Cable, Battery, 02ga 36.0l Blk .38ring,
2-137
Cable, Battery, 02ga 48.0l Red .41ring,
2-137
Cable, Brake, Park, 2-145
Cable, Cntrl, Choke, 85/90l 1.4d Knob,
3-43, 3-49, 3-59, 3-63
Cable, Lift, Main Brush, 2-173
Cable, Push,Pull, 2-147
Cable, Retaining, S Br, 2-167, 3-23
Cable, Side Brush, Lift, 2-167, 3-23
Cable, Speed Control, 2-147
Cable, 2-163, 3-27
Cabletie Mount, Adhesive, 3-11, 3-13
Cam, 2-147
Camplate S/A En, 4-3, 4-7, 4-13, 4-17
Camsft.Sensor, 5-11
Camshaft, 5-19, 6-19, 7-12
Camshft Sprckt, 5-19, 6-19
Cap Assembly En, 4-41
Cap Screw En, 4-3, 4-7, 4-13, 4-17
Cap Screw, 4-33
Cap, Cyl Assy, Master Brake, 2-145
Cap, Distributor, 7-5
Cap, End, 4-37
Cap, Fill, Oil, 7-3
Cap, Fuel, Tank, 2-111
Cap, Fuel, 2-105
Cap, Grease Black Paint, 2-141
Cap, Radiator, 14psi [Stant], 2-129,
2-131, 2-133
Cap, Screw, 4-37
Cap, Tank, Fuel, 2.3neck 2.6d, 2-107,
2-109
Cap, Valve Spring, 7-3
Cap, Valve Stem, 2-143

Cap, Wheel, Steering, 2-181
Cap, 2-39, 7-12
Carburetor, Gas, 2-59
Carburetor, Lpg W/Gasket, 2-67
Cart Flow Control CP, 4-43
Cart, Check Valve CP, 4-43
Cart, Pilot Cntr, 4-39
Cart, PSI CN CP, 4-43
Chain, Jack, #12, 08.5l 11 Links, 3-71
Chain, Link#2/0, 7Links, 2-4
Chain, Sash, #35, 06.0l 11 Link, 2-7
Chain,Link#2/0,7Links, 2-7
Channel Wldt, Mtg, Eng, Rear, 2-43,
2-45, 2-47
Channel Wldt, Mtg, Engine,Rear, 2-41
Channel, Mounting, 2-7
Channel, Mtg, Fan Motor, 2-129, 2-131
Channel, Mtg, Steering Latch, 2-181
Channel, Retainer, Seal, Rear, 2-4
Channel, Retainer, Seal,Rear, 2-7
Channel, Retainer, 2-4, 2-7, 2-139
Charge Pmp Adap En, 4-5, 4-9, 4-15,
4-19
Check Valve, 100 Psi, 3-27
Circuitbreaker, 20.0a, Thermal, 3-41,
3-47, 3-57, 3-61
Circuitbreaker, 15A, Resetable, 3-35
Circuitbreaker, 15A, Restable, 2-184
Circuitbreaker, 2.5A, Restable, 2-184
Clam Latch, 4-49
Clamp, Cable, Stil, 0.18d X 0.75w, 1hole,
3-43, 3-49, 3-59, 3-63
Clamp, Cable, Stil, 0.38d X 0.62w, 1h,
2-107, 2-109
Clamp, Cable, Stil, 0.44d X 0.62w, 1h,
2-37
Clamp, Cable, Stil, 0.69d X 0.62w, 1hole,
2-117, 2-119
Clamp, Cable, Stil, 0.9x1.8x0.62w, 1h,
2-109
Clamp, Cable, Stil, 1.00d X 0.75w, 1h,
2-159, 2-177
Clamp, Cable, Stil, 1.0x2.0x0.62w, 1hole,
2-163, 3-27
Clamp, Cable, Stil, 1.25d X 1.00w, 1h,
2-15, 2-57
Clamp, Cable, Stil, 1.50d X 0.75w, 1h,
2-107
Clamp, Cable, Stil, 1.75d X 1.00w, 1h,
2-123, 2-125
Clamp, Cable, Stil, 1.75d X 1.00w, 1hole,
2-127
Clamp, Cable, Stil, 2.00d X 0.75w, 1h,
2-109
Clamp, Cable, Stil, 2.00d X 0.75w, 1hole,
2-111
Clamp, Cable, Stil, 2.25d X 1.00w, 1h,
3-43, 3-49, 3-59, 3-63
Clamp, Cable, Stil, 2.25d X 1.0w, 1h,
2-107
Clamp, Cable- Brake, 2-145
Clamp, Cable, 2-139
Clamp, Hold Down, 4-59, 4-61

Clamp, Hose, 1.0, 2-82
Clamp, Hose, Spring Stil, 0.86d X 0.38w,
2-89, 2-91, 2-93, 2-95
Clamp, Hose, Spring, 0.62d, 2-81
Clamp, Hose, Wormdrive, 0.25-0.62d,
.31w, 2-111, 2-127
Clamp, Hose, Wormdrive, 0.25-0.62d,
2-107, 2-109
Clamp, Hose, Wormdrive, 0.50-1.06d,
2-61
Clamp, Hose, Wormdrive, 0.56-1.06d,
.56w, 2-63, 2-81
Clamp, Hose, Wormdrive, 0.56-1.06d,
2-71, 2-77, 2-87, 3-43, 3-49, 3-59,
3-63
Clamp, Hose, Wormdrive, 0.81-1.50d,
2-57, 2-61, 2-73, 3-49, 3-63
Clamp, Hose, Wormdrive, 1.06-2.00d,
2-123, 2-125, 2-127
Clamp, Hose, Wormdrive, 1.25-2.00d,
2-123, 2-125
Clamp, Hose, Wormdrive, 1.31-3.25d,
.50w, 2-93
Clamp, Hose, Wormdrive, 1.31-3.25d,
2-89
Clamp, Hose, Wormdrive, 2.25-3.25d,
.50w, 2-91, 2-95, 2-127
Clamp, Hose, Wormdrive, 2.50-3.50d,
.50w, 2-91, 2-95
Clamp, Hose, Wormdrive, 5-3, 6-3
Clamp, Mtg, Motor, Upper, 2-35
Clamp, Muffler, 1.62d, 2-101, 2-103
Clamp, Valve, Trim [Impco], 2-78
Clamp,Cable .44D .62Wide, 3-79
Clamp-Cable, 0.25Dia 0.56Wth, 2-145,
3-79
Clamp-Cable, 0.38Dia 0.38Wth, 3-71
Clamp-Cable, 0.38Dia 0.62Wth, 2-105
Clamp-Cable,.69Dia. 62Wth, 2-25
Clamp-Muffler,For 1.87 Od Tube, 2-97,
2-99
Clamp-Muffler,For 2.00 Od Tube, 2-97,
2-99
Clamp-Wormdrive, 0.25- 0.62D, 2-59,
2-67
Clamp-Wormdrive, 0.56- 1.06D, 2-59,
2-69, 2-71
Clamp-Wormdrive, 0.81- 1.50D, 3-17
Clamp-Wormdrive, 1.06- 2.00D, 2-121
Clamp-Wormdrive, 1.62- 3.50D, 2-35,
2-85, 2-87, 2-89, 2-93
Clamp-Wormdrive, 2.63- 4.50D, 2-177
Clamp-Wormdrive, 3.62- 5.50D, 2-177
Clamp, 2-61, 2-63, 2-73, 2-78, 7-5, 7-12
Cleaner, Air Al Se, 2-85, 2-87, 2-89, 2-93
Clevis,Adjust.0.25-28Th.Cad., 2-147
Clip Finger Grip, 3-71
Clip, Keeper, Open, 2-117, 2-119
Clip, Pine-tree .236h Plastic, 2-13
Clip, Pine-Tree .250h Plastic, 2-7
Clip, Tree, 2-15
Closure, 4-47
Coil 12V w/Var CP, 4-43

Coil, 12V W/Var, 4-38, 4-39
 Coil, Condenser, 4-53
 Coil, Evaporator, 4-55
 Coil, 7-5
 Column, Steering 12", 2-181
 Compressor, A/C [2007], 3-55
 Compressor, A/C, 3-45, 3-51
 Condenser Assy, A/C, 4-53
 Condenser, A/C, Roof (See Breakdowns), 3-41, 3-47
 Conn Rod, 7-7
 Connecting Rd, 5-22, 6-22
 Connector, Ele, Plug, Femal, .156d, 3-33
 Connector, Fuel, E90, Qf, 2-111
 Connector, Fuel, Qf, 2-109
 Control Unit, Gov., 2-59, 2-67
 Control, Electronic, Gas, 4-67
 Control, Govnr [All Purpose], 2-59
 Control, Manual (See Breakdowns), 4-3, 4-7, 4-13, 4-17
 Control, Manual, 4-11
 Controller Assy, Rfs, 3-79
 Controller, Lpg, 12Vdc, 2-71
 Converter, Lpg, 2-77
 Cooler-Hyd, 2-21
 Coupler En, 4-5, 4-9, 4-15, 4-19
 Coupling Flywheel, 2-41
 Coupling, Quickdisc, Lpg, Shwd, 2-113, 2-115, 2-117, 2-119
 Coupling, 3-79
 Cover Assy, Hopper, 2-31
 Cover Weldt., 2-39
 Cover Wldt, Engine Se, 2-15
 Cover Wldt, Fuel Inlet, 3-35
 Cover Wldt, Inlet, Fuel (LPG Only), 3-35
 Cover, Cab Pressurizer, 3-35
 Cover, Electrical, 3-79
 Cover, Hose, 2-81
 Cover, Housing, Electrical, 3-79
 Cover, Motor, 3-79
 Cover, Relay Panel, 2-184
 Cover, Rocker Switch Seal, 2-167, 2-173, 2-183, 3-23
 Cover, 2-39, 7-3, 7-7, 7-9, 7-11
 Cradle Sub Assy En, 4-7, 4-17
 Crankshaft Asy, 5-13, 6-13
 Crankshaft, 7-11
 Crnksft Seal-Rear, 5-13, 6-13
 Crnksft Sprckt, 5-13, 6-13
 Crnkshaft Key, 5-13, 6-13
 Cyl Block Assy (Short Block Assy), 5-3, 6-3
 Cylinder, Hyd 1.5B 1.5S 2500, 2-167
 Cylinder, Hyd, 1.5b 06.3l 01.50strk 2500, 3-23
 Cylinder, Hyd, 2.0b 08.0l 04.00strk 2500, 2-173
 Cylinder, Hyd, 2.0b 12.0l 08.00strk 2500, 2-29
 Cylinder, Hyd, 2.0b 15.0l 08.00strk 1500, 2-139
 Cylinder, Hyd, 2.0b 23.8l 14.90strk 2500, 2-25

Cylinder, Hyd, 2.0b,15.0l, Rep.By1028492 (See Breakdowns), 2-139
 Cylinder, Hyd, 2.0b,15.0l, Rep.By1028492, 4-44
 Cylinder, Hyd, 4.0b 29.1l 14.50strk 2500 (See Breakdowns), 2-25
 Cylinder, Hyd, 4.0b 29.1l 14.50strk 2500, 4-45
 Cylinder, Master Brake, 2-145
 Cylinder, Wheel, Brake, 4-59, 4-61

D

Dampner, Engine, 2-13
 Dipstick, 7-7
 Disc, 2-35
 Disconnect, Male, 4-47
 Disk, 3-71
 Distributor, 7-5
 Door Cw, 4-49
 Door Assembly, Cab, 4-49
 Door Assy [800/810 08], 2-19
 Door Wldt, Brush, Lh, 2-9
 Door Wldt, Brush, Rh, 2-11
 Door Wldt, Engine, 2-17
 Door Wldt, Hopper, 2-29
 Door Wldt, Rear, 2-21
 Door, Bumper, Lpg, 2-7
 Dowel Bushing En, 4-7, 4-17
 Dowel Pin En, 4-21
 Dowel Pin, 4-11
 Dowel, Frnt Cover, 5-3, 6-3
 Dowel, 5-3, 6-3
 Drain Cock, .25npt, 2-121
 Drain Cock, .25Npt Wh#120 Angl, 2-129, 2-131, 2-133
 Draincock, End.Block, 5-3, 6-3
 Drive Assy, 5-9, 6-9
 Drive Gear Assembly, 4-23
 Drive Pin, .31, 4-47
 Drive, Motor, Hyd, 4-31
 Drive, Valve, 4-27, 4-29
 Drive, 4-27, 4-29, 4-32, 4-33, 4-37
 Drum Assy, Brake 9/16, 2-141
 Dryer, Ac, 4-53
 Duck Bill, 4-55, 4-57
 Duct Wldt, Rfs, 3-79
 Duct, Inlet, Vac Fan, 2-27
 Duct, Rear, 2-129, 2-131, 2-133
 Duct, Vyl, 0.40 X 0.75 .25d 24.0l, 3-3, 3-5, 3-7, 3-9
 Dust Control Kit, Side Brush, 3-73

E

Elbow, 90 deg, 5-15, 6-15
 Element, Air Cleaner, 2-85, 2-87, 2-89, 2-93
 Element, Filter Safety, 2-85, 2-87, 2-89, 2-93
 Element, Filter, Air, 2-4
 Element, Fltr, Air [Dn], 2-4, 2-91, 2-95

Element, Fltr, Air, 2-4, 2-91, 2-95
 Element, Fltr, Fuel Lpg [Coalescent, 2-73
 Element, Fltr, Oil, Eng, Spin-on[Gm], 2-4, 2-57
 End Cap, 4-33
 Engine [Ford, 2.5l Reman] (See 2.5L Engine Brkdn), 2-39
 Engine Assy, Gas, Clsd Loop [Gm, 3.0l] (See GM Engine Breakdown), 2-45
 Engine Assy, LPG, Clsd Loop [Gm, 3.0l] (See GM Engine Breakdown), 2-45
 Engine Purch Kit, Lrg423 (See 2.3L Engine Brkdn), 2-39
 Engine, Block, Long [Gm3.0l] (See GM Engine Breakdown), 2-47
 Engine, Gm, 3.0 Liter, Gas (See GM Engine Breakdown), 2-43
 Engine, Gm, 3.0 Liter, Lpg (See GM Engine Breakdown), 2-43
 Engine, Partial (Includes block, pistons, rods, crankshaft, bearings, rear seal gasket), 7-7
 Exh.Manifold, 5-15, 6-15
 Extinguisher Kit Fire 800, 3-75
 Extinguisher, Fire, 3-75
 Extrusion, .062 Matl10.10Lg, 2-39

F

Fan, Condenser, 4-53
 Fan, Cooling, 18.0d, 8 Blade, 0.5b Taper, 2-133
 Fan, Radiator, 2-129, 2-131
 Fan, Repair Kit, Reassembly, 2-177
 Fender Washer, 2-9, 2-11
 Ferrule, 2-35
 Filter Assy, (standard), 2-35
 Filter Assy, Air, 3.0 Inlet [Dn#G070070], 2-91, 2-95
 Filter Assy, Fine, Hopper (option), 2-35
 Filter Assy, Spin-on, 2-4, 2-21
 Filter Element, Oil, Cont. Gas-SE, 2-4
 Filter Element, Oil, 5-3, 6-3
 Filter Element, 2-21
 Filter Kit, Lpg Lockoff, 2-77
 Filter, Air, Pre-Cln, A/C, 2-91, 2-95
 Filter, Fuel [Gm 1.6l/3.0l], 2-111
 Filter, Fuel, Lpg [Coalescent], 2-73
 Filter, Fuel, 2-4, 2-59, 2-105, 2-107
 Filter, Fuelock, [Ballwin#4-2384b], 2-115
 Filter, Fuelockoff, Lpg, 2-69
 Filter, Panel, Heat-A/C, 3-41, 3-47, 3-57, 3-61
 Filter, Pre-Cleaner, A/C, 2-85, 2-87, 2-89, 2-93
 Fitting - 45, 3-27
 Fitting Kit [Epr], 2-81
 Fitting, 90 Deg, 2-57
 Fitting, Brass Drain Cock, 2-59, 2-69, 2-71
 Fitting, Brass, Tee, 3-49, 3-63
 Fitting, Brs, Adapter, 2-77
 Fitting, Brs, E45, Pm06/Pf06, 2-71

CROSS REFERENCE

- Fitting, Brs, E90, Em05/Pm02, 2-107
Fitting, Brs, E90, Em10/Pm06, 2-87
Fitting, Brs, E90, Em10/Pm08, 3-43, 3-49, 3-59, 3-63
Fitting, Brs, E90, If05/Pm02, 2-107
Fitting, Brs, E90, If05/Pm04, 4-67, 4-69
Fitting, Brs, E90, Pm04/Pf04, 2-71
Fitting, Brs, E90, Pm06/Em10, 2-71
Fitting, Brs, E90, Em05/Pm04, 2-111
Fitting, Brs, E90, If06/Pm04, 2-109
Fitting, Brs, E90, Pm04/Pf04, 2-109
Fitting, Brs, Rst, Pf04/.69-16f, .063, 2-73
Fitting, Brs, Str, Bm05/Pm04, 2-107
Fitting, Brs, Str, Em10/Pm08, 3-43, 3-49, 3-59, 3-63
Fitting, Brs, Str, If05/If05, 2-107
Fitting, Brs, Str, If05/Pm02, 2-107
Fitting, Brs, Str, Pm06/Em10, 2-71
Fitting, Brs, Str, Pm08/Pf06, 2-61, 2-73
Fitting, Brs, Str, Bm05/Pm04, 2-111
Fitting, Brs, Str, If05/If05, 2-109
Fitting, Brs, Str, If06/If06, 2-109
Fitting, Brs, Str, Pm02, Service, 2-91, 2-95
Fitting, Brs, Str, Pm04/Bm05, 2-109
Fitting, Brs, Str, Pm04/Bm06, T, 2-73
Fitting, Brs, Str, Pm08/Pf04, 2-73
Fitting, Brs, Tee, Pf08/Pf08/Pf08, 3-43, 3-49, 3-59, 3-63
Fitting, Bshg, 2-65, 2-81
Fitting, Cap, 2-77
Fitting, Coolant Plug, 4-63, 4-65, 4-67, 4-69
Fitting, Draincock, .25npt 90, 2-73
Fitting, Draincock, .25npt, 2-123, 2-125, 2-127
Fitting, Draincock, E90, .25npt, 2-127
Fitting, E70, 2-77
Fitting, E90, 2-65, 2-77, 2-81, 2-82
Fitting, Elbow, 2-61, 2-73, 3-41, 3-47, 3-57, 3-61
Fitting, Fuel Inlet, Lpg, 4-63, 4-65
Fitting, Fuel, Str, 0.38-24 [07 Eng], 2-111
Fitting, Fuel, Str, 0.56-18 [07 Eng], 2-111
Fitting, Hose, 10hose/Pm06, 2-77
Fitting, Hose, Vacuum, .25, 2-77
Fitting, Hose, 2-61
Fitting, Hyd, E45, Jm06/Om06, 2-139
Fitting, Hyd, E45, Pm04/Pf04, 2-115
Fitting, Hyd, E90, Jm08/Pm04, 2-73
Fitting, Hyd, E90, Pm06/Jm06, 2-57
Fitting, Hyd, E90, Swivel Pf04/Pm04, 2-115, 2-117, 2-119
Fitting, Hyd, Plug, Jm06, 2-57
Fitting, Hyd, Str, Jm04/Om04, 2-157
Fitting, Hyd, Str, Jm05/Om06, 2-109
Fitting, Hyd, Str, Jm06/Om04, 2-129, 2-131, 2-133
Fitting, Hyd, Str, Jm06/Om06, 2-109
Fitting, Hyd, Str, Pm04/Pf02, 2-71
Fitting, Hyd, Str, Pm08/Pm08, 3-43, 3-49, 3-59, 3-63
Fitting, Hyd, Tee, Jf06/Jm06/Jm06, Run, 3-23
Fitting, Nipple, .25mal, 2-81
Fitting, Nipple, .25npt, Brs, 2-77
Fitting, Pipe, Plug, Pm02 Soc Head, 4-63, 4-65, 4-67, 4-69
Fitting, Pipe, Plug, Pm04 Hex Soc, 2-73
Fitting, Pipe, Str, Pm04/Pf02, 2-115, 2-117, 2-119
Fitting, Pipe, Str, Pm04/Sf04, 2-119
Fitting, Pipe, Tee, Pm06/Pf06/Pf06, 2-77
Fitting, Plstc, Tee, Bm12/Bm12/Bm12, 3-49, 3-63
Fitting, Plstc, Tee, Bm12/Pf08/Bm12, 2-73
Fitting, Plug, Om02, Valve, 4-72
Fitting, Plug, Om04, Valve, 4-72
Fitting, Plug, Om05, Valve, 4-72
Fitting, Plug, Om06, Valve, 4-72, 4-73
Fitting, Plug, Pm08 Sq Head, 2-71
Fitting, Plug, 2-129, 2-131, 2-133
Fitting, Special, Carb, 2-67
Fitting, Str, E90, .25npt, 2-77
Fitting, Str, 2-77
Fitting-Brs Str, 2-105
Fitting, 2-57, 2-61, 2-63, 2-73, 2-78
Fitting, Plstc, Str, Bm06/M.69-16, 2-73
Flange, Mounting, 4-32, 4-33
Flange, Brg, 3 Hole, 2-171
Flasher Heavy Duty, 3-17
Flasher, 12v, 3-15
Flat Washer, 3/8" Hard, 3-23
Fluid, Hyd Oil, SHP 15/40 5Gal, 2-4
Flywheel Ring Gear, 5-17
Flywheel, 5-17, 6-17
Foam, Door, 4-49
Foam, Front Sill, 4-51
Foam, Insulation, 3-19
Foam, Lh Front Pos, 4-51
Foam, Lh Rear Pos, 4-51
Foam, Lh Side Sill, 4-51
Foam, Rear Sill, 4-51
Foam, Rh Front Pos, 4-51
Foam, Rh Rear Pos, 4-51
Foam, Rh Upper Sill, 4-51
Follower, Piston, 4-3, 4-7, 4-13, 4-17
Foot, Fan, 4-53
Frame, Pane, Cab, Side, 4-47
Frame, Pane, Door, Side, 4-49
Frame&Mag.As, 5-9, 6-9
Frame, 2-7
Ftg, Breather, 2-37, 3-79
Ftg, El90 Npt/02Pf-02Pm, 2-59
Ftg, Grease.12 Npt 45 .88L, 2-175
Ftg, Grease.25-28Th 90 .75L, 2-139
Ftg, Shrader, 4-53
Ftg, Brass Tee 04Pf- 04Pm- 04Pf, 2-69
Ftg, Brass, St Bm03/Pm02, 2-69, 3-79
Ftg, Brass, Tee 06lf- 02Pm- 06lf, 2-145
Ftg, Bulkhead .25Npt Wh W21204, 2-113, 2-115, 2-117, 2-119
Ftg, Bulkhead-Barb Wh 1074X4, 2-37, 3-79
Ftg-Brs E90 Bm05/Pm02, 2-67
Ftg-Brs E90 Bm10/Pm06, 2-69
Ftg-Brs If05/If05, 2-105
Ftg-Brs Str Bm03/Pm02, 2-37
Ftg-Brs Str If05/Pm02, 2-105
Ftg-El90 Npt/Npt 04Pf/04Pm, 2-113, 2-115, 2-117, 2-119
Ftg-Hyd E45 Jm04/Om04, 2-139, 2-173
Ftg-Hyd E45 Jm08/Om08, 2-179
Ftg-Hyd E45 Jm12/Jf12, 2-149
Ftg-Hyd E45 Jm20/Jf20, 2-149
Ftg-Hyd E45 Pm04/Pf04, 2-113, 2-115, 2-117, 2-119
Ftg-Hyd E90 Jm04/Om04, 2-167
Ftg-Hyd E90 Jm04/Jf04, 2-25, 2-29, 2-157
Ftg-Hyd E90 Jm04/Om04, 2-29, 2-159, 2-167, 2-173, 2-179, 3-23
Ftg-Hyd E90 Jm04/Om06, 2-25, 2-161
Ftg-Hyd E90 Jm06/Jf06, 2-161
Ftg-Hyd E90 Jm06/Om06, 2-139
Ftg-Hyd E90 Jm06/Om08, 2-25, 2-129, 2-131, 2-133
Ftg-Hyd E90 Jm08/Jf08, 2-159, 2-161, 3-27
Ftg-Hyd E90 Jm08/Om08, 2-159, 3-27
Ftg-Hyd E90 Jm08/Om10, 2-179
Ftg-Hyd E90 Jm12/Om12, 2-149
Ftg-Hyd E90 Jm12/om12, 2-21
Ftg-Hyd E90 Jm12/Om16, 2-149
Ftg-Hyd E90 Pm06/Jm10, 2-67
Ftg-Hyd E90 Pm08/Jm10, 2-69, 2-71
Ftg-Hyd E90 Special Jm12/Jf12, 2-157
Ftg-Hyd E90, 2-157, 2-167
Ftg-Hyd Plg Om06, 3-23
Ftg-Hyd Plg Om12, 2-157
Ftg-Hyd Rst JM04/.047, 2-161
Ftg-Hyd Rst Jm04/.063, 2-25
Ftg-Hyd Str Jm12/Om16, 2-149
Ftg-Hyd Str Jm04/Om04, 2-171
Ftg-Hyd Str Jm04/Om06, 2-161
Ftg-Hyd Str Jm04/Om08, 2-25
Ftg-Hyd Str Jm06/Jf08, 3-27
Ftg-Hyd Str Jm06/Om06, 2-159, 2-181, 3-23, 3-27
Ftg-Hyd Str Jm06/Om08, 2-129, 2-131, 2-133, 2-161
Ftg-Hyd Str Jm06/Om10, 2-149, 2-163
Ftg-Hyd Str Jm06Om06L, 2-159
Ftg-Hyd Str Jm08/Jm06, 2-163
Ftg-Hyd Str Jm08/Jm08, 2-179
Ftg-Hyd Str Jm08/Om08, 2-159, 2-161, 2-171
Ftg-Hyd Str Jm08/Om10, 2-149, 2-179
Ftg-Hyd Str Jm08Om08L, 2-159
Ftg-Hyd Str Jm12/Om12, 2-21, 2-157
Ftg-Hyd Str Jm12/Om16, 2-139
Ftg-Hyd Str Jm12Om12L, 2-159
Ftg-Hyd Str Jm20/Om20, 2-149, 2-157
Ftg-Hyd Str Om08/Of06, 3-27
Ftg-Hyd Str Pm04/Jm06, 2-69
Ftg-Hyd Str Pm04/Pf02, 2-39, 2-69
Ftg-Hyd str, 2-167
Ftg-Hyd StrJm06/Om10, 3-27

Ftg-Hyd Tee Jm04Jfjm, 2-161
 Ftg-Hyd Tee Jm04Jmjf, 2-161
 Ftg-Hyd Tee Jm04Jmjm, 2-29
 Ftg-Hyd Tee Jm04Jmom, 2-157
 Ftg-Hyd Tee Jm04Omjm, 2-129, 2-131, 2-133
 Ftg-Hyd Tee Jm06Jmjf, 2-157, 2-161
 Ftg-Hyd Tee Jm06Jmom, 2-157
 Ftg-Hyd Tee Jm06Omjm, 3-27
 Ftg-Hyd Tee Jm08Jmjf, 2-159, 3-27
 Ftg-Hyd Tee Jm08Omjm, 2-161
 Ftg-Hyd Tee Jm12Jfjm, 2-149
 Ftg-Hyd Tee Jm12Jmjf, 2-157
 Ftg-Str Npt/Npt S04Pf-04Pm, 2-113, 2-115
 Ftg-Tee Npt 04Pm- 04Pf- 04Pf, 2-113, 2-115, 2-117, 2-119
 Fuel, Fltr [Gm 1.6/3.0], 2-109
 Fuelline, .31d 05if/05jf Stl, 2-109
 Fuelline, .31d Str/E90, Plstc, 2-109
 Fuelline, .31d Str/Str, Plstc, 2-109
 Fuelline, .312 Od, 2-105
 Fuelline, .31d 05if/05f, 2-107
 Fuelline, .31d 05if/05if, 2-107
 Fuelline, .31d 05if/Bea, 2-107
 Fuelline, .31d 05if/Qm Stl, 2-109
 Fuelline, .31d E90, 05/06, Plstc, 2-111
 Fuelline, .31d Str/Str, Plstc [8200], 2-111
 Fuelline, .31d Str/Str,Plstc[M20/T20 07], 2-111
 Fuelline, .375 Od, 2-69
 Fuelline, .38d 06if/06if Stl, 2-109
 Fuelline, .38d 06if/Bea Stl, 2-109
 Fuelock Replacement Kit, 2-69
 Fuse, 10 Amp, 2-219
 Fuse, 15 Amp, [Min-15], 2-217, 2-219
 Fuse, 20 Amp, [Min-20], 2-217, 2-219
 Fuse, 5 Amp, [Min-5], 2-217, 2-219
 Fuse, 60 Amp, 2-219

G

Gas Cap, Protectoseal, 3-74
 Gasket Kit, Vacfan, Replmt [800], 2-177
 Gasket Oil, 5-5, 5-11
 Gasket Water Outlet Connection, 5-23, 6-23
 Gasket, 2.7D 1.5B.12T 5/ 2.1Bc, 2-105
 Gasket, Body, Throttle [1.6], 2-65, 2-77, 2-81
 Gasket, Body, Throttle, Gas, 2-63
 Gasket, Box/Cab, 4-55, 4-57
 Gasket, Cab Pressurizer, 3-35
 Gasket, Carb To Engine, 2-59, 2-67
 Gasket, Carb, 2-63, 2-77
 Gasket, Carburetor Air Horn, 2-59
 Gasket, Cover, Alum, 3-79
 Gasket, Exh. Flange, 5-15, 6-15
 Gasket, Exhaust, 2 Hole, 3.4bc, 2-101
 Gasket, Exhaust, 2hole, 3.4bc, 2-103
 Gasket, Fire Switch, 2-179
 Gasket, Flng, Exhaust, 2-103
 Gasket, Head, 5-5, 5-6, 6-5, 6-6

Gasket, Hyd Cap, 2-157
 Gasket, Hyd Tank Breather, 2-157
 Gasket, Lpg, Adapter [Gm 2007], 2-81
 Gasket, Lpg, Mixer [Gm 2007], 2-81
 Gasket, Manifold, Intake, 2-65, 2-81
 Gasket, Send-Unit, 2-107
 Gasket, Sender, Fuel, 2-109, 2-111
 Gasket,Oil Pan, 5-5, 5-11, 6-5, 6-11
 Gasket,Rocker Cover, 5-21, 6-21
 Gasket, 2-61, 2-63, 2-73, 2-77, 2-78, 2-99, 2-101, 7-3, 7-5, 7-9, 7-11, 7-12
 Gauge, Sight Lh, 2-157
 Gauge, Sight, A/C, 3-41, 3-47
 Gear Assy, Idler, 4-25
 Gear Assy, 5-9, 6-9
 Gear, [Slip Fit], 4-25
 Gear, Drive, 4-25
 Gear, Idler, 4-23, 4-25
 Gear, Ring [Fd], 6-17
 Gear, Slip Fit, 4-23
 Gear, 4-23, 4-25, 7-5, 7-11, 7-12
 Geroler Set, Motor, Hyd, 4-31
 Geroter,Ring In En, 4-5, 4-9, 4-15, 4-19
 Geroter,Ring Ot En, 4-5, 4-9, 4-15, 4-19
 Gerotor Set Cl, 4-37
 Gerotor Set, 4-27, 4-29, 4-32, 4-33
 Governor and Control Unit Assy, Gas, 2-59
 Governor and Control Unit Assy, Lpg 2.3, 2-67
 Governor Assy, Gas, 2-59
 Governor Assy, Lpg, 2-67
 Grip, Handle, Flat, 3-71
 Grommet, 2-65, 2-81
 Grommet Rbr 0.25ld For .09Matl, 3-17, 3-33
 Grommet, Cab, Harness, Wire, 3-41, 3-47, 3-57, 3-61
 Grommet, Flexible .25, 2-7
 Grommet, Rbr, 0.38 ld For .12mat, 3-11, 3-13
 Grommet, Rbr, 0.56 ld For .13mat, 3-11, 3-13
 Grommet, Rbr, 3.25id, F/3.5h, .06 Matl, 2-91, 2-95
 Grommet, Rbr, 3.75ld F/ 4.0H ., 2-85, 2-87, 2-89, 2-93
 Grommet,Rbr,0.25ld,For .09Matl, 2-183
 Grommet,Rbr,0.38ld,For .06Matl, 3-3, 3-5, 3-7, 3-9
 Grommet,Rbr,0.50ld,For .25Matl, 2-7
 Grommet,Rbr,0.62ld,For .06Matl, 2-37, 3-79
 Grommet,Rbr,0.63ld,For .06Matl, 3-3
 Grommet,Rbr,0.63ld,For .13Matl, 3-7
 Grommet,Rbr,0.75ld,For .13Matl, 3-17
 Grommet, 2-43, 2-63, 2-77, 3-11, 3-13, 3-15, 4-47
 Gskt Kit,Lower, 5-5, 6-5
 Gskt Kit,Upper, 5-5, 6-5
 Gskt,Exh.Mnflid, 5-15, 6-15
 Gskt,Frnt Cvr, 5-5, 6-5

Gskt,Front Cvr, 5-7, 6-7
 Gskt,In.Manflid, 5-5, 6-5
 Gskt,Int.Mnflid, 5-15, 6-15
 Gskt,Oilpmp/Blk, 5-11, 6-11
 Gskt,Pmp/Putube, 5-5, 6-5
 Gskt,Pu Tube, 5-11, 6-11
 Gskt,Rockr Cvr, 5-5, 6-5
 Gskt,Water Pump, 5-5, 5-23, 6-5, 6-23
 Gskt-Waterout, 5-5, 6-5
 Guard Kit, Overhead, 3-19
 Guard Wldt, Alternator, F/60559, 2-39
 Guard Wldt, Hopper, 2-33
 Guard Wldt, Lights, Revl & Flsh, 3-3, 3-5, 3-7, 3-9
 Guard Wldt, Overhead, 3-19
 Guard Wldt, Side Brush, 2-163
 Guard Wldt, Sidebrush, 3-27
 Guard, Alternator, 3-65
 Guard, Belt, A/C, 3-51
 Guard, Belt, Alternator, 2-51, 2-53
 Guard, Mirror, 3-37
 Guard, Side Brush, 2-163, 3-27
 Guide, 2-35

H

Handle, Center, 2-161
 Handle, Container, 2-31
 Handle, Lh, 2-161
 Handle, Lift, Brush, 2-181
 Handle, Rh, 2-161
 Handle, Valve, Cntrl, 2-127
 Handle, 3-71
 Harness, Rfs Jumper, 3-79
 Harness, Adapter, Eng, Gas/Lpg [Gm3.0], 2-229
 Harness, Adaptor [800/8410], 2-227
 Harness, Alarm, Back-up, 3-15
 Harness, Alarm, Backup, 3-11, 3-13
 Harness, Cab (See Fig. 30), 4-47
 Harness, Cab, 800/810, 4-52
 Harness, Directional, 3-17
 Harness, Eng [3.0l, Gm, E-cntrl], 2-217
 Harness, Eng, Gas [3.0l 2007], 2-219
 Harness, Eng, Lpg [3.0l 2007], 2-219
 Harness, Eng, 2-111
 Harness, Gm 3.0 L Engine Harness, 2-214
 Harness, Hopper 800/810, 2-204
 Harness, Hopper, Rfs, 3-79
 Harness, Injector, Gas[3.0l Gm,E-Cntrl], 2-218
 Harness, Lpg Injector [3.0l, Gm,E-Cont], 2-218
 Harness, Main, Gas/LPG, Lrg, 2-203, 2-209, 2-214
 Harness, Motor, Duct, 3-79
 Harness, Neutral, Start, 3-82
 Harness, Side Brush, L.H., 3-30
 Harness, Switch, Oil Press, Ground Wire, 2-45, 2-48
 Harness, Turn/Rotate/Tail Lights, 2-205
 Harness, Wire, Eng, 6-24

CROSS REFERENCE

- Harness, Rev/Fish Light, Cab, Ohg, 3-3, 3-5, 3-7, 3-9
Head-W/O Valves, 5-6, 6-6
Head, 7-3
Headlight, 12V. Rect., 2-31
Headliner, Front, 4-51
Headliner, Rear Cw, 4-51
Heater & A/C, W/ Fan, Roof, 3-41, 3-47, 3-57, 3-61
Heater Coil, 4-55, 4-57
Hinge, W/Pin, 2-17, 2-19
Hinge, 2-15, 2-17, 2-19, 2-31
Hook, Cable, .44d Ball, 2-163, 3-27
Hook, Lift [Gm3.0l 2007], 2-47, 2-48
Hook, S-.120 X 1.31, Zinc Pl., 2-7
Hopper Floor Kit, St Stil 800, 3-20
Hopper Wldt, 2-27
Horn, 12 Volt, 2-15
Horn, Back-up Alarm, 3-15
Hose Assy, Drain, A/C, 3-41, 3-47, 3-81
Hose Lpg, 10Lpg 28In.Lg, 2-69, 2-71
Hose, .50, 2-57
Hose, .62ld X 20.0 Lng Heater, 2-69, 2-71
Hose, [Pcv], 2-43
Hose, 0050, 04, Im05str /lf05str, 10.0, 2-107, 2-109
Hose, 9.5mm X 450mm [Pcv], 2-63, 2-77
Hose, A/C, 06 09.0l, 3-41, 3-47
Hose, A/C, 08 100.0l [R134], 3-43
Hose, A/C, 08, Str/E90, 112.0l [R134], 3-49
Hose, A/C, 12 107.0l [R134], 3-43
Hose, A/C, 12 115.0l [R134], 3-43
Hose, A/C, 12, Str/E90, 127.0l [R134], 3-49
Hose, Balancing, Press, 45mm, 2-77
Hose, Balancing, Press, 680mm, 2-77
Hose, Conv, 2-73
Hose, Coolant, 1.50id To 1.75id, Mold, 2-125, 2-127
Hose, Drain, Overflow, Radiator, 2-131, 2-133
Hose, Fan Inlet, 2-177
Hose, Fuel, 0.31id [Evap Emission 07], 2-111
Hose, Fuel, .38d, Rbr, 2-65, 2-81
Hose, Fuel, 0.31id 11.0l, 2-107
Hose, Fuel, 0.31id 14.0l, 2-107
Hose, Fuel, 0.31id 16.0l, 2-109
Hose, Fuel, 0.50id 52.0l, 2-61, 2-63
Hose, Fuel, 165mm, 2-77
Hose, Fuel, Jf06e90, 20.3l, 2-109
Hose, Fuelline, 10.0L, 2-105
Hose, Heater .62ld X 15.0Lg, 2-59
Hose, Heater .62ld X 38.0Lg, 2-59
Hose, Heater, 0.38id x 18.0 L, 2-61
Hose, Heater, 0.38id x 21.0id, 2-73
Hose, Heater, 0.38id, 2-61
Hose, Heater, 0.62id 13.0l, 2-87, 3-43, 3-59
Hose, Heater, 0.62id 18.0l, 2-89
Hose, Heater, 0.62id 20.0l, 3-43, 3-59
Hose, Heater, 0.62id 24.0l, 2-93, 3-43, 3-49, 3-59, 3-63
Hose, Heater, 0.62id 31.0l, 3-43, 3-49, 3-59, 3-63
Hose, Heater, 0.62id 77.0l, 3-43, 3-49, 3-59, 3-63
Hose, Heater, 0.62id 80.0l, 3-43, 3-49, 3-59, 3-63
Hose, Heater, 0.62id, 024.0l, 2-91, 2-95
Hose, Heater, 0.75id 04.0l, 3-49, 3-63
Hose, Heater, Str, 0.62id 15.0, 2-71
Hose, Hyd, Med06, Jf06e90/Jf06str, 068.0, 3-31
Hose, Hyd, Low04, Jf04str /Jf04, 2-153
Hose, Hyd, Low06, Jf06str /Jf06str, 26.0, 2-57
Hose, Intake, Mold, 2.00id [Epdm], 2-95
Hose, Intake, Mold, 3.00id 2.00id [Epdm], 2-95
Hose, Intake, Mold, Rwk 380592, 2-91
Hose, Lpg, 4Lpg X 35.0Lg, 2-113, 2-115, 2-117
Hose, Lpg, 4Lpg X 40.0Lg, 2-113
Hose, Lpg, Med05, Pm04str/Sm04str, 055.0, 2-117
Hose, Lpg, Med05, Pm04str/Sm04str, 067.0, 2-119
Hose, Lpg, Med05, Pm04str/Sm04str, 31.0l, 2-115
Hose, Lpg, Med05, Pm04str/Sm04str, 46.0l, 2-117, 2-119
Hose, Lpg, Med05, Pm04str/Sm04str, 67.0l, 2-115
Hose, Lpg, Med08, Jf08str/Jf08str, 35.0, 2-73
Hose, Lpg, Med08, Jf08str/Jf08str, 37.5, 2-73
Hose, Mold [Epr To Mixer], 2-82
Hose, Mold, .62 To .75, 2-77, 2-81
Hose, Mold, .62 X 37.0, 2-77
Hose, Molded, 2-85, 2-87, 2-89, 2-93
Hose, Pvc, Clr, 0.38id 0.56od 13.00l, 2-73
Hose, Pvc, Clr, 0.38id 0.56od 048.0l, 2-127
Hose, Radiator, Lower, 2-121
Hose, Radiator, Upper, 2-121
Hose, Rbr 1.50id 1.88od 12.0 L, 2-121
Hose, Rbr, 1.50id 1.88od 06.0l, 2-123, 2-125
Hose, Rbr, 1.50id 1.88od 12.0l, 2-123, 2-125, 2-127
Hose, Rbr, 1.50id 1.88od 04.0l, 2-127
Hose, Rbr, 1.50id 1.88od 6.0 L, 2-121
Hose, Rbr, 2.00id 2.50od 03.0l, 2-89, 2-93
Hose, Rbr, E120 1.50id 1.20id 05.0 05.2, 2-125
Hose, Rbr, E120 1.50id 1.20id 06.4 2.7, 2-123
Hose, Rbr, E90 1.50id 1.50id 09.4 6.3, 2-123
Hose, Rbr, E90 1.50id 1.62id 0.40 04.0, 2-125
Hose, Rbr, E90, 1.50id 1.50id 06.3 04.5, 2-127
Hose, Rbr, E90, 2.00id 2.00id 03.5 03.5, 2-91
Hose, Rubber.38ldx.62Od 21.0Lg, 2-59, 2-67
Hose, Rubber, 2-59, 2-67
Hose, Supply, Gas, .25id, 2-81
Hose, Vac, Rubber, 2-37
Hose, Vacuum, .16 Id X 76.0 Lg, 3-79
Hose, Vacuum, .16ld X 15.0 Lg, 2-39
Hose, Vacuum, .16ld X 21.0Lg, 2-69
Hose, Valve, Fuel Trim, 325mm, 2-77
Hose, Valve, Press Trim, 405mm, 2-77
Hose, Heater .62ldx15.0Lg, 2-69, 2-71
Hose, Heater .62ldx53.0Lg, 2-59, 2-69, 2-71
Hose&2Cuff Assy, Vinyl2.0ld10Ft, 3-71
Hose&cuff Assy, Vinyl4.0ldx50, 2-177
Hose-Hyd Ar 04, 2-153, 2-155
Hose-Hyd Ar04, 2-153, 2-155
Hose-Hyd Low 04, 2-153, 2-155
Hose-Hyd Low04 Jf/J9, 2-153, 2-155
Hose-Hyd Low06, 2-153, 2-155
Hose-Hyd Low12 Jf/Jf, 2-153, 2-155
Hose-Hyd Low12 Jf/jf, 2-153, 2-155
Hose-Hyd Low12, 2-153, 2-155
Hose-Hyd Med 04, 3-31
Hose-Hyd Med 06, 3-31
Hose-Hyd Med04 Jf/J4, 2-153, 2-155
Hose-Hyd Med04 Jf/Jf, 2-153, 2-155
Hose-Hyd Med04, 2-153, 2-155
Hose-Hyd Med06 Jf/J9, 2-153, 2-155
Hose-Hyd Med06 Jf/Jf, 2-153, 2-155
Hose-Hyd Med06, 2-153, 2-155
Hose-Hyd Med08 Jf/J4, 2-153, 2-155
Hose-Hyd Med08 Jf/J9, 2-153, 2-155
Hose-Hyd Med08, 2-153, 2-155
Hose-Hyd Med12, 2-153, 2-155
Hose-Hyd Med78 Jf/J9, 2-153, 2-155
Hose-Hyd Suc20 Spcl 22.5, 2-153, 2-155
Hose-Hyd, 2-153, 2-155
Hose, 2-61, 5-3, 6-3
House, Wheel, 2-139
Housing Assembly, 4-55, 4-57
Housing Assy, Throttle, Gas, [With Ecu] (See Breakdowns), 2-61
Housing Assy, Throttle, Gas, [With Ecu], 4-67
Housing Assy, Throttle, Gas, [Without Ecu] (See Breakdowns), 2-61
Housing Assy, Throttle, Gas, [Without Ecu], 4-69
Housing Assy, Throttle, Gas, 2-63
Housing Assy, Throttle, Lpg [Gm 3.0l], 2-77
Housing Assy, Throttle, Lpg, [With Ecu] (See Breakdowns), 2-73
Housing Assy, Throttle, Lpg, [With Ecu], 4-63

Housing Assy, Throttle, Lpg, [Without Ecu] (See Breakdowns), 2-73
 Housing Assy, Throttle, Lpg, [Without Ecu], 4-65
 Housing Assy, 4-27, 4-29
 Housing En, 4-3, 4-7, 4-13, 4-17
 Housing S/A En, 4-3, 4-7, 4-13, 4-17
 Housing Wldt, Vac Fan, Front, 2-177
 Housing Wldt, Vac Fan, Rear, 2-177
 Housing, Bearing, Motor, Hyd, 4-31
 Housing, Brg, 4-27, 4-29
 Housing, Condenser, 4-53
 Housing, Flywheel, 2.5 Lrg, 2-41
 Housing, Flywheel, Machined 2.3 Lrg, 2-41
 Housing, Sppt, Wheel (Repl. by 375534), 2-139
 Housing, Throttle, 40mm [Bosch], 2-63, 2-65, 2-77, 2-81
 Housing, Throttle, Gas, 4-67, 4-69
 Housing, Throttle, Lpg, 4-63, 4-65
 Housing, Valve, 4-31
 Housing, Control En, 4-21
 Housing, Control, 4-11
 Housing, 2-43, 2-45, 2-47, 4-25, 4-33, 7-3, 7-5, 7-11
 Hsg W/Brg, 5-9, 6-9
 Hub and Stud Assy., 2-139
 Hub Assy, 2-143
 Hub, Drive, Brush, Side, 1.00b 8.8bc, 2-5

I

Ignition Coil, 5-24, 6-24
 Ignition Module Kit, 6-24
 Impeller 9.5 Dia. 18 Blade Mac, 2-177
 Indicator Service Air Filter, 2-85, 2-87, 2-89, 2-93
 Indicator, Service, Fltr, Air [20h20 Dn], 2-91, 2-95
 Indicator, Oil, 5-3, 6-3
 Injector, Fuel, Lpg [3.0l Gm] 8410, 4-63, 4-65
 Injector, Gas, W/ Top And Bottom Org, 4-67, 4-69
 Inner Cover, 5-7, 6-7
 Insert, Wheel, Steering, 2-181
 Insert-Oilfilt, 5-3, 6-3
 Instr. Valve Repair Info, 4-41
 Instr, Kit, Repair, Pump, Hyd, 4-25
 Insulation, Acoustic, Fan, 2-177
 Insulation, Acoustic, Vac Fan, 2-179
 Insulation, Acstc, 1.0 09.9w 25.0l, 2-13
 Insulation, Acstc, Front, Lower, 3-35
 Insulation, Acstc, Side, Lower, .8t, 3-35
 Insulation, S/Foam .5T 17.0X 15, 2-15
 Insulation, S/Foam 1.0 Seal Brake Pedal, 2-145
 Insulation, S/Foam 1.0X3.0X3.0, 2-7
 Insulation, S/Foam 1.5X4.0X4.0, 2-7
 Insulation, S/Foam, .8T 16.5X5, 2-15
 Insulation, S/Foam, .8T 17.0X15, 2-15
 Insulation, S/Foam, .8T 18.0X4.5, 2-15

Insulation, S/Foam, .8T 23.0X4X3, 2-15
 Insulation, S/Foam, Seat, 2-13
 Insulation, S/Foam, 2-7
 Insulation, Sound Foam, 2-145
 Insulation, S/Foam .8X19.3X20.3, 2-15
 Insulation, 2-13
 Int. Manifold, 5-15, 6-15
 Isolator [Epr], 2-81
 Isolator Kit, Mtg, Vaporizer, Rbr, 2-77
 Isolator, Box, Relay, 2-65, 2-77, 2-81
 Isolator, Mounting, 2-41
 Isolator, Mtg, 2-41, 2-43, 2-45, 2-47
 Isolator, Rbr, 2-103
 Isolator, Rubber, 2-101
 Isolator, Vac Fan, 2-159
 Isolator, Vib, Flng, 1.3l .5b 2/.39h, 2-43, 2-45, 2-47
 Isolator, Vib, Flng, 2.0l .5b 2/.41h, 2-43, 2-45, 2-47
 Isolator, Vib, Ring, 1.0d .25-20/.25-20, 2-101, 2-103
 Isolator, Vibration, 2-179
 Isolator-Vibration .25-20, 2-97, 2-99
 Isolator-Vibration .31-18, 2-21, 2-129, 2-131, 2-133
 Isolator-Vibration, 60 Lb. Ratng, 2-179

K

Keeper, Latch, Pane, 4-47, 4-49
 Key En, 4-5, 4-9, 4-15, 4-19
 Key Set, Switch Ku, 2-183
 Key Set, 4-49
 Key, Motor, Hyd, 4-31
 Key, Round, 4-23
 Key, Square 0.12 0.12 00.50 LG, 4-35
 Key, Woodruff, 4-32
 Key, 4-25, 4-27, 4-29, 4-34, 7-3, 7-11, 7-12
 Kit, Adaptor, Manifold, 2-61, 2-74
 Kit, Alarm, Backup, 3-15
 Kit, Alternator, Hd, Gas/Lpg, 3-65
 Kit, Ci, Alternator, Hd, Gas/Lpg, [Gm3.0l], 3-67
 Kit, Ci, Drain Hose, A/C, 3-81
 Kit, Connector, Coolant Sensor, 4-63, 4-65, 4-67, 4-69
 Kit, Connector, Gas Injector, 4-67, 4-69
 Kit, Connector, Govnr, 4-63, 4-65, 4-67, 4-69
 Kit, Connector, Sensor, [lat], 4-63, 4-65, 4-67, 4-69
 Kit, Connector, Sensor, [Map], 4-63, 4-65
 Kit, Gasket, Manifold, 2-61, 2-74
 Kit, Light, Flsh, Low, 3-11
 Kit, Light, Revl, Low, 3-13
 Kit, Org, Injector And Reg, Gas, 4-67, 4-69
 Kit, Org, Injector, Top And Bottom, Lpg, 4-63, 4-65
 Kit, Reg, Gas Press, 4-67, 4-69
 Kit, Repair, Fuelock, Mv 310-6, 2-115
 Kit, Repair, Vaporizer, F/383170, 2-71

Kit, Replmt, Control, Govnr, [All Purps], 2-59, 2-67
 Kit, Replmt, Controller, 4-63
 Kit, Seal, Hyd, Motor, 4-31
 Kit, Seal, Hyd, Pump, 4-23
 Kit, Seal, Motor, Hyd, 4-31
 Kit, Seal, Pump, 4-25
 Kit, Signal, Turn, 3-17
 Kit-Attaching, 5-9, 6-9
 Knob, Plastic, 2-167, 2-175
 Knob, Rnd, Control, Heat-A/C, 3-41, 3-47, 3-57, 3-61
 Knob, 0.38-16, 1.25Dia, Plastic, 3-71
 Knob, 2-161

L

Label Set, Info & Hazard, 2-230
 Label Set, Operational 800, 2-230
 Label, Caution, 3-41, 3-47
 Label, Instr, Filter Drain, 2-73
 Label, Logo, 10.4l, Oval [Tennant, Blu/Grn], 2-230
 Label, Numerals 800, 2-230
 Label, Opertnl, Fan, Hi/Med/Low, 3-41, 3-47, 3-57, 3-61
 Label, Opertnl, Pull Heat, 3-41, 3-47, 3-57, 3-61
 Label, Opertnl, Temp, 3-41, 3-47
 Label, Vac Wand, 3-71
 Label, Wiper, 4-47
 Lamp, 12VDC 55w, 3-15, 3-33
 Lamp, 4-47
 Lanyard Assy., 2-21
 Latch Assy, Lpg Tank Mtg, W/Nut, 2-113, 2-115, 2-117, 2-119
 Latch Assy, Rbr, 1.6d 1.4l/1.0d 1.0l, 3-35
 Latch, Bolt, 2-15, 2-17, 2-19
 Latch, Bumper, 2-33
 Latch, Door, 3-77
 Latch, Hook (Supplier's Lh), 2-11
 Latch, Hook (Supplier's Rh), 2-9
 Latch, Hook Rh, 2-17, 2-19
 Latch, Hook, Rh, Single Catch, 2-31
 Latch, Hook, Rh, 2-15
 Latch, Keeper, Pane [J-dak], 4-47, 4-49
 Latch, Pane, Cab, 4-47, 4-49
 Latch, Rear Wind, 4-47
 Latch, Tension, 4-55, 4-57
 Latch, 2-21, 2-171
 Leg Wldt, Bumper, Se, 3-21
 Lens, Flashing Amb 12V, 3-11
 Lens, Flashing Blue, 3-11
 Lens, Flashing Red, 3-11
 Lens, Rev. Light, Amber, 3-13
 Lens, Rev. Light, Blue, 3-13
 Lens, Rev. Light, Red, 3-13
 Lens, Flashing Lite Fr207 Amber, 3-3, 3-5
 Lens, Flashing Lite Fr207 Blue, 3-3, 3-5
 Lens, Flashing Lite Fr207 Red, 3-3, 3-5
 Lens, Rev. Light, Amber, 3-7, 3-9
 Lens, Rev. Light, Blue, 3-7, 3-9
 Lens, Rev. Light, Red, 3-7, 3-9

CROSS REFERENCE

Lever, Brake, 2-145
Lever, Pump, Propel, 2-147
Lever, 5-9, 6-9
Lifter, 7-3
Lifting Eye, 5-15, 6-15
Light Assy Mark/Yel 12V- . A, 3-17
Light Assy Stop/Red 12V- . A, 2-7
Light Kit Flsh 800L Cab, 3-5
Light Kit Flsh 800L Ohg, 3-3
Light Kit Revl 800L Cab, 3-9
Light Kit Revl 800L Ohg, 3-7
Light Kit, Side Brush, 3-33
Light, Check Eng, Amb, 14vdc, 2-183
Light, Dome 12V, 4-47
Light, Flashing Amb 12v-re, 3-11
Light, Flashing, Amber, 12V-Re, 3-3, 3-5
Light, Indicator 14V Red 1.2x0.7, 2-183
Light, Rev. Amber 12v-re, 3-13
Light, Spot 12V, 32cp, 3-15
Light, Spot, 12VDC 55w, 3-33
Light, Rev. Amber 12V-Reworked, 3-7, 3-9
Link, 0.18, 1.5w 03.6l, 1/0.4h 1/0.3h, 2-103
Link, Connecting, 4-49
Link, Eccentric, 2-35
Link, Feedback En, 4-21
Link, Feedback, 4-11
Link, Tension 2.4L, 3-45
Linkage Kit, Governor, 2-59, 2-67
Lintel, Main, 2-15
Lintel, Rear, 2-15
Locknut, 5-23, 6-23
Lockwasher En, 4-3, 4-7, 4-13, 4-17
Louver, Adj, Heat-A/C, 3-41, 3-47, 3-57, 3-61
Lower Cover, 5-7, 6-7

M

Magnet, Drive Brush, 2-31
Maintenance Kit, 400HR 800/810 gas, 2-4
Maintenance Kit, 400HR 800/810 lpg, 2-4
Maintenance Kit, 800HR 800/810, 2-4
Maintenance Kit, Skirts 800, 2-4
Maintenance Kit, Skirts, 2-4
Manifold, Exhaust [2007], 2-65, 2-81
Manifold, Exhaust, 2-61, 2-63, 2-73, 2-78
Manifold, Gas, Relief, Valve, 2-111
Manifold, Intake [2007], 2-65, 2-81
Manifold, Intake, 2-61, 2-63, 2-73, 2-78
Manual Op/Mt 800G French, 3-84
Manual Control En, 4-21
Manual Op/Mt 800G Spanish, 3-84
Manual Pkg 800G, 3-84
Manual, Eng, Cd-Rom [Tier li, Gm3.0], 3-84
Manual, Service 800/810, 3-84
Manual, Service FD (Lrg) 2.3L, 3-84
Manual, Service FD (Lrg) 2.5L, 3-84
Manual, Service, Eng, [Gm 3.0L], 3-84
Mirror Assembly, 3-37
Mirror Kit, Side Brush, 3-37
Mirror, Convex, 0.50d, 3-37

Mirror, 8.0 Round, Convex, 3-37
Module Kit, Ignition, Replmt [Ford 2.3], 5-24
Module, Ecu, Gas [Gm 3.0l], 2-63
Module, Ecu, Gas [Gm3.0l 2007], 2-65
Module, Ecu, Lpg [Gm 3.0l], 2-77
Module, Ecu, Lpg [Gm3.0l 2007], 2-81
Module, 7-5
Molding, Trim (Gasoline only), 4-47
Molding, Trim 11-14Ga 4.0, 2-145
Molding, Trim 11-14Ga 15.75, 2-13
Molding, Trim 11-14Ga 5.75, 2-13
Molding, Trim 16Ga&Thinnr 10.0, 2-13
Molding, Trim, Pvc, .08-.11 01.0l, 2-7
Molding, Trim, Pvc, .08-.11 08.5l (Gas only), 2-13
Molding, Trim, Pvc, .18-.31 01.5l, 4-51
Motor, Ele, Geared, 12Vdc, 3-79
Motor, Electric, 13.6 Vdc, 2-35
Motor, Hyd Gear In 17.9 B 1500 (See Breakdowns), 3-27
Motor, Hyd, (See Breakdowns), 2-163
Motor, Hyd, Gear, [In] 29.9 B 3000, 4-31
Motor, Hydraulic, 4-32, 4-33, 4-34, 4-35
Motor, Propelling, 4-27, 4-29
Motor, Starting, Perm Mag, 12V, 5-9, 6-9
Motor, Wiper 12V, 4-47
Motor-Hyd Gear (See Breakdowns), 2-139
Motor-Hyd Gear Ex (See Breakdowns), 2-179
Motor-Hyd Gear In (See Breakdowns), 2-139, 2-171
Motor-Hyd, Gear In 10.0 (See Breakdowns), 2-129, 2-131, 2-133
Mount, Cable Tie, 3-41, 3-47, 3-81
Mount, Filter, Remote, 2-57
Mount, Tie, 3-15
Muffler, Catalytic [Gm 1.6/3.0], 2-101
Muffler, Catalytic [Gm 3.0l 2007], 2-103
Muffler, Exhaust, 2-97, 2-99, 3-83

N

Nozzle, 7-11
Nut En, 4-3, 4-7, 4-13, 4-17
Nut Low Crown .62-18, 2-167
Nut M8-1.25, 5-15, 6-15
Nut, Adjustable, Lpg Tank Mtg, 2-113, 2-115, 2-117, 2-119
Nut, Cart., LNG CP, 4-43
Nut, Cart., LNG., 4-38
Nut, Cart., SHT CP, 4-43
Nut, Cart., Sht, 4-39
Nut, Conn Rod, 7-7
Nut, Conrod-8, 5-22, 6-22
Nut, Flanged, .38-24, 2-51
Nut, Flng, M8, 2-81
Nut, Hex Lock m06, 2-31
Nut, Hex Lock m10, 2-167, 3-23
Nut, Hex, Flange, 2-167, 3-23
Nut, Hex, Flng, .38-16, 2-65, 2-81
Nut, Hex, Flng, M05 X 0.8, 2-71
Nut, Hex, Flng, M08 X 1.25, 2-43, 2-45, 2-47
Nut, Hex, Flng, M10 X 1.5, 2-163, 2-168, 2-171, 3-23, 3-28, 3-51
Nut, Hex, Flng, M10 X 1.50, 2-9, 2-11
Nut, Hex, Flng, M12 X 1.75, 2-137, 2-171
Nut, Hex, Flng, M6 X 1.0, 2-129, 2-131, 2-133, 2-147, 2-159
Nut, Hex, Flng, M6 X 1.00, 2-19, 2-117, 2-119, 2-164, 3-27
Nut, Hex, Flng, M8 X 1.25, 2-27, 2-53, 2-55, 2-91, 2-95, 2-117, 2-119, 2-135, 3-67
Nut, Hex, Jam, .25-28, 2-147
Nut, Hex, Lock, .25-20, NI, Ss, 2-147
Nut, Hex, Lock, .25-20, NI, 2-57, 2-111
Nut, Hex, Lock, .31-24, NI, 3-33
Nut, Hex, Lock, .38-16, NI, Ss, 3-51
Nut, Hex, Lock, .38-16, NI, 2-43, 2-45, 2-47, 2-53, 2-55, 2-117, 2-119, 2-129, 2-131, 2-133, 2-171, 2-179, 3-51, 3-55, 3-67, 3-69
Nut, Hex, Lock, .50-13, NI, Ss, 2-171
Nut, Hex, Lock, .50-13, NI, 2-139, 2-163, 3-27
Nut, Hex, Lock, .75-10, NI, 2-139
Nut, Hex, Lock, M 6 X 1.0, NI, 2-135
Nut, Hex, Lock, M06 X 1.0, NI, 2-17, 2-19
Nut, Hex, Lock, M08 X 1.25, NI, 3-33
Nut, Hex, Lock, M10 X 1.5, NI, 2-31, 2-48, 2-129, 2-131, 2-133, 2-147, 2-164, 2-168, 2-177, 3-23, 3-28, 3-52, 3-55
Nut, Hex, Lock, M10 X 1.5, Ss, 3-51, 3-55
Nut, Hex, Lock, M12 X 1.75, NI, 2-43, 2-45, 2-47, 2-48
Nut, Hex, Lock, M16 X 2.0, NI, 3-24
Nut, Hex, Lock, M6 X 1.0, NI, 2-35, 2-89, 2-93, 2-167, 3-23
Nut, Hex, Lock, M6 X 1.0, Ss, NI, 2-147
Nut, Hex, Lock, M6 X 1.00, NI, 2-9, 2-11, 2-127, 2-177
Nut, Hex, Lock, M8 X 1.25, NI, Ss, 2-27
Nut, Hex, Lock, M8 X 1.25, NI, 2-27, 2-91, 2-95, 2-117, 2-119, 2-129, 2-131, 2-133, 2-163, 2-168, 2-171, 2-177, 3-24, 3-28, 3-51, 3-55, 3-69
Nut, Hex, Lock, 3-17
Nut, Hex, M10 X 1.50 [Stover], 2-103
Nut, Hex, Std, .25-20, 2-65, 2-81, 2-101, 2-103
Nut, Hex, Std, .31-18, Ss, 3-37
Nut, Hex, Std, .31-18, 2-21, 2-129, 2-131, 2-133, 2-179
Nut, Hex, Std, .38-16, 2-99, 2-101, 2-103
Nut, Hex, Std, .44-14, 5, 2-9, 2-11
Nut, Hex, Std, .62-18, 2-175
Nut, Hex, Std, #10-24, 2-43, 2-45, 2-47
Nut, Hex, Std, M05 X 0.8, 2-43, 2-45, 2-47, 2-115
Nut, Hex, Std, M08 X 1.25, 3-51
Nut, Hex, Std, M10 X 1.5, Ss, 2-163, 3-28
Nut, Hex, Std, M10 X 1.5, 2-163, 3-28

Nut, Hex, Std, M12 X 1.75, Ss, 2-15
 Nut, Hex, Std, M12 X 1.75, 2-17, 2-19, 2-27
 Nut, Hex, Std, M4 X 0.7, 8, 2-109
 Nut, Hex, Std, M4 X 0.70, 8, 2-111
 Nut, Hex, Std, M5 X 0.8, 8, 2-109
 Nut, Hex, Std, M5 X 0.80, 8, 2-111
 Nut, Hex, Std, M8 X 1.25, 2-19, 2-163, 3-24, 3-28
 Nut, Hex, Stover, M10 X 1.5, 2-101
 Nut, Jam, 4-3, 4-7, 4-13, 4-17
 Nut, Low Crown, .62-18, 2-175
 Nut, M6, 5-7, 6-7
 Nut, Motor, Hyd, 4-31
 Nut, Slotted Hex, 4-32
 Nut, Valve, Cartridge, 4-70, 4-72, 4-73
 Nut, Wheel Lug, 9/16-18, 2-141
 Nut, Wheel Lug, 2-139
 Nut, Lock-Special 2.16-18Uns, 2-139
 Nut, M10, 5-11, 6-11
 Nut, Wing .44-20 Special, 2-85, 2-87, 2-89, 2-93
 Nut&Washer, M8, 5-9, 6-9
 Nut-hx Jam M20x1.5 4 Pltd, 2-181
 Nut-Hxlocnyln .31-24 Reg Pltd, 2-129, 2-131, 2-133
 Nut-Hxslot 1.00-20 Pltd, 2-141
 Nut-Low Crown .50-20 Pltd, 2-177
 Nut, 2-61, 2-63, 2-73, 2-77, 4-27, 4-29, 7-3, 7-9

O

O-Ring Gland, 2-149
 O-Ring, Water Pump Adaptor, 5-23, 6-23
 O-Ring, 2.375, 5-11, 6-11
 O-Ring-2.250, 5-11, 6-11
 Oil Pan Assy, 5-11, 6-11
 Oil Pan Spacer, 5-11, 6-11
 Oil Pan, 7-9
 Oil Pickup Tube, 5-11, 6-11
 Oil Plug, 5-11, 6-11
 Oil Pmp Sprkt, 5-11, 6-11
 Oil Pump, 5-11, 6-11
 Oil Seal, Front, 5-5, 5-13, 5-19, 6-5, 6-13, 6-19
 Orifice, Valve En, 4-3, 4-7, 4-13, 4-17
 Outer Cover, 5-7, 6-7
 Outlet For engine serial numbers (004937-006999), 7-3
 Output Shaft Assembly, 4-32

P

Pad, Tread, 2-7, 2-147
 Pad, 2-145
 Paddle Handle, 4-49
 Pane Assy, Glass, Sliding, Cab Lh, 4-47
 Pane Assy, Glass, Sliding, Cab, Door, 4-49
 Pane, Glass, Cab, Front, 4-47
 Pane, Glass, Cab, Rear, 4-47

Pane, Glass, Door Front, 4-49
 Pane, Glass, Door, Rear, 4-49
 Pane, Glass, Windshield, 4-47
 Panel Wldt w/label, 2-13
 Panel Wldt, Access Floor, 2-147
 Panel Wldt, Cover Engine, 2-15
 Panel Wldt, Fender, Lh, 2-31
 Panel Wldt, Fender, Rh, 2-31
 Panel Wldt, Hopper, Floor, LH, 3-20
 Panel Wldt, Hopper, Floor, RH, 3-20
 Panel Wldt, Rear, Lh, 2-7
 Panel Wldt, Rear, Rh, 2-7
 Panel Wldt, Shaker, 2-35
 Panel, Air Conditioning, 2-13
 Panel, Bottom, Hopper, Rh, 2-27
 Panel, Corner, Eng Cover, 2-15
 Panel, Cover, Access, 2-13
 Panel, Cover, Corner, 2-15
 Panel, Cover, Dash, 2-183
 Panel, Cover, 3-71
 Panel, Deflector, Dirt, Lh, 2-27
 Panel, Deflector, Dirt, Rh, 2-27
 Panel, Fuel Inlet w/label, 2-13
 Panel, Fuel, Inlet, Lpg, 2-13
 Panel, Headlight, 2-31
 Panel, Hopper, Bottom, Lh, 2-27
 Panel, Louver, 2-17
 Panel, Permafilter, Upper, 2-27
 Panel, Support, Seat, 2-13
 Panel, Vacuum Duct, 2-15
 Panel, 3-3, 3-5, 3-7, 3-9
 Pcv Vlv Asy, 5-3, 6-3
 Pedal Wldt, Propel Lower W/tread, 2-147
 Pedal Wldt, 2-145
 Pedal, Upper W/tread, 2-147
 Pedestal Wldt, Light, 3-11, 3-13
 Pin Assy, .312X3.0 W/Lanyard, 3-27
 Pin Assy, Side Brush W/clip, 2-163
 Pin Assy, Spring, 4-49
 Pin Weldt., 2-23
 Pin Wldt., 2-25
 Pin Wldt, Latch, 2-31
 Pin, 1.00 Odx 4.50, Drilled, 2-25
 Pin, 1.25 Odx 3.50, Grooved, 2-25
 Pin, 1.250 Od X 4.50, 2-25
 Pin, 1.500 ODx7.81, Drilled, 2-23
 Pin, 1/4X.32, 5-19, 6-19
 Pin, Clevis .18 Dia.X .62 Lg, 2-161
 Pin, Clevis .25 Dia, 1.000 Lg., 2-147
 Pin, Clevis .31 Dia X 4.50 Lg, 2-147
 Pin, Clevis .375D X 1.000 Lg, 2-145
 Pin, Clevis .375D X 1.312 Lg, 2-147
 Pin, Clevis .50 Dia X 2.25 Lg, 2-29
 Pin, Clevis .50 Dia X 4.50 Lg, 2-147
 Pin, Clevis, 0.31 D X 0.75l, 2-129
 Pin, Clevis, 2-147
 Pin, Cntrl Assy En, 4-21
 Pin, Cotter .094X1.00, 2-167
 Pin, Cotter .125 X 0.75, 2-147
 Pin, Cotter .125 X 2.00, 2-141
 Pin, Hair Cotter, 0.69 D .092 Wir, 2-129
 Pin, Haircotter .31D .058Wire, 2-147
 Pin, Haircotter .31d .058wire, 2-161

Pin, Headed En, 4-21
 Pin, Headed, 4-11
 Pin, Hitch .50D X 1.50L, 2-7
 Pin, Latch, 4-49
 Pin, Retainer, 2-77
 Pin, Roll, 2-41
 Pin, Clevis, 0.37 Dia.X 2.12 Lg, 2-167, 3-23
 Pin, Clevis, 0.50 Dia.X 2.00 Lg, 2-173
 Pin, Clevis, 0.50 Dia.X 3.50 Lg, 2-161
 Pin, Roll, 18Odx1.62L., 187/.192, 3-71
 Pin, 2-23, 2-29, 2-163, 3-27, 4-37, 7-5, 7-7, 7-9, 7-11
 Pipe Wldt, Exhaust, Gas/Lpg, 2-97
 Pipe, 2-73
 Piston Pin, 6-22
 Piston, .020" O.S., 7-7
 Piston, Hi-limit, 7-7
 Piston, Servo, 4-3, 4-7, 4-13, 4-17
 Piston, Std., 5-22, 6-22
 Piston, STD, 7-7
 Piston, 4-31
 Pivot Wldt, Wheel, 2-139
 Planet Bearing, 5-9, 6-9
 Plate & Brg, 5-9, 6-9
 Plate Kit, 7-12
 Plate Wldt., 2-113, 2-115, 2-117, 2-119
 Plate Wldt, Inlet, Fuel (LPG Only), 3-35
 Plate Wldt, Skirt, 3-73
 Plate Wldt, Vac Door, 3-71
 Plate Wldt, 2-167, 3-23
 Plate, Adapter, 4-23
 Plate, Adaptor, 4-25
 Plate, Adj, Brush, 2-175
 Plate, Angle, 2-163, 2-167, 3-23, 3-27
 Plate, Back, Pump, Hyd, 4-25
 Plate, Back, 4-23
 Plate, Backing, 4-61
 Plate, Circuit Breaker, 2-184
 Plate, Cover En, 4-3, 4-7, 4-13, 4-17
 Plate, Cover, 2-27, 2-167
 Plate, Drive, 2-43, 2-45, 2-47
 Plate, Front, Pump, Hyd, 4-25
 Plate, Front, 4-23
 Plate, Guide, Bumper, 2-7
 Plate, Injector Mtg, W/ Screw, 4-63, 4-65, 4-67, 4-69
 Plate, Latch, 3-71
 Plate, Link, 2-23
 Plate, Motor, Hyd, 4-31
 Plate, Mounting, Rfs Control, 3-79
 Plate, Mounting, Tank, Gas, 2-105
 Plate, Mounting, Vac Door, 3-71
 Plate, Mounting, Water Pump, 3-29
 Plate, Mtg, Check Valve, 3-27
 Plate, Mtg, Latch, 2-171
 Plate, Mtg, Relay, 2-184
 Plate, Mtg, Steering Boot, 2-181
 Plate, Mtg, Switch, A/C, 3-41, 3-47, 3-57, 3-61
 Plate, Mtg, Tank, Gas, 2-107, 2-109, 2-111
 Plate, Mtg, Valve, Solenoid, 2-159

CROSS REFERENCE

Plate, Mtg, W/ Screw, [Ecu], Gas, 4-67
Plate, Mtg, W/ Screw, [Ecu], Lpg, 4-63
Plate, Mtg, 2-113, 2-115, 2-117, 2-119
Plate, Pin Retainer, 2-23, 2-25
Plate, Pivot, Wheel, 2-139
Plate, Retainer, Foam, 2-179
Plate, Retainer, 3-73
Plate, Seal, 2-171
Plate, Shield, Heat, W/Label, 2-123, 2-125
Plate, Shield, Heat, 2-53, 3-51, 3-67
Plate, Shutter, 3-79
Plate, Side Brush Roller, 2-167
Plate, Side Brush, Roller, 3-23
Plate, Spacer, Mtg, Eng 2.3Fd, 2-41
Plate, Spacer, 2-25
Plate, Spring - Side Brush, 2-177
Plate, Striker, 2-21
Plate, Support, Cover Se, 2-15
Plate, Vac Fan, 2-177
Plate, Valve, Motor, Hyd, 4-31
Plate, Wear, 4-37
Plate-Cover, 2-167
Plate, 2-61, 2-73, 2-147, 2-167, 3-23, 3-71, 3-73, 4-27, 4-29, 4-49, 5-19, 6-19
Plug .06 O/S, 5-3, 6-3
Plug & O-Ring En, 4-41
Plug #2, 4-43
Plug #8, 4-3, 4-7, 4-13, 4-17
Plug 1/4 Npt, 5-3, 5-6, 6-3, 6-6
Plug 3/8 NPT, 5-15, 6-15
Plug 3/8 Npt, 5-3, 6-3
Plug Assembly En, 4-41
Plug Assembly, 4-27, 4-29
Plug Assy,Byd En, 4-41
Plug Assy, 4-31
Plug En, 4-5, 4-9, 4-15, 4-19, 4-21
Plug Gage #4, 4-43
Plug Gage #6, 4-41, 4-43
Plug S/A En, 4-3, 4-7, 4-13, 4-17
Plug Weld, Brush Drive, Sweep, 2-171
Plug Wldt, Idler, 2-171
Plug, #2 O-Ring, 4-39
Plug, 1.50 Cup, 5-3
Plug, 1/2Npt, 5-15, 6-15
Plug, Control Box, 2-59, 2-67
Plug, Drain, 3-71
Plug, Hole, Injector, 2-81
Plug, O-Ring, 4-25, 4-29
Plug, O-ring, 4-23
Plug, Plstc, Sq, 4-59, 4-61
Plug, Rbr, Rnd, 4-59, 4-61
Plug, Tube, 2-171
Plug,#12 O-Ring Ph, 4-3, 4-7, 4-13, 4-17
Plug,1.50 Cup, 5-6, 6-6
Plug-Std 2.078, 5-3, 6-3
Plug, 4-11, 4-31, 5-7, 5-19, 6-7, 6-19, 7-3, 7-7, 7-9
Plugbtn .62H .03-.12 Blacknyl, 2-184
Plugbtn .62H .03-.12 Blacknyl, 4-57
Plugbtn .75h .03-.12 Blacknyl, 2-13

Plugbtn .88H .03-.12 Blacknyl, 4-57
Plugbtn 1.25h .12 Max Blacknyl, 2-13
Plugbutton .88H .03-.12 Blacknyl, 2-15
Plugbutton, 2-13, 2-183, 3-19
Plunger En, 4-41
Pole Piece, 7-5
Poppet En, 4-5, 4-9, 4-15, 4-19, 4-41
Poppet, Pump, Hyd, Gear, 4-31
Poppet, 4-31
Pulley - Cable, 1.5 Dia, 3-23
Pulley Assy, Cable, 1.5 Dia, 2-167
Pulley, Alternator, 2-39
Pulley, Fan, 2-51, 2-53, 2-55
Pump, Fuel, Gas, 2-107
Pump, Fuel, Hi Press [Gm 1.6l/3.0l], 2-111
Pump, Fuel, Hi-Press [Gm 1.6l/3.0l], 2-109
Pump, Fuel, 2-105
Pump, Hyd Piston V 2.48 (See breakdowns), 3-82
Pump, Hyd, Gear, [Ex3] 0.66 [R] 3000, 4-25
Pump, Hyd, 4-23
Pump-Hyd Gear Ex (See Breakdowns), 2-149
Pump-Hyd Piston V (See Breakdowns), 2-149
Pump, 7-9

R

Race, Bearing Ce, 4-3, 4-7, 4-13, 4-17
Race, Bearing, 4-37
Race, Thrust, 4-32, 4-33
Radiator, 2-129, 2-131, 2-133
Rear Plate, 5-17, 6-17
Rectifier, 2-39
Regulator [Ep], 2-81
Regulator, 2-39, 2-73
Reinforcement, 7-3
Relay 12Vdc 40A Spdt, 3-11, 3-13
Relay, 12vdc, 20a, Spdt, 2-217, 2-219
Relay, 12vdc, 40a, Spdt N/O, 3-41, 3-47, 3-57, 3-61
Relay, 12vdc, 40a, Spdt, 2-217, 2-219
Relay, Shrouded, 12 Vdc, 2-184, 3-79
Relay, Shrouded, 12V, 3-3, 3-5, 3-7, 3-9
Relief Valve Sa En, 4-5, 4-9, 4-15, 4-19
Repair Info, Motor, 4-29, 4-33
Repair Info, Pump, 4-23
Repair Info,Mtr Cl, 4-31
Repair Info,Pmp En, 4-5, 4-9, 4-15, 4-19
Repair Info,Scu Cl, 4-37
Replacement Kit, Rh. Side Brush Cable, 2-163
Replacement Kit, Roller, Side Brush Lift, 2-167, 3-23
Replacement Kit, Side Brush Cable, Lh, 3-27
Replm Kit, Case, 2-183
Replm Kit, Cir Board, 2-183
Replm Kit, Flywheel, 5-17
Replm Kit, Hourmeter, 2-183
Replm Kit, Instr Panel, 2-183
Replm Kit, Lamp, Backlighting (Set of 8), 2-183
Replm Kit, Lamp, Fault (Set of 8), 2-183
Replm Kit, Seal, 2-183
Replm Kit, Touch Panel, 2-183
Restrictor, Jet, Coolant, 2-77
Retainer, Front, Motor, Hyd, 4-31
Retainer, Frt, 4-27, 4-29
Retainer, 5-9, 6-9, 7-5
Retaining Ring-External, 1.25D, 2-25
Retaining Ring, 5-9, 6-9
Retaining Rng En, 4-41
Retnr.Gear, 5-9, 6-9
Rfs Kit, 3-79
Ring Kit, .030" O.S., 7-7
Ring Kit, Std, 7-7
Ring Set, Std., 5-22, 6-22
Ring Wldt, Mtg, Filter, 2-35
Ring Wldt, Shaker, 2-35
Ring, Isolator, Outer Rbr, 2-129, 2-131, 2-133, 2-177
Ring, Isolator, Outer, Rbr, 2-35
Ring, Rear Window, 4-47
Ring, Retainer, Lock, 2-139
Ring, Retainer, 4-37
Ring, Retaining En, 4-5, 4-9, 4-15, 4-19, 4-21
Ring, Retaining, Ex 1.5 Dia Hd, 2-23
Ring, Retaining, Ext 1.12, 2-35
Ring, Retaining, 4-11
Ring, Rubber, 2-85, 2-87, 2-89, 2-93
Ring,Retain,Ex,0.50 Stl Steel, 2-147
Ring,Retain,Ex,0.50Od,Heavy Dt, 2-181
Ring-Drv.Stop, 5-9, 6-9
Ring, 2-161, 7-12
Rivet, Blind, .125d X 0.32 X .25d, Stl, 3-79
Rivet, Plastic .250Dx.898, 2-181
Rivet, Plastic .325D X .787, 2-13
Rivet, Plastic, 2-9, 2-11, 3-35
Rivet, Pop, 2-17
Rod End .250-28 .25Dia, 2-147
Rod Wldt, Push, Brake, 2-145
Rod, Hanger, Isolator, 2-101, 2-103
Rod, Latch, Steering, Tilt, 2-181
Rod, Seat, 2-13
Rod, Support Cover, 2-15
Rod, Thrd, 2 End .50-13 05.75, 2-173
Rod, Thread, 2-167, 2-175
Rod-End, .25-28rh Fem 0.25b [Teflon], 2-147
Rod-Thrd, Full .25-28, 2-147
Rod-Thread, 2End M08X1.25X10Lg, 2-145
Rod, 5-19, 6-19, 7-3
Roll Pin En, 4-5, 4-9, 4-15, 4-19
Rotating Kit, 4-3, 4-7, 4-13, 4-17
Rotator, 7-3
Rotor, 7-5

S

Scr Flt M8x1.25 20, 2-159
 Scr Hex .38-16X0.75, 2-181
 Scr Soc M6x1.0 20, 2-59, 2-67
 Scr&Wash M6, 5-19, 6-19
 Scr&Wsh,M6X15.0M, 5-21, 6-21
 Scr&Wsh,M6X22.5, 5-7, 6-7
 Scr-Hxfmgm 5X0.8 16 pltd, 2-15
 Scr-Hxfmgm 6x1.0 12 Pltd, 3-35
 Scr-Shld .500Dx0.50L .38-16, 2-7
 Scr-soc .50-13x2.75 Alloypltd, 2-139
 Scr-soc M12x1.75 60, 2-139
 Screen Kit, Door, Side, Modif, 2-19
 Screen, Filter, 2-35
 Screen, Muffler, 2-97, 2-99
 Screen, w/Suction Pipe, 7-9
 Screen, w/Tube, 7-9
 Screw Flt, 2-179
 Screw Set M 6X1.020, 2-161
 Screw, .38-16 X 1.00, 2-65, 2-81
 Screw, .38-24 X 4.0, 2-51
 Screw, Cap En, 4-3, 4-5, 4-7, 4-9, 4-13, 4-15, 4-17, 4-19
 Screw, Cap, Motor, Hyd, 4-25, 4-31
 Screw, Cap, 4-3, 4-7, 4-13, 4-17, 4-23, 4-27, 4-29
 Screw, Flt, .50-13 X 2.00, Al, 2-163, 3-27
 Screw, Flt, M10 X 1.5 X 25, 10.9, 2-163, 3-28
 Screw, Flt, M10 X 1.5 X 35, 10.9, 2-163, 3-28
 Screw, Flt, M5 X 0.8 X 16, 10.9, 2-171
 Screw, Flt, M8 X 1.25 X 30, Ss, 2-27
 Screw, Hex m06, 3-37
 Screw, Hex m08, 2-167, 3-23
 Screw, Hex m10, 2-167, 3-23
 Screw, Hex, .25-20 X 0.50, 5, 2-43, 2-45, 2-47
 Screw, Hex, .25-20 X 0.50, G5, 2-65, 2-81
 Screw, Hex, .25-20 X 0.75, 5, 2-73
 Screw, Hex, .25-20 X 0.75, G5, 2-65, 2-81
 Screw, Hex, .25-20 X 0.75, NI, 2-9, 2-11, 2-19
 Screw, Hex, .25-20 X 1.00, 5, 2-57, 2-147
 Screw, Hex, .25-20 X 1.25, G5, 2-65, 2-81
 Screw, Hex, .31-09 X 1.25, Wood, 2-5
 Screw, Hex, .31-18 X 0.75, 5, 2-43, 2-45, 2-47, 2-123, 2-125
 Screw, Hex, .31-18 X 1.00, 5, 2-53, 2-55
 Screw, Hex, .31-18 X 1.25, 5, 2-51
 Screw, Hex, .31-24 X 0.75, 5, 2-51, 2-53, 2-55
 Screw, Hex, .38-16 X 0.62, 5, 7-5
 Screw, Hex, .38-16 X 0.75, 5, 2-53, 2-55, 3-67
 Screw, Hex, .38-16 X 1.00, 5, 2-43, 2-45, 2-47, 2-53, 2-55, 3-67
 Screw, Hex, .38-16 X 1.00, NI, 2-164, 3-28
 Screw, Hex, .38-16 X 1.25, 5, 2-147

Screw, Hex, .38-16 X 1.25, G5, 3-55
 Screw, Hex, .38-16 X 2.00, 5, 2-129, 2-131, 2-133
 Screw, Hex, .38-16 X 2.00, Fl, 2-43
 Screw, Hex, .38-16 X 2.25, 5, 2-51, 2-53, 2-55, 3-51, 3-67
 Screw, Hex, .38-16 X 2.50, G5, 3-55, 3-69
 Screw, Hex, .38-16 X 3.00, G5, 2-117, 2-119
 Screw, Hex, .38-16 X 4.00, 5, 2-53, 2-55, 3-51, 3-67
 Screw, Hex, .38-16 X 4.00, G5, 2-117, 2-119, 3-55, 3-69
 Screw, Hex, .38-24 X 1.50, 5, 3-51
 Screw, Hex, .38-24 X 1.50, G5, 3-55
 Screw, Hex, .50-13 X 3.50, 5, 2-171
 Screw, Hex, .62-18 X 0.31, 2-45, 2-48
 Screw, Hex, .75-10 X 2.50, G5, 2-139
 Screw, Hex, #08-32 X 0.38, Ss, 3-79
 Screw, Hex, #08-32 X 0.38, Tcut, 2-103
 Screw, Hex, #10-24 X 0.50, Ss, 2-53, 2-55
 Screw, Hex, 10-24 X 0.50, Ss, 3-79
 Screw, Hex, M 8 X 1.25 X 40, Fl, 3-51
 Screw, Hex, M05 X 0.8 X 25, Ss, 2-115
 Screw, Hex, M06 X 1.0 X 16, 8.8, 2-71
 Screw, Hex, M08 X 1.00 X 16, 10.9, 2-41
 Screw, Hex, M08 X 1.25 X 20, 8.8, 3-33
 Screw, Hex, M08 X 1.25 X 25, 8.8, 2-43, 2-45, 2-47
 Screw, Hex, M10 X 1.5 X 30, 8.8, 2-101
 Screw, Hex, M10 X 1.5 X 45, 8.8, 2-101
 Screw, Hex, M10 X 1.5 X 100, 8.8, 3-51
 Screw, Hex, M10 X 1.5 X 110, 8.8, 3-55
 Screw, Hex, M10 X 1.5 X 120, 8.8, Fl, 3-51
 Screw, Hex, M10 X 1.5 X 130, 8.8, 3-51
 Screw, Hex, M10 X 1.5 X 20, Ss, NI, 2-23, 2-25
 Screw, Hex, M10 X 1.5 X 20, Ss, 2-163, 3-27
 Screw, Hex, M10 X 1.5 X 25, 8.8, 2-9, 2-11, 2-164, 2-168, 2-171, 3-23, 3-28, 3-52
 Screw, Hex, M10 X 1.5 X 25, Ss, NI, 2-164, 3-28
 Screw, Hex, M10 X 1.5 X 25, Ss, 2-35
 Screw, Hex, M10 X 1.5 X 30, 8.8, 2-48
 Screw, Hex, M10 X 1.5 X 35, 8.8, 2-35, 2-48, 2-103, 2-163, 2-168, 3-23, 3-28
 Screw, Hex, M10 X 1.5 X 40, 8.8, 2-147
 Screw, Hex, M10 X 1.5 X 45, 8.8, 2-103
 Screw, Hex, M10 X 1.5 X 50, 8.8, 2-177, 3-49, 3-63
 Screw, Hex, M10 X 1.5 X 60, 8.8, 2-137
 Screw, Hex, M10 X 1.5 X 80, 8.8, 2-168, 3-24
 Screw, Hex, M10 X 1.5 X 90, 8.8, Fl, 3-28
 Screw, Hex, M10 X 1.5 X 90, 8.8, 2-31, 2-168, 3-24
 Screw, Hex, M10 X 1.50 X 25, 8.8, 3-55

Screw, Hex, M12 X 1.75 X 60, 8.8, 2-43, 2-45, 2-47
 Screw, Hex, M12 X 1.75 X 30, 8.8, 2-171
 Screw, Hex, M12 X 1.75 X 35, 8.8, 2-48, 2-171
 Screw, Hex, M12 X 1.75 X 40, 8.8, 2-137
 Screw, Hex, M12 X 1.75 X 60, 8.8, 2-27
 Screw, Hex, M16 X 2.0 X 70, 8.8, Fl, 3-24
 Screw, Hex, M20 X 2.5 X 60, 8.8, 2-139
 Screw, Hex, M20 X 2.5 X 70, 8.8, 2-139
 Screw, Hex, M4 X 0.7 X 6, 8.8, 3-51, 3-67
 Screw, Hex, M4 X 0.7 X 6, 8.8, 3-55, 3-69
 Screw, Hex, M4 X 0.70 X 12, 8.8, 3-15
 Screw, Hex, M6 X 1.0 X 35, 8.8, 2-135
 Screw, Hex, M6 X 1.0 X 10, 8.8, 2-127
 Screw, Hex, M6 X 1.0 X 12, Fmg, 2-27, 3-79
 Screw, Hex, M6 X 1.0 X 16, 8.8, 2-117, 2-119
 Screw, Hex, M6 X 1.0 X 20, 8.8, NI, 2-31, 2-171
 Screw, Hex, M6 X 1.0 X 20, 8.8, 2-19, 2-131, 2-133, 2-147, 2-159, 2-167, 2-177
 Screw, Hex, M6 X 1.0 X 20, Fmg, 2-163, 3-27, 3-47, 3-49, 3-61, 3-63
 Screw, Hex, M6 X 1.0 X 25, 8.8, 2-9, 2-11, 2-89, 2-93, 2-127, 2-164, 3-28
 Screw, Hex, M6 X 1.0 X 35, 8.8, 2-9, 2-11
 Screw, Hex, M6 X 1.0 X 35, Ss, 2-147
 Screw, Hex, M6 X 1.0 X 45, 8.8, 2-65
 Screw, Hex, M6 X 1.0 X 50, 8.8, 2-91, 2-95, 2-111
 Screw, Hex, M6 X 1.0 X 60, 8.8, 2-167, 3-23
 Screw, Hex, M8 X 1.25 X 16, 8.8, 2-101
 Screw, Hex, M8 X 1.25 X 20, 8.8, 2-101, 2-135, 3-51
 Screw, Hex, M8 X 1.25 X 25, 8.8, 2-135, 3-51, 3-67
 Screw, Hex, M8 X 1.25 X 16, 8.8, 2-31, 2-53, 2-145, 3-67
 Screw, Hex, M8 X 1.25 X 20, 8.8, 2-19, 2-31, 2-103, 2-111, 2-117, 2-119, 2-129, 2-131, 2-133, 2-137, 2-167, 2-177, 3-23, 3-52
 Screw, Hex, M8 X 1.25 X 20, Ss, NI, 2-57, 2-147
 Screw, Hex, M8 X 1.25 X 20, Ss, 2-27
 Screw, Hex, M8 X 1.25 X 25, 8.8, 2-129, 2-131, 2-133, 3-67
 Screw, Hex, M8 X 1.25 X 25, Ss, 2-168, 3-23
 Screw, Hex, M8 X 1.25 X 30, 8.8, 2-103, 2-177, 3-23, 3-51
 Screw, Hex, M8 X 1.25 X 30, Ss, 2-27
 Screw, Hex, M8 X 1.25 X 40, 8.8, Fl, 3-55, 3-69
 Screw, Hex, M8 X 1.25 X 40, 8.8, 2-163, 3-28

CROSS REFERENCE

- Screw, Hex, M8 X 1.25 X 60, 8.8, 2-168, 2-171, 3-24
- Screw, Hex, M8 X 1.25 X 70, 8.8, 2-145
- Screw, M6 X 10mm, 2-65, 2-81
- Screw, Pan, #10-24 X 0.50, Fmg, 2-163, 3-28
- Screw, Pan, M 6 X 1.0 X 40, 4.8, 2-17, 2-19
- Screw, Pan, M04, 3-17
- Screw, Pan, m06, 2-31
- Screw, Pan, M5 X 0.80 X 10, 4.8, 3-79
- Screw, Pan, M6 X 1.0 X 20, 4.8, 2-35
- Screw, Set En, 4-21
- Screw, Set, 2-171, 4-11
- Screw, Soc, .38-16 X 1.00, Al, 2-65, 2-81
- Screw, Soc, .38-16 X 1.25, Al, 2-45, 2-47
- Screw, Soc, .38-16 X 2.25, G5, 2-45, 2-47
- Screw, Soc, #12-24 X 1.50, 2-81
- Screw, Soc, M6 X 1.00 X 70, 2-81
- Screw, M6X22.5mm, 5-7, 6-7
- Screw-Hex M10X1.5 90 Full Thd, 2-163
- Screw-Hex M10X1.5, 2-163
- Screw-Set M10 X 1.50 2045H, 2-147
- Screw, 2-51, 2-73, 4-33, 7-9
- Seal Cw, 4-47
- Seal Kit, 4-32, 4-33
- Seal Kit, Cart CP, 4-43
- Seal Kit, Cart., 4-38
- Seal Kit, Cart, 4-39
- Seal Kit, Cartridge, 4-70, 4-72, 4-73
- Seal Kit, Coil CP, 4-43
- Seal Kit, Coil, 4-38, 4-39
- Seal Kit, Cyl, Hyd, 4-45
- Seal Kit, Hyd Mtr Gear, 4-35
- Seal Kit, Motor, 4-27, 4-29
- Seal Kit, Pane, Cab, 4-47
- Seal Kit, Pane, Door, 4-49
- Seal Kit, Pump En, 4-3, 4-5, 4-7, 4-9, 4-13, 4-15, 4-17, 4-19
- Seal Kit, Rear, 4-29
- Seal Kit, Scu, 4-37
- Seal Kit, Shaft, 4-27, 4-29
- Seal Kit, Shaker Panel, 2-35
- Seal Kit, Vlv En, 4-41
- Seal Kit, Cntrl En, 4-21
- Seal Kit, Cntrl, 4-11
- Seal Kit, 4-34, 4-44
- Seal, 48.0 Lg., 2-13, 2-17, 2-19
- Seal, 7.00 Lg, 2-13
- Seal, Bearing, 2-181
- Seal, Boot, Steering Column, 2-181
- Seal, Brush Comp, Side, 2-4, 2-9, 2-11
- Seal, Brush Door, 2-9, 2-11
- Seal, Bulb, 90, 0.65d, 180.0l, 4-47
- Seal, Bulb, Sd-0504 19.75Lg, 2-15
- Seal, Bulb, Sd-0504 24.50Lg, 2-13
- Seal, Bulb, Sd-0504 28.00 Lg, 2-13
- Seal, Door, Brush, Lh, 2-9
- Seal, Door, Brush, Rh, 2-11
- Seal, Duct, 2-129, 2-131, 2-133
- Seal, Dust, 2-13, 2-27, 2-35
- Seal, Filter, 3-79
- Seal, Foam Rbr .19 .75W 8.43L, 3-71
- Seal, Foam Rbr, .19 .75W 47.1L, 3-71
- Seal, Foam, .06t .25w 34.0l, 3-39
- Seal, Foam, .06t .25w 42.0l, 3-39
- Seal, Foam, .06t .25w 54.0l, 3-39
- Seal, Foam, .06t .25w 76.0l, 3-39
- Seal, Foam, .06t .25w 84.0l, 3-39
- Seal, Foam, Urethane Covered, 2-27
- Seal, Handle, Valve, 2-183
- Seal, Hinge, Cab Rear Glass [800], 4-47
- Seal, O-Ring .787ldx.210Th, 3-79
- Seal, Org, .139 X 03.109 Id, 2-57
- Seal, Org, Sensor, Temp [Epr], 2-82
- Seal, Org, 2-77
- Seal, Pan, Top, 2-4, 2-7
- Seal, Rear Window, 4-47
- Seal, Rear, 5-5, 6-5
- Seal, Rod, Adjuster, 2-13, 2-175
- Seal, Ure, 0.38 0.75w 19.5l Adh, 2-129, 2-131, 2-133
- Seal, Urethane Covered Foam, 2-31
- Seal, Urethane, 3-35, 3-79
- Seal, Foam Rbr, .31 .75W 14.8L, 2-13
- Seal, Foam Rbr, .62 .62W 24.5L, 2-15, 2-17, 2-19
- Seal, Org, Lpg, Mixer [Gm 2007], 2-81
- Seal, Valve Stem, 5-5, 6-5
- Seal, 2-7, 2-13, 2-15, 3-71, 3-79, 5-9, 6-9, 7-11
- Sealant, [Rtv], 03.35oz, 7-7
- Sealant, [Rtv], 05.00oz, 7-7
- Sealer, 7-3, 7-5
- Sealing Kit, Operator Comp, 2-13
- Seat Belt Kit, 3-77
- Seat, Suspension, 2-13
- Send Unit, Temperature, 2-39
- Send Unit, 2-105
- Send-Unit, Fuel [800/810 2007], 2-111
- Send-Unit, Fuel, Ohm, 2-109
- Send-unit, Water, Temperature, .38npt, 2-61, 2-73
- Send-Unit, 2-107
- Sender, Filter, Hydraulic, 2-21
- Sending unit, Oil Press, 2-43, 2-45, 2-47
- Sensor [T Map], 2-65, 2-81
- Sensor, [Tmap], 2-63, 2-77
- Sensor, Exhaust, Tailpipe, 2-103
- Sensor, Manifold Press, 4-63, 4-65, 4-67, 4-69
- Sensor, Oxygen [Gm 1.6l/3.0l 2007], 2-103
- Sensor, Oxygen, 2-101
- Sensor, Speed, Timing Wheel [3.0l], 2-63, 2-77
- Sensor, Temp [Epr], 2-82
- Sensor, Temp, Coolant, 2-63, 2-77
- Sensor, Temp, Water, 2-61, 2-65
- Sensor, Temp, 2-63, 2-65, 2-77, 2-81, 4-63, 4-65, 4-67, 4-69
- Sensor, Water Temp, 2-73
- Sensor, Crnksft, 5-7, 6-7
- Separator, 5-3, 5-24, 6-3, 6-24
- Set Screw, 2-35
- Shaft and Brg, 4-27, 4-29
- Shaft Wldt, Main Brush, 2-171
- Shaft, Drive Sp En, 4-3, 4-7, 4-13, 4-17
- Shaft, Eccentric, 2-35
- Shaft, Idler, 2-171
- Shaft, Input En, 4-21
- Shaft, Input, 4-11
- Shaft, Motor, Hyd, 4-31
- Shaft, Pivot, 2-163, 3-27, 3-79
- Shaft, 3-71, 4-33, 7-5
- Shaker Bar Replacement Kit, 2-35
- Sheave, [3L], 1Grv, 03.5Pd 0.67B, 3-51, 3-67
- Sheave, 01grv, 03.5pd 0.67b [3l], 3-55, 3-69
- Sheave, Alternator, Se, 3-65
- Sheave, Aux, [Hc38], 1Grv 6.8od [Gm 3.0L], 3-51
- Sheave, Aux, 1grv, 06.8od [Gm3.0l, Hc38], 3-55
- Sheave, Eng Crank, Fd W/Tg 2Gr, 2-39
- Sheave, Water Pump, 5-23, 6-23
- Shft Asy, Output, 5-9, 6-9
- Shield Wldt, Heat, Manifold, 2-127
- Shield, Dust, 2-7, 2-43, 2-45, 2-47
- Shield, Heat, Alternator [2007], 2-55
- Shield, Heat, Alternator, Hd[800/810 07], 3-55, 3-69
- Shield, Heat, Manifold, 2-65, 2-81
- Shield, Heat, 2-61, 2-74, 2-101, 2-103
- Shield, 7-3
- Shim .003Th 0.88Odx0.506ld, 2-177
- Shim .005Th 0.88Odx0.506ld, 2-177
- Shim .010 Thk En, 4-41
- Shim .010Th 0.88Odx0.506ld, 2-177
- Shim .015 Thk En, 4-41
- Shim .020Th 0.88Odx0.506ld, 2-177
- Shim .035 Thk En, 4-41
- Shim .060Th 0.88Odx0.506ld, 2-177
- Shim, 4-31, 4-49
- Shims En, 4-5, 4-9, 4-15, 4-19
- Shoe, Brake, 4-59, 4-61
- Short Tube, 5-3, 6-3
- Shoulder Screw, 2-35
- Shroud, Fan, Radiator, W/ Label [800], 2-129, 2-131, 2-133
- Signal Turn, 3-17
- Skirt, Brush Door, 2-4, 2-9, 2-11
- Skirt, Cover, Sbdc, 3-73
- Skirt, Deflection, 3-73
- Skirt, Deflector, 2-27
- Skirt, Front, Indoor, 2-4, 2-9, 2-11
- Skirt, Lip, 2-27
- Skirt, Retainer, 3-73
- Skirt, Seal, Main Brush, 2-4, 2-7
- Skirt, 3-73
- Sleeve .438B 1.00D .35Stl, 3-23
- Sleeve, .259B .38D .62 Dom, 2-161
- Sleeve, .320B .32D .49 Lc Stl, 2-31
- Sleeve, .344B .50D .81 Cr.Anc, 2-145
- Sleeve, .375B .62D1.06 Stl, 2-139
- Sleeve, .375B .75D .32 Stl, 2-167, 3-23
- Sleeve, .385B .62D .62 Cd.Cad, 2-13

Sleeve, .408B .62D .53Stl, 2-147
 Sleeve, .438B 1.00D .35 Stl, 2-167
 Sleeve, 0.406B .750D .800Stl, 3-23
 Sleeve, 0.406B 0.75D1.80 Stl, 2-167, 3-23
 Sleeve, Alternator, 2-51, 2-53, 2-55, 3-55, 3-67, 3-69
 Sleeve, Bearing, 2-35
 Sleeve, Dashpo, Pump, Hyd, Gear, 4-31
 Sleeve, Hyd 30", 2-171
 Sleeve, Nyl 16.0 L, 2-21
 Sleeve, Nyl, #27 55.0l, 3-31
 Sleeve, Nyl, #33 65.0l, 3-43, 3-49, 3-59, 3-63
 Sleeve, Nyl, 37, 25.0l, 2-139
 Sleeve, Nylon #27 65.0L, 2-163
 Sleeve, Nylon #27 55.0l, 3-27
 Sleeve, P/M, 0.496d 0.318b 0.50l 430ss, 2-167
 Sleeve, P/M, 0.496d 0.318b 0.65l 430ss, 2-167
 Sleeve, Pivot, Door, 2-29
 Sleeve, Throttle [Bosch], Plstc, 2-77
 Sleeve, 0.406B .750D .800 Stl, 2-167
 Sleeve, 2-85, 2-87, 2-89, 2-93, 3-23
 Solenoid, Valve, Hyd, 36vdc, 4-70, 4-72, 4-73
 Solenoid, Valve, Hyd, 4-72, 4-73
 Solenoid, 5-9, 6-9
 Spacer En, 4-41
 Spacer Plate, 4-33
 Spacer, .25 L, 2-161
 Spacer, .75D .9L .25-28 Th, 2-147
 Spacer, .90L, 2-161
 Spacer, Brake, 2-145
 Spacer, Condenser, 4-53
 Spacer, Pane, Glass, 4-47
 Spacer, Sppt, Filter Lock Off, 2-77
 Spacer-.50 Od X .055W X 1.0, 2-145
 Spacer, 2-25, 2-61, 2-73, 2-129, 2-131, 2-133, 2-145, 2-163, 2-167, 2-177, 3-23, 3-27, 4-47, 5-15, 6-15
 Spark Plug Wires, 7-5
 Spark Plug-10 FD, 2-4
 Spark Plug, 5-24, 6-24
 Sparkplug [Gm 3.0], 2-4, 7-3
 Spindle, Adjustment, 2-15
 Spring En, 4-41
 Spring En, 4-5, 4-9, 4-15, 4-19, 4-41
 Spring Kit, 4-37
 Spring, Cntr En, 4-21
 Spring, Cntr, 4-11
 Spring, Comp, 2-163, 3-27
 Spring, Extension, 2-163, 3-27
 Spring, Gas 80 Lb, 3-37
 Spring, Motor, Hyd, 4-31
 Spring, Propel, Centering, 2-147
 Spring, Recirculation, 2-7
 Spring, Tens, 0.5Dx.06Wire 2.5L, 2-145
 Spring, Tension, 2-173, 5-19, 6-19
 Spring, Torsion, Rh, 2-163
 Spring, Torsion, 3-27
 Spring, Retainer En, 4-21

Spring, Retainer, 4-11
 Spring-Gas, Engine Cover, 2-31
 Spring, 2-35, 4-27, 4-29, 4-31, 4-59, 4-61, 7-3, 7-9
 Sprng, Comp, 0.62l dx. 06Wire 2.3L, 2-181
 Sprng, Comp, 0.83l dx. 07Wire 1.0L, 3-71
 Sprng, Comp, 0.87l dx. 10Wire 2.5L, 2-175
 Sprng, Tens, 0.965Odx. 09Wire 4.4L, 2-31
 Sprng, Tens, 1.00Odx. 09Wire 2.8L, 2-147
 Starter, 2-43, 2-45, 2-47
 Statnry Gear, 5-9, 6-9
 Std. Exh. Valve, 5-21, 6-21
 Std. Int. Valve, 5-21, 6-21
 Steer Control Hyd#4 04.5 1300, 4-37
 Steer Control, Hyd, 2-181
 Stem, Valve, Hyd, 4-70, 4-72
 Strain, Relief, 2-37, 3-79
 Strainer-Hyd Suction 25-100-03, 2-4, 2-157
 Strap Weldmt, Gas Tank, 2-105
 Strap Wldt, Tank, .06th X 1.0w, 37.7l, 2-107, 2-109
 Strap Wldt, Tank, 0.06 1.0w 37.7l, 2-111
 Strap, Hinge - Lp Tank Mtg, 2-113, 2-115, 2-117, 2-119
 Strap, Mounting, 2-59, 2-67
 Strap, Mtg.- Lp Tank, 2-113, 2-115, 2-117, 2-119
 Strap, Mtg, Filtr, Air, 7.17id, 2-91, 2-95
 Strap, Retainer, Seal, 2-4, 2-7
 Strap, Tank Retainer - Lp, 2-113, 2-115, 2-117, 2-119
 Strip, Edging, 2-7
 Strip, Hopper, 2-27
 Strip, Retainer, Bearing, 2-171
 Strip, Retainer, Brake Cable, 2-145
 Strip, Retainer, Seal, Lh, 2-9
 Strip, Retainer, Seal, Rh, 2-11
 Strip, Retainer, Seal, Side, 2-9, 2-11
 Strip, Retainer, Shield, Lh, 2-7
 Strip, Retainer, Shield, Rh, 2-7
 Strip, Retainer, Skirt, Front, 2-27
 Strip, Retainer, Skirt, 2-4, 2-9, 2-11, 3-73
 Strip, Spacer, 2-15
 Stud M12, 5-3, 6-3
 Stud, .003" O.S., 7-3
 Stud, .013" O.S., 7-3
 Stud, .38-16 X 1.2l, 2-63, 2-65, 2-81
 Stud, Adjustment, 3-71
 Stud, Wheel .56-18x2.13, 2-139, 2-141
 Stud, M6X61.8mm, 5-7, 6-7
 Stud, M8X51.0mm, 5-7, 6-7
 Stud, 2-61, 2-63, 2-73, 2-77, 2-78, 5-15, 5-23, 6-15, 6-23, 7-11
 Support Wldt, Sppt, Hopper Lh, 2-33
 Switch Assy, Pressure, Hyd, 2-159
 Switch Assy, Roller-no, 3-15
 Switch Ignition, 2-183
 Switch Rocker Spst, 2-167, 3-23
 Switch, 3 Pos, Blower, Heat, 3-41, 3-47, 3-57, 3-61
 Switch, Press, 0006psi Dpdt, 2-39

Switch, Press, 12vdc 08a Spst Nc 0070psi, 2-115, 2-117, 2-119
 Switch, Pressure, Lpg, 2-69
 Switch, Pressure, 2-37, 3-79
 Switch, Pushmom, Spst100A 12V, 2-181
 Switch, Rocker, Dpdt, 2-173, 2-183
 Switch, Roller, 2-23
 Switch, Thermo, A/C, 3-41, 3-47
 Switch, Wiper Motor, 4-47
 Switch, Lockout En, 4-21
 Switch, 2-71, 3-17
 Swivel, 3-43, 3-49, 3-59, 3-63

T

Tank Wldt, Hydraulic w/label, 2-157
 Tank, Coolant, 03.5 03.0 06.5deep 1.0 Qt, 2-129
 Tank, Coolant, 04.7 03.3 4.7deep, 1liter, 2-131, 2-133
 Tank, Coolant, 06.0 04.5 06.9deep 2.5 Qt, 2-129
 Tank, Fuel, 14 Gas 14.7 13.0 19.0l, 2-107
 Tank, Fuel, 14 Gas 14.7 13.0 19.0, 2-109
 Tank, Fuel, 14.0gal, 14.66w 13.0hi 19.0l, 2-111
 Tank, Fuel, 2-105
 Tank-Lp, 33#, Lq, Both, Fill Ga, 2-113, 2-115, 2-117, 2-119
 Tap. Assy-Valve, 5-21, 6-21
 Temperature sensor, 5-23, 6-23
 Tensioner, Arm, 5-19, 6-19
 Term. Cover, 5-9, 6-9
 Therm 190 W/Gsk, 5-23, 6-23
 Thermostat Assembly, 155 Deg, 2-179
 Thermostat Housing [Gm3.0l 2007], 2-48
 Thermostat, 7-3
 Tie, Cable 1.75D Max 7.50Lg, 2-37
 Tie, Cable 1.75D Max 7.50Lg, 3-11, 3-13, 3-79
 Tie, Cable 3.00D Max 11.41Lg, 2-181
 Tie, Cable 4.00 Max 14.50Lg, 3-79
 Tie, Cable, 20.0l, 6.00d Max, 2-177
 Tie, Cable, Nyl, 07.3l .19w 1.8 Max D, 3-41, 3-47, 3-81
 Tie, Cable, Nyl, 11.4l .19w 3.0 Max D, 2-7
 Tie, Cable, Nyl, 15.3l . W 4.5 Max D, 3-43, 3-49, 3-59, 3-63
 Tie, Cable, 3-3, 3-5, 3-7, 3-9, 3-15, 3-17
 Tie, Wire 11-1/2x.19 Ny (not shown), 2-73
 Timing Belt, 5-19, 6-19
 Tire & Flap Assy, 2-143
 Tire & Rim Assy, Pneu 6.50-10, 2-143
 Tire and Rim Assy, Solid 6.5, 3-76
 Tire, Solid, 3-76
 Tray Wldt, Drip, Gas [3.0l], 2-63
 Tread, Floormat, Rubber, 2-13
 Tread, Rubber, 3-35
 Trim, 2-13
 Tube Assy, Brake, 2-145
 Tube Assy, Fuel .31Od, 2-105
 Tube Asy, Cond/Dry, 4-53
 Tube Wldt, Brace, Center, 2-15

CROSS REFERENCE

Tube Wildt, Intake, 2.0d .38npt, 2-87
Tube Wildt, Tee, 2-89, 2-91, 2-93, 2-95
Tube, 0.50id 1.00od 01.0l, Stil, Pntd, 3-55, 3-69
Tube, 0.62D .44B 2.44, Stil, 2-31, 3-37
Tube, 00.75d 00.41b 03.3l Stil Pl, 3-51
Tube, 01.00d 00.44b 00.7l Stil Plt, 3-67
Tube, 01.00d 00.50b 01.0l Stil Pnt, 3-51
Tube, 01.00d 00.50b 01.0l Stil Pnt, 2-51, 2-53, 2-55
Tube, Air Bleed, 2-59, 2-69, 2-71
Tube, Coolant, 1.5d Upper, Gas/Lpg, 2-123, 2-125
Tube, Coolant, 1.5d W/.25npt Low, G/Lpg, 2-123, 2-125, 2-127
Tube, Coolant, 1.5od Lower, 2-121
Tube, Cross, Bumper, Se, 3-21
Tube, Ds, 7-7
Tube, Exhaust, 2.0d [Gm3.0] [800/810], 2-99, 2-101
Tube, Exhaust, Lower, [800/810, 2007], 2-103
Tube, Exhaust, Rear [Gm3.0l 800/810 07], 2-103
Tube, Exhaust, Rear, 2-101
Tube, Inner, 2-143
Tube, Intake, 2.0d 04.0l, 2-87
Tube, Mach, Retainer, Spring, 1.0d 1.7l, 2-173
Tube, Radiator, Upper [800gas/Lpg], 2-127
Tube, Radiator, Upper, Gas/Lpg, 2-121
Tube, Spacer, Brush Lift, 2-173
Tube, Tailpipe, 2-103

U

U-Nut Clip, M6, 2-15

V

Vac.Fitting, 5-15, 6-15
Valve [Pcv], 2-65, 2-81
Valve - Hyd., Solenoid, 4-38
Valve Assy, Ball, 3 Way, Em10/Em10/Em10, 3-43, 3-49, 3-59, 3-63
Valve Guide Bushing, 5-21, 6-21
Valve Plate, 4-5, 4-9, 4-15, 4-19, 4-27, 4-29
Valve Rocker Arm Cover, 5-21, 6-21
Valve Rocker Arm, 5-21, 6-21
Valve Spool, 4-11
Valve Spring Key, 5-21, 6-21
Valve Spring Retainer, 5-21, 6-21
Valve Spring, 5-21, 6-21
Valve Stem N.O. CP, 4-43
Valve Stem 4W2P CP, 4-43
Valve Stem 4W2P, 4-39
Valve Stem Seal, 5-21, 6-21
Valve Stem, N.D., 4-38

Valve, [Pcv], 2-43, 2-63, 2-77
Valve, Ball, 3-way, 08pf/08pf/08pf Brs, 3-43, 3-49, 3-59, 3-63
Valve, Cartridge, Check, 4-72, 4-73
Valve, Cartridge, Flow Reg, 4-72
Valve, Cartridge, Relief, 4-72
Valve, Check, 2-77
Valve, Cntrl, Hyd, Solenoid, 12vdc 06gpm (See Breakdowns), 2-167, 3-23
Valve, Cntrl, Hyd, Solenoid, 12vdc 06gpm, 4-73
Valve, Cntrl, Hyd, Solenoid, 12vdc 08gpm (See Breakdowns), 2-159
Valve, Cntrl, Hyd, Solenoid, 12vdc 08gpm, 4-72
Valve, Cntrl, Hyd, Solenoid, 12vdc 12gpm (See Breakdowns), 2-179, 3-27
Valve, Cntrl, Hyd, Solenoid, 12vdc 12gpm, 4-70
Valve, Drive, Motor, Hyd, 4-31
Valve, Exhaust, 7-3
Valve, Expansion, 4-55
Valve, Fuelock, Lpg, W/ Wire Connector, 2-77
Valve, Hyd Control Man (See Breakdowns), 2-161
Valve, Hyd Control Man, 4-41
Valve, Hyd Control Solenoid, 4-39, 4-43
Valve, Hyd Solenoid (See Breakdowns), 2-167
Valve, Hyd, Solenoid (See Breakdowns), 3-23
Valve, Intake, 7-3
Valve, Lock Off, 2-81
Valve, Lpg [Mixer], 2-81
Valve, PCV, 2-4
Valve, Press Relief, Lpg Rego, 2-113, 2-115, 2-117, 2-119
Valve, Trim, Fuel, Normal Flow, 2-77
Valve, Water, Heater, H, 10bm, 3-43, 3-59
Valve-Hyd, Solenoid (See Breakdowns), 2-159, 2-179, 3-27
Valve, 4-27, 4-29, 4-31, 7-7, 7-9
Vaporizer Repair Kit, 2-69
Vaporizer, Lpg, 2-69
Vaporizer, 2-73
Video, Oprtr, Training, Dvd [800], 3-84
Vlv Spool Wide En, 4-21

W

Wand Kit, Vac, 3-71
Wand, 3-71
Warning Label, Starter, 5-21, 6-21
Wash M15 1.53Od, 5-13, 6-13
Washer, 7-9
Washer En, 4-3, 4-5, 4-7, 4-9, 4-13, 4-15, 4-17, 4-19, 4-41
Washer, .281B .62D .06Nylon, 2-59
Washer, .310B .88D .12Rbr, 3-27
Washer, .344B .69D .06Nylon, 2-15, 3-79
Washer, .516B .90D .07Cr., 2-147
Washer, .531B 1.75D .12Cr.Znc, 2-171

Washer, .531B 1.88D .12Hard Zn, 2-13, 2-41
Washer, .532B 2.13D .11Hr.Znc, 2-41, 2-43, 2-45, 2-47
Washer, 0.25b 1.12d .12, Ss, 2-115
Washer, 0.53b 1.88d .12, Stil, Pl, 2-43, 2-45, 2-47
Washer, 1.015B 1.75D .11Hrs, 2-29
Washer, 1.300B 3.000, 2-163, 3-27
Washer, Belleville, .25, 2-163, 3-27
Washer, Belleville, .31, 2-31, 2-53, 2-55, 2-129, 2-131, 2-133, 2-135, 3-51, 3-67
Washer, Belleville, .50, 2-171
Washer, Fender, 2-85, 2-87, 2-89, 2-93
Washer, Flat m10, 2-167, 3-23
Washer, Flat, .25 Sae, 2-43, 2-45, 2-47
Washer, Flat, .31 Std, 2-43, 2-45, 2-47, 2-51, 2-123, 2-125
Washer, Flat, .38 Sae, 2-51, 3-67
Washer, Flat, .38 Std, 2-43, 2-45, 2-47, 2-51
Washer, Flat, .50 Std, 2-43, 2-45, 2-47
Washer, Flat, #10, 2-27, 2-31, 2-57, 2-91, 2-95, 2-117, 2-119, 2-131, 2-133, 2-159, 2-167, 3-23
Washer, Flat, 0.25 Sae, 2-171
Washer, Flat, 0.25 Std, 2-89, 2-93, 2-129, 2-147, 3-47, 3-49, 3-61, 3-63
Washer, Flat, 0.25, Sae, 2-9, 2-11, 2-111, 2-127, 2-177
Washer, Flat, 0.25, Std, 2-19, 2-65, 2-81, 2-111
Washer, Flat, 0.28b 1.00d .06, Stil, 2-73
Washer, Flat, 0.28b 1.38d .12, Hrs Pl, 2-161
Washer, Flat, 0.31 Fender, 3-33
Washer, Flat, 0.31 Ss, 3-37
Washer, Flat, 0.31 Std, 2-31, 2-101, 2-129, 2-131, 2-133, 2-135, 2-145, 2-168, 2-177, 3-23, 3-51, 3-52
Washer, Flat, 0.31, Hardened, 2-55
Washer, Flat, 0.31, Sae, 2-27
Washer, Flat, 0.31, Std, 2-19, 2-91, 2-95, 2-103, 2-111, 2-117, 2-119, 3-55, 3-69
Washer, Flat, 0.321b 1.00d .12, Ss, 2-147
Washer, Flat, 0.38 Sae, 2-53, 2-55, 2-147, 2-164, 3-28, 3-52
Washer, Flat, 0.38 Ss, 2-57
Washer, Flat, 0.38 Std, 2-23, 2-25, 2-35, 2-101, 2-129, 2-131, 2-133, 2-164, 3-28, 3-49, 3-51, 3-63
Washer, Flat, 0.38, Hardened, 2-65, 2-81
Washer, Flat, 0.38, Sae, 3-55, 3-69
Washer, Flat, 0.38, Std, 2-9, 2-11, 2-103, 2-137, 2-177, 3-55
Washer, Flat, 0.38b 0.88d .08, Ss, 2-27
Washer, Flat, 0.39b 0.75d .06, Nyl, 2-117, 2-119
Washer, Flat, 0.40b 1.12d .12, Stil, Pl, 2-179
Washer, Flat, 0.44, Std, 2-9, 2-11

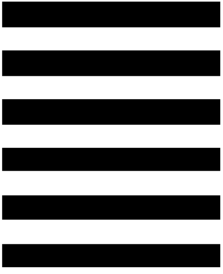
Washer, Flat, 0.44b 1.00 .08, Ss, 2-35
 Washer, Flat, 0.44b 2.00d .12, Stl, Pl,
 2-129, 2-131, 2-133
 Washer, Flat, 0.50 Sae, 2-171
 Washer, Flat, 0.50, Sae, 2-137, 2-139
 Washer, Flat, 0.50, Std, 2-17, 2-19
 Washer, Flat, 0.56b 1.38d .11, Ss, 2-15
 Washer, Flat, 0.62, Sae, 2-175
 Washer, Flat, 0.75, Sae, 2-139
 Washer, Flat, 0.75, Std, 3-69
 Washer, Flat, 08, 3-15
 Washer, Flat, 1.02b 1.75d .12, Stl, 2-141
 Washer, Flat, Belleville, .25, 2-9, 2-11,
 2-19
 Washer, Flat, Belleville, .31, 2-137, 3-55,
 3-69
 Washer, Flat, 2-167, 3-23, 3-27
 Washer, Flt, .25 Sae, 2-71
 Washer, Loc, M5, 2-43, 2-45, 2-47
 Washer, Lock, .25, 2-43, 2-45, 2-47
 Washer, Lock, .31, 2-43, 2-45, 2-47, 2-51
 Washer, Lock, .38, 2-43, 2-45, 2-47,
 2-51, 3-51, 3-67
 Washer, Lock, #10, 2-43, 2-45, 2-47
 Washer, Lock, 0.38, 2-65, 2-81
 Washer, Lock, Int / Ext, 0.38, 2-65, 2-81
 Washer, Lock, Int, .25, 2-71
 Washer, Lock, Int, #08, 2-109, 2-111,
 3-51, 3-55, 3-67, 3-69
 Washer, Lock, Int, #10, 2-55, 2-109,
 2-111
 Washer, Lock, Int, 0.25, 2-101, 2-103
 Washer, Lock, Int, 0.31 Ss, 3-37
 Washer, Lock, Int, 0.31, 2-21, 2-129,
 2-131, 2-133, 2-179
 Washer, Lock, Int, 08 Ss, 3-79
 Washer, Lock, Int-ext, .38, 2-53, 2-55,
 3-67
 Washer, Rbr, .12 0.31b 0.88d, 2-129,
 2-167, 3-23
 Washer, Lock Special, 2-139
 Washer-Belleville .31 Pltd, 3-23
 Washer-Belleville .50 Pltd, 2-163, 3-27
 Washer-Flt .25 Fender Pltd., 2-13
 Washer-Flt .25 Fender, 3-35
 Washer-Loc Int-Ext .31 Pltd, 3-33
 Washer-Loc Int-Ext .25 Pltd, 3-17
 Washer-Loc Int-Ext 10 Pltd, 3-17
 Washer, 2-37, 2-61, 2-63, 2-73, 2-77,
 2-139, 2-163, 2-183, 4-3, 4-7, 4-13,
 4-17, 4-23, 4-25, 5-9, 5-11, 5-19,
 6-9, 6-11, 6-19, 7-5, 7-9, 7-12
 Water Outlet, 5-23, 6-23
 Water Pump, 5-23, 6-23, 7-12
 Weight, LPG/Gas, 2-7
 Wheel, Steering, 2-181
 Wire Ass'Y-Elect., Ground, 2-41, 2-43,
 2-45, 2-47
 Wire Asy, Spark Plug, 5-24, 6-24
 Wire Harness, 5-24
 Wire Kit, LP, 2-69
 Wire, 10ga 16.0l Blk .38ring /.25ring,
 3-51, 3-67



TENNANT COMPANY
 Technical Publications #15
 701 North Lilac Drive
 P.O. Box 1452
 Minneapolis, MN 55440-9947

POSTAGE WILL BE PAID BY ADDRESSEE

BUSINESS REPLY MAIL
 FIRST CLASS MAIL PERMIT NO. 94 MINNEAPOLIS, MN



NO POSTAGE
 NECESSARY
 IF MAILED
 IN THE
 UNITED STATES



Fold along dotted lines

Tape here

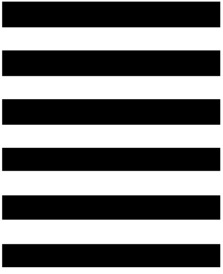




TENNANT COMPANY
 Technical Publications #15
 701 North Lilac Drive
 P.O. Box 1452
 Minneapolis, MN 55440-9947

POSTAGE WILL BE PAID BY ADDRESSEE

BUSINESS REPLY MAIL
 FIRST CLASS MAIL PERMIT NO. 94 MINNEAPOLIS, MN



NO POSTAGE
 NECESSARY
 IF MAILED
 IN THE
 UNITED STATES



Fold along dotted lines

Tape here

