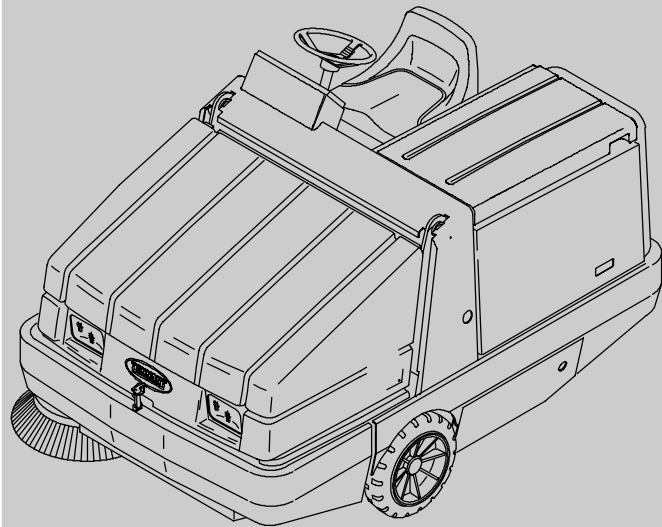
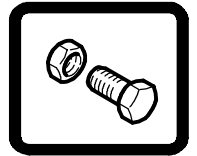




# 6600

(Gas/LPG)

## Sweeper Parts Manual



**North America / International**

[www.tennantco.com](http://www.tennantco.com)

**330950**  
Rev. 05 (03-2008)



When ordering replacement parts, use the illustrated parts list section in this manual. Before ordering parts or supplies, be sure to have your machine model number and serial number available. Only use TENNANT Company supplied or equivalent parts. Parts and supplies may be ordered online, by phone, or mail from any authorized parts and service center, distributor or from any of the manufacturer's subsidiaries.

This machine will provide excellent service. However, the best results will be obtained at minimum costs if:

- The machine is operated with reasonable care.
- The machine is maintained regularly - per the machine maintenance instructions provided.
- The machine is maintained with manufacturer supplied or equivalent parts.

#### **MACHINE DATA**

Please fill out at time of installation for future reference.

Model No. - \_\_\_\_\_

Serial No. - \_\_\_\_\_

Machine Options - \_\_\_\_\_

Sales Rep. - \_\_\_\_\_

Sales Rep. phone no. - \_\_\_\_\_

Customer Number - \_\_\_\_\_

Installation Date - \_\_\_\_\_

#### **Tennant Company**

PO Box 1452

Minneapolis, MN 55440

Phone: (800) 553-8033 or (763) 513-2850

[www.tennantco.com](http://www.tennantco.com)

Thermo-Sentry, II-Speed, Perma-Filter, 1 Step, Duramer, Vario Sweeping Brush, and VCS are US registered trademarks of Tennant Company.

Specifications and parts are subject to change without notice.

Copyright © 2003 - 2008 TENNANT Company, Printed in U.S.A.

## HOW TO USE THIS MANUAL

This section on *HOW TO USE THIS MANUAL* will tell you how to:

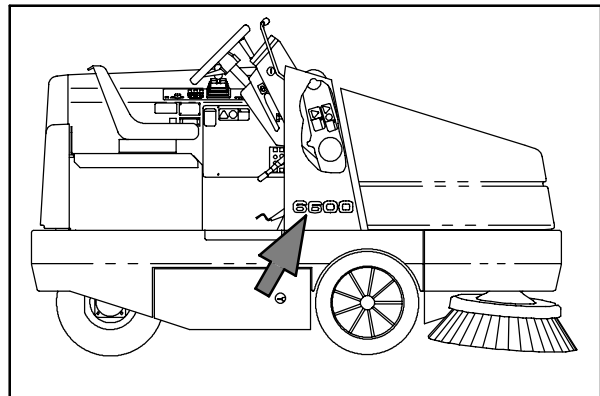
- Find important machine information for ordering correct repair parts.
- Find TENNANT part numbers.
- Order TENNANT parts and supplies.

### IMPORTANT INFORMATION

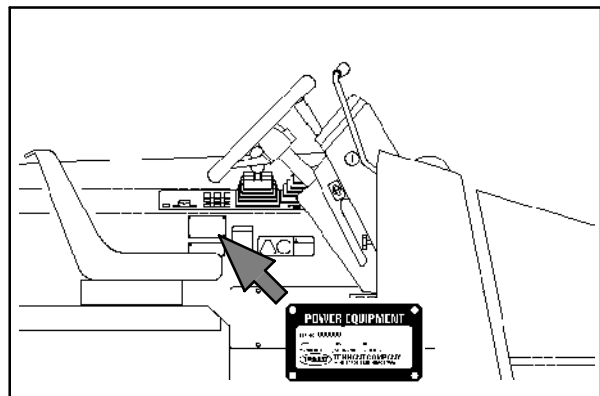
When placing an order for parts, the machine model and machine serial number are important. Refer to the *MACHINE DATA* box which is filled out during the installation of your machine. The *MACHINE DATA* box is located on the inside of the front cover of this manual.

MACHINE DATA	
<i>Please fill out at time of installation for future reference.</i>	
Machine Model Number -	6500
Machine Serial Number -	_____
Machine Options -	_____
TENNANT Representative/phone no. -	_____
Customer ID Number -	_____
Date of Installation -	_____
Manual Number -	330950
Revision:	00
Published:	4-2003

The model number of your machine is on the side of the machine.



The serial number of your machine is printed on the machine data plate located as shown.



# HOW TO USE THIS MANUAL

## FINDING A TENNANT PART NUMBER

This manual contains the following sections:

- HOW TO USE THIS MANUAL
- STANDARD PARTS
- OPTIONS
- BREAKDOWNS
- CROSS REFERENCE

The STANDARD PARTS section lists repair parts for standard machines. They are grouped in this general order:

- General wear parts.
- Machine frame and related parts.
- Machine propelling system.
- Scrubbing components.
- Electrical parts.

The OPTION section lists repair parts of options.

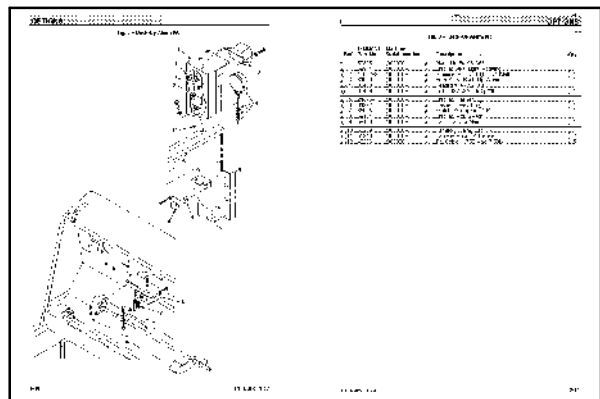
The BREAKDOWN section lists available repair parts of major components.

All sections in this manual consist of parts illustrations and corresponding parts lists.

The parts illustrations are numbered with **Ref** numbers which refer to corresponding parts lists.

The parts lists include a number of columns of information:

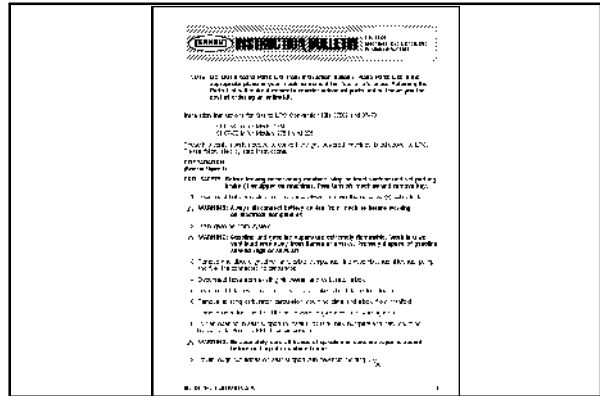
- **Ref** - column refers to the reference number on the parts illustration.  
 ▽ - indicates the part is an assembly.  
 ▲ - indicates the part is included in the assembly listed just before it.
- **Part No.** - column lists the TENNANT part number for the part.
- **Serial Number** - column indicates the set of machines the part number is applicable to. Serial numbers change when the machine design has been modified. The most current design of the machine is shown in the main illustration, older designs are boxed in a corner of the illustration.
- **Description** - column is a brief description of the part.
- **Qty.** - column lists the quantity of that part used in that area of the machine.



Ref.	TENNANT Part No.	Machine Serial number	Description	Qty.
▽	59335	QC0000-	Alarm Kit, Bu Alv 355L	1
▲ 1	59944	QC0000-	Bracket W/d. Jght, Rotatng	1
▲ 2	10632-9	QC0000-	Grommet,Rctr,0.56ld,For .13Matl	1
▲ 3	61920	QC0000-	Horn Ass'y, Back-Up Alarm	1
▲ 4	38438	QC0000-	Headlight Ass'y,21CG	1
▲ 4	38439	QC0000-	Flwr, 12V, 55W- 1RC#1004	1
▲ 5	24676-	QJUUUU-	bracket, flasher	1
▲ 6	31922	QJUUUU-	Flasher, Heavy Duty	1
▲ 7	359J6	QJUUUU-	Switch, Waterproof, 11A	1
▲ 8	59154	QC0000-	Bracket, Mtg. Switch	1
▲ 9	59153	QC0000-	Carr. BackUp Alarm	1
▲ 10	60239	QC0000-	Harness, Alarm, BackUp	1
▲ 11	55246	QC0000-	Cable: Mount, Adhesive	2
▲ 12	49256	QC0000-	Tie, Cable .75D Max 7.50Lg	5

**NOTE:** If a service kit is installed on your machine, be sure to keep the **INSTRUCTION BULLETIN** which came with the kit. It contains repair parts numbers needed for ordering future parts.

**NOTE:** Fasteners used in this machine may be metric or non-metric. Take care when replacing hardware to replace with same thread size.



## PLACING AN ORDER

Orders may be placed by phone, fax, or by mail. Phone orders may need written confirmation. Follow the steps below to insure prompt delivery:

1. Identify the model number of your machine.
2. Identify the serial number of your machine.
3. Find the part number of the part you need. Do not order by page number or reference number. If you are not able to find the part number, call your TENNANT representative for help or send the old part as a sample.
4. Determine the quantity of the part you need.
5. Provide the following company information:
  - Company name
  - Customer ID Number
  - Shipping address
  - Billing address
  - First and last name of person ordering parts
  - Telephone number
  - Purchase order number
6. Provide definitive shipping instructions.

## HOW TO USE THIS MANUAL

---

Any claim for loss or damage to a shipment in transit should be filed promptly with the transportation company making the delivery. Shipments will be complete unless the packing list or order acknowledgement indicates items back ordered.

If parts received are suspected to be incorrect or defective, please contact the TENNANT representative from whom you ordered the part. They will give authorization for return and/or handle replacement shipments when required.

## SECTION 2

Contents	Page	Contents	Page
Fig. 1 - General Recommended Maintenance Items	2-2	Fig. 35 - Engine Fuel Tank Group, Gasoline (025000-029999)	2-74
Fig. 2 - Brushes, Replacement	2-4	Fig. 36 - Engine Fuel Tank Group, Gasoline (030000- )	2-76
Fig. 3 - Main Frame Group	2-6	Fig. 37 - Engine Fuel Tank Group, LPG (000000-024999)	2-78
Fig. 4 - Brush Door Group, Right	2-8	Fig. 38 - Engine Fuel Tank Group, LPG (025000- )	2-80
Fig. 5 - Brush Door Group, Left	2-10	Fig. 39 - Engine Radiator Group (000000-024999)	2-82
Fig. 6 - Seat and Shroud Group	2-12	Fig. 40 - Engine Radiator Group (025000- )	2-84
Fig. 7 - Grille Group, Right	2-14	Fig. 41 - Engine Radiator Overflow Tank Group, Gasoline (025000- )	2-86
Fig. 8 - Grille Group, Left	2-16	Fig. 42 - Engine Radiator Overflow Tank Group, LPG (025000- )	2-88
Fig. 9 - Engine Cover Group	2-18	Fig. 43 - Battery Group, Gasoline	2-89
Fig. 10 - Engine Side Door Group	2-20	Fig. 44 - Battery Group, LPG	2-90
Fig. 11 - Steering and Firewall Group	2-22	Fig. 45 - Wheel Group, Rear Drive	2-92
Fig. 12 - Instrument Panel Assembly	2-24	Fig. 46 - Wheel Assembly, Rear	2-94
Fig. 13 - Instrument Panel Group, Side	2-26	Fig. 47 - Wheel and Brakes Group, Front	2-96
Fig. 14 - Electrical Group	2-28	Fig. 48 - Brake Lever and Pedal Group	2-98
Fig. 15 - Engine Group, Gasoline (000000-024999)	2-30	Fig. 49 - Directional Pedal Group	2-100
Fig. 16 - Engine Group, Gasoline (025000- )	2-32	Fig. 50 - Hydraulic Pump Linkage Group	2-102
Fig. 17 - Engine Group, LPG (000000-024999)	2-34	Fig. 51 - Hopper Group	2-104
Fig. 18 - Engine Group, LPG (025000- )	2-36	Fig. 52 - Hopper Cylinder and Dump Door Group	2-106
Fig. 19 - Engine EFI Group, Gasoline (000000-024999)	2-38	Fig. 53 - Hopper Hood Group	2-108
Fig. 20 - Engine EFI Group, Gasoline (025000- )	2-40	Fig. 54 - Hopper Bumper Group	2-110
Fig. 21 - Engine EFI Group, Gasoline (030000- )	2-42	Fig. 55 - Hopper Filter Box Group	2-112
Fig. 22 - Engine EFI and Vaporizer Group, LPG (000000-024999 version 1)	2-44	Fig. 56 - Hopper Lift Arms Group	2-114
Fig. 23 - Engine EFI and Vaporizer Group, LPG (000000-024999 version 2)	2-46	Fig. 57 - Side Brush Motor and Pivot Group	2-116
Fig. 24 - Engine EFI and Vaporizer Group, LPG (025000-029999)	2-48	Fig. 58 - Side Brush Lift Group	2-118
Fig. 25 - Engine EFI and Vaporizer Group, LPG (030000- )	2-52	Fig. 59 - Main Brush Lift Group	2-120
Fig. 26 - Engine Air Cleaner Group (000000-024999)	2-56	Fig. 60 - Main Brush Drive Group	2-122
Fig. 27 - Engine Air Cleaner Group, Gasoline (025000- )	2-58	Fig. 61 - Vacuum Fan Group	2-124
Fig. 28 - Engine Air Cleaner Group, LPG (025000- )	2-60	Fig. 62 - Hydraulic Schematic	2-126
Fig. 29 - Engine Alternator and Fan Group (000000-024999)	2-62	Fig. 63 - Hydraulic Hose Group	2-128
Fig. 30 - Engine Alternator and Fan Group (025000- )	2-64	Fig. 64 - Hydraulic Reservoir Group	2-130
Fig. 31 - Engine Muffler Group (000000-024999)	2-66	Fig. 65 - Hydraulic Valve Group	2-132
Fig. 32 - Engine Muffler Group (025000-029999)	2-68	Fig. 66 - Hydraulic Cooler Group (000000-024999)	2-134
Fig. 33 - Engine Muffler Group (030000- )	2-70	Fig. 67 - Hydraulic Cooler Group (025000- )	2-136
Fig. 34 - Engine Fuel Tank Group, Gasoline (000000-024999)	2-72	Fig. 68 - Hydraulic Pumps Group	2-138
		Fig. 69 - Electrical Schematic (000000-024999)	2-140
		Fig. 70 - Electrical Schematic (025000-029999)	2-144
		Fig. 71 - Electrical Schematic (030000- )	2-150
		Fig. 72 - Electrical Wire Harnesses Group	2-160
		Fig. 73 - Label Group	2-172

**Fig. 1 - General Recommended Maintenance Items**

Ref.	Part No.	Serial Number	Description	Qty.
▽	9000200	(000000-	) Kit, Maint, Skirt, Hppr [6600/6650XP]	1
▲	379706	(000000-	) Skirt, Lip	1
▲	379705	(000000-	) Skirt, Lip	1
▲	379704	(000000-	) Strap, Main, Lip	1
▲	379792	(000000-	) Bolt, Carriage, M08 X 1.25 X 35	5
▲	01685	(000000-	) Washer, Flat, 0.31 Ss	5
▲	08713	(000000-	) Nut, Hex, Lock, M 8 X 1.25, NI, Ss	5
▲	1010167	(000000-	) Skirt, Hppr, Plstc	1
▲	1010166	(000000-	) Skirt, Hppr, Plstc	1
▲	1010165	(000000-	) Retainer, Skirt	2
▲	11329	(000000-	) Screw, Hex, M 6 X 1.0 X 16, Ss, NI	5
▲	01684	(000000-	) Washer, Flat, 0.25 Ss	5
▽	9000203	(000000-	) Kit, Maint, Skirt, Door, Hppr [6600/6650]	1
▲	379702	(000000-	) Seal, Door, Dump, Side	2
▲	379703	(000000-	) Strap, Door, Dump, Side	2
▲	08716	(000000-	) Screw, Hex, M 6 X 1.0 X 20, Ss	8
▲	01684	(000000-	) Washer, Flat, 0.25 Ss	16
▲	08712	(000000-	) Nut, Hex, Lock, M 6 X 1.0, NI, Ss	8
▲	379699	(000000-	) Seal, Door, Dump	1
▲	379698	(000000-	) Plate, Retainer, Door, Dump	1
▲	379791	(000000-	) Bolt, Carriage, M06 X 1.0 X 30	6
▲	01684	(000000-	) Washer, Flat, 0.25 Ss	12
▲	08712	(000000-	) Nut, Hex, Lock, M 6 X 1.0, NI, Ss	6
▲	60339	(000000-	) Carton, Rsc Kit, 4.5 X 4.5 X 45.0	1
▽	9000201	(000000-	) Kit, Maint, 400Hr, Gas [6600/6650]	1
▲	372575	(000000-	) Sparkplug	4
▲	369746	(000000-	) Element, Fltr, Air	1
▲	398279	(000000-	) Element, Fltr, Air Safety	1
▲	371972	(000000-	) Filter, Oil	1
▲	371662	(000000-	) Filter, Fuel, Gas	1
▲	1008968	(000000-	) Element, Fltr, Oil, Hyd	1
▲	23163	(000000-	) Cap, Breather, Hyd, 2.2 Ds	1
▲	31613	(000000-	) Strainer, Hyd, 25gpm 100mesh Psi	1
▲	371873	(000000-	) Belt, V, [6v] 39.0l	1
▽	9000202	(000000-	) Kit, Maint, 400Hr, Lpg [6600/6650]	1
▲	372575	(000000-	) Sparkplug	4
▲	369746	(000000-	) Element, Fltr, Air	1
▲	398279	(000000-	) Element, Fltr, Air, Safety	1
▲	371972	(000000-	) Filter, Oil	1
▲	1008968	(000000-	) Element, Fltr, Oil, Hyd	1
▲	23163	(000000-	) Cap, Breather, Hyd, 2.2 Ds	1
▲	31613	(000000-	) Strainer, Hyd, 25gpm 100mesh Psi	1
▲	371873	(000000-	) Belt, V, [6v] 39.0l	1



Fig. 1 - General Recommended Maintenance Items

Ref.	Part No.	Serial Number	Description	Qty.
▽	9000852	(025000-	) Kit, Maint, 400hr W/O A/C [6600 G] Eng	1
▲	372575	(025000-	) Sparkplug [Gm ]	4
▲	369746	(025000-	) Element, Fltr, Air	1
▲	398279	(025000-	) Element, Fltr, Air, Safety	1
▲	371972	(025000-	) Element, Fltr, Oil, Eng, Spin-On [Gm]	1
▲	372440	(025000-	) Filter, Fuel [Gm 1.6l/3.0l]	1
▲	1008968	(025000-	) Element, Fltr, Oil, Hyd	1
▲	23163	(025000-	) Cap, Breather, Hyd, 2.2 Ds	1
▲	31613	(025000-	) Strainer, Hyd, 25gpm 100mesh Psi	1
▲	372571	(025000-	) Belt, Ribbed, 39.0l	1
▽	9000853	(025000-	) Kit, Maint, 400hr W/O A/C [6600lpg] Eng	1
▲	372575	(025000-	) Sparkplug [Gm ]	4
▲	369746	(025000-	) Element, Fltr, Air	1
▲	398279	(025000-	) Element, Fltr, Air, Safety	1
▲	371972	(025000-	) Element, Fltr, Oil, Eng, Spin-On [Gm]	1
▲	1008968	(025000-	) Element, Fltr, Oil, Hyd	1
▲	23163	(025000-	) Cap, Breather, Hyd, 2.2 Ds	1
▲	31613	(025000-	) Strainer, Hyd, 25gpm 100mesh Psi	1
▲	372571	(025000-	) Belt, Ribbed, 39.0l	1
	16411	(000000-	) Paint, Airdry, Off-White, 12oz	1
	16412	(000000-	) Paint, Airdry, Teal, 12oz, Solid	1
	377540	(000000-	) Paint, Airdry, Blk, 12oz	1
	377538	(000000-	) Paint, Airdry, Gray, 12oz	1
	377537	(000000-	) Paint, Airdry, Iron Gray, 12oz	1

Fig. 2 - Brushes, Replacement

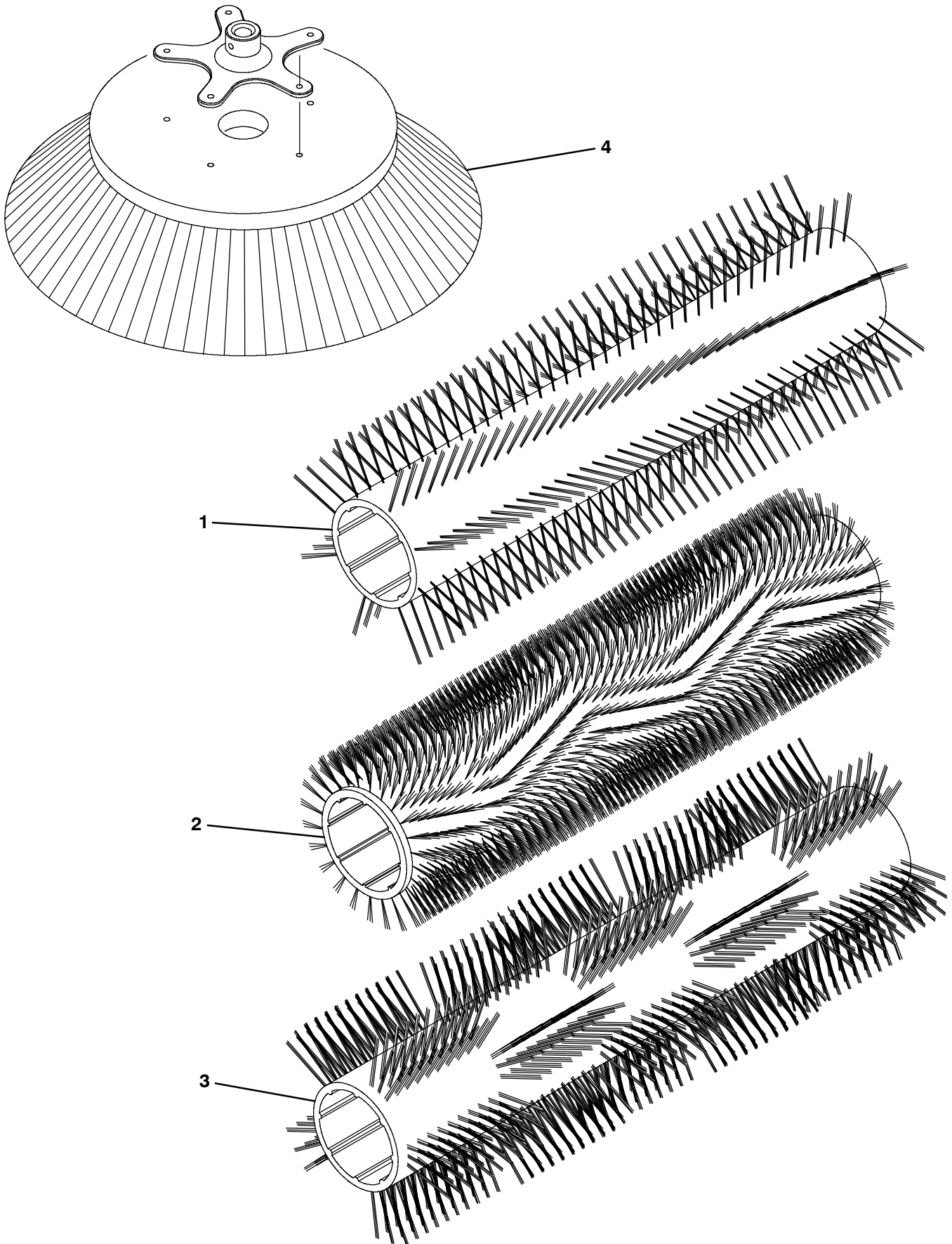


Fig. 2 - Brushes, Replacement

Ref.	Part No.	Serial Number	Description	Qty.
1	54927	(000000-	) Brush, Swp, 45l, 24 Single Row, Natural Fiber & Wire	1
1	54922	(000000-	) Brush, Swp, 45l, 24 Single Row, Nylon	1
2	54923	(000000-	) Brush, Swp, 45l, 8 Double Row, Nylon	1
2	54925	(000000-	) Brush, Swp, 45l, 8 Double Row, Polypropylene & Wire	1
2	59440	(000000-	) Brush, Swp, 45l, 8 Double Row, Wire	1
2	66019	(000000-	) Brush, Swp, 45l, 8 Double Row, Polypropylene	1
2	66018	(000000-	) Brush, Swp, 45l, 5 Double Row, Patrol, Nylon	1
2	370008	(000000-	) Brush, Swp, 45l, Sand Wedge, Polypropylene	1
3	370009	(000000-	) Brush, Swp, 45l, Window , Polypropylene	1
4	51021N	(000000-	) Brush, Disk, Swp, 26.0 D, Nylon	1
4	51542	(000000-	) Brush, Disk, Swp, 26.0 D, Flat Wire	1
4	70538	(000000-	) Brush, Disk, Swp, 26.0 D, Polypropylene	1

Fig. 3 - Main Frame Group

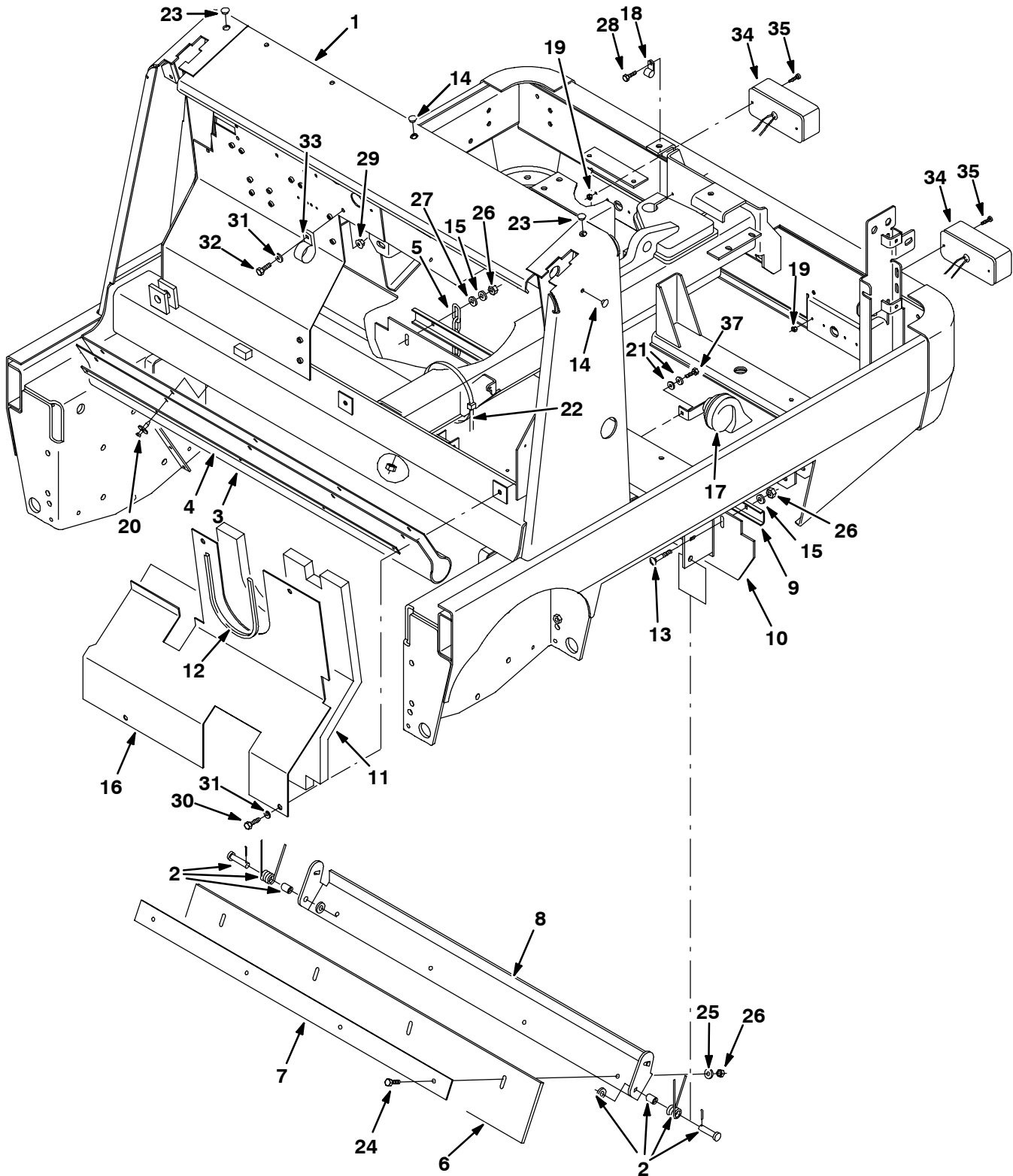


Fig. 3 - Main Frame Group

Ref.	Part No.	Serial Number	Description	Qty.	
1	1007050	(000000-024999 )	Frame Wldt, Main [6600/6650]	1	
1	1013913	(025000- )	Frame Wldt, Main [6600/6650]	1	
2	69904	(000000- )	Kit, Spring	1	
3	379752	(000000- )	Skirt, Hopper	1	
4	56890	(000000- )	Retainer, Skirt, Hppr, Top	1	
5	09342	(000000- )	Chain, Coil, Str, 210, 06.9l 05 Link	1	
6	54190	(000000- )	Skirt, Deflector	1	
6	374517	(000000- )	Skirt, Recirculation, Turf (Option)	1	
7	54184	(000000- )	Retainer, Blade, Deflector	1	
8	54182	(000000- )	Bracket, Flap, Recirculation	1	
9	383161	(000000- )	Channel, Retainer, Seal, Rear	1	
10	383160	(000000- )	Skirt, Seal, Main Brush	1	
11	1008654	(000000- )	Insulation, Acstc, Firewall	1	
12	62595-21	(000000- )	Molding, Trim, Pvc, .08-.11 25.6l	1	
13	69915	(000000- )	Bolt, Carriage, M08 X 1.25 X 40	4	
14	01314	(000000- )	Button, Plug, 0.38h .03-.12 [Black Nyl]	3	
15	01684	(000000- )	Washer, Flat, 0.25 Ss	4	
16	1007310	(000000- )	Panel, Eng	1	
17	369704	(000000- )	Horn, 12vdc, DbA	1	
18	33584	(000000- )	Clamp, Cable, Stl, 0.63d X 0.50w, 1h	2	
19	06549	(000000- )	Nut, Hex, Lock, M 5 X 0.8, NI	4	
20	21246	(000000- )	Rivet, Plstc, .325d X 0.787	5	
21	41141	(000000- )	Washer, Lock, Int-Ext, .31	2	
22	222809	(000000- )	Tie, Cable, Nyl, 29.8l .30w 9.0 Max D	3	
23	57167	(000000- )	Button, Plug, 0.62h .03-.12 [Black Nyl]	2	
24	09011	(000000- )	Screw, Hex, M 8 X 1.25 X 30, Ss	4	
25	01685	(000000- )	Washer, Flat, 0.31 Ss	4	
26	08713	(000000- )	Nut, Hex, Lock, M 8 X 1.25, NI, Ss	8	
27	41142	(000000- )	Washer, Lock, Int-Ext, .38	1	
28	06942	(000000- )	Screw, Hex, M 6 X 1.0 X 16, 8.8	3	
29	07791	(000000- )	Nut, Hex, Flng, M08 X 1.25	1	
30	41342	(000000- )	Screw, Hex, M 8 X 1.25 X 40, 8.8	4	
31	32491	(000000- )	Washer, Flat, 0.31 Std	5	
32	39277	(000000- )	Screw, Hex, M 8 X 1.25 X 25, 8.8	2	
33	43560	(000000- )	Clamp, Cable, Stl, 1.75d X 0.75w, 1h	2	
▽	34	59949	(000000- )	Taillight, 12vdc, 6.6 X 3.1, Rwk 59948	2
▲	45780	(000000- )	Lamp, 12vdc, 0.5a Watt 04cp	1	
	35	54093	(000000- )	Screw, Chz, M05 X 0.8 X 60, 4.8	4

Fig. 4 - Brush Door Group, Right

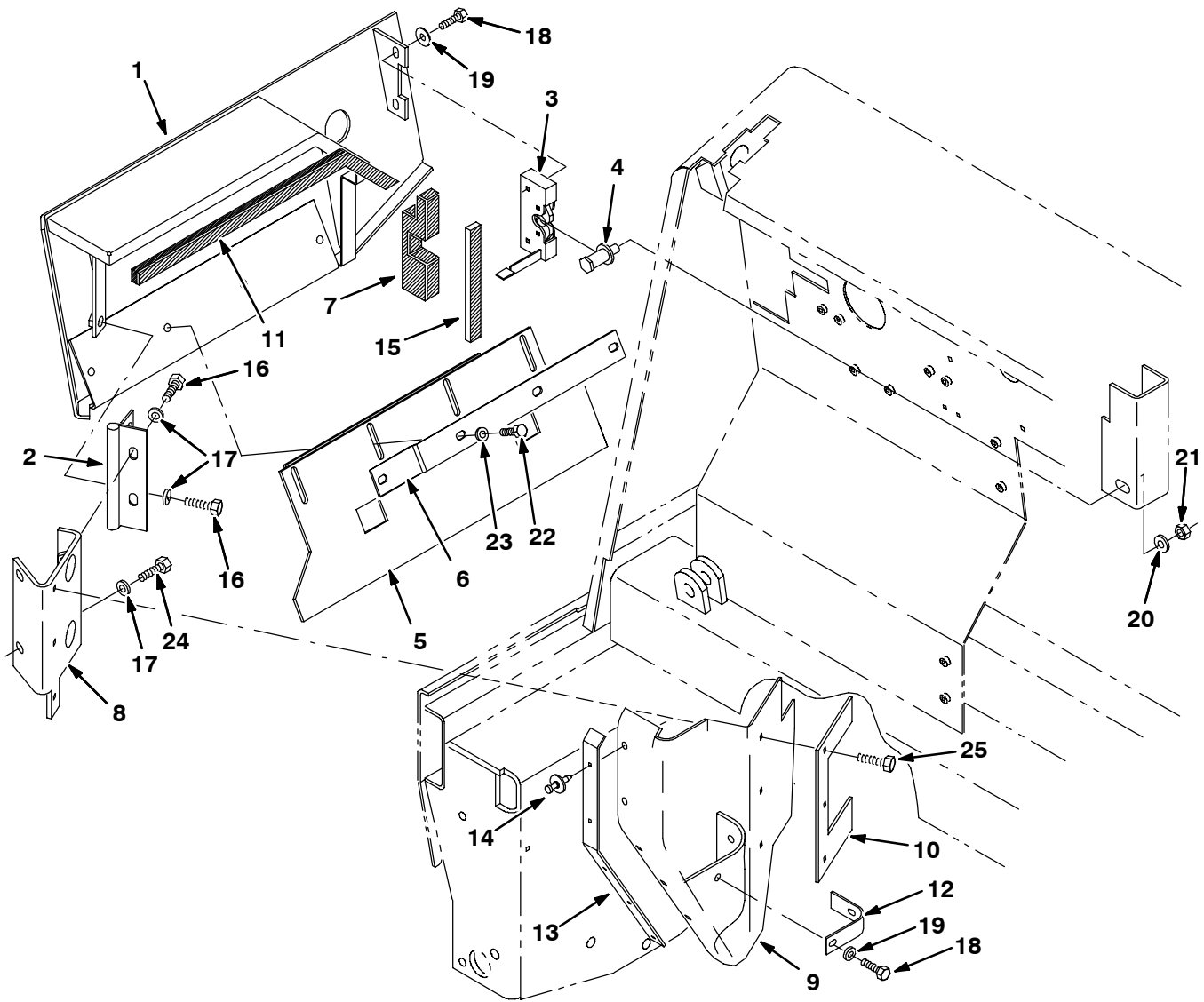


Fig. 4 - Brush Door Group, Right

Ref.	Part No.	Serial Number	Description	Qty.
1	59761	(000000-	) Door Wldt, Brush, Rh	1
2	72120	(000000-	) Hinge, .38pin .11 3.5w 05.6l 4/H&Slot	1
3	59195	(000000-	) Latch, Hook, Rh	1
4	59192	(000000-	) Latch, Bolt	1
5	379751	(000000-	) Skirt, Brush Door	1
6	379756	(000000-	) Strip, Retaining	1
7	59537	(000000-	) Seal, Rbr, Open, 1.00th, Door, Brush, Rh	1
8	1019481	(000000-	) Bracket, Mtg, Hinge, Rh, [6600]	1
9	379755	(000000-	) Skirt, Deflection	1
10	59692	(000000-	) Strap	1
11	69931	(000000-	) Seal, Rbr, Open, 0.31th, 0.75w 21.0l Adh	1
12	58770	(000000-	) Bracket, Angle, .12 2.75 3.17 01.0l	1
13	56914	(000000-	) Strap	1
14	72968	(000000-	) Rivet, Plstc, .250 X 0.898	5
15	13301	(000000-	) Seal, Rbr, Open, 0.31th, 0.75w 07.0l Adh	1
16	09028	(000000-	) Screw, Hex, M10 X 1.5 X 25, Ss	4
17	41187	(000000-	) Washer, Belleville, .38	6
18	09007	(000000-	) Screw, Hex, M 6 X 1.0 X 25, Ss	4
19	01684	(000000-	) Washer, Flat, 0.25 Ss	4
20	41619	(000000-	) Washer, Flat, 0.50 Ss	1
21	07788	(000000-	) Nut, Hex, Std, M12 X 1.75, Ss	1
22	09010	(000000-	) Screw, Hex, M 8 X 1.25 X 25, Ss	4
23	01685	(000000-	) Washer, Flat, 0.31 Ss	4
24	09291	(000000-	) Screw, Hex, M10 X 1.5 X 20, Ss	2
25	76099	(000000-	) Screw, Hex, M8 X 1.25 X 25, Fmg	3

Fig. 5 - Brush Door Group, Left

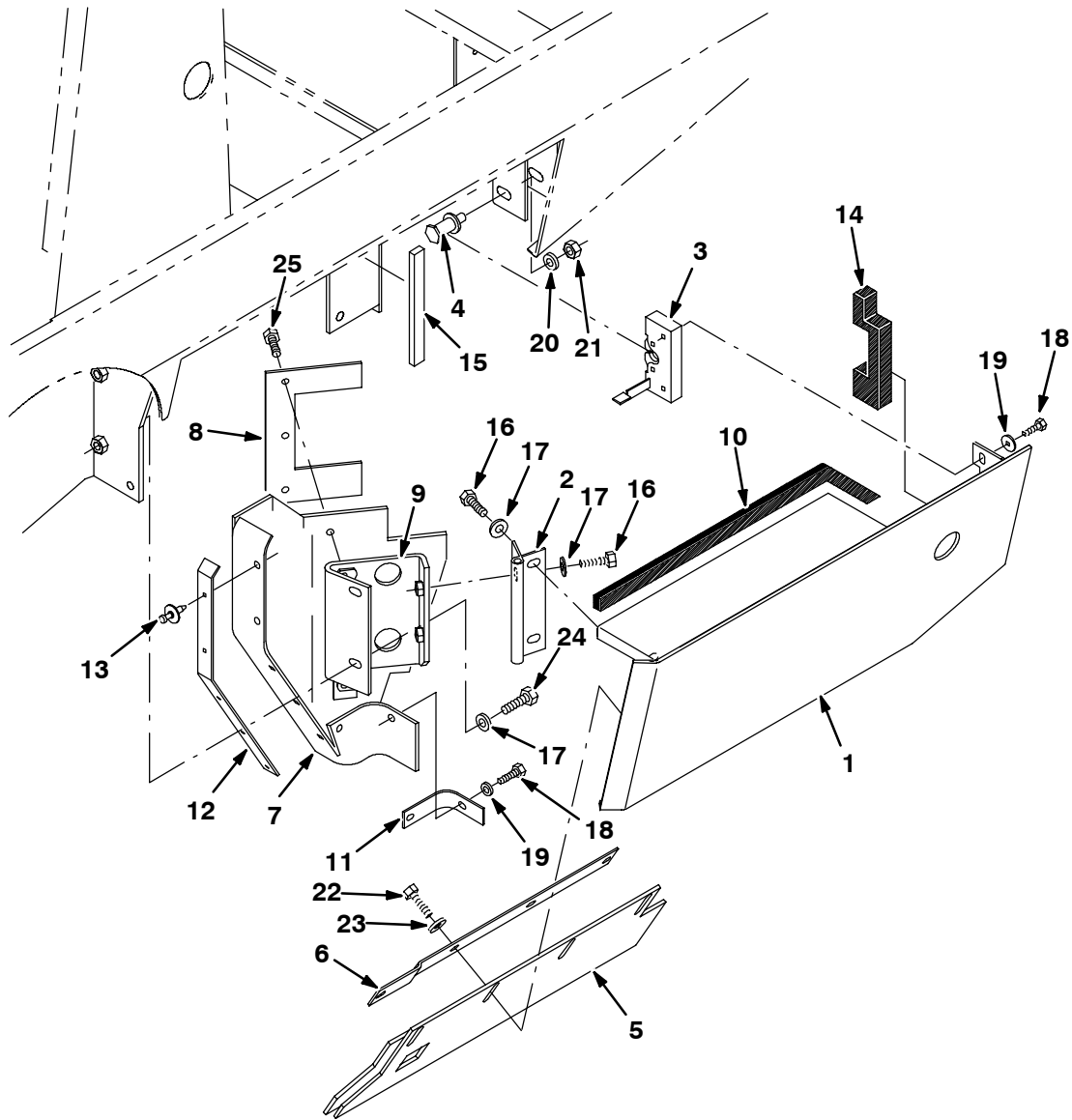




Fig. 5 - Brush Door Group, Left

Ref.	Part No.	Serial Number	Description	Qty.
1	59760	(000000-	) Door Wldt, Brush, Lh	1
2	72120	(000000-	) Hinge, .38pin .11 3.5w 05.6l 4/H&Slot	1
3	59194	(000000-	) Latch Hook, Lh	1
4	59192	(000000-	) Latch, Bolt	1
5	379750	(000000-	) Skirt, Brush Door	1
6	379756	(000000-	) Strip, Retaining	1
7	379755	(000000-	) Skirt, Deflection	1
8	59692	(000000-	) Strap	1
9	1020530	(000000-	) Bracket, Mtg, Hinge, Lh, [6600]	1
10	69931	(000000-	) Seal, Rbr, Open, 0.31th, 0.75w 21.0l Adh	1
11	58770	(000000-	) Bracket, Angle, .12 2.75 3.17 01.0l	1
12	56914	(000000-	) Strap	1
13	72968	(000000-	) Rivet, Plstc, .250 X 0.898	5
14	59538	(000000-	) Seal, Rbr, Open, 1.00th, Door, Brush, Lh	1
15	13301	(000000-	) Seal, Rbr, Open, 0.31th, 0.75w 07.0l Adh	1
16	09028	(000000-	) Screw, Hex, M10 X 1.5 X 25, Ss	4
17	41187	(000000-	) Washer, Belleville, .38	6
18	09007	(000000-	) Screw, Hex, M 6 X 1.0 X 25, Ss	4
19	01684	(000000-	) Washer, Flat, 0.25 Ss	4
20	41619	(000000-	) Washer, Flat, 0.50 Ss	1
21	07788	(000000-	) Nut, Hex, Std, M12 X 1.75, Ss	1
22	09010	(000000-	) Screw, Hex, M 8 X 1.25 X 25, Ss	4
23	01685	(000000-	) Washer, Flat, 0.31 Ss	4
24	09291	(000000-	) Screw, Hex, M10 X 1.5 X 20, Ss	2
25	76099	(000000-	) Screw, Hex, M8 X 1.25 X 25, Fmg	3

Fig. 6 - Seat and Shroud Group

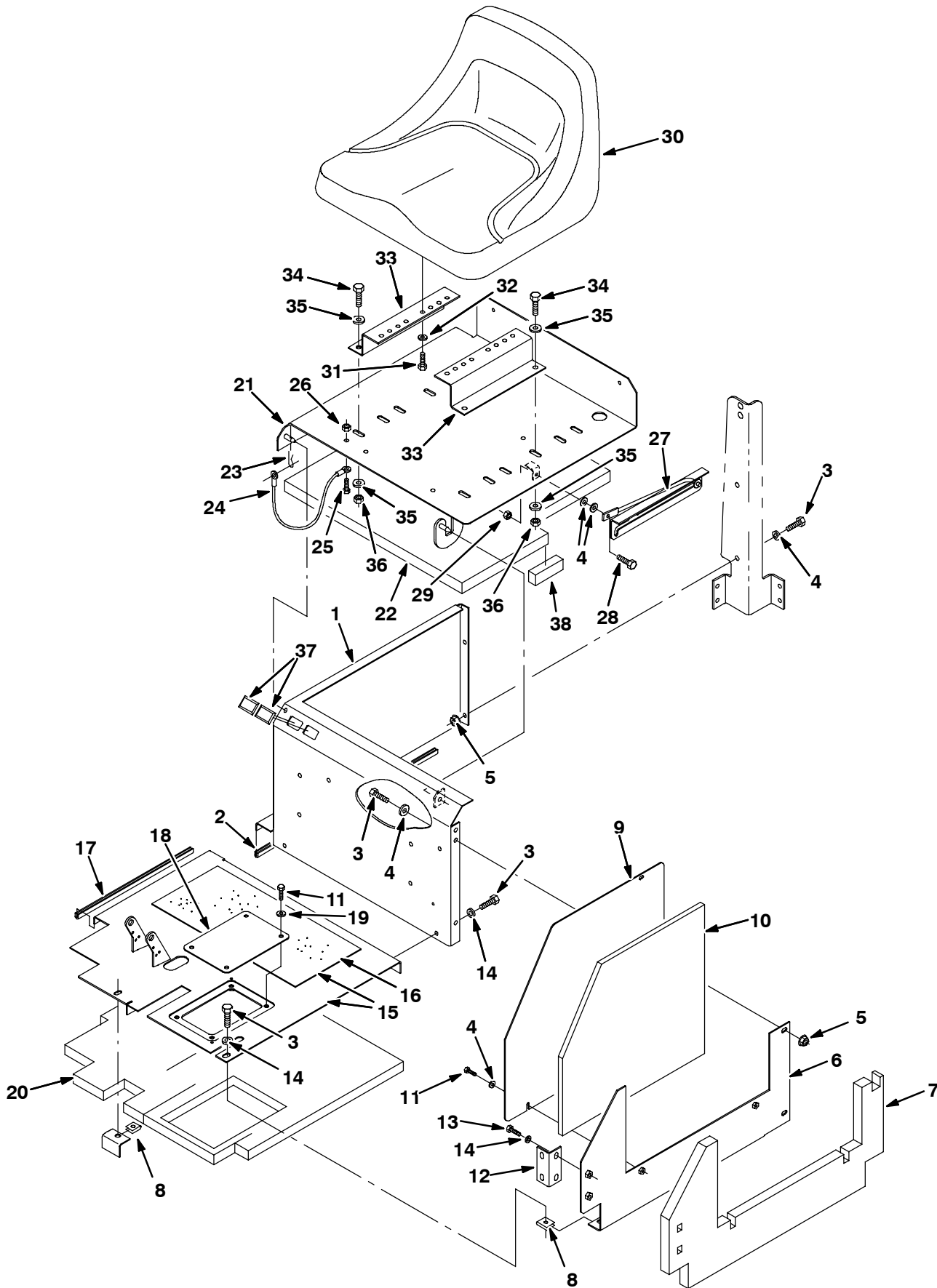


Fig. 6 - Seat and Shroud Group

Ref.	Part No.	Serial Number	Description	Qty.
1	1008738	(000000-025674 )	Panel Wldt, Sppt, Seat	1
1	1024441	(025675-	) Panel Wldt, Sppt, Seat	1
2	62595-23	(000000-	) Molding, Trim, Pvc,.08-.11 22.8l	1
3	39277	(000000-	) Screw, Hex, M 8 X 1.25 X 25, 8.8	7
4	32490	(000000-	) Washer, Flat, 0.25 Std	9
5	07791	(000000-	) Nut, Hex, Fling, M08 X 1.25	3
6	1006726	(000000-	) Panel, Inside	1
7	1006751	(000000-	) Insulation, Acstc, Panl	1
8	58595	(000000-	) Nut, U, M08 X 1.25	2
9	377241	(000000-	) Plate, Access, W/Label [6600/6650]	1
10	1008256	(000000-	) Insulation, Acstc	1
11	06942	(000000-	) Screw, Hex, M 6 X 1.0 X 16, 8.8	7
12	59771	(000000-	) Bracket	1
13	16735	(000000-	) Screw, Hex, M 8 X 1.25 X 16, 8.8	4
14	32491	(000000-	) Washer, Flat, 0.31 Std	8
▽	15	377199	(000000-) Plate, Floor, W/ Tread [6600/6650]	1
▲	16	16369	(000000-) Tread, Non-Skid, 08.W 17.0l	1
	17	62595-22	(000000-) Molding, Trim, Pvc,.08-.11 14.2l	1
	18	1009066	(000000-) Plate, Floor, Access	1
	19	32483	(000000-) Washer, Flat, 0.25 Sae	4
	20	1009130	(000000-) Insulation, Acstc, Plate, Floor	1
	21	1009590	(000000-) Cover Wldt, Sppt, Seat	1
	22	59822	(000000-) Insulation, Acstc, Cover, Seat, 1.0	1
	23	44906	(000000-) Pin, Hair Cotter, 0.69 D .092 Wir	1
	24	57702	(000000-) Cable, .06d, 12.0l, .26eye /.26eye	1
	25	06943	(000000-) Screw, Hex, M 6 X 1.0 X 20, 8.8	1
	26	07790	(000000-) Nut, Hex, Fling, M06 X 1.0	1
	27	54615	(000000-) Arm Wldt, Safety, Sppt, Seat, .38d 10.1l	1
	28	06946	(000000-) Screw, Hex, M 6 X 1.0 X 35, 8.8	1
	29	08708	(000000-) Nut, Hex, Lock, M 6 X 1.0, NI	1
	30	375411	(000000-) Seat, Michigan, Model V-1500	1
	31	16953	(000000-) Screw, Hex, .31-18 X 0.75, Sems	4
	32	39349	(000000-) Washer, Flat, 0.31 Sae	4
	33	54055	(000000-) Bracket, Angle, Mtg, Seat	2
	34	39283	(000000-) Screw, Hex, M10 X 1.5 X 25, 8.8	4
	35	32492	(000000-) Washer, Flat, 0.38 Std	8
	36	41430	(000000-) Nut, Hex, Lock, M10 X 1.5, NI	4
	37	57772	(000000-) Button, Plug, Switch, 1.45 X 0.83 Hole	2
	38	370124	(000000-) Insulation, Acstc, 1.0 01.5w 06.8l	1

Fig. 7 - Grille Group, Right

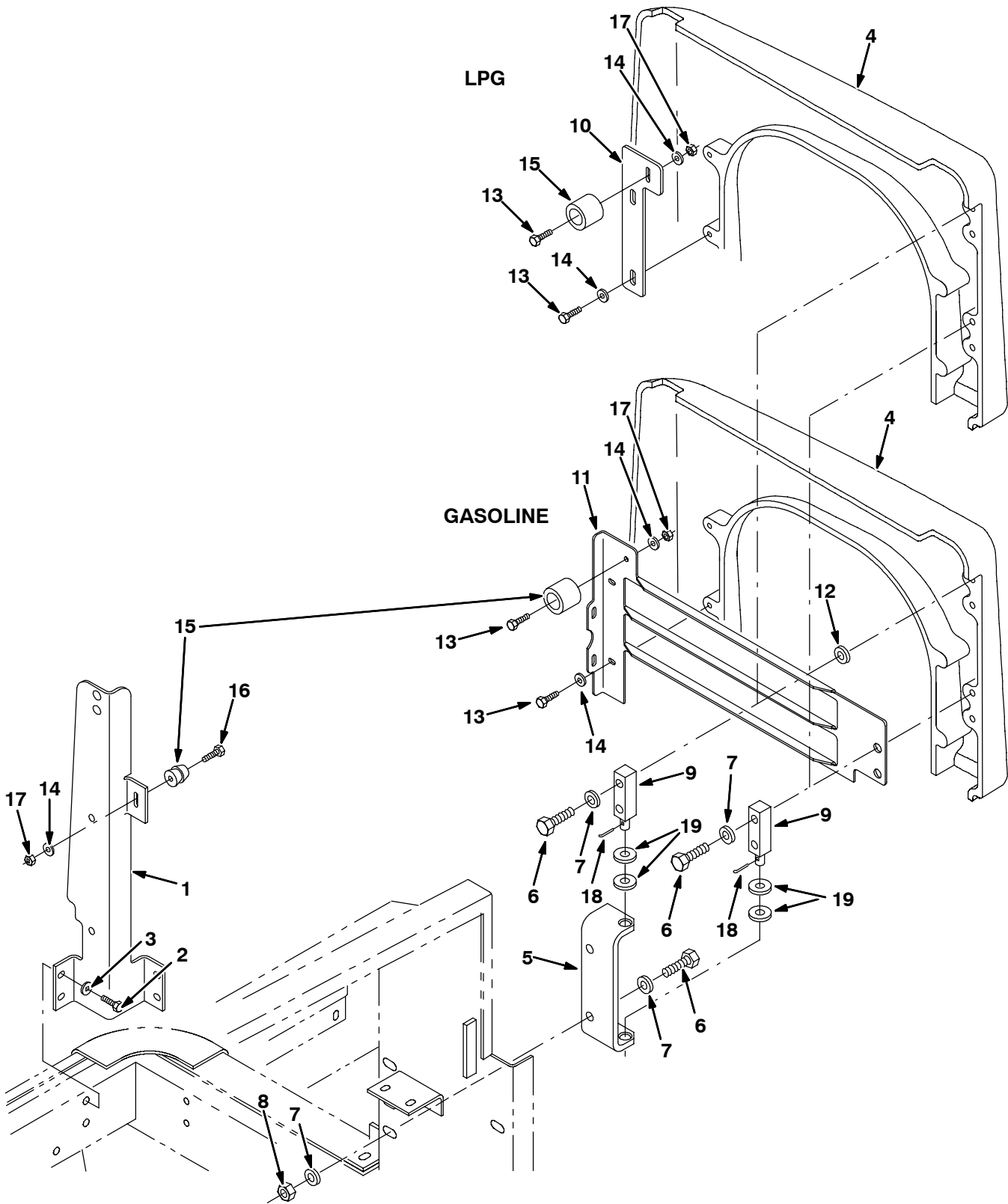


Fig. 7 - Grille Group, Right

Ref.	Part No.	Serial Number	Description	Qty.
1	383183	(000000-	) Channel, Post, Corner	1
2	09011	(000000-	) Screw, Hex, M 8 X 1.25 X 30, Ss	4
3	32491	(000000-	) Washer, Flat, 0.31 Std	4
4	379871	(000000-	) Grille, Door, Lpg	1
5	1008120	(000000-	) Bracket, Grill [6600/6650]	1
6	06969	(000000-	) Screw, Hex, M12 X 1.75 X 40, 8.8	6
7	36328	(000000-	) Washer, Belleville, .50	8
8	08711	(000000-	) Nut, Hex, Lock, M12 X 1.75,NI	2
9	72176	(000000-	) Pin	2
10	383184	(000000-	) Plate, Mtg, Latch (LPG Only)	1
11	1006558	(000000-	) Grille, Filler, Door, Rh (Gasoline Only)	1
12	32493	(000000-	) Washer, Flat, 0.50 Std (Gasoline Only)	2
13	06942	(000000-	) Screw, Hex, M 6 X 1.0 X 16, 8.8	3
14	32490	(000000-	) Washer, Flat, 0.25 Std	4
15	383185	(000000-	) Latch Assy, Rbr, 1.6d 1.4l/1.0d 1.0l	1
16	06945	(000000-	) Screw, Hex, M 6 X 1.0 X 30, 8.8	1
17	08708	(000000-	) Nut, Hex, Lock, M 6 X 1.0, NI	2
18	44906	(000000-	) Pin, Hair Cotter, 0.69 D .092 Wir	2
19	32486	(000000-	) Washer, Flat, 0.50 Sae	4

**Fig. 8 - Grille Group, Left**

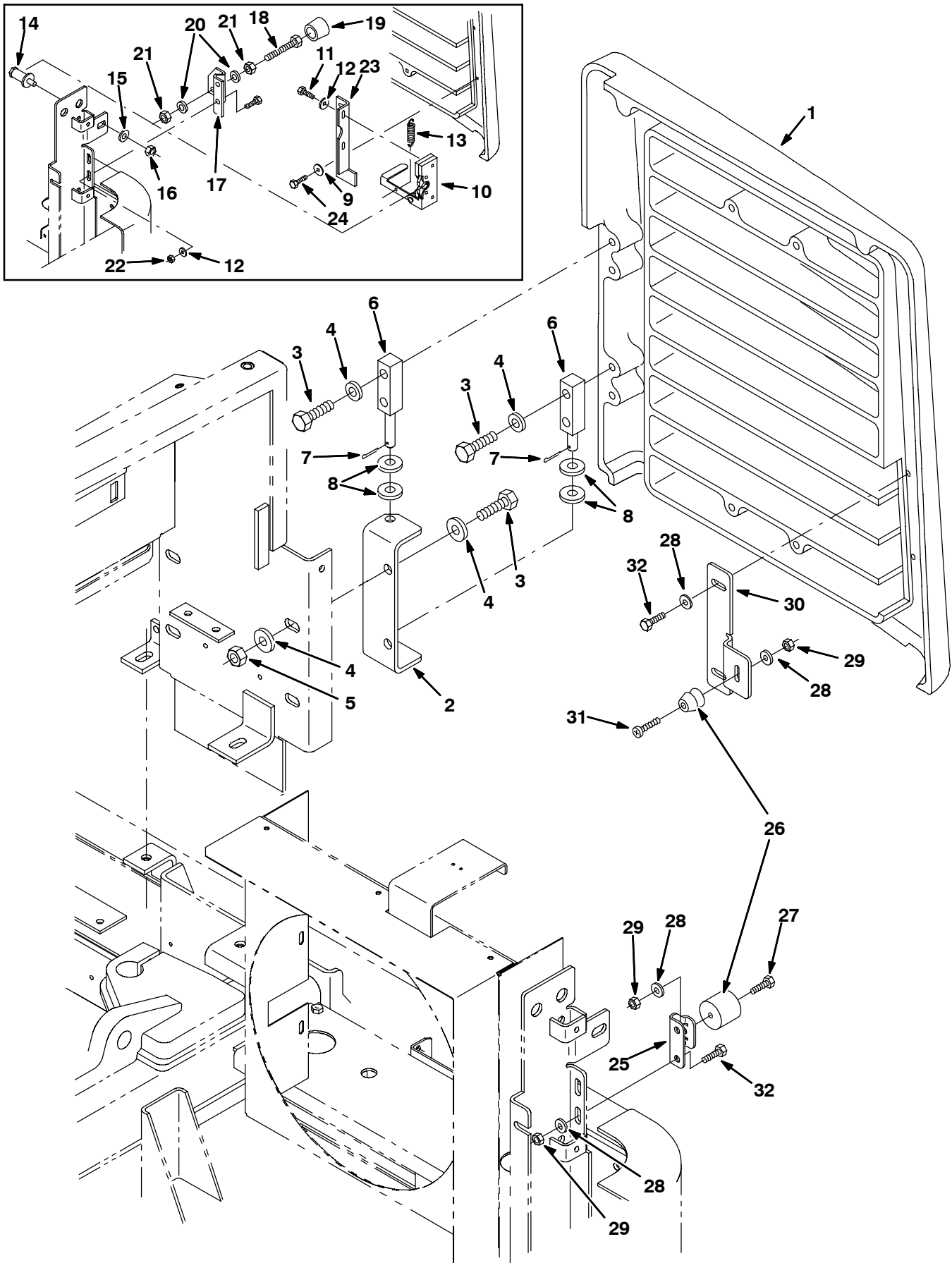


Fig. 8 - Grille Group, Left

Ref.	Part No.	Serial Number	Description	Qty.
1	379565	(000000-	) Grill, Door, Lh	1
2	1008120	(000000-	) Bracket, Grill [6600/6650]	1
3	06969	(000000-	) Screw, Hex, M12 X 1.75 X 40, 8.8	6
4	36328	(000000-	) Washer, Belleville, .50	8
5	08711	(000000-	) Nut, Hex, Lock, M12 X 1.75, NI	2
6	72176	(000000-	) Pin	2
7	44906	(000000-	) Pin, Hair Cotter, 0.69 D .092 Wir	2
8	32493	(000000-	) Washer, Flat, 0.50 Std	4
9	32491	(000000-024999	) Washer, Flat, 0.31 Std	2
10	59695	(000000-024999	) Latch	1
11	06944	(000000-024999	) Screw, Hex, M 6 X 1.0 X 25, 8.8	2
12	32940	(000000-024999	) Clevis, Adj, 1.12pin, 1.00-14	4
13	59870	(000000-024999	) Spring, Extn, 0.38od X 0.05wir, 2.5l	1
14	59192	(000000-024999	) Latch, Bolt	1
15	32493	(000000-024999	) Washer, Flat, 0.50 Std	1
16	39313	(000000-024999	) Nut, Hex, Std, M12 X 1.75	1
17	70248	(000000-024999	) Bracket, Stop Bolt, Rear Grill	1
18	55347	(000000-024999	) Screw, Hex, .38-16 X 2.00, FI	1
19	01318	(000000-024999	) Tip, Rbr, 0.94d 0.59b 0.88l	1
20	32492	(000000-024999	) Washer, Flat, 0.38 Std	2
21	25014	(000000-024999	) Nut, Hex, Std, .38-16	2
22	08709	(000000-024999	) Nut, Hex, Lock, M 8 X 1.25 NI	2
23	70252	(000000-024999	) Bracket, Latch, Grill, Lpg	1
24	16931	(000000-024999	) Screw, Hex, M 8 X 1.25 X 20, 8.8	1
25	1014797	(025000-	) Bracket, Mtg, Stop, Door	1
26	383185	(025000-	) Latch Assy, Rbr, 1.6d 1.4l/1.0d 1.0l	1
27	06945	(025000-	) Screw, Hex, M6 X 1.0 X 30, 8.8	1
28	32490	(025000-	) Washer, Flat, 0.25 Std	6
29	08708	(025000-	) Nut, Hex, Lock, M6 X 1.0, NI	4
30	1014752	(025000-	) Bracket, Mtg, Latch	1
31	09145	(025000-	) Screw, Pan, M6 X 1.0 X 16, 4.8	1
32	16931	(025000-	) Screw, Hex, M8 X 1.25 X 20, 8.8	4

**Fig. 9 - Engine Cover Group**

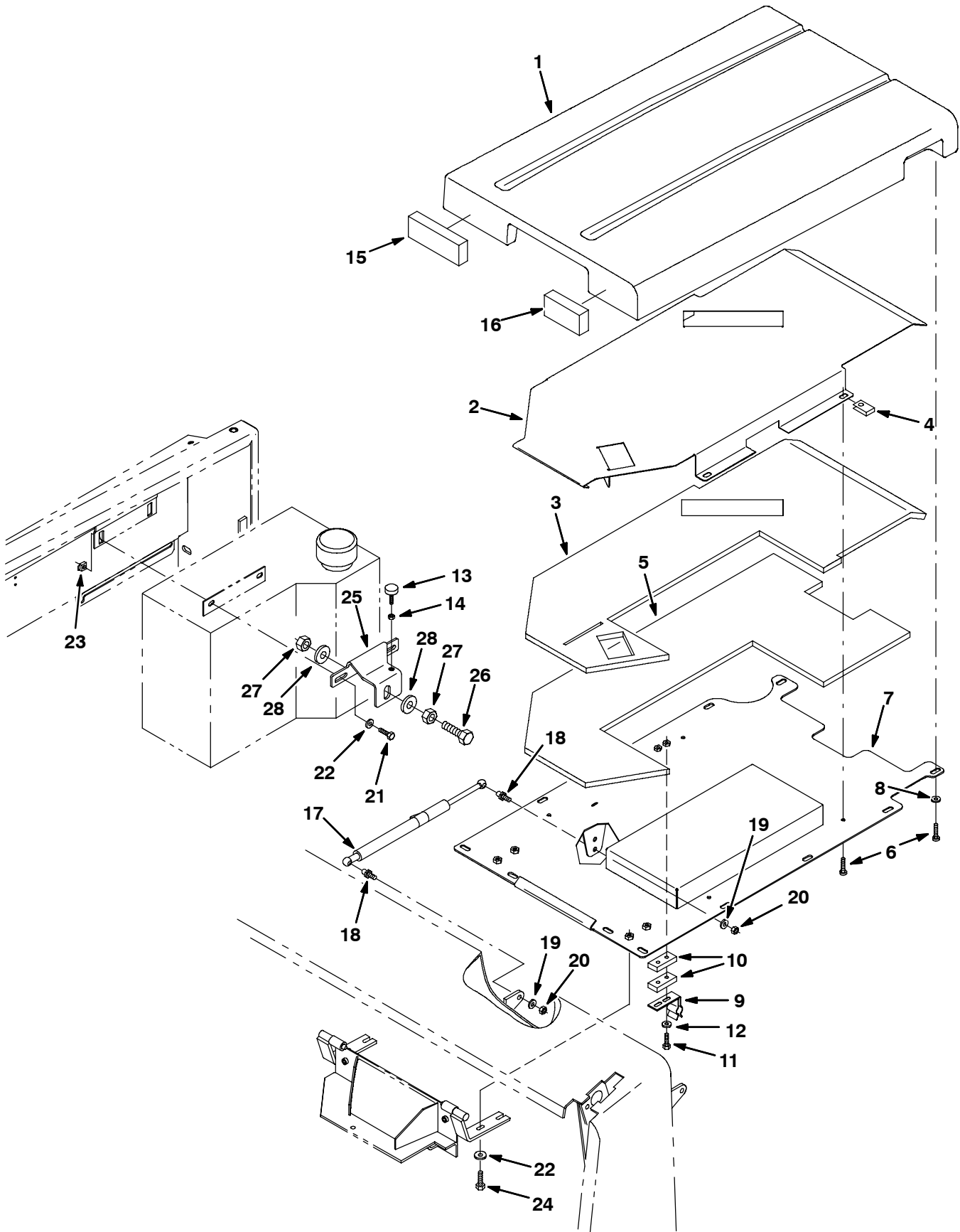




Fig. 9 - Engine Cover Group

Ref.	Part No.	Serial Number	Description	Qty.
1	383162	(000000-	) Cover, Eng, Plstc, [6600/6650]	1
2	1009217	(000000-029999	) Plate, Cover, Eng, Top	1
2	1031242	(030000-	) Plate, Cover, Eng, Top [6600/6650 2007]	1
3	1009292	(000000-029999	) Insulation, Acstc, 0.5 15.5w 35.6l Notch	1
3	1035134	(030000-	) Insulation, Acstc, 0.5, 35.6 X 15.5 Cham	1
4	12271	(000000-	) Nut, U, M06 X 1.0	5
5	1009315	(000000-029999	) Insulation, Acstc, 0.5 15.5w 33.2l Notch	1
5	1035125	(030000-	) Insulation, Acstc, 0.5, 33.3 X 15.5 Cham	1
6	09145	(000000-	) Screw, Pan, M 6 X 1.0 X 16, 4.8	17
7	1006424	(000000-024999	) Plate Wldt, Cover, Eng	1
7	1014071	(025000-029999	) Plate Wldt, Cover, Plstc, Eng	1
7	1031240	(030000-	) Plate Wldt, Cover, Plstc, Eng [2007]	1
8	29570	(000000-	) Washer, 0.28b 1.00d .06, Stl	12
9	1008916	(000000-	) Bracket Wldt, Latch	1
10	1008913	(000000-	) Spacer, Brkt, Latch	2
11	06943	(000000-	) Screw, Hex, M 6 X 1.0 X 20, 8.8	2
12	32483	(000000-	) Washer, Flat, 0.25 Sae	2
13	20802	(000000-	) Bumper, Rbr, 1.0d 0.38t .25-20	1
14	32520	(000000-	) Nut, Hex, Jam, .25-20	1
15	69986	(000000-	) Insulation, Acstc, 1.0 02.0w 05.8l	1
16	69987	(000000-	) Insulation, Acstc, 1.0 02.0w 04.0l	1
17	77728	(000000-	) Gasspring, 130lb, 6.2strk	1
18	58494	(000000-	) Stud, Ball, .39d .31-16, Gasspring	2
19	01685	(000000-	) Washer, Flat, 0.31 Ss	2
20	01760	(000000-	) Nut, Hex, Lock, .31-18, NI, Thin	2
21	76956	(000000-	) Screw, Hex, .31-18 X 1.25, 5	2
22	32491	(000000-	) Washer, Flat, 0.31 Std	6
23	29124	(000000-	) Nut, Speed, Retainer, .31-18 [.093-.126]	2
24	39277	(000000-	) Screw, Hex, M 8 X 1.25 X 25, 8.8	4
25	1006162	(000000-	) Bracket, Latch, Cover, Eng	1
26	06988	(000000-	) Screw, Hex, M16 X 2.0 X 90, 8.8	1
27	763066	(000000-	) Nut, Hex, Jam, M16x2.0	2
28	15331	(000000-	) Washer, Flat, 0.62 Sae	2

Fig. 10 - Engine Side Door Group

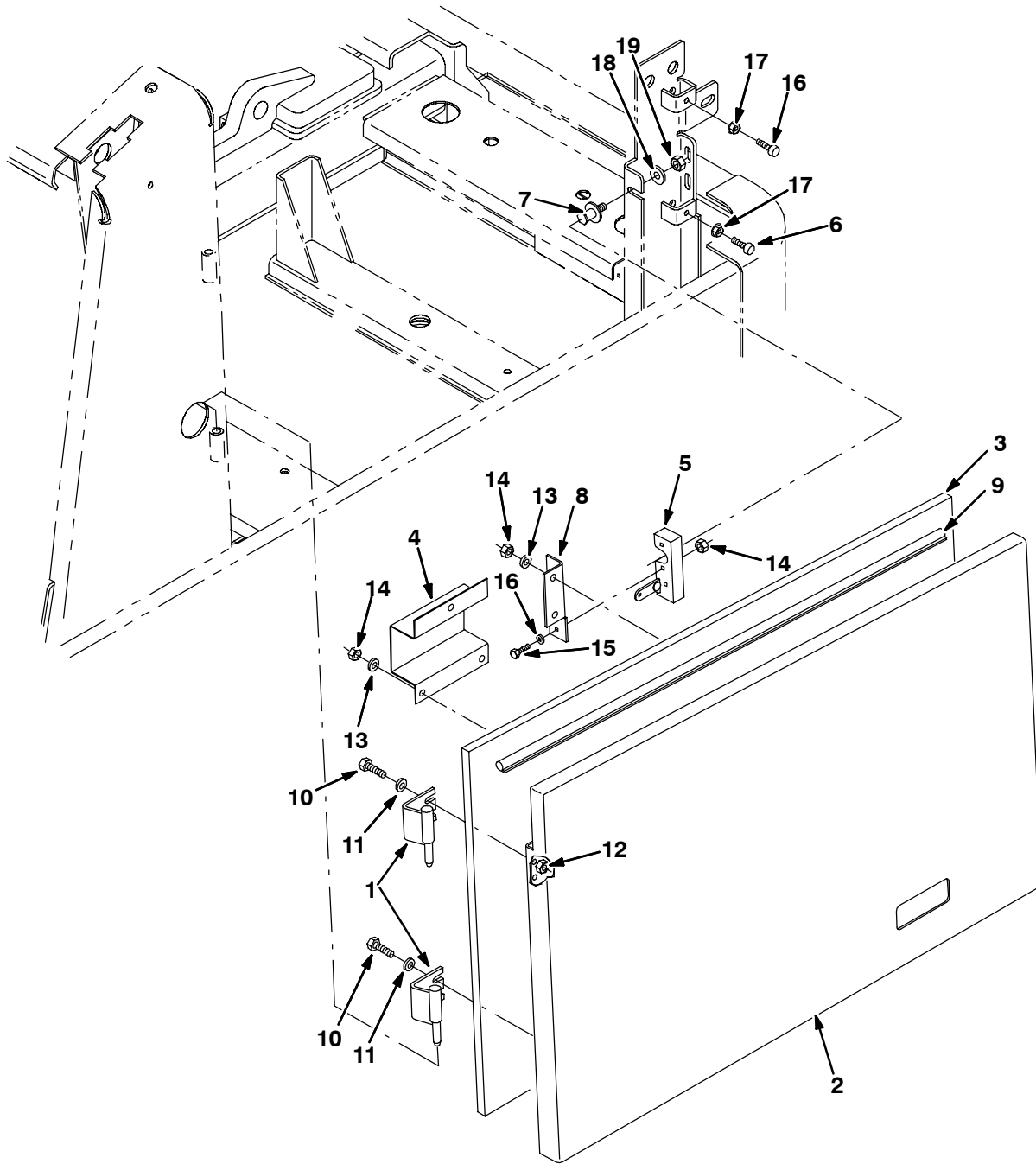


Fig. 10 - Engine Side Door Group

Ref.	Part No.	Serial Number	Description	Qty.
1	59377	(000000-	) Hinge Wldt, Door, Side	2
2	59830	(000000-	) Door Wldt, Eng, Side	1
3	59018	(000000-	) Insulation, Acstc	1
4	59829	(000000-	) Bracket, Door	1
5	59661	(000000-	) Latch	1
6	75128	(000000-	) Spindle, Adjustment	2
7	72154	(000000-	) Bolt, Latch	1
8	59828	(000000-	) Bracket, Latch, Door	1
9	59647	(000000-	) Seal, Bulb, [Sd-0504], 36.50l	1
10	16931	(000000-	) Screw, Hex, M 8 X 1.25 X 20, 8.8	4
11	41186	(000000-	) Washer, Belleville, .31	4
12	07791	(000000-	) Nut, Hex, Flng, M08 X 1.25	4
13	32483	(000000-	) Washer, Flat, 0.25 Sae	5
14	08708	(000000-	) Nut, Hex, Lock, M 6 X 1.0, NI	7
15	16949	(000000-	) Screw, Hex, .25-20 X 0.75, Sems	2
16	32490	(000000-	) Washer, Flat, 0.25 Std	2
17	27978	(000000-	) Nut, Hex, Flng, .25-20	2
18	32492	(000000-	) Washer, Flat, 0.38 Std	1
19	50902	(000000-	) Nut, Hex, Lock, .38-16, NI	1

Fig. 11 - Steering and Firewall Group

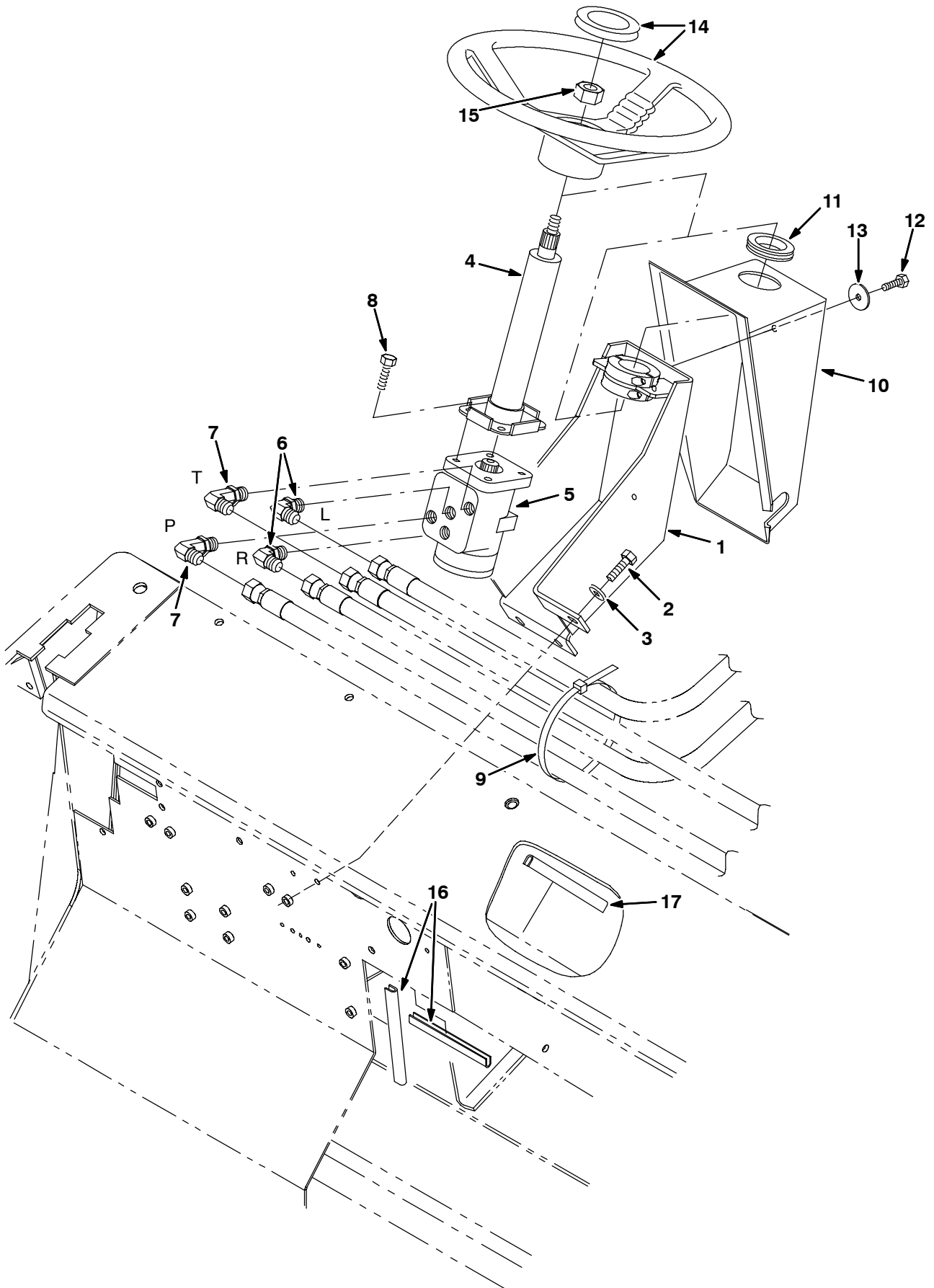


Fig. 11 - Steering and Firewall Group

Ref.	Part No.	Serial Number	Description	Qty.	
1	1005267	(000000-	) Bracket Wldt, Valve	1	
2	16931	(000000-	) Screw, Hex, M 8 X 1.25 X 20, 8.8	4	
3	32491	(000000-	) Washer, Flat, 0.31 Std	4	
▽	4	57935	(000000-	) Column, Steering #4 08.0l 0.81d 36tooth	1
▲	74142	(000000-	) Cap, Tube	1	
5	1005089	(000000-	) Steer-Control, Hyd (See Breakdowns)	1	
6	56820	(000000-	) Fitting, Hyd, E90, Jm06/Om06	2	
7	71727	(000000-	) Fitting, Hyd, E90, Jm06om06l	2	
8	02994	(000000-	) Screw, Hex, .38-16 X 0.75, Ss	4	
9	49263	(000000-	) Tie, Cable, Nyl, 11.4l .19w 3.0 Max D	6	
10	1011779	(000000-	) Cover, Column, Steering	1	
11	54345	(000000-	) Grommet, Rbr, 1.62id, F/ 1.9h, .13matl	1	
12	06942	(000000-	) Screw, Hex, M6 X 1.0 X 16, 8.8	2	
13	41178	(000000-	) Washer, Flat, 0.25 Fender	2	
14	56398	(000000-	) Wheel, Steering	1	
15	56185	(000000-	) Nut, Hex, Jam, M20 X 1.5	1	
16	57564	(000000-	) Molding, Trim, Pvc,.08-.11 05.0l	2	
17	62595-6	(000000-	) Molding, Trim, Pvc,.08-.11 07.5l	1	

Fig. 12 - Instrument Panel Assembly

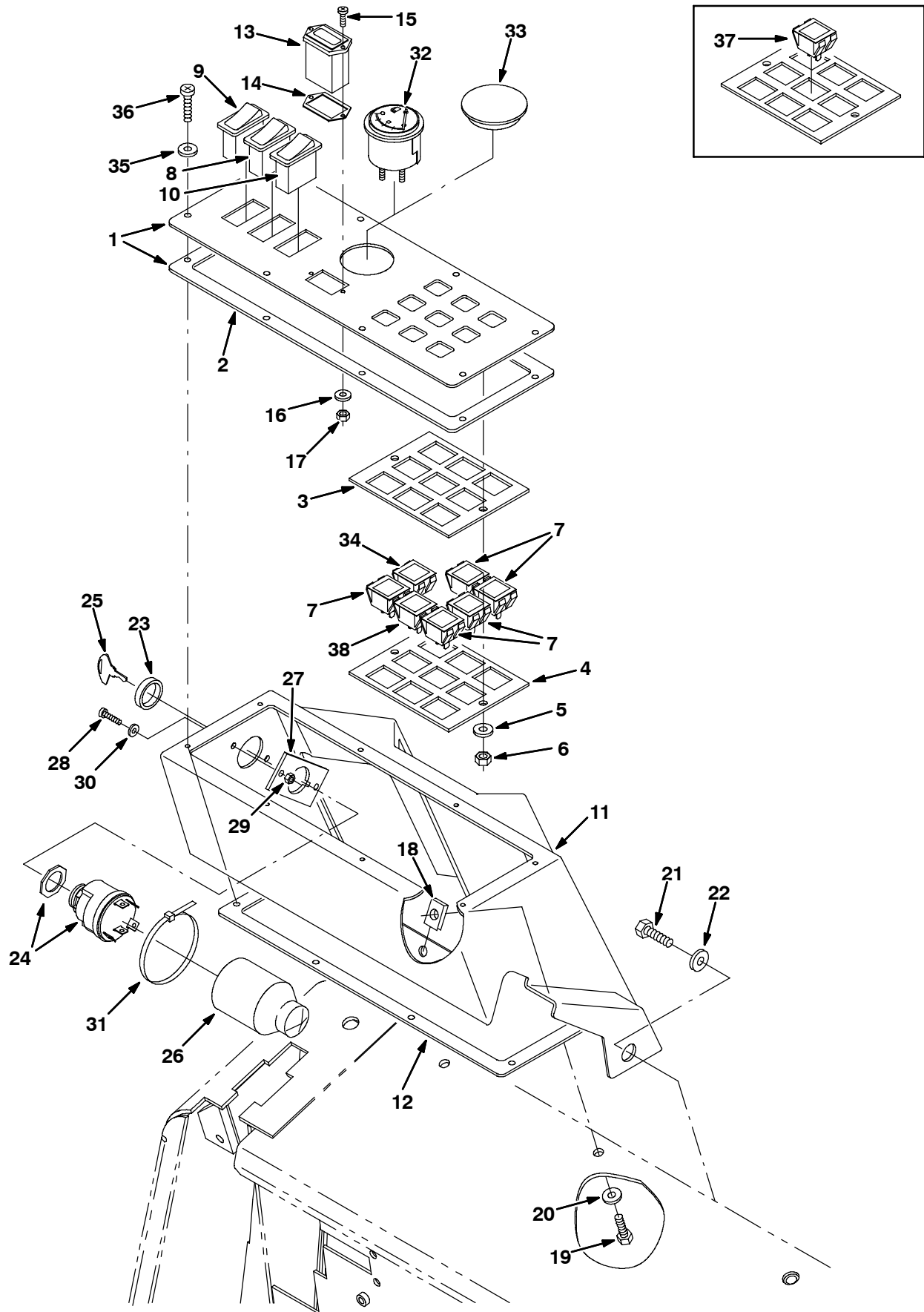


Fig. 12 - Instrument Panel Assembly

Ref.	Part No.	Serial Number	Description	Qty.
▽	1	377291	(000000- ) Panel, Instmt, W/ Label [6600]	1
▲	2	1008320	(000000- ) Gasket	1
	3	383130	(000000- ) Seal, Foam	1
	4	383131	(000000- ) Panel, Indicator Light	1
	5	32490	(000000- ) Washer, Flat, 0.25 Std	2
	6	08708	(000000- ) Nut, Hex, Lock, M 6 X 1.0, NI	2
	7	361075	(000000- ) Light, Panl, 14vdc, , 1.1 X 1.0	5
	8	1007941	(000000- ) Switch, Rocker, 36vdc 5a Dpdt On/Of/Mo	1
	9	377084	(000000- ) Switch, Rocker, 36vdc 05a Progressive	1
	10	392171	(000000- ) Switch, Rocker, 36vdc 05a Dpdt On/Of/On	1
	11	1011426	(000000- ) Panel Assy, Instmt [6600]	1
	12	1012871	(000000- ) Plate, Retainer	8
	13	59978	(000000-026171 ) Gauge Kit, Hourmeter, F/31988, Replmt	1
	13	377433	(026172- ) Gauge, Hourmeter, 12-60vdc, Analog [10k]	1
	14	222683	(000000- ) Gasket, Hourmeter	1
	15	09146	(000000- ) Screw, Pan, M 3 X 0.5 X 12, 4.8	2
	16	39658	(000000- ) Washer, Lock, Int, #04	2
	17	01754	(000000- ) Nut, Hex, Std, M03 X 0.5	2
	18	12271	(000000- ) Nut, U, M06 X 1.0	2
	19	06944	(000000- ) Screw, Hex, M 6 X 1.0 X 25, 8.8	2
	20	32490	(000000- ) Washer, Flat, 0.25 Std	2
	21	16735	(000000- ) Screw, Hex, M 8 X 1.25 X 16, 8.8	2
	22	32491	(000000- ) Washer, Flat, 0.31 Std	2
	23	382516	(000000- ) Boot, Switch	1
▽	24	87536	(000000- ) Switch, Ign	1
▲	25	87866	(000000- ) Key, Ignition, [Set Of 2]	1
	26	383165	(000000- ) Boot, Switch, Ignition	1
	27	19768	(000000- ) Plate	1
	28	06933	(000000- ) Screw, Pan, M 5 X 0.8 X 16, 4.8	2
	29	06549	(000000- ) Nut, Hex, Lock, M 5 X 0.8, NI	2
	30	19066	(000000- ) Washer, Flt, #10	2
	31	49263	(000000- ) Tie, Cable, Nyl, 11.4l .19w 3.0 Max D	2
	32	34813	(000000- ) Gauge, Fuel, 0-90ohm 8-18vdc	1
	33	82747	(000000- ) Button, Plug, 2.09h .05-.06 [Black Stl]	1
	34	361075	(000000- ) Light, Panl, 14vdc, 1.1 X 1.0 (LPG Only)	1
	35	1012615	(000000- ) Washer, .19b .44b .03, Nyl	8
	36	06933	(000000- ) Screw, Pan, M5 X 0.8 X 16, 4.8	8
	37	361075	(000000-024999 ) Light, Panl, 14vdc, , 1.1 X 1.0	1
	38	361075	(025000- ) Light, Panl, 14vdc, , 1.1 X 1.0	1

Fig. 13 - Instrument Panel Group, Side

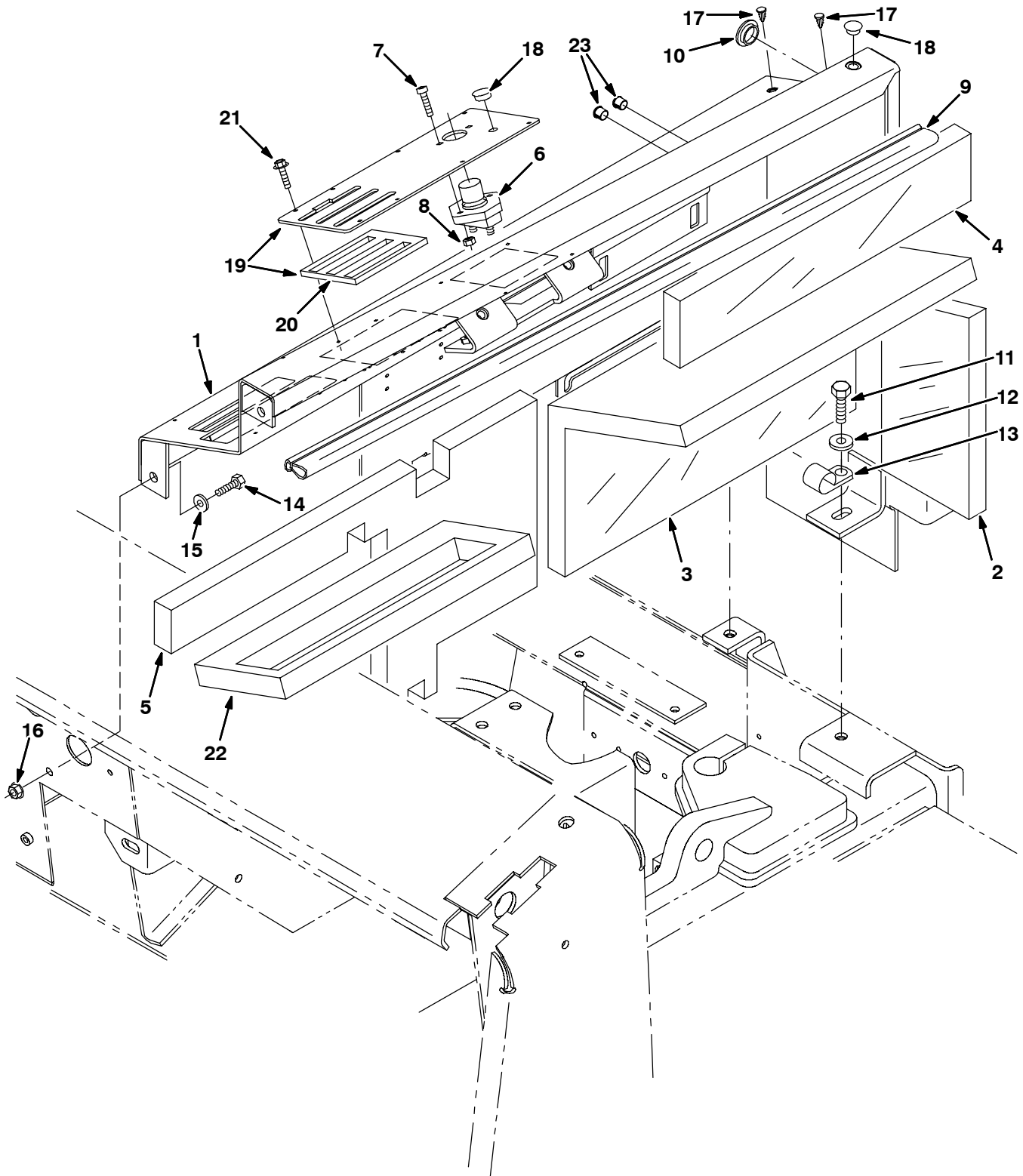




Fig. 13 - Instrument Panel Group, Side

Ref.	Part No.	Serial Number	Description	Qty.	
1	1014401	(000000-	) Panel Wldt, Instmt, Side [6600]	1	
2	59622	(000000-	) Insulation, Acstc, 1.0 03.5w 10.5l Adh	1	
3	59621	(000000-	) Insulation, Acstc, 1.0 15.5w 17.5l	1	
4	59623	(000000-	) Insulation, Acstc, 1.0 02.0w 17.5l Adh	1	
5	1008262	(000000-	) Insulation, Acstc	1	
6	44078	(000000-	) Switch, Push, 12vdc 80a Spst No	1	
7	09164	(000000-	) Screw, Pan, M 6 X 1.0 X 20, 4.8	2	
8	08708	(000000-	) Nut, Hex, Lock, M 6 X 1.0, NI	2	
9	59647	(000000-	) Seal, Bulb, [Sd-0504], 36.50l	3	
10	55035	(000000-	) Button, Plug, 1.00h .00-.17 [Black Nyl]	2	
11	39284	(000000-	) Screw, Hex, M10 X 1.5 X 35, 8.8	2	
12	32492	(000000-	) Washer, Flat, 0.38 Std	2	
13	69234	(000000-	) Clamp, Cable, Stl, 1.00d X 0.62w, 1h	2	
14	76570	(000000-	) Screw, Hex, M 8 X 1.25 X 30, 8.8	2	
15	32491	(000000-	) Washer, Flat, 0.31 Std	2	
16	07791	(000000-	) Nut, Hex, Fing, M08 X 1.25	2	
17	77399	(000000-	) Clip, [Pine-Tree], .236h, Plstc	2	
18	01314	(000000-	) Button, Plug, 0.38h .03-.12 [Black Nyl]	2	
▽	19	377243	(000000-	) Panel, Handle, Valve, W/ Label [6600]	1
▲	20	383180	(000000-	) Seal, Handle, Valve	1
21	16944	(000000-	) Screw, Hex, M 4 X 0.7 X 10, Fmg	8	
22	383179	(000000-	) Insulation, Acstc	1	
23	33807	(000000-	) Button, Plug, 0.44h .03-.12 [Black Nyl]	2	

Fig. 14 - Electrical Group

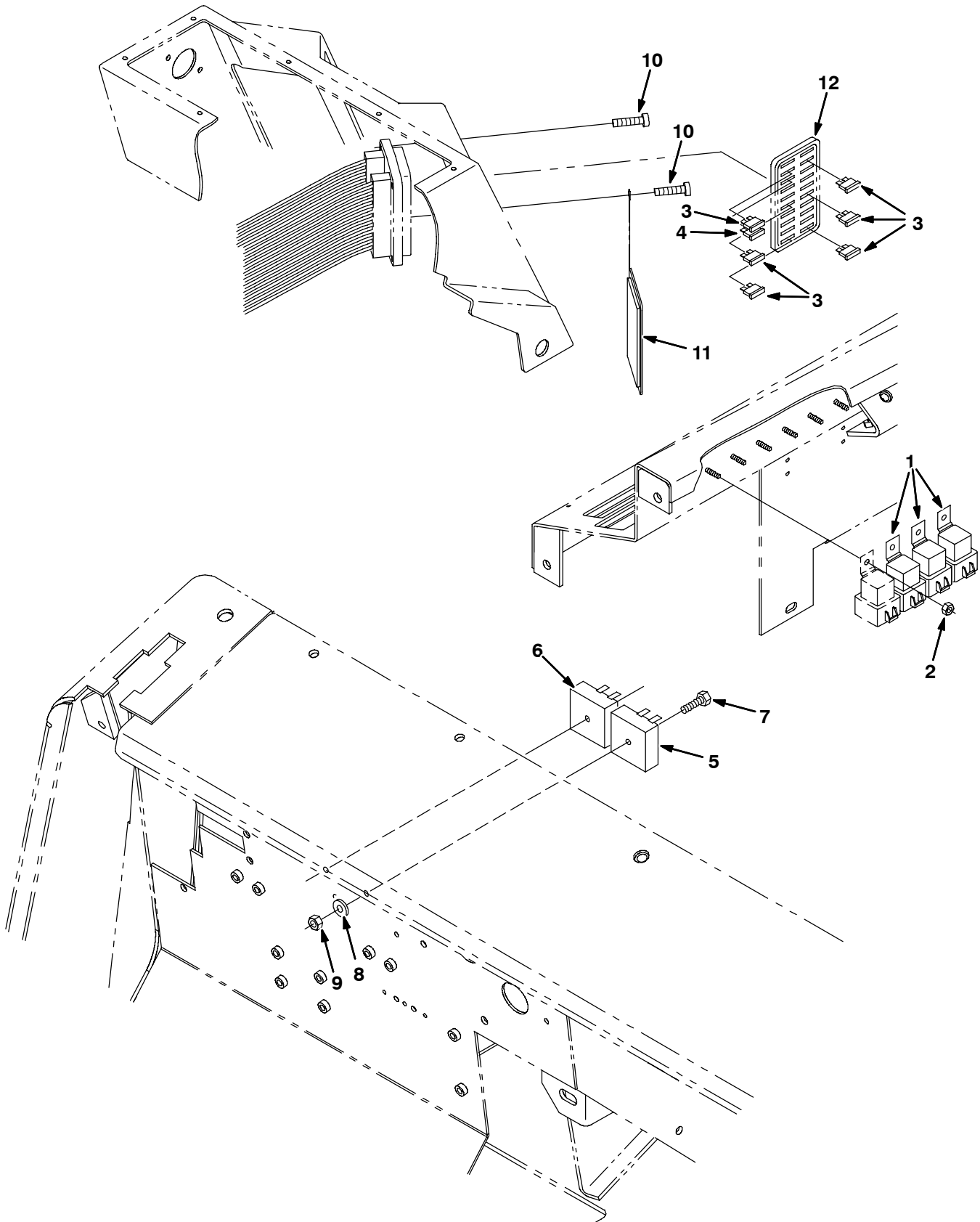


Fig. 14 - Electrical Group

Ref.	Part No.	Serial Number	Description	Qty.
1	56186	(000000-	) Relay, 12vdc, 40a, Spdt N/O	3
2	08708	(000000-	) Nut, Hex, Lock, M 6 X 1.0, NI	4
3	762514	(000000-	) Fuse, 15 Amp	8
4	762516	(000000-	) Fuse, 30 Amp	1
5	379665	(000000-	) Module	1
6	379656	(000000-	) Timer	1
7	07805	(000000-	) Screw, Hex, M 6 X 1.0 X 35, Ss	2
8	32483	(000000-	) Washer, Flat, 0.25 Sae	2
9	08712	(000000-	) Nut, Hex, Lock, M 6 X 1.0, NI, Ss	2
10	39254	(000000-	) Screw, Pan, #10-32 X 0.38, 2	4
11	371904	(000000-	) Cover, Fuseholder	1
12	9000267	(000000-	) Fuse Block	1

**Fig. 15 - Engine Group, Gasoline (00000-024999)**

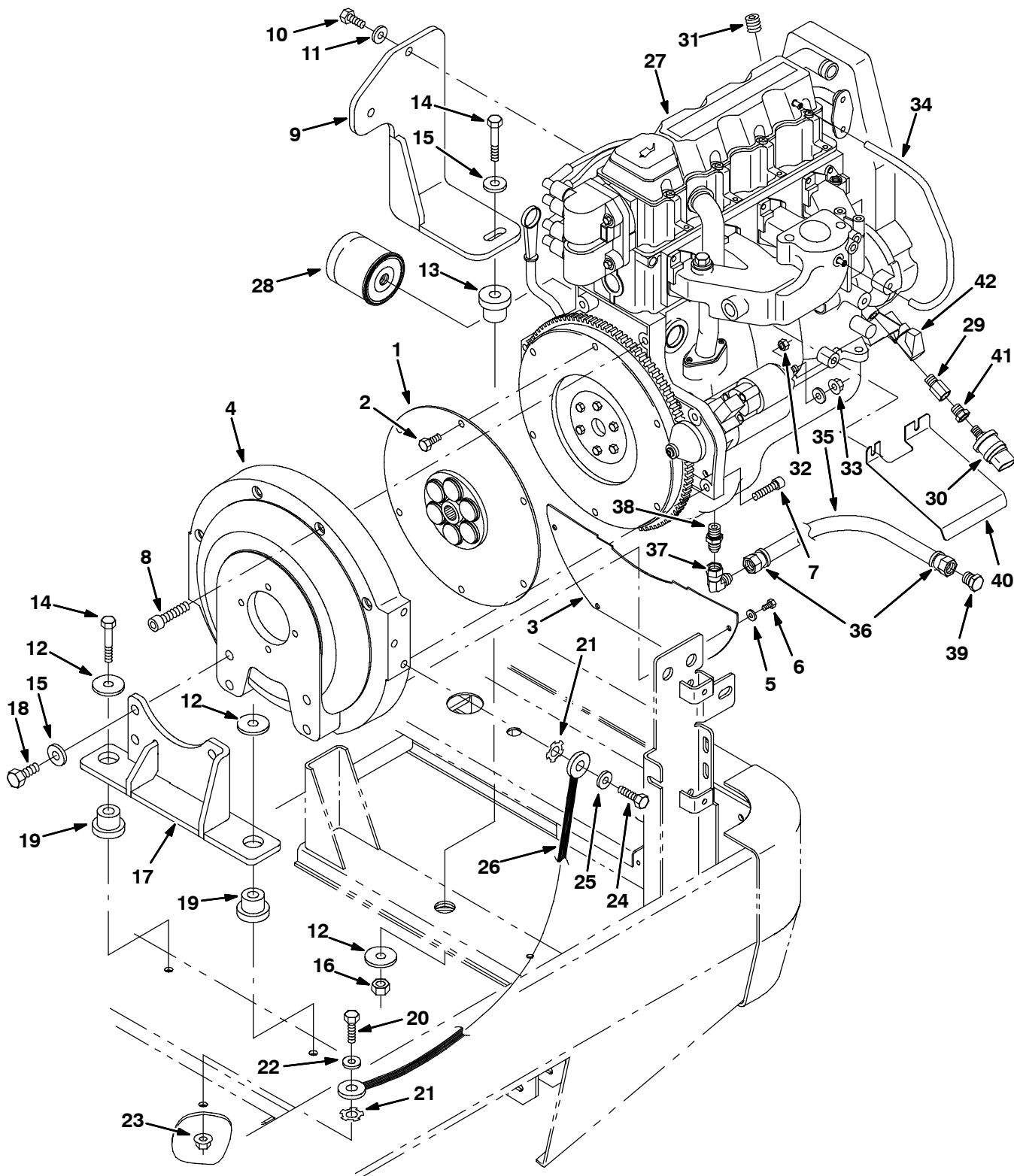


Fig. 15 - Engine Group, Gasoline (000000-024999)

Ref.	Part No.	Serial Number	Description	Qty.	
1	371866	(000000-024999 )	Coupling, Drive, 13t	1	
2	371867	(000000-024999 )	Bolt, M07 - 1.0	6	
3	371868	(000000-024999 )	Cover, Hsng, Flywheel	1	
4	371869	(000000-024999 )	Housing, Pump	1	
5	32483	(000000-024999 )	Washer, Flat, 0.25 Sae	4	
6	19315	(000000-024999 )	Screw, Hex, .25-20 X 0.50, 5	4	
7	10832	(000000-024999 )	Screw, Soc, .38-16 X 1.50, Al	2	
8	371870	(000000-024999 )	Screw, Soc, M12 X 1.75 X 55, 10.9	4	
9	1005563	(000000-024999 )	Mount Wldt, Eng, Gas / Lpg	1	
10	39283	(000000-024999 )	Screw, Hex, M10 X 1.5 X 25, 8.8	2	
11	32492	(000000-024999 )	Washer, Flat, 0.38 Std	2	
12	04414	(000000-024999 )	Washer, 0.53b 1.88d .12, Stl, Pl	6	
13	51176	(000000-024999 )	Isolator, Vib, Dia .50	1	
14	06972	(000000-024999 )	Screw, Hex, M12 X 1.75 X 60, 8.8	3	
15	32493	(000000-024999 )	Washer, Flat, 0.50 Std	5	
16	08711	(000000-024999 )	Nut, Hex, Lock, M12 X 1.75, Ni	1	
17	1005292	(000000-024999 )	Bracket Wldt, Mtg, Eng, Gas / Lpg	1	
18	39810	(000000-024999 )	Screw, Hex, .50-13 X 1.25, 5	4	
19	51176	(000000-024999 )	Isolator, Vib, Dia .50	2	
20	06943	(000000-024999 )	Screw, Hex, M 6 X 1.0 X 20, 8.8	1	
21	41140	(000000-024999 )	Washer, Lock, Int-Ext, .25	2	
22	32490	(000000-024999 )	Washer, Flat, 0.25 Std	1	
23	07790	(000000-024999 )	Nut, Hex, Flng, M06 X 1.0	1	
24	21197	(000000-024999 )	Screw, Hex, .38-16 X 1.00, 5	1	
25	32485	(000000-024999 )	Washer, Flat, .38 Sae	1	
26	57773	(000000-024999 )	Wire Assy, 06Ga 13.0L Blk .41H/.41H	1	
▽	27	377180	(000000-024999 )	Engine Assy, Gas [Gm, 1.6l] (See Engine Breakdown)	1
▲	28	371972	(000000-024999 )	Filter, Oil	1
	29	371857	(000000-024999 )	Fitting, Pipe, Str, Metric, Pm14/Pf04	1
	30	79399	(000000-024999 )	Switch, Press, 12vdc 02a Dpdt N 0006psi	1
	31	371860	(000000-024999 )	Fitting, Pipe, Plug, Metric, M18, Soc	1
	32	41359	(000000-024999 )	Nut, Hex, Std, M06 X 1.0	1
	33	07791	(000000-024999 )	Nut, Hex, Flng, M08 X 1.25	1
	34	72561	(000000-024999 )	Hose, Fuel, 0.19id 20.0l	1
	35	371855	(000000-024999 )	Hose, Hyd, 26.0l	1
	36	371876	(000000-024999 )	Fitting, Hose End	2
	37	371887	(000000-024999 )	Fitting, Elb, Sf06/Fm06	1
	38	371889	(000000-024999 )	Fitting, Hyd, Str, Metric, Om14/Jm06	1
	39	371890	(000000-024999 )	Fitting, Pipe, Plug	1
	40	1008934	(000000-024999 )	Guard, Starter [Gm 1.6l]	1
	41	17414	(000000-024999 )	Fitting, Pipe, Str, Pm04/Pf02	1
	42	372002	(000000-024999 )	Sensor, Position, Cshft	1

# STANDARD PARTS

Fig. 16 - Engine Group, Gasoline (025000- )

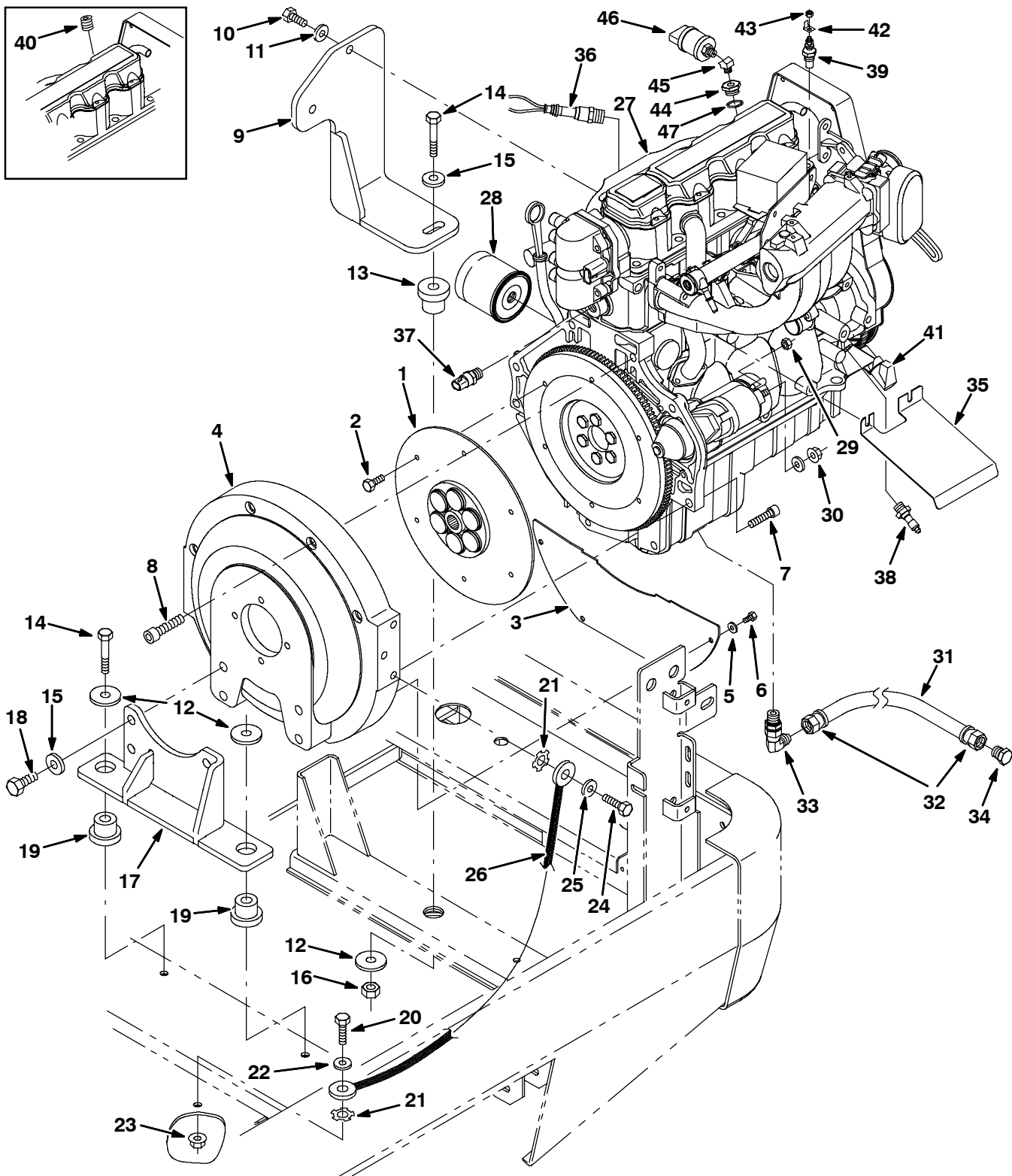


Fig. 16 - Engine Group, Gasoline (025000- )

Ref.	Part No.	Serial Number	Description	Qty.
1	371866	(025000-	) Coupling, Drive, 13t	1
2	372554	(025000-	) Screw, Hex, M7-1.0 X 23.0, 8.8	6
3	371868	(025000-	) Cover, Hsng, Flywheel	1
4	371869	(025000-	) Housing, Pump	1
5	32490	(025000-	) Washer, Flat, 0.25 Std	4
6	19315	(025000-	) Screw, Hex, .25-20 X 0.50, 5	4
7	10832	(025000-	) Screw, Soc, .38-16 X 1.50, Al	2
8	371870	(025000-	) Screw, Soc, M12 X 1.75 X 55, 10.9	4
9	1011353	(025000-	) Mount Wldt, Eng, Gas / Lpg	1
10	39283	(025000-	) Screw, Hex, M10 X 1.5 X 25, 8.8	2
11	32492	(025000-	) Washer, Flat, 0.38 Std	2
12	04414	(025000-	) Washer, 0.53b 1.88d .12, Stl, PI	6
13	51176	(025000-	) Isolator, Vib, Dia .50	1
14	06972	(025000-	) Screw, Hex, M12 X 1.75 X 60, 8.8	3
15	32493	(025000-	) Washer, Flat, 0.50 Std	5
16	08711	(025000-	) Nut, Hex, Lock, M12 X 1.75,NI	1
17	1011306	(025000-	) Bracket Wldt, Mtg, Eng, Gas / Lpg	1
18	39810	(025000-	) Screw, Hex, .50-13 X 1.25, 5	4
19	51176	(025000-	) Isolator, Vib, Dia .50	2
20	06943	(025000-	) Screw, Hex, M 6 X 1.0 X 20, 8.8	1
21	41140	(025000-	) Washer, Lock, Int-Ext, .25	2
22	32490	(025000-	) Washer, Flat, 0.25 Std	1
23	07790	(025000-	) Nut, Hex, FIng, M06 X 1.0	1
24	21197	(025000-	) Screw, Hex, .38-16 X 1.00, 5	1
25	32485	(025000-	) Washer, Flat, .38 Sae	1
26	57773	(025000-	) Wire Assy, 06Ga 13.0L Blk .41H/.41H	1
▽	27	372862	(025000-) Engine [Long Block Gm 1.6] (See Engine Breakdown)	1
▲	28	371972	(025000-) Filter, Oil	1
29	41359	(025000-	) Nut, Hex, Std, M6 X 1.0, 8	1
30	07791	(025000-	) Nut, Hex, FIng, M8 X 1.25	1
31	371855	(025000-	) Hose, Hyd, 26.0l	1
32	371876	(025000-	) Fitting, Hose End	2
33	372541	(025000-	) Fitting, E90, M14 X .56	1
34	371890	(025000-	) Fitting, Pipe, Plug	1
35	372556	(025000-	) Shield, Starter [1.6l]	1
36	372491	(025000-029999)	) Sensor, Oxygen	1
36	1028559	(030000-	) Sensor, Oxygen	1
37	372953	(025000-	) Sensor, Temp, Coolant	1
38	371996	(025000-	) Switch, Indicator, Oil Press	1
39	1042028	(025000-	) Sensor, Temp, Water [Rework For 1.6gm]	1
40	371860	(025000-029999)	) Fitting, Pipe, Plug, Metric, M18, Soc	1
41	372002	(025000-	) Sensor, Position, Cshft	1
42	68106	(025000-	) Terminal, Tab, .25 .19h .84l	1
43	50335	(025000-	) Nut, Hex, Std, M5 X 0.8, 8	1
44	1031439	(030000-	) Fitting, Pipe, Bshg, M18 X 1.5	1
45	24976	(030000-	) Fitting, Brs, E45, Pf02/Pm02	1
46	79399	(030000-	) Switch, Press, Dpdt 0006psi	1
47	385029	(030000-	) Gasket, Plug, Relief Valve,Oil Press	1

Fig. 17 - Engine Group, LPG (00000-024999)

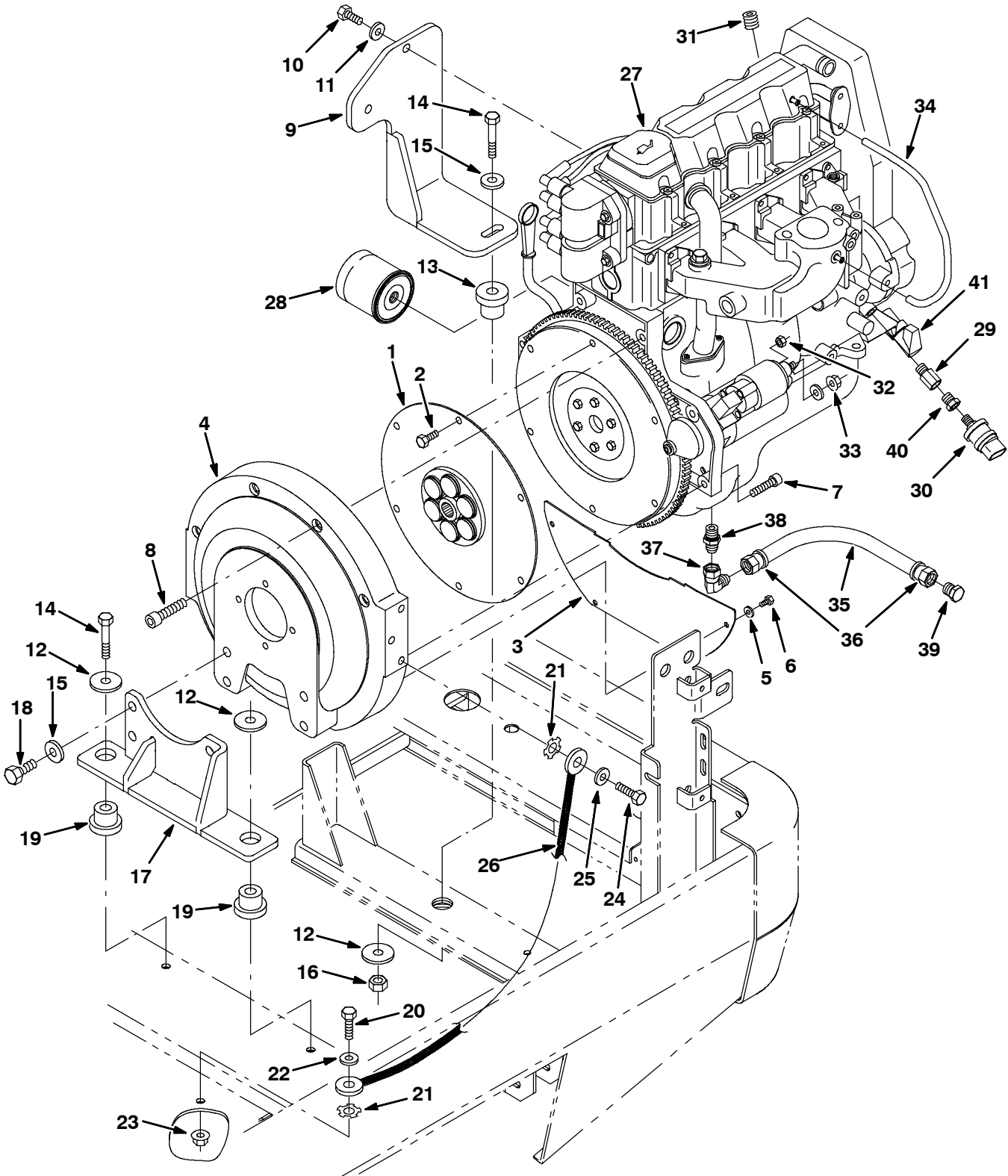




Fig. 17 - Engine Group, LPG (000000-024999)

Ref.	Part No.	Serial Number	Description	Qty.	
1	371866	(000000-024999 )	Coupling, Drive, 13t	1	
2	371867	(000000-024999 )	Bolt, M07 - 1.0	6	
3	371868	(000000-024999 )	Cover, Hsng, Flywheel	1	
4	371869	(000000-024999 )	Housing, Pump	1	
5	32483	(000000-024999 )	Washer, Flat, 0.25 Sae	4	
6	19315	(000000-024999 )	Screw, Hex, .25-20 X 0.50, 5	4	
7	10832	(000000-024999 )	Screw, Soc, .38-16 X 1.50, Al	2	
8	371870	(000000-024999 )	Screw, Soc, M12 X 1.75 X 55, 10.9	4	
9	1005563	(000000-024999 )	Mount Wldt, Eng, Gas / Lpg	1	
10	39283	(000000-024999 )	Screw, Hex, M10 X 1.5 X 25, 8.8	2	
11	32492	(000000-024999 )	Washer, Flat, 0.38 Std	2	
12	04414	(000000-024999 )	Washer, 0.53b 1.88d .12, Stl, PI	6	
13	51176	(000000-024999 )	Isolator, Vib, Dia .50	1	
14	06972	(000000-024999 )	Screw, Hex, M12 X 1.75 X 60, 8.8	3	
15	32493	(000000-024999 )	Washer, Flat, 0.50 Std	5	
16	08711	(000000-024999 )	Nut, Hex, Lock, M12 X 1.75, Ni	1	
17	1005292	(000000-024999 )	Bracket Wldt, Mtg, Eng, Gas / Lpg	1	
18	39810	(000000-024999 )	Screw, Hex, .50-13 X 1.25, 5	4	
19	51176	(000000-024999 )	Isolator, Vib, Dia .50	2	
20	06943	(000000-024999 )	Screw, Hex, M 6 X 1.0 X 20, 8.8	1	
21	41140	(000000-024999 )	Washer, Lock, Int-Ext, .25	2	
22	32490	(000000-024999 )	Washer, Flat, 0.25 Std	1	
23	07790	(000000-024999 )	Nut, Hex, FIng, M06 X 1.0	1	
24	21197	(000000-024999 )	Screw, Hex, .38-16 X 1.00, 5	1	
25	32485	(000000-024999 )	Washer, Flat, .38 Sae	1	
26	57773	(000000-024999 )	Wire Assy, 06Ga 13.0L Blk .41H/.41H	1	
▽	27	377181	(000000-024999 )	Engine Assy, Lpg [Gm, 1.6l] (See Engine Breakdown)	1
▲	28	371972	(000000-024999 )	Filter, Oil	1
	29	371857	(000000-024999 )	Fitting, Pipe, Str, Metric, Pm14/Pf04	1
	30	79399	(000000-024999 )	Switch, Press, 12vdc 02a Dpdt N 0006psi	1
	31	371860	(000000-024999 )	Fitting, Pipe, Plug, Metric, M18, Soc	1
	32	41359	(000000-024999 )	Nut, Hex, Std, M06 X 1.0	1
	33	07791	(000000-024999 )	Nut, Hex, FIng, M08 X 1.25	1
	34	72561	(000000-024999 )	Hose, Fuel, 0.19id 20.0l	1
	35	371855	(000000-024999 )	Hose, Hyd, 26.0l	1
	36	371876	(000000-024999 )	Fitting, Hose End	2
	37	371887	(000000-024999 )	Fitting, Elb, Sf06/Fm06	1
	38	371889	(000000-024999 )	Fitting, Hyd, Str, Metric, Om14/Jm06	1
	39	371890	(000000-024999 )	Fitting, Pipe, Plug	1
	40	17414	(000000-024999 )	Fitting, Pipe, Str, Pm04/Pf02	1
	41	372002	(000000-024999 )	Sensor, Position, Cshft	1

# STANDARD PARTS

Fig. 18 - Engine Group, LPG (025000- )

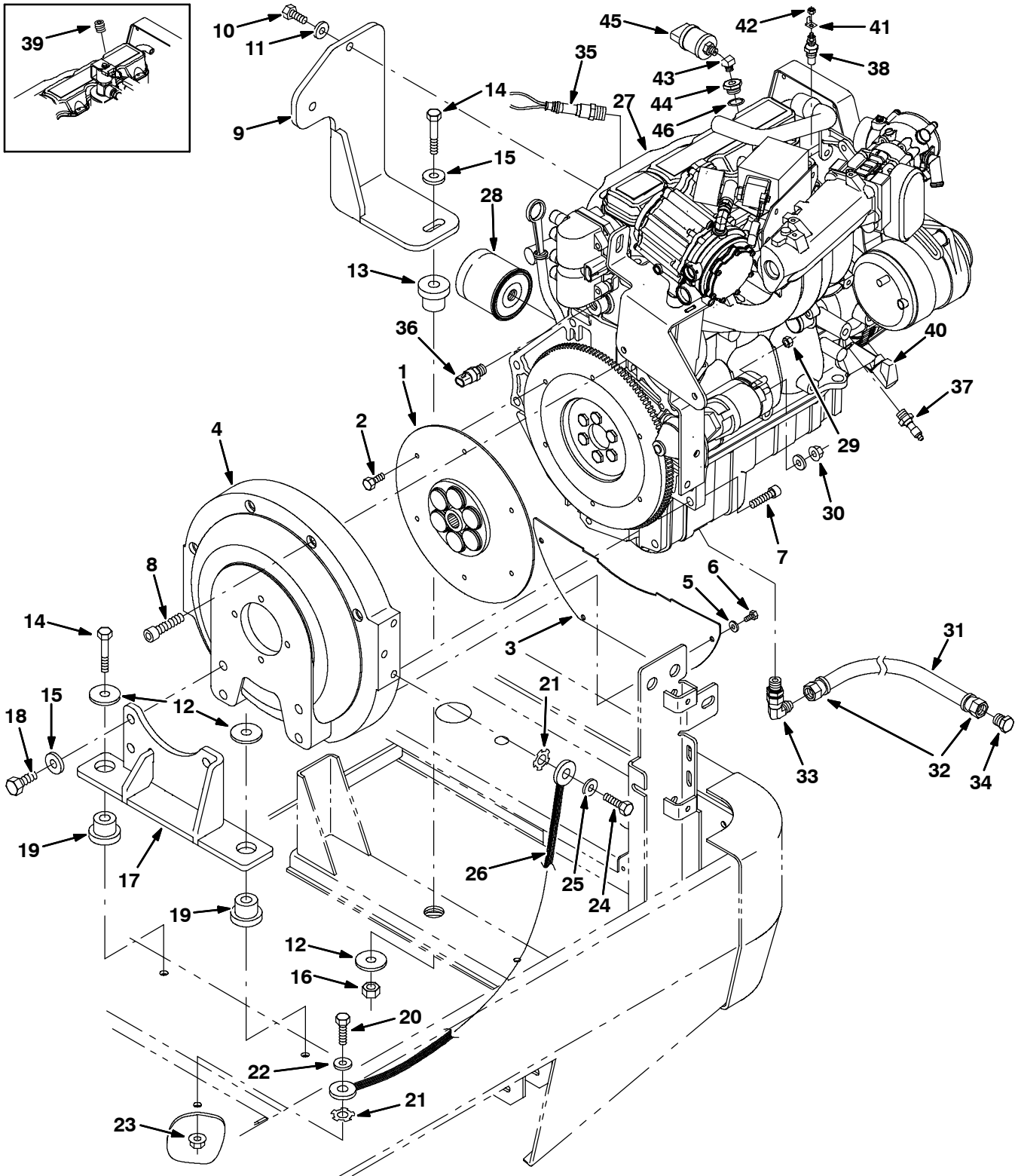


Fig. 18 - Engine Group, LPG (025000- )

Ref.	Part No.	Serial Number	Description	Qty.
1	371866	(025000-	) Coupling, Drive, 13t	1
2	372554	(025000-	) Screw, Hex, M7-1.0 X 23.0, 8.8	6
3	371868	(025000-	) Cover, Hsng, Flywheel	1
4	371869	(025000-	) Housing, Pump	1
5	32490	(025000-	) Washer, Flat, 0.25 Std	4
6	19315	(025000-	) Screw, Hex, .25-20 X 0.50, 5	4
7	10832	(025000-	) Screw, Soc, .38-16 X 1.50, Al	2
8	371870	(025000-	) Screw, Soc, M12 X 1.75 X 55, 10.9	4
9	1011353	(025000-	) Mount Wldt, Eng, Gas / Lpg	1
10	39283	(025000-	) Screw, Hex, M10 X 1.5 X 25, 8.8	2
11	32492	(025000-	) Washer, Flat, 0.38 Std	2
12	04414	(025000-	) Washer, 0.53b 1.88d .12, Stl, PI	6
13	51176	(025000-	) Isolator, Vib, Dia .50	1
14	06972	(025000-	) Screw, Hex, M12 X 1.75 X 60, 8.8	3
15	32493	(025000-	) Washer, Flat, 0.50 Std	5
16	08711	(025000-	) Nut, Hex, Lock, M12 X 1.75,NI	1
17	1011306	(025000-	) Bracket Wldt, Mtg, Eng, Gas / Lpg	1
18	39810	(025000-	) Screw, Hex, .50-13 X 1.25, 5	4
19	51176	(025000-	) Isolator, Vib, Dia .50	2
20	06943	(025000-	) Screw, Hex, M 6 X 1.0 X 20, 8.8	1
21	41140	(025000-	) Washer, Lock, Int-Ext, .25	2
22	32490	(025000-	) Washer, Flat, 0.25 Std	1
23	07790	(025000-	) Nut, Hex, FIng, M06 X 1.0	1
24	21197	(025000-	) Screw, Hex, .38-16 X 1.00, 5	1
25	32485	(025000-	) Washer, Flat, .38 Sae	1
26	57773	(025000-	) Wire Assy, 06Ga 13.0L Blk .41H/.41H	1
▽	27	372862	(025000-) Engine [Long Block Gm 1.6] (See Engine Breakdown)	1
▲	28	371972	(025000-) Filter, Oil	1
29	41359	(025000-	) Nut, Hex, Std, M6 X 1.0, 8	1
30	07791	(025000-	) Nut, Hex, FIng, M8 X 1.25	1
31	371855	(025000-	) Hose, Hyd, 26.0l	1
32	371876	(025000-	) Fitting, Hose End	2
33	372541	(025000-	) Fitting, E90, M14 X .56	1
34	371890	(025000-	) Fitting, Pipe, Plug	1
35	372491	(025000-029999)	) Sensor, Oxygen	1
35	1028559	(030000-	) Sensor, Oxygen	1
36	372953	(025000-	) Sensor, Temp, Coolant	1
37	371996	(025000-	) Switch, Indicator, Oil Press	1
38	1042028	(025000-	) Sensor, Temp, Water [Rework For 1.6gm]	1
39	371860	(025000-029999)	) Fitting, Pipe, Plug, Metric, M18, Soc	1
40	372002	(025000-	) Sensor, Position, Cshft	1
41	68106	(025000-	) Terminal, Tab, .25 .19h .84l	1
42	50335	(025000-	) Nut, Hex, Std, M5 X 0.8, 8	1
43	1031439	(030000-	) Fitting, Pipe, Bshg, M18 X 1.5	1
44	24976	(030000-	) Fitting, Brs, E45, Pf02/Pm02	1
45	79399	(030000-	) Switch, Press, Dpdt 0006psi	1
46	385029	(030000-	) Gasket, Plug, Relief Valve, Oil Press	1

Fig. 19 - Engine EFI Group, Gasoline (000000-024999)

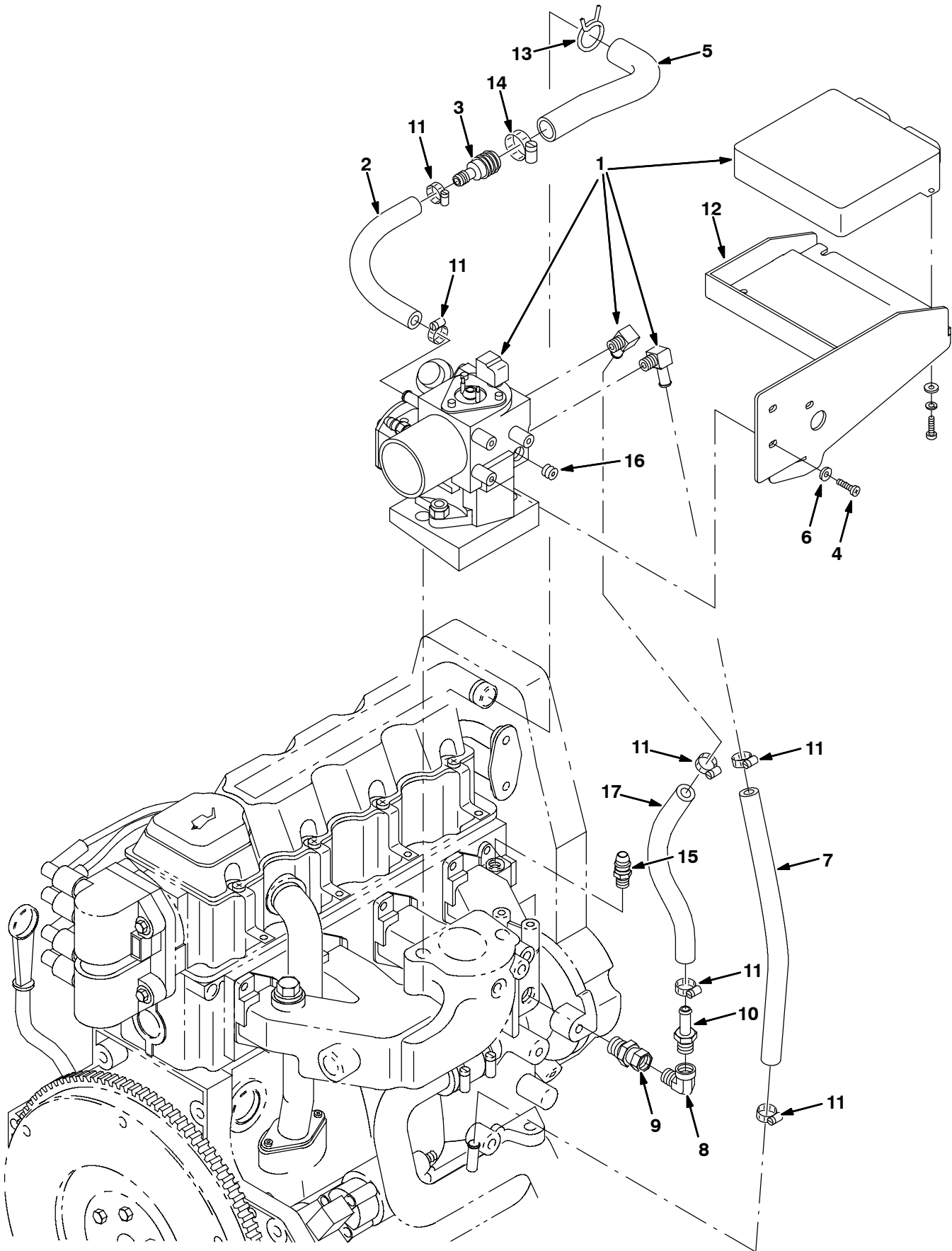


Fig. 19 - Engine EFI Group, Gasoline (000000-024999)

Ref.	Part No.	Serial Number	Description	Qty.
1	371909	(000000-024999 )	Housing Assy, Throttle, Gas, [With Ecu] (See Breakdowns)	1
	371910	(000000-024999 )	Housing Assy, Throttle, Gas, [W/O Ecu] (See Breakdowns)	1
2	76589-2	(000000-024999 )	Hose, Rbr, 0.38id 0.62od 12.0l	2
3	371763	(000000-024999 )	Fitting, Hose	1
4	39239	(000000-024999 )	Screw, Pan, #10-32 X 0.50, 2	3
5	371862	(000000-024999 )	Hose, Vent	1
6	19066	(000000-024999 )	Washer, Flt, #10	3
7	70876	(000000-024999 )	Hose, Rbr, 0.38id 0.62od 21.0l	1
8	371878	(000000-024999 )	Fitting, Pipe, E90, Pm04/Pf04, Nptf	1
9	371879	(000000-024999 )	Fitting, Adaptor, 37f Swivel, M12-1.5	1
10	371880	(000000-024999 )	Fitting, Brs, Str, Bm06/Pm04	1
11	54333	(000000-024999 )	Clamp, Hose, Wormdrive, 0.31-0.88d	6
12	1006657	(000000-024999 )	Bracket Wldt, Controller [Gas/Lpg]	1
13	371854	(000000-024999 )	Clamp, Spring, 1.50	1
14	63810	(000000-024999 )	Clamp, Hose, Wormdrive, 0.56-1.06d	1
15	371764	(000000-024999 )	Sensor, Water Temp	1
16	10552	(000000-024999 )	Fitting, Pipe, Plug, Pm02 Soc Head	1
17	76589-2	(000000-024999 )	Hose, Rbr, 0.38id 0.62od 12.0l	1

Fig. 20 - Engine EFI Group, Gasoline (025000-029999)

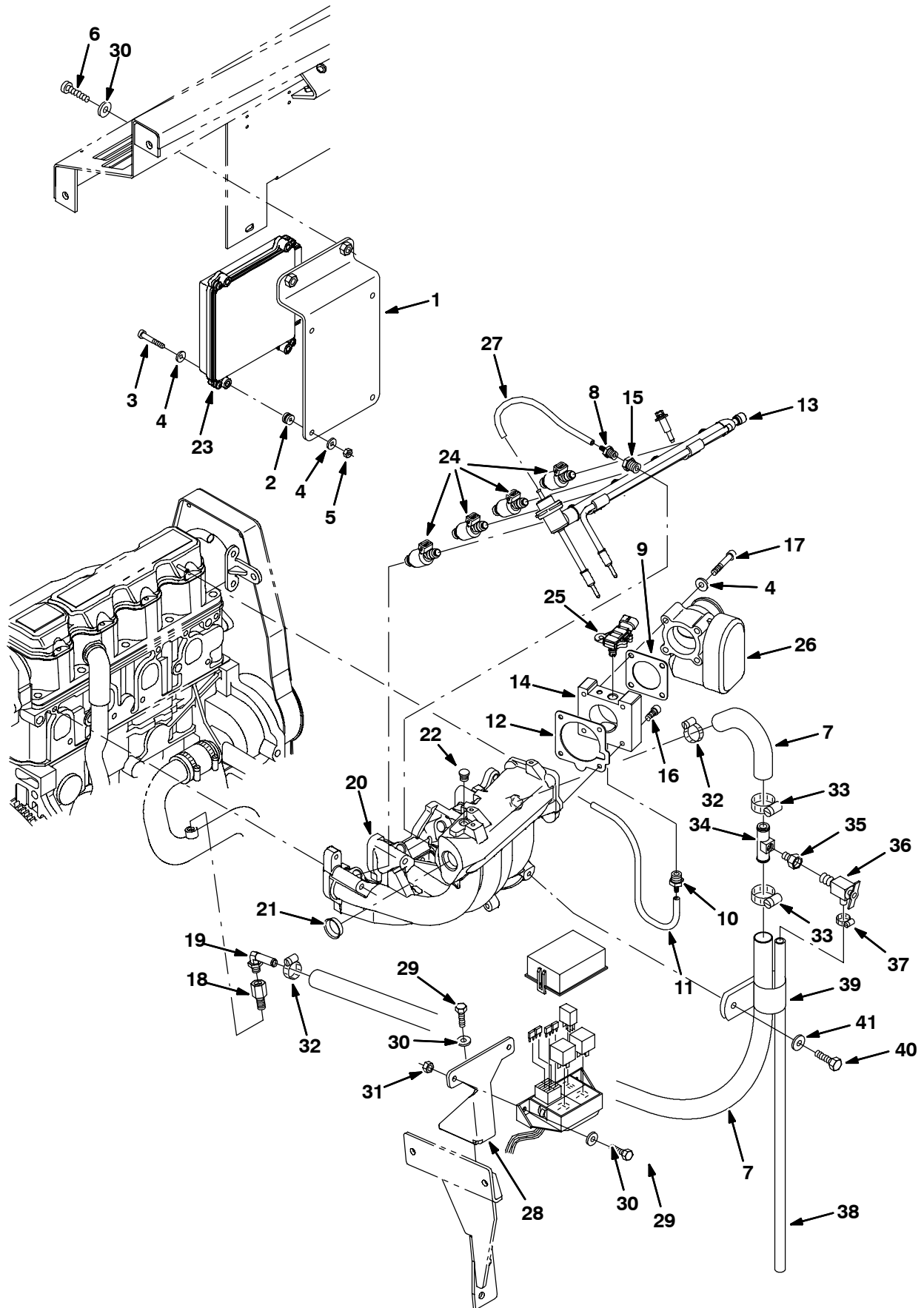


Fig. 20 - Engine EFI Group, Gasoline (025000-029999)

Ref.	Part No.	Serial Number	Description	Qty.
1	1014278	(025000-029999 )	Bracket, Mtg [Ecm 6600]	1
2	01574	(025000-029999 )	Grommet, Rbr, 0.19id, F/ 0.3h, .19matl	4
3	06938	(025000-029999 )	Screw, Pan, M5 X 0.8 X 40, 4.8	4
4	32490	(025000-029999 )	Washer, Flat, 0.25 Std	8
5	06549	(025000-029999 )	Nut, Hex, Lock, M5 X 0.8, NI	4
6	06942	(025000-029999 )	Screw, Hex, M6X1.0X16, 8.8	2
7	1015897	(025000-029999 )	Hose, Radiator, Mold, .75id X .62id	1
8	372542	(025000-029999 )	Fitting, Str, .12mpt X .19brb	1
9	372545	(025000-029999 )	Gasket, Body, Throttle [1.6l]	1
10	372543	(025000-029999 )	Fitting, Vacuum, M16-15-6h	1
11	372489	(025000-029999 )	Hose, 9.5mm X 450mm [Pcv]	1
12	372544	(025000-029999 )	Gasket, Manifold, Intake	1
13	372566	(025000-029999 )	Rail, Injector, Gas, W/ Press Reg	1
14	372534	(025000-029999 )	Adapter, Intake, Throttle Body	1
15	372537	(025000-029999 )	Bushing, M6-1.50 X .25-27npt	1
16	06532	(025000-029999 )	Screw, Soc, M6 X 1.0 X 25, 12.9	4
17	07255	(025000-029999 )	Screw, Soc, M6 X 1.0 X 45, 12.9	4
18	1015547	(025000-029999 )	Fitting, Adapter, Orifice, Pm06pf06	1
19	51839	(025000-029999 )	Fitting, Brs, E90, Em10/Pm06	1
20	372547	(025000-029999 )	Manifold, Intake [1.6l]	1
21	372549	(025000-029999 )	Plug, Manifold, Intake	1
22	372550	(025000-029999 )	Plug, Port, Sensor [Map]	1
23	372564	(025000-029999 )	Module, Ecu, Gas/Lpg [1.6l]	1
24	372563	(025000-029999 )	Injector Kit, Fuel, Gas	4
25	372493	(025000-029999 )	Sensor, [Tmap]	1
26	372482	(025000-029999 )	Housing, Throttle, 40mm [Bosch]	1
27	372546	(025000-029999 )	Hose, Fuel, .19	1
28	1014251	(025000-029999 )	Bracket, Relay, Box	1
29	06943	(025000-029999 )	Screw, Hex, M6 X 1.0 X 20, 8.8	4
30	32483	(025000-029999 )	Washer, Flat, 0.25 Sae	6
31	08708	(025000-029999 )	Nut, Hex, Lock, M6 X 1.0, NI	2
32	372539	(025000-029999 )	Clamp, Hose, 1.0	2
33	63810	(025000-029999 )	Clamp, Hose, Wormdrive, 0.56-1.06d	2
34	83578	(025000-029999 )	Tube, Air Bleed, .62d 2.2l .12npt Alum	1
35	1015930	(025000-029999 )	Fitting, Brs, Str, Pm02/Pf04	1
36	51305	(025000-029999 )	Fitting, Draincock, .25npt 90	1
37	43844	(025000-029999 )	Clamp, Hose, Wormdrive, 0.25-0.62d	1
38	73471	(025000-029999 )	Hose, Pvc, Clr, 0.38id 0.56od 22.00l	1
39	58366	(025000-029999 )	Clamp, Cable, Stl, 1.25DX1.00W, 1H	1
40	16735	(025000-029999 )	Screw, Hex, M8X1.25X16, 8.8	1
41	39349	(025000-029999 )	Washer, Flat, 0.31 Sae	1

**Fig. 21 - Engine EFI Group, Gasoline (030000- )**

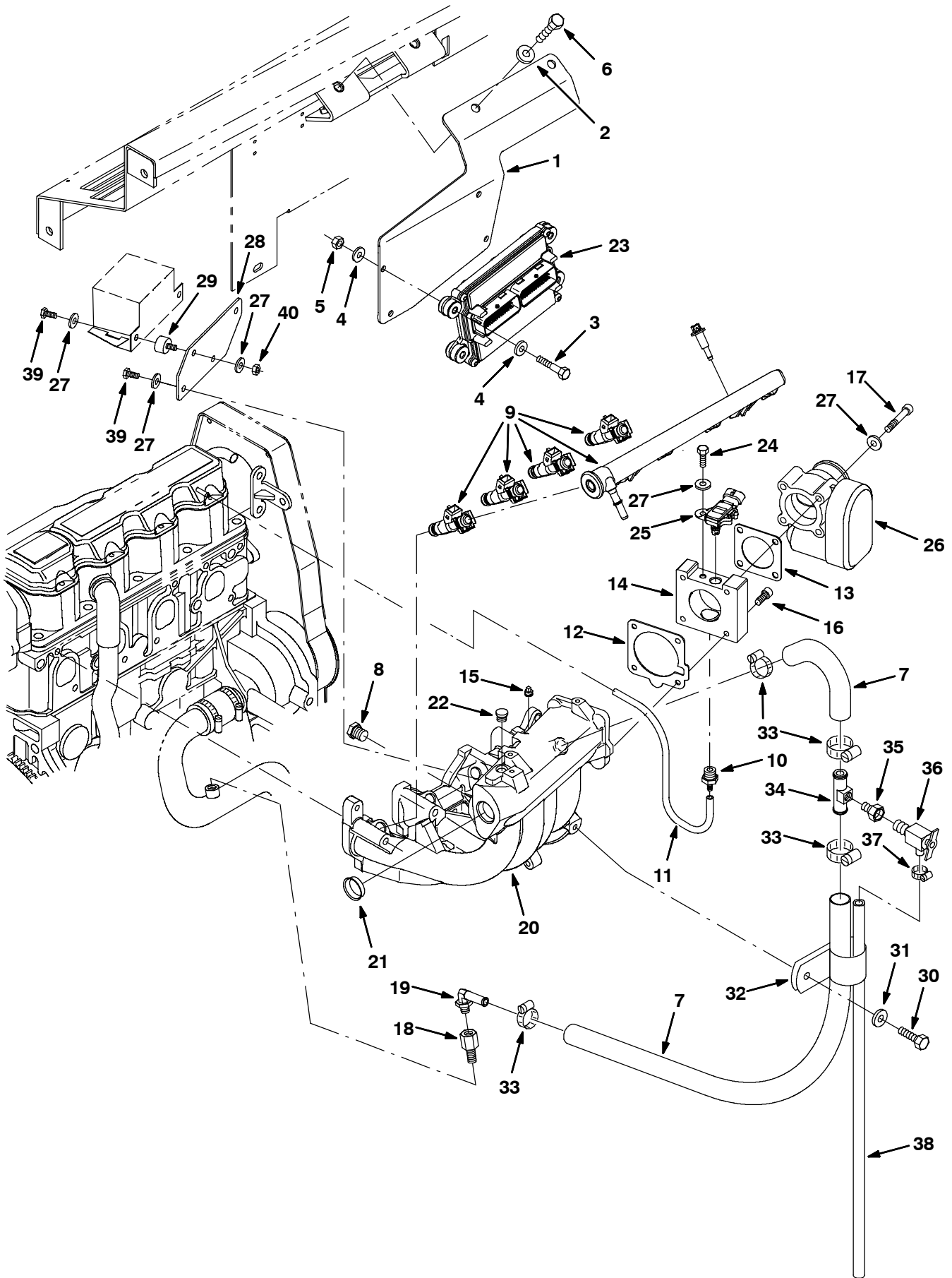


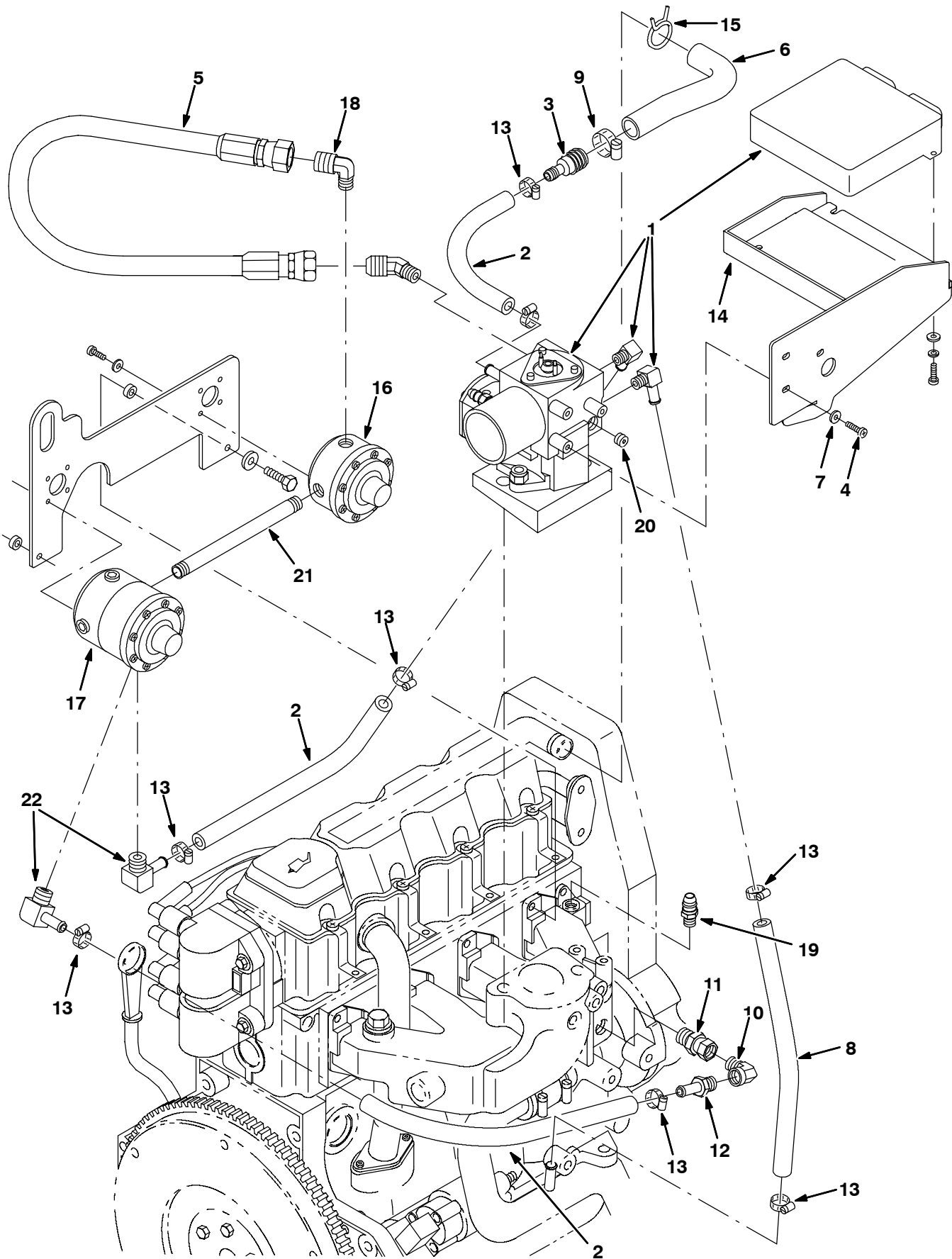


Fig. 21 - Engine EFI Group, Gasoline (030000- )

Ref.	Part No.	Serial Number	Description	Qty.
1	1031287	(030000-	) Plate, Mtg, Ecu [6600 2007]	1
2	32485	(030000-	) Washer, Flat, 0.38 Sae	2
3	06946	(030000-	) Screw, Hex, M6 X 1.0 X 35, 8.8	4
4	32483	(030000-	) Washer, Flat, 0.25 Sae	8
5	08708	(030000-	) Nut, Hex, Lock, M6 X 1.0, NI	4
6	06961	(030000-	) Screw, Hex, M10 X 1.5 X 20, 8.8	2
7	1022364	(030000-	) Hose, Heater	1
8	384995	(030000-	) Fitting, Plug, M16, Intake Manifold	1
9	384992	(030000-	) Rail, Injector, Fuel, Plstc	1
10	372543	(030000-	) Fitting, Vacuum, M16-15-6h	1
11	372607	(030000-	) Hose, 9.5mm X 290mm [Pcv]	1
▽	9003390	(030000-	) Gasket Kit, Repair, Gas [Gm1.6l 2007]	1
▲	12 372544	(030000-	) Gasket, Manifold, Intake	1
▲	13 372545	(030000-	) Gasket, Body, Throttle [1.6l]	1
14	372534	(030000-	) Adapter, Intake, Throttle Body	1
15	372548	(030000-	) Plug, .12npt, Ss	1
16	06532	(030000-	) Screw, Soc, M6 X 1.0 X 25, 12.9	4
17	07255	(030000-	) Screw, Soc, M6 X 1.0 X 45, 12.9	4
18	1015547	(030000-	) Fitting, Adapter, Orifice, Pm06pf06	1
19	51839	(030000-	) Fitting, Brs, E90, Em10/Pm06	1
20	372547	(030000-	) Manifold, Intake [1.6l]	1
21	372549	(030000-	) Plug, Manifold, Intake	1
22	372550	(030000-	) Plug, Port, Sensor [Map]	1
23	1028711	(030000-	) Module, Ecu, Gas [Gm, 1.6l 2007]	1
24	19317	(030000-	) Screw, Hex, .25-20 X 0.75, 5	1
25	384985	(030000-	) Sensor, [Tmap]	1
26	384974	(030000-	) Housing, Throttle, 40mm [Bosch]	1
27	32490	(030000-	) Washer, Flat, 0.25, Std	11
28	1031312	(030000-	) Plate, Mtg, Relay	1
29	372470	(030000-	) Isolator, Box, Relay	2
30	16735	(030000-	) Screw, Hex, M8X1.25X16, 8.8	1
31	39349	(030000-	) Washer, Flat, 0.31 Sae	1
32	58366	(030000-	) Clamp, Cable, Stl, 1.25d X 1.00w, 1h	2
33	63810	(030000-	) Clamp, Hose, Wormdrive, 0.56-1.06d	4
34	83578	(030000-	) Tube, Air Bleed, .62d 2.2l .12npt Alum	1
35	1015930	(030000-	) Fitting, Brs, Str, Pm02/Pf04	1
36	51305	(030000-	) Fitting, Draincock, .25npt 90	1
37	43844	(030000-	) Clamp, Hose, Wormdrive, 0.25-0.62d	1
38	73471	(030000-	) Hose, Pvc, Clr, 0.38id 0.56od 22.00l	1
39	19315	(030000-	) Screw, Hex, .25-20 X 0.50, 5	4
40	19312	(030000-	) Nut, Hex, Std, .25-20	4

# STANDARD PARTS

Fig. 22 - Engine EFI and Vaporizer Group, LPG (000000-024999 version 1)



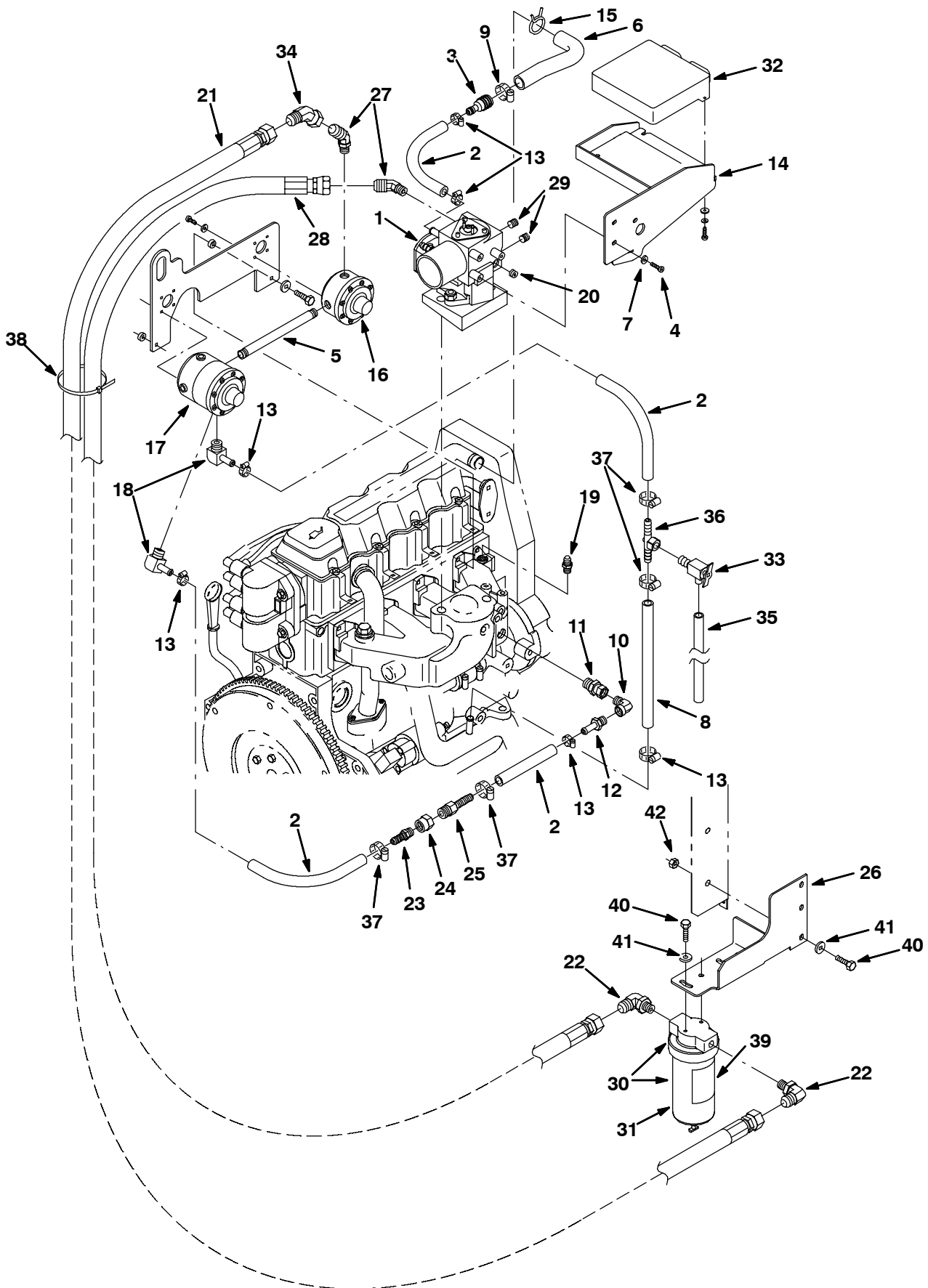
**Fig. 22 - Engine EFI and Vaporizer Group, LPG (000000-024999 version 1)**

NOTE: Repair parts in this serial number range are identified in Fig. 22 or Fig. 23.

Ref.	Part No.	Serial Number	Description	Qty.
1	371916	(000000-024999 )	Housing Assy, Throttle, Lpg, [With Ecu] (See Breakdowns)	1
	371917	(000000-024999 )	Housing Assy, Throttle, Lpg, [W/O Ecu] (See Breakdowns)	1
2	76589-2	(000000-024999 )	Hose, Rbr, 0.38id 0.62od 12.0l	3
3	371763	(000000-024999 )	Fitting, Hose	1
4	39239	(000000-024999 )	Screw, Pan, #10-32 X 0.50, 2	3
5	1042840	(000000-024999 )	Hose, Lpg, Med08, Jf08str/Jf08str, 20.0l	1
6	371862	(000000-024999 )	Hose, Vent	1
7	19066	(000000-024999 )	Washer, Flt, #10	3
8	70876	(000000-024999 )	Hose, Rbr, 0.38id 0.62od 21.0l	1
9	63810	(000000-024999 )	Clamp, Hose, Wormdrive, 0.56-1.06d	1
10	371878	(000000-024999 )	Fitting, Pipe, E90, Pm04/Pf04, Nptf	1
11	371879	(000000-024999 )	Fitting, Adaptor, 37f Swivel, M12-1.5	1
12	371880	(000000-024999 )	Fitting, Brs, Str, Bm06/Pm04	1
13	54333	(000000-024999 )	Clamp, Hose, Wormdrive, 0.31-0.88d	8
14	1006657	(000000-024999 )	Bracket Wldt, Controller [Gas/LPG]	1
15	371854	(000000-024999 )	Clamp, Spring, 1.50	1
16	371919	(000000-024999 )	Regulator Assy, Secondary, Lpg, 12psi	1
17	371920	(000000-024999 )	Vaporizer, Reg, Primary, 13.5psi	1
18	372068	(000000-024999 )	Fitting, Hyd, E90	1
19	371764	(000000-024999 )	Sensor, Water Temp	1
20	10552	(000000-024999 )	Fitting, Pipe, Plug, Pm02 Soc Head	1
21	371675	(000000-024999 )	Hose Assy, Primary To Secondary, Lpg	1
22	9000354	(000000-024999 )	Fitting, Brs, E90, Em06/Pm04	2

# STANDARD PARTS

Fig. 23 - Engine EFI and Vaporizer Group, LPG (000000-024999 version 2)



**Fig. 23 - Engine EFI and Vaporizer Group, LPG (000000-024999 version 2)**

NOTE: Repair parts in this serial number range are identified in Fig. 22 or Fig. 23.

Ref.	Part No.	Serial Number	Description	Qty.	
1	371916	(000000-024999 )	Housing Assy, Throttle, Lpg, [With Ecu] (See Breakdowns)	1	
	371917	(000000-024999 )	Housing Assy, Throttle, Lpg, [W/O Ecu] (See Breakdowns)	1	
2	76589-2	(000000-024999 )	Hose, Rbr, 0.38id 0.62od 12.0l	3	
3	371763	(000000-024999 )	Fitting, Hose	1	
4	39239	(000000-024999 )	Screw, Pan, #10-32 X 0.50, 2	3	
5	371675	(000000-024999 )	Hose Assy, Primary To Secondary, Lpg	1	
6	371862	(000000-024999 )	Hose, Vent	1	
7	19066	(000000-024999 )	Washer, Flt, #10	3	
8	70876	(000000-024999 )	Hose, Rbr, 0.38id 0.62od 21.0l	1	
9	63810	(000000-024999 )	Clamp, Hose, Wormdrive, 0.56-1.06d	1	
10	371878	(000000-024999 )	Fitting, Pipe, E90, Pm04/Pf04, Nptf	1	
11	371879	(000000-024999 )	Fitting, Adaptor, 37f Swivel, M12-1.5	1	
12	371880	(000000-024999 )	Fitting, Brs, Str, Bm06/Pm04	1	
13	54333	(000000-024999 )	Clamp, Hose, Wormdrive, 0.31-0.88d	8	
14	1006657	(000000-024999 )	Bracket Wldt, Controller [Gas/LPG]	1	
15	371854	(000000-024999 )	Clamp, Spring, 1.50	1	
16	371919	(000000-024999 )	Regulator Assy, Secondary, Lpg, 12psi	1	
17	371920	(000000-024999 )	Vaporizer, Reg, Primary, 13.5psi	1	
18	9000354	(000000-024999 )	Fitting, Brs, E90, Em06/Pm04	2	
19	371764	(000000-024999 )	Sensor, Water Temp	1	
20	10552	(000000-024999 )	Fitting, Pipe, Plug, Pm02 Soc Head	1	
21	1017477	(000000-024999 )	Hose, Lpg, Med08, Jf08str/Jf08str , 37.5	1	
22	1017272	(000000-024999 )	Fitting, Hyd, E90, Jm08/Pm04	2	
23	150516	(000000-024999 )	Fitting, Brs, Str, Bm06/Pm04	1	
24	1017239	(000000-024999 )	Fitting, Brs, Rst, Pf04/.69-16f, .063	1	
25	1017598	(000000-024999 )	Fitting, Plstc, Str, Bm06/M.69-16	1	
26	1017080	(000000-024999 )	Bracket, Fltr, Lpg [6600]	1	
27	1017432	(000000-024999 )	Fitting, Hyd, E45, Jm04/Pm08	2	
28	1017476	(000000-024999 )	Hose, Lpg, Med08, Jf08str/Jf08str , 35.0	1	
29	10552	(000000-024999 )	Fitting, Pipe, Plug, Pm02 Soc Head	1	
▽	30	1017500	(000000-024999 )	Filter, Fuel, Lpg [Coalescent]	1
▲	31	372937	(000000-024999 )	Element, Fltr, Fuel, Lpg [Coalescent]	1
	32	9000886	(000000-024999 )	Controlbox Kit, Replmt	1
	33	51305	(000000-024999 )	Fitting, Draincock, .25npt 90	1
	34	07797	(000000-024999 )	Fitting, Hyd, E45, Jf08/Jm08	1
	35	68301	(000000-024999 )	Hose, Pvc, Clr, 0.38id 0.56od 27.00l	1
	36	1017197	(000000-024999 )	Fitting, Plstc, Tee, Bm06/Pf04/Bm06 Nyl	1
	37	11399	(000000-024999 )	Clamp, Hose, Wormdrive, 0.81-1.50d, .56w	6
	38	130041	(000000-024999 )	Tie, Cable, Nyl, 11.5l .19w	6
	39	1017662	(000000-024999 )	Label, Instr, Fltr Drain	1
	40	19317	(000000-024999 )	Screw, Hex, .25-20 X 0.75, 5	4
	41	29570	(000000-024999 )	Washer, Flat, 0.28b 1.00d .06, Stl	4
	42	19312	(000000-024999 )	Nut, Hex, Std, .25-20	2

# STANDARD PARTS

Fig. 24 - Engine EFI and Vaporizer Group, LPG (025000-029999)

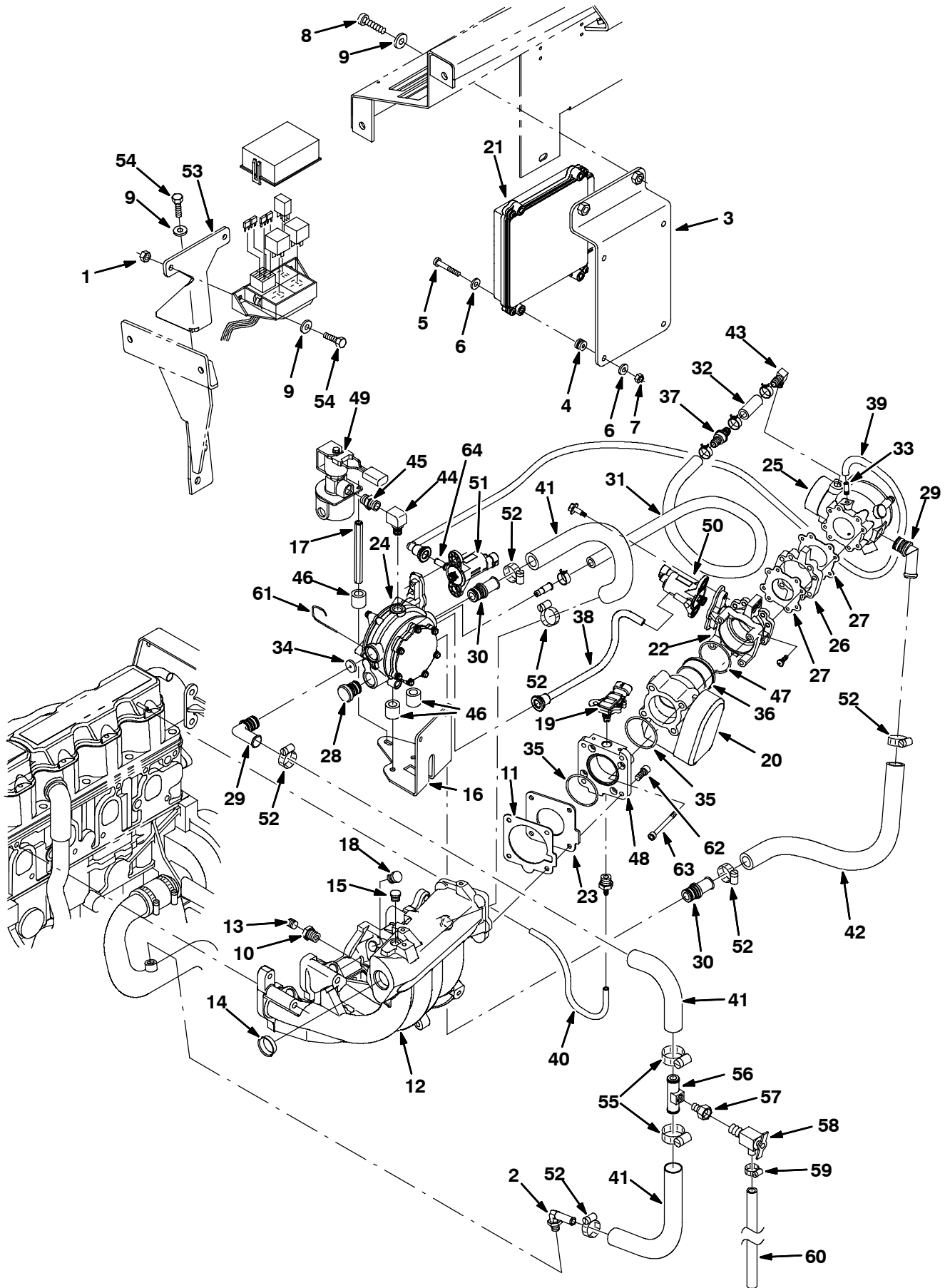


Fig. 24 - Engine EFI and Vaporizer Group, LPG (025000-029999)

Ref.	Part No.	Serial Number	Description	Qty.
1	08708	(025000-029999 )	Nut, Hex, Lock, M6 X 1.0, NI	1
2	51839	(025000-029999 )	Fitting, Brs, E90, Em10/Pm06	1
3	1014278	(025000-029999 )	Bracket, Mtg [Ecm 6600]	1
4	01574	(025000-029999 )	Grommet, Rbr, 0.19id, F/ 0.3h, .19matl	4
5	06938	(025000-029999 )	Screw, Pan, M5 X 0.8 X 40, 4.8	4
6	32490	(025000-029999 )	Washer, Flat, 0.25 Std	8
7	06549	(025000-029999 )	Nut, Hex, Lock, M 5 X 0.8, NI	4
8	06942	(025000-029999 )	Screw, Hex, M6X1.0X16, 8.8	2
9	32483	(025000-029999 )	Washer, Flat, 0.25 Sae	6
10	372537	(025000-029999 )	Bushing, M6-1.50 X .25-27npt	1
11	372544	(025000-029999 )	Gasket, Manifold, Intake	1
12	372547	(025000-029999 )	Manifold, Intake [1.6l]	1
13	372548	(025000-029999 )	Plug, .12npt, Ss	1
14	372549	(025000-029999 )	Plug, Manifold, Intake	1
15	372550	(025000-029999 )	Plug, Port, Sensor [Map]	1
16	372576	(025000-029999 )	Bracket, Reg [1.6l]	1
17	372577	(025000-029999 )	Spacer, Sppt, Filter Lock Off	1
18	372579	(025000-029999 )	Plug, Hole, Injector	<del>1</del> 4
19	372493	(025000-029999 )	Sensor, [Tmap]	1
20	372482	(025000-029999 )	Housing, Throttle, 40mm [Bosch]	1
21	372857	(025000-029999 )	Module, Ecu, Lpg [Gm 1.6l]	1
22	372580	(025000-029999 )	Adaptor, Valve, Fuel Trim	1
23	372582	(025000-029999 )	Adaptor, Plate	1
24	372500	(025000-029999 )	Converter, Lpg	1
25	372898	(025000-029999 )	Mixer, Lpg [Gm 1.6l]	1
26	372612	(025000-029999 )	Adaptor, Throttle Body	1
27	372608	(025000-029999 )	Gasket, Adaptor	2
28	372515	(025000-029999 )	Fitting, Cap	1
29	372512	(025000-029999 )	Fitting, E70	2
30	372514	(025000-029999 )	Fitting, Str	2
31	372506	(025000-029999 )	Hose, Balancing, Press, 680mm	1
32	372507	(025000-029999 )	Hose, Balancing, Press, 45mm	1
33	372511	(025000-029999 )	Fitting, Hose, Vacuum, .25	1
34	372517	(025000-029999 )	Restrictor, Jet, Coolant	1
35	372484	(025000-029999 )	Seal, Org	1
36	372498	(025000-029999 )	Sleeve, Throttle [Bosch], Plstc	1
37	372569	(025000-029999 )	Valve, Check	1
38	372609	(025000-029999 )	Hose, 170mm [Ftv-ptv]	1
39	372605	(025000-029999 )	Hose, Valve, Press Trim, 350mm	1
40	372607	(025000-029999 )	Hose, 9.5mm X 290mm [Pcv]	1
41	372528	(025000-029999 )	Hose, Molded	1
42	372606	(025000-029999 )	Hose, 355mm [Fl-vrp]	1
43	372510	(025000-029999 )	Fitting, E90	1
44	372611	(025000-029999 )	Fitting, Str, E90, .25npt	1
45	372610	(025000-029999 )	Fitting, Nipple, .25npt, Brs	1

**STANDARD PARTS****Fig. 24 - Engine EFI and Vaporizer Group, LPG (025000-029999)**

<b>Ref.</b>	<b>Part No.</b>	<b>Serial Number</b>	<b>Description</b>	<b>Qty.</b>
46	372518	(025000-029999 )	Isolator Kit, Mtg, Vaporizer, Rbr	3
47	372613	(025000-029999 )	Seal, Org, Throttle Body	1
48	372558	(025000-029999 )	Adaptor [1.6]	1
▽	49	372503	(025000-029999 ) Valve, Fuelock, Lpg, W/ Wire Connector	1
▲		372615	(025000-029999 ) Filter Kit, Lock Off, Lpg	1
50	372501	(025000-029999 )	Valve, Trim, Fuel, Normal Flow	1
51	372497	(025000-029999 )	Valve, Body, Throttle, Lpg	1
52	63810	(025000-029999 )	Clamp, Hose, Wormdrive, 0.56-1.06d	6
53	1014251	(025000-029999 )	Bracket, Relay, Box	1
54	06943	(025000-029999 )	Screw, Hex, M6 X 1.0 X 20, 8.8	4
55	63810	(025000-029999 )	Clamp, Hose, Wormdrive, 0.56-1.06d	2
56	83578	(025000-029999 )	Tube, Air Bleed, .62d 2.2l .12npt Alum	1
57	1015930	(025000-029999 )	Fitting, Brs, Str, Pm02/Pf04	1
58	51305	(025000-029999 )	Fitting, Draincock, .25npt 90	1
59	43844	(025000-029999 )	Clamp, Hose, Wormdrive, 0.25-0.62d	1
60	73471	(025000-029999 )	Hose, Pvc, Clr, 0.38id 0.56od 22.00l	1
61	372523	(025000-029999 )	Pin, Retainer	5
62	9003045	(025000-029999 )	Screw, Hex	4
63	9003047	(025000-029999 )	Screw, Soc	4
64	9004539	(025000-029999 )	Clamp, Valve, Trim [Impco]	1





# STANDARD PARTS

Fig. 25 - Engine EFI and Vaporizer Group, LPG (030000- )

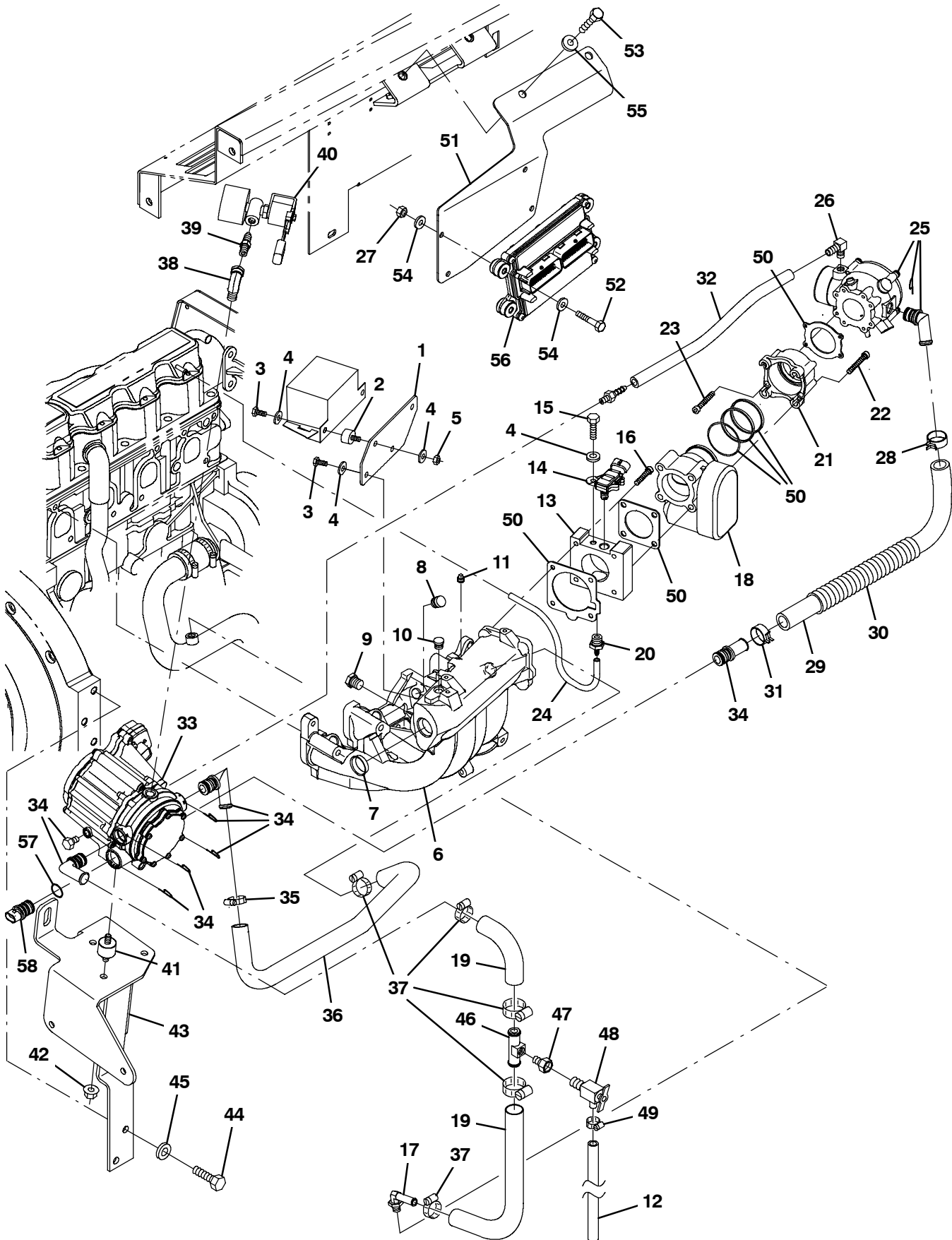


Fig. 25 - Engine EFI and Vaporizer Group, LPG (030000- )

Ref.	Part No.	Serial Number	Description	Qty.	
1	1031312	(030000-	) Plate, Mtg, Relay	1	
2	372470	(030000-	) Isolator, Box, Relay	2	
3	19315	(030000-	) Screw, Hex, .25-20 X 0.50, G5	4	
4	32490	(030000-	) Washer, Flat, 0.25, Std	7	
5	19312	(030000-	) Nut, Hex, Std, .25-20	2	
6	372547	(030000-	) Manifold, Intake [1.6l]	1	
7	372549	(030000-	) Plug, Manifold, Intake	1	
8	372579	(030000-	) Plug, Hole, Injector	4	
9	384995	(030000-	) Fitting, Plug, M16, Intake Manifold	1	
10	372550	(030000-	) Plug, Port, Sensor [Map]	1	
11	372548	(030000-	) Plug, .12npt, Ss	1	
12	73471	(030000-	) Hose, Pvc, Clr, 0.38id 0.56od 022.0l	1	
13	372534	(030000-	) Adapter, Intake, Throttle Body	1	
14	384985	(030000-	) Sensor [T Map]	1	
15	19317	(030000-	) Screw, Hex, .25-20 X 0.75, G5	1	
16	06532	(030000-	) Screw, Soc, M6 X 1.00 X 25, 12.9	4	
17	51839	(030000-	) Fitting, Brs, E90, Em10/Pm06	1	
18	384974	(030000-	) Housing, Throttle, 40Mm [Bosch]	1	
19	372528	(030000-	) Hose, Mold, .62 To .75	1	
20	372543	(030000-	) Fitting, Vacuum [M16-15-6h]	1	
21	384996	(030000-	) Adapter, Valve, 400Mm [Bosch]	1	
22	09037	(030000-	) Screw, Soc, M8 X 1.25 X 70, 12.9	4	
23	384991	(030000-	) Bolt, Soc Head, M5 X 80 X 35	4	
24	372607	(030000-	) Hose, 9.5mm X 290mm [Pcv]	1	
25	384980	(030000-	) Mixer, W/70 Deg Ftg	1	
26	384976	(030000-	) Fitting, E90	1	
27	08708	(030000-	) Nut, Hex, Lock, M6 X 1.00, NI	4	
28	384970	(030000-	) Clamp, Hose, Spring, 0.75D	1	
29	384983	(030000-	) Hose [Mixer to Epr]	1	
30	384971	(030000-	) Cover, Hose	1	
31	384979	(030000-	) Clamp, Hose, Spring, 0.62D	1	
32	384973	(030000-	) Hose, Supply, Gas, .25ld	1	
33	384977	(030000-	) Regulator [Ep]	1	
34	384978	(030000-	) Fitting Kit [Epr]	1	
35	372539	(030000-	) Clamp, Hose, 1.0	1	
36	384984	(030000-	) Hose [Epr To Manifold]	1	
37	63810	(030000-	) Clamp, Hose, Wormdrive, 0.56-1.06d, .56w	5	
38	11442-1	(030000-	) Fitting, Hyd, E90, Spcl	1	
39	372529	(030000-	) Fitting, Nipple, .25mal	1	
▽	40	384975	(030000-	) Valve, Lock Off	1
▲	372615	(030000-	) Filter Kit, Lock Off, Lpg	1	
41	384986	(030000-	) Isolator [Epr]	3	
42	07791	(030000-	) Nut, Hex, Flng, M8 X 1.25	3	
43	1028343	(030000-	) Bracket Wldt, Mtg, Regulator, Lpg	1	
44	371770	(030000-	) Screw	2	
45	371877	(030000-	) Washer, Flat, 0.38, Hardened	2	
46	83578	(030000-	) Tube, Bleed, Air, .62od 2.2l .12npt, Alm	1	
47	1015930	(030000-	) Fitting, Brs, Str, Pf04/Pm02	1	

## STANDARD PARTS

Fig. 25 - Engine EFI and Vaporizer Group, LPG (030000- )

Ref.	Part No.	Serial Number	Description	Qty.
48	51305	(030000-	) Fitting, Draincock, E90, .25npt	1
49	43844	(030000-	) Clamp, Hose, Wormdrive, 0.25-0.62d, .31w	1
50	9003391	(030000-	) Gasket Kit, Repair, Lpg [Gm1.6l 2007]	1
51	1031287	(030000-	) Plate, Mtg, Ecu	1
52	06946	(030000-	) Screw, Hex, M6 X 1.0 X 35, 8.8	4
53	06961	(030000-	) Screw, Hex, M10 X 1.5 X 20, 8.8	2
54	32483	(030000-	) Washer, Flat, 0.25, Sae	8
55	32485	(030000-	) Washer, Flat, 0.38, Sae	2
56	1028722	(030000-	) Module, Ecu, Lpg [Gm1.6l 2007]	1
57	1041151	(030000-	) Seal, Org, Sensor, Temp [Epr]	1
58	1041152	(030000-	) Sensor, Temp [Epr]	1



Fig. 26 - Engine Air Cleaner Group (000000-024999)

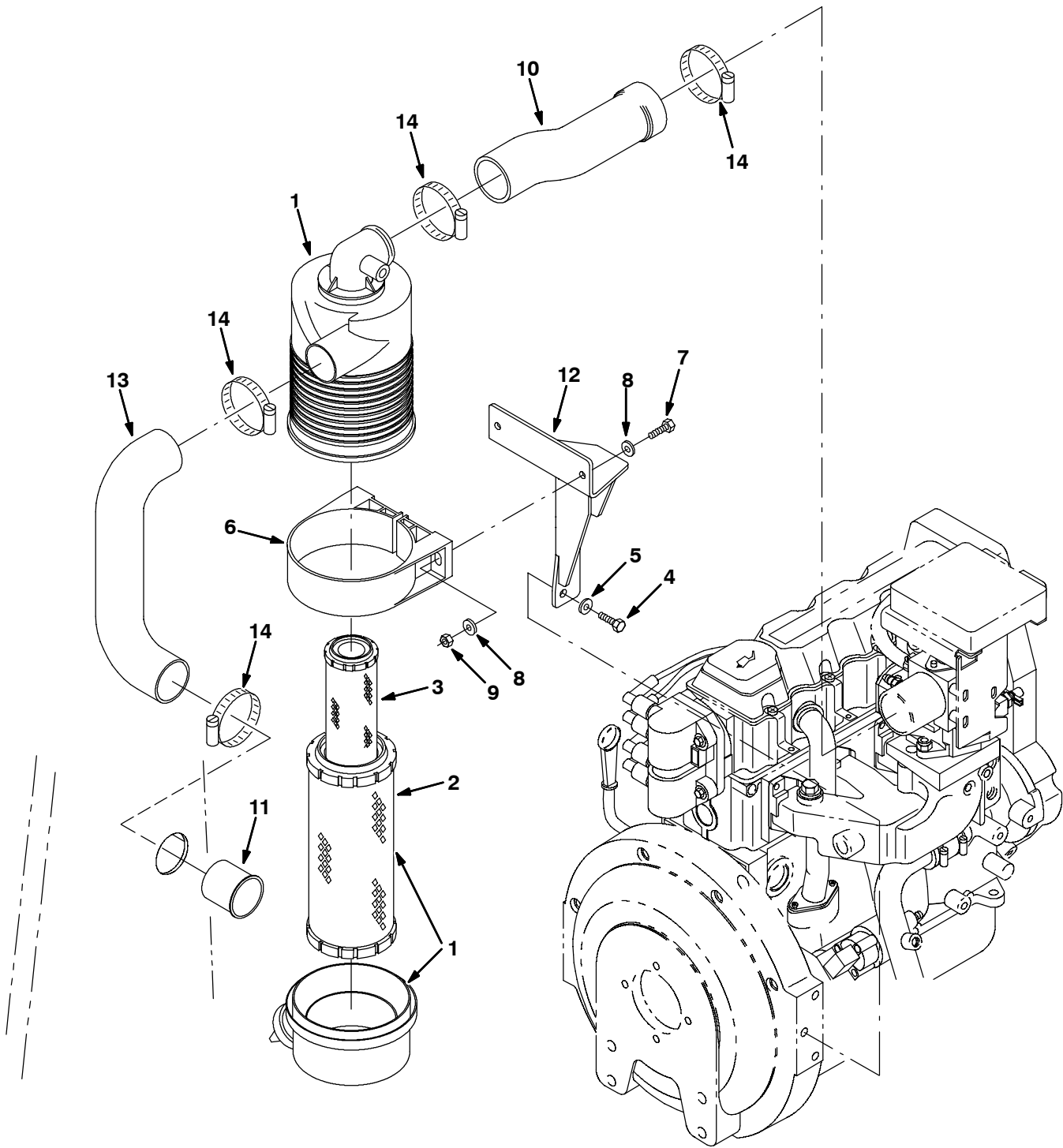


Fig. 26 - Engine Air Cleaner Group (000000-024999)

Ref.	Part No.	Serial Number	Description	Qty.
▽	1	369745	(000000-024999 ) Filter, Assy, Air	1
▲	2	369746	(000000-024999 ) Element, Fltr, Air	1
	3	398279	(000000-024999 ) Element, Fltr, Air, Safety	1
	4	21197	(000000-024999 ) Screw, Hex, .38-16 X 1.00, 5	2
	5	32492	(000000-024999 ) Washer, Flat, 0.38 Std	2
	6	369747	(000000-024999 ) Clamp, Mtg, Filter, Air	1
	7	39277	(000000-024999 ) Screw, Hex, M 8 X 1.25 X 25, 8.8	2
	8	32491	(000000-024999 ) Washer, Flat, 0.31 Std	4
	9	08709	(000000-024999 ) Nut, Hex, Lock, M 8 X 1.25 NI	2
	10	1007450	(000000-024999 ) Hose, Intake, Mold, 2.00id 2.25id [Epdm]	1
	11	58346	(000000-024999 ) Tube, Intake, 2.0d 02.0l Flange	1
	12	1007168	(000000-024999 ) Bracket Wldt, Mtg, Air-Clnr, Gas/Lpg	1
	13	1007455	(000000-024999 ) Hose, Intake, Mold, E90 E90 2.0id 2.0id	1
	14	14432	(000000-024999 ) Clamp, Hose, Wormdrive, 1.81-2.75D	2

**Fig. 27 - Engine Air Cleaner Group, Gasoline (025000- )**

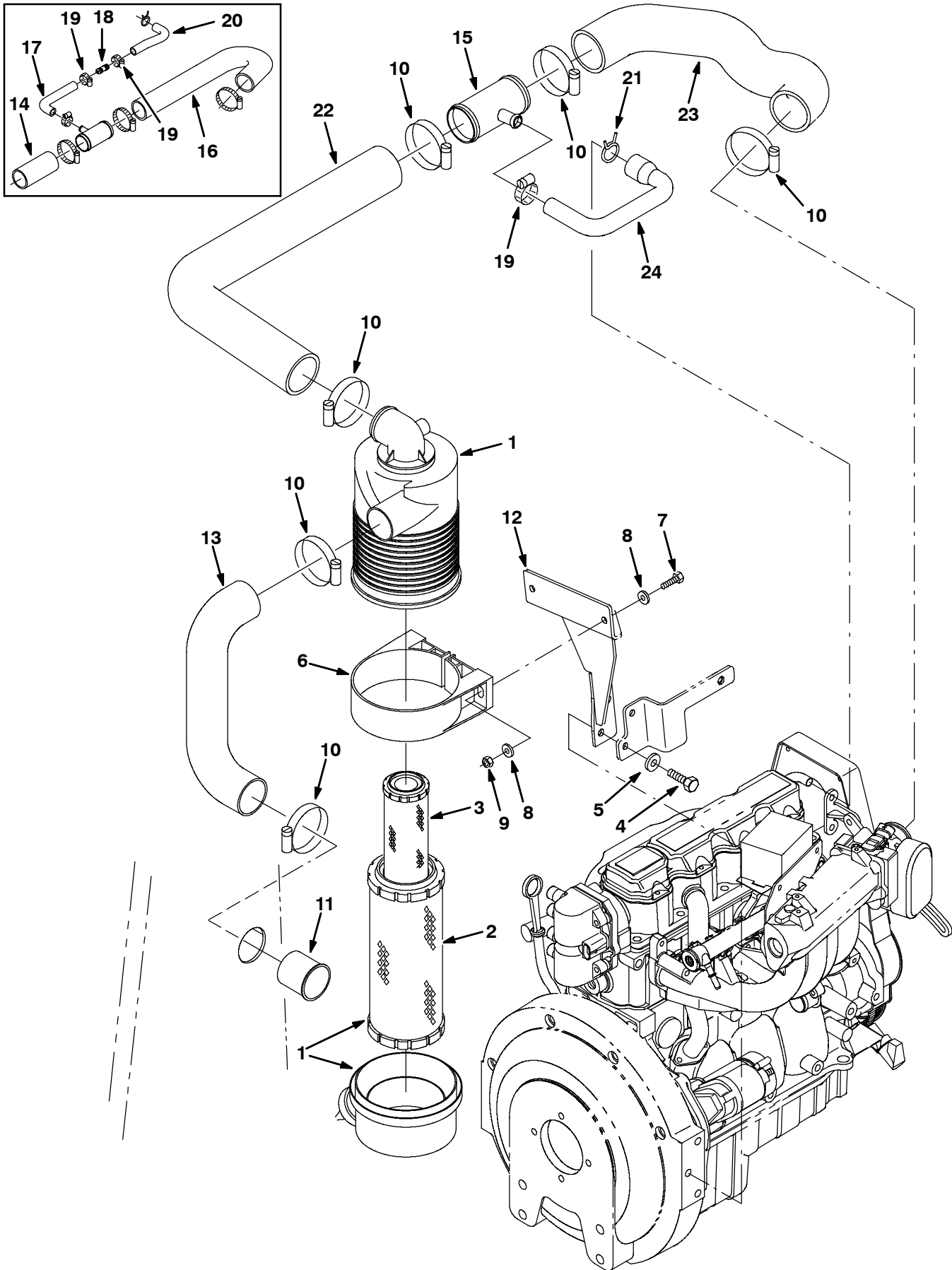




Fig. 27 - Engine Air Cleaner Group, Gasoline (025000- )

Ref.	Part No.	Serial Number	Description	Qty.
▽ 1	369745	(025000-	) Filter, Assy, Air	1
▲ 2	369746	(025000-	) Element, Fltr, Air	1
3	398279	(025000-	) Element, Fltr, Air, Safety	1
4	21197	(025000-	) Screw, Hex, .38-16 X 1.00, 5	2
5	32485	(025000-	) Washer, Flat, 0.38 Sae	2
6	369747	(025000-	) Clamp, Mtg, Filter, Air	1
7	76570	(025000-	) Screw, Hex, M8 X 1.25 X 30, 8.8	2
8	32491	(025000-	) Washer, Flat, 0.31 Std	4
9	08709	(025000-	) Nut, Hex, Lock, M 8 X 1.25 NI	2
10	14432	(025000-	) Clamp, Hose, Wormdrive, 1.81-2.75d	6
11	58346	(025000-	) Tube, Intake, 2.0d 02.0l Flange	1
12	1014034	(025000-	) Bracket Wldt, Mtg, Air-Clnr, Gas/Lpg	1
13	1007455	(025000-	) Hose, Intake, Mold, E90 E90 2.0id 2.0id	1
14	15543-2	(025000-029999	) Hose, Rbr, 2.00id 2.50od 05.0l	1
15	1011780	(025000-	) Tube Wldt, Tee	1
16	1011314	(025000-029999	) Hose, Intake, Mold, 2.0 Id [Epdm 7400]	1
17	1013168	(025000-029999	) Hose, Heater, E90, 0.62id 05.5 2.0	1
18	365164	(025000-029999	) Fitting, Plstc, Str, Bm10/Bm10	1
19	63810	(025000-	) Clamp, Hose, Wormdrive, 0.56-1.06d	1
20	371862	(025000-029999	) Hose, Vent	1
21	371854	(025000-	) Clamp, Spring, 1.50	1
22	1030518	(030000-	) Hose, Intake, Mold, 2.00id [ Epdm 07 6600]	1
23	1031609	(030000-	) Hose, Intake, Mold, 2.0id, Gas [Epdm 07]	1
24	1032323	(030000-	) Hose, Heater, E90, 0.62id [Gm1.6l 2007]	1

# STANDARD PARTS

Fig. 28 - Engine Air Cleaner Group, LPG (025000- )

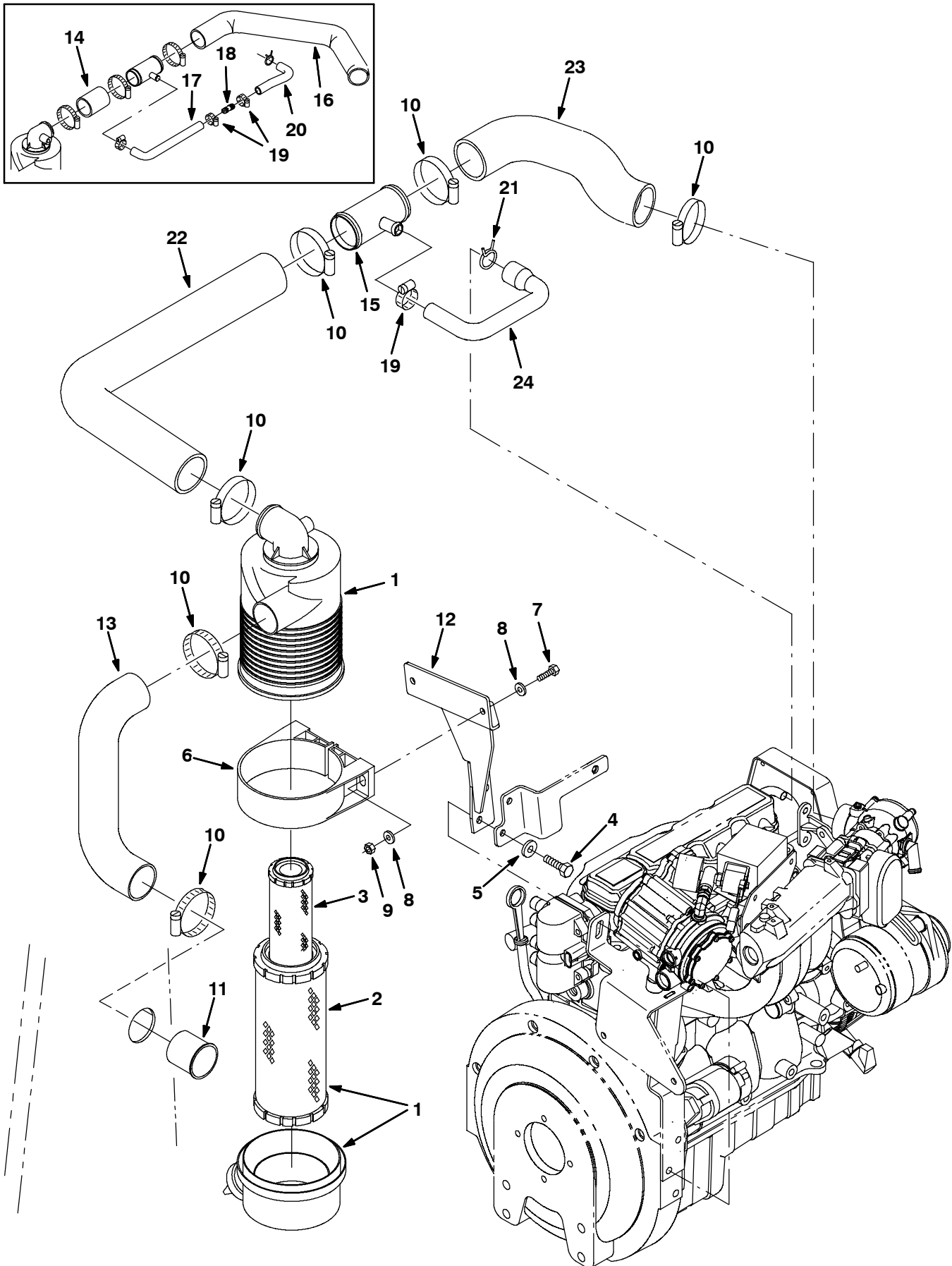


Fig. 28 - Engine Air Cleaner Group, LPG (025000- )

Ref.	Part No.	Serial Number	Description	Qty.
▽	1	369745	(025000- ) Filter, Assy, Air	1
▲	2	369746	(025000- ) Element, Fltr, Air	1
	3	398279	(025000- ) Element, Fltr, Air, Safety	1
	4	21197	(025000- ) Screw, Hex, .38-16 X 1.00, 5	2
	5	32485	(025000- ) Washer, Flat, 0.38 Sae	2
	6	369747	(025000- ) Clamp, Mtg, Filter, Air	1
	7	76570	(025000- ) Screw, Hex, M8 X 1.25 X 30, 8.8	2
	8	32491	(025000- ) Washer, Flat, 0.31 Std	4
	9	08709	(025000- ) Nut, Hex, Lock, M 8 X 1.25 NI	2
	10	14432	(025000- ) Clamp, Hose, Wormdrive, 1.81-2.75d	6
	11	58346	(025000- ) Tube, Intake, 2.0d 02.0l Flange	1
	12	1014034	(025000- ) Bracket Wldt, Mtg, Air-Clnr, Gas/Lpg	1
	13	1007455	(025000- ) Hose, Intake, Mold, E90 E90 2.0id 2.0id	1
	14	15543	(025000-029999 ) Hose, Rbr, 2.00id 2.50od 03.0l	1
	15	1011780	(025000- ) Tube Wldt, Tee	1
	16	1011743	(025000-029999 ) Hose, Intake, Mold, 2.0 Id [Epdm 6650]	1
	17	1014826	(025000-029999 ) Hose, Heater, E90, .62id 9.0 2.0	1
	18	365164	(025000-029999 ) Fitting, Plstc, Str, Bm10/Bm10	1
	19	63810	(025000- ) Clamp, Hose, Wormdrive, 0.56-1.06d	1
	20	371862	(025000-029999 ) Hose, Vent	1
	21	371854	(025000- ) Clamp, Spring, 1.50	1
	22	1030518	(030000- ) Hose, Intake, Mold, 2.00id [ Epdm 07 6600]	1
	23	1031553	(030000- ) Hose, Intake, Mold, 2.0id, Lpg [Epdm 07]	1
	24	1032323	(030000- ) Hose, Heater, E90, 0.62id [Gm1.6l 2007]	1

Fig. 29 - Engine Alternator and Fan Group (000000-024999)

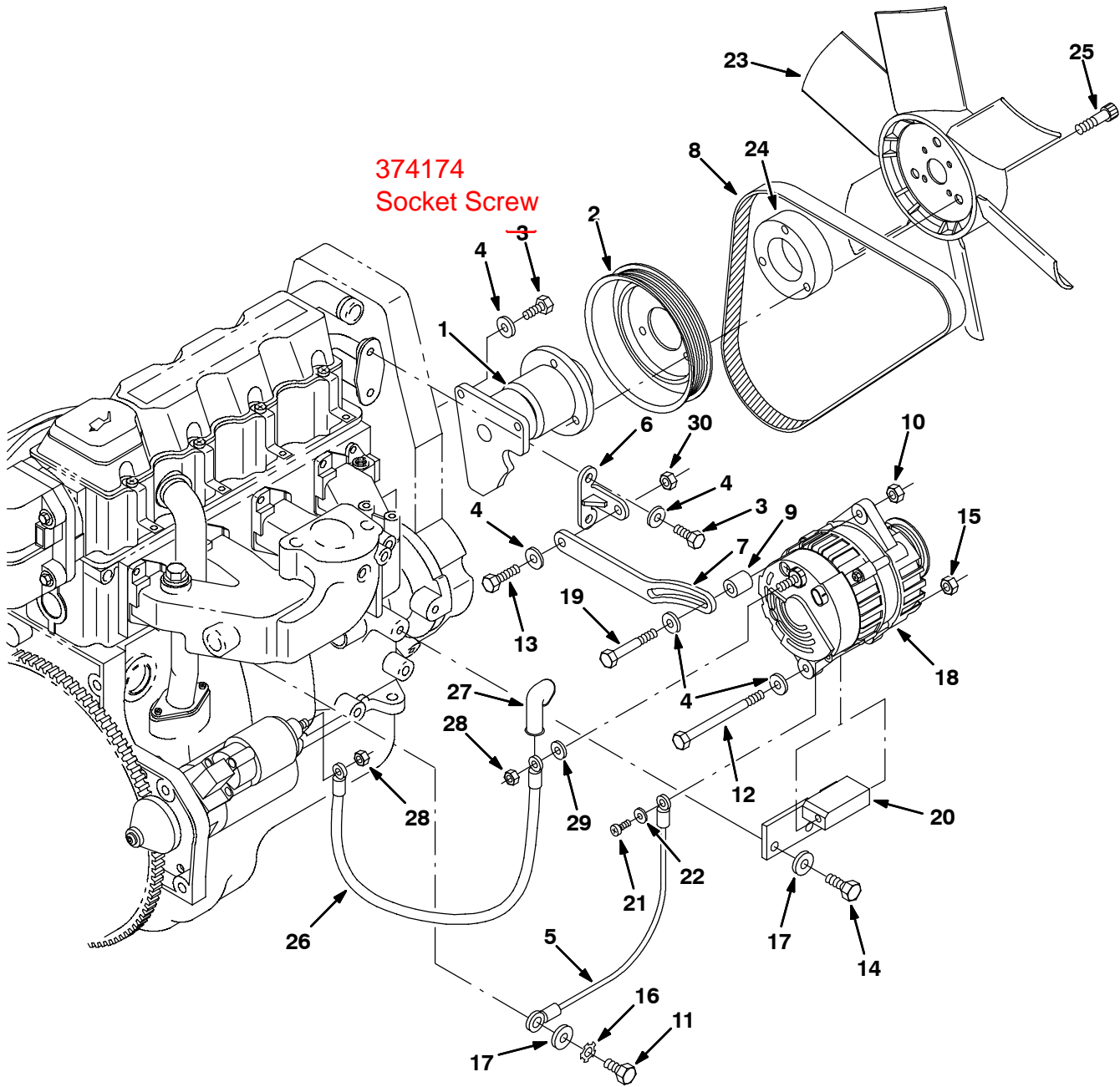


Fig. 29 - Engine Alternator and Fan Group (000000-024999)

Ref.	Part No.	Serial Number	Description	Qty.
1	371863	(000000-024999 )	Base Assy, Fan	1
2	371864	(000000-024999 )	Pulley	1
3	16931	(000000-024999 )	Screw, Hex, M 8 X 1.25 X 20, 8.8	4
4	371865	(000000-024999 )	Washer, Flat, 0.31, Hardened	7
5	371527	(000000-024999 )	Wire, Ground	1
6	371871	(000000-024999 )	Bracket, Anchor, Strap, Alternator	1
7	371872	(000000-024999 )	Strap, Adj, Alternator	1
8	371873	(000000-024999 )	Belt, V, [6v] 39.0l	1
9	371874	(000000-024999 )	Spacer, Strap, Adj, Alternator	1
10	39311	(000000-024999 )	Nut, Hex, Std, M08 X 1.25	1
11	06960	(000000-024999 )	Screw, Hex, M10 X 1.5 X 16, 8.8	1
12	364441	(000000-024999 )	Screw, Hex, M 8 X 1.25 X 110, Ss	1
13	76958	(000000-024999 )	Screw, Hex, .31-18 X 1.75, 5	1
14	39285	(000000-024999 )	Screw, Hex, M10 X 1.5 X 40, 8.8	2
15	08713	(000000-024999 )	Nut, Hex, Lock, M 8 X 1.25, NI, Ss	1
16	371875	(000000-024999 )	Washer, Lock, Int-Ext, .38	1
17	371877	(000000-024999 )	Washer, Flat, .38, Hardened	3
18	393209	(000000-024999 )	Alternator, 12vdc 075a Multi Groove	1
19	363976	(000000-024999 )	Screw, Hex, M 8 X 1.25 X 60, FI	1
20	1008640	(000000-024999 )	Bracket Wldt, Alternator, Lower [Gm1.6l]	1
21	39649	(000000-024999 )	Screw, Pan, #10-24 X 0.50, 1	1
22	19066	(000000-024999 )	Washer, Flt, #10	1
23	1006604	(000000-024999 )	Fan, Pusher, 14.17d, Rwk	1
24	1006557	(000000-024999 )	Spacer, Fan	1
25	19579	(000000-024999 )	Screw, Soc, .38-16 X 1.75, Al	3
26	1008782	(000000-024999 )	Wire, 06ga 012.0l Red .38h /.38h	1
27	02076	(000000-024999 )	Boot, 90deg .50d .57d X .84	1
28	41361	(000000-024999 )	Nut, Hex, Std, M08 X 1.25, Brs	2
29	32984	(000000-024999 )	Washer, Lock, Int, .31	1
30	19313	(000000-024999 )	Nut, Hex, Std, .31-18	1

Fig. 30 - Engine Alternator and Fan Group (025000- )

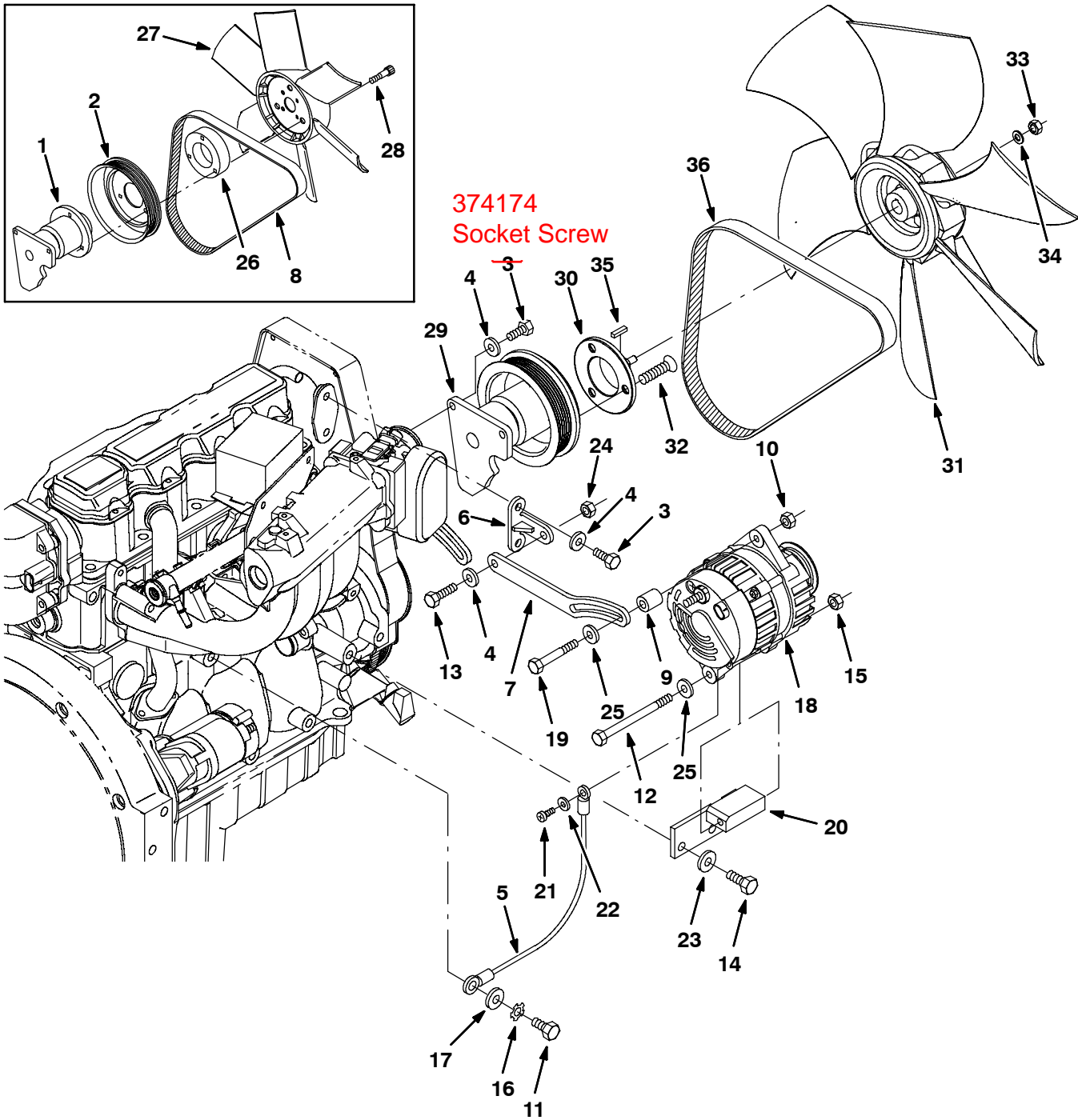


Fig. 30 - Engine Alternator and Fan Group (025000- )

Ref.	Part No.	Serial Number	Description	Qty.
1	371863	(025000-029999 )	Base Assy, Fan	1
2	371864	(025000-029999 )	Pulley	1
3	16931	(025000- )	Screw, Hex, M 8 X 1.25 X 20, 8.8	4
4	371865	(025000- )	Washer, Flat, 0.31, Hardened	7
5	371527	(025000- )	Wire, Ground	1
6	371871	(025000- )	Bracket, Anchor, Strap, Alternator	1
7	371872	(025000- )	Strap, Adj, Alternator	1
8	372571	(025000-029999 )	Belt, Ribbed, 39.0L	1
9	372557	(025000- )	Spacer, Strap, Adj, Alternator	1
10	39311	(025000- )	Nut, Hex, Std, M08 X 1.25	1
11	06960	(025000- )	Screw, Hex, M10 X 1.5 X 16, 8.8	1
12	39785	(025000- )	Screw, Hex, .31-18 X 4.50, 5	1
13	76958	(025000- )	Screw, Hex, .31-18 X 1.75, 5	1
14	06961	(025000- )	Screw, Hex, M10 X 1.5 X 20, 8.8	2
15	32983	(025000- )	Nut, Hex, Lock, .31-18, NI	1
16	371875	(025000- )	Washer, Lock, Int-Ext, .38	1
17	371877	(025000- )	Washer, Flat, .38, Hardened	3
18	393209	(025000- )	Alternator, 12vdc 075a Multi Groove	1
19	363976	(025000- )	Screw, Hex, M 8 X 1.25 X 60, FI	1
20	372536	(025000- )	Bracket, Alternator	1
21	42011	(025000- )	Screw, Hex, #10-24 X 0.50, Ss	1
22	19066	(025000- )	Washer, Flt, #10	1
23	32485	(025000- )	Washer, Flat, 0.38 Sae	1
24	19313	(025000- )	Nut, Hex, Std, .31-18	2
25	39349	(025000- )	Washer, Flat, 0.31 Sae	2
26	1006557	(025000-029999 )	Spacer, Fan	1
27	1006604	(025000-029999 )	Fan, Pusher, 14.17d, Rwk	1
28	19579	(025000-029999 )	Screw, Soc, .38-16 X 1.75, Al	3
29	1035056	(030000- )	Pulley, Fan, Hub [Gm1.6l 2007]	1
30	1035530	(030000- )	Spacer, Fan, Taper [2007]	1
31	1031566	(030000- )	Fan, Cooling, 14.3d, 6 Blade, 0.5b Taper	1
32	48996	(030000- )	Screw, Flt, .38-16 X 0.75, Al	3
33	08709	(030000- )	Nut, Hex, Lock, M8 X 1.25, NI	1
34	32491	(030000- )	Washer, Flat, 0.31, Std	1
35	00960	(030000- )	Key, Sq, 0.12 X 0.12, 0.50l	1
36	1033644	(030000- )	Belt, Ribbed, 38.5l	1

Fig. 31 - Engine Muffler Group (00000-024999)

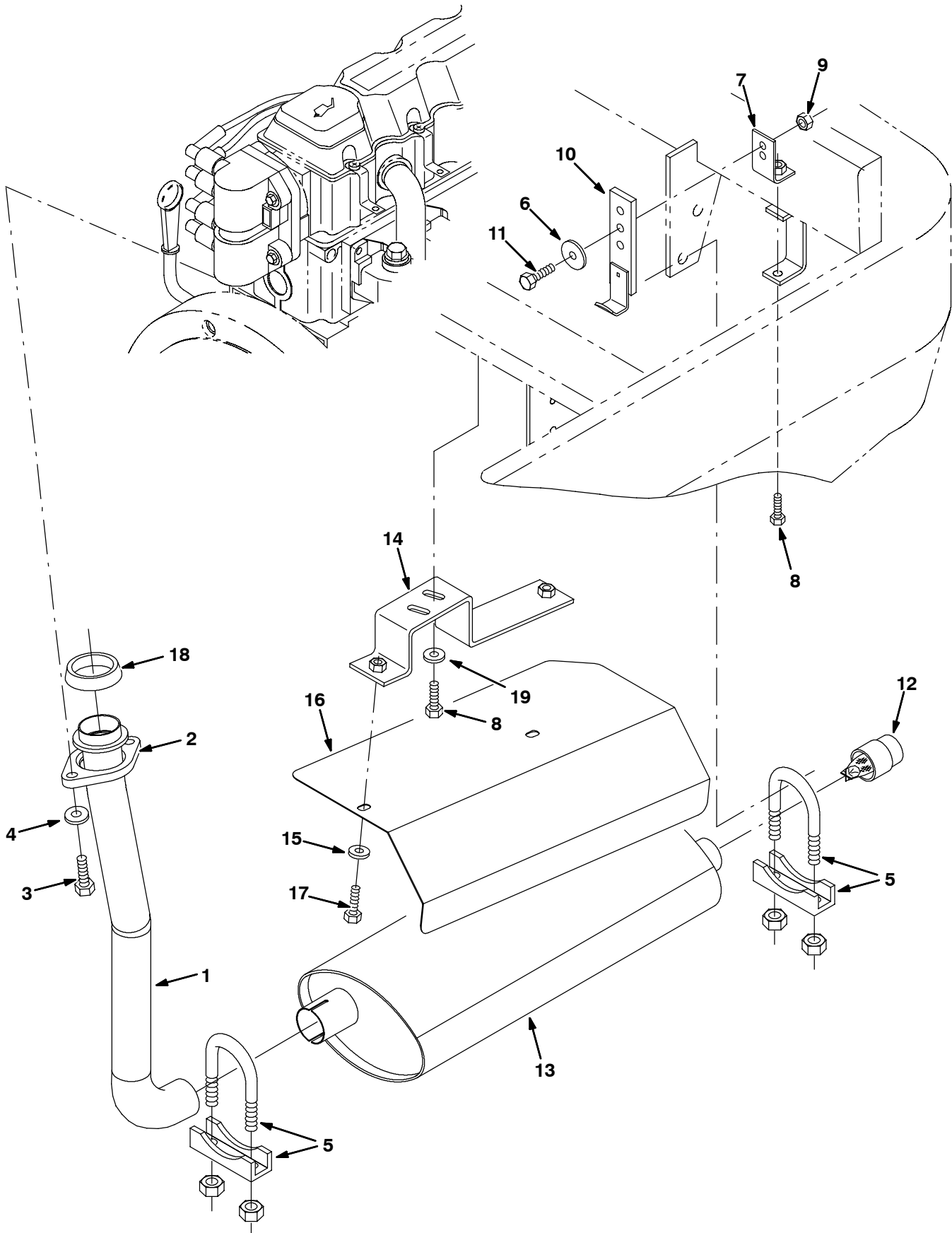




Fig. 31 - Engine Muffler Group (000000-024999)

Ref.	Part No.	Serial Number	Description	Qty.
1	377202	(000000-024999 )	Tube, Exhaust, 1.6d 1.70d 1.60d	1
2	1006898	(000000-024999 )	Flange, Mtg, Tailpipe, [Gas/Lpg]	1
3	39284	(000000-024999 )	Screw, Hex, M10 X 1.5 X 35, 8.8	2
4	32485	(000000-024999 )	Washer, Flat, .38 Sae	2
5	24012	(000000-024999 )	Clamp, Muffler, 1.62d	2
6	30013	(000000-024999 )	Washer, Flat, 0.31 Fender	1
7	1010448	(000000-024999 )	Anglr, Mtg, Muffler	1
8	07810	(000000-024999 )	Screw, Flt, M8 X 1.25 X 25, 10.9	2
9	08709	(000000-024999 )	Nut, Hex, Lock, M 8 X 1.25 NI	1
10	374691	(000000-024999 )	Strap, Muffler Hanger	1
11	39277	(000000-024999 )	Screw, Hex, M 8 X 1.25 X 25, 8.8	1
12	1009681	(000000-024999 )	Screen, Sparkarrest	1
13	1044866	(000000-024999 )	Muffler, Exhaust	1
14	1010380	(000000-024999 )	Bracket, Mtg, Shield	1
15	32491	(000000-024999 )	Washer, Flat, 0.31 Std	2
16	1010379	(000000-024999 )	Shield, Heat	1
17	16735	(000000-024999 )	Screw, Hex, M 8 X 1.25 X 16, 8.8	2
18	371861	(000000-024999 )	Gasket, Flgn, Pipe, Exhaust	1
19	32486	(000000-024999 )	Washer, Flat, 0.50 Sae	2

Fig. 32 - Engine Muffler Group (025000-029999)

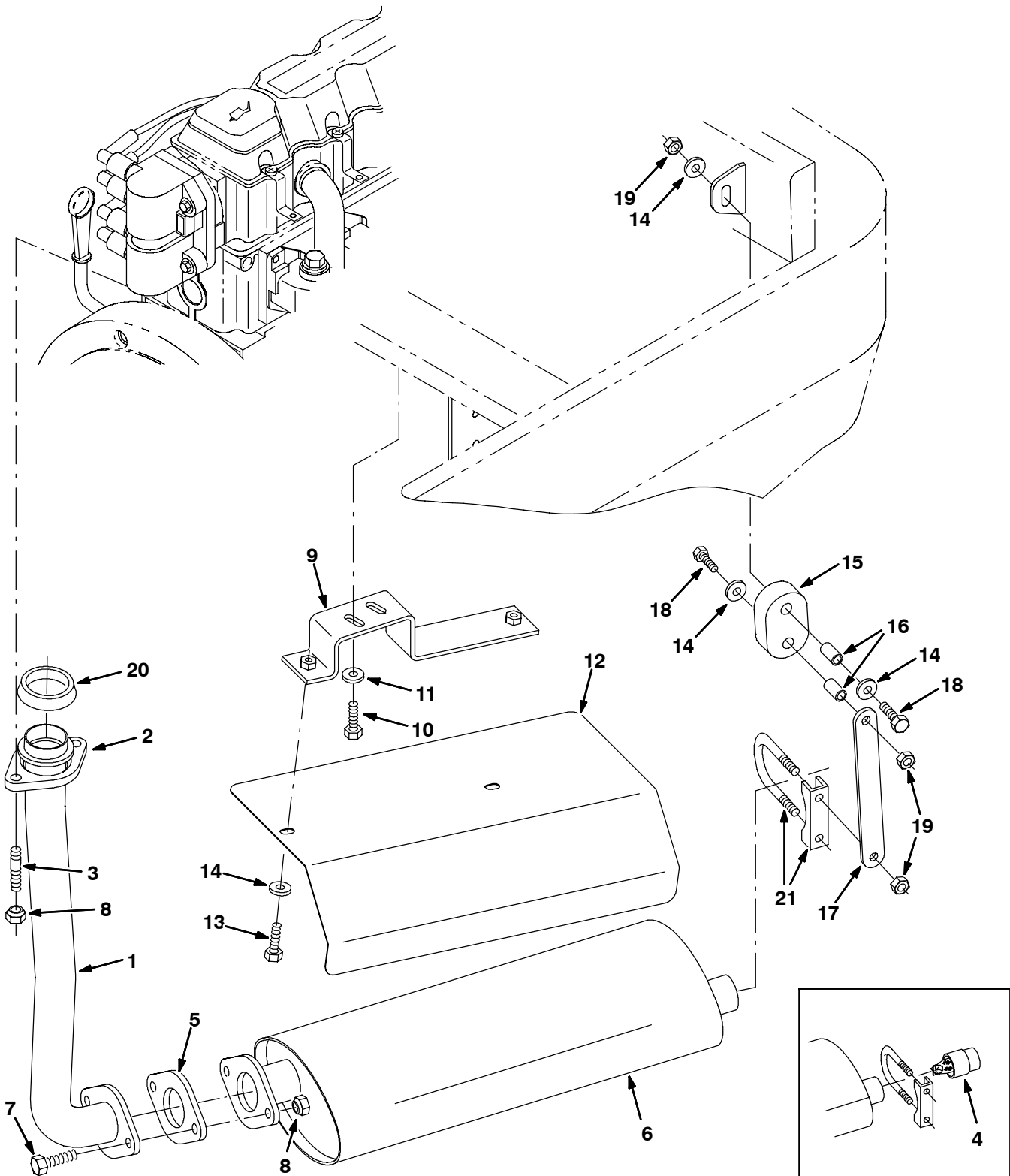


Fig. 32 - Engine Muffler Group (025000-029999)

Ref.	Part No.	Serial Number	Description	Qty.
1	1011700	(025000-029999 )	Tube, Exhaust, Flng	1
2	1006898	(025000-029999 )	Flange, Mtg, Tailpipe, [Gas/Lpg]	1
3	384442	(025000-029999 )	Stud, M10 X 1.50 [35]	2
4	1009681	(025000-025170 )	Screen, Sparkarrest	1
5	1011216	(025000-029999 )	Gasket, Exhaust, 2 Hole, 3.4bc	1
6	1011259	(025000-029999 )	Muffler, Catalytic [Gm1.6l, 7400, 6600]	1
7	39284	(025000-029999 )	Screw, Hex, M10 X 1.5 X 35, 8.8	2
8	08166	(025000-029999 )	Nut, Hex, Stover, M10 X 1.5	4
9	1013624	(025000-029999 )	Bracket, Mtg, Shield	1
10	07810	(025000-029999 )	Screw, Flt, M8 X 1.25 X 25, 10.9	2
11	32486	(025000-029999 )	Washer, Flat, 0.50 Sae	2
12	1014004	(025000-029999 )	Shield, Heat	1
13	16931	(025000-029999 )	Screw, Hex, M8 X 1.25 X 20, 8.8	2
14	32491	(025000-029999 )	Washer, Flat, 0.31 Std	5
15	1013031	(025000-029999 )	Isolator, Rubber	1
16	222497	(025000-029999 )	Sleeve, P/M, 0.496d 0.318b 1.25l 430ss	2
17	1013230	(025000-029999 )	Bracket, Hanger, Muffler	1
18	222504	(025000-029999 )	Screw, Hex, M8 X 1.25 X 55, Ss	2
19	08709	(025000-029999 )	Nut, Hex, Lock, M8 X 1.25, NI	2
20	371861	(025000-029999 )	Gasket, Flgn, Pipe, Exhaust	1
21	24012	(025000-029999 )	Clamp, Muffler, 1.62d	1

Fig. 33 - Engine Muffler Group (030000- )

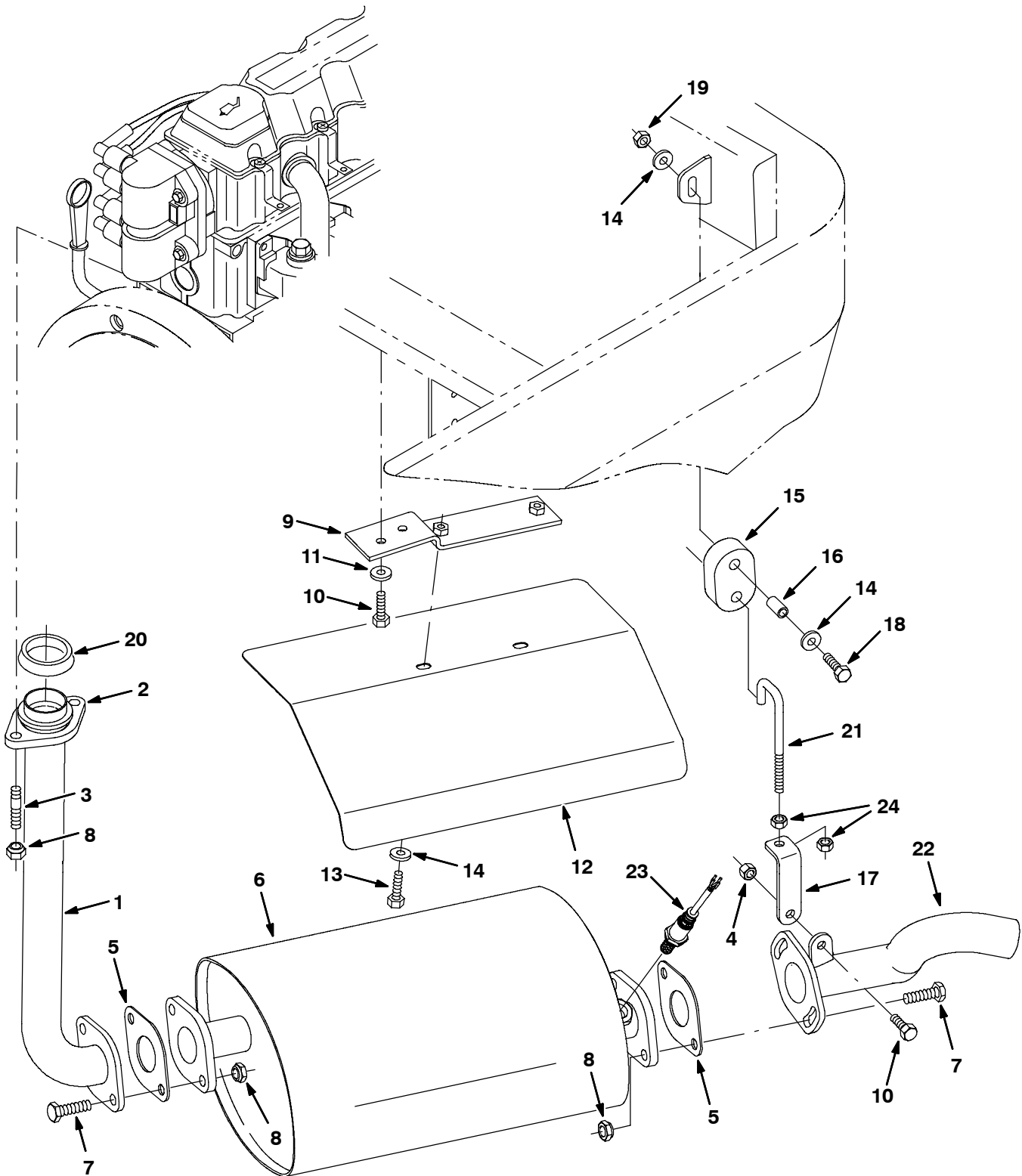


Fig. 33 - Engine Muffler Group (030000- )

Ref.	Part No.	Serial Number	Description	Qty.
1	1028961	(030000-	) Tube, Exhaust, Flng	1
2	1006898	(030000-	) Flange, Mtg, Tailpipe, [Gas/Lpg]	1
3	384442	(030000-	) Stud, M10 X 1.50 [35]	2
4	39311	(030000-	) Nut, Hex, Std, M8 X 1.25	1
5	1011216	(030000-	) Gasket, Exhaust, 2 Hole, 3.4bc	2
6	1028136	(030000-	) Muffler, Catalytic [Gm 1.6l 2007]	1
7	39284	(030000-	) Screw, Hex, M10 X 1.5 X 35, 8.8	4
8	08166	(030000-	) Nut, Hex, Stover, M10 X 1.5	6
9	1031689	(030000-	) Bracket, Mtg, Shield	1
10	39277	(030000-	) Screw, Hex, M8 X 1.25 X 25, 8.8	3
11	32486	(030000-	) Washer, Flat, 0.50 Sae	2
12	1031688	(030000-	) Shield, Heat	1
13	16931	(030000-	) Screw, Hex, M8 X 1.25 X 20, 8.8	2
14	32491	(030000-	) Washer, Flat, 0.31 Std	4
15	1013031	(030000-	) Isolator, Rubber	1
16	222497	(030000-	) Sleeve, P/M, 0.496d 0.318b 1.25l 430ss	1
17	1036480	(030000-	) Bracket, Hanger, Muffler	1
18	222504	(030000-	) Screw, Hex, M8 X 1.25 X 55, Ss	1
19	08709	(030000-	) Nut, Hex, Lock, M8 X 1.25, NI	1
20	371861	(030000-	) Gasket, Flgn, Pipe, Exhaust	1
21	1013117	(030000-	) Rod, Hanger, Isolator	1
22	1028973	(030000-	) Tube Wldt, Exhaust, 1.6d	1
23	1028558	(030000-	) Sensor, Exhaust, Tailpipe	1
24	25014	(030000-	) Nut, Hex, Std, .38-16	2

# STANDARD PARTS

Fig. 34 - Engine Fuel Tank Group, Gasoline (000000-024999)

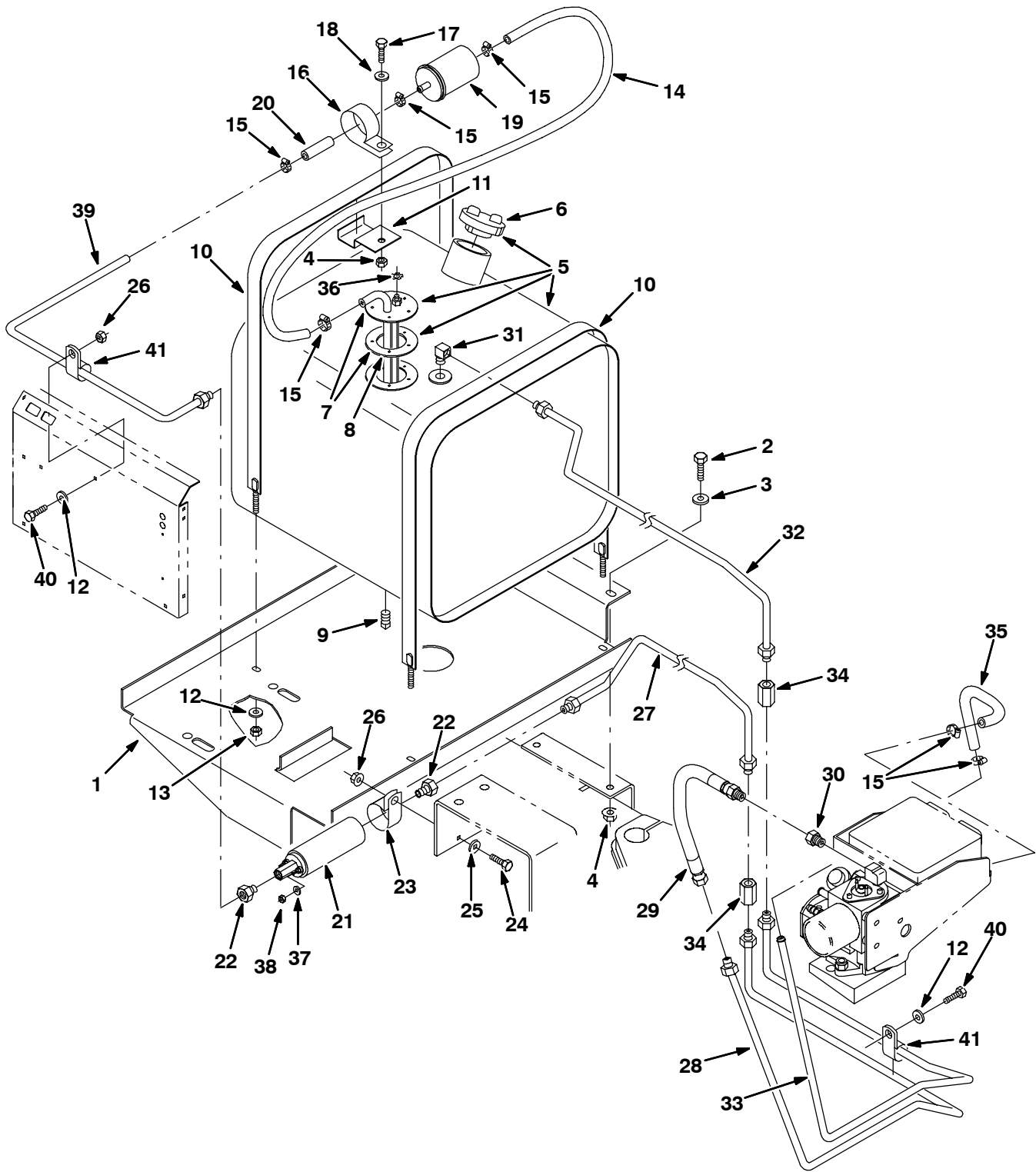


Fig. 34 - Engine Fuel Tank Group, Gasoline (000000-024999)

Ref.	Part No.	Serial Number	Description	Qty.	
1	55222	(000000-024999 )	Tray, Mtg, Tank, Fuel	1	
2	39277	(000000-024999 )	Screw, Hex, M 8 X 1.25 X 25, 8.8	4	
3	32491	(000000-024999 )	Washer, Flat, 0.31 Std	4	
4	07791	(000000-024999 )	Nut, Hex, Flng, M08 X 1.25	5	
▽	5	1011583	(000000-024999 )	Tank, Fuel, 9.4 Gal	1
▲	6	48267	(000000-024999 )	Cap, Tank, Fuel, 2.3neck 2.6d	1
▲▽	7	74406	(000000-024999 )	Send-Unit, Fuel, Ohm	1
▲▲	8	14131	(000000-024999 )	Gasket, Sender, Fuel, 2.7d 1.5b 5/ 2.1bc	1
▲	9	48126	(000000-024999 )	Fitting, Pipe, Plug, Pm02 Sq Head	1
	10	87396	(000000-024999 )	Strap Wldt, Tank, .06th X 1.0w, 37.7l	2
	11	1008988	(000000-024999 )	Bracket, Fltr, Fuel	1
	12	32483	(000000-024999 )	Washer, Flat, 0.25 Sae	6
	13	32981	(000000-024999 )	Nut, Hex, Lock, .25-20, NI	4
	14	72560	(000000-024999 )	Hose, Fuel, 0.31id 31.0l	1
	15	43844	(000000-024999 )	Clamp, Hose, Wormdrive, 0.25-0.62d	6
	16	41016	(000000-024999 )	Clamp, Cable, Stl, 2.25d X 1.00w, 1h	1
	17	16735	(000000-024999 )	Screw, Hex, M 8 X 1.25 X 16, 8.8	1
	18	32490	(000000-024999 )	Washer, Flat, 0.25 Std	1
	19	371662	(000000-024999 )	Filter, Fuel	1
	20	57404	(000000-024999 )	Hose, Fuel, 0.31id 02.0l	1
	21	371661	(000000-024999 )	Pump, Fuel, Gas	1
	22	40585	(000000-024999 )	Fitting, Brs, Str, lf05/Pm02	2
	23	53468	(000000-024999 )	Clamp, Cable, Stl, 1.75d X 1.00w, 1h	1
	24	06943	(000000-024999 )	Screw, Hex, M 6 X 1.0 X 20, 8.8	1
	25	32483	(000000-024999 )	Washer, Flat, 0.25 Sae	1
	26	07790	(000000-024999 )	Nut, Hex, Flng, M06 X 1.0	2
	27	377245	(000000-024999 )	Fuelline, .31d 05if/05if Stl	1
	28	377246	(000000-024999 )	Fuelline, .31d 05if/05if Stl	1
	29	70173	(000000-024999 )	Hose, 0050, 04, lm05str /lf05str , 10.0	1
	30	78043	(000000-024999 )	Fitting, Brs, Str, lf05/Pm04	1
	31	15555-1	(000000-024999 )	Fitting, Brs, E90, lf05/Pm02	1
	32	377247	(000000-024999 )	Fuelline, .31d 05if/05if Stl	1
	33	377248	(000000-024999 )	Fuelline, .31d 05if/Bea Stl	1
	34	25610	(000000-024999 )	Fitting, Brs, Str, lf05/lf05	2
	35	54845	(000000-024999 )	Hose, Fuel, 0.31id 08.0l	1
	36	41139	(000000-024999 )	Washer, Lock, Int-Ext, #10	1
	37	32975	(000000-024999 )	Washer, Lock, Int, #06	2
	38	19309	(000000-024999 )	Nut, Hex, Std, #06-32	2
	39	377219	(000000-024999 )	Fuelline, .31d 05if/Bea Stl	1
	40	06942	(000000-024999 )	Screw, Hex, M 6 X 1.0 X 16, 8.8	2
	41	76736	(000000-024999 )	Clamp, Cable, Stl, 0.38d X 0.62w, 1h	2

# STANDARD PARTS

Fig. 35 - Engine Fuel Tank Group, Gasoline (025000-029999)

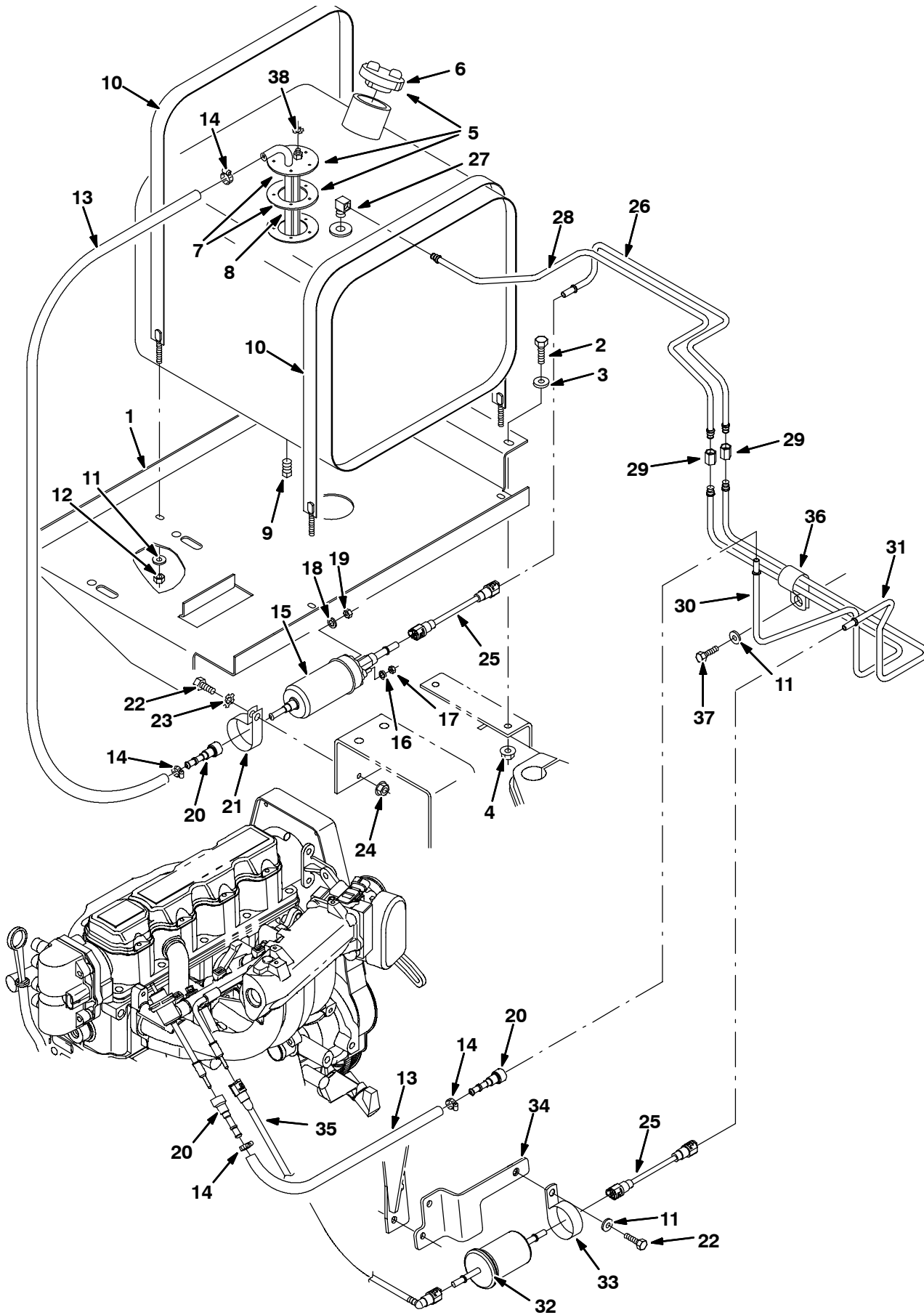




Fig. 35 - Engine Fuel Tank Group, Gasoline (025000-029999)

Ref.	Part No.	Serial Number	Description	Qty.	
1	55222	(025000-029999 )	Tray, Mtg, Tank, Fuel	1	
2	39277	(025000-029999 )	Screw, Hex, M 8 X 1.25 X 25, 8.8	4	
3	32491	(025000-029999 )	Washer, Flat, 0.31 Std	4	
4	07791	(025000-029999 )	Nut, Hex, Flng, M08 X 1.25	5	
▽	5	1013932	(025000-029999 )	Tank, Fuel, 9.4 Gal	1
▲	6	48267	(025000-029999 )	Cap, Tank, Fuel, 2.3neck 2.6d	1
▲▽	7	74406	(025000-029999 )	Send-Unit, Fuel, Ohm	1
▲▲	8	14131	(025000-029999 )	Gasket, Sender, Fuel, 2.7d 1.5b 5/ 2.1bc	1
▲	9	48126	(025000-029999 )	Fitting, Pipe, Plug, Pm02 Sq Head	1
	10	87396	(025000-029999 )	Strap Wldt, Tank, .06th X 1.0w, 37.7l	2
	11	32483	(025000-029999 )	Washer, Flat, 0.25 Sae	6
	12	32981	(025000-029999 )	Nut, Hex, Lock, .25-20, NI	4
	13	83591	(025000-029999 )	Hose, Fuel, 0.31id 31.0l	2
	14	43844	(025000-029999 )	Clamp, Hose, Wormdrive, 0.25-0.62d	4
	15	1011107	(025000-029999 )	Pump, Fuel, Hi-Press [Gm 1.6l/3.0l]	1
	16	32978	(025000-029999 )	Washer, Lock, Int, #08	1
	17	42368	(025000-029999 )	Nut, Hex, Std, M4 X 0.7, 8	1
	18	32980	(025000-029999 )	Washer, Lock, Int, #10	1
	19	50335	(025000-029999 )	Nut, Hex, Std, M5 X 0.8, 8	1
	20	1013086	(025000-029999 )	Connector, Fuel, Qf	3
	21	1011895	(025000-029999 )	Clamp, Cable, Stl, 2.00d X 0.75w, 1h	1
	22	06943	(025000-029999 )	Screw, Hex, M6 X 1.0 X 20, 8.8	2
	23	32483	(025000-029999 )	Washer, Flat, 0.25 Sae	1
	24	07790	(025000-029999 )	Nut, Hex, Flng, M6 X 1.0	2
	25	1012248	(025000-029999 )	Fuelline, .31d Str/Str, Plstc	2
	26	1014801	(025000-029999 )	Fuelline, .31d 05if/Qm Stl	1
	27	15555-2	(025000-029999 )	Fitting, Brs, E90, lf05/Pm04	1
	28	1014803	(025000-029999 )	Fuelline, .31d 05if/05if Stl	1
	29	25610	(025000-029999 )	Fitting, Brs, Str, lf05/lf05	2
	30	1014800	(025000-029999 )	Fuelline, .31d 05if/Qm Stl	1
	31	1014802	(025000-029999 )	Fuelline, .31d 05if/Qm Stl	1
	32	372440	(025000-029999 )	Fuel, Fltr [Gm 1.6l/3.0l]	1
	33	1011895	(025000-029999 )	Clamp, Cable, Stl, 2.00d X 0.75w, 1h	1
	34	1014799	(025000-029999 )	Bracket, Mtg, Filter, Fuel	1
	35	1012250	(025000-029999 )	Fuelline, .31d Str/E90, Plstc	1
	36	26395-1	(025000-029999 )	Clamp, Cable, Stl, 0.56d X 0.38w, 1hole	1
	37	06942	(025000-029999 )	Screw, Hex, M6 X 1.0 X 16, 8.8	1
	38	41139	(025000-029999 )	Washer, Lock, Int-Ext, #10	1

# STANDARD PARTS

Fig. 36 - Engine Fuel Tank Group, Gasoline (030000- )

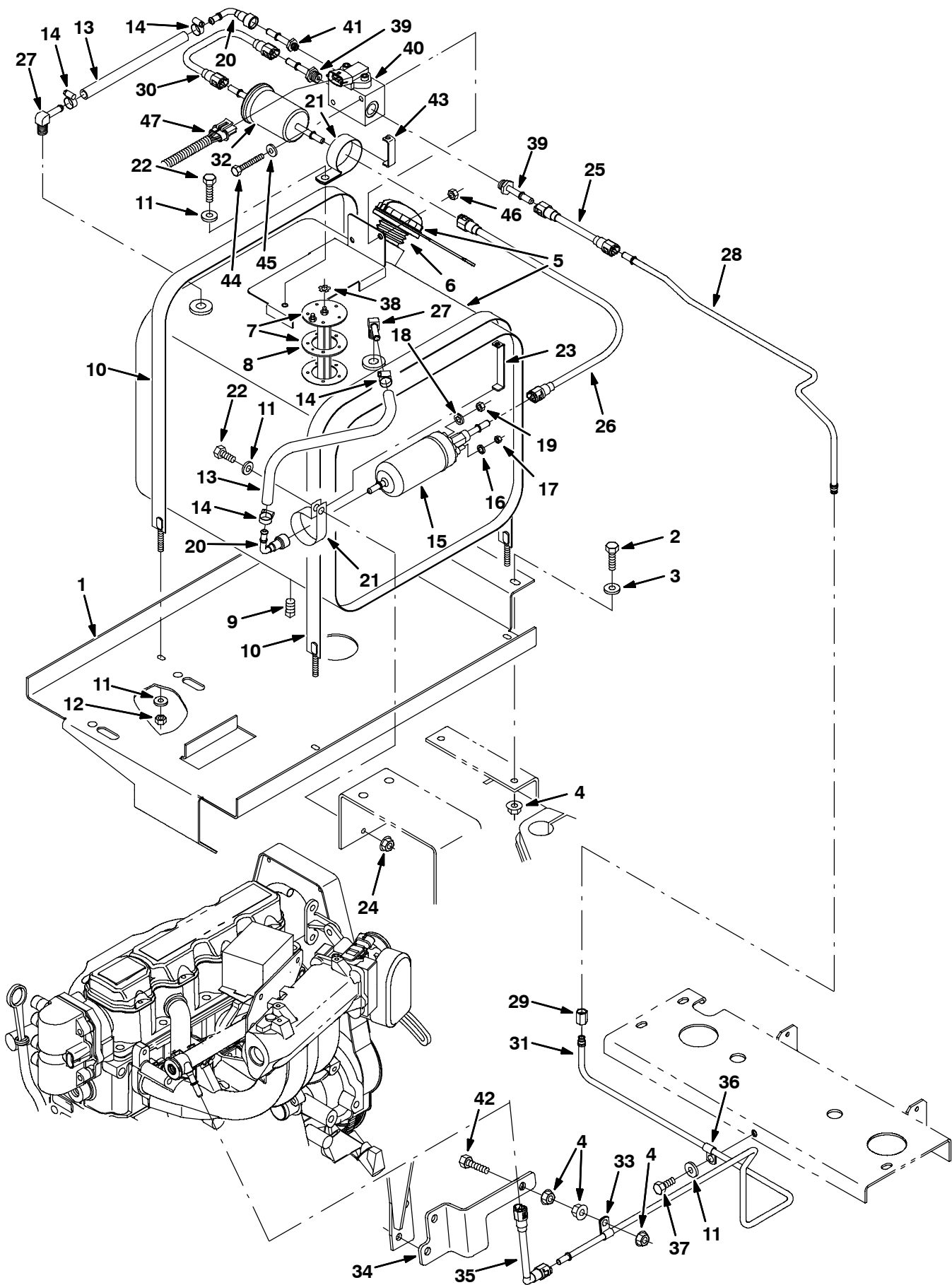


Fig. 36 - Engine Fuel Tank Group, Gasoline (030000- )

Ref.	Part No.	Serial Number	Description	Qty.
1	55222	(030000-	) Tray, Mtg, Tank, Fuel	1
2	39277	(030000-	) Screw, Hex, M 8 X 1.25 X 25, 8.8	4
3	32491	(030000-	) Washer, Flat, 0.31 Std	4
4	07791	(030000-	) Nut, Hex, Flng, M08 X 1.25	7
▽	5	1030271	(030000-) Tank, Fuel, 9.4 Gal [6600/6650 2007]	1
▲	6	1032812	(030000-) Cap, Fuel, Tank	1
▲▽	7	1033900	(030000-) Send-unit, Fuel	1
▲▲	8	1033897	(030000-) Gasket, Sender, Fuel	1
▲	9	48126	(030000-) Fitting, Pipe, Plug, Pm02 Sq Head	1
10	87396	(030000-	) Strap Wldt, Tank, .06th X 1.0w, 37.7l	2
11	32483	(030000-	) Washer, Flat, 0.25 Sae	7
12	32981	(030000-	) Nut, Hex, Lock, .25-20, NI	4
13	1033746	(030000-	) Hose, Fuel, 0.31id [Evap Emission 07]	2
14	43844	(030000-	) Clamp, Hose, Wormdrive, 0.25-0.62d	4
15	1011107	(030000-	) Pump, Fuel, Hi-Press [Gm 1.6l/3.0l]	1
16	32978	(030000-	) Washer, Lock, Int, #08	1
17	42368	(030000-	) Nut, Hex, Std, M4 X 0.7, 8	1
18	32980	(030000-	) Washer, Lock, Int, #10	1
19	50335	(030000-	) Nut, Hex, Std, M5 X 0.8, 8	1
20	1019939	(030000-	) Connector, Fuel, E90, Qf	1
21	1011895	(030000-	) Clamp, Cable, Stl, 2.00d X 0.75w, 1h	2
22	06943	(030000-	) Screw, Hex, M6 X 1.0 X 20, 8.8	2
23	1032145	(030000-	) Bracket, U	1
24	07790	(030000-	) Nut, Hex, Flng, M6 X 1.0	1
25	1012248	(030000-	) Fuelline, .31d Str/Str, Plstc	1
26	1032024	(030000-	) Fuelline, .31d Str/Str, Plstc [6600 07]	1
27	9000355	(030000-	) Fitting, Brs, E90, Em05/Pm04	2
28	1030570	(030000-	) Fuelline, .31d 05if/Qm Stl[6600/6650 07]	1
29	25610	(030000-	) Fitting, Brs, Str, lf05/lf05	1
30	1013509	(030000-	) Fuelline, .31d Str/Str, Plstc [8200]	1
31	1030551	(030000-	) Fuelline, .31d 05if/Qm Stl[6600/6650 07]	1
32	372440	(030000-	) Fuel, Fltr [Gm 1.6l/3.0l]	1
33	40678	(030000-	) Clamp, Cable, Stl, 0.44d X 0.62w, 1h	1
34	1014799	(030000-	) Bracket, Mtg, Filter, Fuel	1
35	1012250	(030000-	) Fuelline, .31d Str/E90, Plstc	1
36	76736	(030000-	) Clamp, Cable, Stl, 0.38d X 0.62w, 1h	1
37	06942	(030000-	) Screw, Hex, M6 X 1.0 X 16, 8.8	1
38	41139	(030000-	) Washer, Lock, Int-Ext, #10	1
39	1029293	(030000-	) Fitting, Fuel, Str, 9/16-18 [07 Eng]	2
40	1028924	(030000-	) Manifold, Gas, Relief, Valve [2007]	1
41	1029295	(030000-	) Fitting, Fuel, Str, 3/8-24 [07 Eng]	1
42	76570	(030000-	) Screw, Hex, M8 X 1.25 X 30, 8.8	1
43	1032143	(030000-	) Bracket, U	1
44	06949	(030000-	) Screw, Hex, M6 X 1.0 X 50, 8.8	2
45	32490	(030000-	) Washer, Flat, 0.25 Std	2
46	08708	(030000-	) Nut, Hex, Lock, M6 X 1.0, NI	2
47	385009	(030000-	) Harness, Manifold, Gas	1

# STANDARD PARTS

Fig. 37 - Engine Fuel Tank Group, LPG (000000-024999)

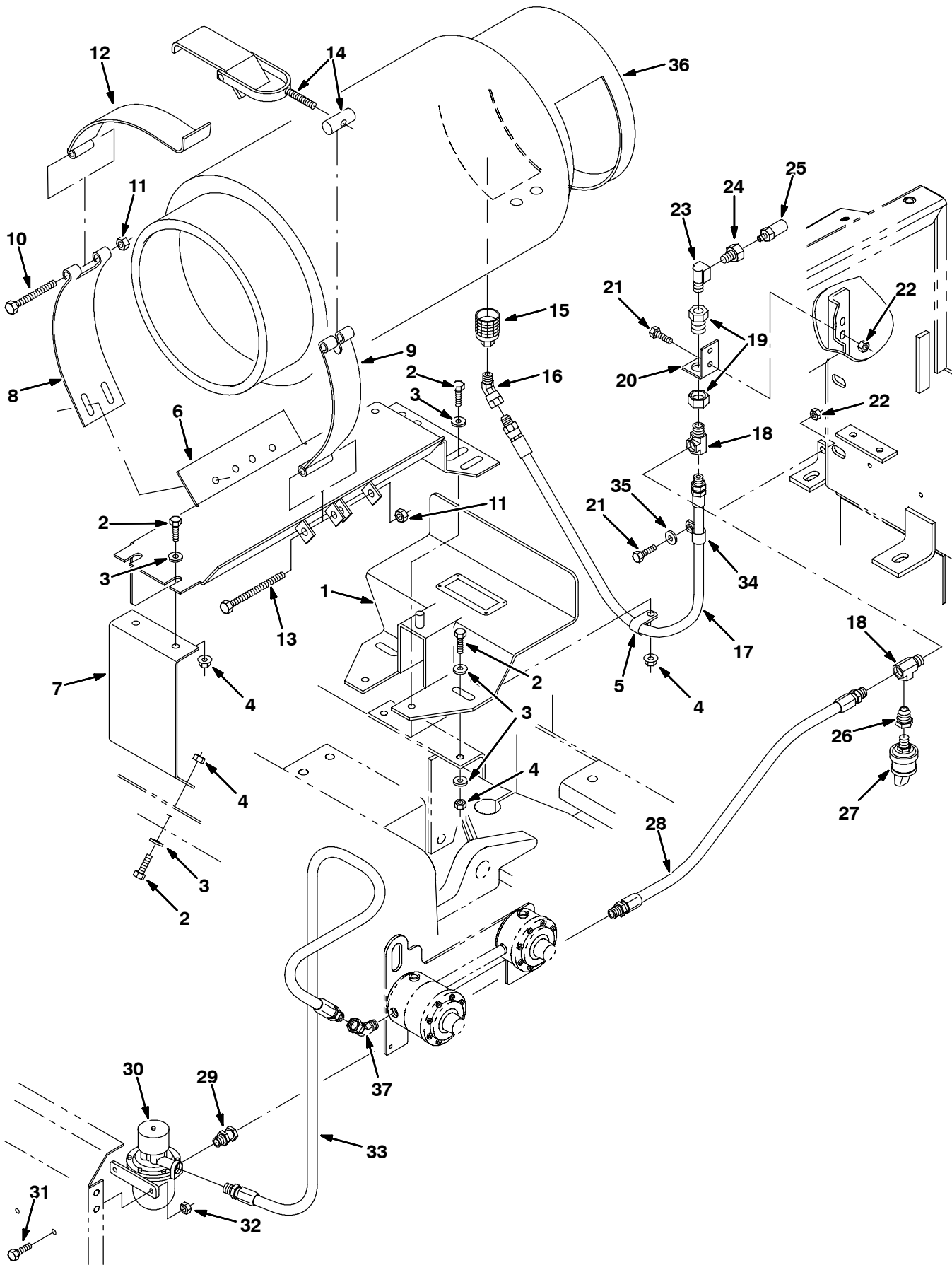


Fig. 37 - Engine Fuel Tank Group, LPG (000000-024999)

Ref.	Part No.	Serial Number	Description	Qty.
1	72128	(000000-024999 )	Bracket Assy, Lpg Tank, W/ Label	1
2	39277	(000000-024999 )	Screw, Hex, M 8 X 1.25 X 25, 8.8	8
3	32491	(000000-024999 )	Washer, Flat, 0.31 Std	10
4	07791	(000000-024999 )	Nut, Hex, Flng, M08 X 1.25	8
5	26395-1	(000000-024999 )	Clamp, Cable, Stl, 0.56d X 0.38w, 1h	1
6	10652	(000000-024999 )	Panel Wldt	1
7	70221	(000000-024999 )	Bracket, Mtg, Lpg	1
8	58589	(000000-024999 )	Strap	1
9	58590	(000000-024999 )	Strap	1
10	35707	(000000-024999 )	Screw, Hex, .38-16 X 3.00, 5	1
11	50902	(000000-024999 )	Nut, Hex, Lock, .38-16, NI	2
12	57297	(000000-024999 )	Strap	1
13	35710	(000000-024999 )	Screw, Hex, .38-16 X 3.75, 5	1
14	53400-1	(000000-024999 )	Latch	1
15	26496	(000000-024999 )	Fitting, Brs, Qdc, Pf04 Lpg Fem	1
16	47720	(000000-024999 )	Fitting, Hyd, E45, Pm04/Pf04	1
17	22308-3	(000000-024999 )	Hose, Lpg, Med05, Pm04str/Sm04str, 35.0l	1
18	56976A	(000000-024999 )	Fitting, Hyd, Tee, Pm04/Pf04/Pf04	2
19	78122	(000000-024999 )	Fitting, Brs, Str, Pf04/Pf04 Bkhd	1
20	54343	(000000-024999 )	Bracket, Angle, Mtg, Valve, Relief	1
21	16931	(000000-024999 )	Screw, Hex, M 8 X 1.25 X 20, 8.8	3
22	07791	(000000-024999 )	Nut, Hex, Flng, M08 X 1.25	3
23	27048	(000000-024999 )	Fitting, Brs, E90, Pm04/Pf04	1
24	59892	(000000-024999 )	Fitting, Brs, Str, Pm04/Pf04	1
25	24047	(000000-024999 )	Valve, Lpg, Press Relief, [Rego]	1
26	17414	(000000-024999 )	Fitting, Pipe, Str, Pm04/Pf02	1
27	23156	(000000-024999 )	Switch, Press, 12vdc 08a Spst Nc 0070psi	1
28	377218	(000000-024999 )	Hose, Lpg, Med05, Pm04str/Sm04str, 19.0l	1
29	11442-23	(000000-024999 )	Fitting, Pipe, Str, Sf04/Pm04	1
30	53395-2	(000000-024999 )	Filter, Fuelock, [Ballwin#4-2384b]	1
31	06942	(000000-024999 )	Screw, Hex, M 6 X 1.0 X 16, 8.8	2
32	08708	(000000-024999 )	Nut, Hex, Lock, M 6 X 1.0, NI	2
33	377207	(000000-024999 )	Hose, Lpg, Med05, Pm04str/Sm04str, 38.0l	1
34	67767	(000000-024999 )	Clamp, Cable, Stl, 0.69d X 0.62w, 1h	1
35	32490	(000000-024999 )	Washer, Flat, 0.25 Std	1
36	24928-1	(000000-024999 )	Tank, Lpg, 33lb, W/ Gauge [Empty] [Liq]	1
37	392645	(000000-024999 )	Fitting, Pipe, E45, Pm04/Pf04, [Swivel]	1

# STANDARD PARTS

Fig. 38 - Engine Fuel Tank Group, LPG (025000- )

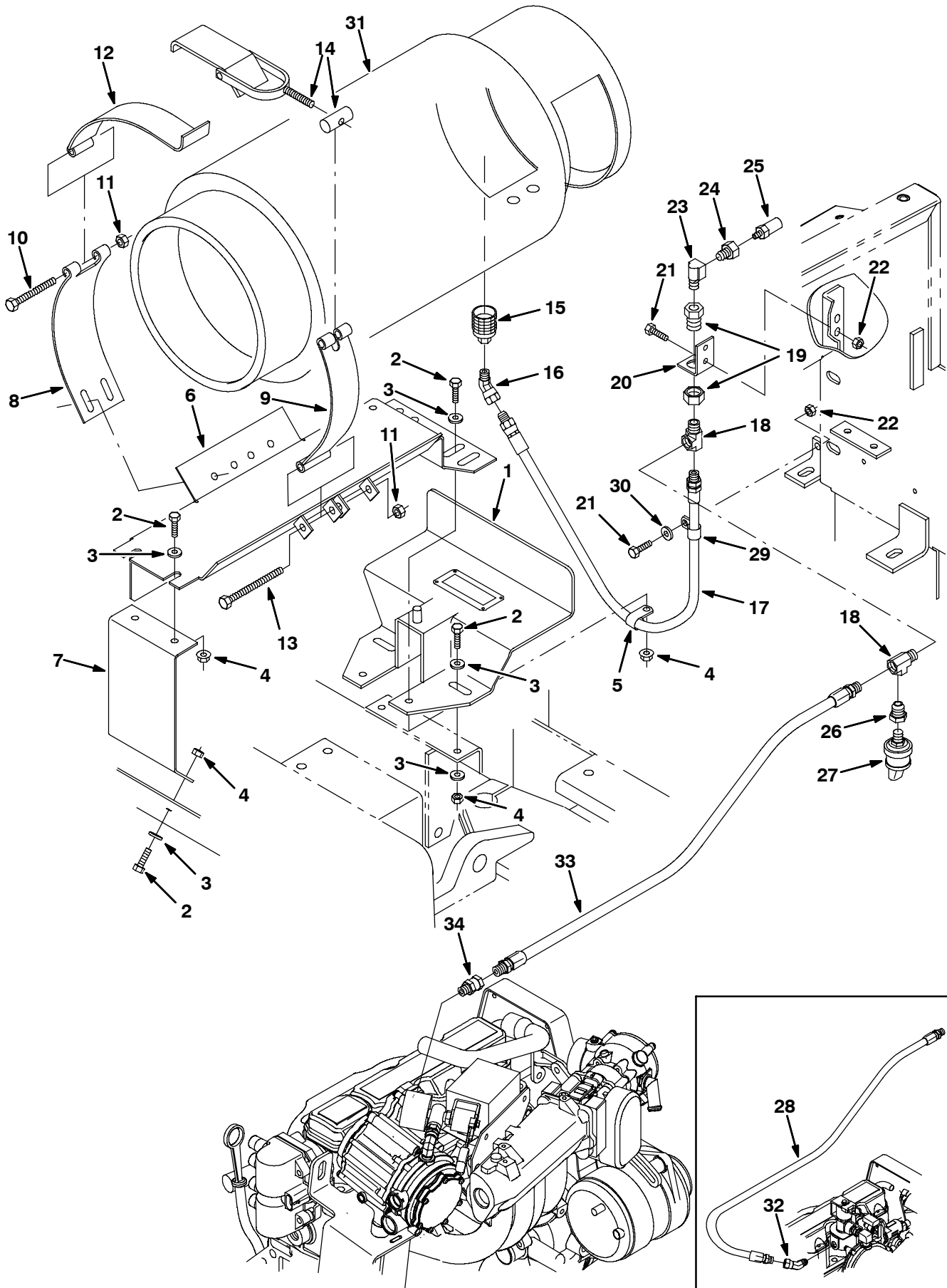


Fig. 38 - Engine Fuel Tank Group, LPG (025000- )

Ref.	Part No.	Serial Number	Description	Qty.
1	72128	(025000-	) Bracket Assy, Lpg Tank, W/ Label	1
2	39277	(025000-	) Screw, Hex, M 8 X 1.25 X 25, 8.8	8
3	32491	(025000-	) Washer, Flat, 0.31 Std	10
4	07791	(025000-	) Nut, Hex, Flng, M08 X 1.25	8
5	26395-1	(025000-	) Clamp, Cable, Stl, 0.56d X 0.38w, 1h	1
6	10652	(025000-	) Panel Wldt	1
7	70221	(025000-	) Bracket, Mtg, Lpg	1
8	58589	(025000-	) Strap	1
9	58590	(025000-	) Strap	1
10	35707	(025000-	) Screw, Hex, .38-16 X 3.00, 5	1
11	50902	(025000-	) Nut, Hex, Lock, .38-16, NI	2
12	57297	(025000-	) Strap	1
13	35710	(025000-	) Screw, Hex, .38-16 X 3.75, 5	1
14	53400-1	(025000-	) Latch	1
15	26496	(025000-	) Fitting, Brs, Qdc, Pf04 Lpg Fem	1
16	47720	(025000-	) Fitting, Hyd, E45, Pm04/Pf04	1
17	22308-3	(025000-	) Hose, Lpg, Med05, Pm04str/Sm04str, 35.0l	1
18	56976A	(025000-	) Fitting, Hyd, Tee, Pm04/Pf04/Pf04	2
19	78122	(025000-	) Fitting, Brs, Str, Pf04/Pf04 Bkhd	1
20	54343	(025000-	) Bracket, Angle, Mtg, Valve, Relief	1
21	16931	(025000-	) Screw, Hex, M 8 X 1.25 X 20, 8.8	3
22	07791	(025000-	) Nut, Hex, Flng, M08 X 1.25	3
23	27048	(025000-	) Fitting, Brs, E90, Pm04/Pf04	1
24	59892	(025000-	) Fitting, Brs, Str, Pm04/Pf04	1
25	24047	(025000-	) Valve, Lpg, Press Relief, [Rego]	1
26	17414	(025000-	) Fitting, Pipe, Str, Pm04/Pf02	1
27	23156	(025000-	) Switch, Press, 12vdc 08a Spst Nc 0070psi	1
28	19760	(025000-029999	) Hose, Lpg, Med05, Pm04str/Sm04str, 55.0l	1
29	67767	(025000-	) Clamp, Cable, Stl, 0.69d X 0.62w, 1h	1
30	32490	(025000-	) Washer, Flat, 0.25 Std	1
31	24928-1	(025000-	) Tank, Lpg, 33lb, W/ Gauge [Empty] [Liq]	1
32	392645	(025000-029999	) Fitting, Pipe, E45, Pm04/Pf04, [Swivel]	1
33	62865	(030000-	) Hose, Lpg, Med05, Pm04str/Sm04str, 67.0l	1
34	11442-23	(030000-	) Fitting, Pipe, Str, Pm04/Sf04	1

Fig. 39 - Engine Radiator Group (000000-024999)

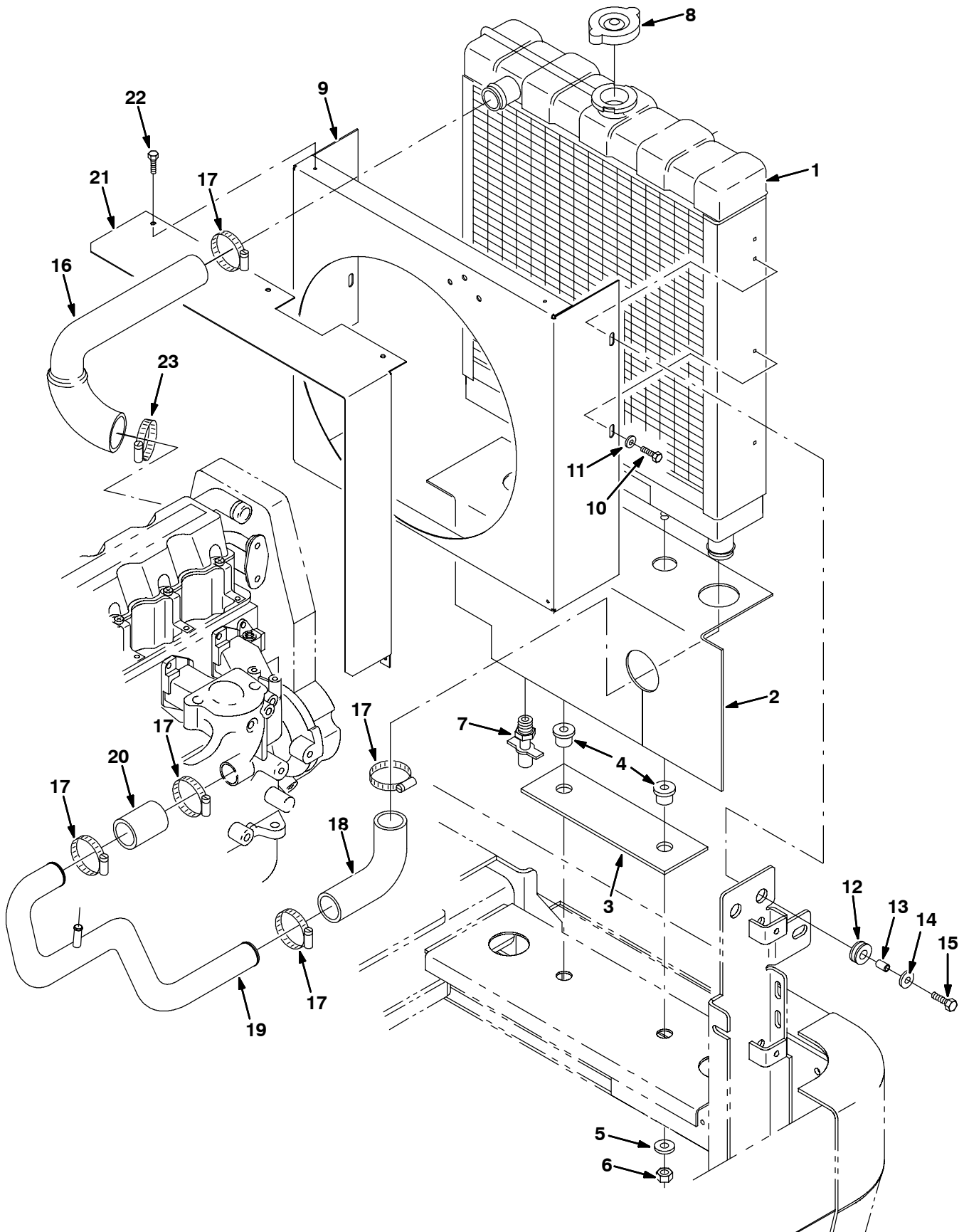




Fig. 39 - Engine Radiator Group (000000-024999)

Ref.	Part No.	Serial Number	Description	Qty.
1	1045316	(000000-024999 )	Radiator Kit, Replmt, Ci	1
2	1008857	(000000-024999 )	Skirt, Deflector, Air	1
3	59551	(000000-024999 )	Bar, Flt, Stl, 0.18 X 3.0 X 10.0 L	1
4	54274	(000000-024999 )	Isolator, Vib, Bshg, 1.1d 0.6l .4b 0.78h	2
5	32492	(000000-024999 )	Washer, Flat, 0.38 Std	2
6	41430	(000000-024999 )	Nut, Hex, Lock, M10 X 1.5, NI	2
7	51305	(000000-024999 )	Fitting, Draincock, .25npt 90	1
8	1045764	(000000-024999 )	Cap, Radiator, 14psi [Stant]	1
9	1007209	(000000-024999 )	Panel, Shrd, Fan, Gas/LPG	1
10	06941	(000000-024999 )	Screw, Hex, M 6 X 1.0 X 10, 8.8	3
11	32483	(000000-024999 )	Washer, Flat, 0.25 Sae	3
12	86727	(000000-024999 )	Grommet, Rbr, 0.50id, F/ 0.8h, .19matl	1
13	59881	(000000-024999 )	Tube, 00.38d 00.28b 00.6l Stl	1
14	32490	(000000-024999 )	Washer, Flat, 0.25 Std	1
15	06944	(000000-024999 )	Screw, Hex, M 6 X 1.0 X 25, 8.8	1
16	1007226	(000000-024999 )	Hose, Coolant, Mold, 1.25id To 1.62id	1
17	11531	(000000-024999 )	Clamp, Hose, Wormdrive, 1.06-2.00d	5
18	1007482	(000000-024999 )	Hose, Rbr, E90 1.25id 1.25id 04.2 3.1	1
19	377201	(000000-024999 )	Tube, Coolant, 1.3d Lower, [6600/6650]	1
20	377212	(000000-024999 )	Hose, Rbr, 1.25id 1.62od 02.2l	1
21	1016621	(000000-024999 )	Guard, Belt, Fan, W/Label	1
22	20394	(000000-024999 )	Screw, Hex, #10-16 X 0.62, Fmg, [AB]	4
23	22297	(000000-024999 )	Clamp, Hose, Wormdrive, 1.56-2.50d	1

**Fig. 40 - Engine Radiator Group (025000- )**

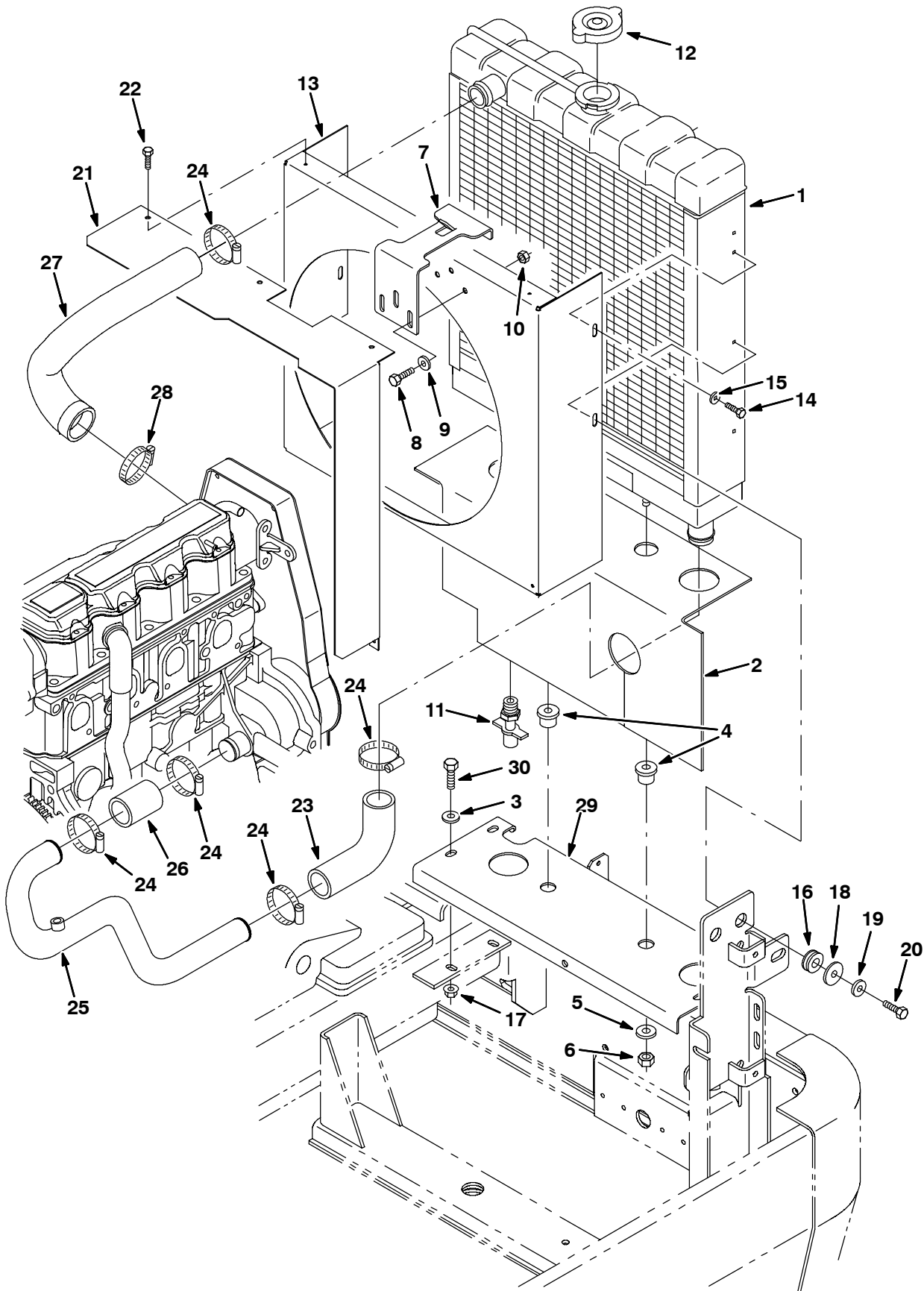


Fig. 40 - Engine Radiator Group (025000- )

Ref.	Part No.	Serial Number	Description	Qty.
1	1045316	(025000-	) Radiator Kit, Replmt, Ci	1
2	1008857	(025000-	) Skirt, Deflector, Air	1
3	32491	(025000-	) Washer, Flat, 0.31 Std	3
4	54274	(025000-	) Isolator, Vib, Bshg, 1.1d 0.6l .4b 0.78h	2
5	13248	(025000-	) Washer, Flat, 0.40b 1.12d .12, Stl, Pl	2
6	41430	(025000-	) Nut, Hex, Lock, M10 X 1.5, NI	2
7	1008693	(025000-	) Bracket, Latch	1
8	06942	(025000-	) Screw, Hex, M6 X 1.0 X 16, 8.8	3
9	32485	(025000-	) Washer, Flat, 0.38 Sae	3
10	07790	(025000-	) Nut, Hex, Flng, M6 X 1.0	3
11	54911-32	(025000-	) Fitting, Draincock, .25npt	1
12	1045764	(025000-	) Cap, Radiator, 14psi [Stant]	1
13	1007209	(025000-	) Panel, Shrd, Fan, Gas/Lpg	1
14	87308	(025000-	) Screw, Hex, M6 X 1.0 X 12, 8.8	3
15	32483	(025000-	) Washer, Flat, 0.25 Sae	3
16	86727	(025000-	) Grommet, Rbr, 0.50id, F/ 0.8h, .19matl	1
17	07791	(025000-	) Nut, Hex, Flng, M8 X 1.25	3
18	41178	(025000-	) Washer, Flat, 0.25 Fender	1
19	32490	(025000-	) Washer, Flat, 0.25 Std	1
20	06943	(025000-	) Screw, Hex, M6 X 1.0 X 20, 8.8	1
21	1016621	(025000-	) Guard, Belt, Fan, W/Label	1
22	20394	(025000-	) Screw, Hex, #10-16 X 0.62, Fmg, [Ab]	4
23	1007482	(025000-	) Hose, Rbr, E90 1.25id 1.25id 04.2 3.1	1
24	11531	(025000-	) Clamp, Hose, Wormdrive, 1.06-2.00d	5
25	1015552	(025000-	) Tube, Coolant, 1.3d Lower [6600/6650]	1
26	377212	(025000-	) Hose, Rbr, 1.25id 1.62od 02.2l	1
27	1014747	(025000-	) Hose, Coolant, Mold, 1.25id To 1.62id	1
28	22297	(025000-	) Clamp, Hose, Wormdrive, 1.56-2.50d	1
29	1013930	(025000-	) Channel, Mtg, Radiator	1
30	16931	(025000-	) Screw, Hex, M8 X 1.25 X 20, 8.8	3

# STANDARD PARTS

Fig. 41 - Engine Radiator Overflow Tank Group, Gasoline (025000- )

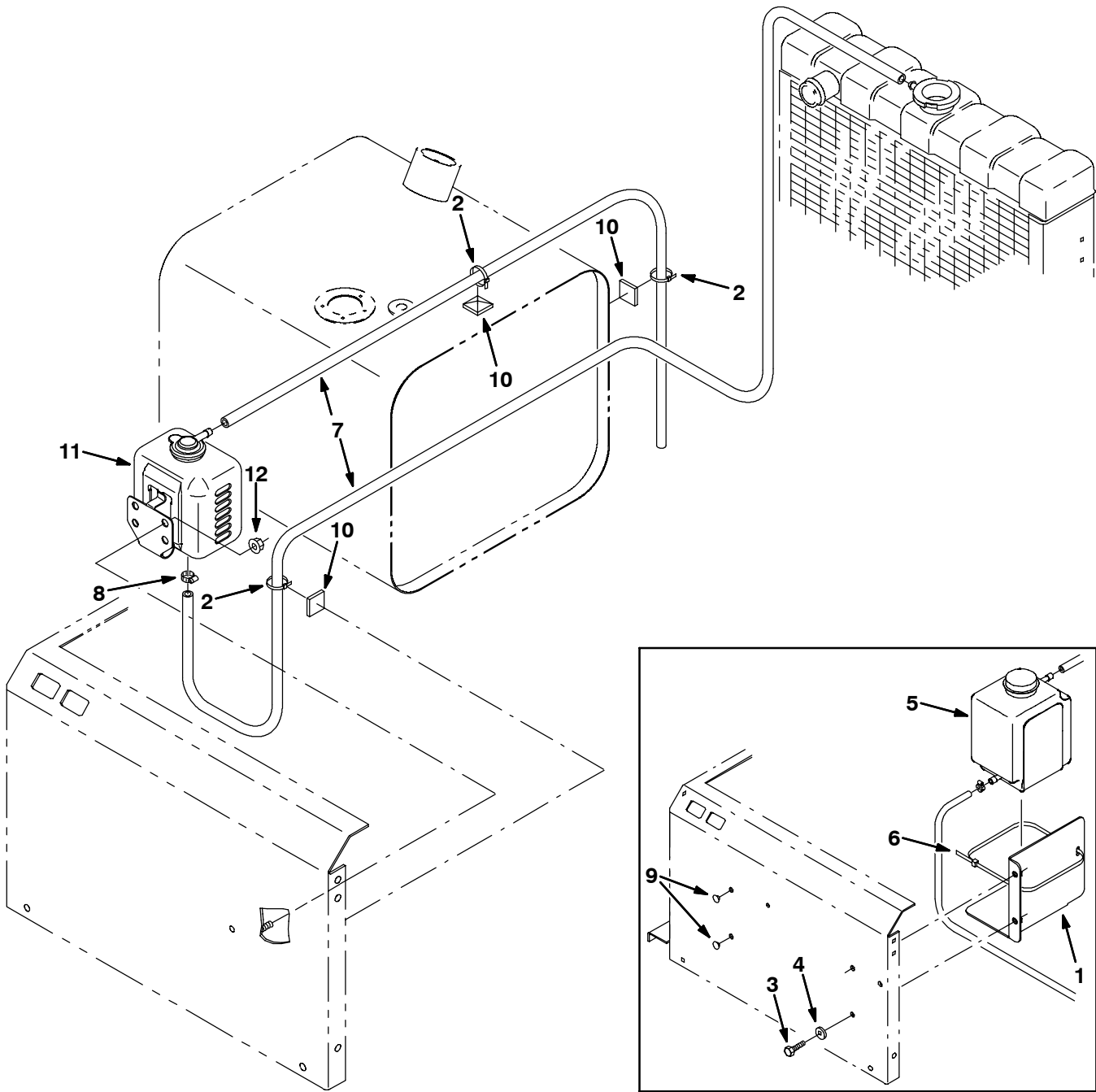
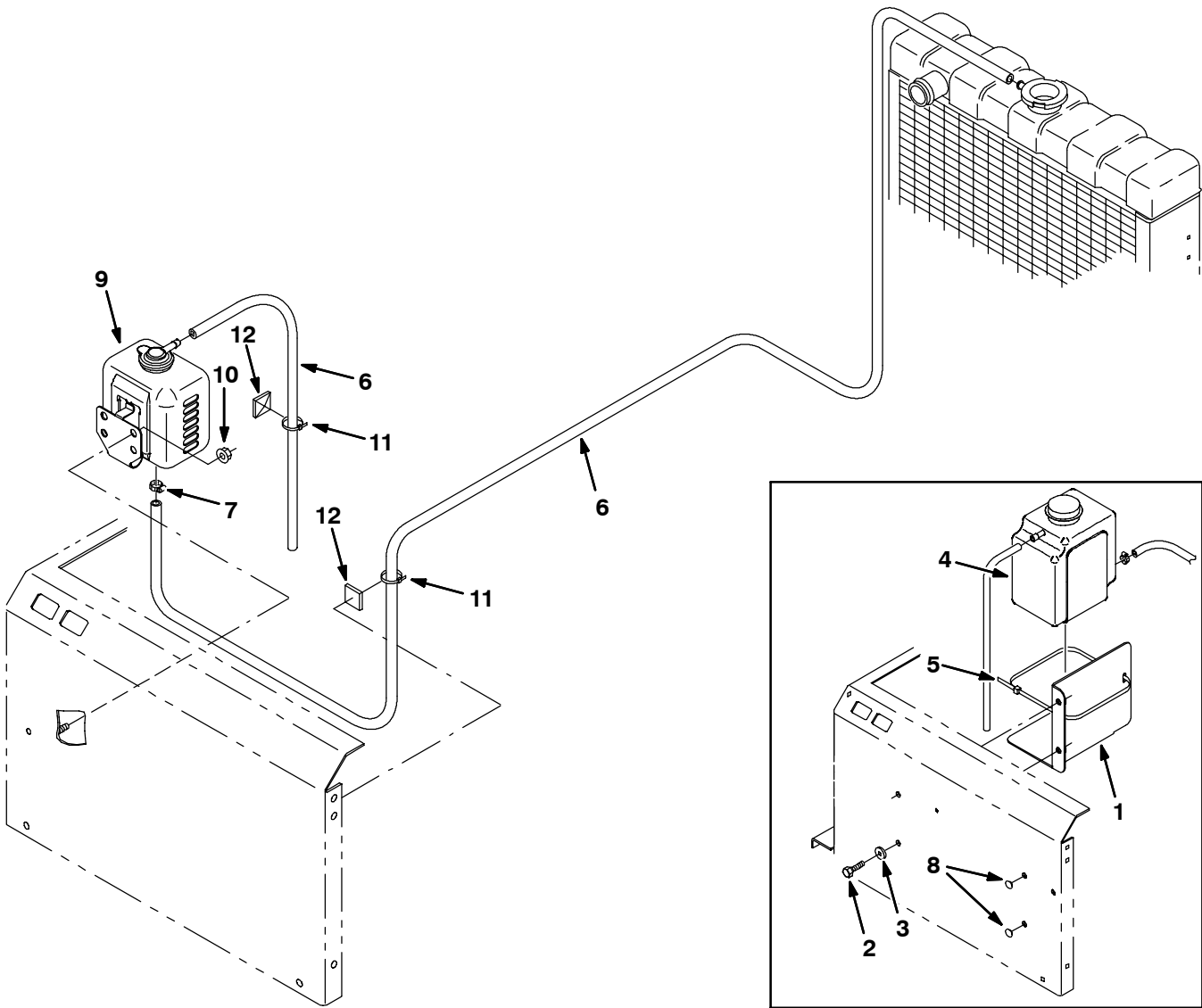


Fig. 41 - Engine Radiator Overflow Tank Group, Gasoline (025000- )

Ref.	Part No.	Serial Number	Description	Qty.
1	1014520	(025000-025674 )	Bracket, Tank, Coolant Recvy	1
2	49266	(025000- )	Tie, Cable, Nyl, 07.3l .19w 1.8 Max D	3
3	16931	(025000-025674 )	Screw, Hex, M8 X 1.25 X 20, 8.8	2
4	32490	(025000-025674 )	Washer, Flat, 0.25 Std	2
5	768897	(025000-025674 )	Tank, Coolant, 06.0 04.5 06.9deep 2.5 Qt	1
6	32815	(025000-025674 )	Tie, Cable, Nyl, 28.5l .50w 8.0 Max D	1
7	1015054	(025000- )	Hose, Afmkt, Coolant Recvy, 12ft	1
8	43844	(025000- )	Clamp, Hose, Wormdrive, 0.25-0.62d	1
9	33806	(025000-025674 )	Button, Plug, 0.38h .03-.12 [White Nyl]	2
10	55248	(025000- )	Mount, Cable Tie	3
11	1023853	(025675- )	Tank, Coolant, 04.7 03.3 4.7deep, 1liter	1
12	07790	(025675- )	Nut, Hex, Flng, M6 X 1.00	2

# STANDARD PARTS

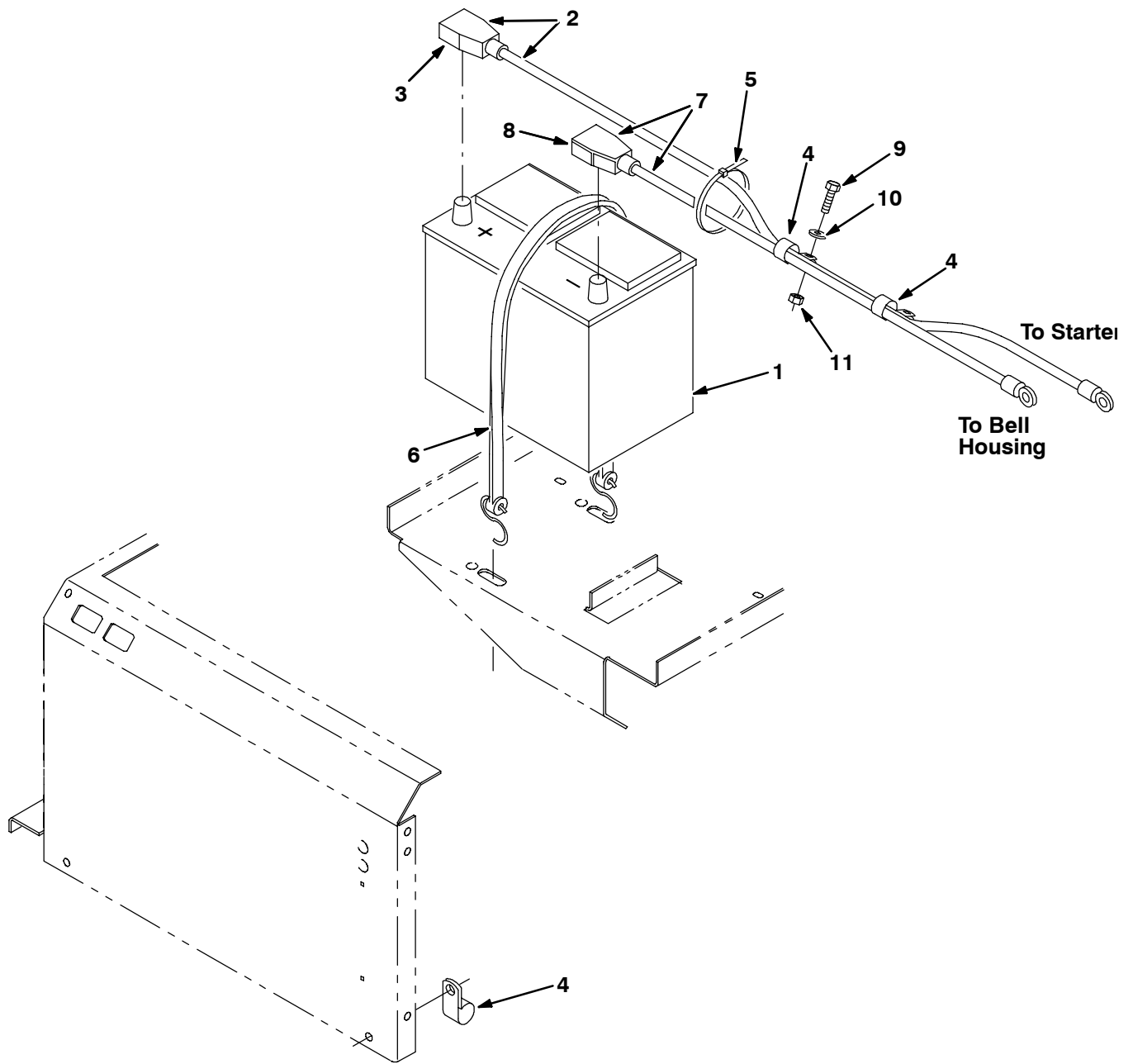
Fig. 42 - Engine Radiator Overflow Tank Group, LPG (025000- )



354199 - 6600, 6650, LP

Ref.	Part No.	Serial Number	Description	Qty.
1	1014520	(025000-025674 )	Bracket, Tank, Coolant Recvy	1
2	16931	(025000-025674 )	Screw, Hex, M8 X 1.25 X 20, 8.8	2
3	32490	(025000-025674 )	Washer, Flat, 0.25 Std	2
4	768897	(025000-025674 )	Tank, Coolant, 06.0 04.5 06.9deep 2.5 Qt	1
5	32815	(025000-025674 )	Tie, Cable, Nyl, 28.5l .50w 8.0 Max D	1
6	1015054	(025000- )	Hose, Afmkt, Coolant Recvy, 12ft	1
7	43844	(025000- )	Clamp, Hose, Wormdrive, 0.25-0.62d	1
8	33806	(025000-025674 )	Button, Plug, 0.38h .03-.12 [White Nyl]	2
9	1023853	(025675- )	Tank, Coolant, 04.7 03.3 4.7deep, 1liter	1
10	07790	(025675- )	Nut, Hex, Flng, M6 X 1.00	2
11	49266	(025675- )	Tie, Cable, Nyl, 07.3l .19w 1.8 Max D	2
12	55248	(025675- )	Mount, Cable Tie	2

Fig. 43 - Battery Group, Gasoline



353918 - 6600, 6650, G

Ref.	Part No.	Serial Number	Description	Qty.
	1	10137	(000000- ) Battery, 12vdc, 0475cca, Wet	1
▽	2	60292	(000000- ) Cable, Battery, Pos 2ga 66.0l .41 Hole	1
▲	3	68873	(000000- ) Boot, Cable, Battery, Red	1
	4	69234	(000000- ) Clamp, Cable, Stl, 1.00d X 0.62w, 1h	3
	5	49266	(000000- ) Tie, Cable, Nyl, 07.3l .19w 1.8 Max D	4
	6	33671	(000000- ) Strap, Rbr, Tie-Down, 2/Hooks 19.0l	1
▽	7	60295	(000000- ) Cable, Battery, Neg 2ga 60.0l .41 Hole	1
▲	8	68872	(000000- ) Boot, Cable, Battery, Black	1
	9	16931	(000000- ) Screw, Hex, M 8 X 1.25 X 20, 8.8	2
	10	39349	(000000- ) Washer, Flat, 0.31 Sae	2
	11	07791	(000000- ) Nut, Hex, Flng, M08 X 1.25	2

Fig. 44 - Battery Group, LPG

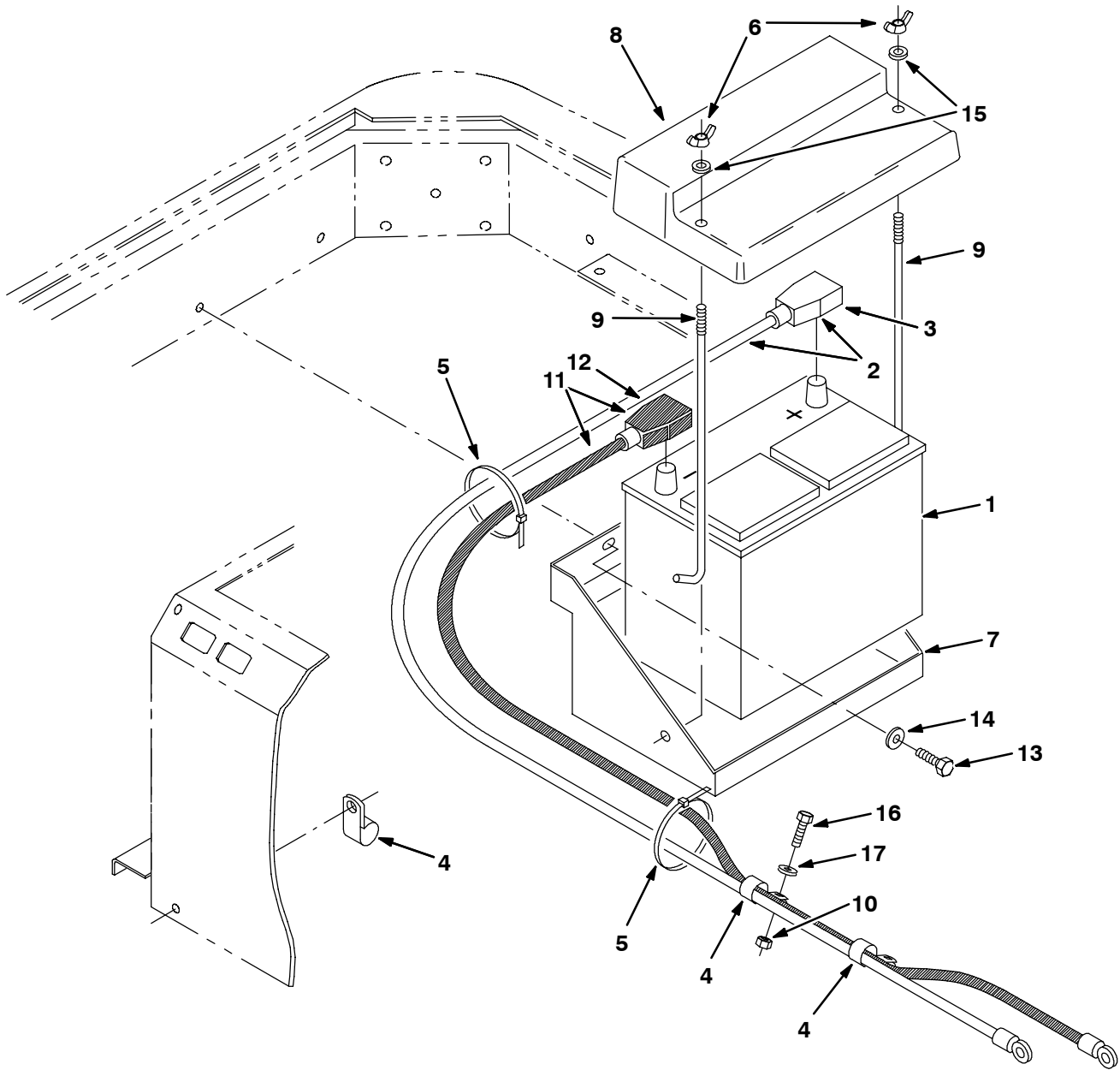




Fig. 44 - Battery Group, LPG

Ref.	Part No.	Serial Number	Description	Qty.
	1	10137	(000000- ) Battery, 12vdc, 0475cca, Wet	1
▽	2	1010227	(000000- ) Cable, Battery, Pos 2ga 84.0l .41h	1
▲	3	68873	(000000- ) Boot, Cable, Battery, Red	1
	4	69234	(000000- ) Clamp, Cable, Stl, 1.00d X 0.62w, 1h	3
	5	49266	(000000- ) Tie, Cable, Nyl, 07.3l .19w 1.8 Max D	4
	6	39272	(000000- ) Nut, Wing, .31-18	2
	7	379733	(000000- ) Tray, Battery	1
	8	71021	(000000- ) Cover, Battery, 06.9w 12.0l	1
	9	13015	(000000- ) Bolt, Hold-Down, Battery 08.5l	2
	10	07791	(000000- ) Nut, Hex, Fing, M08 X 1.25	2
▽	11	380558	(000000- ) Cable, Battery, Neg 2ga 72.0l .41 Hole	1
▲	12	68872	(000000- ) Boot, Cable, Battery, Black	1
	13	39277	(000000- ) Screw, Hex, M 8 X 1.25 X 25, 8.8	2
	14	32491	(000000- ) Washer, Flat, 0.31 Std	2
	15	30013	(000000- ) Washer, Flat, 0.31 Fender	2
	16	16931	(000000- ) Screw, Hex, M 8 X 1.25 X 20, 8.8	2
	17	39349	(000000- ) Washer, Flat, 0.31 Sae	2

**Fig. 45 - Wheel Group, Rear Drive**

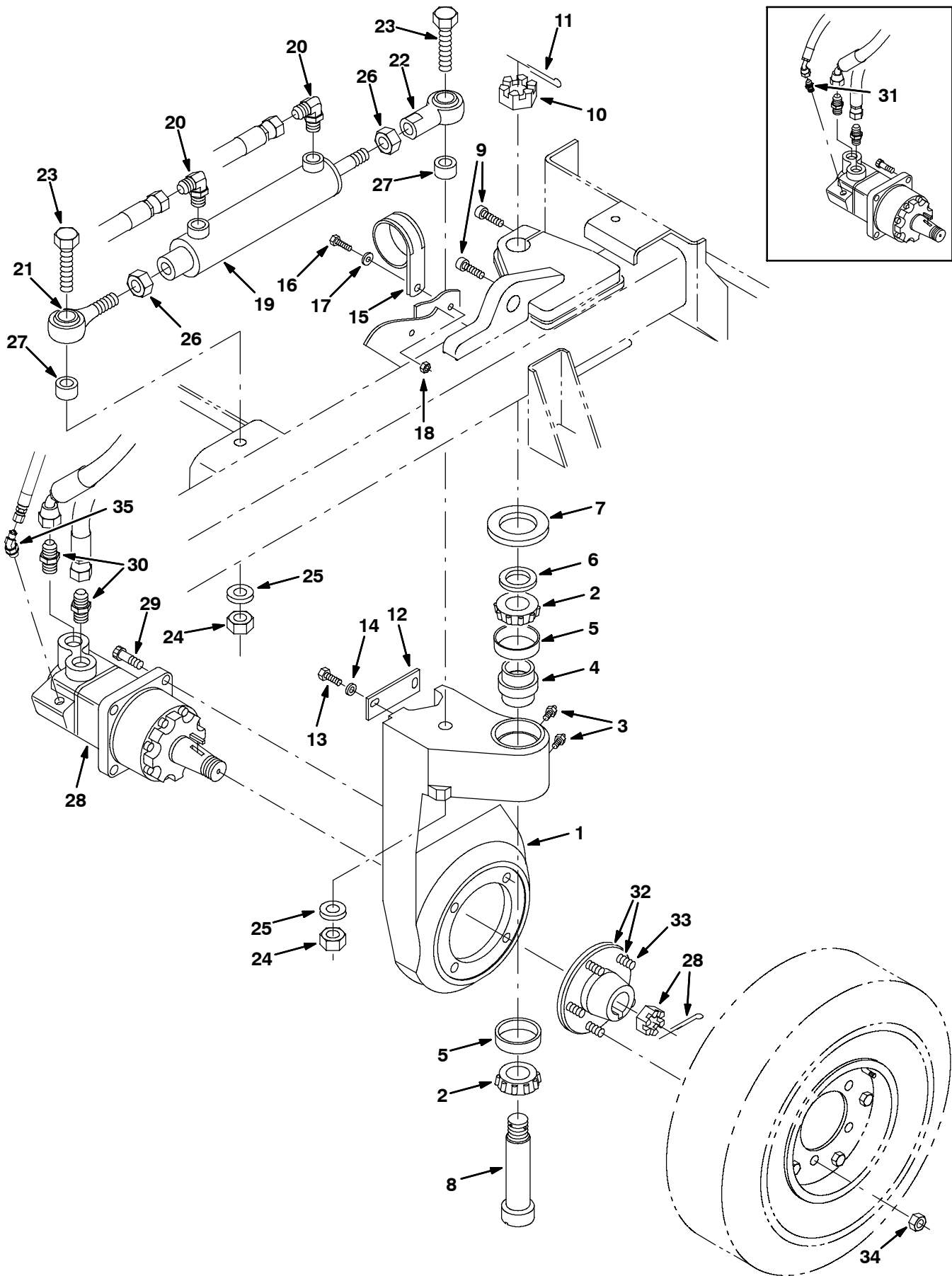


Fig. 45 - Wheel Group, Rear Drive

Ref.	Part No.	Serial Number	Description	Qty.	
1	374561	(000000-	) Housing, Sppt, Drive, Rear	1	
2	51339	(000000-	) Bearing, Cone, 1.38b 0.71w	2	
3	47801	(000000-	) Fitting, Grease, Str Pm04 .63l	2	
4	374560	(000000-	) Seal, Rear Drive Grease Cavity	1	
5	51338	(000000-	) Bearing, Cup, 2.56d 0.55w	2	
6	54051	(000000-	) Washer, 1.39b 2.12d .13, Stl	1	
7	374563	(000000-	) Washer, 2.16b 3.50d .16, Felt	1	
8	73281	(000000-	) Pin	1	
9	72926	(000000-	) Screw, Soc, M16 X 2.0 X 50, 12.9	2	
10	54052	(000000-	) Nut, Hex, Slt'd, 1.12-18	1	
11	08329	(000000-	) Pin, Cotter, .125 X 2.50	1	
12	58842	(000000-	) Bar, Flt, Stl, 0.19 X 1.50 X 04.10l	1	
13	09011	(000000-	) Screw, Hex, M 8 X 1.25 X 30, Ss	2	
14	32491	(000000-	) Washer, Flat, 0.31 Std	2	
15	70157	(000000-	) Clamp, Cable, Ss, 2.50d X 1.00w, 1h	1	
16	09740	(000000-	) Screw, Hex, M 8 X 1.25 X 20, Ss	1	
17	39349	(000000-	) Washer, Flat, 0.31 Sae	1	
18	07791	(000000-	) Nut, Hex, Flng, M08 X 1.25	1	
19	53601	(000000-026189	) Cylinder, Hyd, 2.0b,15.0l,08.00strk,1500 (See Breakdowns)	1	
19	1028492	(026190-	) Cylinder, Hyd, 2.0b,15.0l,08.00strk,1500	1	
20	56820	(000000-	) Fitting, Hyd, E90, Jm06/Om06	2	
21	64886	(000000-	) Rod-End, .75-16rh Mal 0.75b	1	
22	64887	(000000-	) Rod-End, .75-16rh Fem 0.75b	1	
23	374553	(000000-	) Screw, Hex, .75-10 X 3.50, 5	2	
24	43958	(000000-	) Nut, Hex, Std, .75-16	2	
25	39350	(000000-	) Washer, Flat, 0.75 Sae	2	
26	32987	(000000-	) Nut, Hex, Lock, .75-10, NI	2	
27	374552	(000000-	) Tube, 00.75d 00.25b 00.8l Stl Plt	2	
28	379609	(000000-	) Motor, Hyd, Gear, [Int], 19.0 X 3000 (See Breakdowns)	1	
29	19583	(000000-	) Screw, Soc, .50-13 X 1.50, Al	4	
30	42223	(000000-	) Fitting, Hyd, Str, Jm10/Om12	2	
31	55685	(000000-030235	) Fitting, Hyd, Str, Jm04/Om06	1	
▽	32	54087	(000000-	) Hub Assy, Wheel, 5 Bolt 4.50bc Taper B	1
▲	33	32126	(000000-	) Stud, Wheel, .50-20 X 1.50	5
	34	24339	(000000-	) Nut, Wheel, .50-20 X 60 Angle	5
	35	393215	(030236-	) Fitting, Hyd, E45, Jm04/Om06	1

Fig. 46 - Wheel Assembly, Rear

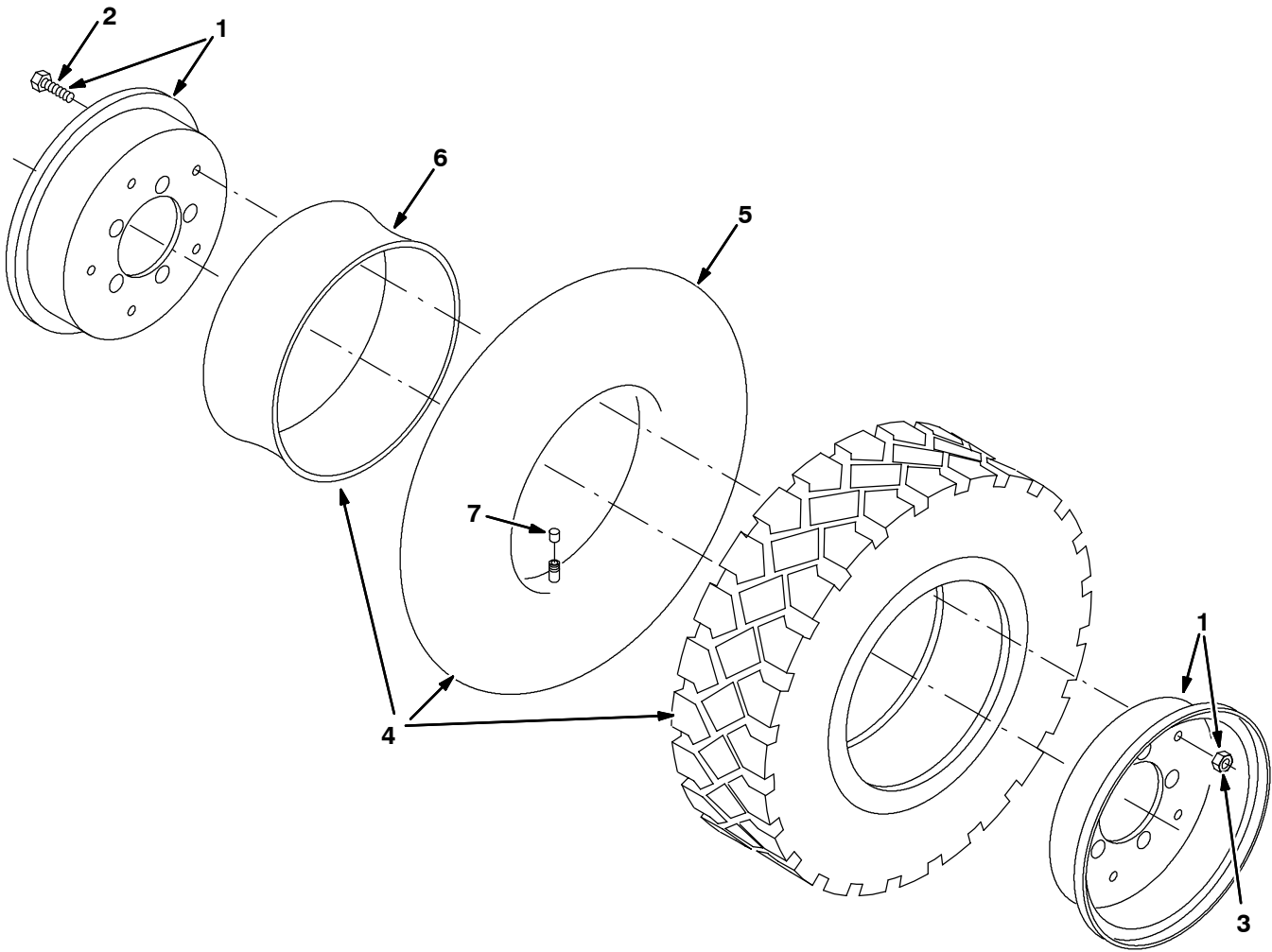


Fig. 46 - Wheel Assembly, Rear

	Ref.	Part No.	Serial Number	Description	Qty.
		70287	(000000-	) Tire Assy, Pneu, 570/500-08 4.5bc/5bolt	1
▲▽	1	53818	(000000-	) Rim Assy, 08 X 3.76 4.5bc/5b	1
▲▲	2	370181	(000000-	) Screw, Hex, M10 X 1.5 X 25, 10.9	5
▲▲	3	41430	(000000-	) Nut, Hex, Lock, M10 X 1.5, NI	5
▲▽	4	53819	(000000-	) Tire, W/Tube & Flap	1
▲▲	5	70280	(000000-	) Innertube, [5.00r-8],[Js2] Valve,[500-8]	1
▲▲	6	53819-2	(000000-	) Flap, Tire/Tube, 570/500-8	1
▲▲	7	45786	(000000-	) Cap, Valve, Tire, Tubeless	1

Fig. 47 - Wheel and Brakes Group, Front

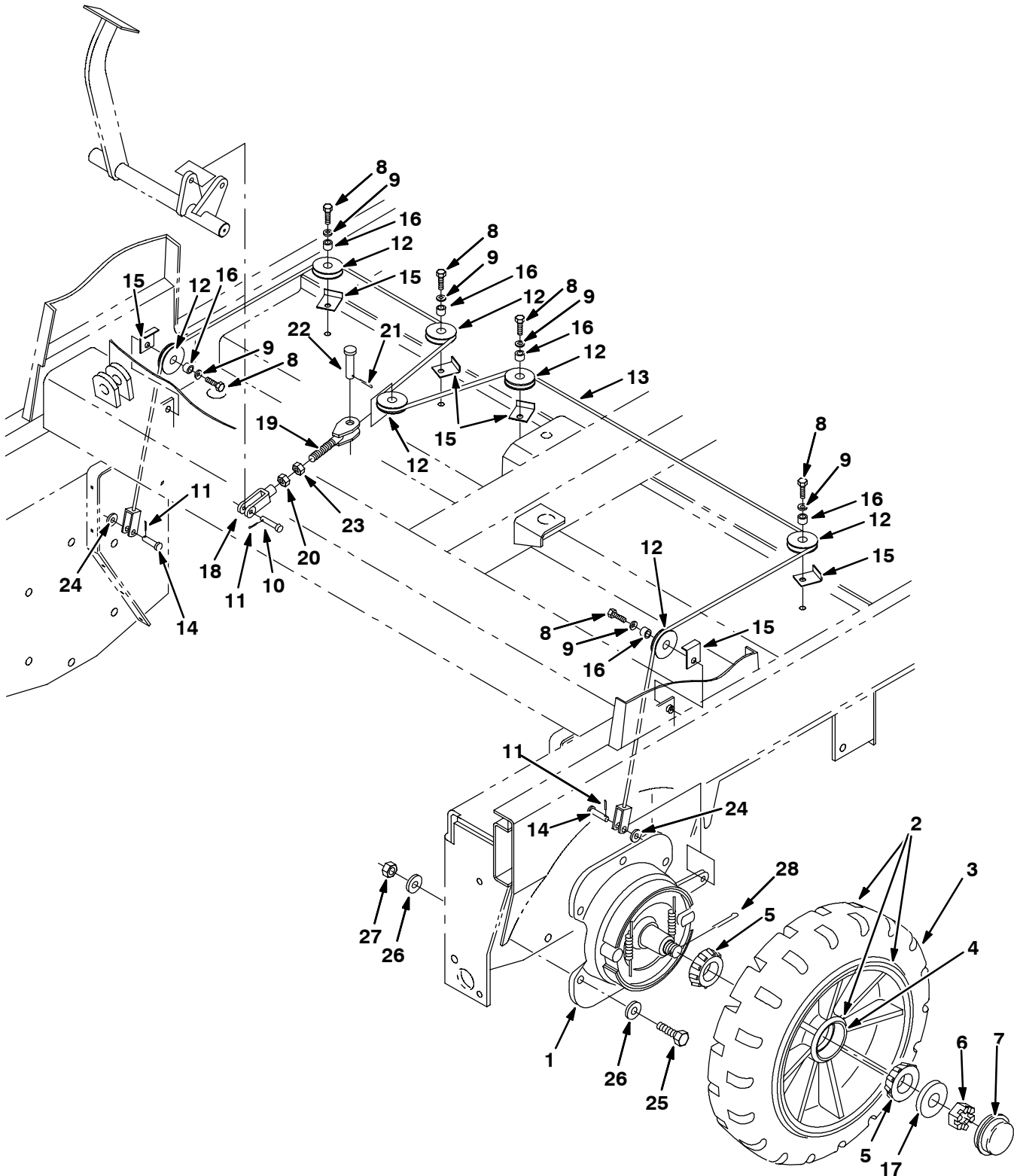


Fig. 47 - Wheel and Brakes Group, Front

Ref.	Part No.	Serial Number	Description	Qty.
▽	1	54577	(000000- ) Brake Assy, Drum, Mech, 07.9d	2
▲		66211	(000000- ) Shoe, Brake	2
▲▽		66213	(000000- ) Kit, Brake	1
▲▲		70161	(000000- ) Shaft	1
▲		70158	(000000- ) Spring	2
▽	2	54437	(000000- ) Tire Assy, Solid, 18.0x5.0 1.56b	2
▲	3	54567	(000000- ) Tire, Solid, 18.0 X 5.0 X 12.1 No Rim	1
▲	4	51338	(000000- ) Bearing, Cup, 2.56d 0.55w	2
	5	51339	(000000- ) Bearing, Cone, 1.38b 0.71w	4
	6	14242	(000000- ) Nut, Hex, Slt'd, 1.00-20	2
	7	54390	(000000- ) Cap, Hub, Dust 2.57d 0.77l	2
	8	09011	(000000- ) Screw, Hex, M 8 X 1.25 X 30, Ss	6
	9	39349	(000000- ) Washer, Flat, 0.31 Sae	6
	10	86240	(000000- ) Pin, Clevis, 0.38 D X 1.13l	1
	11	39005	(000000- ) Pin, Cotter, .094 X 0.75	3
	12	369781	(000000- ) Pulley, Cable, 1.5d, Nyl	7
	13	54617	(000000- ) Cable, .19d, 105.8l, .4clevis/.4clevis	1
	14	09088	(000000- ) Pin, Clevis, 0.37 D X 1.00l	2
	15	54400	(000000- ) Bracket, Angle, Keeper, Cable	6
	16	222460	(000000- ) Sleeve, P/M, 0.496d 0.318b 0.50l 430ss	6
	17	32969	(000000- ) Washer, Flat, 1.00 Sae	2
	18	374710	(000000- ) Clevis, Adj, 0.38pin, 0.50 - 20	1
	19	71373	(000000- ) Clevis Wldt, Adj, .50pin 0.50-20, PI	1
	20	43957	(000000- ) Nut, Hex, Std, .50-20	1
	21	08182	(000000- ) Pin, Cotter, .125 X 1.00	1
	22	58078	(000000- ) Pin, Clevis, 0.50 D X 1.25l	1
	23	48985	(000000- ) Nut, Hex, Jam, .50-20	1
	24	32485	(000000- ) Washer, Flat, .38 Sae	2
	25	06969	(000000- ) Screw, Hex, M12 X 1.75 X 40, 8.8	12
	26	32486	(000000- ) Washer, Flat, 0.50 Sae	24
	27	08711	(000000- ) Nut, Hex, Lock, M12 X 1.75,NI	12
	28	08202	(000000- ) Pin, Cotter, .125 X 1.75	2

Fig. 48 - Brake Lever and Pedal Group

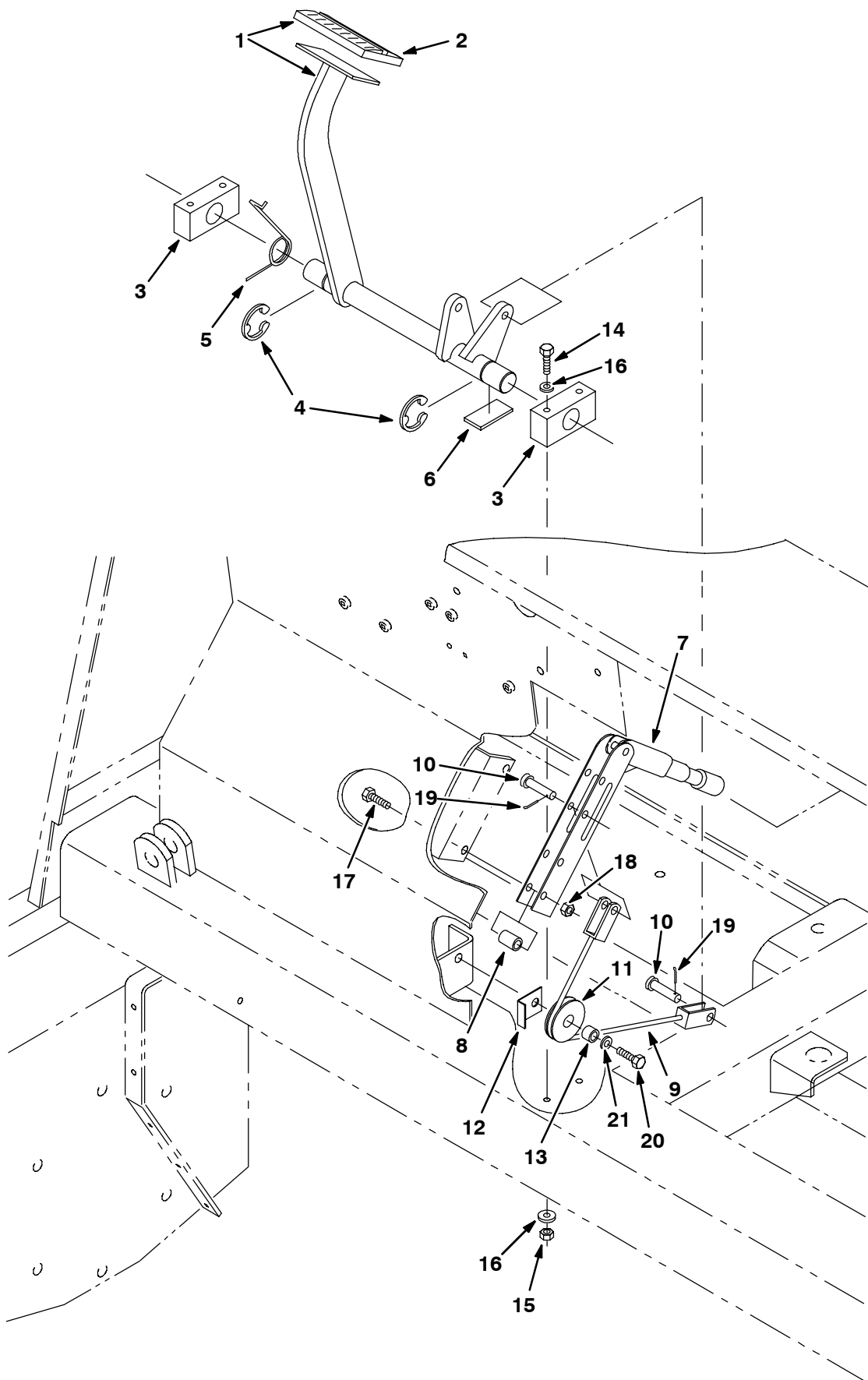




Fig. 48 - Brake Lever and Pedal Group

Ref.	Part No.	Serial Number	Description	Qty.
▽	1	72132	(000000- ) Shaft Assy, Pedal, Brake, W/ Pad	1
▲	2	51109	(000000- ) Pad, Pedal, Brake, 3.9 2.4 0.75t	1
	3	86751	(000000- ) Bearing	2
	4	23788	(000000- ) Ring, Retaining, Ext, 0.98d, [E-Ring]	2
	5	54607	(000000- ) Spring, Tors, 1.13id .12wir 02.3coil Rh	1
	6	69933	(000000- ) Strip, Rbr, 0.13 01.00w 02.0l	1
	7	51545	(000000- ) Lever, Brake, Parking	1
	8	51562	(000000- ) Tube, 00.51d 00.33b 00.8l Stl Plt	2
	9	54616	(000000- ) Cable, .19d, 20.0l, .4clevis/.4clevis	1
	10	86240	(000000- ) Pin, Clevis, 0.38 D X 1.13l	2
	11	369781	(000000- ) Pulley, Cable, 1.5d, Nyl	1
	12	54400	(000000- ) Bracket, Angle, Keeper, Cable	1
	13	222460	(000000- ) Sleeve, P/M, 0.496d 0.318b 0.50l 430ss	1
	14	58979	(000000- ) Screw, Hex, M 6 X 1.00 X 55, Ss	4
	15	08712	(000000- ) Nut, Hex, Lock, M 6 X 1.0, NI, Ss	4
	16	32490	(000000- ) Washer, Flat, 0.25 Std	8
	17	06956	(000000- ) Screw, Hex, M 8 X 1.25 X 45, 8.8	2
	18	08709	(000000- ) Nut, Hex, Lock, M 8 X 1.25 NI	2
	19	39005	(000000- ) Pin, Cotter, .094 X 0.75	2
	20	06955	(000000- ) Screw, Hex, M 8 X 1.25 X 35, 8.8	1
	21	39349	(000000- ) Washer, Flat, 0.31 Sae	1

Fig. 49 - Directional Pedal Group

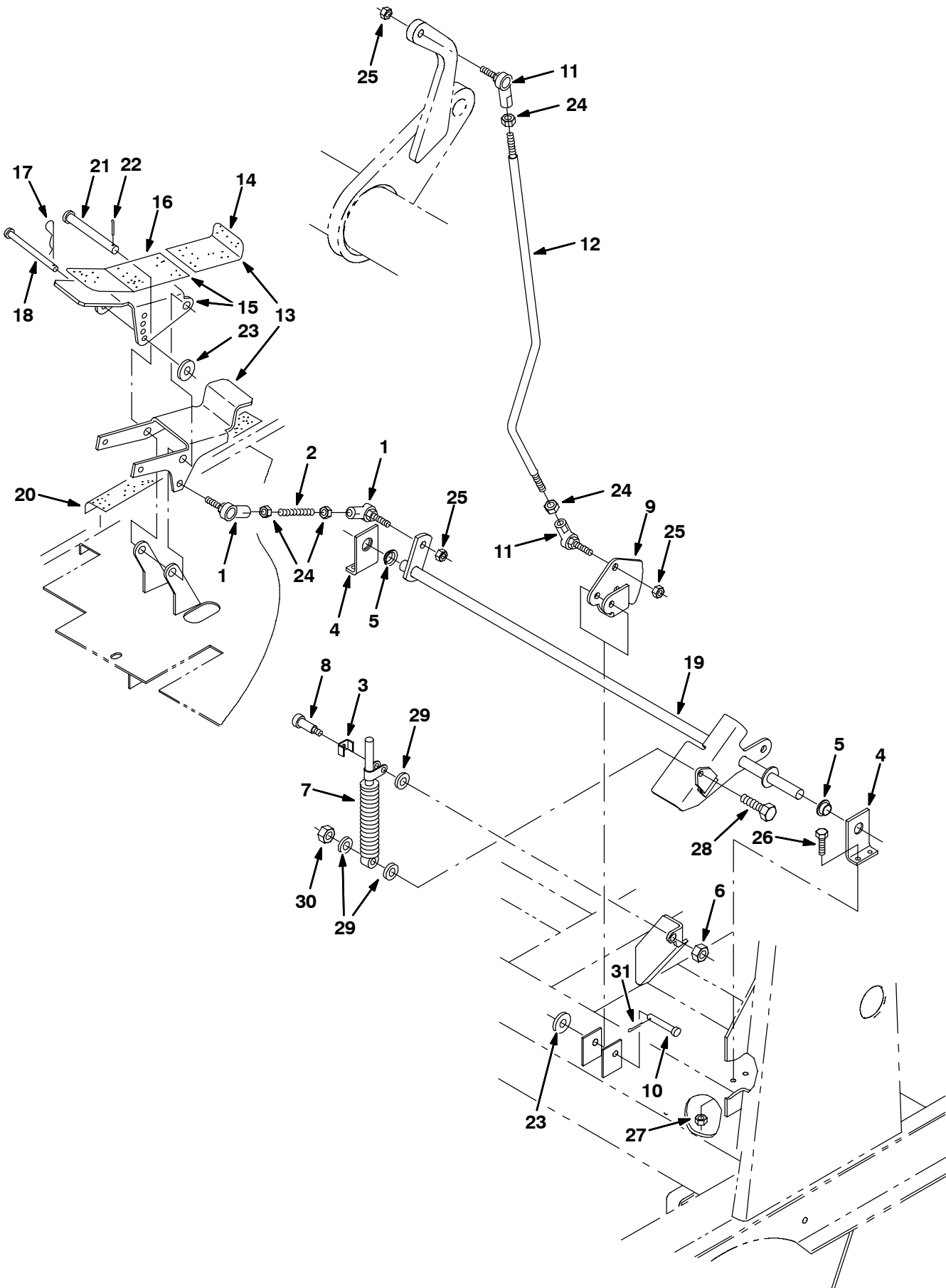


Fig. 49 - Directional Pedal Group

Ref.	Part No.	Serial Number	Description	Qty.	
1	05686	(000000-	) Rod-End, M10 X 1.5rh Fem M10 X 1.5stud	2	
2	54996	(000000-	) Rod, Thrd, Full, M10x1.5 03.3l	1	
3	84170	(000000-	) Bracket, Retainer, Safety	1	
4	53927	(000000-	) Bracket, Sppt, Control Rod	2	
5	04843	(000000-	) Bushing, Fling, 0.63b 0.72d 0.25l	2	
6	75934	(000000-	) Nut, Hex, Lock, .25-20, NI	1	
7	73411	(000000-	) Shock Absorber, 2.3 Strk	1	
8	16213	(000000-	) Bolt, Shld, .31d X 1.00, .25-20	1	
9	379732	(000000-	) Bracket, Speed Limiter	1	
10	51813	(000000-	) Pin, Clevis, 0.37 D X 2.12l	1	
11	05686	(000000-	) Rod-End, M10 X 1.5rh Fem M10 X 1.5stud	2	
12	374520	(000000-	) Rod, Thrd, Limiter,Speed, M10x1.5	1	
▽	13	72130	(000000-	) Pedal, Propel, Lower, W/ Tread	1
▲	14	75430	(000000-	) Tread, Non-Skid, 02.2w 15.5l	1
▽	15	72131	(000000-	) Pedal, Propel, Upper, W/ Tread	1
▲	16	75430	(000000-	) Tread, Non-Skid, 02.2w 15.5l	1
17	44906	(000000-	) Pin, Hair Cotter, 0.69 D .092 Wir	1	
18	59672	(000000-	) Pin, Clevis, 0.37 D X 4.50l	1	
19	1007794	(000000-	) Shaft Wldt, Link, Propel, Gas / Lpg	1	
20	75430	(000000-	) Tread, Non-Skid, 02.2w 15.5l	1	
21	59668	(000000-	) Pin, Clevis, 0.50 D X 4.50l	1	
22	08182	(000000-	) Pin, Cotter, .125 X 1.00	1	
23	32492	(000000-	) Washer, Flat, 0.38 Std	2	
24	39312	(000000-	) Nut, Hex, Std, M10 X 1.5	4	
25	41430	(000000-	) Nut, Hex, Lock, M10 X 1.5, NI	4	
26	06943	(000000-	) Screw, Hex, M 6 X 1.0 X 20, 8.8	4	
27	07790	(000000-	) Nut, Hex, Fling, M06 X 1.0	4	
28	41342	(000000-	) Screw, Hex, M 8 X 1.25 X 40, 8.8	1	
29	32491	(000000-	) Washer, Flat, 0.31 Std	3	
30	08709	(000000-	) Nut, Hex, Lock, M 8 X 1.25 NI	1	
31	39005	(000000-	) Pin, Cotter, .094 X 0.75	1	

Fig. 50 - Hydraulic Pump Linkage Group

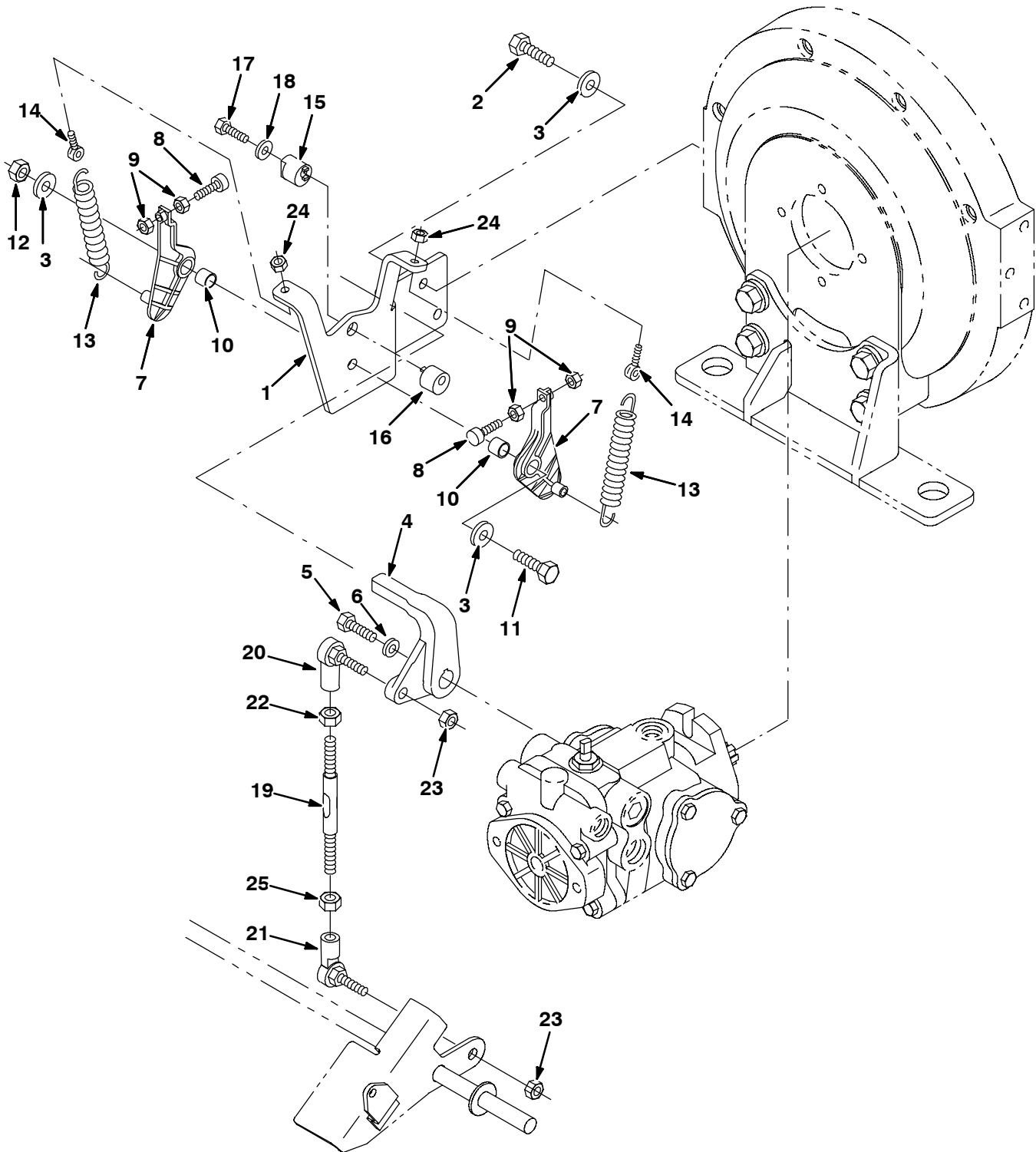


Fig. 50 - Hydraulic Pump Linkage Group

Ref.	Part No.	Serial Number	Description	Qty.
1	1005949	(000000-	) Bracket, Propel, Gas / Lpg	1
2	21197	(000000-	) Screw, Hex, .38-16 X 1.00, 5	2
3	32492	(000000-	) Washer, Flat, 0.38 Std	4
4	54999	(000000-	) Arm, Cntrl, Pintle, Casting	1
5	50045	(000000-	) Screw, Hex, .31-24 X 0.62, 5	1
6	41186	(000000-	) Washer, Belleville, .31	1
7	53953	(000000-	) Arm, Cntrl, Pintle, Centering	2
8	54205	(000000-	) Bumper, Rbr, 0.5d 0.16t M5 X 08	2
9	50335	(000000-	) Nut, Hex, Std, M05 X 0.8	4
10	63234	(000000-	) Tube, Rnd, 0.50d 0.38b 00.6l, Ss	2
11	42467	(000000-	) Screw, Hex, .38-16 X 2.00, Ss	1
12	36643	(000000-	) Nut, Hex, Lock, .38-16, NI, Thin	1
13	11842	(000000-	) Spring, Extn, 0.75od X 0.12wir, 4.3l	2
14	48079	(000000-	) Bolt, Eye, .25-20 X 1.40 X .25 Eye	2
15	53947	(000000-	) Cam, Centering, Pintle	1
16	54655	(000000-	) Cam, Centering, Pintle	1
17	74440	(000000-	) Screw, Hex, M 8 X 1.25 X 40, Ss, NI	1
18	39349	(000000-	) Washer, Flat, 0.31 Sae	1
19	04921	(000000-	) Rod, Thrd, 2 End, M10x1.5 06.6l 1/Lh	1
20	05686	(000000-	) Rod-End, M10 X 1.5rh Fem M10 X 1.5stud	1
21	05685	(000000-	) Rod-End, M10 X 1.5lh Fem M10 X 1.5stud	1
22	39312	(000000-	) Nut, Hex, Std, M10 X 1.5	1
23	41430	(000000-	) Nut, Hex, Lock, M10 X 1.5, NI	2
24	32981	(000000-	) Nut, Hex, Lock, .25-20, NI	2
25	09775	(000000-	) Nut, Hex, Std, M10-1.5 , Ss	1

Fig. 51 - Hopper Group

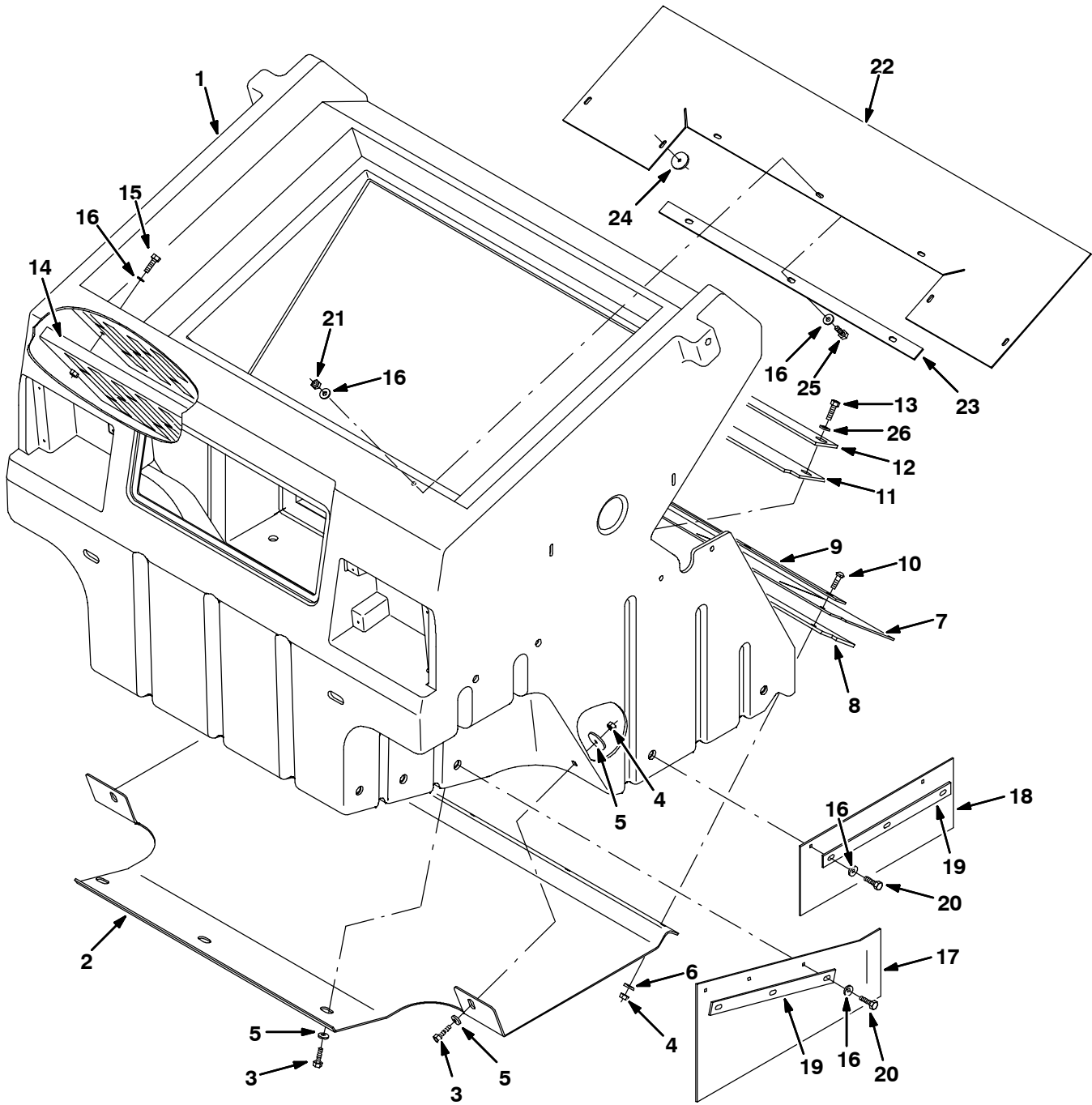


Fig. 51 - Hopper Group

Ref.	Part No.	Serial Number	Description	Qty.
1	377061	(000000-	) Hopper, Plstc [6600/6650xp]	1
2	377008	(000000-	) Plate Wldt, Bottom, Hppr, [6600/6650xp]	1
3	49826	(000000-	) Screw, Hex, M 8 X 1.25 X 16, Ss, NI	5
4	08713	(000000-	) Nut, Hex, Lock, M 8 X 1.25, NI, Ss	7
5	379829	(000000-	) Washer, 0.34b 1.50d .12, Stl, PI	12
6	01685	(000000-	) Washer, Flat, 0.31 Ss	10
7	379706	(000000-	) Skirt, Lip	1
8	379705	(000000-	) Skirt, Lip	1
9	379704	(000000-	) Strap, Main, Lip	1
10	379792	(000000-	) Bolt, Carriage, M08 X 1.25 X 35	5
11	379727	(000000-	) Seal, Rbr, Door, .19 2.50w 40.6l Red	1
12	379726	(000000-	) Strap, Wiper, Door	1
13	59658	(000000-	) Screw, Hex, M 8 X 1.25 X 35, Ss, NI	7
14	379812	(000000-	) Panel Wldt, Perma-Filter	1
15	33930	(000000-	) Screw, Hex, M 6 X 1.0 X 40, Ss	2
16	01684	(000000-	) Washer, Flat, 0.25 Ss	15
17	1010167	(000000-	) Skirt, Hppr, Plstc	1
18	1010166	(000000-	) Skirt, Hppr, Plstc	1
19	1010165	(000000-	) Retainer, Skirt	2
20	11329	(000000-	) Screw, Hex, M 6 X 1.0 X 16, Ss, NI	5
21	08712	(000000-	) Nut, Hex, Lock, M 6 X 1.0, NI, Ss	
22	379834	(000000-	) Seal, Pocket, Hopper	1
23	379835	(000000-	) Plate, Retainer	1
24	41178	(000000-	) Washer, Flat, 0.25 Fender	2
25	08716	(000000-	) Screw, Hex, M 6 X 1.0 X 20, Ss	5
26	64153	(000000-	) Washer, Flat, 0.34b 1.12d .12, Stl, PI	2

Fig. 52 - Hopper Cylinder and Dump Door Group

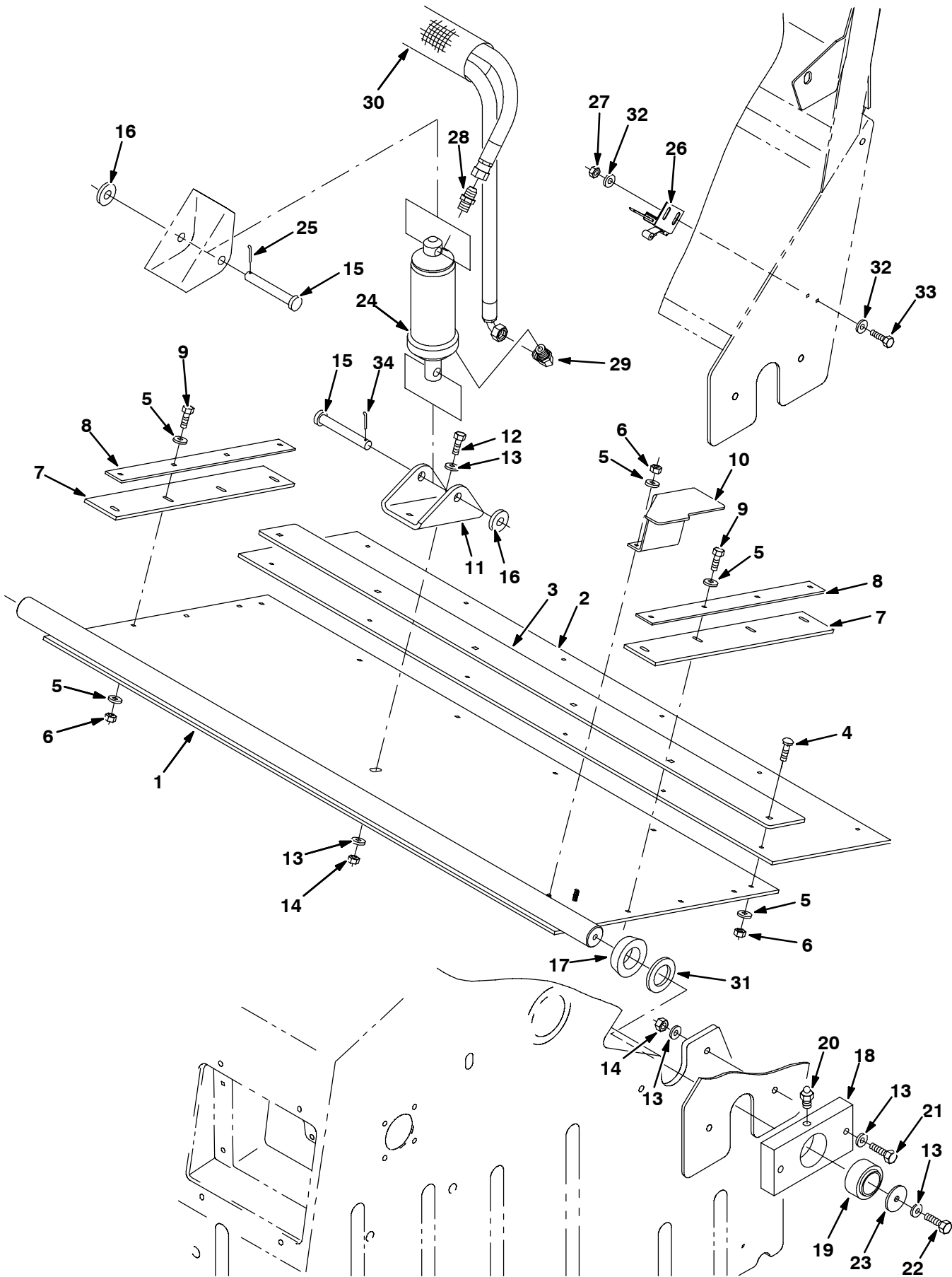




Fig. 52 - Hopper Cylinder and Dump Door Group

Ref.	Part No.	Serial Number	Description	Qty.
1	379701	(000000-	) Door Wldt, Dump	1
2	379699	(000000-	) Seal, Door, Dump	1
3	379698	(000000-	) Plate, Retainer, Door, Dump	1
4	379791	(000000-	) Bolt, Carriage, M06 X 1.0 X 30	6
5	01684	(000000-	) Washer, Flat, 0.25 Ss	26
6	08712	(000000-	) Nut, Hex, Lock, M 6 X 1.0, NI, Ss	16
7	379702	(000000-	) Seal, Door, Dump, Side	2
8	379703	(000000-	) Strap, Door, Dump, Side	2
9	08716	(000000-	) Screw, Hex, M 6 X 1.0 X 20, Ss	8
10	379809	(000000-	) Bracket, Switch, Door	1
11	379728	(000000-	) Bracket, Cyl	1
12	09010	(000000-	) Screw, Hex, M 8 X 1.25 X 25, Ss	2
13	01685	(000000-	) Washer, Flat, 0.31 Ss	14
14	08713	(000000-	) Nut, Hex, Lock, M 8 X 1.25, NI, Ss	6
15	06474A	(000000-	) Pin, Clevis, 0.50 D X 3.50l	2
16	32486	(000000-	) Washer, Flat, 0.50 Sae	2
17	379821	(000000-	) Seal, Shaft	2
18	55914	(000000-	) Housing, Brg, Pivot, Door, Dust	2
19	42120-1	(000000-	) Bearing, Self Align, 1.25b 2.00d	2
20	47801	(000000-	) Fitting, Grease, Str Pm04 .63l	2
21	222504	(000000-	) Screw, Hex, M 8 X 1.25 X 55, Ss	4
22	49826	(000000-	) Screw, Hex, M 8 X 1.25 X 16, Ss, NI	2
23	379829	(000000-	) Washer, 0.34b 1.50d .12, Stl, PI	2
24	1038176	(000000-	) Cylinder, Hyd, 2.0b,8.0l,4.0strk,2500	1
25	08175	(000000-	) Pin, Cotter, .125 X 1.25	2
26	59965	(000000-	) Switch, Snap Actn, 12vdc 15a No Rlr	1
27	09739	(000000-	) Nut, Hex, Lock, M 5 X 0.8, NI, Ss	2
28	55586	(000000-	) Fitting, Hyd, Str, Jm04/Om04	1
29	77097	(000000-	) Fitting, Hyd, E90, Jm04/Om04	1
30	84029	(000000-	) Sleeve, Nyl, #17 45.0l	1
31	379832	(000000-	) Washer, Rbr, .19 1.25b 2.00d	2
32	01683	(000000-	) Washer, Flat, #10 Ss	4
33	24199	(000000-	) Screw, Hex, M 5 X 0.8 X 16, Ss	2

Fig. 53 - Hopper Hood Group

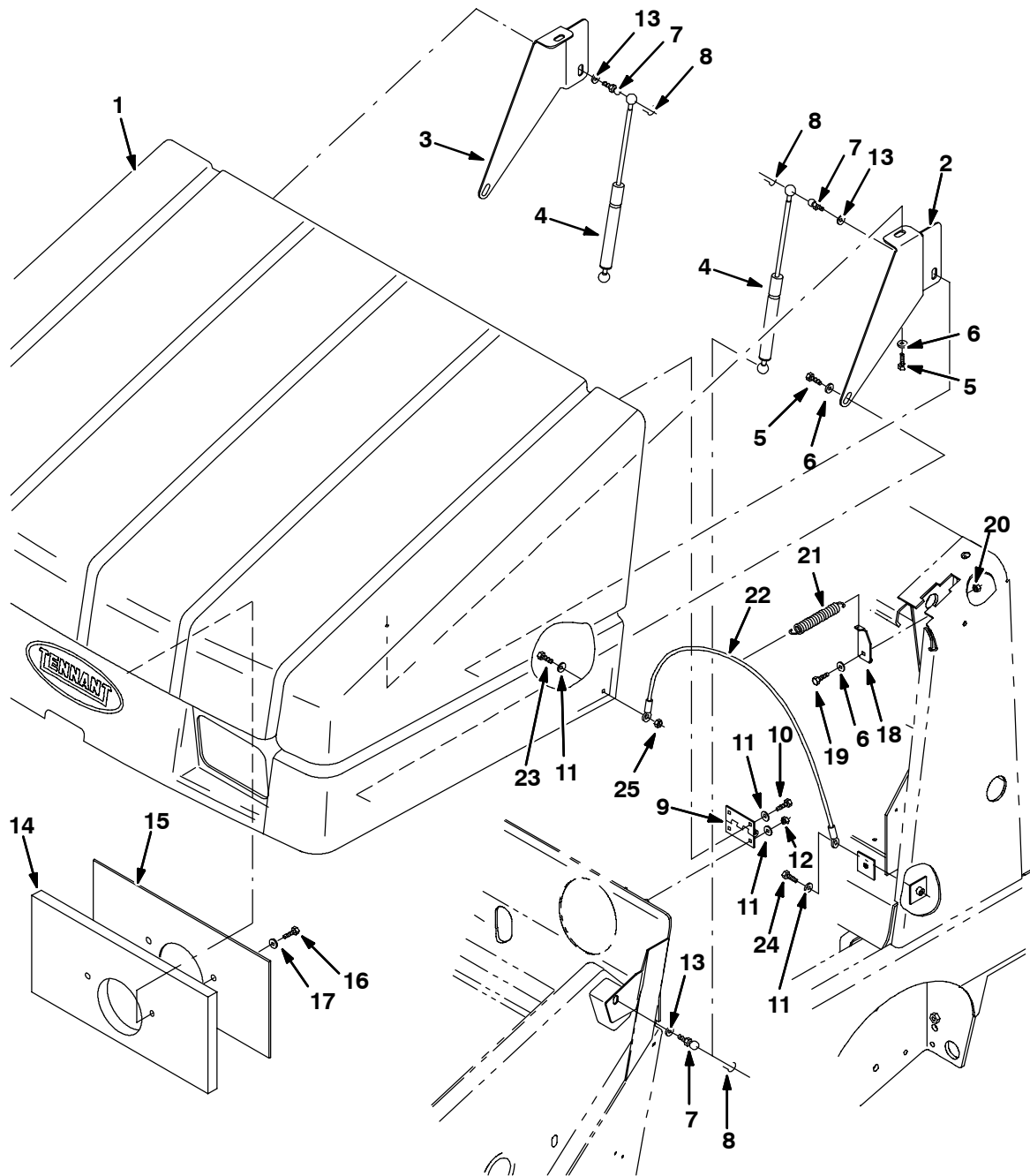


Fig. 53 - Hopper Hood Group

Ref.	Part No.	Serial Number	Description	Qty.
1	379881	(000000-	) Cover, Hopper, 6500	1
2	379787	(000000-	) Bracket, Hood, Lh	1
3	379786	(000000-	) Bracket, Hood, Rh	1
4	64535	(000000-	) Gasspring, 120lb, 7.1strk	2
5	49826	(000000-	) Screw, Hex, M 8 X 1.25 X 16, Ss, NI	4
6	32491	(000000-	) Washer, Flat, 0.31 Std	7
7	1024270	(000000-	) Stud, Ball, .39d .31-18, .75l	4
8	64595	(000000-	) Clip, Safety, Gasspring	4
9	379784	(000000-	) Hinge, .25pin .12 2.9w 03.5l 4/0.31slot	3
10	11329	(000000-	) Screw, Hex, M 6 X 1.0 X 16, Ss, NI	6
11	32490	(000000-	) Washer, Flat, 0.25 Std	14
12	08708	(000000-	) Nut, Hex, Lock, M 6 X 1.0, NI	6
13	01685	(000000-	) Washer, Flat, 0.31 Ss	4
14	1008132	(000000-	) Seal, Ure, 1.00 10.40w 19.0l Adh	1
15	1008636	(000000-	) Strip, Plstc, 0.03 10.38w 19.0l	1
16	33930	(000000-	) Screw, Hex, M6 X 1.0 X 40, Ss	2
17	41178	(000000-	) Washer, Flat, 0.25 Fender	2
18	70193	(000000-	) Bracket, Cable, Spring	1
19	39277	(000000-	) Screw, Hex, M 8 X 1.25 X 25, 8.8	1
20	07791	(000000-	) Nut, Hex, Flng, M08 X 1.25	1
21	74353	(000000-	) Spring, Extn, 0.75od X 0.06wir, 3.5l	1
22	74352	(000000-	) Cable, .09d, 42.0l, .4clevis/.4clevis	1
23	04375	(000000-	) Screw, Hex, M 8 X 1.25 X 40	1
24	16931	(000000-	) Screw, Hex, M 8 X 1.25 X 20, 8.8	1
25	08709	(000000-	) Nut, Hex, Lock, M8 X 1.25, NI	1

Fig. 54 - Hopper Bumper Group

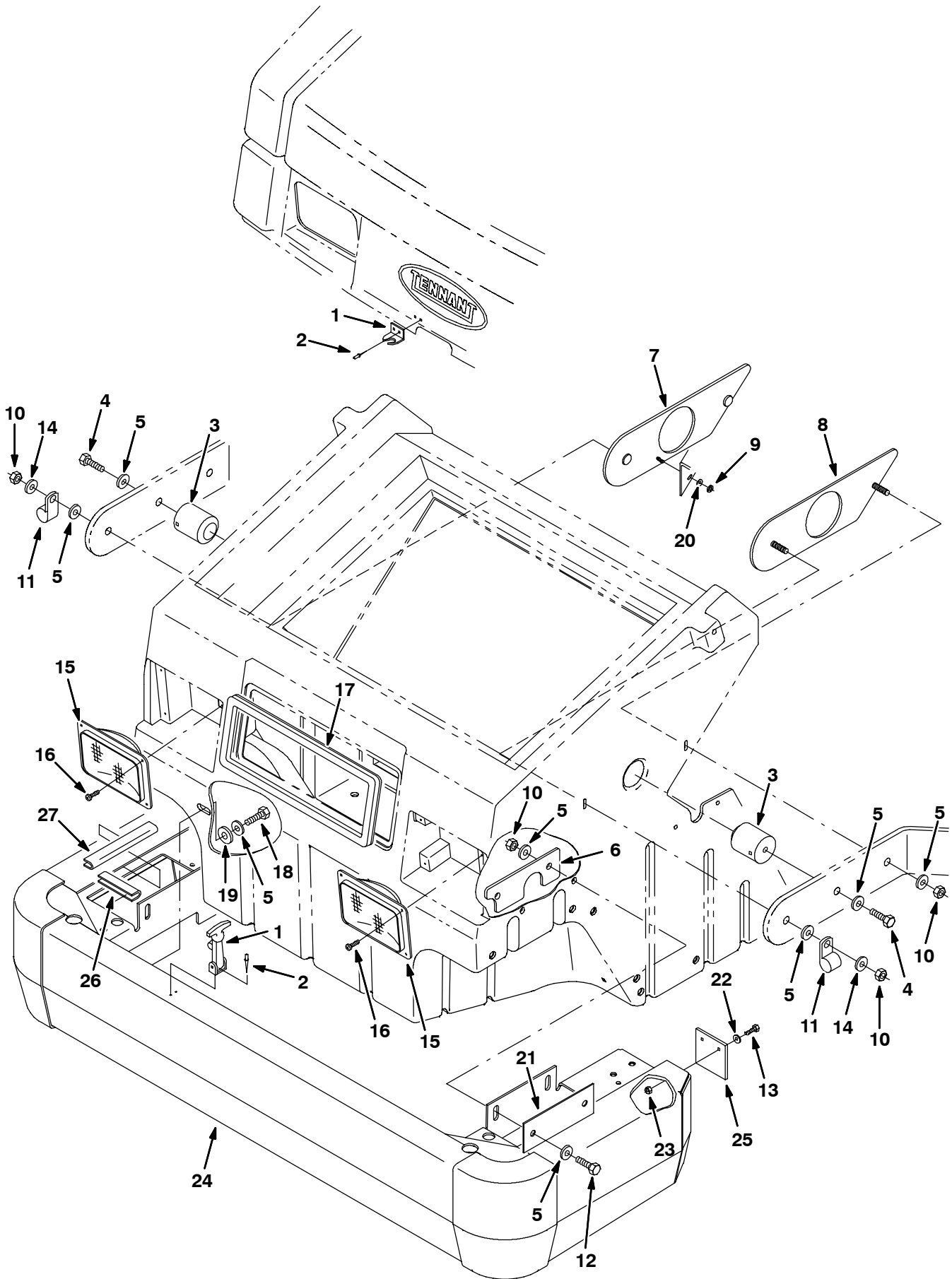


Fig. 54 - Hopper Bumper Group

Ref.	Part No.	Serial Number	Description	Qty.
1	11636	(000000-	) Latch	1
2	01335	(000000-	) Rivet, Blind, .125d X 0.44 X .25d, Alm	4
3	364498	(000000-	) Pin, Hopper, Lift	2
4	69972	(000000-	) Screw, Hex, M12 X 1.75 X 40, 10.9	2
5	36328	(000000-	) Washer, Belleville, .50	16
6	379820	(000000-	) Plate, Retainer, Bumper	2
7	379788	(000000-	) Plate, Retainer, Rh	1
8	379789	(000000-	) Plate, Retainer, Lh	1
9	1029988	(000000-	) Nut, Push, M6 X 1.0	2
10	08711	(000000-	) Nut, Hex, Lock, M12 X 1.75,NI	8
11	53466	(000000-	) Clamp, Cable, Stl, 1.50d X 1.00w, 1h	2
12	06971	(000000-	) Screw, Hex, M12 X 1.75 X 50, 8.8	4
13	08716	(000000-	) Screw, Hex, M6 X 1.0 X 20, Ss	4
14	32486	(000000-	) Washer, Flat, 0.50, Sae	2
15	58524	(000000-	) Headlight, 12vdc, 50watt . A [#70744]	2
16	360943	(000000-	) Screw, Pan, #10-14 X 0.75, F/Plstc	8
17	379883	(000000-	) Seal, Bulb, 90, 0.50d .31grip 50.0l	1
18	09029	(000000-	) Screw, Hex, M12 X 1.75 X 40, Ss	2
19	32494	(000000-	) Washer, Flat, 0.62 Std	2
20	41178	(000000-	) Washer, Flat, 0.25 Fender	2
21	379827	(000000-	) Plate, Retainer, Bumper	2
22	01684	(000000-	) Washer, Flat, 0.25 Ss	4
23	08712	(000000-	) Nut, Hex, Lock, M 6 X 1.0, NI, Ss	4
24	1006038	(000000-	) Bumper Wldt, Front	1
25	59448	(000000-	) Skirt	2
26	31775	(000000-	) Molding, Trim, Pvc,.08-.11 04.0l	1
27	62595	(000000-	) Molding, Trim, Pvc,.08-.11 07.7l	1

Fig. 55 - Hopper Filter Box Group

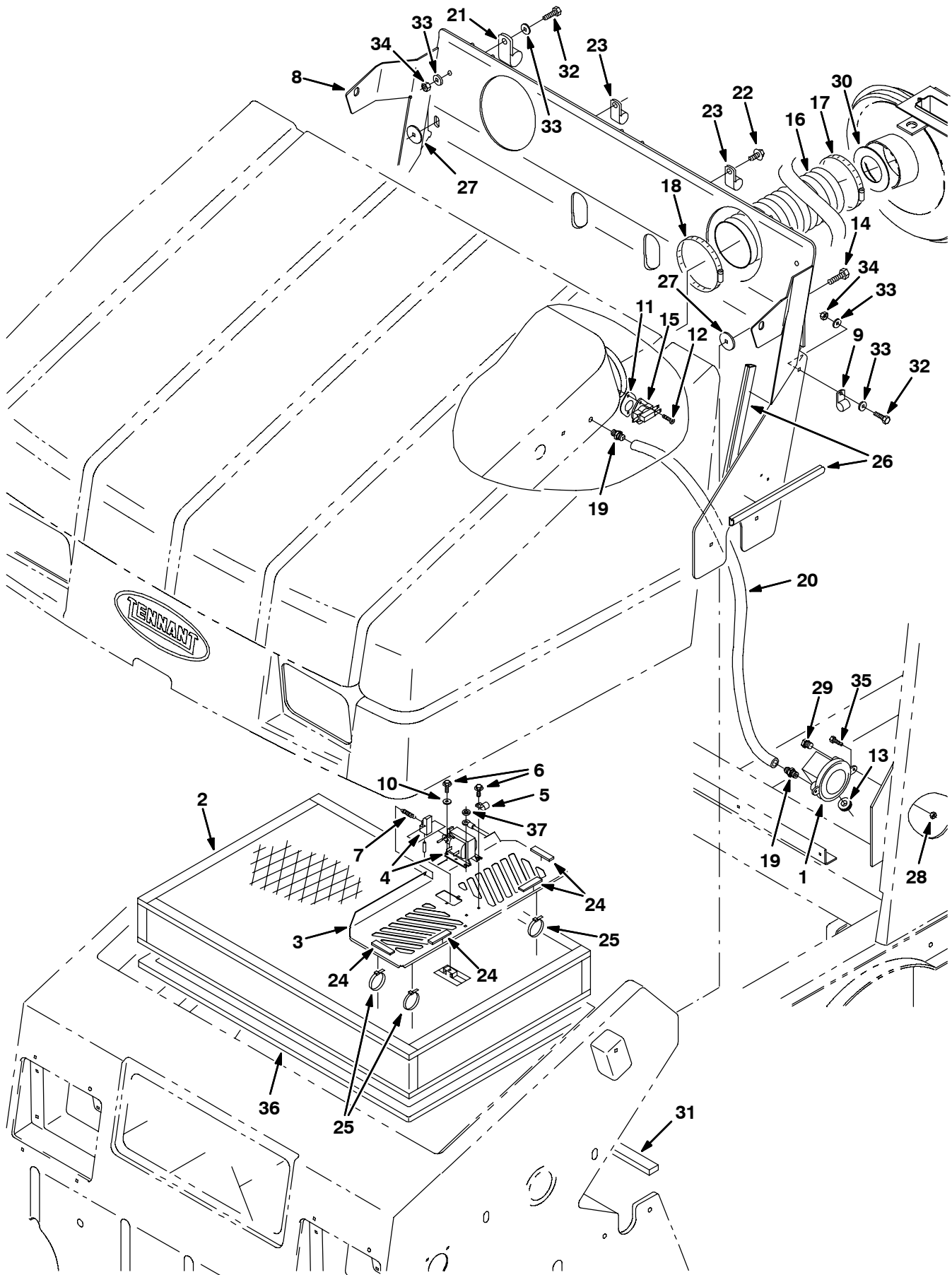


Fig. 55 - Hopper Filter Box Group

Ref.	Part No.	Serial Number	Description	Qty.
1	34868	(000000-	) Switch, Press, 12Vdc A Spdt 0011Psi	1
2	375249	(000000-	) Filter Pkg Kit, 098plts, Ci	1
2	1041617	(000000-	) Filter Kit, Panl, Syn, Replmt	1
3	379555	(000000-	) Plate, Panel, Shaker	1
4	379890	(000000-	) Solenoid, Filter Shaker	1
5	26395-2	(000000-	) Clamp, Cable, Stl, 0.38d X 0.38w, 1h	1
6	16944	(000000-	) Screw, Hex, M4 X 0.7 X 10, Fmg	4
7	1045426	(000000-	) Spring, Extn, 0.43od 0.05wir 01.4l	1
8	1008271	(000000-	) Bracket Wldt, Hppr, [6600/6650xp]	1
9	46236	(000000-	) Clamp, Cable, Stl, 0.25d X 0.56w, 1h	1
10	19065	(000000-	) Washer, Flat, #08	2
11	82733	(000000-	) Gasket, Switch, Fire	1
12	360943	(000000-	) Screw, Pan, #10-14 X 0.75, F/Plstc	2
13	10632-4	(000000-	) Grommet, Rbr, 0.62id, F/ 0.9h, .06matl	1
14	16735	(000000-	) Screw, Hex, M 8 X 1.25 X 16, 8.8	2
15	367679	(000000-	) Sensor, Thermal, 120vac 10a Spdt	1
16	77320	(000000-	) Hose, Flex, Vacuum, 4.0d 23.0l	1
17	23498	(000000-	) Clamp, Hose, Wormdrive, 3.56-4.50d	1
18	9004550	(000000-	) Kit, Clamp, Hopper Filter Box, 6600/6650	1
19	40607	(000000-	) Fitting, Brs, Str, Bm03/Pm02	2
20	379719	(000000-	) Hose, Vacuum, 0.16id 60.0l	1
21	43560	(000000-	) Clamp, Cable, Stl, 1.75d X 0.75w, 1h	1
22	361339	(000000-	) Screw, Hex, M 6 X 1.0 X 16, Fmg	2
23	69234	(000000-	) Clamp, Cable, Stl, 1.00d X 0.62w, 1h	2
24	379822	(000000-	) Seal, Ure, 0.38 0.75w 04.0l Adh	4
25	49266	(000000-	) Tie, Cable, Nyl, 07.3l .19w 1.8 Max D	4
26	86330	(000000-	) Duct, Vyl, 0.40 X 0.75 .25d 10.0l	2
27	379829	(000000-	) Washer, 0.34b 1.50d .12, Stl, PI	2
28	02850	(000000-	) Nut, Hex, Lock, M 4 X 0.7, NI	2
29	82739	(000000-	) Fitting, Brs, Breather 02mp	2
30	379849	(000000-	) Kit, Ring, Restrictor, [6500/6550]	1
31	375202	(000000-	) Seal, Ure, 0.38 0.75w 40.0l Adh	1
32	16931	(000000-	) Screw, Hex, M 8 X 1.25 X 20, 8.8	2
33	32491	(000000-	) Washer, Flat, 0.31 Std	4
34	08709	(000000-	) Nut, Hex, Lock, M 8 X 1.25 NI	2
35	09206	(000000-	) Screw, Hex, M4 X 0.7 X 12, 8.8	2
36	379817	(000000-	) Seal, Rbr, 0.38, 20.0 30.0, Fltr	1
37	32982	(000000-	) Washer, Lock, Int, 0.25	1

**Fig. 56 - Hopper Lift Arms Group**

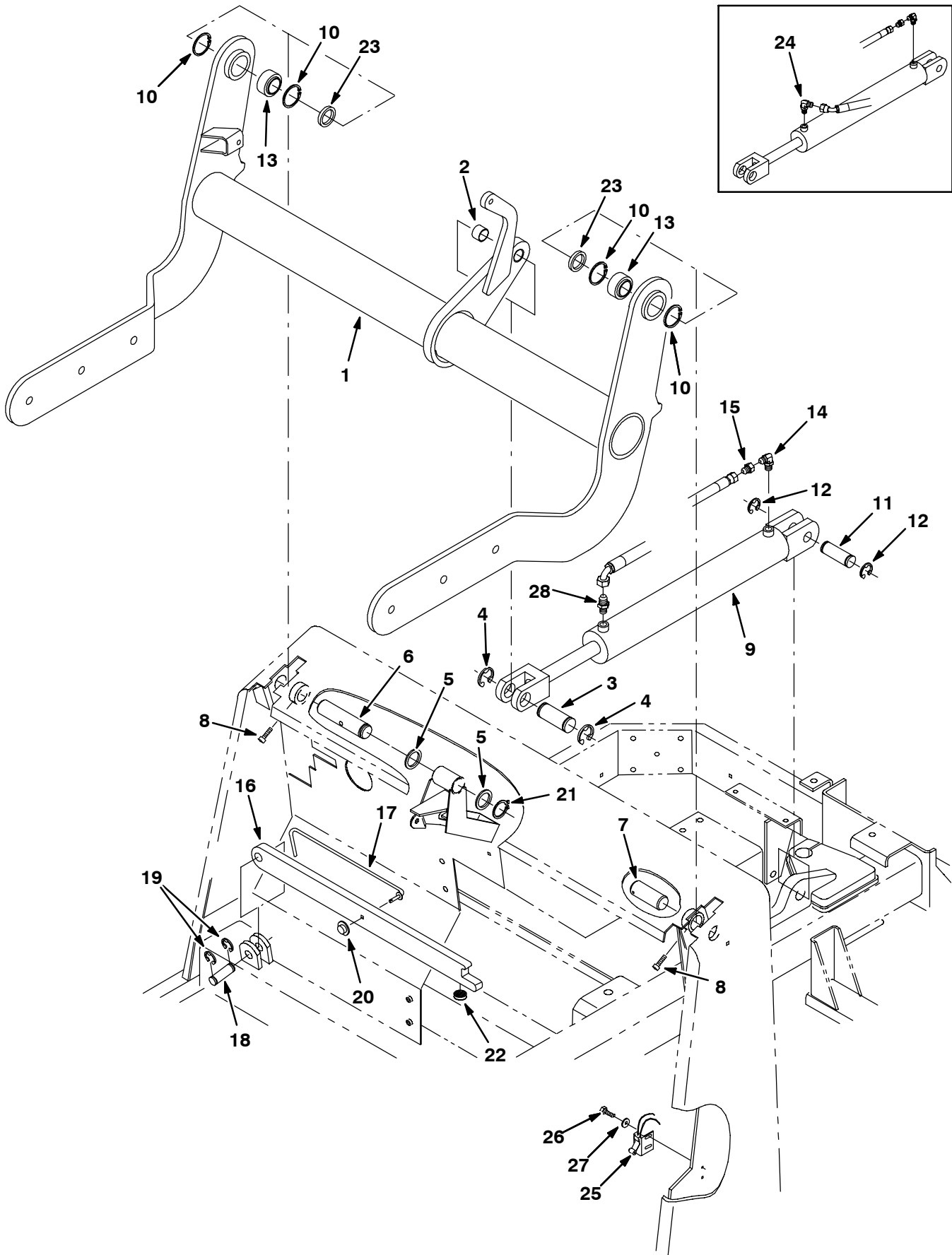




Fig. 56 - Hopper Lift Arms Group

Ref.	Part No.	Serial Number	Description	Qty.
	1	59825	(000000- ) Arm, Lift, Hppr, W/ Label	1
▽	69908	(000000- )	Pin Assy, Clevis, Hopper Lift	1
▲	2	59866	(000000- ) Bushing, Sleeve, 1.25b 1.40d 1.00l, Fgl	1
▲	3	59867	(000000- ) Pin, Grooved	1
▲	4	59861	(000000- ) Ring, Retaining, Ext, 1.25d	2
	5	54079	(000000- ) Washer, 1.28b 1.75d .08, Stl, Pl	4
	6	55462	(000000- ) Pin	1
	7	55463	(000000- ) Pin, 1.25d 03.3l 1/M08x1.25 Stl	1
	8	39308	(000000- ) Screw, Soc, M 8 X 1.25 X 25, 12.9	2
	9	74419	(000000-025707 ) Cylinder, Hyd, 2.5b,28.4l,15.00strk,2500 (See Breakdowns) (Replaced by 9001862)	1
▽	9	1025228	(025708- ) Cylinder, Hyd, 2.5b,28.4l,15.00strk,2500	1
▲	9001557	(025708- )	Seal Kit	1
	10	59542	(000000- ) Ring, Retaining, Int, 2.00d	4
	11	59380	(000000- ) Pin-Grvd,1.00d 3.0l/ 2.71btwn	1
	12	23788	(000000- ) Ring, Retaining, Ext, 0.98d, [E-Ring]	2
	13	42120-1	(000000- ) Bearing, Self Align, 1.25b 2.00d	2
	14	77097	(000000- ) Fitting, Hyd, E90, Jm04/Om04	1
	15	16455	(000000- ) Fitting, Hyd, Rst, Jm04/.047	1
	16	59827	(000000- ) Arm, Safety, Hppr, W/ Label	1
	17	58645	(000000- ) Rod, Arm, Safety	1
	18	59842	(000000- ) Pin, Arm, Safety	1
	19	23788-1	(000000- ) Ring, Retaining, Ext, 0.75d	2
	20	59849	(000000- ) Nut, Retainer, .312 Dia	1
	21	58359	(000000- ) Retainer, Ring	1
	22	16786	(000000- ) Bumper, Arm, Safety	1
	23	70271	(000000- ) Washer, 1.28b 1.75d .25, Stl, Pl	2
	24	77098	(000000-025707 ) Fitting, Hyd, E90, Jm06/Om04	1
	25	23211	(000000- ) Switch, Snap Actn, 12vdc 15a No Rlr	1
	26	55845	(000000- ) Screw, Hex, M 5 X 0.8 X 16, Fmg	2
	27	01683	(000000- ) Washer, Flat, #10 Ss	2
	28	50960	(025708- ) Fitting, Hyd, Str, Jm06/Om04	1

**Fig. 57 - Side Brush Motor and Pivot Group**

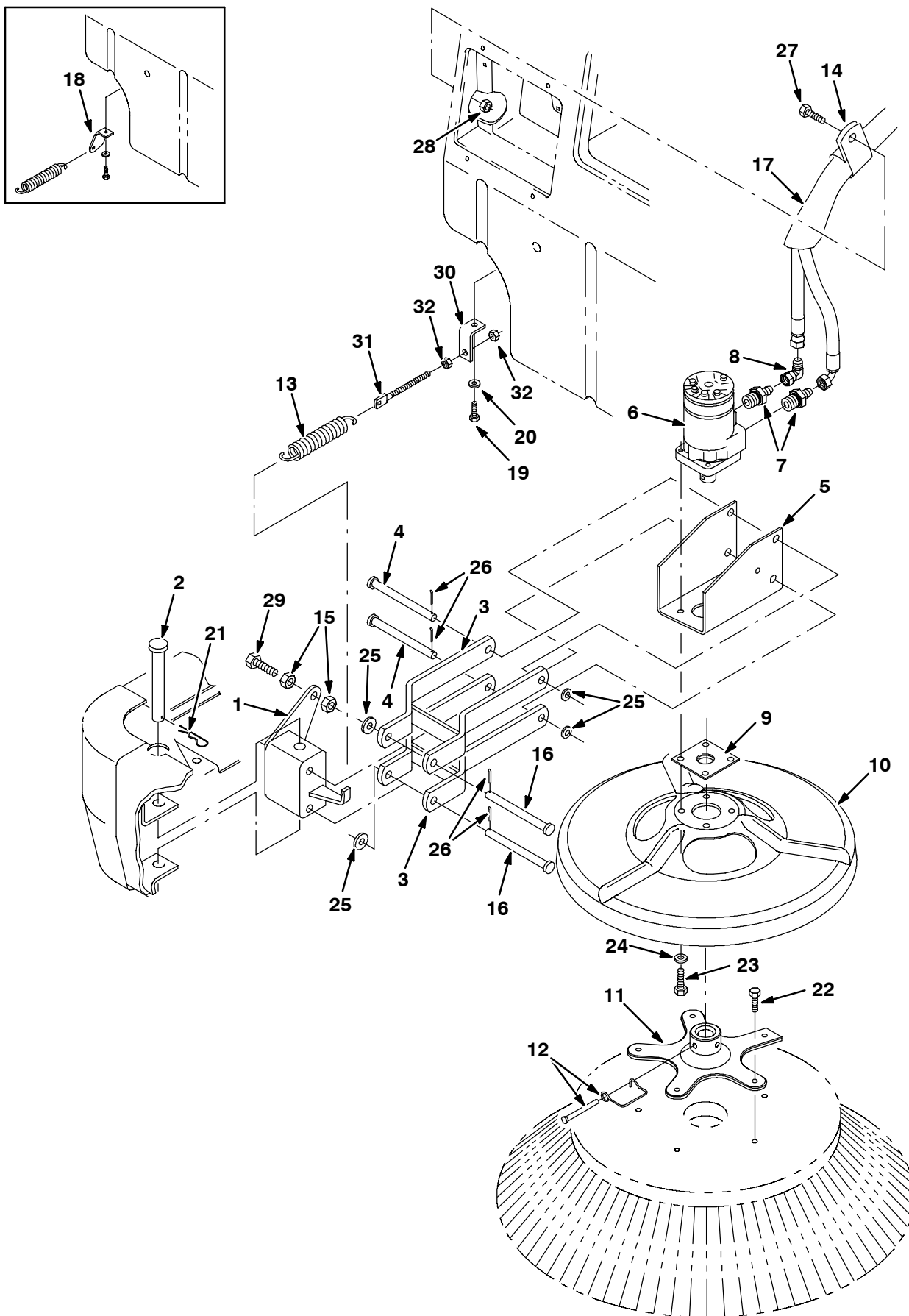


Fig. 57 - Side Brush Motor and Pivot Group

Ref.	Part No.	Serial Number	Description	Qty.
1	54050	(000000-	) Pivot	1
2	54660	(000000-	) Pin, Clevis, 0.75 D X 5.50l	1
3	53965	(000000-	) Arm Wldt, Sppt, Brush, Side	2
4	51225	(000000-	) Pin, Clevis, 0.50 D X 5.50l	2
5	71540	(000000-	) Bracket, Mtg, Motor, Side Brush	1
6	379607	(000000-	) Motor, Hyd, Gear, [In] 17.9 B 1500 (See Breakdowns)	1
7	47508	(000000-	) Fitting, Hyd, Str, Jm06/Om10	2
8	47504	(000000-	) Fitting, Hyd, E90, Jm06/Jf06	1
9	16082	(000000-	) Guard, String, Motor, Brush	1
10	379532	(000000-	) Guard, Brush, [6550]	1
11	1042969	(000000-	) Hub, Drive, Brush, Side, 1.0b 8.8 Bc	1
12	84581	(000000-	) Pin	1
13	47745	(000000-	) Spring, Extn, 1.12od X 0.14wir, 6.3l	1
14	53466	(000000-	) Clamp, Cable, Stl, 1.50d X 1.00w, 1h	2
15	07788	(000000-	) Nut, Hex, Std, M12 X 1.75, Ss	2
16	51538	(000000-	) Pin, Clevis, 0.50 D X 5.00l	2
17	75028	(000000-	) Sleeve, Nyl, #27 65.0l	1
18	379815	(000000-020934	) Bracket, Spring, Side Brush	1
19	49826	(000000-	) Screw, Hex, M 8 X 1.25 X 16, Ss, NI	1
20	01685	(000000-	) Washer, Flat, 0.31 Ss	1
21	02942	(000000-	) Pin, Hair Cotter, 0.62 D .120 Wir	1
22	39394	(000000-	) Screw, Hex, .31-09 X 1.25, Wood	5
23	46559	(000000-	) Screw, Hex, .38-16 X 1.25, NI	4
24	32492	(000000-	) Washer, Flat, 0.38 Std	4
25	32493	(000000-	) Washer, Flat, 0.50 Std	4
26	08182	(000000-	) Pin, Cotter, .125 X 1.00	4
27	06960	(000000-	) Screw, Hex, M10 X 1.5 X 16, 8.8	2
28	07792	(000000-	) Nut, Hex, Flng, M10 X 1.5	2
29	06973	(000000-	) Screw, Hex, M12 X 1.75 X 70, 8.8	1
30	1011427	(020935-	) Bracket, Spring, Side Brush	1
31	1007220	(020935-	) Bolt, Eye, M10x1.50 X 117mm 8.0 Eye	1
32	07787	(020935-	) Nut, Hex, Std, M10 X 1.5, Ss	2

Fig. 58 - Side Brush Lift Group

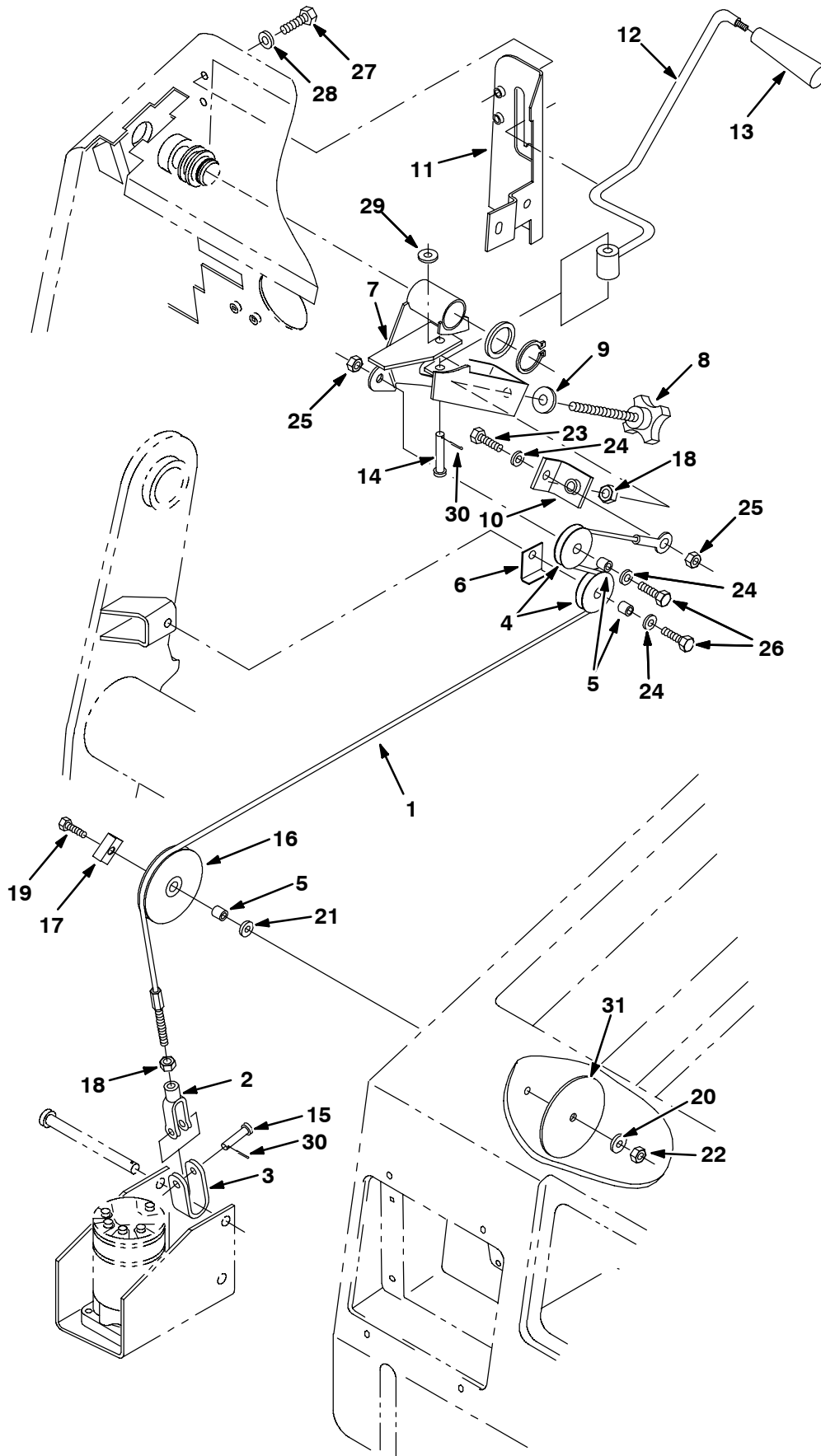


Fig. 58 - Side Brush Lift Group

Ref.	Part No.	Serial Number	Description	Qty.
1	54934	(000000-	) Cable, .19d, 57.7l, .38eye /M10x1.5	1
2	12267	(000000-	) Clevis, Adj, 0.38pin, M10x1.5	1
3	59899	(000000-	) Bracket, U, .12 1.2w 2.30h 1.0l	1
4	369781	(000000-	) Pulley, Cable, 1.5d, Nyl	2
5	222460	(000000-	) Sleeve, P/M, 0.496d 0.318b 0.50l 430ss	3
6	54400	(000000-	) Bracket, Angle, Keeper, Cable	1
7	374573	(000000-	) Bracket Wldt, Lift, Side Brush	1
8	54848	(000000-	) Knob Assy, Star, 1.97d 4ear M10x1.5 5.5l	1
9	52296	(000000-	) Washer, 0.40b 0.81d .06, Nyl	1
10	56662	(000000-	) Bracket, Adj, Lift, Brush, [M10]	1
11	58872	(000000-	) Panel, Sppt	1
12	56641	(000000-	) Handle Wldt, Lift, Brush, Side	1
13	54995	(000000-	) Knob, Tpr, 1.12d 3.86l M10x1.5 Plstc	1
14	29584	(000000-	) Pin, Clevis, 0.37 D X 2.00l	1
15	29558	(000000-	) Pin, Clevis, 0.37 D X 1.50l	1
16	379684	(000000-	) Pulley Assy, Cable, 2.0d 0.50b	1
17	379686	(000000-	) Angle, Keeper, Cable	1
18	32716	(000000-	) Nut, Hex, Jam, M10 X 1.5, Ss	3
19	09767	(000000-	) Screw, Hex, M 8 X 1.25 X 70, Ss	1
20	32491	(000000-	) Washer, Flat, 0.31 Std	1
21	64153	(000000-	) Washer, 0.34d 1.12d .11, Stl, Pl	1
22	08713	(000000-	) Nut, Hex, Lock, M 8 X 1.25, NI, Ss	1
23	39277	(000000-	) Screw, Hex, M 8 X 1.25 X 25, 8.8	1
24	32491	(000000-	) Washer, Flat, 0.31 Std	3
25	08709	(000000-	) Nut, Hex, Lock, M 8 X 1.25 NI	3
26	76570	(000000-	) Screw, Hex, M 8 X 1.25 X 30, 8.8	2
27	16931	(000000-	) Screw, Hex, M 8 X 1.25 X 20, 8.8	3
28	01685	(000000-	) Washer, Flat, 0.31 Ss	3
29	32492	(000000-	) Washer, Flat, 0.38 Std	1
30	08182	(000000-	) Pin, Cotter, .125 X 1.00	2
31	379912	(000000-	) Plate, Backup, Mtg, Pulley	1

Fig. 59 - Main Brush Lift Group

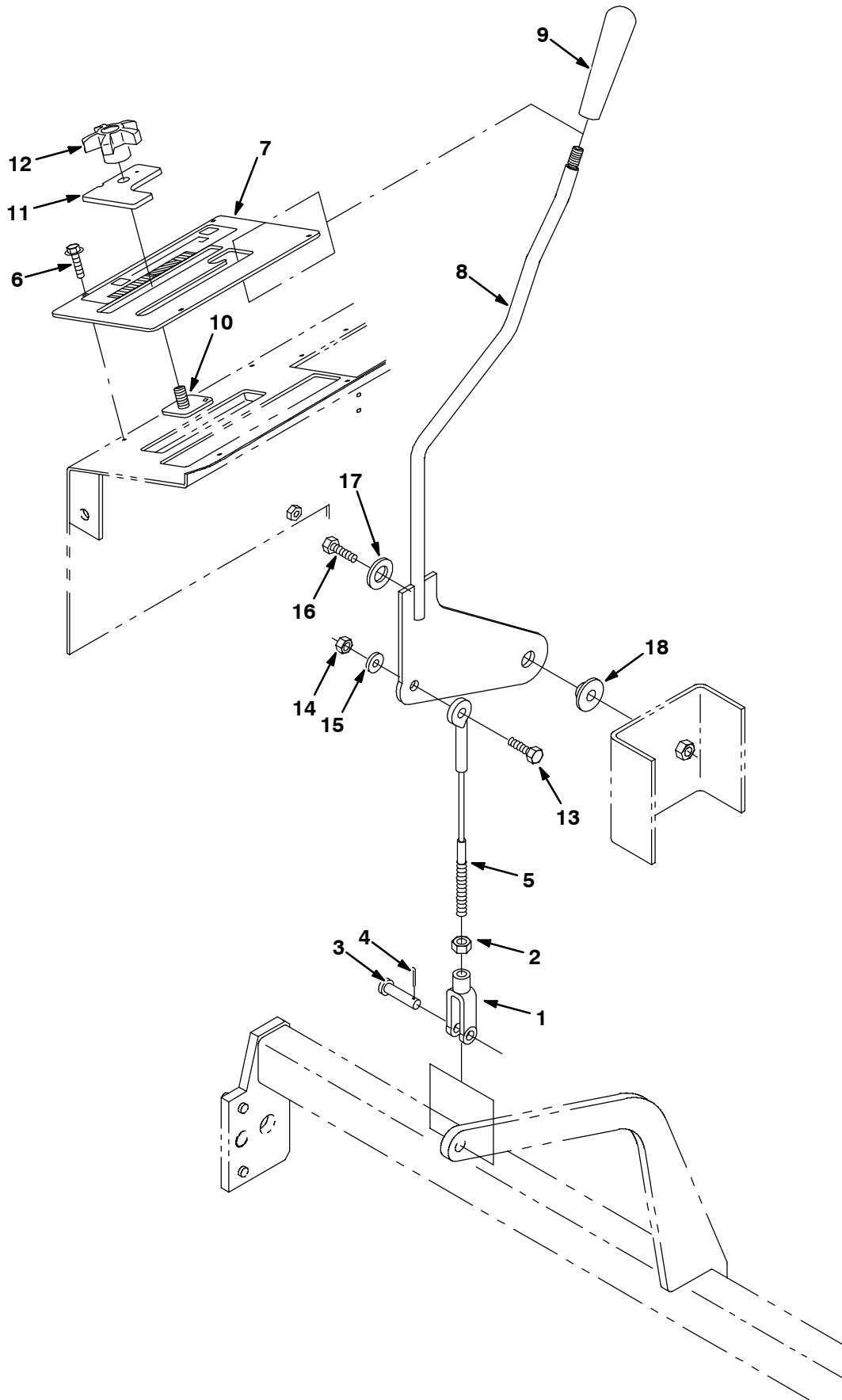


Fig. 59 - Main Brush Lift Group

Ref.	Part No.	Serial Number	Description	Qty.
1	12267	(000000-	) Clevis, Adj, 0.38pin, M10x1.5	1
2	32716	(000000-	) Nut, Hex, Jam, M10 X 1.5, Ss	1
3	86240	(000000-	) Pin, Clevis, 0.38 D X 1.13l	1
4	08179	(000000-	) Pin, Cotter, .094 X 1.00	1
5	383194	(000000-	) Cable, Lift, Main Brush	1
6	16944	(000000-	) Screw, Hex, M 4 X 0.7 X 10, Fmg	4
7	377076	(000000-	) Panel, Main Brush, W/ Label [6600]	1
8	383258	(000000-	) Lever Wldt, Brush Lift	1
9	54995	(000000-	) Knob, Tpr, 1.12d 3.86l M10x1.5 Plstc	1
10	383200	(000000-	) Plate Wldt, Stop, [6500]	1
11	383201	(000000-	) Plate Wldt, Brush, Adj, [6500]	1
12	383205	(000000-	) Knob, Star, 2.2od 8ear 1.1l M10x1.5 Pls	1
13	09740	(000000-	) Screw, Hex, M 8 X 1.25 X 20, Ss	1
14	08709	(000000-	) Nut, Hex, Lock, M 8 X 1.25 NI	1
15	32491	(000000-	) Washer, Flat, 0.31 Std	1
16	09028	(000000-	) Screw, Hex, M10 X 1.5 X 25, Ss	1
17	07450	(000000-	) Bearing, Thrust, 0.66b 1.25d 0.06w	1
18	363087	(000000-	) Bushing, Flng, 0.44b 1.25d 0.25l	1

**Fig. 60 - Main Brush Drive Group**

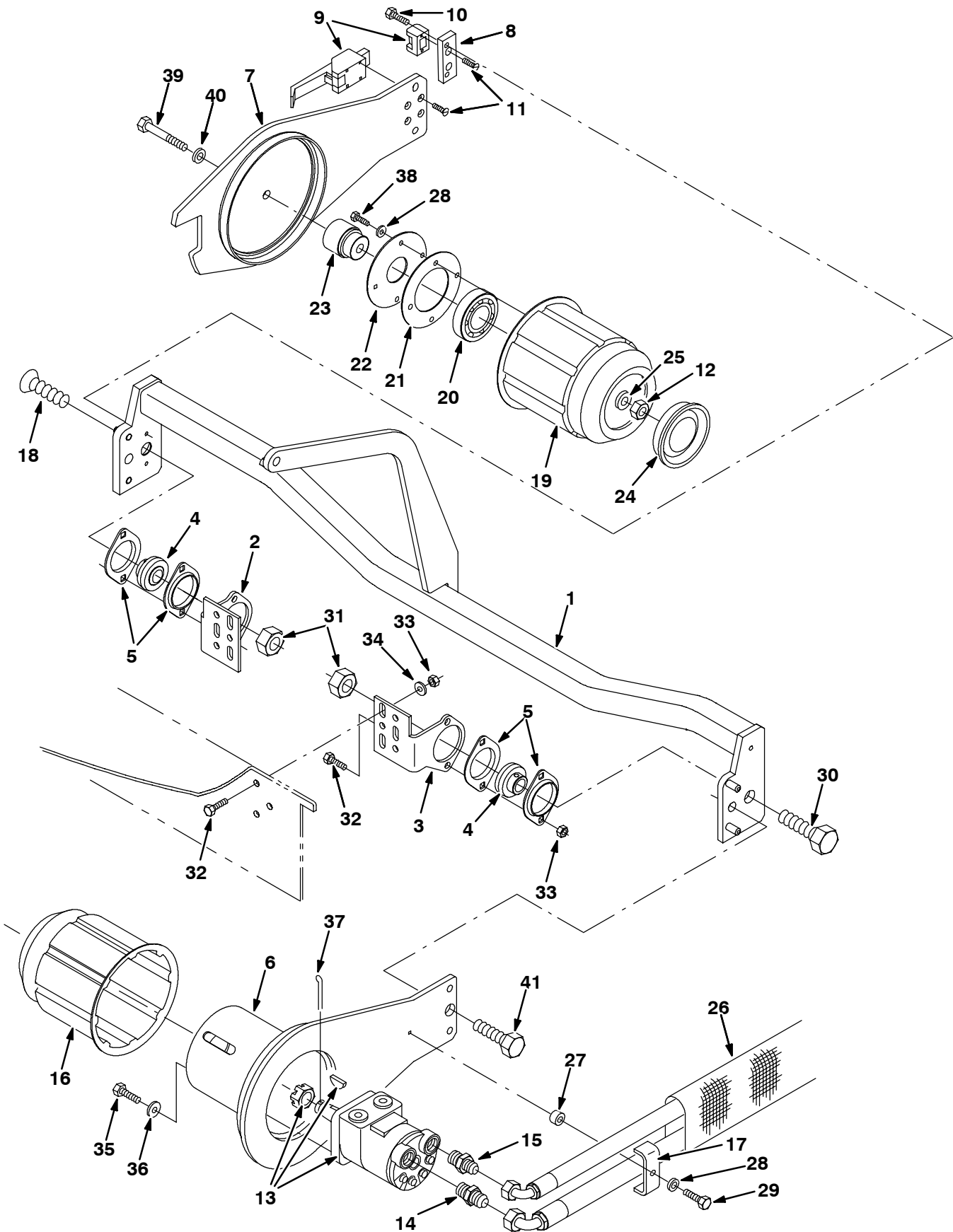




Fig. 60 - Main Brush Drive Group

Ref.	Part No.	Serial Number	Description	Qty.
1	1015432	(000000-	) Tube Wldt	1
2	383142	(000000-	) Bracket, Mtg, Rh	1
3	383143	(000000-	) Bracket, Mtg, Lh	1
4	25887	(000000-	) Bearing, W/ Collar, 0.75b 1.85d 1.06w	2
5	35973	(000000-	) Flange, Brg, 1.9id 2h	4
6	383139	(000000-	) Arm Wldt, Brush, Main, Drive, Lh	1
7	377249	(000000-	) Arm, Brush, Main, W/ Label [6600]	1
8	54204	(000000-	) Plate, Mtg	1
9	54878	(000000-	) Latch	1
10	15678	(000000-	) Screw, Hex, M 6 X 1.0 X 16, Ss	2
11	09120	(000000-	) Screw, Flt, M05 X 0.8 X 16, 10.9	6
12	08711	(000000-	) Nut, Hex, Lock, M12 X 1.75, NI	1
13	379608	(000000-	) Motor, Hyd, Gear, [In] 02.8 1500 (See Breakdowns)	1
14	44869	(000000-	) Fitting, Hyd, Str, Jm08/Om08	1
15	52402	(000000-	) Fitting, Hyd, Str, Jm06/Om08	1
16	87631	(000000-	) Plug Wldt, Drive, Brush, Sweep	1
17	51715	(000000-	) Bracket, U, .18 2.8 0.9 1.0l 1/0.3h	1
18	1007807	(000000-	) Screw, Flt, .75-10 X 2.50, Al	1
19	55779	(000000-	) Plug Wldt, Idler, Brush	1
20	24899	(000000-	) Bearing, Ball, 1.38b 2.83d 0.67w	1
21	30252	(000000-	) Disc, .08 4.39d 2.56b 4/.28h 3.8bc	1
22	30253	(000000-	) Disc, .06 4.39d 1.67b 4/.30h 3.8bc	1
23	30251	(000000-	) Shaft, Idler, Plug, Brush	1
24	30255	(000000-	) Cap, Vinyl, 3.28d 0.45l	1
25	51564	(000000-	) Washer, 0.53b 1.75d .12, Stl, PI	1
26	13773	(000000-	) Sleeve, Nyl, #27 20.0l	1
27	56228	(000000-	) Tube, Plstc, 0.31od 0.25id 00.5l, Blk	1
28	01684	(000000-	) Washer, Flat, 0.25 Ss	5
29	07805	(000000-	) Screw, Hex, M 6 X 1.0 X 35, Ss	1
30	39395	(000000-	) Screw, Hex, .75-10 X 2.50, FI	1
31	32987	(000000-	) Nut, Hex, Lock, .75-10, NI	2
32	09010	(000000-	) Screw, Hex, M 8 X 1.25 X 25, Ss	10
33	08709	(000000-	) Nut, Hex, Lock, M 8 X 1.25 NI	10
34	41186	(000000-	) Washer, Belleville, .31	3
35	01762	(000000-	) Screw, Hex, .38-16 X 0.75, NI	4
36	32485	(000000-	) Washer, Flat, .38 Sae	4
37	08175	(000000-	) Pin, Cotter, .125 X 1.25	1
38	12277	(000000-	) Screw, Hex, M 6 X 1.0 X 20, Ss, NI	4
39	06975	(000000-	) Screw, Hex, M12 X 1.75 X 90, 8.8	1
40	36328	(000000-	) Washer, Belleville, .50	1
41	06977	(000000-	) Screw, Hex, M16 X 2.0 X 20, 8.8	1

Fig. 61 - Vacuum Fan Group

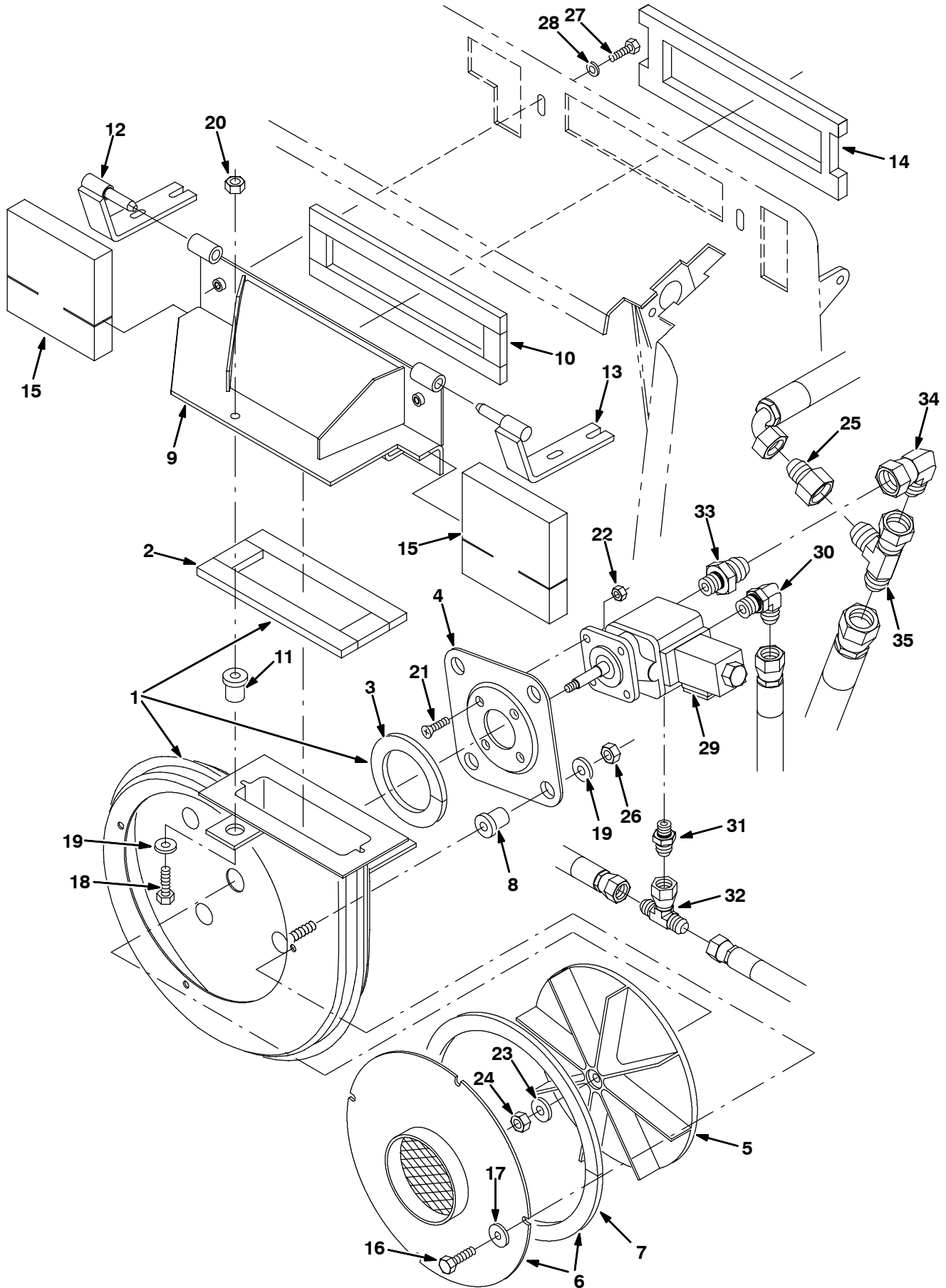


Fig. 61 - Vacuum Fan Group

Ref.	Part No.	Serial Number	Description	Qty.
▽	1	72133	(000000- ) Housing Assy, Vacfan, 09.0d Impeller	1
▲	2	59734	(000000- ) Seal, Ure, 0.38 0.75w 21.0l Adh	1
▲	3	59967	(000000- ) Seal, Ure, 0.38 0.75w 13.2l Adh	1
	4	54275A	(000000- ) Bracket, Mtg, Motor	1
	5	74454	(000000- ) Impeller, 9.00d X 1.40w X 0.376b	1
▽	6	59656	(000000- ) Duct Assy, Vacfan, W/ Seal	1
▲	7	59735	(000000- ) Seal, Ure, 0.38 0.75w 33.0l Adh	1
	8	54274	(000000- ) Isolator, Vib, Bshg, 1.1d 0.6l .4b 0.78h	4
	9	58540	(000000- ) Duct Wldt, Transition, Vacfan	1
	10	378972	(000000- ) Seal, Ure, 0.38 0.75w 25.2l Adh	1
	11	59649	(000000- ) Isolator, Vib, Bshg, 1.1d 0.6l .4b 0.78h	1
	12	374504	(000000- ) Hinge Wldt, Pin, .43d, Cover, Eng, Rh	1
	13	374505	(000000- ) Hinge Wldt, Pin, .43d, Cover, Eng, Lh	1
	14	69990	(000000- ) Insulation, Acstc, Seal, Vac Fan	1
	15	66184	(000000- ) Insulation, Acstc, 1.0 05.0w 05.0l	2
	16	34323	(000000- ) Screw, Hex, .25-20 X 0.75, NI	4
	17	41178	(000000- ) Washer, Flat, 0.25 Fender	4
	18	39285	(000000- ) Screw, Hex, M10 X 1.5 X 40, 8.8	3
	19	13248	(000000- ) Washer, Flat, 0.40b 1.12d .12, Stl, Pl	7
	20	41430	(000000- ) Nut, Hex, Lock, M10 X 1.5, NI	3
	21	07810	(000000- ) Screw, Flt, M08 X 1.25 X 25, 10.9	4
	22	07809	(000000- ) Screw, Flt, M06 X 1.0 X 35, 10.9	4
	23	32485	(000000- ) Washer, Flat, .38 Sae	1
	24	31241	(000000- ) Nut, Hex, Lock, .31-24, NI, Thin	1
	25	59975	(000000- ) Fitting, Hyd, Str, Jm10/Jf12	1
	26	50902	(000000- ) Nut, Hex, Lock, .38-16, NI	4
	27	39277	(000000- ) Screw, Hex, M 8 X 1.25 X 25, 8.8	2
	28	32491	(000000- ) Washer, Flat, 0.31 Std	2
	29	53485	(000000- ) Motor, Hyd, Gear, [Ex] .194 R 3000 (See Breakdowns)	1
	30	44868	(000000- ) Fitting, Hyd, E90, Jm08/Om08	1
	31	50960	(000000- ) Fitting, Hyd, Str, Jm06/Om04	1
	32	35586	(000000- ) Fitting, Hyd, Tee, Jm06/Jf06/Jm06	1
	33	62390	(000000- ) Fitting, Hyd, Str, Jm12/Om08	1
	34	35033	(000000- ) Fitting, Hyd, E90, Jm12/Jf12	1
	35	40514	(000000- ) Fitting, Hyd, Tee, Jm12/Jm12/Jf12	1

Fig. 62 - Hydraulic Schematic

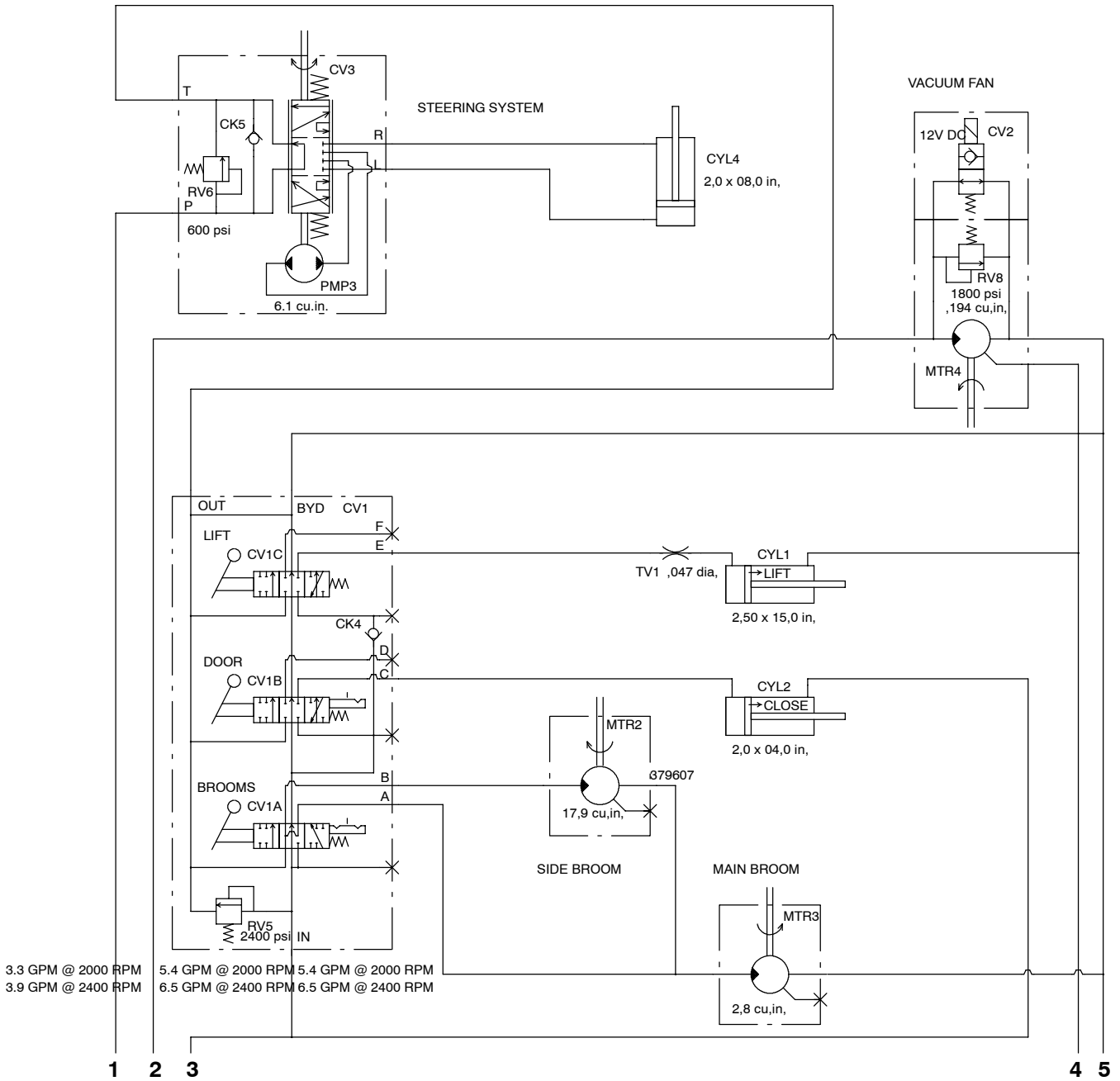
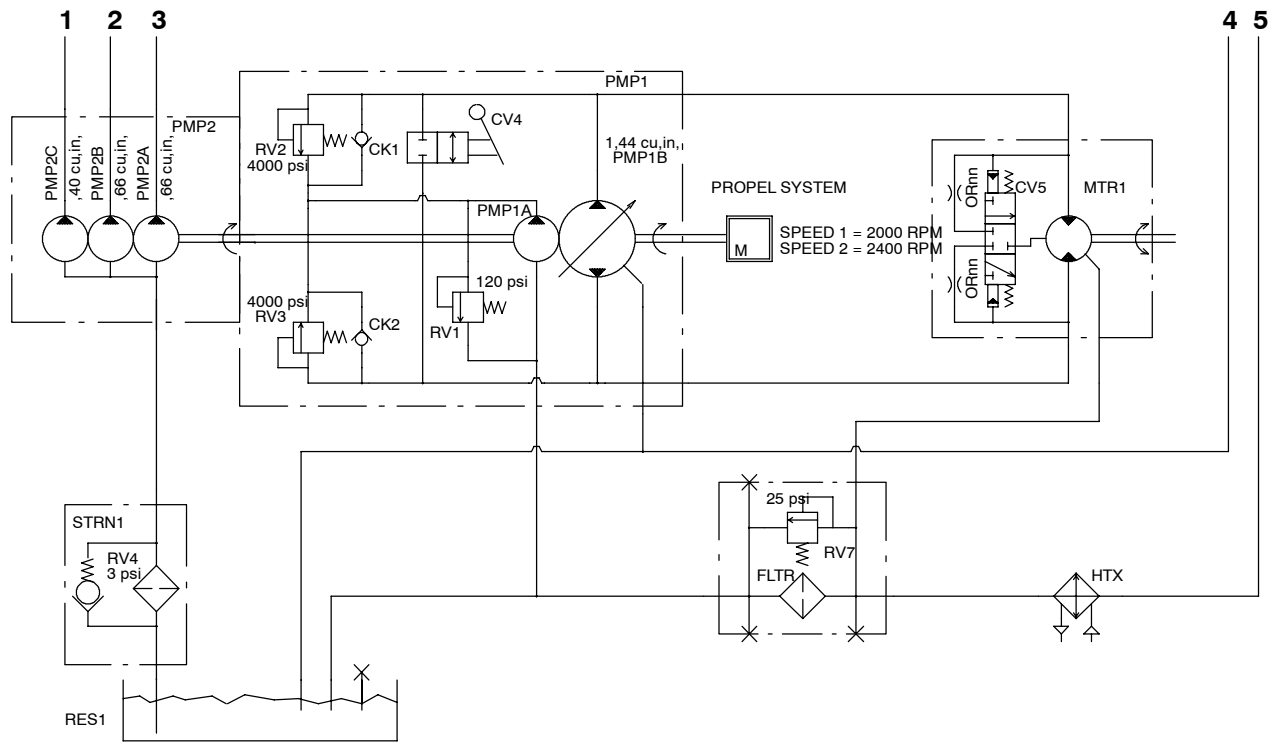


Fig. 62 - Hydraulic Schematic



6600

**Fig. 63 - Hydraulic Hose Group**

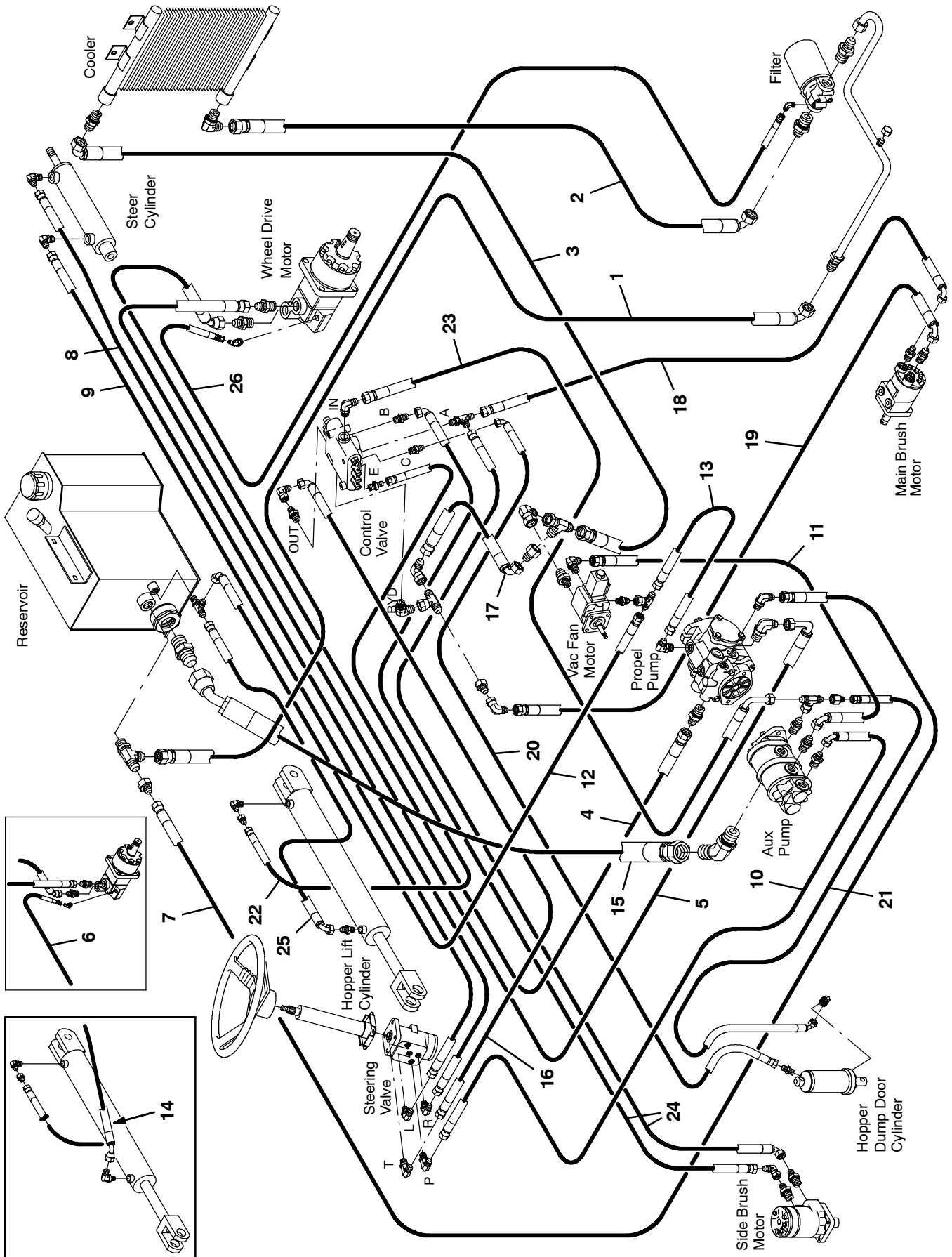


Fig. 63 - Hydraulic Hose Group

Ref.	Part No.	Serial Number	Description	Qty.
1	377250	(000000-	) Hose, Hyd,Med12, Jf12str /Jf12e90 , 23.0	1
2	59106	(000000-024999	) Hose, Hyd,Med12, Jf12str /Jf12e90l, 60.0	1
2	377250	(025000-	) Hose, Hyd,Med12, Jf12str /Jf12e90l, 23.0	1
3	31719	(000000-	) Hose, Hyd,Med12, Jf12str /Jf12e90 , 60.0	1
4	59574	(000000-	) Hose, Hyd,Tc 10, Jf10str /Jf10e45 , 54.0	1
5	1011582	(000000-	) Hose, Hyd,Tc 10, Jf10str /Jf10e90l, 67.0	1
6	377230	(000000-030235	) Hose, Hyd,Med04, Jf04str /Jf04e45 , 52.0	1
7	82820	(000000-	) Hose, Hyd,Med08, Jf08str /Jf08e90 , 34.0	1
8	377235	(000000-	) Hose, Hyd, Tc 06, Jf06str/Jf06str, 48.0	1
9	396210	(000000-	) Hose, Hyd,Tc 06, Jf06str /Jf06str , 36.0	1
10	396234	(000000-	) Hose, Hyd,Tc 06, Jf06str /Jf06e90 , 62.0	1
11	59578	(000000-	) Hose, Hyd,Med08, Jf08str /Jf08e90 , 32.0	1
12	01999	(000000-	) Hose, Hyd,Med06, Jf06str /Jf06e90 , 20.0	1
13	34376	(000000-	) Hose, Hyd,Med06, Jf06str /Jf06str , 16.0	1
14	377225	(000000-025707	) Hose, Hyd,Med06, Jf06str /Jf06e45 , 12.0	1
15	377233	(000000-	) Hose, Hyd,Suc20, Jf20str /Jf20e45 , 27.0	1
16	386711	(000000-	) Hose, Hyd, Tc 06, Jf Str/E90 , 48.0l	1
17	59563	(000000-	) Hose, Hyd,Tc 10, Jf10str /Jf10e90 , 18.0	1
18	59560	(000000-	) Hose, Hyd,Med06, Jf06str /Jf06e90 , 64.0	1
19	57487	(000000-	) Hose, Hyd,Med08, Jf08str /Jf08e90 , 68.0	1
20	71749	(000000-	) Hose, Hyd,Tc 04, Jf04str /Jf04e90 , 80.0	1
21	379793	(000000-	) Hose, Hyd,Tc 04, Jf04str /Jf04e90 ,114.0	1
22	55691	(000000-	) Hose, Hyd,Med04, Jf04str /Jf04str , 17.0	1
23	1011616	(000000-	) Hose, Hyd,Med08, Jf08str /Jf08e90l, 39.0	1
24	02469	(000000-	) Hose, Hyd,Med06, Jf06str /Jf06e90 ,100.0	2
25	01998	(025708-	) Hose, Hyd, Med06, Jf06e90/Jf06str, 010.0	1
26	77306	(030236-	) Hose, Hyd, Med04, Jf04str/Jf04str, 052.0	1

Fig. 64 - Hydraulic Reservoir Group

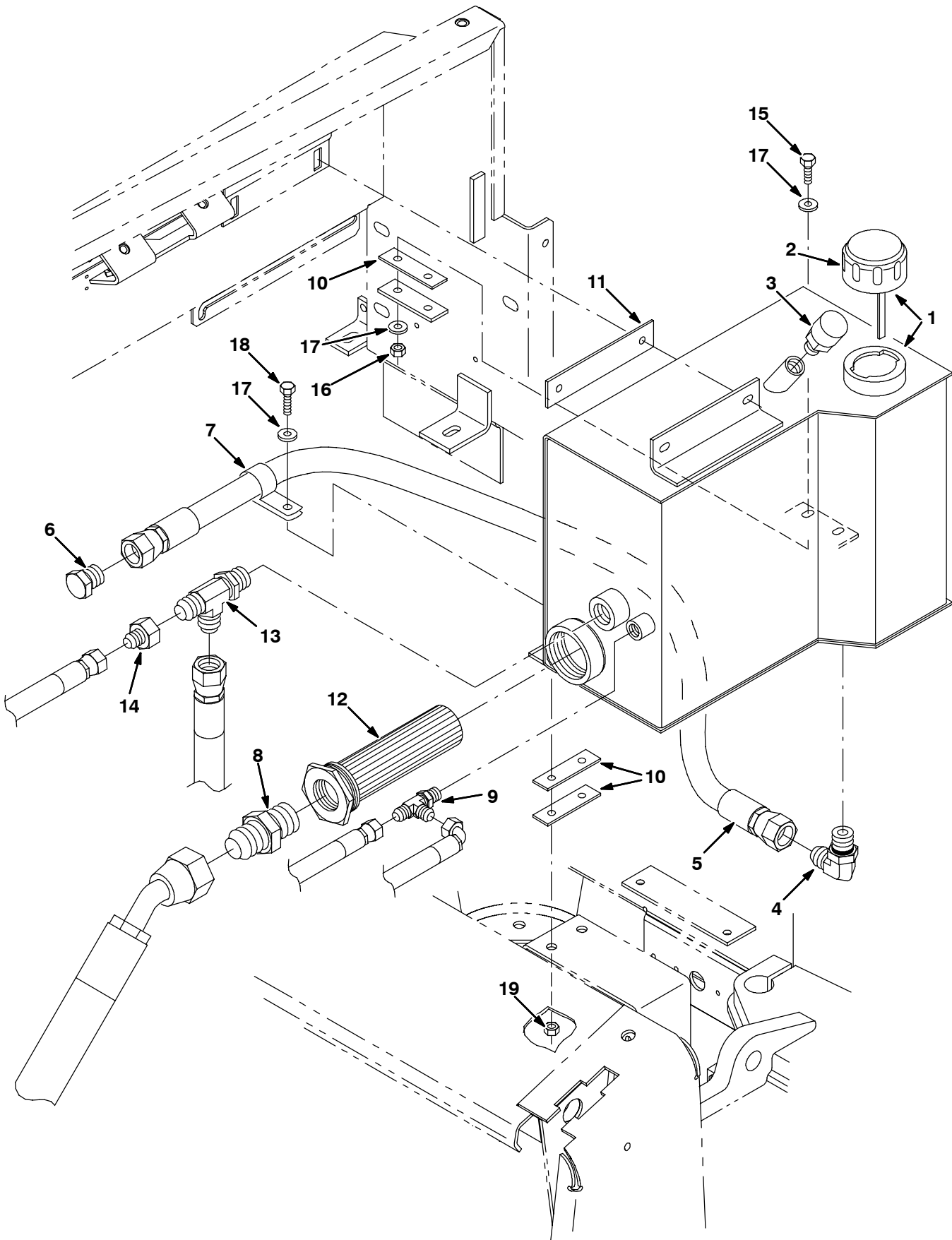




Fig. 64 - Hydraulic Reservoir Group

	Ref.	Part No.	Serial Number	Description	Qty.
▽	1	377244	(000000-	) Reservoir, W/ Label, 06.5gal [6600/6650]	1
▲	2	23163	(000000-	) Cap, Breather, Hyd, 2.2 Ds	1
	3	23182	(000000-	) Breather, Hyd, 20mic 05psi .75-16	1
	4	56821	(000000-	) Fitting, Hyd, E90, Jm08/Om10	1
	5	13115	(000000-	) Hose, Hyd,Low08, Jf08str /Jf08str , 20.0	1
	6	16376	(000000-	) Fitting, Hyd, Plug, Jm08	1
	7	53466	(000000-	) Clamp, Cable, Stl, 1.50d X 1.00w, 1h	1
	8	58858	(000000-	) Fitting, Hyd, Str, Jm20/Om20	1
	9	76316	(000000-	) Fitting, Hyd, Tee, Jm06/Jm06/Om06	1
	10	59789	(000000-	) Strip, Rbr, 0.13 01.00w 03.5l	3
	11	59790	(000000-	) Strip, Rbr, 0.13 01.50w 07.0l	1
	12	31613	(000000-	) Strainer, Hyd, 25gpm 100mesh Psi	1
	13	42216	(000000-	) Fitting, Hyd, Tee, Jm12/Jm12/Om12	1
	14	78143	(000000-	) Fitting, Hyd, Str, Jm08/Jf12	1
	15	09010	(000000-	) Screw, Hex, M 8 X 1.25 X 25, Ss	2
	16	08709	(000000-	) Nut, Hex, Lock, M 8 X 1.25 NI	2
	17	32491	(000000-	) Washer, Flat, 0.31 Std	4
	18	76570	(000000-	) Screw, Hex, M 8 X 1.25 X 30, 8.8	2
	19	08713	(000000-	) Nut, Hex, Lock, M 8 X 1.25, NI, Ss	2

Fig. 65 - Hydraulic Valve Group

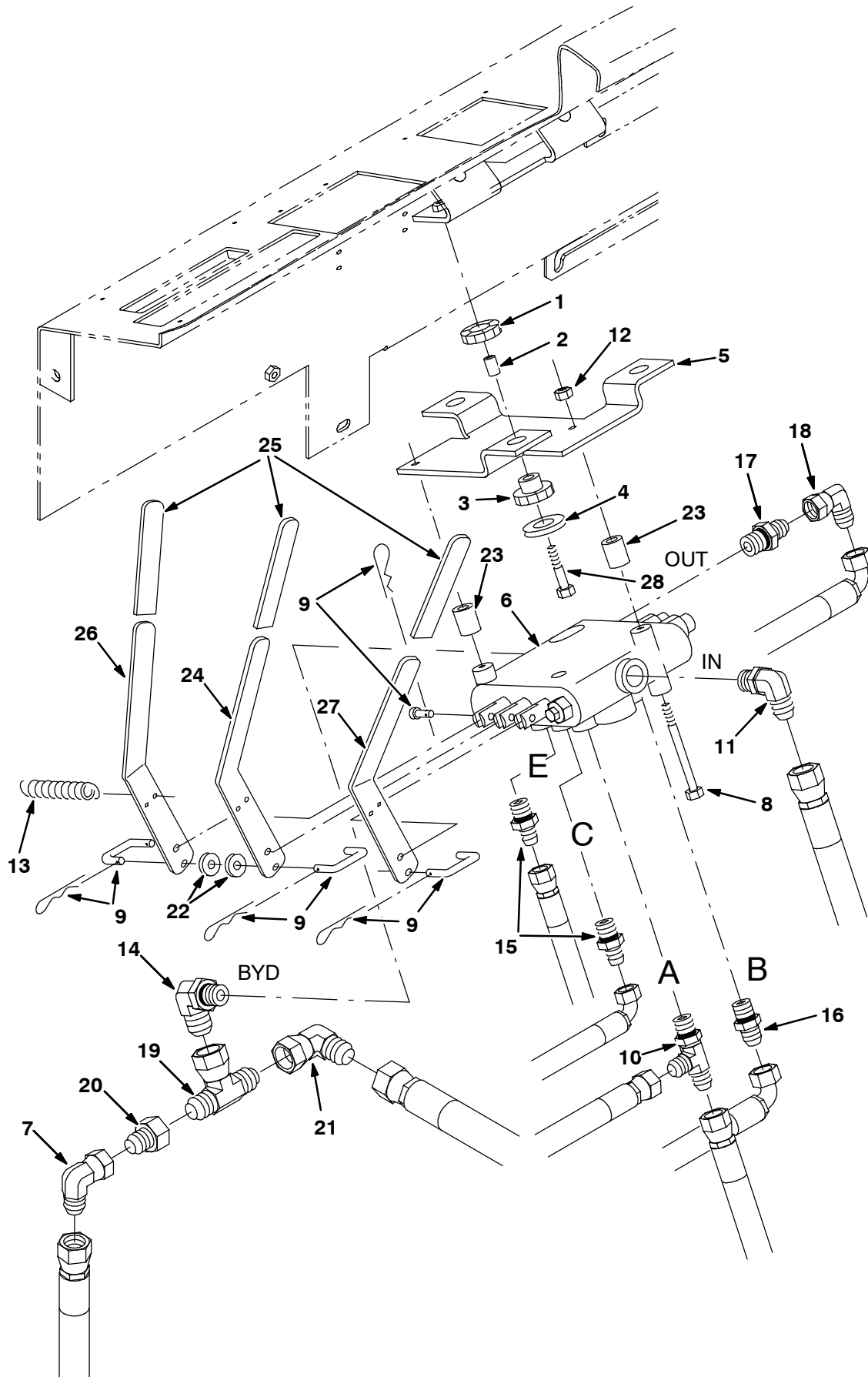


Fig. 65 - Hydraulic Valve Group

Ref.	Part No.	Serial Number	Description	Qty.
▽	69910	(000000-	) Isolator, Valve	1
▲	1 62172	(000000-	) Isolator, Vib, Ring, 1.4d 0.3l 0.8b	3
▲	2 64905	(000000-	) Tube, 00.38d 00.26b 00.6l Stl Plt	3
▲	3 62173	(000000-	) Isolator, Vib, Bshg, 1.4d 0.3l .4b 0.65h	3
▲	4 1014491	(000000-	) Washer, Flat, 0.28b 1.38d .12, Hrs Pl	3
	5 55446	(000000-	) Bracket, Mtg, Valve	1
	6 374547	(000000-025433	) Valve, Hyd, Man, 3sp 10gpm 2150psi (See Breakdowns) (Repl By 1019961)	1
	6 1019961	(025434-	) Valve, Hyd, Mnl, 3 Sp, 10gpm, 2150psi (See Breakdowns)	1
	7 17980	(000000-	) Fitting, Hyd, E90, Jm08/Jf08	1
	8 06950	(000000-	) Screw, Hex, M 6 X 1.0 X 70, 8.8	2
	9 48760	(000000-	) Link, Handle	3
	10 76316	(000000-	) Fitting, Hyd, Tee, Jm06/Jm06/Om06	1
	11 44868	(000000-	) Fitting, Hyd, E90, Jm08/Om08	1
	12 08708	(000000-	) Nut, Hex, Lock, M 6 X 1.0, NI	2
	13 59870	(000000-	) Spring, Extn, 0.38od X 0.05wir, 2.5l	1
	14 374567	(000000-	) Fitting, Hyd, E90, Jm10/Om08	1
	15 55685	(000000-	) Fitting, Hyd, Str, Jm04/Om06	2
	16 59577	(000000-	) Fitting, Hyd, Str, Jm06om06l	1
	17 52402	(000000-	) Fitting, Hyd, Str, Jm06/Om08	1
	18 47504	(000000-	) Fitting, Hyd, E90, Jm06/Jf06	1
	19 50421	(000000-	) Fitting, Hyd, Tee, Jm10/Jf10/Jm10	1
	20 76052	(000000-	) Fitting, Hyd, Str, Jm08/Jf10	1
	21 54194	(000000-	) Fitting, Hyd, E90, Jm10/Jf10	1
	22 32483	(000000-	) Washer, Flat, 0.25 Sae	2
	23 09900-1	(000000-	) Tube, 00.52d 00.26b 00.8l Stl Plt	2
	24 383157	(000000-	) Handle, Cntrl, Str	1
	25 360467	(000000-	) Grip, Vyl	3
	26 383158	(000000-	) Handle, Cntrl	1
	27 383221	(000000-	) Handle, Cntrl, Lh	1
	28 06946	(000000-	) Screw, Hex, M 6 X 1.0 X 35, 8.8	3

Fig. 66 - Hydraulic Cooler Group (000000-024999)

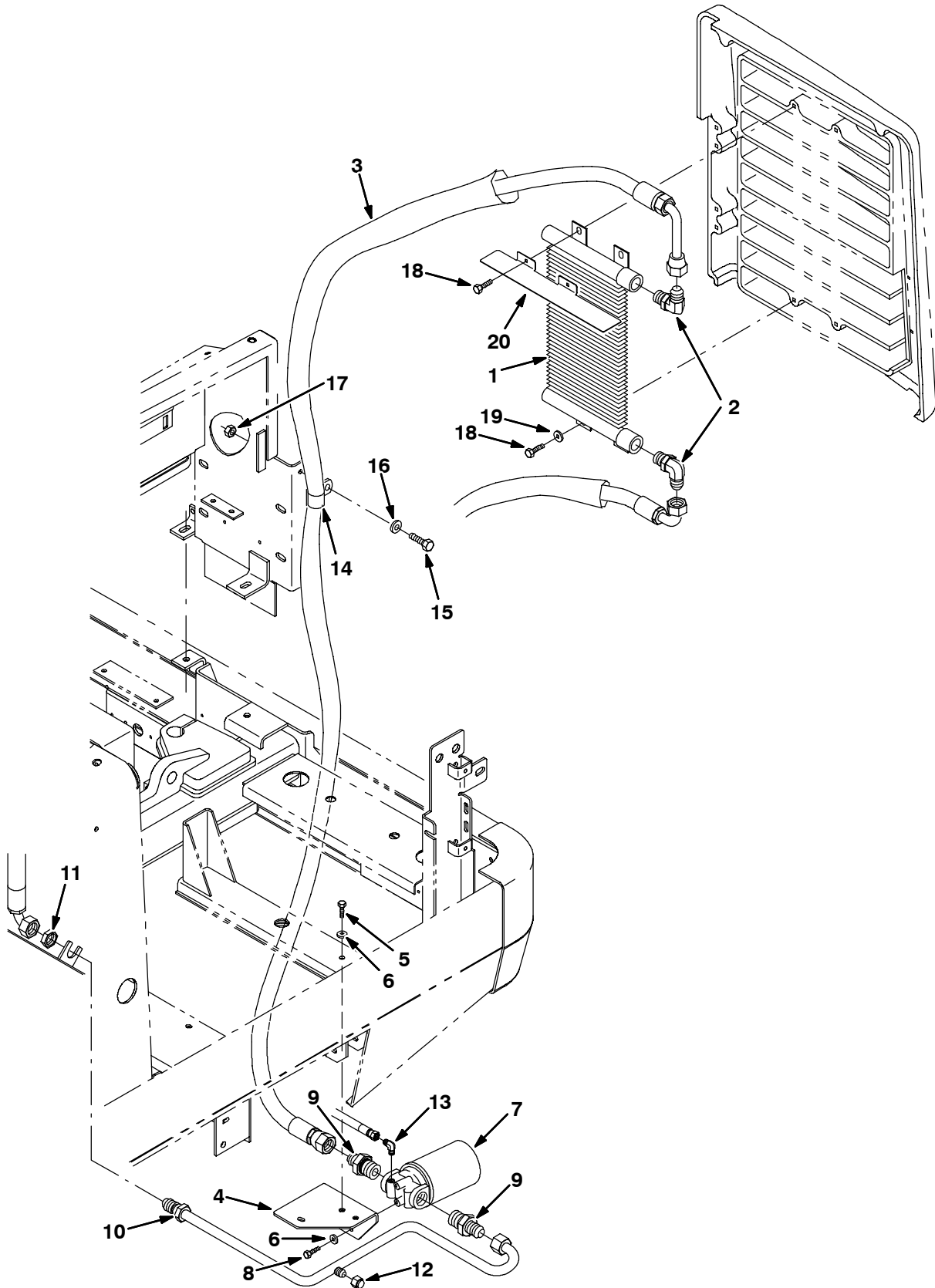


Fig. 66 - Hydraulic Cooler Group (000000-024999)

Ref.	Part No.	Serial Number	Description	Qty.	
1	13698	(000000-024999 )	Cooler, Hyd, 25gpm 325btu Of12 13x12x2	1	
2	46481	(000000-024999 )	Fitting, Hyd, E90, Jm12/Om12	2	
3	87676	(000000-024999 )	Sleeve, Nyl, #27 30.0l	1	
4	1006647	(000000-024999 )	Bracket, Mtg, Hyd	1	
5	06956	(000000-024999 )	Screw, Hex, M 8 X 1.25 X 45, 8.8	2	
6	32491	(000000-024999 )	Washer, Flat, 0.31 Std	4	
▽	7	1006329	(000000-024999 )	Filter, Hyd 10mic 30gpm 150	1
▲	1008968	(000000-024999 )	Element, Fltr, Oil, Hyd	1	
8	54395	(000000-024999 )	Screw, Hex, .31-18 X 0.62, 5	2	
9	71562	(000000-024999 )	Fitting, Hyd, Str, Jm12/Om20	2	
10	1007048	(000000-024999 )	Tube, Hyd, 12 Jf12/Jm12	1	
11	396279	(000000-024999 )	Fitting, Hyd, Nut, Jm12	1	
12	40625	(000000-024999 )	Fitting, Hyd, Cap, Jf06	1	
13	55455	(000000-024999 )	Fitting, Hyd, E90, Pm02/Jm04	1	
14	53466	(000000-024999 )	Clamp, Cable, Stl, 1.50d X 1.00w, 1h	2	
15	16931	(000000-024999 )	Screw, Hex, M 8 X 1.25 X 20, 8.8	2	
16	32491	(000000-024999 )	Washer, Flat, 0.31 Std	2	
17	07791	(000000-024999 )	Nut, Hex, Flng, M08 X 1.25	2	
18	11635	(000000-024999 )	Screw, Hex, M 6 X 1.0 X 12, Ss, NI	4	
19	41178	(000000-024999 )	Washer, Flat, 0.25 Fender	2	
20	1007966	(000000-024999 )	Deflector, Air	1	

# STANDARD PARTS

Fig. 67 - Hydraulic Cooler Group (025000- )

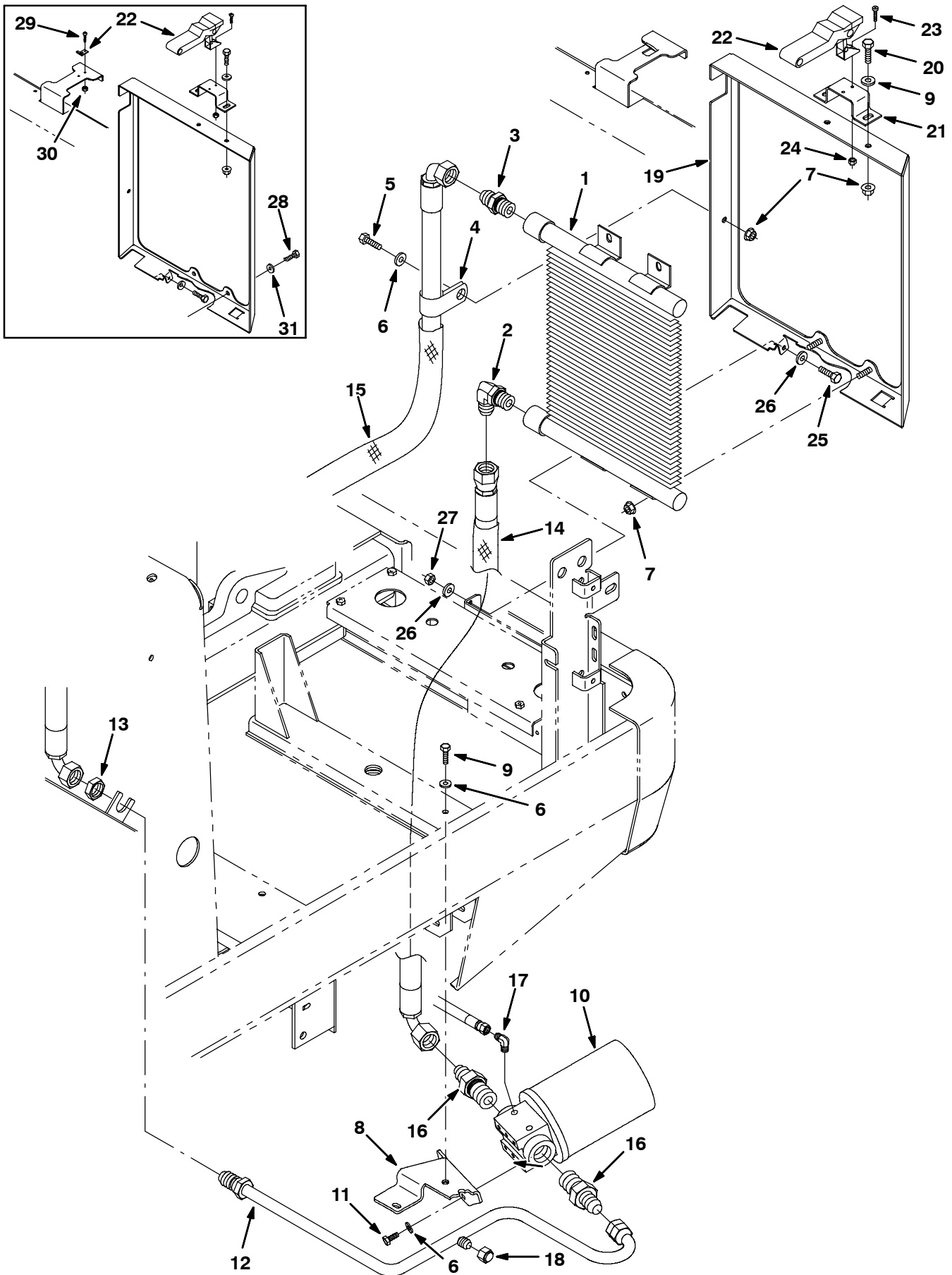


Fig. 67 - Hydraulic Cooler Group (025000- )

Ref.	Part No.	Serial Number	Description	Qty.	
1	13698	(025000-	) Cooler, Hyd, 25gpm 325btu Of12 13x12x2	1	
2	46481	(025000-	) Fitting, Hyd, E90, Jm12/Om12	1	
3	42260	(025000-	) Fitting, Hyd, Str, Jm12/Om12	1	
4	69234	(025000-	) Clamp, Cable, Stl, 1.00d X 0.62w, 1h	1	
5	39277	(025000-	) Screw, Hex, M8 X 1.25 X 25, 8.8	1	
6	32491	(025000-	) Washer, Flat, 0.31 Std	7	
7	07791	(025000-	) Nut, Hex, Flng, M8 X 1.25	5	
8	1013681	(025000-029999	) Bracket, Mtg, Hyd	1	
8	1029163	(030000-	) Bracket, Mtg, Hyd [6600/6650 07]	1	
9	06956	(025000-	) Screw, Hex, M8 X 1.25 X 45, 8.8	2	
▽	10	1006329	(025000-	) Filter, Hyd 10mic 30gpm 150	1
▲		1008968	(025000-	) Element, Fltr, Oil, Hyd	1
	11	54395	(025000-	) Screw, Hex, .31-18 X 0.62, 5	2
	12	1014005	(025000-	) Tube, Hyd, 12 Jf12/Jm12	1
	13	396279	(025000-	) Fitting, Hyd, Nut, Jm12	1
	14	82830	(025000-	) Sleeve, Nyl, 27 16.0l	1
	15	87676	(025000-	) Sleeve, Nyl, 27 30.0l	1
	16	71562	(025000-	) Fitting, Hyd, Str, Jm12/Om20	2
	17	55455	(025000-	) Fitting, Hyd, E90, Pm02/Jm04	1
	18	40625	(025000-	) Fitting, Hyd, Cap, Jf06	1
	19	1008457	(025000-	) Bracket, Cooler, Hyd	1
	20	16931	(025000-	) Screw, Hex, M8 X 1.25 X 20, 8.8	2
	21	1010049	(025000-	) Bracket, Stop	1
	22	49800	(025000-	) Latch	1
	23	49697	(025000-	) Screw, Pan, M4 X 0.7 X 10, Ss	2
	24	02850	(025000-	) Nut, Hex, Lock, M4 X 0.7, NI	2
	25	06942	(025000-	) Screw, Hex, M6 X 1.0 X 16, 8.8	2
	26	32483	(025000-	) Washer, Flat, 0.25 Sae	4
	27	08708	(025000-	) Nut, Hex, Lock, M6 X 1.0, NI	4
	28	07810	(025000-xxxxxx	) Screw, Flt, M8 X 1.25 X 25, 10.9	4
	29	49697	(025000-xxxxxx	) Screw, Pan, M4 X 0.7 X 10, Ss	2
	30	02850	(025000-xxxxxx	) Nut, Hex, Lock, M4 X 0.7, NI	2
	31	32483	(025000-xxxxxx	) Washer, Flat, 0.25 Sae	4

Fig. 68 - Hydraulic Pumps Group

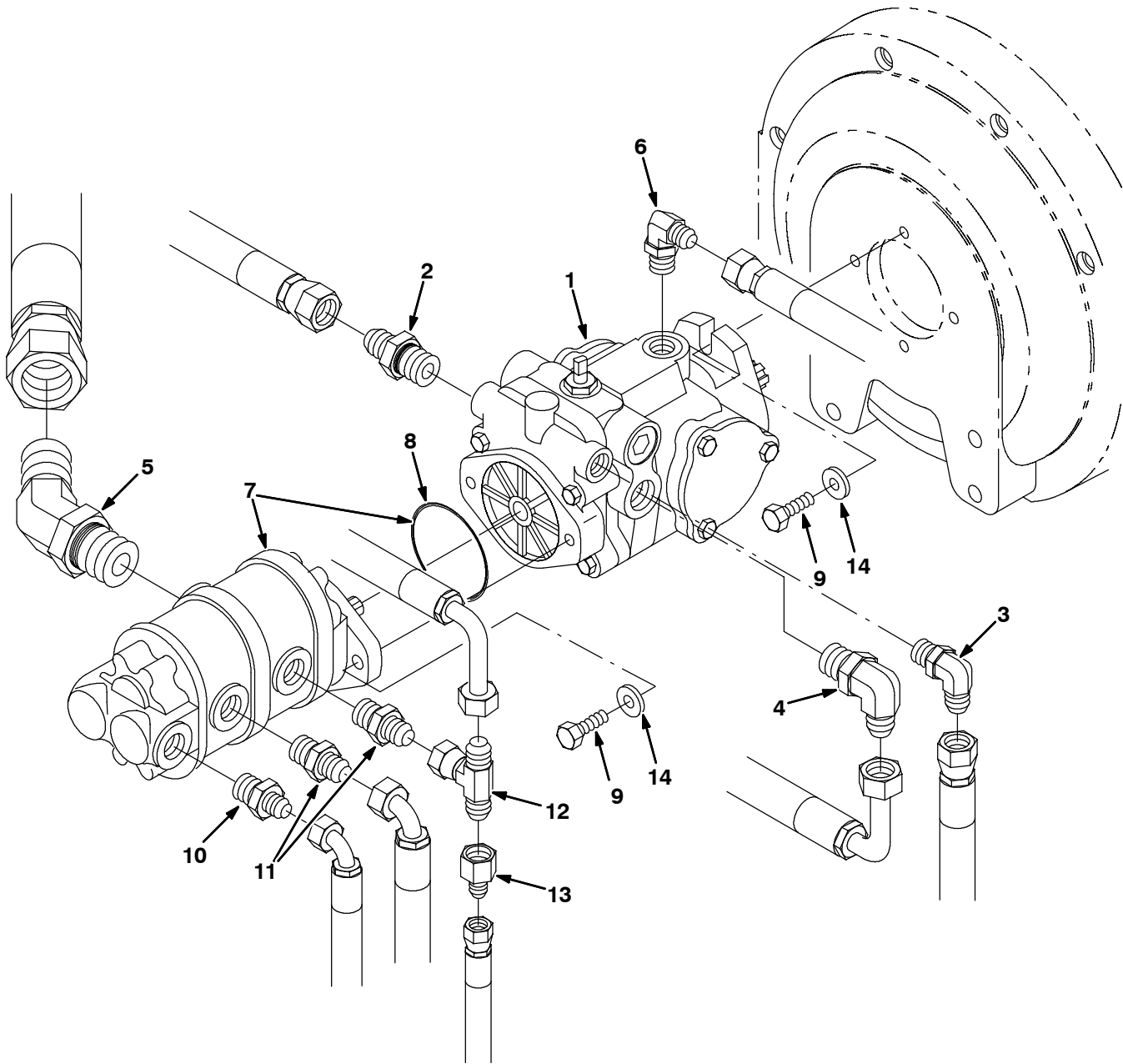
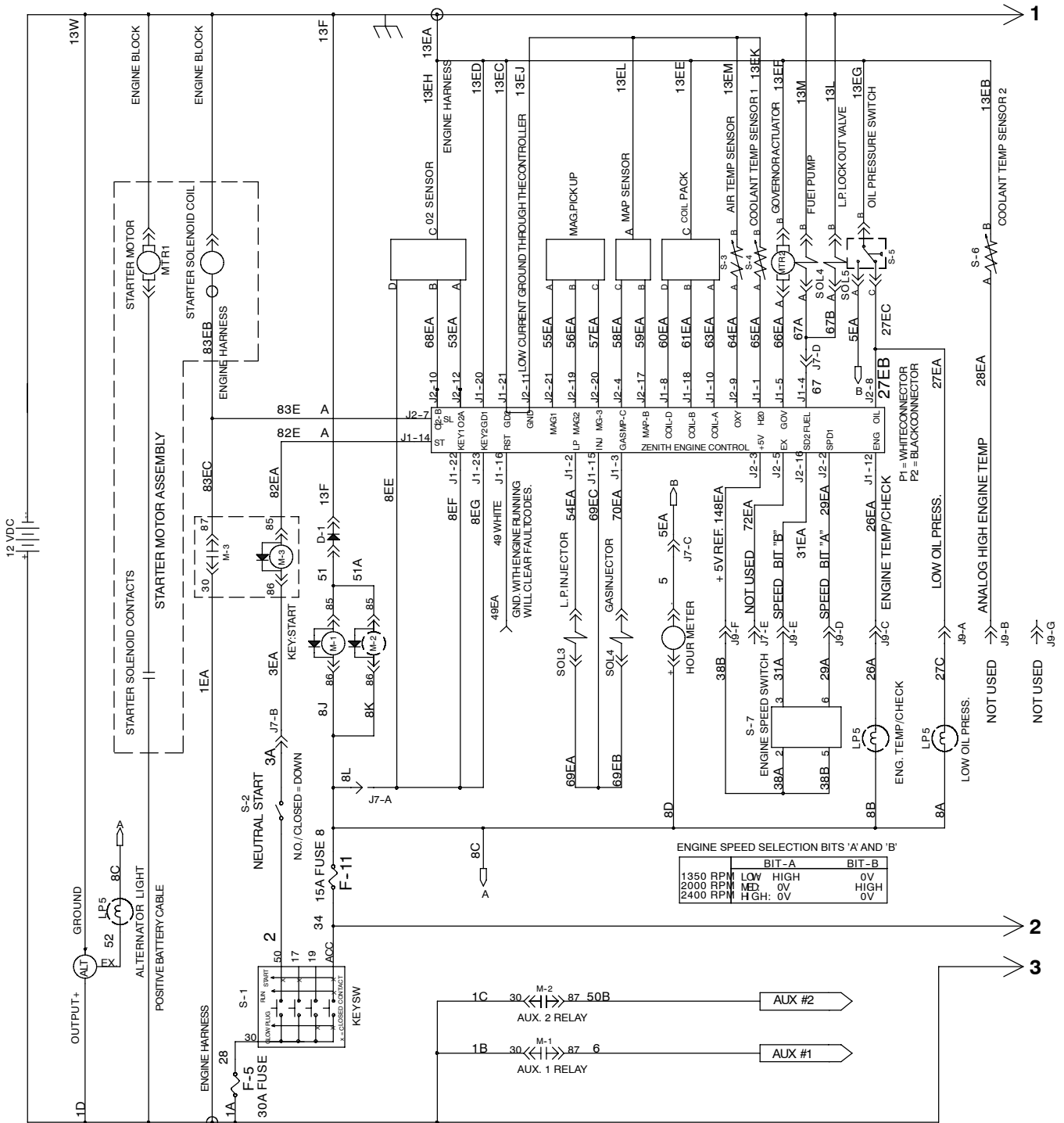




Fig. 68 - Hydraulic Pumps Group

Ref.	Part No.	Serial Number	Description	Qty.
1	373452	(000000-	) Pump, Hyd, Piston, [V] 1.44 [R] 4000 (See Breakdowns)	1
2	42223	(000000-	) Fitting, Hyd, Str, Jm10/Om12	1
3	44868	(000000-	) Fitting, Hyd, E90, Jm08/Om08	1
4	53076	(000000-	) Fitting, Hyd, E90, Jm10/Om12	1
5	71726	(000000-	) Fitting, Hyd, E45, Jm20/Om20	1
6	47512	(000000-	) Fitting, Hyd, E90, Jm06/Om08	1
▽	7	9000210	(000000-) Pump, Hyd, Gear, W/Org, Afmkt (See Breakdowns)	1
▲	8	65145-1	(000000-) Seal, O-Ring, .069 X 3.06id	1
9	46559	(000000-	) Screw, Hex, .38-16 X 1.25, NI	4
10	47508	(000000-	) Fitting, Hyd, Str, Jm06/Om10	1
11	56692	(000000-	) Fitting, Hyd, Str, Jm08/Om10	2
12	76315	(000000-	) Fitting, Hyd, Tee, Jm08/Jf08/Jm08	1
13	57979	(000000-	) Fitting, Hyd, Str, Jm04/Jf08	1
14	32485	(000000-	) Washer, Flat, .38 Sae	4

Fig. 69 - Electrical Schematic (000000-024999)



6600, G, LP

Fig. 69 - Electrical Schematic (000000-024999)

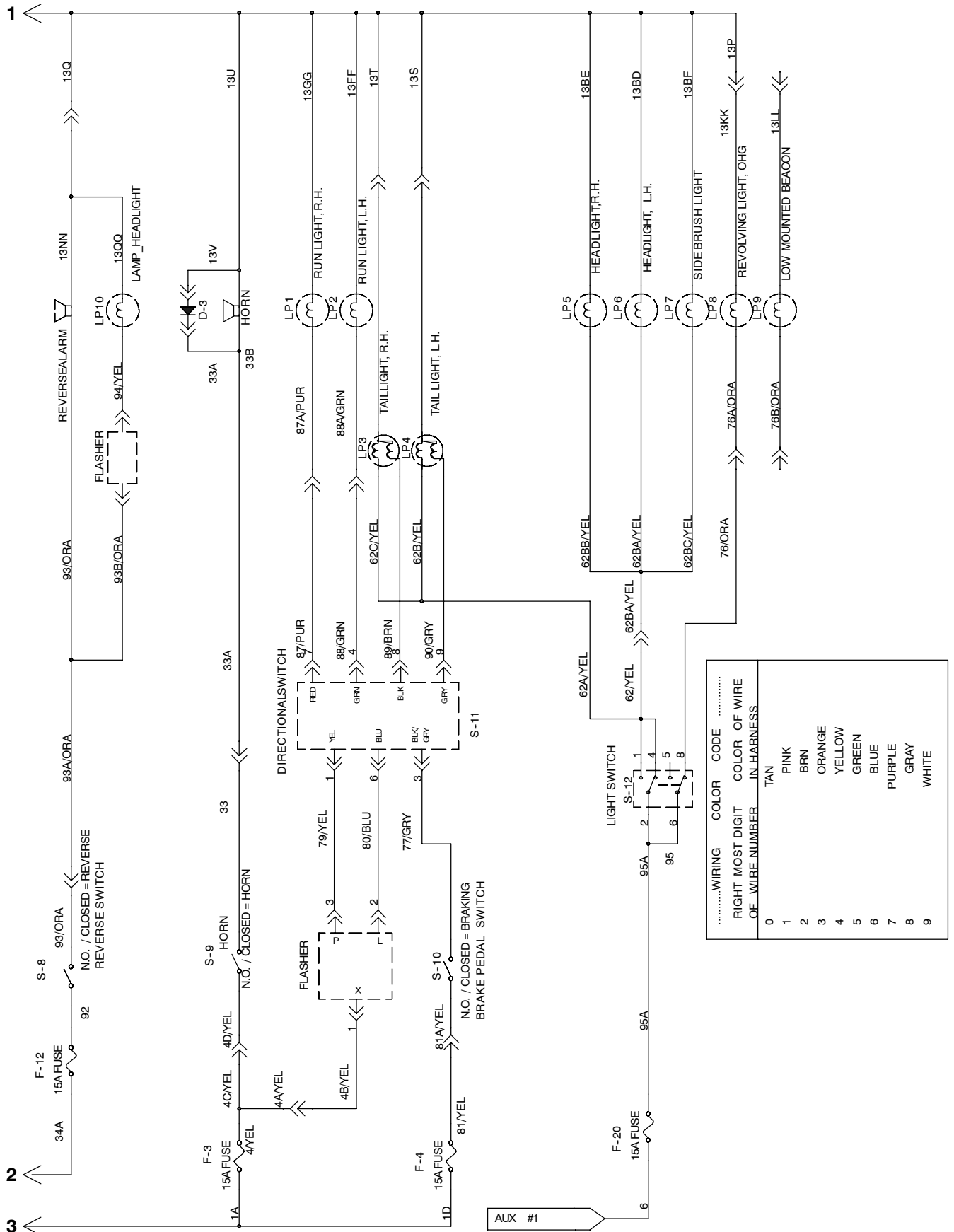


Fig. 69 - Electrical Schematic (000000-024999)

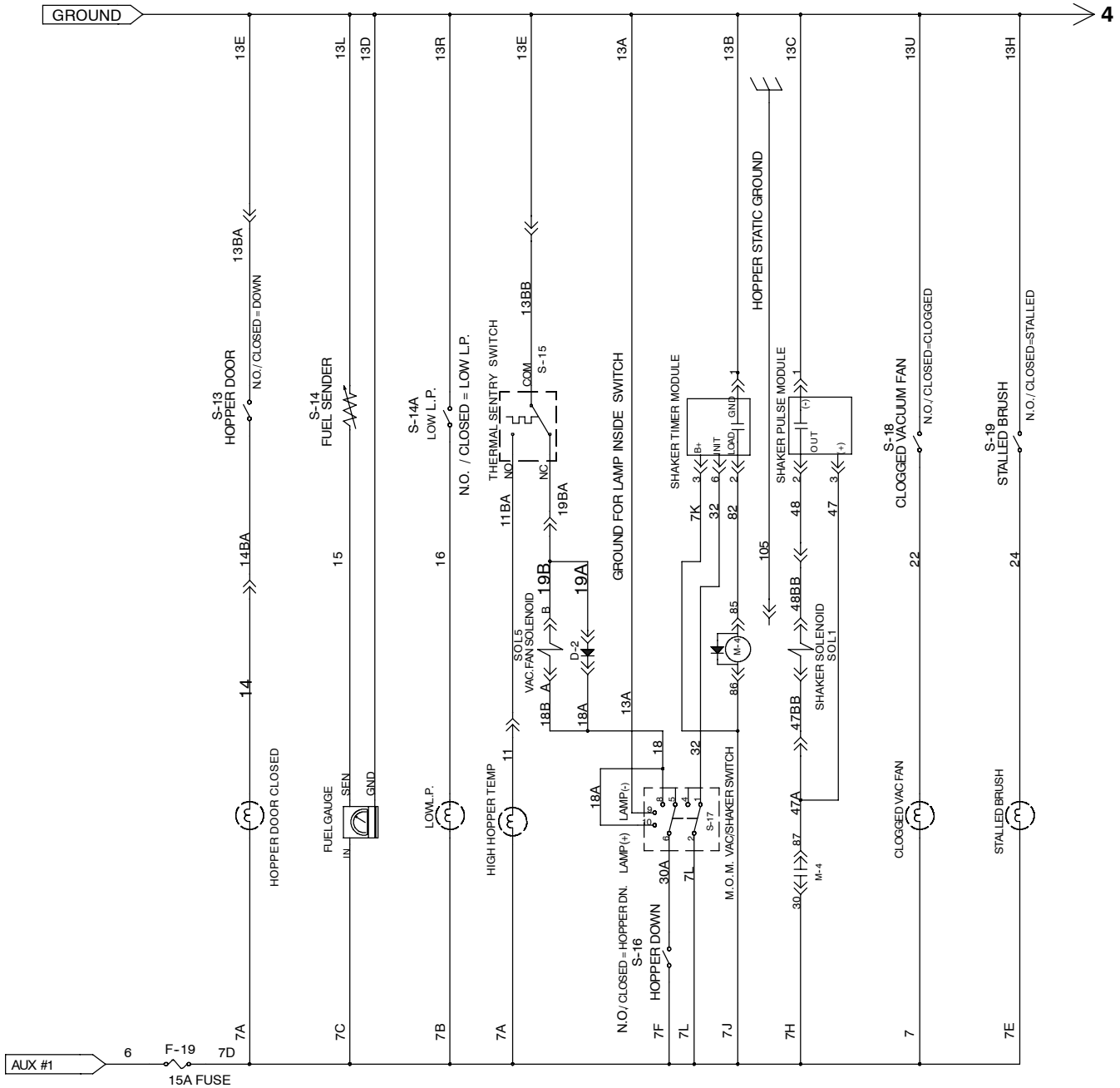
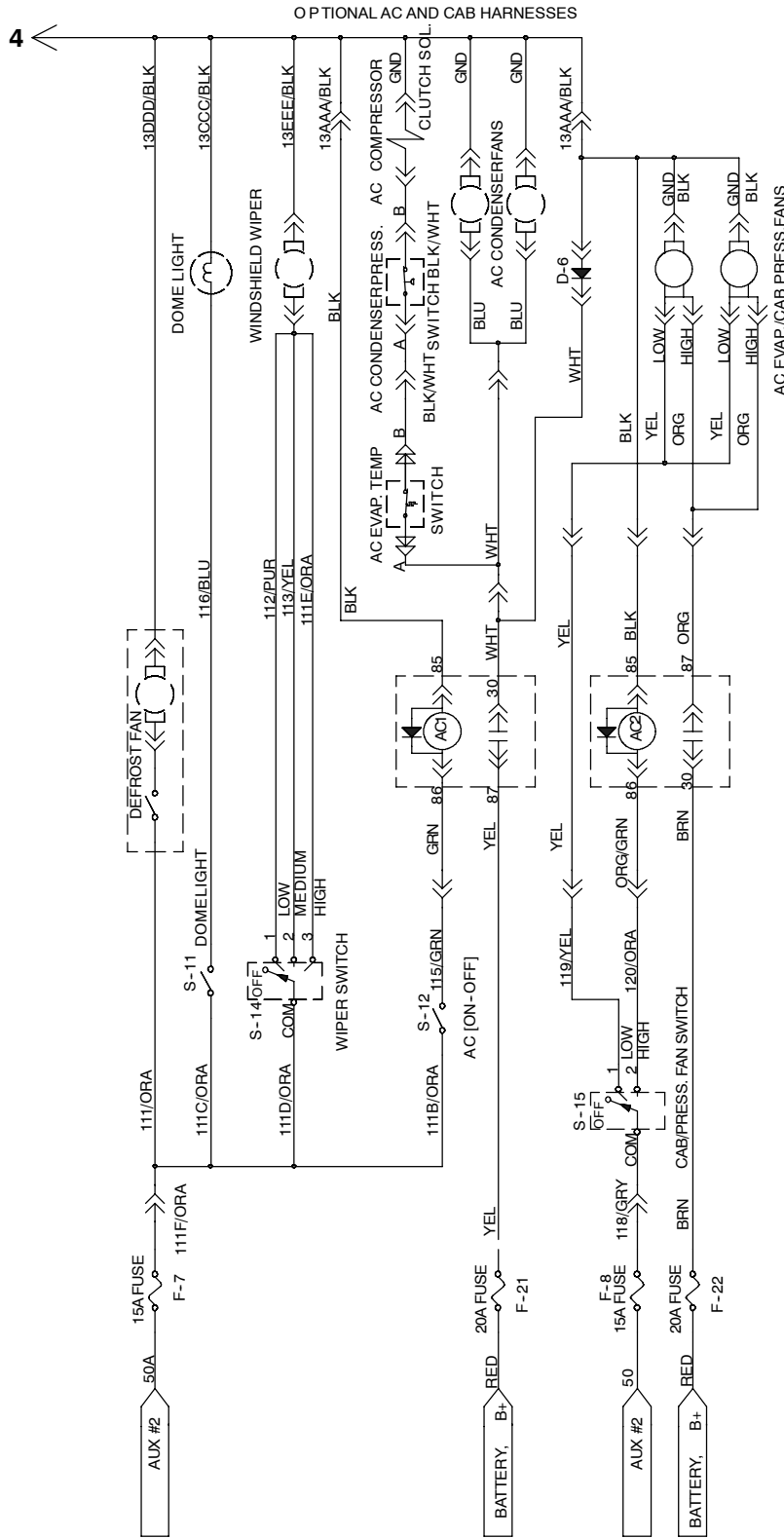


Fig. 69 - Electrical Schematic (00000-024999)



.....WIRING RIGHT MOST/DIGIT OF WIRE NUMBER	COLOR	COLOR CODE	COLOR OF WIRE IN HARNESS
0	TAN		
1	PINK		
2	BRN		
3	ORANGE		
4	YELLOW		
5	GREEN		
6	BLUE		
7	PURPLE		
8	GRAY		
9	WHITE		

UNLESS SPEC IFED DIFFERENTLY  
ON SCHEMATIC

Fig. 70 - Electrical Schematic (025000-029999)

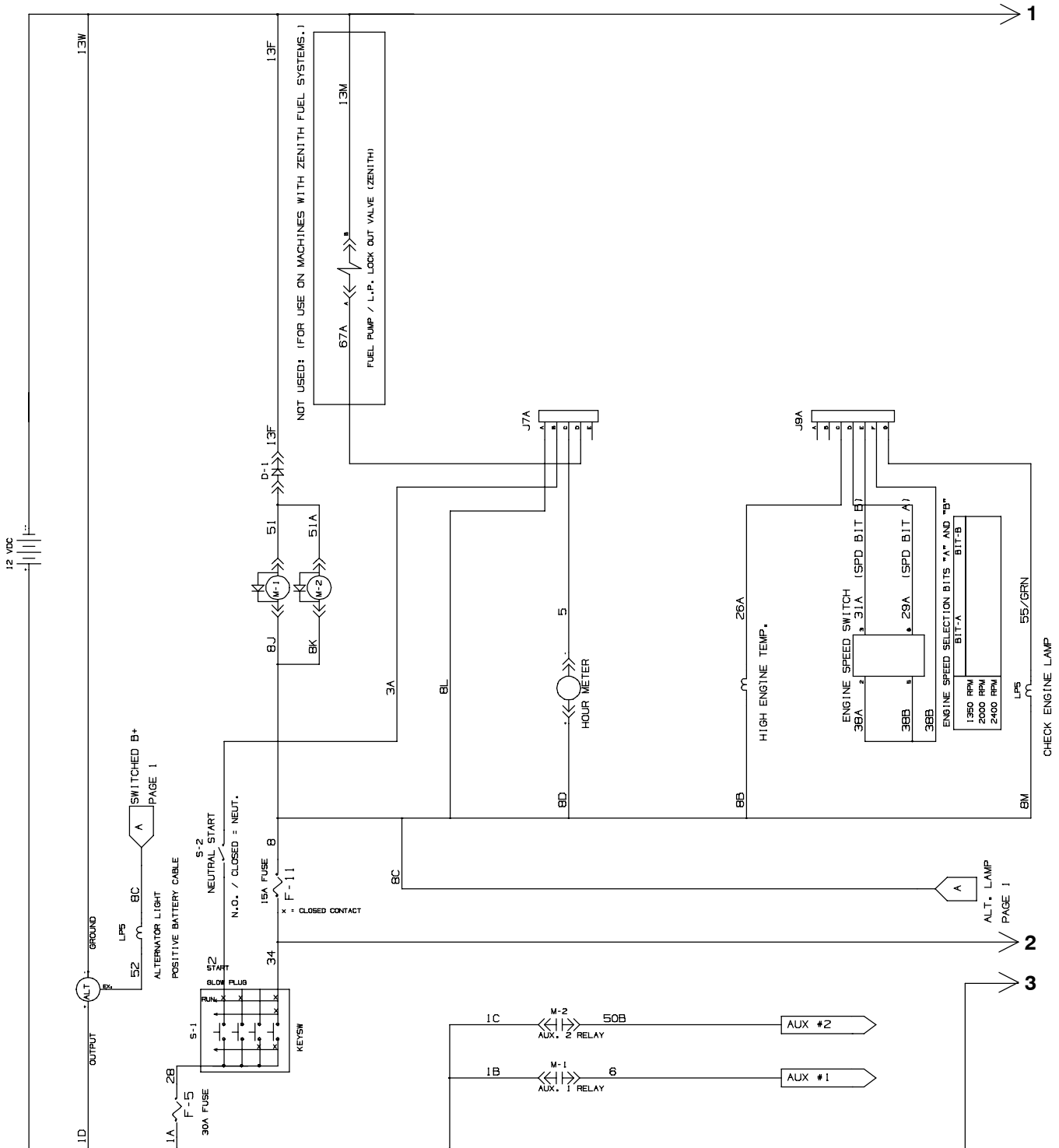
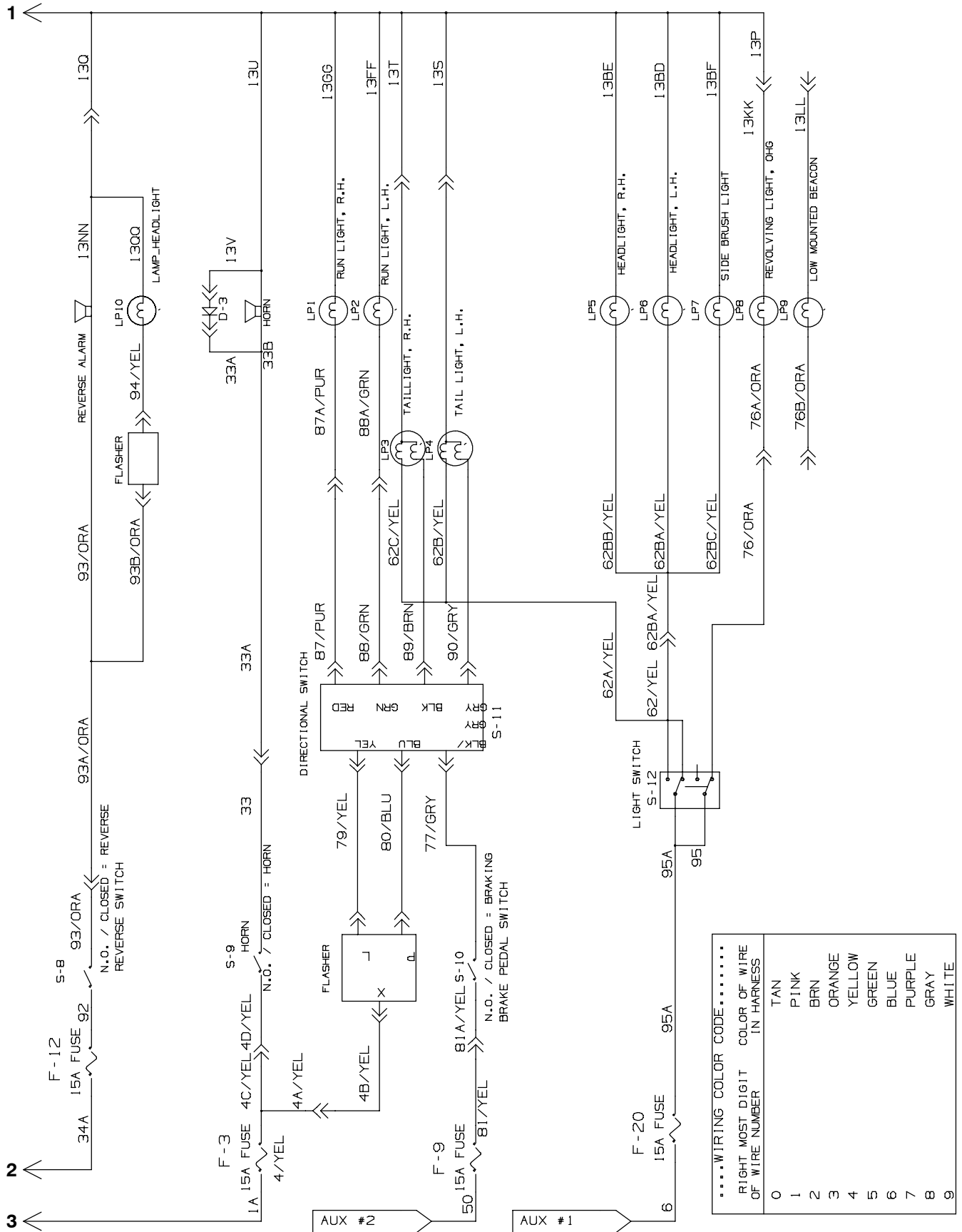
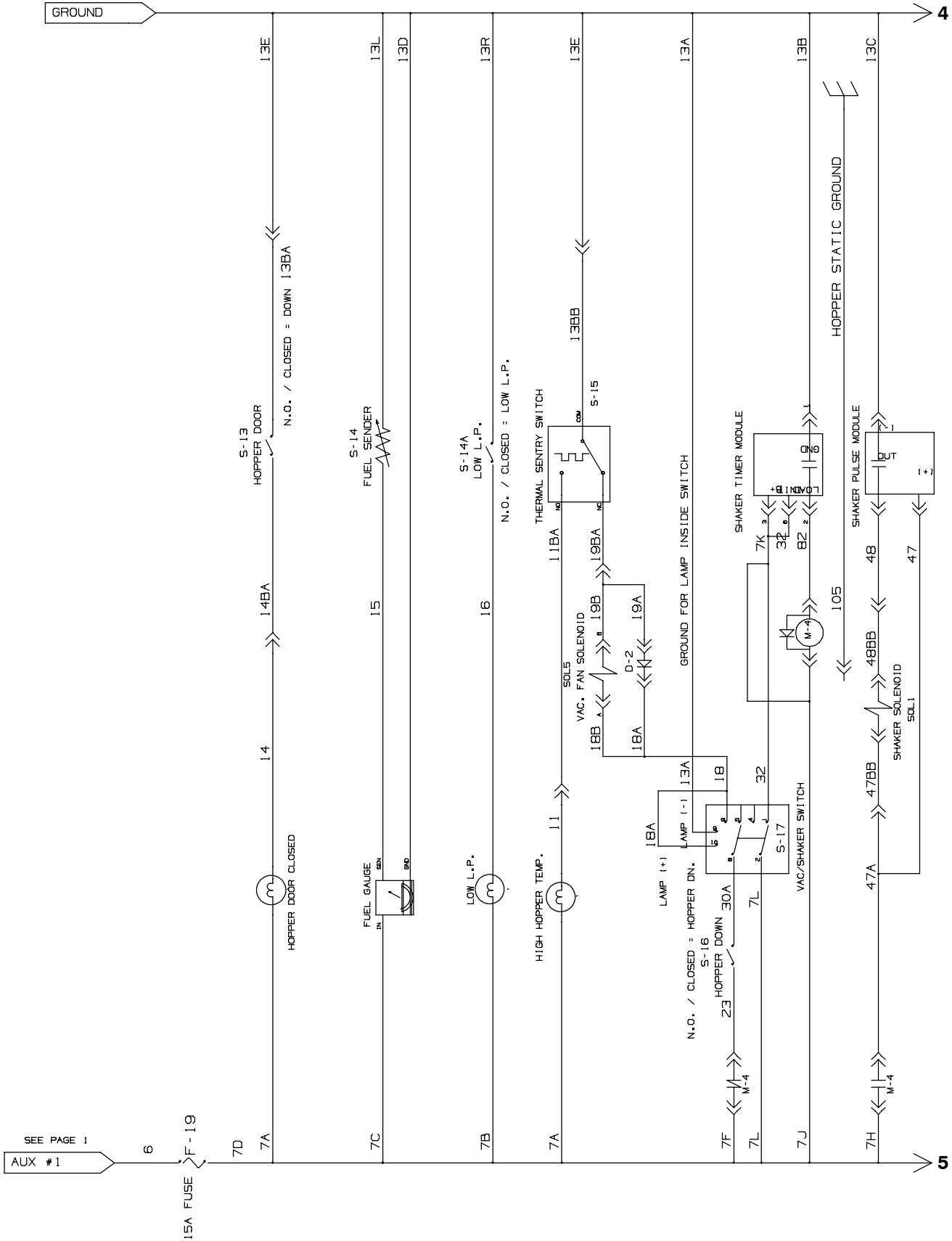


Fig. 70 - Electrical Schematic (025000-029999)



1014370 - 6600, G, LP

Fig. 70 - Electrical Schematic (025000-029999)

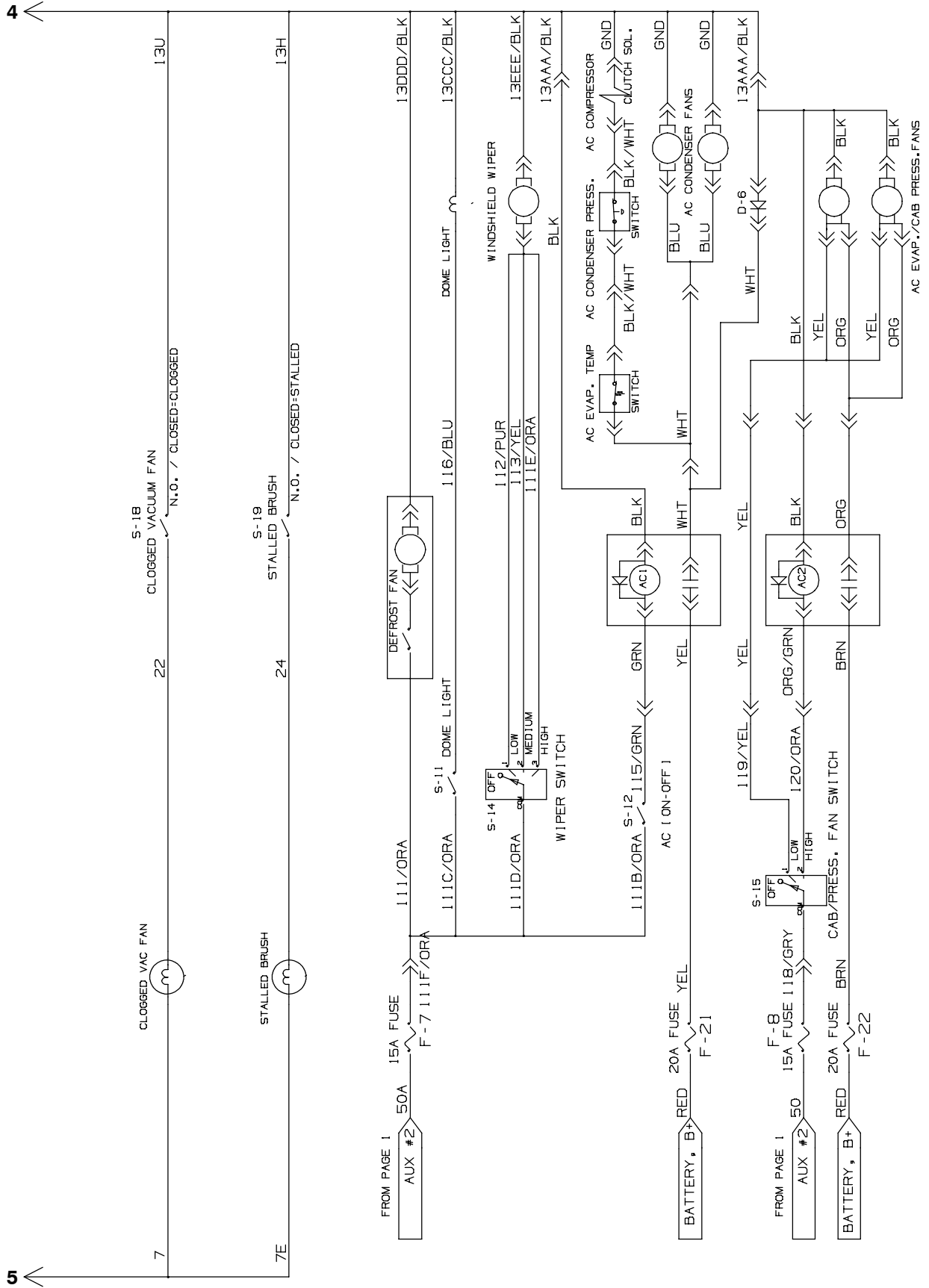


1014370 - 6600, G, LP

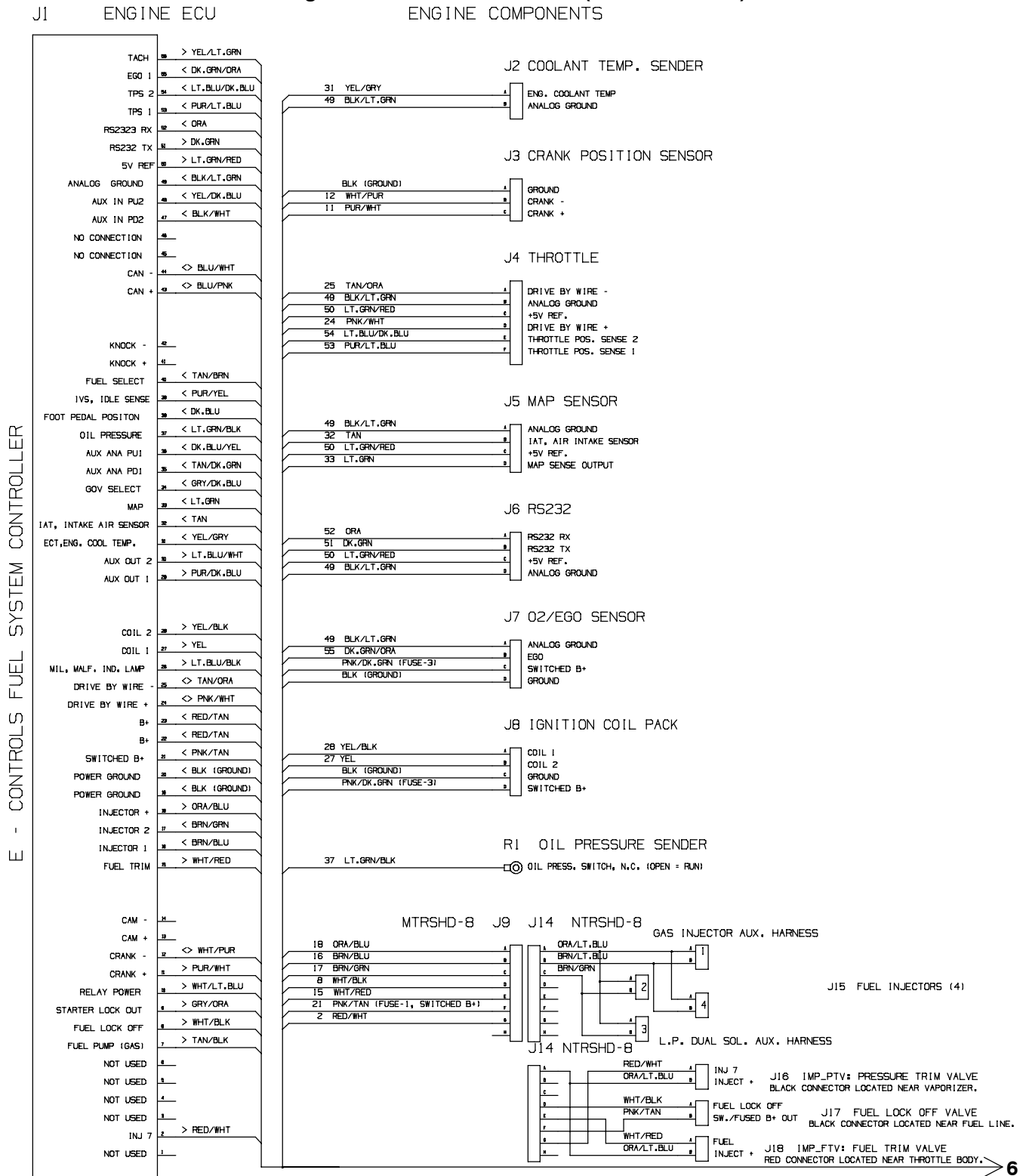


Fig. 70 - Electrical Schematic (025000-029999)

OPTIONAL AC AND CAB HARNESSES



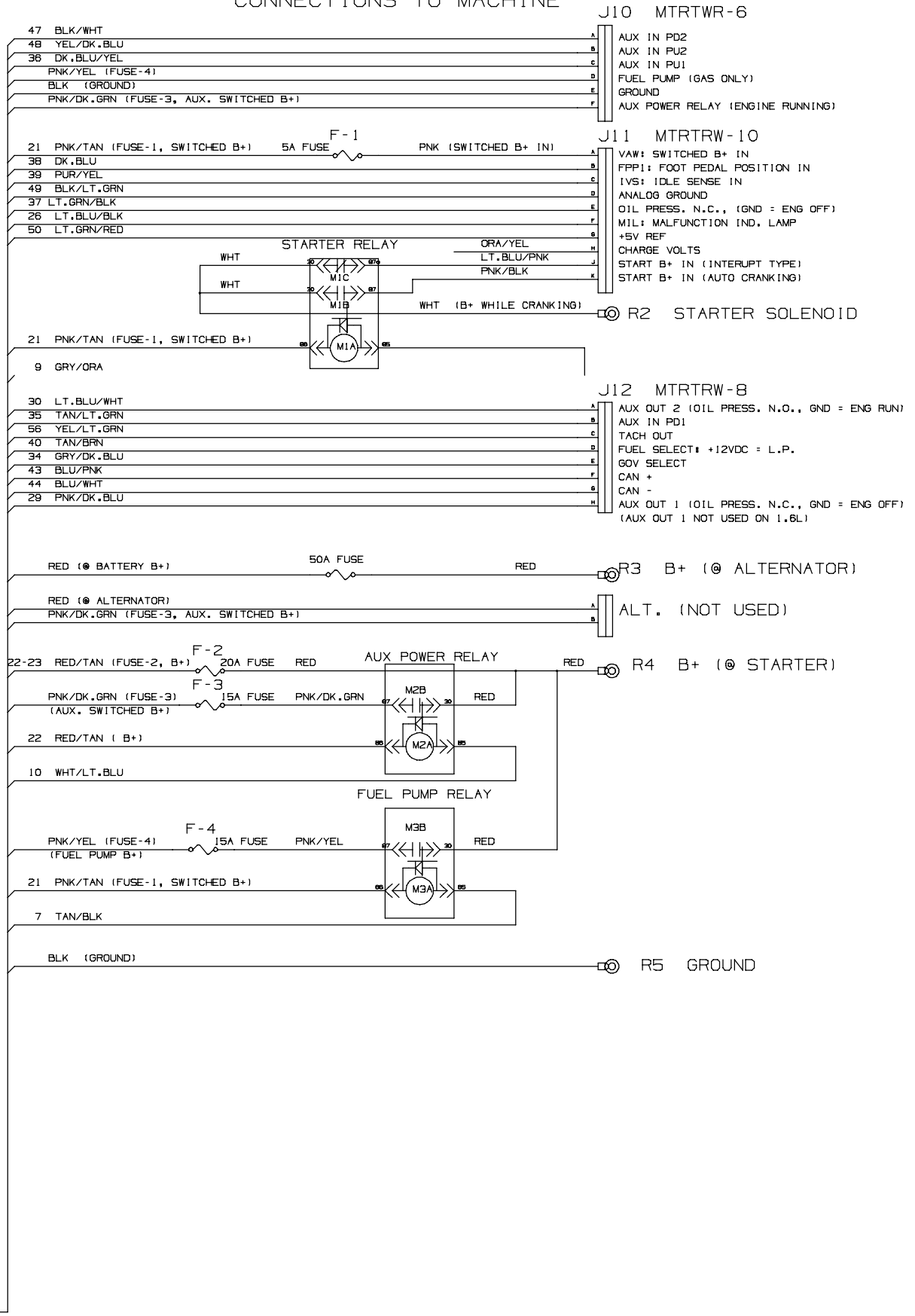
## Fig. 70 - Electrical Schematic (025000-029999)



1014370- 6600, G, LP

Fig. 70 - Electrical Schematic (025000-029999)

CONNECTIONS TO MACHINE



6

Fig. 71 - Electrical Schematic (030000- )

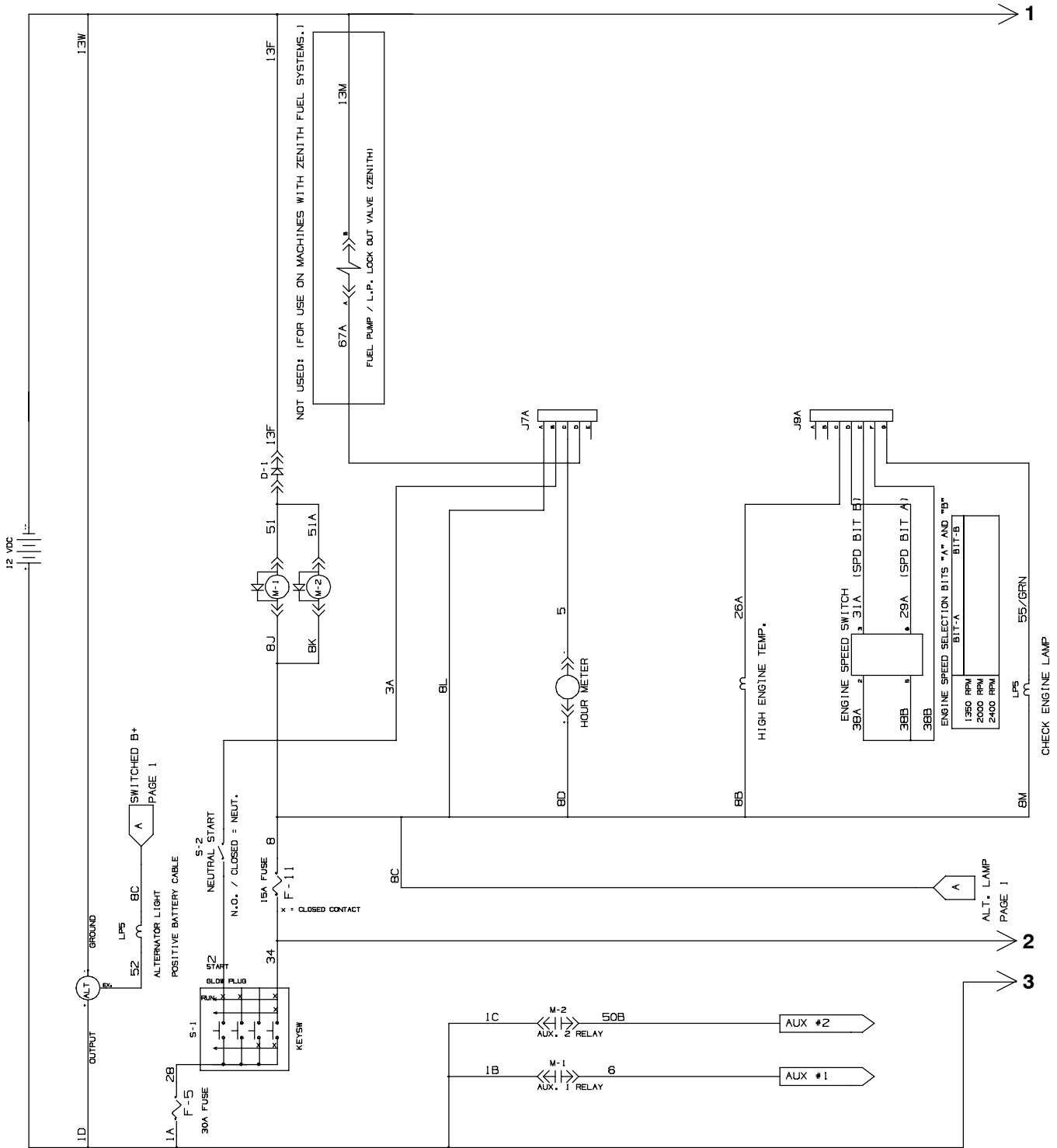
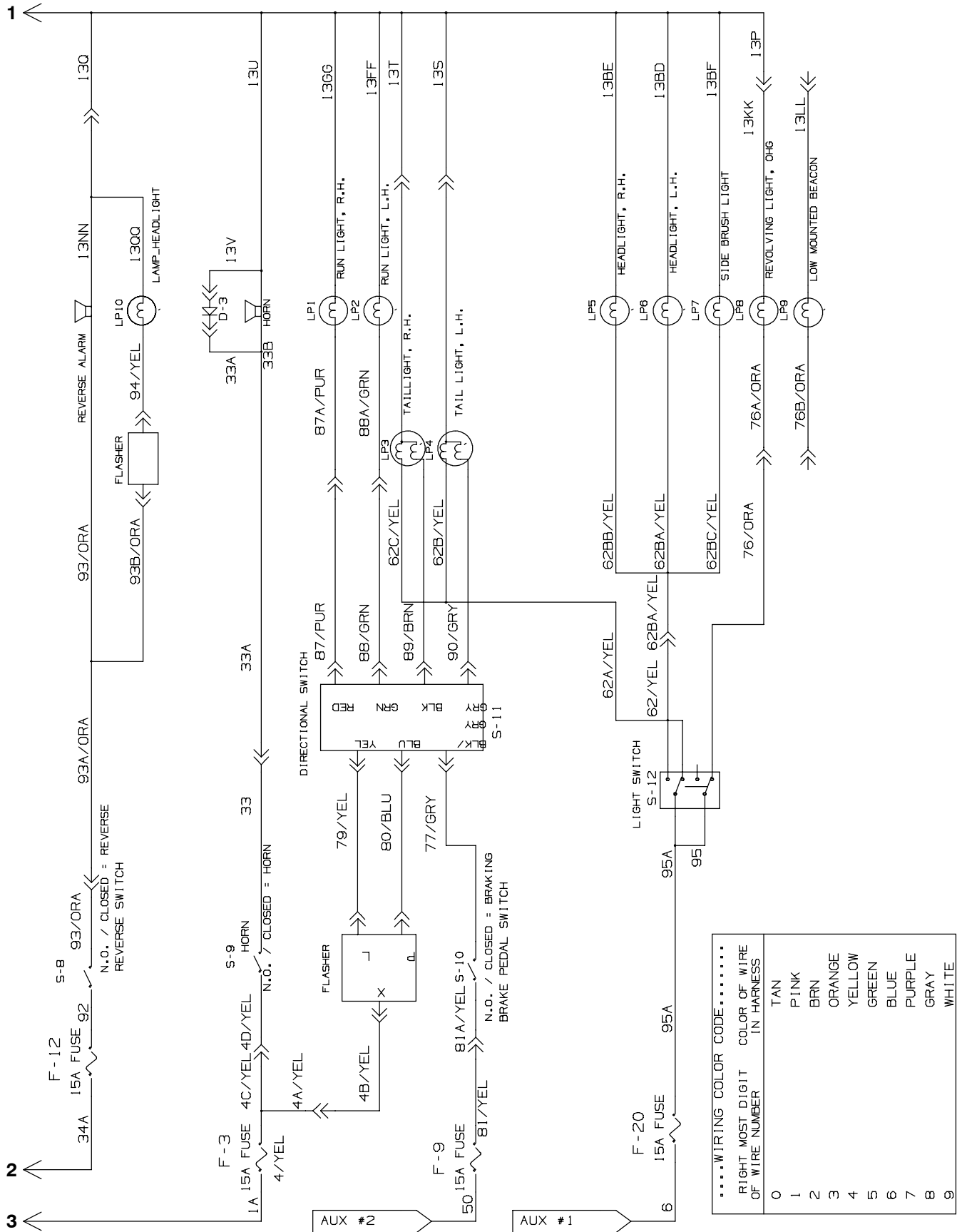
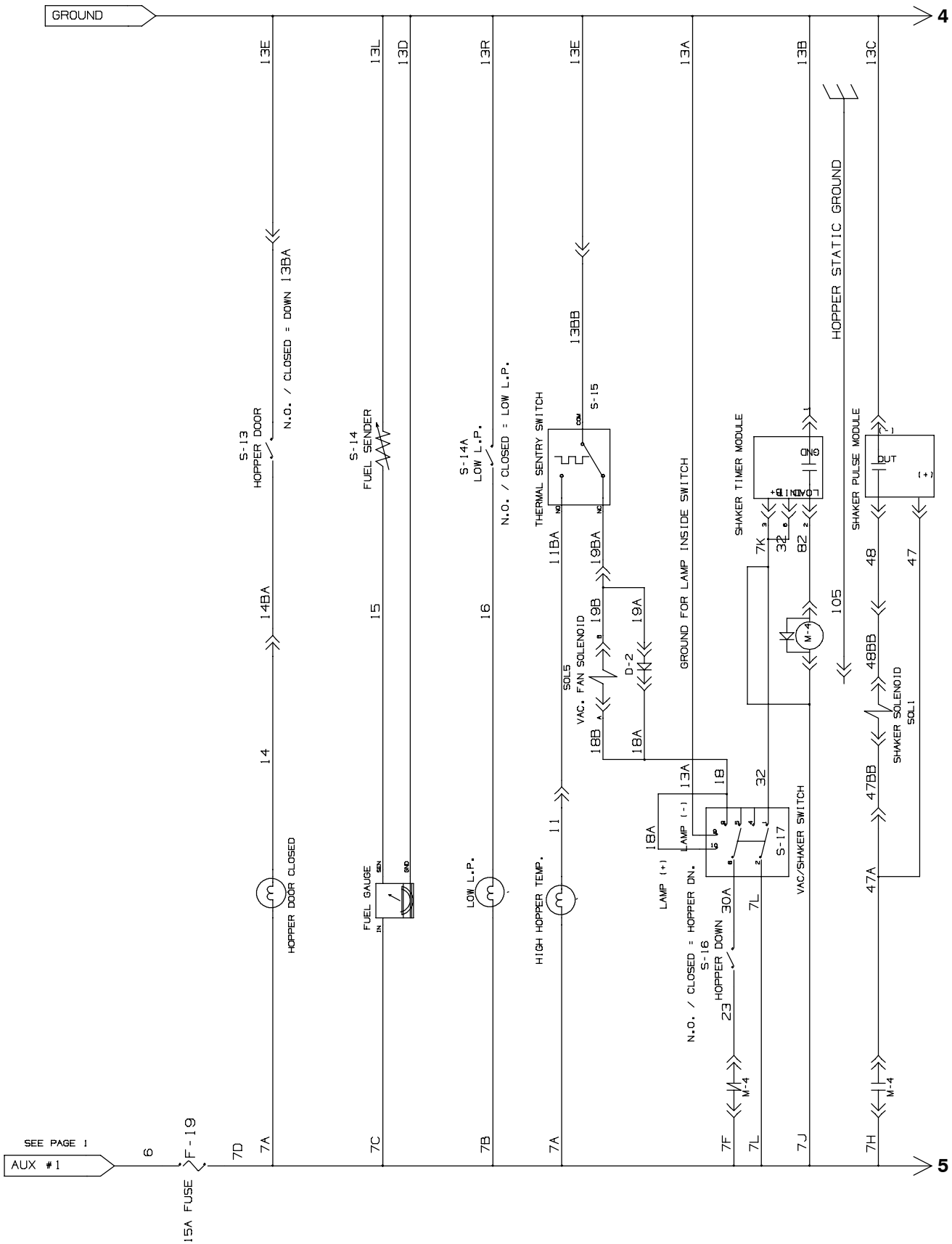


Fig. 71 - Electrical Schematic (030000- )



1014370 - 6600, G, LP

Fig. 71 - Electrical Schematic (030000- )



1014370 - 6600, G, LP

Fig. 71 - Electrical Schematic (030000- )

OPTIONAL AC AND CAB HARNESSES

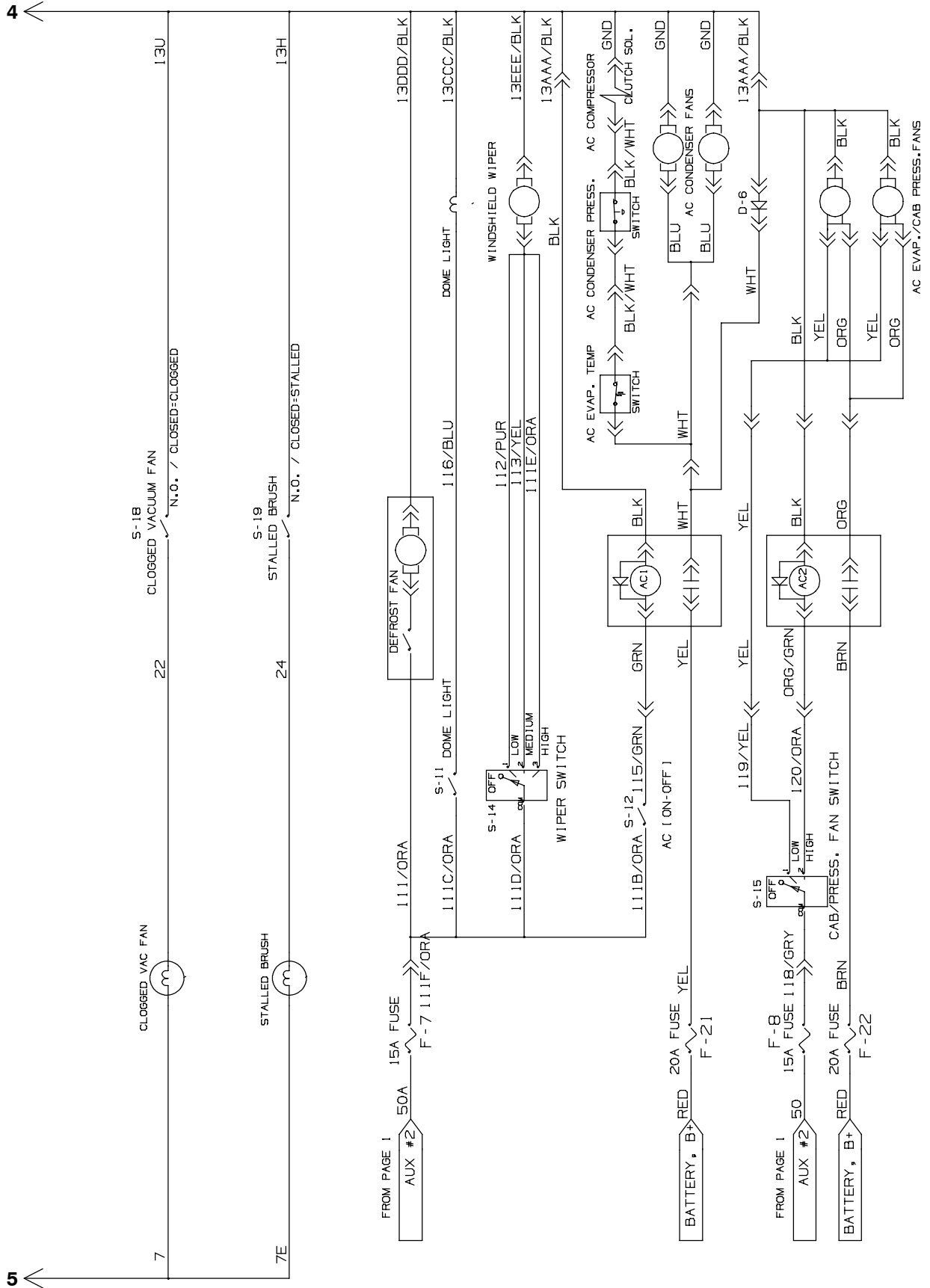


Fig. 71 - Electrical Schematic (030000- )

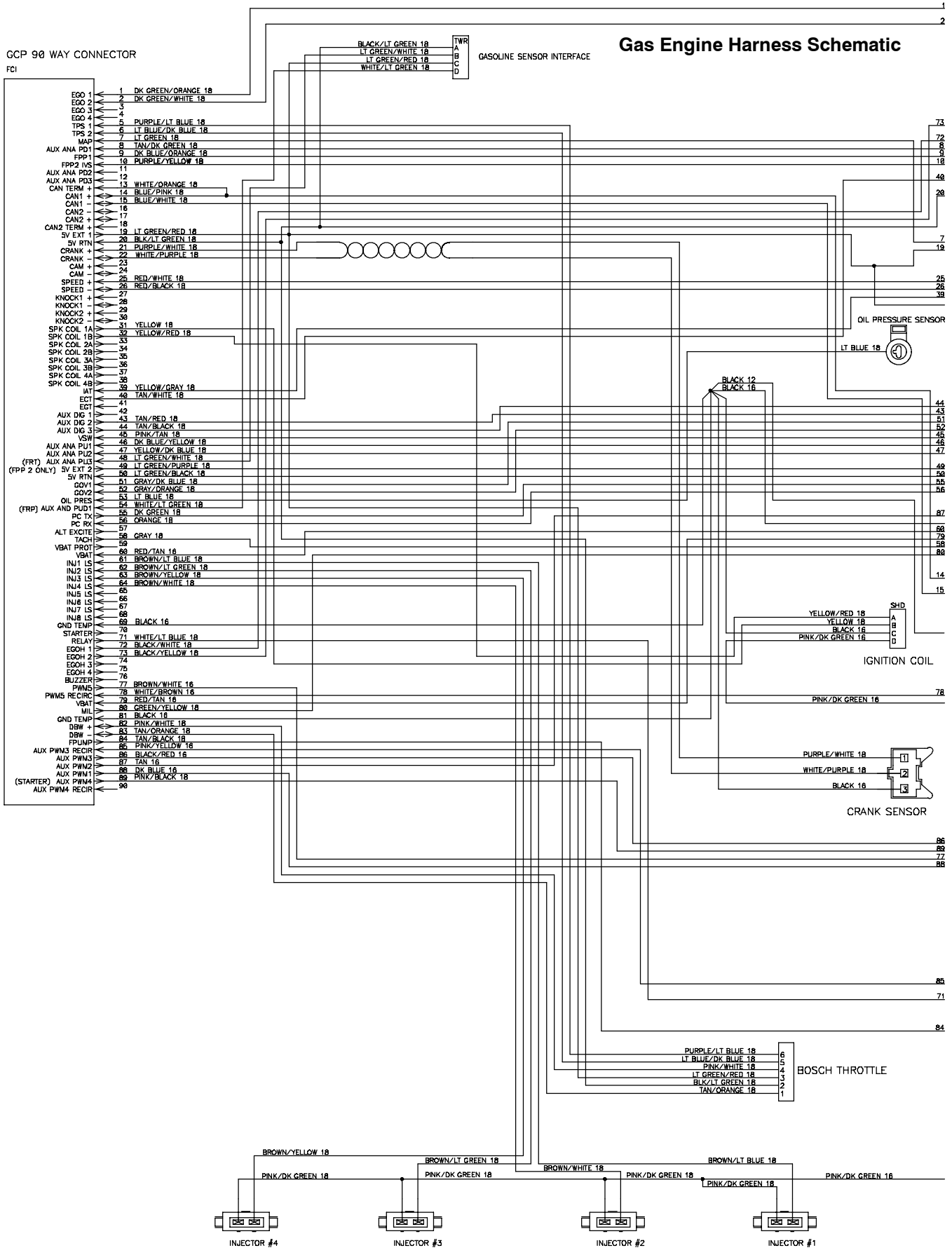
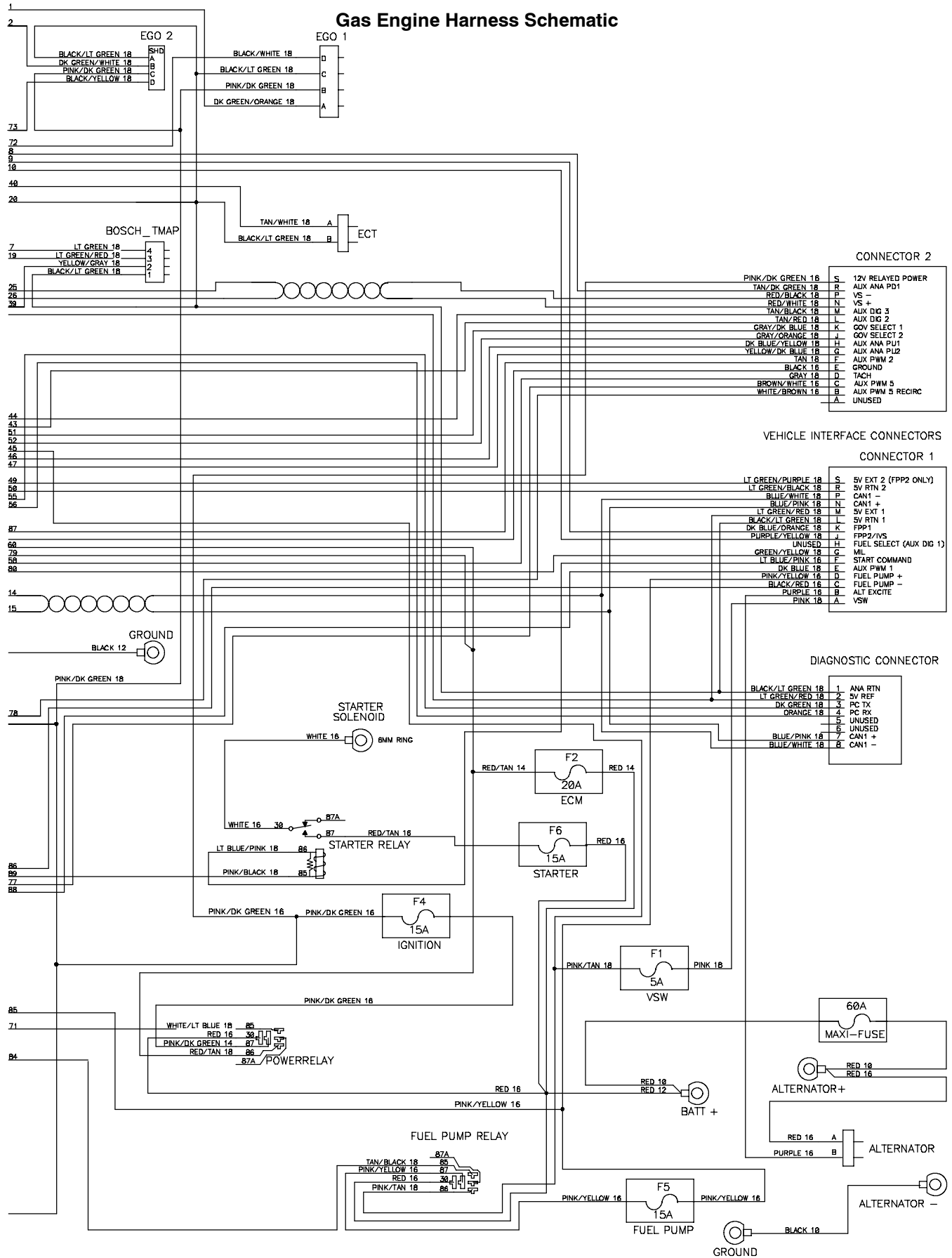




Fig. 71 - Electrical Schematic (030000- )

Gas Engine Harness Schematic



## Fig. 71 - Electrical Schematic (030000- ) LPG Engine Harness Schematic

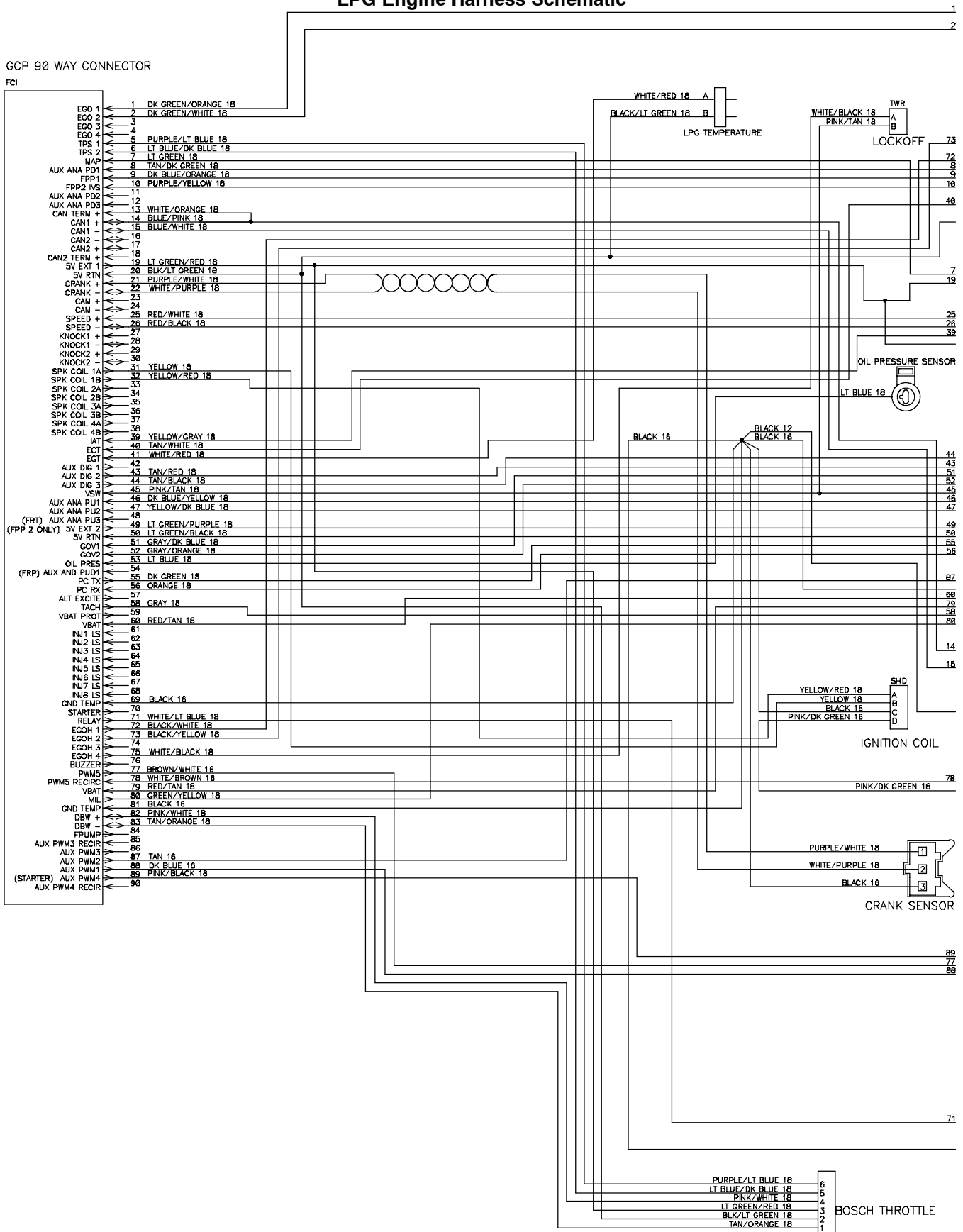


Fig. 71 - Electrical Schematic (030000- )

LPG Engine Harness Schematic

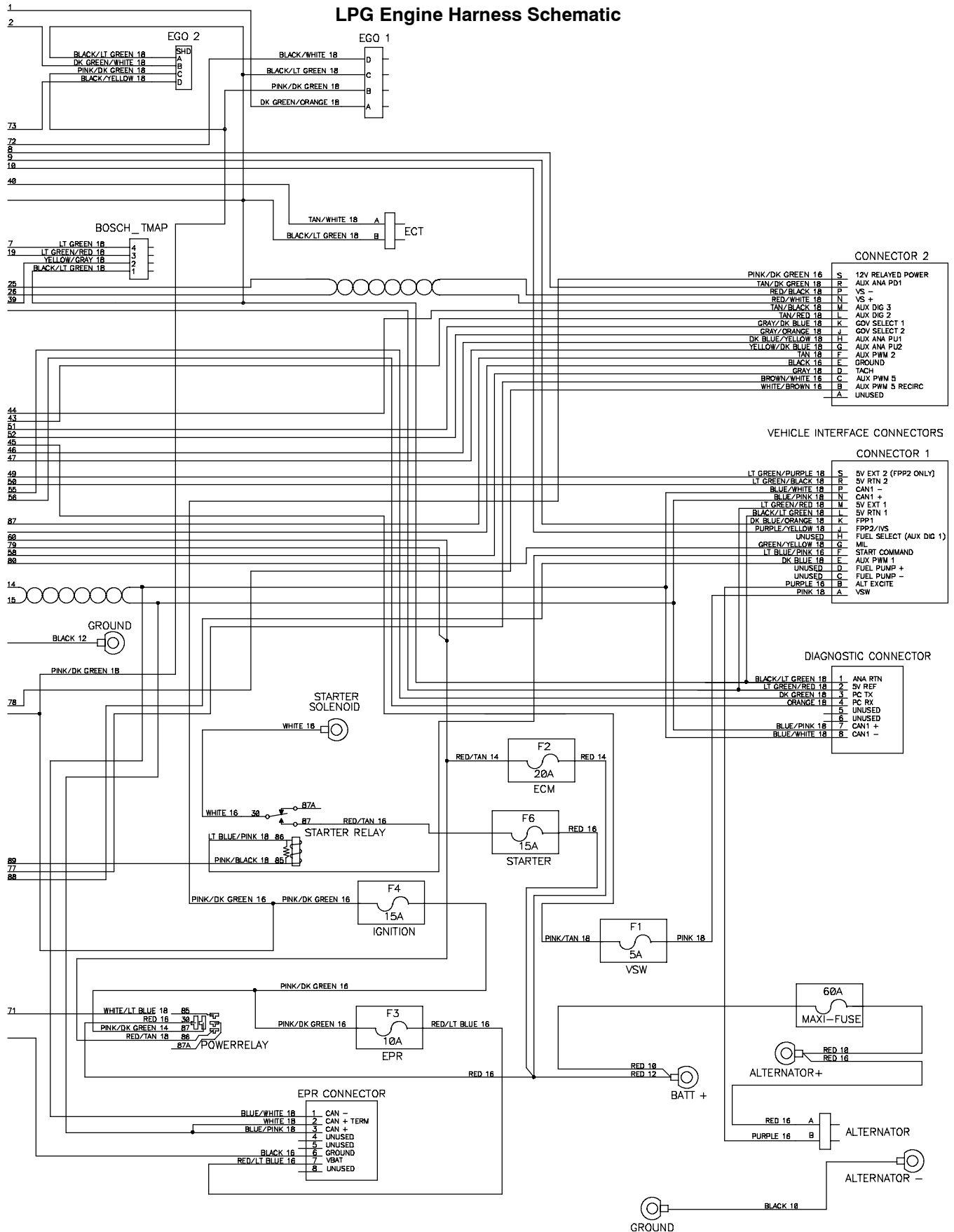


Fig. 71 - Electrical Schematic (030000- )

Engine Harness Adaptor Schematic

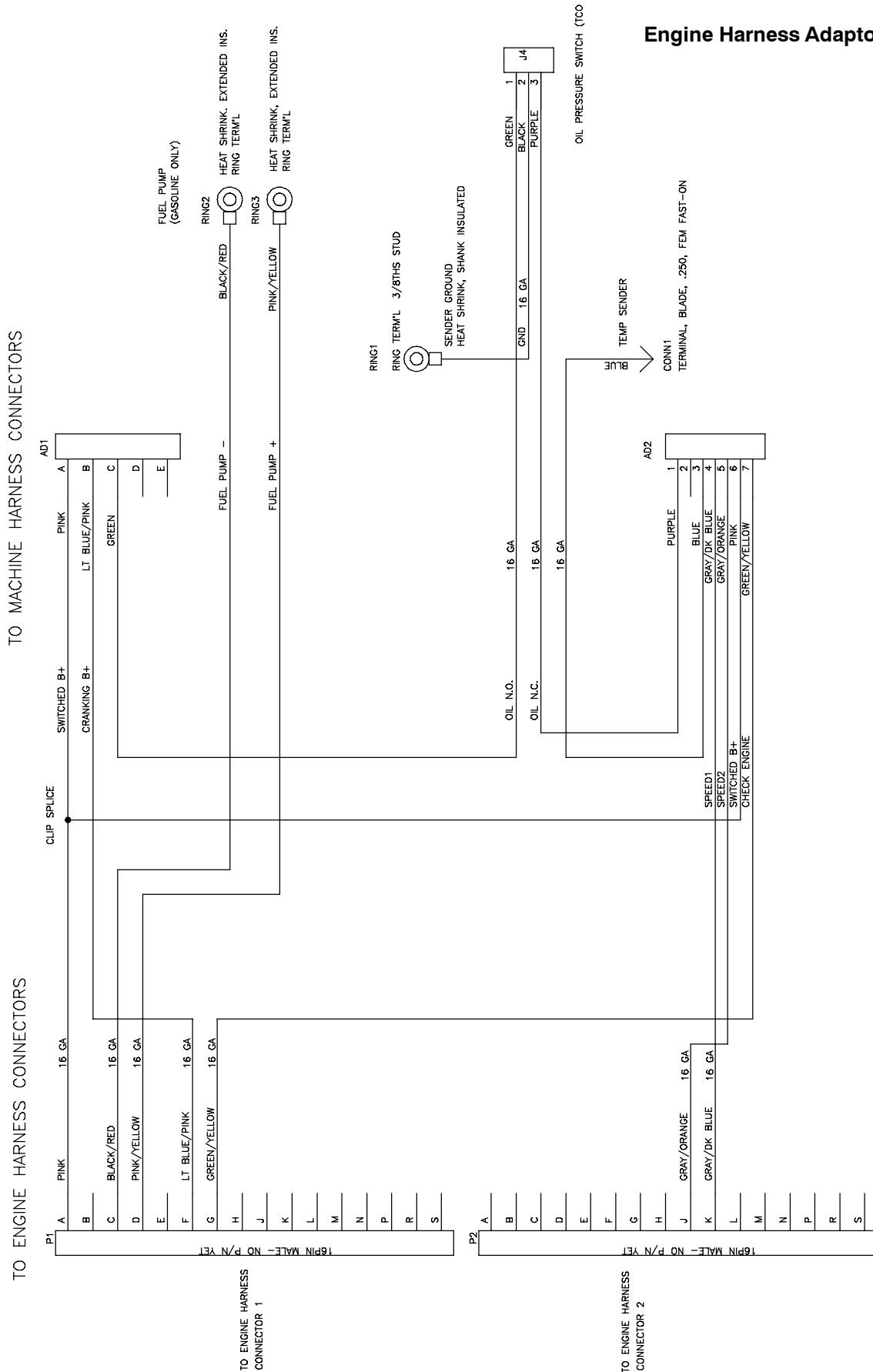




Fig. 72 - Electrical Wire Harness Group

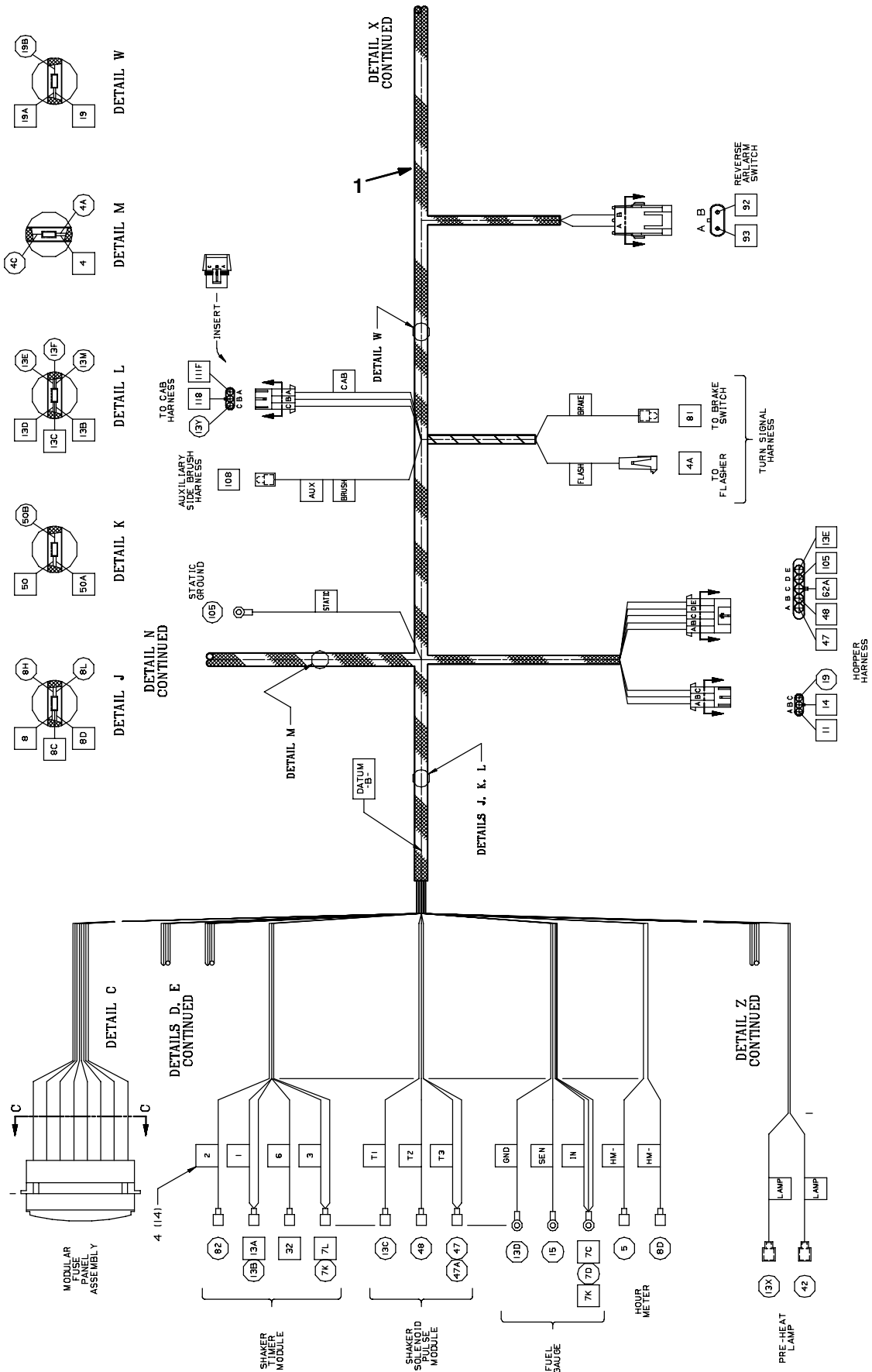


Fig. 72 - Electrical Wire Harness Group

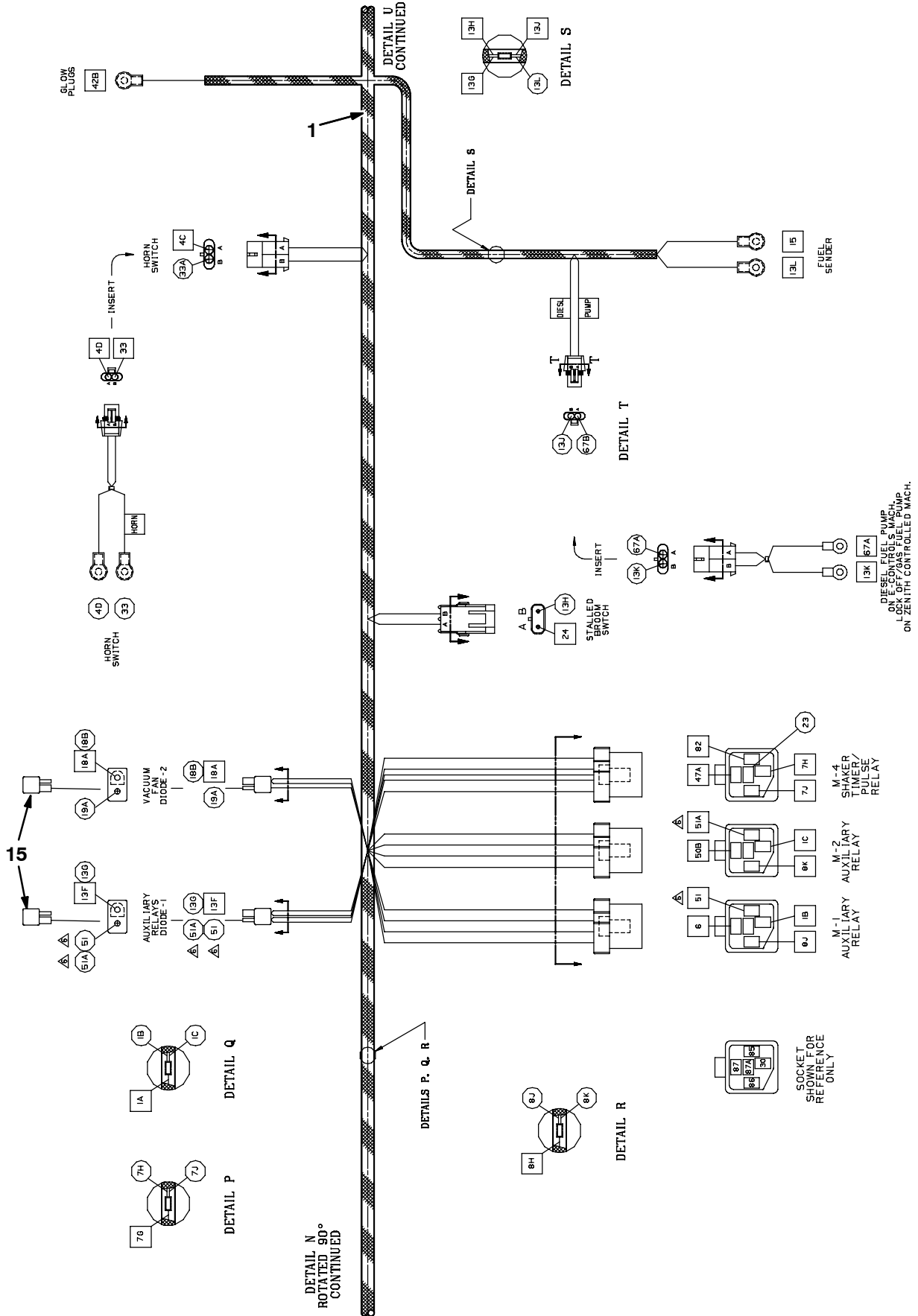


Fig. 72 - Electrical Wire Harness Group

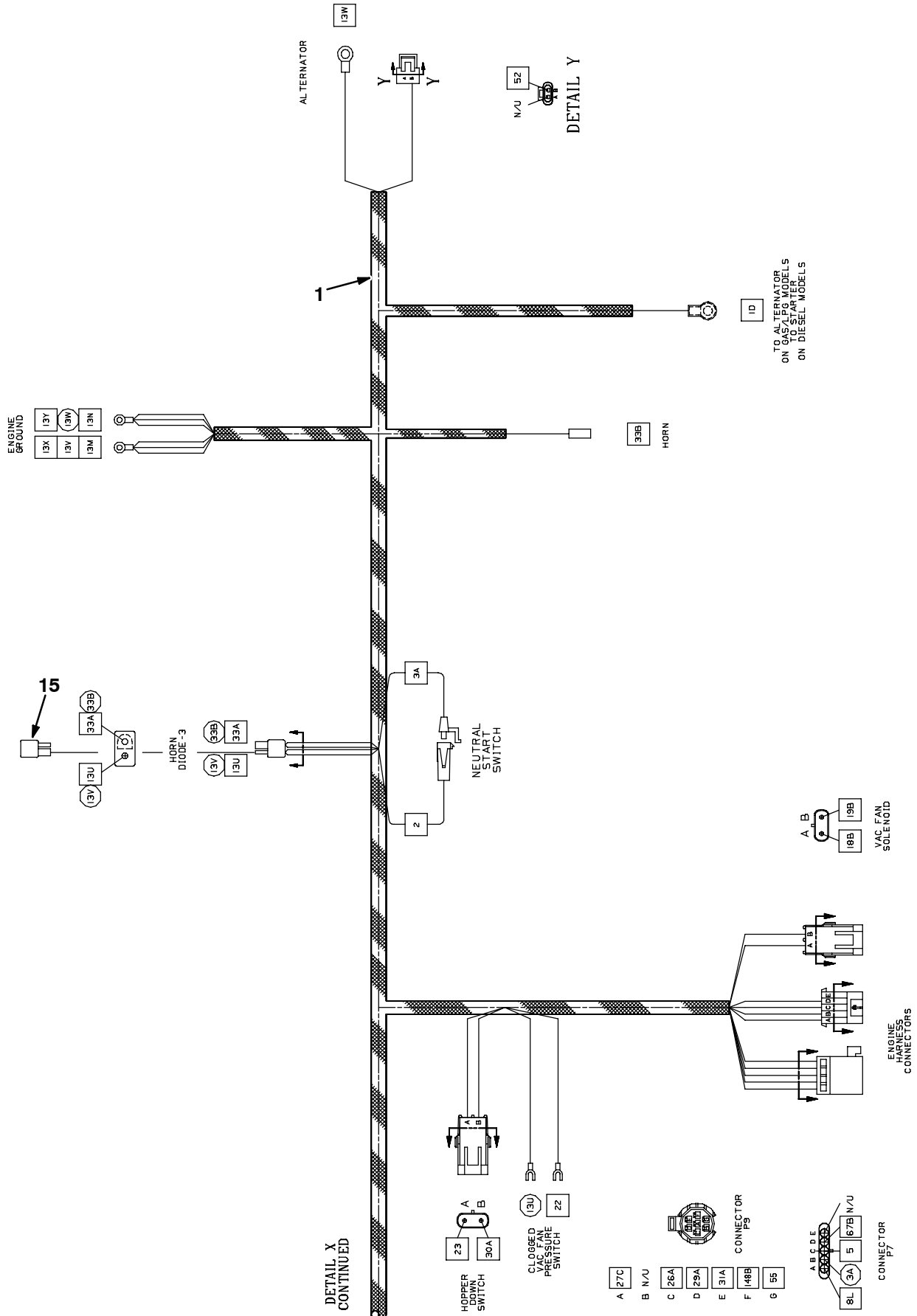
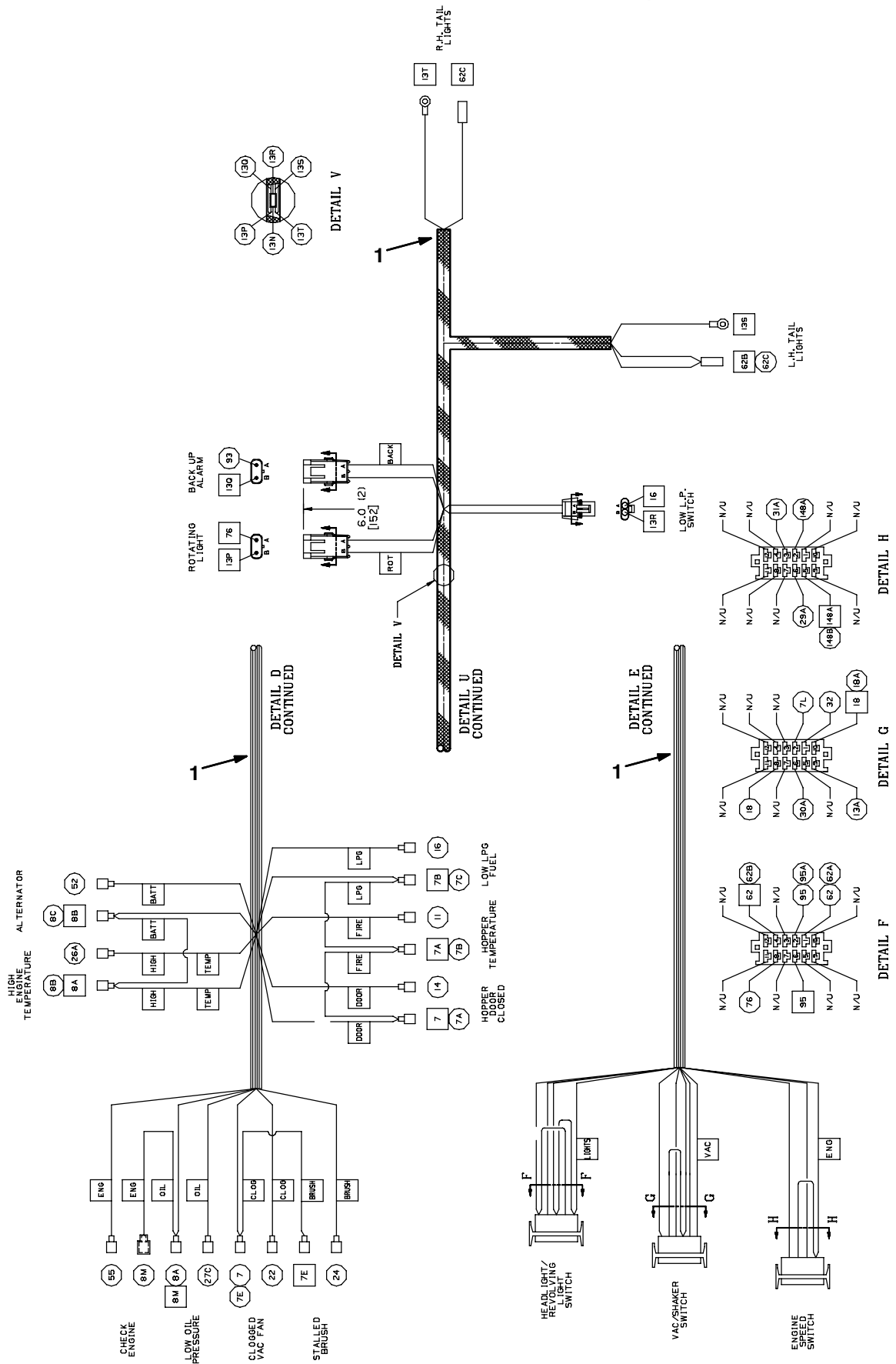
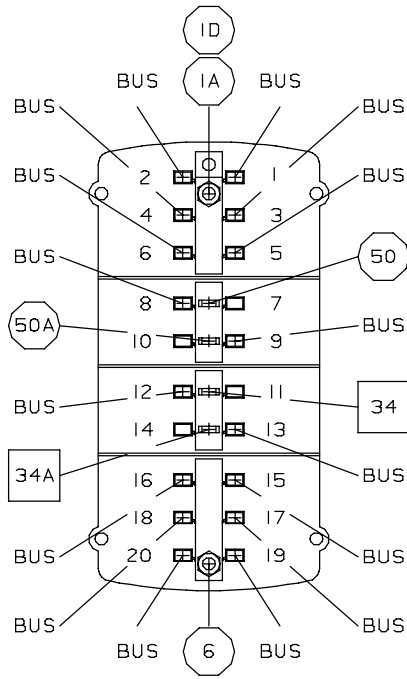




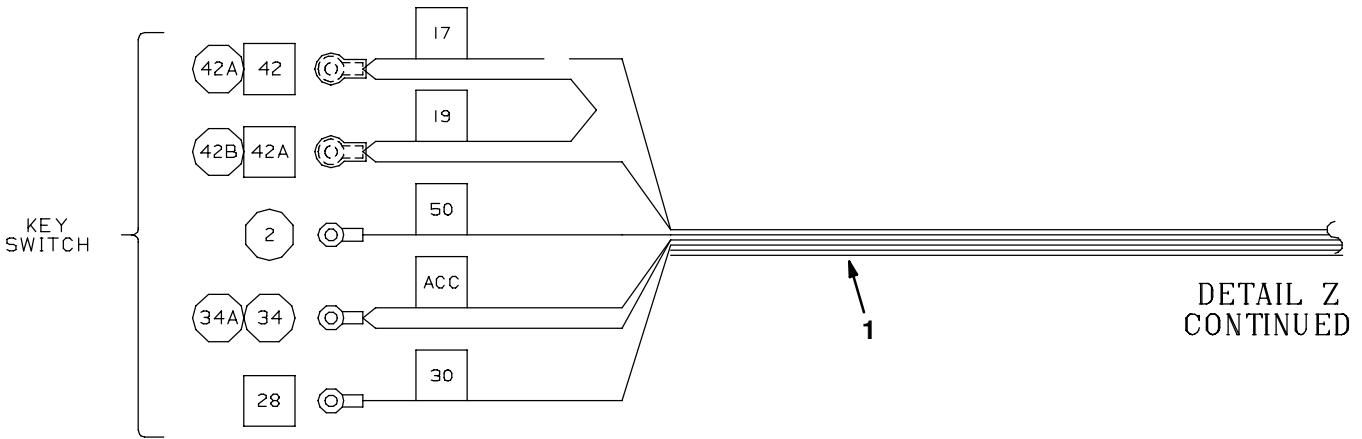
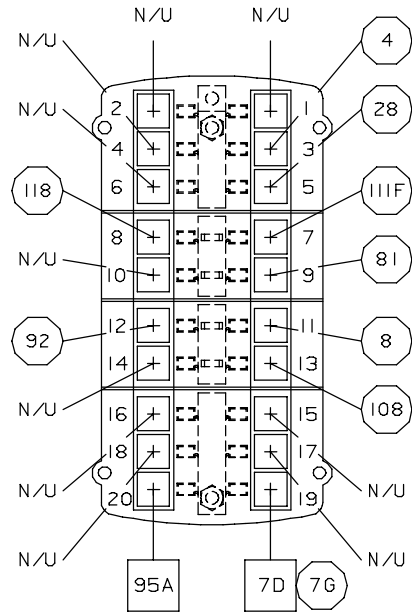
Fig. 72 - Electrical Wire Harness Group



**Fig. 72 - Electrical Wire Harness Group**



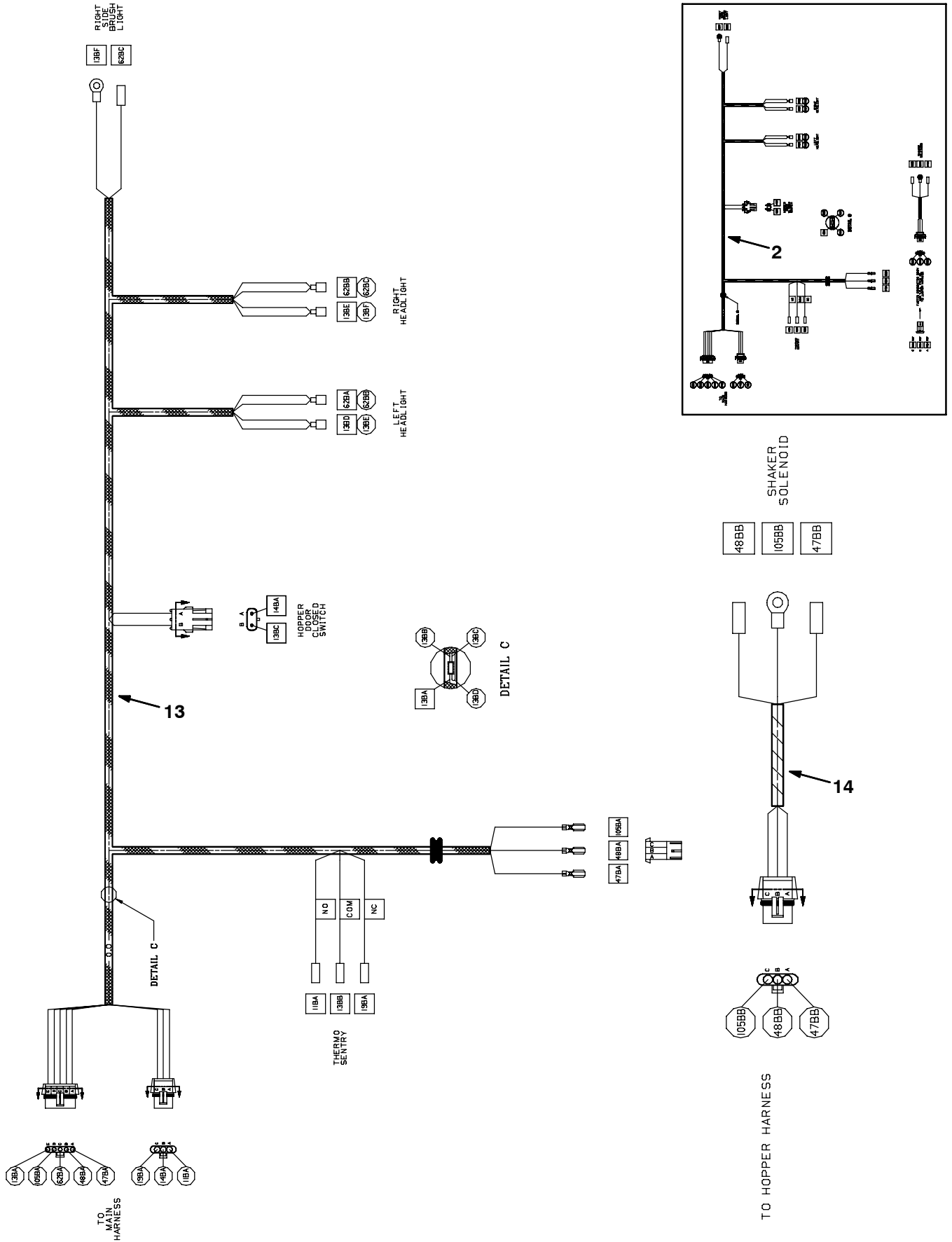
DETAIL C  
VIEWED FROM  
THE BACK  
CONTINUED



DETAIL Z  
CONTINUED

354032 - 6600

Fig. 72 - Electrical Wire Harness Group



**Fig. 72 - Electrical Wire Harnesses Group**  
ENGINE COMPONENTS

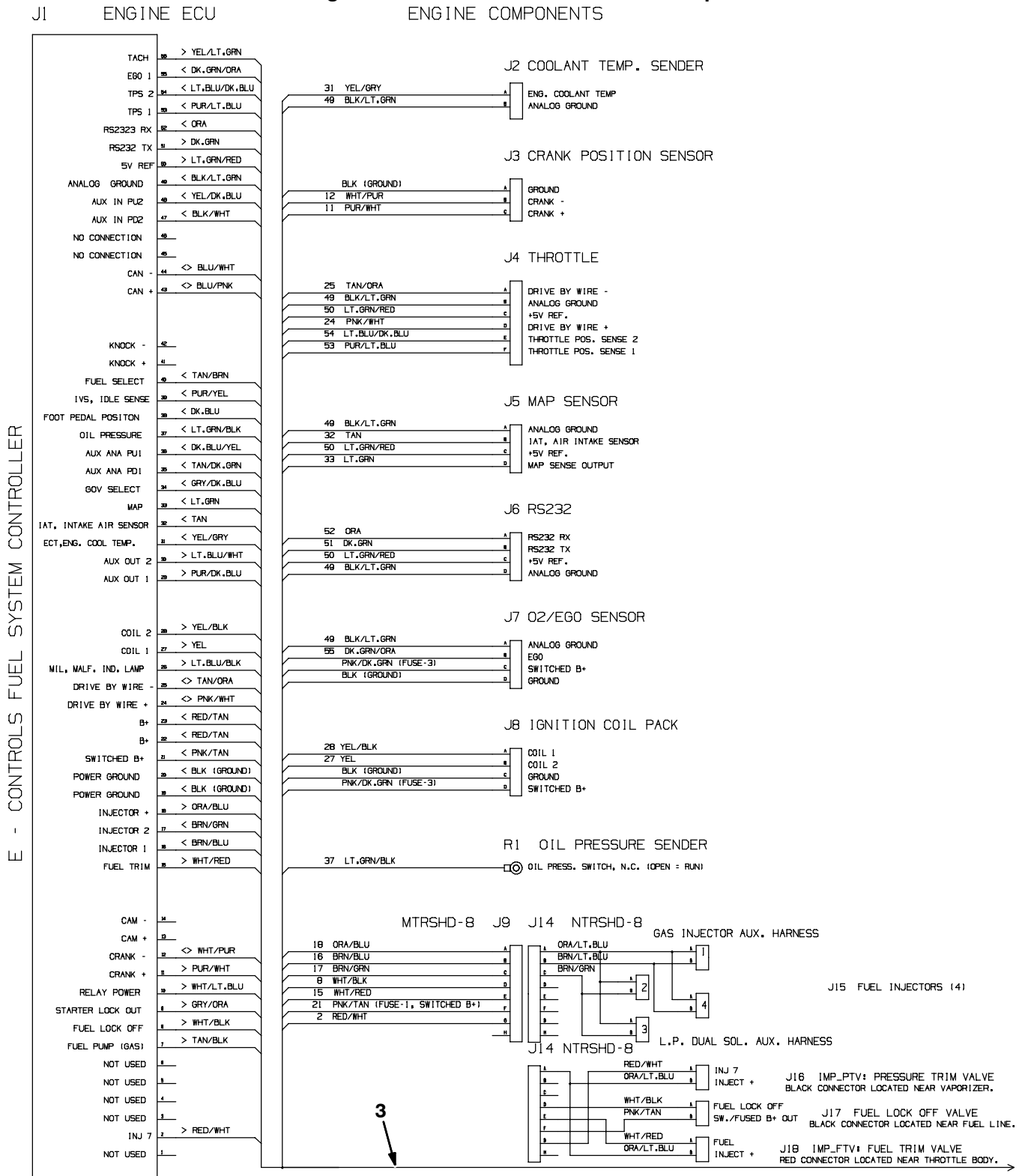
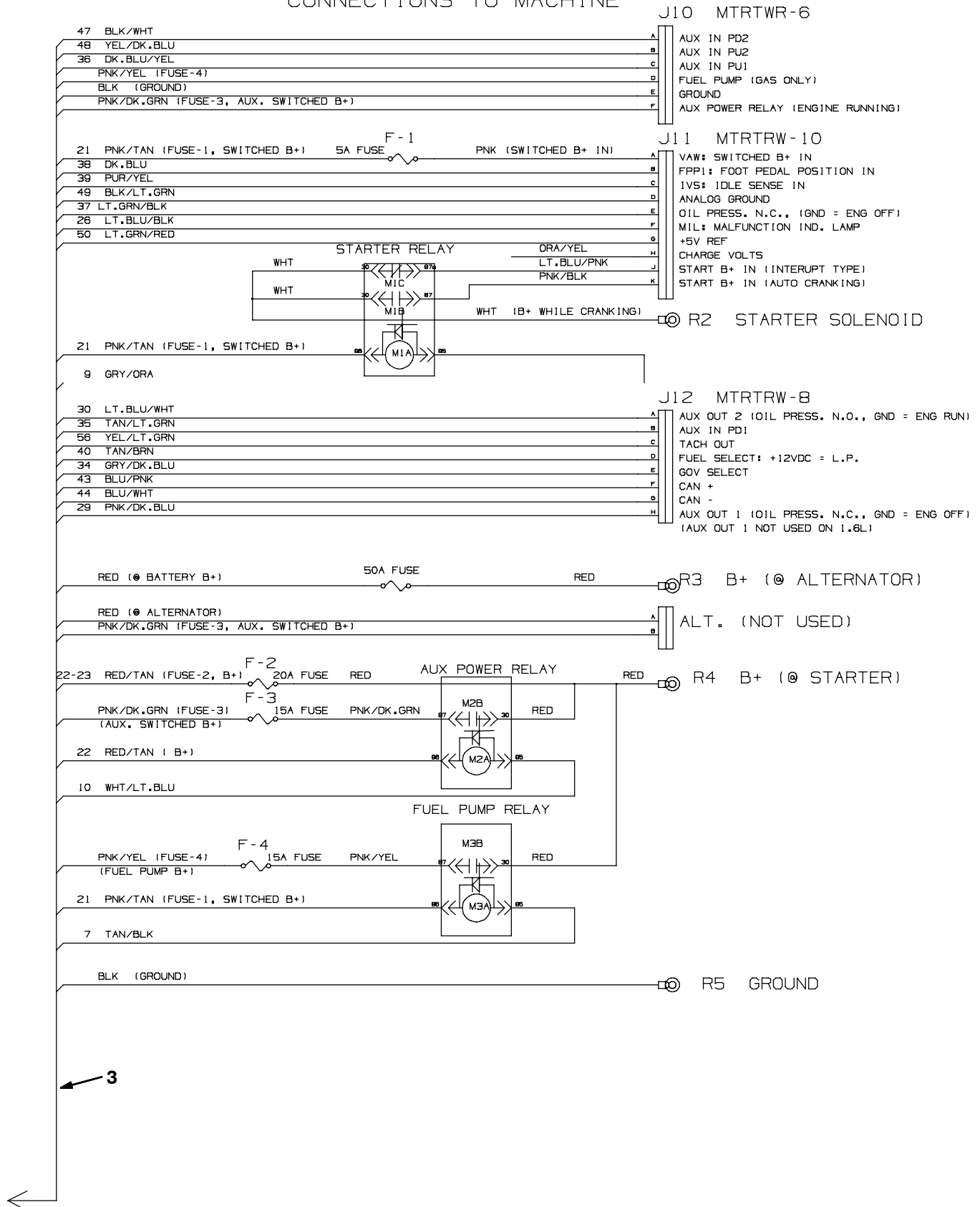
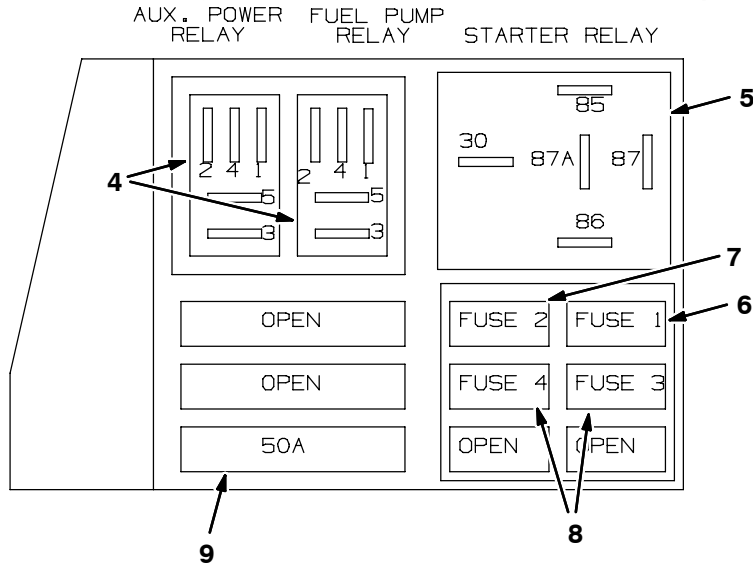


Fig. 72 - Electrical Wire Harness Group

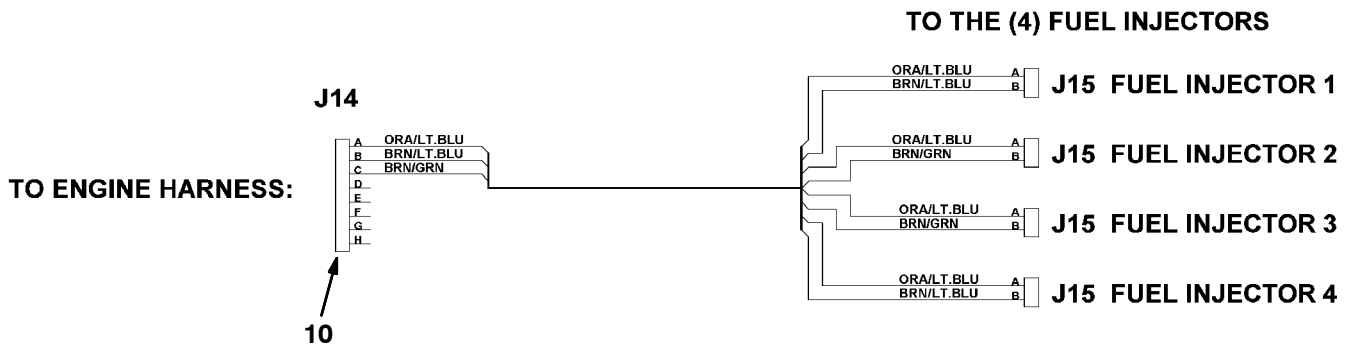
CONNECTIONS TO MACHINE



**Fig. 72 - Electrical Wire Harnesses Group**



**GAS INJECTOR AUX. HARNESS**



**L.P. DUAL SOL. AUX. HARNESS**

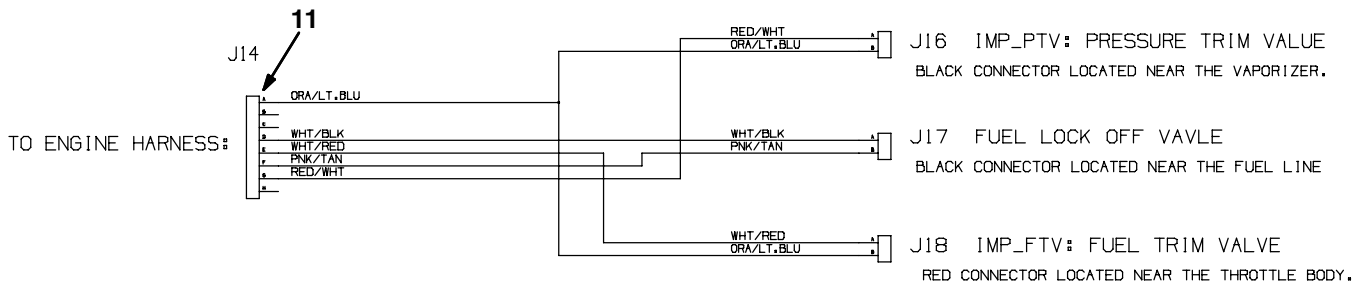
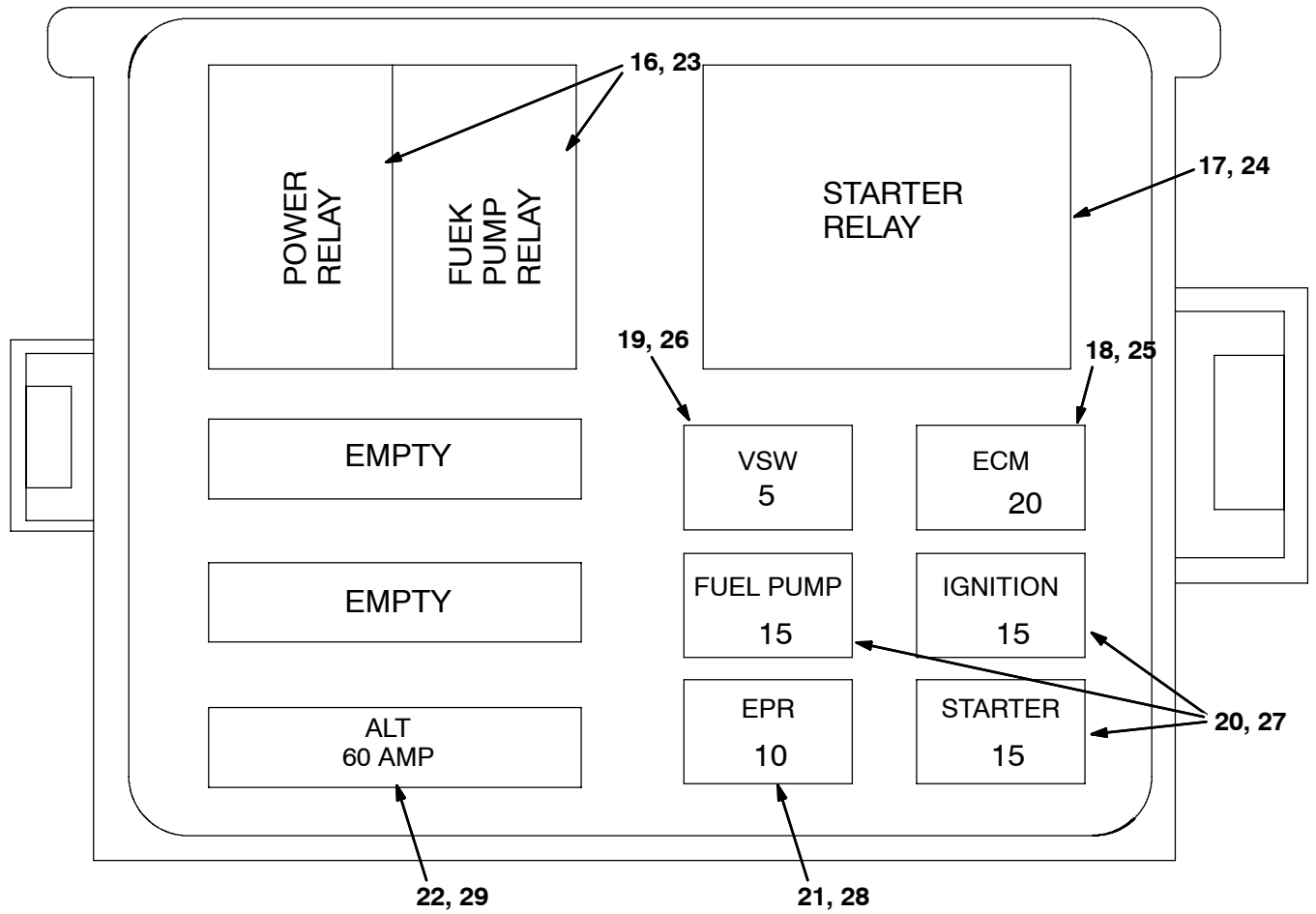


Fig. 72 - Electrical Wire Harnesses Group



## Fig. 72 - Electrical Wire Harness Group

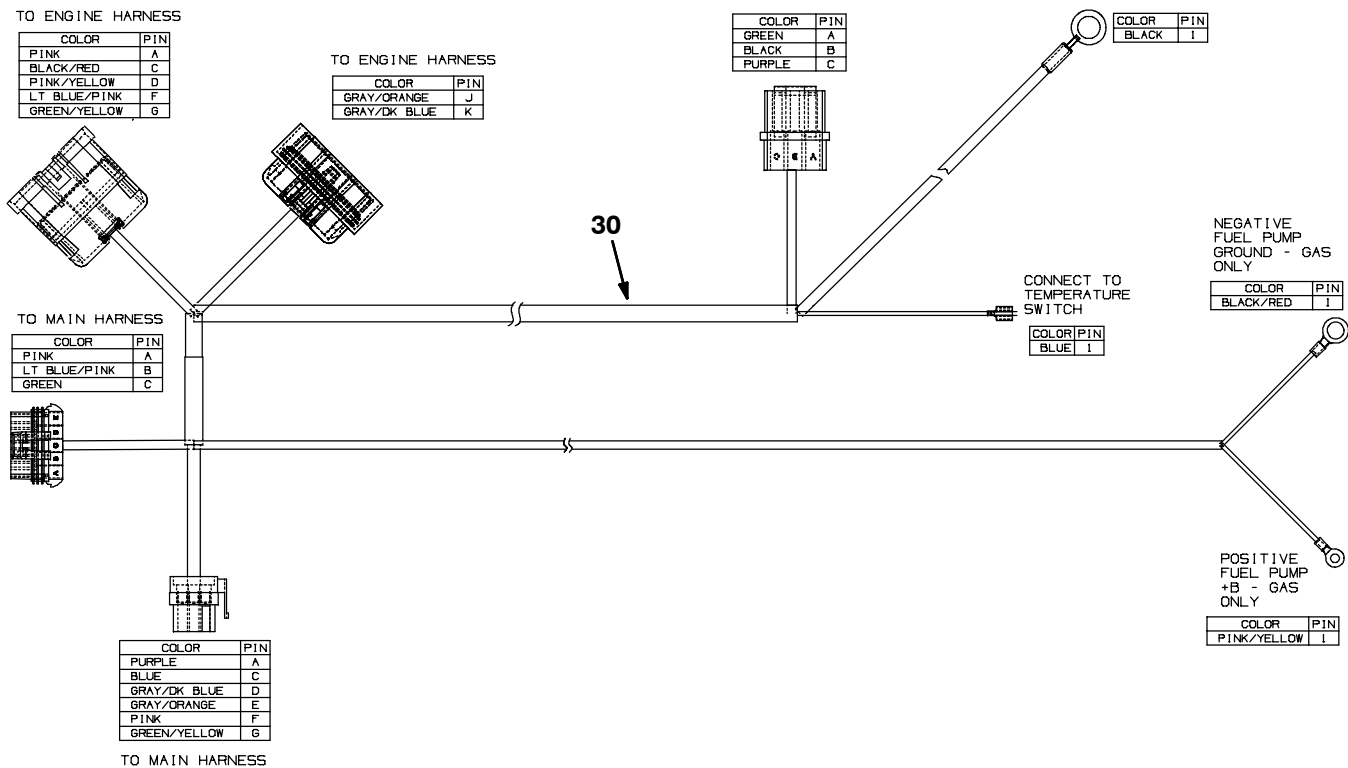
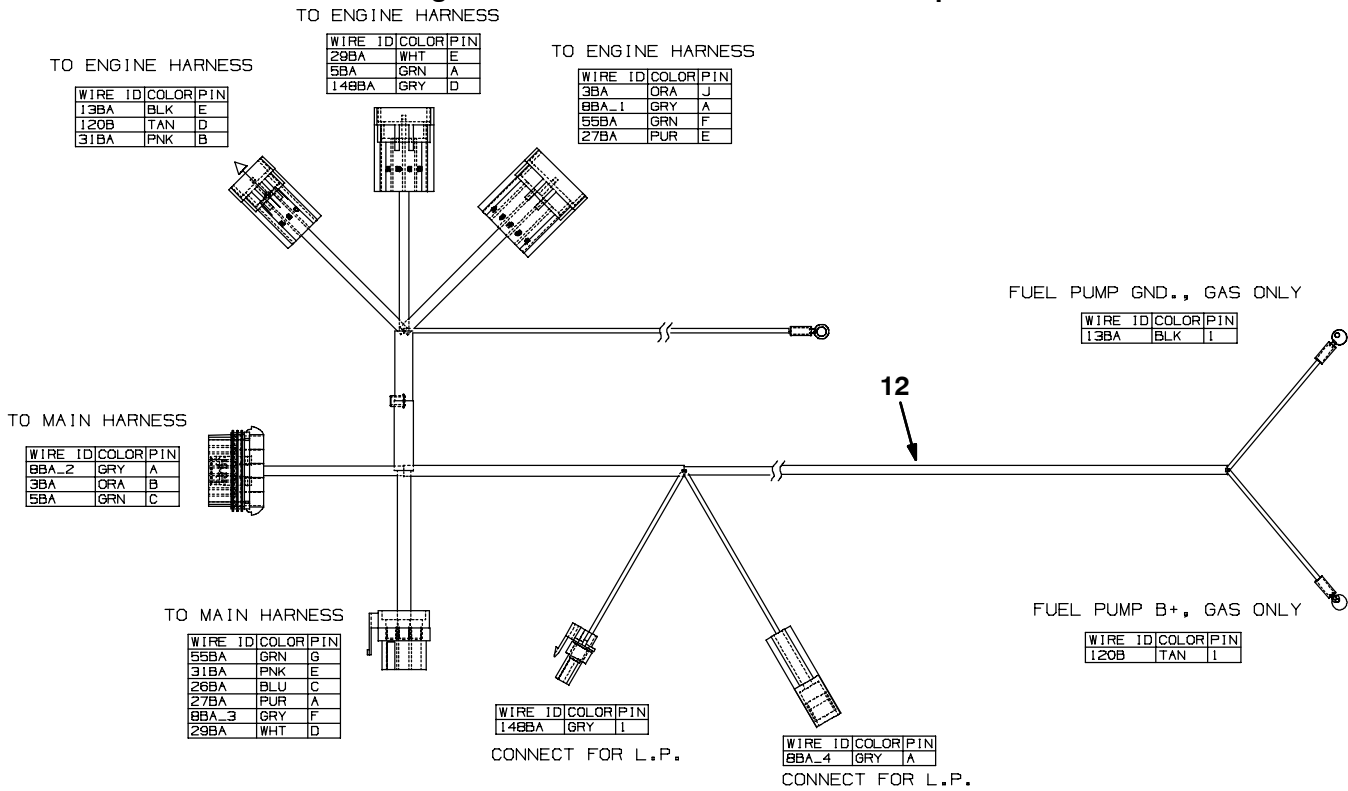
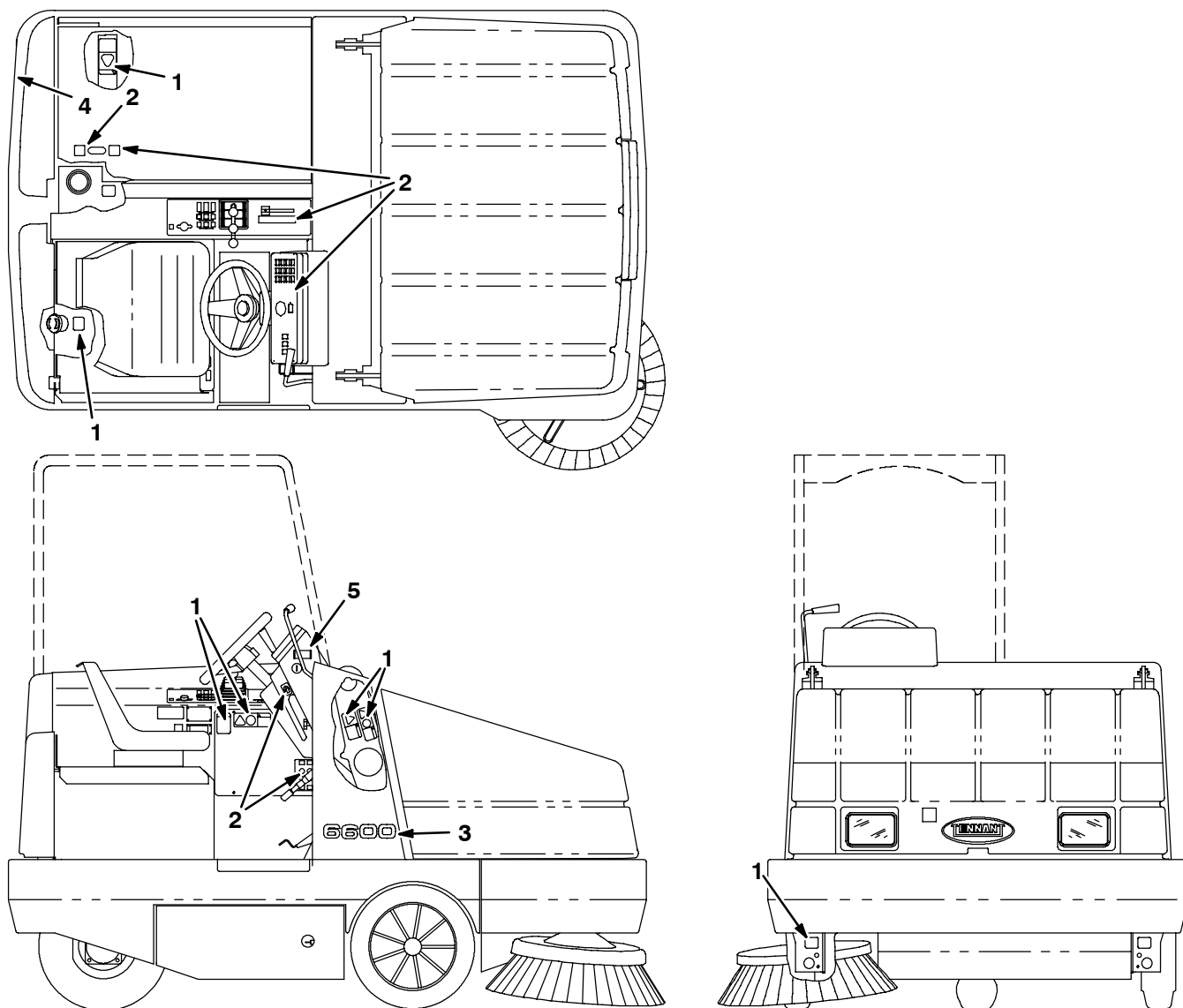




Fig. 72 - Electrical Wire Harnesses Group

Ref.	Part No.	Serial Number	Description	Qty.
	1	377095	(000000- ) Harness, Main [6600]	1
	2	377046	(000000-025957 ) Harness, Hppr [6600/6650]	1
		371859	(000000-024999 ) Harness, Eng, Gas / Lpg [6600/6650]	1
▽	3	1011018	(025000-029999 ) Harness, Eng [1.6l, Gm, E-cntrl]	1
▲	4	394916	(025000-029999 ) Relay, 12vdc, 20a, Spdt	2
▲	5	57804	(025000-029999 ) Relay, 12vdc, 40a, Spdt	1
▲	6	372235	(025000-029999 ) Fuse, 5 Amp, [Min-5]	1
▲	7	372237	(025000-029999 ) Fuse, 20 Amp, [Min-20]	1
▲	8	372236	(025000-029999 ) Fuse, 15 Amp, [Min-15]	2
▲	9	394921	(025000-029999 ) Fuse, 50amp	1
	10	1011019	(025000-029999 ) Harness, Injector, Gas [1.6l,Gm,E-cntrl]	1
	11	1011020	(025000-029999 ) Harness, Injector, Lpg [1.6l,Gm,E-cntrl]	1
	12	1012655	(025000-029999 ) Harness, Adaptor [6600/6650]	1
	13	391955	(025958- ) Harness, Hppr [6600/6650]	1
	14	391956	(025958- ) Harness, Solenoid, Shakr [6600/6650]	1
	15	222290	(025000- ) Diode, Ele, Plug	3
▽		384997	(030000- ) Harness, Wire, Eng, Gas [Gm 1.6l]	1
▲	16	394916	(030000- ) Relay, 12vdc, 20a, Spdt	2
▲	17	57804	(030000- ) Relay, 12vdc, 40a, Spdt	1
▲	18	372237	(030000- ) Fuse, 20 Amp, [Min-20]	1
▲	19	372235	(030000- ) Fuse, 5 Amp, [Min-5]	1
▲	20	372236	(030000- ) Fuse, 15 Amp, [Min-15]	3
▲	21	384999	(030000- ) Fuse, 10 Amp	1
▲	22	384998	(030000- ) Fuse, 60 Amp	1
▽		384990	(030000- ) Harness, Wire, Eng, Lpg [Gm 1.6l]	1
▲	23	394916	(030000- ) Relay, 12vdc, 20a, Spdt	2
▲	24	57804	(030000- ) Relay, 12vdc, 40a, Spdt	1
▲	25	372237	(030000- ) Fuse, 20 Amp, [Min-20]	1
▲	26	372235	(030000- ) Fuse, 5 Amp, [Min-5]	1
▲	27	372236	(030000- ) Fuse, 15 Amp, [Min-15]	3
▲	28	384999	(030000- ) Fuse, 10 Amp	1
▲	29	384998	(030000- ) Fuse, 60 Amp	1
	30	1032215	(030000- ) Harness, Adapter	1

**Fig. 73 - Label Group**



354037 - 6600, NA

Ref.	Part No.	Serial Number	Description	Qty.
1	59767	(000000- )	Label Set, Info/Hzrd, [Multi-Machines]	1
2	377097	(000000- )	Label Set, Opertnl [6600]	1
3	377094	(000000- )	Label, Numerals [6600]	2
4	1017141	(025000- )	Label Set, Hi Temp	1
5	1020434	(025000- )	Label, Caution [Apply Parking Brake]	1

# SECTION 3

Contents	Page
Fig. 1 - Signal Light Kit	3-2
Fig. 2 - Flashing Light Kit, Overhead Guard	3-4
Fig. 3 - Revolving Light Kit, Overhead Guard	3-6
Fig. 4 - Flashing Light Kit, LRC	3-8
Fig. 5 - Revolving Light Kit, LRC	3-10
Fig. 6 - Flashing Light Kit, Cab	3-12
Fig. 7 - Revolving Light Kit, Cab	3-14
Fig. 8 - Flashing Light Kit, Flush Mounting	3-16
Fig. 9 - Revolving Light Kit, Flush Mounting	3-18
Fig. 10 - Back-Up Alarm Kit, LRC	3-20
Fig. 11 - Back-Up Alarm Kit, Cab	3-22
Fig. 12 - Overhead Guard Kit	3-24
Fig. 13 - Seat Belt Group	3-26
Fig. 14 - Cab Insulation Group	3-28
Fig. 15 - Cab Frame and Windows Group	3-30
Fig. 16 - Cab Door Group	3-32
Fig. 17 - Cab Electrical and Wiper Group	3-34
Fig. 18 - Cab Dust Kit	3-36
Fig. 19 - Cab Vent and Duct Group	3-38
Fig. 20 - Heater and Pressurizer Group (000000-024999)	3-40
Fig. 21 - Heater and Pressurizer Group (025000- )	3-42
Fig. 22 - Air Conditioning and Heater Group (000000-024999)	3-44
Fig. 23 - Air Conditioning and Heater Group (025000- )	3-46
Fig. 24 - Air Conditioning Engine Cover Group	3-48
Fig. 25 - Air Conditioning Compressor Group (000000-024999)	3-50
Fig. 26 - Air Conditioning Compressor Group (025000- )	3-52
Fig. 27 - Air Conditioning and Heater Electrical Group	3-54
Fig. 28 - Air Conditioning and Heater Wire Harness Group	3-55
Fig. 29 - Blower Wand Group	3-56
Fig. 30 - Blower Wand Group, Overhead Guard	3-58
Fig. 31 - Blower Wand Engine Cover Group	3-60
Fig. 32 - Vacuum Wand Kit	3-62
Fig. 33 - Vacuum Wand Kit, With Cab	3-64
Fig. 34 - Operator Comfort Kit	3-66
Fig. 35 - Side Brush Dust Control Kit	3-68

Contents	Page
Fig. 36 - Soft Ride Non Marking Rear Tire And Wheel Assembly	3-70
Fig. 37 - Soft Ride Rear Tire And Wheel Assembly	3-71
Fig. 38 - Hi-Wear Rear Tire And Wheel Assembly	3-72
Fig. 39 - Foam Filled Rear Tire Assembly	3-73
Fig. 40 - Solid Non Marking Turf Front Tire And Wheel Assembly	3-74
Fig. 41 - Solid Turf Tire And Wheel Assembly	3-75
Fig. 42 - Solid Non Marking Tire And Wheel Assembly	3-76
Fig. 43 - Fire Extinguisher Kit	3-77
Fig. 44 - Non-Catalytic Muffler Group (025000-025999)	3-78
Fig. 45 - Transport Kit	3-79
Fig. 46 - Documentation Group	3-80

-Fig. 1 - Signal Light Kit

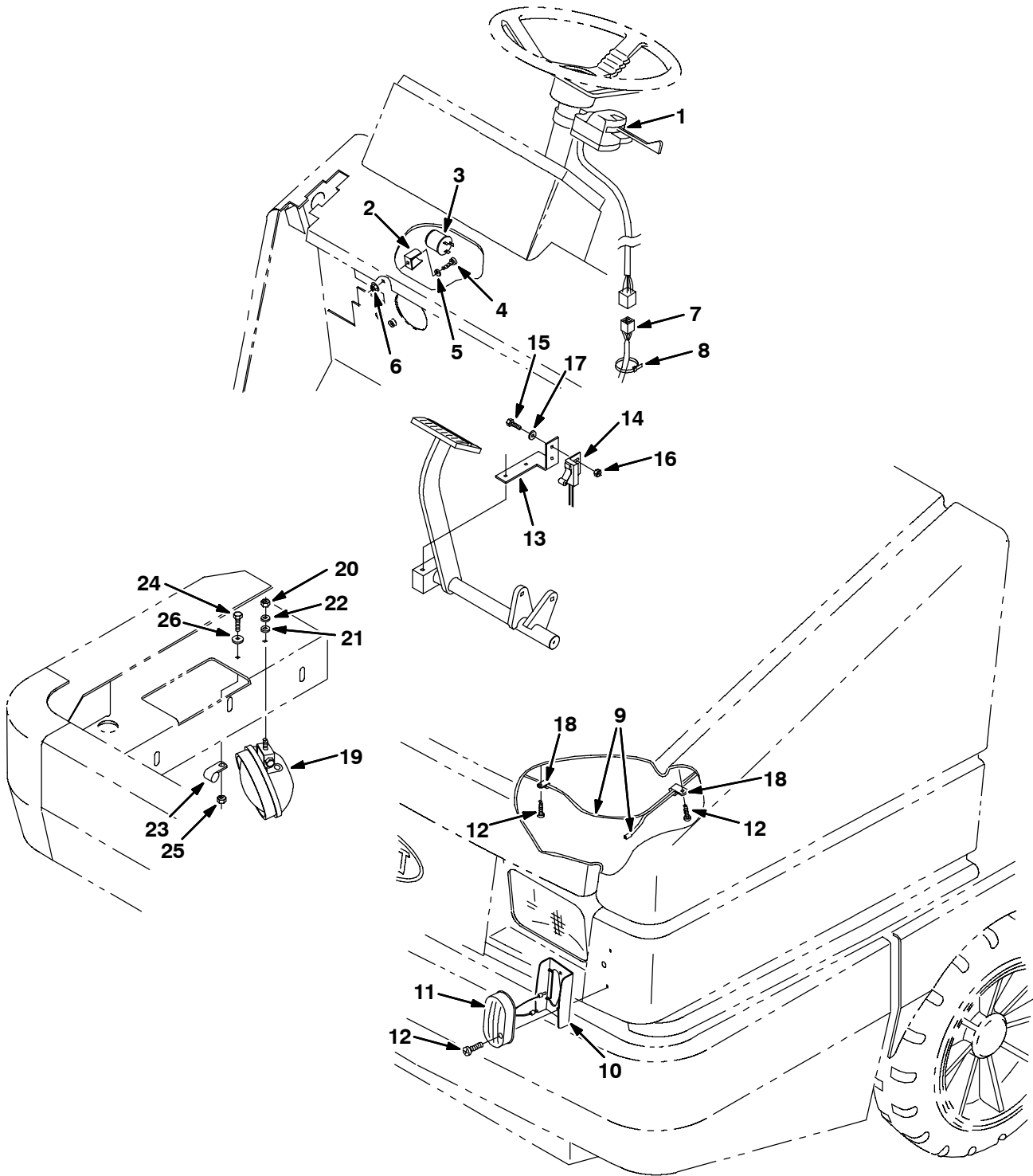


Fig. 1 - Signal Light Kit

Ref.	Part No.	Serial Number	Description	Qty.
▽	377278	(000000-	) Kit, Ci, Turn Signal, Plstc Hppr	1
▲▽	1 60751	(000000-	) Switch, Turn Signal, 12vdc Rwk 60750	1
▲▲	48570	(000000-	) Lamp, 12vdc, Turn Signal	1
▲	2 24576-1	(000000-	) Bracket, Mtg, Flasher	1
▲	3 31922	(000000-	) Flasher, Hd, 12vdc 25a, [#10-57300]	1
▲	4 06932	(000000-	) Screw, Pan, M 5 X 0.8 X 10, 4.8	1
▲	5 41139	(000000-	) Washer, Lock, Int-Ext, #10	1
▲	6 07789	(000000-	) Nut, Hex, Flng, M05 X 0.8	1
▲	7 60283	(000000-	) Harness, Turn Signal, [ 355]	1
▲	8 49266	(000000-	) Tie, Cable, Nyl, 07.3l .19w 1.8 Max D	12
▲	9 379851	(000000-	) Harness, Turn Signal, [6500]	1
▲	10 72178	(000000-	) Bracket, Light, Sbdc	2
▲▽	11 379860	(000000-	) Light, Marker, 12vdc, Yel, 4.0 X 2.0	2
▲▲	87948	(000000-	) Lamp, 12vdc, . A Cp [#194]	1
▲	12 360943	(000000-	) Screw, Pan, #10-14 X 0.75, F/Plstc	10
▲	13 59920	(000000-	) Bracket, Switch	1
▲	14 59962	(000000-	) Switch, Snap Actn, 12vdc 15a Nc Rlr	1
▲	15 09738	(000000-	) Screw, Hex, M 5 X 0.8 X 12, Ss	2
▲	16 06549	(000000-	) Nut, Hex, Lock, M 5 X 0.8, NI	2
▲	17 19066	(000000-	) Washer, Flt, #10	2
▲	18 26395-2	(000000-	) Clamp, Cable, Stl, 0.38d X 0.38w, 1h	6
▲▽	19 19827	(000000-	) Light, Spot, 12vdc, 35watt Rwk 68305	1
▲▲	51570	(000000-	) Headlight, 12vdc, 35watt 2.7a [#4411]	1
▲	20 41437	(000000-	) Nut, Hex, Lock, .31-18, NI, Ss	1
▲	21 41141	(000000-	) Washer, Lock, Int-Ext, .31	1
▲	22 32491	(000000-	) Washer, Flat, 0.31 Std	1
▲	23 40678	(000000-	) Clamp, Cable, Stl, 0.44d X 0.62w, 1h	1
▲	24 16735	(000000-	) Screw, Hex, M 8 X 1.25 X 16, 8.8	1
▲	25 08709	(000000-	) Nut, Hex, Lock, M 8 X 1.25 NI	1
▲	26 39349	(000000-	) Washer, Flat, 0.31 Sae	1

Fig. 2 - Flashing Light Kit, Overhead Guard

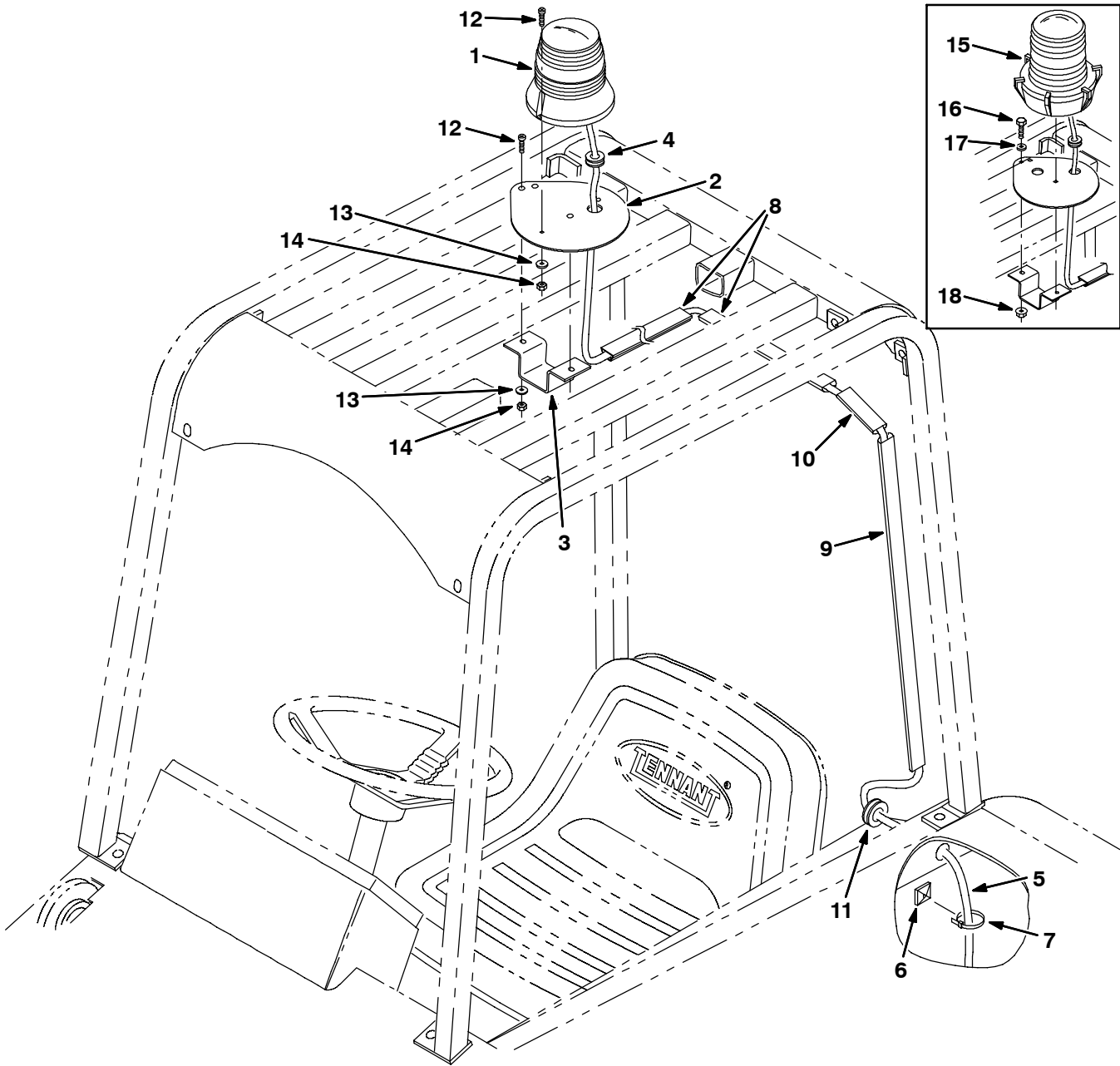
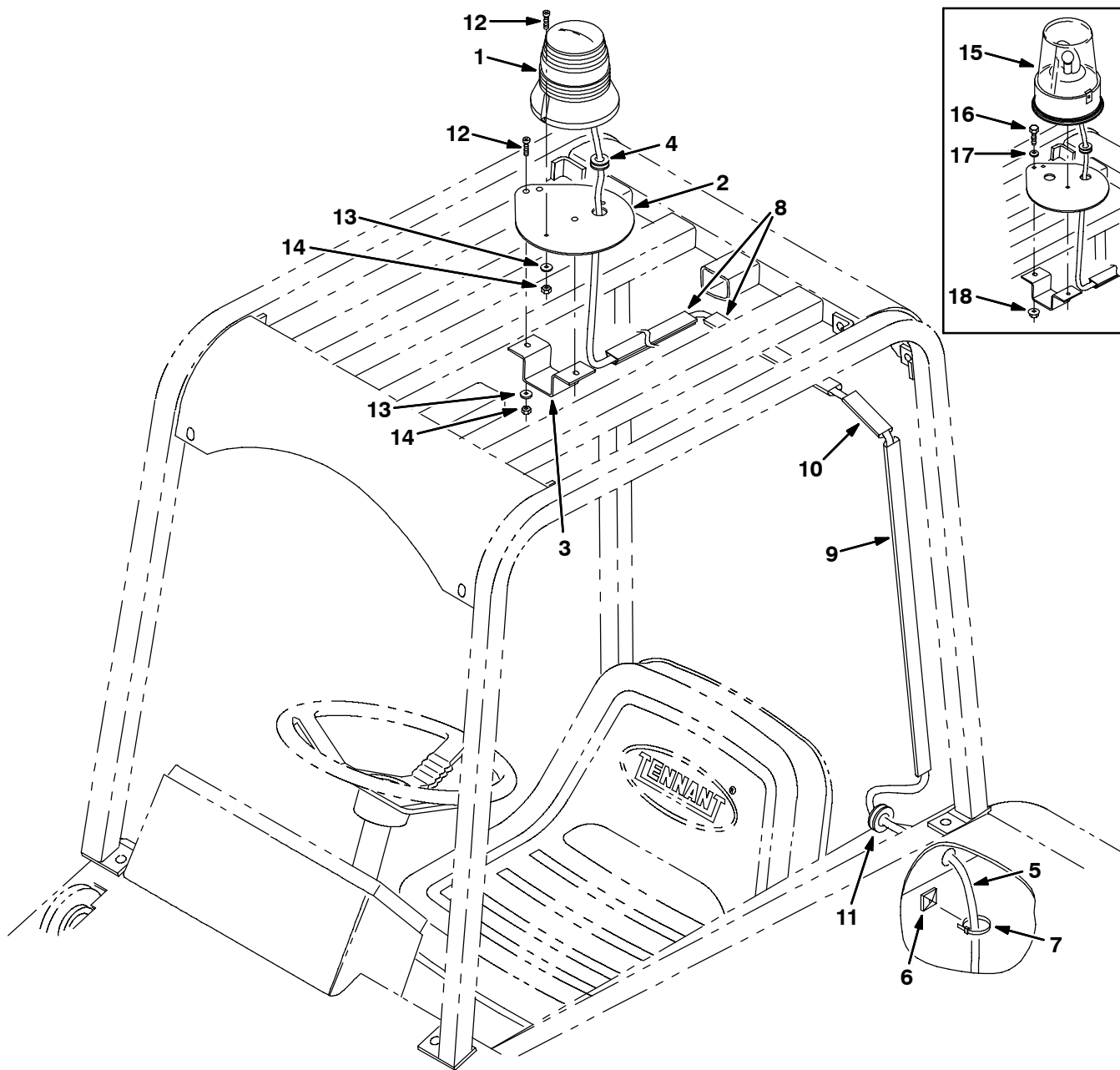


Fig. 2 - Flashing Light Kit, Overhead Guard

Ref.	Part No.	Serial Number	Description	Qty.
▽	377273	(000000-	) Kit, Ci, Light, Flsh, Ohg	1
▲▽	1 1017248	(025618-	) Lamp, Flasher, Amb [12-48 Vdc]	1
▲▲	9000879	(025618-	) Lens, Lamp, Amb, Strobe/Flasher	1
▲▲	9000845	(025618-	) Lamp, Bulb, Lamp, Flsh	1
▲▲	1027798	(025618-	) Lens, Red, F/ Revl / Flasher	1
▲▲	1027800	(025618-	) Lens, Blu, F/ Revl / Flasher	1
▲	29192	(025618-	) Terminal, Ring, .25stud 16-14ga, Ins	1
▲	55272	(025618-	) Terminal, Bullet, Mal, .157d, 12ga	1
▲	2 57220	(000000-	) Plate	1
▲	3 59447	(000000-	) Bracket, Mtg, Light, Ohg	1
▲	4 10632-9	(000000-	) Grommet, Rbr, 0.63id, F/ 0.8h, .12matl	1
▲	5 60288	(000000-	) Harness, Light, Revl, Ohg, [ 355l]	1
▲	6 55248	(000000-	) Mount, Cable Tie	5
▲	7 49266	(000000-	) Tie, Cable, Nyl, 07.3l .19w 1.8 Max D	8
▲	8 86330	(000000-	) Duct, Vyl, 0.40 X 0.75 .25d 10.0l	2
▲	9 86332	(000000-	) Duct, Vyl, 0.40 X 0.75 .25d 26.0l	1
▲	10 86333	(000000-	) Duct, Vyl, 0.40 X 0.75 .25d 03.5l	1
▲	11 10632-18	(000000-	) Grommet, Rbr, 0.69id, F/ 0.1h, .25matl	1
▲	12 06934	(025618-	) Screw, Pan, M5 X 0.8 X 20, 4.8	4
▲	13 19066	(025618-	) Washer, Flat, #10	4
▲	14 06549	(025618-	) Nut, Hex, Lock, M5 X 0.8, NI	4
▽	15 82063	(000000-025617	) Light, Flsh, 12vdc, Amb, Rwk 82198	1
▲	58520	(000000-025617	) Lens, Amber, Light, Flsh, [Fr207]	1
▲	45779	(000000-025617	) Lamp, 12vdc, 2.1a Watt 32c [#1156]	1
	16 06942	(000000-025617	) Screw, Hex, M 6 X 1.0 X 16, 8.8	1
	17 07790	(000000-025617	) Nut, Hex, Flng, M06 X 1.0	1
	18 32483	(000000-025617	) Washer, Flat, 0.25 Sae	1
	58518	(000000-025617	) Lens, Red, Light, Flsh, [Fr207]	1
	58519	(000000-025617	) Lens, Blue, Light, Flsh, [Fr207]	1

Fig. 3 - Revolving Light Kit, Overhead Guard

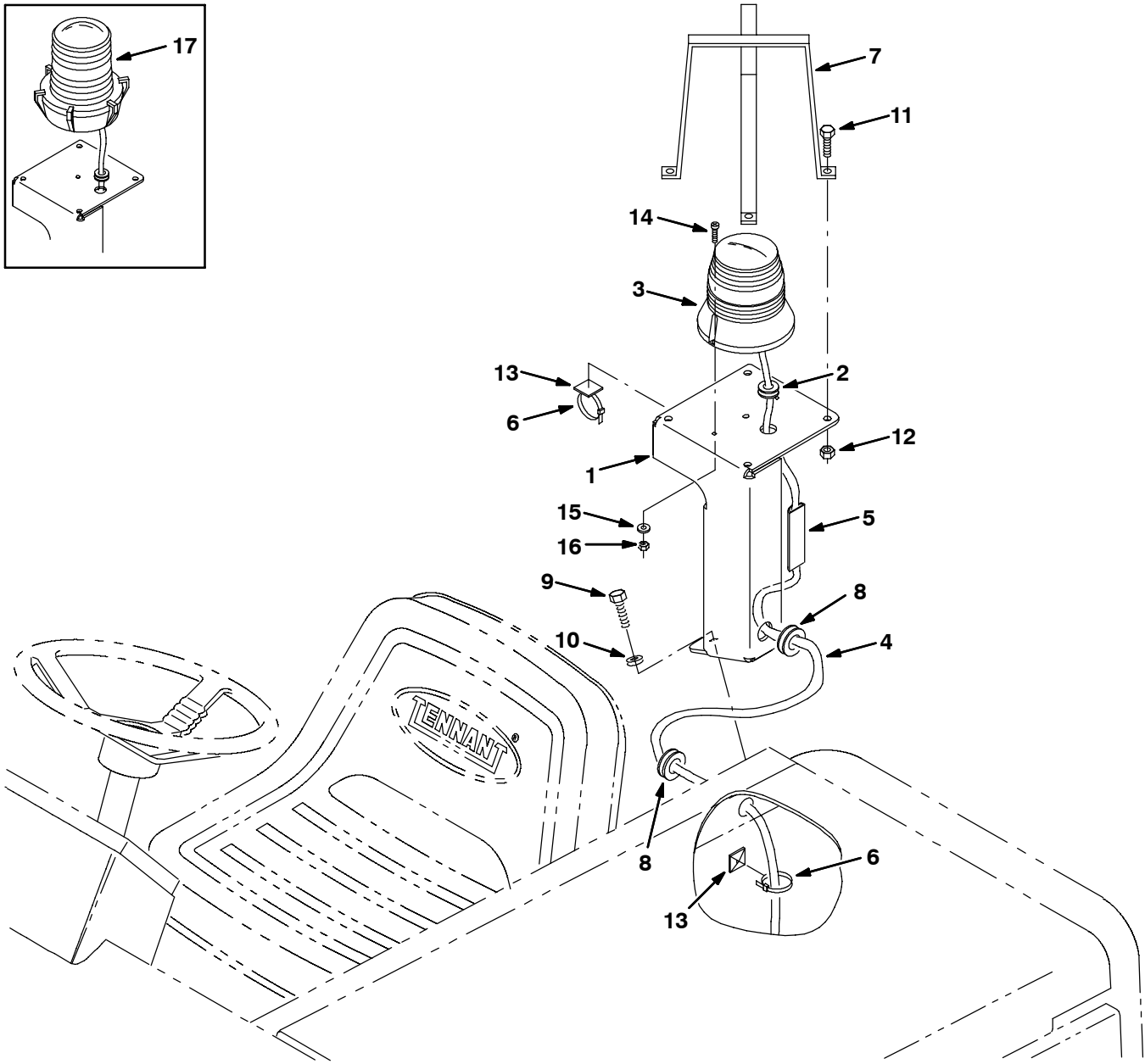




**Fig. 3 - Revolving Light Kit, Overhead Guard**

Ref.	Part No.	Serial Number	Description	Qty.
▽	377264	(000000-	) Kit, Ci, Light, Revl, Ohg [6600/6650]	1
▲▽	1 1017250	(025604-	) Lamp Strobe, Amb [12-48 Vdc]	1
▲▲	9000879	(025604-	) Lens, Lamp, Amb, Strobe/Flasher	1
▲▲	9000846	(025604-	) Lamp, Bulb, Lamp, Strobe	1
▲▲	1027798	(025604-	) Lens, Red, F/ Revl / Flasher	1
▲▲	1027800	(025604-	) Lens, Blu, F/ Revl / Flasher	1
▲	29192	(025604-	) Terminal, Ring, .25stud 16-14ga, Ins	1
▲	55272	(025604-	) Terminal, Bullet, Mal, .157d, 12ga	1
▲	2 57220	(000000-	) Plate	1
▲	3 59447	(000000-	) Bracket, Mtg, Light, Ohg	1
▲	4 10632-9	(000000-	) Grommet, Rbr, 0.63id, F/ 0.8h, .12matl	1
▲	5 60288	(000000-	) Harness, Light, Revl, Ohg, [ 355l]	1
▲	6 55248	(000000-	) Mount, Cable Tie	5
▲	7 49266	(000000-	) Tie, Cable, Nyl, 07.3l .19w 1.8 Max D	8
▲	8 86330	(000000-	) Duct, Vyl, 0.40 X 0.75 .25d 10.0l	2
▲	9 86332	(000000-	) Duct, Vyl, 0.40 X 0.75 .25d 26.0l	1
▲	10 86333	(000000-	) Duct, Vyl, 0.40 X 0.75 .25d 03.5l	1
▲	11 10632-18	(000000-	) Grommet, Rbr, 0.69id, F/ 0.1h, .25matl	1
▲	12 06934	(025604-	) Screw, Pan, M5 X 0.8 X 20, 4.8	4
▲	13 19066	(025604-	) Washer, Flat, #10	4
▲	14 06549	(025604-	) Nut, Hex, Lock, M5 X 0.8, NI	4
▽	15 82200	(000000-025603	) Light, Revl, 12vdc, Amb, Rwk 82200	1
▲	44681-1	(000000-025603	) Lens, Amber, Light, Revl	1
▲	45779	(000000-025603	) Lamp, 12vdc, 2.1a Watt 32c [#1156]	1
	16 06942	(000000-025603	) Screw, Hex, M 6 X 1.0 X 16, 8.8	1
	17 07790	(000000-025603	) Nut, Hex, Flng, M06 X 1.0	1
	18 32483	(000000-025603	) Washer, Flat, 0.25 Sae	1
	44681	(000000-025603	) Lens, Red, Light, Revl	1
	44681-2	(000000-025603	) Lens, Blue, Light, Revl	1

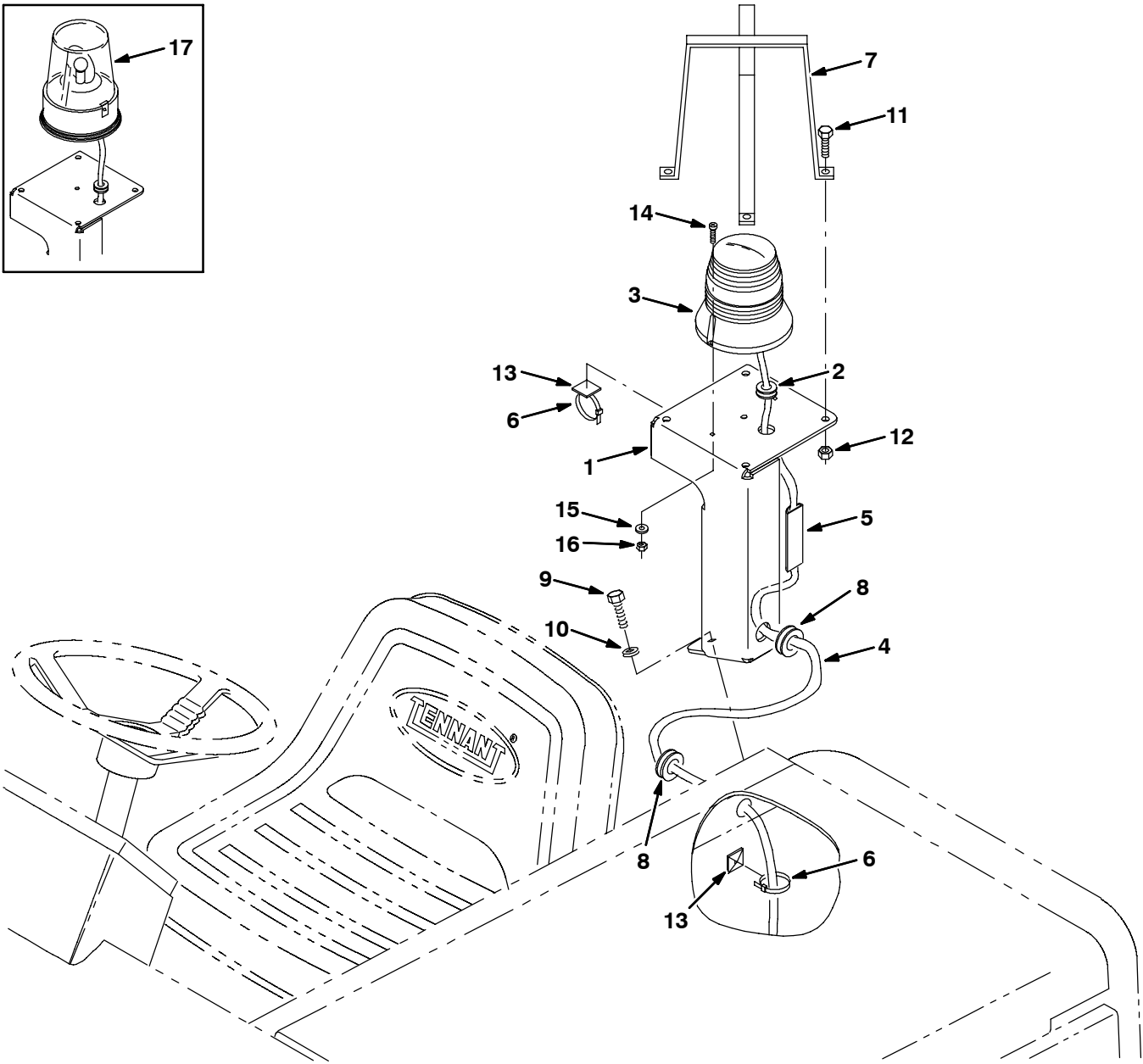
Fig. 4 - Flashing Light Kit, LRC



**Fig. 4 - Flashing Light Kit, LRC**

	<b>Ref.</b>	<b>Part No.</b>	<b>Serial Number</b>	<b>Description</b>	<b>Qty.</b>
▽		377271	(000000-	) Kit, Ci, Light, Flsh [6600/6650]	1
▲	1	1021363	(000000-	) Bracket, Light, Rotating	1
▲	2	10632-9	(000000-	) Grommet, Rbr, 0.63id, F/ 0.8h, .12matl	1
▲▽	3	1017248	(025618-	) Lamp, Flasher, Amb [12-48 Vdc]	1
▲▲		9000879	(025618-	) Lens, Lamp, Amb, Strobe/Flasher	1
▲▲		9000845	(025618-	) Lamp, Bulb, Lamp, Flsh	1
▲▲		1027798	(025618-	) Lens, Red, F/ Revl / Flasher	1
▲▲		1027800	(025618-	) Lens, Blu, F/ Revl / Flasher	1
▲		29192	(025618-	) Terminal, Ring, .25stud 16-14ga, Ins	1
▲		55272	(025618-	) Terminal, Bullet, Mal, .157d, 12ga	1
▲	4	71543	(000000-	) Harness, Light, Flsh, Revl, [ 355l]	1
▲	5	86333	(000000-	) Duct, Vyl, 0.40 X 0.75 .25d 03.5l	1
▲	6	49266	(000000-	) Tie, Cable, Nyl, 07.3l .19w 1.8 Max D	6
▲	7	45272	(000000-	) Guard Wldt, Light, Revl/Flsh	1
▲	8	10632-18	(000000-	) Grommet, Rbr, 0.69id, F/ 0.1h, .25matl	2
▲	9	16931	(000000-	) Screw, Hex, M 8 X 1.25 X 20, 8.8	2
▲	10	32491	(000000-	) Washer, Flat, 0.31 Std	2
▲	11	08716	(000000-	) Screw, Hex, M6 X 1.0 X 20, Ss	4
▲	12	08708	(000000-	) Nut, Hex, Lock, M6 X 1.00 NI	4
▲	13	55248	(000000-	) Mount, Cable Tie	6
▲	14	06934	(025618-	) Screw, Pan, M5 X 0.8 X 20, 4.8	2
▲	15	19066	(025618-	) Washer, Flat, #10	2
▲	16	06549	(025618-	) Nut, Hex, Lock, M5 X 0.8, NI	2
▽	17	82063	(000000-025617	) Light, Flsh, 12vdc, Amb, Rwk 82198	1
▲		58520	(000000-025617	) Lens, Amber, Light, Flsh, [Fr207]	1
▲		45779	(000000-025617	) Lamp, 12vdc, 2.1a Watt 32c [#1156]	1
		58518	(000000-025617	) Lens, Red, Light, Flsh, [Fr207]	1
		58519	(000000-025617	) Lens, Blue, Light, Flsh, [Fr207]	1

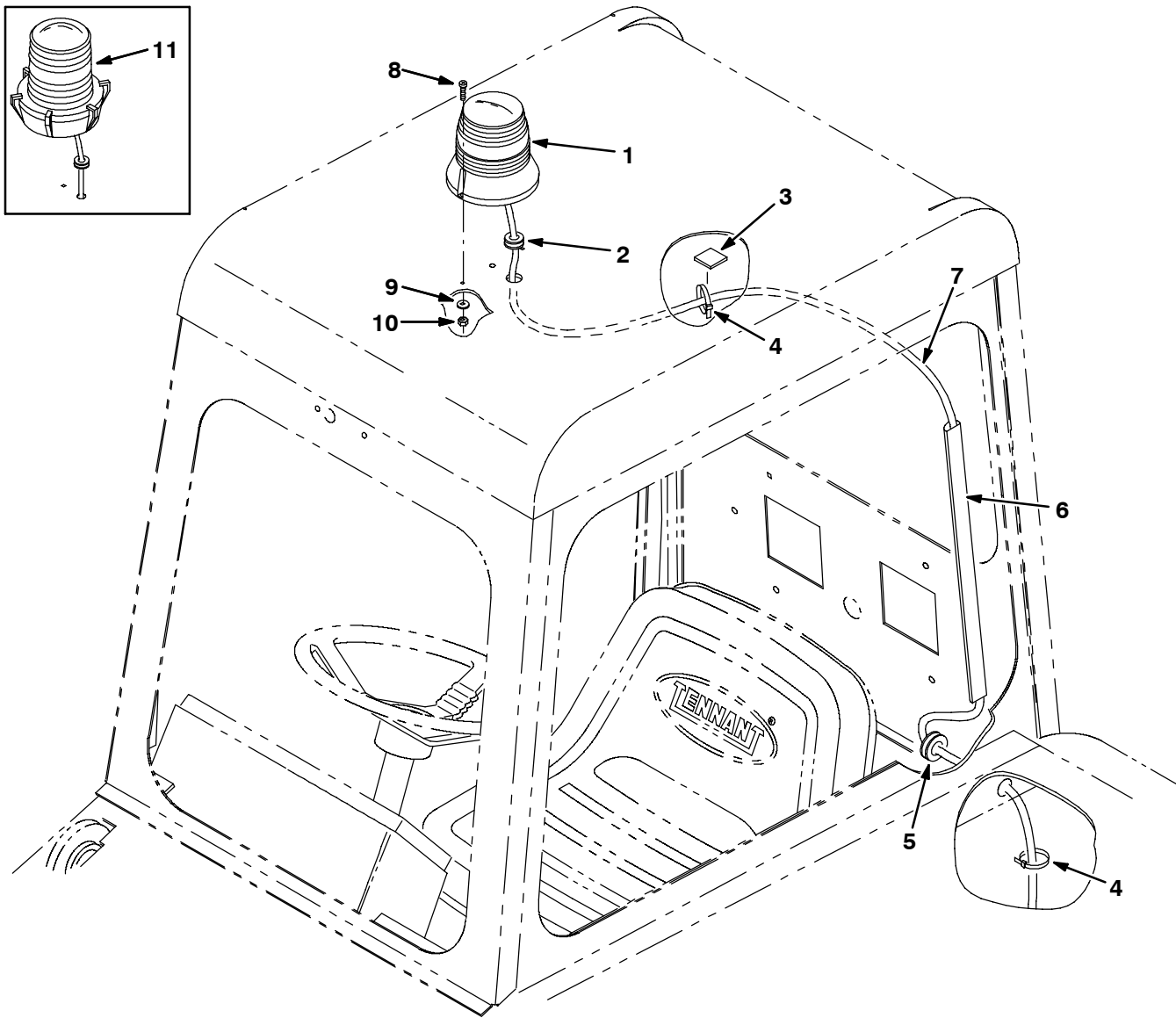
Fig. 5 - Revolving Light Kit, LRC



**Fig. 5 - Revolving Light Kit, LRC**

	<b>Ref.</b>	<b>Part No.</b>	<b>Serial Number</b>	<b>Description</b>	<b>Qty.</b>
▽		377262	(000000-	) Kit, Ci, Light, Revl [6600/6650]	1
▲	1	72100	(000000-	) Bracket, Light, Rotating	1
▲	2	10632-9	(000000-	) Grommet, Rbr, 0.63id, F/ 0.8h, .12matl	1
▲▽	3	1017250	(025604-	) Lamp Strobe, Amb [12-48 Vdc]	1
▲▲		9000879	(025604-	) Lens, Lamp, Amb, Strobe/Flasher	1
▲▲		9000846	(025604-	) Lamp, Bulb, Lamp, Strobe	1
▲▲		1027798	(025604-	) Lens, Red, F/ Revl / Flasher	1
▲▲		1027800	(025604-	) Lens, Blu, F/ Revl / Flasher	1
▲		29192	(025604-	) Terminal, Ring, .25stud 16-14ga, Ins	1
▲		55272	(025604-	) Terminal, Bullet, Mal, .157d, 12ga	1
▲	4	71543	(000000-	) Harness, Light, Flsh, Revl, [ 355l]	1
▲	5	86333	(000000-	) Duct, Vyl, 0.40 X 0.75 .25d 03.5l	1
▲	6	49266	(000000-	) Tie, Cable, Nyl, 07.3l .19w 1.8 Max D	12
▲	7	45272	(000000-	) Guard Wldt, Light, Revl/Flsh	1
▲	8	10632-18	(000000-	) Grommet, Rbr, 0.69id, F/ 0.1h, .25matl	2
▲	9	16931	(000000-	) Screw, Hex, M 8 X 1.25 X 20, 8.8	2
▲	10	32491	(000000-	) Washer, Flat, 0.31 Std	2
▲	11	09740	(000000-	) Screw, Hex, M 8 X 1.25 X 20, Ss	4
▲	12	08709	(000000-	) Nut, Hex, Lock, M 8 X 1.25 NI	4
▲	13	55248	(000000-	) Mount, Cable Tie	6
▲	14	06934	(025604-	) Screw, Pan, M5 X 0.8 X 20, 4.8	2
▲	15	19066	(025604-	) Washer, Flat, #10	2
▲	16	06549	(025604-	) Nut, Hex, Lock, M5 X 0.8, NI	2
▽	17	82200	(000000-025603	) Light, Revl, 12vdc, Amb, Rwk 82200	1
▲		44681-1	(000000-025603	) Lens, Amber, Light, Revl	1
▲		45779	(000000-025603	) Lamp, 12vdc, 2.1a Watt 32c [#1156]	1
		44681	(000000-025603	) Lens, Red, Light, Revl	1
		44681-2	(000000-025603	) Lens, Blue, Light, Revl	1

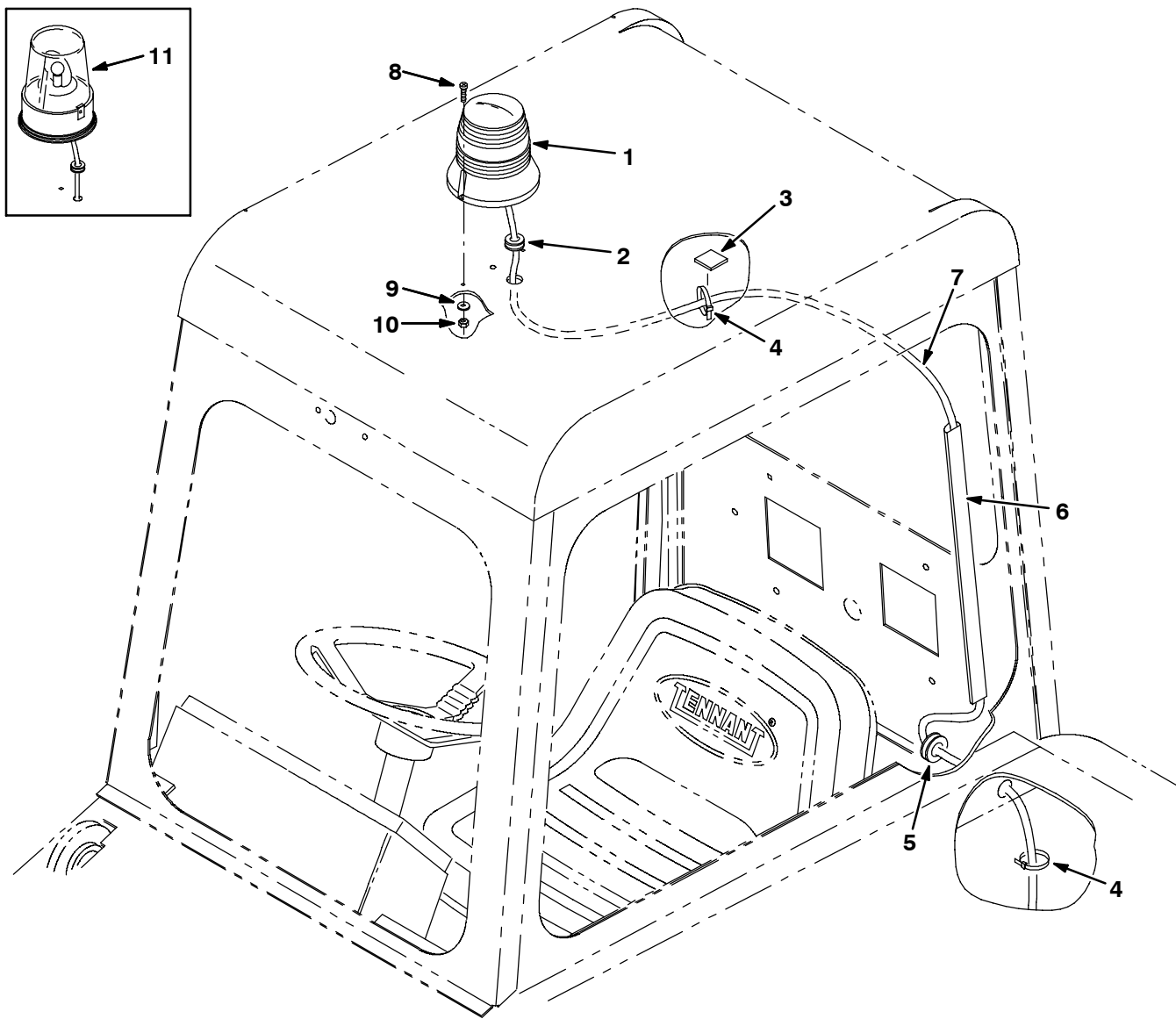
Fig. 6 - Flashing Light Kit, Cab



**Fig. 6 - Flashing Light Kit, Cab**

	<b>Ref.</b>	<b>Part No.</b>	<b>Serial Number</b>	<b>Description</b>	<b>Qty.</b>
▽		377275	(000000-	) Kit, Ci, Light, Flsh, Cab [6600/6650]	1
▲▽	1	1017248	(025618-	) Lamp, Flasher, Amb [12-48 Vdc]	1
▲▲		9000879	(025618-	) Lens, Lamp, Amb, Strobe/Flasher	1
▲▲		9000845	(025618-	) Lamp, Bulb, Lamp, Flsh	1
▲▲		1027798	(025618-	) Lens, Red, F/ Revl / Flasher	1
▲▲		1027800	(025618-	) Lens, Blu, F/ Revl / Flasher	1
▲		29192	(025618-	) Terminal, Ring, .25stud 16-14ga, Ins	1
▲		55272	(025618-	) Terminal, Bullet, Mal, .157d, 12ga	1
▲	2	10632-9	(000000-	) Grommet, Rbr, 0.63id, F/ 0.8h, .12matl	1
▲	3	55248	(000000-	) Mount, Cable Tie	4
▲	4	49266	(000000-	) Tie, Cable, Nyl, 07.3l .19w 1.8 Max D	4
▲	5	10632-18	(000000-	) Grommet, Rbr, 0.69id, F/ 0.1h, .25matl	1
▲	6	86332	(000000-	) Duct, Vyl, 0.40 X 0.75 .25d 26.0l	1
▲	7	60288	(000000-	) Harness, Light, Revl, Ohg, [ 355l]	1
▲	8	06934	(025618-	) Screw, Pan, M5 X 0.8 X 20, 4.8	2
▲	9	19066	(025618-	) Washer, Flat, #10	2
▲	10	06549	(025618-	) Nut, Hex, Lock, M5 X 0.8, NI	2
▽	11	82063	(000000-025617	) Light, Flsh, 12vdc, Amb, Rwk 82198	1
▲		58520	(000000-025617	) Lens, Amber, Light, Flsh, [Fr207]	1
▲		45779	(000000-025617	) Lamp, 12vdc, 2.1a Watt 32c [#1156]	1
		58518	(000000-025617	) Lens, Red, Light, Flsh, [Fr207]	1
		58519	(000000-025617	) Lens, Blue, Light, Flsh, [Fr207]	1

Fig. 7 - Revolving Light Kit, Cab

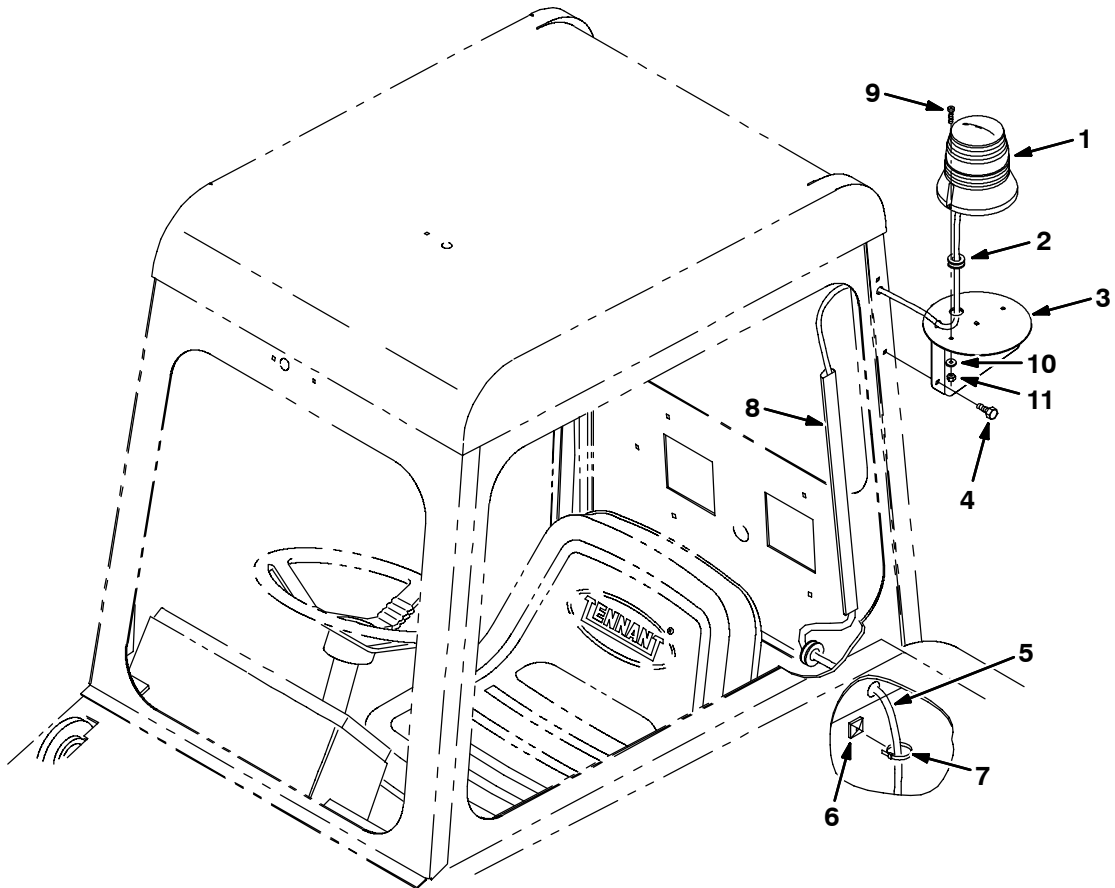
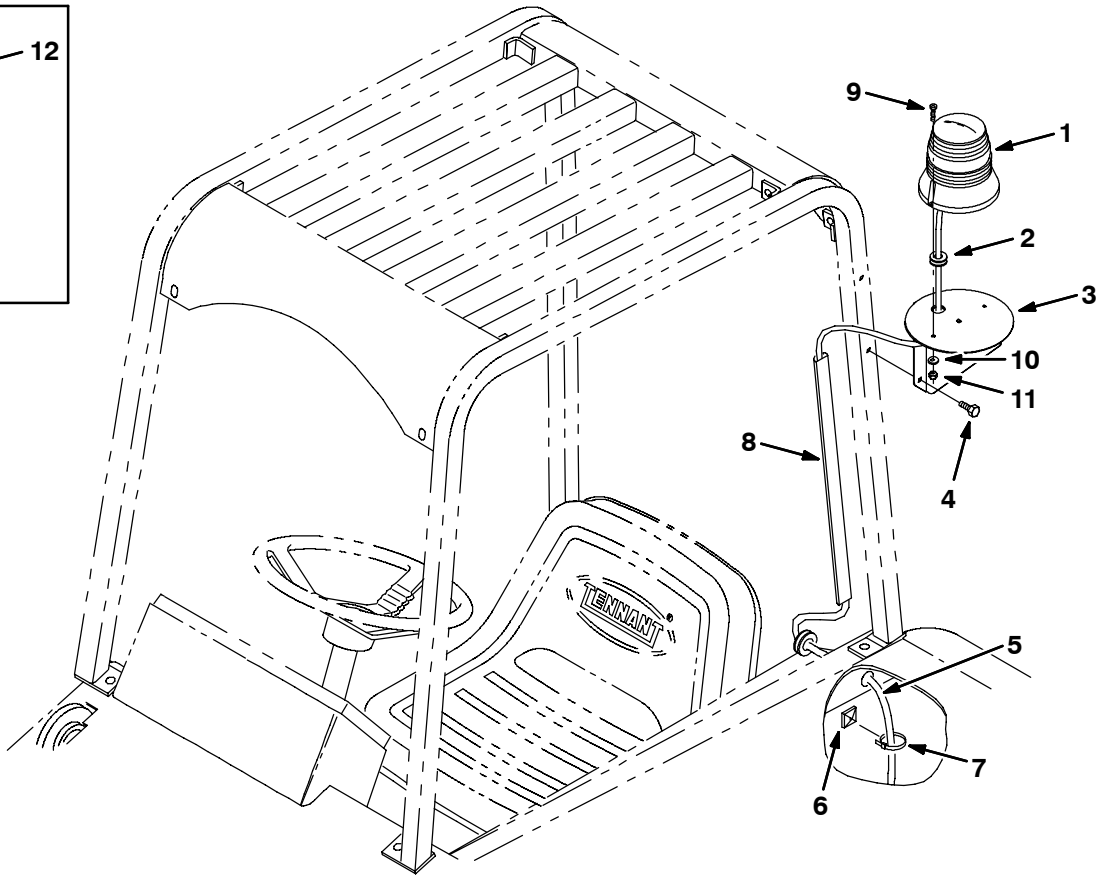
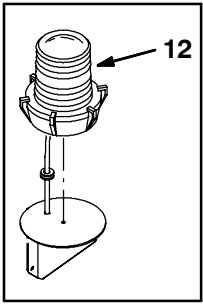




**Fig. 7 - Revolving Light Kit, Cab**

Ref.	Part No.	Serial Number	Description	Qty.
▽	377266	(000000-	) Kit, Ci, Light, Revl, Cab [6600/6650]	1
▲▽	1 1017250	(025604-	) Lamp Strobe, Amb [12-48 Vdc]	1
▲▲	9000879	(025604-	) Lens, Lamp, Amb, Strobe/Flasher	1
▲▲	9000846	(025604-	) Lamp, Bulb, Lamp, Strobe	1
▲▲	1027798	(025604-	) Lens, Red, F/ Revl / Flasher	1
▲▲	1027800	(025604-	) Lens, Blu, F/ Revl / Flasher	1
▲	29192	(025604-	) Terminal, Ring, .25stud 16-14ga, Ins	1
▲	55272	(025604-	) Terminal, Bullet, Mal, .157d, 12ga	1
▲	2 10632-9	(000000-	) Grommet, Rbr, 0.63id, F/ 0.8h, .12matl	1
▲	3 55248	(000000-	) Mount, Cable Tie	4
▲	4 49266	(000000-	) Tie, Cable, Nyl, 07.3l .19w 1.8 Max D	4
▲	5 10632-18	(000000-	) Grommet, Rbr, 0.69id, F/ 0.1h, .25matl	1
▲	6 86332	(000000-	) Duct, Vyl, 0.40 X 0.75 .25d 26.0l	1
▲	7 60288	(000000-	) Harness, Light, Revl, Ohg, [ 355l]	1
▲	8 06934	(025604-	) Screw, Pan, M5 X 0.8 X 20, 4.8	2
▲	9 19066	(025604-	) Washer, Flat, #10	2
▲	10 06549	(025604-	) Nut, Hex, Lock, M5 X 0.8, NI	2
▽	11 82200	(000000-025603	) Light, Revl, 12vdc, Amb, Rwk 82200	1
▲	44681-1	(000000-025603	) Lens, Amber, Light, Revl	1
▲	45779	(000000-025603	) Lamp, 12vdc, 2.1a Watt 32c [#1156]	1
	44681	(000000-025603	) Lens, Red, Light, Revl	1
	44681-2	(000000-025603	) Lens, Blue, Light, Revl	1

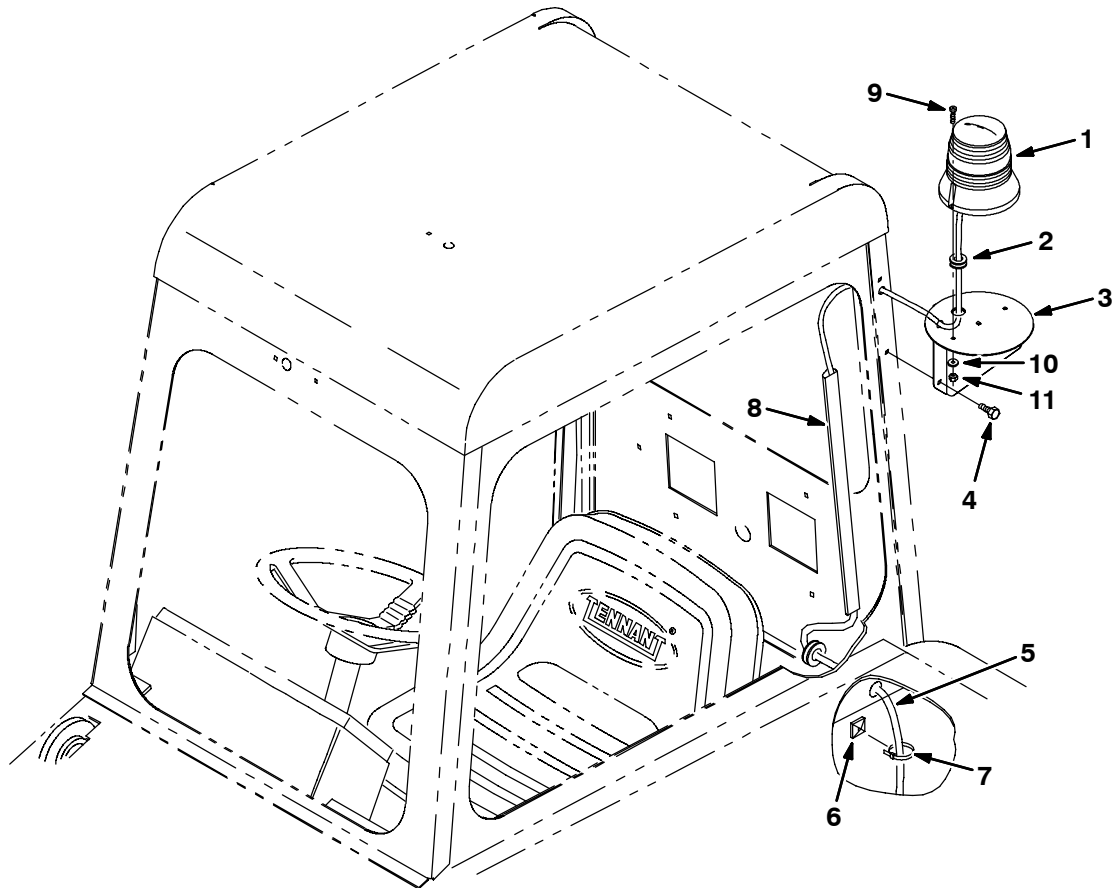
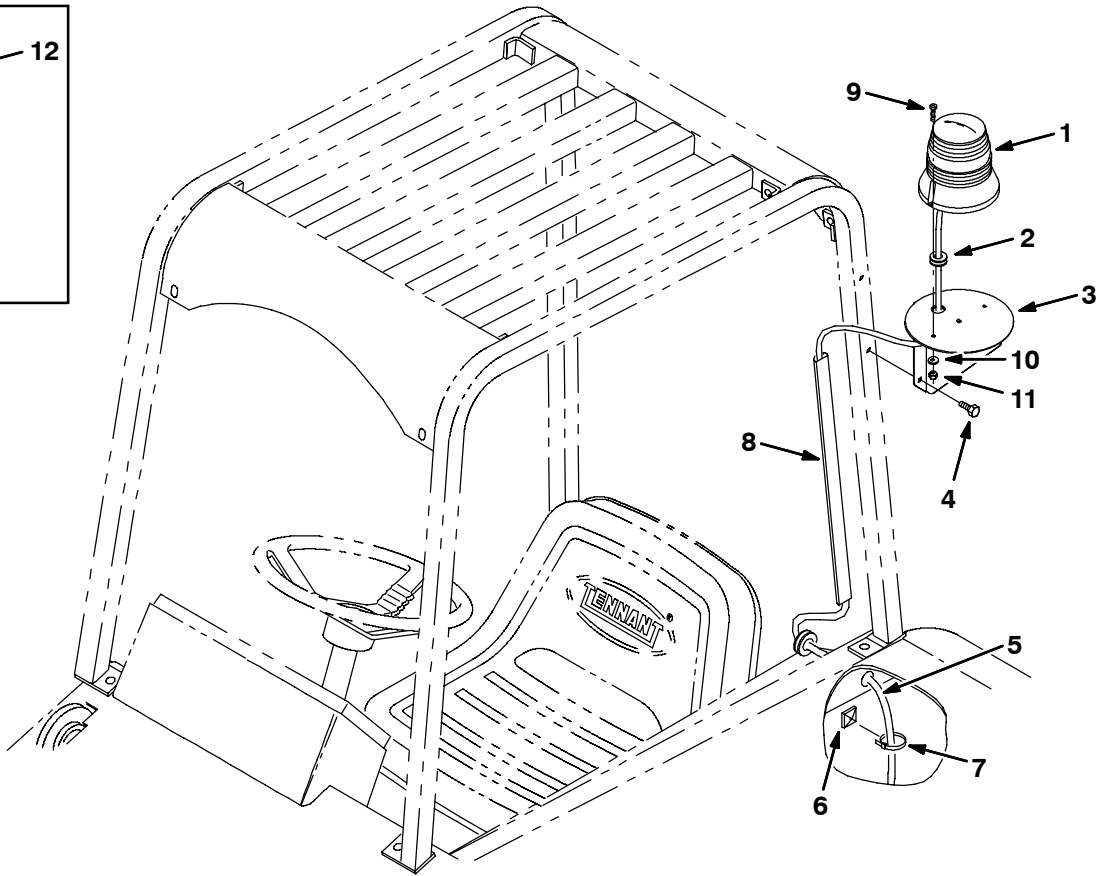
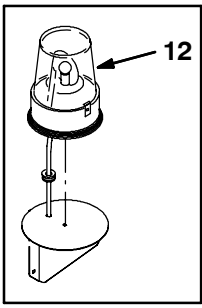
Fig. 8 - Flashing Light Kit, Flush Mounting



**Fig. 8 - Flashing Light Kit, Flush Mounting**

Ref.	Part No.	Serial Number	Description	Qty.
▽	377088	(000000-	) Kit, Ci, Light, Flsh, Flush, Cab	1
▲▽	1 1017248	(025618-	) Lamp, Flasher, Amb [12-48 Vdc]	1
▲▲	9000879	(025618-	) Lens, Lamp, Amb, Strobe/Flasher	1
▲▲	9000845	(025618-	) Lamp, Bulb, Lamp, Flsh	1
▲▲	1027798	(025618-	) Lens, Red, F/ Revl / Flasher	1
▲▲	1027800	(025618-	) Lens, Blu, F/ Revl / Flasher	1
▲	29192	(025618-	) Terminal, Ring, .25stud 16-14ga, Ins	1
▲	55272	(025618-	) Terminal, Bullet, Mal, .157d, 12ga	1
▲	2 10632-9	(000000-	) Grommet, Rbr, 0.63id, F/ 0.8h, .12matl	1
▲	3 1021364	(000000-	) Bracket Wldt, Mtg, Light	1
▲	4 763045	(000000-	) Screw, Hex, M 8 X 1.25 X 20, Fmg	2
▲	5 60288	(000000-	) Harness, Light, Revl, Ohg, [ 355l]	1
▲	6 55248	(000000-	) Mount, Cable Tie	10
▲	7 49266	(000000-	) Tie, Cable, Nyl, 07.3l .19w 1.8 Max D	16
▲	8 1027395	(000000-	) Duct, Vyl, 0.40 X 0.75 .25d Max 48.0l	1
▲	9 06934	(025618-	) Screw, Pan, M5 X 0.8 X 20, 4.8	2
▲	10 19066	(025618-	) Washer, Flat, #10	2
▲	11 06549	(025618-	) Nut, Hex, Lock, M5 X 0.8, NI	2
▽	12 82063	(000000-025617 )	) Light, Flsh, 12vdc, Amb, Rwk 82198	1
▲	58520	(000000-025617 )	) Lens, Amber, Light, Flsh, [Fr207]	1
▲	45779	(000000-025617 )	) Lamp, 12vdc, 2.1a Watt 32c [#1156]	1
	58518	(000000-025617 )	) Lens, Red, Light, Flsh, [Fr207]	1
	58519	(000000-025617 )	) Lens, Blue, Light, Flsh, [Fr207]	1

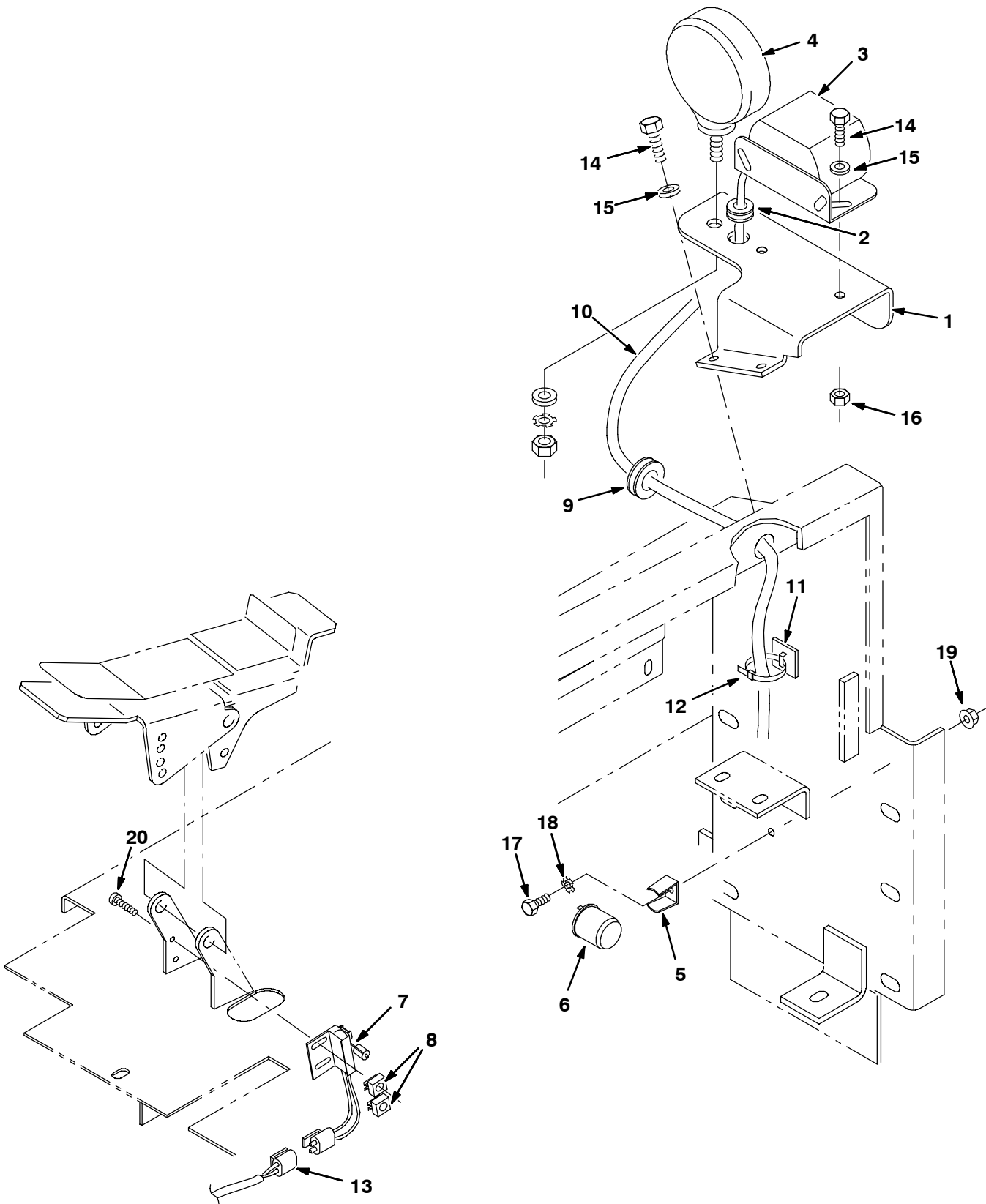
Fig. 9 - Revolving Light Kit, Flush Mounting



**Fig. 9 - Revolving Light Kit, Flush Mounting**

Ref.	Part No.	Serial Number	Description	Qty.
▽	377086	(000000-	) Kit, Ci, Light, Revl, Flush, Ohg	1
▲▽	1 1017250	(025604-	) Lamp Strobe, Amb [12-48 Vdc]	1
▲▲	9000879	(025604-	) Lens, Lamp, Amb, Strobe/Flasher	1
▲▲	9000846	(025604-	) Lamp, Bulb, Lamp, Strobe	1
▲▲	1027798	(025604-	) Lens, Red, F/ Revl / Flasher	1
▲▲	1027800	(025604-	) Lens, Blu, F/ Revl / Flasher	1
▲	29192	(025604-	) Terminal, Ring, .25stud 16-14ga, Ins	1
▲	55272	(025604-	) Terminal, Bullet, Mal, .157d, 12ga	1
▲	2 10632-9	(000000-	) Grommet, Rbr, 0.63id, F/ 0.8h, .12matl	1
▲	3 1021364	(000000-	) Bracket Wldt, Mtg, Light	1
▲	4 763045	(000000-	) Screw, Hex, M 8 X 1.25 X 20, Fmg	2
▲	5 60288	(000000-	) Harness, Light, Revl, Ohg, [ 355l]	1
▲	6 55248	(000000-	) Mount, Cable Tie	10
▲	7 49266	(000000-	) Tie, Cable, Nyl, 07.3l .19w 1.8 Max D	16
▲	8 1027395	(000000-	) Duct, Vyl, 0.40 X 0.75 .25d Max 48.0l	1
▲	9 06934	(025604-	) Screw, Pan, M5 X 0.8 X 20, 4.8	2
▲	10 19066	(025604-	) Washer, Flat, #10	2
▲	11 06549	(025604-	) Nut, Hex, Lock, M5 X 0.8, NI	2
▽	12 82200	(000000-025603	) Light, Revl, 12vdc, Amb, Rwk 82200	1
▲	44681-1	(000000-025603	) Lens, Amber, Light, Revl	1
▲	45779	(000000-025603	) Lamp, 12vdc, 2.1a Watt 32c [#1156]	1
	44681-2	(000000-025603	) Lens, Blue, Light, Revl	1
	44681	(000000-025603	) Lens, Red, Light, Revl	1

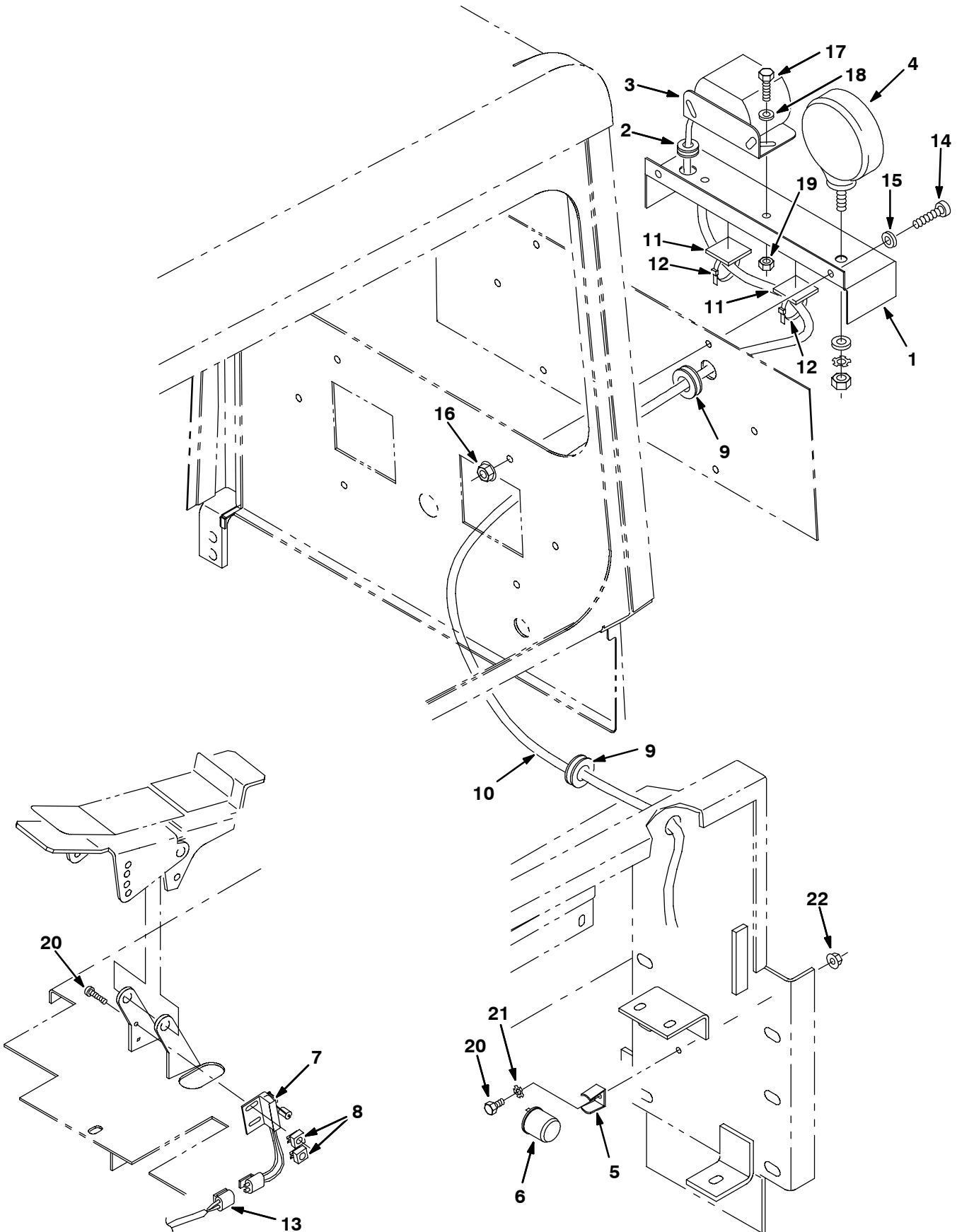
**Fig. 10 - Back-Up Alarm Kit, LRC**



**Fig. 10 - Back-Up Alarm Kit , LRC**

	<b>Ref.</b>	<b>Part No.</b>	<b>Serial Number</b>	<b>Description</b>	<b>Qty.</b>
▽		377192	(000000-	) Kit, Ci, Alarm, Backup, A/V, W/O Cab	1
▲	1	1012369	(000000-	) Bracket, Alarm, Backup	1
▲	2	10632-9	(000000-	) Grommet, Rbr, 0.63id, F/ 0.8h, .12matl	1
▲	3	61920	(000000-	) Alarm Assy, Backup, 12-24vdc 82-107dba	1
▲▽	4	36438	(000000-	) Light, Spot, 12vdc, 21cp Rwk 44025a	1
▲▲		36439	(000000-	) Lamp, 12vdc, 0.9a, 15cp Watt [#1004]	1
▲	5	24576-1	(000000-	) Bracket, Mtg, Flasher	1
▲	6	24576	(000000-	) Flasher, 12vdc, [Hd#552ps83]	1
▲	7	23211	(000000-	) Switch, Snap Actn, 12vdc 15a No Rlr	1
▲	8	23210	(000000-	) Nut, Speed, Retainer, #08-32 [.025-.063]	2
▲	9	10632-18	(000000-	) Grommet, Rbr, 0.69id, F/ 0.1h, .25matl	1
▲	10	71544	(000000-	) Harness, Alarm, Backup, [ 355]	1
▲	11	55248	(000000-	) Mount, Cable Tie	2
▲	12	49266	(000000-	) Tie, Cable, Nyl, 07.3l .19w 1.8 Max D	5
▲	13	70159	(000000-	) Harness, Alarm, Backup, [ 355]	1
▲	14	16931	(000000-	) Screw, Hex, M 8 X 1.25 X 20, 8.8	4
▲	15	32491	(000000-	) Washer, Flat, 0.31 Std	4
▲	16	08709	(000000-	) Nut, Hex, Lock, M 8 X 1.25 NI	2
▲	17	09738	(000000-	) Screw, Hex, M 5 X 0.8 X 12, Ss	1
▲	18	41139	(000000-	) Washer, Lock, Int-Ext, #10	1
▲	19	07789	(000000-	) Nut, Hex, Flng, M05 X 0.8	1
▲	20	32516	(000000-	) Screw, Pan, #08-32 X 0.50, 1	2

Fig. 11 - Back-Up Alarm Kit, Cab

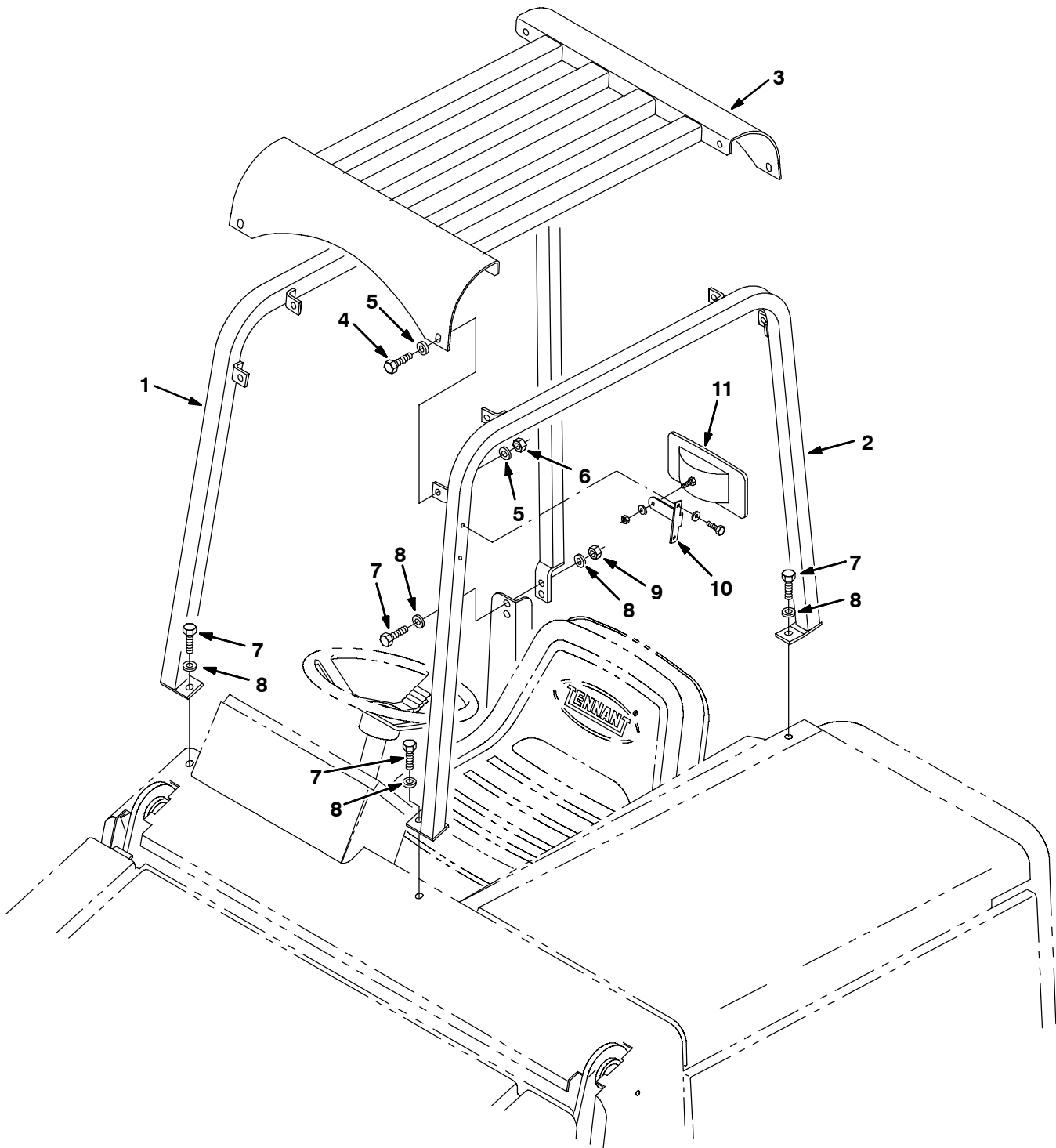




**Fig. 11 - Back-Up Alarm Kit, Cab**

	<b>Ref.</b>	<b>Part No.</b>	<b>Serial Number</b>	<b>Description</b>	<b>Qty.</b>
▽		377190	(000000-	) Kit, Ci, Alarm, Backup, A/V, W/ Cab	1
▲	1	71058	(000000-	) Bracket, Alarm, Backup	1
▲	2	10632-12	(000000-	) Grommet, Rbr, 0.38id, F/ 0.5h, .12matl	1
▲	3	61920	(000000-	) Alarm Assy, Backup, 12-24vdc 82-107dba	1
▲▽	4	36438	(000000-	) Light, Spot, 12vdc, 21cp Rwk 44025a	1
▲▲		36439	(000000-	) Lamp, 12vdc, 0.9a, 15cp Watt [#1004]	1
▲	5	24576-1	(000000-	) Bracket, Mtg, Flasher	1
▲	6	24576	(000000-	) Flasher, 12vdc, [Hd#552ps83]	1
▲	7	23211	(000000-	) Switch, Snap Actn, 12vdc 15a No Rlr	1
▲	8	23210	(000000-	) Nut, Speed, Retainer, #08-32 [.025-.063]	2
▲	9	10632-18	(000000-	) Grommet, Rbr, 0.69id, F/ 0.1h, .25matl	2
▲	10	71544	(000000-	) Harness, Alarm, Backup, [ 355]	1
▲	11	55248	(000000-	) Mount, Cable Tie	2
▲	12	49266	(000000-	) Tie, Cable, Nyl, 07.3l .19w 1.8 Max D	10
▲	13	70159	(000000-	) Harness, Alarm, Backup, [ 355]	1
▲	14	17284	(000000-	) Screw, Btn, M 8 X 1.25 X 16, Ss	2
▲	15	01685	(000000-	) Washer, Flat, 0.31 Ss	2
▲	16	07791	(000000-	) Nut, Hex, Flng, M08 X 1.25	2
▲	17	16931	(000000-	) Screw, Hex, M 8 X 1.25 X 20, 8.8	2
▲	18	32491	(000000-	) Washer, Flat, 0.31 Std	2
▲	19	08709	(000000-	) Nut, Hex, Lock, M 8 X 1.25 NI	2
▲	20	09738	(000000-	) Screw, Hex, M 5 X 0.8 X 12, Ss	1
▲	21	41139	(000000-	) Washer, Lock, Int-Ext, #10	1
▲	22	07789	(000000-	) Nut, Hex, Flng, M05 X 0.8	1
▲	23	32516	(000000-	) Screw, Pan, #08-32 X 0.50, 1	2

Fig. 12 - Overhead Guard Kit

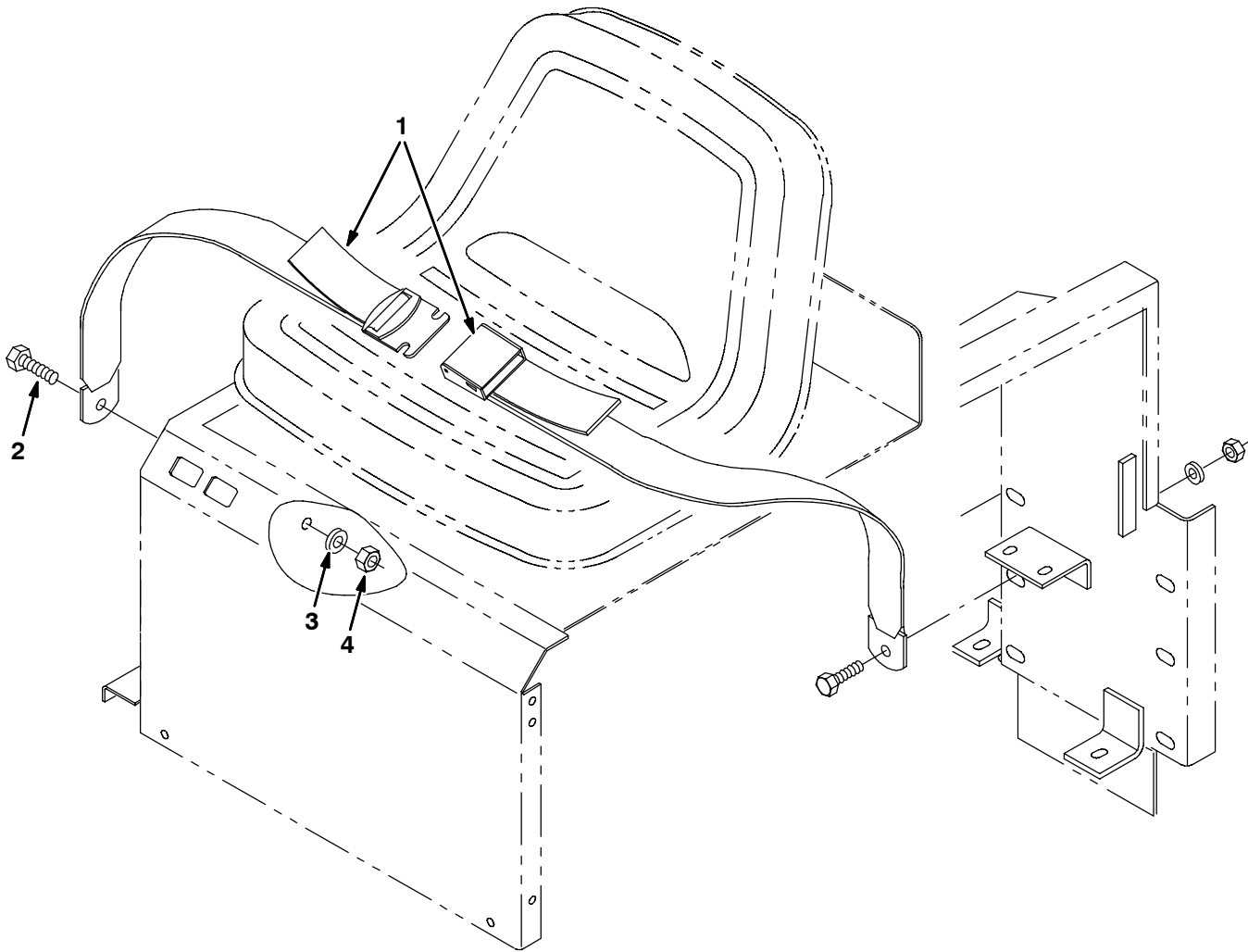


**Fig. 12 - Overhead Guard Kit**

*NOTE: Overhead Guard Kit, TENNANT Part Number 9000205, includes Fig. 12 and Fig. 13.*

	<b>Ref.</b>	<b>Part No.</b>	<b>Serial Number</b>	<b>Description</b>	<b>Qty.</b>
▽		377031	(000000-	) Kit, Ci, Ohg [6600/6650]	1
▲	1	59665	(000000-	) Tube Wldt, Leg, Ohg, Rh, White, [ 355]	1
▲	2	59666	(000000-	) Tube Wldt, Leg, Ohg, Lh, White, [ 355]	1
▲	3	391850	(000000-	) Guard Wldt, Ohg, Top	1
▲	4	39283	(000000-	) Screw, Hex, M10 X 1.5 X 25, 8.8	8
▲	5	32492	(000000-	) Washer, Flat, 0.38 Std	16
▲	6	41430	(000000-	) Nut, Hex, Lock, M10 X 1.5, NI	8
▲	7	41346	(000000-	) Screw, Hex, M12 X 1.75 X 30, 8.8	5
▲	8	32486	(000000-	) Washer, Flat, 0.50 Sae	8
▲	9	08711	(000000-	) Nut, Hex, Lock, M12 X 1.75,NI	3
▲	10	49032	(000000-	) Bracket, Mtg, Mirror, Rearview	1
▲	11	49034	(000000-	) Mirror, Convex, 06.7 X 06.2	1

Fig. 13 - Seat Belt Group



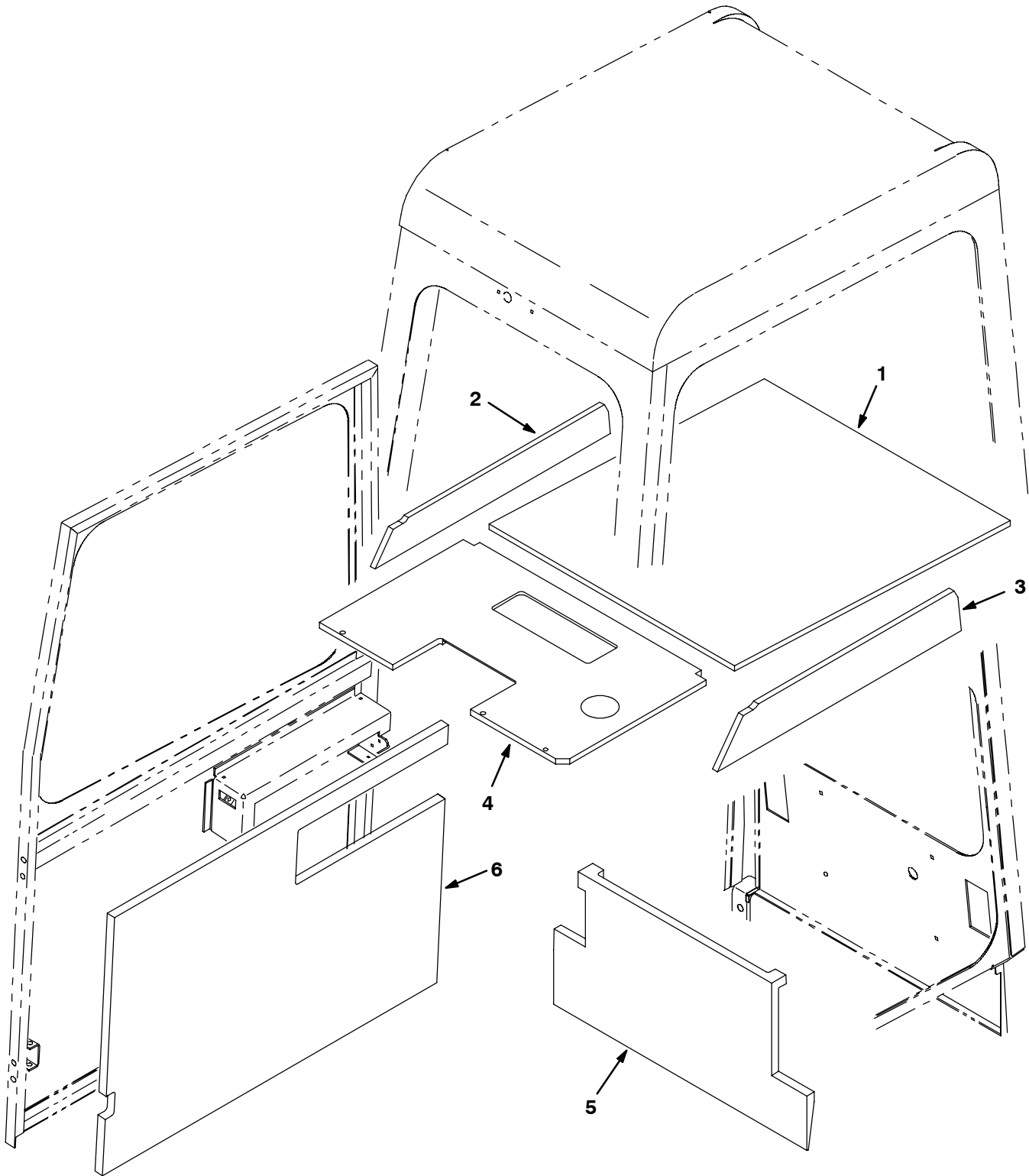
**Fig. 13 - Seat Belt Group**

*NOTE: Overhead Guard Kit, TENNANT Part Number 9000205, includes Fig. 12 and Fig. 13.*

*NOTE: Cab Kit, TENNANT Part Number 9000206, includes Fig. 13, Fig. 14, Fig. 15, Fig. 16, Fig. 17, and Fig. 18.*

<b>Ref.</b>	<b>Part No.</b>	<b>Serial Number</b>	<b>Description</b>	<b>Qty.</b>
1	30533	(000000-	) Seatbelt, 60.0l	1
2	06961	(000000-	) Screw, Hex, M10 X 1.5 X 20, 8.8	1
3	32492	(000000-	) Washer, Flat, 0.38 Std	1
4	39312	(000000-	) Nut, Hex, Std, M10 X 1.5	1

Fig. 14 - Cab Insulation Group

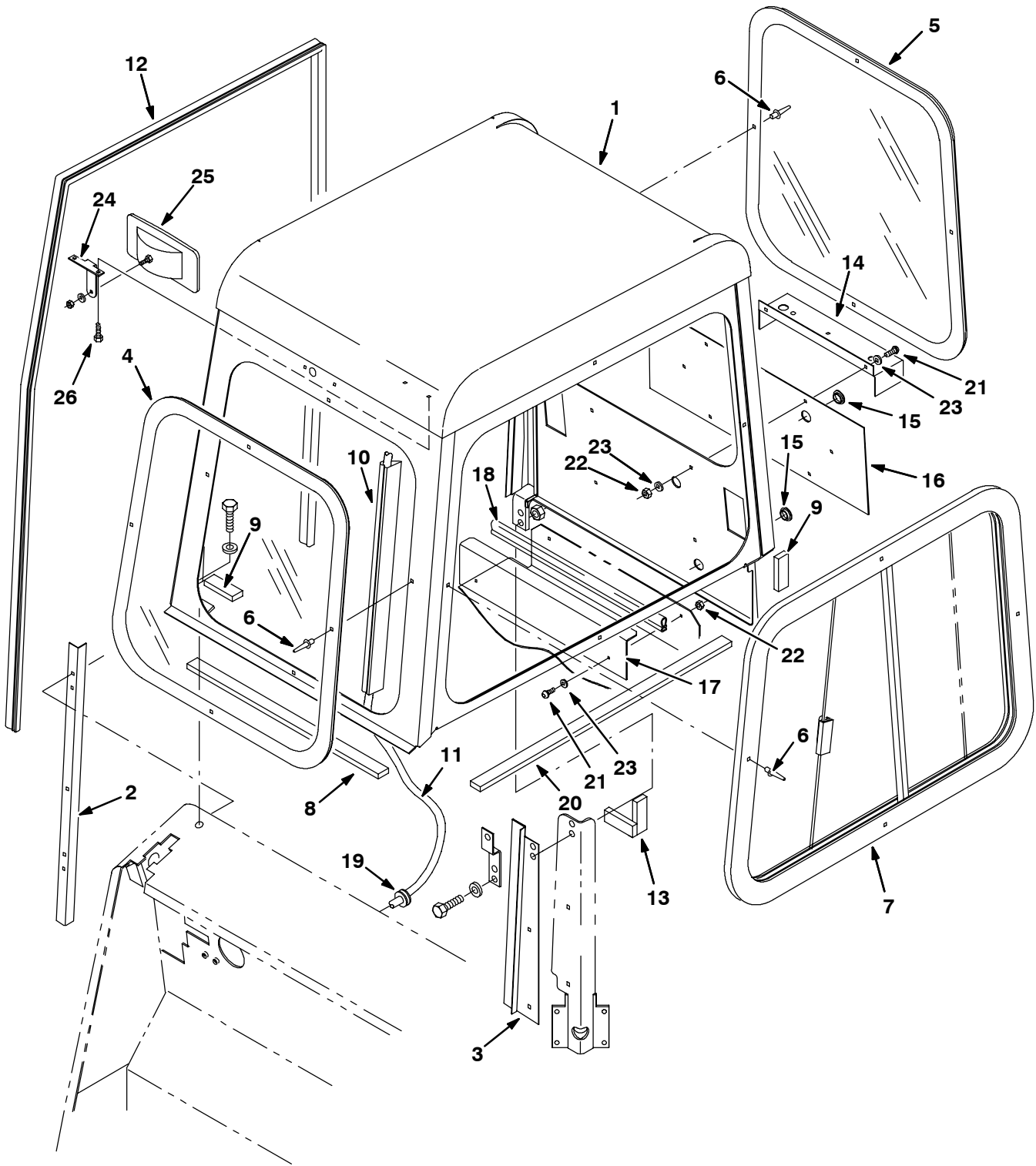


**Fig. 14 - Cab Insulation Group**

*NOTE: Cab Kit, TENNANT Part Number 9000206, includes Fig. 13, Fig. 14, Fig. 15, Fig. 16, Fig. 17, and Fig. 18.*

<b>Ref.</b>	<b>Part No.</b>	<b>Serial Number</b>	<b>Description</b>	<b>Qty.</b>
1	55073	(000000-	) Insulation, Acstc, 0.3 25.5w 25.6l	1
2	55074	(000000-	) Insulation, Acstc, 0.5 02.9w 24.3l Cab	1
3	55161	(000000-	) Insulation, Acstc, 0.5 03.9w 25.3l Cab	1
4	55162	(000000-	) Insulation, Acstc, Panel	1
5	55164	(000000-	) Insulation, Acstc, 0.8 23.3w 34.6l Cab	1
6	1010155	(000000-	) Insulation, Acstc, Door	1

Fig. 15 - Cab Frame and Windows Group





**Fig. 15 - Cab Frame and Windows Group**

NOTE: Cab Kit, TENNANT Part Number 9000206, includes Fig. 13, Fig. 14, Fig. 15, Fig. 16, Fig. 17, and Fig. 18.

Ref.	Part No.	Serial Number	Description	Qty.
1	370143	(000000-	) Cab	1
2	56546	(000000-	) Angle, Mtg, Stl, .06 1.0 1.0 28.5l	1
3	56560	(000000-	) Panel, Jam, Door, Rear, Lower	1
4	74430	(000000-	) Pane, Cab	1
5	74431	(000000-	) Pane, Cab	1
6	82457	(000000-	) Rivet, Blind, .125d X 0.44 X .25d, Stl	12
7	74429	(000000-	) Pane, Cab	1
8	55959	(000000-	) Seal, Ure, 0.38 0.75w 28.8l Adh	1
9	55968	(000000-	) Seal, Ure, 0.38 0.75w 02.4l Adh	2
10	55973	(000000-	) Duct, Vyl, 0.74 X 1.50 .75d Max 24.0l	1
11	60287	(000000-	) Harness, Cab, [355l]	1
12	66221	(000000-	) Seal, Bulb, [Sd-0504], 142.00l	1
13	66197	(000000-	) Insulation, Acstc, Seat	1
14	71058	(000000-	) Bracket, Alarm, Backup	1
15	55035	(000000-	) Button, Plug, 1.00h .00-.17 [Black Nyl]	2
16	55270	(000000-	) Plate	1
17	55227	(000000-	) Plate, Seal	1
18	55228	(000000-	) Seal, Bulb, [Sd-0504], 19.75l	1
19	10632-12	(000000-	) Grommet, Rbr, 0.38id, F/ 0.5h, .12matl	1
20	55963	(000000-	) Seal, Ure, 0.38 0.75w 36.0l Adh	1
21	17284	(000000-	) Screw, Btn, M 8 X 1.25 X 16, Ss	8
22	08709	(000000-	) Nut, Hex, Lock, M 8 X 1.25 NI	8
23	39349	(000000-	) Washer, Flat, 0.31 Sae	16
24	49032	(000000-	) Bracket, Mtg, Mirror, Rearview	1
25	49034	(000000-	) Mirror, Convex, 06.7 X 06.2	1
26	24593	(000000-	) Screw, Hex, .25-20 X 0.50, Fmg	2

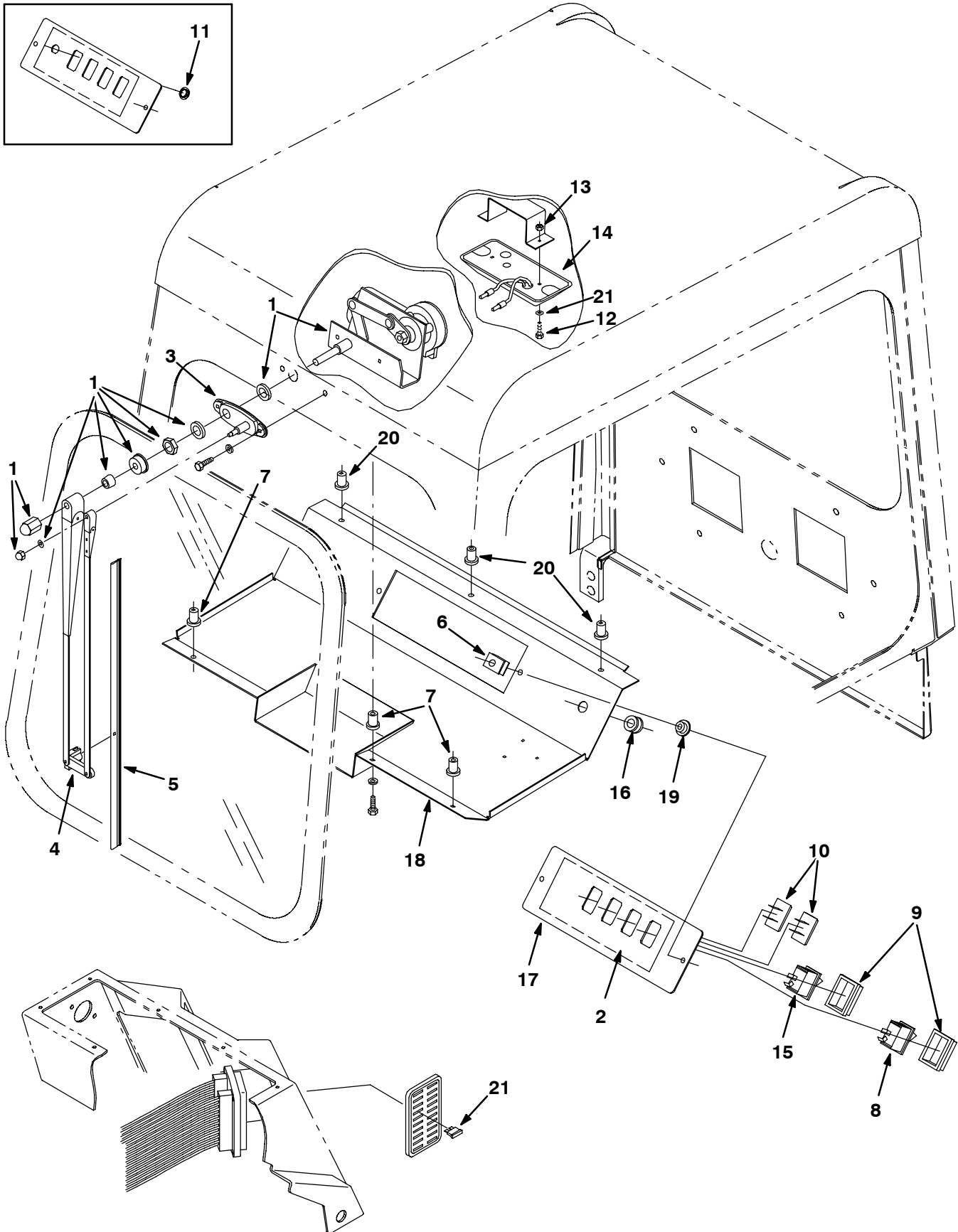


**Fig. 16 - Cab Door Group**

NOTE: Cab Kit, TENNANT Part Number 9000206, includes Fig. 13, Fig. 14, Fig. 15, Fig. 16, Fig. 17, and Fig. 18.

Ref.	Part No.	Serial Number	Description	Qty.
1	58898	(000000-	) Bolt, Latch, F/58489/58844	1
2	1009892	(000000-	) Bracket, Latch, Bolt	1
3	374653	(000000-	) Hinge Wldt, Door, Cab, Pin, Long	1
4	374654	(000000-	) Hinge Wldt, Door, Cab, Pin, Short	1
5	374651	(000000-	) Hinge Wldt, Tube, .38b, Door, Cab	2
6	1005339	(000000-	) Door Wldt, Cab	1
7	59514	(000000-	) Latch	1
8	57702	(000000-	) Cable, .06d, 12.0l, .26eye /.26eye	1
9	55038	(000000-	) Cable, .06d, 05.8l, .26eye /.26eye	1
10	59515	(000000-	) Handle, Door, Paddle	1
11	391816	(000000-	) Lever, Door Release	1
12	02129	(000000-	) Bolt, Shld, .38d X 0.38, .31-18	1
13	01760	(000000-	) Nut, Hex, Lock, .31-18, NI, Thin	1
14	1009152	(000000-	) Bracket, Armrest	1
15	60862	(000000-	) Sleeve, Nyl, #13 14.7l	1
16	02126	(000000-	) Pin, Clevis, 0.37 D X 3.00l	1
17	31249	(000000-	) Bolt, Shld, .25d X 1.25, #10-24	1
18	72024	(000000-	) Seal, Bulb, [Sd-0504], 34.50l	1
19	82457	(000000-	) Rivet, Blind, .125d X 0.44 X .25d, Stl	4
20	74428	(000000-	) Pane, Door, Cab	1
21	39005	(000000-	) Pin, Cotter, .094 X 0.75	1
22	09062	(000000-	) Screw, Flt, M06 X 1.0 X 16, 10.9	4
23	43955	(000000-	) Nut, Hex, Std, .44-14, 5	1
24	32493	(000000-	) Washer, Flat, 0.50 Std	8
25	33943	(000000-	) Screw, Flt, M08 X 1.25 X 40, 10.9	1
26	07810	(000000-	) Screw, Flt, M08 X 1.25 X 25, 10.9	7
27	07791	(000000-	) Nut, Hex, Flng, M08 X 1.25	5
28	06969	(000000-	) Screw, Hex, M12 X 1.75 X 40, 8.8	2
29	08711	(000000-	) Nut, Hex, Lock, M12 X 1.75,NI	3
30	43611	(000000-	) Washer, 0.39b 0.75d .06, Nyl	2
31	06943	(000000-	) Screw, Hex, M 6 X 1.0 X 20, 8.8	2
32	08708	(000000-	) Nut, Hex, Lock, M 6 X 1.0, NI	2
33	1010170	(000000-	) Bumper Wldt, Cab Door	1
34	76099	(000000-	) Screw, Hex, M 8 X 1.25 X 25, Fmg	3
35	12459	(000000-	) Screw, Hex, M 6 X 1.0 X 20, Fmg	4
36	381962	(000000-	) Handle, Container	1
37	09164	(000000-	) Screw, Pan, M6 X 1.0 X 20, 4.8	2
38	59881	(000000-	) Tube, 00.38d 00.28b 00.6l Stl	2
39	75430	(000000-	) Tread, Non-skid, 02.2w 15.5l	1
40	32491	(000000-	) Washer, Flat, 0.31, Std	3

Fig. 17 - Cab Electrical and Wiper Group

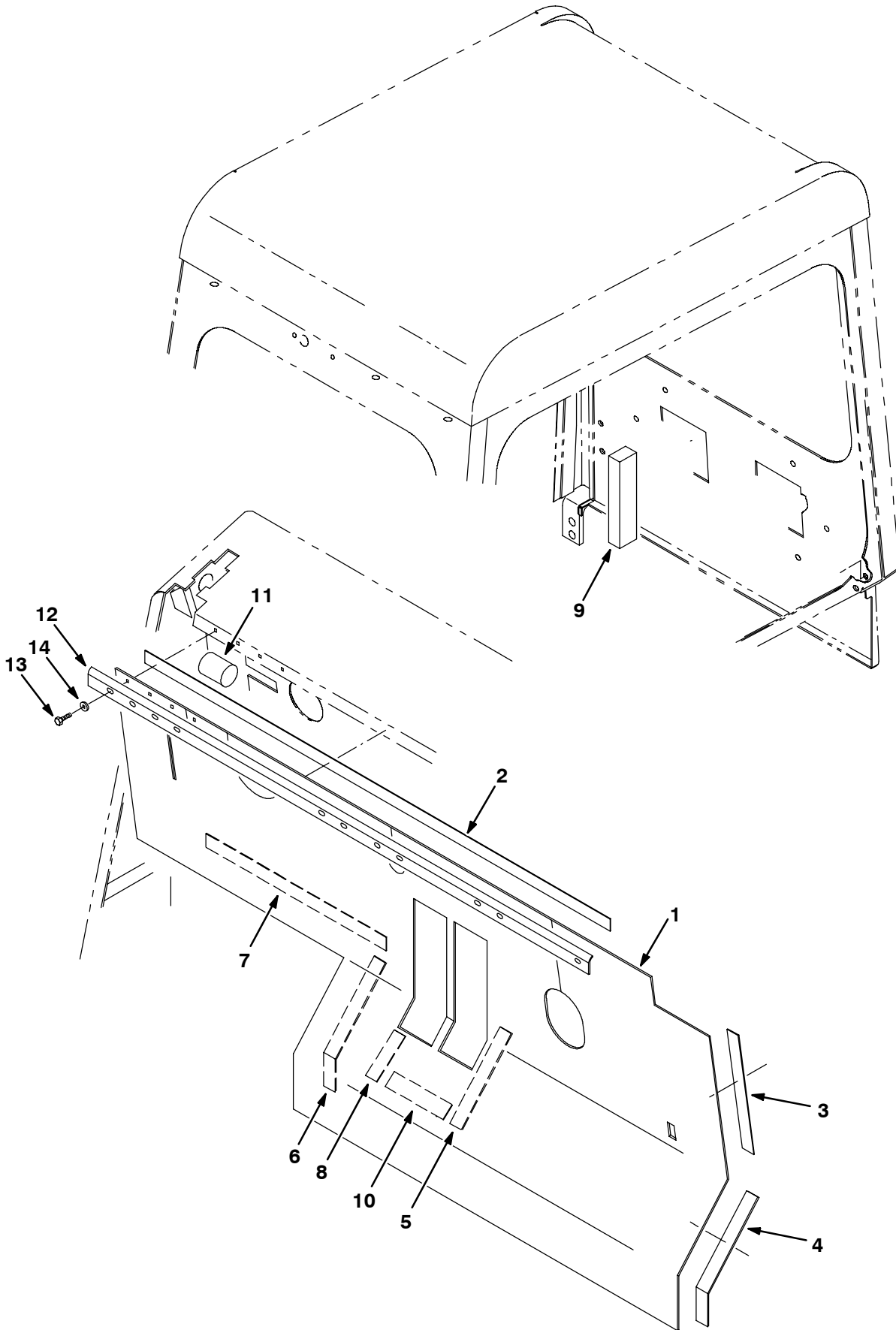


**Fig. 17 - Cab Electrical and Wiper Group**

NOTE: Cab Kit, TENNANT Part Number 9000206, includes Fig. 13, Fig. 14, Fig. 15, Fig. 16, Fig. 17, and Fig. 18.

Ref.	Part No.	Serial Number	Description	Qty.
1	59803	(000000-	) Motor, Ele, Wiper, 12vdc 68deg	1
2	1012397	(000000-	) Label, Opertnl, Cab	1
2	1012361	(000000-	) Label, Opertnl, Cab (W/AC)	1
3	59797	(000000-	) Kit, Wiper, Mtg, Plate	1
4	59799	(000000-	) Arm, Wiper, Windshield, [Panto]	1
5	74433	(000000-	) Blade, Wiper, Windshield 18.0	1
6	12271	(000000-	) Nut, U, M06 X 1.0	2
7	41845	(000000-	) Nut, Isolator, .25-20 Wall Thk .015-.094	3
8	65553	(000000-	) Switch, Rocker, 28vdc 15a Dpdt On/Of/On	1
9	57807	(000000-	) Cover, Seal, Rocker Switch	2
10	57772	(000000-	) Button, Plug, Switch, 1.45 X 0.83 Hole	2
11	57167	(000000-021019	) Button, Plug, 0.62h .03-.12 [Black Nyl]	1
12	09206	(000000-	) Screw, Hex, M 4 X 0.7 X 12, 8.8	2
13	02850	(000000-	) Nut, Hex, Lock, M 4 X 0.7, NI	2
▽	14	55461	(000000-) Light, Dome, 12vdc, Rwk 58951	1
▲	72142	(000000-	) Lamp, 12vdc Lamp, Dome [Speaker]	1
15	65561	(000000-	) Switch, Rocker, 28vdc 15a Spst On/Of	1
16	10632-12	(000000-	) Grommet, Rbr, 0.38id, F/ 0.5h, .12matl	1
17	71057	(000000-021019	) Panel, Instmt, Cab	1
17	1012357	021020-	) Panel, Instmt, Cab [6600/6650]	1
18	72049	(000000-	) Cover Wldt, Roof, Cab, Front	1
19	01047	(000000-	) Bushing, Flng, 0.32b 0.75d 0.14l	2
20	61913	(000000-	) Nut, Isolator, .25-20 Wall Thk .031-.187	3
21	19065	(000000-	) Washer, Flat, #08	2
22	762514	(000000-	) Fuse, 15 Amp	1
	377047	(000000-	) Harness, Cab	1

Fig. 18 - Cab Dust Kit

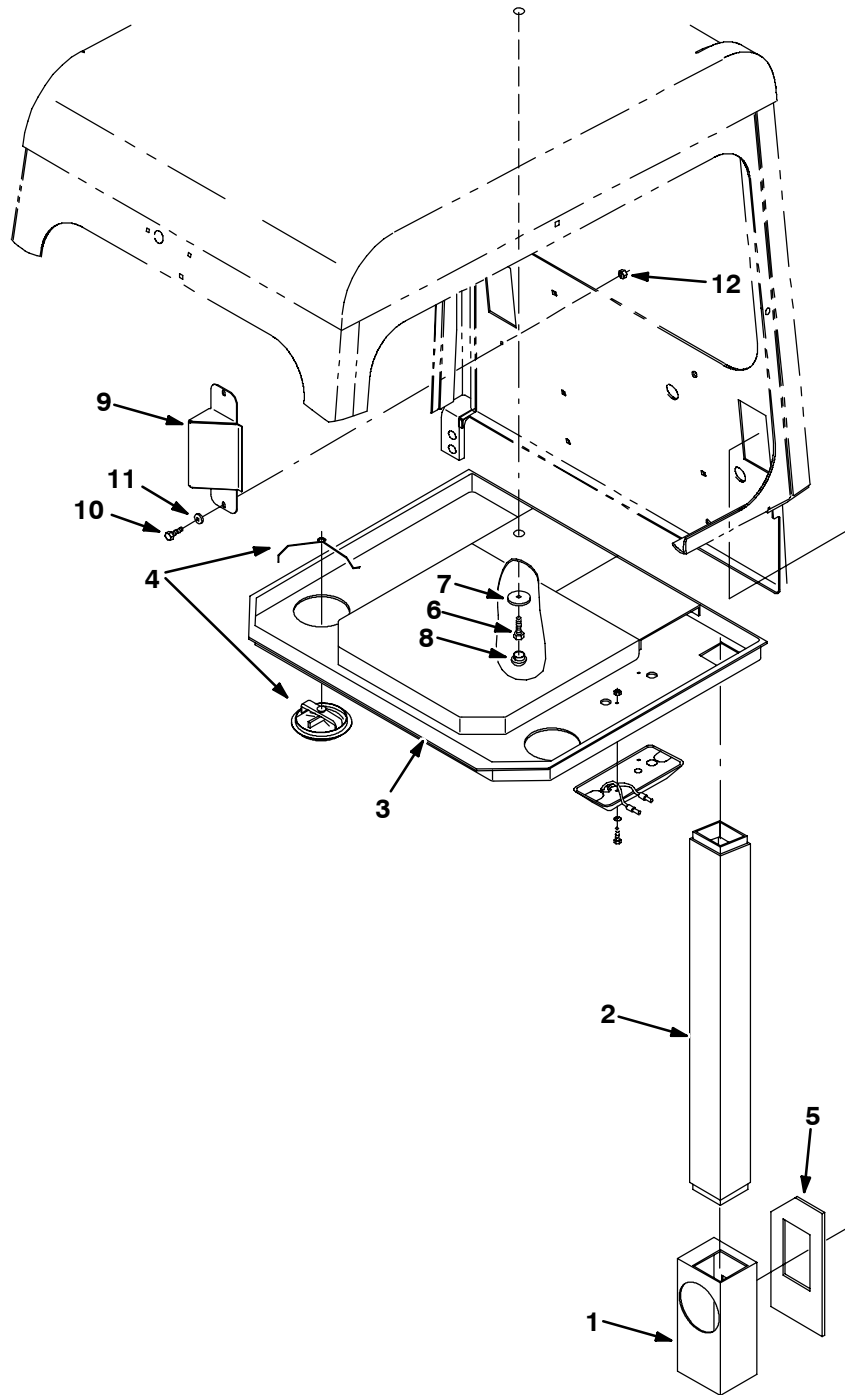


**Fig. 18 - Cab Dust Kit**

*NOTE: Cab Kit, TENNANT Part Number 9000206, includes Fig. 13, Fig. 14, Fig. 15, Fig. 16, Fig. 17, and Fig. 18.*

	<b>Ref.</b>	<b>Part No.</b>	<b>Serial Number</b>	<b>Description</b>	<b>Qty.</b>
▽		370115	(000000-	) Kit, Dust, Cab, [385/355]	1
▲	1	370116	(000000-	) Skirt, Firewall, Rh	1
▲	2	370117	(000000-	) Fastener, [Hook & Loop], 45.00l	1
▲	3	370118	(000000-	) Fastener, [Hook & Loop], 09.75l	1
▲	4	370119	(000000-	) Fastener, [Hook & Loop], 11.00l	1
▲	5	370120	(000000-	) Fastener, [Hook & Loop], 15.00l	1
▲	6	370121	(000000-	) Fastener, [Hook & Loop], 12.00l	1
▲	7	370122	(000000-	) Fastener, [Hook & Loop], 16.50l	1
▲	8	370129	(000000-	) Fastener, [Hook & Loop], 03.25l	1
▲	9	370124	(000000-	) Insulation, Acstc, 1.0 01.5w 06.8l	1
▲	10	370130	(000000-	) Fastener, [Hook & Loop], 05.19l	1
▲	11	370125	(000000-	) Seal, Rbr, Clsd, 1.50d 39.9l	2
▲	12	370159	(000000-	) Strip, Steel	1
▲	13	12459	(000000-	) Screw, Hex, M 6 X 1.0 X 20, Fmg	11
▲	14	01684	(000000-	) Washer, Flat, 0.25 Ss	11

Fig. 19 - Cab Vent and Duct Group

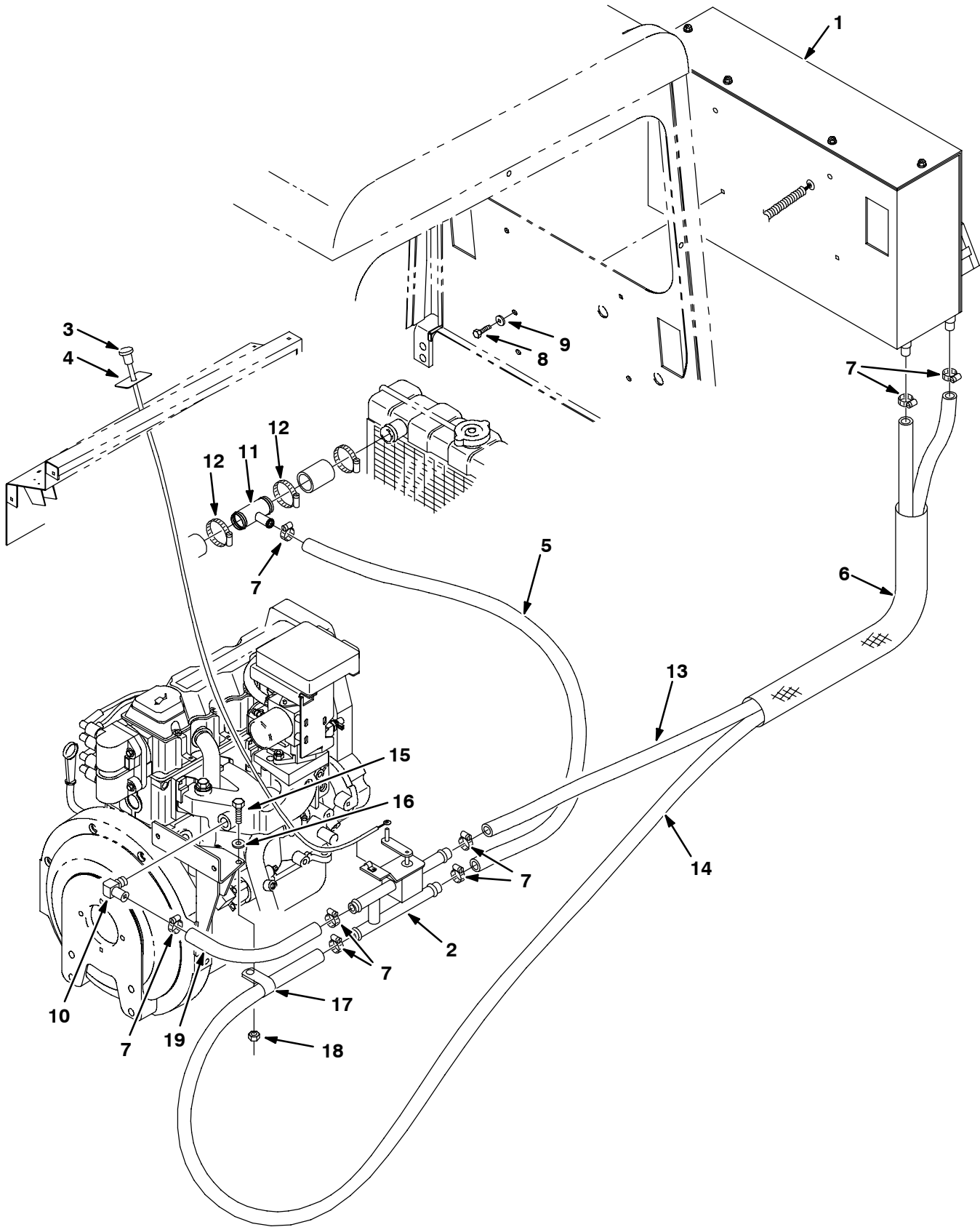




**Fig. 19 - Cab Vent and Duct Group**

	<b>Ref.</b>	<b>Part No.</b>	<b>Serial Number</b>	<b>Description</b>	<b>Qty.</b>
▽		1011902	(000000-	) Duct, Air Pkg	1
▲	1	393392	(000000-	) Duct, Transition, Windowside	1
▲	2	393394	(000000-	) Duct, Upright, Windowside, 23.8l	1
▲	3	9000266	(000000-	) Liner, Head, Plenum	1
▲	4	393396	(000000-	) Diffuser, Air	5
	5	375306	(000000-	) Spacer, Duct	2
	6	24592	(000000-	) Screw, Hex, #10-24 X 0.75, Fmg	1
	7	41178	(000000-	) Washer, Flat, 0.25 Fender	1
	8	57167	(000000-	) Button, Plug, 0.62h .03-.12 [Blk Nyl]	1
	9	1011492	(000000-	) Channel, Vent, Heater	1
	10	24199	(000000-	) Screw, Hex, M5 X 0.8 X 16, Ss	2
	11	01683	(000000-	) Washer, Flat, #10 Ss	2
	12	06549	(000000-	) Nut, Hex, Lock, M5 X 0.8, NI	2

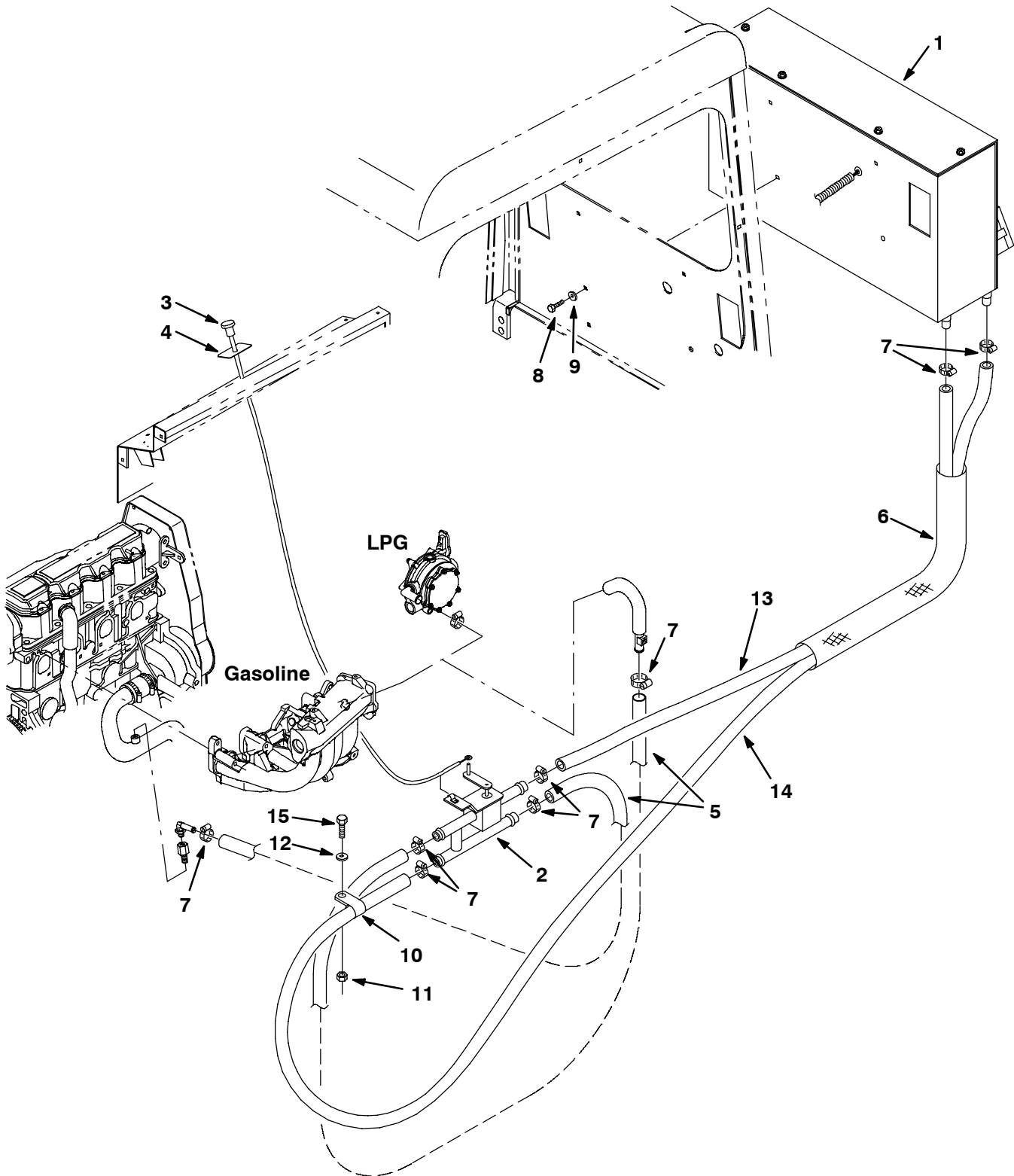
Fig. 20 - Heater and Pressurizer Group (000000-024999)



**Fig. 20 - Heater and Pressurizer Group (000000-024999)**

<b>Ref.</b>	<b>Part No.</b>	<b>Serial Number</b>	<b>Description</b>	<b>Qty.</b>
1	1010757	(000000-024999 )	Housing Assy, Heater/Press. [6600/6650] (See Breakdowns)	1
2	380618	(000000-024999 )	Valve, Water, Heater, H, 10bm	1
3	393355	(000000-024999 )	Cable Assy, Push-Pull	1
4	393356	(000000-024999 )	Label, Opertnl, Heat On-Off	1
5	61870	(000000-024999 )	Hose, Heater, 0.62id 31.0l	1
6	367987	(000000-024999 )	Sleeve, Nyl, #33 60.0l	1
7	63810	(000000-024999 )	Clamp, Hose, Wormdrive, 0.56-1.06d	8
8	76955	(000000-024999 )	Screw, Hex, .31-18 X 1.00, 5	4
9	32491	(000000-024999 )	Washer, Flat, 0.31 Std	4
10	1010653	(000000-024999 )	Ftg, Brs, Pm10/Bm	1
11	1010657	(000000-024999 )	Tube, Wldt, Tee	1
12	22297	(000000-024999 )	Clamp, Hose, Wormdrive, 1.56-2.50d	2
13	13122	(000000-024999 )	Hose, Heater, 0.62id 61.0l	1
14	393369	(000000-024999 )	Hose, Heater, 0.62id 84.0l	1
15	16931	(000000-024999 )	Screw, Hex, M 8 X 1.25 X 20, 8.8	1
16	39349	(000000-024999 )	Washer, Flat, 0.31 Sae	1
17	69234	(000000-024999 )	Clamp, Cable, Stl, 1.00d X 0.62w, 1h	1
18	07791	(000000-024999 )	Nut, Hex, Flng, M08 X 1.25	1
19	1010688	(000000-024999 )	Hose, Heater	1

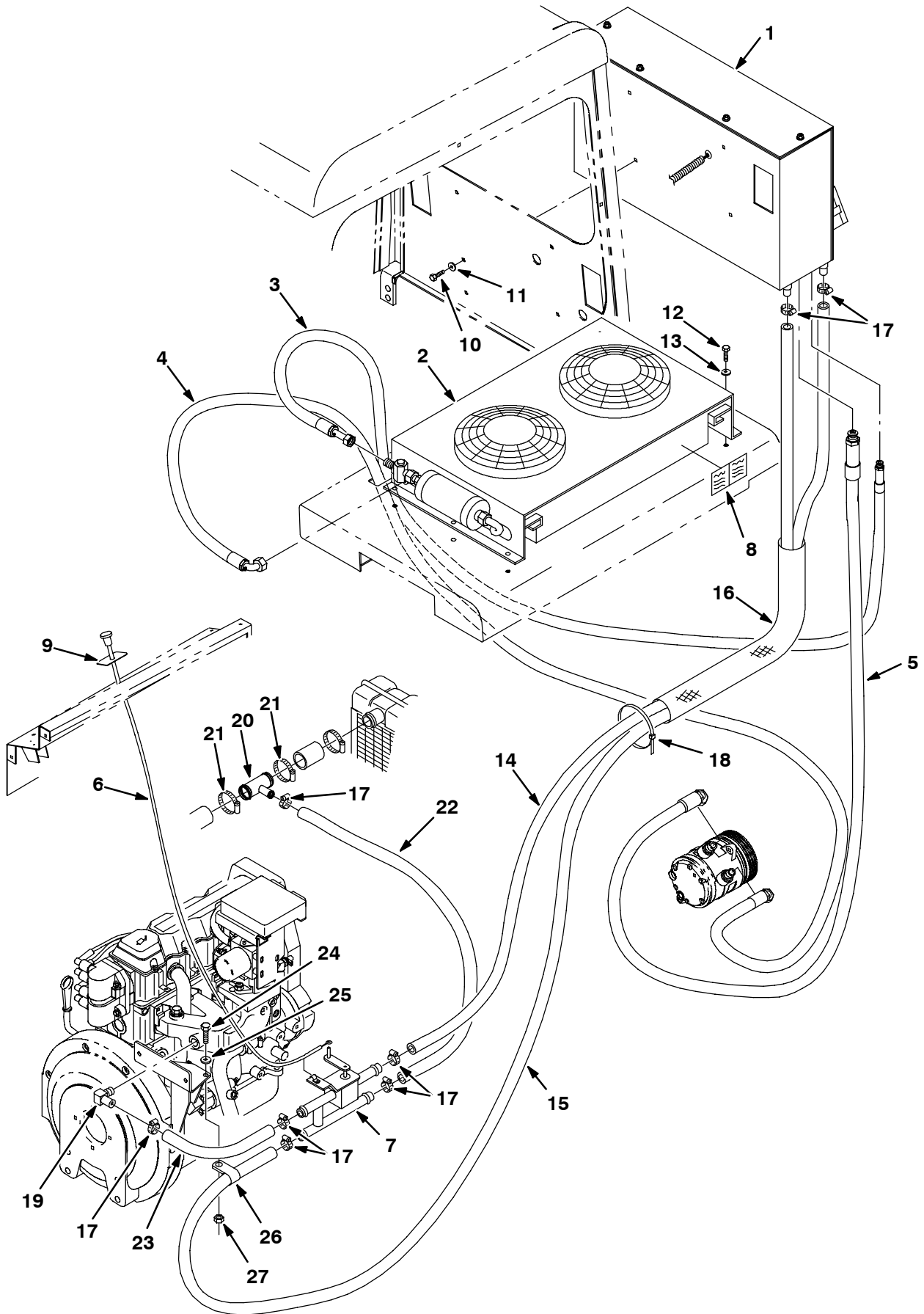
Fig. 21 - Heater and Pressurizer Group (025000- )



**Fig. 21 - Heater and Pressurizer Group (025000- )**

<b>Ref.</b>	<b>Part No.</b>	<b>Serial Number</b>	<b>Description</b>	<b>Qty.</b>
1	1010757	(025000-	) Housing Assy, Heater/Press. [6600/6650] (See Breakdowns)	1
2	380618	(025000-	) Valve, Water, Heater, H, 10bm	1
3	393355	(025000-	) Cable Assy, Push-Pull	1
4	393356	(025000-	) Label, Opertnl, Heat On-Off	1
5	31543	(025000-	) Hose, Heater, E90, 0.62ld 24.0 4.0 (Gasoline only)	2
5	372528	(025000-	) Hose, Mold, .62 To .75 (LPG only)	2
6	367987	(025000-	) Sleeve, Nyl, #33 60.0l	1
7	63810	(025000-	) Clamp, Hose, Wormdrive, 0.56-1.06d	8
8	76955	(025000-	) Screw, Hex, .31-18 X 1.00, 5	4
9	32491	(025000-	) Washer, Flat, 0.31 Std	4
10	69234	(025000-	) Clamp, Cable, Stl, 1.00d X 0.62w, 1h	1
11	07791	(025000-	) Nut, Hex, Flng, M08 X 1.25	1
12	39349	(025000-	) Washer, Flat, 0.31 Sae	1
13	31750	(025000-	) Hose, Heater, 0.62id 70.0l	1
14	393369	(025000-	) Hose, Heater, 0.62id 84.0l	1
15	16931	(025000-	) Screw, Hex, M 8 X 1.25 X 20, 8.8	1

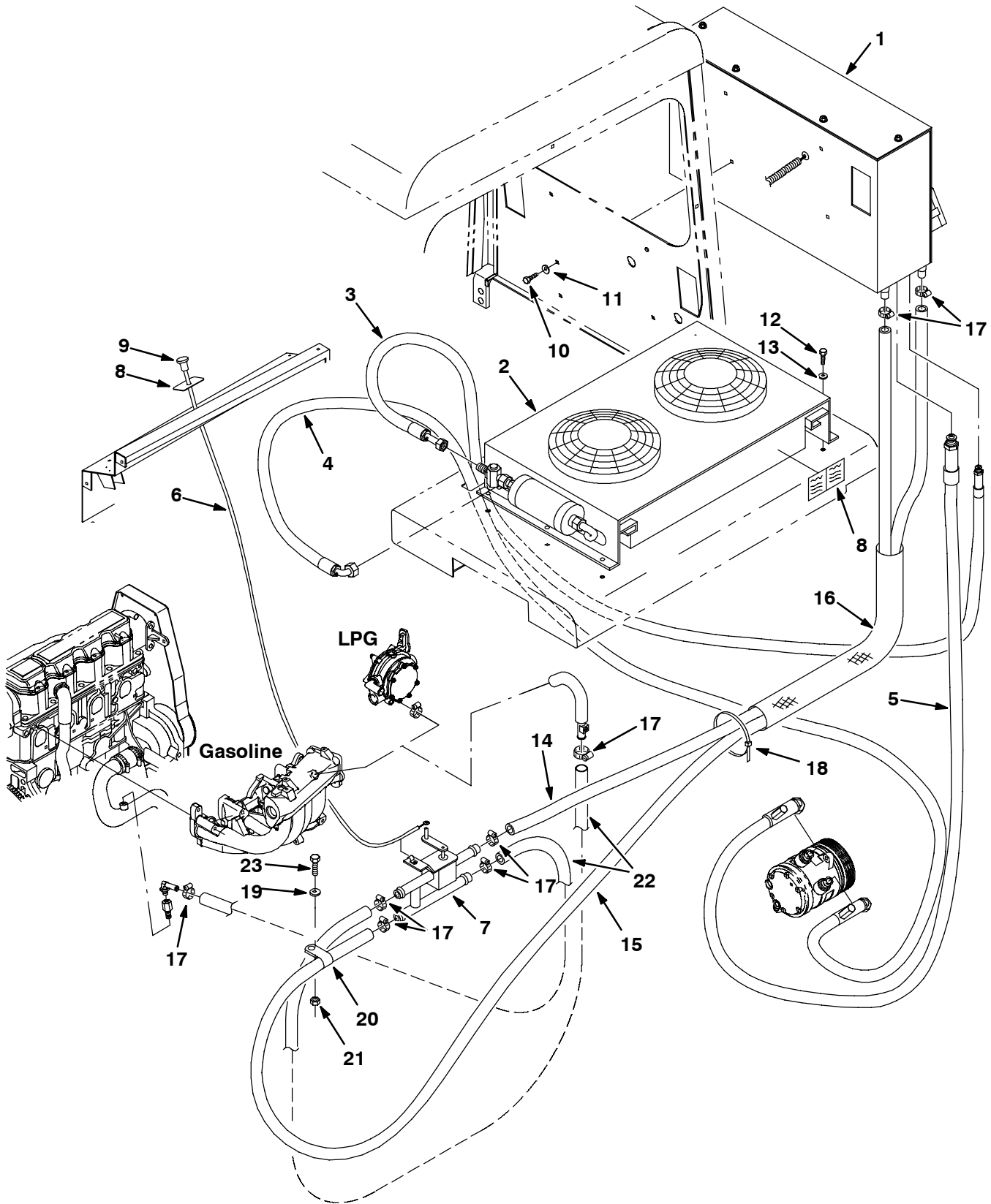
Fig. 22 - Air Conditioning and Heater Group (000000-024999)



**Fig. 22 - Air Conditioning and Heater Group (000000-024999)**

<b>Ref.</b>	<b>Part No.</b>	<b>Serial Number</b>	<b>Description</b>	<b>Qty.</b>
1	1010755	(000000-024999 )	Housing Assy, Heater/Ac [6600/6650] (See Breakdowns)	1
2	393340	(000000-024999 )	Condenser Assy, A/C, W /Fan [R134] (See Breakdowns)	1
3	377295	(000000-024999 )	Hose, A/C, Liq, Reducer	1
4	377296	(000000-024999 )	Hose, A/C, Discharge, Reducer	1
5	377297	(000000-024999 )	Hose, A/C, Suc, Reducer	1
6	393355	(000000-024999 )	Cable Assy, Push-Pull	1
7	380618	(000000-024999 )	Valve, Water, Heater, H, 10bm	1
8	393362	(000000-024999 )	Label, Spec, A/C	1
9	393356	(000000-024999 )	Label, Opertnl, Heat On-Off	1
10	76955	(000000-024999 )	Screw, Hex, .31-18 X 1.00, 5	4
11	32491	(000000-024999 )	Washer, Flat, 0.31 Std	4
12	24593	(000000-024999 )	Screw, Hex, .25-20 X 0.50, Fmg	4
13	19066	(000000-024999 )	Washer, Flt, #10	4
14	13122	(000000-024999 )	Hose, Heater, 0.62id 61.0l	2
15	393369	(000000-024999 )	Hose, Heater, 0.62id 84.0l	1
16	367987	(000000-024999 )	Sleeve, Nyl, #33 60.0l	1
17	63810	(000000-024999 )	Clamp, Hose, Wormdrive, 0.56-1.06d	8
18	763116	(000000-024999 )	Tie, Cable, Nyl, 15.3l . W 4.5 Max D	6
19	1010653	(000000-024999 )	Ftg, Brs, Pm10/Bm	2
20	1010657	(000000-024999 )	Tube, Wldt, Tee	1
21	22297	(000000-024999 )	Clamp, Hose, Wormdrive, 1.56-2.50d	2
22	61870	(000000-024999 )	Hose, Heater, 0.62id 31.0l	1
23	1010688	(000000-024999 )	Hose, Heater	1
24	16931	(000000-024999 )	Screw, Hex, M 8 X 1.25 X 20, 8.8	1
25	39349	(000000-024999 )	Washer, Flat, 0.31 Sae	1
26	69234	(000000-024999 )	Clamp, Cable, Stl, 1.00d X 0.62w, 1h	1
27	07791	(000000-024999 )	Nut, Hex, Flng, M08 X 1.25	1

**Fig. 23 - Air Conditioning and Heater Group (025000- )**

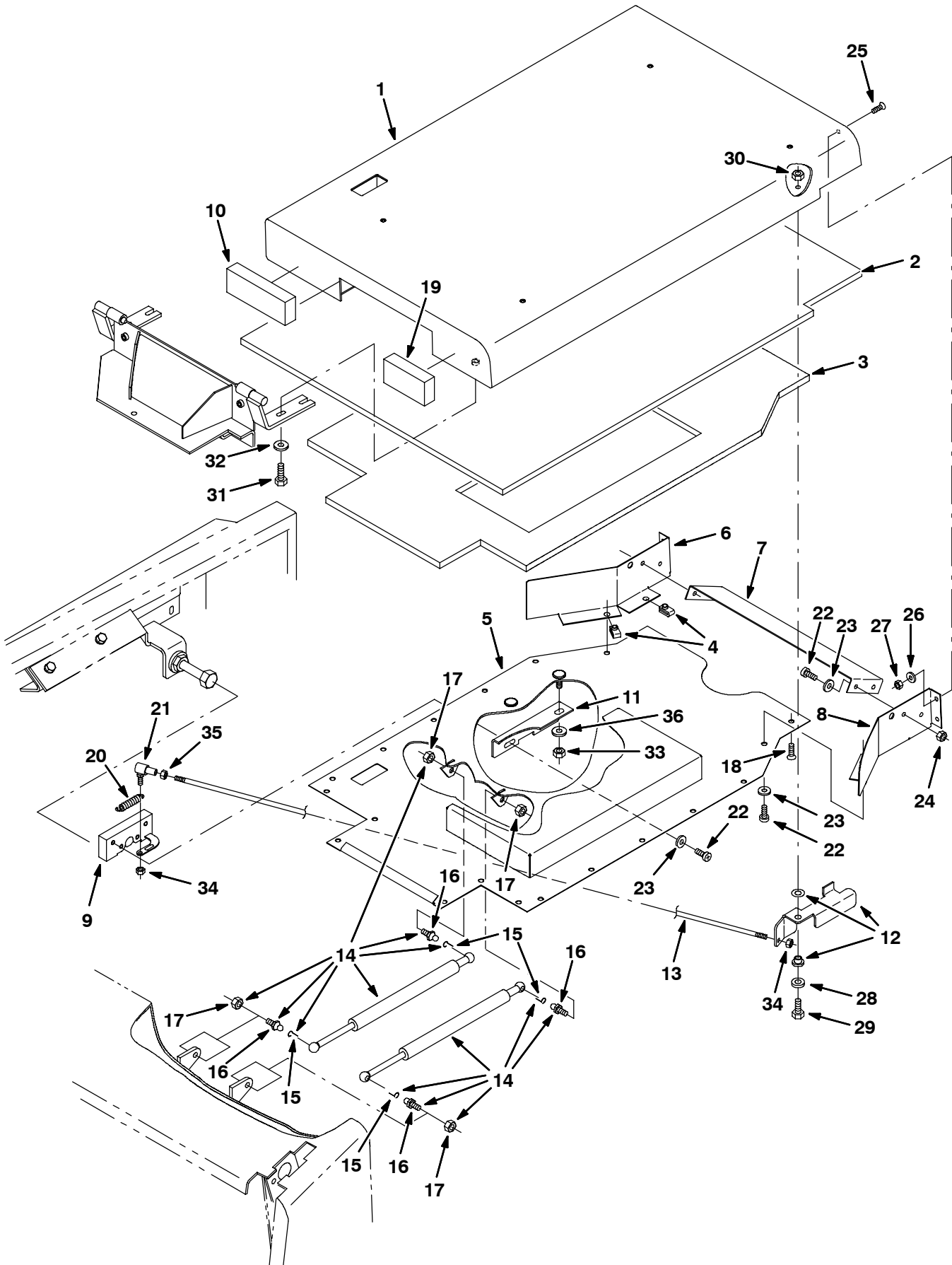




**Fig. 23 - Air Conditioning and Heater Group (025000- )**

<b>Ref.</b>	<b>Part No.</b>	<b>Serial Number</b>	<b>Description</b>	<b>Qty.</b>
1	1010755	(025000-	) Housing Assy, Heater/Ac [6600/6650] (See Breakdowns)	1
2	393340	(025000-	) Condenser Assy, A/C, W /Fan [R134] (See Breakdowns)	1
3	377295	(025000-	) Hose, A/C, Liq, Reducer	1
4	1015585	(025000-	) Hose, A/C, 10 67.0l Str E90 [R134]	1
5	1015584	(025000-	) Hose, A/C, 08 53.0l E90 E90 [R134]	1
6	393355	(025000-	) Cable Assy, Push-Pull	1
7	380618	(025000-	) Valve, Water, Heater, H, 10bm	1
8	393362	(025000-	) Label, Spec, A/C	1
9	393356	(025000-	) Label, Opertnl, Heat On-Off	1
10	76955	(025000-	) Screw, Hex, .31-18 X 1.00, 5	4
11	32491	(025000-	) Washer, Flat, 0.31 Std	4
12	06942	(025000-	) Screw, Hex, M6 X 1.0 X 16, 8.8	4
13	32483	(025000-	) Washer, Flat, 0.25 Sae	4
14	31750	(025000-	) Hose, Heater, 0.62id 70.0l	2
15	393369	(025000-	) Hose, Heater, 0.62id 84.0l	1
16	367987	(025000-	) Sleeve, Nyl, #33 60.0l	1
17	63810	(025000-	) Clamp, Hose, Wormdrive, 0.56-1.06d	8
18	763116	(025000-	) Tie, Cable, Nyl, 15.3l . W 4.5 Max D	6
19	39349	(025000-	) Washer, Flat, 0.31 Sae	1
20	69234	(025000-	) Clamp, Cable, Stl, 1.00d X 0.62w, 1h	1
21	07791	(025000-	) Nut, Hex, Flng, M08 X 1.25	1
22	31543	(025000-	) Hose, Heater, E90, 0.62ld 24.0 4.0 (Gasoline only)	2
22	372528	(025000-	) Hose, Mold, .62 To .75 (LPG only)	2
23	16931	(025000-	) Screw, Hex, M 8 X 1.25 X 20, 8.8	1

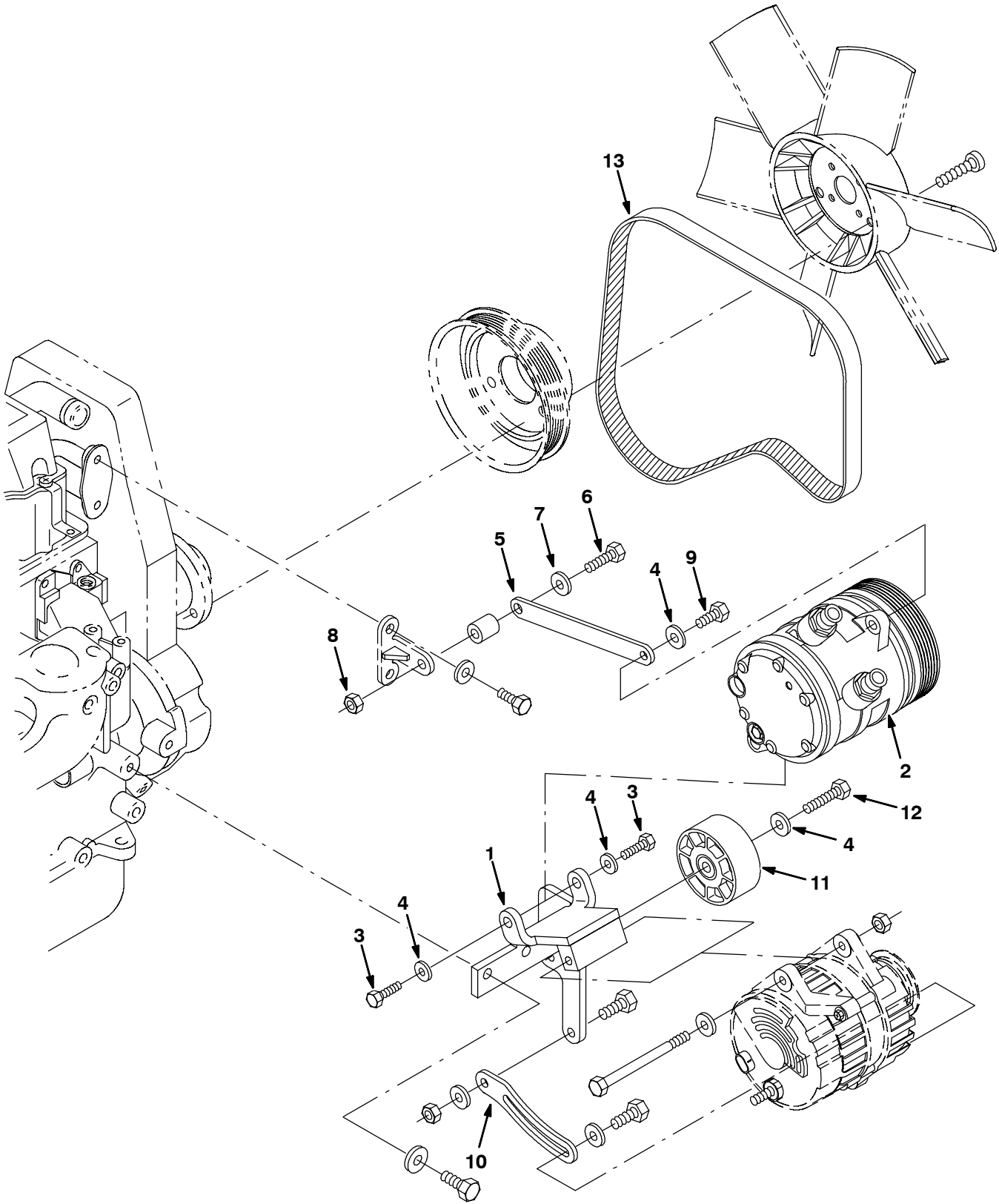
Fig. 24 - Air Conditioning Engine Cover Group



**Fig. 24 - Air Conditioning Engine Cover Group**

<b>Ref.</b>	<b>Part No.</b>	<b>Serial Number</b>	<b>Description</b>	<b>Qty.</b>	
1	1010267	(000000-	) Door Wldt, Eng, Top	1	
2	59019	(000000-	) Insulation, Acstc, 0.8 26.0w 36.3l	1	
3	58999	(000000-029999	) Insulation, Acstc, Cover, Eng, Bottom	1	
3	1035090	(030000-	) Insulation, Cover, Eng, Bottom [2007]	1	
4	12271	(000000-	) Nut, U, M06 X 1.0	20	
5	1014084	(000000-029999	) Plate Wldt, Cover, Eng	1	
5	1033100	(030000-	) Plate Wldt, Cover, Eng, Metal [2007]	1	
6	69952	(000000-	) Plate	1	
7	58849	(000000-	) Bracket, Deflector, Cover, Eng	1	
8	69951	(000000-	) Plate	1	
9	59514	(000000-	) Latch	1	
10	69986	(000000-	) Insulation, Acstc, 1.0 02.0w 05.8l	1	
11	70142	(000000-	) Bracket, Latch, Eng Cover	1	
12	69907	(000000-	) Handle Assy, Latch, Eng Cover	1	
13	55048	(000000-	) Rod	1	
▽	14	69906	(000000-	) Gasspring Assy, Eng Cover	2
▲	15	64595	(000000-	) Clip, Safety, Gasspring	2
▲	16	58494	(000000-	) Stud, Ball, .39d .31-16, Gasspring	2
▲	17	01760	(000000-	) Nut, Hex, Lock, .31-18, NI, Thin	2
	18	09062	(000000-	) Screw, Flt, M06 X 1.0 X 16, 10.9	2
	19	69987	(000000-	) Insulation, Acstc, 1.0 02.0w 04.0l	1
	20	53091	(000000-	) Spring, Extn, 0.50od X 0.06wir, 1.8l	1
	21	14601	(000000-	) Balljoint, .25-28 Fem/.25-28mal	1
	22	09145	(000000-	) Screw, Pan, M 6 X 1.0 X 16, 4.8	24
	23	32483	(000000-	) Washer, Flat, 0.25 Sae	24
	24	08708	(000000-	) Nut, Hex, Lock, M 6 X 1.0, NI	4
	25	09120	(000000-	) Screw, Flt, M05 X 0.8 X 16, 10.9	4
	26	19066	(000000-	) Washer, Flt, #10	4
	27	06549	(000000-	) Nut, Hex, Lock, M 5 X 0.8, NI	4
	28	32490	(000000-	) Washer, Flat, 0.25 Std	3
	29	16931	(000000-	) Screw, Hex, M 8 X 1.25 X 20, 8.8	1
	30	08709	(000000-	) Nut, Hex, Lock, M 8 X 1.25 NI	4
	31	39277	(000000-	) Screw, Hex, M 8 X 1.25 X 25, 8.8	4
	32	41186	(000000-	) Washer, Belleville, .31	4
	33	41430	(000000-	) Nut, Hex, Lock, M10 X 1.5, NI	2
	34	18390	(000000-	) Nut, Hex, Lock, .25-28, NI, Thin	2
	35	32899	(000000-	) Nut, Hex, Jam, .25-28	1
	36	32492	(000000-	) Washer, Flat, 0.38 Std	2

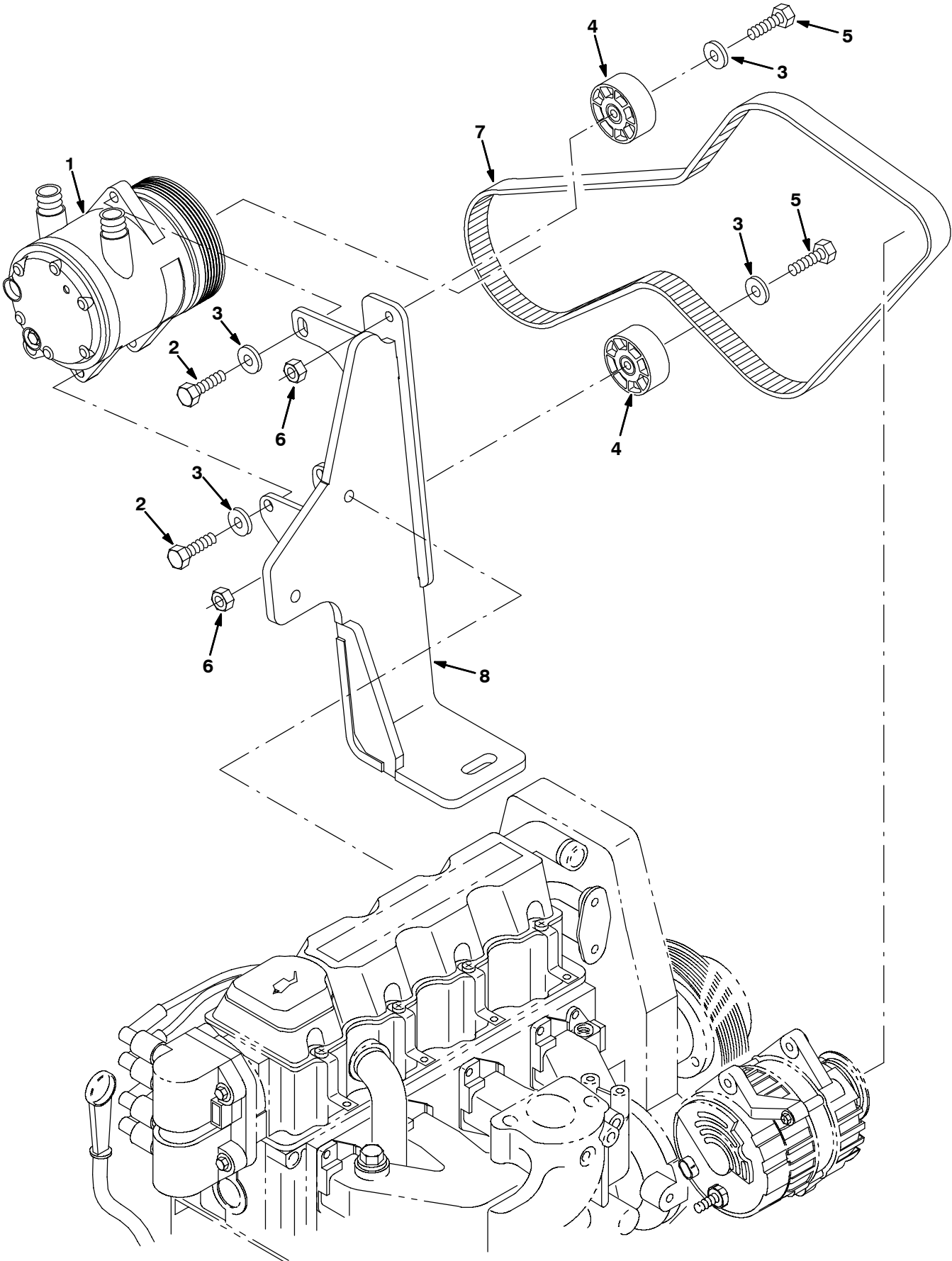
Fig. 25 - Air Conditioning Compressor Group (00000-024999)



**Fig. 25 - Air Conditioning Compressor Group (000000-024999)**

<b>Ref.</b>	<b>Part No.</b>	<b>Serial Number</b>	<b>Description</b>	<b>Qty.</b>
1	1008164	(000000-024999 )	Bracket Wldt, A/C And Alternator	1
2	1006321	(000000-024999 )	Compressor, A/C, W/6v Pulley	1
3	58286	(000000-024999 )	Screw, Hex, M10 X 1.25 X 20, 8.8	2
4	32485	(000000-024999 )	Washer, Flat, .38 Sae	4
5	1009836	(000000-024999 )	Arm, Compressor	1
6	06956	(000000-024999 )	Screw, Hex, M 8 X 1.25 X 45, 8.8	1
7	39349	(000000-024999 )	Washer, Flat, 0.31 Sae	1
8	08713	(000000-024999 )	Nut, Hex, Lock, M 8 X 1.25, Ni, Ss	1
9	58286	(000000-024999 )	Screw, Hex, M10 X 1.25 X 20, 8.8	1
10	1009544	(000000-024999 )	Arm, Adj, Alternator	1
11	41372	(000000-024999 )	Sheave, Flat, 3.0d 1.00w, Brg, 0.38b	1
12	27988	(000000-024999 )	Screw, Hex, .38-16 X 1.50, 5	1
13	1009732	(000000-024999 )	Belt, V	1

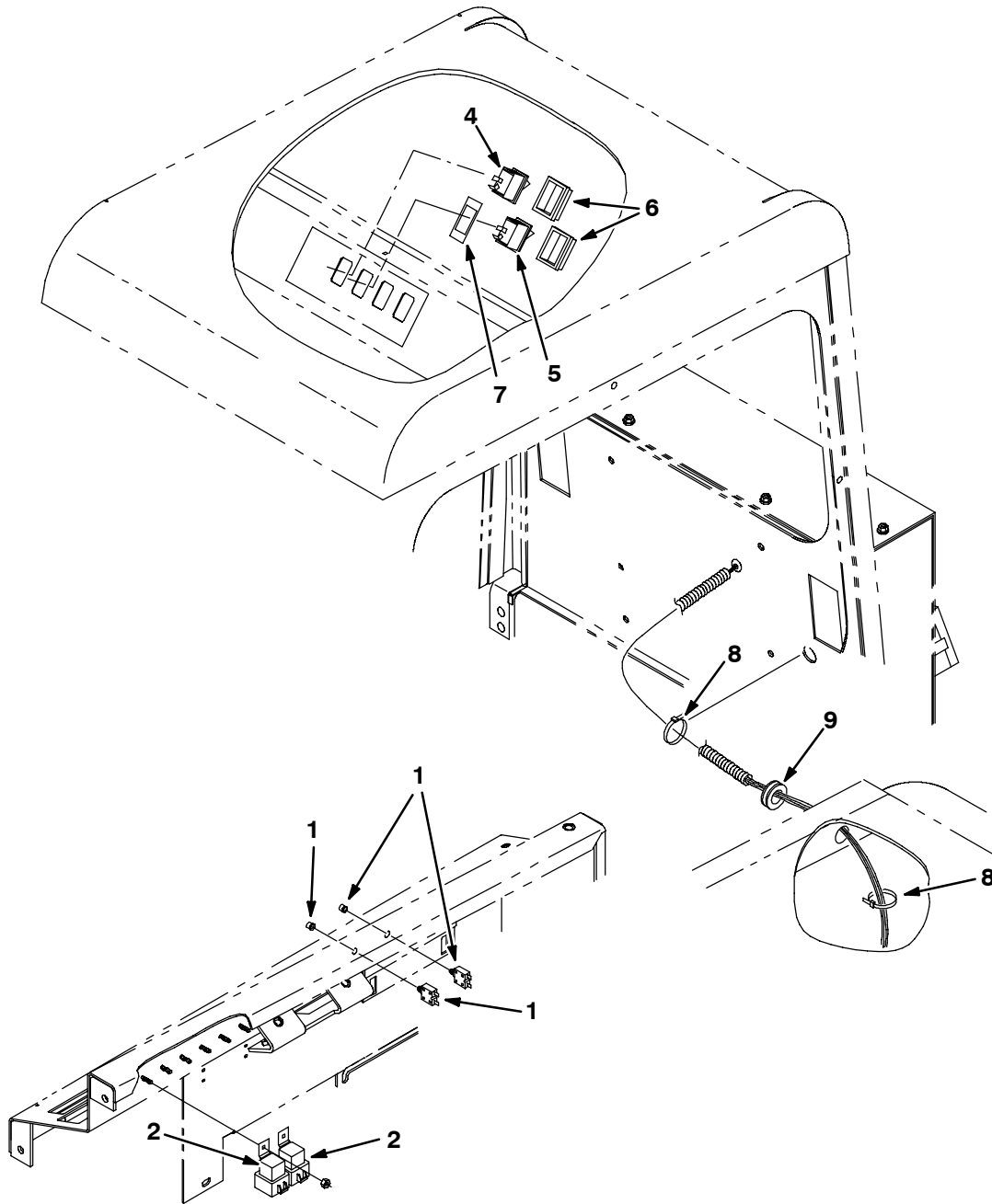
Fig. 26 - Air Conditioning Compressor Group (025000- )



**Fig. 26 - Air Conditioning Compressor Group (025000- )**

<b>Ref.</b>	<b>Part No.</b>	<b>Serial Number</b>	<b>Description</b>	<b>Qty.</b>
1	1006321	(025000-	) Compressor, A/C, 6v Pully [134][Tm-08hd]	1
2	58286	(025000-	) Screw, Hex, M10 X 1.25 X 20, 8.8	3
3	32485	(025000-	) Washer, Flat, 0.38 Sae	5
4	41372	(025000-	) Sheave, Flat, 3.0d 1.00w, Brg, 0.38b	2
5	27990	(025000-	) Screw, Hex, .38-16 X 2.00, 5	2
6	50902	(025000-	) Nut, Hex, Lock, .38-16, NI	2
7	1015355	(025000-	) Belt, V	1
8	1014551	(025000-	) Mount Wldt, Eng, Gas/Lpg	1

**Fig. 27 - Air Conditioning and Heater Electrical Group**

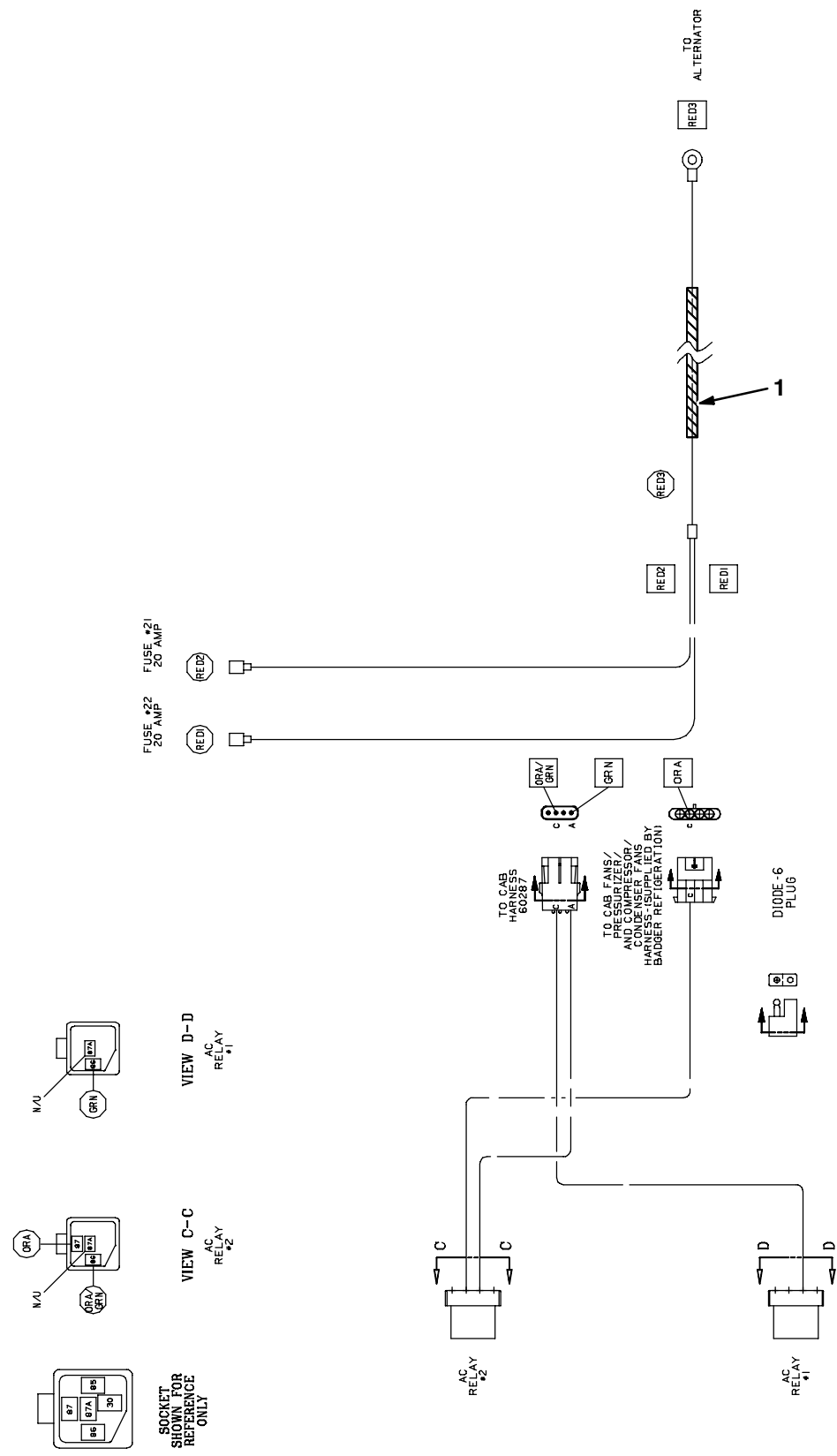


354022 - 6600, 6650

Ref.	Part No.	Serial Number	Description	Qty.
1	383723	(000000- )	Circuitbreaker, 20.0a, Resetable	2
2	56186	(000000- )	Relay, 12vdc, 40a, Spdt N/O [Potter]	2
3	08708	(000000- )	Nut, Hex, Lock, M6 X 1.0, NI	2
4	65553	(000000- )	Switch, Rocker, 28vdc 15a Dpdt On/Of/On	1
5	65561	(000000- )	Switch, Rocker, 28vdc 15a Spst On/Of	1
6	57807	(000000- )	Cover, Seal, Rocker Switch	2
7	393363	(000000- )	Label, Info, A/C, On-Off	1
8	49263	(000000- )	Tie, Cable, Nyl, 11.4l .19w 3.0 Max D	10
9	10632-18	(000000- )	Grommet, Rbr, 0.69id, F/ 0.1h, .25matl	1



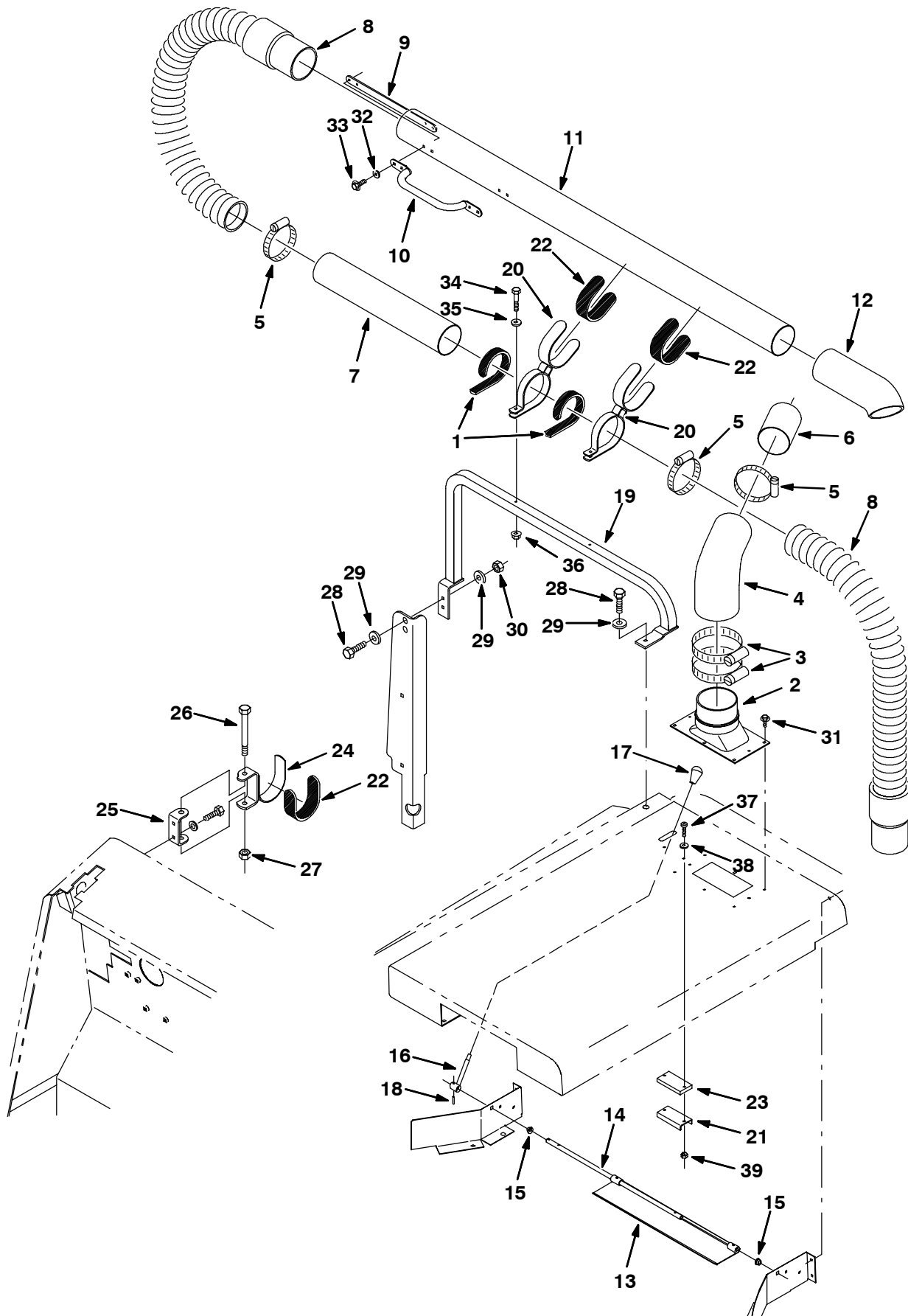
Fig. 28 - Air Conditioning and Heater Wire Harness Group



354022 - 6600, 6650

Ref.	Part No.	Serial Number	Description	Qty.
1	377098	(000000-	) Harness, A/C, Heater [6600/6650]	2

Fig. 29 - Blower Wand Group



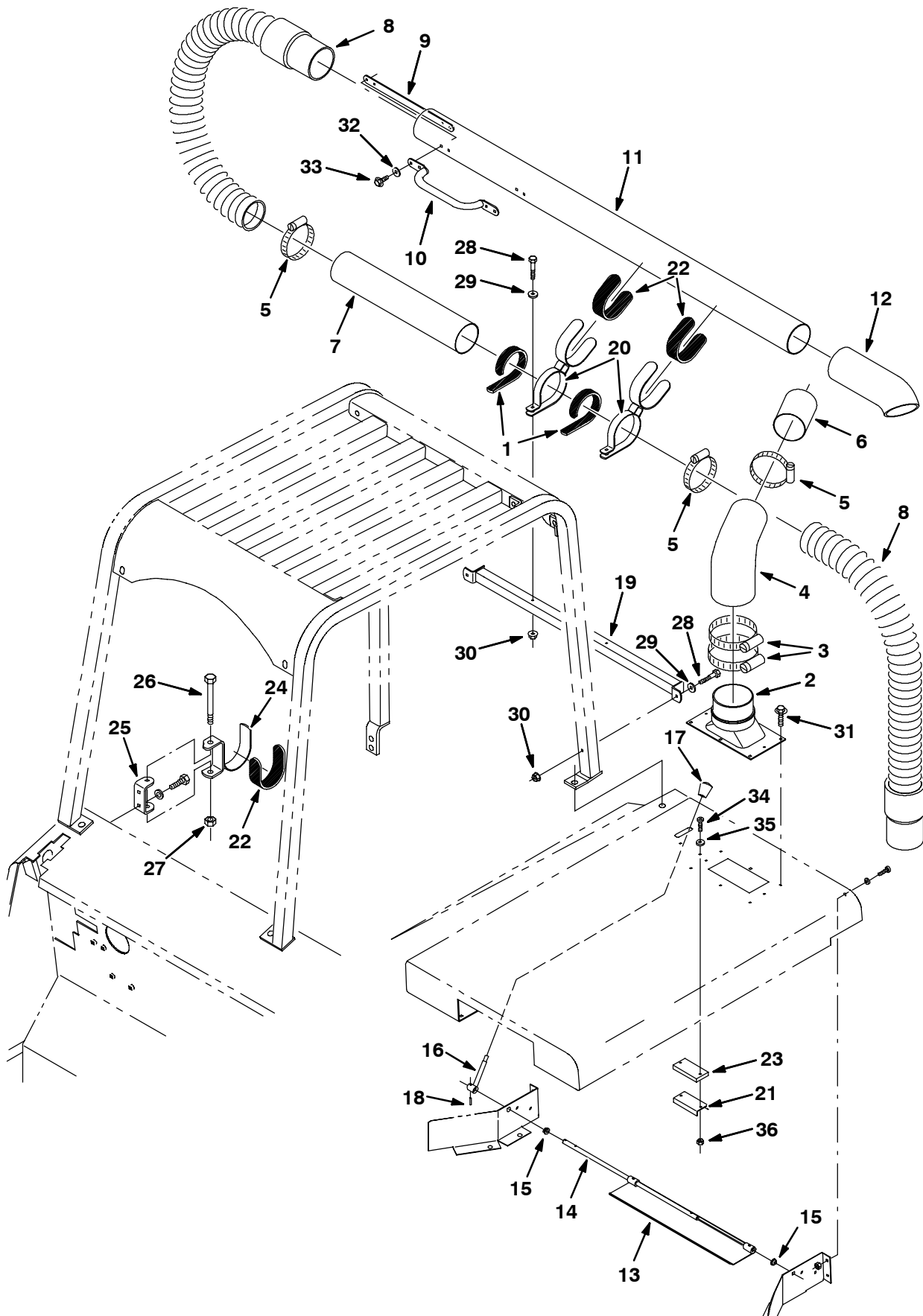
**Fig. 29 - Blower Wand Group**

NOTE: Blower Wand Kit, TENNANT Part Number 377067 (000000-024999), includes Fig. 29 and Fig. 31.

NOTE: Blower Wand Kit, TENNANT Part Number 9000774(025000- ), includes Fig. 29 and Fig. 31.

Ref.	Part No.	Serial Number	Description	Qty.
1	71025	(000000-	) Strip, Rbr, 0.13 00.75w 10.3l	2
2	72143	(000000-	) Duct, Blower Wand	1
3	23498	(000000-	) Clamp, Hose, Wormdrive, 3.56-4.50d	2
4	59919	(000000-	) Hose, Rbr, E90 3.00id 3.50id 03.5 3.3	1
5	43555	(000000-	) Clamp, Hose, Wormdrive, 1.62-3.50d	3
6	53894	(000000-	) Tube, Plstc, 3.00d 2.90b 04.0l Clear	1
7	53883	(000000-	) Tube, Plstc, 3.00d 2.90b 16.0l Clear	1
8	64320	(000000-	) Hose Assy, W/1cuff, 3.0d, 24l, 3.0/	2
9	69937	(000000-	) Plate, Backing, Handle	1
10	32822	(000000-	) Handle	1
11	53895	(000000-	) Tube, Plstc, 3.00d 2.90b 48.0l Clear	1
12	59104	(000000-	) Hose, Rbr	1
13	59012	(000000-	) Plate Wldt, Blower Wand	1
14	59013	(000000-	) Pin, 0.38d 17.2l 1/.10h 2/M04 X 0.7h	1
15	63469-3	(000000-	) Bushing, Snap In, 0.38b 0.31d .14t Nyl	2
16	58881	(000000-	) Lever	1
17	69955	(000000-	) Knob, Tpr, 1.00d 1.63l M08x1.25 Plstc	1
18	23999-6	(000000-	) Pin, Roll, .090 D X 0.75l, .094/.097	1
19	69923	(000000-	) Tube Wldt, Sppt, Blower Wand	1
20	55489	(000000-	) Clamp Wldt, Tube, Blower Wand	2
21	63378	(000000-	) Magnet	1
22	69981	(000000-	) Strip, Rbr, 0.13 01.25w 08.8l	3
23	69953	(000000-	) Plate	1
24	74438	(000000-	) Bracket Wldt, Sppt, Blower	1
25	74439	(000000-	) Bracket, Mtg, Tube, Blower Wand	1
26	34877	(000000-	) Screw, Hex, M10 X 1.5 X 100, 8.8	1
	59768	(000000-	) Label Set, Opertnl	1
27	41430	(000000-	) Nut, Hex, Lock, M10 X 1.5, NI	1
28	41346	(000000-	) Screw, Hex, M12 X 1.75 X 30, 8.8	3
29	32486	(000000-	) Washer, Flat, 0.50 Sae	7
30	08711	(000000-	) Nut, Hex, Lock, M12 X 1.75,NI	2
31	24593	(000000-	) Screw, Hex, .25-20 X 0.50, Fmg	6
32	01683	(000000-	) Washer, Flat, #10 Ss	4
33	12459	(000000-	) Screw, Hex, M 6 X 1.0 X 20, Fmg	4
34	06949	(000000-	) Screw, Hex, M 6 X 1.0 X 50, 8.8	2
35	32483	(000000-	) Washer, Flat, 0.25 Sae	2
36	07790	(000000-	) Nut, Hex, Fmg, M06 X 1.0	2
37	24198	(000000-	) Screw, Pan, M 5 X 0.8 X 25, Ss	2
38	19066	(000000-	) Washer, Flt, #10	2
39	06549	(000000-	) Nut, Hex, Lock, M 5 X 0.8, NI	2

**Fig. 30 - Blower Wand Group, Overhead Guard**



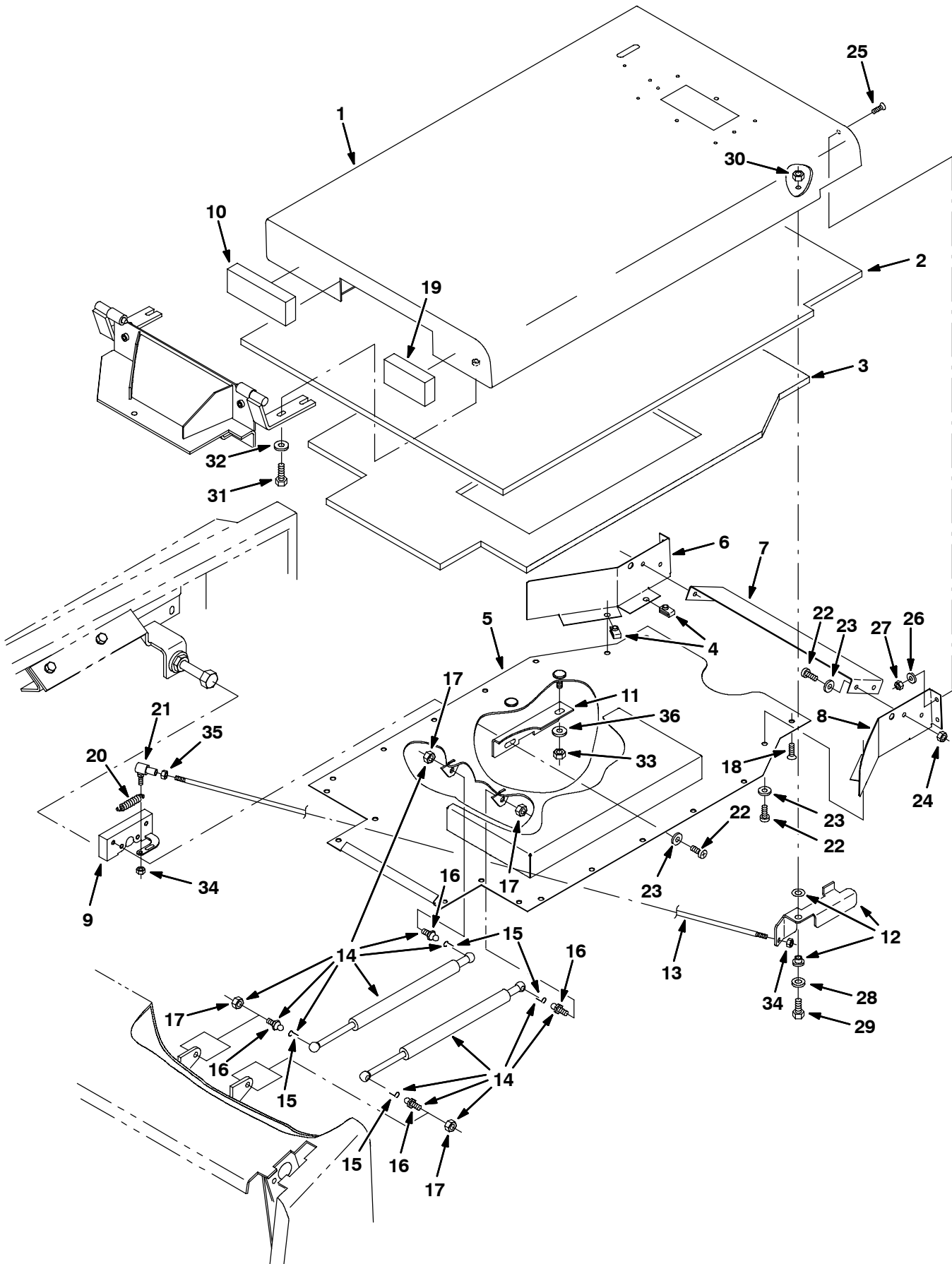
**Fig. 30 - Blower Wand Group, Overhead Guard**

NOTE: Blower Wand Kit, TENNANT Part Number 377093 (000000-024999), includes Fig. 30 and Fig. 31.

NOTE: Blower Wand Kit, TENNANT Part Number 9000775 (025000- ), includes Fig. 30 and Fig. 31.

Ref.	Part No.	Serial Number	Description	Qty.
1	71025	(000000-	) Strip, Rbr, 0.13 00.75w 10.3l	2
2	72143	(000000-	) Duct, Blower Wand	1
3	23498	(000000-	) Clamp, Hose, Wormdrive, 3.56-4.50d	2
4	59919	(000000-	) Hose, Rbr, E90 3.00id 3.50id 03.5 3.3	1
5	43555	(000000-	) Clamp, Hose, Wormdrive, 1.62-3.50d	3
6	53894	(000000-	) Tube, Plstc, 3.00d 2.90b 04.0l Clear	1
7	53883	(000000-	) Tube, Plstc, 3.00d 2.90b 16.0l Clear	1
8	64320	(000000-	) Hose Assy, W/1cuff, 3.0d, 24l, 3.0/	2
9	69937	(000000-	) Plate, Backing, Handle	1
10	32822	(000000-	) Handle	1
11	53895	(000000-	) Tube, Plstc, 3.00d 2.90b 48.0l Clear	1
12	59104	(000000-	) Hose, Rbr	1
13	59012	(000000-	) Plate Wldt, Blower Wand	1
14	59013	(000000-	) Pin, 0.38d 17.2l 1/.10h 2/M04 X 0.7h	1
15	63469-3	(000000-	) Bushing, Snap In, 0.38b 0.31d .14t Nyl	2
16	58881	(000000-	) Lever	1
17	69955	(000000-	) Knob, Tpr, 1.00d 1.63l M08x1.25 Plstc	1
18	23999-6	(000000-	) Pin, Roll, .090 D X 0.75l, .094/.097	1
19	69958	(000000-	) Tube Wldt, Sppt, Blower, Wand	1
20	55489	(000000-	) Clamp Wldt, Tube, Blower Wand	2
21	63378	(000000-	) Magnet	1
22	69981	(000000-	) Strip, Rbr, 0.13 01.25w 08.8l	3
23	69953	(000000-	) Plate	1
24	74438	(000000-	) Bracket Wldt, Sppt, Blower	1
25	74439	(000000-	) Bracket, Mtg, Tube, Blower Wand	1
26	07819	(000000-	) Screw, Hex, M10 X 1.5 X 130, 8.8	1
	59768	(000000-	) Label Set, Opertnl, [ 355l]	1
27	41430	(000000-	) Nut, Hex, Lock, M10 X 1.5, NI	1
28	06949	(000000-	) Screw, Hex, M 6 X 1.0 X 50, 8.8	4
29	32483	(000000-	) Washer, Flat, 0.25 Sae	4
30	07790	(000000-	) Nut, Hex, Flng, M06 X 1.0	4
31	24593	(000000-	) Screw, Hex, .25-20 X 0.50, Fmg	6
32	01683	(000000-	) Washer, Flat, #10 Ss	4
33	12459	(000000-	) Screw, Hex, M 6 X 1.0 X 20, Fmg	4
34	24198	(000000-	) Screw, Pan, M 5 X 0.8 X 25, Ss	2
35	19066	(000000-	) Washer, Flt, #10	2
36	06549	(000000-	) Nut, Hex, Lock, M 5 X 0.8, NI	2

Fig. 31 - Blower Wand Engine Cover Group



**Fig. 31 - Blower Wand Engine Cover Group**

NOTE: Blower Wand Kit, TENNANT Part Number 377067 (000000-024999), includes Fig. 29 and Fig. 31.

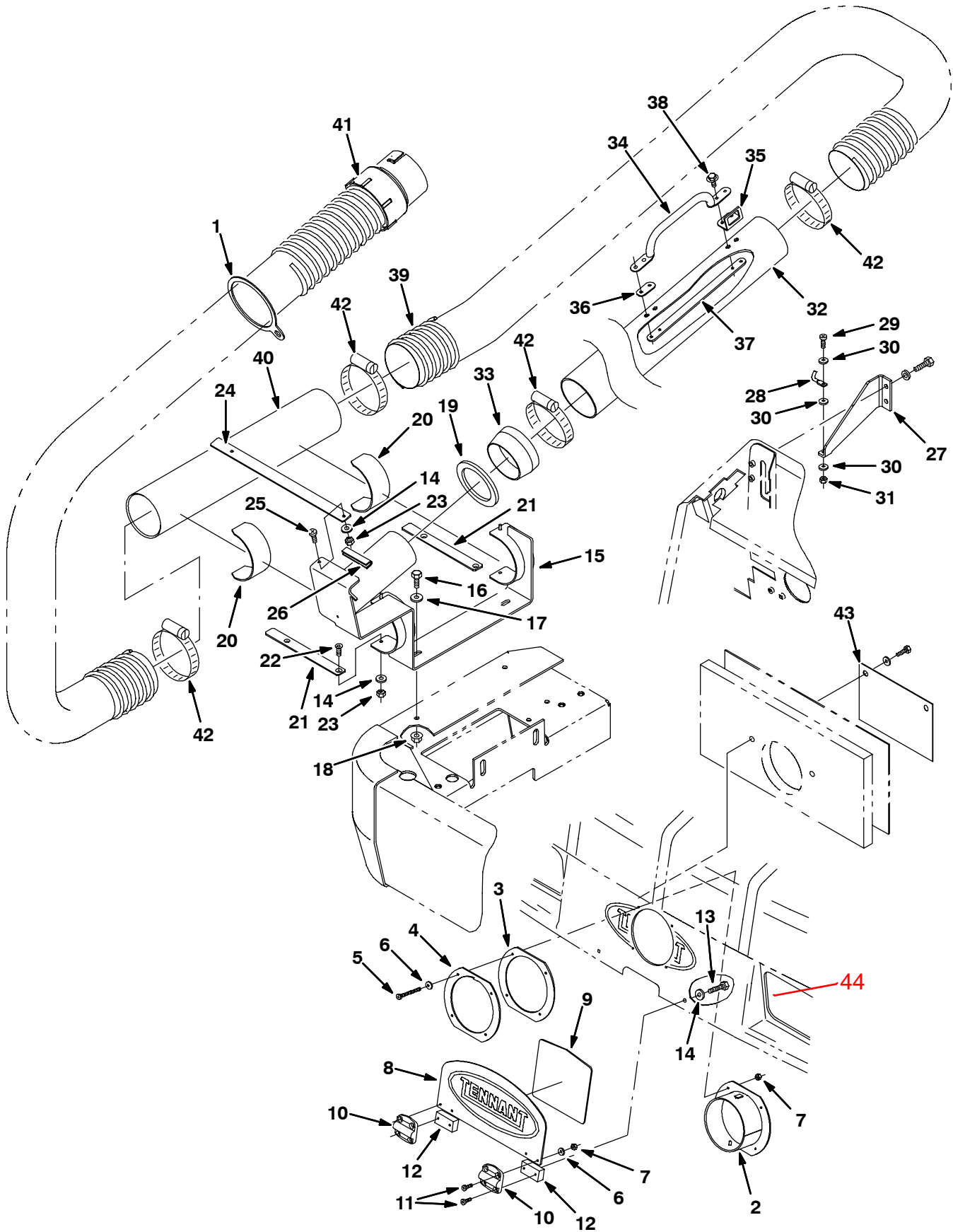
NOTE: Blower Wand Kit, TENNANT Part Number 377093 (000000-024999), includes Fig. 30 and Fig. 31.

NOTE: Blower Wand Kit, TENNANT Part Number 9000774(025000- ), includes Fig. 29 and Fig. 31.

NOTE: Blower Wand Kit, TENNANT Part Number 9000775 (025000- ), includes Fig. 30 and Fig. 31.

Ref.	Part No.	Serial Number	Description	Qty.	
1	69935	(000000- )	Door Wldt, Eng, Top, Blower Wand	1	
2	59019	(000000- )	Insulation, Acstc, 0.8 26.0w 36.3l	1	
3	58999	(000000-025999 )	Insulation, Acstc, Cover, Eng, Bottom	1	
3	1035090	(030000- )	Insulation, Cover, Eng, Bottom [2007]	1	
4	12271	(000000- )	Nut, U, M06 X 1.0	20	
5	1010316	(000000-024999 )	Plate Wldt, Cover, Eng	1	
5	1018778	(025000-025999 )	Plate Wldt, Cover, Eng, Metal	1	
5	1035093	(030000- )	Plate Wldt, Cover, Eng, Metal [2007]	1	
6	69952	(000000- )	Plate	1	
7	58849	(000000- )	Bracket, Deflector, Cover, Eng	1	
8	69951	(000000- )	Plate	1	
9	59514	(000000- )	Latch	1	
10	69986	(000000- )	Insulation, Acstc, 1.0 02.0w 05.8l	1	
11	70142	(000000- )	Bracket, Latch, Eng Cover	1	
12	69907	(000000- )	Handle Assy, Latch, Eng Cover	1	
13	55048	(000000- )	Rod	1	
▽	14	69906	(000000- )	Gasspring Assy, Eng Cover	2
▲	15	64595	(000000- )	Clip, Safety, Gasspring	2
▲	16	58494	(000000- )	Stud, Ball, .39d .31-16, Gasspring	2
▲	17	01760	(000000- )	Nut, Hex, Lock, .31-18, NI, Thin	2
18	09062	(000000- )	Screw, Flt, M06 X 1.0 X 16, 10.9	2	
19	69987	(000000- )	Insulation, Acstc, 1.0 02.0w 04.0l	1	
20	53091	(000000- )	Spring, Extn, 0.50od X 0.06wir, 1.8l	1	
21	14601	(000000- )	Balljoint, .25-28 Fem/.25-28mal	1	
22	09145	(000000- )	Screw, Pan, M 6 X 1.0 X 16, 4.8	24	
23	32483	(000000- )	Washer, Flat, 0.25 Sae	24	
24	08708	(000000- )	Nut, Hex, Lock, M 6 X 1.0, NI	4	
25	09120	(000000- )	Screw, Flt, M05 X 0.8 X 16, 10.9	4	
26	19066	(000000- )	Washer, Flt, #10	4	
27	06549	(000000- )	Nut, Hex, Lock, M 5 X 0.8, NI	4	
28	32490	(000000- )	Washer, Flat, 0.25 Std	1	
29	16931	(000000- )	Screw, Hex, M 8 X 1.25 X 20, 8.8	1	
30	08709	(000000- )	Nut, Hex, Lock, M 8 X 1.25 NI	4	
31	39277	(000000- )	Screw, Hex, M 8 X 1.25 X 25, 8.8	4	
32	41186	(000000- )	Washer, Belleville, .31	4	
33	41430	(000000- )	Nut, Hex, Lock, M10 X 1.5, NI	2	
34	18390	(000000- )	Nut, Hex, Lock, .25-28, NI, Thin	2	
35	32899	(000000- )	Nut, Hex, Jam, .25-28	1	
36	32492	(000000- )	Washer, Flat, 0.38 Std	2	

Fig. 32 - Vacuum Wand Kit

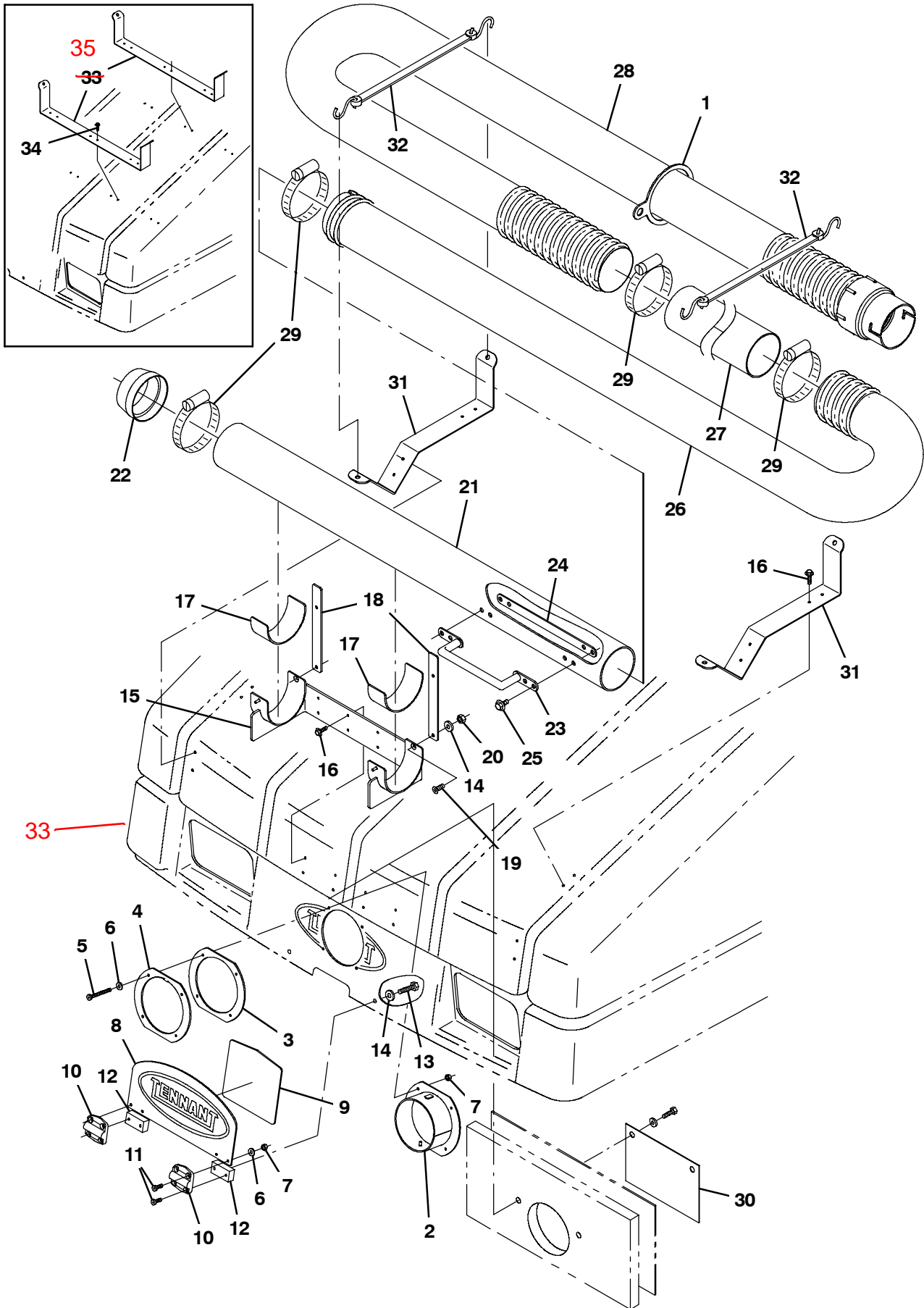




**Fig. 32 - Vacuum Wand Kit**

Ref.	Part No.	Serial Number	Description	Qty.
▽	377141	(000000-	) Kit, Ci, Wand, Vaccuum	1
▲	1 1009163	(000000-	) Strap, Mtg, Cuff	1
▲	2 1007965	(000000-	) Tube Wldt, Hppr	1
▲	3 1008629	(000000-	) Gasket, Flange	2
▲	4 1008611	(000000-	) Flange, Ring	1
▲	5 377165	(000000-	) Screw, Pan, M4x0.7 X 60, 4.8	4
▲	6 19065	(000000-	) Washer, Flat, #08	4
▲	7 02850	(000000-	) Nut, Hex, Lock, M 4 X 0.7, NI	4
▲	8 1010600	(000000-	) Door, Vacuum, W/Label [6600/6650]	1
▲	9 1007993	(000000-	) Gasket, Door	1
▲	10 367950	(000000-	) Hinge, .40pin 2.2w 2.0l 4/0.21h	2
▲	11 06927	(000000-	) Screw, Pan, M 4 X 0.7 X 16, 4.8	8
▲	12 1008304	(000000-	) Spacer, Hinge	2
▲	13 06947	(000000-	) Screw, Hex, M 6 X 1.0 X 40, 8.8	2
▲	14 32483	(000000-	) Washer, Flat, 0.25 Sae	5
▲	15 1008713	(000000-	) Bracket Wldt, Wand	1
▲	16 16931	(000000-	) Screw, Hex, M 8 X 1.25 X 20, 8.8	2
▲	17 39349	(000000-	) Washer, Flat, 0.31 Sae	2
▲	18 07791	(000000-	) Nut, Hex, Flng, M08 X 1.25	2
▲	19 1008724	(000000-	) Gasket, Tube	1
▲	20 1008734	(000000-	) Strip, Rbr, 0.13 02.00w 7.2l	2
▲	21 1009429	(000000-	) Strap, Hose	2
▲	22 09062	(000000-	) Screw, Flt, M06 X 1.0 X 16, 10.9	2
▲	23 08708	(000000-	) Nut, Hex, Lock, M 6 X 1.0, NI	3
▲	24 1009795	(000000-	) Strap, Hose	1
▲	25 09145	(000000-	) Screw, Pan, M 6 X 1.0 X 16, 4.8	1
▲	26 74068	(000000-	) Molding, Trim, Pvc,.18-.31 02.8l	1
▲	27 1009116	(000000-	) Bracket, Wand	1
▲	28 1009366	(000000-	) Bar, Wand	1
▲	29 06934	(000000-	) Screw, Pan, M 5 X 0.8 X 20, 4.8	1
▲	30 19066	(000000-	) Washer, Flt, #10	3
▲	31 06549	(000000-	) Nut, Hex, Lock, M 5 X 0.8, NI	1
▲	32 1010823	(000000-	) Tube, Wand, Vacuum	1
▲	33 382634	(000000-	) Bumper, Wand, Vacuum	1
▲	34 32822	(000000-	) Handle	1
▲	35 1009122	(000000-	) Bracket, Mtg, Wand	1
▲	36 1009167	(000000-	) Spacer, Handle	1
▲	37 69937	(000000-	) Plate, Backing, Handle	1
▲	38 361339	(000000-	) Screw, Hex, M 6 X 1.0 X 16, Fmg	4
▲	39 1009847	(000000-	) Hose, Vacuum, 4.00id X 53.0l	1
▲	40 1009811	(000000-	) Tube, Wand	1
▲	41 1009540	(000000-	) Hose Assy, W/1cuff, 4.0d, 87.8l, 4.0/	1
▲	42 23498	(000000-	) Clamp, Hose, Wormdrive, 3.56-4.50d	4
▲	43 1010537	(000000-	) Flap, Vac Wand	1
▲	44 377162		Cover, Hopper, Rework .....	1

Fig. 33 - Vacuum Wand Kit, With Cab



**Fig. 33 - Vacuum Wand Kit, With Cab**

Ref.	Part No.	Serial Number	Description	Qty.
▽	9000263	(000000-	) Wand Kit, Vacuum, W/ Cab, Ci	1
▲	1 1009163	(000000-	) Strap, Mtg, Cuff	1
▲	2 1007965	(000000-	) Tube Wldt, Hppr	1
▲	3 1008629	(000000-	) Gasket, Flange	2
▲	4 1008611	(000000-	) Flange, Ring	1
▲	5 377165	(000000-	) Screw, Pan, M4x0.7 X 60, 4.8	4
▲	6 19065	(000000-	) Washer, Flat, #08	4
▲	7 02850	(000000-	) Nut, Hex, Lock, M 4 X 0.7, NI	4
▲	8 1010600	(000000-	) Door, Vacuum, W/Label [6600/6650]	1
▲	9 1007993	(000000-	) Gasket, Door	1
▲	10 367950	(000000-	) Hinge, .40pin 2.2w 2.0l 4/0.21h	2
▲	11 06927	(000000-	) Screw, Pan, M 4 X 0.7 X 16, 4.8	8
▲	12 1008304	(000000-	) Spacer, Hinge	2
▲	13 06947	(000000-	) Screw, Hex, M 6 X 1.0 X 40, 8.8	2
▲	14 32483	(000000-	) Washer, Flat, 0.25 Sae	5
▲	15 1011511	(000000-	) Bracket Wldt, Wand	1
▲	16 383000	(000000-	) Screw, Hex, #12-16 X 0.75, F/Plstc	16
▲	17 1008734	(000000-	) Strip, Rbr, 0.13 02.00w 7.2l	2
▲	18 1009429	(000000-	) Strap, Hose	2
▲	19 09062	(000000-	) Screw, Flt, M06 X 1.0 X 16, 10.9	2
▲	20 08708	(000000-	) Nut, Hex, Lock, M 6 X 1.0, NI	3
▲	21 1010823	(000000-	) Tube, Vacuum Wand W/ Label	1
▲	22 382634	(000000-	) Bumper, Wand, Vacuum	1
▲	23 32822	(000000-	) Handle	1
▲	24 69937	(000000-	) Plate, Backing, Handle	1
▲	25 361339	(000000-	) Screw, Hex, M 6 X 1.0 X 16, Fmg	4
▲	26 1009847	(000000-	) Hose, Vacuum, 4.00id X 53.0l	1
▲	27 1009811	(000000-	) Tube, Wand	1
▲	28 1009540	(000000-	) Hose Assy, W/1cuff, 4.0d, 87.8l, 4.0/	1
▲	29 23498	(000000-	) Clamp, Hose, Wormdrive, 3.56-4.50d	4
▲	30 1010537	(000000-	) Flap, Vac Wand	1
▲	31 1040200	( xxxxxx-	) Bracket, Mtg, Hose, Vacuum	2
▲	32 33671	(000000-	) Strap, Rbr, Tie-Down, 2/Hooks 19.0l	2
▲	<del>33</del> 1011176	(000000- xxxxxx	) Bracket, Wand, Vacuum	2
▲	34 383000	(000000- xxxxxx	) Screw, Hex, #12-16 X 0.75, F/Plstc	12



▲ 33 377162 Cover, Hopper, Rework .....1

Fig. 34 - Operator Comfort Kit

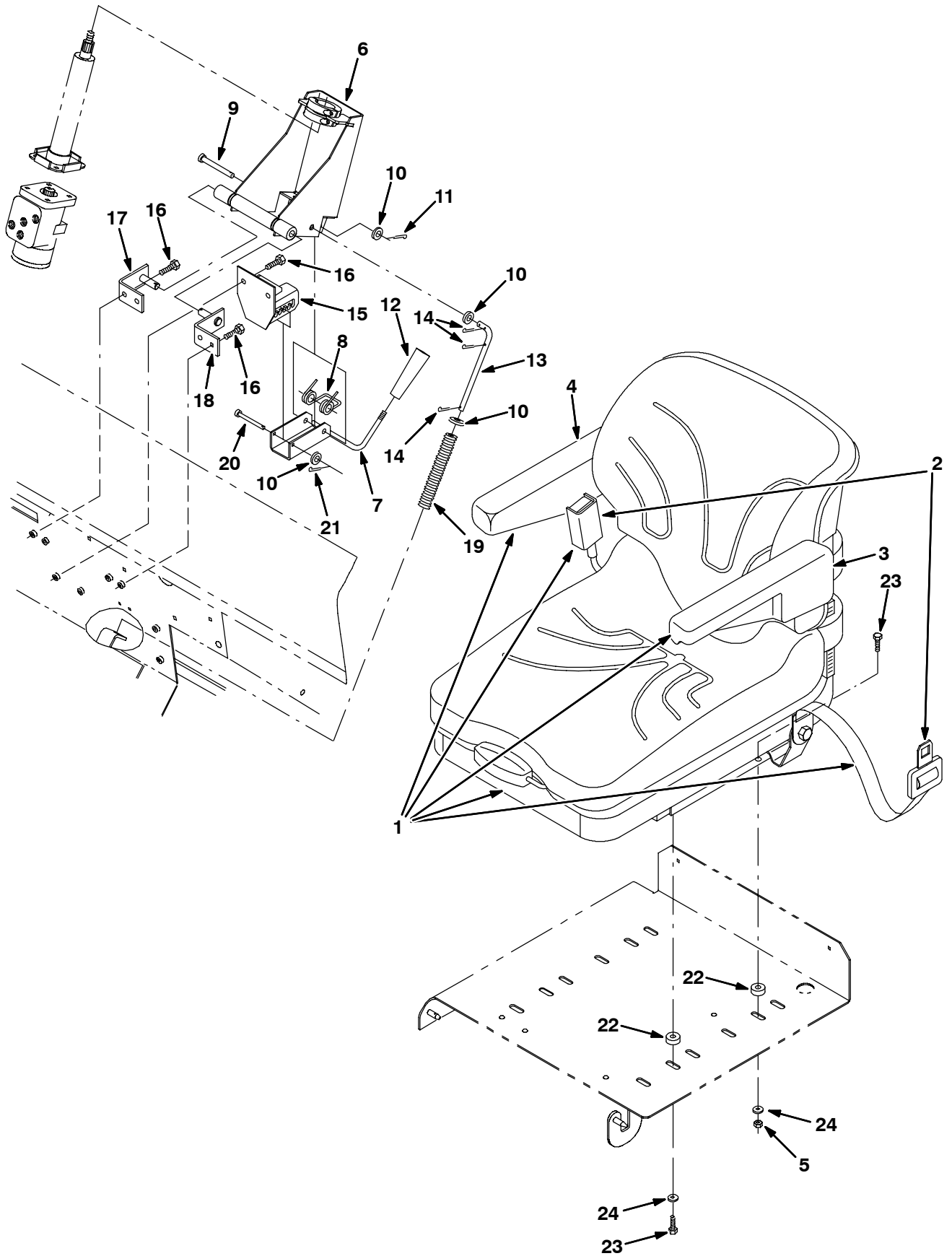
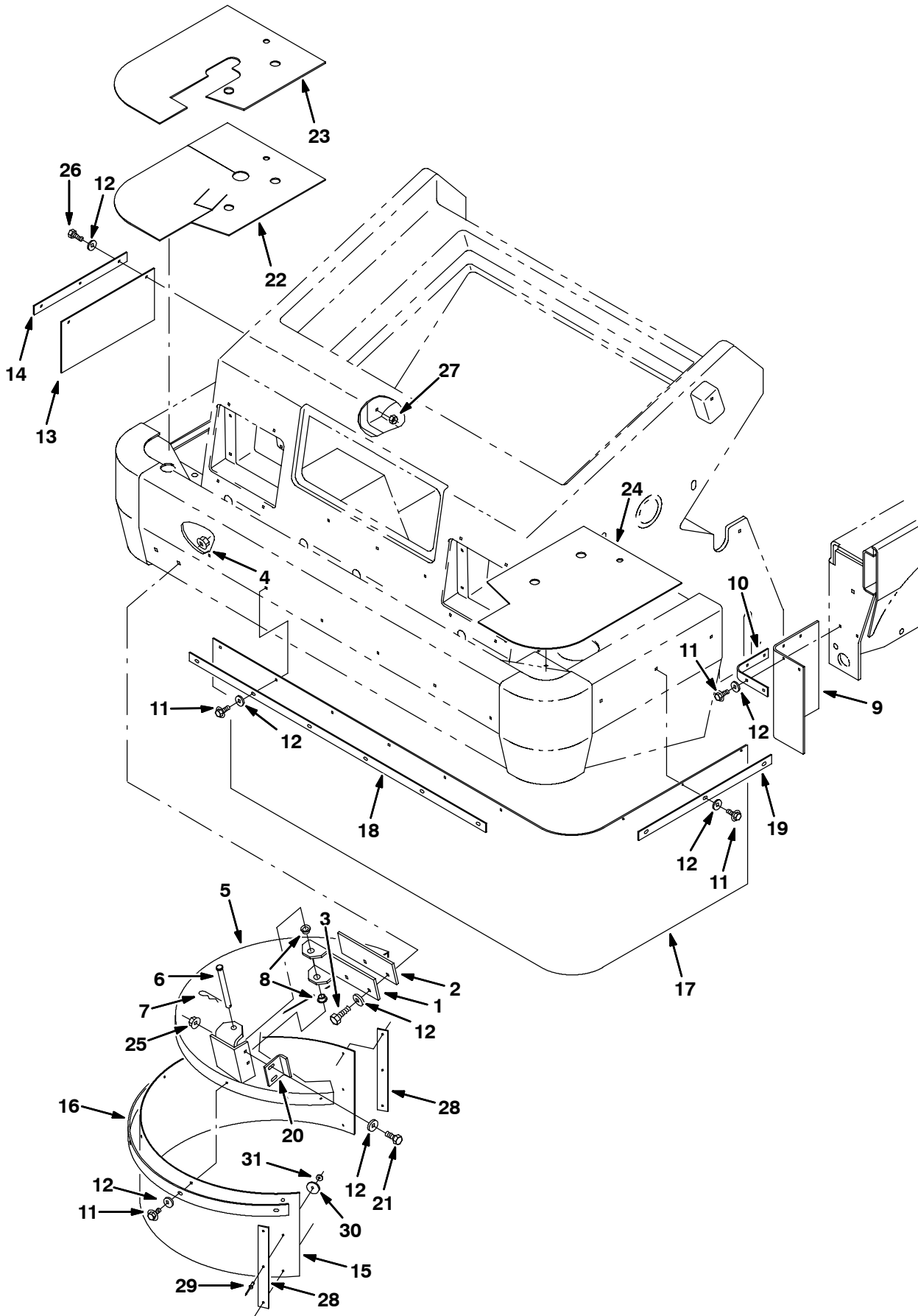


Fig. 34 - Operator Comfort Kit

Ref.	Part No.	Serial Number	Description	Qty.
▽	377082	(000000-	) Kit, Ci, Dlx Seat / Belt / Tilt Steering	1
▲▽	1 377070	(000000-	) Seat, Dlx, W/2 Swing Arm [6650/6600]	1
▲▲	2 377071	(000000-	) Seatbelt, Static F/Dlx Seat [6650/6600]	1
▲▲	3 377072	(000000-	) Arm, Swing, Lh	1
▲▲	4 377073	(000000-	) Arm, Swing, Rh	1
▲	5 41430	(000000-	) Nut, Hex, Lock, M10 X 1.5, NI	2
▲	6 1007121	(000000-	) Bracket Wldt, Valve	1
▲	7 56379	(000000-	) Lever	1
▲	8 56198	(000000-	) Spring, Tors, 0.54id .11wir 06.0coil	1
▲	9 23191	(000000-	) Pin, Clevis, 0.37 D X 3.00l	1
▲	10 32492	(000000-	) Washer, Flat, 0.38 Std	5
▲	11 39005	(000000-	) Pin, Cotter, .094 X 0.75	1
▲	12 59940	(000000-	) Knob, Tpr, 1.12d 3.88l M08x1.25 Plstc	1
▲	13 56392	(000000-	) Rod, L, . D	1
▲	14 08182	(000000-	) Pin, Cotter, .125 X 1.00	3
▲	15 56385	(000000-	) Bracket Wldt, Ntch Steering	1
▲	16 16735	(000000-	) Screw, Hex, M 8 X 1.25 X 16, 8.8	6
▲	17 58667	(000000-	) Bracket Wldt, Mtg, Steering	1
▲	18 58665	(000000-	) Bracket Wldt, Mtg, Steering	1
▲	19 63852	(000000-	) Spring, Cmpr, 0.970d .11wir 5.5l	1
▲	20 04733-10	(000000-	) Pin, Clevis, 0.25 D X 2.44l	1
▲	21 08178	(000000-	) Pin, Cotter, .062 X 0.75	1
▲	22 69462	(000000-	) Tube, 01.00d 00.38b 00.4l Stl Plt	4
▲	23 76570	(000000-	) Screw, Hex, M 8 X 1.25 X 30, 8.8	4
▲	24 32492	(000000-	) Washer, Flat, 0.38 Std	4

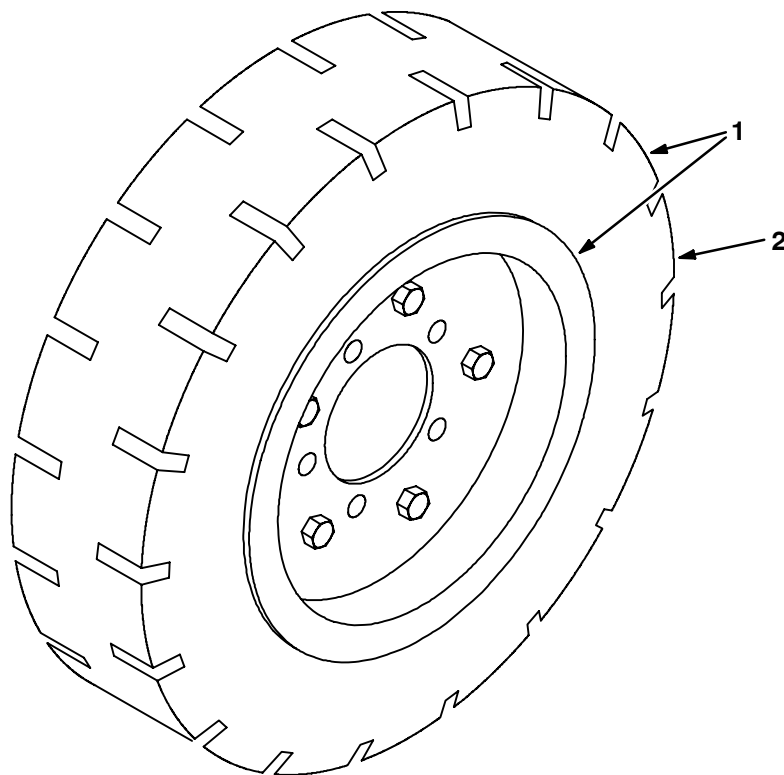
Fig. 35 - Side Brush Dust Control Kit



**Fig. 35 - Side Brush Dust Control Kit**

Ref.	Part No.	Serial Number	Description	Qty.
▽	377144	(000000-	) Kit, Ci, Sbdc, [6600/6650]	1
▲	1 74383	(000000-	) Bracket, Sbdc	1
▲	2 379810	(000000-	) Plate, Spacer	2
▲	3 39284	(000000-	) Screw, Hex, M10 X 1.5 X 35, 8.8	2
▲	4 07792	(000000-	) Nut, Hex, Flng, M10 X 1.5	2
▲	5 379797	(000000-	) Cover Wldt, Brush, Sbdc	1
▲	6 51538	(000000-	) Pin, Clevis, 0.50 D X 5.00l	1
▲	7 44906	(000000-	) Pin, Hair Cotter, 0.69 D .092 Wir	1
▲	8 23274	(000000-	) Bushing, Flng, 0.50b 0.62d 0.40l	2
▲	9 66176	(000000-	) Skirt	2
▲	10 66177	(000000-	) Plate, Retainer	2
▲	11 12459	(000000-	) Screw, Hex, M 6 X 1.0 X 20, Fmg	21
▲	12 01684	(000000-	) Washer, Flat, 0.25 Ss	27
▲	13 1010166	(000000-	) Skirt, Hppr, Plstc	1
▲	14 1010165	(000000-	) Retainer, Skirt	1
▲	15 379804	(000000-	) Skirt	1
▲	16 379803	(000000-	) Plate, Retainer	1
▲	17 1011052	(000000-	) Skirt, Front, Sbdc	1
▲	18 1011057	(000000-	) Strip, Retainer, Sbdc	1
▲	19 74381	(000000-	) Retainer, Skirt, Sbdc, Lh	1
▲	20 74382	(000000-	) Angle, Stop	1
▲	21 16931	(000000-	) Screw, Hex, M 8 X 1.25 X 20, 8.8	2
▲	22 1010301	(000000-	) Seal, Sbdc, Bmpr (6600 Only)	1
▲	23 1010302	(000000-	) Seal, Sbdc, Bmpr (6650 Only)	1
▲	24 1010269	(000000-	) Seal, Sbdc, Bmpr	1
▲	25 07791	(000000-	) Nut, Hex, Flng, M08 X 1.25	2
▲	26 09007	(000000-	) Screw, Hex, M 6 X 1.0 X 25, Ss	3
▲	27 08712	(000000-	) Nut, Hex, Lock, M 6 X 1.0, NI, Ss	3
▲	28 1018368	(000000-	) Strip, Retainer, Skirt	2
▲	29 60428	(000000-	) Rivet, Blind, .188d X 0.58 X .38d, Stl	4
▲	30 41178	(000000-	) Washer, Flat, 0.25 Fender	4
▲	31 19324	(000000-	) Washer, Flat, #10 Sae	4

**Fig. 36 - Soft Ride Non Marking Rear Tire And Wheel Assembly**

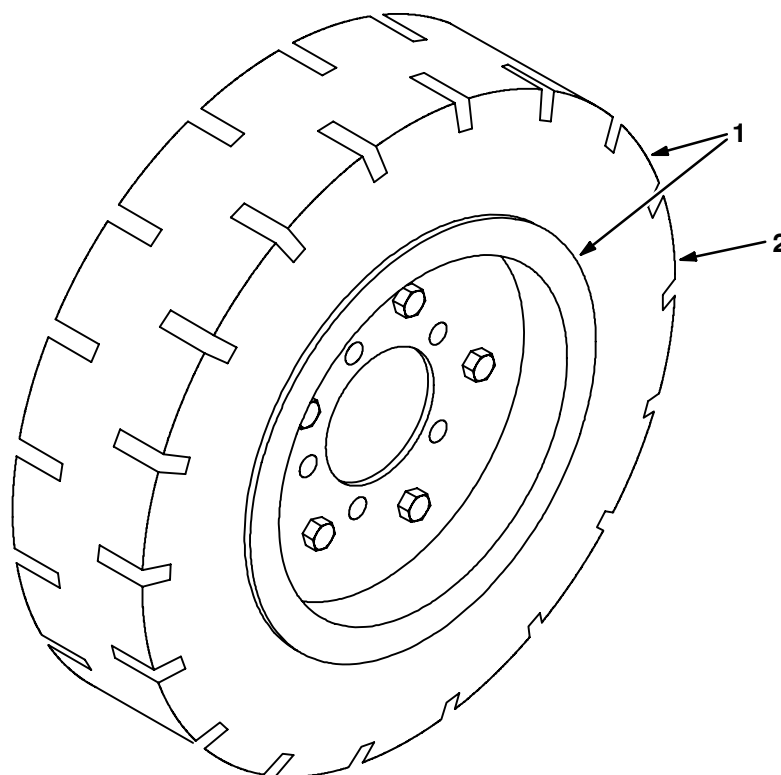


354012

	<b>Ref.</b>	<b>Part No.</b>	<b>Serial Number</b>	<b>Description</b>	<b>Qty.</b>
▽	1	71022	(000000-	) Tire Assy, Solid, 18.0x4.3 4.5bc/5bolt	1
▲	2	61488	(000000-	) Tire, Solid, 18.0 X 7-8/4.33 [Sc10 Nm]	1



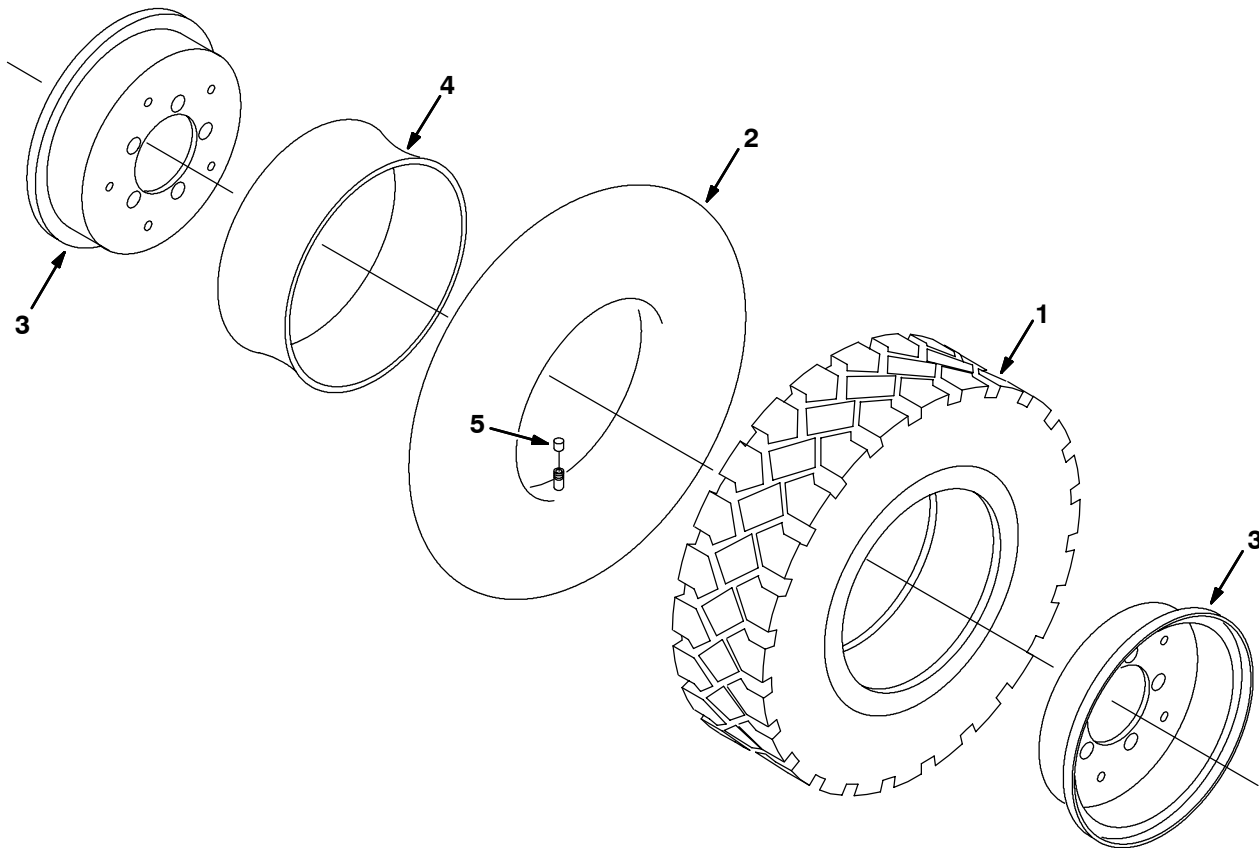
Fig. 37 - Soft Ride Rear Tire And Wheel Assembly



354012

	Ref.	Part No.	Serial Number	Description	Qty.
▽	1	53817	(000000-	) Tire Assy, Solid, 18.0x4.3 4.5bc/5bolt	1
▲	2	53816	(000000-	) Tire, Solid, 18.0 X 7.0 X8.0 [4.33 Sc15]	1

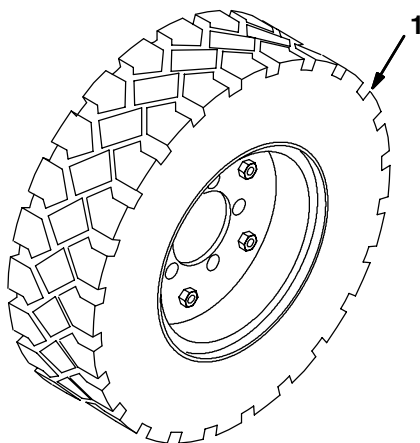
**Fig. 38 - Hi-Wear Rear Tire And Wheel Assembly**



354013

Ref.	Part No.	Serial Number	Description	Qty.
▽	70278	(000000-	) Tire Assy, Pneu, 570/500-08 4.5bc/5bolt	1
▲	1 70279	(000000-	) Tire, [5.70/5.00r-8],High Wear, [Ic80]	1
▲	2 70280	(000000-	) Innertube, [5.00r-8],[Js2] Valve,[500-8]	1
▲	3 70281	(000000-	) Rim Assy, 08 X 4.25 4.5bc/5b, [5.25-8]	1
▲	4 53819-2	(000000-	) Flap, Tire/Tube, 570/500-8	1
▲	5 45786	(000000-	) Cap, Valve, Tire, Tubeless, [Schrader]	1

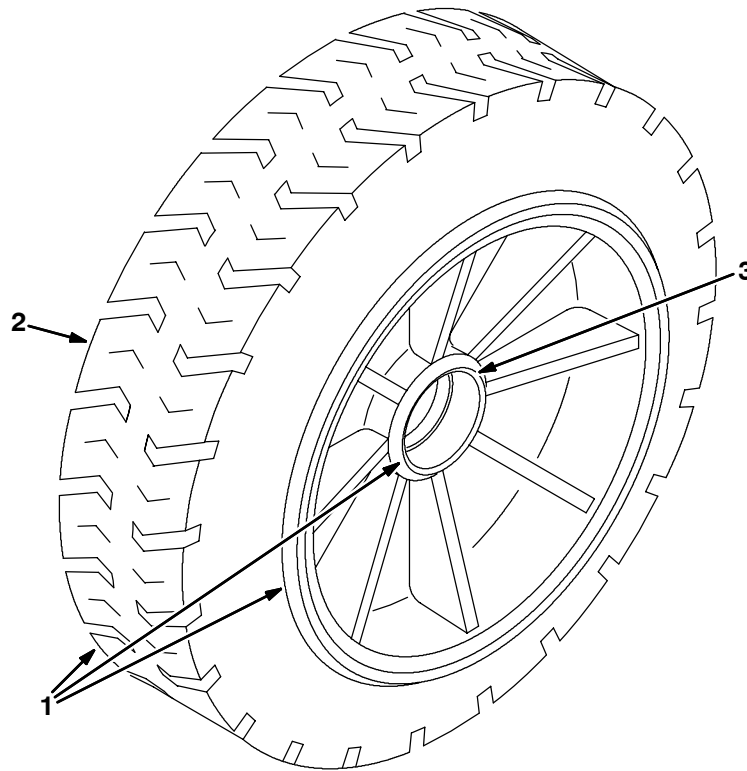
Fig. 39 - Foam Filled Rear Tire Assembly



354014

Ref.	Part No.	Serial Number	Description	Qty.
1	374602	(000000-	) Tire Assy, Foam, 570/500-08 4.5bc/5bolt	1

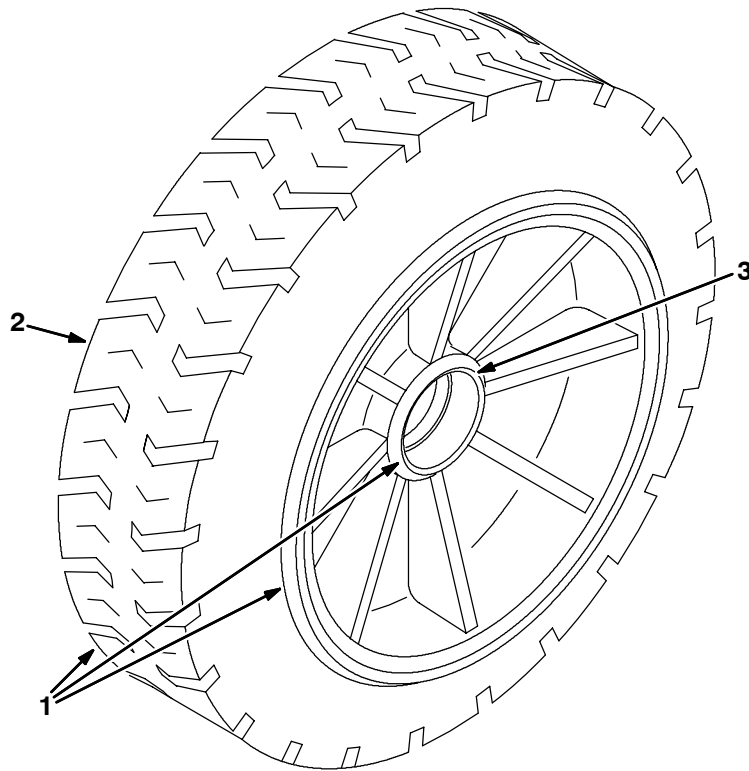
**Fig. 40 - Solid Non Marking Turf Front Tire And Wheel Assembly**



354015

	<b>Ref.</b>	<b>Part No.</b>	<b>Serial Number</b>	<b>Description</b>	<b>Qty.</b>
▽	1	374689	(000000-	) Tire & Wheel Assy, Solid, Turf Non-Mark	1
▲	2	374688	(000000-	) Tire, Solid, 18.0 X 7.0 Non-Mark [Mn]	1
▲	3	51338	(000000-	) Bearing, Cup, 2.56d 0.55w	2

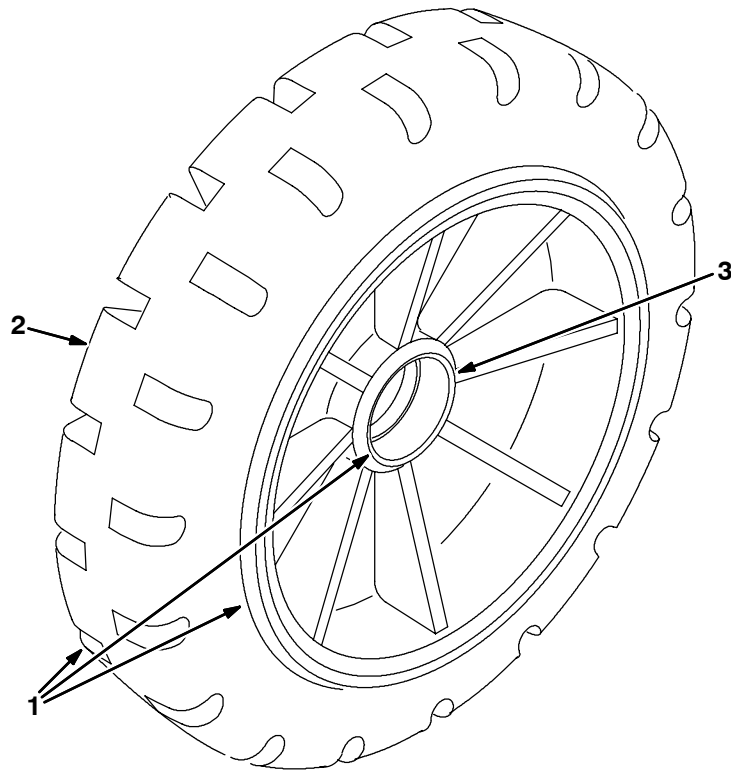
Fig. 41 - Solid Turf Tire And Wheel Assembly



354015

	Ref.	Part No.	Serial Number	Description	Qty.
▽	1	374605	(000000-	) Tire Assy, Solid, 18.0x7.0 , W/ Brg	1
▲	2	374604	(000000-	) Tire, Solid, 18.0 X 7.0 Turf [Mn]	1
▲	3	51338	(000000-	) Bearing, Cup, 2.56d 0.55w	2

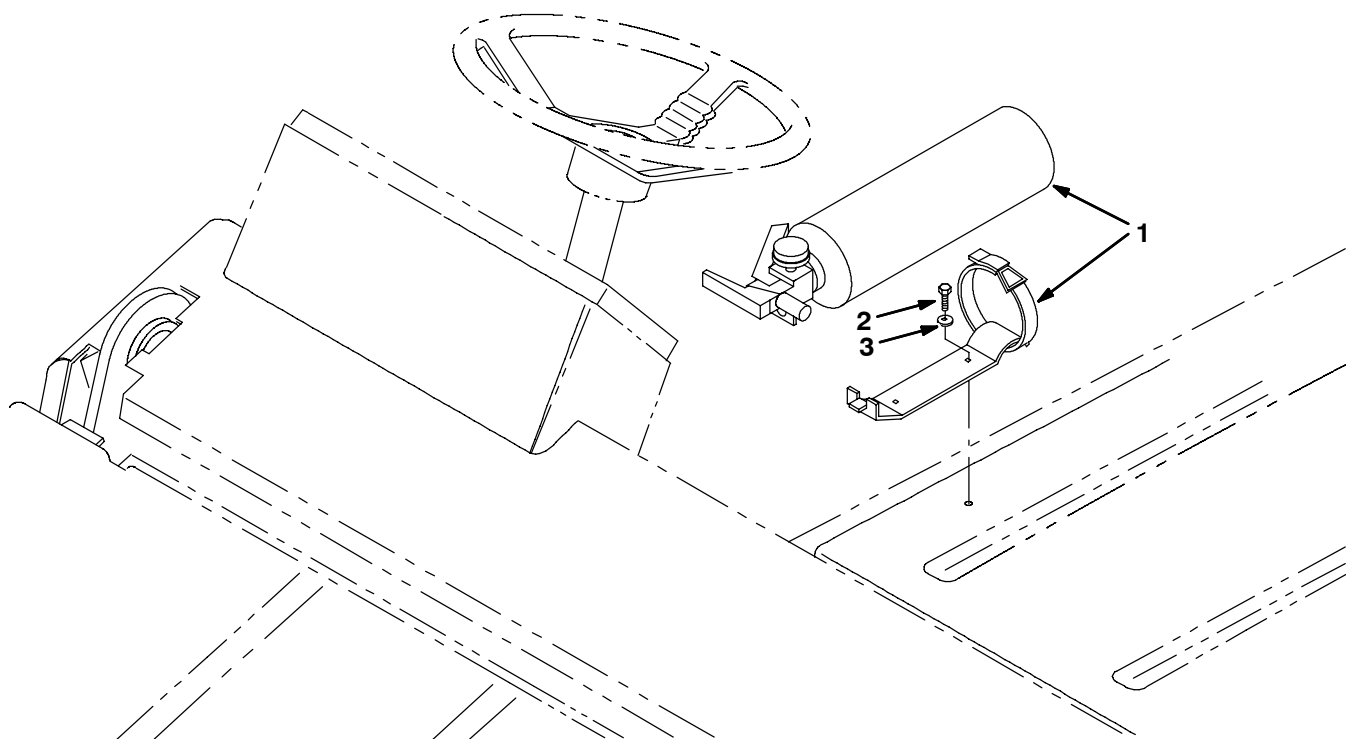
**Fig. 42 - Solid Non Marking Tire And Wheel Assembly**



354016

	<b>Ref.</b>	<b>Part No.</b>	<b>Serial Number</b>	<b>Description</b>	<b>Qty.</b>
▽	1	374608	(000000-	) Tire Assy, Solid, 18.0x5.0 , W/ Brg	1
▲	2	374607	(000000-	) Tire, Solid, 18.0 X 5.0 Non-Mark [Mn]	1
▲	3	51338	(000000-	) Bearing, Cup, 2.56d 0.55w	2

Fig. 43 - Fire Extinguisher Kit

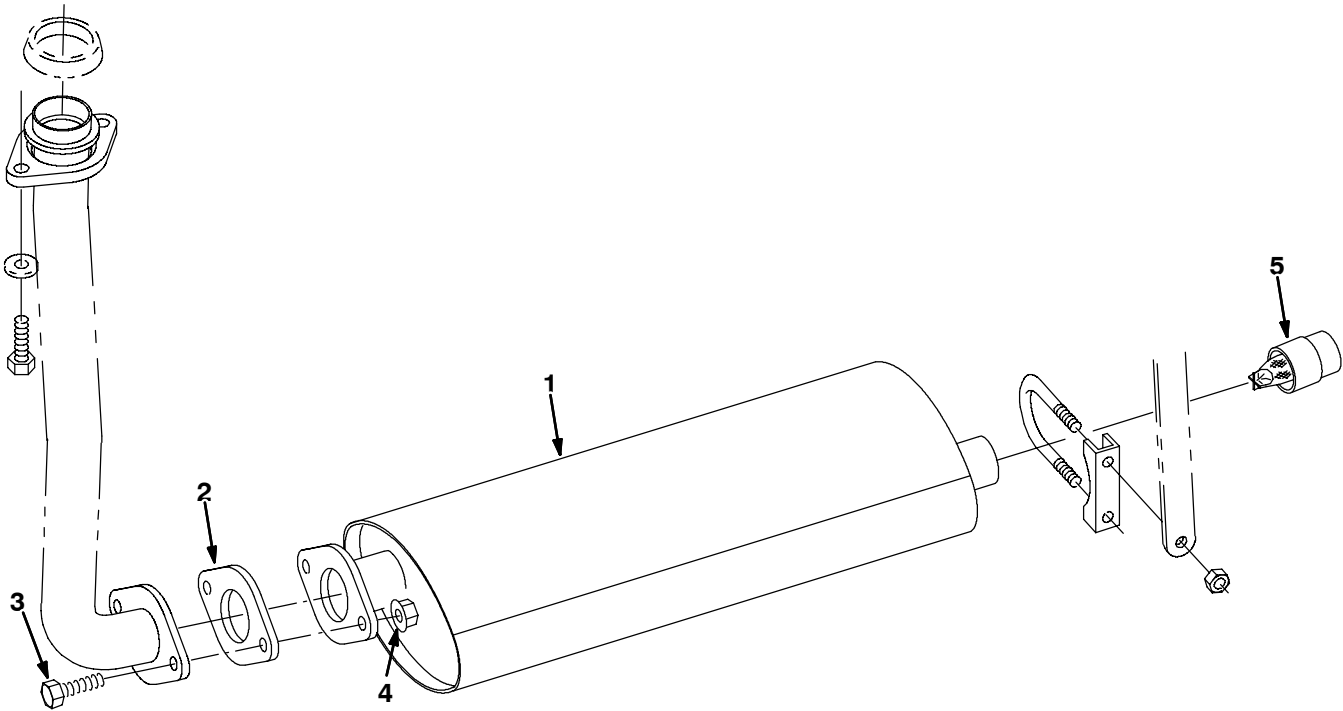


354002

Ref.	Part No.	Serial Number	Description	Qty.
▽	377013	(000000-	) Kit, Ci, Extinguisher, Fire, [6600/6650]	1
▲	1 25312	(000000-	) Extinguisher, Fire	1
▲	2 55845	(000000-	) Screw, Hex, M 5 X 0.8 X 16, Fmg	2
▲	3 32492	(000000-	) Washer, Flat, 0.38 Std	2

# OPTIONS

Fig. 44 - Non-Catalytic Muffler Group (025000-025999)

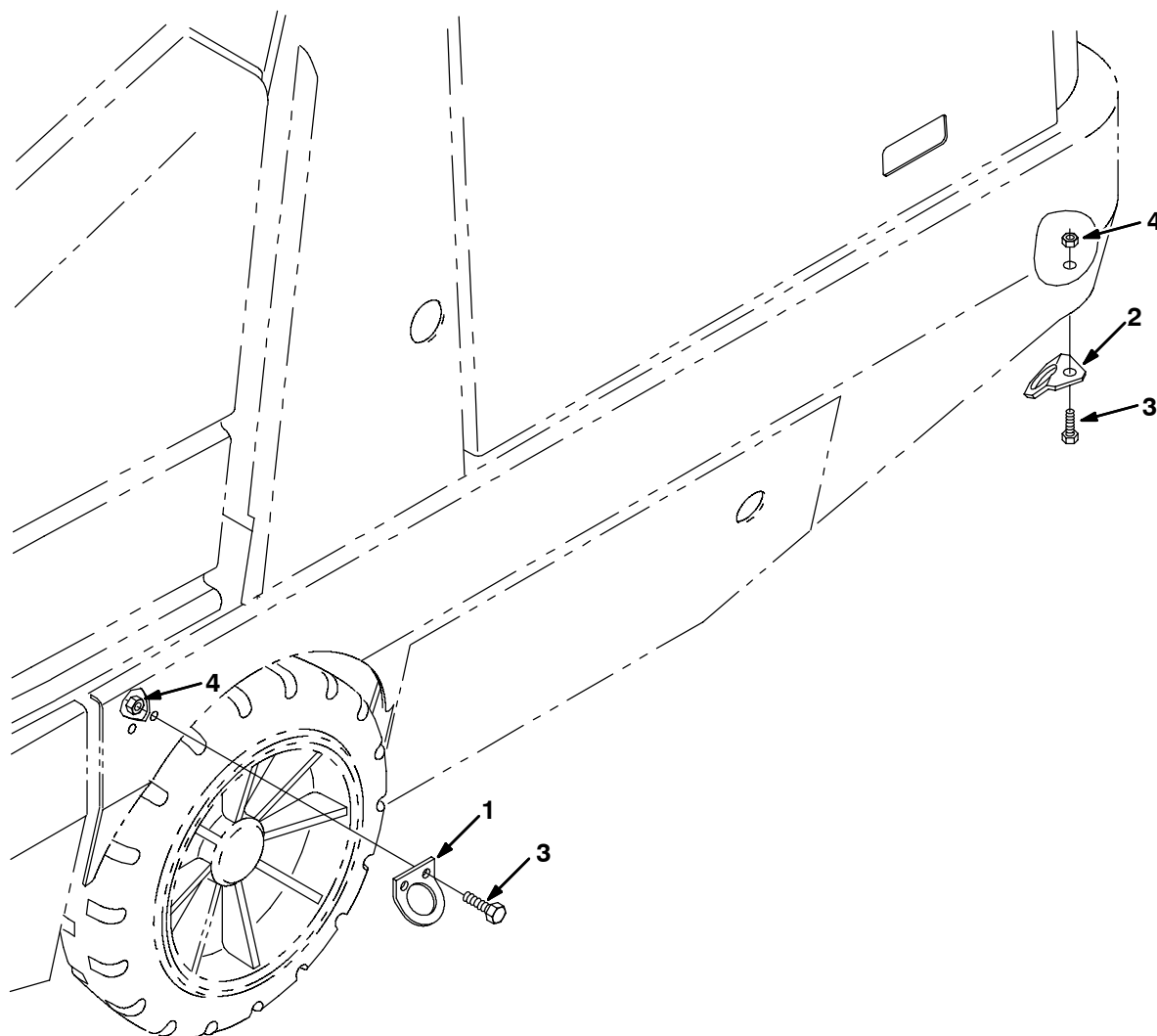


354196

Ref.	Part No.	Serial Number	Description	Qty.
1	1012634	(025000-025999 )	Muffler, Exhaust	1
2	1011216	(025000-025999 )	Gasket, Exhaust, 2 Hole, 3.4bc	1
3	39284	(025000-025999 )	Screw, Hex, M10 X 1.5 X 35, 8.8	2
4	08166	(025000-025999 )	Nut, Hex, Stover, M10 X 1.5	2
5	1009681	(025000-025999 )	Screen, Sparkarrest	1



Fig. 45 - Transport Kit



354011

Ref.	Part No.	Serial Number	Description	Qty.
▽	379844	(000000-	) Kit, Ci, Transport [6600/6650]	1
▲	1 82196	(000000-	) Bracket, Tie-Down	2
▲	2 14983	(000000-	) Bracket, Tie-Down	2
▲	3 39283	(000000-	) Screw, Hex, M10 X 1.5 X 25, 8.8	6
▲	4 07792	(000000-	) Nut, Hex, Flng, M10 X 1.5	6

**Fig. 46 - Documentation Group**

07501 - 6600, G, LP, NA

<b>Ref.</b>	<b>Part No.</b>	<b>Serial Number</b>	<b>Description</b>	<b>Qty.</b>
	330950	(000000-	) Manual Pkg, [6600 Gas/Lpg Na]	1
	330935	(000000-	) Manual, Cd-Rom, Service Info [6600/6650]	1
	330952	(000000-	) Manual, Oprtr, [6600 Gas/Lpg Es Na]	1
	330953	(000000-	) Manual, Oprtr, [6600 Gas/Lpg Fr Na]	1
	9003926	(000000-	) Manual, Eng, Cd-Rom [Tier li,Gm1.6]	1
	377124	(000000-	) Video, Operator [6600] Vhs Ntsc	1
	330915	(000000-	) Manual Pkg, Service Info [6600/6650]	1

## SECTION 4

Contents	Page
Fig. 1 - Hydraulic Piston Pump Breakdown, 373452 .....	4-2
Fig. 2 - Hydraulic Gear Pump Breakdown, 9000210 .....	4-4
Fig. 3 - Hydraulic Motor Breakdown, 379609 .....	4-6
Fig. 4 - Hydraulic Motor Breakdown, 379608 .....	4-8
Fig. 5 - Hydraulic Motor Breakdown, 379607 .....	4-10
Fig. 6 - Hydraulic Motor Breakdown, 53485 .....	4-11
Fig. 7 - Hydraulic Valve Breakdown, 374547 .....	4-12
Fig. 8 - Hydraulic Valve Breakdown, 1019961 .....	4-14
Fig. 9 - Hydraulic Steering Valve Breakdown, 1005089 .....	4-16
Fig. 10 - Hydraulic Cylinder Breakdown, 74419 .....	4-18
Fig. 11 - Hydraulic Cylinder Breakdown, 53601 .....	4-19
Fig. 12 - Air Conditioning Condenser Breakdown, 393340 .....	4-20
Fig. 13 - Air Conditioning Evaporator / Heater Breakdown, 1010755 .....	4-22
Fig. 14 - Heater Pressurizer Breakdown, 1010757 .....	4-23
Fig. 15 - LPG EFI Breakdown, 371916 .....	4-24
Fig. 16 - LPG EFI Breakdown, 371917 .....	4-26
Fig. 17 - Gasoline EFI Breakdown, 371909	4-28
Fig. 18 - Gasoline EFI Breakdown, 371910	4-30

**Fig. 1 - Hydraulic Piston Pump Breakdown, 373452**

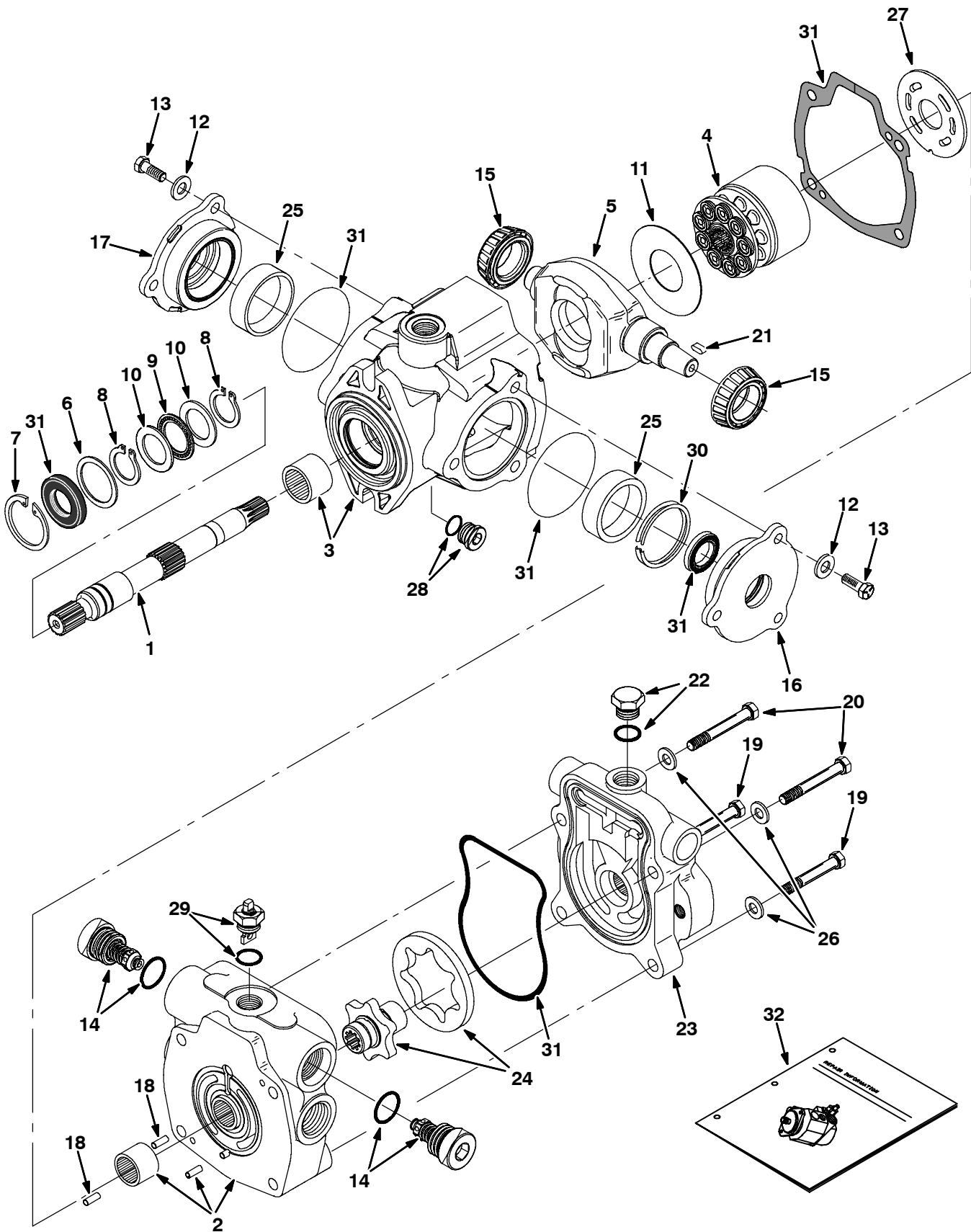


Fig. 1 - Hydraulic Piston Pump Breakdown, 373452

Ref.	Part No.	Serial Number	Description	Qty.
▽	373452	(000000-	) Pump, Hyd, Piston, [V] 1.44 [R] 4000	1
▲	1 55931	(000000-	) Driveshaft, Pump, Hyd	1
▲	2 373430	(000000-	) Cover, End	1
▲	3 373389	(000000-	) Housing	1
▲	4 02706	(000000-	) Kit, Rotating, Pump, Hyd	1
▲	5 373390	(000000-	) Cam	1
▲	6 70096	(000000-	) Washer, Flt, Pump, Hyd	1
▲	7 55926	(000000-	) Ring, Retaining, Pump, Hyd	1
▲	8 373434	(000000-	) Ring, Retaining	2
▲	9 74225	(000000-	) Bearing, Thrust, Pump, Hyd	1
▲	10 74226	(000000-	) Race, Bearing, Pump, Hyd	2
▲	11 373327	(000000-	) Insert, Plate, Cam, Pump, Hyd	1
▲	12 373391	(000000-	) Washer, Pump, Hyd	6
▲	13 373346	(000000-	) Screw, Cap	6
▲	14 373494	(000000-	) Valve, Relief, 4000 Psi	2
▲	15 373317	(000000-	) Bearing, Cone, Pump, Hyd	2
▲	16 373393	(000000-	) Plate, Cover	1
▲	17 373394	(000000-	) Plate, Cover	1
▲	18 70100	(000000-	) Pin, Dowel, Pump, Hyd	2
▲	19 373336	(000000-	) Screw, Cap, Pump, Hyd	2
▲	20 373337	(000000-	) Screw, Cap, Pump, Hyd	2
▲	21 74237	(000000-	) Key, Shaft, Pump, Hyd	1
▲	22 13907	(000000-	) Fitting, Plug, O-Ring	1
▲	23 55930	(000000-	) Adaptor Assy, Pump, Hyd	1
▲	24 55932	(000000-	) Gerotor, Pump, Hyd	1
▲	25 373395	(000000-	) Bearing, Cup	2
▲	26 373396	(000000-	) Washer	4
▲	27 74180	(000000-	) Plate, Valve, Pump, Hyd	1
▲	28 13907	(000000-	) Fitting, Plug, O-Ring	1
▲	29 373413	(000000-	) Actuator, Valve, Bypass	1
▲	30 373402	(000000-	) Kit, Shim	1
▲	31 373398	(000000-	) Kit, Seal, Hyd, Pump	1
	32 373429	(000000-	) Instr, Repair, Pump	1

**Fig. 2 - Hydraulic Gear Pump Breakdown, 9000210**

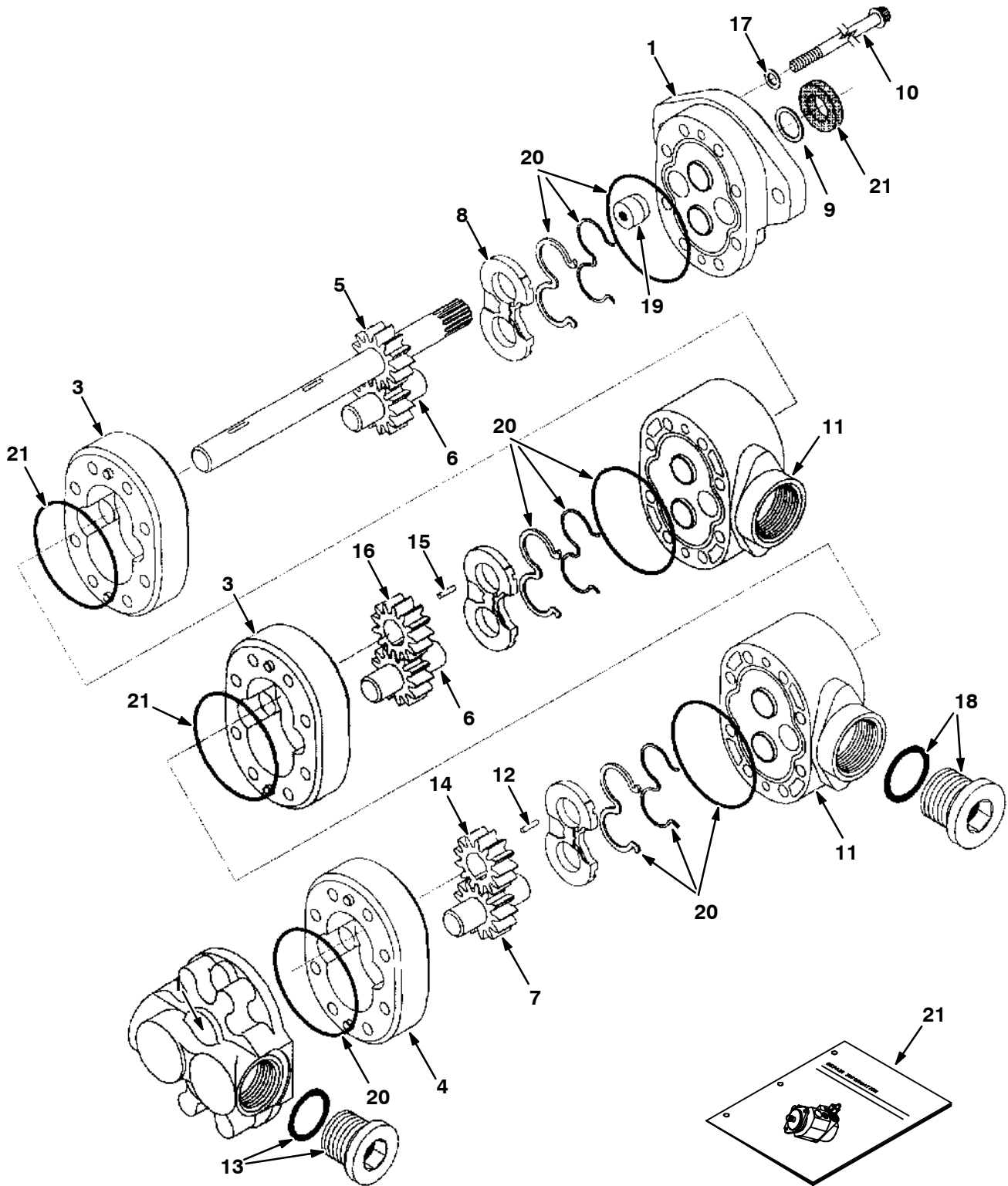


Fig. 2 - Hydraulic Gear Pump Breakdown, 9000210

Ref.	Part No.	Serial Number	Description	Qty.	
▽	9000210	(000000-	) Pump, Hyd, Gear [Ex3] 0.66 [X] 3000	1	
▲	1	373201	(000000-	) Plate, Front, Pump, Gear	1
▲	2	373276	(000000-	) Plate, Back, Pump, Gear	1
▲	3	373232	(000000-	) Body, Pump, Gear	2
▲	4	373285	(000000-	) Body, Pump, Gear	1
▲	5	373257	(000000-	) Gear, Drive, Pump, Hyd	1
▲	6	373211	(000000-	) Gear Assy, Idler, Pump, Hyd	2
▲	7	373286	(000000-	) Gear Assy, Idler, Pump, Hyd	1
▲	8	373227	(000000-	) Plate, Wear, Pump, Hyd	3
▲	9	373234	(000000-	) Washer, Flt	1
▲	10	74154	(000000-	) Screw, Cap, Motor, Hyd	8
▲	11	373235	(000000-	) Plate, Adaptor, Pump, Hyd	2
▲	12	373287	(000000-	) Key, Round	1
▲	13	71725	(000000-	) Plug, W/O-Ring, #16	1
▲	14	373288	(000000-	) Gear, Drive, Pump, Hyd	1
▲	15	373284	(000000-	) Key, Round	1
▲	16	373242	(000000-	) Gear, Drive, Pump, Hyd	1
▲	17	373243	(000000-	) Washer, Flt	4
▲	18	74161	(000000-	) Plug, W/O-Ring #20	1
▲	19	373244	(000000-	) Plug, Pump, Hyd	1
▲	20	373255	(000000-	) Kit, Seal, Pump, Hyd	1
	21	373207	(000000-	) Instr, Kit, Repair, Pump, Hyd	1

**Fig. 3 - Hydraulic Motor Breakdown, 379609**

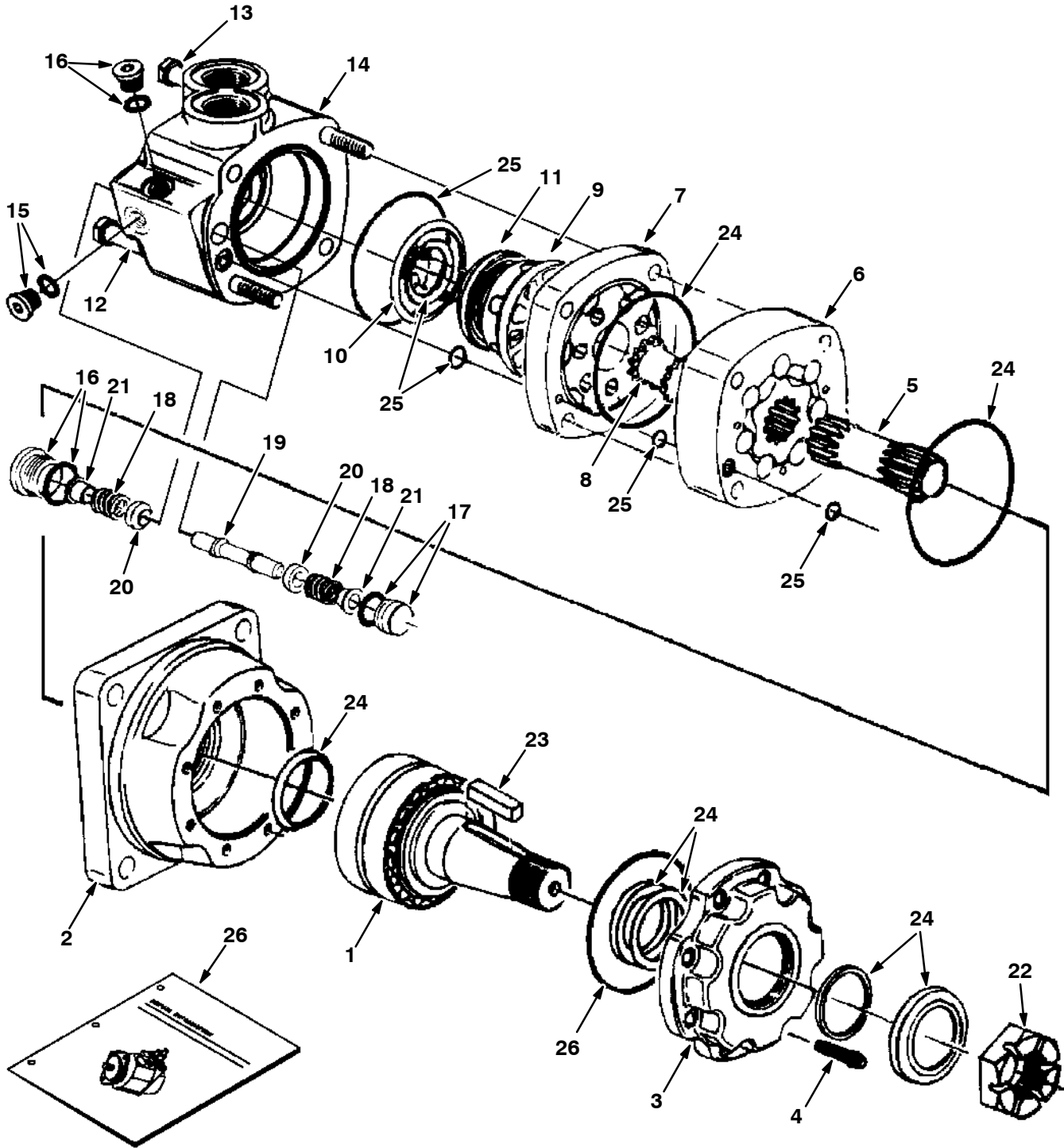




Fig. 3 - Hydraulic Motor Breakdown, 379609

Ref.	Part No.	Serial Number	Description	Qty.
▽	379609	(000000-	) Motor, Hyd, Gear, [Int], 19.0 X 3000	1
▲	1 74165	(000000-	) Shaft, Motor, Hyd	1
▲	2 74166	(000000-	) Housing, Brg, Motor, Hyd	1
▲	3 74167	(000000-	) Retainer, Motor, Hyd	1
▲	4 74168	(000000-	) Screw, Cap, Motor, Hyd	8
▲	5 37616	(000000-	) Drive, Motor, Hyd	1
▲	6 37756	(000000-	) Geroler, Motor, Hyd	1
▲	7 74122	(000000-	) Plate, Valve, Motor, Hyd	1
▲	8 52405	(000000-	) Valve, Motor, Hyd	1
▲	9 74123	(000000-	) Valve, Motor, Hyd	1
▲	10 34178	(000000-	) Spring, Motor, Hyd	2
▲	11 38968	(000000-	) Ring, Motor, Hyd	1
▲	12 74125	(000000-	) Bolt, Motor, Hyd	3
▲	13 38255	(000000-	) Bolt, Motor, Hyd	1
▲	14 373297	(000000-	) Housing, Valve	1
▲	15 373298	(000000-	) Plug	1
▲	16 373260	(000000-	) Plug, Pump, Hyd, Gear	2
▲	17 373299	(000000-	) Plug	1
▲	18 373291	(000000-	) Spring	2
▲	19 373217	(000000-	) Piston, Pump, Hyd, Gear	1
▲	20 373226	(000000-	) Poppet, Pump, Hyd, Gear	2
▲	21 373236	(000000-	) Sleeve, Dashpo, Pump, Hyd, Gear	2
▲	22 45622	(000000-	) Nut, Motor, Hyd	1
▲	23 45623	(000000-	) Key, Motor, Hyd	1
▲	24 79828	(000000-	) Kit, Seal, Motor, Hyd	1
▲	25 33580	(000000-	) Kit, Seal, Motor, Hyd	1
	26 79729	(000000-	) Instr, Repair, Motor, Hyd, Gear	1

**Fig. 4 - Hydraulic Motor Breakdown, 379608**

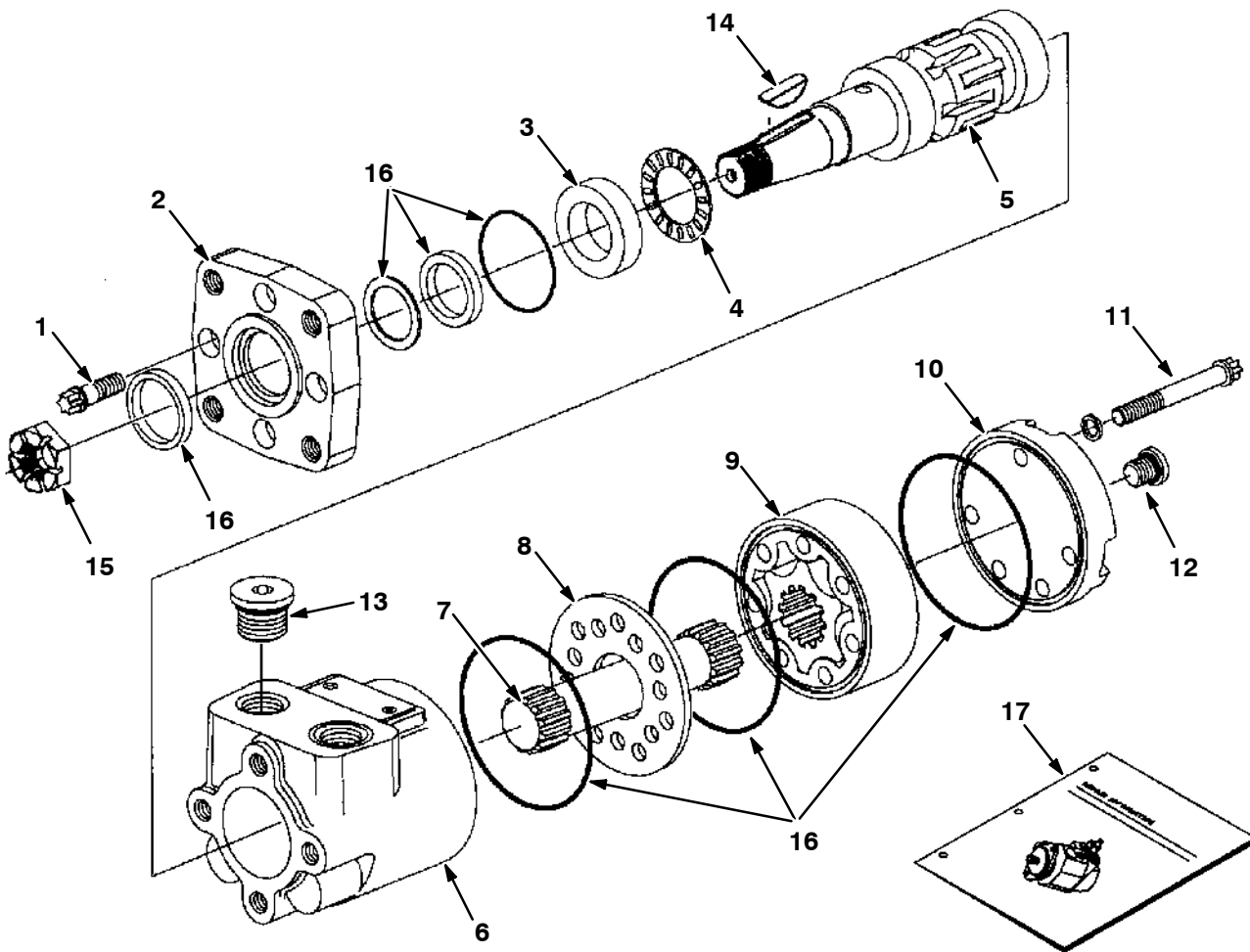
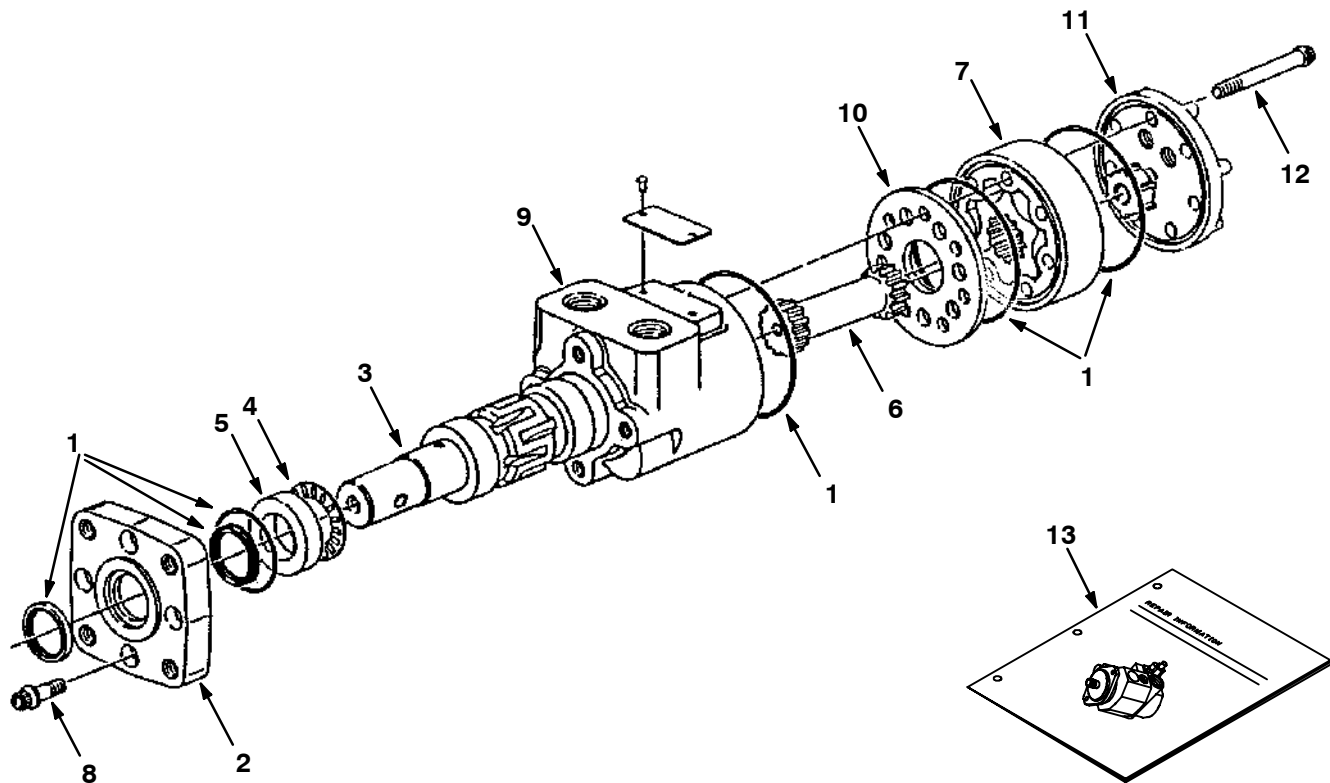


Fig. 4 - Hydraulic Motor Breakdown, 379608

Ref.	Part No.	Serial Number	Description	Qty.
▽	379608	(000000-	) Motor, Hyd, Gear, [In] 02.8 1500	1
▲	1 37555	(000000-	) Screw, Motor, Hyd	4
▲	2 31354	(000000-	) Flange, Motor, Hyd	1
▲	3 16695	(000000-	) Race, Thrust, Motor, Hyd	1
▲	4 45628	(000000-	) Bearing, Thrust, Motor, Hyd	1
▲	5 31375	(000000-	) Shaft, Output, Motor, Hyd	1
▲	6 74100	(000000-	) Housing, Motor, Hyd	1
▲	7 34176	(000000-	) Drive, Motor, Hyd	1
▲	8 74094	(000000-	) Plate, Spacer, Motor, Hyd	1
▲	9 31381	(000000-	) Gerotor Set, Motor, Hyd	1
▲	10 74095	(000000-	) End Cap, Motor, Hyd	1
▲	11 74174	(000000-	) Cap, Screw, Strg Valve	5
▲	12 74098	(000000-	) Fitting, Plug, O-Ring, #4	1
▲	13 74099	(000000-	) Fitting, Plug, O-Ring, Motor, Hyd	2
▲	14 00500-15	(000000-	) Key, Woodruff, 0.25 1.00, [Asa#0808]	1
▲	15 39527	(000000-	) Nut, Hex, Sltd, .75-16	1
▲	16 <del>61490</del> 22654	-	) Kit, <del>Replmt</del> , Seal, Motor, Hyd	1
▲	17 <del>22654</del> 74250	-	) <del>Kit, Seal, Motor, Hyd</del> Inst, Motor, Hyd	1

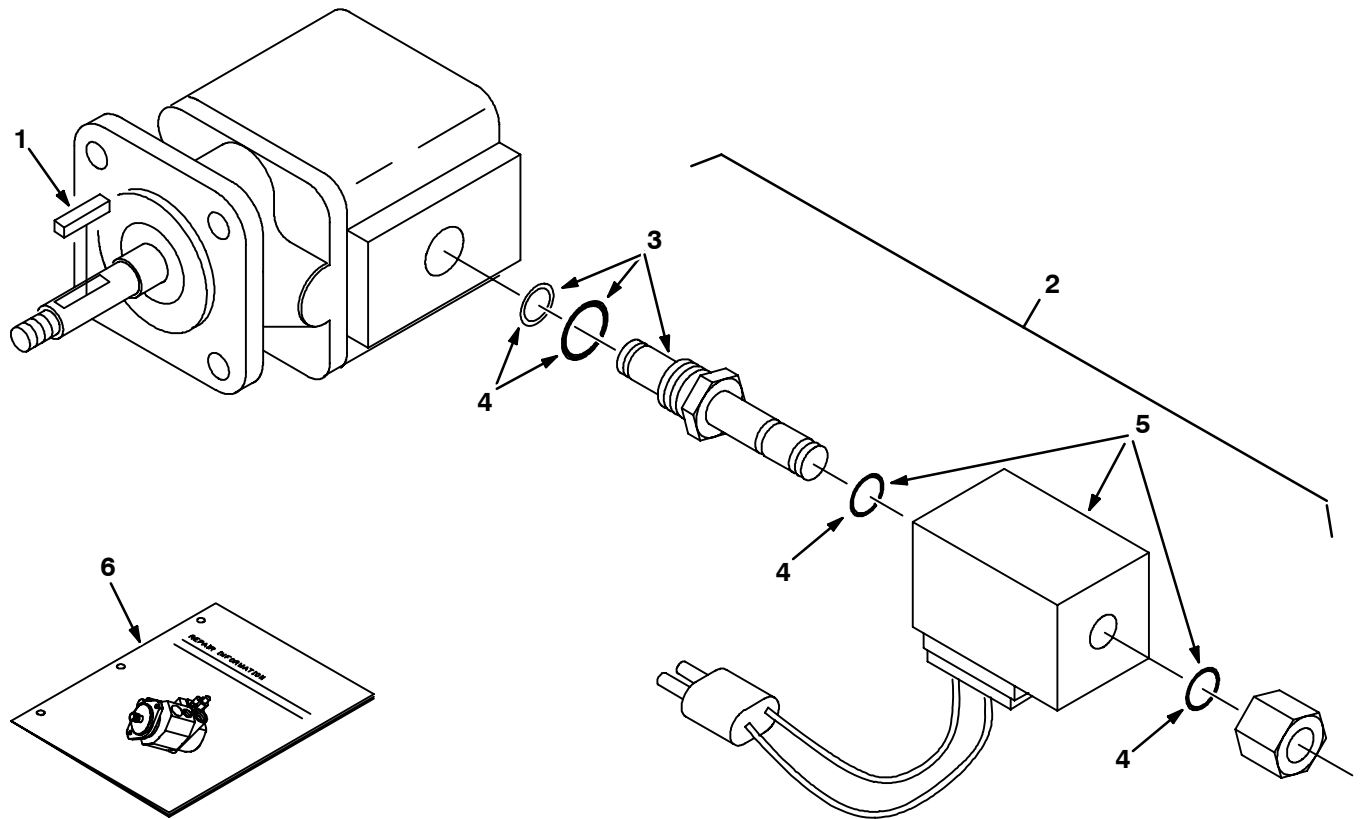
**Fig. 5 - Hydraulic Motor Breakdown, 379607**



08926 - 09670

Ref.	Part No.	Serial Number	Description	Qty.	
▽	379607	(000000-	) Motor, Hyd, Gear, [In] 17.9 B 1500	1	
▲	1	22654	(000000-	) Kit, Seal, Motor, Hyd	1
▲	2	31354	(000000-	) Flange, Motor, Hyd	1
▲	3	31373	(000000-	) Shaft, Output, Motor, Hyd	1
▲	4	45628	(000000-	) Bearing, Thrust, Motor, Hyd	1
▲	5	16695	(000000-	) Race, Thrust, Motor, Hyd	1
▲	6	31380	(000000-	) Drive, Motor, Hyd	1
▲	7	31385	(000000-	) Gerotor Set, Motor, Hyd	1
▲	8	37555	(000000-	) Screw, Motor, Hyd	4
▲	9	74100	(000000-	) Housing, Motor, Hyd	1
▲	10	74094	(000000-	) Plate, Spacer, Motor, Hyd	1
▲	11	74101	(000000-	) Cap, End, Motor, Hyd	1
▲	12	65232	(000000-	) Screw, Cap, Motor, Hyd	5
	13	74250	(000000-	) Instruction, Repair, Motor, Hyd	1

**Fig. 6 - Hydraulic Motor Breakdown, 53485**



07490 - 09670

Ref.	Part No.	Serial Number	Description	Qty.
▽	53485	(000000-	) Motor, Hyd, Gear, [Ex] .194 R 3000	1
▲	74233	(000000-	) Kit, Seal, Motor, Hyd, Gear	1
▲	1 00966	(000000-	) Key, Sq, 0.12 X 0.12, 00.75l	1
▲▽	2 54095	(000000-	) Valve, Hyd, Cartridge	1
▲▲	3 59378	(000000-	) Valve Stem, N.O.Valve, Hyd	1
▲▲	4 48813	(000000-	) Kit, Seal, Valve, Hyd	1
▲▲	5 35493	(000000-	) Solenoid, 12v, Valve, Hyd	1
	6 IB3614	(000000-	) Instr, Seal Kit, Motor, F/74147	1

Fig. 7 - Hydraulic Valve Breakdown, 374547

CONTROL VALVE	
Spool #1	Brushes
Spool #2	Hopper Door
Spool #3	Hopper Lift

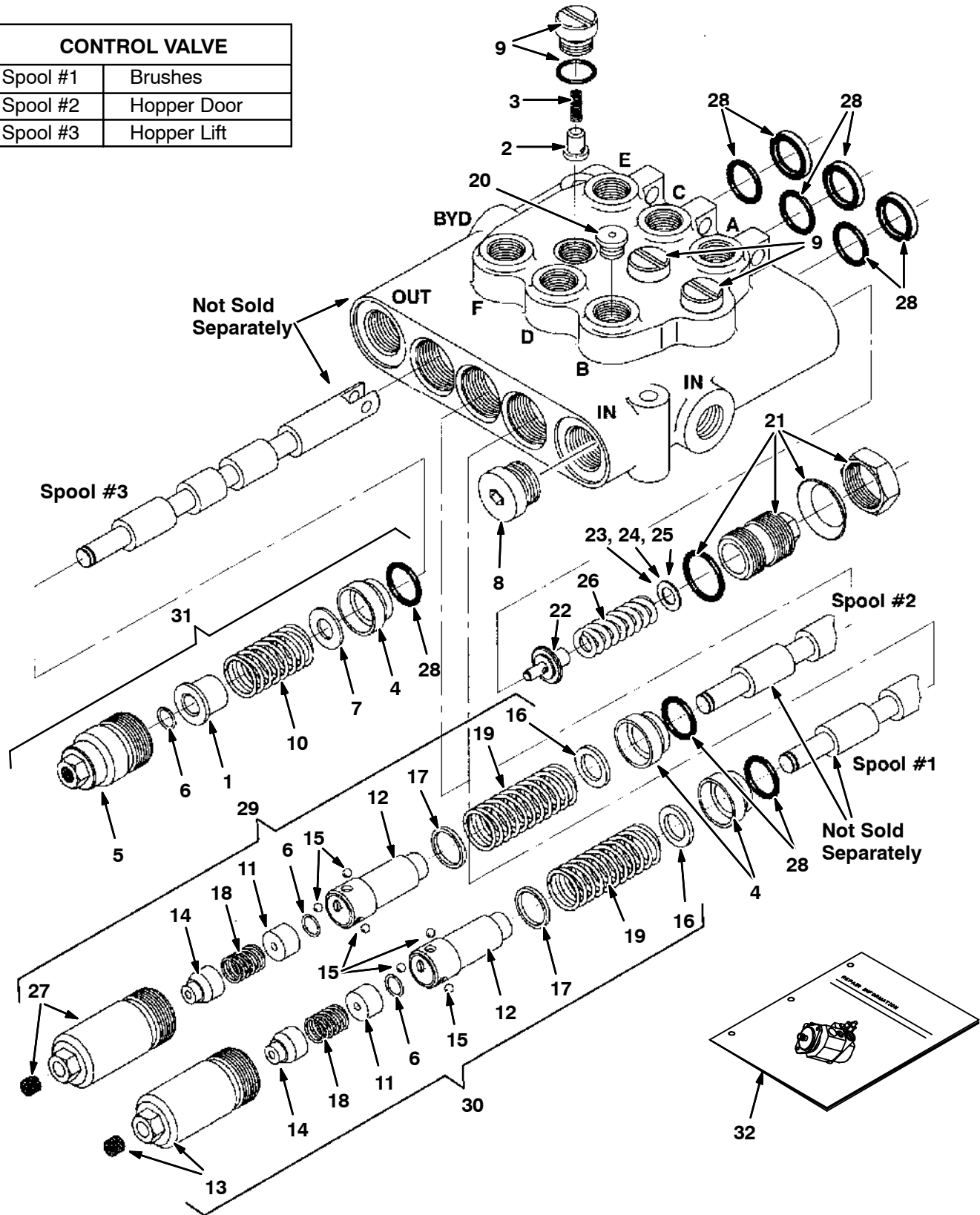


Fig. 7 - Hydraulic Valve Breakdown, 374547

Ref.	Part No.	Serial Number	Description	Qty.
▽	374547	(000000-	) Valve, Hyd, Man, 3sp 10gpm 2150psi	1
▲	1 79785	(000000-	) Spacer, Valve, Hyd	1
▲	2 79786	(000000-	) Plunger, Valve, Hyd	1
▲	3 79787	(000000-	) Spring, Valve, Hyd	1
▲	4 79788	(000000-	) Bushing, Valve, Hyd	3
▲	5 79789	(000000-	) Cap Assy, Valve, Hyd	1
▲	6 79792	(000000-	) Ring, Retainer, Valve, Hyd	3
▲	7 79794	(000000-	) Washer, Valve, Hyd	1
▲	8 13907	(000000-	) Fitting, Plug, O-Ring	1
▲	9 79795	(000000-	) Fitting, Plug, W/ O-Ring, Valve, Hyd	3
▲	10 79796	(000000-	) Spring, Valve, Hyd	1
▲	11 79801	(000000-	) Spacer, Valve, Hyd	2
▲	12 79802	(000000-	) Detent Adaptor, Valve, Hyd	2
▲	13 79803	(000000-	) Cap Assy	1
▲	14 79800	(000000-	) Cone, Valve, Hyd	2
▲	15 79804	(000000-	) Ball, Valve, Hyd	6
▲	16 79806	(000000-	) Washer, Valve, Hyd	2
▲	17 79805	(000000-	) Washer, Valve, Hyd	2
▲	18 79807	(000000-	) Spring, Valve, Hyd	2
▲	19 79808	(000000-	) Spring	2
▲	20 13904	(000000-	) Fitting, Plug, O-Ring, #6, Valve	2
▲	21 79790	(000000-	) Plug Assy, Valve, Hyd	1
▲	22 79791	(000000-	) Poppet, Valve, Hyd	1
▲	23 79793	(000000-	) Shim .035t, Valve, Hyd	-
▲	24 79798	(000000-	) Shim .015t, Valve, Hyd	-
▲	25 79799	(000000-	) Shim .010t, Valve, Hyd	-
▲	26 21915	(000000-	) Spring, Valve, Hyd	1
▲	27 79821	(000000-	) Cap Assy	1
▲	28 79812	(000000-	) Kit, Seal, Valve, Hyd	1
▲	29 79813	(000000-	) Kit, Detent Out, Valve, Hyd	1
▲	30 79815	(000000-	) Kit, Detent, Valve, Hyd	1
▲	31 79814	(000000-	) Kit, Detent In	1
	32 79820	(000000-	) Instruction, Repair, Valve, Hyd	1

Fig. 8 - Hydraulic Valve Breakdown, 1019961

CONTROL VALVE	
Spool #1	Brushes
Spool #2	Hopper Door
Spool #3	Hopper Lift

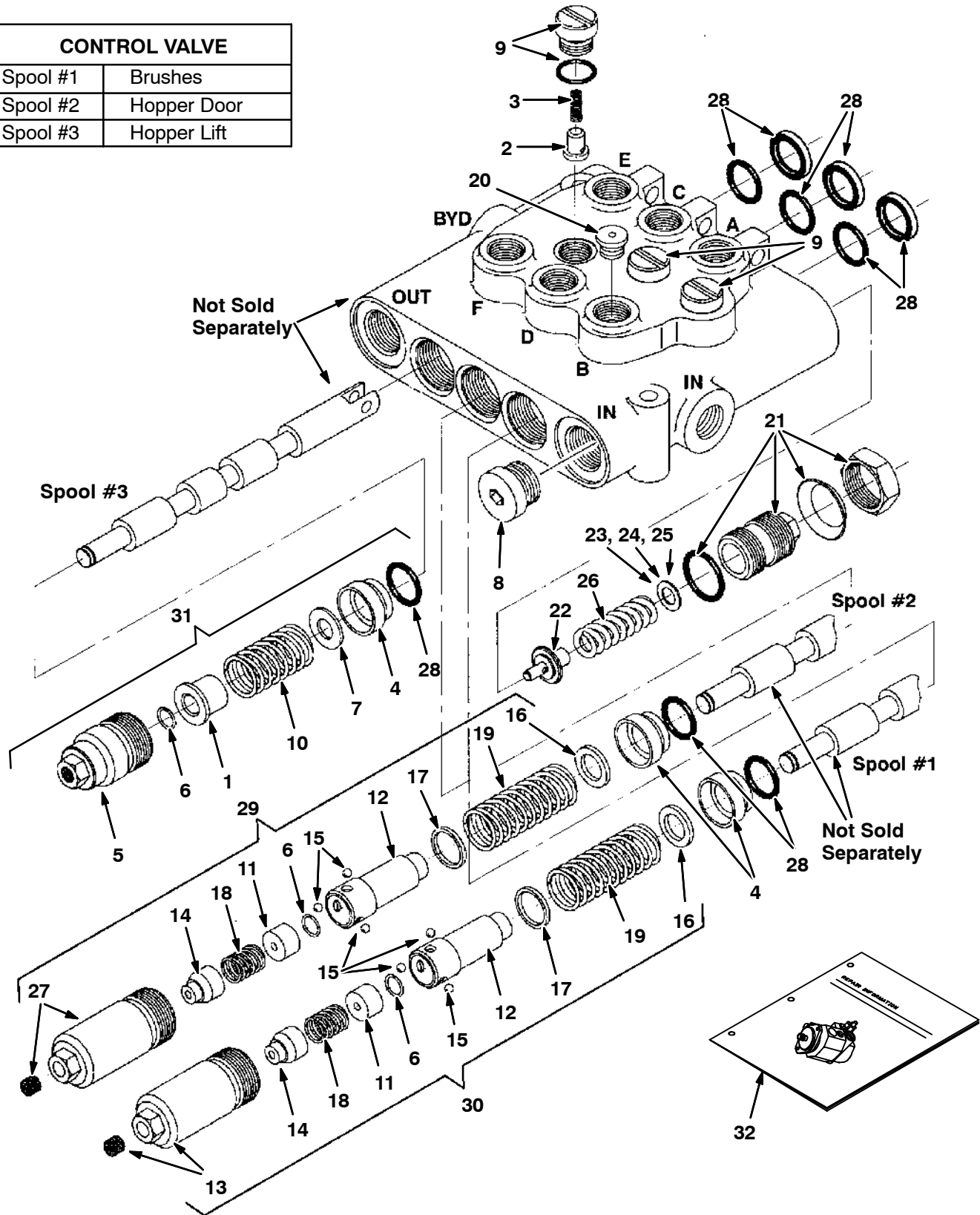




Fig. 8 - Hydraulic Valve Breakdown, 1019961

Ref.	Part No.	Serial Number	Description	Qty.
▽	1019961	(000000-	) Valve, Hyd, Man, 3sp 10gpm 2150psi	1
▲	1 79785	(000000-	) Spacer, Valve, Hyd	1
▲	2 79786	(000000-	) Plunger, Valve, Hyd	1
▲	3 79787	(000000-	) Spring, Valve, Hyd	1
▲	4 79788	(000000-	) Bushing, Valve, Hyd	3
▲	5 79789	(000000-	) Cap Assy, Valve, Hyd	1
▲	6 79792	(000000-	) Ring, Retainer, Valve, Hyd	3
▲	7 79794	(000000-	) Washer, Valve, Hyd	1
▲	8 13907	(000000-	) Fitting, Plug, O-Ring	1
▲	9 79795	(000000-	) Fitting, Plug, W/ O-Ring, Valve, Hyd	3
▲	10 79796	(000000-	) Spring, Valve, Hyd	1
▲	11 79801	(000000-	) Spacer, Valve, Hyd	2
▲	12 79802	(000000-	) Detent Adaptor, Valve, Hyd	2
▲	13 79803	(000000-	) Cap Assy	1
▲	14 79800	(000000-	) Cone, Valve, Hyd	2
▲	15 79804	(000000-	) Ball, Valve, Hyd	6
▲	16 79806	(000000-	) Washer, Valve, Hyd	2
▲	17 79805	(000000-	) Washer, Valve, Hyd	2
▲	18 79807	(000000-	) Spring, Valve, Hyd	2
▲	19 79808	(000000-	) Spring	2
▲	20 13904	(000000-	) Fitting, Plug, O-Ring, #6, Valve	2
▲	21 79790	(000000-	) Plug Assy, Valve, Hyd	1
▲	22 79791	(000000-	) Poppet, Valve, Hyd	1
▲	23 79793	(000000-	) Shim .035t, Valve, Hyd	-
▲	24 79798	(000000-	) Shim .015t, Valve, Hyd	-
▲	25 79799	(000000-	) Shim .010t, Valve, Hyd	-
▲	26 21915	(000000-	) Spring, Valve, Hyd	1
▲	27 79821	(000000-	) Cap Assy	1
▲	28 79812	(000000-	) Kit, Seal, Valve, Hyd	1
▲	29 79813	(000000-	) Kit, Detent Out, Valve, Hyd	1
▲	30 79815	(000000-	) Kit, Detent, Valve, Hyd	1
▲	31 79814	(000000-	) Kit, Detent In	1
	32 79820	(000000-	) Instruction, Repair, Valve, Hyd	1

**Fig. 9 - Hydraulic Steering Valve Breakdown, 1005089**

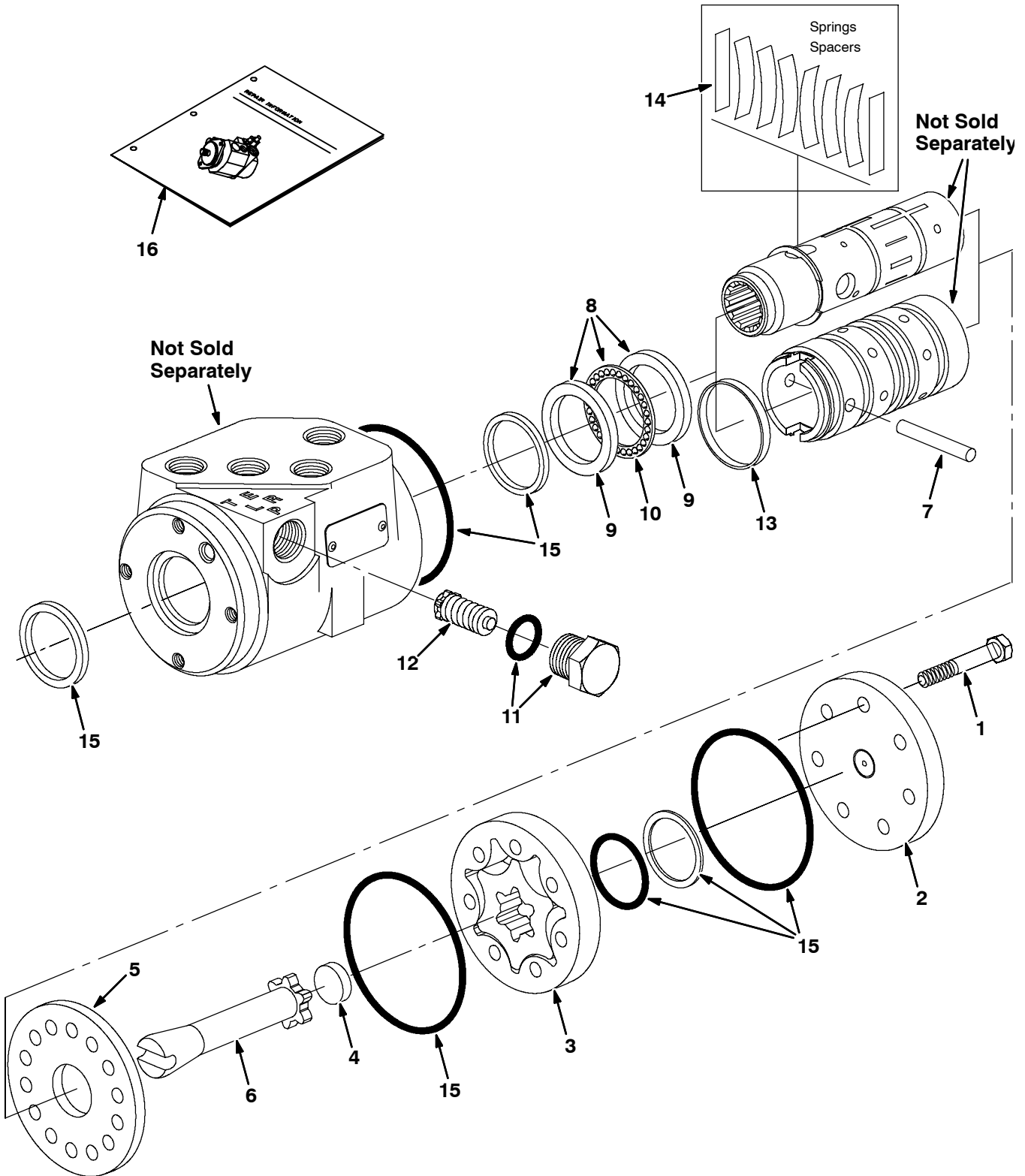
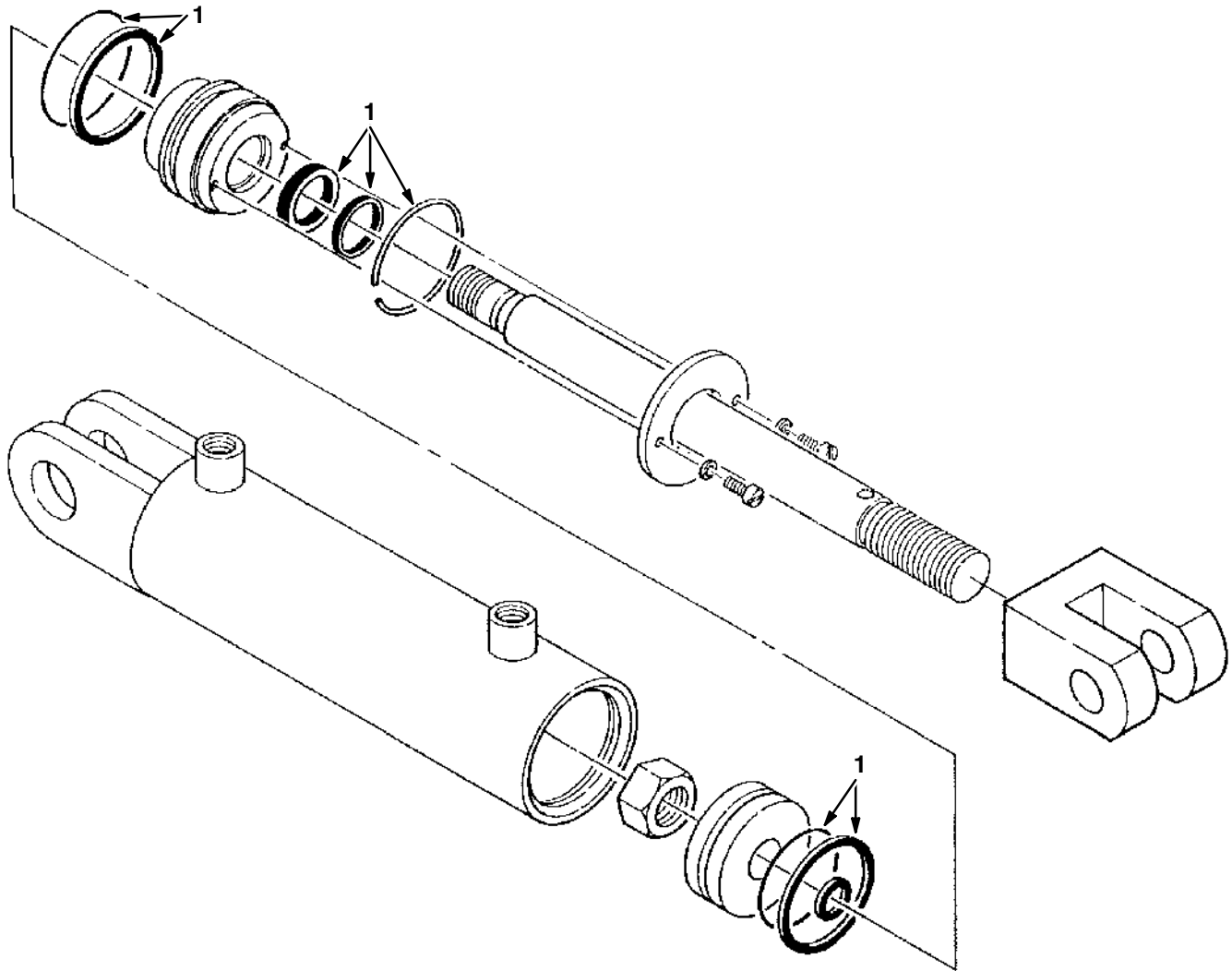


Fig. 9 - Hydraulic Steering Valve Breakdown, 1005089

	Ref.	Part No.	Serial Number	Description	Qty.
▽		1005089	(000000-	) Steer-Control, Hyd	1
▲	1	74183	(000000-	) Screw, Valve, Strg	7
▲	2	74185	(000000-	) Cap, End, Valve, Strg	1
▲	3	74192	(000000-	) Gerotor, Valve, Strg	1
▲	4	74193	(000000-	) Spacer, Valve, Strg	1
▲	5	74222	(000000-	) Plate, Wear, Valve, Strg	1
▲	6	74231	(000000-	) Drive, Valve, Strg	1
▲	7	74232	(000000-	) Pin, Valve, Strg	1
▲▽	8	21935	(000000-	) Bearing Kit	1
▲▲	9	74234	(000000-	) Race, Bearing, Valve, Strg	2
▲▲	10	74236	(000000-	) Bearing, Valve, Strg	1
▲	11	21933	(000000-	) Plug Assy	1
▲	12	373560	(000000-	) Valve Assy, Relief	1
▲	13	74243	(000000-	) Ring, Retainer, Valve, Strg	1
▲	14	74196	(000000-	) Kit, Spring, Valve, Strg	1
▲	15	74244	(000000-	) Kit, Seal, Hyd, Valve, Strg	1
	16	74245	(000000-	) Instruction, Repair, Valve, Strg	1

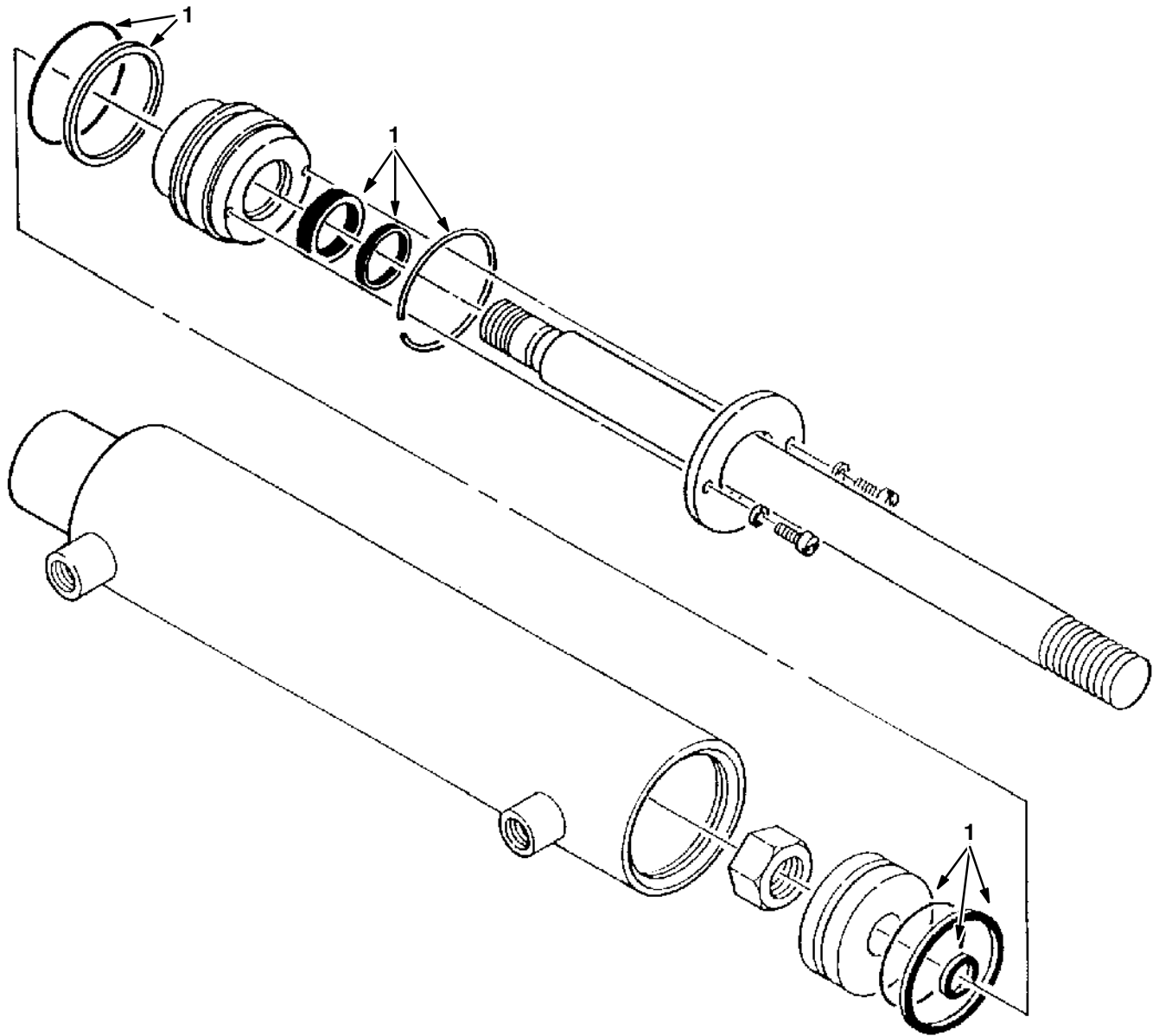
**Fig. 10 - Hydraulic Cylinder Breakdown, 74419**



07493

	<b>Ref.</b>	<b>Part No.</b>	<b>Serial Number</b>	<b>Description</b>	<b>Qty.</b>
▽		74419	(000000-	) Cylinder, Hyd, 2.5b,28.4l,15.00strk,2500	1
▲	1	59335	(000000-	) Kit, Seal, Cyl, Hyd	1

**Fig. 11 - Hydraulic Cylinder Breakdown, 53601**



07494

Ref.	Part No.	Serial Number	Description	Qty.
▽	53601	(000000-	) Cylinder, Hyd, 2.0b,15.0l,08.00strk,1500	1
▲	1 04483	(000000-	) Kit, Seal, Cyl, Hyd	1

**Fig. 12 - Air Conditioning Condenser Breakdown, 393340**

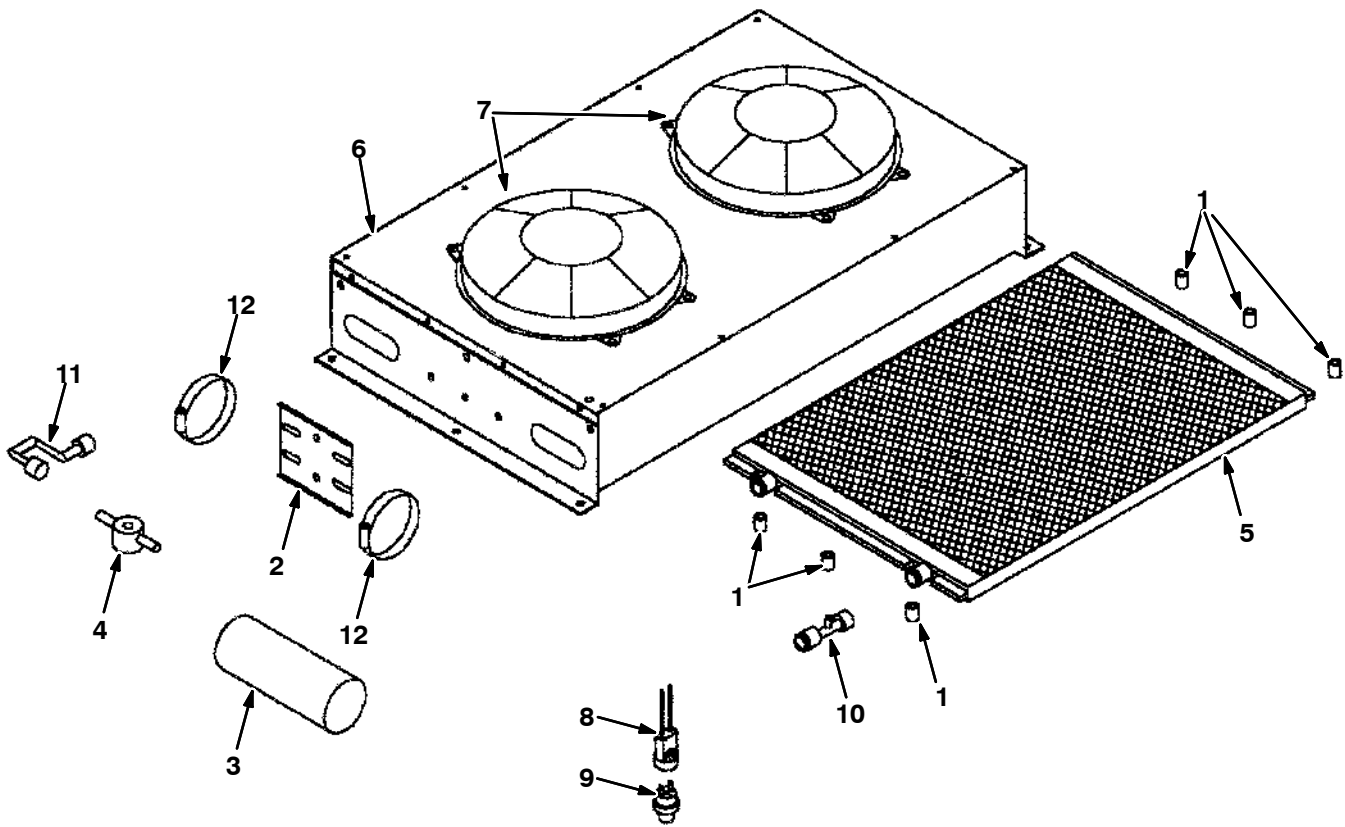
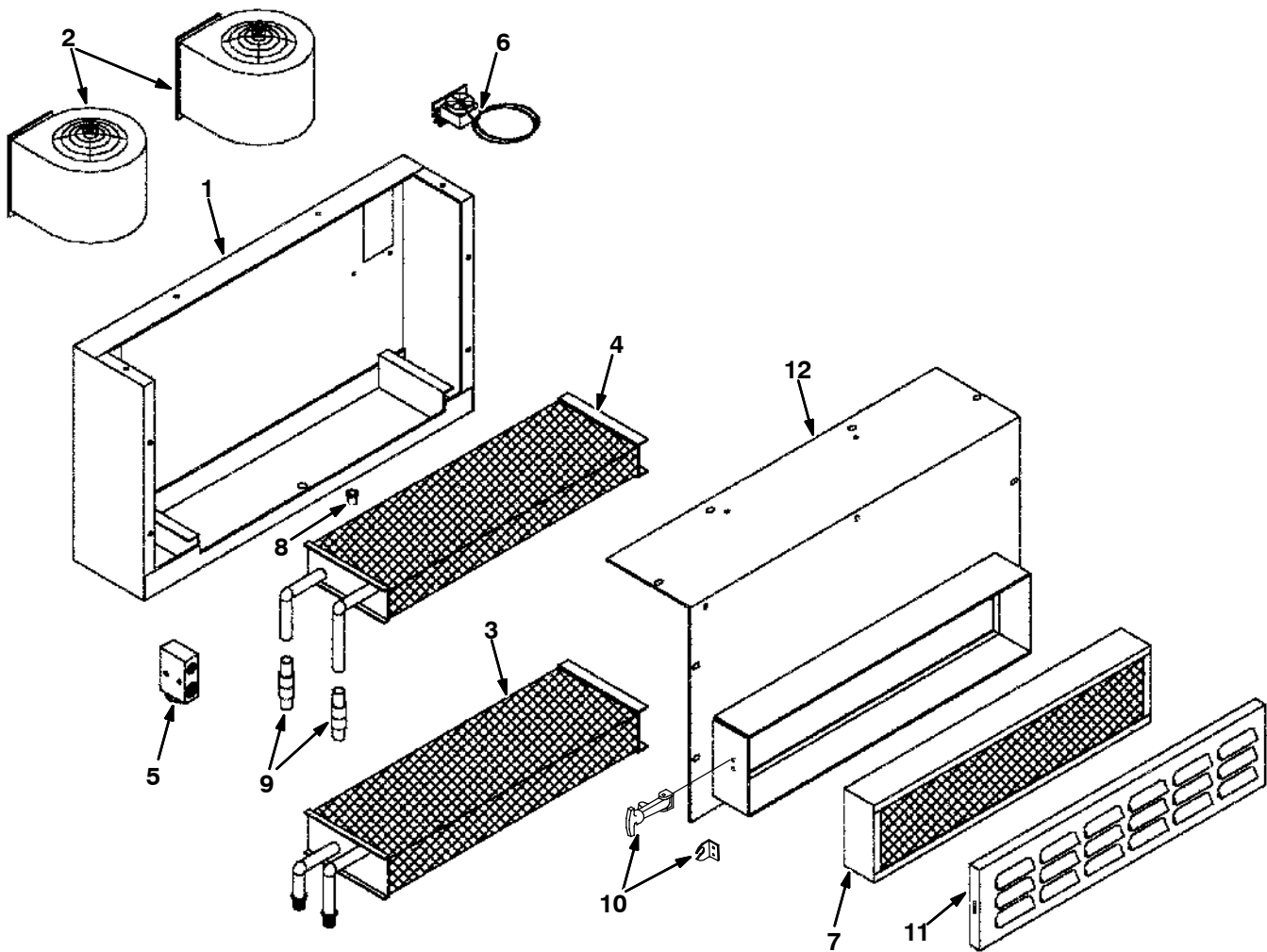


Fig. 12 - Air Conditioning Condenser Breakdown, 393340

	Ref.	Part No.	Serial Number	Description	Qty.
▽		393340	(000000-	) Condenser Assy, A/C, W /Fan	1
▲	1	393341	(000000-	) Spacer, Steel, Condenser, A/C	6
▲	2	393342	(000000-	) Bracket, Mtg, Drier, A/C	1
▲	3	393343	(000000-	) Drier, A/C	1
▲	4	393344	(000000-	) Glass, Sight, A/C	1
▲	5	393345	(000000-	) Coil, Condenser, A/C	1
▲	6	393346	(000000-	) Housing, Condenser/Fan, A/C	1
▲	7	393347	(000000-	) Fan, Condenser, 12vdc, A/C	2
▲	8	393348	(000000-	) Boot, Switch, Binary, A/C	1
▲	9	393349	(000000-	) Switch, Binary, A/C	1
▲	10	393350	(000000-	) Fitting, Valve, Schrader, A/C	1
▲	11	393351	(000000-	) Fitting, Condenser, Left, A/C	1
▲	12	83584	(000000-	) Clamp, Hose, Wormdrive, 1.31-3.25d	2

# BREAKDOWNS

Fig. 13 - Air Conditioning Evaporator / Heater Breakdown, 1010755

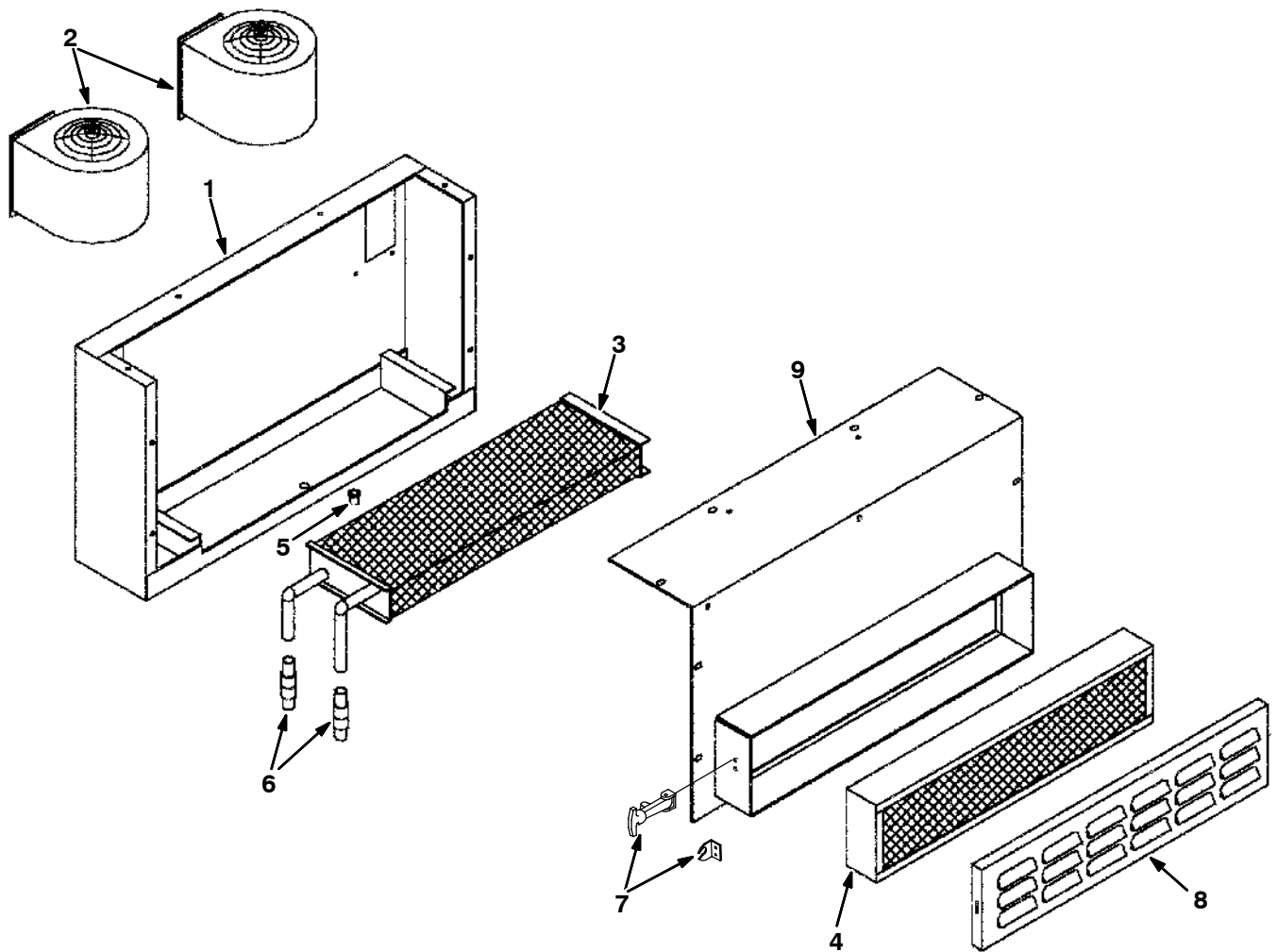


IC

Ref.	Part No.	Serial Number	Description	Qty.	
▽	1010755	(000000-	) Heater & A/C Assy [R134]	1	
▲	1	9000902	(000000-	) Housing, Blower, A/C [6600]	1
▲	2	393330	(000000-	) Motor, Blower, 12vdc, A/C	2
▲	3	393331	(000000-	) Coil, Evaporator, A/C	1
▲	4	393332	(000000-	) Core, Heater	1
▲	5	393333	(000000-	) Block, Expansion, A/C	1
▲	6	393334	(000000-	) Thermostat, A/C	1
▲	7	393335	(000000-	) Filter, Air, A/C	1
▲	8	393336	(000000-	) Valve, Drain, A/C	1
▲	9	393337	(000000-	) Adaptor, Tube, A/C	2
▲	10	9000860	(000000-	) Latch, Rbr, A/C Cover W/ Rivets	2
▲	11	9000903	(000000-	) Cover, Fltr, A/C [6600]	1
▲	12	9000904	(000000-	) Cover, Hsng, Blower [6600]	1
▲		377109	(000000-	) Harness, Heater/Evaporator [6600/6650]	1



Fig. 14 - Heater Pressurizer Breakdown, 1010757



Ref.	Part No.	Serial Number	Description	Qty.	
▽	1010757	(000000-	) Heater/Presszr Assy	1	
▲	1	9000902	(000000-	) Housing, Blower, A/C [6600]	1
▲	2	393330	(000000-	) Motor, Blower, 12vdc, A/C	2
▲	3	393332	(000000-	) Core, Heater	1
▲	4	393335	(000000-	) Filter, Air, A/C	1
▲	5	393336	(000000-	) Valve, Drain, A/C	1
▲	6	393337	(000000-	) Adaptor, Tube, A/C	2
▲	7	9000860	(000000-	) Latch, Rbr, A/C Cover W/ Rivets	2
▲	8	9000903	(000000-	) Cover, Fltr, A/C [6600]	1
▲	9	9000904	(000000-	) Cover, Hsng, Blower [6600]	1
▲	377109	(000000-	) Harness, Heater/Evaporator [6600/6650]	1	

IC

**Fig. 15 - LPG EFI Breakdown, 371916**

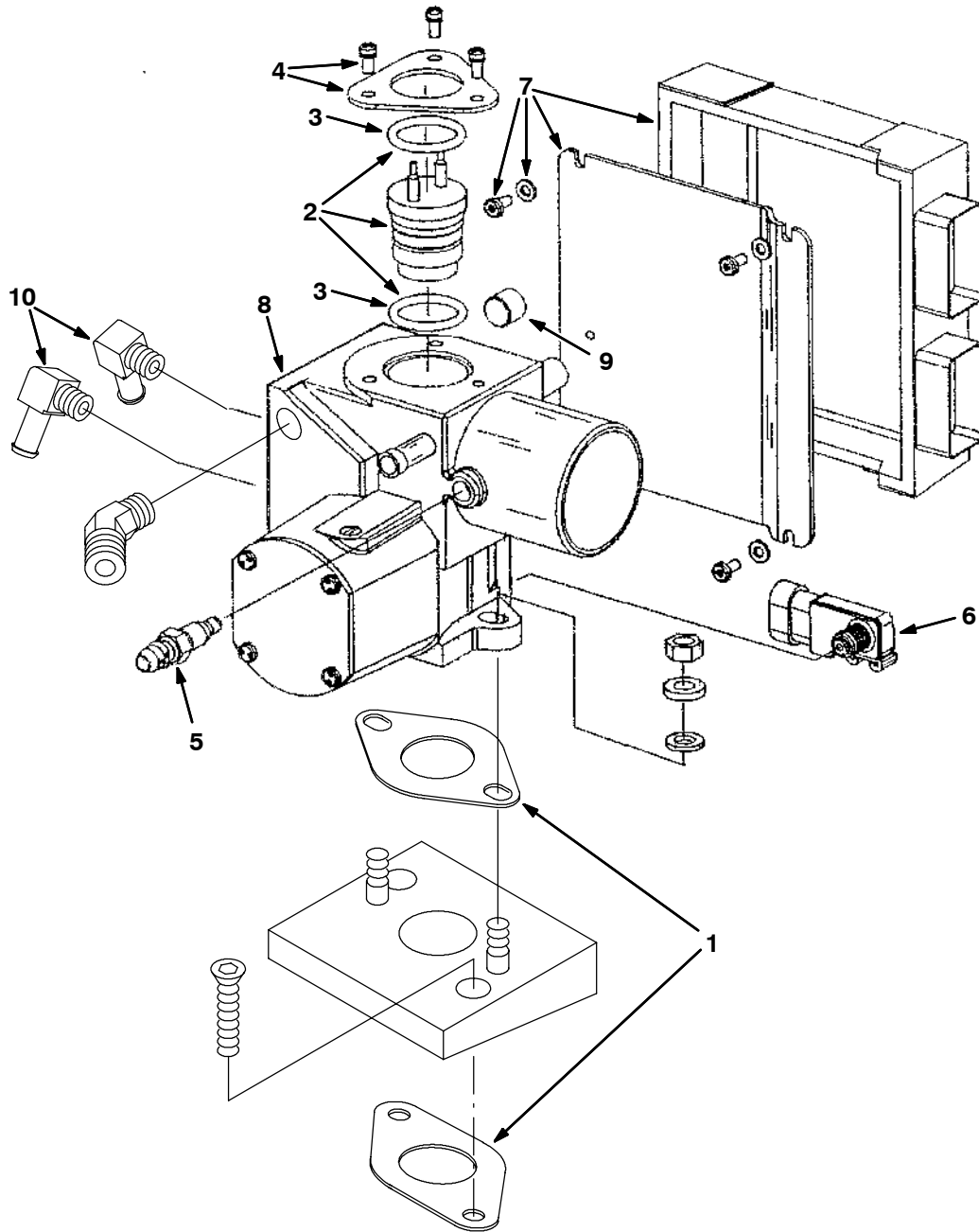


Fig. 15 - LPG EFI Breakdown, 371916

	Ref.	Part No.	Serial Number	Description	Qty.
▽		371916	(000000-	) Housing Assy, Throttle, Lpg, [With Ecu]	1
▲	1	371912	(000000-	) Kit, Gasket, Manifold	1
▲▽	2	371664	(000000-	) Injector, Lpg, W/2 O-rings	1
▲▲	3	371665	(000000-	) Kit, O-ring, Injector, Top And Bottom, Lpg	1
▲	4	371651	(000000-	) Plate, Injector Mtg, W/ Screw	1
▲	5	371653	(000000-	) Sensor, Temp	1
▲		371714	(000000-	) Kit, Connector, Coolant Sensor	1
▲		371715	(000000-	) Kit, Connector, Sensor, [Iat]	1
▲	6	371654	(000000-	) Sensor, Manifold Press	1
▲		371713	(000000-	) Kit, Connector, Sensor, [Map]	1
▲	7	371915	(000000-	) Control, Electronic, Lpg	1
▲	8	371918	(000000-	) Housing, Throttle, Lpg	1
▲		371718	(000000-	) Kit, Connector, Govnr	1
▲	9	371660	(000000-	) Fitting, Coolant Plug	1
▲	10	9000354	(000000-	) Fitting, Brs, E90, Em06/Pm04	2

**Fig. 16 - LPG EFI Breakdown, 371917**

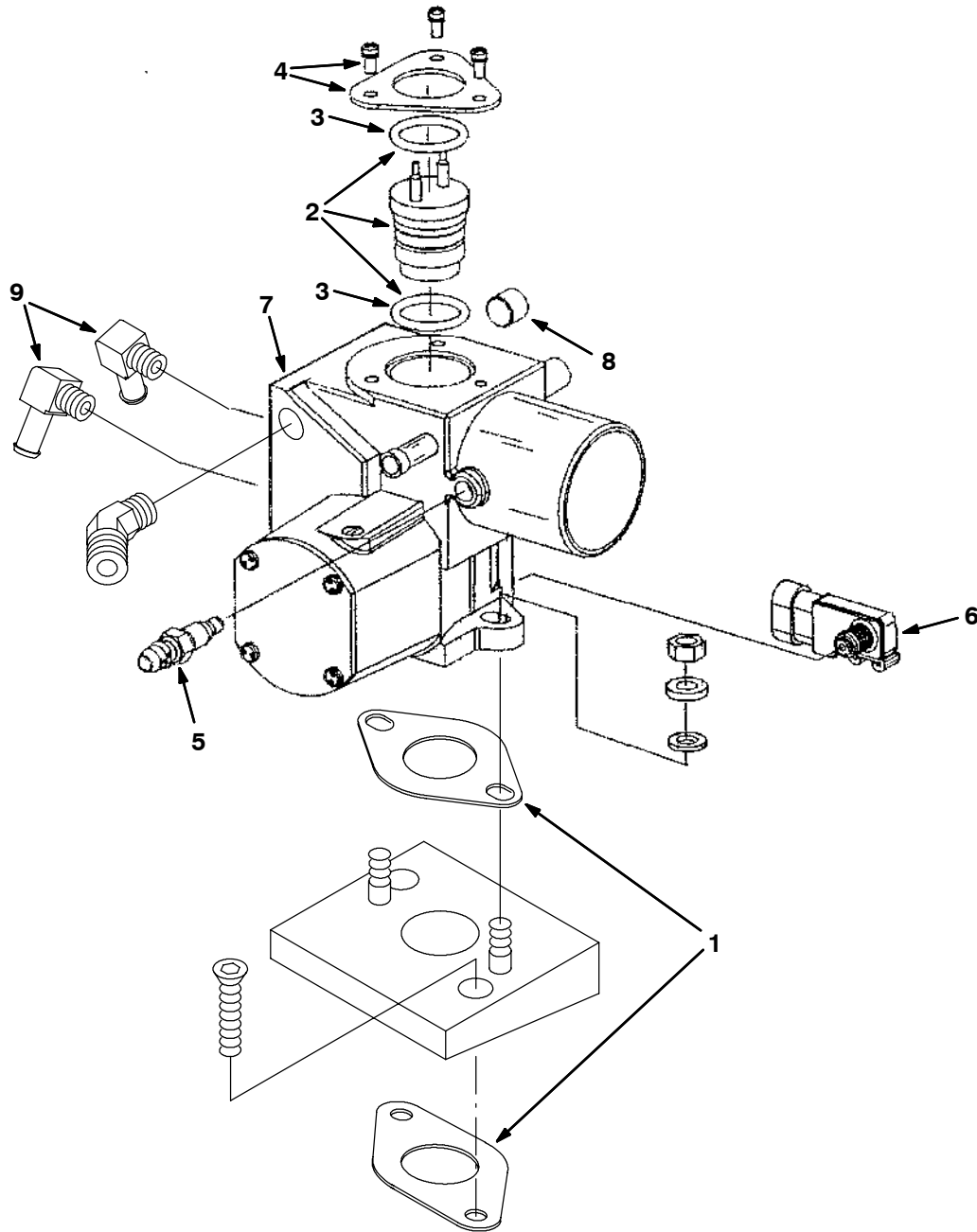


Fig. 16 - LPG EFI Breakdown, 371917

	Ref.	Part No.	Serial Number	Description	Qty.
▽		371917	(000000-	) Housing Assy, Throttle, Lpg, [Without Ecu]	1
▲	1	371912	(000000-	) Kit, Gasket, Manifold	1
▲▽	2	1017469	(000000-	) Injector, Fuel, Lpg [1.6l Gm] 6600/6650	1
▲▲	3	371665	(000000-	) Kit, O-ring, Injector, Top And Bottom, Lpg	1
▲	4	371651	(000000-	) Plate, Injector Mtg, W/ Screw	1
▲	5	371653	(000000-	) Sensor, Temp	1
▲		371714	(000000-	) Kit, Connector, Coolant Sensor	1
▲		371715	(000000-	) Kit, Connector, Sensor, [Iat]	1
▲	6	371654	(000000-	) Sensor, Manifold Press	1
▲		371713	(000000-	) Kit, Connector, Sensor, [Map]	1
▲	7	371918	(000000-	) Housing, Throttle, Lpg	1
▲		371718	(000000-	) Kit, Connector, Govnr	1
▲	8	371660	(000000-	) Fitting, Coolant Plug	1
▲	9	9000354	(000000-	) Fitting, Brs, E90, Em06/Pm04	2

**Fig. 17 - Gasoline EFI Breakdown, 371909**

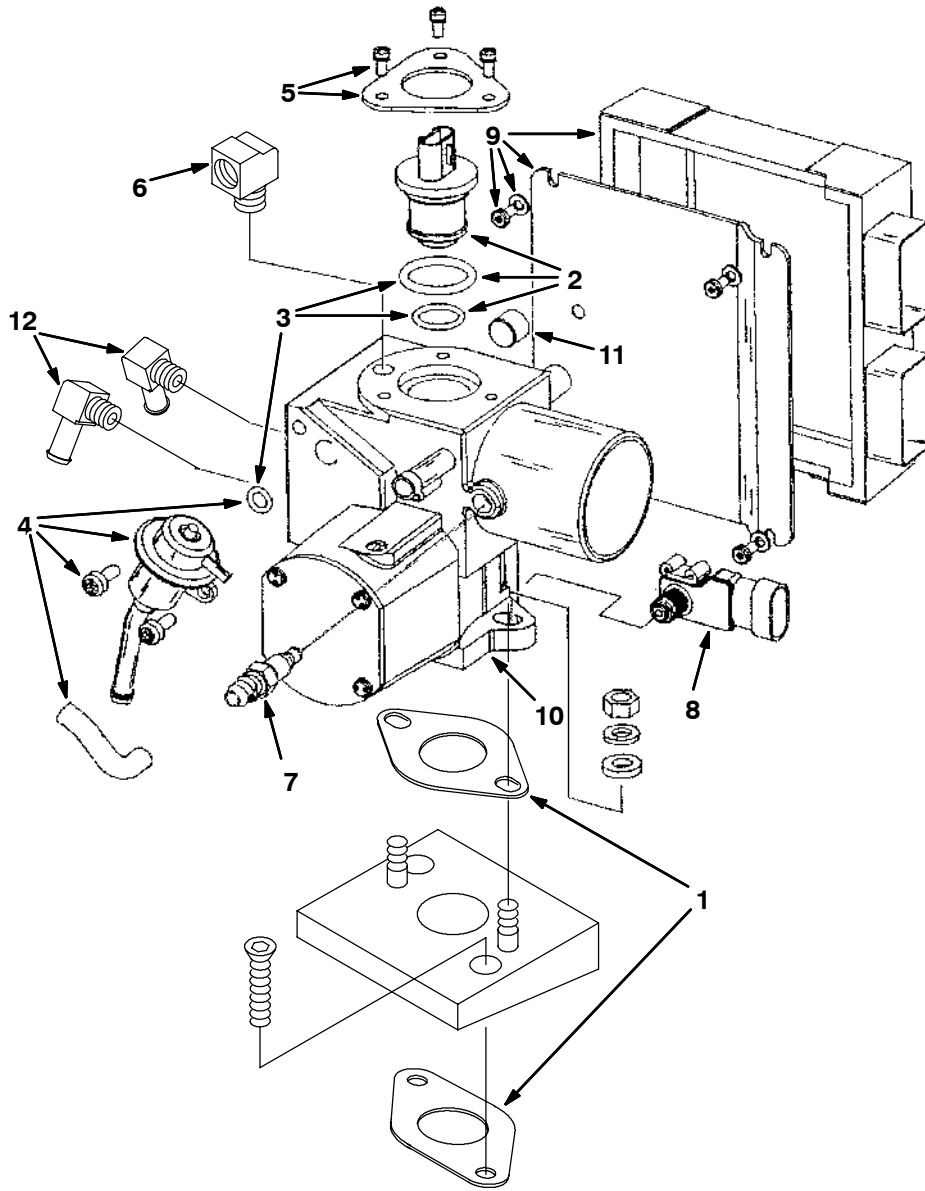


Fig. 17 - Gasoline EFI Breakdown, 371909

	Ref.	Part No.	Serial Number	Description	Qty.
▽		371909	(000000-	) Housing Assy, Throttle, Gas, [With Ecu]	1
▲	1	371912	(000000-	) Kit, Gasket, Manifold	1
▲▽	2	9000521	(000000-	) Injector, Fuel, Gas, W/ Org, [Gm 1.6]	1
▲▲	3	371649	(000000-	) Kit, Org, Injector And Reg, Gas	1
▲		371716	(000000-	) Kit, Connector, Gas Injector	1
▲	4	371908	(000000-	) Kit, Reg, Gas Press	1
▲	5	371651	(000000-	) Plate, Injector Mtg, W/ Screw	1
▲	6	15555-2	(000000-	) Fitting, Brs, E90, If05/Pm04	1
▲		371714	(000000-	) Kit, Connector, Coolant Sensor	1
▲		371715	(000000-	) Kit, Connector, Sensor, [lat]	1
▲	7	371653	(000000-	) Sensor, Temp	1
▲	8	371654	(000000-	) Sensor, Manifold Press	1
▲	9	371906	(000000-	) Control, Electronic, Gas	1
▲	10	371911	(000000-	) Housing, Throttle, Gas	1
▲		371718	(000000-	) Kit, Connector, Govnr	1
▲	11	371660	(000000-	) Fitting, Coolant Plug	1
▲	12	9000354	(000000-	) Fitting, Brs, E90, Em06/Pm04	2

**Fig. 18 - Gasoline EFI Breakdown, 371910**

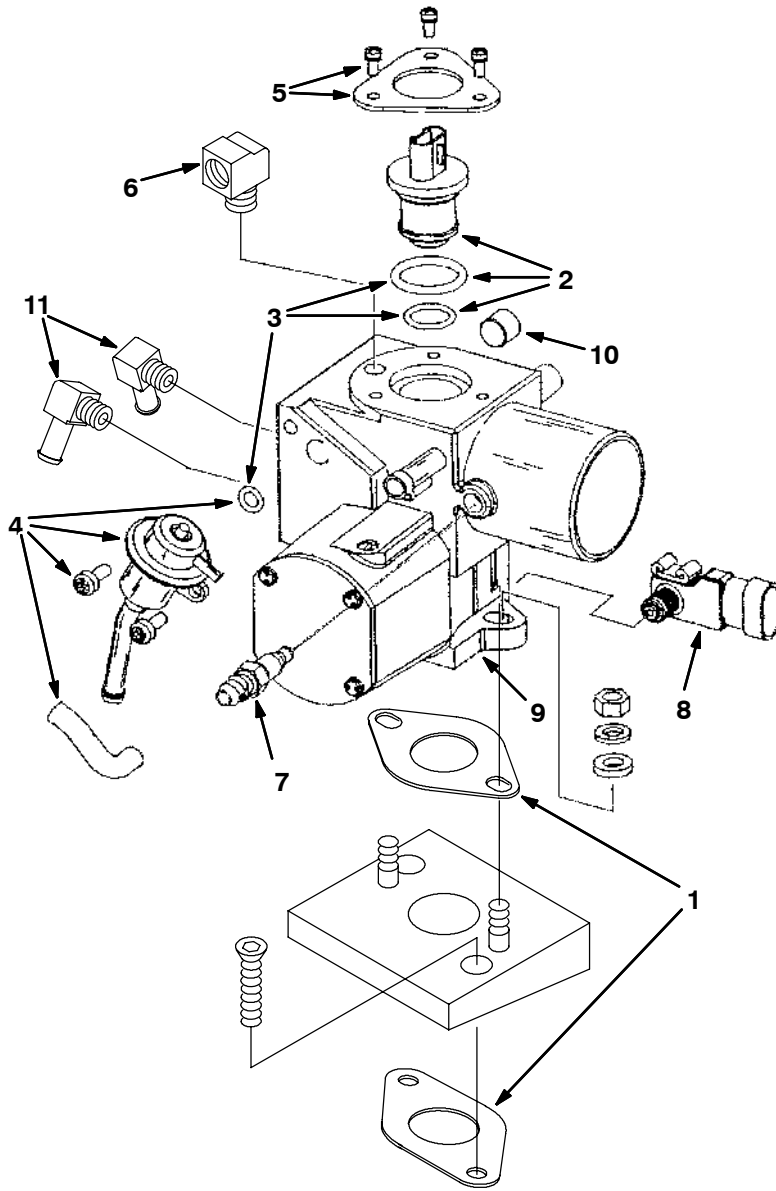




Fig. 18 - Gasoline EFI Breakdown, 371910

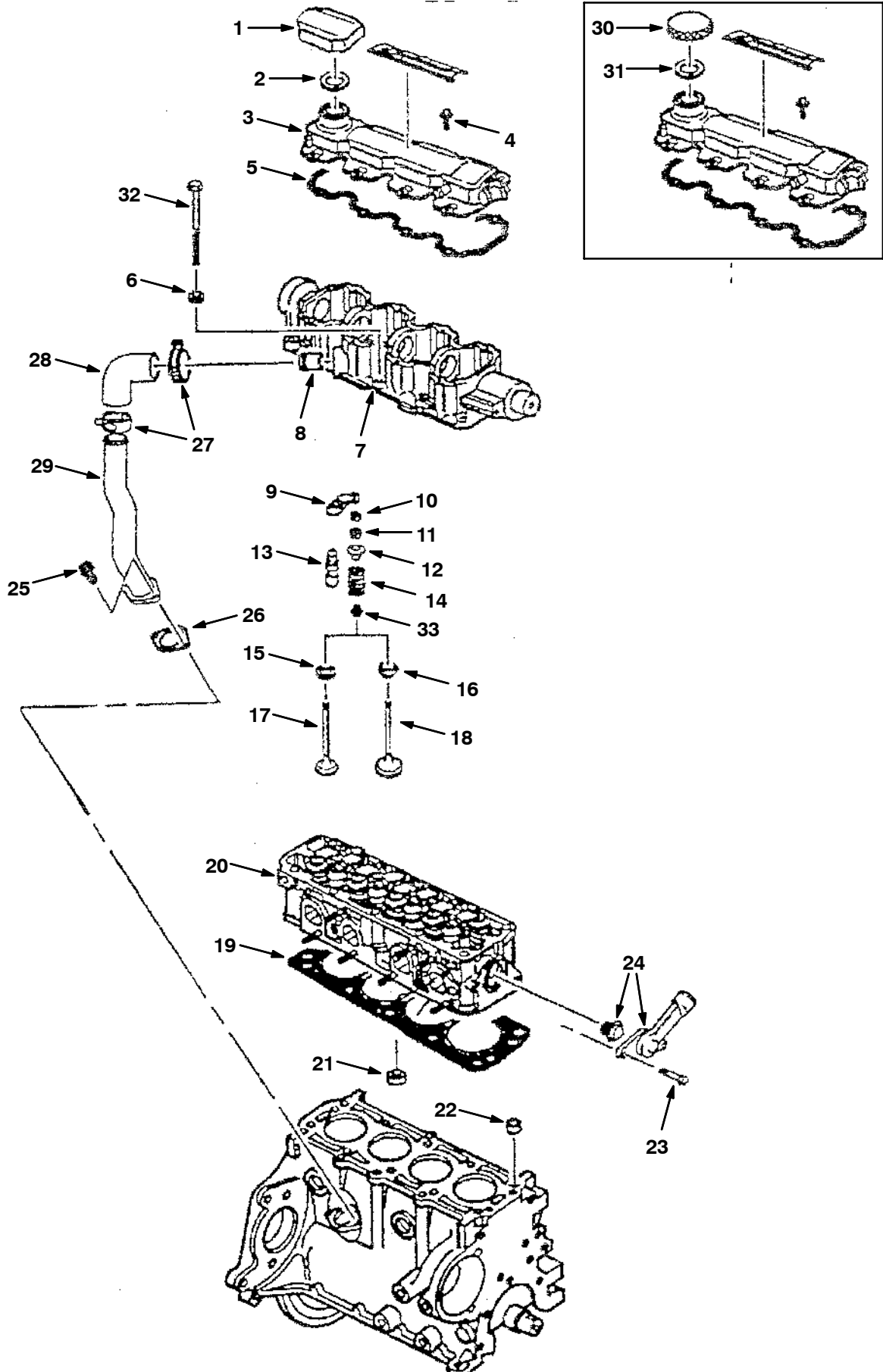
	Ref.	Part No.	Serial Number	Description	Qty.
▽		371910	(000000-	) Housing Assy, Throttle, Gas, [Without Ecu]	1
▲	1	371912	(000000-	) Kit, Gasket, Manifold	1
▲▽	2	9000521	(000000-	) Injector, Fuel, Gas, W/ Org, [Gm 1.6]	1
▲▲	3	371649	(000000-	) Kit, Org, Injector And Reg, Gas	1
▲		371716	(000000-	) Kit, Connector, Gas Injector	1
▲	4	371908	(000000-	) Kit, Reg, Gas Press	1
▲	5	371651	(000000-	) Plate, Injector Mtg, W/ Screw	1
▲	6	15555-2	(000000-	) Fitting, Brs, E90, If05/Pm04	1
▲		371714	(000000-	) Kit, Connector, Coolant Sensor	1
▲		371715	(000000-	) Kit, Connector, Sensor, [lat]	1
▲	7	371653	(000000-	) Sensor, Temp	1
▲	8	371654	(000000-	) Sensor, Manifold Press	1
▲	9	371911	(000000-	) Housing, Throttle, Gas	1
▲		371718	(000000-	) Kit, Connector, Govnr	1
▲	10	371660	(000000-	) Fitting, Coolant Plug	1
▲	11	9000354	(000000-	) Fitting, Brs, E90, Em06/Pm04	2



# **SECTION 5**

<b>Contents</b>	<b>Page</b>
Fig. 1 - Cylinder Head and Valves Group . . . . .	5-2
Fig. 2 - Crankshaft and Piston Group . . . . .	5-4
Fig. 3 - Oil and Water Pump Group . . . . .	5-6
Fig. 4 - Oil Pan and Filter Group . . . . .	5-8
Fig. 5 - Manifold Group . . . . .	5-9
Fig. 6 - Camshaft Group . . . . .	5-10
Fig. 7 - Ignition Group . . . . .	5-12

Fig. 1 - Cylinder Head and Valves Group



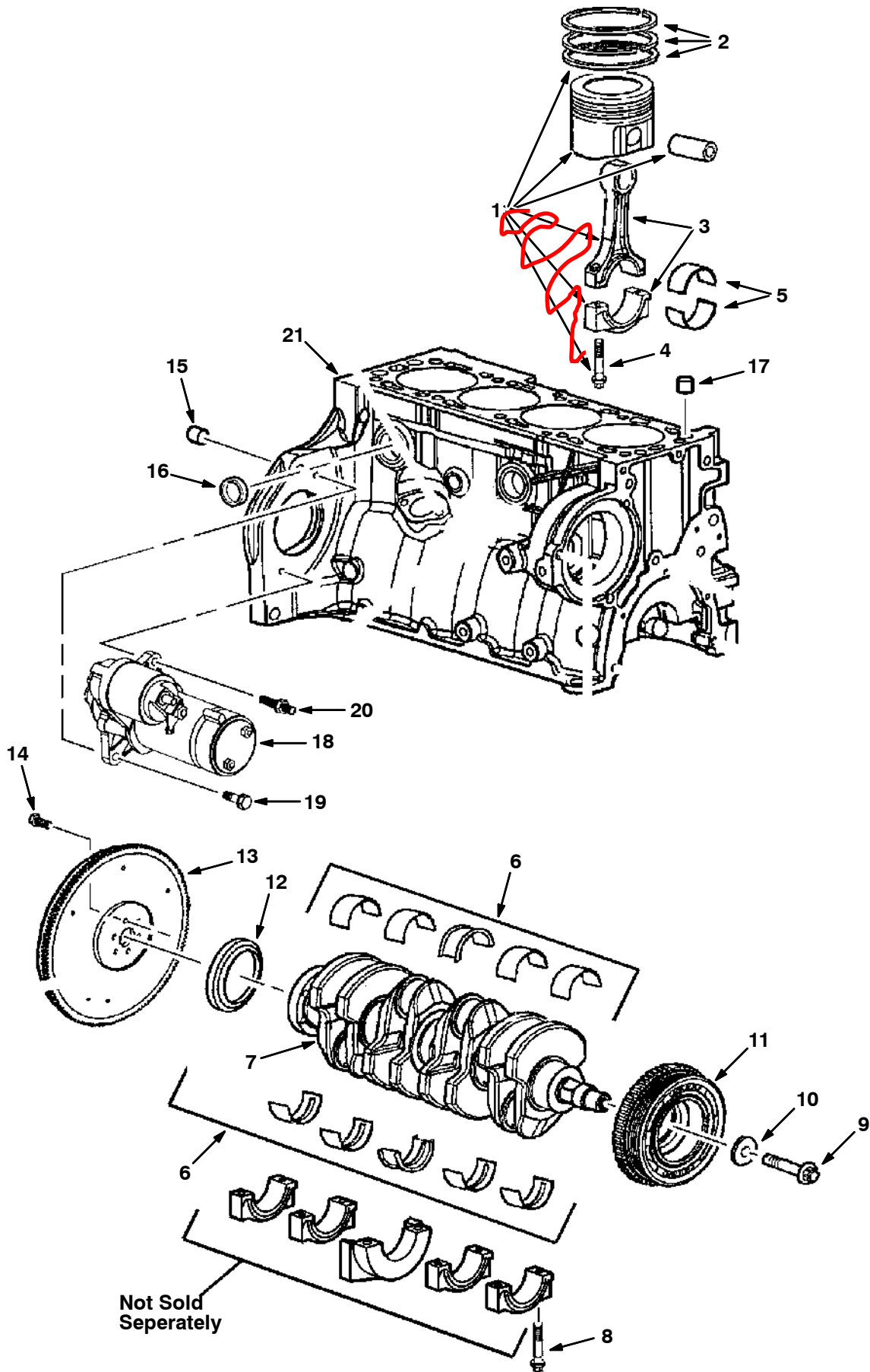
**Fig. 1 - Cylinder Head and Valves Group**

Ref.	Part No.	Description	Qty.
1	372574	② Cap, Filler, Oil, W/ Org	1
2	372573	② Seal, Org, Cap	1
3	372007	Cover, Hsng, Camshaft	1
4	371990	Bolt, Camshaft Cover	8
5	372008	Gasket, Cover, Hsng, Camshaft	1
6	372017	Washer	10
7	372018	Housing, Camshaft	1
8	372019	Tube [Pcv]	1
9	372030	Arm, Rocker, Valve	8
10	372031	Seat, Spring, Valve, 0.333	8
10	372032	Seat, Spring, Valve	8
11	372033	Key, Valve Stem	16
12	372034	Cap, Spring, Valve	4
13	372035	Screw, Adj, Valve, Hyd	8
14	372036	Spring, Valve	8
15	372037	Seat, Rotator, Valve	4
16	372031	Seat, Spring, Valve, 0.333	8
16	372032	Seat, Spring, Valve	8
17	372038	Valve, Exhaust	4
18	372039	Valve, Intake	1
19	372022	Gasket, Head, Cyl	1
20	372023	Head, Cyl	1
21	372024	Seat, Valve, Exhaust, [+0.2mm]	4
21	372025	Seat, Valve, Exhaust, Std	4
21	372026	Seat, Valve, Exhaust, [+0.4mm]	4
21	372027	Seat, Valve, Intake, Std	4
21	372028	Seat, Valve, Intake, [+0.2mm]	4
21	372029	Seat, Valve, Intake, [+0.4mm]	4
22	371999	Pin, Lock, Cyl Head, 14mm X 17mm	2
23	372048	Bolt, Hsng, Thermostat	2
24	372047	Thermostat, W/ Hsng And Seal	1
25	371957	Bolt, Tube [Pvc], M6 X 1 X 15	2
26	371958	Gasket, Tube [Pvc]	1
27	371954	Clamp, Hose, 1.75 [Pcv]	2
28	371955	Hose [Pcv]	1
29	371956	Tube [Pcv]	1
30	372006	① Cap, Filler, Oil, W/ Org	1
31	371995	① Seal, Org, Cap	1
32	372882	Bolt, Head, Cyl	10
33	9003345	Seal, Seat, Valve	8

① Machine Serial number (000000-024999)

② Machine Serial number (025000- )

Fig. 2 - Crankshaft and Piston Group



Not Sold Separately

**Fig. 2 - Crankshaft and Piston Group**

	<b>Ref.</b>	<b>Part No.</b>	<b>Description</b>	<b>Qty.</b>
▽	1	371932	Piston, W/ Pin, Std	1
▲	2	371931	Ring Kit, Piston, Std 78.95-79.02mm	4
▽ X	3	371934	Rod, Connecting, M08 X 45	4
▲	4	371935	Bolt, Connecting Rod	8
	5	371933	Bearing Kit, Rod, Connecting, Std	1
	6	371966	Bearing Kit, Cshft, 1.995-2.001mm (Brown Blue)	4
	6	371967	Bearing Kit, Cshft, 2.120-2.126mm	4
	6	371968	Bearing Kit, Cshft, 2.114-2.120mm	4
	6	371969	Bearing Kit, Cshft, 1.989-1.995mm (Brown)	4
	6	371970	Bearing Kit, Cshft, 1.989-1.995mm (Green Blue)	4
	6	371971	Bearing Kit, Cshft, 1.995-2.001mm (Green)	4
	7	371965	Crankshaft	1
	8	371946	Bolt, M10 X 1.50 X 75mm	10
	9	371938	① Bolt, M12 X 1.75 X 62mm	1
	9	384961	② Bolt, Pulley, Cshft	1
	10	371937	Washer, Sheave, Cshft	1
	11	371936	Sheave, Cshft	1
	12	371945	Seal, Oil, Cshft	1
	13	371979	Flywheel	1
	14	371976	Bolt, Flywheel	6
	15	371978	Pin, Lock, Transmission	2
	16	371942	Plug, Hole, Coolant, Eng Block	6
	17	371999	Pin, Lock, Cyl Head, 14mm X 17mm	2
	18	371962	③ Starter, 12vdc [Gm] (Before Mar. 2006)	1
	18	384963	④ Starter, 12vdc [Delco] (Mar. 2006 and Newer)	1
	19	371963	① Bolt, M08 X 1.25 X 25mm	1
	19	384964	② Bolt, M08 X 1.25 X 25mm	1
	20	371964	Stud, Starter, M08 X 1.25	1
	21	371944	Block, Short, Eng, W/ Piston & Ring	1

- ① Serial Number (000000-xxxxxx)
- ② Serial Number (xxxxxx- )
- ③ Engine Serial Number (000000000-1P6L13150)
- ④ Engine Serial Number (1P6L13151- )

Fig. 3 - Oil and Water Pump Group

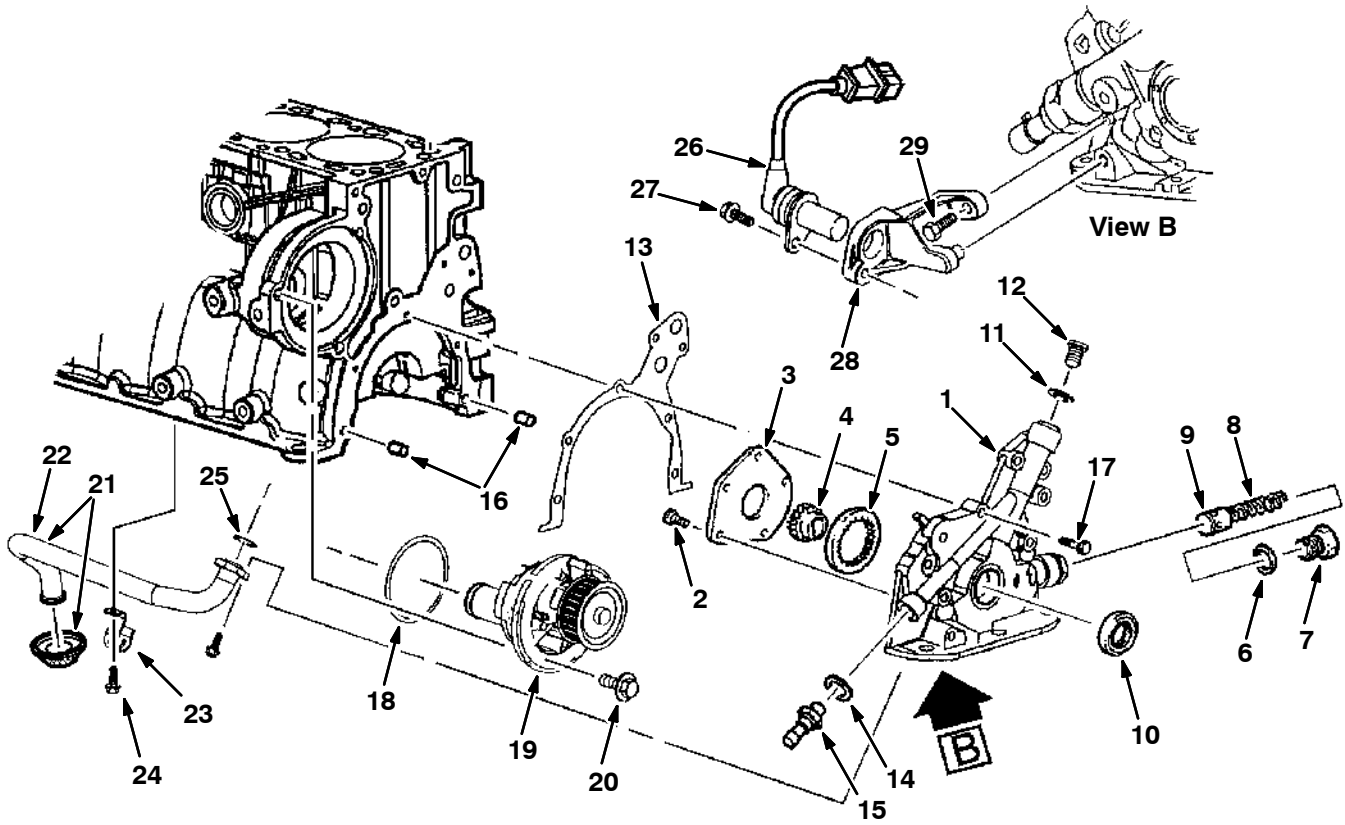




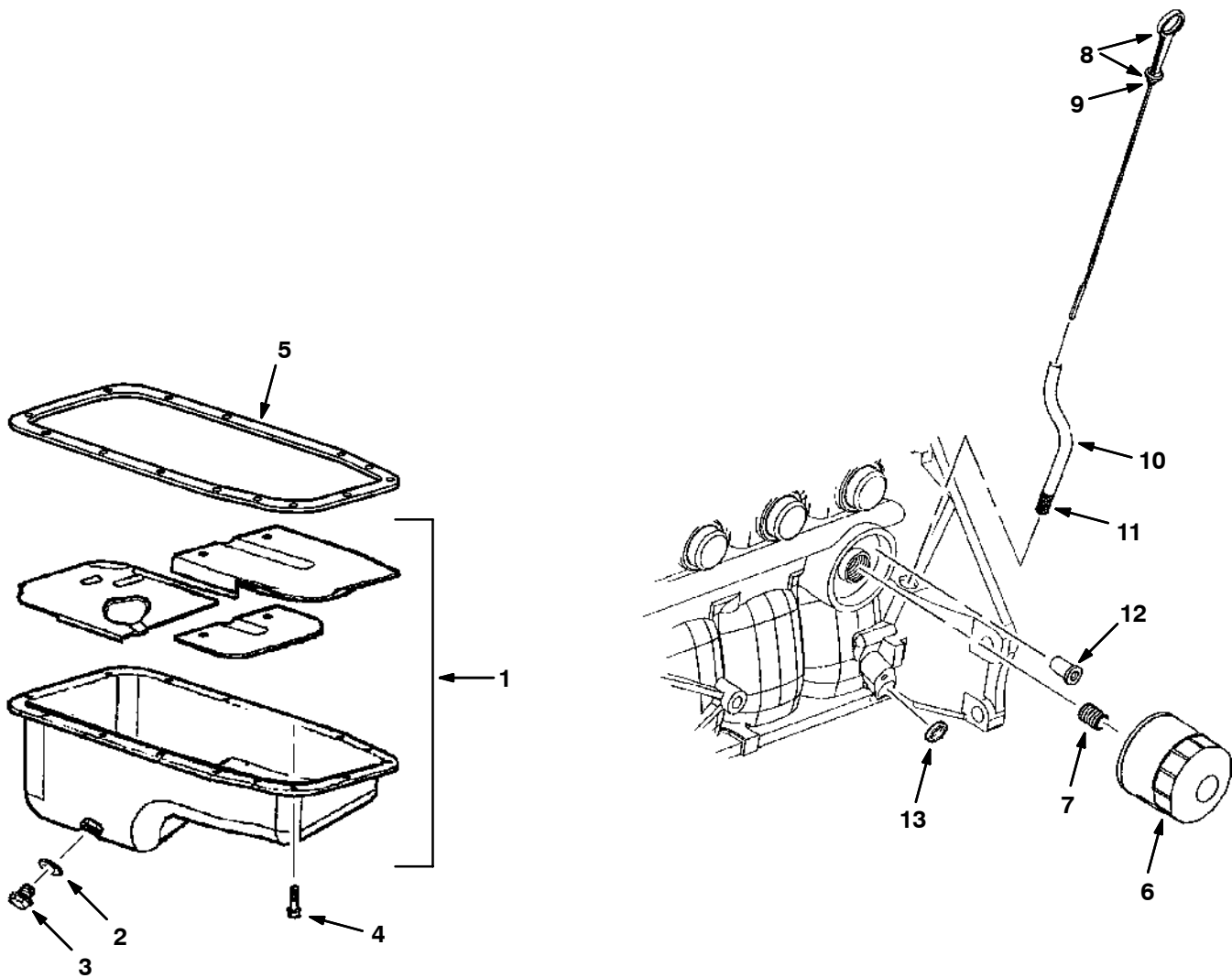
Fig. 3 - Oil and Water Pump Group

Ref.	Part No.	Description	Qty.
▽	1 372572	Pump, Oil	1
▲	2 371947	Bolt, Cover, Oil Pump, M6 X 14	5
▲	3 371948	Cover, Pump, Oil	1
▲	4 371949	Gear, Ring, Drive, Oil Pump	1
▲	5 371950	Gear, Drive, Oil Pump	1
▲	6 371998	Gasket, Plug, Relief Valve, Oil Press	1
▲	7 371994	Plug, Bore, Valve, Relief, Oil Press	1
▲	8 371993	Spring, Valve, Relief, Oil Press	1
	9 371997	Valve, Relief, Oil Press	1
	10 372005	Seal, Org, Oil Pump	1
	11 371951	Seal, Org, Hsng, Oil Pump	1
	12 371952	Plug, Hsng, Oil Pump	1
	13 371984	Gasket, Pump, Oil	1
	14 371987	Seal, Org, Press Switch / Drain Plug	1
	15 371996	Switch, Indicator, Oil Press	1
	16 371983	Pin, Ring, Lock, Hsng, Water Pump	2
	17 371986	Bolt, Pump, Oil	6
	18 372567	Seal, Org, Water Pump	1
	19 <del>9004673</del> 371981	Pump, Water [Gm]	1
	<del>371974</del>	<del>Sprocket, Pump, Water</del>	<del>1</del>
	20 371980	Bolt, Cover, Water Pump	3
▽	21 372001	Screen, Oil Pump, W/ Suc Pipe	1
▲	22 371989	Pipe, Suc, Oil Pump	1
	23 372000 [1]	Bracket, Screen, Oil Pump	1
	23 384966 [2]	Bracket, Screen, Oil Pump	1
	24 371991	Bolt, Bracket, Screen, Oil Pump, M6x1x1	1
	25 371988	Seal, Ring, Pipe, Suc, Oil Pump	1
	26 372002	Sensor, Position, Cshft	1
	27 384968	Bolt, Bracket, Sensor, Cshft Position	1
	28 372003	Bracket, Sensor, Position, Cshft	1
	29 372004	Bolt, Sensor, Position, Cshft	3

[1] Serial Number (000000-xxxxxx)

[2] Serial Number (xxxxxx- )

## Fig. 4 - Oil Pan and Filter Group



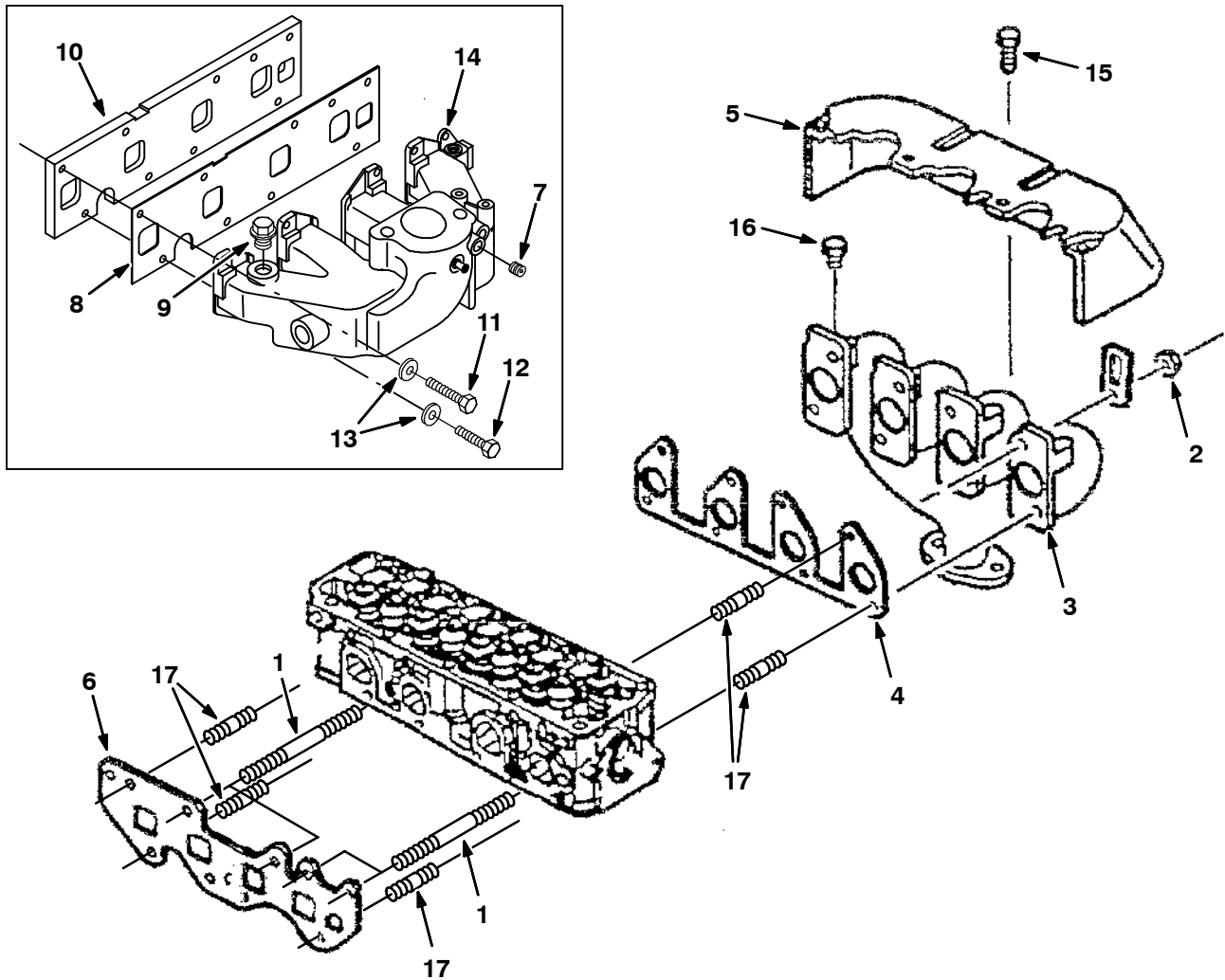
G, LP

Ref.	Part No.	Description	Qty.
▽	1 371960	Pan, Oil, W/ Baffle / Plug / Seal	1
▲	2 371987	Seal, Org, Press Switch / Drain Plug	1
▲	3 371992	Plug, Drain, Oil Pan, M14 X 1.5 X 12	1
	4 371961	① Bolt, M06 X 1.00 X 13mm	15
	4 384962	② Bolt, Pan, Oil	15
	5 371959	Gasket, Pan, Oil	1
	6 371972	Element, Fltr, Oil, Eng, Spin-On	4
	7 371973	Fitting, Fltr, Oil	1
▽	8 372560	Dipstick, Oil	1
▲	9 371995	Seal, Org, Cap, Fltr, Oil	1
	10 371940	Tube, Ds	1
	11 371941	Sealant, Tube, Ds	1
	12 371975	Valve, By-Pass, Oil Fltr	1
	13 371943	Plug, Hole, Core, Eng Block	1

① Serial Number (000000-xxxxxx)

② Serial Number (xxxxxx- )

Fig. 5 - Manifold Group



G, LP

Ref.	Part No.	Description	Qty.
1	372021	Stud, Manifold, M8 X 96	4
2	372049	Nut, Manifold, Exhaust, M8 X 1.25	8
3	372050	Manifold, Exhaust	1
4	372051	Gasket, Manifold, Exhaust	1
5	372052	Shield, Manifold, Exhaust	1
6	372053	Gasket, Manifold, Intake	1
7	371881	① Fitting, Brs, Plug, 02pm	1
8	371882	① Gasket, Adaptor, Manifold	1
9	371883	① Fitting, Pipe, Plug, Pm16 Hex Soc	1
10	371884	① Adaptor, Manifold, Intake	1
11	371885	① Bolt, Hex, M08 X 50mm, G5	3
12	371886	① Bolt, Hex, M08 X 40mm, G8.8	6
13	371865	① Washer, Flat, 0.31, Hardened	9
14	371888	① Manifold, Intake	1
15	372066	Bolt, Shield, Manifold, Exhaust	5
16	371860	Plug	1
17	372020	Stud, Manifold, M8 X 28	13

① Machine Serial number (000000-024999)

Fig. 6 - Camshaft Group

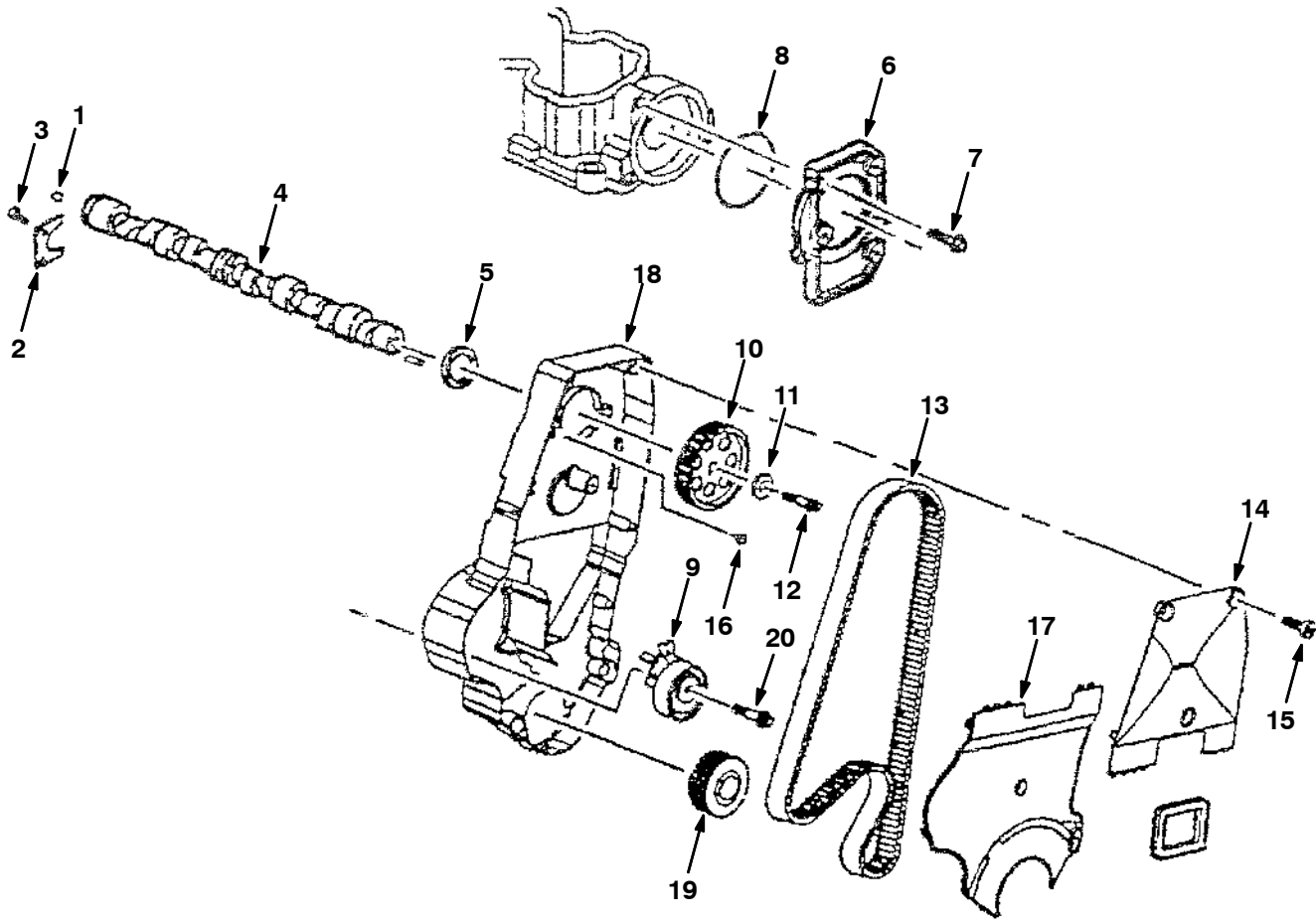
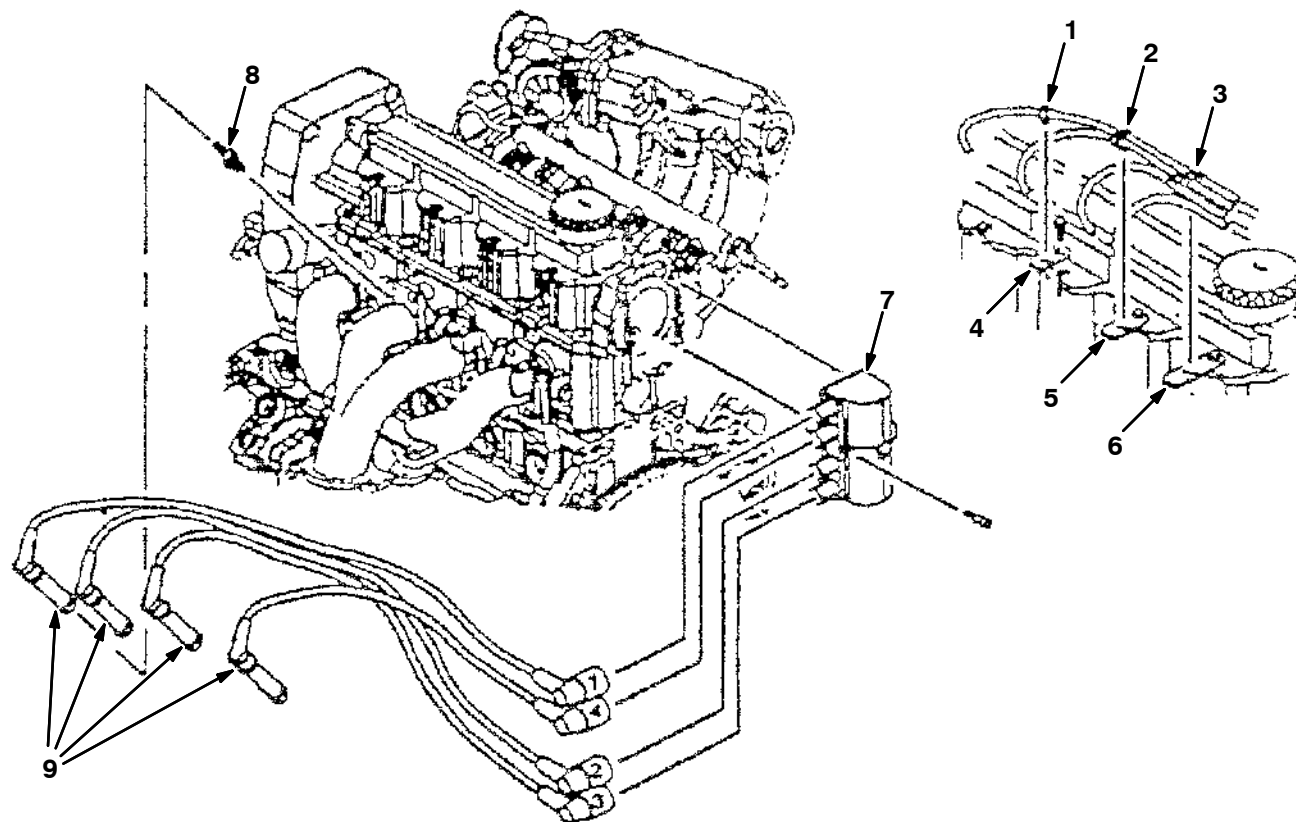


Fig. 6 - Camshaft Group

Ref.	Part No.	Description	Qty.
1	372009	Ball, Camshaft	1
2	372010	Retainer, Camshaft	1
3	372011	Bolt, Retainer, Camshaft, M6 X 1 X 16	2
4	372012	Camshaft	1
5	372013	Seal, Org, Bolt, Cover, Camshaft Hsng	1
6	372014	Cover, Hsng, Camshaft	1
7	372015	Bolt, Cover, Camshaft, M6 X 1 X 22	3
8	372016	Seal, Org, Bolt, Cover, Camshaft Hsng	1
9	9004674	Pulley, Tensioner [Gm]	1
10	372040	Sprocket, Camshaft [Fd]	1
11	372017	Washer, Sprkt, Camshaft	1
12	372041	Bolt, Sprocket, Camshaft, M10x1.25x60	1
13	372042	Belt, Timing	1
14	372043	Cover, Belt, Timing, Front	1
15	371961	Bolt, Eng Cover, M6 X 1 X 13	6
16	372046	Bolt, Tensioner, Timing Belt, M8x1.25x48	1
17	372044	Cover, Belt, Timing, Upper Front	1
18	372616	Housing, Camshaft	1
19	388552	Outside Sprocket, Gm	1
20	9004675	Bolt, Tensioner [Gm]	1

**Fig. 7 - Ignition Group**



G, LP

Ref.	Part No.	Description	Qty.
1	372054	Retainer, Sparkplug, 1 Way	1
2	372055	Retainer, Sparkplug, 2 Way	1
3	372056	Retainer, Sparkplug, 3 Way	1
4	372057	Bracket, Retaining, Wire, Sparkplug	1
5	372058	Bracket, Retaining, Wire, Sparkplug	1
6	372059	Bracket, Retaining, Wire, Sparkplug	1
7	372060	Coil, Ignition	1
8	372575	Sparkplug	4
9	372603	Wire Set, Sparkplug [1.6]	1

# SECTION 6

CONTENTS	PAGE
PART NUMBER TO PAGE NUMBER CROSS REFERENCE LIST .....	6-2
PART DESCRIPTION TO PAGE NUMBER CROSS REFERENCE LIST .....	6-14

# CROSS REFERENCE

## PART NUMBER TO PAGE NUMBER CROSS REFERENCE LIST

Part Number	Page Number	Part Number	Page Number	Part Number	Page Number
IB3614	4-11	06942	2-7, 2-13, 2-15,	07819	3-59
00500-15	4-9		2-23, 2-41, 2-49,	08166	2-69, 2-71, 3-78
00960	2-65		2-73, 2-75, 2-77,	08175	2-107, 2-123
00966	4-11		2-79, 2-85, 2-137,	08178	3-67
01047	3-35		3-5, 3-7, 3-47	08179	2-121
01314	2-7, 2-27	06943	2-13, 2-19, 2-31,	08182	2-97, 2-101, 2-117,
01318	2-17		2-33, 2-35, 2-37,		2-119, 3-67
01335	2-111		2-41, 2-50, 2-73,	08202	2-97
01574	2-41, 2-49		2-75, 2-77, 2-85,	08329	2-93
01683	2-107, 2-115, 3-39,		2-101, 3-33	08708	2-13, 2-15, 2-17,
	3-57, 3-59	06944	2-17, 2-25, 2-83		2-21, 2-25, 2-27,
01684	2-2, 2-7, 2-9, 2-11,	06945	2-15, 2-17		2-29, 2-41, 2-43,
	2-105, 2-107, 2-111,	06946	2-13, 2-43, 2-54,		2-49, 2-53, 2-77,
	2-123, 3-37, 3-69		2-133		2-79, 2-109, 2-133,
01685	2-2, 2-7, 2-9, 2-11,	06947	3-63, 3-65		2-137, 3-9, 3-33,
	2-19, 2-105, 2-107,	06949	2-77, 3-57, 3-59		3-49, 3-54, 3-61,
	2-109, 2-117, 2-119,	06950	2-133		3-63, 3-65
	3-23	06955	2-99	08709	2-17, 2-57, 2-59,
01754	2-25	06956	2-99, 2-135, 2-137,		2-61, 2-65, 2-67,
01760	2-19, 3-33, 3-49,		3-51		2-69, 2-71, 2-99,
	3-61	06960	2-63, 2-65, 2-117		2-101, 2-109, 2-113,
01762	2-123	06961	2-43, 2-54, 2-65,		2-119, 2-121, 2-123,
01998	2-129		3-27		2-131, 3-3, 3-11,
01999	2-129	06969	2-15, 2-17, 2-97,		3-21, 3-23, 3-31,
02076	2-63		3-33		3-49, 3-61
02126	3-33	06971	2-111	08711	2-15, 2-17, 2-31,
02129	3-33	06972	2-31, 2-33, 2-35,		2-33, 2-35, 2-37,
02469	2-129		2-37		2-97, 2-111, 2-123,
02706	4-3	06973	2-117		3-25, 3-33, 3-57
02850	2-113, 2-137, 3-35,	06975	2-123	08712	2-2, 2-29, 2-99,
	3-63, 3-65	06977	2-123		2-105, 2-107, 2-111,
		06988	2-19		3-69
02942	2-117	07255	2-41, 2-43	08713	2-2, 2-7, 2-63,
02994	2-23	07450	2-121		2-105, 2-107, 2-119,
04375	2-109	07787	2-117		2-131, 3-51
04414	2-31, 2-33, 2-35,	07788	2-9, 2-11, 2-117	08716	2-2, 2-105, 2-107,
	2-37	07789	3-3, 3-21, 3-23		2-111, 3-9
04483	4-19	07790	2-13, 2-31, 2-33,	09007	2-9, 2-11, 3-69
04733-10	3-67		2-35, 2-37, 2-73,	09010	2-9, 2-11, 2-107,
04843	2-101		2-75, 2-77, 2-85,		2-123, 2-131
04921	2-103		2-87, 2-88, 2-101,	09011	2-7, 2-15, 2-93, 2-97
05685	2-103		3-5, 3-7, 3-57, 3-59	09028	2-9, 2-11, 2-121
05686	2-101, 2-103			09029	2-111
06474A	2-107	07791	2-7, 2-13, 2-21,	09037	2-53
06532	2-41, 2-43, 2-53		2-27, 2-31, 2-33,	09062	3-33, 3-49, 3-61,
06549	2-7, 2-25, 2-41,		2-35, 2-37, 2-53,		3-63, 3-65
	2-49, 3-3, 3-5, 3-7,		2-73, 2-75, 2-77,	09088	2-97
	3-9, 3-11, 3-13,		2-79, 2-81, 2-85,	09120	2-123, 3-49, 3-61
	3-15, 3-17, 3-19,		2-89, 2-91, 2-93,	09145	2-17, 2-19, 3-49,
	3-39, 3-49, 3-57,		2-109, 2-135, 2-137,		3-61, 3-63
	3-59, 3-61, 3-63		3-23, 3-33, 3-41,	09146	2-25
06927	3-63, 3-65		3-43, 3-45, 3-47,	09164	2-27, 3-33
06932	3-3		3-63, 3-69	09206	2-113, 3-35
06933	2-25	07792	2-117, 3-69, 3-79	09291	2-9, 2-11
06934	3-5, 3-7, 3-9, 3-11,	07797	2-47	09342	2-7
	3-13, 3-15, 3-17,	07805	2-29, 2-123	09738	3-3, 3-21, 3-23
	3-19, 3-63	07809	2-125	09739	2-107
06938	2-41, 2-49	07810	2-67, 2-69, 2-125,	09740	2-93, 2-121, 3-11
06941	2-83		2-137, 3-33		



# CROSS REFERENCE

Part Number	Page Number	Part Number	Page Number	Part Number	Page Number
09767	2-119	1008913	2-19	1011306	2-33, 2-37
09775	2-103	1008916	2-19	1011314	2-59
09900-1	2-133	1008934	2-31	1011353	2-33, 2-37
1005089	2-23, 4-17	1008968	2-2, 2-3, 2-135, 2-137	1011426	2-25
1005267	2-23	1008988	2-73	1011427	2-117
1005292	2-31, 2-35	1009066	2-13	1011492	3-39
1005339	3-33	1009116	3-63	1011511	3-65
1005563	2-31, 2-35	1009122	3-63	1011582	2-129
1005949	2-103	1009130	2-13	1011583	2-73
1006038	2-111	1009152	3-33	1011616	2-129
1006162	2-19	1009163	3-63, 3-65	1011700	2-69
1006321	3-51, 3-53	1009167	3-63	1011743	2-61
1006329	2-135, 2-137	1009217	2-19	1011779	2-23
1006424	2-19	1009292	2-19	1011780	2-59, 2-61
1006557	2-63, 2-65	1009315	2-19	1011895	2-75, 2-77
1006558	2-15	1009366	3-63	1011902	3-39
1006604	2-63, 2-65	1009429	3-63, 3-65	1012248	2-75, 2-77
1006647	2-135	1009540	3-63, 3-65	1012250	2-75, 2-77
1006657	2-39, 2-45, 2-47	1009544	3-51	1012357	3-35
1006726	2-13	1009590	2-13	1012361	3-35
1006751	2-13	1009681	2-67, 2-69, 3-78	1012369	3-21
1006898	2-67, 2-69, 2-71	1009732	3-51	1012397	3-35
1007048	2-135	1009795	3-63	1012615	2-25
1007050	2-7	1009811	3-63, 3-65	1012634	3-78
1007121	3-67	1009836	3-51	1012655	2-171
1007168	2-57	1009847	3-63, 3-65	1012871	2-25
1007209	2-83, 2-85	1009892	3-33	1013031	2-69, 2-71
1007220	2-117	1010049	2-137	1013086	2-75
1007226	2-83	1010155	3-29	1013117	2-71
1007310	2-7	1010165	2-2, 2-105, 3-69	1013168	2-59
1007450	2-57	1010166	2-2, 2-105, 3-69	1013230	2-69
1007455	2-57, 2-59, 2-61	1010167	2-2, 2-105	1013509	2-77
1007482	2-83, 2-85	1010170	3-33	1013624	2-69
1007794	2-101	1010227	2-91	1013681	2-137
1007807	2-123	1010267	3-49	10137	2-89, 2-91
1007941	2-25	1010269	3-69	1013913	2-7
1007965	3-63, 3-65	1010301	3-69	1013930	2-85
1007966	2-135	1010302	3-69	1013932	2-75
1007993	3-63, 3-65	1010316	3-61	1014004	2-69
1008120	2-15, 2-17	1010379	2-67	1014005	2-137
1008132	2-109	1010380	2-67	1014034	2-59, 2-61
1008164	3-51	1010448	2-67	1014071	2-19
1008256	2-13	1010537	3-63, 3-65	1014084	3-49
1008262	2-27	1010600	3-63, 3-65	1014251	2-41, 2-50
1008271	2-113	1010653	3-41, 3-45	1014278	2-41, 2-49
1008304	3-63, 3-65	1010657	3-41, 3-45	1014401	2-27
1008320	2-25	1010688	3-41, 3-45	1014491	2-133
1008457	2-137	1010755	3-45, 3-47, 4-22	1014520	2-87, 2-88
1008611	3-63, 3-65	1010757	3-41, 3-43, 4-23	1014551	3-53
1008629	3-63, 3-65	1010823	3-63, 3-65	1014747	2-85
1008636	2-109	1011018	2-171	1014752	2-17
1008640	2-63	1011019	2-171	1014797	2-17
1008654	2-7	1011020	2-171	1014799	2-75, 2-77
1008693	2-85	1011052	3-69	1014800	2-75
1008713	3-63	1011057	3-69	1014801	2-75
1008724	3-63	1011107	2-75, 2-77	1014802	2-75
1008734	3-63, 3-65	1011176	3-65	1014803	2-75
1008738	2-13	1011216	2-69, 2-71, 3-78	1014826	2-61
1008782	2-63	1011259	2-69	1015054	2-87, 2-88
1008857	2-83, 2-85			1015355	3-53

# CROSS REFERENCE

Part Number	Page Number	Part Number	Page Number	Part Number	Page Number
1015432	2-123	1030518	2-59, 2-61	11635	2-135
1015547	2-41, 2-43	1030551	2-77	11636	2-111
1015552	2-85	1030570	2-77	11842	2-103
1015584	3-47	1031240	2-19	12267	2-119, 2-121
1015585	3-47	1031242	2-19	12271	2-19, 2-25, 3-35, 3-49, 3-61
1015897	2-41	1031287	2-43, 2-54	12277	2-123
1015930	2-41, 2-43, 2-50, 2-53	1031312	2-43, 2-53	12459	3-33, 3-37, 3-57, 3-59, 3-69
1016621	2-83, 2-85	1031439	2-33, 2-37	130041	2-47
1017080	2-47	1031553	2-61	13015	2-91
1017141	2-172	1031566	2-65	13115	2-131
1017197	2-47	1031609	2-59	13122	3-41, 3-45
1017239	2-47	1031688	2-71	13248	2-85, 2-125
1017248	3-5, 3-9, 3-13, 3-17	1031689	2-71	13301	2-9, 2-11
1017250	3-7, 3-11, 3-15, 3-19	1032024	2-77	13698	2-135, 2-137
1017272	2-47	1032143	2-77	13773	2-123
1017432	2-47	1032145	2-77	13904	4-13, 4-15
1017469	4-27	1032215	2-171	13907	4-3, 4-13, 4-15
1017476	2-47	1032323	2-59, 2-61	14131	2-73, 2-75
1017477	2-47	1032812	2-77	14242	2-97
1017500	2-47	1033100	3-49	14432	2-57, 2-59, 2-61
1017598	2-47	1033644	2-65	14601	3-49, 3-61
1017662	2-47	1033746	2-77	14983	3-79
1018368	3-69	1033897	2-77	150516	2-47
1018778	3-61	1033900	2-77	15331	2-19
1019481	2-9	1035056	2-65	15543	2-61
1019939	2-77	1035090	3-49, 3-61	15543-2	2-59
1019961	2-133, 4-15	1035093	3-61	15555-1	2-73
1020434	2-172	1035125	2-19	15555-2	2-75, 4-29, 4-31
1020530	2-11	1035134	2-19	15678	2-123
1021363	3-9	1035530	2-65	16082	2-117
1021364	3-17, 3-19	1036480	2-71	16213	2-101
1022364	2-43	1038176	2-107	16369	2-13
1023853	2-87, 2-88	1040200	3-65	16376	2-131
1024270	2-109	1041151	2-54	16411	2-3
1024441	2-13	1041152	2-54	16412	2-3
1025228	2-115	1041617	2-113	16455	2-115
1027395	3-17, 3-19	1042028	2-33, 2-37	16695	4-9, 4-10
1027798	3-5, 3-7, 3-9, 3-11, 3-13, 3-15, 3-17, 3-19	1042840	2-45	16735	2-13, 2-25, 2-41, 2-43, 2-67, 2-73, 2-113, 3-3, 3-67
1027800	3-5, 3-7, 3-9, 3-11, 3-13, 3-15, 3-17, 3-19	1042969	2-117	16786	2-115
1028136	2-71	1044866	2-67	16931	2-17, 2-21, 2-23, 2-63, 2-65, 2-69, 2-71, 2-79, 2-81, 2-85, 2-87, 2-88, 2-89, 2-91, 2-109, 2-113, 2-119, 2-135, 2-137, 3-9, 3-11, 3-21, 3-23, 3-41, 3-43, 3-45, 3-47, 3-49, 3-61, 3-63, 3-69
1028343	2-53	1045316	2-83, 2-85	16944	2-27, 2-113, 2-121
1028492	2-93	1045426	2-113	16949	2-21
1028558	2-71	1045764	2-83, 2-85	16953	2-13
1028559	2-33, 2-37	10552	2-39, 2-45, 2-47	17284	3-23, 3-31
1028711	2-43	10632-12	3-23, 3-31, 3-35	17414	2-31, 2-35, 2-79, 2-81
1028722	2-54	10632-18	3-5, 3-7, 3-9, 3-11, 3-13, 3-15, 3-21, 3-23, 3-54		
1028924	2-77	10632-4	2-113		
1028924	2-77	10632-9	3-5, 3-7, 3-9, 3-11, 3-13, 3-15, 3-17, 3-19, 3-21		
1028961	2-71	10652	2-79, 2-81		
1028973	2-71	10832	2-31, 2-33, 2-35, 2-37		
1029163	2-137	11329	2-2, 2-105, 2-109		
1029293	2-77	11399	2-47		
1029295	2-77	11442-1	2-53		
1029988	2-111	11442-23	2-79, 2-81		
1030271	2-77	11531	2-83, 2-85		

# CROSS REFERENCE

Part Number	Page Number	Part Number	Page Number	Part Number	Page Number
17980	2-133	24576-1	3-3, 3-21, 3-23	32485	2-31, 2-33, 2-35,
18390	3-49, 3-61	24592	3-39		2-37, 2-43, 2-54,
19065	2-113, 3-35, 3-63,	24593	3-31, 3-45, 3-57,		2-59, 2-61, 2-65,
	3-65		3-59		2-67, 2-85, 2-97,
19066	2-25, 2-39, 2-45,	24899	2-123		2-123, 2-125, 2-139,
	2-47, 2-63, 2-65,	24928-1	2-79, 2-81		3-51, 3-53
	3-3, 3-5, 3-7, 3-9,	24976	2-33, 2-37	32486	2-15, 2-67, 2-69,
	3-11, 3-13, 3-15,	25014	2-17, 2-71		2-71, 2-97, 2-107,
	3-17, 3-19, 3-45,	25312	3-77		2-111, 3-25, 3-57
	3-49, 3-57, 3-59,	25610	2-73, 2-75, 2-77	32490	2-13, 2-15, 2-17,
	3-61, 3-63	25887	2-123		2-21, 2-25, 2-31,
19309	2-73	26395-1	2-75, 2-79, 2-81		2-33, 2-35, 2-37,
19312	2-43, 2-47, 2-53	26395-2	2-113, 3-3		2-41, 2-43, 2-49,
19313	2-63, 2-65	26496	2-79, 2-81		2-53, 2-73, 2-77,
19315	2-31, 2-33, 2-35,	27048	2-79, 2-81		2-79, 2-81, 2-83,
	2-37, 2-43, 2-53	27978	2-21		2-85, 2-87, 2-88,
19317	2-43, 2-47, 2-53	27988	3-51		2-99, 2-109, 3-49,
19324	3-69	27990	3-53		3-61
19579	2-63, 2-65	29124	2-19	32491	2-7, 2-13, 2-15,
19583	2-93	29192	3-5, 3-7, 3-9, 3-11,		2-17, 2-19, 2-23,
19760	2-81		3-13, 3-15, 3-17,		2-25, 2-27, 2-57,
19768	2-25		3-19		2-59, 2-61, 2-65,
19827	3-3	29558	2-119		2-67, 2-69, 2-71,
20394	2-83, 2-85	29570	2-19, 2-47		2-73, 2-75, 2-77,
20802	2-19	29584	2-119		2-79, 2-81, 2-85,
21197	2-31, 2-33, 2-35,	30013	2-67, 2-91		2-91, 2-93, 2-101,
	2-37, 2-57, 2-59,	30251	2-123		2-109, 2-113, 2-119,
	2-61, 2-103	30252	2-123		2-121, 2-125, 2-131,
21246	2-7	30253	2-123		2-135, 2-137, 3-3,
21915	4-13, 4-15	30255	2-123		3-9, 3-11, 3-21,
21933	4-17	30533	3-27		3-23, 3-33, 3-41,
21935	4-17	31241	2-125		3-43, 3-45, 3-47
222290	2-171	31249	3-33	32492	2-13, 2-17, 2-21,
222460	2-97, 2-99, 2-119	31354	4-9, 4-10		2-27, 2-31, 2-33,
222497	2-69, 2-71	31373	4-10		2-35, 2-37, 2-57,
222504	2-69, 2-71, 2-107	31375	4-9		2-83, 2-101, 2-103,
222683	2-25	31380	4-10		2-117, 2-119, 3-25,
222809	2-7	31381	4-9		3-27, 3-49, 3-61,
22297	2-83, 2-85, 3-41,	31385	4-10		3-67, 3-77
	3-45	31543	3-43, 3-47	32493	2-15, 2-17, 2-31,
22308-3	2-79, 2-81	31613	2-2, 2-3, 2-131		2-33, 2-35, 2-37,
22654	4-9, 4-10	31719	2-129		2-117, 3-33
23156	2-79, 2-81	31750	3-43, 3-47	32494	2-111
23163	2-2, 2-3, 2-131	31775	2-111	32516	3-21, 3-23
23182	2-131	31922	3-3	32520	2-19
23191	3-67	32126	2-93	32716	2-119, 2-121
23210	3-21, 3-23	32483	2-13, 2-19, 2-21,	32815	2-87, 2-88
23211	2-115, 3-21, 3-23		2-29, 2-31, 2-35,	32822	3-57, 3-59, 3-63,
23274	3-69		2-41, 2-43, 2-49,		3-65
23498	2-113, 3-57, 3-59,		2-54, 2-73, 2-75,	32899	3-49, 3-61
	3-63, 3-65		2-77, 2-83, 2-85,	32940	2-17
23788	2-99, 2-115		2-133, 2-137, 3-5,	32969	2-97
23788-1	2-115		3-7, 3-47, 3-49,	32975	2-73
23999-6	3-57, 3-59		3-57, 3-59, 3-61,	32978	2-75, 2-77
24012	2-67, 2-69		3-63, 3-65	32980	2-75, 2-77
24047	2-79, 2-81			32981	2-73, 2-75, 2-77,
24198	3-57, 3-59				2-103
24199	2-107, 3-39			32982	2-113
24339	2-93			32983	2-65
24576	3-21, 3-23			32984	2-63

# CROSS REFERENCE

Part Number	Page Number	Part Number	Page Number	Part Number	Page Number
32987	2-93, 2-123	370124	2-13, 3-37	371875	2-63, 2-65
330915	3-80	370125	3-37	371876	2-31, 2-33, 2-35, 2-37
330935	3-80	370129	3-37	371877	2-53, 2-63, 2-65
330950	3-80	370130	3-37	371878	2-39, 2-45, 2-47
330952	3-80	370143	3-31	371879	2-39, 2-45, 2-47
330953	3-80	370159	3-37	371880	2-39, 2-45, 2-47
33580	4-7	370181	2-95	371881	5-9
33584	2-7	371527	2-63, 2-65	371882	5-9
33671	2-89, 3-65	371649	4-29, 4-31	371883	5-9
33806	2-87, 2-88	371651	4-25, 4-27, 4-29, 4-31	371884	5-9
33807	2-27	371653	4-25, 4-27, 4-29, 4-31	371885	5-9
33930	2-105, 2-109	371654	4-25, 4-27, 4-29, 4-31	371886	5-9
33943	3-33	371660	4-25, 4-27, 4-29, 4-31	371887	2-31, 2-35
34176	4-9	371661	2-73	371888	5-9
34178	4-7	371662	2-2, 2-73	371889	2-31, 2-35
34323	2-125	371664	4-25	371890	2-31, 2-33, 2-35, 2-37
34376	2-129	371665	4-25, 4-27	371904	2-29
34813	2-25	371675	2-45, 2-47	371906	4-29
34868	2-113	371713	4-25, 4-27	371908	4-29, 4-31
34877	3-57	371714	4-25, 4-27, 4-29, 4-31	371909	2-39, 4-29
35033	2-125	371715	4-25, 4-27, 4-29, 4-31	371910	2-39, 4-31
35493	4-11	371716	4-29, 4-31	371911	4-29, 4-31
35586	2-125	371718	4-25, 4-27, 4-29, 4-31	371912	4-25, 4-27, 4-29, 4-31
35707	2-79, 2-81	371763	2-39, 2-45, 2-47	371915	4-25
35710	2-79, 2-81	371764	2-39, 2-45, 2-47	371916	2-45, 2-47, 4-25
35973	2-123	371770	2-53	371917	2-45, 2-47, 4-27
360467	2-133	371854	2-39, 2-45, 2-47, 2-59, 2-61	371918	4-25, 4-27
360943	2-111, 2-113, 3-3	371855	2-31, 2-33, 2-35, 2-37	371919	2-45, 2-47
361075	2-25	371857	2-31, 2-35	371920	2-45, 2-47
361339	2-113, 3-63, 3-65	371859	2-171	371931	5-5
363087	2-121	371860	2-31, 2-33, 2-35, 2-37, 5-9	371932	5-5
36328	2-15, 2-17, 2-111, 2-123	371861	2-67, 2-69, 2-71	371933	5-5
363976	2-63, 2-65	371862	2-39, 2-45, 2-47, 2-59, 2-61	371934	5-5
36438	3-21, 3-23	371863	2-63, 2-65	371935	5-5
36439	3-21, 3-23	371864	2-63, 2-65	371936	5-5
364441	2-63	371865	2-63, 2-65, 5-9	371937	5-5
364498	2-111	371866	2-31, 2-33, 2-35, 2-37	371938	5-5
365164	2-59, 2-61	371867	2-31, 2-35	371940	5-8
36643	2-103	371868	2-31, 2-33, 2-35, 2-37	371941	5-8
367679	2-113	371869	2-31, 2-33, 2-35, 2-37	371942	5-5
367950	3-63, 3-65	371870	2-31, 2-33, 2-35, 2-37	371943	5-8
367987	3-41, 3-43, 3-45, 3-47	371871	2-63, 2-65	371944	5-5
369704	2-7	371872	2-63, 2-65	371945	5-5
369745	2-57, 2-59, 2-61	371873	2-2, 2-63	371946	5-5
369746	2-2, 2-3, 2-57, 2-59, 2-61	371874	2-63	371947	5-7
369747	2-57, 2-59, 2-61			371948	5-7
369781	2-97, 2-99, 2-119			371949	5-7
370008	2-5			371950	5-7
370009	2-5			371951	5-7
370115	3-37			371952	5-7
370116	3-37			371954	5-3
370117	3-37			371955	5-3
370118	3-37			371956	5-3
370119	3-37			371957	5-3
370120	3-37			371958	5-3
370121	3-37			371959	5-8
370122	3-37			371960	5-8

# CROSS REFERENCE

Part Number	Page Number	Part Number	Page Number	Part Number	Page Number
371961	5-8, 5-11	372023	5-3	372515	2-49
371962	5-5	372024	5-3	372517	2-49
371963	5-5	372025	5-3	372518	2-50
371964	5-5	372026	5-3	372523	2-50
371965	5-5	372027	5-3	372528	2-49, 2-53, 3-43,
371966	5-5	372028	5-3		3-47
371967	5-5	372029	5-3	372529	2-53
371968	5-5	372030	5-3	372534	2-41, 2-43, 2-53
371969	5-5	372031	5-3	372536	2-65
371970	5-5	372032	5-3	372537	2-41, 2-49
371971	5-5	372033	5-3	372539	2-41, 2-53
371972	2-2, 2-3, 2-31, 2-33, 2-35, 2-37, 5-8	372034	5-3	372541	2-33, 2-37
371973	5-8	372035	5-3	372542	2-41
371974	5-7	372036	5-3	372543	2-41, 2-43, 2-53
371975	5-8	372037	5-3	372544	2-41, 2-43, 2-49
371976	5-5	372038	5-3	372545	2-41, 2-43
371978	5-5	372039	5-3	372546	2-41
371979	5-5	372040	5-11	372547	2-41, 2-43, 2-49,
371980	5-7	372041	5-11		2-53
371983	5-7	372042	5-11	372548	2-43, 2-49, 2-53
371984	5-7	372043	5-11	372549	2-41, 2-43, 2-49,
371986	5-7	372044	5-11		2-53
371987	5-7, 5-8	372046	5-11	372550	2-41, 2-43, 2-49,
371988	5-7	372047	5-3		2-53
371989	5-7	372048	5-3	372554	2-33, 2-37
371990	5-3	372049	5-9	372556	2-33
371991	5-7	372050	5-9	372557	2-65
371992	5-8	372051	5-9	372558	2-50
371993	5-7	372052	5-9	372560	5-8
371994	5-7	372053	5-9	372563	2-41
371995	5-3, 5-8	372054	5-12	372564	2-41
371996	2-33, 2-37, 5-7	372055	5-12	372566	2-41
371997	5-7	372056	5-12	372567	5-7
371998	5-7	372057	5-12	372569	2-49
371999	5-3, 5-5	372058	5-12	372571	2-3, 2-65
372000	5-7	372059	5-12	372572	5-7
372001	5-7	372060	5-12	372573	5-3
372002	2-31, 2-33, 2-35, 2-37, 5-7	372066	5-9	372574	5-3
372003	5-7	372068	2-45	372575	2-2, 2-3, 5-12
372004	5-7	372235	2-171	372576	2-49
372005	5-7	372236	2-171	372577	2-49
372006	5-3	372237	2-171	372579	2-49, 2-53
372007	5-3	372440	2-3, 2-75, 2-77	372580	2-49
372008	5-3	372470	2-43, 2-53	372582	2-49
372009	5-11	372482	2-41, 2-49	372603	5-12
372010	5-11	372484	2-49	372605	2-49
372011	5-11	372489	2-41	372606	2-49
372012	5-11	372491	2-33, 2-37	372607	2-43, 2-49, 2-53
372013	5-11	372493	2-41, 2-49	372608	2-49
372014	5-11	372497	2-50	372609	2-49
372015	5-11	372498	2-49	372610	2-49
372016	5-11	372500	2-49	372611	2-49
372017	5-3, 5-11	372501	2-50	372612	2-49
372018	5-3	372503	2-50	372613	2-50
372019	5-3	372506	2-49	372615	2-50, 2-53
372020	5-9	372507	2-49	372616	5-11
372021	5-9	372510	2-49	372857	2-49
372022	5-3	372511	2-49	372862	2-33, 2-37
		372512	2-49	372882	5-3
		372514	2-49	372898	2-49

# CROSS REFERENCE

Part Number	Page Number	Part Number	Page Number	Part Number	Page Number
372937	2-47	374573	2-119	377244	2-131
372953	2-33, 2-37	374602	3-73	377245	2-73
373201	4-5	374604	3-75	377246	2-73
373207	4-5	374605	3-75	377247	2-73
373211	4-5	374607	3-76	377248	2-73
373217	4-7	374608	3-76	377249	2-123
373226	4-7	374651	3-33	377250	2-129
373227	4-5	374653	3-33	377262	3-11
373232	4-5	374654	3-33	377264	3-7
373234	4-5	374688	3-74	377266	3-15
373235	4-5	374689	3-74	377271	3-9
373236	4-7	374691	2-67	377273	3-5
373242	4-5	374710	2-97	377275	3-13
373243	4-5	375202	2-113	377278	3-3
373244	4-5	375249	2-113	377291	2-25
373255	4-5	375306	3-39	377295	3-45, 3-47
373257	4-5	375411	2-13	377296	3-45
373260	4-7	37555	4-9, 4-10	377297	3-45
373276	4-5	37616	4-7	377433	2-25
373284	4-5	377008	2-105	377537	2-3
373285	4-5	377013	3-77	377538	2-3
373286	4-5	377031	3-25	377540	2-3
373287	4-5	377046	2-171	37756	4-7
373288	4-5	377047	3-35	378972	2-125
373291	4-7	377061	2-105	379532	2-117
373297	4-7	377070	3-67	379555	2-113
373298	4-7	377071	3-67	379565	2-17
373299	4-7	377072	3-67	379607	2-117, 4-10
373317	4-3	377073	3-67	379608	2-123, 4-9
373327	4-3	377076	2-121	379609	2-93, 4-7
373336	4-3	377082	3-67	379656	2-29
373337	4-3	377084	2-25	379665	2-29
373346	4-3	377086	3-19	379684	2-119
373389	4-3	377088	3-17	379686	2-119
373390	4-3	377094	2-172	379698	2-2, 2-107
373391	4-3	377095	2-171	379699	2-2, 2-107
373393	4-3	377097	2-172	379701	2-107
373394	4-3	377098	3-55	379702	2-2, 2-107
373395	4-3	377109	4-22, 4-23	379703	2-2, 2-107
373396	4-3	377124	3-80	379704	2-2, 2-105
373398	4-3	377141	3-63	379705	2-2, 2-105
373402	4-3	377144	3-69	379706	2-2, 2-105
373413	4-3	377165	3-63, 3-65	379719	2-113
373429	4-3	377180	2-31	379726	2-105
373430	4-3	377181	2-35	379727	2-105
373434	4-3	377190	3-23	379728	2-107
373452	2-139, 4-3	377192	3-21	379732	2-101
373494	4-3	377199	2-13	379733	2-91
373560	4-17	377201	2-83	379750	2-11
374504	2-125	377202	2-67	379751	2-9
374505	2-125	377207	2-79	379752	2-7
374517	2-7	377212	2-83, 2-85	379755	2-9, 2-11
374520	2-101	377218	2-79	379756	2-9, 2-11
374547	2-133, 4-13	377219	2-73	379784	2-109
374552	2-93	377225	2-129	379786	2-109
374553	2-93	377230	2-129	379787	2-109
374560	2-93	377233	2-129	379788	2-111
374561	2-93	377235	2-129	379789	2-111
374563	2-93	377241	2-13	379791	2-2, 2-107
374567	2-133	377243	2-27	379792	2-2, 2-105

# CROSS REFERENCE

Part Number	Page Number	Part Number	Page Number	Part Number	Page Number
379793	2-129	384963	5-5	393330	4-22, 4-23
379797	3-69	384964	5-5	393331	4-22
379803	3-69	384966	5-7	393332	4-22, 4-23
379804	3-69	384968	5-7	393333	4-22
379809	2-107	384970	2-53	393334	4-22
379810	3-69	384971	2-53	393335	4-22, 4-23
379812	2-105	384973	2-53	393336	4-22, 4-23
379815	2-117	384974	2-43, 2-53	393337	4-22, 4-23
379817	2-113	384975	2-53	393340	3-45, 3-47, 4-21
379820	2-111	384976	2-53	393341	4-21
379821	2-107	384977	2-53	393342	4-21
379822	2-113	384978	2-53	393343	4-21
379827	2-111	384979	2-53	393344	4-21
379829	2-105, 2-107, 2-113	384980	2-53	393345	4-21
379832	2-107	384983	2-53	393346	4-21
379834	2-105	384984	2-53	393347	4-21
379835	2-105	384985	2-43, 2-53	393348	4-21
379844	3-79	384986	2-53	393349	4-21
379849	2-113	384990	2-171	393350	4-21
379851	3-3	384991	2-53	393351	4-21
379860	3-3	384992	2-43	393355	3-41, 3-43, 3-45, 3-47
379871	2-15	384995	2-43, 2-53	393356	3-41, 3-43, 3-45, 3-47
379881	2-109	384996	2-53	393362	3-45, 3-47
379883	2-111	384997	2-171	393363	3-54
379890	2-113	384998	2-171	393369	3-41, 3-43, 3-45, 3-47
379912	2-119	384999	2-171	393392	3-39
380558	2-91	385009	2-77	393394	3-39
380618	3-41, 3-43, 3-45, 3-47	385029	2-33, 2-37	393396	3-39
381962	3-33	386711	2-129	39349	2-13, 2-41, 2-43, 2-65, 2-89, 2-91, 2-93, 2-97, 2-99, 2-103, 3-3, 3-31, 3-41, 3-43, 3-45, 3-47, 3-51, 3-63
382516	2-25	388552	5-11	39350	2-93
38255	4-7	38968	4-7	39394	2-117
382634	3-63, 3-65	39005	2-97, 2-99, 2-101, 3-33, 3-67	39395	2-123
383000	3-65	391816	3-33	394916	2-171
383130	2-25	391850	3-25	394921	2-171
383131	2-25	391955	2-171	39527	4-9
383139	2-123	391956	2-171	396210	2-129
383142	2-123	392171	2-25	396234	2-129
383143	2-123	39239	2-39, 2-45, 2-47	396279	2-135, 2-137
383157	2-133	39254	2-29	39649	2-63
383158	2-133	392645	2-79, 2-81	39658	2-25
383160	2-7	39272	2-91	39785	2-65
383161	2-7	39277	2-7, 2-13, 2-19, 2-57, 2-67, 2-71, 2-73, 2-75, 2-77, 2-79, 2-81, 2-91, 2-109, 2-119, 2-125, 2-137, 3-49, 3-61	39810	2-31, 2-33, 2-35, 2-37
383162	2-19	39283	2-13, 2-31, 2-33, 2-35, 2-37, 3-25, 3-79	398279	2-2, 2-3, 2-57, 2-59, 2-61
383165	2-25	39284	2-27, 2-67, 2-69, 2-71, 3-69, 3-78	40514	2-125
383179	2-27	39285	2-63, 2-125	40585	2-73
383180	2-27	39308	2-115	40607	2-113
383183	2-15	39311	2-63, 2-65, 2-71	40625	2-135, 2-137
383184	2-15	39312	2-101, 2-103, 3-27	40678	2-77, 3-3
383185	2-15, 2-17	39313	2-17	41016	2-73
383194	2-121	393209	2-63, 2-65		
383200	2-121	393215	2-93		
383201	2-121				
383205	2-121				
383221	2-133				
383258	2-121				
383723	3-54				
384442	2-69, 2-71				
384961	5-5				
384962	5-8				

# CROSS REFERENCE

Part Number	Page Number	Part Number	Page Number	Part Number	Page Number
41139	2-73, 2-75, 2-77, 3-3, 3-21, 3-23	46481	2-135, 2-137	53395-2	2-79
41140	2-31, 2-33, 2-35, 2-37	46559	2-117, 2-139	53400-1	2-79, 2-81
41141	2-7, 3-3	47504	2-117, 2-133	53466	2-111, 2-117, 2-131, 2-135
41142	2-7	47508	2-117, 2-139	53468	2-73
41178	2-23, 2-85, 2-105, 2-109, 2-111, 2-125, 2-135, 3-39, 3-69	47512	2-139	53485	2-125, 4-11
41186	2-21, 2-103, 2-123, 3-49, 3-61	47720	2-79, 2-81	53601	2-93, 4-19
41187	2-9, 2-11	47745	2-117	53816	3-71
41342	2-7, 2-101	47801	2-93, 2-107	53817	3-71
41346	3-25, 3-57	48079	2-103	53818	2-95
41359	2-31, 2-33, 2-35, 2-37	48126	2-73, 2-75, 2-77	53819	2-95
41361	2-63	48267	2-73, 2-75	53819-2	2-95, 3-72
41372	3-51, 3-53	48570	3-3	53883	3-57, 3-59
41430	2-13, 2-83, 2-85, 2-95, 2-101, 2-103, 2-125, 3-25, 3-49, 3-57, 3-59, 3-61, 3-67	48760	2-133	53894	3-57, 3-59
41437	3-3	48813	4-11	53895	3-57, 3-59
41619	2-9, 2-11	48985	2-97	53927	2-101
41845	3-35	48996	2-65	53947	2-103
42011	2-65	49032	3-25, 3-31	53953	2-103
42120-1	2-107, 2-115	49034	3-25, 3-31	53965	2-117
42216	2-131	49263	2-23, 2-25, 3-54	54050	2-117
42223	2-93, 2-139	49266	2-87, 2-88, 2-89, 2-91, 2-113, 3-3, 3-5, 3-7, 3-9, 3-11, 3-13, 3-15, 3-17, 3-19, 3-21, 3-23	54051	2-93
42260	2-137	49697	2-137	54052	2-93
42368	2-75, 2-77	49800	2-137	54055	2-13
42467	2-103	49826	2-105, 2-107, 2-109, 2-117	54079	2-115
43555	3-57, 3-59	50045	2-103	54087	2-93
43560	2-7, 2-113	50335	2-33, 2-37, 2-75, 2-77, 2-103	54093	2-7
43611	3-33	50421	2-133	54095	4-11
43844	2-41, 2-43, 2-50, 2-54, 2-73, 2-75, 2-77, 2-87, 2-88	50902	2-21, 2-79, 2-81, 2-125, 3-53	54182	2-7
43955	3-33	50960	2-115, 2-125	54184	2-7
43957	2-97	51021N	2-5	54190	2-7
43958	2-93	51109	2-99	54194	2-133
44078	2-27	51176	2-31, 2-33, 2-35, 2-37	54204	2-123
44681	3-7, 3-11, 3-15, 3-19	51225	2-117	54205	2-103
44681-1	3-7, 3-11, 3-15, 3-19	51305	2-41, 2-43, 2-47, 2-50, 2-54, 2-83	54274	2-83, 2-85, 2-125
44681-2	3-7, 3-11, 3-15, 3-19	51338	2-93, 2-97, 3-74, 3-75, 3-76	54275A	2-125
44868	2-125, 2-133, 2-139	51339	2-93, 2-97	54333	2-39, 2-45, 2-47
44869	2-123	51538	2-117, 3-69	54343	2-79, 2-81
44906	2-13, 2-15, 2-17, 2-101, 3-69	51542	2-5	54345	2-23
45272	3-9, 3-11	51545	2-99	54390	2-97
45622	4-7	51562	2-99	54395	2-135, 2-137
45623	4-7	51564	2-123	54400	2-97, 2-99, 2-119
45628	4-9, 4-10	51570	3-3	54437	2-97
45779	3-5, 3-7, 3-9, 3-11, 3-13, 3-15, 3-17, 3-19	51715	2-123	54567	2-97
45780	2-7	51813	2-101	54577	2-97
45786	2-95, 3-72	51839	2-41, 2-43, 2-49, 2-53	54607	2-99
46236	2-113	52296	2-119	54615	2-13
		52402	2-123, 2-133	54616	2-99
		52405	4-7	54617	2-97
		53076	2-139	54655	2-103
		53091	3-49, 3-61	54660	2-117
				54845	2-73
				54848	2-119
				54878	2-123
				54911-32	2-85
				54922	2-5
				54923	2-5
				54925	2-5
				54927	2-5
				54934	2-119
				54995	2-119, 2-121



# CROSS REFERENCE

Part Number	Page Number	Part Number	Page Number	Part Number	Page Number
54996	2-101	57167	2-7, 3-35, 3-39	59542	2-115
54999	2-103	57220	3-5, 3-7	59551	2-83
55035	2-27, 3-31	57297	2-79, 2-81	59560	2-129
55038	3-33	57404	2-73	59563	2-129
55048	3-49, 3-61	57487	2-129	59574	2-129
55073	3-29	57564	2-23	59577	2-133
55074	3-29	57702	2-13, 3-33	59578	2-129
55161	3-29	57772	2-13, 3-35	59621	2-27
55162	3-29	57773	2-31, 2-33, 2-35,	59622	2-27
55164	3-29		2-37	59623	2-27
55222	2-73, 2-75, 2-77	57804	2-171	59647	2-21, 2-27
55227	3-31	57807	3-35, 3-54	59649	2-125
55228	3-31	57935	2-23	59656	2-125
55248	2-87, 2-88, 3-5, 3-7,	57979	2-139	59658	2-105
	3-9, 3-11, 3-13,	58078	2-97	59661	2-21
	3-15, 3-17, 3-19,	58286	3-51, 3-53	59665	3-25
	3-21, 3-23	58346	2-57, 2-59, 2-61	59666	3-25
55270	3-31	58359	2-115	59668	2-101
55272	3-5, 3-7, 3-9, 3-11,	58366	2-41, 2-43	59672	2-101
	3-13, 3-15, 3-17,	58494	2-19, 3-49, 3-61	59692	2-9, 2-11
	3-19	58518	3-5, 3-9, 3-13, 3-17	59695	2-17
55347	2-17	58519	3-5, 3-9, 3-13, 3-17	59734	2-125
55446	2-133	58520	3-5, 3-9, 3-13, 3-17	59735	2-125
55455	2-135, 2-137	58524	2-111	59760	2-11
55461	3-35	58540	2-125	59761	2-9
55462	2-115	58589	2-79, 2-81	59767	2-172
55463	2-115	58590	2-79, 2-81	59768	3-57, 3-59
55489	3-57, 3-59	58595	2-13	59771	2-13
55586	2-107	58645	2-115	59789	2-131
55685	2-93, 2-133	58665	3-67	59790	2-131
55691	2-129	58667	3-67	59797	3-35
55779	2-123	58770	2-9, 2-11	59799	3-35
55845	2-115, 3-77	58842	2-93	59803	3-35
55914	2-107	58849	3-49, 3-61	59822	2-13
55926	4-3	58858	2-131	59825	2-115
55930	4-3	58872	2-119	59827	2-115
55931	4-3	58881	3-57, 3-59	59828	2-21
55932	4-3	58898	3-33	59829	2-21
55959	3-31	58979	2-99	59830	2-21
55963	3-31	58999	3-49, 3-61	59842	2-115
55968	3-31	59012	3-57, 3-59	59849	2-115
55973	3-31	59013	3-57, 3-59	59861	2-115
56185	2-23	59018	2-21	59866	2-115
56186	2-29, 3-54	59019	3-49, 3-61	59867	2-115
56198	3-67	59104	3-57, 3-59	59870	2-17, 2-133
56228	2-123	59106	2-129	59881	2-83, 3-33
56379	3-67	59192	2-9, 2-11, 2-17	59892	2-79, 2-81
56385	3-67	59194	2-11	59899	2-119
56392	3-67	59195	2-9	59919	3-57, 3-59
56398	2-23	59335	4-18	59920	3-3
56546	3-31	59377	2-21	59940	3-67
56560	3-31	59378	4-11	59949	2-7
56641	2-119	59380	2-115	59962	3-3
56662	2-119	59440	2-5	59965	2-107
56692	2-139	59447	3-5, 3-7	59967	2-125
56820	2-23, 2-93	59448	2-111	59975	2-125
56821	2-131	59514	3-33, 3-49, 3-61	59978	2-25
56890	2-7	59515	3-33	60283	3-3
56914	2-9, 2-11	59537	2-9	60287	3-31
56976A	2-79, 2-81	59538	2-11		

# CROSS REFERENCE

Part Number	Page Number	Part Number	Page Number	Part Number	Page Number
60288	3-5, 3-7, 3-13, 3-15, 3-17, 3-19	69904	2-7	72128	2-79, 2-81
60292	2-89	69906	3-49, 3-61	72130	2-101
60295	2-89	69907	3-49, 3-61	72131	2-101
60339	2-2	69908	2-115	72132	2-99
60428	3-69	69910	2-133	72133	2-125
60751	3-3	69915	2-7	72142	3-35
60862	3-33	69923	3-57	72143	3-57, 3-59
61488	3-70	69931	2-9, 2-11	72154	2-21
61490	4-9	69933	2-99	72176	2-15, 2-17
61870	3-41, 3-45	69935	3-61	72178	3-3
61913	3-35	69937	3-57, 3-59, 3-63, 3-65	72560	2-73
61920	3-21, 3-23	69951	3-49, 3-61	72561	2-31, 2-35
62172	2-133	69952	3-49, 3-61	72926	2-93
62173	2-133	69953	3-57, 3-59	72968	2-9, 2-11
62390	2-125	69955	3-57, 3-59	73281	2-93
62595	2-111	69958	3-59	73411	2-101
62595-21	2-7	69972	2-111	73471	2-41, 2-43, 2-50, 2-53
62595-22	2-13	69981	3-57, 3-59	74068	3-63
62595-23	2-13	69986	2-19, 3-49, 3-61	74094	4-9, 4-10
62595-6	2-23	69987	2-19, 3-49, 3-61	74095	4-9
62865	2-81	69990	2-125	74098	4-9
63234	2-103	70096	4-3	74099	4-9
63378	3-57, 3-59	70100	4-3	74100	4-9, 4-10
63469-3	3-57, 3-59	70142	3-49, 3-61	74101	4-10
63810	2-39, 2-41, 2-43, 2-45, 2-47, 2-50, 2-53, 2-59, 2-61, 3-41, 3-43, 3-45, 3-47	70157	2-93	74122	4-7
63852	3-67	70158	2-97	74123	4-7
64153	2-105, 2-119	70159	3-21, 3-23	74125	4-7
64320	3-57, 3-59	70161	2-97	74142	2-23
64535	2-109	70173	2-73	74154	4-5
64595	2-109, 3-49, 3-61	70193	2-109	74161	4-5
64886	2-93	70221	2-79, 2-81	74165	4-7
64887	2-93	70248	2-17	74166	4-7
64905	2-133	70252	2-17	74167	4-7
65145-1	2-139	70271	2-115	74168	4-7
65232	4-10	70278	3-72	74174	4-9
65553	3-35, 3-54	70279	3-72	74180	4-3
65561	3-35, 3-54	70280	2-95, 3-72	74183	4-17
66018	2-5	70281	3-72	74185	4-17
66019	2-5	70287	2-95	74192	4-17
66176	3-69	70538	2-5	74193	4-17
66177	3-69	70876	2-39, 2-45, 2-47	74196	4-17
66184	2-125	71021	2-91	74222	4-17
66197	3-31	71022	3-70	74225	4-3
66211	2-97	71025	3-57, 3-59	74226	4-3
66213	2-97	71057	3-35	74231	4-17
66221	3-31	71058	3-23, 3-31	74232	4-17
67767	2-79, 2-81	71373	2-97	74233	4-11
68106	2-33, 2-37	71540	2-117	74234	4-17
68301	2-47	71543	3-9, 3-11	74236	4-17
68872	2-89, 2-91	71544	3-21, 3-23	74237	4-3
68873	2-89, 2-91	71562	2-135, 2-137	74243	4-17
69234	2-27, 2-89, 2-91, 2-113, 2-137, 3-41, 3-43, 3-45, 3-47	71725	4-5	74244	4-17
69462	3-67	71726	2-139	74245	4-17
		71727	2-23	74250	4-10
		71749	2-129	74352	2-109
		72024	3-33	74353	2-109
		72049	3-35	74381	3-69
		72100	3-11	74382	3-69
		72120	2-9, 2-11	74383	3-69

# CROSS REFERENCE

Part Number	Page Number	Part Number	Page Number	Part Number	Page Number
74406	2-73, 2-75	79800	4-13, 4-15	9000845	3-5, 3-9, 3-13, 3-17
74419	2-115, 4-18	79801	4-13, 4-15	9000846	3-7, 3-11, 3-15, 3-19
74428	3-33	79802	4-13, 4-15	9000852	2-3
74429	3-31	79803	4-13, 4-15	9000853	2-3
74430	3-31	79804	4-13, 4-15	9000860	4-22, 4-23
74431	3-31	79805	4-13, 4-15	9000879	3-5, 3-7, 3-9, 3-11, 3-13, 3-15, 3-17, 3-19
74433	3-35	79806	4-13, 4-15	9000886	2-47
74438	3-57, 3-59	79807	4-13, 4-15	9000902	4-22, 4-23
74439	3-57, 3-59	79808	4-13, 4-15	9000903	4-22, 4-23
74440	2-103	79812	4-13, 4-15	9000904	4-22, 4-23
74454	2-125	79813	4-13, 4-15	9001557	2-115
75028	2-117	79814	4-13, 4-15	9003045	2-50
75128	2-21	79815	4-13, 4-15	9003047	2-50
75430	2-101, 3-33	79820	4-13, 4-15	9003345	5-3
75934	2-101	79821	4-13, 4-15	9003390	2-43
76052	2-133	79828	4-7	9003391	2-54
76099	2-9, 2-11, 3-33	82063	3-5, 3-9, 3-13, 3-17	9003926	3-80
762514	2-29, 3-35	82196	3-79	9004539	2-50
762516	2-29	82200	3-7, 3-11, 3-15, 3-19	9004550	2-113
763045	3-17, 3-19	82457	3-31, 3-33	9004673	5-7
763066	2-19	82733	2-113	9004674	5-11
763116	3-45, 3-47	82739	2-113	9004675	5-11
76315	2-139	82747	2-25		
76316	2-131, 2-133	82820	2-129		
76570	2-27, 2-59, 2-61, 2-77, 2-119, 2-131, 3-67	82830	2-137		
76589-2	2-39, 2-45, 2-47	83578	2-41, 2-43, 2-50, 2-53		
76736	2-73, 2-77	83584	4-21		
768897	2-87, 2-88	83591	2-75		
76955	3-41, 3-43, 3-45, 3-47	84029	2-107		
76956	2-19	84170	2-101		
76958	2-63, 2-65	84581	2-117		
77097	2-107, 2-115	86240	2-97, 2-99, 2-121		
77098	2-115	86330	2-113, 3-5, 3-7		
77306	2-129	86332	3-5, 3-7, 3-13, 3-15		
77320	2-113	86333	3-5, 3-7, 3-9, 3-11		
77399	2-27	86727	2-83, 2-85		
77728	2-19	86751	2-99		
78043	2-73	87308	2-85		
78122	2-79, 2-81	87396	2-73, 2-75, 2-77		
78143	2-131	87536	2-25		
79399	2-31, 2-33, 2-35, 2-37	87631	2-123		
79729	4-7	87676	2-135, 2-137		
79785	4-13, 4-15	87866	2-25		
79786	4-13, 4-15	87948	3-3		
79787	4-13, 4-15	9000200	2-2		
79788	4-13, 4-15	9000201	2-2		
79789	4-13, 4-15	9000202	2-2		
79790	4-13, 4-15	9000203	2-2		
79791	4-13, 4-15	9000205	3-25, 3-27		
79792	4-13, 4-15	9000206	3-27, 3-29, 3-31, 3-33, 3-35, 3-37		
79793	4-13, 4-15	9000210	2-139, 4-5		
79794	4-13, 4-15	9000263	3-65		
79795	4-13, 4-15	9000266	3-39		
79796	4-13, 4-15	9000267	2-29		
79798	4-13, 4-15	9000354	2-45, 2-47, 4-25, 4-27, 4-29, 4-31		
79799	4-13, 4-15	9000355	2-77		
		9000521	4-29, 4-31		

**PART DESCRIPTION TO PAGE NUMBER CROSS REFERENCE LIST**

**A**

Actuator, Valve, Bypass, 4-3  
 Adapter, Intake, Throttle Body, 2-41, 2-43, 2-53  
 Adapter, Valve, 400Mm [Bosch], 2-53  
 Adaptor [1.6], 2-50  
 Adaptor Assy, Pump, Hyd, 4-3  
 Adaptor, Manifold, Intake, 5-9  
 Adaptor, Plate, 2-49  
 Adaptor, Throttle Body, 2-49  
 Adaptor, Tube, A/C, 4-22, 4-23  
 Adaptor, Valve, Fuel Trim, 2-49  
 Alarm Assy, Backup, 12-24vdc 82-107dba, 3-21, 3-23  
 Alternator, 12vdc 075a Multi Groove, 2-63, 2-65  
 Angle, Keeper, Cable, 2-119  
 Angle, Mtg, Stl, .06 1.0 1.0 28.5l, 3-31  
 Angle, Stop, 3-69  
 Anglr, Mtg, Muffler, 2-67  
 Arm Wldt, Brush, Main, Drive, Lh, 2-123  
 Arm Wldt, Safety, Sppt, Seat, .38d 10.1l, 2-13  
 Arm Wldt, Sppt, Brush, Side, 2-117  
 Arm, Adj, Alternator, 3-51  
 Arm, Brush, Main, W/ Label [6600], 2-123  
 Arm, Cntrl, Pintle, Casting, 2-103  
 Arm, Cntrl, Pintle, Centering, 2-103  
 Arm, Compressor, 3-51  
 Arm, Lift, Hppr, W/ Label, 2-115  
 Arm, Rocker, Valve, 5-3  
 Arm, Safety, Hppr, W/ Label, 2-115  
 Arm, Swing, Lh, 3-67  
 Arm, Swing, Rh, 3-67  
 Arm, Wiper, Windshield, [Panto], 3-35

**B**

Ball, Camshaft, 5-11  
 Ball, Valve, Hyd, 4-13, 4-15  
 Balljoint, .25-28 Fem/.25-28mal, 3-49, 3-61  
 Bar, Flt, Stl, 0.18 X 3.0 X 10.0 L, 2-83  
 Bar, Flt, Stl, 0.19 X 1.50 X 04.10l, 2-93  
 Bar, Wand, 3-63  
 Base Assy, Fan, 2-63, 2-65  
 Battery, 12vdc, 0475cca, Wet, 2-89, 2-91  
 Bearing, 2-99  
 Bearing Kit, 4-17  
 Bearing Kit, Cshft, 1.989-1.995mm (Brown), 5-5  
 Bearing Kit, Cshft, 1.989-1.995mm (Green Blue), 5-5  
 Bearing Kit, Cshft, 1.995-2.001mm (Brown Blue), 5-5  
 Bearing Kit, Cshft, 1.995-2.001mm (Green), 5-5  
 Bearing Kit, Cshft, 2.114-2.120mm, 5-5  
 Bearing Kit, Cshft, 2.120-2.126mm, 5-5  
 Bearing Kit, Rod, Connecting, Std, 5-5

Bearing, Ball, 1.38b 2.83d 0.67w, 2-123  
 Bearing, Cone, 1.38b 0.71w, 2-93, 2-97  
 Bearing, Cone, Pump, Hyd, 4-3  
 Bearing, Cup, 4-3  
 Bearing, Cup, 2.56d 0.55w, 2-93, 2-97, 3-74, 3-75, 3-76  
 Bearing, Self Align, 1.25b 2.00d, 2-107, 2-115  
 Bearing, Thrust, 0.66b 1.25d 0.06w, 2-121  
 Bearing, Thrust, Motor, Hyd, 4-9, 4-10  
 Bearing, Thrust, Pump, Hyd, 4-3  
 Bearing, Valve, Strg, 4-17  
 Bearing, W/ Collar, 0.75b 1.85d 1.06w, 2-123  
 Belt, Ribbed, 38.5l, 2-65  
 Belt, Ribbed, 39.0L, 2-3, 2-65  
 Belt, Timing, 5-11  
 Belt, V, 3-51, 3-53  
 Belt, V, [6v] 39.0l, 2-2, 2-63  
 Blade, Wiper, Windshield 18.0, 3-35  
 Block, Expansion, A/C, 4-22  
 Block, Short, Eng, W/ Piston & Ring, 5-5  
 Body, Pump, Gear, 4-5  
 Bolt, Bracket, Sensor,Cshft Position, 5-7  
 Bolt, Bracket,Screen,Oil Pump,M6x1x1, 5-7  
 Bolt, Camshaft Cover, 5-3  
 Bolt, Carriage, M06 X 1.0 X 30, 2-2, 2-107  
 Bolt, Carriage, M08 X 1.25 X 35, 2-2, 2-105  
 Bolt, Carriage, M08 X 1.25 X 40, 2-7  
 Bolt, Connecting Rod, 5-5  
 Bolt, Cover, Camshaft, M6 X 1 X 22, 5-11  
 Bolt, Cover, Oil Pump, M6 X 14, 5-7  
 Bolt, Cover, Water Pump, 5-7  
 Bolt, Eng Cover, M6 X 1 X 13, 5-11  
 Bolt, Eye, .25-20 X 1.40 X .25 Eye, 2-103  
 Bolt, Eye, M10x1.50 X 117mm 8.0 Eye, 2-117  
 Bolt, Flywheel, 5-5  
 Bolt, Head, Cyl, 5-3  
 Bolt, Hex, M08 X 40mm, G8.8, 5-9  
 Bolt, Hex, M08 X 50mm, G5, 5-9  
 Bolt, Hold-Down, Battery 08.5l, 2-91  
 Bolt, Hsng, Thermostat, 5-3  
 Bolt, Latch, 2-21  
 Bolt, Latch, F/58489/58844, 3-33  
 Bolt, M06 X 1.00 X 13mm, 5-8  
 Bolt, M07 - 1.0, 2-31, 2-35  
 Bolt, M08 X 1.25 X 25mm, 5-5  
 Bolt, M10 X 1.50 X 75mm, 5-5  
 Bolt, M12 X 1.75 X 62mm, 5-5  
 Bolt, Motor, Hyd, 4-7  
 Bolt, Pan, Oil, 5-8  
 Bolt, Pulley, Cshft, 5-5  
 Bolt, Pump, Oil, 5-7  
 Bolt, Retainer, Camshaft, M6 X 1 X 16, 5-11  
 Bolt, Sensor, Position, Cshft, 5-7  
 Bolt, Shield, Manifold, Exhaust, 5-9

Bolt, Shld, .25d X 1.25, #10-24, 3-33  
 Bolt, Shld, .31d X 1.00, .25-20, 2-101  
 Bolt, Shld, .38d X 0.38, .31-18, 3-33  
 Bolt, Soc Head, M5 X 80 X 35, 2-53  
 Bolt, Sprocket, Camshaft, M10x1.25x60, 5-11  
 Bolt, Tensioner [Gm], 5-11  
 Bolt, Tensioner, Timing Belt,M8x1.25x48, 5-11  
 Bolt, Tube [Pvc], M6 X 1 X 15, 5-3  
 Boot, Switch, Binary, A/C, 4-21  
 Boot, 90deg .50d .57d X .84, 2-63  
 Boot, Cable, Battery, Black, 2-89, 2-91  
 Boot, Cable, Battery, Red, 2-89, 2-91  
 Boot, Switch, 2-25  
 Boot, Switch, Ignition, 2-25  
 Bracket, 2-13  
 Bracket Assy, Lpg Tank, W/ Label, 2-79, 2-81  
 Bracket Wldt, A/C And Alternator, 3-51  
 Bracket Wldt, Alternator, Lower [Gm1.6l], 2-63  
 Bracket Wldt, Controller [Gas/LPG], 2-39, 2-45, 2-47  
 Bracket Wldt, Hppr, [6600/6650xp], 2-113  
 Bracket Wldt, Latch, 2-19  
 Bracket Wldt, Lift, Side Brush, 2-119  
 Bracket Wldt, Mtg, Air-Clnr, Gas/Lpg, 2-57, 2-59, 2-61  
 Bracket Wldt, Mtg, Eng, Gas / Lpg, 2-31, 2-33, 2-35, 2-37  
 Bracket Wldt, Mtg, Light, 3-17, 3-19  
 Bracket Wldt, Mtg, Regulator, Lpg, 2-53  
 Bracket Wldt, Mtg, Steering, 3-67  
 Bracket Wldt, Ntch Steering, 3-67  
 Bracket Wldt, Sppt, Blower, 3-57, 3-59  
 Bracket Wldt, Valve, 2-23, 3-67  
 Bracket Wldt, Wand, 3-63, 3-65  
 Bracket, Adj, Lift, Brush, [M10], 2-119  
 Bracket, Alarm, Backup, 3-21, 3-23, 3-31  
 Bracket, Alternator, 2-65  
 Bracket, Anchor, Strap, Alternator, 2-63, 2-65  
 Bracket, Angle, .12 2.75 3.17 01.0l, 2-9, 2-11  
 Bracket, Angle, Keeper, Cable, 2-97, 2-99, 2-119  
 Bracket, Angle, Mtg, Seat, 2-13  
 Bracket, Angle, Mtg, Valve, Relief, 2-79, 2-81  
 Bracket, Armrest, 3-33  
 Bracket, Cable, Spring, 2-109  
 Bracket, Cooler, Hyd, 2-137  
 Bracket, Cyl, 2-107  
 Bracket, Deflector, Cover, Eng, 3-49, 3-61  
 Bracket, Door, 2-21  
 Bracket, Flap, Recirculation, 2-7  
 Bracket, Fltr, Fuel, 2-73  
 Bracket, Fltr, Lpg [6600], 2-47  
 Bracket, Grill [6600/6650], 2-15, 2-17  
 Bracket, Hanger, Muffler, 2-69, 2-71

Bracket, Hood, Lh, 2-109  
 Bracket, Hood, Rh, 2-109  
 Bracket, Latch, 2-85  
 Bracket, Latch, Bolt, 3-33  
 Bracket, Latch, Cover, Eng, 2-19  
 Bracket, Latch, Door, 2-21  
 Bracket, Latch, Eng Cover, 3-49, 3-61  
 Bracket, Latch, Grill, Lpg, 2-17  
 Bracket, Light, Rotating, 3-9, 3-11  
 Bracket, Light, Sbdc, 3-3  
 Bracket, Mtg [Ecm 6600], 2-41, 2-49  
 Bracket, Mtg, Drier, A/C, 4-21  
 Bracket, Mtg, Filter, Fuel, 2-75, 2-77  
 Bracket, Mtg, Flasher, 3-3, 3-21, 3-23  
 Bracket, Mtg, Hinge, Lh, [6600], 2-11  
 Bracket, Mtg, Hinge, Rh, [6600], 2-9  
 Bracket, Mtg, Hose, Vacuum, 3-65  
 Bracket, Mtg, Hyd, 2-135, 2-137  
 Bracket, Mtg, Hyd [6600/6650 07], 2-137  
 Bracket, Mtg, Latch, 2-17  
 Bracket, Mtg, Lh, 2-123  
 Bracket, Mtg, Light, Ohg, 3-5, 3-7  
 Bracket, Mtg, Lpg, 2-79, 2-81  
 Bracket, Mtg, Mirror, Rearview, 3-25, 3-31  
 Bracket, Mtg, Motor, 2-125  
 Bracket, Mtg, Motor, Side Brush, 2-117  
 Bracket, Mtg, Rh, 2-123  
 Bracket, Mtg, Shield, 2-67, 2-69, 2-71  
 Bracket, Mtg, Stop, Door, 2-17  
 Bracket, Mtg, Tube, Blower Wand, 3-57, 3-59  
 Bracket, Mtg, Valve, 2-133  
 Bracket, Mtg, Wand, 3-63  
 Bracket, Propel, Gas / Lpg, 2-103  
 Bracket, Reg [1.6l], 2-49  
 Bracket, Relay, Box, 2-41, 2-50  
 Bracket, Retainer, Safety, 2-101  
 Bracket, Retaining, Wire, Sparkplug, 5-12  
 Bracket, Sbdc, 3-69  
 Bracket, Screen, Oil Pump, 5-7  
 Bracket, Sensor, Position, Cshft, 5-7  
 Bracket, Speed Limiter, 2-101  
 Bracket, Sppt, Control Rod, 2-101  
 Bracket, Spring, Side Brush, 2-117  
 Bracket, Stop, 2-137  
 Bracket, Stop Bolt, Rear Grill, 2-17  
 Bracket, Switch, 3-3  
 Bracket, Switch, Door, 2-107  
 Bracket, Tank, Coolant Recvy, 2-87, 2-88  
 Bracket, Tie-Down, 3-79  
 Bracket, U, 2-77  
 Bracket, U, .12 1.2w 2.30h 1.0l, 2-119  
 Bracket, U, .18 2.8 0.9 1.0l 1/0.3h, 2-123  
 Bracket, Wand, 3-63  
 Bracket, Wand, Vacuum, 3-65  
 Brake Assy, Drum, Mech, 07.9d, 2-97  
 Breather, Hyd, 20mic 05psi .75-16, 2-131  
 Brush, Disk, Swp, 26.0 D, Flat Wire, 2-5  
 Brush, Disk, Swp, 26.0 D, Nylon, 2-5  
 Brush, Disk, Swp, 26.0 D, Polypropylene, 2-5

Brush, Swp, 45l, 24 Single Row, Natural Fiber & Wire, 2-5  
 Brush, Swp, 45l, 24 Single Row, Nylon, 2-5  
 Brush, Swp, 45l, 5 Double Row, Patrol, Nylon, 2-5  
 Brush, Swp, 45l, 8 Double Row, Nylon, 2-5  
 Brush, Swp, 45l, 8 Double Row, Polypropylene, 2-5  
 Brush, Swp, 45l, 8 Double Row, Polypropylene & Wire, 2-5  
 Brush, Swp, 45l, 8 Double Row, Wire, 2-5  
 Brush, Swp, 45l, Sand Wedge, Polypropylene, 2-5  
 Brush, Swp, 45l, Window, Polypropylene, 2-5  
 Bumper Wldt, Cab Door, 3-33  
 Bumper Wldt, Front, 2-111  
 Bumper, Arm, Safety, 2-115  
 Bumper, Rbr, 0.5d 0.16t M5 X 08, 2-103  
 Bumper, Rbr, 1.0d 0.38t .25-20, 2-19  
 Bumper, Wand, Vacuum, 3-63, 3-65  
 Bushing, Flng, 0.32b 0.75d 0.14l, 3-35  
 Bushing, Flng, 0.44b 1.25d 0.25l, 2-121  
 Bushing, Flng, 0.50b 0.62d 0.40l, 3-69  
 Bushing, Flng, 0.63b 0.72d 0.25l, 2-101  
 Bushing, M6-1.50 X .25-27npt, 2-41, 2-49  
 Bushing, Sleeve, 1.25b 1.40d 1.00l, Fgl, 2-115  
 Bushing, Snap In, 0.38b 0.31d .14t Nyl, 3-57, 3-59  
 Bushing, Valve, Hyd, 4-13, 4-15  
 Button, Plug, 0.38h .03-.12 [Black Nyl], 2-7, 2-27  
 Button, Plug, 0.38h .03-.12 [White Nyl], 2-87, 2-88  
 Button, Plug, 0.44h .03-.12 [Black Nyl], 2-27  
 Button, Plug, 0.62h .03-.12 [Black Nyl], 2-7, 3-35  
 Button, Plug, 0.62h .03-.12 [Blk Nyl], 3-39  
 Button, Plug, 1.00h .00-.17 [Black Nyl], 2-27, 3-31  
 Button, Plug, 2.09h .05-.06 [Black Stil], 2-25  
 Button, Plug, Switch, 1.45 X 0.83 Hole, 2-13, 3-35

C

Cab, 3-31  
 Cable Assy, Push-Pull, 3-41, 3-43, 3-45, 3-47  
 Cable, .06d, 05.8l, .26eye /.26eye, 3-33  
 Cable, .06d, 12.0l, .26eye /.26eye, 2-13, 3-33  
 Cable, .09d, 42.0l, .4clevis/.4clevis, 2-109  
 Cable, .19d, 20.0l, .4clevis/.4clevis, 2-99  
 Cable, .19d, 57.7l, .38eye /M10x1.5, 2-119  
 Cable, .19d, 105.8l, .4clevis/.4clevis, 2-97

Cable, Battery, Neg 2ga 60.0l .41 Hole, 2-89  
 Cable, Battery, Neg 2ga 72.0l .41 Hole, 2-91  
 Cable, Battery, Pos 2ga 66.0l .41 Hole, 2-89  
 Cable, Battery, Pos 2ga 84.0l .41h, 2-91  
 Cable, Lift, Main Brush, 2-121  
 Cam, 4-3  
 Cam, Centering, Pintle, 2-103  
 Camshaft, 5-11  
 Cap Assy, 4-13, 4-15  
 Cap Assy, Valve, Hyd, 4-13, 4-15  
 Cap, Breather, Hyd, 2.2 Ds, 2-2, 2-3, 2-131  
 Cap, End, Motor, Hyd, 4-10  
 Cap, End, Valve, Strg, 4-17  
 Cap, Filler, Oil, W/ Org, 5-3  
 Cap, Fuel, Tank, 2-77  
 Cap, Hub, Dust 2.57d 0.77l, 2-97  
 Cap, Radiator, 14psi [Stant], 2-83, 2-85  
 Cap, Screw, Strg Valve, 4-9  
 Cap, Spring, Valve, 5-3  
 Cap, Tank, Fuel, 2.3neck 2.6d, 2-73, 2-75  
 Cap, Tube, 2-23  
 Cap, Valve, Tire, Tubeless, 2-95  
 Cap, Valve, Tire, Tubeless, [Schrader], 3-72  
 Cap, Vinyl, 3.28d 0.45l, 2-123  
 Carton, Rsc Kit, 4.5 X 4.5 X 45.0, 2-2  
 Chain, Coil, Str, 210, 06.9l 05 Link, 2-7  
 Channel, Mtg, Radiator, 2-85  
 Channel, Post, Corner, 2-15  
 Channel, Retainer, Seal, Rear, 2-7  
 Channel, Vent, Heater, 3-39  
 Circuitbreaker, 20.0a, Resetable, 3-54  
 Clamp Wldt, Tube, Blower Wand, 3-57, 3-59  
 Clamp, Cable, Ss, 2.50d X 1.00w, 1h, 2-93  
 Clamp, Cable, Stil, 0.25d X 0.56w, 1h, 2-113  
 Clamp, Cable, Stil, 0.38d X 0.38w, 1h, 2-113, 3-3  
 Clamp, Cable, Stil, 0.38d X 0.62w, 1h, 2-73, 2-77  
 Clamp, Cable, Stil, 0.44d X 0.62w, 1h, 2-77, 3-3  
 Clamp, Cable, Stil, 0.56d X 0.38w, 1h, 2-79, 2-81  
 Clamp, Cable, Stil, 0.56d X 0.38w, 1hole, 2-75  
 Clamp, Cable, Stil, 0.63d X 0.50w, 1h, 2-7  
 Clamp, Cable, Stil, 0.69d X 0.62w, 1h, 2-79, 2-81  
 Clamp, Cable, Stil, 1.00d X 0.62w, 1h, 2-27, 2-89, 2-91, 2-113, 2-137, 3-41, 3-43, 3-45, 3-47  
 Clamp, Cable, Stil, 1.25d X 1.00w, 1h, 2-43  
 Clamp, Cable, Stil, 1.25DX1.00W, 1H, 2-41

## CROSS REFERENCE

- Clamp, Cable, Stl, 1.50d X 1.00w, 1h, 2-111, 2-117, 2-131, 2-135
- Clamp, Cable, Stl, 1.75d X 0.75w, 1h, 2-7, 2-113
- Clamp, Cable, Stl, 1.75d X 1.00w, 1h, 2-73
- Clamp, Cable, Stl, 2.00d X 0.75w, 1h, 2-75, 2-77
- Clamp, Cable, Stl, 2.25d X 1.00w, 1h, 2-73
- Clamp, Hose, 1.0, 2-41, 2-53
- Clamp, Hose, 1.75 [Pcv], 5-3
- Clamp, Hose, Spring, 0.62D, 2-53
- Clamp, Hose, Spring, 0.75D, 2-53
- Clamp, Hose, Wormdrive, 0.25-0.62d, 2-41, 2-43, 2-50, 2-73, 2-75, 2-77, 2-87, 2-88
- Clamp, Hose, Wormdrive, 0.25-0.62d, .31w, 2-54
- Clamp, Hose, Wormdrive, 0.31-0.88d, 2-39, 2-45, 2-47
- Clamp, Hose, Wormdrive, 0.56-1.06d, 2-39, 2-41, 2-43, 2-45, 2-47, 2-50, 2-59, 2-61, 3-41, 3-43, 3-45, 3-47
- Clamp, Hose, Wormdrive, 0.56-1.06d, .56w, 2-53
- Clamp, Hose, Wormdrive, 0.81-1.50d, .56w, 2-47
- Clamp, Hose, Wormdrive, 1.06-2.00d, 2-83, 2-85
- Clamp, Hose, Wormdrive, 1.31-3.25d, 4-21
- Clamp, Hose, Wormdrive, 1.56-2.50d, 2-83, 2-85, 3-41, 3-45
- Clamp, Hose, Wormdrive, 1.62-3.50d, 3-57, 3-59
- Clamp, Hose, Wormdrive, 1.81-2.75D, 2-57, 2-59, 2-61
- Clamp, Hose, Wormdrive, 3.56-4.50d, 2-113, 3-57, 3-59, 3-63, 3-65
- Clamp, Mtg, Filter, Air, 2-57, 2-59, 2-61
- Clamp, Muffler, 1.62d, 2-67, 2-69
- Clamp, Spring, 1.50, 2-39, 2-45, 2-47, 2-59, 2-61
- Clamp, Valve, Trim [Impco], 2-50
- Clevis Wldt, Adj, .50pin 0.50-20, Pl, 2-97
- Clevis, Adj, 0.38pin, 0.50 - 20, 2-97
- Clevis, Adj, 0.38pin, M10x1.5, 2-119, 2-121
- Clevis, Adj, 1.12pin, 1.00-14, 2-17
- Clip, [Pine-Tree], .236h, Plstc, 2-27
- Clip, Safety, Gasspring, 2-109, 3-49, 3-61
- Coil, Condenser, A/C, 4-21
- Coil, Evaporator, A/C, 4-22
- Coil, Ignition, 5-12
- Column, Steering #4 08.0l 0.81d 36tooth, 2-23
- Compressor, A/C, 6v Pully [134][Tm-08hd], 3-53
- Compressor, A/C, W/6v Pulley, 3-51
- Condenser Assy, A/C, W /Fan, 4-21
- Condenser Assy, A/C, W /Fan [R134] (See Breakdowns), 3-45, 3-47
- Cone, Valve, Hyd, 4-13, 4-15
- Connector, Fuel, E90, Qf, 2-77
- Connector, Fuel, Qf, 2-75
- Control, Electronic, Gas, 4-29
- Control, Electronic, Lpg, 4-25
- Controlbox Kit, Replmt, 2-47
- Converter, Lpg, 2-49
- Cooler, Hyd, 25gpm 325btu Of12 13x12x2, 2-135, 2-137
- Core, Heater, 4-22, 4-23
- Coupling, Drive, 13t, 2-31, 2-33, 2-35, 2-37
- Cover Wldt, Brush, Sbdc, 3-69
- Cover Wldt, Roof, Cab, Front, 3-35
- Cover Wldt, Sppt, Seat, 2-13
- Cover, Battery, 06.9w 12.0l, 2-91
- Cover, Belt, Timing, Front, 5-11
- Cover, Belt, Timing, Upper Front, 5-11
- Cover, Column, Steering, 2-23
- Cover, End, 4-3
- Cover, Eng, Plstc, [6600/6650], 2-19
- Cover, Fltr, A/C [6600], 4-22, 4-23
- Cover, Fuseholder, 2-29
- Cover, Hopper, 6500, 2-109
- Cover, Hose, 2-53
- Cover, Hsng, Blower [6600], 4-22, 4-23
- Cover, Hsng, Camshaft, 5-3, 5-11
- Cover, Hsng, Flywheel, 2-31, 2-33, 2-35, 2-37
- Cover, Pump, Oil, 5-7
- Cover, Seal, Rocker Switch, 3-35, 3-54
- Crankshaft, 5-5
- Cylinder, Hyd, 2.0b,15.0l,08.00strk,1500, 2-93, 4-19
- Cylinder, Hyd, 2.0b,15.0l,08.00strk,1500 (See Breakdowns), 2-93
- Cylinder, Hyd, 2.0b,8.0l,4.0strk,2500, 2-107
- Cylinder, Hyd, 2.5b,28.4l,15.00strk,2500, 2-115, 4-18
- Cylinder, Hyd, 2.5b,28.4l,15.00strk,2500 (See Breakdowns) (Replaced by 9001862), 2-115
- Door, Vacuum, W/Label [6600/6650], 3-63, 3-65
- Drier, A/C, 4-21
- Drive, Motor, Hyd, 4-7, 4-9, 4-10
- Drive, Valve, Strg, 4-17
- Driveshaft, Pump, Hyd, 4-3
- Duct Assy, Vacfan, W/ Seal, 2-125
- Duct Wldt, Transition, Vacfan, 2-125
- Duct, Air Pkg, 3-39
- Duct, Blower Wand, 3-57, 3-59
- Duct, Transition, Windowside, 3-39
- Duct, Upright, Windowside, 23.8l, 3-39
- Duct, Vyl, 0.40 X 0.75 .25d 03.5l, 3-5, 3-7, 3-9, 3-11
- Duct, Vyl, 0.40 X 0.75 .25d 10.0l, 2-113, 3-5, 3-7
- Duct, Vyl, 0.40 X 0.75 .25d 26.0l, 3-5, 3-7, 3-13, 3-15
- Duct, Vyl, 0.40 X 0.75 .25d Max 48.0l, 3-17, 3-19
- Duct, Vyl, 0.74 X 1.50 .75d Max 24.0l, 3-31
- ### E
- Element, Fltr, Air, 2-2, 2-3, 2-57, 2-59, 2-61
- Element, Fltr, Air Safety, 2-2
- Element, Fltr, Air, Safety, 2-2, 2-3, 2-57, 2-59, 2-61
- Element, Fltr, Fuel, Lpg [Coalescent], 2-47
- Element, Fltr, Oil, Eng, Spin-On, 5-8
- Element, Fltr, Oil, Eng, Spin-On [Gm], 2-3
- Element, Fltr, Oil, Hyd, 2-2, 2-3, 2-135, 2-137
- End Cap, Motor, Hyd, 4-9
- Engine [Long Block Gm 1.6l] (See Engine Breakdown), 2-33, 2-37
- Engine Assy, Gas [Gm, 1.6l] (See Engine Breakdown), 2-31
- Engine Assy, Lpg [Gm, 1.6l] (See Engine Breakdown), 2-35
- Extinguisher, Fire, 3-77
- ### F
- Fan, Condenser, 12vdc, A/C, 4-21
- Fan, Cooling, 14.3d, 6 Blade, 0.5b Taper, 2-65
- Fan, Pusher, 14.17d, Rwk, 2-63, 2-65
- Fastener, [Hook & Loop], 03.25l, 3-37
- Fastener, [Hook & Loop], 05.19l, 3-37
- Fastener, [Hook & Loop], 09.75l, 3-37
- Fastener, [Hook & Loop], 11.00l, 3-37
- Fastener, [Hook & Loop], 12.00l, 3-37
- Fastener, [Hook & Loop], 15.00l, 3-37
- Fastener, [Hook & Loop], 16.50l, 3-37
- Fastener, [Hook & Loop], 45.00l, 3-37
- Filter Kit, Lock Off, Lpg, 2-50, 2-53
- Filter Kit, Panl, Syn, Replmt, 2-113
- Filter Pkg Kit, 098plts, Ci, 2-113
- ### D
- Deflector, Air, 2-135
- Detent Adaptor, Valve, Hyd, 4-13, 4-15
- Diffuser, Air, 3-39
- Diode, Ele, Plug, 2-171
- Dipstick, Oil, 5-8
- Disc, .06 4.39d 1.67b 4/.30h 3.8bc, 2-123
- Disc, .08 4.39d 2.56b 4/.28h 3.8bc, 2-123
- Door Wldt, Brush, Lh, 2-11
- Door Wldt, Brush, Rh, 2-9
- Door Wldt, Cab, 3-33
- Door Wldt, Dump, 2-107
- Door Wldt, Eng, Side, 2-21
- Door Wldt, Eng, Top, 3-49
- Door Wldt, Eng, Top, Blower Wand, 3-61

- Filter, Air, A/C, 4-22, 4-23
- Filter, Assy, Air, 2-57, 2-59, 2-61
- Filter, Fuel, 2-73
- Filter, Fuel [Gm 1.6l/3.0l], 2-3
- Filter, Fuel, Gas, 2-2
- Filter, Fuel, Lpg [Coescent], 2-47
- Filter, Fuelock, [Ballwin#4-2384b], 2-79
- Filter, Hyd 10mic 30gpm 150, 2-135, 2-137
- Filter, Oil, 2-2, 2-31, 2-33, 2-35, 2-37
- Fitting Kit [Epr], 2-53
- Fitting, Adapter, Orifice, Pm06pf06, 2-41, 2-43
- Fitting, Adaptor, 37f Swivel, M12-1.5, 2-39, 2-45, 2-47
- Fitting, Brs, Breather 02mp, 2-113
- Fitting, Brs, E45, Pf02/Pm02, 2-33, 2-37
- Fitting, Brs, E90, lf05/Pm02, 2-73
- Fitting, Brs, E90, lf05/Pm04, 4-29, 4-31
- Fitting, Brs, E90, Pm04/Pf04, 2-79, 2-81
- Fitting, Brs, E90, Em05/Pm04, 2-77
- Fitting, Brs, E90, Em06/Pm04, 2-45, 2-47, 4-25, 4-27, 4-29, 4-31
- Fitting, Brs, E90, Em10/Pm06, 2-41, 2-43, 2-49, 2-53
- Fitting, Brs, E90, lf05/Pm04, 2-75
- Fitting, Brs, Plug, 02pm, 5-9
- Fitting, Brs, Qdc, Pf04 Lpg Fem, 2-79, 2-81
- Fitting, Brs, Rst, Pf04/.69-16f, .063, 2-47
- Fitting, Brs, Str, Bm03/Pm02, 2-113
- Fitting, Brs, Str, lf05/lf05, 2-73
- Fitting, Brs, Str, lf05/Pm02, 2-73
- Fitting, Brs, Str, lf05/Pm04, 2-73
- Fitting, Brs, Str, Pf04/Pf04 Bkhd, 2-79, 2-81
- Fitting, Brs, Str, Pm04/Pf04, 2-79, 2-81
- Fitting, Brs, Str, Bm06/Pm04, 2-39, 2-45, 2-47
- Fitting, Brs, Str, lf05/lf05, 2-75, 2-77
- Fitting, Brs, Str, Pf04/Pm02, 2-53
- Fitting, Brs, Str, Pm02/Pf04, 2-41, 2-43, 2-50
- Fitting, Cap, 2-49
- Fitting, Condenser, Left, A/C, 4-21
- Fitting, Coolant Plug, 4-25, 4-27, 4-29, 4-31
- Fitting, Draincock, .25npt, 2-85
- Fitting, Draincock, .25npt 90, 2-41, 2-43, 2-47, 2-50, 2-83
- Fitting, Draincock, E90, .25npt, 2-54
- Fitting, E70, 2-49
- Fitting, E90, 2-49, 2-53
- Fitting, E90, M14 X .56, 2-33, 2-37
- Fitting, Elb, Sf06/Fm06, 2-31, 2-35
- Fitting, Fltr, Oil, 5-8
- Fitting, Fuel, Str, 3/8-24 [07 Eng], 2-77
- Fitting, Fuel, Str, 9/16-18 [07 Eng], 2-77
- Fitting, Grease, Str Pm04 .63l, 2-93, 2-107
- Fitting, Hose, 2-39, 2-45, 2-47
- Fitting, Hose End, 2-31, 2-33, 2-35, 2-37
- Fitting, Hose, Vacuum, .25, 2-49
- Fitting, Hyd, Cap, Jf06, 2-135, 2-137
- Fitting, Hyd, E45, Jf08/Jm08, 2-47
- Fitting, Hyd, E45, Jm04/Om06, 2-93
- Fitting, Hyd, E45, Jm04/Pm08, 2-47
- Fitting, Hyd, E45, Jm20/Om20, 2-139
- Fitting, Hyd, E45, Pm04/Pf04, 2-79, 2-81
- Fitting, Hyd, E90, 2-45
- Fitting, Hyd, E90, Jm04/Om04, 2-107, 2-115
- Fitting, Hyd, E90, Jm06/Jf06, 2-117, 2-133
- Fitting, Hyd, E90, Jm06/Om04, 2-115
- Fitting, Hyd, E90, Jm06/Om06, 2-23, 2-93
- Fitting, Hyd, E90, Jm06/Om08, 2-139
- Fitting, Hyd, E90, Jm06om06l, 2-23
- Fitting, Hyd, E90, Jm08/Jf08, 2-133
- Fitting, Hyd, E90, Jm08/Om08, 2-125, 2-133, 2-139
- Fitting, Hyd, E90, Jm08/Om10, 2-131
- Fitting, Hyd, E90, Jm08/Pm04, 2-47
- Fitting, Hyd, E90, Jm10/Jf10, 2-133
- Fitting, Hyd, E90, Jm10/Om08, 2-133
- Fitting, Hyd, E90, Jm10/Om12, 2-139
- Fitting, Hyd, E90, Jm12/Jf12, 2-125
- Fitting, Hyd, E90, Jm12/Om12, 2-135, 2-137
- Fitting, Hyd, E90, Pm02/Jm04, 2-135, 2-137
- Fitting, Hyd, E90, Spcl, 2-53
- Fitting, Hyd, Nut, Jm12, 2-135, 2-137
- Fitting, Hyd, Plug, Jm08, 2-131
- Fitting, Hyd, Rst, Jm04/.047, 2-115
- Fitting, Hyd, Str, Jm04/Jf08, 2-139
- Fitting, Hyd, Str, Jm04/Om04, 2-107
- Fitting, Hyd, Str, Jm04/Om06, 2-93, 2-133
- Fitting, Hyd, Str, Jm06/Om04, 2-115, 2-125
- Fitting, Hyd, Str, Jm06/Om08, 2-123, 2-133
- Fitting, Hyd, Str, Jm06/Om10, 2-117, 2-139
- Fitting, Hyd, Str, Jm06om06l, 2-133
- Fitting, Hyd, Str, Jm08/Jf10, 2-133
- Fitting, Hyd, Str, Jm08/Jf12, 2-131
- Fitting, Hyd, Str, Jm08/Om08, 2-123
- Fitting, Hyd, Str, Jm08/Om10, 2-139
- Fitting, Hyd, Str, Jm10/Jf12, 2-125
- Fitting, Hyd, Str, Jm10/Om12, 2-93, 2-139
- Fitting, Hyd, Str, Jm12/Om08, 2-125
- Fitting, Hyd, Str, Jm12/Om12, 2-137
- Fitting, Hyd, Str, Jm12/Om20, 2-135, 2-137
- Fitting, Hyd, Str, Jm20/Om20, 2-131
- Fitting, Hyd, Str, Metric, Om14/Jm06, 2-31, 2-35
- Fitting, Hyd, Tee, Jm06/Jf06/Jm06, 2-125
- Fitting, Hyd, Tee, Jm06/Jm06/Om06, 2-131, 2-133
- Fitting, Hyd, Tee, Jm08/Jf08/Jm08, 2-139
- Fitting, Hyd, Tee, Jm10/Jf10/Jm10, 2-133
- Fitting, Hyd, Tee, Jm12/Jm12/Jf12, 2-125
- Fitting, Hyd, Tee, Jm12/Jm12/Om12, 2-131
- Fitting, Hyd, Tee, Pm04/Pf04/Pf04, 2-79, 2-81
- Fitting, Nipple, .25mal, 2-53
- Fitting, Nipple, .25npt, Brs, 2-49
- Fitting, Pipe, Bshg, M18 X 1.5, 2-33, 2-37
- Fitting, Pipe, E45, Pm04/Pf04, [Swivel], 2-79, 2-81
- Fitting, Pipe, E90, Pm04/Pf04, Nptf, 2-39, 2-45, 2-47
- Fitting, Pipe, Plug, 2-31, 2-33, 2-35, 2-37
- Fitting, Pipe, Plug, Metric, M18, Soc, 2-31, 2-33, 2-35, 2-37
- Fitting, Pipe, Plug, Pm02 Soc Head, 2-39, 2-45, 2-47
- Fitting, Pipe, Plug, Pm02 Sq Head, 2-73, 2-75, 2-77
- Fitting, Pipe, Plug, Pm16 Hex Soc, 5-9
- Fitting, Pipe, Str, Metric, Pm14/Pf04, 2-31, 2-35
- Fitting, Pipe, Str, Pm04/Pf02, 2-31, 2-35, 2-79, 2-81
- Fitting, Pipe, Str, Pm04/Sf04, 2-81
- Fitting, Pipe, Str, Sf04/Pm04, 2-79
- Fitting, Plstc, Str, Bm10/Bm10, 2-59, 2-61
- Fitting, Plstc, Tee, Bm06/Pf04/Bm06 Nyl, 2-47
- Fitting, Plug, M16, Intake Manifold, 2-43, 2-53
- Fitting, Plug, O-Ring, 4-3, 4-13, 4-15
- Fitting, Plug, O-Ring, #4, 4-9
- Fitting, Plug, O-Ring, #6, Valve, 4-13, 4-15
- Fitting, Plug, O-Ring, Motor, Hyd, 4-9
- Fitting, Plug, W/ O-Ring, Valve, Hyd, 4-13, 4-15
- Fitting, Str, 2-49
- Fitting, Str, .12mpt X .19rb, 2-41
- Fitting, Str, E90, .25npt, 2-49
- Fitting, Vacuum [M16-15-6h], 2-53
- Fitting, Vacuum, M16-15-6h, 2-41, 2-43
- Fitting, Valve, Schrader, A/C, 4-21
- Fitting, Plstc, Str, Bm06/M.69-16, 2-47
- Flange, Brg, 1.9id 2h, 2-123
- Flange, Motor, Hyd, 4-9, 4-10
- Flange, Mtg, Tailpipe, [Gas/Lpg], 2-67, 2-69, 2-71
- Flange, Ring, 3-63, 3-65
- Flap, Tire/Tube, 570/500-8, 2-95, 3-72
- Flap, Vac Wand, 3-63, 3-65
- Flasher, 12vdc, [Hd#552ps83], 3-21, 3-23
- Flasher, Hd, 12vdc 25a, [#10-57300], 3-3
- Flywheel, 5-5
- Frame Wldt, Main [6600/6650], 2-7
- Ftg, Brs, Pm10/Bm, 3-41, 3-45
- Fuel, Fltr [Gm 1.6l/3.0l], 2-75, 2-77
- Fuelline, .31d Str/E90, Plstc, 2-75, 2-77
- Fuelline, .31d Str/Str, Plstc, 2-75, 2-77
- Fuelline, .31d 05if/05if Stl, 2-73
- Fuelline, .31d 05if/05if Stl, 2-75
- Fuelline, .31d 05if/Bea Stl, 2-73
- Fuelline, .31d 05if/Bea Stl, 2-73
- Fuelline, .31d 05if/Qm Stl, 2-75

## CROSS REFERENCE

Fuelline, .31d 05if/Qm Stl[6600/6650 07],  
2-77  
Fuelline, .31d Str/Str, Plstc [6600 07], 2-77  
Fuelline, .31d Str/Str, Plstc [8200], 2-77  
Fuse Block, 2-29  
Fuse, 10 Amp, 2-171  
Fuse, 15 Amp, 2-29, 3-35  
Fuse, 15 Amp, [Min-15], 2-171  
Fuse, 20 Amp, [Min-20], 2-171  
Fuse, 30 Amp, 2-29  
Fuse, 5 Amp, [Min-5], 2-171  
Fuse, 50amp, 2-171  
Fuse, 60 Amp, 2-171

### G

Gasket, 2-25  
Gasket Kit, Repair, Gas [Gm1.6l 2007],  
2-43  
Gasket Kit, Repair, Lpg [Gm1.6l 2007],  
2-54  
Gasket, Adaptor, 2-49  
Gasket, Adaptor, Manifold, 5-9  
Gasket, Body, Throttle [1.6l], 2-41, 2-43  
Gasket, Cover, Hsng, Camshaft, 5-3  
Gasket, Door, 3-63, 3-65  
Gasket, Exhaust, 2 Hole, 3.4bc, 2-69,  
2-71, 3-78  
Gasket, Flange, 3-63, 3-65  
Gasket, Flgn, Pipe, Exhaust, 2-67, 2-69,  
2-71  
Gasket, Head, Cyl, 5-3  
Gasket, Hourmeter, 2-25  
Gasket, Manifold, Exhaust, 5-9  
Gasket, Manifold, Intake, 2-41, 2-43,  
2-49, 5-9  
Gasket, Pan, Oil, 5-8  
Gasket, Plug, Relief Valve, Oil Press, 2-33,  
2-37, 5-7  
Gasket, Pump, Oil, 5-7  
Gasket, Sender, Fuel, 2-77  
Gasket, Sender, Fuel, 2.7d 1.5b 5/ 2.1bc,  
2-73, 2-75  
Gasket, Switch, Fire, 2-113  
Gasket, Tube, 3-63  
Gasket, Tube [Pcv], 5-3  
Gasspring Assy, Eng Cover, 3-49, 3-61  
Gasspring, 120lb, 7.1strk, 2-109  
Gasspring, 130lb, 6.2strk, 2-19  
Gauge Kit, Hourmeter, F/31988, Replmt,  
2-25  
Gauge, Fuel, 0-90ohm 8-18vdc, 2-25  
Gauge, Hourmeter, 12-60vdc, Analog  
[10k], 2-25  
Gear Assy, Idler, Pump, Hyd, 4-5  
Gear, Drive, Oil Pump, 5-7  
Gear, Drive, Pump, Hyd, 4-5  
Gear, Ring, Drive, Oil Pump, 5-7  
Geroler, Motor, Hyd, 4-7  
Gerotor Set, Motor, Hyd, 4-9, 4-10  
Gerotor, Pump, Hyd, 4-3  
Gerotor, Valve, Strg, 4-17  
Glass, Sight, A/C, 4-21

Grill, Door, Lh, 2-17  
Grille, Door, Lpg, 2-15  
Grille, Filler, Door, Rh (Gasoline Only),  
2-15  
Grip, Vyl, 2-133  
Grommet, Rbr, 0.19id, F/ 0.3h, .19matl,  
2-41, 2-49  
Grommet, Rbr, 0.38id, F/ 0.5h, .12matl,  
3-23, 3-31, 3-35  
Grommet, Rbr, 0.50id, F/ 0.8h, .19matl,  
2-83, 2-85  
Grommet, Rbr, 0.62id, F/ 0.9h, .06matl,  
2-113  
Grommet, Rbr, 0.63id, F/ 0.8h, .12matl,  
3-5, 3-7, 3-9, 3-11, 3-13, 3-15,  
3-17, 3-19, 3-21  
Grommet, Rbr, 0.69id, F/ 0.1h, .25matl,  
3-5, 3-7, 3-9, 3-11, 3-13, 3-15,  
3-21, 3-23, 3-54  
Grommet, Rbr, 1.62id, F/ 1.9h, .13matl,  
2-23  
Guard Wldt, Light, Revl/Flsh, 3-9, 3-11  
Guard Wldt, Ohg, Top, 3-25  
Guard, Belt, Fan, W/Label, 2-83, 2-85  
Guard, Brush, [6550], 2-117  
Guard, Starter [Gm 1.6l], 2-31  
Guard, String, Motor, Brush, 2-117

### H

Handle, 3-57, 3-59, 3-63, 3-65  
Handle Assy, Latch, Eng Cover, 3-49,  
3-61  
Handle Wldt, Lift, Brush, Side, 2-119  
Handle, Cntrl, 2-133  
Handle, Cntrl, Lh, 2-133  
Handle, Cntrl, Str, 2-133  
Handle, Container, 3-33  
Handle, Door, Paddle, 3-33  
Harness, A/C, Heater [6600/6650], 3-55  
Harness, Adaptor, 2-171  
Harness, Adaptor [6600/6650], 2-171  
Harness, Alarm, Backup, [ 355], 3-21,  
3-23  
Harness, Alarm, Backup, [ 355], 3-21,  
3-23  
Harness, Cab, 3-35  
Harness, Cab, [355], 3-31  
Harness, Eng [1.6l, Gm, E-cntrl], 2-171  
Harness, Eng, Gas / Lpg [6600/6650],  
2-171  
Harness, Heater/Evaporator [6600/6650],  
4-22, 4-23  
Harness, Hppr [6600/6650], 2-171  
Harness, Injector, Gas [1.6l, Gm, E-cntrl],  
2-171  
Harness, Injector, Lpg [1.6l, Gm, E-cntrl],  
2-171  
Harness, Light, Flsh, Revl, [ 355], 3-9,  
3-11  
Harness, Light, Revl, Ohg, [ 355], 3-5,  
3-7, 3-13, 3-15, 3-17, 3-19  
Harness, Main [6600], 2-171  
Harness, Manifold, Gas, 2-77  
Harness, Solenoid, Shkr [6600/6650],  
2-171  
Harness, Turn Signal, [ 355], 3-3  
Harness, Turn Signal, [6500], 3-3  
Harness, Wire, Eng, Gas [Gm 1.6l], 2-171  
Harness, Wire, Eng, Lpg [Gm 1.6l], 2-171  
Head, Cyl, 5-3  
Headlight, 12vdc, 35watt 2.7a [#4411],  
3-3  
Headlight, 12vdc, 50watt . A [#70744],  
2-111  
Heater & A/C Assy [R134], 4-22  
Heater/Pressrzzr Assy, 4-23  
Hinge Wldt, Door, Cab, Pin, Long, 3-33  
Hinge Wldt, Door, Cab, Pin, Short, 3-33  
Hinge Wldt, Door, Side, 2-21  
Hinge Wldt, Pin, .43d, Cover, Eng, Lh,  
2-125  
Hinge Wldt, Pin, .43d, Cover, Eng, Rh,  
2-125  
Hinge Wldt, Tube, .38b, Door, Cab, 3-33  
Hinge, .25pin .12 2.9w 03.5l 4/0.31slot,  
2-109  
Hinge, .38pin .11 3.5w 05.6l 4/H&Slot,  
2-9, 2-11  
Hinge, .40pin 2.2w 2.0l 4/0.21h, 3-63,  
3-65  
Hopper, Plstc [6600/6650xp], 2-105  
Horn, 12vdc, Dba, 2-7  
Hose [Epr To Manifold], 2-53  
Hose [Mixer to Epr], 2-53  
Hose [Pcv], 5-3  
Hose Assy, Primary To Secondary, Lpg,  
2-45, 2-47  
Hose Assy, W/1cuff, 3.0d, 24l, 3.0/, 3-57,  
3-59  
Hose Assy, W/1cuff, 4.0d, 87.8l, 4.0/,  
3-63, 3-65  
Hose, 0050, 04, lm05str /lf05str , 10.0,  
2-73  
Hose, 170mm [Ftv-ptv], 2-49  
Hose, 355mm [Fl-vrp], 2-49  
Hose, 9.5mm X 290mm [Pcv], 2-43, 2-49,  
2-53  
Hose, 9.5mm X 450mm [Pcv], 2-41  
Hose, A/C, 08 53.0l E90 E90 [R134], 3-47  
Hose, A/C, 10 67.0l Str E90 [R134], 3-47  
Hose, A/C, Discharge, Reducer, 3-45  
Hose, A/C, Liq, Reducer, 3-45, 3-47  
Hose, A/C, Suc, Reducer, 3-45  
Hose, Afmkt, Coolant Recvy, 12ft, 2-87,  
2-88  
Hose, Balancing, Press, 45mm, 2-49  
Hose, Balancing, Press, 680mm, 2-49  
Hose, Coolant, Mold, 1.25id To 1.62id,  
2-83, 2-85  
Hose, Flex, Vacuum, 4.0d 23.0l, 2-113  
Hose, Fuel, 0.31id [Evap Emission 07],  
2-77  
Hose, Fuel, .19, 2-41  
Hose, Fuel, 0.19id 20.0l, 2-31, 2-35  
Hose, Fuel, 0.31id 02.0l, 2-73



- Hose, Fuel, 0.31id 08.0l, 2-73  
 Hose, Fuel, 0.31id 31.0l, 2-73, 2-75  
 Hose, Heater, 2-43, 3-41, 3-45  
 Hose, Heater, 0.62id 31.0l, 3-41, 3-45  
 Hose, Heater, 0.62id 61.0l, 3-41, 3-45  
 Hose, Heater, 0.62id 70.0l, 3-43, 3-47  
 Hose, Heater, 0.62id 84.0l, 3-41, 3-43, 3-45, 3-47  
 Hose, Heater, E90, .62id 9.0 2.0, 2-61  
 Hose, Heater, E90, 0.62id 05.5 2.0, 2-59  
 Hose, Heater, E90, 0.62id 24.0 4.0 (Gasoline only), 3-43, 3-47  
 Hose, Heater, E90, 0.62id [Gm1.6l 2007], 2-59, 2-61  
 Hose, Hyd, 26.0l, 2-31, 2-33, 2-35, 2-37  
 Hose, Hyd, Med04, Jf04str/Jf04str, 052.0, 2-129  
 Hose, Hyd, Med06, Jf06e90/Jf06str, 010.0, 2-129  
 Hose, Hyd, Tc 06, Jf Str/E90 , 48.0l, 2-129  
 Hose, Hyd, Tc 06, Jf06str/Jf06str, 48.0, 2-129  
 Hose, Hyd,Low08, Jf08str /Jf08str , 20.0, 2-131  
 Hose, Hyd,Med04, Jf04str /Jf04e45 , 52.0, 2-129  
 Hose, Hyd,Med04, Jf04str /Jf04str , 17.0, 2-129  
 Hose, Hyd,Med06, Jf06str /Jf06e45 , 12.0, 2-129  
 Hose, Hyd,Med06, Jf06str /Jf06e90 , 20.0, 2-129  
 Hose, Hyd,Med06, Jf06str /Jf06e90 , 64.0, 2-129  
 Hose, Hyd,Med06, Jf06str /Jf06e90 ,100.0, 2-129  
 Hose, Hyd,Med06, Jf06str /Jf06str , 16.0, 2-129  
 Hose, Hyd,Med08, Jf08str /Jf08e90 , 32.0, 2-129  
 Hose, Hyd,Med08, Jf08str /Jf08e90 , 34.0, 2-129  
 Hose, Hyd,Med08, Jf08str /Jf08e90 , 68.0, 2-129  
 Hose, Hyd,Med08, Jf08str /Jf08e90l, 39.0, 2-129  
 Hose, Hyd,Med12, Jf12str /Jf12e90 , 23.0, 2-129  
 Hose, Hyd,Med12, Jf12str /Jf12e90 , 60.0, 2-129  
 Hose, Hyd,Med12, Jf12str /Jf12e90l, 23.0, 2-129  
 Hose, Hyd,Med12, Jf12str /Jf12e90l, 60.0, 2-129  
 Hose, Hyd,Suc20, Jf20str /Jf20e45 , 27.0, 2-129  
 Hose, Hyd,Tc 04, Jf04str /Jf04e90 , 80.0, 2-129  
 Hose, Hyd,Tc 04, Jf04str /Jf04e90 ,114.0, 2-129  
 Hose, Hyd,Tc 06, Jf06str /Jf06e90 , 62.0, 2-129  
 Hose, Hyd,Tc 06, Jf06str /Jf06str , 36.0, 2-129  
 Hose, Hyd,Tc 10, Jf10str /Jf10e45 , 54.0, 2-129  
 Hose, Hyd,Tc 10, Jf10str /Jf10e90 , 18.0, 2-129  
 Hose, Hyd,Tc 10, Jf10str /Jf10e90l, 67.0, 2-129  
 Hose, Intake, Mold, 2.0 Id [Epdm 6650], 2-61  
 Hose, Intake, Mold, 2.0 Id [Epdm 7400], 2-59  
 Hose, Intake, Mold, 2.00id 2.25id [Epdm], 2-57  
 Hose, Intake, Mold, 2.0id, Gas [Epdm 07], 2-59  
 Hose, Intake, Mold, 2.0id, Lpg [Epdm 07], 2-61  
 Hose, Intake, Mold, E90 E90 2.0id 2.0id, 2-57, 2-59, 2-61  
 Hose, Intake,Mold,2.00id [ Epdm 07 6600], 2-59, 2-61  
 Hose, Lpg, Med05, Pm04str/Sm04str, 19.0l, 2-79  
 Hose, Lpg, Med05, Pm04str/Sm04str, 35.0l, 2-79, 2-81  
 Hose, Lpg, Med05, Pm04str/Sm04str, 38.0l, 2-79  
 Hose, Lpg, Med05, Pm04str/Sm04str, 55.0l, 2-81  
 Hose, Lpg, Med05, Pm04str/Sm04str, 67.0l, 2-81  
 Hose, Lpg, Med08, Jf08str/Jf08str , 35.0, 2-47  
 Hose, Lpg, Med08, Jf08str/Jf08str , 37.5, 2-47  
 Hose, Lpg, Med08, Jf08str/Jf08str, 20.0l, 2-45  
 Hose, Mold, .62 To .75, 2-53  
 Hose, Mold, .62 To .75 (LPG only), 3-43, 3-47  
 Hose, Molded, 2-49  
 Hose, Pvc, Clr, 0.38id 0.56od 22.00l, 2-41, 2-43, 2-50  
 Hose, Pvc, Clr, 0.38id 0.56od 27.00l, 2-47  
 Hose, Pvc, Clr, 0.38id 0.56od 022.0l, 2-53  
 Hose, Radiator, Mold, .75id X .62id, 2-41  
 Hose, Rbr, 3-57, 3-59  
 Hose, Rbr, E90 1.25id 1.25id 04.2 3.1, 2-83  
 Hose, Rbr, 0.38id 0.62od 12.0l, 2-39, 2-45, 2-47  
 Hose, Rbr, 0.38id 0.62od 21.0l, 2-39, 2-45, 2-47  
 Hose, Rbr, 1.25id 1.62od 02.2l, 2-83, 2-85  
 Hose, Rbr, 2.00id 2.50od 03.0l, 2-61  
 Hose, Rbr, 2.00id 2.50od 05.0l, 2-59  
 Hose, Rbr, E90 3.00id 3.50id 03.5 3.3, 3-57, 3-59  
 Hose, Rbr, E90 1.25id 1.25id 04.2 3.1, 2-85  
 Hose, Supply, Gas, .25id, 2-53  
 Hose, Vacuum, 0.16id 60.0l, 2-113  
 Hose, Vacuum, 4.00id X 53.0l, 3-63, 3-65  
 Hose, Valve, Press Trim, 350mm, 2-49  
 Hose, Vent, 2-39, 2-45, 2-47, 2-59, 2-61  
 Housing, 4-3  
 Housing Assy, Heater/Ac [6600/6650] (See Breakdowns), 3-45, 3-47  
 Housing Assy, Heater/Press. [6600/6650] (See Breakdowns), 3-41, 3-43  
 Housing Assy, Throttle, Gas, [W/O Ecu] (See Breakdowns), 2-39  
 Housing Assy, Throttle, Gas, [With Ecu], 4-29  
 Housing Assy, Throttle, Gas, [With Ecu] (See Breakdowns), 2-39  
 Housing Assy, Throttle, Gas, [Without Ecu], 4-31  
 Housing Assy, Throttle, Lpg, [W/O Ecu] (See Breakdowns), 2-45, 2-47  
 Housing Assy, Throttle, Lpg, [With Ecu], 4-25  
 Housing Assy, Throttle, Lpg, [With Ecu] (See Breakdowns), 2-45, 2-47  
 Housing Assy, Throttle, Lpg, [Without Ecu], 4-27  
 Housing Assy, Vacfan, 09.0d Impeller, 2-125  
 Housing, Blower, A/C [6600], 4-22, 4-23  
 Housing, Brg, Motor, Hyd, 4-7  
 Housing, Brg, Pivot, Door, Dust, 2-107  
 Housing, Camshaft, 5-3, 5-11  
 Housing, Condenser/Fan, A/C, 4-21  
 Housing, Motor, Hyd, 4-9, 4-10  
 Housing, Pump, 2-31, 2-33, 2-35, 2-37  
 Housing, Sppt, Drive, Rear, 2-93  
 Housing, Throttle, 40Mm [Bosch], 2-41, 2-43, 2-49, 2-53  
 Housing, Throttle, Gas, 4-29, 4-31  
 Housing, Throttle, Lpg, 4-25, 4-27  
 Housing, Valve, 4-7  
 Hub Assy, Wheel, 5 Bolt 4.50bc Taper B, 2-93  
 Hub, Drive, Brush, Side, 1.0b 8.8 Bc, 2-117

**I**

- Impeller, 9.00d X 1.40w X 0.376b, 2-125  
 Injector Kit, Fuel, Gas, 2-41  
 Injector, Fuel, Gas, W/ Org, [Gm 1.6l], 4-29, 4-31  
 Injector, Fuel, Lpg [1.6l Gm] 6600/6650, 4-27  
 Injector, Lpg, W/2 O-rings, 4-25  
 Innertube, [5.00r-8],[Js2] Valve,[500-8], 2-95, 3-72  
 Insert, Plate, Cam, Pump, Hyd, 4-3  
 Instr, Kit, Repair, Pump, Hyd, 4-5  
 Instr, Repair, Motor, Hyd, Gear, 4-7  
 Instr, Repair, Pump, 4-3  
 Instr, Seal Kit, Motor, F/74147, 4-11  
 Instruction, Repair, Motor, Hyd, 4-10

## CROSS REFERENCE

Instruction, Repair, Valve, Hyd, 4-13, 4-15  
Instruction, Repair, Valve, Strg, 4-17  
Insulation, Acstc, 2-13, 2-21, 2-27  
Insulation, Acstc, 0.3 25.5w 25.6l, 3-29  
Insulation, Acstc, 0.5 02.9w 24.3l Cab,  
3-29  
Insulation, Acstc, 0.5 03.9w 25.3l Cab,  
3-29  
Insulation, Acstc, 0.5 15.5w 33.2l Notch,  
2-19  
Insulation, Acstc, 0.5 15.5w 35.6l Notch,  
2-19  
Insulation, Acstc, 0.5, 33.3 X 15.5 Cham,  
2-19  
Insulation, Acstc, 0.5, 35.6 X 15.5 Cham,  
2-19  
Insulation, Acstc, 0.8 23.3w 34.6l Cab,  
3-29  
Insulation, Acstc, 0.8 26.0w 36.3l, 3-49,  
3-61  
Insulation, Acstc, 1.0 01.5w 06.8l, 2-13,  
3-37  
Insulation, Acstc, 1.0 02.0w 04.0l, 2-19,  
3-49, 3-61  
Insulation, Acstc, 1.0 02.0w 05.8l, 2-19,  
3-49, 3-61  
Insulation, Acstc, 1.0 02.0w 17.5l Adh,  
2-27  
Insulation, Acstc, 1.0 03.5w 10.5l Adh,  
2-27  
Insulation, Acstc, 1.0 05.0w 05.0l, 2-125  
Insulation, Acstc, 1.0 15.5w 17.5l, 2-27  
Insulation, Acstc, Cover, Eng, Bottom,  
3-49, 3-61  
Insulation, Acstc, Cover, Seat, 1.0, 2-13  
Insulation, Acstc, Door, 3-29  
Insulation, Acstc, Firewall, 2-7  
Insulation, Acstc, Panel, 3-29  
Insulation, Acstc, Panl, 2-13  
Insulation, Acstc, Plate, Floor, 2-13  
Insulation, Acstc, Seal, Vac Fan, 2-125  
Insulation, Acstc, Seat, 3-31  
Insulation, Cover, Eng, Bottom [2007],  
3-49, 3-61  
Isolator [Epr], 2-53  
Isolator Kit, Mtg, Vaporizer, Rbr, 2-50  
Isolator, Box, Relay, 2-43, 2-53  
Isolator, Rubber, 2-69, 2-71  
Isolator, Valve, 2-133  
Isolator, Vib, Bshg, 1.1d 0.6l .4b 0.78h,  
2-83, 2-85, 2-125  
Isolator, Vib, Bshg, 1.4d 0.3l .4b 0.65h,  
2-133  
Isolator, Vib, Dia .50, 2-31, 2-33, 2-35,  
2-37  
Isolator, Vib, Ring, 1.4d 0.3l 0.8b, 2-133

## K

Key, Ignition, [Set Of 2], 2-25  
Key, Motor, Hyd, 4-7  
Key, Round, 4-5  
Key, Shaft, Pump, Hyd, 4-3

Key, Sq, 0.12 X 0.12, 0.50l, 2-65  
Key, Sq, 0.12 X 0.12, 00.75l, 4-11  
Key, Valve Stem, 5-3  
Key, Woodruff, 0.25 1.00, [Asa#0808], 4-9  
Kit, Brake, 2-97  
Kit, Ci, Alarm, Backup, A/V, W/ Cab, 3-23  
Kit, Ci, Alarm, Backup, A/V, W/O Cab,  
3-21  
Kit, Ci, Dlx Seat / Belt / Tilt Steering, 3-67  
Kit, Ci, Extinguisher, Fire, [6600/6650],  
3-77  
Kit, Ci, Light, Flsh [6600/6650], 3-9  
Kit, Ci, Light, Flsh, Cab [6600/6650], 3-13  
Kit, Ci, Light, Flsh, Flush, Cab, 3-17  
Kit, Ci, Light, Flsh, Ohg, 3-5  
Kit, Ci, Light, Revl [6600/6650], 3-11  
Kit, Ci, Light, Revl, Cab [6600/6650], 3-15  
Kit, Ci, Light, Revl, Flush, Ohg, 3-19  
Kit, Ci, Light, Revl, Ohg [6600/6650], 3-7  
Kit, Ci, Ohg [6600/6650], 3-25  
Kit, Ci, Sbdc, [6600/6650], 3-69  
Kit, Ci, Transport [6600/6650], 3-79  
Kit, Ci, Turn Signal, Plstc Hppr, 3-3  
Kit, Ci, Wand, Vacuum, 3-63  
Kit, Clamp, Hopper Filter Box, 6600/6650,  
2-113  
Kit, Connector, Coolant Sensor, 4-25,  
4-27, 4-29, 4-31  
Kit, Connector, Gas Injector, 4-29, 4-31  
Kit, Connector, Govnr, 4-25, 4-27, 4-29,  
4-31  
Kit, Connector, Sensor, [lat], 4-25, 4-27,  
4-29, 4-31  
Kit, Connector, Sensor, [Map], 4-25, 4-27  
Kit, Detent In, 4-13, 4-15  
Kit, Detent Out, Valve, Hyd, 4-13, 4-15  
Kit, Detent, Valve, Hyd, 4-13, 4-15  
Kit, Dust, Cab, [385/355], 3-37  
Kit, Gasket, Manifold, 4-25, 4-27, 4-29,  
4-31  
Kit, Maint, 400hr W/O A/C [6600 G] Eng,  
2-3  
Kit, Maint, 400hr W/O A/C [6600lpg] Eng,  
2-3  
Kit, Maint, 400Hr, Gas [6600/6650], 2-2  
Kit, Maint, 400Hr, Lpg [6600/6650], 2-2  
Kit, Maint, Skirt, Door, Hppr [6600/6650],  
2-2  
Kit, Maint, Skirt, Hppr [6600/6650XP], 2-2  
Kit, O-ring, Injector, Top And Bottom, Lpg,  
4-25, 4-27  
Kit, Org, Injector And Reg, Gas, 4-29,  
4-31  
Kit, Reg, Gas Press, 4-29, 4-31  
Kit, Replmt, Seal, Motor, Hyd, 4-9  
Kit, Ring, Restrictor, [6500/6550], 2-113  
Kit, Rotating, Pump, Hyd, 4-3  
Kit, Seal, Cyl, Hyd, 4-18, 4-19  
Kit, Seal, Hyd, Pump, 4-3  
Kit, Seal, Hyd, Valve, Strg, 4-17  
Kit, Seal, Motor, Hyd, 4-7, 4-9, 4-10  
Kit, Seal, Motor, Hyd, Gear, 4-11  
Kit, Seal, Pump, Hyd, 4-5

Kit, Seal, Valve, Hyd, 4-11, 4-13, 4-15  
Kit, Shim, 4-3  
Kit, Spring, 2-7  
Kit, Spring, Valve, Strg, 4-17  
Kit, Wiper, Mtg, Plate, 3-35  
Knob Assy, Star, 1.97d 4ear M10x1.5 5.5l,  
2-119  
Knob, Star, 2.2od 8ear 1.1l M10x1.5 Pls,  
2-121  
Knob, Tpr, 1.00d 1.63l M08x1.25 Plstc,  
3-57, 3-59  
Knob, Tpr, 1.12d 3.86l M10x1.5 Plstc,  
2-119, 2-121  
Knob, Tpr, 1.12d 3.88l M08x1.25 Plstc,  
3-67

## L

Label Set, Hi Temp, 2-172  
Label Set, Info/Hzrd, [Multi-Machines],  
2-172  
Label Set, Opertrnl, 3-57  
Label Set, Opertrnl [6600], 2-172  
Label Set, Opertrnl, [355l], 3-59  
Label, Caution [Apply Parking Brake],  
2-172  
Label, Info, A/C, On-Off, 3-54  
Label, Instr, Fltr Drain, 2-47  
Label, Numerals [6600], 2-172  
Label, Opertrnl, Cab, 3-35  
Label, Opertrnl, Cab (W/AC), 3-35  
Label, Opertrnl, Heat On-Off, 3-41, 3-43,  
3-45, 3-47  
Label, Spec, A/C, 3-45, 3-47  
Lamp Strobe, Amb [12-48 Vdc], 3-7,  
3-11, 3-15, 3-19  
Lamp, 12vdc Lamp, Dome [Speaker],  
3-35  
Lamp, 12vdc, . A Cp [#194], 3-3  
Lamp, 12vdc, 0.9a, 15cp Watt [#1004],  
3-21, 3-23  
Lamp, 12vdc, 0.5a Watt 04cp, 2-7  
Lamp, 12vdc, 2.1a Watt 32c [#1156],  
3-5, 3-7, 3-9, 3-11, 3-13, 3-15,  
3-17, 3-19  
Lamp, 12vdc, Turn Signal, 3-3  
Lamp, Bulb, Lamp, Fish, 3-5, 3-9, 3-13,  
3-17  
Lamp, Bulb, Lamp, Strobe, 3-7, 3-11,  
3-15, 3-19  
Lamp, Flasher, Amb [12-48 Vdc], 3-5,  
3-9, 3-13, 3-17  
Latch, 2-17, 2-21, 2-79, 2-81, 2-111,  
2-123, 2-137, 3-33, 3-49, 3-61  
Latch Assy, Rbr, 1.6d 1.4l/1.0d 1.0l, 2-15,  
2-17  
Latch Hook, Lh, 2-11  
Latch, Bolt, 2-9, 2-11, 2-17  
Latch, Hook, Rh, 2-9  
Latch, Rbr, A/C Cover W/ Rivets, 4-22,  
4-23  
Lens, Amber, Light, Flsh, [Fr207], 3-5,  
3-9, 3-13, 3-17

Lens, Amber, Light, Revl, 3-7, 3-11, 3-15, 3-19  
 Lens, Blu, F/ Revl / Flasher, 3-5, 3-7, 3-9, 3-11, 3-13, 3-15, 3-17, 3-19  
 Lens, Blue, Light, Flsh, [Fr207], 3-5, 3-9, 3-13, 3-17  
 Lens, Blue, Light, Revl, 3-7, 3-11, 3-15, 3-19  
 Lens, Lamp, Amb, Strobe/Flasher, 3-5, 3-7, 3-9, 3-11, 3-13, 3-15, 3-17, 3-19  
 Lens, Red, Light, Flsh, [Fr207], 3-5, 3-9, 3-13, 3-17  
 Lens, Red, Light, Revl, 3-7, 3-11, 3-15, 3-19  
 Lens, Red, F/ Revl / Flasher, 3-5, 3-7, 3-9, 3-11, 3-13, 3-15, 3-17, 3-19  
 Lever, 3-57, 3-59, 3-67  
 Lever Wldt, Brush Lift, 2-121  
 Lever, Brake, Parking, 2-99  
 Lever, Door Release, 3-33  
 Light, Dome, 12vdc, Rwk 58951, 3-35  
 Light, Flsh, 12vdc, Amb, Rwk 82198, 3-5, 3-9, 3-13, 3-17  
 Light, Marker, 12vdc, Yel, 4.0 X 2.0, 3-3  
 Light, Panl, 14vdc, 1.1 X 1.0, 2-25  
 Light, Panl, 14vdc, 1.1 X 1.0 (LPG Only), 2-25  
 Light, Revl, 12vdc, Amb, Rwk 82200, 3-7, 3-11, 3-15, 3-19  
 Light, Spot, 12vdc, 21cp Rwk 44025a, 3-21, 3-23  
 Light, Spot, 12vdc, 35watt Rwk 68305, 3-3  
 Liner, Head, Plenum, 3-39  
 Link, Handle, 2-133

**M**

Magnet, 3-57, 3-59  
 Manifold, Exhaust, 5-9  
 Manifold, Gas, Relief, Valve [2007], 2-77  
 Manifold, Intake, 5-9  
 Manifold, Intake [1.6l], 2-41, 2-43, 2-49, 2-53  
 Manual Pkg, [6600 Gas/Lpg Na], 3-80  
 Manual Pkg, Service Info [6600/6650], 3-80  
 Manual, Cd-Rom, Service Info [6600/6650], 3-80  
 Manual, Eng, Cd-Rom [Tier li,Gm1.6l], 3-80  
 Manual, Oprtr, [6600 Gas/Lpg Es Na], 3-80  
 Manual, Oprtr, [6600 Gas/Lpg Fr Na], 3-80  
 Mirror, Convex, 06.7 X 06.2, 3-25, 3-31  
 Mixer, Lpg [Gm 1.6l], 2-49  
 Mixer, W/70 Deg Ftg, 2-53  
 Module, 2-29  
 Module, Ecu, Gas [Gm, 1.6l 2007], 2-43  
 Module, Ecu, Gas/Lpg [1.6l], 2-41  
 Module, Ecu, Lpg [Gm 1.6l], 2-49  
 Module, Ecu, Lpg [Gm1.6l 2007], 2-54

Molding, Trim, Pvc,.08-.11 04.0l, 2-111  
 Molding, Trim, Pvc,.08-.11 05.0l, 2-23  
 Molding, Trim, Pvc,.08-.11 07.5l, 2-23  
 Molding, Trim, Pvc,.08-.11 07.7l, 2-111  
 Molding, Trim, Pvc,.08-.11 14.2l, 2-13  
 Molding, Trim, Pvc,.08-.11 22.8l, 2-13  
 Molding, Trim, Pvc,.08-.11 25.6l, 2-7  
 Molding, Trim, Pvc,.18-.31 02.8l, 3-63  
 Motor, Blower, 12vdc, A/C, 4-22, 4-23  
 Motor, Ele, Wiper, 12vdc 68deg, 3-35  
 Motor, Hyd, Gear, [Ex] .194 R 3000, 4-11  
 Motor, Hyd, Gear, [Ex] .194 R 3000 (See Breakdowns), 2-125  
 Motor, Hyd, Gear, [In] 02.8 1500, 4-9  
 Motor, Hyd, Gear, [In] 02.8 1500 (See Breakdowns), 2-123  
 Motor, Hyd, Gear, [In] 17.9 B 1500, 4-10  
 Motor, Hyd, Gear, [In] 17.9 B 1500 (See Breakdowns), 2-117  
 Motor, Hyd, Gear, [Int], 19.0 X 3000, 4-7  
 Motor, Hyd, Gear, [Int], 19.0 X 3000 (See Breakdowns), 2-93  
 Mount Wldt, Eng, Gas / Lpg, 2-31, 2-33, 2-35, 2-37  
 Mount Wldt, Eng, Gas/Lpg, 3-53  
 Mount, Cable Tie, 2-87, 2-88, 3-5, 3-7, 3-9, 3-11, 3-13, 3-15, 3-17, 3-19, 3-21, 3-23  
 Muffler, Catalytic [Gm 1.6l 2007], 2-71  
 Muffler, Catalytic [Gm1.6l, 7400, 6600], 2-69  
 Muffler, Exhaust, 2-67, 3-78

**N**

Nut, Hex, Flng, .25-20, 2-21  
 Nut, Hex, Flng, M05 X 0.8, 3-3, 3-21, 3-23  
 Nut, Hex, Flng, M06 X 1.0, 2-13, 2-31, 2-33, 2-35, 2-37, 2-73, 2-101, 3-5, 3-7, 3-57, 3-59  
 Nut, Hex, Flng, M08 X 1.25, 2-7, 2-13, 2-21, 2-27, 2-31, 2-35, 2-73, 2-75, 2-77, 2-79, 2-81, 2-89, 2-91, 2-93, 2-109, 2-135, 3-23, 3-33, 3-41, 3-43, 3-45, 3-47, 3-63, 3-69  
 Nut, Hex, Flng, M10 X 1.5, 2-117, 3-69, 3-79  
 Nut, Hex, Flng, M6 X 1.0, 2-75, 2-77, 2-85  
 Nut, Hex, Flng, M6 X 1.00, 2-87, 2-88  
 Nut, Hex, Flng, M8 X 1.25, 2-33, 2-37, 2-53, 2-85, 2-137  
 Nut, Hex, Jam, .25-20, 2-19  
 Nut, Hex, Jam, .25-28, 3-49, 3-61  
 Nut, Hex, Jam, .50-20, 2-97  
 Nut, Hex, Jam, M10 X 1.5, Ss, 2-119, 2-121  
 Nut, Hex, Jam, M16x2.0, 2-19  
 Nut, Hex, Jam, M20 X 1.5, 2-23  
 Nut, Hex, Lock, .25-20, NI, 2-73, 2-75, 2-77, 2-101, 2-103

Nut, Hex, Lock, .25-28, NI, Thin, 3-49, 3-61  
 Nut, Hex, Lock, .31-18, NI, 2-65  
 Nut, Hex, Lock, .31-18, NI, Ss, 3-3  
 Nut, Hex, Lock, .31-18, NI, Thin, 2-19, 3-33, 3-49, 3-61  
 Nut, Hex, Lock, .31-24, NI, Thin, 2-125  
 Nut, Hex, Lock, .38-16, NI, 2-21, 2-79, 2-81, 2-125, 3-53  
 Nut, Hex, Lock, .38-16, NI, Thin, 2-103  
 Nut, Hex, Lock, .75-10, NI, 2-93, 2-123  
 Nut, Hex, Lock, M 4 X 0.7, NI, 2-113, 3-35, 3-63, 3-65  
 Nut, Hex, Lock, M 5 X 0.8, NI, Ss, 2-107  
 Nut, Hex, Lock, M 5 X 0.8, NI, 2-7, 2-25, 2-49, 3-3, 3-49, 3-57, 3-59, 3-61, 3-63  
 Nut, Hex, Lock, M 6 X 1.0, NI, 2-13, 2-15, 2-21, 2-25, 2-27, 2-29, 2-79, 2-109, 2-133, 3-33, 3-49, 3-61, 3-63, 3-65  
 Nut, Hex, Lock, M 6 X 1.0, NI, Ss, 2-2, 2-29, 2-99, 2-105, 2-107, 2-111, 3-69  
 Nut, Hex, Lock, M 8 X 1.25 NI, 2-17, 2-57, 2-59, 2-61, 2-67, 2-99, 2-101, 2-113, 2-119, 2-121, 2-123, 2-131, 3-3, 3-11, 3-21, 3-23, 3-31, 3-49, 3-61  
 Nut, Hex, Lock, M 8 X 1.25, NI, Ss, 2-2, 2-7, 2-63, 2-105, 2-107, 2-119, 2-131, 3-51  
 Nut, Hex, Lock, M10 X 1.5, NI, 2-13, 2-83, 2-85, 2-95, 2-101, 2-103, 2-125, 3-25, 3-49, 3-57, 3-59, 3-61, 3-67  
 Nut, Hex, Lock, M12 X 1.75, NI, 2-15, 2-17, 2-31, 2-33, 2-35, 2-37, 2-97, 2-111, 2-123, 3-25, 3-33, 3-57  
 Nut, Hex, Lock, M4 X 0.7, NI, 2-137  
 Nut, Hex, Lock, M5 X 0.8, NI, 2-41, 3-5, 3-7, 3-9, 3-11, 3-13, 3-15, 3-17, 3-19, 3-39  
 Nut, Hex, Lock, M6 X 1.0, NI, 2-17, 2-41, 2-43, 2-49, 2-77, 2-137, 3-54  
 Nut, Hex, Lock, M6 X 1.00 NI, 3-9  
 Nut, Hex, Lock, M6 X 1.00, NI, 2-53  
 Nut, Hex, Lock, M8 X 1.25, NI, 2-65, 2-69, 2-71, 2-109  
 Nut, Hex, Std, .75-16, 4-9  
 Nut, Hex, Std, 1.00-20, 2-97  
 Nut, Hex, Std, 1.12-18, 2-93  
 Nut, Hex, Std, .25-20, 2-43, 2-47, 2-53  
 Nut, Hex, Std, .31-18, 2-63, 2-65  
 Nut, Hex, Std, .38-16, 2-17, 2-71  
 Nut, Hex, Std, .44-14, 5, 3-33  
 Nut, Hex, Std, .50-20, 2-97  
 Nut, Hex, Std, .75-16, 2-93  
 Nut, Hex, Std, #06-32, 2-73  
 Nut, Hex, Std, M03 X 0.5, 2-25  
 Nut, Hex, Std, M05 X 0.8, 2-103  
 Nut, Hex, Std, M06 X 1.0, 2-31, 2-35  
 Nut, Hex, Std, M08 X 1.25, 2-63, 2-65  
 Nut, Hex, Std, M08 X 1.25, Brs, 2-63

## CROSS REFERENCE

- Nut, Hex, Std, M10 X 1.5, 2-101, 2-103, 3-27  
Nut, Hex, Std, M10 X 1.5, Ss, 2-117  
Nut, Hex, Std, M10-1.5, Ss, 2-103  
Nut, Hex, Std, M12 X 1.75, 2-17  
Nut, Hex, Std, M12 X 1.75, Ss, 2-9, 2-11, 2-117  
Nut, Hex, Std, M4 X 0.7, 8, 2-75, 2-77  
Nut, Hex, Std, M5 X 0.8, 8, 2-33, 2-37, 2-75, 2-77  
Nut, Hex, Std, M6 X 1.0, 8, 2-33, 2-37  
Nut, Hex, Std, M8 X 1.25, 2-71  
Nut, Hex, Stover, M10 X 1.5, 2-69, 2-71, 3-78  
Nut, Isolator, .25-20 Wall Thk .015-.094, 3-35  
Nut, Isolator, .25-20 Wall Thk .031-.187, 3-35  
Nut, Manifold, Exhaust, M8 X 1.25, 5-9  
Nut, Motor, Hyd, 4-7  
Nut, Push, M6 X 1.0, 2-111  
Nut, Retainer, .312 Dia, 2-115  
Nut, Speed, Retainer, .31-18 [.093-.126], 2-19  
Nut, Speed, Retainer, #08-32 [.025-.063], 3-21, 3-23  
Nut, U, M06 X 1.0, 2-19, 2-25, 3-35, 3-49, 3-61  
Nut, U, M08 X 1.25, 2-13  
Nut, Wheel, .50-20 X 60 Angle, 2-93  
Nut, Wing, .31-18, 2-91
- O**
- Outside Sprocket, Gm, 5-11
- P**
- Pad, Pedal, Brake, 3.9 2.4 0.75t, 2-99  
Paint, Airdry, Blk, 12oz, 2-3  
Paint, Airdry, Gray, 12oz, 2-3  
Paint, Airdry, Iron Gray, 12oz, 2-3  
Paint, Airdry, Off-White, 12oz, 2-3  
Paint, Airdry, Teal, 12oz, Solid, 2-3  
Pan, Oil, W/ Baffle / Plug / Seal, 5-8  
Pane, Cab, 3-31  
Pane, Door, Cab, 3-33  
Panel Assy, Instmt [6600], 2-25  
Panel Wldt, 2-79, 2-81  
Panel Wldt, Instmt, Side [6600], 2-27  
Panel Wldt, Perma-Filter, 2-105  
Panel Wldt, Sppt, Seat, 2-13  
Panel, Eng, 2-7  
Panel, Handle, Valve, W/ Label [6600], 2-27  
Panel, Indicator Light, 2-25  
Panel, Inside, 2-13  
Panel, Instmt, Cab, 3-35  
Panel, Instmt, Cab [6600/6650], 3-35  
Panel, Instmt, W/ Label [6600], 2-25  
Panel, Jam, Door, Rear, Lower, 3-31  
Panel, Main Brush, W/ Label [6600], 2-121  
Panel, Shrd, Fan, Gas/LPG, 2-83, 2-85  
Panel, Sppt, 2-119  
Pedal, Propel, Lower, W/ Tread, 2-101  
Pedal, Propel, Upper, W/ Tread, 2-101  
Pin, 2-15, 2-17, 2-93, 2-115, 2-117  
Pin Assy, Clevis, Hopper Lift, 2-115  
Pin-Grvd, 1.00d 3.0l2/ 2.71btwn, 2-115  
Pin, 0.38d 17.2l 1/.10h 2/M04 X 0.7h, 3-57, 3-59  
Pin, 1.25d 03.3l 1/M08x1.25 Stl, 2-115  
Pin, Arm, Safety, 2-115  
Pin, Clevis, 0.25 D X 2.44l, 3-67  
Pin, Clevis, 0.37 D X 1.00l, 2-97  
Pin, Clevis, 0.37 D X 1.50l, 2-119  
Pin, Clevis, 0.37 D X 2.00l, 2-119  
Pin, Clevis, 0.37 D X 2.12l, 2-101  
Pin, Clevis, 0.37 D X 3.00l, 3-33, 3-67  
Pin, Clevis, 0.37 D X 4.50l, 2-101  
Pin, Clevis, 0.38 D X 1.13l, 2-97, 2-99, 2-121  
Pin, Clevis, 0.50 D X 1.25l, 2-97  
Pin, Clevis, 0.50 D X 3.50l, 2-107  
Pin, Clevis, 0.50 D X 4.50l, 2-101  
Pin, Clevis, 0.50 D X 5.00l, 2-117, 3-69  
Pin, Clevis, 0.50 D X 5.50l, 2-117  
Pin, Cotter, .062 X 0.75, 3-67  
Pin, Cotter, .094 X 0.75, 2-97, 2-99, 2-101, 3-33, 3-67  
Pin, Cotter, .094 X 1.00, 2-121  
Pin, Cotter, .125 X 1.00, 2-97, 2-101, 2-117, 2-119, 3-67  
Pin, Cotter, .125 X 1.25, 2-107, 2-123  
Pin, Cotter, .125 X 1.75, 2-97  
Pin, Cotter, .125 X 2.50, 2-93  
Pin, Dowel, Pump, Hyd, 4-3  
Pin, Grooved, 2-115  
Pin, Hair Cotter, 0.62 D .120 Wir, 2-117  
Pin, Hair Cotter, 0.69 D .092 Wir, 2-13, 2-15, 2-17, 2-101, 3-69  
Pin, Hopper, Lift, 2-111  
Pin, Lock, Cyl Head, 14mm X 17mm, 5-3, 5-5  
Pin, Lock, Transmission, 5-5  
Pin, Retainer, 2-50  
Pin, Ring, Lock, Hsng, Water Pump, 5-7  
Pin, Roll, .090 D X 0.75l, .094/.097, 3-57, 3-59  
Pin, Valve, Strg, 4-17  
Pipe, Suc, Oil Pump, 5-7  
Piston, Pump, Hyd, Gear, 4-7  
Piston, W/ Pin, Std, 5-5  
Pivot, 2-117  
Plate, 2-25, 3-5, 3-7, 3-31, 3-49, 3-57, 3-59, 3-61  
Plate Wldt, Blower Wand, 3-57, 3-59  
Plate Wldt, Bottom, Hppr, [6600/6650xp], 2-105  
Plate Wldt, Brush, Adj, [6500], 2-121  
Plate Wldt, Cover, Eng, 2-19, 3-49, 3-61  
Plate Wldt, Cover, Eng, Metal, 3-61  
Plate Wldt, Cover, Eng, Metal [2007], 3-49, 3-61  
Plate Wldt, Cover, Plstc, Eng, 2-19  
Plate Wldt, Cover, Plstc, Eng [2007], 2-19  
Plate Wldt, Stop, [6500], 2-121  
Plate, Access, W/Label [6600/6650], 2-13  
Plate, Adaptor, Pump, Hyd, 4-5  
Plate, Back, Pump, Gear, 4-5  
Plate, Backing, Handle, 3-57, 3-59, 3-63, 3-65  
Plate, Backup, Mtg, Pulley, 2-119  
Plate, Cover, 4-3  
Plate, Cover, Eng, Top, 2-19  
Plate, Cover, Eng, Top [6600/6650 2007], 2-19  
Plate, Floor, Access, 2-13  
Plate, Floor, W/ Tread [6600/6650], 2-13  
Plate, Front, Pump, Gear, 4-5  
Plate, Injector Mtg, W/ Screw, 4-25, 4-27, 4-29, 4-31  
Plate, Mtg, 2-123  
Plate, Mtg, Ecu, 2-54  
Plate, Mtg, Ecu [6600 2007], 2-43  
Plate, Mtg, Latch (LPG Only), 2-15  
Plate, Mtg, Relay, 2-43, 2-53  
Plate, Panel, Shaker, 2-113  
Plate, Retainer, 2-25, 2-105, 3-69  
Plate, Retainer, Bumper, 2-111  
Plate, Retainer, Door, Dump, 2-2, 2-107  
Plate, Retainer, Lh, 2-111  
Plate, Retainer, Rh, 2-111  
Plate, Seal, 3-31  
Plate, Spacer, 3-69  
Plate, Spacer, Motor, Hyd, 4-9, 4-10  
Plate, Valve, Motor, Hyd, 4-7  
Plate, Valve, Pump, Hyd, 4-3  
Plate, Wear, Pump, Hyd, 4-5  
Plate, Wear, Valve, Strg, 4-17  
Plug, 4-7, 5-9  
Plug Assy, 4-17  
Plug Assy, Valve, Hyd, 4-13, 4-15  
Plug Wldt, Drive, Brush, Sweep, 2-123  
Plug Wldt, Idler, Brush, 2-123  
Plug, .12npt, Ss, 2-43, 2-49, 2-53  
Plug, Bore, Valve, Relief, Oil Press, 5-7  
Plug, Drain, Oil Pan, M14 X 1.5 X 12, 5-8  
Plug, Hole, Coolant, Eng Block, 5-5  
Plug, Hole, Core, Eng Block, 5-8  
Plug, Hole, Injector, 2-49, 2-53  
Plug, Hsng, Oil Pump, 5-7  
Plug, Manifold, Intake, 2-41, 2-43, 2-49, 2-53  
Plug, Port, Sensor [Map], 2-41, 2-43, 2-49, 2-53  
Plug, Pump, Hyd, 4-5  
Plug, Pump, Hyd, Gear, 4-7  
Plug, W/O-Ring #20, 4-5  
Plug, W/O-Ring, #16, 4-5  
Plunger, Valve, Hyd, 4-13, 4-15  
Poppet, Pump, Hyd, Gear, 4-7  
Poppet, Valve, Hyd, 4-13, 4-15  
Pulley, 2-63, 2-65  
Pulley Assy, Cable, 2.0d 0.50b, 2-119  
Pulley, Cable, 1.5d, Nyl, 2-97, 2-99, 2-119

Pulley, Fan, Hub [Gm1.6l 2007], 2-65  
 Pulley, Tensioner [Gm], 5-11  
 Pump, Fuel, Gas, 2-73  
 Pump, Fuel, Hi-Press [Gm 1.6l/3.0l], 2-75, 2-77  
 Pump, Hyd, Gear [Ex3] 0.66 [X] 3000, 4-5  
 Pump, Hyd, Gear, W/Org, Afmkt (See Breakdowns), 2-139  
 Pump, Hyd, Piston, [V] 1.44 [R] 4000, 4-3  
 Pump, Hyd, Piston, [V] 1.44 [R] 4000 (See Breakdowns), 2-139  
 Pump, Oil, 5-7  
 Pump, Water [Gm], 5-7

**R**

Race, Bearing, Pump, Hyd, 4-3  
 Race, Bearing, Valve, Strg, 4-17  
 Race, Thrust, Motor, Hyd, 4-9, 4-10  
 Radiator Kit, Replmt, Ci, 2-83, 2-85  
 Rail, Injector, Fuel, Plstc, 2-43  
 Rail, Injector, Gas, W/ Press Reg, 2-41  
 Regulator [Ep], 2-53  
 Regulator Assy, Secondary, Lpg, 12psi, 2-45, 2-47  
 Relay, 12vdc, 20a, Spdt, 2-171  
 Relay, 12vdc, 40a, Spdt, 2-171  
 Relay, 12vdc, 40a, Spdt N/O, 2-29  
 Relay, 12vdc, 40a, Spdt N/O [Potter], 3-54  
 Reservoir, W/ Label, 06.5gal [6600/6650], 2-131  
 Restrictor, Jet, Coolant, 2-49  
 Retainer, Blade, Deflector, 2-7  
 Retainer, Camshaft, 5-11  
 Retainer, Motor, Hyd, 4-7  
 Retainer, Ring, 2-115  
 Retainer, Skirt, 2-2, 2-105, 3-69  
 Retainer, Skirt, Hppr, Top, 2-7  
 Retainer, Skirt, Sbdc, Lh, 3-69  
 Retainer, Sparkplug, 1 Way, 5-12  
 Retainer, Sparkplug, 2 Way, 5-12  
 Retainer, Sparkplug, 3 Way, 5-12  
 Rim Assy, 08 X 3.76 4.5bc/5b, 2-95  
 Rim Assy, 08 X 4.25 4.5bc/5b, [5.25-8], 3-72  
 Ring Kit, Piston, Std 78.95-79.02mm, 5-5  
 Ring, Motor, Hyd, 4-7  
 Ring, Retainer, Valve, Hyd, 4-13, 4-15  
 Ring, Retainer, Valve, Strg, 4-17  
 Ring, Retaining, 4-3  
 Ring, Retaining, Ext, 0.75d, 2-115  
 Ring, Retaining, Ext, 0.98d, [E-Ring], 2-99, 2-115  
 Ring, Retaining, Ext, 1.25d, 2-115  
 Ring, Retaining, Int, 2.00d, 2-115  
 Ring, Retaining, Pump, Hyd, 4-3  
 Rivet, Blind, .125d X 0.44 X .25d, Alm, 2-111  
 Rivet, Blind, .125d X 0.44 X .25d, Stl, 3-31, 3-33  
 Rivet, Blind, .188d X 0.58 X .38d, Stl, 3-69  
 Rivet, Plstc, .250 X 0.898, 2-9, 2-11

Rivet, Plstc, .325d X 0.787, 2-7  
 Rod, 3-49, 3-61  
 Rod-End, .75-16rh Fem 0.75b, 2-93  
 Rod-End, .75-16rh Mal 0.75b, 2-93  
 Rod-End, M10 X 1.5lh Fem M10 X 1.5stud, 2-103  
 Rod-End, M10 X 1.5rh Fem M10 X 1.5stud, 2-101, 2-103  
 Rod, Arm, Safety, 2-115  
 Rod, Connecting, M08 X 45, 5-5  
 Rod, Hanger, Isolator, 2-71  
 Rod, L, . D, 3-67  
 Rod, Thrd, 2 End, M10x1.5 06.6l 1/Lh, 2-103  
 Rod, Thrd, Full, M10x1.5 03.3l, 2-101  
 Rod, Thrd, Limiter, Speed, M10x1.5, 2-101

**S**

Screen, Oil Pump, W/ Suc Pipe, 5-7  
 Screen, Sparkarrest, 2-67, 2-69, 3-78  
 Screw, 2-53  
 Screw, Adj, Valve, Hyd, 5-3  
 Screw, Btn, M 8 X 1.25 X 16, Ss, 3-23, 3-31  
 Screw, Cap, 4-3  
 Screw, Cap, Motor, Hyd, 4-5, 4-7, 4-10  
 Screw, Cap, Pump, Hyd, 4-3  
 Screw, Chz, M05 X 0.8 X 60, 4.8, 2-7  
 Screw, Flt, .38-16 X 0.75, Al, 2-65  
 Screw, Flt, .75-10 X 2.50, Al, 2-123  
 Screw, Flt, M05 X 0.8 X 16, 10.9, 2-123, 3-49, 3-61  
 Screw, Flt, M06 X 1.0 X 16, 10.9, 3-33, 3-49, 3-61, 3-63, 3-65  
 Screw, Flt, M06 X 1.0 X 35, 10.9, 2-125  
 Screw, Flt, M08 X 1.25 X 25, 10.9, 2-125, 3-33  
 Screw, Flt, M08 X 1.25 X 40, 10.9, 3-33  
 Screw, Flt, M8 X 1.25 X 25, 10.9, 2-67, 2-69, 2-137  
 Screw, Hex, 2-50  
 Screw, Hex, .25-20 X 0.50, 5, 2-31, 2-33, 2-35, 2-37, 2-43  
 Screw, Hex, .25-20 X 0.50, Fmg, 3-31, 3-45, 3-57, 3-59  
 Screw, Hex, .25-20 X 0.50, G5, 2-53  
 Screw, Hex, .25-20 X 0.75, 5, 2-43, 2-47  
 Screw, Hex, .25-20 X 0.75, G5, 2-53  
 Screw, Hex, .25-20 X 0.75, NI, 2-125  
 Screw, Hex, .25-20 X 0.75, Sems, 2-21  
 Screw, Hex, .31-09 X 1.25, Wood, 2-117  
 Screw, Hex, .31-18 X 0.62, 5, 2-135, 2-137  
 Screw, Hex, .31-18 X 0.75, Sems, 2-13  
 Screw, Hex, .31-18 X 1.00, 5, 3-41, 3-43, 3-45, 3-47  
 Screw, Hex, .31-18 X 1.25, 5, 2-19  
 Screw, Hex, .31-18 X 1.75, 5, 2-63, 2-65  
 Screw, Hex, .31-18 X 4.50, 5, 2-65  
 Screw, Hex, .31-24 X 0.62, 5, 2-103  
 Screw, Hex, .38-16 X 0.75, NI, 2-123  
 Screw, Hex, .38-16 X 0.75, Ss, 2-23

Screw, Hex, .38-16 X 1.00, 5, 2-31, 2-33, 2-35, 2-37, 2-57, 2-59, 2-61, 2-103  
 Screw, Hex, .38-16 X 1.25, NI, 2-117, 2-139  
 Screw, Hex, .38-16 X 1.50, 5, 3-51  
 Screw, Hex, .38-16 X 2.00, 5, 3-53  
 Screw, Hex, .38-16 X 2.00, Fl, 2-17  
 Screw, Hex, .38-16 X 2.00, Ss, 2-103  
 Screw, Hex, .38-16 X 3.00, 5, 2-79, 2-81  
 Screw, Hex, .38-16 X 3.75, 5, 2-79, 2-81  
 Screw, Hex, .50-13 X 1.25, 5, 2-31, 2-33, 2-35, 2-37  
 Screw, Hex, .75-10 X 2.50, Fl, 2-123  
 Screw, Hex, .75-10 X 3.50, 5, 2-93  
 Screw, Hex, #10-16 X 0.62, Fmg, [AB], 2-83, 2-85  
 Screw, Hex, #10-24 X 0.50, Ss, 2-65  
 Screw, Hex, #10-24 X 0.75, Fmg, 3-39  
 Screw, Hex, #12-16 X 0.75, F/Plstc, 3-65  
 Screw, Hex, M 4 X 0.7 X 10, Fmg, 2-27, 2-121  
 Screw, Hex, M 4 X 0.7 X 12, 8.8, 3-35  
 Screw, Hex, M 5 X 0.8 X 12, Ss, 3-3, 3-21, 3-23  
 Screw, Hex, M 5 X 0.8 X 16, Fmg, 2-115, 3-77  
 Screw, Hex, M 5 X 0.8 X 16, Ss, 2-107  
 Screw, Hex, M 6 X 1.0 X 10, 8.8, 2-83  
 Screw, Hex, M 6 X 1.0 X 12, Ss, NI, 2-135  
 Screw, Hex, M 6 X 1.0 X 16, 8.8, 2-7, 2-13, 2-15, 2-73, 2-79, 3-5, 3-7  
 Screw, Hex, M 6 X 1.0 X 16, Fmg, 2-113, 3-63, 3-65  
 Screw, Hex, M 6 X 1.0 X 16, Ss, 2-123  
 Screw, Hex, M 6 X 1.0 X 16, Ss, NI, 2-2, 2-105, 2-109  
 Screw, Hex, M 6 X 1.0 X 20, 8.8, 2-13, 2-19, 2-31, 2-33, 2-35, 2-37, 2-73, 2-101, 3-33  
 Screw, Hex, M 6 X 1.0 X 20, Fmg, 3-33, 3-37, 3-57, 3-59, 3-69  
 Screw, Hex, M 6 X 1.0 X 20, Ss, 2-2, 2-105, 2-107  
 Screw, Hex, M 6 X 1.0 X 20, Ss, NI, 2-123  
 Screw, Hex, M 6 X 1.0 X 25, 8.8, 2-17, 2-25, 2-83  
 Screw, Hex, M 6 X 1.0 X 25, Ss, 2-9, 2-11, 3-69  
 Screw, Hex, M 6 X 1.0 X 30, 8.8, 2-15  
 Screw, Hex, M 6 X 1.0 X 35, 8.8, 2-13, 2-133  
 Screw, Hex, M 6 X 1.0 X 35, Ss, 2-29, 2-123  
 Screw, Hex, M 6 X 1.0 X 40, 8.8, 3-63, 3-65  
 Screw, Hex, M 6 X 1.0 X 40, Ss, 2-105  
 Screw, Hex, M 6 X 1.0 X 50, 8.8, 3-57, 3-59  
 Screw, Hex, M 6 X 1.0 X 70, 8.8, 2-133  
 Screw, Hex, M 6 X 1.00 X 55, Ss, 2-99

## CROSS REFERENCE

- Screw, Hex, M 8 X 1.25 X 16, 8.8, 2-13, 2-25, 2-73, 2-113, 3-3, 3-67
- Screw, Hex, M 8 X 1.25 X 16, Ss, NI, 2-105, 2-107, 2-109, 2-117
- Screw, Hex, M 8 X 1.25 X 20, 8.8, 2-17, 2-21, 2-23, 2-79, 2-81, 2-89, 2-91, 2-109, 2-113, 2-119, 2-135, 3-9, 3-11, 3-21, 3-23, 3-41, 3-43, 3-45, 3-47, 3-49, 3-61, 3-63, 3-69
- Screw, Hex, M 8 X 1.25 X 20, Fmg, 3-17, 3-19
- Screw, Hex, M 8 X 1.25 X 20, Ss, 2-93, 2-121, 3-11
- Screw, Hex, M 8 X 1.25 X 25, 8.8, 2-7, 2-13, 2-19, 2-57, 2-73, 2-75, 2-77, 2-79, 2-81, 2-91, 2-109, 2-119, 2-125, 3-49, 3-61
- Screw, Hex, M 8 X 1.25 X 25, Fmg, 3-33
- Screw, Hex, M 8 X 1.25 X 25, Ss, 2-9, 2-11, 2-107, 2-123, 2-131
- Screw, Hex, M 8 X 1.25 X 30, 8.8, 2-27, 2-119, 2-131, 3-67
- Screw, Hex, M 8 X 1.25 X 30, Ss, 2-7, 2-15, 2-93, 2-97
- Screw, Hex, M 8 X 1.25 X 35, 8.8, 2-99
- Screw, Hex, M 8 X 1.25 X 35, Ss, NI, 2-105
- Screw, Hex, M 8 X 1.25 X 40, 2-109
- Screw, Hex, M 8 X 1.25 X 40, 8.8, 2-7, 2-101
- Screw, Hex, M 8 X 1.25 X 40, Ss, NI, 2-103
- Screw, Hex, M 8 X 1.25 X 45, 8.8, 2-99, 2-135, 3-51
- Screw, Hex, M 8 X 1.25 X 55, Ss, 2-107
- Screw, Hex, M 8 X 1.25 X 60, FI, 2-63, 2-65
- Screw, Hex, M 8 X 1.25 X 70, Ss, 2-119
- Screw, Hex, M 8 X 1.25 X 110, Ss, 2-63
- Screw, Hex, M 8 X 1.25 X 16, 8.8, 2-67
- Screw, Hex, M 8 X 1.25 X 20, 8.8, 2-63, 2-65
- Screw, Hex, M 8 X 1.25 X 25, 8.8, 2-67
- Screw, Hex, M10 X 1.25 X 20, 8.8, 3-51
- Screw, Hex, M10 X 1.25 X 20, 8.8, 3-53
- Screw, Hex, M10 X 1.5 X 16, 8.8, 2-63, 2-65, 2-117
- Screw, Hex, M10 X 1.5 X 20, 8.8, 3-27
- Screw, Hex, M10 X 1.5 X 20, Ss, 2-9, 2-11
- Screw, Hex, M10 X 1.5 X 25, 8.8, 2-13, 2-31, 2-33, 2-35, 2-37, 3-25, 3-79
- Screw, Hex, M10 X 1.5 X 25, Ss, 2-9, 2-11, 2-121
- Screw, Hex, M10 X 1.5 X 35, 8.8, 2-27, 3-69
- Screw, Hex, M10 X 1.5 X 40, 8.8, 2-63, 2-125
- Screw, Hex, M10 X 1.5 X 100, 8.8, 3-57
- Screw, Hex, M10 X 1.5 X 130, 8.8, 3-59
- Screw, Hex, M10 X 1.5 X 20, 8.8, 2-43, 2-54, 2-65
- Screw, Hex, M10 X 1.5 X 25, 10.9, 2-95
- Screw, Hex, M10 X 1.5 X 35, 8.8, 2-67, 2-69, 2-71, 3-78
- Screw, Hex, M12 X 1.75 X 30, 8.8, 3-25, 3-57
- Screw, Hex, M12 X 1.75 X 40, 10.9, 2-111
- Screw, Hex, M12 X 1.75 X 40, 8.8, 2-97, 3-33
- Screw, Hex, M12 X 1.75 X 40, Ss, 2-111
- Screw, Hex, M12 X 1.75 X 50, 8.8, 2-111
- Screw, Hex, M12 X 1.75 X 60, 8.8, 2-31, 2-33, 2-35, 2-37
- Screw, Hex, M12 X 1.75 X 70, 8.8, 2-117
- Screw, Hex, M12 X 1.75 X 90, 8.8, 2-123
- Screw, Hex, M12 X 1.75 X 40, 8.8, 2-15, 2-17
- Screw, Hex, M16 X 2.0 X 90, 8.8, 2-19
- Screw, Hex, M16 X 2.0 X 20, 8.8, 2-123
- Screw, Hex, M4 X 0.7 X 10, Fmg, 2-113
- Screw, Hex, M4 X 0.7 X 12, 8.8, 2-113
- Screw, Hex, M5 X 0.8 X 16, Ss, 3-39
- Screw, Hex, M6 X 1.0 X 12, 8.8, 2-85
- Screw, Hex, M6 X 1.0 X 16, 8.8, 2-23, 2-75, 2-77, 2-85, 2-137, 3-47
- Screw, Hex, M6 X 1.0 X 20, 8.8, 2-41, 2-50, 2-75, 2-77, 2-85
- Screw, Hex, M6 X 1.0 X 20, Ss, 2-111, 3-9
- Screw, Hex, M6 X 1.0 X 30, 8.8, 2-17
- Screw, Hex, M6 X 1.0 X 35, 8.8, 2-43, 2-54
- Screw, Hex, M6 X 1.0 X 40, Ss, 2-109
- Screw, Hex, M6 X 1.0 X 50, 8.8, 2-77
- Screw, Hex, M6X1.0X16, 8.8, 2-41, 2-49
- Screw, Hex, M7-1.0 X 23.0, 8.8, 2-33, 2-37
- Screw, Hex, M8 X 1.25 X 20, 8.8, 2-17, 2-69, 2-71, 2-85, 2-87, 2-88, 2-137
- Screw, Hex, M8 X 1.25 X 25, 8.8, 2-71, 2-137
- Screw, Hex, M8 X 1.25 X 25, Fmg, 2-9, 2-11
- Screw, Hex, M8 X 1.25 X 30, 8.8, 2-59, 2-61, 2-77
- Screw, Hex, M8 X 1.25 X 45, 8.8, 2-137
- Screw, Hex, M8 X 1.25 X 55, Ss, 2-69, 2-71
- Screw, Hex, M8X1.25X16, 8.8, 2-41, 2-43
- Screw, Motor, Hyd, 4-9, 4-10
- Screw, Pan, #08-32 X 0.50, 1, 3-21, 3-23
- Screw, Pan, #10-14 X 0.75, F/Plstc, 2-111, 2-113, 3-3
- Screw, Pan, #10-24 X 0.50, 1, 2-63
- Screw, Pan, #10-32 X 0.38, 2, 2-29
- Screw, Pan, #10-32 X 0.50, 2, 2-39, 2-45, 2-47
- Screw, Pan, M 3 X 0.5 X 12, 4.8, 2-25
- Screw, Pan, M 4 X 0.7 X 16, 4.8, 3-63, 3-65
- Screw, Pan, M 5 X 0.8 X 10, 4.8, 3-3
- Screw, Pan, M 5 X 0.8 X 16, 4.8, 2-25
- Screw, Pan, M 5 X 0.8 X 20, 4.8, 3-63
- Screw, Pan, M 5 X 0.8 X 25, Ss, 3-57, 3-59
- Screw, Pan, M 6 X 1.0 X 16, 4.8, 2-19, 3-49, 3-61, 3-63
- Screw, Pan, M 6 X 1.0 X 20, 4.8, 2-27
- Screw, Pan, M4 X 0.7 X 10, Ss, 2-137
- Screw, Pan, M4x0.7 X 60, 4.8, 3-63, 3-65
- Screw, Pan, M5 X 0.8 X 16, 4.8, 2-25
- Screw, Pan, M5 X 0.8 X 20, 4.8, 3-5, 3-7, 3-9, 3-11, 3-13, 3-15, 3-17, 3-19
- Screw, Pan, M5 X 0.8 X 40, 4.8, 2-41, 2-49
- Screw, Pan, M6 X 1.0 X 16, 4.8, 2-17
- Screw, Pan, M6 X 1.0 X 20, 4.8, 3-33
- Screw, Soc, 2-50
- Screw, Soc, .38-16 X 1.50, Al, 2-31, 2-33, 2-35, 2-37
- Screw, Soc, .38-16 X 1.75, Al, 2-63, 2-65
- Screw, Soc, .50-13 X 1.50, Al, 2-93
- Screw, Soc, M 8 X 1.25 X 25, 12.9, 2-115
- Screw, Soc, M12 X 1.75 X 55, 10.9, 2-31, 2-33, 2-35, 2-37
- Screw, Soc, M16 X 2.0 X 50, 12.9, 2-93
- Screw, Soc, M6 X 1.0 X 25, 12.9, 2-41, 2-43
- Screw, Soc, M6 X 1.0 X 45, 12.9, 2-41, 2-43
- Screw, Soc, M6 X 1.00 X 25, 12.9, 2-53
- Screw, Soc, M8 X 1.25 X 70, 12.9, 2-53
- Screw, Valve, Strg, 4-17
- Seal Kit, 2-115
- Seal, Bulb, [Sd-0504], 19.75l, 3-31
- Seal, Bulb, [Sd-0504], 34.50l, 3-33
- Seal, Bulb, [Sd-0504], 36.50l, 2-21, 2-27
- Seal, Bulb, [Sd-0504], 142.00l, 3-31
- Seal, Bulb, 90, 0.50d .31grip 50.0l, 2-111
- Seal, Door, Dump, 2-2, 2-107
- Seal, Door, Dump, Side, 2-2, 2-107
- Seal, Foam, 2-25
- Seal, Handle, Valve, 2-27
- Seal, O-Ring, .069 X 3.06id, 2-139
- Seal, Oil, Cshft, 5-5
- Seal, Org, 2-49
- Seal, Org, Bolt, Cover, Camshaft Hsng, 5-11
- Seal, Org, Cap, 5-3
- Seal, Org, Cap, Fltr, Oil, 5-8
- Seal, Org, Hsng, Oil Pump, 5-7
- Seal, Org, Oil Pump, 5-7
- Seal, Org, Press Switch / Drain Plug, 5-7, 5-8
- Seal, Org, Sensor, Temp [Epr], 2-54
- Seal, Org, Throttle Body, 2-50
- Seal, Org, Water Pump, 5-7
- Seal, Pocket, Hopper, 2-105
- Seal, Rbr, 0.38, 20.0 30.0, Fltr, 2-113
- Seal, Rbr, Clsd, 1.50d 39.9l, 3-37
- Seal, Rbr, Door, .19 2.50w 40.6l Red, 2-105
- Seal, Rbr, Open, 0.31th, 0.75w 07.0l Adh, 2-9, 2-11
- Seal, Rbr, Open, 0.31th, 0.75w 21.0l Adh, 2-9, 2-11

- Seal, Rbr, Open, 1.00th, Door, Brush, Lh, 2-11  
 Seal, Rbr, Open, 1.00th, Door, Brush, Rh, 2-9  
 Seal, Rear Drive Grease Cavity, 2-93  
 Seal, Ring, Pipe, Suc, Oil Pump, 5-7  
 Seal, Sbdc, Bmpr, 3-69  
 Seal, Sbdc, Bmpr (6600 Only), 3-69  
 Seal, Sbdc, Bmpr (6650 Only), 3-69  
 Seal, Seat, Valve, 5-3  
 Seal, Shaft, 2-107  
 Seal, Ure, 0.38 0.75w 02.4l Adh, 3-31  
 Seal, Ure, 0.38 0.75w 04.0l Adh, 2-113  
 Seal, Ure, 0.38 0.75w 13.2l Adh, 2-125  
 Seal, Ure, 0.38 0.75w 21.0l Adh, 2-125  
 Seal, Ure, 0.38 0.75w 25.2l Adh, 2-125  
 Seal, Ure, 0.38 0.75w 28.8l Adh, 3-31  
 Seal, Ure, 0.38 0.75w 33.0l Adh, 2-125  
 Seal, Ure, 0.38 0.75w 36.0l Adh, 3-31  
 Seal, Ure, 0.38 0.75w 40.0l Adh, 2-113  
 Seal, Ure, 1.00 10.40w 19.0l Adh, 2-109  
 Sealant, Tube, Ds, 5-8  
 Seat, Dlx, W/2 Swing Arm [6650/6600], 3-67  
 Seat, Michigan, Model V-1500, 2-13  
 Seat, Rotator, Valve, 5-3  
 Seat, Spring, Valve, 5-3  
 Seat, Spring, Valve, 0.333, 5-3  
 Seat, Valve, Exhaust, [+0.2mm], 5-3  
 Seat, Valve, Exhaust, [+0.4mm], 5-3  
 Seat, Valve, Exhaust, Std, 5-3  
 Seat, Valve, Intake, [+0.2mm], 5-3  
 Seat, Valve, Intake, [+0.4mm], 5-3  
 Seat, Valve, Intake, Std, 5-3  
 Seatbelt, 60.0l, 3-27  
 Seatbelt, Static F/Dlx Seat [6650/6600], 3-67  
 Send-unit, Fuel, 2-77  
 Send-Unit, Fuel, Ohm, 2-73, 2-75  
 Sensor [T Map], 2-53  
 Sensor, [Tmap], 2-41, 2-43, 2-49  
 Sensor, Exhaust, Tailpipe, 2-71  
 Sensor, Manifold Press, 4-25, 4-27, 4-29, 4-31  
 Sensor, Oxygen, 2-33, 2-37  
 Sensor, Position, Cshft, 2-31, 2-33, 2-35, 2-37, 5-7  
 Sensor, Temp, 4-25, 4-27, 4-29, 4-31  
 Sensor, Temp [Epr], 2-54  
 Sensor, Temp, Coolant, 2-33, 2-37  
 Sensor, Temp, Water [Rework For 1.6gm], 2-33, 2-37  
 Sensor, Thermal, 120vac 10a Spdt, 2-113  
 Sensor, Water Temp, 2-39, 2-45, 2-47  
 Shaft, 2-97  
 Shaft Assy, Pedal, Brake, W/ Pad, 2-99  
 Shaft Wldt, Link, Propel, Gas / Lpg, 2-101  
 Shaft, Idler, Plug, Brush, 2-123  
 Shaft, Motor, Hyd, 4-7  
 Shaft, Output, Motor, Hyd, 4-9, 4-10  
 Sheave, Cshft, 5-5  
 Sheave, Flat, 3.0d 1.00w, Brg, 0.38b, 3-51, 3-53  
 Shield, Heat, 2-67, 2-69, 2-71  
 Shield, Manifold, Exhaust, 5-9  
 Shield, Starter [1.6l], 2-33  
 Shim .010t, Valve, Hyd, 4-13, 4-15  
 Shim .015t, Valve, Hyd, 4-13, 4-15  
 Shim .035t, Valve, Hyd, 4-13, 4-15  
 Shock Absorber, 2.3 Strk, 2-101  
 Shoe, Brake, 2-97  
 Skirt, 2-111, 3-69  
 Skirt, Brush Door, 2-9, 2-11  
 Skirt, Deflection, 2-9, 2-11  
 Skirt, Deflector, 2-7  
 Skirt, Deflector, Air, 2-83, 2-85  
 Skirt, Firewall, Rh, 3-37  
 Skirt, Front, Sbdc, 3-69  
 Skirt, Hopper, 2-7  
 Skirt, Hppr, Plstc, 2-2, 2-105, 3-69  
 Skirt, Lip, 2-2, 2-105  
 Skirt, Recirculation, Turf (Option), 2-7  
 Skirt, Seal, Main Brush, 2-7  
 Sleeve, Dashpo, Pump, Hyd, Gear, 4-7  
 Sleeve, Nyl, #13 14.7l, 3-33  
 Sleeve, Nyl, #17 45.0l, 2-107  
 Sleeve, Nyl, #27 20.0l, 2-123  
 Sleeve, Nyl, #27 30.0l, 2-135  
 Sleeve, Nyl, #27 65.0l, 2-117  
 Sleeve, Nyl, #33 60.0l, 3-41, 3-43, 3-45, 3-47  
 Sleeve, Nyl, 27 16.0l, 2-137  
 Sleeve, Nyl, 27 30.0l, 2-137  
 Sleeve, P/M, 0.496d 0.318b 0.50l 430ss, 2-97, 2-99, 2-119  
 Sleeve, P/M, 0.496d 0.318b 1.25l 430ss, 2-69, 2-71  
 Sleeve, Throttle [Bosch], Plstc, 2-49  
 Solenoid, 12v, Valve, Hyd, 4-11  
 Solenoid, Filter Shaker, 2-113  
 Spacer, Brkt, Latch, 2-19  
 Spacer, Duct, 3-39  
 Spacer, Fan, 2-63, 2-65  
 Spacer, Fan, Taper [2007], 2-65  
 Spacer, Handle, 3-63  
 Spacer, Hinge, 3-63, 3-65  
 Spacer, Sppt, Filter Lock Off, 2-49  
 Spacer, Steel, Condenser, A/C, 4-21  
 Spacer, Strap, Adj, Alternator, 2-63, 2-65  
 Spacer, Valve, Hyd, 4-13, 4-15  
 Spacer, Valve, Strg, 4-17  
 Sparkplug, 2-2, 5-12  
 Sparkplug [Gm], 2-3  
 Spindle, Adjustment, 2-21  
 Spring, 2-97, 4-7, 4-13, 4-15  
 Spring, Cmpr, 0.970d .11wir 5.5l, 3-67  
 Spring, Extn, 0.380d X 0.05wir, 2.5l, 2-17, 2-133  
 Spring, Extn, 0.500d X 0.06wir, 1.8l, 3-49, 3-61  
 Spring, Extn, 0.750d X 0.06wir, 3.5l, 2-109  
 Spring, Extn, 0.750d X 0.12wir, 4.3l, 2-103  
 Spring, Extn, 1.120d X 0.14wir, 6.3l, 2-117  
 Spring, Extn, 0.430d 0.05wir 01.4l, 2-113  
 Spring, Motor, Hyd, 4-7  
 Spring, Tors, 0.54id .11wir 06.0coil, 3-67  
 Spring, Tors, 1.13id .12wir 02.3coil Rh, 2-99  
 Spring, Valve, 5-3  
 Spring, Valve, Hyd, 4-13, 4-15  
 Spring, Valve, Relief, Oil Press, 5-7  
 Sprocket, Camshaft [Fd], 5-11  
 Sprocket, Pump, Water, 5-7  
 Starter, 12vdc [Delco] (Mar. 2006 and Newer), 5-5  
 Starter, 12vdc [Gm] (Before Mar. 2006), 5-5  
 Steer-Control, Hyd, 4-17  
 Steer-Control, Hyd (See Breakdowns), 2-23  
 Strainer, Hyd, 25gpm 100mesh Psi, 2-2, 2-3, 2-131  
 Strainer, Hyd, 25gpm 100mesh Psi, 2-2  
 Strap, 2-9, 2-11, 2-79, 2-81  
 Strap Wldt, Tank, .06th X 1.0w, 37.7l, 2-73, 2-75, 2-77  
 Strap, Adj, Alternator, 2-63, 2-65  
 Strap, Door, Dump, Side, 2-2, 2-107  
 Strap, Hose, 3-63, 3-65  
 Strap, Main, Lip, 2-2, 2-105  
 Strap, Mtg, Cuff, 3-63, 3-65  
 Strap, Muffler Hanger, 2-67  
 Strap, Rbr, Tie-Down, 2/Hooks 19.0l, 2-89, 3-65  
 Strap, Wiper, Door, 2-105  
 Strip, Plstc, 0.03 10.38w 19.0l, 2-109  
 Strip, Rbr, 0.13 00.75w 10.3l, 3-57, 3-59  
 Strip, Rbr, 0.13 01.00w 02.0l, 2-99  
 Strip, Rbr, 0.13 01.00w 03.5l, 2-131  
 Strip, Rbr, 0.13 01.25w 08.8l, 3-57, 3-59  
 Strip, Rbr, 0.13 01.50w 07.0l, 2-131  
 Strip, Rbr, 0.13 02.00w 7.2l, 3-63, 3-65  
 Strip, Retainer, Sbdc, 3-69  
 Strip, Retainer, Skirt, 3-69  
 Strip, Retaining, 2-9, 2-11  
 Strip, Steel, 3-37  
 Stud, Ball, .39d .31-16, Gasspring, 2-19, 3-49, 3-61  
 Stud, Ball, .39d .31-18, .75l, 2-109  
 Stud, M10 X 1.50 [35], 2-69, 2-71  
 Stud, Manifold, M8 X 28, 5-9  
 Stud, Manifold, M8 X 96, 5-9  
 Stud, Starter, M08 X 1.25, 5-5  
 Stud, Wheel, .50-20 X 1.50, 2-93  
 Switch, Binary, A/C, 4-21  
 Switch, Ign, 2-25  
 Switch, Indicator, Oil Press, 2-33, 2-37, 5-7  
 Switch, Press, 12vdc 02a Dpdt N 0006psi, 2-31, 2-35  
 Switch, Press, 12vdc 08a Spst Nc 0070psi, 2-79, 2-81  
 Switch, Press, 12Vdc A Spdt 0011Psi, 2-113  
 Switch, Press, Dpdt 0006psi, 2-33, 2-37  
 Switch, Push, 12vdc 80a Spst No, 2-27

## CROSS REFERENCE

Switch, Rocker, 28vdc 15a Dpdt  
On/Of/On, 3-35, 3-54  
Switch, Rocker, 28vdc 15a Spst On/Of,  
3-35, 3-54  
Switch, Rocker, 36vdc 05a Dpdt  
On/Of/On, 2-25  
Switch, Rocker, 36vdc 05a Progressive,  
2-25  
Switch, Rocker, 36vdc 5a Dpdt On/Of/Mo,  
2-25  
Switch, Snap Actn, 12vdc 15a Nc Rlr, 3-3  
Switch, Snap Actn, 12vdc 15a No Rlr,  
2-107, 2-115, 3-21, 3-23  
Switch, Turn Signal, 12vdc Rwk 60750,  
3-3

### T

Taillight, 12vdc, 6.6 X 3.1, Rwk 59948,  
2-7  
Tank, Coolant, 04.7 03.3 4.7deep, 1liter,  
2-87, 2-88  
Tank, Coolant, 06.0 04.5 06.9deep 2.5 Qt,  
2-87, 2-88  
Tank, Fuel, 9.4 Gal, 2-73, 2-75  
Tank, Fuel, 9.4 Gal [6600/6650 2007],  
2-77  
Tank, Lpg, 33lb, W/ Gauge [Empty] [Liq],  
2-79, 2-81  
Terminal, Bullet, Mal, .157d, 12ga, 3-5,  
3-7, 3-9, 3-11, 3-13, 3-15, 3-17,  
3-19  
Terminal, Ring, .25stud 16-14ga, Ins, 3-5,  
3-7, 3-9, 3-11, 3-13, 3-15, 3-17,  
3-19  
Terminal, Tab, .25 .19h .84l, 2-33, 2-37  
Thermostat, A/C, 4-22  
Thermostat, W/ Hsng And Seal, 5-3  
Tie, Cable, Nyl, 07.3l .19w 1.8 Max D,  
2-87, 2-88, 2-89, 2-91, 2-113, 3-3,  
3-5, 3-7, 3-9, 3-11, 3-13, 3-15,  
3-17, 3-19, 3-21, 3-23  
Tie, Cable, Nyl, 11.4l .19w 3.0 Max D,  
2-23, 2-25, 3-54  
Tie, Cable, Nyl, 11.5l .19w, 2-47  
Tie, Cable, Nyl, 15.3l . W 4.5 Max D,  
3-45, 3-47  
Tie, Cable, Nyl, 28.5l .50w 8.0 Max D,  
2-87, 2-88  
Tie, Cable, Nyl, 29.8l .30w 9.0 Max D, 2-7  
Timer, 2-29  
Tip, Rbr, 0.94d 0.59b 0.88l, 2-17  
Tire & Wheel Assy, Solid, Turf Non-Mark,  
3-74  
Tire Assy, Foam, 570/500-08 4.5bc/5bolt,  
3-73  
Tire Assy, Pneu, 570/500-08 4.5bc/5bolt,  
2-95, 3-72  
Tire Assy, Solid, 18.0x4.3 4.5bc/5bolt,  
3-70, 3-71  
Tire Assy, Solid, 18.0x5.0 1.56b, 2-97  
Tire Assy, Solid, 18.0x5.0 , W/ Brg, 3-76  
Tire Assy, Solid, 18.0x7.0 , W/ Brg, 3-75

Tire, [5.70/5.00r-8],High Wear, [Ic80],  
3-72  
Tire, Solid, 18.0 X 5.0 Non-Mark [Mn],  
3-76  
Tire, Solid, 18.0 X 5.0 X 12.1 No Rim,  
2-97  
Tire, Solid, 18.0 X 7-8/4.33 [Sc10 Nm],  
3-70  
Tire, Solid, 18.0 X 7.0 Non-Mark [Mn],  
3-74  
Tire, Solid, 18.0 X 7.0 Turf [Mn], 3-75  
Tire, Solid, 18.0 X 7.0 X8.0 [4.33 Sc15],  
3-71  
Tire, W/Tube & Flap, 2-95  
Tray, Battery, 2-91  
Tray, Mtg, Tank, Fuel, 2-73, 2-75, 2-77  
Tread, Non-skid, 02.2w 15.5l, 2-101, 3-33  
Tread, Non-Skid, 08.W 17.0l, 2-13  
Tube [Pcv], 5-3  
Tube Wldt, 2-123  
Tube Wldt, Exhaust, 1.6d, 2-71  
Tube Wldt, Hppr, 3-63, 3-65  
Tube Wldt, Leg, Ohg, Lh, White, [ 355],  
3-25  
Tube Wldt, Leg, Ohg, Rh, White, [ 355],  
3-25  
Tube Wldt, Sppt, Blower Wand, 3-57  
Tube Wldt, Sppt, Blower, Wand, 3-59  
Tube Wldt, Tee, 2-59, 2-61  
Tube, 00.38d 00.26b 00.6l Stl Plt, 2-133  
Tube, 00.38d 00.28b 00.6l Stl, 2-83, 3-33  
Tube, 00.51d 00.33b 00.8l Stl Plt,  
2-99  
Tube, 00.52d 00.26b 00.8l Stl Plt, 2-133  
Tube, 00.75d 00.25b 00.8l Stl Plt,  
2-93  
Tube, 01.00d 00.38b 00.4l Stl Plt,  
3-67  
Tube, Air Bleed, .62d 2.2l .12npt Alum,  
2-41, 2-43, 2-50  
Tube, Bleed, Air, .62od 2.2l .12npt, Alm,  
2-53  
Tube, Coolant, 1.3d Lower [6600/6650],  
2-85  
Tube, Coolant, 1.3d Lower, [6600/6650],  
2-83  
Tube, Ds, 5-8  
Tube, Exhaust, 1.6d 1.70d 1.60d, 2-67  
Tube, Exhaust, Flng, 2-69, 2-71  
Tube, Hyd, 12 Jf12/Jm12, 2-135, 2-137  
Tube, Intake, 2.0d 02.0l Flange, 2-57,  
2-59, 2-61  
Tube, Plstc, 0.31od 0.25id 00.5l, Blk,  
2-123  
Tube, Plstc, 3.00d 2.90b 04.0l Clear, 3-57,  
3-59  
Tube, Plstc, 3.00d 2.90b 16.0l Clear, 3-57,  
3-59  
Tube, Plstc, 3.00d 2.90b 48.0l Clear, 3-57,  
3-59  
Tube, Rnd, 0.50d 0.38b 00.6l, Ss, 2-103  
Tube, Vacuum Wand W/ Label, 3-65  
Tube, Wand, 3-63, 3-65

Tube, Wand, Vacuum, 3-63  
Tube, Wldt, Tee, 3-41, 3-45

### V

Valve Assy, Relief, 4-17  
Valve Stem, N.O.Valve, Hyd, 4-11  
Valve, Body, Throttle, Lpg, 2-50  
Valve, By-Pass, Oil Fltr, 5-8  
Valve, Check, 2-49  
Valve, Drain, A/C, 4-22, 4-23  
Valve, Exhaust, 5-3  
Valve, Fuelock, Lpg, W/ Wire Connector,  
2-50  
Valve, Hyd, Cartridge, 4-11  
Valve, Hyd, Man, 3sp 10gpm 2150psi,  
4-13, 4-15  
Valve, Hyd, Man, 3sp 10gpm 2150psi (See  
Breakdowns) , 2-133  
Valve, Hyd, Mnl, 3 Sp, 10gpm, 2150psi  
(See Breakdowns), 2-133  
Valve, Intake, 5-3  
Valve, Lock Off, 2-53  
Valve, Lpg, Press Relief, [Rego], 2-79,  
2-81  
Valve, Motor, Hyd, 4-7  
Valve, Relief, 4000 Psi, 4-3  
Valve, Relief, Oil Press, 5-7  
Valve, Trim, Fuel, Normal Flow, 2-50  
Valve, Water, Heater, H, 10bm, 3-41,  
3-43, 3-45, 3-47  
Vaporizer, Reg, Primary, 13.5psi, 2-45,  
2-47  
Video, Operator [6600] Vhs Ntsc, 3-80

### W

Wand Kit, Vacuum, W/ Cab, Ci, 3-65  
Washer, 4-3, 5-3  
Washer, .19b .44b .03, Nyl, 2-25  
Washer, 0.28b 1.00d .06, Stl, 2-19  
Washer, 0.34b 1.50d .12, Stl, Pl, 2-105,  
2-107, 2-113  
Washer, 0.34d 1.12d .11, Stl, Pl, 2-119  
Washer, 0.39b 0.75d .06, Nyl, 3-33  
Washer, 0.40b 0.81d .06, Nyl, 2-119  
Washer, 0.53b 1.75d .12, Stl, Pl, 2-123  
Washer, 0.53b 1.88d .12, Stl, Pl, 2-31,  
2-33, 2-35, 2-37  
Washer, 1.28b 1.75d .08, Stl, Pl, 2-115  
Washer, 1.28b 1.75d .25, Stl, Pl, 2-115  
Washer, 1.39b 2.12d .13, Stl, 2-93  
Washer, 2.16b 3.50d .16, Felt, 2-93  
Washer, Belleville, .31, 2-21, 2-103,  
2-123, 3-49, 3-61  
Washer, Belleville, .38, 2-9, 2-11  
Washer, Belleville, .50, 2-15, 2-17, 2-111,  
2-123  
Washer, Flat, .38 Sae, 2-31, 2-33, 2-35,  
2-37, 2-67, 2-97, 2-123, 2-125,  
2-139, 3-51  
Washer, Flat, .38, Hardened, 2-63, 2-65



Washer, Flat, #08, 2-113, 3-35, 3-63, 3-65  
 Washer, Flat, #10, 3-5, 3-7, 3-9, 3-11, 3-13, 3-15, 3-17, 3-19  
 Washer, Flat, #10 Sae, 3-69  
 Washer, Flat, #10 Ss, 2-107, 2-115, 3-39, 3-57, 3-59  
 Washer, Flat, 0.25 Fender, 2-23, 2-85, 2-105, 2-109, 2-111, 2-125, 2-135, 3-39, 3-69  
 Washer, Flat, 0.25 Sae, 2-13, 2-19, 2-21, 2-29, 2-31, 2-35, 2-41, 2-43, 2-49, 2-73, 2-75, 2-77, 2-83, 2-85, 2-133, 2-137, 3-5, 3-7, 3-47, 3-49, 3-57, 3-59, 3-61, 3-63, 3-65  
 Washer, Flat, 0.25 Ss, 2-2, 2-7, 2-9, 2-11, 2-105, 2-107, 2-111, 2-123, 3-37, 3-69  
 Washer, Flat, 0.25 Std, 2-13, 2-15, 2-17, 2-21, 2-25, 2-31, 2-33, 2-35, 2-37, 2-41, 2-49, 2-73, 2-77, 2-79, 2-81, 2-83, 2-85, 2-87, 2-88, 2-99, 2-109, 3-49, 3-61  
 Washer, Flat, 0.25, Sae, 2-54  
 Washer, Flat, 0.25, Std, 2-43, 2-53  
 Washer, Flat, 0.28b 1.00d .06, Stil, 2-47  
 Washer, Flat, 0.28b 1.38d .12, Hrs Pl, 2-133  
 Washer, Flat, 0.31 Fender, 2-67, 2-91  
 Washer, Flat, 0.31 Sae, 2-13, 2-41, 2-43, 2-65, 2-89, 2-91, 2-93, 2-97, 2-99, 2-103, 3-3, 3-31, 3-41, 3-43, 3-45, 3-47, 3-51, 3-63  
 Washer, Flat, 0.31 Ss, 2-2, 2-7, 2-9, 2-11, 2-19, 2-105, 2-107, 2-109, 2-117, 2-119, 3-23  
 Washer, Flat, 0.31 Std, 2-7, 2-13, 2-15, 2-17, 2-19, 2-23, 2-25, 2-27, 2-57, 2-59, 2-61, 2-67, 2-69, 2-71, 2-73, 2-75, 2-77, 2-79, 2-81, 2-85, 2-91, 2-93, 2-101, 2-109, 2-113, 2-119, 2-121, 2-125, 2-131, 2-135, 2-137, 3-3, 3-9, 3-11, 3-21, 3-23, 3-41, 3-43, 3-45, 3-47  
 Washer, Flat, 0.31, Hardened, 2-63, 2-65, 5-9  
 Washer, Flat, 0.31, Std, 2-65, 3-33  
 Washer, Flat, 0.34b 1.12d .12, Stil, Pl, 2-105  
 Washer, Flat, 0.38 Sae, 2-43, 2-59, 2-61, 2-65, 2-85, 3-53  
 Washer, Flat, 0.38 Std, 2-13, 2-17, 2-21, 2-27, 2-31, 2-33, 2-35, 2-37, 2-57, 2-83, 2-101, 2-103, 2-117, 2-119, 3-25, 3-27, 3-49, 3-61, 3-67, 3-77  
 Washer, Flat, 0.38, Hardened, 2-53  
 Washer, Flat, 0.38, Sae, 2-54  
 Washer, Flat, 0.40b 1.12d .12, Stil, Pl, 2-85, 2-125  
 Washer, Flat, 0.50 Sae, 2-15, 2-67, 2-69, 2-71, 2-97, 2-107, 3-25, 3-57  
 Washer, Flat, 0.50 Ss, 2-9, 2-11  
 Washer, Flat, 0.50 Std, 2-17, 2-31, 2-33, 2-35, 2-37, 2-117, 3-33  
 Washer, Flat, 0.50 Std (Gasoline Only), 2-15  
 Washer, Flat, 0.50, Sae, 2-111  
 Washer, Flat, 0.62 Sae, 2-19  
 Washer, Flat, 0.62 Std, 2-111  
 Washer, Flat, 0.75 Sae, 2-93  
 Washer, Flat, 1.00 Sae, 2-97  
 Washer, Flt, 4-5  
 Washer, Flt, #10, 2-25, 2-39, 2-45, 2-47, 2-63, 2-65, 3-3, 3-45, 3-49, 3-57, 3-59, 3-61, 3-63  
 Washer, Flt, Pump, Hyd, 4-3  
 Washer, Lock, Int-Ext, .25, 2-31, 2-33, 2-35, 2-37  
 Washer, Lock, Int-Ext, .31, 2-7, 3-3  
 Washer, Lock, Int-Ext, .38, 2-7, 2-63, 2-65  
 Washer, Lock, Int-Ext, #10, 2-73, 2-75, 2-77, 3-3, 3-21, 3-23  
 Washer, Lock, Int, .31, 2-63  
 Washer, Lock, Int, #04, 2-25  
 Washer, Lock, Int, #06, 2-73  
 Washer, Lock, Int, #08, 2-75, 2-77  
 Washer, Lock, Int, #10, 2-75, 2-77  
 Washer, Lock, Int, 0.25, 2-113  
 Washer, Pump, Hyd, 4-3  
 Washer, Rbr, .19 1.25b 2.00d, 2-107  
 Washer, Sheave, Cshft, 5-5  
 Washer, Sprkt, Camshaft, 5-11  
 Washer, Valve, Hyd, 4-13, 4-15  
 Wheel, Steering, 2-23  
 Wire Assy, 06Ga 13.0L Blk .41H/.41H, 2-31, 2-33, 2-35, 2-37  
 Wire Set, Sparkplug [1.6], 5-12  
 Wire, 06ga 012.0l Red .38h /.38h, 2-63  
 Wire, Ground, 2-63, 2-65



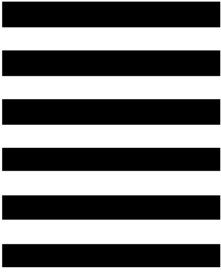




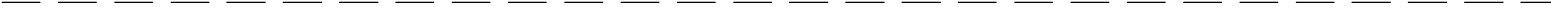
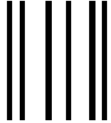
**TENNANT COMPANY**  
 Technical Publications #15  
 701 North Lilac Drive  
 P.O. Box 1452  
 Minneapolis, MN 55440-9947

POSTAGE WILL BE PAID BY ADDRESSEE

**BUSINESS REPLY MAIL**  
 FIRST CLASS MAIL PERMIT NO. 94 MINNEAPOLIS, MN



NO POSTAGE  
 NECESSARY  
 IF MAILED  
 IN THE  
 UNITED STATES



Fold along dotted lines

Tape here



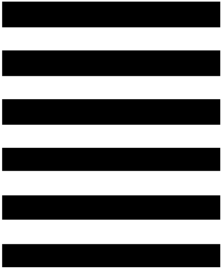




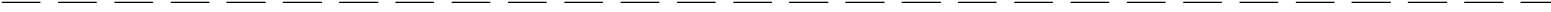
**TENNANT COMPANY**  
 Technical Publications #15  
 701 North Lilac Drive  
 P.O. Box 1452  
 Minneapolis, MN 55440-9947

POSTAGE WILL BE PAID BY ADDRESSEE

**BUSINESS REPLY MAIL**  
 FIRST CLASS MAIL PERMIT NO. 94 MINNEAPOLIS, MN



NO POSTAGE  
 NECESSARY  
 IF MAILED  
 IN THE  
 UNITED STATES



Fold along dotted lines

Tape here

