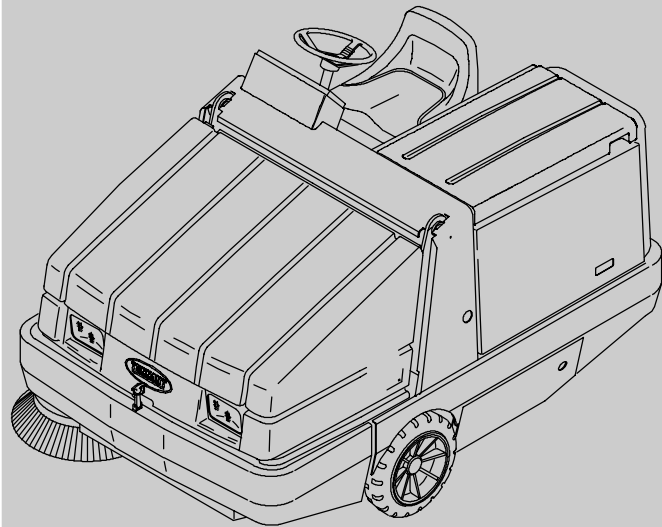




6600

(Diesel)

Sweeper Parts Manual



North America / International

www.tennantco.com

330890
Rev. 05 (03-2008)



When ordering replacement parts, use the illustrated parts list section in this manual. Before ordering parts or supplies, be sure to have your machine model number and serial number available. Only use TENNANT Company supplied or equivalent parts. Parts and supplies may be ordered online, by phone, or mail from any authorized parts and service center, distributor or from any of the manufacturer's subsidiaries.

This machine will provide excellent service. However, the best results will be obtained at minimum costs if:

- The machine is operated with reasonable care.
- The machine is maintained regularly - per the machine maintenance instructions provided.
- The machine is maintained with manufacturer supplied or equivalent parts.

MACHINE DATA

Please fill out at time of installation for future reference.

Model No. - _____

Serial No. - _____

Machine Options - _____

Sales Rep. - _____

Sales Rep. phone no. - _____

Customer Number - _____

Installation Date - _____

Tennant Company

PO Box 1452

Minneapolis, MN 55440

Phone: (800) 553-8033 or (763) 513-2850

www.tennantco.com

Thermo-Sentry, II-Speed, Perma-Filter, 1 Step, Duramer, Vario Sweeping Brush, and VCS are US registered trademarks of Tennant Company.

Specifications and parts are subject to change without notice.

Copyright © 2003 - 2008 TENNANT Company, Printed in U.S.A.

HOW TO USE THIS MANUAL

This section on *HOW TO USE THIS MANUAL* will tell you how to:

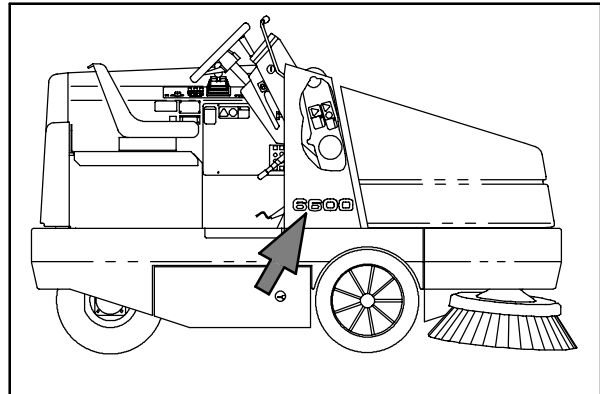
- Find important machine information for ordering correct repair parts.
- Find TENNANT part numbers.
- Order TENNANT parts and supplies.

IMPORTANT INFORMATION

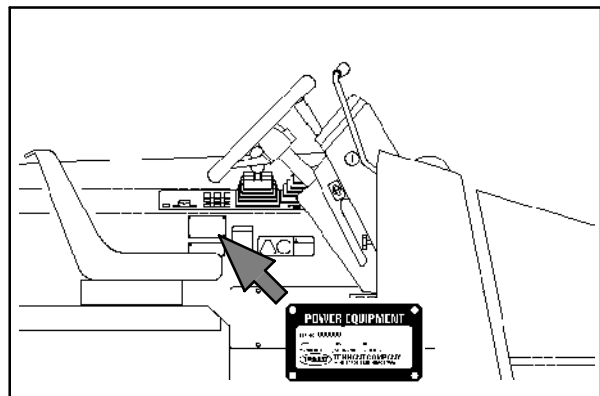
When placing an order for parts, the machine model and machine serial number are important. Refer to the *MACHINE DATA* box which is filled out during the installation of your machine. The *MACHINE DATA* box is located on the inside of the front cover of this manual.

MACHINE DATA	
<i>Please fill out at time of installation for future reference.</i>	
Machine Model Number -	6500D
Machine Serial Number -	_____
Machine Options -	_____
TENNANT Representative phone no. -	_____
Customer ID Number -	_____
Date of Installation -	_____
Manual Number -	330890
Revision:	00
Published:	4-2003

The model number of your machine is on the side of the machine.



The serial number of your machine is printed on the machine data plate located as shown.



HOW TO USE THIS MANUAL

FINDING A TENNANT PART NUMBER

This manual contains the following sections:

- HOW TO USE THIS MANUAL
- STANDARD PARTS
- OPTIONS
- BREAKDOWNS
- CROSS REFERENCE

The STANDARD PARTS section lists repair parts for standard machines. They are grouped in this general order:

- General wear parts.
- Machine frame and related parts.
- Machine propelling system.
- Scrubbing components.
- Electrical parts.

The OPTION section lists repair parts of options.

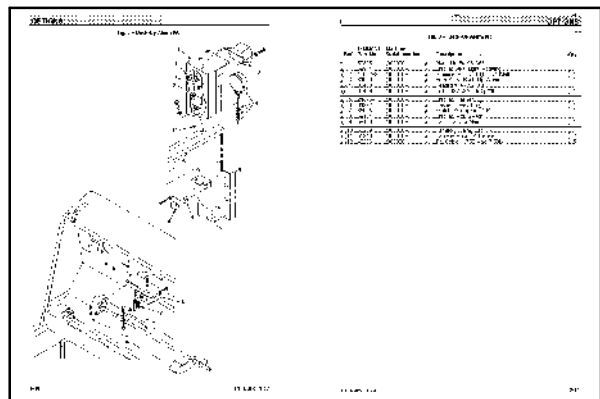
The BREAKDOWN section lists available repair parts of major components.

All sections in this manual consist of parts illustrations and corresponding parts lists.

The parts illustrations are numbered with **Ref** numbers which refer to corresponding parts lists.

The parts lists include a number of columns of information:

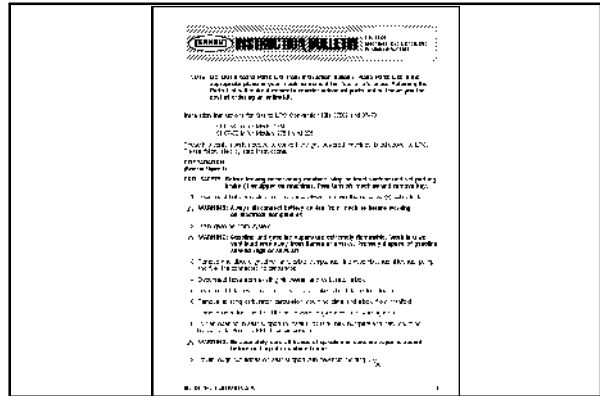
- **Ref** - column refers to the reference number on the parts illustration.
 ▽ - indicates the part is an assembly.
 ▲ - indicates the part is included in the assembly listed just before it.
- **Part No.** - column lists the TENNANT part number for the part.
- **Serial Number** - column indicates the set of machines the part number is applicable to. Serial numbers change when the machine design has been modified. The most current design of the machine is shown in the main illustration, older designs are boxed in a corner of the illustration.
- **Description** - column is a brief description of the part.
- **Qty.** - column lists the quantity of that part used in that area of the machine.



Ref.	TENNANT Part No.	Machine Serial number	Description	Qty.
▽	59335	QC0000-	Alarm Kit, Bu Alv 355L	1
▲ 1	59944	QC0000-	Bracket W/d. Jght, Rotatng	1
▲ 2	10632-9	QC0000-	Grommet,Rctr,0.66ld,For .13Matl	1
▲ 3	61920	QC0000-	Horn Ass'y, Back-Up Alarm	1
▲ 4	38438	QC0000-	Headlight Ass'y,21CG	1
▲ 4	38439	QC0000-	Flwr, 12V, 55W- 1RC#1004	1
▲ 5	24676-	QJUUUU-	bracket, flasher	1
▲ 6	31922	QJUUUU-	Flasher, Heavy Duty	1
▲ 7	359J6	QJUUUU-	Switch, Waterproof, 11A	1
▲ 8	59154	QC0000-	Bracket, Mtg. Switch	1
▲ 9	59153	QC0000-	Carr. BackUp Alarm	1
▲ 10	60239	QC0000-	Harness, Alarm, BackUp	1
▲ 11	55246	QC0000-	Cabletie Mount, Adhesive	2
▲ 12	49256	QC0000-	Tie, Cable .75D Max 7.60Lg	5

NOTE: If a service kit is installed on your machine, be sure to keep the INSTRUCTION BULLETIN which came with the kit. It contains repair parts numbers needed for ordering future parts.

NOTE: Fasteners used in this machine may be metric or non-metric. Take care when replacing hardware to replace with same thread size.



PLACING AN ORDER

Orders may be placed by phone, fax, or by mail. Phone orders may need written confirmation. Follow the steps below to insure prompt delivery:

1. Identify the model number of your machine.
2. Identify the serial number of your machine.
3. Find the part number of the part you need. Do not order by page number or reference number. If you are not able to find the part number, call your TENNANT representative for help or send the old part as a sample.
4. Determine the quantity of the part you need.
5. Provide the following company information:
 - Company name
 - Customer ID Number
 - Shipping address
 - Billing address
 - First and last name of person ordering parts
 - Telephone number
 - Purchase order number
6. Provide definitive shipping instructions.

HOW TO USE THIS MANUAL

Any claim for loss or damage to a shipment in transit should be filed promptly with the transportation company making the delivery. Shipments will be complete unless the packing list or order acknowledgement indicates items back ordered.

If parts received are suspected to be incorrect or defective, please contact the TENNANT representative from whom you ordered the part. They will give authorization for return and/or handle replacement shipments when required.

SECTION 2

Contents	Page
Fig. 1 - General Recommended Maintenance Items	2-3
Fig. 2 - Brushes, Replacement	2-4
Fig. 3 - Main Frame Group	2-6
Fig. 4 - Brush Door Group, Right	2-8
Fig. 5 - Brush Door Group, Left	2-10
Fig. 6 - Seat and Shroud Group	2-12
Fig. 7 - Grille Group, Right	2-14
Fig. 8 - Grille Group, Left	2-16
Fig. 9 - Engine Cover Group	2-18
Fig. 10 - Engine Side Door Group	2-20
Fig. 11 - Steering and Firewall Group	2-22
Fig. 12 - Instrument Panel Assembly	2-24
Fig. 13 - Instrument Panel Group, Side	2-26
Fig. 14 - Electrical Group	2-28
Fig. 15 - Engine and Governor Group	2-30
Fig. 16 - Engine Mount Group	2-32
Fig. 17 - Engine Air Cleaner Group	2-34
Fig. 18 - Engine Alternator and Engine Fan Group	2-36
Fig. 19 - Engine Muffler Group	2-38
Fig. 20 - Engine Fuel Tank Group	2-40
Fig. 21 - Engine Radiator Group	2-44
Fig. 22 - Battery Group	2-46
Fig. 23 - Wheel Group, Rear Drive	2-48
Fig. 24 - Wheel Assembly, Rear	2-50
Fig. 25 - Wheel and Brakes Group, Front	2-52
Fig. 26 - Brake Lever and Pedal Group	2-54
Fig. 27 - Directional Pedal Group	2-56
Fig. 28 - Hydraulic Pump Linkage Group	2-58
Fig. 29 - Hopper Group	2-60
Fig. 30 - Hopper Cylinder and Dump Door Group	2-62
Fig. 31 - Hopper Hood Group	2-64
Fig. 32 - Hopper Bumper Group	2-66
Fig. 33 - Hopper Filter Box Group	2-68
Fig. 34 - Hopper Lift Arms Group	2-70

Contents	Page
Fig. 35 - Side Brush Motor and Pivot Group	2-72
Fig. 36 - Side Brush Lift Group	2-74
Fig. 37 - Main Brush Lift Group	2-76
Fig. 38 - Main Brush Drive Group	2-78
Fig. 39 - Vacuum Fan Group	2-80
Fig. 40 - Hydraulic Schematic	2-82
Fig. 41 - Hydraulic Hose Group	2-84
Fig. 42 - Hydraulic Reservoir Group	2-86
Fig. 43 - Hydraulic Valve Group	2-88
Fig. 44 - Hydraulic Cooler Group (000000-024999)	2-90
Fig. 45 - Hydraulic Cooler Group (025000-)	2-92
Fig. 46 - Hydraulic Pumps Group	2-94
Fig. 47- Electrical Schematic	2-96
Fig. 48 - Electrical Wire Harnesses Group	2-100
Fig. 49 - Label Group	2-108

Fig. 1 - General Recommended Maintenance Items

Ref.	Part No.	Serial Number	Description	Qty.
▽	9000200	(000000-) Kit, Maint, Skirt, Hppr [6600/6650XP]	1
▲	379706	(000000-) Skirt, Lip	1
▲	379705	(000000-) Skirt, Lip	1
▲	379704	(000000-) Strap, Main, Lip	1
▲	379792	(000000-) Bolt, Carriage, M08 X 1.25 X 35	5
▲	01685	(000000-) Washer, Flat, 0.31 Ss	5
▲	08713	(000000-) Nut, Hex, Lock, M 8 X 1.25, NI, Ss	5
▲	1010167	(000000-) Skirt, Hppr, Plstc	1
▲	1010166	(000000-) Skirt, Hppr, Plstc	1
▲	1010165	(000000-) Retainer, Skirt	2
▲	11329	(000000-) Screw, Hex, M 6 X 1.0 X 16, Ss, NI	5
▲	01684	(000000-) Washer, Flat, 0.25 Ss	5
▽	9000203	(000000-) Kit, Maint, Skirt, Door, Hppr [6600/6650]	1
▲	379702	(000000-) Seal, Door, Dump, Side	2
▲	379703	(000000-) Strap, Door, Dump, Side	2
▲	08716	(000000-) Screw, Hex, M 6 X 1.0 X 20, Ss	8
▲	01684	(000000-) Washer, Flat, 0.25 Ss	16
▲	08712	(000000-) Nut, Hex, Lock, M 6 X 1.0, NI, Ss	8
▲	379699	(000000-) Seal, Door, Dump	1
▲	379698	(000000-) Plate, Retainer, Door, Dump	1
▲	379791	(000000-) Bolt, Carriage, M06 X 1.0 X 30	6
▲	01684	(000000-) Washer, Flat, 0.25 Ss	12
▲	08712	(000000-) Nut, Hex, Lock, M 6 X 1.0, NI, Ss	6
▲	60339	(000000-) Carton, Rsc Kit, 4.5 X 4.5 X 45.0	1
▽	9000211	(000000-) Kit, Maint, 400hr [6600d] Kubo	1
▲	58120	(000000-) Element, Fltr, Air	1
▲	55849	(000000-) Element, Fltr, Oil, Spin On [Ku] 16721	1
▲	36050	(000000-) Filter, Fuel, In-Line	1
▲	1017126	(000000-) Element, Fltr, Fuel [Dn]	1
▲	1008968	(000000-) Element, Fltr, Oil, Hyd	1
▲	23163	(000000-) Cap, Breather, Hyd, 2.2 Ds	1
▲	31613	(000000-) Strainer, Hyd, 25gpm 100mesh Psi	1
▲	58327	(000000-) Belt, V, [3v] 41.0l [Hc41]	1
▲	393361	(000000-) Belt, V, [XI] 29.5l [9295]	1
	16411	(000000-) Paint, Airdry, Off-White, 12oz	1
	16412	(000000-) Paint, Airdry, Teal, 12oz, Solid	1
	377540	(000000-) Paint, Airdry, Blk, 12oz	1
	377538	(000000-) Paint, Airdry, Gray, 12oz	1
	377537	(000000-) Paint, Airdry, Iron Gray, 12oz	1

Fig. 2 - Brushes, Replacement

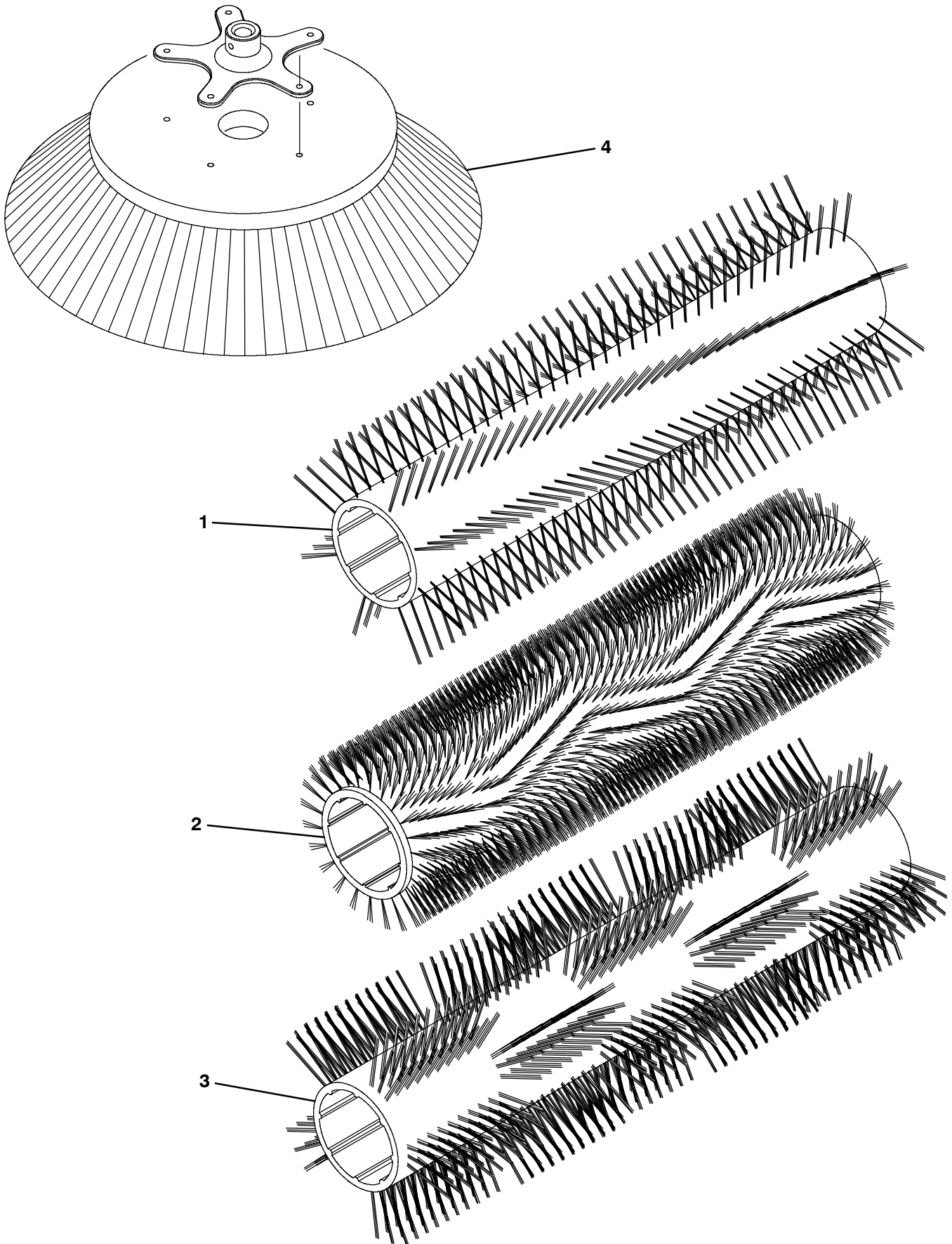


Fig. 2 - Brushes, Replacement

Ref.	Part No.	Serial Number	Description	Qty.
1	54927	(000000-) Brush, Swp, 45l, 24 Single Row, Natural Fiber & Wire	1
1	54922	(000000-) Brush, Swp, 45l, 24 Single Row, Nylon	1
2	54923	(000000-) Brush, Swp, 45l, 8 Double Row, Nylon	1
2	54925	(000000-) Brush, Swp, 45l, 8 Double Row, Polypropylene & Wire	1
2	59440	(000000-) Brush, Swp, 45l, 8 Double Row, Wire	1
2	66019	(000000-) Brush, Swp, 45l, 8 Double Row, Polypropylene	1
2	66018	(000000-) Brush, Swp, 45l, 5 Double Row, Patrol, Nylon	1
2	370008	(000000-) Brush, Swp, 45l, Sand Wedge, Polypropylene	1
3	370009	(000000-) Brush, Swp, 45l, Window , Polypropylene	1
4	51021N	(000000-) Brush, Disk, Swp, 26.0 D, Nylon	1
4	51542	(000000-) Brush, Disk, Swp, 26.0 D, Flat Wire	1
4	70538	(000000-) Brush, Disk, Swp, 26.0 D, Polypropylene	1

Fig. 3 - Main Frame Group

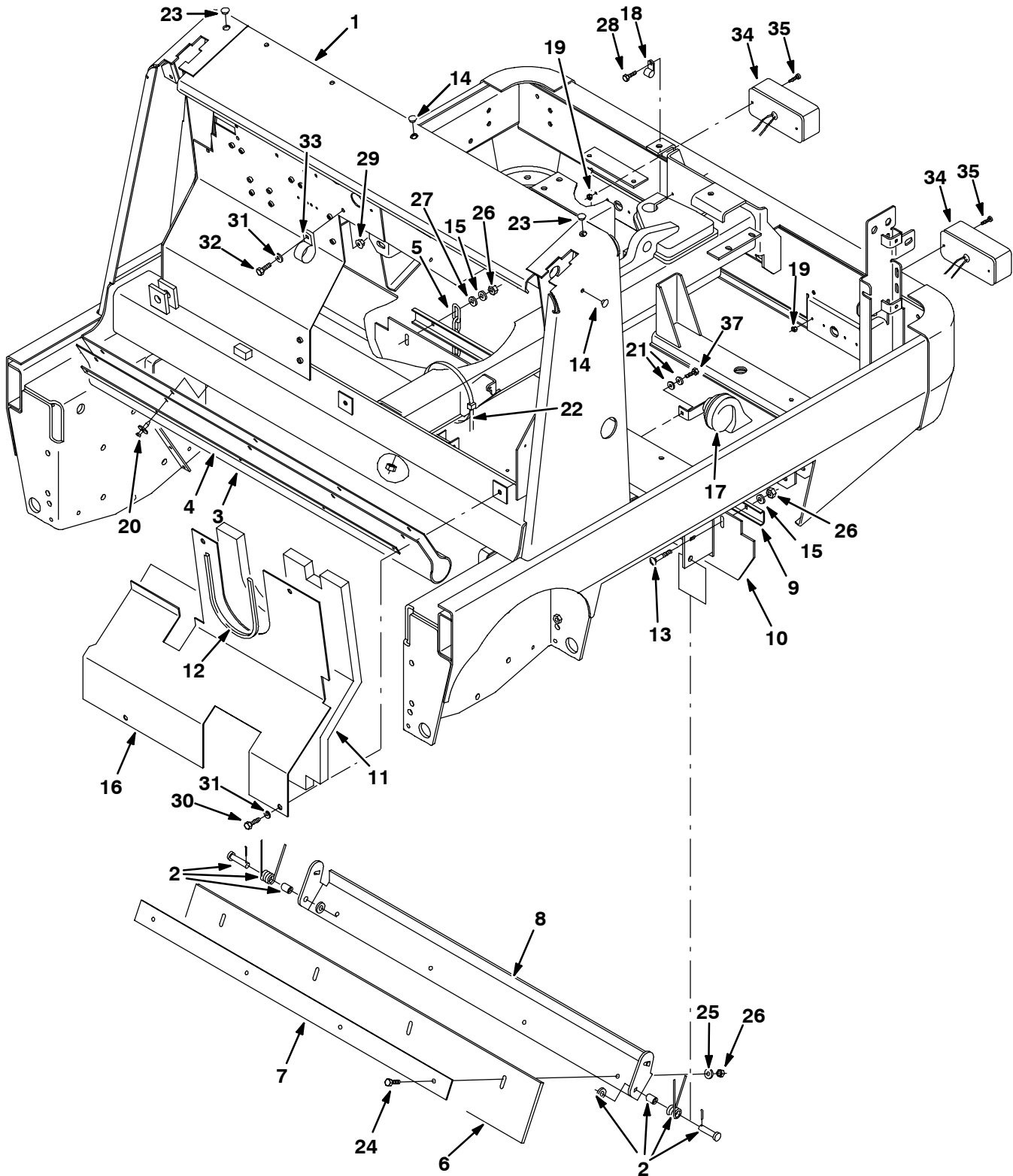


Fig. 3 - Main Frame Group

Ref.	Part No.	Serial Number	Description	Qty.	
1	1007050	(000000-024999)	Frame Wldt, Main [6600/6650]	1	
1	1013913	(025000-)	Frame Wldt, Main [6600/6650]	1	
2	69904	(000000-)	Kit, Spring	1	
3	379752	(000000-)	Skirt, Hopper	1	
4	56890	(000000-)	Retainer, Skirt, Hppr, Top	1	
5	09342	(000000-)	Chain, Coil, Str, 210, 06.9l 05 Link	1	
6	54190	(000000-)	Skirt, Deflector	1	
6	374517	(000000-)	Skirt, Recirculation, Turf (Option)	1	
7	54184	(000000-)	Retainer, Blade, Deflector	1	
8	54182	(000000-)	Bracket, Flap, Recirculation	1	
9	383161	(000000-)	Channel, Retainer, Seal, Rear	1	
10	383160	(000000-)	Skirt, Seal, Main Brush	1	
11	1008654	(000000-)	Insulation, Acstc, Firewall	1	
12	62595-21	(000000-)	Molding, Trim, Pvc, .08-.11 25.6l	1	
13	69915	(000000-)	Bolt, Carriage, M08 X 1.25 X 40	4	
14	01314	(000000-)	Button, Plug, 0.38h .03-.12 [Black Nyl]	3	
15	01684	(000000-)	Washer, Flat, 0.25 Ss	4	
16	1007310	(000000-)	Panel, Eng	1	
17	369704	(000000-)	Horn, 12vdc, DbA	1	
18	33584	(000000-)	Clamp, Cable, Stl, 0.63d X 0.50w, 1h	2	
19	06549	(000000-)	Nut, Hex, Lock, M 5 X 0.8, NI	4	
20	21246	(000000-)	Rivet, Plstc, .325d X 0.787	5	
21	41141	(000000-)	Washer, Lock, Int-Ext, .31	2	
22	222809	(000000-)	Tie, Cable, Nyl, 29.8l .30w 9.0 Max D	3	
23	57167	(000000-)	Button, Plug, 0.62h .03-.12 [Black Nyl]	2	
24	09011	(000000-)	Screw, Hex, M 8 X 1.25 X 30, Ss	4	
25	01685	(000000-)	Washer, Flat, 0.31 Ss	4	
26	08713	(000000-)	Nut, Hex, Lock, M 8 X 1.25, NI, Ss	8	
27	41142	(000000-)	Washer, Lock, Int-Ext, .38	1	
28	06942	(000000-)	Screw, Hex, M 6 X 1.0 X 16, 8.8	3	
29	07791	(000000-)	Nut, Hex, Flng, M08 X 1.25	1	
30	41342	(000000-)	Screw, Hex, M 8 X 1.25 X 40, 8.8	4	
31	32491	(000000-)	Washer, Flat, 0.31 Std	5	
32	39277	(000000-)	Screw, Hex, M 8 X 1.25 X 25, 8.8	2	
33	43560	(000000-)	Clamp, Cable, Stl, 1.75d X 0.75w, 1h	2	
▽	34	59949	(000000-)	Taillight, 12vdc, 6.6 X 3.1, Rwk 59948	2
▲	45780	(000000-)	Lamp, 12vdc, 0.5a Watt 04cp	1	
	35	54093	(000000-)	Screw, Chz, M05 X 0.8 X 60, 4.8	4

Fig. 4 - Brush Door Group, Right

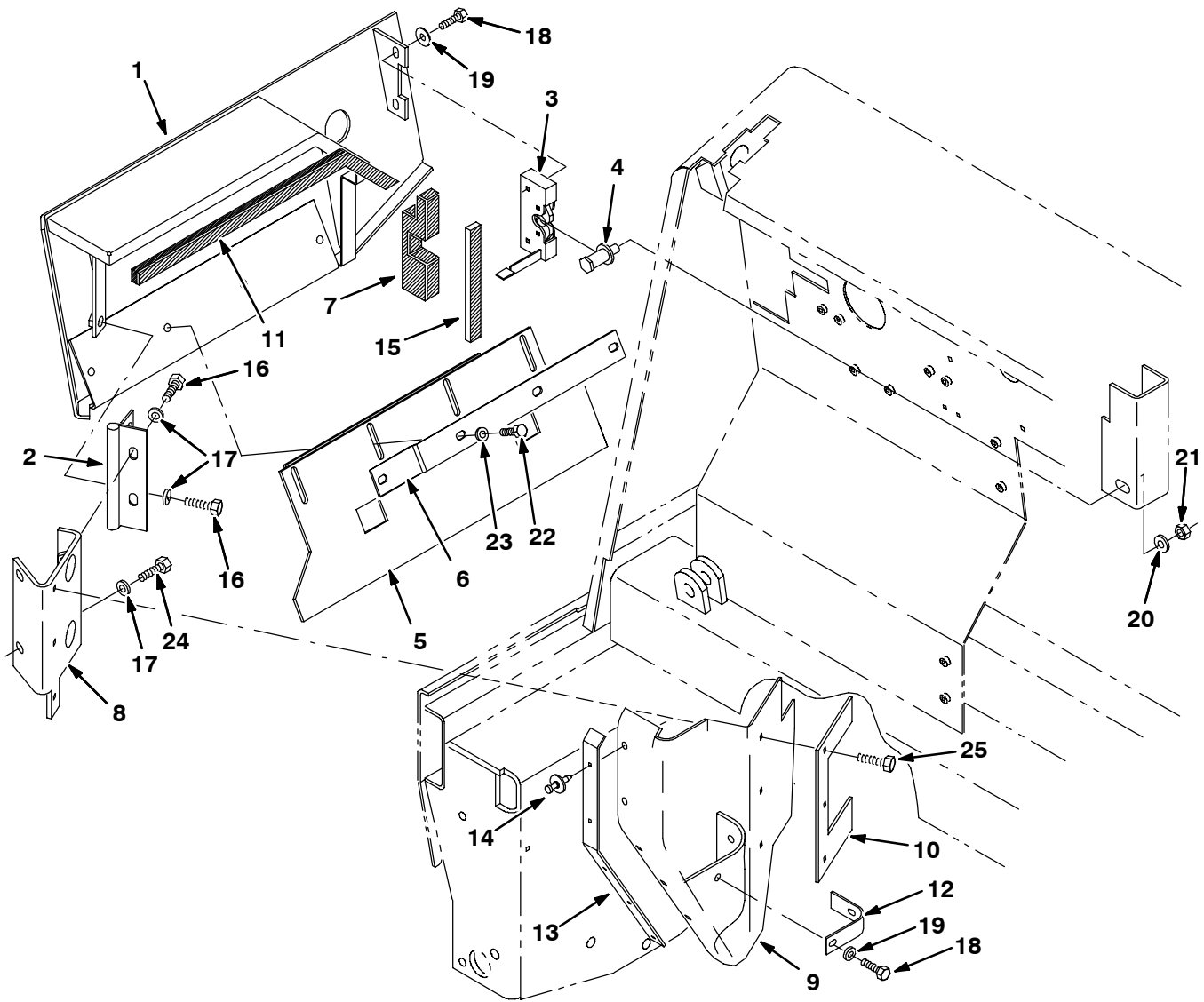


Fig. 4 - Brush Door Group, Right

Ref.	Part No.	Serial Number	Description	Qty.
1	59761	(000000-) Door Wldt, Brush, Rh	1
2	72120	(000000-) Hinge, .38pin .11 3.5w 05.6l 4/H&Slot	1
3	59195	(000000-) Latch, Hook, Rh	1
4	59192	(000000-) Latch, Bolt	1
5	379751	(000000-) Skirt, Brush Door	1
6	379756	(000000-) Strip, Retaining	1
7	59537	(000000-) Seal, Rbr, Open, 1.00th, Door, Brush, Rh	1
8	1019481	(000000-) Bracket, Mtg, Hinge, Rh, [6600]	1
9	379755	(000000-) Skirt, Deflection	1
10	59692	(000000-) Strap	1
11	69931	(000000-) Seal, Rbr, Open, 0.31th, 0.75w 21.0l Adh	1
12	58770	(000000-) Bracket, Angle, .12 2.75 3.17 01.0l	1
13	56914	(000000-) Strap	1
14	72968	(000000-) Rivet, Plstc, .250 X 0.898	5
15	13301	(000000-) Seal, Rbr, Open, 0.31th, 0.75w 07.0l Adh	1
16	09028	(000000-) Screw, Hex, M10 X 1.5 X 25, Ss	4
17	41187	(000000-) Washer, Belleville, .38	6
18	09007	(000000-) Screw, Hex, M 6 X 1.0 X 25, Ss	4
19	01684	(000000-) Washer, Flat, 0.25 Ss	4
20	41619	(000000-) Washer, Flat, 0.50 Ss	1
21	07788	(000000-) Nut, Hex, Std, M12 X 1.75, Ss	1
22	09010	(000000-) Screw, Hex, M 8 X 1.25 X 25, Ss	4
23	01685	(000000-) Washer, Flat, 0.31 Ss	4
24	09291	(000000-) Screw, Hex, M10 X 1.5 X 20, Ss	2
25	76099	(000000-) Screw, Hex, M8 X 1.25 X 25, Fmg	3

Fig. 5 - Brush Door Group, Left

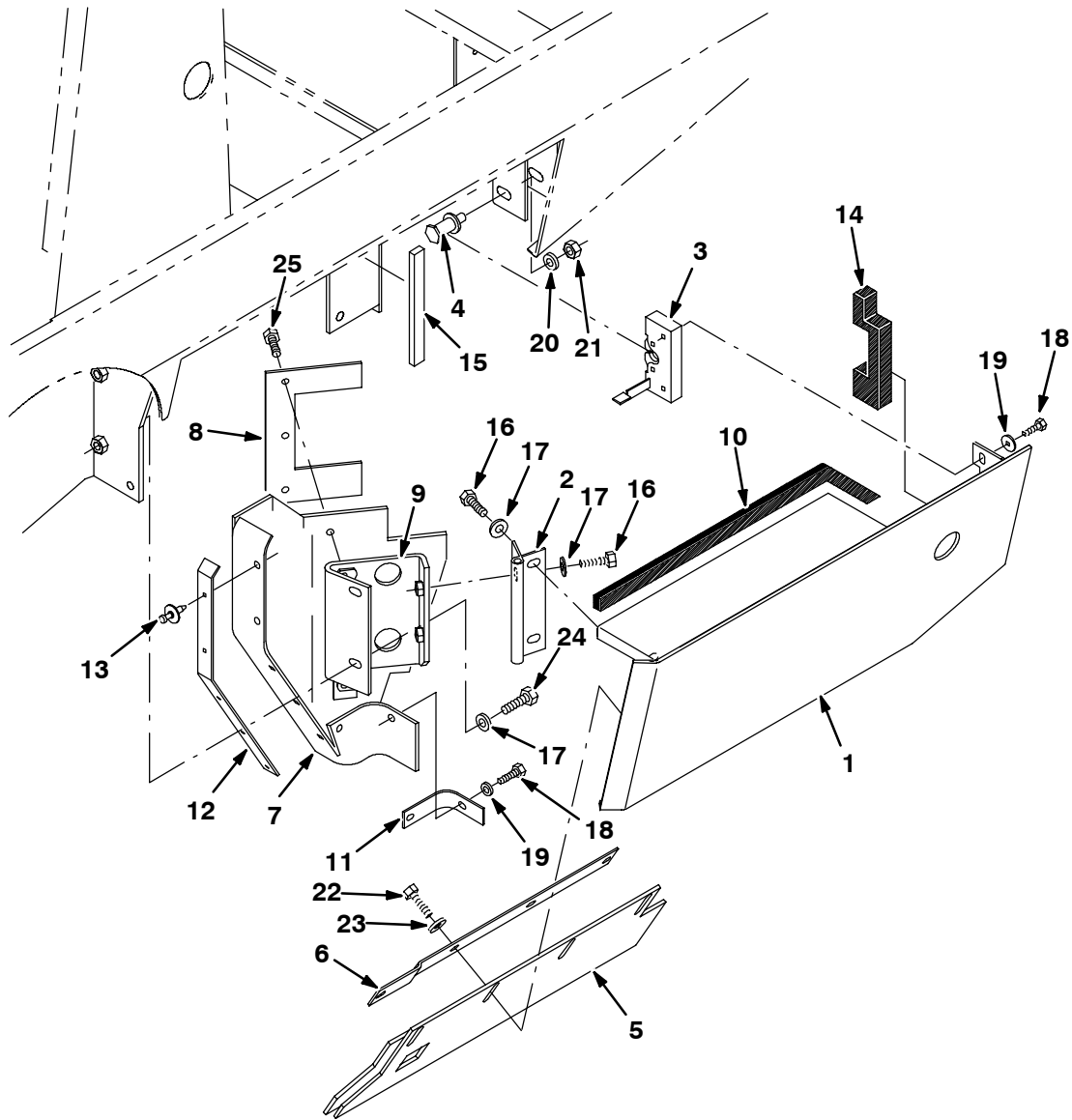


Fig. 5 - Brush Door Group, Left

Ref.	Part No.	Serial Number	Description	Qty.
1	59760	(000000-) Door Wldt, Brush, Lh	1
2	72120	(000000-) Hinge, .38pin .11 3.5w 05.6l 4/H&Slot	1
3	59194	(000000-) Latch Hook, Lh	1
4	59192	(000000-) Latch, Bolt	1
5	379750	(000000-) Skirt, Brush Door	1
6	379756	(000000-) Strip, Retaining	1
7	379755	(000000-) Skirt, Deflection	1
8	59692	(000000-) Strap	1
9	1020530	(000000-) Bracket, Mtg, Hinge, Lh, [6600]	1
10	69931	(000000-) Seal, Rbr, Open, 0.31th, 0.75w 21.0l Adh	1
11	58770	(000000-) Bracket, Angle, .12 2.75 3.17 01.0l	1
12	56914	(000000-) Strap	1
13	72968	(000000-) Rivet, Plstc, .250 X 0.898	5
14	59538	(000000-) Seal, Rbr, Open, 1.00th, Door, Brush, Lh	1
15	13301	(000000-) Seal, Rbr, Open, 0.31th, 0.75w 07.0l Adh	1
16	09028	(000000-) Screw, Hex, M10 X 1.5 X 25, Ss	4
17	41187	(000000-) Washer, Belleville, .38	6
18	09007	(000000-) Screw, Hex, M 6 X 1.0 X 25, Ss	4
19	01684	(000000-) Washer, Flat, 0.25 Ss	4
20	41619	(000000-) Washer, Flat, 0.50 Ss	1
21	07788	(000000-) Nut, Hex, Std, M12 X 1.75, Ss	1
22	09010	(000000-) Screw, Hex, M 8 X 1.25 X 25, Ss	4
23	01685	(000000-) Washer, Flat, 0.31 Ss	4
24	09291	(000000-) Screw, Hex, M10 X 1.5 X 20, Ss	2
25	76099	(000000-) Screw, Hex, M8 X 1.25 X 25, Fmg	3

Fig. 6 - Seat and Shroud Group

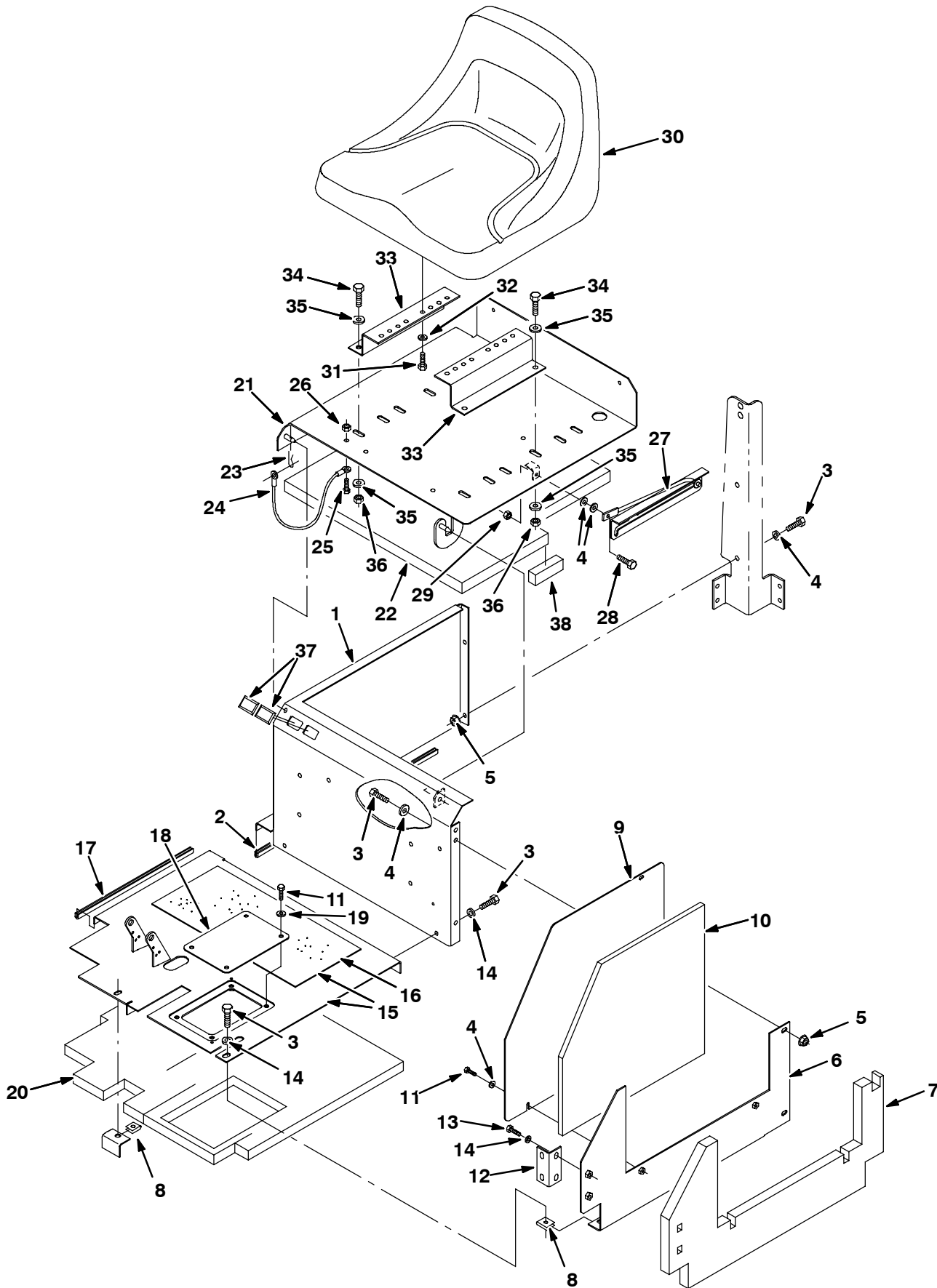


Fig. 6 - Seat and Shroud Group

Ref.	Part No.	Serial Number	Description	Qty.
1	1008738	(000000-025674)	Panel Wldt, Sppt, Seat	1
1	1024441	(025675-) Panel Wldt, Sppt, Seat	1
2	62595-23	(000000-) Molding, Trim, Pvc,.08-.11 22.8l	1
3	39277	(000000-) Screw, Hex, M 8 X 1.25 X 25, 8.8	7
4	32490	(000000-) Washer, Flat, 0.25 Std	9
5	07791	(000000-) Nut, Hex, Fing, M08 X 1.25	3
6	1006726	(000000-) Panel, Inside	1
7	1006751	(000000-) Insulation, Acstc, Panl	1
8	58595	(000000-) Nut, U, M08 X 1.25	2
9	377241	(000000-) Plate, Access, W/Label [6600/6650]	1
10	1008256	(000000-) Insulation, Acstc	1
11	06942	(000000-) Screw, Hex, M 6 X 1.0 X 16, 8.8	7
12	59771	(000000-) Bracket	1
13	16735	(000000-) Screw, Hex, M 8 X 1.25 X 16, 8.8	4
14	32491	(000000-) Washer, Flat, 0.31 Std	8
▽	15	377199	(000000-) Plate, Floor, W/ Tread [6600/6650]	1
▲	16	16369	(000000-) Tread, Non-Skid, 08.W 17.0l	1
17	62595-22	(000000-) Molding, Trim, Pvc,.08-.11 14.2l	1
18	1009066	(000000-) Plate, Floor, Access	1
19	32483	(000000-) Washer, Flat, 0.25 Sae	4
20	1009130	(000000-) Insulation, Acstc, Plate, Floor	1
21	1009590	(000000-) Cover Wldt, Sppt, Seat	1
22	59822	(000000-) Insulation, Acstc, Cover, Seat, 1.0	1
23	44906	(000000-) Pin, Hair Cotter, 0.69 D .092 Wir	1
24	57702	(000000-) Cable, .06d, 12.0l, .26eye /.26eye	1
25	06943	(000000-) Screw, Hex, M 6 X 1.0 X 20, 8.8	1
26	07790	(000000-) Nut, Hex, Fing, M06 X 1.0	1
27	54615	(000000-) Arm Wldt, Safety, Sppt, Seat, .38d 10.1l	1
28	06946	(000000-) Screw, Hex, M 6 X 1.0 X 35, 8.8	1
29	08708	(000000-) Nut, Hex, Lock, M 6 X 1.0, NI	1
30	375411	(000000-) Seat, Michigan, Model V-1500	1
31	16953	(000000-) Screw, Hex, .31-18 X 0.75, Sems	4
32	39349	(000000-) Washer, Flat, 0.31 Sae	4
33	54055	(000000-) Bracket, Angle, Mtg, Seat	2
34	39283	(000000-) Screw, Hex, M10 X 1.5 X 25, 8.8	4
35	32492	(000000-) Washer, Flat, 0.38 Std	8
36	41430	(000000-) Nut, Hex, Lock, M10 X 1.5, NI	4
37	57772	(000000-) Button, Plug, Switch, 1.45 X 0.83 Hole	2
38	370124	(000000-) Insulation, Acstc, 1.0 01.5w 06.8l	1

Fig. 7 - Grille Group, Right

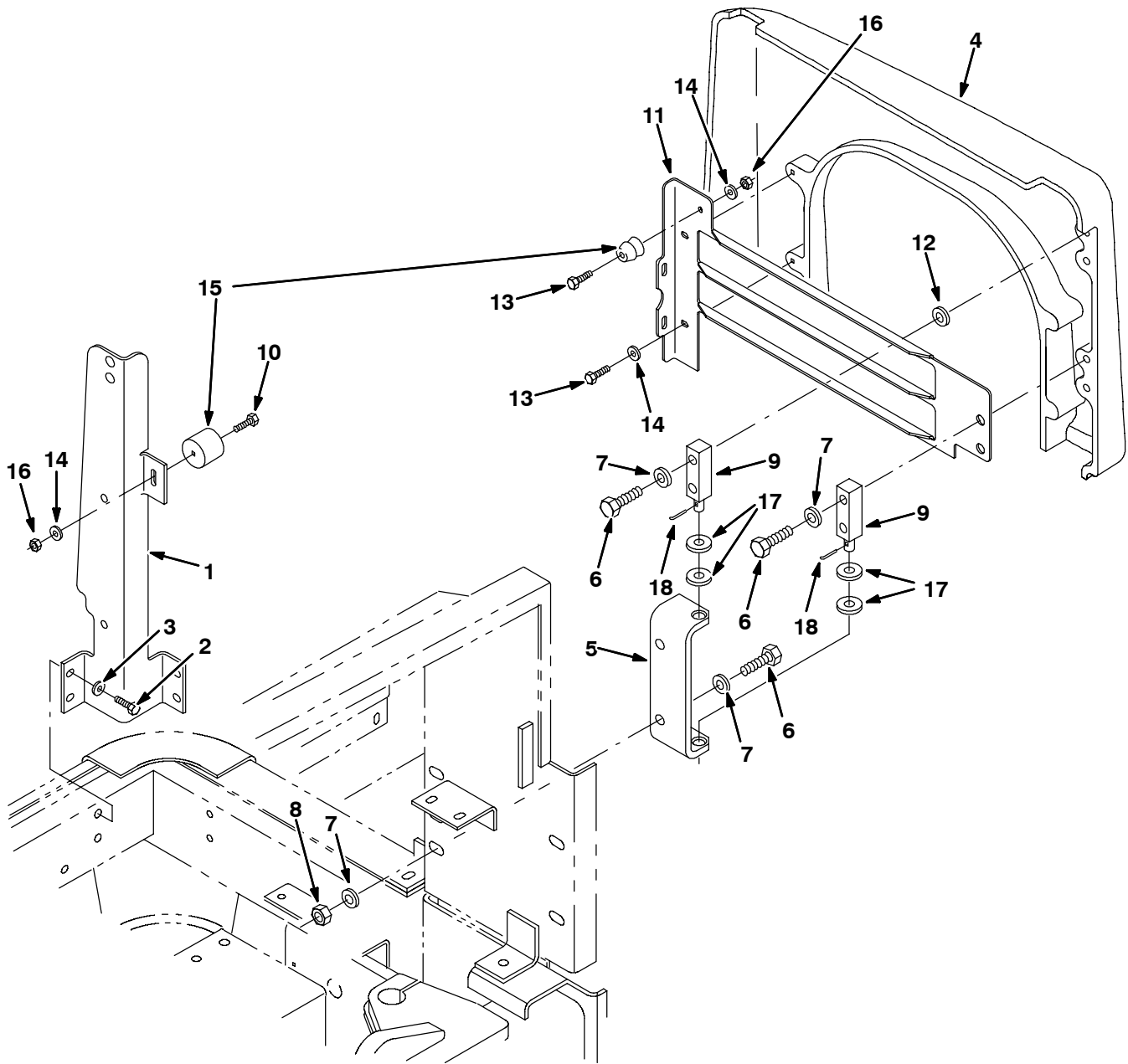


Fig. 7 - Grille Group, Right

Ref.	Part No.	Serial Number	Description	Qty.
1	383183	(000000-) Channel, Post, Corner	1
2	09011	(000000-) Screw, Hex, M 8 X 1.25 X 30, Ss	4
3	32491	(000000-) Washer, Flat, 0.31 Std	4
4	379871	(000000-) Grille, Door, Lpg	1
5	1008120	(000000-) Bracket, Grill [6600/6650]	1
6	06969	(000000-) Screw, Hex, M12 X 1.75 X 40, 8.8	6
7	36328	(000000-) Washer, Belleville, .50	8
8	08711	(000000-) Nut, Hex, Lock, M12 X 1.75,NI	2
9	72176	(000000-) Pin	2
10	06945	(000000-) Screw, Hex, M 6 X 1.0 X 30, 8.8	1
11	1006558	(000000-) Grille, Filler, Door, Rh	1
12	32493	(000000-) Washer, Flat, 0.50 Std	2
13	06942	(000000-) Screw, Hex, M 6 X 1.0 X 16, 8.8	3
14	32490	(000000-) Washer, Flat, 0.25 Std	4
15	383185	(000000-) Latch Assy, Rbr, 1.6d 1.4l/1.0d 1.0l	1
16	08708	(000000-) Nut, Hex, Lock, M 6 X 1.0, NI	2
17	32486	(000000-) Washer, Flat, 0.50 Sae	4
18	44906	(000000-) Pin, Hair Cotter, 0.69 D .092 Wir	2

Fig. 8 - Grille Group, Left

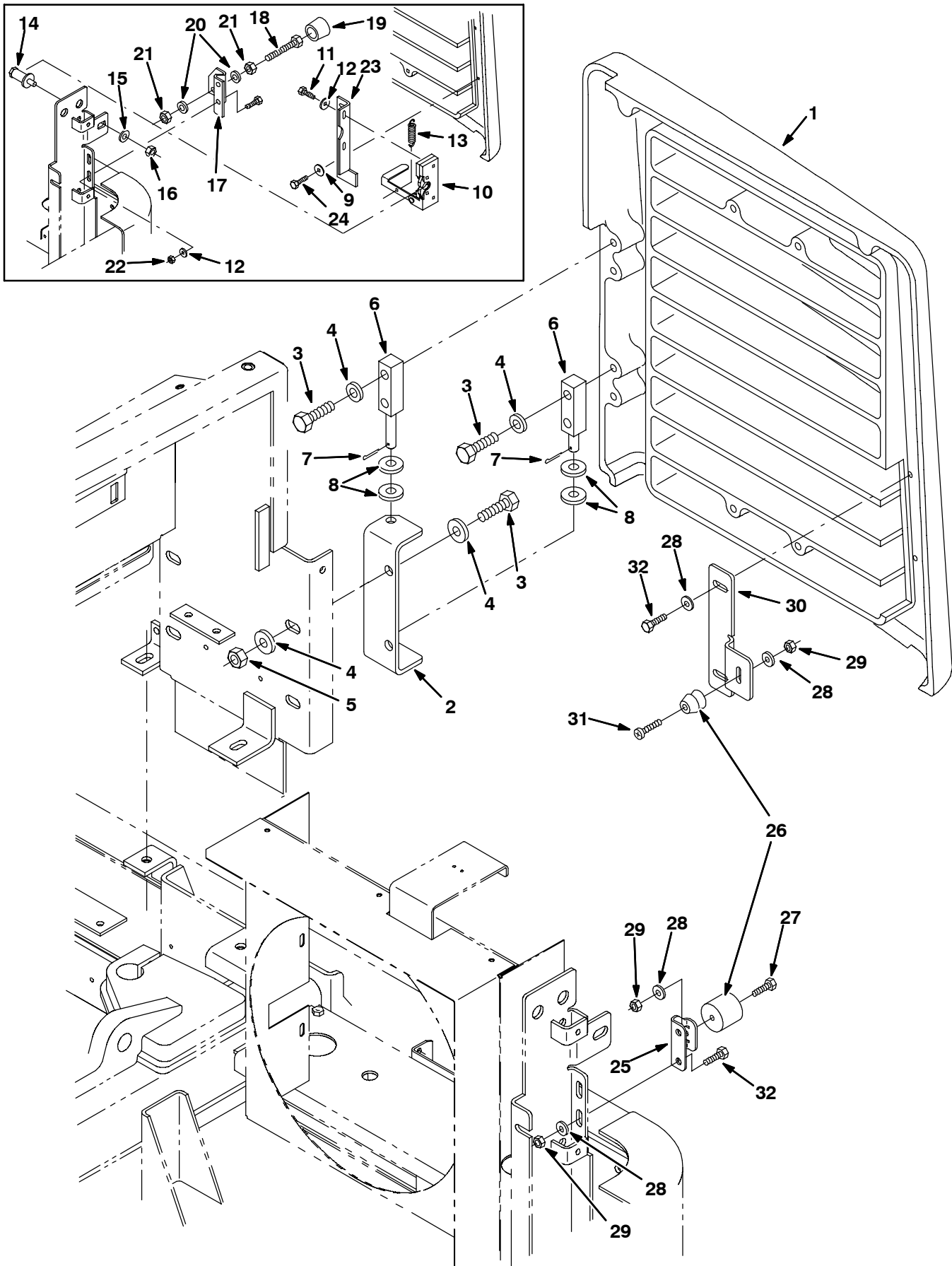


Fig. 8 - Grille Group, Left

Ref.	Part No.	Serial Number	Description	Qty.
1	379565	(000000-) Grill, Door, Lh	1
2	1008120	(000000-) Bracket, Grill [6600/6650]	1
3	06969	(000000-) Screw, Hex, M12 X 1.75 X 40, 8.8	6
4	36328	(000000-) Washer, Belleville, .50	8
5	08711	(000000-) Nut, Hex, Lock, M12 X 1.75, NI	2
6	72176	(000000-) Pin	2
7	44906	(000000-) Pin, Hair Cotter, 0.69 D .092 Wir	2
8	32493	(000000-) Washer, Flat, 0.50 Std	4
9	32491	(000000-024999) Washer, Flat, 0.31 Std	2
10	59695	(000000-024999) Latch	1
11	06944	(000000-024999) Screw, Hex, M 6 X 1.0 X 25, 8.8	2
12	32940	(000000-024999) Clevis, Adj, 1.12pin, 1.00-14	4
13	59870	(000000-024999) Spring, Extn, 0.38od X 0.05wir, 2.5l	1
14	59192	(000000-024999) Latch, Bolt	1
15	32493	(000000-024999) Washer, Flat, 0.50 Std	1
16	39313	(000000-024999) Nut, Hex, Std, M12 X 1.75	1
17	70248	(000000-024999) Bracket, Stop Bolt, Rear Grill	1
18	55347	(000000-024999) Screw, Hex, .38-16 X 2.00, FI	1
19	01318	(000000-024999) Tip, Rbr, 0.94d 0.59b 0.88l	1
20	32492	(000000-024999) Washer, Flat, 0.38 Std	2
21	25014	(000000-024999) Nut, Hex, Std, .38-16	2
22	08709	(000000-024999) Nut, Hex, Lock, M 8 X 1.25 NI	2
23	70252	(000000-024999) Bracket, Latch, Grill, Lpg	1
24	16931	(000000-024999) Screw, Hex, M 8 X 1.25 X 20, 8.8	1
25	1014797	(025000-) Bracket, Mtg, Stop, Door	1
26	383185	(025000-) Latch Assy, Rbr, 1.6d 1.4l/1.0d 1.0l	1
27	06945	(025000-) Screw, Hex, M6 X 1.0 X 30, 8.8	1
28	32490	(025000-) Washer, Flat, 0.25 Std	6
29	08708	(025000-) Nut, Hex, Lock, M6 X 1.0, NI	4
30	1014752	(025000-) Bracket, Mtg, Latch	1
31	09145	(025000-) Screw, Pan, M6 X 1.0 X 16, 4.8	1
32	16931	(025000-) Screw, Hex, M8 X 1.25 X 20, 8.8	4

Fig. 9 - Engine Cover Group

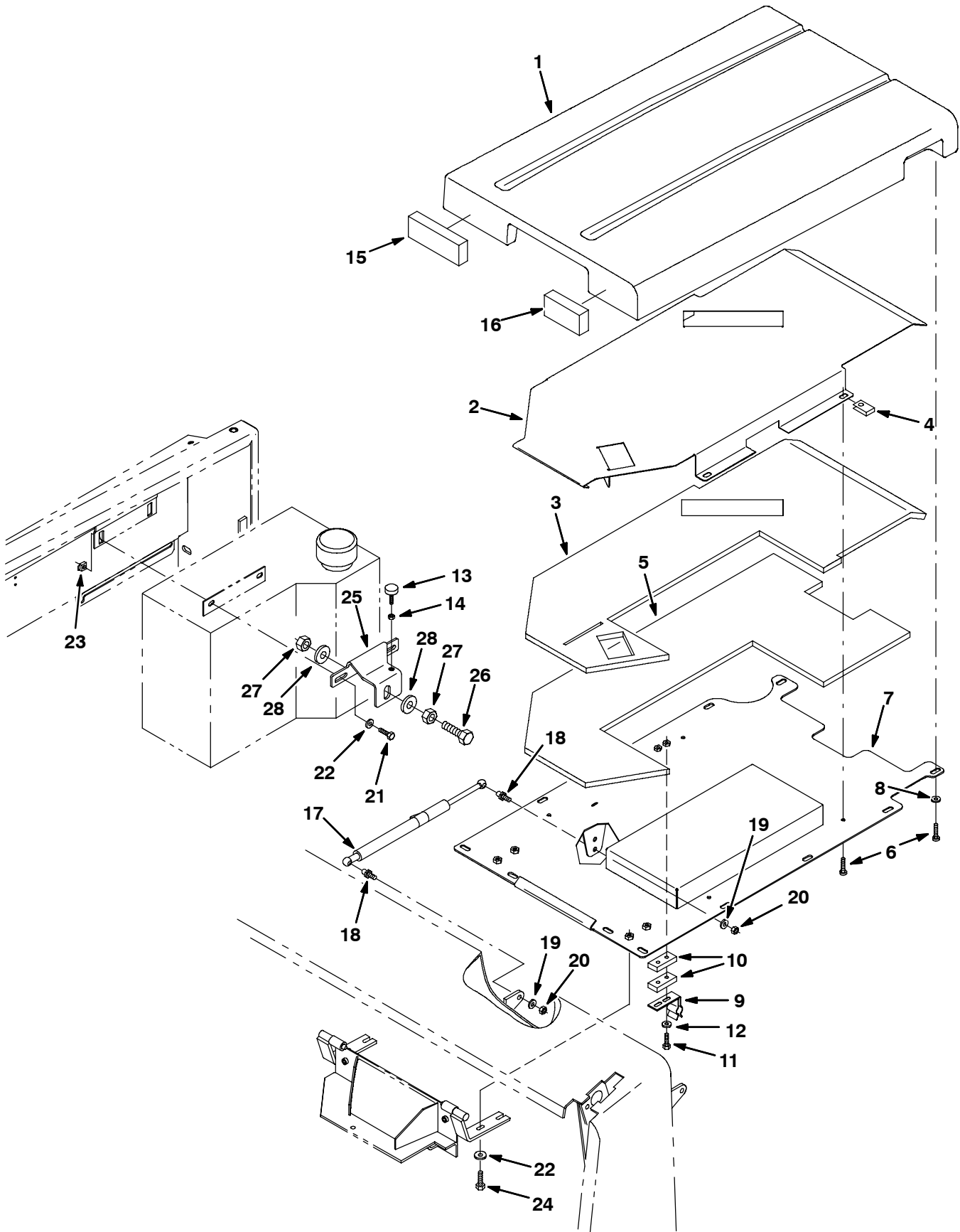


Fig. 9 - Engine Cover Group

Ref.	Part No.	Serial Number	Description	Qty.
1	383162	(000000-) Cover, Eng, Plstc, [6600/6650]	1
2	1009217	(000000-029999) Plate, Cover, Eng, Top	1
2	1031242	(030000-) Plate, Cover, Eng, Top [6600/6650 2007]	1
3	1009292	(000000-029999) Insulation, Acstc, 0.5 15.5w 35.6l Notch	1
3	1035134	(030000-) Insulation, Acstc, 0.5, 35.6 X 15.5 Cham	1
4	12271	(000000-) Nut, U, M06 X 1.0	5
5	1009315	(000000-029999) Insulation, Acstc, 0.5 15.5w 33.2l Notch	1
5	1035125	(030000-) Insulation, Acstc, 0.5, 33.3 X 15.5 Cham	1
6	09145	(000000-) Screw, Pan, M 6 X 1.0 X 16, 4.8	17
7	1006424	(000000-024999) Plate Wldt, Cover, Eng	1
7	1014071	(025000-029999) Plate Wldt, Cover, Plstc, Eng	1
7	1031240	(030000-) Plate Wldt, Cover, Plstc, Eng [2007]	1
8	29570	(000000-) Washer, 0.28b 1.00d .06, Stl	12
9	1008916	(000000-) Bracket Wldt, Latch	1
10	1008913	(000000-) Spacer, Brkt, Latch	2
11	06943	(000000-) Screw, Hex, M 6 X 1.0 X 20, 8.8	2
12	32483	(000000-) Washer, Flat, 0.25 Sae	2
13	20802	(000000-) Bumper, Rbr, 1.0d 0.38t .25-20	1
14	32520	(000000-) Nut, Hex, Jam, .25-20	1
15	69986	(000000-) Insulation, Acstc, 1.0 02.0w 05.8l	1
16	69987	(000000-) Insulation, Acstc, 1.0 02.0w 04.0l	1
17	77728	(000000-) Gasspring, 130lb, 6.2strk	1
18	58494	(000000-) Stud, Ball, .39d .31-16, Gasspring	2
19	01685	(000000-) Washer, Flat, 0.31 Ss	2
20	01760	(000000-) Nut, Hex, Lock, .31-18, NI, Thin	2
21	76956	(000000-) Screw, Hex, .31-18 X 1.25, 5	2
22	32491	(000000-) Washer, Flat, 0.31 Std	6
23	29124	(000000-) Nut, Speed, Retainer, .31-18 [.093-.126]	2
24	39277	(000000-) Screw, Hex, M 8 X 1.25 X 25, 8.8	4
25	1006162	(000000-) Bracket, Latch, Cover, Eng	1
26	06988	(000000-) Screw, Hex, M16 X 2.0 X 90, 8.8	1
27	763066	(000000-) Nut, Hex, Jam, M16x2.0	2
28	15331	(000000-) Washer, Flat, 0.62 Sae	2

Fig. 10 - Engine Side Door Group

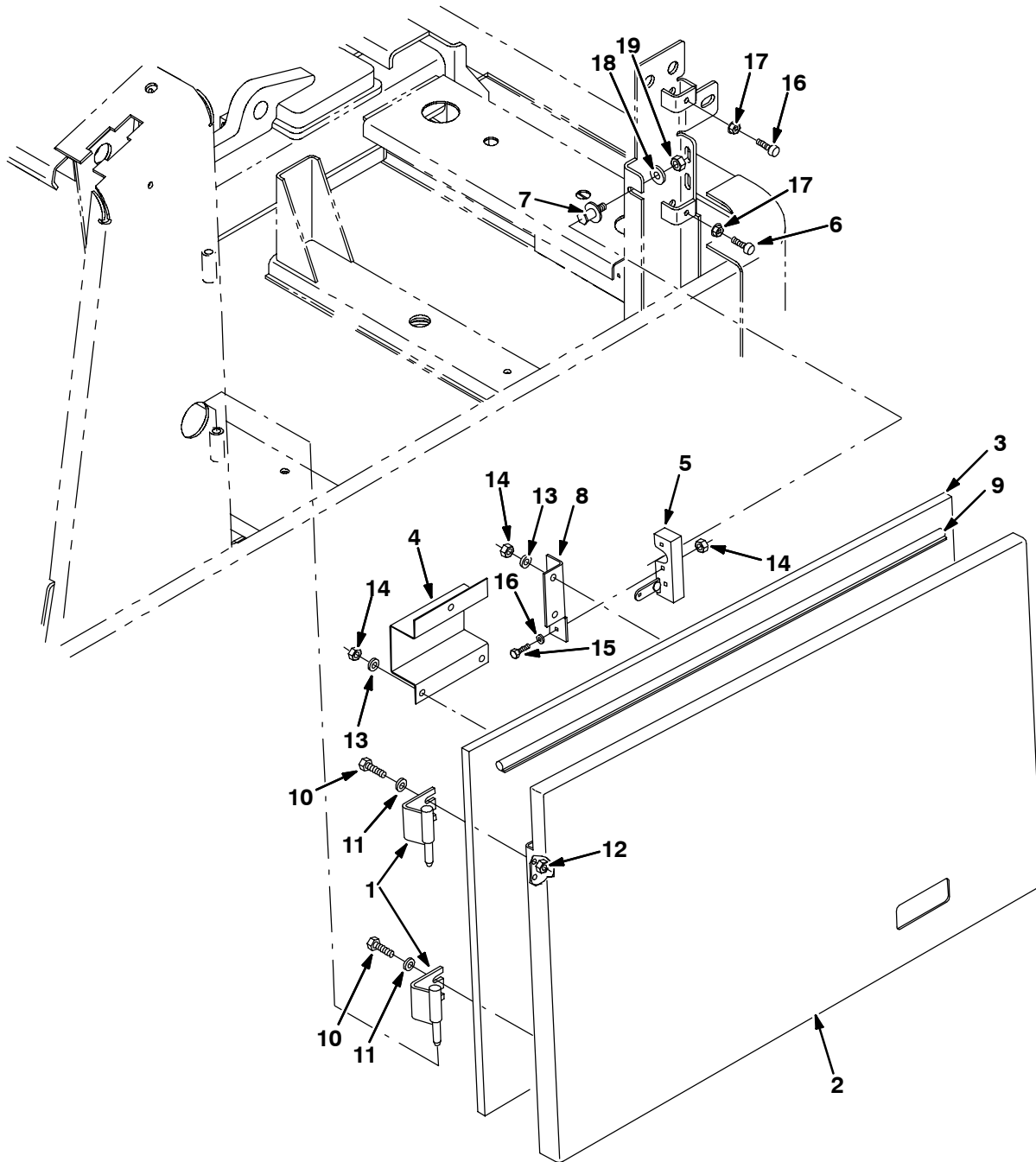


Fig. 10 - Engine Side Door Group

Ref.	Part No.	Serial Number	Description	Qty.
1	59377	(000000-) Hinge Wldt, Door, Side	2
2	59830	(000000-) Door Wldt, Eng, Side	1
3	59018	(000000-) Insulation, Acstc	1
4	59829	(000000-) Bracket, Door	1
5	59661	(000000-) Latch	1
6	75128	(000000-) Spindle, Adjustment	2
7	72154	(000000-) Bolt, Latch	1
8	59828	(000000-) Bracket, Latch, Door	1
9	59647	(000000-) Seal, Bulb, [Sd-0504], 36.50l	1
10	16931	(000000-) Screw, Hex, M 8 X 1.25 X 20, 8.8	4
11	41186	(000000-) Washer, Belleville, .31	4
12	07791	(000000-) Nut, Hex, Flng, M08 X 1.25	4
13	32483	(000000-) Washer, Flat, 0.25 Sae	5
14	08708	(000000-) Nut, Hex, Lock, M 6 X 1.0, NI	7
15	16949	(000000-) Screw, Hex, .25-20 X 0.75, Sems	2
16	32490	(000000-) Washer, Flat, 0.25 Std	2
17	27978	(000000-) Nut, Hex, Flng, .25-20	2
18	32492	(000000-) Washer, Flat, 0.38 Std	1
19	50902	(000000-) Nut, Hex, Lock, .38-16, NI	1

Fig. 11 - Steering and Firewall Group

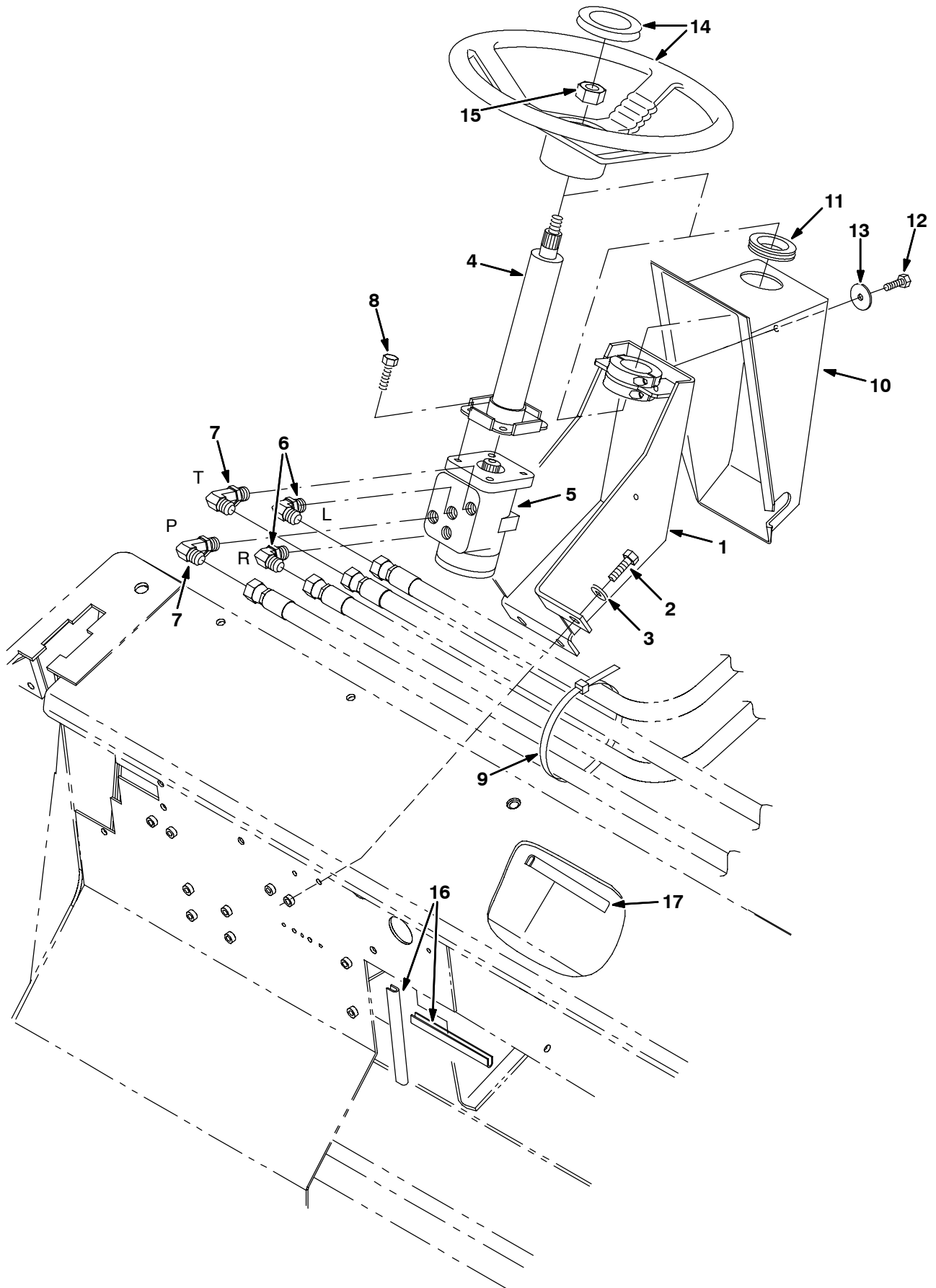


Fig. 11 - Steering and Firewall Group

Ref.	Part No.	Serial Number	Description	Qty.	
1	1005267	(000000-) Bracket Wldt, Valve	1	
2	16931	(000000-) Screw, Hex, M 8 X 1.25 X 20, 8.8	4	
3	32491	(000000-) Washer, Flat, 0.31 Std	4	
▽	4	57935	(000000-) Column, Steering #4 08.0l 0.81d 36tooth	1
▲	74142	(000000-) Cap, Tube	1	
5	1005089	(000000-) Steer-Control, Hyd (See Breakdowns)	1	
6	56820	(000000-) Fitting, Hyd, E90, Jm06/Om06	2	
7	71727	(000000-) Fitting, Hyd, E90, Jm06om06l	2	
8	02994	(000000-) Screw, Hex, .38-16 X 0.75, Ss	4	
9	49263	(000000-) Tie, Cable, Nyl, 11.4l .19w 3.0 Max D	6	
10	1011779	(000000-) Cover, Column, Steering	1	
11	54345	(000000-) Grommet, Rbr, 1.62id, F/ 1.9h, .13matl	1	
12	06942	(000000-) Screw, Hex, M6 X 1.0 X 16, 8.8	2	
13	41178	(000000-) Washer, Flat, 0.25 Fender	2	
14	56398	(000000-) Wheel, Steering	1	
15	56185	(000000-) Nut, Hex, Jam, M20 X 1.5	1	
16	57564	(000000-) Molding, Trim, Pvc,.08-.11 05.0l	2	
17	62595-6	(000000-) Molding, Trim, Pvc,.08-.11 07.5l	1	

Fig. 12 - Instrument Panel Assembly

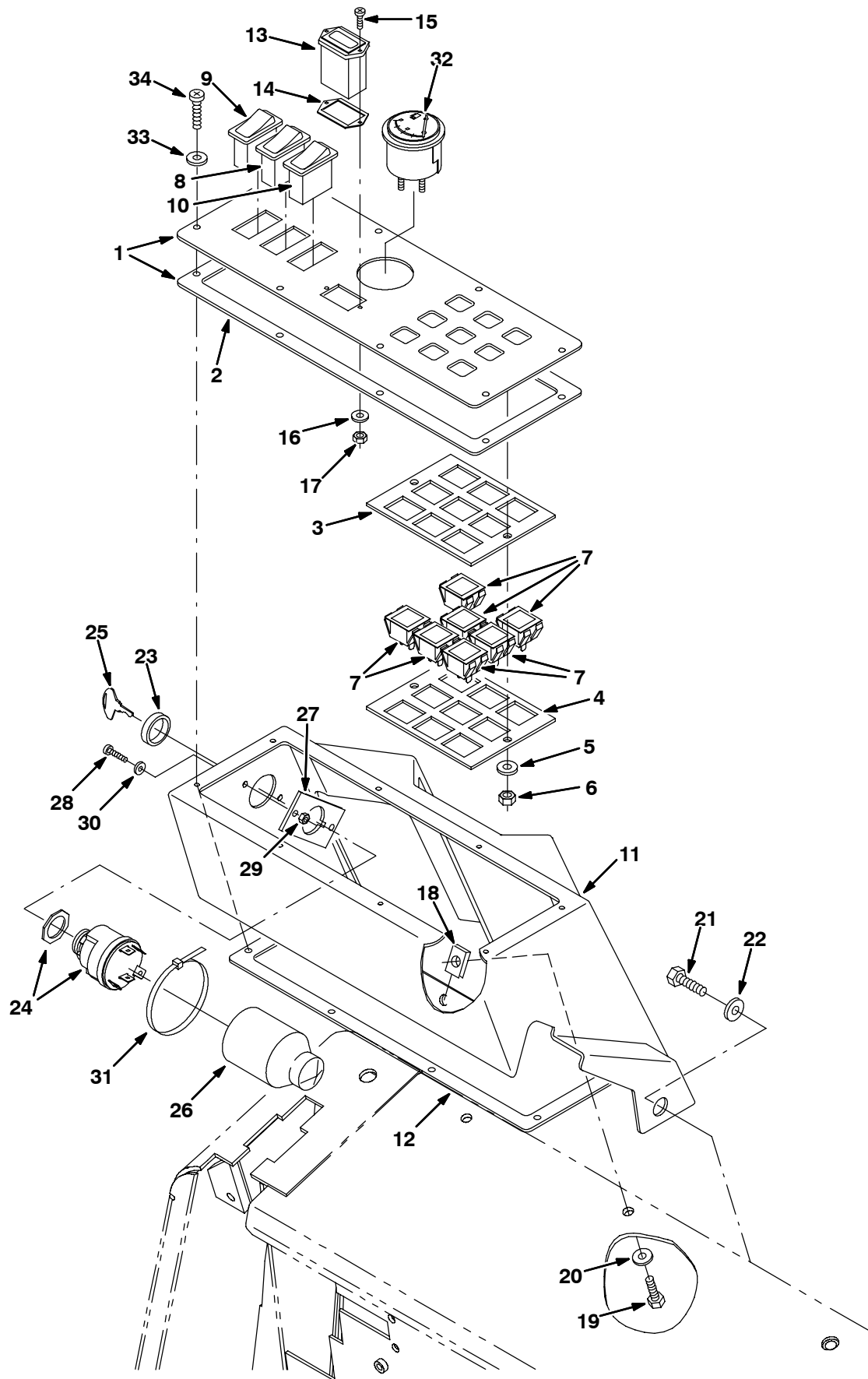


Fig. 12 - Instrument Panel Assembly

	Ref.	Part No.	Serial Number	Description	Qty.
▽	1	1008309	(000000-) Panel, Instmt	1
▲	2	1008320	(000000-) Gasket	1
	3	383130	(000000-) Seal, Foam	1
	4	383131	(000000-) Panel, Indicator Light	1
	5	32490	(000000-) Washer, Flat, 0.25 Std	2
	6	08708	(000000-) Nut, Hex, Lock, M 6 X 1.0, NI	2
	7	361075	(000000-) Light, Panl, 14vdc, , 1.1 X 1.0	7
	8	1007941	(000000-) Switch, Rocker, 36vdc 5a Dpdt On/Of/Mo	1
	9	377084	(000000-) Switch, Rocker, 36vdc 05a Progressive	1
	10	392171	(000000-) Switch, Rocker, 36vdc 05a Dpdt On/Of/On	1
	11	1008008	(000000-) Panel Assy, Instmt [6600]	1
	12	1012871	(000000-) Plate, Retainer	8
	13	59978	(000000-026171) Gauge, Hourmeter, Electronic	1
	13	377433	(026172-) Gauge, Hourmeter, 12-60vdc, Analog [10k]	1
	14	222683	(000000-) Gasket, Hourmeter	1
	15	09146	(000000-) Screw, Pan, M 3 X 0.5 X 12, 4.8	2
	16	39658	(000000-) Washer, Lock, Int, #04	2
	17	01754	(000000-) Nut, Hex, Std, M03 X 0.5	2
	18	12271	(000000-) Nut, U, M06 X 1.0	2
	19	06944	(000000-) Screw, Hex, M 6 X 1.0 X 25, 8.8	2
	20	32490	(000000-) Washer, Flat, 0.25 Std	2
	21	16735	(000000-) Screw, Hex, M 8 X 1.25 X 16, 8.8	2
	22	32491	(000000-) Washer, Flat, 0.31 Std	2
	23	382516	(000000-) Boot, Switch	1
▽	24	87536	(000000-) Switch, Ign	1
▲	25	87866	(000000-) Key, Ignition, [Set Of 2]	1
	26	383165	(000000-) Boot, Switch, Ignition	1
	27	19768	(000000-) Plate	1
	28	06933	(000000-) Screw, Pan, M 5 X 0.8 X 16, 4.8	2
	29	06549	(000000-) Nut, Hex, Lock, M 5 X 0.8, NI	2
	30	19066	(000000-) Washer, Flt, #10	2
	31	49263	(000000-) Tie, Cable, Nyl, 11.4l .19w 3.0 Max D	1
	32	34813	(000000-) Gauge, Fuel, 0-90ohm 8-18vdc	1
	33	1012615	(000000-) Washer, Flat, 0.19b 0.44d .03, Nyl, Blk	8
	34	06933	(000000-) Screw, Pan, M5 X 0.8 X 16, 4.8	8

Fig. 13 - Instrument Panel Group, Side

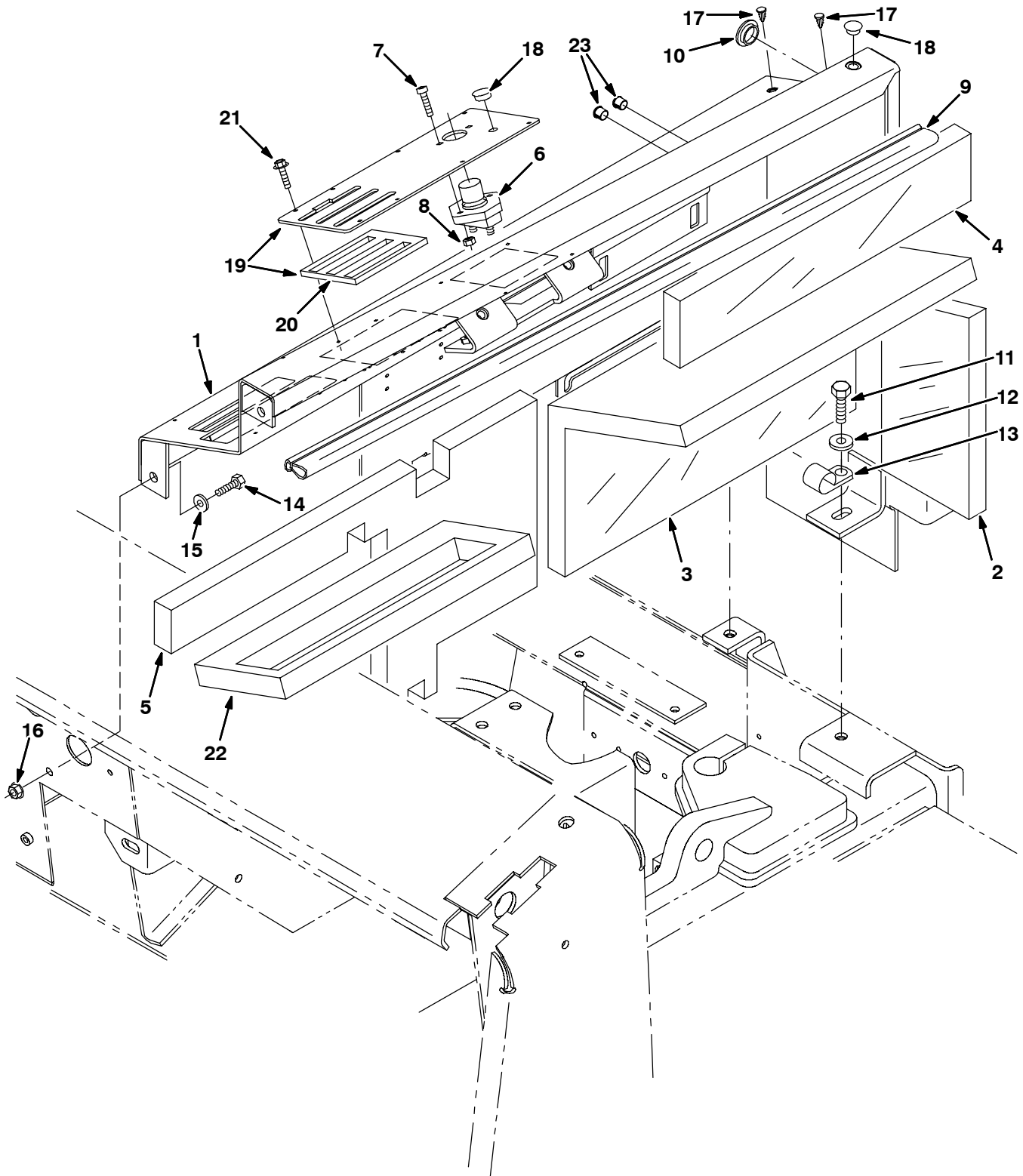


Fig. 13 - Instrument Panel Group, Side

Ref.	Part No.	Serial Number	Description	Qty.	
1	1014401	(000000-) Panel Wldt, Instmt, Side [6600]	1	
2	59622	(000000-) Insulation, Acstc, 1.0 03.5w 10.5l Adh	1	
3	59621	(000000-) Insulation, Acstc, 1.0 15.5w 17.5l	1	
4	59623	(000000-) Insulation, Acstc, 1.0 02.0w 17.5l Adh	1	
5	1008262	(000000-) Insulation, Acstc	1	
6	44078	(000000-) Switch, Push, 12vdc 80a Spst No	1	
7	09164	(000000-) Screw, Pan, M 6 X 1.0 X 20, 4.8	2	
8	08708	(000000-) Nut, Hex, Lock, M 6 X 1.0, NI	2	
9	59647	(000000-) Seal, Bulb, [Sd-0504], 36.50l	3	
10	55035	(000000-) Button, Plug, 1.00h .00-.17 [Black Nyl]	2	
11	39284	(000000-) Screw, Hex, M10 X 1.5 X 35, 8.8	2	
12	32492	(000000-) Washer, Flat, 0.38 Std	2	
13	69234	(000000-) Clamp, Cable, Stl, 1.00d X 0.62w, 1h	2	
14	76570	(000000-) Screw, Hex, M 8 X 1.25 X 30, 8.8	2	
15	32491	(000000-) Washer, Flat, 0.31 Std	2	
16	07791	(000000-) Nut, Hex, Fing, M08 X 1.25	2	
17	77399	(000000-) Clip, [Pine-Tree], .236h, Plstc	2	
18	01314	(000000-) Button, Plug, 0.38h .03-.12 [Black Nyl]	2	
▽	19	377243	(000000-) Panel, Handle, Valve, W/ Label [6600]	1
▲	20	383180	(000000-) Seal, Handle, Valve	1
21	16944	(000000-) Screw, Hex, M 4 X 0.7 X 10, Fmg	8	
22	383179	(000000-) Insulation, Acstc	1	
23	33807	(000000-) Button, Plug, 0.44h .03-.12 [Black Nyl]	2	

Fig. 14 - Electrical Group

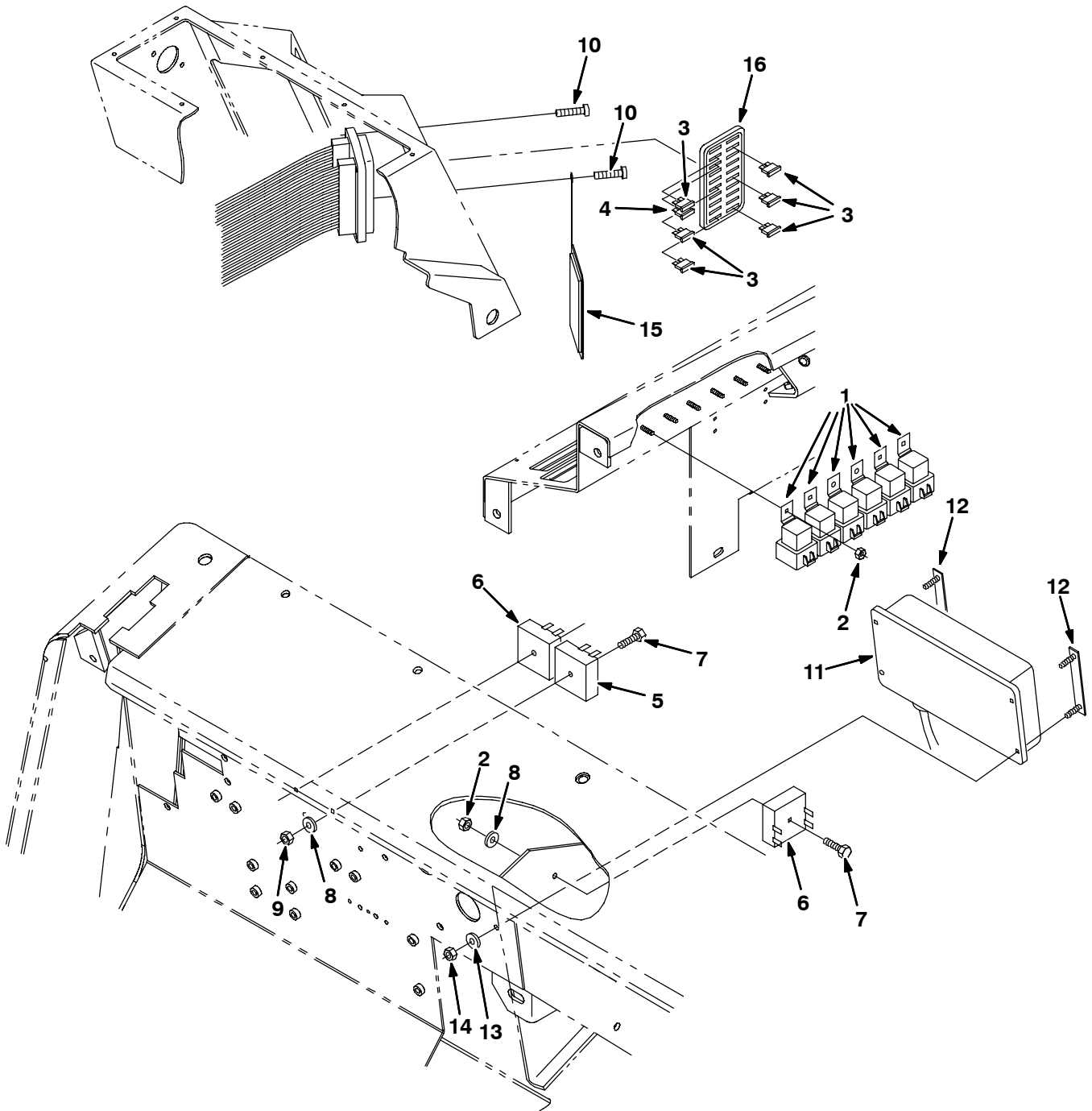


Fig. 14 - Electrical Group

Ref.	Part No.	Serial Number	Description	Qty.
1	56186	(000000-) Relay, 12vdc, 40a, Spdt N/O	6
2	08708	(000000-) Nut, Hex, Lock, M 6 X 1.0, NI	7
3	762514	(000000-) Fuse, 15 Amp	6
4	1009161	(000000-) Fuse, 40a	1
5	379665	(000000-) Module	1
6	379656	(000000-) Timer	2
7	07805	(000000-) Screw, Hex, M 6 X 1.0 X 35, Ss	3
8	32483	(000000-) Washer, Flat, 0.25 Sae	3
9	08712	(000000-) Nut, Hex, Lock, M 6 X 1.0, NI, Ss	2
10	39254	(000000-) Screw, Pan, #10-32 X 0.38, 2	4
11	1040835	(000000-) Control, Govnr, [All Purpose]	1
12	59935	(000000-) Plate	2
13	19066	(000000-) Washer, Flt, #10	4
14	06549	(000000-) Nut, Hex, Lock, M 5 X 0.8, NI	4
15	371904	(000000-) Cover, Fuseholder	1
16	9000267	(000000-) Fuse Block	1

Fig. 15 - Engine and Governor Group

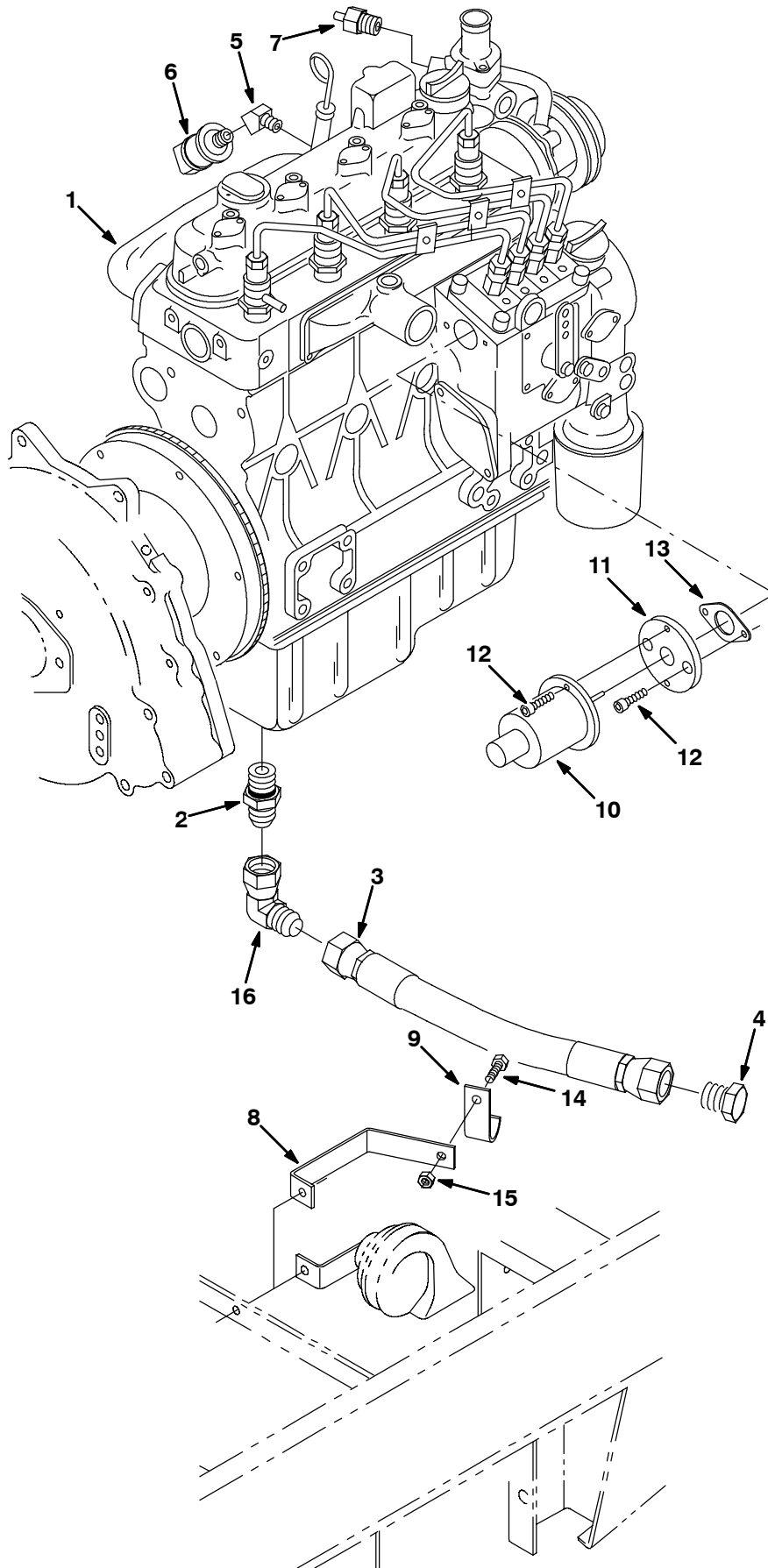


Fig. 15 - Engine and Governor Group

Ref.	Part No.	Serial Number	Description	Qty.
1	84625	(000000-) Engine Assy, Dsl, 37hp [Ku, V1505e] (See Engine Breakdown)	1
2	1015631	(000000-) Fitting, Hyd, Str, Spcl	1
3	59891	(000000-) Hose, Hyd,Low12, Jf12str /Jf12str , 10.0	1
4	59885	(000000-) Fitting, Hyd, Plug, Jm12	1
5	24976	(000000-) Fitting, Brs, E45, Pm02/Pf02	1
6	79399	(000000-) Switch, Press, 12vdc 02a Dpdt N 0006psi	1
7	60711	(000000-) Sensor, Temp, Water, 06pmt 235deg [Fd]	1
8	374511	(000000-) Bracket, Clamp, Drain Hose	1
9	30407	(000000-) Clip, Keeper, Open	1
10	71385	(000000-) Actuator, Govnr, Dsl	1
11	393401	(000000-) Adaptor, Actuator, Govnr, Eng, Dsl	1
12	71388	(000000-) Screw, Soc, M 6 X 1.0 X 16, 12.9	4
13	70165	(000000-) Gasket, Solenoid, Throttle [Ku] 16299	1
14	16931	(000000-) Screw, Hex, M 8 X 1.25 X 20, 8.8	1
15	07791	(000000-) Nut, Hex, Flng, M08 X 1.25	1
16	35033	(000000-) Fitting, Hyd, E90, Jf12/Jm12	1

Fig. 16 - Engine Mount Group

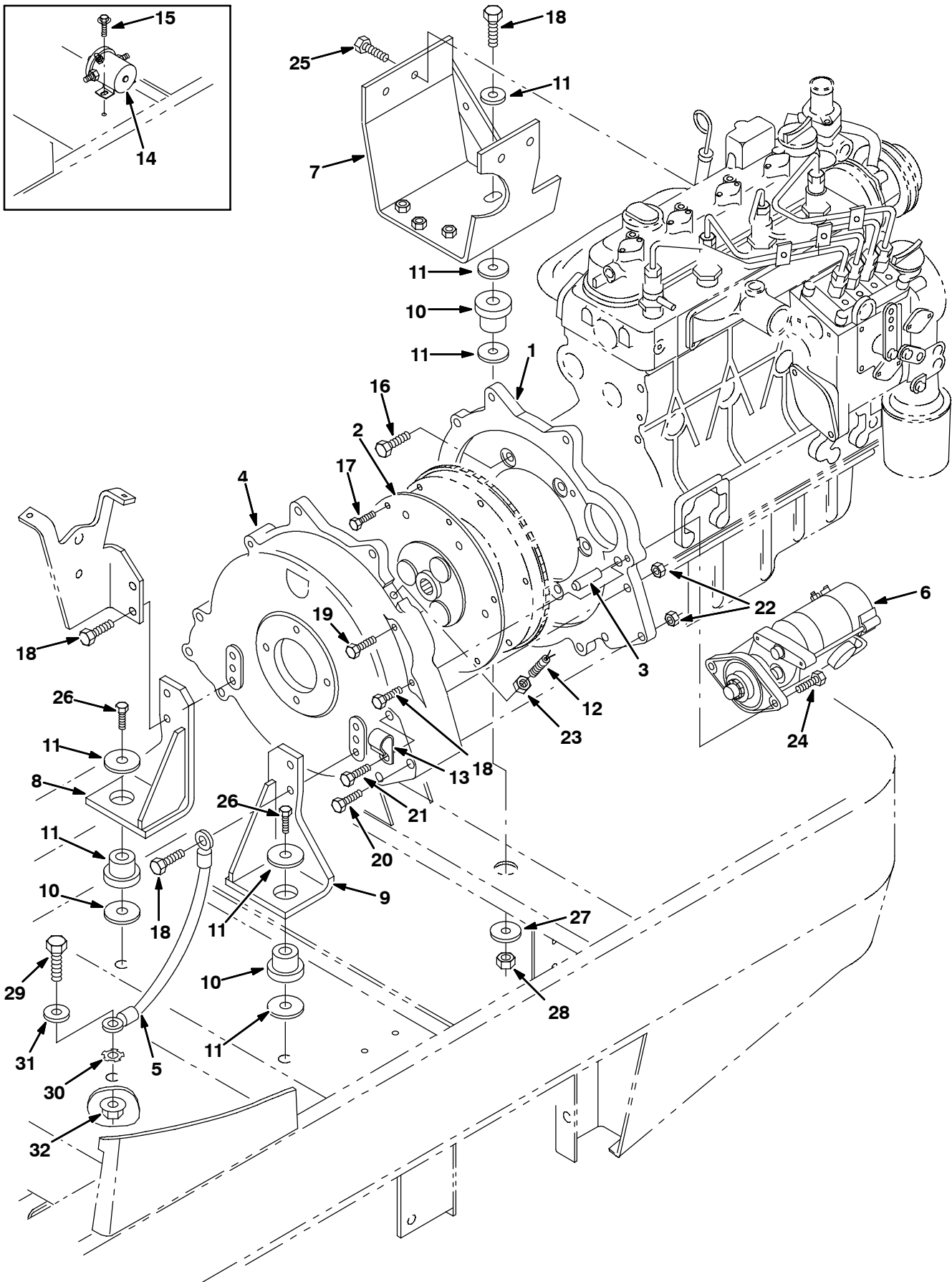


Fig. 16 - Engine Mount Group

Ref.	Part No.	Serial Number	Description	Qty.
1	55837	(000000-) Housing, Flywheel, Mach, [1505] Kubo	1
2	19252	(000000-) Coupling, Drive, Flex, 9.5d/13tooth	1
3	54911-16	(000000-) Pin, Dowel, Cyl.Block To Flywhl.Hsg.	2
4	58566	(000000-) Housing, Flywheel, Mach, [1505] Kubo	1
5	57773	(000000-) Wire Assy, 06ga 13.0l Blk .41h/ .41h	1
6	74405	(000000-) Motor, Starter, 12vdc (See Engine Breakdown)	1
7	55831	(000000-) Bracket Wldt, Mtg, Eng, Front, Kubo	1
8	57755	(000000-) Bracket Wldt, Mtg, Eng, Dis, Rear, Rh	1
9	57754	(000000-) Bracket Wldt, Mtg, Eng, Dis, Rear, Lh	1
10	51176	(000000-) Isolator, Vib, Dia .50	3
11	04414	(000000-) Washer, 0.53b 1.88d .12, Stl, PI	6
12	59946	(000000-) Magnet, Pickup	1
13	30407	(000000-) Clip, Keeper, Open	1
14	375117	(000000- xxxxxx)	Relay, 12vdc, 100a, Spdt N/O [Camdec]	1
15	361339	(000000- xxxxxx)	Screw, Hex, M 6 X 1.0 X 16, Fmg	2
16	07299	(000000-) Screw, Hex, M10 X 1.25 X 25, 8.8	6
17	16735	(000000-) Screw, Hex, M 8 X 1.25 X 16, 8.8	6
18	39283	(000000-) Screw, Hex, M10 X 1.5 X 25, 8.8	7
19	39284	(000000-) Screw, Hex, M10 X 1.5 X 35, 8.8	4
20	06537	(000000-) Screw, Hex, M10 X 1.5 X 120, FI	2
21	06966	(000000-) Screw, Hex, M10 X 1.5 X 110, 8.8	4
22	41430	(000000-) Nut, Hex, Lock, M10 X 1.5, NI	6
23	20171	(000000-) Nut, Hex, Jam, .38-24	1
24	76570	(000000-) Screw, Hex, M 8 X 1.25 X 30, 8.8	2
25	58286	(000000-) Screw, Hex, M10 X 1.25 X 20, 8.8	4
26	06972	(000000-) Screw, Hex, M12 X 1.75 X 60, 8.8	3
27	32493	(000000-) Washer, Flat, 0.50 Std	1
28	08711	(000000-) Nut, Hex, Lock, M12 X 1.75,NI	1
29	06943	(000000-) Screw, Hex, M 6 X 1.0 X 20, 8.8	1
30	41140	(000000-) Washer, Lock, Int-Ext, .25	1
31	32490	(000000-) Washer, Flat, 0.25 Std	1
32	07790	(000000-) Nut, Hex, FIng, M06 X 1.0	1

Fig. 17 - Engine Air Cleaner Group

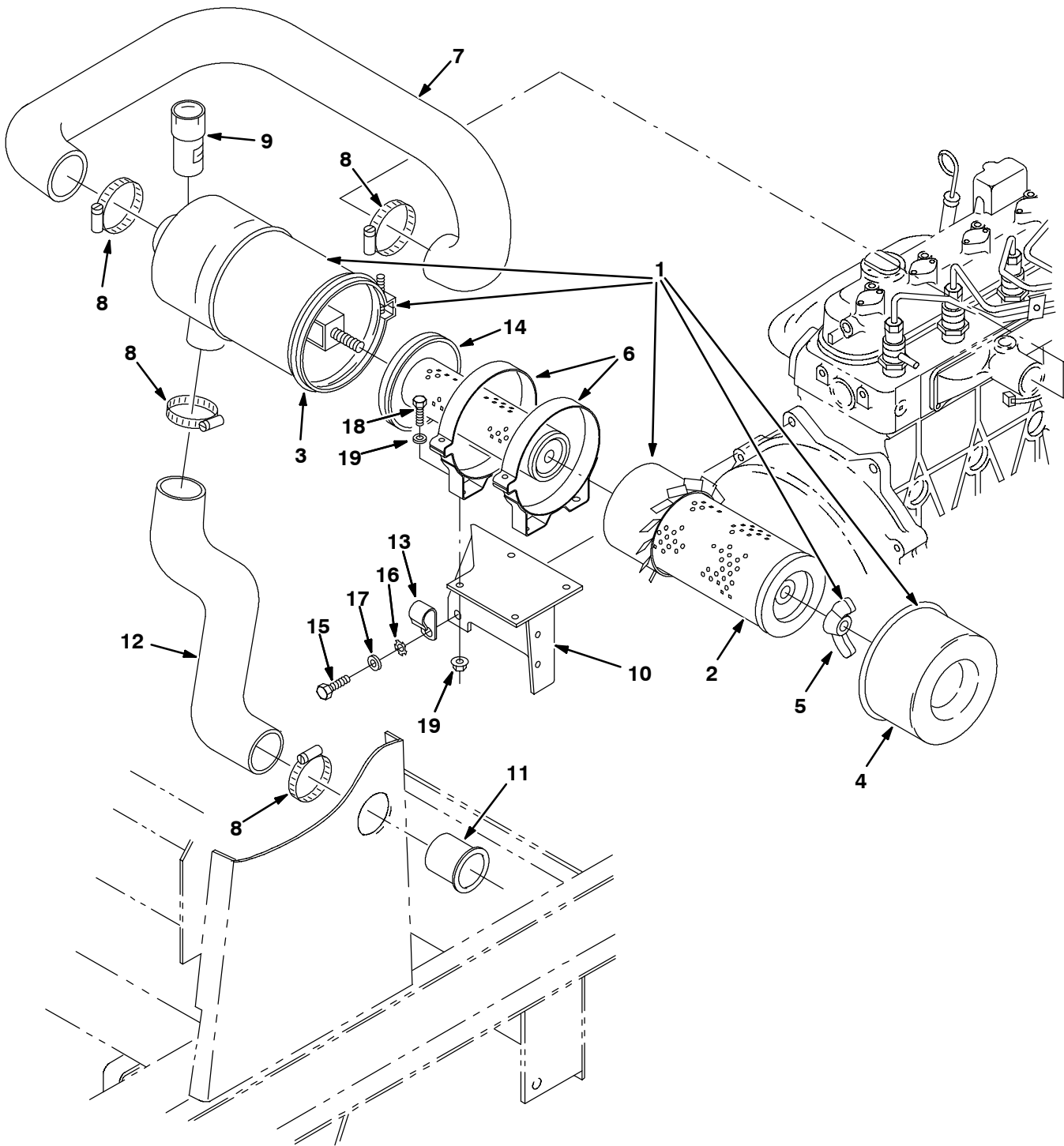


Fig. 17 - Engine Air Cleaner Group

Ref.	Part No.	Serial Number	Description	Qty.
▽	1	58538	(000000-) Filter Assy, Air, 2.0inlet	1
▲	2	58120	(000000-) Element, Fltr, Air	1
▲	3	02740	(000000-) Clamp Assy, Fltr, Air	1
▲	4	02741	(000000-) Cup Assy, Fltr, Air	1
▲	5	07562	(000000-) Nut, Wing, .44-20, Special	1
	6	51560-3	(000000-) Strap, Band, Mtg, Air Fltr, 5.3d	2
	7	58090	(000000-) Hose, Intake, Mold, 2.00id 1.75id,[Epdm]	1
	8	14432	(000000-) Clamp, Hose, Wormdrive, 1.81-2.75d	4
	9	03026	(000000-) Indicator, Filter, Air	1
	10	53783	(000000-) Bracket, Mtg, Air Fltr, [Ford/Kubota]	1
	11	58346	(000000-) Tube, Intake, 2.0d 02.0l Flange	1
	12	59811	(000000-) Hose, Intake, Mold, 2.00id 2.00id,[Epdm]	1
	13	30407	(000000-) Clip, Keeper, Open	1
	14	58121	(000000-) Element, Fltr, Air	1
	15	39284	(000000-) Screw, Hex, M10 X 1.5 X 35, 8.8	1
	16	41142	(000000-) Washer, Lock, Int-Ext, .38	1
	17	32485	(000000-) Washer, Flat, .38 Sae	1
	18	16931	(000000-) Screw, Hex, M8X1.25X20, 8.8	4
	19	07791	(000000-) Nut, Hex, Flng, M8X1.25	4

Fig. 18 - Engine Alternator and Engine Fan Group

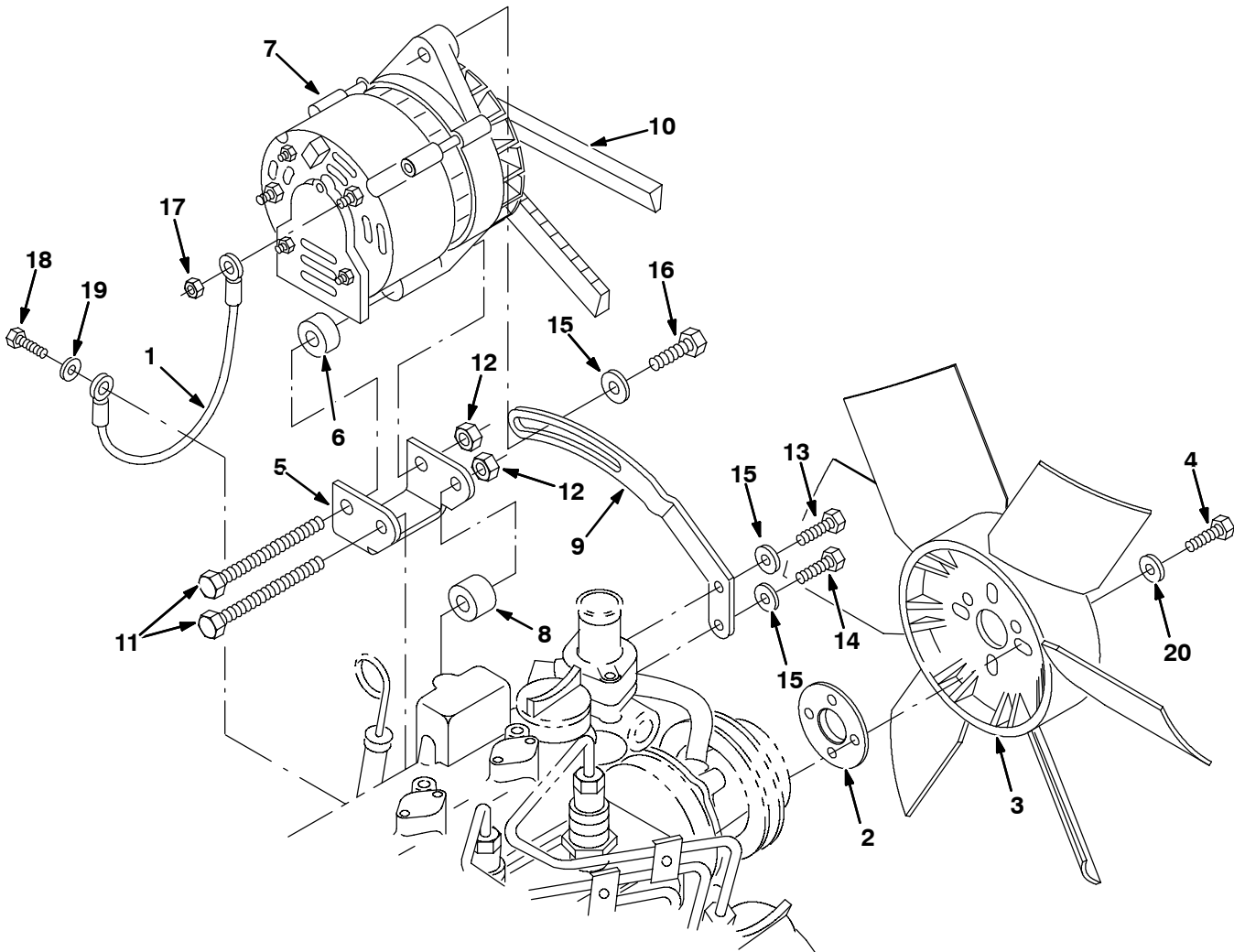


Fig. 18 - Engine Alternator and Engine Fan Group

Ref.	Part No.	Serial Number	Description	Qty.
1	82731	(000000-) Wire, 10ga 09.0l Blk .41ring /#10ring	1
2	30569	(000000-) Spacer, Fan, Eng, 2.3d 0.1 0.95b 1.10d	1
3	30559	(000000-) Fan, Cooling, 14.2d, 6 Blade, 1.8d Bc	1
4	06942	(000000-) Screw, Hex, M 6 X 1.0 X 16, 8.8	4
5	55855	(000000-) Bracket, Mtg, Alternator	1
6	55863	(000000-) Tube, 01.00d 00.28b 00.5l Stl Plt	1
7	392611	(000000-) Alternator, 12vdc 075a	1
8	07274	(000000-) Tube, 01.00d 00.44b 00.7l Stl Plt	1
9	55856	(000000-) Arm, Alternator, [Curved], 6.5r	1
10	58327	(000000-) Belt, V, [3v] 41.0l [Hc41]	1
11	35710	(000000-) Screw, Hex, .38-16 X 3.75, 5	2
12	59156	(000000-) Nut, Hex, Lock, .38-16, NI, Ss	2
13	06943	(000000-) Screw, Hex, M 6 X 1.0 X 20, 8.8	1
14	06548	(000000-) Screw, Hex, M 6 X 1.0 X 60, 8.8	1
15	32483	(000000-) Washer, Flat, 0.25 Sae	3
16	06953	(000000-) Screw, Hex, M 6 X 1.0 X 100, 8.8	1
17	45181	(000000-) Nut, Hex, Lock, #10-24, NI	1
18	16735	(000000-) Screw, Hex, M 8 X 1.25 X 16, 8.8	1
19	41142	(000000-) Washer, Lock, Int-Ext, .38	1
20	19066	(000000-) Washer, Flt, #10	4

Fig. 19 - Engine Muffler Group

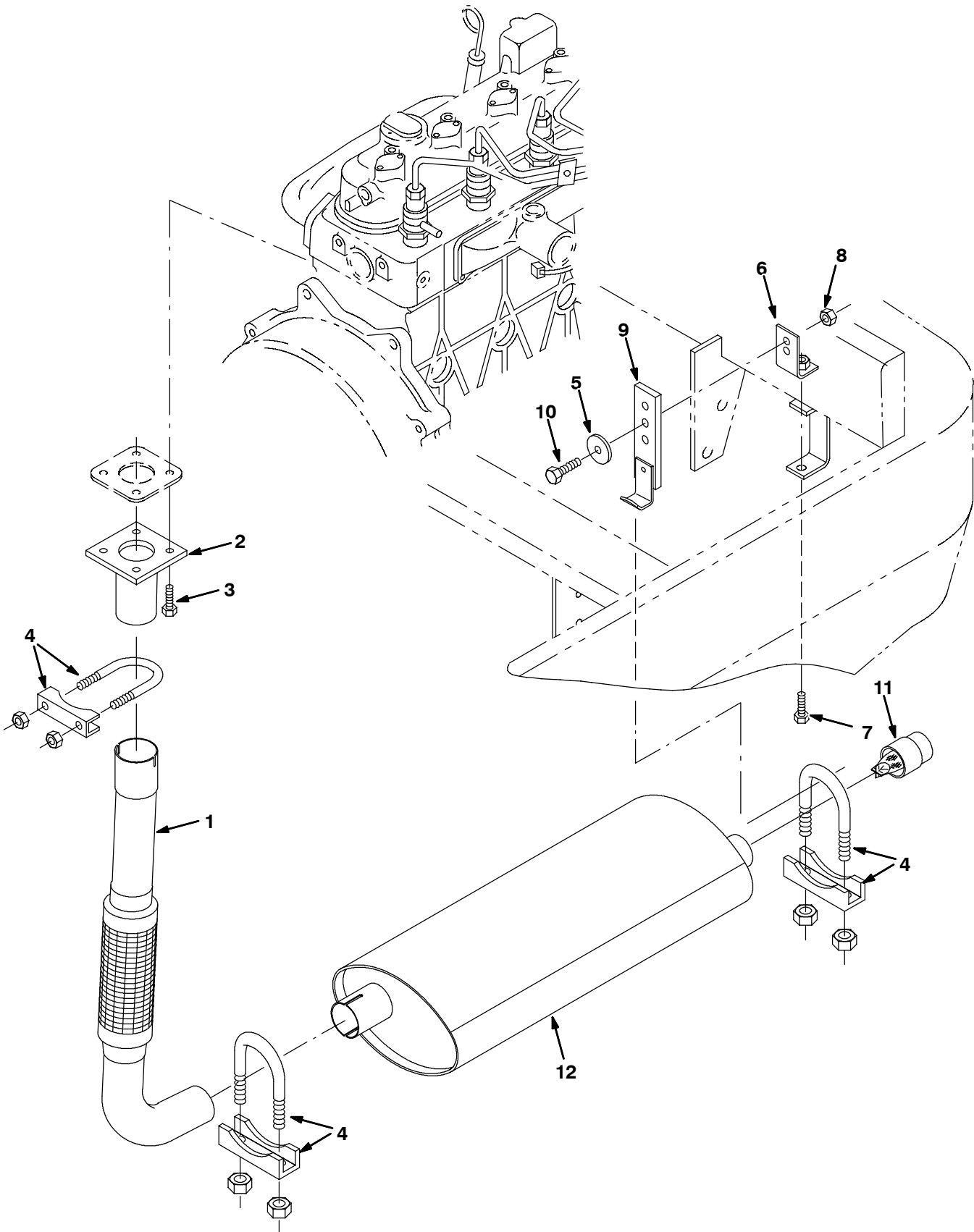


Fig. 19 - Engine Muffler Group

Ref.	Part No.	Serial Number	Description	Qty.
1	369782	(000000-) Tube Wldt, Exhaust, 1.6d W/ Flex Lh	1
2	74452	(000000-) Tube Wldt, Exhaust, 1.5d 4h Flng	1
3	16931	(000000-) Screw, Hex, M 8 X 1.25 X 20, 8.8	2
4	24012	(000000-) Clamp, Muffler, 1.62d	3
5	30013	(000000-) Washer, Flat, 0.31 Fender	1
6	1010448	(000000-) Angle, Mtg, Muffler	1
7	16931	(000000-) Screw, Hex, M 8 X 1.25 X 20, 8.8	1
8	08709	(000000-) Nut, Hex, Lock, M 8 X 1.25 NI	1
9	374691	(000000-) Strap, Muffler Hanger	1
10	39277	(000000-) Screw, Hex, M 8 X 1.25 X 25, 8.8	1
11	1009681	(000000-) Screen, Sparkarrest	1
12	33333	(000000-) Muffler, Exhaust	1

Fig. 20 - Engine Fuel Tank Group

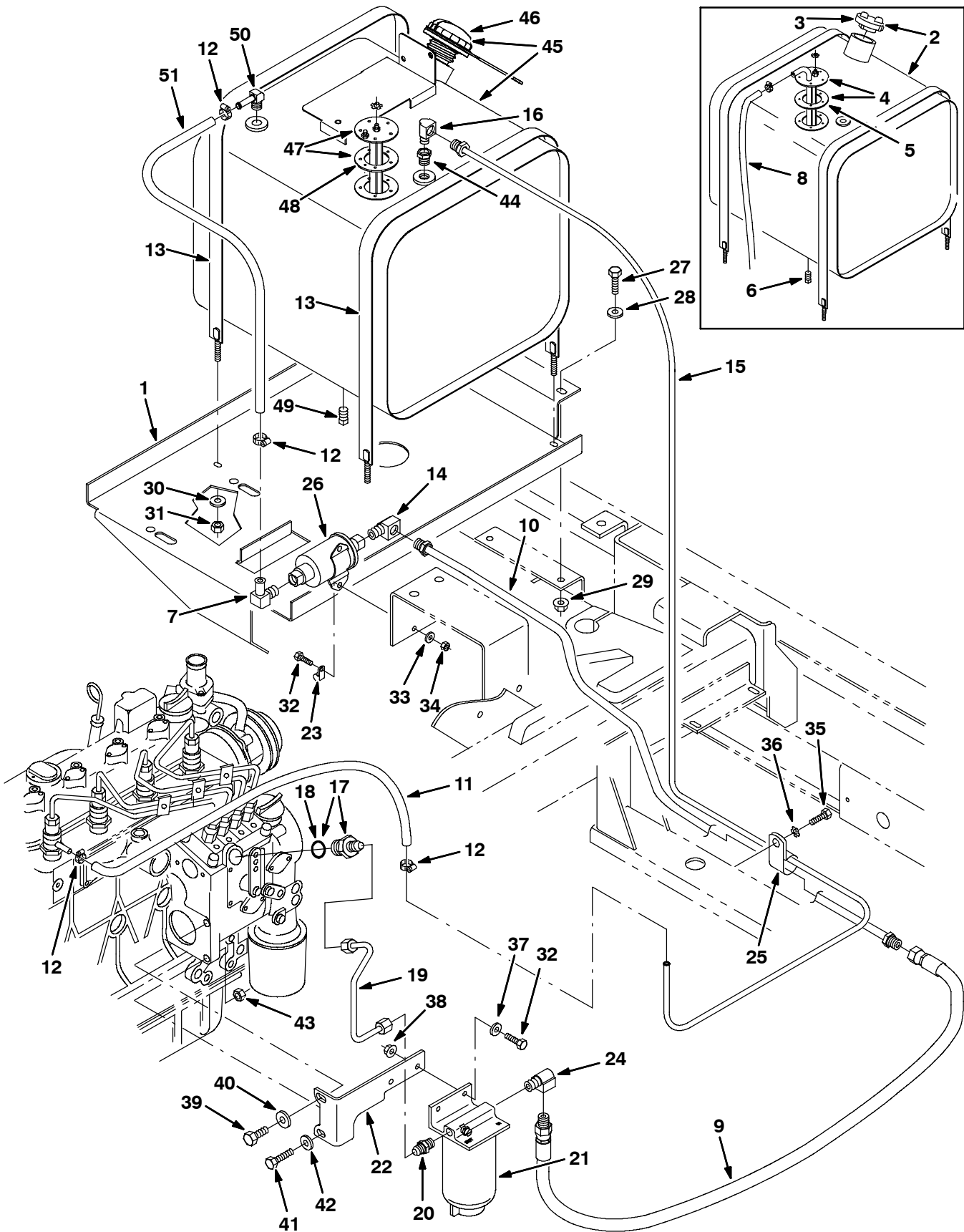


Fig. 20 - Engine Fuel Tank Group

Ref.	Part No.	Serial Number	Description	Qty.
	1	55222	(000000-) Tray, Mtg, Tank, Fuel	1
▽	2	72191	(000000-029999) Tank, Fuel, 9.4 Gal	1
▲	3	48267	(000000-029999) Cap, Tank, Fuel, 2.3neck 2.6d	1
▲▽	4	74406	(000000-029999) Send-Unit, Fuel, Ohm	1
▲▲	5	14131	(000000-029999) Gasket, Sender, Fuel, 2.7d 1.5b 5/ 2.1bc	1
▲	6	48126	(000000-029999) Fitting, Pipe, Plug, Pm02 Sq Head	1
	7	53029	(000000-) Fitting, Brs, E90, Em05/Pm02	1
	8	82509	(000000-029999) Hose, Fuel, 0.31id 11.0l	1
	9	70173	(000000-) Hose, 0050, 04, Im05str /lf05str , 10.0	1
	10	377206	(000000-) Fuelline, .31d 05if/05if Stl	1
	11	87738	(000000-) Hose, Fuel, 0.18id 29.0l	1
	12	43844	(000000-) Clamp, Hose, Wormdrive, 0.25-0.62d	4
	13	87396	(000000-) Strap Wldt, Tank, .06th X 1.0w, 37.7l	2
	14	15555-1	(000000-) Fitting, Brs, E90, lf05/Pm02	1
	15	72193	(000000-) Fuelline, .19d 05if/Bea Stl	1
	16	53078	(000000-) Fitting, Brs, E90, lf03/Pm02	1
▽	17	58301	(000000-) Fitting, Hyd, Str, Metric, Om10/Jm04	1
▲	18	77002	(000000-) Seal, O-Ring, .064 X 00.30id	1
	19	377205	(000000-) Fuelline Assy, Dsl [6600/6650]	1
	20	06678	(000000-) Fitting, Hyd, Str, Pm04/Jm04	1
▽	21	1016827	(000000-) Filter Assy, Fuel, Dsl	1
▲		1017126	(000000-) Element, Fltr, Fuel [Dn]	1
	22	1010471	(000000-) Bracket, Mtg, Fltr, Fuel, Dsl	1
	23	46236	(000000-) Clamp, Cable, Stl, 0.25d X 0.56w, 1h	1
	24	15555-2	(000000-) Fitting, Brs, E90, lf05/Pm04	1
	25	26395-1	(000000-) Clamp, Cable, Stl, 0.56d X 0.38w, 1hole	1
	26	59015	(000000-) Pump, Fuel	1
	27	39277	(000000-) Screw, Hex, M 8 X 1.25 X 25, 8.8	4
	28	32491	(000000-) Washer, Flat, 0.31 Std	4
	29	07791	(000000-) Nut, Hex, Flng, M08 X 1.25	4
	30	32483	(000000-) Washer, Flat, 0.25 Sae	4
	31	32981	(000000-) Nut, Hex, Lock, .25-20, NI	4
	32	06943	(000000-) Screw, Hex, M 6 X 1.0 X 20, 8.8	4
	33	41140	(000000-) Washer, Lock, Int-Ext, .25	2
	34	08708	(000000-) Nut, Hex, Lock, M 6 X 1.0, NI	2
	35	74455	(000000-) Screw, Hex, M 6 X 1.0 X 12, Fmg	1
	36	41140	(000000-) Washer, Lock, Int-Ext, .25	1
	37	32490	(000000-) Washer, Flat, 0.25 Std	2
	38	07790	(000000-) Nut, Hex, Flng, M06 X 1.0	2
	39	58286	(000000-) Screw, Hex, M10 X 1.25 X 20, 8.8	1
	40	32485	(000000-) Washer, Flat, .38 Sae	1
	41	76570	(000000-) Screw, Hex, M 8 X 1.25 X 30, 8.8	1
	42	39349	(000000-) Washer, Flat, .31 Sae	1
	43	08709	(000000-) Nut, Hex, M 8 X 1.25 NI	1
	44	17414	(000000-) Fitting, Hyd, Str, Pf02/Pm04	1

STANDARD PARTS

Fig. 20 - Engine Fuel Tank Group

	Ref.	Part No.	Serial Number	Description	Qty.
▽	45	1030271	(030000-) Tank, Fuel, 09.4gal, 14.62w 13.1hi 15.6l	1
▲	46	1032812	(030000-) Cap, Fuel, Tank	1
▲▽	47	1033900	(030000-) Send-unit, Fuel	1
▲▲	48	1033897	(030000-) Gasket, Sender, Fuel	1
▲	49	48126	(030000-) Fitting, Pipe, Plug, Pm02 Sq Head	1
	50	9000355	(030000-) Fitting, Brs, E90, Em05/Pm04	1
	51	1033746	(030000-) Hose, Fuel, 0.31id [Evap Emission 07]	1

Fig. 21 - Engine Radiator Group

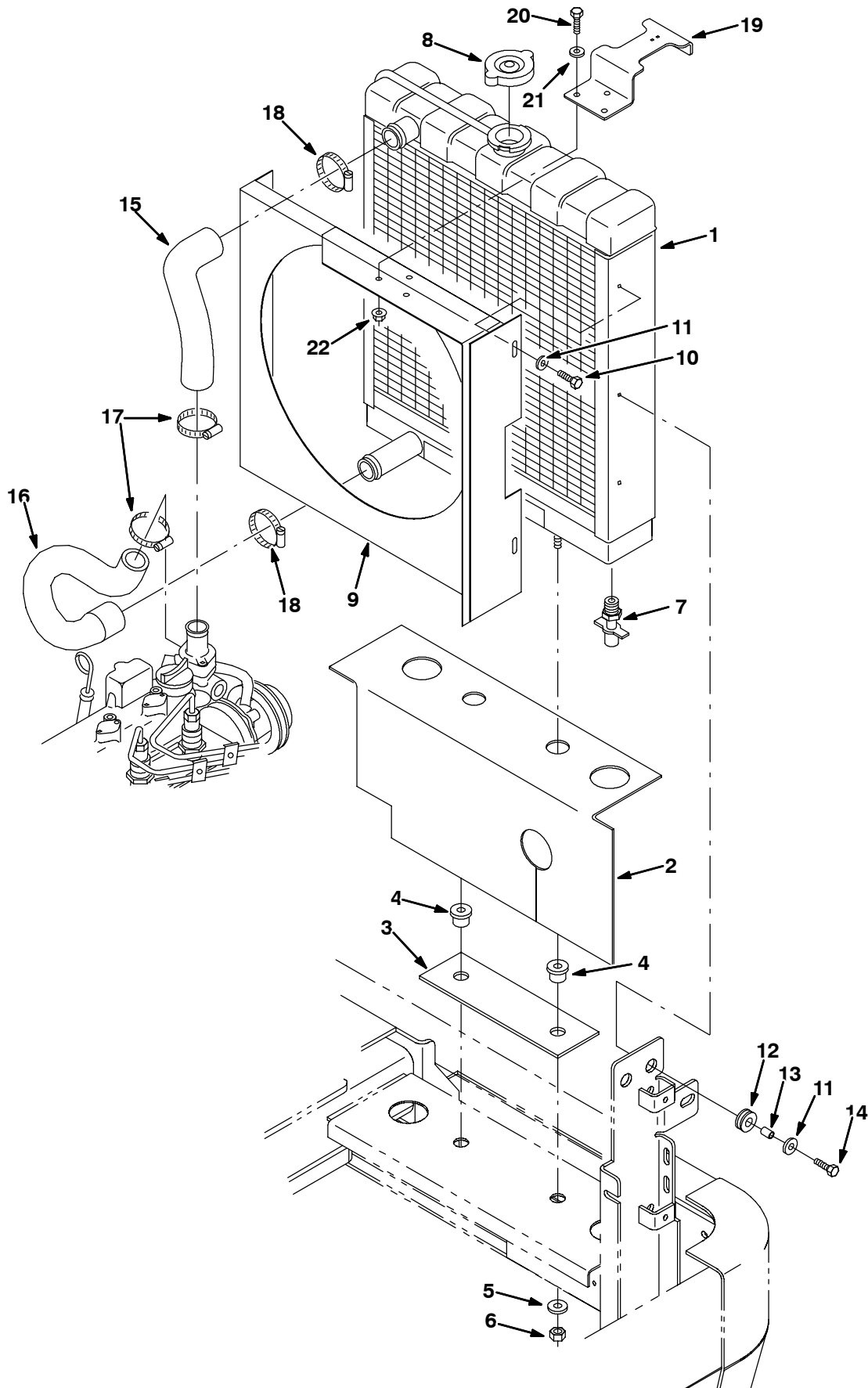


Fig. 21 - Engine Radiator Group

Ref.	Part No.	Serial Number	Description	Qty.
1	1018073	(000000-) Radiator, [F/ 1018073 Afmkt]	1
2	1008857	(000000-) Skirt, Deflector, Air	1
3	59551	(000000-) Bar, Flt, Stl, 0.18 X 3.0 X 10.0 L	1
4	54274	(000000-) Isolator, Vib, Bshg, 1.1d 0.6l .4b 0.78h	2
5	32492	(000000-) Washer, Flat, 0.38 Std	2
6	41430	(000000-) Nut, Hex, Lock, M10 X 1.5, NI	2
7	54911-32	(000000-) Fitting, Draincock, .25npt	1
8	1032822	(000000-025513) Cap, Radiator, 7psi	1
8	1045764	(025514-) Cap, Radiator, 14psi [Stant]	1
9	1016630	(000000-) Guard, Belt, Fan, Dsl, W/Label	1
10	87308	(000000-) Screw, Hex, M 6 X 1.0 X 12, 8.8	3
11	32490	(000000-) Washer, Flat, 0.25 Std	4
12	86727	(000000-) Grommet, Rbr, 0.50id, F/ 0.8h, .19matl	1
13	59881	(000000-) Tube, 00.38d 00.28b 00.6l Stl	1
14	06944	(000000-) Screw, Hex, M 6 X 1.0 X 25, 8.8	1
15	55857	(000000-) Hose, Coolant, Mold, 1.00id To 1.25id	1
16	55858	(000000-) Hose, Coolant, Mold, 1.00id To 1.25id	1
17	11399	(000000-) Clamp, Hose, Wormdrive, 0.81-1.50d	2
18	11531	(000000-) Clamp, Hose, Wormdrive, 1.06-2.00d	2
19	1010476	(025000-) Bracket, Latch, Dsl	1
20	06942	(025000-) Screw, Hex, M6 X 1.0 X 16, 8.8	3
21	32485	(025000-) Washer, Flat, 0.38 Sae	3
22	07790	(025000-) Nut, Hex, Flng, M6 X 1.0	3

Fig. 22 - Battery Group

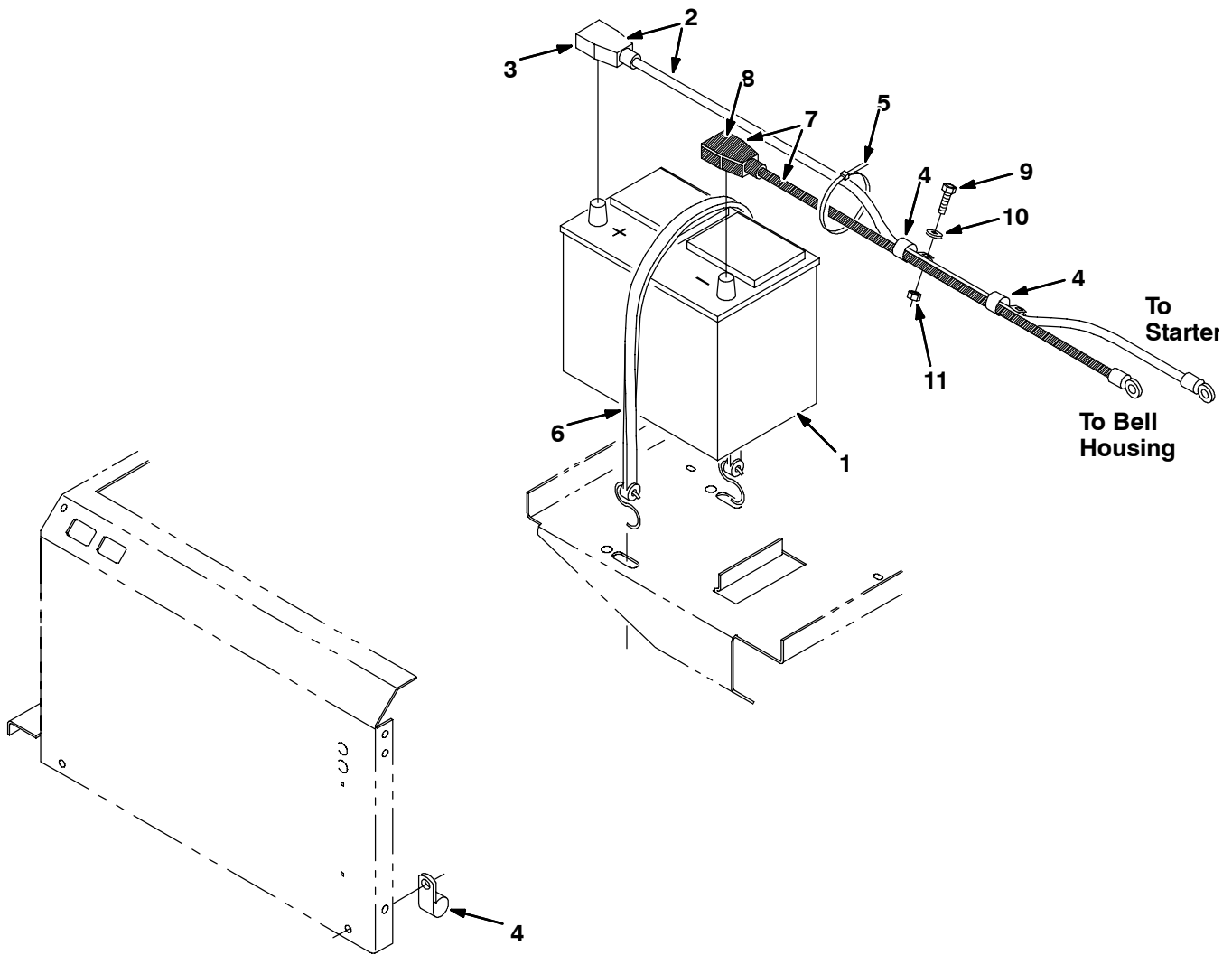


Fig. 22 - Battery Group

Ref.	Part No.	Serial Number	Description	Qty.	
1	10143	(000000-) Battery, 12vdc, 0600cca, Wet	1	
▽	2	60292	(000000-) Cable, Battery, Pos 2ga 66.0l .41 Hole	1
▲	3	68873	(000000-) Boot, Cable, Battery, Red	1
	4	69234	(000000-) Clamp, Cable, Stl, 1.00d X 0.62w, 1h	3
	5	49266	(000000-) Tie, Cable, Nyl, 07.3l .19w 1.8 Max D	2
	6	33671	(000000-) Strap, Rbr, Tie-Down, 2/Hooks 19.0l	1
▽	7	60295	(000000-) Cable, Battery, Neg 2ga 60.0l .41 Hole	1
▲	8	68872	(000000-) Boot, Cable, Battery, Black	1
	9	16931	(000000-) Screw, Hex, M 8 X 1.25 X 20, 8.8	2
	10	39349	(000000-) Washer, Flat, 0.31 Sae	2
	11	07791	(000000-) Nut, Hex, Flng, M08 X 1.25	2

Fig. 23 - Wheel Group, Rear Drive

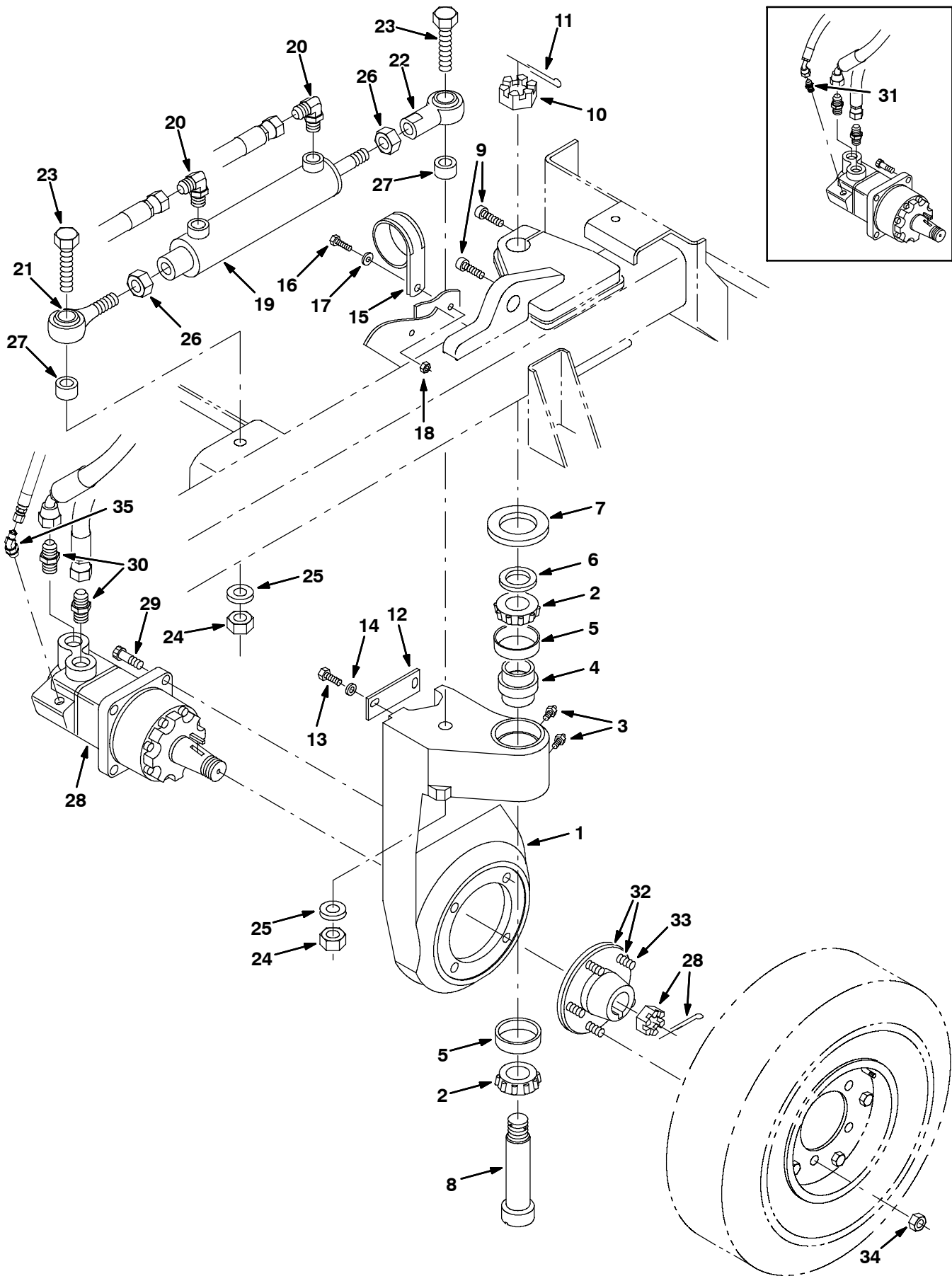


Fig. 23 - Wheel Group, Rear Drive

Ref.	Part No.	Serial Number	Description	Qty.	
1	374561	(000000-) Housing, Sppt, Drive, Rear	1	
2	51339	(000000-) Bearing, Cone, 1.38b 0.71w	2	
3	47801	(000000-) Fitting, Grease, Str Pm04 .63l	2	
4	374560	(000000-) Seal, Rear Drive Grease Cavity	1	
5	51338	(000000-) Bearing, Cup, 2.56d 0.55w	2	
6	54051	(000000-) Washer, 1.39b 2.12d .13, Stl	1	
7	374563	(000000-) Washer, 2.16b 3.50d .16, Felt	1	
8	73281	(000000-) Pin	1	
9	72926	(000000-) Screw, Soc, M16 X 2.0 X 50, 12.9	2	
10	54052	(000000-) Nut, Hex, Slt'd, 1.12-18	1	
11	08329	(000000-) Pin, Cotter, .125 X 2.50	1	
12	58842	(000000-) Bar, Flt, Stl, 0.19 X 1.50 X 04.10l	1	
13	09011	(000000-) Screw, Hex, M 8 X 1.25 X 30, Ss	2	
14	32491	(000000-) Washer, Flat, 0.31 Std	2	
15	70157	(000000-) Clamp, Cable, Ss, 2.50d X 1.00w, 1h	1	
16	09740	(000000-) Screw, Hex, M 8 X 1.25 X 20, Ss	1	
17	39349	(000000-) Washer, Flat, 0.31 Sae	1	
18	07791	(000000-) Nut, Hex, Flng, M08 X 1.25	1	
19	53601	(000000-026189) Cylinder, Hyd, 2.0b,15.0l,08.00strk,1500 (See Breakdowns)	1	
19	1028492	(026190-) Cylinder, Hyd, 2.0b,15.0l,08.00strk,1500	1	
20	56820	(000000-) Fitting, Hyd, E90, Jm06/Om06	2	
21	64886	(000000-) Rod-End, .75-16rh Mal 0.75b	1	
22	64887	(000000-) Rod-End, .75-16rh Fem 0.75b	1	
23	374553	(000000-) Screw, Hex, .75-10 X 3.50, 5	2	
24	43958	(000000-) Nut, Hex, Std, .75-16	2	
25	39350	(000000-) Washer, Flat, 0.75 Sae	2	
26	32987	(000000-) Nut, Hex, Lock, .75-10, NI	2	
27	374552	(000000-) Tube, 00.75d 00.25b 00.8l Stl Plt	2	
28	379609	(000000-) Motor, Hyd, Gear, [Int], 19.0 X 3000 (See Breakdowns)	1	
29	19583	(000000-) Screw, Soc, .50-13 X 1.50, AI	4	
30	42223	(000000-) Fitting, Hyd, Str, Jm10/Om12	2	
31	55685	(000000-030235) Fitting, Hyd, Str, Jm04/Om06	1	
▽	32	54087	(000000-) Hub Assy, Wheel, 5 Bolt 4.50bc Taper B	1
▲	33	32126	(000000-) Stud, Wheel, .50-20 X 1.50	5
	34	24339	(000000-) Nut, Wheel, .50-20 X 60 Angle	5
	35	393215	(030236-) Fitting, Hyd, E45, Jm04/Om06	1

Fig. 24 - Wheel Assembly, Rear

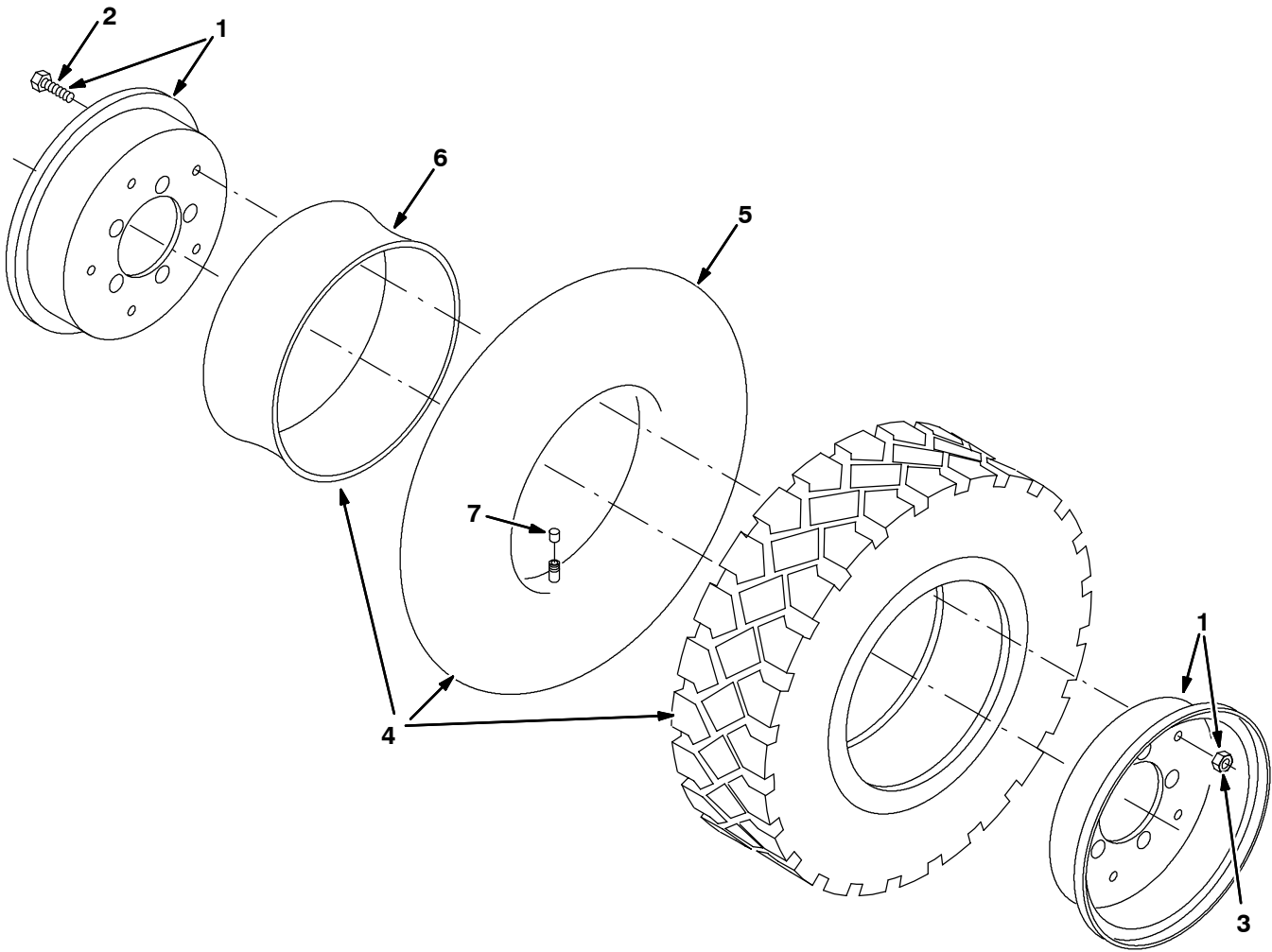


Fig. 24 - Wheel Assembly, Rear

	Ref.	Part No.	Serial Number	Description	Qty.
		70287	(000000-) Tire Assy, Pneu, 570/500-08 4.5bc/5bolt	1
▲▽	1	53818	(000000-) Rim Assy, 08 X 3.76 4.5bc/5b	1
▲▲	2	370181	(000000-) Screw, Hex, M10 X 1.5 X 25, 10.9	5
▲▲	3	41430	(000000-) Nut, Hex, Lock, M10 X 1.5, NI	5
▲▽	4	53819	(000000-) Tire, W/Tube & Flap	1
▲▲	5	70280	(000000-) Innertube, [5.00r-8],[Js2] Valve,[500-8]	1
▲▲	6	53819-2	(000000-) Flap, Tire/Tube, 570/500-8	1
▲▲	7	45786	(000000-) Cap, Valve, Tire, Tubeless	1

Fig. 25 - Wheel and Brakes Group, Front

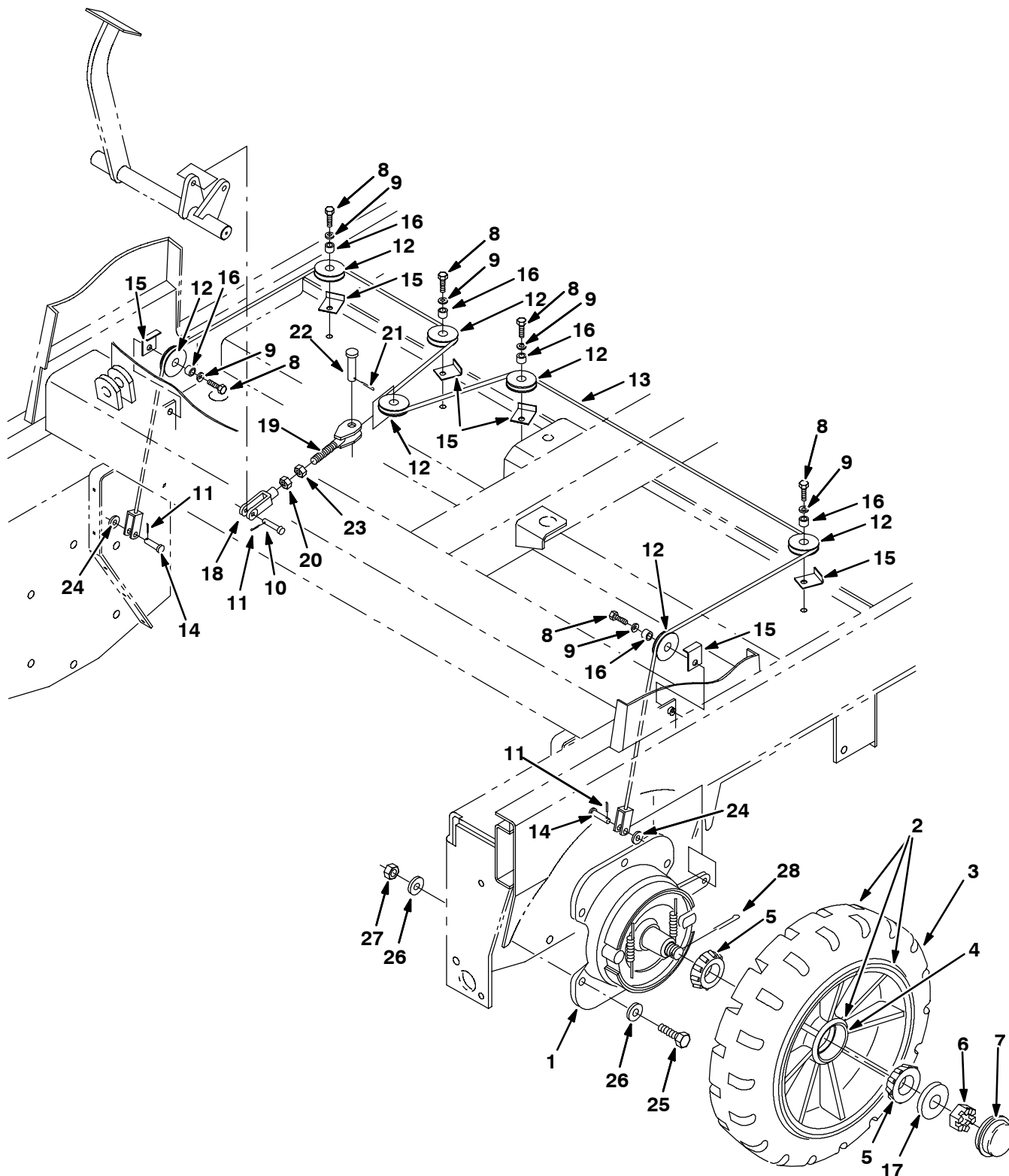


Fig. 25 - Wheel and Brakes Group, Front

Ref.	Part No.	Serial Number	Description	Qty.
▽	1	54577	(000000-) Brake Assy, Drum, Mech, 07.9d	2
▲		66211	(000000-) Shoe, Brake	2
▲▽		66213	(000000-) Kit, Brake	1
▲▲		70161	(000000-) Shaft	1
▲		70158	(000000-) Spring	2
▽	2	54437	(000000-) Tire Assy, Solid, 18.0x5.0 1.56b	2
▲	3	54567	(000000-) Tire, Solid, 18.0 X 5.0 X 12.1 No Rim	1
▲	4	51338	(000000-) Bearing, Cup, 2.56d 0.55w	2
	5	51339	(000000-) Bearing, Cone, 1.38b 0.71w	4
	6	14242	(000000-) Nut, Hex, Slt'd, 1.00-20	2
	7	54390	(000000-) Cap, Hub, Dust 2.57d 0.77l	2
	8	09011	(000000-) Screw, Hex, M 8 X 1.25 X 30, Ss	6
	9	39349	(000000-) Washer, Flat, 0.31 Sae	6
	10	86240	(000000-) Pin, Clevis, 0.38 D X 1.13l	1
	11	39005	(000000-) Pin, Cotter, .094 X 0.75	3
	12	369781	(000000-) Pulley, Cable, 1.5d, Nyl	7
	13	54617	(000000-) Cable, .19d, 105.8l, .4clevis/.4clevis	1
	14	09088	(000000-) Pin, Clevis, 0.37 D X 1.00l	2
	15	54400	(000000-) Bracket, Angle, Keeper, Cable	6
	16	222460	(000000-) Sleeve, P/M, 0.496d 0.318b 0.50l 430ss	6
	17	32969	(000000-) Washer, Flat, 1.00 Sae	2
	18	374710	(000000-) Clevis, Adj, 0.38pin, 0.50 - 20	1
	19	71373	(000000-) Clevis Wldt, Adj, .50pin 0.50-20, PI	1
	20	43957	(000000-) Nut, Hex, Std, .50-20	1
	21	08182	(000000-) Pin, Cotter, .125 X 1.00	1
	22	58078	(000000-) Pin, Clevis, 0.50 D X 1.25l	1
	23	48985	(000000-) Nut, Hex, Jam, .50-20	1
	24	32485	(000000-) Washer, Flat, .38 Sae	2
	25	06969	(000000-) Screw, Hex, M12 X 1.75 X 40, 8.8	12
	26	32486	(000000-) Washer, Flat, 0.50 Sae	24
	27	08711	(000000-) Nut, Hex, Lock, M12 X 1.75,NI	12
	28	08202	(000000-) Pin, Cotter, .125 X 1.75	2

Fig. 26 - Brake Lever and Pedal Group

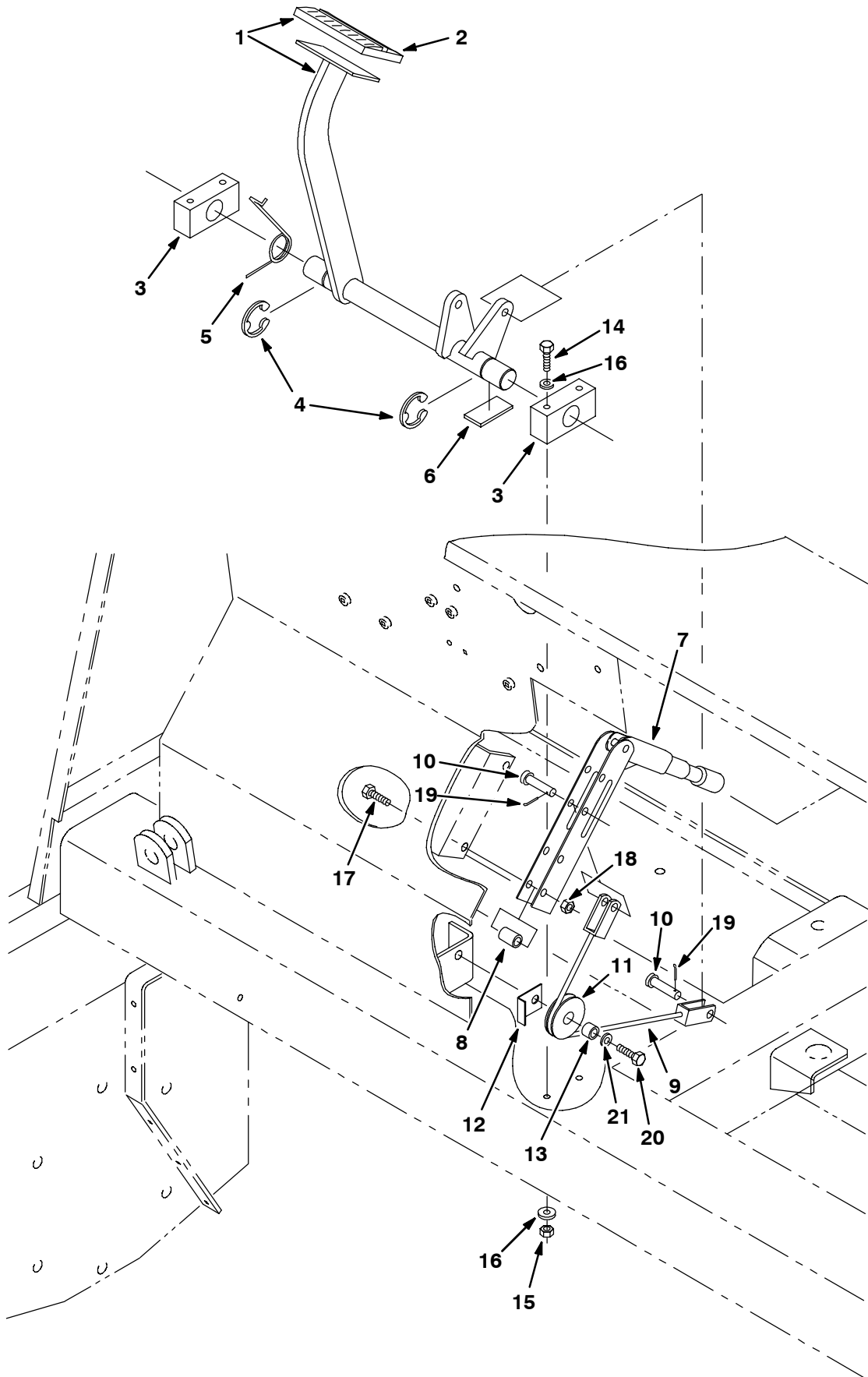


Fig. 26 - Brake Lever and Pedal Group

Ref.	Part No.	Serial Number	Description	Qty.
▽ 1	72132	(000000-) Shaft Assy, Pedal, Brake, W/ Pad	1
▲ 2	51109	(000000-) Pad, Pedal, Brake, 3.9 2.4 0.75t	1
3	86751	(000000-) Bearing	2
4	23788	(000000-) Ring, Retaining, Ext, 0.98d, [E-Ring]	2
5	54607	(000000-) Spring, Tors, 1.13id .12wir 02.3coil Rh	1
6	69933	(000000-) Strip, Rbr, 0.13 01.00w 02.0l	1
7	51545	(000000-) Lever, Brake, Parking	1
8	51562	(000000-) Tube, 00.51d 00.33b 00.8l Stl Plt	2
9	54616	(000000-) Cable, .19d, 20.0l, .4clevis/.4clevis	1
10	86240	(000000-) Pin, Clevis, 0.38 D X 1.13l	2
11	369781	(000000-) Pulley, Cable, 1.5d, Nyl	1
12	54400	(000000-) Bracket, Angle, Keeper, Cable	1
13	222460	(000000-) Sleeve, P/M, 0.496d 0.318b 0.50l 430ss	1
14	58979	(000000-) Screw, Hex, M 6 X 1.00 X 55, Ss	4
15	08712	(000000-) Nut, Hex, Lock, M 6 X 1.0, NI, Ss	4
16	32490	(000000-) Washer, Flat, 0.25 Std	8
17	06956	(000000-) Screw, Hex, M 8 X 1.25 X 45, 8.8	2
18	08709	(000000-) Nut, Hex, Lock, M 8 X 1.25 NI	2
19	39005	(000000-) Pin, Cotter, .094 X 0.75	2
20	06955	(000000-) Screw, Hex, M 8 X 1.25 X 35, 8.8	1
21	39349	(000000-) Washer, Flat, 0.31 Sae	1

Fig. 27 - Directional Pedal Group

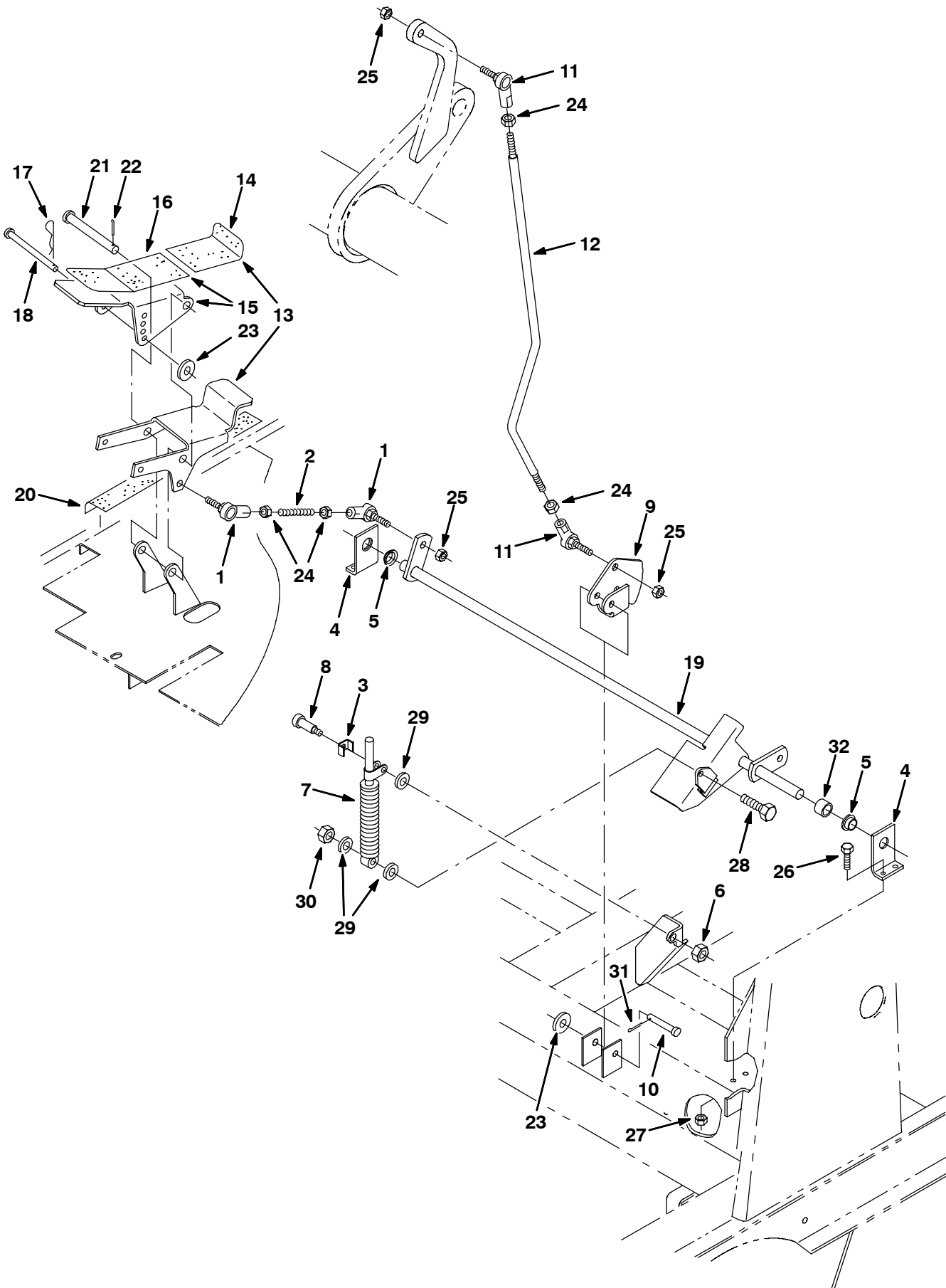


Fig. 27 - Directional Pedal Group

Ref.	Part No.	Serial Number	Description	Qty.	
1	05686	(000000-) Rod-End, M10 X 1.5rh Fem M10 X 1.5stud	2	
2	54996	(000000-) Rod, Thrd, Full, M10x1.5 03.3l	1	
3	84170	(000000-) Bracket, Retainer, Safety	1	
4	53927	(000000-) Bracket, Sppt, Control Rod	2	
5	04843	(000000-) Bushing, Flng, 0.63b 0.72d 0.25l	2	
6	75934	(000000-) Nut, Hex, Lock, .25-20, NI	1	
7	73411	(000000-) Shock Absorber, 2.3 Strk	1	
8	16213	(000000-) Bolt, Shld, .31d X 1.00, .25-20	1	
9	379732	(000000-) Bracket, Speed Limiter	1	
10	51813	(000000-) Pin, Clevis, 0.37 D X 2.12l	1	
11	05686	(000000-) Rod-End, M10 X 1.5rh Fem M10 X 1.5stud	2	
12	374520	(000000-) Rod, Thrd, Limiter,Speed, M10x1.5	1	
▽	13	72130	(000000-) Pedal, Propel, Lower, W/ Tread	1
▲	14	75430	(000000-) Tread, Non-Skid, 02.2w 15.5l	1
▽	15	72131	(000000-) Pedal, Propel, Upper, W/ Tread	1
▲	16	75430	(000000-) Tread, Non-Skid, 02.2w 15.5l	1
17	44906	(000000-) Pin, Hair Cotter, 0.69 D .092 Wir	1	
18	59672	(000000-) Pin, Clevis, 0.37 D X 4.50l	1	
19	74475	(000000-) Shaft Wldt, Propel	1	
20	75430	(000000-) Tread, Non-Skid, 02.2w 15.5l	1	
21	59668	(000000-) Pin, Clevis, 0.50 D X 4.50l	1	
22	08012	(000000-) Pin, Clevis, 0.50 D X 4.50l	1	
23	32492	(000000-) Washer, Flat, 0.38 Std	2	
24	39312	(000000-) Nut, Hex, Std, M10 X 1.5	4	
25	41430	(000000-) Nut, Hex, Lock, M10 X 1.5, NI	4	
26	06943	(000000-) Screw, Hex, M 6 X 1.0 X 20, 8.8	4	
27	07790	(000000-) Nut, Hex, Flng, M06 X 1.0	4	
28	41342	(000000-) Screw, Hex, M 8 X 1.25 X 40, 8.8	1	
29	32491	(000000-) Washer, Flat, 0.31 Std	3	
30	08709	(000000-) Nut, Hex, Lock, M 8 X 1.25 NI	1	
31	39005	(000000-) Pin, Cotter, .094 X 0.75	1	
32	28014A	(000000-) Tube, 00.88d 00.66b 00.6l Stl Plt	1	

Fig. 28 - Hydraulic Pump Linkage Group

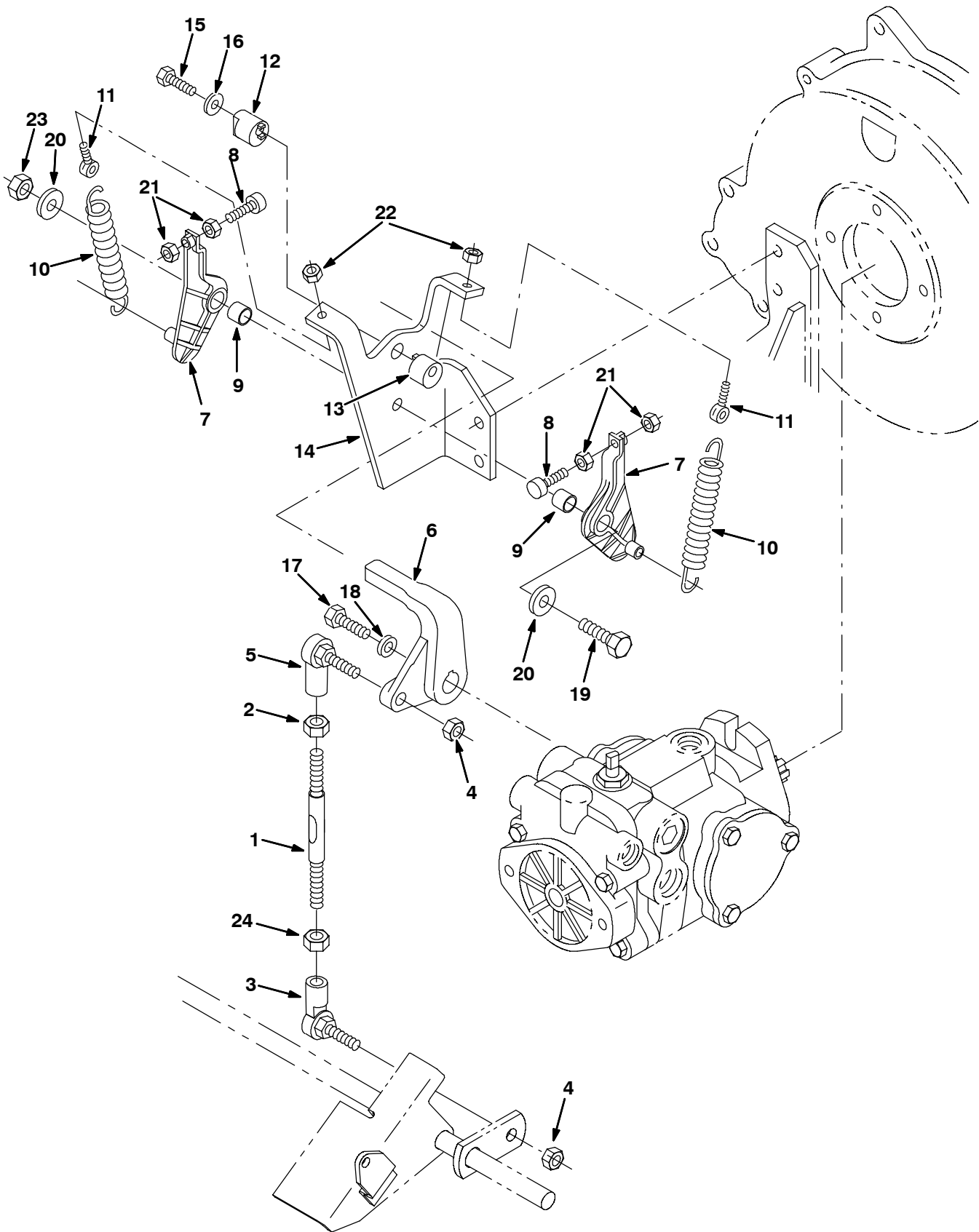


Fig. 28 - Hydraulic Pump Linkage Group

Ref.	Part No.	Serial Number	Description	Qty.
1	54015	(000000-) Rod, Thrd, 2 End, M10x1.5 05.8l 1/Lh	1
2	39312	(000000-) Nut, Hex, Std, M10 X 1.5	1
3	05685	(000000-) Rod-End, M10 X 1.5lh Fem M10 X 1.5stud	1
4	41430	(000000-) Nut, Hex, Lock, M10 X 1.5, NI	2
5	05686	(000000-) Rod-End, M10 X 1.5rh Fem M10 X 1.5stud	1
6	54999	(000000-) Arm, Cntrl, Pintle, Casting	1
7	53953	(000000-) Arm, Cntrl, Pintle, Centering	2
8	54205	(000000-) Bumper, Rbr, 0.5d 0.16t M5 X 08	2
9	63234	(000000-) Tube, Rnd, 0.50d 0.38b 00.6l, Ss	2
10	11842	(000000-) Spring, Extn, 0.75od X 0.12wir, 4.3l	2
11	48079	(000000-) Bolt, Eye, .25-20 X 1.40 X .25 Eye	2
12	53947	(000000-) Cam, Centering, Pintle	1
13	54655	(000000-) Cam, Centering, Pintle	1
14	383017	(000000-) Bracket, Mtg, Propel Centering	1
15	59658	(000000-) Screw, Hex, M 8 X 1.25 X 35, Ss, NI	1
16	39349	(000000-) Washer, Flat, 0.31 Sae	1
17	50042	(000000-) Screw, Hex, .31-24 X 0.50, 5	1
18	32491	(000000-) Washer, Flat, 0.31 Std	1
19	42467	(000000-) Screw, Hex, .38-16 X 2.00, Ss	1
20	32492	(000000-) Washer, Flat, 0.38 Std	2
21	50335	(000000-) Nut, Hex, Std, M05 X 0.8	4
22	32981	(000000-) Nut, Hex, Lock, .25-20, NI	2
23	36643	(000000-) Nut, Hex, Lock, .38-16, NI, Thin	1
24	09775	(000000-) Nut, Hex, Std, M10-1.5 , Ss	1

Fig. 29 - Hopper Group

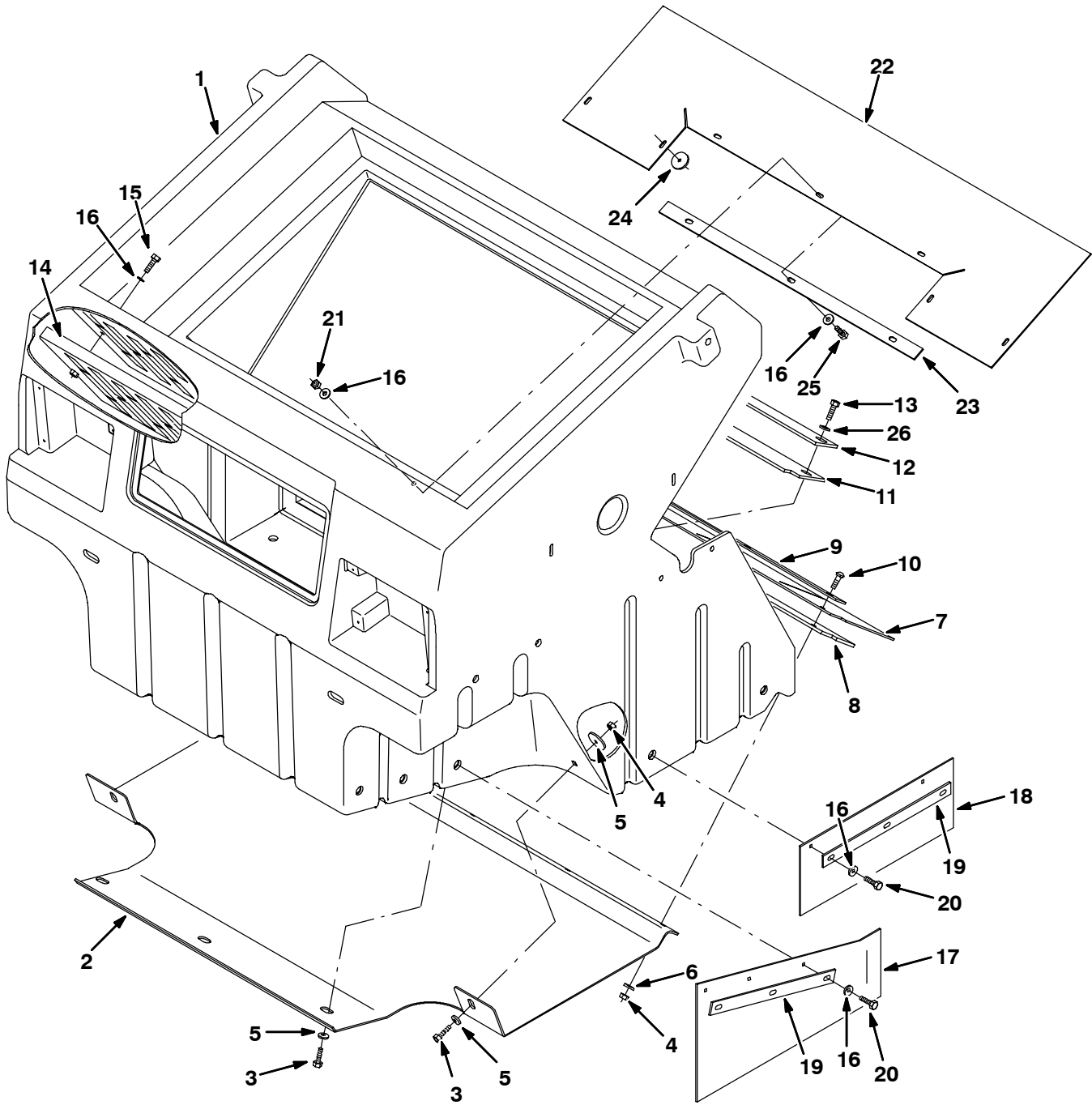


Fig. 29 - Hopper Group

Ref.	Part No.	Serial Number	Description	Qty.
1	377061	(000000-) Hopper, Plstc [6600/6650xp]	1
2	377008	(000000-) Plate Wldt, Bottom, Hppr, [6600/6650xp]	1
3	49826	(000000-) Screw, Hex, M 8 X 1.25 X 16, Ss, NI	5
4	08713	(000000-) Nut, Hex, Lock, M 8 X 1.25, NI, Ss	7
5	379829	(000000-) Washer, 0.34b 1.50d .12, Stl, PI	12
6	01685	(000000-) Washer, Flat, 0.31 Ss	10
7	379706	(000000-) Skirt, Lip	1
8	379705	(000000-) Skirt, Lip	1
9	379704	(000000-) Strap, Main, Lip	1
10	379792	(000000-) Bolt, Carriage, M08 X 1.25 X 35	5
11	379727	(000000-) Seal, Rbr, Door, .19 2.50w 40.6l Red	1
12	379726	(000000-) Strap, Wiper, Door	1
13	59658	(000000-) Screw, Hex, M 8 X 1.25 X 35, Ss, NI	7
14	379812	(000000-) Panel Wldt, Perma-Filter	1
15	33930	(000000-) Screw, Hex, M 6 X 1.0 X 40, Ss	2
16	01684	(000000-) Washer, Flat, 0.25 Ss	15
17	1010167	(000000-) Skirt, Hppr, Plstc	1
18	1010166	(000000-) Skirt, Hppr, Plstc	1
19	1010165	(000000-) Retainer, Skirt	2
20	11329	(000000-) Screw, Hex, M 6 X 1.0 X 16, Ss, NI	5
21	08712	(000000-) Nut, Hex, Lock, M 6 X 1.0, NI, Ss	
22	379834	(000000-) Seal, Pocket, Hopper	1
23	379835	(000000-) Plate, Retainer	1
24	41178	(000000-) Washer, Flat, 0.25 Fender	2
25	08716	(000000-) Screw, Hex, M 6 X 1.0 X 20, Ss	5
26	64153	(000000-) Washer, Flat, 0.34b 1.12d .12, Stl, PI	2

Fig. 30 - Hopper Cylinder and Dump Door Group

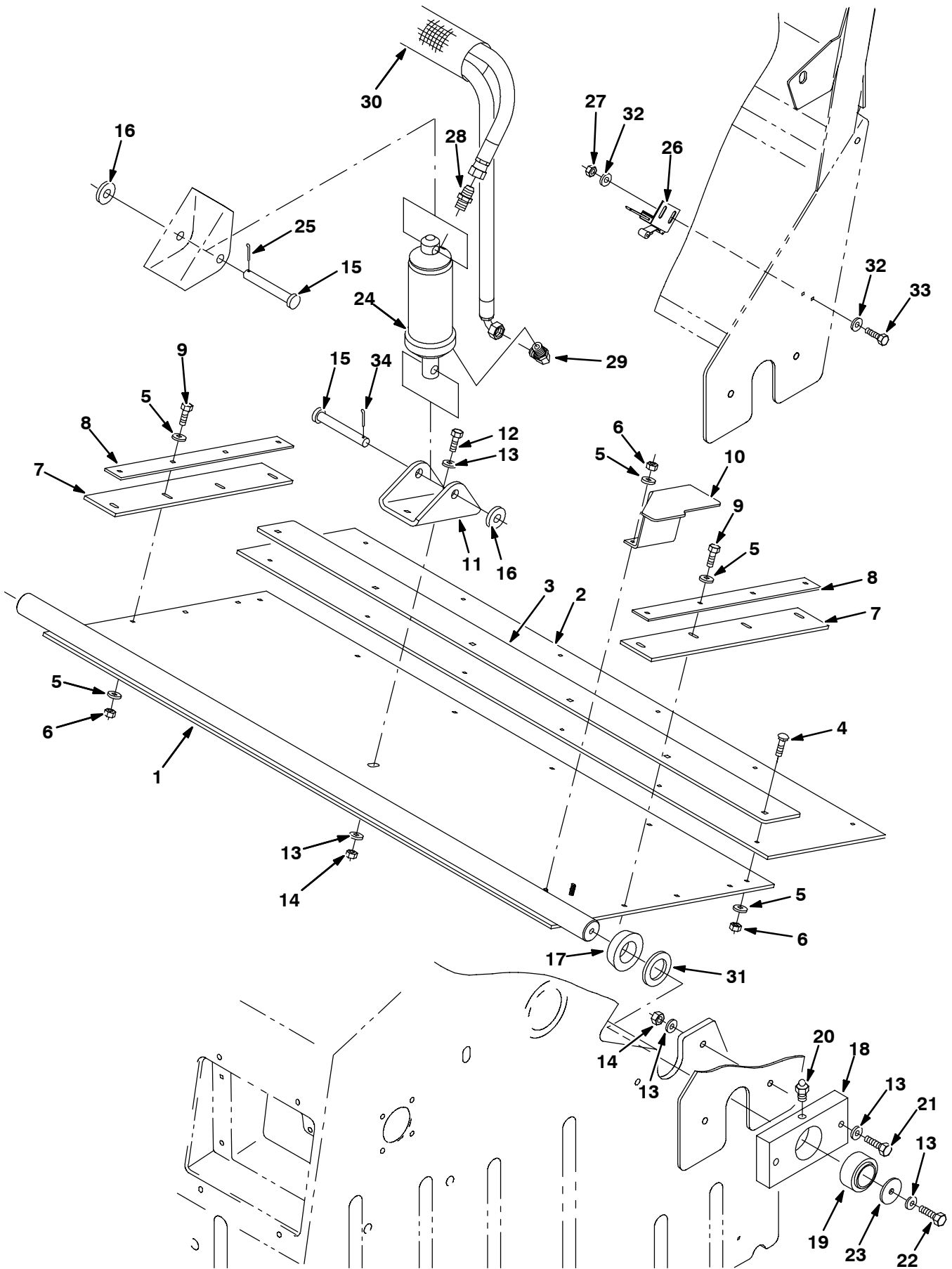


Fig. 30 - Hopper Cylinder and Dump Door Group

Ref.	Part No.	Serial Number	Description	Qty.
1	379701	(000000-) Door Wldt, Dump	1
2	379699	(000000-) Seal, Door, Dump	1
3	379698	(000000-) Plate, Retainer, Door, Dump	1
4	379791	(000000-) Bolt, Carriage, M06 X 1.0 X 30	6
5	01684	(000000-) Washer, Flat, 0.25 Ss	26
6	08712	(000000-) Nut, Hex, Lock, M 6 X 1.0, NI, Ss	16
7	379702	(000000-) Seal, Door, Dump, Side	2
8	379703	(000000-) Strap, Door, Dump, Side	2
9	08716	(000000-) Screw, Hex, M 6 X 1.0 X 20, Ss	8
10	379809	(000000-) Bracket, Switch, Door	1
11	379728	(000000-) Bracket, Cyl	1
12	09010	(000000-) Screw, Hex, M 8 X 1.25 X 25, Ss	2
13	01685	(000000-) Washer, Flat, 0.31 Ss	14
14	08713	(000000-) Nut, Hex, Lock, M 8 X 1.25, NI, Ss	6
15	06474A	(000000-) Pin, Clevis, 0.50 D X 3.50l	2
16	32486	(000000-) Washer, Flat, 0.50 Sae	2
17	379821	(000000-) Seal, Shaft	2
18	55914	(000000-) Housing, Brg, Pivot, Door, Dust	2
19	42120-1	(000000-) Bearing, Self Align, 1.25b 2.00d	2
20	47801	(000000-) Fitting, Grease, Str Pm04 .63l	2
21	222504	(000000-) Screw, Hex, M 8 X 1.25 X 55, Ss	4
22	49826	(000000-) Screw, Hex, M 8 X 1.25 X 16, Ss, NI	2
23	379829	(000000-) Washer, 0.34b 1.50d .12, Stl, PI	2
24	1038176	(000000-) Cylinder, Hyd, 2.0b,8.0l,4.0strk,2500	1
25	08175	(000000-) Pin, Cotter, .125 X 1.25	2
26	59965	(000000-) Switch, Snap Actn, 12vdc 15a No Rlr	1
27	09739	(000000-) Nut, Hex, Lock, M 5 X 0.8, NI, Ss	2
28	55586	(000000-) Fitting, Hyd, Str, Jm04/Om04	1
29	77097	(000000-) Fitting, Hyd, E90, Jm04/Om04	1
30	84029	(000000-) Sleeve, Nyl, #17 45.0l	1
31	379832	(000000-) Washer, Rbr, .19 1.25b 2.00d	2
32	01683	(000000-) Washer, Flat, #10 Ss	4
33	24199	(000000-) Screw, Hex, M 5 X 0.8 X 16, Ss	2

Fig. 31 - Hopper Hood Group

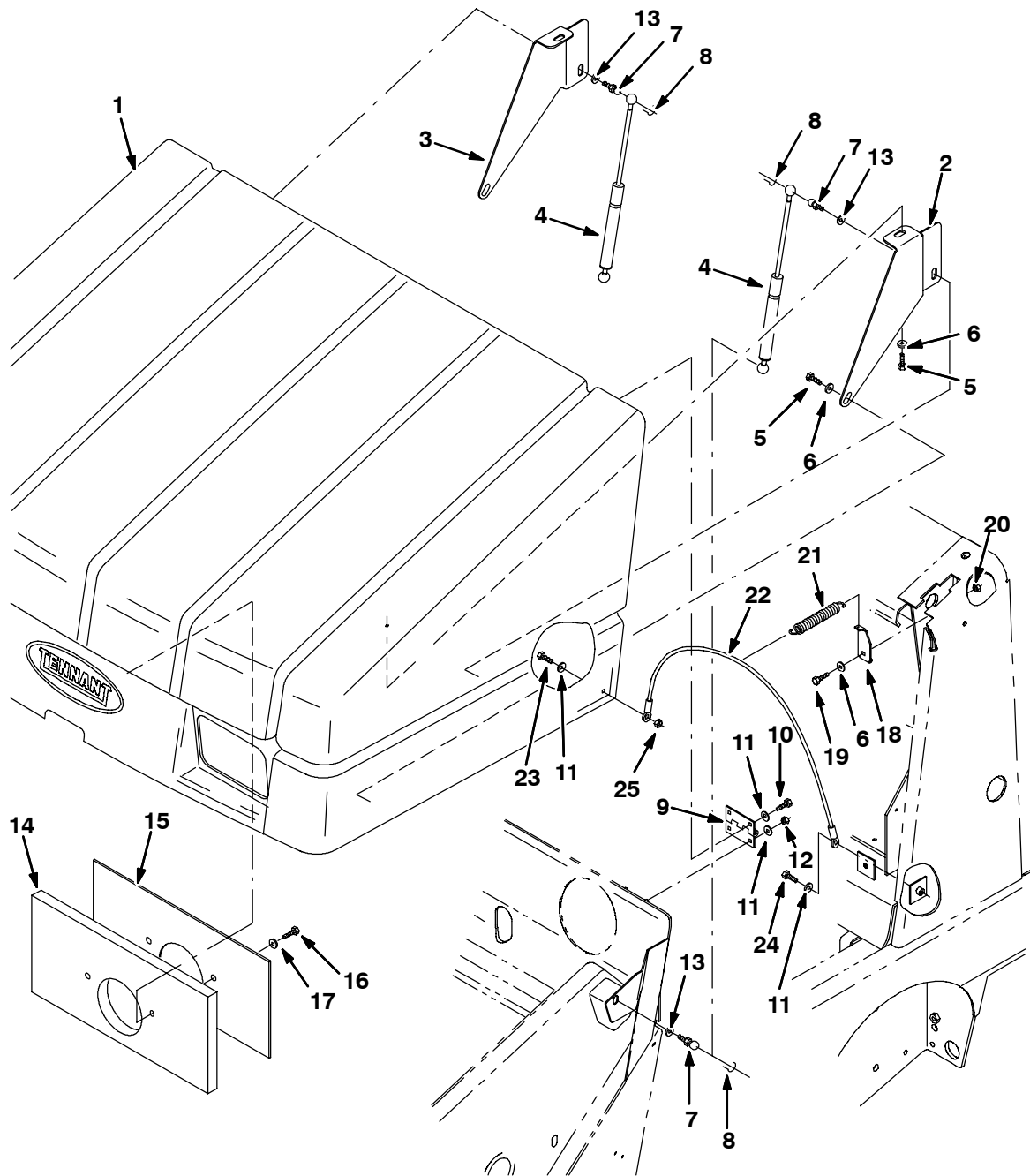


Fig. 31 - Hopper Hood Group

Ref.	Part No.	Serial Number	Description	Qty.
1	379881	(000000-) Cover, Hopper, 6500	1
2	379787	(000000-) Bracket, Hood, Lh	1
3	379786	(000000-) Bracket, Hood, Rh	1
4	64535	(000000-) Gasspring, 120lb, 7.1strk	2
5	49826	(000000-) Screw, Hex, M 8 X 1.25 X 16, Ss, NI	4
6	32491	(000000-) Washer, Flat, 0.31 Std	7
7	1024270	(000000-) Stud, Ball, .39d .31-18, .75l	4
8	64595	(000000-) Clip, Safety, Gasspring	4
9	379784	(000000-) Hinge, .25pin .12 2.9w 03.5l 4/0.31slot	3
10	11329	(000000-) Screw, Hex, M 6 X 1.0 X 16, Ss, NI	6
11	32490	(000000-) Washer, Flat, 0.25 Std	14
12	08708	(000000-) Nut, Hex, Lock, M 6 X 1.0, NI	6
13	01685	(000000-) Washer, Flat, 0.31 Ss	4
14	1008132	(000000-) Seal, Ure, 1.00 10.40w 19.0l Adh	1
15	1008636	(000000-) Strip, Plstc, 0.03 10.38w 19.0l	1
16	33930	(000000-) Screw, Hex, M6 X 1.0 X 40, Ss	2
17	41178	(000000-) Washer, Flat, 0.25 Fender	2
18	70193	(000000-) Bracket, Cable, Spring	1
19	39277	(000000-) Screw, Hex, M 8 X 1.25 X 25, 8.8	1
20	07791	(000000-) Nut, Hex, Flng, M08 X 1.25	1
21	74353	(000000-) Spring, Extn, 0.75od X 0.06wir, 3.5l	1
22	74352	(000000-) Cable, .09d, 42.0l, .4clevis/.4clevis	1
23	04375	(000000-) Screw, Hex, M 8 X 1.25 X 40	1
24	16931	(000000-) Screw, Hex, M 8 X 1.25 X 20, 8.8	1
25	08709	(000000-) Nut, Hex, Lock, M8 X 1.25, NI	1

Fig. 32 - Hopper Bumper Group

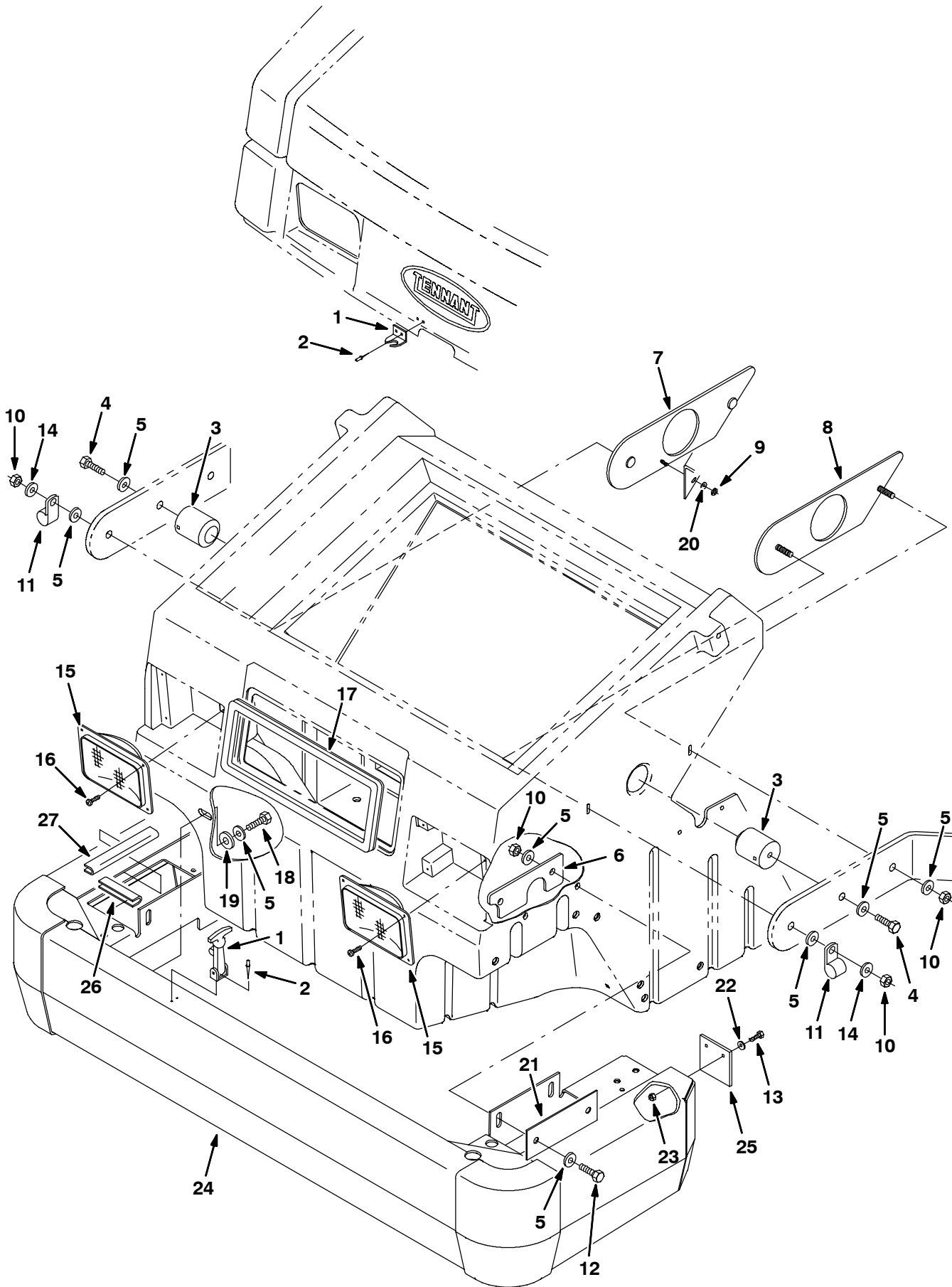


Fig. 32 - Hopper Bumper Group

Ref.	Part No.	Serial Number	Description	Qty.
1	11636	(000000-) Latch	1
2	01335	(000000-) Rivet, Blind, .125d X 0.44 X .25d, Alm	4
3	364498	(000000-) Pin, Hopper, Lift	2
4	69972	(000000-) Screw, Hex, M12 X 1.75 X 40, 10.9	2
5	36328	(000000-) Washer, Belleville, .50	16
6	379820	(000000-) Plate, Retainer, Bumper	2
7	379788	(000000-) Plate, Retainer, Rh	1
8	379789	(000000-) Plate, Retainer, Lh	1
9	1029988	(000000-) Nut, Push, M6 X 1.0	2
10	08711	(000000-) Nut, Hex, Lock, M12 X 1.75,NI	8
11	53466	(000000-) Clamp, Cable, Stl, 1.50d X 1.00w, 1h	2
12	06971	(000000-) Screw, Hex, M12 X 1.75 X 50, 8.8	4
13	08716	(000000-) Screw, Hex, M6 X 1.0 X 20, Ss	4
14	32486	(000000-) Washer, Flat, 0.50, Sae	2
15	58524	(000000-) Headlight, 12vdc, 50watt . A [#70744]	2
16	360943	(000000-) Screw, Pan, #10-14 X 0.75, F/Plstc	8
17	379883	(000000-) Seal, Bulb, 90, 0.50d .31grip 50.0l	1
18	09029	(000000-) Screw, Hex, M12 X 1.75 X 40, Ss	2
19	32494	(000000-) Washer, Flat, 0.62 Std	2
20	41178	(000000-) Washer, Flat, 0.25 Fender	2
21	379827	(000000-) Plate, Retainer, Bumper	2
22	01684	(000000-) Washer, Flat, 0.25 Ss	4
23	08712	(000000-) Nut, Hex, Lock, M 6 X 1.0, NI, Ss	4
24	1006038	(000000-) Bumper Wldt, Front	1
25	59448	(000000-) Skirt	2
26	31775	(000000-) Molding, Trim, Pvc,.08-.11 04.0l	1
27	62595	(000000-) Molding, Trim, Pvc,.08-.11 07.7l	1

Fig. 33 - Hopper Filter Box Group

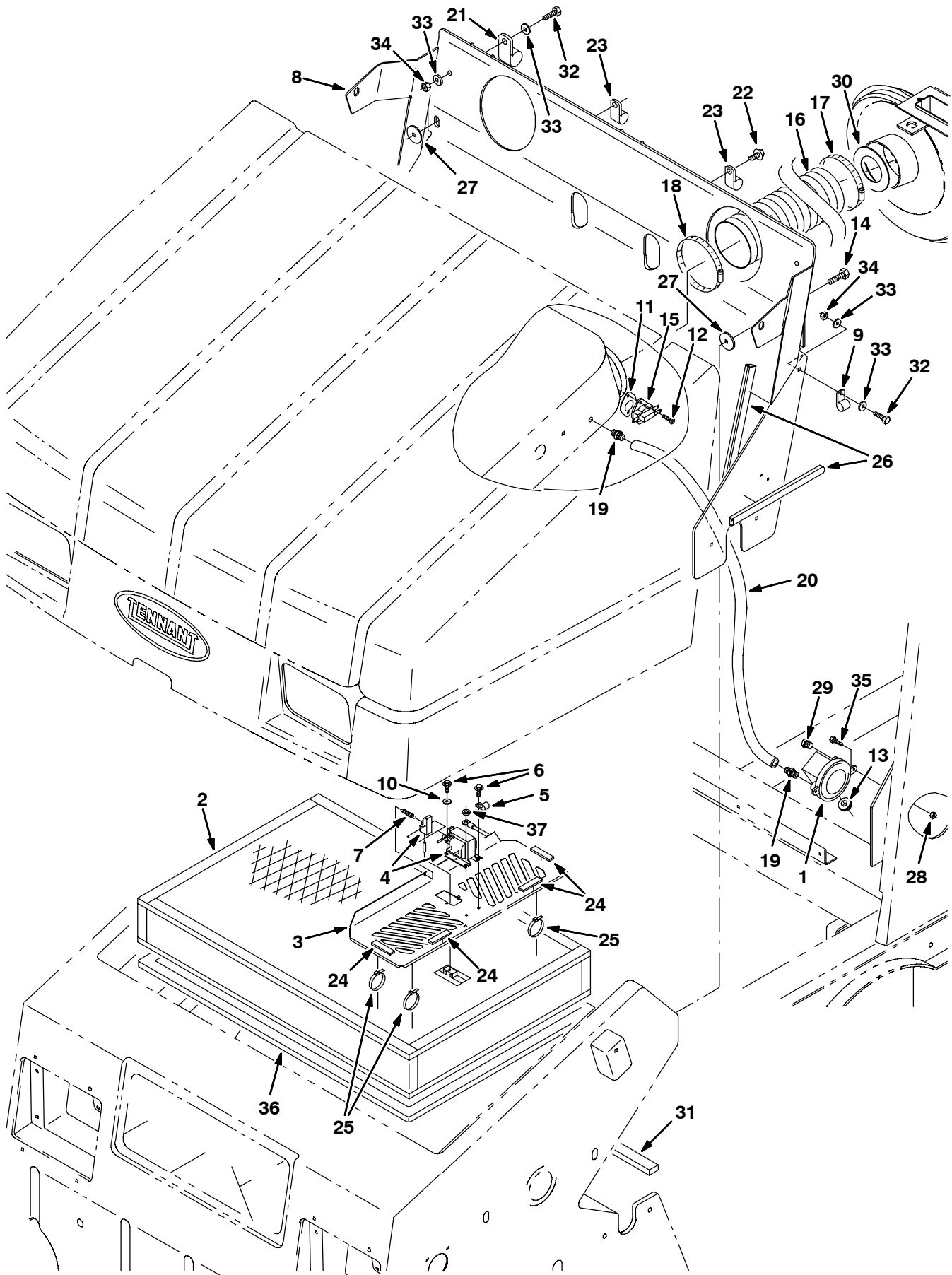


Fig. 33 - Hopper Filter Box Group

Ref.	Part No.	Serial Number	Description	Qty.
1	34868	(000000-) Switch, Press, 12Vdc A Spdt 0011Psi	1
2	375249	(000000-) Filter Pkg Kit, 098plts, Ci	1
2	1041617	(000000-) Filter Kit, Panl, Syn, Replmt	1
3	379555	(000000-) Plate, Panel, Shaker	1
4	379890	(000000-) Solenoid, Filter Shaker	1
5	26395-2	(000000-) Clamp, Cable, Stl, 0.38d X 0.38w, 1h	1
6	16944	(000000-) Screw, Hex, M4 X 0.7 X 10, Fmg	4
7	1045426	(000000-) Spring, Extn, 0.43od 0.05wir 01.4l	1
8	1008271	(000000-) Bracket Wldt, Hppr, [6600/6650xp]	1
9	46236	(000000-) Clamp, Cable, Stl, 0.25d X 0.56w, 1h	1
10	19065	(000000-) Washer, Flat, #08	2
11	82733	(000000-) Gasket, Switch, Fire	1
12	360943	(000000-) Screw, Pan, #10-14 X 0.75, F/Plstc	2
13	10632-4	(000000-) Grommet, Rbr, 0.62id, F/ 0.9h, .06matl	1
14	16735	(000000-) Screw, Hex, M 8 X 1.25 X 16, 8.8	2
15	367679	(000000-) Sensor, Thermal, 120vac 10a Spdt	1
16	77320	(000000-) Hose, Flex, Vacuum, 4.0d 23.0l	1
17	23498	(000000-) Clamp, Hose, Wormdrive, 3.56-4.50d	1
18	9004550	(000000-) Kit, Clamp, Hopper Filter Box, 6600/6650	1
19	40607	(000000-) Fitting, Brs, Str, Bm03/Pm02	2
20	379719	(000000-) Hose, Vacuum, 0.16id 60.0l	1
21	43560	(000000-) Clamp, Cable, Stl, 1.75d X 0.75w, 1h	1
22	361339	(000000-) Screw, Hex, M 6 X 1.0 X 16, Fmg	2
23	69234	(000000-) Clamp, Cable, Stl, 1.00d X 0.62w, 1h	2
24	379822	(000000-) Seal, Ure, 0.38 0.75w 04.0l Adh	4
25	49266	(000000-) Tie, Cable, Nyl, 07.3l .19w 1.8 Max D	4
26	86330	(000000-) Duct, Vyl, 0.40 X 0.75 .25d 10.0l	2
27	379829	(000000-) Washer, 0.34b 1.50d .12, Stl, PI	2
28	02850	(000000-) Nut, Hex, Lock, M 4 X 0.7, NI	2
29	82739	(000000-) Fitting, Brs, Breather 02mp	2
30	379849	(000000-) Kit, Ring, Restrictor, [6500/6550]	1
31	375202	(000000-) Seal, Ure, 0.38 0.75w 40.0l Adh	1
32	16931	(000000-) Screw, Hex, M 8 X 1.25 X 20, 8.8	2
33	32491	(000000-) Washer, Flat, 0.31 Std	4
34	08709	(000000-) Nut, Hex, Lock, M 8 X 1.25 NI	2
35	09206	(000000-) Screw, Hex, M4 X 0.7 X 12, 8.8	2
36	379817	(000000-) Seal, Rbr, 0.38, 20.0 30.0, Fltr	1
37	32982	(000000-) Washer, Lock, Int, 0.25	1

Fig. 34 - Hopper Lift Arms Group

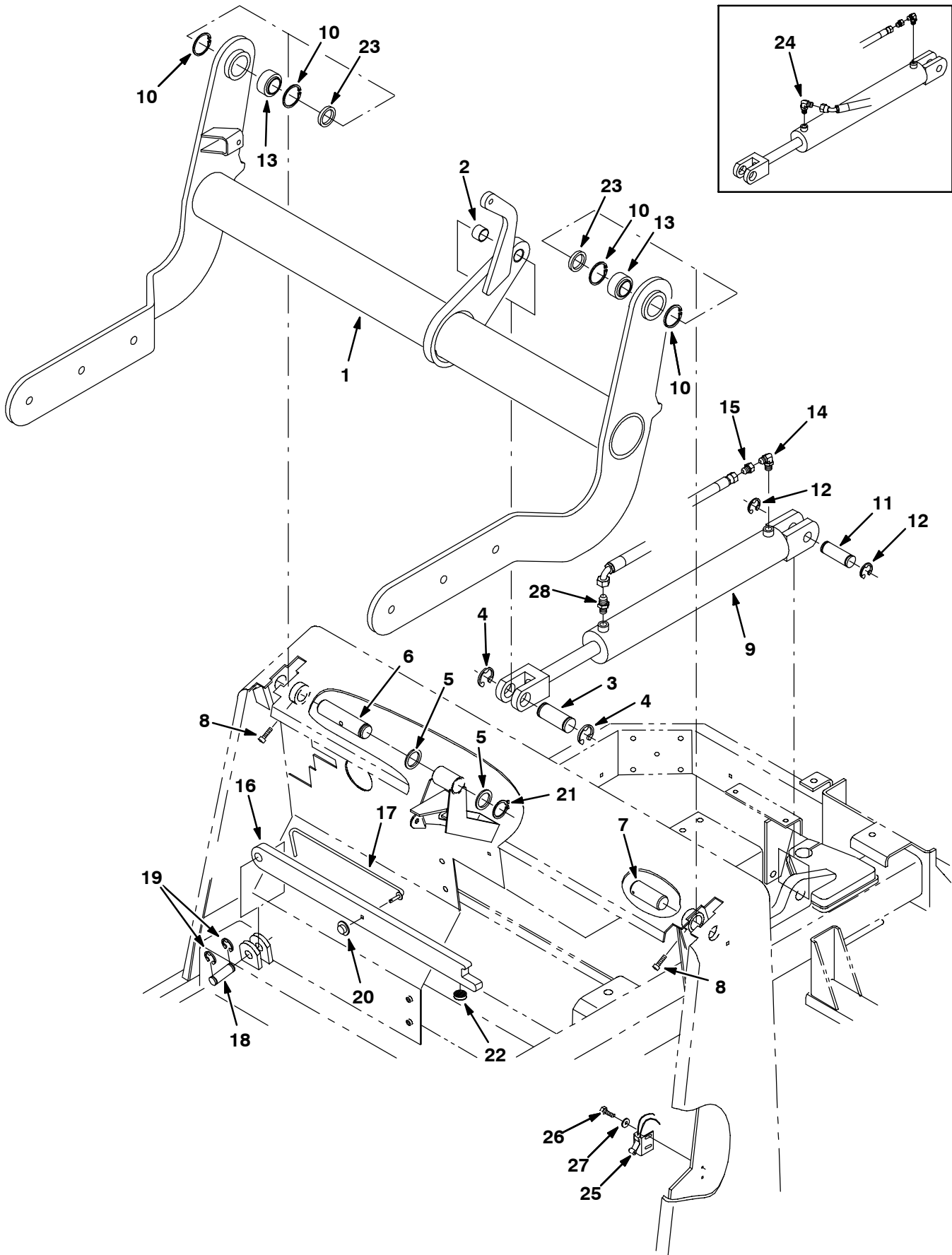


Fig. 34 - Hopper Lift Arms Group

Ref.	Part No.	Serial Number	Description	Qty.
	1	59825	(000000-) Arm, Lift, Hppr, W/ Label	1
▽	69908	(000000-)	Pin Assy, Clevis, Hopper Lift	1
▲	2	59866	(000000-) Bushing, Sleeve, 1.25b 1.40d 1.00l, Fgl	1
▲	3	59867	(000000-) Pin, Grooved	1
▲	4	59861	(000000-) Ring, Retaining, Ext, 1.25d	2
	5	54079	(000000-) Washer, 1.28b 1.75d .08, Stl, Pl	4
	6	55462	(000000-) Pin	1
	7	55463	(000000-) Pin, 1.25d 03.3l 1/M08x1.25 Stl	1
	8	39308	(000000-) Screw, Soc, M 8 X 1.25 X 25, 12.9	2
	9	74419	(000000-025707) Cylinder, Hyd, 2.5b,28.4l,15.00strk,2500 (See Breakdowns) (Replaced by 9001862)	1
▽	9	1025228	(025708-) Cylinder, Hyd, 2.5b,28.4l,15.00strk,2500	1
▲	9001557	(025708-)	Seal Kit	1
	10	59542	(000000-) Ring, Retaining, Int, 2.00d	4
	11	59380	(000000-) Pin-Grvd,1.00d 3.0l/ 2.71btwn	1
	12	23788	(000000-) Ring, Retaining, Ext, 0.98d, [E-Ring]	2
	13	42120-1	(000000-) Bearing, Self Align, 1.25b 2.00d	2
	14	77097	(000000-) Fitting, Hyd, E90, Jm04/Om04	1
	15	16455	(000000-) Fitting, Hyd, Rst, Jm04/.047	1
	16	59827	(000000-) Arm, Safety, Hppr, W/ Label	1
	17	58645	(000000-) Rod, Arm, Safety	1
	18	59842	(000000-) Pin, Arm, Safety	1
	19	23788-1	(000000-) Ring, Retaining, Ext, 0.75d	2
	20	59849	(000000-) Nut, Retainer, .312 Dia	1
	21	58359	(000000-) Retainer, Ring	1
	22	16786	(000000-) Bumper, Arm, Safety	1
	23	70271	(000000-) Washer, 1.28b 1.75d .25, Stl, Pl	2
	24	77098	(000000-025707) Fitting, Hyd, E90, Jm06/Om04	1
	25	23211	(000000-) Switch, Snap Actn, 12vdc 15a No Rlr	1
	26	55845	(000000-) Screw, Hex, M 5 X 0.8 X 16, Fmg	2
	27	01683	(000000-) Washer, Flat, #10 Ss	2
	28	50960	(025708-) Fitting, Hyd, Str, Jm06/Om04	1

Fig. 35 - Side Brush Motor and Pivot Group

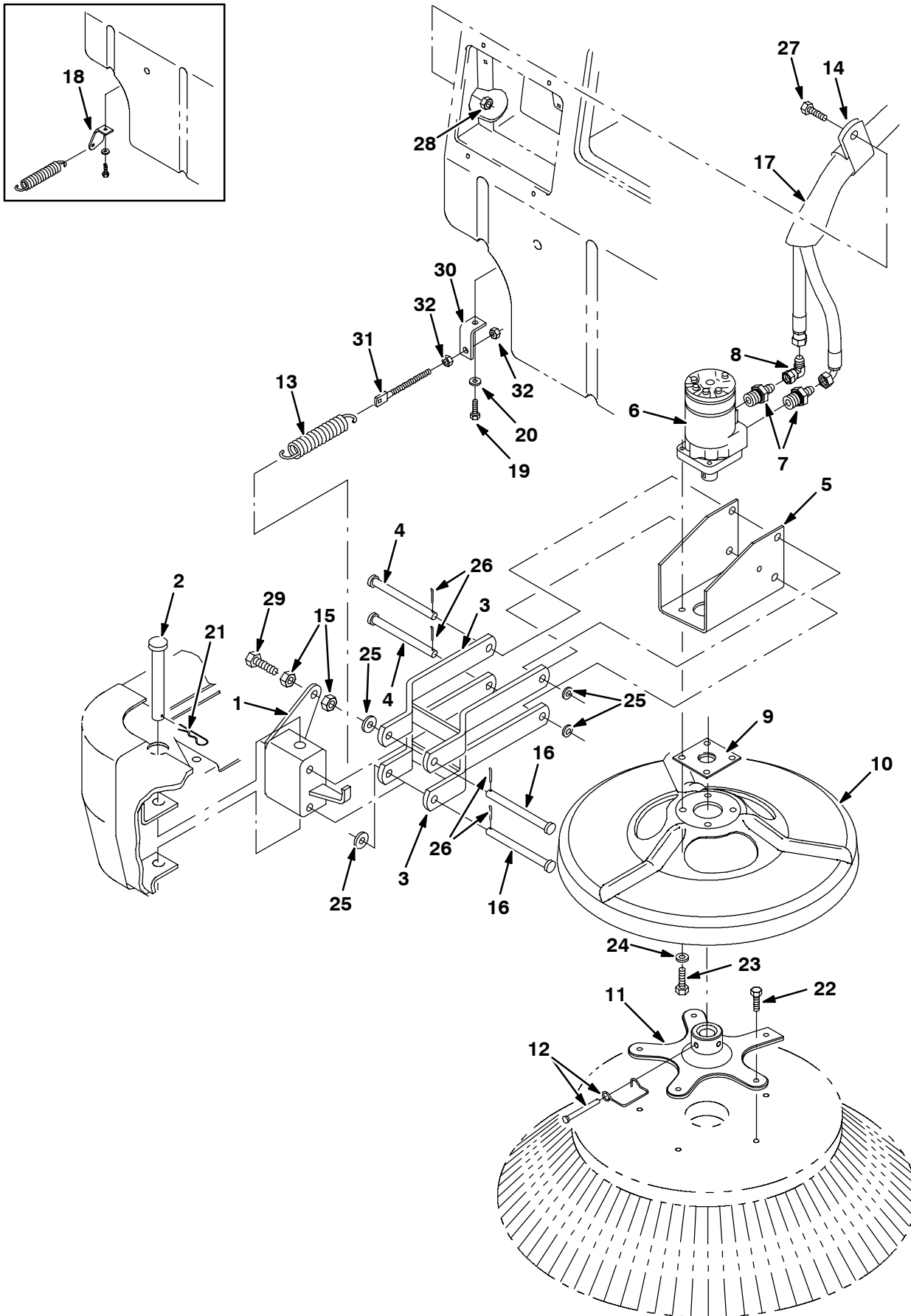


Fig. 35 - Side Brush Motor and Pivot Group

Ref.	Part No.	Serial Number	Description	Qty.
1	54050	(000000-) Pivot	1
2	54660	(000000-) Pin, Clevis, 0.75 D X 5.50l	1
3	53965	(000000-) Arm Wldt, Sppt, Brush, Side	2
4	51225	(000000-) Pin, Clevis, 0.50 D X 5.50l	2
5	71540	(000000-) Bracket, Mtg, Motor, Side Brush	1
6	379607	(000000-) Motor, Hyd, Gear, [In] 17.9 B 1500 (See Breakdowns)	1
7	47508	(000000-) Fitting, Hyd, Str, Jm06/Om10	2
8	47504	(000000-) Fitting, Hyd, E90, Jm06/Jf06	1
9	16082	(000000-) Guard, String, Motor, Brush	1
10	379532	(000000-) Guard, Brush, [6550]	1
11	1042969	(000000-) Hub, Drive, Brush, Side, 1.0b 8.8 Bc	1
12	84581	(000000-) Pin	1
13	47745	(000000-) Spring, Extn, 1.12od X 0.14wir, 6.3l	1
14	53466	(000000-) Clamp, Cable, Stl, 1.50d X 1.00w, 1h	2
15	07788	(000000-) Nut, Hex, Std, M12 X 1.75, Ss	2
16	51538	(000000-) Pin, Clevis, 0.50 D X 5.00l	2
17	75028	(000000-) Sleeve, Nyl, #27 65.0l	1
18	379815	(000000-020934) Bracket, Spring, Side Brush	1
19	49826	(000000-) Screw, Hex, M 8 X 1.25 X 16, Ss, NI	1
20	01685	(000000-) Washer, Flat, 0.31 Ss	1
21	02942	(000000-) Pin, Hair Cotter, 0.62 D .120 Wir	1
22	39394	(000000-) Screw, Hex, .31-09 X 1.25, Wood	5
23	46559	(000000-) Screw, Hex, .38-16 X 1.25, NI	4
24	32492	(000000-) Washer, Flat, 0.38 Std	4
25	32493	(000000-) Washer, Flat, 0.50 Std	4
26	08182	(000000-) Pin, Cotter, .125 X 1.00	4
27	06960	(000000-) Screw, Hex, M10 X 1.5 X 16, 8.8	2
28	07792	(000000-) Nut, Hex, Flng, M10 X 1.5	2
29	06973	(000000-) Screw, Hex, M12 X 1.75 X 70, 8.8	1
30	1011427	(020935-) Bracket, Spring, Side Brush	1
31	1007220	(020935-) Bolt, Eye, M10x1.50 X 117mm 8.0 Eye	1
32	07787	(020935-) Nut, Hex, Std, M10 X 1.5, Ss	2

Fig. 36 - Side Brush Lift Group

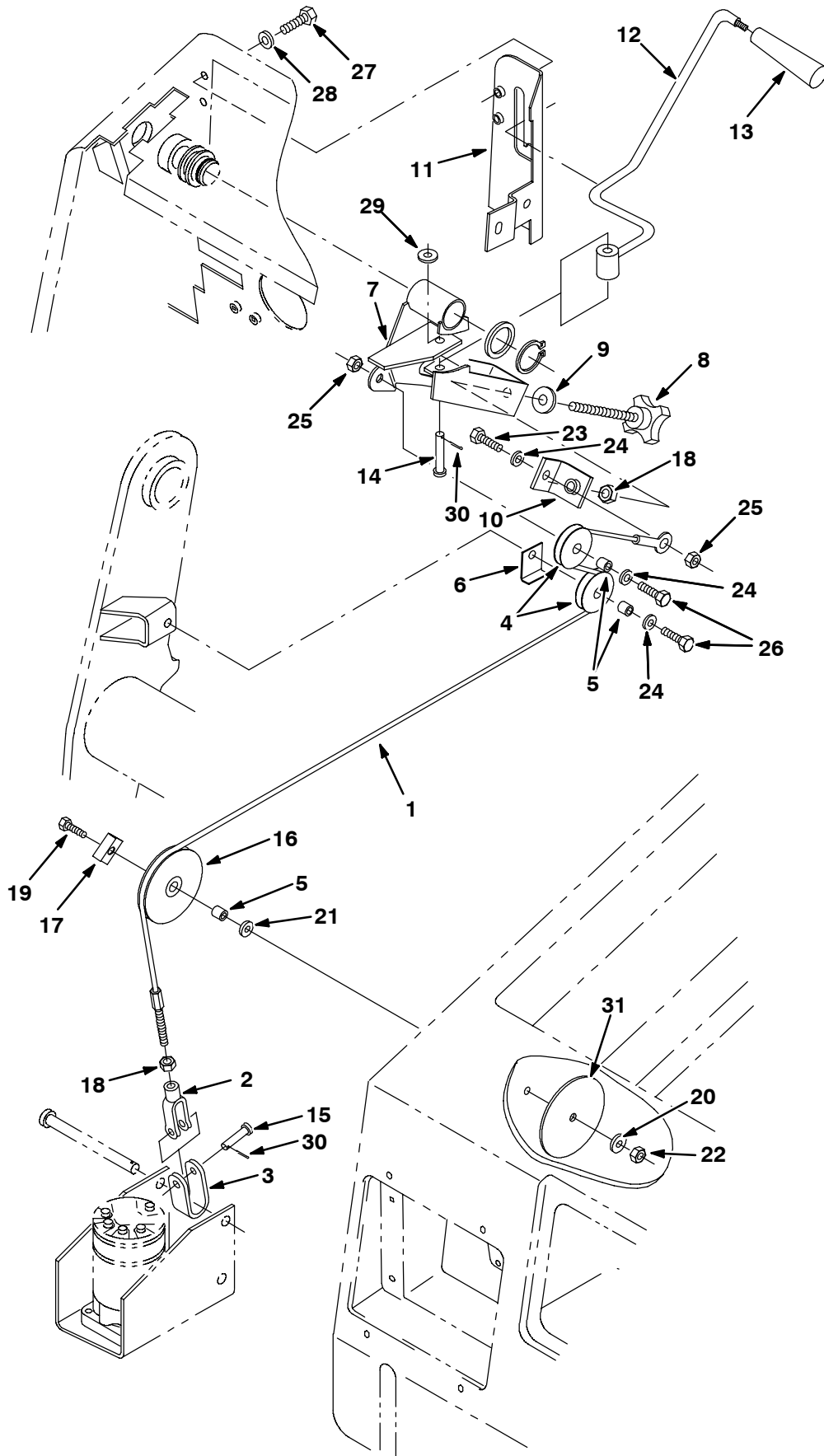


Fig. 36 - Side Brush Lift Group

Ref.	Part No.	Serial Number	Description	Qty.
1	54934	(000000-) Cable, .19d, 57.7l, .38eye /M10x1.5	1
2	12267	(000000-) Clevis, Adj, 0.38pin, M10x1.5	1
3	59899	(000000-) Bracket, U, .12 1.2w 2.30h 1.0l	1
4	369781	(000000-) Pulley, Cable, 1.5d, Nyl	2
5	222460	(000000-) Sleeve, P/M, 0.496d 0.318b 0.50l 430ss	3
6	54400	(000000-) Bracket, Angle, Keeper, Cable	1
7	374573	(000000-) Bracket Wldt, Lift, Side Brush	1
8	54848	(000000-) Knob Assy, Star, 1.97d 4ear M10x1.5 5.5l	1
9	52296	(000000-) Washer, 0.40b 0.81d .06, Nyl	1
10	56662	(000000-) Bracket, Adj, Lift, Brush, [M10]	1
11	58872	(000000-) Panel, Sppt	1
12	56641	(000000-) Handle Wldt, Lift, Brush, Side	1
13	54995	(000000-) Knob, Tpr, 1.12d 3.86l M10x1.5 Plstc	1
14	29584	(000000-) Pin, Clevis, 0.37 D X 2.00l	1
15	29558	(000000-) Pin, Clevis, 0.37 D X 1.50l	1
16	379684	(000000-) Pulley Assy, Cable, 2.0d 0.50b	1
17	379686	(000000-) Angle, Keeper, Cable	1
18	32716	(000000-) Nut, Hex, Jam, M10 X 1.5, Ss	3
19	09767	(000000-) Screw, Hex, M 8 X 1.25 X 70, Ss	1
20	32491	(000000-) Washer, Flat, 0.31 Std	1
21	64153	(000000-) Washer, 0.34d 1.12d .11, Stl, Pl	1
22	08713	(000000-) Nut, Hex, Lock, M 8 X 1.25, NI, Ss	1
23	39277	(000000-) Screw, Hex, M 8 X 1.25 X 25, 8.8	1
24	32491	(000000-) Washer, Flat, 0.31 Std	3
25	08709	(000000-) Nut, Hex, Lock, M 8 X 1.25 NI	3
26	76570	(000000-) Screw, Hex, M 8 X 1.25 X 30, 8.8	2
27	16931	(000000-) Screw, Hex, M 8 X 1.25 X 20, 8.8	3
28	01685	(000000-) Washer, Flat, 0.31 Ss	3
29	32492	(000000-) Washer, Flat, 0.38 Std	1
30	08182	(000000-) Pin, Cotter, .125 X 1.00	2
31	379912	(000000-) Plate, Backup, Mtg, Pulley	1

Fig. 37 - Main Brush Lift Group

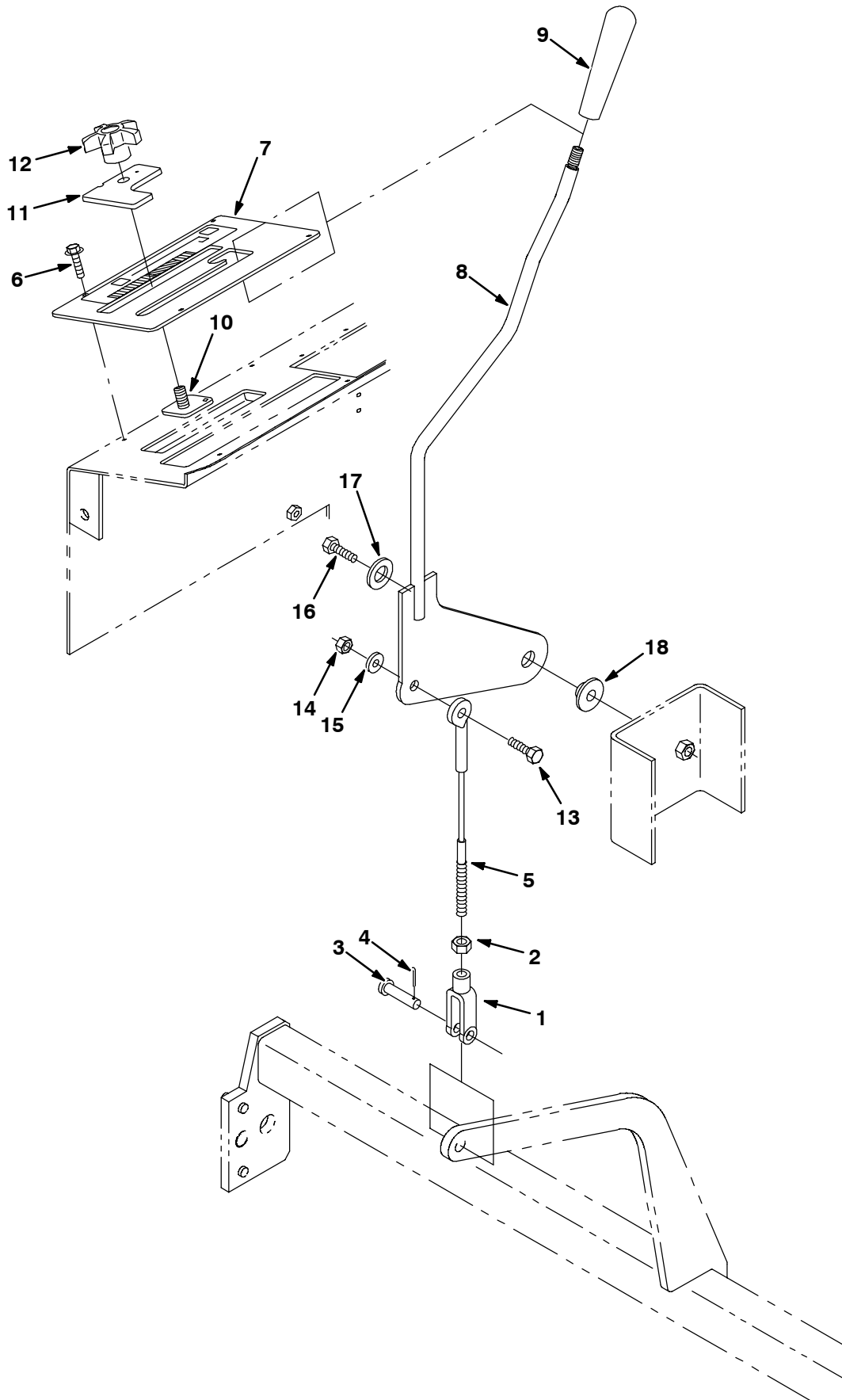


Fig. 37 - Main Brush Lift Group

Ref.	Part No.	Serial Number	Description	Qty.
1	12267	(000000-) Clevis, Adj, 0.38pin, M10x1.5	1
2	32716	(000000-) Nut, Hex, Jam, M10 X 1.5, Ss	1
3	86240	(000000-) Pin, Clevis, 0.38 D X 1.13l	1
4	08179	(000000-) Pin, Cotter, .094 X 1.00	1
5	383194	(000000-) Cable, Lift, Main Brush	1
6	16944	(000000-) Screw, Hex, M 4 X 0.7 X 10, Fmg	4
7	377076	(000000-) Panel, Main Brush, W/ Label [6600]	1
8	383258	(000000-) Lever Wldt, Brush Lift	1
9	54995	(000000-) Knob, Tpr, 1.12d 3.86l M10x1.5 Plstc	1
10	383200	(000000-) Plate Wldt, Stop, [6500]	1
11	383201	(000000-) Plate Wldt, Brush, Adj, [6500]	1
12	383205	(000000-) Knob, Star, 2.2od 8ear 1.1l M10x1.5 Pls	1
13	09740	(000000-) Screw, Hex, M 8 X 1.25 X 20, Ss	1
14	08709	(000000-) Nut, Hex, Lock, M 8 X 1.25 NI	1
15	32491	(000000-) Washer, Flat, 0.31 Std	1
16	09028	(000000-) Screw, Hex, M10 X 1.5 X 25, Ss	1
17	07450	(000000-) Bearing, Thrust, 0.66b 1.25d 0.06w	1
18	363087	(000000-) Bushing, Flng, 0.44b 1.25d 0.25l	1

Fig. 38 - Main Brush Drive Group

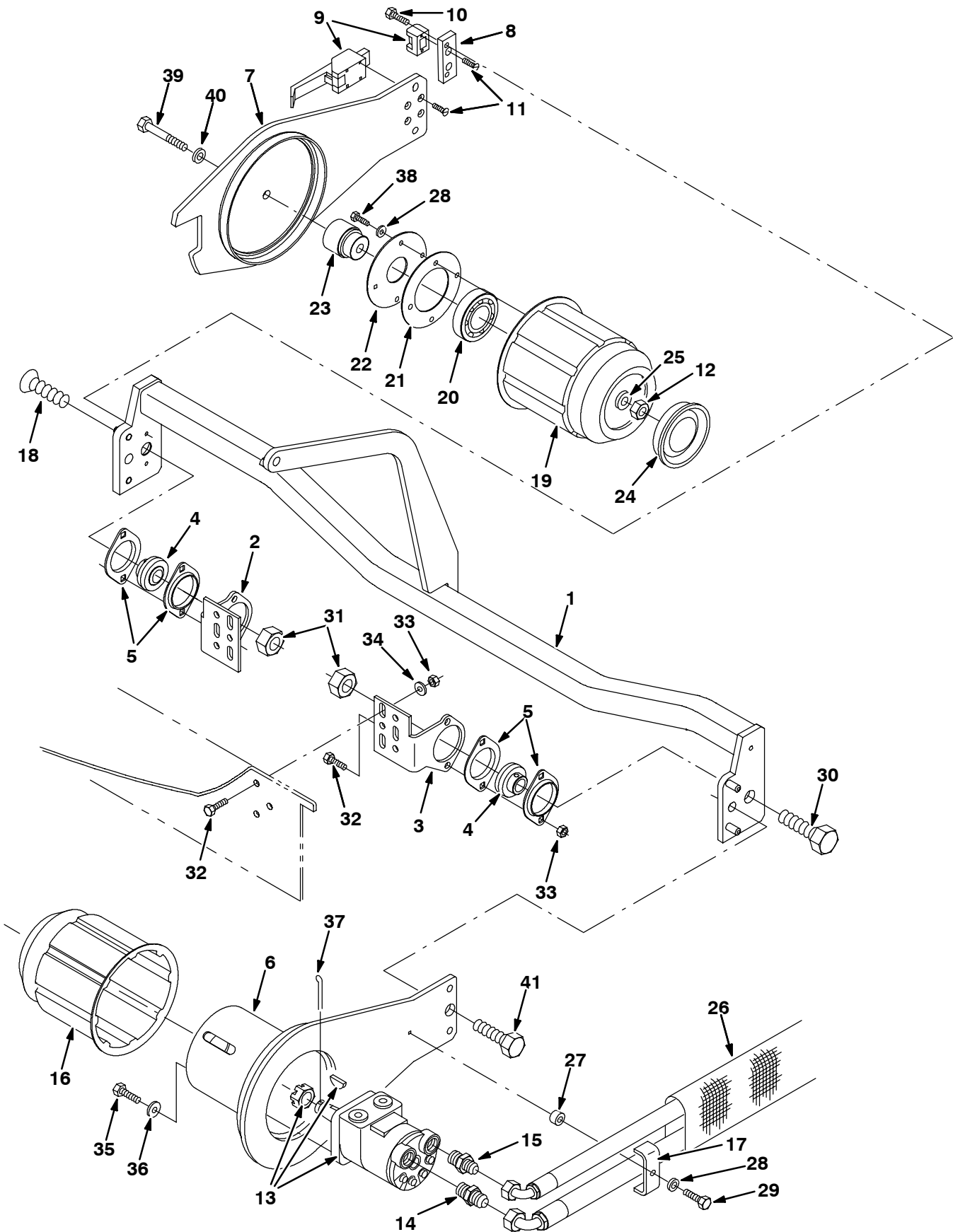


Fig. 38 - Main Brush Drive Group

Ref.	Part No.	Serial Number	Description	Qty.
1	1015432	(000000-) Tube Wldt	1
2	383142	(000000-) Bracket, Mtg, Rh	1
3	383143	(000000-) Bracket, Mtg, Lh	1
4	25887	(000000-) Bearing, W/ Collar, 0.75b 1.85d 1.06w	2
5	35973	(000000-) Flange, Brg, 1.9id 2h	4
6	383139	(000000-) Arm Wldt, Brush, Main, Drive, Lh	1
7	377249	(000000-) Arm, Brush, Main, W/ Label [6600]	1
8	54204	(000000-) Plate, Mtg	1
9	54878	(000000-) Latch	1
10	15678	(000000-) Screw, Hex, M 6 X 1.0 X 16, Ss	2
11	09120	(000000-) Screw, Flt, M05 X 0.8 X 16, 10.9	6
12	08711	(000000-) Nut, Hex, Lock, M12 X 1.75, NI	1
13	379608	(000000-) Motor, Hyd, Gear, [In] 02.8 1500 (See Breakdowns)	1
14	44869	(000000-) Fitting, Hyd, Str, Jm08/Om08	1
15	52402	(000000-) Fitting, Hyd, Str, Jm06/Om08	1
16	87631	(000000-) Plug Wldt, Drive, Brush, Sweep	1
17	51715	(000000-) Bracket, U, .18 2.8 0.9 1.0l 1/0.3h	1
18	1007807	(000000-) Screw, Flt, .75-10 X 2.50, Al	1
19	55779	(000000-) Plug Wldt, Idler, Brush	1
20	24899	(000000-) Bearing, Ball, 1.38b 2.83d 0.67w	1
21	30252	(000000-) Disc, .08 4.39d 2.56b 4/.28h 3.8bc	1
22	30253	(000000-) Disc, .06 4.39d 1.67b 4/.30h 3.8bc	1
23	30251	(000000-) Shaft, Idler, Plug, Brush	1
24	30255	(000000-) Cap, Vinyl, 3.28d 0.45l	1
25	51564	(000000-) Washer, 0.53b 1.75d .12, Stl, PI	1
26	13773	(000000-) Sleeve, Nyl, #27 20.0l	1
27	56228	(000000-) Tube, Plstc, 0.31od 0.25id 00.5l, Blk	1
28	01684	(000000-) Washer, Flat, 0.25 Ss	5
29	07805	(000000-) Screw, Hex, M 6 X 1.0 X 35, Ss	1
30	39395	(000000-) Screw, Hex, .75-10 X 2.50, FI	1
31	32987	(000000-) Nut, Hex, Lock, .75-10, NI	2
32	09010	(000000-) Screw, Hex, M 8 X 1.25 X 25, Ss	10
33	08709	(000000-) Nut, Hex, Lock, M 8 X 1.25 NI	10
34	41186	(000000-) Washer, Belleville, .31	3
35	01762	(000000-) Screw, Hex, .38-16 X 0.75, NI	4
36	32485	(000000-) Washer, Flat, .38 Sae	4
37	08175	(000000-) Pin, Cotter, .125 X 1.25	1
38	12277	(000000-) Screw, Hex, M 6 X 1.0 X 20, Ss, NI	4
39	06975	(000000-) Screw, Hex, M12 X 1.75 X 90, 8.8	1
40	36328	(000000-) Washer, Belleville, .50	1
41	06977	(000000-) Screw, Hex, M16 X 2.0 X 20, 8.8	1

Fig. 39 - Vacuum Fan Group

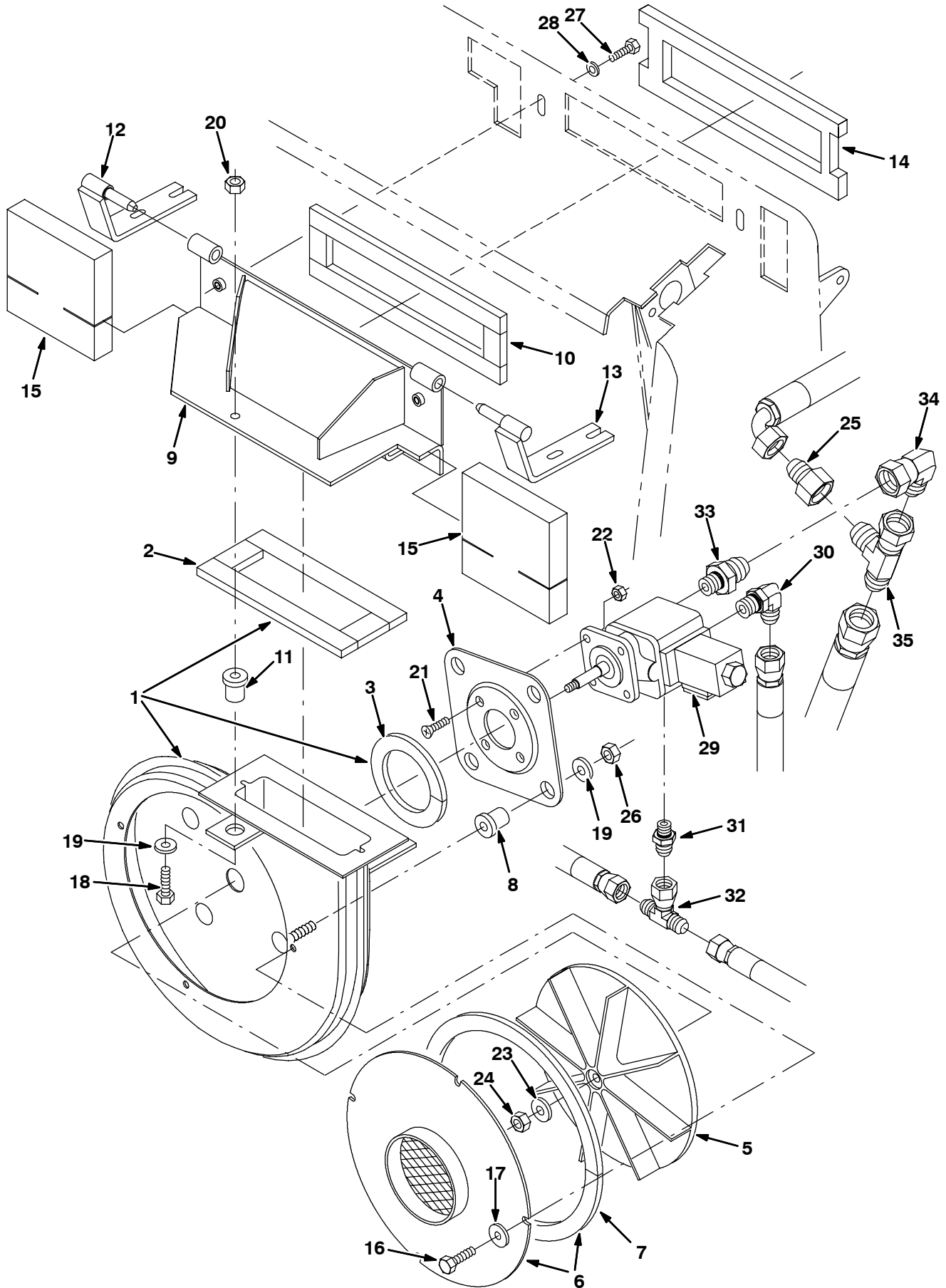


Fig. 39 - Vacuum Fan Group

	Ref.	Part No.	Serial Number	Description	Qty.
▽	1	72133	(000000-) Housing Assy, Vacfan, 09.0d Impeller	1
▲	2	59734	(000000-) Seal, Ure, 0.38 0.75w 21.0l Adh	1
▲	3	59967	(000000-) Seal, Ure, 0.38 0.75w 13.2l Adh	1
	4	54275A	(000000-) Bracket, Mtg, Motor	1
	5	74454	(000000-) Impeller, 9.00d X 1.40w X 0.376b	1
▽	6	59656	(000000-) Duct Assy, Vacfan, W/ Seal	1
▲	7	59735	(000000-) Seal, Ure, 0.38 0.75w 33.0l Adh	1
	8	54274	(000000-) Isolator, Vib, Bshg, 1.1d 0.6l .4b 0.78h	4
	9	58540	(000000-) Duct Wldt, Transition, Vacfan	1
	10	378972	(000000-) Seal, Ure, 0.38 0.75w 25.2l Adh	1
	11	59649	(000000-) Isolator, Vib, Bshg, 1.1d 0.6l .4b 0.78h	1
	12	374504	(000000-) Hinge Wldt, Pin, .43d, Cover, Eng, Rh	1
	13	374505	(000000-) Hinge Wldt, Pin, .43d, Cover, Eng, Lh	1
	14	69990	(000000-) Insulation, Acstc, Seal, Vac Fan	1
	15	66184	(000000-) Insulation, Acstc, 1.0 05.0w 05.0l	2
	16	34323	(000000-) Screw, Hex, .25-20 X 0.75, NI	4
	17	41178	(000000-) Washer, Flat, 0.25 Fender	4
	18	39285	(000000-) Screw, Hex, M10 X 1.5 X 40, 8.8	3
	19	13248	(000000-) Washer, Flat, 0.40b 1.12d .12, Stl, PI	7
	20	41430	(000000-) Nut, Hex, Lock, M10 X 1.5, NI	3
	21	07810	(000000-) Screw, Flt, M08 X 1.25 X 25, 10.9	4
	22	07809	(000000-) Screw, Flt, M06 X 1.0 X 35, 10.9	4
	23	32485	(000000-) Washer, Flat, .38 Sae	1
	24	31241	(000000-) Nut, Hex, Lock, .31-24, NI, Thin	1
	25	59975	(000000-) Fitting, Hyd, Str, Jm10/Jf12	1
	26	50902	(000000-) Nut, Hex, Lock, .38-16, NI	4
	27	39277	(000000-) Screw, Hex, M 8 X 1.25 X 25, 8.8	2
	28	32491	(000000-) Washer, Flat, 0.31 Std	2
	29	53485	(000000-) Motor, Hyd, Gear, [Ex] .194 R 3000 (See Breakdowns)	1
	30	44868	(000000-) Fitting, Hyd, E90, Jm08/Om08	1
	31	50960	(000000-) Fitting, Hyd, Str, Jm06/Om04	1
	32	35586	(000000-) Fitting, Hyd, Tee, Jm06/Jf06/Jm06	1
	33	62390	(000000-) Fitting, Hyd, Str, Jm12/Om08	1
	34	35033	(000000-) Fitting, Hyd, E90, Jm12/Jf12	1
	35	40514	(000000-) Fitting, Hyd, Tee, Jm12/Jm12/Jf12	1

Fig. 40 - Hydraulic Schematic

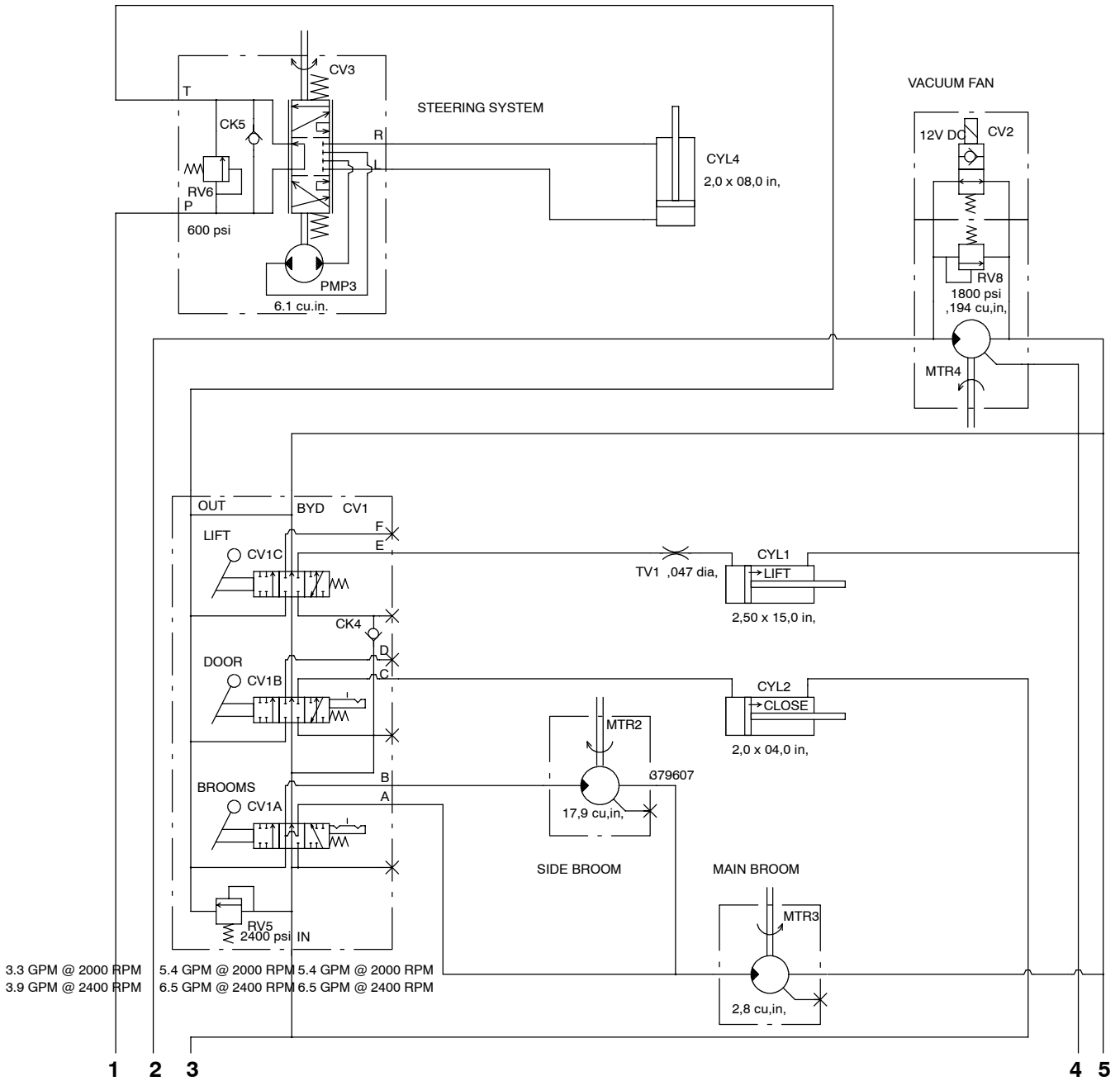
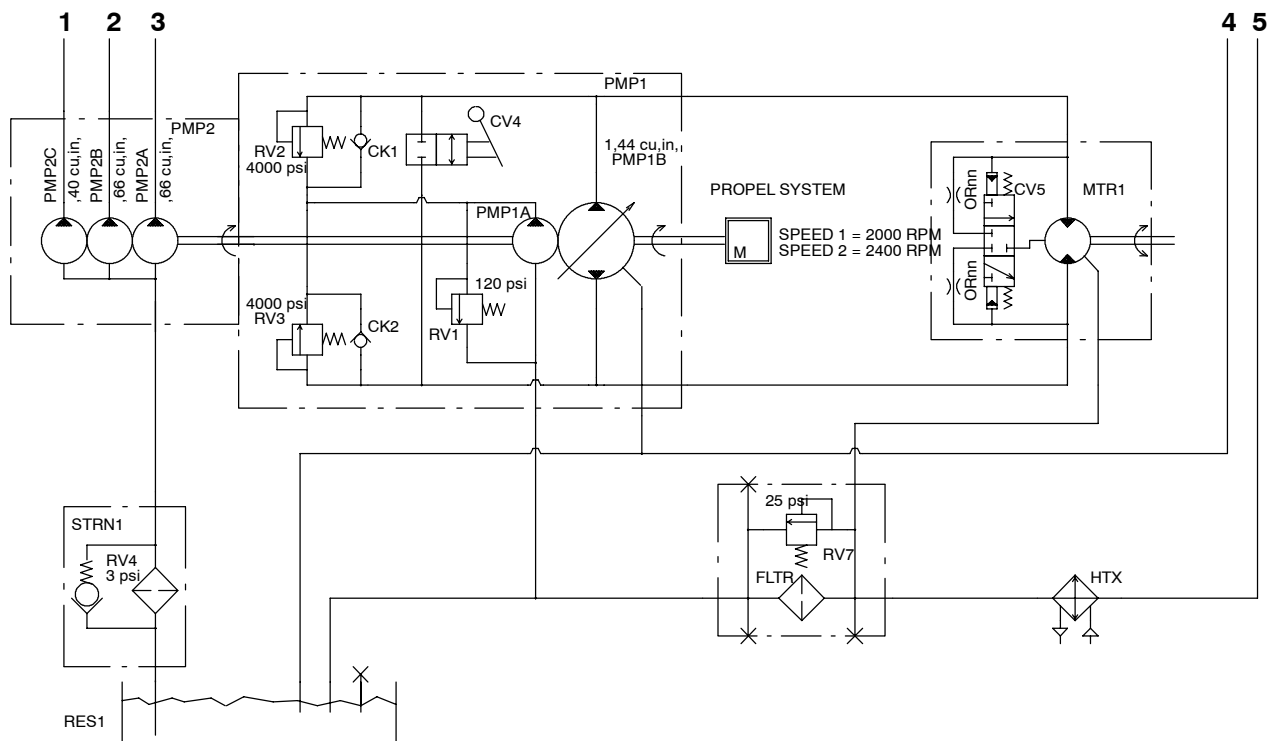


Fig. 40 - Hydraulic Schematic



6600

Fig. 41 - Hydraulic Hose Group

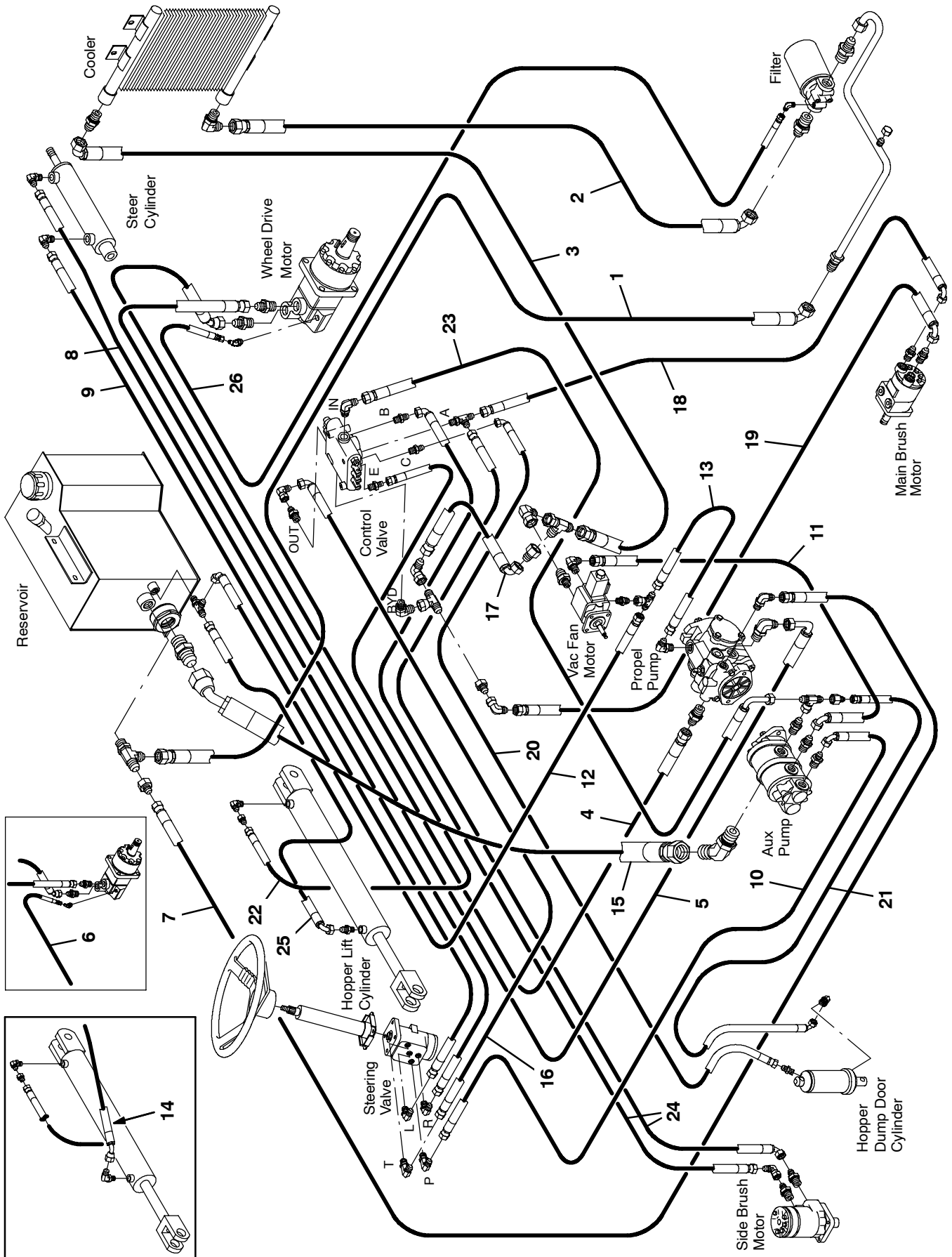


Fig. 41 - Hydraulic Hose Group

Ref.	Part No.	Serial Number	Description	Qty.
1	377250	(000000-) Hose, Hyd,Med12, Jf12str /Jf12e90 , 23.0	1
2	59106	(000000-024999) Hose, Hyd,Med12, Jf12str /Jf12e90l, 60.0	1
2	377250	(025000-) Hose, Hyd,Med12, Jf12str /Jf12e90l, 23.0	1
3	31719	(000000-) Hose, Hyd,Med12, Jf12str /Jf12e90 , 60.0	1
4	59574	(000000-) Hose, Hyd,Tc 10, Jf10str /Jf10e45 , 54.0	1
5	1011582	(000000-) Hose, Hyd,Tc 10, Jf10str /Jf10e90l, 67.0	1
6	377230	(000000-030235) Hose, Hyd,Med04, Jf04str /Jf04e45 , 52.0	1
7	82820	(000000-) Hose, Hyd,Med08, Jf08str /Jf08e90 , 34.0	1
8	377235	(000000-) Hose, Hyd, Tc 06, Jf06str/Jf06str, 48.0	1
9	396210	(000000-) Hose, Hyd,Tc 06, Jf06str /Jf06str , 36.0	1
10	396234	(000000-) Hose, Hyd,Tc 06, Jf06str /Jf06e90 , 62.0	1
11	59578	(000000-) Hose, Hyd,Med08, Jf08str /Jf08e90 , 32.0	1
12	01999	(000000-) Hose, Hyd,Med06, Jf06str /Jf06e90 , 20.0	1
13	34376	(000000-) Hose, Hyd,Med06, Jf06str /Jf06str , 16.0	1
14	377225	(000000-025707) Hose, Hyd,Med06, Jf06str /Jf06e45 , 12.0	1
15	9000227	(000000-) Hose, Hyd,Suc20, Jf20str /Jf20e45 , 25.0	1
16	386711	(000000-) Hose, Hyd, Tc 06, Jf Str/E90 , 48.0l	1
17	59563	(000000-) Hose, Hyd,Tc 10, Jf10str /Jf10e90 , 18.0	1
18	59560	(000000-) Hose, Hyd,Med06, Jf06str /Jf06e90 , 64.0	1
19	57487	(000000-) Hose, Hyd,Med08, Jf08str /Jf08e90 , 68.0	1
20	71749	(000000-) Hose, Hyd,Tc 04, Jf04str /Jf04e90 , 80.0	1
21	379793	(000000-) Hose, Hyd,Tc 04, Jf04str /Jf04e90 ,114.0	1
22	55691	(000000-) Hose, Hyd,Med04, Jf04str /Jf04str , 17.0	1
23	1011616	(000000-) Hose, Hyd,Med08, Jf08str /Jf08e90l, 39.0	1
24	02469	(000000-) Hose, Hyd,Med06, Jf06str /Jf06e90 ,100.0	2
25	01998	(025708-) Hose, Hyd, Med06, Jf06e90/Jf06str, 010.0	1
26	77306	(030236-) Hose, Hyd, Med06, Jf06e90/Jf06str, 010.0	1

Fig. 42 - Hydraulic Reservoir Group

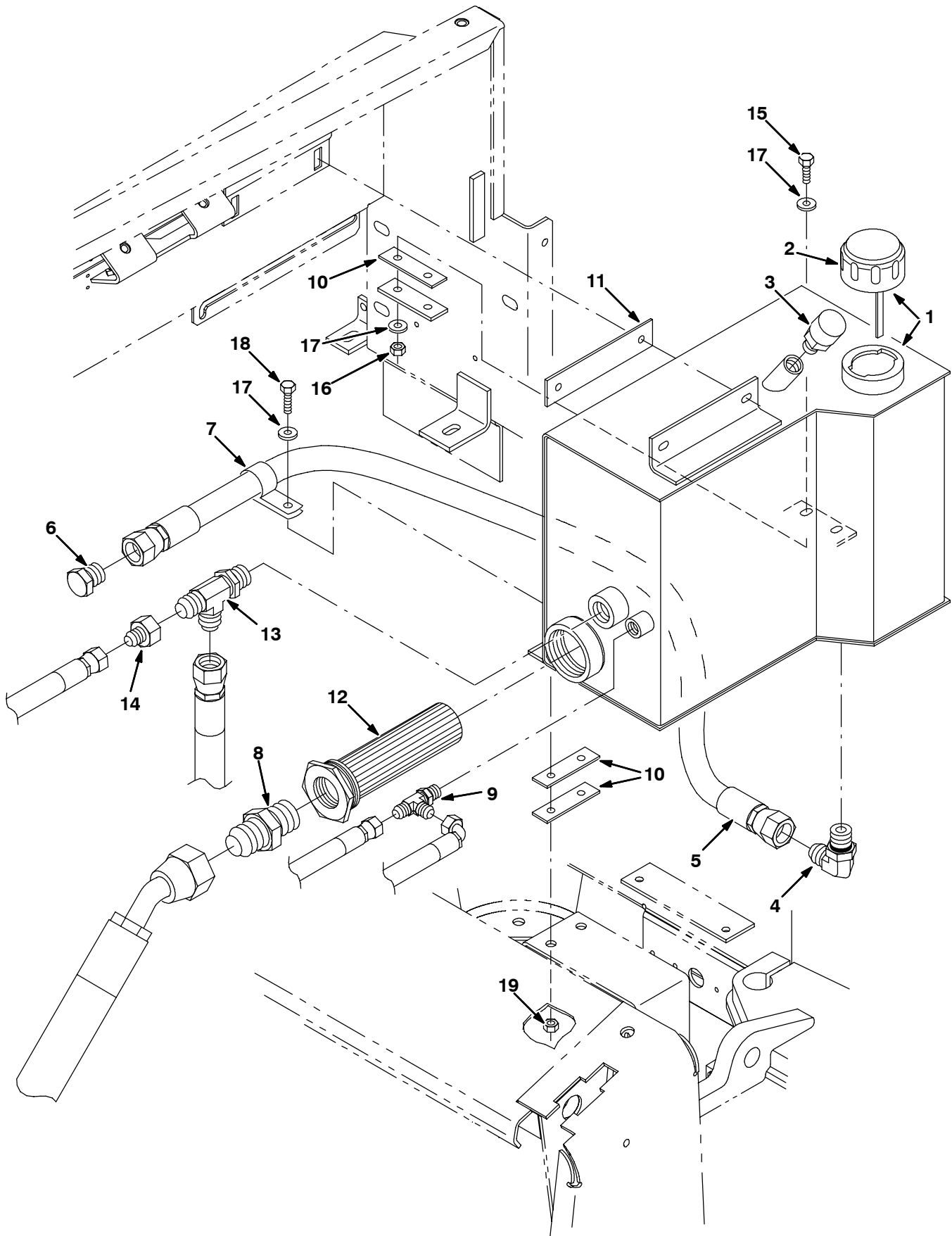


Fig. 42 - Hydraulic Reservoir Group

	Ref.	Part No.	Serial Number	Description	Qty.
▽	1	377244	(000000-) Reservoir, W/ Label, 06.5gal [6600/6650]	1
▲	2	23163	(000000-) Cap, Breather, Hyd, 2.2 Ds	1
	3	23182	(000000-) Breather, Hyd, 20mic 05psi .75-16	1
	4	56821	(000000-) Fitting, Hyd, E90, Jm08/Om10	1
	5	13115	(000000-) Hose, Hyd,Low08, Jf08str /Jf08str , 20.0	1
	6	16376	(000000-) Fitting, Hyd, Plug, Jm08	1
	7	53466	(000000-) Clamp, Cable, Stl, 1.50d X 1.00w, 1h	1
	8	58858	(000000-) Fitting, Hyd, Str, Jm20/Om20	1
	9	76316	(000000-) Fitting, Hyd, Tee, Jm06/Jm06/Om06	1
	10	59789	(000000-) Strip, Rbr, 0.13 01.00w 03.5l	3
	11	59790	(000000-) Strip, Rbr, 0.13 01.50w 07.0l	1
	12	31613	(000000-) Strainer, Hyd, 25gpm 100mesh Psi	1
	13	42216	(000000-) Fitting, Hyd, Tee, Jm12/Jm12/Om12	1
	14	78143	(000000-) Fitting, Hyd, Str, Jm08/Jf12	1
	15	09010	(000000-) Screw, Hex, M 8 X 1.25 X 25, Ss	2
	16	08709	(000000-) Nut, Hex, Lock, M 8 X 1.25 NI	2
	17	32491	(000000-) Washer, Flat, 0.31 Std	4
	18	76570	(000000-) Screw, Hex, M 8 X 1.25 X 30, 8.8	2
	19	08713	(000000-) Nut, Hex, Lock, M 8 X 1.25, NI, Ss	2

Fig. 43 - Hydraulic Valve Group

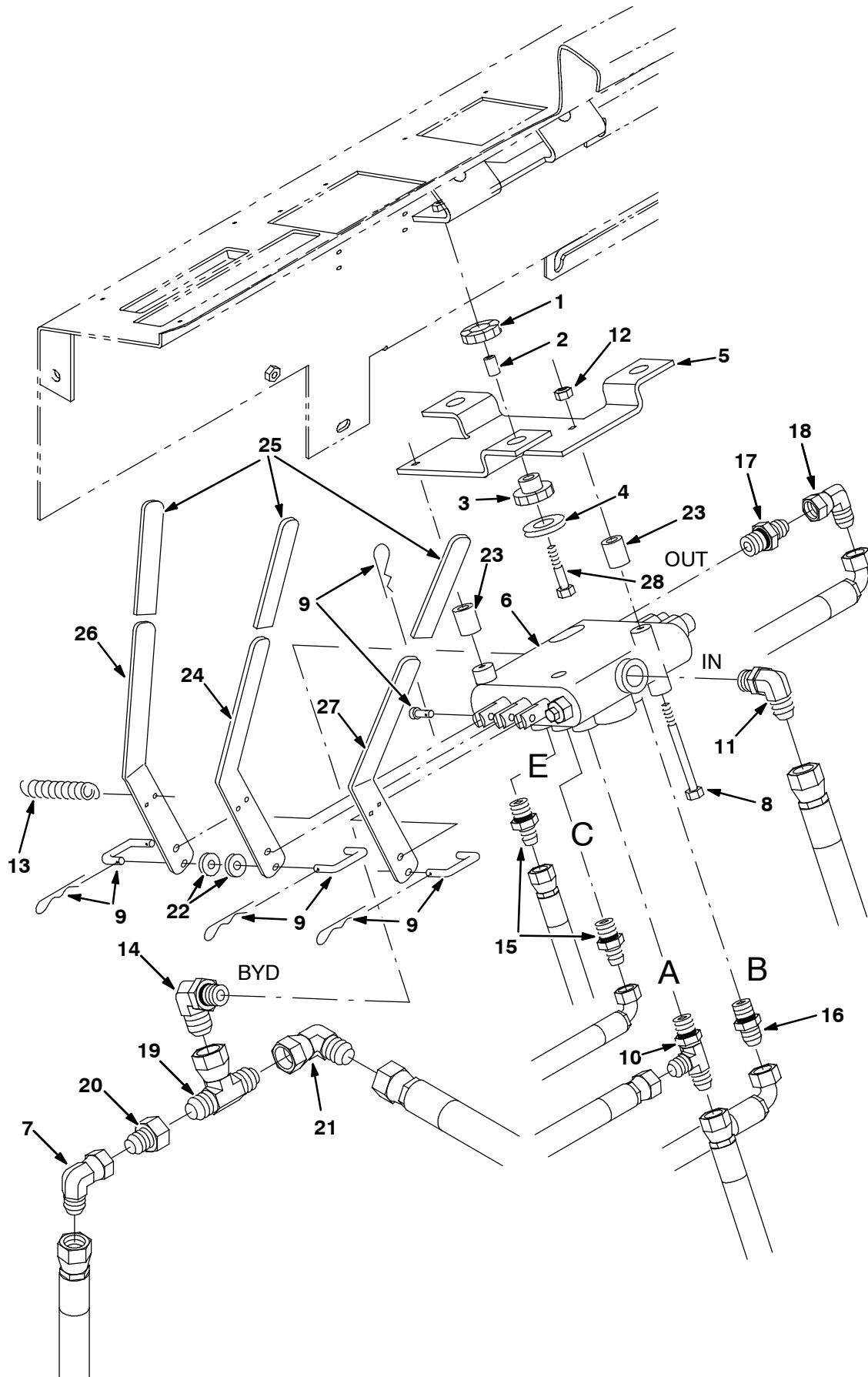


Fig. 43 - Hydraulic Valve Group

Ref.	Part No.	Serial Number	Description	Qty.
▽	69910	(000000-) Isolator, Valve	1
▲	1 62172	(000000-) Isolator, Vib, Ring, 1.4d 0.3l 0.8b	3
▲	2 64905	(000000-) Tube, 00.38d 00.26b 00.6l Stl Plt	3
▲	3 62173	(000000-) Isolator, Vib, Bshg, 1.4d 0.3l .4b 0.65h	3
▲	4 1014491	(000000-) Washer, Flat, 0.28b 1.38d .12, Hrs Pl	3
	5 55446	(000000-) Bracket, Mtg, Valve	1
	6 374547	(000000-025433) Valve, Hyd, Man, 3sp 10gpm 2150psi (See Breakdowns) (Repl By 1019961)	1
	6 1019961	(025434-) Valve, Hyd, Mnl, 3 Sp, 10gpm, 2150psi (See Breakdowns)	1
	7 17980	(000000-) Fitting, Hyd, E90, Jm08/Jf08	1
	8 06950	(000000-) Screw, Hex, M 6 X 1.0 X 70, 8.8	2
	9 48760	(000000-) Link, Handle	3
	10 76316	(000000-) Fitting, Hyd, Tee, Jm06/Jm06/Om06	1
	11 44868	(000000-) Fitting, Hyd, E90, Jm08/Om08	1
	12 08708	(000000-) Nut, Hex, Lock, M 6 X 1.0, NI	2
	13 59870	(000000-) Spring, Extn, 0.38od X 0.05wir, 2.5l	1
	14 374567	(000000-) Fitting, Hyd, E90, Jm10/Om08	1
	15 55685	(000000-) Fitting, Hyd, Str, Jm04/Om06	2
	16 59577	(000000-) Fitting, Hyd, Str, Jm06om06l	1
	17 52402	(000000-) Fitting, Hyd, Str, Jm06/Om08	1
	18 47504	(000000-) Fitting, Hyd, E90, Jm06/Jf06	1
	19 50421	(000000-) Fitting, Hyd, Tee, Jm10/Jf10/Jm10	1
	20 76052	(000000-) Fitting, Hyd, Str, Jm08/Jf10	1
	21 54194	(000000-) Fitting, Hyd, E90, Jm10/Jf10	1
	22 32483	(000000-) Washer, Flat, 0.25 Sae	2
	23 09900-1	(000000-) Tube, 00.52d 00.26b 00.8l Stl Plt	2
	24 383157	(000000-) Handle, Cntrl, Str	1
	25 360467	(000000-) Grip, Vyl	3
	26 383158	(000000-) Handle, Cntrl	1
	27 383221	(000000-) Handle, Cntrl, Lh	1
	28 06946	(000000-) Screw, Hex, M 6 X 1.0 X 35, 8.8	3

Fig. 44 - Hydraulic Cooler Group (00000-024999)

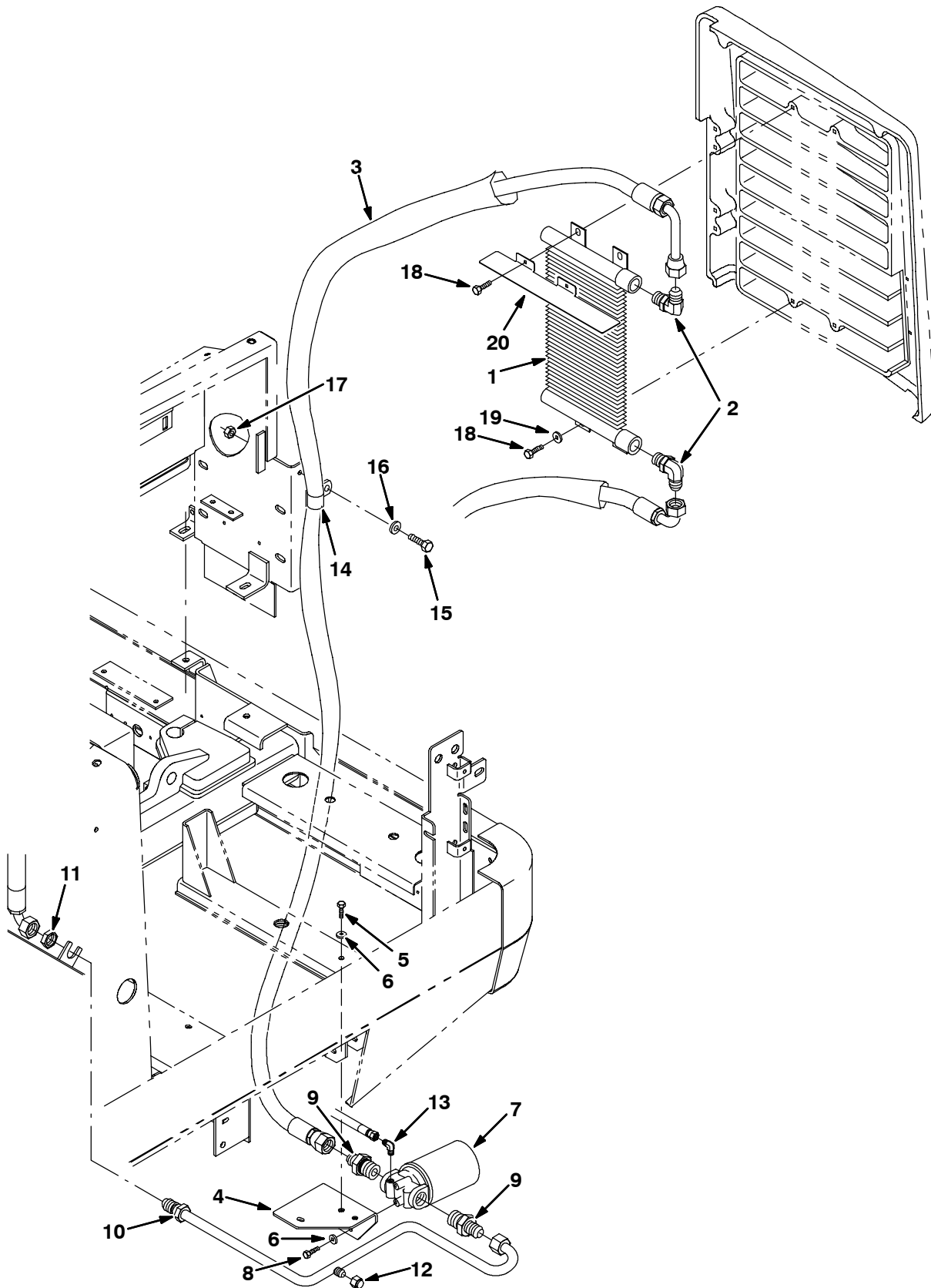


Fig. 44 - Hydraulic Cooler Group (000000-024999)

Ref.	Part No.	Serial Number	Description	Qty.	
1	13698	(000000-024999)	Cooler, Hyd, 25gpm 325btu Of12 13x12x2	1	
2	46481	(000000-024999)	Fitting, Hyd, E90, Jm12/Om12	2	
3	87676	(000000-024999)	Sleeve, Nyl, #27 30.0l	1	
4	1006647	(000000-024999)	Bracket, Mtg, Hyd	1	
5	06956	(000000-024999)	Screw, Hex, M 8 X 1.25 X 45, 8.8	2	
6	32491	(000000-024999)	Washer, Flat, 0.31 Std	4	
▽	7	1006329	(000000-024999)	Filter, Hyd 10mic 30gpm 150	1
▲		1008968	(000000-024999)	Element, Fltr, Oil, Hyd	1
8	54395	(000000-024999)	Screw, Hex, .31-18 X 0.62, 5	2	
9	71562	(000000-024999)	Fitting, Hyd, Str, Jm12/Om20	2	
10	1007048	(000000-024999)	Tube, Hyd, 12 Jf12/Jm12	1	
11	396279	(000000-024999)	Fitting, Hyd, Nut, Jm12	1	
12	40625	(000000-024999)	Fitting, Hyd, Cap, Jf06	1	
13	55455	(000000-024999)	Fitting, Hyd, E90, Pm02/Jm04	1	
14	53466	(000000-024999)	Clamp, Cable, Stl, 1.50d X 1.00w, 1h	2	
15	16931	(000000-024999)	Screw, Hex, M 8 X 1.25 X 20, 8.8	2	
16	32491	(000000-024999)	Washer, Flat, 0.31 Std	2	
17	07791	(000000-024999)	Nut, Hex, Flng, M08 X 1.25	2	
18	11635	(000000-024999)	Screw, Hex, M 6 X 1.0 X 12, Ss, NI	4	
19	41178	(000000-024999)	Washer, Flat, 0.25 Fender	2	
20	1007966	(000000-024999)	Deflector, Air	1	

Fig. 45 - Hydraulic Cooler Group (025000-)

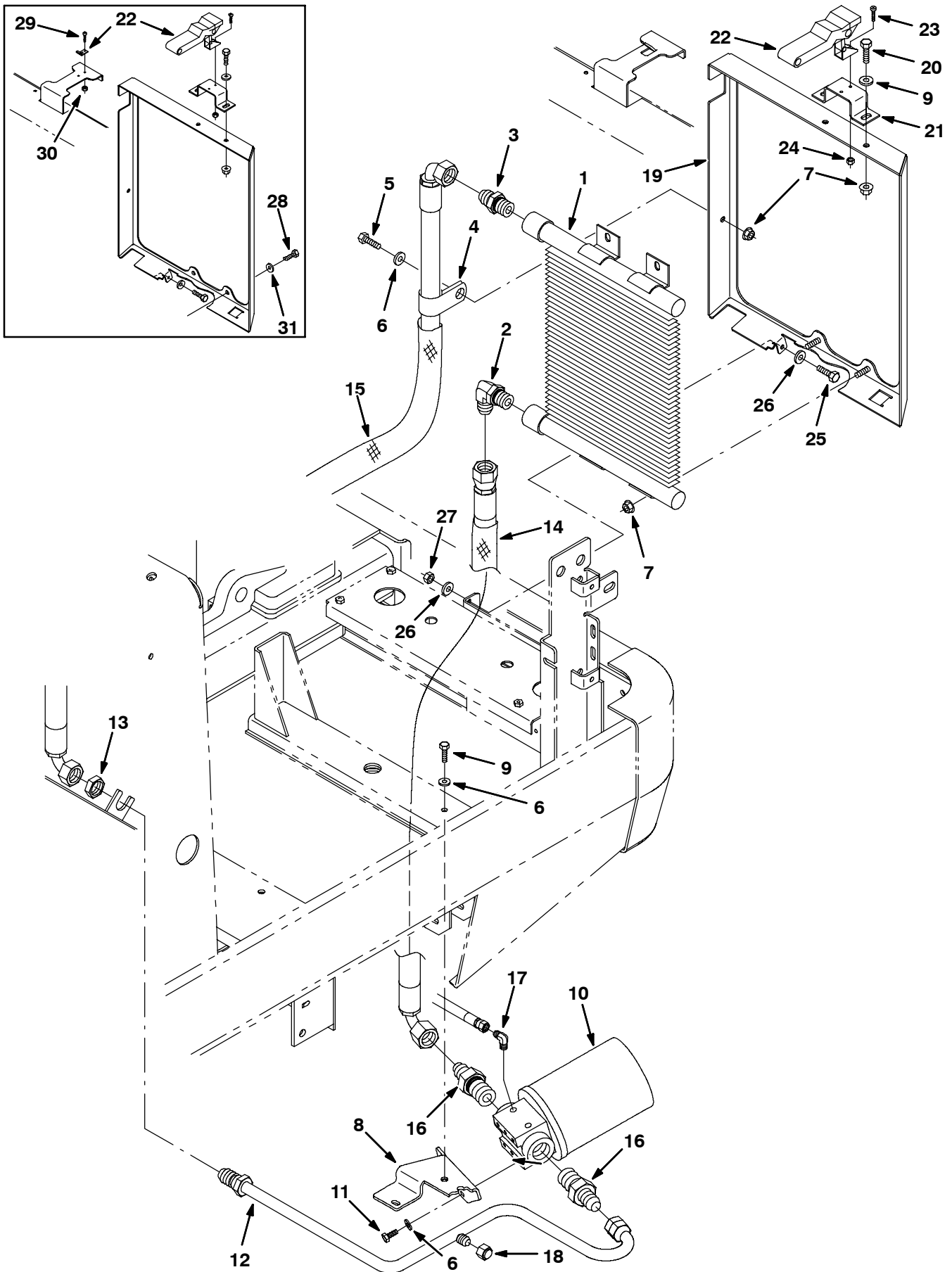


Fig. 45 - Hydraulic Cooler Group (025000-)

Ref.	Part No.	Serial Number	Description	Qty.	
1	13698	(025000-) Cooler, Hyd, 25gpm 325btu Of12 13x12x2	1	
2	46481	(025000-) Fitting, Hyd, E90, Jm12/Om12	1	
3	42260	(025000-) Fitting, Hyd, Str, Jm12/Om12	1	
4	69234	(025000-) Clamp, Cable, Stl, 1.00d X 0.62w, 1h	1	
5	39277	(025000-) Screw, Hex, M8 X 1.25 X 25, 8.8	1	
6	32491	(025000-) Washer, Flat, 0.31 Std	7	
7	07791	(025000-) Nut, Hex, Flng, M8 X 1.25	5	
8	1013681	(025000-029999) Bracket, Mtg, Hyd	1	
8	1029163	(030000-) Bracket, Mtg, Hyd [6600/6650 07]	1	
9	06956	(025000-) Screw, Hex, M8 X 1.25 X 45, 8.8	2	
▽	10	1006329	(025000-) Filter, Hyd 10mic 30gpm 150	1
▲		1008968	(025000-) Element, Fltr, Oil, Hyd	1
	11	54395	(025000-) Screw, Hex, .31-18 X 0.62, 5	2
	12	1014005	(025000-) Tube, Hyd, 12 Jf12/Jm12	1
	13	396279	(025000-) Fitting, Hyd, Nut, Jm12	1
	14	82830	(025000-) Sleeve, Nyl, 27 16.0l	1
	15	87676	(025000-) Sleeve, Nyl, 27 30.0l	1
	16	71562	(025000-) Fitting, Hyd, Str, Jm12/Om20	2
	17	55455	(025000-) Fitting, Hyd, E90, Pm02/Jm04	1
	18	40625	(025000-) Fitting, Hyd, Cap, Jf06	1
	19	1008457	(025000-) Bracket, Cooler, Hyd	1
	20	16931	(025000-) Screw, Hex, M8 X 1.25 X 20, 8.8	2
	21	1010049	(025000-) Bracket, Stop	1
	22	49800	(025000-) Latch	1
	23	49697	(025000-) Screw, Pan, M4 X 0.7 X 10, Ss	2
	24	02850	(025000-) Nut, Hex, Lock, M4 X 0.7, NI	2
	25	06942	(025000-) Screw, Hex, M6 X 1.0 X 16, 8.8	2
	26	32483	(025000-) Washer, Flat, 0.25 Sae	4
	27	08708	(025000-) Nut, Hex, Lock, M6 X 1.0, NI	4
	28	07810	(025000-xxxxxx) Screw, Flt, M8 X 1.25 X 25, 10.9	4
	29	49697	(025000-xxxxxx) Screw, Pan, M4 X 0.7 X 10, Ss	2
	30	02850	(025000-xxxxxx) Nut, Hex, Lock, M4 X 0.7, NI	2
	31	32483	(025000-xxxxxx) Washer, Flat, 0.25 Sae	4

Fig. 46 - Hydraulic Pumps Group

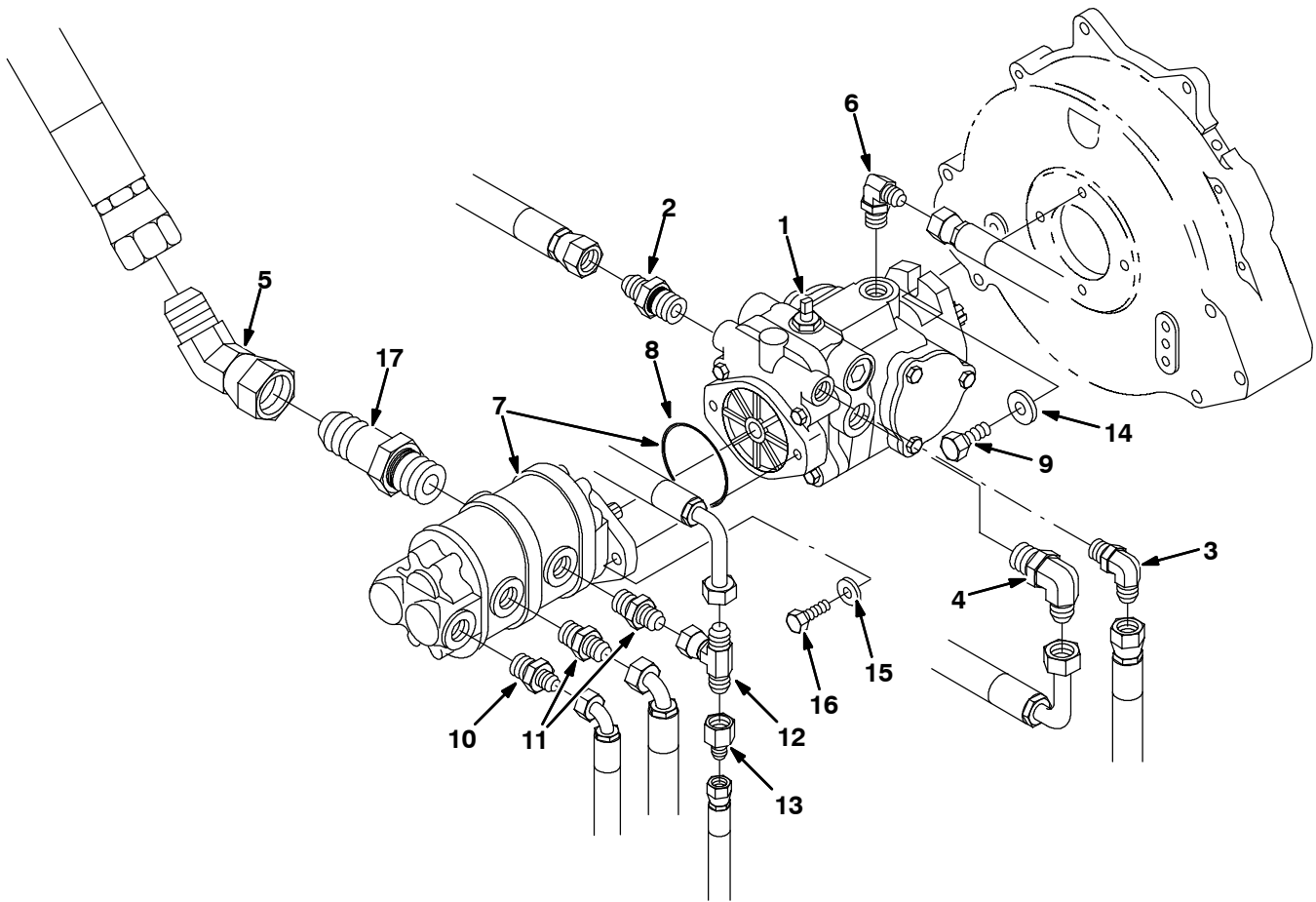


Fig. 46 - Hydraulic Pumps Group

Ref.	Part No.	Serial Number	Description	Qty.
1	373452	(000000-) Pump, Hyd, Piston, [V] 1.44 [R] 4000 (See Breakdowns)	1
2	42223	(000000-) Fitting, Hyd, Str, Jm10/Om12	1
3	44868	(000000-) Fitting, Hyd, E90, Jm08/Om08	1
4	53076	(000000-) Fitting, Hyd, E90, Jm10/Om12	1
5	19544	(000000-) Fitting, Hyd, E45, Jm20/Jf20	1
6	47512	(000000-) Fitting, Hyd, E90, Jm06/Om08	1
▽	7	9000210	(000000-) Pump, Hyd, Gear, W/Org, Afmkt (See Breakdowns)	1
▲	8	65145-1	(000000-) Seal, O-Ring, .069 X 3.06id	1
9	39810	(000000-) Screw, Hex, .50-13 X 1.25, 5	1
10	47508	(000000-) Fitting, Hyd, Str, Jm06/Om10	1
11	56692	(000000-) Fitting, Hyd, Str, Jm08/Om10	2
12	76315	(000000-) Fitting, Hyd, Tee, Jm08/Jf08/Jm08	1
13	57979	(000000-) Fitting, Hyd, Str, Jm04/Jf08	1
14	32493	(000000-) Washer, Flat, 0.50 Std	2
15	32485	(000000-) Washer, Flat, .38 Sae	2
16	46559	(000000-) Screw, Hex, .38-16 X 1.25, NI	2
17	19458	(000000-) Fitting, Hyd, Str, Jm20om20l	1

Fig. 47- Electrical Schematic

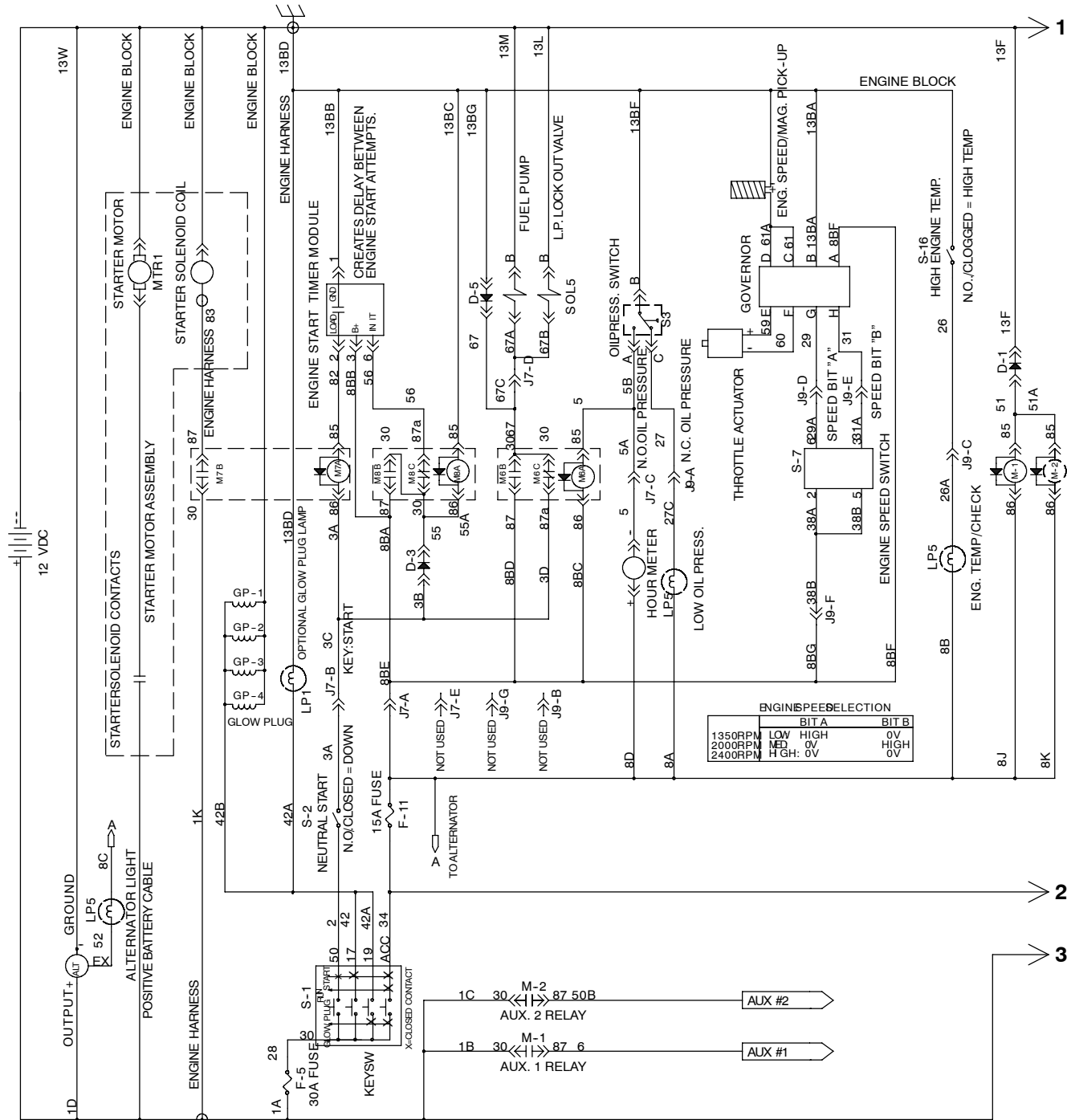


Fig. 47- Electrical Schematic

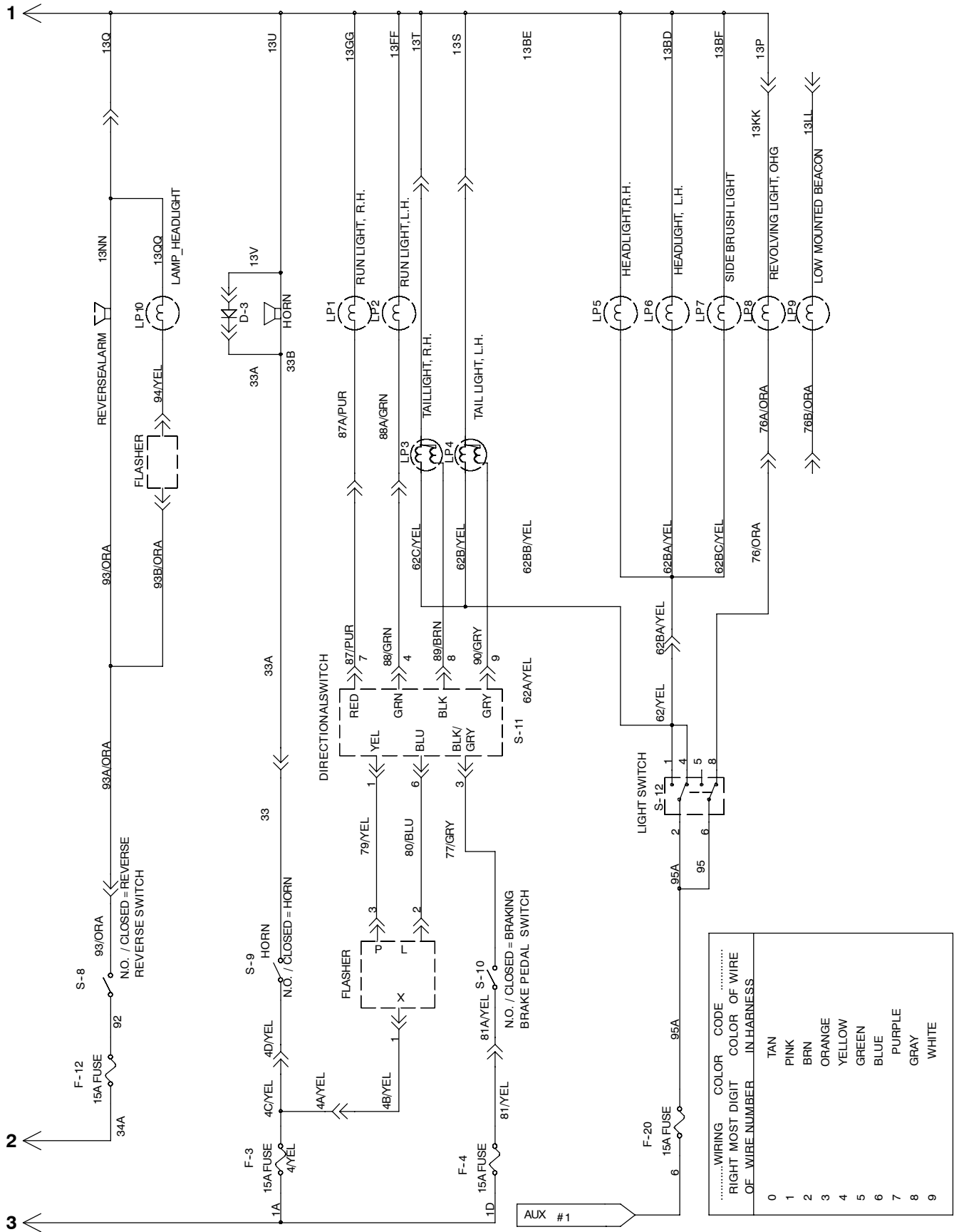


Fig. 47- Electrical Schematic

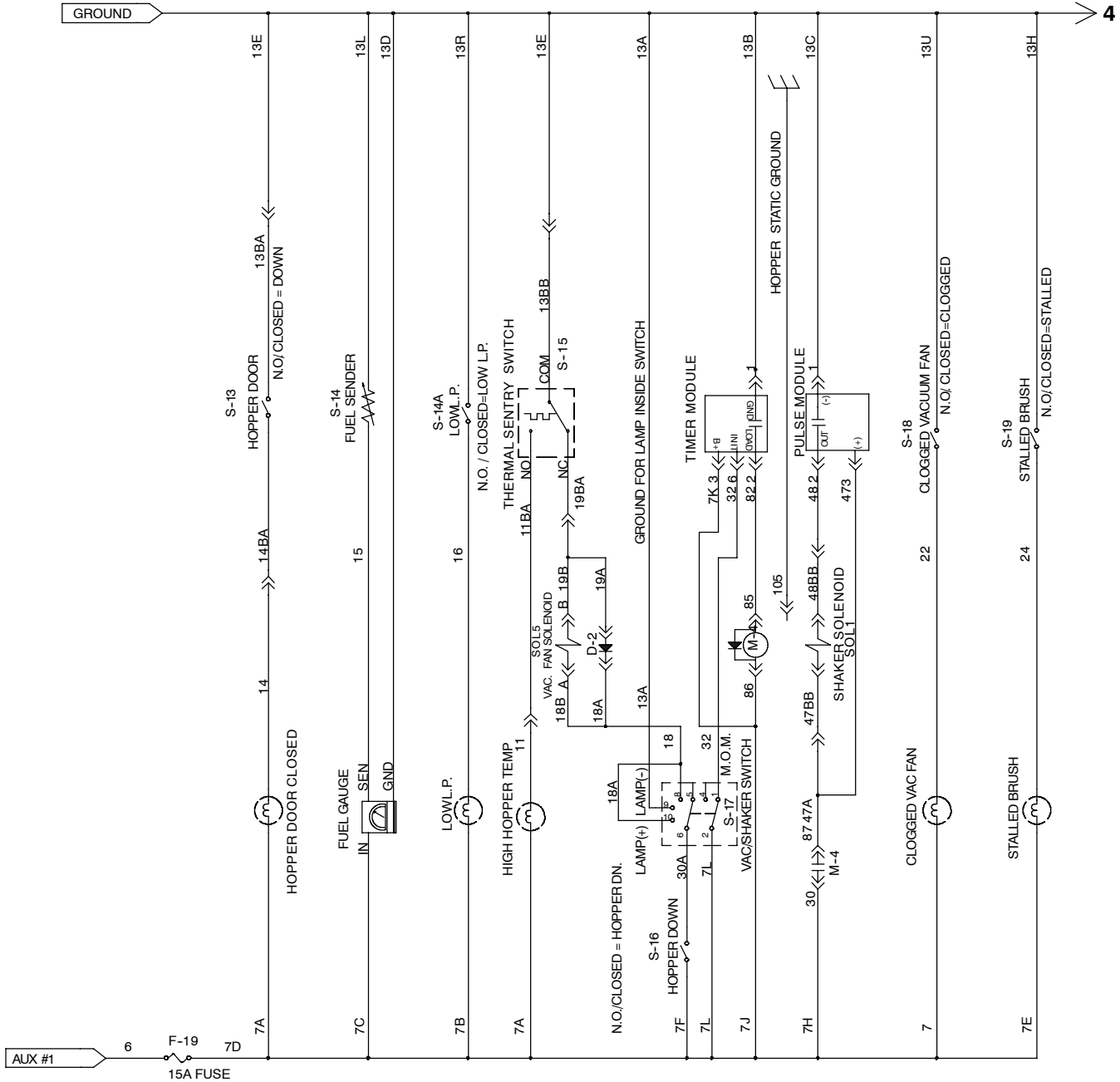
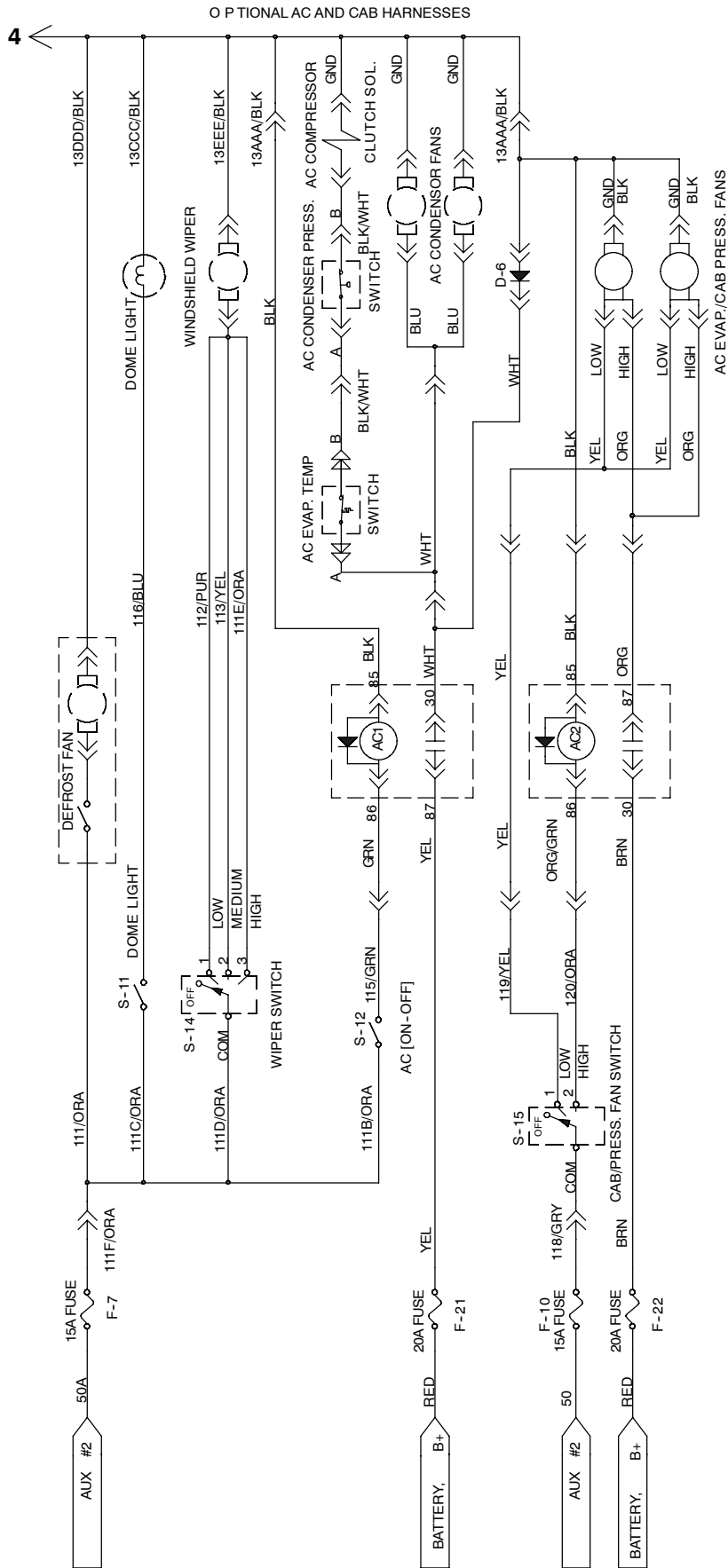


Fig. 47- Electrical Schematic



.....WIRING OF WIRE NUMBER	COLOR	CODE COLOR OF WIRE IN HARNESS
0	TAN		
1	PINK		
2	BRN		
3	ORANGE		
4	YELLOW		
5	GREEN		
6	BLUE		
7	PURPLE		
8	GRAY		
9	WHITE		

UNLESS SPECIFIED DIFFERENTLY ON SCHEMATIC

Fig. 48 - Electrical Wire Harness Group

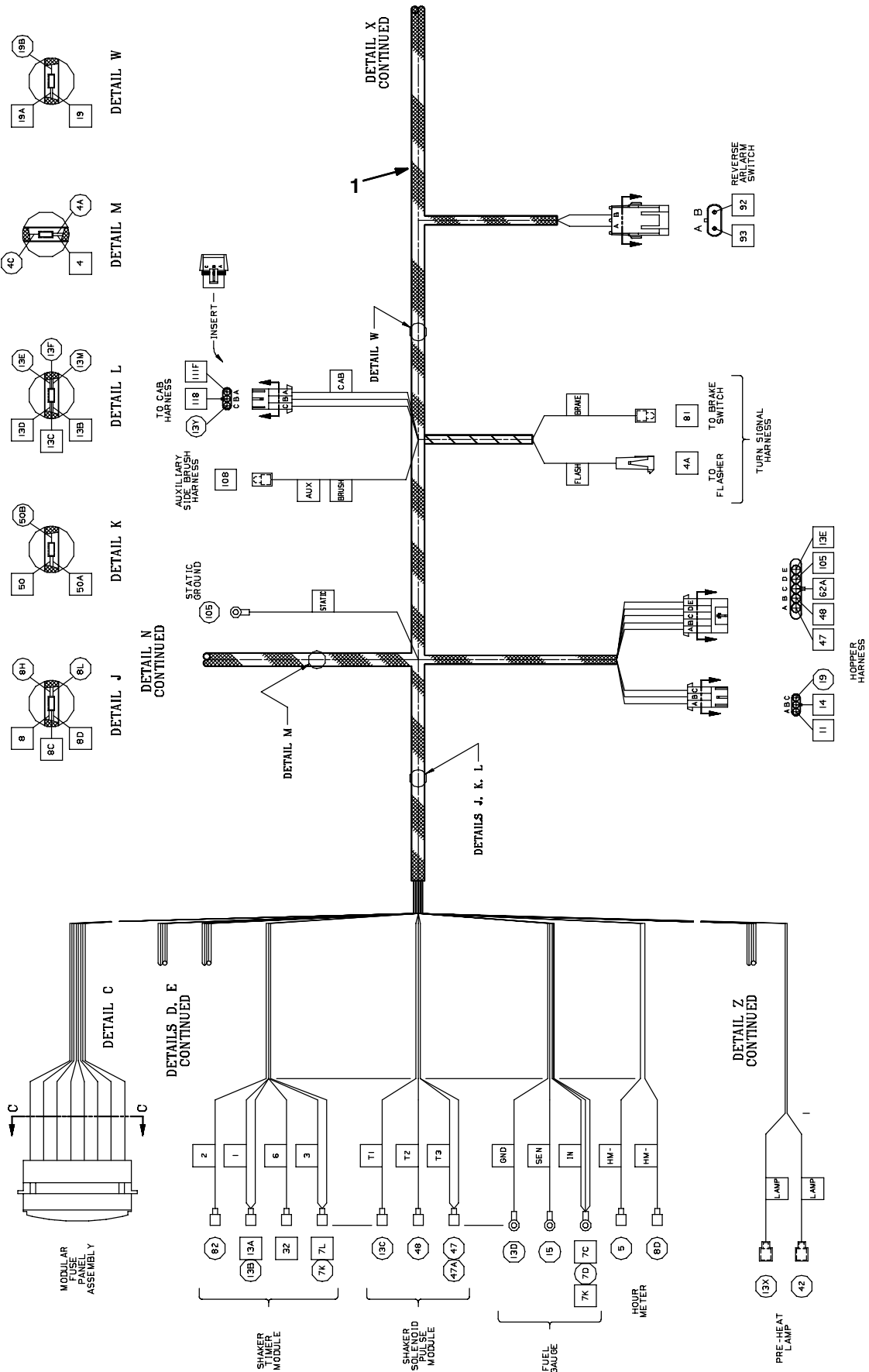


Fig. 48 - Electrical Wire Harness Group

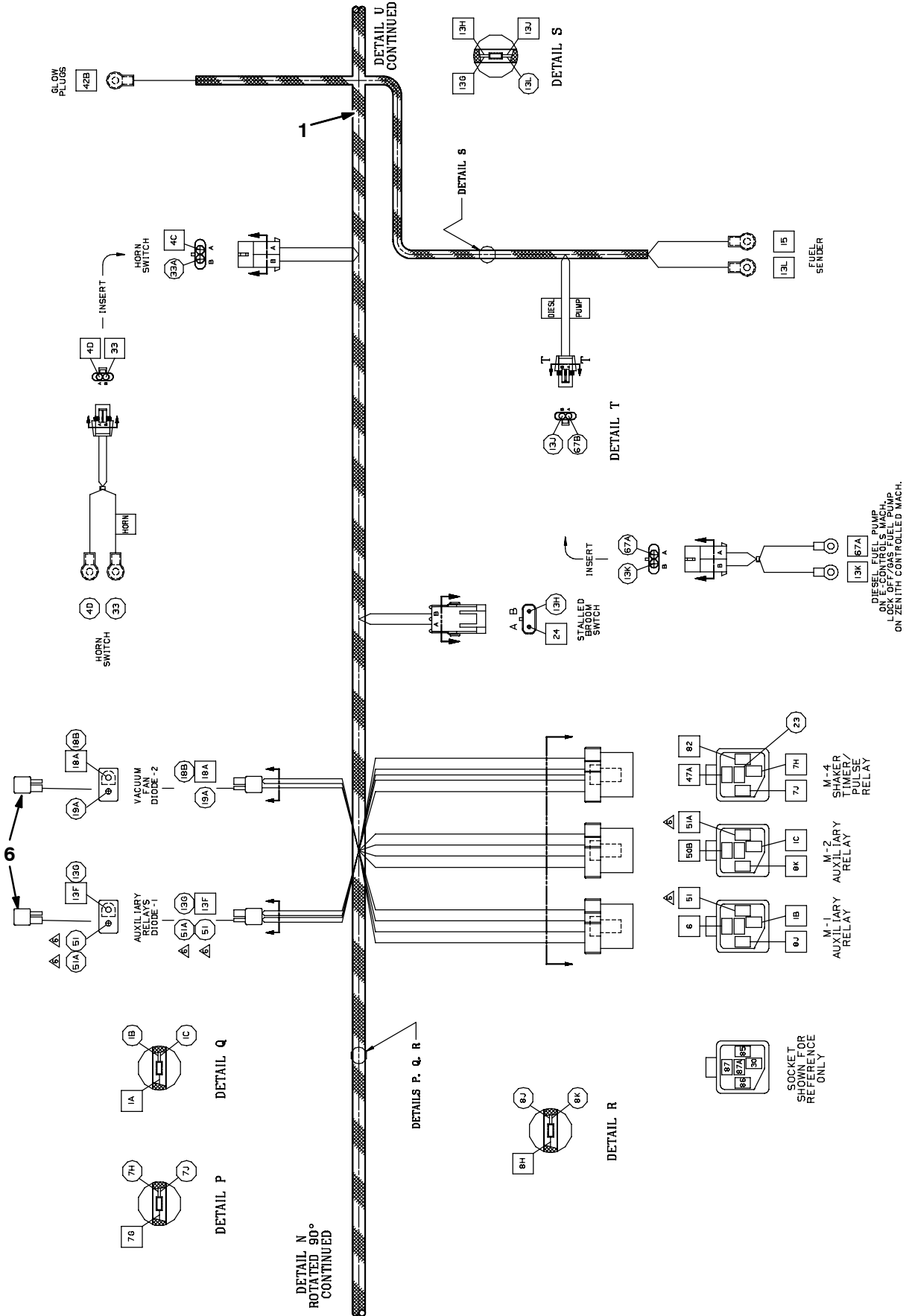


Fig. 48 - Electrical Wire Harness Group

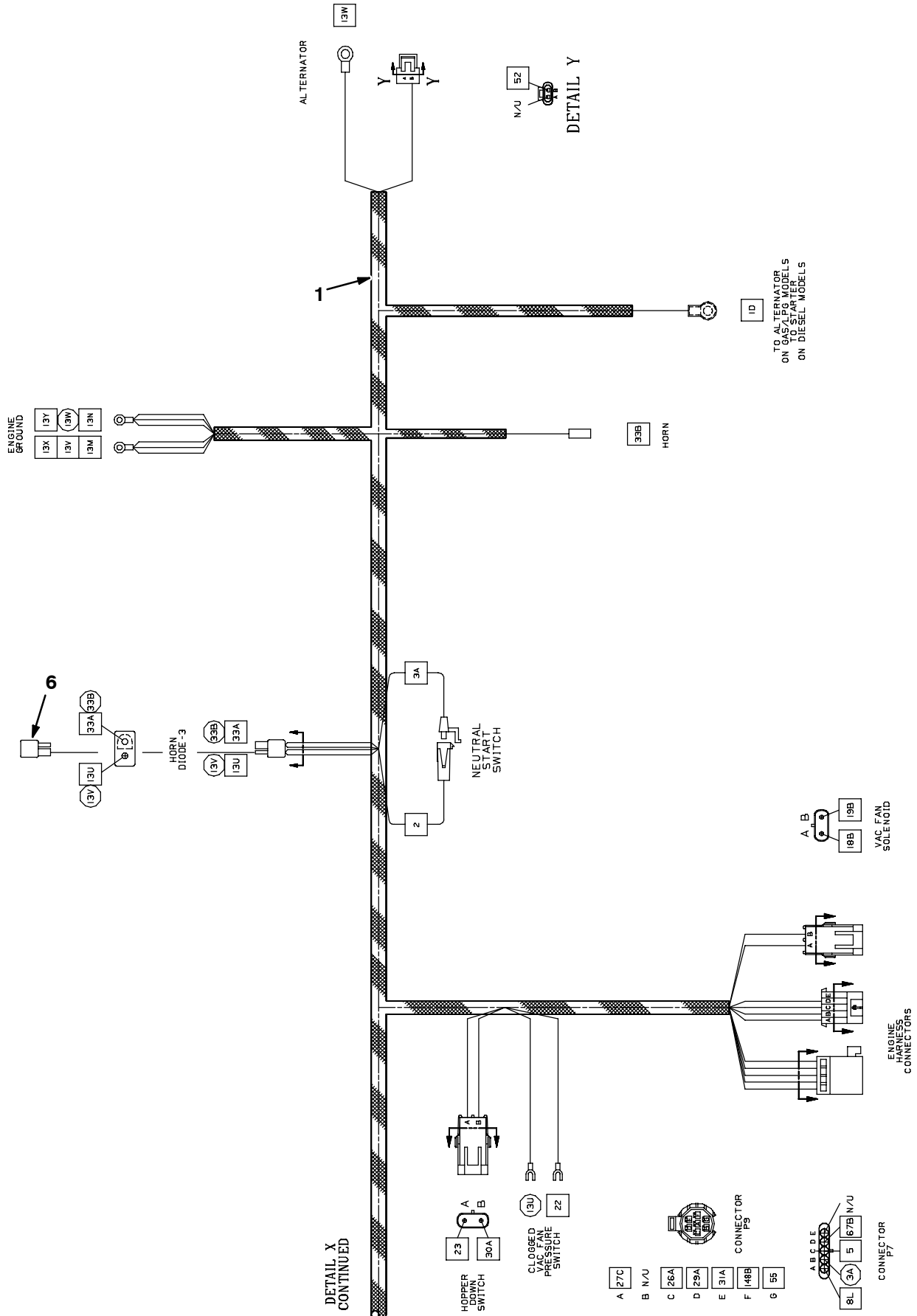
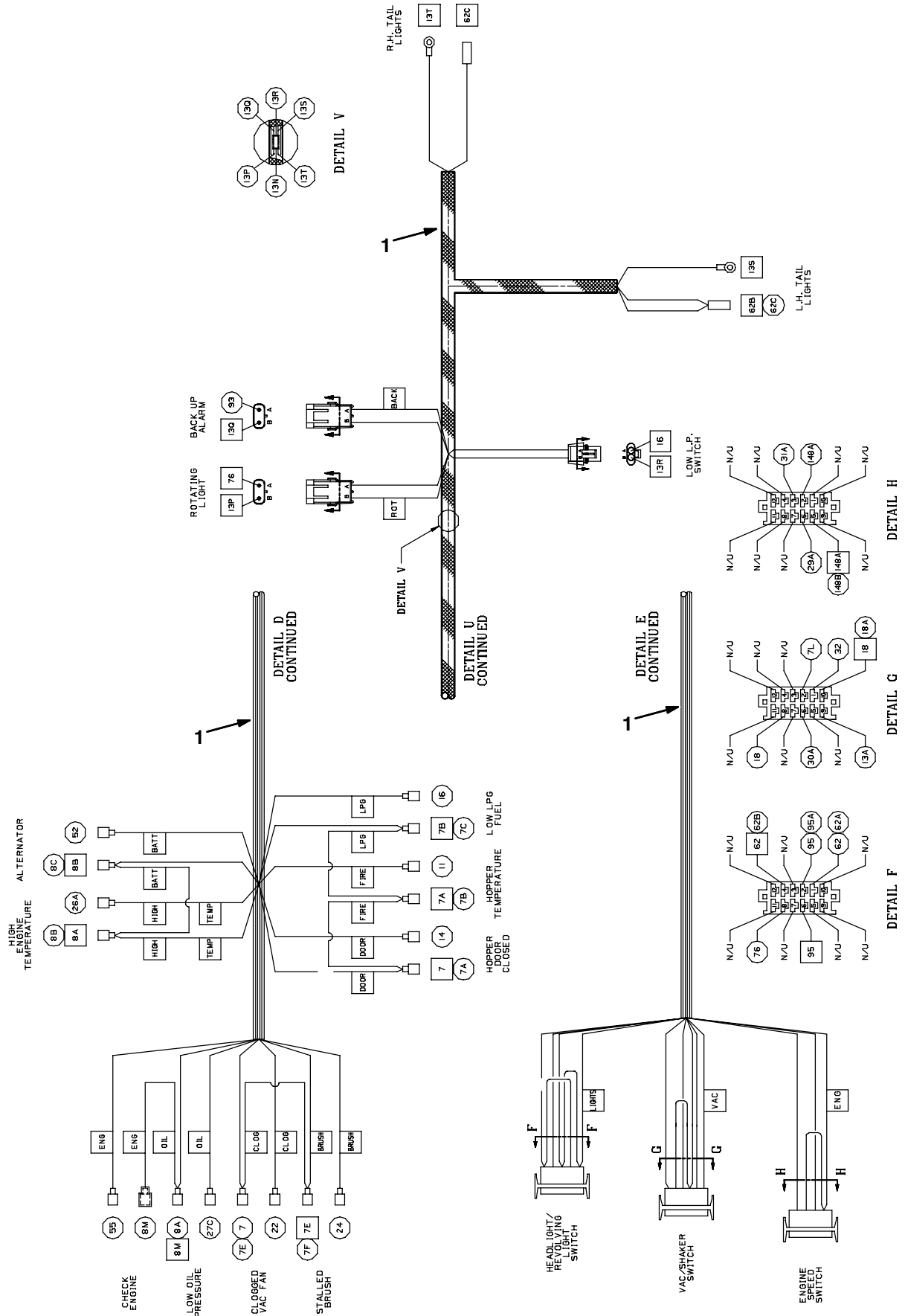
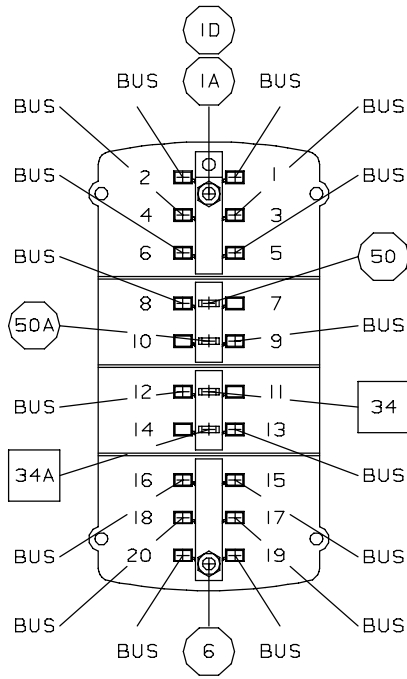


Fig. 48 - Electrical Wire Harness Group

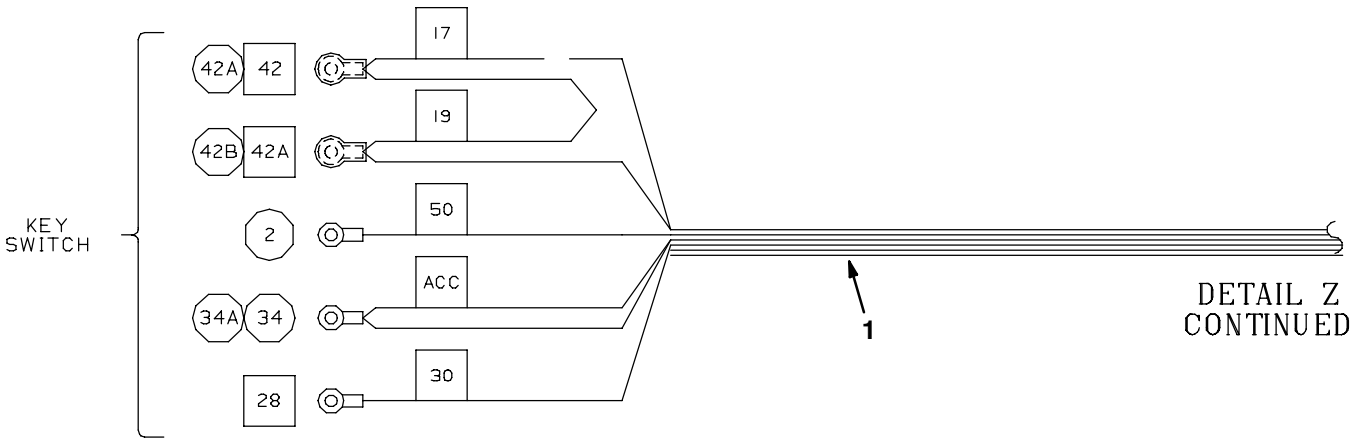
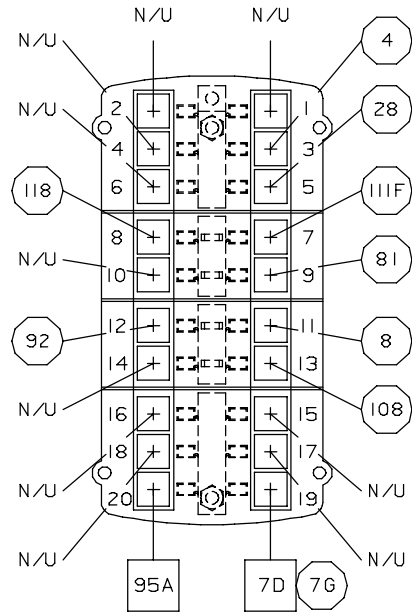


354032 - 6600

Fig. 48 - Electrical Wire Harness Group



DETAIL C
VIEWED FROM
THE BACK
CONTINUED



DETAIL Z
CONTINUED

354032 - 6600

Fig. 48 - Electrical Wire Harness Group

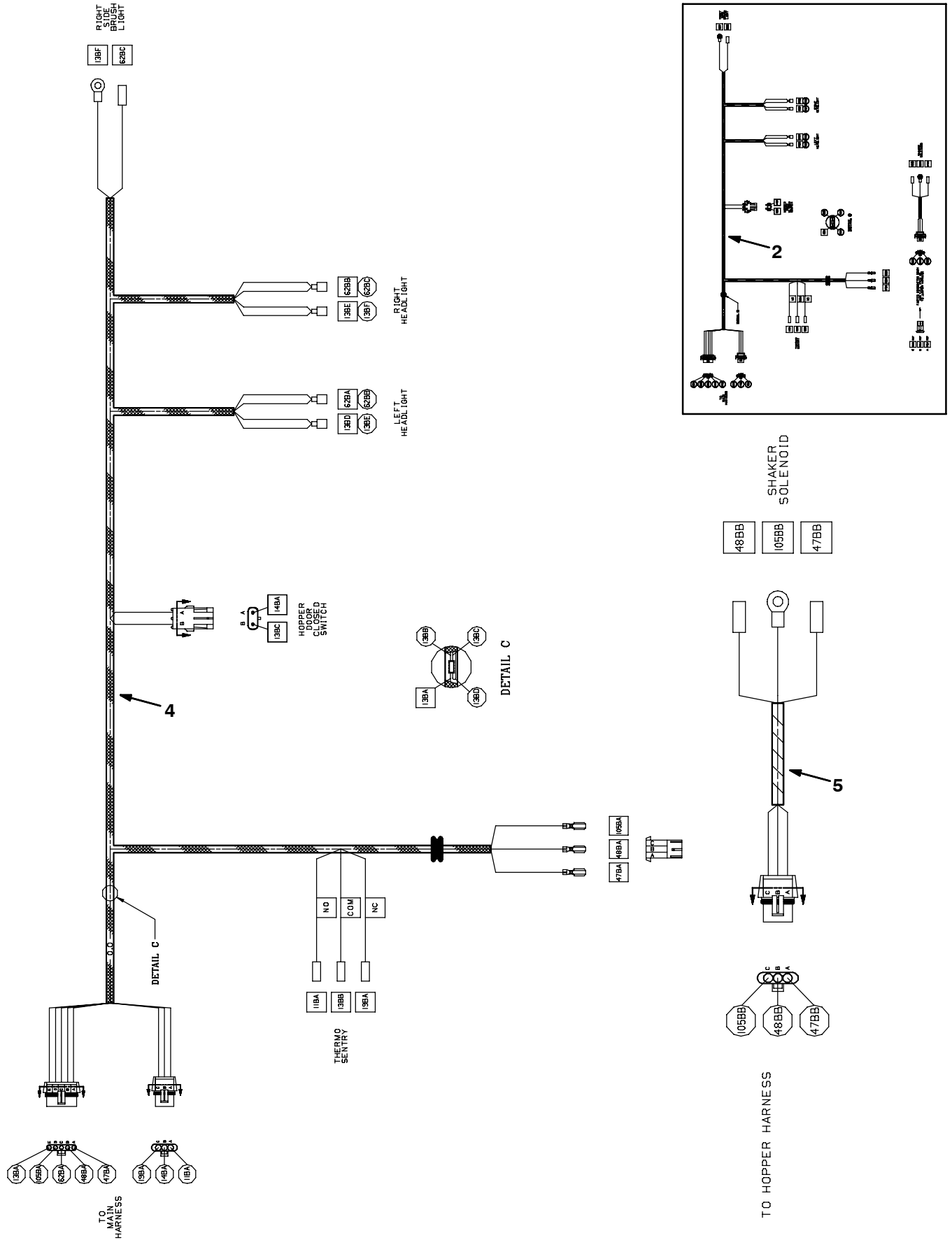


Fig. 48 - Electrical Wire Harness Group

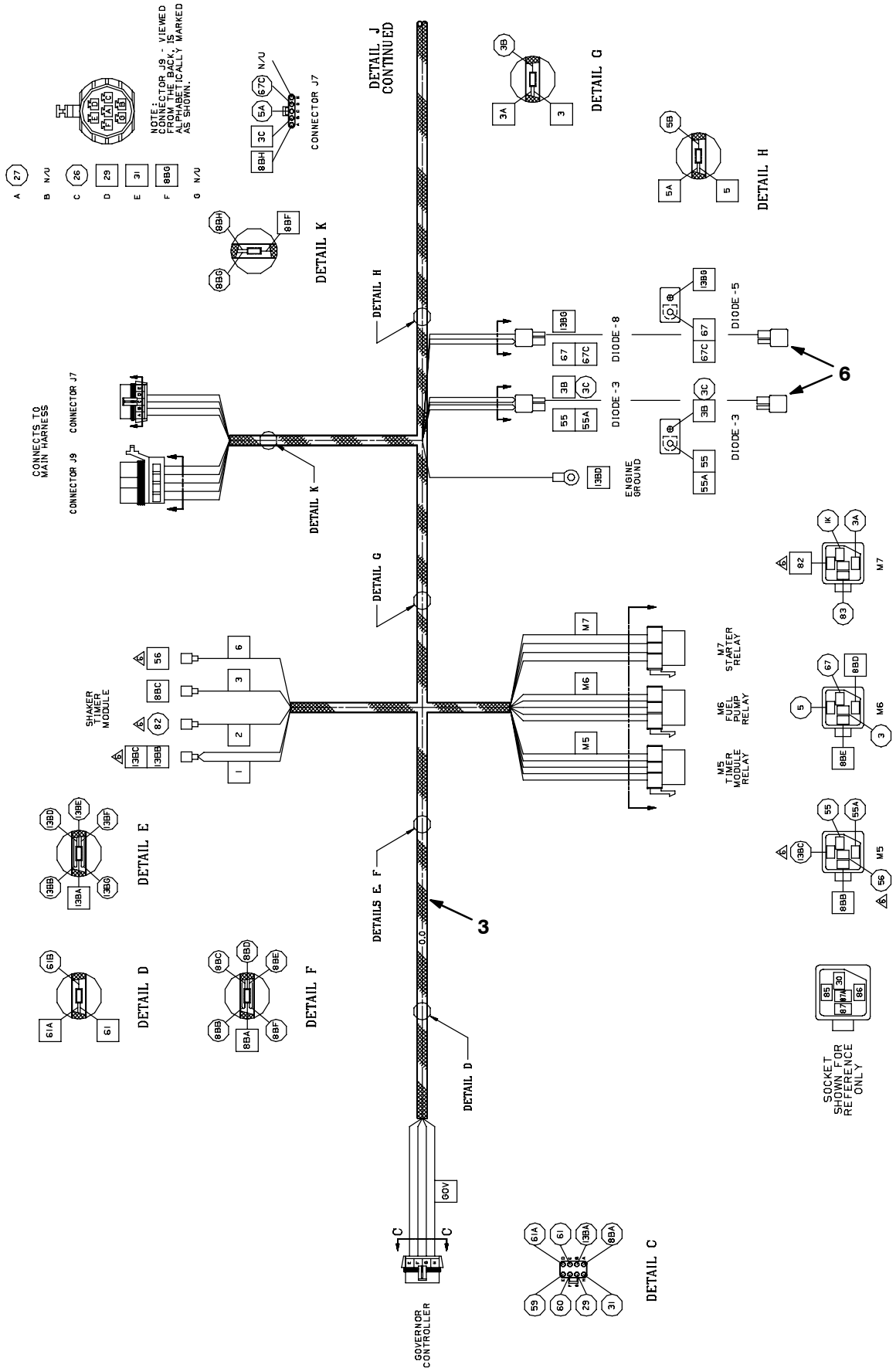
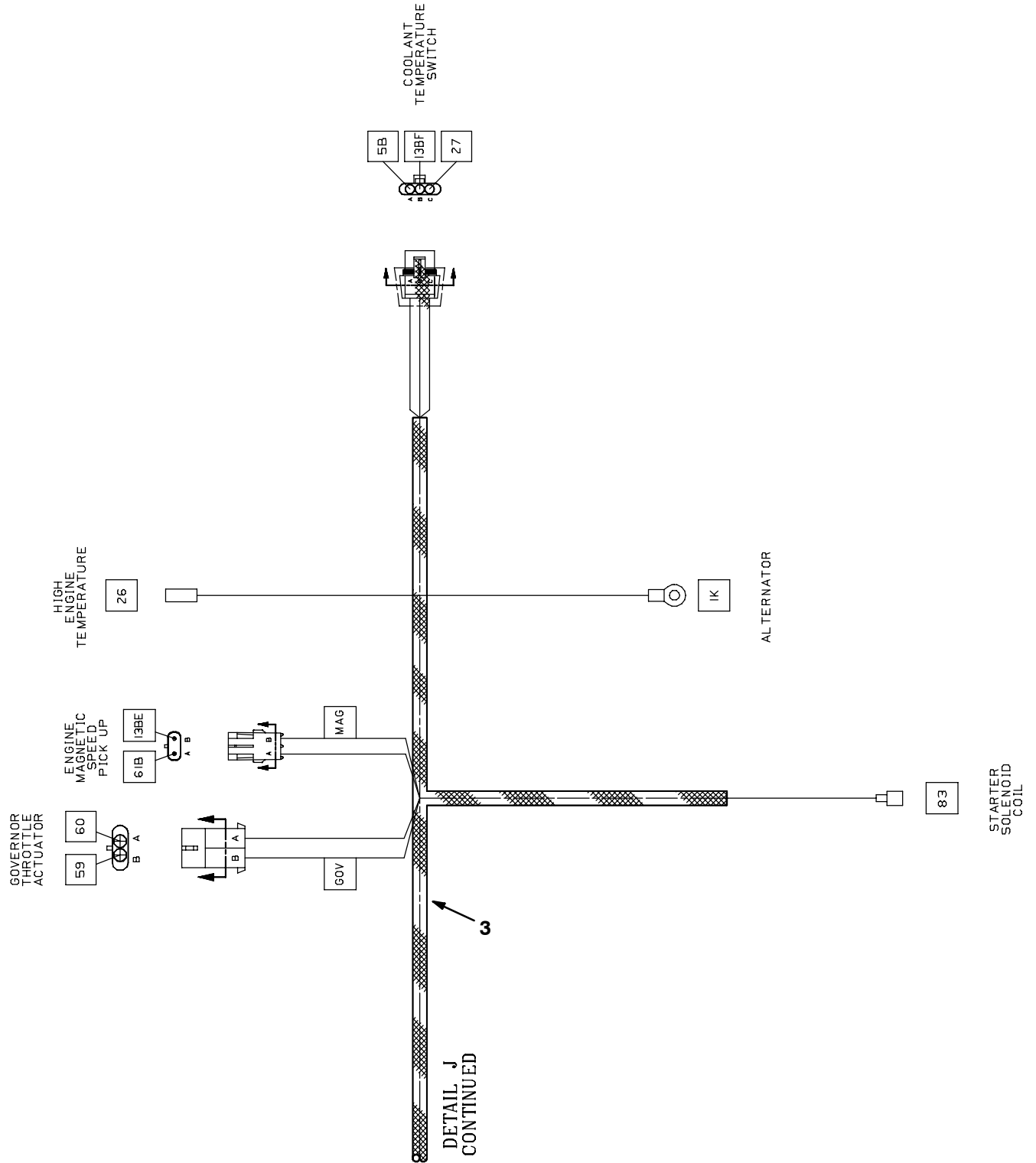


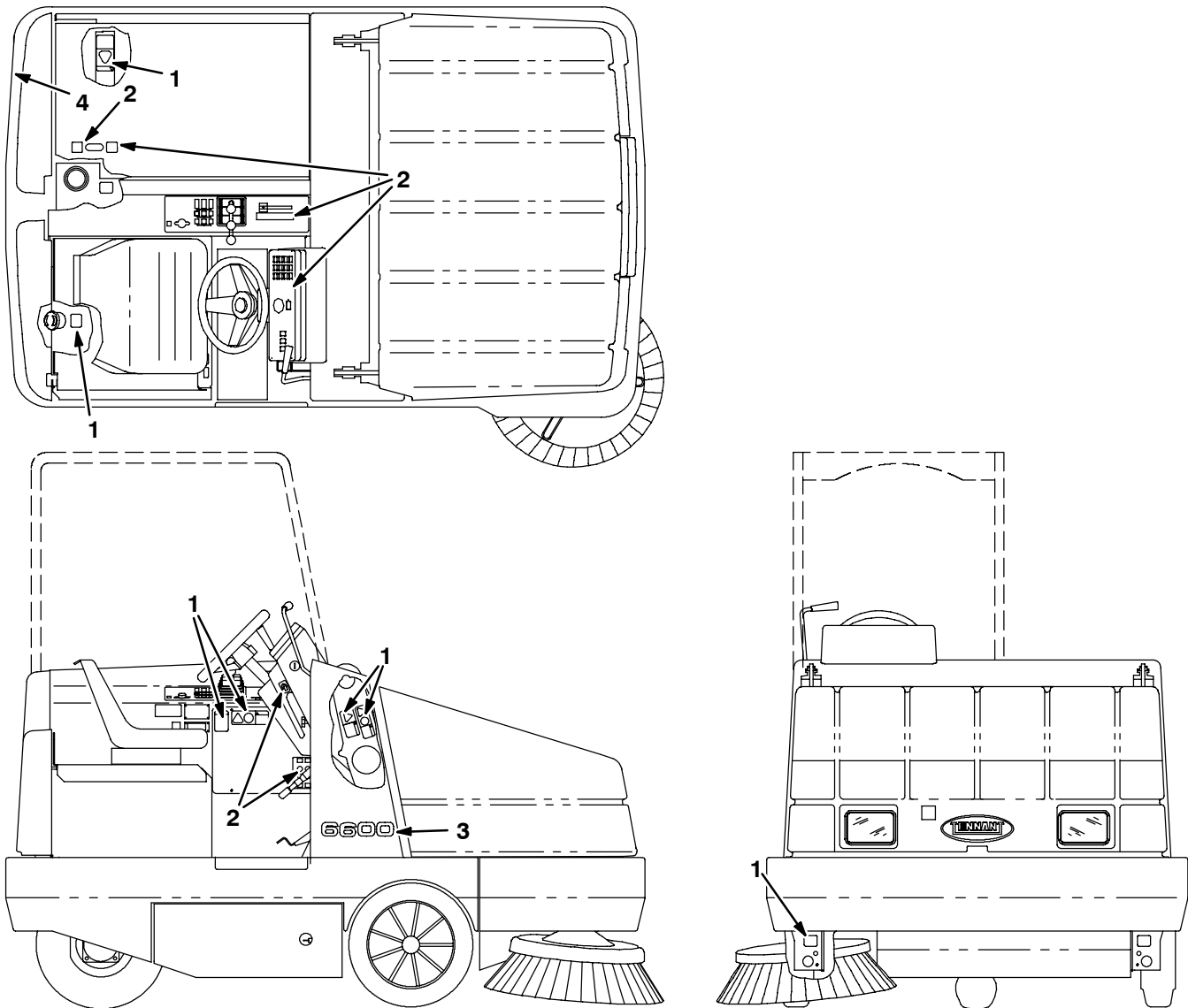
Fig. 48 - Electrical Wire Harnesses Group



354035 - 6600, D

Ref.	Part No.	Serial Number	Description	Qty.
1	377095	(000000-)	Harness, Main [6600]	1
2	377046	(000000-025957)	Harness, Hppr [6600/6650]	1
3	377187	(000000-)	Harness, Eng, Dsl [6600/6650]	1
4	391955	(025958-)	Harness, Hppr [6600/6650]	1
5	391956	(025958-)	Harness, Solenoid, Shagr [6600/6650]	1
6	222290	(000000-)	Diode, Ele, Plug	5

Fig. 49 - Label Group



Ref.	Part No.	Serial Number	Description	Qty.
1	59767	(000000-)	Label Set, Info/Hzrd, [Multi-Machines]	1
2	377097	(000000-)	Label Set, Opertnl [6600]	1
3	377094	(000000-)	Label, Numerals [6600]	2
4	1017141	(025000-)	Label Set, Hi Temp	1

SECTION 3

Contents	Page
Fig. 1 - Signal Light Kit	3-2
Fig. 2 - Flashing Light Kit, Overhead Guard	3-4
Fig. 3 - Revolving Light Kit, Overhead Guard	3-6
Fig. 4 - Flashing Light Kit, LRC	3-8
Fig. 5 - Revolving Light Kit, LRC	3-10
Fig. 6 - Flashing Light Kit, Cab	3-12
Fig. 7 - Revolving Light Kit, Cab	3-14
Fig. 8 - Flashing Light Kit, Flush Mounting	3-16
Fig. 9 - Revolving Light Kit, Flush Mounting	3-18
Fig. 10 - Back-Up Alarm Kit, LRC	3-20
Fig. 11 - Back-Up Alarm Kit, Cab	3-22
Fig. 12 - Overhead Guard Kit	3-24
Fig. 13 - Seat Belt Group	3-26
Fig. 14 - Cab Insulation Group	3-28
Fig. 15 - Cab Frame and Windows Group	3-30
Fig. 16 - Cab Door Group	3-32
Fig. 17 - Cab Electrical and Wiper Group	3-34
Fig. 18 - Cab Dust Kit	3-36
Fig. 19 - Cab Vent and Duct Group	3-38
Fig. 20 - Air Conditioning Engine Cover Group	3-40
Fig. 21 - Heater and Pressurizer Group	3-42
Fig. 22 - Air Conditioning and Heater Group	3-44
Fig. 23 - Air Conditioning Compressor Group	3-46
Fig. 24 - Air Conditioning and Heater Electrical Group	3-48
Fig. 25 - Air Conditioning and Heater Wire Harness Group	3-49
Fig. 26 - Blower Wand Group	3-50
Fig. 27 - Blower Wand Group, Overhead Guard	3-52
Fig. 28 - Blower Wand Engine Cover Group	3-54
Fig. 29 - Vacuum Wand Kit	3-56
Fig. 30 - Vacuum Wand Kit, With Cab	3-58
Fig. 31 - Operator Comfort Kit	3-60
Fig. 32 - Side Brush Dust Control Kit	3-62

Contents	Page
Fig. 33 - Soft Ride Non Marking Rear Tire And Wheel Assembly	3-64
Fig. 34 - Soft Ride Rear Tire And Wheel Assembly	3-65
Fig. 35 - Hi-Wear Rear Tire And Wheel Assembly	3-66
Fig. 36 - Foam Filled Rear Tire Assembly	3-67
Fig. 37 - Solid Non Marking Turf Front Tire And Wheel Assembly	3-68
Fig. 38 - Solid Turf Tire And Wheel Assembly	3-69
Fig. 39 - Solid Non Marking Tire And Wheel Assembly	3-70
Fig. 40 - Fire Extinguisher Kit	3-71
Fig. 41 - Transport Kit	3-72
Fig. 42 - Documentation Group	3-73

-Fig. 1 - Signal Light Kit

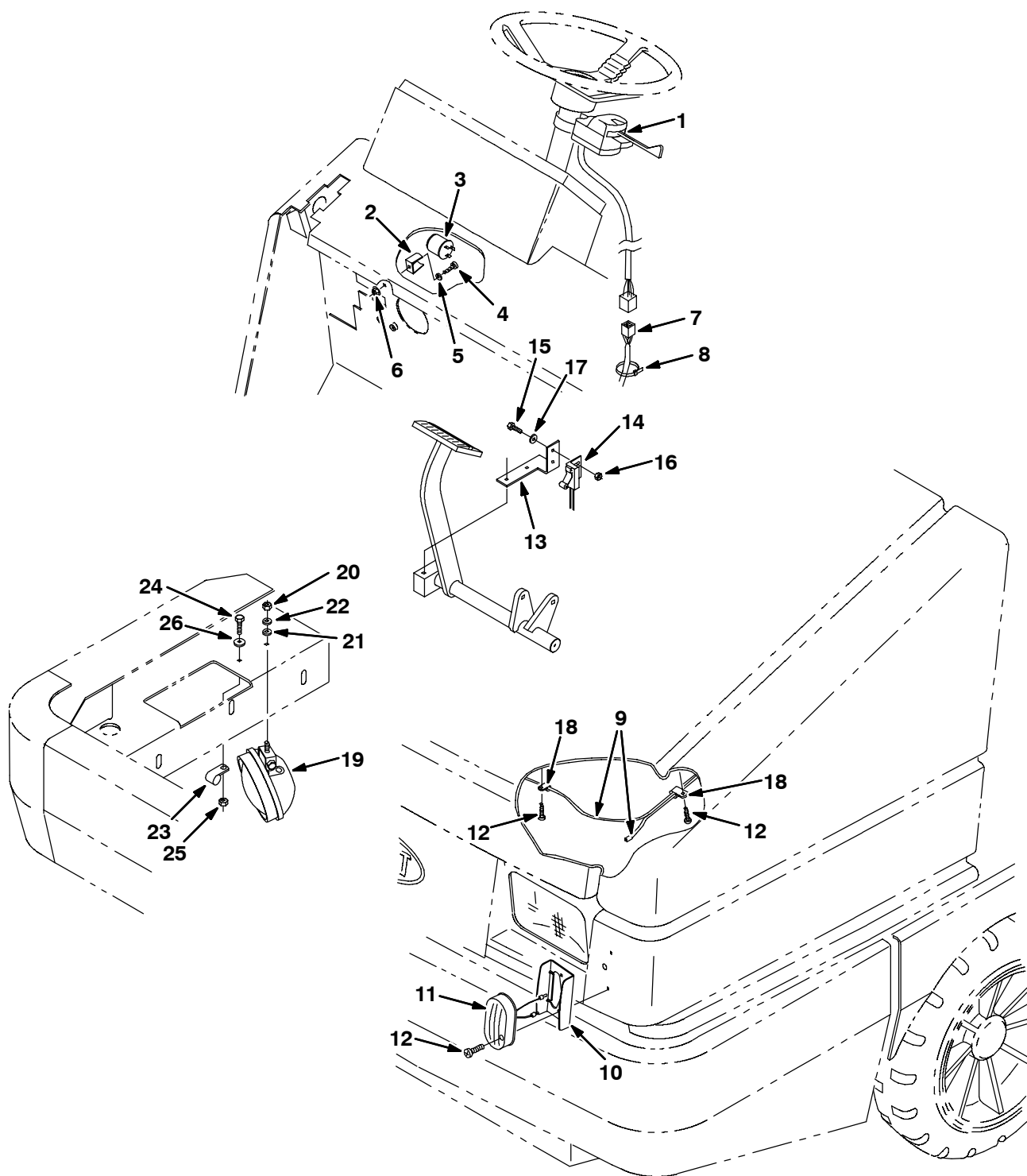


Fig. 1 - Signal Light Kit

Ref.	Part No.	Serial Number	Description	Qty.
▽	377278	(000000-) Kit, Ci, Turn Signal, Plstc Hppr	1
▲▽	1 60751	(000000-) Switch, Turn Signal, 12vdc Rwk 60750	1
▲▲	48570	(000000-) Lamp, 12vdc, Turn Signal	1
▲	2 24576-1	(000000-) Bracket, Mtg, Flasher	1
▲	3 31922	(000000-) Flasher, Hd, 12vdc 25a, [#10-57300]	1
▲	4 06932	(000000-) Screw, Pan, M 5 X 0.8 X 10, 4.8	1
▲	5 41139	(000000-) Washer, Lock, Int-Ext, #10	1
▲	6 07789	(000000-) Nut, Hex, Flng, M05 X 0.8	1
▲	7 60283	(000000-) Harness, Turn Signal, [355]	1
▲	8 49266	(000000-) Tie, Cable, Nyl, 07.3l .19w 1.8 Max D	12
▲	9 379851	(000000-) Harness, Turn Signal, [6500]	1
▲	10 72178	(000000-) Bracket, Light, Sbdc	2
▲▽	11 379860	(000000-) Light, Marker, 12vdc, Yel, 4.0 X 2.0	2
▲▲	87948	(000000-) Lamp, 12vdc, . A Cp [#194]	1
▲	12 360943	(000000-) Screw, Pan, #10-14 X 0.75, F/Plstc	10
▲	13 59920	(000000-) Bracket, Switch	1
▲	14 59962	(000000-) Switch, Snap Actn, 12vdc 15a Nc Rlr	1
▲	15 09738	(000000-) Screw, Hex, M 5 X 0.8 X 12, Ss	2
▲	16 06549	(000000-) Nut, Hex, Lock, M 5 X 0.8, NI	2
▲	17 19066	(000000-) Washer, Flt, #10	2
▲	18 26395-2	(000000-) Clamp, Cable, Stl, 0.38d X 0.38w, 1h	6
▲▽	19 19827	(000000-) Light, Spot, 12vdc, 35watt Rwk 68305	1
▲▲	51570	(000000-) Headlight, 12vdc, 35watt 2.7a [#4411]	1
▲	20 41437	(000000-) Nut, Hex, Lock, .31-18, NI, Ss	1
▲	21 41141	(000000-) Washer, Lock, Int-Ext, .31	1
▲	22 32491	(000000-) Washer, Flat, 0.31 Std	1
▲	23 40678	(000000-) Clamp, Cable, Stl, 0.44d X 0.62w, 1h	1
▲	24 16735	(000000-) Screw, Hex, M 8 X 1.25 X 16, 8.8	1
▲	25 08709	(000000-) Nut, Hex, Lock, M 8 X 1.25 NI	1
▲	26 39349	(000000-) Washer, Flat, 0.31 Sae	1

Fig. 2 - Flashing Light Kit, Overhead Guard

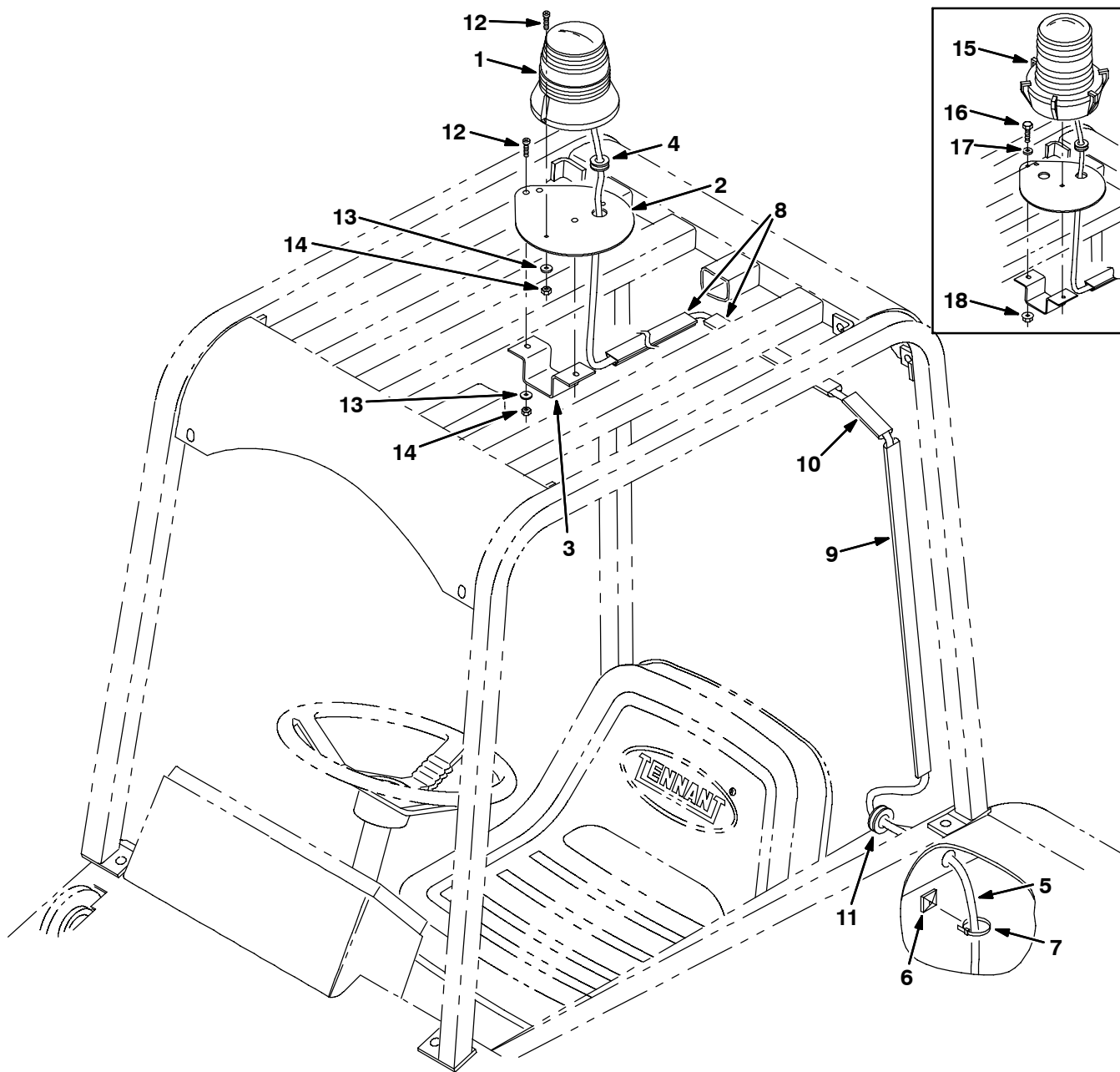


Fig. 2 - Flashing Light Kit, Overhead Guard

Ref.	Part No.	Serial Number	Description	Qty.
▽	377273	(000000-) Kit, Ci, Light, Flsh, Ohg	1
▲▽	1 1017248	(025618-) Lamp, Flasher, Amb [12-48 Vdc]	1
▲▲	9000879	(025618-) Lens, Lamp, Amb, Strobe/Flasher	1
▲▲	9000845	(025618-) Lamp, Bulb, Lamp, Flsh	1
▲▲	1027798	(025618-) Lens, Red, F/ Revl / Flasher	1
▲▲	1027800	(025618-) Lens, Blu, F/ Revl / Flasher	1
▲	29192	(025618-) Terminal, Ring, .25stud 16-14ga, Ins	1
▲	55272	(025618-) Terminal, Bullet, Mal, .157d, 12ga	1
▲	2 57220	(000000-) Plate	1
▲	3 59447	(000000-) Bracket, Mtg, Light, Ohg	1
▲	4 10632-9	(000000-) Grommet, Rbr, 0.63id, F/ 0.8h, .12matl	1
▲	5 60288	(000000-) Harness, Light, Revl, Ohg, [355l]	1
▲	6 55248	(000000-) Mount, Cable Tie	5
▲	7 49266	(000000-) Tie, Cable, Nyl, 07.3l .19w 1.8 Max D	8
▲	8 86330	(000000-) Duct, Vyl, 0.40 X 0.75 .25d 10.0l	2
▲	9 86332	(000000-) Duct, Vyl, 0.40 X 0.75 .25d 26.0l	1
▲	10 86333	(000000-) Duct, Vyl, 0.40 X 0.75 .25d 03.5l	1
▲	11 10632-18	(000000-) Grommet, Rbr, 0.69id, F/ 0.1h, .25matl	1
▲	12 06934	(025618-) Screw, Pan, M5 X 0.8 X 20, 4.8	4
▲	13 19066	(025618-) Washer, Flat, #10	4
▲	14 06549	(025618-) Nut, Hex, Lock, M5 X 0.8, NI	4
▽	15 82063	(000000-025617) Light, Flsh, 12vdc, Amb, Rwk 82198	1
▲	58520	(000000-025617) Lens, Amber, Light, Flsh, [Fr207]	1
▲	45779	(000000-025617) Lamp, 12vdc, 2.1a Watt 32c [#1156]	1
	16 06942	(000000-025617) Screw, Hex, M 6 X 1.0 X 16, 8.8	1
	17 07790	(000000-025617) Nut, Hex, Flng, M06 X 1.0	1
	18 32483	(000000-025617) Washer, Flat, 0.25 Sae	1
	58518	(000000-025617) Lens, Red, Light, Flsh, [Fr207]	1
	58519	(000000-025617) Lens, Blue, Light, Flsh, [Fr207]	1

Fig. 3 - Revolving Light Kit, Overhead Guard

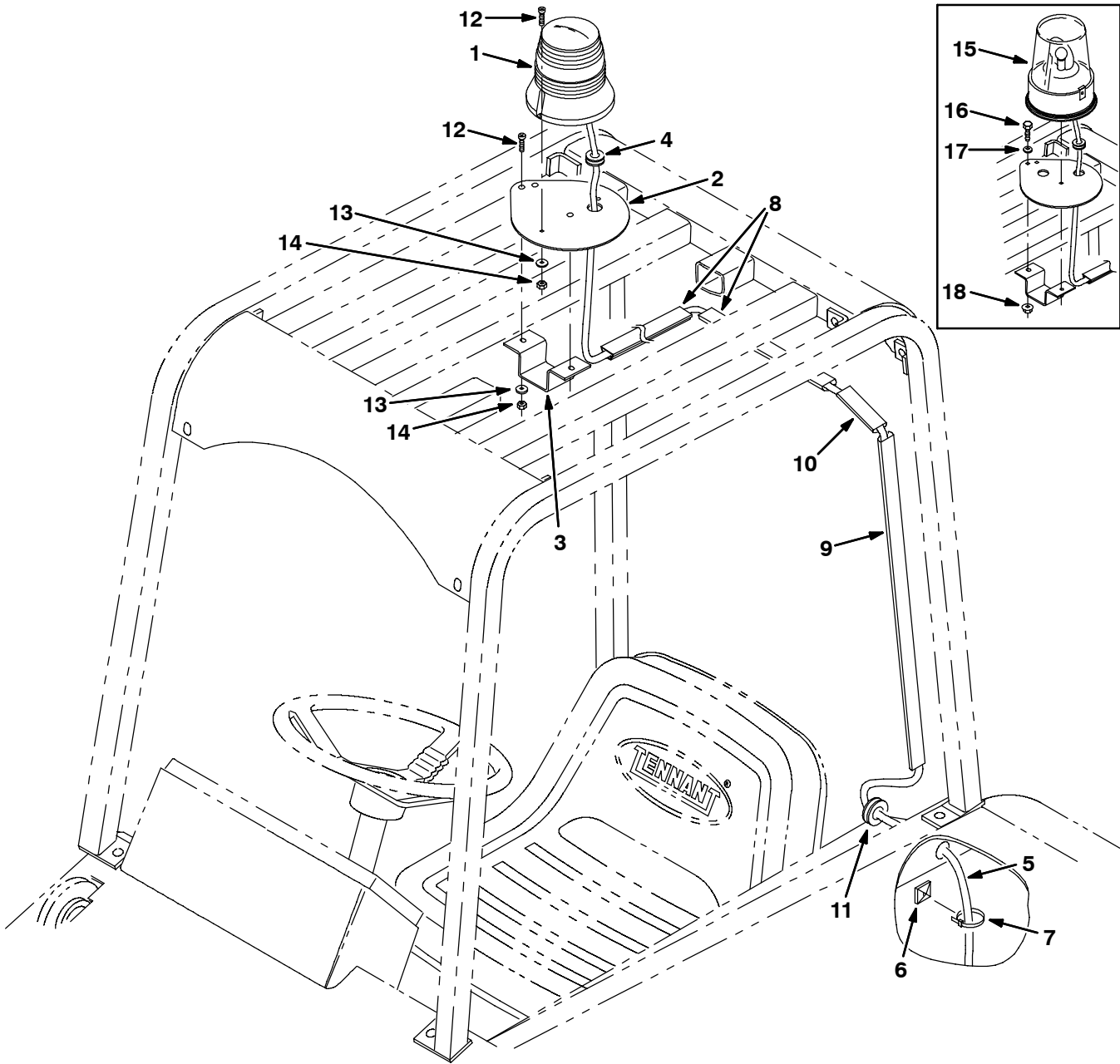


Fig. 3 - Revolving Light Kit, Overhead Guard

Ref.	Part No.	Serial Number	Description	Qty.
▽	377264	(000000-) Kit, Ci, Light, Revl, Ohg [6600/6650]	1
▲▽	1 1017250	(025604-) Lamp Strobe, Amb [12-48 Vdc]	1
▲▲	9000879	(025604-) Lens, Lamp, Amb, Strobe/Flasher	1
▲▲	9000846	(025604-) Lamp, Bulb, Lamp, Strobe	1
▲▲	1027798	(025604-) Lens, Red, F/ Revl / Flasher	1
▲▲	1027800	(025604-) Lens, Blu, F/ Revl / Flasher	1
▲	29192	(025604-) Terminal, Ring, .25stud 16-14ga, Ins	1
▲	55272	(025604-) Terminal, Bullet, Mal, .157d, 12ga	1
▲	2 57220	(000000-) Plate	1
▲	3 59447	(000000-) Bracket, Mtg, Light, Ohg	1
▲	4 10632-9	(000000-) Grommet, Rbr, 0.63id, F/ 0.8h, .12matl	1
▲	5 60288	(000000-) Harness, Light, Revl, Ohg, [355l]	1
▲	6 55248	(000000-) Mount, Cable Tie	5
▲	7 49266	(000000-) Tie, Cable, Nyl, 07.3l .19w 1.8 Max D	8
▲	8 86330	(000000-) Duct, Vyl, 0.40 X 0.75 .25d 10.0l	2
▲	9 86332	(000000-) Duct, Vyl, 0.40 X 0.75 .25d 26.0l	1
▲	10 86333	(000000-) Duct, Vyl, 0.40 X 0.75 .25d 03.5l	1
▲	11 10632-18	(000000-) Grommet, Rbr, 0.69id, F/ 0.1h, .25matl	1
▲	12 06934	(025604-) Screw, Pan, M5 X 0.8 X 20, 4.8	4
▲	13 19066	(025604-) Washer, Flat, #10	4
▲	14 06549	(025604-) Nut, Hex, Lock, M5 X 0.8, NI	4
▽	15 82200	(000000-025603) Light, Revl, 12vdc, Amb, Rwk 82200	1
▲	44681-1	(000000-025603) Lens, Amber, Light, Revl	1
▲	45779	(000000-025603) Lamp, 12vdc, 2.1a Watt 32c [#1156]	1
	16 06942	(000000-025603) Screw, Hex, M 6 X 1.0 X 16, 8.8	1
	17 07790	(000000-025603) Nut, Hex, Flng, M06 X 1.0	1
	18 32483	(000000-025603) Washer, Flat, 0.25 Sae	1
	44681	(000000-025603) Lens, Red, Light, Revl	1
	44681-2	(000000-025603) Lens, Blue, Light, Revl	1

Fig. 4 - Flashing Light Kit, LRC

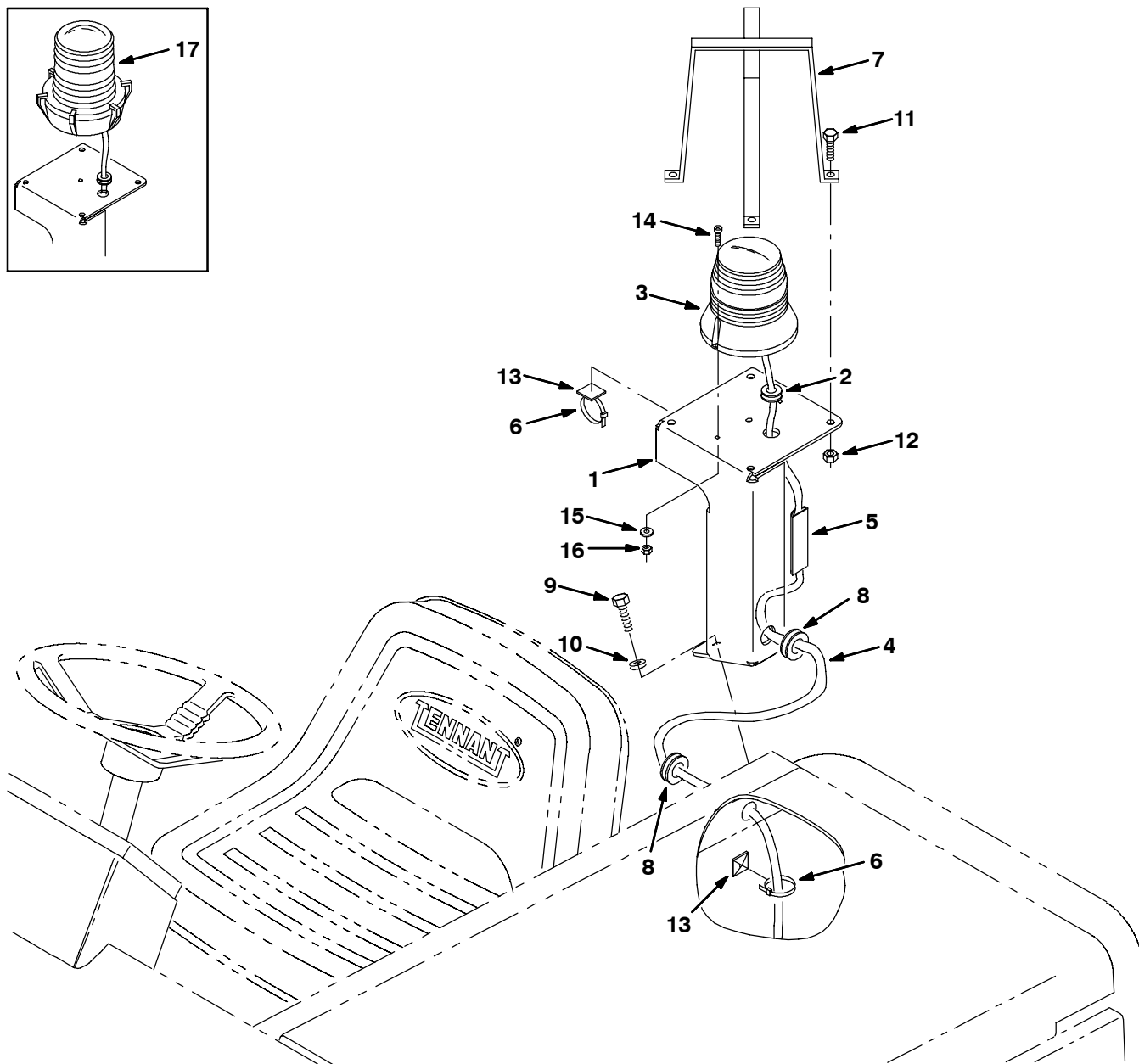


Fig. 4 - Flashing Light Kit, LRC

	Ref.	Part No.	Serial Number	Description	Qty.
▽		377271	(000000-) Kit, Ci, Light, Flsh [6600/6650]	1
▲	1	1021363	(000000-) Bracket, Light, Rotating	1
▲	2	10632-9	(000000-) Grommet, Rbr, 0.63id, F/ 0.8h, .12matl	1
▲▽	3	1017248	(025618-) Lamp, Flasher, Amb [12-48 Vdc]	1
▲▲		9000879	(025618-) Lens, Lamp, Amb, Strobe/Flasher	1
▲▲		9000845	(025618-) Lamp, Bulb, Lamp, Flsh	1
▲▲		1027798	(025618-) Lens, Red, F/ Revl / Flasher	1
▲▲		1027800	(025618-) Lens, Blu, F/ Revl / Flasher	1
▲		29192	(025618-) Terminal, Ring, .25stud 16-14ga, Ins	1
▲		55272	(025618-) Terminal, Bullet, Mal, .157d, 12ga	1
▲	4	71543	(000000-) Harness, Light, Flsh, Revl, [355l]	1
▲	5	86333	(000000-) Duct, Vyl, 0.40 X 0.75 .25d 03.5l	1
▲	6	49266	(000000-) Tie, Cable, Nyl, 07.3l .19w 1.8 Max D	6
▲	7	45272	(000000-) Guard Wldt, Light, Revl/Flsh	1
▲	8	10632-18	(000000-) Grommet, Rbr, 0.69id, F/ 0.1h, .25matl	2
▲	9	16931	(000000-) Screw, Hex, M 8 X 1.25 X 20, 8.8	2
▲	10	32491	(000000-) Washer, Flat, 0.31 Std	2
▲	11	08716	(000000-) Screw, Hex, M6 X 1.0 X 20, Ss	4
▲	12	08708	(000000-) Nut, Hex, Lock, M6 X 1.00 NI	4
▲	13	55248	(000000-) Mount, Cable Tie	6
▲	14	06934	(025618-) Screw, Pan, M5 X 0.8 X 20, 4.8	2
▲	15	19066	(025618-) Washer, Flat, #10	2
▲	16	06549	(025618-) Nut, Hex, Lock, M5 X 0.8, NI	2
▽	17	82063	(000000-025617) Light, Flsh, 12vdc, Amb, Rwk 82198	1
▲		58520	(000000-025617) Lens, Amber, Light, Flsh, [Fr207]	1
▲		45779	(000000-025617) Lamp, 12vdc, 2.1a Watt 32c [#1156]	1
		58518	(000000-025617) Lens, Red, Light, Flsh, [Fr207]	1
		58519	(000000-025617) Lens, Blue, Light, Flsh, [Fr207]	1

Fig. 5 - Revolving Light Kit, LRC

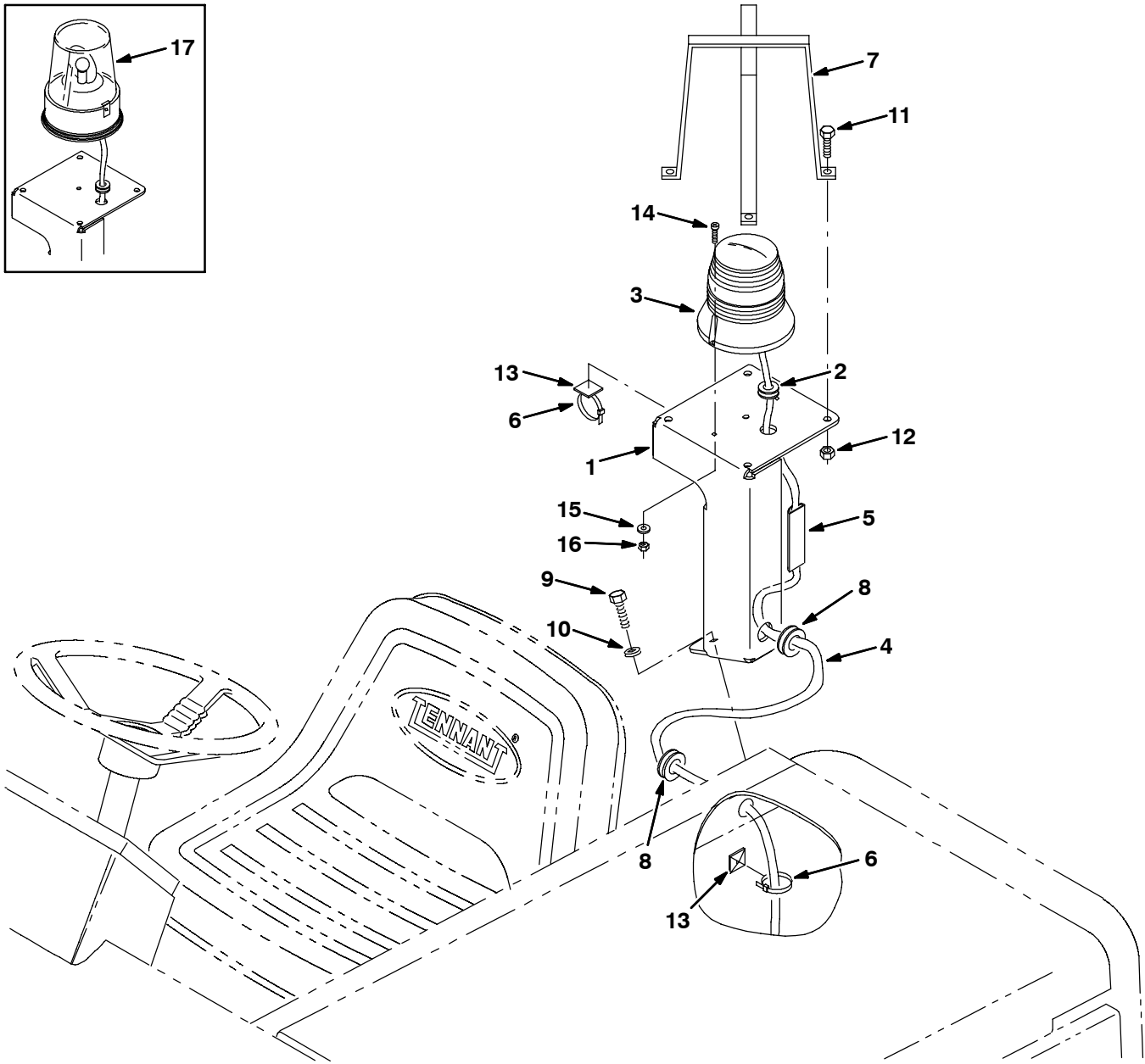


Fig. 5 - Revolving Light Kit, LRC

	Ref.	Part No.	Serial Number	Description	Qty.
▽		377262	(000000-) Kit, Ci, Light, Revl [6600/6650]	1
▲	1	72100	(000000-) Bracket, Light, Rotating	1
▲	2	10632-9	(000000-) Grommet, Rbr, 0.63id, F/ 0.8h, .12matl	1
▲▽	3	1017250	(025604-) Lamp Strobe, Amb [12-48 Vdc]	1
▲▲		9000879	(025604-) Lens, Lamp, Amb, Strobe/Flasher	1
▲▲		9000846	(025604-) Lamp, Bulb, Lamp, Strobe	1
▲▲		1027798	(025604-) Lens, Red, F/ Revl / Flasher	1
▲▲		1027800	(025604-) Lens, Blu, F/ Revl / Flasher	1
▲		29192	(025604-) Terminal, Ring, .25stud 16-14ga, Ins	1
▲		55272	(025604-) Terminal, Bullet, Mal, .157d, 12ga	1
▲	4	71543	(000000-) Harness, Light, Flsh, Revl, [355l]	1
▲	5	86333	(000000-) Duct, Vyl, 0.40 X 0.75 .25d 03.5l	1
▲	6	49266	(000000-) Tie, Cable, Nyl, 07.3l .19w 1.8 Max D	12
▲	7	45272	(000000-) Guard Wldt, Light, Revl/Flsh	1
▲	8	10632-18	(000000-) Grommet, Rbr, 0.69id, F/ 0.1h, .25matl	2
▲	9	16931	(000000-) Screw, Hex, M 8 X 1.25 X 20, 8.8	2
▲	10	32491	(000000-) Washer, Flat, 0.31 Std	2
▲	11	09740	(000000-) Screw, Hex, M 8 X 1.25 X 20, Ss	4
▲	12	08709	(000000-) Nut, Hex, Lock, M 8 X 1.25 NI	4
▲	13	55248	(000000-) Mount, Cable Tie	6
▲	14	06934	(025604-) Screw, Pan, M5 X 0.8 X 20, 4.8	2
▲	15	19066	(025604-) Washer, Flat, #10	2
▲	16	06549	(025604-) Nut, Hex, Lock, M5 X 0.8, NI	2
▽	17	82200	(000000-025603) Light, Revl, 12vdc, Amb, Rwk 82200	1
▲		44681-1	(000000-025603) Lens, Amber, Light, Revl	1
▲		45779	(000000-025603) Lamp, 12vdc, 2.1a Watt 32c [#1156]	1
		44681	(000000-025603) Lens, Red, Light, Revl	1
		44681-2	(000000-025603) Lens, Blue, Light, Revl	1

Fig. 6 - Flashing Light Kit, Cab

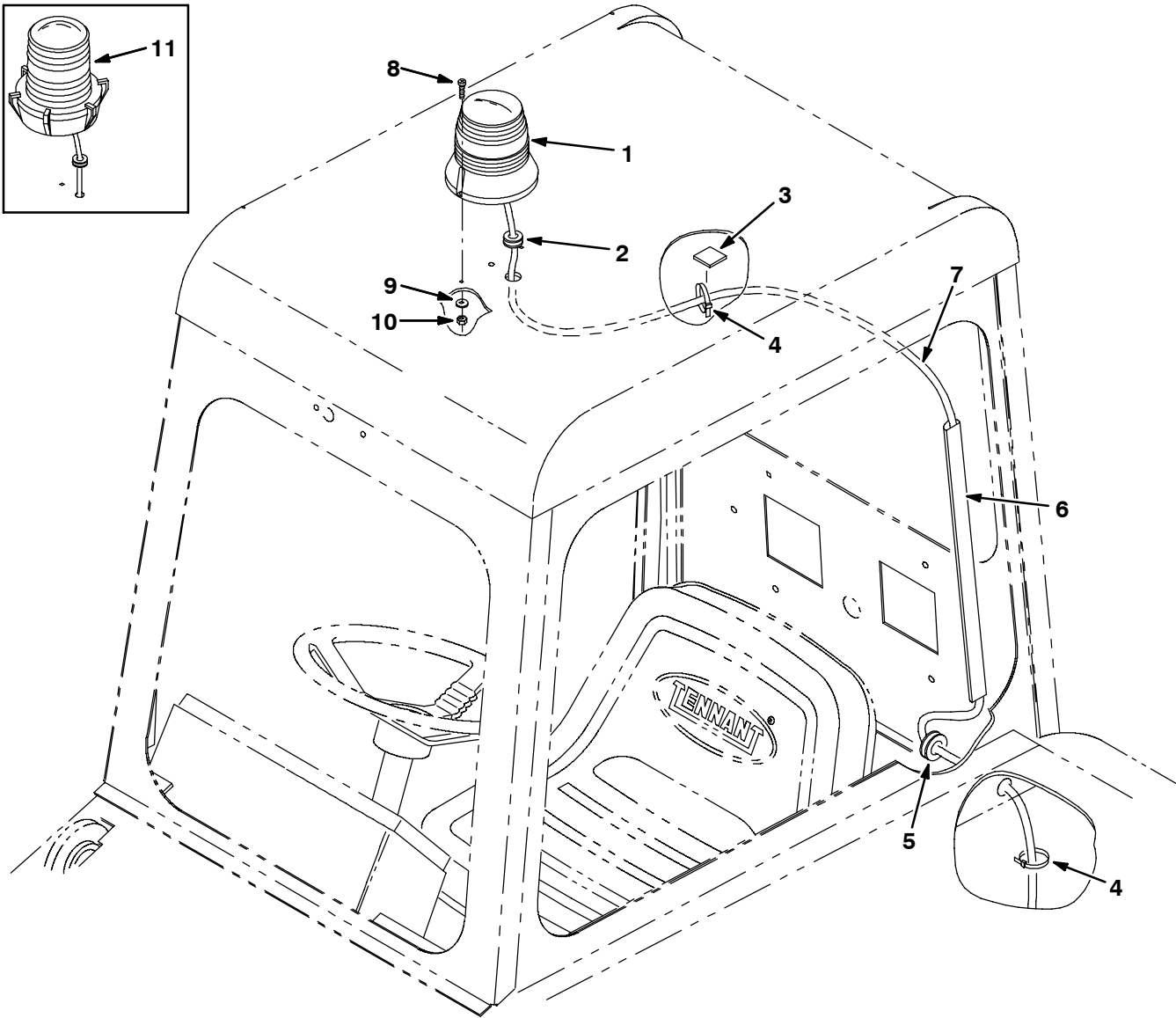


Fig. 6 - Flashing Light Kit, Cab

	Ref.	Part No.	Serial Number	Description	Qty.
▽		377275	(000000-) Kit, Ci, Light, Flsh, Cab [6600/6650]	1
▲▽	1	1017248	(025618-) Lamp, Flasher, Amb [12-48 Vdc]	1
▲▲		9000879	(025618-) Lens, Lamp, Amb, Strobe/Flasher	1
▲▲		9000845	(025618-) Lamp, Bulb, Lamp, Flsh	1
▲▲		1027798	(025618-) Lens, Red, F/ Revl / Flasher	1
▲▲		1027800	(025618-) Lens, Blu, F/ Revl / Flasher	1
▲		29192	(025618-) Terminal, Ring, .25stud 16-14ga, Ins	1
▲		55272	(025618-) Terminal, Bullet, Mal, .157d, 12ga	1
▲	2	10632-9	(000000-) Grommet, Rbr, 0.63id, F/ 0.8h, .12matl	1
▲	3	55248	(000000-) Mount, Cable Tie	4
▲	4	49266	(000000-) Tie, Cable, Nyl, 07.3l .19w 1.8 Max D	4
▲	5	10632-18	(000000-) Grommet, Rbr, 0.69id, F/ 0.1h, .25matl	1
▲	6	86332	(000000-) Duct, Vyl, 0.40 X 0.75 .25d 26.0l	1
▲	7	60288	(000000-) Harness, Light, Revl, Ohg, [355l]	1
▲	8	06934	(025618-) Screw, Pan, M5 X 0.8 X 20, 4.8	2
▲	9	19066	(025618-) Washer, Flat, #10	2
▲	10	06549	(025618-) Nut, Hex, Lock, M5 X 0.8, NI	2
▽	11	82063	(000000-025617) Light, Flsh, 12vdc, Amb, Rwk 82198	1
▲		58520	(000000-025617) Lens, Amber, Light, Flsh, [Fr207]	1
▲		45779	(000000-025617) Lamp, 12vdc, 2.1a Watt 32c [#1156]	1
		58518	(000000-025617) Lens, Red, Light, Flsh, [Fr207]	1
		58519	(000000-025617) Lens, Blue, Light, Flsh, [Fr207]	1

Fig. 7 - Revolving Light Kit, Cab

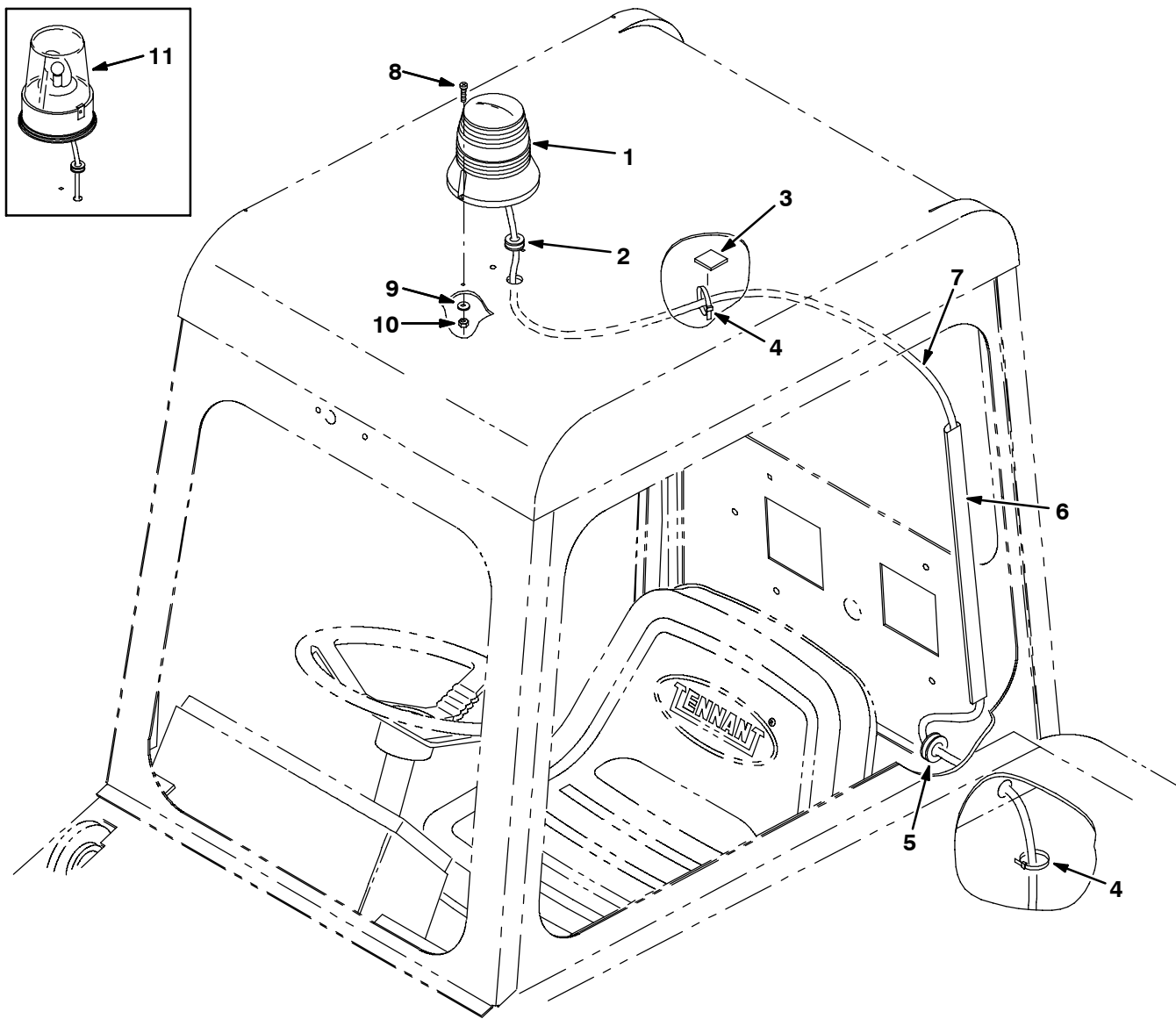


Fig. 7 - Revolving Light Kit, Cab

	Ref.	Part No.	Serial Number	Description	Qty.
▽		377266	(000000-) Kit, Ci, Light, Revl, Cab [6600/6650]	1
▲▽	1	1017250	(025604-) Lamp Strobe, Amb [12-48 Vdc]	1
▲▲		9000879	(025604-) Lens, Lamp, Amb, Strobe/Flasher	1
▲▲		9000846	(025604-) Lamp, Bulb, Lamp, Strobe	1
▲▲		1027798	(025604-) Lens, Red, F/ Revl / Flasher	1
▲▲		1027800	(025604-) Lens, Blu, F/ Revl / Flasher	1
▲		29192	(025604-) Terminal, Ring, .25stud 16-14ga, Ins	1
▲		55272	(025604-) Terminal, Bullet, Mal, .157d, 12ga	1
▲	2	10632-9	(000000-) Grommet, Rbr, 0.63id, F/ 0.8h, .12matl	1
▲	3	55248	(000000-) Mount, Cable Tie	4
▲	4	49266	(000000-) Tie, Cable, Nyl, 07.3l .19w 1.8 Max D	4
▲	5	10632-18	(000000-) Grommet, Rbr, 0.69id, F/ 0.1h, .25matl	1
▲	6	86332	(000000-) Duct, Vyl, 0.40 X 0.75 .25d 26.0l	1
▲	7	60288	(000000-) Harness, Light, Revl, Ohg, [355l]	1
▲	8	06934	(025604-) Screw, Pan, M5 X 0.8 X 20, 4.8	2
▲	9	19066	(025604-) Washer, Flat, #10	2
▲	10	06549	(025604-) Nut, Hex, Lock, M5 X 0.8, NI	2
▽	11	82200	(000000-025603) Light, Revl, 12vdc, Amb, Rwk 82200	1
▲		44681-1	(000000-025603) Lens, Amber, Light, Revl	1
▲		45779	(000000-025603) Lamp, 12vdc, 2.1a Watt 32c [#1156]	1
		44681	(000000-025603) Lens, Red, Light, Revl	1
		44681-2	(000000-025603) Lens, Blue, Light, Revl	1

Fig. 8 - Flashing Light Kit, Flush Mounting

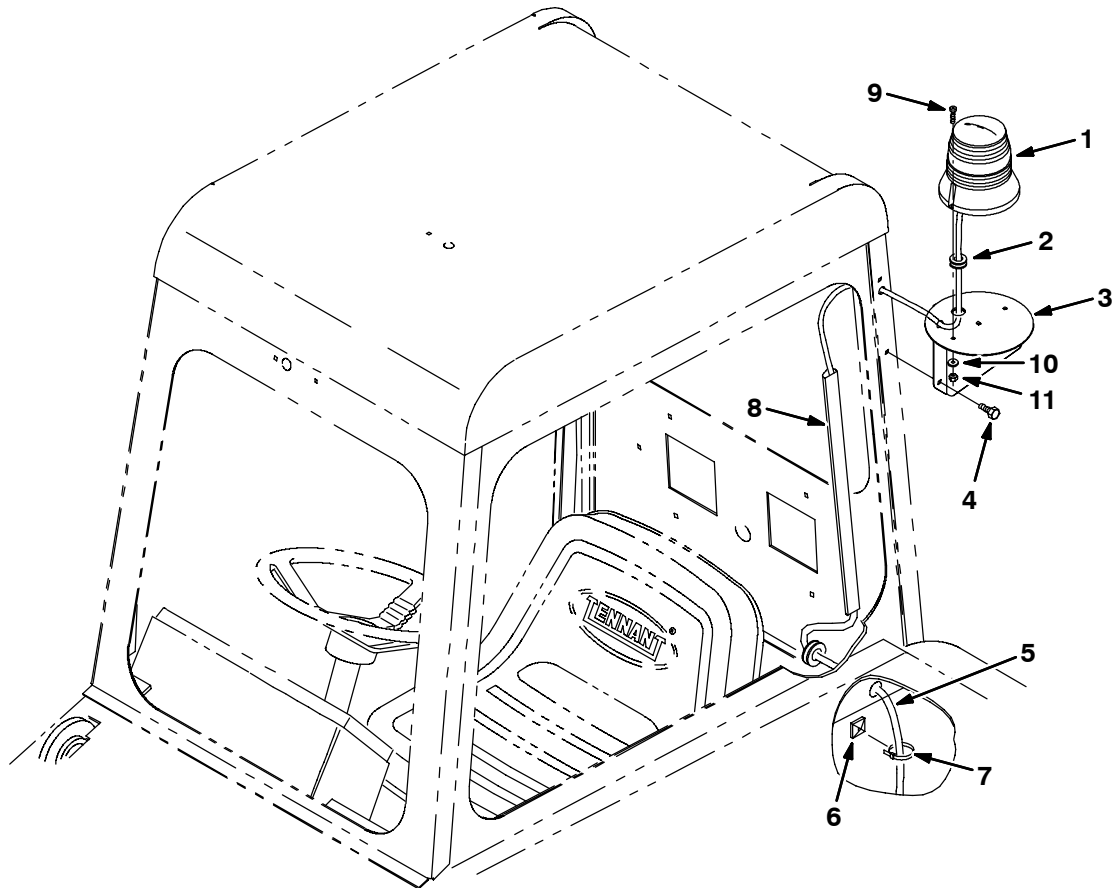
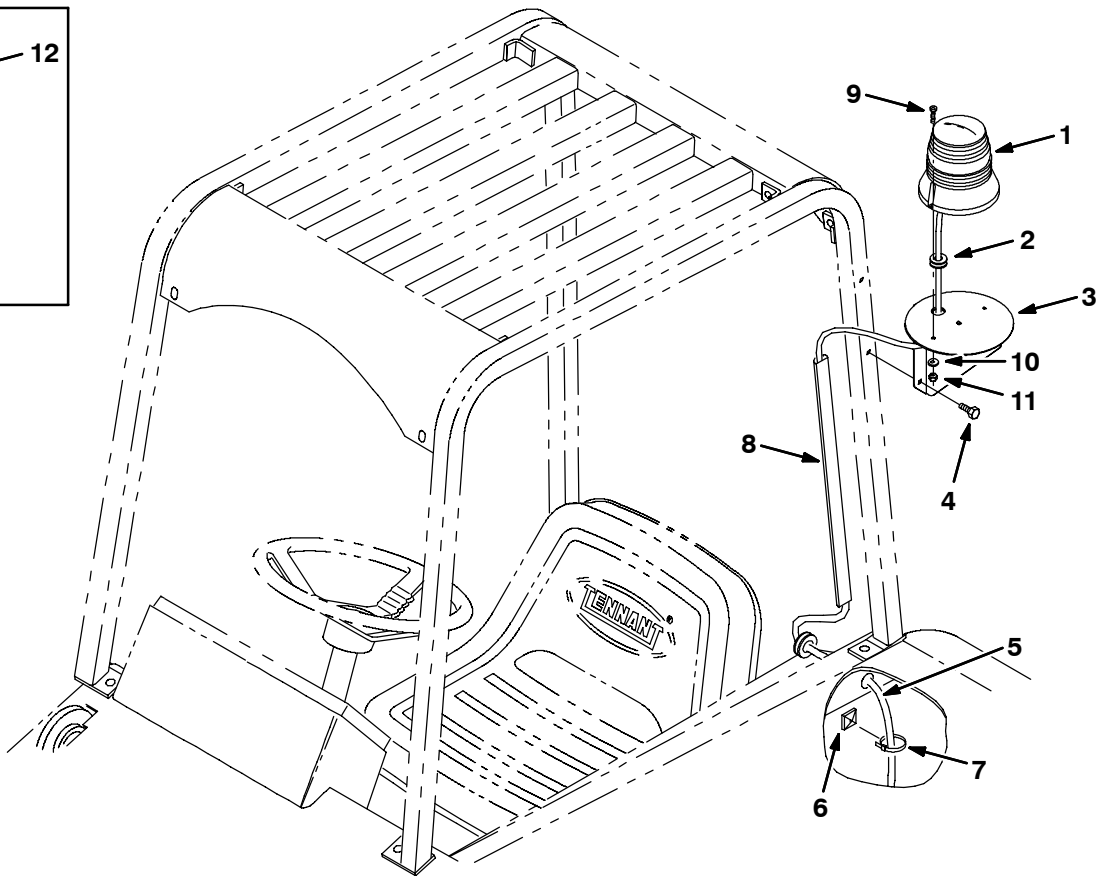
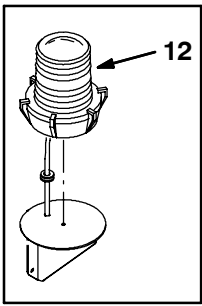


Fig. 8 - Flashing Light Kit, Flush Mounting

Ref.	Part No.	Serial Number	Description	Qty.
▽	377088	(000000-) Kit, Ci, Light, Flsh, Flush, Cab	1
▲▽	1 1017248	(025618-) Lamp, Flasher, Amb [12-48 Vdc]	1
▲▲	9000879	(025618-) Lens, Lamp, Amb, Strobe/Flasher	1
▲▲	9000845	(025618-) Lamp, Bulb, Lamp, Flsh	1
▲▲	1027798	(025618-) Lens, Red, F/ Revl / Flasher	1
▲▲	1027800	(025618-) Lens, Blu, F/ Revl / Flasher	1
▲	29192	(025618-) Terminal, Ring, .25stud 16-14ga, Ins	1
▲	55272	(025618-) Terminal, Bullet, Mal, .157d, 12ga	1
▲	2 10632-9	(000000-) Grommet, Rbr, 0.63id, F/ 0.8h, .12matl	1
▲	3 1021364	(000000-) Bracket Wldt, Mtg, Light	1
▲	4 763045	(000000-) Screw, Hex, M 8 X 1.25 X 20, Fmg	2
▲	5 60288	(000000-) Harness, Light, Revl, Ohg, [355l]	1
▲	6 55248	(000000-) Mount, Cable Tie	10
▲	7 49266	(000000-) Tie, Cable, Nyl, 07.3l .19w 1.8 Max D	16
▲	8 1027395	(000000-) Duct, Vyl, 0.40 X 0.75 .25d Max 48.0l	1
▲	9 06934	(025618-) Screw, Pan, M5 X 0.8 X 20, 4.8	2
▲	10 19066	(025618-) Washer, Flat, #10	2
▲	11 06549	(025618-) Nut, Hex, Lock, M5 X 0.8, NI	2
▽	12 82063	(000000-025617)	Light, Flsh, 12vdc, Amb, Rwk 82198	1
▲	58520	(000000-025617)	Lens, Amber, Light, Flsh, [Fr207]	1
▲	45779	(000000-025617)	Lamp, 12vdc, 2.1a Watt 32c [#1156]	1
	58518	(000000-025617)	Lens, Red, Light, Flsh, [Fr207]	1
	58519	(000000-025617)	Lens, Blue, Light, Flsh, [Fr207]	1

Fig. 9 - Revolving Light Kit, Flush Mounting

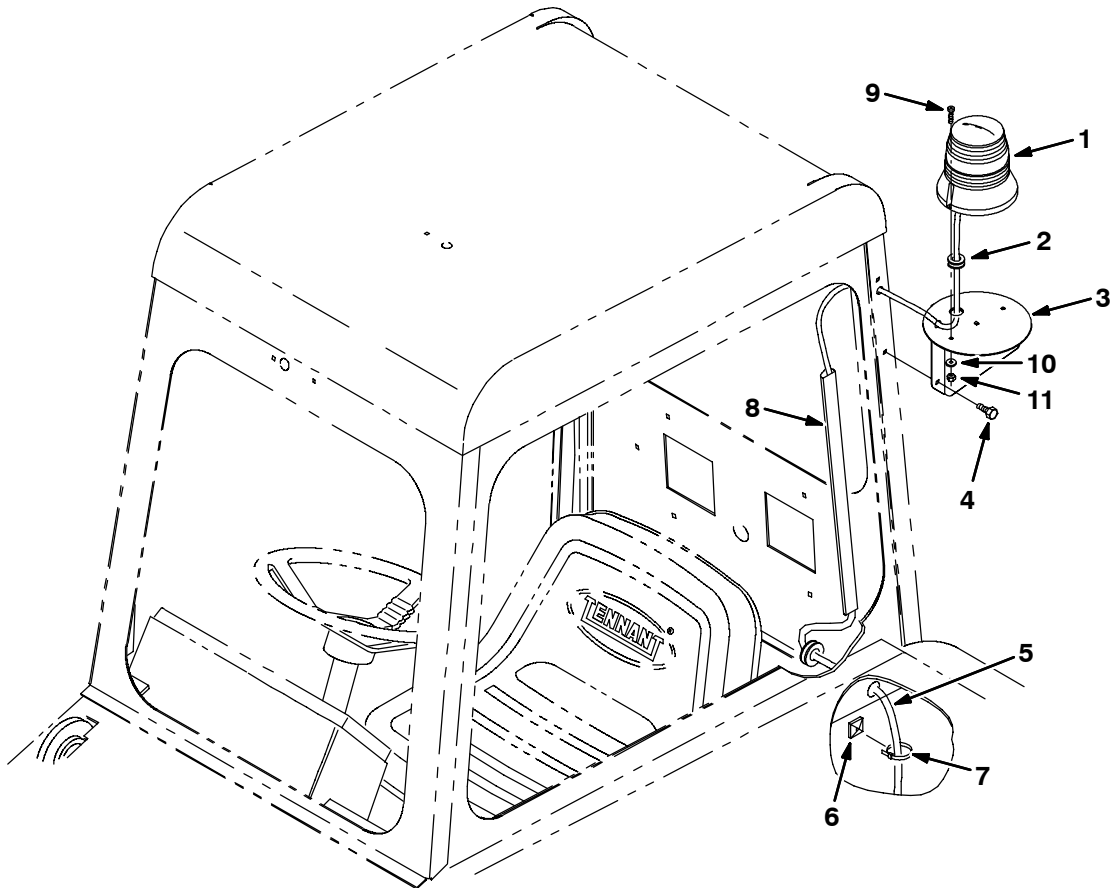
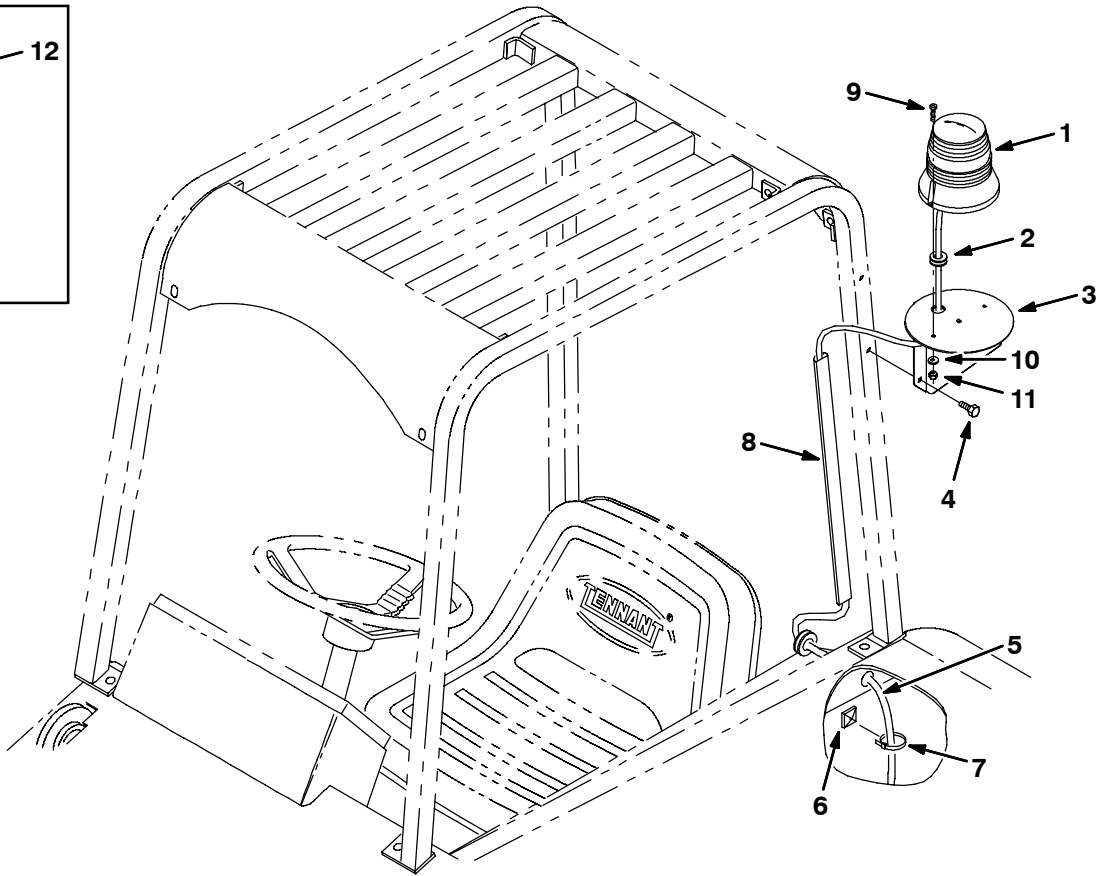
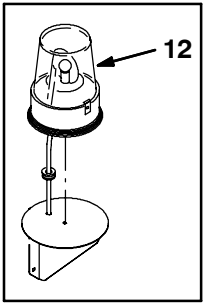


Fig. 9 - Revolving Light Kit, Flush Mounting

Ref.	Part No.	Serial Number	Description	Qty.
▽	377086	(000000-) Kit, Ci, Light, Revl, Flush, Ohg	1
▲▽	1 1017250	(025604-) Lamp Strobe, Amb [12-48 Vdc]	1
▲▲	9000879	(025604-) Lens, Lamp, Amb, Strobe/Flasher	1
▲▲	9000846	(025604-) Lamp, Bulb, Lamp, Strobe	1
▲▲	1027798	(025604-) Lens, Red, F/ Revl / Flasher	1
▲▲	1027800	(025604-) Lens, Blu, F/ Revl / Flasher	1
▲	29192	(025604-) Terminal, Ring, .25stud 16-14ga, Ins	1
▲	55272	(025604-) Terminal, Bullet, Mal, .157d, 12ga	1
▲	2 10632-9	(000000-) Grommet, Rbr, 0.63id, F/ 0.8h, .12matl	1
▲	3 1021364	(000000-) Bracket Wldt, Mtg, Light	1
▲	4 763045	(000000-) Screw, Hex, M 8 X 1.25 X 20, Fmg	2
▲	5 60288	(000000-) Harness, Light, Revl, Ohg, [355l]	1
▲	6 55248	(000000-) Mount, Cable Tie	10
▲	7 49266	(000000-) Tie, Cable, Nyl, 07.3l .19w 1.8 Max D	16
▲	8 1027395	(000000-) Duct, Vyl, 0.40 X 0.75 .25d Max 48.0l	1
▲	9 06934	(025604-) Screw, Pan, M5 X 0.8 X 20, 4.8	2
▲	10 19066	(025604-) Washer, Flat, #10	2
▲	11 06549	(025604-) Nut, Hex, Lock, M5 X 0.8, NI	2
▽	12 82200	(000000-025603) Light, Revl, 12vdc, Amb, Rwk 82200	1
▲	44681-1	(000000-025603) Lens, Amber, Light, Revl	1
▲	45779	(000000-025603) Lamp, 12vdc, 2.1a Watt 32c [#1156]	1
	44681-2	(000000-025603) Lens, Blue, Light, Revl	1
	44681	(000000-025603) Lens, Red, Light, Revl	1

Fig. 10 - Back-Up Alarm Kit, LRC

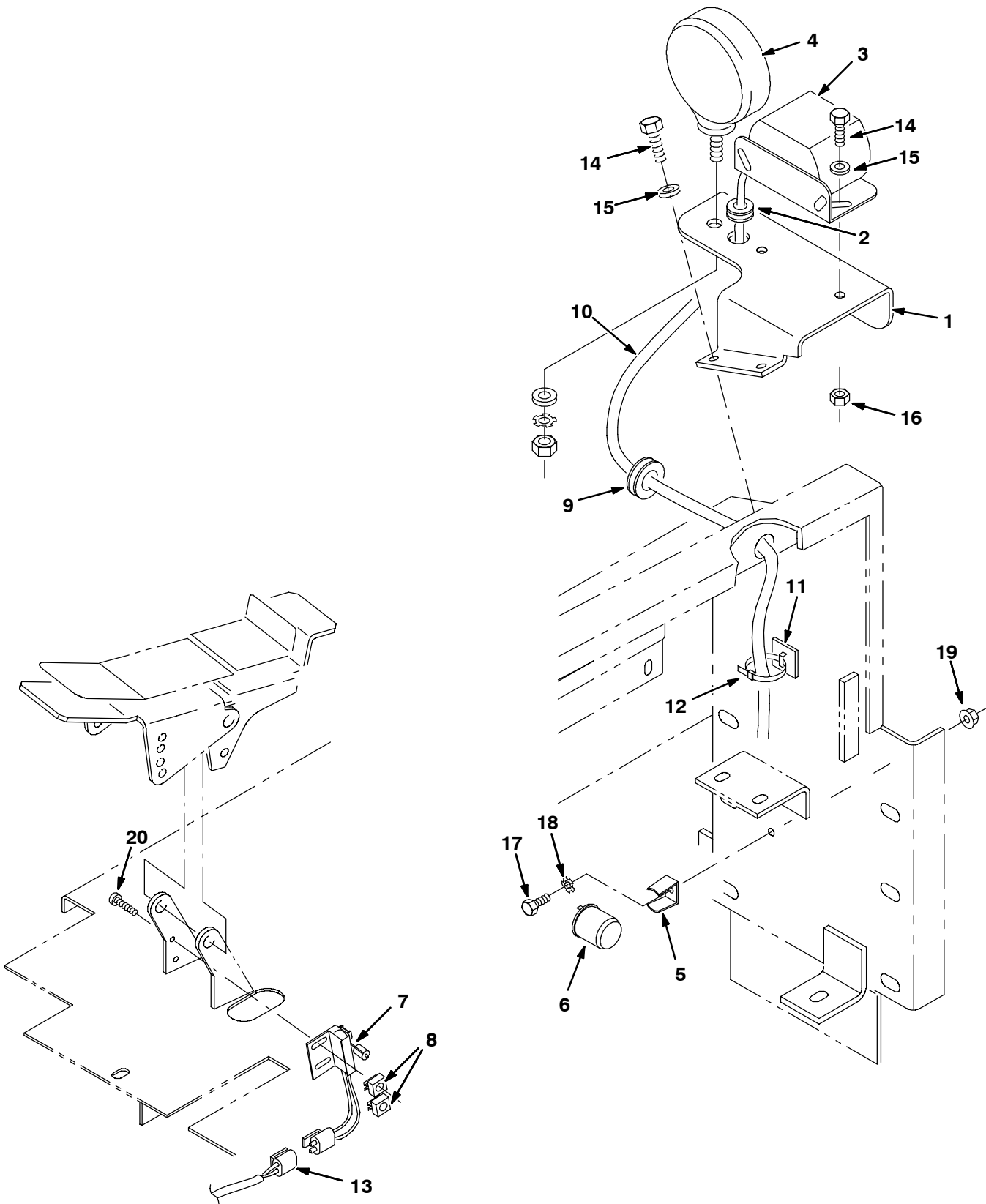


Fig. 10 - Back-Up Alarm Kit , LRC

	Ref.	Part No.	Serial Number	Description	Qty.
▽		377192	(000000-) Kit, Ci, Alarm, Backup, A/V, W/O Cab	1
▲	1	1012369	(000000-) Bracket, Alarm, Backup	1
▲	2	10632-9	(000000-) Grommet, Rbr, 0.63id, F/ 0.8h, .12matl	1
▲	3	61920	(000000-) Alarm Assy, Backup, 12-24vdc 82-107dba	1
▲▽	4	36438	(000000-) Light, Spot, 12vdc, 21cp Rwk 44025a	1
▲▲		36439	(000000-) Lamp, 12vdc, 0.9a, 15cp Watt [#1004]	1
▲	5	24576-1	(000000-) Bracket, Mtg, Flasher	1
▲	6	24576	(000000-) Flasher, 12vdc, [Hd#552ps83]	1
▲	7	23211	(000000-) Switch, Snap Actn, 12vdc 15a No Rlr	1
▲	8	23210	(000000-) Nut, Speed, Retainer, #08-32 [.025-.063]	2
▲	9	10632-18	(000000-) Grommet, Rbr, 0.69id, F/ 0.1h, .25matl	1
▲	10	71544	(000000-) Harness, Alarm, Backup, [355]	1
▲	11	55248	(000000-) Mount, Cable Tie	2
▲	12	49266	(000000-) Tie, Cable, Nyl, 07.3l .19w 1.8 Max D	5
▲	13	70159	(000000-) Harness, Alarm, Backup, [355]	1
▲	14	16931	(000000-) Screw, Hex, M 8 X 1.25 X 20, 8.8	4
▲	15	32491	(000000-) Washer, Flat, 0.31 Std	4
▲	16	08709	(000000-) Nut, Hex, Lock, M 8 X 1.25 NI	2
▲	17	09738	(000000-) Screw, Hex, M 5 X 0.8 X 12, Ss	1
▲	18	41139	(000000-) Washer, Lock, Int-Ext, #10	1
▲	19	07789	(000000-) Nut, Hex, Flng, M05 X 0.8	1
▲	20	32516	(000000-) Screw, Pan, #08-32 X 0.50, 1	2

Fig. 11 - Back-Up Alarm Kit, Cab

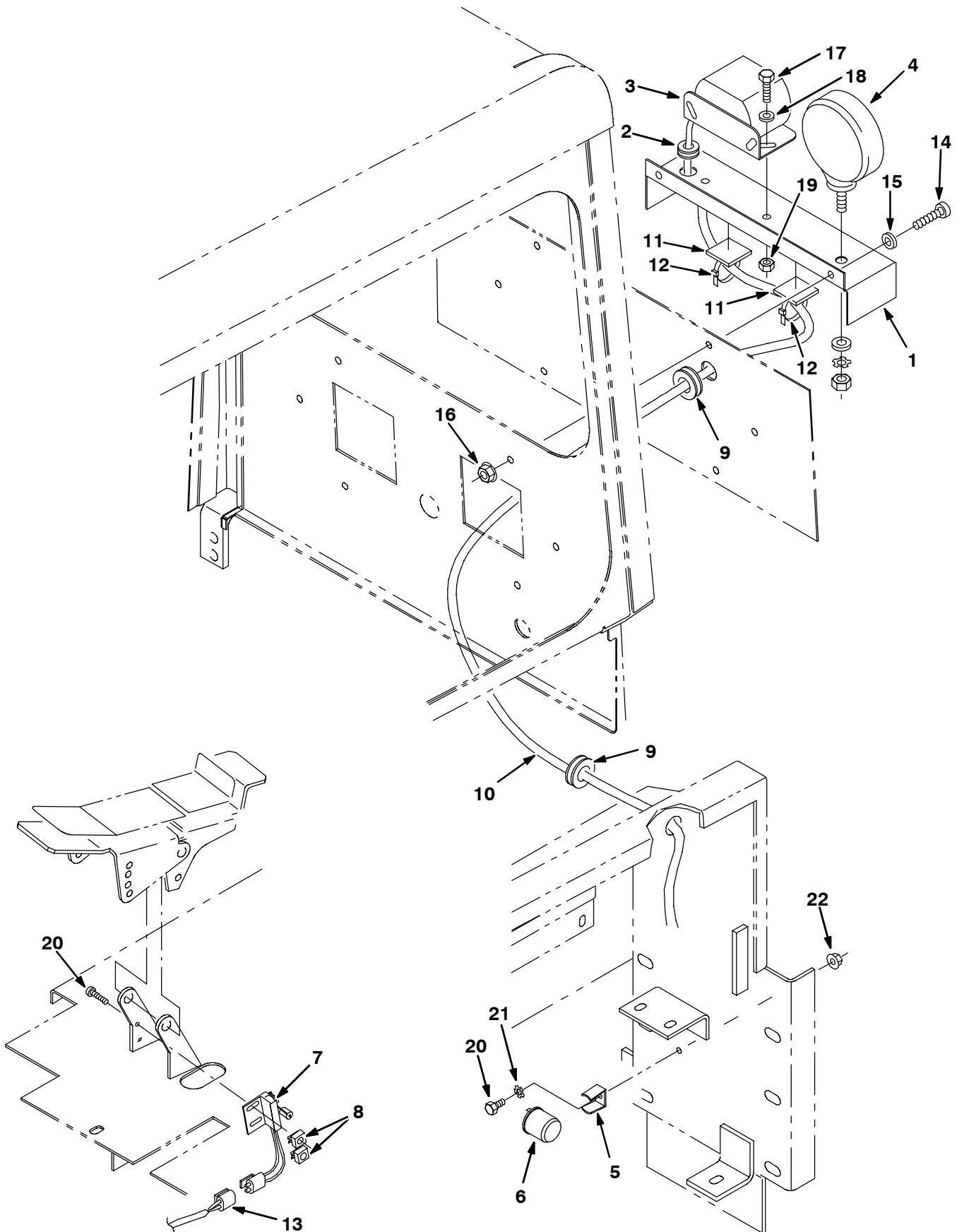


Fig. 11 - Back-Up Alarm Kit, Cab

	Ref.	Part No.	Serial Number	Description	Qty.
▽		377190	(000000-) Kit, Ci, Alarm, Backup, A/V, W/ Cab	1
▲	1	71058	(000000-) Bracket, Alarm, Backup	1
▲	2	10632-12	(000000-) Grommet, Rbr, 0.38id, F/ 0.5h, .12matl	1
▲	3	61920	(000000-) Alarm Assy, Backup, 12-24vdc 82-107dba	1
▲▽	4	36438	(000000-) Light, Spot, 12vdc, 21cp Rwk 44025a	1
▲▲		36439	(000000-) Lamp, 12vdc, 0.9a, 15cp Watt [#1004]	1
▲	5	24576-1	(000000-) Bracket, Mtg, Flasher	1
▲	6	24576	(000000-) Flasher, 12vdc, [Hd#552ps83]	1
▲	7	23211	(000000-) Switch, Snap Actn, 12vdc 15a No Rlr	1
▲	8	23210	(000000-) Nut, Speed, Retainer, #08-32 [.025-.063]	2
▲	9	10632-18	(000000-) Grommet, Rbr, 0.69id, F/ 0.1h, .25matl	2
▲	10	71544	(000000-) Harness, Alarm, Backup, [355]	1
▲	11	55248	(000000-) Mount, Cable Tie	2
▲	12	49266	(000000-) Tie, Cable, Nyl, 07.3l .19w 1.8 Max D	10
▲	13	70159	(000000-) Harness, Alarm, Backup, [355]	1
▲	14	17284	(000000-) Screw, Btn, M 8 X 1.25 X 16, Ss	2
▲	15	01685	(000000-) Washer, Flat, 0.31 Ss	2
▲	16	07791	(000000-) Nut, Hex, Flng, M08 X 1.25	2
▲	17	16931	(000000-) Screw, Hex, M 8 X 1.25 X 20, 8.8	2
▲	18	32491	(000000-) Washer, Flat, 0.31 Std	2
▲	19	08709	(000000-) Nut, Hex, Lock, M 8 X 1.25 NI	2
▲	20	09738	(000000-) Screw, Hex, M 5 X 0.8 X 12, Ss	1
▲	21	41139	(000000-) Washer, Lock, Int-Ext, #10	1
▲	22	07789	(000000-) Nut, Hex, Flng, M05 X 0.8	1
▲	23	32516	(000000-) Screw, Pan, #08-32 X 0.50, 1	2

Fig. 12 - Overhead Guard Kit

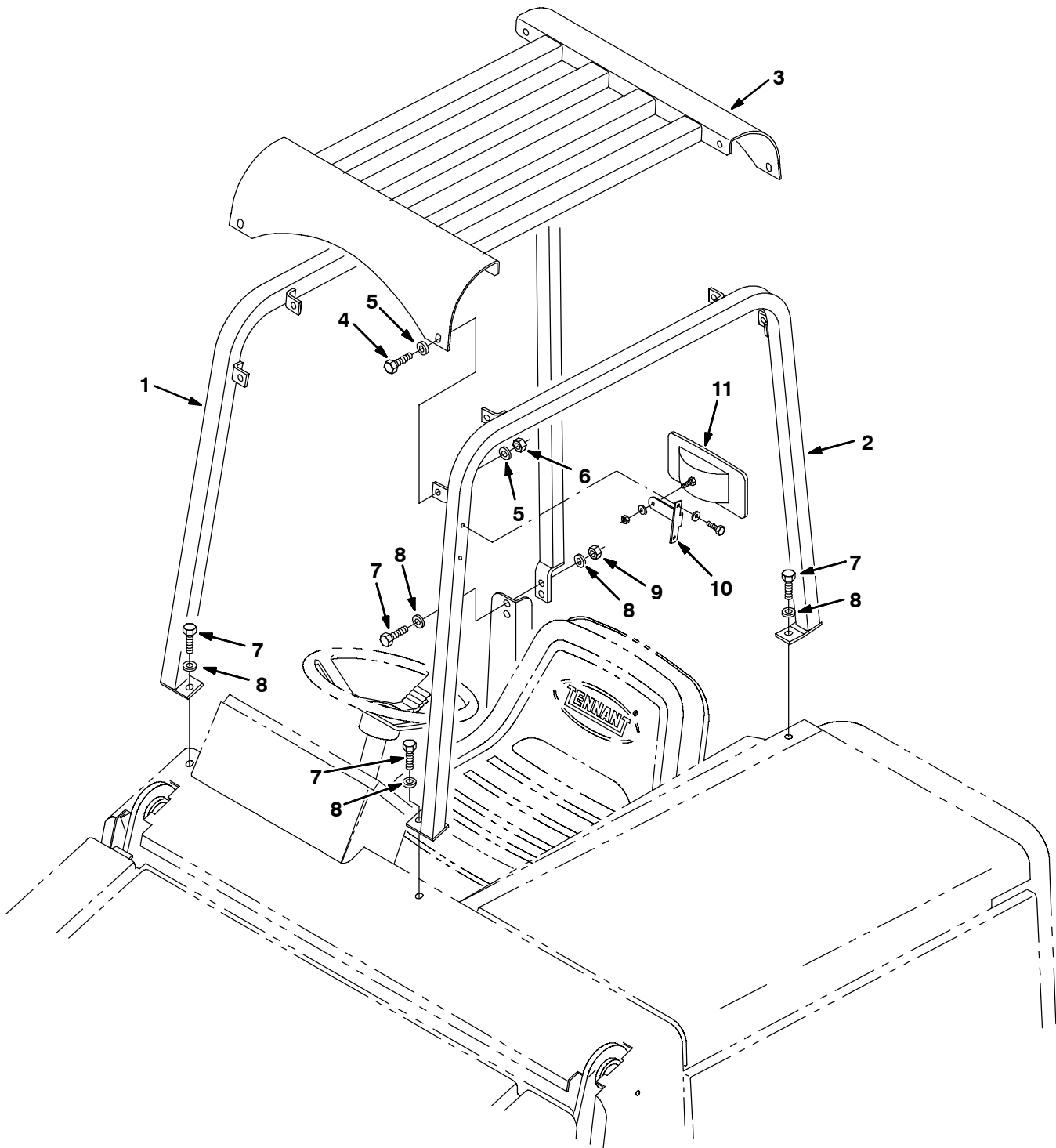


Fig. 12 - Overhead Guard Kit

NOTE: Overhead Guard Kit, TENNANT Part Number 9000205, includes Fig. 12 and Fig. 13.

	Ref.	Part No.	Serial Number	Description	Qty.
▽		377031	(000000-) Kit, Ci, Ohg [6600/6650]	1
▲	1	59665	(000000-) Tube Wldt, Leg, Ohg, Rh, White, [355]	1
▲	2	59666	(000000-) Tube Wldt, Leg, Ohg, Lh, White, [355]	1
▲	3	391850	(000000-) Guard Wldt, Ohg, Top	1
▲	4	39283	(000000-) Screw, Hex, M10 X 1.5 X 25, 8.8	8
▲	5	32492	(000000-) Washer, Flat, 0.38 Std	16
▲	6	41430	(000000-) Nut, Hex, Lock, M10 X 1.5, NI	8
▲	7	41346	(000000-) Screw, Hex, M12 X 1.75 X 30, 8.8	5
▲	8	32486	(000000-) Washer, Flat, 0.50 Sae	8
▲	9	08711	(000000-) Nut, Hex, Lock, M12 X 1.75,NI	3
▲	10	49032	(000000-) Bracket, Mtg, Mirror, Rearview	1
▲	11	49034	(000000-) Mirror, Convex, 06.7 X 06.2	1

Fig. 13 - Seat Belt Group

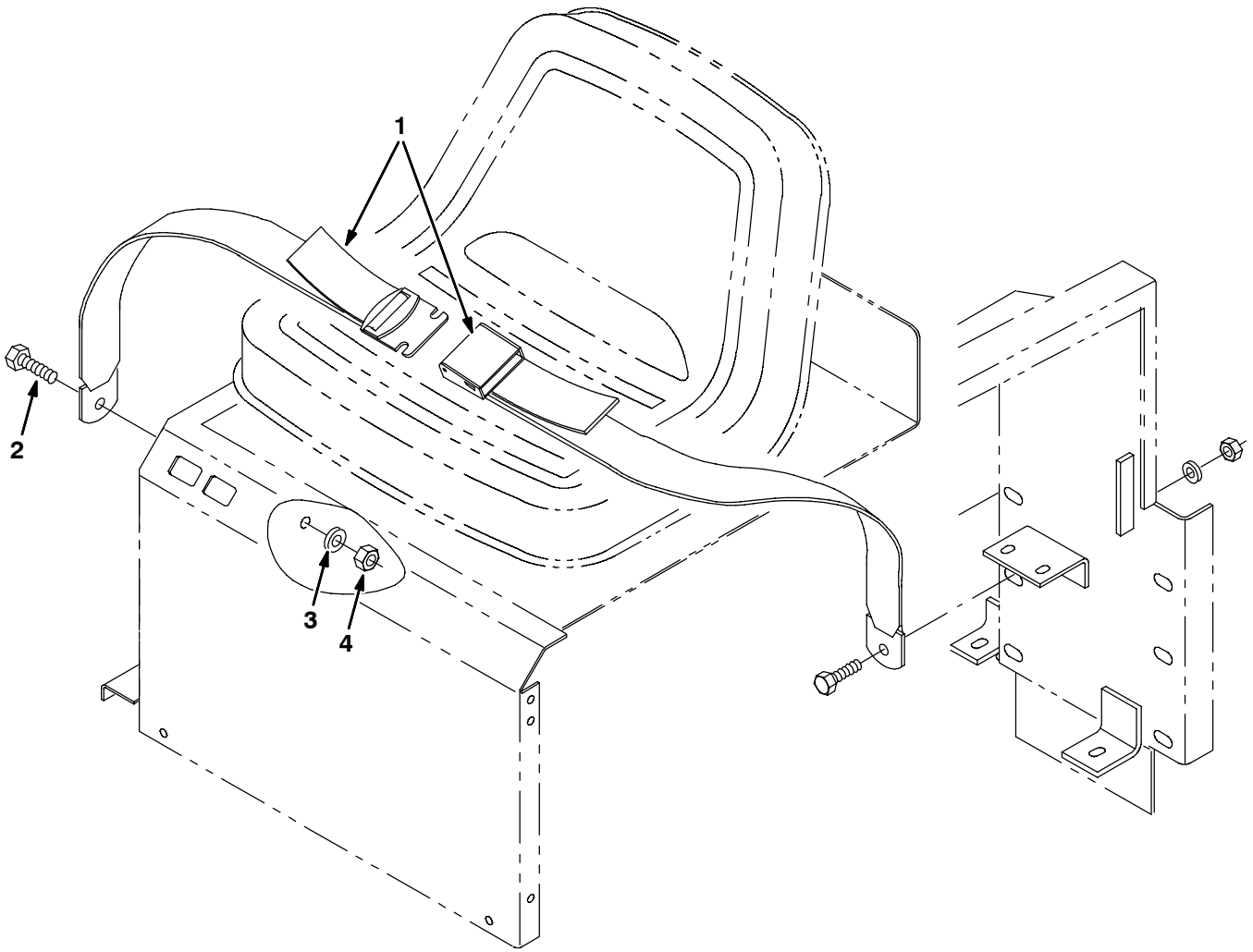


Fig. 13 - Seat Belt Group

NOTE: Overhead Guard Kit, TENNANT Part Number 9000205, includes Fig. 12 and Fig. 13.

NOTE: Cab Kit, TENNANT Part Number 9000206, includes Fig. 13, Fig. 14, Fig. 15, Fig. 16, Fig. 17, and Fig. 18.

Ref.	Part No.	Serial Number	Description	Qty.
1	30533	(000000-) Seatbelt, 60.0l	1
2	06961	(000000-) Screw, Hex, M10 X 1.5 X 20, 8.8	1
3	32492	(000000-) Washer, Flat, 0.38 Std	1
4	39312	(000000-) Nut, Hex, Std, M10 X 1.5	1

Fig. 14 - Cab Insulation Group

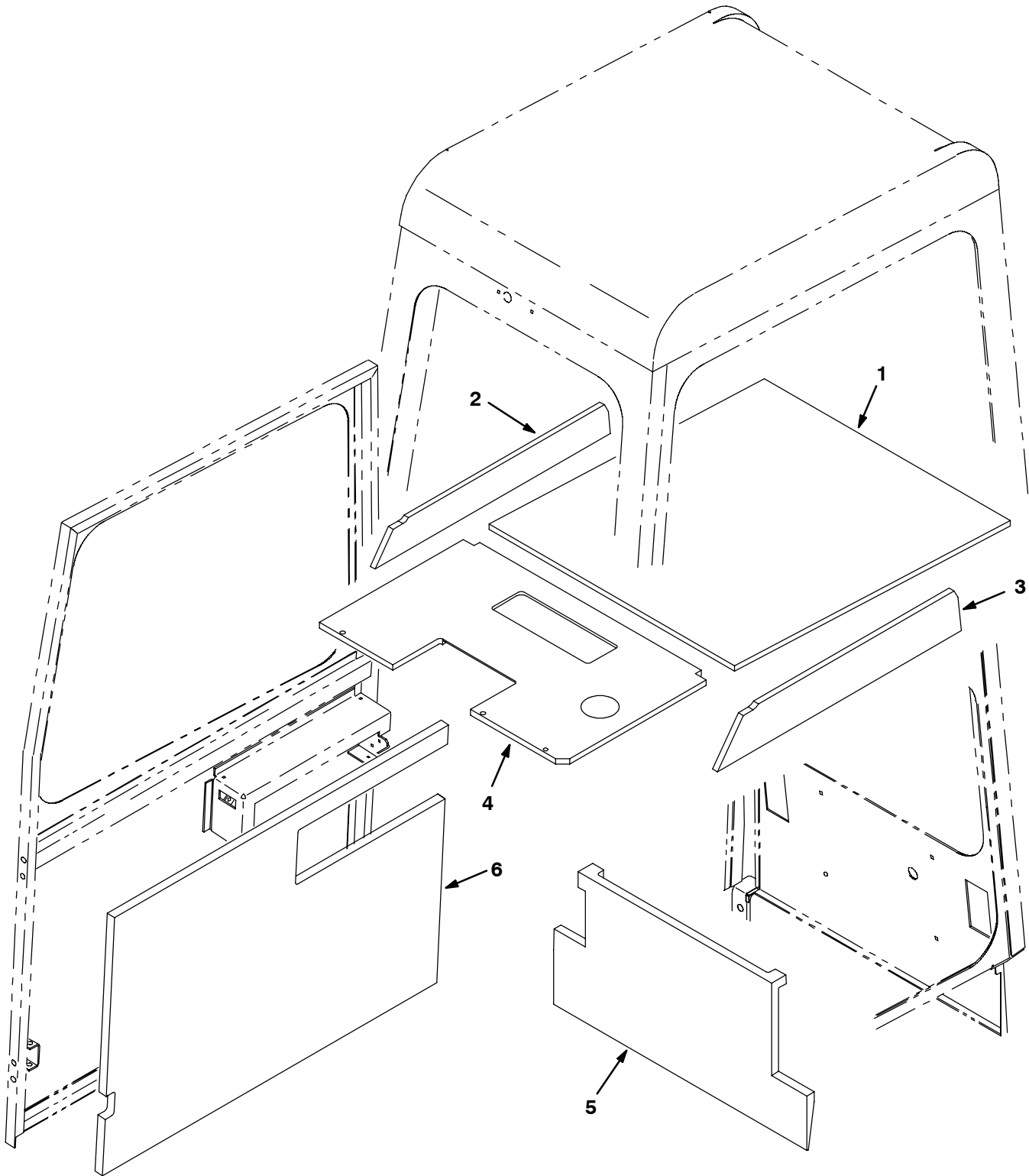


Fig. 14 - Cab Insulation Group

NOTE: Cab Kit, TENNANT Part Number 9000206, includes Fig. 13, Fig. 14, Fig. 15, Fig. 16, Fig. 17, and Fig. 18.

Ref.	Part No.	Serial Number	Description	Qty.
1	55073	(000000-) Insulation, Acstc, 0.3 25.5w 25.6l	1
2	55074	(000000-) Insulation, Acstc, 0.5 02.9w 24.3l Cab	1
3	55161	(000000-) Insulation, Acstc, 0.5 03.9w 25.3l Cab	1
4	55162	(000000-) Insulation, Acstc, Panel	1
5	55164	(000000-) Insulation, Acstc, 0.8 23.3w 34.6l Cab	1
6	1010155	(000000-) Insulation, Acstc, Door	1

Fig. 15 - Cab Frame and Windows Group

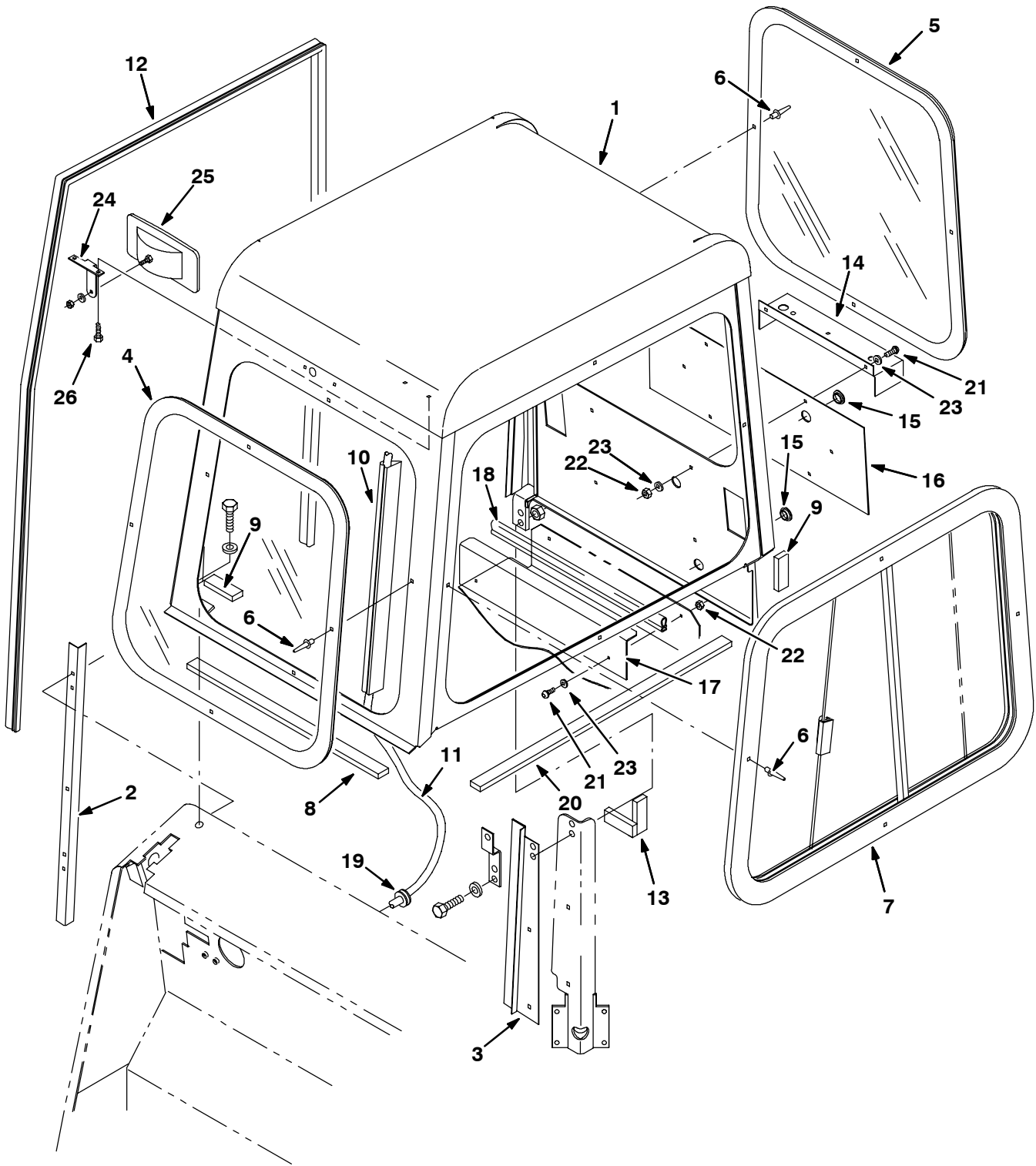


Fig. 15 - Cab Frame and Windows Group

NOTE: Cab Kit, TENNANT Part Number 9000206, includes Fig. 13, Fig. 14, Fig. 15, Fig. 16, Fig. 17, and Fig. 18.

Ref.	Part No.	Serial Number	Description	Qty.
1	370143	(000000-) Cab	1
2	56546	(000000-) Angle, Mtg, Stl, .06 1.0 1.0 28.5l	1
3	56560	(000000-) Panel, Jam, Door, Rear, Lower	1
4	74430	(000000-) Pane, Cab	1
5	74431	(000000-) Pane, Cab	1
6	82457	(000000-) Rivet, Blind, .125d X 0.44 X .25d, Stl	12
7	74429	(000000-) Pane, Cab	1
8	55959	(000000-) Seal, Ure, 0.38 0.75w 28.8l Adh	1
9	55968	(000000-) Seal, Ure, 0.38 0.75w 02.4l Adh	2
10	55973	(000000-) Duct, Vyl, 0.74 X 1.50 .75d Max 24.0l	1
11	60287	(000000-) Harness, Cab, [355l]	1
12	66221	(000000-) Seal, Bulb, [Sd-0504], 142.00l	1
13	66197	(000000-) Insulation, Acstc, Seat	1
14	71058	(000000-) Bracket, Alarm, Backup	1
15	55035	(000000-) Button, Plug, 1.00h .00-.17 [Black Nyl]	2
16	55270	(000000-) Plate	1
17	55227	(000000-) Plate, Seal	1
18	55228	(000000-) Seal, Bulb, [Sd-0504], 19.75l	1
19	10632-12	(000000-) Grommet, Rbr, 0.38id, F/ 0.5h, .12matl	1
20	55963	(000000-) Seal, Ure, 0.38 0.75w 36.0l Adh	1
21	17284	(000000-) Screw, Btn, M 8 X 1.25 X 16, Ss	8
22	08709	(000000-) Nut, Hex, Lock, M 8 X 1.25 NI	8
23	39349	(000000-) Washer, Flat, 0.31 Sae	16
24	49032	(000000-) Bracket, Mtg, Mirror, Rearview	1
25	49034	(000000-) Mirror, Convex, 06.7 X 06.2	1
26	24593	(000000-) Screw, Hex, .25-20 X 0.50, Fmg	2

Fig. 16 - Cab Door Group

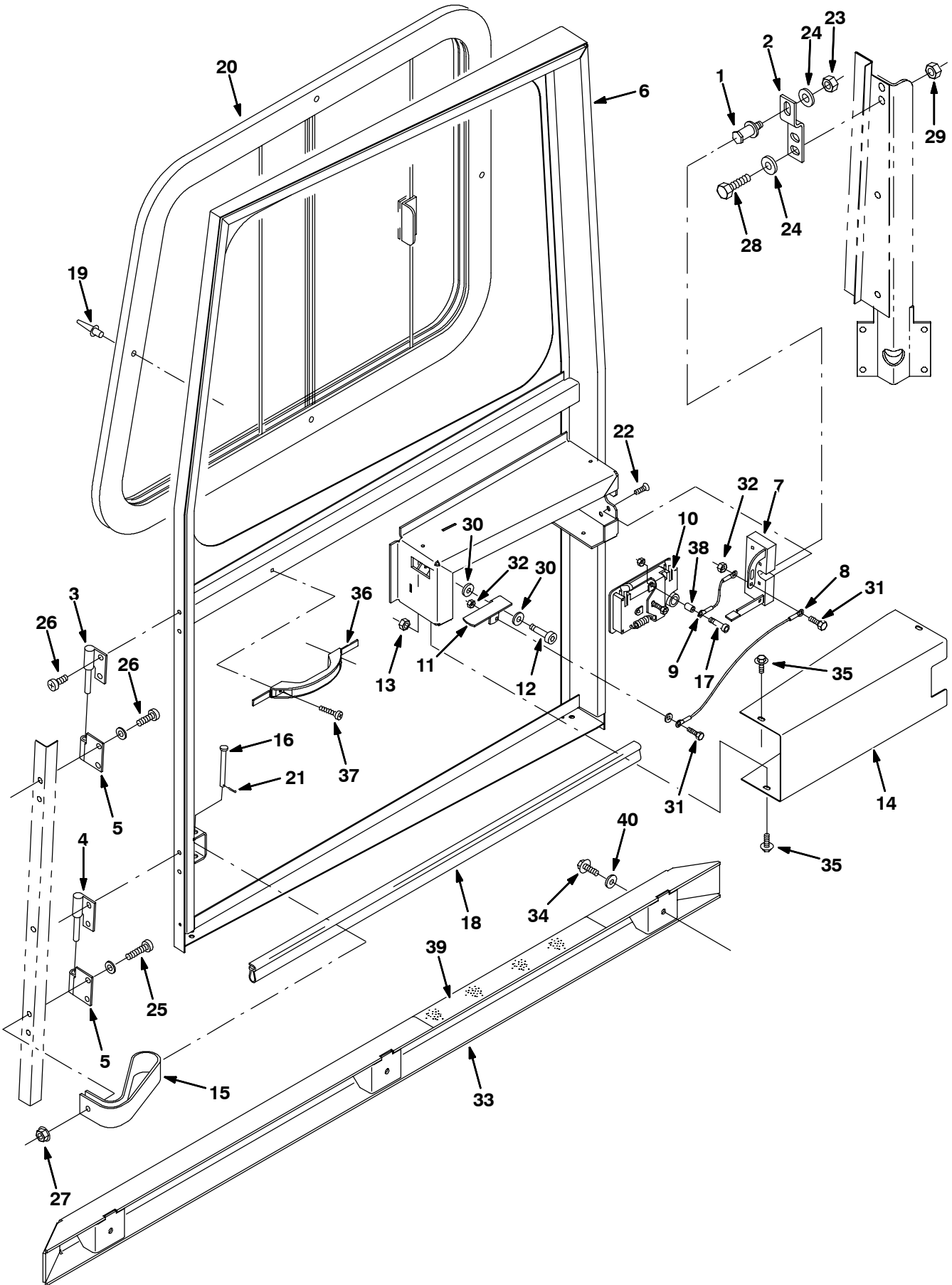


Fig. 16 - Cab Door Group

NOTE: Cab Kit, TENNANT Part Number 9000206, includes Fig. 13, Fig. 14, Fig. 15, Fig. 16, Fig. 17, and Fig. 18.

Ref.	Part No.	Serial Number	Description	Qty.
1	58898	(000000-) Bolt, Latch, F/58489/58844	1
2	1009892	(000000-) Bracket, Latch, Bolt	1
3	374653	(000000-) Hinge Wldt, Door, Cab, Pin, Long	1
4	374654	(000000-) Hinge Wldt, Door, Cab, Pin, Short	1
5	374651	(000000-) Hinge Wldt, Tube, .38b, Door, Cab	2
6	1005339	(000000-) Door Wldt, Cab	1
7	59514	(000000-) Latch	1
8	57702	(000000-) Cable, .06d, 12.0l, .26eye /.26eye	1
9	55038	(000000-) Cable, .06d, 05.8l, .26eye /.26eye	1
10	59515	(000000-) Handle, Door, Paddle	1
11	391816	(000000-) Lever, Door Release	1
12	02129	(000000-) Bolt, Shld, .38d X 0.38, .31-18	1
13	01760	(000000-) Nut, Hex, Lock, .31-18, NI, Thin	1
14	1009152	(000000-) Bracket, Armrest	1
15	60862	(000000-) Sleeve, Nyl, #13 14.7l	1
16	02126	(000000-) Pin, Clevis, 0.37 D X 3.00l	1
17	31249	(000000-) Bolt, Shld, .25d X 1.25, #10-24	1
18	72024	(000000-) Seal, Bulb, [Sd-0504], 34.50l	1
19	82457	(000000-) Rivet, Blind, .125d X 0.44 X .25d, Stl	4
20	74428	(000000-) Pane, Door, Cab	1
21	39005	(000000-) Pin, Cotter, .094 X 0.75	1
22	09062	(000000-) Screw, Flt, M06 X 1.0 X 16, 10.9	4
23	43955	(000000-) Nut, Hex, Std, .44-14, 5	1
24	32493	(000000-) Washer, Flat, 0.50 Std	8
25	33943	(000000-) Screw, Flt, M08 X 1.25 X 40, 10.9	1
26	07810	(000000-) Screw, Flt, M08 X 1.25 X 25, 10.9	7
27	07791	(000000-) Nut, Hex, Flng, M08 X 1.25	5
28	06969	(000000-) Screw, Hex, M12 X 1.75 X 40, 8.8	2
29	08711	(000000-) Nut, Hex, Lock, M12 X 1.75,NI	3
30	43611	(000000-) Washer, 0.39b 0.75d .06, Nyl	2
31	06943	(000000-) Screw, Hex, M 6 X 1.0 X 20, 8.8	2
32	08708	(000000-) Nut, Hex, Lock, M 6 X 1.0, NI	2
33	1010170	(000000-) Bumper Wldt, Cab Door	1
34	76099	(000000-) Screw, Hex, M 8 X 1.25 X 25, Fmg	3
35	12459	(000000-) Screw, Hex, M 6 X 1.0 X 20, Fmg	4
36	381962	(000000-) Handle, Container	1
37	09164	(000000-) Screw, Pan, M6 X 1.0 X 20, 4.8	2
38	59881	(000000-) Tube, 00.38d 00.28b 00.6l Stl	2
39	75430	(000000-) Tread, Non-skid, 02.2w 15.5l	1
40	32491	(000000-) Washer, Flat, 0.31, Std	3

Fig. 17 - Cab Electrical and Wiper Group

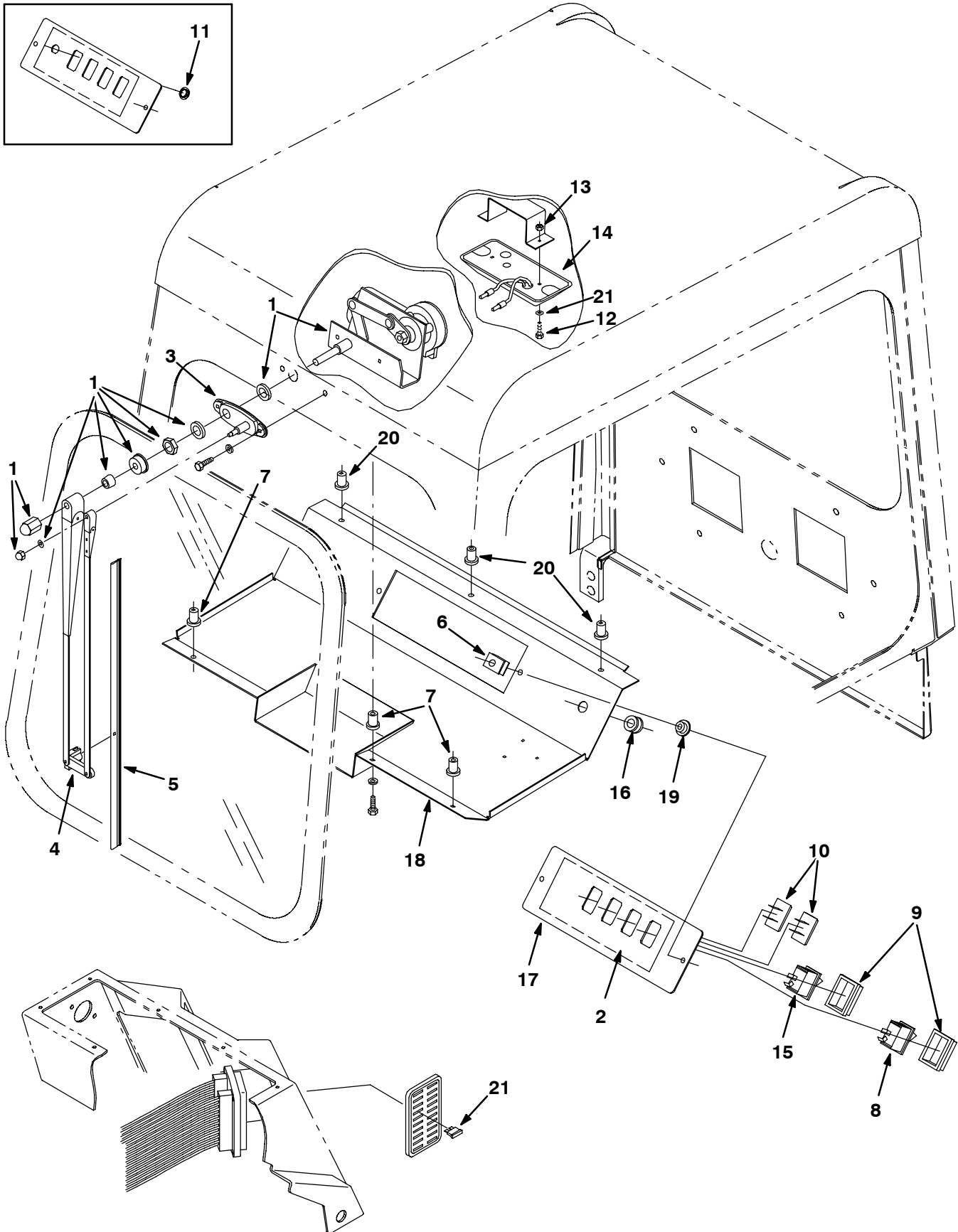


Fig. 17 - Cab Electrical and Wiper Group

NOTE: Cab Kit, TENNANT Part Number 9000206, includes Fig. 13, Fig. 14, Fig. 15, Fig. 16, Fig. 17, and Fig. 18.

Ref.	Part No.	Serial Number	Description	Qty.	
1	59803	(000000-) Motor, Ele, Wiper, 12vdc 68deg	1	
2	1012397	(000000-) Label, Opertnl, Cab	1	
2	1012361	(000000-) Label, Opertnl, Cab (W/AC)	1	
3	59797	(000000-) Kit, Wiper, Mtg, Plate	1	
4	59799	(000000-) Arm, Wiper, Windshield, [Panto]	1	
5	74433	(000000-) Blade, Wiper, Windshield 18.0	1	
6	12271	(000000-) Nut, U, M06 X 1.0	2	
7	41845	(000000-) Nut, Isolator, .25-20 Wall Thk .015-.094	3	
8	65553	(000000-) Switch, Rocker, 28vdc 15a Dpdt On/Of/On	1	
9	57807	(000000-) Cover, Seal, Rocker Switch	2	
10	57772	(000000-) Button, Plug, Switch, 1.45 X 0.83 Hole	2	
11	57167	(000000-021019) Button, Plug, 0.62h .03-.12 [Black Nyl]	1	
12	09206	(000000-) Screw, Hex, M 4 X 0.7 X 12, 8.8	2	
13	02850	(000000-) Nut, Hex, Lock, M 4 X 0.7, NI	2	
▽	14	55461	(000000-) Light, Dome, 12vdc, Rwk 58951	1
▲	72142	(000000-) Lamp, 12vdc Lamp, Dome [Speaker]	1	
15	65561	(000000-) Switch, Rocker, 28vdc 15a Spst On/Of	1	
16	10632-12	(000000-) Grommet, Rbr, 0.38id, F/ 0.5h, .12matl	1	
17	71057	(000000-021019) Panel, Instmt, Cab	1	
17	1012357	021020-) Panel, Instmt, Cab [6600/6650]	1	
18	72049	(000000-) Cover Wldt, Roof, Cab, Front	1	
19	01047	(000000-) Bushing, Flng, 0.32b 0.75d 0.14l	2	
20	61913	(000000-) Nut, Isolator, .25-20 Wall Thk .031-.187	3	
21	19065	(000000-) Washer, Flat, #08	2	
22	762514	(000000-) Fuse, 15 Amp	1	
	377047	(000000-) Harness, Cab	1	

Fig. 18 - Cab Dust Kit

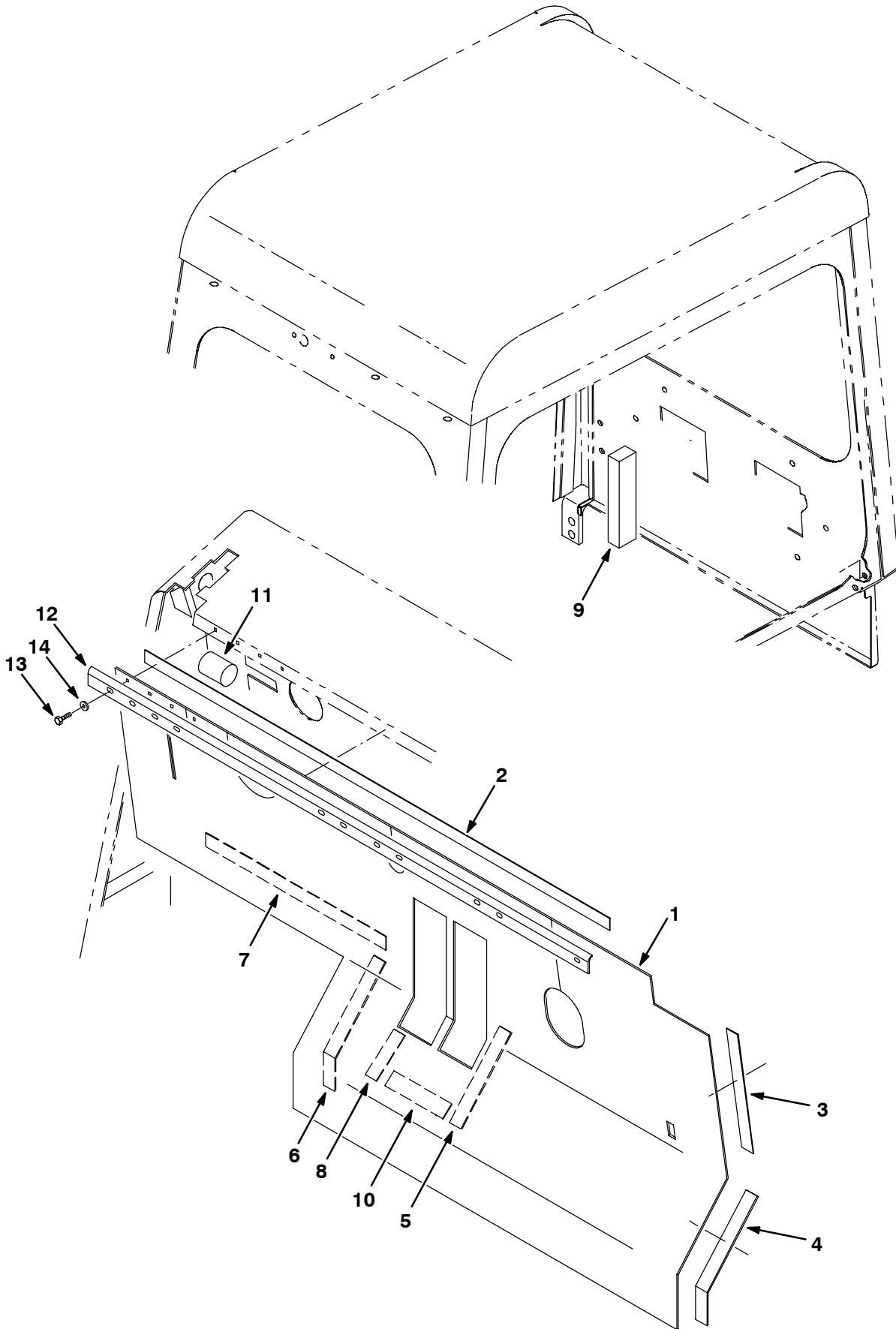


Fig. 18 - Cab Dust Kit

NOTE: Cab Kit, TENNANT Part Number 9000206, includes Fig. 13, Fig. 14, Fig. 15, Fig. 16, Fig. 17, and Fig. 18.

	Ref.	Part No.	Serial Number	Description	Qty.
▽		370115	(000000-) Kit, Dust, Cab, [385/355]	1
▲	1	370116	(000000-) Skirt, Firewall, Rh	1
▲	2	370117	(000000-) Fastener, [Hook & Loop], 45.00l	1
▲	3	370118	(000000-) Fastener, [Hook & Loop], 09.75l	1
▲	4	370119	(000000-) Fastener, [Hook & Loop], 11.00l	1
▲	5	370120	(000000-) Fastener, [Hook & Loop], 15.00l	1
▲	6	370121	(000000-) Fastener, [Hook & Loop], 12.00l	1
▲	7	370122	(000000-) Fastener, [Hook & Loop], 16.50l	1
▲	8	370129	(000000-) Fastener, [Hook & Loop], 03.25l	1
▲	9	370124	(000000-) Insulation, Acstc, 1.0 01.5w 06.8l	1
▲	10	370130	(000000-) Fastener, [Hook & Loop], 05.19l	1
▲	11	370125	(000000-) Seal, Rbr, Clsd, 1.50d 39.9l	2
▲	12	370159	(000000-) Strip, Steel	1
▲	13	12459	(000000-) Screw, Hex, M 6 X 1.0 X 20, Fmg	11
▲	14	01684	(000000-) Washer, Flat, 0.25 Ss	11

Fig. 19 - Cab Vent and Duct Group

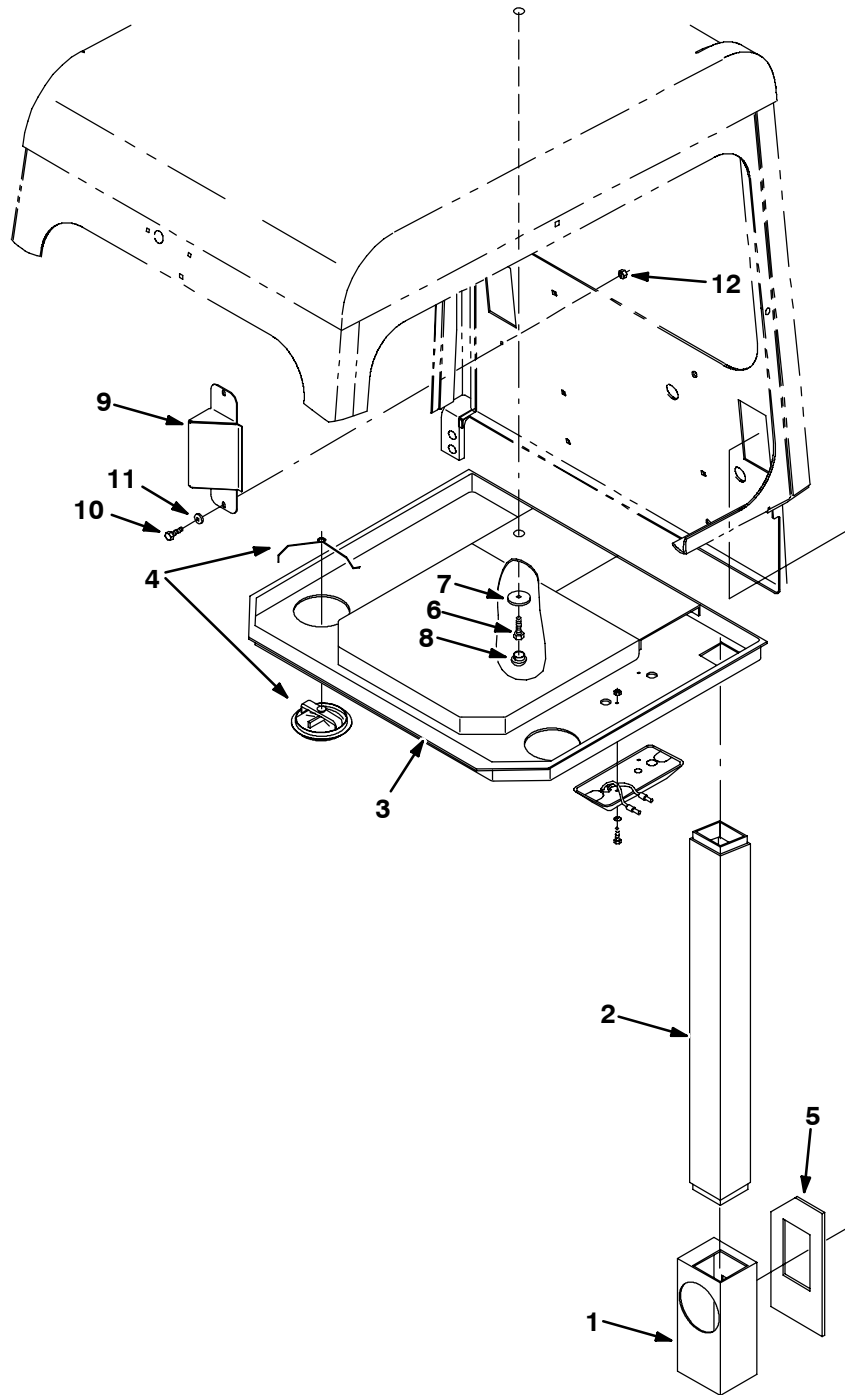


Fig. 19 - Cab Vent and Duct Group

	Ref.	Part No.	Serial Number	Description	Qty.
▽		1011902	(000000-) Duct, Air Pkg	1
▲	1	393392	(000000-) Duct, Transition, Windowside	1
▲	2	393394	(000000-) Duct, Upright, Windowside, 23.8l	1
▲	3	9000266	(000000-) Liner, Head, Plenum	1
▲	4	393396	(000000-) Diffuser, Air	5
	5	375306	(000000-) Spacer, Duct	2
	6	24592	(000000-) Screw, Hex, #10-24 X 0.75, Fmg	1
	7	41178	(000000-) Washer, Flat, 0.25 Fender	1
	8	57167	(000000-) Button, Plug, 0.62h .03-.12 [Blk Nyl]	1
	9	1011492	(000000-) Channel, Vent, Heater	1
	10	24199	(000000-) Screw, Hex, M5 X 0.8 X 16, Ss	2
	11	01683	(000000-) Washer, Flat, #10 Ss	2
	12	06549	(000000-) Nut, Hex, Lock, M5 X 0.8, NI	2

Fig. 20 - Air Conditioning Engine Cover Group

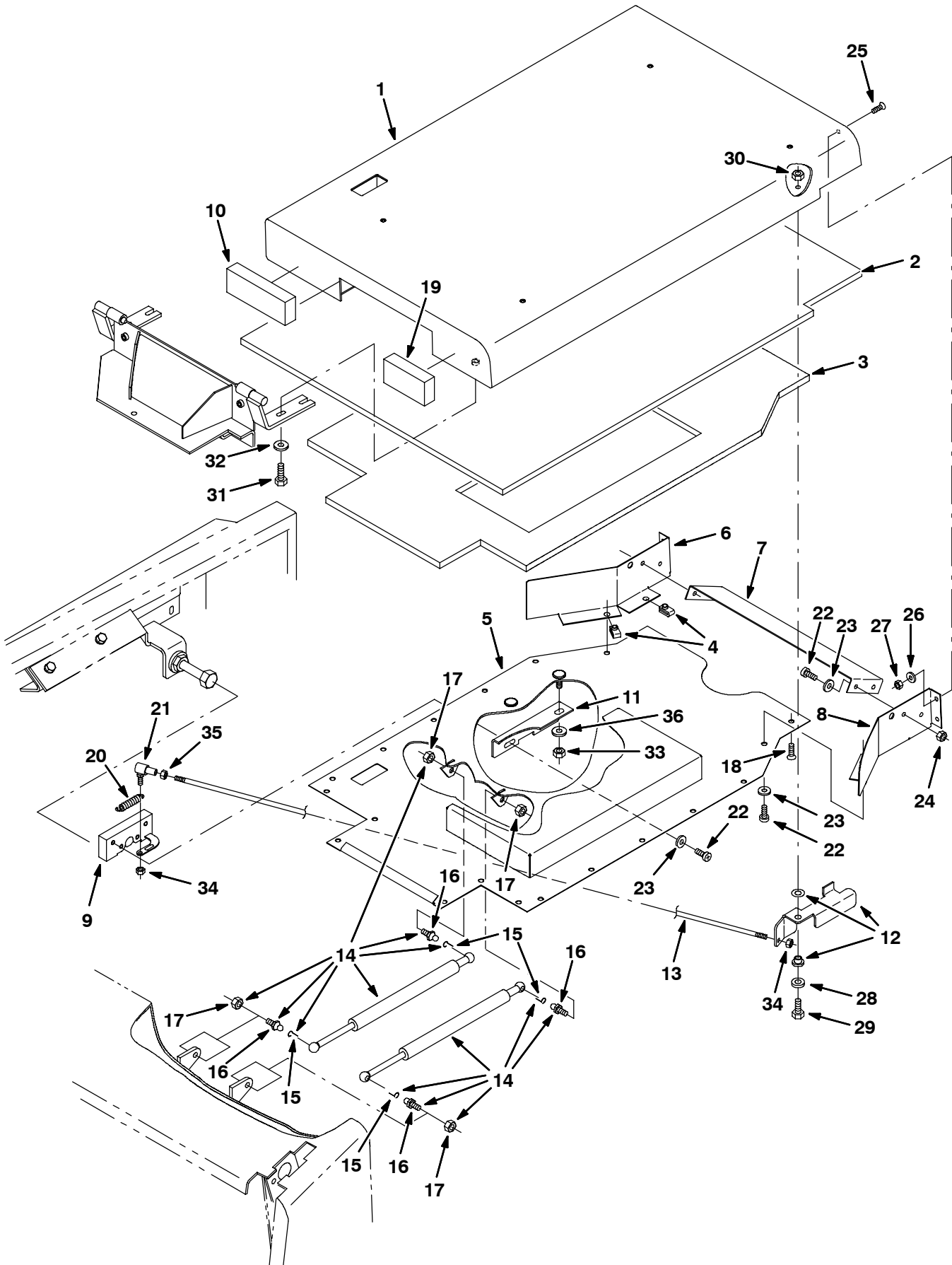


Fig. 20 - Air Conditioning Engine Cover Group

Ref.	Part No.	Serial Number	Description	Qty.	
1	1010267	(000000-) Door Wldt, Eng, Top	1	
2	59019	(000000-) Insulation, Acstc, 0.8 26.0w 36.3l	1	
3	58999	(000000-029999) Insulation, Acstc, Cover, Eng, Bottom	1	
3	1035090	(030000-) Insulation, Cover, Eng, Bottom [2007]	1	
4	12271	(000000-) Nut, U, M06 X 1.0	20	
5	1014084	(000000-029999) Plate Wldt, Cover, Eng	1	
5	1033100	(030000-) Plate Wldt, Cover, Eng, Metal [2007]	1	
6	69952	(000000-) Plate	1	
7	58849	(000000-) Bracket, Deflector, Cover, Eng	1	
8	69951	(000000-) Plate	1	
9	59514	(000000-) Latch	1	
10	69986	(000000-) Insulation, Acstc, 1.0 02.0w 05.8l	1	
11	70142	(000000-) Bracket, Latch, Eng Cover	1	
12	69907	(000000-) Handle Assy, Latch, Eng Cover	1	
13	55048	(000000-) Rod	1	
▽	14	69906	(000000-) Gasspring Assy, Eng Cover	2
▲	15	64595	(000000-) Clip, Safety, Gasspring	2
▲	16	58494	(000000-) Stud, Ball, .39d .31-16, Gasspring	2
▲	17	01760	(000000-) Nut, Hex, Lock, .31-18, NI, Thin	2
	18	09062	(000000-) Screw, Flt, M06 X 1.0 X 16, 10.9	2
	19	69987	(000000-) Insulation, Acstc, 1.0 02.0w 04.0l	1
	20	53091	(000000-) Spring, Extn, 0.50od X 0.06wir, 1.8l	1
	21	14601	(000000-) Balljoint, .25-28 Fem/.25-28mal	1
	22	09145	(000000-) Screw, Pan, M 6 X 1.0 X 16, 4.8	24
	23	32483	(000000-) Washer, Flat, 0.25 Sae	24
	24	08708	(000000-) Nut, Hex, Lock, M 6 X 1.0, NI	4
	25	09120	(000000-) Screw, Flt, M05 X 0.8 X 16, 10.9	4
	26	19066	(000000-) Washer, Flt, #10	4
	27	06549	(000000-) Nut, Hex, Lock, M 5 X 0.8, NI	4
	28	32490	(000000-) Washer, Flat, 0.25 Std	3
	29	16931	(000000-) Screw, Hex, M 8 X 1.25 X 20, 8.8	1
	30	08709	(000000-) Nut, Hex, Lock, M 8 X 1.25 NI	4
	31	39277	(000000-) Screw, Hex, M 8 X 1.25 X 25, 8.8	4
	32	41186	(000000-) Washer, Belleville, .31	4
	33	41430	(000000-) Nut, Hex, Lock, M10 X 1.5, NI	2
	34	18390	(000000-) Nut, Hex, Lock, .25-28, NI, Thin	2
	35	32899	(000000-) Nut, Hex, Jam, .25-28	1
	36	32492	(000000-) Washer, Flat, 0.38 Std	2

Fig. 21 - Heater and Pressurizer Group

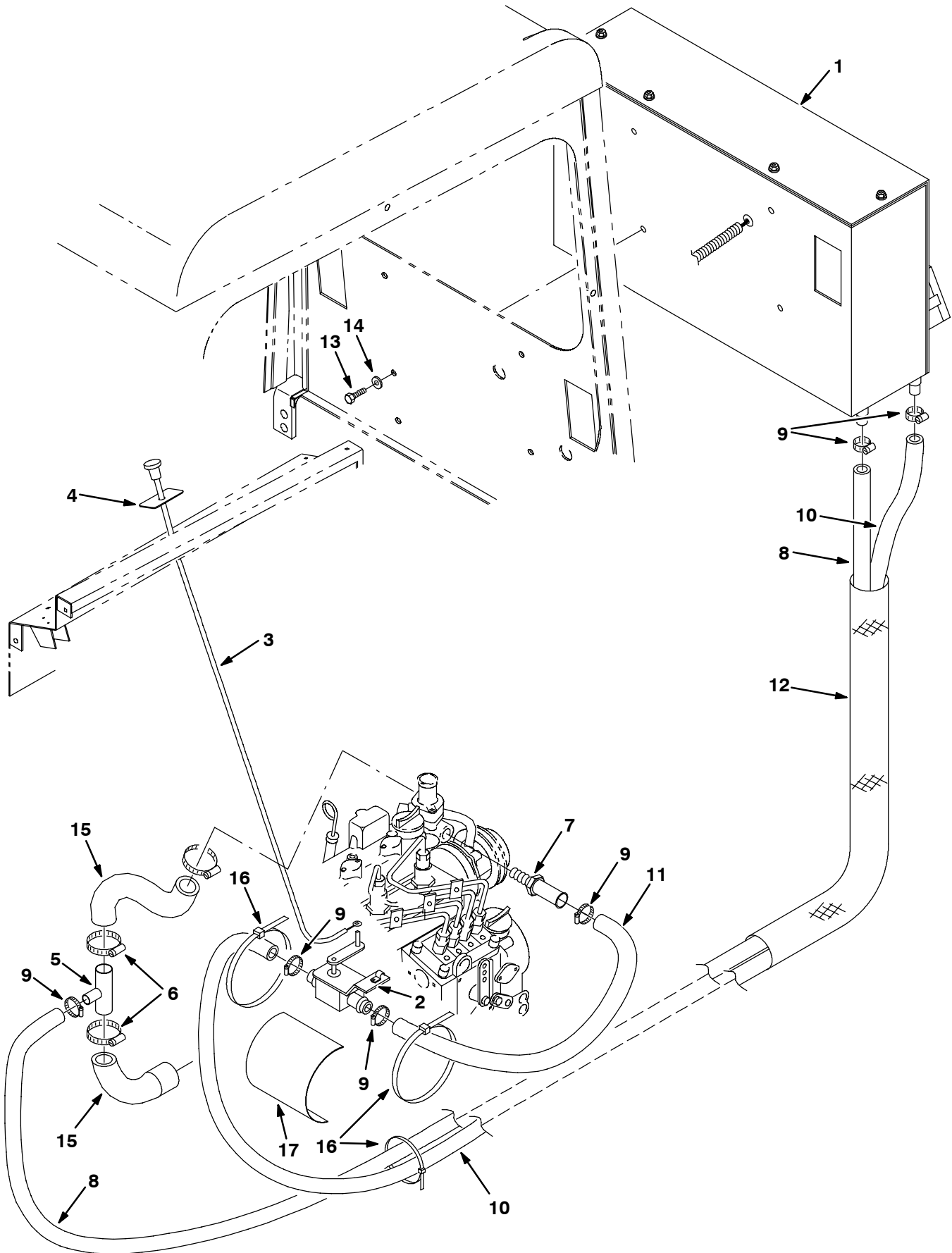


Fig. 21 - Heater and Pressurizer Group

Ref.	Part No.	Serial Number	Description	Qty.
1	1010757	(000000-) Housing Assy, Heater/Press. [6650/6600] (See Breakdowns)	1
2	393354	(000000-) Valve, Inline, Temp	1
3	393355	(000000-) Cable Assy, Push-Pull	1
4	393356	(000000-) Label, Heat On-Off	1
5	66195	(000000-) Tube Wldt, Tee, 1.0d 3.0l 0.6d	1
6	11399	(000000-) Clamp, Hose, Wormdrive, 0.81-1.50d	2
7	27767	(000000-) Fitting, Brs, Str, Pm06/Em10	1
8	57912	(000000-) Hose, Heater, E90, 0.62id 60.0 4.0	1
9	63810	(000000-) Clamp, Hose, Wormdrive, 0.56-1.06d	6
10	393369	(000000-) Hose, Heater, 0.062id 84l	1
11	393373	(000000-) Hose, Heater, 0.62id 24l	1
12	367987	(000000-) Sleeve, Nyl, 33 60.0l	1
13	76955	(000000-) Screw, Hex, .31-18 X 1.00, 5	4
14	32491	(000000-) Washer, Flt, .31 Std	4
15	55858	(000000-) Hose, Coolant, Mold, (Cut in 2)	1
16	763116	(000000-) Tie, Cable, Nyl, 15.3l . W 4.5 Max D	6
17	36658	(000000-) Strip, Rbr, 0.06 04.00W 05.0L	6

Fig. 22 - Air Conditioning and Heater Group

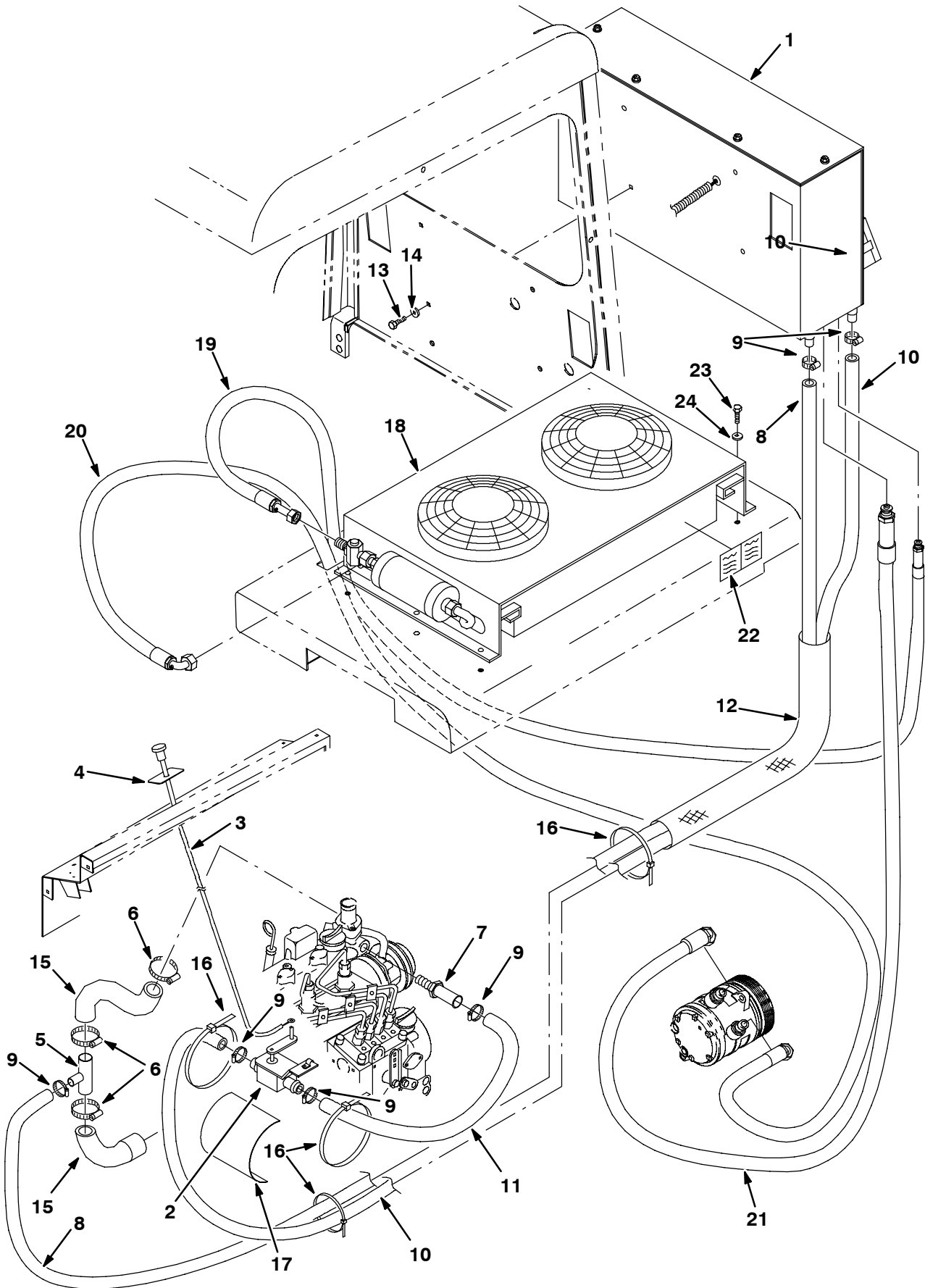


Fig. 22 - Air Conditioning and Heater Group

Ref.	Part No.	Serial Number	Description	Qty.
1	1010755	(000000-) Housing Assy, A/C/Heater [6650/6600] (See Breakdowns)	1
2	393354	(000000-) Valve, Inline, Temp	1
3	393355	(000000-) Cable Assy, Push-Pull	1
4	393356	(000000-) Label, Heat On-Off	1
5	66195	(000000-) Tube Wldt, Tee, 1.0d 3.0l 0.6d	1
6	11399	(000000-) Clamp, Hose, Wormdrive, 0.81-1.50d	2
7	27767	(000000-) Fitting, Brs, Str, Pm06/Em10	1
8	57912	(000000-) Hose, Heater, E90, 0.62id 60.0 4.0	1
9	63810	(000000-) Clamp, Hose, Wormdrive, 0.56-1.06d	6
10	393369	(000000-) Hose, Heater, 0.062id 84l	1
11	393373	(000000-) Hose, Heater, 0.62id 24l	1
12	367987	(000000-) Sleeve, Nyl, 33 60.0l	1
13	76955	(000000-) Screw, Hex, .31-18 X 1.00, 5	4
14	32491	(000000-) Washer, Flt, .31 Std	4
15	55858	(000000-) Hose, Coolant, Mold, (Cut in 2)	1
16	763116	(000000-) Tie, Cable, Nyl, 15.3l . W 4.5 Max D	6
17	36658	(000000-) Strip, Rbr, 0.06 04.00W 05.0L	6
18	393340	(000000-) Condenser Assy, A/C, W /Fan (See Breakdowns)	1
19	393326	(000000-) Hose, A/C, 06 094.5l Str E45 [R134]	1
20	393327	(000000-) Hose, A/C, 08 076.0l E90 E90 [R134]	1
21	393328	(000000-) Hose, A/C, 10 104.0l Str E90 [R134]	1
22	393362	(000000-) Label, Spec, A/C	1
23	24593	(000000-) Screw, Hex, .25-20 X 0.50, Fmg	4
24	19066	(000000-) Washer, Flat, #10	4

Fig. 23 - Air Conditioning Compressor Group

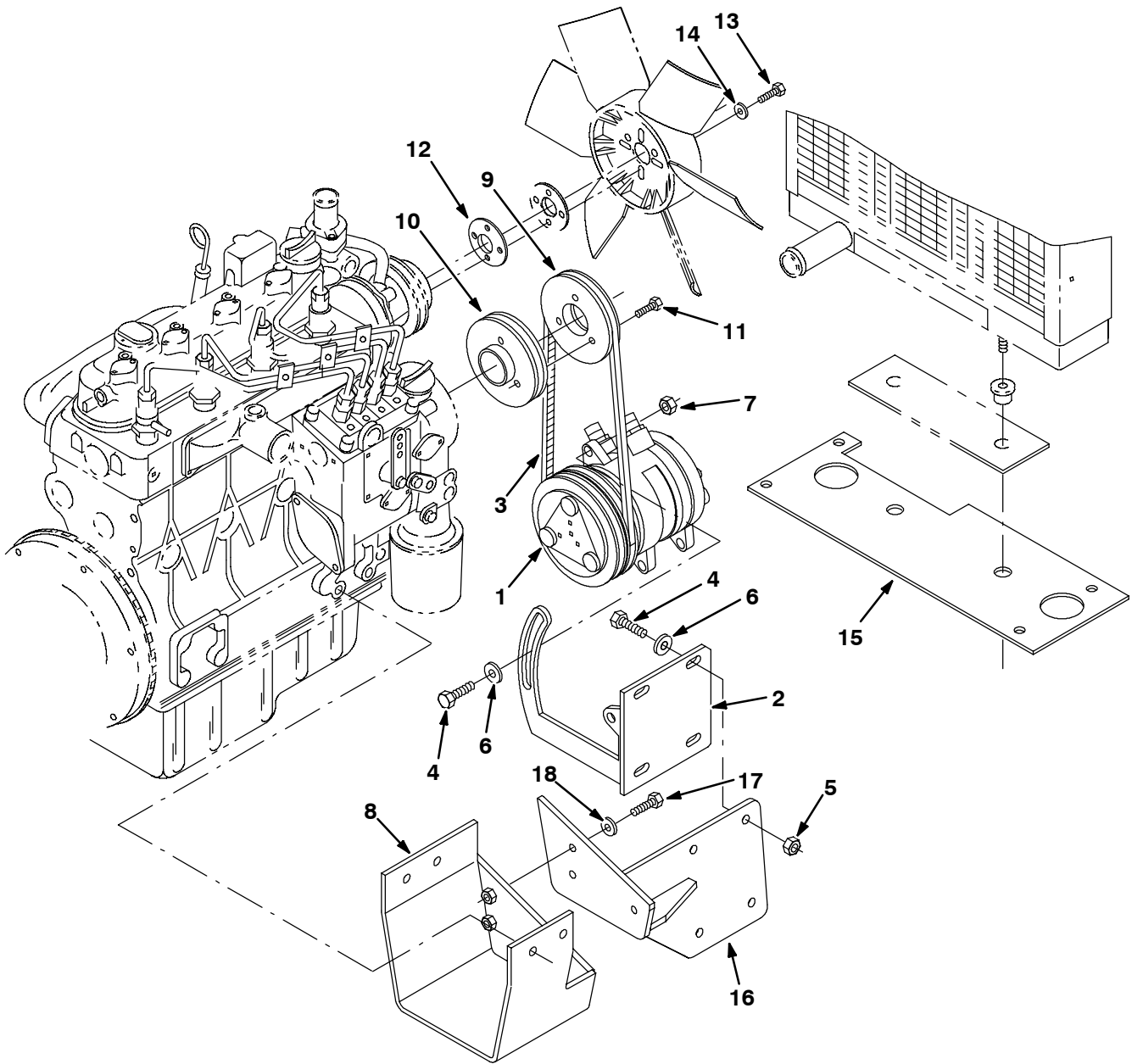
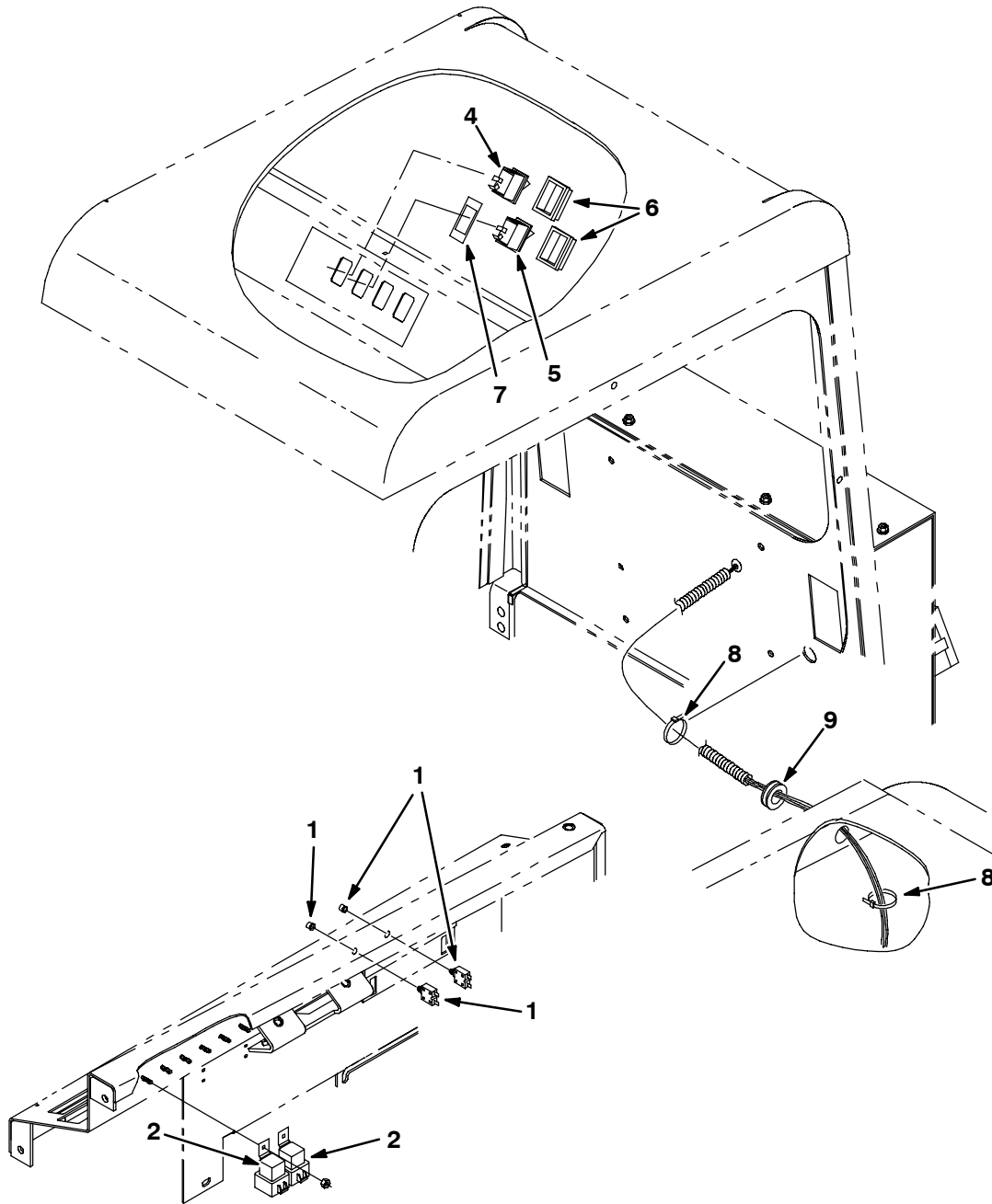


Fig. 23 - Air Conditioning Compressor Group

Ref.	Part No.	Serial Number	Description	Qty.
1	393359	(000000-) Compressor, A/C, V Pully [134][Tm-08hd]	1
2	393360	(000000-) Bracket Wldt, Mtg, Compressor, A/C	1
3	1013233	(000000-) Belt, V, [Xl], 31.5l	1
4	21198	(000000-) Screw, Hex, .38-16 X 1.25, 5	7
5	50902	(000000-) Nut, Hex, Lock, .38-16, NI	4
6	32485	(000000-) Washer, Flat, 0.38 Sae	7
7	27980	(000000-) Nut, Hex, Flng, .38-16	3
8	1012183	(000000-) Bracket Wldt, Compressor Mtg, A/C, Dsl	1
9	393370	(000000-) Sheave, A/C [Kubota Dsl]	1
10	393371	(000000-) Sheave, A/C, Rwk, Dsl [Ku]	1
11	76957	(000000-) Screw, Hex, .31-18 X 1.50, 5	3
12	393412	(000000-) Spacer, Fan	1
13	06943	(000000-) Screw, Hex, M6 X 1.0 X 20, 8.8	3
14	19066	(000000-) Washer, Flat, #10	3
15	393368	(000000-) Plate, Mtg, Radiator	1
16	1010479	(000000-) Bracket Wldt, Compressor Mtg, A/C, Dsl	1
17	39277	(000000-) Screw, Hex, M8 X 1.25 X 25, 8.8	3
18	32491	(000000-) Washer, Flat, 0.31 Std	3

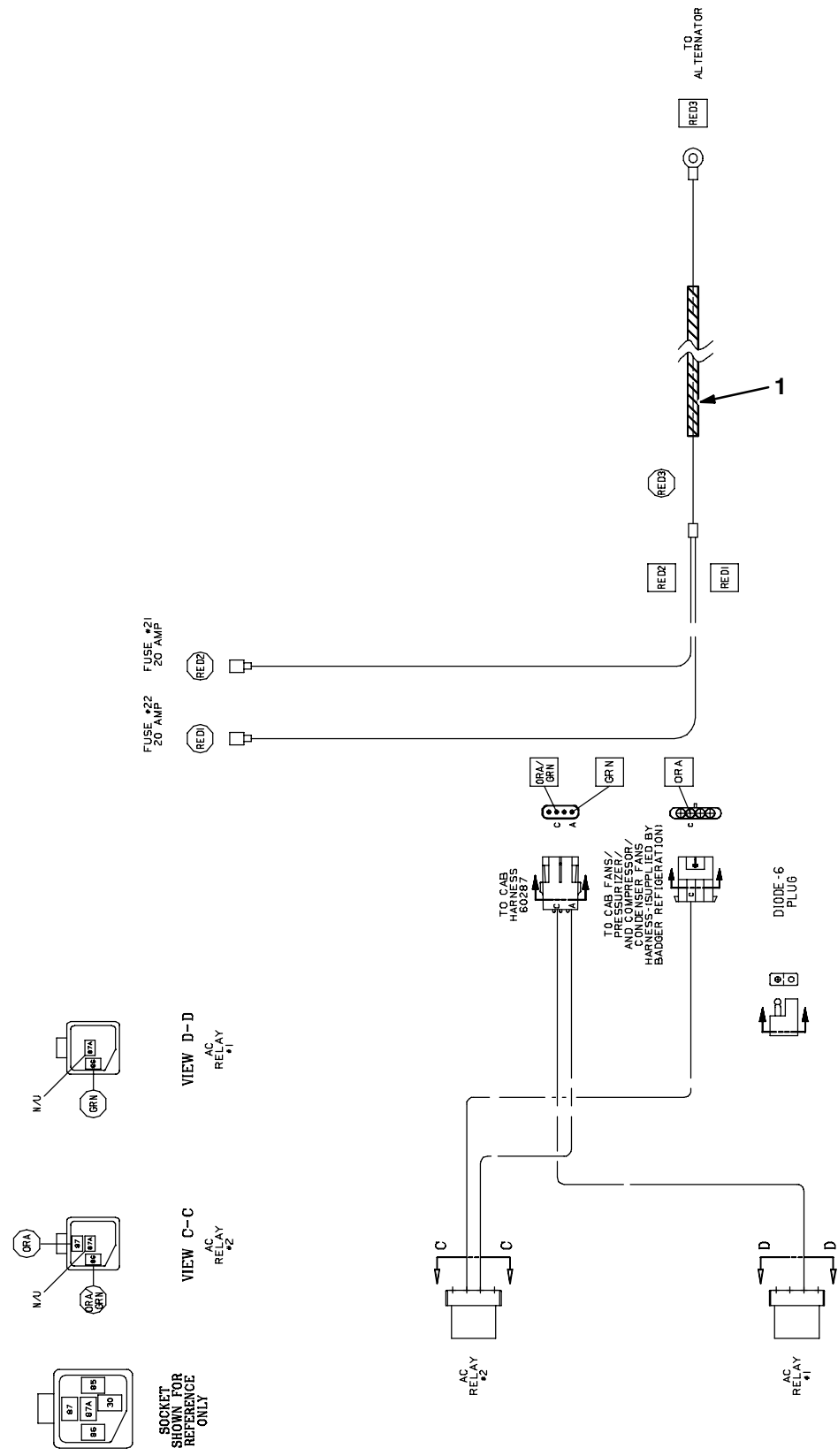
Fig. 24 - Air Conditioning and Heater Electrical Group



354022 - 6600, 6650

Ref.	Part No.	Serial Number	Description	Qty.
1	383723	(000000-)	Circuitbreaker, 20.0a, Resetable	2
2	56186	(000000-)	Relay, 12vdc, 40a, Spdt N/O [Potter]	2
3	08708	(000000-)	Nut, Hex, Lock, M6 X 1.0, NI	2
4	65553	(000000-)	Switch, Rocker, 28vdc 15a Dpdt On/Of/On	1
5	65561	(000000-)	Switch, Rocker, 28vdc 15a Spst On/Of	1
6	57807	(000000-)	Cover, Seal, Rocker Switch	2
7	393363	(000000-)	Label, Info, A/C, On-Off	1
8	49263	(000000-)	Tie, Cable, Nyl, 11.4l .19w 3.0 Max D	10
9	10632-18	(000000-)	Grommet, Rbr, 0.69id, F/ 0.1h, .25matl	1

Fig. 25 - Air Conditioning and Heater Wire Harness Group



354022 - 6600, 6650

Ref.	Part No.	Serial Number	Description	Qty.
1	377098	(000000-) Harness, A/C, Heater [6600/6650]	2

Fig. 26 - Blower Wand Group

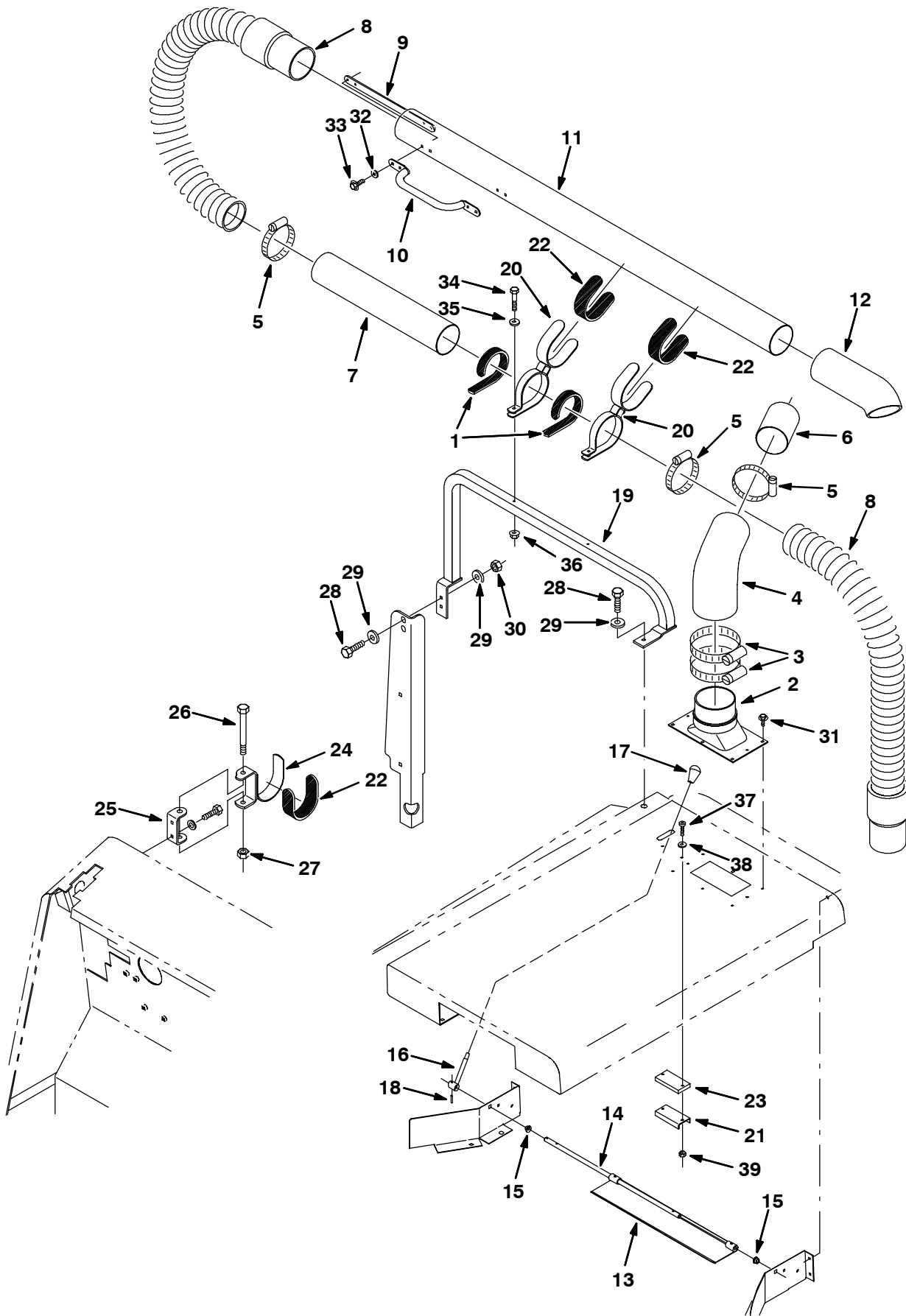


Fig. 26 - Blower Wand Group

NOTE: Blower Wand Kit, TENNANT Part Number 377067 (000000-024999), includes Fig. 26 and Fig. 28.

NOTE: Blower Wand Kit, TENNANT Part Number 9000774 (025000-), includes Fig. 26 and Fig. 28.

Ref.	Part No.	Serial Number	Description	Qty.
1	71025	(000000-) Strip, Rbr, 0.13 00.75w 10.3l	2
2	72143	(000000-) Duct, Blower Wand	1
3	23498	(000000-) Clamp, Hose, Wormdrive, 3.56-4.50d	2
4	59919	(000000-) Hose, Rbr, E90 3.00id 3.50id 03.5 3.3	1
5	43555	(000000-) Clamp, Hose, Wormdrive, 1.62-3.50d	3
6	53894	(000000-) Tube, Plstc, 3.00d 2.90b 04.0l Clear	1
7	53883	(000000-) Tube, Plstc, 3.00d 2.90b 16.0l Clear	1
8	64320	(000000-) Hose Assy, W/1cuff, 3.0d, 24l, 3.0/	2
9	69937	(000000-) Plate, Backing, Handle	1
10	32822	(000000-) Handle	1
11	53895	(000000-) Tube, Plstc, 3.00d 2.90b 48.0l Clear	1
12	59104	(000000-) Hose, Rbr	1
13	59012	(000000-) Plate Wldt, Blower Wand	1
14	59013	(000000-) Pin, 0.38d 17.2l 1/.10h 2/M04 X 0.7h	1
15	63469-3	(000000-) Bushing, Snap In, 0.38b 0.31d .14t Nyl	2
16	58881	(000000-) Lever	1
17	69955	(000000-) Knob, Tpr, 1.00d 1.63l M08x1.25 Plstc	1
18	23999-6	(000000-) Pin, Roll, .090 D X 0.75l, .094/.097	1
19	69923	(000000-) Tube Wldt, Sppt, Blower Wand	1
20	55489	(000000-) Clamp Wldt, Tube, Blower Wand	2
21	63378	(000000-) Magnet	1
22	69981	(000000-) Strip, Rbr, 0.13 01.25w 08.8l	3
23	69953	(000000-) Plate	1
24	74438	(000000-) Bracket Wldt, Sppt, Blower	1
25	74439	(000000-) Bracket, Mtg, Tube, Blower Wand	1
26	34877	(000000-) Screw, Hex, M10 X 1.5 X 100, 8.8	1
	59768	(000000-) Label Set, Opertnl	1
27	41430	(000000-) Nut, Hex, Lock, M10 X 1.5, NI	1
28	41346	(000000-) Screw, Hex, M12 X 1.75 X 30, 8.8	3
29	32486	(000000-) Washer, Flat, 0.50 Sae	7
30	08711	(000000-) Nut, Hex, Lock, M12 X 1.75,NI	2
31	24593	(000000-) Screw, Hex, .25-20 X 0.50, Fmg	6
32	01683	(000000-) Washer, Flat, #10 Ss	4
33	12459	(000000-) Screw, Hex, M 6 X 1.0 X 20, Fmg	4
34	06949	(000000-) Screw, Hex, M 6 X 1.0 X 50, 8.8	2
35	32483	(000000-) Washer, Flat, 0.25 Sae	2
36	07790	(000000-) Nut, Hex, Flng, M06 X 1.0	2
37	24198	(000000-) Screw, Pan, M 5 X 0.8 X 25, Ss	2
38	19066	(000000-) Washer, Flt, #10	2
39	06549	(000000-) Nut, Hex, Lock, M 5 X 0.8, NI	2

Fig. 27 - Blower Wand Group, Overhead Guard

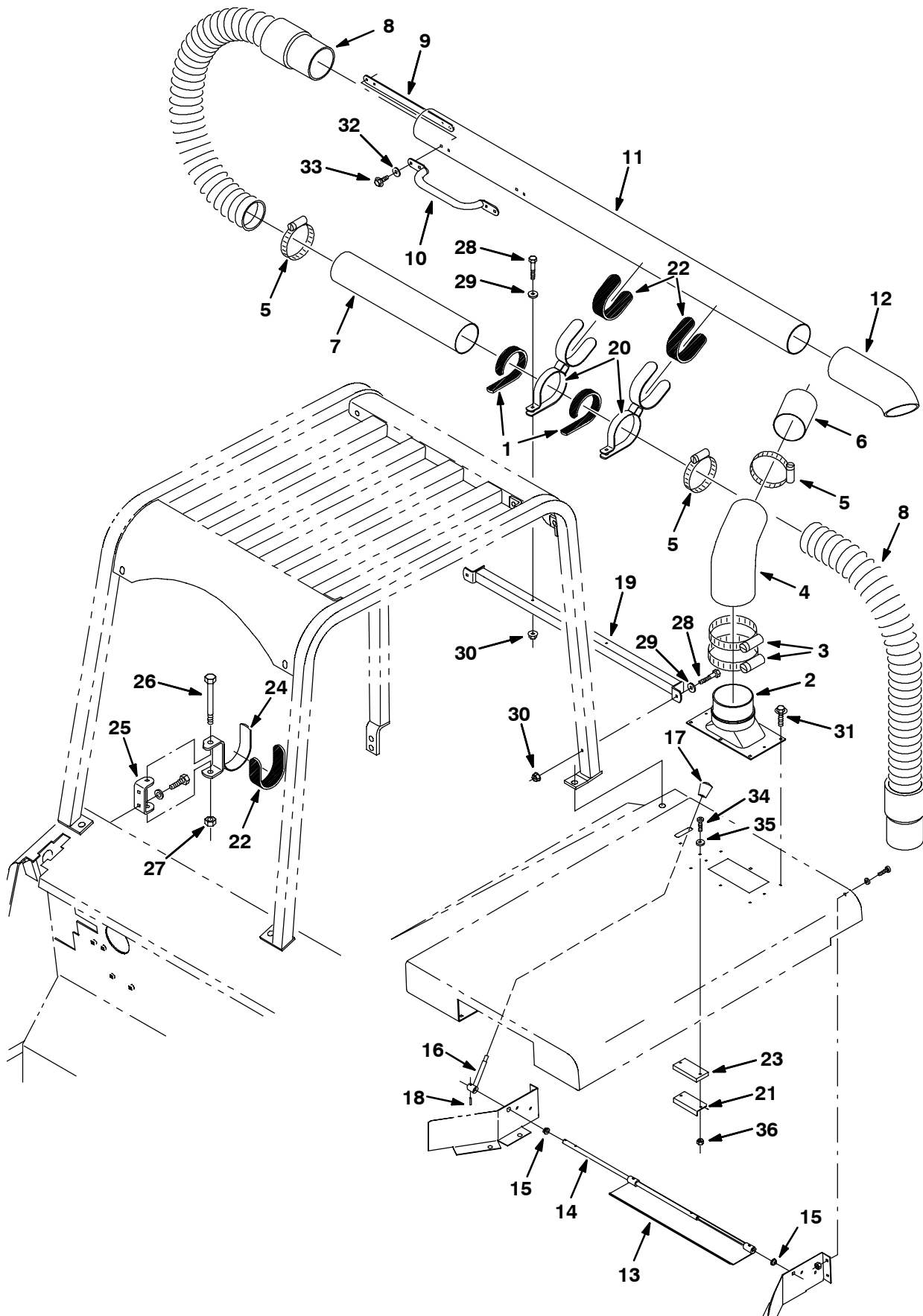


Fig. 27 - Blower Wand Group, Overhead Guard

NOTE: Blower Wand Kit, TENNANT Part Number 377093 (000000-024999), includes Fig. 27 and Fig. 28.

NOTE: Blower Wand Kit, TENNANT Part Number 9000775 (025000-), includes Fig. 27 and Fig. 28.

Ref.	Part No.	Serial Number	Description	Qty.
1	71025	(000000-) Strip, Rbr, 0.13 00.75w 10.3l	2
2	72143	(000000-) Duct, Blower Wand	1
3	23498	(000000-) Clamp, Hose, Wormdrive, 3.56-4.50d	2
4	59919	(000000-) Hose, Rbr, E90 3.00id 3.50id 03.5 3.3	1
5	43555	(000000-) Clamp, Hose, Wormdrive, 1.62-3.50d	3
6	53894	(000000-) Tube, Plstc, 3.00d 2.90b 04.0l Clear	1
7	53883	(000000-) Tube, Plstc, 3.00d 2.90b 16.0l Clear	1
8	64320	(000000-) Hose Assy, W/1cuff, 3.0d, 24l, 3.0/	2
9	69937	(000000-) Plate, Backing, Handle	1
10	32822	(000000-) Handle	1
11	53895	(000000-) Tube, Plstc, 3.00d 2.90b 48.0l Clear	1
12	59104	(000000-) Hose, Rbr	1
13	59012	(000000-) Plate Wldt, Blower Wand	1
14	59013	(000000-) Pin, 0.38d 17.2l 1/.10h 2/M04 X 0.7h	1
15	63469-3	(000000-) Bushing, Snap In, 0.38b 0.31d .14t Nyl	2
16	58881	(000000-) Lever	1
17	69955	(000000-) Knob, Tpr, 1.00d 1.63l M08x1.25 Plstc	1
18	23999-6	(000000-) Pin, Roll, .090 D X 0.75l, .094/.097	1
19	69958	(000000-) Tube Wldt, Sppt, Blower, Wand	1
20	55489	(000000-) Clamp Wldt, Tube, Blower Wand	2
21	63378	(000000-) Magnet	1
22	69981	(000000-) Strip, Rbr, 0.13 01.25w 08.8l	3
23	69953	(000000-) Plate	1
24	74438	(000000-) Bracket Wldt, Sppt, Blower	1
25	74439	(000000-) Bracket, Mtg, Tube, Blower Wand	1
26	07819	(000000-) Screw, Hex, M10 X 1.5 X 130, 8.8	1
	59768	(000000-) Label Set, Opertnl, [355l]	1
27	41430	(000000-) Nut, Hex, Lock, M10 X 1.5, NI	1
28	06949	(000000-) Screw, Hex, M 6 X 1.0 X 50, 8.8	4
29	32483	(000000-) Washer, Flat, 0.25 Sae	4
30	07790	(000000-) Nut, Hex, Flng, M06 X 1.0	4
31	24593	(000000-) Screw, Hex, .25-20 X 0.50, Fmg	6
32	01683	(000000-) Washer, Flat, #10 Ss	4
33	12459	(000000-) Screw, Hex, M 6 X 1.0 X 20, Fmg	4
34	24198	(000000-) Screw, Pan, M 5 X 0.8 X 25, Ss	2
35	19066	(000000-) Washer, Flt, #10	2
36	06549	(000000-) Nut, Hex, Lock, M 5 X 0.8, NI	2

Fig. 28 - Blower Wand Engine Cover Group

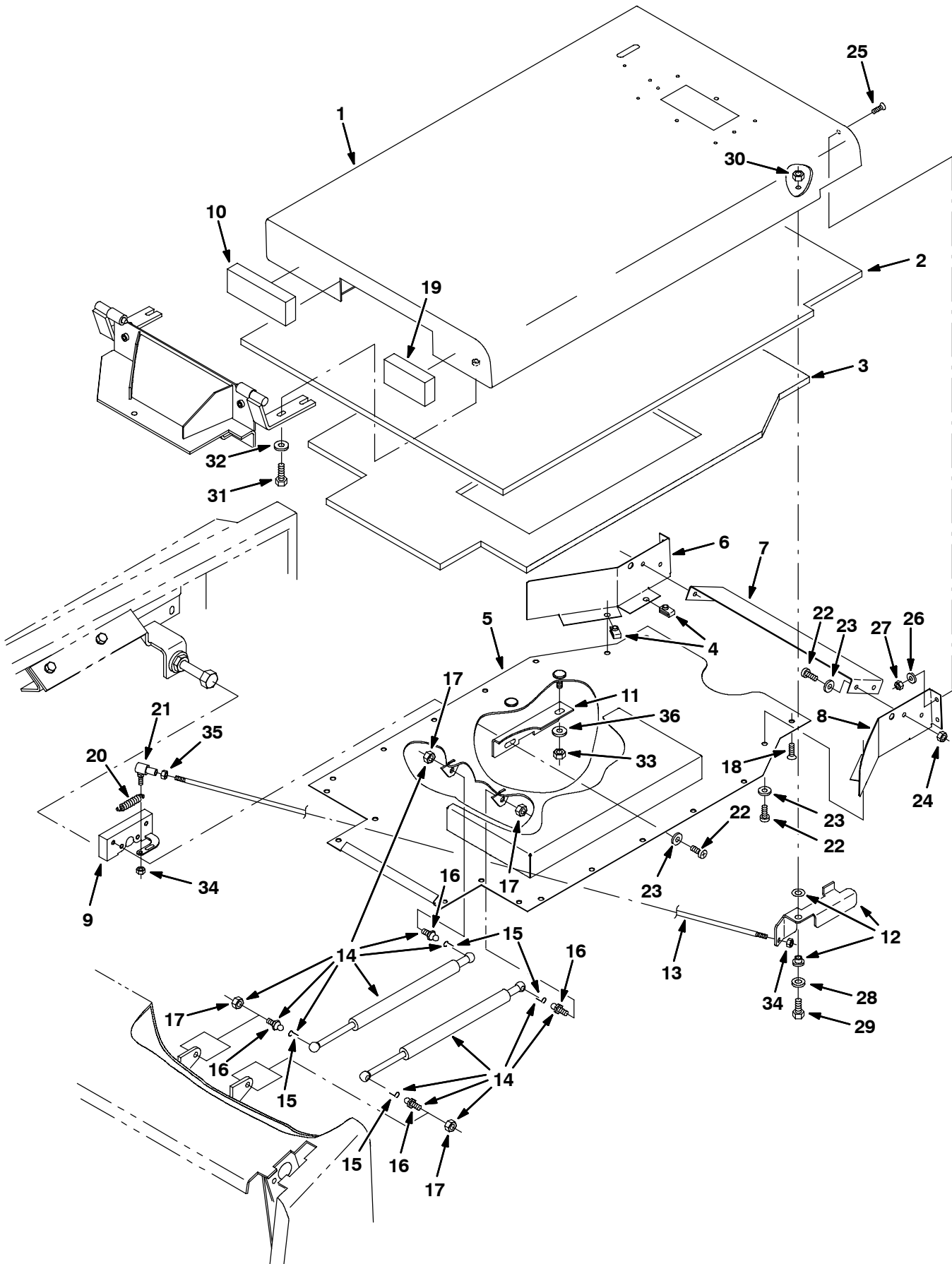


Fig. 28 - Blower Wand Engine Cover Group

NOTE: Blower Wand Kit, TENNANT Part Number 377067 (000000-024999), includes Fig. 26 and Fig. 28.

NOTE: Blower Wand Kit, TENNANT Part Number 377093 (000000-024999), includes Fig. 27 and Fig. 28.

NOTE: Blower Wand Kit, TENNANT Part Number 9000774(025000-), includes Fig. 26 and Fig. 28.

NOTE: Blower Wand Kit, TENNANT Part Number 9000775 (025000-), includes Fig. 27 and Fig. 28.

Ref.	Part No.	Serial Number	Description	Qty.	
1	69935	(000000-)	Door Wldt, Eng, Top, Blower Wand	1	
2	59019	(000000-)	Insulation, Acstc, 0.8 26.0w 36.3l	1	
3	58999	(000000-025999)	Insulation, Acstc, Cover, Eng, Bottom	1	
3	1035090	(030000-)	Insulation, Cover, Eng, Bottom [2007]	1	
4	12271	(000000-)	Nut, U, M06 X 1.0	20	
5	1010316	(000000-024999)	Plate Wldt, Cover, Eng	1	
5	1018778	(025000-025999)	Plate Wldt, Cover, Eng, Metal	1	
5	1035093	(030000-)	Plate Wldt, Cover, Eng, Metal [2007]	1	
6	69952	(000000-)	Plate	1	
7	58849	(000000-)	Bracket, Deflector, Cover, Eng	1	
8	69951	(000000-)	Plate	1	
9	59514	(000000-)	Latch	1	
10	69986	(000000-)	Insulation, Acstc, 1.0 02.0w 05.8l	1	
11	70142	(000000-)	Bracket, Latch, Eng Cover	1	
12	69907	(000000-)	Handle Assy, Latch, Eng Cover	1	
13	55048	(000000-)	Rod	1	
▽	14	69906	(000000-)	Gasspring Assy, Eng Cover	2
▲	15	64595	(000000-)	Clip, Safety, Gasspring	2
▲	16	58494	(000000-)	Stud, Ball, .39d .31-16, Gasspring	2
▲	17	01760	(000000-)	Nut, Hex, Lock, .31-18, NI, Thin	2
18	09062	(000000-)	Screw, Flt, M06 X 1.0 X 16, 10.9	2	
19	69987	(000000-)	Insulation, Acstc, 1.0 02.0w 04.0l	1	
20	53091	(000000-)	Spring, Extn, 0.50od X 0.06wir, 1.8l	1	
21	14601	(000000-)	Balljoint, .25-28 Fem/.25-28mal	1	
22	09145	(000000-)	Screw, Pan, M 6 X 1.0 X 16, 4.8	24	
23	32483	(000000-)	Washer, Flat, 0.25 Sae	24	
24	08708	(000000-)	Nut, Hex, Lock, M 6 X 1.0, NI	4	
25	09120	(000000-)	Screw, Flt, M05 X 0.8 X 16, 10.9	4	
26	19066	(000000-)	Washer, Flt, #10	4	
27	06549	(000000-)	Nut, Hex, Lock, M 5 X 0.8, NI	4	
28	32490	(000000-)	Washer, Flat, 0.25 Std	1	
29	16931	(000000-)	Screw, Hex, M 8 X 1.25 X 20, 8.8	1	
30	08709	(000000-)	Nut, Hex, Lock, M 8 X 1.25 NI	4	
31	39277	(000000-)	Screw, Hex, M 8 X 1.25 X 25, 8.8	4	
32	41186	(000000-)	Washer, Belleville, .31	4	
33	41430	(000000-)	Nut, Hex, Lock, M10 X 1.5, NI	2	
34	18390	(000000-)	Nut, Hex, Lock, .25-28, NI, Thin	2	
35	32899	(000000-)	Nut, Hex, Jam, .25-28	1	
36	32492	(000000-)	Washer, Flat, 0.38 Std	2	

Fig. 29 - Vacuum Wand Kit

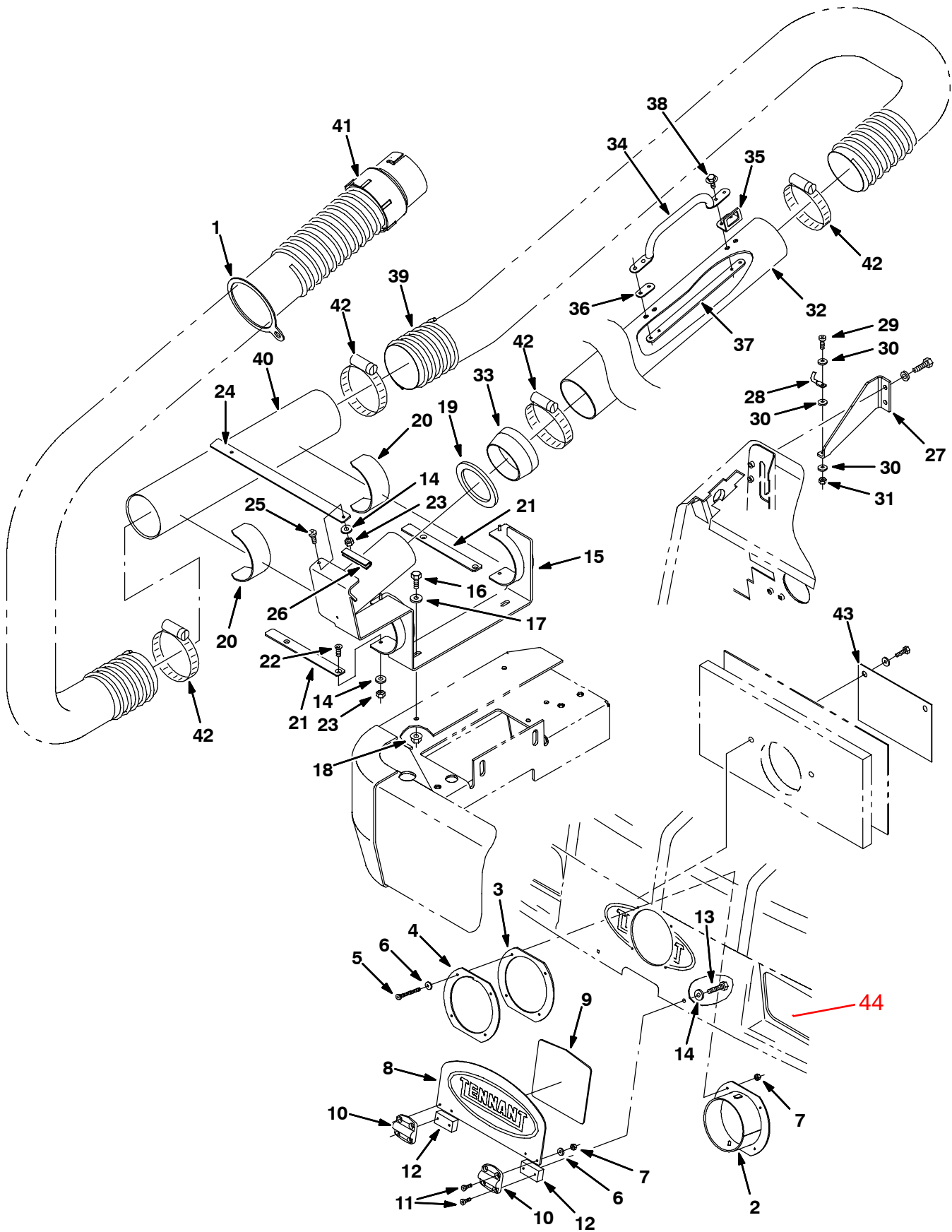


Fig. 29 - Vacuum Wand Kit

Ref.	Part No.	Serial Number	Description	Qty.
▽	377141	(000000-) Kit, Ci, Wand, Vacuum	1
▲	1 1009163	(000000-) Strap, Mtg, Cuff	1
▲	2 1007965	(000000-) Tube Wldt, Hppr	1
▲	3 1008629	(000000-) Gasket, Flange	2
▲	4 1008611	(000000-) Flange, Ring	1
▲	5 377165	(000000-) Screw, Pan, M4x0.7 X 60, 4.8	4
▲	6 19065	(000000-) Washer, Flat, #08	4
▲	7 02850	(000000-) Nut, Hex, Lock, M 4 X 0.7, NI	4
▲	8 1010600	(000000-) Door, Vacuum, W/Label [6600/6650]	1
▲	9 1007993	(000000-) Gasket, Door	1
▲	10 367950	(000000-) Hinge, .40pin 2.2w 2.0l 4/0.21h	2
▲	11 06927	(000000-) Screw, Pan, M 4 X 0.7 X 16, 4.8	8
▲	12 1008304	(000000-) Spacer, Hinge	2
▲	13 06947	(000000-) Screw, Hex, M 6 X 1.0 X 40, 8.8	2
▲	14 32483	(000000-) Washer, Flat, 0.25 Sae	5
▲	15 1008713	(000000-) Bracket Wldt, Wand	1
▲	16 16931	(000000-) Screw, Hex, M 8 X 1.25 X 20, 8.8	2
▲	17 39349	(000000-) Washer, Flat, 0.31 Sae	2
▲	18 07791	(000000-) Nut, Hex, Flng, M08 X 1.25	2
▲	19 1008724	(000000-) Gasket, Tube	1
▲	20 1008734	(000000-) Strip, Rbr, 0.13 02.00w 7.2l	2
▲	21 1009429	(000000-) Strap, Hose	2
▲	22 09062	(000000-) Screw, Flt, M06 X 1.0 X 16, 10.9	2
▲	23 08708	(000000-) Nut, Hex, Lock, M 6 X 1.0, NI	3
▲	24 1009795	(000000-) Strap, Hose	1
▲	25 09145	(000000-) Screw, Pan, M 6 X 1.0 X 16, 4.8	1
▲	26 74068	(000000-) Molding, Trim, Pvc,.18-.31 02.8l	1
▲	27 1009116	(000000-) Bracket, Wand	1
▲	28 1009366	(000000-) Bar, Wand	1
▲	29 06934	(000000-) Screw, Pan, M 5 X 0.8 X 20, 4.8	1
▲	30 19066	(000000-) Washer, Flt, #10	3
▲	31 06549	(000000-) Nut, Hex, Lock, M 5 X 0.8, NI	1
▲	32 1010823	(000000-) Tube, Wand, Vacuum	1
▲	33 382634	(000000-) Bumper, Wand, Vacuum	1
▲	34 32822	(000000-) Handle	1
▲	35 1009122	(000000-) Bracket, Mtg, Wand	1
▲	36 1009167	(000000-) Spacer, Handle	1
▲	37 69937	(000000-) Plate, Backing, Handle	1
▲	38 361339	(000000-) Screw, Hex, M 6 X 1.0 X 16, Fmg	4
▲	39 1009847	(000000-) Hose, Vacuum, 4.00id X 53.0l	1
▲	40 1009811	(000000-) Tube, Wand	1
▲	41 1009540	(000000-) Hose Assy, W/1cuff, 4.0d, 87.8l, 4.0/	1
▲	42 23498	(000000-) Clamp, Hose, Wormdrive, 3.56-4.50d	4
▲	43 1010537	(000000-) Flap, Vac Wand	1
▲	44 377162		Cover, Hopper, Rework	1

Fig. 30 - Vacuum Wand Kit, With Cab

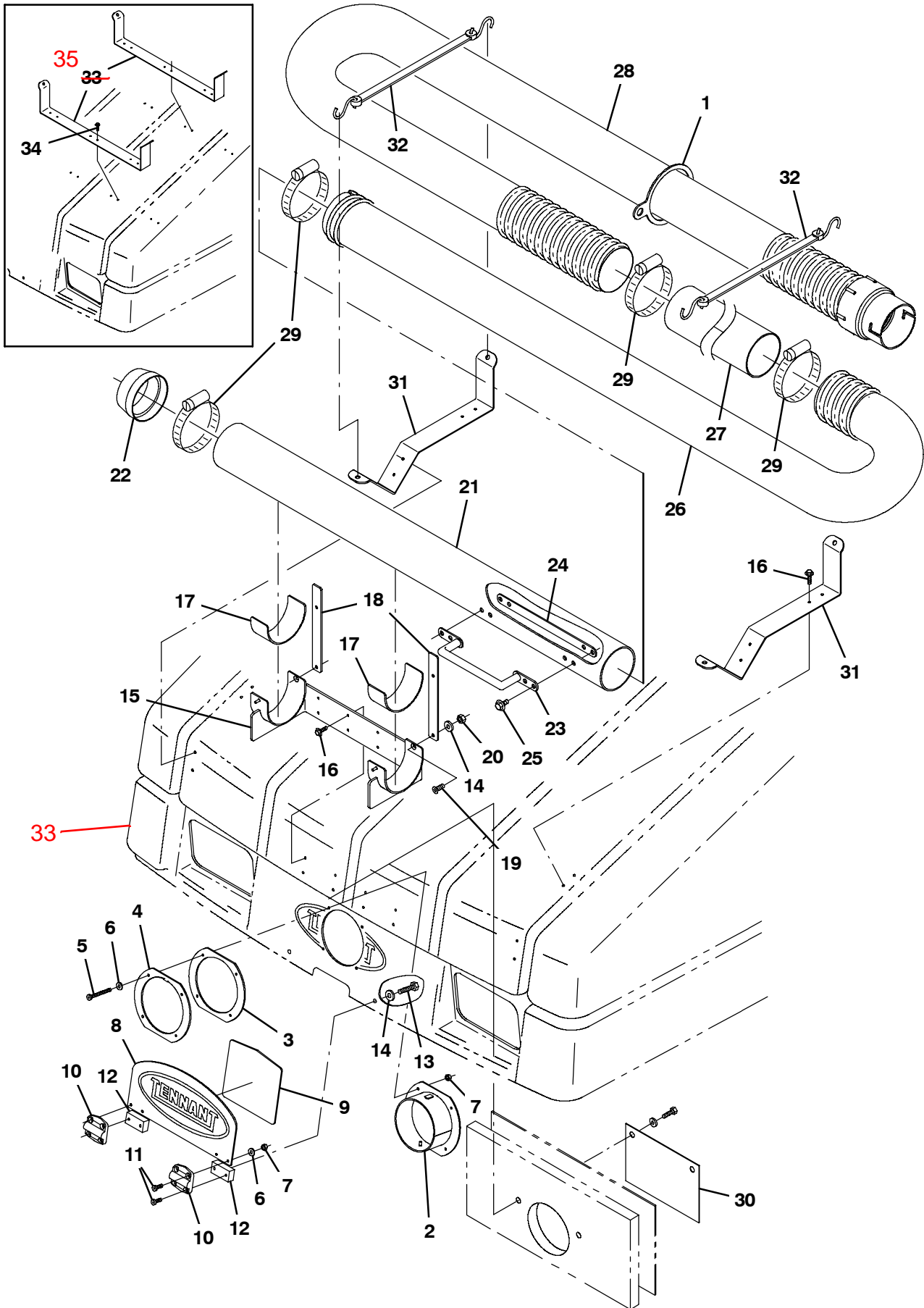


Fig. 30 - Vacuum Wand Kit, With Cab

Ref.	Part No.	Serial Number	Description	Qty.
▽	9000263	(000000-) Wand Kit, Vacuum, W/ Cab, Ci	1
▲	1 1009163	(000000-) Strap, Mtg, Cuff	1
▲	2 1007965	(000000-) Tube Wldt, Hppr	1
▲	3 1008629	(000000-) Gasket, Flange	2
▲	4 1008611	(000000-) Flange, Ring	1
▲	5 377165	(000000-) Screw, Pan, M4x0.7 X 60, 4.8	4
▲	6 19065	(000000-) Washer, Flat, #08	4
▲	7 02850	(000000-) Nut, Hex, Lock, M 4 X 0.7, NI	4
▲	8 1010600	(000000-) Door, Vacuum, W/Label [6600/6650]	1
▲	9 1007993	(000000-) Gasket, Door	1
▲	10 367950	(000000-) Hinge, .40pin 2.2w 2.0l 4/0.21h	2
▲	11 06927	(000000-) Screw, Pan, M 4 X 0.7 X 16, 4.8	8
▲	12 1008304	(000000-) Spacer, Hinge	2
▲	13 06947	(000000-) Screw, Hex, M 6 X 1.0 X 40, 8.8	2
▲	14 32483	(000000-) Washer, Flat, 0.25 Sae	5
▲	15 1011511	(000000-) Bracket Wldt, Wand	1
▲	16 383000	(000000-) Screw, Hex, #12-16 X 0.75, F/Plstc	16
▲	17 1008734	(000000-) Strip, Rbr, 0.13 02.00w 7.2l	2
▲	18 1009429	(000000-) Strap, Hose	2
▲	19 09062	(000000-) Screw, Flt, M06 X 1.0 X 16, 10.9	2
▲	20 08708	(000000-) Nut, Hex, Lock, M 6 X 1.0, NI	3
▲	21 1010823	(000000-) Tube, Vacuum Wand W/ Label	1
▲	22 382634	(000000-) Bumper, Wand, Vacuum	1
▲	23 32822	(000000-) Handle	1
▲	24 69937	(000000-) Plate, Backing, Handle	1
▲	25 361339	(000000-) Screw, Hex, M 6 X 1.0 X 16, Fmg	4
▲	26 1009847	(000000-) Hose, Vacuum, 4.00id X 53.0l	1
▲	27 1009811	(000000-) Tube, Wand	1
▲	28 1009540	(000000-) Hose Assy, W/1cuff, 4.0d, 87.8l, 4.0/	1
▲	29 23498	(000000-) Clamp, Hose, Wormdrive, 3.56-4.50d	4
▲	30 1010537	(000000-) Flap, Vac Wand	1
▲	31 1040200	(xxxxxx-) Bracket, Mtg, Hose, Vacuum	2
▲	32 33671	(000000-) Strap, Rbr, Tie-Down, 2/Hooks 19.0l	2
▲	33 1011176	(000000- xxxxxx)	Bracket, Wand, Vacuum	2
▲	34 383000	(000000- xxxxxx)	Screw, Hex, #12-16 X 0.75, F/Plstc	12

35

▲ 33 377162

Cover, Hopper, Rework 1

Fig. 31 - Operator Comfort Kit

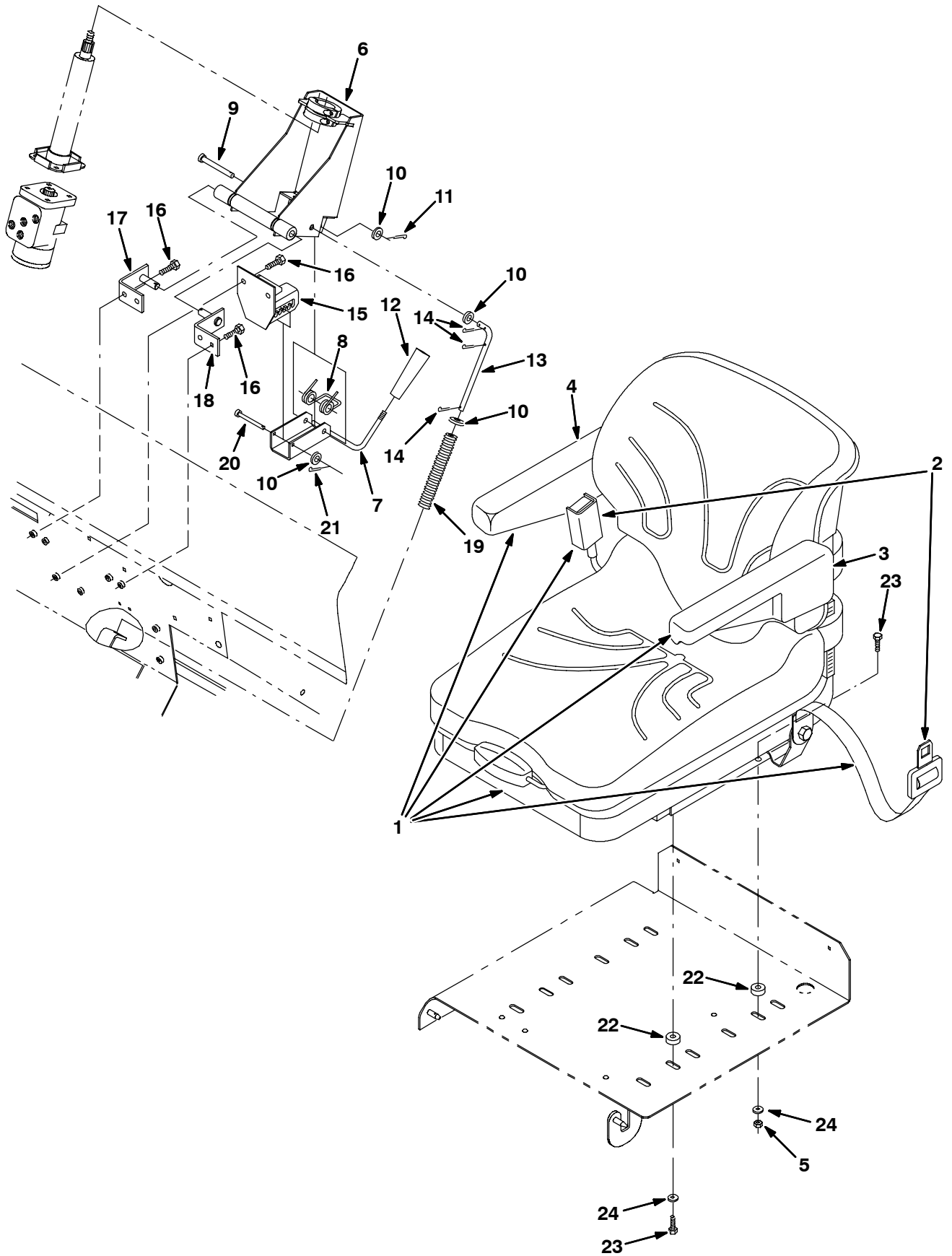


Fig. 31 - Operator Comfort Kit

	Ref.	Part No.	Serial Number	Description	Qty.
▽		377082	(000000-) Kit, Ci, Dlx Seat / Belt / Tilt Steering	1
▲▽	1	377070	(000000-) Seat, Dlx, W/2 Swing Arm [6650/6600]	1
▲▲	2	377071	(000000-) Seatbelt, Static F/Dlx Seat [6650/6600]	1
▲▲	3	377072	(000000-) Arm, Swing, Lh	1
▲▲	4	377073	(000000-) Arm, Swing, Rh	1
▲	5	41430	(000000-) Nut, Hex, Lock, M10 X 1.5, NI	2
▲	6	1007121	(000000-) Bracket Wldt, Valve	1
▲	7	56379	(000000-) Lever	1
▲	8	56198	(000000-) Spring, Tors, 0.54id .11wir 06.0coil	1
▲	9	23191	(000000-) Pin, Clevis, 0.37 D X 3.00l	1
▲	10	32492	(000000-) Washer, Flat, 0.38 Std	5
▲	11	39005	(000000-) Pin, Cotter, .094 X 0.75	1
▲	12	59940	(000000-) Knob, Tpr, 1.12d 3.88l M08x1.25 Plstc	1
▲	13	56392	(000000-) Rod, L, . D	1
▲	14	08182	(000000-) Pin, Cotter, .125 X 1.00	3
▲	15	56385	(000000-) Bracket Wldt, Ntch Steering	1
▲	16	16735	(000000-) Screw, Hex, M 8 X 1.25 X 16, 8.8	6
▲	17	58667	(000000-) Bracket Wldt, Mtg, Steering	1
▲	18	58665	(000000-) Bracket Wldt, Mtg, Steering	1
▲	19	63852	(000000-) Spring, Cmpr, 0.970d .11wir 5.5l	1
▲	20	04733-10	(000000-) Pin, Clevis, 0.25 D X 2.44l	1
▲	21	08178	(000000-) Pin, Cotter, .062 X 0.75	1
▲	22	69462	(000000-) Tube, 01.00d 00.38b 00.4l Stl Plt	4
▲	23	76570	(000000-) Screw, Hex, M 8 X 1.25 X 30, 8.8	4
▲	24	32492	(000000-) Washer, Flat, 0.38 Std	4

Fig. 32 - Side Brush Dust Control Kit

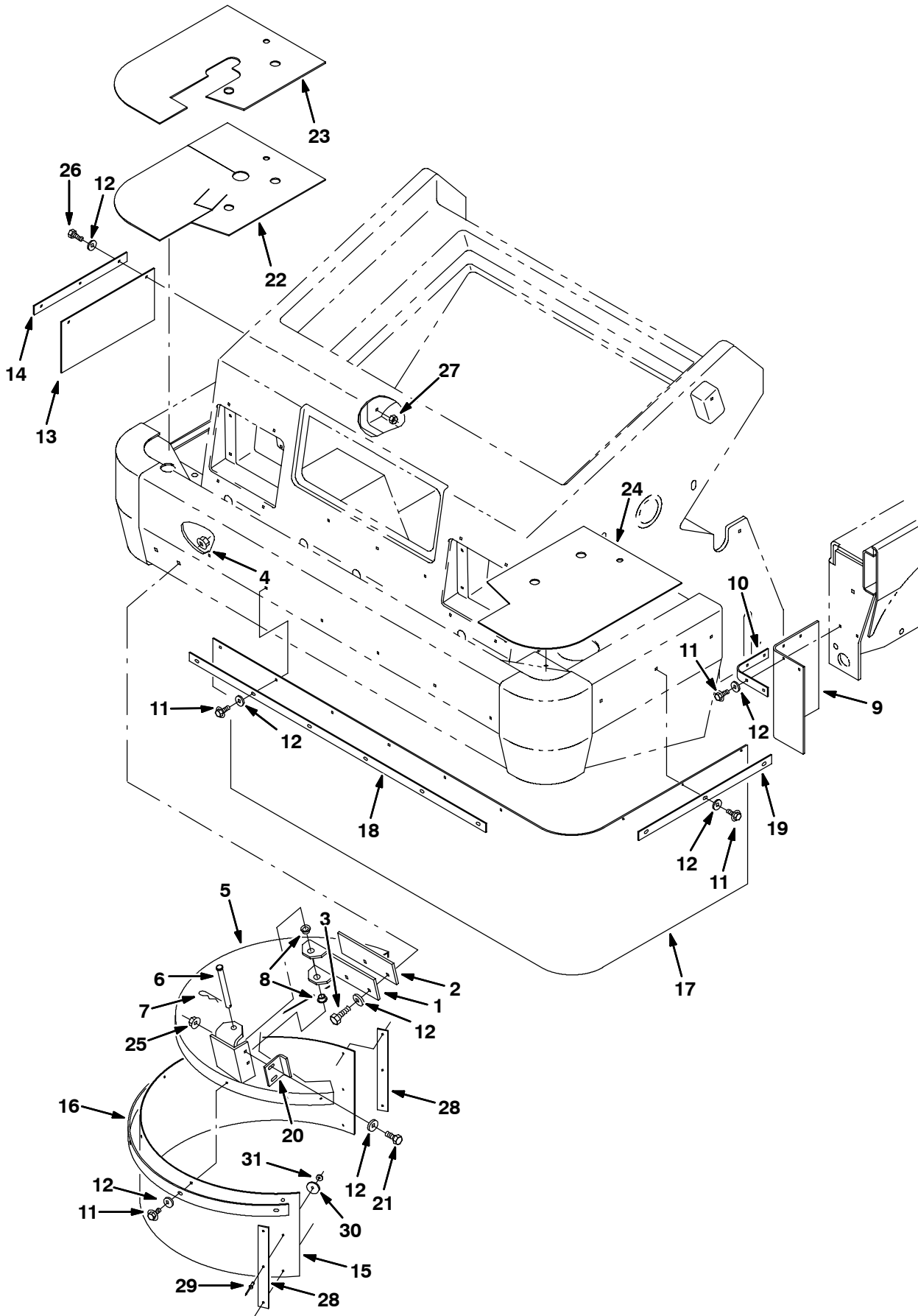
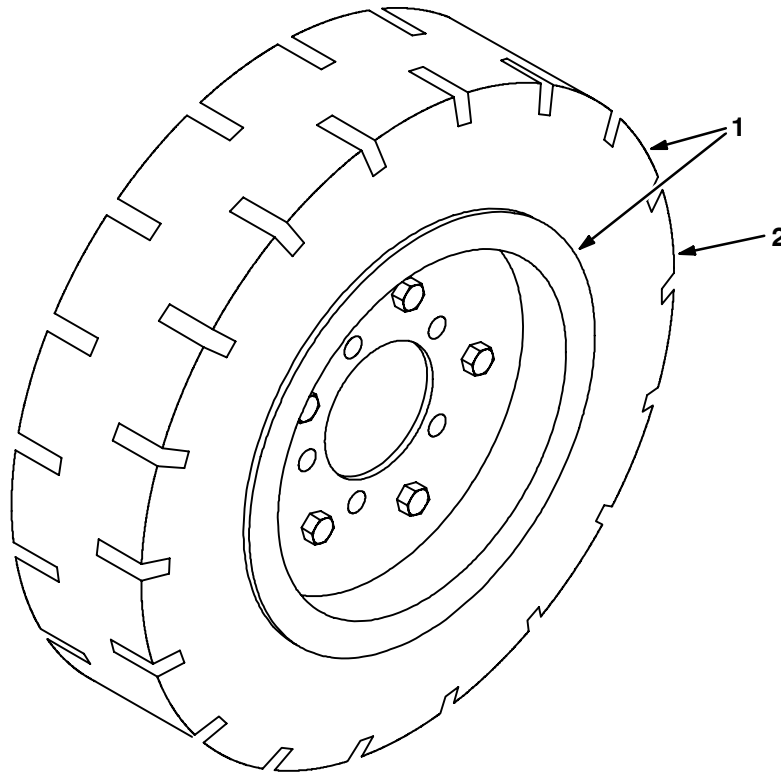


Fig. 32 - Side Brush Dust Control Kit

Ref.	Part No.	Serial Number	Description	Qty.
▽	377144	(000000-) Kit, Ci, Sbdc, [6600/6650]	1
▲	1 74383	(000000-) Bracket, Sbdc	1
▲	2 379810	(000000-) Plate, Spacer	2
▲	3 39284	(000000-) Screw, Hex, M10 X 1.5 X 35, 8.8	2
▲	4 07792	(000000-) Nut, Hex, Flng, M10 X 1.5	2
▲	5 379797	(000000-) Cover Wldt, Brush, Sbdc	1
▲	6 51538	(000000-) Pin, Clevis, 0.50 D X 5.00l	1
▲	7 44906	(000000-) Pin, Hair Cotter, 0.69 D .092 Wir	1
▲	8 23274	(000000-) Bushing, Flng, 0.50b 0.62d 0.40l	2
▲	9 66176	(000000-) Skirt	2
▲	10 66177	(000000-) Plate, Retainer	2
▲	11 12459	(000000-) Screw, Hex, M 6 X 1.0 X 20, Fmg	21
▲	12 01684	(000000-) Washer, Flat, 0.25 Ss	27
▲	13 1010166	(000000-) Skirt, Hppr, Plstc	1
▲	14 1010165	(000000-) Retainer, Skirt	1
▲	15 379804	(000000-) Skirt	1
▲	16 379803	(000000-) Plate, Retainer	1
▲	17 1011052	(000000-) Skirt, Front, Sbdc	1
▲	18 1011057	(000000-) Strip, Retainer, Sbdc	1
▲	19 74381	(000000-) Retainer, Skirt, Sbdc, Lh	1
▲	20 74382	(000000-) Angle, Stop	1
▲	21 16931	(000000-) Screw, Hex, M 8 X 1.25 X 20, 8.8	2
▲	22 1010301	(000000-) Seal, Sbdc, Bmpr (6600 Only)	1
▲	23 1010302	(000000-) Seal, Sbdc, Bmpr (6650 Only)	1
▲	24 1010269	(000000-) Seal, Sbdc, Bmpr	1
▲	25 07791	(000000-) Nut, Hex, Flng, M08 X 1.25	2
▲	26 09007	(000000-) Screw, Hex, M 6 X 1.0 X 25, Ss	3
▲	27 08712	(000000-) Nut, Hex, Lock, M 6 X 1.0, NI, Ss	3
▲	28 1018368	(000000-) Strip, Retainer, Skirt	2
▲	29 60428	(000000-) Rivet, Blind, .188d X 0.58 X .38d, Stl	4
▲	30 41178	(000000-) Washer, Flat, 0.25 Fender	4
▲	31 19324	(000000-) Washer, Flat, #10 Sae	4

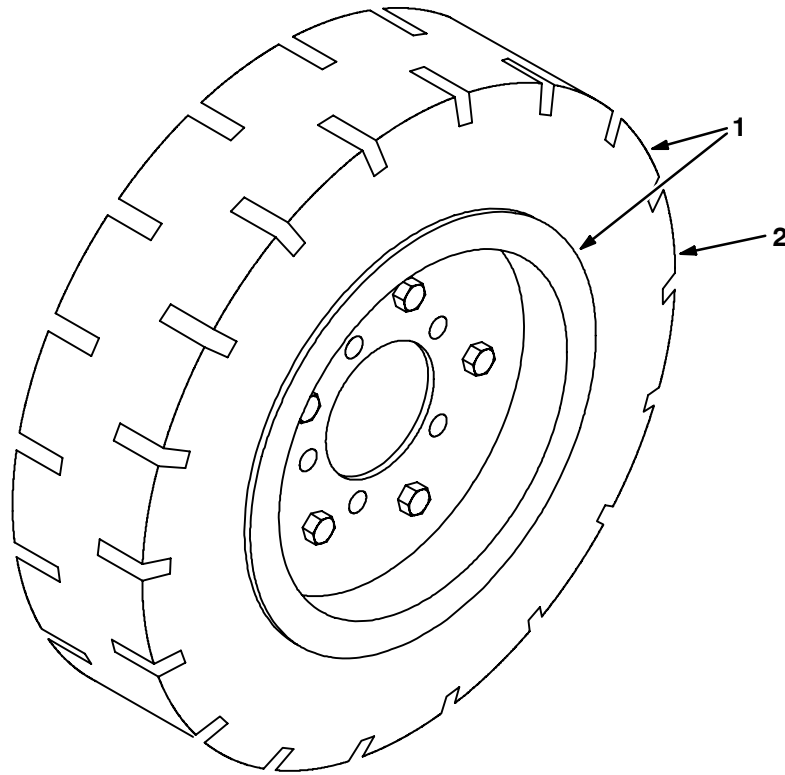
Fig. 33 - Soft Ride Non Marking Rear Tire And Wheel Assembly



354012

	Ref.	Part No.	Serial Number	Description	Qty.
▽	1	71022	(000000-) Tire Assy, Solid, 18.0x4.3 4.5bc/5bolt	1
▲	2	61488	(000000-) Tire, Solid, 18.0 X 7-8/4.33 [Sc10 Nm]	1

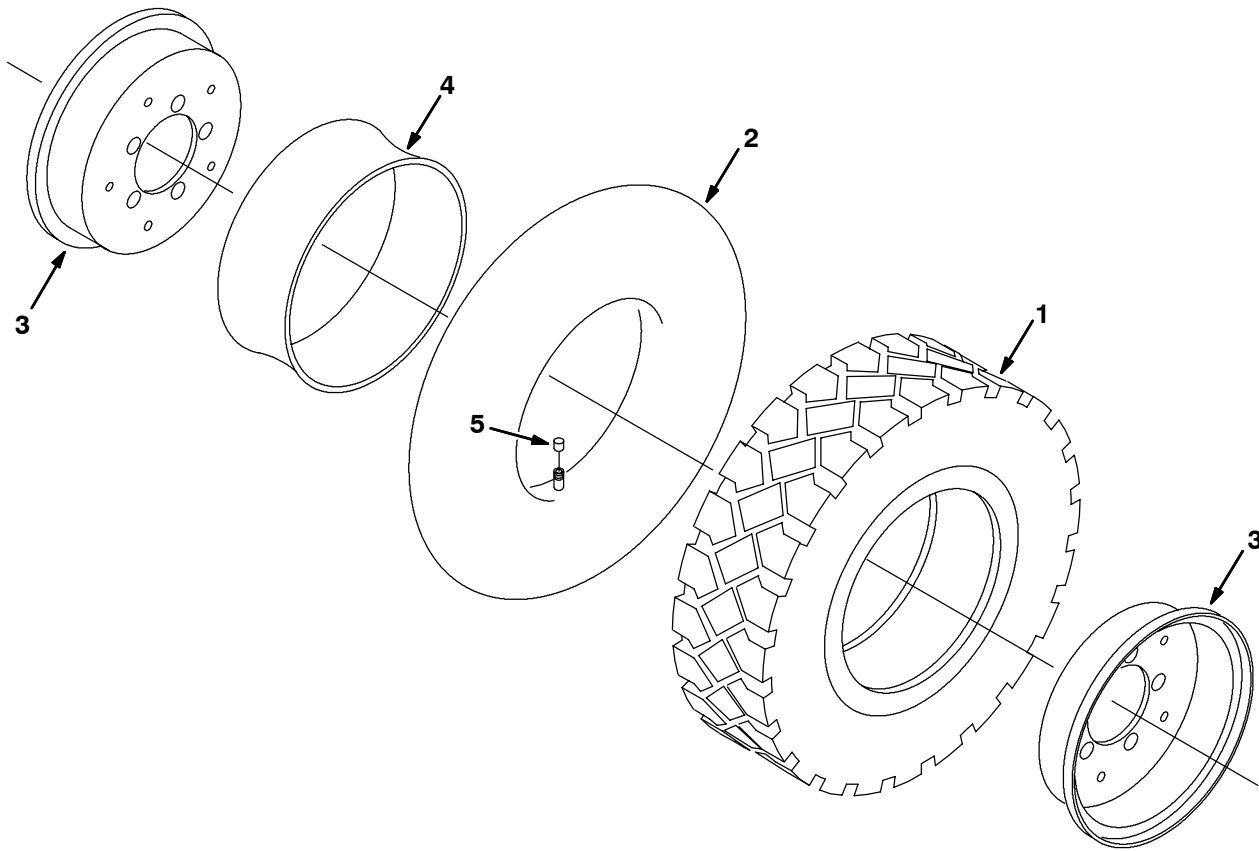
Fig. 34 - Soft Ride Rear Tire And Wheel Assembly



354012

	Ref.	Part No.	Serial Number	Description	Qty.
▽	1	53817	(000000-) Tire Assy, Solid, 18.0x4.3 4.5bc/5bolt	1
▲	2	53816	(000000-) Tire, Solid, 18.0 X 7.0 X8.0 [4.33 Sc15]	1

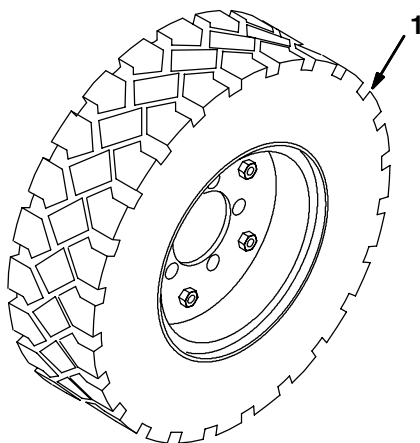
Fig. 35 - Hi-Wear Rear Tire And Wheel Assembly



354013

Ref.	Part No.	Serial Number	Description	Qty.
▽	70278	(000000-) Tire Assy, Pneu, 570/500-08 4.5bc/5bolt	1
▲	1 70279	(000000-) Tire, [5.70/5.00r-8],High Wear, [Ic80]	1
▲	2 70280	(000000-) Innertube, [5.00r-8],[Js2] Valve,[500-8]	1
▲	3 70281	(000000-) Rim Assy, 08 X 4.25 4.5bc/5b, [5.25-8]	1
▲	4 53819-2	(000000-) Flap, Tire/Tube, 570/500-8	1
▲	5 45786	(000000-) Cap, Valve, Tire, Tubeless, [Schrader]	1

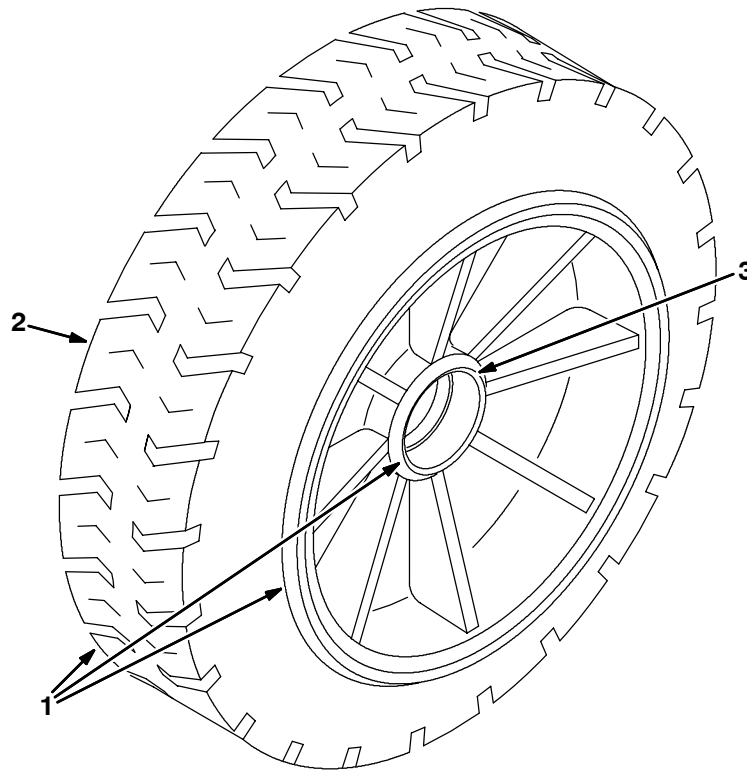
Fig. 36 - Foam Filled Rear Tire Assembly



354014

Ref.	Part No.	Serial Number	Description	Qty.
1	374602	(000000-) Tire Assy, Foam, 570/500-08 4.5bc/5bolt	1

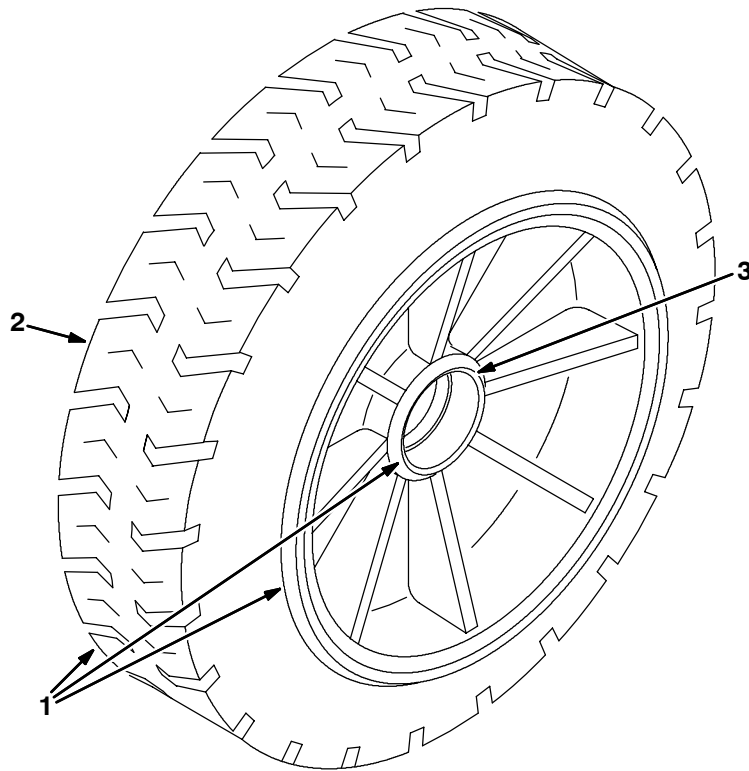
Fig. 37 - Solid Non Marking Turf Front Tire And Wheel Assembly



354015

	Ref.	Part No.	Serial Number	Description	Qty.
▽	1	374689	(000000-) Tire & Wheel Assy, Solid, Turf Non-Mark	1
▲	2	374688	(000000-) Tire, Solid, 18.0 X 7.0 Non-Mark [Mn]	1
▲	3	51338	(000000-) Bearing, Cup, 2.56d 0.55w	2

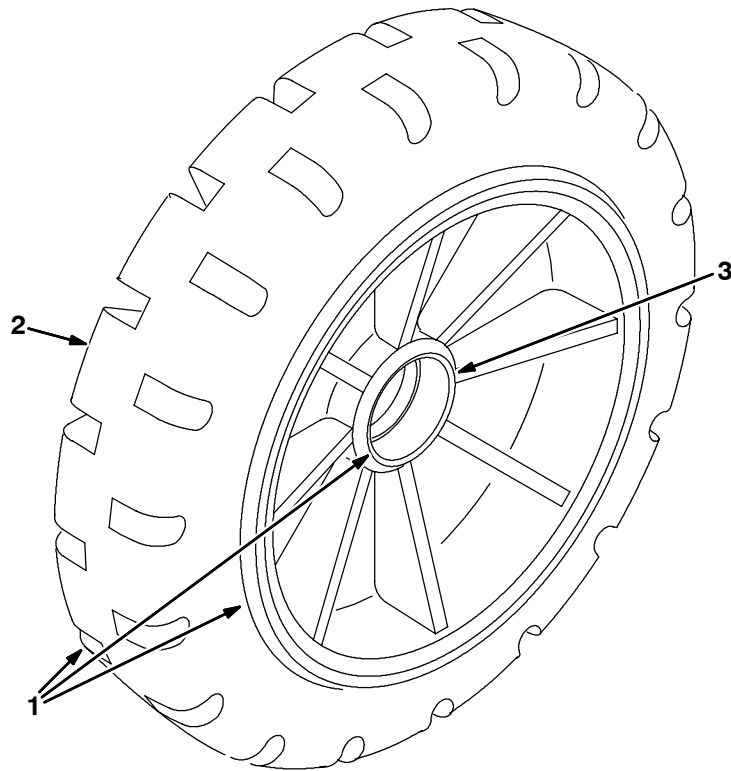
Fig. 38 - Solid Turf Tire And Wheel Assembly



354015

	Ref.	Part No.	Serial Number	Description	Qty.
▽	1	374605	(000000-) Tire Assy, Solid, 18.0x7.0 , W/ Brg	1
▲	2	374604	(000000-) Tire, Solid, 18.0 X 7.0 Turf [Mn]	1
▲	3	51338	(000000-) Bearing, Cup, 2.56d 0.55w	2

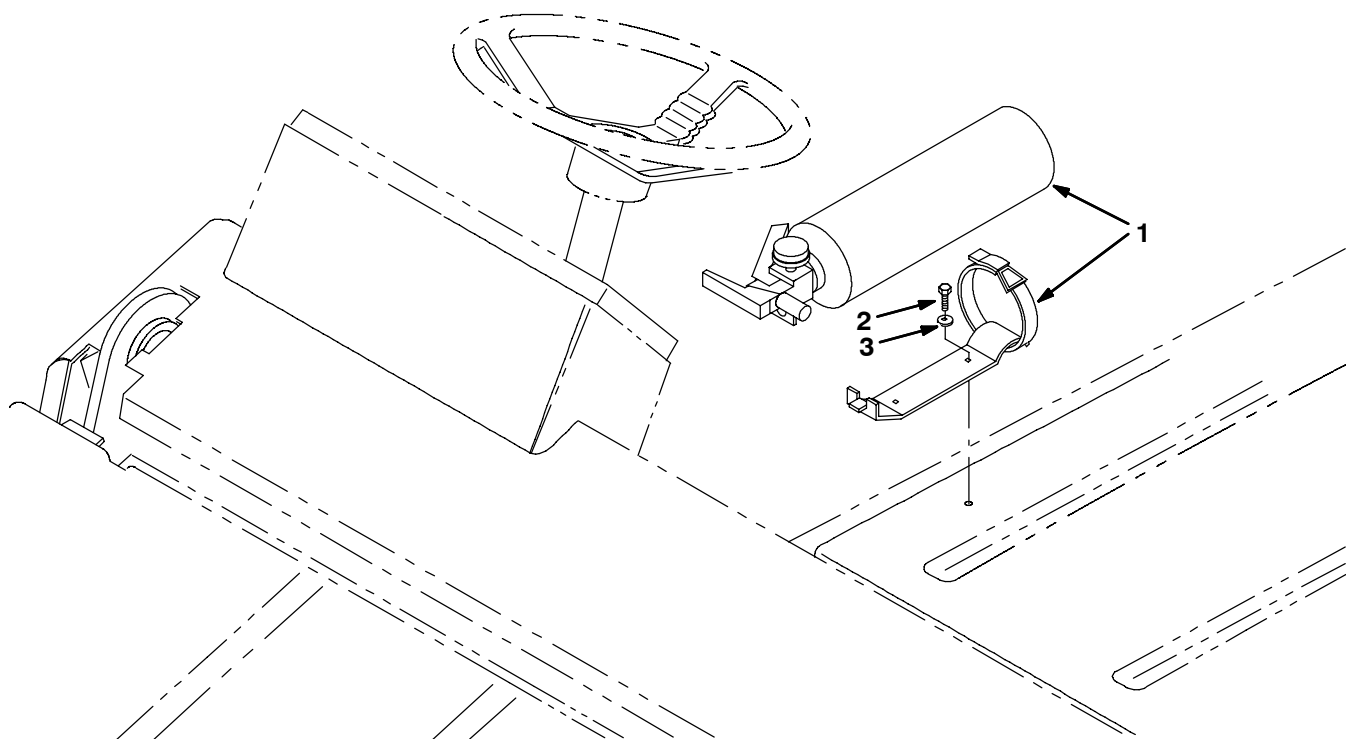
Fig. 39 - Solid Non Marking Tire And Wheel Assembly



354016

	Ref.	Part No.	Serial Number	Description	Qty.
▽	1	374608	(000000-) Tire Assy, Solid, 18.0x5.0 , W/ Brg	1
▲	2	374607	(000000-) Tire, Solid, 18.0 X 5.0 Non-Mark [Mn]	1
▲	3	51338	(000000-) Bearing, Cup, 2.56d 0.55w	2

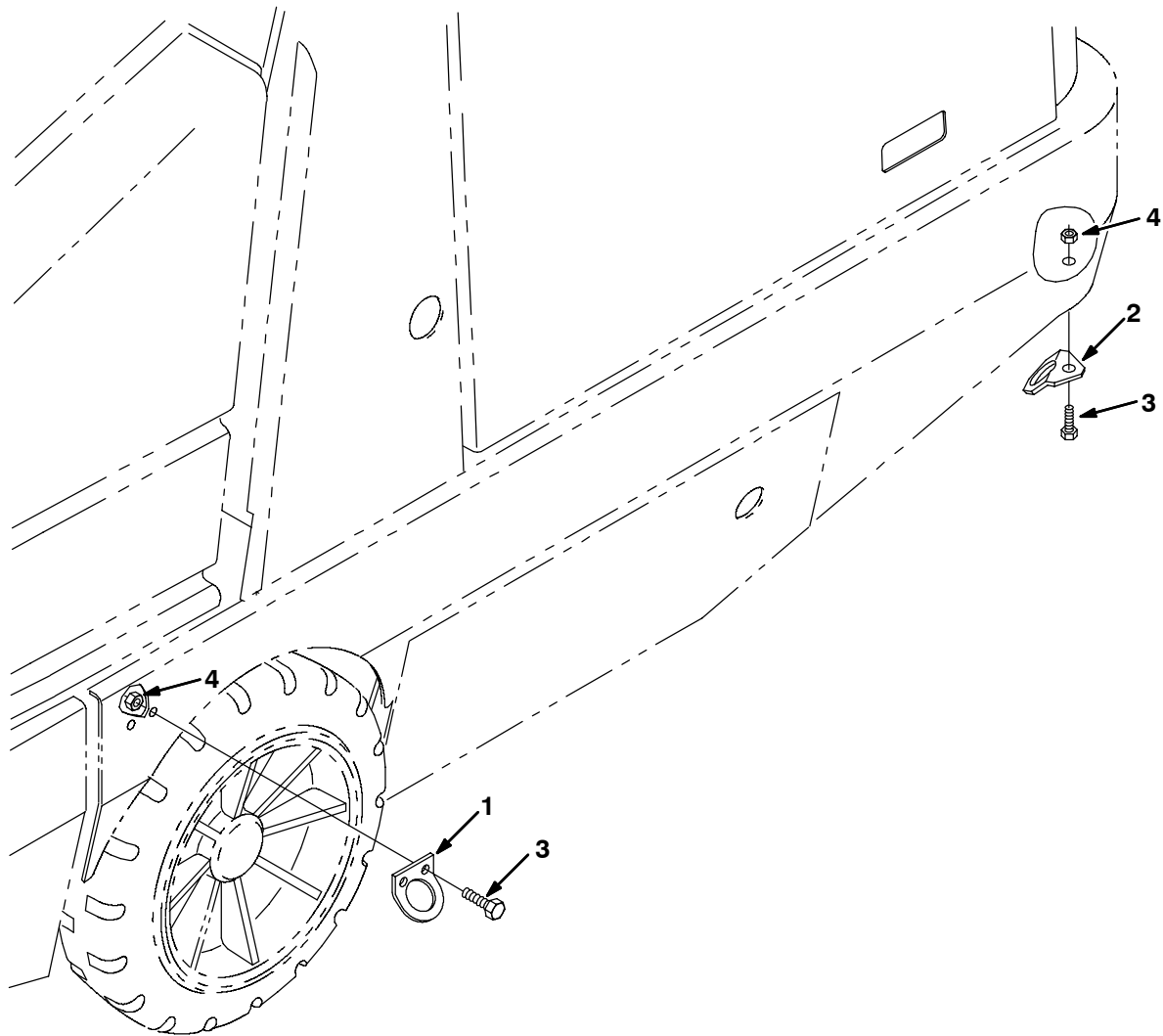
Fig. 40 - Fire Extinguisher Kit



354002

Ref.	Part No.	Serial Number	Description	Qty.
▽	377013	(000000-) Kit, Ci, Extinguisher, Fire, [6600/6650]	1
▲	1 25312	(000000-) Extinguisher, Fire	1
▲	2 55845	(000000-) Screw, Hex, M 5 X 0.8 X 16, Fmg	2
▲	3 32492	(000000-) Washer, Flat, 0.38 Std	2

Fig. 41 - Transport Kit



354011

Ref.	Part No.	Serial Number	Description	Qty.
▽	379844	(000000-) Kit, Ci, Transport [6600/6650]	1
▲	1 82196	(000000-) Bracket, Tie-Down	2
▲	2 14983	(000000-) Bracket, Tie-Down	2
▲	3 39283	(000000-) Screw, Hex, M10 X 1.5 X 25, 8.8	6
▲	4 07792	(000000-) Nut, Hex, Flng, M10 X 1.5	6

Fig. 42 - Documentation Group

07501 - 6600, D, NA

Ref.	Part No.	Serial Number	Description	Qty.
	330890	(000000-) Manual Pkg, [6600 Dsl Na]	1
	330935	(000000-) Manual, Cd-Rom, Service Info [6600/6650]	1
	330892	(000000-) Manual, Oprtr, [6600 Dsl Es Na]	1
	330893	(000000-) Manual, Oprtr, [6600 Dsl Fr Na]	1
	377124	(000000-) Video, Operator [6600] Vhs Ntsc	1
	84660	(000000-) Manual, Eng, Kubo [V1505E]	1
	330915	(000000-) Manual Pkg, Service Info [6600/6650]	1

SECTION 4

Contents	Page
Fig. 1 - Hydraulic Piston Pump Breakdown, 373452	4-2
Fig. 2 - Hydraulic Gear Pump Breakdown, 9000210	4-4
Fig. 3 - Hydraulic Motor Breakdown, 379609	4-6
Fig. 4 - Hydraulic Motor Breakdown, 379608	4-8
Fig. 5 - Hydraulic Motor Breakdown, 379607	4-10
Fig. 6 - Hydraulic Motor Breakdown, 53485	4-11
Fig. 7 - Hydraulic Valve Breakdown, 374547	4-12
Fig. 8 - Hydraulic Valve Breakdown, 1019961	4-14
Fig. 9 - Hydraulic Steering Valve Breakdown, 1005089	4-16
Fig. 10 - Hydraulic Cylinder Breakdown, 74419	4-18
Fig. 11 - Hydraulic Cylinder Breakdown, 53601	4-19
Fig. 12 - Air Conditioning Condenser Breakdown, 393340	4-20
Fig. 13 - Air Conditioning Evaporator / Heater Breakdown, 1010755	4-22
Fig. 14 - Heater Pressurizer Breakdown, 1010757	4-23

Fig. 1 - Hydraulic Piston Pump Breakdown, 373452

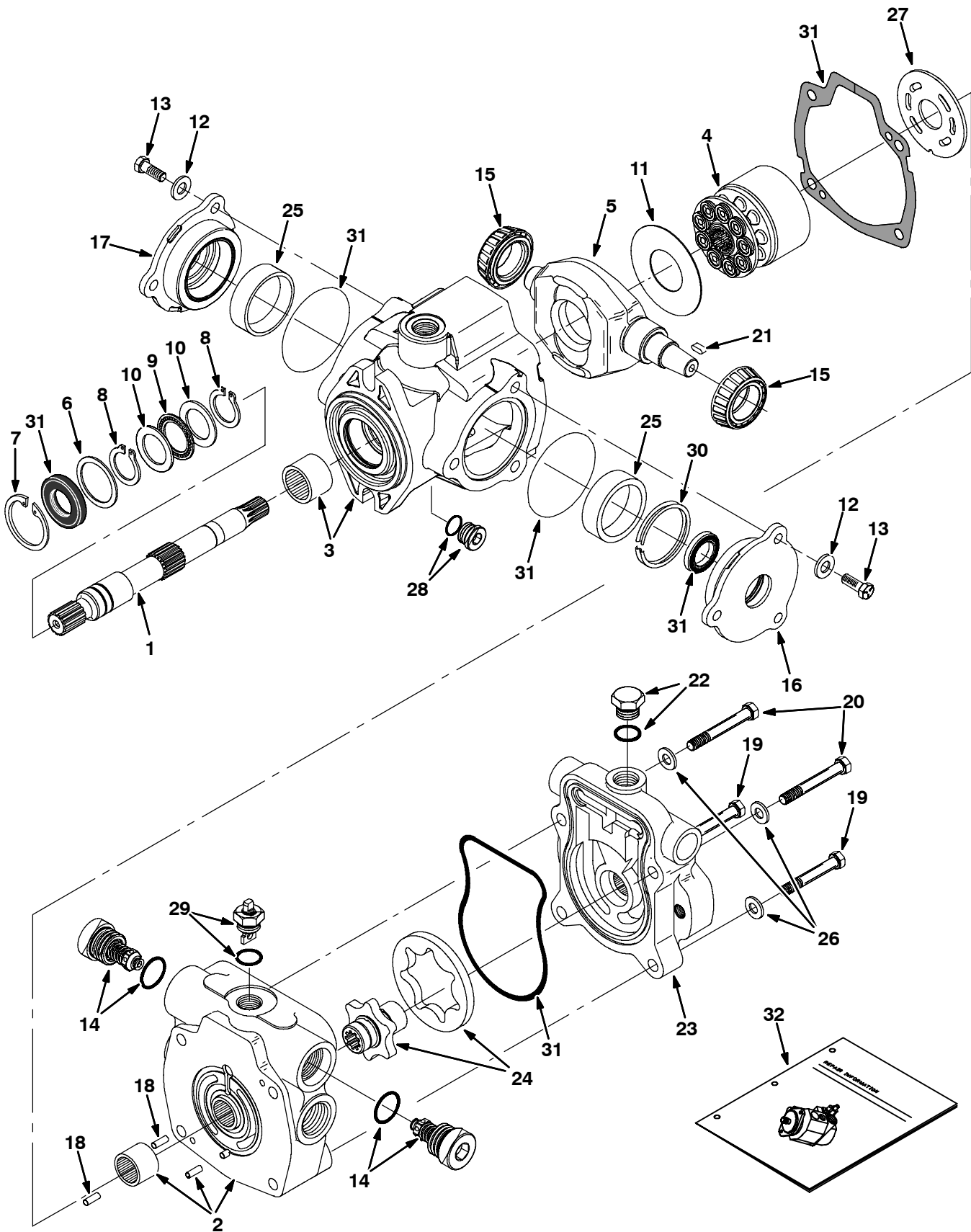


Fig. 1 - Hydraulic Piston Pump Breakdown, 373452

Ref.	Part No.	Serial Number	Description	Qty.
▽	373452	(000000-) Pump, Hyd, Piston, [V] 1.44 [R] 4000	1
▲	1 55931	(000000-) Driveshaft, Pump, Hyd	1
▲	2 373430	(000000-) Cover, End	1
▲	3 373389	(000000-) Housing	1
▲	4 02706	(000000-) Kit, Rotating, Pump, Hyd	1
▲	5 373390	(000000-) Cam	1
▲	6 70096	(000000-) Washer, Flt, Pump, Hyd	1
▲	7 55926	(000000-) Ring, Retaining, Pump, Hyd	1
▲	8 373434	(000000-) Ring, Retaining	2
▲	9 74225	(000000-) Bearing, Thrust, Pump, Hyd	1
▲	10 74226	(000000-) Race, Bearing, Pump, Hyd	2
▲	11 373327	(000000-) Insert, Plate, Cam, Pump, Hyd	1
▲	12 373391	(000000-) Washer, Pump, Hyd	6
▲	13 373346	(000000-) Screw, Cap	6
▲	14 373494	(000000-) Valve, Relief, 4000 Psi	2
▲	15 373317	(000000-) Bearing, Cone, Pump, Hyd	2
▲	16 373393	(000000-) Plate, Cover	1
▲	17 373394	(000000-) Plate, Cover	1
▲	18 70100	(000000-) Pin, Dowel, Pump, Hyd	2
▲	19 373336	(000000-) Screw, Cap, Pump, Hyd	2
▲	20 373337	(000000-) Screw, Cap, Pump, Hyd	2
▲	21 74237	(000000-) Key, Shaft, Pump, Hyd	1
▲	22 13907	(000000-) Fitting, Plug, O-Ring	1
▲	23 55930	(000000-) Adaptor Assy, Pump, Hyd	1
▲	24 55932	(000000-) Gerotor, Pump, Hyd	1
▲	25 373395	(000000-) Bearing, Cup	2
▲	26 373396	(000000-) Washer	4
▲	27 74180	(000000-) Plate, Valve, Pump, Hyd	1
▲	28 13907	(000000-) Fitting, Plug, O-Ring	1
▲	29 373413	(000000-) Actuator, Valve, Bypass	1
▲	30 373402	(000000-) Kit, Shim	1
▲	31 373398	(000000-) Kit, Seal, Hyd, Pump	1
	32 373429	(000000-) Instr, Repair, Pump	1

Fig. 2 - Hydraulic Gear Pump Breakdown, 9000210

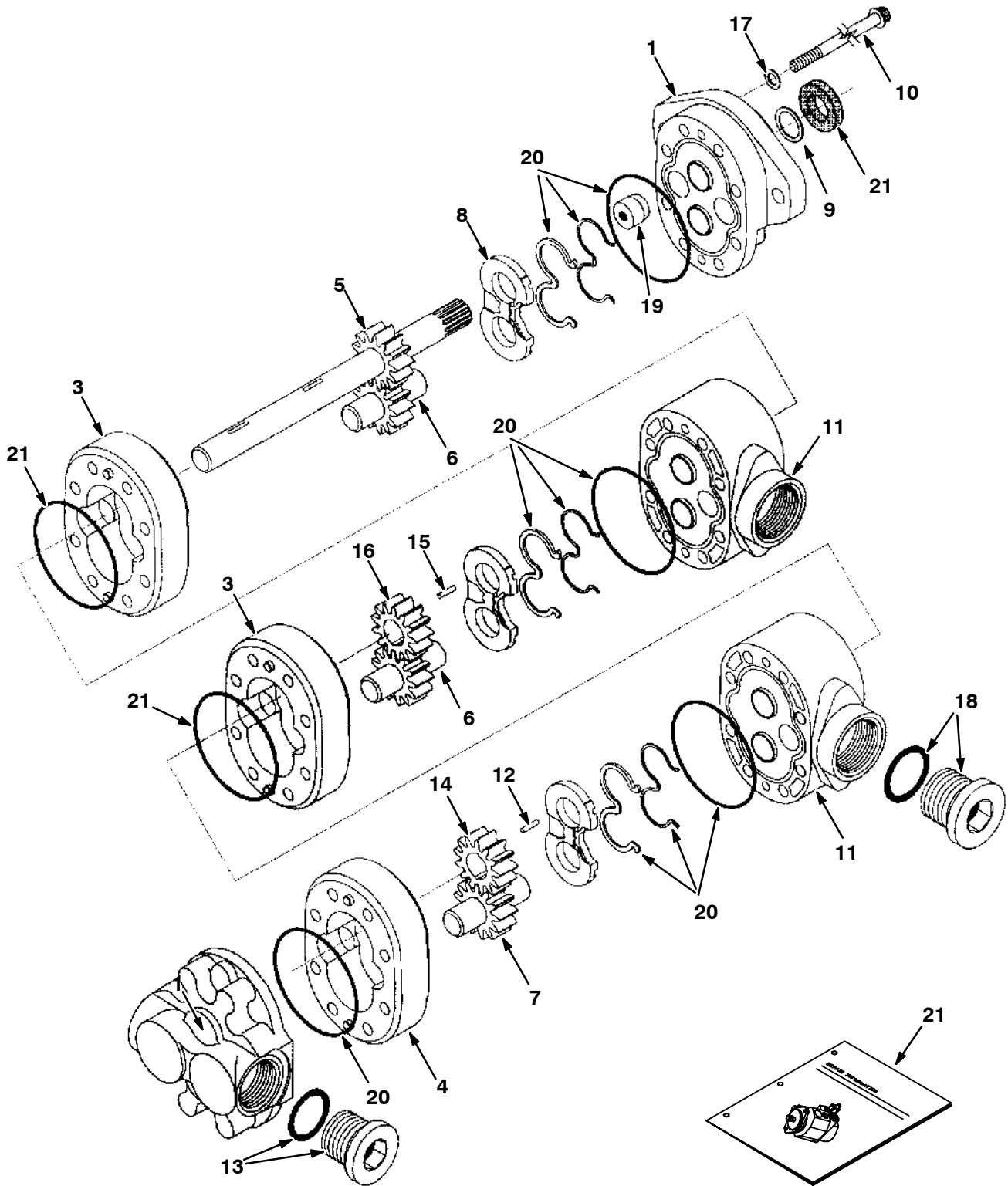


Fig. 2 - Hydraulic Gear Pump Breakdown, 9000210

Ref.	Part No.	Serial Number	Description	Qty.	
▽	9000210	(000000-) Pump, Hyd, Gear [Ex3] 0.66 [X] 3000	1	
▲	1	373201	(000000-) Plate, Front, Pump, Gear	1
▲	2	373276	(000000-) Plate, Back, Pump, Gear	1
▲	3	373232	(000000-) Body, Pump, Gear	2
▲	4	373285	(000000-) Body, Pump, Gear	1
▲	5	373257	(000000-) Gear, Drive, Pump, Hyd	1
▲	6	373211	(000000-) Gear Assy, Idler, Pump, Hyd	2
▲	7	373286	(000000-) Gear Assy, Idler, Pump, Hyd	1
▲	8	373227	(000000-) Plate, Wear, Pump, Hyd	3
▲	9	373234	(000000-) Washer, Flt	1
▲	10	74154	(000000-) Screw, Cap, Motor, Hyd	8
▲	11	373235	(000000-) Plate, Adaptor, Pump, Hyd	2
▲	12	373287	(000000-) Key, Round	1
▲	13	71725	(000000-) Plug, W/O-Ring, #16	1
▲	14	373288	(000000-) Gear, Drive, Pump, Hyd	1
▲	15	373284	(000000-) Key, Round	1
▲	16	373242	(000000-) Gear, Drive, Pump, Hyd	1
▲	17	373243	(000000-) Washer, Flt	4
▲	18	74161	(000000-) Plug, W/O-Ring #20	1
▲	19	373244	(000000-) Plug, Pump, Hyd	1
▲	20	373255	(000000-) Kit, Seal, Pump, Hyd	1
	21	373207	(000000-) Instr, Kit, Repair, Pump, Hyd	1

Fig. 3 - Hydraulic Motor Breakdown, 379609

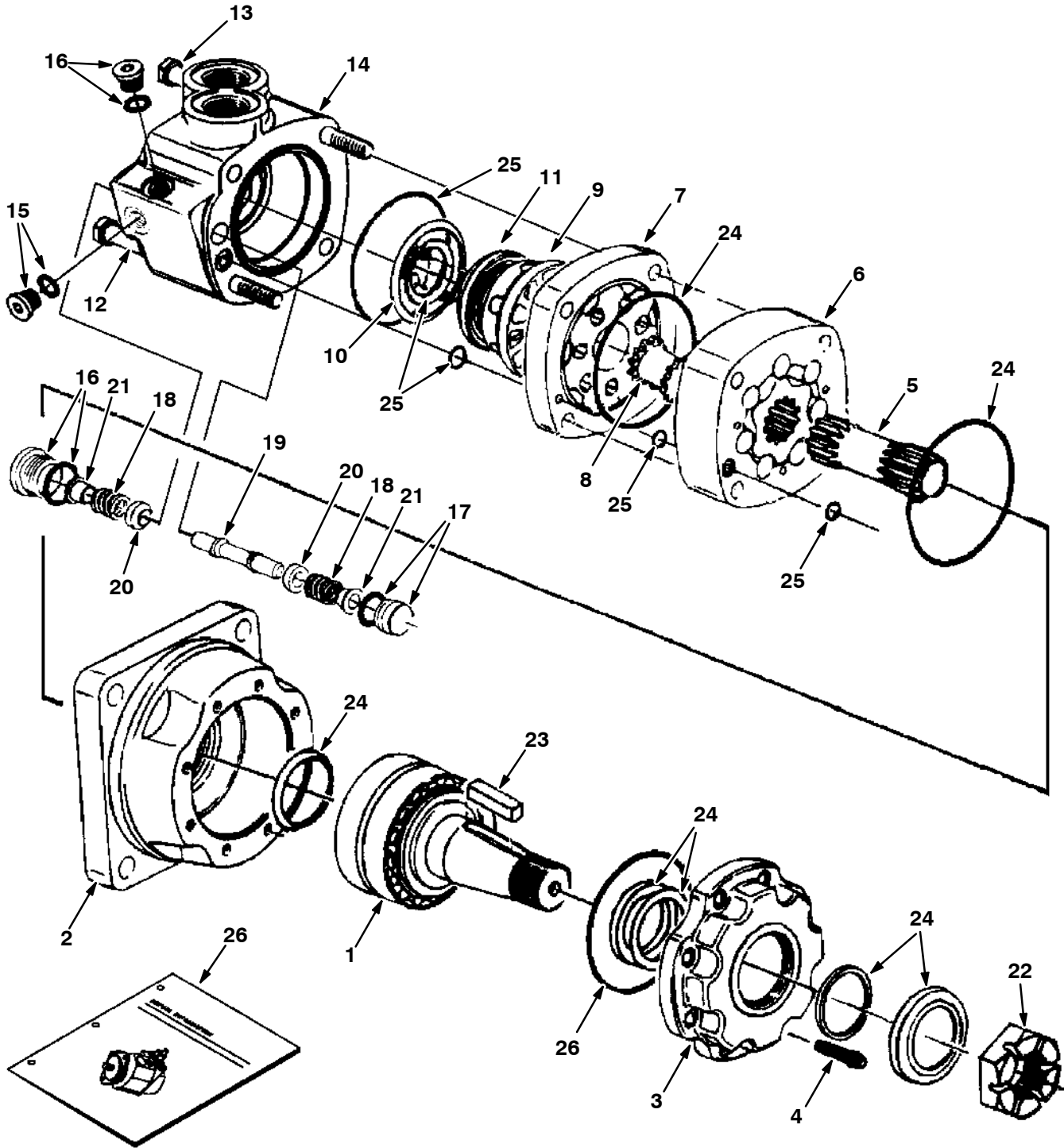


Fig. 3 - Hydraulic Motor Breakdown, 379609

Ref.	Part No.	Serial Number	Description	Qty.
▽	379609	(000000-) Motor, Hyd, Gear, [Int], 19.0 X 3000	1
▲	1 74165	(000000-) Shaft, Motor, Hyd	1
▲	2 74166	(000000-) Housing, Brg, Motor, Hyd	1
▲	3 74167	(000000-) Retainer, Motor, Hyd	1
▲	4 74168	(000000-) Screw, Cap, Motor, Hyd	8
▲	5 37616	(000000-) Drive, Motor, Hyd	1
▲	6 37756	(000000-) Geroler, Motor, Hyd	1
▲	7 74122	(000000-) Plate, Valve, Motor, Hyd	1
▲	8 52405	(000000-) Valve, Motor, Hyd	1
▲	9 74123	(000000-) Valve, Motor, Hyd	1
▲	10 34178	(000000-) Spring, Motor, Hyd	2
▲	11 38968	(000000-) Ring, Motor, Hyd	1
▲	12 74125	(000000-) Bolt, Motor, Hyd	3
▲	13 38255	(000000-) Bolt, Motor, Hyd	1
▲	14 373297	(000000-) Housing, Valve	1
▲	15 373298	(000000-) Plug	1
▲	16 373260	(000000-) Plug, Pump, Hyd, Gear	2
▲	17 373299	(000000-) Plug	1
▲	18 373291	(000000-) Spring	2
▲	19 373217	(000000-) Piston, Pump, Hyd, Gear	1
▲	20 373226	(000000-) Poppet, Pump, Hyd, Gear	2
▲	21 373236	(000000-) Sleeve, Dashpo, Pump, Hyd, Gear	2
▲	22 45622	(000000-) Nut, Motor, Hyd	1
▲	23 45623	(000000-) Key, Motor, Hyd	1
▲	24 79828	(000000-) Kit, Seal, Motor, Hyd	1
▲	25 33580	(000000-) Kit, Seal, Motor, Hyd	1
	26 79729	(000000-) Instr, Repair, Motor, Hyd, Gear	1

Fig. 4 - Hydraulic Motor Breakdown, 379608

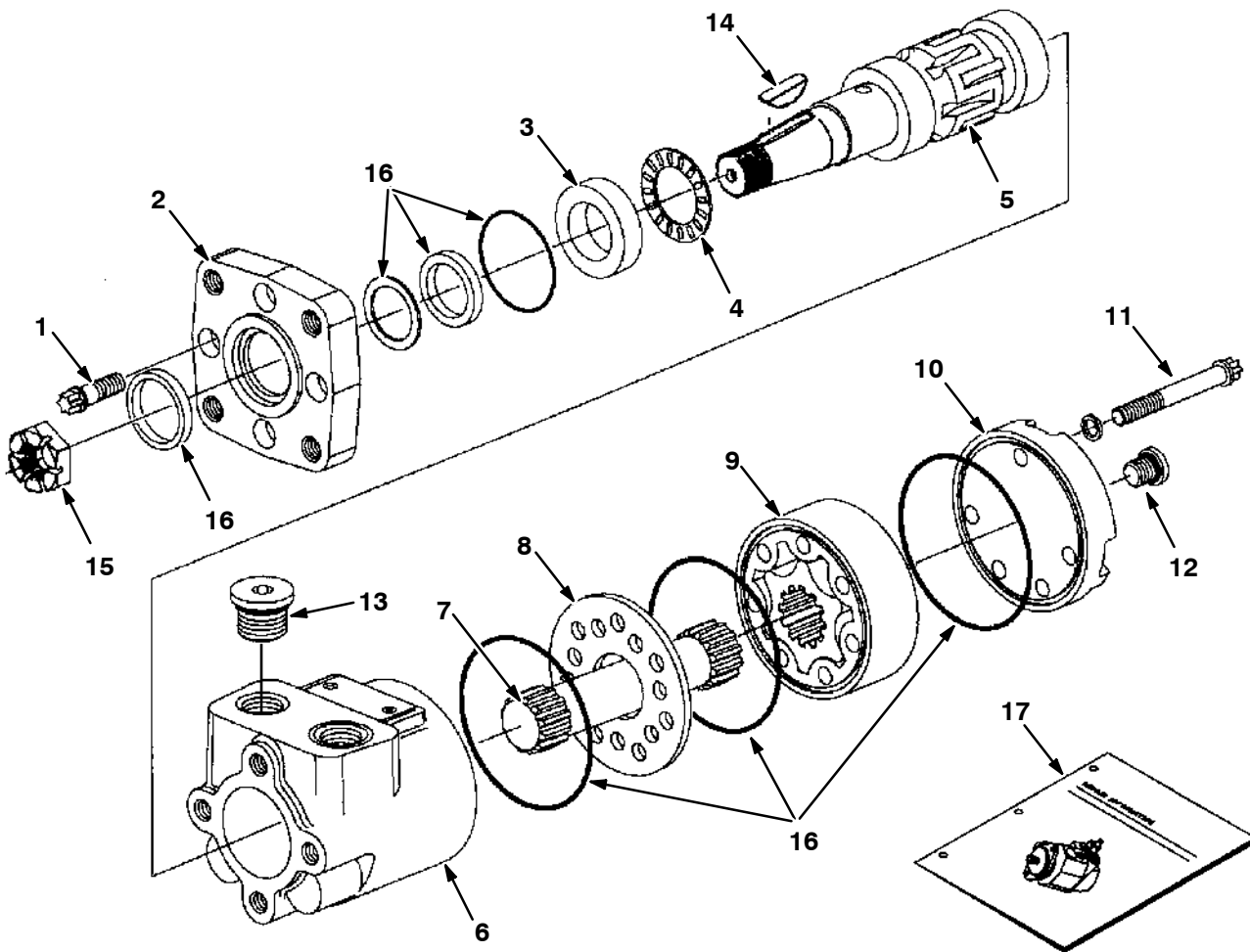
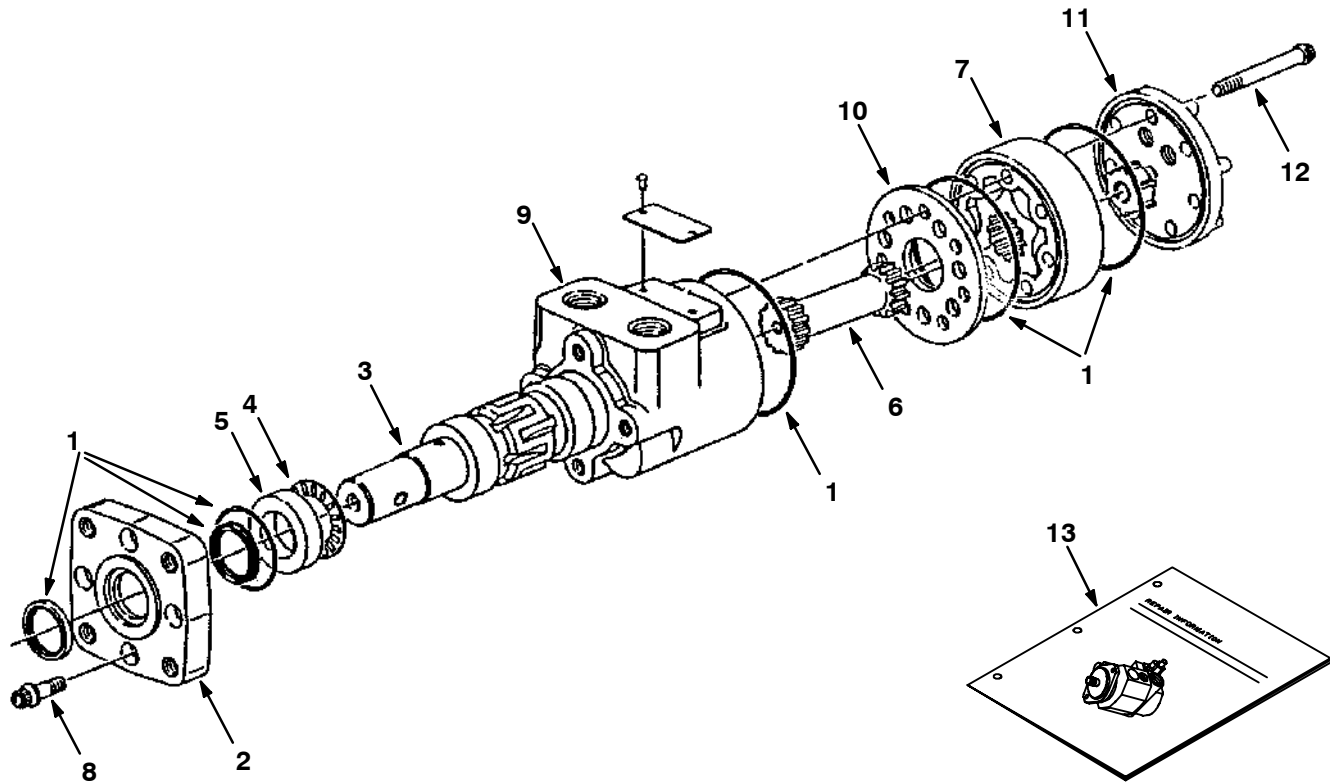


Fig. 4 - Hydraulic Motor Breakdown, 379608

Ref.	Part No.	Serial Number	Description	Qty.
▽	379608	(000000-) Motor, Hyd, Gear, [In] 02.8 1500	1
▲	1 37555	(000000-) Screw, Motor, Hyd	4
▲	2 31354	(000000-) Flange, Motor, Hyd	1
▲	3 16695	(000000-) Race, Thrust, Motor, Hyd	1
▲	4 45628	(000000-) Bearing, Thrust, Motor, Hyd	1
▲	5 31375	(000000-) Shaft, Output, Motor, Hyd	1
▲	6 74100	(000000-) Housing, Motor, Hyd	1
▲	7 34176	(000000-) Drive, Motor, Hyd	1
▲	8 74094	(000000-) Plate, Spacer, Motor, Hyd	1
▲	9 31381	(000000-) Gerotor Set, Motor, Hyd	1
▲	10 74095	(000000-) End Cap, Motor, Hyd	1
▲	11 74174	(000000-) Cap, Screw, Strg Valve	5
▲	12 74098	(000000-) Fitting, Plug, O-Ring, #4	1
▲	13 74099	(000000-) Fitting, Plug, O-Ring, Motor, Hyd	2
▲	14 00500-15	(000000-) Key, Woodruff, 0.25 1.00, [Asa#0808]	1
▲	15 39527	(000000-) Nut, Hex, Sltd, .75-16	1
▲	16 61490 22654	-) Kit, Replmt , Seal, Motor, Hyd	1
▲	17 22654 74250	-) Kit, Seal, Motor, Hyd Inst, Motor, Hyd	1

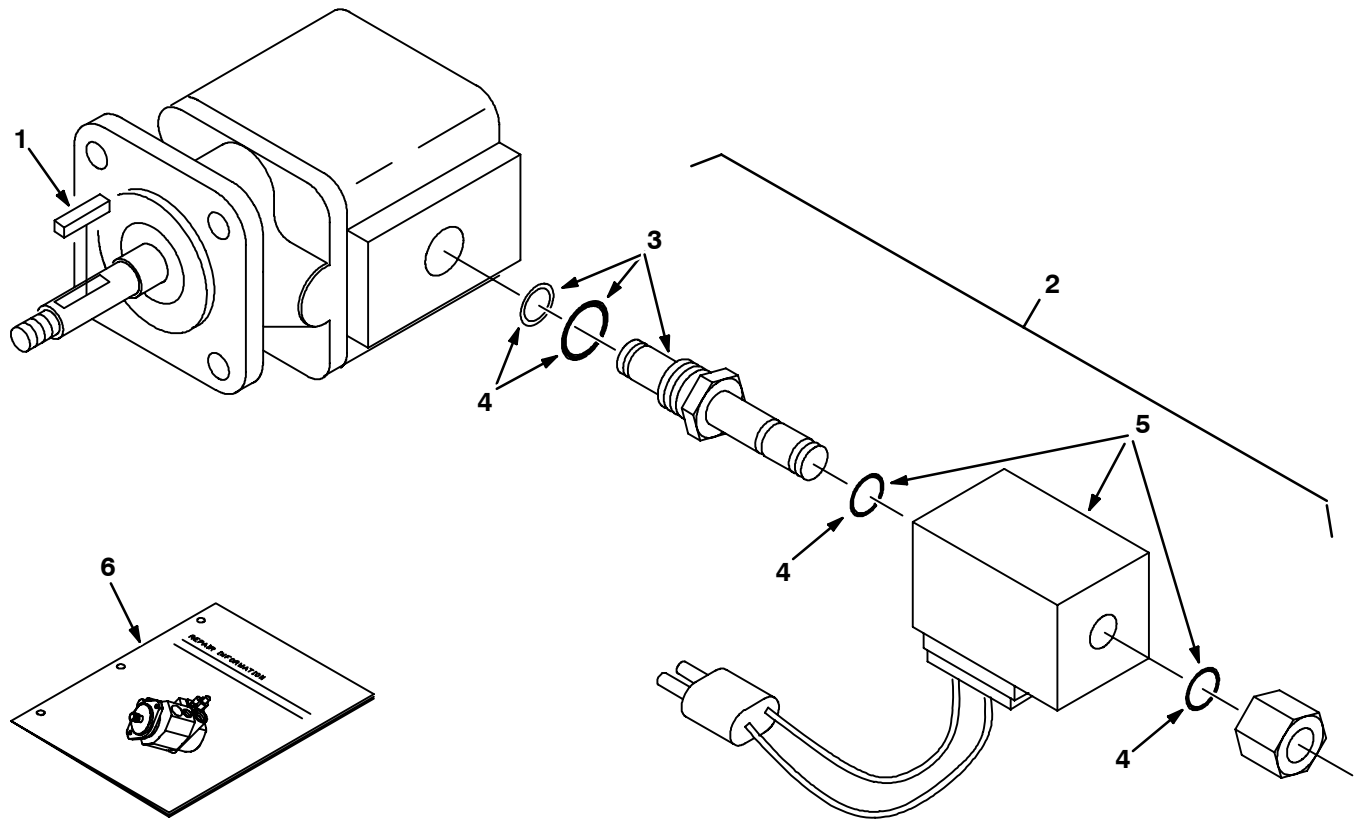
Fig. 5 - Hydraulic Motor Breakdown, 379607



08926 - 09670

Ref.	Part No.	Serial Number	Description	Qty.
▽	379607	(000000-) Motor, Hyd, Gear, [In] 17.9 B 1500	1
▲	1 22654	(000000-) Kit, Seal, Motor, Hyd	1
▲	2 31354	(000000-) Flange, Motor, Hyd	1
▲	3 31373	(000000-) Shaft, Output, Motor, Hyd	1
▲	4 45628	(000000-) Bearing, Thrust, Motor, Hyd	1
▲	5 16695	(000000-) Race, Thrust, Motor, Hyd	1
▲	6 31380	(000000-) Drive, Motor, Hyd	1
▲	7 31385	(000000-) Gerotor Set, Motor, Hyd	1
▲	8 37555	(000000-) Screw, Motor, Hyd	4
▲	9 74100	(000000-) Housing, Motor, Hyd	1
▲	10 74094	(000000-) Plate, Spacer, Motor, Hyd	1
▲	11 74101	(000000-) Cap, End, Motor, Hyd	1
▲	12 65232	(000000-) Screw, Cap, Motor, Hyd	5
	13 74250	(000000-) Instruction, Repair, Motor, Hyd	1

Fig. 6 - Hydraulic Motor Breakdown, 53485



07490 - 09670

Ref.	Part No.	Serial Number	Description	Qty.
▽	53485	(000000-) Motor, Hyd, Gear, [Ex] .194 R 3000	1
▲	74233	(000000-) Kit, Seal, Motor, Hyd, Gear	1
▲	1 00966	(000000-) Key, Sq, 0.12 X 0.12, 00.75l	1
▲▽	2 54095	(000000-) Valve, Hyd, Cartridge	1
▲▲	3 59378	(000000-) Valve Stem, N.O.Valve, Hyd	1
▲▲	4 48813	(000000-) Kit, Seal, Valve, Hyd	1
▲▲	5 35493	(000000-) Solenoid, 12v, Valve, Hyd	1
	6 IB3614	(000000-) Instr, Seal Kit, Motor, F/74147	1

Fig. 7 - Hydraulic Valve Breakdown, 374547

CONTROL VALVE	
Spool #1	Brushes
Spool #2	Hopper Door
Spool #3	Hopper Lift

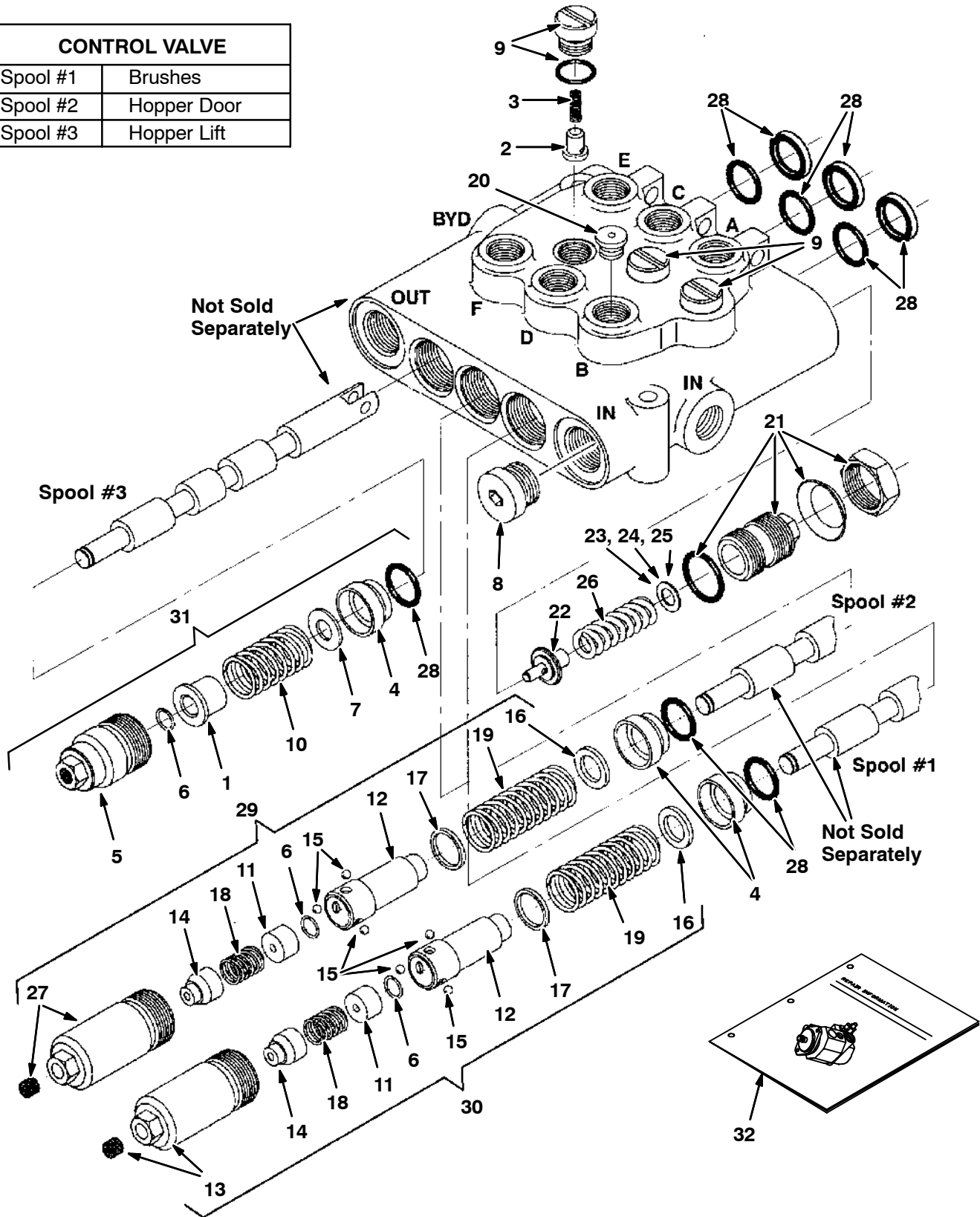


Fig. 7 - Hydraulic Valve Breakdown, 374547

Ref.	Part No.	Serial Number	Description	Qty.
▽	374547	(000000-) Valve, Hyd, Man, 3sp 10gpm 2150psi	1
▲	1 79785	(000000-) Spacer, Valve, Hyd	1
▲	2 79786	(000000-) Plunger, Valve, Hyd	1
▲	3 79787	(000000-) Spring, Valve, Hyd	1
▲	4 79788	(000000-) Bushing, Valve, Hyd	3
▲	5 79789	(000000-) Cap Assy, Valve, Hyd	1
▲	6 79792	(000000-) Ring, Retainer, Valve, Hyd	3
▲	7 79794	(000000-) Washer, Valve, Hyd	1
▲	8 13907	(000000-) Fitting, Plug, O-Ring	1
▲	9 79795	(000000-) Fitting, Plug, W/ O-Ring, Valve, Hyd	3
▲	10 79796	(000000-) Spring, Valve, Hyd	1
▲	11 79801	(000000-) Spacer, Valve, Hyd	2
▲	12 79802	(000000-) Detent Adaptor, Valve, Hyd	2
▲	13 79803	(000000-) Cap Assy	1
▲	14 79800	(000000-) Cone, Valve, Hyd	2
▲	15 79804	(000000-) Ball, Valve, Hyd	6
▲	16 79806	(000000-) Washer, Valve, Hyd	2
▲	17 79805	(000000-) Washer, Valve, Hyd	2
▲	18 79807	(000000-) Spring, Valve, Hyd	2
▲	19 79808	(000000-) Spring	2
▲	20 13904	(000000-) Fitting, Plug, O-Ring, #6, Valve	2
▲	21 79790	(000000-) Plug Assy, Valve, Hyd	1
▲	22 79791	(000000-) Poppet, Valve, Hyd	1
▲	23 79793	(000000-) Shim .035t, Valve, Hyd	-
▲	24 79798	(000000-) Shim .015t, Valve, Hyd	-
▲	25 79799	(000000-) Shim .010t, Valve, Hyd	-
▲	26 21915	(000000-) Spring, Valve, Hyd	1
▲	27 79821	(000000-) Cap Assy	1
▲	28 79812	(000000-) Kit, Seal, Valve, Hyd	1
▲	29 79813	(000000-) Kit, Detent Out, Valve, Hyd	1
▲	30 79815	(000000-) Kit, Detent, Valve, Hyd	1
▲	31 79814	(000000-) Kit, Detent In	1
	32 79820	(000000-) Instruction, Repair, Valve, Hyd	1

Fig. 8 - Hydraulic Valve Breakdown, 1019961

CONTROL VALVE	
Spool #1	Brushes
Spool #2	Hopper Door
Spool #3	Hopper Lift

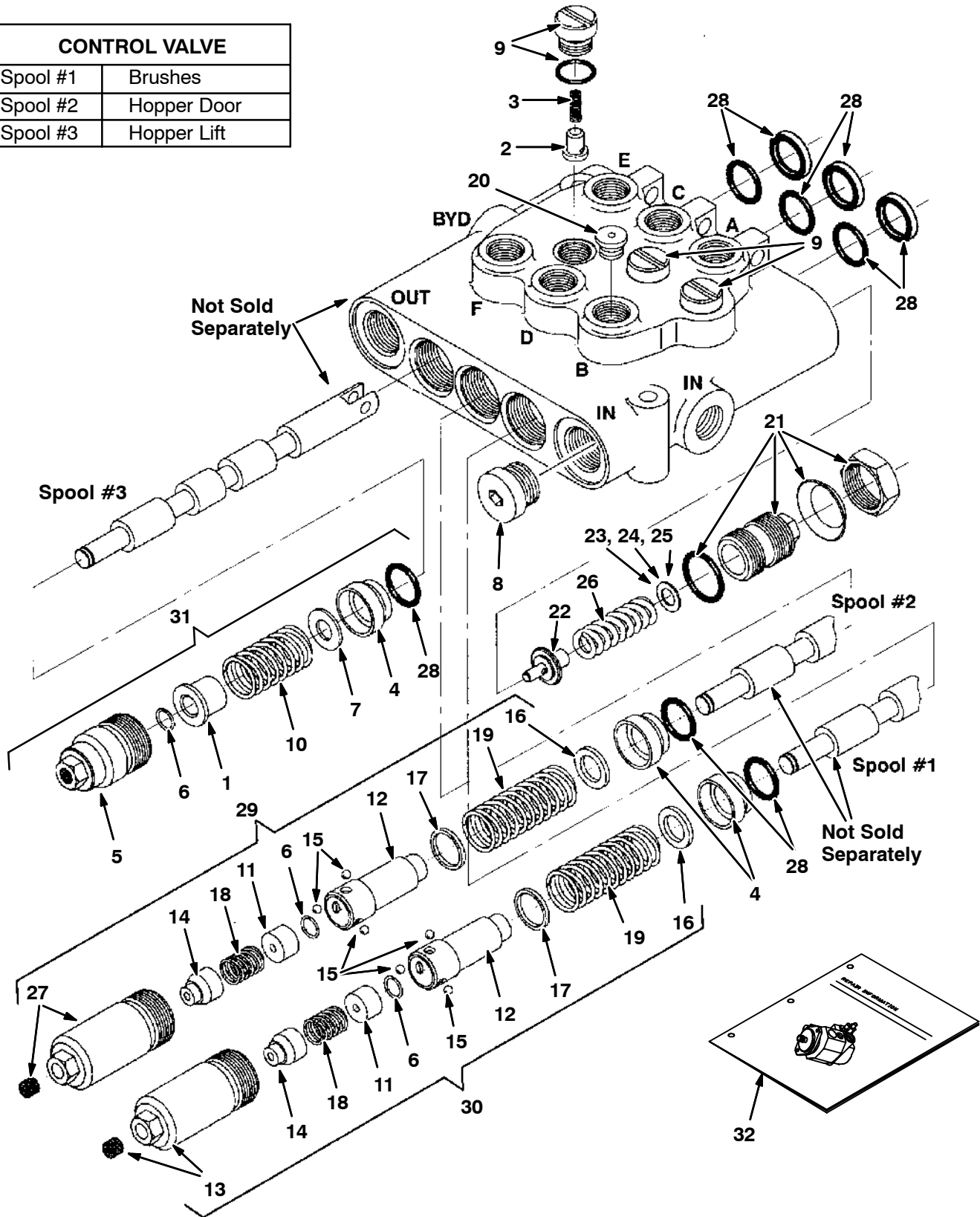


Fig. 8 - Hydraulic Valve Breakdown, 1019961

Ref.	Part No.	Serial Number	Description	Qty.
▽	1019961	(000000-) Valve, Hyd, Man, 3sp 10gpm 2150psi	1
▲	1 79785	(000000-) Spacer, Valve, Hyd	1
▲	2 79786	(000000-) Plunger, Valve, Hyd	1
▲	3 79787	(000000-) Spring, Valve, Hyd	1
▲	4 79788	(000000-) Bushing, Valve, Hyd	3
▲	5 79789	(000000-) Cap Assy, Valve, Hyd	1
▲	6 79792	(000000-) Ring, Retainer, Valve, Hyd	3
▲	7 79794	(000000-) Washer, Valve, Hyd	1
▲	8 13907	(000000-) Fitting, Plug, O-Ring	1
▲	9 79795	(000000-) Fitting, Plug, W/ O-Ring, Valve, Hyd	3
▲	10 79796	(000000-) Spring, Valve, Hyd	1
▲	11 79801	(000000-) Spacer, Valve, Hyd	2
▲	12 79802	(000000-) Detent Adaptor, Valve, Hyd	2
▲	13 79803	(000000-) Cap Assy	1
▲	14 79800	(000000-) Cone, Valve, Hyd	2
▲	15 79804	(000000-) Ball, Valve, Hyd	6
▲	16 79806	(000000-) Washer, Valve, Hyd	2
▲	17 79805	(000000-) Washer, Valve, Hyd	2
▲	18 79807	(000000-) Spring, Valve, Hyd	2
▲	19 79808	(000000-) Spring	2
▲	20 13904	(000000-) Fitting, Plug, O-Ring, #6, Valve	2
▲	21 79790	(000000-) Plug Assy, Valve, Hyd	1
▲	22 79791	(000000-) Poppet, Valve, Hyd	1
▲	23 79793	(000000-) Shim .035t, Valve, Hyd	-
▲	24 79798	(000000-) Shim .015t, Valve, Hyd	-
▲	25 79799	(000000-) Shim .010t, Valve, Hyd	-
▲	26 21915	(000000-) Spring, Valve, Hyd	1
▲	27 79821	(000000-) Cap Assy	1
▲	28 79812	(000000-) Kit, Seal, Valve, Hyd	1
▲	29 79813	(000000-) Kit, Detent Out, Valve, Hyd	1
▲	30 79815	(000000-) Kit, Detent, Valve, Hyd	1
▲	31 79814	(000000-) Kit, Detent In	1
	32 79820	(000000-) Instruction, Repair, Valve, Hyd	1

Fig. 9 - Hydraulic Steering Valve Breakdown, 1005089

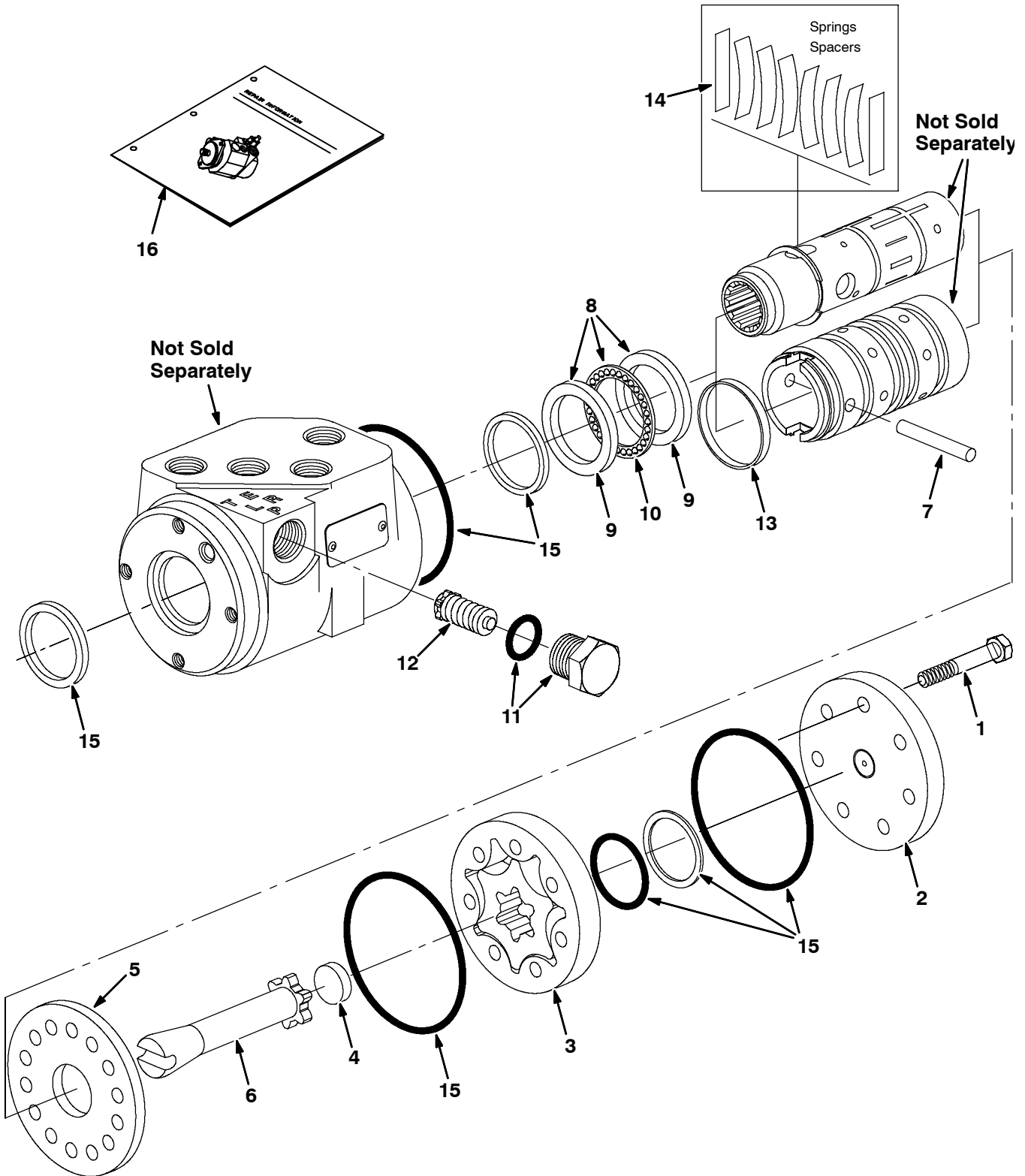
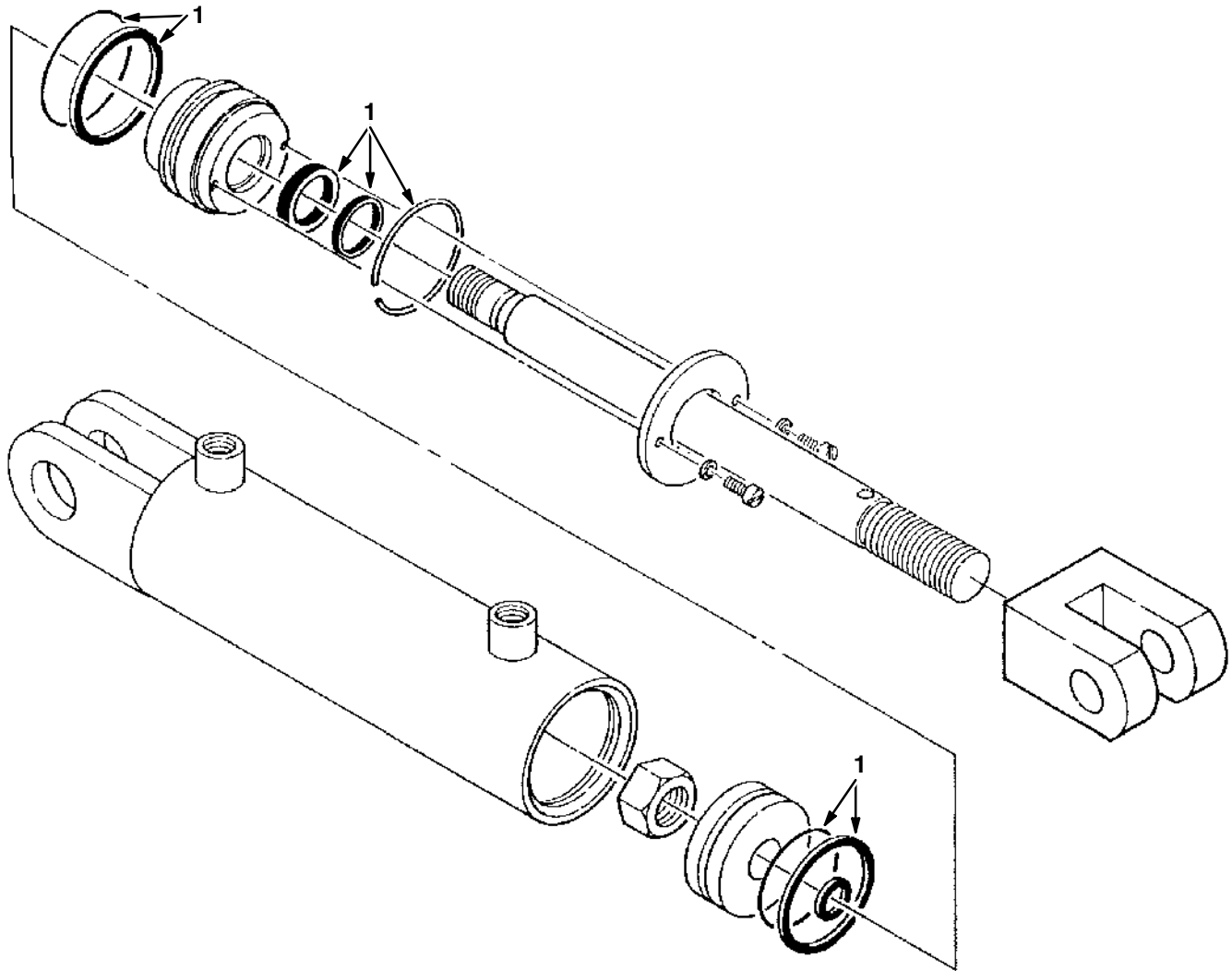


Fig. 9 - Hydraulic Steering Valve Breakdown, 1005089

	Ref.	Part No.	Serial Number	Description	Qty.
▽		1005089	(000000-) Steer-Control, Hyd	1
▲	1	74183	(000000-) Screw, Valve, Strg	7
▲	2	74185	(000000-) Cap, End, Valve, Strg	1
▲	3	74192	(000000-) Gerotor, Valve, Strg	1
▲	4	74193	(000000-) Spacer, Valve, Strg	1
▲	5	74222	(000000-) Plate, Wear, Valve, Strg	1
▲	6	74231	(000000-) Drive, Valve, Strg	1
▲	7	74232	(000000-) Pin, Valve, Strg	1
▲▽	8	21935	(000000-) Bearing Kit	1
▲▲	9	74234	(000000-) Race, Bearing, Valve, Strg	2
▲▲	10	74236	(000000-) Bearing, Valve, Strg	1
▲	11	21933	(000000-) Plug Assy	1
▲	12	373560	(000000-) Valve Assy, Relief	1
▲	13	74243	(000000-) Ring, Retainer, Valve, Strg	1
▲	14	74196	(000000-) Kit, Spring, Valve, Strg	1
▲	15	74244	(000000-) Kit, Seal, Hyd, Valve, Strg	1
	16	74245	(000000-) Instruction, Repair, Valve, Strg	1

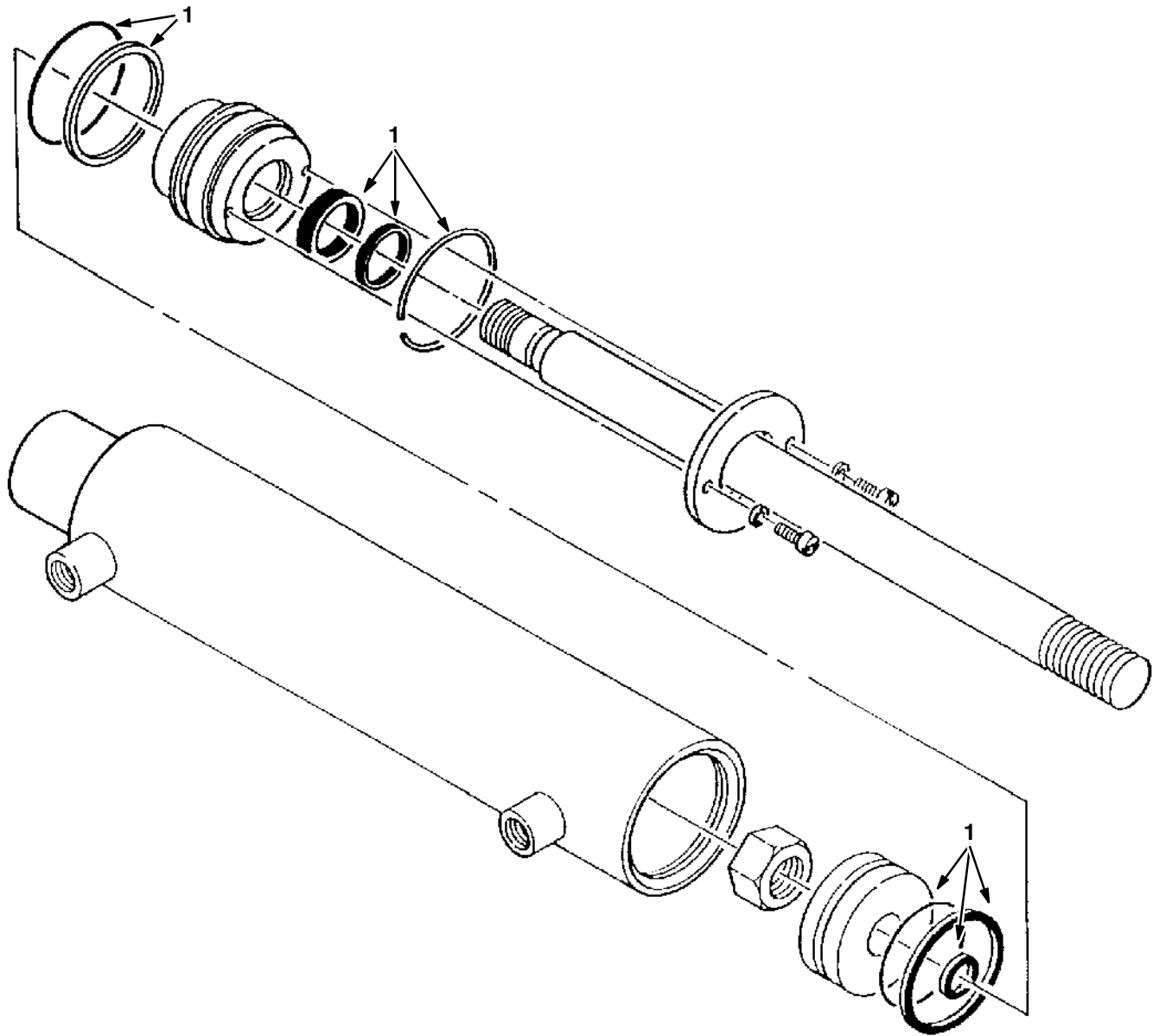
Fig. 10 - Hydraulic Cylinder Breakdown, 74419



07493

	Ref.	Part No.	Serial Number	Description	Qty.
▽		74419	(000000-) Cylinder, Hyd, 2.5b,28.4l,15.00strk,2500	1
▲	1	59335	(000000-) Kit, Seal, Cyl, Hyd	1

Fig. 11 - Hydraulic Cylinder Breakdown, 53601



07494

Ref.	Part No.	Serial Number	Description	Qty.
▽	53601	(000000-) Cylinder, Hyd, 2.0b,15.0l,08.00strk,1500	1
▲	1 04483	(000000-) Kit, Seal, Cyl, Hyd	1

Fig. 12 - Air Conditioning Condenser Breakdown, 393340

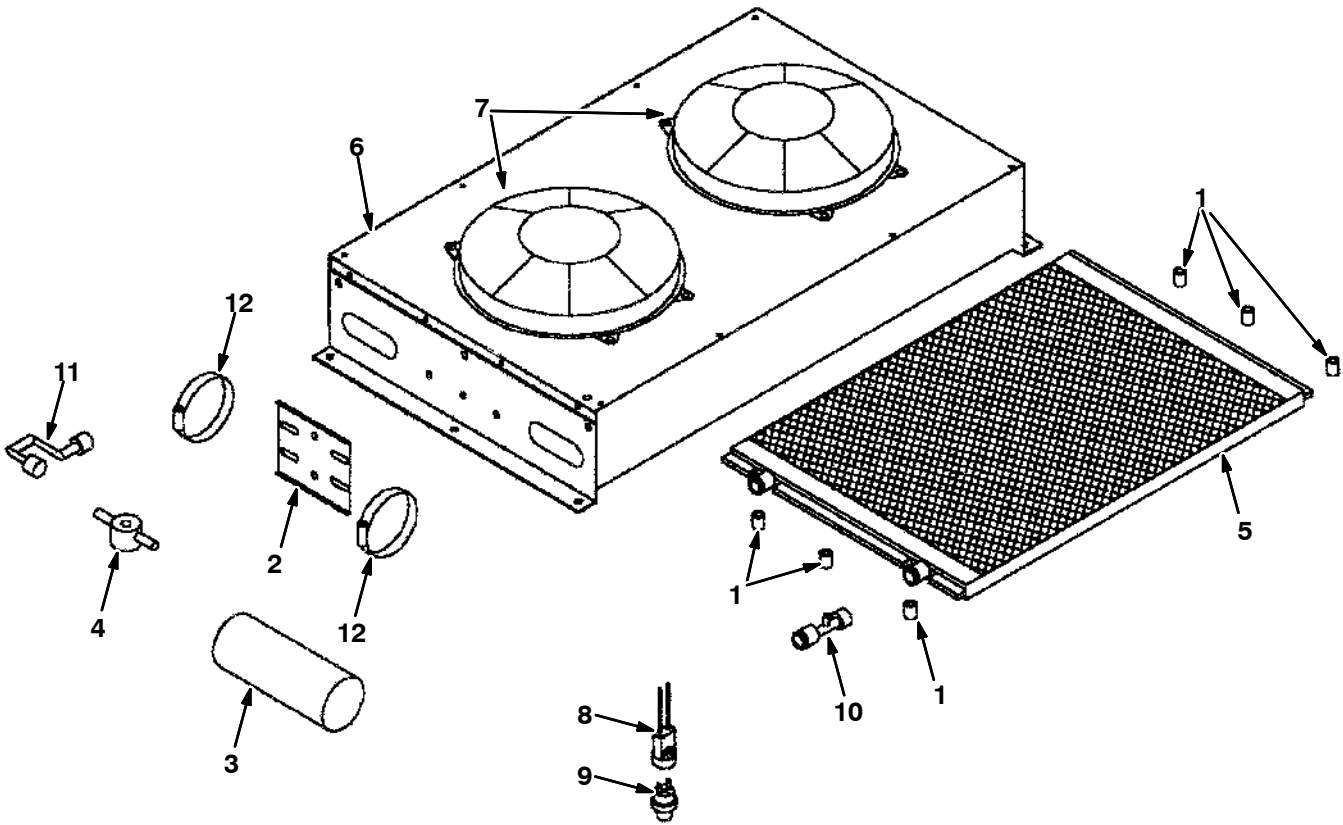
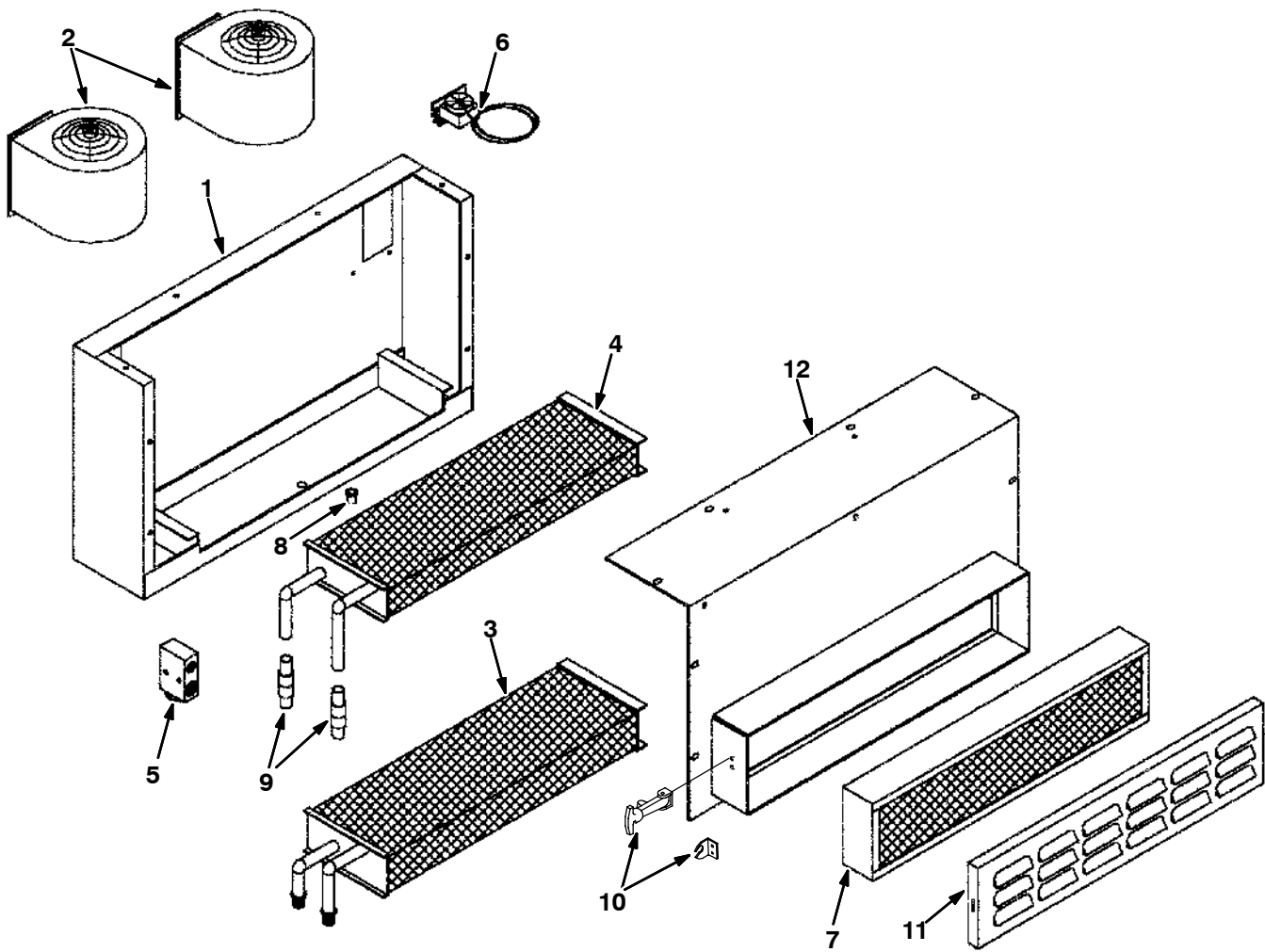


Fig. 12 - Air Conditioning Condenser Breakdown, 393340

	Ref.	Part No.	Serial Number	Description	Qty.
▽		393340	(000000-) Condenser Assy, A/C, W /Fan	1
▲	1	393341	(000000-) Spacer, Steel, Condenser, A/C	6
▲	2	393342	(000000-) Bracket, Mtg, Drier, A/C	1
▲	3	393343	(000000-) Drier, A/C	1
▲	4	393344	(000000-) Glass, Sight, A/C	1
▲	5	393345	(000000-) Coil, Condenser, A/C	1
▲	6	393346	(000000-) Housing, Condenser/Fan, A/C	1
▲	7	393347	(000000-) Fan, Condenser, 12vdc, A/C	2
▲	8	393348	(000000-) Boot, Switch, Binary, A/C	1
▲	9	393349	(000000-) Switch, Binary, A/C	1
▲	10	393350	(000000-) Fitting, Valve, Schrader, A/C	1
▲	11	393351	(000000-) Fitting, Condenser, Left, A/C	1
▲	12	83584	(000000-) Clamp, Hose, Wormdrive, 1.31-3.25d	2

BREAKDOWNS

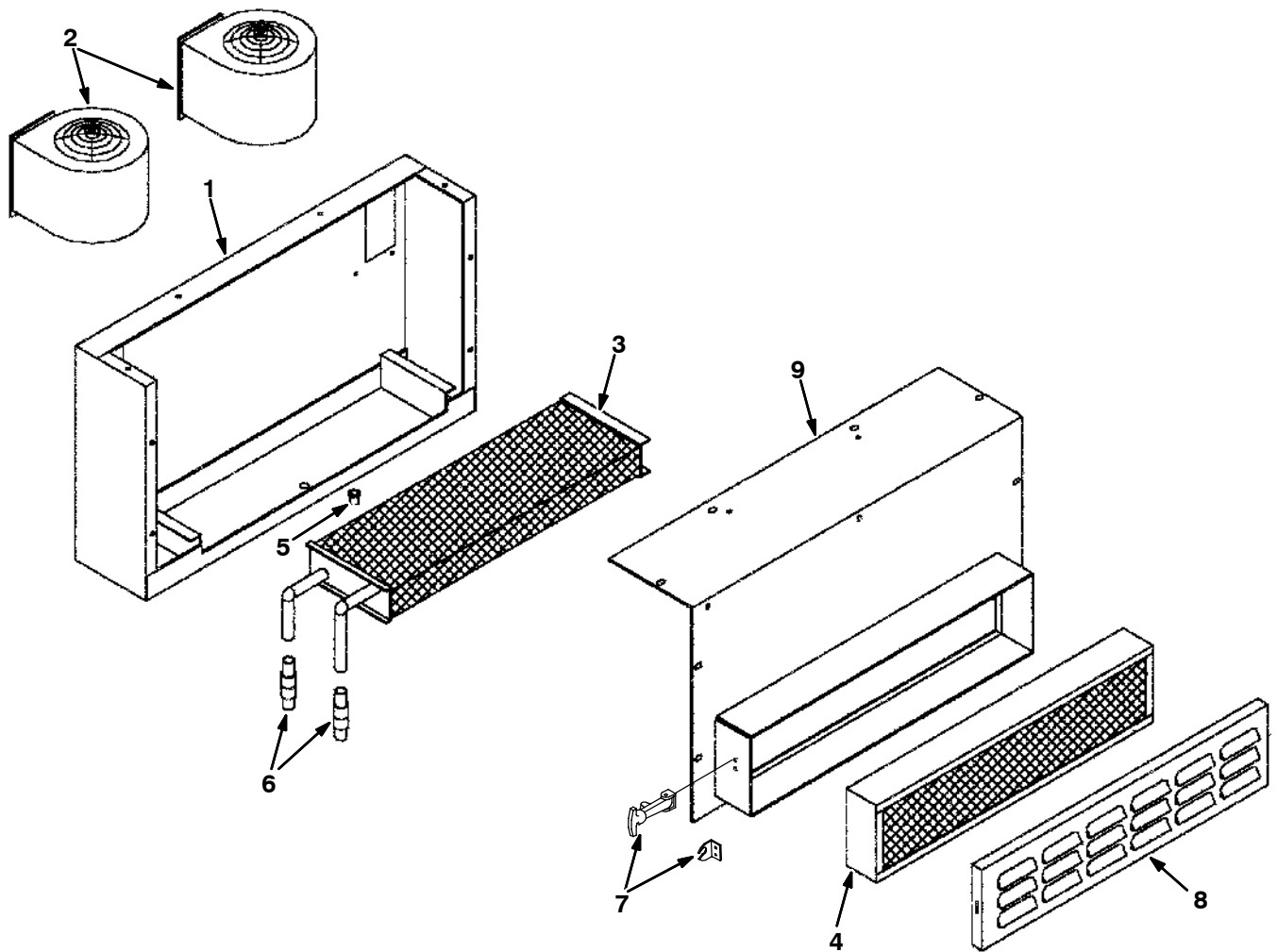
Fig. 13 - Air Conditioning Evaporator / Heater Breakdown, 1010755



IC

Ref.	Part No.	Serial Number	Description	Qty.	
▽	1010755	(000000-) Heater & A/C Assy [R134]	1	
▲	1	9000902	(000000-) Housing, Blower, A/C [6600]	1
▲	2	393330	(000000-) Motor, Blower, 12vdc, A/C	2
▲	3	393331	(000000-) Coil, Evaporator, A/C	1
▲	4	393332	(000000-) Core, Heater	1
▲	5	393333	(000000-) Block, Expansion, A/C	1
▲	6	393334	(000000-) Thermostat, A/C	1
▲	7	393335	(000000-) Filter, Air, A/C	1
▲	8	393336	(000000-) Valve, Drain, A/C	1
▲	9	393337	(000000-) Adaptor, Tube, A/C	2
▲	10	9000860	(000000-) Latch, Rbr, A/C Cover W/ Rivets	2
▲	11	9000903	(000000-) Cover, Fltr, A/C [6600]	1
▲	12	9000904	(000000-) Cover, Hsng, Blower [6600]	1
▲		377109	(000000-) Harness, Heater/Evaporator [6600/6650]	1

Fig. 14 - Heater Pressurizer Breakdown, 1010757



Ref.	Part No.	Serial Number	Description	Qty.	
▽	1010757	(000000-) Heater/Presszr Assy	1	
▲	1	9000902	(000000-) Housing, Blower, A/C [6600]	1
▲	2	393330	(000000-) Motor, Blower, 12vdc, A/C	2
▲	3	393332	(000000-) Core, Heater	1
▲	4	393335	(000000-) Filter, Air, A/C	1
▲	5	393336	(000000-) Valve, Drain, A/C	1
▲	6	393337	(000000-) Adaptor, Tube, A/C	2
▲	7	9000860	(000000-) Latch, Rbr, A/C Cover W/ Rivets	2
▲	8	9000903	(000000-) Cover, Fltr, A/C [6600]	1
▲	9	9000904	(000000-) Cover, Hsng, Blower [6600]	1
▲	377109	(000000-) Harness, Heater/Evaporator [6600/6650]	1	

IC

SECTION 5

Contents	Page
Fig. 1 - Crankcase Group	5-2
Fig. 2 - Oil Pan Group	5-4
Fig. 3 - Cylinder Head Group	5-5
Fig. 4 - Gear Case Group	5-6
Fig. 5 - Water Pump Group	5-8
Fig. 6 - Main Bearing Case Group	5-9
Fig. 7 - Head Cover Group (Wxxxxx-3xxxxxx)	5-10
Fig. 8 - Head Cover Group (4xxxxx-)	5-11
Fig. 9 - Manifold Group	5-12
Fig. 10 - Valve, Rocker Arm Group	5-13
Fig. 11 - Camshaft Group	5-14
Fig. 12 - Piston and Crankshaft Group	5-16
Fig. 13 - Flywheel Group	5-18
Fig. 14 - Starter Breakdown, 74405	5-20
Fig. 15 - Nozzle Holder and Glow Plug Group	5-22
Fig. 16 - Injection Pump Group	5-24
Fig. 17 - Injection Pump Breakdown	5-26
Fig. 18 - Fuel Camshaft Group	5-28
Fig. 19 - Idling Group	5-29
Fig. 20 - Speed Control Plate Group	5-30
Fig. 21 - Governor Group	5-31
Fig. 22 - Water Flange Group	5-32

Fig. 1 - Crankcase Group

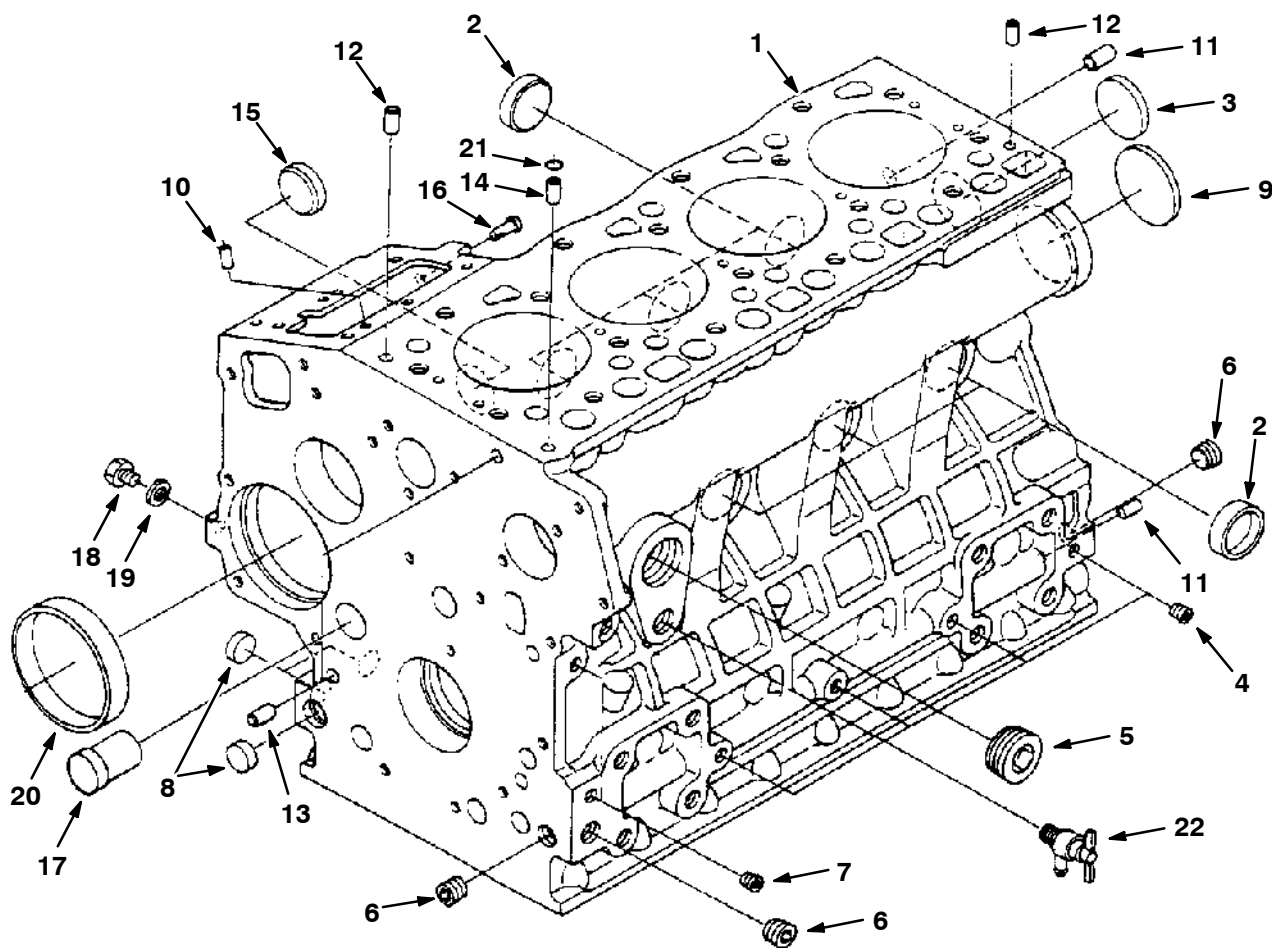


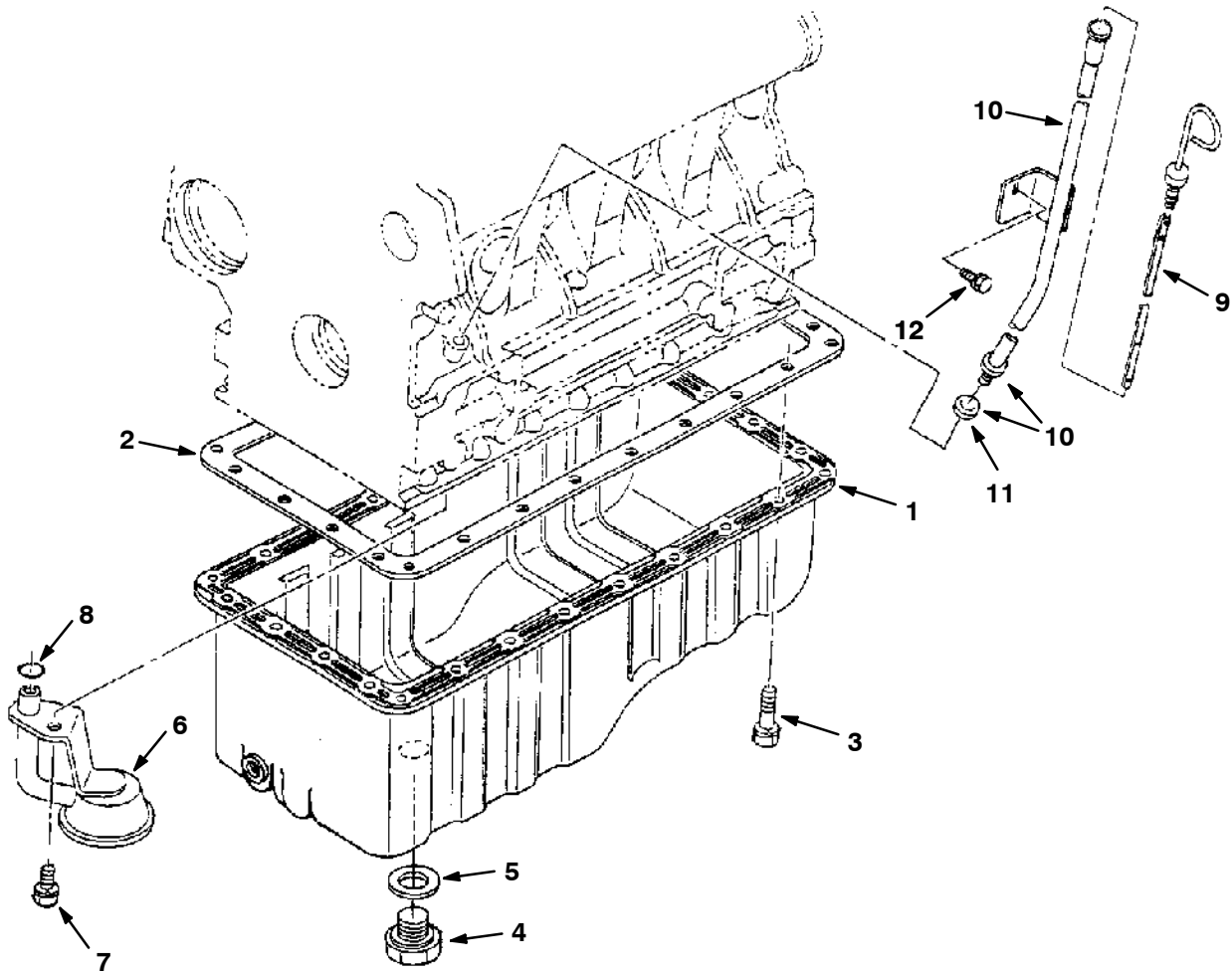
Fig. 1 - Crankcase Group

Ref.	Part No.		Description	Qty.
	1	84646	① Crankcase	1
▽	1	372920	② Crankcase, Compl	1
▲	2	70998	Cap, Sealing	6
▲	3	39087	Cap, Sealing	1
▲	4	39088	Plug	4
▲	5	84647	Plug	1
▲	6	71985	Plug	3
▲	7	39051	Plug	2
▲	8	361436	Plug, Expansion	3
▲	9	71986	Plug, Expansion	1
▲	10	71987	Pin, Straight	2
▲	11	71988	Pin, Straight	2
▲	12	71989	Pin, Straight	2
▲	13	71990	Pin, Pipe	2
▲	14	71991	Pin, Pipe	1
▲	15	71992	Plug	1
▲	16	39105	Pin, Start Spring	1
▲	17	71993	Plug	1
▲	18	39062	Plug	1
▲	19	10895	Gasket	1
▲	20	70887	Bush, Governor Gear	1
	21	39063	O-Ring	1
	22	70888	Assembly Cock, Drain	1

① Kubota Serial number (Wxxxxx-3xxxxxx)

② Kubota Serial number number (4xxxxx-)

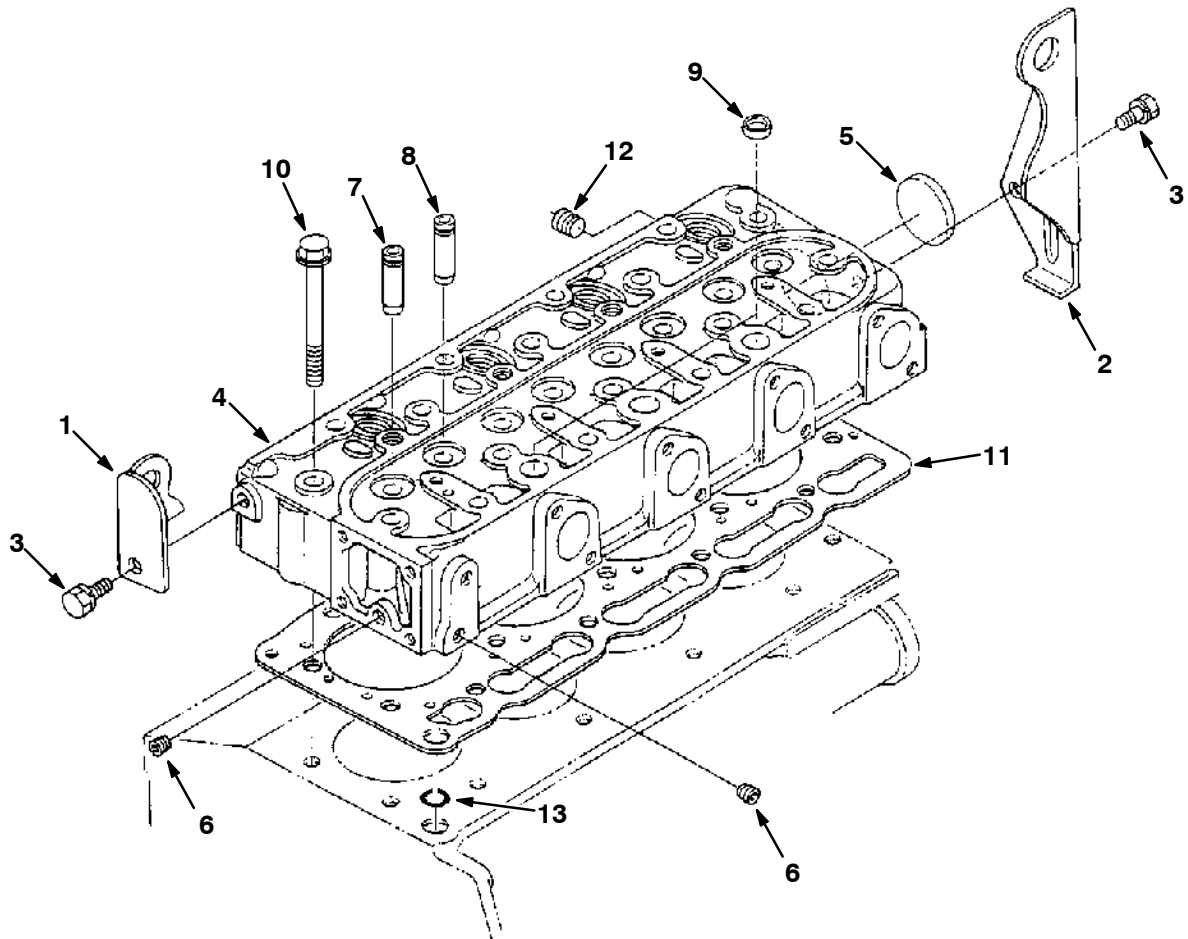
Fig. 2 - Oil Pan Group



07409 - 6600L, 7400, D

Ref.	Part No.	Description	Qty.	
1	71994	Pan, Oil	1	
2	70889	Gasket, Pan, Oil	1	
3	71995	Screw, Hex [Ku]	26	
4	70890	Plug	1	
5	70891	Gasket, Plug, Drain [Ku]	1	
6	70892	Element, Fitr, Oil, Eng, Spin-on[Ku]	1	
7	39094	Screw, Hex [Ku]	1	
8	41792	Seal Org [Ku]	1	
9	70893	Dipstick [Ku]	1	
▽	10	361428	Dipstick, Oil [Ku]	1
▲	11	361366	Seal Org [Ku]	1
	12	39073	Screw, Hex [Ku]	1
		66187	Gasket Set	1

Fig. 3 - Cylinder Head Group



07411 - 6600L, 7400, 8200L, D

Ref.	Part No.	Description	Qty.
1	71996	Hook, Engine 1	1
2	71997	Hook, Engine 2	1
3	39073	Bolt	2
4	84631	① Head, Cyl, W/O Valve [Ku]	1
▽ 4	372921	② Head, Cyl [Ku]	1
▲ 5	51331	Cap, Sealing	1
▲ 6	39088	Plug	2
▲ 7	70895	Guide, Inlet Valve	4
▲ 8	70896	Guide, Exhaust Valve	4
▲ 9	71999	Cap, Sealing	3
10	70897	Bolt, Cylinder Head	18
11	70899	Gasket, Cyclinder Head	1
	66194	Gasket Set, Upper	1
12	72010	Plug	1
13	39063	O-Ring	1

① Kubota Serial number (Wxxxxx-3xxxxxx)

② Kubota Serial number number (4xxxxx-)

Fig. 4 - Gear Case Group

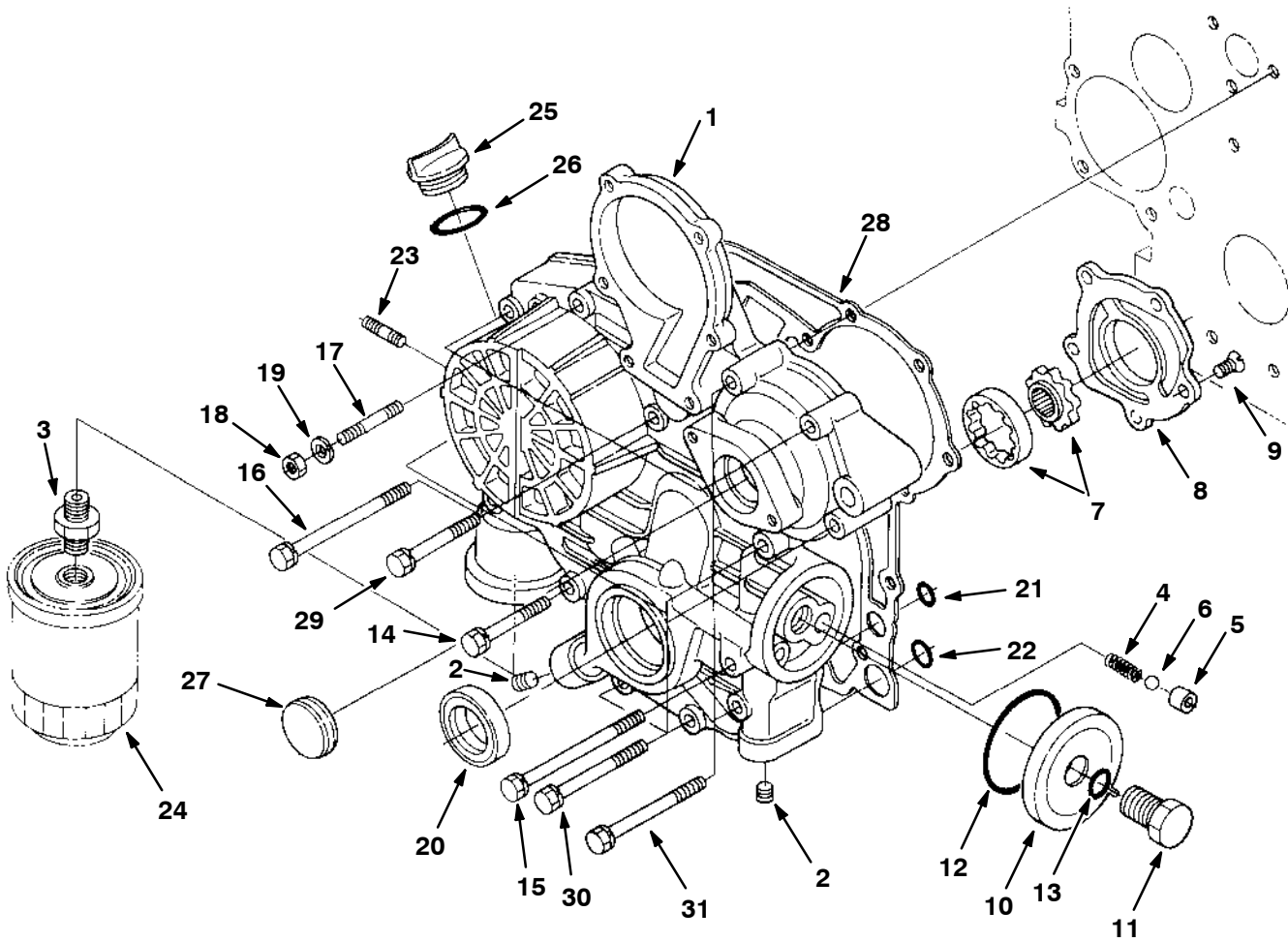
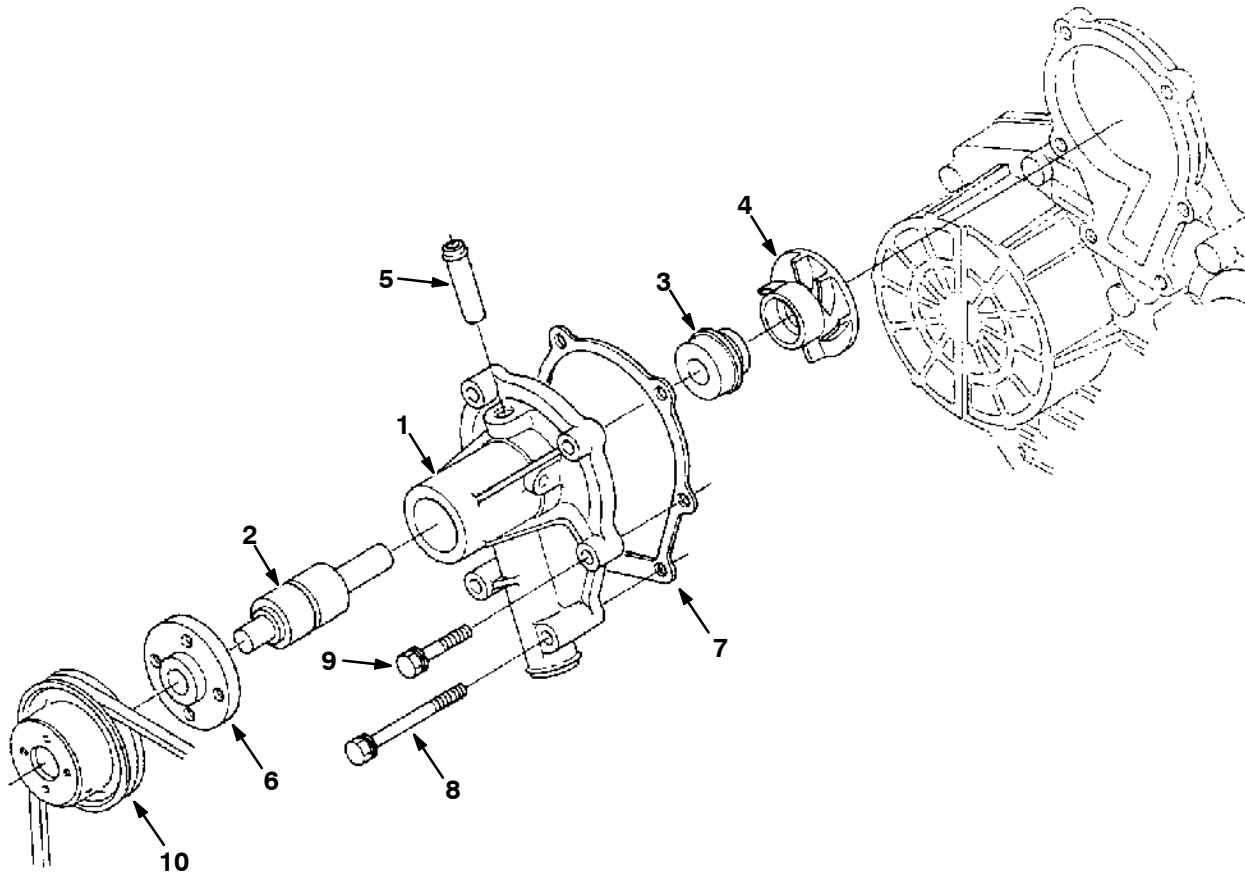


Fig. 4 - Gear Case Group

	Ref.	Part No.	Description	Qty.
▽	1	72011	Comp. Case, Gear	1
▲	2	72012	Plug	4
▲	3	12916	Joint, Pipe	1
▲	4	70900	Spring	1
▲	5	70901	Seat, Valve	1
▲	6	70902	Ball	1
▲	7	70903	Assembly Rotor, Oil Pump	1
▲	8	70904	Cover, Oil Pump	1
▲	9	72013	Screw	5
▲	10	70905	Cover	1
▲	11	70906	Bolt	1
▲	12	70907	O-Ring	1
▲	13	39103	O-Ring	1
	14	72014	Bolt	1
	15	72015	Bolt	2
	16	72016	Bolt	1
	17	72017	Stud	1
	18	39121	Nut	1
	19	39065	Washer, Spring	1
	20	70909	Seal, Oil	1
	21	70910	O-Ring	2
	22	70911	O-Ring	2
	23	72018	Stud	2
	24	55849	Assembly Cartridge, Oil	1
	25	39161	Oil Filter, Plug	1
	26	70913	O-Ring	1
	27	70189	Cover	1
	28	70912	Gasket, Gear Case	1
	29	72993	Bolt	3
	30	72994	Bolt	4
	31	72995	Bolt	2

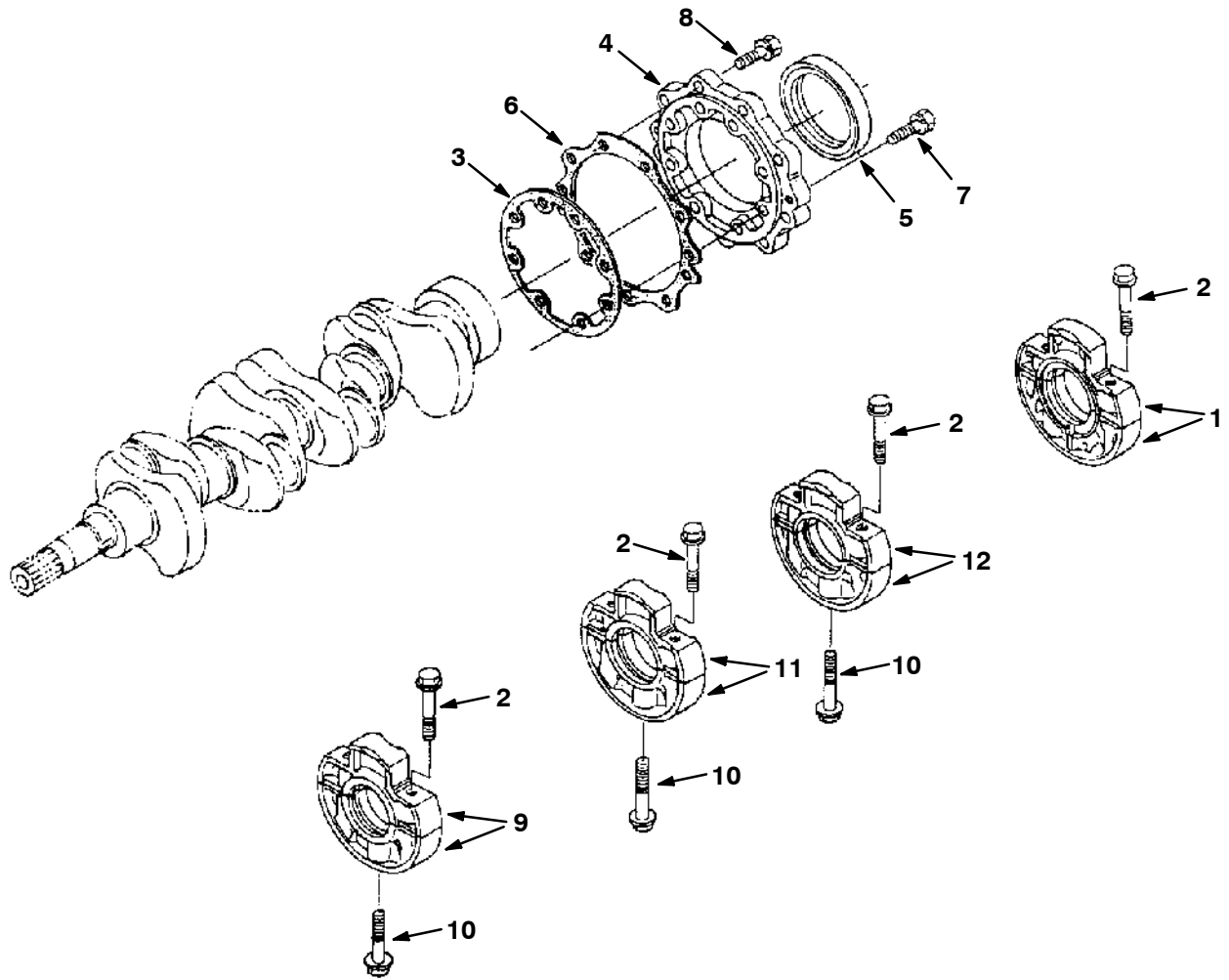
Fig. 5 - Water Pump Group



07415 - 6600L, 7400, 8200L, D

Ref.	Part No.	Description	Qty.
▽	1 66205	Assembly Pump, Water	1
▲	2 70915	Bearing, Ball	1
▲	3 70916	Assembly Seal, Mechanical	1
▲	4 70917	Impeller, Water Pump	1
▲	5 361440	Fitting, Pipe, Water [Ku]	1
▲	6 70919	Flange, Pump, Water [Ku]	1
▲	7 70920	Gasket, Water Pump	1
	8 72997	Bolt	2
	9 72996	Bolt	4
	10 55847	Pully, Fan	1

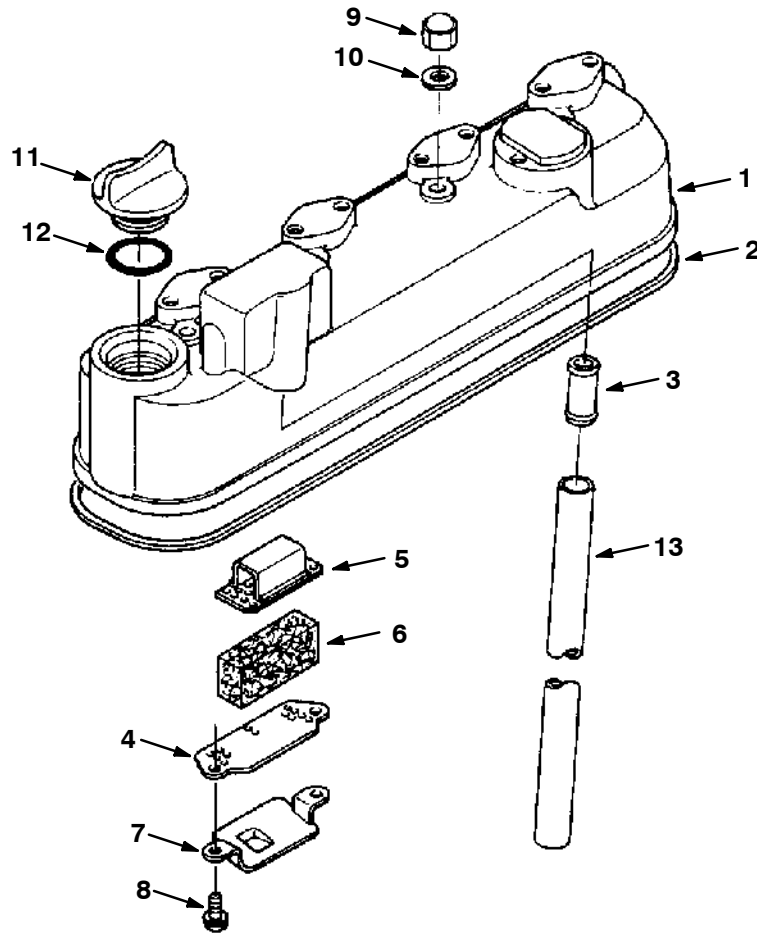
Fig. 6 - Main Bearing Case Group



07417 - 6600L, 7400, 8200L, D

Ref.	Part No.	Description	Qty.
1	70921	Assembly Case, Main Bearing	1
2	72998	Bolt, Bearing Case 1	8
3	70922	Gasket, Bearing Case	1
4	70923	Cover, Bearing Case	1
5	70924	Seal, Oil	1
6	70925	Gasket, Bearing Case Cover	1
7	72999	Bolt	8
8	39119	Bolt	9
9	70926	Assembly Case, Main Bearing 1	1
10	73479	Bolt, Bearing Case 2	3
11	70927	Assembly Case, Main Bearing 2	1
12	70928	Assembly Case, Main Bearing 3	1

Fig. 7 - Head Cover Group (Wxxxxx-3xxxxxx)



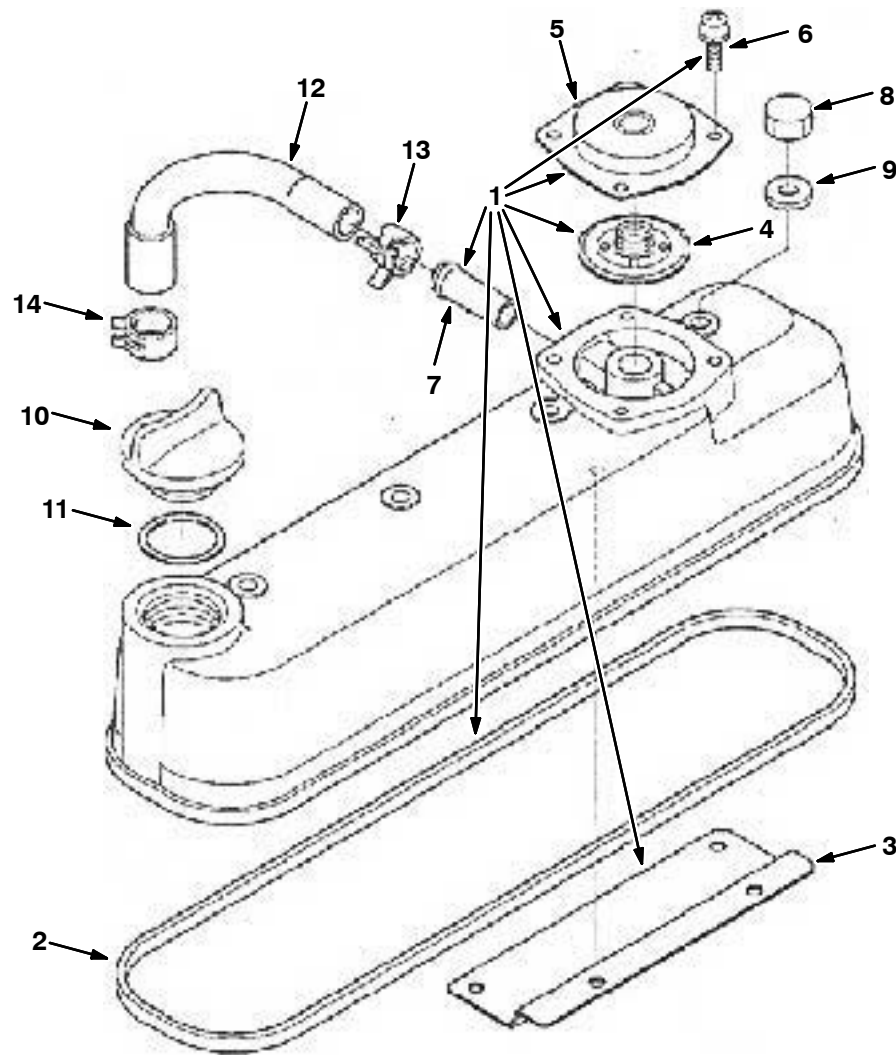
07419 - 6600L, 7400, 8200L, D

Ref.	Part No.	Description	Qty.
▽	1 73480	① Cover, Cylinder Head	1
▲	2 70929	① Gasket, Head Cover	1
▲	3 73481	① Joint, Breather Pipe	1
▲	4 70930	① Plate, Element 1	1
▲	5 70931	① Plate, Element 2	1
▲	6 70932	① Element, Breather	1
▲	7 70933	① Oil Shield, Breather	1
▲	8 73482	① Screw, With Washer	2
	9 73483	① Nut, Cap	4
	10 73484	① Gasket	4
	11 361374	① Plug, Oil Filler	1
	12 39162	① O-Ring	1
	13 73485	① Pipe, Breather	1

① Kubota Serial number (Wxxxxx-3xxxxxx)

② Kubota Serial number number (4xxxxx-)

Fig. 8 - Head Cover Group (4xxxxx-)



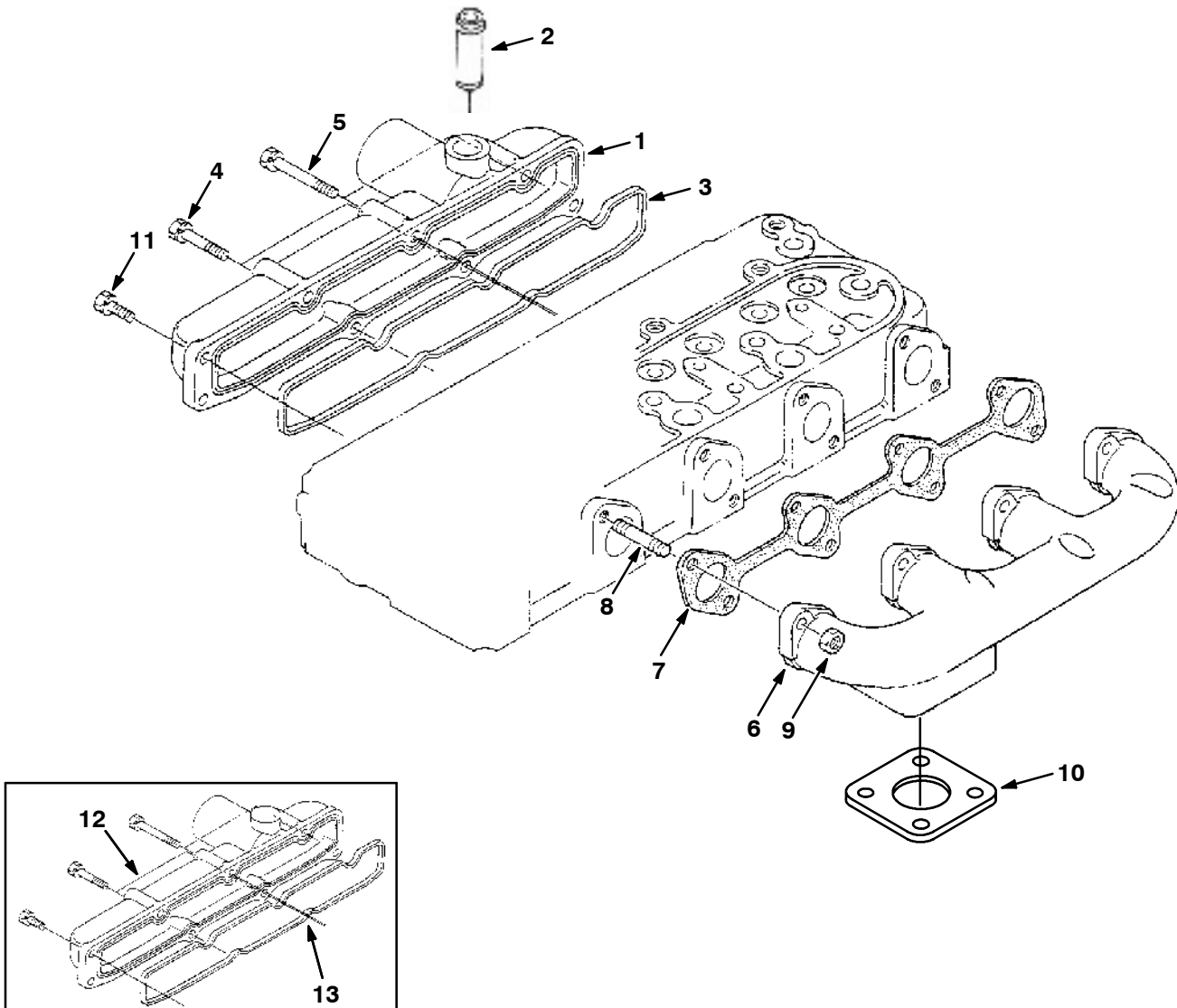
07419 - 6600L, 7400, 8200L, D

Ref.	Part No.	Description	Qty.
▽	1 372918	② Cover Assy, Head, Cyl	1
▲	2 70929	② Gasket, Cover, Head, Cyl [Ku]	1
▲	3 372912	② Shield, Breather	1
▲	4 372928	② Valve, Breather, Complt	1
▲	5 372927	② Cover, Breather	1
▲	6 372900	② Screw, Pan	4
▲	7 30125	② Pipe, Water	1
	8 73483	② Nut, Hex, Cap [Ku] 15952-92331	1
	9 73484	② Gasket, F/Bolt [Ku] 15951-96661	1
	10 361374	② Cap, Filler, Oil [Ku]	1
	11 39162	② Seal, Org [Ku] 04811-50300	1
	12 372913	② Tube, Breather	1
	13 372901	② Clamp, Hose	1
	14 372904	② Clamp, Hose	1

▽ Kubota Serial number (Wxxxxx-3xxxxxx)

② Kubota Serial number number (4xxxxx-)

Fig. 9 - Manifold Group



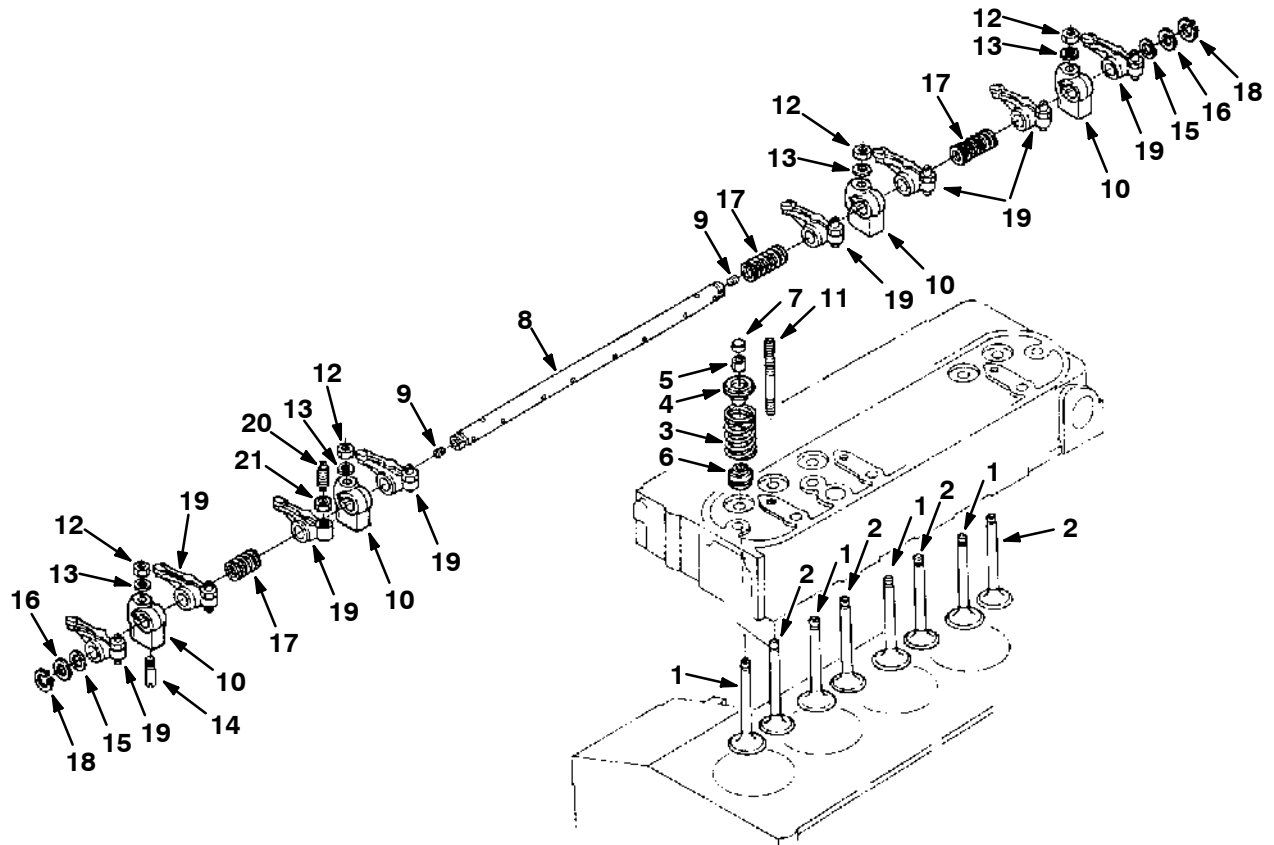
07421 - 6600L, 7400, 8200L, D

	Ref.	Part No.	Description	Qty.
▽	1	372905	② Manifold Assy, Inlet	1
▲	2	73481	② Pipe, Breather [Ku]	1
▲	3	70934	② Gasket, In-manifold	1
	4	72996	Bolt	2
	5	72994	Bolt	3
	6	73487	Manifold, Exhaust, Front, Down	1
	7	70935	Gasket, Ex-manifold	1
	8	73488	Stud	8
	9	361427	Nut	8
	10	51332	Gasket Ku	1
	11	40409	Bolt	3
▽	12	73486	① Manifold, Inlet	1
▲	13	70934	① Gasket, Manifold, Intake [Ku]	1

① Kubota Serial number (Wxxxxx-3xxxxxx)

② Kubota Serial number number (4xxxxx-)

Fig. 10 - Valve, Rocker Arm Group



07423 - 6600L, 7400, 8200L, D

Ref.	Part No.	Description	Qty.	
1	70936	Valve, Inlet	4	
2	70937	Valve, Exhaust	4	
3	73491	Spring, Valve	8	
4	73492	Retainer, Valve Spring	8	
5	73493	Collet, Valve Spring	8	
6	73494	Seal, Valve Stem	8	
7	361392	Cap, Valve	8	
▽	8	73495	Assembly Shaft, R-arm	1
▲	9	73496	Screw, Set	2
10	73497	Bracket, Rocker Arm	4	
11	73498	Stud	4	
12	73499	Nut	4	
13	73500	Washer, Plain	4	
14	73501	Screw, Set	1	
15	73502	Washer 1	2	
16	73503	Washer 2	2	
17	73504	Spring, Rocker Arm	3	
18	73505	Cir-clip, External	2	
▽	19	73506	Assembly Rocker Arm	8
▲	20	73507	Screw, Adjusting	8
▲	21	73508	Nut	8

Fig. 11 - Camshaft Group

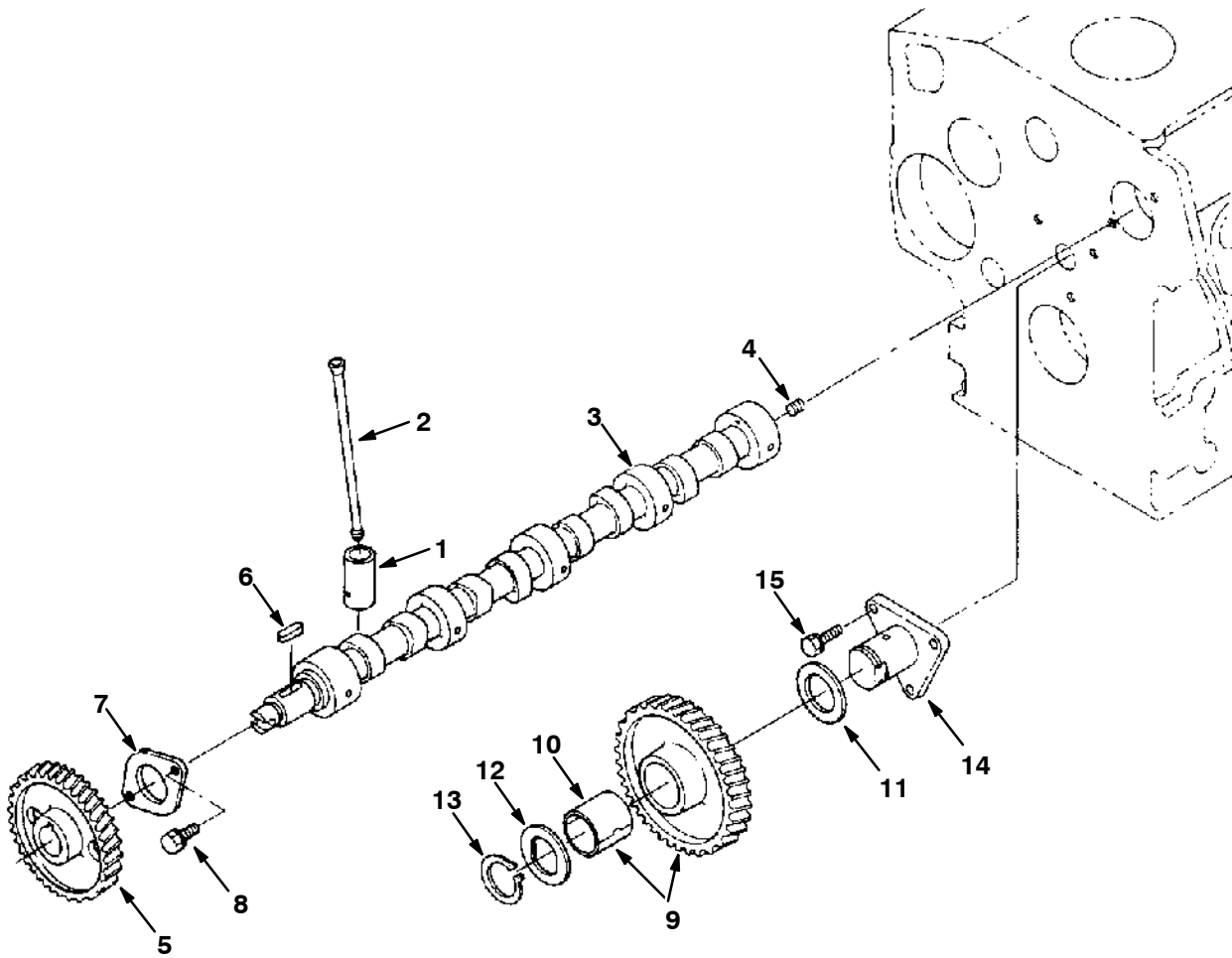


Fig. 11 - Camshaft Group

	Ref.	Part No.	Description	Qty.
	1	12895	Tappet	8
	2	73509	Push Rod	8
▽	3	73510	Assembly Camshaft	1
▲	4	39197	Screw, Set	1
▲	5	73511	Gear, Camshaft	1
▲	6	73512	Key, Feather	1
▲	7	73513	Stopper, Camshaft	1
▲	8	39160	Bolt	2
▽	9	73514	Comp Idle Gear 1	1
▲	10	73515	Bush, Idle Gear	1
	11	73516	Collar, Idle Gear 1	1
	12	73517	Collar, Idle Gear 2	1
	13	73518	Cir-clip, Idle Gear	1
	14	73519	Shaft, Idle Gear 1	1
	15	41973	Bolt	3

Fig. 12 - Piston and Crankshaft Group

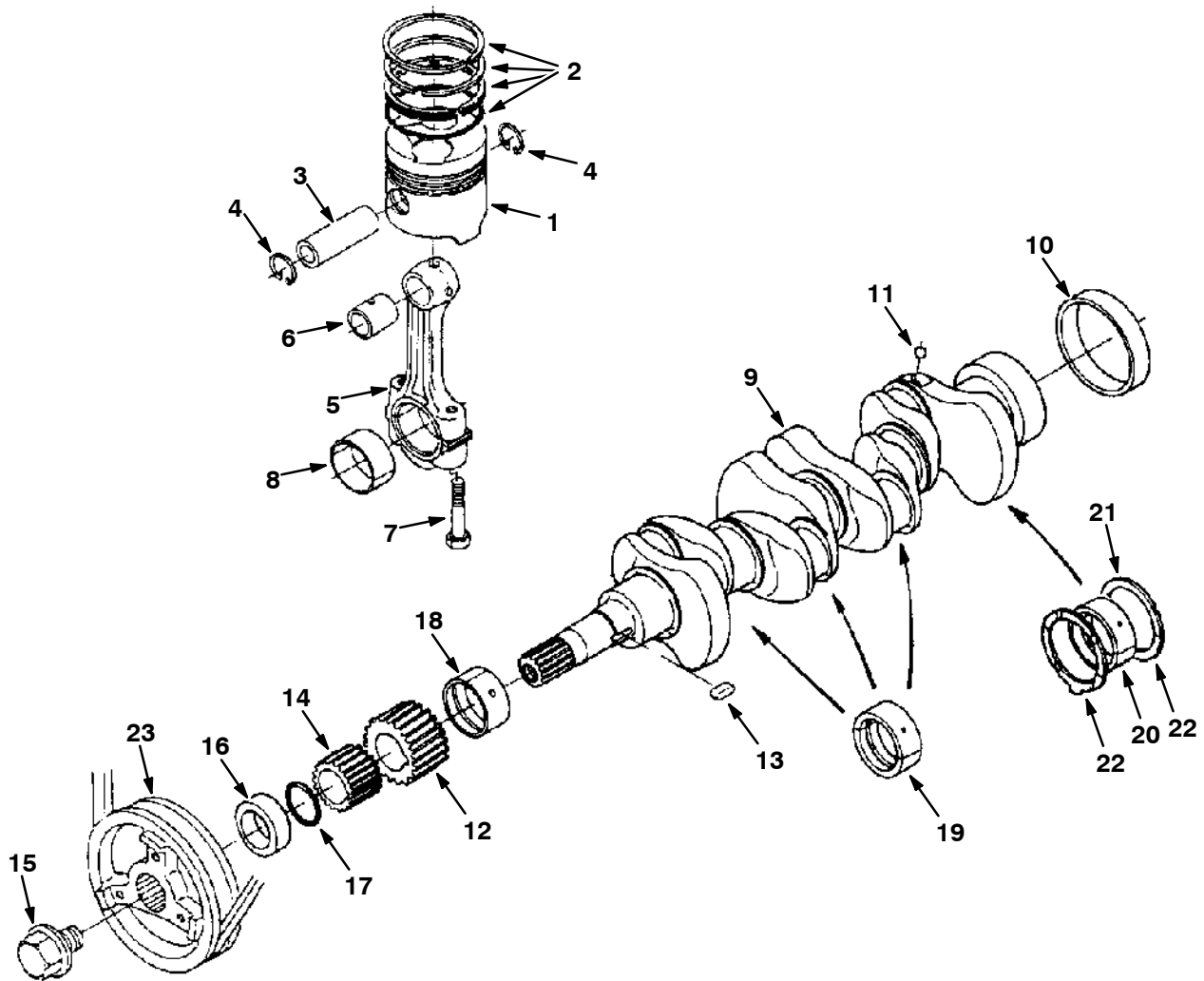


Fig. 12 - Piston and Crankshaft Group

Ref.	Part No.	Description	Qty.	
1	73520	Piston	4	
1	73521	Piston 05	4	
2	70938	Assembly Piston Ring	4	
2	70939	Assembly Piston Ring 05	4	
3	73522	Pin, Piston	4	
4	73523	Cir-clip, Piston Pin	8	
▽	5	73524	Assembly Connecting Rod	4
▲	6	70940	Bush, Piston Pin	4
▲	7	73525	Bolt, Connecting Rod	8
▲	8	70941	Metal, Crankpin	4
▲	8	66204	Metal, Crankpin 02	4
▲	8	66207	Metal, Crankpin 04	4
▽	9	73526	Comp. Crankshaft	1
▲	10	70942	Sleeve, Crankshaft	1
▲	11	73527	Ball	4
▲	12	73528	Gear, Crankshaft	1
▲	13	73529	Key	1
▲	14	73530	Gear, Oil Pump Drive	1
	15	73532	Bolt	1
	16	70943	Collar, Crankshaft	1
	17	70944	O-Ring	1
	18	70945	Metal, Crankshaft 1	1
	18	70946	Metal, Crankshaft1 02	1
	18	70947	Metal, Crankshaft1 04	1
	19	70948	Metal, Crankshaft 2	3
	19	70949	Metal, Crankshaft2 02	3
	19	70950	Metal, Crankshaft2 04	3
	20	70951	Metal, Crankshaft 3	1
	20	70952	Metal, Crankshaft3 02	1
	20	70953	Metal, Crankshaft3 04	1
	21	10844	Metal, Side 1	2
	21	70954	Metal, Side 1 02	2
	21	70955	Metal, Side 1 04	2
	22	10845	Metal, Side 2	2
	22	30121	Metal, Side 2 02	2
	22	30122	Metal, Side 2 04	2
	23	73531	Pulley, Fan Drive, 112mm	1

Fig. 13 - Flywheel Group

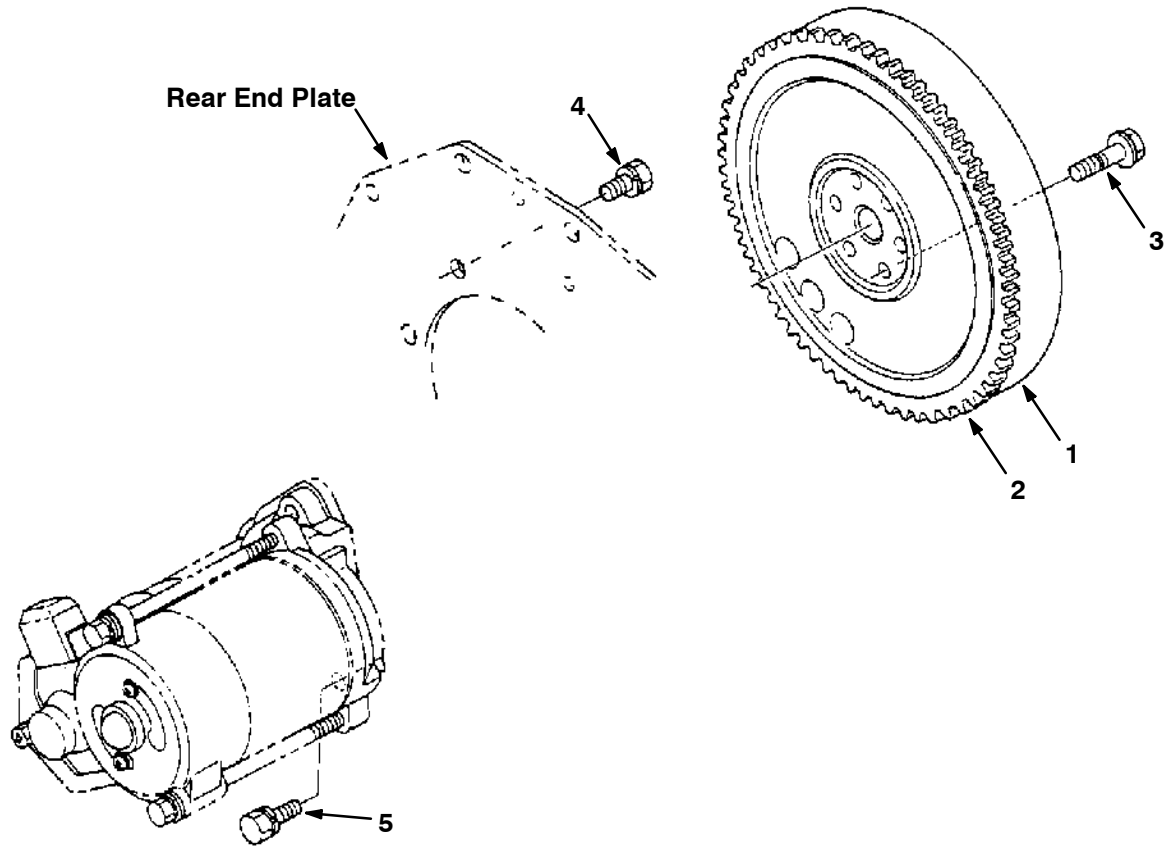


Fig. 13 - Flywheel Group

	Ref.	Part No.	Description	Qty.
▽	1	70956	Comp. Flywheel	1
▲	2	70957	Gear, Ring	1
	3	73533	Bolt, Flywheel	6
	4	73534	Bolt	8
	5	73535	Bolt	2

Fig. 14 - Starter Breakdown, 74405

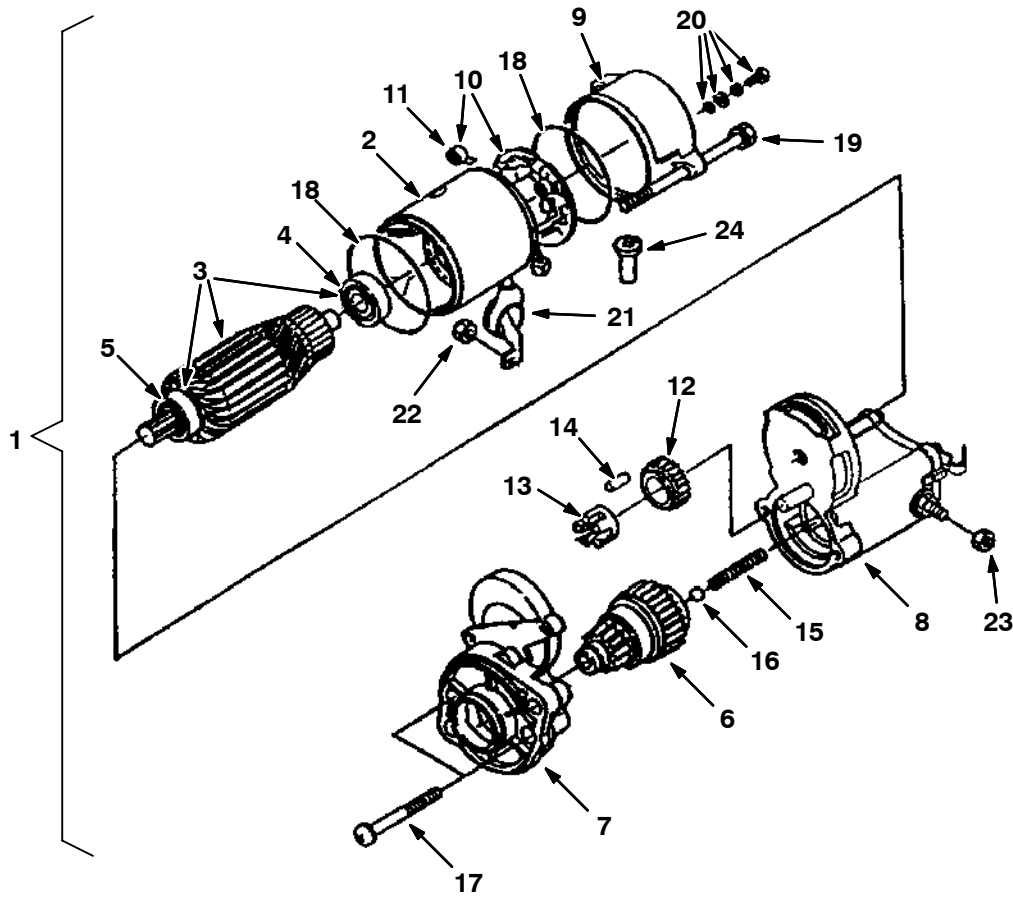


Fig. 14 - Starter Breakdown, 74405

	Ref.	Part No.	Description	Qty.
▽	1	74405	Assy Starter	1
▲	2	70196	Assy Yoke	1
▲▽	3	70197	Assy Armature	1
▲▲	4	70198	Bearing	1
▲▲	5	70199	Bearing	1
▲	6	70200	Clutch, Over Running	1
▲	7	70201	Frame, Drive End	1
▲	8	70202	Assy Switch, Magneto	1
▲	9	70203	Frame, End	1
▲▽	10	70204	Assy Holder, Brush	1
▲▲	11	70205	Spring, Brush	4
▲	12	70206	Gear	1
▲	13	70207	Retainer	1
▲	14	73545	Roller	5
▲	15	70208	Spring	1
▲	16	73547	Ball	1
▲	17	70209	Bolt	2
▲	18	20433	O-Ring	2
▲	19	70210	Bolt	2
▲	20	20432	Assy Bolt	2
▲	21	70211	Cover	1
▲	22	73551	Nut, Hexagon	1
▲	23	70212	Nut, Hexagon	1
▲	24	70213	Pipe, Drain	1

Fig. 15 - Nozzle Holder and Glow Plug Group

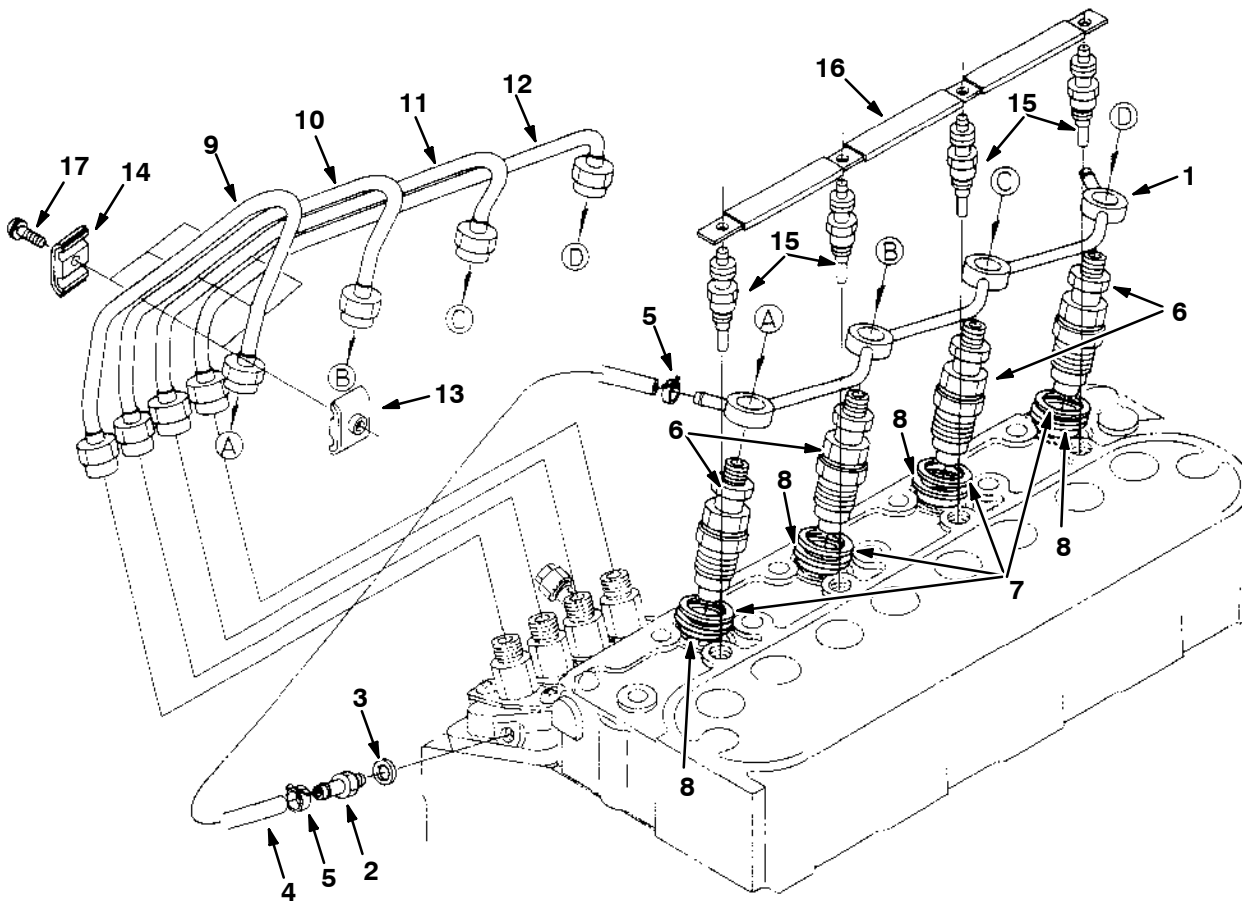


Fig. 15 - Nozzle Holder and Glow Plug Group

Ref.	Part No.	Description	Qty.
	1 73554	Pipe, Over Flow	1
	2 73555	Screw	1
	3 40166	Gasket	1
▽	4 361373	Assembly Pipe, Over Flow	1
▲	5 361368	Band, Pipe	2
	6 393674	① Holder Assembly, Nozzle	4
▽	6 372917	② Housing Assy, Nozzle	4
▲	7 70964	Gasket	4
▲	8 20719	Seal, Heat	4
	9 70965	Pipe, Injection 1	1
	10 70966	Pipe, Injection 2	1
	11 70967	Pipe, Injection 3	1
	12 70968	Pipe, Injection 4	1
	13 30131	Clamp, Pipe 1	3
	14 30132	Clamp, Pipe 2	3
	15 84638	Plug, Glow	4
	16 73560	Cord, Glow Plug	1
	17 39508	Screw, With Washer	3

① Kubota Serial Number (Wxxxxx-3xxxxxx)

② Kubota Serial Number (4xxxxx-)

Fig. 16 - Injection Pump Group

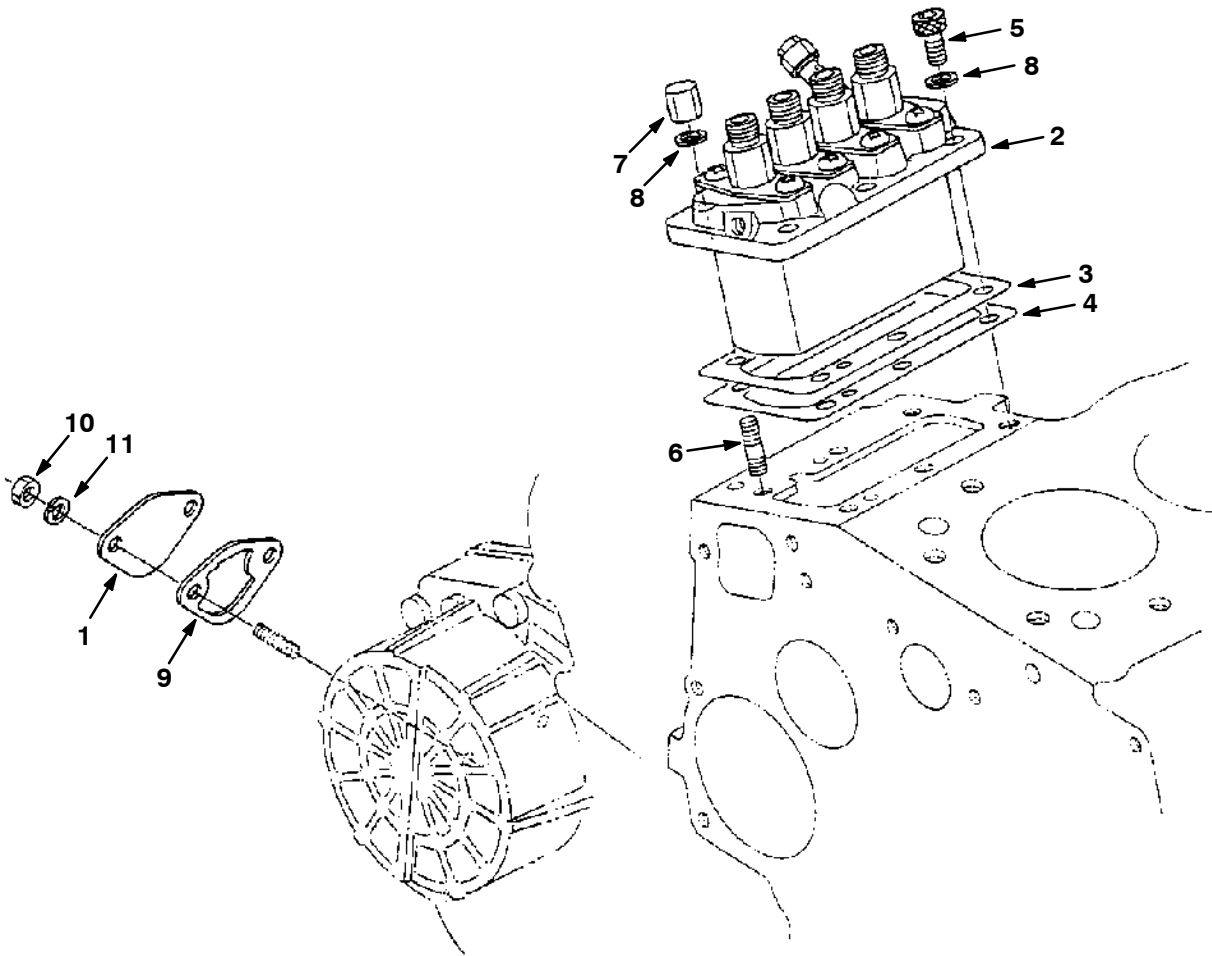


Fig. 16 - Injection Pump Group

Ref.	Part No.	Description	Qty.
1	73565	Fuel Pump Cover Plate	1
2	84635	Assembly Pump, Injection (See Injection Pump Breakdown)	1
3	70972	Shim, Injection Pump 0.20 mm	1
4	70973	Shim, Injection Pump 0.25 mm	2
4	84644	Shim, Injection Pump 0.30 mm	1
5	73561	Bolt	3
6	73562	Stud	3
7	73563	Nut, Cap	3
8	39065	Washer, Spring	6
9	70974	Gasket, Fuel Pump	1
10	39121	Nut	2
11	39065	Washer, Spring	2

Fig. 17 - Injection Pump Breakdown

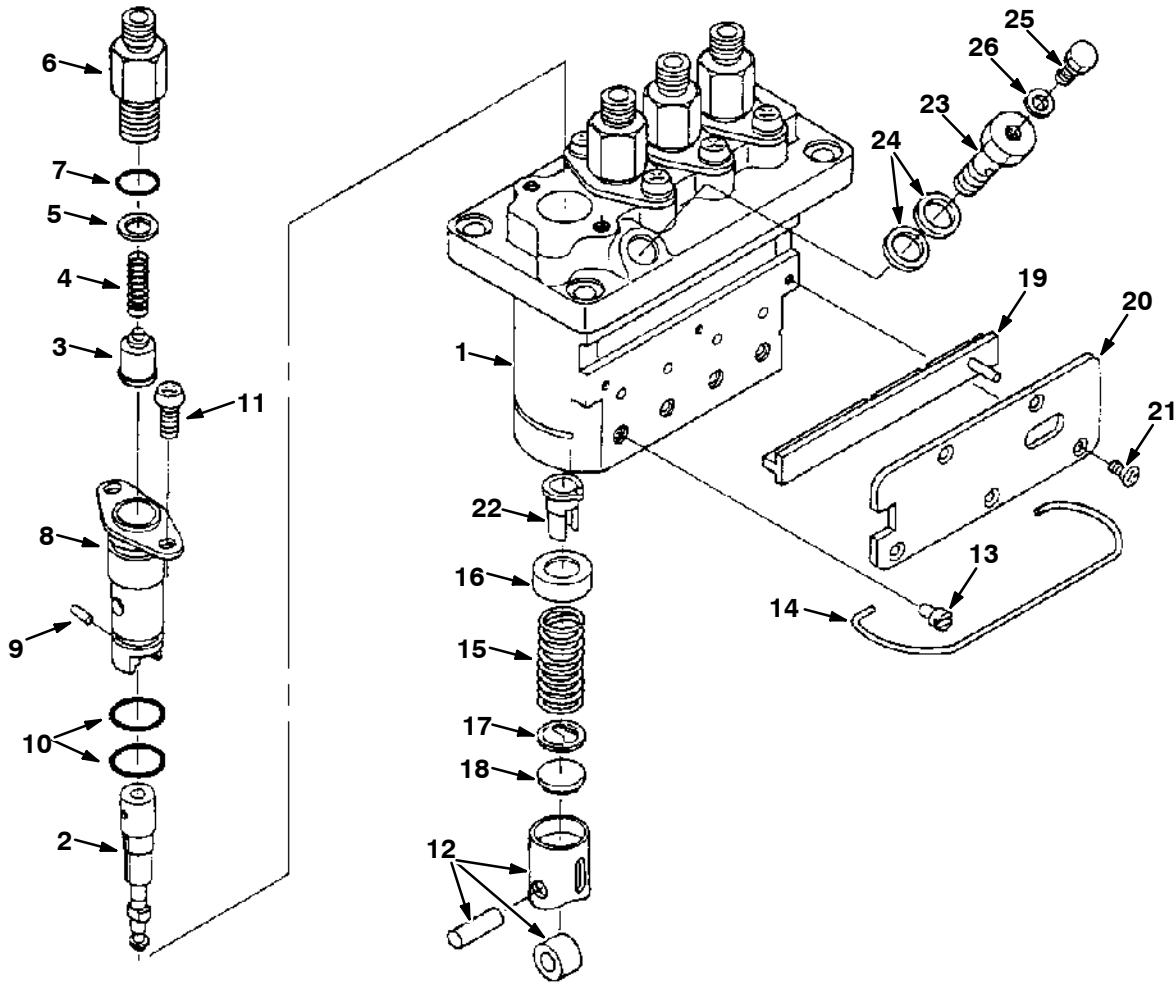
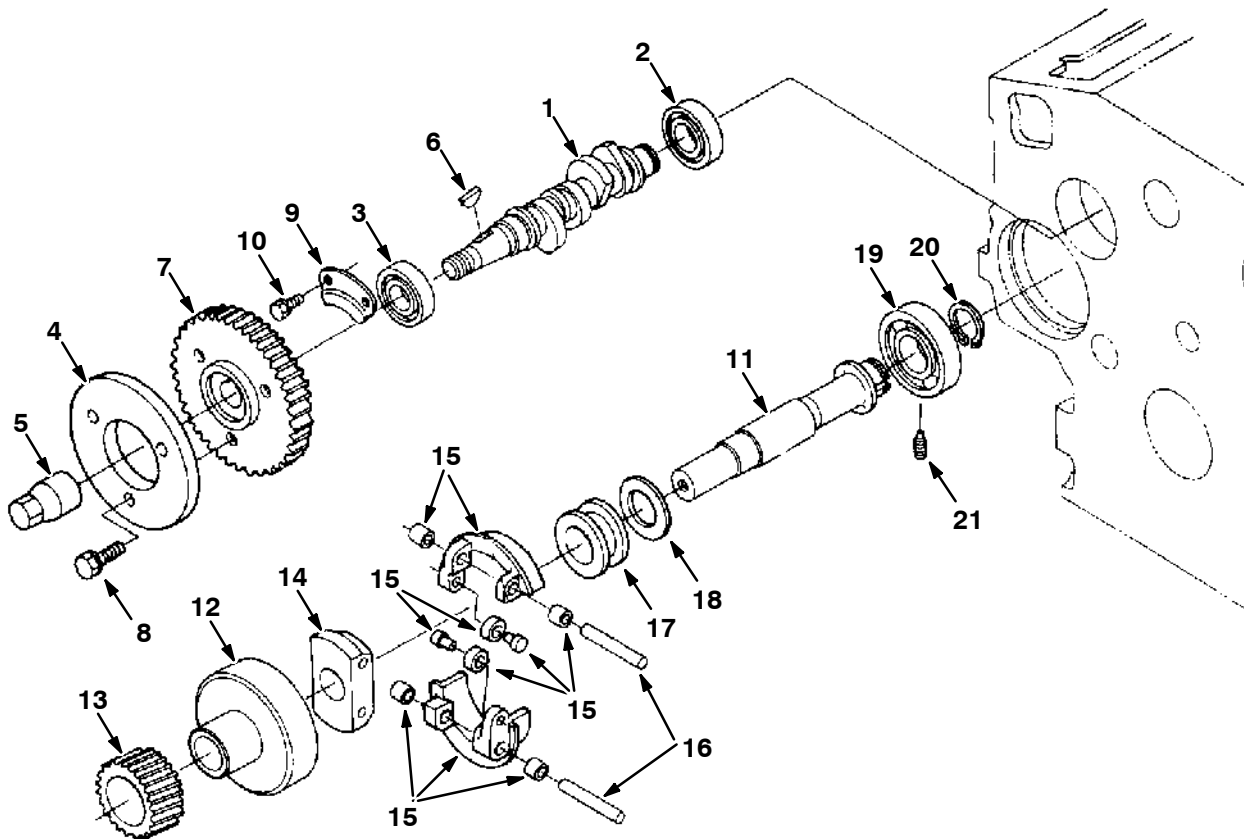


Fig. 17 - Injection Pump Breakdown

	Ref.	Part No.	Description	Qty.
▽	1	84635	Assembly Pump, Injection	1
▲	2	84648	Plunger, Pump	4
▲	3	73567	Valve, Delivery	4
▲	4	73568	Spring, Delivery Valve	4
▲	5	73569	Gasket, Delivery Valve	4
▲	6	73570	Holder, Delivery Valve	4
▲	7	73571	O-Ring	4
▲	8	73572	Flange, Sleeve	4
▲	9	73573	Pin, Joint	4
▲	10	73574	O-Ring	8
▲	11	73575	Screw	8
▲	12	73576	Assembly Tappet	4
▲	13	73577	Pin, Tappet Guide	4
▲	14	73578	Pin, Clamp	1
▲	15	73579	Spring, Plunger	4
▲	16	73580	Seat, Spring Upper	4
▲	17	73581	Seat, Spring Lower	4
▲	18	73582	Shim	1
▲	19	84649	Rack, Control	1
▲	20	84650	Plate	1
▲	21	73585	Screw	5
▲	22	73586	Sleeve, Control	4
▲	23	84651	Screw, Follow	1
▲	24	73588	Gasket	2
▲	25	73589	Screw	1
▲	26	73590	Gasket	1

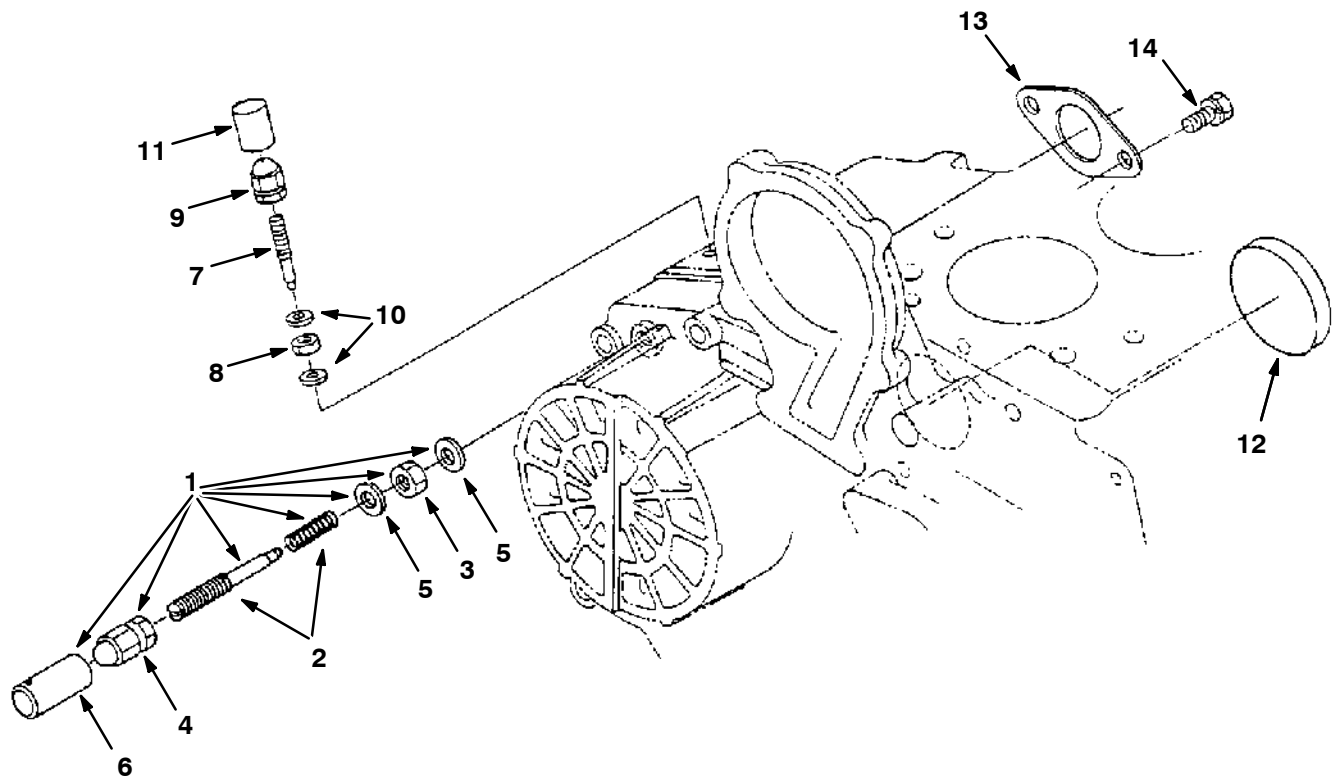
Fig. 18 - Fuel Camshaft Group



07441 - 6600L, 7400, 8200L, D

Ref.	Part No.	Description	Qty.	
1	84636	Camshaft, Fuel	1	
2	70975	Bearing, Ball	1	
3	70976	Bearing, Ball	1	
4	73592	Cam, Fuel	1	
5	73593	Nut, Cap	1	
6	73594	Key, Woodruff	1	
7	73595	Gear, Injection Pump	1	
8	40409	Bolt	3	
9	73596	Stopper	1	
10	71995	Bolt	2	
▽	11	73597	Assembly Shaft, Governor	1
▲	12	73598	Holder, Governor Gear	1
▲	13	73599	Gear, Governor	1
▲	14	73600	Holder,	1
▲	15	73601	Comp. Weight, Governor	2
▲	16	73602	Shaft, Governor Weight	2
▲	17	70977	Sleeve, Governor	1
▲	18	70978	Washer, Thrust	1
	19	70979	Bearing, Ball	1
	20	73603	Cir-clip, Governor Shaft	1
	21	73604	Screw, Set	1

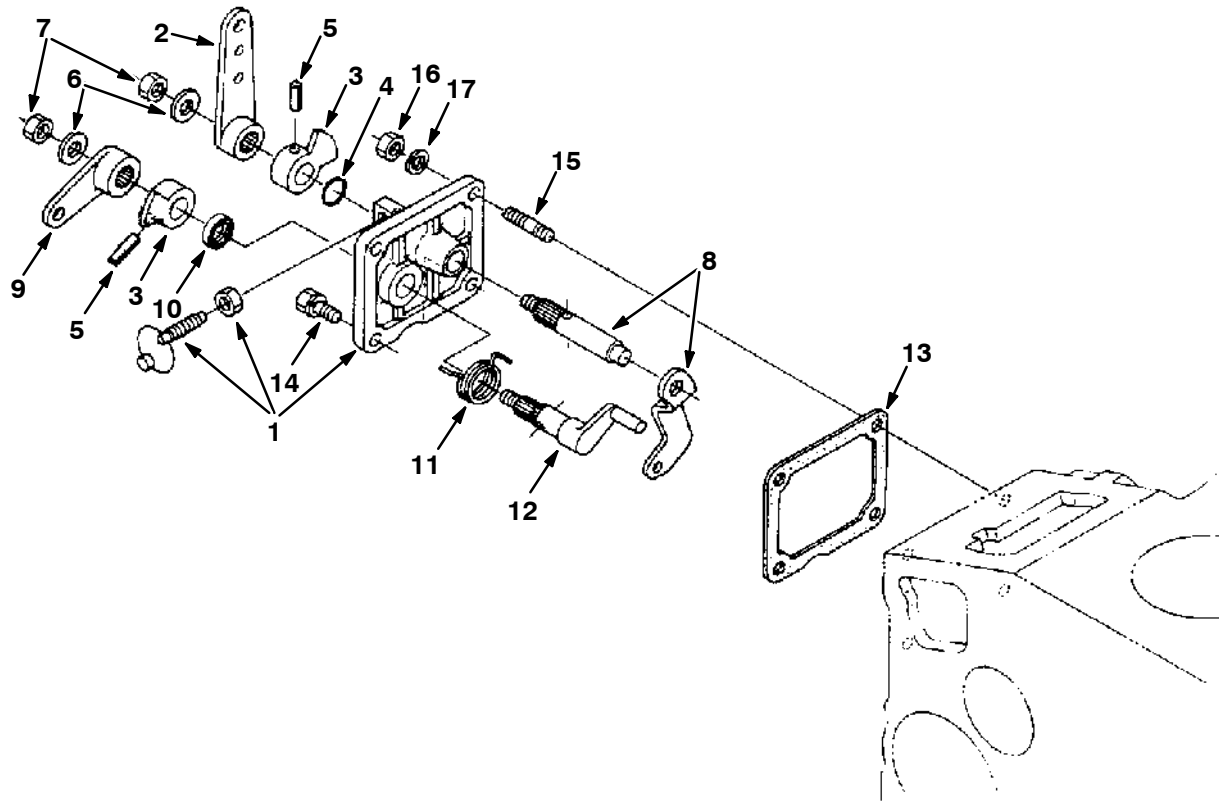
Fig. 19 - Idling Group



07443 - 7400, 6600L, D

Ref.	Part No.	Description	Qty.
▽	1 70980	Assembly Apparatus, Idle	1
▲	2 73605	Assembly Bolt, Adjusting	1
▲	3 73606	Nut	1
▲	4 73607	Nut, Cap	1
▲	5 40166	Gasket	2
▲	6 30136	Cap	1
	7 73610	Bolt, Adjusting	1
	8 73606	Nut	1
	9 73607	Nut, Cap	1
	10 40166	Gasket	2
	11 30136	Cap	1
	12 70188	Cover	1
	13 70165	Gasket, Thrtl Blk	1
	14 39160	Bolt	2

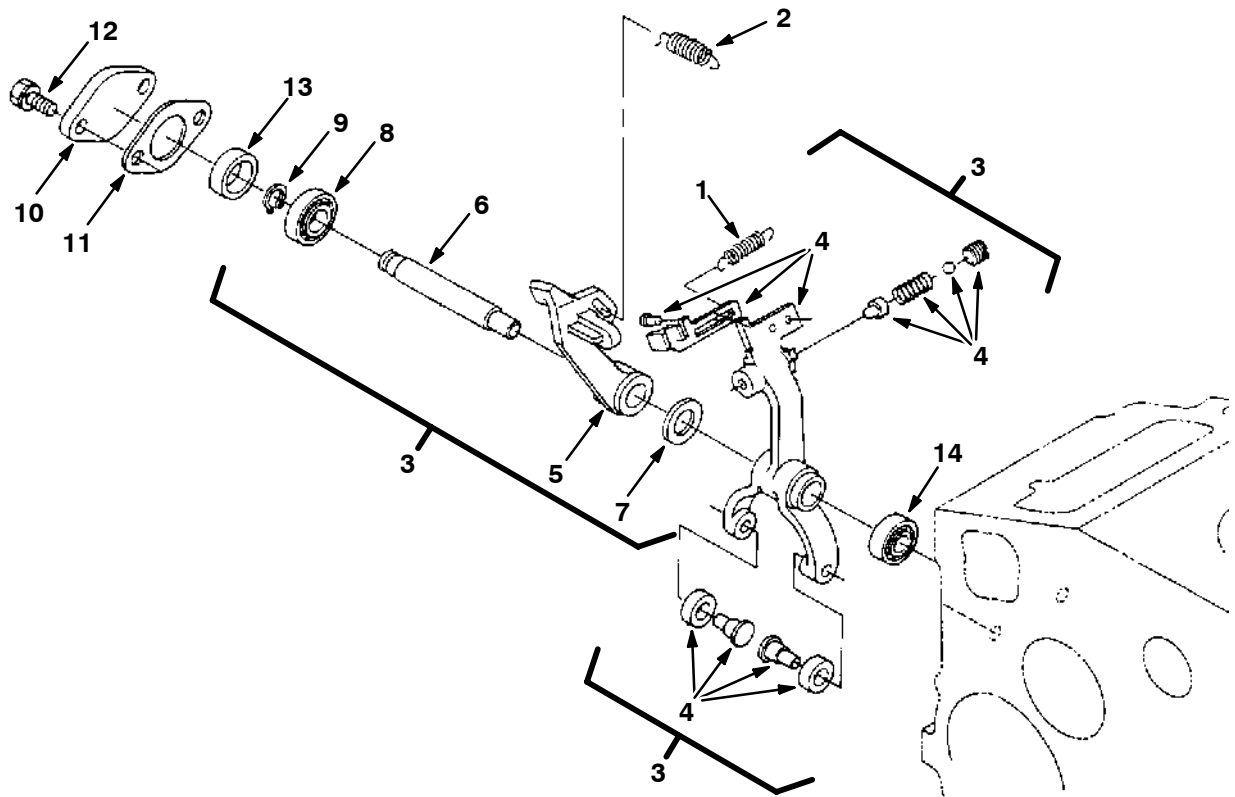
Fig. 20 - Speed Control Plate Group



07445 - 6600L, 7400, 8200L, D

Ref.	Part No.	Description	Qty.
▽	1 70982	Assembly Plate, Control	1
▲	2 73618	Lever, Speed Control	1
▲	3 73619	Lever, Speed Control	2
▲	4 73620	O-Ring	1
▲	5 40407	Pin, Spring	2
▲	6 73621	Washer, Plain	2
▲	7 73622	Nut	2
▲	8 73623	Comp. Lever, Governor	1
▲	9 73624	Lever, Engine Stop	1
▲	10 70983	Seal, Oil	1
▲	11 73625	Spring, Return	1
▲	12 73626	Shaft, Stop Lever	1
	13 70984	Gasket	1
	14 41973	Bolt	2
	15 72018	Stud	2
	16 39121	Nut	2
	17 39065	Washer, Spring	2

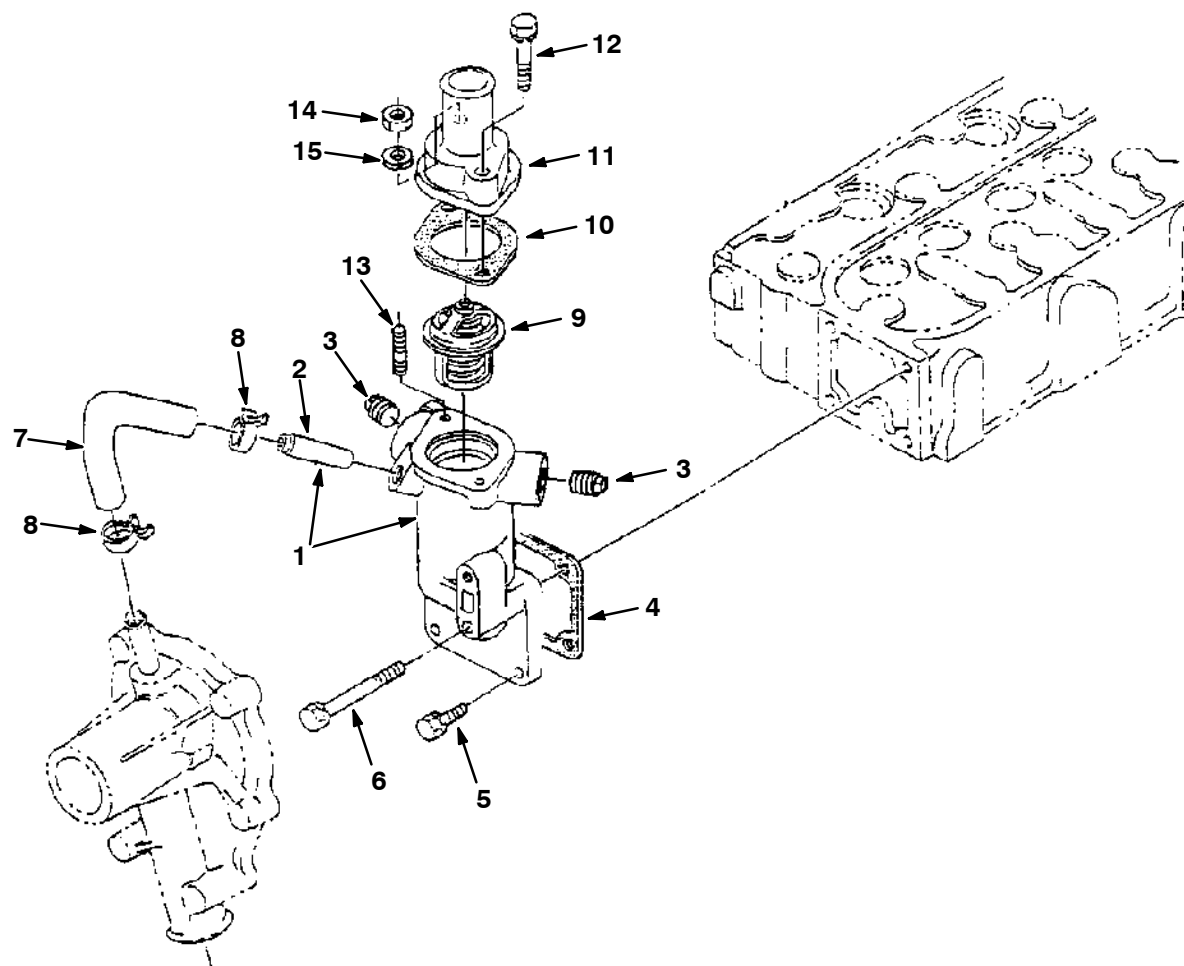
Fig. 21 - Governor Group



07447 - 6600L, 7400, 8200L, D

Ref.	Part No.	Description	Qty.
1	70985	Spring, Start	1
2	70986	Spring, Governor	1
▽ 3	73627	Assembly Lever, Fork	1
▲ 4	70987	Comp. Lever, Fork 1	1
▲ 5	73628	Lever, Fork 2	1
▲ 6	73629	Shaft, Fork Lever	1
▲ 7	70988	Washer, Plain	1
▲ 8	70989	Bearing, Ball	1
▲ 9	73630	Cir-clip, External	1
10	73631	Cover, Fork Lever Shaft	1
11	361430	Gasket	1
12	39160	Bolt	2
13	70991	Collar 1	1
14	70992	Bearing, Ball	1

Fig. 22 - Water Flange Group



07451

	Ref.	Part No.	Description	Qty.
▽	1	368090	Flange, Water [Ku]	1
▲	2	361440	Pipe, Water Return 1	1
	3	73632	Plug	2
	4	70994	Gasket, Water Flange	1
	5	41973	Bolt	3
	6	72995	Bolt	1
	7	73633	Pipe, Water Return 2	1
	8	73634	Band, Pipe	2
	9	10852	Thermostat, 180deg, 1.7d	1
	10	10851	Gasket, 1.7d	1
	11	368091	Housing, Thermostat, 1.7d [Ku]	1
	12	72996	Bolt	1
	13	73636	Stud	1
	14	39121	Nut	1
	15	39065	Washer, Spring	2

SECTION 6

CONTENTS	PAGE
PART NUMBER TO PAGE NUMBER CROSS REFERENCE LIST	6-2
PART DESCRIPTION TO PAGE NUMBER CROSS REFERENCE LIST	6-13

CROSS REFERENCE

PART NUMBER TO PAGE NUMBER CROSS REFERENCE LIST

Part Number	Page Number	Part Number	Page Number	Part Number	Page Number
IB3614	4-11	06942	2-7, 2-13, 2-15, 2-23, 2-37, 2-45, 2-93, 3-5, 3-7	08708	2-13, 2-15, 2-17, 2-21, 2-25, 2-27, 2-29, 2-41, 2-65, 2-89, 2-93, 3-9, 3-33, 3-41, 3-48, 3-55, 3-57, 3-59
00500-15	4-9	06943	2-13, 2-19, 2-33, 2-37, 2-41, 2-57, 3-33, 3-47	08709	2-17, 2-39, 2-41, 2-55, 2-57, 2-65, 2-69, 2-75, 2-77, 2-79, 2-87, 3-3, 3-11, 3-21, 3-23, 3-31, 3-41, 3-55
00966	4-11	06944	2-17, 2-25, 2-45	08711	2-15, 2-17, 2-33, 2-53, 2-67, 2-79, 3-25, 3-33, 3-51
01047	3-35	06945	2-15, 2-17	08712	2-3, 2-29, 2-55, 2-61, 2-63, 2-67, 3-63
01314	2-7, 2-27	06946	2-13, 2-89	08713	2-3, 2-7, 2-61, 2-63, 2-75, 2-87
01318	2-17	06947	3-57, 3-59	08716	2-3, 2-61, 2-63, 2-67, 3-9
01335	2-67	06949	3-51, 3-53	09007	2-9, 2-11, 3-63
01683	2-63, 2-71, 3-39, 3-51, 3-53	06950	2-89	09010	2-9, 2-11, 2-63, 2-79, 2-87
01684	2-3, 2-7, 2-9, 2-11, 2-61, 2-63, 2-67, 2-79, 3-37, 3-63	06953	2-37	09011	2-7, 2-15, 2-49, 2-53
01685	2-3, 2-7, 2-9, 2-11, 2-19, 2-61, 2-63, 2-65, 2-73, 2-75, 3-23	06955	2-55	09028	2-9, 2-11, 2-77
01754	2-25	06956	2-55, 2-91, 2-93	09029	2-67
01760	2-19, 3-33, 3-41, 3-55	06960	2-73	09062	3-33, 3-41, 3-55, 3-57, 3-59
01762	2-79	06961	3-27	09088	2-53
01998	2-85	06966	2-33	09120	2-79, 3-41, 3-55
01999	2-85	06969	2-15, 2-17, 2-53, 3-33	09145	2-17, 2-19, 3-41, 3-55, 3-57
02126	3-33	06971	2-67	09146	2-25
02129	3-33	06972	2-33	09164	2-27, 3-33
02469	2-85	06973	2-73	09206	2-69, 3-35
02706	4-3	06975	2-79	09291	2-9, 2-11
02740	2-35	06977	2-79	09342	2-7
02741	2-35	06988	2-19	09738	3-3, 3-21, 3-23
02850	2-69, 2-93, 3-35, 3-57, 3-59	07274	2-37	09739	2-63
02942	2-73	07299	2-33	09740	2-49, 2-77, 3-11
02994	2-23	07450	2-77	09767	2-75
03026	2-35	07562	2-35	09775	2-59
04375	2-65	07787	2-73	09900-1	2-89
04414	2-33	07788	2-9, 2-11, 2-73	1005089	2-23, 4-17
04483	4-19	07789	3-3, 3-21, 3-23	1005267	2-23
04733-10	3-61	07790	2-13, 2-33, 2-41, 2-45, 2-57, 3-5, 3-7, 3-51, 3-53	1005339	3-33
04843	2-57	07791	2-7, 2-13, 2-21, 2-27, 2-31, 2-35, 2-41, 2-47, 2-49, 2-65, 2-91, 2-93, 3-23, 3-33, 3-57, 3-63	1006038	2-67
05685	2-59			1006162	2-19
05686	2-57, 2-59			1006329	2-91, 2-93
06474A	2-63			1006424	2-19
06537	2-33			1006558	2-15
06548	2-37			1006647	2-91
06549	2-7, 2-25, 2-29, 3-3, 3-5, 3-7, 3-9, 3-11, 3-13, 3-15, 3-17, 3-19, 3-39, 3-41, 3-51, 3-53, 3-55, 3-57	07792	2-73, 3-63, 3-72	1006726	2-13
06678	2-41	07805	2-29, 2-79	1006751	2-13
06927	3-57, 3-59	07809	2-81	1007048	2-91
06932	3-3	07810	2-81, 2-93, 3-33	1007050	2-7
06933	2-25	07819	3-53		
06934	3-5, 3-7, 3-9, 3-11, 3-13, 3-15, 3-17, 3-19, 3-57	08012	2-57		
		08175	2-63, 2-79		
		08178	3-61		
		08179	2-77		
		08182	2-53, 2-73, 2-75, 3-61		
		08202	2-53		
		08329	2-49		

CROSS REFERENCE

Part Number	Page Number	Part Number	Page Number	Part Number	Page Number
1007121	3-61	1010316	3-55	1027798	3-5, 3-7, 3-9, 3-11, 3-13, 3-15, 3-17, 3-19
1007220	2-73	1010448	2-39	1027800	3-5, 3-7, 3-9, 3-11, 3-13, 3-15, 3-17, 3-19
1007310	2-7	1010471	2-41	1028492	2-49
1007807	2-79	1010476	2-45	1029163	2-93
1007941	2-25	1010479	3-47	1029988	2-67
1007965	3-57, 3-59	1010537	3-57, 3-59	1030271	2-42
1007966	2-91	1010600	3-57, 3-59	1031240	2-19
1007993	3-57, 3-59	1010755	3-45, 4-22	1031242	2-19
1008008	2-25	1010757	3-43, 4-23	1032812	2-42
1008120	2-15, 2-17	1010823	3-57, 3-59	1032822	2-45
1008132	2-65	1011052	3-63	1033100	3-41
1008256	2-13	1011057	3-63	1033746	2-42
1008262	2-27	1011176	3-59	1033897	2-42
1008271	2-69	1011427	2-73	1033900	2-42
1008304	3-57, 3-59	1011492	3-39	1035090	3-41, 3-55
1008309	2-25	1011511	3-59	1035093	3-55
1008320	2-25	1011582	2-85	1035125	2-19
1008457	2-93	1011616	2-85	1035134	2-19
1008611	3-57, 3-59	1011779	2-23	1038176	2-63
1008629	3-57, 3-59	1011902	3-39	1040200	3-59
1008636	2-65	1012183	3-47	1040835	2-29
1008654	2-7	1012357	3-35	1041617	2-69
1008713	3-57	1012361	3-35	1042969	2-73
1008724	3-57	1012369	3-21	1045426	2-69
1008734	3-57, 3-59	1012397	3-35	1045764	2-45
1008738	2-13	1012615	2-25	10632-12	3-23, 3-31, 3-35
1008857	2-45	1012871	2-25	10632-18	3-5, 3-7, 3-9, 3-11, 3-13, 3-15, 3-21, 3-23, 3-48
1008913	2-19	1013233	3-47	10632-4	2-69
1008916	2-19	1013681	2-93	10632-9	3-5, 3-7, 3-9, 3-11, 3-13, 3-15, 3-17, 3-19, 3-21
1008968	2-3, 2-91, 2-93	1013913	2-7	10844	5-17
1009066	2-13	1014005	2-93	10845	5-17
1009116	3-57	1014071	2-19	10851	5-32
1009122	3-57	1014084	3-41	10852	5-32
1009130	2-13	10143	2-47	10895	5-3
1009152	3-33	1014401	2-27	11329	2-3, 2-61, 2-65
1009161	2-29	1014491	2-89	11399	2-45, 3-43, 3-45
1009163	3-57, 3-59	1014752	2-17	11531	2-45
1009167	3-57	1014797	2-17	11635	2-91
1009217	2-19	1015432	2-79	11636	2-67
1009292	2-19	1015631	2-31	11842	2-59
1009315	2-19	1016630	2-45	12267	2-75, 2-77
1009366	3-57	1016827	2-41	12271	2-19, 2-25, 3-35, 3-41, 3-55
1009429	3-57, 3-59	1017126	2-3, 2-41	12277	2-79
1009540	3-57, 3-59	1017141	2-108	12459	3-33, 3-37, 3-51, 3-53, 3-63
1009590	2-13	1017248	3-5, 3-9, 3-13, 3-17	12895	5-15
1009681	2-39	1017250	3-7, 3-11, 3-15, 3-19	12916	5-7
1009795	3-57	1018073	2-45	13115	2-87
1009811	3-57, 3-59	1018368	3-63	13248	2-81
1009847	3-57, 3-59	1018778	3-55	13301	2-9, 2-11
1009892	3-33	1019481	2-9	13698	2-91, 2-93
1010049	2-93	1019961	2-89, 4-15		
1010155	3-29	1020530	2-11		
1010165	2-3, 2-61, 3-63	1021363	3-9		
1010166	2-3, 2-61, 3-63	1021364	3-17, 3-19		
1010167	2-3, 2-61	1024270	2-65		
1010170	3-33	1024441	2-13		
1010267	3-41	1025228	2-71		
1010269	3-63	1027395	3-17, 3-19		
1010301	3-63				
1010302	3-63				

CROSS REFERENCE

Part Number	Page Number	Part Number	Page Number	Part Number	Page Number
13773	2-79	21933	4-17	30569	2-37
13904	4-13, 4-15	21935	4-17	31241	2-81
13907	4-3, 4-13, 4-15	222290	2-107	31249	3-33
14131	2-41	222460	2-53, 2-55, 2-75	31354	4-9, 4-10
14242	2-53	222504	2-63	31373	4-10
14432	2-35	222683	2-25	31375	4-9
14601	3-41, 3-55	222809	2-7	31380	4-10
14983	3-72	22654	4-9, 4-10	31381	4-9
15331	2-19	23163	2-3, 2-87	31385	4-10
15555-1	2-41	23182	2-87	31613	2-3, 2-87
15555-2	2-41	23191	3-61	31719	2-85
15678	2-79	23210	3-21, 3-23	31775	2-67
16082	2-73	23211	2-71, 3-21, 3-23	31922	3-3
16213	2-57	23274	3-63	32126	2-49
16369	2-13	23498	2-69, 3-51, 3-53,	32483	2-13, 2-19, 2-21,
16376	2-87		3-57, 3-59		2-29, 2-37, 2-41,
16411	2-3	23788	2-55, 2-71		2-89, 2-93, 3-5, 3-7,
16412	2-3	23788-1	2-71		3-41, 3-51, 3-53,
16455	2-71	23999-6	3-51, 3-53		3-55, 3-57, 3-59
16695	4-9, 4-10	24012	2-39	32485	2-35, 2-41, 2-45,
16735	2-13, 2-25, 2-33,	24198	3-51, 3-53		2-53, 2-79, 2-81,
	2-37, 2-69, 3-3, 3-61	24199	2-63, 3-39		2-95, 3-47
16786	2-71	24339	2-49	32486	2-15, 2-53, 2-63,
16931	2-17, 2-21, 2-23,	24576	3-21, 3-23		2-67, 3-25, 3-51
	2-31, 2-35, 2-39,	24576-1	3-3, 3-21, 3-23	32490	2-13, 2-15, 2-17,
	2-47, 2-65, 2-69,	24592	3-39		2-21, 2-25, 2-33,
	2-75, 2-91, 2-93,	24593	3-31, 3-45, 3-51,		2-41, 2-45, 2-55,
	3-9, 3-11, 3-21,		3-53		2-65, 3-41, 3-55
	3-23, 3-41, 3-55,	24899	2-79	32491	2-7, 2-13, 2-15,
	3-57, 3-63	24976	2-31		2-17, 2-19, 2-23,
16944	2-27, 2-69, 2-77	25014	2-17		2-25, 2-27, 2-41,
16949	2-21	25312	3-71		2-49, 2-57, 2-59,
16953	2-13	25887	2-79		2-65, 2-69, 2-75,
17284	3-23, 3-31	26395-1	2-41		2-77, 2-81, 2-87,
17414	2-41	26395-2	2-69, 3-3		2-91, 2-93, 3-3, 3-9,
17980	2-89	27767	3-43, 3-45		3-11, 3-21, 3-23,
18390	3-41, 3-55	27978	2-21		3-33, 3-43, 3-45,
19065	2-69, 3-35, 3-57,	27980	3-47		3-47
	3-59	28014A	2-57	32492	2-13, 2-17, 2-21,
19066	2-25, 2-29, 2-37,	29124	2-19		2-27, 2-45, 2-57,
	3-3, 3-5, 3-7, 3-9,	29192	3-5, 3-7, 3-9, 3-11,		2-59, 2-73, 2-75,
	3-11, 3-13, 3-15,		3-13, 3-15, 3-17,		3-25, 3-27, 3-41,
	3-17, 3-19, 3-41,		3-19		3-55, 3-61, 3-71
	3-45, 3-47, 3-51,	29558	2-75	32493	2-15, 2-17, 2-33,
	3-53, 3-55, 3-57	29570	2-19		2-73, 2-95, 3-33
19252	2-33	29584	2-75	32494	2-67
19324	3-63	30013	2-39	32516	3-21, 3-23
19458	2-95	30121	5-17	32520	2-19
19544	2-95	30122	5-17	32716	2-75, 2-77
19583	2-49	30125	5-11	32822	3-51, 3-53, 3-57,
19768	2-25	30131	5-23		3-59
19827	3-3	30132	5-23	32899	3-41, 3-55
20171	2-33	30136	5-29	32940	2-17
20432	5-21	30251	2-79	32969	2-53
20433	5-21	30252	2-79	32981	2-41, 2-59
20719	5-23	30253	2-79	32982	2-69
20802	2-19	30255	2-79	32987	2-49, 2-79
21198	3-47	30407	2-31, 2-33, 2-35	330890	3-73
21246	2-7	30533	3-27	330892	3-73
21915	4-13, 4-15	30559	2-37	330893	3-73

CROSS REFERENCE

Part Number	Page Number	Part Number	Page Number	Part Number	Page Number
330915	3-73	370120	3-37	373396	4-3
330935	3-73	370121	3-37	373398	4-3
33333	2-39	370122	3-37	373402	4-3
33580	4-7	370124	2-13, 3-37	373413	4-3
33584	2-7	370125	3-37	373429	4-3
33671	2-47, 3-59	370129	3-37	373430	4-3
33807	2-27	370130	3-37	373434	4-3
33930	2-61, 2-65	370143	3-31	373452	2-95, 4-3
33943	3-33	370159	3-37	373494	4-3
34176	4-9	370181	2-51	373560	4-17
34178	4-7	371904	2-29	374504	2-81
34323	2-81	372900	5-11	374505	2-81
34376	2-85	372901	5-11	374511	2-31
34813	2-25	372904	5-11	374517	2-7
34868	2-69	372905	5-12	374520	2-57
34877	3-51	372912	5-11	374547	2-89, 4-13
35033	2-31, 2-81	372913	5-11	374552	2-49
35493	4-11	372917	5-23	374553	2-49
35586	2-81	372918	5-11	374560	2-49
35710	2-37	372920	5-3	374561	2-49
35973	2-79	372921	5-5	374563	2-49
360467	2-89	372927	5-11	374567	2-89
36050	2-3	372928	5-11	374573	2-75
360943	2-67, 2-69, 3-3	373201	4-5	374602	3-67
361075	2-25	373207	4-5	374604	3-69
361339	2-33, 2-69, 3-57, 3-59	373211	4-5	374605	3-69
361366	5-4	373217	4-7	374607	3-70
361368	5-23	373226	4-7	374608	3-70
361373	5-23	373227	4-5	374651	3-33
361374	5-10, 5-11	373232	4-5	374653	3-33
361392	5-13	373234	4-5	374654	3-33
361427	5-12	373235	4-5	374688	3-68
361428	5-4	373236	4-7	374689	3-68
361430	5-31	373242	4-5	374691	2-39
361436	5-3	373243	4-5	374710	2-53
361440	5-8, 5-32	373244	4-5	375117	2-33
363087	2-77	373255	4-5	375202	2-69
36328	2-15, 2-17, 2-67, 2-79	373257	4-5	375249	2-69
36438	3-21, 3-23	373260	4-7	375306	3-39
36439	3-21, 3-23	373276	4-5	375411	2-13
364498	2-67	373284	4-5	37555	4-9, 4-10
36643	2-59	373285	4-5	37616	4-7
36658	3-43, 3-45	373286	4-5	377008	2-61
367679	2-69	373287	4-5	377013	3-71
367950	3-57, 3-59	373288	4-5	377031	3-25
367987	3-43, 3-45	373291	4-7	377046	2-107
368090	5-32	373297	4-7	377047	3-35
368091	5-32	373298	4-7	377061	2-61
369704	2-7	373299	4-7	377070	3-61
369781	2-53, 2-55, 2-75	373317	4-3	377071	3-61
369782	2-39	373327	4-3	377072	3-61
370008	2-5	373336	4-3	377073	3-61
370009	2-5	373337	4-3	377076	2-77
370115	3-37	373346	4-3	377082	3-61
370116	3-37	373389	4-3	377084	2-25
370117	3-37	373390	4-3	377086	3-19
370118	3-37	373391	4-3	377088	3-17
370119	3-37	373393	4-3	377094	2-108
		373394	4-3	377095	2-107
		373395	4-3	377097	2-108

CROSS REFERENCE

Part Number	Page Number	Part Number	Page Number	Part Number	Page Number
377098	3-49	379756	2-9, 2-11	383258	2-77
377109	4-22, 4-23	379784	2-65	383723	3-48
377124	3-73	379786	2-65	386711	2-85
377141	3-57	379787	2-65	38968	4-7
377144	3-63	379788	2-67	39005	2-53, 2-55, 2-57, 3-33, 3-61
377165	3-57, 3-59	379789	2-67	39051	5-3
377187	2-107	379791	2-3, 2-63	39062	5-3
377190	3-23	379792	2-3, 2-61	39063	5-3, 5-5
377192	3-21	379793	2-85	39065	5-7, 5-25, 5-30, 5-32
377199	2-13	379797	3-63	39073	5-4, 5-5
377205	2-41	379803	3-63	39087	5-3
377206	2-41	379804	3-63	39088	5-3, 5-5
377225	2-85	379809	2-63	39094	5-4
377230	2-85	379810	3-63	39103	5-7
377235	2-85	379812	2-61	39105	5-3
377241	2-13	379815	2-73	39119	5-9
377243	2-27	379817	2-69	39121	5-7, 5-25, 5-30, 5-32
377244	2-87	379820	2-67	39160	5-15, 5-29, 5-31
377249	2-79	379821	2-63	39161	5-7
377250	2-85	379822	2-69	39162	5-10, 5-11
377262	3-11	379827	2-67	391816	3-33
377264	3-7	379829	2-61, 2-63, 2-69	391850	3-25
377266	3-15	379832	2-63	391955	2-107
377271	3-9	379834	2-61	391956	2-107
377273	3-5	379835	2-61	39197	5-15
377275	3-13	379844	3-72	392171	2-25
377278	3-3	379849	2-69	39254	2-29
377433	2-25	379851	3-3	392611	2-37
377537	2-3	379860	3-3	39277	2-7, 2-13, 2-19, 2-39, 2-41, 2-65, 2-75, 2-81, 2-93, 3-41, 3-47, 3-55
377538	2-3	379871	2-15	39283	2-13, 2-33, 3-25, 3-72
377540	2-3	379881	2-65	39284	2-27, 2-33, 2-35, 3-63
37756	4-7	379883	2-67	39285	2-81
378972	2-81	379890	2-69	39308	2-71
379532	2-73	379912	2-75	39312	2-57, 2-59, 3-27
379555	2-69	381962	3-33	39313	2-17
379565	2-17	382516	2-25	393215	2-49
379607	2-73, 4-10	38255	4-7	393326	3-45
379608	2-79, 4-9	382634	3-57, 3-59	393327	3-45
379609	2-49, 4-7	383000	3-59	393328	3-45
379656	2-29	383017	2-59	393330	4-22, 4-23
379665	2-29	383130	2-25	393331	4-22
379684	2-75	383131	2-25	393332	4-22, 4-23
379686	2-75	383139	2-79	393333	4-22
379698	2-3, 2-63	383142	2-79	393334	4-22
379699	2-3, 2-63	383143	2-79	393335	4-22, 4-23
379701	2-63	383157	2-89	393336	4-22, 4-23
379702	2-3, 2-63	383158	2-89	393337	4-22, 4-23
379703	2-3, 2-63	383160	2-7	393340	3-45, 4-21
379704	2-3, 2-61	383161	2-7	393341	4-21
379705	2-3, 2-61	383162	2-19	393342	4-21
379706	2-3, 2-61	383165	2-25	393343	4-21
379719	2-69	383179	2-27	393344	4-21
379726	2-61	383180	2-27	393345	4-21
379727	2-61	383183	2-15	393346	4-21
379728	2-63	383185	2-15, 2-17		
379732	2-57	383194	2-77		
379750	2-11	383200	2-77		
379751	2-9	383201	2-77		
379752	2-7	383205	2-77		
379755	2-9, 2-11	383221	2-89		

CROSS REFERENCE

Part Number	Page Number	Part Number	Page Number	Part Number	Page Number
393347	4-21	41430	2-13, 2-33, 2-45,	49266	2-47, 2-69, 3-3, 3-5,
393348	4-21		2-51, 2-57, 2-59,		3-7, 3-9, 3-11, 3-13,
393349	4-21		2-81, 3-25, 3-41,		3-15, 3-17, 3-19,
393350	4-21		3-51, 3-53, 3-55,		3-21, 3-23
393351	4-21		3-61	49697	2-93
393354	3-43, 3-45	41437	3-3	49800	2-93
393355	3-43, 3-45	41619	2-9, 2-11	49826	2-61, 2-63, 2-65,
393356	3-43, 3-45	41792	5-4		2-73
393359	3-47	41845	3-35	50042	2-59
393360	3-47	41973	5-15, 5-30, 5-32	50335	2-59
393361	2-3	42120-1	2-63, 2-71	50421	2-89
393362	3-45	42216	2-87	50902	2-21, 2-81, 3-47
393363	3-48	42223	2-49, 2-95	50960	2-71, 2-81
393368	3-47	42260	2-93	51021N	2-5
393369	3-43, 3-45	42467	2-59	51109	2-55
393370	3-47	43555	3-51, 3-53	51176	2-33
393371	3-47	43560	2-7, 2-69	51225	2-73
393373	3-43, 3-45	43611	3-33	51331	5-5
393392	3-39	43844	2-41	51332	5-12
393394	3-39	43955	3-33	51338	2-49, 2-53, 3-68,
393396	3-39	43957	2-53		3-69, 3-70
393401	2-31	43958	2-49	51339	2-49, 2-53
393412	3-47	44078	2-27	51538	2-73, 3-63
39349	2-13, 2-41, 2-47,	44681	3-7, 3-11, 3-15, 3-19	51542	2-5
	2-49, 2-53, 2-55,	44681-1	3-7, 3-11, 3-15, 3-19	51545	2-55
	2-59, 3-3, 3-31, 3-57	44681-2	3-7, 3-11, 3-15, 3-19	51560-3	2-35
39350	2-49	44868	2-81, 2-89, 2-95	51562	2-55
393674	5-23	44869	2-79	51564	2-79
39394	2-73	44906	2-13, 2-15, 2-17,	51570	3-3
39395	2-79		2-57, 3-63	51715	2-79
39508	5-23	45181	2-37	51813	2-57
39527	4-9	45272	3-9, 3-11	52296	2-75
396210	2-85	45622	4-7	52402	2-79, 2-89
396234	2-85	45623	4-7	52405	4-7
396279	2-91, 2-93	45628	4-9, 4-10	53029	2-41
39658	2-25	45779	3-5, 3-7, 3-9, 3-11,	53076	2-95
39810	2-95		3-13, 3-15, 3-17,	53078	2-41
40166	5-23, 5-29		3-19	53091	3-41, 3-55
40407	5-30	45780	2-7	53466	2-67, 2-73, 2-87,
40409	5-12, 5-28	45786	2-51, 3-66		2-91
40514	2-81	46236	2-41, 2-69	53485	2-81, 4-11
40607	2-69	46481	2-91, 2-93	53601	2-49, 4-19
40625	2-91, 2-93	46559	2-73, 2-95	53783	2-35
40678	3-3	47504	2-73, 2-89	53816	3-65
41139	3-3, 3-21, 3-23	47508	2-73, 2-95	53817	3-65
41140	2-33, 2-41	47512	2-95	53818	2-51
41141	2-7, 3-3	47745	2-73	53819	2-51
41142	2-7, 2-35, 2-37	47801	2-49, 2-63	53819-2	2-51, 3-66
41178	2-23, 2-61, 2-65,	48079	2-59	53883	3-51, 3-53
	2-67, 2-81, 2-91,	48126	2-41, 2-42	53894	3-51, 3-53
	3-39, 3-63	48267	2-41	53895	3-51, 3-53
41186	2-21, 2-79, 3-41,	48570	3-3	53927	2-57
	3-55	48760	2-89	53947	2-59
41187	2-9, 2-11	48813	4-11	53953	2-59
41342	2-7, 2-57	48985	2-53	53965	2-73
41346	3-25, 3-51	49032	3-25, 3-31	54015	2-59
		49034	3-25, 3-31	54050	2-73
		49263	2-23, 2-25, 3-48	54051	2-49
				54052	2-49
				54055	2-13

CROSS REFERENCE

Part Number	Page Number	Part Number	Page Number	Part Number	Page Number
54079	2-71	55463	2-71	58301	2-41
54087	2-49	55489	3-51, 3-53	58327	2-3, 2-37
54093	2-7	55586	2-63	58346	2-35
54095	4-11	55685	2-49, 2-89	58359	2-71
54182	2-7	55691	2-85	58494	2-19, 3-41, 3-55
54184	2-7	55779	2-79	58518	3-5, 3-9, 3-13, 3-17
54190	2-7	55831	2-33	58519	3-5, 3-9, 3-13, 3-17
54194	2-89	55837	2-33	58520	3-5, 3-9, 3-13, 3-17
54204	2-79	55845	2-71, 3-71	58524	2-67
54205	2-59	55847	5-8	58538	2-35
54274	2-45, 2-81	55849	2-3, 5-7	58540	2-81
54275A	2-81	55855	2-37	58566	2-33
54345	2-23	55856	2-37	58595	2-13
54390	2-53	55857	2-45	58645	2-71
54395	2-91, 2-93	55858	2-45, 3-43, 3-45	58665	3-61
54400	2-53, 2-55, 2-75	55863	2-37	58667	3-61
54437	2-53	55914	2-63	58770	2-9, 2-11
54567	2-53	55926	4-3	58842	2-49
54577	2-53	55930	4-3	58849	3-41, 3-55
54607	2-55	55931	4-3	58858	2-87
54615	2-13	55932	4-3	58872	2-75
54616	2-55	55959	3-31	58881	3-51, 3-53
54617	2-53	55963	3-31	58898	3-33
54655	2-59	55968	3-31	58979	2-55
54660	2-73	55973	3-31	58999	3-41, 3-55
54848	2-75	56185	2-23	59012	3-51, 3-53
54878	2-79	56186	2-29, 3-48	59013	3-51, 3-53
54911-16	2-33	56198	3-61	59015	2-41
54911-32	2-45	56228	2-79	59018	2-21
54922	2-5	56379	3-61	59019	3-41, 3-55
54923	2-5	56385	3-61	59104	3-51, 3-53
54925	2-5	56392	3-61	59106	2-85
54927	2-5	56398	2-23	59156	2-37
54934	2-75	56546	3-31	59192	2-9, 2-11, 2-17
54995	2-75, 2-77	56560	3-31	59194	2-11
54996	2-57	56641	2-75	59195	2-9
54999	2-59	56662	2-75	59335	4-18
55035	2-27, 3-31	56692	2-95	59377	2-21
55038	3-33	56820	2-23, 2-49	59378	4-11
55048	3-41, 3-55	56821	2-87	59380	2-71
55073	3-29	56890	2-7	59440	2-5
55074	3-29	56914	2-9, 2-11	59447	3-5, 3-7
55161	3-29	57167	2-7, 3-35, 3-39	59448	2-67
55162	3-29	57220	3-5, 3-7	59514	3-33, 3-41, 3-55
55164	3-29	57487	2-85	59515	3-33
55222	2-41	57564	2-23	59537	2-9
55227	3-31	57702	2-13, 3-33	59538	2-11
55228	3-31	57754	2-33	59542	2-71
55248	3-5, 3-7, 3-9, 3-11, 3-13, 3-15, 3-17, 3-19, 3-21, 3-23	57755	2-33	59551	2-45
55270	3-31	57772	2-13, 3-35	59560	2-85
55272	3-5, 3-7, 3-9, 3-11, 3-13, 3-15, 3-17, 3-19	57773	2-33	59563	2-85
55347	2-17	57807	3-35, 3-48	59574	2-85
55446	2-89	57912	3-43, 3-45	59577	2-89
55455	2-91, 2-93	57935	2-23	59578	2-85
55461	3-35	57979	2-95	59621	2-27
55462	2-71	58078	2-53	59622	2-27
		58090	2-35	59623	2-27
		58120	2-3, 2-35	59647	2-21, 2-27
		58121	2-35	59649	2-81
		58286	2-33, 2-41	59656	2-81

CROSS REFERENCE

Part Number	Page Number	Part Number	Page Number	Part Number	Page Number
59658	2-59, 2-61	61490	4-9	69952	3-41, 3-55
59661	2-21	61913	3-35	69953	3-51, 3-53
59665	3-25	61920	3-21, 3-23	69955	3-51, 3-53
59666	3-25	62172	2-89	69958	3-53
59668	2-57	62173	2-89	69972	2-67
59672	2-57	62390	2-81	69981	3-51, 3-53
59692	2-9, 2-11	62595	2-67	69986	2-19, 3-41, 3-55
59695	2-17	62595-21	2-7	69987	2-19, 3-41, 3-55
59734	2-81	62595-22	2-13	69990	2-81
59735	2-81	62595-23	2-13	70096	4-3
59760	2-11	62595-6	2-23	70100	4-3
59761	2-9	63234	2-59	70142	3-41, 3-55
59767	2-108	63378	3-51, 3-53	70157	2-49
59768	3-51, 3-53	63469-3	3-51, 3-53	70158	2-53
59771	2-13	63810	3-43, 3-45	70159	3-21, 3-23
59789	2-87	63852	3-61	70161	2-53
59790	2-87	64153	2-61, 2-75	70165	2-31, 5-29
59797	3-35	64320	3-51, 3-53	70173	2-41
59799	3-35	64535	2-65	70188	5-29
59803	3-35	64595	2-65, 3-41, 3-55	70189	5-7
59811	2-35	64886	2-49	70193	2-65
59822	2-13	64887	2-49	70196	5-21
59825	2-71	64905	2-89	70197	5-21
59827	2-71	65145-1	2-95	70198	5-21
59828	2-21	65232	4-10	70199	5-21
59829	2-21	65553	3-35, 3-48	70200	5-21
59830	2-21	65561	3-35, 3-48	70201	5-21
59842	2-71	66018	2-5	70202	5-21
59849	2-71	66019	2-5	70203	5-21
59861	2-71	66176	3-63	70204	5-21
59866	2-71	66177	3-63	70205	5-21
59867	2-71	66184	2-81	70206	5-21
59870	2-17, 2-89	66187	5-4	70207	5-21
59881	2-45, 3-33	66194	5-5	70208	5-21
59885	2-31	66195	3-43, 3-45	70209	5-21
59891	2-31	66197	3-31	70210	5-21
59899	2-75	66204	5-17	70211	5-21
59919	3-51, 3-53	66205	5-8	70212	5-21
59920	3-3	66207	5-17	70213	5-21
59935	2-29	66211	2-53	70248	2-17
59940	3-61	66213	2-53	70252	2-17
59946	2-33	66221	3-31	70271	2-71
59949	2-7	68872	2-47	70278	3-66
59962	3-3	68873	2-47	70279	3-66
59965	2-63	69234	2-27, 2-47, 2-69, 2-93	70280	2-51, 3-66
59967	2-81	69462	3-61	70281	3-66
59975	2-81	69904	2-7	70287	2-51
59978	2-25	69906	3-41, 3-55	70538	2-5
60283	3-3	69907	3-41, 3-55	70887	5-3
60287	3-31	69908	2-71	70888	5-3
60288	3-5, 3-7, 3-13, 3-15, 3-17, 3-19	69910	2-89	70889	5-4
60292	2-47	69915	2-7	70890	5-4
60295	2-47	69923	3-51	70891	5-4
60339	2-3	69931	2-9, 2-11	70892	5-4
60428	3-63	69933	2-55	70893	5-4
60711	2-31	69935	3-55	70895	5-5
60751	3-3	69937	3-51, 3-53, 3-57, 3-59	70896	5-5
60862	3-33	69951	3-41, 3-55	70897	5-5
61488	3-64			70899	5-5
				70900	5-7

CROSS REFERENCE

Part Number	Page Number	Part Number	Page Number	Part Number	Page Number
70901	5-7	70973	5-25	72120	2-9, 2-11
70902	5-7	70974	5-25	72130	2-57
70903	5-7	70975	5-28	72131	2-57
70904	5-7	70976	5-28	72132	2-55
70905	5-7	70977	5-28	72133	2-81
70906	5-7	70978	5-28	72142	3-35
70907	5-7	70979	5-28	72143	3-51, 3-53
70909	5-7	70980	5-29	72154	2-21
70910	5-7	70982	5-30	72176	2-15, 2-17
70911	5-7	70983	5-30	72178	3-3
70912	5-7	70984	5-30	72191	2-41
70913	5-7	70985	5-31	72193	2-41
70915	5-8	70986	5-31	72926	2-49
70916	5-8	70987	5-31	72968	2-9, 2-11
70917	5-8	70988	5-31	72993	5-7
70919	5-8	70989	5-31	72994	5-7, 5-12
70920	5-8	70991	5-31	72995	5-7, 5-32
70921	5-9	70992	5-31	72996	5-8, 5-12, 5-32
70922	5-9	70994	5-32	72997	5-8
70923	5-9	70998	5-3	72998	5-9
70924	5-9	71022	3-64	72999	5-9
70925	5-9	71025	3-51, 3-53	73281	2-49
70926	5-9	71057	3-35	73411	2-57
70927	5-9	71058	3-23, 3-31	73479	5-9
70928	5-9	71373	2-53	73480	5-10
70929	5-10, 5-11	71385	2-31	73481	5-10, 5-12
70930	5-10	71388	2-31	73482	5-10
70931	5-10	71540	2-73	73483	5-10, 5-11
70932	5-10	71543	3-9, 3-11	73484	5-10, 5-11
70933	5-10	71544	3-21, 3-23	73485	5-10
70934	5-12	71562	2-91, 2-93	73486	5-12
70935	5-12	71725	4-5	73487	5-12
70936	5-13	71727	2-23	73488	5-12
70937	5-13	71749	2-85	73491	5-13
70938	5-17	71985	5-3	73492	5-13
70939	5-17	71986	5-3	73493	5-13
70940	5-17	71987	5-3	73494	5-13
70941	5-17	71988	5-3	73495	5-13
70942	5-17	71989	5-3	73496	5-13
70943	5-17	71990	5-3	73497	5-13
70944	5-17	71991	5-3	73498	5-13
70945	5-17	71992	5-3	73499	5-13
70946	5-17	71993	5-3	73500	5-13
70947	5-17	71994	5-4	73501	5-13
70948	5-17	71995	5-4, 5-28	73502	5-13
70949	5-17	71996	5-5	73503	5-13
70950	5-17	71997	5-5	73504	5-13
70951	5-17	71999	5-5	73505	5-13
70952	5-17	72010	5-5	73506	5-13
70953	5-17	72011	5-7	73507	5-13
70954	5-17	72012	5-7	73508	5-13
70955	5-17	72013	5-7	73509	5-15
70956	5-19	72014	5-7	73510	5-15
70957	5-19	72015	5-7	73511	5-15
70964	5-23	72016	5-7	73512	5-15
70965	5-23	72017	5-7	73513	5-15
70966	5-23	72018	5-7, 5-30	73514	5-15
70967	5-23	72024	3-33	73515	5-15
70968	5-23	72049	3-35	73516	5-15
70972	5-25	72100	3-11	73517	5-15

CROSS REFERENCE

Part Number	Page Number	Part Number	Page Number	Part Number	Page Number
73518	5-15	73603	5-28	74250	4-10
73519	5-15	73604	5-28	74352	2-65
73520	5-17	73605	5-29	74353	2-65
73521	5-17	73606	5-29	74381	3-63
73522	5-17	73607	5-29	74382	3-63
73523	5-17	73610	5-29	74383	3-63
73524	5-17	73618	5-30	74405	2-33, 5-21
73525	5-17	73619	5-30	74406	2-41
73526	5-17	73620	5-30	74419	2-71, 4-18
73527	5-17	73621	5-30	74428	3-33
73528	5-17	73622	5-30	74429	3-31
73529	5-17	73623	5-30	74430	3-31
73530	5-17	73624	5-30	74431	3-31
73531	5-17	73625	5-30	74433	3-35
73532	5-17	73626	5-30	74438	3-51, 3-53
73533	5-19	73627	5-31	74439	3-51, 3-53
73534	5-19	73628	5-31	74452	2-39
73535	5-19	73629	5-31	74454	2-81
73545	5-21	73630	5-31	74455	2-41
73547	5-21	73631	5-31	74475	2-57
73551	5-21	73632	5-32	75028	2-73
73554	5-23	73633	5-32	75128	2-21
73555	5-23	73634	5-32	75430	2-57, 3-33
73560	5-23	73636	5-32	75934	2-57
73561	5-25	74068	3-57	76052	2-89
73562	5-25	74094	4-9, 4-10	76099	2-9, 2-11, 3-33
73563	5-25	74095	4-9	762514	2-29, 3-35
73565	5-25	74098	4-9	763045	3-17, 3-19
73567	5-27	74099	4-9	763066	2-19
73568	5-27	74100	4-9, 4-10	763116	3-43, 3-45
73569	5-27	74101	4-10	76315	2-95
73570	5-27	74122	4-7	76316	2-87, 2-89
73571	5-27	74123	4-7	76570	2-27, 2-33, 2-41, 2-75, 2-87, 3-61
73572	5-27	74125	4-7	76955	3-43, 3-45
73573	5-27	74142	2-23	76956	2-19
73574	5-27	74154	4-5	76957	3-47
73575	5-27	74161	4-5	77002	2-41
73576	5-27	74165	4-7	77097	2-63, 2-71
73577	5-27	74166	4-7	77098	2-71
73578	5-27	74167	4-7	77306	2-85
73579	5-27	74168	4-7	77320	2-69
73580	5-27	74174	4-9	77399	2-27
73581	5-27	74180	4-3	77728	2-19
73582	5-27	74183	4-17	78143	2-87
73585	5-27	74185	4-17	79399	2-31
73586	5-27	74192	4-17	79729	4-7
73588	5-27	74193	4-17	79785	4-13, 4-15
73589	5-27	74196	4-17	79786	4-13, 4-15
73590	5-27	74222	4-17	79787	4-13, 4-15
73592	5-28	74225	4-3	79788	4-13, 4-15
73593	5-28	74226	4-3	79789	4-13, 4-15
73594	5-28	74231	4-17	79790	4-13, 4-15
73595	5-28	74232	4-17	79791	4-13, 4-15
73596	5-28	74233	4-11	79792	4-13, 4-15
73597	5-28	74234	4-17	79793	4-13, 4-15
73598	5-28	74236	4-17	79794	4-13, 4-15
73599	5-28	74237	4-3	79795	4-13, 4-15
73600	5-28	74243	4-17	79796	4-13, 4-15
73601	5-28	74244	4-17	79798	4-13, 4-15
73602	5-28	74245	4-17		

CROSS REFERENCE

Part Number	Page Number	Part Number	Page Number
79799	4-13, 4-15	9000205	3-25, 3-27
79800	4-13, 4-15	9000206	3-27, 3-29, 3-31, 3-33, 3-35, 3-37
79801	4-13, 4-15	9000210	2-95, 4-5
79802	4-13, 4-15	9000211	2-3
79803	4-13, 4-15	9000227	2-85
79804	4-13, 4-15	9000263	3-59
79805	4-13, 4-15	9000266	3-39
79806	4-13, 4-15	9000267	2-29
79807	4-13, 4-15	9000355	2-42
79808	4-13, 4-15	9000845	3-5, 3-9, 3-13, 3-17
79812	4-13, 4-15	9000846	3-7, 3-11, 3-15, 3-19
79813	4-13, 4-15	9000860	4-22, 4-23
79814	4-13, 4-15	9000879	3-5, 3-7, 3-9, 3-11, 3-13, 3-15, 3-17, 3-19
79815	4-13, 4-15	9000902	4-22, 4-23
79820	4-13, 4-15	9000903	4-22, 4-23
79821	4-13, 4-15	9000904	4-22, 4-23
79828	4-7	9001557	2-71
82063	3-5, 3-9, 3-13, 3-17	9004550	2-69
82196	3-72		
82200	3-7, 3-11, 3-15, 3-19		
82457	3-31, 3-33		
82509	2-41		
82731	2-37		
82733	2-69		
82739	2-69		
82820	2-85		
82830	2-93		
83584	4-21		
84029	2-63		
84170	2-57		
84581	2-73		
84625	2-31		
84631	5-5		
84635	5-25, 5-27		
84636	5-28		
84638	5-23		
84644	5-25		
84646	5-3		
84647	5-3		
84648	5-27		
84649	5-27		
84650	5-27		
84651	5-27		
84660	3-73		
86240	2-53, 2-55, 2-77		
86330	2-69, 3-5, 3-7		
86332	3-5, 3-7, 3-13, 3-15		
86333	3-5, 3-7, 3-9, 3-11		
86727	2-45		
86751	2-55		
87308	2-45		
87396	2-41		
87536	2-25		
87631	2-79		
87676	2-91, 2-93		
87738	2-41		
87866	2-25		
87948	3-3		
9000200	2-3		
9000203	2-3		

PART DESCRIPTION TO PAGE NUMBER CROSS REFERENCE LIST

A

Actuator, Govnr, Dsl, 2-31
 Actuator, Valve, Bypass, 4-3
 Adaptor Assy, Pump, Hyd, 4-3
 Adaptor, Actuator, Govnr, Eng, Dsl, 2-31
 Adaptor, Tube, A/C, 4-22, 4-23
 Alarm Assy, Backup, 12-24vdc
 82-107dba, 3-21, 3-23
 Alternator, 12vdc 075a, 2-37
 Angle, Keeper, Cable, 2-75
 Angle, Mtg, Muffler, 2-39
 Angle, Mtg, Stl, .06 1.0 1.0 28.5l, 3-31
 Angle, Stop, 3-63
 Arm Wldt, Brush, Main, Drive, Lh, 2-79
 Arm Wldt, Safety, Sppt, Seat, .38d 10.1l,
 2-13
 Arm Wldt, Sppt, Brush, Side, 2-73
 Arm, Alternator, [Curved], 6.5r, 2-37
 Arm, Brush, Main, W/ Label [6600], 2-79
 Arm, Cntrl, Pintle, Casting, 2-59
 Arm, Cntrl, Pintle, Centering, 2-59
 Arm, Lift, Hppr, W/ Label, 2-71
 Arm, Safety, Hppr, W/ Label, 2-71
 Arm, Swing, Lh, 3-61
 Arm, Swing, Rh, 3-61
 Arm, Wiper, Windshield, [Panto], 3-35
 Assembly Apparatus, Idle, 5-29
 Assembly Bolt, Adjusting, 5-29
 Assembly Camshaft, 5-15
 Assembly Cartridge, Oil, 5-7
 Assembly Case, Main Bearing, 5-9
 Assembly Case, Main Bearing 1, 5-9
 Assembly Case, Main Bearing 2, 5-9
 Assembly Case, Main Bearing 3, 5-9
 Assembly Cock, Drain, 5-3
 Assembly Connecting Rod, 5-17
 Assembly Lever, Fork, 5-31
 Assembly Pipe, Over Flow, 5-23
 Assembly Piston Ring, 5-17
 Assembly Piston Ring 05, 5-17
 Assembly Plate, Control, 5-30
 Assembly Pump, Injection, 5-27
 Assembly Pump, Injection (See Injection
 Pump Breakdown), 5-25
 Assembly Pump, Water, 5-8
 Assembly Rocker Arm, 5-13
 Assembly Rotor, Oil Pump, 5-7
 Assembly Seal, Mechanical, 5-8
 Assembly Shaft, Governor, 5-28
 Assembly Shaft, R-arm, 5-13
 Assembly Tappet, 5-27
 Assy Armature, 5-21
 Assy Bolt, 5-21
 Assy Holder, Brush, 5-21
 Assy Starter, 5-21
 Assy Switch, Magneto, 5-21
 Assy Yoke, 5-21

B

Ball, 5-7, 5-17, 5-21
 Ball, Valve, Hyd, 4-13, 4-15
 Balljoint, .25-28 Fem/.25-28mal, 3-41,
 3-55
 Band, Pipe, 5-23, 5-32
 Bar, Flt, Stl, 0.18 X 3.0 X 10.0 L, 2-45
 Bar, Flt, Stl, 0.19 X 1.50 X 04.10l, 2-49
 Bar, Wand, 3-57
 Battery, 12vdc, 0600cca, Wet, 2-47
 Bearing, 2-55, 5-21
 Bearing Kit, 4-17
 Bearing, Ball, 5-8, 5-28, 5-31
 Bearing, Ball, 1.38b 2.83d 0.67w, 2-79
 Bearing, Cone, 1.38b 0.71w, 2-49, 2-53
 Bearing, Cone, Pump, Hyd, 4-3
 Bearing, Cup, 4-3
 Bearing, Cup, 2.56d 0.55w, 2-49, 2-53,
 3-68, 3-69, 3-70
 Bearing, Self Align, 1.25b 2.00d, 2-63,
 2-71
 Bearing, Thrust, 0.66b 1.25d 0.06w, 2-77
 Bearing, Thrust, Motor, Hyd, 4-9, 4-10
 Bearing, Thrust, Pump, Hyd, 4-3
 Bearing, Valve, Strg, 4-17
 Bearing, W/ Collar, 0.75b 1.85d 1.06w,
 2-79
 Belt, V, [3v] 41.0l [Hc41], 2-37
 Belt, V, [3v] 41.0l [Hc41], 2-3
 Belt, V, [Xl] 29.5l [9295], 2-3
 Belt, V, [Xl], 31.5l, 3-47
 Blade, Wiper, Windshield 18.0, 3-35
 Block, Expansion, A/C, 4-22
 Body, Pump, Gear, 4-5
 Bolt, 5-5, 5-7, 5-8, 5-9, 5-12, 5-15,
 5-17, 5-19, 5-21, 5-25, 5-28, 5-29,
 5-30, 5-31, 5-32
 Bolt, Adjusting, 5-29
 Bolt, Bearing Case 1, 5-9
 Bolt, Carriage, M06 X 1.0 X 30, 2-3, 2-63
 Bolt, Carriage, M08 X 1.25 X 35, 2-3,
 2-61
 Bolt, Carriage, M08 X 1.25 X 40, 2-7
 Bolt, Connecting Rod, 5-17
 Bolt, Cylinder Head, 5-5
 Bolt, Eye, .25-20 X 1.40 X .25 Eye, 2-59
 Bolt, Eye, M10x1.50 X 117mm 8.0 Eye,
 2-73
 Bolt, Flywheel, 5-19
 Bolt, Latch, 2-21
 Bolt, Latch, F/58489/58844, 3-33
 Bolt, Motor, Hyd, 4-7
 Bolt, Shld, .25d X 1.25, #10-24, 3-33
 Bolt, Shld, .31d X 1.00, .25-20, 2-57
 Bolt, Shld, .38d X 0.38, .31-18, 3-33
 Bolt, Bearing Case 2, 5-9
 Boot, Switch, Binary, A/C, 4-21
 Boot, Cable, Battery, Black, 2-47
 Boot, Cable, Battery, Red, 2-47
 Boot, Switch, 2-25
 Boot, Switch, Ignition, 2-25

Bracket, 2-13
 Bracket Wldt, Compressor Mtg, A/C, Dsl,
 3-47
 Bracket Wldt, Hppr, [6600/6650xp], 2-69
 Bracket Wldt, Latch, 2-19
 Bracket Wldt, Lift, Side Brush, 2-75
 Bracket Wldt, Mtg, Compressor, A/C, 3-47
 Bracket Wldt, Mtg, Eng, Dis, Rear, Lh,
 2-33
 Bracket Wldt, Mtg, Eng, Dis, Rear, Rh,
 2-33
 Bracket Wldt, Mtg, Eng, Front, Kubo, 2-33
 Bracket Wldt, Mtg, Light, 3-17, 3-19
 Bracket Wldt, Mtg, Steering, 3-61
 Bracket Wldt, Ntch Steering, 3-61
 Bracket Wldt, Sppt, Blower, 3-51, 3-53
 Bracket Wldt, Valve, 2-23, 3-61
 Bracket Wldt, Wand, 3-57, 3-59
 Bracket, Adj, Lift, Brush, [M10], 2-75
 Bracket, Alarm, Backup, 3-21, 3-23, 3-31
 Bracket, Angle, .12 2.75 3.17 01.0l, 2-9,
 2-11
 Bracket, Angle, Keeper, Cable, 2-53,
 2-55, 2-75
 Bracket, Angle, Mtg, Seat, 2-13
 Bracket, Armrest, 3-33
 Bracket, Cable, Spring, 2-65
 Bracket, Clamp, Drain Hose, 2-31
 Bracket, Cooler, Hyd, 2-93
 Bracket, Cyl, 2-63
 Bracket, Deflector, Cover, Eng, 3-41, 3-55
 Bracket, Door, 2-21
 Bracket, Flap, Recirculation, 2-7
 Bracket, Grill [6600/6650], 2-15, 2-17
 Bracket, Hood, Lh, 2-65
 Bracket, Hood, Rh, 2-65
 Bracket, Latch, Bolt, 3-33
 Bracket, Latch, Cover, Eng, 2-19
 Bracket, Latch, Door, 2-21
 Bracket, Latch, Dsl, 2-45
 Bracket, Latch, Eng Cover, 3-41, 3-55
 Bracket, Latch, Grill, Lpg, 2-17
 Bracket, Light, Rotating, 3-9, 3-11
 Bracket, Light, Sbd, 3-3
 Bracket, Mtg, Air Fltr, [Ford/Kubota], 2-35
 Bracket, Mtg, Alternator, 2-37
 Bracket, Mtg, Drier, A/C, 4-21
 Bracket, Mtg, Flasher, 3-3, 3-21, 3-23
 Bracket, Mtg, Fltr, Fuel, Dsl, 2-41
 Bracket, Mtg, Hinge, Lh, [6600], 2-11
 Bracket, Mtg, Hinge, Rh, [6600], 2-9
 Bracket, Mtg, Hose, Vacuum, 3-59
 Bracket, Mtg, Hyd, 2-91, 2-93
 Bracket, Mtg, Hyd [6600/6650 07], 2-93
 Bracket, Mtg, Latch, 2-17
 Bracket, Mtg, Lh, 2-79
 Bracket, Mtg, Light, Ohg, 3-5, 3-7
 Bracket, Mtg, Mirror, Rearview, 3-25, 3-31
 Bracket, Mtg, Motor, 2-81
 Bracket, Mtg, Motor, Side Brush, 2-73
 Bracket, Mtg, Propel Centering, 2-59

CROSS REFERENCE

Bracket, Mtg, Rh, 2-79
Bracket, Mtg, Stop, Door, 2-17
Bracket, Mtg, Tube, Blower Wand, 3-51, 3-53
Bracket, Mtg, Valve, 2-89
Bracket, Mtg, Wand, 3-57
Bracket, Retainer, Safety, 2-57
Bracket, Rocker Arm, 5-13
Bracket, Sbdc, 3-63
Bracket, Speed Limiter, 2-57
Bracket, Sppt, Control Rod, 2-57
Bracket, Spring, Side Brush, 2-73
Bracket, Stop, 2-93
Bracket, Stop Bolt, Rear Grill, 2-17
Bracket, Switch, 3-3
Bracket, Switch, Door, 2-63
Bracket, Tie-Down, 3-72
Bracket, U, .12 1.2w 2.30h 1.0l, 2-75
Bracket, U, .18 2.8 0.9 1.0l 1/0.3h, 2-79
Bracket, Wand, 3-57
Bracket, Wand, Vacuum, 3-59
Brake Assy, Drum, Mech, 07.9d, 2-53
Breather, Hyd, 20mic 05psi .75-16, 2-87
Brush, Disk, Swp, 26.0 D, Flat Wire, 2-5
Brush, Disk, Swp, 26.0 D, Nylon, 2-5
Brush, Disk, Swp, 26.0 D, Polypropylene, 2-5
Brush, Swp, 45l, 24 Single Row, Natural Fiber & Wire, 2-5
Brush, Swp, 45l, 24 Single Row, Nylon, 2-5
Brush, Swp, 45l, 5 Double Row, Patrol, Nylon, 2-5
Brush, Swp, 45l, 8 Double Row, Nylon, 2-5
Brush, Swp, 45l, 8 Double Row, Polypropylene, 2-5
Brush, Swp, 45l, 8 Double Row, Polypropylene & Wire, 2-5
Brush, Swp, 45l, 8 Double Row, Wire, 2-5
Brush, Swp, 45l, Sand Wedge, Polypropylene, 2-5
Brush, Swp, 45l, Window, Polypropylene, 2-5
Bumper Wldt, Cab Door, 3-33
Bumper Wldt, Front, 2-67
Bumper, Arm, Safety, 2-71
Bumper, Rbr, 0.5d 0.16t M5 X 08, 2-59
Bumper, Rbr, 1.0d 0.38t .25-20, 2-19
Bumper, Wand, Vacuum, 3-57, 3-59
Bush, Governor Gear, 5-3
Bush, Idle Gear, 5-15
Bush, Piston Pin, 5-17
Bushing, Flng, 0.32b 0.75d 0.14l, 3-35
Bushing, Flng, 0.44b 1.25d 0.25l, 2-77
Bushing, Flng, 0.50b 0.62d 0.40l, 3-63
Bushing, Flng, 0.63b 0.72d 0.25l, 2-57
Bushing, Sleeve, 1.25b 1.40d 1.00l, Fgl, 2-71
Bushing, Snap In, 0.38b 0.31d .14t Nyl, 3-51, 3-53
Bushing, Valve, Hyd, 4-13, 4-15

Button, Plug, 0.38h .03-.12 [Black Nyl], 2-7, 2-27
Button, Plug, 0.44h .03-.12 [Black Nyl], 2-27
Button, Plug, 0.62h .03-.12 [Black Nyl], 2-7, 3-35
Button, Plug, 0.62h .03-.12 [Blk Nyl], 3-39
Button, Plug, 1.00h .00-.17 [Black Nyl], 2-27, 3-31
Button, Plug, Switch, 1.45 X 0.83 Hole, 2-13, 3-35

C

Cab, 3-31
Cable Assy, Push-Pull, 3-43, 3-45
Cable, .06d, 05.8l, .26eye / .26eye, 3-33
Cable, .06d, 12.0l, .26eye / .26eye, 2-13, 3-33
Cable, .09d, 42.0l, .4clevis/.4clevis, 2-65
Cable, .19d, 20.0l, .4clevis/.4clevis, 2-55
Cable, .19d, 57.7l, .38eye / M10x1.5, 2-75
Cable, .19d, 105.8l, .4clevis/.4clevis, 2-53
Cable, Battery, Neg 2ga 60.0l .41 Hole, 2-47
Cable, Battery, Pos 2ga 66.0l .41 Hole, 2-47
Cable, Lift, Main Brush, 2-77
Cam, 4-3
Cam, Centering, Pintle, 2-59
Cam, Fuel, 5-28
Camshaft, Fuel, 5-28
Cap, 5-29
Cap Assy, 4-13, 4-15
Cap Assy, Valve, Hyd, 4-13, 4-15
Cap, Breather, Hyd, 2.2 Ds, 2-3, 2-87
Cap, End, Motor, Hyd, 4-10
Cap, End, Valve, Strg, 4-17
Cap, Filler, Oil [Ku], 5-11
Cap, Fuel, Tank, 2-42
Cap, Hub, Dust 2.57d 0.77l, 2-53
Cap, Radiator, 14psi [Stant], 2-45
Cap, Radiator, 7psi, 2-45
Cap, Screw, Strg Valve, 4-9
Cap, Sealing, 5-3, 5-5
Cap, Tank, Fuel, 2.3neck 2.6d, 2-41
Cap, Tube, 2-23
Cap, Valve, 5-13
Cap, Valve, Tire, Tubeless, 2-51
Cap, Valve, Tire, Tubeless, [Schradler], 3-66
Cap, Vinyl, 3.28d 0.45l, 2-79
Carton, Rsc Kit, 4.5 X 4.5 X 45.0, 2-3
Chain, Coil, Str, 210, 06.9l 05 Link, 2-7
Channel, Post, Corner, 2-15
Channel, Retainer, Seal, Rear, 2-7
Channel, Vent, Heater, 3-39
Cir-clip, External, 5-13, 5-31
Cir-clip, Governor Shaft, 5-28
Cir-clip, Idle Gear, 5-15
Cir-clip, Piston Pin, 5-17
Circuitbreaker, 20.0a, Resetable, 3-48
Clamp Assy, Filtr, Air, 2-35
Clamp Wldt, Tube, Blower Wand, 3-51, 3-53
Clamp, Cable, Ss, 2.50d X 1.00w, 1h, 2-49
Clamp, Cable, Stil, 0.25d X 0.56w, 1h, 2-41, 2-69
Clamp, Cable, Stil, 0.38d X 0.38w, 1h, 2-69, 3-3
Clamp, Cable, Stil, 0.44d X 0.62w, 1h, 3-3
Clamp, Cable, Stil, 0.56d X 0.38w, 1hole, 2-41
Clamp, Cable, Stil, 0.63d X 0.50w, 1h, 2-7
Clamp, Cable, Stil, 1.00d X 0.62w, 1h, 2-27, 2-47, 2-69, 2-93
Clamp, Cable, Stil, 1.50d X 1.00w, 1h, 2-67, 2-73, 2-87, 2-91
Clamp, Cable, Stil, 1.75d X 0.75w, 1h, 2-7, 2-69
Clamp, Hose, 5-11
Clamp, Hose, Wormdrive, 0.25-0.62d, 2-41
Clamp, Hose, Wormdrive, 0.56-1.06d, 3-43, 3-45
Clamp, Hose, Wormdrive, 0.81-1.50d, 2-45, 3-43, 3-45
Clamp, Hose, Wormdrive, 1.06-2.00d, 2-45
Clamp, Hose, Wormdrive, 1.31-3.25d, 4-21
Clamp, Hose, Wormdrive, 1.62-3.50d, 3-51, 3-53
Clamp, Hose, Wormdrive, 1.81-2.75d, 2-35
Clamp, Hose, Wormdrive, 3.56-4.50d, 2-69, 3-51, 3-53, 3-57, 3-59
Clamp, Muffler, 1.62d, 2-39
Clamp, Pipe 1, 5-23
Clamp, Pipe 2, 5-23
Clevis Wldt, Adj, .50pin 0.50-20, PI, 2-53
Clevis, Adj, 0.38pin, 0.50 - 20, 2-53
Clevis, Adj, 0.38pin, M10x1.5, 2-75, 2-77
Clevis, Adj, 1.12pin, 1.00-14, 2-17
Clip, [Pine-Tree], .236h, Plstc, 2-27
Clip, Keeper, Open, 2-31, 2-33, 2-35
Clip, Safety, Gasspring, 2-65, 3-41, 3-55
Clutch, Over Running, 5-21
Coil, Condenser, A/C, 4-21
Coil, Evaporator, A/C, 4-22
Collar 1, 5-31
Collar, Crankshaft, 5-17
Collar, Idle Gear 1, 5-15
Collar, Idle Gear 2, 5-15
Collet, Valve Spring, 5-13
Column, Steering #4 08.0l 0.81d 36tooth, 2-23
Comp Idle Gear 1, 5-15
Comp. Case, Gear, 5-7
Comp. Crankshaft, 5-17
Comp. Flywheel, 5-19
Comp. Lever, Fork 1, 5-31
Comp. Lever, Governor, 5-30

Comp. Weight, Governor, 5-28
 Compressor, A/C, V Pulley [134][Tm-08hd], 3-47
 Condenser Assy, A/C, W /Fan, 4-21
 Condenser Assy, A/C, W /Fan (See Breakdowns), 3-45
 Cone, Valve, Hyd, 4-13, 4-15
 Control, Govnr, [All Purpose], 2-29
 Cooler, Hyd, 25gpm 325btu Of12 13x12x2, 2-91, 2-93
 Cord, Glow Plug, 5-23
 Core, Heater, 4-22, 4-23
 Coupling, Drive, Flex, 9.5d/13tooth, 2-33
 Cover, 5-7, 5-21, 5-29
 Cover Assy, Head, Cyl, 5-11
 Cover Wldt, Brush, Sbdc, 3-63
 Cover Wldt, Roof, Cab, Front, 3-35
 Cover Wldt, Sppt, Seat, 2-13
 Cover, Bearing Case, 5-9
 Cover, Breather, 5-11
 Cover, Column, Steering, 2-23
 Cover, Cylinder Head, 5-10
 Cover, End, 4-3
 Cover, Eng, Plstc, [6600/6650], 2-19
 Cover, Fltr, A/C [6600], 4-22, 4-23
 Cover, Fork Lever Shaft, 5-31
 Cover, Fuseholder, 2-29
 Cover, Hopper, 6500, 2-65
 Cover, Hsng, Blower [6600], 4-22, 4-23
 Cover, Oil Pump, 5-7
 Cover, Seal, Rocker Switch, 3-35, 3-48
 Crankcase, 5-3
 Crankcase, Complt, 5-3
 Cup Assy, Fltr, Air, 2-35
 Cylinder, Hyd, 2.0b,15.0l,08.00strk,1500, 2-49, 4-19
 Cylinder, Hyd, 2.0b,15.0l,08.00strk,1500 (See Breakdowns), 2-49
 Cylinder, Hyd, 2.0b,8.0l,4.0strk,2500, 2-63
 Cylinder, Hyd, 2.5b,28.4l,15.00strk,2500, 2-71, 4-18
 Cylinder, Hyd, 2.5b,28.4l,15.00strk,2500 (See Breakdowns) (Replaced by 9001862), 2-71

D

Deflector, Air, 2-91
 Detent Adaptor, Valve, Hyd, 4-13, 4-15
 Diffuser, Air, 3-39
 Diode, Ele, Plug, 2-107
 Dipstick [Ku], 5-4
 Dipstick, Oil [Ku], 5-4
 Disc, .06 4.39d 1.67b 4/.30h 3.8bc, 2-79
 Disc, .08 4.39d 2.56b 4/.28h 3.8bc, 2-79
 Door Wldt, Brush, Lh, 2-11
 Door Wldt, Brush, Rh, 2-9
 Door Wldt, Cab, 3-33
 Door Wldt, Dump, 2-63
 Door Wldt, Eng, Side, 2-21
 Door Wldt, Eng, Top, 3-41
 Door Wldt, Eng, Top, Blower Wand, 3-55

Door, Vacuum, W/Label [6600/6650], 3-57, 3-59
 Drier, A/C, 4-21
 Drive, Motor, Hyd, 4-7, 4-9, 4-10
 Drive, Valve, Strg, 4-17
 Driveshaft, Pump, Hyd, 4-3
 Duct Assy, Vacfan, W/ Seal, 2-81
 Duct Wldt, Transition, Vacfan, 2-81
 Duct, Air Pkg, 3-39
 Duct, Blower Wand, 3-51, 3-53
 Duct, Transition, Windowside, 3-39
 Duct, Upright, Windowside, 23.8l, 3-39
 Duct, Vyl, 0.40 X 0.75 .25d 03.5l, 3-5, 3-7, 3-9, 3-11
 Duct, Vyl, 0.40 X 0.75 .25d 10.0l, 2-69, 3-5, 3-7
 Duct, Vyl, 0.40 X 0.75 .25d 26.0l, 3-5, 3-7, 3-13, 3-15
 Duct, Vyl, 0.40 X 0.75 .25d Max 48.0l, 3-17, 3-19
 Duct, Vyl, 0.74 X 1.50 .75d Max 24.0l, 3-31

E

Element, Breather, 5-10
 Element, Fltr, Air, 2-3, 2-35
 Element, Fltr, Fuel [Dn], 2-3, 2-41
 Element, Fltr, Oil, Eng, Spin-on[Ku], 5-4
 Element, Fltr, Oil, Hyd, 2-3, 2-91, 2-93
 Element, Fltr, Oil, Spin On [Ku] 16721, 2-3
 End Cap, Motor, Hyd, 4-9
 Engine Assy, Dsl, 37hp [Ku, V1505e] (See Engine Breakdown), 2-31
 Extinguisher, Fire, 3-71

F

Fan, Condencer, 12vdc, A/C, 4-21
 Fan, Cooling, 14.2d, 6 Blade, 1.8d Bc, 2-37
 Fastener, [Hook & Loop], 03.25l, 3-37
 Fastener, [Hook & Loop], 05.19l, 3-37
 Fastener, [Hook & Loop], 09.75l, 3-37
 Fastener, [Hook & Loop], 11.00l, 3-37
 Fastener, [Hook & Loop], 12.00l, 3-37
 Fastener, [Hook & Loop], 15.00l, 3-37
 Fastener, [Hook & Loop], 16.50l, 3-37
 Fastener, [Hook & Loop], 45.00l, 3-37
 Filter Assy, Air, 2.0inlet, 2-35
 Filter Assy, Fuel, Dsl, 2-41
 Filter Kit, Panl, Syn, Replmt, 2-69
 Filter Pkg Kit, 098plts, Ci, 2-69
 Filter, Air, A/C, 4-22, 4-23
 Filter, Fuel, In-Line, 2-3
 Filter, Hyd 10mic 30gpm 150, 2-91, 2-93
 Fitting, Brs, Breather 02mp, 2-69
 Fitting, Brs, E45, Pm02/Pf02, 2-31
 Fitting, Brs, E90, Em05/Pm02, 2-41
 Fitting, Brs, E90, If03/Pm02, 2-41
 Fitting, Brs, E90, If05/Pm02, 2-41

Fitting, Brs, E90, If05/Pm04, 2-41
 Fitting, Brs, E90, Em05/Pm04, 2-42
 Fitting, Brs, Str, Bm03/Pm02, 2-69
 Fitting, Brs, Str, Pm06/Em10, 3-43, 3-45
 Fitting, Condenser, Left, A/C, 4-21
 Fitting, Draincock, .25npt, 2-45
 Fitting, Grease, Str Pm04 .63l, 2-49, 2-63
 Fitting, Hyd, Cap, Jf06, 2-91, 2-93
 Fitting, Hyd, E45, Jm04/Om06, 2-49
 Fitting, Hyd, E45, Jm20/Jf20, 2-95
 Fitting, Hyd, E90, Jf12/Jm12, 2-31
 Fitting, Hyd, E90, Jm04/Om04, 2-63, 2-71
 Fitting, Hyd, E90, Jm06/Jf06, 2-73, 2-89
 Fitting, Hyd, E90, Jm06/Om04, 2-71
 Fitting, Hyd, E90, Jm06/Om06, 2-23, 2-49
 Fitting, Hyd, E90, Jm06/Om08, 2-95
 Fitting, Hyd, E90, Jm06om06l, 2-23
 Fitting, Hyd, E90, Jm08/Jf08, 2-89
 Fitting, Hyd, E90, Jm08/Om08, 2-81, 2-89, 2-95
 Fitting, Hyd, E90, Jm08/Om10, 2-87
 Fitting, Hyd, E90, Jm10/Jf10, 2-89
 Fitting, Hyd, E90, Jm10/Om08, 2-89
 Fitting, Hyd, E90, Jm10/Om12, 2-95
 Fitting, Hyd, E90, Jm12/Jf12, 2-81
 Fitting, Hyd, E90, Jm12/Om12, 2-91, 2-93
 Fitting, Hyd, E90, Pm02/Jm04, 2-91, 2-93
 Fitting, Hyd, Nut, Jm12, 2-91, 2-93
 Fitting, Hyd, Plug, Jm08, 2-87
 Fitting, Hyd, Plug, Jm12, 2-31
 Fitting, Hyd, Rst, Jm04/.047, 2-71
 Fitting, Hyd, Str, Jm04/Jf08, 2-95
 Fitting, Hyd, Str, Jm04/Om04, 2-63
 Fitting, Hyd, Str, Jm04/Om06, 2-49, 2-89
 Fitting, Hyd, Str, Jm06/Om04, 2-71, 2-81
 Fitting, Hyd, Str, Jm06/Om08, 2-79, 2-89
 Fitting, Hyd, Str, Jm06/Om10, 2-73, 2-95
 Fitting, Hyd, Str, Jm06om06l, 2-89
 Fitting, Hyd, Str, Jm08/Jf10, 2-89
 Fitting, Hyd, Str, Jm08/Jf12, 2-87
 Fitting, Hyd, Str, Jm08/Om08, 2-79
 Fitting, Hyd, Str, Jm08/Om10, 2-95
 Fitting, Hyd, Str, Jm10/Jf12, 2-81
 Fitting, Hyd, Str, Jm10/Om12, 2-49, 2-95
 Fitting, Hyd, Str, Jm12/Om08, 2-81
 Fitting, Hyd, Str, Jm12/Om12, 2-93
 Fitting, Hyd, Str, Jm12/Om20, 2-91, 2-93
 Fitting, Hyd, Str, Jm20/Om20, 2-87
 Fitting, Hyd, Str, Jm20om20l, 2-95
 Fitting, Hyd, Str, Metric, Om10/Jm04, 2-41
 Fitting, Hyd, Str, Pf02/Pm04, 2-41
 Fitting, Hyd, Str, Pm04/Jm04, 2-41
 Fitting, Hyd, Str, Spcl, 2-31
 Fitting, Hyd, Tee, Jm06/Jf06/Jm06, 2-81
 Fitting, Hyd, Tee, Jm06/Jm06/Om06, 2-87, 2-89
 Fitting, Hyd, Tee, Jm08/Jf08/Jm08, 2-95
 Fitting, Hyd, Tee, Jm10/Jf10/Jm10, 2-89
 Fitting, Hyd, Tee, Jm12/Jm12/Jf12, 2-81
 Fitting, Hyd, Tee, Jm12/Jm12/Om12, 2-87
 Fitting, Pipe, Plug, Pm02 Sq Head, 2-41, 2-42
 Fitting, Pipe, Water [Ku], 5-8

CROSS REFERENCE

Fitting, Plug, O-Ring, 4-3, 4-13, 4-15
Fitting, Plug, O-Ring, #4, 4-9
Fitting, Plug, O-Ring, #6, Valve, 4-13,
4-15
Fitting, Plug, O-Ring, Motor, Hyd, 4-9
Fitting, Plug, W/ O-Ring, Valve, Hyd,
4-13, 4-15
Fitting, Valve, Schrader, A/C, 4-21
Flange, Brg, 1.9id 2h, 2-79
Flange, Motor, Hyd, 4-9, 4-10
Flange, Pump, Water [Ku], 5-8
Flange, Ring, 3-57, 3-59
Flange, Sleeve, 5-27
Flange, Water [Ku], 5-32
Flap, Tire/Tube, 570/500-8, 2-51, 3-66
Flap, Vac Wand, 3-57, 3-59
Flasher, 12vdc, [Hd#552ps83], 3-21, 3-23
Flasher, Hd, 12vdc 25a, [#10-57300], 3-3
Frame Wldt, Main [6600/6650], 2-7
Frame, Drive End, 5-21
Frame, End, 5-21
Fuel Pump Cover Plate, 5-25
Fuelline Assy, Dsl [6600/6650], 2-41
Fuelline, .31d 05if/05if Stil, 2-41
Fuelline, .19d 05if/Bea Stil, 2-41
Fuse Block, 2-29
Fuse, 15 Amp, 2-29, 3-35
Fuse, 40a, 2-29

G

Gasket, 2-25, 5-3, 5-10, 5-23, 5-27,
5-29, 5-30, 5-31
Gasket Ku, 5-12
Gasket Set, 5-4
Gasket Set, Upper, 5-5
Gasket, 1.7d, 5-32
Gasket, Bearing Case, 5-9
Gasket, Bearing Case Cover, 5-9
Gasket, Cover, Head, Cyl [Ku], 5-11
Gasket, Cylinder Head, 5-5
Gasket, Delivery Valve, 5-27
Gasket, Door, 3-57, 3-59
Gasket, Ex-manifold, 5-12
Gasket, F/Bolt [Ku] 15951-96661, 5-11
Gasket, Flange, 3-57, 3-59
Gasket, Fuel Pump, 5-25
Gasket, Gear Case, 5-7
Gasket, Head Cover, 5-10
Gasket, Hourmeter, 2-25
Gasket, In-manifold, 5-12
Gasket, Manifold, Intake [Ku], 5-12
Gasket, Pan, Oil, 5-4
Gasket, Plug, Drain [Ku], 5-4
Gasket, Sender, Fuel, 2-42
Gasket, Sender, Fuel, 2.7d 1.5b 5/ 2.1bc,
2-41
Gasket, Solenoid, Throttle [Ku] 16299,
2-31
Gasket, Switch, Fire, 2-69
Gasket, Thrtl Blk, 5-29
Gasket, Tube, 3-57
Gasket, Water Flange, 5-32

Gasket, Water Pump, 5-8
Gasspring Assy, Eng Cover, 3-41, 3-55
Gasspring, 120lb, 7.1strk, 2-65
Gasspring, 130lb, 6.2strk, 2-19
Gauge, Fuel, 0-90ohm 8-18vdc, 2-25
Gauge, Hourmeter, 12-60vdc, Analog
[10k], 2-25
Gauge, Hourmeter, Electronic, 2-25
Gear, 5-21
Gear Assy, Idler, Pump, Hyd, 4-5
Gear, Camshaft, 5-15
Gear, Crankshaft, 5-17
Gear, Drive, Pump, Hyd, 4-5
Gear, Governor, 5-28
Gear, Injection Pump, 5-28
Gear, Oil Pump Drive, 5-17
Gear, Ring, 5-19
Gerotor, Motor, Hyd, 4-7
Gerotor Set, Motor, Hyd, 4-9, 4-10
Gerotor, Pump, Hyd, 4-3
Gerotor, Valve, Strg, 4-17
Glass, Sight, A/C, 4-21
Grill, Door, Lh, 2-17
Grille, Door, Lpg, 2-15
Grille, Filler, Door, Rh, 2-15
Grip, Vyl, 2-89
Grommet, Rbr, 0.38id, F/ 0.5h, .12matl,
3-23, 3-31, 3-35
Grommet, Rbr, 0.50id, F/ 0.8h, .19matl,
2-45
Grommet, Rbr, 0.62id, F/ 0.9h, .06matl,
2-69
Grommet, Rbr, 0.63id, F/ 0.8h, .12matl,
3-5, 3-7, 3-9, 3-11, 3-13, 3-15,
3-17, 3-19, 3-21
Grommet, Rbr, 0.69id, F/ 0.1h, .25matl,
3-5, 3-7, 3-9, 3-11, 3-13, 3-15,
3-21, 3-23, 3-48
Grommet, Rbr, 1.62id, F/ 1.9h, .13matl,
2-23
Guard Wldt, Light, Revl/Flsh, 3-9, 3-11
Guard Wldt, Ohg, Top, 3-25
Guard, Belt, Fan, Dsl, W/Label, 2-45
Guard, Brush, [6550], 2-73
Guard, String, Motor, Brush, 2-73
Guide, Exhaust Valve, 5-5
Guide, Inlet Valve, 5-5

H

Handle, 3-51, 3-53, 3-57, 3-59
Handle Assy, Latch, Eng Cover, 3-41,
3-55
Handle Wldt, Lift, Brush, Side, 2-75
Handle, Cntrl, 2-89
Handle, Cntrl, Lh, 2-89
Handle, Cntrl, Str, 2-89
Handle, Container, 3-33
Handle, Door, Paddle, 3-33
Harness, A/C, Heater [6600/6650], 3-49
Harness, Alarm, Backup, [355], 3-21,
3-23

Harness, Alarm, Backup, [355], 3-21,
3-23
Harness, Cab, 3-35
Harness, Cab, [355], 3-31
Harness, Eng, Dsl [6600/6650], 2-107
Harness, Heater/Evaporator [6600/6650],
4-22, 4-23
Harness, Hppr [6600/6650], 2-107
Harness, Light, Flsh, Revl, [355], 3-9,
3-11
Harness, Light, Revl, Ohg, [355], 3-5,
3-7, 3-13, 3-15, 3-17, 3-19
Harness, Main [6600], 2-107
Harness, Solenoid, Shkr [6600/6650],
2-107
Harness, Turn Signal, [355], 3-3
Harness, Turn Signal, [6500], 3-3
Head, Cyl [Ku], 5-5
Head, Cyl, W/O Valve [Ku], 5-5
Headlight, 12vdc, 35watt 2.7a [#4411],
3-3
Headlight, 12vdc, 50watt . A [#70744],
2-67
Heater & A/C Assy [R134], 4-22
Heater/Pressrzzr Assy, 4-23
Hinge Wldt, Door, Cab, Pin, Long, 3-33
Hinge Wldt, Door, Cab, Pin, Short, 3-33
Hinge Wldt, Door, Side, 2-21
Hinge Wldt, Pin, .43d, Cover, Eng, Lh,
2-81
Hinge Wldt, Pin, .43d, Cover, Eng, Rh,
2-81
Hinge Wldt, Tube, .38b, Door, Cab, 3-33
Hinge, .25pin .12 2.9w 03.5l 4/0.31slot,
2-65
Hinge, .38pin .11 3.5w 05.6l 4/H&Slot,
2-9, 2-11
Hinge, .40pin 2.2w 2.0l 4/0.21h, 3-57,
3-59
Holder Assembly, Nozzle, 5-23
Holder,, 5-28
Holder, Delivery Valve, 5-27
Holder, Governor Gear, 5-28
Hook, Engine 1, 5-5
Hook, Engine 2, 5-5
Hopper, Plstc [6600/6650xp], 2-61
Horn, 12vdc, Db, 2-7
Hose Assy, W/1cuff, 3.0d, 24l, 3.0/, 3-51,
3-53
Hose Assy, W/1cuff, 4.0d, 87.8l, 4.0/,
3-57, 3-59
Hose, 0050, 04, 1m05str /lf05str , 10.0,
2-41
Hose, A/C, 06 094.5l Str E45 [R134], 3-45
Hose, A/C, 08 076.0l E90 E90 [R134],
3-45
Hose, A/C, 10 104.0l Str E90 [R134], 3-45
Hose, Coolant, Mold, (Cut in 2), 3-43,
3-45
Hose, Coolant, Mold, 1.00id To 1.25id,
2-45
Hose, Flex, Vacuum, 4.0d 23.0l, 2-69

Hose, Fuel, 0.31id [Evap Emission 07], 2-42
 Hose, Fuel, 0.18id 29.0l, 2-41
 Hose, Fuel, 0.31id 11.0l, 2-41
 Hose, Heater, 0.062id 84l, 3-43, 3-45
 Hose, Heater, 0.62id 24l, 3-43, 3-45
 Hose, Heater, E90, 0.62id 60.0 4.0, 3-43, 3-45
 Hose, Hyd, Med06, Jf06e90/Jf06str, 010.0, 2-85
 Hose, Hyd, Tc 06, Jf Str/E90 , 48.0l, 2-85
 Hose, Hyd, Tc 06, Jf06str/Jf06str, 48.0, 2-85
 Hose, Hyd,Low08, Jf08str /Jf08str , 20.0, 2-87
 Hose, Hyd,Low12, Jf12str /Jf12str , 10.0, 2-31
 Hose, Hyd,Med04, Jf04str /Jf04e45 , 52.0, 2-85
 Hose, Hyd,Med04, Jf04str /Jf04str , 17.0, 2-85
 Hose, Hyd,Med06, Jf06str /Jf06e45 , 12.0, 2-85
 Hose, Hyd,Med06, Jf06str /Jf06e90 , 20.0, 2-85
 Hose, Hyd,Med06, Jf06str /Jf06e90 , 64.0, 2-85
 Hose, Hyd,Med06, Jf06str /Jf06e90 , 100.0, 2-85
 Hose, Hyd,Med06, Jf06str /Jf06str , 16.0, 2-85
 Hose, Hyd,Med08, Jf08str /Jf08e90 , 32.0, 2-85
 Hose, Hyd,Med08, Jf08str /Jf08e90 , 34.0, 2-85
 Hose, Hyd,Med08, Jf08str /Jf08e90 , 68.0, 2-85
 Hose, Hyd,Med08, Jf08str /Jf08e90l, 39.0, 2-85
 Hose, Hyd,Med12, Jf12str /Jf12e90 , 23.0, 2-85
 Hose, Hyd,Med12, Jf12str /Jf12e90 , 60.0, 2-85
 Hose, Hyd,Med12, Jf12str /Jf12e90l, 23.0, 2-85
 Hose, Hyd,Med12, Jf12str /Jf12e90l, 60.0, 2-85
 Hose, Hyd,Suc20, Jf20str /Jf20e45 , 25.0, 2-85
 Hose, Hyd,Tc 04, Jf04str /Jf04e90 , 80.0, 2-85
 Hose, Hyd,Tc 04, Jf04str /Jf04e90 , 114.0, 2-85
 Hose, Hyd,Tc 06, Jf06str /Jf06e90 , 62.0, 2-85
 Hose, Hyd,Tc 06, Jf06str /Jf06str , 36.0, 2-85
 Hose, Hyd,Tc 10, Jf10str /Jf10e45 , 54.0, 2-85
 Hose, Hyd,Tc 10, Jf10str /Jf10e90 , 18.0, 2-85
 Hose, Hyd,Tc 10, Jf10str /Jf10e90l, 67.0, 2-85

Hose, Intake, Mold, 2.00id 1.75id,[Epdm], 2-35
 Hose, Intake, Mold, 2.00id 2.00id,[Epdm], 2-35
 Hose, Rbr, 3-51, 3-53
 Hose, Rbr, E90 3.00id 3.50id 03.5 3.3, 3-51, 3-53
 Hose, Vacuum, 0.16id 60.0l, 2-69
 Hose, Vacuum, 4.00id X 53.0l, 3-57, 3-59
 Housing, 4-3
 Housing Assy, Heater/Press. [6650/6600] (See Breakdowns), 3-43
 Housing Assy, Nozzle, 5-23
 Housing Assy, Vacfan, 09.0d Impeller, 2-81
 Housing, Blower, A/C [6600], 4-22, 4-23
 Housing, Brg, Motor, Hyd, 4-7
 Housing, Brg, Pivot, Door, Dust, 2-63
 Housing, Condenser/Fan, A/C, 4-21
 Housing, Flywheel, Mach, [1505] Kubo, 2-33
 Housing, Motor, Hyd, 4-9, 4-10
 Housing, Sppt, Drive, Rear, 2-49
 Housing, Thermostat, 1.7d [Ku], 5-32
 Housing, Valve, 4-7
 Housing Assy, A/C/Heater [6650/6600] (See Breakdowns), 3-45
 Hub Assy, Wheel, 5 Bolt 4.50bc Taper B, 2-49
 Hub, Drive, Brush, Side, 1.0b 8.8 Bc, 2-73

I

Impeller, 9.00d X 1.40w X 0.376b, 2-81
 Impeller, Water Pump, 5-8
 Indicator, Filter, Air, 2-35
 Innertube, [5.00r-8],[Js2] Valve,[500-8], 2-51, 3-66
 Insert, Plate, Cam, Pump, Hyd, 4-3
 Instr, Kit, Repair, Pump, Hyd, 4-5
 Instr, Repair, Motor, Hyd, Gear, 4-7
 Instr, Repair, Pump, 4-3
 Instr, Seal Kit, Motor, F/74147, 4-11
 Instruction, Repair, Motor, Hyd, 4-10
 Instruction, Repair, Valve, Hyd, 4-13, 4-15
 Instruction, Repair, Valve, Strg, 4-17
 Insulation, Acstc, 2-13, 2-21, 2-27
 Insulation, Acstc, 0.3 25.5w 25.6l, 3-29
 Insulation, Acstc, 0.5 02.9w 24.3l Cab, 3-29
 Insulation, Acstc, 0.5 03.9w 25.3l Cab, 3-29
 Insulation, Acstc, 0.5 15.5w 33.2l Notch, 2-19
 Insulation, Acstc, 0.5 15.5w 35.6l Notch, 2-19
 Insulation, Acstc, 0.5, 33.3 X 15.5 Cham, 2-19
 Insulation, Acstc, 0.5, 35.6 X 15.5 Cham, 2-19
 Insulation, Acstc, 0.8 23.3w 34.6l Cab, 3-29

Insulation, Acstc, 0.8 26.0w 36.3l, 3-41, 3-55
 Insulation, Acstc, 1.0 01.5w 06.8l, 2-13, 3-37
 Insulation, Acstc, 1.0 02.0w 04.0l, 2-19, 3-41, 3-55
 Insulation, Acstc, 1.0 02.0w 05.8l, 2-19, 3-41, 3-55
 Insulation, Acstc, 1.0 02.0w 17.5l Adh, 2-27
 Insulation, Acstc, 1.0 03.5w 10.5l Adh, 2-27
 Insulation, Acstc, 1.0 05.0w 05.0l, 2-81
 Insulation, Acstc, 1.0 15.5w 17.5l, 2-27
 Insulation, Acstc, Cover, Eng, Bottom, 3-41, 3-55
 Insulation, Acstc, Cover, Seat, 1.0, 2-13
 Insulation, Acstc, Door, 3-29
 Insulation, Acstc, Firewall, 2-7
 Insulation, Acstc, Panel, 3-29
 Insulation, Acstc, Panl, 2-13
 Insulation, Acstc, Plate, Floor, 2-13
 Insulation, Acstc, Seal, Vac Fan, 2-81
 Insulation, Acstc, Seat, 3-31
 Insulation, Cover, Eng, Bottom [2007], 3-41, 3-55
 Isolator, Valve, 2-89
 Isolator, Vib, Bshg, 1.1d 0.6l .4b 0.78h, 2-45, 2-81
 Isolator, Vib, Bshg, 1.4d 0.3l .4b 0.65h, 2-89
 Isolator, Vib, Dia .50, 2-33
 Isolator, Vib, Ring, 1.4d 0.3l 0.8b, 2-89

J

Joint, Breather Pipe, 5-10
 Joint, Pipe, 5-7

K

Key, 5-17
 Key, Feather, 5-15
 Key, Ignition, [Set Of 2], 2-25
 Key, Motor, Hyd, 4-7
 Key, Round, 4-5
 Key, Shaft, Pump, Hyd, 4-3
 Key, Sq, 0.12 X 0.12, 00.75l, 4-11
 Key, Woodruff, 5-28
 Key, Woodruff, 0.25 1.00, [Asa#0808], 4-9
 Kit, Brake, 2-53
 Kit, Ci, Alarm, Backup, A/V, W/ Cab, 3-23
 Kit, Ci, Alarm, Backup, A/V, W/O Cab, 3-21
 Kit, Ci, Dlx Seat / Belt / Tilt Steering, 3-61
 Kit, Ci, Extinguisher, Fire, [6600/6650], 3-71
 Kit, Ci, Light, Flsh [6600/6650], 3-9
 Kit, Ci, Light, Flsh, Cab [6600/6650], 3-13
 Kit, Ci, Light, Flsh, Flush, Cab, 3-17
 Kit, Ci, Light, Flsh, Ohg, 3-5
 Kit, Ci, Light, Revl [6600/6650], 3-11

CROSS REFERENCE

Kit, Ci, Light, Revl, Cab [6600/6650], 3-15
Kit, Ci, Light, Revl, Flush, Ohg, 3-19
Kit, Ci, Light, Revl, Ohg [6600/6650], 3-7
Kit, Ci, Ohg [6600/6650], 3-25
Kit, Ci, Sbdc, [6600/6650], 3-63
Kit, Ci, Transport [6600/6650], 3-72
Kit, Ci, Turn Signal, Plstc Hppr, 3-3
Kit, Ci, Wand, Vacuum, 3-57
Kit, Clamp, Hopper Filter Box, 6600/6650,
2-69
Kit, Detent In, 4-13, 4-15
Kit, Detent Out, Valve, Hyd, 4-13, 4-15
Kit, Detent, Valve, Hyd, 4-13, 4-15
Kit, Dust, Cab, [385/355], 3-37
Kit, Maint, 400hr [6600d] Kubo, 2-3
Kit, Maint, Skirt, Door, Hppr [6600/6650],
2-3
Kit, Maint, Skirt, Hppr [6600/6650XP], 2-3
Kit, Replmt, Seal, Motor, Hyd, 4-9
Kit, Ring, Restrictor, [6500/6550], 2-69
Kit, Rotating, Pump, Hyd, 4-3
Kit, Seal, Cyl, Hyd, 4-18, 4-19
Kit, Seal, Hyd, Pump, 4-3
Kit, Seal, Hyd, Valve, Strg, 4-17
Kit, Seal, Motor, Hyd, 4-7, 4-9, 4-10
Kit, Seal, Motor, Hyd, Gear, 4-11
Kit, Seal, Pump, Hyd, 4-5
Kit, Seal, Valve, Hyd, 4-11, 4-13, 4-15
Kit, Shim, 4-3
Kit, Spring, 2-7
Kit, Spring, Valve, Strg, 4-17
Kit, Wiper, Mtg, Plate, 3-35
Knob Assy, Star, 1.97d 4ear M10x1.5 5.5l,
2-75
Knob, Star, 2.2od 8ear 1.1l M10x1.5 Pls,
2-77
Knob, Tpr, 1.00d 1.63l M08x1.25 Plstc,
3-51, 3-53
Knob, Tpr, 1.12d 3.86l M10x1.5 Plstc,
2-75, 2-77
Knob, Tpr, 1.12d 3.88l M08x1.25 Plstc,
3-61

L

Label Set, Hi Temp, 2-108
Label Set, Info/Hzrd, [Multi-Machines],
2-108
Label Set, Opertnl, 3-51
Label Set, Opertnl [6600], 2-108
Label Set, Opertnl, [355], 3-53
Label, Heat On-Off, 3-43, 3-45
Label, Info, A/C, On-Off, 3-48
Label, Numerals [6600], 2-108
Label, Opertnl, Cab, 3-35
Label, Opertnl, Cab (W/AC), 3-35
Label, Spec, A/C, 3-45
Lamp Strobe, Amb [12-48 Vdc], 3-7,
3-11, 3-15, 3-19
Lamp, 12vdc Lamp, Dome [Speaker],
3-35
Lamp, 12vdc, . A Cp [#194], 3-3

Lamp, 12vdc, 0.9a, 15cp Watt [#1004],
3-21, 3-23
Lamp, 12vdc, 0.5a Watt 04cp, 2-7
Lamp, 12vdc, 2.1a Watt 32c [#1156],
3-5, 3-7, 3-9, 3-11, 3-13, 3-15,
3-17, 3-19
Lamp, 12vdc, Turn Signal, 3-3
Lamp, Bulb, Lamp, Flsh, 3-5, 3-9, 3-13,
3-17
Lamp, Bulb, Lamp, Strobe, 3-7, 3-11,
3-15, 3-19
Lamp, Flasher, Amb [12-48 Vdc], 3-5,
3-9, 3-13, 3-17
Latch, 2-17, 2-21, 2-67, 2-79, 2-93,
3-33, 3-41, 3-55
Latch Assy, Rbr, 1.6d 1.4l/1.0d 1.0l, 2-15,
2-17
Latch Hook, Lh, 2-11
Latch, Bolt, 2-9, 2-11, 2-17
Latch, Hook, Rh, 2-9
Latch, Rbr, A/C Cover W/ Rivets, 4-22,
4-23
Lens, Amber, Light, Flsh, [Fr207], 3-5,
3-9, 3-13, 3-17
Lens, Amber, Light, Revl, 3-7, 3-11, 3-15,
3-19
Lens, Blu, F/ Revl / Flasher, 3-5, 3-7, 3-9,
3-11, 3-13, 3-15, 3-17, 3-19
Lens, Blue, Light, Flsh, [Fr207], 3-5, 3-9,
3-13, 3-17
Lens, Blue, Light, Revl, 3-7, 3-11, 3-15,
3-19
Lens, Lamp, Amb, Strobe/Flasher, 3-5,
3-7, 3-9, 3-11, 3-13, 3-15, 3-17,
3-19
Lens, Red, Light, Flsh, [Fr207], 3-5, 3-9,
3-13, 3-17
Lens, Red, Light, Revl, 3-7, 3-11, 3-15,
3-19
Lens, Red, F/ Revl / Flasher, 3-5, 3-7,
3-9, 3-11, 3-13, 3-15, 3-17, 3-19
Lever, 3-51, 3-53, 3-61
Lever Wldt, Brush Lift, 2-77
Lever, Brake, Parking, 2-55
Lever, Door Release, 3-33
Lever, Engine Stop, 5-30
Lever, Fork 2, 5-31
Lever, Speed Control, 5-30
Light, Dome, 12vdc, Rwk 58951, 3-35
Light, Flsh, 12vdc, Amb, Rwk 82198, 3-5,
3-9, 3-13, 3-17
Light, Marker, 12vdc, Yel, 4.0 X 2.0, 3-3
Light, Panl, 14vdc, , 1.1 X 1.0, 2-25
Light, Revl, 12vdc, Amb, Rwk 82200, 3-7,
3-11, 3-15, 3-19
Light, Spot, 12vdc, 21cp Rwk 44025a,
3-21, 3-23
Light, Spot, 12vdc, 35watt Rwk 68305,
3-3
Liner, Head, Plenum, 3-39
Link, Handle, 2-89

M

Magnet, 3-51, 3-53
Magnet, Pickup, 2-33
Manifold Assy, Inlet, 5-12
Manifold, Exhaust, Front, Down, 5-12
Manifold, Inlet, 5-12
Manual Pkg, [6600 Dsl Na], 3-73
Manual Pkg, Service Info [6600/6650],
3-73
Manual, Cd-Rom, Service Info
[6600/6650], 3-73
Manual, Eng, Kubo [V1505E], 3-73
Manual, Oprtr, [6600 Dsl Es Na], 3-73
Manual, Oprtr, [6600 Dsl Fr Na], 3-73
Metal, Crankpin, 5-17
Metal, Crankpin 02, 5-17
Metal, Crankpin 04, 5-17
Metal, Crankshaft 1, 5-17
Metal, Crankshaft 2, 5-17
Metal, Crankshaft 3, 5-17
Metal, Crankshaft1 02, 5-17
Metal, Crankshaft1 04, 5-17
Metal, Crankshaft2 02, 5-17
Metal, Crankshaft2 04, 5-17
Metal, Crankshaft3 02, 5-17
Metal, Crankshaft3 04, 5-17
Metal, Side 1, 5-17
Metal, Side 1 02, 5-17
Metal, Side 1 04, 5-17
Metal, Side 2, 5-17
Metal, Side 2 02, 5-17
Metal, Side 2 04, 5-17
Mirror, Convex, 06.7 X 06.2, 3-25, 3-31
Module, 2-29
Molding, Trim, Pvc.,08-.11 04.0l, 2-67
Molding, Trim, Pvc.,08-.11 05.0l, 2-23
Molding, Trim, Pvc.,08-.11 07.5l, 2-23
Molding, Trim, Pvc.,08-.11 07.7l, 2-67
Molding, Trim, Pvc.,08-.11 14.2l, 2-13
Molding, Trim, Pvc.,08-.11 22.8l, 2-13
Molding, Trim, Pvc.,08-.11 25.6l, 2-7
Molding, Trim, Pvc.,18-.31 02.8l, 3-57
Motor, Blower, 12vdc, A/C, 4-22, 4-23
Motor, Ele, Wiper, 12vdc 68deg, 3-35
Motor, Hyd, Gear, [Ex] .194 R 3000, 4-11
Motor, Hyd, Gear, [Ex] .194 R 3000 (See
Breakdowns), 2-81
Motor, Hyd, Gear, [In] 02.8 1500, 4-9
Motor, Hyd, Gear, [In] 02.8 1500 (See
Breakdowns), 2-79
Motor, Hyd, Gear, [In] 17.9 B 1500, 4-10
Motor, Hyd, Gear, [In] 17.9 B 1500 (See
Breakdowns), 2-73
Motor, Hyd, Gear, [Int], 19.0 X 3000, 4-7
Motor, Hyd, Gear, [Int], 19.0 X 3000 (See
Breakdowns), 2-49
Motor, Starter, 12vdc (See Engine
Breakdown), 2-33
Mount, Cable Tie, 3-5, 3-7, 3-9, 3-11,
3-13, 3-15, 3-17, 3-19, 3-21, 3-23
Muffler, Exhaust, 2-39

N

Nut, 5-7, 5-12, 5-13, 5-25, 5-29, 5-30, 5-32
 Nut, Cap, 5-10, 5-25, 5-28, 5-29
 Nut, Hex, Cap [Ku] 15952-92331, 5-11
 Nut, Hex, Flng, .25-20, 2-21
 Nut, Hex, Flng, .38-16, 3-47
 Nut, Hex, Flng, M05 X 0.8, 3-3, 3-21, 3-23
 Nut, Hex, Flng, M06 X 1.0, 2-13, 2-33, 2-41, 2-57, 3-5, 3-7, 3-51, 3-53
 Nut, Hex, Flng, M08 X 1.25, 2-7, 2-13, 2-21, 2-27, 2-31, 2-41, 2-47, 2-49, 2-65, 2-91, 3-23, 3-33, 3-57, 3-63
 Nut, Hex, Flng, M10 X 1.5, 2-73, 3-63, 3-72
 Nut, Hex, Flng, M6 X 1.0, 2-45
 Nut, Hex, Flng, M8 X 1.25, 2-93
 Nut, Hex, Flng, M8X1.25, 2-35
 Nut, Hex, Jam, .25-20, 2-19
 Nut, Hex, Jam, .25-28, 3-41, 3-55
 Nut, Hex, Jam, .38-24, 2-33
 Nut, Hex, Jam, .50-20, 2-53
 Nut, Hex, Jam, M10 X 1.5, Ss, 2-75, 2-77
 Nut, Hex, Jam, M16x2.0, 2-19
 Nut, Hex, Jam, M20 X 1.5, 2-23
 Nut, Hex, Lock, .25-20, NI, 2-41, 2-57, 2-59
 Nut, Hex, Lock, .25-28, NI, Thin, 3-41, 3-55
 Nut, Hex, Lock, .31-18, NI, Ss, 3-3
 Nut, Hex, Lock, .31-18, NI, Thin, 2-19, 3-33, 3-41, 3-55
 Nut, Hex, Lock, .31-24, NI, Thin, 2-81
 Nut, Hex, Lock, .38-16, NI, 2-21, 2-81, 3-47
 Nut, Hex, Lock, .38-16, NI, Ss, 2-37
 Nut, Hex, Lock, .38-16, NI, Thin, 2-59
 Nut, Hex, Lock, .75-10, NI, 2-49, 2-79
 Nut, Hex, Lock, #10-24, NI, 2-37
 Nut, Hex, Lock, M 4 X 0.7, NI, 2-69, 3-35, 3-57, 3-59
 Nut, Hex, Lock, M 5 X 0.8, NI, Ss, 2-63
 Nut, Hex, Lock, M 5 X 0.8, NI, 2-7, 2-25, 2-29, 3-3, 3-41, 3-51, 3-53, 3-55, 3-57
 Nut, Hex, Lock, M 6 X 1.0, NI, 2-13, 2-15, 2-21, 2-25, 2-27, 2-29, 2-41, 2-65, 2-89, 3-33, 3-41, 3-55, 3-57, 3-59
 Nut, Hex, Lock, M 6 X 1.0, NI, Ss, 2-3, 2-29, 2-55, 2-61, 2-63, 2-67, 3-63
 Nut, Hex, Lock, M 8 X 1.25 NI, 2-17, 2-39, 2-55, 2-57, 2-69, 2-75, 2-77, 2-79, 2-87, 3-3, 3-11, 3-21, 3-23, 3-31, 3-41, 3-55
 Nut, Hex, Lock, M 8 X 1.25, NI, Ss, 2-3, 2-7, 2-61, 2-63, 2-75, 2-87
 Nut, Hex, Lock, M10 X 1.5, NI, 2-13, 2-33, 2-45, 2-51, 2-57, 2-59, 2-81, 3-25, 3-41, 3-51, 3-53, 3-55, 3-61
 Nut, Hex, Lock, M12 X 1.75, NI, 2-15, 2-17, 2-33, 2-53, 2-67, 2-79, 3-25, 3-33, 3-51

Nut, Hex, Lock, M4 X 0.7, NI, 2-93
 Nut, Hex, Lock, M5 X 0.8, NI, 3-5, 3-7, 3-9, 3-11, 3-13, 3-15, 3-17, 3-19, 3-39
 Nut, Hex, Lock, M6 X 1.0, NI, 2-17, 2-93, 3-48
 Nut, Hex, Lock, M6 X 1.00 NI, 3-9
 Nut, Hex, Lock, M8 X 1.25, NI, 2-65
 Nut, Hex, M 8 X 1.25 NI, 2-41
 Nut, Hex, Sltd, .75-16, 4-9
 Nut, Hex, Sltd, 1.00-20, 2-53
 Nut, Hex, Sltd, 1.12-18, 2-49
 Nut, Hex, Std, .38-16, 2-17
 Nut, Hex, Std, .44-14, 5, 3-33
 Nut, Hex, Std, .50-20, 2-53
 Nut, Hex, Std, .75-16, 2-49
 Nut, Hex, Std, M03 X 0.5, 2-25
 Nut, Hex, Std, M05 X 0.8, 2-59
 Nut, Hex, Std, M10 X 1.5, 2-57, 2-59, 3-27
 Nut, Hex, Std, M10 X 1.5, Ss, 2-73
 Nut, Hex, Std, M10-1.5, Ss, 2-59
 Nut, Hex, Std, M12 X 1.75, 2-17
 Nut, Hex, Std, M12 X 1.75, Ss, 2-9, 2-11, 2-73
 Nut, Hexagon, 5-21
 Nut, Isolator, .25-20 Wall Thk .015-.094, 3-35
 Nut, Isolator, .25-20 Wall Thk .031-.187, 3-35
 Nut, Motor, Hyd, 4-7
 Nut, Push, M6 X 1.0, 2-67
 Nut, Retainer, .312 Dia, 2-71
 Nut, Speed, Retainer, .31-18 [.093-.126], 2-19
 Nut, Speed, Retainer, #08-32 [.025-.063], 3-21, 3-23
 Nut, U, M06 X 1.0, 2-19, 2-25, 3-35, 3-41, 3-55
 Nut, U, M08 X 1.25, 2-13
 Nut, Wheel, .50-20 X 60 Angle, 2-49
 Nut, Wing, .44-20, Special, 2-35

O

O-Ring, 5-3, 5-5, 5-7, 5-10, 5-17, 5-21, 5-27, 5-30
 Oil Filter, Plug, 5-7
 Oil Shield, Breather, 5-10

P

Pad, Pedal, Brake, 3.9 2.4 0.75t, 2-55
 Paint, Airdry, Blk, 12oz, 2-3
 Paint, Airdry, Gray, 12oz, 2-3
 Paint, Airdry, Iron Gray, 12oz, 2-3
 Paint, Airdry, Off-White, 12oz, 2-3
 Paint, Airdry, Teal, 12oz, Solid, 2-3
 Pan, Oil, 5-4
 Pane, Cab, 3-31
 Pane, Door, Cab, 3-33
 Panel Assy, Instmt [6600], 2-25

Panel Wldt, Instmt, Side [6600], 2-27
 Panel Wldt, Perma-Filter, 2-61
 Panel Wldt, Sppt, Seat, 2-13
 Panel, Eng, 2-7
 Panel, Handle, Valve, W/ Label [6600], 2-27
 Panel, Indicator Light, 2-25
 Panel, Inside, 2-13
 Panel, Instmt, 2-25
 Panel, Instmt, Cab, 3-35
 Panel, Instmt, Cab [6600/6650], 3-35
 Panel, Jam, Door, Rear, Lower, 3-31
 Panel, Main Brush, W/ Label [6600], 2-77
 Panel, Sppt, 2-75
 Pedal, Propel, Lower, W/ Tread, 2-57
 Pedal, Propel, Upper, W/ Tread, 2-73
 Pin, 2-15, 2-17, 2-49, 2-71, 2-75
 Pin Assy, Clevis, Hopper Lift, 2-71
 Pin-Grvd, 1.00d 3.0l2/ 2.71btwn, 2-71
 Pin, 0.38d 17.2l 1/.10h 2/M04 X 0.7h, 3-51, 3-53
 Pin, 1.25d 03.3l 1/M08x1.25 Stl, 2-71
 Pin, Arm, Safety, 2-71
 Pin, Clamp, 5-27
 Pin, Clevis, 0.25 D X 2.44l, 3-61
 Pin, Clevis, 0.37 D X 1.00l, 2-53
 Pin, Clevis, 0.37 D X 1.50l, 2-75
 Pin, Clevis, 0.37 D X 2.00l, 2-75
 Pin, Clevis, 0.37 D X 2.12l, 2-57
 Pin, Clevis, 0.37 D X 3.00l, 3-33, 3-61
 Pin, Clevis, 0.37 D X 4.50l, 2-57
 Pin, Clevis, 0.38 D X 1.13l, 2-53, 2-55, 2-77
 Pin, Clevis, 0.50 D X 1.25l, 2-53
 Pin, Clevis, 0.50 D X 3.50l, 2-63
 Pin, Clevis, 0.50 D X 4.50l, 2-57
 Pin, Clevis, 0.50 D X 5.00l, 2-73, 3-63
 Pin, Clevis, 0.50 D X 5.50l, 2-73
 Pin, Clevis, 0.75 D X 5.50l, 2-73
 Pin, Cotter, .062 X 0.75, 3-61
 Pin, Cotter, .094 X 0.75, 2-53, 2-55, 2-57, 3-33, 3-61
 Pin, Cotter, .094 X 1.00, 2-77
 Pin, Cotter, .125 X 1.00, 2-53, 2-73, 2-75, 3-61
 Pin, Cotter, .125 X 1.25, 2-63, 2-79
 Pin, Cotter, .125 X 1.75, 2-53
 Pin, Cotter, .125 X 2.50, 2-49
 Pin, Dowel, Cyl.Block To Flywhl.Hsg., 2-33
 Pin, Dowel, Pump, Hyd, 4-3
 Pin, Grooved, 2-71
 Pin, Hair Cotter, 0.62 D .120 Wir, 2-73
 Pin, Hair Cotter, 0.69 D .092 Wir, 2-13, 2-15, 2-17, 2-57, 3-63
 Pin, Hopper, Lift, 2-67
 Pin, Joint, 5-27
 Pin, Pipe, 5-3
 Pin, Piston, 5-17
 Pin, Roll, .090 D X 0.75l, .094/.097, 3-51, 3-53
 Pin, Spring, 5-30
 Pin, Start Spring, 5-3

CROSS REFERENCE

Pin, Straight, 5-3
Pin, Tappet Guide, 5-27
Pin, Valve, Strg, 4-17
Pipe, Breather, 5-10
Pipe, Breather [Ku], 5-12
Pipe, Drain, 5-21
Pipe, Injection 1, 5-23
Pipe, Injection 2, 5-23
Pipe, Injection 3, 5-23
Pipe, Injection 4, 5-23
Pipe, Over Flow, 5-23
Pipe, Water, 5-11
Pipe, Water Return 1, 5-32
Pipe, Water Return 2, 5-32
Piston, 5-17
Piston 05, 5-17
Piston, Pump, Hyd, Gear, 4-7
Pivot, 2-73
Plate, 2-25, 2-29, 3-5, 3-7, 3-31, 3-41, 3-51, 3-53, 3-55, 5-27
Plate Wldt, Blower Wand, 3-51, 3-53
Plate Wldt, Bottom, Hppr, [6600/6650xp], 2-61
Plate Wldt, Brush, Adj, [6500], 2-77
Plate Wldt, Cover, Eng, 2-19, 3-41, 3-55
Plate Wldt, Cover, Eng, Metal, 3-55
Plate Wldt, Cover, Eng, Metal [2007], 3-41, 3-55
Plate Wldt, Cover, Plstc, Eng, 2-19
Plate Wldt, Cover, Plstc, Eng [2007], 2-19
Plate Wldt, Stop, [6500], 2-77
Plate, Access, W/Label [6600/6650], 2-13
Plate, Adaptor, Pump, Hyd, 4-5
Plate, Back, Pump, Gear, 4-5
Plate, Backing, Handle, 3-51, 3-53, 3-57, 3-59
Plate, Backup, Mtg, Pulley, 2-75
Plate, Cover, 4-3
Plate, Cover, Eng, Top, 2-19
Plate, Cover, Eng, Top [6600/6650 2007], 2-19
Plate, Element 1, 5-10
Plate, Element 2, 5-10
Plate, Floor, Access, 2-13
Plate, Floor, W/ Tread [6600/6650], 2-13
Plate, Front, Pump, Gear, 4-5
Plate, Mtg, 2-79
Plate, Mtg, Radiator, 3-47
Plate, Panel, Shaker, 2-69
Plate, Retainer, 2-25, 2-61, 3-63
Plate, Retainer, Bumper, 2-67
Plate, Retainer, Door, Dump, 2-3, 2-63
Plate, Retainer, Lh, 2-67
Plate, Retainer, Rh, 2-67
Plate, Seal, 3-31
Plate, Spacer, 3-63
Plate, Spacer, Motor, Hyd, 4-9, 4-10
Plate, Valve, Motor, Hyd, 4-7
Plate, Valve, Pump, Hyd, 4-3
Plate, Wear, Pump, Hyd, 4-5
Plate, Wear, Valve, Strg, 4-17
Plug, 4-7, 5-3, 5-4, 5-5, 5-7, 5-32
Plug Assy, 4-17

Plug Assy, Valve, Hyd, 4-13, 4-15
Plug Wldt, Drive, Brush, Sweep, 2-79
Plug Wldt, Idler, Brush, 2-79
Plug, Expansion, 5-3
Plug, Glow, 5-23
Plug, Oil Filler, 5-10
Plug, Pump, Hyd, 4-5
Plug, Pump, Hyd, Gear, 4-7
Plug, W/O-Ring #20, 4-5
Plug, W/O-Ring, #16, 4-5
Plunger, Pump, 5-27
Plunger, Valve, Hyd, 4-13, 4-15
Poppet, Pump, Hyd, Gear, 4-7
Poppet, Valve, Hyd, 4-13, 4-15
Pulley Assy, Cable, 2.0d 0.50b, 2-75
Pulley, Cable, 1.5d, Nyl, 2-53, 2-55, 2-75
Pulley, Fan Drive, 112mm, 5-17
Pully, Fan, 5-8
Pump, Fuel, 2-41
Pump, Hyd, Gear [Ex3] 0.66 [X] 3000, 4-5
Pump, Hyd, Gear, W/Org, Afmkt (See Breakdowns), 2-95
Pump, Hyd, Piston, [V] 1.44 [R] 4000, 4-3
Pump, Hyd, Piston, [V] 1.44 [R] 4000 (See Breakdowns), 2-95
Push Rod, 5-15

R

Race, Bearing, Pump, Hyd, 4-3
Race, Bearing, Valve, Strg, 4-17
Race, Thrust, Motor, Hyd, 4-9, 4-10
Rack, Control, 5-27
Radiator, [F/ 1018073 Afmkt], 2-45
Relay, 12vdc, 40a, Spdt N/O, 2-29
Relay, 12vdc, 40a, Spdt N/O [Potter], 3-48
Relay, 12vdc, 100a, Spdt N/O [Camdec], 2-33
Reservoir, W/ Label, 06.5gal [6600/6650], 2-87
Retainer, 5-21
Retainer, Blade, Deflector, 2-7
Retainer, Motor, Hyd, 4-7
Retainer, Ring, 2-71
Retainer, Skirt, 2-3, 2-61, 3-63
Retainer, Skirt, Hppr, Top, 2-7
Retainer, Skirt, Sbdc, Lh, 3-63
Retainer, Valve Spring, 5-13
Rim Assy, 08 X 3.76 4.5bc/5b, 2-51
Rim Assy, 08 X 4.25 4.5bc/5b, [5.25-8], 3-66
Ring, Motor, Hyd, 4-7
Ring, Retainer, Valve, Hyd, 4-13, 4-15
Ring, Retainer, Valve, Strg, 4-17
Ring, Retaining, 4-3
Ring, Retaining, Ext, 0.75d, 2-71
Ring, Retaining, Ext, 0.98d, [E-Ring], 2-55, 2-71
Ring, Retaining, Ext, 1.25d, 2-71
Ring, Retaining, Int, 2.00d, 2-71
Ring, Retaining, Pump, Hyd, 4-3

Rivet, Blind, .125d X 0.44 X .25d, Alm, 2-67
Rivet, Blind, .125d X 0.44 X .25d, Stl, 3-31, 3-33
Rivet, Blind, .188d X 0.58 X .38d, Stl, 3-63
Rivet, Plstc, .250 X 0.898, 2-9, 2-11
Rivet, Plstc, .325d X 0.787, 2-7
Rod, 3-41, 3-55
Rod-End, .75-16rh Fem 0.75b, 2-49
Rod-End, .75-16rh Mal 0.75b, 2-49
Rod-End, M10 X 1.5lh Fem M10 X 1.5stud, 2-59
Rod-End, M10 X 1.5rh Fem M10 X 1.5stud, 2-57, 2-59
Rod, Arm, Safety, 2-71
Rod, L, . D, 3-61
Rod, Thrd, 2 End, M10x1.5 05.8l 1/Lh, 2-59
Rod, Thrd, Full, M10x1.5 03.3l, 2-57
Rod, Thrd, Limiter, Speed, M10x1.5, 2-57
Roller, 5-21

S

Screen, Sparkarrest, 2-39
Screw, 5-7, 5-23, 5-27
Screw, Adjusting, 5-13
Screw, Btn, M 8 X 1.25 X 16, Ss, 3-23, 3-31
Screw, Cap, 4-3
Screw, Cap, Motor, Hyd, 4-5, 4-7, 4-10
Screw, Cap, Pump, Hyd, 4-3
Screw, Chz, M05 X 0.8 X 60, 4.8, 2-7
Screw, Flt, .75-10 X 2.50, Al, 2-79
Screw, Flt, M05 X 0.8 X 16, 10.9, 2-79, 3-41, 3-55
Screw, Flt, M06 X 1.0 X 16, 10.9, 3-33, 3-41, 3-55, 3-57, 3-59
Screw, Flt, M06 X 1.0 X 35, 10.9, 2-81
Screw, Flt, M08 X 1.25 X 25, 10.9, 2-81, 3-33
Screw, Flt, M08 X 1.25 X 40, 10.9, 3-33
Screw, Flt, M8 X 1.25 X 25, 10.9, 2-93
Screw, Follow, 5-27
Screw, Hex [Ku], 5-4
Screw, Hex, .25-20 X 0.50, Fmg, 3-31, 3-45, 3-51, 3-53
Screw, Hex, .25-20 X 0.75, NI, 2-81
Screw, Hex, .25-20 X 0.75, Sems, 2-21
Screw, Hex, .31-09 X 1.25, Wood, 2-73
Screw, Hex, .31-18 X 0.62, 5, 2-91, 2-93
Screw, Hex, .31-18 X 0.75, Sems, 2-13
Screw, Hex, .31-18 X 1.00, 5, 3-43, 3-45
Screw, Hex, .31-18 X 1.25, 5, 2-19
Screw, Hex, .31-18 X 1.50, 5, 3-47
Screw, Hex, .31-24 X 0.50, 5, 2-59
Screw, Hex, .38-16 X 0.75, NI, 2-79
Screw, Hex, .38-16 X 0.75, Ss, 2-23
Screw, Hex, .38-16 X 1.25, 5, 3-47
Screw, Hex, .38-16 X 1.25, NI, 2-73, 2-95
Screw, Hex, .38-16 X 2.00, Fl, 2-17
Screw, Hex, .38-16 X 2.00, Ss, 2-59
Screw, Hex, .38-16 X 3.75, 5, 2-37

- Screw, Hex, .50-13 X 1.25, 5, 2-95
 Screw, Hex, .75-10 X 2.50, Fl, 2-79
 Screw, Hex, .75-10 X 3.50, 5, 2-49
 Screw, Hex, #10-24 X 0.75, Fmg, 3-39
 Screw, Hex, #12-16 X 0.75, F/Plstc, 3-59
 Screw, Hex, M 4 X 0.7 X 10, Fmg, 2-27, 2-77
 Screw, Hex, M 4 X 0.7 X 12, 8.8, 3-35
 Screw, Hex, M 5 X 0.8 X 12, Ss, 3-3, 3-21, 3-23
 Screw, Hex, M 5 X 0.8 X 16, Fmg, 2-71, 3-71
 Screw, Hex, M 5 X 0.8 X 16, Ss, 2-63
 Screw, Hex, M 6 X 1.0 X 12, 8.8, 2-45
 Screw, Hex, M 6 X 1.0 X 12, Fmg, 2-41
 Screw, Hex, M 6 X 1.0 X 12, Ss, NI, 2-91
 Screw, Hex, M 6 X 1.0 X 16, 8.8, 2-7, 2-13, 2-15, 2-37, 3-5, 3-7
 Screw, Hex, M 6 X 1.0 X 16, Fmg, 2-33, 2-69, 3-57, 3-59
 Screw, Hex, M 6 X 1.0 X 16, Ss, 2-79
 Screw, Hex, M 6 X 1.0 X 16, Ss, NI, 2-61, 2-65
 Screw, Hex, M 6 X 1.0 X 20, 8.8, 2-13, 2-19, 2-33, 2-37, 2-41, 2-57, 3-33
 Screw, Hex, M 6 X 1.0 X 20, Fmg, 3-33, 3-37, 3-51, 3-53, 3-63
 Screw, Hex, M 6 X 1.0 X 20, Ss, 2-3, 2-61, 2-63
 Screw, Hex, M 6 X 1.0 X 20, Ss, NI, 2-79
 Screw, Hex, M 6 X 1.0 X 25, 8.8, 2-17, 2-25, 2-45
 Screw, Hex, M 6 X 1.0 X 25, Ss, 2-9, 2-11, 3-63
 Screw, Hex, M 6 X 1.0 X 30, 8.8, 2-15
 Screw, Hex, M 6 X 1.0 X 35, 8.8, 2-13, 2-89
 Screw, Hex, M 6 X 1.0 X 35, Ss, 2-29, 2-79
 Screw, Hex, M 6 X 1.0 X 40, 8.8, 3-57, 3-59
 Screw, Hex, M 6 X 1.0 X 40, Ss, 2-61
 Screw, Hex, M 6 X 1.0 X 50, 8.8, 3-51, 3-53
 Screw, Hex, M 6 X 1.0 X 60, 8.8, 2-37
 Screw, Hex, M 6 X 1.0 X 70, 8.8, 2-89
 Screw, Hex, M 6 X 1.0 X 100, 8.8, 2-37
 Screw, Hex, M 6 X 1.0 X 16, Ss, NI, 2-3
 Screw, Hex, M 6 X 1.00 X 55, Ss, 2-55
 Screw, Hex, M 8 X 1.25 X 16, 8.8, 2-13, 2-25, 2-33, 2-37, 2-69, 3-3, 3-61
 Screw, Hex, M 8 X 1.25 X 16, Ss, NI, 2-61, 2-63, 2-65, 2-73
 Screw, Hex, M 8 X 1.25 X 20, 8.8, 2-17, 2-21, 2-23, 2-31, 2-39, 2-47, 2-65, 2-69, 2-75, 2-91, 3-9, 3-11, 3-21, 3-23, 3-41, 3-55, 3-57, 3-63
 Screw, Hex, M 8 X 1.25 X 20, Fmg, 3-17, 3-19
 Screw, Hex, M 8 X 1.25 X 20, Ss, 2-49, 2-77, 3-11
 Screw, Hex, M 8 X 1.25 X 25, 8.8, 2-7, 2-13, 2-19, 2-39, 2-41, 2-65, 2-75, 2-81, 3-41, 3-55
 Screw, Hex, M 8 X 1.25 X 25, Fmg, 3-33
 Screw, Hex, M 8 X 1.25 X 25, Ss, 2-9, 2-11, 2-63, 2-79, 2-87
 Screw, Hex, M 8 X 1.25 X 30, 8.8, 2-27, 2-33, 2-41, 2-75, 2-87, 3-61
 Screw, Hex, M 8 X 1.25 X 30, Ss, 2-7, 2-15, 2-49, 2-53
 Screw, Hex, M 8 X 1.25 X 35, 8.8, 2-55
 Screw, Hex, M 8 X 1.25 X 35, Ss, NI, 2-59, 2-61
 Screw, Hex, M 8 X 1.25 X 40, 2-65
 Screw, Hex, M 8 X 1.25 X 40, 8.8, 2-7, 2-57
 Screw, Hex, M 8 X 1.25 X 45, 8.8, 2-55, 2-91
 Screw, Hex, M 8 X 1.25 X 55, Ss, 2-63
 Screw, Hex, M 8 X 1.25 X 70, Ss, 2-75
 Screw, Hex, M10 X 1.25 X 20, 8.8, 2-33, 2-41
 Screw, Hex, M10 X 1.25 X 25, 8.8, 2-33
 Screw, Hex, M10 X 1.5 X 16, 8.8, 2-73
 Screw, Hex, M10 X 1.5 X 20, 8.8, 3-27
 Screw, Hex, M10 X 1.5 X 20, Ss, 2-9, 2-11
 Screw, Hex, M10 X 1.5 X 25, 8.8, 2-13, 2-33, 3-25, 3-72
 Screw, Hex, M10 X 1.5 X 25, Ss, 2-9, 2-11, 2-77
 Screw, Hex, M10 X 1.5 X 35, 8.8, 2-27, 2-33, 2-35, 3-63
 Screw, Hex, M10 X 1.5 X 40, 8.8, 2-81
 Screw, Hex, M10 X 1.5 X 100, 8.8, 3-51
 Screw, Hex, M10 X 1.5 X 110, 8.8, 2-33
 Screw, Hex, M10 X 1.5 X 120, Fl, 2-33
 Screw, Hex, M10 X 1.5 X 130, 8.8, 3-53
 Screw, Hex, M10 X 1.5 X 25, 10.9, 2-51
 Screw, Hex, M12 X 1.75 X 30, 8.8, 3-25, 3-51
 Screw, Hex, M12 X 1.75 X 40, 10.9, 2-67
 Screw, Hex, M12 X 1.75 X 40, 8.8, 2-53, 3-33
 Screw, Hex, M12 X 1.75 X 40, Ss, 2-67
 Screw, Hex, M12 X 1.75 X 50, 8.8, 2-67
 Screw, Hex, M12 X 1.75 X 60, 8.8, 2-33
 Screw, Hex, M12 X 1.75 X 70, 8.8, 2-73
 Screw, Hex, M12 X 1.75 X 90, 8.8, 2-79
 Screw, Hex, M12 X 1.75 X 40, 8.8, 2-15, 2-17
 Screw, Hex, M16 X 2.0 X 90, 8.8, 2-19
 Screw, Hex, M16 X 2.0 X 20, 8.8, 2-79
 Screw, Hex, M4 X 0.7 X 10, Fmg, 2-69
 Screw, Hex, M4 X 0.7 X 12, 8.8, 2-69
 Screw, Hex, M5 X 0.8 X 16, Ss, 3-39
 Screw, Hex, M6 X 1.0 X 16, 8.8, 2-23, 2-45, 2-93
 Screw, Hex, M6 X 1.0 X 20, 8.8, 3-47
 Screw, Hex, M6 X 1.0 X 20, Ss, 2-67, 3-9
 Screw, Hex, M6 X 1.0 X 30, 8.8, 2-17
 Screw, Hex, M6 X 1.0 X 40, Ss, 2-65
 Screw, Hex, M8 X 1.25 X 20, 8.8, 2-17, 2-93
 Screw, Hex, M8 X 1.25 X 25, 8.8, 2-93, 3-47
 Screw, Hex, M8 X 1.25 X 25, Fmg, 2-9, 2-11
 Screw, Hex, M8 X 1.25 X 45, 8.8, 2-93
 Screw, Hex, M8X1.25X20, 8.8, 2-35
 Screw, Motor, Hyd, 4-9, 4-10
 Screw, Pan, 5-11
 Screw, Pan, #08-32 X 0.50, 1, 3-21, 3-23
 Screw, Pan, #10-14 X 0.75, F/Plstc, 2-67, 2-69, 3-3
 Screw, Pan, #10-32 X 0.38, 2, 2-29
 Screw, Pan, M 3 X 0.5 X 12, 4.8, 2-25
 Screw, Pan, M 4 X 0.7 X 16, 4.8, 3-57, 3-59
 Screw, Pan, M 5 X 0.8 X 10, 4.8, 3-3
 Screw, Pan, M 5 X 0.8 X 16, 4.8, 2-25
 Screw, Pan, M 5 X 0.8 X 20, 4.8, 3-57
 Screw, Pan, M 5 X 0.8 X 25, Ss, 3-51, 3-53
 Screw, Pan, M 6 X 1.0 X 16, 4.8, 2-19, 3-41, 3-55, 3-57
 Screw, Pan, M 6 X 1.0 X 20, 4.8, 2-27
 Screw, Pan, M4 X 0.7 X 10, Ss, 2-93
 Screw, Pan, M4x0.7 X 60, 4.8, 3-57, 3-59
 Screw, Pan, M5 X 0.8 X 16, 4.8, 2-25
 Screw, Pan, M5 X 0.8 X 20, 4.8, 3-5, 3-7, 3-9, 3-11, 3-13, 3-15, 3-17, 3-19
 Screw, Pan, M6 X 1.0 X 16, 4.8, 2-17
 Screw, Pan, M6 X 1.0 X 20, 4.8, 3-33
 Screw, Set, 5-13, 5-15, 5-28
 Screw, Soc, .50-13 X 1.50, Al, 2-49
 Screw, Soc, M 6 X 1.0 X 16, 12.9, 2-31
 Screw, Soc, M 8 X 1.25 X 25, 12.9, 2-71
 Screw, Soc, M16 X 2.0 X 50, 12.9, 2-49
 Screw, Valve, Strg, 4-17
 Screw, With Washer, 5-10, 5-23
 Seal Kit, 2-71
 Seal Org [Ku], 5-4
 Seal, Bulb, [Sd-0504], 19.75l, 3-31
 Seal, Bulb, [Sd-0504], 34.50l, 3-33
 Seal, Bulb, [Sd-0504], 36.50l, 2-21, 2-27
 Seal, Bulb, [Sd-0504], 142.00l, 3-31
 Seal, Bulb, 90, 0.50d .31grip 50.0l, 2-67
 Seal, Door, Dump, 2-3, 2-63
 Seal, Door, Dump, Side, 2-3, 2-63
 Seal, Foam, 2-25
 Seal, Handle, Valve, 2-27
 Seal, Heat, 5-23
 Seal, O-Ring, .064 X 00.30id, 2-41
 Seal, O-Ring, .069 X 3.06id, 2-95
 Seal, Oil, 5-7, 5-9, 5-30
 Seal, Org [Ku] 04811-50300, 5-11
 Seal, Pocket, Hopper, 2-61
 Seal, Rbr, 0.38, 20.0 30.0, Fltr, 2-69
 Seal, Rbr, Clsd, 1.50d 39.9l, 3-37
 Seal, Rbr, Door, .19 2.50w 40.6l Red, 2-61
 Seal, Rbr, Open, 0.31th, 0.75w 07.0l Adh, 2-9, 2-11

CROSS REFERENCE

- Seal, Rbr, Open, 0.31th, 0.75w 21.0l Adh, 2-9, 2-11
Seal, Rbr, Open, 1.00th, Door, Brush, Lh, 2-11
Seal, Rbr, Open, 1.00th, Door, Brush, Rh, 2-9
Seal, Rear Drive Grease Cavity, 2-49
Seal, Sbdc, Bmpr, 3-63
Seal, Sbdc, Bmpr (6600 Only), 3-63
Seal, Sbdc, Bmpr (6650 Only), 3-63
Seal, Shaft, 2-63
Seal, Ure, 0.38 0.75w 02.4l Adh, 3-31
Seal, Ure, 0.38 0.75w 04.0l Adh, 2-69
Seal, Ure, 0.38 0.75w 13.2l Adh, 2-81
Seal, Ure, 0.38 0.75w 21.0l Adh, 2-81
Seal, Ure, 0.38 0.75w 25.2l Adh, 2-81
Seal, Ure, 0.38 0.75w 28.8l Adh, 3-31
Seal, Ure, 0.38 0.75w 33.0l Adh, 2-81
Seal, Ure, 0.38 0.75w 36.0l Adh, 3-31
Seal, Ure, 0.38 0.75w 40.0l Adh, 2-69
Seal, Ure, 1.00 10.40w 19.0l Adh, 2-65
Seal, Valve Stem, 5-13
Seat, Dlx, W/2 Swing Arm [6650/6600], 3-61
Seat, Michigan, Model V-1500, 2-13
Seat, Spring Lower, 5-27
Seat, Spring Upper, 5-27
Seat, Valve, 5-7
Seatbelt, 60.0l, 3-27
Seatbelt, Static F/Dlx Seat [6650/6600], 3-61
Send-unit, Fuel, 2-42
Send-Unit, Fuel, Ohm, 2-41
Sensor, Temp, Water, 06pmt 235deg [Fd], 2-31
Sensor, Thermal, 120vac 10a Spdt, 2-69
Shaft, 2-53
Shaft Assy, Pedal, Brake, W/ Pad, 2-55
Shaft Wldt, Propel, 2-57
Shaft, Fork Lever, 5-31
Shaft, Governor Weight, 5-28
Shaft, Idle Gear 1, 5-15
Shaft, Idler, Plug, Brush, 2-79
Shaft, Motor, Hyd, 4-7
Shaft, Output, Motor, Hyd, 4-9, 4-10
Shaft, Stop Lever, 5-30
Sheave, A/C [Kubota Dsl], 3-47
Sheave, A/C, Rwk, Dsl [Ku], 3-47
Shield, Breather, 5-11
Shim, 5-27
Shim .010t, Valve, Hyd, 4-13, 4-15
Shim .015t, Valve, Hyd, 4-13, 4-15
Shim .035t, Valve, Hyd, 4-13, 4-15
Shim, Injection Pump 0.20 mm, 5-25
Shim, Injection Pump 0.25 mm, 5-25
Shim, Injection Pump 0.30 mm, 5-25
Shock Absorber, 2.3 Strk, 2-57
Shoe, Brake, 2-53
Skirt, 2-67, 3-63
Skirt, Brush Door, 2-9, 2-11
Skirt, Deflection, 2-9, 2-11
Skirt, Deflector, 2-7
Skirt, Deflector, Air, 2-45
Skirt, Firewall, Rh, 3-37
Skirt, Front, Sbdc, 3-63
Skirt, Hopper, 2-7
Skirt, Hppr, Plstc, 2-3, 2-61, 3-63
Skirt, Lip, 2-3, 2-61
Skirt, Recirculation, Turf (Option), 2-7
Skirt, Seal, Main Brush, 2-7
Sleeve, Control, 5-27
Sleeve, Crankshaft, 5-17
Sleeve, Dashpo, Pump, Hyd, Gear, 4-7
Sleeve, Governor, 5-28
Sleeve, Nyl, #13 14.7l, 3-33
Sleeve, Nyl, #17 45.0l, 2-63
Sleeve, Nyl, #27 20.0l, 2-79
Sleeve, Nyl, #27 30.0l, 2-91
Sleeve, Nyl, #27 65.0l, 2-73
Sleeve, Nyl, 27 16.0l, 2-93
Sleeve, Nyl, 27 30.0l, 2-93
Sleeve, Nyl, 33 60.0l, 3-43, 3-45
Sleeve, P/M, 0.496d 0.318b 0.50l 430ss, 2-53, 2-55, 2-75
Solenoid, 12v, Valve, Hyd, 4-11
Solenoid, Filter Shaker, 2-69
Spacer, Brkt, Latch, 2-19
Spacer, Duct, 3-39
Spacer, Fan, 3-47
Spacer, Fan, Eng, 2.3d 0.1 0.95b 1.10d, 2-37
Spacer, Handle, 3-57
Spacer, Hinge, 3-57, 3-59
Spacer, Steel, Condenser, A/C, 4-21
Spacer, Valve, Hyd, 4-13, 4-15
Spacer, Valve, Strg, 4-17
Spindle, Adjustment, 2-21
Spring, 2-53, 4-7, 4-13, 4-15, 5-7, 5-21
Spring, Brush, 5-21
Spring, Cmpr, 0.970d .11wir 5.5l, 3-61
Spring, Delivery Valve, 5-27
Spring, Extn, 0.380d X 0.05wir, 2.5l, 2-17, 2-89
Spring, Extn, 0.500d X 0.06wir, 1.8l, 3-41, 3-55
Spring, Extn, 0.750d X 0.06wir, 3.5l, 2-65
Spring, Extn, 0.750d X 0.12wir, 4.3l, 2-59
Spring, Extn, 1.120d X 0.14wir, 6.3l, 2-73
Spring, Extn, 0.430d 0.05wir 01.4l, 2-69
Spring, Governor, 5-31
Spring, Motor, Hyd, 4-7
Spring, Plunger, 5-27
Spring, Return, 5-30
Spring, Rocker Arm, 5-13
Spring, Start, 5-31
Spring, Tors, 0.54id .11wir 06.0coil, 3-61
Spring, Tors, 1.13id .12wir 02.3coil Rh, 2-55
Spring, Valve, 5-13
Spring, Valve, Hyd, 4-13, 4-15
Steer-Control, Hyd, 4-17
Steer-Control, Hyd (See Breakdowns), 2-23
Stopper, 5-28
Stopper, Camshaft, 5-15
Strainer, Hyd, 25gpm 100mesh Psi, 2-87
Strainer, Hyd, 25gpm 100mesh Psi, 2-3
Strap, 2-9, 2-11
Strap Wldt, Tank, .06th X 1.0w, 37.7l, 2-41
Strap, Band, Mtg, Air Fltr, 5.3d, 2-35
Strap, Door, Dump, Side, 2-3, 2-63
Strap, Hose, 3-57, 3-59
Strap, Main, Lip, 2-3, 2-61
Strap, Mtg, Cuff, 3-57, 3-59
Strap, Muffler Hanger, 2-39
Strap, Rbr, Tie-Down, 2/Hooks 19.0l, 2-47, 3-59
Strap, Wiper, Door, 2-61
Strip, Plstc, 0.03 10.38w 19.0l, 2-65
Strip, Rbr, 0.06 04.00W 05.0L, 3-43, 3-45
Strip, Rbr, 0.13 00.75w 10.3l, 3-51, 3-53
Strip, Rbr, 0.13 01.00w 02.0l, 2-55
Strip, Rbr, 0.13 01.00w 03.5l, 2-87
Strip, Rbr, 0.13 01.25w 08.8l, 3-51, 3-53
Strip, Rbr, 0.13 01.50w 07.0l, 2-87
Strip, Rbr, 0.13 02.00w 7.2l, 3-57, 3-59
Strip, Retainer, Sbdc, 3-63
Strip, Retainer, Skirt, 3-63
Strip, Retaining, 2-9, 2-11
Strip, Steel, 3-37
Stud, 5-7, 5-12, 5-13, 5-25, 5-30, 5-32
Stud, Ball, .39d .31-16, Gasspring, 2-19, 3-41, 3-55
Stud, Ball, .39d .31-18, .75l, 2-65
Stud, Wheel, .50-20 X 1.50, 2-49
Switch, Binary, A/C, 4-21
Switch, Ign, 2-25
Switch, Press, 12vdc 02a Dpdt N 0006psi, 2-31
Switch, Press, 12Vdc A Spdt 0011Psi, 2-69
Switch, Push, 12vdc 80a Spst No, 2-27
Switch, Rocker, 28vdc 15a Dpdt On/Of/On, 3-35, 3-48
Switch, Rocker, 28vdc 15a Spst On/Of, 3-35, 3-48
Switch, Rocker, 36vdc 05a Dpdt On/Of/On, 2-25
Switch, Rocker, 36vdc 05a Progressive, 2-25
Switch, Rocker, 36vdc 5a Dpdt On/Of/Mo, 2-25
Switch, Snap Actn, 12vdc 15a Nc Rlr, 3-3
Switch, Snap Actn, 12vdc 15a No Rlr, 2-63, 2-71, 3-21, 3-23
Switch, Turn Signal, 12vdc Rwk 60750, 3-3

T

- Taillight, 12vdc, 6.6 X 3.1, Rwk 59948, 2-7
Tank, Fuel, 09.4gal, 14.62w 13.1hi 15.6l, 2-42
Tank, Fuel, 9.4 Gal, 2-41
Tappet, 5-15
Terminal, Bullet, Mal, .157d, 12ga, 3-5, 3-7, 3-9, 3-11, 3-13, 3-15, 3-17, 3-19

Terminal, Ring, .25stud 16-14ga, Ins, 3-5,
3-7, 3-9, 3-11, 3-13, 3-15, 3-17,
3-19
Thermostat, 180deg, 1.7d, 5-32
Thermostat, A/C, 4-22
Tie, Cable, Nyl, 07.3l .19w 1.8 Max D,
2-47, 2-69, 3-3, 3-5, 3-7, 3-9, 3-11,
3-13, 3-15, 3-17, 3-19, 3-21, 3-23
Tie, Cable, Nyl, 11.4l .19w 3.0 Max D,
2-23, 2-25, 3-48
Tie, Cable, Nyl, 15.3l . W 4.5 Max D,
3-43, 3-45
Tie, Cable, Nyl, 29.8l .30w 9.0 Max D, 2-7
Timer, 2-29
Tip, Rbr, 0.94d 0.59b 0.88l, 2-17
Tire & Wheel Assy, Solid, Turf Non-Mark,
3-68
Tire Assy, Foam, 570/500-08 4.5bc/5bolt,
3-67
Tire Assy, Pneu, 570/500-08 4.5bc/5bolt,
2-51, 3-66
Tire Assy, Solid, 18.0x4.3 4.5bc/5bolt,
3-64, 3-65
Tire Assy, Solid, 18.0x5.0 1.56b, 2-53
Tire Assy, Solid, 18.0x5.0 , W/ Brg, 3-70
Tire Assy, Solid, 18.0x7.0 , W/ Brg, 3-69
Tire, [5.70/5.00r-8], High Wear, [lc80],
3-66
Tire, Solid, 18.0 X 5.0 Non-Mark [Mn],
3-70
Tire, Solid, 18.0 X 5.0 X 12.1 No Rim,
2-53
Tire, Solid, 18.0 X 7-8/4.33 [Sc10 Nm],
3-64
Tire, Solid, 18.0 X 7.0 Non-Mark [Mn],
3-68
Tire, Solid, 18.0 X 7.0 Turf [Mn], 3-69
Tire, Solid, 18.0 X 7.0 X8.0 [4.33 Sc15],
3-65
Tire, W/Tube & Flap, 2-51
Tray, Mtg, Tank, Fuel, 2-41
Tread, Non-skid, 02.2w 15.5l, 2-57, 3-33
Tread, Non-Skid, 08.W 17.0l, 2-13
Tube Wldt, 2-79
Tube Wldt, Exhaust, 1.5d 4h Flng, 2-39
Tube Wldt, Exhaust, 1.6d W/ Flex Lh,
2-39
Tube Wldt, Hppr, 3-57, 3-59
Tube Wldt, Leg, Ohg, Lh, White, [355],
3-25
Tube Wldt, Leg, Ohg, Rh, White, [355],
3-25
Tube Wldt, Sppt, Blower Wand, 3-51
Tube Wldt, Sppt, Blower, Wand, 3-53
Tube Wldt, Tee, 1.0d 3.0l 0.6d, 3-43, 3-45
Tube, 00.38d 00.26b 00.6l Stl Plt, 2-89
Tube, 00.38d 00.28b 00.6l Stl, 2-45, 3-33
Tube, 00.51d 00.33b 00.8l Stl Plt,
2-55
Tube, 00.52d 00.26b 00.8l Stl Plt, 2-89
Tube, 00.75d 00.25b 00.8l Stl Plt,
2-49
Tube, 00.88d 00.66b 00.6l Stl Plt, 2-57

Tube, 01.00d 00.28b 00.5l Stl Plt, 2-37
Tube, 01.00d 00.38b 00.4l Stl Plt,
3-61
Tube, 01.00d 00.44b 00.7l Stl Plt, 2-37
Tube, Breather, 5-11
Tube, Hyd, 12 Jf12/Jm12, 2-91, 2-93
Tube, Intake, 2.0d 02.0l Flange, 2-35
Tube, Plstc, 0.31od 0.25id 00.5l, Blk, 2-79
Tube, Plstc, 3.00d 2.90b 04.0l Clear, 3-51,
3-53
Tube, Plstc, 3.00d 2.90b 16.0l Clear, 3-51,
3-53
Tube, Plstc, 3.00d 2.90b 48.0l Clear, 3-51,
3-53
Tube, Rnd, 0.50d 0.38b 00.6l, Ss, 2-59
Tube, Vacuum Wand W/ Label, 3-59
Tube, Wand, 3-57, 3-59
Tube, Wand, Vacuum, 3-57

V

Valve Assy, Relief, 4-17
Valve Stem, N.O.Valve, Hyd, 4-11
Valve, Breather, Complt, 5-11
Valve, Delivery, 5-27
Valve, Drain, A/C, 4-22, 4-23
Valve, Exhaust, 5-13
Valve, Hyd, Cartridge, 4-11
Valve, Hyd, Man, 3sp 10gpm 2150psi,
4-13, 4-15
Valve, Hyd, Man, 3sp 10gpm 2150psi (See
Breakdowns) , 2-89
Valve, Hyd, Mnl, 3 Sp, 10gpm, 2150psi
(See Breakdowns), 2-89
Valve, Inlet, 5-13
Valve, Inline, Temp, 3-43, 3-45
Valve, Motor, Hyd, 4-7
Valve, Relief, 4000 Psi, 4-3
Video, Operator [6600] Vhs Ntsc, 3-73

W

Wand Kit, Vacuum, W/ Cab, Ci, 3-59
Washer, 4-3
Washer 1, 5-13
Washer 2, 5-13
Washer, Flat, .31 Sae, 2-41
Washer, Flat, .38 Sae, 2-41
Washer, 0.28b 1.00d .06, Stl, 2-19
Washer, 0.34b 1.50d .12, Stl, Pl, 2-61,
2-63, 2-69
Washer, 0.34d 1.12d .11, Stl, Pl, 2-75
Washer, 0.39b 0.75d .06, Nyl, 3-33
Washer, 0.40b 0.81d .06, Nyl, 2-75
Washer, 0.53b 1.75d .12, Stl, Pl, 2-79
Washer, 0.53b 1.88d .12, Stl, Pl, 2-33
Washer, 1.28b 1.75d .08, Stl, Pl, 2-71
Washer, 1.28b 1.75d .25, Stl, Pl, 2-71
Washer, 1.39b 2.12d .13, Stl, 2-49
Washer, 2.16b 3.50d .16, Felt, 2-49
Washer, Belleville, .31, 2-21, 2-79, 3-41,
3-55

Washer, Belleville, .38, 2-9, 2-11
Washer, Belleville, .50, 2-15, 2-17, 2-67,
2-79
Washer, Flat, .38 Sae, 2-35, 2-53, 2-79,
2-81, 2-95
Washer, Flat, #08, 2-69, 3-35, 3-57, 3-59
Washer, Flat, #10, 3-5, 3-7, 3-9, 3-11,
3-13, 3-15, 3-17, 3-19, 3-45, 3-47
Washer, Flat, #10 Sae, 3-63
Washer, Flat, #10 Ss, 2-63, 2-71, 3-39,
3-51, 3-53
Washer, Flat, 0.19b 0.44d .03, Nyl, Blk,
2-25
Washer, Flat, 0.25 Fender, 2-23, 2-61,
2-65, 2-67, 2-81, 2-91, 3-39, 3-63
Washer, Flat, 0.25 Sae, 2-13, 2-19, 2-21,
2-29, 2-37, 2-41, 2-89, 2-93, 3-5,
3-7, 3-41, 3-51, 3-53, 3-55, 3-57,
3-59
Washer, Flat, 0.25 Ss, 2-3, 2-7, 2-9,
2-11, 2-61, 2-63, 2-67, 2-79, 3-37,
3-63
Washer, Flat, 0.25 Std, 2-13, 2-15, 2-17,
2-21, 2-25, 2-33, 2-41, 2-45, 2-55,
2-65, 3-41, 3-55
Washer, Flat, 0.28b 1.38d .12, Hrs Pl,
2-89
Washer, Flat, 0.31 Fender, 2-39
Washer, Flat, 0.31 Sae, 2-13, 2-47, 2-49,
2-53, 2-55, 2-59, 3-3, 3-31, 3-57
Washer, Flat, 0.31 Ss, 2-3, 2-7, 2-9,
2-11, 2-19, 2-61, 2-63, 2-65, 2-73,
2-75, 3-23
Washer, Flat, 0.31 Std, 2-7, 2-13, 2-15,
2-17, 2-19, 2-23, 2-25, 2-27, 2-41,
2-49, 2-57, 2-59, 2-65, 2-69, 2-75,
2-77, 2-81, 2-87, 2-91, 2-93, 3-3,
3-9, 3-11, 3-21, 3-23, 3-47
Washer, Flat, 0.31, Std, 3-33
Washer, Flat, 0.34b 1.12d .12, Stl, Pl,
2-61
Washer, Flat, 0.38 Sae, 2-45, 3-47
Washer, Flat, 0.38 Std, 2-13, 2-17, 2-21,
2-27, 2-45, 2-57, 2-59, 2-73, 2-75,
3-25, 3-27, 3-41, 3-55, 3-61, 3-71
Washer, Flat, 0.40b 1.12d .12, Stl, Pl,
2-81
Washer, Flat, 0.50 Sae, 2-15, 2-53, 2-63,
3-25, 3-51
Washer, Flat, 0.50 Ss, 2-9, 2-11
Washer, Flat, 0.50 Std, 2-15, 2-17, 2-33,
2-73, 2-95, 3-33
Washer, Flat, 0.50, Sae, 2-67
Washer, Flat, 0.62 Sae, 2-19
Washer, Flat, 0.62 Std, 2-67
Washer, Flat, 0.75 Sae, 2-49
Washer, Flat, 1.00 Sae, 2-53
Washer, Flt, 4-5
Washer, Flt, .31 Std, 3-43, 3-45
Washer, Flt, #10, 2-25, 2-29, 2-37, 3-3,
3-41, 3-51, 3-53, 3-55, 3-57
Washer, Flt, Pump, Hyd, 4-3
Washer, Lock, Int-Ext, .25, 2-33, 2-41

CROSS REFERENCE

Washer, Lock, Int-Ext, .31, 2-7, 3-3
Washer, Lock, Int-Ext, .38, 2-7, 2-35,
2-37
Washer, Lock, Int-Ext, #10, 3-3, 3-21,
3-23
Washer, Lock, Int, #04, 2-25
Washer, Lock, Int, 0.25, 2-69
Washer, Plain, 5-13, 5-30, 5-31
Washer, Pump, Hyd, 4-3
Washer, Rbr, .19 1.25b 2.00d, 2-63
Washer, Spring, 5-7, 5-25, 5-30, 5-32
Washer, Thrust, 5-28
Washer, Valve, Hyd, 4-13, 4-15
Wheel, Steering, 2-23
Wire Assy, 06ga 13.0l Blk .41h/ .41h,
2-33
Wire, 10ga 09.0l Blk .41ring /#10ring,
2-37



We Need Your Help...

As part of Tennant's Zero Defects Program, we want to know about errors you have found or suggestions you may have regarding our machine manuals. If you find an error or have a suggestion, please complete this postage-paid form and mail it to us. Thank you for helping us make zero defects a way of life at Tennant.

Manual No. _____ Rev. No. _____ Publish Date _____ Page _____
Machine _____ Report Error Suggestion

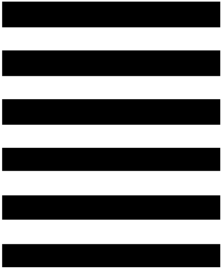
Name _____ Date _____
Customer Number _____
Company _____
Address _____
City/State/Zip Code _____



TENNANT COMPANY
 Technical Publications #15
 701 North Lilac Drive
 P.O. Box 1452
 Minneapolis, MN 55440-9947

POSTAGE WILL BE PAID BY ADDRESSEE

BUSINESS REPLY MAIL
 FIRST CLASS MAIL PERMIT NO. 94 MINNEAPOLIS, MN



NO POSTAGE
 NECESSARY
 IF MAILED
 IN THE
 UNITED STATES



Fold along dotted lines

Tape here





We Need Your Help...

As part of Tennant's Zero Defects Program, we want to know about errors you have found or suggestions you may have regarding our machine manuals. If you find an error or have a suggestion, please complete this postage-paid form and mail it to us. Thank you for helping us make zero defects a way of life at Tennant.

Manual No. _____ Rev. No. _____ Publish Date _____ Page _____
 Machine _____ Report Error Suggestion

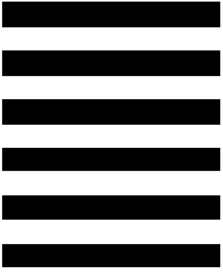
Name _____ Date _____
 Customer Number _____
 Company _____
 Address _____
 City/State/Zip Code _____



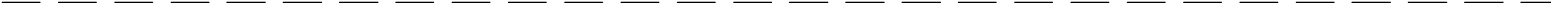
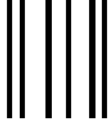
TENNANT COMPANY
 Technical Publications #15
 701 North Lilac Drive
 P.O. Box 1452
 Minneapolis, MN 55440-9947

POSTAGE WILL BE PAID BY ADDRESSEE

BUSINESS REPLY MAIL
 FIRST CLASS MAIL PERMIT NO. 94 MINNEAPOLIS, MN



NO POSTAGE
 NECESSARY
 IF MAILED
 IN THE
 UNITED STATES



Fold along dotted lines

Tape here

