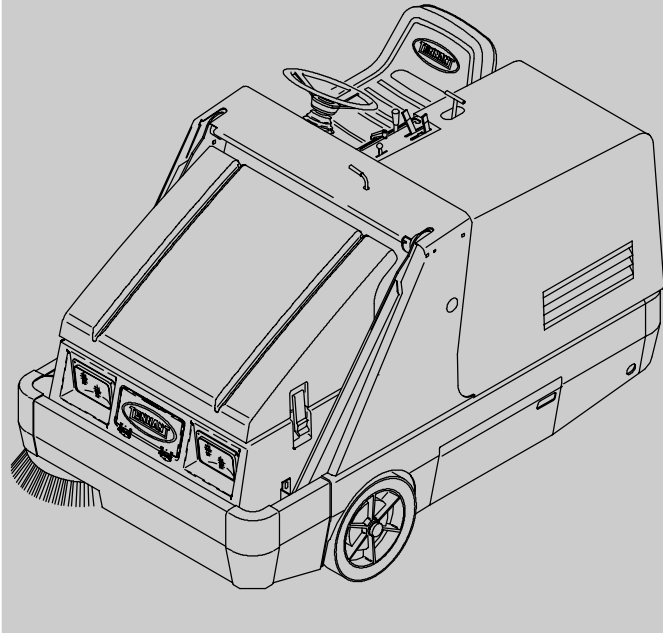




6400

(Diesel)

Sweeper Parts Manual



North America / International

www.tennantco.com

MM431
Rev. 12 (04-2009)



When ordering replacement parts, use the illustrated parts list section in this manual. Before ordering parts or supplies, be sure to have your machine model number and serial number available. Only use TENNANT Company supplied or equivalent parts. Parts and supplies may be ordered online, by phone, or mail from any authorized parts and service center, distributor or from any of the manufacturer's subsidiaries.

This machine will provide excellent service. However, the best results will be obtained at minimum costs if:

- The machine is operated with reasonable care.
- The machine is maintained regularly - per the machine maintenance instructions provided.
- The machine is maintained with manufacturer supplied or equivalent parts.

MACHINE DATA

Please fill out at time of installation for future reference.

Model No. - _____

Serial No. - _____

Machine Options - _____

Sales Rep. - _____

Sales Rep. phone no. - _____

Customer Number - _____

Installation Date - _____

Tennant Company

PO Box 1452

Minneapolis, MN 55440

Phone: (800) 553-8033 or (763) 513-2850

www.tennantco.com

Thermo-Sentry, Instant Access, and Perma-Filter are US registered and unregistered trademarks of Tennant Company.

Specifications and parts are subject to change without notice.

Original instructions, Copyright © 1996-2000, 2001, 2002, 2004, 2006-2009 TENNANT Company, Printed in U.S.A.

HOW TO USE THIS MANUAL

This section on *HOW TO USE THIS MANUAL* will tell you how to:

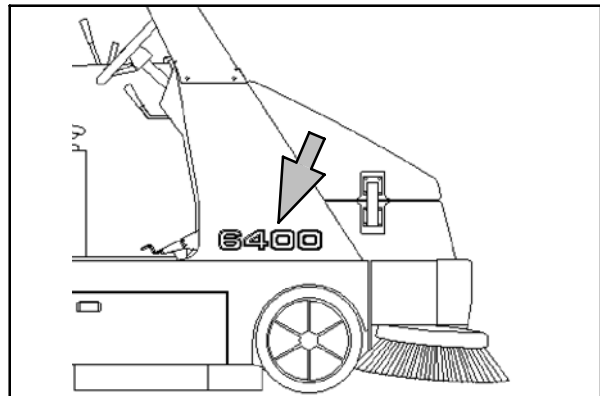
- Find important machine information for ordering correct repair parts.
- Find TENNANT part numbers.
- Order TENNANT parts and supplies.

IMPORTANT INFORMATION

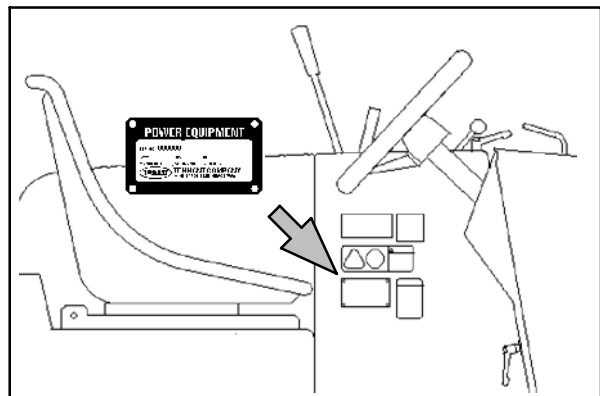
When placing an order for parts, the machine model and machine serial number are important. Refer to the *MACHINE DATA* box which is filled out during the installation of your machine. The *MACHINE DATA* box is located on the inside of the front cover of this manual.

MACHINE DATA	
<i>Please fill out at time of installation for future reference.</i>	
Machine Model Number -	6400D
Machine Serial Number -	_____
Machine Options -	_____
TENNANT Representative/phone no. -	_____
Customer ID Number -	_____
Date of Installation -	_____
Manual Number -	MM431
Revision:	02
Published:	9-97

The model number of your machine is on the side of the machine.



The serial number of your machine is printed on the machine data plate located as shown.



HOW TO USE THIS MANUAL

FINDING A TENNANT PART NUMBER

This manual contains the following sections:

- HOW TO USE THIS MANUAL
- STANDARD PARTS
- OPTIONS
- BREAKDOWNS
- ENGINE BREAKDOWNS
- CROSS REFERENCE

The STANDARD PARTS section lists repair parts for standard machines. They are grouped in this general order:

- General wear parts.
- Machine frame and related parts.
- Machine propelling system.
- Sweeping components.
- Electrical parts.

The OPTION section lists repair parts of options.

The BREAKDOWN section lists available repair parts of major components.

All sections in this manual consist of parts illustrations and corresponding parts lists.

The parts illustrations are numbered with **Ref** numbers which refer to corresponding parts lists.

The parts lists include a number of columns of information:

- **Ref** - column refers to the reference number on the parts illustration.
- ▽ - indicates the part is an assembly.
- ▲ - indicates the part is included in the assembly listed just before it.
- **Part No.** - column lists the TENNANT part number for the part.
- **Serial Number** - column indicates the set of machines the part number is applicable to. Serial numbers change when the machine design has been modified. The most current design of the machine is shown in the main illustration, older designs are boxed in a corner of the illustration.
- **Description** - column is a brief description of the part.
- **Qty.** - column lists the quantity of that part used in that area of the machine.

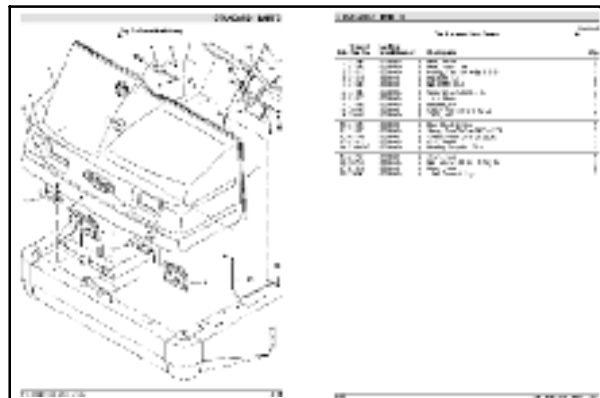
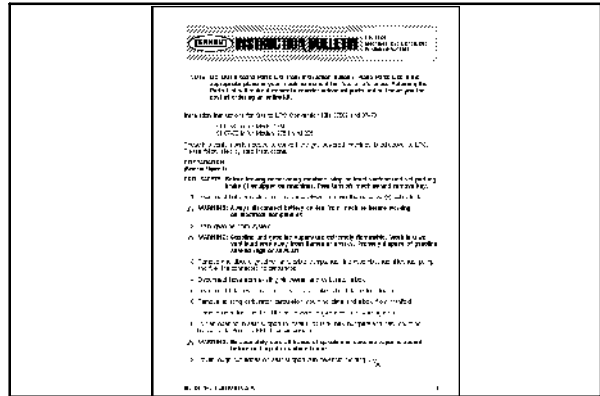


Fig. 7 - Front Hood Group

Tennant Ref. Part No.	Machine Serial Number	Description	Qty.
1 71205	(000000-	Hood, Front	1
1 71238	(000000-	Hood, Front, Lpg	1
2 71513	(000000-	Molding, Trim 11-14Ga 116.0	1
3 71554	(000000-	Headlight, 12V	2
4 21530	(000000-	Nut, U MS X 6.8	6
5 24196	(000000-	Screw PanHex 5/16 X .20	6
6 21523	(000000-	Latch, Hood	1
7 21528	(000000-	Bracket, Pin	1
8 08716	(000000-	Screw Hex Ssm 6 X 1.0 20	2
9 69192	(000000-	Latch, Bolt	1
10 21526	(000000-	Rod, Hood Release	1
11 01076	(000000-	Spring, Tens.50Cdx.04Wire 2.5L	1
12 47744	(000000-	Swivel Control .250-.250Ga	1
13 21527	(000000-	Rod, Hood	1
14 63469-3	(000000-	Bearing, Snap-In .38 Id	1
15 71243	(000000-	Cable, Hood	1
16 08712	(000000-	Nut H40cnyh M 5X1.0 Peg Se	1
17 71941	(000000-	Hinge, Hood	2
18 09306	(000000-	Label, Tennant Logo	1

NOTE: If a service kit is installed on your machine, be sure to keep the **INSTRUCTION BULLETIN** which came with the kit. It contains repair parts numbers needed for ordering future parts.

NOTE: Fasteners used in this machine may be metric or non-metric. Take care when replacing hardware to replace with same thread size.



PLACING AN ORDER

Orders may be placed by phone, fax, or by mail. Phone orders may need written confirmation. Follow the steps below to insure prompt delivery:

1. Identify the model number of your machine.
2. Identify the serial number of your machine.
3. Find the part number of the part you need. Do not order by page number or reference number. If you are not able to find the part number, call your TENNANT representative for help or send the old part as a sample.
4. Determine the quantity of the part you need.
5. Provide the following company information:
 - Company name
 - Customer ID Number
 - Shipping address
 - Billing address
 - First and last name of person ordering parts
 - Telephone number
 - Purchase order number
6. Provide definitive shipping instructions.

HOW TO USE THIS MANUAL

Any claim for loss or damage to a shipment in transit should be filed promptly with the transportation company making the delivery. Shipments will be complete unless the packing list or order acknowledgement indicates items back ordered.

If parts received are suspected to be incorrect or defective, please contact the TENNANT representative from whom you ordered the part. They will give authorization for return and/or handle replacement shipments when required.

SECTION 2

Contents	Page
Fig. 1 - General Recommended Maintenance Items, Diesel	2-2
Fig. 2 - Brushes, Replacement	2-6
Fig. 3 - Main Frame and Skirts Group	2-8
Fig. 4 - Brush Door Group, Right Side	2-10
Fig. 5 - Brush Door Group, Left Side	2-12
Fig. 6 - Seat and Cover Group	2-14
Fig. 7 - Rear Cover Latch Group	2-16
Fig. 8 - Operator Station Group	2-18
Fig. 9 - Instrument Panel Group, Diesel	2-20
Fig. 10 - Steering Wheel Group	2-22
Fig. 11 - Engine and Mount Group, Diesel	2-24
Fig. 12 - Engine Flywheel Housing and Mount Group, Diesel	2-26
Fig. 13 - Engine Air Cleaner Group, Diesel	2-28
Fig. 14 - Engine Radiator Group, Diesel	2-30
Fig. 15 - Engine Fuel Tank Group, Diesel	2-32
Fig. 16 - Engine Muffler Group, Diesel	2-34
Fig. 17 - Engine Battery Group, Diesel	2-36
Fig. 18 - Directional Pedal Group	2-38
Fig. 19 - Wheel and Brake Group, Front	2-40
Fig. 20 - Wheel Group, Rear Drive	2-42
Fig. 21 - Brush Lift Group, Main	2-44
Fig. 22 - Brush Drive Group, Main	2-46
Fig. 23 - Brush Lift Group, Side	2-48
Fig. 24 - Brush Motor and Pivot Group, Side ..	2-50
Fig. 25 - Vacuum Fan Control Group	2-52
Fig. 26 - Vacuum Fan Group	2-54
Fig. 27 - Hopper Lift Arms Group	2-56
Fig. 28 - Hopper Group	2-58
Fig. 29 - Hopper Cover and Bumper Group	2-60
Fig. 30 - Hopper Dump Door Group	2-62
Fig. 31 - Hopper Filter Box Group (000000-005315)	2-64
Fig. 32 - Hopper Filter Box Group (005316-)	2-66
Fig. 33 - Hydraulic Reservoir Group	2-68
Fig. 34 - Hydraulic Pumps Group	2-70
Fig. 35 - Hydraulic Pump Linkage Group	2-72
Fig. 36 - Hydraulic Control Valve Group	2-74
Fig. 37 - Hydraulic Solenoid Valve Group	2-75
Fig. 38 - Hydraulic Schematic	2-76
Fig. 39 - Hydraulic Hose Group	2-78
Fig. 40 - Electrical Schematic, Diesel (000000-003630)	2-80
Fig. 41 - Electrical Schematic, Diesel (003631-)	2-82
Fig. 42 - Electrical Wire Harnesses Group, Diesel	2-84
Fig. 43 - Label Group	2-88

Fig. 1 - General Recommended Maintenance Items, Diesel

Ref.	Part No.	Serial Number	Description	Qty.
▽	361236	(000000-) Maint Kit, Recirculation Flap	1
▲	360134	(000000-) Seal, Wrap, Rear Brush	1
▲	360136	(000000-) Flap Recirculation	1
▽	361237	(000000-) Maint Kit, M Br Door Skirts	1
▲	360761	(000000-) Seal, Side, Lh	1
▲	360784	(000000-) Seal, Side Rh	1
▲	360786	(000000-) Skirt, Side Brush	1
▲	72968	(000000-) Rivet, Plastic .250X.898	6
▽	361238	(000000-) Maint Kit, Hopper Door Skirts	1
▲	360603	(000000-) Seal Wrap, Dump Door	1
▲	87689	(000000-) Sponge Cord	1
▲	360844	(000000-) Seal, Dump Door, Side	2
▲	360327	(000000-) Skirt, Lip	1
▲	360336	(000000-) Seal, Dump Door, Top	1
▽	361239	(000000-) Maint Kit, Dump Door Seals	1
▲	87181	(000000-) Seal, Top,Hopper	1
▲	360782	(000000-) Skirt, Hopper	2
▲	72968	(000000-) Rivet, Plastic .250X.898	19
▽	361242	(000000-) Maint Kit, Hoppr Filter & Seals	1
▲	1037207	(000000-) Filter, Panl, Dust, 3.6 X 20.0 X 30.0	1
▲	360199	(000000-) Seal, Spacer, Filter	3
▽	361224	(000000-) Performance Pkg 400Hr Diesel	1
▲	55849	(000000-) Oil Cartridge	1
▲	36050	(000000-) Filter, Fuel	1
▲	55844	(000000-) Filter, Fuel, Element	1
▲	55740	(000000-) Filter, Hydraulic Oil, Spin On	1
▲	361201	(000000-) Element, Air Filter	1
▲	360753	(000000-) Belt, V, 07m 32.2l	1
▲	368082	(000000-) Belt, V, 9.5mm 37.4l [Ku]	1
▲	360991	(000000-) Cap, Breather, Hyd, 5.2 Ds	1
▲	361023	(000000-) Strainer, Hyd, 10gpm 100mesh Psi	1
	16411	(000000-) Paint, Airdry, Off-White, 12oz	1
	16412	(000000-) Paint, Airdry, Teal, 12oz, Solid	1
	377540	(000000-) Paint, Airdry, Blk, 12oz	1
	377538	(000000-) Paint, Airdry, Gray, 12oz	1
	377537	(000000-) Paint, Airdry, Iron Gray, 12oz	1

Fig. 1 - General Recommended Maintenance Items (continued)

Ref.	Part No.	Serial Number	Description	Qty.
▽	366069	(000000-)	Yearly Maint Pkg 800hr Die	1
▲	55849	(000000-)	Oil Cartridge	8
▲	361201	(000000-)	Element, Filter, Air	4
▲	36050	(000000-)	Filter, Fuel	2
▲	55844	(000000-)	Element, Filter, Fuel	2
▲	55740	(000000-)	Filter, Oil, Hyd	2
▲	360991	(000000-)	Breather, Hyd	1
▲	361023	(000000-)	Strainer, Hyd 10Gpm 100Mesh	1
▲	65869-1	(000000-)	Oil, Hydr. Shp 15/40 1Gal	5
▲	1037207	(000000-)	Filter, Panl, Dust, 3.6 X 20.0 X 30.0	1
▲	360199	(000000-)	Seal, Spacer, Filter	12
▲	360134	(000000-)	Seal, Wrap, Rear Brush	2
▲	360136	(000000-)	Flap, Recirculation	2
▲	360761	(000000-)	Seal, Side, Lh Hopper	2
▲	360784	(000000-)	Seal, Side Rh Hopper	2
▲	360786	(000000-)	Skirt, Side Brush	2
▲	360603	(000000-)	Seal, Wrap	2
▲	87689	(000000-)	Cord, Sponge	2
▲	360844	(000000-)	Seal, Dump Door, Side	2
▲	360327	(000000-)	Skirt, Lip	2
▲	360336	(000000-)	Seal, Dump Door, Top	2
▲	87181	(000000-)	Seal, Top,Hopper	2
▲	360782	(000000-)	Skirt, Hopper	4
▲	360388	(000000-)	Latch, Swell	2
▲	36192	(000000-)	Lanyard Assy	2
▲	87866	(000000-)	Key, Switch, Set Of Two	1
▲	360079	(000000-)	Cable	1
▲	360977	(000000-)	Hose, Flexible	1
▲	40870-8	(000000-)	Hose, Vacuum, With Cuff	1
▲	361153	(000000-)	Hose, Flexflyte, Formed	1
▲	360753	(000000-)	Belt, V, 07m 32.2l	1
▲	360979	(000000-)	Seal, Vac Inlet	1
▲	368082	(000000-)	Belt, V, 9.5mm 37.4l [Ku]	1

STANDARD PARTS

Fig. 1 - General Recommended Maintenance Items (continued)

Ref.	Part No.	Serial Number	Description	Qty.
▽	9001543	(000000-) Maint Kit, 400hr [6400 Dsl, Kubo]	1
▲	55849	(000000-) Oil Cartridge	1
▲	36050	(000000-) Filter, Fuel	1
▲	1017126	(000000-) Filter, Fuel, Element	1
▲	55740	(000000-) Filter, Hydraulic Oil, Spin On	1
▲	361201	(000000-) Element, Air Filter	1
▲	360753	(000000-) Belt, V, 07m 32.2l	1
▲	368082	(000000-) Belt, V, 9.5mm 37.4l [Ku]	1
▲	360991	(000000-) Cap, Breather, Hyd, 5.2 Ds	1
▲	361023	(000000-) Strainer, Hyd, 10gpm 100mesh Psi	1

Fig. 1 - General Recommended Maintenance Items (continued)

Ref.	Part No.	Serial Number	Description	Qty.
▽	9001544	(000000-)	Maint Kit, 800hr [6400 Dsl]	1
▲	55849	(000000-)	Oil Cartridge	8
▲	361201	(000000-)	Element, Filter, Air	4
▲	36050	(000000-)	Filter, Fuel	2
▲	1017126	(000000-)	Filter, Fuel, Element	2
▲	55740	(000000-)	Filter, Oil, Hyd	2
▲	360991	(000000-)	Breather, Hyd	1
▲	361023	(000000-)	Strainer, Hyd 10Gpm 100Mesh	1
▲	65869-1	(000000-)	Oil, Hydr. Shp 15/40 1Gal	5
▲	1037207	(000000-)	Filter, Panl, Dust, 3.6 X 20.0 X 30.0	1
▲	360199	(000000-)	Seal, Spacer, Filter	12
▲	360134	(000000-)	Seal, Wrap, Rear Brush	2
▲	360136	(000000-)	Flap, Recirculation	2
▲	360761	(000000-)	Seal, Side, Lh Hopper	2
▲	360784	(000000-)	Seal, Side Rh Hopper	2
▲	360786	(000000-)	Skirt, Side Brush	2
▲	360603	(000000-)	Seal, Wrap	2
▲	87689	(000000-)	Cord, Sponge	2
▲	360844	(000000-)	Seal, Dump Door, Side	2
▲	360327	(000000-)	Skirt, Lip	2
▲	360336	(000000-)	Seal, Dump Door, Top	2
▲	87181	(000000-)	Seal, Top,Hopper	2
▲	360782	(000000-)	Skirt, Hopper	4
▲	360388	(000000-)	Latch, Swell	2
▲	36192	(000000-)	Lanyard Assy	2
▲	87866	(000000-)	Key, Switch, Set Of Two	1
▲	360079	(000000-)	Cable	1
▲	360977	(000000-)	Hose, Flexible	1
▲	40870-8	(000000-)	Hose, Vacuum, With Cuff	1
▲	361153	(000000-)	Hose, Flexflyte, Formed	1
▲	360753	(000000-)	Belt, V, 07m 32.2l	1
▲	360979	(000000-)	Seal, Vac Inlet	1
▲	368082	(000000-)	Belt, V, 9.5mm 37.4l [Ku]	1

Fig. 2 - Brushes, Replacement

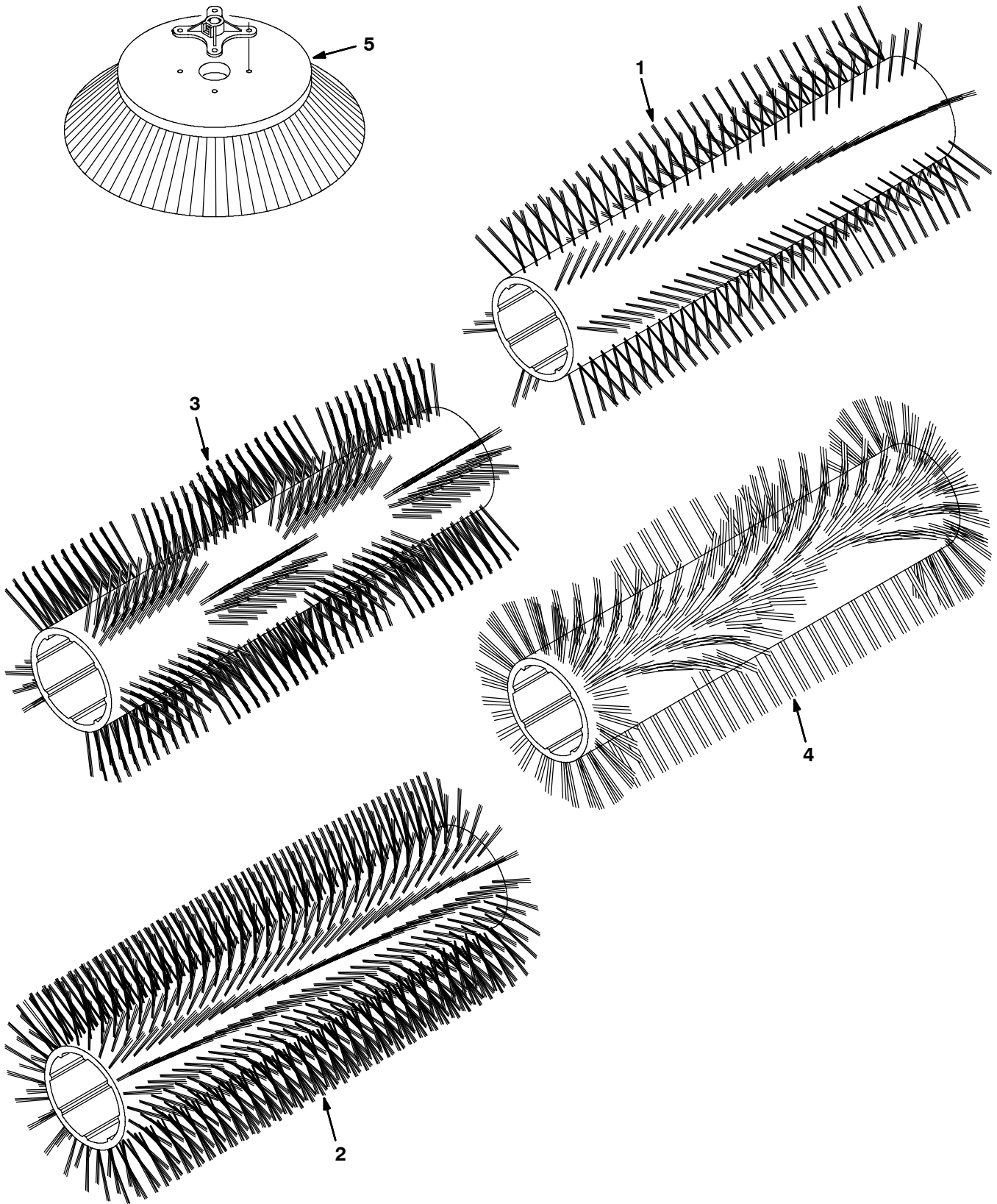


Fig. 2 - Brushes, Replacement

Ref.	Part No.	Serial Number	Description	Qty.
1	87334	(000000-) Brush-Sweep, Polyester	1
1	87099	(000000-) Brush-Sweep, Polypropylene	1
1	87097	(000000-) Brush-Sweep, Polypropylene and Wire	1
1	385947	(000000-) Brush-Sweep, Natural Fiber	1
2	87333	(000000-) Brush-Sweep, Polyester	1
3	370010	(000000-) Brush-Sweep, Window, Polypropylene	1
4	370025	(000000-) Brush-Sweep, Wedge, Polypropylene	1
5	08013N	(000000-) Brush-Side Swp, Soft Nylon	1
5	59431	(000000-) Brush-Side Swp, Polypropylene	1
5	59432	(000000-) Brush-Side Swp, Flatwire	1

Fig. 3 - Main Frame and Skirts Group

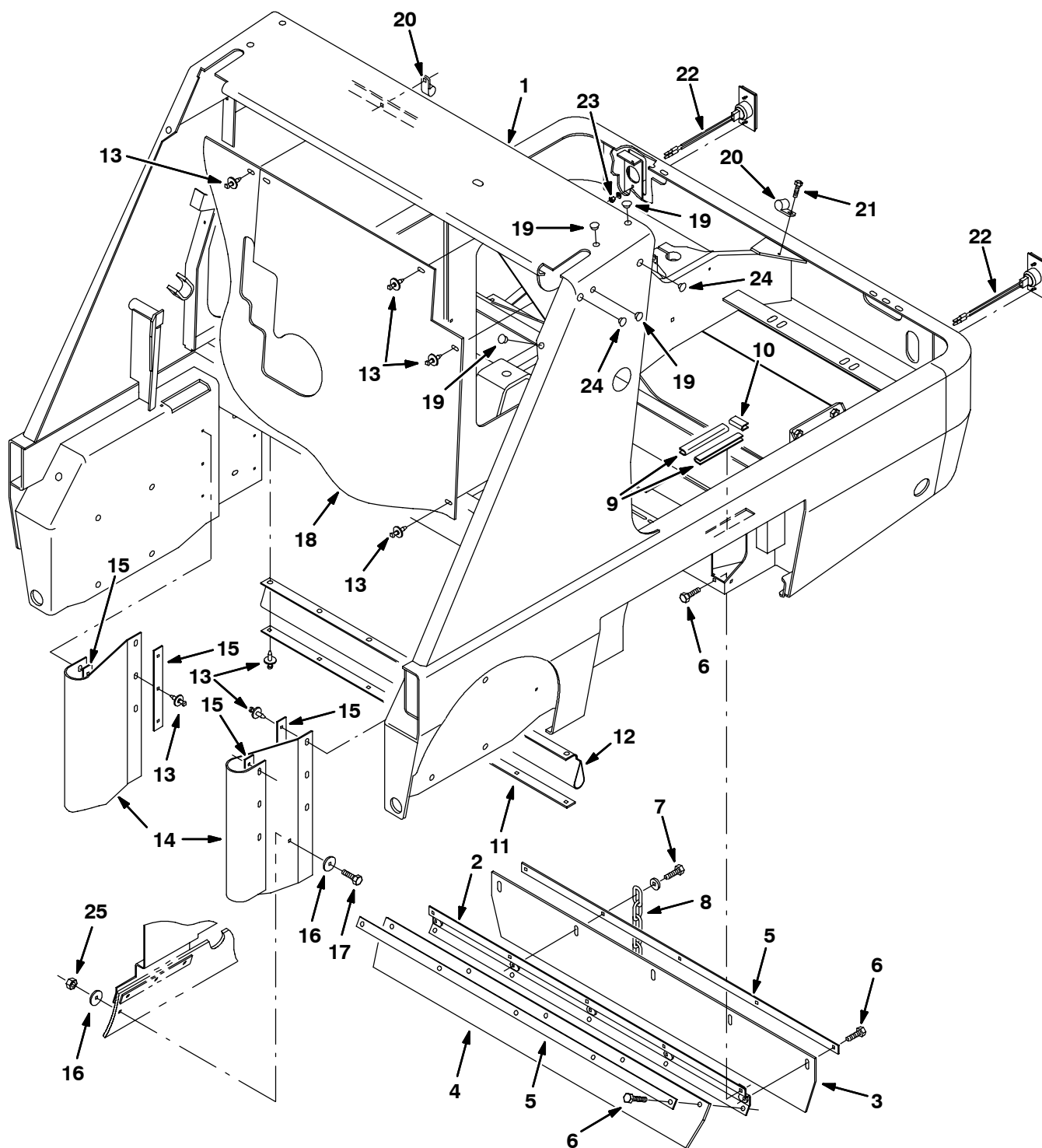


Fig. 3 - Main Frame and Skirts Group

Ref.	Part No.	Serial Number	Description	Qty.	
1	360200	(000000-) Frame, Ic	1	
2	360138	(000000-) Channel, Recirculation Flap	1	
3	360134	(000000-) Seal, Wrap, Rear Brush	1	
4	360136	(000000-) Flap Recirculation	1	
5	360137	(000000-) Strip, Retainer, Flap	2	
6	12273	(000000-) Scr-Hexssm 8X1.25 20 Nylnloc	14	
7	12333	(000000-) Scr-Hexssm 8X1.25 25 Nylnloc	1	
8	40758	(000000-) Chain,Link#2/08 5Links,Br.Zinc	1	
9	57564	(000000-) Molding, Trim 11-14Ga 5.00	2	
10	361160	(000000-) Molding, Rigid	1	
11	87180	(000000-) Retainer, Top Hopper Seal	1	
12	87181	(000000-) Seal, Top,Hopper	1	
13	72968	(000000-) Rivet, Plastic .250X.898	29	
14	360782	(000000-) Skirt, Hopper	2	
15	360781	(000000-) Strip	4	
16	30013	(000000-) Washer-Flt .31 Fender Pltd	2	
17	09010	(000000-) Scr Hexssm 8X1.25 25	1	
18	361121	(000000-) Seal, Firewall Ic	1	
19	02431	(000000-) Plugbtn .56H .03-12 Blacknyl	8	
20	67767	(000000-) Clamp-Cable,.69Dia. 62Wth	3	
21	74455	(000000-) Scr-Hx Fmgm 6X1.0 12	2	
▽	22	87346	(000000-) Light Assy, Tail	2
▲		87948	(000000-) Bulb #194	1
▲		87949	(000000-) Socket Assy	1
23	01713	(000000-) Nut-Hx Std 10-32 G2 Pltd	4	
24	361346	(000000-) Plug, Cap	4	
25	08709	(000000-) Nut, Hex, Lock, M8 X 1.25, NI	1	

Fig. 4 - Brush Door Group, Right Side

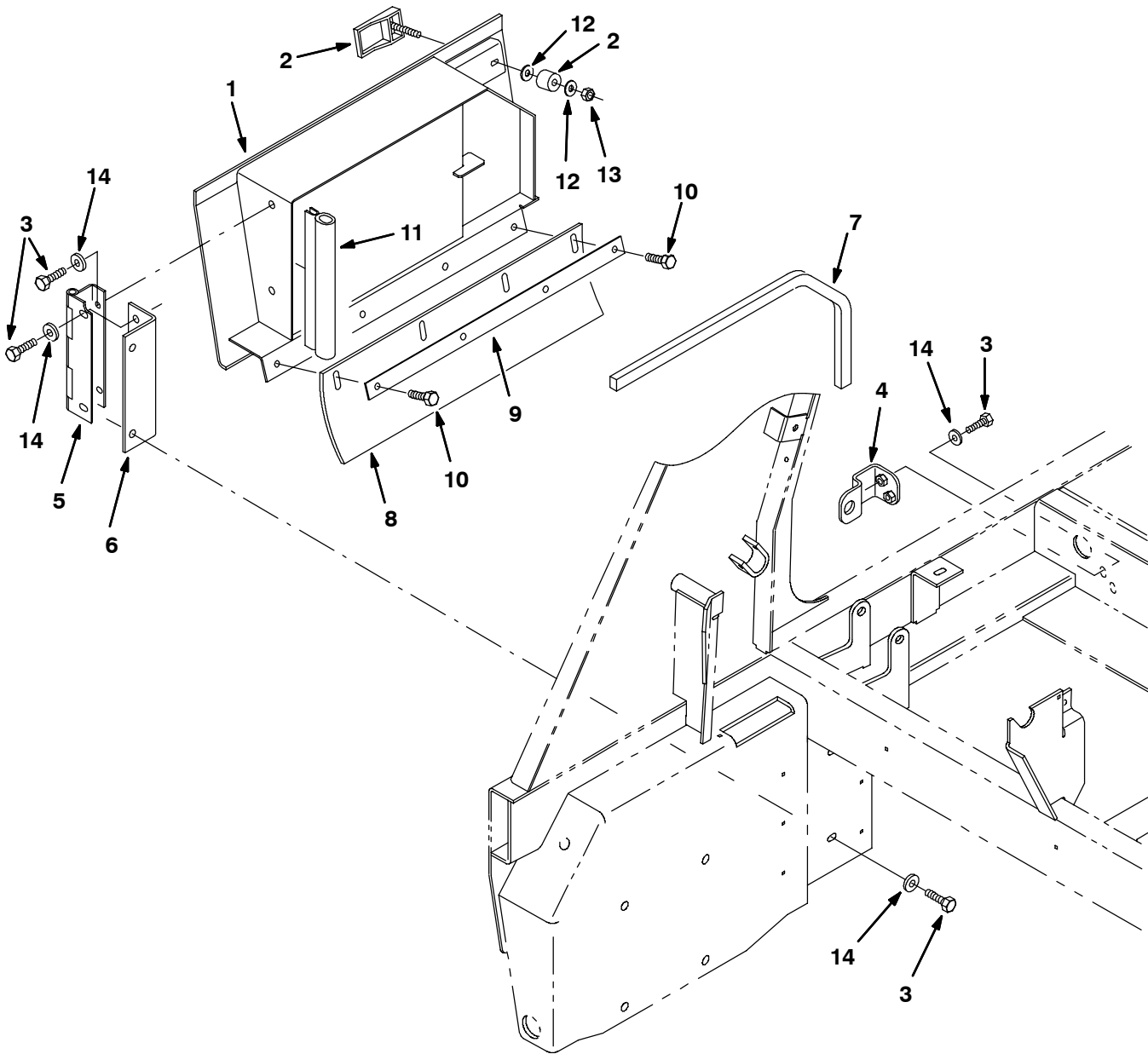


Fig. 4 - Brush Door Group, Right Side

Ref.	Part No.	Serial Number	Description	Qty.
1	360395	(000000-) Door Wldt, Rh	1
2	360388	(000000-) Latch, Swell	1
3	09740	(000000-) Scr Hexssm 8X1.25	8
4	360280	(000000-) Bracket, Stop, Brush Door	1
5	360283	(000000-) Hinge, Door, Brush	1
6	360284	(000000-) Bracket, Hinge, Brush Door	1
7	360319	(000000-) Seal,Foam Rbr .375 1.25W 25.5L	1
8	360784	(000000-) Seal, Side Rh	1
9	361306	(000000-) Strip, Retainer, Seal	1
10	49826	(000000-) Scr-Hexssm 8X1.25 16 Nylon Loc	4
11	363502	(000000-) Seal, Bulb, Str, 0.50d .13grip 009.4l	1
12	39349	(000000-) Washer, Flat, 0.31 Sae	2
13	32960	(000000-) Nut, Hex, Lock, .31-24, NI	1
14	32491	(000000-) Washer, Flat, 0.31 Std	8

Fig. 5 - Brush Door Group, Left Side

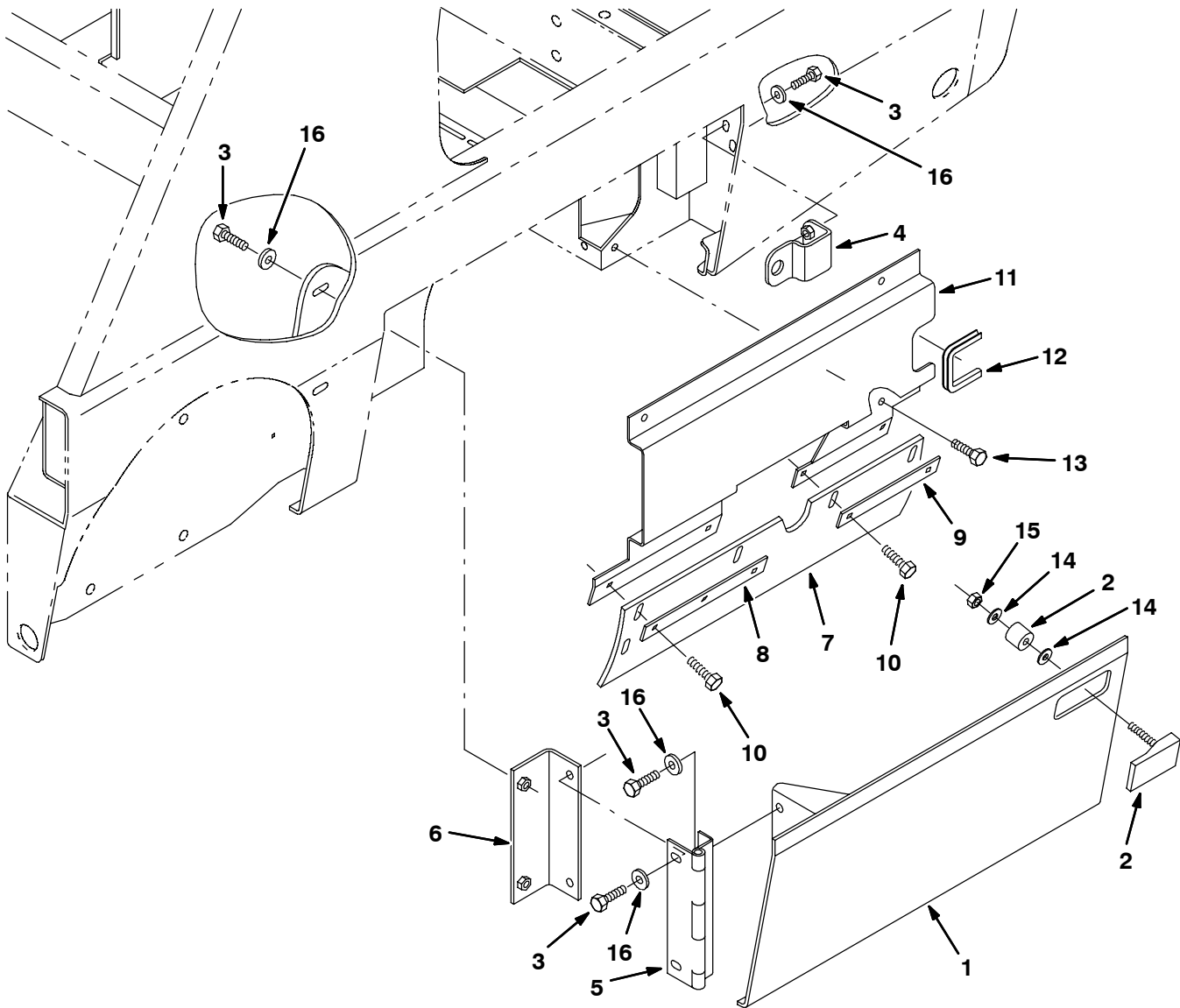


Fig. 5 - Brush Door Group, Left Side

Ref.	Part No.	Serial Number	Description	Qty.
1	360392	(000000-) Door Wldt, Lh	1
2	360388	(000000-) Latch, Swell	1
3	09740	(000000-) Scr Hexssm 8X1.25	8
4	360280	(000000-) Bracket, Stop, Brush Door	1
5	360283	(000000-) Hinge, Door, Brush	1
6	360284	(000000-) Bracket, Hinge, Brush Door	1
7	360761	(000000-) Seal, Side, Lh	1
8	360781	(000000-) Strip	1
9	360763	(000000-) Strip, Retainer, Seal	1
10	49826	(000000-) Scr-Hexssm 8X1.25 16 Nylon Loc	4
11	360487	(000000-) Plate, Seal, Hyd Drive	1
12	57564	(000000-) Molding, Trim 11-14Ga 5.00	1
13	15675	(000000-) Scr Hexssm 8X1.25	5
14	39349	(000000-) Washer, Flat, 0.31 Sae	2
15	32960	(000000-) Nut, Hex, Lock, .31-24, NI	1
16	32491	(000000-) Washer, Flat, 0.31 Std	8

Fig. 6 - Seat and Cover Group

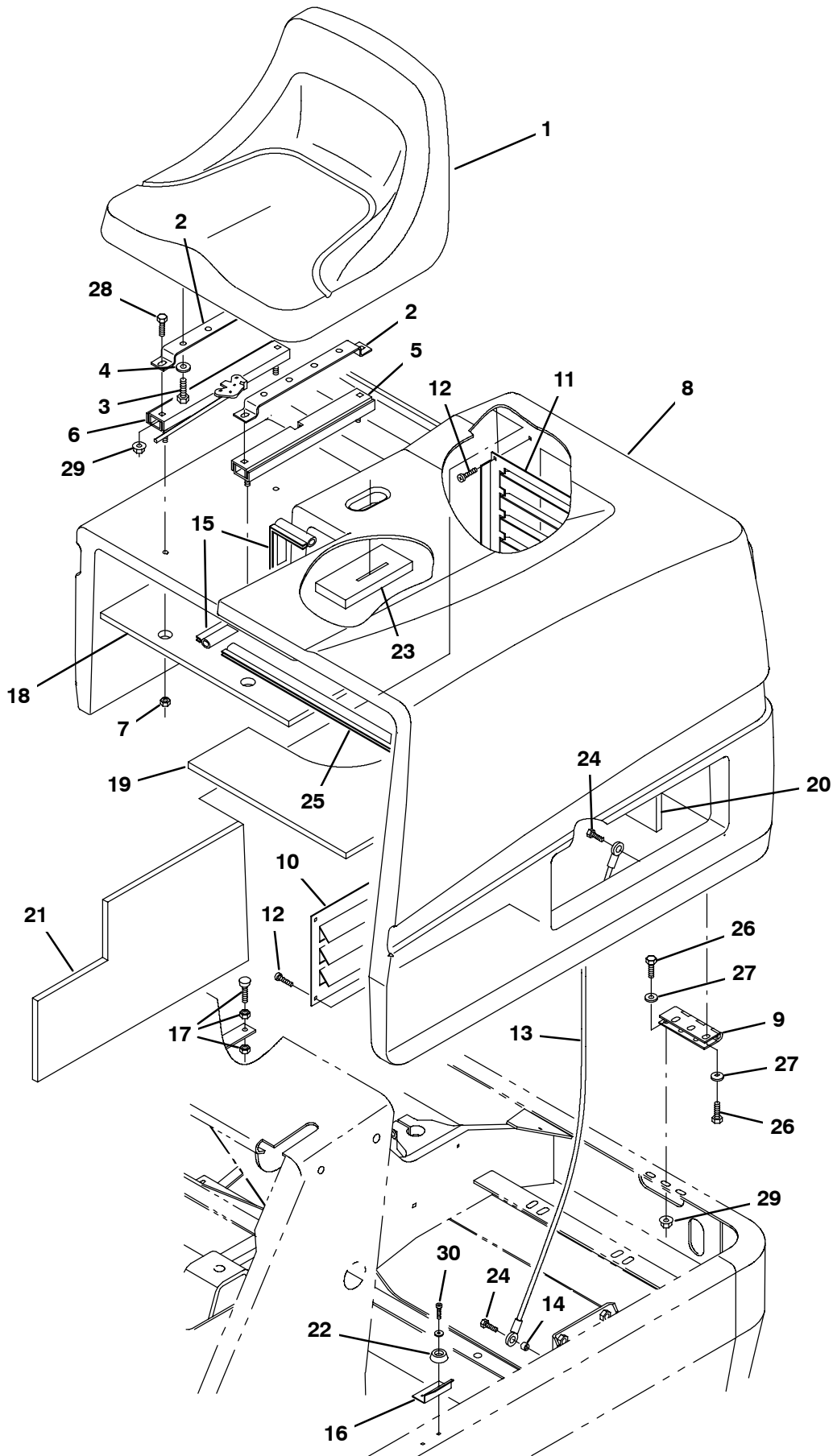


Fig. 6 - Seat and Cover Group

Ref.	Part No.	Serial Number	Description	Qty.
1	9005081	(000000-005501)	Seat Kit, Std, Replmt [6400]	1
1	1048932	(005502-	Seat, Std [Michigan, Model V-2505]	1
2	360309	(000000-005501)	Bracket, Seat Adjuster	2
2	1045229	(005502-	Bracket, Seat Adjuster	2
3	54395	(000000-	Screw, Hex, .31-18 X 0.62, 5	4
4	39349	(000000-	Washer, Flt, .31 Sae	4
5	360369	(000000-	Rail, Slide, Seat	1
6	360370	(000000-	Rail, Slide, Seat, W/Latch	1
7	01760	(000000-	Nut-Hxlocnyln .31-18 Thin Pltd	4
8	1014605	(000000-	Shroud, Rear [Trimmed, 6400]	1
9	360704	(000000-	Hinge	2
10	360342	(000000-	Panel, Louver	1
11	360361	(000000-	Panel, Louver	1
12	360973	(000000-	Scr-Pan 12 X.50 F/Plst PI	8
13	36192	(000000-	Lanyard Assy	2
14	222516	(000000-	Sleeve,.31Bb.496D .312Ss	2
15	391803	(000000-	Seal, Bulb, 90, 1.33 .06-.09grip 032.5l	1
16	361550	(000000-	Angle, Guide	2
17	75128	(000000-	Spindle, Adjustment	1
18	361345	(000000-	Insulation, Sound Foam	1
19	361342	(000000-	Insulation, Sound Foam	1
20	361344	(000000-	Insulation, Sound Foam	1
21	361343	(000000-	Insulation, Sound Foam	1
22	361554	(000000-	Bumper, Rubber	2
23	361951	(000000-	Insulation, Sound Foam	1
24	11329	(000000-	Scr Hexssm 6 X 1.0 16 Nyloc	2
25	10576	(000000-	Seal, Bulb, 90, 0.50d .06-.09grip 022.5l	1
26	16931	(000000-	Screw, Hex, M8 X 1.25 X 20, 8.8	8
27	32491	(000000-	Washer, Flat, 0.31, Std	8
28	16735	(000000-	Screw, Hex, M8 X 1.25 X 16, 8.8	4
29	07791	(000000-	Nut, Hex, Flng, M8 X 1.25	8
30	06927	(000000-	Screw, Pan, Phl, M4 X 0.70 X 16, 4.8	4

Fig. 7 - Rear Cover Latch Group

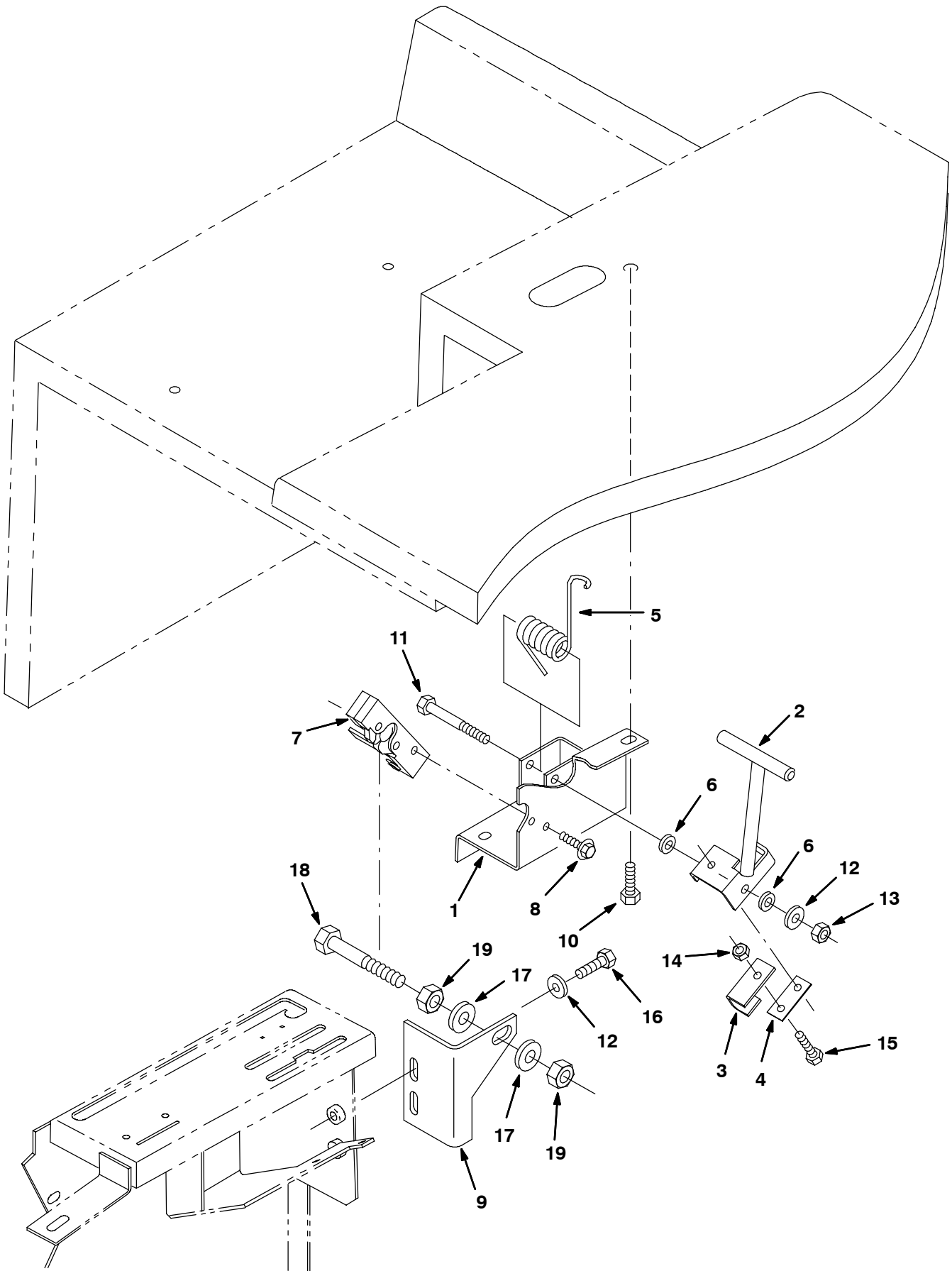


Fig. 7 - Rear Cover Latch Group

Ref.	Part No.	Serial Number	Description	Qty.
1	360083	(000000-) Bracket Wldt, Latch	1
2	360831	(000000-) Latch Wldt, Shroud	1
3	361164	(000000-) Channel, Latch	1
4	361165	(000000-) Spring, Latch	1
5	87581	(000000-) Spring, Torsion	1
6	43454	(000000-) Washer, .344B .69D .06Nylon	2
7	72439	(000000-) Latch	1
8	16949	(000000-) Scr-Hex .25-20X0.75 Sems Pltd	2
9	360873	(000000-) Angle, Mtg, Latch Pin	1
10	15675	(000000-) Scr Hexssm 8 X 1.25 16	4
11	76960	(000000-) Screw, Hex, .31-18 X 2.25, G5	1
12	32491	(000000-) Washer, Flat, 0.31, Std	3
13	32983	(000000-) Nut, Hex, Lock, .31-18, NI	1
14	08708	(000000-) Nut, Hex, Lock, M6 X 1.00, NI	2
15	87308	(000000-) Screw, Hex, M6 X 1.00 X 12, 8.8	2
16	16931	(000000-) Screw, Hex, M8 X 1.25 X 20, 8.8	2
17	32486	(000000-) Washer Flat,0.50,Sae	2
18	27985	(000000-) Screw, Hex, .50-13 X 2.50, G5	1
19	32523	(000000-) Nut, Hex, Jam, .50-13	2

Fig. 8 - Operator Station Group

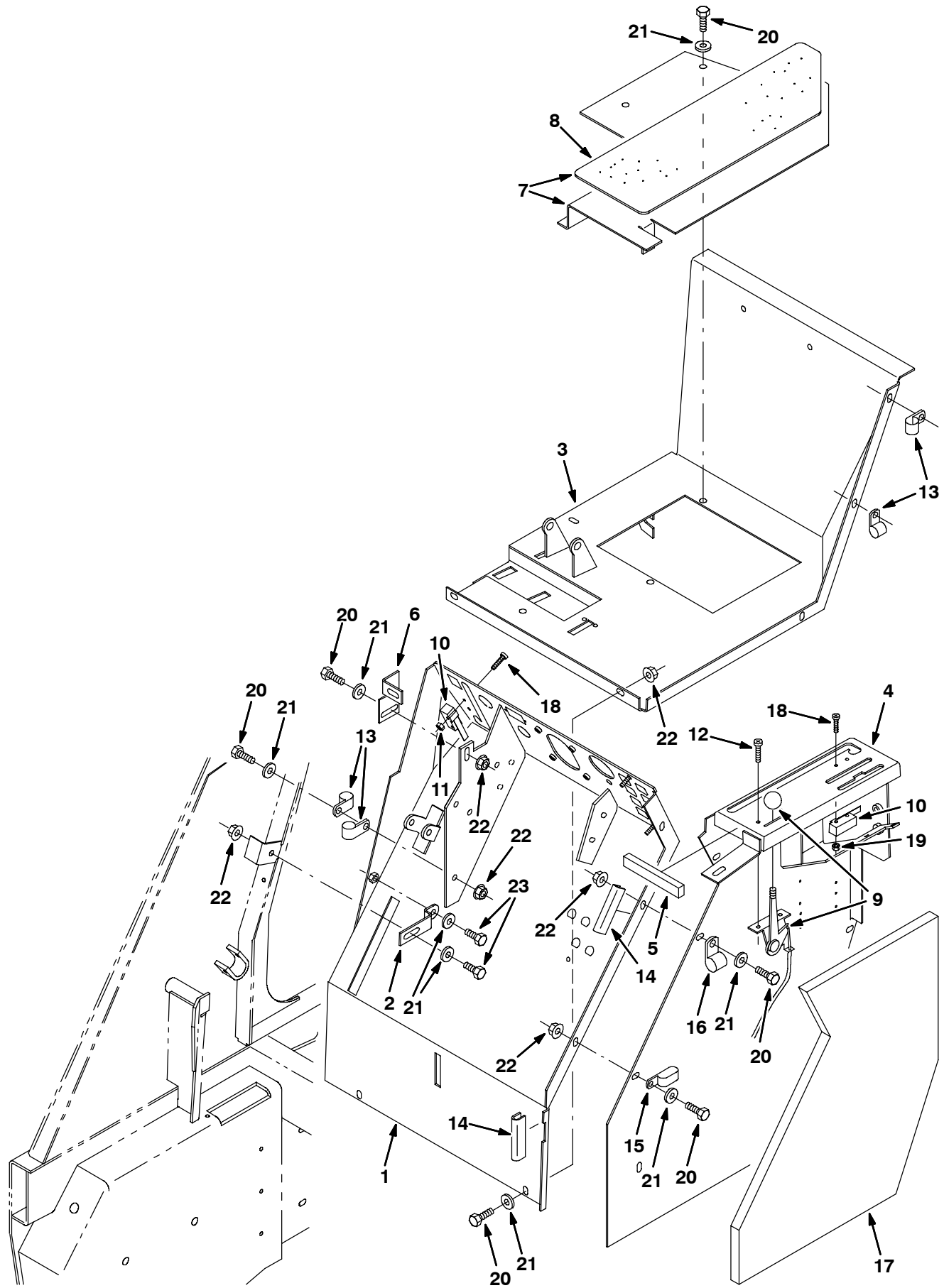


Fig. 8 - Operator Station Group

Ref.	Part No.	Serial Number	Description	Qty.	
1	360096	(000000-) Panel Wldt, Oper Station Instr	1	
2	360742	(000000-) Plate	1	
3	360713	(000000-) Panel Wldt, Oper Station Floor	1	
4	361293	(000000-) Panel Wldt, Oper, Ic W/Label	1	
5	360928	(000000-) Seal, Ure .50 X .75 X 5.0L	1	
6	360712	(000000-) Bracket, Angle	1	
▽	7	361300	(000000-) Plate, Floor W/Tread	1
▲	8	360906	(000000-) Tread, Floor, 20.6 6.5	1
9	360465	(000000-) Cable, Throttle	1	
10	1008142	(000000-) Switch, Snap Actn, 250vdc 25a Spdt	2	
11	01754	(000000-) Nut, Hex, Std, M3 X 0.5, 8	4	
12	02863	(000000-) Scr-Pnfmng 10 X 0.75 Type Ab	2	
13	67767	(000000-) Clamp-Cable, .69Dia. .62Wth	4	
14	13173	(000000-) Molding, Trim 3/16-5/16 5.0	2	
15	53468	(000000-) Clamp, Cable, Stl, 1.75d X 1.00w, 1hole	1	
16	69234	(000000-) Clamp-Cable, 1.00Dia. .62Wth	1	
17	361950	(000000-) Insulation, Sound Foam, Side	1	
18	33933	(000000-) Screw, Pan, M3 X 0.5 X 25, Ss	4	
19	140282	(000000-) Nut Hex, Lock, M3 X 0.5, NI	2	
20	16931	(000000-) Screw, Hex, M8 X 1.25 X 20, 8.8	11	
21	32491	(000000-) Washer, Flat, 0.31 Std	13	
22	07791	(000000-) Nut, Hex, Flng, M8 X 1.25	9	
23	16735	(000000-) Screw, Hex, M8 X 1.25 X 16, 8.8	2	

Fig. 9 - Instrument Panel Group, Diesel

Ref.	Part No.	Serial Number	Description	Qty.	
1	44078	(000000-) Switch, Pushmom, Spst100A 12V	1	
2	222114	(000000-001279) Hourmeter	1	
2	377324	(001280-004619) Gauge Kit, Hourmeter, F/31988 [10k]	1	
2	377433	(004620-) Gauge, Hourmeter, 12-60vdc, Analog [10k]	1	
3	361072	(000000-) Seal, Foam	1	
4	360773	(000000-) Plate, Mtg, Light	1	
5	361075	(000000-) Lamp, Indicator 12 Volt	5	
6	56186	(000000-) Relay, Shrouded, 12 Vdc	1	
7	57803	(000000-005447) Breaker-Circuit, 15A Resetable	5	
8	57751	(000000-005447) Boot,Circuit Breaker	5	
9	34813	(000000-) Fuel Gauge	1	
10	60752	(000000-) Light Inst/Clr 12V	1	
11	360521	(000000-) Switch, Rocker, Spdt, 2 Pos	1	
▽	12	87536	(000000-) Switch Ignition	1
▲	13	87866	(000000-) Key Set,Switch	1
14	366026	(000000-) Glow Plug Timer	1	
15	382516	(000000-) Boot, Switch	1	
16	383165	(000000-) Boot, Switch, Ignition	1	
17	49263	(000000-) Tie, Cable, Nyl, 11.4L .19W 3.0 Max D	1	
18	09146	(000000-) Screw, Pan, M3 X 0.5 X 12, 4.8	2	
19	39658	(000000-) Washer, Lock, Int, #04	2	
20	01754	(000000-) Nut, Hex, Std, M3 X 0.5, 8	2	
21	09164	(000000-) Screw, Pan, M6 X 1.0 X 20, 4.8	3	
22	19066	(000000-) Washer, Flat, #10	3	
23	08708	(000000-) Nut, Hex, Lock, M6 X 1.0, NI	5	
24	1045858	(005448-) Circuitbreaker, 15a, Resetable	5	
25	1046173	(005448-) Boot, Circuitbreaker	5	

Fig. 10 - Steering Wheel Group

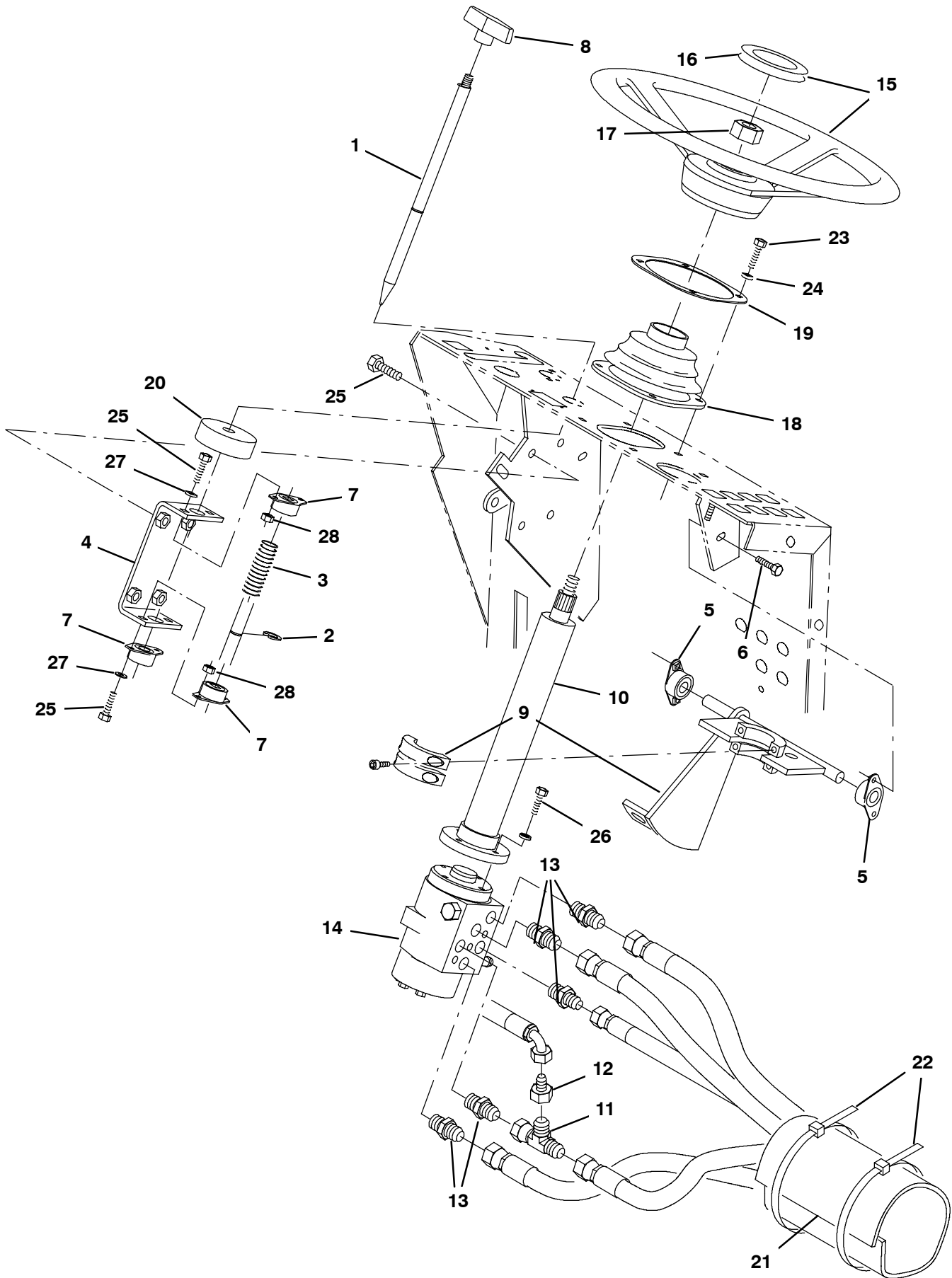


Fig. 10 - Steering Wheel Group

Ref.	Part No.	Serial Number	Description	Qty.	
1	360711	(000000-) Rod, Latch, Steering, Tilt	1	
2	70717	(000000-) Ring, Retain, Ex0.50Od,Heavydt	1	
3	22290	(000000-) Sprng,Comp,0.62Idx.06Wire 2.3L	1	
4	64655	(000000-) Channel, Mounting, Steering La	1	
5	70709	(000000-) Bearing, Flange .500B	2	
6	11329	(000000-) Scr-Hexssm 6X1.0 16 Nylonloc	4	
7	47585	(000000-) Bearing-Flange,2 Hole 0.50Bore	3	
8	04706	(000000-) Handle Lift Brush	1	
9	73027	(000000-) Bracket Wldt, Steering, Tilt	1	
10	73061	(000000-) Column, Steering #2 10Lg Wire	1	
11	42215	(000000-) Ftg-Hyd Tee Jm06Jmjf	1	
12	47752	(000000-) Ftg-Hyd Str Jm04/Jf06	1	
13	56690	(000000-) Ftg-Hyd Str Jm06/Om06	5	
14	71713	(000000-) Steer Control, Hyd (See Breakdowns)	1	
▽	15	56398	(000000-) Wheel Steering 14DiAx36T	1
▲	16	70218	(000000-) Cap, Steering Wheel	1
▲	70219	(000000-) Insert, Steering Wheel	1	
17	56185	(000000-) Nut-Hx Jam, M20X1.5	1	
18	70622	(000000-) Seal, Boot, Steering Column	1	
19	360867	(000000-) Plate, Mtg, Steering Boot	1	
20	75968	(000000-) Seal, Bearing	1	
21	361250	(000000-) Skirt, Oil Defelction	1	
22	49263	(000000-) Tie Cable 3.00D Max 11.41Lg	3	
23	09145	(000000-) Screw, Pan, Phl, M6 X 1.00 X 16, 4.8	4	
24	19066	(000000-) Washer, Flat, 10	4	
25	06943	(000000-) Screw, Hex, M6 X 1.00 X 20, 8.8	8	
26	06942	(000000-) Screw, Hex, M6 X 1.00 X 16, 8.8	4	
27	32483	(000000-) Washer, Flat, 0.25, Sae	4	
28	08708	(000000-) Nut, Hex, Lock, M6 X 1.00, NI	4	

Fig. 11 - Engine and Mount Group, Diesel

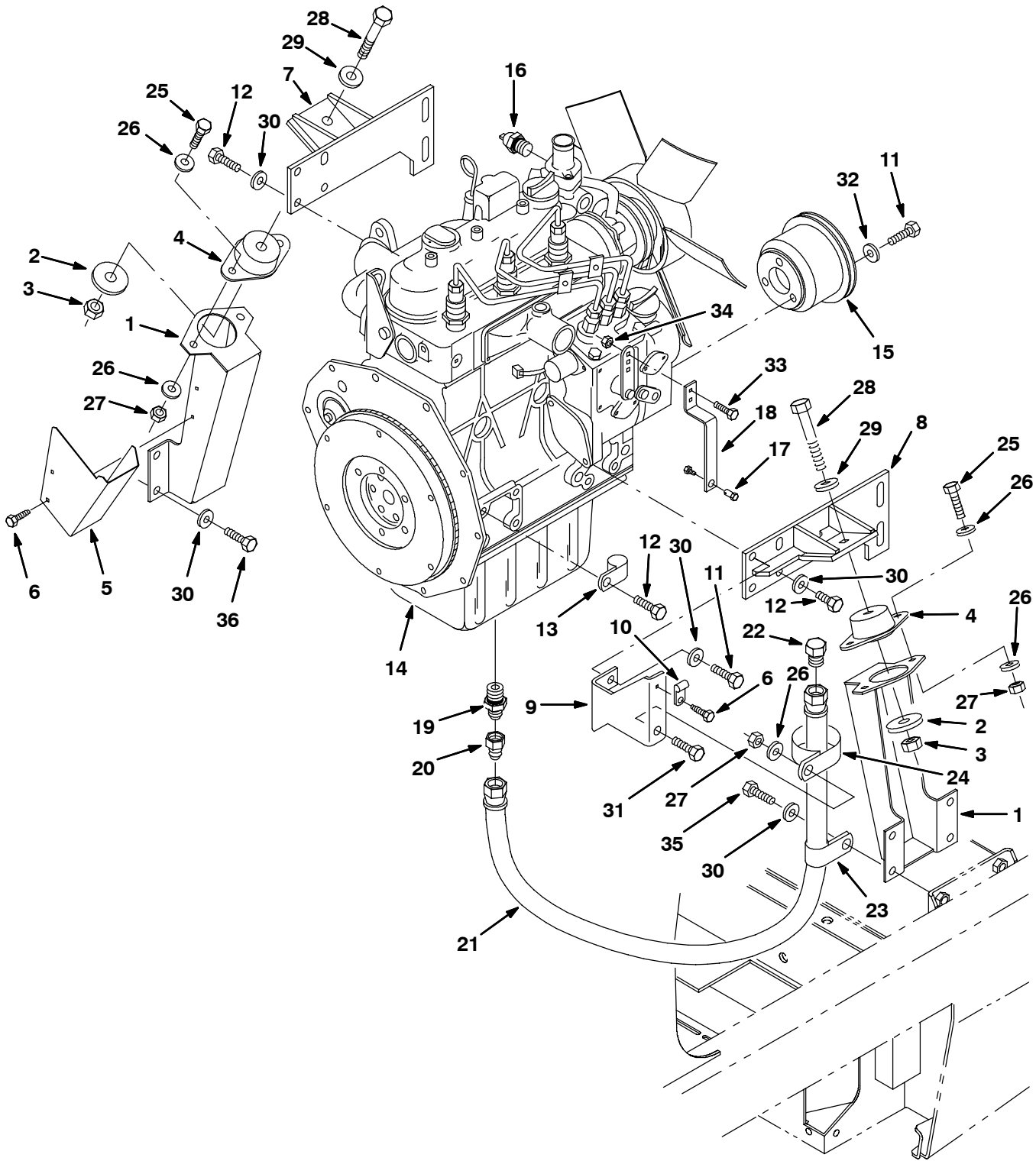


Fig. 11 - Engine and Mount Group, Diesel

Ref.	Part No.	Serial Number	Description	Qty.
1	1017325	(000000-) Bracket, Mtg, Eng, Front	2
2	51564	(000000-) Washer, .531B 1.75D .12Cr Zn	2
3	32985	(000000-) Nut, Hex, Lock, .50-13, NI	2
4	360721	(000000-) Isolator, Rear	2
5	361259	(000000-) Shield, Oil Filter	1
6	74455	(000000-) Scr-Hx Fmgm 6X1.0 12	3
7	360747	(000000-) Plate Wldt, Rear Mt, Rh, Die	1
8	360748	(000000-) Plate Wldt, Rear Mt, Lh, Die	1
9	360814	(000000-) Bracket, Cable Mount	1
10	1043352	(000000-) Clamp, Cable, Stl, 0.18d X 0.75w, 1hole	1
11	07299	(000000-) Scr-Hex M10X1.25 25 8.8 Pltd	5
12	58286	(000000-) Scr-Hex M10X1.25 20 8.8 Pltd	7
13	69234	(000000-) Clamp-Cable, 1.00Dia. .62Wth	1
14	361282	(000000-005430) Engine, Diesel Kubota, (See Engine Breakdown)	1
14	1037973	(005431-) Engine, Dsl, Kubota D1005 [2008], (See Engine Breakdown)	1
15	9001608	(000000-004341) Drive Kit, Vacfan, Ci [6400 Dsl]	1
15	1021380	(004342-) Sheave, Drive, Fan, Dsl, Mach	1
16	9005789	(000000-005539) Switch Kit, Replmt, Thermostat, Eng	1
16	1050757	(005540-) Switch, Thermostat, Water	1
17	43242	(000000-) Swivel	1
18	360813	(000000-) Plate, Throttle Link	1
19	366054	(000000-) Ftg-hyd Str Metric Omm22/jm12	1
20	78143	(000000-) Ftg-hyd Str Jm08/jf12	1
21	366055	(000000-) Hose-hyd Low Jf/jf	1
22	16376	(000000-) Ftg-hyd Plg Jm08	1
23	49287	(000000-) Clamp-Cable, 0.75d 0.88w Stl	1
24	53468	(000000-) Clamp-Cable, 1.75d 1.0w Stl	1
25	39277	(000000-) Screw, Hex, M8 X 1.25 X 25, 8.8	4
26	32491	(000000-) Washer, Flat, 0.31 Std	9
27	08709	(000000-) Nut, Hex, Lock, M8 X 1.25, NI	5
28	27985	(000000-) Screw, Hex, .50-13 X 2.50, 5	2
29	32486	(000000-) Washer, Flat, 0.50 Sae	2
30	32492	(000000-) Washer, Flat, 0.38 Std	14
31	16931	(000000-) Screw, Hex, M8 X 1.25 X 20, 8.8	1
32	32485	(000000-) Washer, Flat, 0.38 Sae	3
33	06942	(000000-) Screw, Hex, M6 X 1.0 X 16, 8.8	2
34	07790	(000000-) Nut, Hex, Flng, M6 X 1.0	2
35	39283	(000000-) Screw, Hex, M10 X 1.5 X 25, 8.8	1
36	06961	(000000-) Screw, Hex, M10 X 1.5 X 20, 8.8	5

Fig. 12 - Engine Flywheel Housing and Mount Group, Diesel

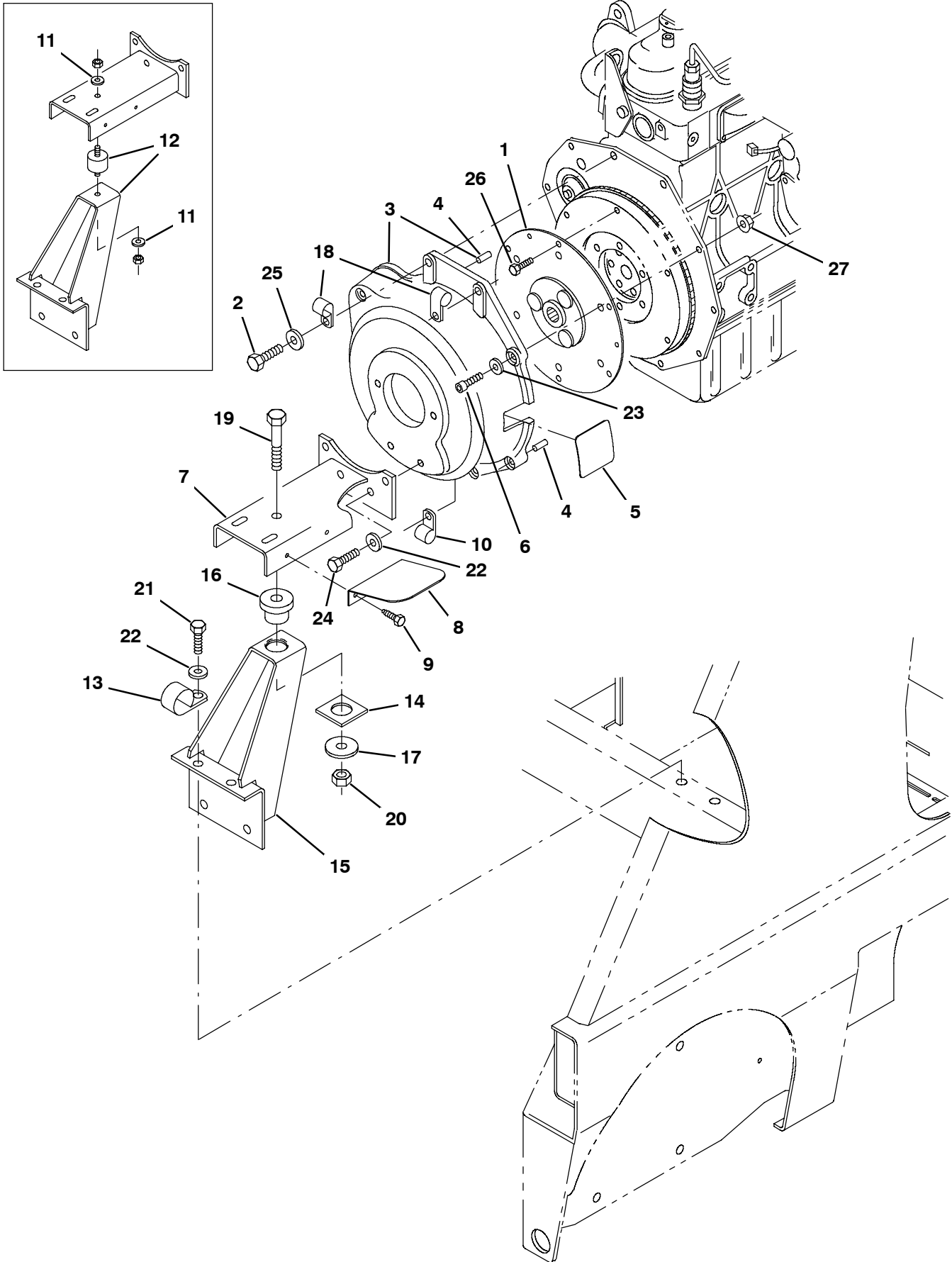


Fig. 12 - Engine Flywheel Housing and Mount Group, Diesel

Ref.	Part No.	Serial Number	Description	Qty.	
1	19252	(000000-) Coupling Assy, Flywheel	1	
2	33612	(000000-) Scr Hex M10X1.25 35 8.8	2	
▽	3	360471	(000000-) Housing, Flywheel, Die, Mach	1
▲	4	14296	(000000-) Pin, Roll .31 X 0.75	2
5	360959	(000000-) Seal, Flywheel	1	
6	09278	(000000-) Scr Soc M 8X1.25 30	3	
7	360732	(000000-) Channel Wldt	1	
8	361260	(000000-) Shield, Battery	1	
9	74455	(000000-) Scr-Hx Fmgm 6X1.0 12	2	
10	40678-1	(000000-) Clamp-Cable, .88Dia .56Wth	1	
11	32984	(000000-001138) Washer-Loc Int .31 Pltd	2	
12	366068	(000000-001138) Eng Mtg Kit, Rear Diesel	1	
13	86328	(000000-) Clamp, Cable 1.5 Dia	1	
14	361980	(001139-) Spacer, Isolator	1	
15	361922	(001139-) Angle Wldt, Front Mount, Die	1	
16	51176	(001139-) Dampner, Engine	1	
17	51564	(001139-) Washer, .531B 1.75D .12 Crzn	1	
18	69234	(000000-) Clamp, Cable 1.0 Dia	2	
19	06971	(001139-) Screw, Hex, M12 X 1.75 X 50, 8.8	1	
20	08711	(000000-) Nut, Hex, Lock, M12 X 1.75,NI	1	
21	06961	(000000-) Screw, Hex, M10 X 1.5 X 20, 8.8	4	
22	32492	(000000-) Washer, Flat, 0.38 Std	6	
23	39349	(000000-) Washer, Flat, 0.31 Sae	3	
24	21195	(000000-) Screw, Hex, .38-16 X 0.75, 5	2	
25	32485	(000000-) Washer, Flat, 0.38 Sae	2	
26	50388	(000000-) Screw, Hex, M8 X 1.25 X 12, 8.8	6	
27	07791	(000000-) Nut, Hex, Fing, M8 X 1.25	1	

Fig. 13 - Engine Air Cleaner Group, Diesel

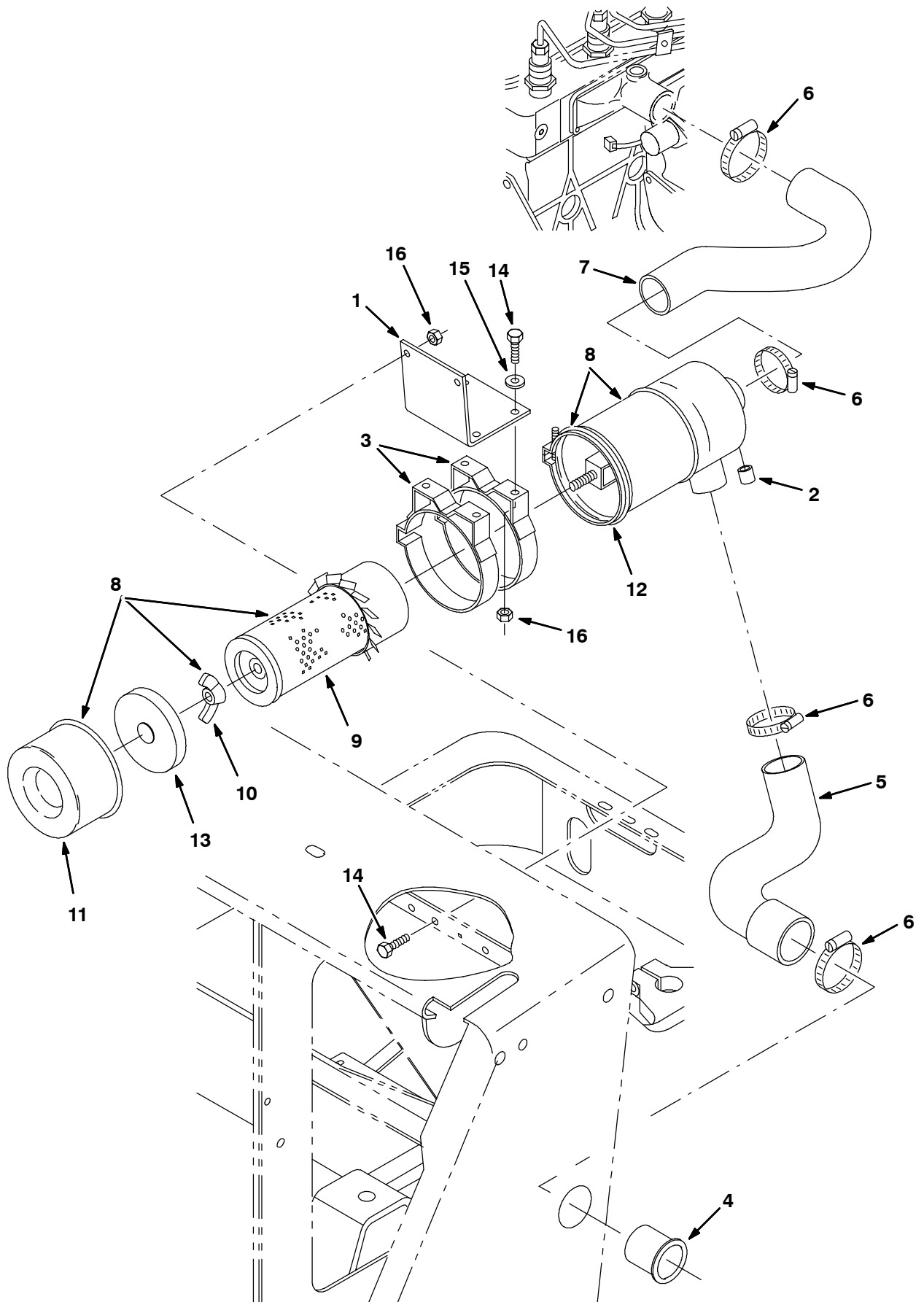


Fig. 13 - Engine Air Cleaner Group, Diesel

Ref.	Part No.	Serial Number	Description	Qty.	
1	360627	(000000-) Angle, Mtg, Air Cleaner	1	
2	60745	(000000-) Ftg Cap Npt 02Pf	1	
3	360708	(000000-) Band, Mtg, Air Cleaner	2	
4	58346	(000000-) Tube - Carb. Air Intake	1	
5	360833	(000000-) Hose, Air Intake	1	
6	22297	(000000-) Clamp-Wormdrive, 1.56- 2.50D L	4	
7	360364	(000000-) Hose, Intake, Die	1	
▽	8	360707	(000000-) Air Cleaner Assy	1
▲	9	361201	(000000-) Element, Air Filter	1
▲	10	361323	(000000-) Nut Assy Dn	1
▲	11	361325	(000000-) Cup Assy Dn	1
▲	12	361324	(000000-) Clamp Assy Dn	1
13	388426	(000000-) Baffle	1	
14	16931	(000000-) Screw, Hex, M8 X 1.25 X 20, 8.8	6	
15	32490	(000000-) Washer, Flat, 0.25, Std	4	
16	07791	(000000-) Nut, Hex, Fing, M8 X 1.25	6	

Fig. 14 - Engine Radiator Group, Diesel

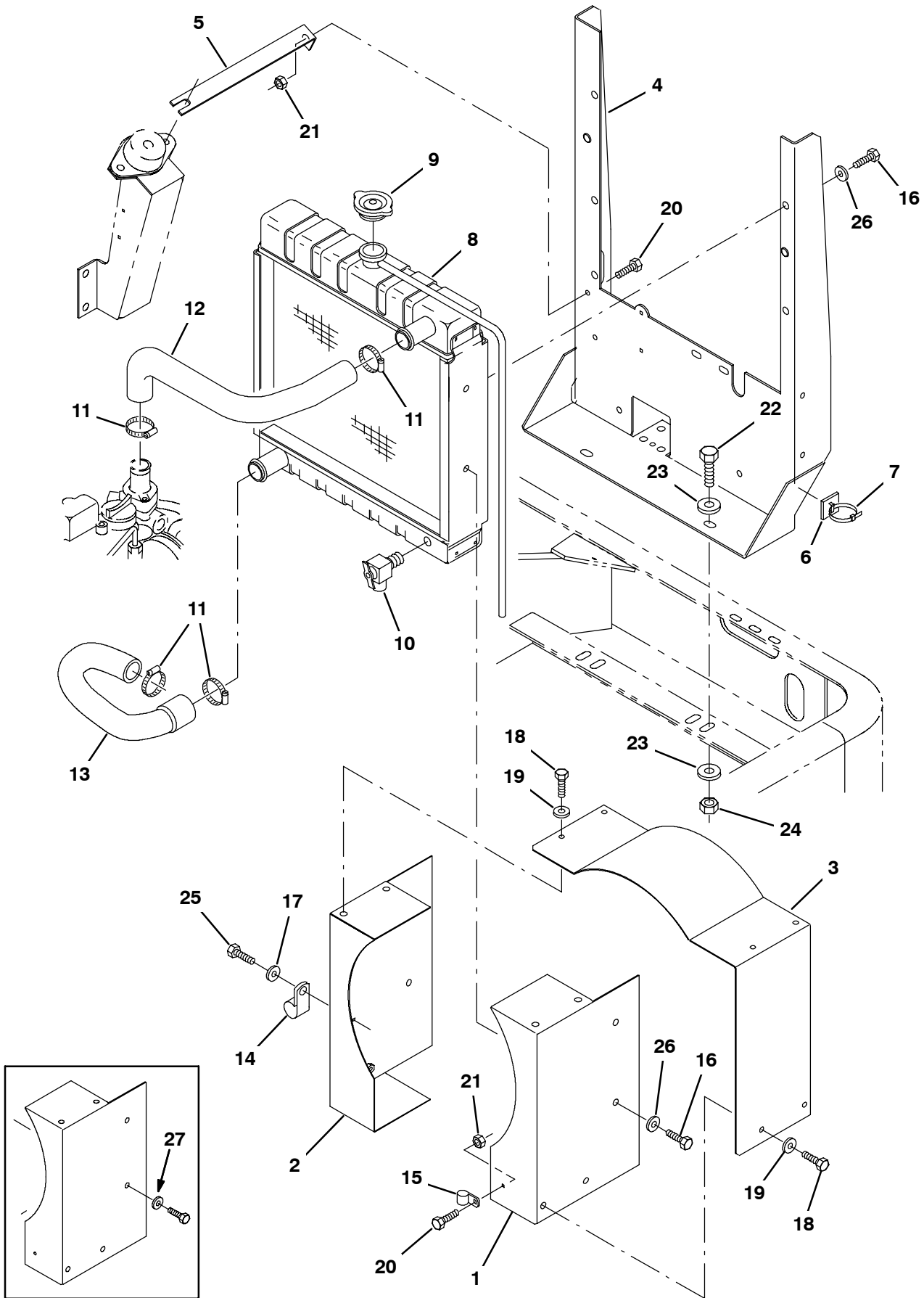


Fig. 14 - Engine Radiator Group, Diesel

Ref.	Part No.	Serial Number	Description	Qty.
1	360620	(000000-) Panel, Shroud	1
2	360621	(000000-) Panel, Shroud	1
3	361273	(000000-) Radiator Guard W/Label	1
4	360799	(000000-) Angle, Radiator Mt	1
5	360787	(000000-) Angle, Brace	1
6	55248	(000000-) Cabletie Mount, Adhesive	2
7	49266	(000000-) Tie, Cable 1.75D Max 7.50Lg	2
8	360341	(000000-004058) Radiator	1
8	1041869	(004059-) Radiator, Alm	1
9	1045764	(000000-) Cap, Radiator, 14psi [Stant]	1
10	51305	(000000-) Drain Cock,.25Npt Wh#120 Angl	1
11	11399	(000000-) Clamp-Wormdrive, 0.81- 1.50D	4
12	360363	(000000-) Hose, Radiator, Upper	1
13	360362	(000000-) Hose, Radiator, Lower	1
14	67767	(000000-) Clamp, Cable, Stl, 0.69d X 0.62w, 1hole	1
15	40678	(000000-) Clamp,Cable .44D .62Wide	1
16	54394	(000000-004058) Screw, Hex, .31-18 X 0.50, 5	8
16	50388	(004059-) Screw, Hex, M8 X 1.25 X 12, 8.8	8
17	32490	(000000-) Washer, Flat, 0.25 Std	1
18	06942	(000000-) Screw, Hex, M6 X 1.0 X 16, 8.8	6
19	19066	(000000-) Washer, Flat, #10	6
20	16735	(000000-) Screw, Hex, M8 X 1.25 X 16, 8.8	2
21	07791	(000000-) Nut, Hex, Flng, M8 X 1.25	2
22	39283	(000000-) Screw, Hex, M10 X 1.50 X 25, 8.8	2
23	32492	(000000-) Washer, Flat, 0.38, Std	4
24	41430	(000000-) Nut, Hex, Lock, M10 X 1.5, NI	2
25	06943	(000000-) Screw, Hex, M6 X 1.00 X 20, 8.8	1
26	39349	(004059-) Washer, Flat, 0.31, Sae	8
27	32490	(000000-004058) Washer, Flat, 0.25 Std	8

Fig. 15 - Engine Fuel Tank Group, Diesel

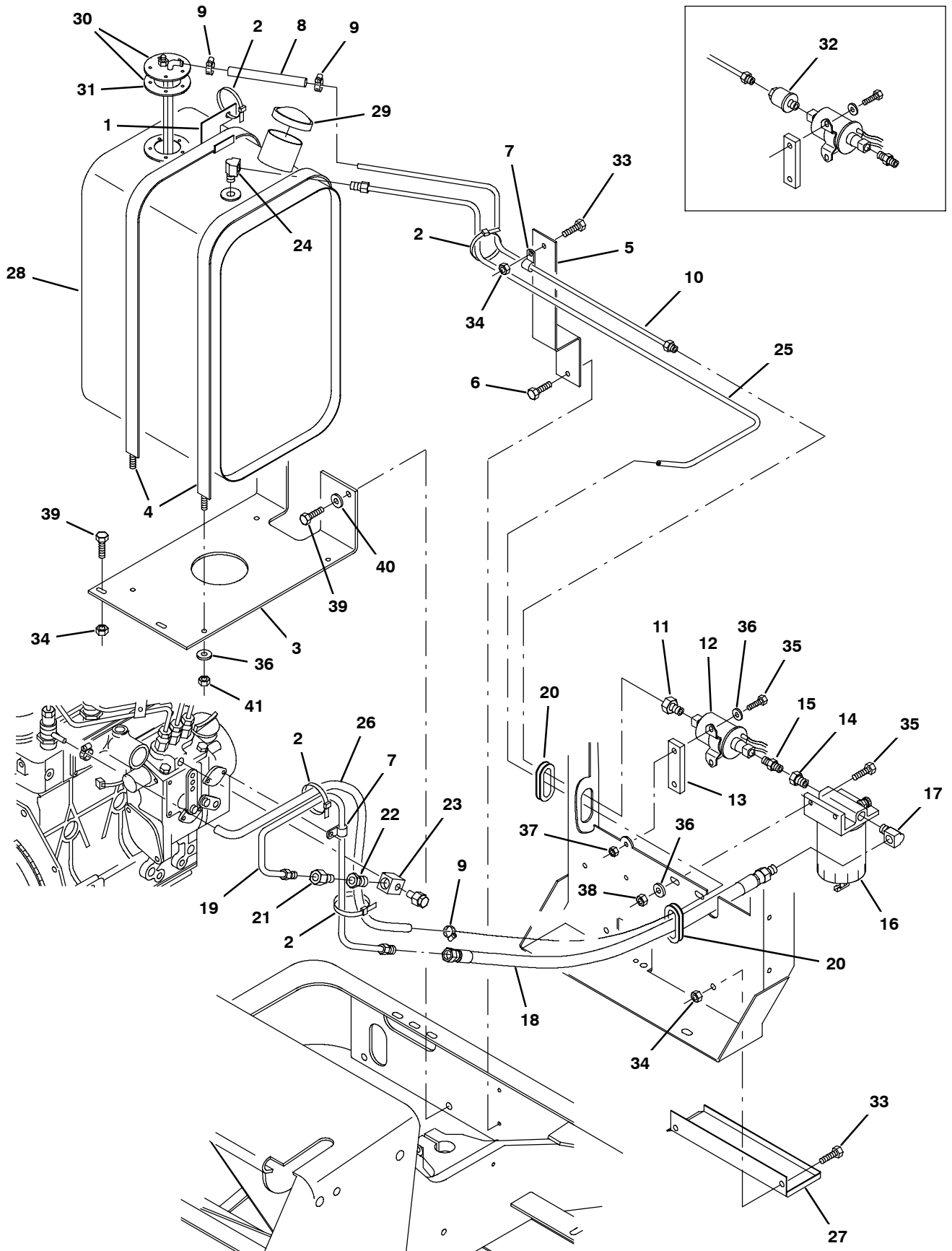


Fig. 15 - Engine Fuel Tank Group, Diesel

Ref.	Part No.	Serial Number	Description	Qty.	
1	70767	(000000-) Tab,Fuelline	1	
2	49266	(000000-) Tie, Cable 1.75D Max 7.50Lg	9	
3	360403	(000000-) Bracket, Mtg, Fuel Tank	1	
4	360098	(000000-) Strap Wldt, Fuel Tank	2	
5	360760	(000000-) Bracket, Support, Fuelline	1	
6	74455	(000000-) Scr-Hx Fmgm 6X1.0 12	2	
7	40678	(000000-) Clamp,Cable .44D .62Wide	2	
8	81584	(000000-) Hose, Fuel, 0.31Id 05.0L	1	
9	43844	(000000-) Clamp-Wormdrive, 0.25- 0.62D	4	
10	360836	(000000-) Fuel Line, Die. Tank-Pump	1	
11	40585	(002601-) Fitting, Brs, Str, Pm02/lf05	1	
12	59015	(000000-) Pump, Fuel	1	
13	360877	(000000-) Spacer, Fuel Pump	1	
14	17414	(000000-) Ftg-Hyd Str Pm04/Pf02	1	
15	47566	(000000-) Ftg-Hyd Str Pm02/Pm02	1	
▽	16	1016827	(000000-) Filter Assy, Fuel, Diesel	1
▲		1017126	(000000-) Filter, Fuel, Element	1
	17	15555-2	(000000-) Fitting, Brass E90	1
	18	70173	(000000-) Hose, Fuelline, 10.0L	1
	19	360837	(000000-) Fuel Line, Die Engine	1
	20	54345	(000000-) Grommet, Rbr1.62Id,For .13Matl	2
	21	40585	(000000-) Ftg-Brs Str lf05/Pm02	1
	22	24698	(000000-) Ftg-Str Npt/Npt 02Pf-06Pm	1
	23	360872	(000000-) Ftg, Banjo, Fuel	1
	24	53078	(000000-) Ftg-Brs E90 lf03/Pm02	1
	25	361261	(000000-) Fuelline	1
	26	87738	(000000-) Hose, Rbr .188 I.D. X 29.0 Lg	1
	27	361209	(000000-) Channel, Fuel Drip Shield	1
▽	28	361279	(000000-005430) Tank, Fuel, Die W/Label	1
▽	28	9003935	(005431-) Tank, Fuel, 07.3gal, W/ Label [6400d 08]	1
▲	29	48267	(000000-) Cap, Fuel	1
▲▽	30	361113	(000000-) Ohm Sending Unit	1
▲▲	31	14131	(000000-) Gasket, 2.7D 1.5B.12T 5/ 2.1Bc	1
	32	375062	(000000-002600) Kit, Ci, Fuel Filter Removal [6400D]	1
	33	16735	(000000-) Screw, Hex, M8 X 1.25 X 16, 8.8	3
	34	07791	(000000-) Nut, Hex, Flng, M8 X 1.25	4
	35	06943	(000000-) Screw, Hex, M6 X 1.00 X 20, 8.8	2
	36	32490	(000000-) Washer, Flat, 0.25, Std	6
	37	07790	(000000-) Nut, Hex, Flng, M6 X 1.00	2
	38	08708	(000000-) Nut, Hex, Lock, M6 X 1.00, NI	2
	39	16931	(000000-) Screw, Hex, M8 X 1.25 X 20, 8.8	3
	40	32491	(000000-) Washer, Flat, 0.31, Std	3
	41	32981	(000000-) Nut, Hex, Lock, .25-20, NI	2

Fig. 16 - Engine Muffler Group, Diesel

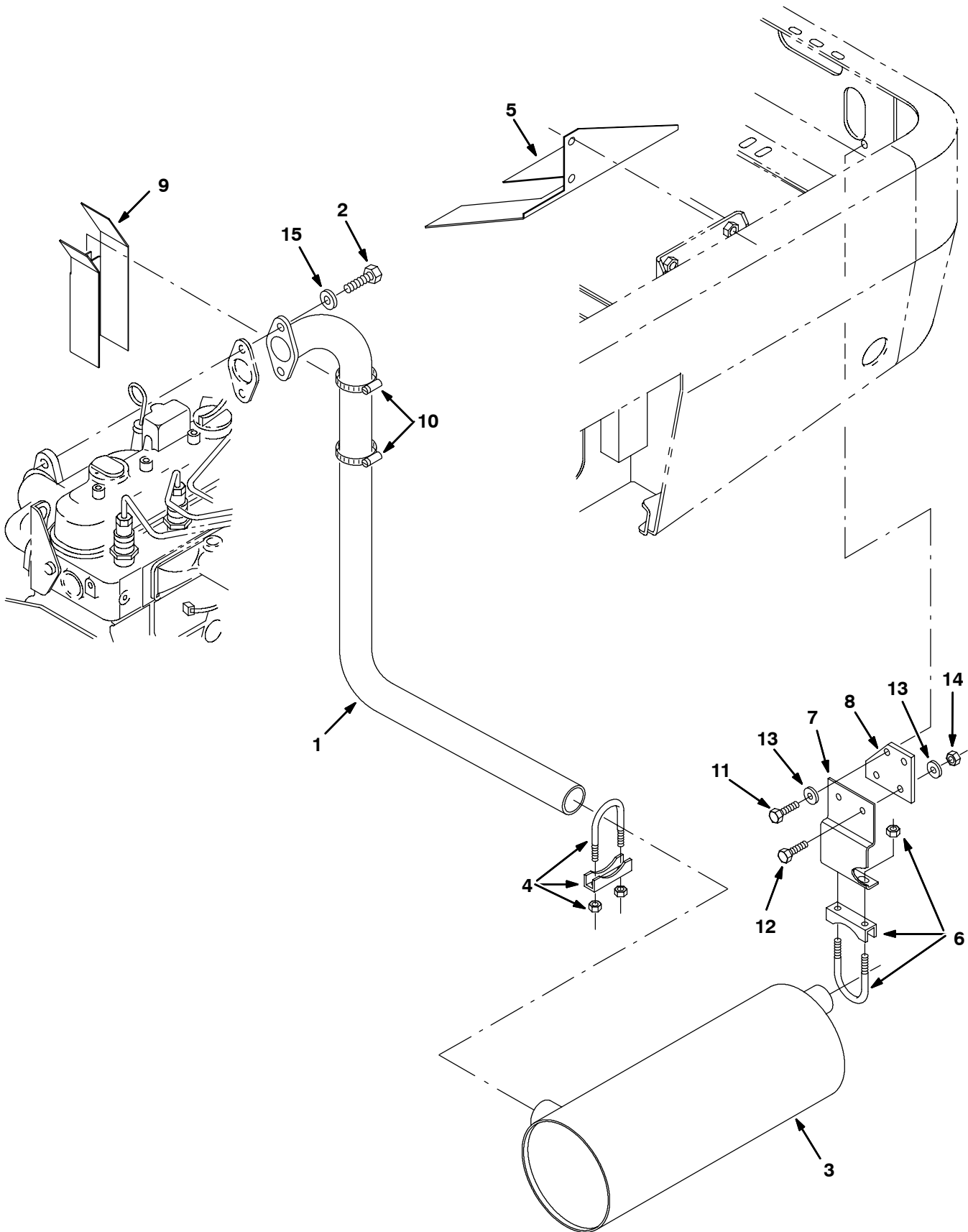


Fig. 16 - Engine Muffler Group, Diesel

Ref.	Part No.	Serial Number	Description	Qty.
1	360367	(000000-) Pipe, Exhaust, Die	1
2	58286	(000000-) Scr-Hex M10X1.25 20 8.8 Pltd	2
3	360372	(000000-) Muffler	1
4	24012-1	(000000-) Clamp-Muff,For 1.75 Od Tube L	1
5	361251	(000000-) Plate, Drip Shield, Muffler	1
6	23694	(000000-) Clamp-Muffler,For 1.37 Od Tube	1
7	360629	(000000-) Angle, Mtg, Muffler	1
8	360876	(000000-) Isolator, Exhaust	1
9	360972	(000000-) Guard, Exhaust	1
10	11531	(000000-) Clamp-Wormdrive, 1.06- 2.00D	2
11	12333	(000000-) Scr Hexssm 8 X 1.25 25 Nyloc	2
12	39277	(000000-) Screw, Hex, M8 X 1.25 X 25, 8.8	2
13	32491	(000000-) Washer, Flat, 0.31, Std	4
14	08709	(000000-) Nut, Hex, Lock, M8 X 1.25, NI	2
15	32485	(000000-) Washer, Flat, 0.38, Sae	2

Fig. 17 - Engine Battery Group, Diesel

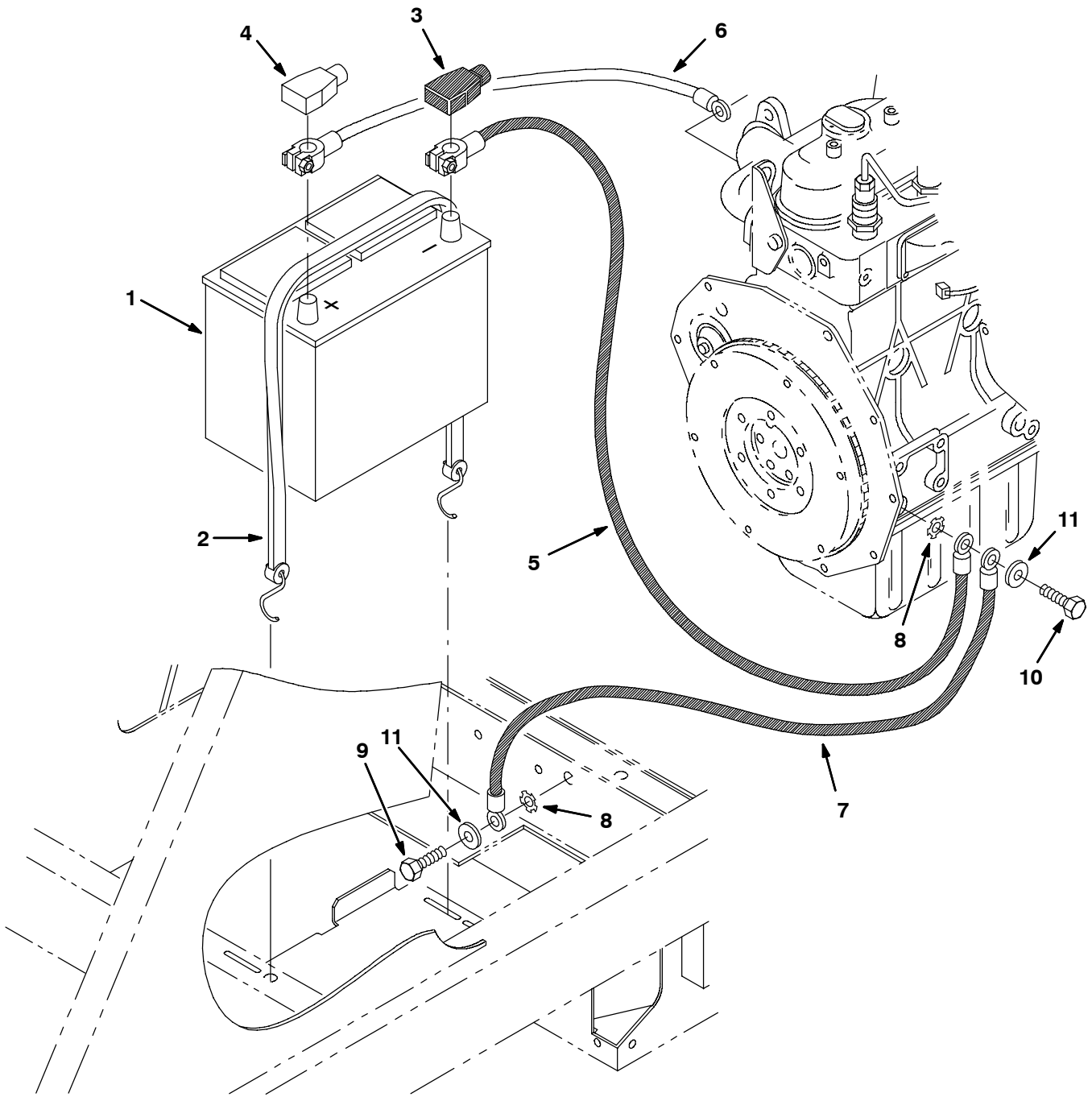


Fig. 17 - Engine Battery Group, Diesel

Ref.	Part No.	Serial Number	Description	Qty.
1	10143	(000000-) Battery, 12V, Cc Amps:600 Wet	1
2	33671	(000000-) Strap,Rubber Tie-Down	1
3	68872	(000000-) Boot,Batt.Term.1-2Ga. Black	1
4	68873	(000000-) Boot,Batt.Term. 1-2Ga. Red	1
5	360819	(000000-) Cable, Battery, Negative	1
6	31258	(000000-) Cable, Battery Pos 4Ga. 38L	1
7	29832-5	(000000-) Wire Assy,Cable-11.0, 4 Ga,Blk	1
8	41142	(000000-) Washer-Loc Int-Ext .38 Pltd	2
9	58286	(000000-) Screw, Hex, M10 X 1.25 X 20, 8.8	1
10	06961	(000000-) Screw, Hex, M10 X 1.50 X 20, 8.8	1
11	32485	(000000-) Washer, Flat, 0.38, Sae	2

Fig. 18 - Directional Pedal Group

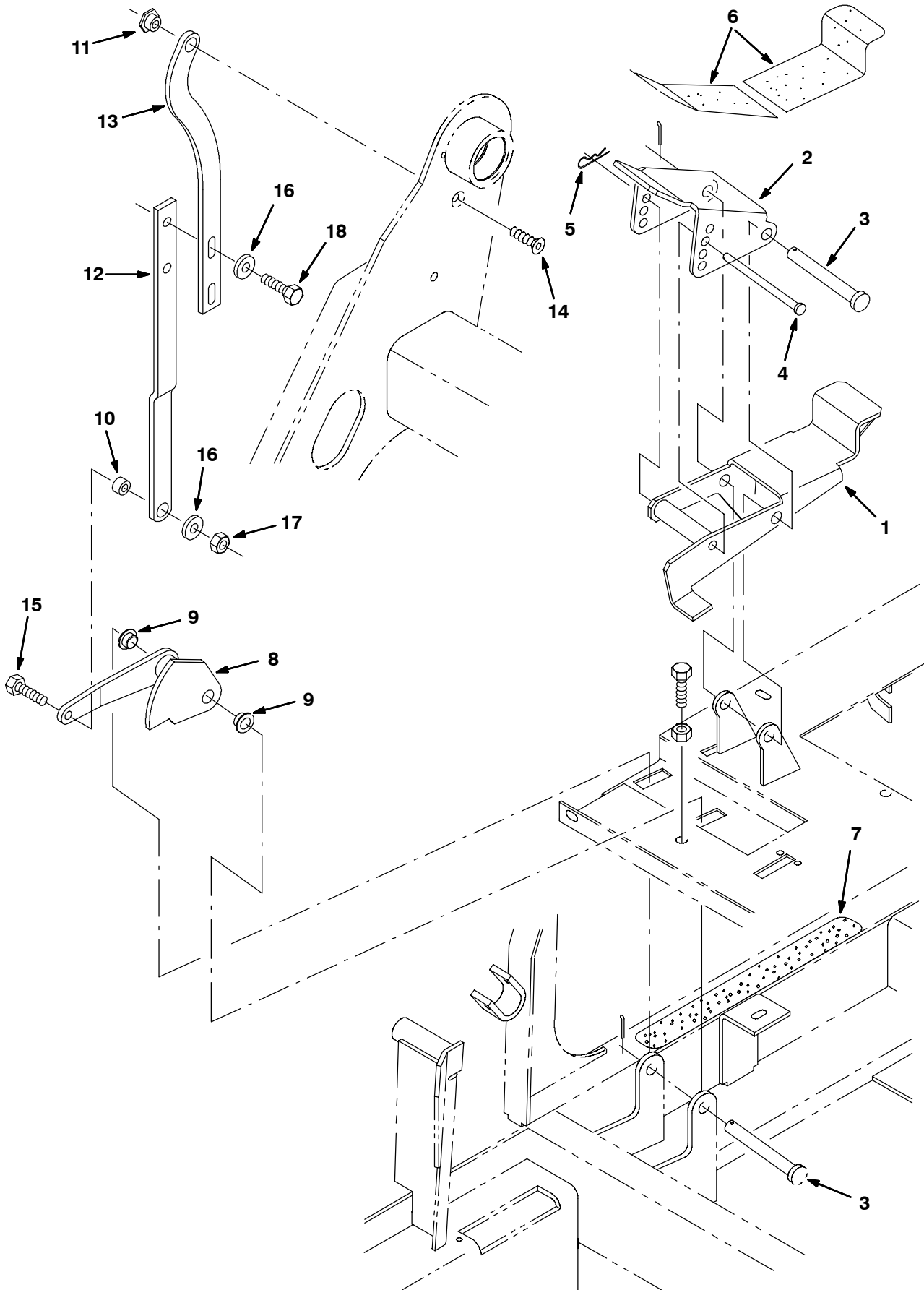


Fig. 18 - Directional Pedal Group

Ref.	Part No.	Serial Number	Description	Qty.
1	360344	(000000-) Pedal Wldt, Lower	1
2	75305	(000000-) Pedal, Upper	1
3	222196	(000000-) Pin, Roller	2
4	59672	(000000-) Pin, Clevis .31 Dia X 4.50 Lg	1
5	44906	(000000-) Pin, Hair Cotter 13D 3 Wire	1
6	75430	(000000-) Pad, Tread	1
7	86798	(000000-) Pad, Tread	1
8	360459	(000000-) Cam Wldt, Speed Limit	1
9	360917	(000000-) Bearing-Flange, .500Bore .38L	2
10	360460	(000000-) Spacer	1
11	360840	(000000-) Spacer, Pivot	1
12	360884	(000000-) Link, Speed Limit	1
13	360854	(000000-) Link, Speed Limit	1
14	360821	(000000-) Scr Flt M 8X1.25 16	1
15	76570	(000000-) Screw, Hex, M8 X 1.25 X 30, 8.8	1
16	32491	(000000-) Washer, Flat, 0.31, Std	3
17	08709	(000000-) Nut, Hex, Lock, M8 X 1.25, NI	1
18	16931	(000000-) Screw, Hex, M8 X 1.25 X 20, 8.8	2

Fig. 19 - Wheel and Brake Group, Front

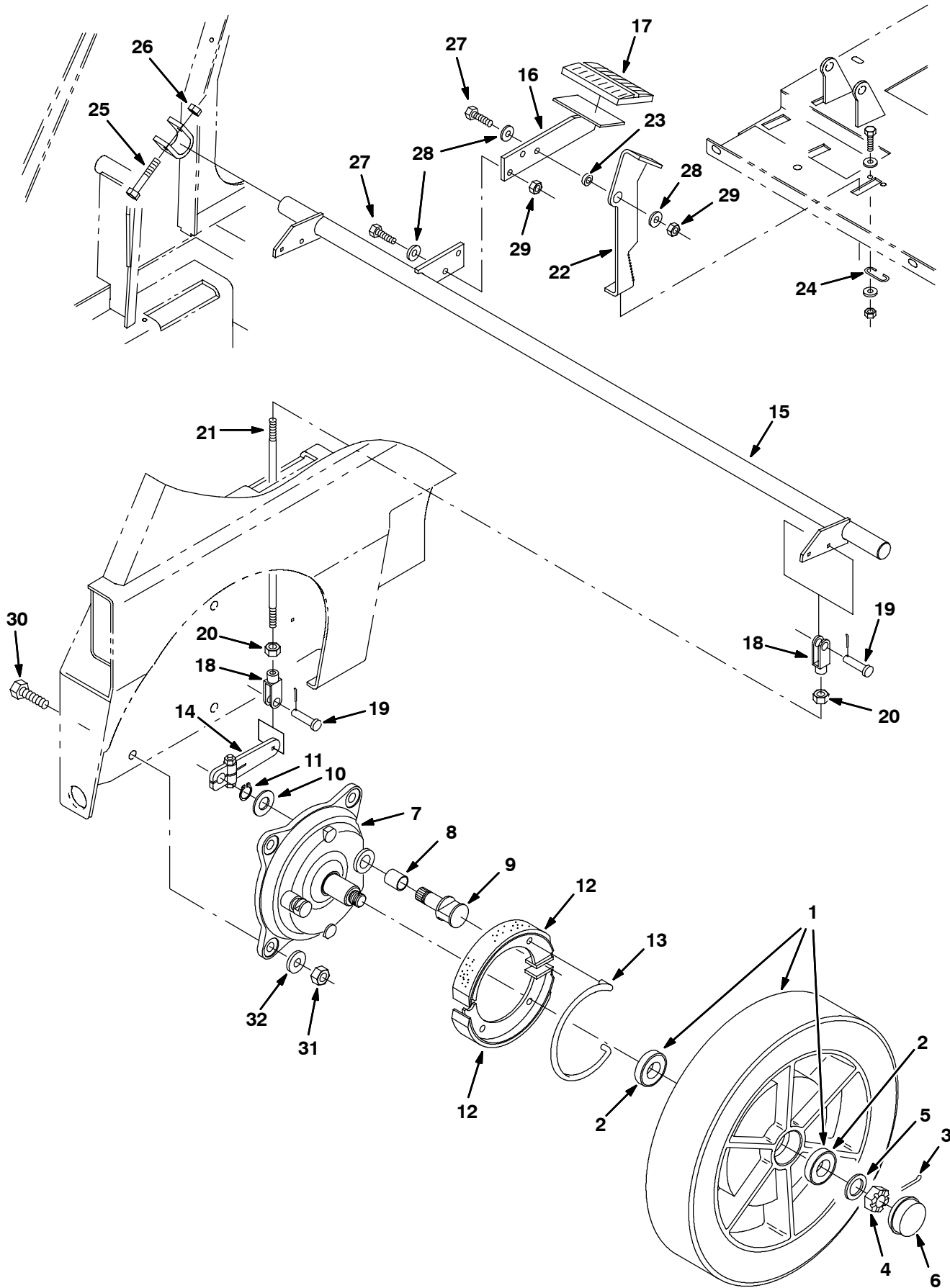


Fig. 19 - Wheel and Brake Group, Front

Ref.	Part No.	Serial Number	Description	Qty.
▽	1	360071	(000000-) Wheel Assy	2
▲	2	360074	(000000-) Bearing-Ball,1.18B 2.44D 0.63W	2
	3	08182	(000000-) Pin, Cotter, .125 X 1.00	2
	4	86659	(000000-) Nut-Hxslot .75-16 Pltd	2
	5	49145	(000000-) Washer, .765B 1.5Od .06Ss18-8	2
	6	54390	(000000-) Cap, Hub	2
▽		360023	(000000-) Brake Assy	2
▲	7	360270	(000000-) Backing Plate Kn	1
▲	8	360271	(000000-) Bushing,B20 D22 L24	1
▲	9	360272	(000000-) Cam,Nickel Plated Kn	1
▲	10	360273	(000000-) Washer-Flt 21 X37 X3 M20	1
▲	11	360274	(000000-) Ring, Retain,Ex,A20X1.2 D471	1
▲	12	360275	(000000-) Shoe, Brake	2
▲	13	360276	(000000-) Spring, Return, Brake	1
	14	360802	(000000-) Lever, Brake	2
	15	360054	(000000-) Lever Wldt, Brake	1
	16	360633	(000000-) Plate Wldt, Brake Lever	1
	17	51109	(000000-) Pad	1
	18	14595-1	(000000-) Clevis,Adjust.0.25-28Th.Cad.	4
	19	14605	(000000-) Pin,Clevis,0.25 Dia.X 0.75 Lg	4
	20	32899	(000000-) Nut-Hx Jam .25-28 Pltd	4
	21	360935	(000000-) Rod	2
	22	360345	(000000-) Lever, Brake Stop	1
	23	360352	(000000-) Spacer	1
	24	97031	(000000-) Spring, Parking Brake	1
	25	06949	(000000-) Screw, Hex, M6 X 1.00 X 50, 8.8	2
	26	08708	(000000-) Nut, Hex, Lock, M6 X 1.00, NI	2
	27	39277	(000000-) Screw, Hex, M8 X 1.25 X 25, 8.8	3
	28	32491	(000000-) Washer, Flat, 0.31, Std	4
	29	08709	(000000-) Nut, Hex, Lock, M8 X 1.25, NI	3
	30	06968	(000000-) Screw, Hex, M12 X 1.75 X 35, 8.8	8
	31	08711	(000000-) Nut, Hex, Lock, M12 X 1.75, NI	8
	32	32486	(000000-) Washer Flat,0.50,Sae	8

Fig. 20 - Wheel Group, Rear Drive

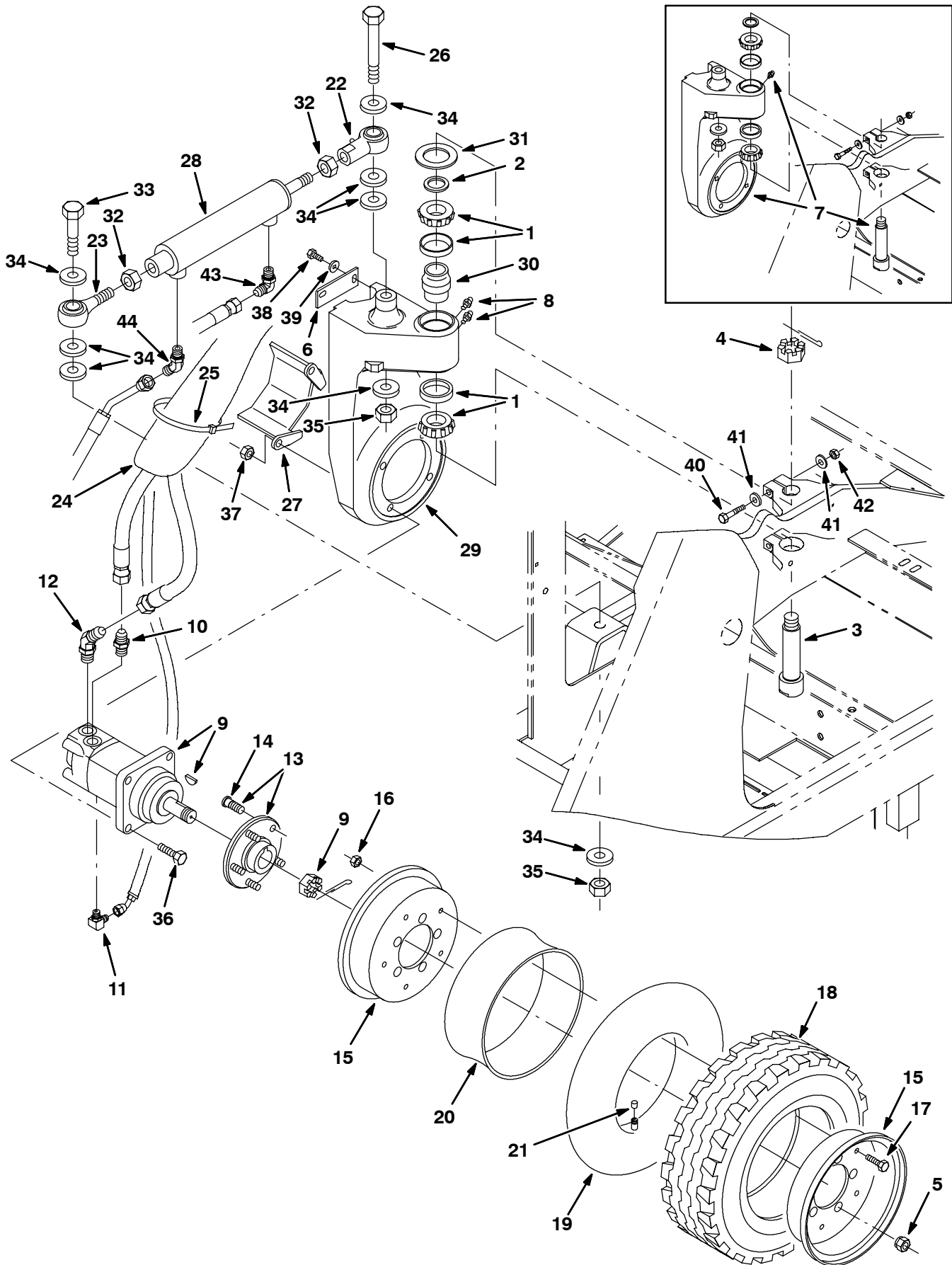


Fig. 20 - Wheel Group, Rear Drive

Ref.	Part No.	Serial Number	Description	Qty.	
1	49225	(000000-) Bearing, Cup&Cone Assy	1	
2	47719	(000000-) Washer, 1.255B 1.75D .12Hrs	1	
3	364861	(001677-) Pin, Pivot	1	
4	14242	(000000-) Nut-Hxslot 1.00-20 Pltd	1	
5	24339	(000000-) Nut Wheel .50-20 60 Angle	5	
6	58842	(000000-) Plate - Hose Support	1	
7	364949	(000000-001676) Replacement Kit, Rear Drive Housing F/360070	1	
8	47801	(000000-) Ftg, Grease.25-28Th Strt .63L	2	
9	361025	(000000-) Motor, Hyd Gear (See Breakdowns)	1	
10	46480	(000000-) Ftg-Hyd Str Jm10/Om10	1	
11	77097	(000000-) Ftg-Hyd E90 Jm04/Om04	1	
12	44936	(000000-) Ftg-Hyd E45 Jm10/Om10	1	
▽	13	82239	(000000-) Hub & Stud Assy	1
▲	14	32126	(000000-) Stud, Wheel .50-20 X 1.50	5
▽		360769	(000000-) Tire/wheel Assy, 16x6-8 10pr	1
▲	15	366104	(000000-) Rim Assy, 4.25" Bead X.188 Stl	1
▲	16	08714	(000000-) Nut, Hex, Lock, M10 X 1.5, NI, Ss	5
▲	17	39283	(000000-) Screw, Hex, M10 X 1.5 X 25, 8.8	5
▲▽		366094	(000000-) Tire, Tube & Flap Assy	1
▲▲	18	361081	(000000-) Tire	1
▲▲	19	361077	(000000-) Tube, Tire-Inner 16X6-8	1
▲▲	20	366092	(000000-) Flap, Tire 2F 500	1
▲	21	45786	(000000-) Cap, Valve Stem	1
	22	64887	(000000-) Rod-End, .75-16rh Fem 0.75b	1
	23	64886	(000000-) Rod-End .75-16 .75 Dia	1
	24	34329	(000000-) Sleeve-Nyln #28 20.0L	1
	25	49266	(000000-) Tie, Cable 1.75D Max 7.50Lg	1
	26	360152	(000000-) Screw-Hex .75-10X5.00	1
	27	72155	(000000-) Bracket, Drive Motor	1
▽	28	53601	(000000-004667) Cylinder-Hyd2.0X8.0Da1500Psi	1
▲		04483	(000000-004667) Seal Kit, Cyl, Hyd	1
	28	1028492	(004668-) Cylinder, Hyd, 2.0b,15.0l,08.00strk,1500	1
	29	364863	(001677-) Housing, Support, Drive	1
	30	364826	(001677-) Seal, Grease Cavity	1
	31	364827	(001677-) Washer, Felt	1
	32	43958	(000000-) Nut, Hex, Std, .75-16	2
	33	58056	(000000-) Screw, Hex, .75-10 X 3.00, 5	1
	34	39350	(000000-) Washer, Flat, 0.75 Sae	8
	35	32987	(000000-) Nut, Hex, Lock, .75-10, NI	2
	36	06972	(000000-) Screw, Hex, M12 X 1.75 X 60, 8.8	4
	37	08711	(000000-) Nut, Hex, Lock, M12 X 1.75, NI	4
	38	09011	(000000-) Screw, Hex, M8 X 1.25 X 30, Ss	2
	39	32491	(000000-) Washer, Flat, 0.31, Std	2
	40	06964	(000000-) Screw, Hex, M10 X 1.5 X 70, 8.8	2
	41	32485	(000000-) Washer, Flat, 0.38 Sae	4
	42	41430	(000000-) Nut, Hex, Lock, M10 X 1.5, NI	2
	43	56820	(000000-) Ftg-Hyd E90 Jm06/Om06	1
	44	47522	(000000-) Ftg-Hyd E45 Jm06/Om06	1

Fig. 21 - Brush Lift Group, Main

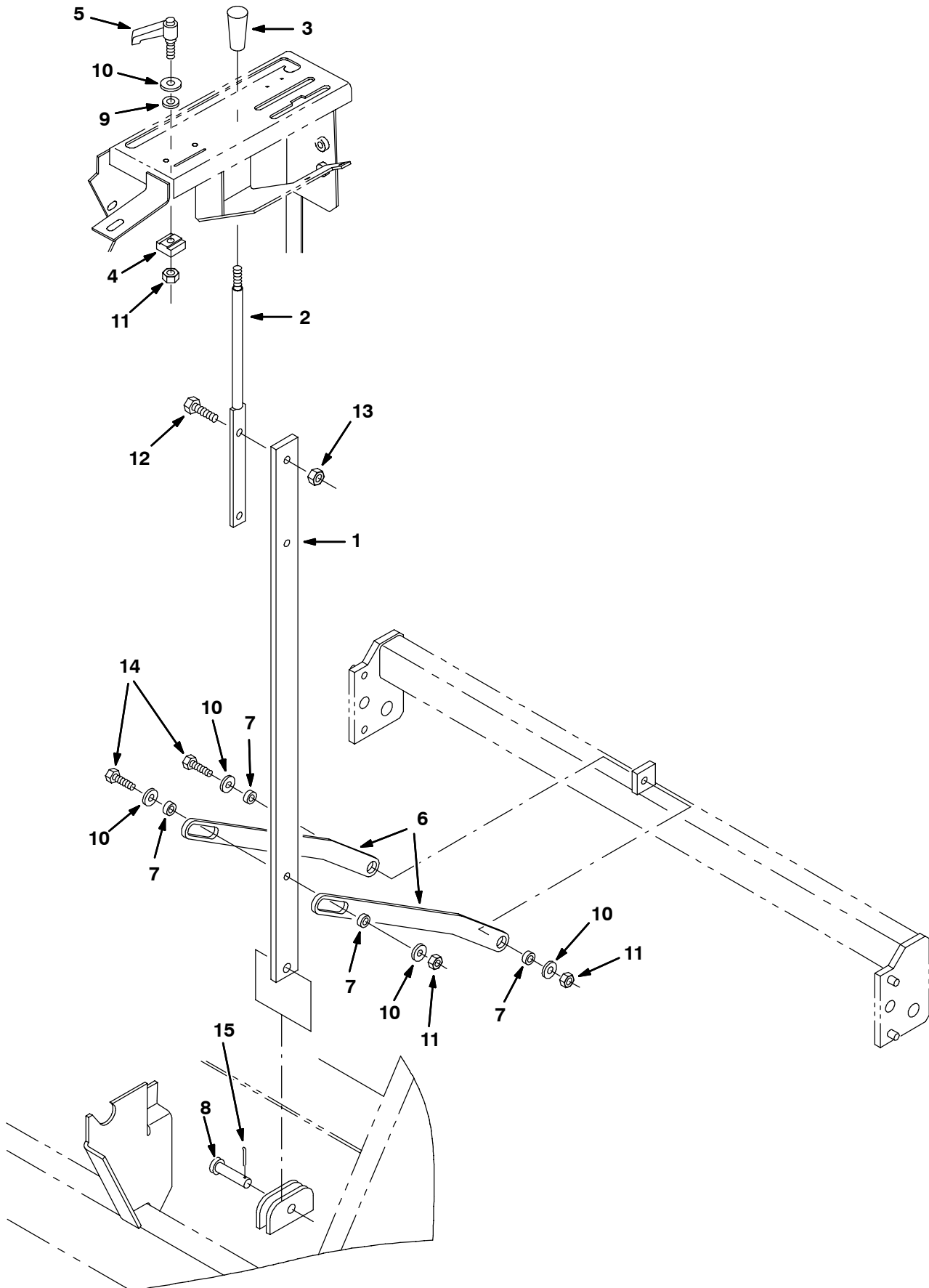


Fig. 21 - Brush Lift Group, Main

Ref.	Part No.	Serial Number	Description	Qty.
1	360144	(000000-) Lever, Brush Lift	1
2	361135	(000000-) Lever Wldt, Brush Lift	1
3	54995	(000000-) Knob, Tapered	1
4	360774	(000000-) Block, Adjusting	1
5	375020	(000000-) Lever, Adjustable, Plastic	1
6	360637	(000000-) Link, Main Brush Lift	2
7	360460	(000000-) Spacer	4
8	51529	(000000-) Pin, Clevis, 0.50 Dia. X 1.25 Lg	1
9	52296	(000000-) Washer, .405B .81D .06 Nylon	1
10	32491	(000000-) Washer, Flat, 0.31, Std	5
11	08709	(000000-) Nut, Hex, Lock, M8 X 1.25, NI	3
12	39277	(000000-) Screw, Hex, M8 X 1.25 X 25, 8.8	2
13	07791	(000000-) Nut, Hex, Flng, M8 X 1.25	2
14	06956	(000000-) Screw, Hex, M8 X 1.25 X 45, 8.8	2
15	08175	(000000-) Pin, Cotter, .125 X 1.25	1

Fig. 22 - Brush Drive Group, Main

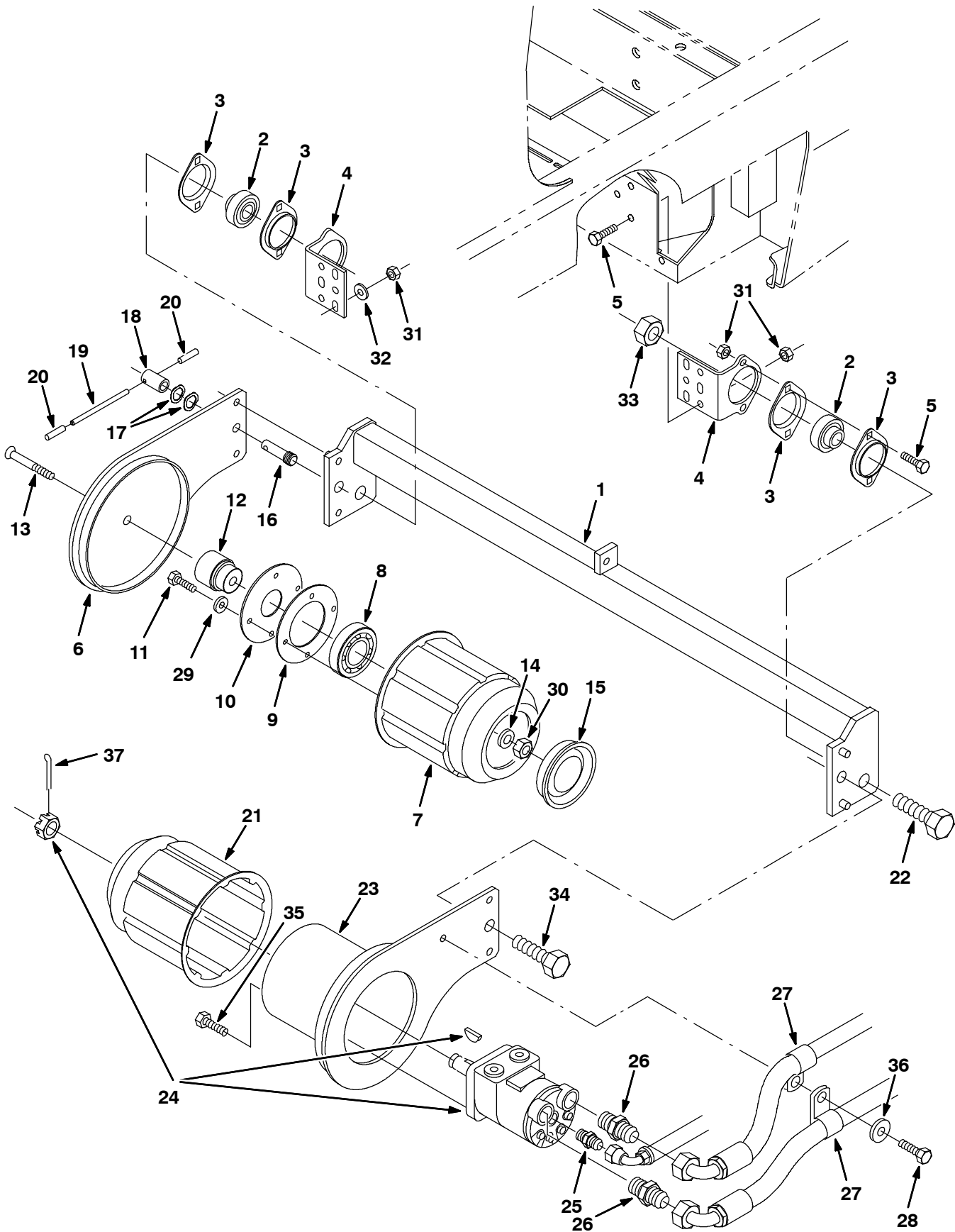


Fig. 22 - Brush Drive Group, Main

Ref.	Part No.	Serial Number	Description	Qty.
1	360120	(000000-) Tube Wldt, Torque	1
2	25887	(000000-) Bearing, .750 Bore	2
3	35973	(000000-) Flange, Bearing	4
4	360132	(000000-) Bracket, Mtg, Bearing	2
5	09740	(000000-) Scr Hexssm 8X1.25	10
6	360107	(000000-) Arm Wldt, Rh	1
7	55779	(000000-) Plug Wldt, Idler	1
8	24899	(000000-) Bearing-Ball, 1.38B 2.83D 0.67W	1
9	30252	(000000-) Strip Retainer Bearing	1
10	30253	(000000-) Plate Seal	1
11	12277	(000000-) Scr-Hexssm 6X1.0 20 Nylonloc	4
12	30251	(000000-) Shaft Idler	1
13	361555	(000000-) Scr, Flt M12X 1.75 80	1
14	51564	(000000-) Washer, .531B 1.75D .12Cr.Znc	1
15	30255	(000000-) Plug Tube	1
16	360110	(000000-) Stud, Special, M16X2.0	1
17	52508	(000000-) Washer-Wavy Spring	2
18	360109	(000000-) Sleeve	1
19	11631	(000000-) Pin, Roll, .25Odx3.50L, .250/.256	1
20	360492	(000000-) Cap	2
21	87631	(000000-) Plug Weld, Brush Drive, Sweep	1
22	39395	(000000-) Scr-Hex .75-10X2.50 Full Thd	2
23	360349	(000000-) Arm Wldt, Brush, Lh	1
24	361021	(000000-) Motor, Hyd Gear (See Breakdowns)	1
25	55586	(000000-) Ftg-Hyd Str Jm04/Om04	1
26	52402	(000000-) Ftg-Hyd Str Jm06/Om08	2
27	67767	(000000-) Clamp-Cable, .69Dia. 62Wth	2
28	12459	(000000-) Scr-Hxfmgm 6X1.0 20 Pltd	1
29	01684	(000000-) Washer, Flat, 0.25 Ss	4
30	08711	(000000-) Nut, Hex, Lock, M12 X 1.75, NI	1
31	08709	(000000-) Nut, Hex, Lock, M8 X 1.25, NI	10
32	32491	(000000-) Washer, Flat, 0.31, Std	3
33	32987	(000000-) Nut, Hex, Lock, .75-10, NI	2
34	06977	(000000-) Screw, Hex, M16 X 2.0 X 20, 8.8	1
35	01762	(000000-) Screw, Hex, .38-16 X 0.75, NI	4
36	32490	(000000-) Washer, Flat, 0.25 Std	1
37	08175	(000000-) Pin, Cotter, .125 X 1.25	1

Fig. 23 - Brush Lift Group, Side

Ref.	Part No.	Serial Number	Description	Qty.
1	360449	(000000-) Handle Wldt, Side Brush	1
2	360417	(000000-) Lever Wldt, Brush Lift	1
3	360961	(000000-) Spring, Torsion	1
4	54995	(000000-) Knob, Tapered	1
5	51813	(000000-) Pin, Clevis, 0.37 Dia. X 2.12 Lg	1
6	64173	(000000-) Bearing, .50X.38	1
7	39346	(000000-) Washer-Flt .44 Std Hard Pltd	1
8	360079	(000000-) Cable	1
9	360930	(000000-) Sleeve, .318B .50D .75 Ss	1
10	360631	(000000-) Sleeve, .510B .75D .44 Stlzn	1
11	222505	(000000-) Screw Hex Ssm 8X1.25 45	1
12	360801	(000000-) Sleeve, .318B .50D .25 Ss	1
13	360410	(000000-) Arm, Brush, Adj, Rh	1
14	360411	(000000-) Arm, Brush, Adj, Lh	1
15	360454	(000000-) Pulley	1
16	222460	(000000-) Tube, 0.49D 0.23B 0.5L Ss	1
17	360413	(000000-) Angle, Cable Keeper	1
18	360451	(000000-) Sleeve, .402B .62D1.31	1
19	29584	(000000-) Pin, Clevis, 0.37 Dia. X 2.00 Lg	1
20	71126	(000000-) Block	1
21	12364	(000000-) Ring, Retain, Ex, 0.375D, Klipring	2
22	360414	(000000-) Lever, Adjustable, Plastic	1
23	76570	(000000-) Screw, Hex, M08 X 1.25 X 30, 8.8	2
24	08709	(000000-) Nut, Hex, Lock, M8 X 1.25, NI	4
25	32491	(000000-) Washer, Flat, 0.31 Std	3
26	32492	(000000-) Washer, Flat, 0.38 Std	2
27	41430	(000000-) Nut, Hex, Lock, M10 X 1.5, NI	1
28	08179	(000000-) Pin, Cotter, .094 X 1.00	2

Fig. 24 - Brush Motor and Pivot Group, Side

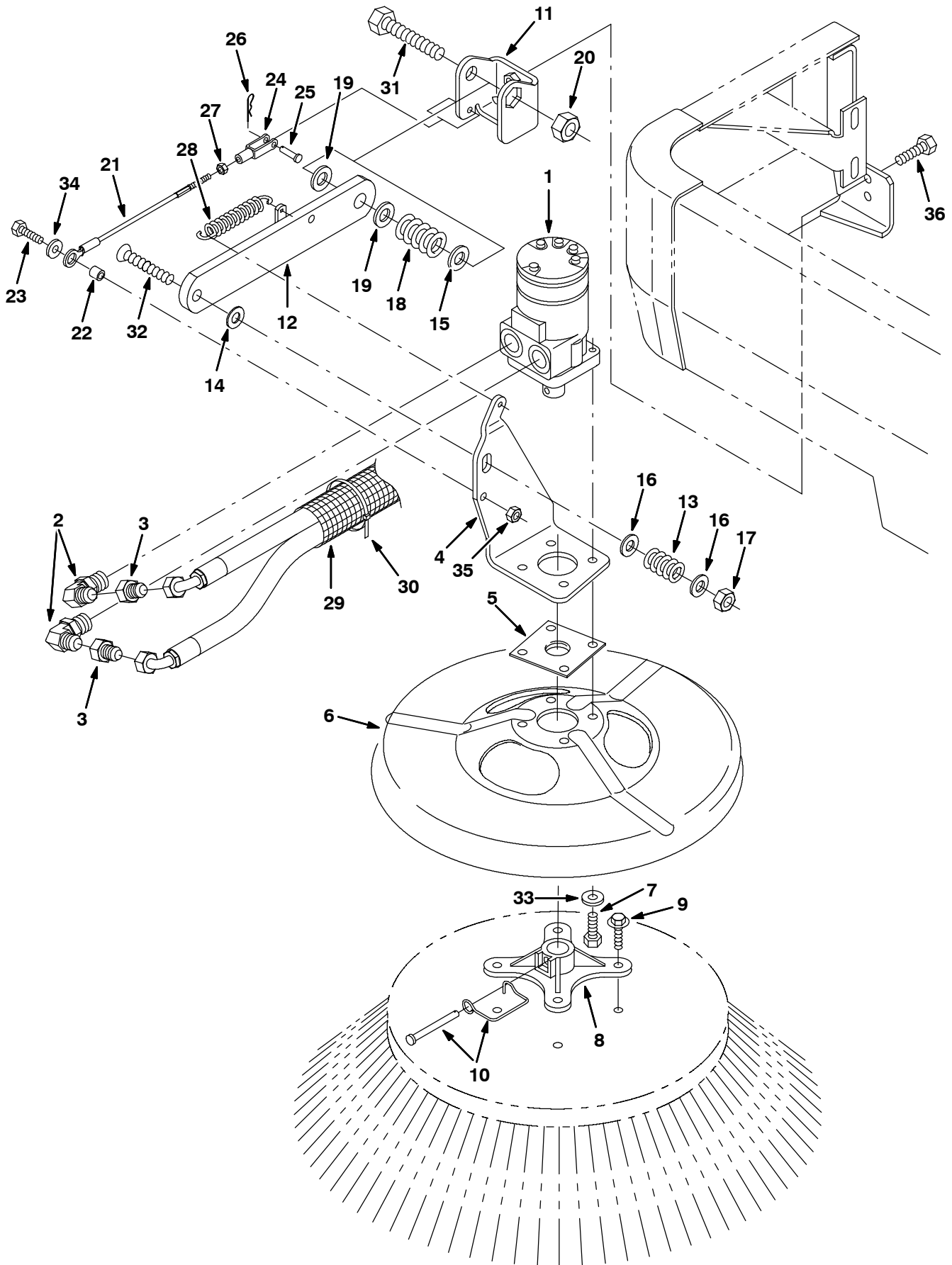


Fig. 24 - Brush Motor and Pivot Group, Side

Ref.	Part No.	Serial Number	Description	Qty.
1	361014	(000000-) Motor, Hyd Gear (See Breakdowns)	1
2	56821	(000000-) Ftg-Hyd E90 Jm08/Om10	2
3	47753	(000000-) Ftg-Hyd Str Jm06/Jf08	2
4	360028	(000000-) Bracket, Mtg, Motor	1
5	16082	(000000-) Guard, String, Brush Motor	1
6	53984	(000000-) Guard, Brush	1
7	46559	(000000-) Scr-Hex .38-16X1.25 Nylon Loc	4
8	47501	(000000-) Hub, Brush Adaptor, 1.00B	1
9	39396	(000000-) Scr-Lag .31-09X1.00 Pltd	4
10	84581	(000000-) Pin Assy, Side Brush W/Clip	1
11	360027	(000000-) Bracket, Mtg	1
12	361070	(000000-) Arm Wldt, Lift	1
13	360357	(000000-) Spring, Die .50ld 1.00Od 1.25L	1
14	59633	(000000-) Bearing, Thrust - Fiberglide	1
15	15331	(000000-) Washer Flt .62 Sae	1
16	32486	(000000-) Washer Flt .50 Sae	2
17	86029	(000000-) Nut-Hxflexloc .50-13 Thin Pltd	1
18	360081	(000000-) Spring, Die .62ld 1.25Od 1.75L	1
19	64425	(000000-) Washer, .656B 1.25D .06	2
20	33342	(000000-) Nut-Hxlocnyln M16X2.0 Reg Pltd	1
21	360078	(000000-) Cable	1
22	360801	(000000-) Sleeve, .318B .50D .25 Ss	1
23	09010	(000000-) Scr Hexssm 8X1.25 25	1
24	14595-1	(000000-) Clevis,Adjust.0.25-28Th.Cad.	1
25	14605	(000000-) Pin,Clevis,0.25 Dia.X 0.75 Lg	1
26	08085	(000000-) Pin Hair Cotter .056Dx1.1L	1
27	32899	(000000-) Nut-Hx Jam .25-28 Pltd	1
28	29499	(000000-) Spring, Tens.750Dx.10Wirex4.5	1
29	361084	(000000-) Sleeve, Nyl #27 60.0L	1
30	49266	(000000-) Tie, Cable 1.75D Max 7.5 Lg	2
31	06988	(000000-) Screw, Hex, M16 X 2.0 X 90, 8.8	1
32	27108	(000000-) Screw, Flt, .50-13 X 2.50, Al	1
33	32492	(000000-) Washer, Flat, 0.38 Std	4
34	32491	(000000-) Washer, Flat, 0.31, Std	1
35	08709	(000000-) Nut, Hex, Lock, M8 X 1.25, NI	1
36	09028	(000000-) Screw, Hex, M10 X 1.5 X 25, Ss	2

Fig. 25 - Vacuum Fan Control Group

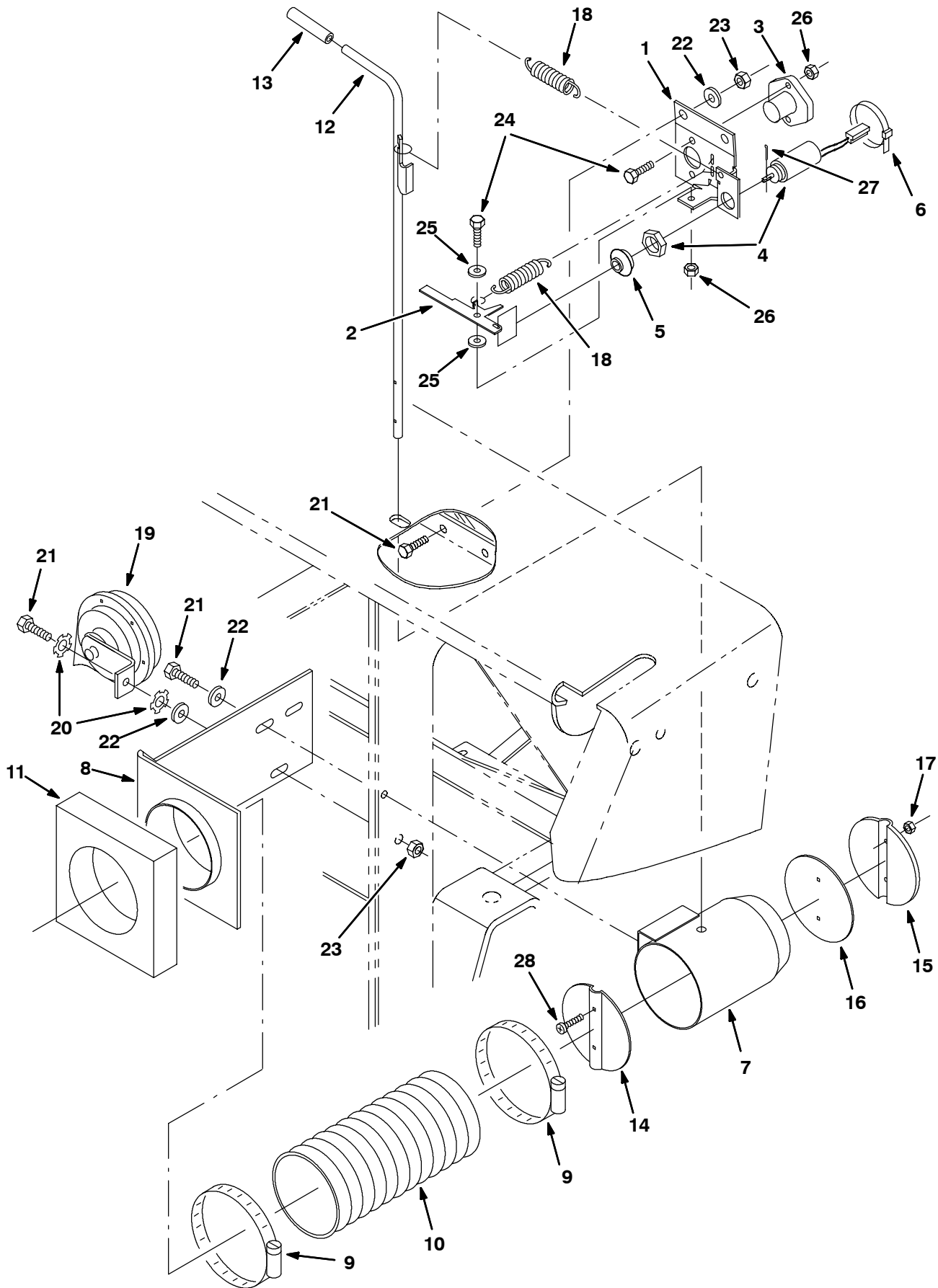


Fig. 25 - Vacuum Fan Control Group

Ref.	Part No.	Serial Number	Description	Qty.
1	360660	(000000-) Bracket, Shaker Switch	1
2	375019	(000000-) Lever, Vac Fan	1
3	44078	(000000-) Switch, Pushmom, Spst100A 12V	1
4	87585	(000000-) Solenoid Assy. Gas, Lp, De.	1
5	87707	(000000-) Bellows, Solenoid .75-16	1
6	49266	(000000-) Tie, Cable 1.75D Max 7.50Lg	1
7	360655	(000000-) Tube Wldt, Vac Fan	1
8	360678	(000000-) Bracket Wldt, Duct	1
9	23498	(000000-) Clamp-Wormdrive, 2.63- 4.50D	2
10	360977	(000000-) Hose, Flexible 4.0 Id X 8.0 Lg	1
11	360979	(000000-) Seal, Vac Inlet	1
12	360658	(000000-) Rod Wldt, Damper	1
13	360981	(000000-) Grip, Vinyl, .375ld X 2.75	1
14	46140	(000000-) Damper Plate	1
15	49300	(000000-) Damper Weld.	1
16	87983	(000000-) Seal, Damper	1
17	75939	(000000-) Nut-Hxlocnyln 06-32 Regss18-8	2
18	09087	(000000-) Sprng,Tens,0.56Odx.05Wire 0.9L	2
19	369704	(000000-) Horn, 12V	1
20	41141	(000000-) Washer, Lock, Int-Ext, 0.31	2
21	39277	(000000-) Screw, Hex, M8 X 1.25 X 25, 8.8	5
22	32491	(000000-) Washer, Flat, 0.31, Std	5
23	07791	(000000-) Nut, Hex, Flng, M8 X 1.25	3
24	06943	(000000-) Screw, Hex, M6 X 1.00 X 20, 8.8	3
25	32483	(000000-) Washer, Flat, 0.25, Sae	2
26	08708	(000000-) Nut, Hex, Lock, M6 X 1.00, NI	3
27	08346	(000000-) Pin, Cotter, .125 X 0.75	1
28	25005	(000000-) Screw, Pan, Phl, 06-32 X 1.00, G1	2

Fig. 26 - Vacuum Fan Group

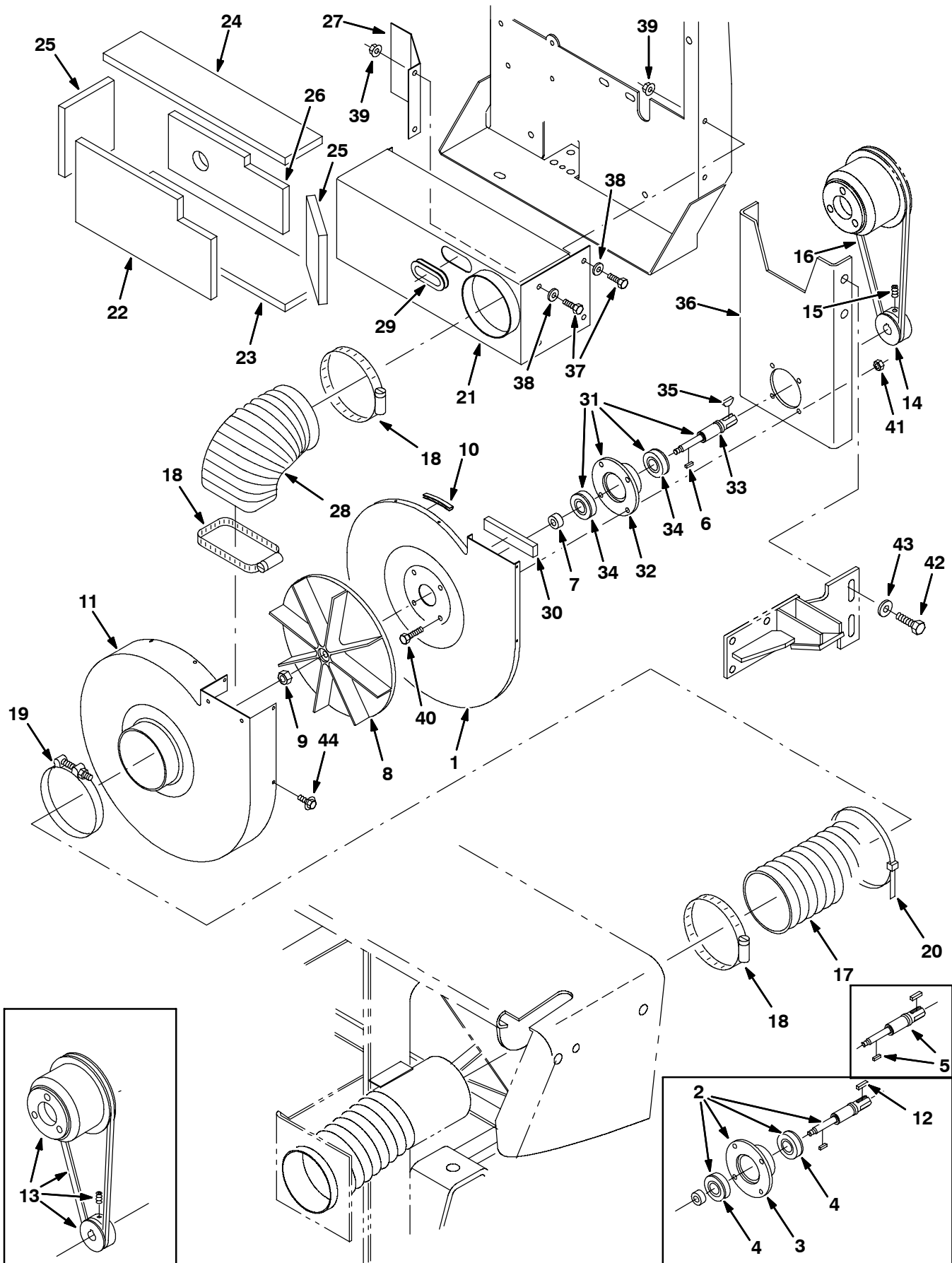


Fig. 26 - Vacuum Fan Group

Ref.	Part No.	Serial Number	Description	Qty.
	1	361272	(000000-) Plate, Vac Fan W/Label	1
▽	2	387388	(000000-002885) Kit, Repair, Shaft Assy	1
▲	3	41561	(000000-002885) Flange, Bearing	1
▲	4	32525	(000000-002885) Bearing-Ball,0.67B 1.57D 0.47W	2
	5	387389	(000000-002885) Kit, Repair, Shaft W/ Key	1
	6	00954	(000000-) Key Square 0.12 0.12 00 1.0 Lg	1
	7	10362	(000000-) Spacer	1
	8	74454	(000000-) Impeller, 9.00 Dia X 1.40w x0.376B	1
	9	87299	(000000-) Nut-Hx Flexloc .31-24 Thin Pltd	1
	10	59118-6	(000000-) Molding, Trim 16Ga & thinr 2.2	1
	11	87624	(000000-) Fan Wldt, Housing	1
	12	00911	(000000-002885) Key Square 0.18 0.18 00.75 Lg	1
	13	9001608	(000000-004341) Drive Kit, Vacfan, Ci [6400 Dsl]	1
	14	360181	(004342-) Sheave, 01grv, 02.6pd 0.63b [3v]	1
	15	39338	(004342-) Screw, Set, .31-18 X 0.50, Soc	1
	16	387153	(004342-) Belt, V, 35.5l [3v, 3vx]	1
	17	40870-8	(000000-) Hose&2Cuff Assy,Vinyl4.0ldx 50	1
	18	23498	(000000-) Clamp-Wormdrive, 2.63- 4.50D	3
	19	02912	(000000-) Clamp,Hose-4.0Dia.,Over Center	1
	20	32815	(000000-) Tie,Cable 8.00D Max 28.25Lg	3
▽	21	361296	(000000-) Muffler Assy, Vac Fan Wldt Kub	1
▲	22	361204	(000000-) Insulation, Soundfoam	1
▲	23	361205	(000000-) Insulation, Soundfoam	1
▲	24	361206	(000000-) Insulation, Soundfoam	1
▲	25	361207	(000000-) Insulation, Soundfoam	2
▲	26	361208	(000000-) Insulation, Soundfoam	1
	27	361203	(000000-) Angle, Baffle	1
	28	361153	(000000-) Hose, Flexflyte, Formed	1
	29	54345	(000000-) Grommet, Rbr1.62ld,For .13Matl	1
	30	361327	(000000-) Seal, Vac Fan Outlet	1
▽	31	387387	(002886-) Shaft Assy, Brg	1
▲	32	41561	(002886-) Bushing Assy, Flng, 4 Hole, 1.57B, Stl	1
▲	33	387376	(002886-) Shaft, Impeller	1
▲	34	32525	(002886-) Bearing, Ball, 0.67B 1.57D 0.47W	2
	35	00500-10	(002886-) Key, Woodruff, 0.19 0.75, [Asa#0606]	1
	36	360736	(000000-) Channel, Mtg, Fan	1
	37	06942	(000000-) Screw, Hex, M6 X 1.0 X 16, 8.8	5
	38	19066	(000000-) Washer, Flat, #10	5
	39	07790	(000000-) Nut, Hex, Flng, M6 X 1.0	5
	40	06943	(000000-) Screw, Hex, M6 X 1.0 X 20, 8.8	4
	41	08708	(000000-) Nut, Hex, Lock, M6 X 1.0, NI	4
	42	03192	(000000-) Screw, Hex, M10 X 1.5 X 30, 8.8	4
	43	32492	(000000-) Washer, Flat, 0.38 Std	4
	44	87838	(000000-) Screw, Hex, #06-20 X 0.50, Fmg, [Ab]	9

Fig. 27 - Hopper Lift Arms Group

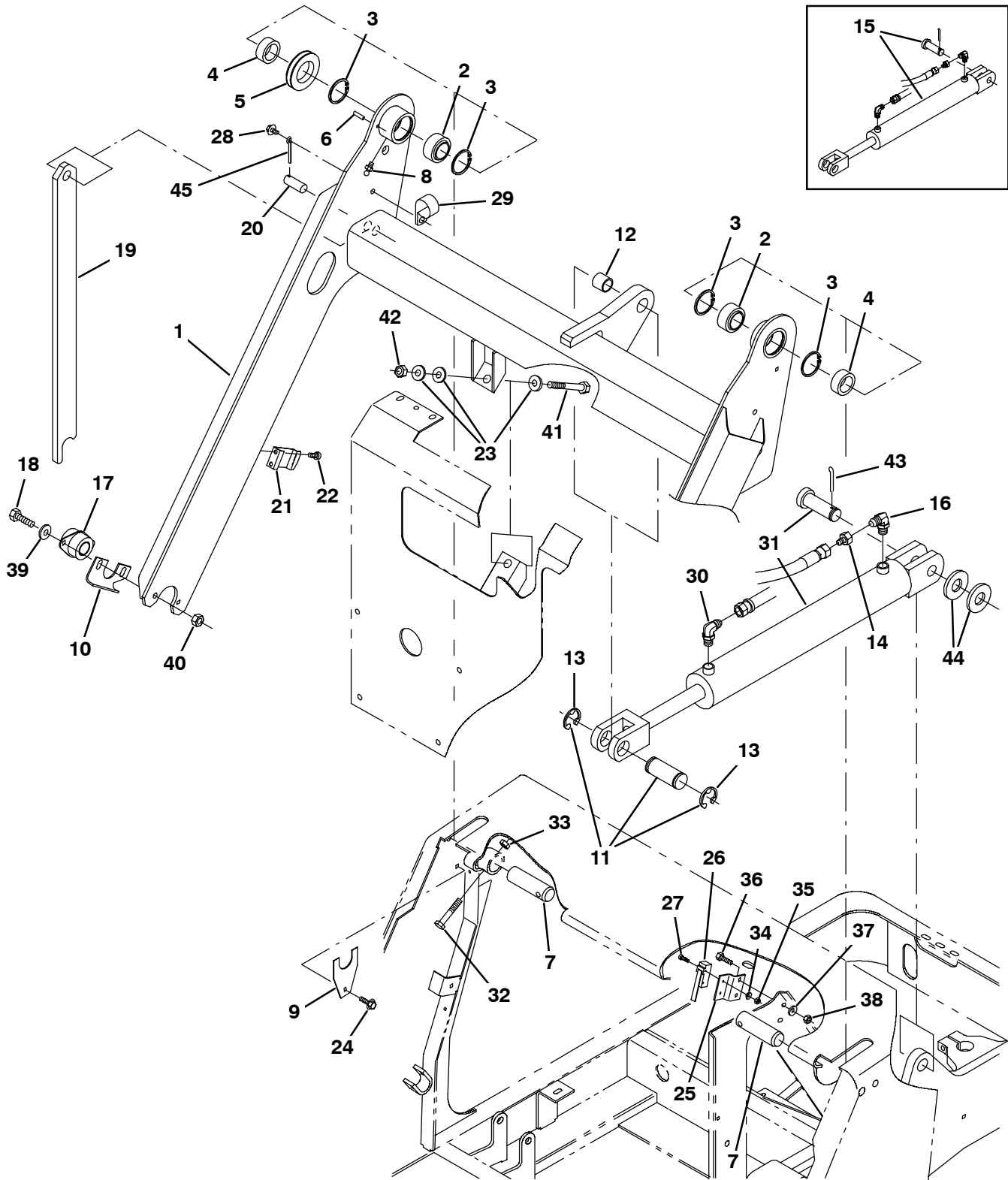


Fig. 27 - Hopper Lift Arms Group

Ref.	Part No.	Serial Number	Description	Qty.
1	361276	(000000-) Arm Assy, Lift W/Label	1
2	42120-1	(000000-) Bearing-Self Align 1.250 Bore	2
3	59542	(000000-) Ring, Retaining, Intl 2.00Dia	4
4	360455	(000000-) Sleeve, 1.253B 1.75D .69	2
5	360077	(000000-) Sheave	1
6	17404	(000000-) Pin, Roll, .25Odx0.75L, .250/.256	1
7	360064	(000000-) Pin	2
8	07259	(000000-) Ftg, Grease.25-28Th Strt .47L	2
9	360768	(000000-) Plate, Spacer, Lift Arm	8
10	360903	(000000-) Bracket, Guard	1
▽	11	361295	(000000-) Pin Assy, Clevis, Hopper Lift	1
▲	12	35529	(000000-) Bearing, Journal	1
▲	13	23788	(000000-) Ring, Retaining	2
	14	16455	(000000-) Ftg-Hyd Rst Jm04/.047	1
	15	361013	(000000-004890) Cylinder, Hyd 2.5B (See Breakdowns)	1
	16	47638	(000000-) Ftg-Hyd E90 Jm04/Om06	1
	17	87216	(000000-) Flange Bearing 1.00 Bore	2
	18	09028	(000000-) Scr Hexssm 10X1.5 25	4
	19	361274	(000000-) Arm, Safety, W/Label	1
	20	360386	(000000-) Pin	1
	21	87244	(000000-) Clip Spring Prop Arm	1
	22	48732	(000000-) Screw, Panssm 6X1.0	2
	23	36328	(000000-) Washer-Belleville .50 Pltd	3
	24	12459	(000000-) Scr-Hx Fmgm 6X1.0 20	2
	25	360766	(000000-) Bracket	1
	26	1008142	(000000-) Switch, Snap Actn, 250vdc 25a Spdt	1
	27	33933	(000000-) Scr Pan Ssm 3X0.5 25	2
	28	74455	(000000-) Scr-Hx Fmgm 6X1.0 12	1
	29	86328	(000000-) Clamp, Cable 1.5 Dia	1
	30	56820	(000000-) Ftg-Hyd E90 Jm06/Om06	1
	31	1026362	(004891-) Cylinder, Hyd, Hopper Lift	1
	32	06957	(000000-) Screw, Hex, M8 X 1.25 X 60, 8.8	2
	33	08709	(000000-) Nut, Hex, Lock, M8 X 1.25, NI	2
	34	39658	(000000-) Washer, Lock, Int, #04	2
	35	01754	(000000-) Nut, Hex, Std, M3 X 0.5, 8	2
	36	06943	(000000-) Screw, Hex, M6 X 1.0 X 20, 8.8	2
	37	32490	(000000-) Washer, Flat, 0.25 Std	2
	38	08708	(000000-) Nut, Hex, Lock, M6 X 1.0, NI	2
	39	32492	(000000-) Washer, Flat, 0.38 Std	4
	40	07792	(000000-) Nut, Hex, Flng, M10 X 1.5	4
	41	34877	(000000-) Screw, Hex, M10 X 1.5 X 100, 8.8	1
	42	41430	(000000-) Nut, Hex, Lock, M10 X 1.5, NI	1
	43	08298	(000000-) Pin, Cotter, .187 X 1.75	1
	44	32598	(000000-) Washer, Flat, 1.02b 1.75d .12, Stl	2
	45	08361	(000000-) Pin, Cotter, .250 X 1.25	1

Fig. 28 - Hopper Group

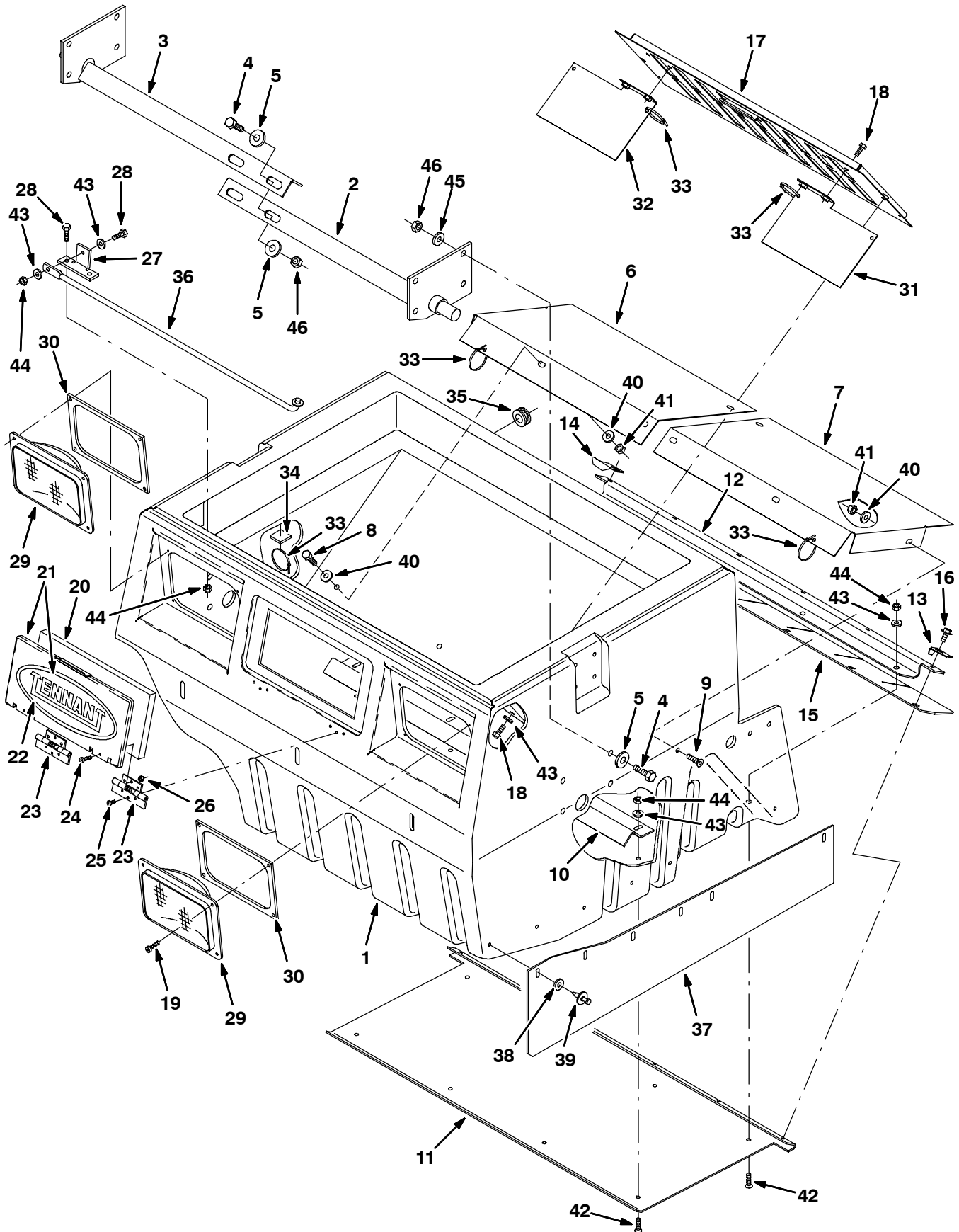


Fig. 28 -Hopper Group

Ref.	Part No.	Serial Number	Description	Qty.
1	360042	(000000-) Hopper	1
2	360192	(000000-) Plate Wldt, Pivot, Lh	1
3	360193	(000000-) Plate Wldt, Pivot, Rh	1
4	12317	(000000-) Scr Hexssm10X1.5 30	6
5	41619	(000000-) Washer Flt .50 Ss	8
6	360334	(000000-) Panel, Debris, Rh	1
7	360335	(000000-) Panel, Debris, Lh	1
8	09740	(000000-) Scr Hexssm 8X1.25	4
9	74077	(000000-) Screw, Flat,M 8X1.25 Ss 18-8	2
10	360426	(000000-) Angle, Bottom Stiffener	1
11	360191	(000000-) Plate, Wear	1
12	360194	(000000-) Strip, Retainer, Hopper Lip	1
13	360893	(000000-) Deflector, Hopper, Lh	1
14	360894	(000000-) Deflector, Hopper, Rh	1
15	360327	(000000-) Skirt, Lip	1
16	361339	(000000-) Scr-Hxfmgm 6X1.0 16 Pltd	6
17	360908	(000000-) Panel Wldt, Perma-Filter	1
18	15678	(000000-) Screw Hexssm 6X1.0	2
19	360943	(000000-) Scr-Pan 10-14X0.75 F/Plst PI	8
20	360890	(000000-) Seal, Door, Access	1
▽	21	360328	(000000-) Door, Access W/Label	1
▲	22	09806	(000000-) Label, Tennant Logo	1
▽		375134	(000000-) Hinge Set, Access, Door, Painted	1
▲	23	375133	(000000-) Hinge, Access, Door, Painted	2
▲	24	49697	(000000-) Scr Pan Ssm 4X0.7 25	2
▲	25	12323	(000000-) Scr Panssm 4X0.7 20	6
▲	26	33932	(000000-) Nut Hxlocnyln M 4X 0.7 Reg Ss	8
	27	360430	(000000-) Bracket, Support, Cover	1
	28	08716	(000000-) Screw Hex Ssm 6 X 1.0 20	3
▽	29	360822	(000000-) Headlight Assy, 12V	2
▲		45779	(000000-) Bulb	1
	30	360604	(000000-) Seal, Headlight	1
	31	360909	(000000-) Plate, Cover, Headlight Lh	1
	32	360910	(000000-) Plate, Cover, Headlight, Rh	1
	33	49266	(000000-) Tie, Cable 1.75D Max 7.50Lg	6
	34	55248	(000000-) Cabletie Mount, Adhesive	3
	35	10632-18	(000000-) Grommet,Rbr,0.69ld,For .25Matl	1
	36	360429	(000000-) Rod Wldt, Cover	1
	37	360786	(000000-) Skirt, Side Brush	1
	38	41178	(000000-) Washer-Flt .25 Fender Pltd	6
	39	72968	(000000-) Rivet, Plastic .250X.898	6
	40	32491	(000000-) Washer, Flat, 0.31, Std	10
	41	08709	(000000-) Nut, Hex, Lock, M8 X 1.25, NI	6
	42	06415	(000000-) Screw, Flt, M6 X 1.0 X 25, 10.9	8
	43	32490	(000000-) Washer, Flat, 0.25 Std	14
	44	08708	(000000-) Nut, Hex, Lock, M6 X 1.0, NI	11
	45	32492	(000000-) Washer, Flat, 0.38 Std	4
	46	41430	(000000-) Nut, Hex, Lock, M10 X 1.5, NI	6

Fig. 29 - Hopper Cover and Bumper Group

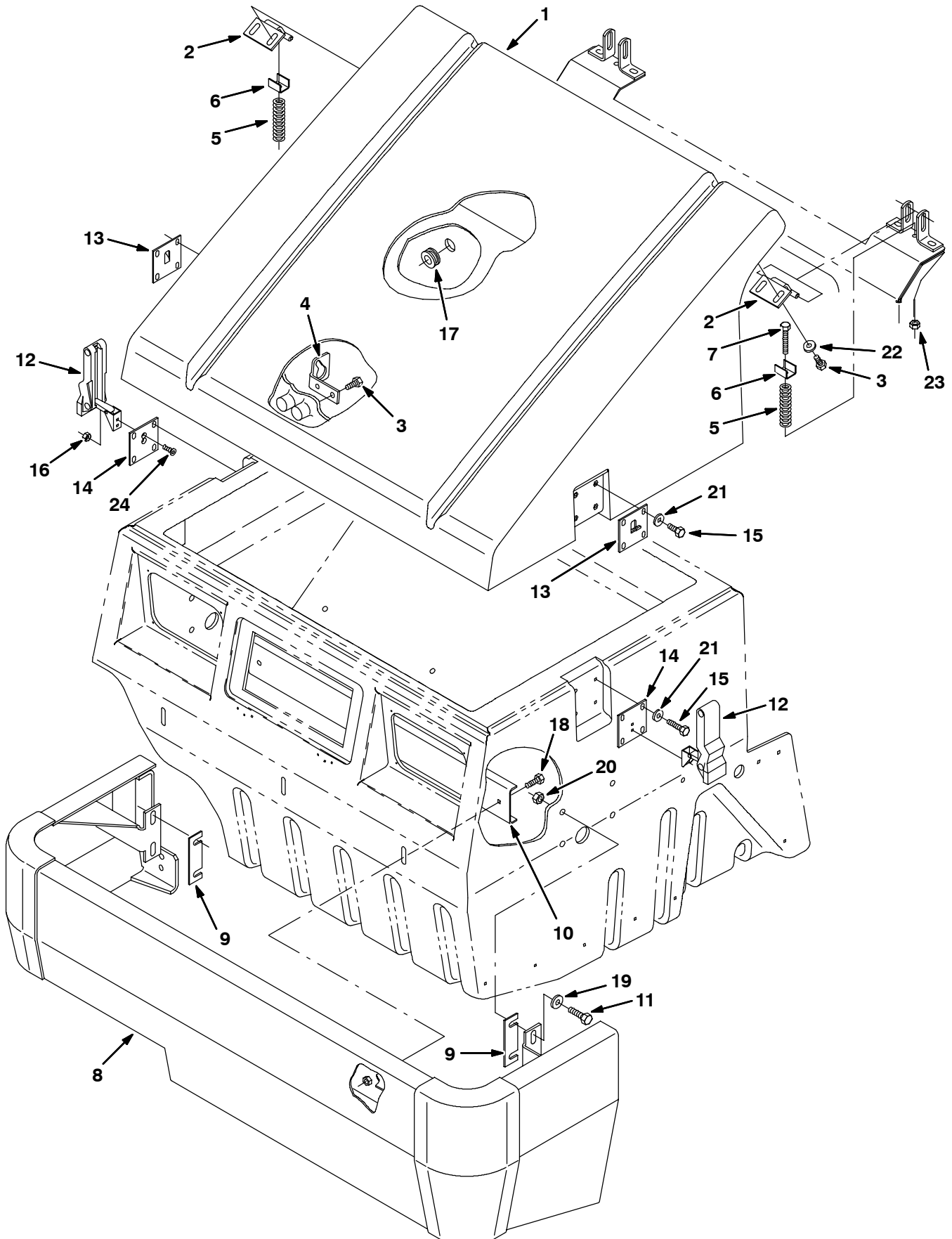


Fig. 29 - Hopper Cover and Bumper Group

Ref.	Part No.	Serial Number	Description	Qty.
1	360026	(000000-) Cover, Hopper	1
2	360332	(000000-) Bracket Wldt, Hinge	2
3	15675	(000000-) Scr Hexssm 8X1.25 16	6
4	360428	(000000-) Bracket, Support, Cover	1
5	360608	(000000-) Spring, Comp, .72 Od X 3.25 L	2
6	361054	(000000-) Bracket, Clip	2
7	222504	(000000-) Scr Hexssm 8X1.25 55	2
8	360436	(000000-) Bumper Wldt, Front	1
9	360889	(000000-) Shim, Front Bumper	5
10	360602	(000000-) Plate, Support, Bumper	1
11	361333	(000000-) Scr Hexssm10X1.5 40	4
12	360824	(000000-) Latch, Hopper	2
13	360941	(000000-) Plate, Keeper	2
14	360610	(000000-) Plate, Latch	2
15	09744	(000000-) Scr Hexssm 6X1.0 12	16
16	06549	(000000-) Nut, Hex, Lock, M5 X 0.80, NI	4
17	10632-18	(000000-) Grommet,Rbr,0.69ld,For .25Matl	1
18	39277	(000000-) Screw, Hex, M8 X 1.25 X 25, 8.8	3
19	32492	(000000-) Washer, Flat, 0.38, Std	4
20	41430	(000000-) Nut, Hex, Lock, M10 X 1.5, NI	4
21	32490	(000000-) Washer, Flat, 0.25, Std	16
22	32491	(000000-) Washer, Flat, 0.31, Std	4
23	08709	(000000-) Nut, Hex, Lock, M8 X 1.25, NI	2
24	360826	(000000-) Screw, Flt, Soc, M5 X 0.80 X 12, 10.9	4

Fig. 30 - Hopper Dump Door Group

Ref.	Part No.	Serial Number	Description	Qty.
1	360185	(000000-) Plate Wldt, Back, Hopper	1
2	12273	(000000-) Scr-Hexssm 8X1.25 20 Nynloc	5
3	15675	(000000-) Scr Hexssm 8X1.25	9
4	49266	(000000-) Tie, Cable 1.75D Max 7.50Lg	2
5	51225-1	(000000-) Pin,Clevis,0.50 Dia.X 6.00 Lg	1
6	360606	(000000-) Spring, Tension	2
7	360848	(000000-) Spacer, .56 Id X 1.82L	2
8	1038176	(000000-) Cylinder, Hyd, 2.0b 08.0l 04.00strk 2500	1
9	77097	(000000-) Ftg-Hyd E90 Jm04/Om04	2
10	34359	(000000-003385) Ftg-Hyd E45 Jm04/Om04	1
11	360427	(000000-) Spacer, Mtg, Cyl	2
12	06474A	(000000-) Pin,Clevis,0.50 Dia.X 3.50 Lg	1
13	360434	(000000-) Bracket, Mtg, Back Plate, Rh	1
14	360435	(000000-) Bracket,Mtg, Back Plate, Lh	1
15	09740	(000000-) Scr Hexssm 8X1.25	7
16	79246	(000000-) Screw-Flat M 8X1.25	4
17	360333	(000000-) Hinge, Leaf	4
18	09010	(000000-003385) Scr Hexssm 8X1.25 25	4
18	09740	(003386-) Screw, Hex, M8 X 1.25 X 20, Ss	4
19	360337	(000000-) Strip Wldt, Door Seal	1
20	360338	(000000-) Strip, Retainer	1
21	360336	(000000-) Seal, Dump Door, Top	1
22	360421	(000000-) Door Wldt, Dump	1
23	360603	(000000-) Seal Wrap, Dump Door	1
24	87689	(000000-) Sponge Cord	1
25	360340	(000000-) Strip, Retainer, Dump Door	1
26	12459	(000000-003385) Scr-Hxfmgm 6X1.0 20 Pltd	6
26	361339	(003386-) Screw, Hex, M6 X 1.0 X 16, Fmg	6
27	01684	(000000-) Washer Flt .25 Ss	6
28	360844	(000000-) Seal, Dump Door, Side	2
29	360424	(000000-) Strip, Retainer, Door, Side	2
30	74455	(000000-) Scr-Hx Fmgm 6X1.0 12	6
31	360888	(000000-) Bracket, Cylinder, Mtg	1
32	64379	(000000-) Bearing, Journal	2
33	87104	(000000-) Bushing, Door Pivot	2
34	09026	(000000-) Scr Hexssm 8X1.25 40	2
35	82833	(000000-) Sleeve-Nyln #20 35.0L	1
36	01685	(000000-) Washer, Flat, 0.38b 0.88d .08, Ss	4
37	08182	(000000-) Pin, Cotter, .125 X 1.00	2
38	32486	(000000-) Washer Flat,0.50,Sae	3
39	32491	(000000-) Washer, Flat, 0.31, Std	18
40	32492	(000000-) Washer, Flat, 0.38, Std	2
41	08709	(000000-) Nut, Hex, Lock, M8 X 1.25, NI	12

Fig. 31 - Hopper Filter Box Group (000000-005315)

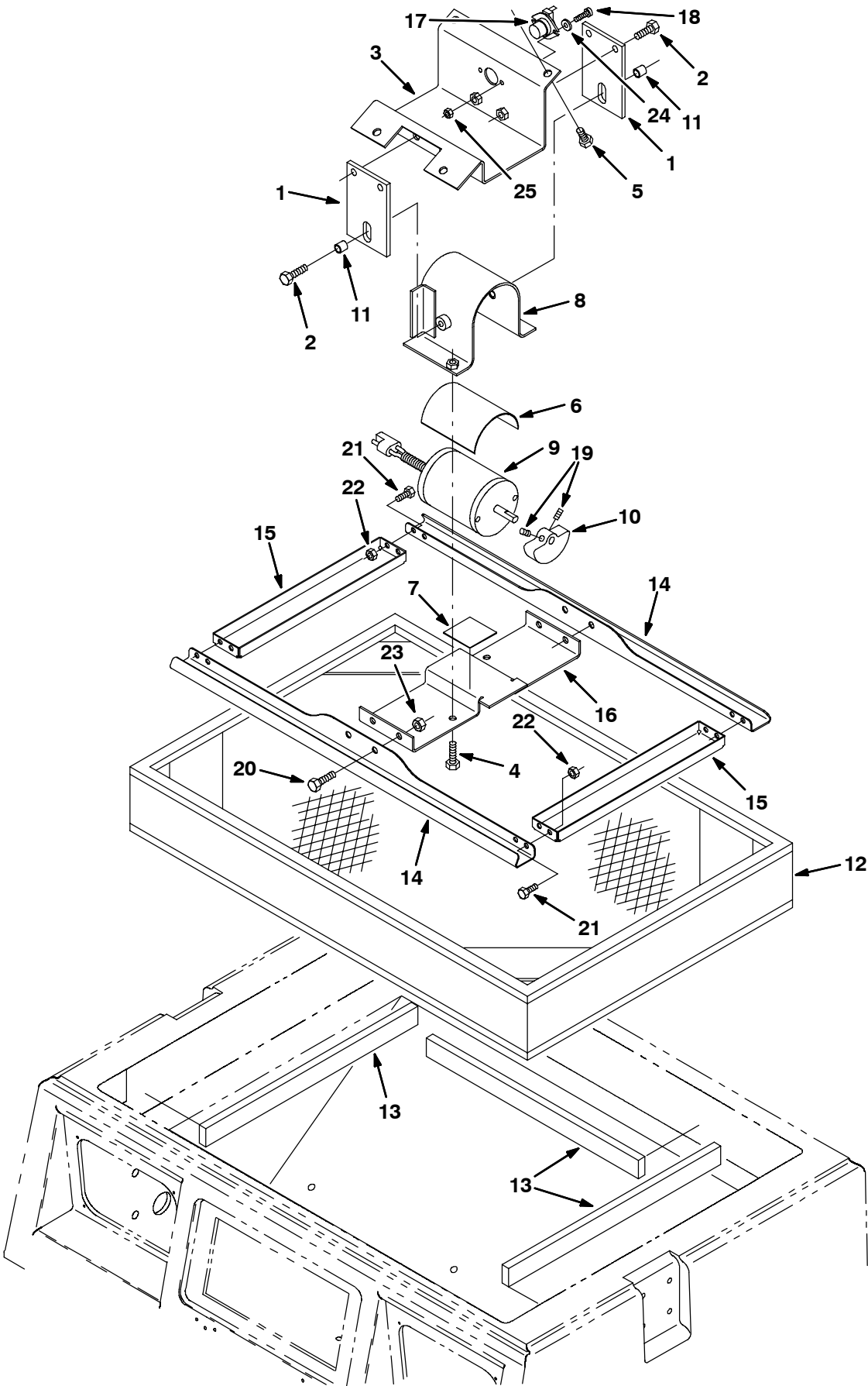


Fig. 31 - Hopper Filter Box Group (000000-005315)

Ref.	Part No.	Serial Number	Description	Qty.
1	360808	(000000-005315)	Plate, Mtg, Shaker	2
2	12333	(000000-005315)	Scr-Hexssm 8X1.25 25 Nyloloc	6
3	360809	(000000-005315)	Bracket, Support, Shaker	1
4	12273	(000000-005315)	Scr-Hexssm 8X1.25 20 Nyloloc	2
5	15675	(000000-005315)	Scr Hexssm 8X1.25	4
6	36658	(000000-005315)	Bar-Flt .06T 4.00W 5.00L,Rbr	1
7	36661	(000000-005315)	Bar-Flt .06T 1.00W 4.00L,Rbr	1
8	360820	(000000-005315)	Strap Wldt, Motor	1
9	54121	(000000-005315)	Motor,Elec Shaker 12V	1
10	1049243	(000000-005315)	Weight, Eccentric	1
11	360957	(000000-005315)	Sleeve, .375B .50D .50 Stlzn	2
12	1037207	(000000-005315)	Filter, Panl, Dust, 3.6 X 20.0 X 30.0	1
12	370153	(000000-005315)	Syn. Filter Pkg, Panel, 61Pleats	1
13	360199	(000000-005315)	Seal, Spacer, Filter	3
14	360952	(000000-005315)	Plate, Shaker, Bar	2
15	360949	(000000-005315)	Plate, Shaker, Side	2
16	360955	(000000-005315)	Plate, Motor, Shaker	1
17	87546	(000000-005315)	Thermostat, Spst Switch	1
18	49697	(000000-005315)	Screw, Pan, M4 X 0.7 X 10, Ss	2
19	20634	(000000-005315)	Scr-Set 10-24X0.25 Nylon Loc	2
20	49826	(000000-005315)	Scr-Hexssm 8X1.25 16 Nylon Loc	4
21	87308	(000000-005315)	Screw, Hex, M6 X 1.0 X 12, 8.8	8
22	08708	(000000-005315)	Nut, Hex, Lock, M6 X 1.0, NI	8
23	39311	(000000-005315)	Nut, Hex, Std, M8 X 1.25	4
24	19065	(000000-005315)	Washer, Flat, #08	2
25	02850	(000000-005315)	Nut, Hex, Lock, M4 X 0.70, NI	2

Fig. 32 - Hopper Filter Box Group (005316-)

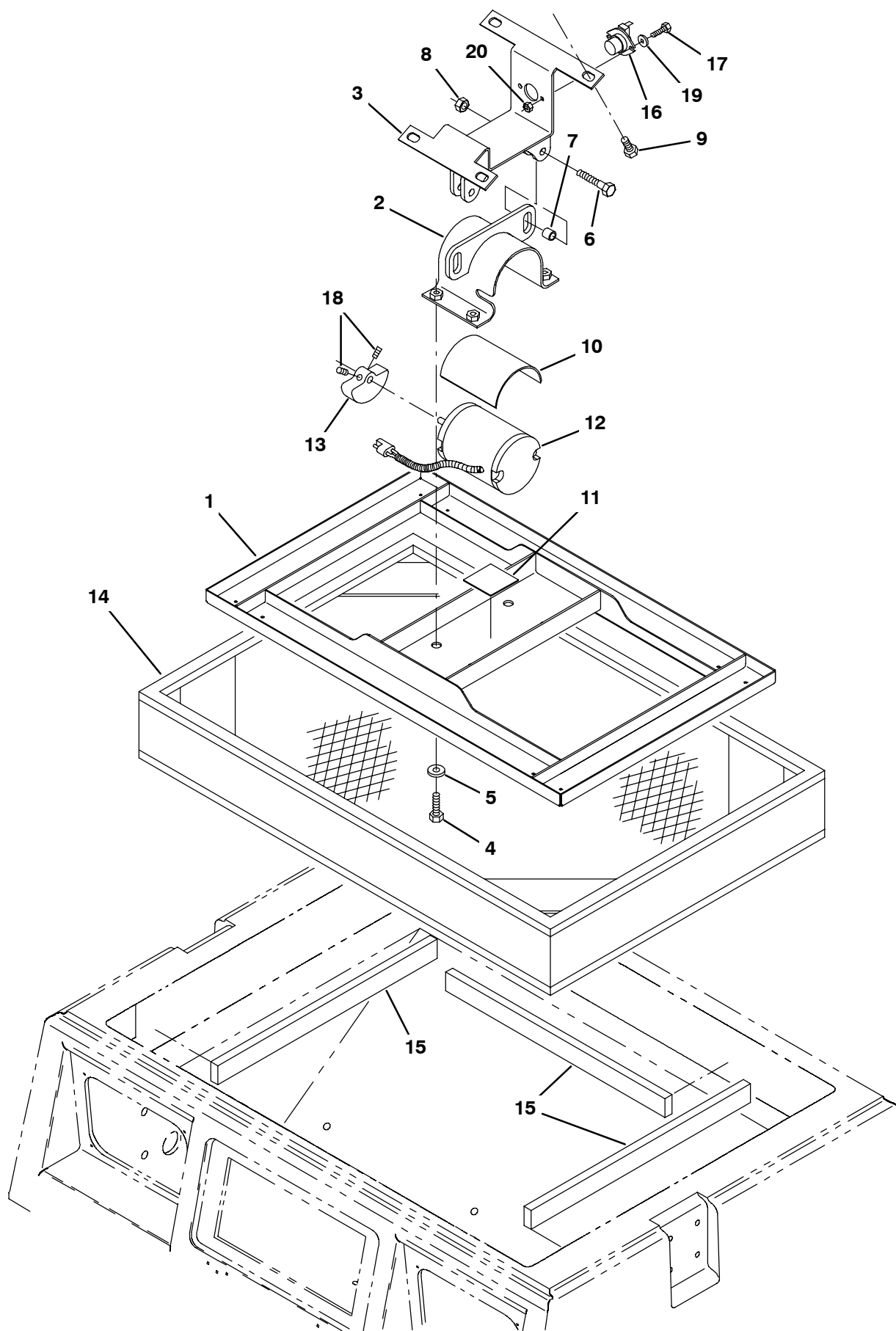


Fig. 32 - Hopper Filter Box Group (005316-)

Ref.	Part No.	Serial Number	Description	Qty.
1	1041444	(005316-) Shaker Wldt, Frame	1
2	1041551	(005316-) Strap Wldt, Shakr	1
3	1041814	(005316-) Bracket Wldt, Sppt, Shakr	1
4	12273	(005316-) Screw, Hex, M8 X 1.25 X 20, NI, Ss	4
5	32491	(005316-) Washer, Flat, 0.31, Std	4
6	09026	(005316-) Screw, Hex, M8 X 1.25 X 40, Ss	2
7	360957	(005316-) Tube, 0.38id 0.50od 00.5l, Stl [H/T]H/T]	2
8	08709	(005316-) Nut, Hex, Lock, M8 X 1.25, NI	2
9	15675	(005316-) Screw, Hex, M8 X 1.25 X 16, Ss	4
10	36658	(005316-) Strip, Rbr, 0.06 04.00w 05.0l [Neo/60]	1
11	36661	(005316-) Gasket, Neo, .06, 02.00w 02.00l, Adh	1
12	54121	(005316-) Motor, Ele, 12vdc 1375rpm 0.08hp 08.4a	1
13	1049243	(005316-) Weight, Eccentric	1
14	1037207	(005316-) Filter, Panl, Dust, 3.6 X 20.0 X 30.0	1
14	1041616	(005316-) Filter, Panl, Syn, 4.2 X 20.0 X 30.0	1
15	360199	(005316-) Seal, Rbr, Clsd, 0.50, 1.2w 16.0l Adh	3
16	87546	(005316-) Sensor, Thermal, 140deg, No, Spst	1
17	49697	(005316-) Screw, Pan, Phl, M4 X 0.70 X 10, Ss	2
18	20634	(005316-) Screw, Set, Soc, 10-24 X 0.25, NI	2
19	19065	(005316-) Washer, Flat, 08	2
20	02850	(005316-) Nut, Hex, Lock, M4 X 0.70, NI	2

Fig. 33 - Hydraulic Reservoir Group

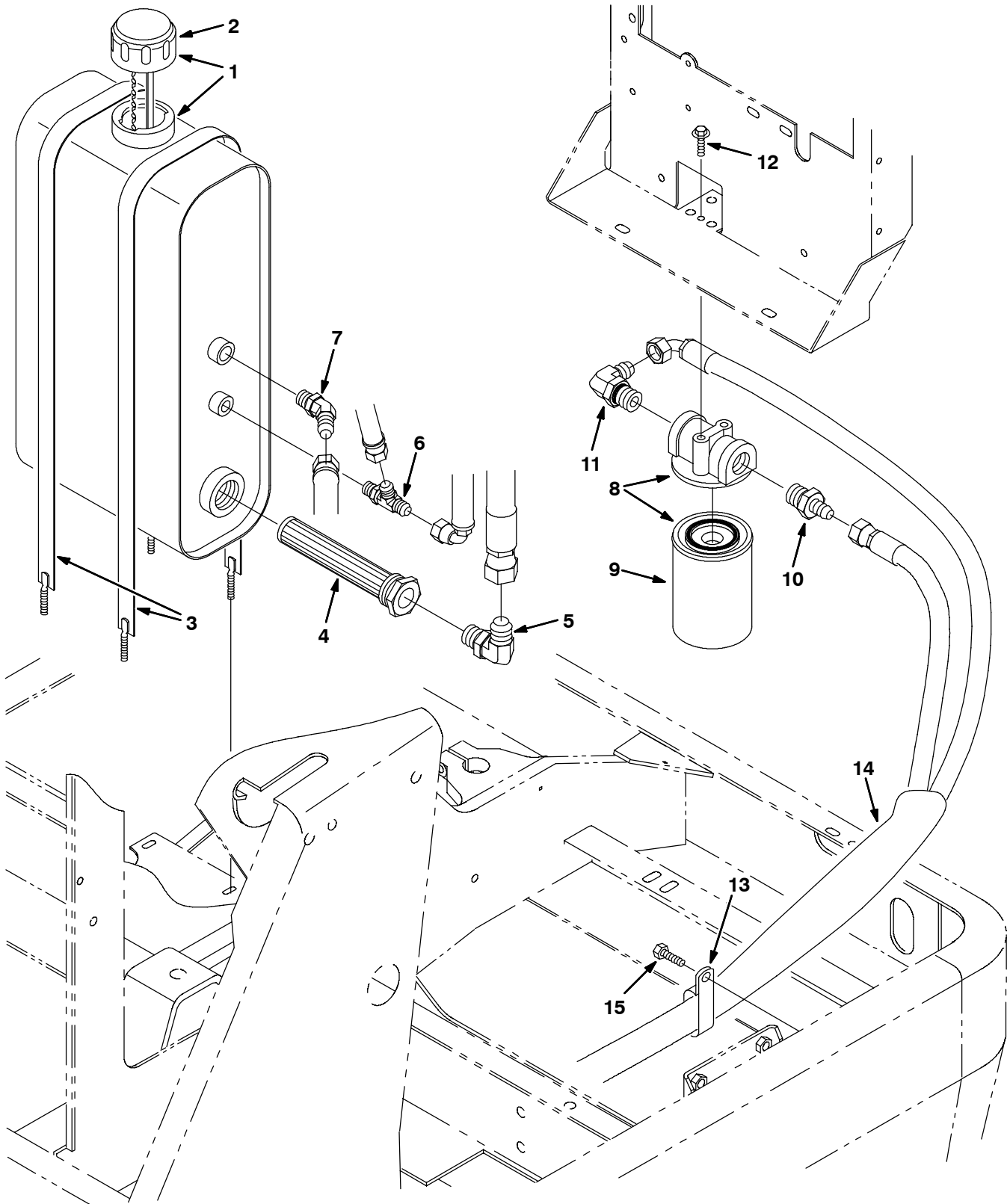


Fig. 33 - Hydraulic Reservoir Group

	Ref.	Part No.	Serial Number	Description	Qty.
▽	1	361270	(000000-) Reservoir Assy, Hyd W/Label	1
▲	2	360991	(000000-) Breather, Hyd Cap 5.2Ds Chain	1
▲		70006	(000000-) Gasket, Hyd Cap	1
	3	360098	(000000-) Strap Wldt, Fuel Tank	2
	4	361023	(000000-) Strainer, Hyd 10Gpm 100Mesh	1
	5	46481	(000000-) Ftg-Hyd E90 Jm12/Om12	1
	6	76316	(000000-) Ftg-Hyd Tee Jm06Jmom	1
	7	47513	(000000-) Ftg-Hyd E45 Jm08/Om10	1
▽	8	55619	(000000-) Filter Assy, Spin-On 10Micron	1
▲	9	55740	(000000-) Filter, Hydraulic Oil, Spin On	1
	10	42227	(000000-) Ftg-Hyd Str Jm08/Om12	1
	11	47655	(000000-) Ftg-Hyd E90 Jm08/Om12	1
	12	16949	(000000-) Scr-Hex .25-20X0.75 Sems Pltd	2
	13	67366	(000000-) Clamp, Tube-Double	1
	14	31646	(000000-) Sleeve-Nyln #24 25.0L	1
	15	12459	(000000-) Scr-Hxfmgm 6X1.0 20 Pltd	1

Fig. 34 - Hydraulic Pumps Group

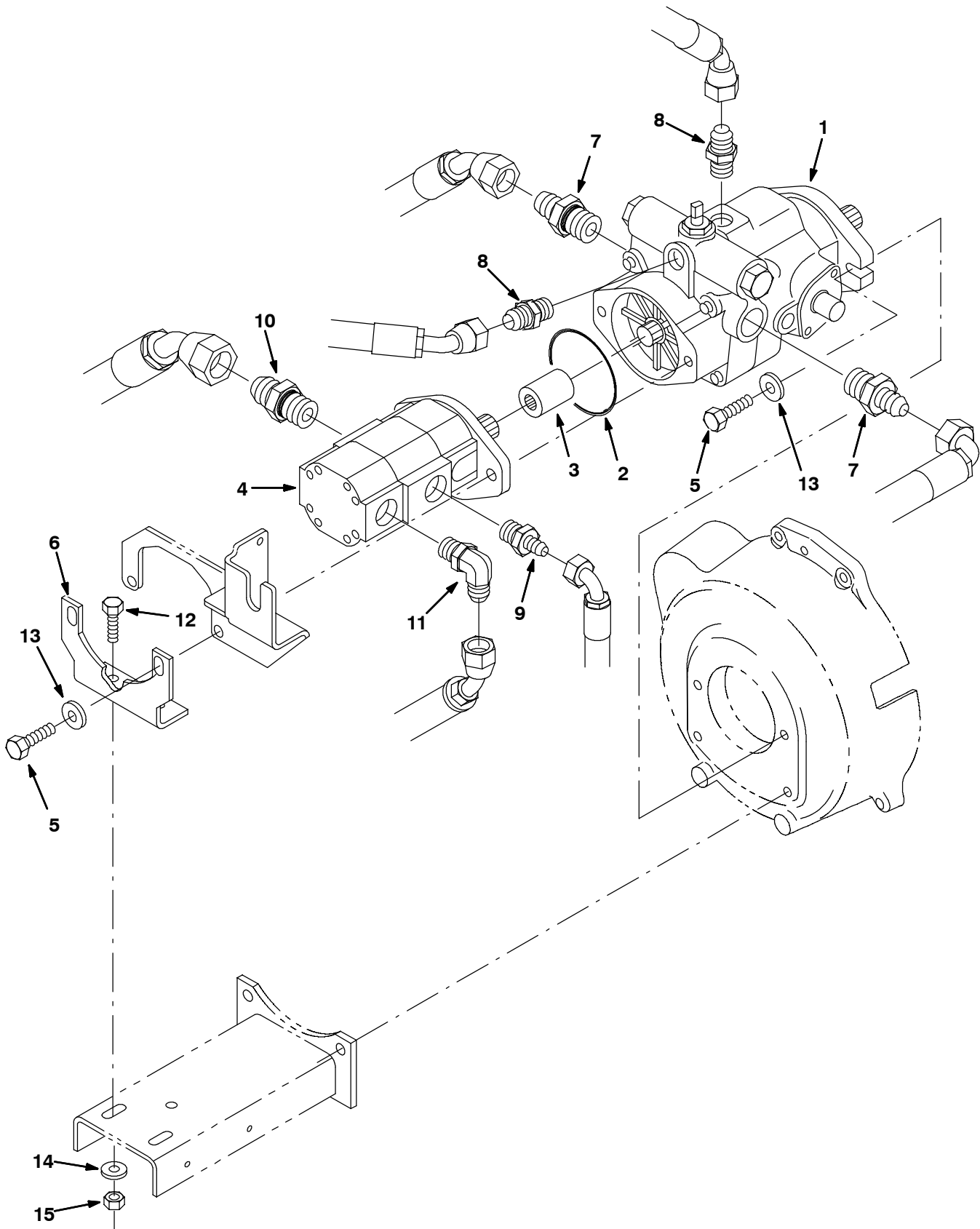


Fig. 34 - Hydraulic Pumps Group

Ref.	Part No.	Serial Number	Description	Qty.
1	361010	(000000-) Pump, Hyd Piston (See Breakdowns)	1
2	65145-1	(000000-) O-Ring Gland	1
3	71721	(000000-) Coupler, Hyd Pump	1
4	361018	(000000-) Pump, Hyd Gear (See Breakdowns)	1
5	46559	(000000-) Scr-Hex .38-16X1.25 Nylon Loc	4
6	360729	(000000-) Bracket, Pump	1
7	42223	(000000-) Ftg-Hyd Str Jm10/Om12	2
8	44869	(000000-) Ftg-Hyd Str Jm08/Om08	2
9	52402	(000000-) Ftg-Hyd Str Jm06/Om08	1
10	06750	(000000-) Ftg-Hyd Str Jm12/Om10	1
11	47512	(000000-) Ftg-Hyd E90 Jm06/Om08	1
12	39277	(000000-) Screw, Hex, M8 X 1.25 X 25, 8.8	2
13	32485	(000000-) Washer, Flat, 0.38, Sae	4
14	32491	(000000-) Washer, Flat, 0.31, Std	2
15	08709	(000000-) Nut, Hex, Lock, M8 X 1.25, NI	2

Fig. 35 - Hydraulic Pump Linkage Group

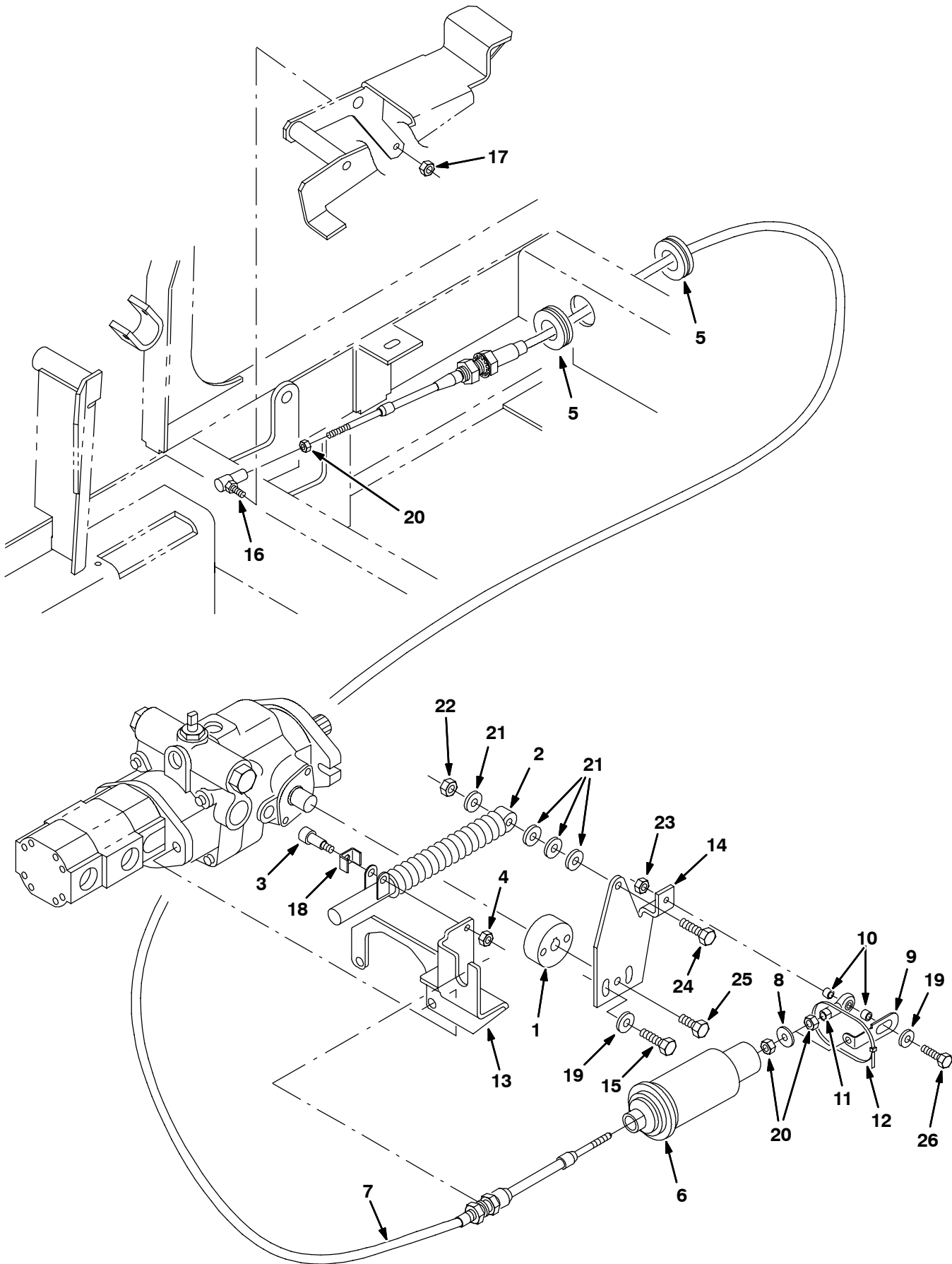
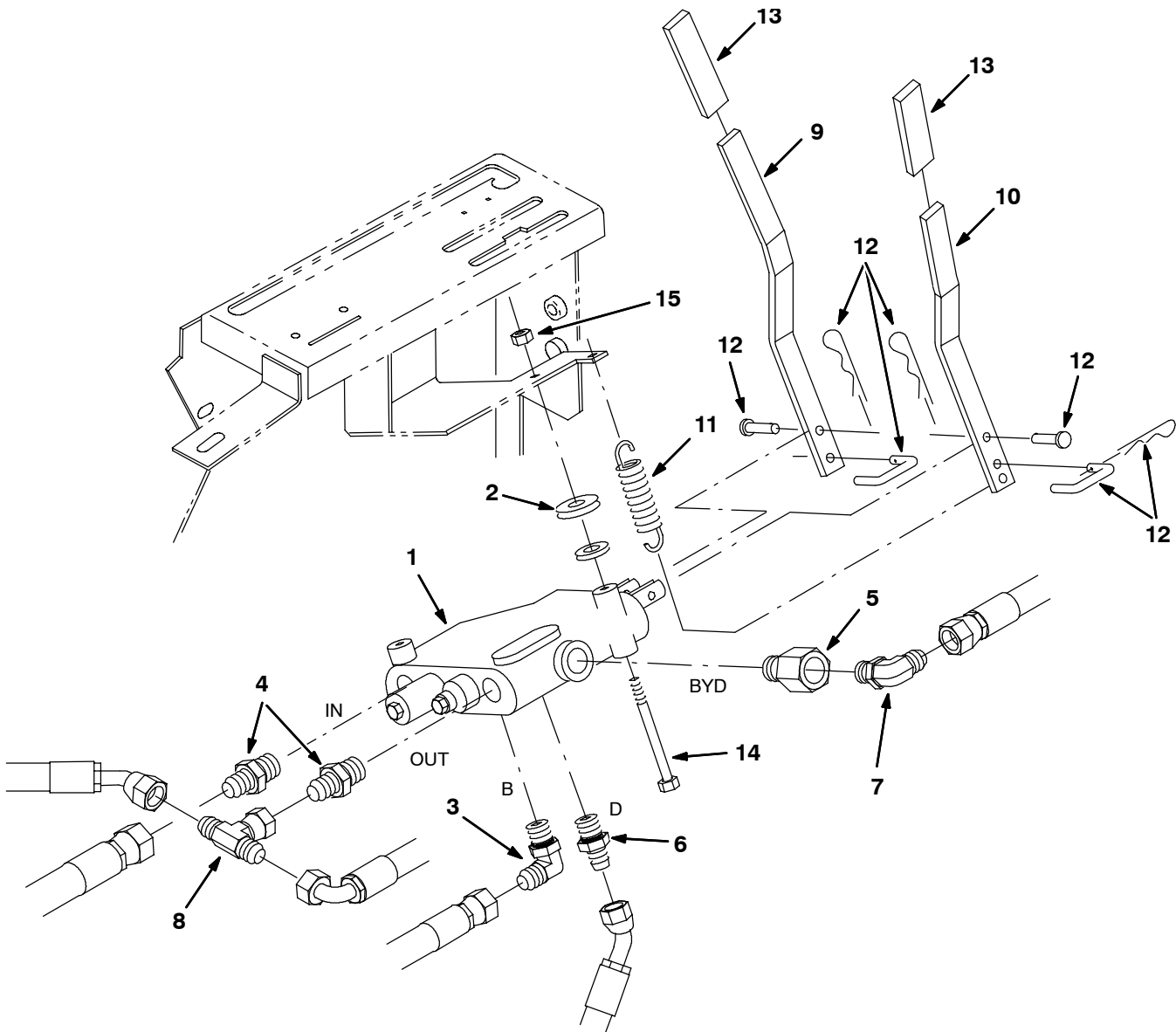


Fig. 35 - Hydraulic Pump Linkage Group

Ref.	Part No.	Serial Number	Description	Qty.
1	72728	(000000-) Hub	1
2	73411	(000000-) Shock Absorber	1
3	16213	(000000-) Scr-Shld .312Dx1.00L .25-20	1
4	75934	(000000-) Nut-Hxlocnyln .25-20 Thin Pltd	1
5	10632-1	(000000-) Grommet,Rbr,1.06ld,For .19Matl	2
6	63292	(000000-) Spring, Propel, Centering	1
7	360442	(000000-) Cable, Push-Pull	1
8	78785	(000000-) Washer, .250B .88D .06 Neopre	1
9	83887	(000000-) Bracket, Safety Clip	1
10	65441	(000000-) Spacer, .259ld 375Od .250Lg	2
11	68866	(000000-) Rod End .250-28 .25Dia	1
12	49266	(000000-) Tie, Cable 1.75D Max 7.50Lg	1
13	360313	(000000-) Bracket, Mtg, Spring Cable	1
14	360841	(000000-) Bracket, Mtg, Propel Cable	1
15	12273	(000000-) Scr-Hexssm 8X1.25 20 Nylnloc	2
16	14601	(000000-) Ball Joint, 250-28	1
17	13513	(000000-) Nut-Hxlocnyln .25-28 Reg Pltd	1
18	84170	(000000-) Bracket, Retainer	1
19	32490	(000000-) Washer, Flat, 0.25, Std	3
20	01714	(000000-) Nut, Hex, Std, .25-28	3
21	32491	(000000-) Washer, Flat, 0.31, Std	4
22	08709	(000000-) Nut, Hex, Lock, M8 X 1.25, NI	1
23	32981	(000000-) Nut, Hex, Lock, .25-20, NI	1
24	41342	(000000-) Screw, Hex, M8 X 1.25 X 40, 8.8	1
25	07592	(000000-) Screw, Hex, .31-24 X 0.75, G5	1
26	25049	(000000-) Screw, Hex, .25-20 X 1.75, G5	1

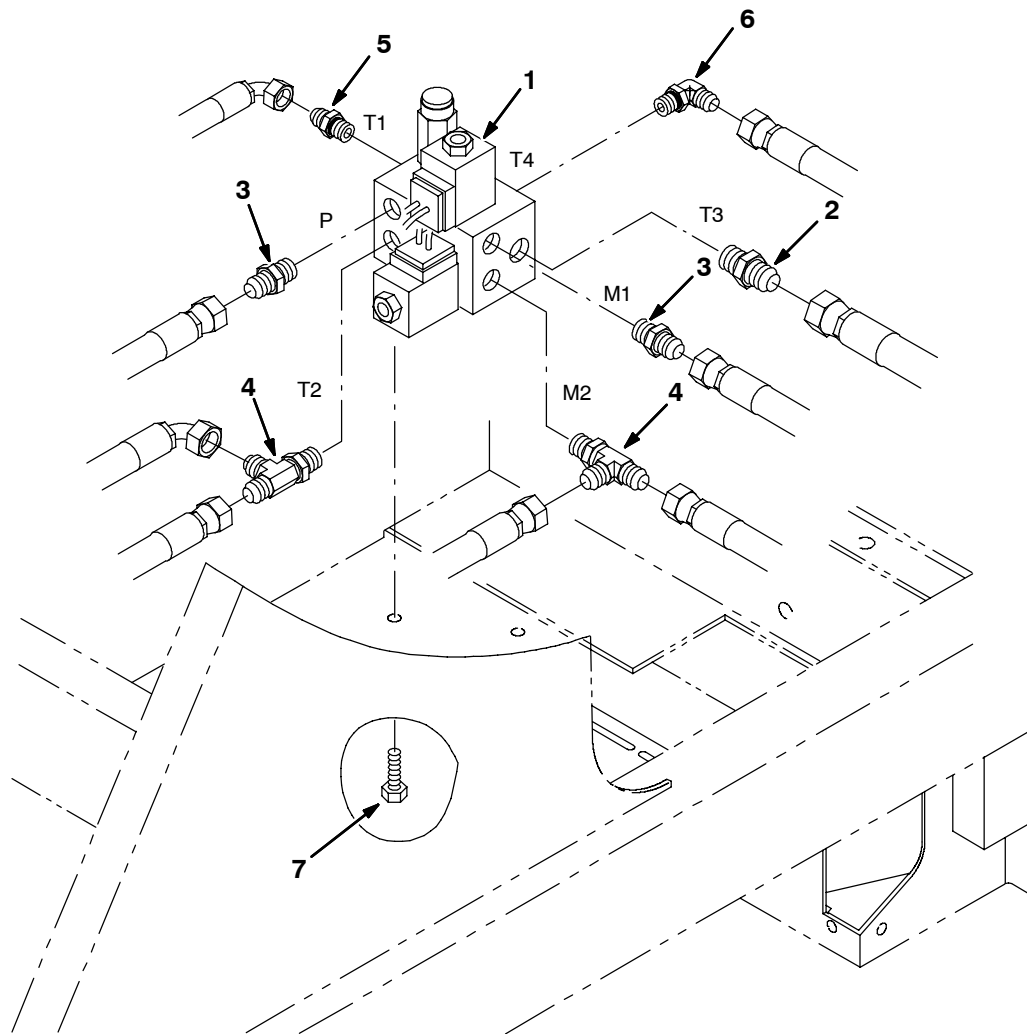
Fig. 36 - Hydraulic Control Valve Group



350077 - IC

Ref.	Part No.	Serial Number	Description	Qty.
1	361012	(000000-)	Valve, Hyd Control Man (See Breakdowns)	1
2	63416	(000000-)	Washer, .310B .88D .12Rbr	2
3	47638	(000000-)	Ftg-Hyd E90 Jm04/Om06	1
4	52402	(000000-)	Ftg-Hyd Str Jm06/Om08	2
5	361028	(000000-)	Plug Assy,Byd En	1
6	55685	(000000-)	Ftg-Hyd Str Jm04/Om06	1
7	56820	(000000-)	Ftg-Hyd E90 Jm06/Om06	1
8	35586	(000000-)	Ftg-Hyd Tee Jm06Jfjm	1
9	360062	(000000-)	Handle, Control, Valve	1
10	360063	(000000-)	Handle, Control, Valve	1
11	59870	(000000-)	Spring, Tens, .50Dx.05Wire2.5L	1
12	361299	(000000-)	Link Assy, Valve Handle	1
13	360467	(000000-)	Grip, Vinyl .250 X .750 X 4.00	2
14	06949	(000000-)	Screw, Hex, M6 X 1.00 X 50, 8.8	2
15	08708	(000000-)	Nut, Hex, Lock, M6 X 1.00, NI	2

Fig. 37 - Hydraulic Solenoid Valve Group



350075 - IC

Ref.	Part No.	Serial Number	Description	Qty.
1	361019	(000000-005565)	Valve, Hyd Cntrl Sol (See Breakdowns)	1
1	1048820	(005566-	Valve, Cntrl, Hyd, Solenoid, 12vdc 06gpm (See Breakdowns)	1
2	44869	(000000-	Ftg-Hyd Str Jm08/Om08	1
3	56690	(000000-	Ftg-Hyd Str Jm06/Om06	2
4	76316	(000000-	Ftg-Hyd Tee Jm06Jmom	2
5	55586	(000000-	Ftg-Hyd Str Jm04/Om04	1
6	77097	(000000-	Ftg-Hyd E90 Jm04/Om04	1
7	16735	(000000-	Screw, Hex, M8 X 1.25 X 16, 8.8	2

Fig. 38 - Hydraulic Schematic

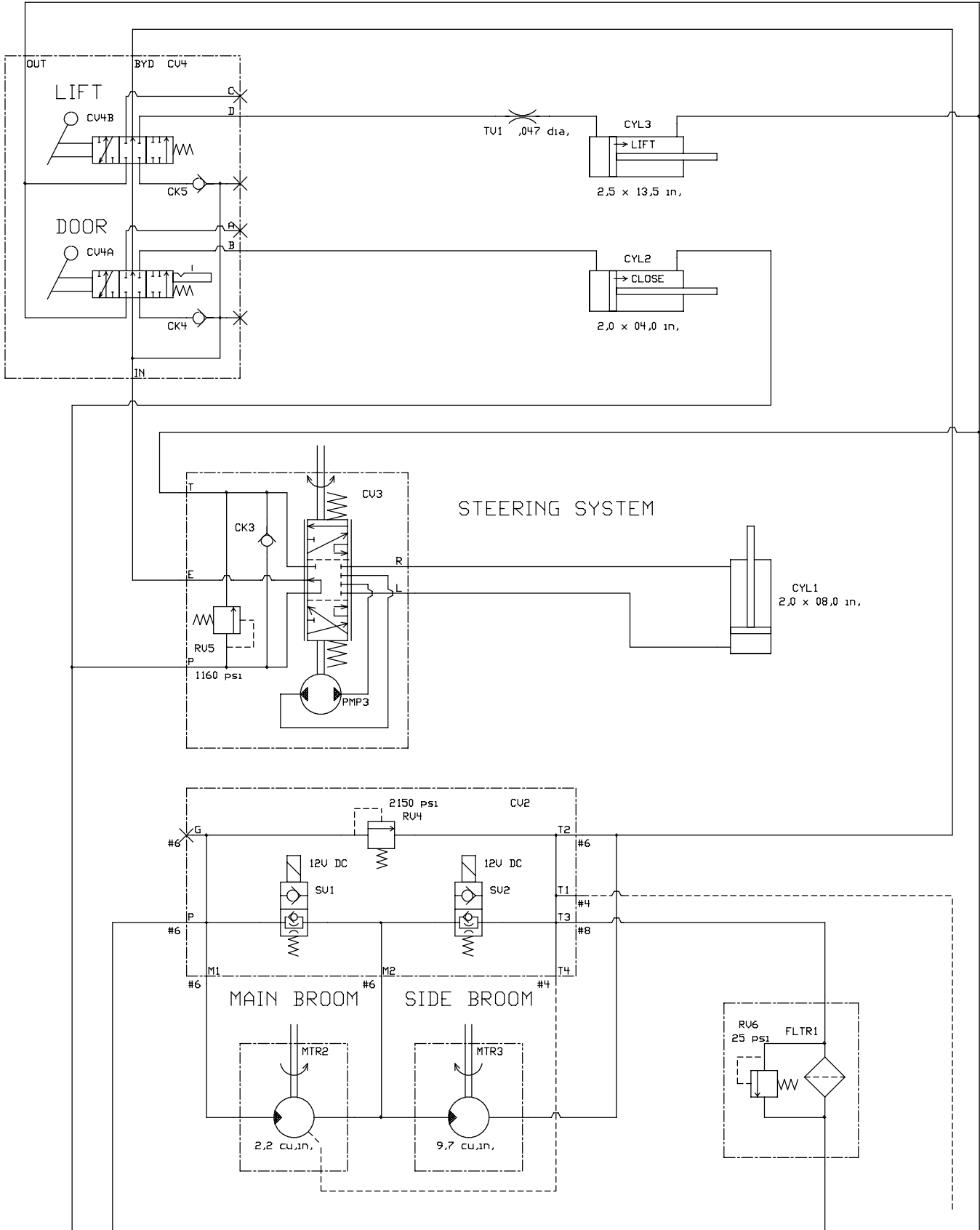
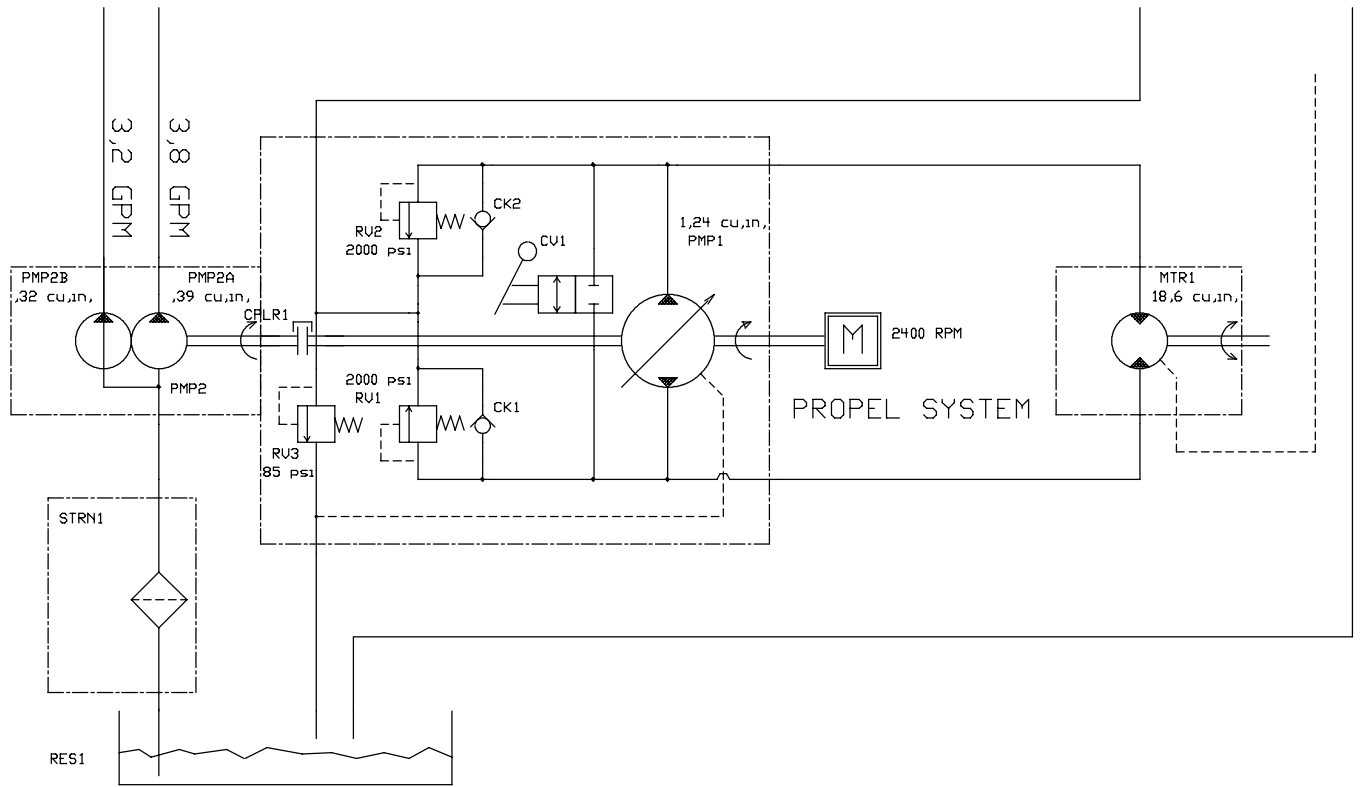


Fig. 38 - Hydraulic Schematic



350156 - LIQ

Fig. 39 - Hydraulic Hose Group

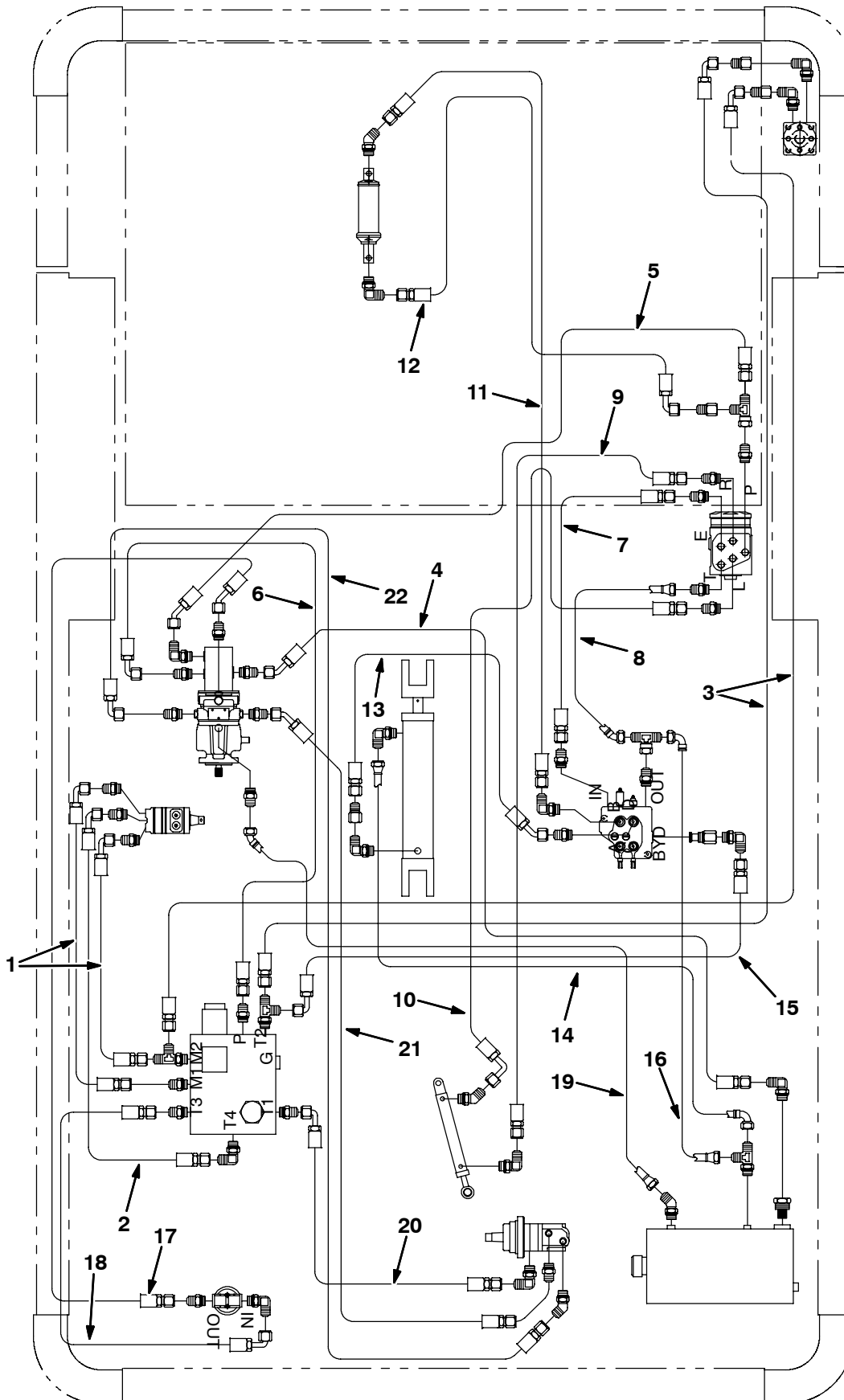
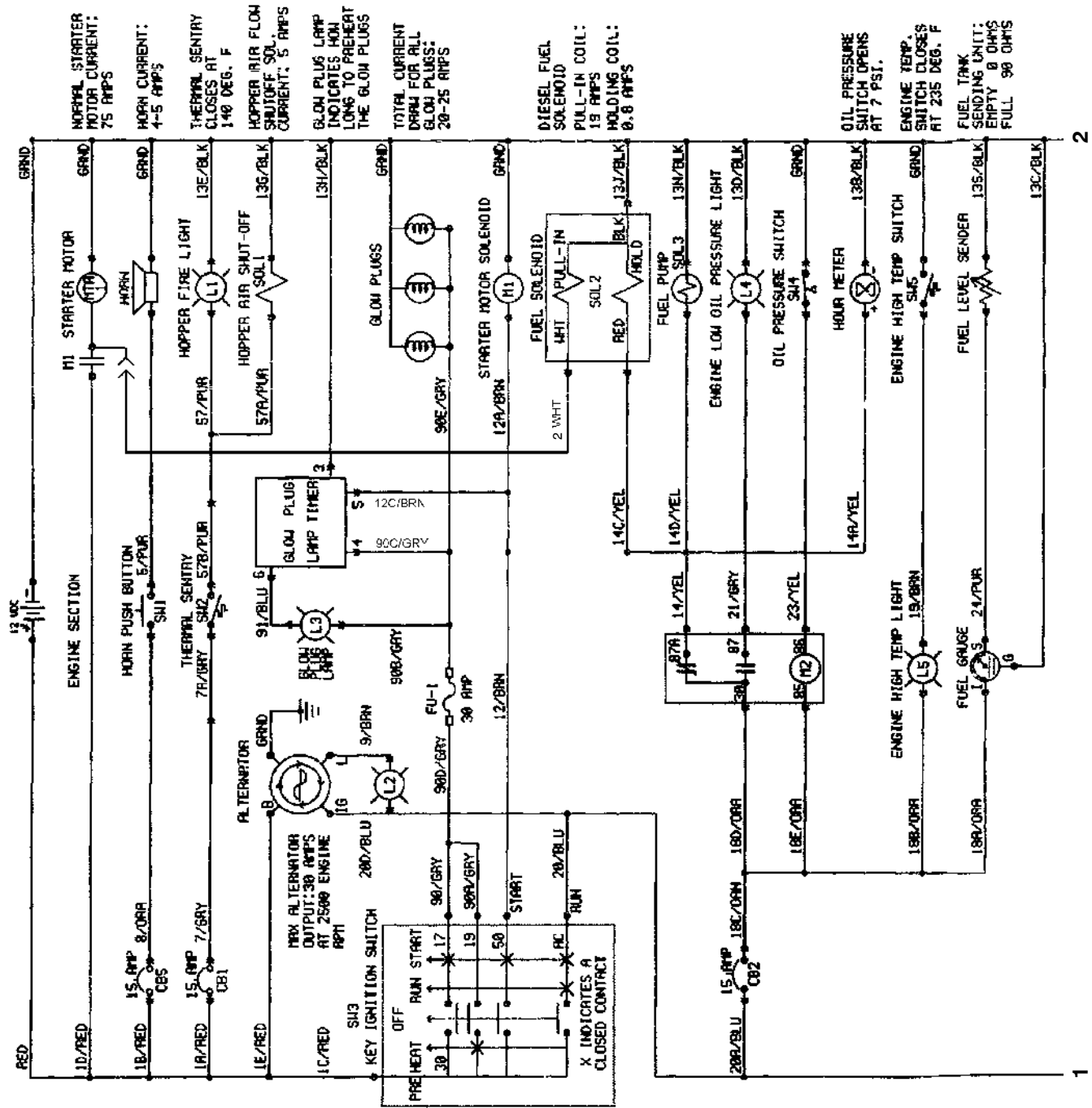


Fig. 39 - Hydraulic Hose Group

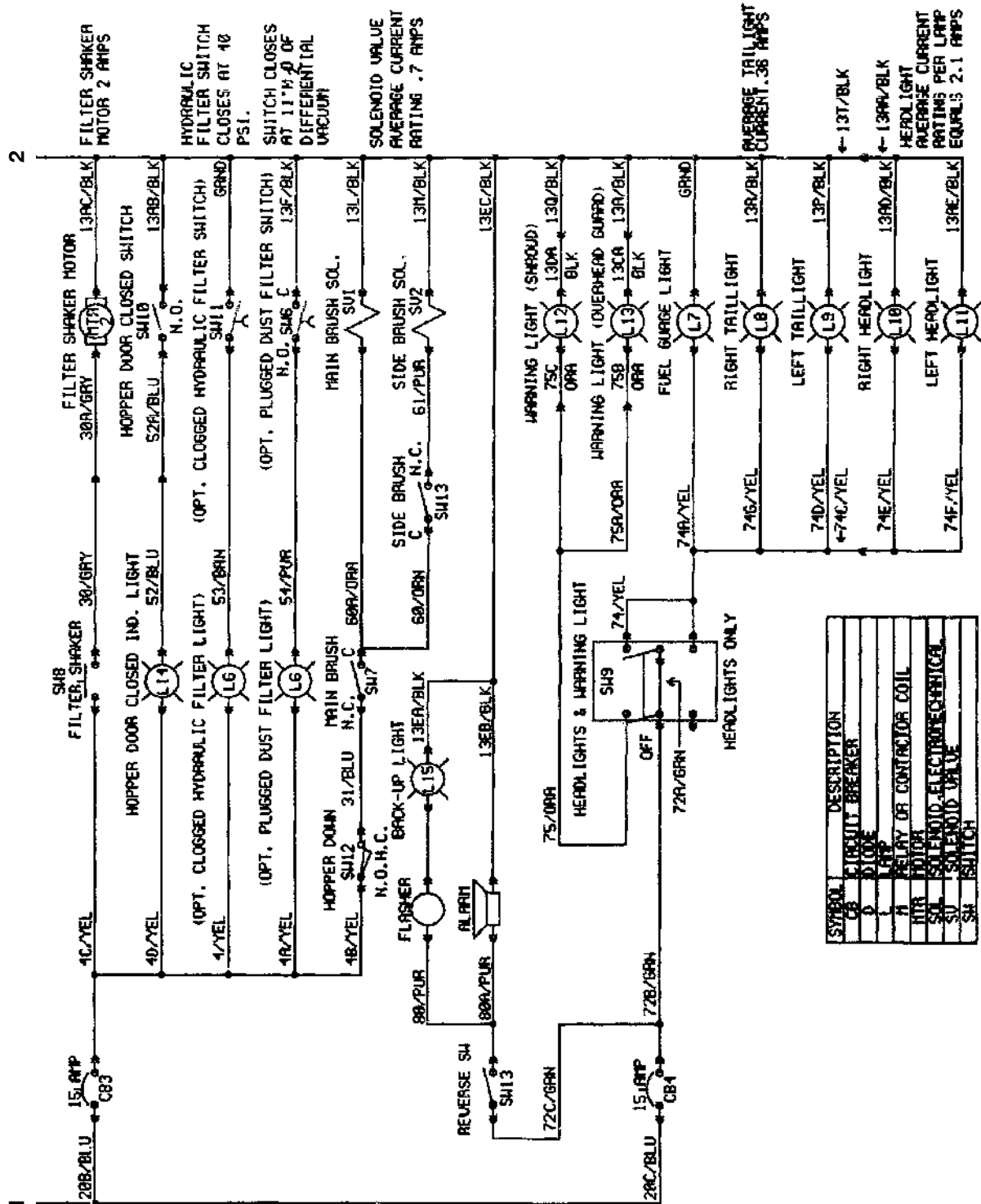
Ref.	Part No.	Serial Number	Description	Qty.
1	361040	(000000-) Hose-Hyd Ar 06 Jf/J9	2
2	361009	(000000-) Hose-Hyd Ar 04 Jf/J9	1
3	361041	(000000-) Hose-Hyd Med06 Jf/J9	2
4	361042	(000000-) Hose-Hyd Suc12 Jf/J4	1
5	59567	(000000-) Hose-Hyd Med06	1
6	361043	(000000-) Hose-Hyd Med06 Jf/J9	1
7	361044	(000000-) Hose-Hyd Med06 Jf/Jf	1
8	57288	(000000-) Hose-Hyd Low06 Jf/J4	1
9	361046	(000000-) Hose-Hyd Med06 Jf/Jf	1
10	361047	(000000-) Hose-Hyd Med06 Spcl 38.0Jf/JI9	1
11	361048	(000000-) Hose-Hyd Med04 Jf/Jf	1
12	57962	(000000-) Hose-Hyd Med 04	1
13	02361	(000000-004890) Hose-Hyd Med04 Jf/J4	1
13	57972	(004891-) Hose, Hyd, Med04, Jf04e45/Jf04str, 018.0	1
14	361051	(000000-) Hose-Hyd Low06 Jf/J9	1
15	59560	(000000-) Hose-Hyd	1
16	82809	(000000-) Hose-Hyd Low06 Jf/J9	1
17	361049	(000000-) Hose-Hyd Med08 Jf/J4	1
18	55697	(000000-) Hose-Hyd Med08 Jf/J9	1
19	59568	(000000-) Hose-Hyd Low 08	1
20	82816	(000000-) Hose-Hyd Med04 Jf/J9	1
21	361052	(000000-) Hose-Hyd Ar 10 Jf/J4	1
22	361050	(000000-) Hose-Hyd Ar 10 Jf/J9	1

Fig. 40 - Electrical Schematic, Diesel (00000-003630)



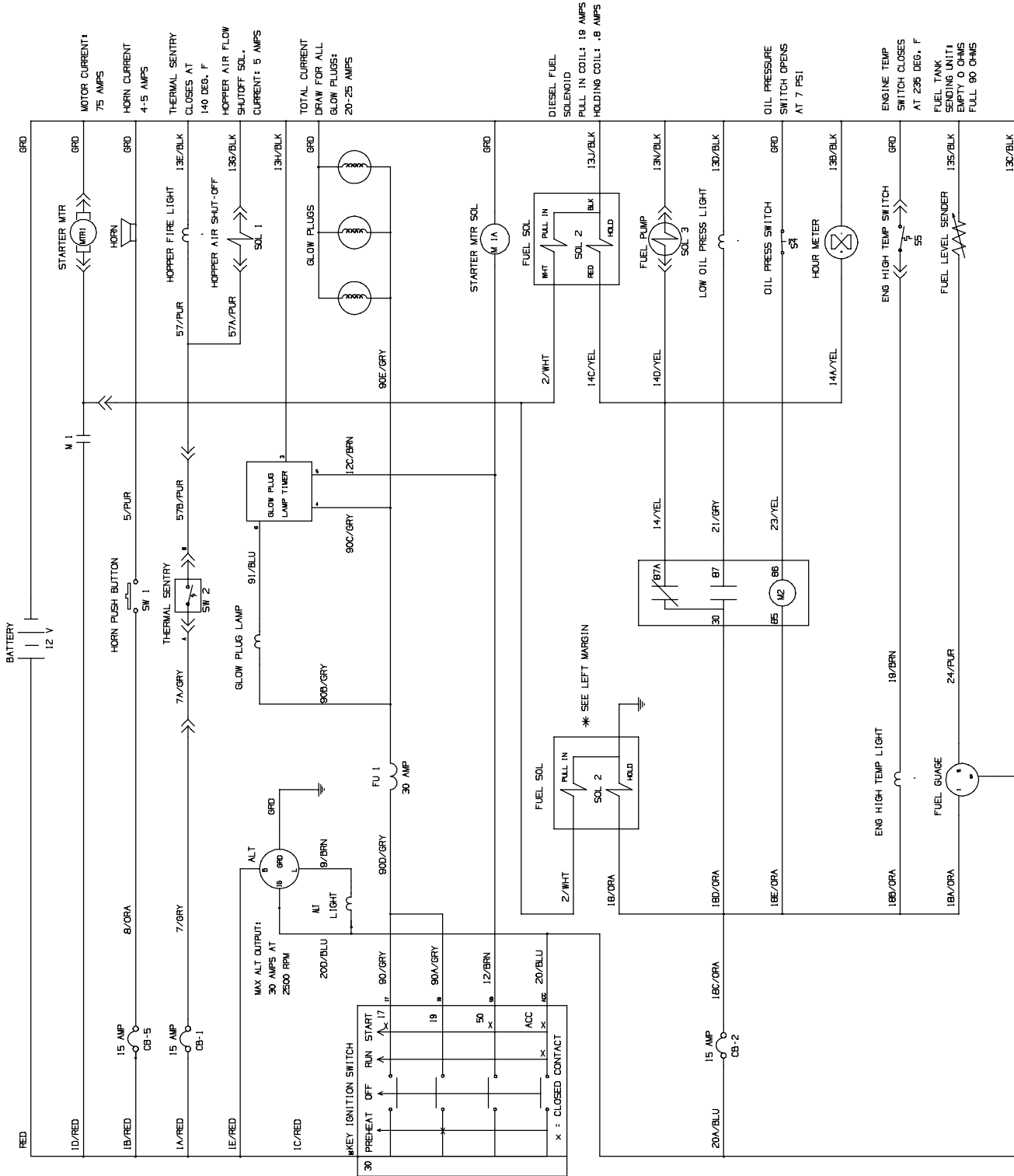
350169 - D

Fig. 40 - Electrical Schematic, Diesel (00000-0003630)



350169 - D

Fig. 41 - Electrical Schematic, Diesel (003631 -)



2

1

360508 - D

Fig. 41 - Electrical Schematic, Diesel (003631 -)

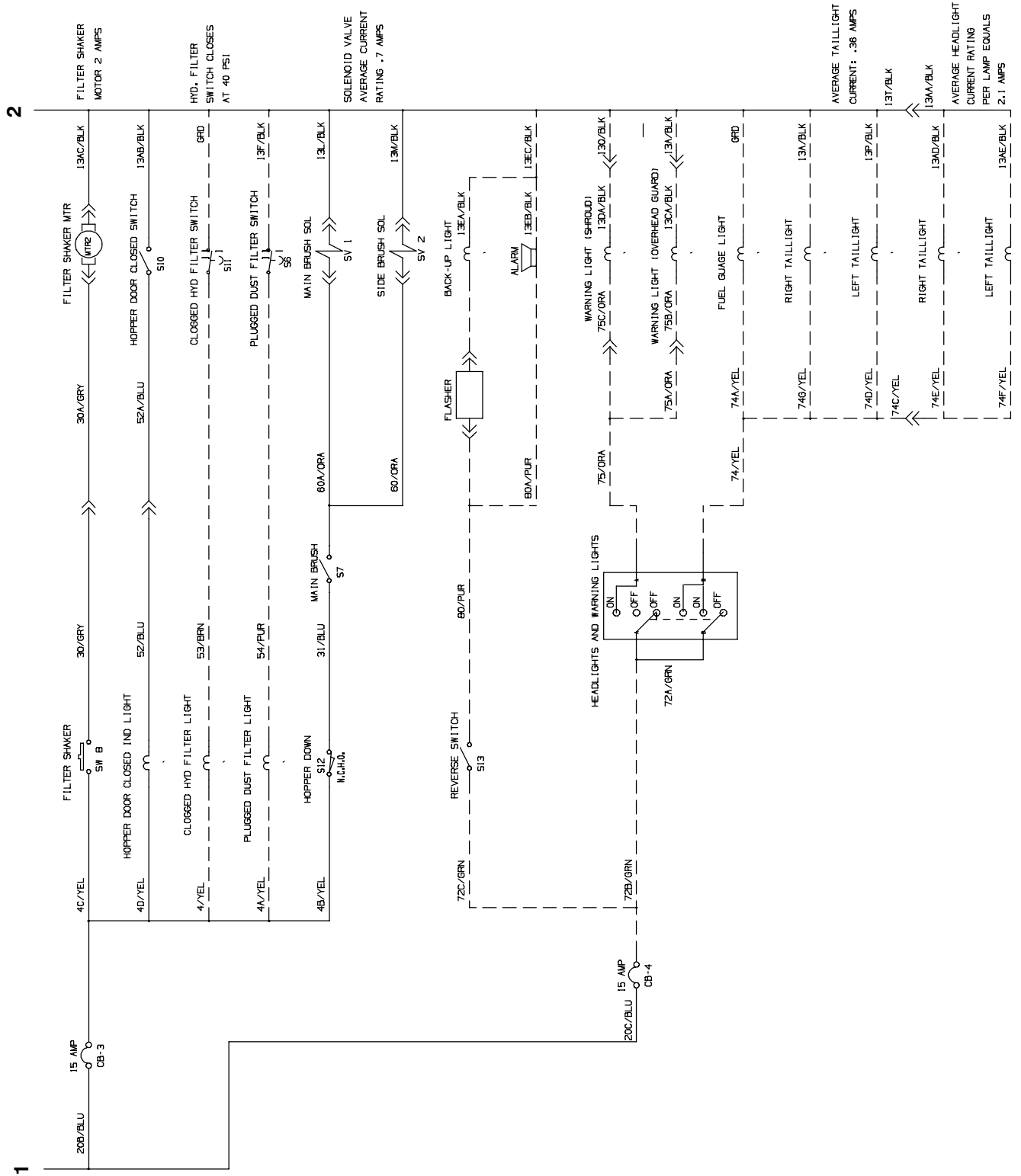


Fig. 42 - Electrical Wire Harness Group, Diesel

Hopper Wire Harness

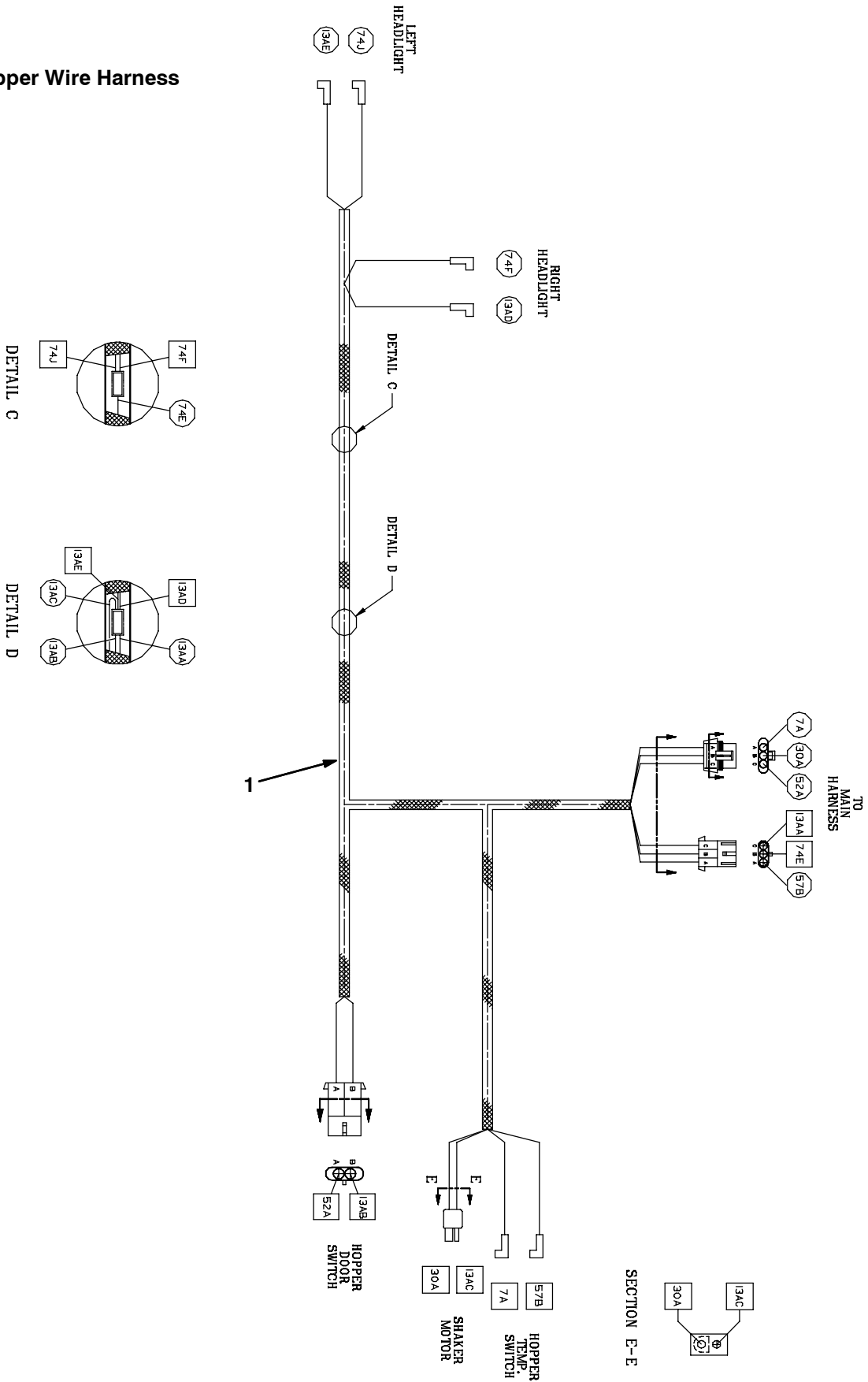


Fig. 42 - Electrical Wire Harness Group, Diesel

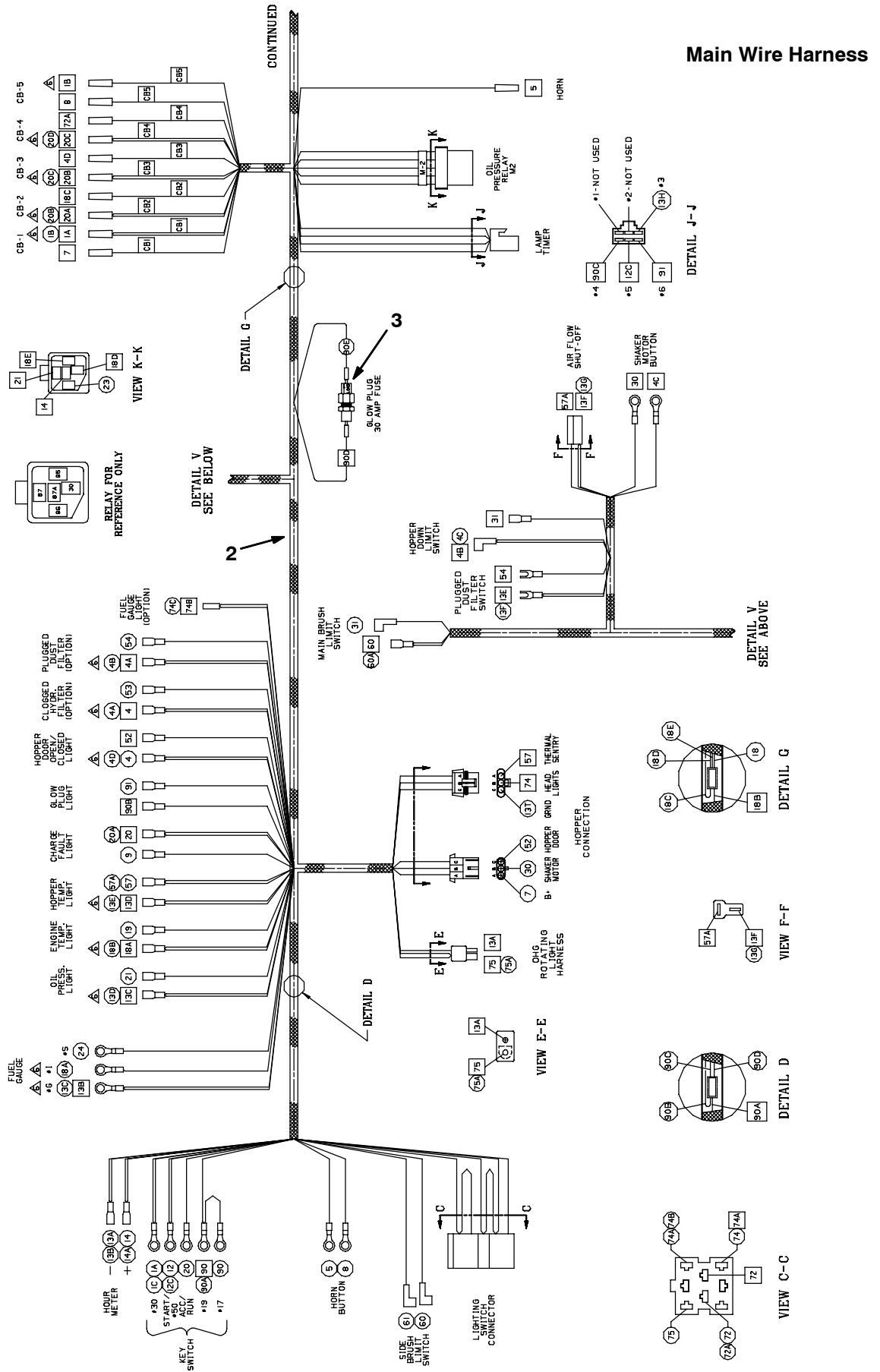
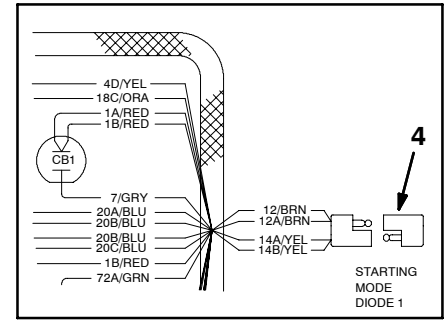
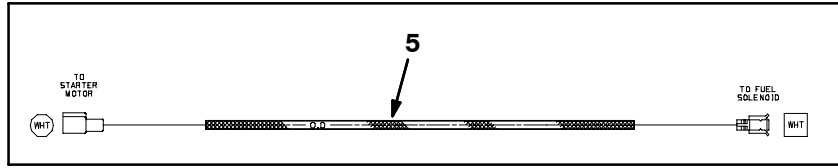


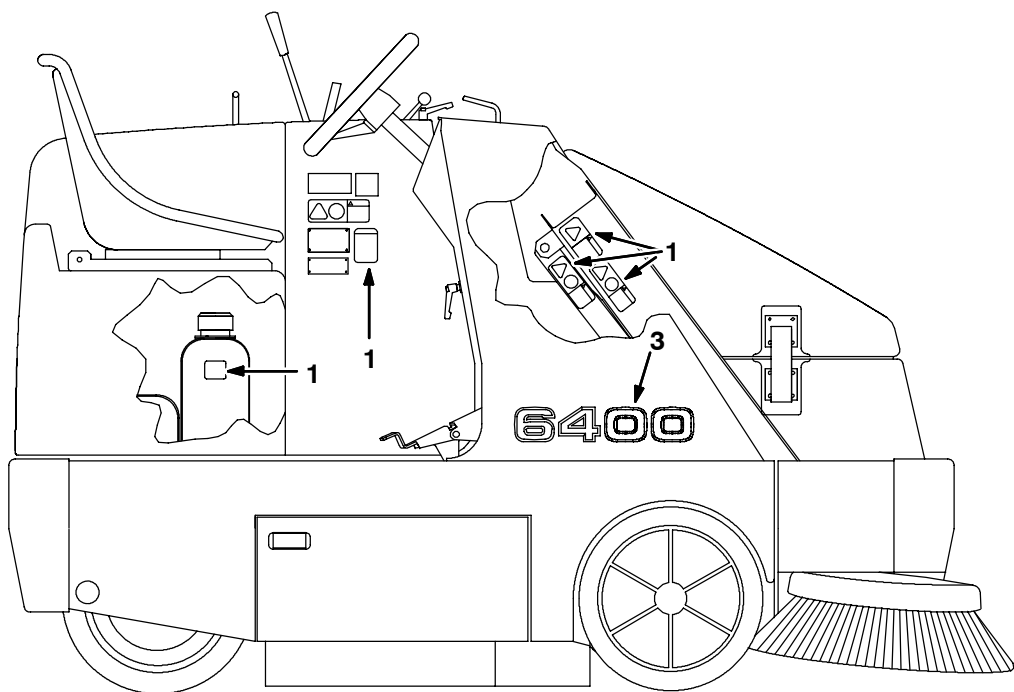
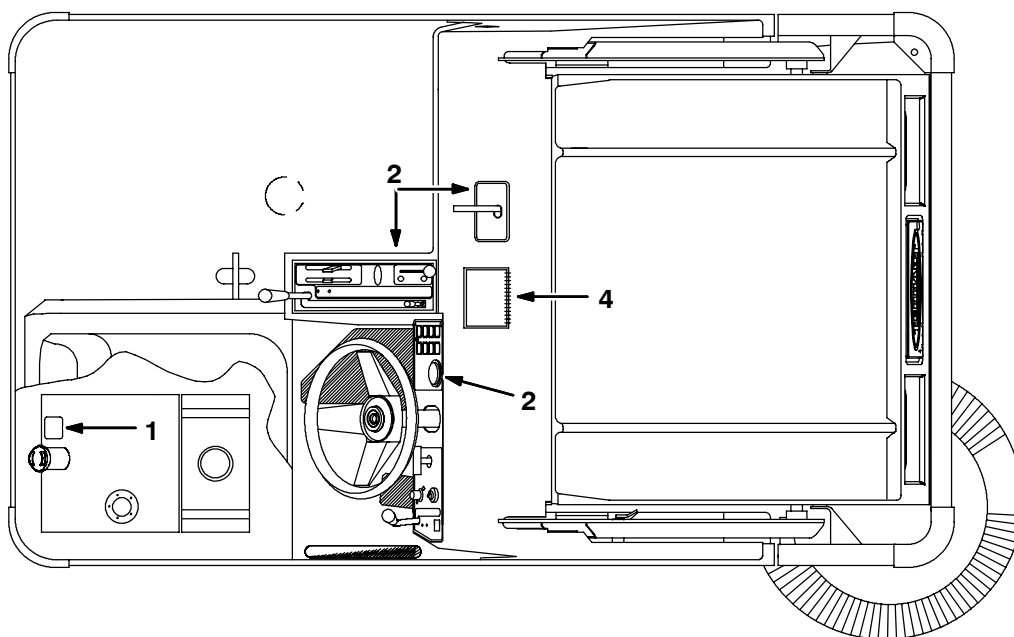
Fig. 42 - Electrical Wire Harnesses Group, Diesel



350137 - 354269 - D

Ref.	Part No.	Serial Number	Description	Qty.	
1	360503	(000000-)	Harness, Hopper	1	
▽	2	360509	(000000-)	Harness, Main, Liq, Diesel	1
▲	3	45975	(000000-)	Fuse, 30A 32V	1
4	222290	(000000-002677)	Diode, Elec, Plug	1	
5	398507	(002678-xxxxxx)	Wire Assy, Jumper, [6400]	1	

Fig. 43 - Label Group



350146 - D, NA

Ref.	Part No.	Serial Number	Description	Qty.
1	59767	(000000-) Label Set, Info & Hazard	1
2	361109	(000000-) Label Set, Operational, Die	1
3	361107	(000000-) Label, Numerals 6400	1
4	361064	(000000-) Guide, Use And Care	1

SECTION 3

Contents	Page
Fig. 1 - Revolving Light Kit	3-2
Fig. 2 - Revolving Light Kit, Overhead Guard ..	3-4
Fig. 3 - Backup Alarm Kit	3-6
Fig. 4 - Hopper Door Closed Light Kit	3-8
Fig. 5 - Overhead Guard Kit	3-10
Fig. 6 - Severe Environment Indicator Kit	3-12
Fig. 7 - Side Brush Dust Control Kit	3-14
Fig. 8 - Fire Extinguisher Kit	3-16
Fig. 9 - Deluxe Suspension Seat Group	3-17
Fig. 10 - High Back Seat Group	3-18
Fig. 11 - Seat Belt Kit	3-19
Fig. 12 - Vacuum Wand Kit	3-20
Fig. 13 - Soft Ride Non-Marking Tire and Wheel Assembly, Rear	3-22
Fig. 14 - Soft Ride Puncture Proof Tire and Wheel Assembly, Rear	3-23
Fig. 15 - Radial Tire and Wheel Assembly, Rear	3-24
Fig. 16 - Soft Ride Non-Marking Tire and Wheel Kit, Front	3-25
Fig. 17 - Soft Ride Puncture Proof Tire and Wheel Kit, Front	3-26
Fig. 18 - Bias Tire and Wheel Kit, Front	3-27
Fig. 19 - Radial Tire and Wheel Kit, Front	3-28
Fig. 20 - Documentation Group	3-29

Fig. 1 - Revolving Light Kit

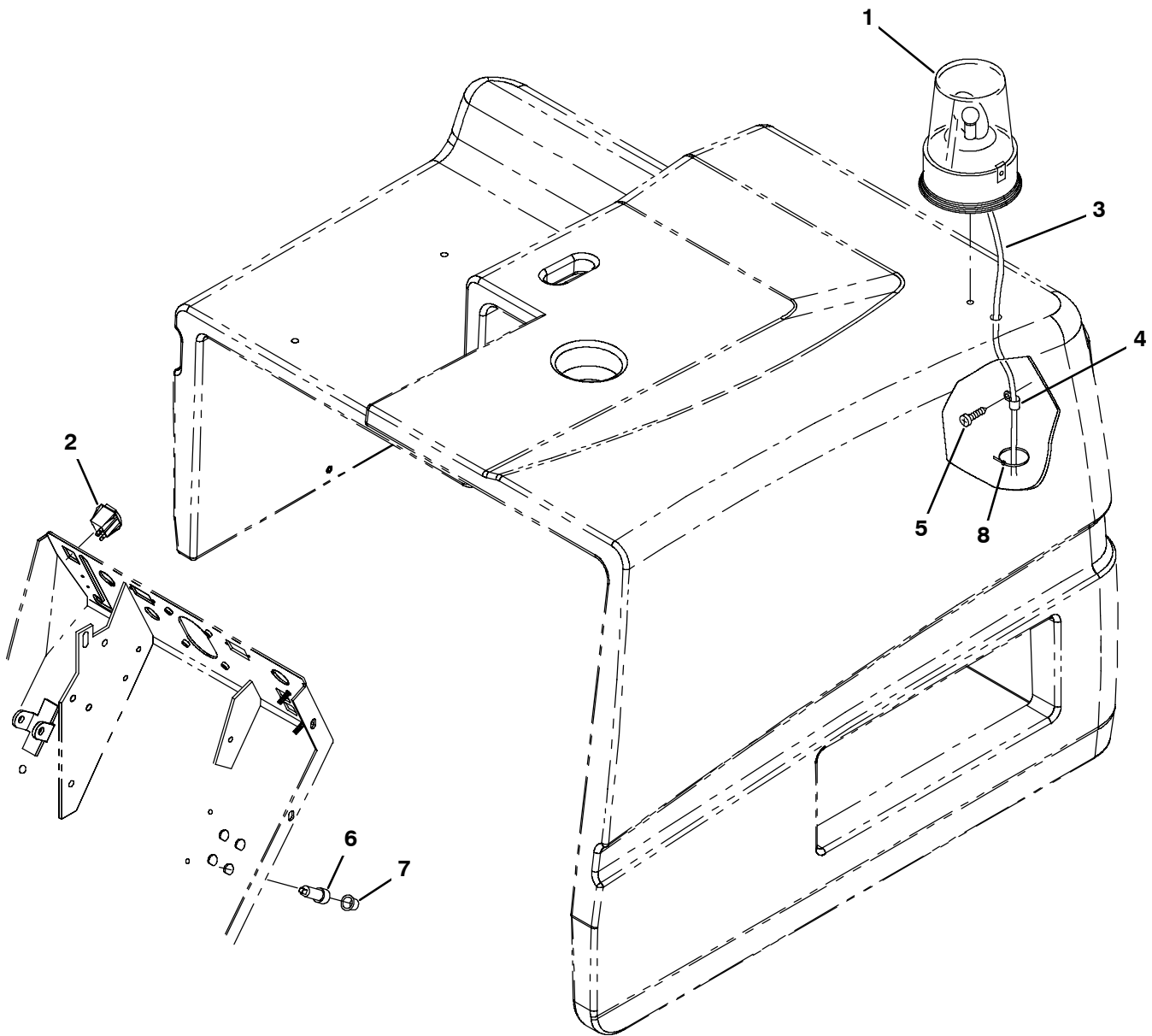


Fig. 1 - Revolving Light Kit

	Ref.	Part No.	Serial Number	Description	Qty.
▽		361120	(000000-) Light Kit, Revolving, 6400	1
▲▽	1	361975	(000000-) Light, Rev.Amber 12V - Rework	1
▲▲		44681-1	(000000-) Lens, Amber	1
▲▲		45779	(000000-) Bulb	1
▲	2	360520	(000000-) Switch, Rocker, Spdt, 3 Pos	1
▲	3	360500	(000000-) Harness, Warning, Light	1
▲	4	26395-2	(000000-) Clamp-Cable, 0.38D 0.38W stl	1
▲	5	360973	(000000-) Scr-Pan 12X.50 F/Plst PI	1
▲	6	57803	(000000-) Breaker-Circuit, 15 Resetbl	1
▲	7	57751	(000000-) Boot, Circuit Breaker	1
▲	8	49266	(000000-) Tie, Cable 1.75D Max 7.50Lg	2
		44681	(000000-) Lens, Revolving Light, Red	1
		44681-2	(000000-) Lens, Revolving Light, Blue	1

Fig. 2 - Revolving Light Kit, Overhead Guard

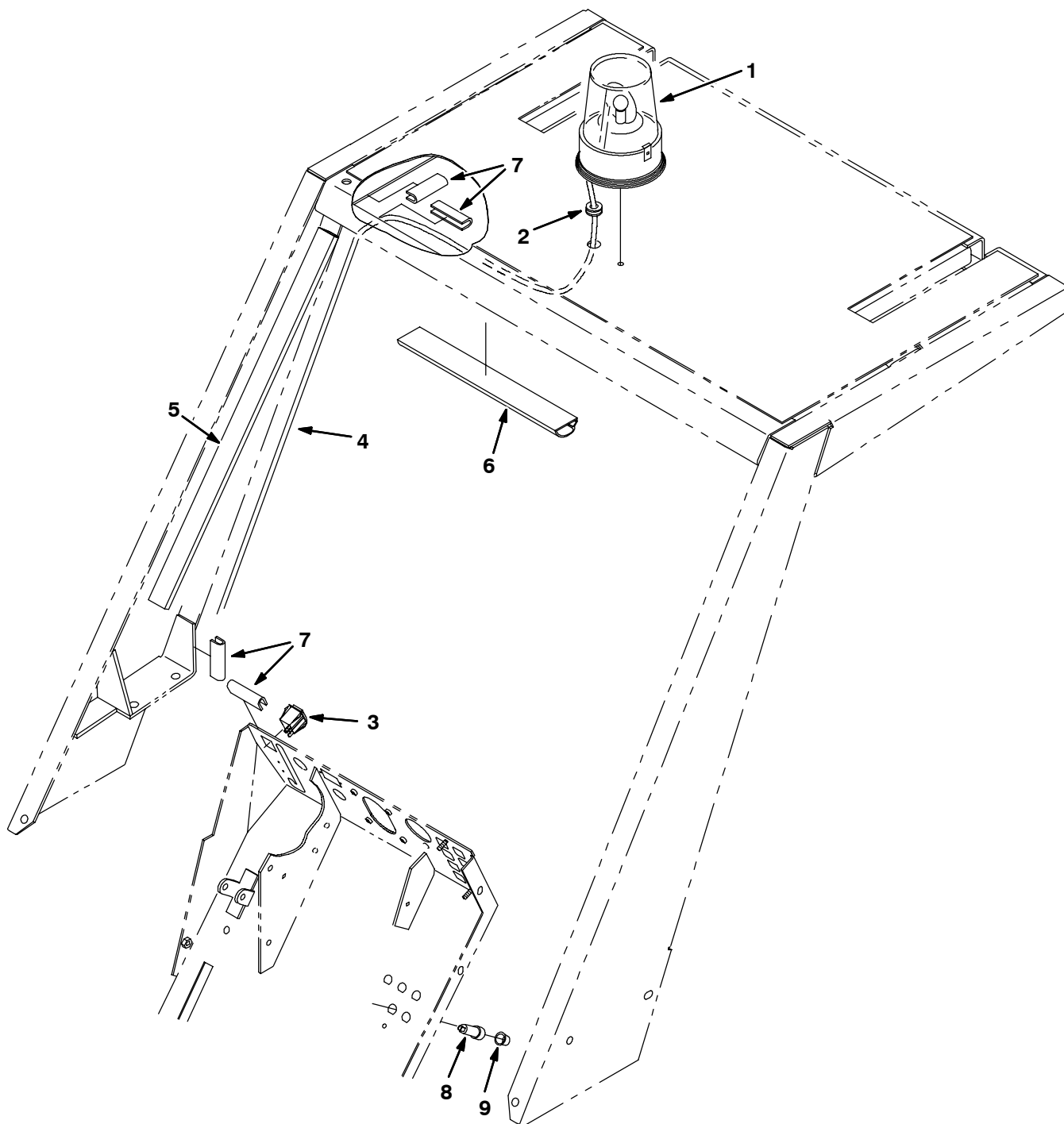


Fig. 2 - Revolving Light Kit, Overhead Guard

	Ref.	Part No.	Serial Number	Description	Qty.
▽		361125	(000000-) Light Kit, Revolving, Ohg, 6400	1
▲▽	1	361975	(000000-) Light, Rev.Amber 12V - Rework	1
▲▲		44681-1	(000000-) Lens, Amber	1
▲▲		45779	(000000-) Bulb	1
▲	2	10632-12	(000000-) Grommet, Rbr, 0.38Id, For .12 Matl	1
▲	3	360520	(000000-) Switch, Rocker, Spdt, 3 Pos	1
▲	4	360504	(000000-) Harness, Warning, Light Ohg, 6400	1
▲	5	86332	(000000-) Duct, Vinyl 26.0	1
▲	6	361944	(000000-) Duct, Vinyl 14.0	1
▲	7	74068	(000000-) Molding, Trim 3/16-5/16 2.75	1
▲	8	57803	(000000-) Breaker-Circuit, 15 Resetbl	1
▲	9	57751	(000000-) Boot, Circuit Breaker	1
▲		49266	(000000-) Tie, Cable 1.75D Max 7.50Lg	2
		44681	(000000-) Lens, Revolving Light, Red	1
		44681-2	(000000-) Lens, Revolving Light, Blue	1

Fig. 3 - Backup Alarm Kit

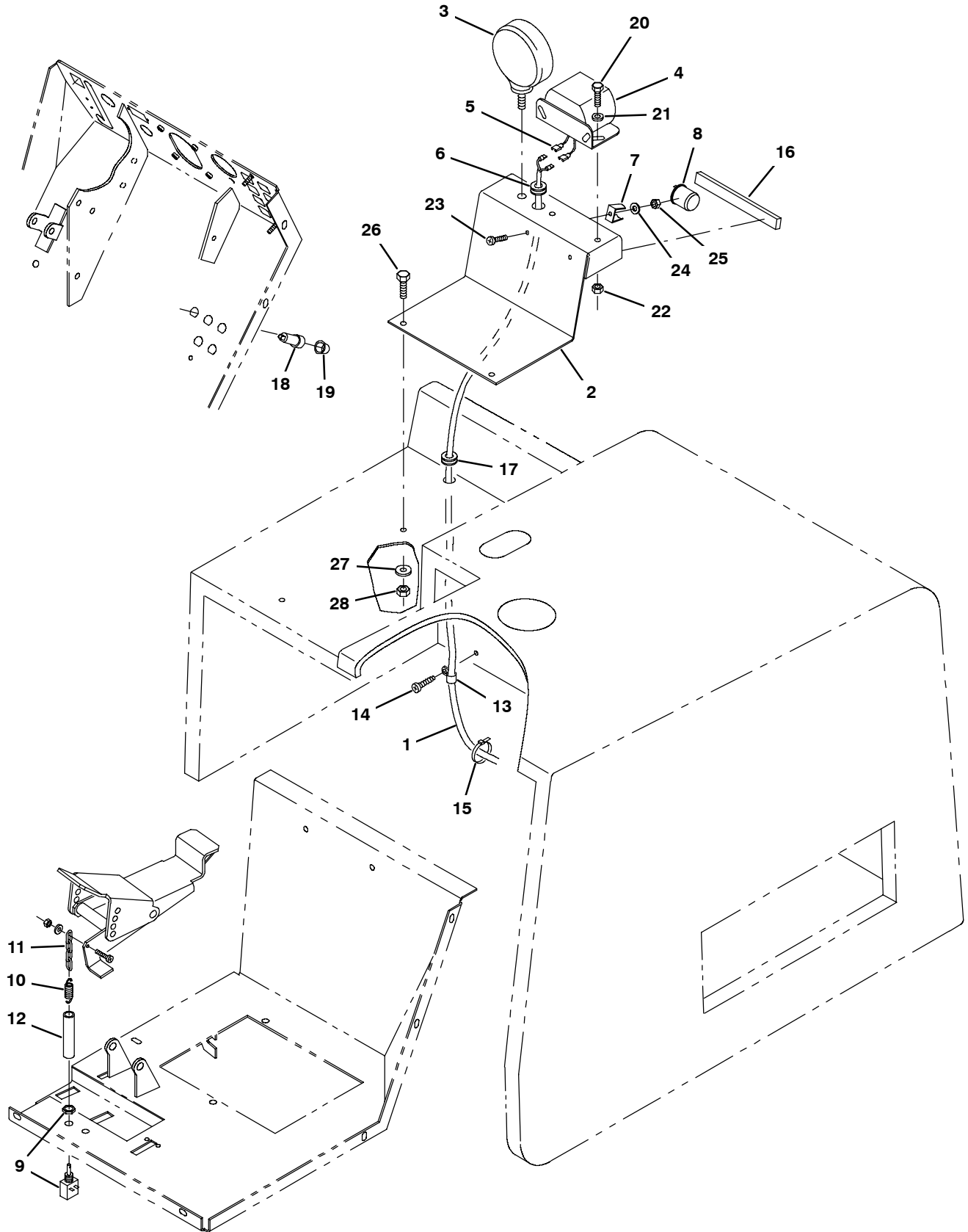


Fig. 3 - Backup Alarm Kit

	Ref.	Part No.	Serial Number	Description	Qty.
▽		366021	(000000-) Backup Alarm Kit 6400, 12 V	1
▲	1	366024	(000000-) Harness Jumper, Backup Alarm	1
▲	2	366016	(000000-) Bracket, Alarm, Backup	1
▲▽	3	36438	(000000-) Headlight Assy	1
▲▲		36439	(000000-) Bulb	1
▲	4	61923	(000000-) Horn, Back-up Alarm	1
▲	5	50470	(000000-) Terminal, Qkdisc .25f Insf 14ga	2
▲	6	10632-9	(000000-) Grommet, Rbr, 0.56id For .13matl	1
▲	7	24576-1	(000000-) Bracket, Flasher	1
▲	8	24576	(000000-) Flasher, 12v	1
▲	9	43673	(000000-) Switch, 6-12v, Momentary On	1
▲	10	43672	(000000-) Sprg, Tens,0.38Odx.04wire 1.0L	1
▲	11	28499-1	(000000-) Chain, Sah#35 , 4Links, Cad 2.37	1
▲	12	366025	(000000-) Sleeve, blk Vinyl, .37555 I.D.	1
▲	13	26395-2	(000000-) Clamp-Cable, 0.38D 0.38W Stl	2
▲	14	360973	(000000-) Scr-pan 12 x .50 F/plst PI	2
▲	15	49266	(000000-) Tie, Cable 1.75d Max 7.50lg	5
▲	16	50616	(000000-) Seal, Foam Vyl, .38 .75w 7.3L	1
▲	17	10632-18	(000000-) Grommet, Rbr, 0.69id, For .25matl	1
▲	18	57803	(000000-) Breaker-Circuit, 15 Resetbl	1
▲	19	57751	(000000-) Boot, Circuit Breaker	1
▲	20	16931	(000000-) Screw, Hex, M8 X 1.25 X 20, 8.8	2
▲	21	32490	(000000-) Washer, Flat, 0.25, Std	2
▲	22	07791	(000000-) Nut, Hex, Flng, M8 X 1.25	2
▲	23	19320	(000000-) Screw, Pan, Phl, 06-32 X 0.38, G1	1
▲	24	19065	(000000-) Washer, Flat, 08	1
▲	25	19309	(000000-) Nut, Hex, Std, #06-32	1
▲	26	41342	(000000-) Screw, Hex, M8 X 1.25 X 40, 8.8	2
▲	27	32491	(000000-) Washer, Flat, 0.31, Std	2
▲	28	08709	(000000-) Nut, Hex, Lock, M8 X 1.25, NI	2

Fig. 4 - Hopper Door Closed Light Kit

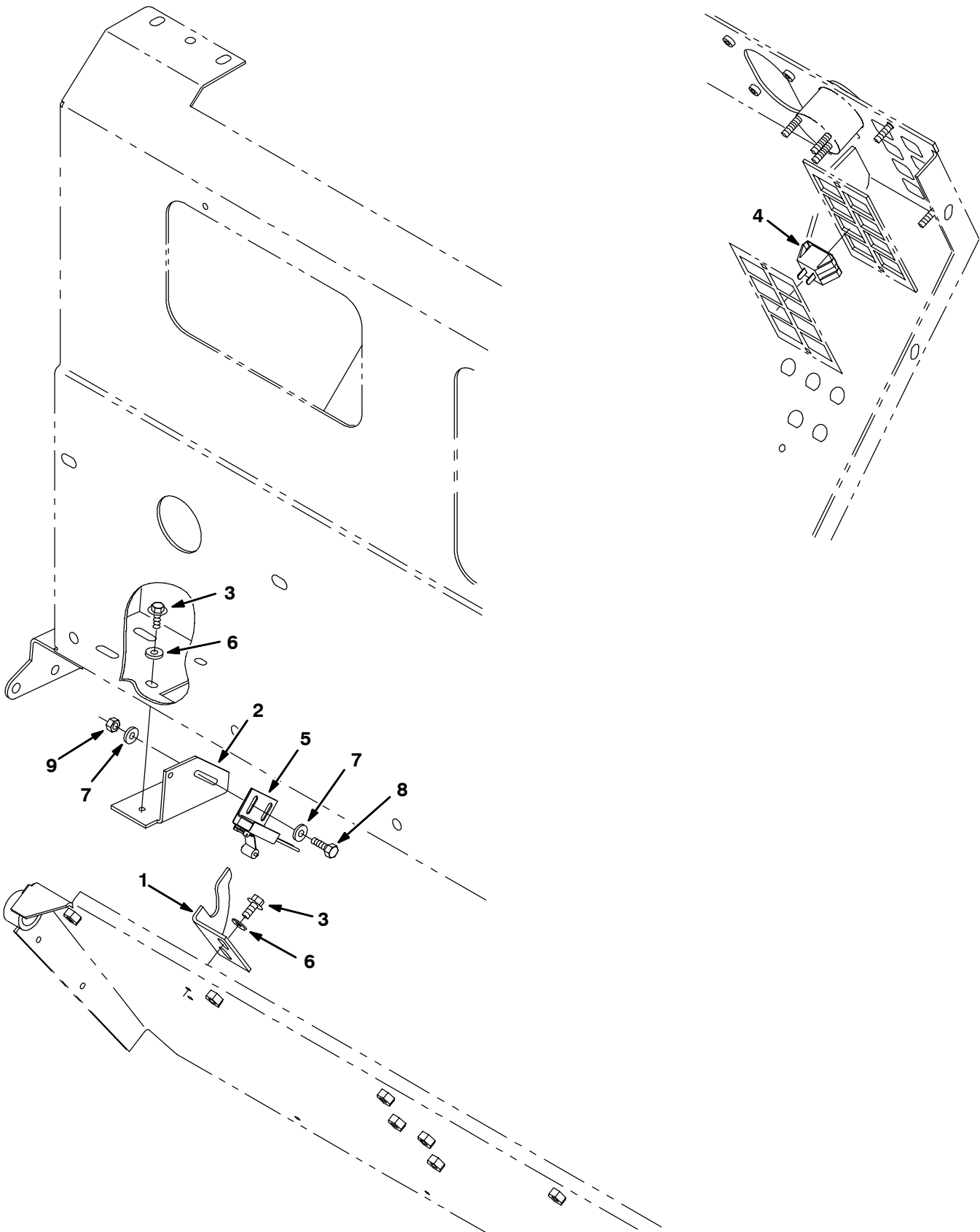


Fig. 4 - Hopper Door Closed Light Kit

	Ref.	Part No.	Serial Number	Description	Qty.
▽		361288	(000000-) Hopper Door Light Kit, 12V	1
▲	1	361140	(000000-) Bracket, Door, Indicator	1
▲	2	361141	(000000-) Bracket, Door, Indicator	1
▲	3	74455	(000000-) Scr-Hx Fmgm 6X1.0 12	4
▲	4	361075	(000000-) Lamp, Indicator 12 Volt	1
▲	5	59965	(000000-) Switch, Roller	1
▲	6	32490	(000000-) Washer, Flat, 0.25, Std	4
▲	7	19066	(000000-) Washer, Flat, 10	4
▲	8	09244	(000000-) Screw, Hex, M5 X 0.80 X 16, 8.8	2
▲	9	06549	(000000-) Nut, Hex, Lock, M5 X 0.80, NI	2

Fig. 5 - Overhead Guard Kit

	Ref.	Part No.	Serial Number	Description	Qty.
▽		360839	(000000-) Guard Kit, Overhead	1
▲	1	360795	(000000-) Channel Wldt, Ohg, Rh	1
▲	2	360798	(000000-) Channel Wldt, Ohg, Lh	1
▲	3	360962	(000000-) Panel Wldt, Top, Ohg	1
▲	4	48763	(000000-) Molding, Trim 3/16-5/16 10.0	2
▲	5	361284	(000000-) Insulation S/Foam	1
▲	6	361285	(000000-) Insulation S/Foam	1
▲	7	361671	(000000-) Molding, Trim, Leather, Black	2
▲	8	361672	(000000-) Molding, Trim, Leather, Black	1
▲	9	361673	(000000-) Molding, Trim, Leather, Black	1
▲	10	41346	(000000-) Screw, Hex, M12 X 1.75 X 30, 8.8	12
▲	11	32486	(000000-) Washer Flat,0.50,Sae	12
▲	12	07793	(000000-) Nut, Hex, Flng, M12 X 1.75	10

Fig. 6 - Severe Environment Indicator Kit

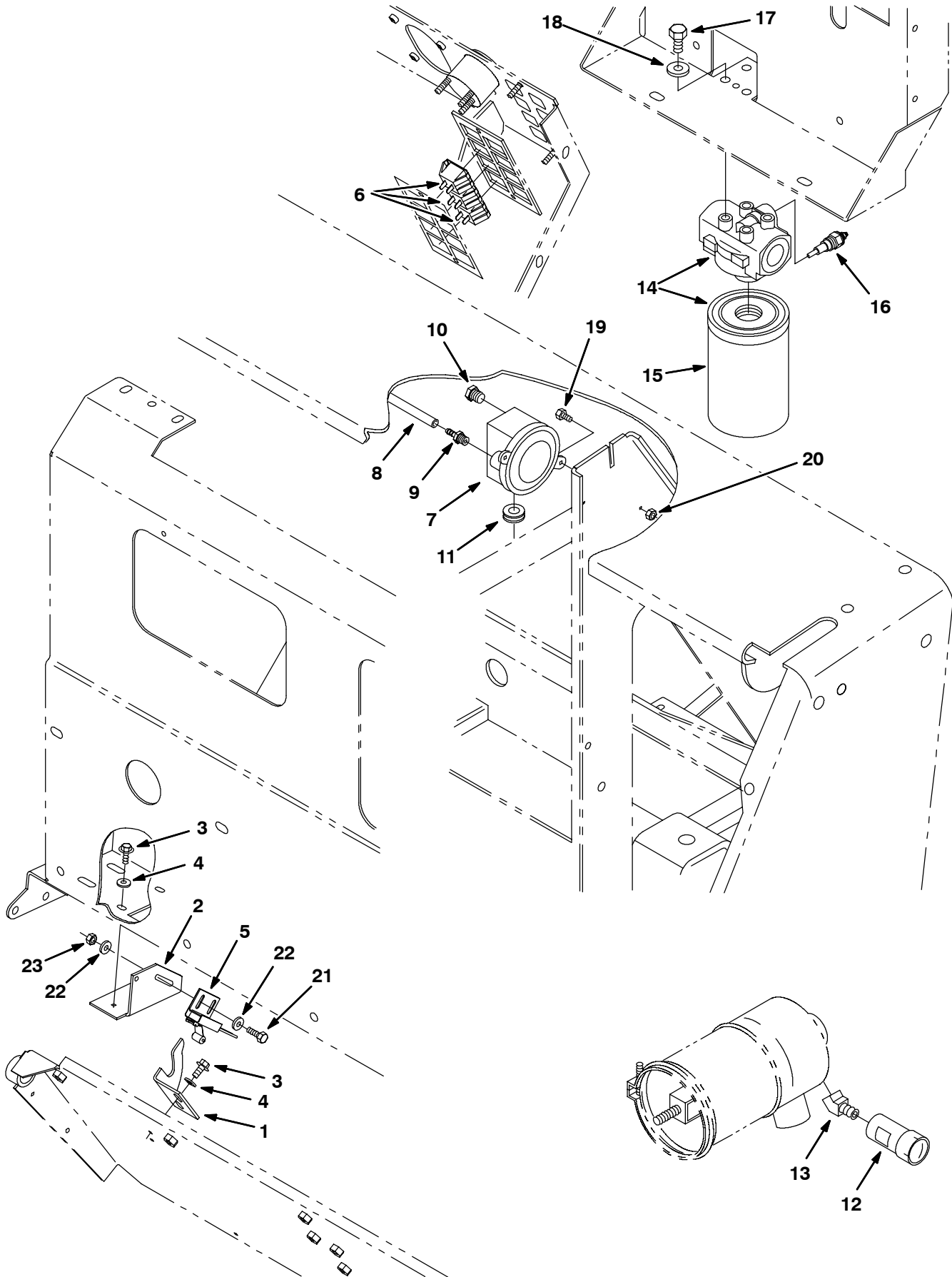


Fig. 6 - Severe Environment Indicator Kit

	Ref.	Part No.	Serial Number	Description	Qty.
▽		361148	(000000-) Indicator Kit, 12V	1
▲	1	361140	(000000-) Bracket, Door, Indicator	1
▲	2	361141	(000000-) Bracket, Door, Indicator	1
▲	3	74455	(000000-) Scr-Hx Fmgm 6X1.0 12	4
▲	4	32490	(000000-) Washer, Flat, 0.25, Std	4
▲	5	59965	(000000-) Switch, Roller	1
▲	6	361075	(000000-) Lamp, Indicator 12 Volt	3
▲	7	39924	(000000-) Switch, Pressure	1
▲	8	39780-2	(000000-) Hose, Vacuum .16 Id X 54.0 Lg	1
▲	9	40607	(000000-) Ftg,Brass,St Bm03/Pm02	1
▲	10	82739	(000000-) Ftg, Breather	1
▲	11	10632-4	(000000-) Grommet,Rbr,0.62ld,For .06Matl	1
▲	12	03026	(000000-) Indicator Service Air Filter	1
▲	13	24976	(000000-) Ftg-Brs E45 Pm02/Pf02	1
▲▽	14	10664	(000000-) Filter Assy, Spin-On	1
▲▲	15	65221	(000000-) Element, Filter	1
▲	16	65222	(000000-) Sender, Filter, Hydraulic	1
▲	17	21194	(000000-) Screw, Hex, .38-16 X 0.62, G5	4
▲	18	32485	(000000-) Washer, Flat, 0.38, Sae	4
▲	19	09206	(000000-) Screw, Hex, M4 X 0.70 X 12, 8.8	2
▲	20	02850	(000000-) Nut, Hex, Lock, M4 X 0.70, NI	2
▲	21	09244	(000000-) Screw, Hex, M5 X 0.80 X 16, 8.8	2
▲	22	19066	(000000-) Washer, Flat, 10	2
▲	23	06549	(000000-) Nut, Hex, Lock, M5 X 0.80, NI	2

Fig. 7 - Side Brush Dust Control Kit

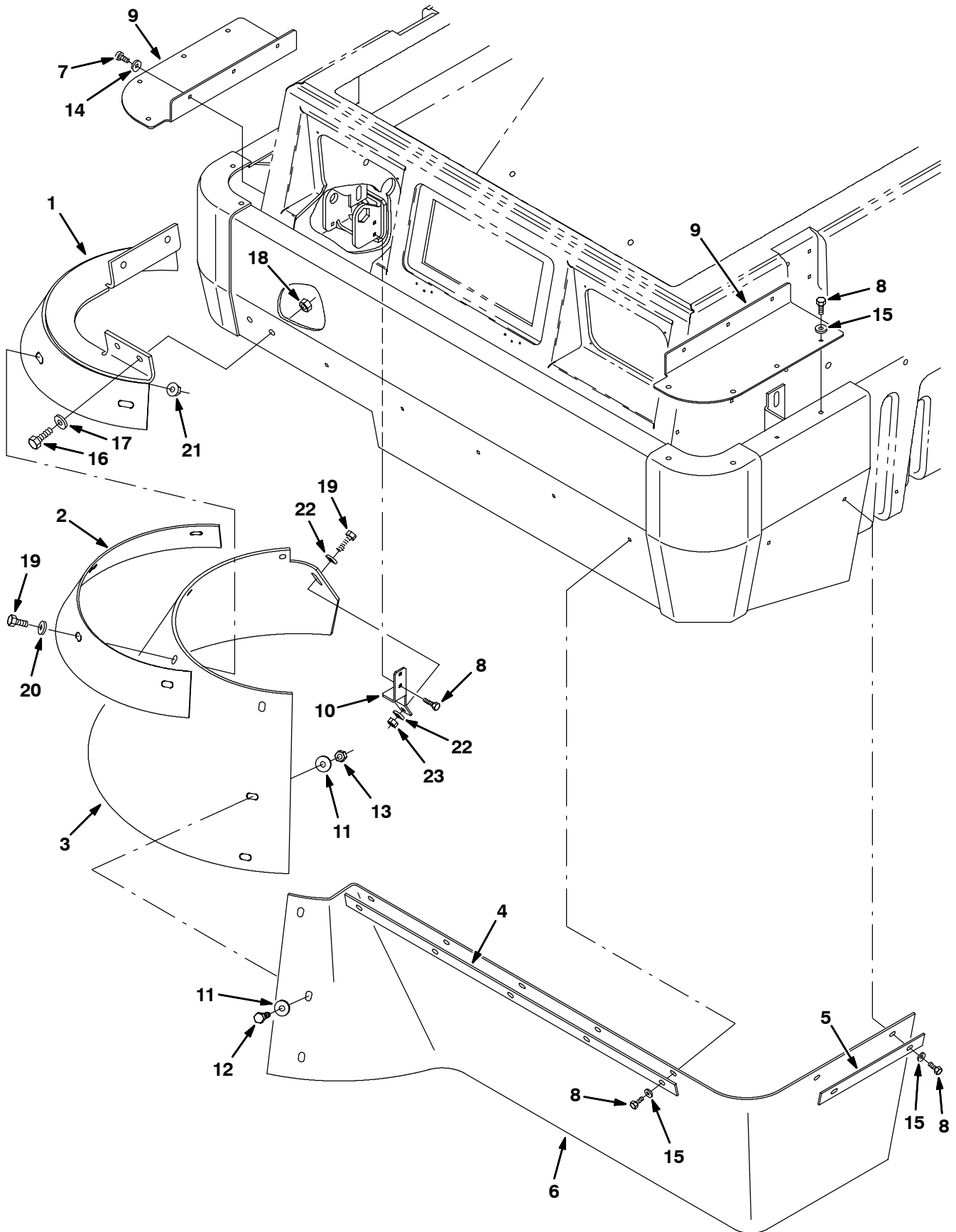
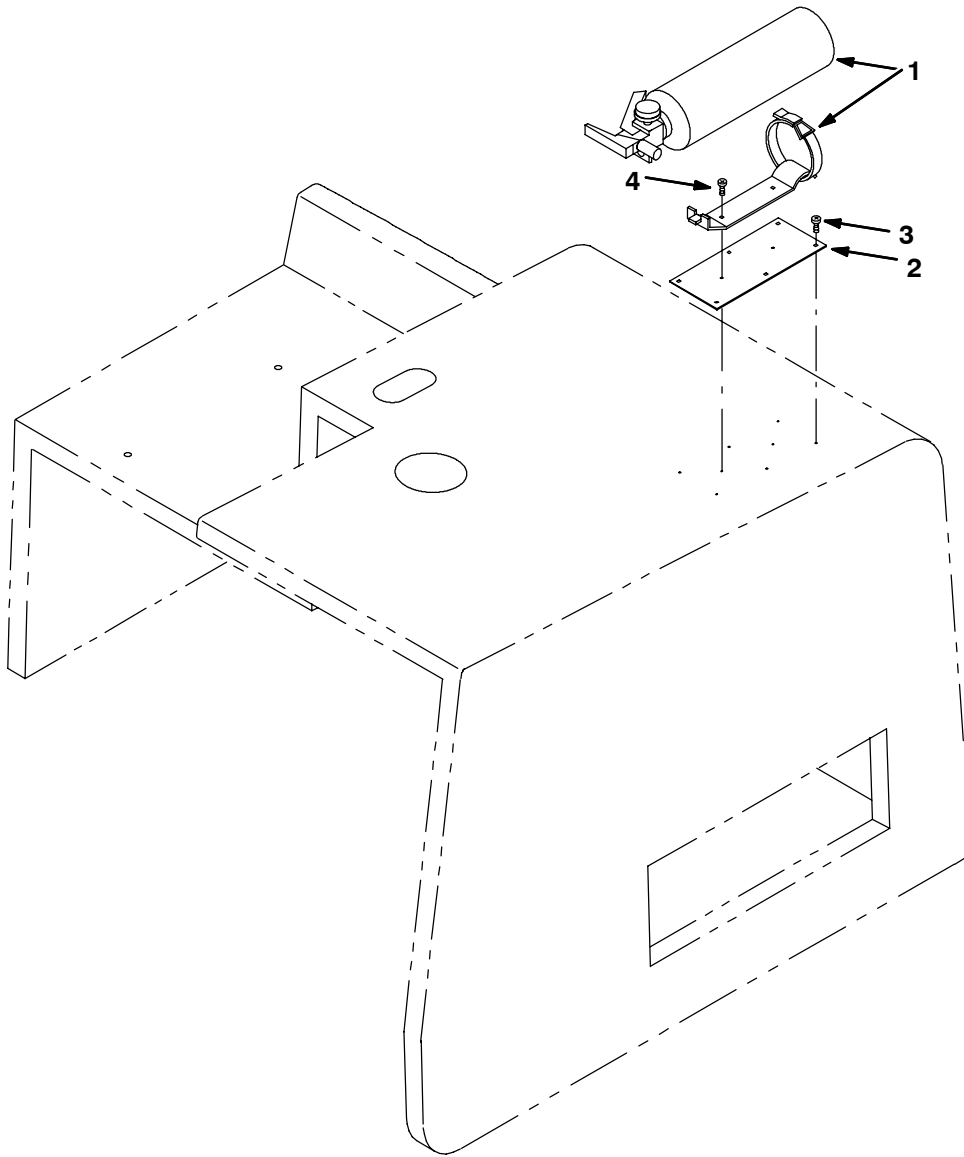


Fig. 7 - Side Brush Dust Control Kit

	Ref.	Part No.	Serial Number	Description	Qty.
▽		361268	(000000-) Dust Control Kit, Side Brush	1
▲	1	360883	(000000-) Bracket Wldt, Sbdc	1
▲	2	361292	(000000-) Strip, Retainer, Sbdc	1
▲	3	360933	(000000-) Skirt, Sbdc	1
▲	4	361330	(000000-) Strip, Retainer, Sbdc	1
▲	5	361331	(000000-) Strip, Retainer, Sbdc	1
▲	6	361332	(000000-) Skirt, Front, Sbdc	1
▲	7	360973	(000000-) Screw, Pan, 12-16 X 0.50, F/ Plstc	6
▲	8	24593	(000000-) Screw, Hex, .25-20 X 0.50, Fmg, Pl	17
▲	9	361329	(000000-) Seal, Sbdc	2
▲	10	361670	(000000-) Bracket, Sbdc	1
▲	11	41178	(000000-) Washer-Flt .25 Fender Pltd	4
▲	12	06943	(000000-) Screw, Hex, M6 X 1.00 X 20, 8.8	2
▲	13	08708	(000000-) Nut, Hex, Lock, M6 X 1.00, NI	2
▲	14	19324	(000000-) Washer, Flat, 10, Sae	6
▲	15	32490	(000000-) Washer, Flat, 0.25, Std	15
▲	16	03192	(000000-) Screw, Hex, M10 X 1.50 X 30, 8.8	4
▲	17	32492	(000000-) Washer, Flat, 0.38, Std	4
▲	18	07792	(000000-) Nut, Hex, Flng, M10 X 1.50	4
▲	19	39277	(000000-) Screw, Hex, M8 X 1.25 X 25, 8.8	5
▲	20	39349	(000000-) Washer, Flat, 0.31, Sae	4
▲	21	07791	(000000-) Nut, Hex, Flng, M8 X 1.25	4
▲	22	30013	(000000-) Washer, Flat, 0.31, Fendr	2
▲	23	08709	(000000-) Nut, Hex, Lock, M8 X 1.25, NI	1

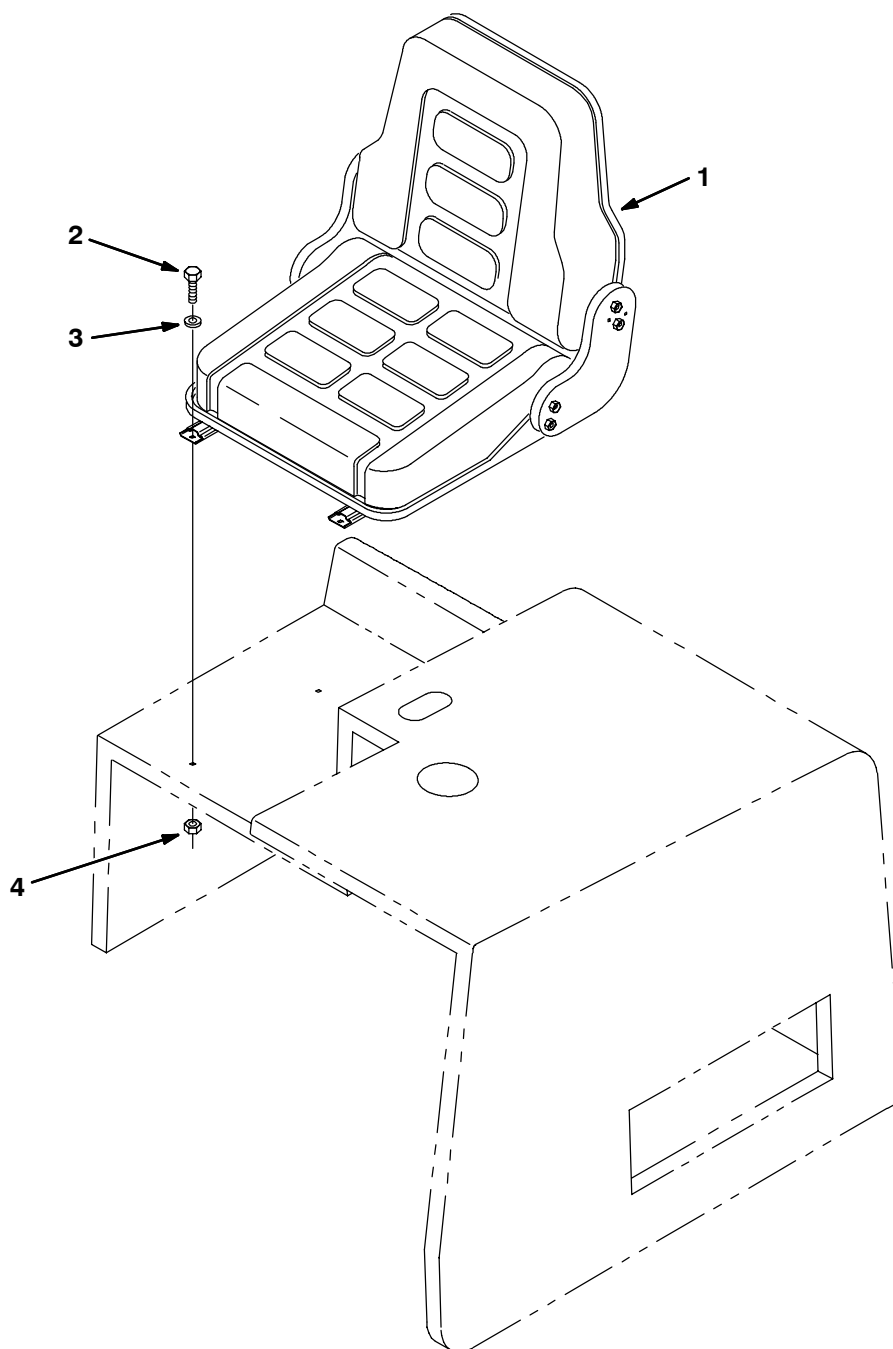
Fig. 8 - Fire Extinguisher Kit



350035 - ALL

Ref.	Part No.	Serial Number	Description	Qty.
▽	361211	(000000-) Extinguisher Kit, Fire 6400	1
▲	1 25312	(000000-) Extinguisher, Fire	1
▲	2 361210	(000000-) Plate, Fire Ext Mtg	1
▲	3 360973	(000000-) Scr-Pan 12 X.50 F/Plst PI	6
▲	4 02863	(000000-) Scr-Pnfmng 10 X 0.75 Type Ab	2

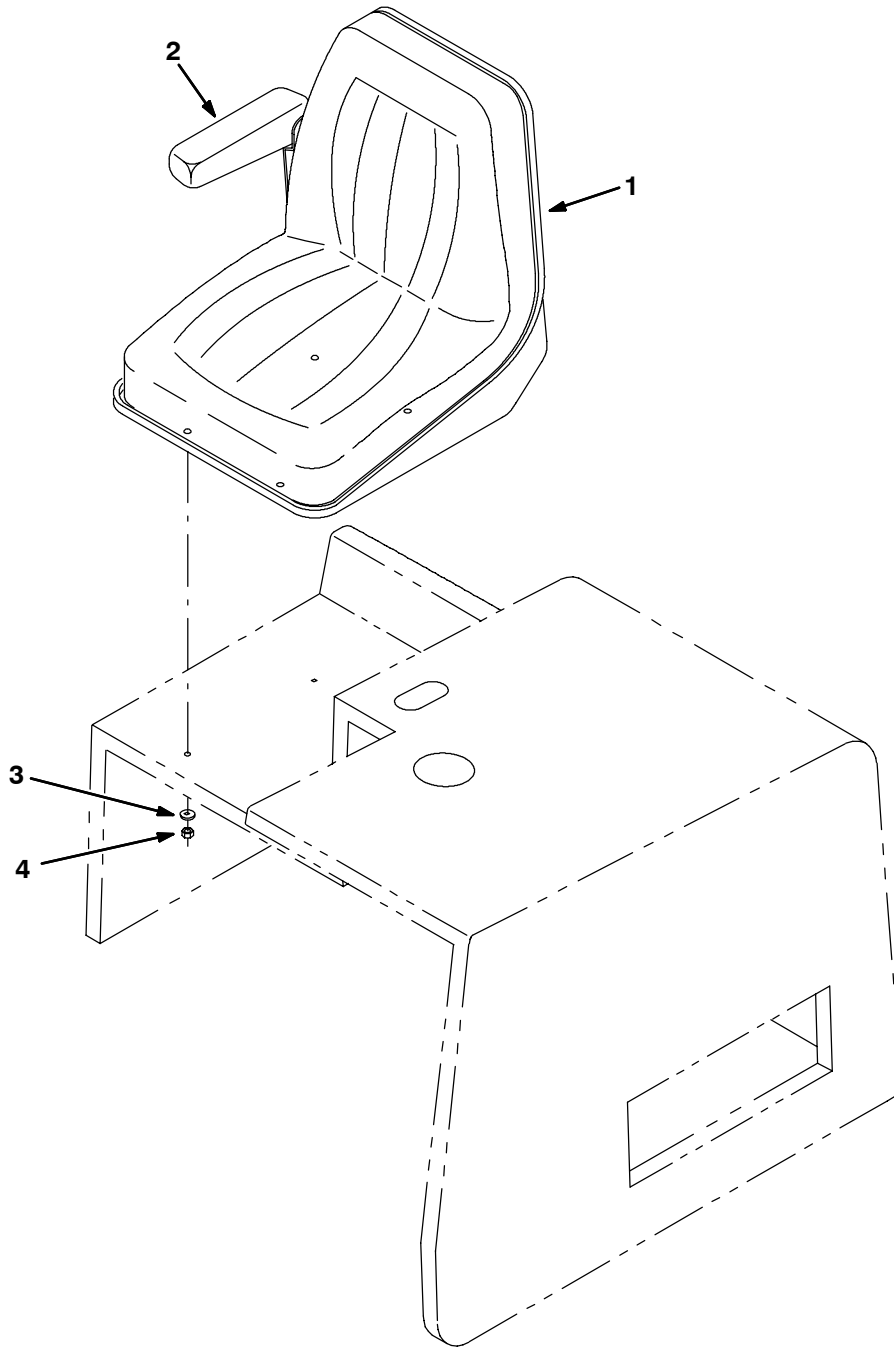
Fig. 9 - Deluxe Suspension Seat Group



350031 - ALL

Ref.	Part No.	Serial Number	Description	Qty.
1	361146	(000000-) Seat, Grammer	1
2	41342	(000000-) Screw, Hex, M8 X 1.25 X 40, 8.8	4
3	32490	(000000-) Washer, Flat, 0.25, Std	4
4	08709	(000000-) Nut, Hex, Lock, M8 X 1.25, NI	4

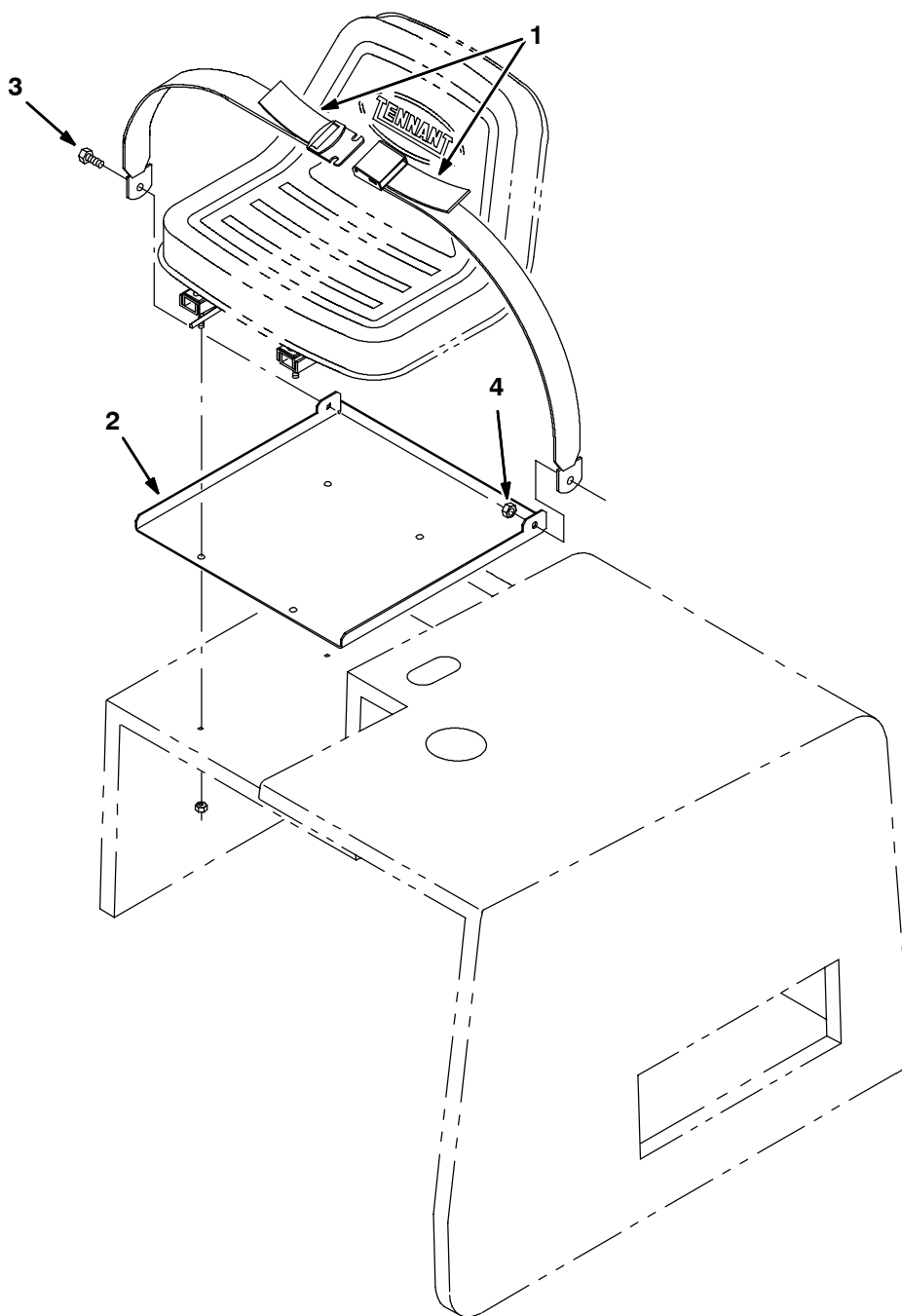
Fig. 10 - High Back Seat Group



350029 - ALL

	Ref.	Part No.	Serial Number	Description	Qty.
▽	1	77235	(000000-) Seat, Michigan	1
▲	2	369810	(000000-) Replacement Kit, Armrest	1
▲	3	32490	(000000-) Washer, Flat, 0.25, Std	4
▲	4	01760	(000000-) Nut, Hex, Lock, .31-18, NI, Thin	4

Fig. 11 - Seat Belt Kit



350033 -ALL

Ref.	Part No.	Serial Number	Description	Qty.
▽	360932	(000000-) Seat Belt Kit	1
▲	1 30533	(000000-) Belt, Seat	1
▲	2 360630	(000000-) Plate, Mtg, Seat Belt	1
▲	3 06961	(000000-) Screw, Hex, M10 X 1.50 X 20, 8.8	2
▲	4 41430	(000000-) Nut, Hex, Lock, M10 X 1.5, NI	2

Fig. 12 - Vacuum Wand Kit

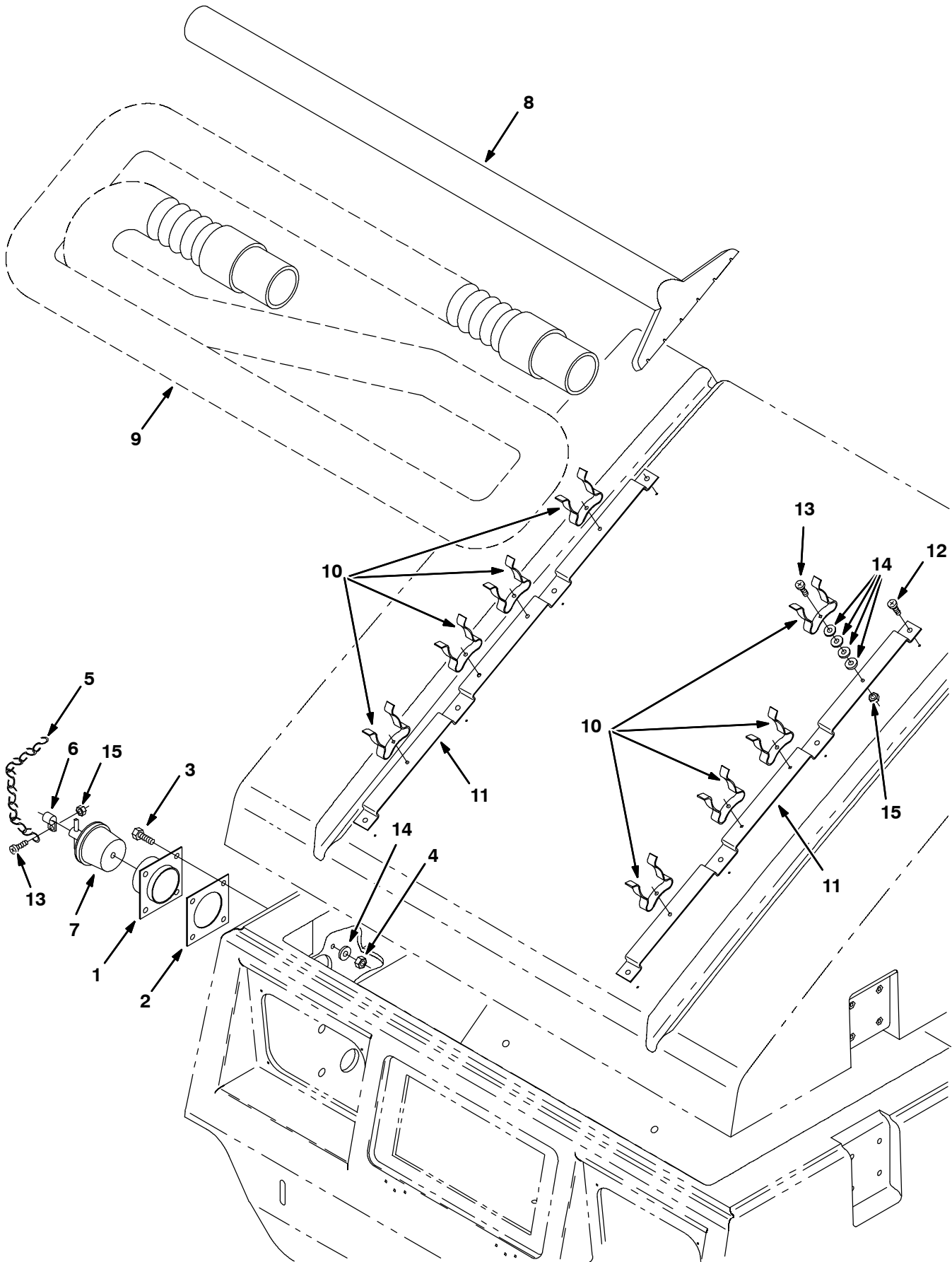
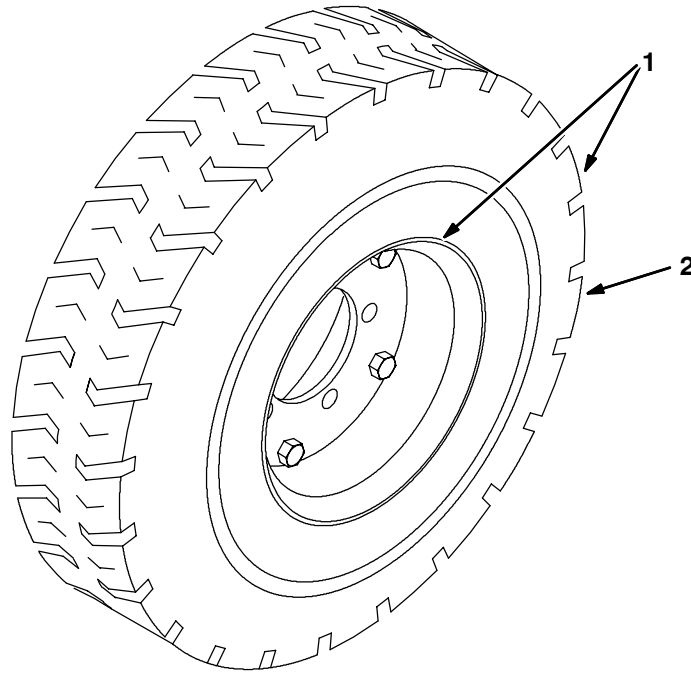


Fig. 12 - Vacuum Wand Kit

	Ref.	Part No.	Serial Number	Description	Qty.
▽		360915	(000000-) Wand Kit, Vac, 6400 Line	1
▲	1	360912	(000000-) Adaptor Wldt, Vac Wand	1
▲	2	55965	(000000-) Seal, Vac Wand	1
▲	3	09007	(000000-) Scr Hexssm 6X1.0 25	4
▲	4	08712	(000000-) Nut Hxlocnyln M 6X1.0 Reg Ss	4
▲	5	44166	(000000-) Chain,Jack#12, 6Links,Znc	1
▲	6	26395-2	(000000-) Clamp-Cable, 0.38Dia 0.38Wth	1
▲	7	42124	(000000-) Plug, Drain	1
▲	8	54012	(000000-) Wand	1
▲	9	54009	(000000-) Hose&2Cuff Assy,Vinyl2.0ld10Ft	1
▲	10	67004	(000000-) Clip-Finger Grip	8
▲	11	360938	(000000-) Bracket, Vac Wand	2
▲	12	360943	(000000-) Scr-Pan 10-14X0.75 F/Plst PI	8
▲	13	06927	(000000-) Screw, Pan, Phl, M4 X 0.70 X 16, 4.8	9
▲	14	19066	(000000-) Washer, Flat, 10	36
▲	15	02850	(000000-) Nut, Hex, Lock, M4 X 0.70, NI	9

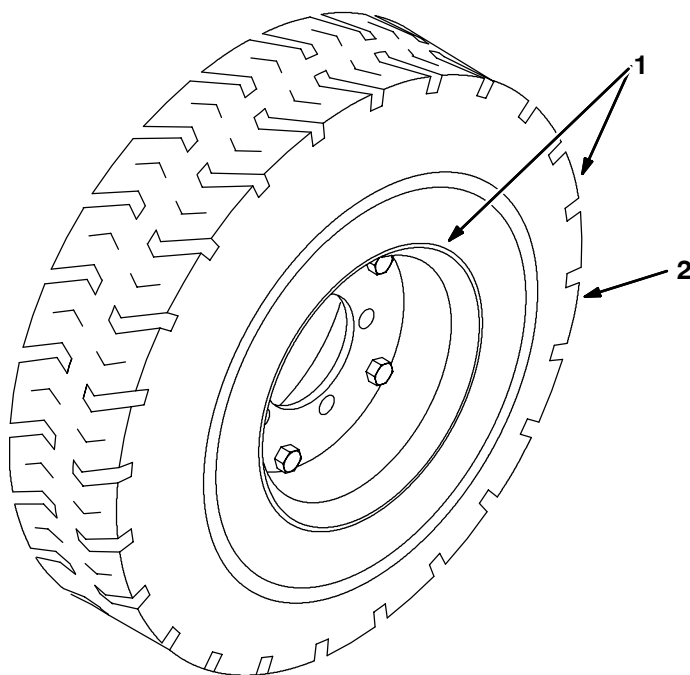
Fig. 13 - Soft Ride Non-Marking Tire and Wheel Assembly, Rear



350173 - IC

	Ref.	Part No.	Serial Number	Description	Qty.
▽	1	360295	(000000-) Tire and Wheel Assembly, Non-Marking Solid	1
▲	2	360163	(000000-) Tire, 4.00X8-3.75 Sol. Non-Mark	1

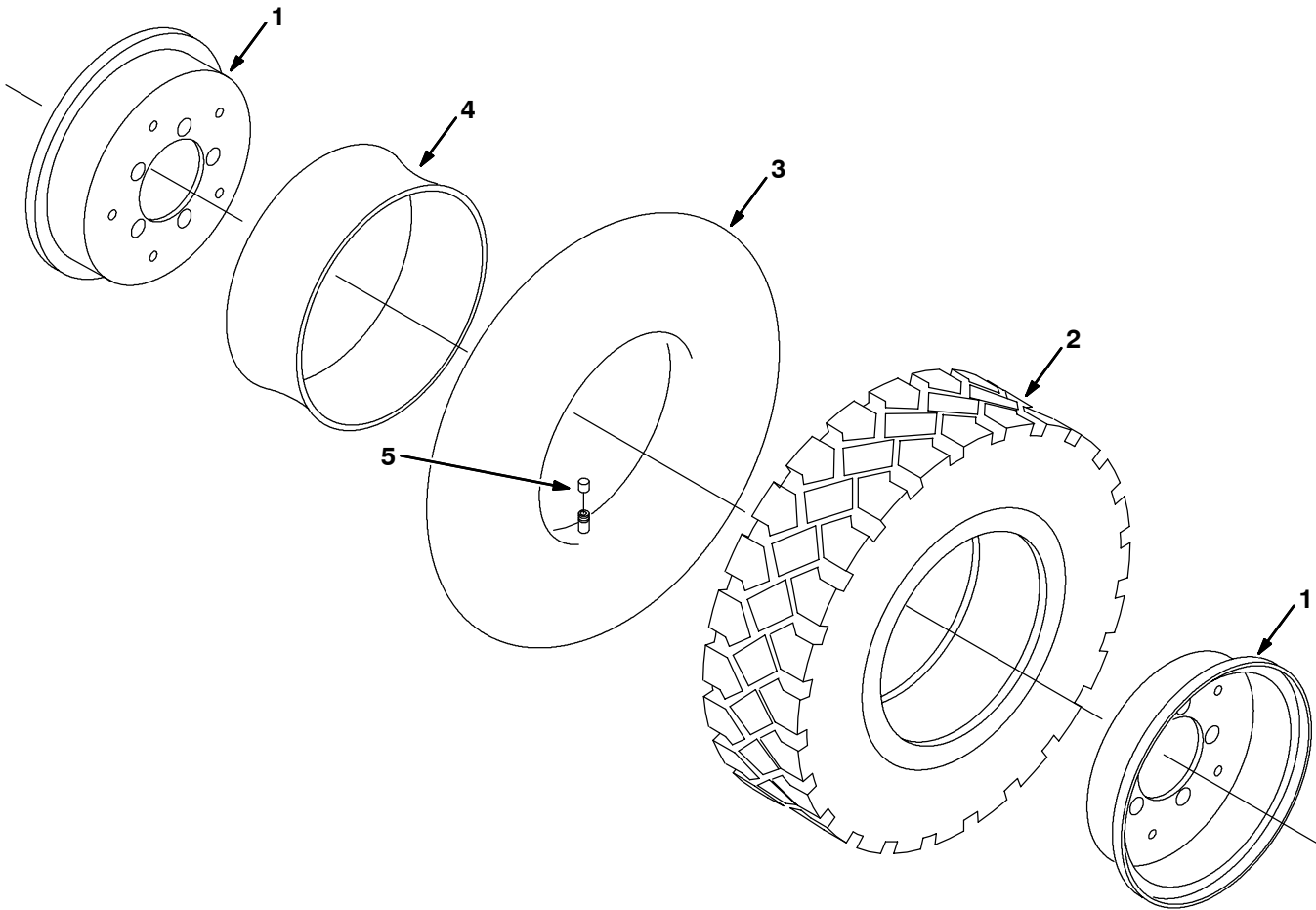
Fig. 14 - Soft Ride Puncture Proof Tire and Wheel Assembly, Rear



350173 - IC

	Ref.	Part No.	Serial Number	Description	Qty.
▽	1	360296	(000000-) Tire and Wheel Assy 4.00-8 Solid	1
▲	2	360162	(000000-) Tire, 4.00X8-3.75 Solid	1

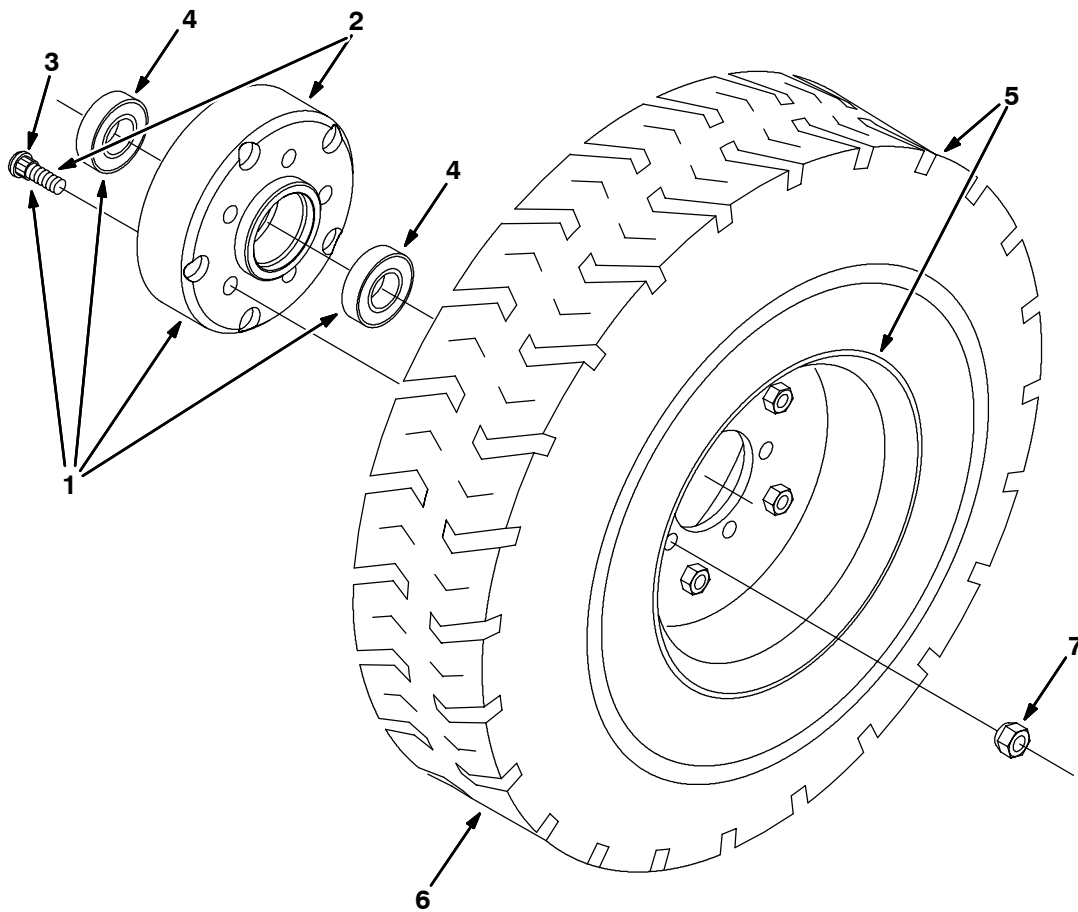
Fig. 15 - Radial Tire and Wheel Assembly, Rear



10932 - IC

Ref.	Part No.	Serial Number	Description	Qty.
▽	361069	(000000-) Tire and Wheel Assembly 16X6 RS Radial	1
▲	1 366104	(000000-) Rim Assembly	1
▲▽	366093	(000000-) Tire, Tube & Flap Assy	1
▲▲	2 360300	(000000-) Tire, 150/75R8 Pneumatic	1
▲▲	3 361077	(000000-) Tube, Tire-Inner 16X6-8	1
▲▲	4 366092	(000000-) Flap, Tire 2F 500	1
▲	5 45786	(000000-) Cap, Valve Stem	1

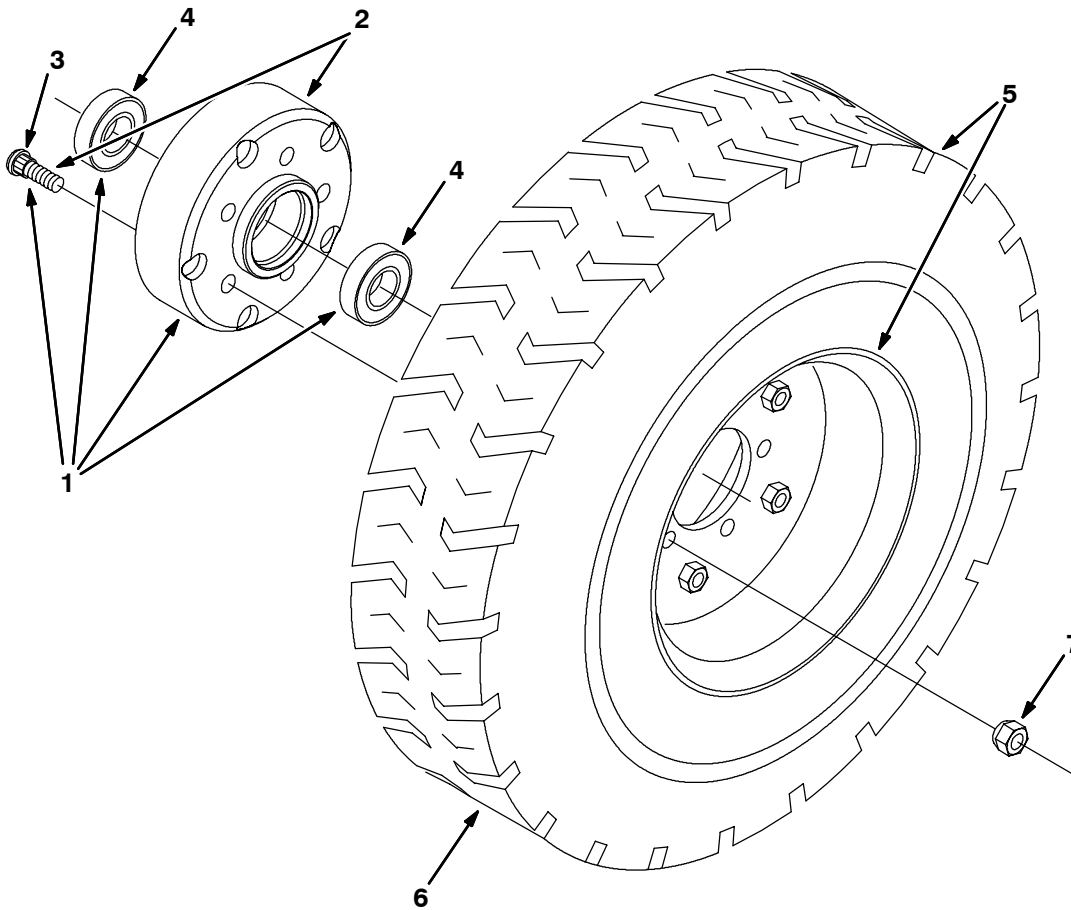
Fig. 16 - Soft Ride Non-Marking Tire and Wheel Kit, Front



352043 - IC

Ref.	Part No.	Serial Number	Description	Qty.
▽	366119	(000000-) Wheel and Tire Kit, Non-Mark Solid, Front	1
▲▽	1 366107	(000000-) Hub Assembly	2
▲▲	2 375001	(000000-) Hub, Wheel w/studs	1
▲▲	3 32126	(000000-) Stud, Wheel .50-20 X 1.50	5
▲▲	4 360074	(000000-) Bearing, Ball, 1.18B 2.44D 0.6	2
▲▽	5 366118	(000000-) Tire Assembly, Non-Mark - Rework	2
▲▲	6 360163	(000000-) Tire, 4.00 X 8-3.75 Sol. Non-Mark	1
▲	7 24339	(000000-) Nut-Wheel .50-20 60 Angle	1

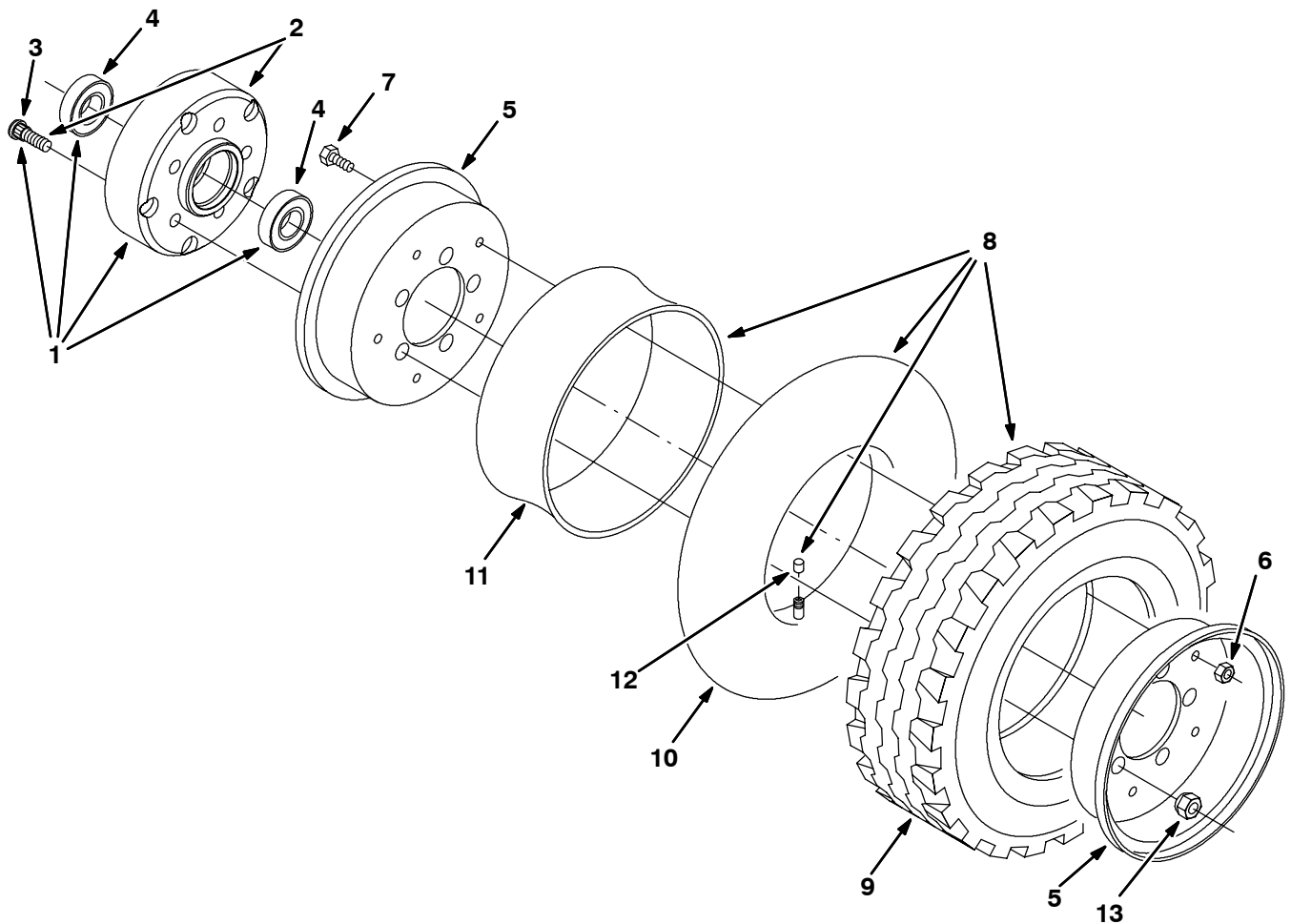
Fig. 17 - Soft Ride Puncture Proof Tire and Wheel Kit, Front



352043 - IC

Ref.	Part No.	Serial Number	Description	Qty.
▽	366116	(000000-) Wheel and Tire Kit, Soft Ride, Front	1
▲▽	1 366107	(000000-) Hub Assembly	2
▲▲	2 375001	(000000-) Hub, Wheel w/studs	1
▲▲	3 32126	(000000-) Stud, Wheel .50-20 X 1.50	5
▲▲	4 360074	(000000-) Bearing, Ball, 1.18B 2.44D 0.6	2
▲▽	5 366117	(000000-) Tire, Assembly, Soft Ride - Rework	2
▲▲	6 360162	(000000-) Tire, 4.00 X 8-3.75 Sol. Non-Mark	1
▲	7 24339	(000000-) Nut-Wheel .50-20 60 Angle	1

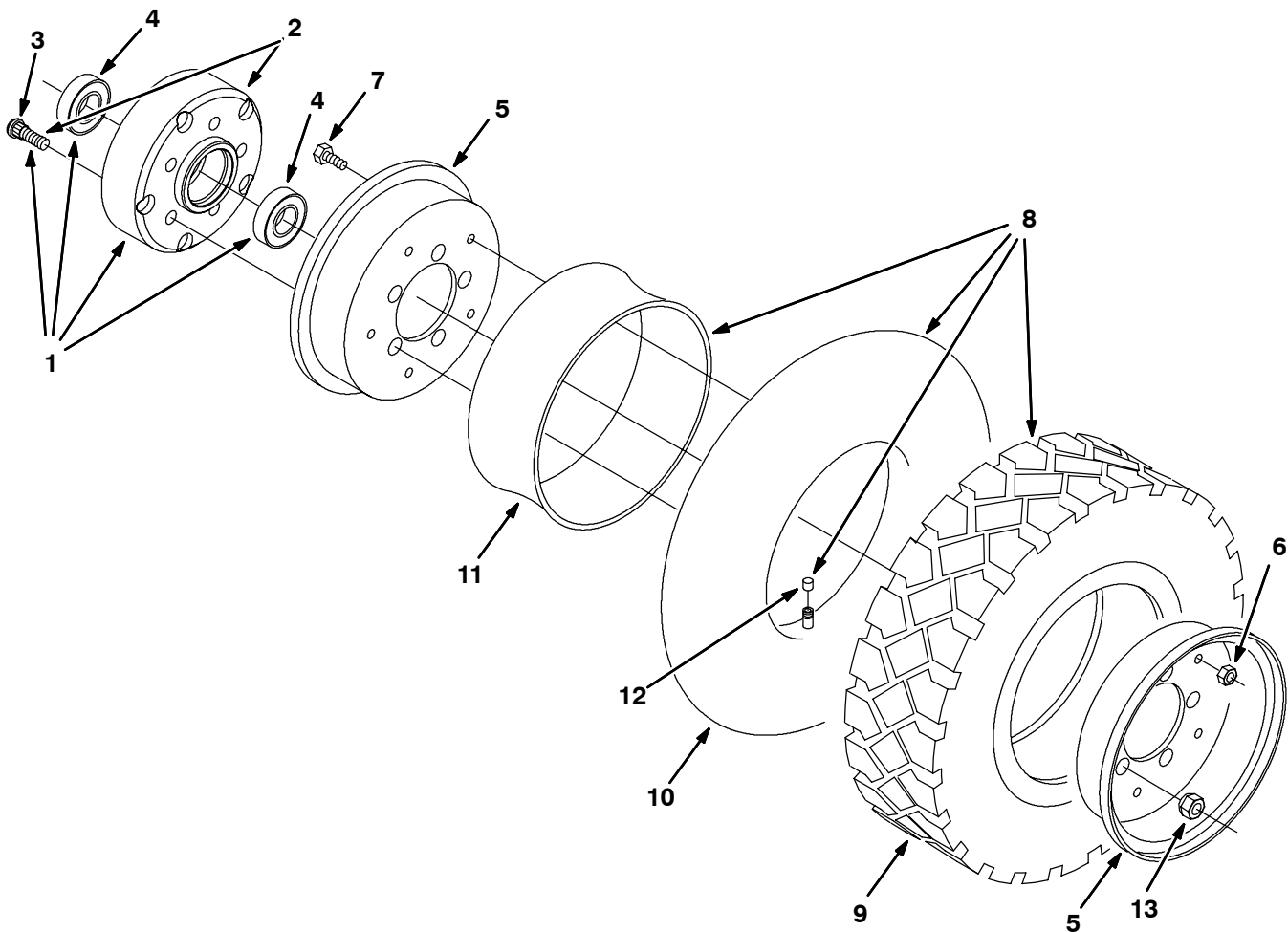
Fig. 18 - Bias Tire and Wheel Kit, Front



352047 - IC

Ref.	Part No.	Serial Number	Description	Qty.
▽	366111	(000000-) Wheel and Tire Kit, Bias Front	1
▲▽	1 366107	(000000-) Hub Assembly	2
▲▲	2 375001	(000000-) Hub, Wheel w/studs	1
▲▲	3 32126	(000000-) Stud, Wheel .50-20 X 1.50	5
▲▲	4 360074	(000000-) Bearing, Ball, 1.18B 2.44D 0.6	2
▲▽	366113	(000000-) Tire/wheel Assy, 16x6-8 10pr	2
▲▲	5 366104	(000000-) Rim Assy, 4.25" Bead X .188 Stl	1
▲▲	6 08714	(000000-) Nut, Hex, Lock, M10 X 1.5, NI, Ss	5
▲▲	7 39283	(000000-) Screw, Hex, M10 X 1.50 X 25, 8.8	5
▲▲	8 366094	(000000-) Tire, Tube & Flap Assy	1
▲▲	9 361081	(000000-) Tire	1
▲▲	10 361077	(000000-) Tube, Tire-Inner 16X6-8	1
▲▲	11 366092	(000000-) Flap, Tire 2F 500	1
▲▲	12 45786	(000000-) Cap, Valve Stem	1
▲	13 24339	(000000-) Nut-Wheel .50-20 60 Angle	10

Fig. 19 - Radial Tire and Wheel Kit, Front



352049 - IC

Ref.	Part No.	Serial Number	Description	Qty.
▽	366112	(000000-) Wheel and Tire Kit, Radial Front	1
▲▽	1 366107	(000000-) Hub Assembly	2
▲▲	2 375001	(000000-) Hub, Wheel w/studs	1
▲▲	3 32126	(000000-) Stud, Wheel .50-20 X 1.50	5
▲▲	4 360074	(000000-) Bearing, Ball, 1.18B 2.44D 0.6	2
▲▽	366114	(000000-) Tire and Wheel Assembly, 16x6 RS Radial	2
▲▲	5 366104	(000000-) Rim Assembly	1
▲▲	6 08714	(000000-) Nut, Hex, Lock, M10 X 1.5, NI, Ss	1
▲▲	7 39283	(000000-) Screw, Hex, M10 X 1.50 X 25, 8.8	1
▲▲	8 366093	(000000-) Tire, Tube & Flap Assy	1
▲▲	9 360300	(000000-) Tire, 150/75R8 Pneumatic	1
▲▲	10 361077	(000000-) Tube, Tire-Inner 16X6-8	1
▲▲	11 366092	(000000-) Flap, Tire 2F 500	1
▲▲	12 45786	(000000-) Cap, Valve Stem	1
▲	13 24339	(000000-) Nut-Wheel .50-20 60 Angle	10

Fig. 20 - Documentation Group

07501 - D, NA

Ref.	Part No.	Serial Number	Description	Qty.
	MM431	(000000-) Manual Pkg 6400D-Liq	1
	MM433	(000000-) Manual, Service 6400G/D	1
	1041866	(000000-) Video, Oprtr, Dvd [6400ic]	1
	MM431ES	(000000-) Manual, Operator 6400D-Liq, Spanish	1
	MM431FR	(000000-) Manual, Operator 6400D-Liq, French	1
	MM431JP	(000000-) Manual Pkg 6400D-Liq, Japanese	1
	330715	(000000-) Manual, Cd-Rom, Service, All	1
	371686	(000000-) Manual, Eng Service, [Kubota 73.6MM]	1

SECTION 4

Contents	Page
Fig. 1 - Hydraulic Piston Pump Breakdown, 361010	4-2
Fig. 2 - Hydraulic Gear Motor Breakdown, 361014	4-4
Fig. 3 - Hydraulic Gear Motor Breakdown, 361021	4-6
Fig. 4 - Hydraulic Gear Motor Breakdown, 361025	4-8
Fig. 5 - Hydraulic Gear Pump Breakdown, 361018	4-10
Fig. 6 - Hydraulic Control Valve Breakdown, 361012	4-12
Fig. 7 - Hydraulic Solenoid Control Valve Breakdown, 361019	4-14
Fig. 8 - Hydraulic Cylinder Breakdown, 361013	4-16
Fig. 9 - Hydraulic Steering Valve Breakdown, 71713	4-18
Fig. 10 - Hydraulic Solenoid Control Valve Breakdown, 1048820	4-20

Fig. 1 - Hydraulic Piston Pump Breakdown, 361010

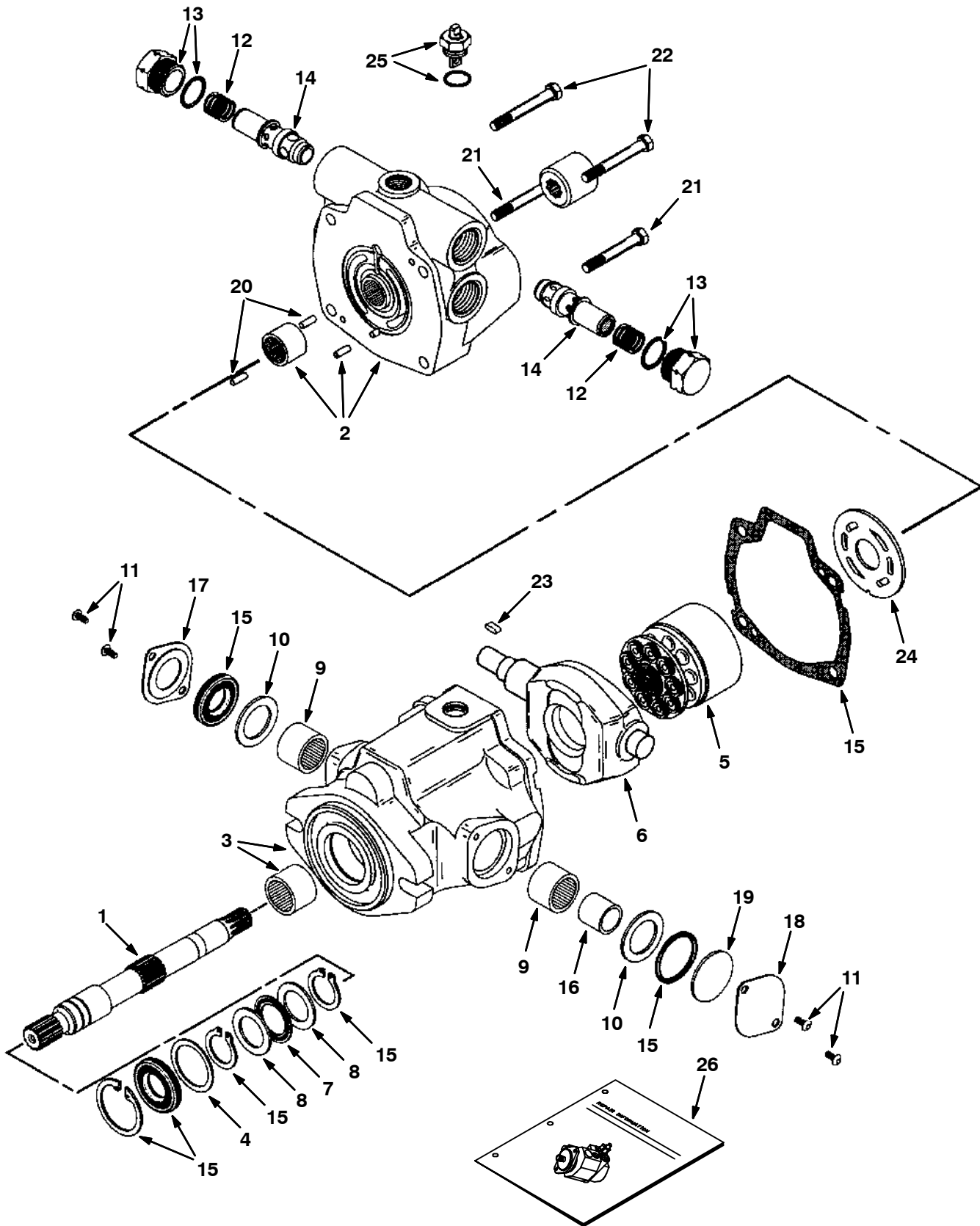


Fig. 1 - Hydraulic Piston Pump Breakdown, 361010

	Ref.	Part No.	Serial Number	Description	Qty.
▽		361010	(000000-) Pump, Hyd Piston V 1.24 R 2000	1
▲	1	21925	(000000-) Shaft, Drive	1
▲	2	21926	(000000-) Backplate Assy	1
▲	3	21927	(000000-) Pump Housing Assy	1
▲	4	70096	(000000-) Washer	1
▲	5	21963	(000000-) Rotating Kit	1
▲	6	57897	(000000-) Camplate	1
▲	7	74225	(000000-) Bearing, Thrust	1
▲	8	74226	(000000-) Race, Bearing	2
▲	9	02709	(000000-) Bearing Cam	2
▲	10	70097	(000000-) Washer	2
▲	11	61891	(000000-) Screws	4
▲	12	74229	(000000-) Spring	2
▲	13	74230	(000000-) Plug S/A	2
▲	14	60587	(000000-) Relief Valve	2
▲	15	70103	(000000-) Seal Kit, Pump	1
▲	16	02705	(000000-) Race, Inner Bearing	1
▲	17	52386	(000000-) Cover	1
▲	18	70098	(000000-) Cover, Trunion	1
▲	19	70099	(000000-) Cover, O-Ring	1
▲	20	70100	(000000-) Pin, Dowel	2
▲	21	21928	(000000-) Screw, Cap	2
▲	22	21929	(000000-) Screw, Cap	2
▲	23	74237	(000000-) Key	1
▲	24	74180	(000000-) Plate, Valve	1
▲	25	74469	(000000-) Valve, Dump	1
▲	26	74248	(000000-) Repair Info, Pump	1

Fig. 2 - Hydraulic Gear Motor Breakdown, 361014

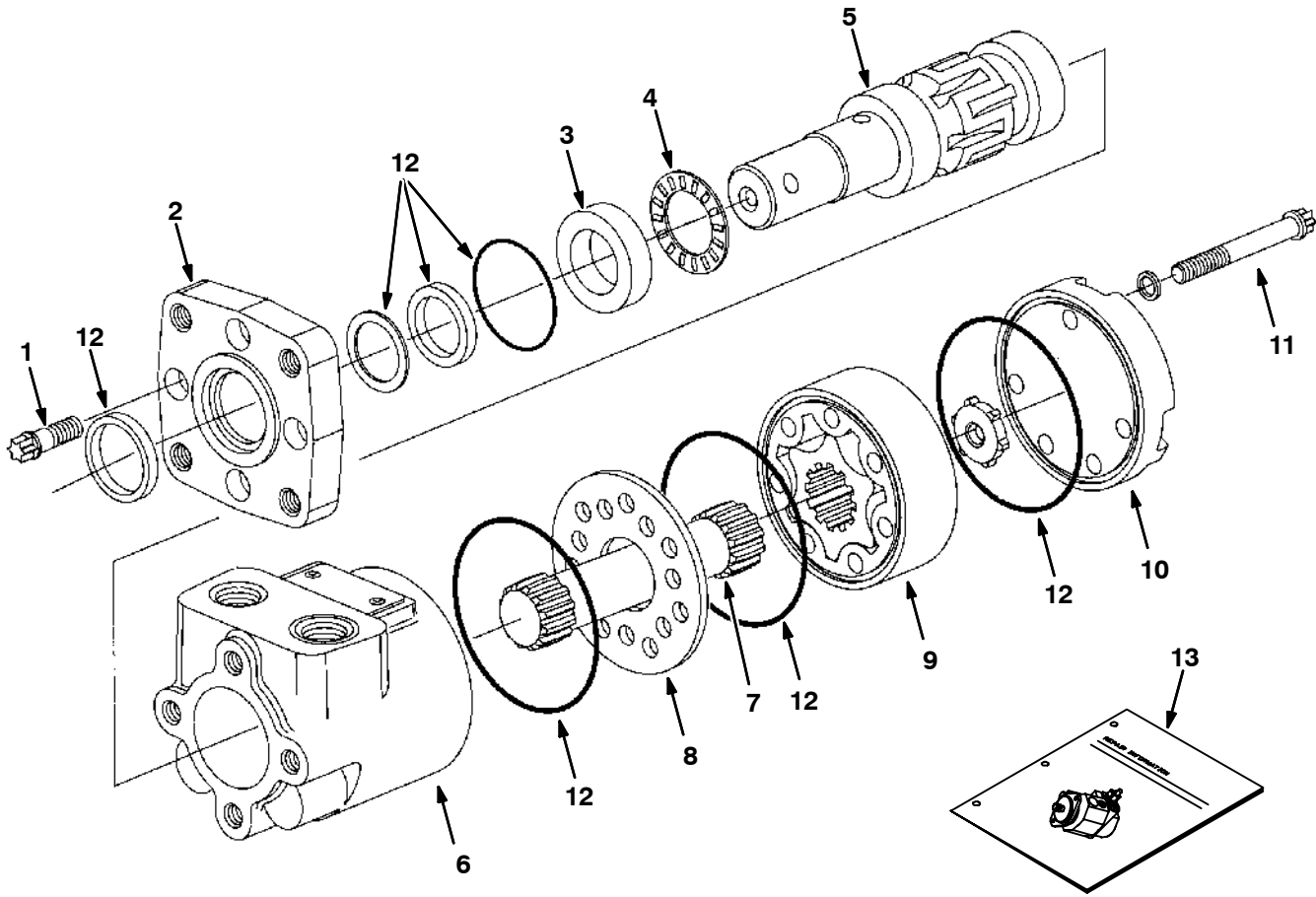


Fig. 2 - Hydraulic Gear Motor Breakdown, 361014

	Ref.	Part No.	Serial Number	Description	Qty.
▽		361014	(000000-) Motor, Hyd Gear In 09.7 B 1500	1
▲	1	37555	(000000-) Screw	4
▲	2	31354	(000000-) Flange Mounting	1
▲	3	16695	(000000-) Race Thrust	1
▲	4	45628	(000000-) Thrust Bearing	1
▲	5	31373	(000000-) Shaft, Output	1
▲	6	74100	(000000-) Housing	1
▲	7	21959	(000000-) Drive	1
▲	8	74094	(000000-) Spacer Plate	1
▲	9	38263	(000000-) Geroter	1
▲	10	65230	(000000-) Cap, End	1
▲	11	21960	(000000-) Cap Screw	5
▲	12	28835	(000000-) Seal Kit, Motor A/H-Stnd	1
	13	74250	(000000-) Instr. Repair Info, Motor	1

Fig. 3 - Hydraulic Gear Motor Breakdown, 361021

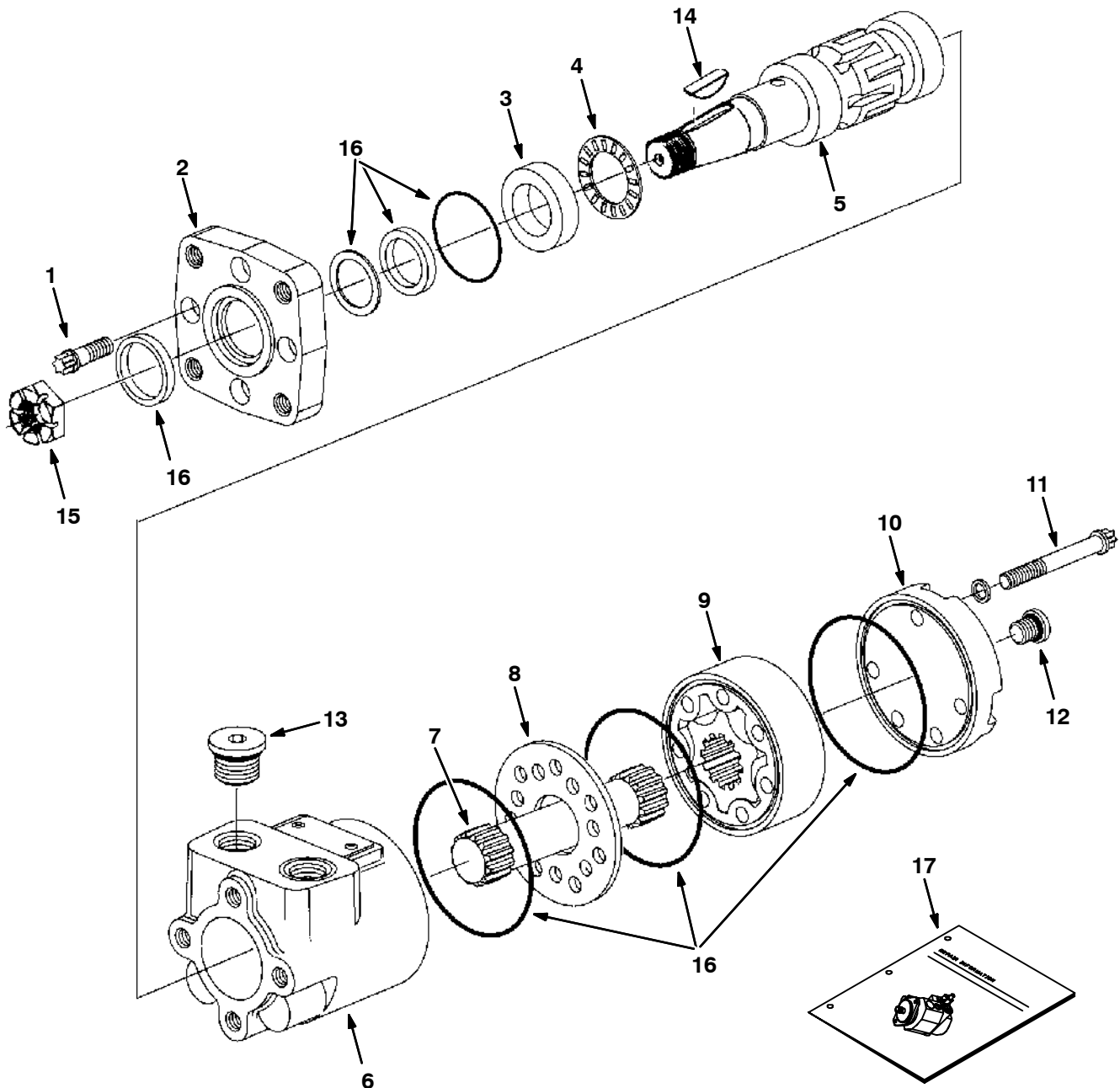


Fig. 3 - Hydraulic Gear Motor Breakdown, 361021

Ref.	Part No.	Serial Number	Description	Qty.
▽	361021	(000000-) Motor, Hyd Gear In 02.2 B 1500	1
▲	1 37555	(000000-) Screw	4
▲	2 31354	(000000-) Flange Mounting	1
▲	3 16695	(000000-) Race Thrust	1
▲	4 45628	(000000-) Thrust Bearing	1
▲	5 31375	(000000-) Shaft, Output	1
▲	6 74100	(000000-) Housing	1
▲	7 34176	(000000-) Drive	1
▲	8 74094	(000000-) Spacer Plate	1
▲	9 65229	(000000-) Gerotor Set	1
▲	10 74095	(000000-) End Cap	1
▲	11 74174	(000000-) Cap, Screw	5
▲	12 74098	(000000-) Plug #4	1
▲	13 74099	(000000-) Plug #10	2
▲	14 00500-15	(000000-) Key-Wdruff 0.25 1.00 Asa#0808	1
▲	15 39527	(000000-) Nut-Hxslot .75-16 Pltd	1
▲	16 28835	(000000-) Seal Kit, Motor A/H-Stnd	1
	17 74250	(000000-) Instr. Repair Info, Motor	1

Fig. 4 - Hydraulic Gear Motor Breakdown, 361025

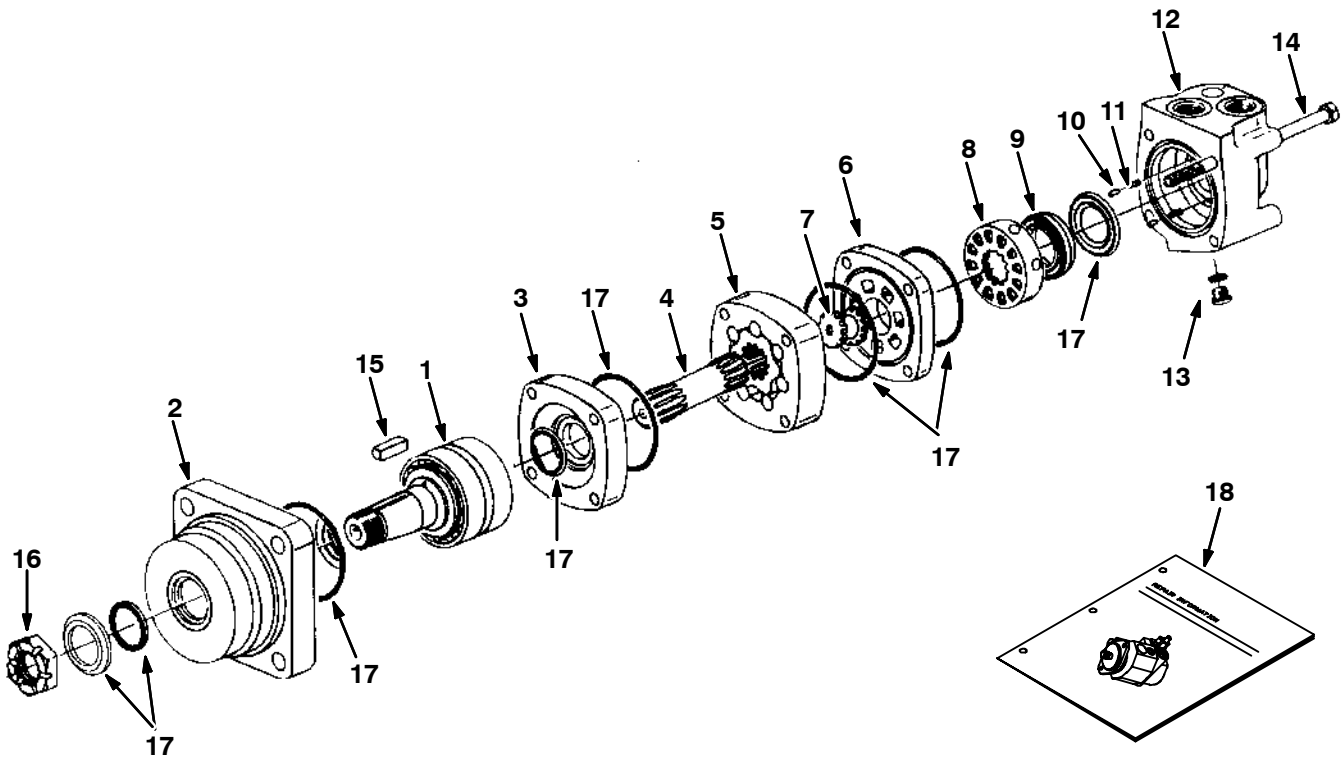


Fig. 4 - Hydraulic Gear Motor Breakdown, 361025

	Ref.	Part No.	Serial Number	Description	Qty.
▽		361025	(000000-) Motor, Hyd Gear In 18.6 B 3000	1
▲	1	21951	(000000-) Shaft/Brg Kit	1
▲	2	21952	(000000-) Housing, Brg	1
▲	3	51417	(000000-) Plate	1
▲	4	02603	(000000-) Drive	1
▲	5	02645	(000000-) Geroler	1
▲	6	02646	(000000-) Valve Plate	1
▲	7	57370	(000000-) Valve Drive	1
▲	8	02647	(000000-) Valve	1
▲	9	57373	(000000-) Balance Ring	1
▲	10	57374	(000000-) Pin	2
▲	11	57375	(000000-) Spring	2
▲	12	74119	(000000-) Housing, Valve	1
▲	13	74098	(000000-) Plug #4	1
▲	14	74120	(000000-) Bolt	4
▲	15	38315	(000000-) Key	1
▲	16	38490	(000000-) Nut	1
▲	17	21953	(000000-) Seal Kit, Mtr	1
	18	79729	(000000-) Repair Info, Motor	1

Fig. 5 - Hydraulic Gear Pump Breakdown, 361018

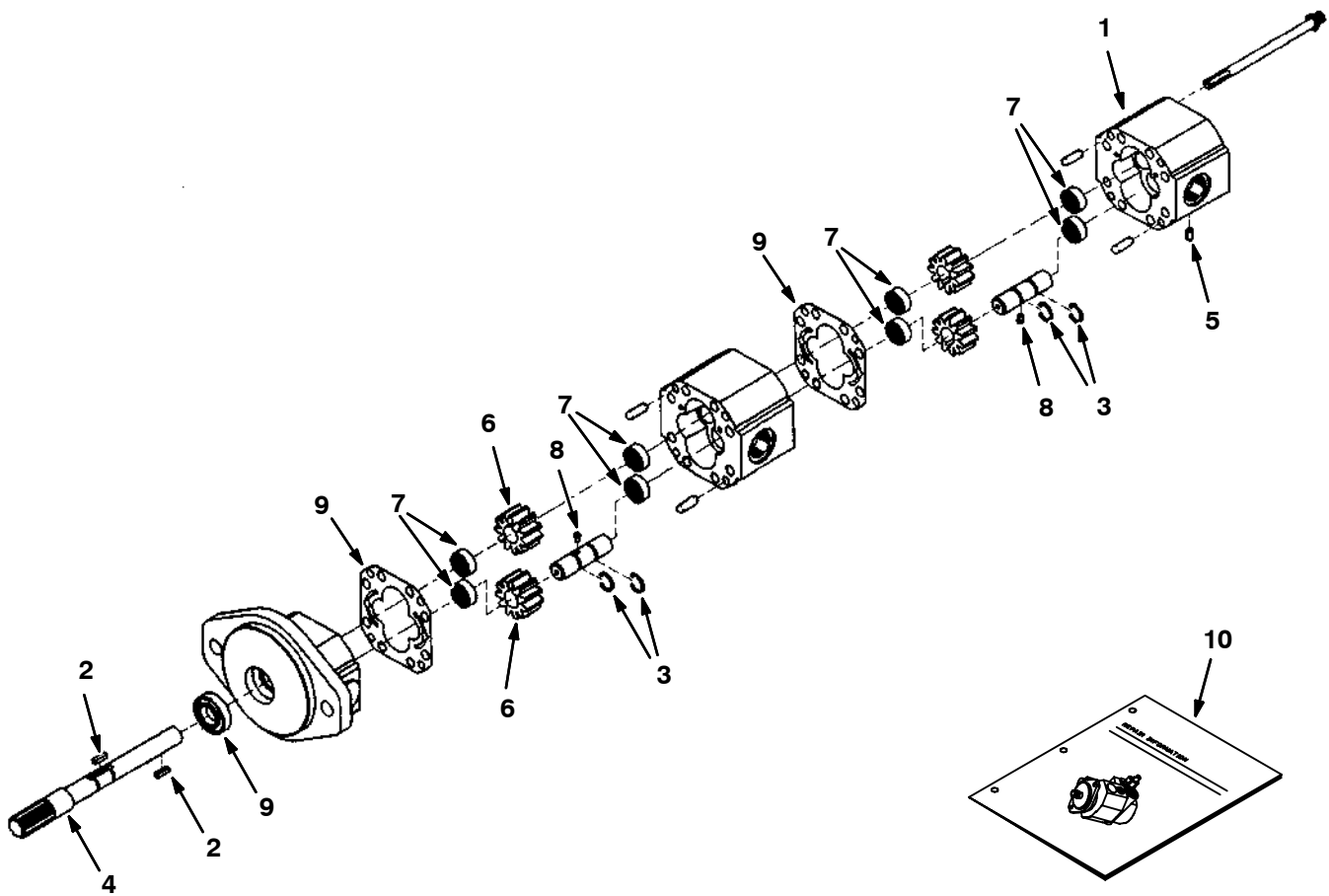


Fig. 5 - Hydraulic Gear Pump Breakdown, 361018

	Ref.	Part No.	Serial Number	Description	Qty.
▽		361018	(000000-) Pump, Hyd Gear Ex2 0.39 R 1600	1
▲	1	21978	(000000-) End Housing	1
▲	2	21980	(000000-) Key, Square	2
▲	3	21981	(000000-) Crescent Ring	6
▲	4	21982	(000000-) Drive Shaft	1
▲	5	21983	(000000-) Plug, Lee	1
▲	6	21984	(000000-) Gear, Gc .750	2
▲	7	21985	(000000-) Bearing, Needle	8
▲	8	21993	(000000-) Pin, Drive	2
▲	9	SK2561	(000000-) Seal Kit-Hyd. Motor,Brns & Mte	1
	10	IB2561	(000000-) Instr Motor Seal Kit	1

Fig. 6 - Hydraulic Control Valve Breakdown, 361012

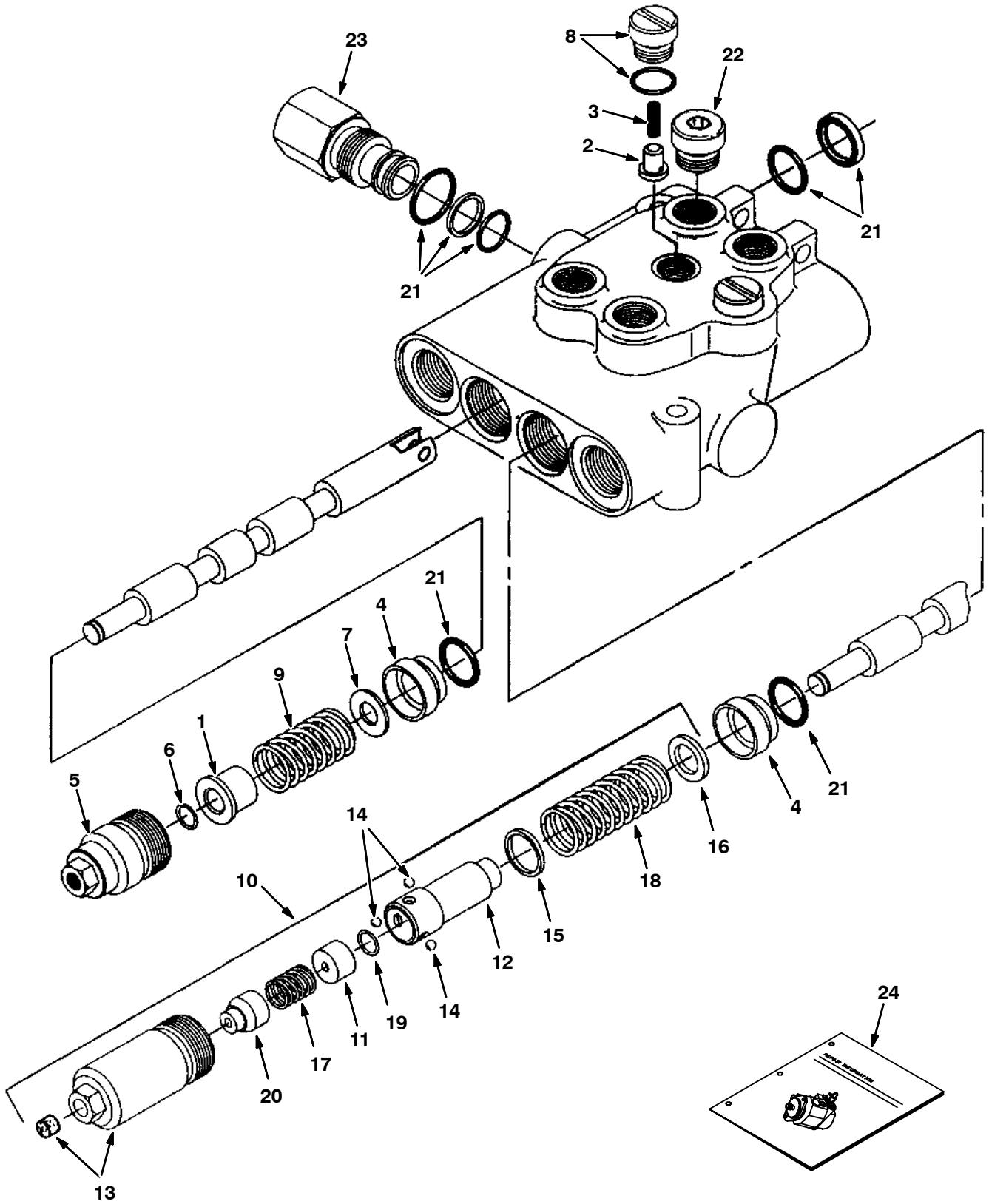


Fig. 6 - Hydraulic Control Valve Breakdown, 361012

	Ref.	Part No.	Serial Number	Description	Qty.
▽		361012	(000000-) Valve, Hyd Control Man	1
▲	1	79785	(000000-) Spacer	1
▲	2	79786	(000000-) Plunger	2
▲	3	79787	(000000-) Spring	2
▲	4	79788	(000000-) Bushing	2
▲	5	79789	(000000-) Cap Assembly	1
▲	6	79792	(000000-) Ring, Retaining	1
▲	7	79794	(000000-) Washer	1
▲	8	79795	(000000-) Plug & O-Ring	2
▲	9	79796	(000000-) Spring	1
▲▽	10	79814	(000000-) Kit, Detent In	1
▲▲	11	79801	(000000-) Spacer	1
▲▲	12	79802	(000000-) Detent Adaptr	1
▲▲	13	21961	(000000-) Cap Assembly	1
▲▲	14	79804	(000000-) Ball	3
▲▲	15	79805	(000000-) Washer	1
▲▲	16	79806	(000000-) Washer	1
▲▲	17	79807	(000000-) Spring	1
▲▲	18	79808	(000000-) Spring	1
▲▲	19	79792	(000000-) Ring, Retaining	1
▲▲	20	79800	(000000-) Cone	1
▲	21	79812	(000000-) Seal Kit, Vlv	1
▲	22	13904	(000000-) Plug Gage #6	2
	23	361028	(000000-) Plug Assy,Byd	1
	24	79820	(000000-) Instr. Valve Repair Info	1

Fig. 7 - Hydraulic Solenoid Control Valve Breakdown, 361019

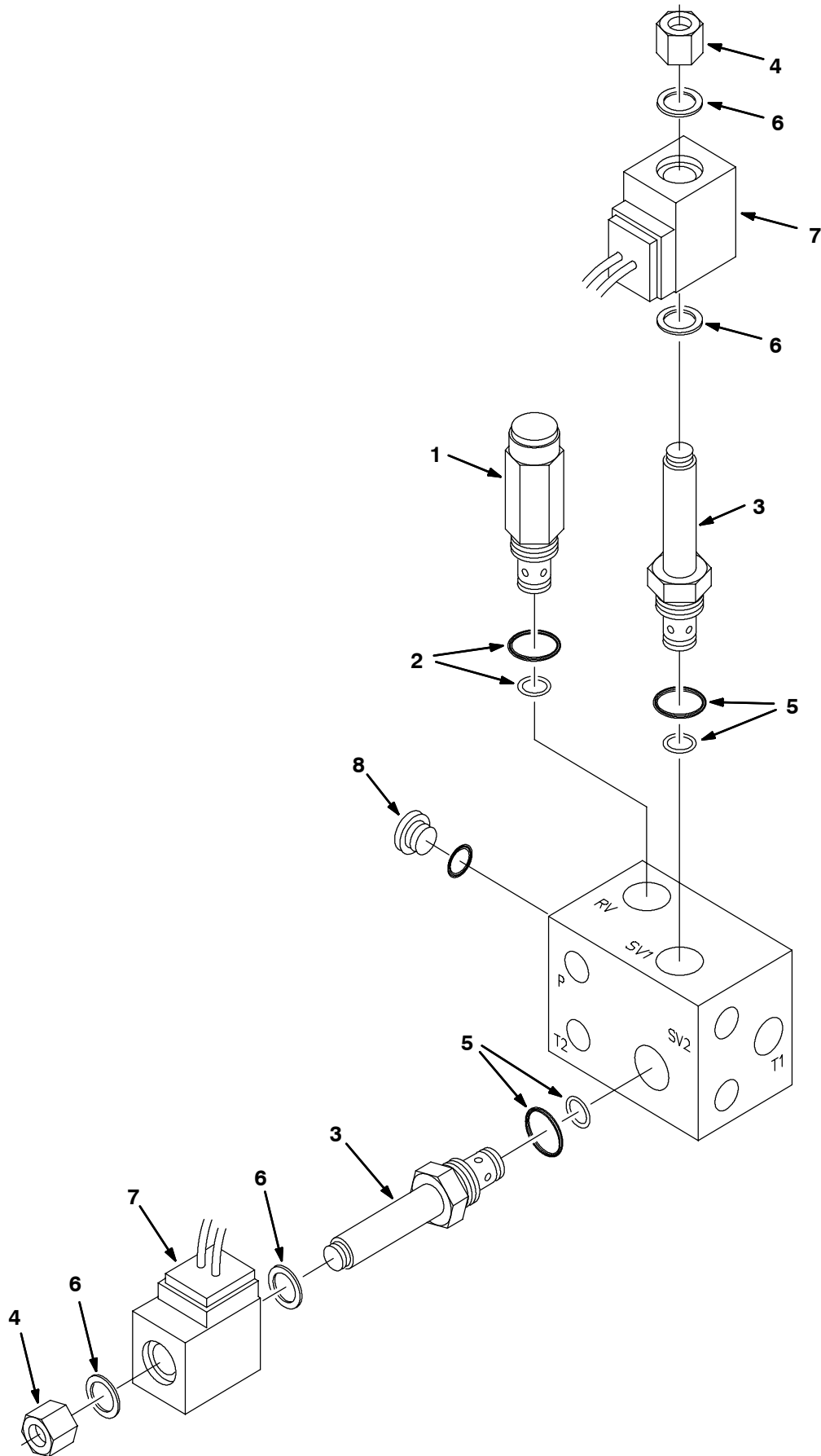


Fig. 7 - Hydraulic Solenoid Control Valve Breakdown, 361019

	Ref.	Part No.	Serial Number	Description	Qty.
▽		361019	(000000-) Valve, Hyd Cntrl Sol	1
▲▽	1	21948	(000000-) Cart, PSI CN CP	1
▲▲	2	79711	(000000-) Seal Kit, Cart Cp	1
▲▽	3	79739	(000000-) Valve Stem N.O. Cp	2
▲▲	4	79731	(000000-) Nut, Cart., Lng Cp	1
▲▲	5	79711	(000000-) Seal Kit, Cart Cp	1
▲▲	6	79740	(000000-) Seal Kit, Coil Cp	1
▲	7	21917	(000000-) Coil, 12V	2
▲	8	13904	(000000-) Plug #6	1

Fig. 8 - Hydraulic Cylinder Breakdown, 361013

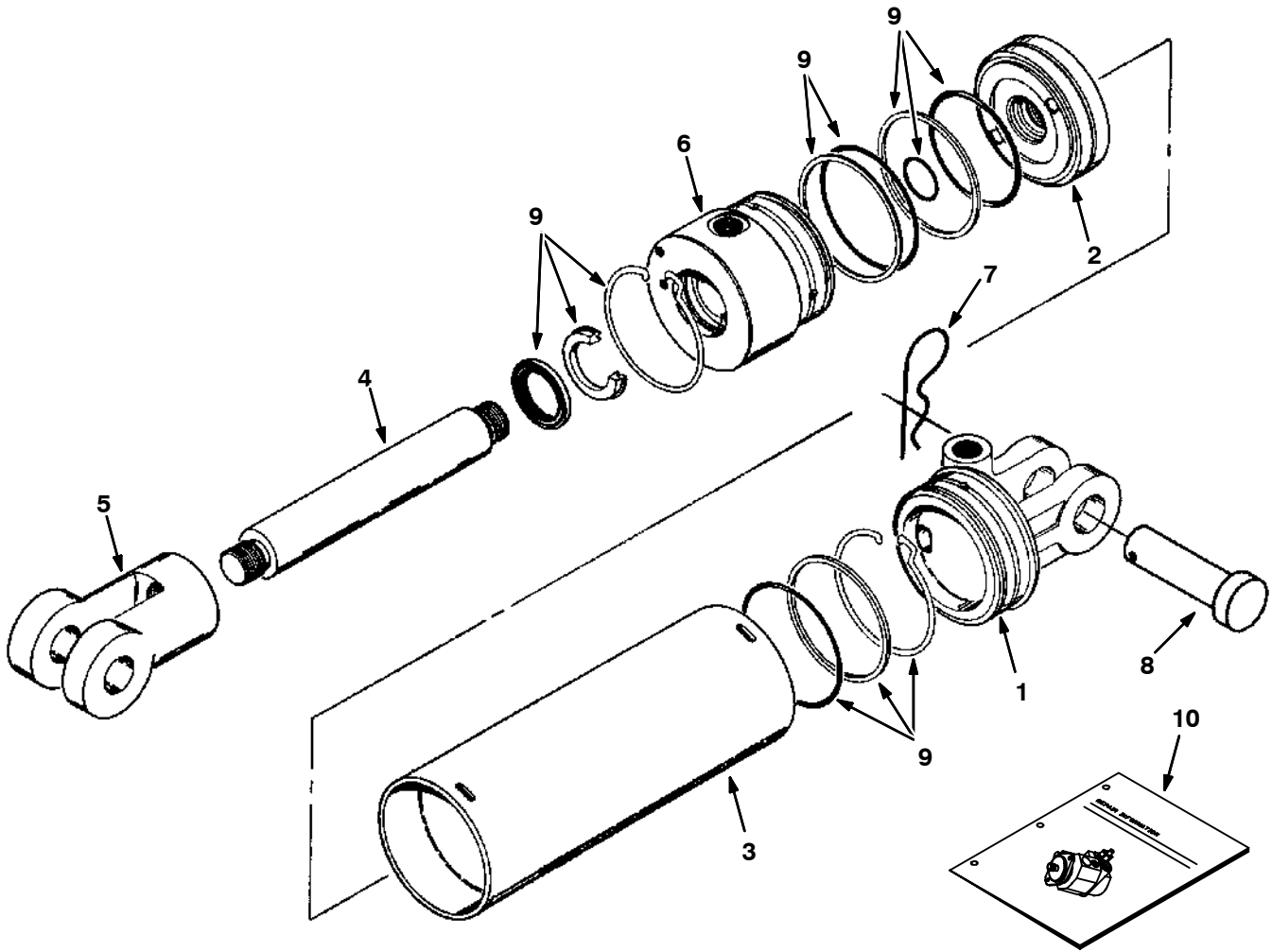


Fig. 8 - Hydraulic Cylinder Breakdown, 361013

	Ref.	Part No.	Serial Number	Description	Qty.
▽		361013	(000000-) Cylinder, Hyd 2.5B 13.5S 2500	1
▲	1	21964	(000000-) Head	1
▲	2	21965	(000000-) Piston	1
▲	3	21966	(000000-) Barrel	1
▲	4	21967	(000000-) Piston Rod	1
▲	5	21972	(000000-) Rod End	1
▲	6	21973	(000000-) Bearing	1
▲	7	87851	(000000-) Keeper	1
▲	8	21974	(000000-) Clevis Pin	1
▲	9	48577	(000000-) Seal Kit	1
	10	79784	(000000-) Repair Info,Cyl	1

Fig. 9 - Hydraulic Steering Valve Breakdown, 71713

	Ref.	Part No.	Serial Number	Description	Qty.
▽		71713	(000000-) Steer Control, Hyd#2 06.1 1160	1
▲	1	74183	(000000-) Screw, Cap	7
▲	2	74185	(000000-) Cap, End	1
▲	3	74192	(000000-) Gerotor	1
▲	4	74193	(000000-) Spacer	1
▲	5	74222	(000000-) Plate, Wear	1
▲	6	74231	(000000-) Drive	1
▲	7	74232	(000000-) Pin	1
▲	8	21935	(000000-) Bearing Kit	1
▲	9	21933	(000000-) Plug Assembly	1
▲	10	21934	(000000-) Relief Vlv Assy	1
▲	11	74243	(000000-) Ring, Retaining	1
▲	12	74196	(000000-) Spring Kit	1
▲	13	74244	(000000-) Seal Kit, Stg	1
▲	14	74245	(000000-) Instr.Repair Info	1

Fig. 10 - Hydraulic Solenoid Control Valve Breakdown, 1048820

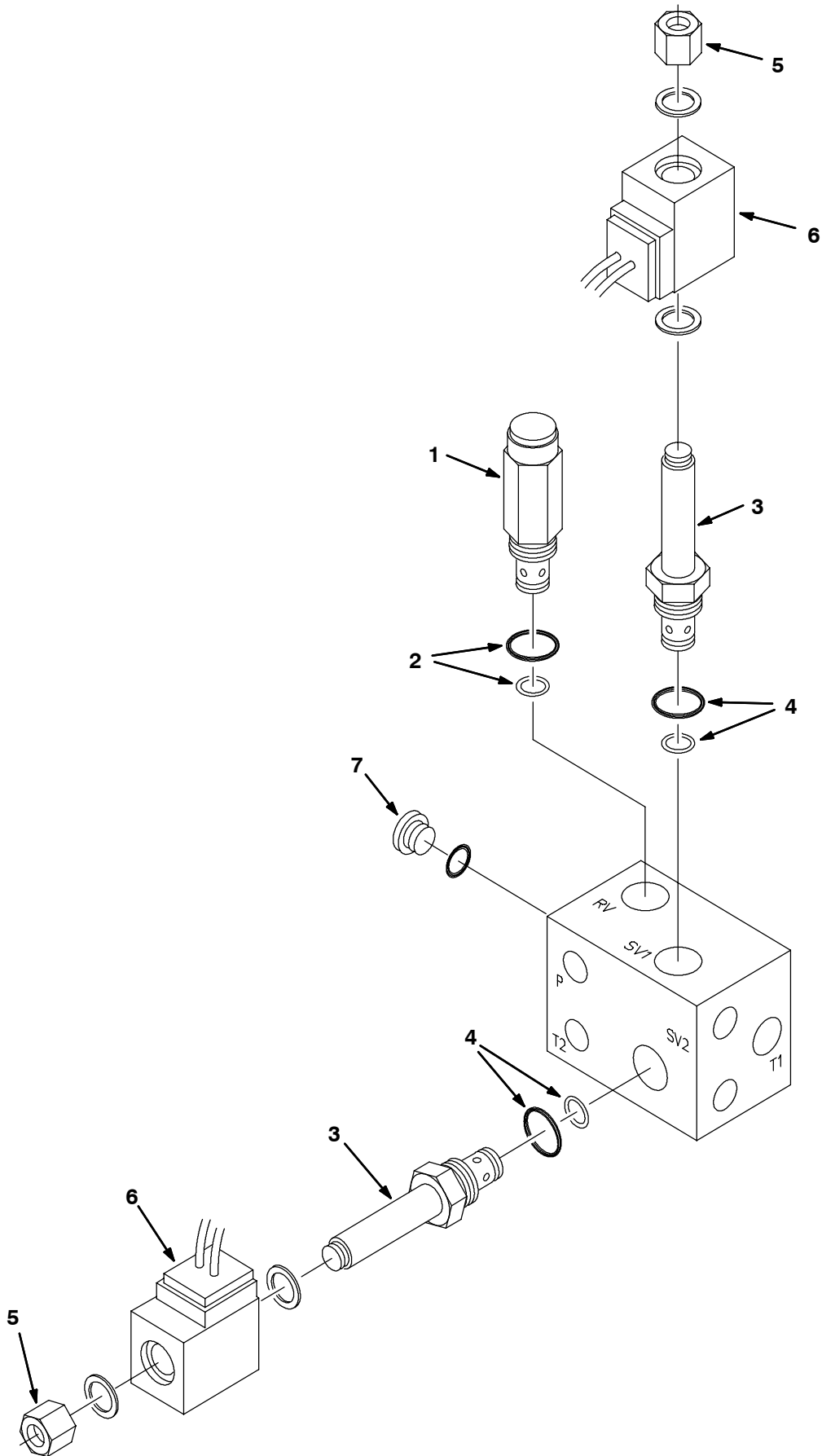


Fig. 10 - Hydraulic Solenoid Control Valve Breakdown, 1048820

	Ref.	Part No.	Serial Number	Description	Qty.
▽		1048820	(000000-) Valve, Cntrl, Hyd, Solenoid, 12vdc 06gpm	1
▲▽	1	1050810	(000000-) Valve, Cartridge, Psi	1
▲▲	2	1050780	(000000-) Seal Kit, Cartridg	1
▲▽	3	1050812	(000000-) Stem, Valve, Hyd	2
▲▲	4	1050780	(000000-) Seal Kit, Cartridge	1
▲▲	5	1050811	(000000-) Nut, Valve, Cartridge	1
▲	6	1050809	(000000-) Solenoid, Valve, Hyd, 36vdc	1
▲	7	1050813	(000000-) Fitting, Plug, Org, #6, Valve	2

SECTION 5

Contents	Page
Fig. 1 - Crankcase Group	5-2
Fig. 2 - Oil Pan Group	5-4
Fig. 3 - Cylinder Head Group	5-5
Fig. 4 - Gear Case Group	5-6
Fig. 5 - Head Cover Group (000000-004108)	5-8
Fig. 6 - Head Cover Group (004109-)	5-9
Fig. 7 - Valve and Rocker Arm Group	5-10
Fig. 8 - Piston and Crankshaft Group	5-12
Fig. 9 - Injection Pump Group (000000-004108)	5-14
Fig. 10 - Injection Pump Group (004109-)	5-15
Fig. 11 - Injection Pump Breakdown	5-16
Fig. 12 - Cover Group	5-18
Fig. 13 - Dipstick and Guide Group	5-19
Fig. 14 - Main Bearing Case Group	5-20
Fig. 15 - Camshaft Group	5-21
Fig. 16 - Flywheel Group	5-22
Fig. 17 - Fuel Camshaft Group	5-23
Fig. 18 - Engine Stop Lever Group	5-24
Fig. 19 - Stop Solenoid Group	5-25
Fig. 20 - Governor Group	5-26
Fig. 21 - Speed Control Plate Group	5-27
Fig. 22 - Nozzle Holder and Glow Plug Group	5-28
Fig. 23 - Starter Group	5-29
Fig. 24 - Starter Breakdown	5-30
Fig. 25 - Water Flange and Thermostat Group	5-32
Fig. 26 - Water Pump Group	5-33
Fig. 27 - Alternator and Pulley Group	5-34
Fig. 28 - Fan Group	5-35
Fig. 29 - Exhaust Manifold Group	5-36
Fig. 30 - Inlet Manifold Group	5-37
Fig. 31 - Gasket Group	5-38
Fig. 32 - Timer Group	5-39

Fig. 1 - Crankcase Group

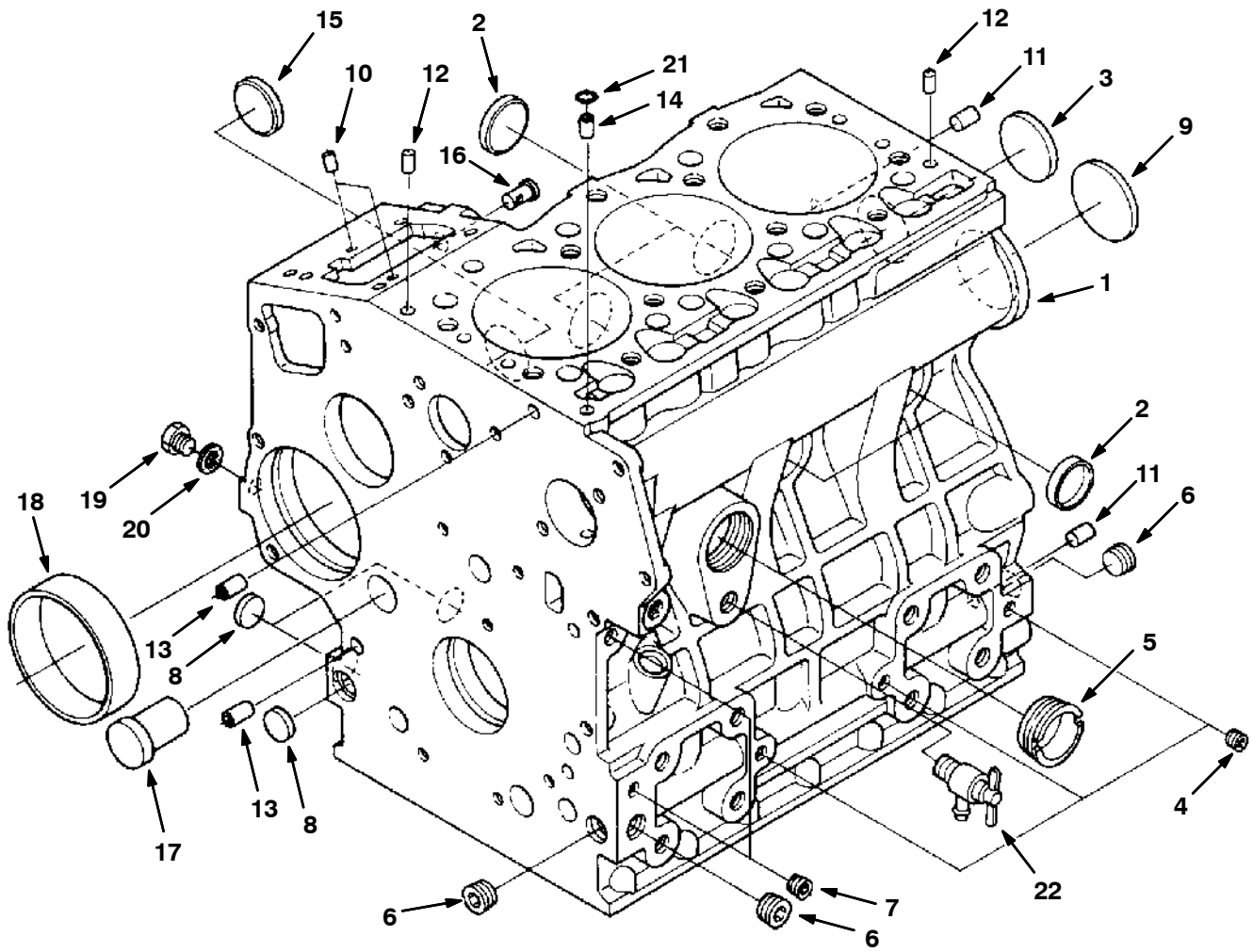
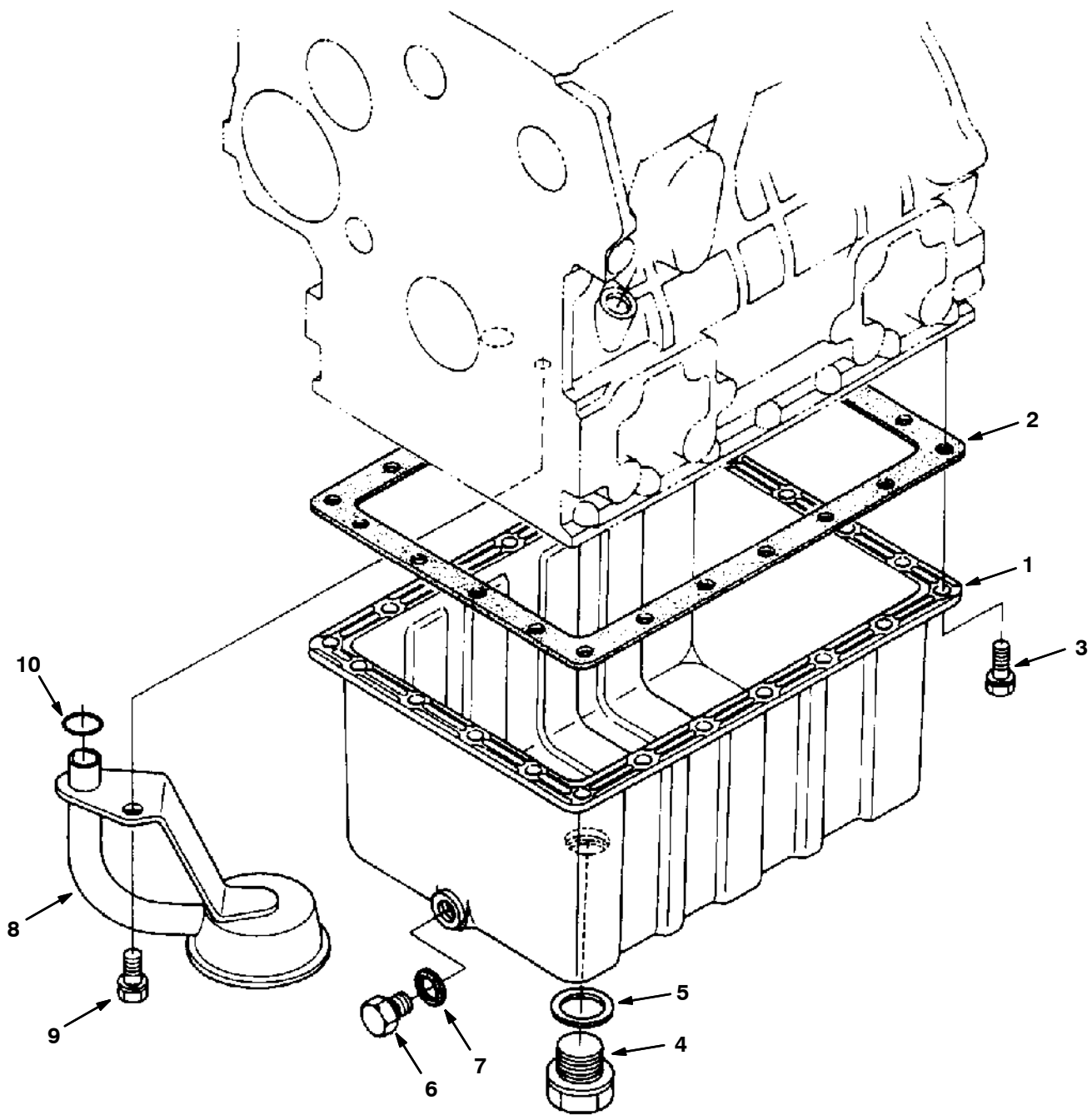


Fig. 1 - Crankcase Group

	Ref.	Part No.	Description	Qty.
▽	1	361432	Comp.Crankcase	1
▲	2	70998	Cap, Sealing	4
▲	3	39087	Cap Sealing	1
▲	4	39088	Plug, Pin	3
▲	5	84647	Plug, Block	1
▲	6	71985	Plug	3
▲	7	39051	Plug, Pin	2
▲	8	361436	Plug	3
▲	9	71986	Plug, Expansion	1
▲	10	71987	Pin, Straight	2
▲	11	71988	Pin, Straight	2
▲	12	71989	Pin, Straight	2
▲	13	361371	Pin,Pipe	2
▲	14	71991	Pin, Pipe	11
▲	15	71992	Plug	1
▲	16	361416	Pin,Start Sprngku	1
▲	17	71993	Plug	1
▲	18	70887	Bushing, Gov Gear	1
▲	19	39062	Plug	1
▲	20	10895	Gasket	1
	21	39063	O-Ring	1
	22	70888	Draincock Asy	1

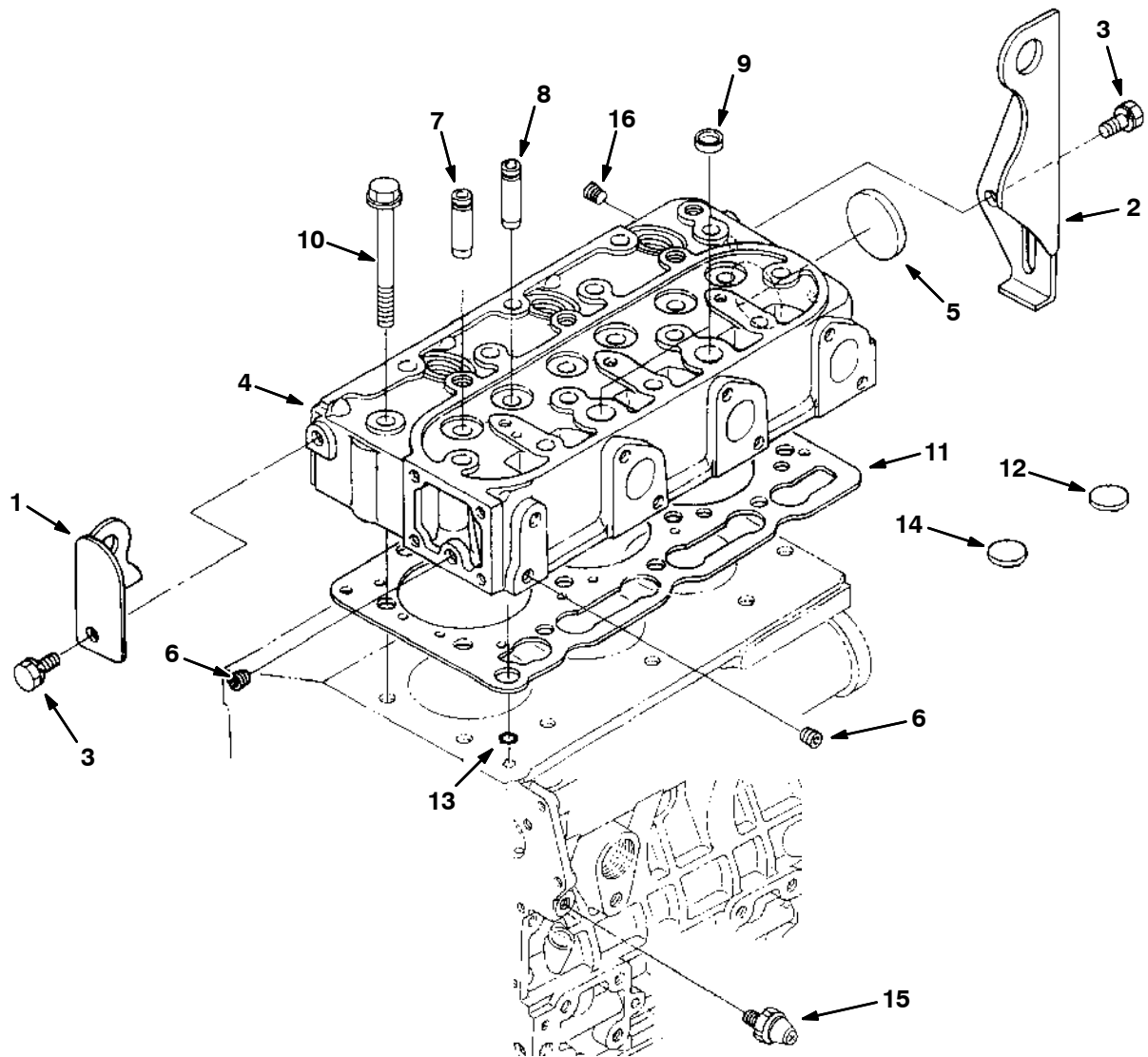
Fig. 2 - Oil Pan Group



350179 - 6400D

Ref.	Part No.	Description	Qty.
1	361433	Oil Pan,Comp	1
2	361422	Gasket,Oil Pan	1
3	71995	Bolt	22
4	361431	Plug,Drain	1
5	70891	Gasket, Drain Plug	1
6	361370	Plug	1
7	361369	Gasket	1
8	361439	Tube, Pickup, Oil Sump	1
9	39094	Bolt	1
10	41792	O-Ring	1

Fig. 3 - Cylinder Head Group



350181 - 6400D

Ref.	Part No.	Description	Qty.
1	71996	Hook, Engine	1
2	71997	Hook, Engine 2	1
3	39073	Bolt	2
▽ 4	361376	Comp.Cyl.Head	1
▲ 5	51331	Cap	1
▲ 6	39088	Plug, Pin	2
▲ 7	70895	Guide, Inlet Valve	3
▲ 8	70896	Guide, Exhaust Valve	3
▲ 9	361372	Cap,Sealing	2
10	70897	Cyl.Head Bolt	14
11	361398	Gskt,Cyl.Head	1
12	361394	Seat,Int.Valve	3
13	39063	O-Ring	1
14	361393	Seat,Exh.Valve	3
15	87940	Oil Switch	1
16	72010	Plug	1

Fig. 4 - Gear Case Group

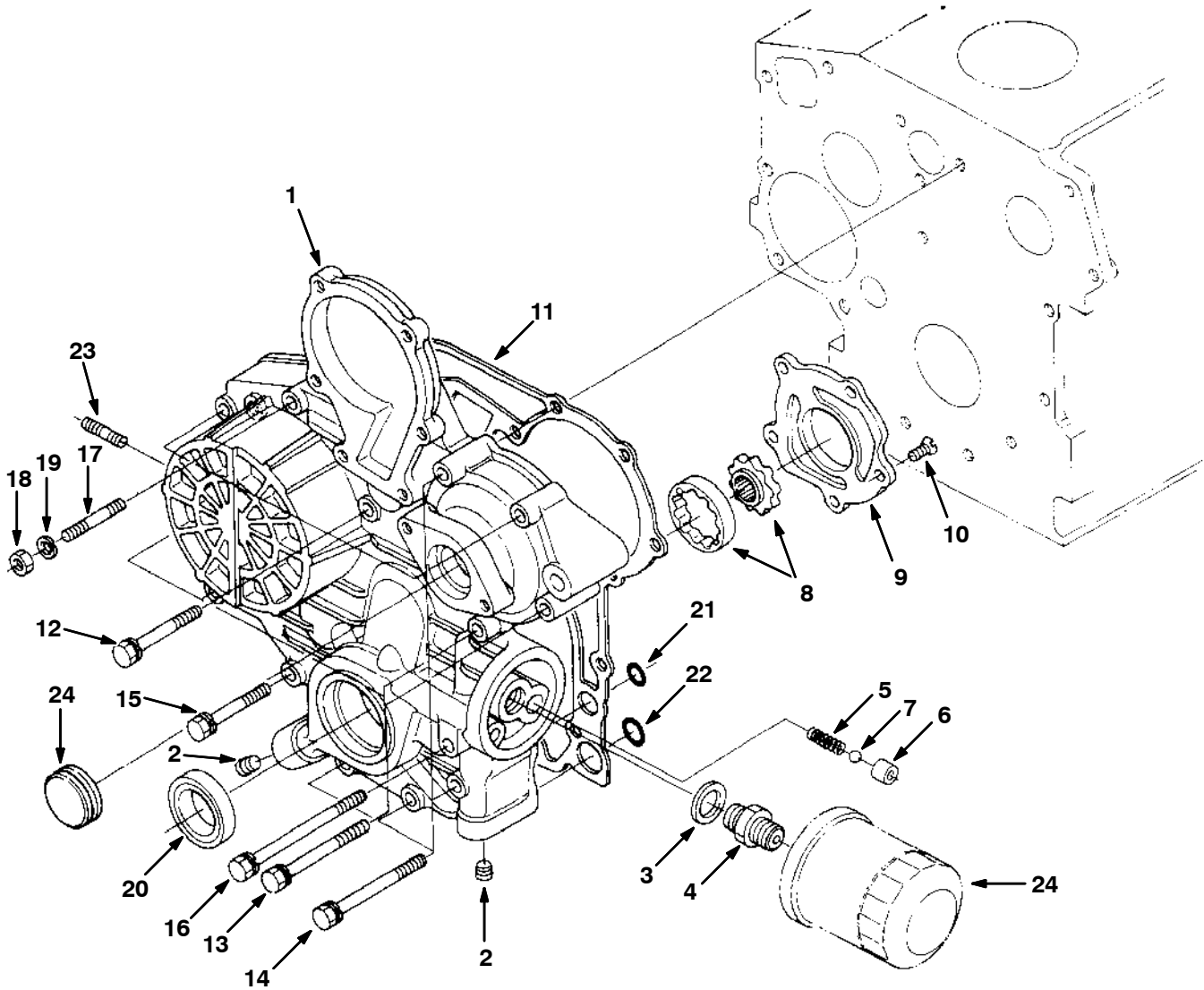
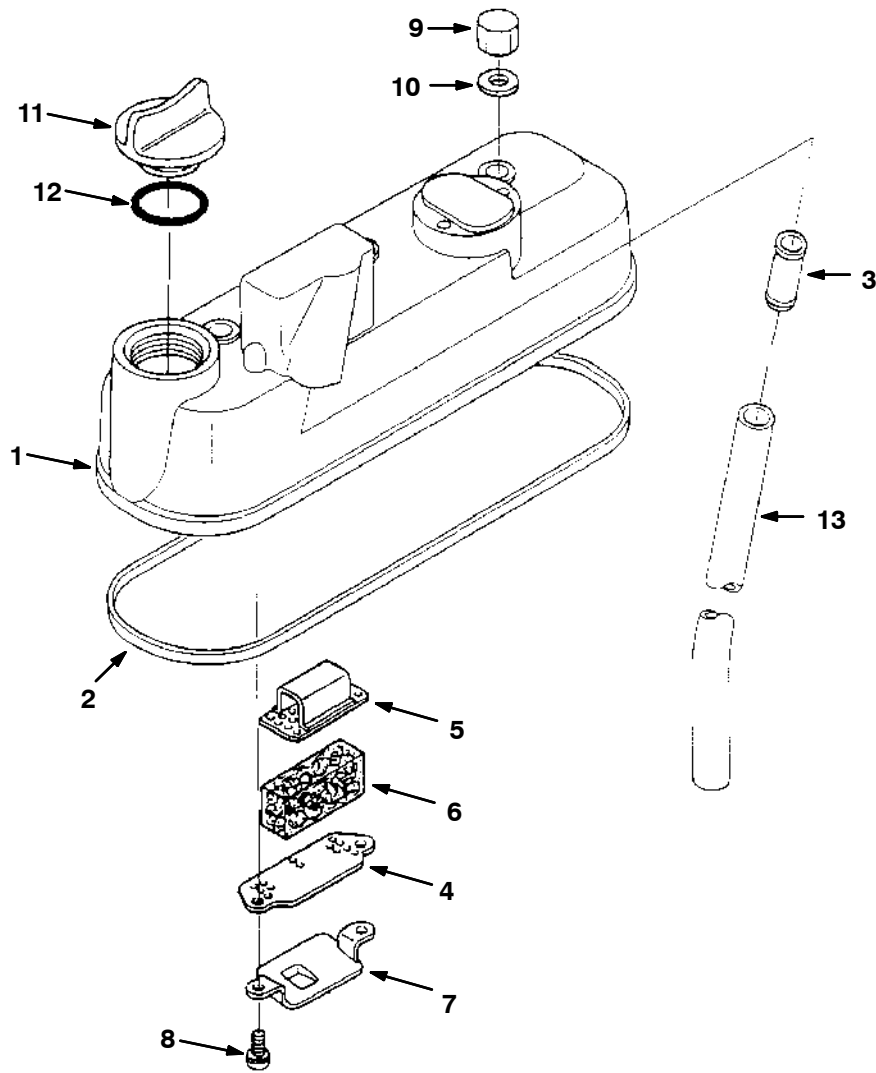


Fig. 4 - Gear Case Group

	Ref.	Part No.	Description	Qty.
▽	1	361423	Comp.Case,Gear	1
▲	2	361401	Plug	2
▲	3	39114	Washer	1
▲	4	12916	Joint Pipe	1
▲	5	70900	Spring	1
▲	6	70901	Valve Seat	1
▲	7	70902	Ball	1
▲	8	70903	Pump, Oil	1
▲	9	361397	Cover,Oil Pump	1
▲	10	72013	Screw	5
	11	70912	Gasket, Gearcase	1
	12	72993	Bolt	3
	13	72994	Bolt	6
	14	72995	Bolt	2
	15	72014	Bolt	1
	16	72015	Bolt	1
	17	72017	Stud	1
	18	39121	Nut	1
	19	39065	Washer, Spring	1
	20	361389	Seal,Oil	1
	21	39168	O-Ring	2
	22	39103	O-Ring	2
	23	72018	Stud	2
	24	55849	Oil Cartridge	1

361282 ENGINE BREAKDOWN

Fig. 5 - Head Cover Group (000000-004108)

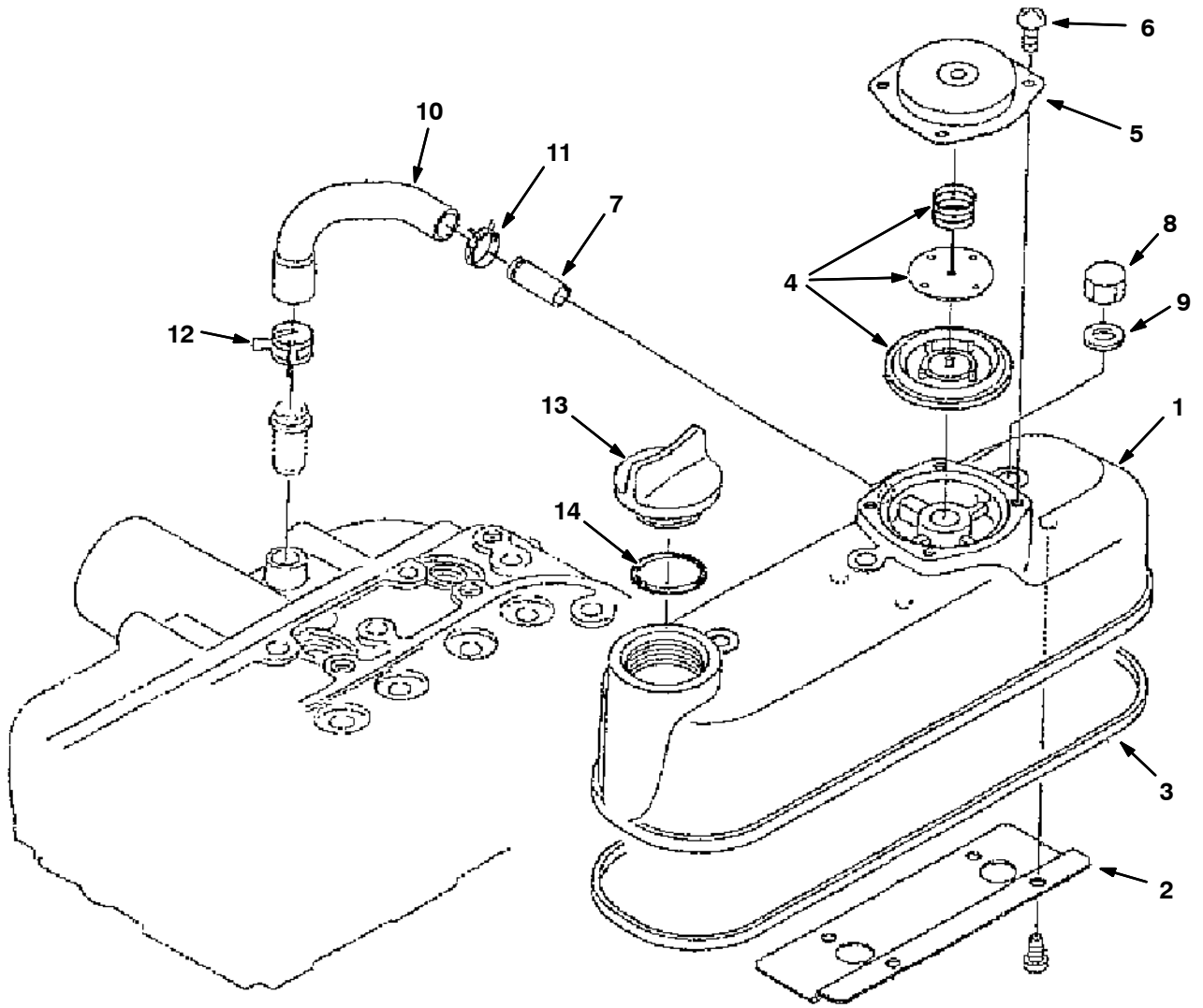


350185 - D

Ref.	Part No.	Description	Qty.
▽	1 361409	1 Cvr Assy,Cyl.Hd	1
▲	2 361411	1 Gskt,Head Cover	1
▲	3 73481	1 Joint, Pipe	1
▲	4 70930	1 Elem.Plate(1)	1
▲	5 70931	1 Elem.Plate(2)	1
▲	6 70932	1 Breather Elem	1
▲	7 70933	1 Brthr Shield	1
▲	8 73482	2 Screw W/Washer	2
	9 73483	3 Nut, Cap	3
	10 73484	3 Gasket	3
	11 361374	1 Plug,Oil Filt	1
	12 39162	1 O-Ring	1
	13 73485	1 Pipe, Breather	1

1 Serial number (000000-004108)

Fig. 6 - Head Cover Group (004109-)



Ref.	Part No.	Description	Qty.
▽	1 372914	② Cover Assy, Head, Cyl	1
▲	2 372912	② Shield, Breather	1
▲	3 361411	② Gasket, Cover, Valve	1
▲	4 372928	② Valve, Breather, Complt	1
▲	5 384874	② Cover, Breather	1
▲	6 372900	② Screw, Pan	4
▲	7 30125	② Pipe, Water	1
	8 73483	② Nut, Hex, Cap	3
	9 73484	② Gasket, F/Bolt	3
	10 372913	② Tube, Breather	1
	11 372901	② Clamp, Hose	1
	12 372904	② Clamp, Hose	1
	13 361374	② Cap, Filler, Oil [Ku]	1
	14 70913	② Seal, Org	1

② Serial number (004109-)

Fig. 7 - Valve and Rocker Arm Group

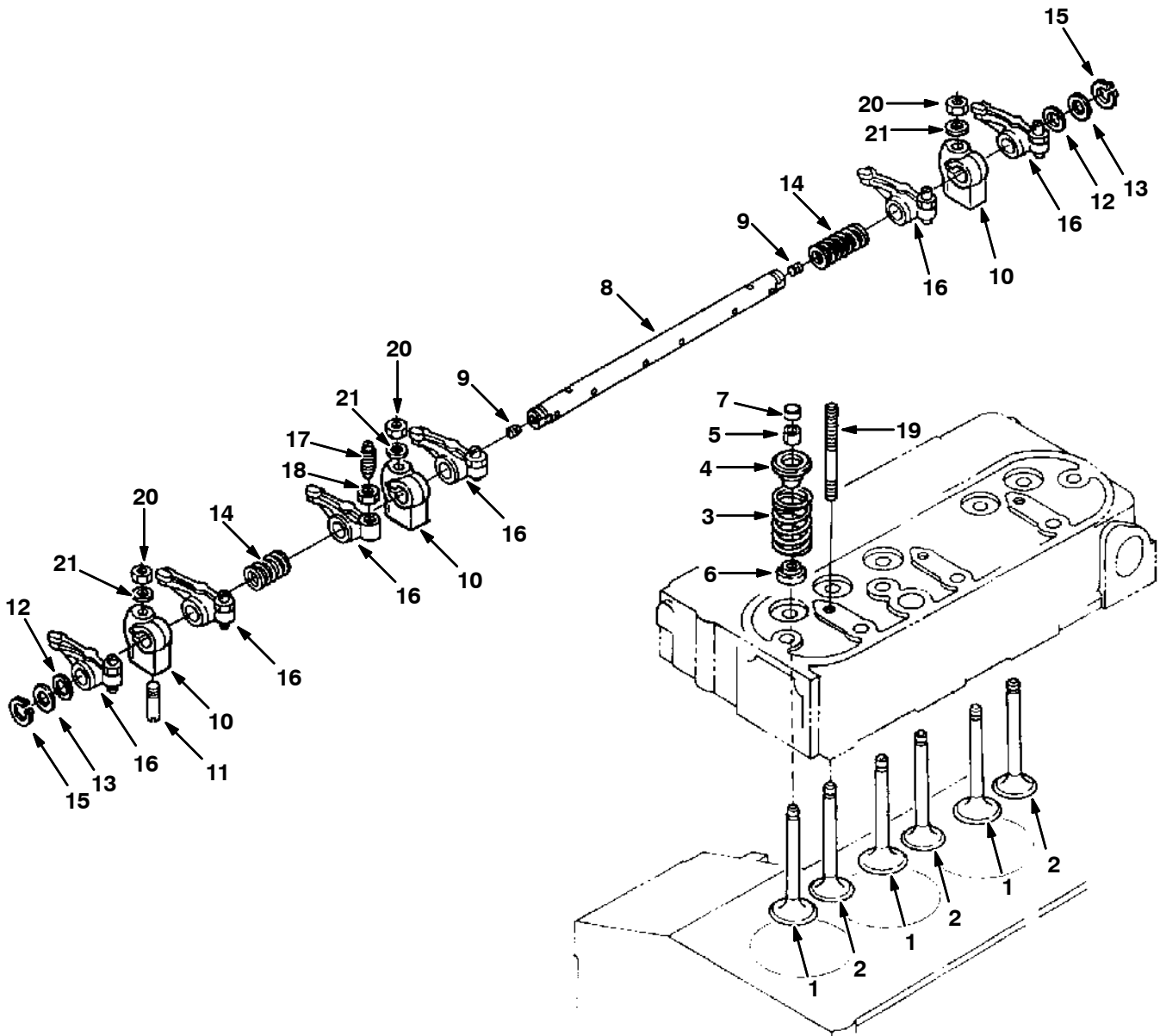


Fig. 7 - Valve and Rocker Arm Group

Ref.	Part No.	Description	Qty.	
1	70936	Inlet Valve	3	
2	70937	Valve, Exhaust	3	
3	73491	Spring, Valve	6	
4	73492	Retainer	6	
5	73493	Collet, Spring	12	
6	73494	Seal, Valve	6	
7	361392	Cap, Valve	6	
▽	8	361408	Rocker Arm Assy	1
▲	9	361363	Screw, Set	2
▲	10	73497	Bracket, Arm	3
▲	11	73501	Screw Set	1
▲	12	73502	Washer	2
▲	13	73503	Washer	2
▲	14	73504	Spring, Arm	2
▲	15	73505	Cir-Clip, Ext	2
▲▽	16	73506	Rocker Arm Assy	6
▲▲	17	73507	Screw, Adjusting	1
▲▲	18	73508	Nut	1
	19	73498	Stud	3
	20	73499	Nut	3
	21	73500	Washer, Plain	3

Fig. 8 - Piston and Crankshaft Group

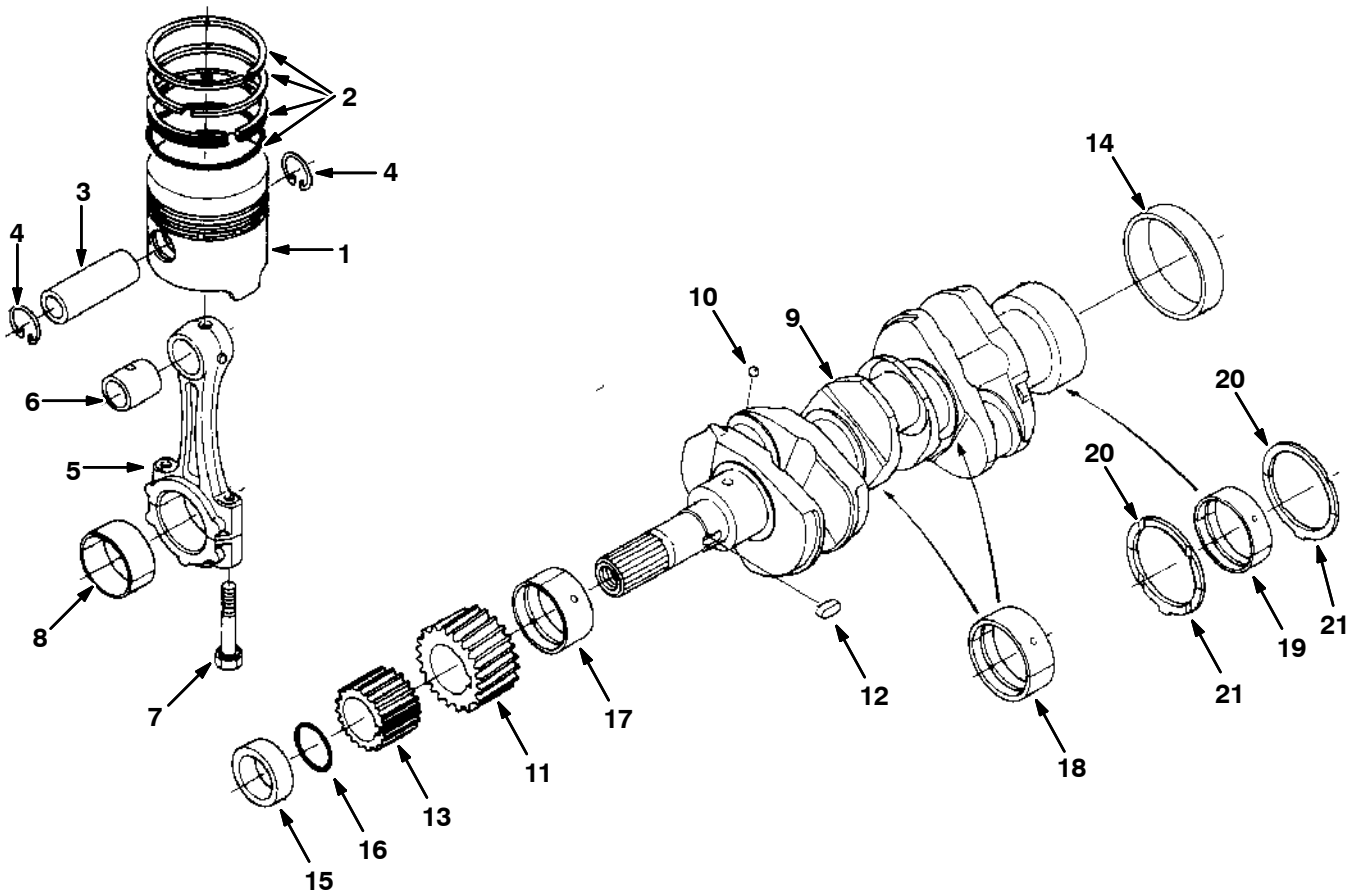
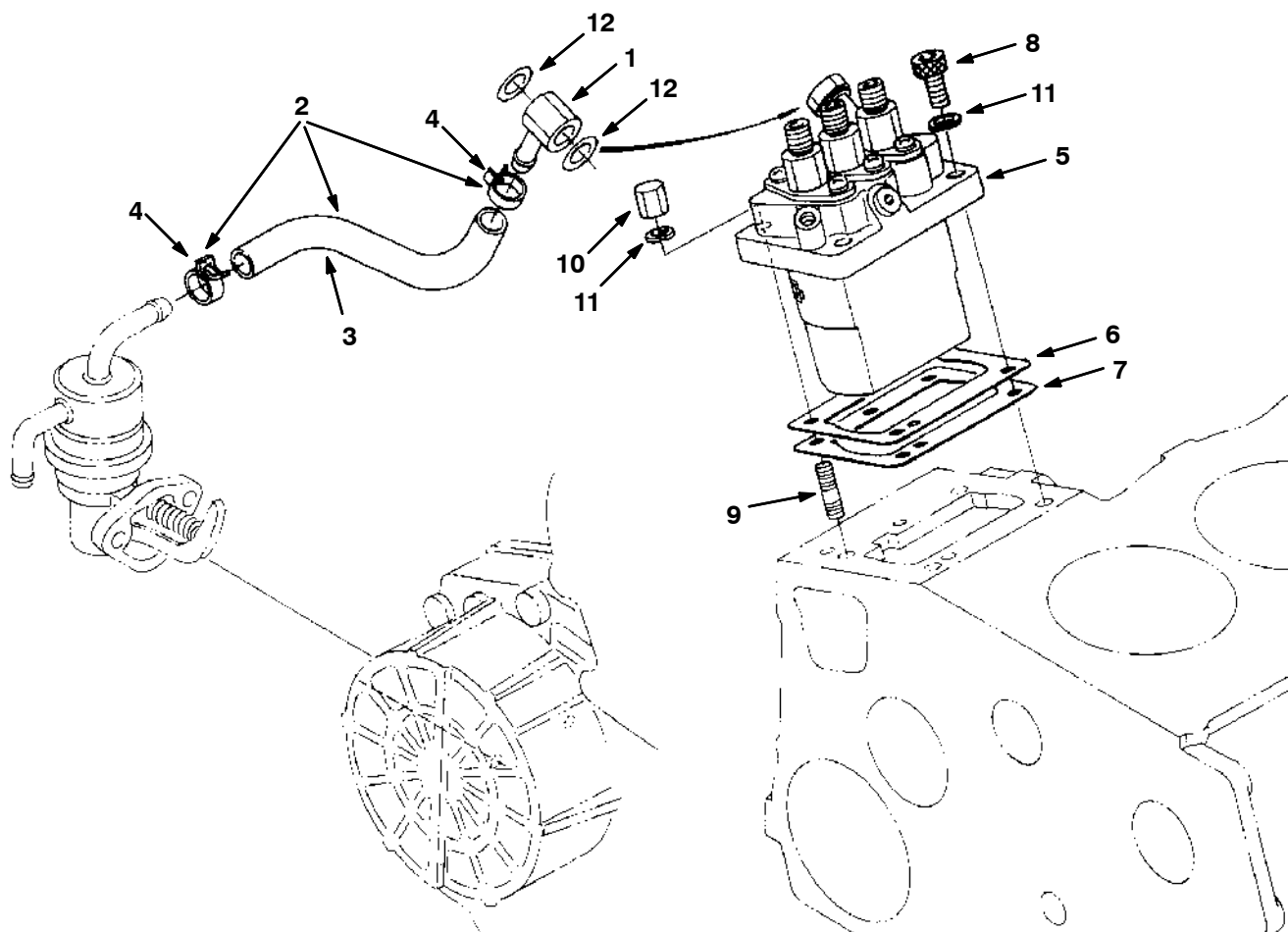


Fig. 8 - Piston and Crankshaft Group

Ref.	Part No.	Description	Qty.	
1	361383	Piston	3	
1	361384	Piston T0.5Mm	3	
2	51348	Piston Ring	3	
2	51351	Piston Ring	3	
3	73522	Pin, Piston	3	
4	73523	Cir-Clip, Pin	6	
▽	5	73524	Connecting Rod Assy	3
▲	6	361395	Bshg,Piston Pin	3
▲	7	73525	Bolt, Connecting Rod	6
▲	8	66204	Rod, Bearing Set 0.2	6
▲	8	66207	Rod, Bearing Set 0.4	6
▲	8	70941	Crank Pin, Metal	6
▽	9	361388	Comp.Crankshaft	1
▲	10	73527	Ball	3
▲	11	73528	Gear, Crankshaft	1
▲	12	73529	Crankshaft, Keyway	1
▲	13	73530	Gear, Oil Pump	1
▲	14	70942	Cshaft Sleeve	1
	15	70943	Collar, Crankshaft	1
	16	70944	O-Ring	1
	17	70945	Cshft Mtl 1	1
	17	70946	Crankshaft Mtl1(02)	1
	17	70947	Cshft Mtl1	1
	18	70948	Cshft,Mlt2	4
	18	70949	Crankshaft Mtl2 (2)	4
	18	70950	Cshft Mtl2	4
	19	70951	C Shaft Metal	2
	19	70952	Crankshaft Mtl3(02)	2
	19	70953	Cshft Mtl3	2
	20	10844	Bearing Side	2
	20	70954	Metl1, Side	2
	20	70955	Side Metl1(04)	2
	21	10845	Bearing Side	2
	21	30121	Thrust Bearing .2Mm	2
	21	30122	Thrust Bearing .4Mm	2

361282 ENGINE BREAKDOWN

Fig. 9 - Injection Pump Group (000000-004108)

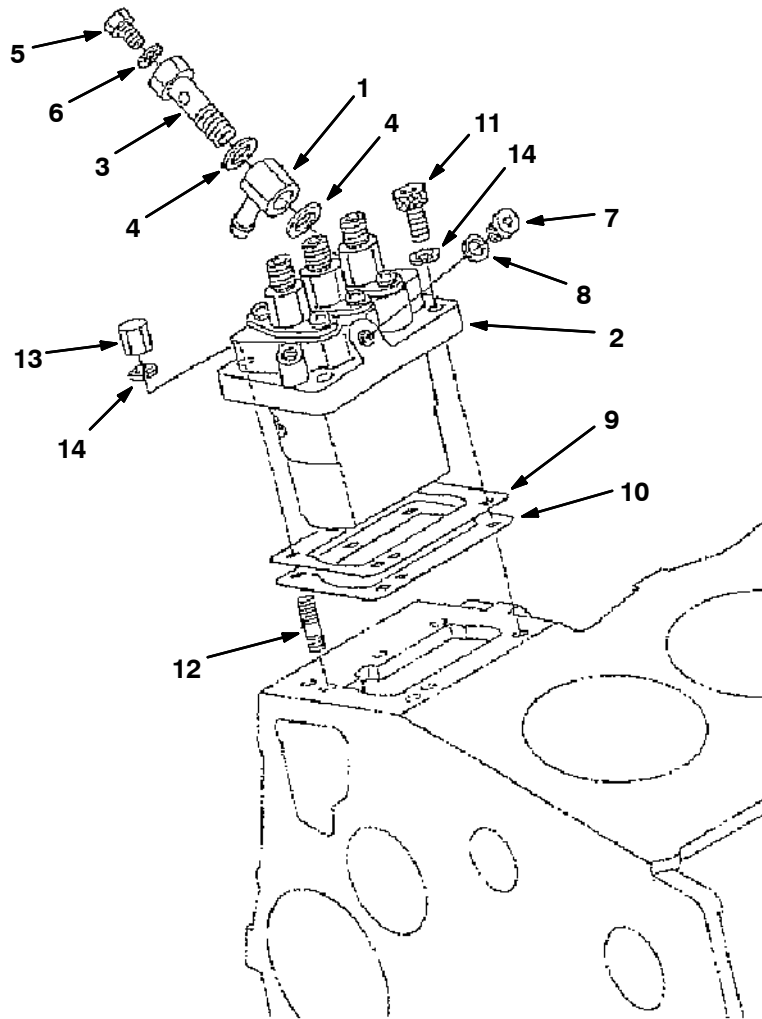


350205 - 6400D

Ref.	Part No.		Description	Qty.
	1	☐	Joint, Eye	1
▽	2	☐	Pipe Assy,Fuel	1
▲	3	☐	Tube,Fuel	1
▲	4	☐	Band,Pipe	2
	5	☐	Pump Assy,Inju (See Injector Pump Breakdown)	1
	6	☐	Shim,Injection	1
	7	☐	Shim,Injection, 0.3 mm	1
	8	☐	Bolt	2
	9	☐	Stud	2
	10	☐	Nut	2
	11	☐	Washer, Spring	4
	12	☐	Gasket	2

☐ Serial number (000000-004108)

Fig. 10 - Injection Pump Group (004109-)



6400D

Ref.	Part No.	Description	Qty.
1	70970	Joint, Eye	1
2	361378	Pump Assy, Inj, Fuel (See Injector Pump Breakdown)	1
3	84651	Follower, Screw, Pump, Inj [Ku]	1
4	73588	Gasket, Ftg, Banjo [Ku]	2
5	73589	Screw, Hex [Ku]	1
6	73590	Gasket, F/ Screw [Ku]	1
7	368068	Fitting, Plug, Pump, Inj [Ku]	1
8	368065	Gasket, F/ Screw [Ku]	1
9	368063	Shim, Injection, 0.20mm [Ku]	1
9	368064	Shim, Injection, 0.25mm [Ku]	1
10	361438	Shim, Pump, Inj, .3 [Ku]	1
11	73561	Bolt [Ku]	2
12	73562	Stud [Ku]	2
13	73563	Nut [Ku]	2
14	39065	Washer, Split Loc [Ku]	4

Serial number (004109-)

Fig. 11 - Injection Pump Breakdown

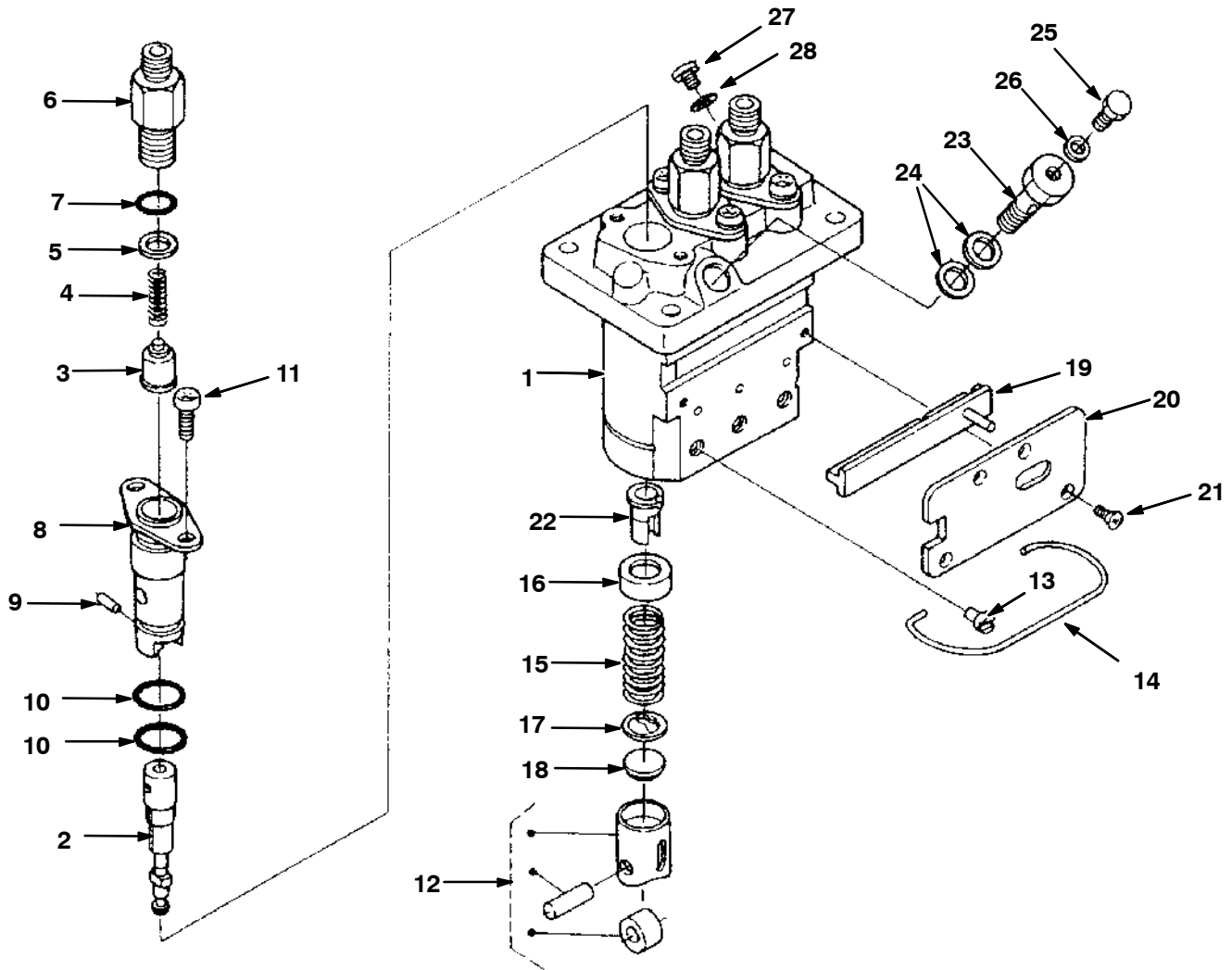
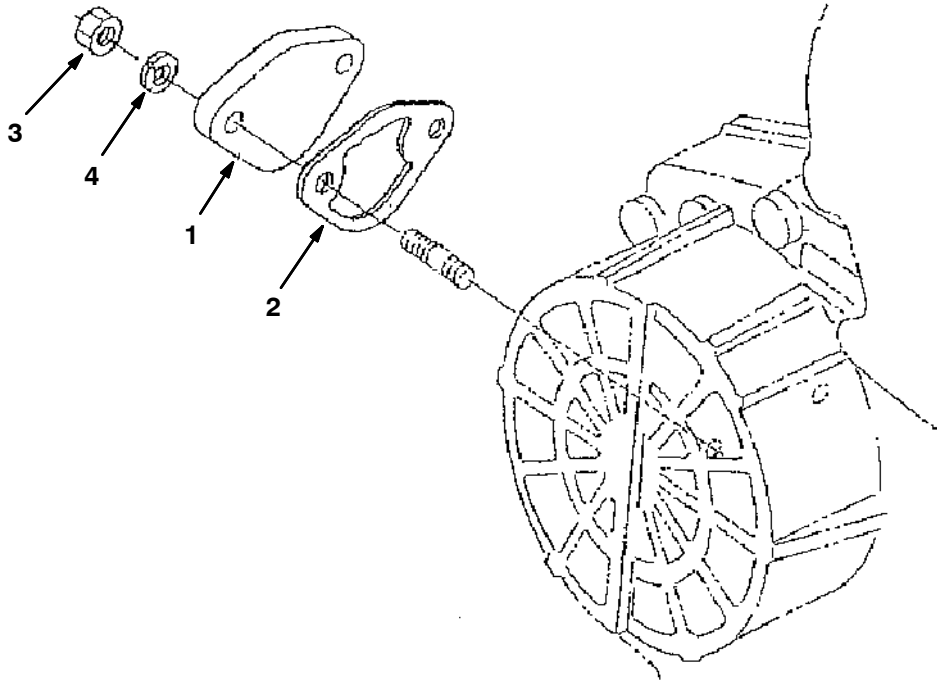


Fig. 11 - Injection Pump Breakdown

	Ref.	Part No.	Description	Qty.
▽	1	361378	Assy pump, injection	1
▲	2	84648	Element, pump	1
▲	3	73567	Valve, delivery	1
▲	4	73568	Spring, deliv valve	2
▲	5	73569	Gasket, deliv valve	1
▲	6	73570	Holder, deliv valve	1
▲	7	73571	O ring	1
▲	8	73572	Flange, sleeve	2
▲	9	73573	Pin, joint	2
▲	10	73574	O ring	2
▲	11	73575	Screw	4
▲	12	73576	Assy tappet	1
▲	13	73577	Pin, tappet guide	1
▲	14	368067	Pin, clamp	1
▲	15	73579	Spring,plunger	2
▲	16	73580	Seat, spring upper	1
▲	17	73581	Seat, spring lower	1
▲	18	73582	Shim	1
▲	19	368069	Rack, control	2
▲	20	368066	Plate	2
▲	21	73585	Screw	2
▲	22	73586	Sleeve, control	4
▲	23	84651	Bolt, joint	1
▲	24	73588	Gasket	1
▲	25	73589	Screw	1
▲	26	73590	Gasket	2
▲	27	368068	Plug	1
▲	28	368065	Gasket	1

Fig. 12 - Cover Group

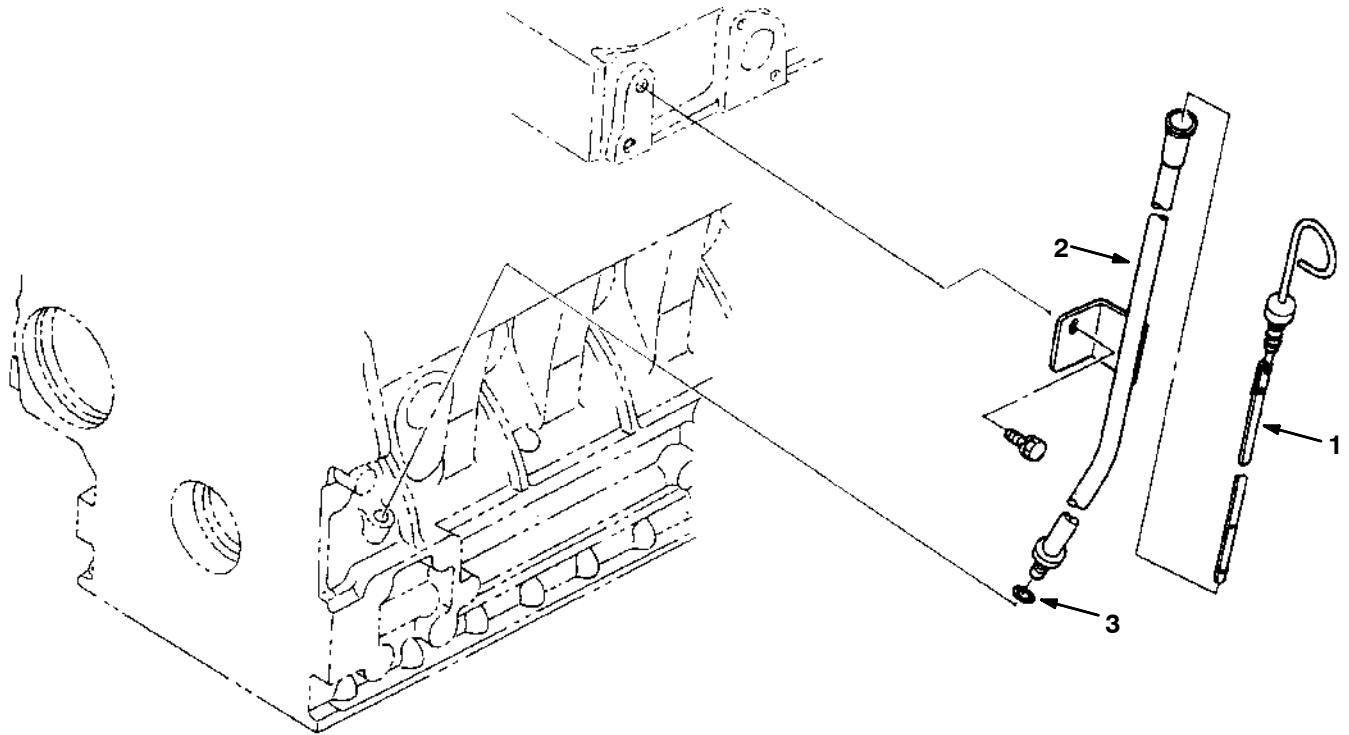


6400D

Ref.	Part No.		Description	Qty.
1	73565	②	Cover, Hole, Pump, Fuel [Ku]	1
2	375059	②	Gasket, Pump, Fuel [Ku]	1
3	393646	②	Nut	2
4	39065	②	Washer, Split Loc [Ku]	2

Serial number (004109-)

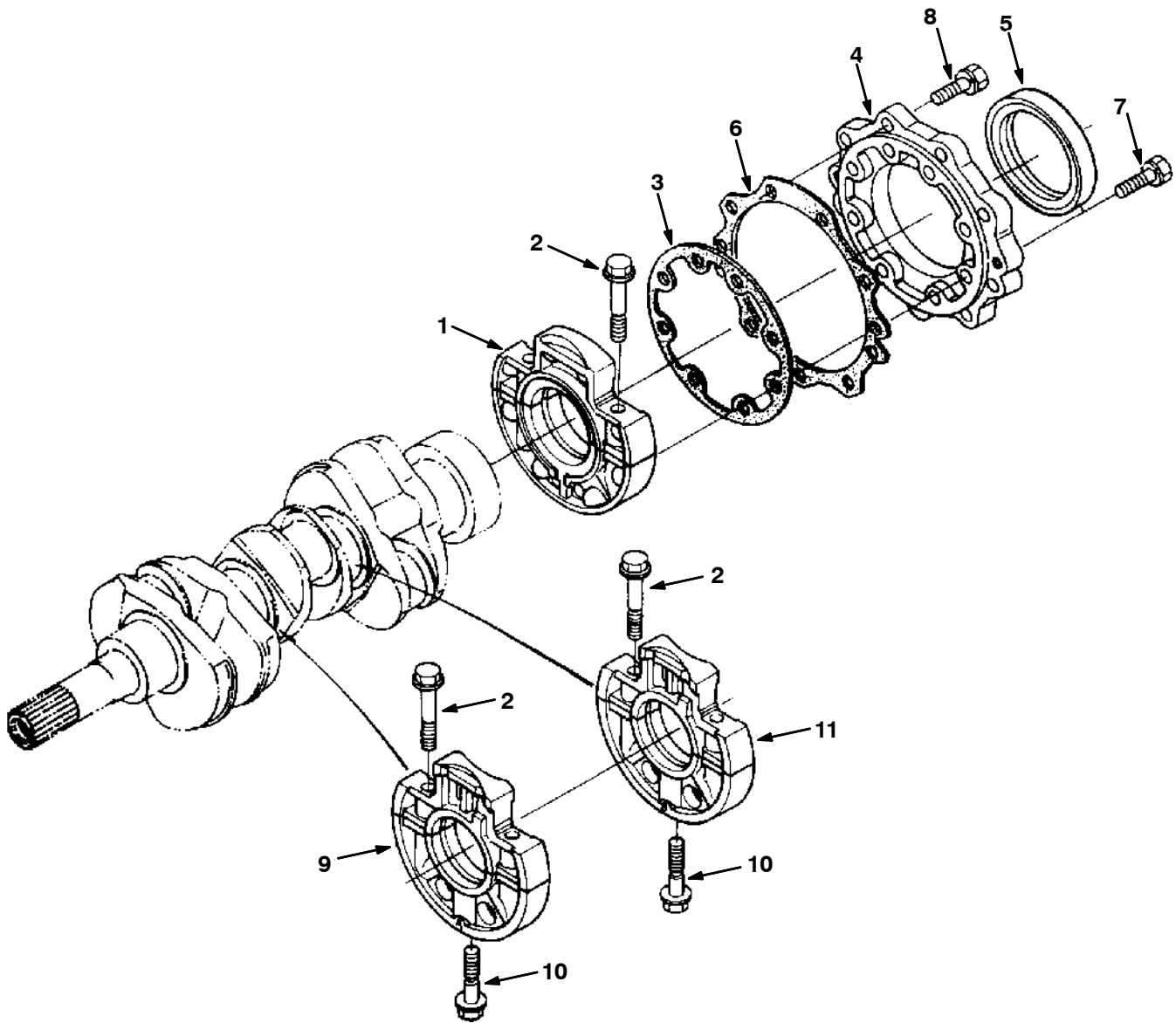
Fig. 13 - Dipstick and Guide Group



350187 - 6400D

	Ref.	Part No.	Description	Qty.
▽	1	361428	Guide Asy,Oilga	1
▲	2	70894	Oilgage Guide	1
▲	3	361366	O-Ring	1

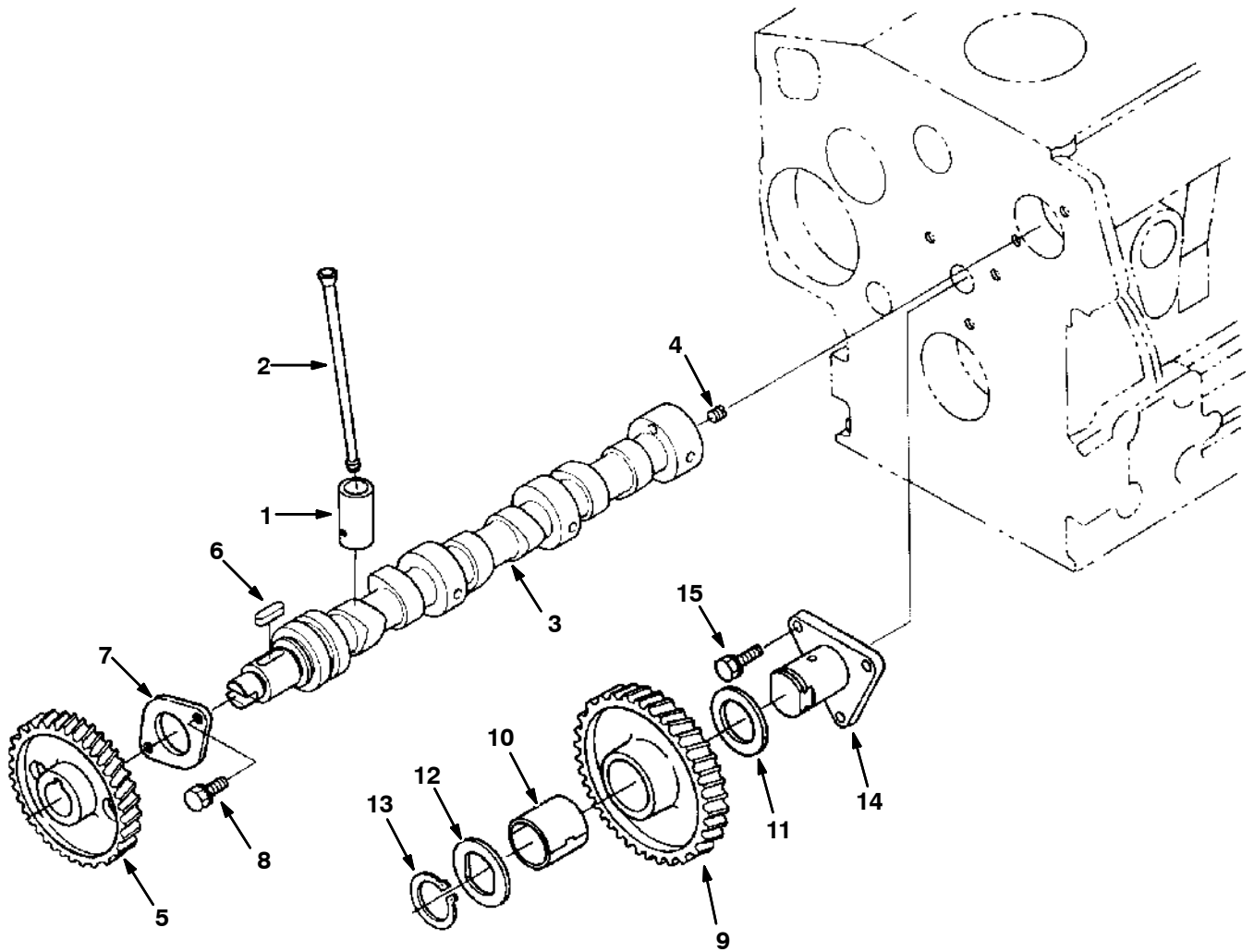
Fig. 14 - Main Bearing Case Group



350189 - D

Ref.	Part No.	Description	Qty.	
1	70921	Case Assy,Brg	1	
2	72998	Bolt, Bearing Case	6	
3	70922	Gasket, Bearing Case	1	
▽	4	361391	Cvr Asy,Brgcase	1
▲	5	70924	Seal, Oil	1
6	70925	Gskt, Case Cvr	1	
7	72999	Bolt	8	
8	39119	Bolt	9	
9	361424	Case Asy,Mainbr	1	
10	73479	Bolt	2	
11	361425	Case Asy,Mainbrg	1	

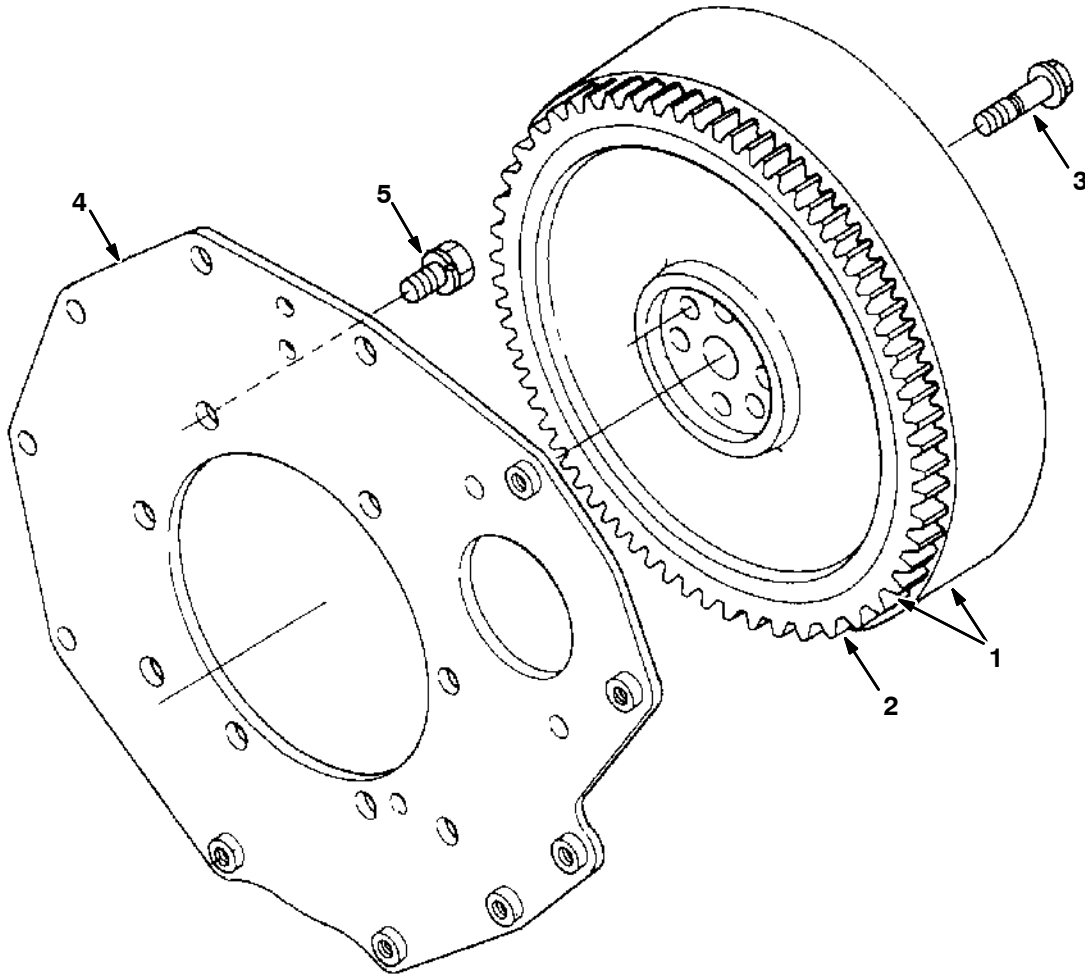
Fig. 15 - Camshaft Group



350191 - D

Ref.	Part No.	Description	Qty.
1	361413	Tappet	6
2	73509	Push Rod	6
▽	3	Camshaft Assy	1
▲	4	Screw, Set	1
▲	5	Gear, Camshaft	1
▲	6	Keyway	1
▲	7	Stopper	1
▲	8	Bolt	2
▽	9	Gear, Idle	1
▲	10	Bshng, Idle Gear	1
11	73516	Collar, Gear	1
12	73517	Collar, Gear	1
13	73518	Cir-Clip, Gear	1
14	73519	Shaft, Gear	1
15	41973	Bolt	3

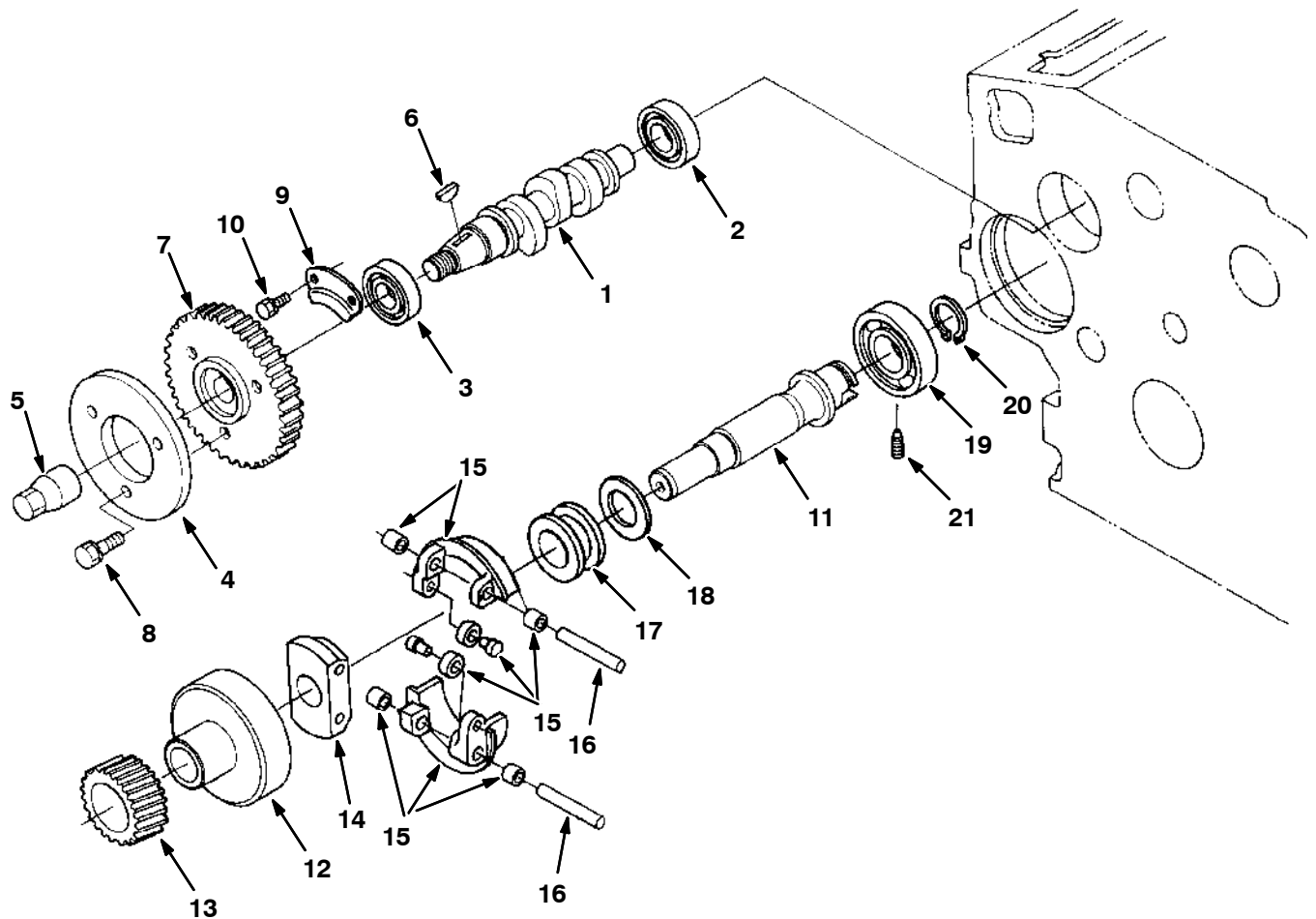
Fig. 16 - Flywheel Group



350197 - D

Ref.	Part No.	Description	Qty.	
▽	1	361435	Flywheel, Comp.	1
▲	2	70957	Ring Gear	1
	3	73533	Bolt, Flywheel	6
	4	361390	Plate, Rear End	1
	5	73534	Bolt	8

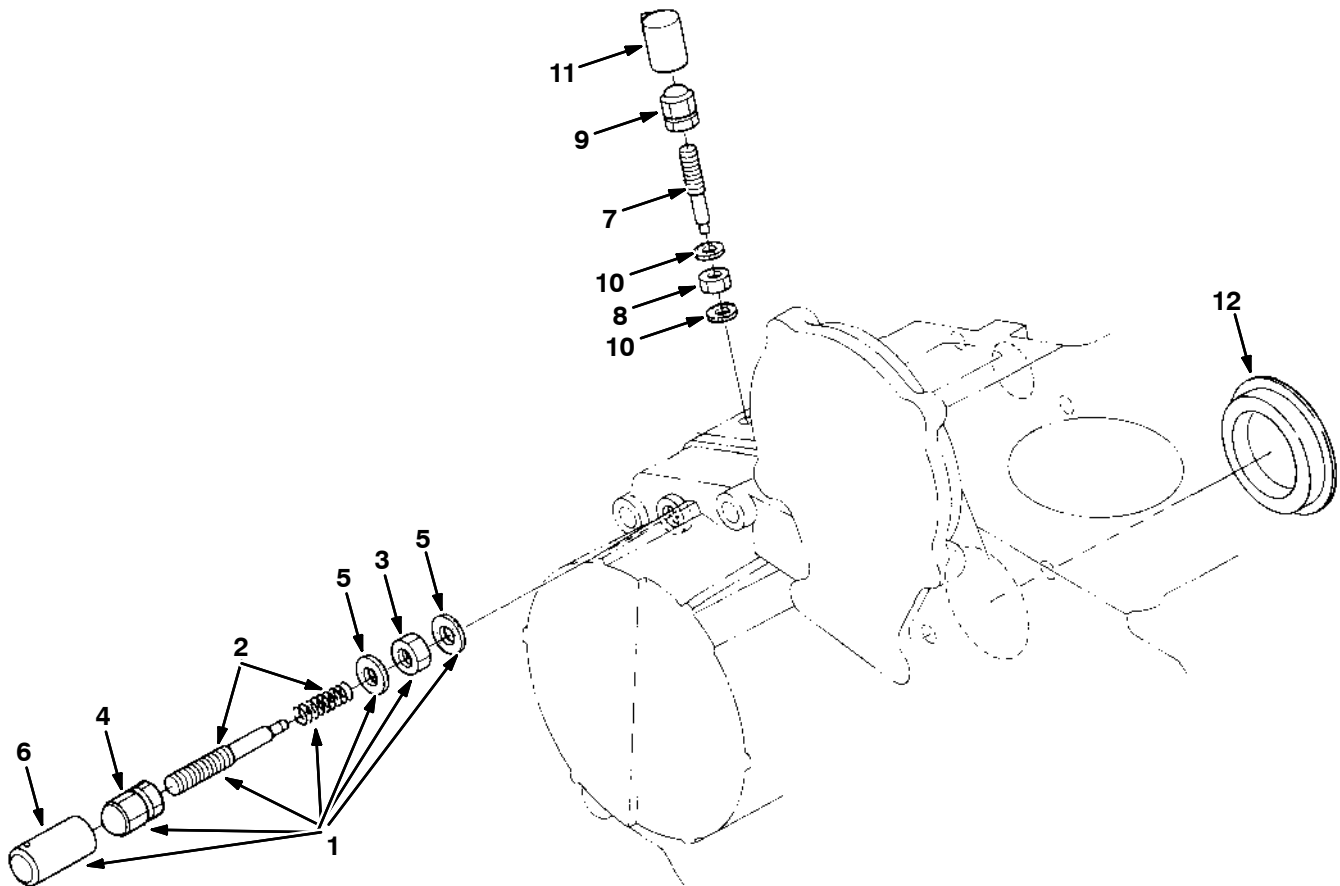
Fig. 17 - Fuel Camshaft Group



350199 - 6400D

Ref.	Part No.	Description	Qty.	
1	361377	Camshaft, Fuel	1	
2	70975	Bearing, Ball	1	
3	70976	Bearing, Ball	1	
4	73592	Cam, Fuel 1	1	
5	73593	Nut, Cap	1	
6	73594	Key, Woodruff	1	
7	73595	Gear, Pump	1	
8	40409	Bolt	3	
9	73596	Stopper	1	
10	71995	Bolt	2	
▽	11	361421	Shaft Assy, Gov	1
▲	12	73598	Holder, Gear	1
▲	13	73599	Gear, Governor	1
▲	14	73600	Holder	1
▲	15	73601	Comp. Weight	2
▲	16	73602	Shaft, Gov	2
▲	17	70977	Gov. Sleeve	1
▲	18	70978	Thrustwasher	1
	19	70979	Bearing, Ball	1
	20	73603	Cir-Clip, Gov	1
	21	73604	Screw, Set	1

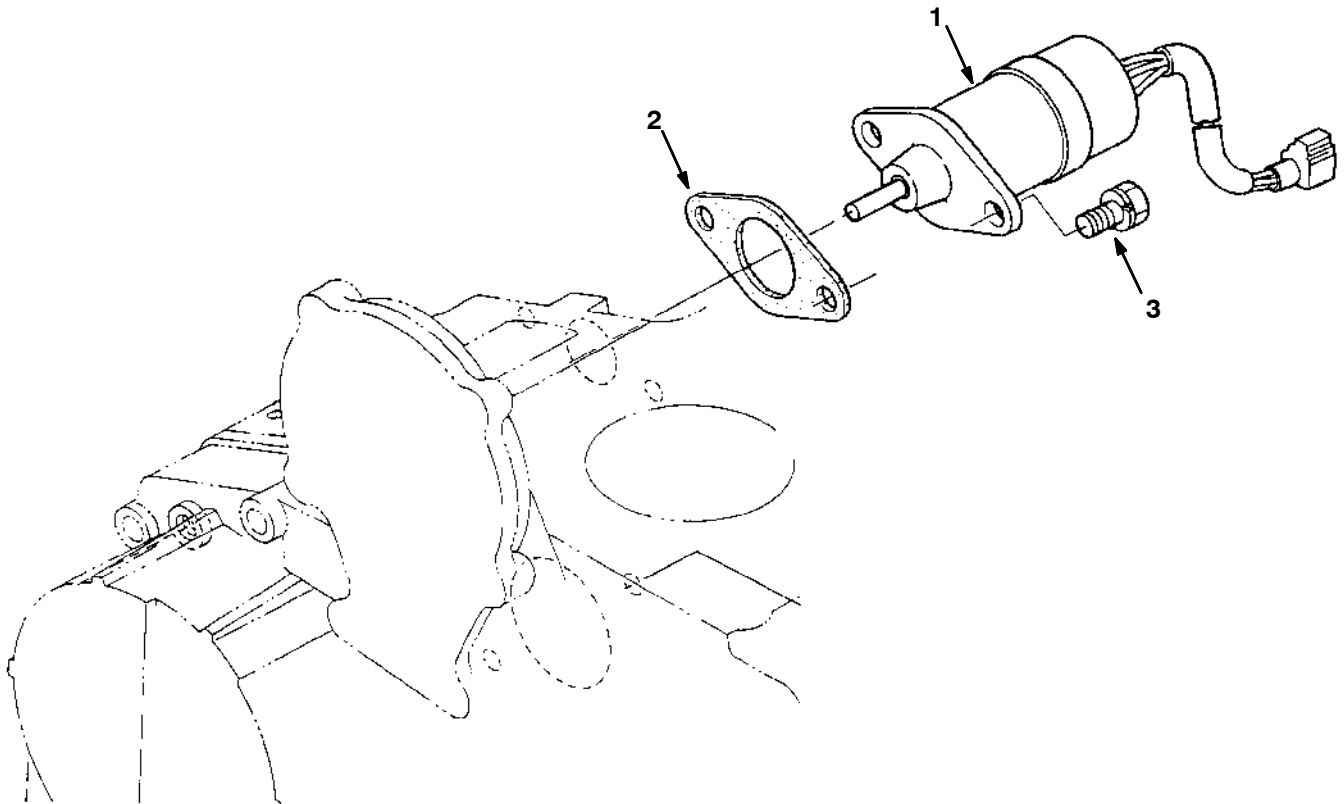
Fig. 18 - Engine Stop Lever Group



350201 - D

Ref.	Part No.	Description	Qty.
▽	1	70980 Idle App.Assy	1
▲	2	73605 Bolt, Assy, Adj	1
▲	3	73606 Nut	1
▲	4	361375 Nut,Cap	1
▲	5	40166 Gasket	2
▲	6	361382 Cap	1
	7	73610 Bolt, Adj	1
	8	73606 Nut	1
	9	361375 Nut,Cap	1
	10	40166 Gasket	2
	11	361382 Cap	1
	12	70188 Cover, Pump	1

Fig. 19 - Stop Solenoid Group



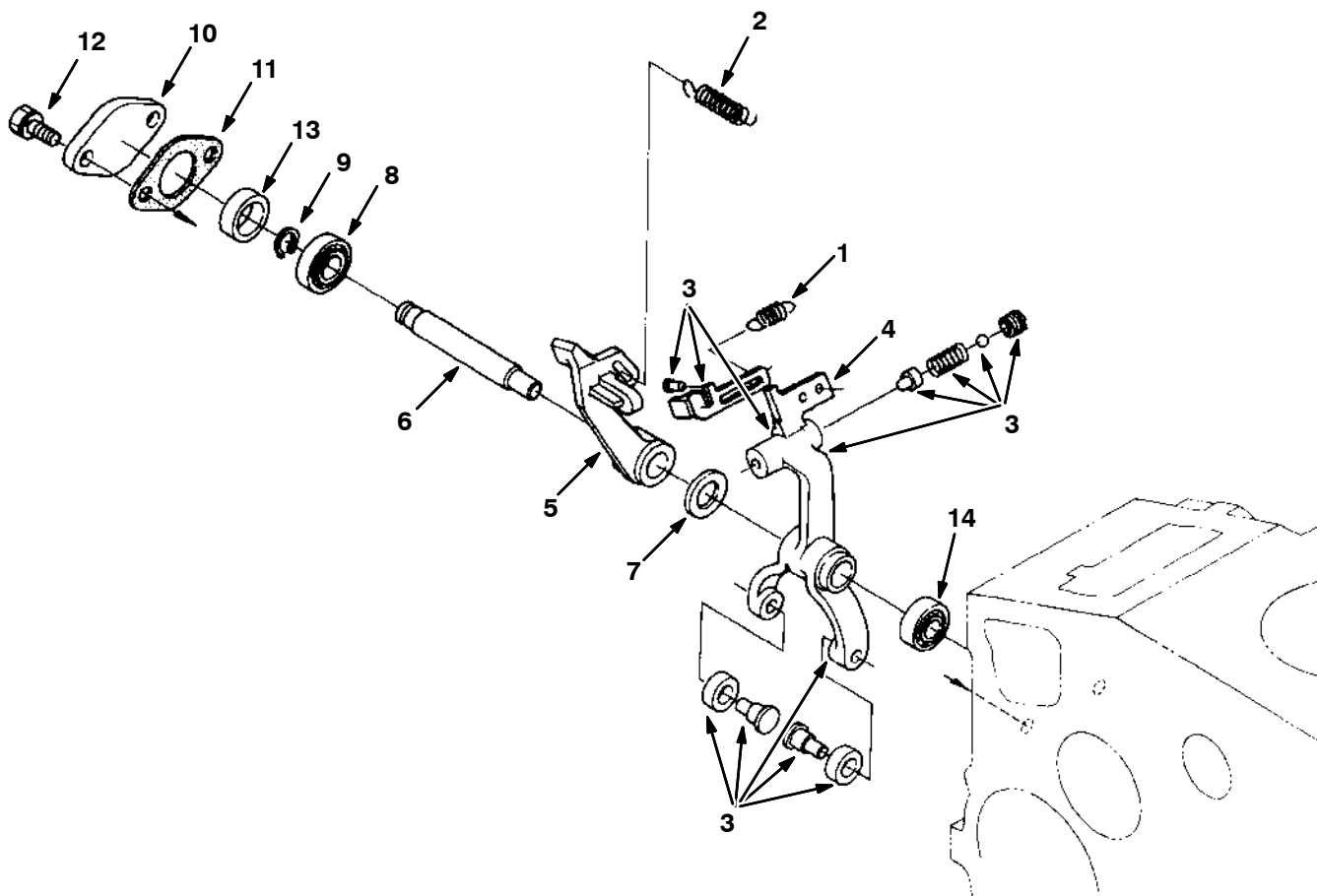
350203 - 6400D

Ref.	Part No.		Description	Qty.
1	70981	①	Solenoid Assy	1
1	374269	②	Solenoid Assy	1
2	70165		Gasket, Throttle Blk	1
3	39160		Bolt	2

① Serial number (000000-003630)

② Serial number (003631-)

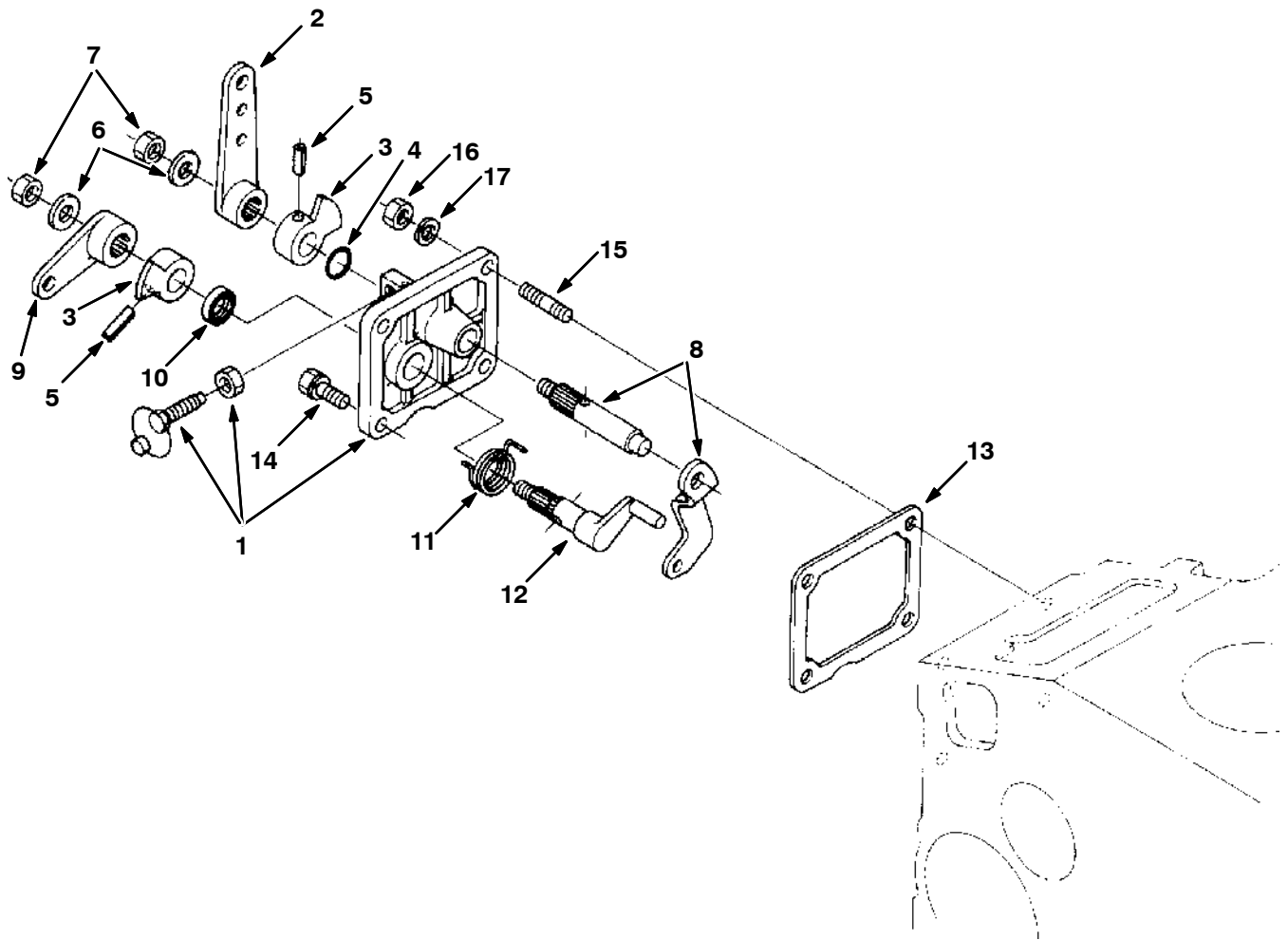
Fig. 20 - Governor Group



350207 - D

Ref.	Part No.	Description	Qty.
1	361417	Spring, Start	1
2	70986	Gov. Spring	1
▽ 3	73627	Lever, Assy	1
▲ 4	361380	Comp. Lever, Fork	1
▲ 5	73628	Lever, Fork 2	1
▲ 6	73629	Shaft, Lever	1
▲ 7	70988	Plain Washer	1
▲ 8	70989	Ball Bearing	1
▲ 9	73630	Cir-Clip, Ext	1
10	73631	Cover, Lever	1
11	361430	Gasket	1
12	39160	Bolt	2
13	70991	Collar	1
14	70992	Ball Bearing	1

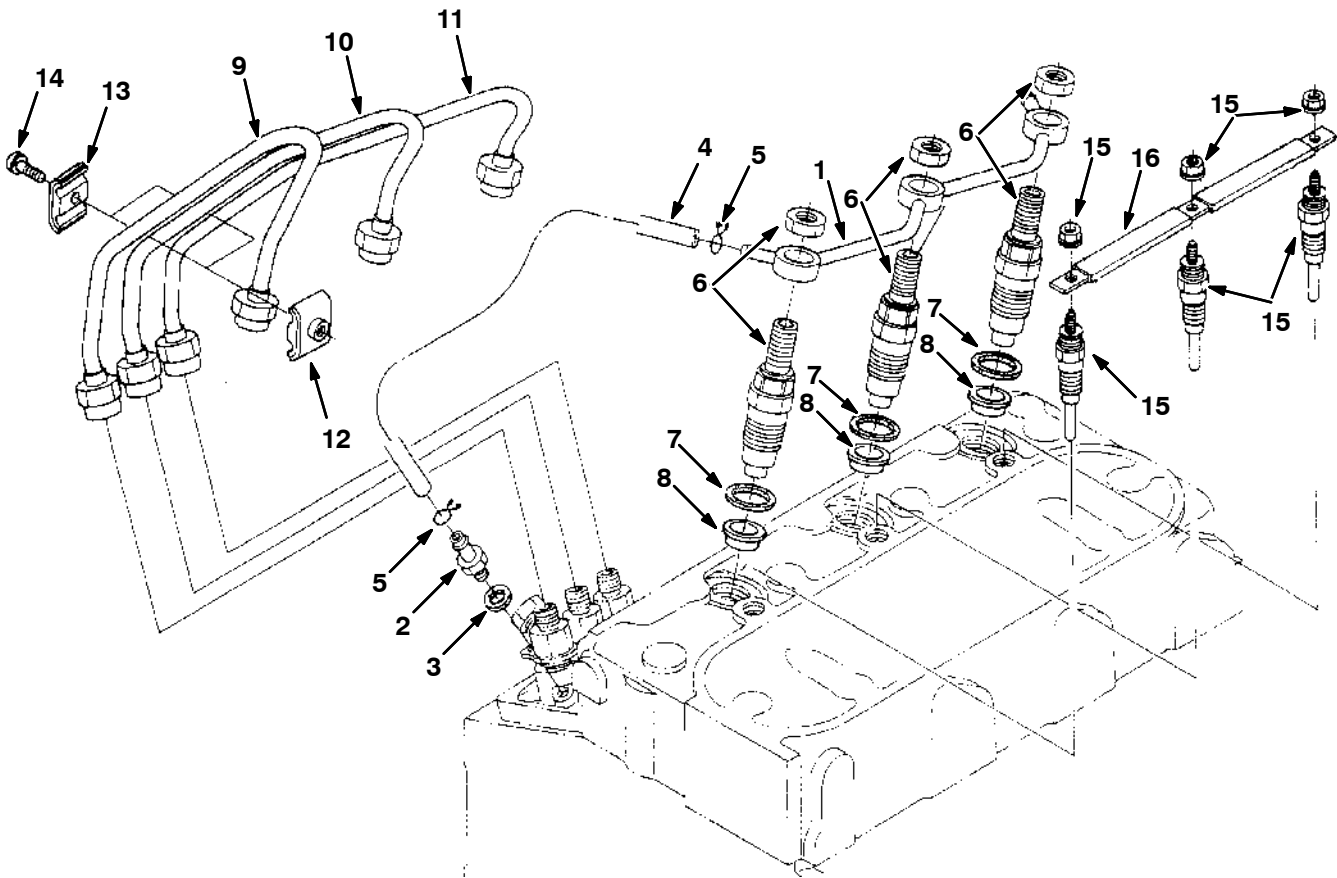
Fig. 21 - Speed Control Plate Group



350209 - D

Ref.	Part No.	Description	Qty.
▽	1 70982	Plate Assy, Control	1
▲	2 73618	Spd.Cntl.Lever	1
▲	3 73619	Spd.Cntl.Lever	2
▲	4 73620	O-Ring	1
▲	5 40407	Pin, Spring	2
▲	6 73621	Washer, Plain	2
▲	7 73622	Nut	2
▲	8 73623	Lever, Comp	1
▲	9 73624	Lever, Eng Stop	1
▲	10 70983	Oil Seal	1
▲	11 73625	Spring, Return	1
▲	12 73626	Shaft, Lever	1
	13 70984	Gasket	1
	14 41973	Bolt	2
	15 72018	Stud	2
	16 39121	Nut	2
	17 39065	Washer, Spring	2

Fig. 22 - Nozzle Holder and Glow Plug Group



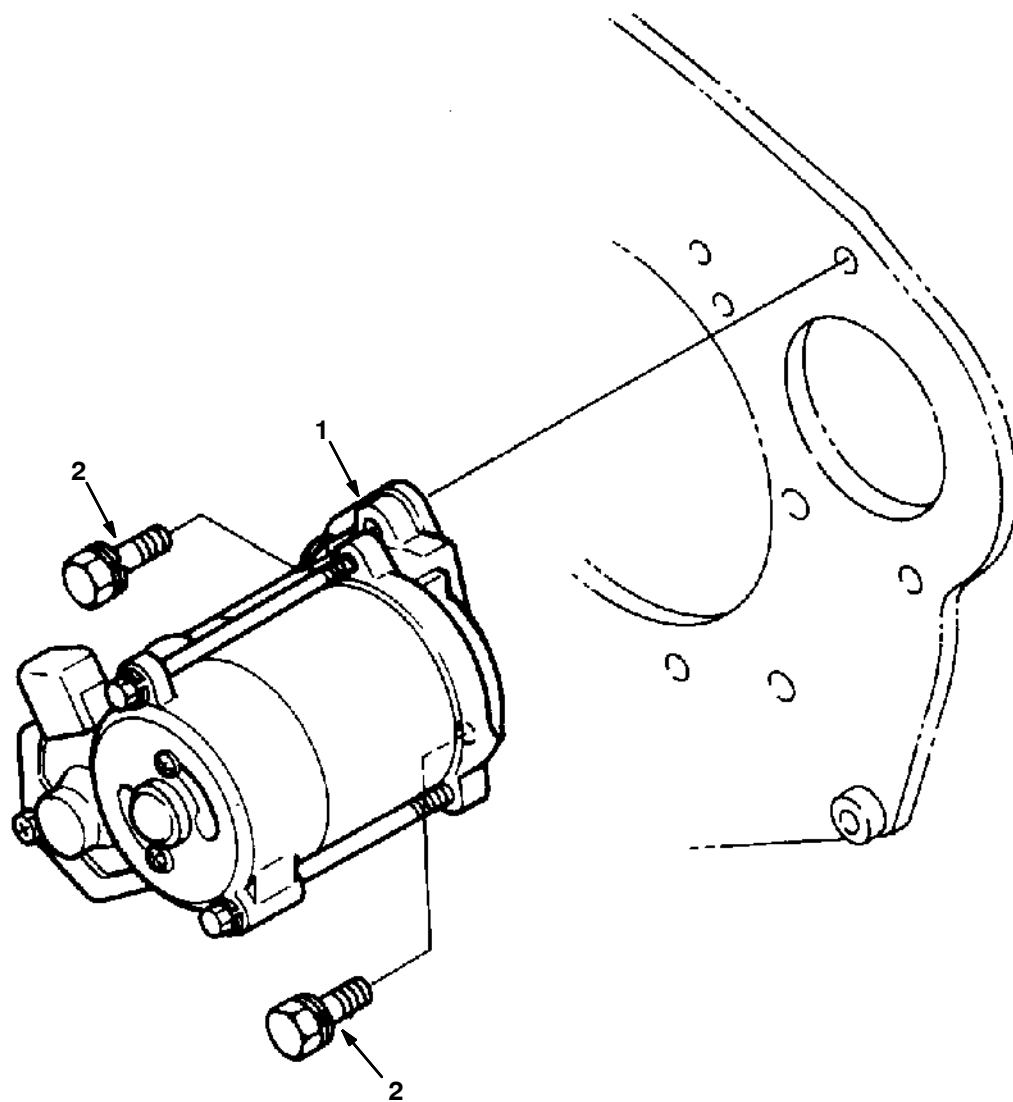
350211 - D

Ref.	Part No.	Description	Qty.	
1	361415	Pipe Asy,Oflow	1	
2	73555	Screw	1	
3	40166	Gasket	1	
▽	4	361373	Pipe Assy	1
▲	5	361368	Clip,Pipe	2
6	393673	① Holder Assy, Nozzle	3	
6	372917	② Housing Assy, Nozzle	3	
7	70964	Gasket	3	
8	20719	Seal, Heat	3	
9	70965	Inject.Pipe 1	1	
10	70966	Inject.Pipe 2	1	
11	70967	Inject.Pipe 3	1	
12	30131	Clamp, Pipe1	2	
13	30132	Clamp, Pipe2	2	
14	39508	Screw	2	
15	84638	Glow Plug	3	
16	361418	Cord,Glow Plug	1	

① Kubota Serial Number (000000- 489289)

② Kubota Serial Number (489290-)

Fig. 23 - Starter Group



350213 - D

Ref.	Part No.	Description	Qty.
1	361349	Starter Assy (See Starter Breakdown)	1
2	73535	Bolt	2

Fig. 24 - Starter Breakdown

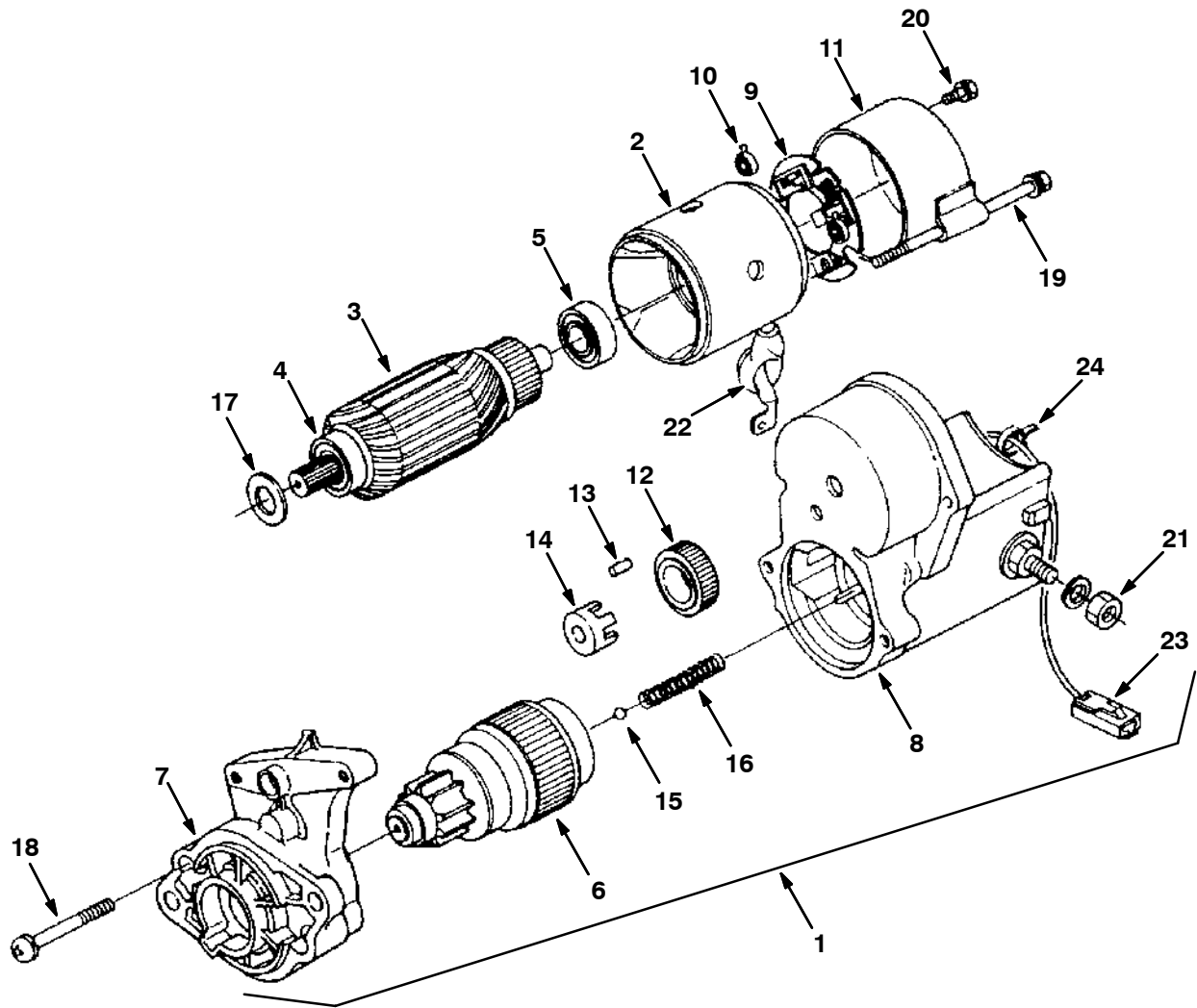
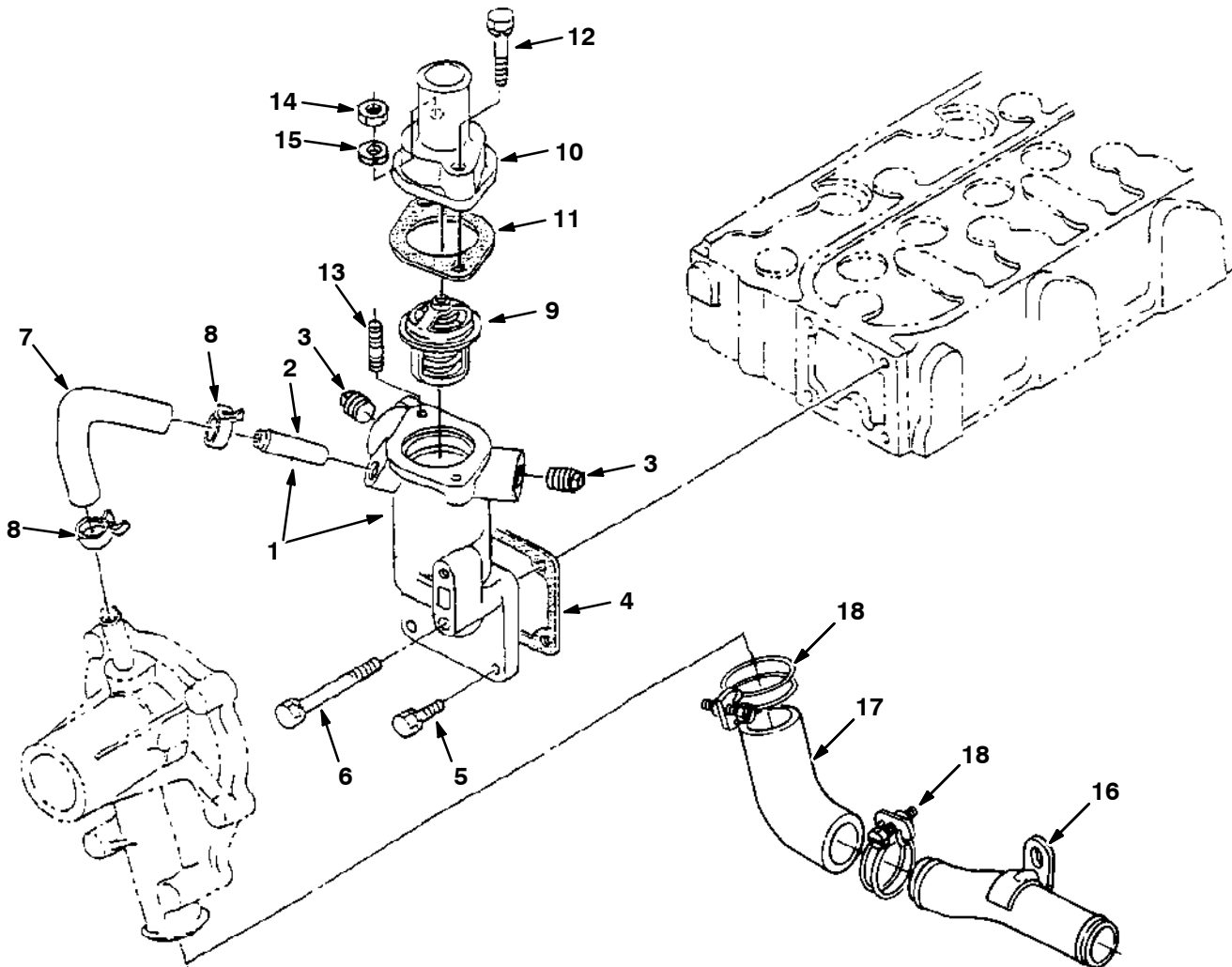


Fig. 24 - Starter Breakdown

	Ref.	Part No.	Description	Qty.
▽	1	361349	Assy, Starter	1
▲	2	368088	Yoke	1
▲▽	3	368083	Armature	2
▲▲	4	368085	Bearing, ball	1
▲▲	5	73538	Bearing, ball	3
▲	6	70961	Clutch	1
▲	7	73539	Housing	1
▲	8	361351	Switch, magnetic	2
▲▽	9	361352	Holder, brush	1
▲▲	10	40442	Spring, brush	1
▲	11	73543	Frame, end	1
▲	12	40457	Gear	1
▲	13	73544	Roller	1
▲	14	73545	Retainer	1
▲	15	73546	Ball	1
▲	16	73547	Spring	1
▲	17	368087	Washer, felt	1
▲	18	73548	Screw, Pan Head	2
▲	19	73549	Bolt, through	1
▲	20	73550	Bolt	3
▲	21	73551	Nut, hexagon	1
▲	22	73552	Cover, cord	1
▲	23	368086	Cord, stop solenoid	2
▲	24	368084	Band, cover	1

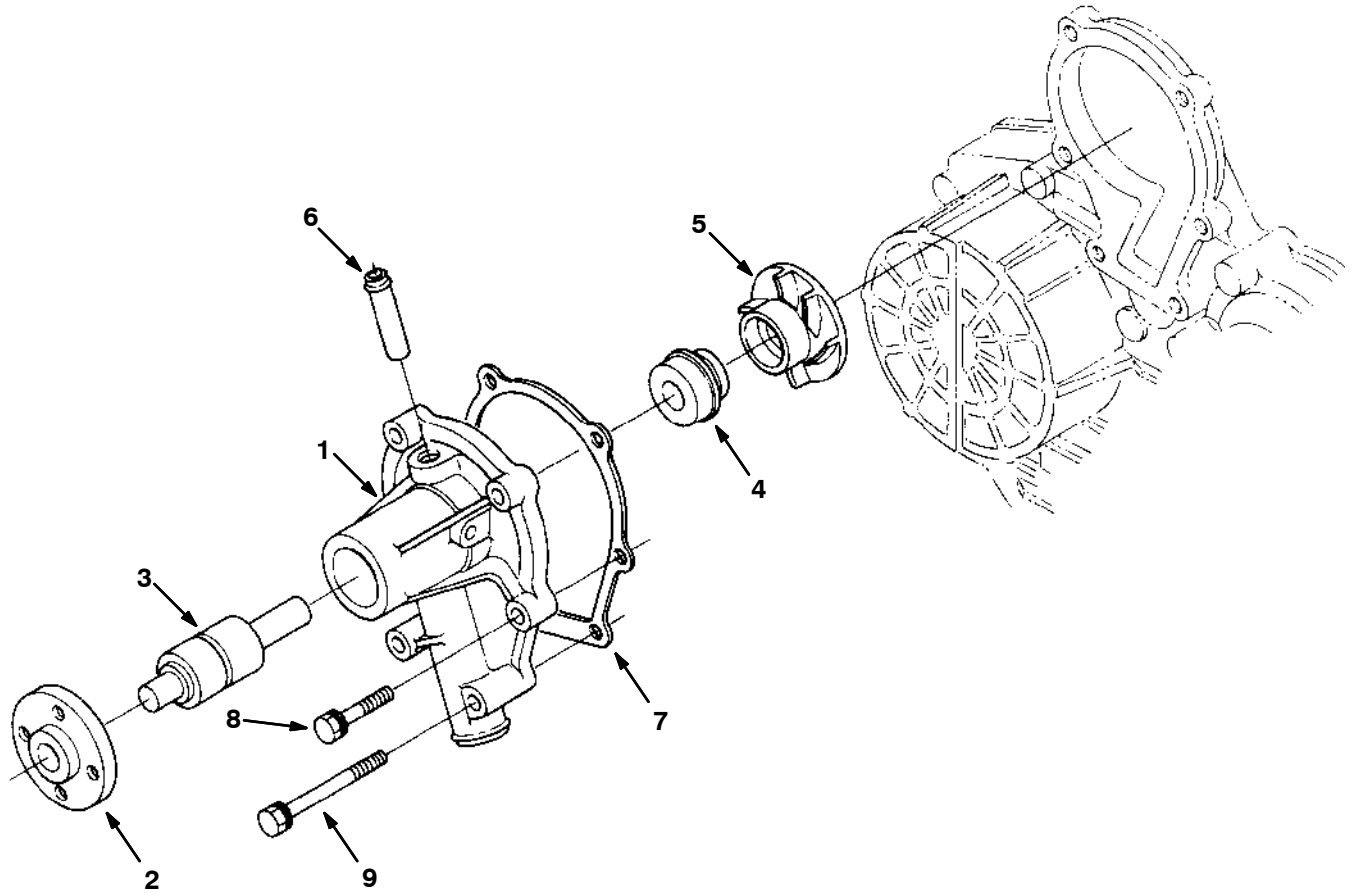
Fig. 25 - Water Flange and Thermostat Group



350215 - 6400D

Ref.	Part No.	Description	Qty.	
▽	1	70993	Water Flange	1
▲	2	361440	Pipe,Water Retr	1
	3	73632	Plug	2
	4	70994	Gasket, Flange	1
	5	41973	Bolt	3
	6	72995	Bolt	1
	7	73633	Pipe, Water Ret	1
	8	73634	Band, Pipe	2
	9	70995	Thermostat Assy	1
	10	73635	Cover, Thermostat	1
	11	70996	Gasket	1
	12	72996	Bolt	1
	13	361402	Stud	1
	14	39121	Nut	1
	15	39065	Washer, Spring	1
	16	365110	Pipe, Water	1
	17	365111	Pipe, Water	1
	18	365112	Clamp	2

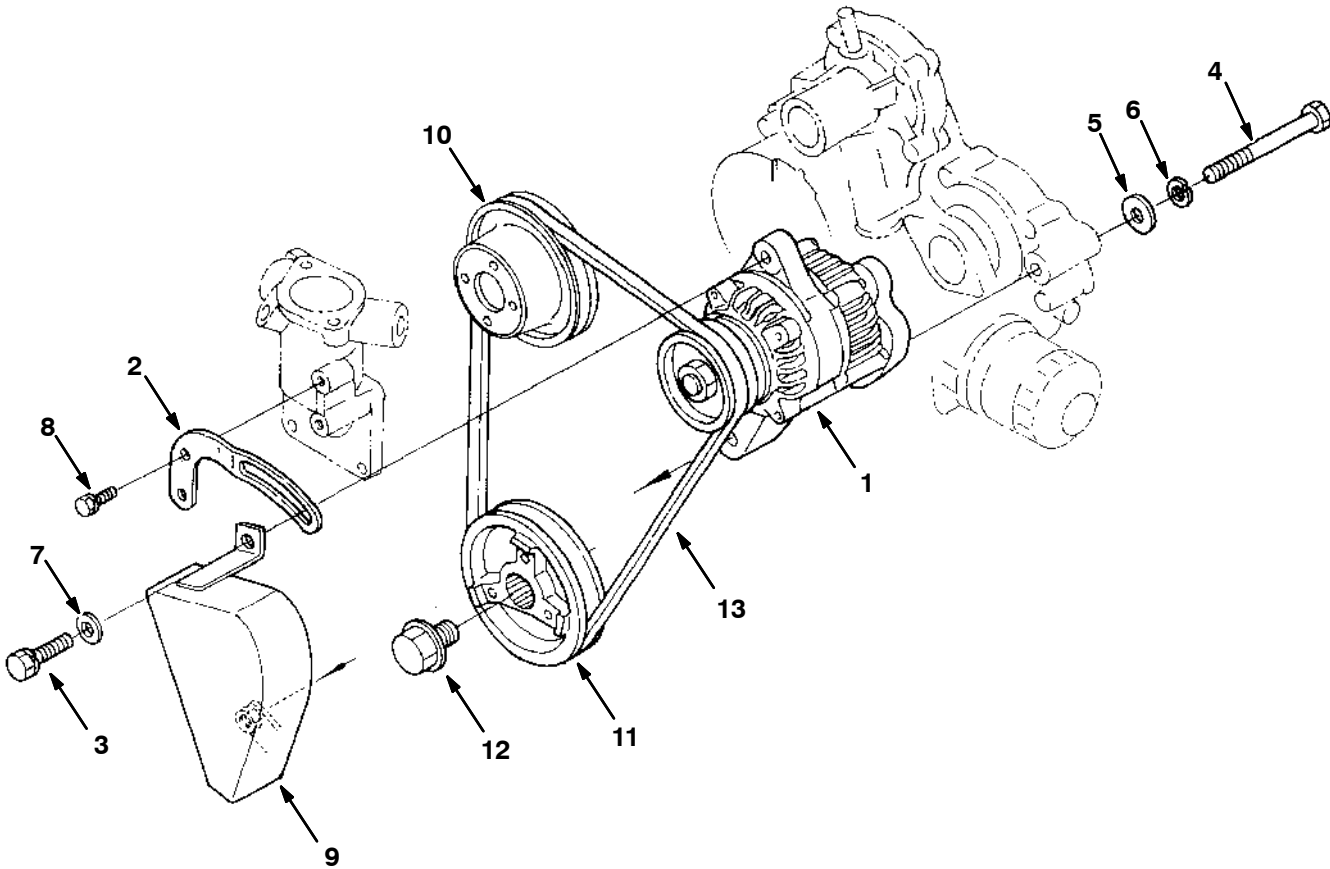
Fig. 26 - Water Pump Group



350217 - D

Ref.	Part No.	Description	Qty.	
▽	1	361400	Water Pump Asy	1
▲	2	70919	Wtr.Pmp.Flnge	1
▲	3	70915	Ball Bearing	1
▲	4	70916	Seal, Water Pump	1
▲	5	70917	Impeller, Water Pump	1
	6	70918	Wtr.Retn.Pipe	1
	7	361419	Gskt,Water Pump	1
	8	72996	Bolt	4
	9	72997	Bolt	2

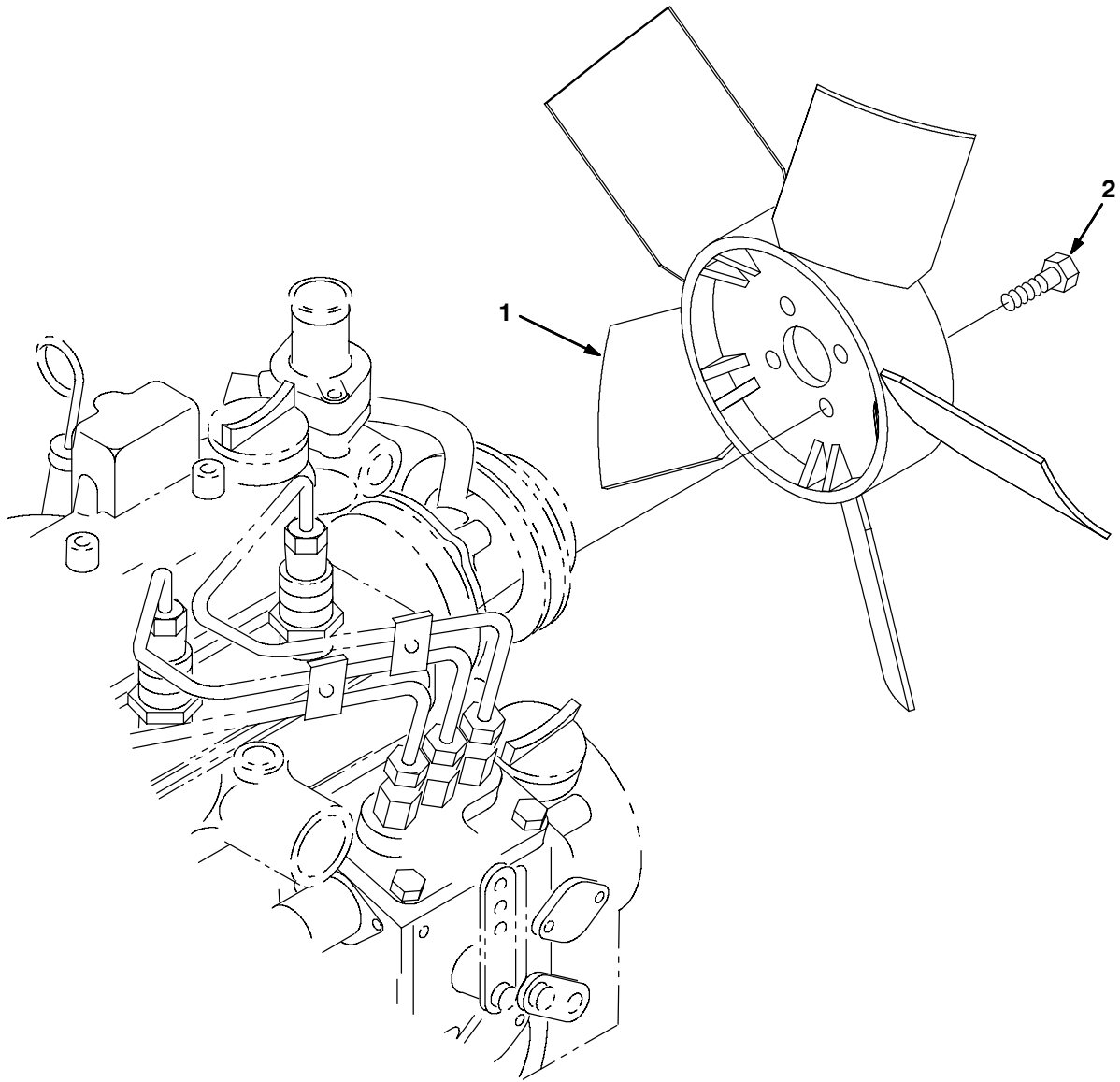
Fig. 27 - Alternator and Pulley Group



350219 - 6400D

Ref.	Part No.	Description	Qty.
1	361387	Alternator	1
2	361399	Stay,Dynamo	1
3	73535	Bolt	1
4	361360	Bolt	1
5	361364	Washer,Plain	1
6	39399	Washer, Spring	1
7	361365	Washer,Plain	1
8	41973	Bolt	1
9	361434	Cover,Belt	1
10	55847	Fan Pulley	1
11	361386	Pulley,Fan Driv	1
12	73532	Bolt	1
13	368082	Belt, V, 9.5mm 37.4l {Ku}	1

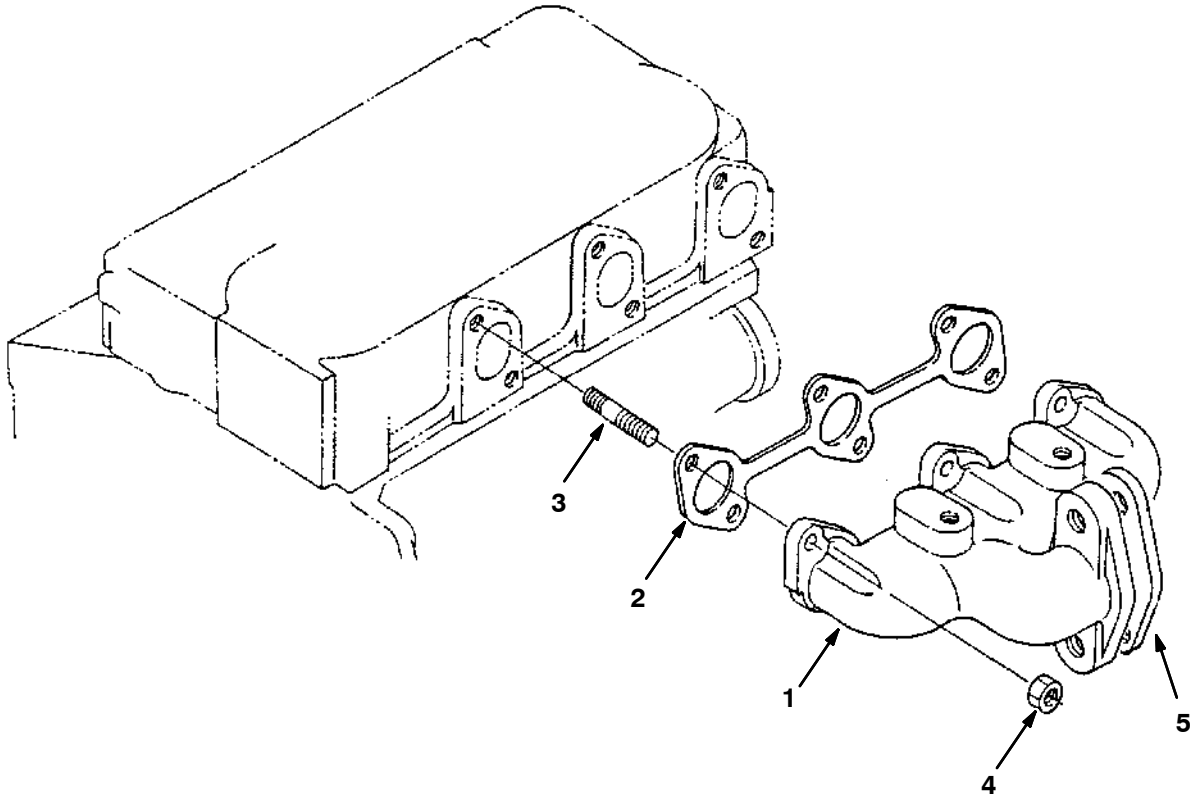
Fig. 28 - Fan Group



354270 - 6400D

Ref.	Part No.	Description	Qty.
1	361626	Fan	1
2	361362	Bolt	4

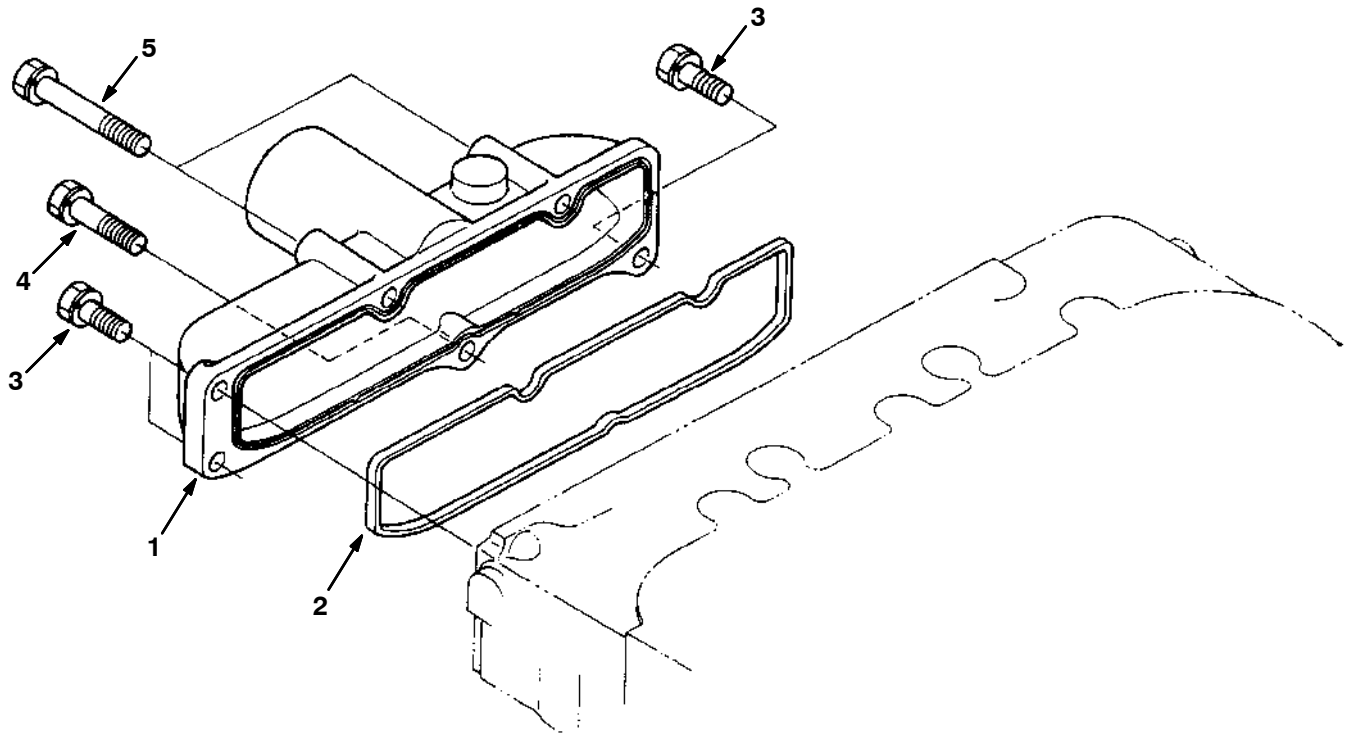
Fig. 29 - Exhaust Manifold Group



352011 - D

Ref.	Part No.	Description	Qty.
1	361420	Manifold,Exh	1
2	361407	Gskt,Ex-Manifol	1
3	73488	Stud	6
4	361427	Nut	6
5	368099	Gasket	1

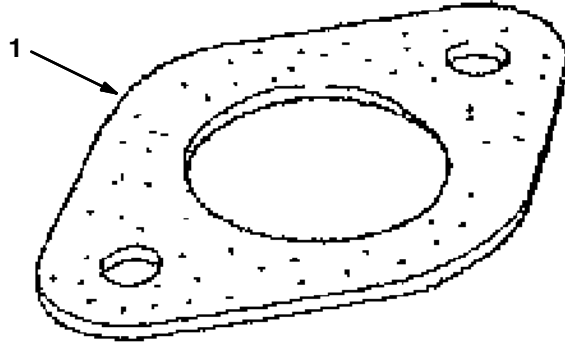
Fig. 30 - Inlet Manifold Group



350225 - D

Ref.	Part No.	Description	Qty.
1	361404	Mnfd, Inlet	1
2	361406	Gskt, In-Manifol	1
3	40409	Bolt	3
4	72996	Bolt	1
5	72994	Bolt	2

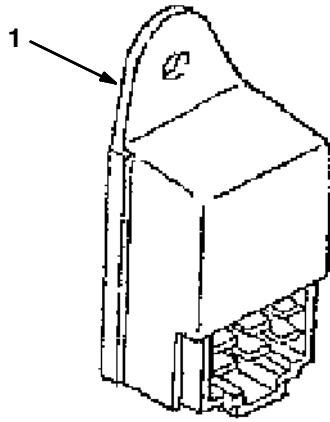
Fig. 31 - Gasket Group



6400D

Ref.	Part No.	Description	Qty.
1	368099	Gasket, Manifold, Exh[Ku]	1

Fig. 32 - Timer Group



Ref.	Part No.	Description	Qty.
1	366026	Timer, Glow Plug [Ku]	1

6400D

SECTION 6

Contents	Page
Fig. 1 - Crankcase Group	6-2
Fig. 2 - Oil Pan Group	6-4
Fig. 3 - Cylinder Head Group	6-5
Fig. 4 - Gear Case Group	6-6
Fig. 5 - Valve and Rocker Arm Group	6-8
Fig. 6 - Piston and Crankshaft Group	6-10
Fig. 7 - Head Cover Group	6-12
Fig. 8 - Injection Pump Group	6-13
Fig. 9 - Injection Pump Breakdown	6-14
Fig. 10 - Cover Group	6-16
Fig. 11 - Dipstick and Guide Group	6-17
Fig. 12 - Main Bearing Case Group	6-18
Fig. 13 - Camshaft Group	6-19
Fig. 14 - Flywheel Group	6-20
Fig. 15 - Fuel Camshaft Group	6-21
Fig. 16 - Engine Stop Lever Group	6-22
Fig. 17 - Stop Solenoid Group	6-23
Fig. 18 - Governor Group	6-24
Fig. 19 - Speed Control Plate Group	6-25
Fig. 20 - Nozzle Holder and Glow Plug Group	6-26
Fig. 21 - Nozzle Holder Breakdown	6-27
Fig. 22 - Timer Group	6-28
Fig. 23 - Starter Group	6-29
Fig. 24 - Starter Breakdown	6-30
Fig. 25 - Water Flange and Thermostat Group	6-32
Fig. 26 - Water Pump Group	6-33
Fig. 27 - Alternator and Pulley Group	6-34
Fig. 28 - Fan Group	6-35
Fig. 29 - Exhaust Manifold Group	6-36
Fig. 30 - Inlet Manifold Group	6-37

Fig. 1 - Crankcase Group

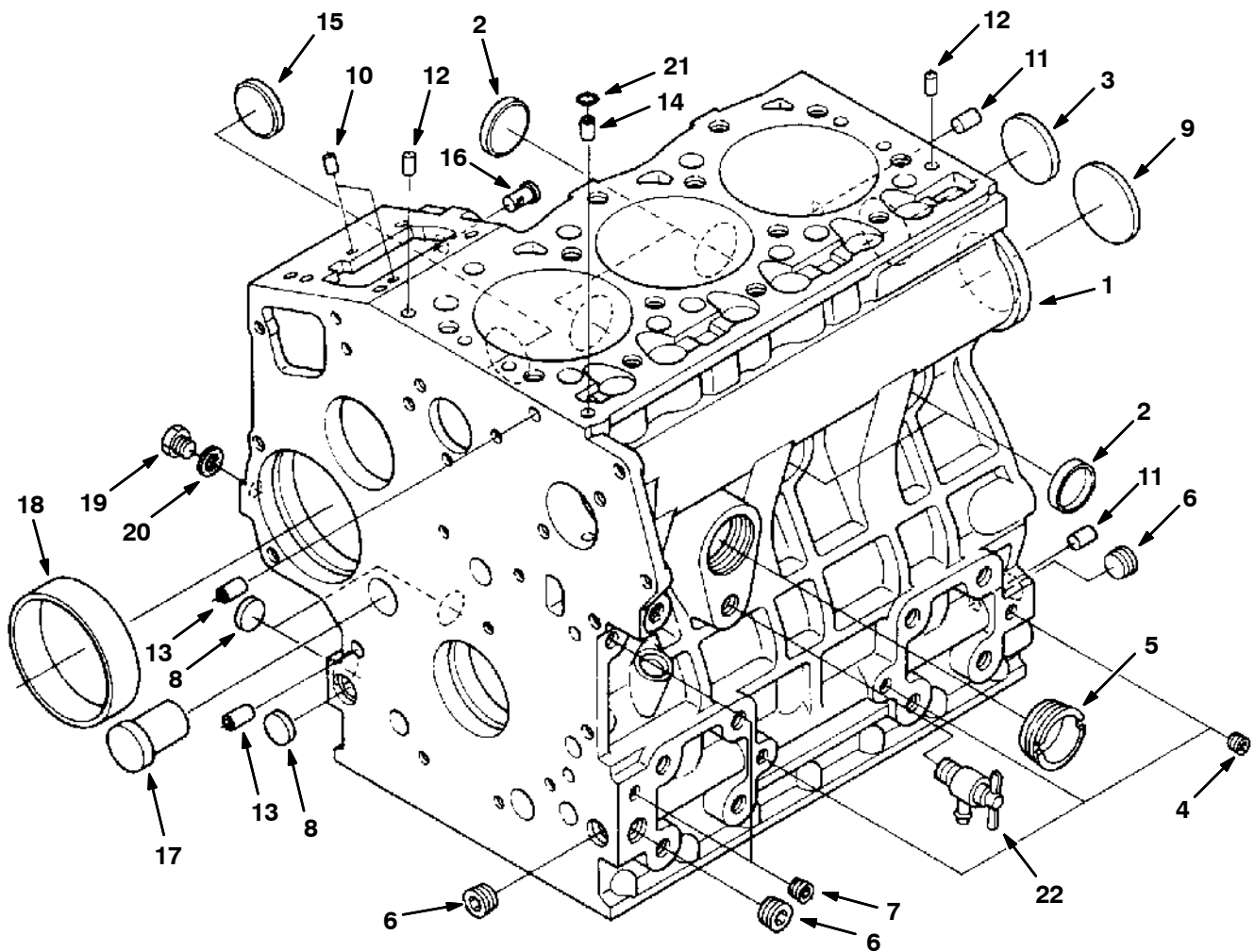
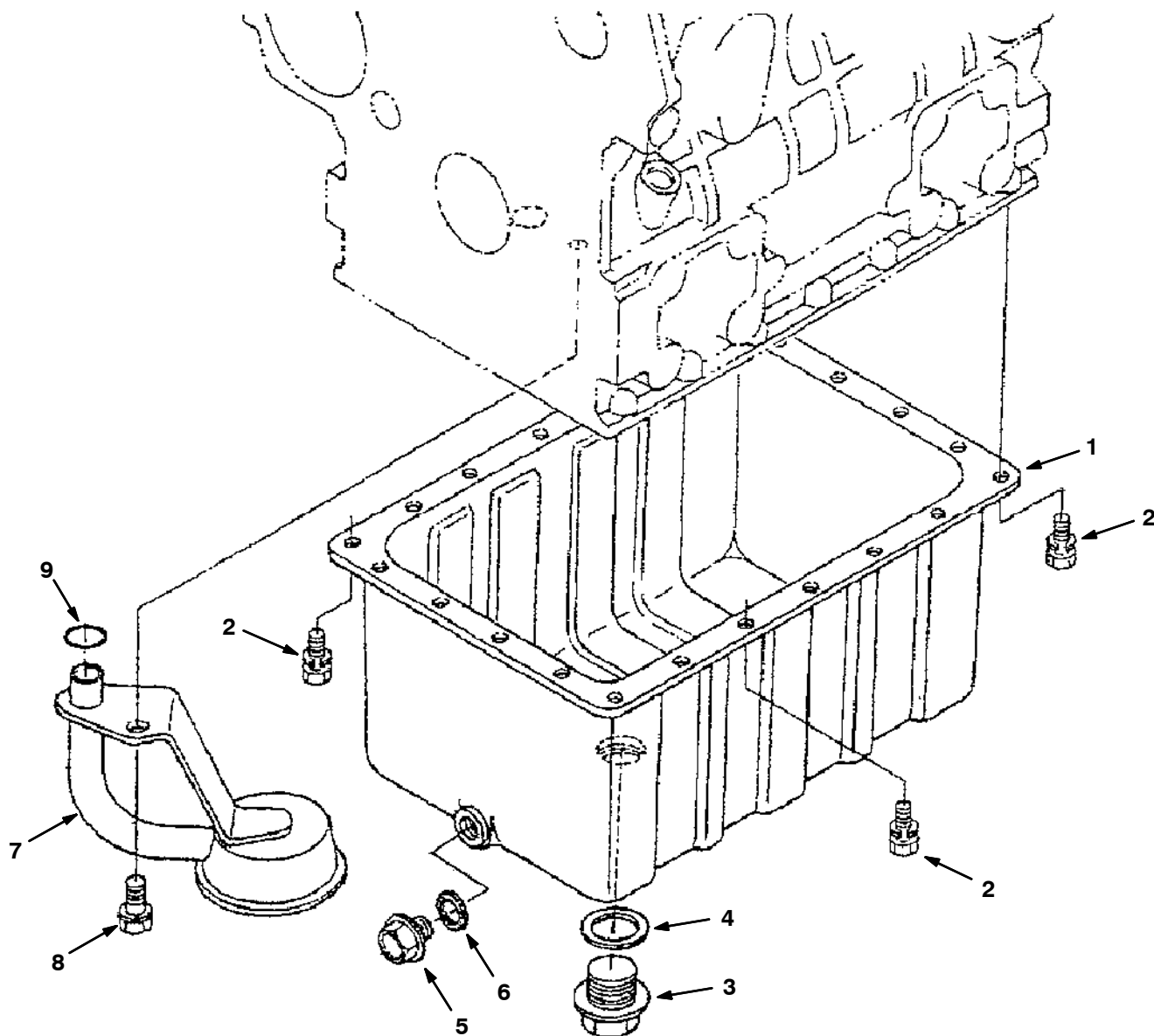


Fig. 1 - Crankcase Group

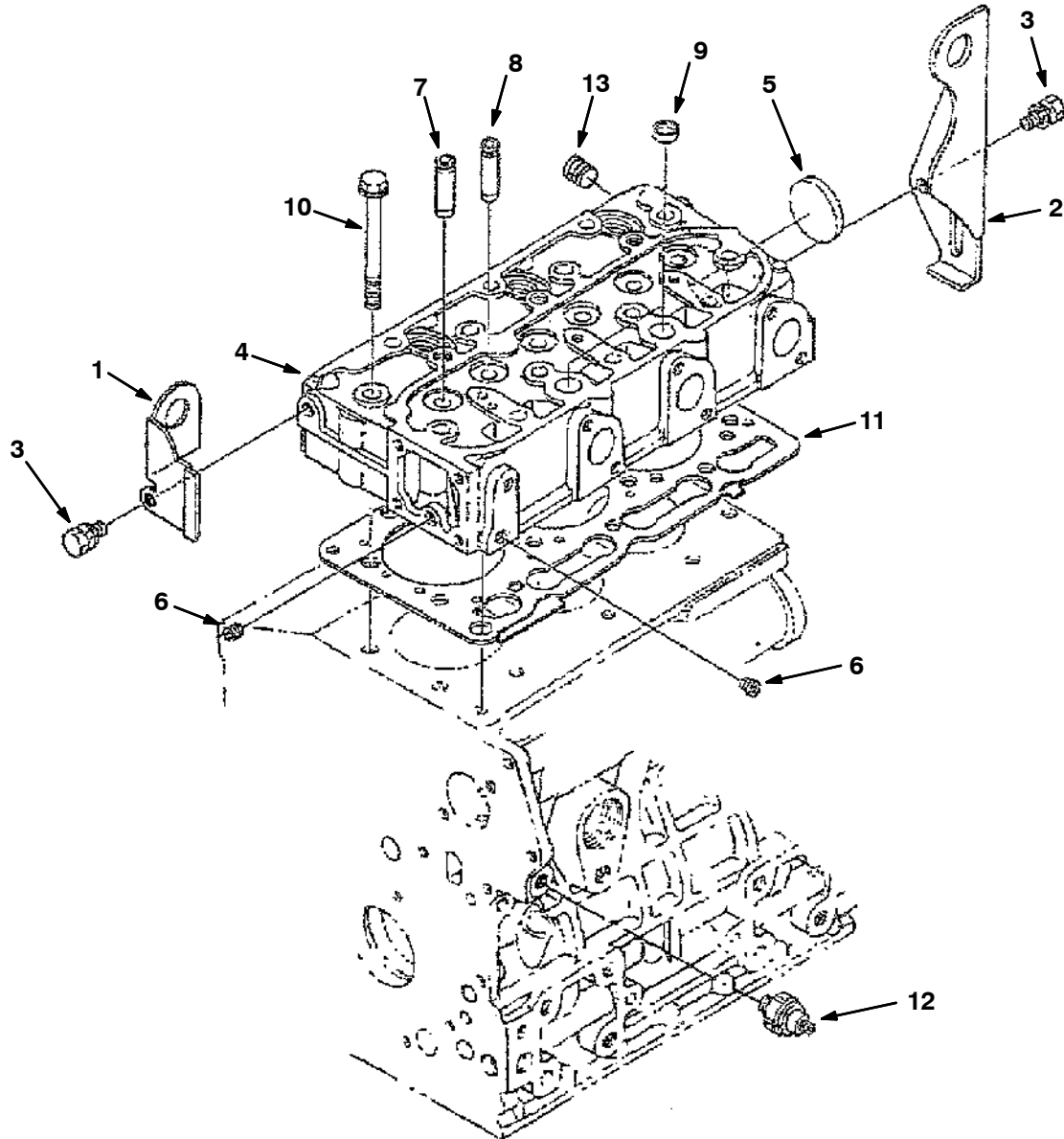
	Ref.	Part No.	Description	Qty.
▽	1	9004993	Crankcase Assy [Ku]	1
▲	2	70998	Cap, Sealing	4
▲	3	39087	Cap Sealing	1
▲	4	39088	Plug, Pin	3
▲	5	70999	Plug, Eng [Ku]	1
▲	6	71985	Plug	3
▲	7	39051	Plug, Pin	2
▲	8	361436	Plug	3
▲	9	71986	Plug, Expansion	1
▲	10	71987	Pin, Straight	2
▲	11	71988	Pin, Straight	2
▲	12	71989	Pin, Straight	2
▲	13	361371	Pin, Pipe	2
▲	14	71991	Pin, Pipe	11
▲	15	71992	Plug	1
▲	16	361416	Pin, Start Sprngku	1
▲	17	71993	Plug	1
▲	18	70887	Bushing, Gov Gear	1
▲	19	39062	Plug	1
▲	20	393570	Gasket	1
	21	39063	O-Ring	1
	22	70888	Draincock Asy	1

Fig. 2 - Oil Pan Group



Ref.	Part No.	Description	Qty.
1	9004996	Pan, Oil, Complt [Ku]	1
2	9004997	Screw, Hex [Ku]	22
3	361431	Plug, Drain	1
4	9004999	Gasket, Plug, Drain [Ku]	1
5	9005000	Plug, Drain, Oil [Ku]	1
6	9005001	Gasket, Plug, Drain [Ku]	1
7	9005002	Tube, Pickup, Oil [Sump, Ku]	1
8	39094	Bolt	1
9	9004339	Seal, Org	1

Fig. 3 - Cylinder Head Group



Ref.	Part No.	Description	Qty.	
	1	71996	Hook, Engine	1
	2	71997	Hook, Engine 2	1
	3	39073	Bolt	2
▽	4	9004994	Head, Cyl, W/O Valve [Ku]	1
▲	5	51331	Cap	1
▲	6	39088	Plug, Pin	2
▲	7	372906	Guide, Valve, Inlet	3
▲	8	372907	Guide, Valve, Exhaust	3
▲	9	361372	Cap, Sealing	2
	10	70897	Cyl. Head Bolt	14
	11	9004995	Gasket, Head, Cyl [Ku]	1
	12	87940	Oil Switch	1
	13	72010	Plug	1

Fig. 4 - Gear Case Group

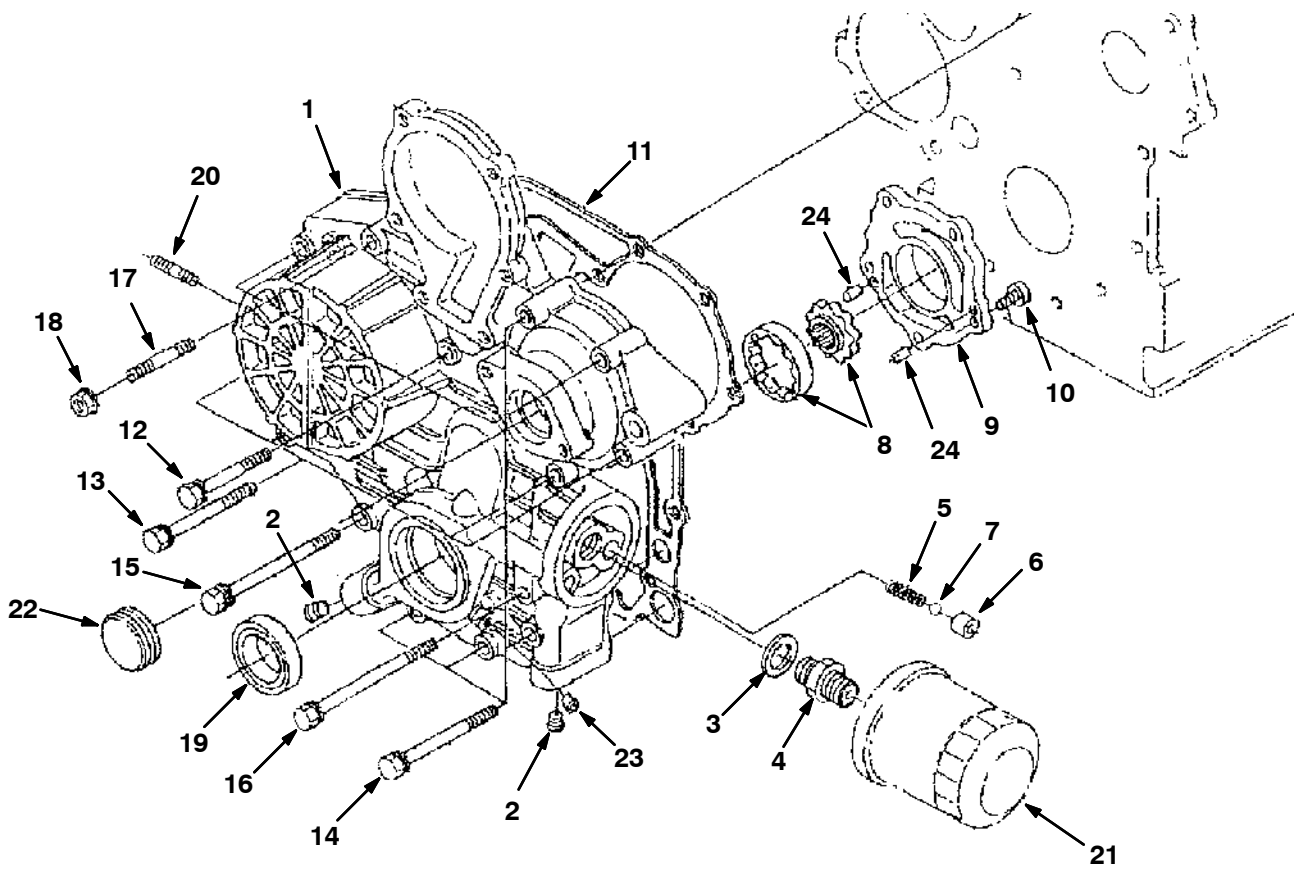


Fig. 4 - Gear Case Group

	Ref.	Part No.	Description	Qty.
▽	1	9005003	Case, Gear, Complt [Ku]	1
▲	2	361401	Plug	2
▲	3	39114	Washer	1
▲	4	12916	Joint Pipe	1
▲	5	70900	Spring	1
▲	6	70901	Valve Seat	1
▲	7	70902	Ball	1
▲	8	70903	Pump, Oil	1
▲	9	9004343	Pump, Oil, Cover [Ku]	1
▲	10	9004345	Screw [Ku]	5
	11	70912	Gasket, Gearcase	1
	12	9005004	Screw, Hex [Ku]	3
	13	72994	Bolt	6
	14	72995	Bolt	2
	15	72014	Bolt	1
	16	72015	Bolt	1
	17	9004346	Stud [Ku]	1
	18	9005006	Nut, Hex [Ku]	1
	19	361389	Seal,Oil	1
	20	9004347	Stud [Ku]	2
	21	9005007	Element, Fltr, Oil, Spin-on [Ku]	1
	22	72019	Cover	1
	23	39051	Fitting, Pipe, Plug [Ku]	1
	24	9004344	Pin, Straight [Ku]	2

Fig. 5 - Valve and Rocker Arm Group

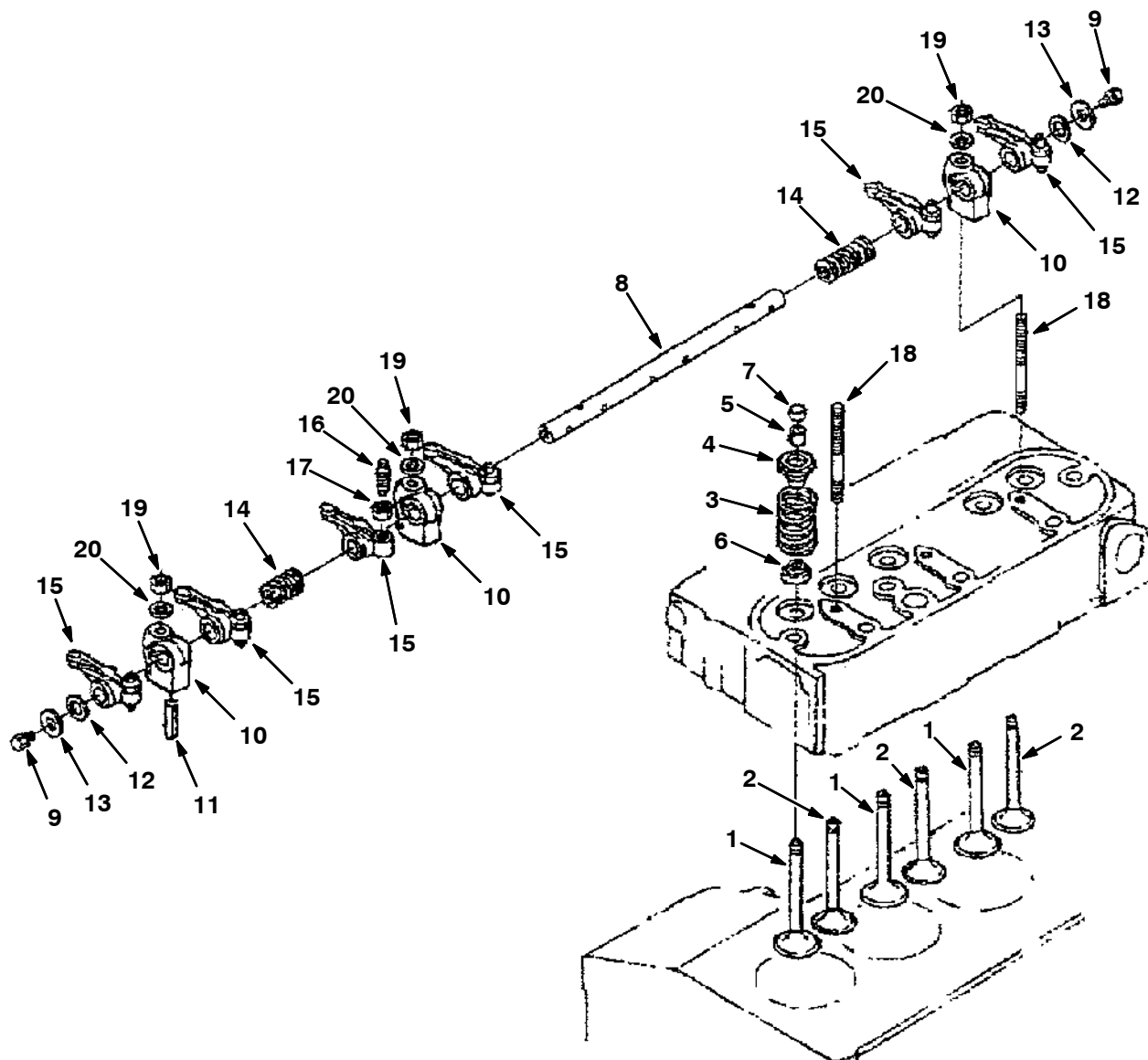


Fig. 5 - Valve and Rocker Arm Group

Ref.	Part No.	Description	Qty.	
1	70936	Inlet Valve	3	
2	70937	Valve, Exhaust	3	
3	73491	Spring, Valve	6	
4	9005044	Spring, Cmpr, Rocker [Ku]	6	
5	73493	Collet, Spring	12	
6	9005045	Seal, Valve, Stem [Ku]	6	
7	361392	Cap, Valve	6	
▽	8	9005046	Shaft, Arm, Rocker [Ku]	1
▲	9	71995	Screw, Hex [Ku]	2
▲	10	73497	Bracket, Arm	3
▲	11	9004410	Pin, Spring [Ku]	1
▲	12	73502	Washer	2
▲	13	361589	Washer, Flat [Ku]	2
▲	14	73504	Spring, Arm	2
▲▽	15	73506	Rocker Arm Assy	6
▲▲	16	73507	Screw, Adjusting	1
▲▲	17	73508	Nut	1
	18	73498	Stud	3
	19	73499	Nut	3
	20	73500	Washer, Plain	3

Fig. 6 - Piston and Crankshaft Group

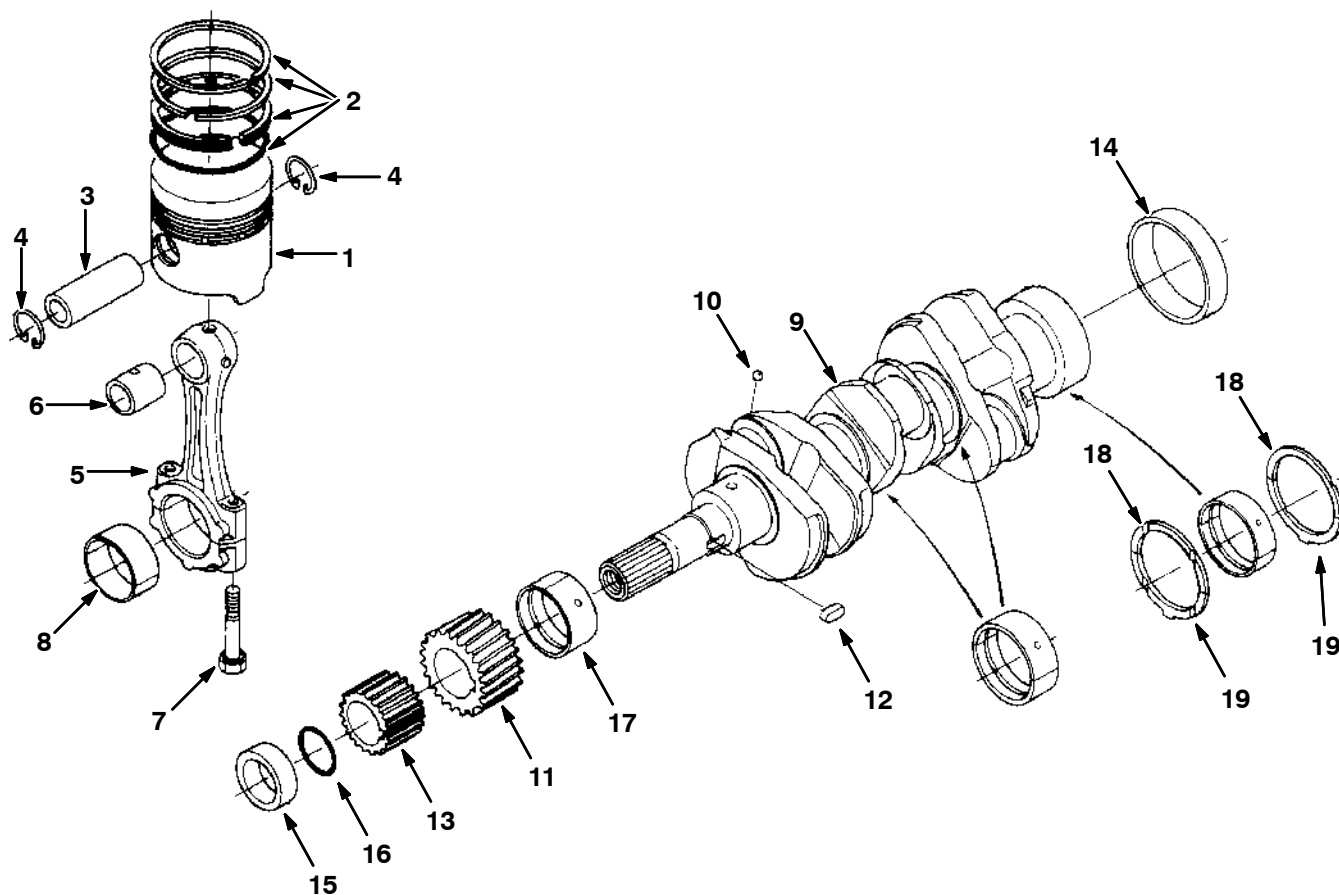
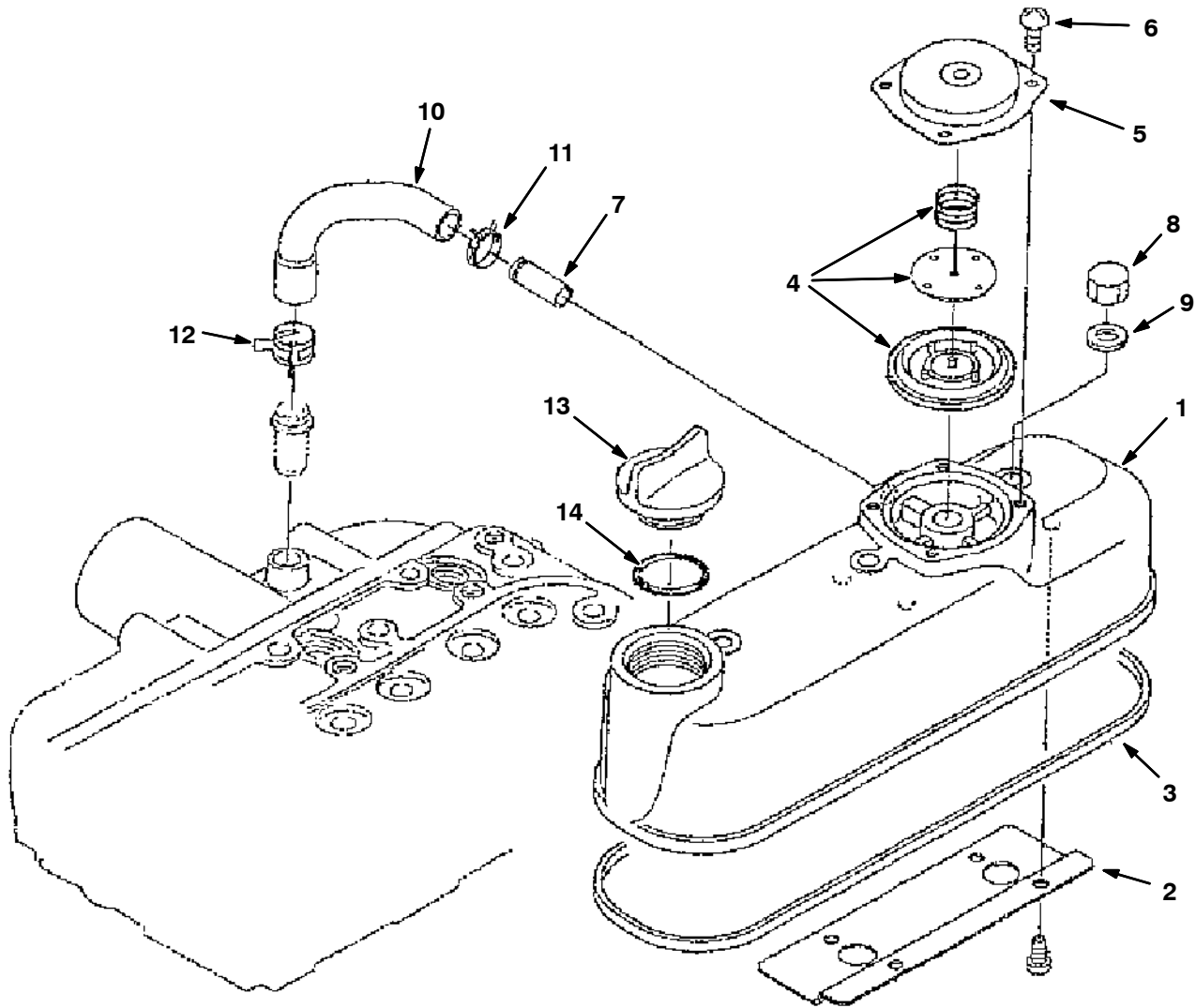


Fig. 6 - Piston and Crankshaft Group

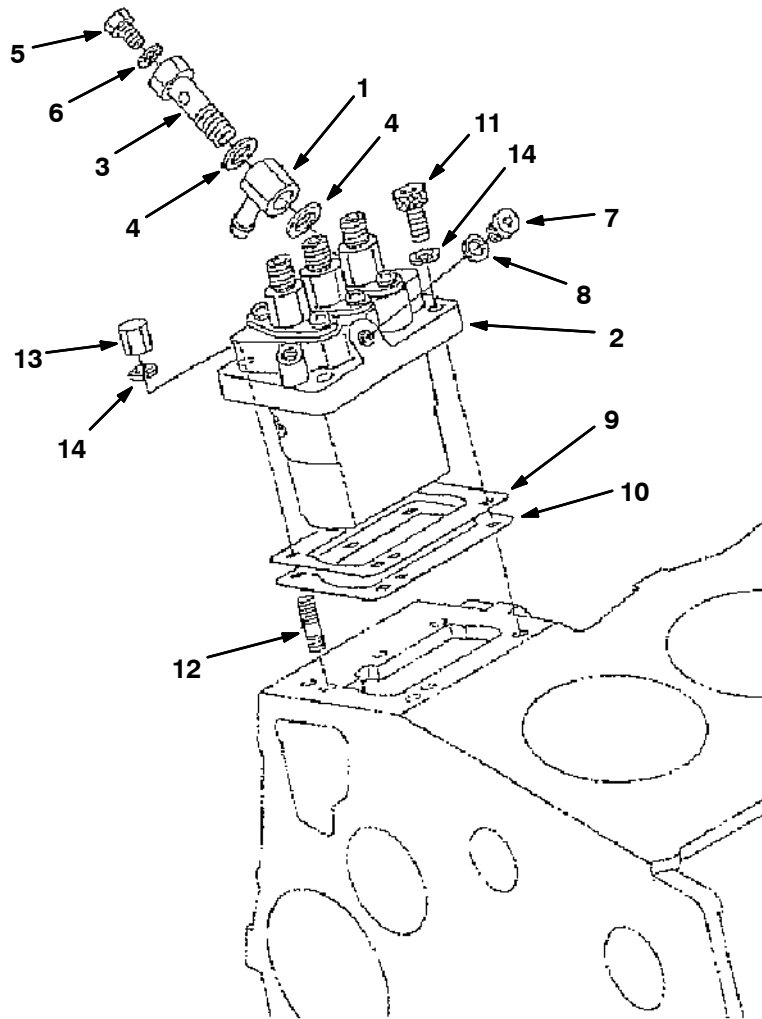
Ref.	Part No.	Description	Qty.	
	1	9005011	Piston, Std [Ku]	3
	1	9005012	Piston [+ .5mm, Ku]	3
	2	9005013	Ring, Piston, Std [Ku]	3
	2	9005014	Ring, Piston [+ .5mm, Ku]	3
	3	73522	Pin, Piston	3
	4	73523	Cir-Clip, Pin	6
▽	5	9005015	Rod Assy, Connecting [Ku]	3
▲	6	9005016	Bushing, Pin, Piston [Ku]	3
▲	7	73525	Bolt, Connecting Rod	6
▲	8	66204	Rod, Bearing Set 0.2	6
▲	8	66207	Rod, Bearing Set 0.4	6
▲	8	70941	Crank Pin, Metal	6
▽	9	361388	Comp.Crankshaft	1
▲	10	73527	Ball	3
▲	11	73528	Gear, Crankshaft	1
▲	12	73529	Crankshaft, Keyway	1
▲	13	73530	Gear, Oil Pump	1
▲	14	70942	Cshaft Sleeve	1
	15	70943	Collar, Crankshaft	1
	16	9004363	Ring [Ku]	1
	17	70945	Cshft Mtl 1	1
	17	70946	Crankshaft Mtl1(02)	1
	17	70947	Cshft Mtl1	1
	18	9005017	Bearing, Thrust, Std [Ku]	2
	18	70954	Metl1, Side	2
	18	70955	Side Metl1(04)	2
	19	9005018	Bearing, Thrust, Std [Ku]	2
	19	30121	Thrust Bearing .2Mm	2
	19	30122	Thrust Bearing .4Mm	2

Fig. 7 - Head Cover Group



Ref.	Part No.	Description	Qty.
▽	1 372914	Cover Assy, Head, Cyl	1
▲	2 372912	Shield, Breather	1
▲	3 361411	Gasket, Cover, Valve	1
▲	4 372928	Valve, Breather, Complt	1
▲	5 384874	Cover, Breather	1
▲	6 372900	Screw, Pan	4
▲	7 30125	Pipe, Water	1
	8 73483	Nut, Hex, Cap	3
	9 73484	Gasket, F/Bolt	3
	10 372913	Tube, Breather	1
	11 372901	Clamp, Hose	1
	12 372904	Clamp, Hose	1
	13 361374	Cap, Filler, Oil [Ku]	1
	14 70913	Seal, Org	1

Fig. 8 - Injection Pump Group



Ref.	Part No.	Description	Qty.
1	70970	Joint, Eye	1
2	361378	Pump Assy, Inj, Fuel (See Injector Pump Breakdown)	1
3	84651	Follower, Screw, Pump, Inj [Ku]	1
4	73588	Gasket, Ftg, Banjo [Ku]	2
5	73589	Screw, Hex [Ku]	1
6	73590	Gasket, F/ Screw [Ku]	1
7	368068	Fitting, Plug, Pump, Inj [Ku]	1
8	368065	Gasket, F/ Screw [Ku]	1
9	9005021	Shim, Injection, 0.175mm [Ku]	1
9	368063	Shim, Injection, 0.20mm [Ku]	1
9	368064	Shim, Injection, 0.25mm [Ku]	1
10	9005022	Shim, Pump, Injection, .35 [Ku]	1
10	361438	Shim, Pump, Inj, .3 [Ku]	1
11	9005023	Bolt, Hex, Soc [Ku]	2
12	73562	Stud [Ku]	2
13	73563	Nut [Ku]	2
14	39065	Washer, Split Loc [Ku]	4

Fig. 9 - Injection Pump Breakdown

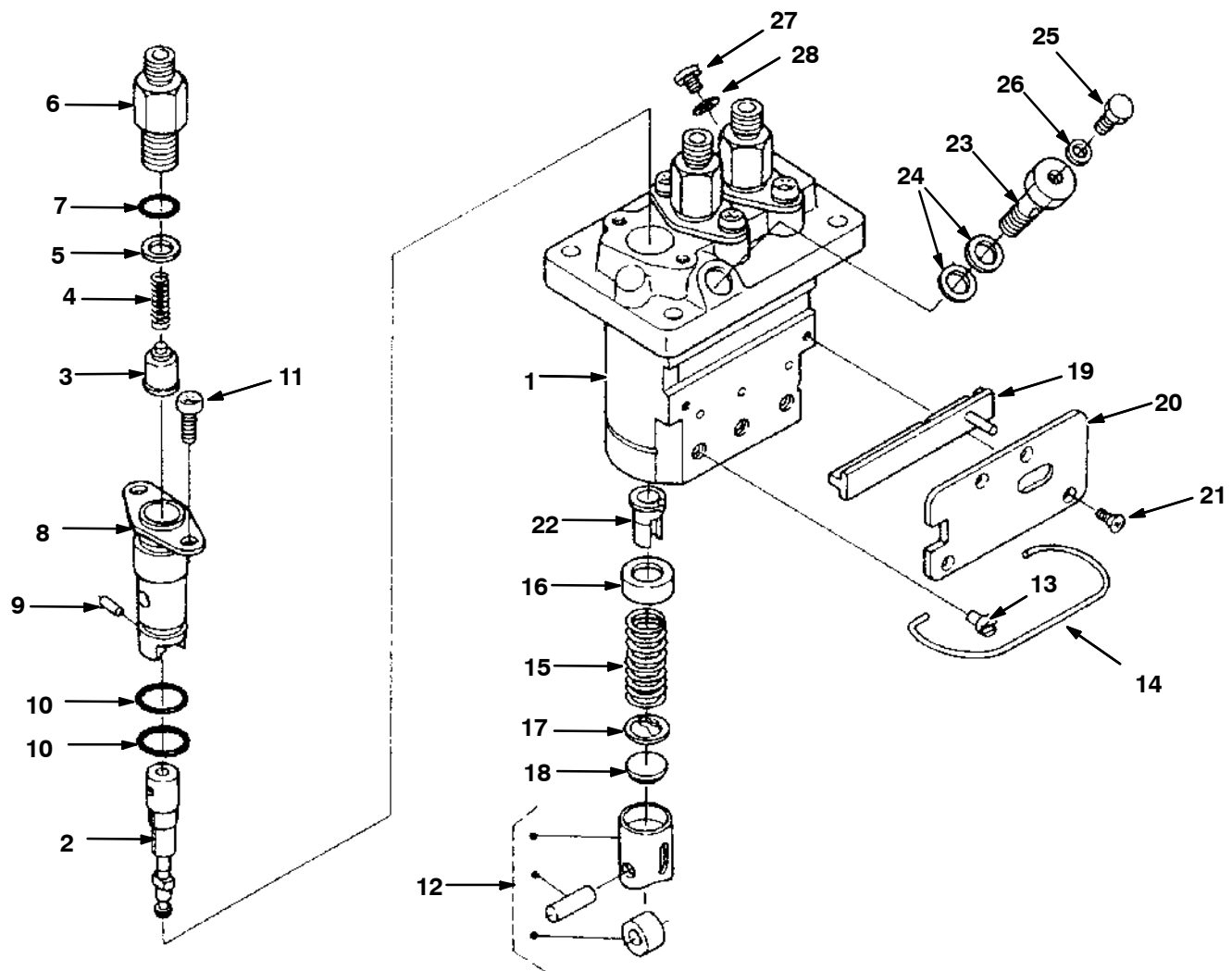
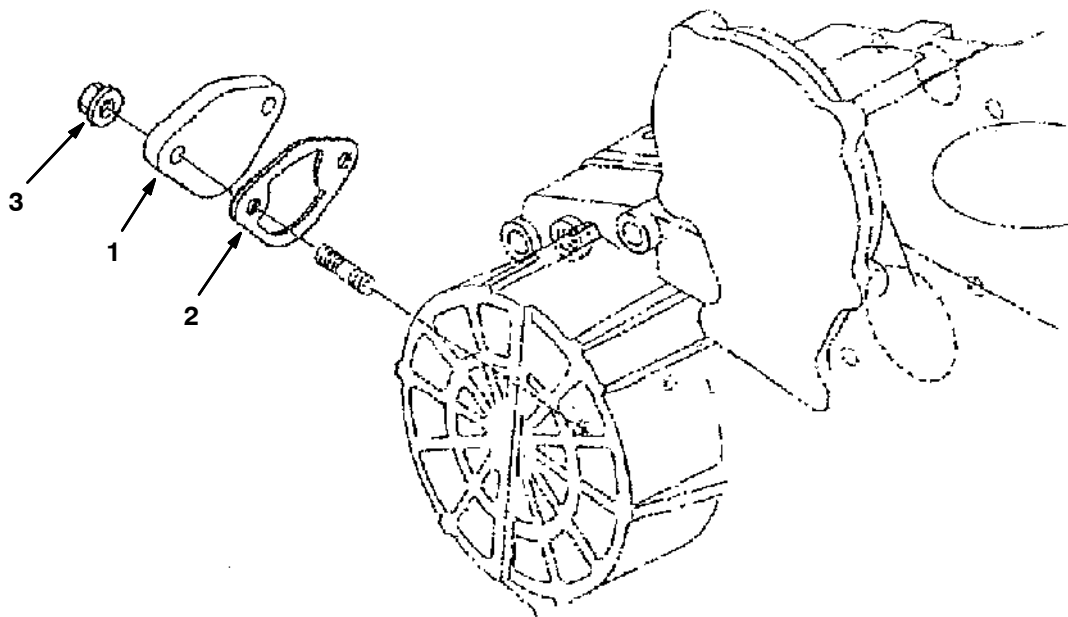


Fig. 9 - Injection Pump Breakdown

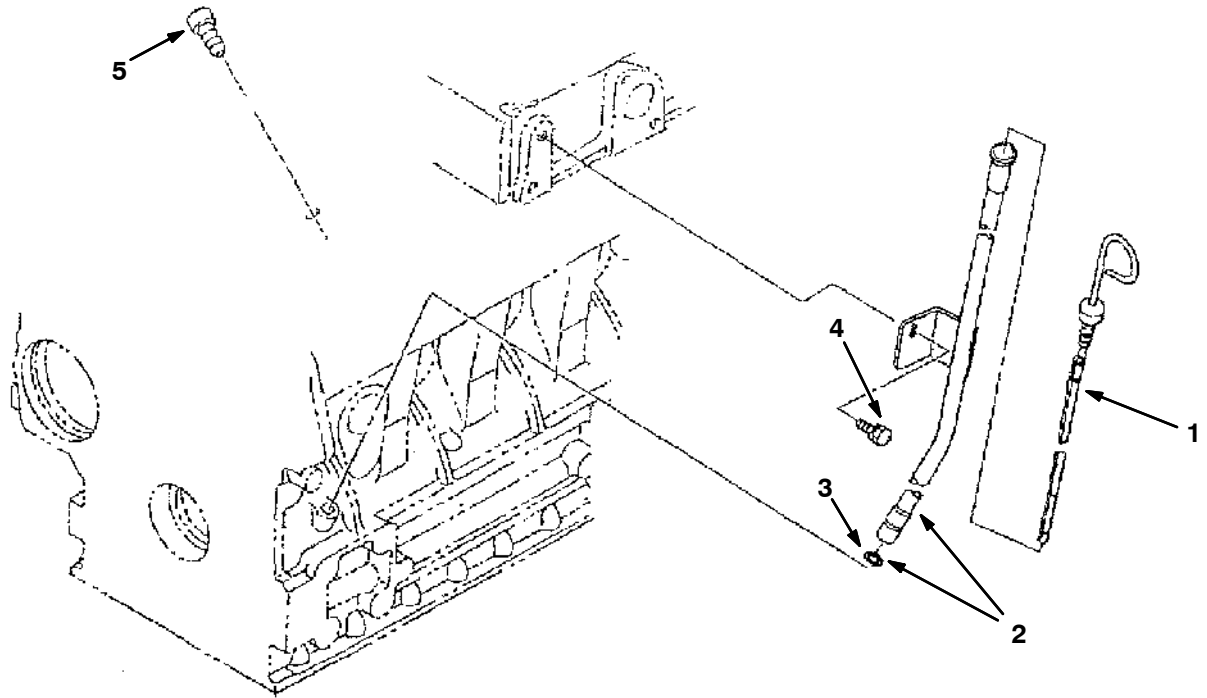
	Ref.	Part No.	Description	Qty.
▽	1	361378	Assy pump, injection	1
▲	2	84648	Element, pump	1
▲	3	73567	Valve, delivery	1
▲	4	73568	Spring, deliv valve	2
▲	5	73569	Gasket, deliv valve	1
▲	6	73570	Holder, deliv valve	1
▲	7	73571	O ring	1
▲	8	73572	Flange, sleeve	2
▲	9	73573	Pin, joint	2
▲	10	73574	O ring	2
▲	11	73575	Screw	4
▲	12	73576	Assy tappet	1
▲	13	73577	Pin, tappet guide	1
▲	14	368067	Pin, clamp	1
▲	15	73579	Spring,plunger	2
▲	16	73580	Seat, spring upper	1
▲	17	73581	Seat, spring lower	1
▲	18	73582	Shim	1
▲	19	368069	Rack, control	2
▲	20	368066	Plate	2
▲	21	73585	Screw	2
▲	22	73586	Sleeve, control	4
▲	23	84651	Bolt, joint	1
▲	24	73588	Gasket	1
▲	25	73589	Screw	1
▲	26	73590	Gasket	2
▲	27	368068	Plug	1
▲	28	368065	Gasket	1

Fig. 10 - Cover Group



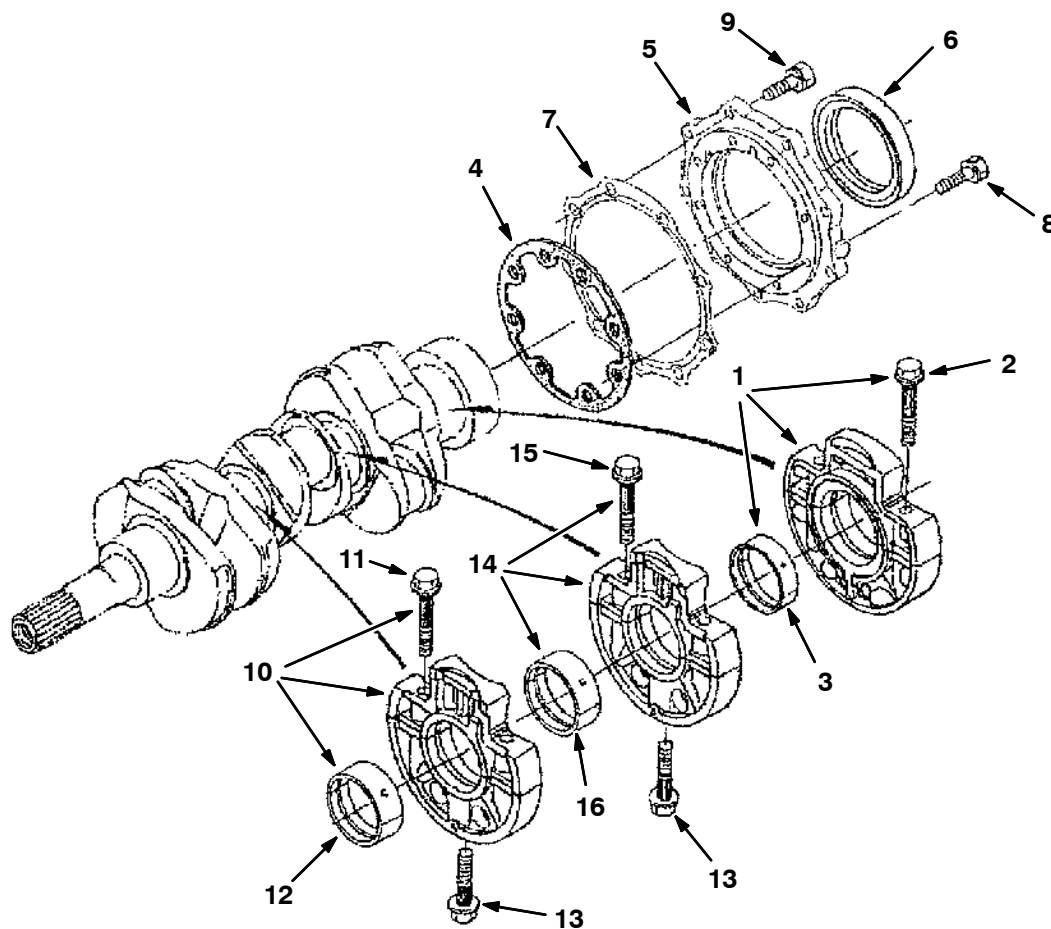
Ref.	Part No.	Description	Qty.
1	73565	Cover, Hole, Pump, Fuel [Ku]	1
2	375059	Gasket, Pump, Fuel [Ku]	1
3	9005029	Nut, Flange [Ku]	2

Fig. 11 - Dipstick and Guide Group



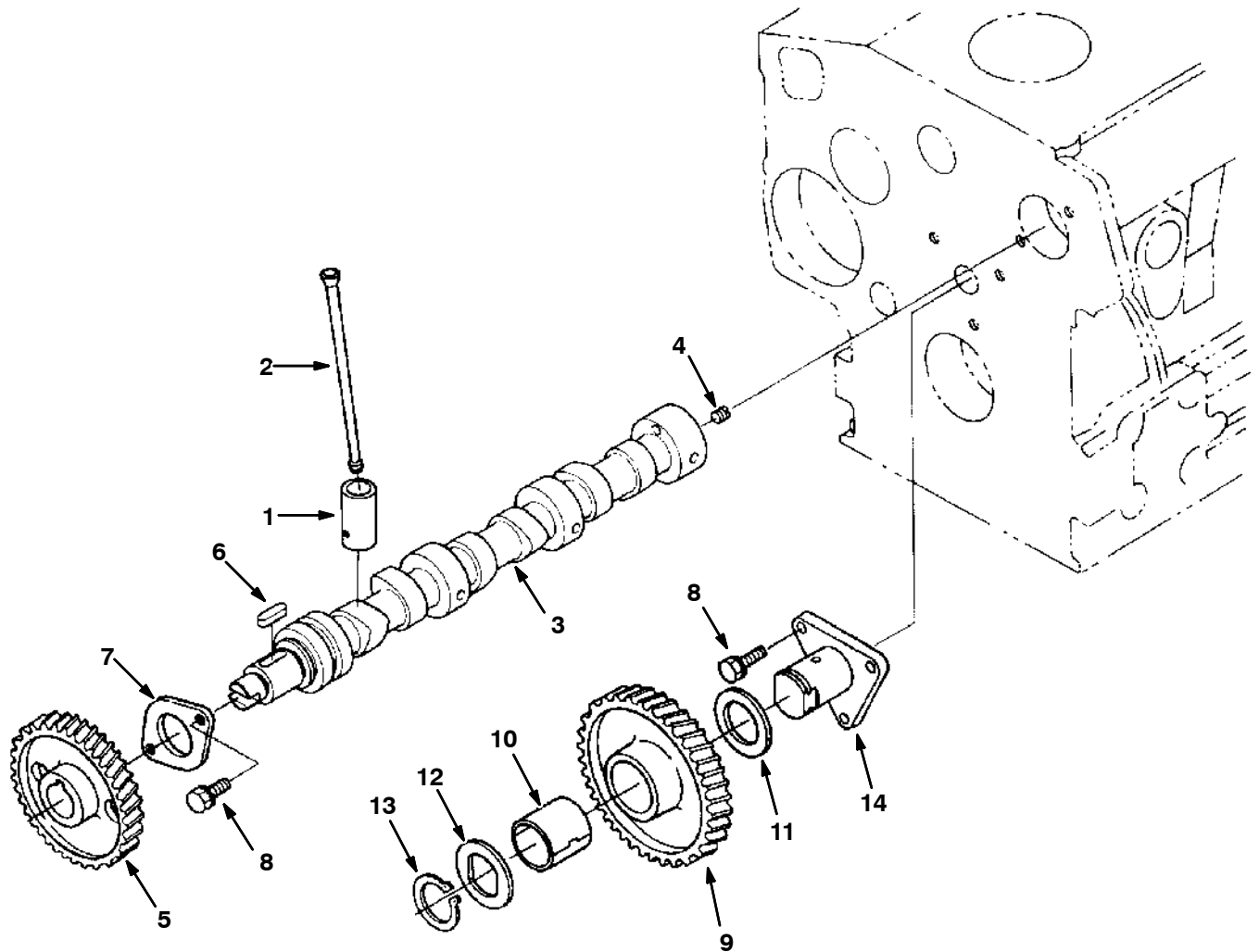
	Ref.	Part No.	Description	Qty.
	1	70893	Dipstick [Ku]	1
▽	2	361428	Dipstick, Oil [Ku]	1
▲	3	361366	O-Ring	1
	4	393614	Bolt	1
	5	9004348	Plug, Gauge, Oil [Ku]	1

Fig. 12 - Main Bearing Case Group



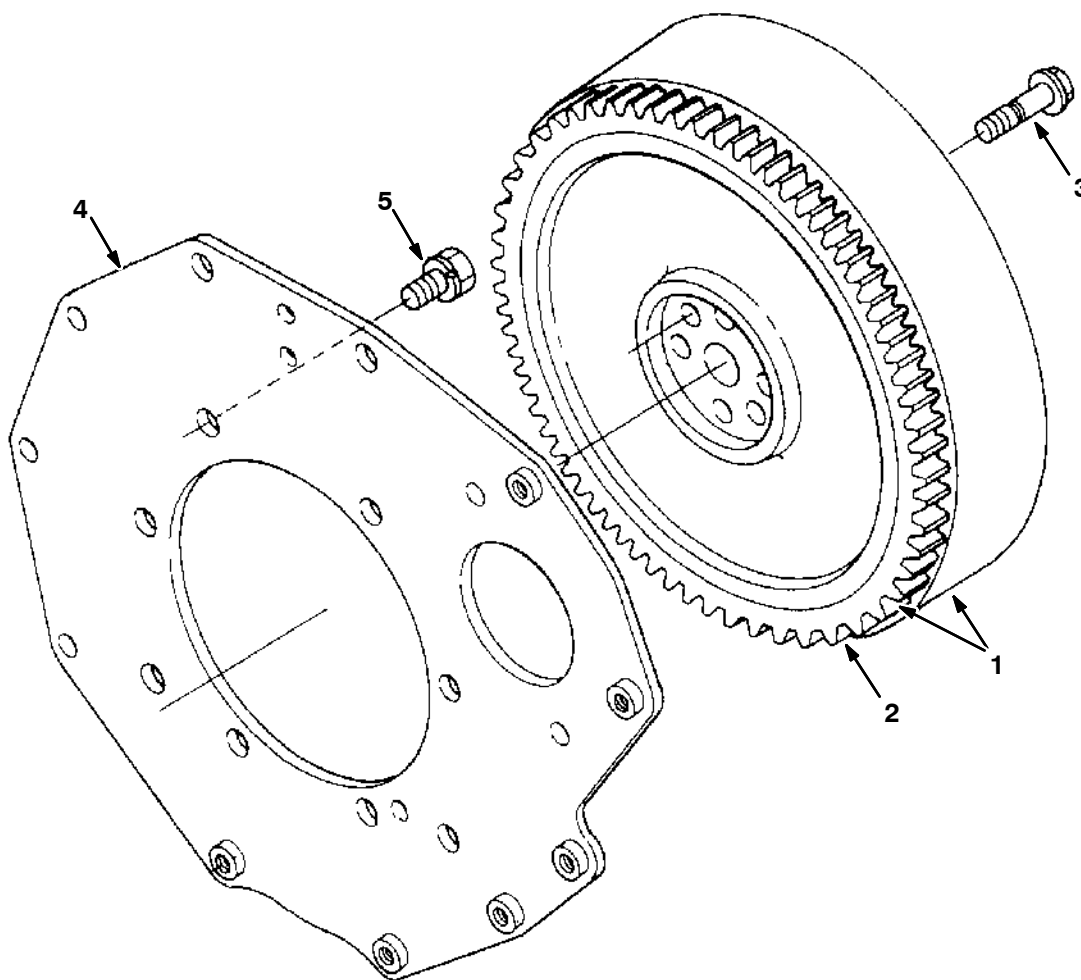
Ref.	Part No.	Description	Qty.	
▽	1	9004349	Bearing, Case [Ku]	1
▲	2	72998	Screw, Hex, Case, Brg, Main [Ku]	2
▲	3	9004436	Crankshaft, Metal [Ku]	1
▲	3	9005008	Bearing, Cshft, -.2mm [Ku]	1
▲	3	9005009	Bearing, Cshft, -.4mm [Ku]	1
	4	9004350	Gasket, Bearing, Case [Ku]	1
	5	70923	Cover, Brg Case, Eng [Ku]	1
	6	9004351	Seal, Oil [Ku]	1
	7	70925	Gasket, Case, Gear [Ku]	1
	8	72999	Screw, Hex [Ku]	8
	9	371017	Bolt	9
▽	10	9004437	Case, Main, Brg Assy	1
▲	11	72998	Screw, Hex, Case, Brg, Main [Ku]	2
▲	12	70948	Bearing, Cshft, Std [Ku]	1
▲	12	70949	Bearing, Cshft, -.2mm [Ku]	1
▲	12	70950	Bearing, Cshft [Ku]	1
	13	73479	Screw, Hex, Case, Brg, Main [Ku]	2
▽	14	9004438	Case, Main, Brg Assy	1
▲	15	72998	Screw, Hex, Case, Brg, Main [Ku]	2
▲	16	70948	Bearing, Cshft, Std [Ku]	1
▲	16	70949	Bearing, Cshft, -.2mm [Ku]	1
▲	16	70950	Bearing, Cshft [Ku]	1

Fig. 13 - Camshaft Group



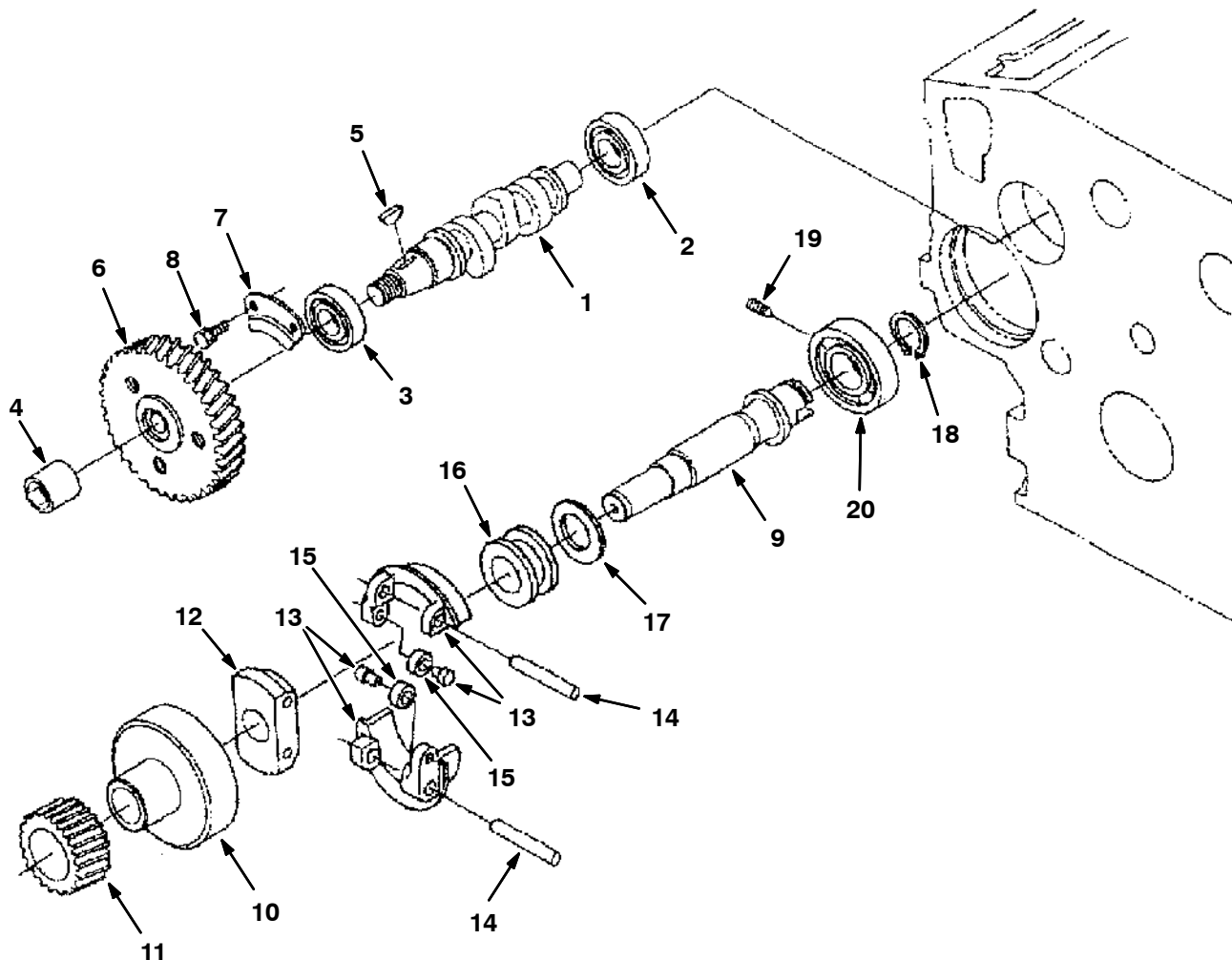
Ref.	Part No.	Description	Qty.
	1	9004358 Tappet [Ku]	6
	2	73509 Push Rod	6
▽	3	9005010 Camshaft Assy [Ku]	1
▲	4	39197 Screw, Set	1
▲	5	73511 Gear, Camshaft	1
▲	6	73512 Keyway	1
▲	7	73513 Stopper	1
▲	8	41973 Bolt, Hex [Ku]	5
▽	9	73514 Gear, Idle	1
▲	10	73515 Bushing, Gear, Idler [Ku]	1
	11	73516 Collar, Gear	1
	12	70945 Bearing, Cshft, Std [Ku]	1
	13	73518 Cir-Clip, Gear	1
	14	73519 Shaft, Gear	1

Fig. 14 - Flywheel Group



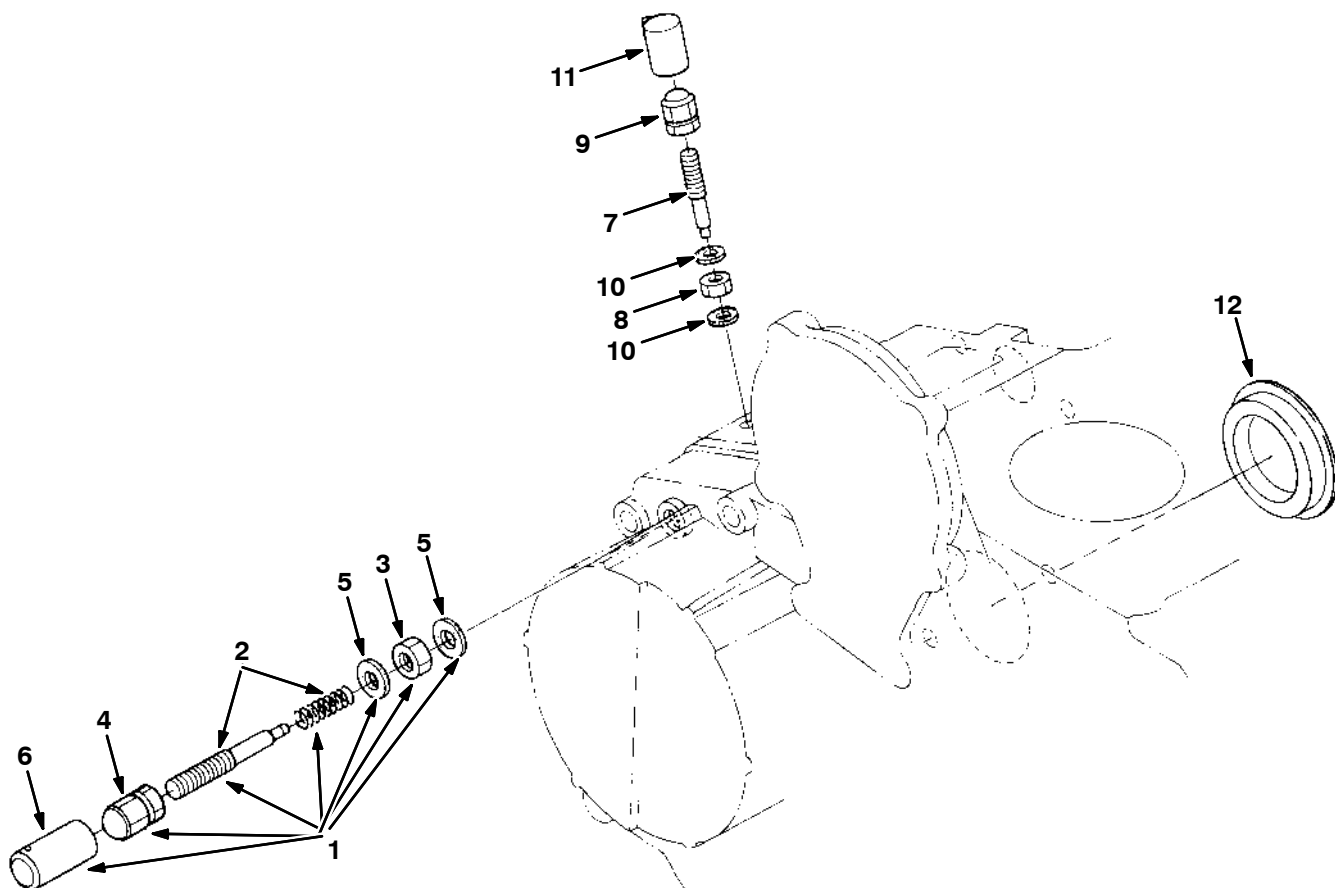
	Ref.	Part No.	Description	Qty.
▽	1	361435	Flywheel,Comp	1
▲	2	9004367	Gear, Ring [Ku]	1
	3	73533	Bolt, Flywheel	6
	4	361390	Plate,Rear End	1
	5	73534	Bolt	8

Fig. 15 - Fuel Camshaft Group



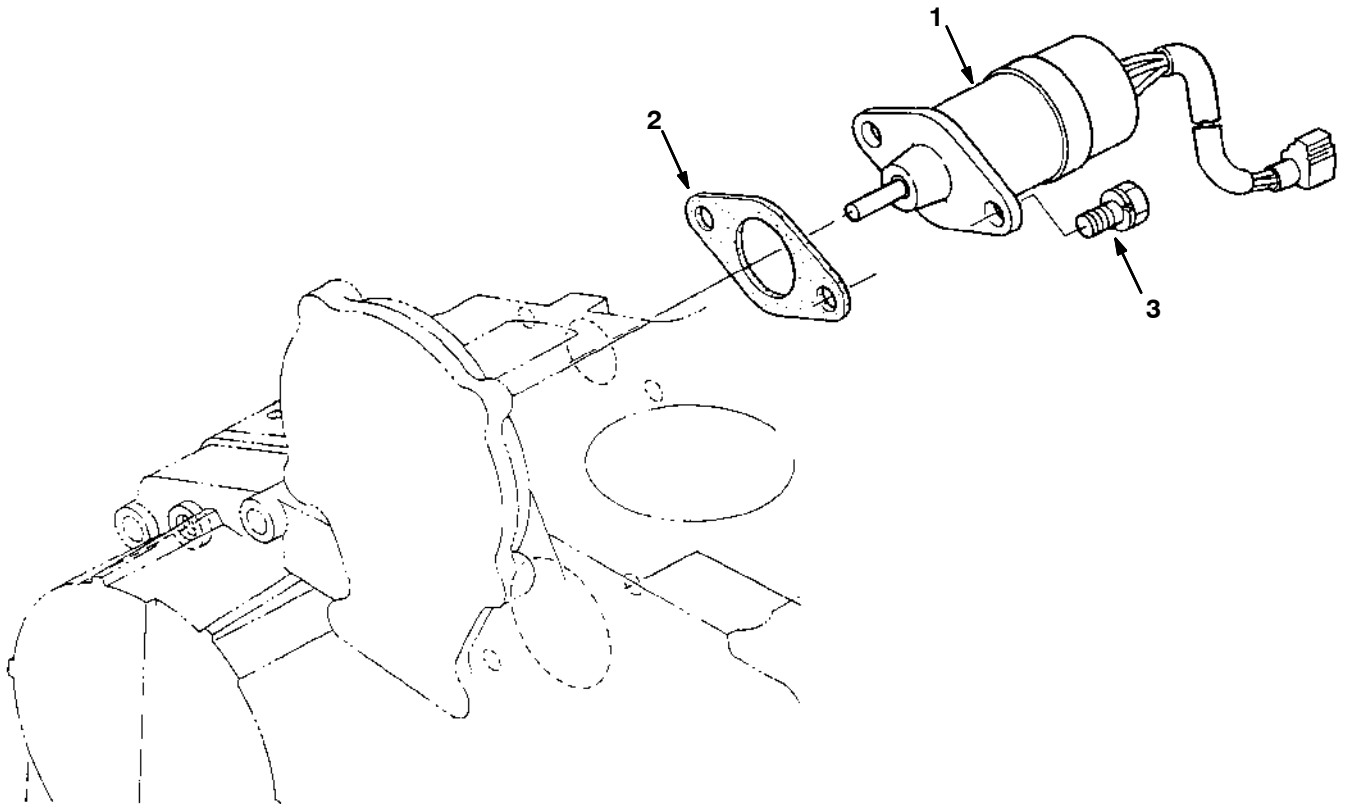
Ref.	Part No.	Description	Qty.
1	361377	Camshaft, Fuel	1
2	9004368	Bearing, Ball [Ku]	1
3	9004369	Bearing, Ball [Ku]	1
4	73593	Nut, Cap	1
5	73594	Key, Woodruff	1
6	9004445	Gear, Injection, Pump [Ku]	1
7	73596	Stopper	1
8	41973	Bolt, Hex [Ku]	2
▽ 9	361421	Shaft Assy, Gov	1
▲ 10	73598	Holder, Gear	1
▲ 11	73599	Gear, Governor	1
▲ 12	73600	Holder	1
▲ 13	73601	Comp. Weight	2
▲ 14	73602	Shaft, Gov	2
▲ 15	9004372	Shaft, Govnr, Weight [Ku]	2
▲ 16	70977	Gov. Sleeve	1
▲ 17	70978	Thrustwasher	1
18	73603	Cir-Clip, Gov	1
19	73604	Screw, Set	1
20	70979	Bearing, Ball	1

Fig. 16 - Engine Stop Lever Group



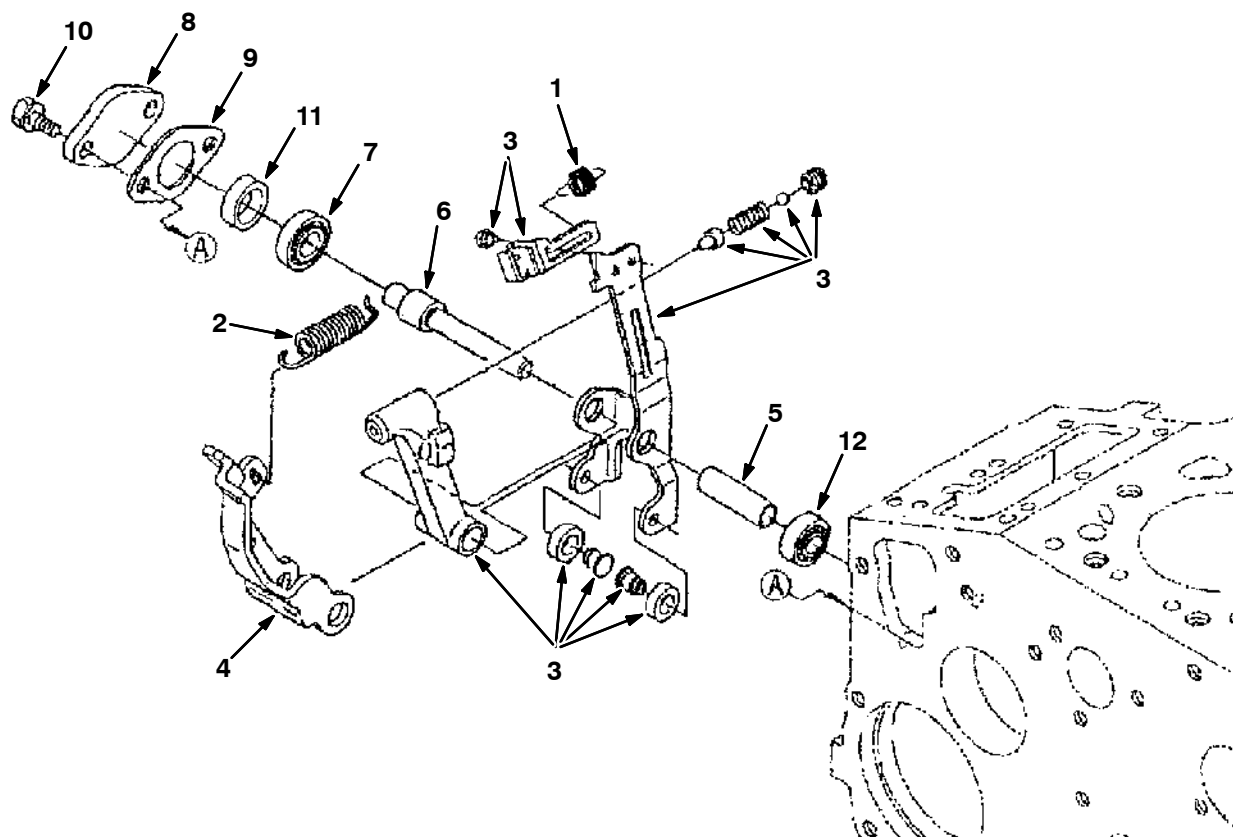
Ref.	Part No.	Description	Qty.
▽	1	70980 Idle App.Assy	1
▲	2	73605 Bolt, Assy, Adj	1
▲	3	73606 Nut	1
▲	4	361375 Nut,Cap	1
▲	5	40166 Gasket	2
▲	6	9005019 Cap, Screw, Idler [Ku]	1
	7	73610 Bolt, Adj	1
	8	73606 Nut	1
	9	361375 Nut,Cap	1
	10	40166 Gasket	2
	11	9004375 Gasket [Ku]	1
	12	70188 Cover, Pump	1

Fig. 17 - Stop Solenoid Group



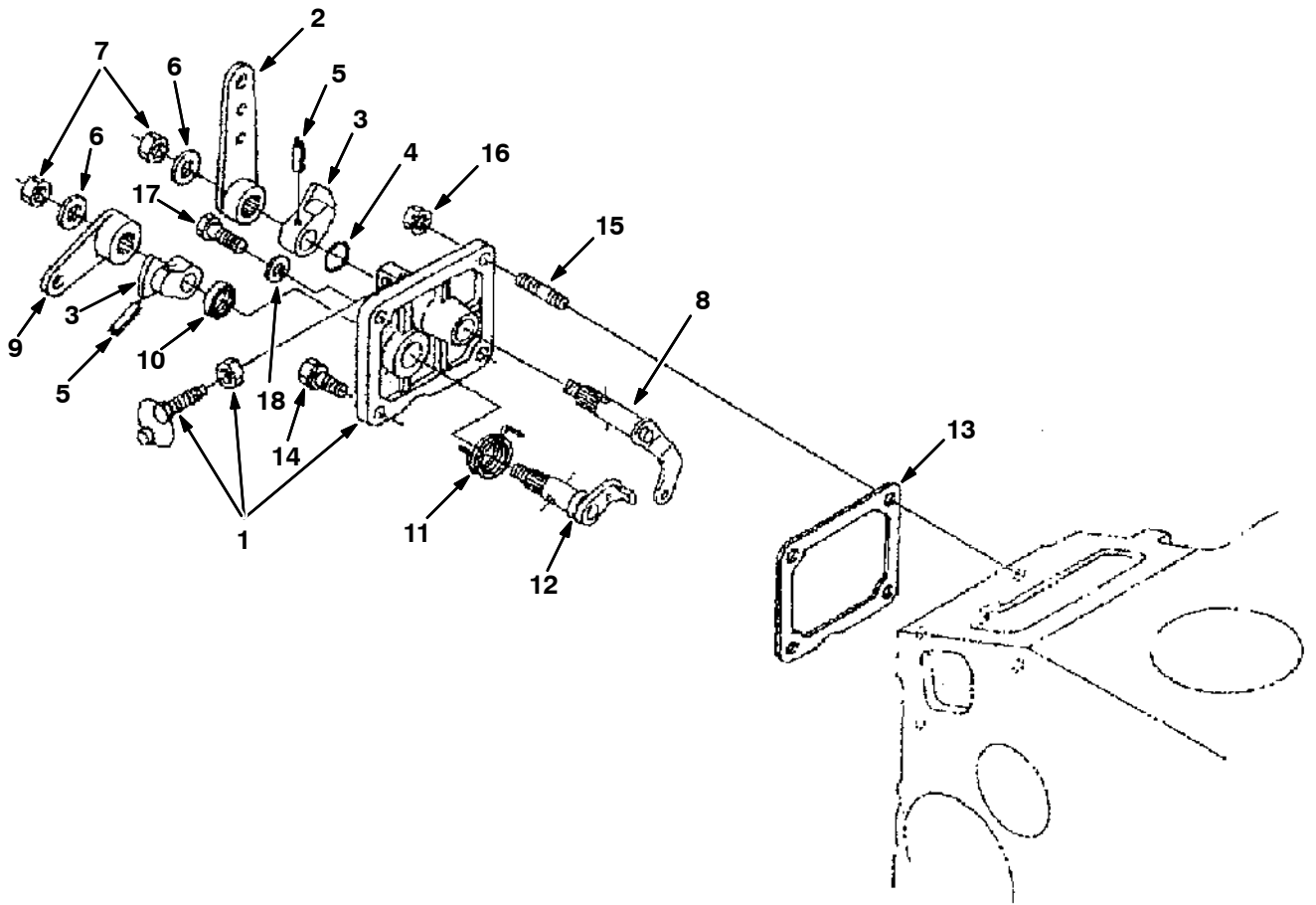
Ref.	Part No.	Description	Qty.
1	374269	Solenoid, Stop, Eng, Dsl, 12vdc [Ku]	1
2	70165	Gasket, Solenoid, Throttle [Ku]	1
3	9005020	Bolt, Hex [Ku]	2

Fig. 18 - Governor Group



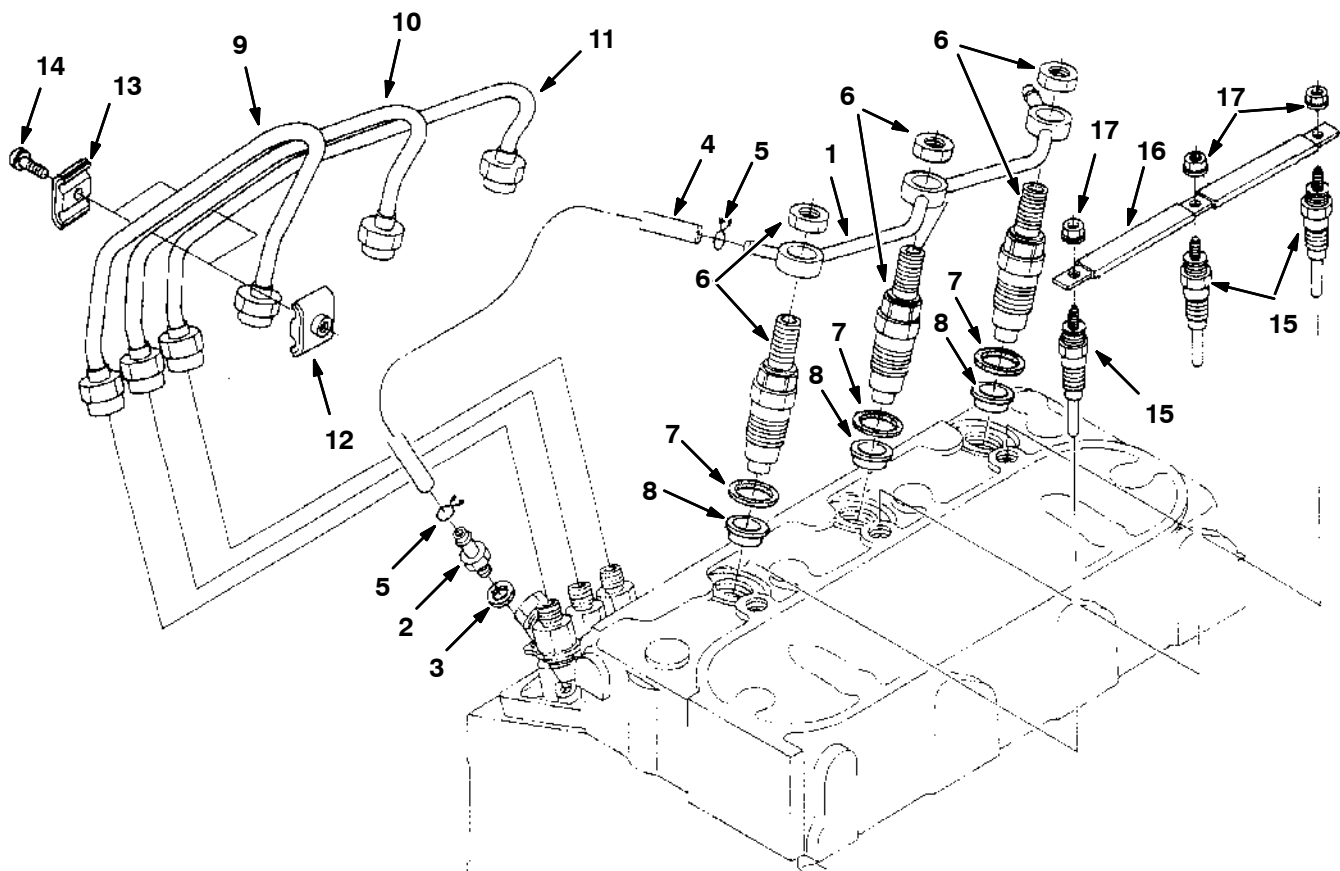
Ref.	Part No.	Description	Qty.
1	361417	Spring, Start	1
2	70986	Gov. Spring	1
▽ 3	9005024	Lever Assy, Fork, Govnr [Ku]	1
▲ 4	9004381	Lever, Fork [Ku]	1
▲ 5	9004382	Lever, Fork, Shaft [Ku]	1
▲ 6	73629	Shaft, Lever	1
▲ 7	70989	Ball Bearing	1
8	73631	Cover, Lever	1
9	361430	Gasket	1
10	71995	Screw, Hex [Ku]	2
11	70991	Collar	1
12	70992	Ball Bearing	1

Fig. 19 - Speed Control Plate Group



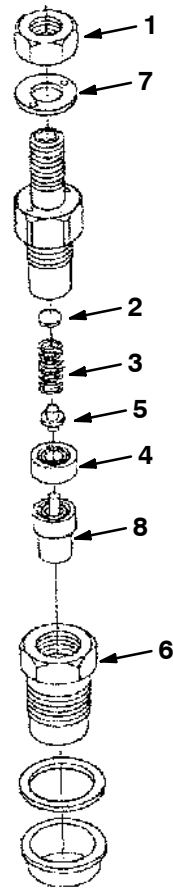
	Ref.	Part No.	Description	Qty.
▽	1	70982	Plate Assy, Control	1
▲	2	73618	Spd.Cntl.Lever	1
▲	3	73619	Spd.Cntl.Lever	2
▲	4	9004385	Seal, Org [Ku]	1
▲	5	9004410	Pin, Spring [Ku]	2
▲	6	73621	Washer, Plain	2
▲	7	73622	Nut	2
▲	8	73623	Lever, Comp	1
▲	9	73624	Lever, Eng Stop	1
▲	10	70983	Oil Seal	1
▲	11	73625	Spring, Return	1
▲	12	73626	Shaft, Lever	1
	13	70984	Gasket	1
	14	71995	Screw, Hex [Ku]	2
	15	9004347	Stud [Ku]	2
	16	9005025	Nut, Hex , Flange[Ku]	2
	17	9004449	Bolt [Ku]	1
	18	40166	Gasket, F/ Bolt [Ku]	1

Fig. 20 - Nozzle Holder and Glow Plug Group



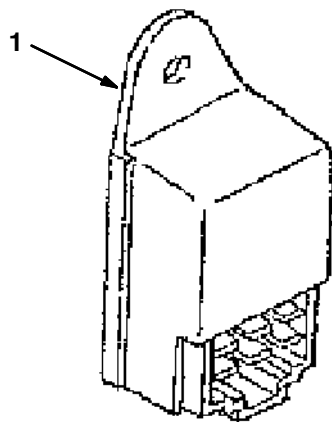
Ref.	Part No.	Description	Qty.	
1	361415	Pipe Asy,Oflow	1	
2	73555	Screw	1	
3	40166	Gasket	1	
▽	361373	Hose, Fuel [Ku]	1	
▲	4	9004389	Pipe, Fuel, Overflow [Ku]	1
▲	5	9004390	Pipe, Clip [Ku]	2
6	372917	Housing Assy, Nozzle	3	
7	70964	Gasket	3	
8	20719	Seal, Heat	3	
9	70965	Inject.Pipe 1	1	
10	70966	Inject.Pipe 2	1	
11	70967	Inject.Pipe 3	1	
12	9005026	Clamp, Tube, Inj, Pipe [Ku]	2	
13	9005027	Clamp, Tube, Inj, Pipe [Ku]	2	
14	39508	Screw	2	
15	9005028	Glowplug [Ku]	3	
16	361418	Cord,Glow Plug	1	
17	9004393	Nut, Flng [Ku]	3	

Fig. 21 - Nozzle Holder Breakdown



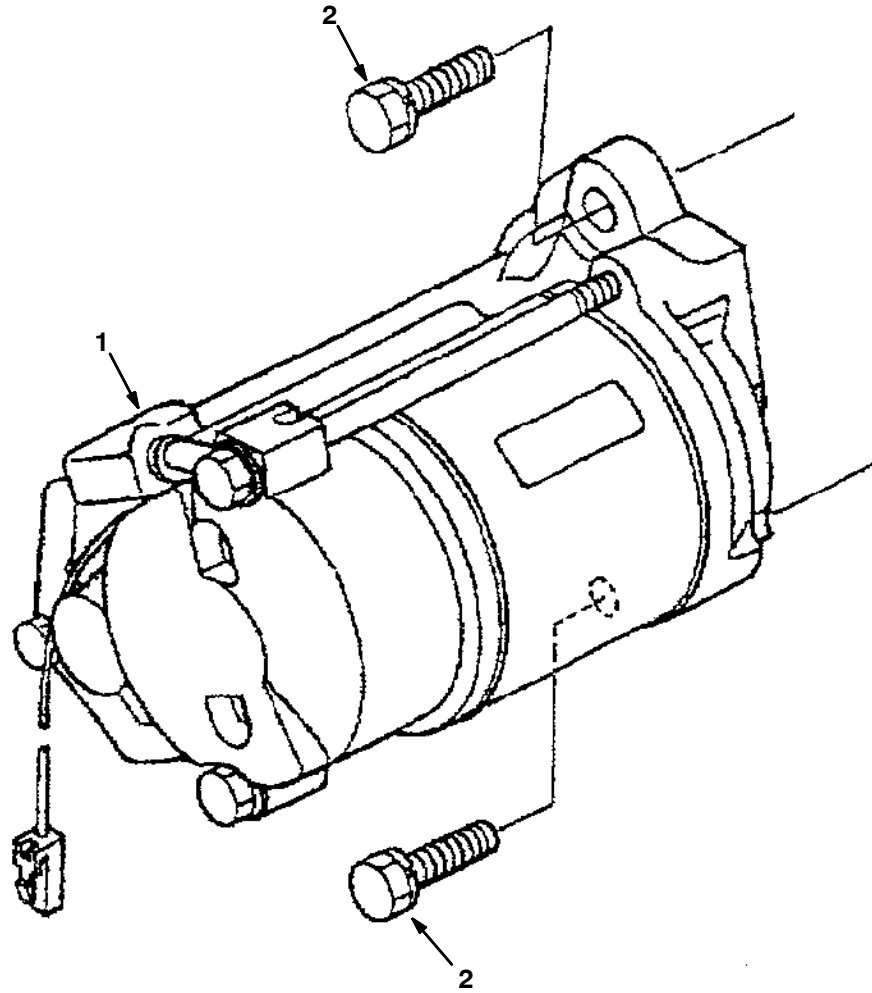
Ref.	Part No.	Description	Qty.
▽	372917	Housing Assy, Nozzle	4
▲	1 9004395	Nut [Ku]	1
▲	2 9004396	Washer, Adjusting [Ku]	1
▲	3 9004397	Nozzle, Spring [Ku]	1
▲	4 388500	Spacer [Ku]	1
▲	5 9004398	Rod, Push [Ku]	1
▲	6 9004399	Nut, Nozzle [Ku]	1
▲	7 9004400	Washer, Plain [Ku]	1
▲	8 9004401	Nozzle [Ku]	1

Fig. 22 - Timer Group



Ref.	Part No.	Description	Qty.
1	366026	Timer, Glow Plug [Ku]	1

Fig. 23 - Starter Group



Ref.	Part No.	Description	Qty.
1	361349	Starter Assy (See Starter Breakdown)	1
2	73535	Bolt	2

Fig. 24 - Starter Breakdown

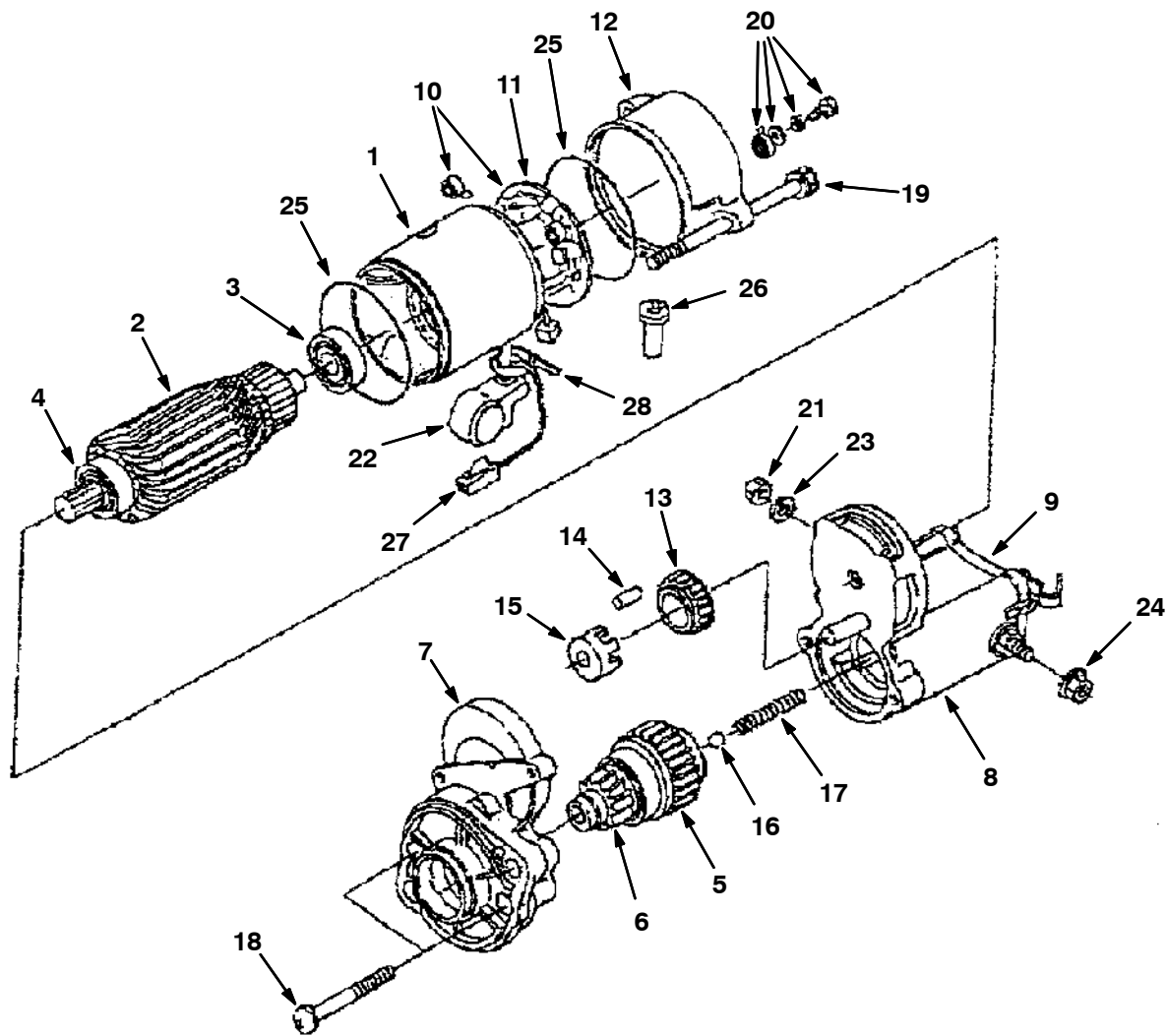
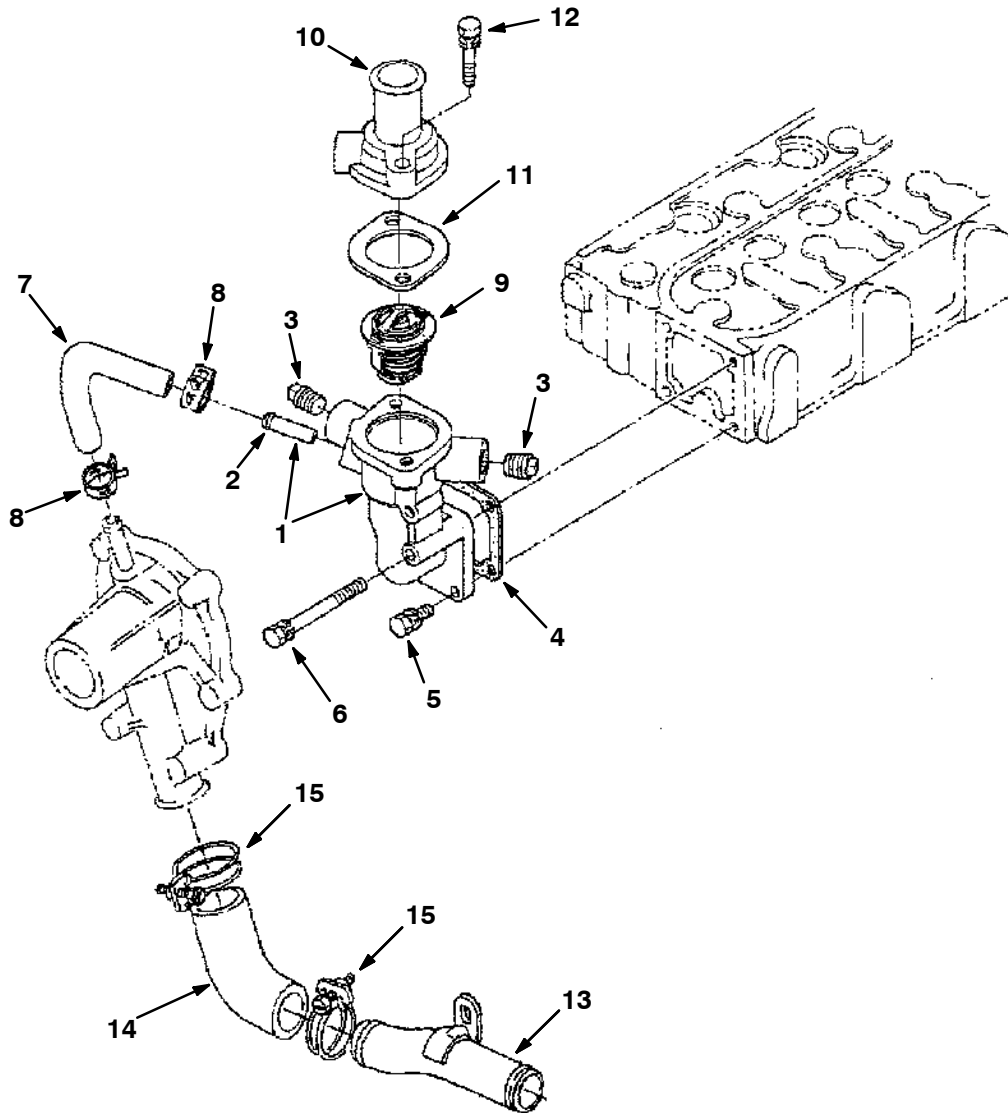


Fig. 24 - Starter Breakdown

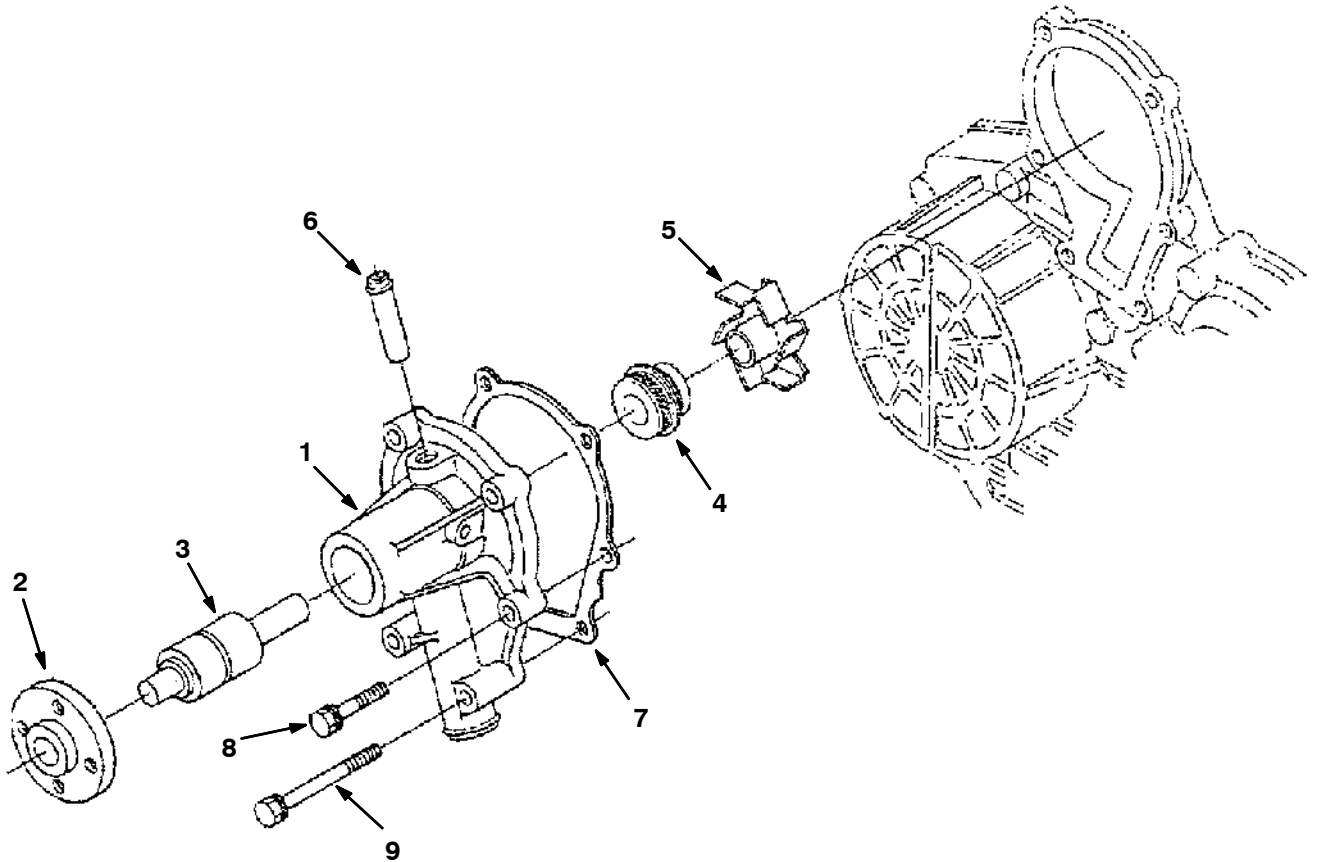
	Ref.	Part No.	Description	Qty.
▽		361349	Assy, Starter	1
▲	1	9005033	Yoke, Starter [Ku]	1
▲▽	2	70197	Armature, Motor [Ku]	1
▲▲	3	70199	Bearing	1
▲▲	4	70198	Bearing	1
▲	5	9005034	Clutch, Starter [Ku]	1
▲	6	70962	Pinion, Bevel	1
▲	7	70201	Frame, End, Drive	1
▲▽	8	9005035	Solenoid, Starter [Ku]	1
▲▲	9	9005042	Cover [Ku]	1
▲▽	10	361352	Holder, Brush [Ku]	1
▲▲	11	70205	Spring, Brush	4
▲	12	9005037	Retainer, Gear, Starter [Ku]	1
▲	13	9005038	Gear, Starter [Ku]	1
▲	14	73544	Roller, Starter [Ku]	5
▲	15	70207	Retainer	1
▲	16	73546	Ball [Ku]	1
▲	17	70208	Spring	1
▲	18	70209	Bolt	2
▲	19	70210	Bolt	2
▲	20	20432	Bolt	2
▲	21	70212	Nut	1
▲	22	9005039	Boot, Wire, Starter [Ku]	1
▲	23	9005040	Washer, Spring [Ku]	1
▲	24	9005041	Nut, Hex [Ku]	1
▲	25	20433	Seal, Org	2
▲	26	70213	Tube, Drain, Starter	1
▲	27	368086	Wire, Solenoid, Starter [Ku]	1
▲	28	368084	Band, Cover [Ku]	1

Fig. 25 - Water Flange and Thermostat Group



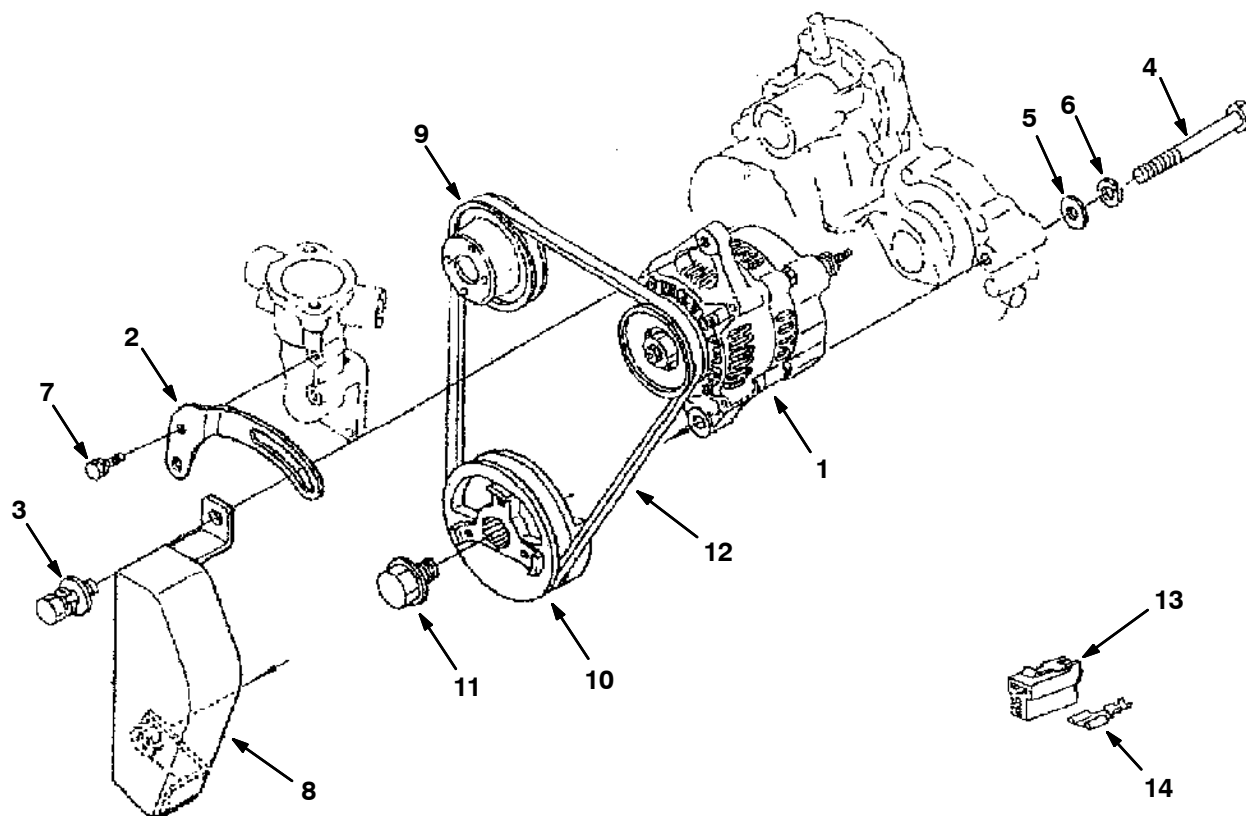
Ref.	Part No.	Description	Qty.	
▽	1	368090	Flange, Water [Ku]	1
▲	2	384859	Pipe, Water, Return	1
	3	9005043	Fitting, Pipe, Plug [Ku]	2
	4	70994	Gasket, Hsg, Thermostat [Ku]	1
	5	71995	Screw, Hex [Ku]	3
	6	72995	Screw, Hex [Ku]	1
	7	73633	Hose, Water [Ku]	1
	8	73634	Clamp, Hose, Heater [Ku]	2
	9	361654	Thermostat, 160deg, 1.7d [Ku]	1
	10	368091	Housing, Thermostat [Ku]	1
	11	10851	Gasket	1
	12	73535	Screw, Hex [Ku]	1
	13	9003868	Pipe, Water [Kubota]	1
	14	9003869	Pipe, Water [Kubota]	1
	15	9003870	Clamp [Kubota]	1

Fig. 26 - Water Pump Group



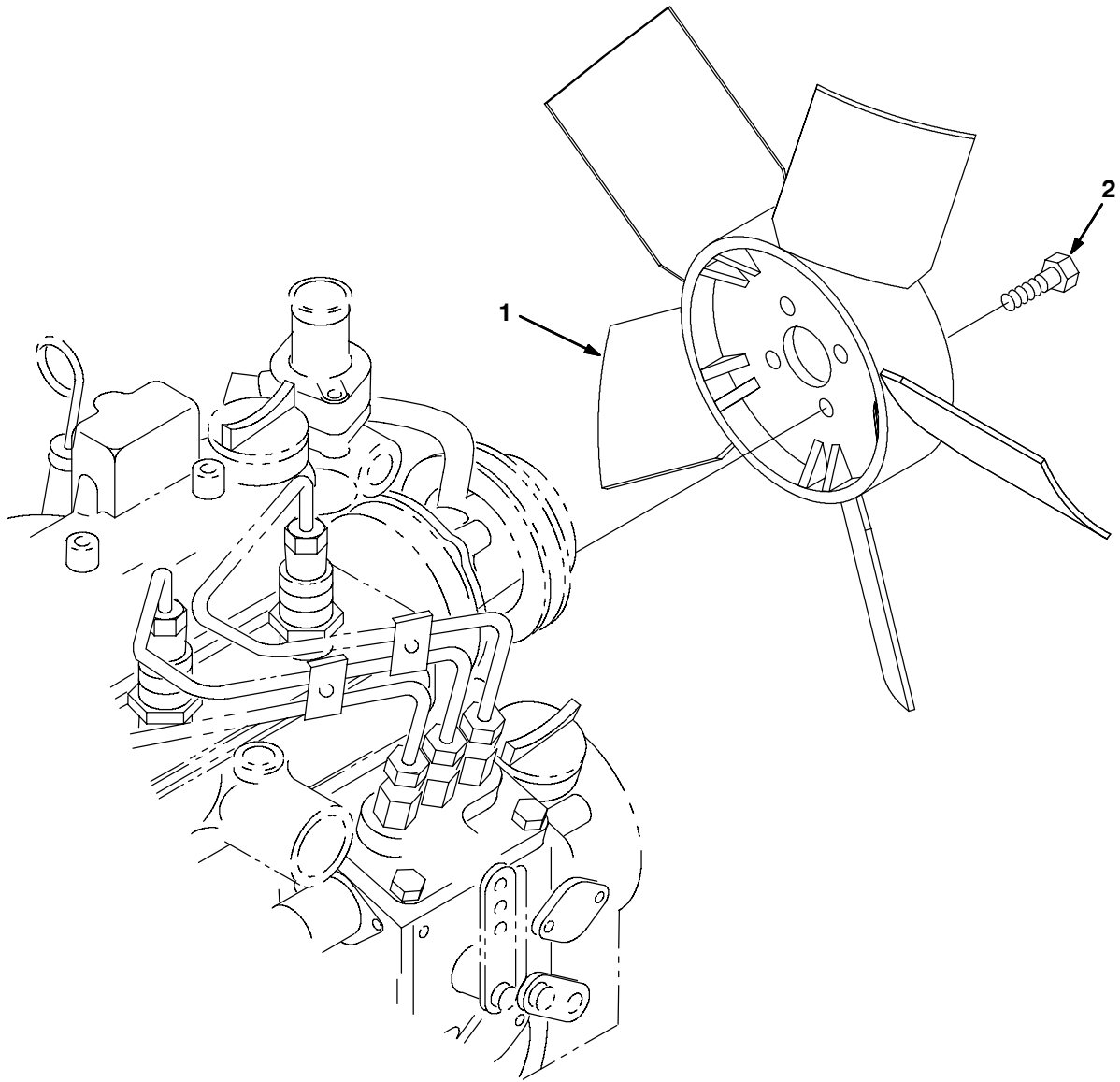
Ref.	Part No.	Description	Qty.	
▽	1	9004402	Pump Assy, Water [Ku]	1
▲	2	70919	Flange, Pump, Water [Ku]	1
▲	3	9004403	Bearing [Ku]	1
▲	4	9004404	Seal Assy [Ku]	1
▲	5	9004405	Impeller, Pump, Water [Ku]	1
	6	361440	Fitting, Pipe, Water [Ku]	1
	7	70920	Gasket, Pump, Water [Ku]	1
	8	9004406	Bolt [Ku]	4
	9	9004407	Bolt [Ku]	2

Fig. 27 - Alternator and Pulley Group



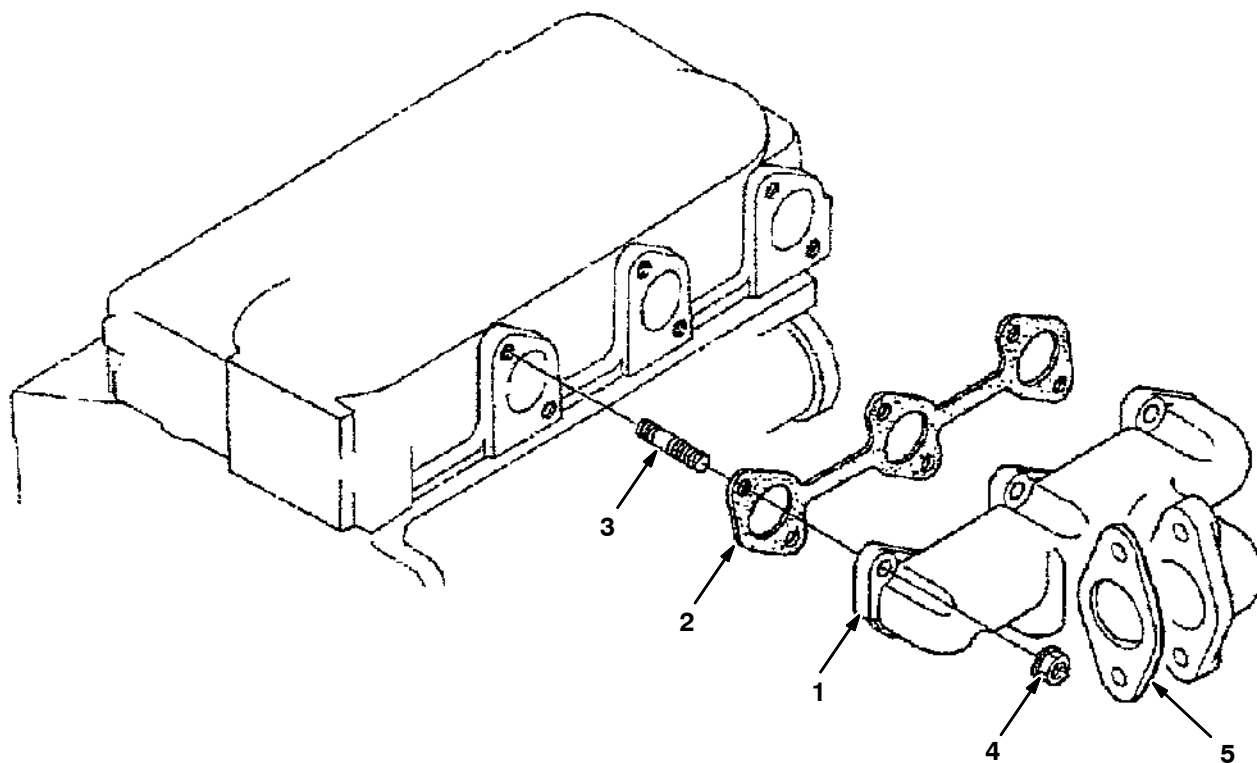
Ref.	Part No.	Description	Qty.
1	361387	Alternator	1
2	361399	Stay,Dynamo	1
3	9005030	Screw, Hex [Ku]	1
4	361360	Bolt	1
5	361364	Washer,Plain	1
6	9005031	Washer, Spring [Ku]	1
7	71995	Screw, Hex [Ku]	1
8	9005032	Guard, Belt [Ku]	1
9	55847	Sheave, Fan [Ku]	1
10	361386	Sheave, Cshft [Ku]	1
11	73532	Screw, Hex, Cshft [Ku]	1
12	368082	Belt, V, 9.5mm 37.4l [Ku]	1
13	368075	Connector, Blade, 2 Terminal [Altv]	1
14	368078	Terminal, Qf, .25	2

Fig. 28 - Fan Group



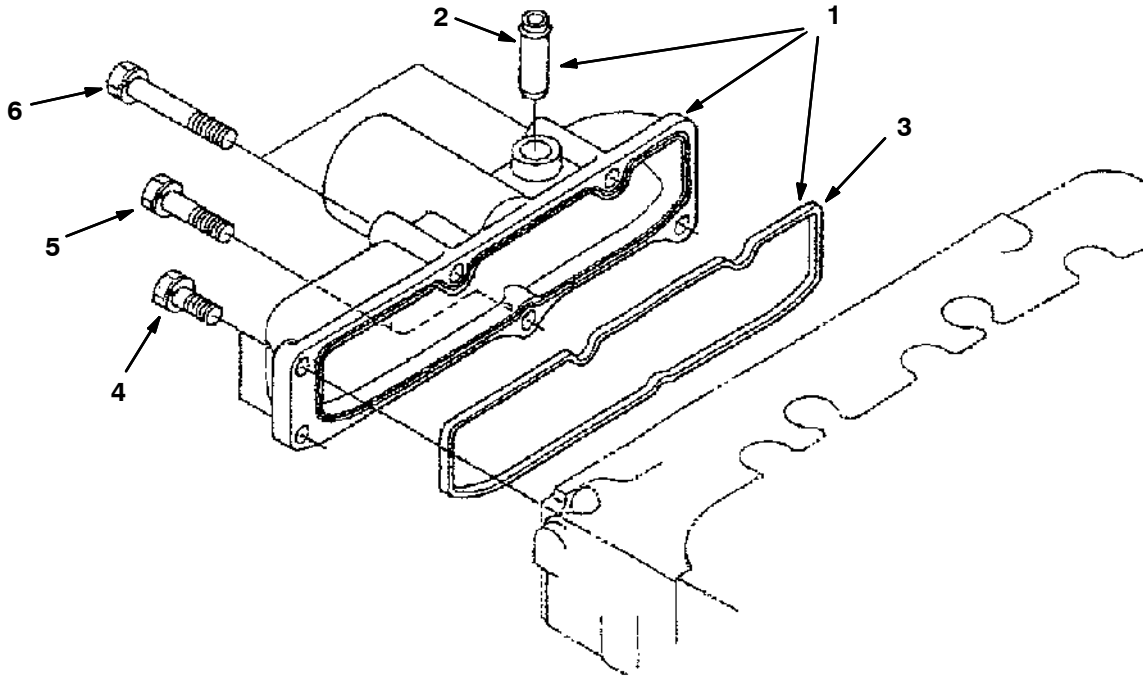
Ref.	Part No.	Description	Qty.
1	361626	Fan	1
2	393588	Bolt, Flng	4

Fig. 29 - Exhaust Manifold Group



Ref.	Part No.	Description	Qty.
1	361420	Manifold,Exh	1
2	361407	Gskt,Ex-Manifol	1
3	73488	Stud	6
4	361427	Nut	6
5	368099	Gasket	1

Fig. 30 - Inlet Manifold Group



Ref.	Part No.	Description	Qty.
1	372910	Manifold Assy, Inlet	1
2	73481	Pipe, Breather [Ku]	1
3	361406	Gasket, Manifold, Intake [Ku]	1
4	71995	Screw, Hex [Ku]	3
5	9004406	Bolt [Ku]	1
6	72994	Screw, Hex [Ku]	2

SECTION 7

CONTENTS

PAGE

PART NUMBER TO PAGE NUMBER CROSS REFERENCE LIST 6-2
PART DESCRIPTION TO PAGE NUMBER CROSS REFERENCE LIST 6-11

CROSS REFERENCE

PART NUMBER TO PAGE NUMBER CROSS REFERENCE LIST

Part Number	Page Number	Part Number	Page Number	Part Number	Page Number
IB2561	4-11	07790	2-25, 2-33, 2-55	1038176	2-63
MM431	3-29	07791	2-15, 2-19, 2-27,	1041444	2-67
MM431ES	3-29		2-29, 2-31, 2-33,	1041551	2-67
MM431FR	3-29		2-45, 2-53, 3-7, 3-15	1041616	2-67
MM431JP	3-29	07792	2-57, 3-15	1041814	2-67
MM433	3-29	07793	3-11	1041866	3-29
SK2561	4-11	08013N	2-7	1041869	2-31
00500-10	2-55	08085	2-51	1043352	2-25
00500-15	4-7	08175	2-45, 2-47	1045229	2-15
00911	2-55	08179	2-49	1045764	2-31
00954	2-55	08182	2-41, 2-63	1045858	2-21
01684	2-47, 2-63	08298	2-57	1046173	2-21
01685	2-63	08346	2-53	1048820	2-75, 4-21
01713	2-9	08361	2-57	1048932	2-15
01714	2-73	08708	2-17, 2-21, 2-23,	1049243	2-65, 2-67
01754	2-19, 2-21, 2-57		2-33, 2-41, 2-53,	1050757	2-25
01760	2-15, 3-18		2-55, 2-57, 2-59,	1050780	4-21
01762	2-47		2-65, 2-74, 3-15	1050809	4-21
02361	2-79	08709	2-9, 2-25, 2-35,	1050810	4-21
02431	2-9		2-39, 2-41, 2-45,	1050811	4-21
02603	4-9		2-47, 2-49, 2-51,	1050812	4-21
02645	4-9		2-57, 2-59, 2-61,	1050813	4-21
02646	4-9		2-63, 2-67, 2-71,	10576	2-15
02647	4-9		2-73, 3-7, 3-15, 3-17	10632-1	2-73
02705	4-3	08711	2-27, 2-41, 2-43,	10632-12	3-5
02709	4-3		2-47	10632-18	2-59, 2-61, 3-7
02850	2-65, 2-67, 3-13,	08712	3-21	10632-4	3-13
	3-21	08714	2-43, 3-27, 3-28	10632-9	3-7
02863	2-19, 3-16	08716	2-59	10664	3-13
02912	2-55	09007	3-21	10844	5-13
03026	3-13	09010	2-9, 2-51, 2-63	10845	5-13
03192	2-55, 3-15	09011	2-43	10851	6-32
04483	2-43	09026	2-63, 2-67	10895	5-3
04706	2-23	09028	2-51, 2-57	11329	2-15, 2-23
06415	2-59	09087	2-53	11399	2-31
06474A	2-63	09145	2-23	11531	2-35
06549	2-61, 3-9, 3-13	09146	2-21	11631	2-47
06750	2-71	09164	2-21	12273	2-9, 2-63, 2-65,
06927	2-15, 3-21	09206	3-13		2-67, 2-73
06942	2-23, 2-25, 2-31,	09244	3-9, 3-13	12277	2-47
	2-55	09278	2-27	12317	2-59
06943	2-23, 2-31, 2-33,	09740	2-11, 2-13, 2-47,	12323	2-59
	2-53, 2-55, 2-57,		2-59, 2-63	12333	2-9, 2-35, 2-65
	3-15	09744	2-61	12364	2-49
06949	2-41, 2-74	09806	2-59	12459	2-47, 2-57, 2-63,
06956	2-45	1008142	2-19, 2-57		2-69
06957	2-57	10143	2-37	12916	5-7, 6-7
06961	2-25, 2-27, 2-37,	1014605	2-15	13173	2-19
	3-19	1016827	2-33	13513	2-73
06964	2-43	1017126	2-4, 2-5, 2-33	13904	4-13, 4-15
06968	2-41	1017325	2-25	140282	2-19
06971	2-27	1021380	2-25	14131	2-33
06972	2-43	1026362	2-57	14242	2-43
06977	2-47	1028492	2-43	14296	2-27
06988	2-51	10362	2-55	14595-1	2-41, 2-51
07259	2-57	1037207	2-2, 2-3, 2-5, 2-65,	14601	2-73
07299	2-25		2-67	14605	2-41, 2-51
07592	2-73	1037973	2-25	15331	2-51

CROSS REFERENCE

Part Number	Page Number	Part Number	Page Number	Part Number	Page Number
15555-2	2-33	21983	4-11	32486	2-17, 2-25, 2-41,
15675	2-13, 2-17, 2-61, 2-63, 2-65, 2-67	21984	4-11		2-51, 2-63, 3-11
15678	2-59	21985	4-11	32490	2-29, 2-31, 2-33,
16082	2-51	21993	4-11		2-47, 2-57, 2-59,
16213	2-73	222114	2-21		2-61, 2-73, 3-7, 3-9,
16376	2-25	222196	2-39		3-13, 3-15, 3-17,
16411	2-2	222290	2-87		3-18
16412	2-2	222460	2-49	32491	2-11, 2-13, 2-15,
16455	2-57	222504	2-61		2-17, 2-19, 2-25,
16695	4-5, 4-7	222505	2-49		2-33, 2-35, 2-39,
16735	2-15, 2-19, 2-31, 2-33, 2-75	222516	2-15		2-41, 2-43, 2-45,
16931	2-15, 2-17, 2-19, 2-25, 2-29, 2-33, 2-39, 3-7	22290	2-23		2-47, 2-49, 2-51,
16949	2-17, 2-69	22297	2-29		2-53, 2-59, 2-61,
17404	2-57	23498	2-53, 2-55		2-63, 2-67, 2-71,
17414	2-33	23694	2-35		2-73, 3-7
19065	2-65, 2-67, 3-7	23788	2-57	32492	2-25, 2-27, 2-31,
19066	2-21, 2-23, 2-31, 2-55, 3-9, 3-13, 3-21	24012-1	2-35		2-49, 2-51, 2-55,
19252	2-27	24339	2-43, 3-25, 3-26, 3-27, 3-28		2-57, 2-59, 2-61,
19309	3-7	24576-1	3-7	32523	2-17
19320	3-7	24576	3-7	32525	2-55
19324	3-15	24593	3-15	32598	2-57
20432	6-31	24698	2-33	32815	2-55
20433	6-31	24899	2-47	32899	2-41, 2-51
20634	2-65, 2-67	24976	3-13	32960	2-11, 2-13
20719	5-28, 6-26	25005	2-53	32981	2-33, 2-73
21194	3-13	25049	2-73	32983	2-17
21195	2-27	25312	3-16	32984	2-27
21917	4-15	25887	2-47	32985	2-25
21925	4-3	26395-2	3-3, 3-7, 3-21	32987	2-43, 2-47
21926	4-3	27108	2-51	330715	3-29
21927	4-3	27985	2-17, 2-25	33342	2-51
21928	4-3	28499-1	3-7	33612	2-27
21929	4-3	28835	4-5, 4-7	33671	2-37
21933	4-19	29499	2-51	33932	2-59
21934	4-19	29584	2-49	33933	2-19, 2-57
21935	4-19	29832-5	2-37	34176	4-7
21948	4-15	30013	2-9, 3-15	34329	2-43
21951	4-9	30121	5-13, 6-11	34359	2-63
21952	4-9	30122	5-13, 6-11	34813	2-21
21953	4-9	30125	5-9, 6-12	34877	2-57
21959	4-5	30131	5-28	35529	2-57
21960	4-5	30132	5-28	35586	2-74
21961	4-13	30251	2-47	35973	2-47
21963	4-3	30252	2-47	360023	2-41
21964	4-17	30253	2-47	360026	2-61
21965	4-17	30255	2-47	360027	2-51
21966	4-17	30533	3-19	360028	2-51
21967	4-17	31258	2-37	360042	2-59
21972	4-17	31354	4-5, 4-7	360054	2-41
21973	4-17	31373	4-5	360062	2-74
21974	4-17	31375	4-7	360063	2-74
21978	4-11	31646	2-69	360064	2-57
21980	4-11	32126	2-43, 3-25, 3-26, 3-27, 3-28	360071	2-41
21981	4-11	32483	2-23, 2-53	360074	2-41, 3-25, 3-26, 3-27, 3-28
21982	4-11	32485	2-25, 2-27, 2-35, 2-37, 2-43, 2-71, 3-13	360077	2-57
				360078	2-51
				360079	2-3, 2-5, 2-49
				360081	2-51

CROSS REFERENCE

Part Number	Page Number	Part Number	Page Number	Part Number	Page Number
360083	2-17	360363	2-31	360658	2-53
360096	2-19	360364	2-29	360660	2-53
360098	2-33, 2-69	360367	2-35	360678	2-53
360107	2-47	360369	2-15	360704	2-15
360109	2-47	360370	2-15	360707	2-29
360110	2-47	360372	2-35	360708	2-29
360120	2-47	360386	2-57	360711	2-23
360132	2-47	360388	2-3, 2-5, 2-11, 2-13	360712	2-19
360134	2-2, 2-3, 2-5, 2-9	360392	2-13	360713	2-19
360136	2-2, 2-3, 2-5, 2-9	360395	2-11	360721	2-25
360137	2-9	360403	2-33	360729	2-71
360138	2-9	360410	2-49	360732	2-27
360144	2-45	360411	2-49	360736	2-55
360152	2-43	360413	2-49	360742	2-19
360162	3-23, 3-26	360414	2-49	360747	2-25
360163	3-22, 3-25	360417	2-49	360748	2-25
360181	2-55	360421	2-63	360753	2-2, 2-3, 2-4, 2-5
360185	2-63	360424	2-63	360760	2-33
360191	2-59	360426	2-59	360761	2-2, 2-3, 2-5, 2-13
360192	2-59	360427	2-63	360763	2-13
360193	2-59	360428	2-61	360766	2-57
360194	2-59	360429	2-59	360768	2-57
360199	2-2, 2-3, 2-5, 2-65, 2-67	360430	2-59	360769	2-43
360200	2-9	360434	2-63	360773	2-21
360270	2-41	360435	2-63	360774	2-45
360271	2-41	360436	2-61	360781	2-9, 2-13
360272	2-41	360442	2-73	360782	2-2, 2-3, 2-5, 2-9
360273	2-41	360449	2-49	360784	2-2, 2-3, 2-5, 2-11
360274	2-41	360451	2-49	360786	2-2, 2-3, 2-5, 2-59
360275	2-41	360454	2-49	360787	2-31
360276	2-41	360455	2-57	360795	3-11
360280	2-11, 2-13	360459	2-39	360798	3-11
360283	2-11, 2-13	360460	2-39, 2-45	360799	2-31
360284	2-11, 2-13	360465	2-19	360801	2-49, 2-51
360295	3-22	360467	2-74	360802	2-41
360296	3-23	360471	2-27	360808	2-65
360300	3-24, 3-28	360487	2-13	360809	2-65
360309	2-15	360492	2-47	360813	2-25
360313	2-73	36050	2-2, 2-3, 2-4, 2-5	360814	2-25
360319	2-11	360500	3-3	360819	2-37
360327	2-2, 2-3, 2-5, 2-59	360503	2-87	360820	2-65
360328	2-59	360504	3-5	360821	2-39
360332	2-61	360509	2-87	360822	2-59
360333	2-63	360520	3-3, 3-5	360824	2-61
360334	2-59	360521	2-21	360826	2-61
360335	2-59	360602	2-61	360831	2-17
360336	2-2, 2-3, 2-5, 2-63	360603	2-2, 2-3, 2-5, 2-63	360833	2-29
360337	2-63	360604	2-59	360836	2-33
360338	2-63	360606	2-63	360837	2-33
360340	2-63	360608	2-61	360839	3-11
360341	2-31	360610	2-61	360840	2-39
360342	2-15	360620	2-31	360841	2-73
360344	2-39	360621	2-31	360844	2-2, 2-3, 2-5, 2-63
360345	2-41	360627	2-29	360848	2-63
360349	2-47	360629	2-35	360854	2-39
360352	2-41	360630	3-19	360867	2-23
360357	2-51	360631	2-49	360872	2-33
360361	2-15	360633	2-41	360873	2-17
360362	2-31	360637	2-45	360876	2-35
		360655	2-53	360877	2-33

CROSS REFERENCE

Part Number	Page Number	Part Number	Page Number	Part Number	Page Number
360883	3-15	361051	2-79	361292	3-15
360884	2-39	361052	2-79	361293	2-19
360888	2-63	361054	2-61	361295	2-57
360889	2-61	361064	2-88	361296	2-55
360890	2-59	361069	3-24	361299	2-74
360893	2-59	361070	2-51	361300	2-19
360894	2-59	361072	2-21	361306	2-11
360903	2-57	361075	2-21, 3-9, 3-13	361323	2-29
360906	2-19	361077	2-43, 3-24, 3-27,	361324	2-29
360908	2-59		3-28	361325	2-29
360909	2-59	361081	2-43, 3-27	361327	2-55
360910	2-59	361084	2-51	361329	3-15
360912	3-21	361107	2-88	361330	3-15
360915	3-21	361109	2-88	361331	3-15
360917	2-39	361113	2-33	361332	3-15
360928	2-19	361120	3-3	361333	2-61
360930	2-49	361121	2-9	361339	2-59, 2-63
360932	3-19	361125	3-5	361342	2-15
360933	3-15	361135	2-45	361343	2-15
360935	2-41	361140	3-9, 3-13	361344	2-15
360938	3-21	361141	3-9, 3-13	361345	2-15
360941	2-61	361146	3-17	361346	2-9
360943	2-59, 3-21	361148	3-13	361349	5-29, 5-31, 6-29, 6-31
360949	2-65	361153	2-3, 2-5, 2-55	361351	5-31
360952	2-65	361160	2-9	361352	5-31, 6-31
360955	2-65	361164	2-17	361360	5-34, 6-34
360957	2-65, 2-67	361165	2-17	361361	5-14
360959	2-27	361201	2-2, 2-3, 2-4, 2-5,	361362	5-35
360961	2-49		2-29	361363	5-11
360962	3-11	361203	2-55	361364	5-34, 6-34
360972	2-35	361204	2-55	361365	5-34
360973	2-15, 3-3, 3-7, 3-15,	361205	2-55	361366	5-19, 6-17
	3-16	361206	2-55	361367	5-14
360977	2-3, 2-5, 2-53	361207	2-55	361368	5-28
360979	2-3, 2-5, 2-53	361208	2-55	361369	5-4
360981	2-53	361209	2-33	361370	5-4
360991	2-2, 2-3, 2-4, 2-5,	361210	3-16	361371	5-3, 6-3
	2-69	361211	3-16	361372	5-5, 6-5
361009	2-79	361224	2-2	361373	5-28, 6-26
361010	2-71, 4-3	361236	2-2	361374	5-8, 5-9, 6-12
361012	2-74, 4-13	361237	2-2	361375	5-24, 6-22
361013	2-57, 4-17	361238	2-2	361376	5-5
361014	2-51, 4-5	361239	2-2	361377	5-23, 6-21
361018	2-71, 4-11	361242	2-2	361378	5-14, 5-15, 5-17,
361019	2-75, 4-15	361250	2-23		6-13, 6-15
361021	2-47, 4-7	361251	2-35	361379	5-14
361023	2-2, 2-3, 2-4, 2-5,	361259	2-25	361380	5-26
	2-69	361260	2-27	361382	5-24
361025	2-43, 4-9	361261	2-33	361383	5-13
361028	2-74, 4-13	361268	3-15	361384	5-13
361040	2-79	361270	2-69	361386	5-34, 6-34
361041	2-79	361272	2-55	361387	5-34, 6-34
361042	2-79	361273	2-31	361388	5-13, 6-11
361043	2-79	361274	2-57	361389	5-7, 6-7
361044	2-79	361276	2-57	361390	5-22, 6-20
361046	2-79	361279	2-33	361391	5-20
361047	2-79	361282	2-25	361392	5-11, 6-9
361048	2-79	361284	3-11	361393	5-5
361049	2-79	361285	3-11	361394	5-5
361050	2-79	361288	3-9	361395	5-13

CROSS REFERENCE

Part Number	Page Number	Part Number	Page Number	Part Number	Page Number
361397	5-7	36438	3-7	370025	2-7
361398	5-5	36439	3-7	370153	2-65
361399	5-34, 6-34	364826	2-43	371017	6-18
361400	5-33	364827	2-43	371686	3-29
361401	5-7, 6-7	364861	2-43	372900	5-9, 6-12
361402	5-32	364863	2-43	372901	5-9, 6-12
361404	5-37	364949	2-43	372904	5-9, 6-12
361406	5-37, 6-37	365110	5-32	372906	6-5
361407	5-36, 6-36	365111	5-32	372907	6-5
361408	5-11	365112	5-32	372910	6-37
361409	5-8	366016	3-7	372912	5-9, 6-12
361411	5-8	366021	3-7	372913	5-9, 6-12
361411	5-9, 6-12	366024	3-7	372914	5-9, 6-12
361412	5-14	366025	3-7	372917	5-28, 6-26, 6-27
361413	5-21	366026	2-21, 5-39, 6-28	372928	5-9, 6-12
361414	5-21	366054	2-25	374269	5-25
361415	5-28, 6-26	366055	2-25	374269	6-23
361416	5-3, 6-3	366068	2-27	375001	3-25, 3-26, 3-27,
361417	5-26, 6-24	366069	2-3		3-28
361418	5-28, 6-26	366092	2-43, 3-24, 3-27,		
361419	5-33		3-28	375019	2-53
361420	5-36, 6-36	366093	3-24, 3-28	375020	2-45
361421	5-23, 6-21	366094	2-43, 3-27	375059	5-18, 6-16
361422	5-4	366104	2-43, 3-24, 3-27,		
361423	5-7		3-28	375133	2-59
361424	5-20	366107	3-25, 3-26, 3-27,		
361425	5-20		3-28	375134	2-59
361426	5-21	366111	3-27	37555	4-5, 4-7
361427	5-36, 6-36	366112	3-28	377324	2-21
361428	5-19, 6-17	366113	3-27	377433	2-21
361430	5-26, 6-24	366114	3-28	377537	2-2
361431	5-4, 6-4	366116	3-26	377538	2-2
361432	5-3	366117	3-26	377540	2-2
361433	5-4	366118	3-25	382516	2-21
361434	5-34	366119	3-25	38263	4-5
361435	5-22, 6-20	36658	2-65, 2-67	38315	4-9
361436	5-3, 6-3	36661	2-65, 2-67	383165	2-21
361437	5-14	368063	5-15, 6-13	384859	6-32
361438	5-14, 5-15, 6-13	368064	5-15, 6-13	384874	5-9, 6-12
361439	5-4	368065	5-15, 5-17, 6-13, 6-15	38490	4-9
361440	5-32, 6-33	368066	5-17, 6-15	385947	2-7
361550	2-15	368067	5-17, 6-15	387153	2-55
361554	2-15	368068	5-15, 5-17, 6-13, 6-15	387376	2-55
361555	2-47	368069	5-17, 6-15	387387	2-55
361589	6-9	368075	6-34	387388	2-55
361626	5-35, 6-35	368078	6-34	387389	2-55
361654	6-32	368082	2-2, 2-3, 2-4, 2-5,		
361670	3-15		5-34, 6-34	388426	2-29
361671	3-11	368083	5-31	388500	6-27
361672	3-11	368084	5-31, 6-31	39051	5-3, 6-3, 6-7
361673	3-11	368085	5-31	39062	5-3, 6-3
36192	2-3, 2-5, 2-15	368086	5-31, 6-31	39063	5-3, 5-5, 6-3
361922	2-27	368087	5-31	39065	5-7, 5-14, 5-15,
361944	3-5	368088	5-31		5-18, 5-27, 5-32,
361950	2-19	368090	6-32		6-13
361951	2-15	368091	6-32	39073	5-5, 6-5
361975	3-3, 3-5	368099	5-36, 5-38, 6-36	39087	5-3, 6-3
361980	2-27	369704	2-53	39088	5-3, 5-5, 6-3, 6-5
36328	2-57	369810	3-18	39094	5-4, 6-4
363502	2-11	370010	2-7	39103	5-7

CROSS REFERENCE

Part Number	Page Number	Part Number	Page Number	Part Number	Page Number
39160	5-21, 5-25, 5-26	43242	2-25	51417	4-9
39162	5-8	43454	2-17	51529	2-45
39168	5-7	43672	3-7	51564	2-25, 2-27, 2-47
391803	2-15	43673	3-7	51813	2-49
39197	5-21, 6-19	43844	2-33	52296	2-45
39277	2-25, 2-35, 2-41, 2-45, 2-53, 2-61, 2-71, 3-15	43958	2-43	52386	4-3
39283	2-25, 2-31, 2-43, 3-27, 3-28	44078	2-21, 2-53	52402	2-47, 2-71, 2-74
39311	2-65	44166	3-21	52508	2-47
39338	2-55	44681-1	3-3, 3-5	53078	2-33
39346	2-49	44681-2	3-3, 3-5	53468	2-19, 2-25
39349	2-11, 2-13, 2-15, 2-27, 2-31, 3-15	44681	3-3, 3-5	53601	2-43
39350	2-43	44869	2-71, 2-75	53984	2-51
393570	6-3	44906	2-39	54009	3-21
393588	6-35	44936	2-43	54012	3-21
393614	6-17	45628	4-5, 4-7	54121	2-65, 2-67
393646	5-18	45779	2-59, 3-3, 3-5	54345	2-33, 2-55
393673	5-28	45786	2-43, 3-24, 3-27, 3-28	54390	2-41
39395	2-47	45975	2-87	54394	2-31
39396	2-51	46140	2-53	54395	2-15
39399	5-34	46480	2-43	54995	2-45, 2-49
39508	5-28, 6-26	46481	2-69	55248	2-31, 2-59
39527	4-7	46481	2-69	55586	2-47, 2-75
39658	2-21, 2-57	46559	2-51, 2-71	55619	2-69
39780-2	3-13	47501	2-51	55685	2-74
398507	2-87	47512	2-71	55697	2-79
39924	3-13	47513	2-69	55740	2-2, 2-3, 2-4, 2-5, 2-69
40166	5-24, 5-28, 6-22, 6-25, 6-26	47522	2-43	55779	2-47
40407	5-27	47566	2-33	55844	2-2, 2-3
40409	5-23, 5-37	47585	2-23	55847	5-34, 6-34
40442	5-31	47638	2-57, 2-74	55849	2-2, 2-3, 2-4, 2-5, 5-7
40457	5-31	47655	2-69	55965	3-21
40585	2-33	47719	2-43	56185	2-23
40607	3-13	47752	2-23	56186	2-21
40678-1	2-27	47753	2-51	56398	2-23
40678	2-31, 2-33	47801	2-43	56690	2-23, 2-75
40758	2-9	48267	2-33	56820	2-43, 2-57, 2-74
40870-8	2-3, 2-5, 2-55	48577	4-17	56821	2-51
41141	2-53	48732	2-57	57288	2-79
41142	2-37	48763	3-11	57370	4-9
41178	2-59, 3-15	49145	2-41	57373	4-9
41342	2-73, 3-7, 3-17	49225	2-43	57374	4-9
41346	3-11	49263	2-21, 2-23	57375	4-9
41430	2-31, 2-43, 2-49, 2-57, 2-59, 2-61, 3-19	49266	2-31, 2-33, 2-43, 2-51, 2-53, 2-59, 2-63, 2-73, 3-3, 3-5, 3-7	57564	2-9, 2-13
41561	2-55	49287	2-25	57751	2-21, 3-3, 3-5, 3-7
41619	2-59	49300	2-53	57803	2-21, 3-3, 3-5, 3-7
41792	5-4	49697	2-59, 2-65, 2-67	57897	4-3
41973	5-21, 5-27, 5-32, 5-34, 6-19, 6-21	49826	2-11, 2-13, 2-65	57962	2-79
42120-1	2-57	50388	2-27, 2-31	57972	2-79
42124	3-21	50470	3-7	58056	2-43
42215	2-23	50616	3-7	58286	2-25, 2-35, 2-37
42223	2-71	51109	2-41	58346	2-29
42227	2-69	51176	2-27	58842	2-43
		51225-1	2-63	59015	2-33
		51305	2-31	59118-6	2-55
		51331	5-5, 6-5	59431	2-7
		51348	5-13	59432	2-7
		51351	5-13	59542	2-57
				59560	2-79

CROSS REFERENCE

Part Number	Page Number	Part Number	Page Number	Part Number	Page Number
59567	2-79	70709	2-23	70978	5-23, 6-21
59568	2-79	70717	2-23	70979	5-23, 6-21
59633	2-51	70767	2-33	70980	5-24, 6-22
59672	2-39	70887	5-3, 6-3	70981	5-25
59767	2-88	70888	5-3, 6-3	70982	5-27, 6-25
59870	2-74	70891	5-4	70983	5-27, 6-25
59965	3-9, 3-13	70893	6-17	70984	5-27, 6-25
60587	4-3	70894	5-19	70986	5-26, 6-24
60745	2-29	70895	5-5	70988	5-26
60752	2-21	70896	5-5	70989	5-26, 6-24
61891	4-3	70897	5-5, 6-5	70991	5-26, 6-24
61923	3-7	70900	5-7, 6-7	70992	5-26, 6-24
63292	2-73	70901	5-7, 6-7	70993	5-32
63416	2-74	70902	5-7, 6-7	70994	5-32, 6-32
64173	2-49	70903	5-7, 6-7	70995	5-32
64379	2-63	70912	5-7, 6-7	70996	5-32
64425	2-51	70913	5-9, 6-12	70998	5-3, 6-3
64655	2-23	70915	5-33	70999	6-3
64886	2-43	70916	5-33	71126	2-49
64887	2-43	70917	5-33	71713	2-23, 4-19
65145-1	2-71	70918	5-33	71721	2-71
65221	3-13	70919	5-33, 6-33	71985	5-3, 6-3
65222	3-13	70920	6-33	71986	5-3, 6-3
65229	4-7	70921	5-20	71987	5-3, 6-3
65230	4-5	70922	5-20	71988	5-3, 6-3
65441	2-73	70923	6-18	71989	5-3, 6-3
65869-1	2-3, 2-5	70924	5-20	71991	5-3, 6-3
66204	5-13, 6-11	70925	5-20, 6-18	71992	5-3, 6-3
66207	5-13, 6-11	70930	5-8	71993	5-3, 6-3
67004	3-21	70931	5-8	71995	5-4, 5-23, 6-9, 6-24, 6-25, 6-32, 6-34, 6-37
67366	2-69	70932	5-8	71996	5-5, 6-5
67767	2-9, 2-19, 2-31, 2-47	70933	5-8	71997	5-5, 6-5
68866	2-73	70936	5-11, 6-9	72010	5-5, 6-5
68872	2-37	70937	5-11, 6-9	72013	5-7
68873	2-37	70941	5-13, 6-11	72014	5-7, 6-7
69234	2-19, 2-25, 2-27	70942	5-13, 6-11	72015	5-7, 6-7
70006	2-69	70943	5-13, 6-11	72017	5-7
70096	4-3	70944	5-13	72018	5-7, 5-27
70097	4-3	70945	5-13, 6-11, 6-19	72019	6-7
70098	4-3	70946	5-13, 6-11	72155	2-43
70099	4-3	70947	5-13, 6-11	72439	2-17
70100	4-3	70948	5-13, 6-18	72728	2-73
70103	4-3	70949	5-13, 6-18	72968	2-2, 2-9, 2-59
70165	5-25, 6-23	70950	5-13, 6-18	72993	5-7
70173	2-33	70951	5-13	72994	5-7, 5-37, 6-7, 6-37
70188	5-24, 6-22	70952	5-13	72995	5-7, 5-32, 6-7, 6-32
70197	6-31	70953	5-13	72996	5-32, 5-33, 5-37
70198	6-31	70954	5-13, 6-11	72997	5-33
70199	6-31	70955	5-13, 6-11	72998	5-20, 6-18
70201	6-31	70957	5-22	72999	5-20, 6-18
70205	6-31	70961	5-31	73027	2-23
70207	6-31	70962	6-31	73061	2-23
70208	6-31	70964	5-28, 6-26	73411	2-73
70209	6-31	70965	5-28, 6-26	73479	5-20, 6-18
70210	6-31	70966	5-28, 6-26	73481	5-8
70212	6-31	70967	5-28, 6-26	73481	6-37
70213	6-31	70970	5-14, 5-15, 6-13	73482	5-8
70218	2-23	70975	5-23	73483	5-8, 5-9, 6-12
70219	2-23	70976	5-23	73484	5-8, 5-9, 6-12
70622	2-23	70977	5-23, 6-21		

CROSS REFERENCE

Part Number	Page Number	Part Number	Page Number	Part Number	Page Number
73485	5-8	73570	5-17, 6-15	74174	4-7
73488	5-36, 6-36	73571	5-17, 6-15	74180	4-3
73491	5-11, 6-9	73572	5-17, 6-15	74183	4-19
73492	5-11	73573	5-17, 6-15	74185	4-19
73493	5-11, 6-9	73574	5-17, 6-15	74192	4-19
73494	5-11	73575	5-17, 6-15	74193	4-19
73497	5-11, 6-9	73576	5-17, 6-15	74196	4-19
73498	5-11, 6-9	73577	5-17, 6-15	74222	4-19
73499	5-11, 6-9	73579	5-17, 6-15	74225	4-3
73500	5-11, 6-9	73580	5-17, 6-15	74226	4-3
73501	5-11	73581	5-17, 6-15	74229	4-3
73502	5-11, 6-9	73582	5-17, 6-15	74230	4-3
73503	5-11	73585	5-17, 6-15	74231	4-19
73504	5-11, 6-9	73586	5-17, 6-15	74232	4-19
73505	5-11	73588	5-14, 5-15, 5-17, 6-13, 6-15	74237	4-3
73506	5-11, 6-9	73589	5-15, 5-17, 6-13, 6-15	74243	4-19
73507	5-11, 6-9	73590	5-15, 5-17, 6-13, 6-15	74244	4-19
73508	5-11, 6-9	73592	5-23	74245	4-19
73509	5-21, 6-19	73593	5-23, 6-21	74248	4-3
73511	5-21, 6-19	73594	5-23, 6-21	74250	4-5, 4-7
73512	5-21, 6-19	73595	5-23	74454	2-55
73513	5-21, 6-19	73596	5-23, 6-21	74455	2-9, 2-25, 2-27, 2-33, 2-57, 2-63, 3-9, 3-13
73514	5-21, 6-19	73598	5-23, 6-21		
73515	6-19	73599	5-23, 6-21	74469	4-3
73516	5-21, 6-19	73600	5-23, 6-21	75128	2-15
73517	5-21	73601	5-23, 6-21	75305	2-39
73518	5-21, 6-19	73602	5-23, 6-21	75430	2-39
73519	5-21, 6-19	73603	5-23, 6-21	75934	2-73
73522	5-13, 6-11	73604	5-23, 6-21	75939	2-53
73523	5-13, 6-11	73605	5-24, 6-22	75968	2-23
73524	5-13	73606	5-14, 5-24, 6-22	76316	2-69, 2-75
73525	5-13, 6-11	73610	5-24, 6-22	76570	2-39, 2-49
73527	5-13, 6-11	73618	5-27, 6-25	76960	2-17
73528	5-13, 6-11	73619	5-27, 6-25	77097	2-43, 2-63, 2-75
73529	5-13, 6-11	73620	5-27	77235	3-18
73530	5-13, 6-11	73621	5-27, 6-25	78143	2-25
73532	5-34, 6-34	73622	5-27, 6-25	78785	2-73
73533	5-22, 6-20	73623	5-27, 6-25	79246	2-63
73534	5-22, 6-20	73624	5-27, 6-25	79711	4-15
73535	5-29, 5-34, 6-29, 6-32	73625	5-27, 6-25	79729	4-9
73538	5-31	73626	5-27, 6-25	79731	4-15
73539	5-31	73627	5-26	79739	4-15
73543	5-31	73628	5-26	79740	4-15
73544	5-31, 6-31	73629	5-26, 6-24	79784	4-17
73545	5-31	73630	5-26	79785	4-13
73546	5-31, 6-31	73631	5-26, 6-24	79786	4-13
73547	5-31	73632	5-32	79787	4-13
73548	5-31	73633	5-32, 6-32	79788	4-13
73549	5-31	73634	5-32, 6-32	79789	4-13
73550	5-31	73635	5-32	79792	4-13
73551	5-31	74068	3-5	79794	4-13
73552	5-31	74077	2-59	79795	4-13
73555	5-28, 6-26	74094	4-5, 4-7	79796	4-13
73561	5-15	74095	4-7	79800	4-13
73562	5-14, 5-15, 6-13	74098	4-7, 4-9	79801	4-13
73563	5-15, 6-13	74099	4-7	79802	4-13
73565	5-18, 6-16	74100	4-5, 4-7	79804	4-13
73567	5-17, 6-15	74119	4-9	79805	4-13
73568	5-17, 6-15	74120	4-9	79806	4-13
73569	5-17, 6-15				

CROSS REFERENCE

Part Number	Page Number	Part Number	Page Number	Part Number	Page Number
79807	4-13	9004344	6-7	9005015	6-11
79808	4-13	9004345	6-7	9005016	6-11
79812	4-13	9004346	6-7	9005017	6-11
79814	4-13	9004347	6-7, 6-25	9005018	6-11
79820	4-13	9004348	6-17	9005019	6-22
81584	2-33	9004349	6-18	9005020	6-23
82239	2-43	9004350	6-18	9005021	6-13
82739	3-13	9004351	6-18	9005022	6-13
82809	2-79	9004358	6-19	9005023	6-13
82816	2-79	9004363	6-11	9005024	6-24
82833	2-63	9004367	6-20	9005025	6-25
83887	2-73	9004368	6-21	9005026	6-26
84170	2-73	9004369	6-21	9005027	6-26
84581	2-51	9004372	6-21	9005028	6-26
84638	5-28	9004375	6-22	9005029	6-16
84647	5-3	9004381	6-24	9005030	6-34
84648	5-17, 6-15	9004382	6-24	9005031	6-34
84651	5-15, 5-17, 6-13, 6-15	9004385	6-25	9005032	6-34
86029	2-51	9004389	6-26	9005033	6-31
86328	2-27, 2-57	9004390	6-26	9005034	6-31
86332	3-5	9004393	6-26	9005035	6-31
86659	2-41	9004395	6-27	9005037	6-31
86798	2-39	9004396	6-27	9005038	6-31
87097	2-7	9004397	6-27	9005039	6-31
87099	2-7	9004398	6-27	9005040	6-31
87104	2-63	9004399	6-27	9005041	6-31
87180	2-9	9004400	6-27	9005042	6-31
87181	2-2, 2-3, 2-5, 2-9	9004401	6-27	9005043	6-32
87216	2-57	9004402	6-33	9005044	6-9
87244	2-57	9004403	6-33	9005045	6-9
87299	2-55	9004404	6-33	9005046	6-9
87308	2-17, 2-65	9004405	6-33	9005081	2-15
87333	2-7	9004406	6-33, 6-37	9005789	2-25
87334	2-7	9004407	6-33	97031	2-41
87346	2-9	9004410	6-9, 6-25		
87536	2-21	9004436	6-18		
87546	2-65, 2-67	9004437	6-18		
87581	2-17	9004438	6-18		
87585	2-53	9004445	6-21		
87624	2-55	9004449	6-25		
87631	2-47	9004993	6-3		
87689	2-2, 2-3, 2-5, 2-63	9004994	6-5		
87707	2-53	9004995	6-5		
87738	2-33	9004996	6-4		
87838	2-55	9004997	6-4		
87851	4-17	9004999	6-4		
87866	2-3, 2-5, 2-21	9005000	6-4		
87940	5-5, 6-5	9005001	6-4		
87948	2-9	9005002	6-4		
87949	2-9	9005003	6-7		
87983	2-53	9005004	6-7		
9001543	2-4	9005006	6-7		
9001544	2-5	9005007	6-7		
9001608	2-25, 2-55	9005008	6-18		
9003868	6-32	9005009	6-18		
9003869	6-32	9005010	6-19		
9003870	6-32	9005011	6-11		
9003935	2-33	9005012	6-11		
9004339	6-4	9005013	6-11		
9004343	6-7	9005014	6-11		

PART DESCRIPTION TO PAGE NUMBER CROSS REFERENCE LIST

A

Adaptor Wldt, Vac Wand, 3-21
 Air Cleaner Assy, 2-29
 Alternator, 5-34, 6-34
 Angle Wldt, Front Mount, Die, 2-27
 Angle, Baffle, 2-55
 Angle, Bottom Stiffener, 2-59
 Angle, Brace, 2-31
 Angle, Cable Keeper, 2-49
 Angle, Guide, 2-15
 Angle, Mtg, Air Cleaner, 2-29
 Angle, Mtg, Latch Pin, 2-17
 Angle, Mtg, Muffler, 2-35
 Angle, Radiator Mt, 2-31
 Arm Assy, Lift W/Label, 2-57
 Arm Wldt, Brush, Lh, 2-47
 Arm Wldt, Lift, 2-51
 Arm Wldt, Rh, 2-47
 Arm, Brush, Adj, Lh, 2-49
 Arm, Brush, Adj, Rh, 2-49
 Arm, Safety, W/Label, 2-57
 Armature, Motor [Ku], 6-31
 Armature, 5-31
 Assy pump, injection, 5-17, 6-15
 Assy tappet, 5-17, 6-15
 Assy, Starter, 5-31, 6-31

B

Backing Plate Kn, 2-41
 Backplate Assy, 4-3
 Backup Alarm Kit 6400, 12 V, 3-7
 Baffle, 2-29
 Balance Ring, 4-9
 Ball [Ku], 6-31
 Ball Bearing, 5-26, 5-33, 6-24
 Ball Joint, 250-28, 2-73
 Ball, 4-13, 5-7, 5-13, 5-31, 6-7, 6-11
 Band, Cover [Ku], 6-31
 Band, cover, 5-31
 Band, Mtg, Air Cleaner, 2-29
 Band, Pipe, 5-32
 Band, Pipe, 5-14
 Bar-Fit .06T 1.00W 4.00L,Rbr, 2-65
 Bar-Fit .06T 4.00W 5.00L,Rbr, 2-65
 Barrel, 4-17
 Battery, 12V, Cc Amps:600 Wet, 2-37
 Bearing [Ku], 6-33
 Bearing Cam, 4-3
 Bearing Kit, 4-19
 Bearing Side, 5-13
 Bearing, .750 Bore, 2-47
 Bearing, Ball [Ku], 6-21
 Bearing, Ball, 0.67B 1.57D 0.47W, 2-55
 Bearing, Ball, 1.18B 2.44D 0.6, 3-25,
 3-26, 3-27, 3-28
 Bearing, Ball, 5-23, 6-21
 Bearing, ball, 5-31
 Bearing, Case [Ku], 6-18
 Bearing, Cshft [Ku], 6-18

Bearing, Cshft, -.2mm [Ku], 6-18
 Bearing, Cshft, -.4mm [Ku], 6-18
 Bearing, Cshft, Std [Ku], 6-18, 6-19
 Bearing, Cup&Cone Assy, 2-43
 Bearing, Flange .500B, 2-23
 Bearing, Journal, 2-57, 2-63
 Bearing, Needle, 4-11
 Bearing, Thrust - Fiberglide, 2-51
 Bearing, Thrust, Std [Ku], 6-11
 Bearing, Thrust, 4-3
 Bearing,.50X.38, 2-49
 Bearing-Ball,0.67B 1.57D 0.47W, 2-55
 Bearing-Ball,1.18B 2.44D 0.63W, 2-41
 Bearing-Ball,1.38B 2.83D 0.67W, 2-47
 Bearing-Flange, .500Bore .38L, 2-39
 Bearing-Flange,2 Hole 0.50Bore, 2-23
 Bearing-Self Align 1.250 Bore, 2-57
 Bearing, 4-17, 6-31
 Bellows, Solenoid .75-16, 2-53
 Belt, Seat, 3-19
 Belt, V, 07m 32.2l, 2-2, 2-3, 2-4, 2-5
 Belt, V, 35.5l [3v, 3vx], 2-55
 Belt, V, 9.5mm 37.4l [Ku], 2-2, 2-3, 2-4,
 2-5, 6-34
 Belt, V, 9.5mm 37.4l {Ku}, 5-34
 Block, Adjusting, 2-45
 Block, 2-49
 Bolt [Ku], 5-15
 Bolt [Ku], 6-25, 6-33, 6-37
 Bolt, Adj, 5-24, 6-22
 Bolt, Assy, Adj, 5-24, 6-22
 Bolt, Bearing Case, 5-20
 Bolt, Connecting Rod, 5-13, 6-11
 Bolt, Flng, 6-35
 Bolt, Flywheel, 5-22, 6-20
 Bolt, Hex [Ku], 6-19, 6-21, 6-23
 Bolt, Hex, Soc [Ku], 6-13
 Bolt, joint, 5-17, 6-15
 Bolt, through, 5-31
 Bolt, 4-9, 5-4, 5-5, 5-7, 5-14, 5-20,
 5-21, 5-22, 5-23, 5-25, 5-26, 5-27,
 5-29, 5-31, 5-32, 5-33, 5-34, 5-35,
 5-37, 6-4, 6-5, 6-7, 6-17, 6-18, 6-20,
 6-29, 6-31, 6-34
 Boot, Circuit Breaker, 3-3, 3-5, 3-7
 Boot, Circuitbreaker, 2-21
 Boot, Switch, Ignition, 2-21
 Boot, Switch, 2-21
 Boot, Wire, Starter [Ku], 6-31
 Boot,Batt.Term. 1-2Ga. Red, 2-37
 Boot,Batt.Term.1-2Ga. Black, 2-37
 Boot,Circuit Breaker, 2-21
 Bracket Wldt, Duct, 2-53
 Bracket Wldt, Hinge, 2-61
 Bracket Wldt, Latch, 2-17
 Bracket Wldt, Sbdc, 3-15
 Bracket Wldt, Sppt, Shagr, 2-67
 Bracket Wldt, Steering, Tilt, 2-23
 Bracket, Alarm, Backup, 3-7
 Bracket, Angle, 2-19
 Bracket, Arm, 5-11, 6-9

Bracket, Cable Mount, 2-25
 Bracket, Clip, 2-61
 Bracket, Cylinder, Mtg, 2-63
 Bracket, Door, Indicator, 3-9, 3-13
 Bracket, Drive Motor, 2-43
 Bracket, Flasher, 3-7
 Bracket, Guard, 2-57
 Bracket, Hinge, Brush Door, 2-11, 2-13
 Bracket, Mtg, Back Plate, Rh, 2-63
 Bracket, Mtg, Bearing, 2-47
 Bracket, Mtg, Eng, Front, 2-25
 Bracket, Mtg, Fuel Tank, 2-33
 Bracket, Mtg, Motor, 2-51
 Bracket, Mtg, Propel Cable, 2-73
 Bracket, Mtg, Spring Cable, 2-73
 Bracket, Mtg, 2-51
 Bracket, Pump, 2-71
 Bracket, Retainer, 2-73
 Bracket, Safety Clip, 2-73
 Bracket, Sbdc, 3-15
 Bracket, Seat Adjuster, 2-15
 Bracket, Shaker Switch, 2-53
 Bracket, Stop, Brush Door, 2-11, 2-13
 Bracket, Support, Cover, 2-59, 2-61
 Bracket, Support, Fuelline, 2-33
 Bracket, Support, Shaker, 2-65
 Bracket, Vac Wand, 3-21
 Bracket,Mtg, Back Plate, Lh, 2-63
 Bracket, 2-57
 Brake Assy, 2-41
 Breaker-Circuit, 15 Resetbl, 3-3, 3-5, 3-7
 Breaker-Circuit, 15A Resetable, 2-21
 Breather Elem, 5-8
 Breather, Hyd Cap 5.2Ds Chain, 2-69
 Breather, Hyd, 2-3, 2-5
 Brthr Shield, 5-8
 Brush-Side Swp, Flatwire, 2-7
 Brush-Side Swp, Polypropylene, 2-7
 Brush-Side Swp, Soft Nylon, 2-7
 Brush-Sweep, Natural Fiber, 2-7
 Brush-Sweep, Polyester, 2-7
 Brush-Sweep, Polypropylene and Wire,
 2-7
 Brush-Sweep, Polypropylene, 2-7
 Brush-Sweep, Wedge, Polypropylene, 2-7
 Brush-Sweep, Window, Polypropylene,
 2-7
 Bshg,Piston Pin, 5-13
 Bshng,Idle Gear, 5-21
 Bulb #194, 2-9
 Bulb, 2-59, 3-3, 3-5, 3-7
 Bumper Wldt, Front, 2-61
 Bumper, Rubber, 2-15
 Bushing Assy, Flng, 4 Hole, 1.57B, Stl,
 2-55
 Bushing, Door Pivot, 2-63
 Bushing, Gear, Idler [Ku], 6-19
 Bushing, Gov Gear, 5-3, 6-3
 Bushing, Pin, Piston [Ku], 6-11
 Bushing,B20 D22 L24, 2-41
 Bushing, 4-13

CROSS REFERENCE

C

- C Shaft Metal, 5-13
Cable, Battery Pos 4Ga. 38L, 2-37
Cable, Battery, Negative, 2-37
Cable, Push-Pull, 2-73
Cable, Throttle, 2-19
Cable, 2-3, 2-5, 2-49, 2-51
Cabletie Mount, Adhesive, 2-31, 2-59
Cam Wldt, Speed Limit, 2-39
Cam, Fuel 1, 5-23
Cam, Nickel Plated Kn, 2-41
Camplate, 4-3
Camshaft Assy [Ku], 6-19
Camshaft Assy, 5-21
Camshaft, Fuel, 5-23, 6-21
Cap Assembly, 4-13
Cap Screw, 4-5
Cap Sealing, 5-3, 6-3
Cap, Breather, Hyd, 5.2 Ds, 2-2, 2-4
Cap, End, 4-5, 4-19
Cap, Filler, Oil [Ku], 5-9, 6-12
Cap, Fuel, 2-33
Cap, Hub, 2-41
Cap, Radiator, 14psi [Stant], 2-31
Cap, Screw, Idler [Ku], 6-22
Cap, Screw, 4-7
Cap, Sealing, 5-3, 6-3
Cap, Steering Wheel, 2-23
Cap, Valve Stem, 2-43, 3-24, 3-27, 3-28
Cap, Sealing, 5-5, 6-5
Cap, Valve, 5-11, 6-9
Cap, 2-47, 5-5, 5-24, 6-5
Cart, PSI CN CP, 4-15
Case Assy, Brg, 5-20
Case Asy, Mainbr, 5-20
Case Asy, Mainbrg, 5-20
Case, Gear, Complt [Ku], 6-7
Case, Main, Brg Assy, 6-18
Chain, Sah#35, 4Links, Cad 2.37, 3-7
Chain, Jack#12, 6Links, Znc, 3-21
Chain, Link#2/08 5Links, Br.Zinc, 2-9
Channel Wldt, Ohg, Lh, 3-11
Channel Wldt, Ohg, Rh, 3-11
Channel Wldt, 2-27
Channel, Fuel Drip Shield, 2-33
Channel, Latch, 2-17
Channel, Mounting, Steering La, 2-23
Channel, Mtg, Fan, 2-55
Channel, Recirculation Flap, 2-9
Cir-Clip, Ext, 5-11, 5-26
Cir-Clip, Gear, 5-21, 6-19
Cir-Clip, Gov, 5-23, 6-21
Cir-Clip, Pin, 5-13, 6-11
Circuitbreaker, 15a, Resetable, 2-21
Clamp [Kubota], 6-32
Clamp Assy Dn, 2-29
Clamp, Cable 1.0 Dia, 2-27
Clamp, Cable 1.5 Dia, 2-27, 2-57
Clamp, Cable, Stil, 0.18d X 0.75w, 1hole, 2-25
Clamp, Cable, Stil, 0.69d X 0.62w, 1hole, 2-31
Clamp, Cable, Stil, 1.75d X 1.00w, 1hole, 2-19
Clamp, Hose, Heater [Ku], 6-32
Clamp, Hose, 5-9, 6-12
Clamp, Pipe1, 5-28
Clamp, Pipe2, 5-28
Clamp, Tube, Inj, Pipe [Ku], 6-26
Clamp, Tube, Inj, Pipe [Ku], 6-26
Clamp, Cable .44D .62Wide, 2-31, 2-33
Clamp, Hose-4.0Dia., Over Center, 2-55
Clamp, Tube-Double, 2-69
Clamp-Cable, .88Dia .56Wth, 2-27
Clamp-Cable, 0.38D 0.38W Stil, 3-7
Clamp-Cable, 0.38D 0.38W stil, 3-3
Clamp-Cable, 0.38Dia 0.38Wth, 3-21
Clamp-Cable, 0.75d 0.88w Stil, 2-25
Clamp-Cable, 1.00Dia. .62Wth, 2-19, 2-25
Clamp-Cable, 1.75d 1.0w Stil, 2-25
Clamp-Cable, .69Dia. 62Wth, 2-9, 2-19, 2-47
Clamp-Muff, For 1.75 Od Tube L, 2-35
Clamp-Muffler, For 1.37 Od Tube, 2-35
Clamp-Wormdrive, 0.25- 0.62D, 2-33
Clamp-Wormdrive, 0.81- 1.50D, 2-31
Clamp-Wormdrive, 1.06- 2.00D, 2-35
Clamp-Wormdrive, 1.56- 2.50D L, 2-29
Clamp-Wormdrive, 2.63- 4.50D, 2-53, 2-55
Clamp, 5-32
Clevis Pin, 4-17
Clevis, Adjust.0.25-28Th.Cad., 2-41, 2-51
Clip Spring Prop Arm, 2-57
Clip, Pipe, 5-28
Clip-Finger Grip, 3-21
Clutch, Starter [Ku], 6-31
Clutch, 5-31
Coil, 12V, 4-15
Collar, Crankshaft, 5-13, 6-11
Collar, Gear, 5-21, 6-19
Collar, 5-26, 6-24
Collet, Spring, 5-11, 6-9
Column, Steering #2 10Lg Wire, 2-23
Comp.Case, Gear, 5-7
Comp.Crankcase, 5-3
Comp.Crankshaft, 5-13, 6-11
Comp.Cyl.Head, 5-5
Comp.Lever, Fork, 5-26
Comp.Weight, 5-23, 6-21
Cone, 4-13
Connecting Rod Assy, 5-13
Connector, Blade, 2 Terminal [AltV], 6-34
Cord, Sponge, 2-3, 2-5
Cord, stop solenoid, 5-31
Cord, Glow Plug, 5-28, 6-26
Coupler, Hyd Pump, 2-71
Coupling Assy, Flywheel, 2-27
Cover [Ku], 6-31
Cover Assy, Head, Cyl, 5-9, 6-12
Cover, Breather, 5-9, 6-12
Cover, Brg Case, Eng [Ku], 6-18
Cover, cord, 5-31
Cover, Hole, Pump, Fuel [Ku], 5-18, 6-16
Cover, Hopper, 2-61
Cover, Lever, 5-26, 6-24
Cover, O-Ring, 4-3
Cover, Pump, 5-24, 6-22
Cover, Thermostat, 5-32
Cover, Trunion, 4-3
Cover, Belt, 5-34
Cover, Oil Pump, 5-7
Cover, 4-3, 6-7
Crank Pin, Metal, 5-13, 6-11
Crankcase Assy [Ku], 6-3
Crankshaft Mtl1(02), 5-13, 6-11
Crankshaft Mtl2 (2), 5-13
Crankshaft Mtl3(02), 5-13
Crankshaft, Keyway, 5-13, 6-11
Crankshaft, Metal [Ku], 6-18
Crescent Ring, 4-11
Cshaft Sleeve, 5-13, 6-11
Cshft Mtl 1, 5-13, 6-11
Cshft Mtl1, 5-13, 6-11
Cshft Mtl2, 5-13
Cshft Mtl3, 5-13
Cshft, Mtl2, 5-13
Cup Assy Dn, 2-29
Cvr Assy, Cyl. Hd, 5-8
Cvr Asy, Brgcase, 5-20
Cyl. Head Bolt, 5-5, 6-5
Cylinder, Hyd 2.5B (See Breakdowns), 2-57
Cylinder, Hyd 2.5B 13.5S 2500, 4-17
Cylinder, Hyd, 2.0b 08.0l 04.00strk 2500, 2-63
Cylinder, Hyd, 2.0b, 15.0l, 08.00strk, 1500, 2-43
Cylinder, Hyd, Hopper Lift, 2-57
Cylinder-Hyd2.0X8.0Da1500Psi, 2-43

D

- Damper Plate, 2-53
Damper Weld., 2-53
Dampner, Engine, 2-27
Deflector, Hopper, Lh, 2-59
Deflector, Hopper, Rh, 2-59
Detent Adaptr, 4-13
Diode, Elec, Plug, 2-87
Dipstick [Ku], 6-17
Dipstick, Oil [Ku], 6-17
Door Wldt, Dump, 2-63
Door Wldt, Lh, 2-13
Door Wldt, Rh, 2-11
Door, Access W/Label, 2-59
Drain Cock, .25Npt Wh#120 Angl, 2-31
Draincock Asy, 5-3, 6-3
Drive Kit, Vacfan, Ci [6400 Dsl], 2-25, 2-55
Drive Shaft, 4-11
Drive, 4-5, 4-7, 4-9, 4-19
Duct, Vinyl 14.0, 3-5
Duct, Vinyl 26.0, 3-5
Dust Control Kit, Side Brush, 3-15

E

Elem.Plate(1), 5-8
 Elem.Plate(2), 5-8
 Element, Air Filter, 2-2, 2-4, 2-29
 Element, Filter, Air, 2-3, 2-5
 Element, Filter, Fuel, 2-3
 Element, Filter, 3-13
 Element, Fltr, Oil, Spin-on [Ku], 6-7
 Element, pump, 5-17, 6-15
 End Cap, 4-7
 End Housing, 4-11
 Eng Mtg Kit, Rear Diesel, 2-27
 Engine, Diesel Kubota, (See Engine Breakdown), 2-25
 Engine, Dsl, Kubota D1005 [2008], (See Engine Breakdown), 2-25
 Extinguisher Kit, Fire 6400, 3-16
 Extinguisher, Fire, 3-16

F

Fan Pulley, 5-34
 Fan Wldt, Housing, 2-55
 Fan, 5-35, 6-35
 Filter Assy, Fuel, Diesel, 2-33
 Filter Assy, Spin-On 10Micron, 2-69
 Filter Assy, Spin-On, 3-13
 Filter, Fuel, Element, 2-2, 2-4, 2-5, 2-33
 Filter, Fuel, 2-2, 2-3, 2-4, 2-5
 Filter, Hydraulic Oil, Spin On, 2-2, 2-4, 2-69
 Filter, Oil, Hyd, 2-3, 2-5
 Filter, Panl, Dust, 3.6 X 20.0 X 30.0, 2-2, 2-3, 2-5, 2-65, 2-67
 Filter, Panl, Syn, 4.2 X 20.0 X 30.0, 2-67
 Fitting, Brass E90, 2-33
 Fitting, Brs, Str, Pm02/lf05, 2-33
 Fitting, Pipe, Plug [Ku], 6-7, 6-32
 Fitting, Pipe, Water [Ku], 6-33
 Fitting, Plug, Org, #6, Valve, 4-21
 Fitting, Plug, Pump, Inj [Ku], 5-15, 6-13
 Flange Bearing 1.00 Bore, 2-57
 Flange Mounting, 4-5, 4-7
 Flange, Bearing, 2-47, 2-55
 Flange, Pump, Water [Ku], 6-33
 Flange, sleeve, 5-17, 6-15
 Flange, Water [Ku], 6-32
 Flap Recirculation, 2-2, 2-9
 Flap, Recirculation, 2-3, 2-5
 Flap, Tire 2F 500, 2-43, 3-24, 3-27, 3-28
 Flasher, 12v, 3-7
 Flywheel,Comp., 5-22
 Flywheel,Comp, 6-20
 Follower, Screw, Pump, Inj [Ku], 5-15, 6-13
 Frame, End, Drive, 6-31
 Frame, end, 5-31
 Frame, lc, 2-9
 Ftg Cap Npt 02Pf, 2-29
 Ftg, Banjo, Fuel, 2-33
 Ftg, Breather, 3-13
 Ftg, Grease.25-28Th Strt .47L, 2-57

Ftg, Grease.25-28Th Strt .63L, 2-43
 Ftg,Brass,St Bm03/Pm02, 3-13
 Ftg-Brs E45 Pm02/Pf02, 3-13
 Ftg-Brs E90 lf03/Pm02, 2-33
 Ftg-Brs Str lf05/Pm02, 2-33
 Ftg-Hyd E45 Jm04/Om04, 2-63
 Ftg-Hyd E45 Jm06/Om06, 2-43
 Ftg-Hyd E45 Jm08/Om10, 2-69
 Ftg-Hyd E45 Jm10/Om10, 2-43
 Ftg-Hyd E90 Jm04/Om04, 2-43, 2-63, 2-75
 Ftg-Hyd E90 Jm04/Om06, 2-57, 2-74
 Ftg-Hyd E90 Jm06/Om06, 2-43, 2-57, 2-74
 Ftg-Hyd E90 Jm06/Om08, 2-71
 Ftg-Hyd E90 Jm08/Om10, 2-51
 Ftg-Hyd E90 Jm08/Om12, 2-69
 Ftg-Hyd E90 Jm12/Om12, 2-69
 Ftg-hyd Plg Jm08, 2-25
 Ftg-Hyd Rst Jm04/.047, 2-57
 Ftg-Hyd Str Jm04/Jf06, 2-23
 Ftg-Hyd Str Jm04/Om04, 2-47, 2-75
 Ftg-Hyd Str Jm04/Om06, 2-74
 Ftg-Hyd Str Jm06/Jf08, 2-51
 Ftg-Hyd Str Jm06/Om06, 2-23, 2-75
 Ftg-Hyd Str Jm06/Om08, 2-47, 2-71, 2-74
 Ftg-hyd Str Jm08/jf12, 2-25
 Ftg-Hyd Str Jm08/Om08, 2-71, 2-75
 Ftg-Hyd Str Jm08/Om12, 2-69
 Ftg-Hyd Str Jm10/Om10, 2-43
 Ftg-Hyd Str Jm10/Om12, 2-71
 Ftg-Hyd Str Jm12/Om10, 2-71
 Ftg-hyd Str Metric Omm22/jm12, 2-25
 Ftg-Hyd Str Pm02/Pm02, 2-33
 Ftg-Hyd Str Pm04/Pf02, 2-33
 Ftg-Hyd Tee Jm06Jfjm, 2-74
 Ftg-Hyd Tee Jm06Jmjf, 2-23
 Ftg-Hyd Tee Jm06Jmom, 2-69, 2-75
 Ftg-Str Npt/Npt 02Pf-06Pm, 2-33
 Fuel Gauge, 2-21
 Fuel Line, Die Engine, 2-33
 Fuel Line, Die. Tank-Pump, 2-33
 Fuelline, 2-33
 Fuse, 30A 32V, 2-87

G

Gasket [Ku], 6-22
 Gasket, 2.7D 1.5B.12T 5/ 2.1Bc, 2-33
 Gasket, Bearing Case, 5-20
 Gasket, Bearing, Case [Ku], 6-18
 Gasket, Case, Gear [Ku], 6-18
 Gasket, Cover, Valve, 5-9, 6-12
 Gasket, deliv valve, 5-17, 6-15
 Gasket, Drain Plug, 5-4
 Gasket, F/ Bolt [Ku], 6-25
 Gasket, F/ Screw [Ku], 5-15, 6-13
 Gasket, F/Bolt, 5-9, 6-12
 Gasket, Flange, 5-32
 Gasket, Ftg, Banjo [Ku], 5-15, 6-13
 Gasket, Gearcase, 5-7, 6-7
 Gasket, Head, Cyl [Ku], 6-5

Gasket, Hsg, Thermostat [Ku], 6-32
 Gasket, Hyd Cap, 2-69
 Gasket, Manifold, Exh[Ku], 5-38
 Gasket, Manifold, Intake [Ku], 6-37
 Gasket, Neo, .06, 02.00w 02.00l, Adh, 2-67
 Gasket, Plug, Drain [Ku], 6-4
 Gasket, Pump, Fuel [Ku], 5-18, 6-16
 Gasket, Pump, Water [Ku], 6-33
 Gasket, Solenoid, Throttle [Ku], 6-23
 Gasket, Throttle Blk, 5-25
 Gasket,Oil Pan, 5-4
 Gasket, 5-3, 5-4, 5-8, 5-14, 5-17, 5-24, 5-26, 5-27, 5-28, 5-32, 5-36, 6-3, 6-15, 6-22, 6-24, 6-25, 6-26, 6-32, 6-36
 Gauge Kit, Hourmeter, F/31988 [10k], 2-21
 Gauge, Hourmeter, 12-60vdc, Analog [10k], 2-21
 Gear, Camshaft, 5-21, 6-19
 Gear, Crankshaft, 5-13, 6-11
 Gear, Gc .750, 4-11
 Gear, Idle, 5-21, 6-19
 Gear, Injection, Pump [Ku], 6-21
 Gear, Oil Pump, 5-13, 6-11
 Gear, Pump, 5-23
 Gear, Ring [Ku], 6-20
 Gear, Starter [Ku], 6-31
 Gear,Governor, 5-23, 6-21
 Gear, 5-31
 Geroler, 4-9
 Geroter, 4-5
 Gerotor Set, 4-7
 Gerotor, 4-19
 Glow Plug Timer, 2-21
 Glow Plug, 5-28
 Glowplug [Ku], 6-26
 Gov.Sleeve, 5-23, 6-21
 Gov.Spring, 5-26, 6-24
 Grip, Vinyl .250 X .750 X 4.00, 2-74
 Grip, Vinyl, .375ld X 2.75, 2-53
 Grommet, Rbr, 0.38ld, For .12 Matl, 3-5
 Grommet, Rbr, 0.56id For .13matl, 3-7
 Grommet, Rbr, 0.69id, For .25matl, 3-7
 Grommet, Rbr1.62ld,For .13Matl, 2-33, 2-55
 Grommet,Rbr,0.62ld,For .06Matl, 3-13
 Grommet,Rbr,0.69ld,For .25Matl, 2-59, 2-61
 Grommet,Rbr,1.06ld,For .19Matl, 2-73
 Gskt, Case Cvr, 5-20
 Gskt,Cyl.Head, 5-5
 Gskt,Ex-Manifold, 5-36, 6-36
 Gskt,Head Cover, 5-8
 Gskt,In-Manifol, 5-37
 Gskt,Water Pump, 5-33
 Guard Kit, Overhead, 3-11
 Guard, Belt [Ku], 6-34
 Guard, Brush, 2-51
 Guard, Exhaust, 2-35
 Guard, String, Brush Motor, 2-51
 Guide Asy,Oilga, 5-19

CROSS REFERENCE

Guide, Exhaust Valve, 5-5
Guide, Inlet Valve, 5-5
Guide, Use And Care, 2-88
Guide, Valve, Exhaust, 6-5
Guide, Valve, Inlet, 6-5

H

Handle Lift Brush, 2-23
Handle Wldt, Side Brush, 2-49
Handle, Control, Valve, 2-74
Harness Jumper, Backup Alarm, 3-7
Harness, Hopper, 2-87
Harness, Main, Liq, Diesel, 2-87
Harness, Warning, Light Ohg, 6400, 3-5
Harness, Warning, Light, 3-3
Head, Cyl, W/O Valve [Ku], 6-5
Head, 4-17
Headlight Assy, 12V, 2-59
Headlight Assy, 3-7
Hinge Set, Access, Door, Painted, 2-59
Hinge, Access, Door, Painted, 2-59
Hinge, Door, Brush, 2-11, 2-13
Hinge, Leaf, 2-63
Hinge, 2-15
Holder Assy, Nozzle, 5-28
Holder, Brush [Ku], 6-31
Holder, brush, 5-31
Holder, deliv valve, 5-17, 6-15
Holder, Gear, 5-23, 6-21
Holder, 5-23, 6-21
Hook, Engine 2, 5-5, 6-5
Hook, Engine, 5-5, 6-5
Hopper Door Light Kit, 12V, 3-9
Hopper, 2-59
Horn, 12V, 2-53
Horn, Back-up Alarm, 3-7
Hose, Air Intake, 2-29
Hose, Flexflyte, Formed, 2-3, 2-5, 2-55
Hose, Flexible 4.0 Id X 8.0 Lg, 2-53
Hose, Flexible, 2-3, 2-5
Hose, Fuel [Ku], 6-26
Hose, Fuel, 0.31Id 05.0L, 2-33
Hose, Fuelline, 10.0L, 2-33
Hose, Hyd, Med04, Jf04e45/Jf04str, 018.0, 2-79
Hose, Intake, Die, 2-29
Hose, Radiator, Lower, 2-31
Hose, Radiator, Upper, 2-31
Hose, Rbr .188 I.D. X 29.0 Lg, 2-33
Hose, Vacuum .16 Id X 54.0 Lg, 3-13
Hose, Vacuum, With Cuff, 2-3, 2-5
Hose, Water [Ku], 6-32
Hose&2Cuff Assy, Vinyl2.0Id10Ft, 3-21
Hose&2Cuff Assy, Vinyl4.0Idx 50, 2-55
Hose-Hyd Ar 04 Jf/J9, 2-79
Hose-Hyd Ar 06 Jf/J9, 2-79
Hose-Hyd Ar 10 Jf/J4, 2-79
Hose-Hyd Ar 10 Jf/J9, 2-79
Hose-Hyd Low 08, 2-79
Hose-hyd Low Jf/jf, 2-25
Hose-Hyd Low06 Jf/J4, 2-79
Hose-Hyd Low06 Jf/J9, 2-79

Hose-Hyd Med 04, 2-79
Hose-Hyd Med04 Jf/J4, 2-79
Hose-Hyd Med04 Jf/J9, 2-79
Hose-Hyd Med04 Jf/Jf, 2-79
Hose-Hyd Med06 Jf/J9, 2-79
Hose-Hyd Med06 Jf/Jf, 2-79
Hose-Hyd Med06 Spcl 38.0Jf/JI9, 2-79
Hose-Hyd Med06, 2-79
Hose-Hyd Med08 Jf/J4, 2-79
Hose-Hyd Med08 Jf/J9, 2-79
Hose-Hyd Suc12 Jf/J4, 2-79
Hose-Hyd, 2-79
Hourmeter, 2-21
Housing Assy, Nozzle, 5-28, 6-26, 6-27
Housing, Brg, 4-9
Housing, Flywheel, Die, Mach, 2-27
Housing, Support, Drive, 2-43
Housing, Thermostat [Ku], 6-32
Housing, Valve, 4-9
Housing, 4-5, 4-7, 5-31
Hub & Stud Assy, 2-43
Hub Assembly, 3-25, 3-26, 3-27, 3-28
Hub, Brush Adaptor, 1.00B, 2-51
Hub, Wheel w/studs, 3-25, 3-26, 3-27, 3-28
Hub, 2-73

I

Idle App. Assy, 5-24, 6-22
Impeller, 9.00 Dia X 1.40w x0.376B, 2-55
Impeller, Pump, Water [Ku], 6-33
Impeller, Water Pump, 5-33
Indicator Kit, 12V, 3-13
Indicator Service Air Filter, 3-13
Inject. Pipe 1, 5-28, 6-26
Inject. Pipe 2, 5-28, 6-26
Inject. Pipe 3, 5-28, 6-26
Inlet Valve, 5-11, 6-9
Insert, Steering Wheel, 2-23
Instr Motor Seal Kit, 4-11
Instr. Repair Info, Motor, 4-5, 4-7
Instr. Valve Repair Info, 4-13
Instr. Repair Info, 4-19
Insulation S/Foam, 3-11
Insulation, Sound Foam, Side, 2-19
Insulation, Sound Foam, 2-15
Insulation, Soundfoam, 2-55
Isolator, Exhaust, 2-35
Isolator, Rear, 2-25

J

Joint Pipe, 5-7, 6-7
Joint, Eye, 5-14, 5-15, 6-13
Joint, Pipe, 5-8

K

Keeper, 4-17
Key Set, Switch, 2-21
Key Square 0.12 0.12 00 1.0 Lg, 2-55

Key Square 0.18 0.18 00.75 Lg, 2-55
Key, Square, 4-11
Key, Switch, Set Of Two, 2-3, 2-5
Key, Woodruff, 0.19 0.75, [Asa#0606], 2-55
Key, Woodruff, 5-23, 6-21
Key-Wdruff 0.25 1.00 Asa#0808, 4-7
Key, 4-3, 4-9
Keyway, 5-21, 6-19
Kit, Ci, Fuel Filter Removal [6400D], 2-33
Kit, Detent In, 4-13
Kit, Repair, Shaft Assy, 2-55
Kit, Repair, Shaft W/ Key, 2-55
Knob, Tapered, 2-45, 2-49

L

Label Set, Info & Hazard, 2-88
Label Set, Operational, Die, 2-88
Label, Numerals 6400, 2-88
Label, Tennant Logo, 2-59
Lamp, Indicator 12 Volt, 2-21, 3-9, 3-13
Lanyard Assy, 2-3, 2-5, 2-15
Latch Wldt, Shroud, 2-17
Latch, Hopper, 2-61
Latch, Swell, 2-3, 2-5, 2-11, 2-13
Latch, 2-17
Lens, Amber, 3-3, 3-5
Lens, Revolving Light, Blue, 3-3, 3-5
Lens, Revolving Light, Red, 3-3, 3-5
Lever Assy, Fork, Govnr [Ku], 6-24
Lever Wldt, Brake, 2-41
Lever Wldt, Brush Lift, 2-45, 2-49
Lever, Adjustable, Plastic, 2-45, 2-49
Lever, Assy, 5-26
Lever, Brake Stop, 2-41
Lever, Brake, 2-41
Lever, Brush Lift, 2-45
Lever, Comp, 5-27, 6-25
Lever, Eng Stop, 5-27, 6-25
Lever, Fork [Ku], 6-24
Lever, Fork 2, 5-26
Lever, Fork, Shaft [Ku], 6-24
Lever, Vac Fan, 2-53
Light Assy, Tail, 2-9
Light Inst/Clr 12V, 2-21
Light Kit, Revolving, 6400, 3-3
Light Kit, Revolving, Ohg, 6400, 3-5
Light, Rev. Amber 12V - Rework, 3-3, 3-5
Link Assy, Valve Handle, 2-74
Link, Main Brush Lift, 2-45
Link, Speed Limit, 2-39

M

Maint Kit, 400hr [6400 Dsl, Kubo], 2-4
Maint Kit, 800hr [6400 Dsl], 2-5
Maint Kit, Dump Door Seals, 2-2
Maint Kit, Hopper Door Skirts, 2-2
Maint Kit, Hopr Filter & Seals, 2-2
Maint Kit, M Br Door Skirts, 2-2
Maint Kit, Recirculation Flap, 2-2

Manifold Assy, Inlet, 6-37
 Manifold,Exh, 5-36, 6-36
 Manual Pkg 6400D-Liq, Japanese, 3-29
 Manual Pkg 6400D-Liq, 3-29
 Manual, Cd-Rom, Service, All, 3-29
 Manual, Eng Service, [Kubota 73.6MM], 3-29
 Manual, Operator 6400D-Liq, French, 3-29
 Manual, Operator 6400D-Liq, Spanish, 3-29
 Manual, Service 6400G/D, 3-29
 Met11, Side, 5-13, 6-11
 Mnfld,Inlet, 5-37
 Molding, Rigid, 2-9
 Molding, Trim 11-14Ga 5.00, 2-9, 2-13
 Molding, Trim 16Ga & thinnr 2.2, 2-55
 Molding, Trim 3/16-5/16 10.0, 3-11
 Molding, Trim 3/16-5/16 2.75, 3-5
 Molding, Trim 3/16-5/16 5.0, 2-19
 Molding, Trim, Leather, Black, 3-11
 Motor, Ele, 12vdc 1375rpm 0.08hp 08.4a, 2-67
 Motor, Hyd Gear (See Breakdowns), 2-43, 2-47, 2-51
 Motor, Hyd Gear In 02.2 B 1500, 4-7
 Motor, Hyd Gear In 09.7 B 1500, 4-5
 Motor, Hyd Gear In 18.6 B 3000, 4-9
 Motor,Elec Shaker 12V, 2-65
 Muffler Assy, Vac Fan Wldt Kub, 2-55
 Muffler, 2-35

N

Nozzle [Ku], 6-27
 Nozzle, Spring [Ku], 6-27
 Nut [Ku], 5-15, 6-13
 Nut [Ku], 6-27
 Nut Assy Dn, 2-29
 Nut Hex, Lock, M3 X 0.5, NI, 2-19
 Nut Hxlocnyln M 4X 0.7 Reg Ss, 2-59
 Nut Hxlocnyln M 6X1.0 Reg Ss, 3-21
 Nut Wheel .50-20 60 Angle, 2-43
 Nut, Cap, 5-8, 5-23, 6-21
 Nut, Cart., Lng Cp, 4-15
 Nut, Flange [Ku], 6-16
 Nut, Flng [Ku], 6-26
 Nut, Hex, Flange[Ku], 6-25
 Nut, Hex [Ku], 6-7, 6-31
 Nut, Hex, Cap, 5-9, 6-12
 Nut, Hex, Flng, M10 X 1.5, 2-57
 Nut, Hex, Flng, M10 X 1.50, 3-15
 Nut, Hex, Flng, M12 X 1.75, 3-11
 Nut, Hex, Flng, M6 X 1.0, 2-25, 2-55
 Nut, Hex, Flng, M6 X 1.00, 2-33
 Nut, Hex, Flng, M8 X 1.25, 2-15, 2-19, 2-27, 2-29, 2-31, 2-33, 2-45, 2-53, 3-7, 3-15
 Nut, Hex, Jam, .50-13, 2-17
 Nut, Hex, Lock, .25-20, NI, 2-33, 2-73
 Nut, Hex, Lock, .31-18, NI, Thin, 3-18
 Nut, Hex, Lock, .31-18, NI, 2-17
 Nut, Hex, Lock, .31-24, NI, 2-11, 2-13

Nut, Hex, Lock, .50-13, NI, 2-25
 Nut, Hex, Lock, .75-10, NI, 2-43, 2-47
 Nut, Hex, Lock, M10 X 1.5, NI, Ss, 2-43, 3-27, 3-28
 Nut, Hex, Lock, M10 X 1.5, NI, 2-31, 2-43, 2-49, 2-57, 2-59, 2-61, 3-19
 Nut, Hex, Lock, M12 X 1.75, NI, 2-41
 Nut, Hex, Lock, M12 X 1.75,NI, 2-27, 2-43, 2-47
 Nut, Hex, Lock, M4 X 0.70, NI, 2-65, 2-67, 3-13, 3-21
 Nut, Hex, Lock, M5 X 0.80, NI, 2-61, 3-9, 3-13
 Nut, Hex, Lock, M6 X 1.0, NI, 2-21, 2-55, 2-57, 2-59, 2-65
 Nut, Hex, Lock, M6 X 1.00, NI, 2-17, 2-23, 2-33, 2-41, 2-53, 2-74, 3-15
 Nut, Hex, Lock, M8 X 1.25, NI, 2-9, 2-25, 2-35, 2-39, 2-41, 2-45, 2-47, 2-49, 2-51, 2-57, 2-59, 2-61, 2-63, 2-67, 2-71, 2-73, 3-7, 3-15, 3-17
 Nut, Hex, Std, .25-28, 2-73
 Nut, Hex, Std, .75-16, 2-43
 Nut, Hex, Std, #06-32, 3-7
 Nut, Hex, Std, M3 X 0.5, 8, 2-19, 2-21, 2-57
 Nut, Hex, Std, M8 X 1.25, 2-65
 Nut, hexagon, 5-31
 Nut, Nozzle [Ku], 6-27
 Nut, Valve, Cartridge, 4-21
 Nut,Cap, 5-24, 6-22
 Nut-Hx Flexloc .31-24 Thin Pltd, 2-55
 Nut-Hx Jam .25-28 Pltd, 2-41, 2-51
 Nut-Hx Jam, M20X1.5, 2-23
 Nut-Hx Std 10-32 G2 Pltd, 2-9
 Nut-Hxflexloc .50-13 Thin Pltd, 2-51
 Nut-Hxlocnyln .25-20 Thin Pltd, 2-73
 Nut-Hxlocnyln .25-28 Reg Pltd, 2-73
 Nut-Hxlocnyln .31-18 Thin Pltd, 2-15
 Nut-Hxlocnyln 06-32 Regss18-8, 2-53
 Nut-Hxlocnyln M16X2.0 Reg Pltd, 2-51
 Nut-Hxslot .75-16 Pltd, 4-7
 Nut-Hxslot .75-16 Pltd, 2-41
 Nut-Hxslot 1.00-20 Pltd, 2-43
 Nut-Wheel .50-20 60 Angle, 3-25, 3-26, 3-27, 3-28
 Nut, 4-9, 5-7, 5-11, 5-14, 5-18, 5-24, 5-27, 5-32, 5-36, 6-9, 6-22, 6-25, 6-31, 6-36

O

O ring, 5-17, 6-15
 O-Ring Gland, 2-71
 O-Ring, 5-3, 5-4, 5-5, 5-7, 5-8, 5-13, 5-19, 5-27, 6-3, 6-17
 Ohm Sending Unit, 2-33
 Oil Cartridge, 2-2, 2-3, 2-4, 2-5, 5-7
 Oil Pan,Comp, 5-4
 Oil Seal, 5-27, 6-25
 Oil Switch, 5-5, 6-5
 Oil, Hydr. Shp 15/40 1Gal, 2-3, 2-5
 Oilgage Guide, 5-19

P

Pad, Tread, 2-39
 Pad, 2-41
 Paint, Airdry, Blk, 12oz, 2-2
 Paint, Airdry, Gray, 12oz, 2-2
 Paint, Airdry, Iron Gray, 12oz, 2-2
 Paint, Airdry, Off-White, 12oz, 2-2
 Paint, Airdry, Teal, 12oz, Solid, 2-2
 Pan, Oil, Complt [Ku], 6-4
 Panel Wldt, Oper Station Floor, 2-19
 Panel Wldt, Oper Station Instr, 2-19
 Panel Wldt, Oper, Ic W/Label, 2-19
 Panel Wldt, Perma-Filter, 2-59
 Panel Wldt, Top, Ohg, 3-11
 Panel, Debris, Lh, 2-59
 Panel, Debris, Rh, 2-59
 Panel, Louver, 2-15
 Panel, Shroud, 2-31
 Pedal Wldt, Lower, 2-39
 Pedal, Upper, 2-39
 Performance Pkg 400Hr Diesel, 2-2
 Pin Assy, Clevis, Hopper Lift, 2-57
 Pin Assy, Side Brush W/Clip, 2-51
 Pin Hair Cotter .056Dx1.1L, 2-51
 Pin, clamp, 5-17, 6-15
 Pin, Clevis .31 Dia X 4.50 Lg, 2-39
 Pin, Cotter, .094 X 1.00, 2-49
 Pin, Cotter, .125 X 0.75, 2-53
 Pin, Cotter, .125 X 1.00, 2-41, 2-63
 Pin, Cotter, .125 X 1.25, 2-45, 2-47
 Pin, Cotter, .187 X 1.75, 2-57
 Pin, Cotter, .250 X 1.25, 2-57
 Pin, Dowel, 4-3
 Pin, Drive, 4-11
 Pin, Hair Cotter 13D 3 Wire, 2-39
 Pin, joint, 5-17, 6-15
 Pin, Pipe, 5-3, 6-3
 Pin, Piston, 5-13, 6-11
 Pin, Pivot, 2-43
 Pin, Roll .31 X 0.75, 2-27
 Pin, Roller, 2-39
 Pin, Spring [Ku], 6-9, 6-25
 Pin, Spring, 5-27
 Pin, Straight [Ku], 6-7
 Pin, Straight, 5-3, 6-3
 Pin, tappet guide, 5-17, 6-15
 Pin,Clevis,0.25 Dia.X 0.75 Lg, 2-41, 2-51
 Pin,Clevis,0.37 Dia.X 2.00 Lg, 2-49
 Pin,Clevis,0.37 Dia.X 2.12 Lg, 2-49
 Pin,Clevis,0.50 Dia.X 1.25 Lg, 2-45
 Pin,Clevis,0.50 Dia.X 3.50 Lg, 2-63
 Pin,Clevis,0.50 Dia.X 6.00 Lg, 2-63
 Pin,Pipe, 5-3, 6-3
 Pin,Roll,.25Odx0.75L,.250/.256, 2-57
 Pin,Roll,.25Odx3.50L,.250/.256, 2-47
 Pin,Start Sprngku, 5-3, 6-3
 Pin, 2-57, 4-9, 4-19
 Pinion, Bevel, 6-31
 Pipe Assy,Fuel, 5-14
 Pipe Assy, 5-28
 Pipe Asy,Oflow, 5-28, 6-26
 Pipe, Breather [Ku], 6-37
 Pipe, Breather, 5-8

CROSS REFERENCE

Pipe, Clip [Ku], 6-26
Pipe, Exhaust, Die, 2-35
Pipe, Fuel, Overflow [Ku], 6-26
Pipe, Water [Kubota], 6-32
Pipe, Water Ret, 5-32
Pipe, Water, Return, 6-32
Pipe, Water, 5-9, 5-32, 6-12
Pipe, Water Retr, 5-32
Piston [+ .5mm, Ku], 6-11
Piston Ring, 5-13
Piston Rod, 4-17
Piston T0.5Mm, 5-13
Piston, Std [Ku], 6-11
Piston, 4-17, 5-13
Plain Washer, 5-26
Plate - Hose Support, 2-43
Plate Assy, Control, 5-27, 6-25
Plate Seal, 2-47
Plate Wldt, Back, Hopper, 2-63
Plate Wldt, Brake Lever, 2-41
Plate Wldt, Pivot, Lh, 2-59
Plate Wldt, Pivot, Rh, 2-59
Plate Wldt, Rear Mt, Lh, Die, 2-25
Plate Wldt, Rear Mt, Rh, Die, 2-25
Plate, Cover, Headlight Lh, 2-59
Plate, Cover, Headlight, Rh, 2-59
Plate, Drip Shield, Muffler, 2-35
Plate, Fire Ext Mtg, 3-16
Plate, Floor W/Tread, 2-19
Plate, Keeper, 2-61
Plate, Latch, 2-61
Plate, Motor, Shaker, 2-65
Plate, Mtg, Light, 2-21
Plate, Mtg, Seat Belt, 3-19
Plate, Mtg, Shaker, 2-65
Plate, Mtg, Steering Boot, 2-23
Plate, Seal, Hyd Drive, 2-13
Plate, Shaker, Bar, 2-65
Plate, Shaker, Side, 2-65
Plate, Spacer, Lift Arm, 2-57
Plate, Support, Bumper, 2-61
Plate, Throttle Link, 2-25
Plate, Vac Fan W/Label, 2-55
Plate, Valve, 4-3
Plate, Wear, 2-59, 4-19
Plate, Rear End, 5-22, 6-20
Plate, 2-19, 4-9, 5-17, 6-15
Plug & O-Ring, 4-13
Plug #10, 4-7
Plug #4, 4-7, 4-9
Plug #6, 4-15
Plug Assembly, 4-19
Plug Assy, Byd En, 2-74
Plug Assy, Byd, 4-13
Plug Gage #6, 4-13
Plug S/A, 4-3
Plug Tube, 2-47
Plug Weld, Brush Drive, Sweep, 2-47
Plug Wldt, Idler, 2-47
Plug, Block, 5-3
Plug, Cap, 2-9
Plug, Drain, Oil [Ku], 6-4
Plug, Drain, 3-21

Plug, Eng [Ku], 6-3
Plug, Expansion, 5-3, 6-3
Plug, Gauge, Oil [Ku], 6-17
Plug, Lee, 4-11
Plug, Pin, 5-3, 5-5, 6-3, 6-5
Plug, Drain, 5-4, 6-4
Plug, Oil Filt, 5-8
Plug, 5-3, 5-4, 5-5, 5-7, 5-17, 5-32, 6-3, 6-5, 6-7, 6-15
Plugbtn .56H .03-12 Blacknyl, 2-9
Plunger, 4-13
Pulley, Fan Driv, 5-34
Pulley, 2-49
Pump Assy, Inj, Fuel (See Injector Pump Breakdown), 5-15, 6-13
Pump Assy, Water [Ku], 6-33
Pump Assy, Inju (See Injector Pump Breakdown), 5-14
Pump Housing Assy, 4-3
Pump, Fuel, 2-33
Pump, Hyd Gear (See Breakdowns), 2-71
Pump, Hyd Gear Ex2 0.39 R 1600, 4-11
Pump, Hyd Piston (See Breakdowns), 2-71
Pump, Hyd Piston V 1.24 R 2000, 4-3
Pump, Oil, Cover [Ku], 6-7
Pump, Oil, 5-7, 6-7
Push Rod, 5-21, 6-19

R

Race Thrust, 4-5, 4-7
Race, Bearing, 4-3
Race, Inner Bearing, 4-3
Rack, control, 5-17, 6-15
Radiator Guard W/Label, 2-31
Radiator, Alm, 2-31
Radiator, 2-31
Rail, Slide, Seat, W/Latch, 2-15
Rail, Slide, Seat, 2-15
Relay, Shrouded, 12 Vdc, 2-21
Relief Valve, 4-3
Relief Vlv Assy, 4-19
Repair Info, Motor, 4-9
Repair Info, Pump, 4-3
Repair Info, Cyl, 4-17
Replacement Kit, Armrest, 3-18
Replacement Kit, Rear Drive Housing F/360070, 2-43
Reservoir Assy, Hyd W/Label, 2-69
Retainer, Gear, Starter [Ku], 6-31
Retainer, Top Hopper Seal, 2-9
Retainer, 5-11, 5-31, 6-31
Rim Assembly, 3-24, 3-28
Rim Assy, 4.25" Bead X .188 Stl, 3-27
Rim Assy, 4.25" Bead X .188 Stl, 2-43
Ring [Ku], 6-11
Ring Gear, 5-22
Ring, Piston [+ .5mm, Ku], 6-11
Ring, Piston, Std [Ku], 6-11
Ring, Retain, Ex0.50Od, Heavydt, 2-23
Ring, Retain, Ex, A20X1.2 D471, 2-41
Ring, Retaining, Intl 2.00Dia, 2-57

Ring, Retaining, 2-57, 4-13, 4-19
Ring, Retain, Ex, 0.375D, Klipping, 2-49
Rivet, Plastic .250X.898, 2-2, 2-9, 2-59
Rocker Arm Assy, 5-11, 6-9
Rod Assy, Connecting [Ku], 6-11
Rod End .250-28 .25Dia, 2-73
Rod End, 4-17
Rod Wldt, Cover, 2-59
Rod Wldt, Damper, 2-53
Rod, Bearing Set 0.2, 5-13, 6-11
Rod, Bearing Set 0.4, 5-13, 6-11
Rod, Latch, Steering, Tilt, 2-23
Rod, Push [Ku], 6-27
Rod-End .75-16 .75 Dia, 2-43
Rod-End, .75-16rh Fem 0.75b, 2-43
Rod, 2-41
Roller, Starter [Ku], 6-31
Roller, 5-31
Rotating Kit, 4-3

S

Scr Flt M 8X1.25 16, 2-39
Scr Hex M10X1.25 35 8.8, 2-27
Scr Hexssm 10X1.5 25, 2-57
Scr Hexssm 6 X 1.0 16 Nyloc, 2-15
Scr Hexssm 6X1.0 12, 2-61
Scr Hexssm 6X1.0 25, 3-21
Scr Hexssm 8 X 1.25 16, 2-17
Scr Hexssm 8 X 1.25 25 Nyloc, 2-35
Scr Hexssm 8X1.25 16, 2-61
Scr Hexssm 8X1.25 25, 2-9, 2-51, 2-63
Scr Hexssm 8X1.25 40, 2-63
Scr Hexssm 8X1.25 55, 2-61
Scr Hexssm 8X1.25, 2-11, 2-13, 2-47, 2-59, 2-63, 2-65
Scr Hexssm 10X1.5 30, 2-59
Scr Hexssm 10X1.5 40, 2-61
Scr Pan Ssm 3X0.5 25, 2-57
Scr Pan Ssm 4X0.7 25, 2-59
Scr Panssm 4X0.7 20, 2-59
Scr Soc M 8X1.25 30, 2-27
Scr, Flt M12X 1.75 80, 2-47
Scr-Hex .25-20X0.75 Sems Pltd, 2-17, 2-69
Scr-Hex .38-16X1.25 Nylon Loc, 2-51, 2-71
Scr-Hex .75-10X2.50 Full Thd, 2-47
Scr-Hex M10X1.25 20 8.8 Pltd, 2-25, 2-35
Scr-Hex M10X1.25 25 8.8 Pltd, 2-25
Scr-Hexssm 6X1.0 16 Nylonloc, 2-23
Scr-Hexssm 6X1.0 20 Nylonloc, 2-47
Scr-Hexssm 8X1.25 16 Nylon Loc, 2-11, 2-13, 2-65
Scr-Hexssm 8X1.25 20 Nylnloc, 2-9, 2-63, 2-65, 2-73
Scr-Hexssm 8X1.25 25 Nylnloc, 2-9, 2-65
Scr-Hx Fmgm 6X1.0 12, 2-9, 2-25, 2-27, 2-33, 2-57, 2-63, 3-9, 3-13
Scr-Hx Fmgm 6X1.0 20, 2-57
Scr-Hxfmgm 6X1.0 16 Pltd, 2-59

- Scr-Hxfmgm 6X1.0 20 Pltd, 2-47, 2-63, 2-69
- Scr-Lag .31-09X1.00 Pltd, 2-51
- Scr-Pan 12 X.50 F/Plst Pl, 3-16
- Scr-Pan 10-14X0.75 F/Plst Pl, 2-59, 3-21
- Scr-pan 12 x .50 F/plst Pl, 3-7
- Scr-Pan 12 X.50 F/Plst Pl, 2-15
- Scr-Pan 12X.50 F/Plst Pl, 3-3
- Scr-Pnfmng 10 X 0.75 Type Ab, 2-19, 3-16
- Scr-Set 10-24X0.25 Nylon Loc, 2-65
- Scr-Shld .312Dx1.00L .25-20, 2-73
- Screw [Ku], 6-7
- Screw Hex Ssm 6 X 1.0 20, 2-59
- Screw Hex Ssm 8X1.25 45, 2-49
- Screw Hexssm 6X1.0, 2-59
- Screw Set, 5-11
- Screw W/Washer, 5-8
- Screw, Adjusting, 5-11, 6-9
- Screw, Cap, 4-3, 4-19
- Screw, Flat, M 8X1.25 Ss 18-8, 2-59
- Screw, Flt, .50-13 X 2.50, Al, 2-51
- Screw, Flt, M6 X 1.0 X 25, 10.9, 2-59
- Screw, Flt, Soc, M5 X 0.80 X 12, 10.9, 2-61
- Screw, Hex [Ku], 5-15, 6-13
- Screw, Hex [Ku], 6-4, 6-7, 6-9, 6-18, 6-24, 6-25, 6-32, 6-34, 6-37
- Screw, Hex, .25-20 X 0.50, Fmg, Pl, 3-15
- Screw, Hex, .25-20 X 1.75, G5, 2-73
- Screw, Hex, .31-18 X 0.50, 5, 2-31
- Screw, Hex, .31-18 X 0.62, 5, 2-15
- Screw, Hex, .31-18 X 2.25, G5, 2-17
- Screw, Hex, .31-24 X 0.75, G5, 2-73
- Screw, Hex, .38-16 X 0.62, G5, 3-13
- Screw, Hex, .38-16 X 0.75, 5, 2-27
- Screw, Hex, .38-16 X 0.75, NI, 2-47
- Screw, Hex, .50-13 X 2.50, 5, 2-25
- Screw, Hex, .50-13 X 2.50, G5, 2-17
- Screw, Hex, .75-10 X 3.00, 5, 2-43
- Screw, Hex, #06-20 X 0.50, Fmg, [Ab], 2-55
- Screw, Hex, Case, Brg, Main [Ku], 6-18
- Screw, Hex, Cshft [Ku], 6-34
- Screw, Hex, M08 X 1.25 X 30, 8.8, 2-49
- Screw, Hex, M10 X 1.25 X 20, 8.8, 2-37
- Screw, Hex, M10 X 1.5 X 100, 8.8, 2-57
- Screw, Hex, M10 X 1.5 X 20, 8.8, 2-25, 2-27
- Screw, Hex, M10 X 1.5 X 25, 8.8, 2-25, 2-43
- Screw, Hex, M10 X 1.5 X 25, Ss, 2-51
- Screw, Hex, M10 X 1.5 X 30, 8.8, 2-55
- Screw, Hex, M10 X 1.5 X 70, 8.8, 2-43
- Screw, Hex, M10 X 1.50 X 20, 8.8, 2-37, 3-19
- Screw, Hex, M10 X 1.50 X 25, 8.8, 2-31, 3-27, 3-28
- Screw, Hex, M10 X 1.50 X 30, 8.8, 3-15
- Screw, Hex, M12 X 1.75 X 50, 8.8, 2-27
- Screw, Hex, M12 X 1.75 X 30, 8.8, 3-11
- Screw, Hex, M12 X 1.75 X 35, 8.8, 2-41
- Screw, Hex, M12 X 1.75 X 60, 8.8, 2-43
- Screw, Hex, M16 X 2.0 X 20, 8.8, 2-47
- Screw, Hex, M16 X 2.0 X 90, 8.8, 2-51
- Screw, Hex, M4 X 0.70 X 12, 8.8, 3-13
- Screw, Hex, M5 X 0.80 X 16, 8.8, 3-9, 3-13
- Screw, Hex, M6 X 1.0 X 12, 8.8, 2-65
- Screw, Hex, M6 X 1.0 X 16, 8.8, 2-25, 2-31, 2-55
- Screw, Hex, M6 X 1.0 X 16, Fmg, 2-63
- Screw, Hex, M6 X 1.0 X 20, 8.8, 2-55, 2-57
- Screw, Hex, M6 X 1.00 X 12, 8.8, 2-17
- Screw, Hex, M6 X 1.00 X 16, 8.8, 2-23
- Screw, Hex, M6 X 1.00 X 20, 8.8, 2-23, 2-31, 2-33, 2-53, 3-15
- Screw, Hex, M6 X 1.00 X 50, 8.8, 2-41, 2-74
- Screw, Hex, M8 X 1.25 X 12, 8.8, 2-27, 2-31
- Screw, Hex, M8 X 1.25 X 16, 8.8, 2-15, 2-19, 2-31, 2-33, 2-75
- Screw, Hex, M8 X 1.25 X 16, Ss, 2-67
- Screw, Hex, M8 X 1.25 X 20, 8.8, 2-15, 2-17, 2-19, 2-25, 2-29, 2-33, 2-39, 3-7
- Screw, Hex, M8 X 1.25 X 20, NI, Ss, 2-67
- Screw, Hex, M8 X 1.25 X 20, Ss, 2-63
- Screw, Hex, M8 X 1.25 X 25, 8.8, 2-25, 2-35, 2-41, 2-45, 2-53, 2-61, 2-71, 3-15
- Screw, Hex, M8 X 1.25 X 30, 8.8, 2-39
- Screw, Hex, M8 X 1.25 X 30, Ss, 2-43
- Screw, Hex, M8 X 1.25 X 40, 8.8, 2-73, 3-7, 3-17
- Screw, Hex, M8 X 1.25 X 40, Ss, 2-67
- Screw, Hex, M8 X 1.25 X 45, 8.8, 2-45
- Screw, Hex, M8 X 1.25 X 60, 8.8, 2-57
- Screw, Pan Head, 5-31
- Screw, Pan, 12-16 X 0.50, F/ Plstc, 3-15
- Screw, Pan, M3 X 0.5 X 12, 4.8, 2-21
- Screw, Pan, M3 X 0.5 X 25, Ss, 2-19
- Screw, Pan, M4 X 0.7 X 10, Ss, 2-65
- Screw, Pan, M6 X 1.0 X 20, 4.8, 2-21
- Screw, Pan, Phl, 06-32 X 0.38, G1, 3-7
- Screw, Pan, Phl, 06-32 X 1.00, G1, 2-53
- Screw, Pan, Phl, M4 X 0.70 X 10, Ss, 2-67
- Screw, Pan, Phl, M4 X 0.70 X 16, 4.8, 2-15, 3-21
- Screw, Pan, Phl, M6 X 1.00 X 16, 4.8, 2-23
- Screw, Pan, 5-9, 6-12
- Screw, Panssm 6X1.0, 2-57
- Screw, Set, .31-18 X 0.50, Soc, 2-55
- Screw, Set, Soc, 10-24 X 0.25, NI, 2-67
- Screw, Set, 5-21, 5-23, 6-19, 6-21
- Screw, Set, 5-11
- Screw-Flat M 8X1.25, 2-63
- Screw-Hex .75-10X5.00, 2-43
- Screw, 4-5, 4-7, 5-7, 5-17, 5-28, 6-15, 6-26
- Screws, 4-3
- Seal Assy [Ku], 6-33
- Seal Kit, Cart Cp, 4-15
- Seal Kit, Cartridge, 4-21
- Seal Kit, Coil Cp, 4-15
- Seal Kit, Cyl, Hyd, 2-43
- Seal Kit, Motor A/H-Stnd, 4-5, 4-7
- Seal Kit, Mtr, 4-9
- Seal Kit, Pump, 4-3
- Seal Kit, Stg, 4-19
- Seal Kit, Vlv, 4-13
- Seal Kit-Hyd. Motor, Brns & Mte, 4-11
- Seal Kit, 4-17
- Seal Wrap, Dump Door, 2-2, 2-63
- Seal, Bearing, 2-23
- Seal, Boot, Steering Column, 2-23
- Seal, Bulb, 90, 0.50d .06-.09grip 022.5l, 2-15
- Seal, Bulb, 90, 1.33 .06-.09grip 032.5l, 2-15
- Seal, Bulb, Str, 0.50d .13grip 009.4l, 2-11
- Seal, Damper, 2-53
- Seal, Door, Access, 2-59
- Seal, Dump Door, Side, 2-2, 2-3, 2-5, 2-63
- Seal, Dump Door, Top, 2-2, 2-3, 2-5, 2-63
- Seal, Firewall Ic, 2-9
- Seal, Flywheel, 2-27
- Seal, Foam Vyl, .38 .75w 7.3L, 3-7
- Seal, Foam, 2-21
- Seal, Grease Cavity, 2-43
- Seal, Headlight, 2-59
- Seal, Heat, 5-28, 6-26
- Seal, Oil [Ku], 6-18
- Seal, Oil, 5-20
- Seal, Org [Ku], 6-25
- Seal, Org, 5-9, 6-4, 6-12, 6-31
- Seal, Rbr, Clsd, 0.50, 1.2w 16.0l Adh, 2-67
- Seal, Sbdc, 3-15
- Seal, Side Rh Hopper, 2-3, 2-5
- Seal, Side Rh, 2-2, 2-11
- Seal, Side, Lh Hopper, 2-3, 2-5
- Seal, Side, Lh, 2-2, 2-13
- Seal, Spacer, Filter, 2-2, 2-3, 2-5, 2-65
- Seal, Top, Hopper, 2-2, 2-3, 2-5, 2-9
- Seal, Ure .50 X .75 X 5.0L, 2-19
- Seal, Vac Fan Outlet, 2-55
- Seal, Vac Inlet, 2-3, 2-5, 2-53
- Seal, Vac Wand, 3-21
- Seal, Valve, Stem [Ku], 6-9
- Seal, Valve, 5-11
- Seal, Water Pump, 5-33
- Seal, Wrap, Rear Brush, 2-2, 2-3, 2-5, 2-9
- Seal, Wrap, 2-3, 2-5
- Seal, Foam Rbr .375 1.25W 25.5L, 2-11
- Seal, Oil, 5-7, 6-7
- Seat Belt Kit, 3-19
- Seat Kit, Std, Replmt [6400], 2-15
- Seat, Grammer, 3-17
- Seat, Michigan, 3-18
- Seat, spring lower, 5-17, 6-15
- Seat, spring upper, 5-17, 6-15
- Seat, Std [Michigan, Model V-2505], 2-15

CROSS REFERENCE

- Seat,Exh.Valve, 5-5
Seat,Int.Valve, 5-5
Sender, Filter, Hydraulic, 3-13
Sensor, Thermal, 140deg, No, Spst, 2-67
Shaft Assy, Brg, 2-55
Shaft Assy, Gov, 5-23, 6-21
Shaft Idler, 2-47
Shaft, Arm, Rocker [Ku], 6-9
Shaft, Drive, 4-3
Shaft, Gear, 5-21, 6-19
Shaft, Gov, 5-23, 6-21
Shaft, Govnr, Weight [Ku], 6-21
Shaft, Impeller, 2-55
Shaft, Lever, 5-26, 5-27, 6-24, 6-25
Shaft, Output, 4-5, 4-7
Shaft/Brg Kit, 4-9
Shaker Wldt, Frame, 2-67
Sheave, 01grv, 02.6pd 0.63b [3v], 2-55
Sheave, Cshft [Ku], 6-34
Sheave, Drive, Fan, Dsl, Mach, 2-25
Sheave, Fan [Ku], 6-34
Sheave, 2-57
Shield, Battery, 2-27
Shield, Breather, 5-9, 6-12
Shield, Oil Filter, 2-25
Shim, Front Bumper, 2-61
Shim, Injection, 0.175mm [Ku], 6-13
Shim, Injection, 0.20mm [Ku], 5-15, 6-13
Shim, Injection, 0.25mm [Ku], 5-15, 6-13
Shim, Pump, Inj, .3 [Ku], 5-15, 6-13
Shim, Pump, Injection, .35 [Ku], 6-13
Shim, Injection, 0.3 mm, 5-14
Shim, Injection, 5-14
Shim, 5-17, 6-15
Shock Absorber, 2-73
Shoe, Brake, 2-41
Shroud, Rear [Trimmed, 6400], 2-15
Side Metl1(04), 5-13, 6-11
Skirt, Front, Sbdc, 3-15
Skirt, Hopper, 2-2, 2-3, 2-5, 2-9
Skirt, Lip, 2-2, 2-3, 2-5, 2-59
Skirt, Oil Defelction, 2-23
Skirt, Sbdc, 3-15
Skirt, Side Brush, 2-2, 2-3, 2-5, 2-59
Sleeve, .318B .50D .25 Ss, 2-49, 2-51
Sleeve, .318B .50D .75 Ss, 2-49
Sleeve, .375B .50D .50 Stlzn, 2-65
Sleeve, .402B .62D1.31, 2-49
Sleeve, .510B .75D .44 Stlzn, 2-49
Sleeve, 1.253B 1.75D .69, 2-57
Sleeve, blk Vinyl, .37555 I.D., 3-7
Sleeve, control, 5-17, 6-15
Sleeve, Nyl #27 60.0L, 2-51
Sleeve, .31Bb.496D .312Ss, 2-15
Sleeve-Nyln #20 35.0L, 2-63
Sleeve-Nyln #24 25.0L, 2-69
Sleeve-Nyln #28 20.0L, 2-43
Sleeve, 2-47
Socket Assy, 2-9
Solenoid Assy. Gas, Lp, De., 2-53
Solenoid Assy, 5-25
Solenoid, Starter [Ku], 6-31
Solenoid, Stop, Eng, Dsl, 12vdc [Ku], 6-23
Solenoid, Valve, Hyd, 36vdc, 4-21
Spacer [Ku], 6-27
Spacer Plate, 4-5, 4-7
Spacer, .259ld 375Od .250Lg, 2-73
Spacer, .56 ld X 1.82L, 2-63
Spacer, Fuel Pump, 2-33
Spacer, Isolator, 2-27
Spacer, Mtg, Cyl, 2-63
Spacer, Pivot, 2-39
Spacer, 2-39, 2-41, 2-45, 2-55, 4-13, 4-19
Spd.Cntl.Lever, 5-27, 6-25
Spindle, Adjustment, 2-15
Sponge Cord, 2-2, 2-63
Sprg, Tens, 0.38Odx.04wire 1.0L, 3-7
Spring Kit, 4-19
Spring, deliv valve, 5-17, 6-15
Spring, Arm, 5-11, 6-9
Spring, Brush, 6-31
Spring, brush, 5-31
Spring, Cmpr, Rocker [Ku], 6-9
Spring, Comp, .72 Od X 3.25 L, 2-61
Spring, Die .50ld 1.00Od 1.25L, 2-51
Spring, Die .62ld 1.25Od 1.75L, 2-51
Spring, Latch, 2-17
Spring, Parking Brake, 2-41
Spring, Propel, Centering, 2-73
Spring, Return, Brake, 2-41
Spring, Return, 5-27, 6-25
Spring, Tens.750Dx.10Wire4.5, 2-51
Spring, Tens, .50Dx.05Wire2.5L, 2-74
Spring, Tension, 2-63
Spring, Torsion, 2-17, 2-49
Spring, Valve, 5-11, 6-9
Spring, plunger, 5-17, 6-15
Spring, Start, 5-26, 6-24
Spring, 4-3, 4-9, 4-13, 5-7, 5-31, 6-7, 6-31
Sprng, Comp, 0.62ldx.06Wire 2.3L, 2-23
Sprng, Tens, 0.56Odx.05Wire 0.9L, 2-53
Starter Assy (See Starter Breakdown), 5-29, 6-29
Stay, Dynamo, 5-34, 6-34
Steer Control, Hyd (See Breakdowns), 2-23
Steer Control, Hyd#2 06.1 1160, 4-19
Stem, Valve, Hyd, 4-21
Stopper, 5-21, 5-23, 6-19, 6-21
Strainer, Hyd 10Gpm 100Mesh, 2-3, 2-5, 2-69
Strainer, Hyd, 10gpm 100mesh Psi, 2-2, 2-4
Strap Wldt, Fuel Tank, 2-33, 2-69
Strap Wldt, Motor, 2-65
Strap Wldt, Shakr, 2-67
Strap, Rubber Tie-Down, 2-37
Strip Retainer Bearing, 2-47
Strip Wldt, Door Seal, 2-63
Strip, Rbr, 0.06 04.00w 05.0l [Neo/60], 2-67
Strip, Retainer, Door, Side, 2-63
Strip, Retainer, Dump Door, 2-63
Strip, Retainer, Flap, 2-9
Strip, Retainer, Hopper Lip, 2-59
Strip, Retainer, Sbdc, 3-15
Strip, Retainer, Seal, 2-11, 2-13
Strip, Retainer, 2-63
Strip, 2-9, 2-13
Stud [Ku], 5-15, 6-13
Stud [Ku], 6-7, 6-25
Stud, Special, M16X2.0, 2-47
Stud, Wheel .50-20 X 1.50, 2-43, 3-25, 3-26, 3-27, 3-28
Stud, 5-7, 5-11, 5-14, 5-27, 5-32, 5-36, 6-9, 6-36
Switch Ignition, 2-21
Switch Kit, Replmt, Thermostat, Eng, 2-25
Switch, 6-12v, Momentary On, 3-7
Switch, magnetic, 5-31
Switch, Pressure, 3-13
Switch, Pushmom, Spst100A 12V, 2-21, 2-53
Switch, Rocker, Spdt, 2 Pos, 2-21
Switch, Rocker, Spdt, 3 Pos, 3-3, 3-5
Switch, Roller, 3-9, 3-13
Switch, Snap Actn, 250vdc 25a Spdt, 2-19, 2-57
Switch, Thermostat, Water, 2-25
Swivel, 2-25
Syn. Filter Pkg, Panel, 61Pleats, 2-65

T

- Tab, Fuelline, 2-33
Tank, Fuel, 07.3gal, W/ Label [6400d 08], 2-33
Tank, Fuel, Die W/Label, 2-33
Tappet [Ku], 6-19
Tappet, 5-21
Terminal, Qf, .25, 6-34
Terminal, Qkdisc .25f Insf 14ga, 3-7
Thermostat Assy, 5-32
Thermostat, 160deg, 1.7d [Ku], 6-32
Thermostat, Spst Switch, 2-65
Thrust Bearing .4Mm, 5-13, 6-11
Thrust Bearing .2Mm, 5-13, 6-11
Thrust Bearing, 4-5, 4-7
Thrustwasher, 5-23, 6-21
Tie Cable 3.00D Max 11.41Lg, 2-23
Tie, Cable 1.75D Max 7.5 Lg, 2-51
Tie, Cable 1.75D Max 7.50Lg, 2-31, 2-33, 2-43, 2-53, 2-59, 2-63, 2-73, 3-3, 3-5
Tie, Cable 1.75d Max 7.50lg, 3-7
Tie, Cable, Nyl, 11.4L .19W 3.0 Max D, 2-21
Tie, Cable 8.00D Max 28.25Lg, 2-55
Timer, Glow Plug [Ku], 5-39, 6-28
Tire and Wheel Assembly 16X6 RS Radial, 3-24
Tire and Wheel Assembly, 16x6 RS Radial, 3-28
Tire and Wheel Assembly, Non-Marking Solid, 3-22
Tire and Wheel Assy 4.00-8 Solid, 3-23
Tire Assembly, Non-Mark - Rework, 3-25

Tire, 150/75R8 Pneumatic, 3-24, 3-28
 Tire, 4.00 X 8-3.75 Sol. Non-Mark, 3-25, 3-26
 Tire, 4.00X8-3.75 Sol. Non-Mark, 3-22
 Tire, 4.00X8-3.75 Solid, 3-23
 Tire, Assembly, Soft Ride - Rework, 3-26
 Tire, Tube & Flap Assy, 2-43, 3-24, 3-27, 3-28
 Tire/wheel Assy, 16x6-8 10pr, 2-43, 3-27
 Tire, 2-43, 3-27
 Tread, Floor, 20.6 6.5, 2-19
 Tube - Carb. Air Intake, 2-29
 Tube Wldt, Torque, 2-47
 Tube Wldt, Vac Fan, 2-53
 Tube, 0.38id 0.50od 00.5l, Stl [H/T]H/T], 2-67
 Tube, 0.49D 0.23B 0.5L Ss, 2-49
 Tube, Breather, 5-9, 6-12
 Tube, Drain, Starter, 6-31
 Tube, Pickup, Oil [Sump, Ku], 6-4
 Tube, Pickup, Oil Sump, 5-4
 Tube, Tire-Inner 16X6-8, 2-43, 3-24, 3-27, 3-28
 Tube, Fuel, 5-14

V

Valve Drive, 4-9
 Valve Plate, 4-9
 Valve Seat, 5-7, 6-7
 Valve Stem N.O. Cp, 4-15
 Valve, Breather, Complt, 5-9, 6-12
 Valve, Cartridge, Psi, 4-21
 Valve, Cntrl, Hyd, Solenoid, 12vdc 06gpm (See Breakdowns), 2-75
 Valve, Cntrl, Hyd, Solenoid, 12vdc 06gpm, 4-21
 Valve, delivery, 5-17, 6-15
 Valve, Dump, 4-3
 Valve, Exhaust, 5-11, 6-9
 Valve, Hyd Cntrl Sol (See Breakdowns), 2-75
 Valve, Hyd Cntrl Sol, 4-15
 Valve, Hyd Control Man (See Breakdowns), 2-74
 Valve, Hyd Control Man, 4-13
 Valve, 4-9
 Video, Oprtr, Dvd [6400ic], 3-29

W

Wand Kit, Vac, 6400 Line, 3-21
 Wand, 3-21
 Washer Flat, 0.50, Sae, 2-17, 2-41, 2-63, 3-11
 Washer Flt .25 Ss, 2-63
 Washer Flt .50 Sae, 2-51
 Washer Flt .50 Ss, 2-59
 Washer Flt .62 Sae, 2-51
 Washer, .250B .88D .06 Neopre, 2-73
 Washer, .310B .88D .12Rbr, 2-74
 Washer, .344B .69D .06Nylon, 2-17

Washer, .405B .81D .06 Nylon, 2-45
 Washer, .531B 1.75D .12 Crzn, 2-27
 Washer, .531B 1.75D .12Cr Zn, 2-25
 Washer, .531B 1.75D .12Cr.Znc, 2-47
 Washer, .656B 1.25D .06, 2-51
 Washer, .765B 1.50d .06Ss18-8, 2-41
 Washer, Adjusting [Ku], 6-27
 Washer, Felt, 2-43
 Washer, felt, 5-31
 Washer, Flat [Ku], 6-9
 Washer, Flat, #08, 2-65
 Washer, Flat, #10, 2-21, 2-31, 2-55
 Washer, Flat, 0.25 Ss, 2-47
 Washer, Flat, 0.25 Std, 2-31, 2-47, 2-57, 2-59
 Washer, Flat, 0.25, Sae, 2-23, 2-53
 Washer, Flat, 0.25, Std, 2-29, 2-33, 2-61, 2-73, 3-7, 3-9, 3-13, 3-15, 3-17, 3-18
 Washer, Flat, 0.31 Sae, 2-11, 2-13, 2-27
 Washer, Flat, 0.31 Std, 2-11, 2-13, 2-19, 2-25, 2-49
 Washer, Flat, 0.31, Fendr, 3-15
 Washer, Flat, 0.31, Sae, 2-31, 3-15
 Washer, Flat, 0.31, Std, 2-15, 2-17, 2-33, 2-35, 2-39, 2-41, 2-43, 2-45, 2-47, 2-51, 2-53, 2-59, 2-61, 2-63, 2-67, 2-71, 2-73, 3-7
 Washer, Flat, 0.38 Sae, 2-25, 2-27, 2-43
 Washer, Flat, 0.38 Std, 2-25, 2-27, 2-49, 2-51, 2-55, 2-57, 2-59
 Washer, Flat, 0.38, Sae, 2-35, 2-37, 2-71, 3-13
 Washer, Flat, 0.38, Std, 2-31, 2-61, 2-63, 3-15
 Washer, Flat, 0.38b 0.88d .08, Ss, 2-63
 Washer, Flat, 0.50 Sae, 2-25
 Washer, Flat, 0.75 Sae, 2-43
 Washer, Flat, 08, 2-67, 3-7
 Washer, Flat, 1.02b 1.75d .12, Stl, 2-57
 Washer, Flat, 10, Sae, 3-15
 Washer, Flat, 10, 2-23, 3-9, 3-13, 3-21
 Washer, Flt, .31 Sae, 2-15
 Washer, Lock, Int, #04, 2-21, 2-57
 Washer, Lock, Int-Ext, 0.31, 2-53
 Washer, Plain [Ku], 6-27
 Washer, Plain, 5-11, 5-27, 6-9, 6-25
 Washer, Split Loc [Ku], 5-15, 5-18, 6-13
 Washer, Spring [Ku], 6-31, 6-34
 Washer, Spring, 5-7, 5-14, 5-27, 5-32, 5-34
 Washer, 1.255B 1.75D .12Hrs, 2-43
 Washer, Plain, 5-34, 6-34
 Washer-Belleville .50 Pltd, 2-57
 Washer-Flt .25 Fender Pltd, 2-59, 3-15
 Washer-Flt .31 Fender Pltd, 2-9
 Washer-Flt .44 Std Hard Pltd, 2-49
 Washer-Flt 21 X37 X3 M20, 2-41
 Washer-Loc Int .31 Pltd, 2-27
 Washer-Loc Int-Ext .38 Pltd, 2-37
 Washer-Wavy Spring, 2-47
 Washer, 4-3, 4-13, 5-7, 5-11, 6-7, 6-9
 Water Flange, 5-32

Water Pump Assy, 5-33
 Weight, Eccentric, 2-65, 2-67
 Wheel and Tire Kit, Bias Front, 3-27
 Wheel and Tire Kit, Non-Mark Solid, Front, 3-25
 Wheel and Tire Kit, Radial Front, 3-28
 Wheel and Tire Kit, Soft Ride, Front, 3-26
 Wheel Assy, 2-41
 Wheel Steering 14Diax36T, 2-23
 Wire Assy, Jumper, [6400], 2-87
 Wire Assy, Cable-11.0, 4 Ga, Blk, 2-37
 Wire, Solenoid, Starter [Ku], 6-31
 Wtr.Pmp.Fnge, 5-33
 Wtr.Retn.Pipe, 5-33

Y

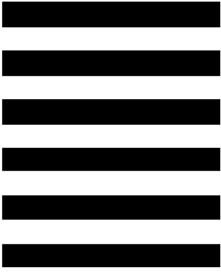
Yearly Maint Pkg 800hr Die, 2-3
 Yoke, Starter [Ku], 6-31
 Yoke, 5-31



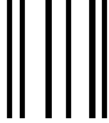
TENNANT COMPANY
 Technical Publications #15
 701 North Lilac Drive
 P.O. Box 1452
 Minneapolis, MN 55440-9947

POSTAGE WILL BE PAID BY ADDRESSEE

BUSINESS REPLY MAIL
 FIRST CLASS MAIL PERMIT NO. 94 MINNEAPOLIS, MN



NO POSTAGE
 NECESSARY
 IF MAILED
 IN THE
 UNITED STATES



Fold along dotted lines

Tape here

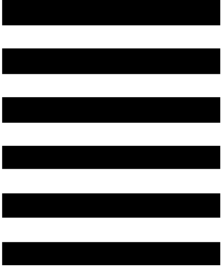




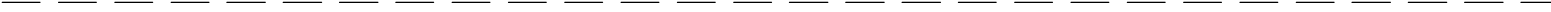
TENNANT COMPANY
 Technical Publications #15
 701 North Lilac Drive
 P.O. Box 1452
 Minneapolis, MN 55440-9947

POSTAGE WILL BE PAID BY ADDRESSEE

BUSINESS REPLY MAIL
 FIRST CLASS MAIL PERMIT NO. 94 MINNEAPOLIS, MN



NO POSTAGE
 NECESSARY
 IF MAILED
 IN THE
 UNITED STATES



Fold along dotted lines

Tape here

