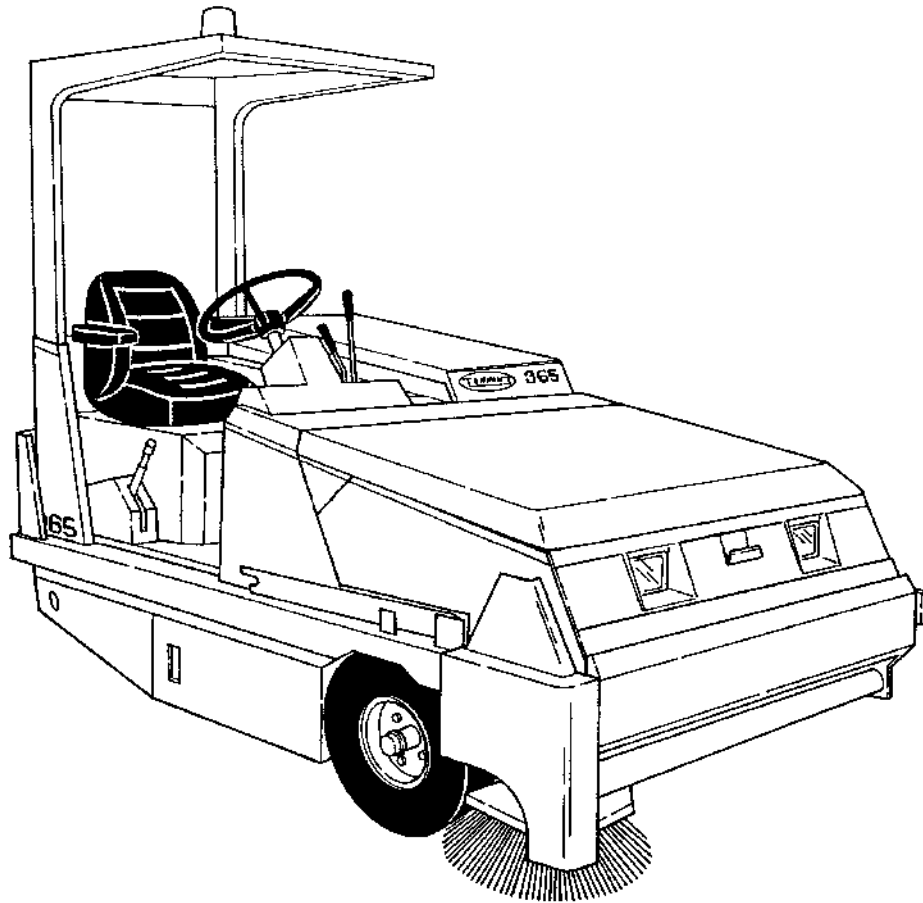




365

(Parts Manual)



MM173



This manual is furnished with each new TENNANT® Model . It provides necessary operating and preventive maintenance instructions. Read this manual completely and understand the machine before operating or servicing it.

This manual covers all machine variations and standard accessories. The instruction portion of the manual consists of the Specification, Operation, Maintenance, and Appendix sections. The parts portion consists of the Standard Model Parts; LPG Parts; Accessories; Hydraulic Components; Engine Parts; and Cross Reference; and Customer Documents sections.

All right side and left side references to the machine are determined by facing the direction of forward travel. All hardware considered to be of a common nature or locally available has been omitted from the parts sections. Be aware that this machine may contain metric hardware. Make sure you use equivalent hardware when replacement becomes necessary.

This machine will provide excellent service. However, the best results will be obtained at minimum costs if:

- The machine is operated with reasonable care.
- The machine is maintained regularly – per the maintenance instructions provided.
- The machine is maintained with Tennant Company supplied or equivalent parts.

Parts and supplies may be ordered by phone or mail from any Tennant Company parts and service center, distributor, or from any of the Tennant Company subsidiaries. Before ordering parts or supplies, be sure to have your machine model number and serial number handy. Fill out the data block below for future reference. The telephone numbers, telex numbers, mailing addresses, and locations of those outlets are listed in the Customer Documents section of the manual.

| MACHINE DATA | |
|---|-------|
| <i>Please fill out at time of installation.</i> | |
| Machine Serial Number – | _____ |
| Engine Serial Number – | _____ |
| Sales Representative – | _____ |
| Customer Number – | _____ |
| Date of Installation – | _____ |
| Manual Number – | MM173 |
| Revision: | 09 |
| Published: | 6–90 |

03873

Trademark Registered in: Austria, Benelux, Denmark, England, France, Germany, Italy, Spain, Switzerland, United States, Argentina, Australia, Canada, Japan, Mexico, Sweden, by TENNANT COMPANY, Minneapolis, Minnesota, U.S.A.

Acknowledgements: Technical information and/or illustrations supplied by Ford Motor Company; Eaton Corporation, Hydraulics Division.

Copyright 1986, 1987, 1988, 1989, 1990 Tennant Company, Printed in U.S.A.

SECTION 5

CONTENTS

| | Page | | Page |
|--|------|---|------|
| ORDERING REPAIR PARTS | 5-3 | Fig. 28 – Side Brush Group | 5-44 |
| Fig. 1 – Recommended General Maintenance Items | 5-4 | Fig. 29 – Main Brush Lift and Drive Group ... | 5-46 |
| Fig. 2 – Replacement Brushes | 5-5 | Fig. 30 – Brakes Group | 5-48 |
| Fig. 3 – Main Frame Group | 5-6 | Fig. 31 – Parking Brakes Group | 5-50 |
| Fig. 4 – Operators Compartment Group | 5-8 | Fig. 32 – Front Wheel Group | 5-52 |
| Fig. 5 – Engine Cover and Side Panels Group | 5-10 | Fig. 33 – Rear Wheel Assembly | 5-53 |
| Fig. 6 – Seat Group | 5-12 | Fig. 34 – Rear Wheel Support Group | 5-54 |
| Fig. 7 – Sheaves and Belts Group | 5-13 | Fig. 35 – Steering Column Group | 5-56 |
| Fig. 8 – Engine Fan and Alternator Group, Distributorless (DIS) | 5-14 | Fig. 36 – Instrument Panel Group | 5-58 |
| Fig. 9 – Engine Group | 5-16 | Fig. 37 – Battery Group | 5-59 |
| Fig. 10 – Engine Group, Distributorless (DIS) | 5-18 | Fig. 38 – Wire Harnesses Group | 5-60 |
| Fig. 11 – Engine Flywheel and Mounting Group, Distributorless (DIS) | 5-20 | Fig. 39 – Wire Harnesses Group | 5-62 |
| Fig. 12 – Carburetor and Throttle Group | 5-22 | Fig. 40 – Directional Control Group | 5-64 |
| Fig. 13 – Carburetor and Throttle Group, Distributorless (DIS) | 5-24 | Fig. 41 – Directional Control Group | 5-66 |
| Fig. 14 – Fuel Tank Group | 5-26 | Fig. 42 – Hydraulic Pumps Group | 5-68 |
| Fig. 15 – Fuel Tank Group | 5-27 | Fig. 43 – Hydraulic Pumps Group | 5-69 |
| Fig. 16 – Fuel Tank Group | 5-28 | Fig. 44 – Hydraulic Control Valve Group | 5-70 |
| Fig. 17 – Air Cleaner and Hydraulic Filter Group | 5-29 | Fig. 45 – Hydraulic Reservoir Group | 5-72 |
| Fig. 18 – Air Cleaner and Hydraulic Filter Group, Distributorless (DIS) | 5-30 | Fig. 46 – Hydraulic Hoses Group | 5-74 |
| Fig. 19 – Radiator Group | 5-31 | Fig. 47 – Hydraulic Hoses Group | 5-76 |
| Fig. 20 – Radiator Group, Distributorless (DIS) | 5-32 | Fig. 48 – Labels Group | 5-78 |
| Fig. 21 – Vacuum Fan Group | 5-34 | | |
| Fig. 22 – Hopper Lift Arms Group | 5-36 | | |
| Fig. 23 – Hopper Assembly | 5-38 | | |
| Fig. 24 – Hopper Door Group | 5-40 | | |
| Fig. 25 – Muffler Group | 5-41 | | |
| Fig. 26 – Muffler Group, Distributorless (DIS) | 5-42 | | |
| Fig. 27 – Side Brush Cables Group | 5-43 | | |

NOTE: SECTION 5, STANDARD MODEL PARTS, lists repair parts for a standard model, gasoline powered machine. This section also contains parts common to all models of the machine.

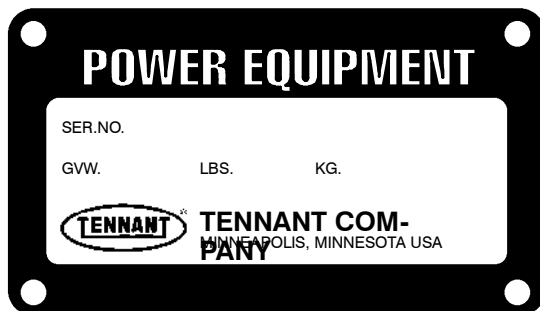
ORDERING REPAIR PARTS

The components used in this machine have been carefully selected for performance and safety. Use only Tennant Company specified or equivalent parts.

To receive prompt service in filling of your parts orders, please direct all orders for parts with Tennant Company part numbers to the Tennant Company, and all orders for parts with vendor part numbers to the local supplier of the respective vendor.

When ordering parts, please furnish all of the following information:

1. Machine model number - shown on the machine data plate.



2. Machine serial number - shown on the machine data plate.
3. Power source - gasoline, LPG, diesel, electric.
4. Company name.
5. Shipping address.
6. Billing address.
7. Name, first and last - of person ordering parts.
8. Telephone number.
9. Purchase order number.
10. Part number, description, and quantity - of each item on the order.
11. Customer ID Number.

Do not order parts by key number or the figure number of the illustrated parts. Indented items indicate parts of assemblies. Standard hardware is furnished only when part of a purchased assembly. Please get hardware from a local hardware supplier.

If the old part cannot be identified, send it to us with the quantity needed specified on the order.

Any claim for loss or damage to a shipment in transit should be filed promptly against the transportation company making the delivery. Shipments will be complete unless the packing list or order acknowledgement indicate items back ordered.

If parts received are suspected to be incorrect or defective, please write, wire, or phone the Tennant Company representative from whom you ordered the part. They will give authorization for return and/or handle replacement shipments when required.

SERIAL NUMBER INFORMATION EXPLANATION

Serial number listings are shown to indicate on which machines each part can be used. These listings are explained by the following examples:

(000000—) The part can be used on all machines.

(003342—) The part can be used on all machines beginning with the serial number listed.

(000000—004320) The part can be used on all machines up to and including serial number listed.

(004321—005678) The part can be used on all machines between and including the serial numbers listed.

Where xxxxxx's are listed in place of a serial number, it indicates a change was made but the exact serial number had not been established when the catalog went to press.

SI UNITS OF MEASURE (INTERNATIONAL SYSTEM)

Metric equivalents have been included, where applicable, throughout this parts catalog.

FASTENER STRENGTH IDENTIFICATION

Fasteners required to have high—strength qualities equivalent to SAE Grade 8 are identified throughout this catalog by the description GR 8. Unless identified by this description, all standard fasteners are SAE Grade 5.

(Specifications and design subject to change without notice.)

04239

Fig. 1 – Recommended General Maintenance Items

| Key | TENNANT Part No. | Machine Serial Number | Description | Qty |
|-----|------------------|-----------------------|--|-----|
| | 57519 | (000000–006999) | Performance Package 400 Hour | 1 |
| | 01433–1 | (000000–006999) | Grease, Lubriplate EMB | 1 |
| | 38245 | (000000–006999) | Valve, PCV | 1 |
| | 45770–8 | (000000–006999) | Spark Plug | 4 |
| | 54911–24 | (000000–006999) | Gasket, Valve Cover | 1 |
| | 58120 | (000000–006999) | Element, Air Filter | 1 |
| | 58122 | (000000–006999) | Element, Oil Filter | 8 |
| | 58476 | (000000–006999) | Filter, Panel | 1 |
| | 58506 | (000000–006999) | Points Set | 1 |
| | 58507 | (000000–006999) | Cap, Distributor | 1 |
| | 82697 | (000000–006999) | Rotor, Overspeed | 1 |
| | 58509 | (000000–006999) | Condenser | 1 |
| | 07328 | (000000–006999) | Filter, Distributor Cap | 1 |
| | 07330 | (000000–006999) | Filter, Distributor | 1 |
| | 31745 | (007000–) | Performance Package 400 Hour, Gasoline | 1 |
| | 39046 | (007000–) | Spark Plug | 4 |
| | 07705 | (007000–) | Gasket | 1 |
| | 58120 | (007000–) | Element, Air Filter | 1 |
| | 19205 | (007000–) | Element, Engine Oil | 8 |
| | 82525 | (007000–) | Filter, Fuel | 1 |
| | 32397–1 | (007000–) | Hydraulic Fluid, HP1040, 1 gal | 6 |
| | 55740 | (007000–) | Element, Hydraulic Fluid Filter | 1 |
| | 31746 | (007000–) | Performance Package 400 Hour, LPG | 1 |
| | 39046 | (007000–) | Spark Plug | 4 |
| | 07705 | (007000–) | Gasket | 1 |
| | 58120 | (007000–) | Element, Air Filter | 1 |
| | 19205 | (007000–) | Element, Engine Oil | 8 |
| | 32397–1 | (007000–) | Hydraulic Fluid, HP1040, 1 gal | 6 |
| | 55740 | (007000–) | Element, Hydraulic Fluid Filter | 1 |
| | 57518 | (000000–) | Performance Package 800Hour | 1 |
| | 55740 | (000000–) | Element, Hydraulic Fluid | 1 |
| | 32397–1 | (000000–) | Hydraulic Fluid, Hp1040, 1 gal (3.7 L) | 6 |
| | 13970 | (000000–) | Maintenance Kit, Brush Door Seals | 1 |
| | 13177 | (000000–) | Skirt, Side Door, LH | 1 |
| | 13471 | (000000–) | Skirt, Side Door, LH (Short) | 1 |
| | 13178 | (000000–) | Strip, Retainer, Door Skirt | 2 |
| | 13468 | (000000–) | Skirt, Side Door, RH | 1 |
| | 13472 | (000000–) | Skirt, Side Door, RH (Short) | 1 |
| | 13476 | (000000–) | Retainer, Door Skirt | 2 |
| | 13296 | (000000–) | Insulation, Brush Door | 1 |
| | 57822 | (000000–) | Seal | 1 |
| | 57820 | (000000–) | Seal | 1 |
| | 58543 | (000000–) | Seal | 2 |
| | 47037 | (000000–) | Adhesive, 5 oz (150 ml) | 1 |
| | 13293 | (000000–) | Seal, Rubber | 2 |
| | 13294 | (000000–) | Seal, Rubber | 2 |
| | 13295 | (000000–) | Seal, Rubber | 3 |
| | 13301 | (000000–) | Seal, Rubber | 2 |
| | 68198 | (000000–) | Adhesive, 1 oz (150 ml) | 1 |
| | 13973 | (000000–) | Maintenance Kit, Recirculation Flap | 1 |
| | 13054 | (000000–) | Bracket, Recirculation Flap | 1 |
| | 13181 | (000000–005340) | Replacement Kit, Skirt | 1 |
| | 13056 | (000000–) | Blade, Rear Deflector | 1 |

| Key | TENNANT Part No. | Machine Serial Number | Description | Qty |
|-----|------------------|-----------------------|-------------------------------|-----|
| | 13166 | (005341-) | Skirt, Rear | 1 |
| | 13165 | (005341-) | Retainer, Skirt | 1 |
| | 13172 | (005341-) | Strip, Retainer | 1 |
| | 57858 | (000000-) | Chain, Static | 1 |
| | 13974 | (000000-) | Maintenance Kit, Hopper Seals | 1 |
| | 13080 | (000000-) | Skirt, Hopper Lip | 6 |
| | 13081 | (000000-) | Retainer, Hopper Skirt | 1 |
| | 58485 | (000000-) | Seal, Air Outlet Tube | 1 |
| | 13083 | (000000-) | Seal, Rubber | 1 |
| | 47037 | (000000-) | Adhesive, 5 oz (150 ml) | 2 |
| | 13270 | (000000-) | Seal, Rubber | 2 |
| | 13271 | (000000-) | Seal, Rubber | 2 |
| | 13301 | (000000-) | Seal, Rubber | 2 |
| | 13302 | (000000-) | Seal, Rubber | 2 |
| | 57511 | (000000-) | Seal, Rubber | 1 |
| | 58981 | (000000-) | Seal, Rubber | 1 |
| | 68198 | (000000-) | Adhesive, 1 oz (30 ml) | 1 |

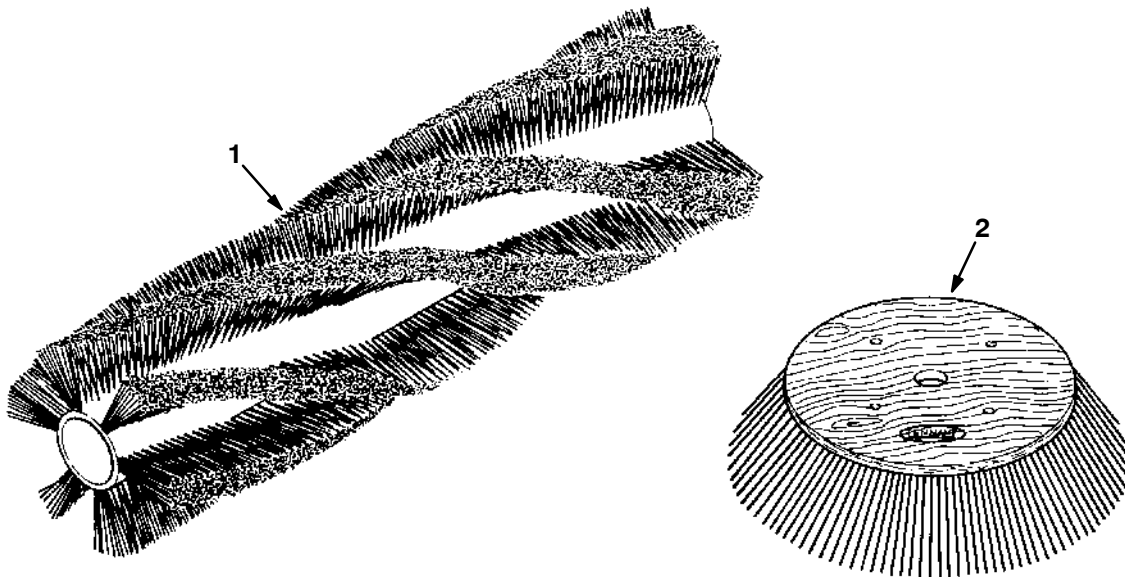


Fig. 2 – Replacement Brushes

03858

| Key | TENNANT Part No. | Machine Serial Number | Description | Qty. |
|-----|------------------|-----------------------|----------------------------------|------|
| 1 | 13280 | (000000-) | Main Brush, Proex and Wire | 1 |
| 1 | 13281 | (000000-) | Main Brush, 24 Single Row, Nylon | 1 |
| 1 | 13282 | (000000-) | Main Brush, 8 Double Row, Nylon | 1 |
| 1 | 13283 | (000000-) | Main Brush, Fiber and Wire | 1 |
| 2 | 09600P | (000000-) | Side Brush, Polypropylene | 1 |
| 2 | 09600N | (000000-) | Side Brush, Nylon | 1 |
| 2 | 10712K | (000000-) | Side Brush, Flat Wire | 1 |

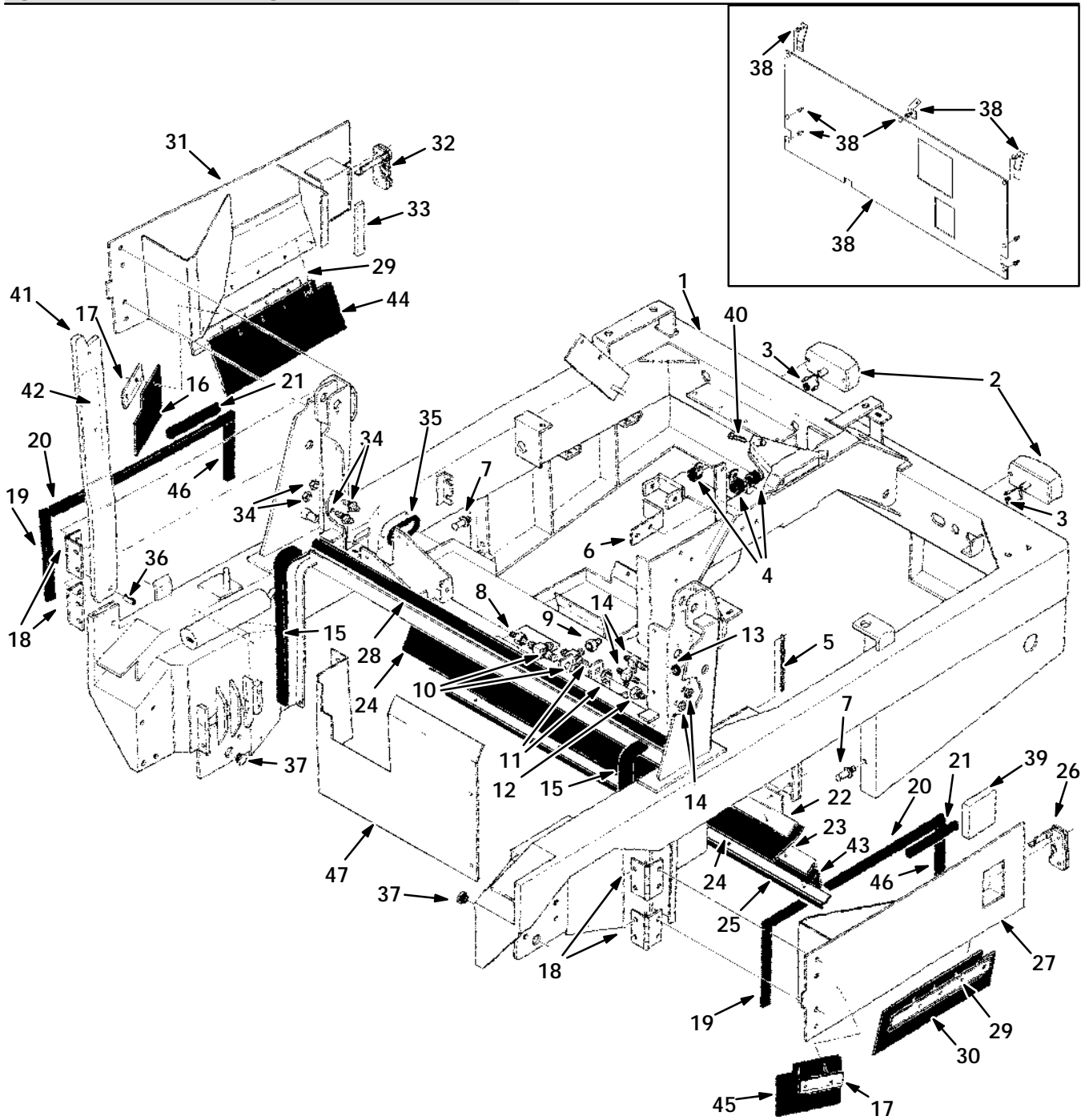


Fig. 3 -- Main Frame Group

Fig. 3 – Main Frame Group

| Key | TENNANT Part No. | Machine Serial Number | Description | Qty. |
|-----|------------------|-----------------------|-------------------------------|------|
| 1 | 13747 | (000000–006999) | Frame, Main | 1 |
| 1 | 31498 | (007000–) | Frame, Main | 1 |
| 2 | 57941 | (000000–) | Taillight Assembly | 2 |
| | 45780 | (000000–) | Bulb | 1 |
| 3 | 87515 | (000000–) | Grommet, Rubber | 2 |
| 4 | 58366 | (000000–) | Clamp, Hose | 3 |
| 5 | 57858 | (000000–) | Chain, Static | 1 |
| 6 | 13184 | (000000–) | Stop, Steering, R.H. | 1 |
| 7 | 58898 | (000000–) | Latch, Brush Door | 2 |
| 8 | 34375 | (000000–) | Fitting, Straight | 1 |
| 9 | 57979 | (000000–) | Fitting, Straight | 1 |
| 10 | 13114 | (000000–) | Fitting, Tee | 1 |
| 11 | 57978 | (000000–) | Fitting, Tee | 1 |
| 12 | 47753 | (000000– xxxxxx) | Fitting, Straight | 1 |
| 13 | 76721 | (000000–) | Grommet, Rubber | 1 |
| 14 | 57976 | (000000–) | Fitting, Tee | 2 |
| 15 | 58543 | (000000–) | Seal, Side | 2 |
| 16 | 13472 | (000000–) | Skirt, Side Door, R.H. | 1 |
| 17 | 13476 | (000000–) | Retainer, Strip, | 2 |
| 18 | 58864 | (000000–) | Hinge, Side Door | 4 |
| 19 | 13294 | (000000–) | Seal, Rubber | 2 |
| 20 | 13295 | (000000–) | Seal, Rubber | 2 |
| 21 | 13293 | (000000–) | Seal, Rubber | 2 |
| 22 | 13054 | (000000–) | Bracket, Recirculation | 1 |
| 23 | 13181 | (000000–005340) | Replacement Kit, Rear Skirt | 1 |
| 23 | 13165 | (005341–) | Strip, Retainer | 1 |
| 24 | 13056 | (000000–) | Blade, Deflector | 1 |
| 25 | 13181 | (000000–005340) | Replacement Kit, Rear Skirt | 1 |
| 25 | 13172 | (005341–) | Strip, Retainer | 1 |
| 26 | 58489 | (000000–) | Latch, Hook, Brush Door, R.H. | 1 |
| 27 | 13174 | (000000–) | Door, Side, L.H. | 1 |
| 28 | 57820 | (000000–) | Seal | 1 |
| 29 | 13178 | (000000–) | Strip, Skirt Retainer | 2 |
| 30 | 13177 | (000000–) | Skirt, Side Door, L.H. | 1 |
| 31 | 13175 | (000000–) | Door, Side, R.H. | 1 |
| 32 | 58844 | (000000–) | Latch, Hook, Brush Door, L.H. | 1 |
| 33 | 57822 | (000000–) | Seal, Brush Door | 1 |
| 34 | 57977 | (000000–) | Fitting, Straight | 2 |
| 35 | 57570 | (000000–) | Molding, Rigid | 1 |
| 36 | 58563 | (000000–) | Pin, Spiral | 1 |
| 37 | 58248 | (000000–) | Plugbutton | 2 |
| 38 | 13828 | (000000–) | Dust Shield Replacement Kit | 1 |
| 39 | 13296 | (000000–) | Seal, Brush Door | 1 |
| 40 | 19580 | (000000–) | Screw | 2 |
| 41 | 57588 | (000000–) | Arm Assembly, Safety | 1 |
| 42 | 57594 | (000000–) | Label, Safety Arm | 1 |
| 43 | 13181 | (000000–005340) | Replacement Kit, Rear Skirt | 1 |
| 43 | 13166 | (005341–) | Skirt, Rear | 1 |
| 44 | 13468 | (000000–) | Skirt, Side Door, R.H. | 1 |
| 45 | 13471 | (000000–) | Skirt, Side Door, L.H. | 1 |
| 46 | 13301 | (000000–) | Seal | 2 |
| 47 | 13789 | (000000–) | Dust Shield | 1 |

STANDARD PARTS

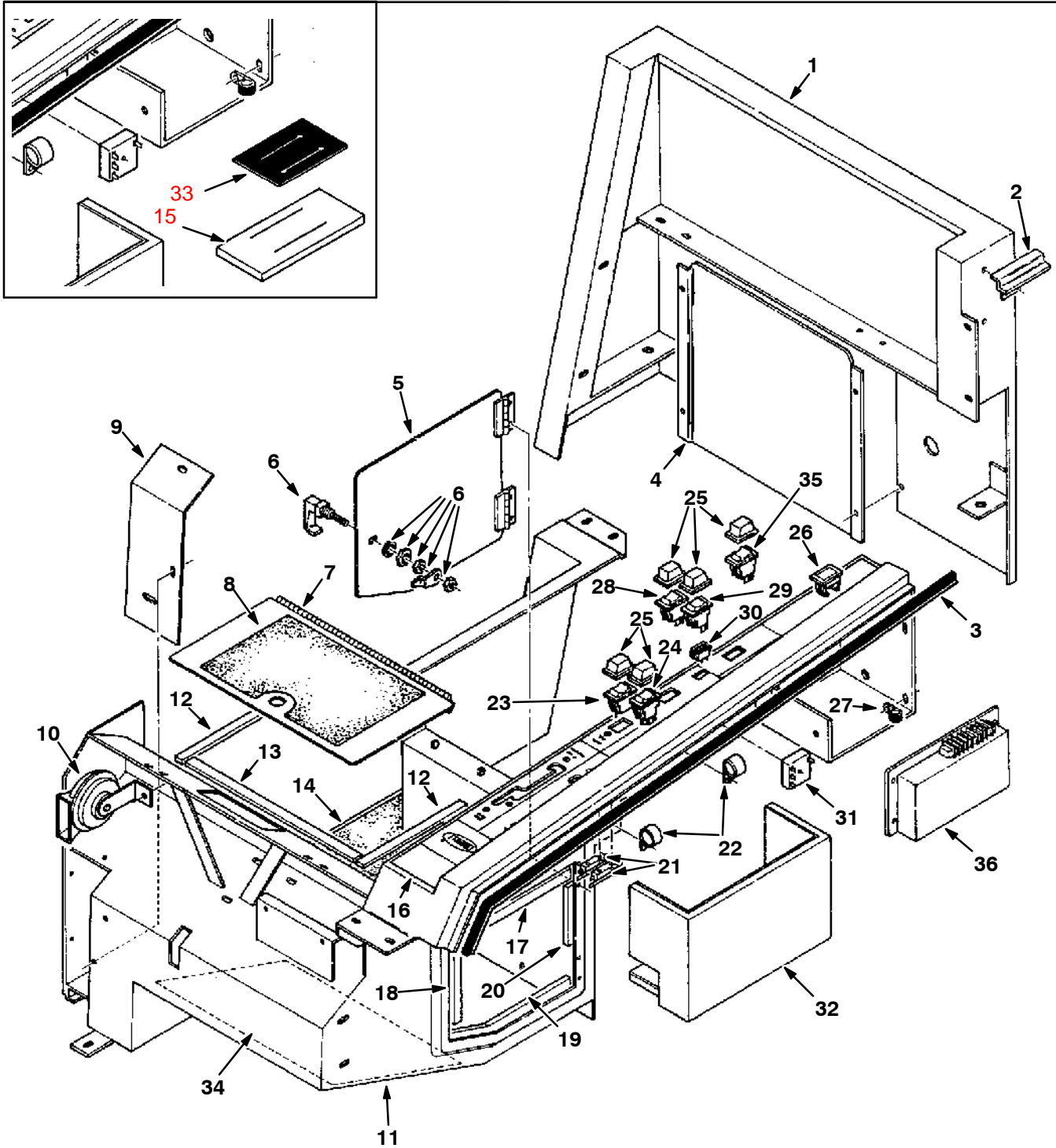


Fig. 4 - Operators Compartment Group

Fig. 4 – Operators Compartment Group

| Key | TENNANT Part No. | Machine Serial Number | Description | Qty. |
|-----|------------------|-----------------------|-------------------------|------|
| 1 | 58724 | (000000–) | Shroud, Rear | 1 |
| 2 | 58759 | (000000–) | Bracket, Rear Shroud | 1 |
| 3 | 57820 | (000000–) | Seal | 1 |
| 4 | 13792 | (000000–) | Cover, Rear Access | 1 |
| 5 | 13131 | (000000–) | Door, Brush Adjustment | 1 |
| 6 | 58768 | (000000–) | Fastener | 1 |
| 7 | 58786 | (000000–) | Cover, Battery | 1 |
| 8 | 32270 | (000000–) | Tread, Floor | 1 |
| 9 | 13387 | (000000–) | Panel, Removable | 1 |
| 10 | 14138A | (000000–) | Horn | 1 |
| 11 | 13746 | (000000–006999) | Compartment, Operator | 1 |
| 11 | 31576 | (007000–) | Compartment, Operator | 1 |
| 12 | 58916 | (000000–) | Seal | 2 |
| 13 | 58915 | (000000–) | Seal | 1 |
| 14 | 58819 | (000000–) | Tread, Floor | 1 |
| 15 | 13314 | (000000–006999) | Insulation, Foam | 1 |
| 16 | 13138 | (000000–) | Label, Instrument Panel | 1 |
| 17 | 58911 | (000000–) | Seal | 1 |
| 18 | 58912 | (000000–) | Seal | 1 |
| 19 | 58913 | (000000–) | Seal | 1 |
| 20 | 58914 | (000000–) | Seal | 1 |
| 21 | 44847 | (000000–) | Switch | 2 |
| 22 | 69234 | (000000–) | Clamp, Cable | 2 |
| 23 | 31966 | (000000–) | Switch, Rocker, SPDT | 1 |
| 24 | 31964 | (000000–) | Switch, Rocker, DPDT | 1 |
| 25 | 57807 | (000000–) | Seal, Rocker Switch | 5 |
| 26 | 57772 | (000000–) | Plate, Cover | 1 |
| 27 | 40678 | (000000–) | Clamp, Cable | 2 |
| 28 | 31963 | (000000–) | Switch, Rocker, DPDT | 1 |
| 29 | 31965 | (000000–) | Switch, Rocker, SPST | 1 |
| 30 | 64141–1 | (000000–) | Light Assembly, Panel | 1 |
| 31 | 34816 | (000000–) | Timer, Shaker | 1 |
| 32 | 13279 | (000000–) | Insulation Box Assembly | 1 |
| 33 | 13312 | (000000–006999) | Seal, Noise | 1 |
| 34 | 69571 | (000000–) | Tread, Floor | 1 |
| 35 | 31962 | (007000–) | Switch, Rocker, DPDT | 1 |
| 36 | 31529 | (007000–) | Control Box | 1 |

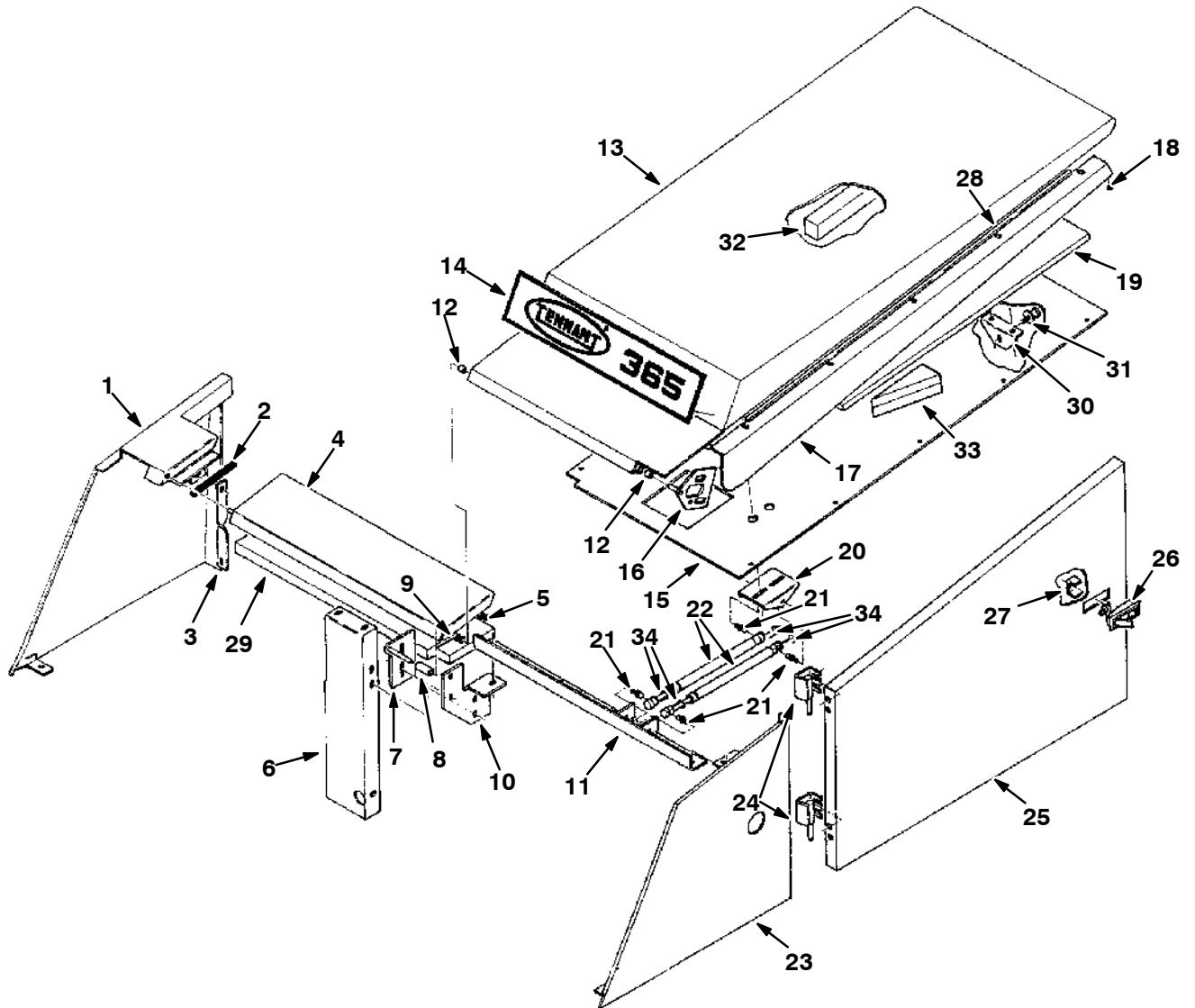


Fig. 5 – Engine Cover and Side Panels Group

Fig. 5 – Engine Cover and Side Panels Group

| Key | TENNANT Part No. | Machine Serial Number | Description | Qty. |
|-----|------------------|-----------------------|-----------------------------|------|
| 1 | 58779 | (000000–) | Lintel | 1 |
| 2 | 57564 | (000000–) | Molding, Rigid | 1 |
| 3 | 58776 | (000000–) | Bracket, Support | 1 |
| 4 | 58572 | (000000–) | Cover, Lintel | 1 |
| 5 | 57563 | (000000–) | Molding, Rigid | 1 |
| 6 | 13067 | (000000–) | Support, Front | 1 |
| 7 | 58219 | (000000–) | Hinge, Cover, R. H. | 1 |
| 8 | 58222 | (000000–) | Tube, Spacer | 1 |
| 9 | 57889 | (000000–) | Spring, Compression | 1 |
| 10 | 58574 | (000000–) | Angle, Mounting | 1 |
| 11 | 13572 | (000000–) | Bracket, Mounting | 1 |
| 12 | 46563 | (000000–) | Bushing, Sleeve | 2 |
| 13 | 58220 | (000000–006999) | Cover, Engine | 1 |
| 13 | 31581 | (007000–) | Cover, Engine | 1 |
| 14 | 13779 | (000000–) | Label, 365 Logo | 1 |
| 15 | 58207 | (000000–006999) | Duct, Floor | 1 |
| 15 | 31585 | (007000–) | Duct, Floor | 1 |
| 16 | 58218 | (000000–) | Hinge, Cover, L. H. | 1 |
| 17 | 58338 | (000000–006999) | Angle, Engine Cover | 1 |
| 17 | 31586 | (007000–) | Angle, Engine Cover | 1 |
| 18 | 29233 | (000000–) | Bumper, Rubber | 1 |
| 19 | 57905 | (000000–006999) | Foam, Sound | 1 |
| 19 | 31587 | (007000–) | Foam, Sound | 1 |
| 20 | 58206 | (000000–) | Channel, Mount | 1 |
| 21 | 58494 | (000000–) | Stud, Ball | 4 |
| 22 | 31183 | (000000– xxxxxx) | Replacement Kit, Gas Spring | 2 |
| 22 | 31182 | (xxxxxx–) | Spring, Gas | 2 |
| 23 | 58345 | (000000–) | Panel, Left Cover | 1 |
| 24 | 58347 | (000000–) | Hinge, Engine Door | 2 |
| 25 | 58349 | (000000–006999) | Panel, Engine Door | 1 |
| 25 | 13070 | (007000–) | Panel, Engine Door | 1 |
| 26 | 64533 | (000000–) | Latch, Trigger | 1 |
| 27 | 57298 | (000000–) | Bracket, Latch | 1 |
| 28 | 13602 | (000000–) | Seal, Rubber | 2 |
| 29 | 58829 | (000000–) | Insulation, Sound Foam | 1 |
| 30 | 04088 | (000000–) | Bracket, Latch Pin | 1 |
| 31 | 58490 | (000000–) | Pin, Latch | 1 |
| 32 | 13598 | (000000–) | Seal, Rubber | 1 |
| 33 | 58828 | (000000–) | Foam, Sound | 4 |
| 34 | 64595 | (xxxxxx–) | Clip, Safety | 4 |

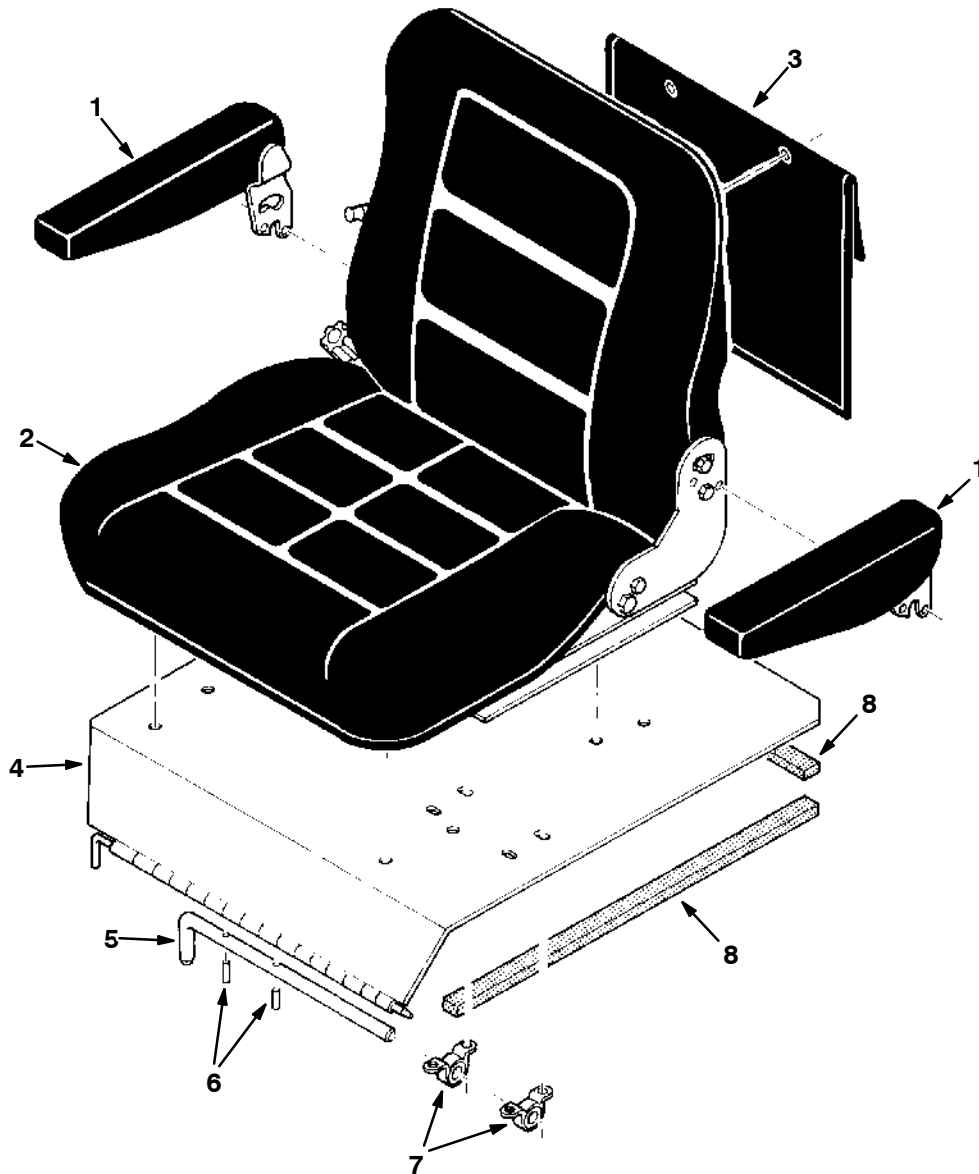


Fig. 6 – Seat Group

02289

| Key | TENNANT Part No. | Machine Serial Number | Description | Qty. |
|-----|------------------|-----------------------|----------------------|------|
| 1 | 34252 | (000000–) | Armrest Assembly | 1 |
| 2 | 34251 | (000000–) | Seat | 1 |
| 3 | 68275 | (000000–) | Pouch, Manual | 1 |
| 4 | 58789 | (000000–) | Cover, Seat | 1 |
| 5 | 58780 | (000000–) | Rod | |
| 1 | | | | |
| 6 | 11476 | (000000–) | Pin, Roll | 2 |
| 7 | 51304–1 | (000000–) | Bearing, Pillowblock | 2 |
| 8 | 58910 | (000000–) | Seal, Seat | 3 |

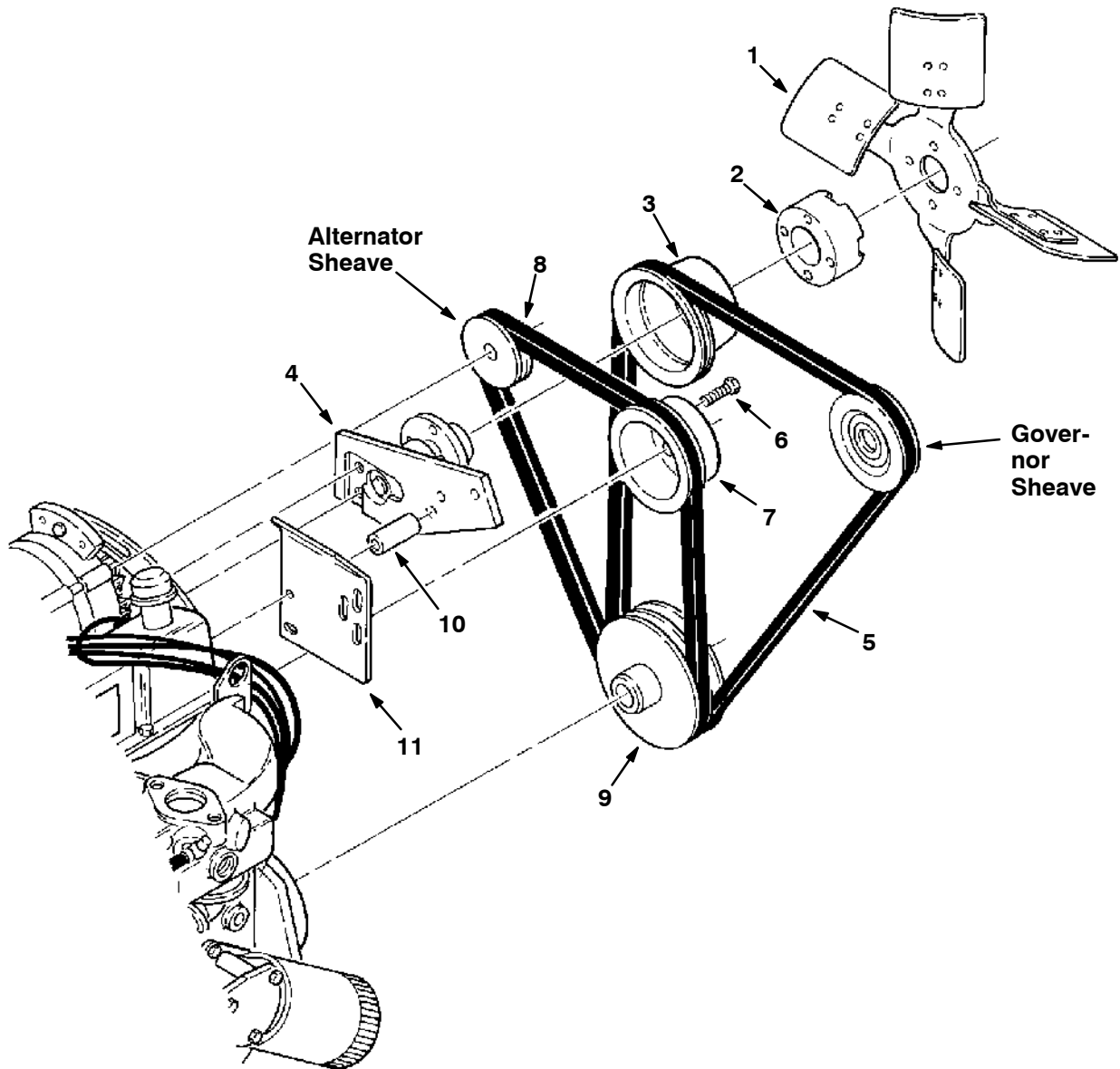


Fig. 7 – Sheaves and Belts Group

03832

| Key | TENNANT Part No. | Machine Serial Number | Description | Qty. |
|-----|------------------|-----------------------|---------------------------|------|
| 1 | 16805 | (000000–006999) | Fan | 1 |
| 2 | 58098 | (000000–006999) | Spacer, Fan | 1 |
| 3 | 58045 | (000000–006999) | Pulley, Water Pump | 1 |
| 4 | 58110 | (000000–006999) | Housing Assembly, Bearing | 1 |
| 5 | 17759 | (000000–006999) | V–Belt | 1 |
| 6 | 50388 | (000000–006999) | Screw, Hex, M8 | 4 |
| 7 | 54911–10 | (000000–006999) | Pulley, Water Pump | 1 |
| 8 | 44561 | (000000–006999) | V–Belt | 1 |
| 9 | 58044 | (000000–006999) | Pulley, Crankshaft | 1 |
| 10 | 08718 | (000000–006999) | Tube, Spacer | 1 |
| 11 | 13515 | (000000–006999) | Plate, Governor Mounting | 1 |

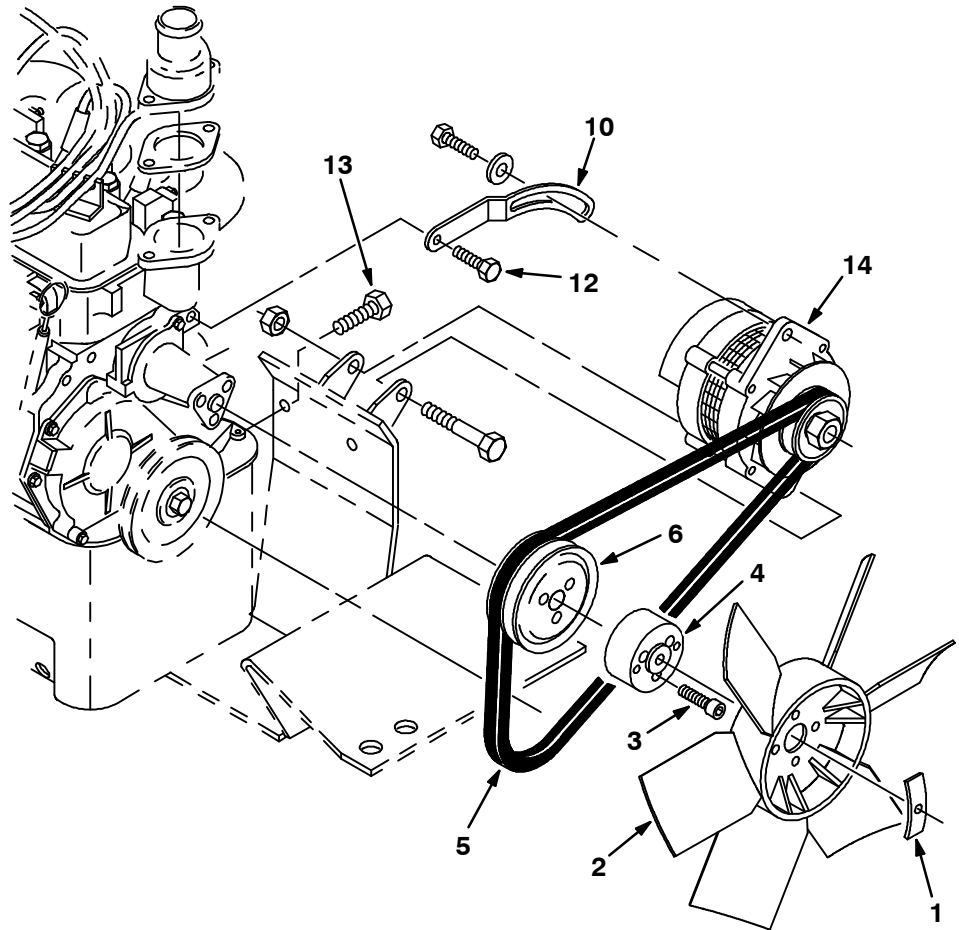
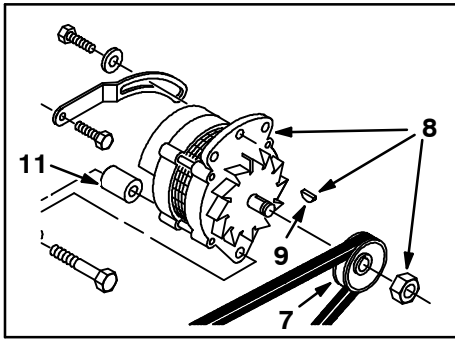


Fig. 8 – Engine Fan and Alternator Group, Distributorless (DIS)

Fig. 8 – Engine Fan and Alternator Group, Distributorless (DIS)

| Key | TENNANT Part No. | Machine Serial Number | Description | Qty. |
|-----|---------------------|--------------------------|--------------------|------|
| 1 | 07254 | (007000–) | Strap, Fan Support | 1 |
| 2 | 82537 | (007000–) | Fan | 1 |
| 3 | 07255 | (007000–) | Screw, Socket | 3 |
| 4 | 31534 | (007000–) | Spacer, Fan | 1 |
| 5 | 07189 | (007000–) | V–Belt | 1 |
| 6 | 03158 | (007000–) | Pulley, Water Pump | 1 |
| 7 | 54914 | (007000–007104) | Sheave | 1 |
| 8 | 03233 | (007000–007104) | Alternator | 1 |
| 9 | 00500–5 | (007000–007104) | Key, Woodruff | 1 |
| 10 | 31526 | (007000–) | Arm, Alternator | 1 |
| 11 | 54959 | (007000–007104) | Spacer | 1 |
| 12 | 16931 | (007000–) | Screw, Hex, M8 | 1 |
| 13 | 39283 | (007000–) | Screw, Hex, M10 | 2 |
| 14 | 30458 | (007105–) | Alternator | 1 |

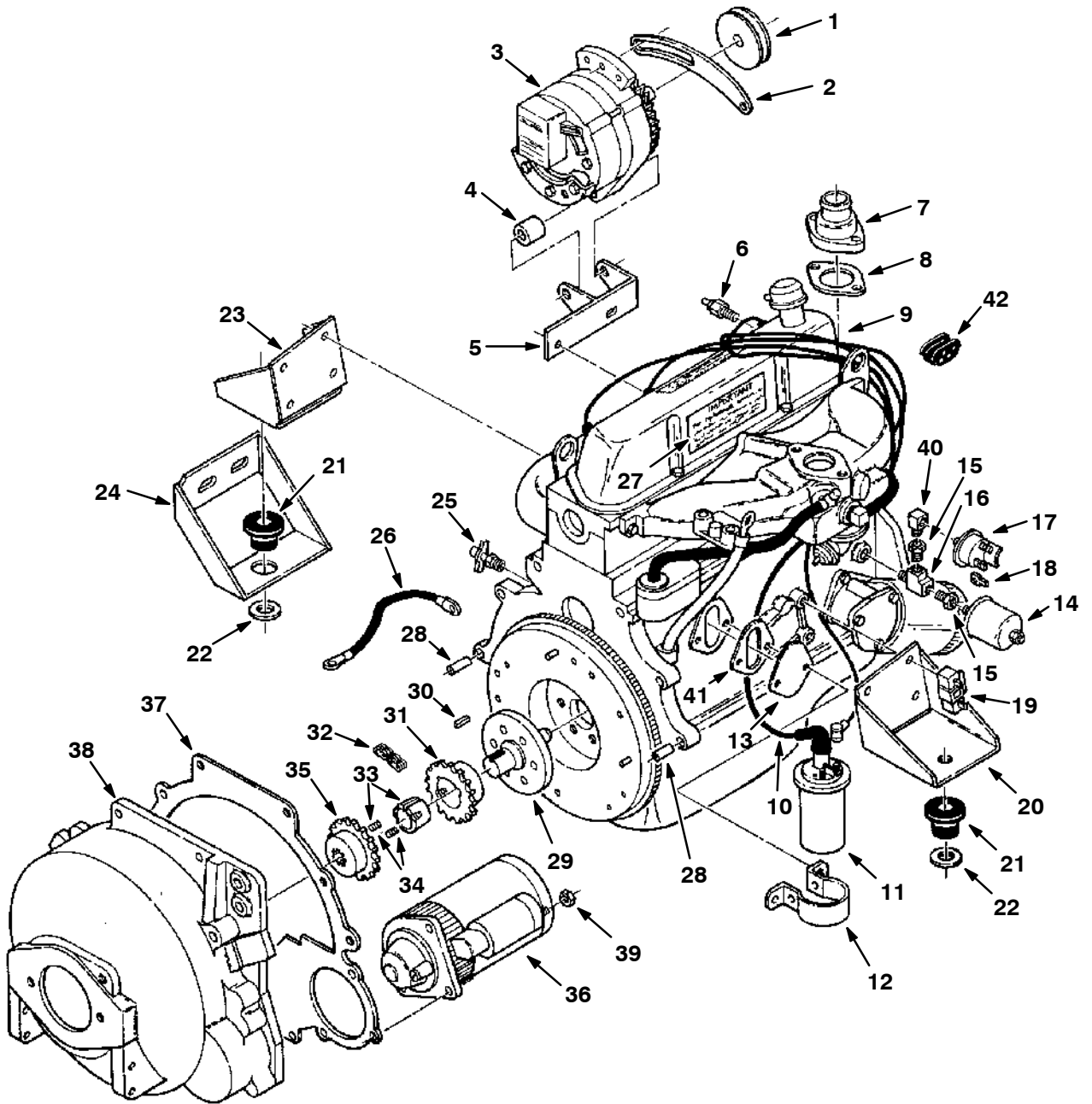


Fig. 9 – Engine Group

Fig. 9 – Engine Group

| Key | TENNANT Part No. | Machine Serial Number | Description | Qty. |
|-----|------------------|-----------------------|--------------------------|------|
| 1 | 54914 | (000000–006999) | Sheave | 1 |
| 2 | 58850 | (000000–006999) | Arm, Alternator | 1 |
| 3 | 03233 | (000000–006999) | Alternator | 1 |
| 4 | 54959 | (000000–006999) | Spacer | 1 |
| 5 | 54928 | (000000–006999) | Bracket | 1 |
| 6 | 58592 | (000000–006999) | Sender, Temperature | 1 |
| 7 | 57548 | (000000–006999) | Connector, Outlet | 1 |
| 8 | 54911–25 | (000000–006999) | Gasket, Thermostat | 1 |
| 9 | 58087 | (000000–006999) | Engine | 1 |
| 10 | 54911–31 | (000000–006999) | Wire | 1 |
| 11 | 54911–11 | (000000–006999) | Coil | 1 |
| 12 | 54911–30 | (000000–006999) | Strap, Coil | 1 |
| 13 | 54911–28 | (000000–006999) | Cover, Fuel Pump | 1 |
| 14 | 82627 | (000000–006999) | Sender, Oil Pressure | 1 |
| 15 | 17414 | (000000–006999) | Fitting, Straight | 2 |
| 16 | 24929 | (000000–006999) | Fitting, Tee | 1 |
| 17 | 51805 | (000000–006999) | Switch, Oil Pressure | 1 |
| 18 | 68106 | (000000–006999) | Terminal, Tab | 3 |
| 19 | 54911–15 | (000000–006999) | Resistor | 1 |
| 20 | 58381 | (000000–006999) | Mount, Engine, L. H. | 1 |
| 21 | 51176 | (000000–006999) | Dampener, Engine | 2 |
| 22 | 51564 | (000000–006999) | Washer | 2 |
| 23 | 58376 | (000000–006999) | Mount, Engine, R. H. | 1 |
| 24 | 58377 | (000000–006999) | Mount, Engine | 1 |
| 25 | 54911–32 | (000000–006999) | Draincock, Block | 1 |
| 26 | 57773 | (000000–006999) | Wire, Ground | 1 |
| 27 | 54911–7 | (000000–006999) | Decal, Service | 1 |
| 28 | 54911–16 | (000000–006999) | Pin, Dowel | 2 |
| 29 | 47933 | (000000–006999) | Adaptor, Pump | 1 |
| 30 | 00926 | (000000–006999) | Key, Square | 1 |
| 31 | 53531–2 | (000000–006999) | Coupling, Chain | 1 |
| 32 | 33778 | (000000–006999) | Chain | 1 |
| 33 | 15280–1 | (000000–006999) | Bushing | 1 |
| 34 | 39330 | (000000–006999) | Screw, Set | 2 |
| 35 | 53386 | (000000–006999) | Coupling, Spline | 1 |
| 36 | 57549 | (000000–006999) | Starter | 1 |
| 37 | 54911–5 | (000000–006999) | Ring, Locating | 1 |
| 38 | 33826 | (000000–006999) | Housing, Flywheel | 1 |
| 39 | 41361 | (000000–006999) | Nut, Brass | 1 |
| 40 | 11984 | (000000–006999) | Fitting, Elbow | 1 |
| 41 | 02887 | (000000–006999) | Gasket, Fuel Pump | 1 |
| 42 | 07120 | (000000–006999) | Separator, Ignition Wire | 1 |

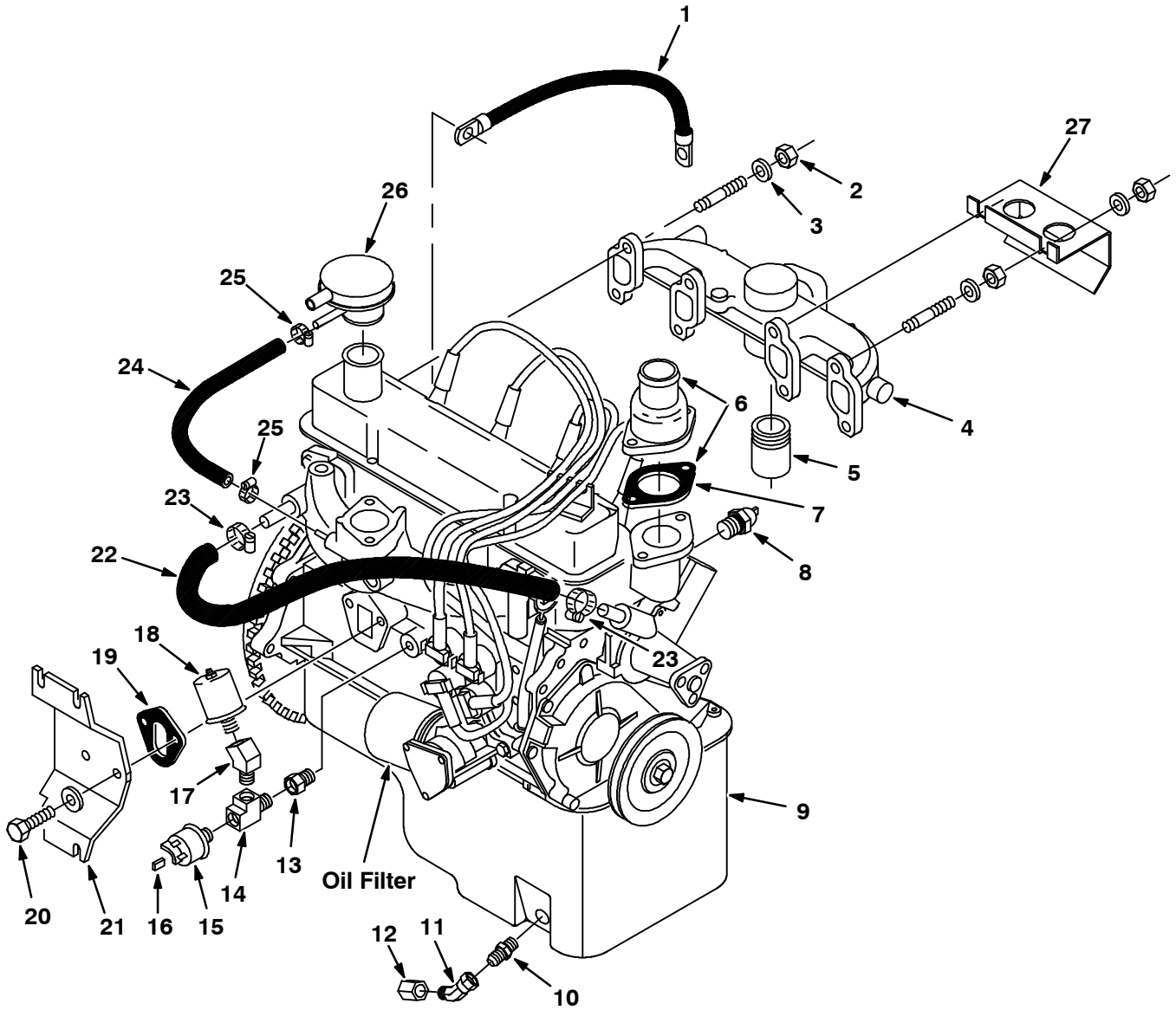


Fig. 10 – Engine Group, Distributorless (DIS)

Fig. 10 – Engine Group, Distributorless (DIS)

| Key | TENNANT Part No. | Machine Serial Number | Description | Qty. |
|-----|------------------|-----------------------|--------------------------------|------|
| 1 | 57773 | (007000–) | Wire Assembly, Ground | 1 |
| 2 | 08165 | (007000–) | Nut, Hex, M8 | 8 |
| 3 | 39349 | (007000–) | Washer | 8 |
| 4 | 30316 | (007000–) | Manifold, Exhaust | 1 |
| 5 | 24013 | (007000–) | Fitting, Nipple | 1 |
| 6 | 19689 | (007000–) | Housing and Gasket, Thermostat | 1 |
| 7 | 54911–25 | (007000–) | Gasket, Thermostat | 1 |
| 8 | 58592 | (007000–) | Sender, Water Temperature | 1 |
| 9 | 30296 | (007000–) | Engine, Distributorless (DIS) | 1 |
| 10 | 19200 | (007000–) | Fitting, Straight | 1 |
| 11 | 16472 | (007000–) | Fitting, Elbow, 45° | 1 |
| 12 | 40625 | (007000–) | Fitting, Plug | 1 |
| 13 | 17414 | (007000–) | Fitting, Straight | 1 |
| 14 | 26426 | (007000–) | Fitting, Tee | 1 |
| 15 | 51805 | (007000–) | Switch, Oil Pressure | 1 |
| 16 | 68106 | (007000–) | Tab, Terminal | 3 |
| 17 | 24976 | (007000–) | Fitting, Elbow, 45° | 1 |
| 18 | 07175 | (007000–) | Sending Unit, Oil Pressure | 1 |
| 19 | 02887 | (007000–) | Gasket, Fuel Pump | 1 |
| 20 | 16735 | (007000–) | Screw, Hex, M8 | 2 |
| 21 | 31516 | (007000–) | Bracket, Actuator Mounting | 1 |
| 22 | 31543 | (007000–) | Hose, Heater | 1 |
| 23 | 63810 | (007000–) | Clamp, Worm Drive | 2 |
| 24 | 76589–2 | (007000–) | Hose, Rubber | 1 |
| 25 | 54333 | (007000–) | Clamp, Worm Drive | 2 |
| 26 | 30306 | (007000–) | Cap Assembly, Oil Filler | 1 |
| 27 | 30463 | (007105–) | Shield, Exhaust Manifold | 1 |

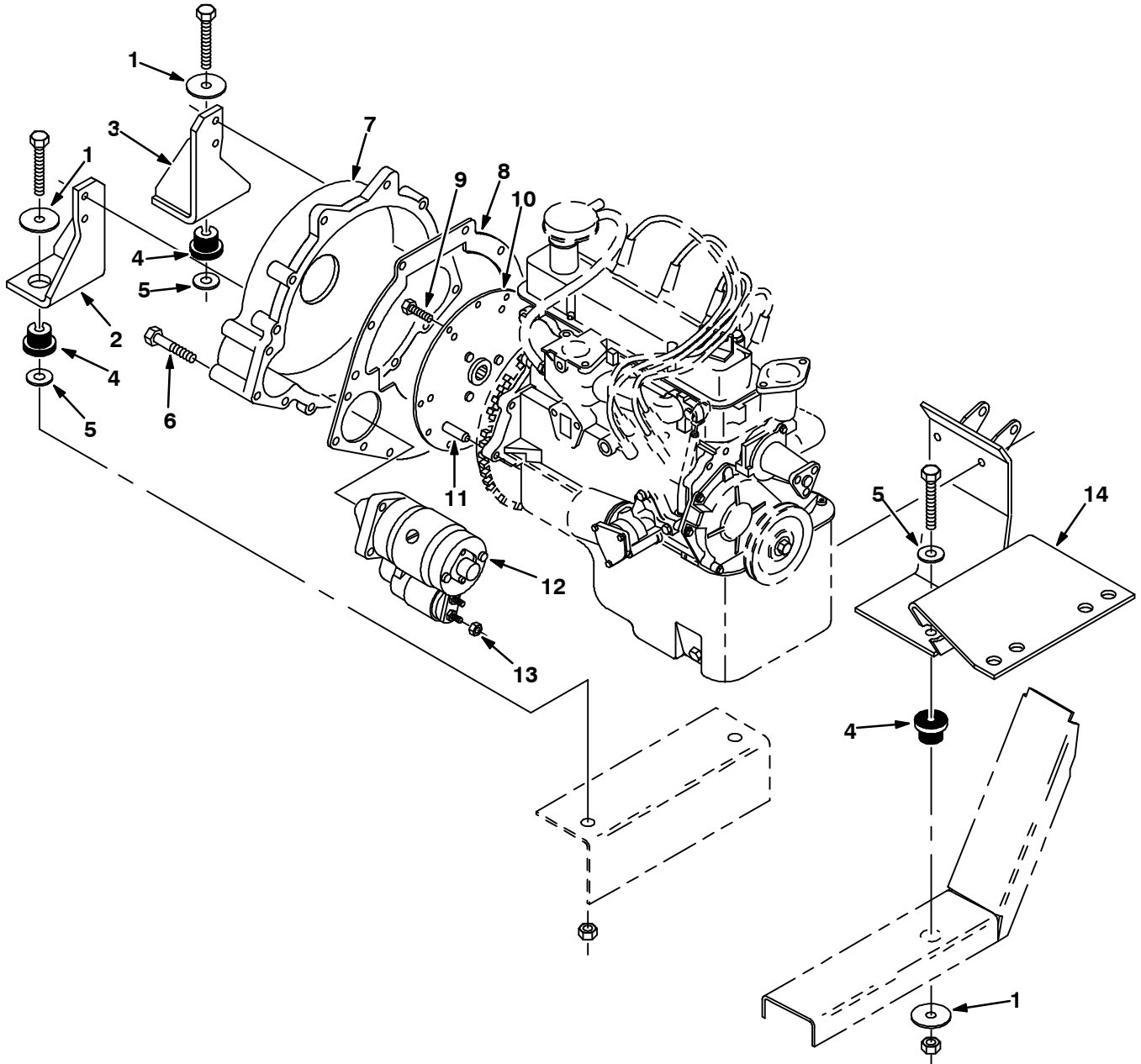


Fig. 11 – Engine Flywheel and Mounting Group, Distributorless (DIS)

Fig. 11 – Engine Flywheel and Mounting Group, Distributorless (DIS)

| Key | TENNANT Part No. | Machine Serial Number | Description | Qty. |
|-----|------------------|-----------------------|-------------------------------------|------|
| 1 | 57048 | (007000–) | Washer | 3 |
| 2 | 19106 | (007000–) | Bracket, Rear Engine Mounting, R.H. | 1 |
| 3 | 19100 | (007000–) | Bracket, Rear Engine Mounting, L.H. | 1 |
| 4 | 51176 | (007000–) | Dampner, Engine | 3 |
| 5 | 32493 | (007000–) | Washer | 3 |
| 6 | 34877 | (007000–) | Screw, Hex, M10 | 3 |
| 7 | 19073 | (007000–) | Housing, Flywheel | 1 |
| 8 | 19531 | (007000–) | Ring, Starter Locating | 1 |
| 9 | 16735 | (007000–) | Screw, Hex, M8 | 6 |
| 10 | 19252 | (007000–) | Coupling Assembly, Flywheel | 1 |
| 11 | 54911–16 | (007000–) | Pin, Dowel | 2 |
| 12 | 03160 | (007000–) | Starter | 1 |
| 13 | 41361 | (007000–) | Nut, Brass | 1 |
| 14 | 31491 | (007000–007104) | Mount, Engine Front | 1 |
| 14 | 30434 | (007105–) | Mount, Engine Front | 1 |

Fig. 12 -- Carburetor and Throttle Group

| Key | TENNANT Part No. | Machine Serial Number | Description | Qty. |
|-----|------------------|-----------------------|-------------------------|------|
| 1 | 58745 | (000000-005773) | Knob, Tapered | 1 |
| 2 | 43242 | (000000-006999) | Swivel | 1 |
| 3 | 58905 | (000000-005773) | Lever, Choke | 1 |
| 4 | 68058 | (000000-006999) | Sleeve | 1 |
| 5 | 45261 | (000000-006999) | Spring, Compression | 1 |
| 6 | 51225 | (000000-006999) | Pin, Clevis | 1 |
| 7 | 08720 | (000000-005773) | Cable, Choke | 1 |
| 8 | 08719 | (000000-006999) | Cable, Throttle | 1 |
| 9 | 13525 | (000000-006999) | Arm, Governor | 1 |
| 10 | 57392 | (000000-006999) | Spring, Flat | 1 |
| 11 | 50332-1 | (000000-006999) | Ball Joint | 1 |
| 12 | 34898 | (000000-006999) | Stud, Throttle | 1 |
| 13 | 14601 | (000000-006999) | Ball Joint | 1 |
| 14 | 40823 | (000000-006999) | Screw, Shoulder | 1 |
| 15 | 07252 | (000000-006999) | Nut, Wing | 1 |
| 16 | 57934 | (000000-006999) | Adaptor, Carburetor | 1 |
| 17 | 16738 | (000000-006999) | Gasket, Air Horn | 1 |
| 18 | 68616 | (000000-006999) | Valve, Anti-Dieseling | 1 |
| 19 | 55589 | (000000-006999) | Line Assembly, Fuel | 1 |
| 20 | 46236 | (000000-006999) | Clamp, Cable | 3 |
| 21 | 82674 | (000000-005177) | Carburetor | 1 |
| 21 | 12044 | (005178-006999) | Carburetor | 1 |
| | 02738 | (000000-006999) | Repair Kit, Carburetor | 1 |
| 22 | 54912-8 | (000000-006999) | Gasket, Carburetor | 1 |
| 23 | 57230 | (000000-006999) | Bracket, Throttle Cable | 1 |
| 24 | 82660 | (000000-006999) | Governor, Mechanical | 1 |
| 25 | 54745 | (000000-006999) | Spring | 1 |
| 26 | 07251 | (000000-006999) | Washer | 1 |
| 27 | 07250 | (000000-006999) | Stud | 1 |
| 28 | 58846 | (000000-005773) | Spring, Compression | 1 |
| 29 | 13516 | (000000-006999) | Spacer, Governor | 1 |
| 30 | 11984 | (000000-006999) | Fitting, Elbow | 1 |
| 31 | 28296 | (000000-005773) | Pin, Clevis | 1 |
| 32 | 82534 | (000000-006999) | Shield, Drip | 1 |
| 33 | 47313A | (005774-006999) | Cable, Choke | 1 |
| 34 | 58745 | (000000-006999) | Knob, Tapered | 1 |
| 35 | 58905 | (000000-006999) | Lever, Throttle | 1 |
| 36 | 28296 | (000000-006999) | Pin, Clevis | 1 |

Fig. 13 – Carburetor and Throttle Group, Distributorless (DIS)

| Key | TENNANT Part No. | Machine Serial Number | Description | Qty. |
|-----|------------------|-----------------------|----------------------------|------|
| 1 | 07252 | (007000–) | Nut, Wing | 1 |
| 2 | 07251 | (007000–) | Washer, Rubber | 1 |
| 3 | 57934 | (007000–) | Adaptor, Carburetor | 1 |
| 4 | 16738 | (007000–) | Gasket, Carburetor | 1 |
| 5 | 07250 | (007000–) | Stud | 1 |
| 6 | 50332–1 | (007000–) | Ball Joint | 1 |
| 7 | 50332–2 | (007000–) | Ball Joint, Stud | 1 |
| 8 | 30451 | (007000–) | Lever, Carburetor | 1 |
| 9 | 30320 | (007000–) | Rod, Throttle Control | 1 |
| 10 | 39311 | (007000–) | Nut, Hex, M8 | 2 |
| 11 | 15555–1 | (007000–) | Fitting, Elbow | 1 |
| 12 | 69266 | (007000–) | Cable Assembly, Choke | 1 |
| 13 | 49266 | (007000–) | Tie, Cable | 1 |
| 14 | 39780 | (007000–) | Hose, Rubber | 1 |
| 15 | 30305 | (007000–) | Control Assembly, Ignition | 1 |
| 16 | 40586 | (007000–) | Fuel Line | 1 |
| 17 | 58846 | (007000–) | Spring, Compression | 1 |
| 18 | 30321 | (007000–) | Carburetor | 1 |
| | 02738 | (007000–) | Repair Kit, Carburetor | 1 |
| 19 | 30325 | (007000–) | Plug, Carburetor | 1 |
| 20 | 31542 | (007000–) | Gasket, Carburetor | 1 |
| 21 | 30324 | (007000–) | Stud, M8 | 2 |
| 22 | 06532 | (007000–) | Screw, Socket, M6 | 2 |
| 23 | 31728 | (007000–) | Plate, Carburetor Mounting | 1 |
| 24 | 30312 | (007000–) | Gasket, Carburetor | 2 |
| 25 | 31550 | (007000–) | Shield, Drip | 1 |
| 26 | 07539 | (007000–) | Actuator, Governor | 1 |
| 27 | 30318 | (007000–) | Lever, Governor | 1 |
| 28 | 14601 | (007000–) | Ball Joint | 1 |

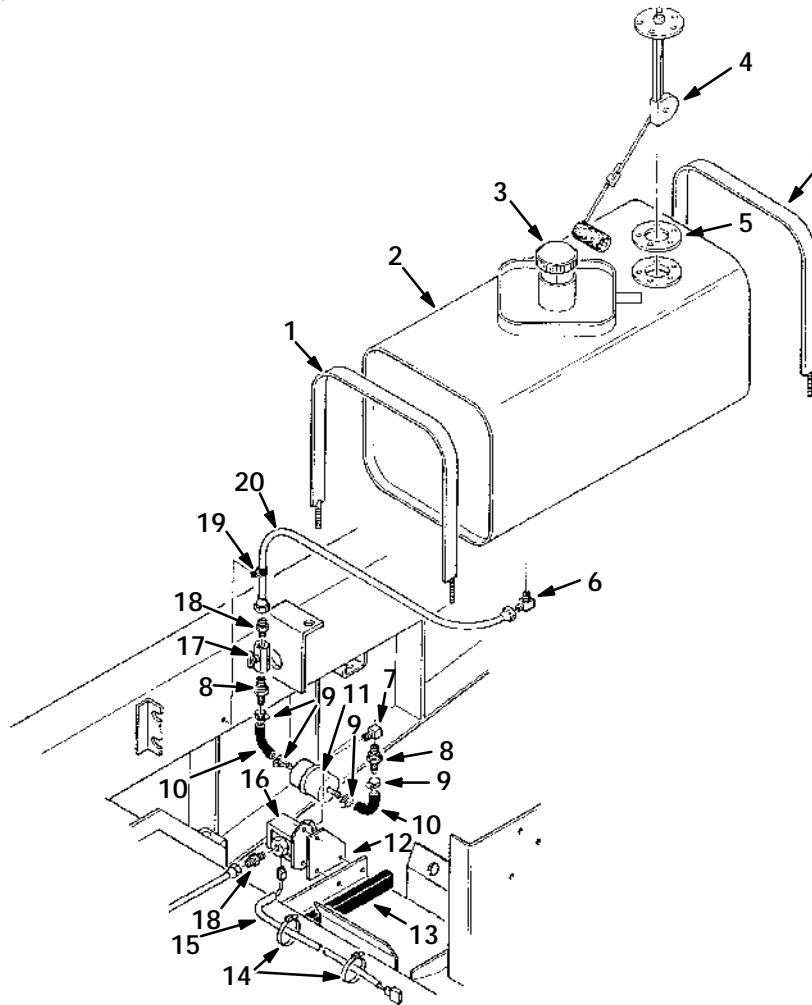


Fig. 14 -- Fuel Tank Group

03847

| Key | TENNANT Part No. | Machine Serial Number | Description | Qty. |
|-----|------------------|-----------------------|---------------------|------|
| 1 | 58534 | (000000-005830) | Strap, Tank | 2 |
| 2 | 58300 | (000000-005830) | Tank, Fuel | 1 |
| 3 | 48267 | (000000-005830) | Cap, Tank | 1 |
| 4 | 47473 | (000000-005830) | Sending Unit, Tank | 1 |
| 5 | 14131 | (000000-005830) | Gasket | 1 |
| 6 | 06507 | (000000-005830) | Fitting, Elbow | 1 |
| 7 | 11984 | (000000-005830) | Fitting, Elbow | 2 |
| 8 | 48253 | (000000-005830) | Fitting, Barbed | 2 |
| 9 | 43844 | (000000-005830) | Clamp, Worm Drive | 4 |
| 10 | 04107 | (000000-005830) | Hose | 2 |
| 11 | 04106 | (000000-005830) | Filter, Fuel | 1 |
| 12 | 13251 | (000000-005830) | Bracket, Fuel Pump | 1 |
| 13 | 54338-7 | (000000-005830) | Seal, Foam Rubber | 1 |
| 14 | 49263 | (000000-005830) | Cable Ties | 4 |
| 15 | 13253 | (000000-005830) | Jumper Wire | 1 |
| 16 | 54230 | (000000-005830) | Pump, Fuel | 1 |
| 17 | 13988 | (000000-005228) | Cock | 1 |
| 17 | 08873 | (005229-005830) | Ball Valve | 1 |
| 18 | 22383 | (000000-005830) | Fitting, Straight | 2 |
| 19 | 46236 | (000000-005830) | Clamp, Cable | 1 |
| 20 | 54231 | (000000-005830) | Line Assembly, Fuel | 1 |

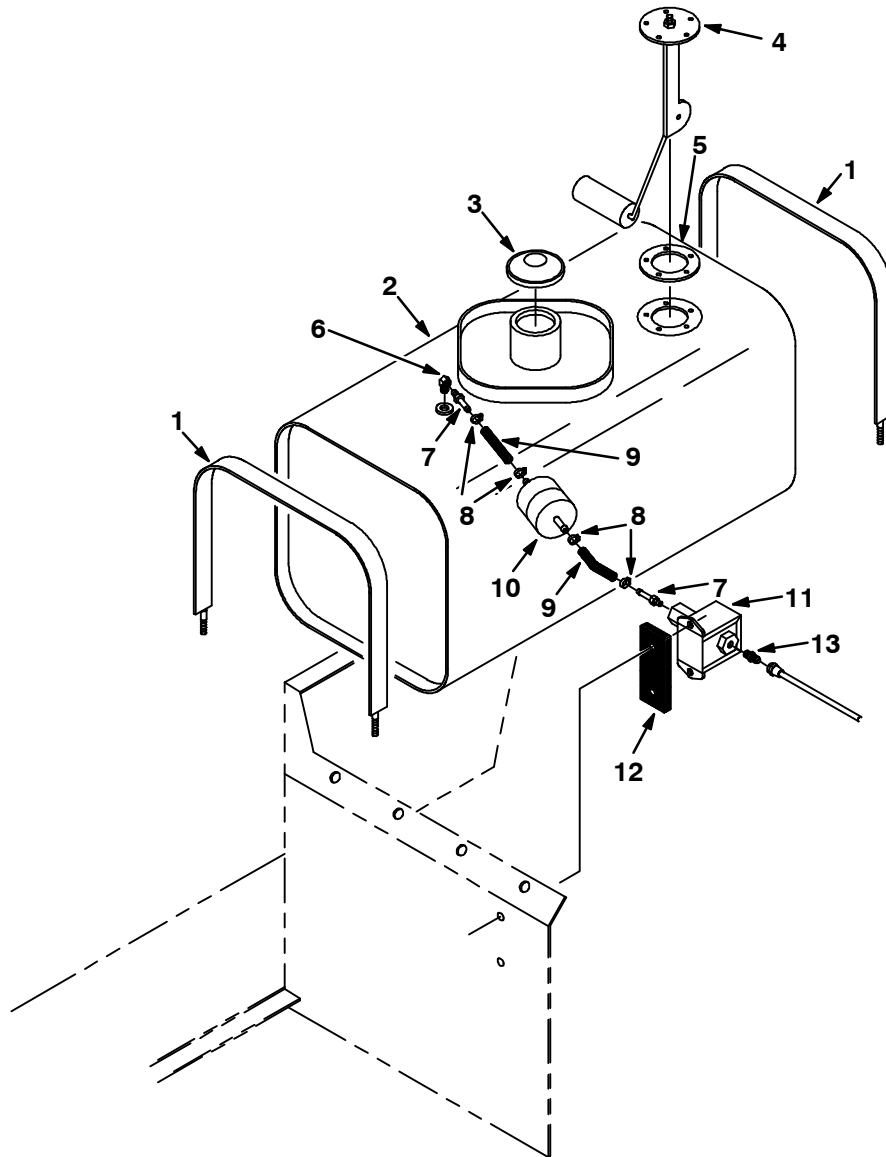


Fig. 15 – Fuel Tank Group

05155

| Key | TENNANT Part No. | Machine Serial Number | Description | Qty. |
|-----|------------------|-----------------------|--------------------|------|
| 1 | 58534 | (005831-006999) | Strap, Tank | 1 |
| 2 | 13778 | (005831-006999) | Tank, Fuel | 1 |
| 3 | 48267 | (005831-006999) | Cap, Tank | 1 |
| 4 | 47473 | (005831-006999) | Sending Unit, Tank | 1 |
| 5 | 14131 | (005831-006999) | Gasket | 1 |
| 6 | 11984 | (005831-006999) | Fitting, Elbow | 1 |
| 7 | 48253 | (005831-006999) | Fitting, Barbed | 2 |
| 8 | 43844 | (005831-006999) | Clamp, Worm Drive | 4 |
| 9 | 04107 | (005831-006999) | Hose | 2 |
| 10 | 04106 | (005831-006999) | Filter, Fuel | 1 |
| 11 | 54230 | (005831-006999) | Pump, Fuel | 1 |
| 12 | 13238 | (005831-006999) | Isolator | 1 |
| 13 | 22383 | (005831-006999) | Fitting, Straight | 1 |
| | 54338-7 | (005831-006999) | Seal, Foam Rubber | 1 |

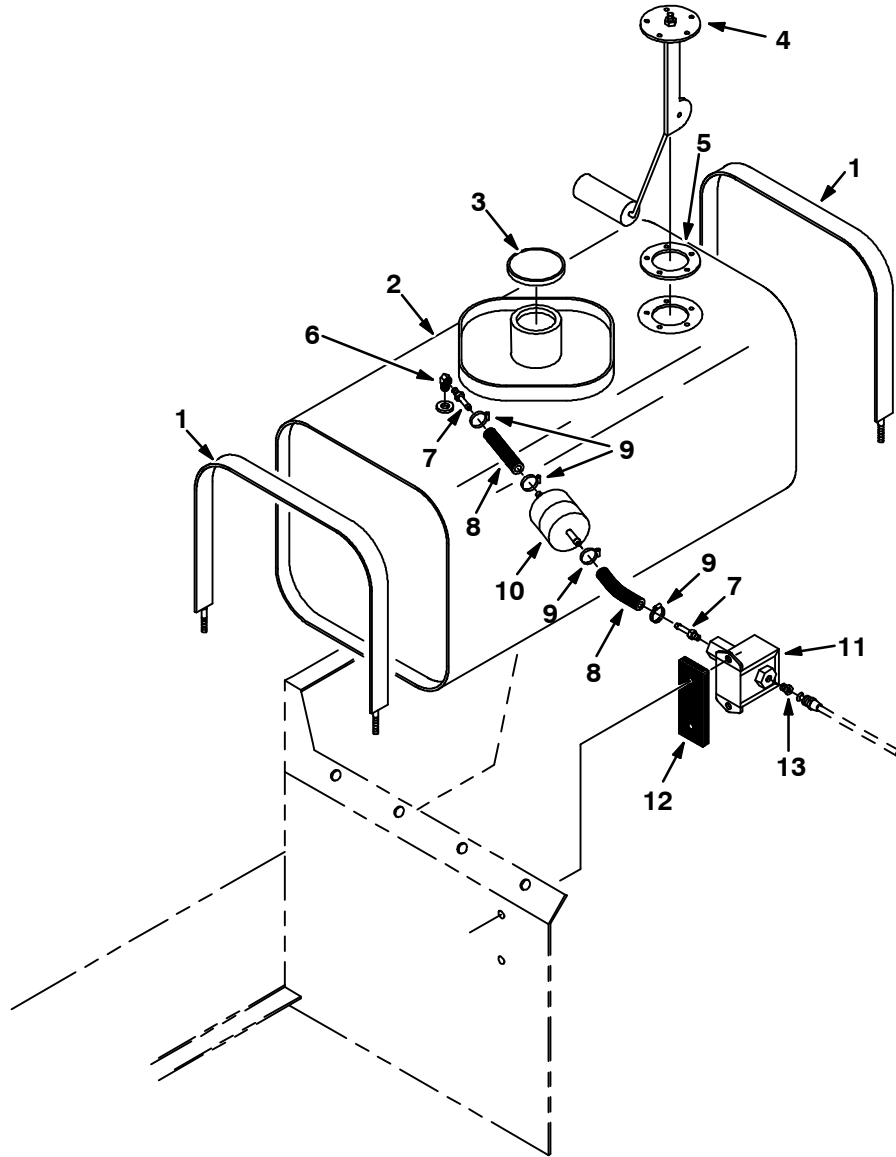


Fig. 16 – Fuel Tank Group

06114

| Key | TENNANT Part No. | Machine Serial Number | Description | Qty. |
|-----|------------------|-----------------------|--------------------|------|
| 1 | 58534 | (007000–) | Strap, Tank | 1 |
| 2 | 13778 | (007000–) | Tank, Fuel | 1 |
| 3 | 48267 | (007000–) | Cap, Tank | 1 |
| 4 | 47473 | (007000–) | Sending Unit, Tank | 1 |
| 5 | 14131 | (007000–) | Gasket | 1 |
| 6 | 11984 | (007000–) | Fitting, Elbow | 1 |
| 7 | 82544 | (007000–) | Fitting, Brass | 2 |
| 8 | 82526 | (007000–) | Hose, Fuelline | 2 |
| 9 | 43844 | (007000–) | Clamp, Worm Drive | 4 |
| 10 | 82525 | (007000–) | Filter, Fuel | 1 |
| 11 | 19171 | (007000–) | Pump, Fuel | 1 |
| 12 | 13238 | (007000–) | Isolator | 1 |
| 13 | 40585 | (007000–) | Fitting, Straight | 1 |

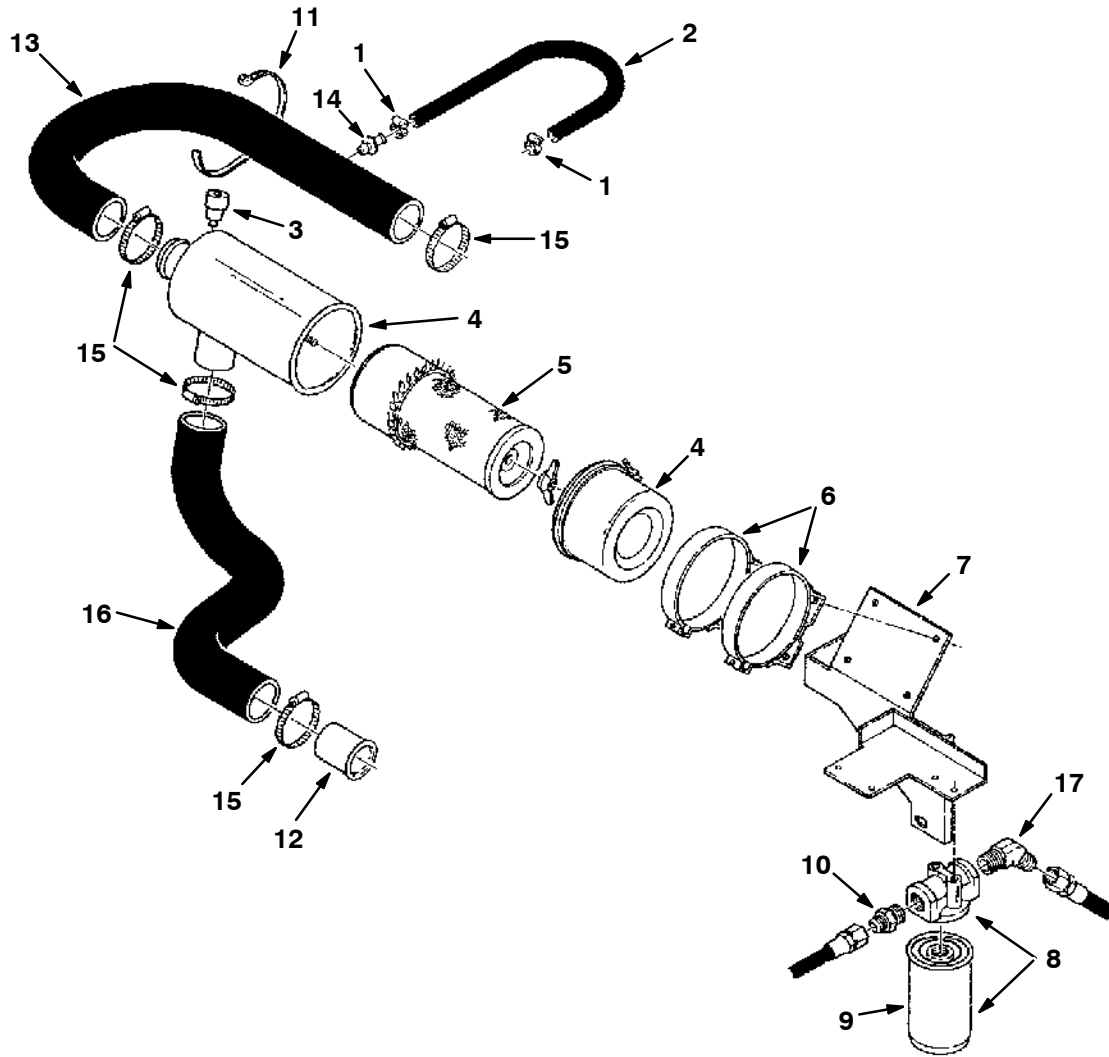


Fig. 17 – Air Cleaner and Hydraulic Filter Group

03846

| Key | TENNANT Part No. | Machine Serial Number | Description | Qty. |
|-----|------------------|-----------------------|----------------------------|------|
| 1 | 54333 | (000000–006999) | Clamp, Worm Drive | 2 |
| 2 | 47826 | (000000–006999) | Hose, Rubber | 1 |
| 3 | 52033 | (000000–006999) | Indicator, Service | 1 |
| 4 | 58538 | (000000–006999) | Body, Air Cleaner | 1 |
| 5 | 58120 | (000000–006999) | Element, Air Cleaner | 1 |
| 6 | 51560–3 | (000000–006999) | Clamp, Mounting | 2 |
| 7 | 57686 | (000000–006999) | Bracket, Air Cleaner | 1 |
| 8 | 55619 | (000000–006999) | Filter Assembly, Hydraulic | 1 |
| 9 | 55740 | (000000–006999) | Element, Hydraulic Filter | 1 |
| 10 | 42260 | (000000–006999) | Fitting, Straight | 1 |
| 11 | 49263 | (000000–006999) | Tie, Cable | 1 |
| 12 | 58346 | (000000–006999) | Tube, Air Intake | 1 |
| 13 | 13739 | (000000–006999) | Tube, Air Outlet | 1 |
| 14 | 82533 | (000000–006999) | Spud | 1 |
| 15 | 14432 | (000000–006999) | Clamp, Worm Drive | 4 |
| 16 | 58084 | (000000–006999) | Tube, Inlet | 1 |
| 17 | 16081 | (000000–006999) | Fitting, Elbow 45° | 1 |

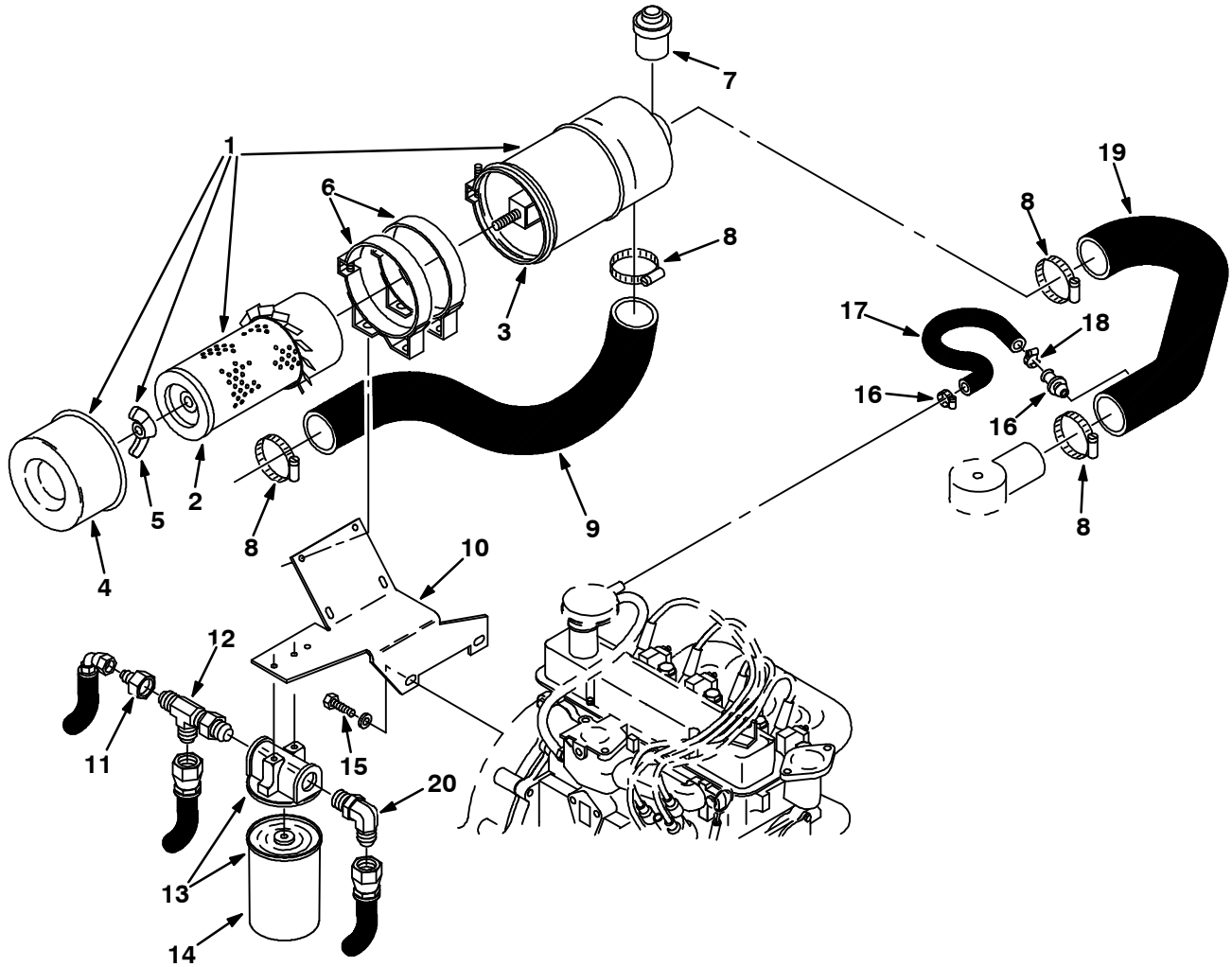


Fig. 18 – Air Cleaner and Hydraulic Filter Group, Distributorless (DIS)

06099

| Key | TENNANT Part No. | Machine Serial Number | Description | Qty. |
|-----|------------------|-----------------------|-------------------------------|------|
| 1 | 58538 | (007000–) | Air Cleaner | 1 |
| 2 | 58120 | (007000–) | Element, Air Filter | 1 |
| 3 | 02740 | (007000–) | Clamp Assembly | 1 |
| 4 | 02741 | (007000–) | Cup Assembly | 1 |
| 5 | 07562 | (007000–) | Nut, Wing | 1 |
| 6 | 51560–3 | (007000–) | Clamp, Mounting | 2 |
| 7 | 82685 | (007000–) | Indicator, Air Filter Service | 1 |
| 8 | 14432 | (007000–) | Clamp, Worm Drive | 4 |
| 9 | 58084 | (007000–) | Hose, Air Intake | 1 |
| 10 | 31511 | (007000–) | Bracket, Air Cleaner Mounting | 1 |
| 11 | 78143 | (007000–) | Fitting, Straight | 1 |
| 12 | 42216 | (007000–) | Fitting, Tee | 1 |
| 13 | 55619 | (007000–) | Filter Assembly, Hydraulic | 1 |
| 14 | 55740 | (007000–) | Element, Hydraulic Filter | 1 |
| 15 | 39284 | (007000–) | Screw, Hex, M10 | 2 |
| 16 | 54333 | (007000–) | Clamp, Worm Drive | 2 |
| 17 | 31515 | (007000–) | Hose, PCV | 1 |
| 18 | 82533 | (007000–) | Spud | 1 |
| 19 | 31486 | (007000–) | Hose, Air Intake | 1 |
| 20 | 46481 | (007000–) | Fitting, Elbow | 1 |

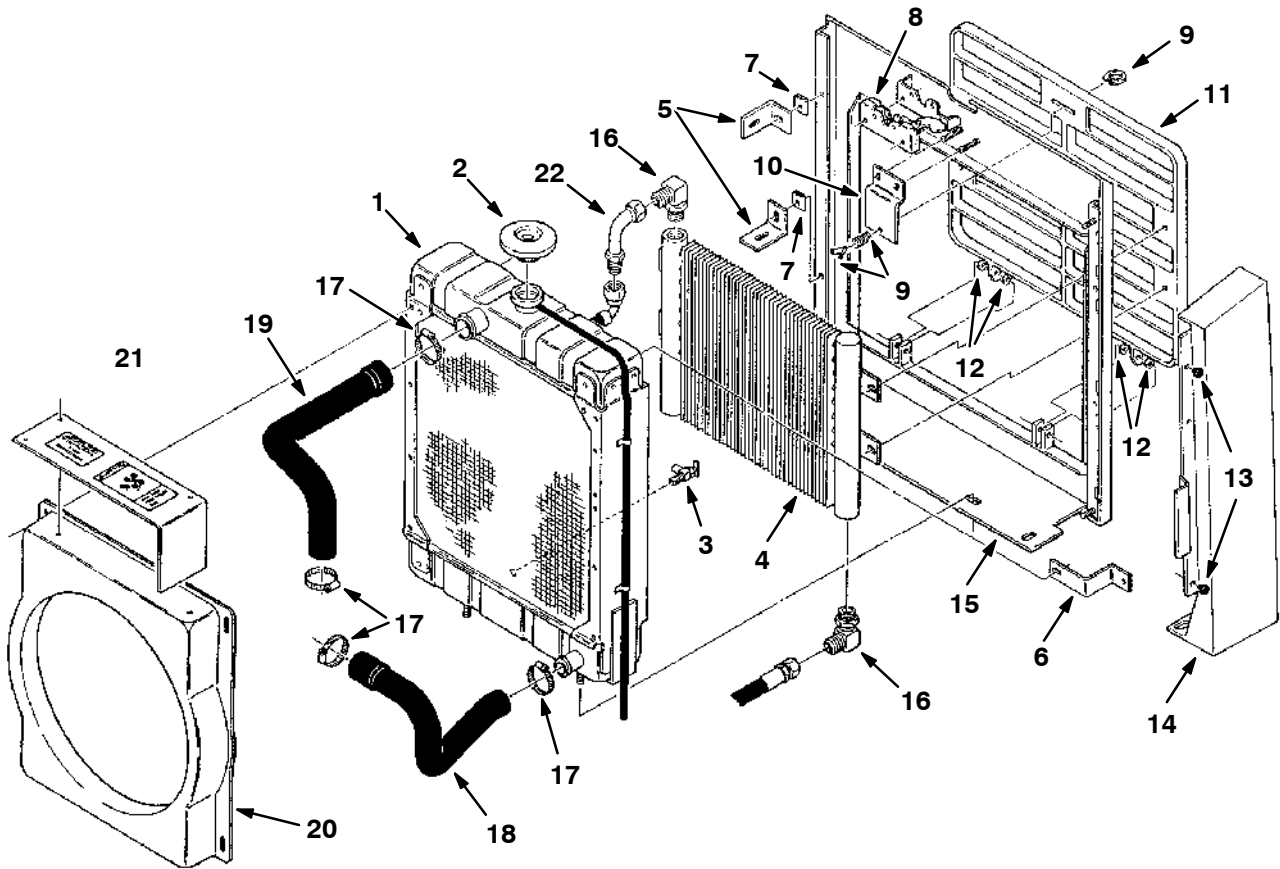


Fig. 19 -- Radiator Group

03841

| Key | TENNANT Part No. | Machine Serial Number | Description | Qty. |
|-----|------------------|-----------------------|-------------------------|------|
| 1 | 03498 | (000000-006999) | Radiator | 1 |
| 2 | 48655 | (000000-006999) | Cap, Radiator | 1 |
| 3 | 51305 | (000000-006999) | Drain Cock | 1 |
| 4 | 13698 | (000000-006999) | Cooler, Hydraulic | 1 |
| 5 | 58704 | (000000-006999) | Tab, Mount | 2 |
| 6 | 13118 | (000000-006999) | Bracket, Stabilizer | 1 |
| 7 | 02485 | (000000-006999) | Nut, Speed | 2 |
| 8 | 04084 | (000000-006999) | Latch, Rotary | 1 |
| 9 | 82315 | (000000-006999) | Latch, Quarter Turn | 1 |
| 10 | 03903 | (000000-006999) | Bracket, Latch Mounting | 1 |
| 11 | 82310 | (000000-006999) | Grille | 1 |
| 12 | 43454 | (000000-006999) | Washer, Nylon | 4 |
| 13 | 29233 | (000000-006999) | Bumper, Rubber | 2 |
| 14 | 03912 | (000000-006999) | Corner, Left Rear | 1 |
| 15 | 13119 | (000000-006999) | Panel, Rear Engine | 1 |
| 16 | 46481 | (000000-006999) | Fitting, Elbow | 2 |
| 17 | 11531 | (000000-006999) | Clamp, Worm Drive | 4 |
| 18 | 03909 | (000000-006999) | Hose, Lower Radiator | 1 |
| 19 | 03908 | (000000-006999) | Hose, Upper Radiator | 1 |
| 20 | 03907 | (000000-006999) | Shroud, Fan | 1 |
| 21 | 04102 | (000000-006999) | Guard, Fan | 1 |
| 22 | 57994 | (000000-006999) | Fitting, Tube, Elbow | 1 |

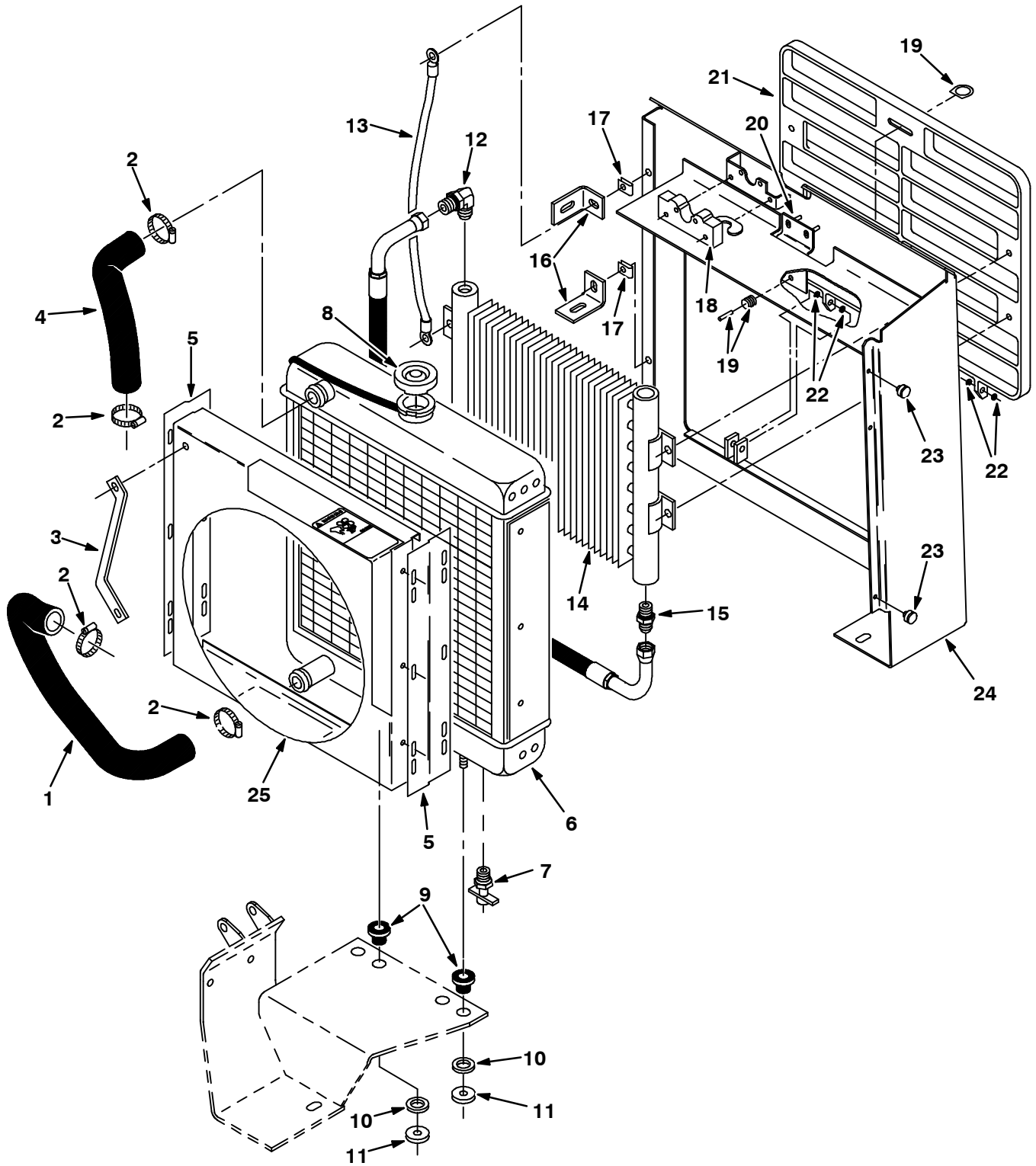


Fig. 20 – Radiator Group, Distributorless (DIS)

Fig. 20 – Radiator Group, Distributorless (DIS)

| Key | TENNANT Part No. | Machine Serial Number | Description | Qty. |
|-----|------------------|-----------------------|--------------------------|------|
| 1 | 31518 | (007000–) | Hose, Radiator | 1 |
| 2 | 11531 | (007000–) | Clamp, Worm Drive | 4 |
| 3 | 30354 | (007000–) | Bar, Support | 1 |
| 4 | 31517 | (007000–) | Hose, Radiator, Upper | 1 |
| 5 | 31541 | (007000–) | Plate, Shroud Support | 2 |
| 6 | 31490 | (007000–) | Radiator | 1 |
| 7 | 54911–32 | (007000–) | Cock, Drain | 1 |
| 8 | 82688 | (007000–) | Cap, Radiator | 1 |
| 9 | 54274 | (007000–) | Isolator, Vibration | 2 |
| 10 | 09832 | (007000–) | Washer | 2 |
| 11 | 13248 | (007000–) | Washer | 2 |
| 12 | 46481 | (007000–) | Fitting, Elbow | 2 |
| 13 | 19676 | (007000–) | Cable Assembly, Lanyard | 1 |
| 14 | 13698 | (007000–) | Cooler, Hydraulic | 1 |
| 15 | 42260 | (007000–) | Fitting, Straight | 1 |
| 16 | 58704 | (007000–) | Tab, Mount | 2 |
| 17 | 02485 | (007000–) | Nut, Speed | 2 |
| 18 | 04084 | (007000–) | Latch, Rotary | 1 |
| 19 | 82315 | (007000–) | Latch, Quarter Turn | 1 |
| 20 | 03903 | (007000–) | Bracket, Latch Mounting | 1 |
| 21 | 82310 | (007000–) | Grille | 1 |
| 22 | 43454 | (007000–) | Washer, Nylon | 4 |
| 23 | 29233 | (007000–) | Bumper, Rubber | 2 |
| 24 | 13038 | (007000–) | Panel, Rear | 1 |
| 25 | 30348 | (007000–) | Guard and Label Assembly | 1 |

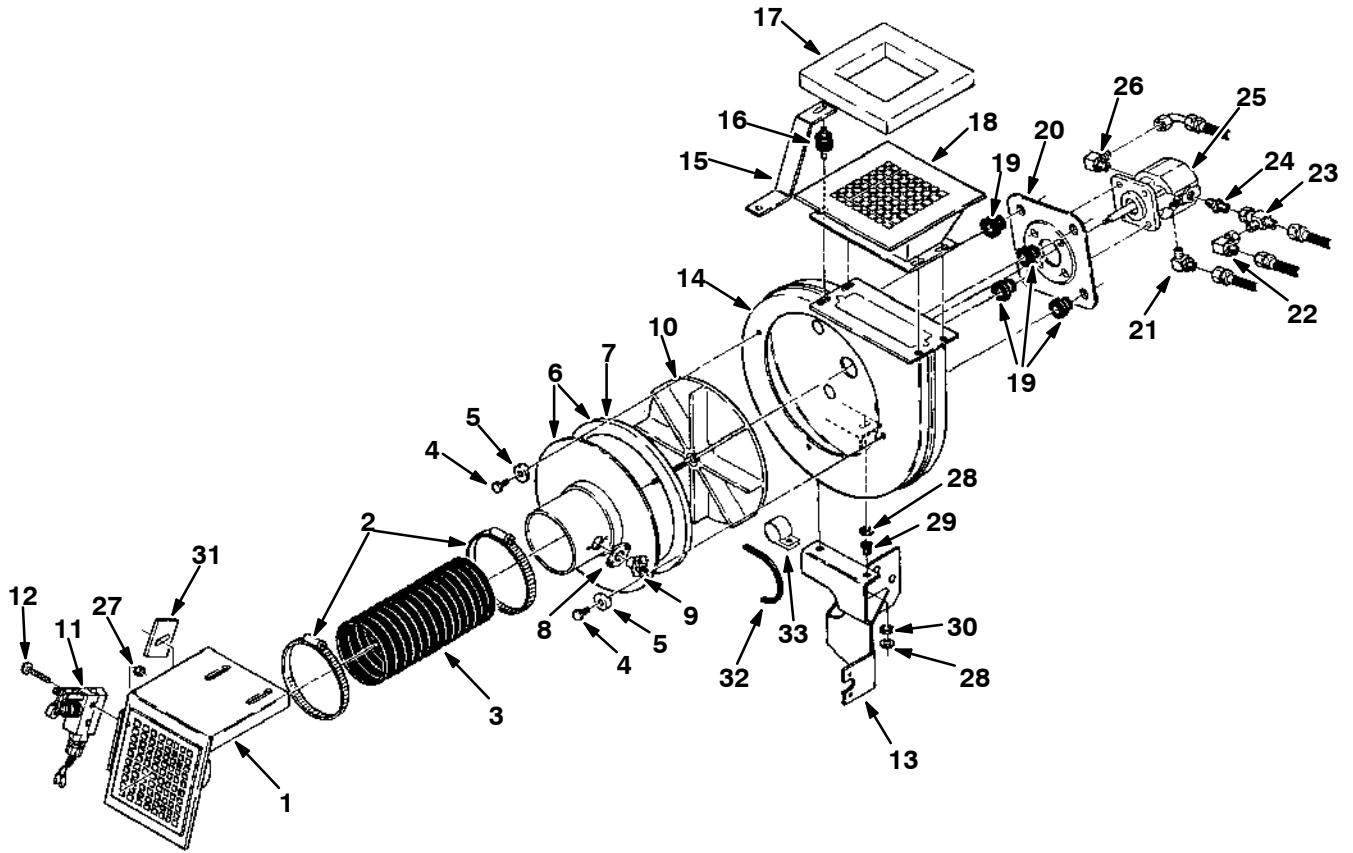


Fig. 21 – Vacuum Fan Group

Fig. 21 -- Vacuum Fan Group

| Key | TENNANT Part No. | Machine Serial Number | Description | Qty. |
|-----|------------------|-----------------------|-------------------------|------|
| 1 | 13066 | (000000-) | Bracket, Vacuum Fan | 1 |
| 2 | 23498 | (000000-) | Clamp, Worm Drive | 2 |
| 3 | 57825 | (000000-) | Duct, Flexible | 1 |
| 4 | 34323 | (000000-) | Screw, Nylon Hex | 4 |
| 5 | 03467A | (000000-) | Clip, Housing | 4 |
| 6 | 82368 | (000000-) | Inlet Assembly | 1 |
| 7 | 23542 | (000000-) | Seal, Foam Rubber | 1 |
| 8 | 82733 | (000000-) | Gasket, Fire Switch | 1 |
| 9 | 02712 | (000000-) | Thermostat, Sealed | 1 |
| 10 | 82268 | (000000-) | Impeller | 1 |
| 11 | 13316 | (000000-) | Switch, Roller | 1 |
| 12 | 41136 | (000000-) | Screw, Pan Head | 2 |
| 13 | 13045 | (000000-006999) | Bracket, Mounting | 1 |
| 13 | 31588 | (007000-) | Bracket, Mounting | 1 |
| 14 | 82386 | (000000-006999) | Housing, Vacuum Fan | 1 |
| 14 | 31713 | (007000-) | Housing, Vacuum Fan | 1 |
| 15 | 13046 | (000000-) | Bracket, Support | 1 |
| 16 | 82661 | (000000-) | Isolator, Vibration | 1 |
| 17 | 57828 | (000000-) | Foam, Acoustic | 1 |
| 18 | 13047 | (000000-) | Duct, Exhaust | 1 |
| 19 | 54274 | (000000-) | Isolator, Vibration | 4 |
| 20 | 54275A | (000000-) | Bracket, Motor Mounting | 1 |
| 21 | 77097 | (000000-) | Fitting, Elbow | 1 |
| 22 | 17980 | (000000-) | Fitting, Elbow | 1 |
| 23 | 45482 | (000000-) | Fitting, Tee | 1 |
| 24 | 44869 | (000000-) | Fitting, Straight | 1 |
| 25 | 77101 | (000000-) | Motor, Hydraulic | 1 |
| 26 | 44868 | (000000-) | Fitting, Elbow | 1 |
| 27 | 75939 | (000000-) | Nut, Nylon Loc | 2 |
| 28 | 29570 | (000000-) | Washer | 4 |
| 29 | 54528 | (000000-) | Bushing, Rubber | 2 |
| 30 | 54527 | (000000-) | Ring, Rubber | 2 |
| 31 | 13601 | (000000-) | Spacer | 1 |
| 32 | 57569 | (000000-) | Molding, Rigid | 1 |
| 33 | 58366 | (000000-) | Clamp, Cable | 1 |

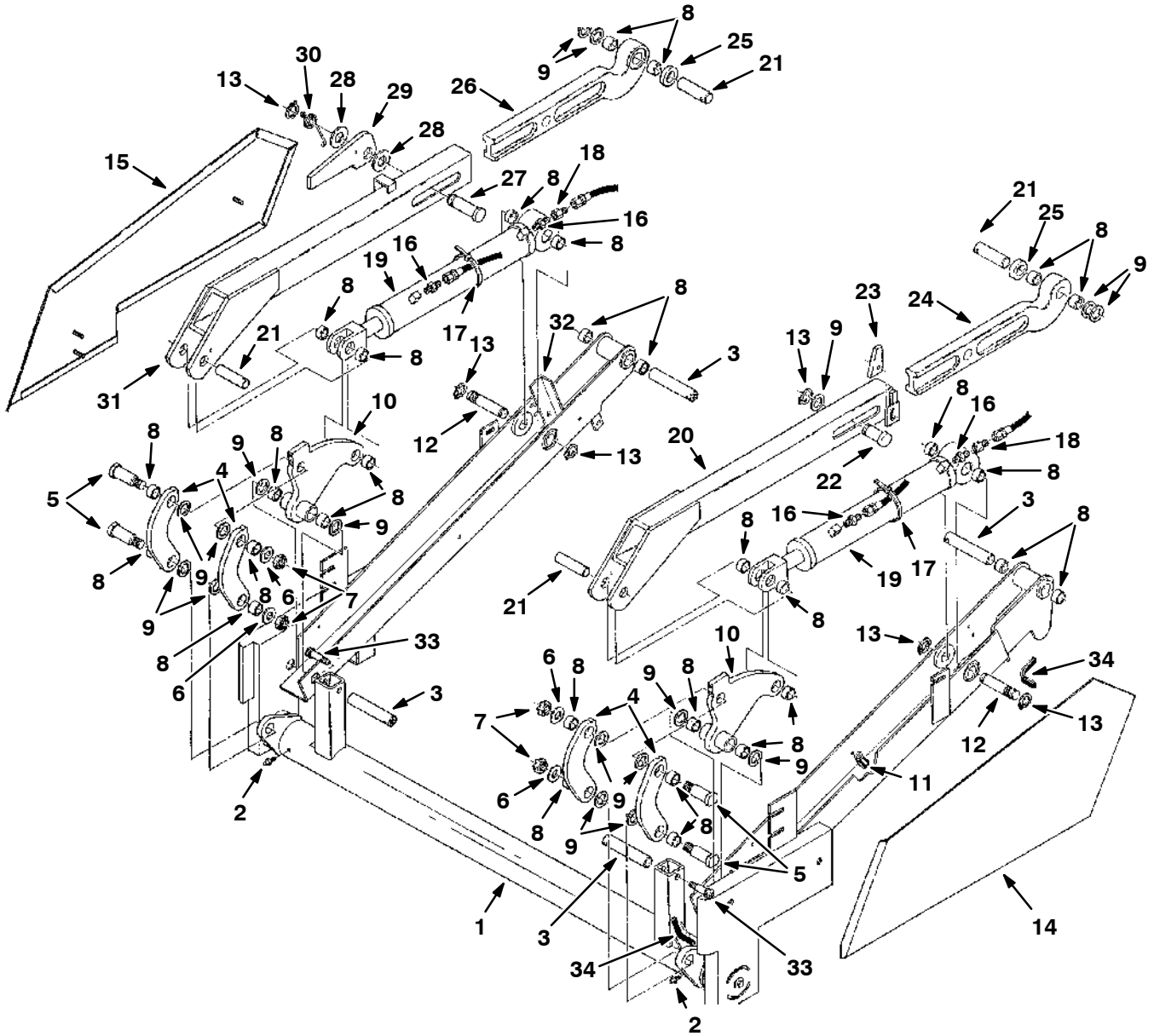


Fig. 22 – Hopper Lift Arms Group

Fig. 22 – Hopper Lift Arms Group

| Key | TENNANT Part No. | Machine Serial Number | Description | Qty. |
|-----|------------------|-----------------------|-----------------------|------|
| 1 | 13559 | (000000–) | Arms and Torque Tube | 1 |
| 2 | 06418 | (000000–) | Fitting, Grease | 2 |
| 3 | 58676 | (000000–) | Pin | 4 |
| 4 | 58640 | (000000–) | Link, Push | 4 |
| 5 | 58680 | (000000–) | Pin | 4 |
| 6 | 32495 | (000000–) | Washer | 4 |
| 7 | 39527 | (000000–) | Nut, Slotted | 4 |
| 8 | 35688 | (000000–) | Bearing, Journal | 30 |
| 9 | 09006 | (000000–) | Washer | 17 |
| 10 | 58694 | (000000–) | Plate, Rollout | 2 |
| 11 | 26395–1 | (000000–) | Clamp, Cable | 5 |
| 12 | 58682 | (000000–) | Pin, Cylinder | 2 |
| 13 | 09005 | (000000–) | Ring, Retaining | 6 |
| 14 | 58696 | (000000–) | Panel, L. H. | 1 |
| 15 | 58695 | (000000–) | Panel, R. H. | 1 |
| 16 | 55586 | (000000–) | Fitting, Straight | 4 |
| 17 | 49266 | (000000–) | Tie, Cable | 2 |
| 18 | 16456 | (000000–) | Fitting, Restrictor | 2 |
| 19 | 04464 | (000000–) | Cylinder, Hydraulic | 2 |
| 20 | 58659 | (000000–) | Arm, Upper, L. H. | 1 |
| 21 | 58679 | (000000–) | Pin | 4 |
| 22 | 58684 | (000000–) | Pin, Arm Adjustment | 1 |
| 23 | 58644 | (000000–) | Wedge, Arm Adjustment | 1 |
| 24 | 58652 | (000000–) | Arm, Slider, L. H. | 1 |
| 25 | 58647 | (000000–) | Spacer | 2 |
| 26 | 58651 | (000000–) | Arm, Slider, R. H. | 1 |
| 27 | 58681 | (000000–) | Pin, Lock | 1 |
| 28 | 58677 | (000000–) | Bearing, Thrust | 2 |
| 29 | 58660 | (000000–) | Bracket, Lock | 1 |
| 30 | 58661 | (000000–) | Spring, Lock | 1 |
| 31 | 58658 | (000000–) | Arm, Upper, R. H. | 1 |
| 32 | 58634 | (000000–) | Strip, Unlocking | 1 |
| 33 | 58669 | (000000–) | Screw, Shoulder | 2 |
| 34 | 13173 | (000000–) | Molding, Ridgid | 2 |

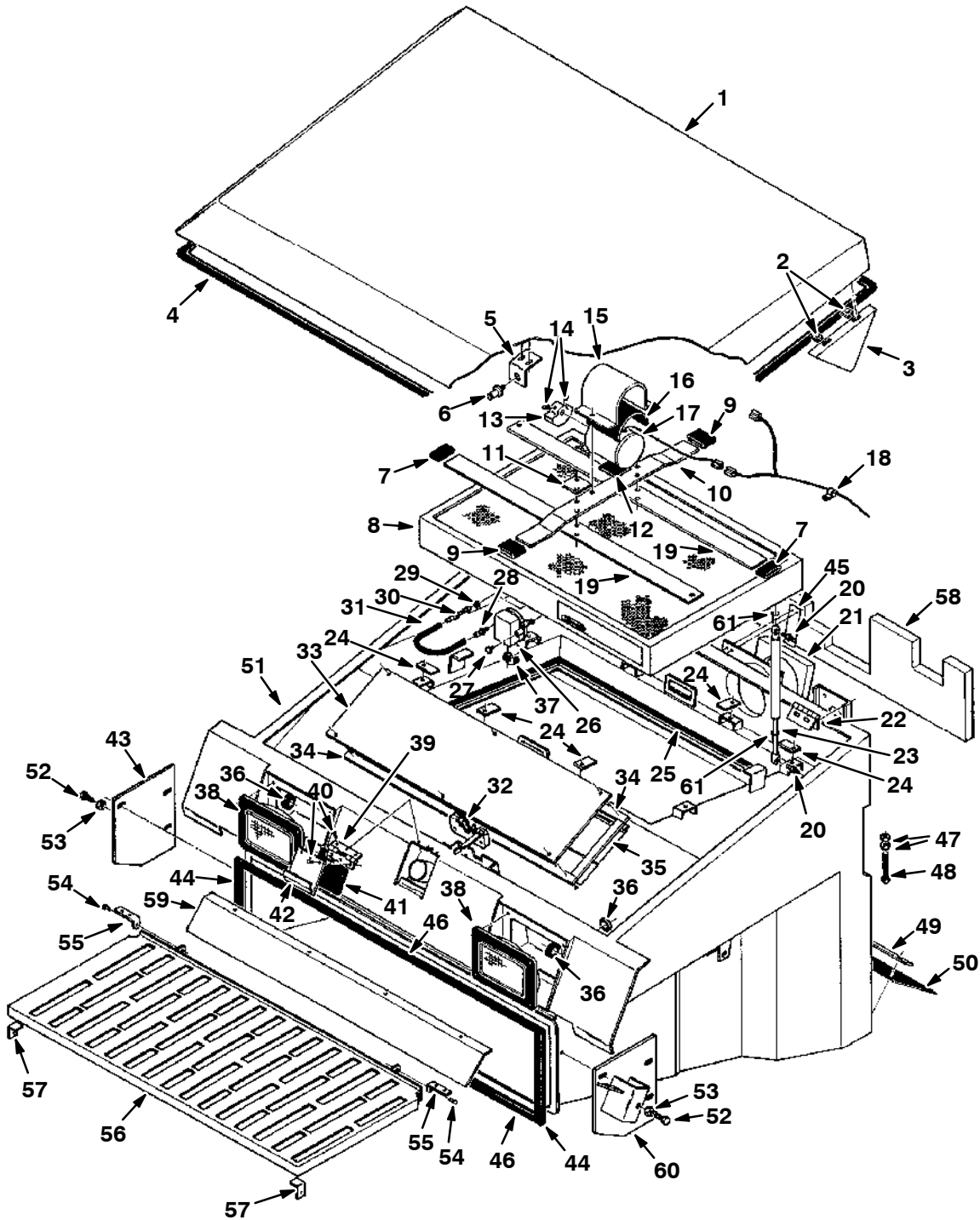


Fig. 23 -- Hopper Assembly

03864

| Key | TENNANT Part No. | Machine Serial Number | Description | Qty. |
|-----|------------------|-----------------------|-----------------|------|
| 1 | 13027 | (000000-) | Hopper Assembly | 1 |
| 2 | 58460 | (000000-) | Cover, Hopper | 1 |
| 3 | 61110 | (000000-) | Nut, Retainer | 4 |
| 4 | 58477 | (000000-) | Panel, Triangle | 2 |
| 5 | 57511 | (000000-) | Seal | 1 |
| 6 | 58465 | (000000-) | Bracket, Pin | 1 |
| 7 | 58490 | (000000-) | Pin, Latch | 1 |
| 8 | 36663 | (000000-) | Sleeve, Rubber | 2 |

STANDARD PARTS

| Key | TENNANT Part No. | Machine Serial Number | Description | Qty. |
|-----|------------------|-----------------------|-----------------------------|------|
| 8 | 58476 | (000000–) | Filter Assembly, Panel | 1 |
| 9 | 36665 | (000000–) | Sleeve, Rubber | 2 |
| 10 | 58483 | (000000–) | Bar, Shaker | 1 |
| 11 | 58481 | (000000–) | Clamp, Spring | 1 |
| 12 | 36661 | (000000–) | Pad, Rubber | 1 |
| 13 | 55130 | (000000–) | Weight, Eccentric | 1 |
| 14 | 39319 | (000000–) | Screw, Set | 2 |
| 15 | 36666 | (000000–) | Strap, Shaker Motor | 1 |
| 16 | 36658 | (000000–) | Pad, Rubber | 1 |
| 17 | 54121 | (000000–) | Motor, Electric | 1 |
| 18 | 40678 | (000000–) | Clamp, Cable | 4 |
| 19 | 58482 | (000000–) | Spring, Shaker | 2 |
| 20 | 58494 | (000000–) | Stud, Ball | 4 |
| 21 | 58485 | (000000–) | Seal, Outlet Tube | 1 |
| 22 | 58484 | (000000–) | Hinge, Hopper Cover | 3 |
| 23 | 31183 | (000000– xxxxxx) | Replacement Kit, Gas Spring | 2 |
| 23 | 31182 | (xxxxxx–) | Spring, Gas | 2 |
| 24 | 58424 | (000000–) | Bar, Retainer | 6 |
| 25 | 58981 | (000000–) | Seal, Rubber | 1 |
| 26 | 34868 | (000000–) | Switch, Pressure | 1 |
| 27 | 82739 | (000000–) | Fitting, Breather | 1 |
| 28 | 40607 | (000000–) | Fitting, Straight | 1 |
| 29 | 43454 | (000000–) | Washer, Nylon | 1 |
| 30 | 39923 | (000000–) | Fitting, Bulkhead | 1 |
| 31 | 13292 | (000000–) | Hose, Rubber | 1 |
| 32 | 58489 | (000000–) | Latch, Hook, R.H. | 1 |
| 33 | 13144 | (000000–) | Plate, Cover | 1 |
| 34 | 13302 | (000000–) | Seal, Rubber | 2 |
| 35 | 13301 | (000000–) | Seal, Rubber | 2 |
| 36 | 10632–3 | (000000–) | Grommet, Rubber | 3 |
| 37 | 37031 | (000000–) | Strain Relief | 1 |
| 38 | 58524 | (000000–) | Headlight | 2 |
| 39 | 58496 | (000000–) | Hinge, Hopper Cover | 1 |
| 40 | 56799 | (000000–) | Rivet, Pop | 6 |
| 41 | 13083 | (000000–) | Seal, Rubber | 1 |
| 42 | 13082 | (000000–) | Door, Hopper | 1 |
| 43 | 13269 | (000000–) | Plate, Mount, R.H. | 1 |
| 44 | 13270 | (000000–) | Seal, Rubber | 2 |
| 45 | 13335 | (000000–) | Spring, Micro–switch | 1 |
| 46 | 13271 | (000000–) | Seal, Rubber | 2 |
| 47 | 32985 | (000000–) | Nut, Hex | 4 |
| 48 | 53963A | (000000–) | Screw, Full Threaded | 2 |
| 49 | 13081 | (000000–) | Strip, Retainer | 1 |
| 50 | 13080 | (000000–) | Skirt, Hopper Lip | 6 |
| 51 | 13132 | (000000–) | Hopper and Label Assembly | 1 |
| 52 | 39811 | (000000–) | Screw, Hex | 2 |
| 53 | 32523 | (000000–) | Nut, Jam | 2 |
| 54 | 20567 | (000000–) | Pin, Clevis | 2 |
| 55 | 13244 | (000000–) | Bracket, L | 2 |
| 56 | 13297 | (000000–) | Perma–Filter Assembly | 1 |
| 57 | 13236 | (000000–) | Angle, Support | 2 |
| 58 | 13493 | (000000–) | Insulation, Foam | 1 |
| 59 | 13291 | (000000–) | Panel, Deflector | 1 |
| 60 | 13268 | (000000–) | Plate, Mount, L.H. | 1 |
| 61 | 64595 | (xxxxxx–) | Clip, Safety | 4 |

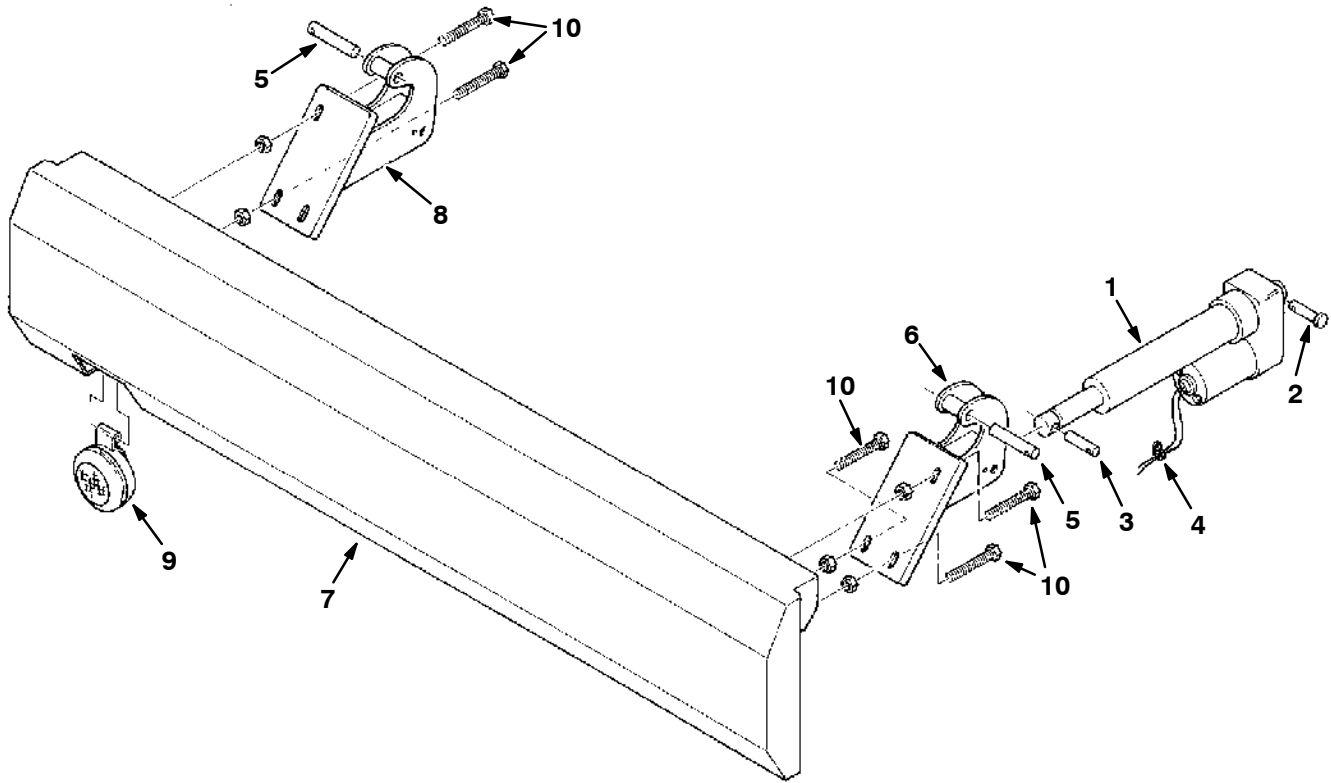


Fig. 24 – Hopper Door Group

03867

| Key | TENNANT Part No. | Machine Serial Number | Description | Qty. |
|-----|------------------|-----------------------|--------------------------|------|
| 1 | 58488 | (000000–) | Actuator | 1 |
| 2 | 51534 | (000000–) | Pin, Clevis | 1 |
| 3 | 58498 | (000000–) | Pin, Mounting | 1 |
| 4 | 46236 | (000000–) | Clamp, Cable | 1 |
| 5 | 58497 | (000000–) | Pin, Door Pivot | 2 |
| 6 | 13211 | (000000–) | Hinge, Hopper Door, L.H | 1 |
| 7 | 13205 | (000000–) | Door, Hopper | 1 |
| 8 | 13212 | (000000–) | Hinge, Hopper Door, R.H. | 1 |
| 9 | 22465 | (000000–) | Spotlight Assembly | 1 |
| | 32827 | (000000–) | Bulb | 1 |
| | 55272 | (000000–) | Plug, Snap Terminal | 1 |
| 10 | 53963A | (000000–) | Screw, Hex | 5 |

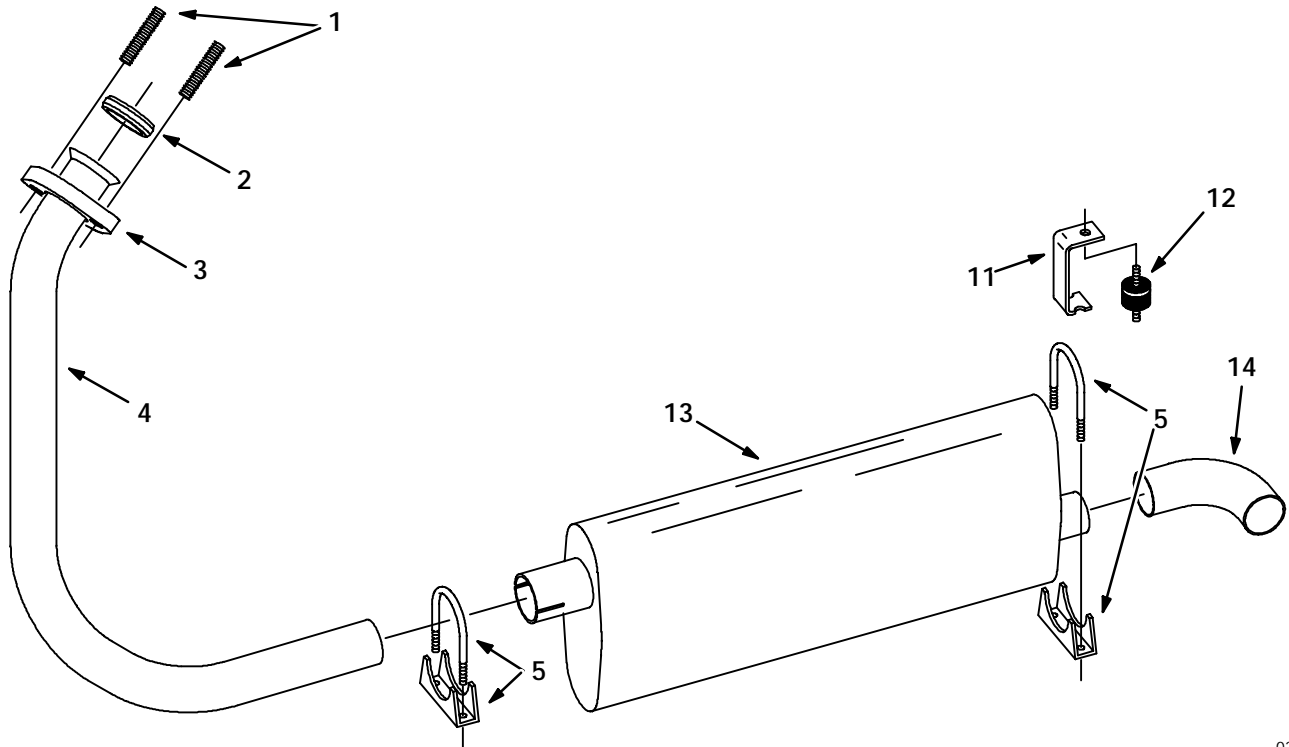
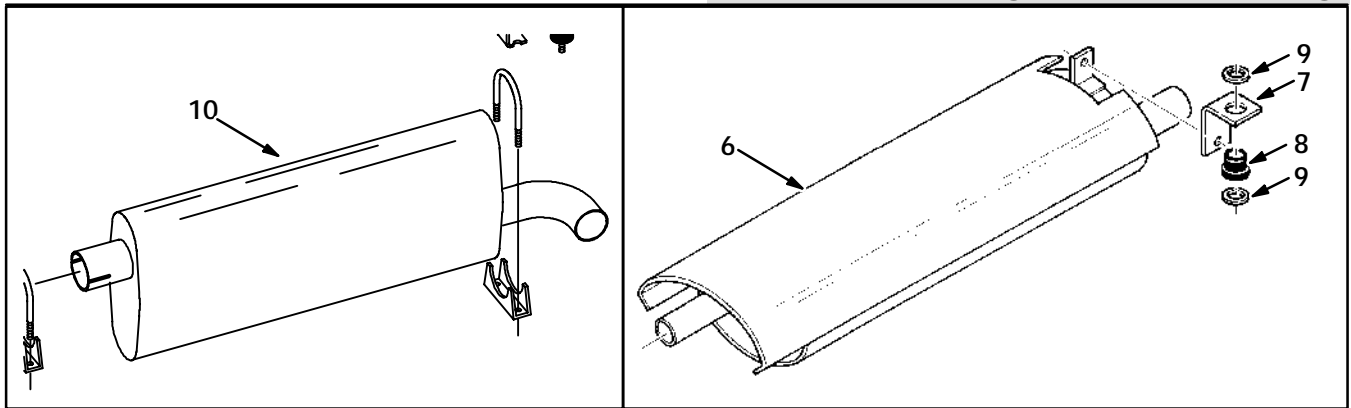
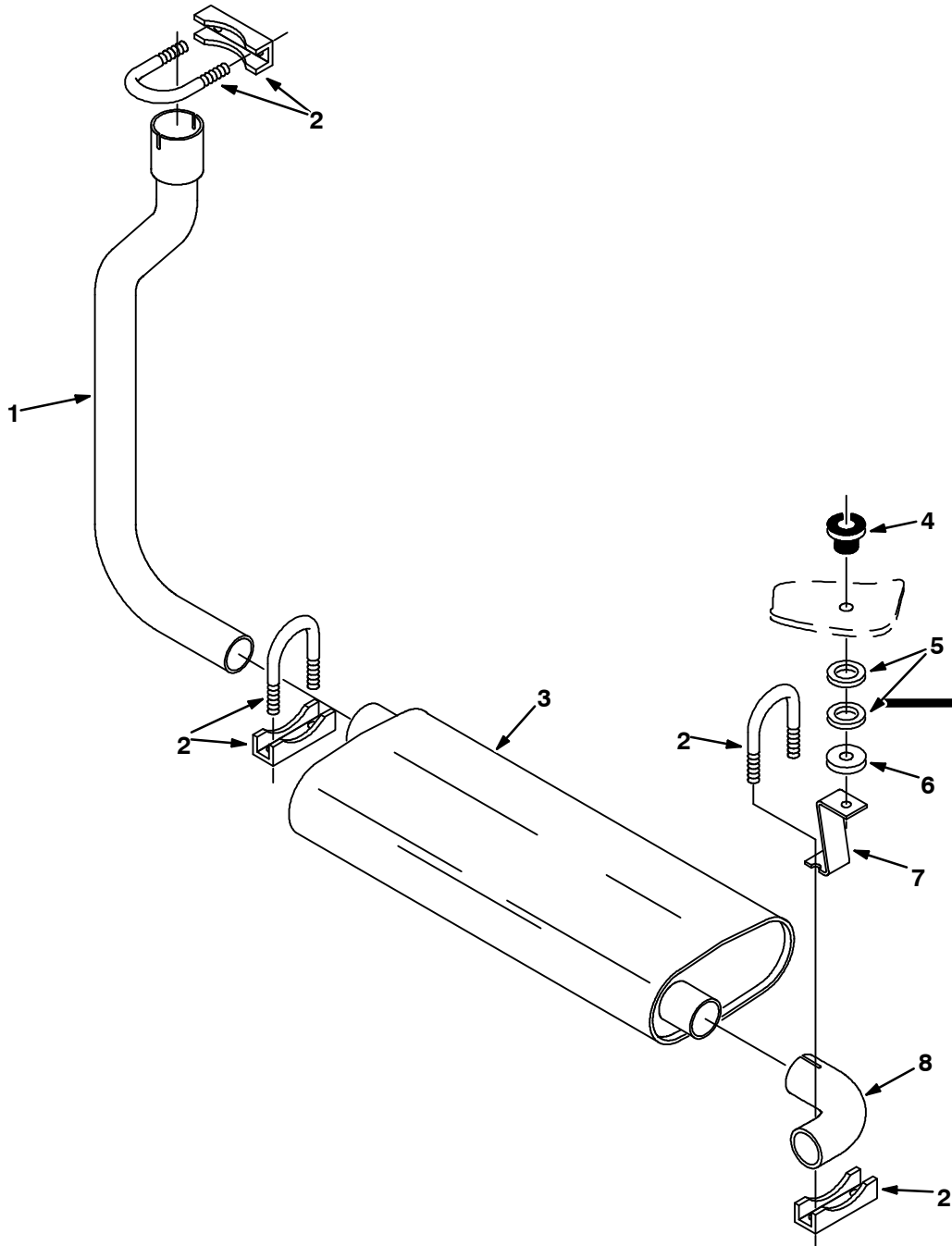


Fig. 25 -- Muffler Group

02276

| Key | TENNANT Part No. | Machine Serial Number | Description | Qty. |
|-----|------------------|-----------------------|--------------------------|------|
| 1 | 32841 | (000000-006999) | Stud | 2 |
| 2 | 32840 | (000000-006999) | Gasket, Exhaust | 1 |
| 3 | 32839 | (000000-006999) | Flange, Exhaust | 1 |
| 4 | 58932 | (000000-005689) | Tube, Exhaust | 1 |
| 4 | 13532 | (005690-006999) | Tube, Exhaust | 1 |
| 5 | 24012 | (000000-006999) | Clamp, Muffler | 2 |
| 6 | 13555 | (000000-005689) | Muffler | 1 |
| 7 | 47989 | (000000-005689) | Bracket, L | 1 |
| 8 | 54274 | (000000-005689) | Isolator, Vibration | 1 |
| 9 | 09832 | (000000-005689) | Washer | 2 |
| 10 | 33330 | (005690-005896) | Muffler, Replacement Kit | 1 |
| 11 | 82545 | (005690-006999) | Bracket, Muffler | 1 |
| 12 | 82661 | (005690-006999) | Isolator | 1 |
| 13 | 33333 | (005897-006999) | Muffler | 1 |
| 14 | 33329 | (005897-006999) | Tailpipe | 1 |



06115

Fig. 26 – Muffler Group, Distributorless (DIS)

| Key | TENNANT Part No. | Machine Serial Number | Description | Qty. |
|-----|------------------|-----------------------|-------------------------|------|
| 1 | 31506 | (007000–) | Tube, Exhaust | 1 |
| 2 | 24012 | (007000–) | Clamp, Muffler | 3 |
| 3 | 33333 | (007000–) | Muffler | 1 |
| 4 | 54274 | (007000–) | Isolator, Vibration | 1 |
| 5 | 09832 | (007000–) | Washer | 2 |
| 6 | 13248 | (007000–) | Washer | 1 |
| 7 | 31640 | (007000–) | Bracket, Muffler Hanger | 1 |
| 8 | 33329 | (007000–) | Pipe, Tail | 1 |

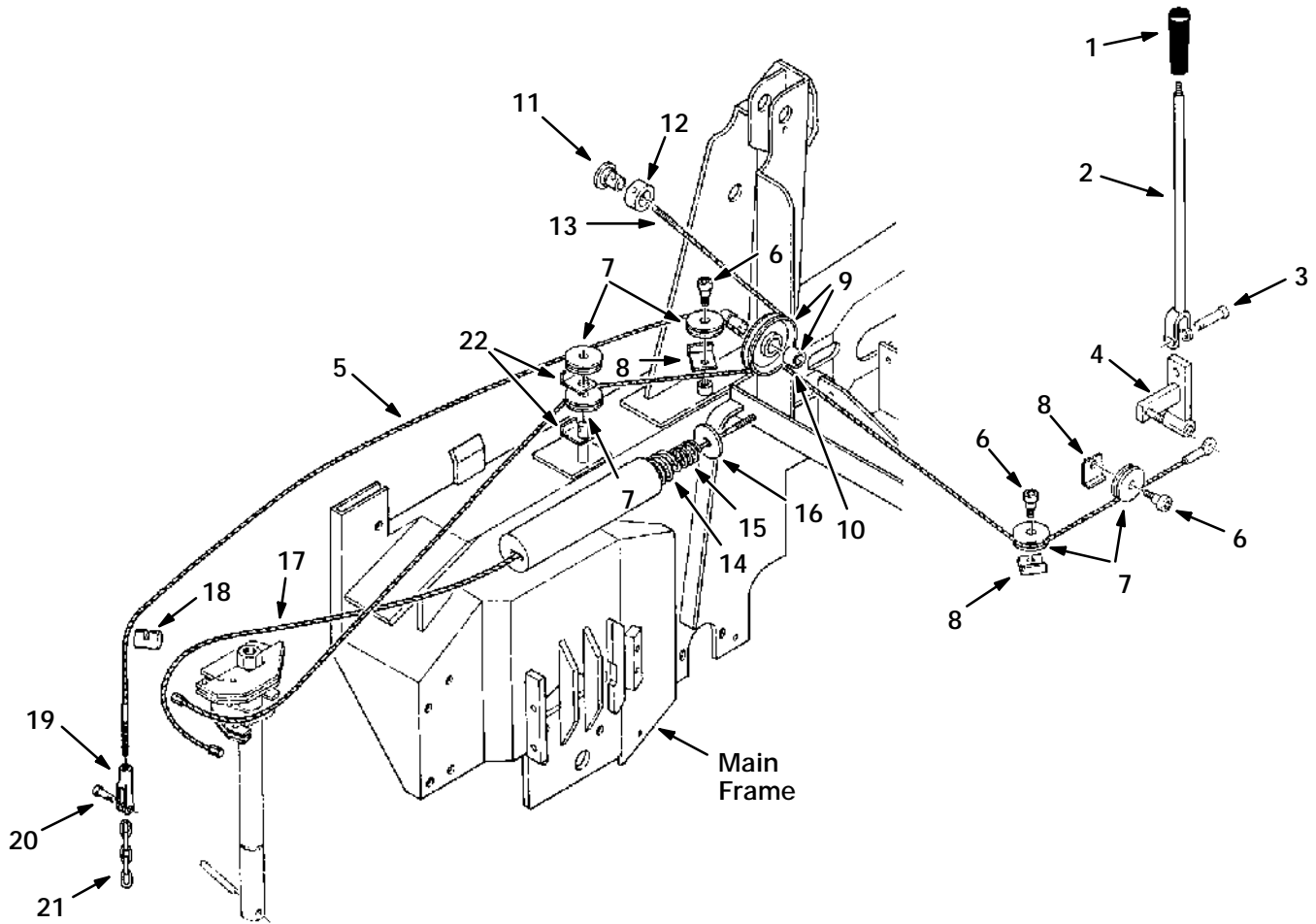


Fig. 27 -- Side Brush Cables Group

03843

| Key | TENNANT Part No. | Machine Serial Number | Description | Qty. |
|-----|------------------|-----------------------|---------------------|------|
| 1 | 13199 | (000000-) | Knob, Tapered | 1 |
| 2 | 58742 | (000000-) | Lever, Brush | 1 |
| 3 | 06598 | (000000-) | Pin, Clevis | 1 |
| 4 | 13329 | (000000-) | Pivot, Brush | 1 |
| 5 | 58361 | (000000-) | Cable, Lift | 1 |
| 6 | 36758 | (000000-) | Screw, Shoulder | 3 |
| 7 | 58279 | (000000-) | Pulley, Cable | 5 |
| 8 | 57910 | (000000-) | Angle, Cable Keeper | 3 |
| 9 | 57760 | (000000-) | Pulley Assembly | 1 |
| 10 | 58236 | (000000-) | Bushing, Sleeve | 1 |
| 11 | 58298 | (000000-) | Pin, Pivot | 1 |
| 12 | 58077 | (000000-) | Tube, Pivot | 1 |
| 13 | 58287 | (000000-) | Cable, Swing | 1 |
| 14 | 58237 | (000000-) | Spring, Compression | 1 |
| 15 | 58238 | (000000-) | Spring, Compression | 1 |
| 16 | 58228 | (000000-) | Plate, Spring | 1 |
| 17 | 58277 | (000000-) | Cable, Return | 1 |
| 18 | 57908 | (000000-) | Block, Cable Guide | 1 |
| 19 | 58244 | (000000-) | Clevis | 1 |
| 20 | 04743 | (000000-) | Pin, Clevis | 1 |
| 21 | 46307 | (000000-) | Chain, Link | 1 |
| 22 | 13290 | (000000-) | Angle, Cable Keeper | 2 |

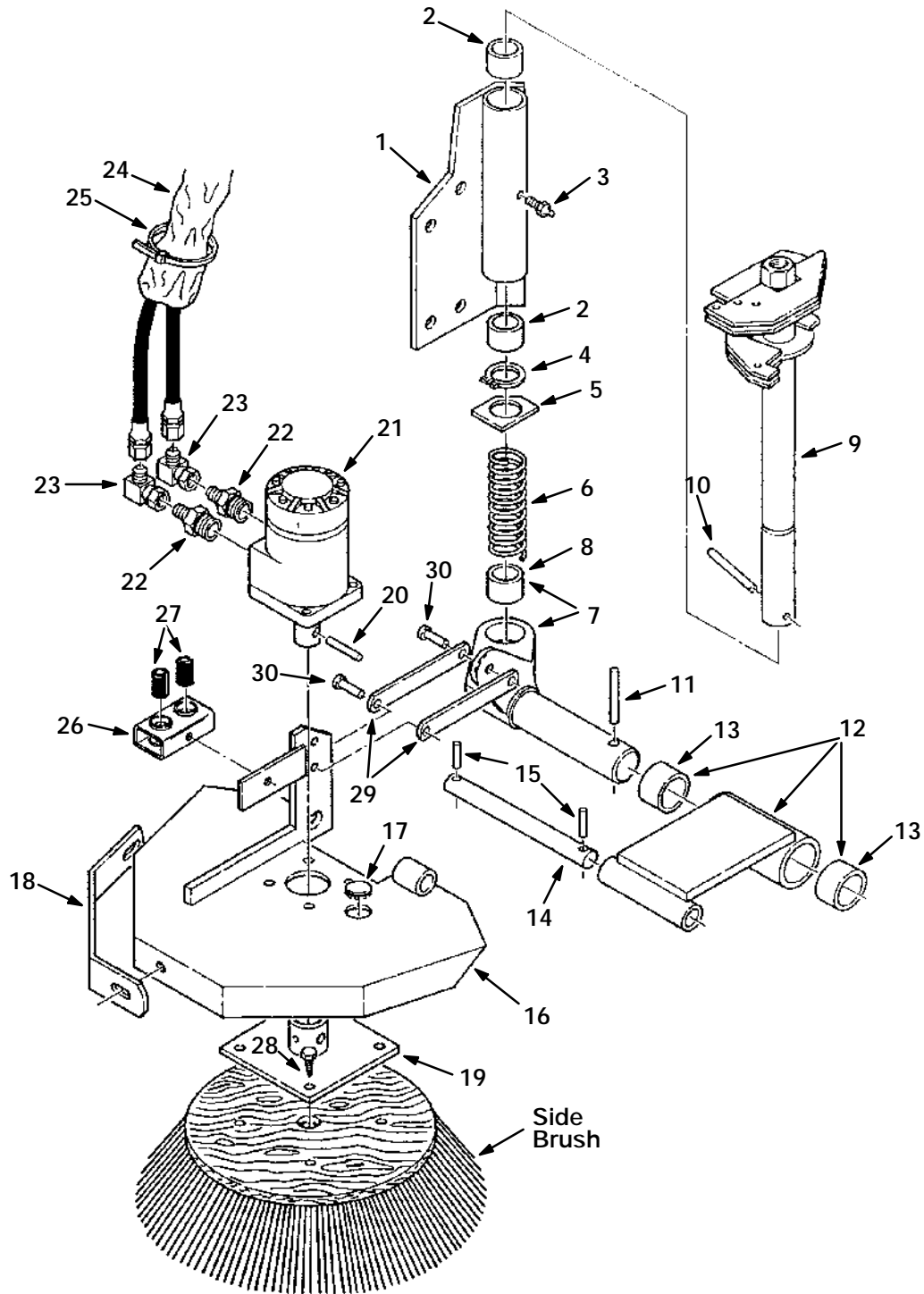


Fig. 28 -- Side Brush Group

Fig. 28 -- Side Brush Group

| Key | TENNANT Part No. | Machine Serial Number | Description | Qty. |
|-----|---------------------|--------------------------|-------------------------------------|------|
| | 58035 | (000000-) | Shaft Assembly | 1 |
| 1 | 57835 | (000000-) | Pivot Assembly, Vertical | 1 |
| 2 | 57936 | (000000-) | Bearing, Journal | 2 |
| 3 | 09718 | (000000-) | Fitting, Grease | 1 |
| 4 | 58359 | (000000-) | Ring, Retaining | 1 |
| 5 | 58281 | (000000-) | Spacer, Spring | 1 |
| 6 | 57852 | (000000-) | Spring, Compression | 1 |
| 7 | 57860 | (000000-) | Pivot Assembly | 1 |
| 8 | 57936 | (000000-) | Bearing, Journal | 1 |
| 9 | 57870 | (000000-) | Shaft, Vertical Pivot | 1 |
| 10 | 58246 | (000000-) | Pin, Spiral | 1 |
| 11 | 23546 | (000000-) | Pin, Roll | 1 |
| 12 | 57866 | (000000-) | Pivot Assembly, Horizontal | 1 |
| 13 | 58293 | (000000-) | Bearing, Journal | 2 |
| 14 | 58290 | (000000-) | Pin, Pivot | 1 |
| 15 | 23999-3 | (000000-) | Pin, Roll | 2 |
| 16 | 57892 | (000000-) | Guard, Brush | 1 |
| 17 | 47178 | (000000-) | Plugbutton | 1 |
| 18 | 57896 | (000000-) | Bumper, Side Brush | 1 |
| 19 | 13249 | (000000-) | Mount, Brush | 1 |
| 20 | 20050 | (000000-) | Pin, Roll | 1 |
| 21 | 13105 | (000000-005923) | Motor, Hydraulic, Replaced by 28808 | 1 |
| 21 | 28808 | (005924-) | Motor, Hydraulic | 1 |
| 22 | 57984 | (000000-) | Fitting, Straight | 2 |
| 23 | 39210 | (000000-) | Fitting, Elbow | 2 |
| 24 | 34329 | (000000-) | Sleeve, Hose | 1 |
| 25 | 49266 | (000000-) | Tie, Cable | 3 |
| 26 | 56980 | (000000-) | Clamp, Retaining | 1 |
| 27 | 69743 | (000000-) | Bushing, Split | 2 |
| 28 | 39396 | (000000-) | Screw, Lag | 4 |
| 29 | 58275 | (000000-) | Link | 2 |
| 30 | 69582 | (000000-) | Pin, Clevis | 2 |

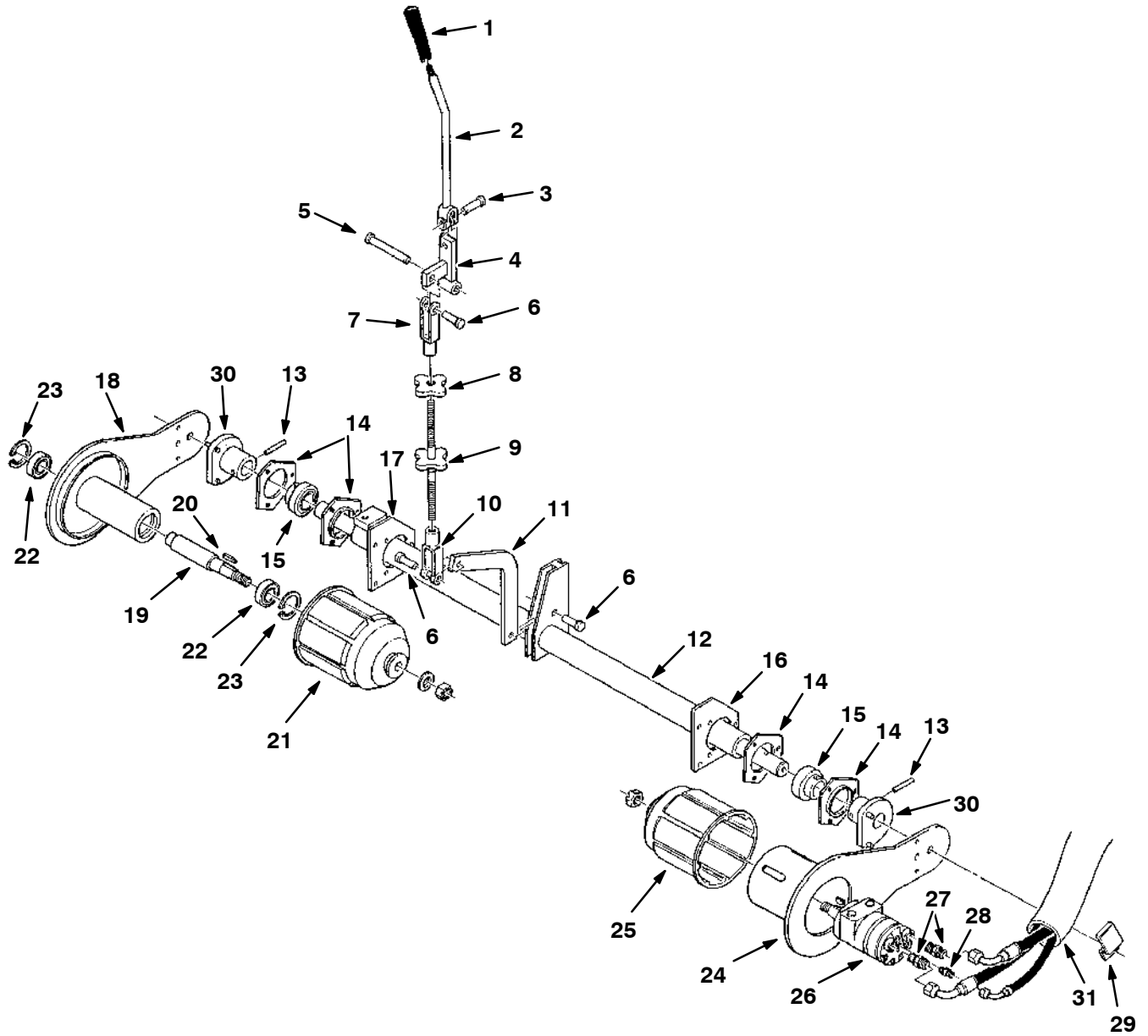


Fig. 29 – Main Brush Lift and Drive Group

Fig. 29 – Main Brush Lift and Drive Group

| Key | TENNANT Part No. | Machine Serial Number | Description | Qty. |
|-----|------------------|-----------------------|-------------------------------------|------|
| 1 | 13199 | (000000–) | Knob, Tapered | 1 |
| 2 | 58743 | (000000–) | Lever, Main Brush | 1 |
| 3 | 06598 | (000000–) | Pin, Clevis | 1 |
| 4 | 13327 | (000000–) | Pivot, Main Brush | 1 |
| 5 | 67290 | (000000–) | Pin, Clevis | 1 |
| 6 | 06598 | (000000–) | Pin, Clevis | 3 |
| 7 | 57743 | (000000–) | Clevis, Adjustable, R.H. | 1 |
| 8 | 57742 | (000000–) | Knob, Adjusting | 1 |
| 9 | 57741 | (000000–) | Rod, Brush Lift | 1 |
| 10 | 57744 | (000000–) | Clevis, Adjustable, L.H. | 1 |
| 11 | 58767 | (000000–) | Bar, Lift 1 | |
| 12 | 13170 | (000000–) | Shaft, Brush | 1 |
| 13 | 51317 | (000000–) | Pin, Roll | 2 |
| 14 | 51449 | (000000–) | Flange, Bearing | 4 |
| 15 | 51448 | (000000–) | Bearing and Collar | 2 |
| 16 | 57849 | (000000–) | Plate, Bracket | 1 |
| 17 | 58254 | (000000–) | Bracket | 1 |
| | 13179 | (000000–) | Arm Assembly, Brush, R.H. | 1 |
| 18 | 13157 | (000000–) | Arm, Brush R.H. | 1 |
| 19 | 13151 | (000000–) | Shaft, Idler Brush | 1 |
| 20 | 00927 | (000000–) | Key, Square | 1 |
| 21 | 87631 | (000000–) | Plug, Brush Drive | 1 |
| 22 | 13534 | (000000–) | Bearing, Ball | 2 |
| 23 | 40727 | (000000–) | Ring, Retaining | 2 |
| | 13180 | (000000–) | Arm Assembly, Brush, L.H. | 1 |
| 24 | 13156 | (000000–) | Arm, Brush, L.H. | 1 |
| 25 | 87631 | (000000–) | Plug, Brush Drive | 1 |
| 26 | 13106 | (000000–005943) | Motor, Hydraulic, Replaced by 27800 | 1 |
| 26 | 27800 | (005944–) | Motor, Hydraulic | 1 |
| 27 | 44869 | (000000–) | Fitting, Straight | 2 |
| 28 | 55586 | (000000–) | Fitting, Straight | 1 |
| 29 | 13202 | (000000–) | Clamp | 1 |
| 30 | 51059 | (000000–) | Hub, Brush | 2 |
| 31 | 82830 | (000000–) | Sleeve | 1 |

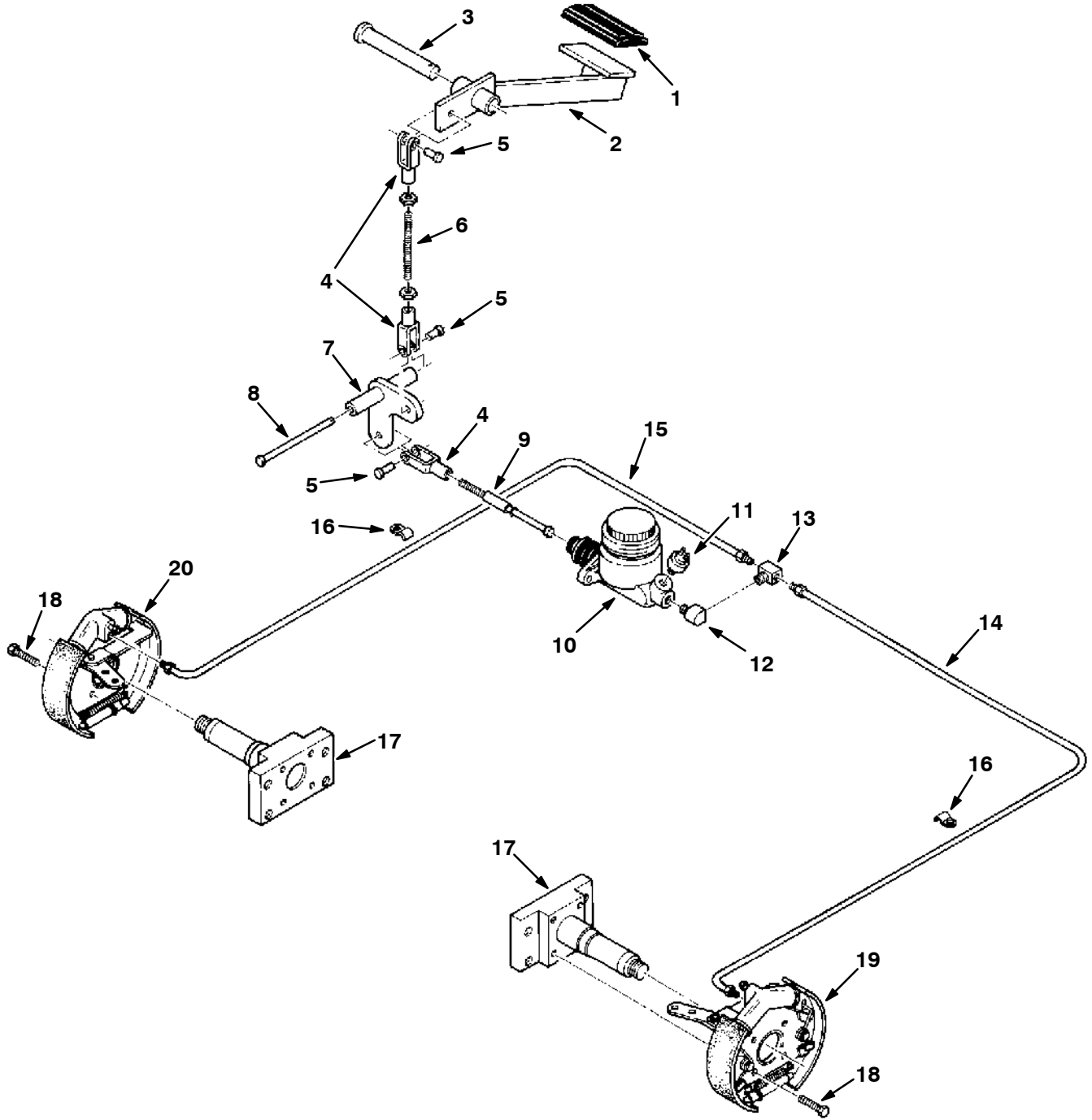


Fig. 30 – Brakes Group

Fig. 30 -- Brakes Group

| Key | TENNANT Part No. | Machine Serial Number | Description | Qty. |
|-----|------------------|-----------------------|---------------------------------|------|
| 1 | 51109 | (000000-) | Pad | 1 |
| 2 | 58399 | (000000-) | Pedal, Brake | 1 |
| 3 | 58848 | (000000-) | Pin, Clevis | 1 |
| 4 | 58244 | (000000-) | Clevis, Female | 3 |
| 5 | 14331 | (000000-) | Pin, Clevis | 3 |
| 6 | 05416 | (000000-) | Stud | 1 |
| 7 | 58529 | (000000-) | Bellcrank | 1 |
| 8 | 57904 | (000000-) | Pin, Clevis | 1 |
| 9 | 58337 | (000000-) | Rod, Push | 1 |
| 10 | SK2136 | (000000-) | Replacement Kit, Brake Cylinder | 1 |
| | SK2137 | (000000-) | Repair Kit, Cylinder | 1 |
| 11 | 13959 | (000000-) | Switch | 1 |
| 12 | 11984 | (000000-) | Fitting, Elbow | 1 |
| 13 | 51483 | (000000-) | Fitting, Tee | 1 |
| 14 | 58678 | (000000-) | Tube Assembly | 1 |
| 15 | 76058 | (000000-) | Tube Assembly | 1 |
| 16 | 09092-1 | (000000-) | Clamp, Hold-Down | 2 |
| 17 | 57856 | (000000-) | Spindle | 2 |
| 18 | 34292 | (000000-) | Screw, Hex | 8 |
| 19 | 57782 | (000000-) | Brake Assembly, L.H. | 1 |
| | 58329 | (000000-) | Replacement Kit, Brake Cylinder | 1 |
| | 58330 | (000000-) | Replacement Kit, Brake Shoe | 1 |
| 20 | 57781 | (000000-) | Brake Assembly, R.H. | 1 |
| | 58329 | (000000-) | Replacement Kit, Brake Cylinder | 1 |
| | 58330 | (000000-) | Replacement Kit, Brake Shoe | 1 |

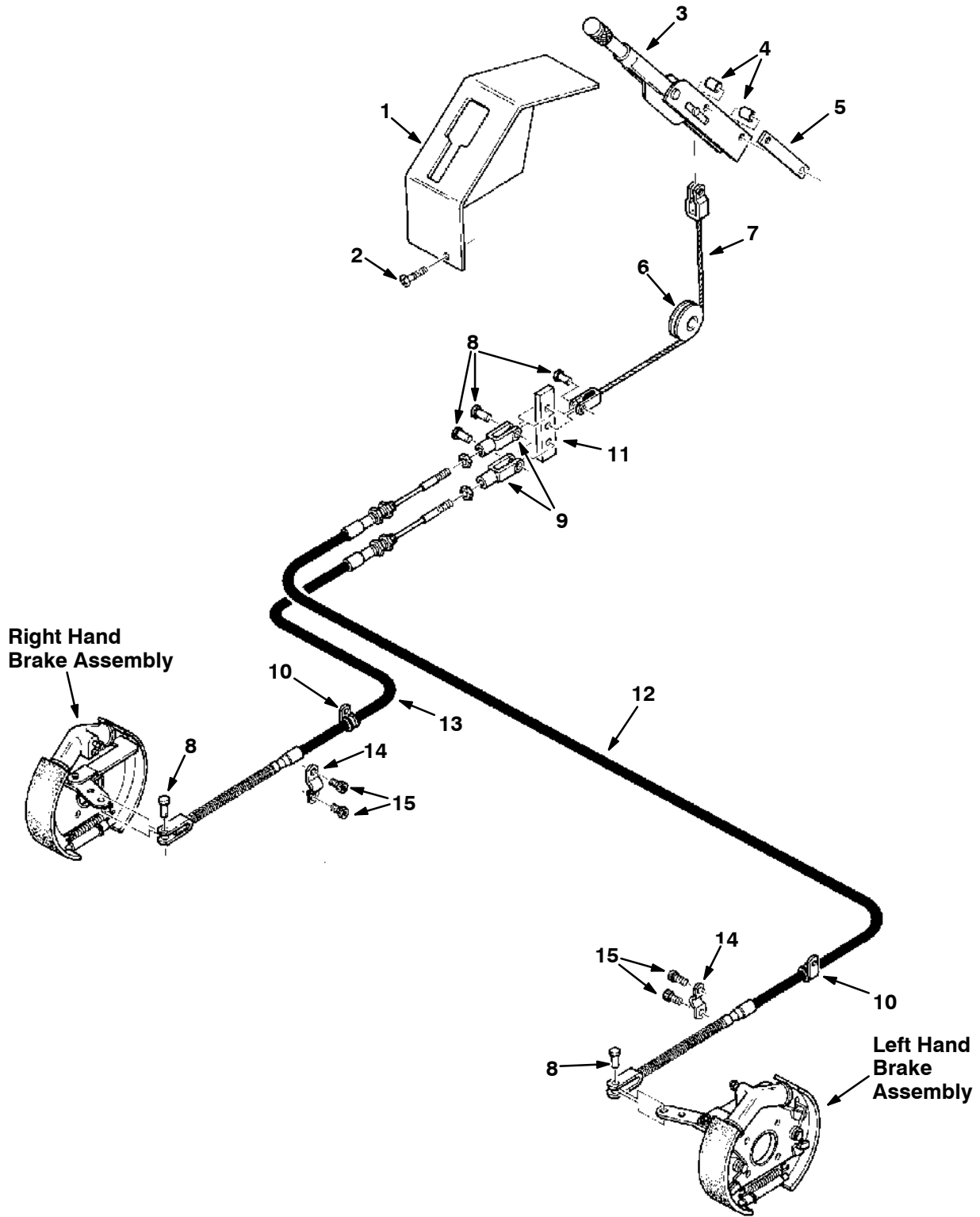
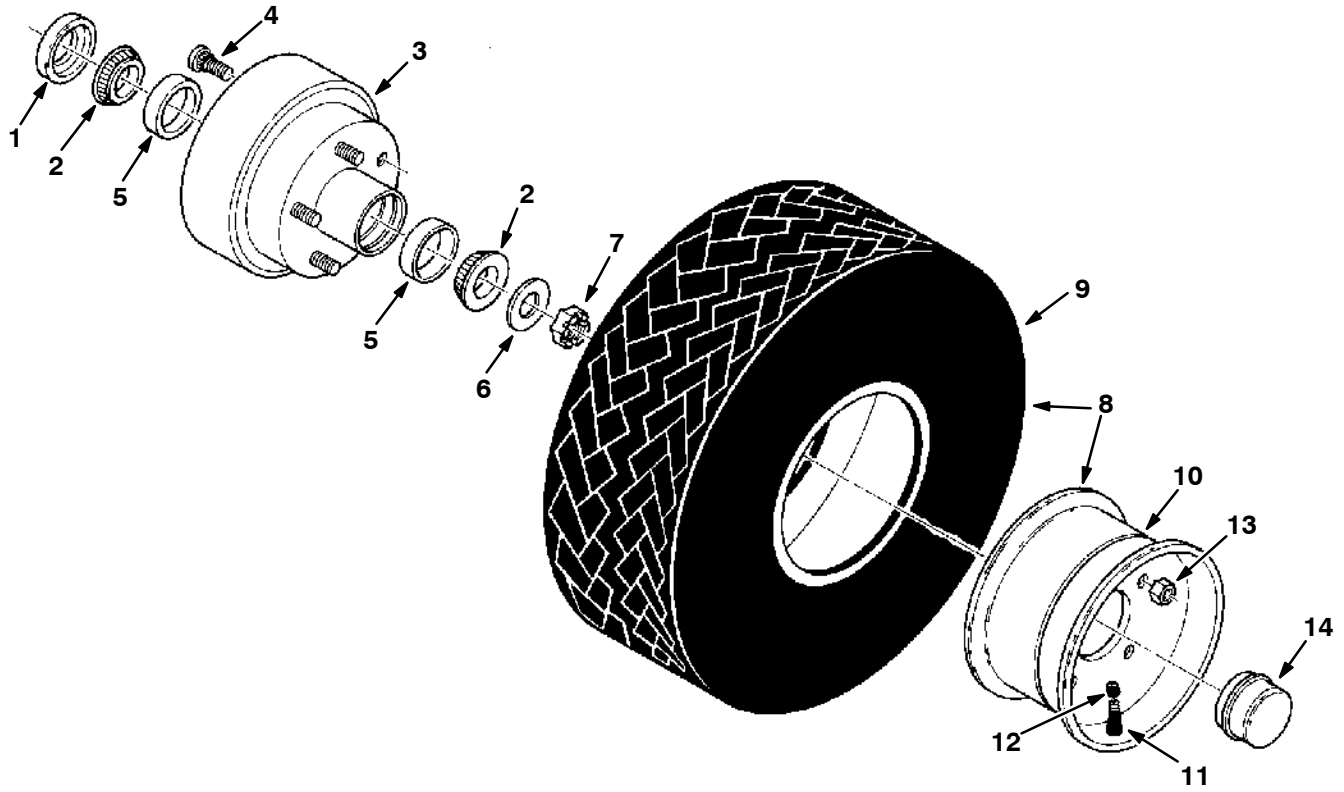


Fig. 31 – Parking Brakes Group

Fig. 31 – Parking Brakes Group

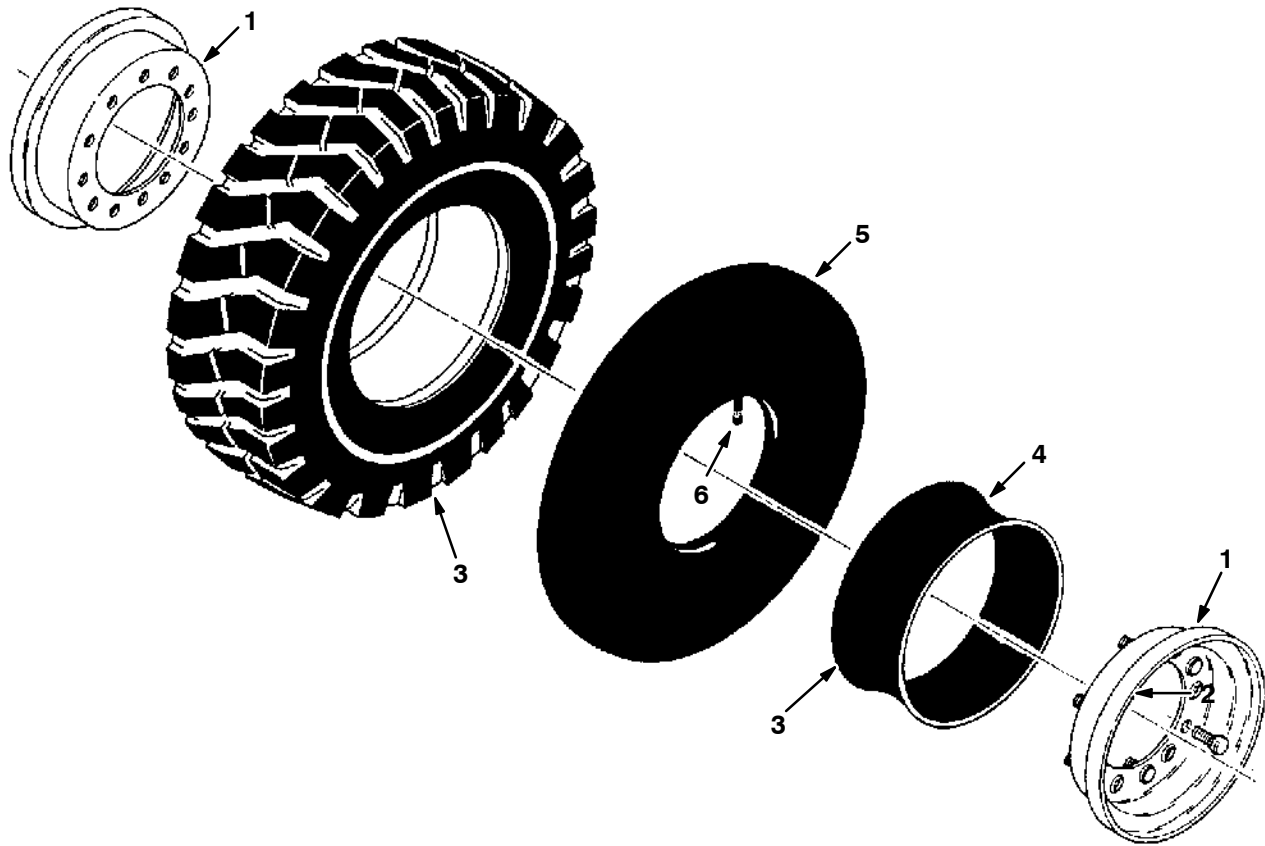
| Key | TENNANT Part No. | Machine Serial Number | Description | Qty. |
|-----|---------------------|--------------------------|----------------------------|------|
| 1 | 58772 | (000000–) | Cover, Lever | 1 |
| 2 | 43896 | (000000–) | Screw, Pan, Thread Forming | 3 |
| 3 | 51545 | (000000–) | Lever, Brake | 1 |
| 4 | 51562 | (000000–) | Sleeve | 2 |
| 5 | 57791 | (000000–) | Plate, Spacer | 1 |
| 6 | 58279 | (000000–) | Pulley, Cable | 1 |
| 7 | 58535 | (000000–) | Cable | 1 |
| 8 | 69582 | (000000–) | Pin, Clevis | 5 |
| 9 | 58311 | (000000–) | Clevis | 2 |
| 10 | 26395–1 | (000000–) | Clamp, Cable | 2 |
| 11 | 58319 | (000000–) | Plate, Transfer | 1 |
| 12 | 58320 | (000000–) | Cable Assembly, L. H. | 1 |
| 13 | 58321 | (000000–) | Cable Assembly, R. H. | 1 |
| 14 | 65129 | (000000–) | Clamp, Cable | 2 |
| 15 | 39302 | (000000–) | Screw, Socket | 4 |



02317

Fig. 32 – Front Wheel Group

| Key | TENNANT Part No. | Machine Serial Number | Description | Qty. |
|-----|------------------|-----------------------|-----------------------|------|
| 1 | 57565 | (000000–) | Seal, Grease | 2 |
| 2 | 68297 | (000000–) | Bearing, Cone | 4 |
| 3 | 58328 | (000000–) | Drum, Brake | 2 |
| 4 | 57275 | (000000–) | Stud, Wheel | 5 |
| 5 | 24989 | (000000–) | Cup, Bearing | 2 |
| 6 | 31705 | (000000–) | Washer | 2 |
| 7 | 41112 | (000000–) | Nut, Slotted | 2 |
| 8 | 58331 | (000000–) | Tire and Rim Assembly | 2 |
| 9 | 57277 | (000000–) | Tire | 1 |
| 10 | 57278 | (000000–) | Rim | 1 |
| 11 | 75365 | (000000–) | Valve, Tubeless Tire | 1 |
| 12 | 45786 | (000000–) | Cap, Valve Stem | 1 |
| 13 | 24339 | (000000–) | Nut, Wheel | 10 |
| 14 | 57567 | (000000–) | Cap, Hub | 2 |



01532

Fig. 33 – Rear Wheel Assembly

| Key | TENNANT Part No. | Machine Serial Number | Description | Qty. |
|-----|------------------|-----------------------|-----------------------|------|
| | 51357 | (000000–) | Tire and Rim Assembly | 1 |
| 1 | 52775 | (000000–) | Rim Assembly | 1 |
| 2 | 51355 | (000000–) | Stud, Wheel | 6 |
| | 52510 | (000000–) | Tire Assembly | 1 |
| 3 | 51362 | (000000–) | Tire | 1 |
| 4 | 51360 | (000000–) | Flap | 1 |
| 5 | 51361 | (000000–) | Tube | 1 |
| 6 | 45786 | (000000–) | Cap, Valve Stem | 1 |

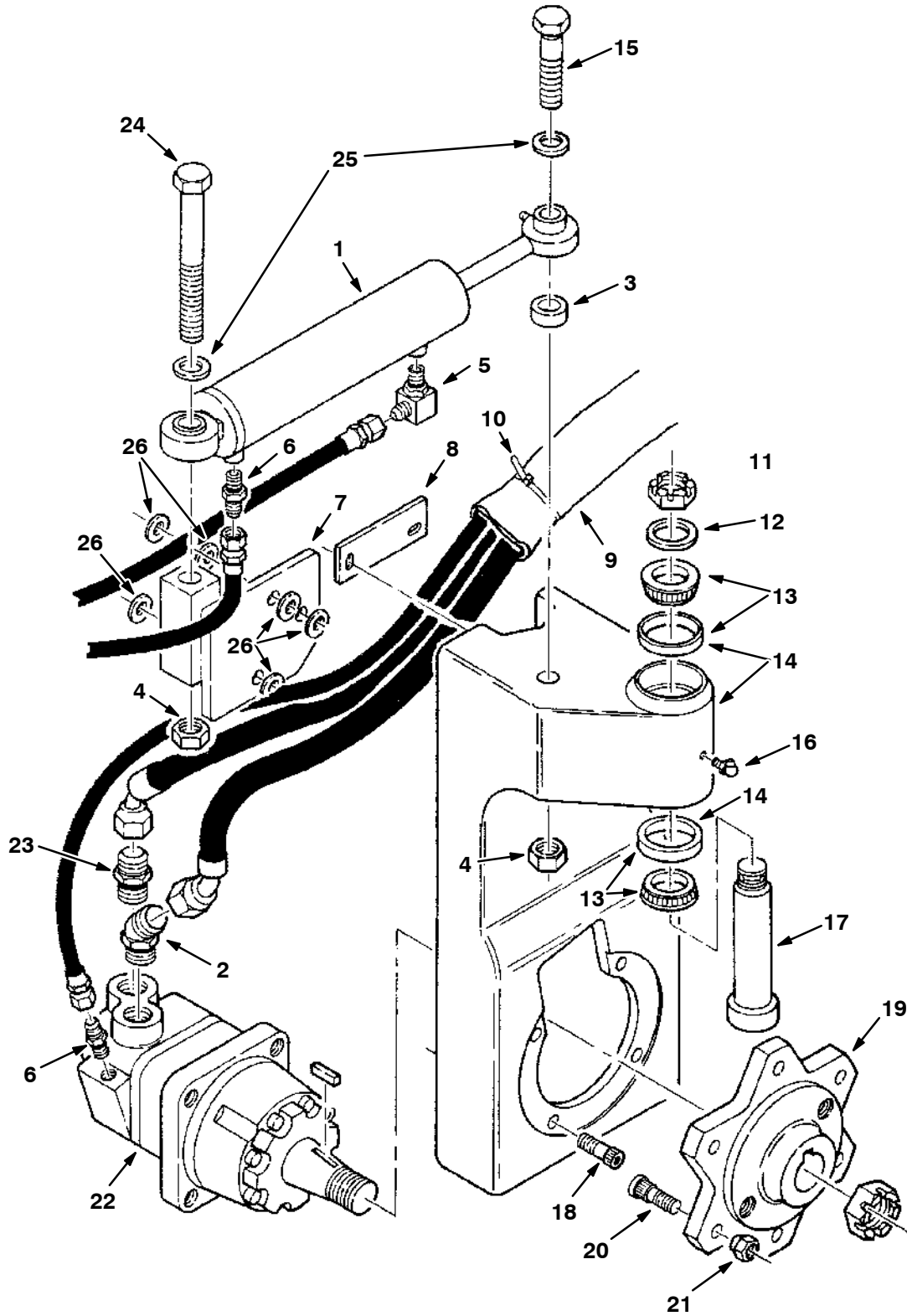


Fig. 34 – Rear Wheel Support Group

Fig. 34 – Rear Wheel Support Group

| Key | TENNANT Part No. | Machine Serial Number | Description | Qty. |
|-----|------------------|-----------------------|-----------------------|------|
| 1 | 04430 | (000000–) | Cylinder, Hydraulic | 1 |
| 2 | 16081 | (000000–) | Fitting, Elbow, 45° | 1 |
| 3 | 08731 | (000000–) | Spacer | 1 |
| 4 | 32987 | (000000–) | Nut, Nylon Hex | 2 |
| 5 | 77097 | (000000–) | Fitting, Elbow | 1 |
| 6 | 55586 | (000000–) | Fitting, Straight | 2 |
| 7 | 08733 | (000000–) | Plate, Mounting | 1 |
| 8 | 58842 | (000000–) | Plate, Hose Support | 1 |
| 9 | 34330 | (000000–) | Sleeve, Hydraulic | 1 |
| 10 | 49263 | (000000–) | Tie, Cable | 3 |
| 11 | 14242 | (000000–) | Nut, Slotted Hex | 1 |
| 12 | 47719 | (000000–) | Washer | 1 |
| 13 | 49225 | (000000–) | Bearing, Cup and Cone | 1 |
| 14 | 57577 | (000000–) | Support, Rear Wheel | 1 |
| 15 | 57561 | (000000–) | Screw, Hex | 1 |
| 16 | 09718 | (000000–) | Fitting, Grease | 1 |
| 17 | 57925 | (000000–) | Pin, Wheel Support | 1 |
| 18 | 19583 | (000000–) | Screw, Socket | 4 |
| 19 | 58368 | (000000–) | Hub and Stud Assembly | 1 |
| 20 | 32126 | (000000–) | Stud, Wheel | 6 |
| 21 | 24339 | (000000–) | Nut, Wheel | 6 |
| 22 | 48663 | (000000–) | Motor, Hydraulic | 1 |
| 23 | 42260 | (000000–) | Fitting, Straight | 1 |
| 24 | 39900 | (000000–) | Screw, Hex | 1 |
| 25 | 39350 | (000000–) | Washer | 2 |
| 26 | 32486 | (000000–) | Washer | 6 |

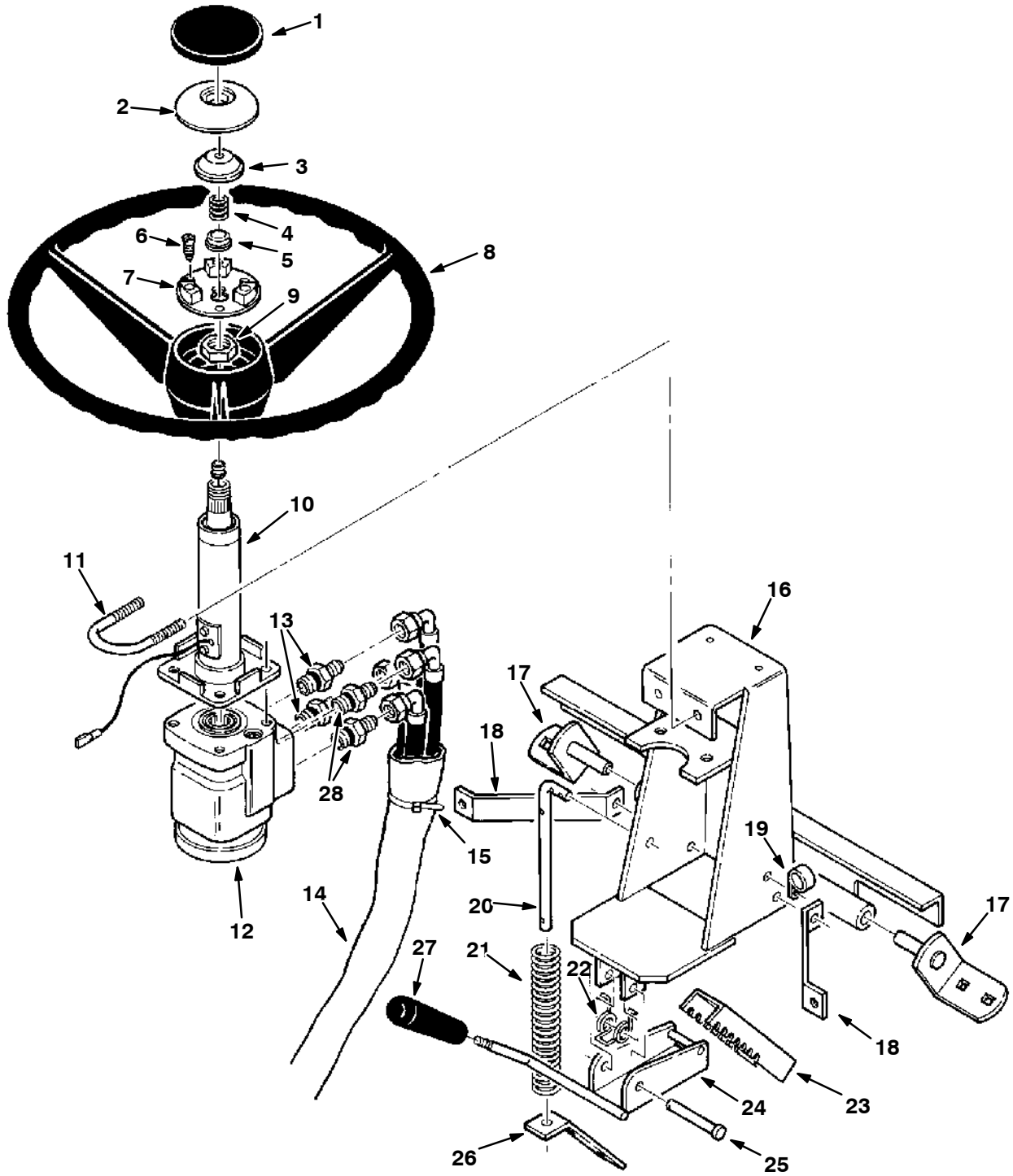


Fig. 35 – Steering Column Group

Fig. 35 – Steering Column Group

| Key | TENNANT Part No. | Machine Serial Number | Description | Qty. |
|-----|------------------|-----------------------|---------------------------|------|
| 1 | 47010-7 | (000000-) | Cover, Horn | 1 |
| 2 | 47010-6 | (000000-) | Button, Horn | 1 |
| 3 | 47010-2 | (000000-) | Cup, Contact | 1 |
| 4 | 47010-3 | (000000-) | Spring, Horn | 1 |
| 5 | 47010-1 | (000000-) | Cap, Contact | 1 |
| 6 | 47010-4 | (000000-) | Screw, Horn | 3 |
| 7 | 14700-4 | (000000-) | Plate Assembly, Base | 1 |
| 8 | 58737 | (000000-) | Wheel, Steering | 1 |
| 9 | 57676 | (000000-) | Nut, Steering Wheel | 1 |
| 10 | 52388 | (000000-) | Steering Column Assembly | 1 |
| 11 | 58748 | (000000-) | U-Bolt | 1 |
| 12 | 57982 | (000000-) | Valve, Hydraulic Steering | 1 |
| 13 | 55685 | (000000-) | Fitting, Straight | 2 |
| 14 | 34330 | (000000-) | Sleeve, Hose | 1 |
| 15 | 49263 | (000000-) | Tie, Cable | 3 |
| 16 | 58924 | (000000-) | Column, Steering | 1 |
| 17 | 58796 | (000000-) | Bracket, Mount | 2 |
| 18 | 58775 | (000000-) | Bracket, Reinforcement | 2 |
| 19 | 06777 | (000000-) | Clamp, Cable | 1 |
| 20 | 58810 | (000000-) | Bar, Spring Guide | 1 |
| 21 | 63852 | (000000-) | Spring, Compression | 1 |
| 22 | 58762 | (000000-) | Spring, Torsion | 1 |
| 23 | 58797 | (000000-) | Bracket, Notched | 1 |
| 24 | 58793 | (000000-) | Lever, Tilt | 1 |
| 25 | 51813 | (000000-) | Pin, Clevis | 1 |
| 26 | 58807 | (000000-) | Bar, Spring Support | 1 |
| 27 | 13199 | (000000-) | Knob, Tapered | 1 |
| 28 | 56690 | (000000-) | Fitting, Straight | 2 |

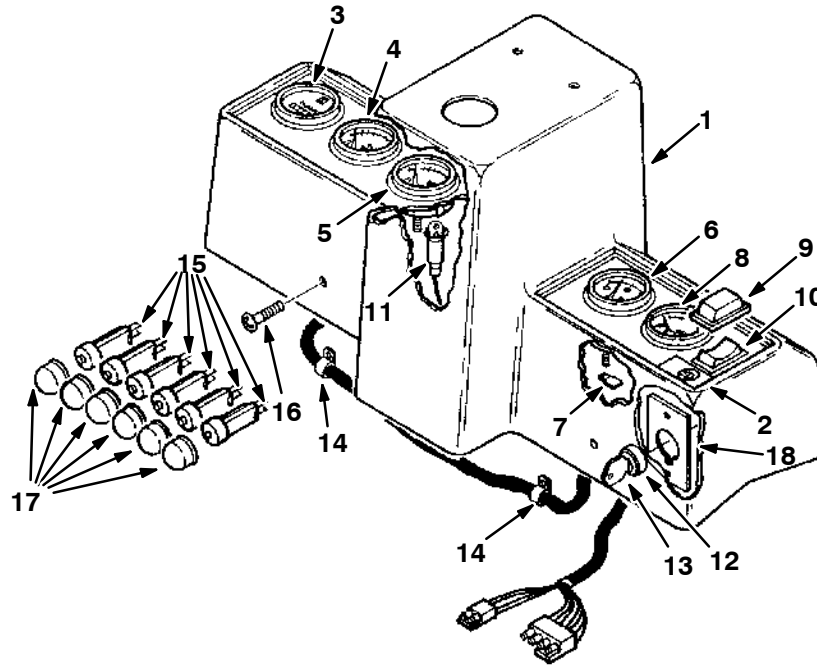


Fig. 36 – Instrument Panel Group

02265

| Key | TENNANT Part No. | Machine Serial Number | Description | Qty. |
|-----|------------------|-----------------------|--------------------------|------|
| 1 | 58769 | (000000–005923) | Panel, Instrument | 1 |
| 1 | 13879 | (005924–) | Panel, Instrument | 1 |
| 2 | 09925 | (000000–) | Label, Instrument Panel | 1 |
| 3 | 34810 | (000000–) | Meter, Hour | 1 |
| 4 | 82626 | (000000–006999) | Gauge, Oil Pressure | 1 |
| 4 | 07056 | (007000–) | Gauge, Oil Pressure | 1 |
| 5 | 58591 | (000000–) | Gauge, Water Temperature | 1 |
| 6 | 34813 | (000000–) | Gauge, Fuel | 1 |
| 7 | 48252 | (000000–) | Terminal, Tab | 2 |
| 8 | 55557 | (000000–) | Gauge, Voltage | 1 |
| 9 | 57807 | (000000–) | Seal, Switch | 1 |
| 10 | 31965 | (000000–) | Switch, Rocker | 1 |
| 11 | 55271 | (000000–) | Light, Instrument | 4 |
| 12 | 55258 | (000000–005923) | Switch, Ignition | 1 |
| 12 | 87536 | (005924–) | Switch, Ignition | 1 |
| 13 | 62530–1 | (000000–005923) | Key Set, Ignition | 1 |
| 13 | 87866 | (005924–) | Key Set, Ignition | 1 |
| 14 | 09385 | (000000–) | Clamp, Cable | 2 |
| 15 | 57803 | (000000–) | Breaker, Circuit | 6 |
| 16 | 43949 | (000000–) | Screw, Pan | 2 |
| 17 | 57751 | (000000–) | Boot, Breaker | 6 |
| 18 | 19768 | (005924–) | Plate, Ignition | 1 |

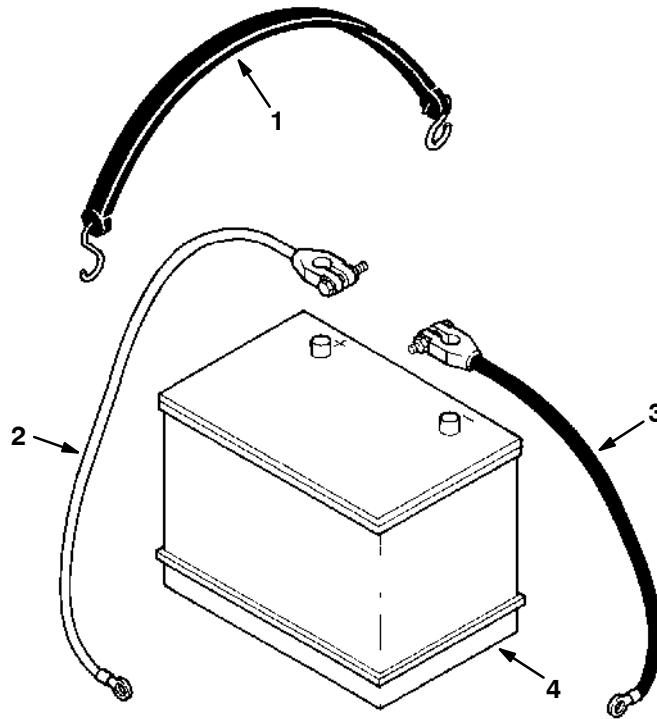


Fig. 37 -- Battery Group

03853

| Key | TENNANT Part No. | Machine Serial Number | Description | Qty. |
|-----|------------------|-----------------------|-------------------------|------|
| 1 | 57769 | (000000-) | Strap, Rubber | 1 |
| 2 | 57778 | (000000-) | Cable, Positive Battery | 1 |
| 3 | 57345 | (000000-) | Cable, Negative Battery | 1 |
| 4 | 10137 | (000000-) | Battery, 475 ccA | 1 |

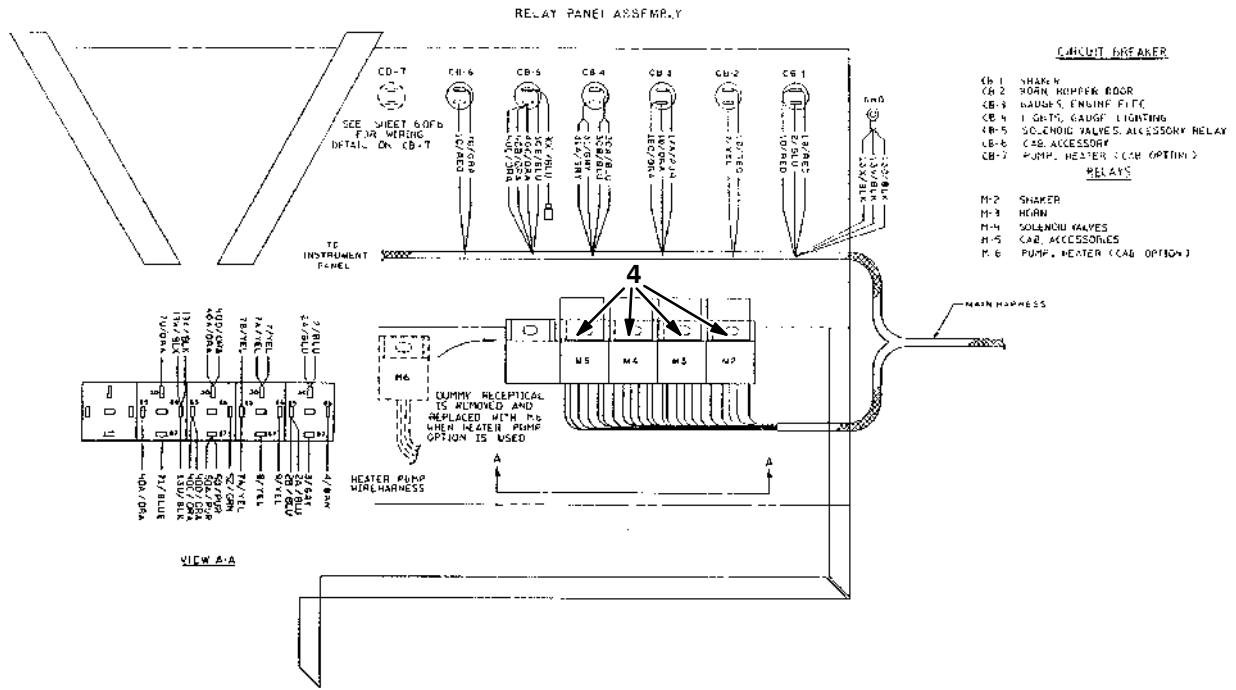


Fig. 38 - Wire Harnesses Group

03860

| Key | TENNANT Part No. | Machine Serial Number | Description | Qty. |
|-----|------------------|-----------------------|------------------------------------|------|
| 1 | 13864 | (000000-005569) | Replacement Kit, Main Wire Harness | 1 |
| 2 | 13259 | (000000-005569) | Wire Harness, Hopper | 1 |
| 3 | 02513 | (000000-005923) | Wire Harness, Instrument Panel | 1 |
| 4 | 57804 | (000000-) | Relay, Electrical | 4 |

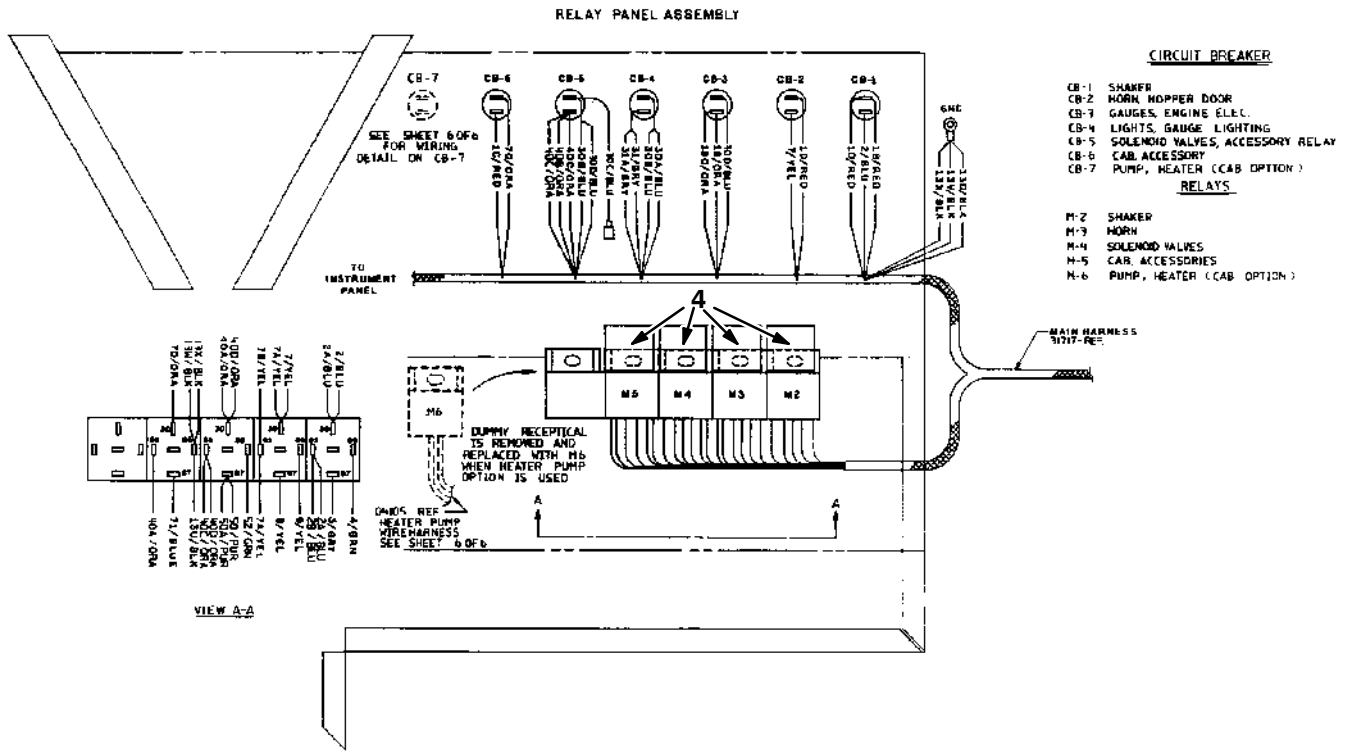


Fig. 39 – Wire Harnesses Group

06117

| Key | TENNANT Part No. | Machine Serial Number | Description | Qty. |
|-----|------------------|-----------------------|--------------------------------|------|
| 1 | 13818 | (005924–) | Wire Harness, Main | 1 |
| 2 | 13807 | (005570–) | Wire Harness, Hopper | 1 |
| 3 | 13818 | (005924–) | Wire Harness, Instrument Panel | 1 |
| 4 | 57804 | (000000–) | Relay, Electrical | 4 |
| 5 | 31528 | (007000–) | Wire Harness, Engine | 1 |

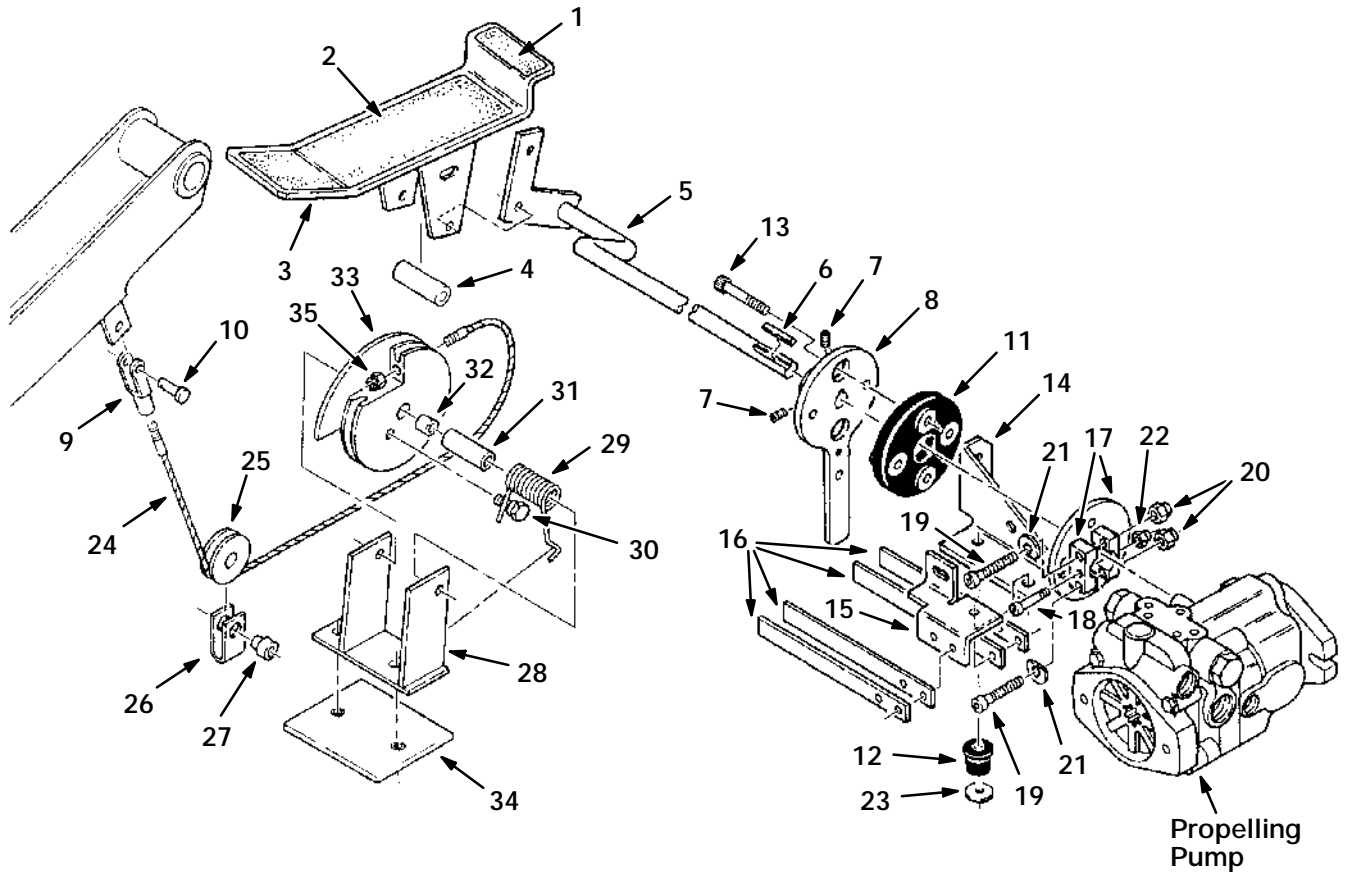


Fig. 40 -- Directional Control Group

Fig. 40 – Directional Control Group

| Key | TENNANT Part No. | Machine Serial Number | Description | Qty. |
|-----|------------------|-----------------------|----------------------------|------|
| 1 | 58820 | (000000–006999) | Tread, Pedal | 1 |
| 2 | 58819 | (000000–006999) | Tread, Pedal | 1 |
| 3 | 13097 | (000000–006999) | Pedal, Directional Control | 1 |
| 4 | 58824 | (000000–006999) | Sleeve | 1 |
| 5 | 58517 | (000000–006999) | Rod, Directional Control | 1 |
| 6 | 00912 | (000000–006999) | Key, Square | 1 |
| 7 | 39328 | (000000–006999) | Screw, Set | 2 |
| 8 | 03549 | (000000–006999) | Coupling, Shaft, R.H. | 1 |
| 9 | 14595–1 | (000000–006999) | Clevis, Adjustable | 1 |
| 10 | 14605 | (000000–006999) | Pin, Clevis | 1 |
| 11 | 57875 | (000000–006999) | Coupling, Shaft | 1 |
| 12 | 54274 | (000000–006999) | Isolator | 1 |
| 13 | 10827 | (000000–006999) | Screw, Socket | 4 |
| 14 | 57873 | (000000–006999) | Bracket, Engine Mounting | 1 |
| 15 | 57874 | (000000–006999) | Bracket, Spring | 1 |
| 16 | 49681 | (000000–006999) | Plate, Spring | 4 |
| 17 | 04081 | (000000–006999) | Coupling Assembly, L.H. | 1 |
| 18 | 31249 | (000000–006999) | Screw, Shoulder | 1 |
| 19 | 19580 | (000000–006999) | Screw, Socket | 2 |
| 20 | 03556 | (000000–006999) | Nut, Self–Locking | 2 |
| 21 | 09787 | (000000–006999) | Washer, Clipped | 2 |
| 22 | 45181 | (000000–006999) | Nut, Self–Locking | 1 |
| 23 | 13248 | (000000–006999) | Washer, Special | 1 |
| 24 | 13378 | (000000–006999) | Cable, Speed Limiter | 1 |
| 25 | 46328 | (000000–006999) | Roller, Cable | 1 |
| 26 | 13361 | (000000–006999) | Bracket, Cable Retainer | 1 |
| 27 | 13360 | (000000–006999) | Shaft, Mounting | 1 |
| 28 | 13392 | (000000–006999) | Bracket, Speed Limiter | 1 |
| 29 | 13540 | (000000–006999) | Spring | 1 |
| 30 | 29087 | (000000–006999) | Screw, Shoulder | 1 |
| 31 | 13413 | (000000–006999) | Spacer | 1 |
| 32 | 59632 | (000000–006999) | Sleeve | 1 |
| 33 | 13362 | (000000–006999) | Cam, Speed Limiter | 1 |
| 34 | 13554 | (000000–006999) | Plate | 1 |
| 35 | 13513 | (000000–006999) | Nut, Nylon Lock | 1 |

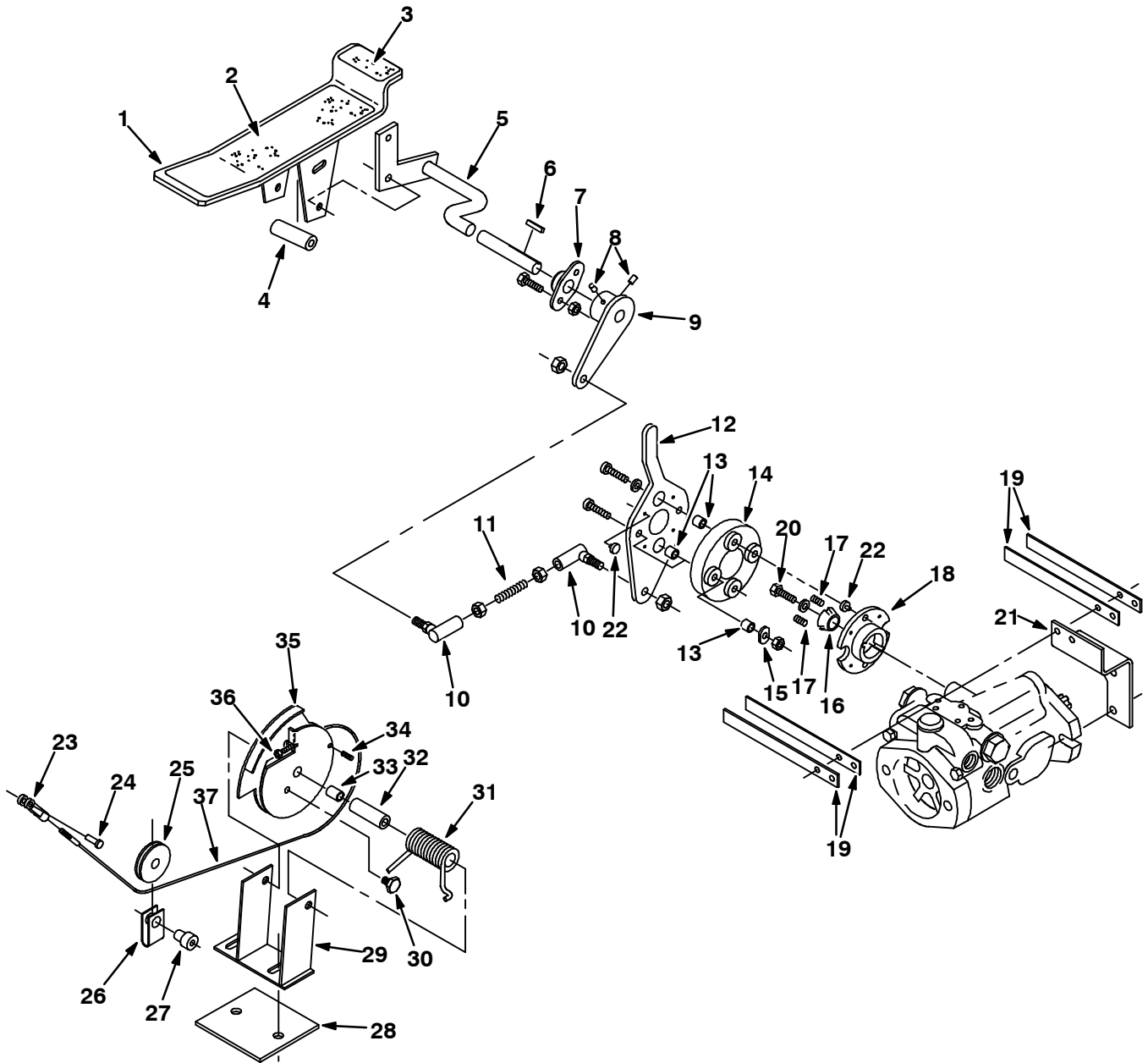
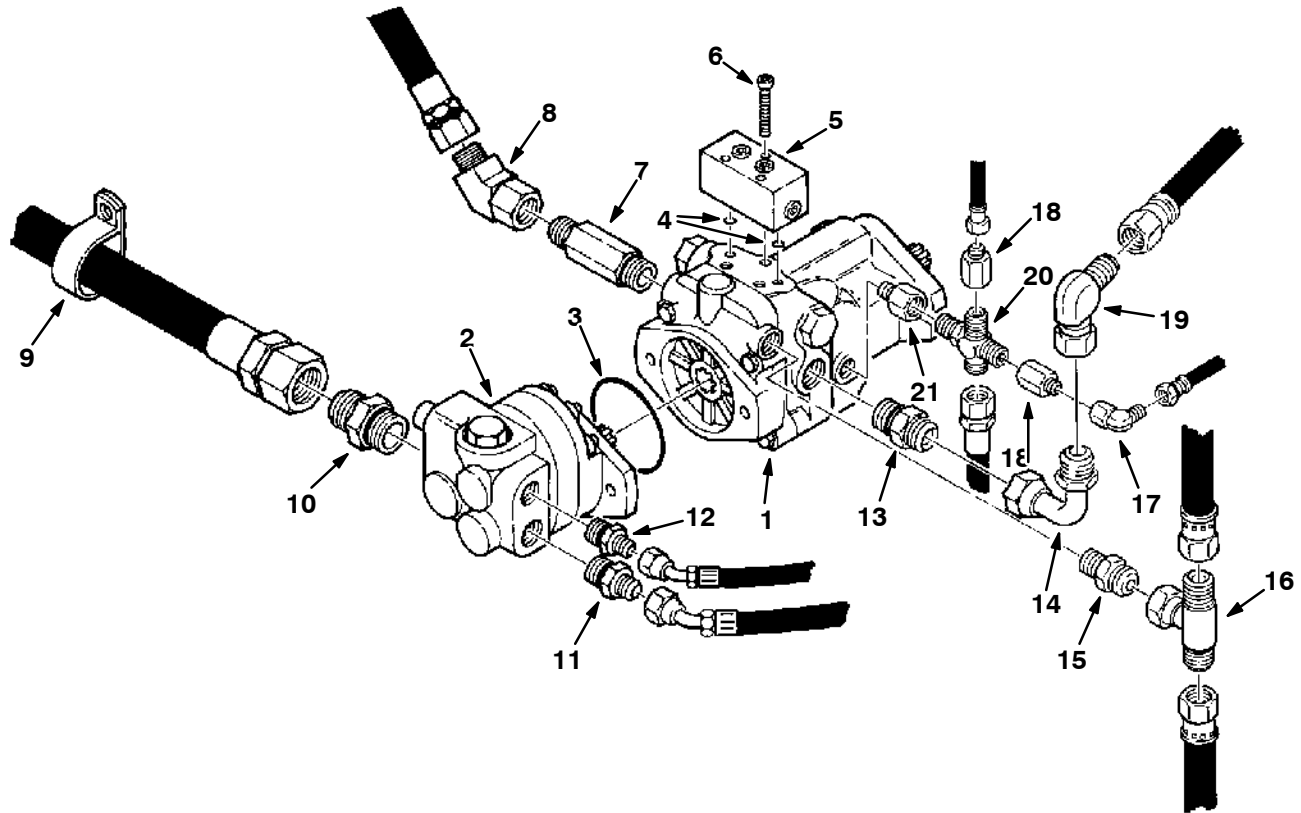


Fig. 41 – Directional Control Group

Fig. 41 -- Directional Control Group

| Key | TENNANT Part No. | Machine Serial Number | Description | Qty. |
|-----|------------------|-----------------------|----------------------------|------|
| 1 | 13097 | (007000-) | Pedal, Directional Control | 1 |
| 2 | 58819 | (007000-) | Tread, Pedal | 1 |
| 3 | 58820 | (007000-) | Tread, Pedal | 1 |
| 4 | 58824 | (007000-) | Sleeve | 1 |
| 5 | 58517 | (007000-) | Rod, Directional Control | 1 |
| 6 | 00912 | (007000-) | Key, Square | 1 |
| 7 | 34096 | (007000-) | Bearing, Flange | 1 |
| 8 | 39328 | (007000-) | Screw, Set | 2 |
| 9 | 31539 | (007000-) | Plate, Directional Control | 1 |
| 10 | 51531 | (007000-) | Ball Joint | 2 |
| 11 | 59054 | (007000-) | Rod, Threaded | 1 |
| 12 | 19074 | (007000-) | Plate, PUmp Control | 1 |
| 13 | 64991 | (007000-) | Sleeve | 4 |
| 14 | 57875 | (007000-) | Coupling, Shaft | 1 |
| 15 | 02702 | (007000-) | Washer, Retainer | 2 |
| 16 | 15280-3 | (007000-) | Bushing | 1 |
| 17 | 39330 | (007000-) | Screw, Set | 2 |
| 18 | 02701 | (007000-) | Flange, Coupling | 1 |
| 19 | 49681 | (007000-) | Plate, Spring | 4 |
| 20 | 16736 | (007000-) | Screw, Nylon Hex | 1 |
| 21 | 19071 | (007000-) | Bracket, Spring Mounting | 1 |
| 22 | 56855 | (007000-) | Bumper, Rubber | 2 |
| 23 | 14595-1 | (007000-) | Clevis, Adjustable | 1 |
| 24 | 14605 | (007000-) | Pin, Clevis | 1 |
| 25 | 46328 | (007000-) | Roller, Cable | 1 |
| 26 | 13361 | (007000-) | Bracket, Cable Retainer | 1 |
| 27 | 13360 | (007000-) | Shaft, Mounting | 1 |
| 28 | 13554 | (007000-) | Plate | 1 |
| 29 | 13392 | (007000-) | Bracket, Speed Limiter | 1 |
| 30 | 29087 | (007000-) | Screw, Shoulder | 1 |
| 31 | 13540 | (007000-) | Spring | 1 |
| 32 | 13413 | (007000-) | Spacer | 1 |
| 33 | 59632 | (007000-) | Sleeve | 1 |
| 34 | 20160 | (007000-) | Pin, Roll | 1 |
| 35 | 13362 | (007000-) | Cam, Speed Limiter | 1 |
| 36 | 13513 | (007000-) | Nut, Nylon Lock | 1 |
| 37 | 13378 | (007000-) | Cable, Speed Limiter | 1 |



03844

Fig. 42 – Hydraulic Pumps Group

| Key | TENNANT Part No. | Machine Serial Number | Description | Qty. |
|-----|------------------|-----------------------|------------------------|------|
| 1 | 02634 | (000000–006999) | Pump, Hydraulic | 1 |
| 2 | 13101 | (000000–006999) | Pump, Hydraulic | 1 |
| 3 | 65145–1 | (000000–006999) | O–Ring | 1 |
| 4 | 58395 | (000000–006999) | O–Ring | 2 |
| 5 | 82767 | (000000–006999) | Valve, Neutral Valve | 1 |
| 6 | 82764 | (000000–006999) | Screw, Socket | 3 |
| 7 | 57993 | (000000–006999) | Fitting, Straight | 1 |
| 8 | 07934 | (000000–006999) | Fitting, Elbow, 45° | 1 |
| 9 | 41016 | (000000–006999) | Clamp, Cable | 1 |
| 10 | 67811 | (000000–006999) | Fitting, Straight | 1 |
| 11 | 56692 | (000000–006999) | Fitting, Straight | 1 |
| 12 | 55686 | (000000–006999) | Fitting, Straight | 1 |
| 13 | 42260 | (000000–006999) | Fitting, Straight | 1 |
| 14 | 57994 | (000000–006999) | Fitting, Special Elbow | 1 |
| 15 | 62390 | (000000–006999) | Fitting, Straight | 1 |
| 16 | 62389 | (000000–006999) | Fitting, Tee | 1 |
| 17 | 39210 | (000000–006999) | Fitting, Elbow | 1 |
| 18 | 57979 | (000000–006999) | Fitting, Straight | 2 |
| 19 | 35033 | (000000–006999) | Fitting, Elbow | 1 |
| 20 | 57992 | (000000–006999) | Fitting, Cross | 1 |
| 21 | 47524 | (000000–006999) | Fitting, Straight | 1 |

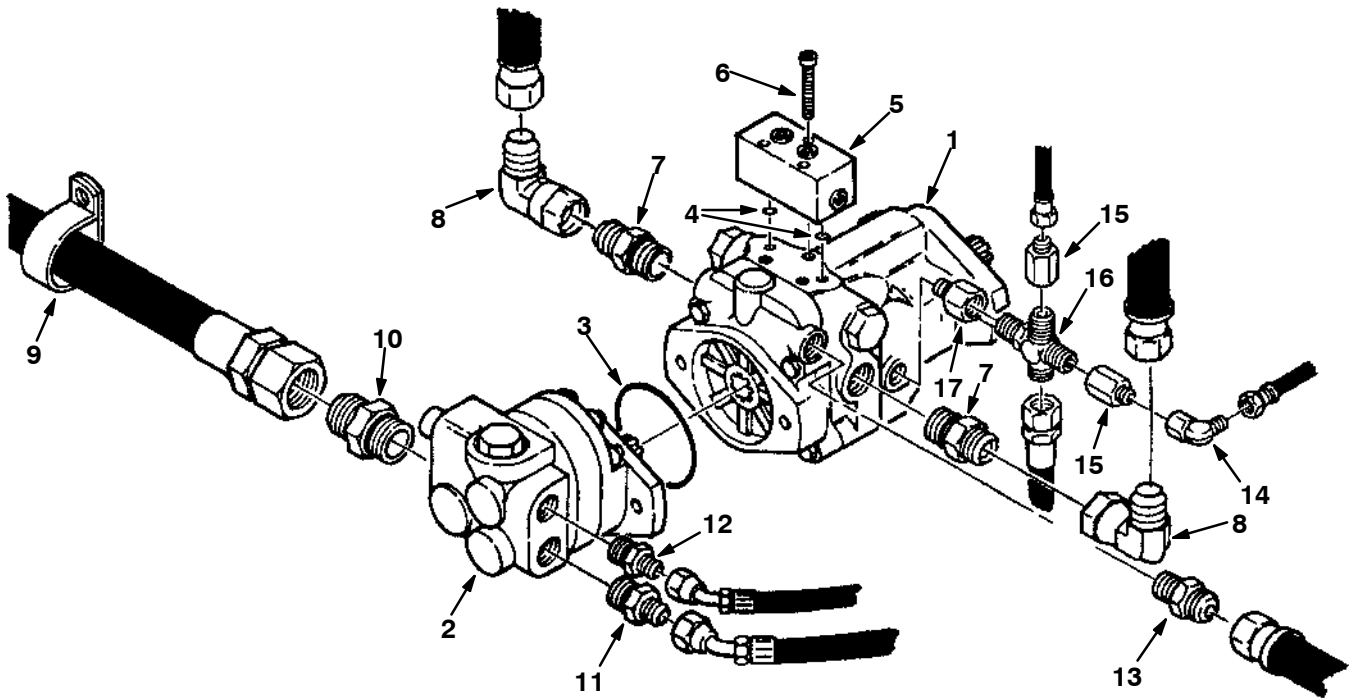


Fig. 43 – Hydraulic Pumps Group

06112

| Key | TENNANT Part No. | Machine Serial Number | Description | Qty. |
|-----|------------------|-----------------------|----------------------|------|
| 1 | 02704 | (007000–) | Pump, Hydraulic | 1 |
| 2 | 13101 | (007000–) | Pump, Hydraulic | 1 |
| 3 | 65145–1 | (007000–) | O–Ring | 1 |
| 4 | 58395 | (007000–) | O–Ring | 2 |
| 5 | 82767 | (007000–) | Valve, Neutral Valve | 1 |
| 6 | 82764 | (007000–) | Screw, Socket | 3 |
| 7 | 42260 | (007000–) | Fitting, Straight | 2 |
| 8 | 35033 | (007000–) | Fitting, Elbow | 2 |
| 9 | 41016 | (007000–) | Clamp, Cable | 1 |
| 10 | 67811 | (007000–) | Fitting, Straight | 1 |
| 11 | 56692 | (007000–) | Fitting, Straight | 1 |
| 12 | 55686 | (007000–) | Fitting, Straight | 1 |
| 13 | 44869 | (007000–) | Fitting, Straight | 1 |
| 14 | 39210 | (007000–) | Fitting, Elbow | 1 |
| 15 | 57979 | (007000–) | Fitting, Straight | 2 |
| 16 | 57992 | (007000–) | Fitting, Cross | 1 |
| 17 | 47524 | (007000–) | Fitting, Straight | 1 |

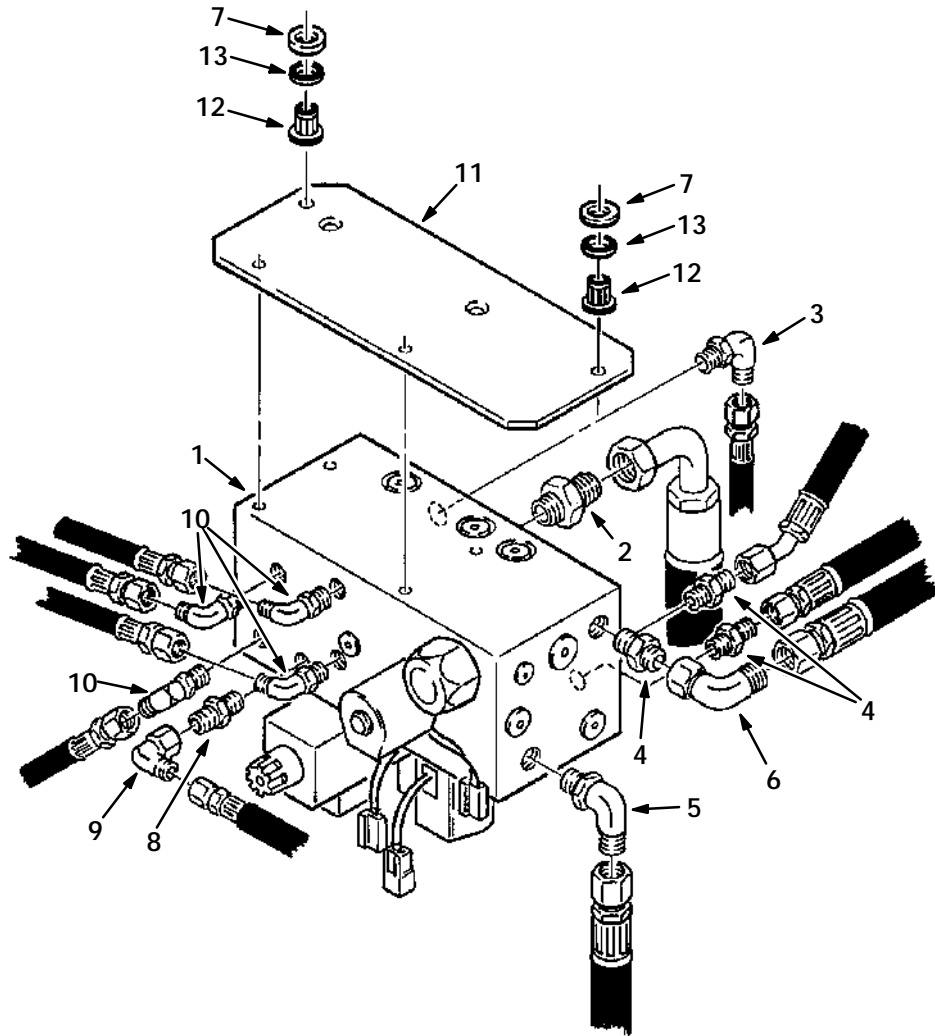


Fig. 44 -- Hydraulic Control Valve Group

Fig. 44 -- Hydraulic Control Valve Group

| Key | TENNANT Part No. | Machine Serial Number | Description | Qty. |
|-----|---------------------|--------------------------|---------------------------|------|
| 1 | 13104 | (000000-) | Valve, Hydraulic Solenoid | 1 |
| 2 | 42260 | (000000-) | Fitting, Straight | 1 |
| 3 | 56820 | (000000-) | Fitting, Elbow | 1 |
| 4 | 44869 | (000000-) | Fitting, Straight | 3 |
| 5 | 44868 | (000000-) | Fitting, Elbow | 1 |
| 6 | 17980 | (000000-) | Fitting, Elbow | 1 |
| 7 | 29570 | (000000-) | Washer | 2 |
| 8 | 55586 | (000000-) | Fitting, Straight | 1 |
| 9 | 39210 | (000000-) | Fitting, Elbow | 1 |
| 10 | 77097 | (000000-) | Fitting, Elbow | 4 |
| 11 | 13061 | (000000-) | Plate, Valve Mounting | 1 |
| 12 | 54528 | (000000-) | Bushing, Rubber | 2 |
| 13 | 54527 | (000000-) | Ring, Rubber | 2 |

STANDARD MODEL PARTS

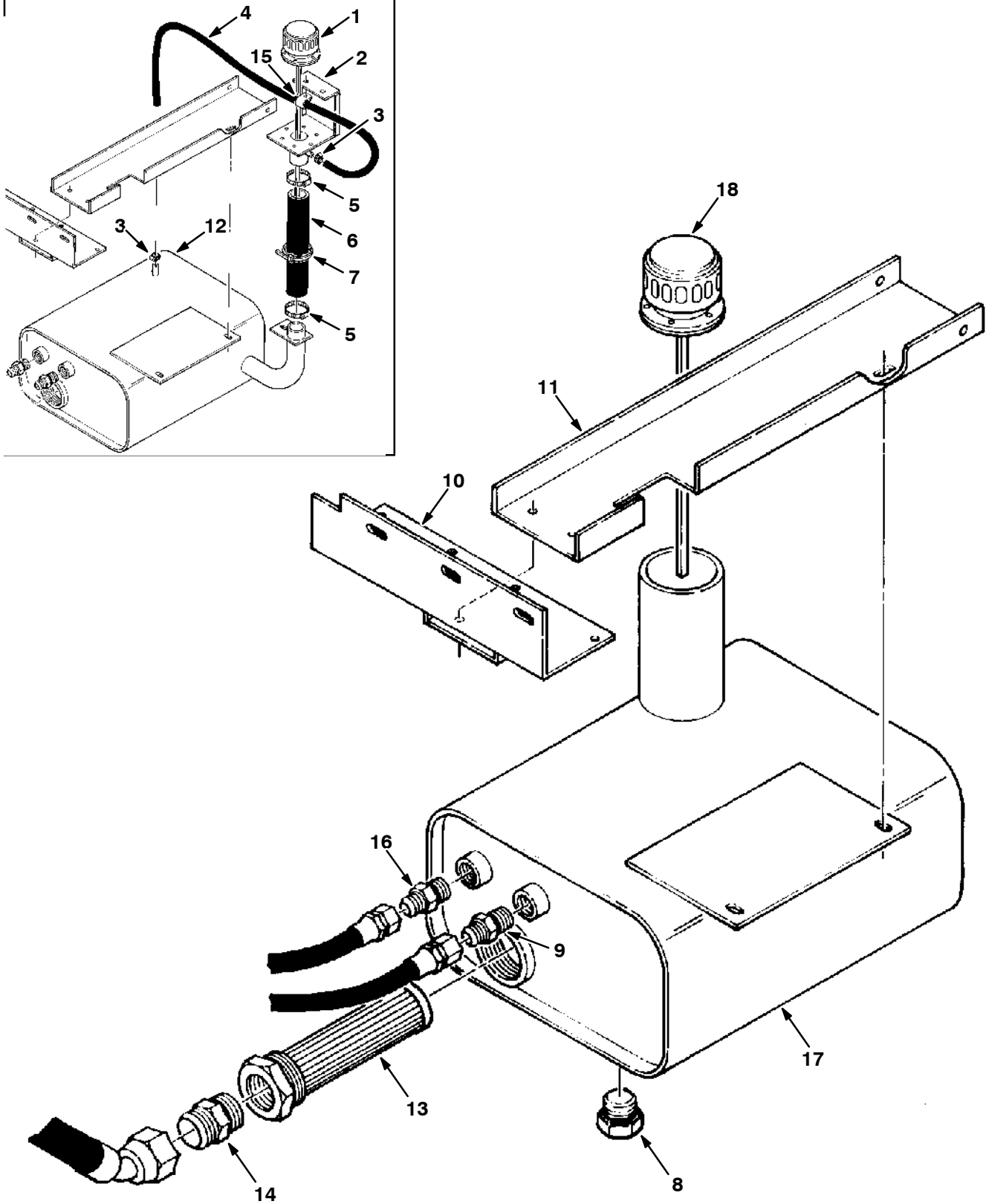


Fig. 45 – Hydraulic Reservoir Group

Fig. 45 – Hydraulic Reservoir Group

| Key | TENNANT Part No. | Machine Serial Number | Description | Qty. |
|-----|------------------|-----------------------|--------------------|------|
| 1 | 57942 | (000000–005752) | Breather–Filler | 1 |
| 2 | 58941 | (000000–005752) | Bracket, Mounting | 1 |
| 3 | 54333 | (000000–005752) | Clamp, Worm Drive | 2 |
| 4 | 57957 | (000000–005752) | Hose, Hydraulic | 1 |
| 5 | 22297 | (000000–005752) | Clamp, Worm Drive | 2 |
| 6 | 57956 | (000000–005752) | Hose, Hydraulic | 1 |
| 7 | 49263 | (000000–005752) | Tie, Cable | 2 |
| 8 | 40362 | (000000–) | Fitting, Plug | 1 |
| 9 | 56692 | (000000–) | Fitting, Straight | 1 |
| 10 | 58934 | (000000–) | Mount, Reservoir | 1 |
| 11 | 58933 | (000000–) | Mount, Reservoir | 1 |
| 12 | 57776 | (000000–005752) | Reservoir Assembly | 1 |
| 13 | 31613 | (000000–) | Strainer, Suction | 1 |
| 14 | 58858 | (000000–) | Fitting, Straight | 1 |
| 15 | 49287 | (000000–005752) | Clamp, Cable | 1 |
| 16 | 06750 | (000000–) | Fitting, Straight | 1 |
| 17 | 13788 | (005753–) | Reservoir Assembly | 1 |
| 18 | 13791 | (005753–) | Breather–Filler | 1 |

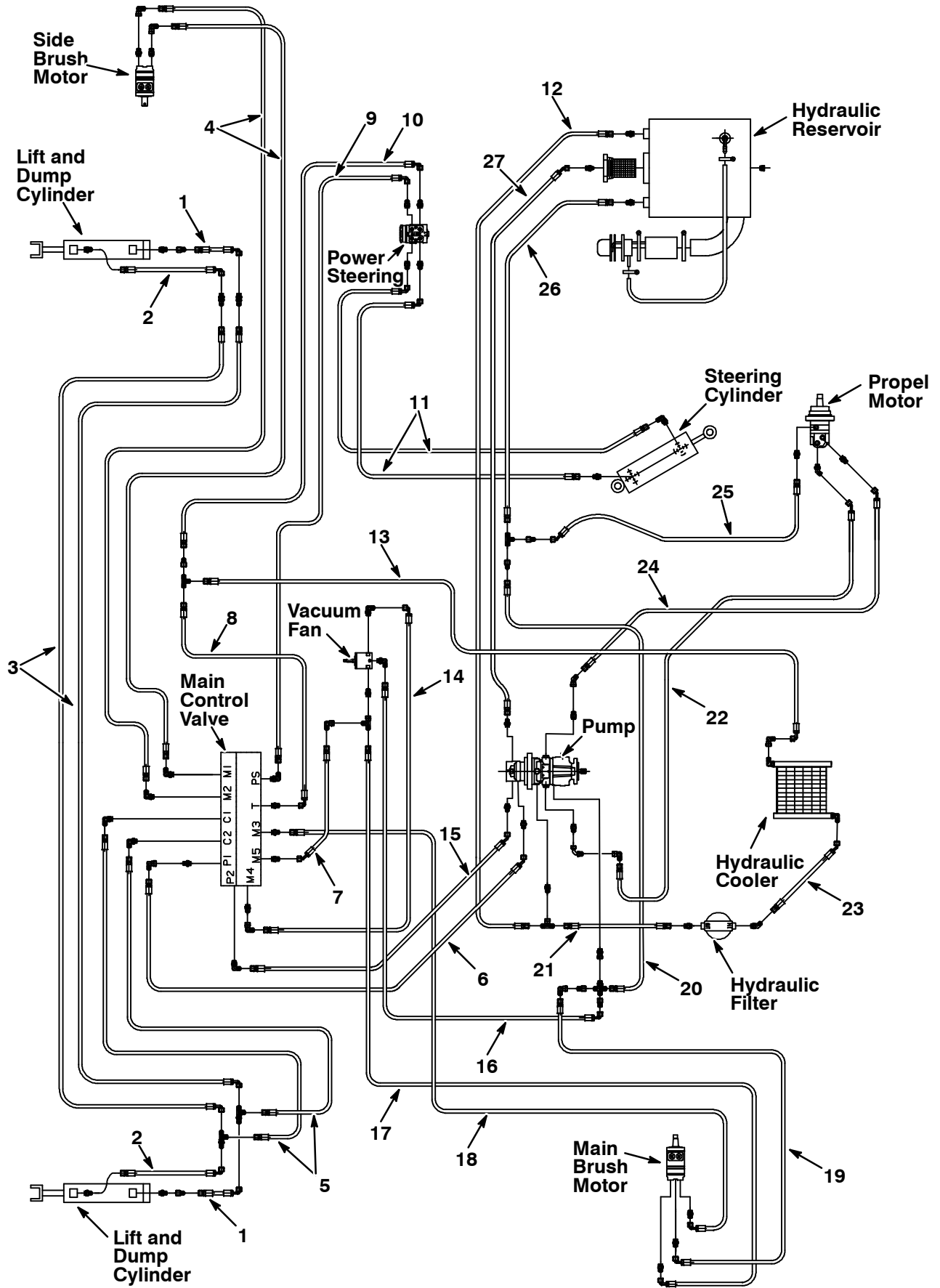


Fig. 46 – Hydraulic Hoses Group

Fig. 46 – Hydraulic Hoses Group

| Key | TENNANT Part No. | Machine Serial Number | Description | Qty. |
|-----|------------------|-----------------------|-----------------|------|
| 1 | 57946 | (000000–006999) | Hose, Hydraulic | 2 |
| 2 | 57575 | (000000–006999) | Hose, Hydraulic | 2 |
| 3 | 57967 | (000000–006999) | Hose, Hydraulic | 2 |
| 4 | 49957–1 | (000000–006999) | Hose, Hydraulic | 2 |
| 5 | 34380 | (000000–006999) | Hose, Hydraulic | 2 |
| 6 | 57945 | (000000–006999) | Hose, Hydraulic | 1 |
| 7 | 57153 | (000000–006999) | Hose, Hydraulic | 1 |
| 8 | 13108 | (000000–006999) | Hose, Hydraulic | 1 |
| 9 | 31563 | (000000–006999) | Hose, Hydraulic | 1 |
| 10 | 57968 | (000000–006999) | Hose, Hydraulic | 1 |
| 11 | 57582 | (000000–006999) | Hose, Hydraulic | 2 |
| 12 | 13109 | (000000–006999) | Hose, Hydraulic | 1 |
| 13 | 13110 | (000000–006999) | Hose, Hydraulic | 1 |
| 14 | 34366 | (000000–006999) | Hose, Hydraulic | 1 |
| 15 | 13243 | (000000–006999) | Hose, Hydraulic | 1 |
| 16 | 16465 | (000000–006999) | Hose, Hydraulic | 1 |
| 17 | 82818 | (000000–006999) | Hose, Hydraulic | 1 |
| 18 | 55697 | (000000–006999) | Hose, Hydraulic | 1 |
| 19 | 31602 | (000000–006999) | Hose, Hydraulic | 1 |
| 20 | 13115 | (000000–006999) | Hose, Hydraulic | 1 |
| 21 | 13113 | (000000–006999) | Hose, Hydraulic | 1 |
| 22 | 58929 | (000000–006999) | Hose, Hydraulic | 1 |
| 23 | 31174 | (000000–006999) | Hose, Hydraulic | 1 |
| 24 | 57221 | (000000–006999) | Hose, Hydraulic | 1 |
| 25 | 57222 | (000000–006999) | Hose, Hydraulic | 1 |
| 26 | 57955 | (000000–006999) | Hose, Hydraulic | 1 |
| 27 | 57953 | (000000–006999) | Hose, Hydraulic | 1 |

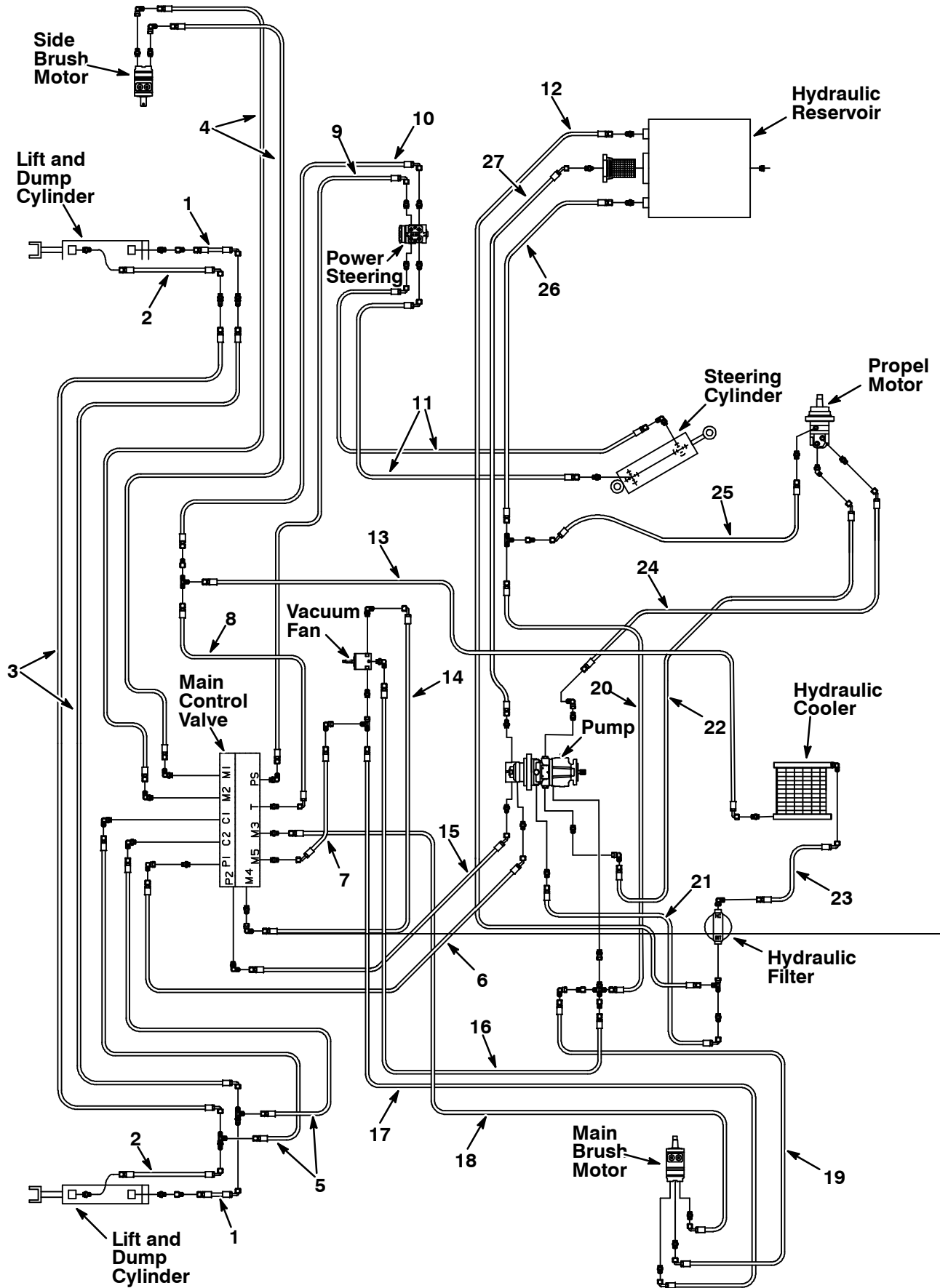


Fig. 47 – Hydraulic Hoses Group

Fig. 47 – Hydraulic Hoses Group

| Key | TENNANT Part No. | Machine Serial Number | Description | Qty. |
|-----|---------------------|--------------------------|-----------------|------|
| 1 | 57946 | (007000–) | Hose, Hydraulic | 2 |
| 2 | 57575 | (007000–) | Hose, Hydraulic | 2 |
| 3 | 57967 | (007000–) | Hose, Hydraulic | 2 |
| 4 | 49957–1 | (007000–) | Hose, Hydraulic | 2 |
| 5 | 34380 | (007000–) | Hose, Hydraulic | 2 |
| 6 | 57945 | (007000–) | Hose, Hydraulic | 1 |
| 7 | 57153 | (007000–) | Hose, Hydraulic | 1 |
| 8 | 82822 | (007000–) | Hose, Hydraulic | 1 |
| 9 | 31563 | (007000–) | Hose, Hydraulic | 1 |
| 10 | 57968 | (007000–) | Hose, Hydraulic | 1 |
| 11 | 57582 | (007000–) | Hose, Hydraulic | 2 |
| 12 | 31721 | (007000–) | Hose, Hydraulic | 1 |
| 13 | 31720 | (007000–) | Hose, Hydraulic | 1 |
| 14 | 34366 | (007000–) | Hose, Hydraulic | 1 |
| 15 | 13243 | (007000–) | Hose, Hydraulic | 1 |
| 16 | 31722 | (007000–) | Hose, Hydraulic | 1 |
| 17 | 82818 | (007000–) | Hose, Hydraulic | 1 |
| 18 | 55697 | (007000–) | Hose, Hydraulic | 1 |
| 19 | 31602 | (007000–) | Hose, Hydraulic | 1 |
| 20 | 13115 | (007000–) | Hose, Hydraulic | 1 |
| 21 | 19630 | (007000–) | Hose, Hydraulic | 1 |
| 22 | 31724 | (007000–) | Hose, Hydraulic | 1 |
| 23 | 31719 | (007000–) | Hose, Hydraulic | 1 |
| 24 | 31714 | (007000–) | Hose, Hydraulic | 1 |
| 25 | 31725 | (007000–) | Hose, Hydraulic | 1 |
| 26 | 57955 | (007000–) | Hose, Hydraulic | 1 |
| 27 | 57953 | (007000–) | Hose, Hydraulic | 1 |

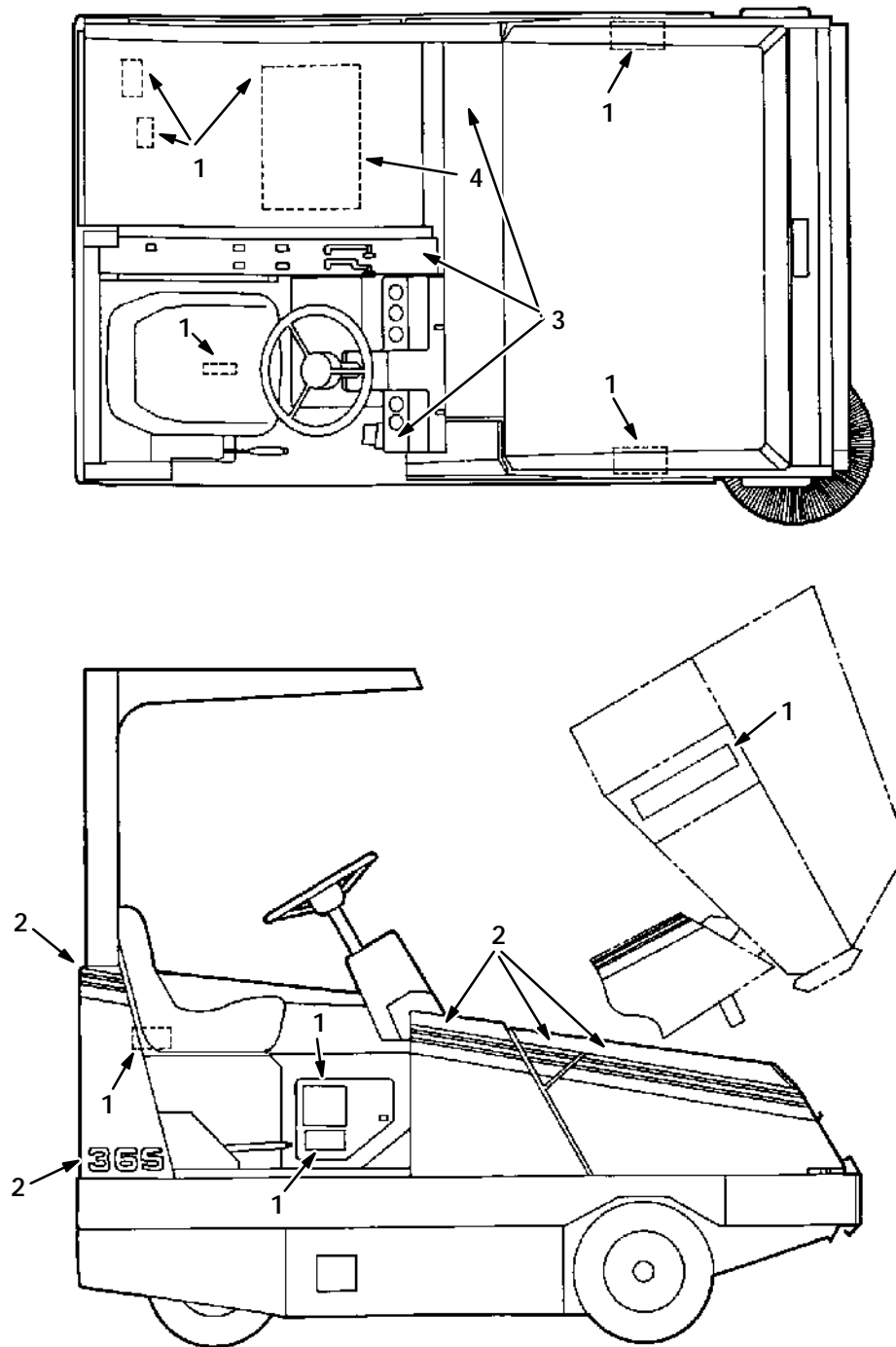


Fig. 48 -- Labels Group

03866

| Key | TENNANT Part No. | Machine Serial Number | Description | Qty. |
|-----|------------------|-----------------------|-----------------------------------|------|
| | 13130 | (000000-006999) | Label Kit, Complete | 1 |
| | 31560 | (007000-) | Label Kit, Complete | 1 |
| 1 | 13756 | (000000-) | Label Kit, Information and Hazard | 1 |
| 2 | 13751 | (000000-006999) | Label Kit, Striping | 1 |
| | 31718 | (007000-) | Label, Numerals 365 | 1 |
| 3 | 13195 | (000000-006999) | Label Kit, Operational | 1 |
| 3 | 31561 | (007000-) | Label Kit, Operational | 1 |
| 4 | 13139 | (000000-006999) | Label, Maintenance Chart | 1 |

SECTION 6**CONTENTS**

| | Page |
|--|------|
| ORDERING REPAIR PARTS | 6-3 |
| Fig. 1 – Carburetor and Fuel Tank Group, LPG | 6-4 |
| Fig. 2 – Engine Group, Distributorless (DIS), LPG | 6-6 |

NOTE: SECTION 6, LPG PARTS, lists repair parts unique to an LPG powered machine.

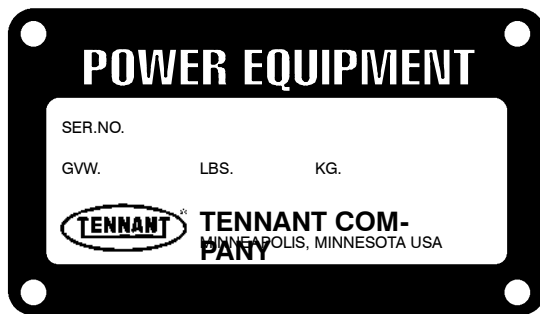
ORDERING REPAIR PARTS

The components used in this machine have been carefully selected for performance and safety. Use only Tennant Company specified or equivalent parts.

To receive prompt service in filling of your parts orders, please direct all orders for parts with Tennant Company part numbers to the Tennant Company, and all orders for parts with vendor part numbers to the local supplier of the respective vendor.

When ordering parts, please furnish all of the following information:

1. Machine model number - shown on the machine data plate.



2. Machine serial number - shown on the machine data plate.
3. Power source - gasoline, LPG, diesel, electric.
4. Company name.
5. Shipping address.
6. Billing address.
7. Name, first and last - of person ordering parts.
8. Telephone number.
9. Purchase order number.
10. Part number, description, and quantity - of each item on the order.
11. Customer ID Number.

Do not order parts by key number or the figure number of the illustrated parts. Indented items indicate parts of assemblies. Standard hardware is furnished only when part of a purchased assembly. Please get hardware from a local hardware supplier.

If the old part cannot be identified, send it to us with the quantity needed specified on the order.

Any claim for loss or damage to a shipment in transit should be filed promptly against the transportation company making the delivery. Shipments will be complete unless the packing list or order acknowledgement indicate items back ordered.

If parts received are suspected to be incorrect or defective, please write, wire, or phone the Tennant Company representative from whom you ordered the part. They will give authorization for return and/or handle replacement shipments when required.

SERIAL NUMBER INFORMATION EXPLANATION

Serial number listings are shown to indicate on which machines each part can be used. These listings are explained by the following examples:

(000000—) The part can be used on all machines.

(003342—) The part can be used on all machines beginning with the serial number listed.

(000000—004320) The part can be used on all machines up to and including serial number listed.

(004321—005678) The part can be used on all machines between and including the serial numbers listed.

Where xxxxxx's are listed in place of a serial number, it indicates a change was made but the exact serial number had not been established when the catalog went to press.

SI UNITS OF MEASURE (INTERNATIONAL SYSTEM)

Metric equivalents have been included, where applicable, throughout this parts catalog.

FASTENER STRENGTH IDENTIFICATION

Fasteners required to have high—strength qualities equivalent to SAE Grade 8 are identified throughout this catalog by the description GR 8. Unless identified by this description, all standard fasteners are SAE Grade 5.

(Specifications and design subject to change without notice.)

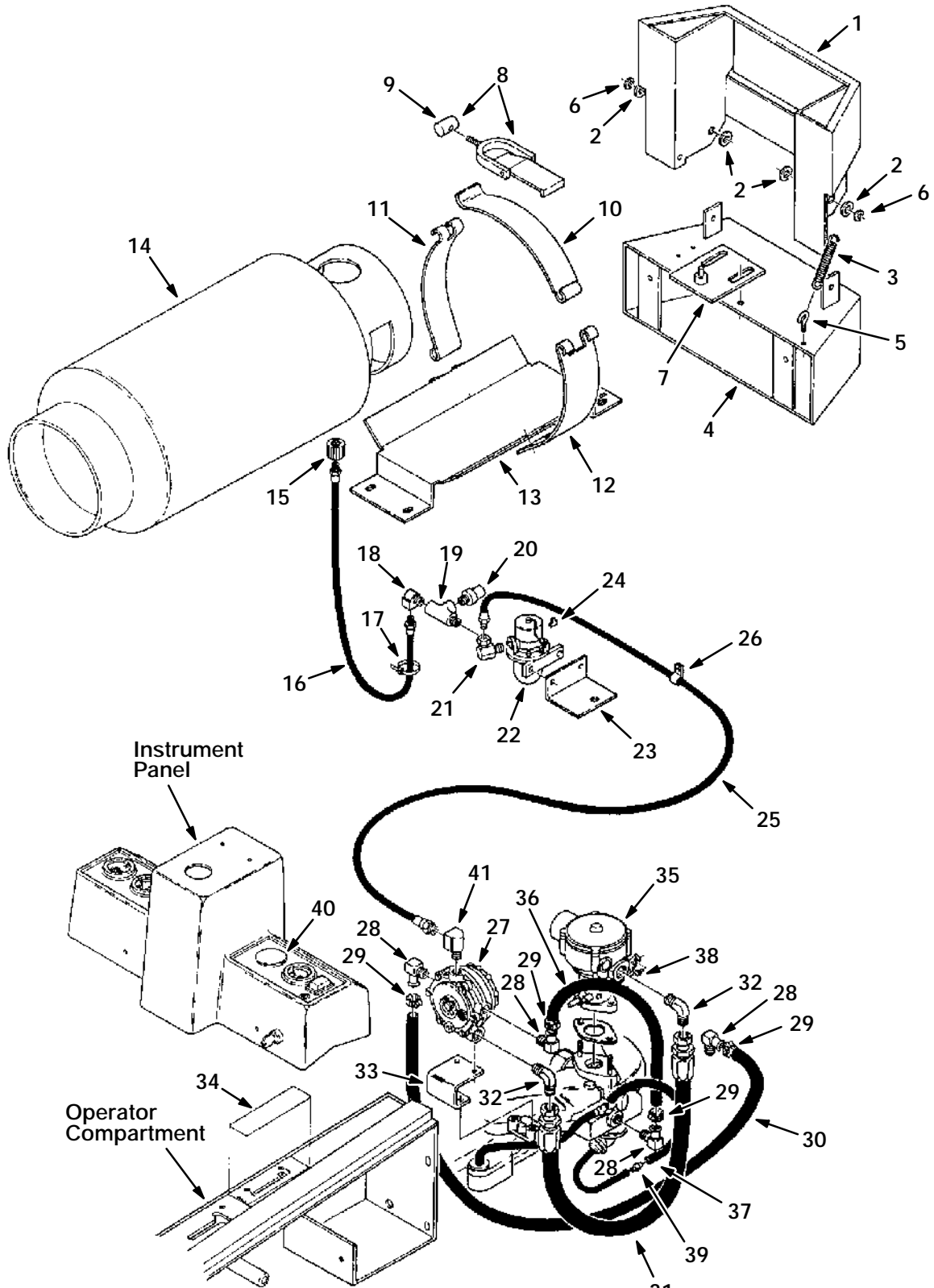


Fig. 1 -- Carburetor and Fuel Tank Group, LPG

NOTE: To identify parts shown but not listed, see SECTION 5, STANDARD MODEL PARTS.

Fig. 1 -- Carburetor and Fuel Tank Group, LPG

| Key | TENNANT Part No. | Machine Serial Number | Description | Qty. |
|-----|------------------|-----------------------|-------------------------------------|------|
| 1 | 55633 | (000000-) | Bumper, LPG | 1 |
| 2 | 20536-1 | (000000-) | Washer | 4 |
| 3 | 29499 | (000000-) | Spring, Tension | 1 |
| 4 | 58582 | (000000-) | Bumper, LPG | 1 |
| 5 | 11893 | (000000-) | Eyebolt | 1 |
| 6 | 46231 | (000000-) | Sleeve | 2 |
| 7 | 58581 | (000000-) | Bracket, Locator Stud | 1 |
| 8 | 53400-1 | (000000-) | Latch | 1 |
| 9 | 53400-4 | (000000-) | Lug | 1 |
| 10 | 57297 | (000000-) | Strap, Hinge | 1 |
| 11 | 58590 | (000000-) | Strap, Retainer | 1 |
| 12 | 58589 | (000000-) | Strap, Mounting | 1 |
| 13 | 58588 | (000000-) | Cradle, Tank | 1 |
| 14 | 24928 | (000000-) | Tank, LPG, 33 lb | 1 |
| 14 | 24928-1 | (000000-) | Tank, LPG, 33 lb, with Filler Gauge | 1 |
| 15 | 26496 | (000000-) | Coupling, LPG | 1 |
| 16 | 22308 | (000000-) | Hose, LPG | 1 |
| 17 | 49266 | (000000-) | Tie, Cable | 2 |
| 18 | 27048 | (000000-) | Fitting, Elbow | 1 |
| 19 | 56976A | (000000-) | Fitting, Tee | 1 |
| 20 | 24047 | (000000-) | Valve, Pressure Relief | 1 |
| 21 | 11442-1 | (000000-) | Fitting, Elbow | 1 |
| 22 | 33555 | (000000-) | Fuel Filter Lock | 1 |
| | SK1444 | (000000-) | Repair Kit, Fuel Filter Lock | 1 |
| 23 | 58194 | (000000-) | Bracket, Mounting | 1 |
| 24 | 68106 | (000000-) | Terminal, Tab | 1 |
| 25 | 47192 | (000000-) | Hose, LPG | 1 |
| 26 | 26395-1 | (000000-) | Clamp, Cable | 1 |
| 27 | 54930 | (000000-006999) | Vaporizer, LPG | 1 |
| | 55998 | (000000-006999) | Repair Kit, Vaporizer | 1 |
| 28 | 51839 | (000000-006999) | Fitting, Elbow | 4 |
| 29 | 54333 | (000000-006999) | Clamp, Worm Drive | 4 |
| 30 | 13048 | (000000-006999) | Hose, Rubber | 1 |
| 31 | 82505 | (000000-006999) | Hose | 1 |
| 32 | 46611 | (000000-006999) | Fitting, Elbow | 2 |
| 33 | 08727 | (000000-006999) | Bracket, Mounting | 1 |
| 34 | 57544 | (000000-) | Label, Choke Cover | 1 |
| 35 | 82691 | (000000-006999) | Carburetor, LPG | 1 |
| 36 | 13049 | (000000-006999) | Hose | 1 |
| 37 | 76589-2 | (000000-006999) | Hose | 1 |
| 38 | 43242 | (000000-006999) | Swivel | 1 |
| 39 | 82684 | (000000-006999) | Fitting, Straight, Barbed | 1 |
| 40 | 47178-6 | (000000-) | Plugbutton | 1 |
| 41 | 27048 | (000000-006999) | Fitting, Elbow | 1 |

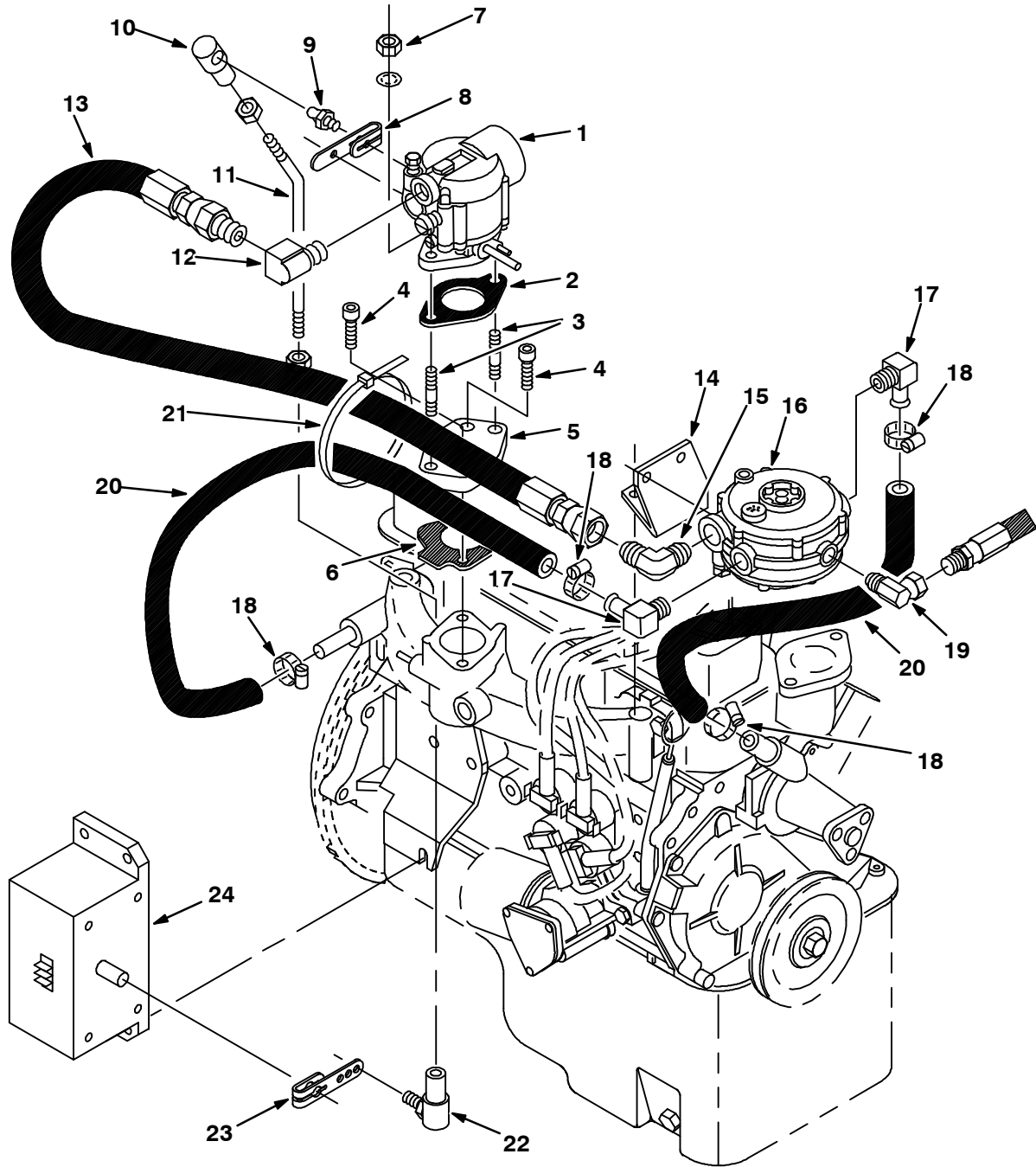


Fig. 2 – Engine Group, Distributorless (DIS), LPG

Fig. 2 – Engine Group, Distributorless (DIS), LPG

| Key | TENNANT Part No. | Machine Serial Number | Description | Qty. |
|-----|------------------|-----------------------|--------------------------------|------|
| 1 | 30322 | (007000–) | Carburetor, LPG | 1 |
| | 55975 | (007000–) | Repair Kit, Carburetor | 1 |
| 2 | 31542 | (007000–) | Gasket, Carburetor | 1 |
| 3 | 30324 | (007000–) | Stud, M8 | 2 |
| 4 | 06532 | (007000–) | Screw, Socket, M6 | 2 |
| 5 | 31728 | (007000–) | Plate, Carburetor Mounting | 1 |
| 6 | 30312 | (007000–) | Gasket, Carburetor | 1 |
| 7 | 39311 | (007000–) | Nut, Hex, M8 | 2 |
| 8 | 30451 | (007000–) | Lever, Carburetor | 1 |
| 9 | 50332–2 | (007000–) | Ball Joint, Stud | 1 |
| 10 | 50332–1 | (007000–) | Ball Joint | 1 |
| 11 | 30320 | (007000–) | Rod, Throttle Control | 1 |
| 12 | 07602 | (007000–) | Fitting, Elbow | 1 |
| 13 | 07597 | (007000–) | Hose, LPG | 1 |
| 14 | 30326 | (007000–) | Bracket, Vaporizer | 1 |
| 15 | 07598 | (007000–) | Fitting, Elbow | 1 |
| 16 | 54930 | (007000–) | Vaporizer, LPG | 1 |
| | 55998 | (007000–) | Repair Kit, Vaporizer | 1 |
| 17 | 51839 | (007000–) | Fitting, Elbow | 2 |
| 18 | 63810 | (007000–) | Clamp, Worm Drive | 4 |
| 19 | 11442–1 | (007000–) | Fitting, Elbow | 1 |
| 20 | 31543 | (007000–) | Hose, Heater (Cut in 2 pieces) | 1 |
| 21 | 49263 | (007000–) | Tie, Cable | 2 |
| 22 | 14601 | (007000–) | Ball Joint | 1 |
| 23 | 30318 | (007000–) | Lever, Governor | 1 |
| 24 | 07539 | (007000–) | Actuator, Governor | 1 |

SECTION 7

CONTENTS

| | Page |
|---|------|
| ORDERING REPAIR PARTS | 7-3 |
| Fig. 1 – Revolving Light Kit, Shroud | 7-4 |
| Fig. 2 – Revolving Light Kit, Overhead Guard | 7-5 |
| Fig. 3 – Revolving Light Kit, Cab | 7-6 |
| Fig. 4 – Flashing Light Kit, Shroud | 7-7 |
| Fig. 5 – Flashing Light Kit, Overhead Guard | 7-8 |
| Fig. 6 – Flashing Light Kit, Cab | 7-9 |
| Fig. 7 – Overhead Guard Kit | 7-10 |
| Fig. 8 – Air Filter Safety Kit | 7-11 |
| Fig. 9 – Fire Extinguisher Kit | 7-12 |
| Fig. 10 – Protectoseal Fuel Tank Cap Kit | 7-12 |
| Fig. 11 – Solid Tire Kit | 7-13 |
| Fig. 12 – Cab Kit | 7-14 |
| Fig. 13 – Cab Door Assembly | 7-16 |
| Fig. 14 – Cab Pressurizer Group | 7-18 |
| Fig. 15 – Wire Harnesses Group, Cab | 7-19 |
| Fig. 16 – Cab Heater Group | 7-20 |
| Fig. 17 – Cab Heater Electrical Group | 7-22 |
| Fig. 18 – Cab Heater Group | 7-24 |
| Fig. 19 – Cab Heater Electrical Group | 7-26 |
| Fig. 20 – Vacuum Wand Kit | 7-28 |
| Fig. 21 – Heavy Duty Bumper Group | 7-30 |
| Fig. 22 – Urethane Tire Kit | 7-31 |

NOTE: SECTION 7, ACCESSORIES, lists repair parts included as part of the available accessories.

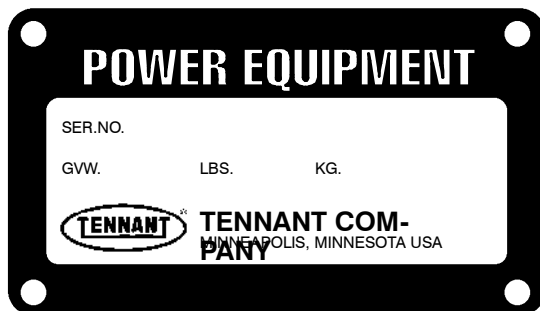
ORDERING REPAIR PARTS

The components used in this machine have been carefully selected for performance and safety. Use only Tennant Company specified or equivalent parts.

To receive prompt service in filling of your parts orders, please direct all orders for parts with Tennant Company part numbers to the Tennant Company, and all orders for parts with vendor part numbers to the local supplier of the respective vendor.

When ordering parts, please furnish all of the following information:

1. Machine model number - shown on the machine data plate.



2. Machine serial number - shown on the machine data plate.
3. Power source - gasoline, LPG, diesel, electric.
4. Company name.
5. Shipping address.
6. Billing address.
7. Name, first and last - of person ordering parts.
8. Telephone number.
9. Purchase order number.
10. Part number, description, and quantity - of each item on the order.
11. Customer ID Number.

Do not order parts by key number or the figure number of the illustrated parts. Indented items indicate parts of assemblies. Standard hardware is furnished only when part of a purchased assembly. Please get hardware from a local hardware supplier.

If the old part cannot be identified, send it to us with the quantity needed specified on the order.

Any claim for loss or damage to a shipment in transit should be filed promptly against the transportation company making the delivery. Shipments will be complete unless the packing list or order acknowledgement indicate items back ordered.

If parts received are suspected to be incorrect or defective, please write, wire, or phone the Tennant Company representative from whom you ordered the part. They will give authorization for return and/or handle replacement shipments when required.

SERIAL NUMBER INFORMATION EXPLANATION

Serial number listings are shown to indicate on which machines each part can be used. These listings are explained by the following examples:

(000000—) The part can be used on all machines.

(003342—) The part can be used on all machines beginning with the serial number listed.

(000000—004320) The part can be used on all machines up to and including serial number listed.

(004321—005678) The part can be used on all machines between and including the serial numbers listed.

Where xxxxxx's are listed in place of a serial number, it indicates a change was made but the exact serial number had not been established when the catalog went to press.

SI UNITS OF MEASURE (INTERNATIONAL SYSTEM)

Metric equivalents have been included, where applicable, throughout this parts catalog.

FASTENER STRENGTH IDENTIFICATION

Fasteners required to have high—strength qualities equivalent to SAE Grade 8 are identified throughout this catalog by the description GR 8. Unless identified by this description, all standard fasteners are SAE Grade 5.

(Specifications and design subject to change without notice.)

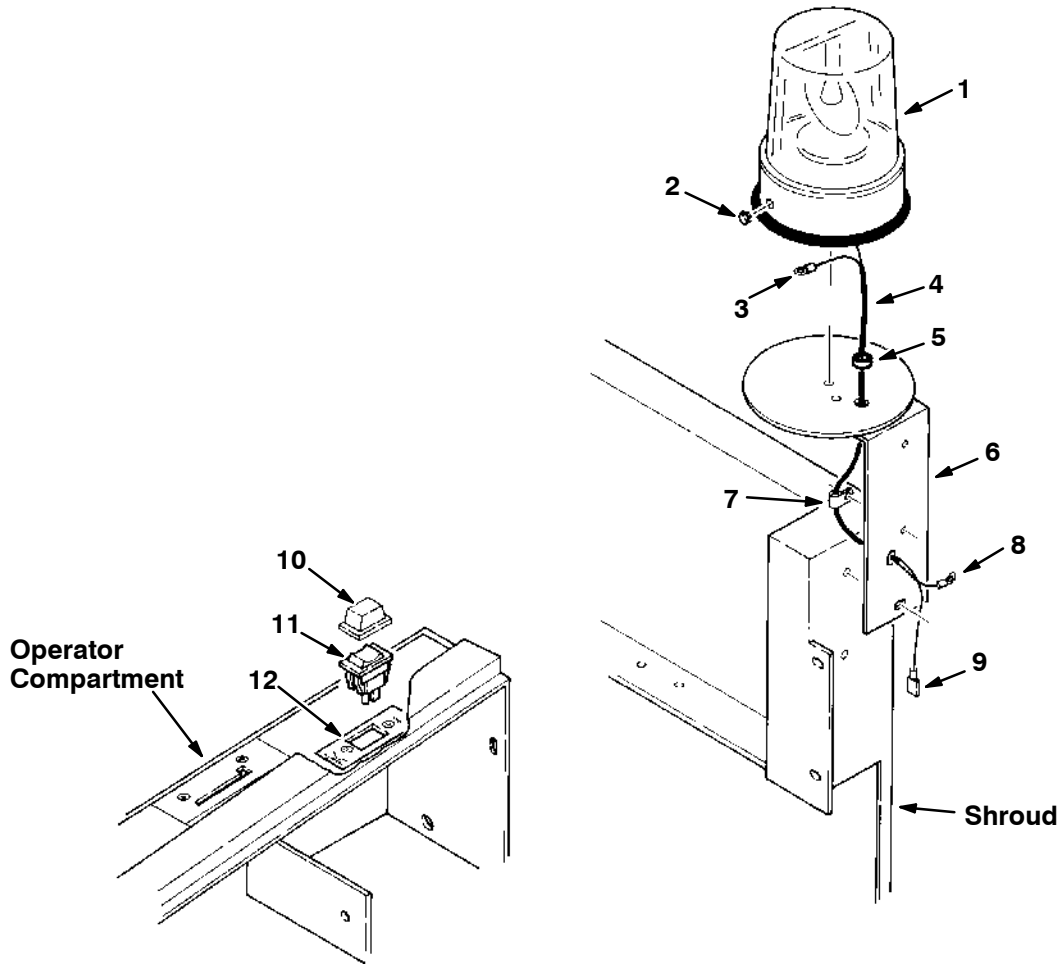


Fig. 1 – Revolving Light Kit, Shroud

02308

| Key | TENNANT Part No. | Machine Serial Number | Description | Qty. |
|-----|------------------|-----------------------|----------------------------------|------|
| 1 | 58041 | (000000–) | Light Kit, Revolving Red, Shroud | 1 |
| | 55297 | (000000–) | Light Assembly, Revolving Red | 1 |
| | 44681 | (000000–) | Lens, Red | 1 |
| | 45779 | (000000–) | Bulb | 1 |
| 2 | 47178–16 | (000000–) | Plugbutton | 1 |
| 3 | 29192 | (000000–) | Terminal, Ring | 1 |
| 4 | 48258 | (000000–) | Sleeve, Vinyl | 1 |
| 5 | 10632–12 | (000000–) | Grommet | 1 |
| 6 | 58065 | (000000–) | Bracket | 1 |
| 7 | 46236 | (000000–) | Clamp, Cable | 2 |
| 8 | 22794 | (000000–) | Terminal, Ring | 1 |
| 9 | 50470 | (000000–) | Terminal, Female | 1 |
| 10 | 57807 | (000000–) | Seal, Switch | 1 |
| 11 | 31965 | (000000–) | Switch, Rocker | 1 |
| 12 | 57740 | (000000–) | Label, Hazard Light | 1 |
| | 55290 | (000000–) | Light Assembly, Revolving Blue | 1 |
| | 44681–2 | (000000–) | Lens, Blue | 1 |
| | 55291 | (000000–) | Light Assembly, Revolving Amber | 1 |
| | 44681–1 | (000000–) | Lens, Amber | 1 |

NOTE: To identify parts shown but not listed, see SECTION 5, STANDARD MODEL PARTS.

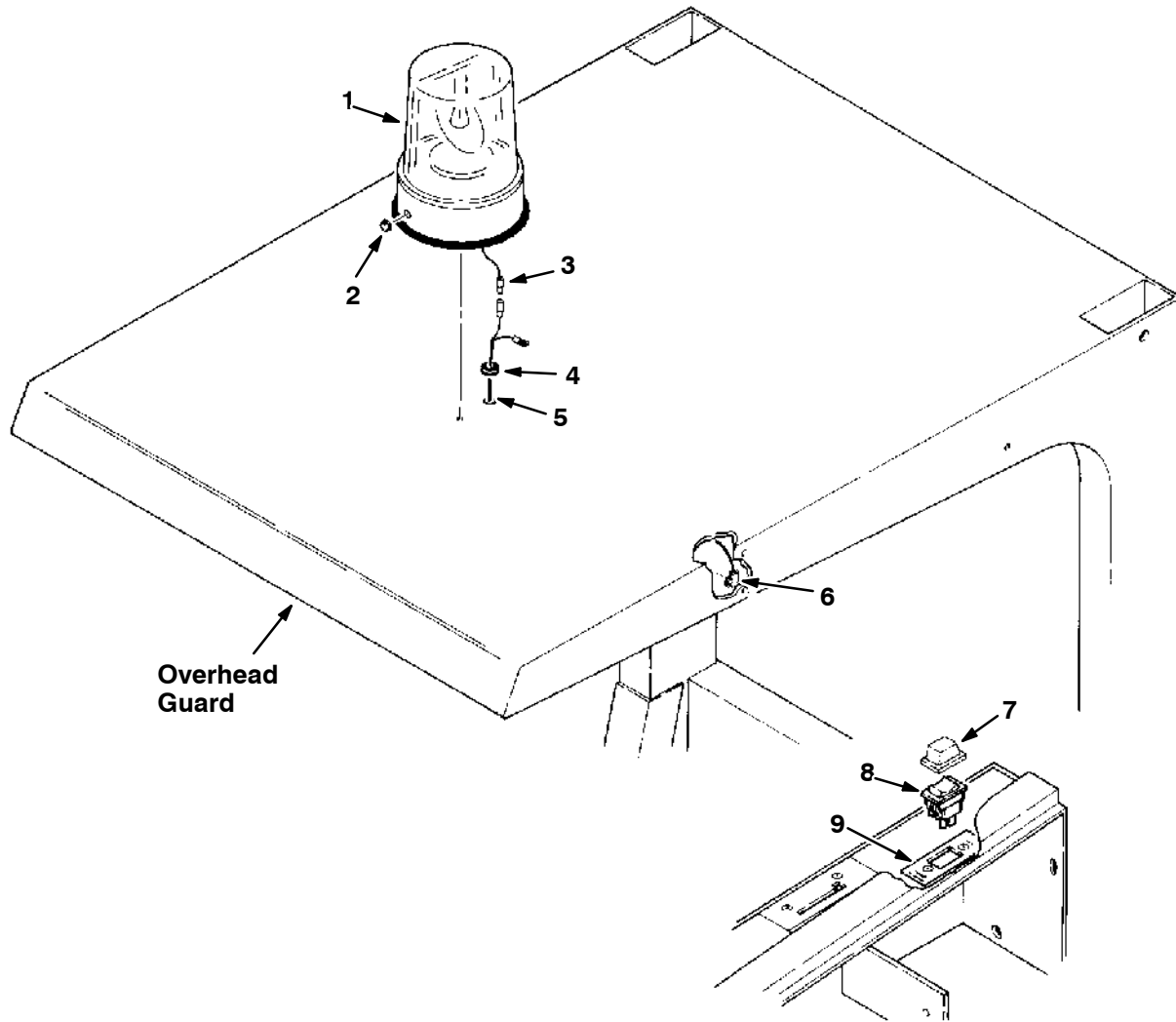


Fig. 2 – Revolving Light Kit, Overhead Guard

02304

| Key | TENNANT Part No. | Machine Serial Number | Description | Qty. |
|-----|------------------|-----------------------|--|------|
| 1 | 58133 | (000000–) | Light Kit, Revolving Red, Overhead Guard | 1 |
| | 55297 | (000000–) | Light Assembly, Revolving Red | 1 |
| | 44681 | (000000–) | Lens, Red | 1 |
| | 45779 | (000000–) | Bulb | 1 |
| 2 | 47178–16 | (000000–) | Plugbutton | 1 |
| 3 | 55272 | (000000–) | Plug, Terminal | 1 |
| 4 | 10632–12 | (000000–) | Grommet | 1 |
| 5 | 58068 | (000000–) | Wire Harness, Overhead Guard | 1 |
| 6 | 46236 | (000000–) | Clamp, Cable | 3 |
| 7 | 57807 | (000000–) | Seal, Switch | 1 |
| 8 | 31965 | (000000–) | Switch, Rocker | 1 |
| 9 | 57740 | (000000–) | Label, Hazard Light | 1 |
| | 55290 | (000000–) | Light Assembly, Revolving Blue | 1 |
| | 44681–2 | (000000–) | Lens, Blue | 1 |
| | 55291 | (000000–) | Light Assembly, Revolving Amber | 1 |
| | 44681–1 | (000000–) | Lens, Amber | 1 |

NOTE: To identify parts shown but not listed, see SECTION 5, STANDARD MODEL PARTS.

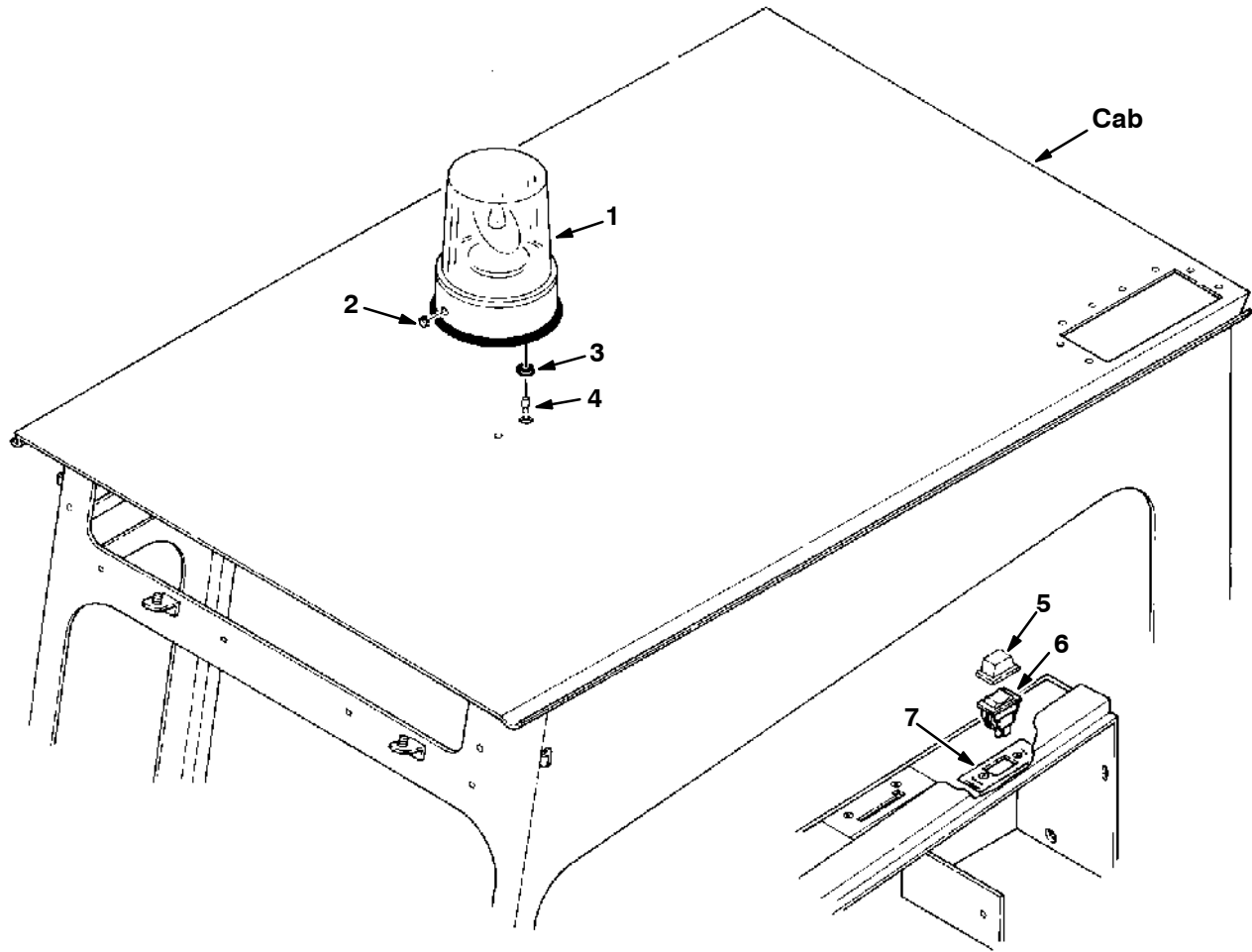


Fig. 3 – Revolving Light Kit, Cab

02306

| Key | TENNANT Part No. | Machine Serial Number | Description | Qty. |
|-----|------------------|-----------------------|---------------------------------|------|
| 1 | 58139 | (000000-) | Light Kit, Revolving Red, Cab | 1 |
| | 55297 | (000000-) | Light Assembly, Revolving Red | 1 |
| | 44681 | (000000-) | Lens, Red | 1 |
| | 45779 | (000000-) | Bulb | 1 |
| 2 | 47178-16 | (000000-) | Plugbutton | 1 |
| 3 | 10632-20 | (000000-) | Grommet | 1 |
| 4 | 55272 | (000000-) | Plug, Terminal | 1 |
| 5 | 57807 | (000000-) | Seal, Switch | 1 |
| 6 | 31965 | (000000-) | Switch, Rocker | 1 |
| 7 | 57740 | (000000-) | Label, Hazard Light | 1 |
| | 55290 | (000000-) | Light Assembly, Revolving Blue | 1 |
| | 44681-2 | (000000-) | Lens, Blue | 1 |
| | 55291 | (000000-) | Light Assembly, Revolving Amber | 1 |
| | 44681-1 | (000000-) | Lens, Amber | 1 |

NOTE: To identify parts shown but not listed, see SECTION 5, STANDARD MODEL PARTS.

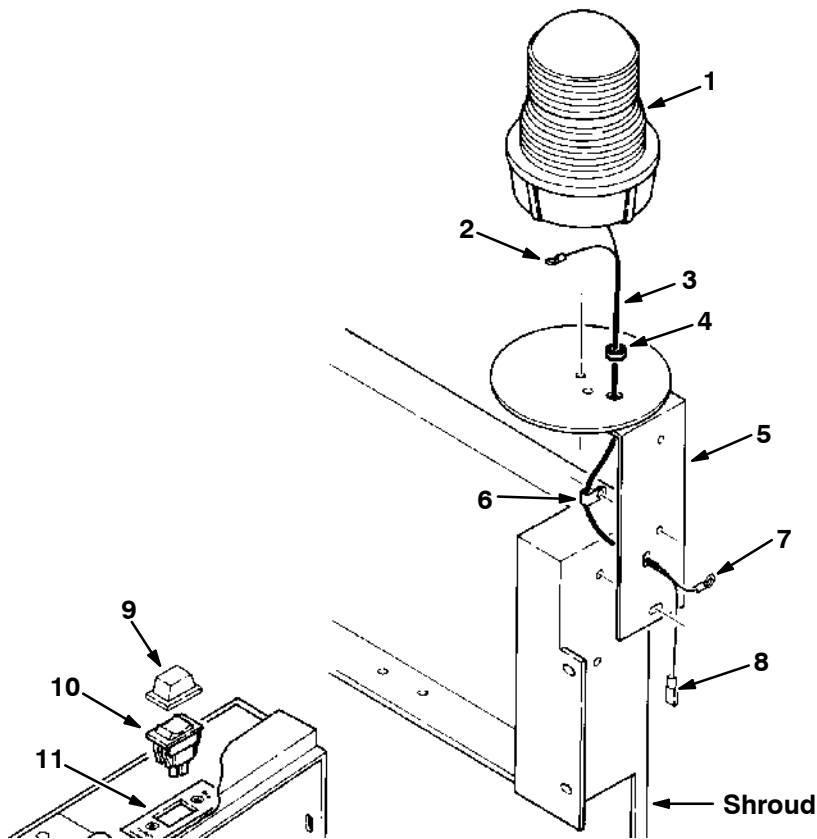


Fig. 4 – Flashing Light Kit, Shroud

02307

| Key | TENNANT Part No. | Machine Serial Number | Description | Qty. |
|-----|------------------|-----------------------|---------------------------------|------|
| 1 | 58038 | (000000–) | Light Kit, Flashing Red, Shroud | 1 |
| | 58510 | (000000–) | Light Assembly, Flashing Red | 1 |
| | 45779 | (000000–) | Bulb | 1 |
| | 58518 | (000000–) | Lens, Red | 1 |
| 2 | 29192 | (000000–) | Terminal, Ring | 1 |
| | | | | |
| 3 | 48258 | (000000–) | Sleeve, Vinyl | 1 |
| 4 | 10632-12 | (000000–) | Grommet | 1 |
| 5 | 58065 | (000000–) | Bracket | 1 |
| 6 | 46236 | (000000–) | Clamp, Cable | 3 |
| 7 | 22794 | (000000–) | Terminal, Ring | 1 |
| 8 | 50470 | (000000–) | Terminal, Female | 1 |
| 9 | 57807 | (000000–) | Seal, Switch | 1 |
| 10 | 31965 | (000000–) | Switch, Rocker | 1 |
| 11 | 57740 | (000000–) | Label, Hazard Light | 1 |
| | 58511 | (000000–) | Light Assembly, Blue | 1 |
| | 58519 | (000000–) | Lens, Blue | 1 |
| | 58512 | (000000–) | Light Assembly, Amber | 1 |
| | 58520 | (000000–) | Lens, Amber | 1 |

NOTE: To identify parts shown but not listed, see SECTION 5, STANDARD MODEL PARTS.

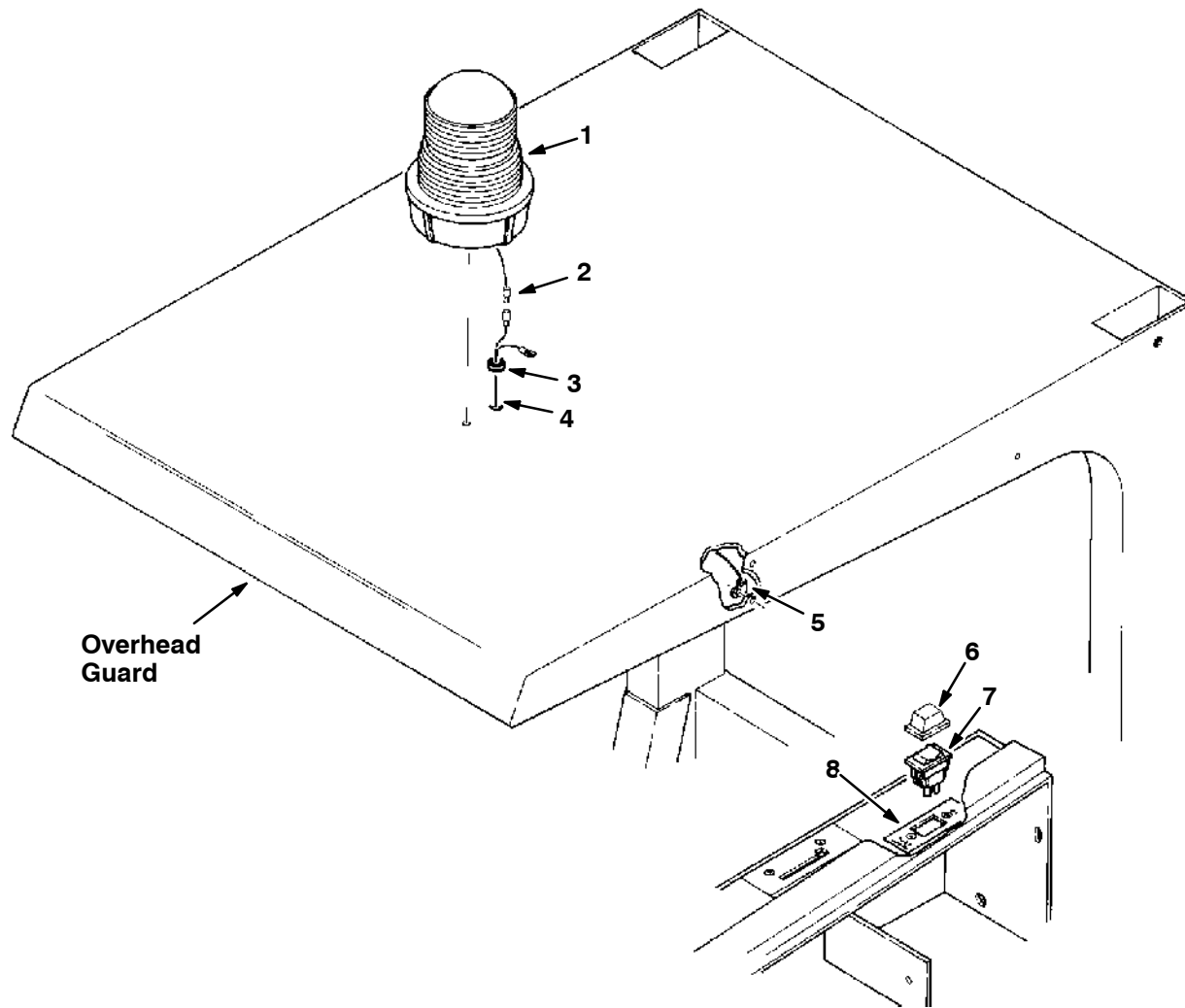


Fig. 5 – Flashing Light Kit, Overhead Guard

02303

| Key | TENNANT Part No. | Machine Serial Number | Description | Qty. |
|-----|------------------|-----------------------|---|------|
| 1 | 58130 | (000000–) | Light Kit, Flashing Red, Overhead Guard | 1 |
| | 58510 | (000000–) | Light Assembly, Flashing Red | 1 |
| | 45779 | (000000–) | Bulb | 1 |
| | 58518 | (000000–) | Lens, Red | 1 |
| 2 | 55272 | (000000–) | Plug, Terminal | 1 |
| 3 | 10632–12 | (000000–) | Grommet | 1 |
| 4 | 58068 | (000000–) | Wire Harness | 1 |
| 5 | 46236 | (000000–) | Clamp, Cable | 3 |
| 6 | 57807 | (000000–) | Seal, Switch | 1 |
| 7 | 31965 | (000000–) | Switch, Rocker | 1 |
| 8 | 57740 | (000000–) | Label, Hazard Light | 1 |
| | 58511 | (000000–) | Light Assembly, Flashing Blue | 1 |
| | 58519 | (000000–) | Lens, Blue | 1 |
| | 58512 | (000000–) | Light Assembly, Flashing Amber | 1 |
| | 58520 | (000000–) | Lens, Amber | 1 |

NOTE: To identify parts shown but not listed, see SECTION 5, STANDARD MODEL PARTS.

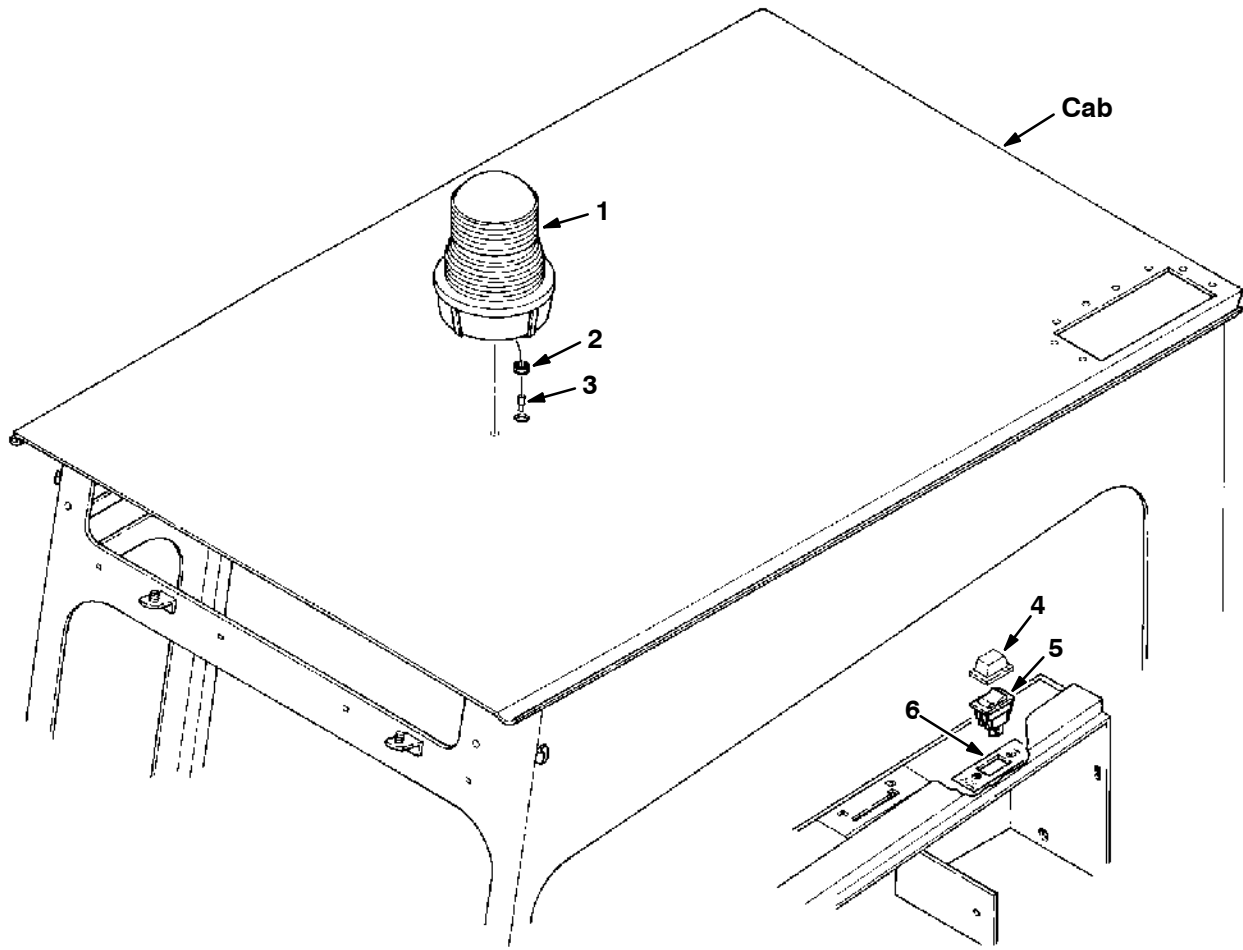


Fig. 6 – Flashing Light Kit, Cab

02305

| Key | TENNANT Part No. | Machine Serial Number | Description | Qty. |
|-----|------------------|-----------------------|--------------------------------|------|
| 1 | 58136 | (000000–) | Light Kit, Flashing Red, Cab | 1 |
| | 58510 | (000000–) | Light Assembly, Flashing Red | 1 |
| | 45779 | (000000–) | Bulb | 1 |
| | 58518 | (000000–) | Lens, Red | 1 |
| 2 | 10632–20 | (000000–) | Grommet | 1 |
| | | | | |
| 3 | 55272 | (000000–) | Plug, Terminal | 1 |
| 4 | 57807 | (000000–) | Seal, Switch | 1 |
| 5 | 31965 | (000000–) | Switch, Rocker | 1 |
| 6 | 57740 | (000000–) | Label, Hazard Light | 1 |
| | 58511 | (000000–) | Light Assembly, Flashing Blue | 1 |
| | 58519 | (000000–) | Lens, Blue | 1 |
| | 58512 | (000000–) | Light Assembly, Flashing Amber | 1 |
| | 58520 | (000000–) | Lens, Amber | 1 |

NOTE: To identify parts shown but not listed, see SECTION 5, STANDARD MODEL PARTS.

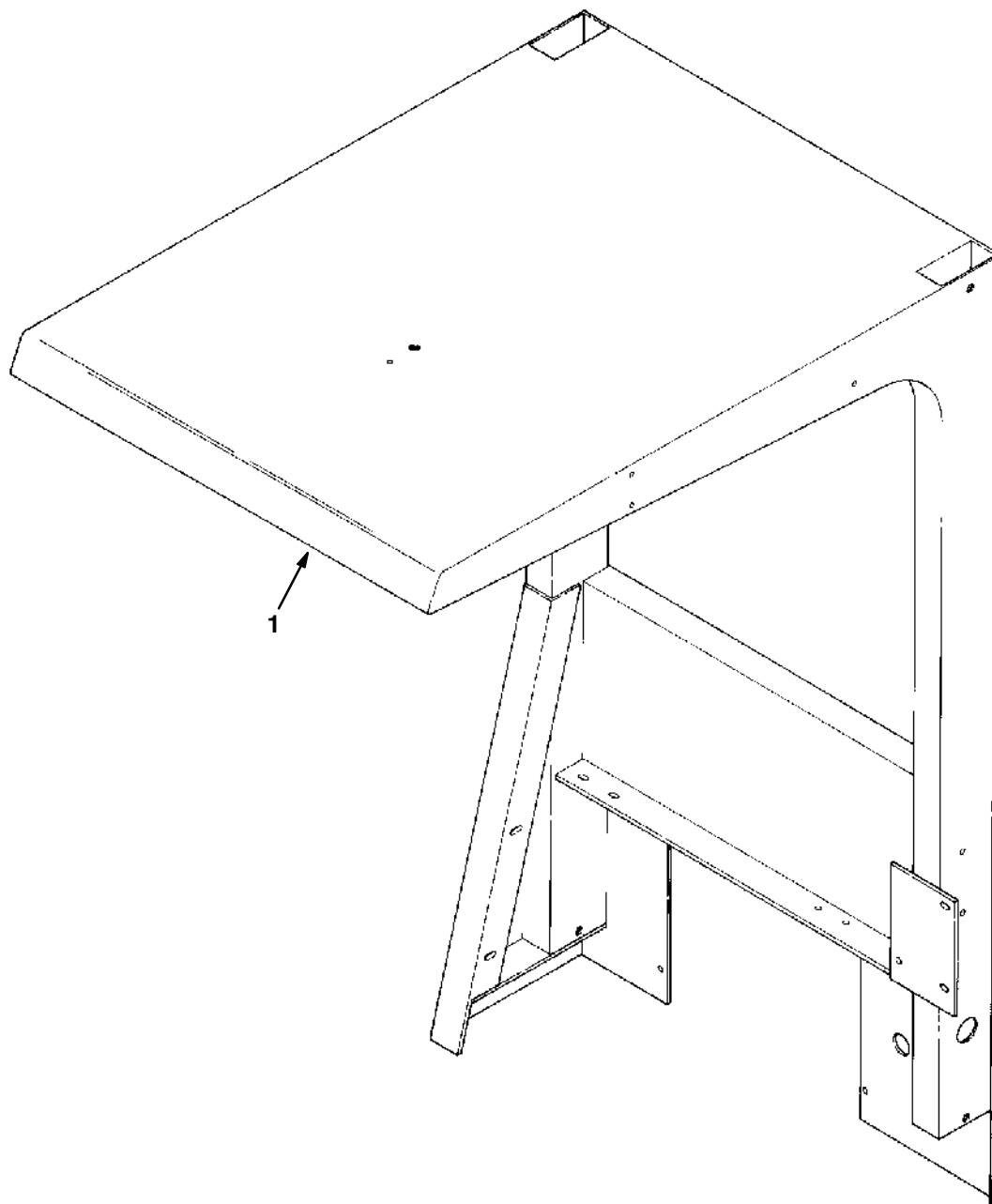
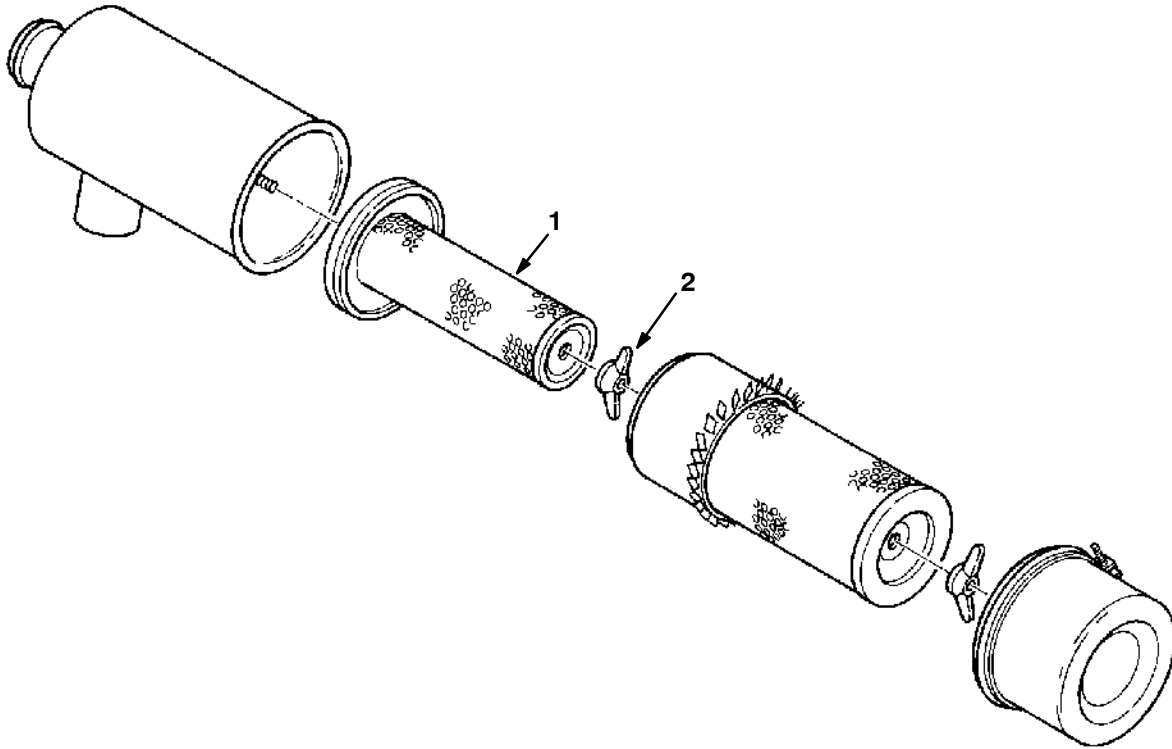


Fig. 7 – Overhead Guard Kit

02291

| Key | TENNANT Part No. | Machine Serial Number | Description | Qty. |
|-----|------------------|-----------------------|--------------------|------|
| 1 | 58773 | (000000–) | Overhead Guard Kit | 1 |



02274

Fig. 8 – Air Filter Safety Kit

| Key | TENNANT Part No. | Machine Serial Number | Description | Qty. |
|-----|------------------|-----------------------|--------------------------|------|
| | 07565 | (000000–) | Element Kit, Air, Safety | 1 |
| 1 | 58121 | (000000–) | Element, Safety | 1 |
| 2 | 07562 | (000000–) | Wingnut | 1 |

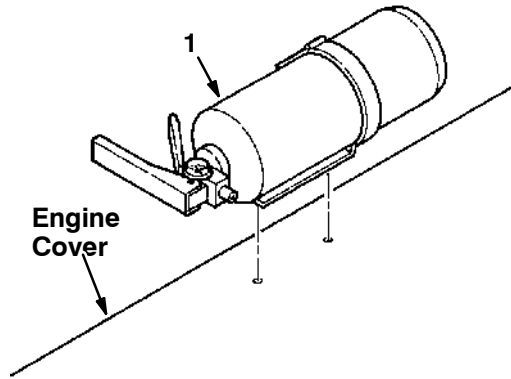


Fig. 9 – Fire Extinguisher Kit

02300

| Key | TENNANT Part No. | Machine Serial Number | Description | Qty. |
|-----|------------------|--------------------------|--|--------|
| 1 | 46938 25312 | (000000–) (000000–) | Extinguisher Kit, Fire Extinguisher, Fire | 1 1 |

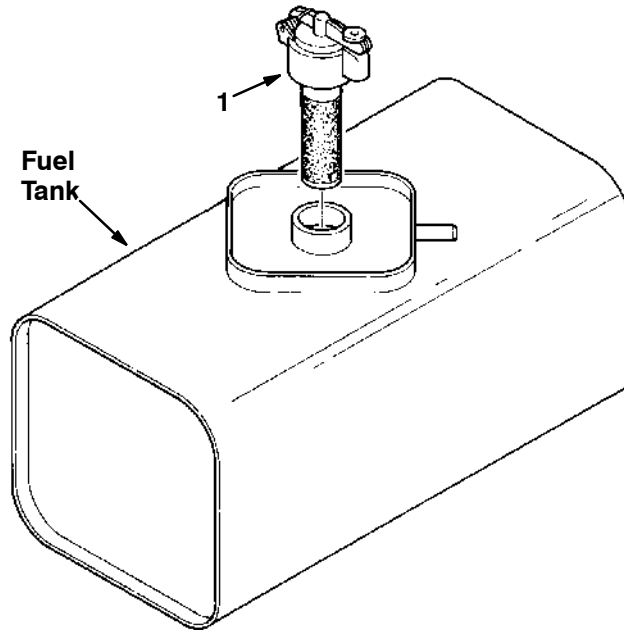


Fig. 10 – Protectoseal Fuel Tank Cap Kit

02295

| Key | TENNANT Part No. | Machine Serial Number | Description | Qty. |
|-----|------------------|-----------------------|------------------------------|------|
| 1 | 02506–6 | (000000–) | Cap, Fuel Tank, Protectoseal | 1 |

NOTE: To identify parts shown but not listed, see SECTION 5, STANDARD MODEL PARTS.

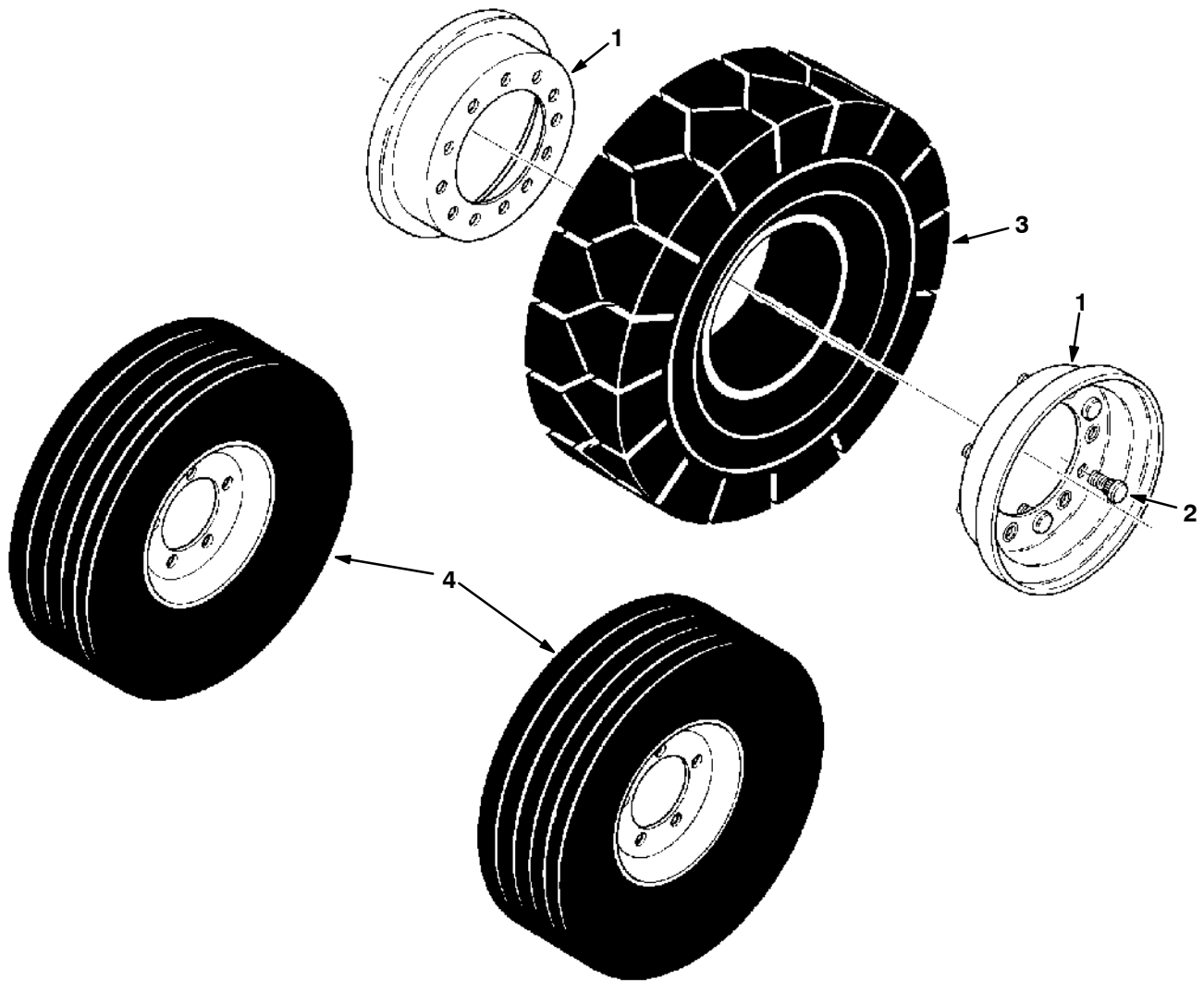


Fig. 11 – Solid Tire Kit

02302

| Key | TENNANT Part No. | Machine Serial Number | Description | Qty. |
|-----|------------------|-----------------------|--------------------------------|------|
| | 58113 | (000000–) | Solid Tire Kit | 1 |
| | 51705 | (000000–) | Tire and Wheel Assembly, Solid | 1 |
| 1 | 52775 | (000000–) | Rim Kit, Tire | 1 |
| 2 | 51355 | (000000–) | Stud, Wheel | 6 |
| 3 | 51711 | (000000–) | Tire, Solid | 1 |
| 4 | 58296 | (000000–) | Tire and Wheel Assembly, Solid | 2 |

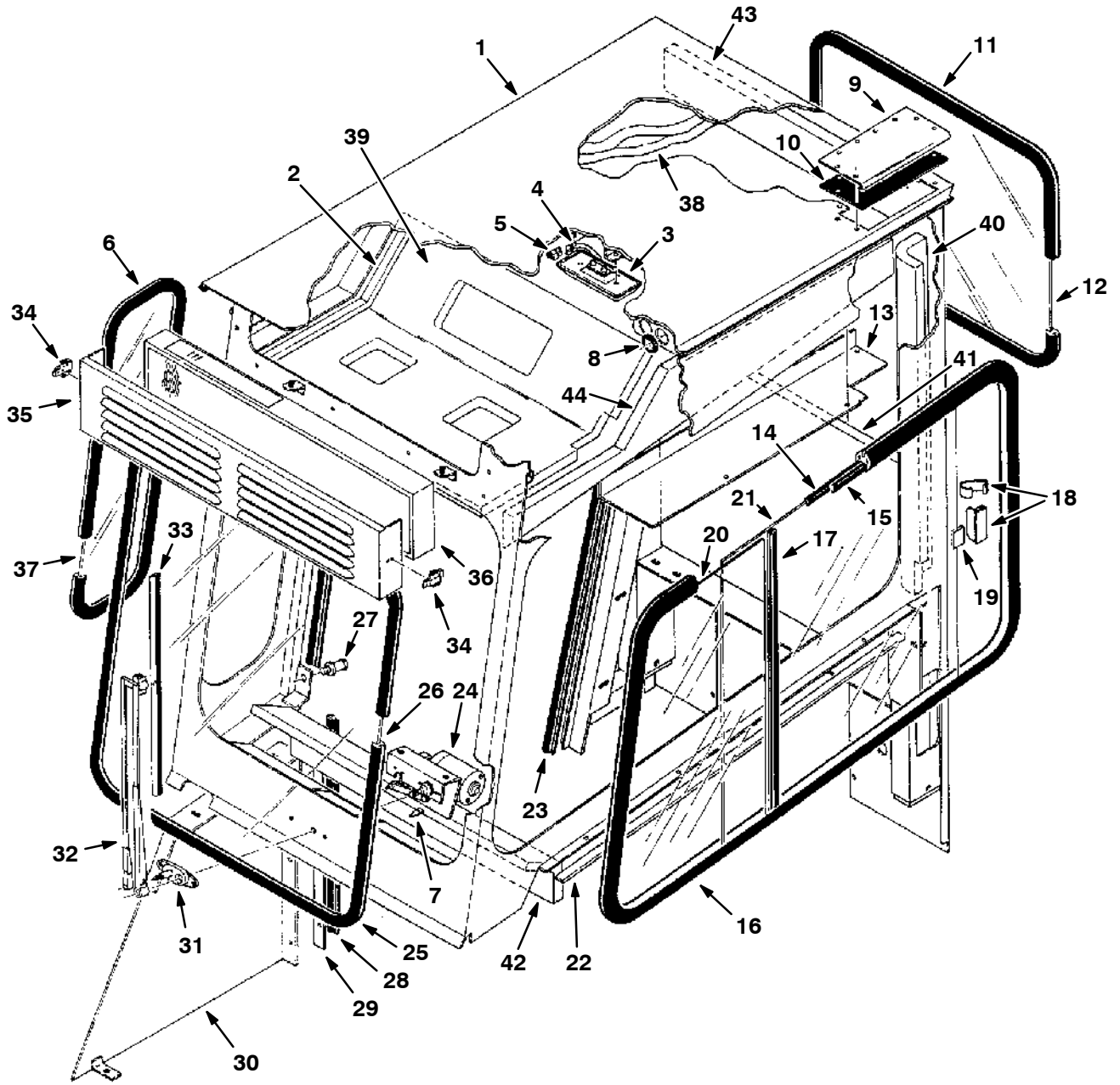


Fig. 12 - Cab Kit

Fig. 12 – Cab Kit

NOTE: Cab Kit, TENNANT Part Number 13036, includes Fig. 12, Fig. 13, Fig. 14, and Fig. 15.

| Key | TENNANT Part No. | Machine Serial Number | Description | Qty. |
|-----|------------------|-----------------------|---------------------------------|------|
| 1 | 57670 | (000000–) | Cab | 1 |
| 2 | 58910 | (000000–) | Seal, Seat | 2 |
| 3 | 58951 | (000000–) | Light, Dome | 1 |
| 4 | 51416 | (000000–) | Terminal, Male | 2 |
| 5 | 51406 | (000000–) | Connector | 1 |
| 6 | 57652 | (000000–) | Weather Strip | 1 |
| 7 | 68106 | (000000–) | Terminal | 1 |
| 8 | 10632–14 | (000000–) | Grommet | 3 |
| 9 | 57625 | (000000–) | Cover, Access | 1 |
| 10 | 58967 | (000000–) | Gasket, Access | 1 |
| 11 | 58210 | (000000–) | Weather Strip | 1 |
| 12 | 58209 | (000000–) | Glass, Rear | 1 |
| 13 | 58968 | (000000–) | Cover, Hose | 1 |
| 14 | 57654 | (000000–) | Channel, Flexible | 1 |
| 15 | 57526 | (000000–) | Spacer, Rubber | 1 |
| 16 | 57653 | (000000–) | Weather Strip | 1 |
| 17 | 57643 | (000000–) | Channel, Rigid | 1 |
| 18 | 15066 | (000000–) | Pull and Lock Set | 1 |
| 19 | 58974 | (000000–) | Pad, Rubber | 2 |
| 20 | 04134 | (000000–) | Glass, Stationary | 1 |
| 21 | 57634 | (000000–) | Glass, L. H. | 1 |
| 22 | 58964 | (000000–) | Seal | 1 |
| 23 | 57648 | (000000–) | Seal | 1 |
| 24 | 57877 | (000000–) | Motor, Wiper | 1 |
| 25 | 57651 | (000000–) | Weather Strip | 1 |
| 26 | 57636 | (000000–) | Glass, Front | 1 |
| 27 | 58898 | (000000–) | Latch | 1 |
| 28 | 57534 | (000000–) | Seal | 1 |
| 29 | 57664 | (000000–) | Angle | 1 |
| 30 | 57677 | (000000–) | Lintel, Cab | 1 |
| 31 | 57919 | (000000–) | Mount, Wiper | 1 |
| 32 | 57918 | (000000–) | Arm, Wiper | 1 |
| 33 | 57970 | (000000–) | Blade, Wiper | 1 |
| 34 | 37083–1 | (000000–) | Catch | 2 |
| 35 | 57674 | (000000–) | Housing, Filter Mount | 1 |
| 36 | 58958 | (000000–) | Filter, Air | 1 |
| 37 | 57639 | (000000–) | Glass, Front, R.H. | 1 |
| | 13041 | (000000–) | Replacement Kit, Cab Insulation | 1 |
| 38 | 04148 | (000000–) | Foam, Accoustic | 1 |
| 39 | 13585 | (000000–) | Insulation, Control Panel | 1 |
| 40 | 13586 | (000000–) | Insulation, Corner | 1 |
| 41 | 13596 | (000000–) | Insulation, Lower Rear Panel | 1 |
| 42 | 13594 | (000000–) | Insulation, Dashboard | 1 |
| 43 | 13590 | (000000–) | Insulation, Upper Rear Panel | 1 |
| 44 | 13597 | (000000–) | Insulation, Left Panel | 1 |

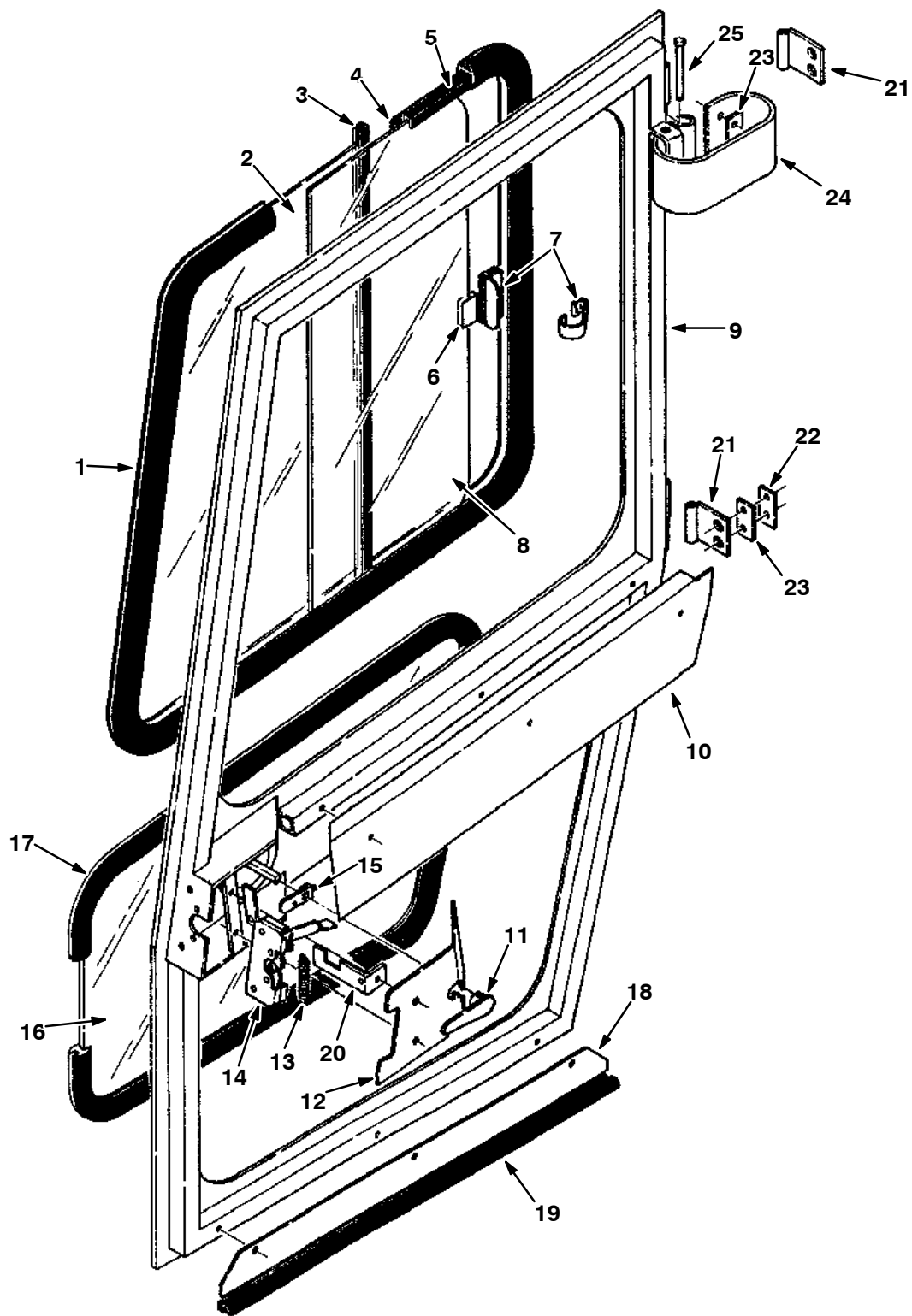


Fig. 13 – Cab Door Assembly

Fig. 13 – Cab Door Assembly

NOTE: Cab Kit, TENNANT Part Number 13036, includes Fig. 12, Fig. 13, Fig. 14, and Fig. 15.

| Key | TENNANT Part No. | Machine Serial Number | Description | Qty. |
|-----|------------------|-----------------------|---------------------|------|
| | 57649 | (000000–) | Door Assembly, Cab | 1 |
| 1 | 57640 | (000000–) | Weather Strip | 1 |
| 2 | 04134 | (000000–) | Glass, Stationary | 1 |
| 3 | 57643 | (000000–) | Channel, Rigid | 1 |
| 4 | 57642 | (000000–) | Spacer, Rubber | 1 |
| 5 | 57641 | (000000–) | Channel, Flex | 1 |
| 6 | 58974 | (000000–) | Tape, Setting | 2 |
| 7 | 15066 | (000000–) | Pull and Lock Set | 1 |
| 8 | 57633 | (000000–) | Glass, Sliding | 1 |
| 9 | 57662 | (000000–) | Door, Cab | 1 |
| 10 | 57637 | (000000–) | Armrest, Door | 1 |
| 11 | 57647 | (000000–) | Handle, Door | 1 |
| 12 | 58973 | (000000–) | Cover, Door Latch | 1 |
| 13 | 13164 | (000000–) | Spring, Tension | 1 |
| 14 | 58489 | (000000–) | Latch, Hook | 1 |
| 15 | 57646 | (000000–) | Cam | 1 |
| 16 | 57631 | (000000–) | Glass, Stationary | 1 |
| 17 | 57644 | (000000–) | Weather Strip | 1 |
| 18 | 57678 | (000000–) | Plate, Seal Mount | 1 |
| 19 | 58957 | (000000–) | Seal | 1 |
| 20 | 13757 | (000000–) | Bracket, Latch Stop | 1 |
| 21 | 57667 | (000000–) | Hinge | 2 |
| 22 | 58962 | (000000–) | Shim, 0.05" (1 mm) | 1 |
| 23 | 58963 | (000000–) | Shim, 0.12" (3 mm) | 2 |
| 24 | 58966 | (000000–) | Sleeve, Door Stop | 1 |
| 25 | 57598 | (000000–) | Pin, Clevis | 1 |

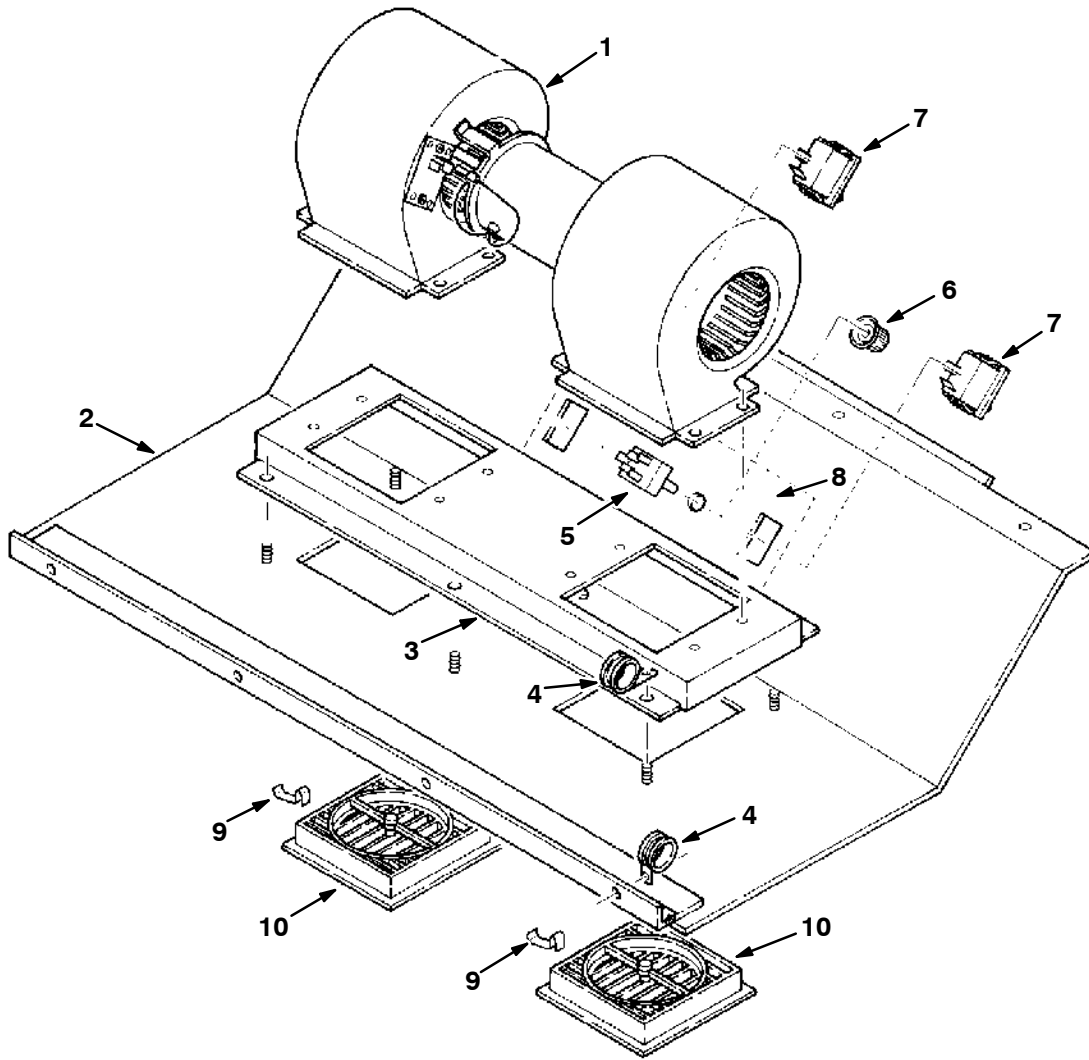


Fig. 14 -- Cab Pressurizer Group

02294

NOTE: Cab Kit, TENNANT Part Number 13036, includes Fig. 12, Fig. 13, Fig. 14, and Fig. 15.

| Key | TENNANT Part No. | Machine Serial Number | Description | Qty. |
|-----|------------------|-----------------------|----------------------|------|
| 1 | 57535 | (000000-) | Blower Assembly | 1 |
| 2 | 57608 | (000000-) | Housing, Pressurizer | 1 |
| 3 | 57604 | (000000-) | Bracket, Mount | 1 |
| 4 | 26395-1 | (000000-) | Clamp, Cable | 2 |
| 5 | 63837 | (000000-) | Switch | 1 |
| 6 | 63814 | (000000-) | Knob | 1 |
| 7 | 31965 | (000000-) | Switch, Rocker | 2 |
| 8 | 58950 | (000000-) | Decal, Cab | 1 |
| 9 | 57537 | (000000-) | Fastener | 8 |
| 10 | 57536 | (000000-) | Louver | 2 |

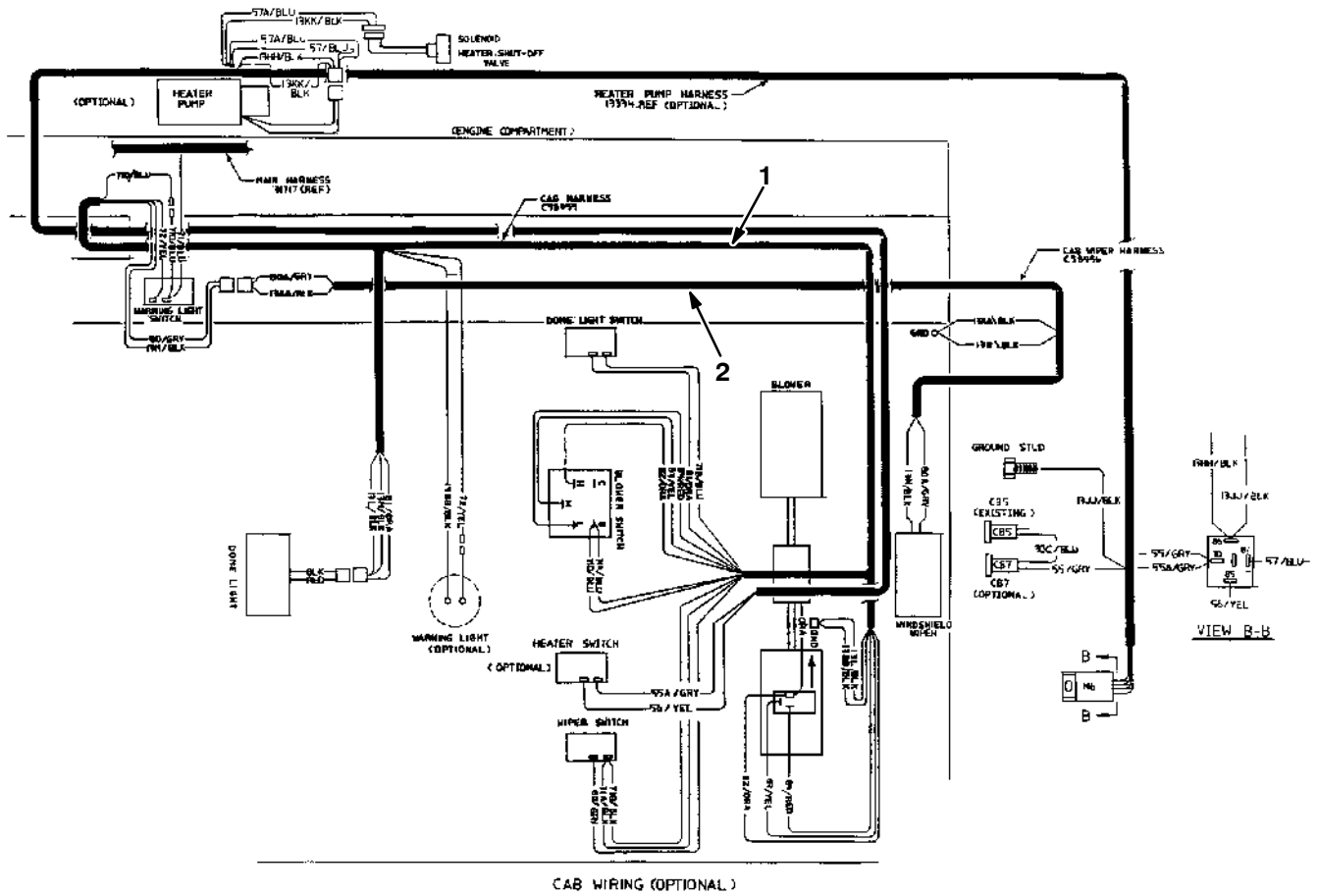


Fig. 15 -- Wire Harnesses Group, Cab

03942

NOTE: Cab Kit, TENNANT Part Number 13036, includes Fig. 12, Fig. 13, Fig. 14, and Fig. 15.

| Key | TENNANT Part No. | Machine Serial Number | Description | Qty. |
|-----|------------------|-----------------------|-------------------------|------|
| 1 | 58955 | (000000-) | Wire Harness, Cab | 1 |
| 2 | 58956 | (000000-) | Wire Harness, Cab Wiper | 1 |

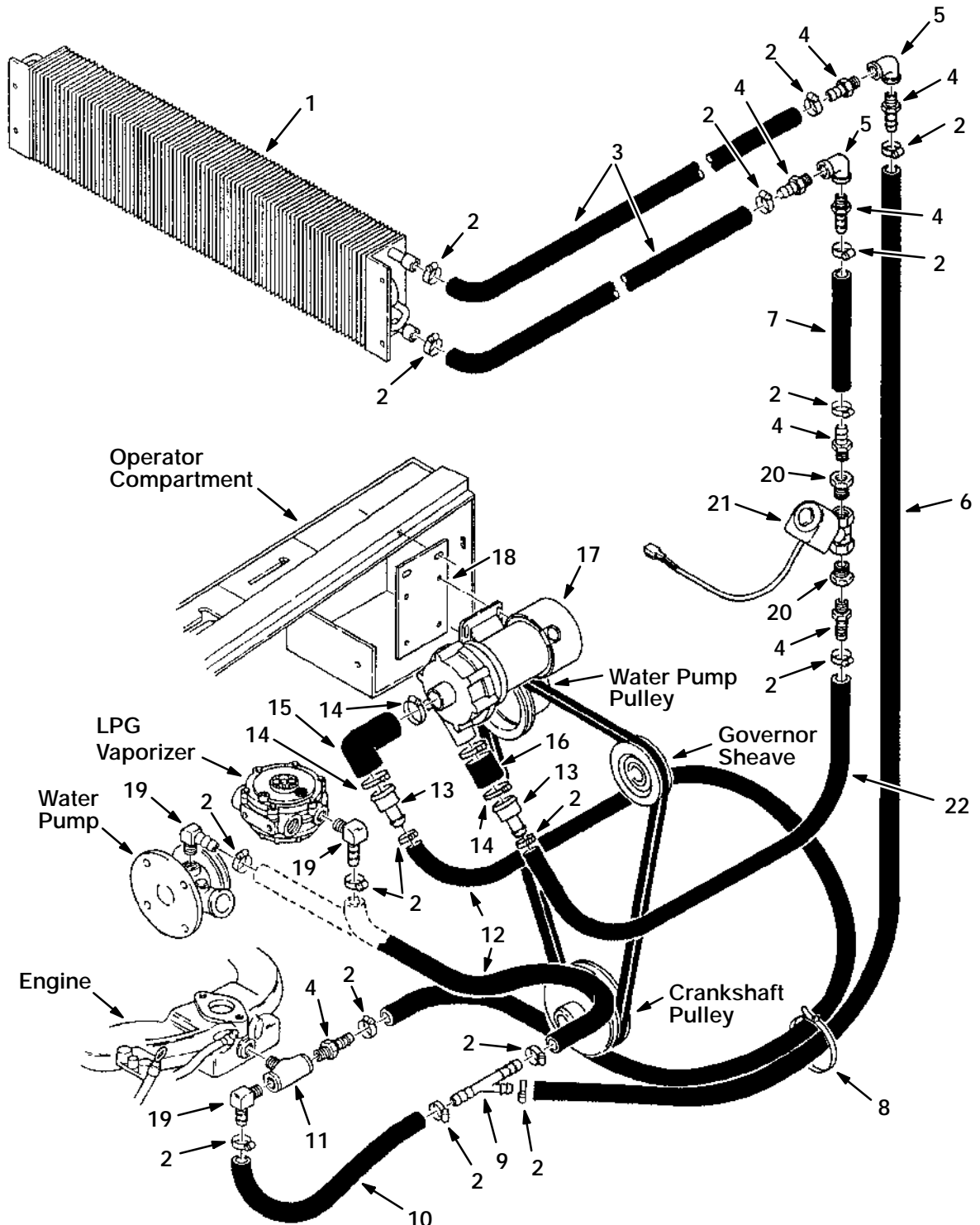


Fig. 16 -- Cab Heater Group

NOTE: To identify parts shown but not listed, see SECTION 5, STANDARD MODEL PARTS or SECTION 6, LPG PARTS.

Fig. 16 – Cab Heater Group

NOTE: Cab Heater Kit, TENNANT Part Number 57903, includes Fig. 16 and Fig. 17.

| Key | TENNANT Part No. | Machine Serial Number | Description | Qty. |
|-----|------------------|-----------------------|----------------------------|------|
| 1 | 57528 | (000000–006999) | Core, Heater | 1 |
| 2 | 63810 | (000000–006999) | Clamp, Worm Drive | 16 |
| 3 | 57533 | (000000–006999) | Hose, Heater | 2 |
| 4 | 20343 | (000000–006999) | Fitting, Straight | 7 |
| 5 | 32418 | (000000–006999) | Fitting, Elbow | 2 |
| 6 | 57531 | (000000–006999) | Hose, Heater | 1 |
| 7 | 13122 | (000000–006999) | Hose, Heater | 1 |
| 8 | 44961 | (000000–006999) | Tie, Cable | 3 |
| 9 | 57872 | (000000–006999) | Fitting, Y | 1 |
| 10 | 57871 | (000000–006999) | Hose, Heater | 1 |
| 11 | 58948 | (000000–006999) | Fitting, Tee | 1 |
| 12 | 57532 | (000000–006999) | Hose, Heater | 2 |
| 13 | 04118 | (000000–006999) | Reducer, Hose | 2 |
| 14 | 11399 | (000000–006999) | Clamp, Worm Drive | 4 |
| 15 | 04123 | (000000–006999) | Hose, Adaptor | 1 |
| 16 | 04125 | (000000–006999) | Hose, Radiator | 1 |
| 17 | 04104 | (000000–006999) | Pump, Solution | 1 |
| | SK2498 | (000000–006999) | Replacement Kit, Brushes | 1 |
| | 03711 | (000000–006999) | Replacement Kit, Pump Head | 1 |
| | 33308 | (000000–006999) | Replacement Kit, Pump Body | 1 |
| | 51406 | (000000–006999) | Connector, Body | 1 |
| | 51416 | (000000–006999) | Terminal, Male | 2 |
| 18 | 04121 | (000000–006999) | Bracket, Heater Pump | 1 |
| 19 | 51839 | (000000–006999) | Fitting, Elbow | 2 |
| 20 | 47167 | (000000–006999) | Fitting, Straight | 2 |
| 21 | 13127 | (000000–006999) | Valve, Solenoid | 1 |
| 22 | 13124 | (000000–006999) | Hose | 1 |

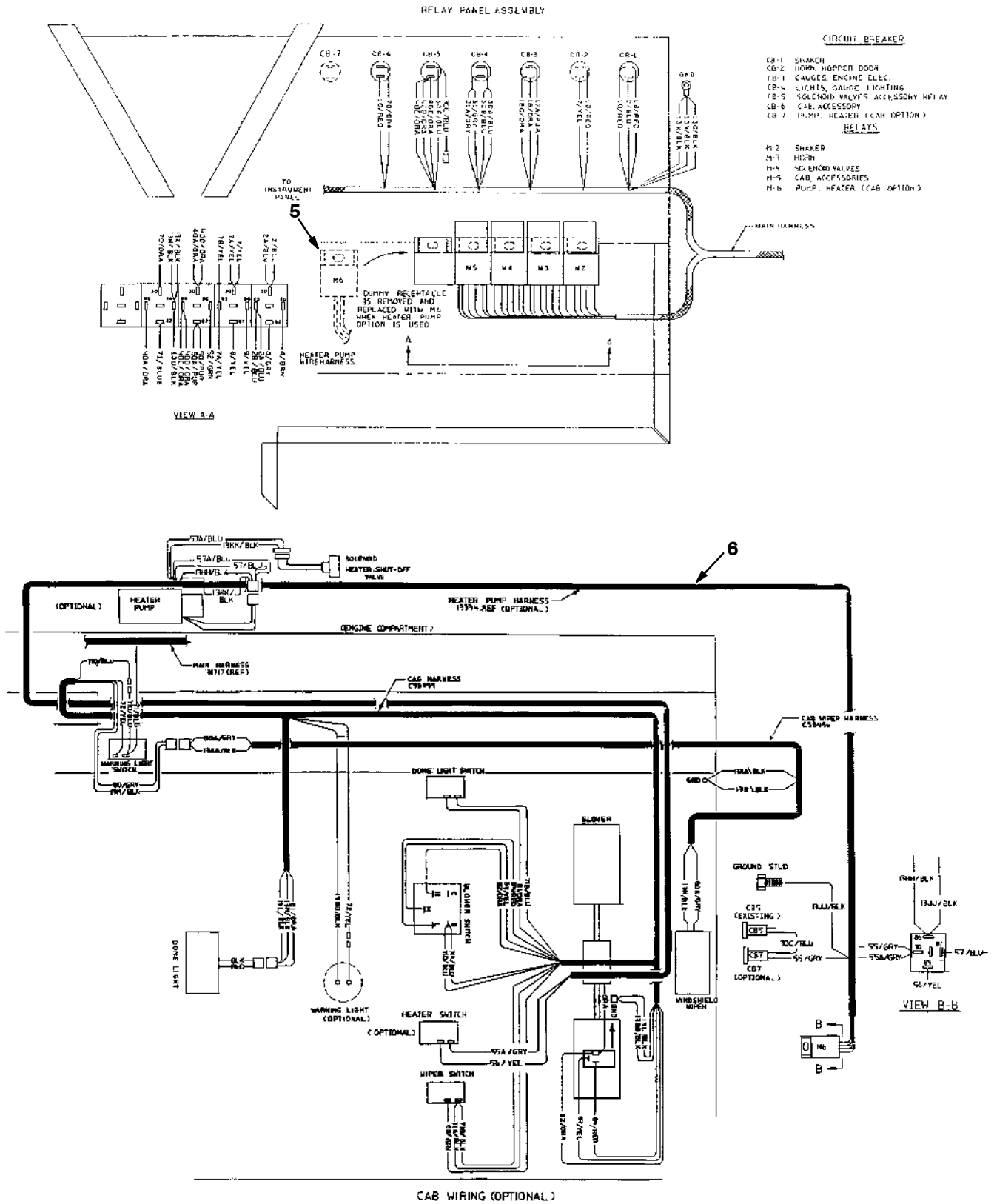


Fig. 17 – Cab Heater Electrical Group

03454

NOTE: To identify parts shown but not listed, see SECTION 5, STANDARD MODEL PARTS.

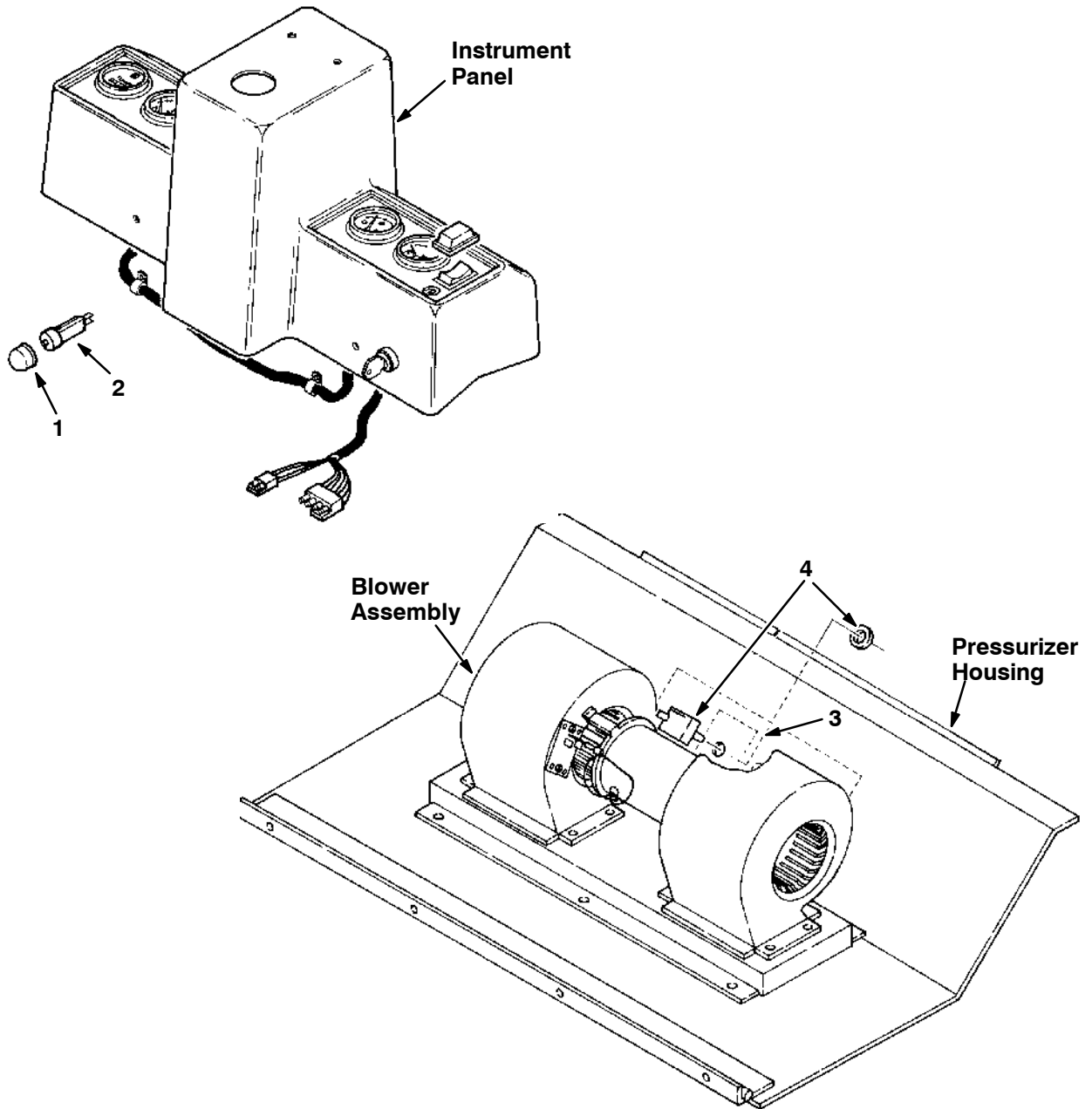


Fig. 17 – Cab Heater Electrical Group

03257

NOTE: Cab Heater Kit, TENNANT Part Number 57903, includes Fig. 16 and Fig. 17.

| Key | TENNANT Part No. | Machine Serial Number | Description | Qty. |
|-----|------------------|-----------------------|-----------------------|------|
| 1 | 57751 | (000000–) | Boot, Circuit Breaker | 1 |
| 2 | 57803 | (000000–) | Breaker, Circuit | 1 |
| 3 | 04133 | (000000–) | Label, Heater | 1 |
| 4 | 63266 | (000000–) | Switch | 1 |
| 5 | 57804 | (000000–) | Relay | 1 |
| 6 | 13334 | (000000–) | Wire Harness, Heater | 1 |

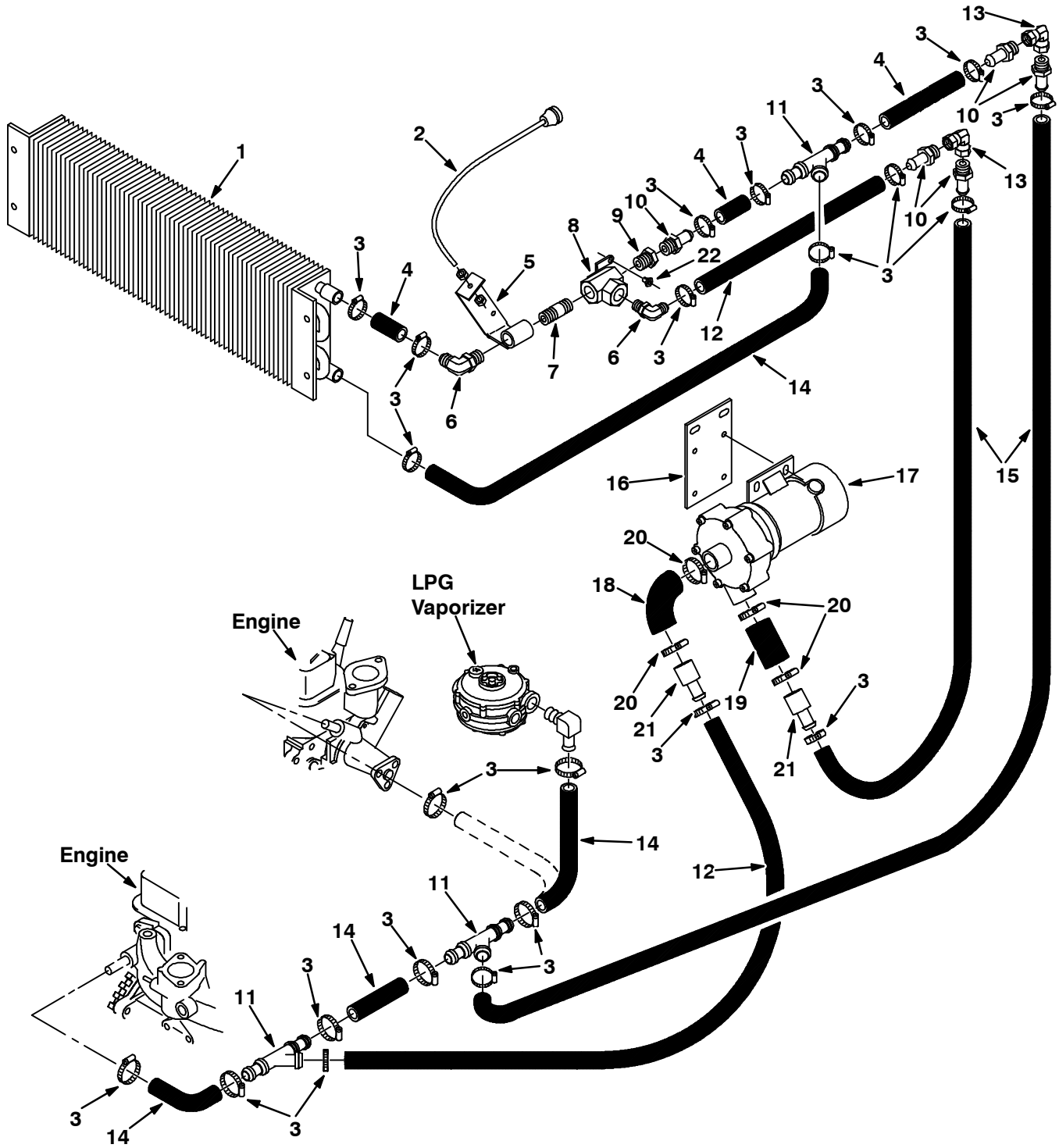


Fig. 18 – Cab Heater Group

NOTE: To identify parts shown but not listed, see SECTION 5, STANDARD MODEL PARTS or SECTION 6, LPG PARTS.

Fig. 18 – Cab Heater Group

NOTE: Cab Heater Kit, TENNANT Part Number 31501, includes Fig. 18 and Fig. 19.

| Key | TENNANT Part No. | Machine Serial Number | Description | Qty. |
|-----|------------------|-----------------------|----------------------------|------|
| 1 | 57528 | (007000–) | Core, Heater | 1 |
| 2 | 17409 | (007000–) | Cable Assembly | 1 |
| 3 | 63810 | (007000–) | Clamp, Worm Drive | 16 |
| 4 | 13124 | (007000–) | Hose, Heater | 1 |
| 5 | 31754 | (007000–) | Bracket | 1 |
| 6 | 47701 | (007000–) | Fitting, Elbow | 2 |
| 8 | 31507 | (007000–) | Valve | 1 |
| 9 | 47167 | (007000–) | Fitting, Straight | 1 |
| 10 | 20343 | (007000–) | Fitting, Straight | 5 |
| 11 | 57872 | (007000–) | Fitting, Y | 3 |
| 12 | 57532 | (007000–) | Hose, Heater | 2 |
| 13 | 32418 | (007000–) | Fitting, Elbow | 2 |
| 14 | 31543 | (007000–) | Hose, Heater | 2 |
| 15 | 57531 | (007000–) | Hose, Heater | 2 |
| 16 | 04121 | (007000–) | Bracket, Heater Pump | 1 |
| 17 | 04104 | (007000–) | Pump, Solution | 1 |
| | SK2498 | (007000–) | Replacement Kit, Brushes | 1 |
| | 03711 | (007000–) | Replacement Kit, Pump Head | 1 |
| | 33308 | (007000–) | Replacement Kit, Pump Body | 1 |
| | 51406 | (007000–) | Connector, Body | 1 |
| | 51416 | (007000–) | Terminal, Male | 2 |
| 18 | 04123 | (007000–) | Hose, Adaptor | 1 |
| 19 | 04125 | (007000–) | Hose, Radiator | 1 |
| 20 | 11399 | (007000–) | Clamp, Worm Drive | 4 |
| 21 | 04118 | (007000–) | Reducer, Hose | 2 |
| 22 | 43242 | (007000–) | Swivel | 1 |

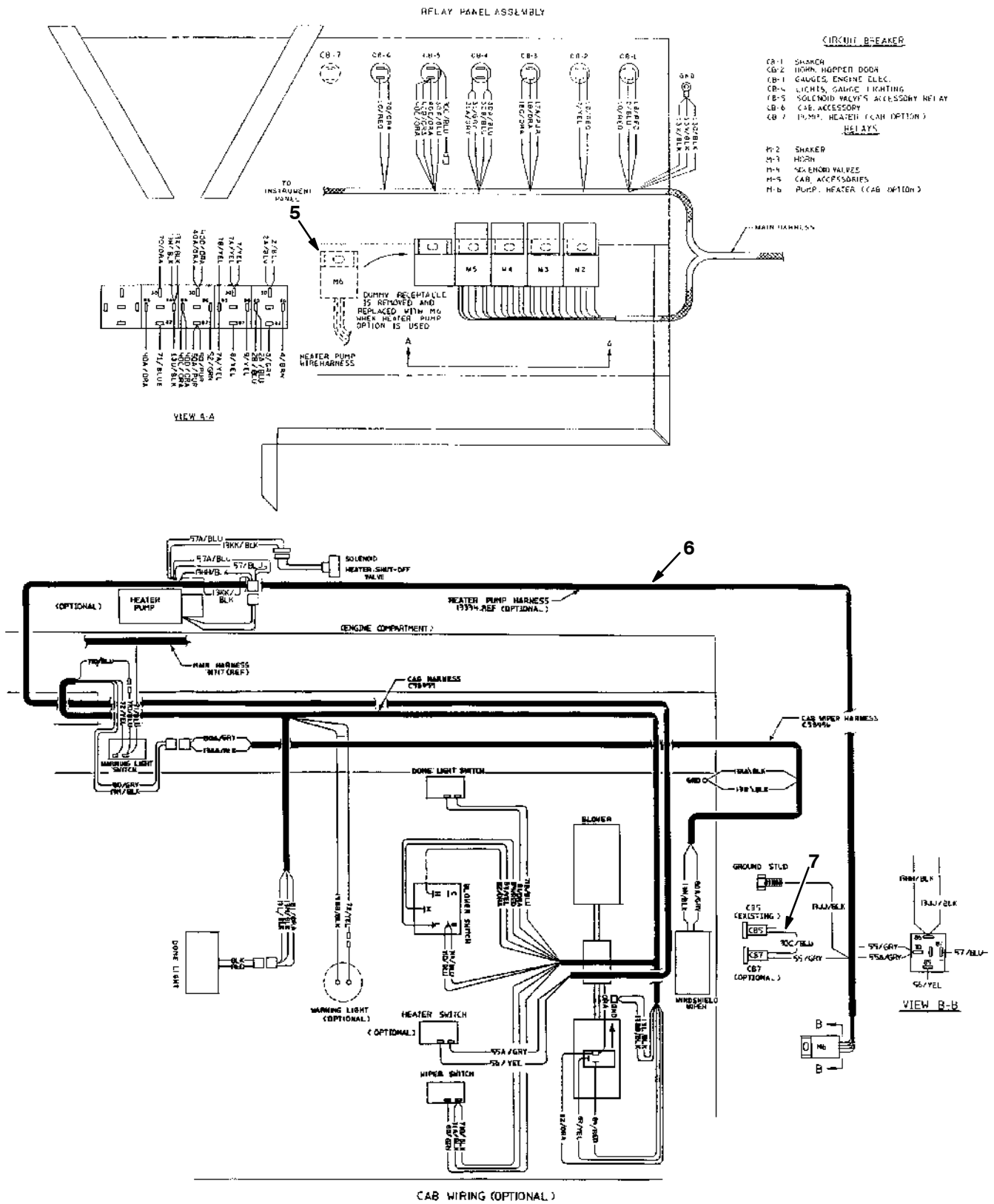


Fig. 19 – Cab Heater Electrical Group

03454

NOTE: To identify parts shown but not listed, see SECTION 5, STANDARD MODEL PARTS.

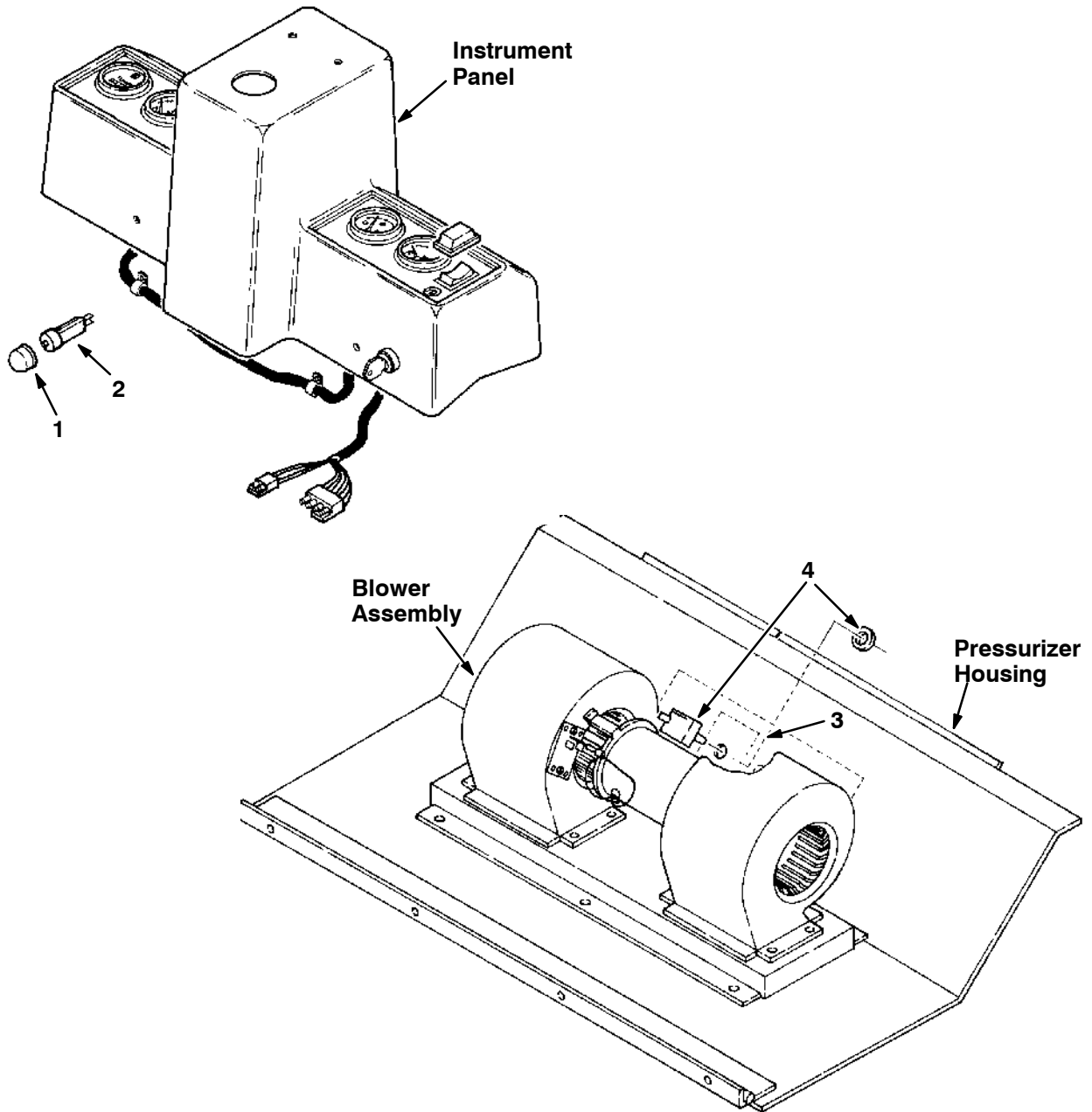


Fig. 19 – Cab Heater Electrical Group

06116

NOTE: Cab Heater Kit, TENNANT Part Number 31501, includes Fig. 18 and Fig. 19.

| Key | TENNANT Part No. | Machine Serial Number | Description | Qty. |
|-----|------------------|-----------------------|-----------------------|------|
| 1 | 57751 | (007000–) | Boot, Circuit Breaker | 1 |
| 2 | 57803 | (007000–) | Breaker, Circuit | 1 |
| 3 | 04133 | (007000–) | Label, Heater | 1 |
| 4 | 63266 | (007000–) | Switch | 1 |
| 5 | 57804 | (007000–) | Relay | 1 |
| 6 | 13334 | (007000–) | Wire Harness, Heater | 1 |
| 7 | 06570 | (007000–) | Wire Assembly | 1 |
| | 27184 | (007000–) | Connector, 3-Way | 1 |

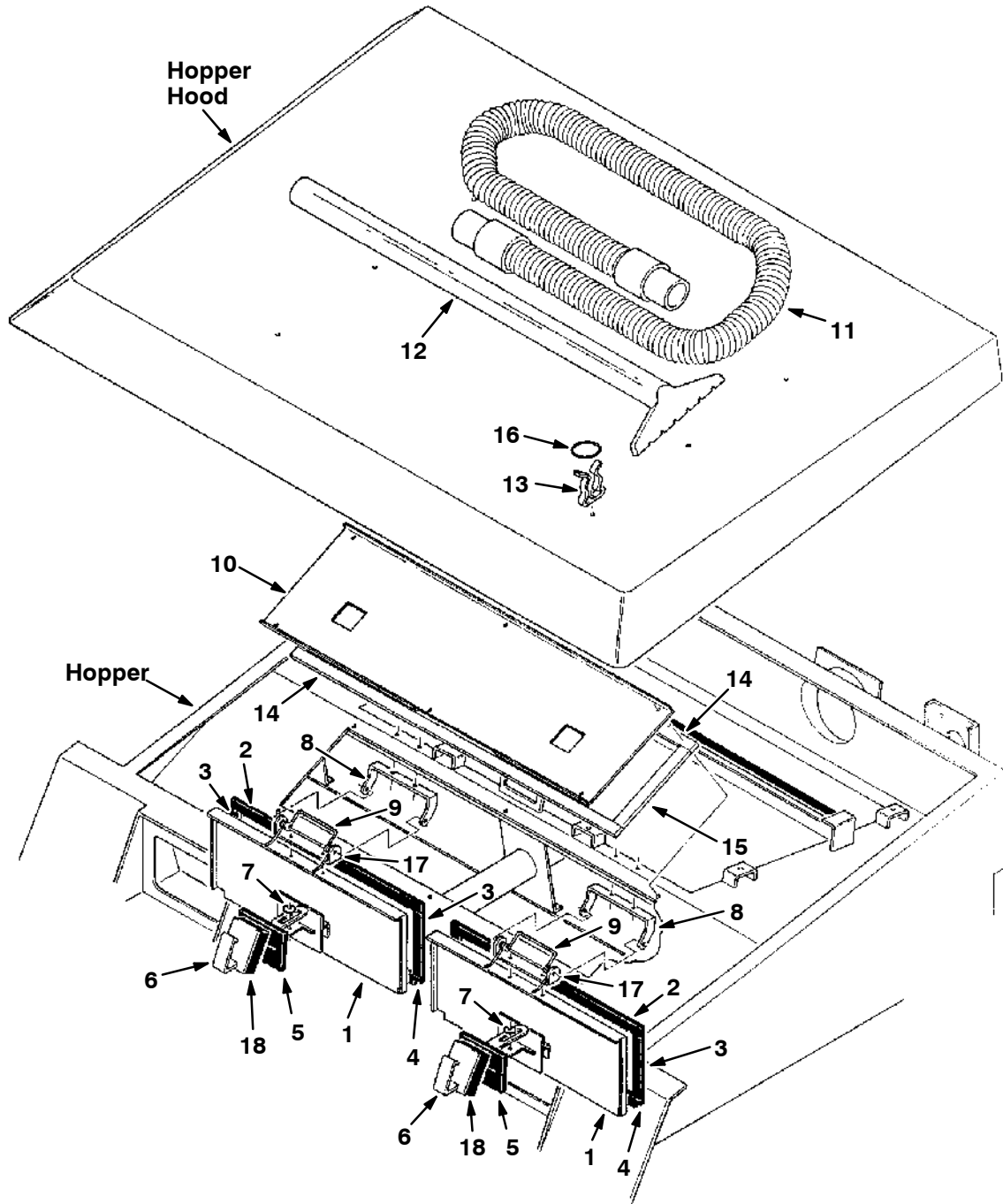


Fig. 20 – Vacuum Wand Kit

NOTE: To identify parts shown but not listed, see SECTION 5, STANDARD MODEL PARTS.

Fig. 20 – Vacuum Wand Kit

| Key | TENNANT Part No. | Machine Serial Number | Description | Qty. |
|-----|---------------------|--------------------------|----------------------------------|------|
| | 13028 | (000000–) | Wand Kit, Vacuum | 1 |
| 1 | 13226 | (000000–) | Door, Vac Wand | 2 |
| 2 | 13309 | (000000–) | Seal, Rubber | 2 |
| 3 | 13229 | (000000–) | Seal, Rubber | 4 |
| 4 | 13308 | (000000–) | Seal, Rubber | 2 |
| 5 | 13306 | (000000–) | Seal, Rubber | 2 |
| 6 | 13203 | (000000–) | Handle, Door | 2 |
| 7 | 01047 | (000000–) | Retainer | 2 |
| 8 | 13090 | (000000–) | Bracket, Vacuum Wand Door, Upper | 2 |
| 9 | 51372 | (000000–) | Spring | 2 |
| 10 | 13233 | (000000–) | Plate, Access | 1 |
| 11 | 54009 | (000000–) | Hose and Cuff Assembly | 1 |
| 12 | 54012 | (000000–) | Wand | 1 |
| 13 | 67004 | (000000–) | Clip, Finger Grip | 6 |
| 14 | 13302 | (000000–) | Seal, Rubber | 2 |
| 15 | 13301 | (000000–) | Seal, Rubber | 2 |
| 16 | 13743 | (000000–) | O–ring | 2 |
| 17 | 13228 | (000000–) | Bracket, Vacuum Wand Door, Lower | 2 |
| 18 | 13689 | (000000–) | Insulation, Wand Handle | 2 |

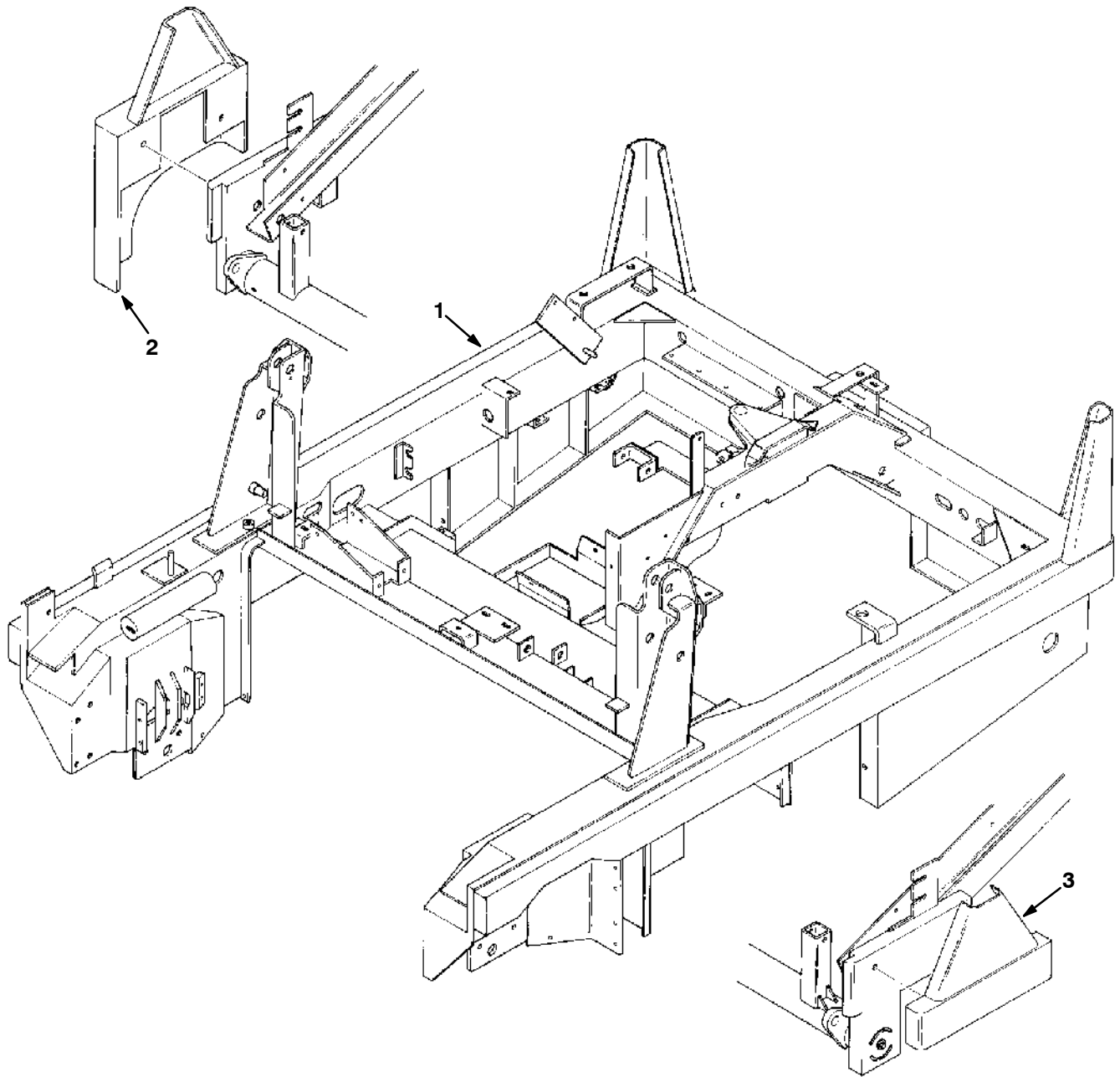


Fig. 21 – Heavy Duty Bumper Group

02153

| Key | TENNANT Part No. | Machine Serial Number | Description | Qty. |
|-----|------------------|-----------------------|--------------------------|------|
| 1 | 13734 | (000000–006999) | Frame, Heavy Duty Bumper | 1 |
| 1 | 31500 | (007000–) | Frame, Heavy Duty Bumper | 1 |
| 2 | 57703 | (000000–) | Guard, Side Brush | 1 |
| 3 | 57710 | (000000–) | Bumper, Front, L. H. | 1 |

NOTE: To identify parts shown but not listed, see SECTION 5, STANDARD MODEL PARTS.



Fig. 22 – Urethane Tire Kit

03452

| Key | TENNANT Part No. | Machine Serial Number | Description | Qty. |
|-----|------------------|-----------------------|-------------------|------|
| 1 | 16869 | (000000–) | Urethane Tire Kit | 1 |

CONTENTS

| | Page |
|--|------|
| ORDERING REPAIR PARTS | 8-3 |
| Fig. 1 – Hydraulic Pump Breakdown, 02634 | 8-4 |
| Fig. 2 – Hydraulic Pump Breakdown, 02704 | 8-6 |
| Fig. 3 – Hydraulic Pump Breakdown, 13101 | 8-8 |
| Fig. 4 – Hydraulic Motor Breakdown, 48663 | 8-9 |
| Fig. 5 – Hydraulic Motor Breakdown, 77101 | 8-10 |
| Fig. 6 – Hydraulic Motor Breakdown, 13105 | 8-11 |
| Fig. 7 – Hydraulic Motor Breakdown, 28808 | 8-12 |
| Fig. 8 – Hydraulic Motor Breakdown, 13106 | 8-13 |
| Fig. 9 – Hydraulic Motor Breakdown, 27800 | 8-14 |
| Fig. 10 – Hydraulic Valve Breakdown, 57982 | 8-15 |
| Fig. 11 – Hydraulic Solenoid Valve Breakdown, 13104 | 8-16 |
| Fig. 12 – Hydraulic Cylinder Breakdown, 04464 | 8-17 |
| Fig. 13 – Hydraulic Cylinder Breakdown, 04430 | 8-18 |

*NOTE: SECTION 8, HYDRAULIC COMPONENTS,
lists repair parts for repairable hydraulic components.*

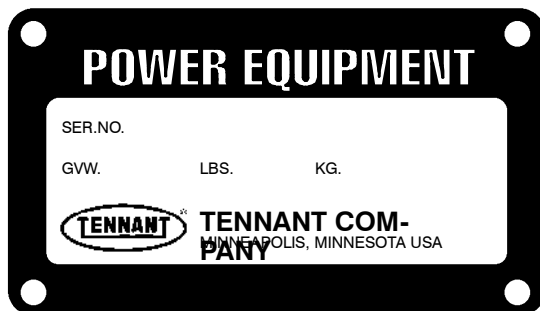
ORDERING REPAIR PARTS

The components used in this machine have been carefully selected for performance and safety. Use only Tennant Company specified or equivalent parts.

To receive prompt service in filling of your parts orders, please direct all orders for parts with Tennant Company part numbers to the Tennant Company, and all orders for parts with vendor part numbers to the local supplier of the respective vendor.

When ordering parts, please furnish all of the following information:

1. Machine model number - shown on the machine data plate.



2. Machine serial number - shown on the machine data plate.
3. Power source - gasoline, LPG, diesel, electric.
4. Company name.
5. Shipping address.
6. Billing address.
7. Name, first and last - of person ordering parts.
8. Telephone number.
9. Purchase order number.
10. Part number, description, and quantity - of each item on the order.
11. Customer ID Number.

Do not order parts by key number or the figure number of the illustrated parts. Indented items indicate parts of assemblies. Standard hardware is furnished only when part of a purchased assembly. Please get hardware from a local hardware supplier.

If the old part cannot be identified, send it to us with the quantity needed specified on the order.

Any claim for loss or damage to a shipment in transit should be filed promptly against the transportation company making the delivery. Shipments will be complete unless the packing list or order acknowledgement indicate items back ordered.

If parts received are suspected to be incorrect or defective, please write, wire, or phone the Tennant Company representative from whom you ordered the part. They will give authorization for return and/or handle replacement shipments when required.

SERIAL NUMBER INFORMATION EXPLANATION

Serial number listings are shown to indicate on which machines each part can be used. These listings are explained by the following examples:

(000000—) The part can be used on all machines.

(003342—) The part can be used on all machines beginning with the serial number listed.

(000000—004320) The part can be used on all machines up to and including serial number listed.

(004321—005678) The part can be used on all machines between and including the serial numbers listed.

Where xxxxx's are listed in place of a serial number, it indicates a change was made but the exact serial number had not been established when the catalog went to press.

SI UNITS OF MEASURE (INTERNATIONAL SYSTEM)

Metric equivalents have been included, where applicable, throughout this parts catalog.

FASTENER STRENGTH IDENTIFICATION

Fasteners required to have high—strength qualities equivalent to SAE Grade 8 are identified throughout this catalog by the description GR 8. Unless identified by this description, all standard fasteners are SAE Grade 5.

(Specifications and design subject to change without notice.)

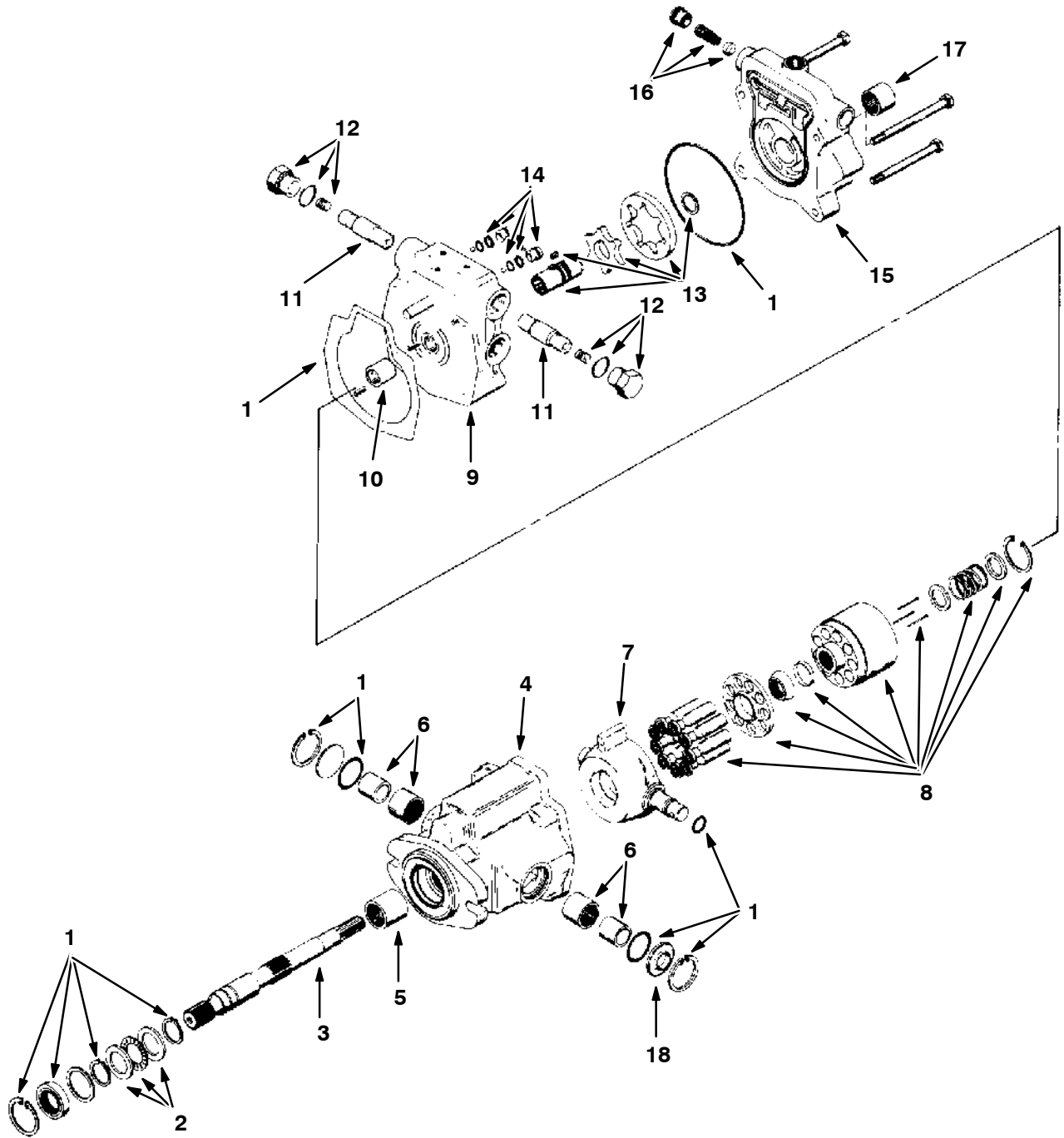


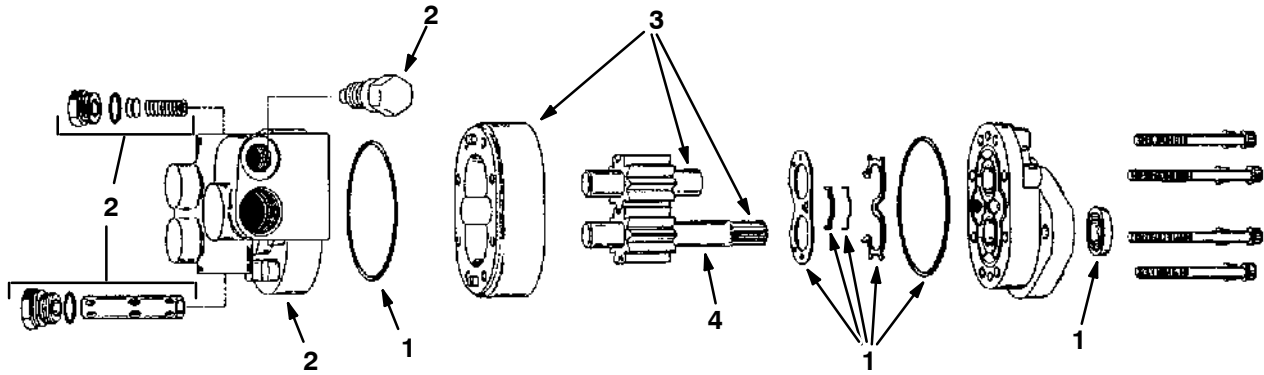
Fig. 1 – Hydraulic Pump Breakdown, 02634

Fig. 1 -- Hydraulic Pump Breakdown, 02634

| Key | TENNANT Part No. | Manufacturer Serial Number | Description | Qty. |
|------------|-----------------------------|---------------------------------------|------------------------------|-------------|
| | 02634 | (000000-) | Pump, Hydraulic | 1 |
| 1 | 55918 | (000000-) | Seal Kit | 1 |
| 2 | 55922 | (000000-) | Bearing Kit, Thrust | 1 |
| 3 | 55931 | (000000-) | Shaft, Pump | 1 |
| 4 | 58925 | (000000-) | Housing Assembly, Pump | 1 |
| 5 | 55939 | (000000-) | Bearing, Roller | 1 |
| 6 | 55905 | (000000-) | Bearing, Trunion | 2 |
| 7 | 55933 | (000000-) | Plate, Cam | 1 |
| 8 | 55920 | (000000-) | Rotating Kit | 1 |
| 9 | 57051 | (000000-) | Back Plate | 1 |
| 10 | 55937 | (000000-) | Bearing, Roller | 1 |
| 11 | 55941 | (000000-) | Valve, Relief | 2 |
| 12 | 57210 | (000000-) | Plug Assembly | 2 |
| 13 | 55932 | (000000-) | Gerotor And Coupler Assembly | 1 |
| 14 | 37457 | (000000-) | Valve Assembly | 2 |
| 15 | 55930 | (000000-) | Pump Adaptor Assembly | 1 |
| 16 | 55906 | (000000-) | Valve, Charge Relief | 1 |
| 17 | 55929 | (000000-) | Bearing, Roller | 1 |
| 18 | 31537 | (000000-) | Cover | 1 |

Fig. 2 -- Hydraulic Pump Breakdown, 02704

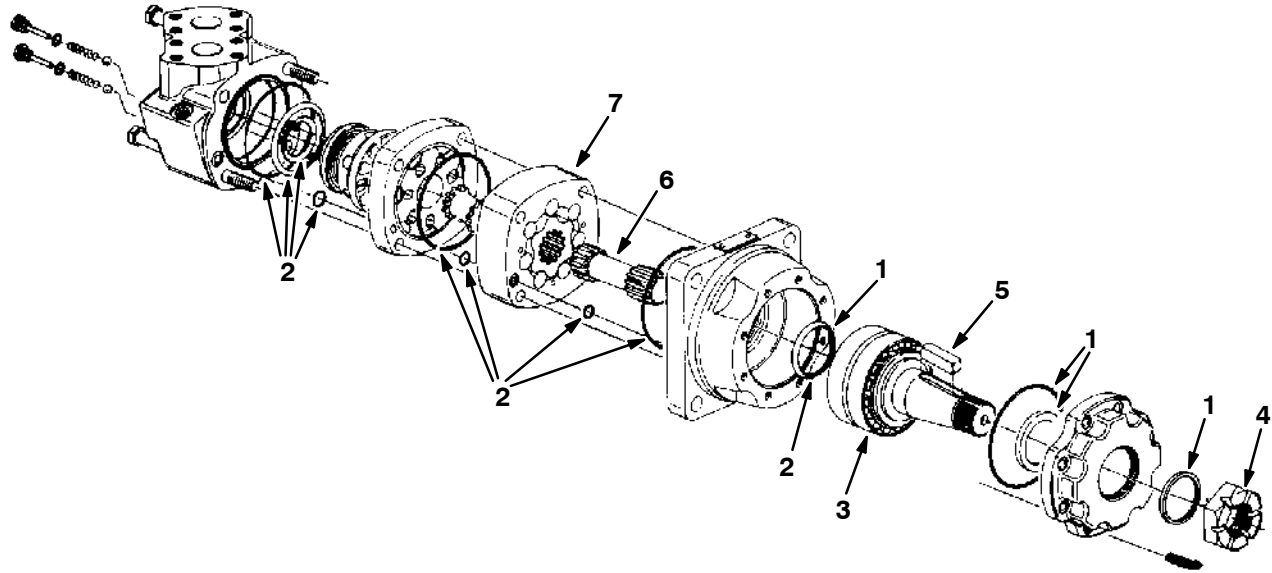
| Key | TENNANT Part No. | Manufacturer Serial Number | Description | Qty. |
|------------|-------------------------|-----------------------------------|------------------------------|-------------|
| | 02704 | (000000-) | Pump, Hydraulic | 1 |
| 1 | 02711 | (000000-) | Seal Kit | 1 |
| 2 | 55922 | (000000-) | Bearing Kit, Thrust | 1 |
| 3 | 55931 | (000000-) | Shaft, Pump | 1 |
| 4 | 02710 | (000000-) | Key | 1 |
| 5 | 55939 | (000000-) | Bearing, Roller | 1 |
| 6 | 02709 | (000000-) | Bearing, Trunnion | 2 |
| 7 | 02708 | (000000-) | Plate, Cam | 1 |
| 8 | 02706 | (000000-) | Rotating Kit | 1 |
| 9 | 02707 | (000000-) | Back Plate | 1 |
| 10 | 55937 | (000000-) | Bearing, Roller | 1 |
| 11 | 02650 | (000000-) | Valve, Relief | 2 |
| 12 | 57210 | (000000-) | Plug Assembly | 2 |
| 13 | 55932 | (000000-) | Gerotor and Coupler Assembly | 1 |
| 14 | 37457 | (000000-) | Valve Assembly | 2 |
| 15 | 55930 | (000000-) | Pump Adaptor Assembly | 1 |
| 16 | 55906 | (000000-) | Valve, Charge Relief | 1 |
| 17 | 55929 | (000000-) | Bearing, Roller | 1 |
| 18 | 02705 | (000000-) | Bearing, Inner Race | 1 |



03829

Fig. 3 – Hydraulic Pump Breakdown, 13101

| Key | TENNANT Part No. | Manufacturer Serial Number | Description | Qty. |
|-----|------------------|----------------------------|-------------------|------|
| | 13101 | (000000–) | Pump, Hydraulic | 1 |
| 1 | 57064 | (000000–) | Seal Kit | 1 |
| 2 | 82333 | (000000–) | Plate Kit, Back | 1 |
| 3 | 13989 | (000000–) | Gear and Body Kit | 1 |
| 4 | 13966 | (000000–) | Gear, Drive | 1 |



01737

Fig. 4 – Hydraulic Motor Breakdown, 48663

| Key | TENNANT Part No. | Manufacturer Serial Number | Description | Qty. |
|-----|------------------|----------------------------|----------------------------|------|
| | 48663 | (000000–) | Motor, Hydraulic | 1 |
| 1 | 33579 | (000000–) | Seal Kit, Shaft | 1 |
| 2 | 33580 | (000000–) | Seal Kit, Rear | 1 |
| 3 | 33694 | (000000–) | Shaft And Bearing Assembly | 1 |
| 4 | 45622 | (000000–) | Nut | 1 |
| 5 | 45623 | (000000–) | Key | 1 |
| 6 | 37616 | (000000–) | Drive | 1 |
| 7 | 37756 | (000000–) | Gerotor | 1 |

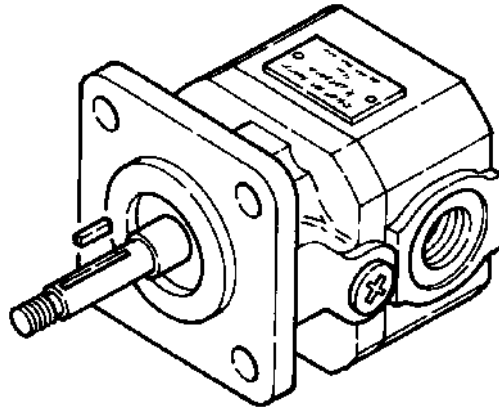


Fig. 5 – Hydraulic Motor Breakdown, 77101

02613

| Key | TENNANT Part No. | Manufacturer Serial Number | Description | Qty. |
|------------|-----------------------------|---------------------------------------|--------------------|-------------|
| | 77101 | (000000–) | Motor, Hydraulic | 1 |
| | SK2561 | (000000–) | Seal Kit | 1 |
| | 00966 | (000000–) | Key | 1 |

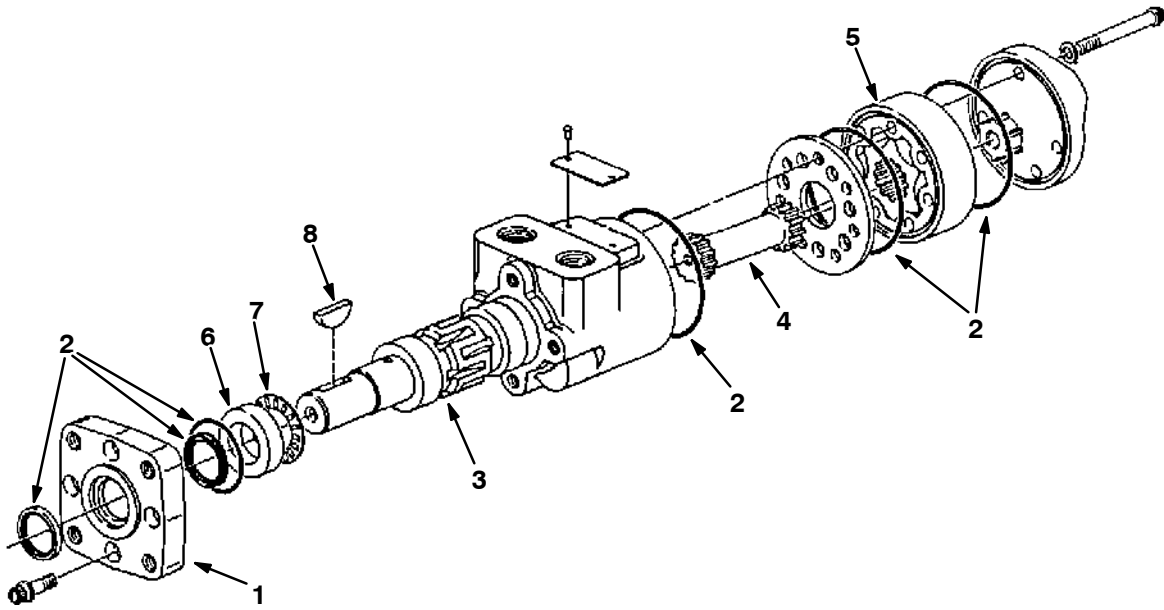


Fig. 6 – Hydraulic Motor Breakdown, 13105

03938

| Key | TENNANT Part No. | Manufacturer Serial Number | Description | Qty. |
|-----|------------------|----------------------------|------------------|------|
| | 13105 | (000000–) | Motor, Hydraulic | 1 |
| 1 | 34174 | (000000–) | Flange, Mounting | 1 |
| 2 | 47649 | (000000–) | Seal Kit | 1 |
| 3 | 16694 | (000000–) | Shaft, Output | 1 |
| 4 | 34176 | (000000–) | Drive | 1 |
| 5 | 87663 | (000000–) | Gerotor | 1 |
| 6 | 16695 | (000000–) | Race, Thrust | 1 |
| 7 | 45628 | (000000–) | Bearing, Thrust | 1 |
| 8 | 00500–15 | (000000–) | Key, Woodruff | 1 |

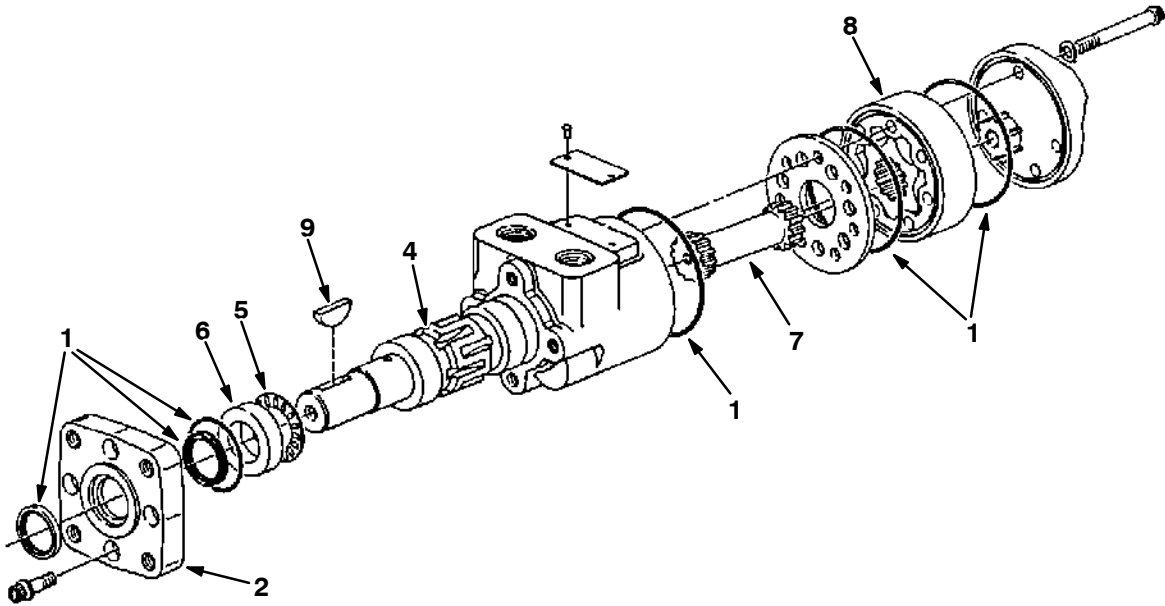


Fig. 7 – Hydraulic Motor Breakdown, 28808

05349

| Key | TENNANT Part No. | Manufacturer Serial Number | Description | Qty. |
|-----|------------------|----------------------------|-----------------------|------|
| | 28808 | (000000–) | Motor, Hydraulic | 1 |
| 1 | 28835 | (000000–) | Seal Kit | 1 |
| 2 | 31354 | (000000–) | Flange, Mounting | 1 |
| | 34175 | (000000–) | Output Shaft Assembly | 1 |
| 3 | 16694 | (000000–) | Shaft, Output | 1 |
| 4 | 45628 | (000000–) | Bearing, Thrust | 1 |
| 5 | 16695 | (000000–) | Race, Thrust | 1 |
| 6 | 34176 | (000000–) | Drive | 1 |
| 7 | 31381 | (000000–) | Gerotor Set | 1 |
| 8 | 00500–15 | (000000–) | Key, Woodruff | 1 |

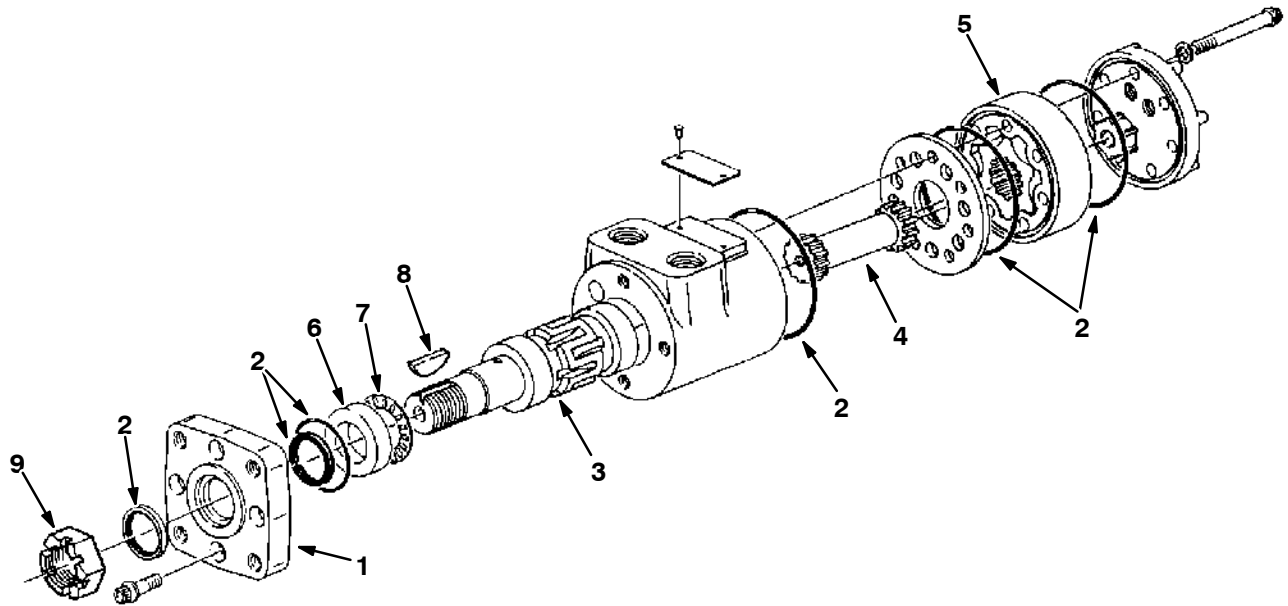


Fig. 8 – Hydraulic Motor Breakdown, 13106

03939

| Key | TENNANT Part No. | Manufacturer Serial Number | Description | Qty. |
|-----|------------------|----------------------------|------------------|------|
| | 13106 | (000000–) | Motor, Hydraulic | 1 |
| 1 | 34174 | (000000–) | Flange, Mounting | 1 |
| 2 | 28835 | (000000–) | Seal Kit | 1 |
| 3 | 37617 | (000000–) | Shaft, Output | 1 |
| 4 | 34176 | (000000–) | Drive | 1 |
| 5 | 34177 | (000000–) | Gerotor | 1 |
| 6 | 16695 | (000000–) | Race, Thrust | 1 |
| 7 | 45628 | (000000–) | Thrust, Bearing | 1 |
| 8 | 00500–15 | (000000–) | Key, Woodruff | 1 |
| 9 | 39527 | (000000–) | Nut, Slotted Hex | 1 |

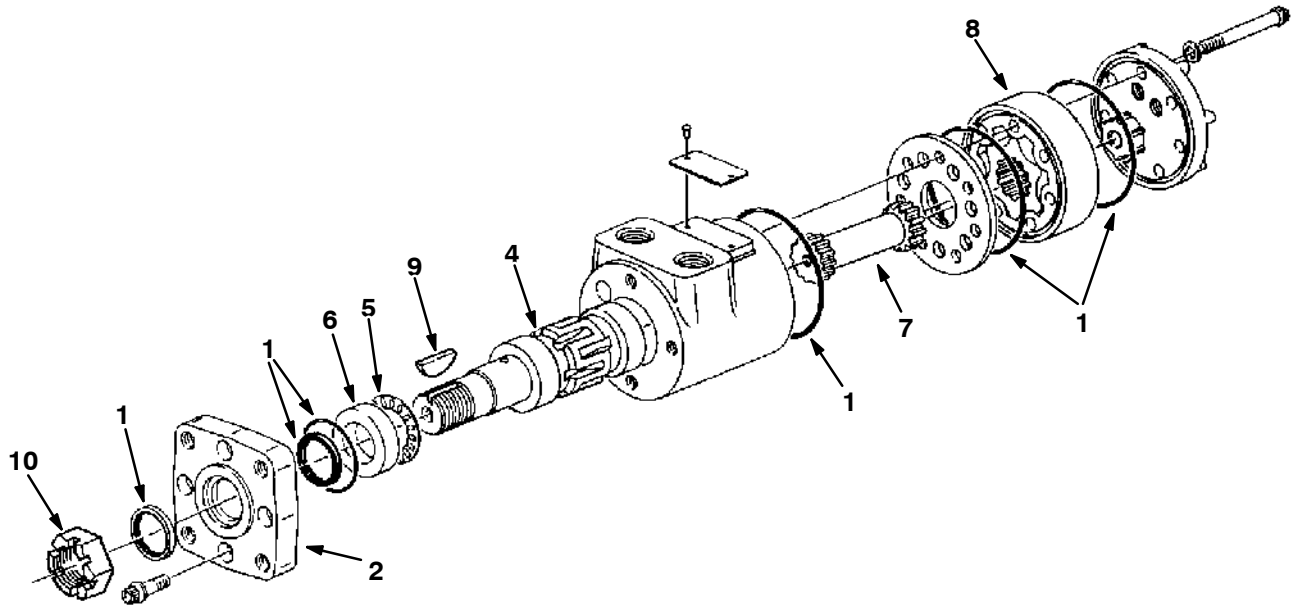


Fig. 9 – Hydraulic Motor Breakdown, 27800

05347

| Key | TENNANT Part No. | Manufacturer Serial Number | Description | Qty. |
|-----|------------------|----------------------------|-----------------------|------|
| | 27800 | (000000–) | Motor, Hydraulic | 1 |
| 1 | 28835 | (000000–) | Seal Kit | 1 |
| 2 | 31354 | (000000–) | Flange, Mounting | 1 |
| | 31374 | (000000–) | Output Shaft Assembly | 1 |
| 3 | 31375 | (000000–) | Shaft, Output | 1 |
| 4 | 45628 | (000000–) | Bearing | 1 |
| 5 | 16695 | (000000–) | Race, Thrust | 1 |
| 6 | 31380 | (000000–) | Drive | 1 |
| 7 | 31383 | (000000–) | Gerotor Set | 1 |
| 8 | 00500–15 | (000000–) | Key, Woodruff | 1 |
| 9 | 39527 | (000000–) | Nut, Slotted Hex | 1 |

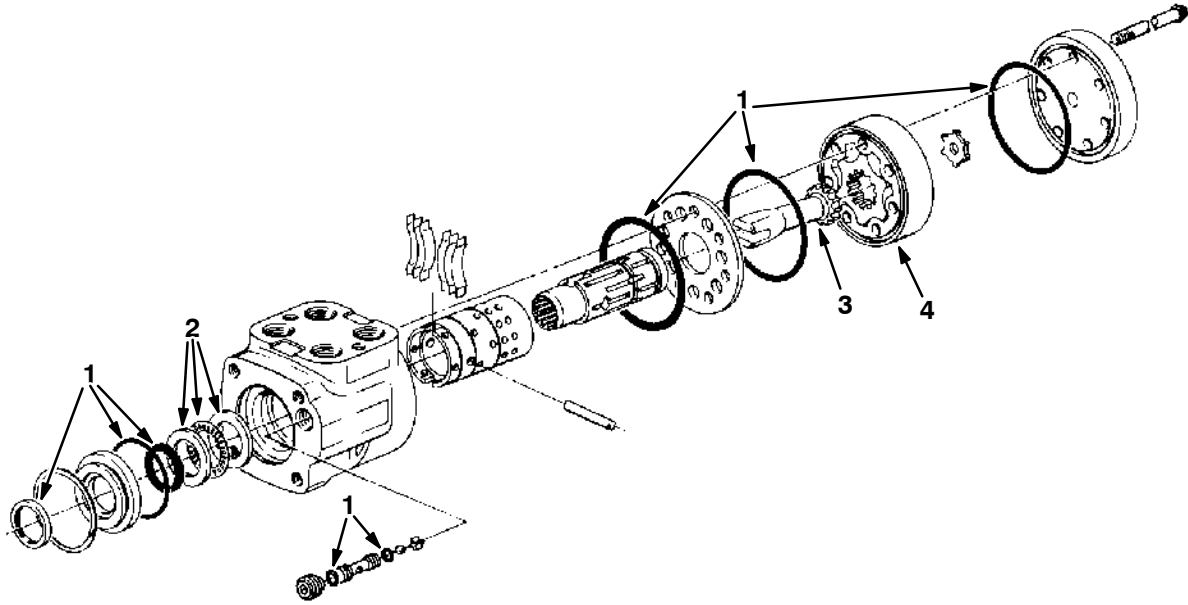


Fig. 10 – Hydraulic Valve Breakdown, 57982

02319

| Key | TENNANT Part No. | Manufacturer Serial Number | Description | Qty. |
|-----|------------------|----------------------------|------------------|------|
| | 57982 | (000000–) | Valve, Hydraulic | 1 |
| 1 | 57152 | (000000–) | Seal Kit | 1 |
| 2 | 57154 | (000000–) | Race, Thrust | 1 |
| 3 | 57155 | (000000–) | Drive | 1 |
| 4 | 57156 | (000000–) | Gerotor | 1 |

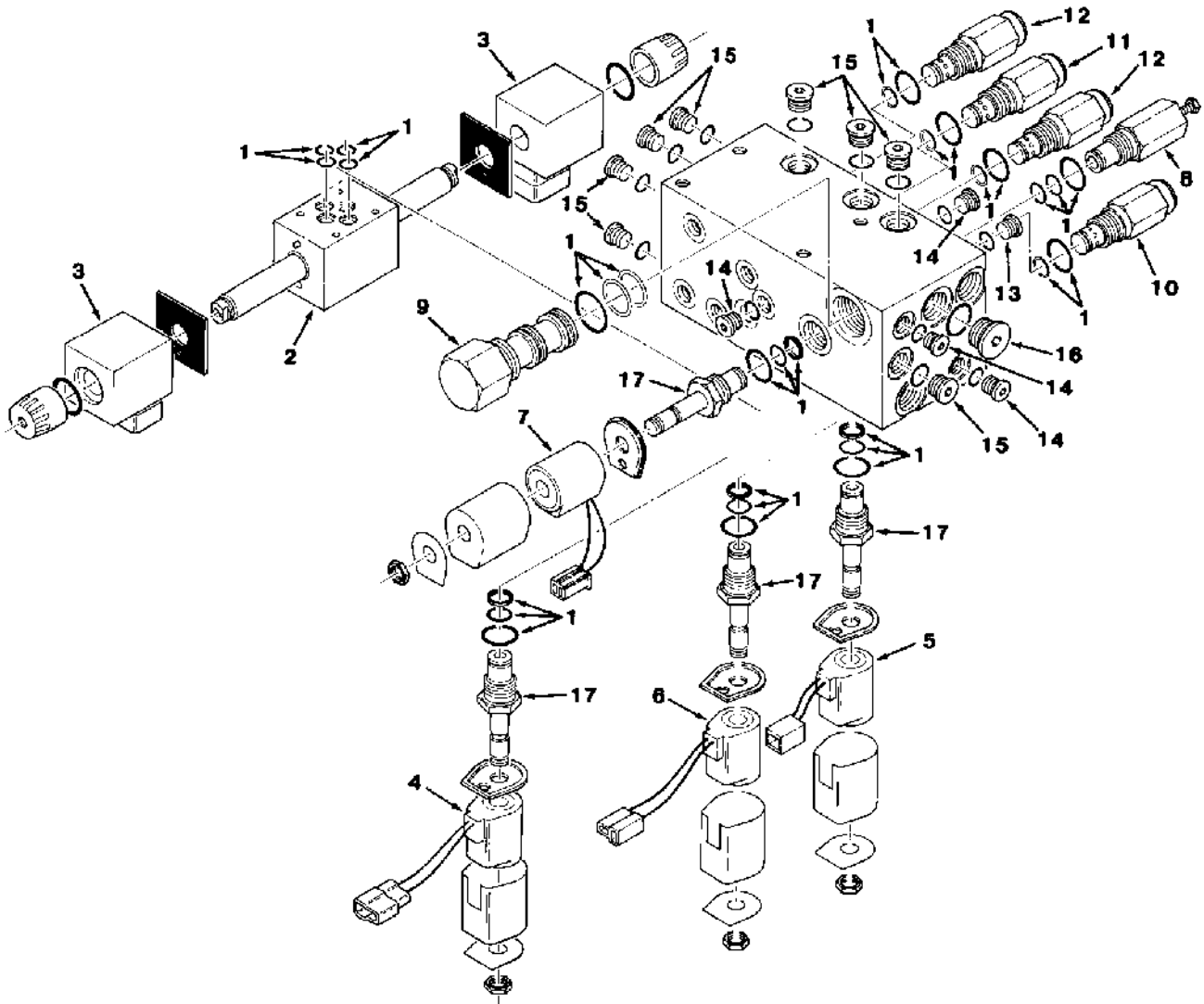
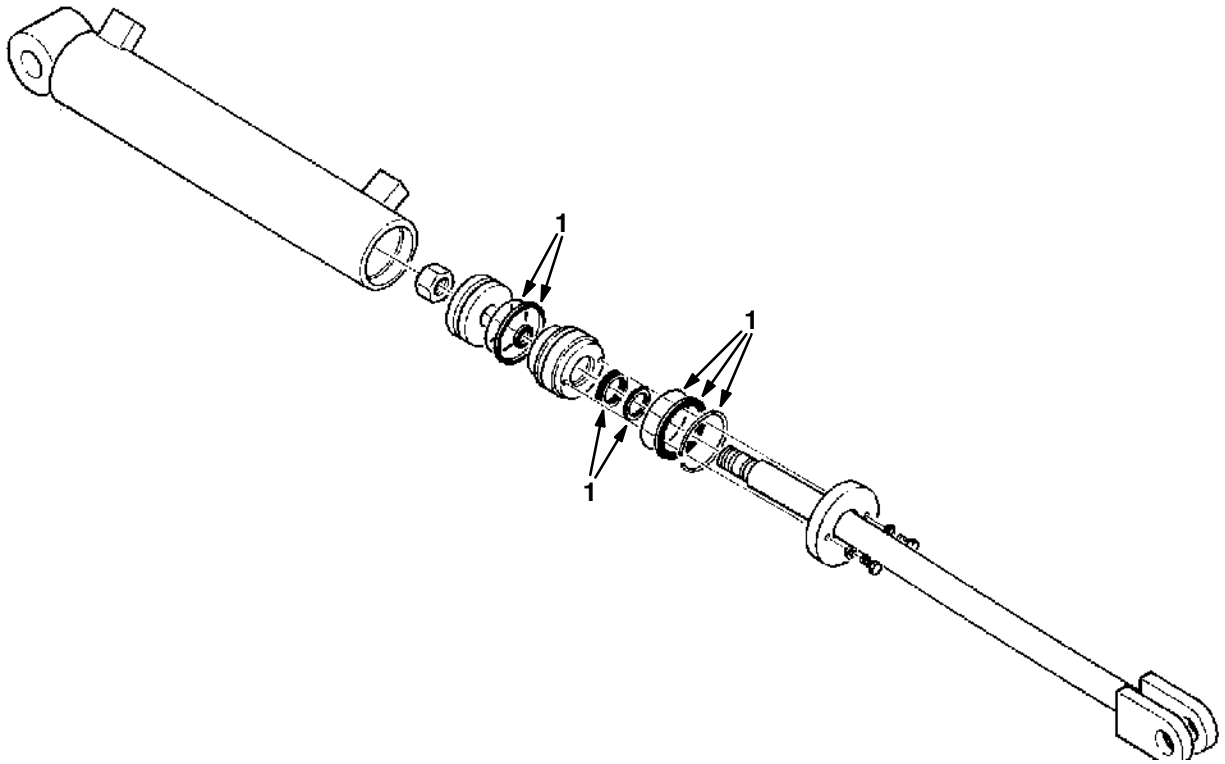


Fig. 11 – Hydraulic Solenoid Valve Breakdown, 13104

03830

| Key | TENNANT Part No. | Manufacturer Serial Number | Description | Qty. |
|-----|------------------|----------------------------|---|------|
| 1 | 13104 | (000000–) | Valve, Hydraulic Solenoid | 1 |
| | 13893 | (000000–) | Seal Kit, Complete | 1 |
| | 13891 | (000000–) | Seal Kit, Partial | 1 |
| 2 | 13909 | (000000–) | Valve, Solenoid | 1 |
| 3 | 13932 | (000000–) | Coil | 2 |
| 4 | 57186 | (000000–) | Coil | 1 |
| 5 | 13945 | (000000–) | Coil | 1 |
| 6 | 13947 | (000000–) | Coil | 1 |
| 7 | 13948 | (000000–) | Coil | 1 |
| 8 | 13894 | (000000–) | Valve, Flow Control, 1 (includes seals) | 1 |
| 9 | 13895 | (000000–) | Valve, Flow Control, 2 (includes seals) | 1 |
| 10 | 13896 | (000000–) | Valve, Relief, 1 (includes seals) | 1 |
| 11 | 13898 | (000000–) | Valve, Relief, 2 (includes seals) | 1 |
| 12 | 13899 | (000000–) | Valve, Relief, 3 and 4 (includes seals) | 2 |
| 13 | 13902 | (000000–) | Plug, #2 | 3 |
| 14 | 13903 | (000000–) | Plug, #4 | 4 |
| 15 | 13904 | (000000–) | Plug, #6 | 8 |
| 16 | 13907 | (000000–) | Plug, #8 | 1 |
| 17 | 02607 | (000000–) | Valve, Solenoid (includes seals) | 4 |



03828

Fig. 12 – Hydraulic Cylinder Breakdown, 04464

| Key | TENNANT Part No. | Manufacturer Serial Number | Description | Qty. |
|-----|------------------|----------------------------|---------------------|------|
| 1 | 04464 | (000000 –) | Cylinder, Hydraulic | 1 |
| | 04481 | (000000 –) | Seal Kit | 1 |

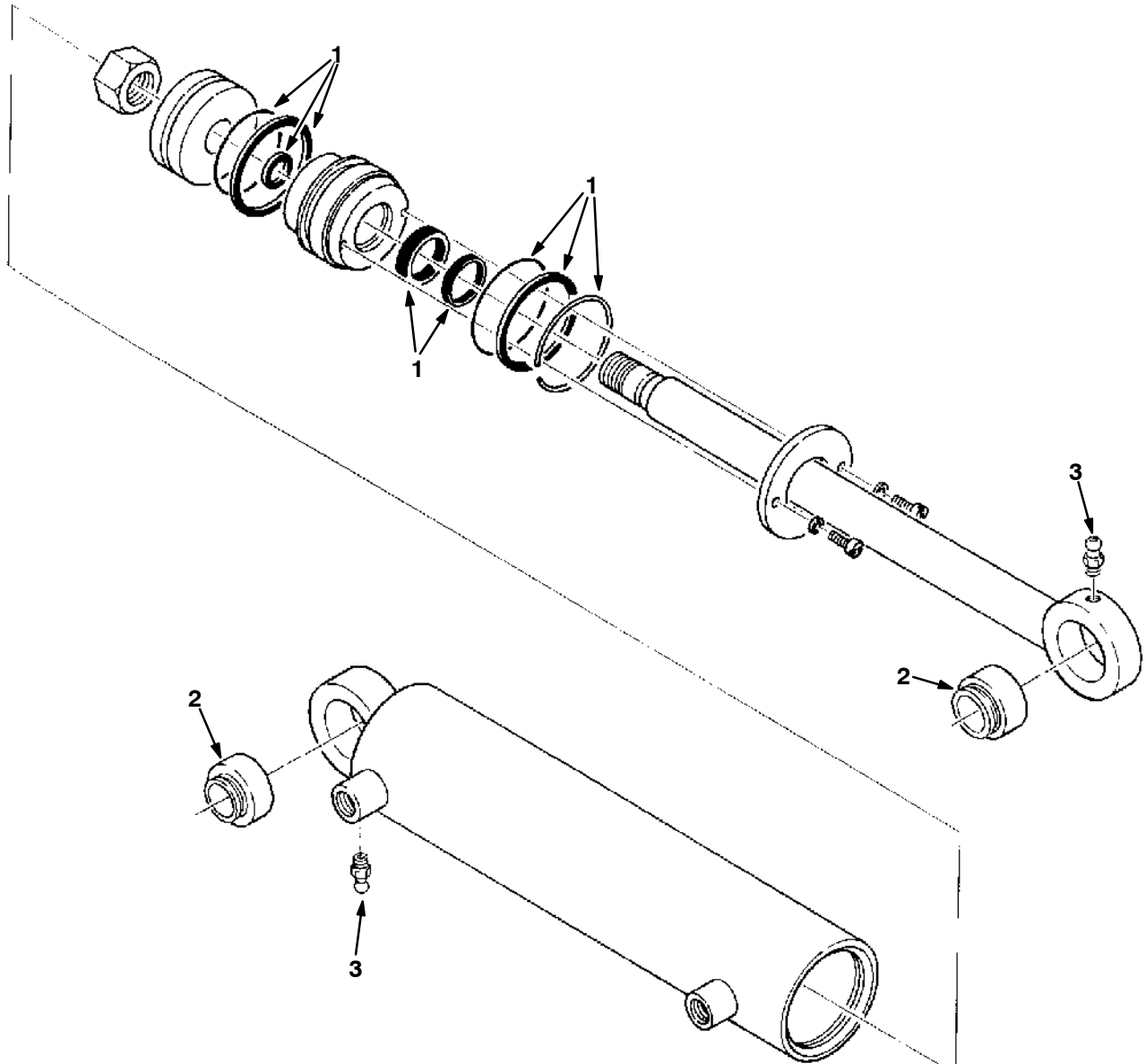


Fig. 13 – Hydraulic Cylinder Breakdown, 04430

03827

| Key | TENNANT Part No. | Manufacturer Serial Number | Description | Qty. |
|-----|------------------|----------------------------|---------------------|------|
| | 04430 | (000000–) | Cylinder, Hydraulic | 1 |
| 1 | 04483 | (000000–) | Seal Kit | 1 |
| 2 | 13924 | (000000–) | Bearing | 2 |
| 3 | 07259 | (000000–) | Fitting, Grease | 2 |

CONTENTS

| | Page |
|---|------|
| ORDERING REPAIR PARTS | 9-3 |
| Fig. 1 – Cylinder Block, Head, and Manifolds Group | 9-4 |
| Fig. 2 – Crankshaft Group | 9-5 |
| Fig. 3 – Valves and Valve Cover Group | 9-6 |
| Fig. 4 – Camshaft Group | 9-8 |
| Fig. 5 – Piston and Connecting Rod Group | 9-9 |
| Fig. 6 – Oil Pump, Filter, and PCV Group | 9-10 |
| Fig. 7 – Water Pump and Thermostat Group | 9-12 |
| Fig. 8 – Distributor and Spark Plugs Group | 9-13 |
| Fig. 9 – Gasket Kits Group | 9-14 |

NOTE: SECTION 12, ENGINE PARTS, GASOLINE, LPG, lists repair parts for gasoline and LPG powered engines, TENNANT part number 58087, for machines below serial number 007000.

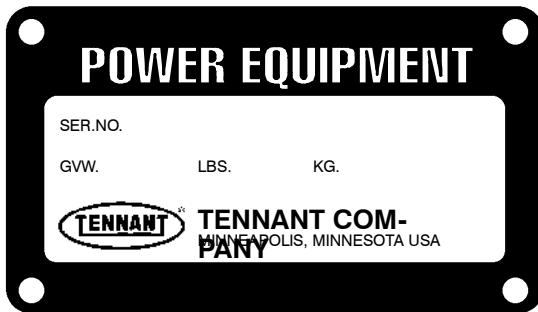
ORDERING REPAIR PARTS

The components used in this machine have been carefully selected for performance and safety. Use only Tennant Company specified or equivalent parts.

To receive prompt service in filling of your parts orders, please direct all orders for parts with Tennant Company part numbers to the Tennant Company, and all orders for parts with vendor part numbers to the local supplier of the respective vendor.

When ordering parts, please furnish all of the following information:

1. Machine model number - shown on the machine data plate.



2. Machine serial number - shown on the machine data plate.
3. Power source - gasoline, LPG, diesel, electric.
4. Company name.
5. Shipping address.
6. Billing address.
7. Name, first and last - of person ordering parts.
8. Telephone number.
9. Purchase order number.
10. Part number, description, and quantity - of each item on the order.
11. Customer ID Number.

Do not order parts by key number or the figure number of the illustrated parts. Indented items indicate parts of assemblies. Standard hardware is furnished only when part of a purchased assembly. Please get hardware from a local hardware supplier.

If the old part cannot be identified, send it to us with the quantity needed specified on the order.

Any claim for loss or damage to a shipment in transit should be filed promptly against the transportation company making the delivery. Shipments will be complete unless the packing list or order acknowledgement indicate items back ordered.

If parts received are suspected to be incorrect or defective, please write, wire, or phone the Tennant Company representative from whom you ordered the part. They will give authorization for return and/or handle replacement shipments when required.

SERIAL NUMBER INFORMATION EXPLANATION

Serial number listings are shown to indicate on which machines each part can be used. These listings are explained by the following examples:

(000000—) The part can be used on all machines.

(003342—) The part can be used on all machines beginning with the serial number listed.

(000000—004320) The part can be used on all machines up to and including serial number listed.

(004321—005678) The part can be used on all machines between and including the serial numbers listed.

Where xxxxxx's are listed in place of a serial number, it indicates a change was made but the exact serial number had not been established when the catalog went to press.

SI UNITS OF MEASURE (INTERNATIONAL SYSTEM)

Metric equivalents have been included, where applicable, throughout this parts catalog.

FASTENER STRENGTH IDENTIFICATION

Fasteners required to have high—strength qualities equivalent to SAE Grade 8 are identified throughout this catalog by the description GR 8. Unless identified by this description, all standard fasteners are SAE Grade 5.

(Specifications and design subject to change without notice.)

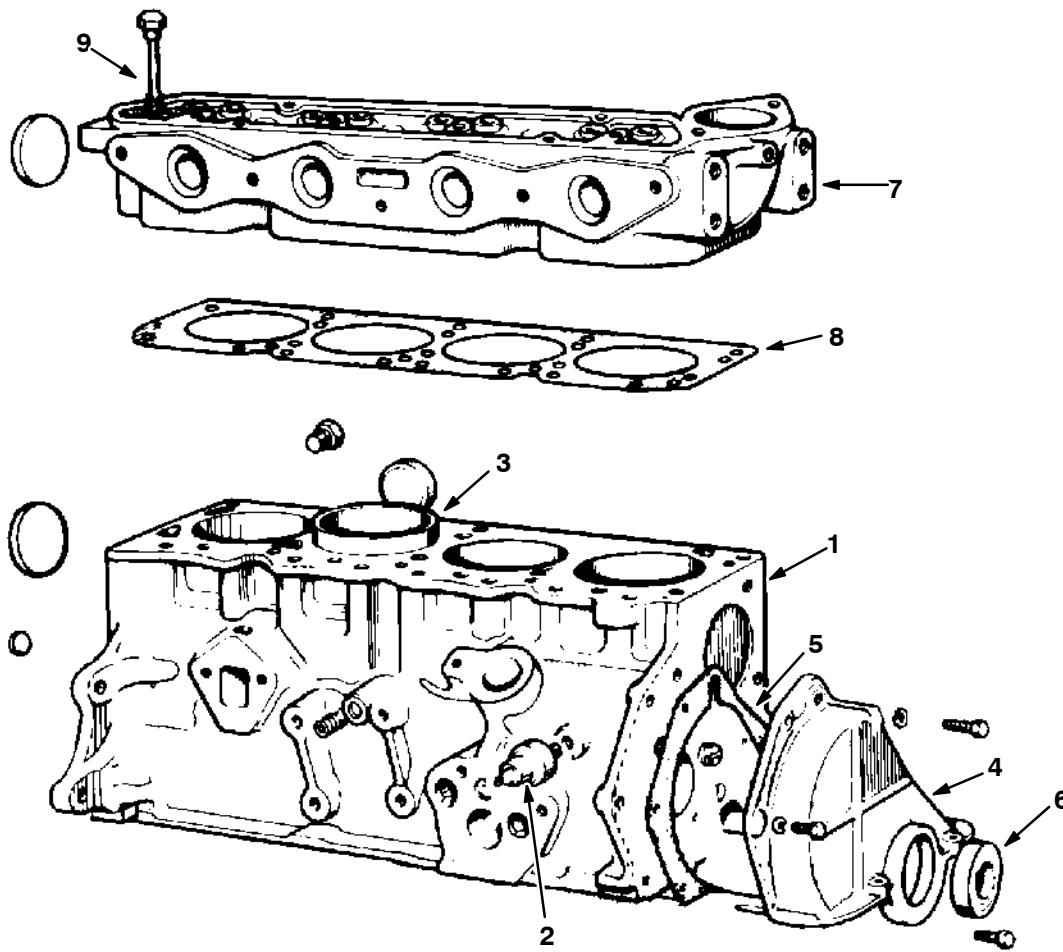
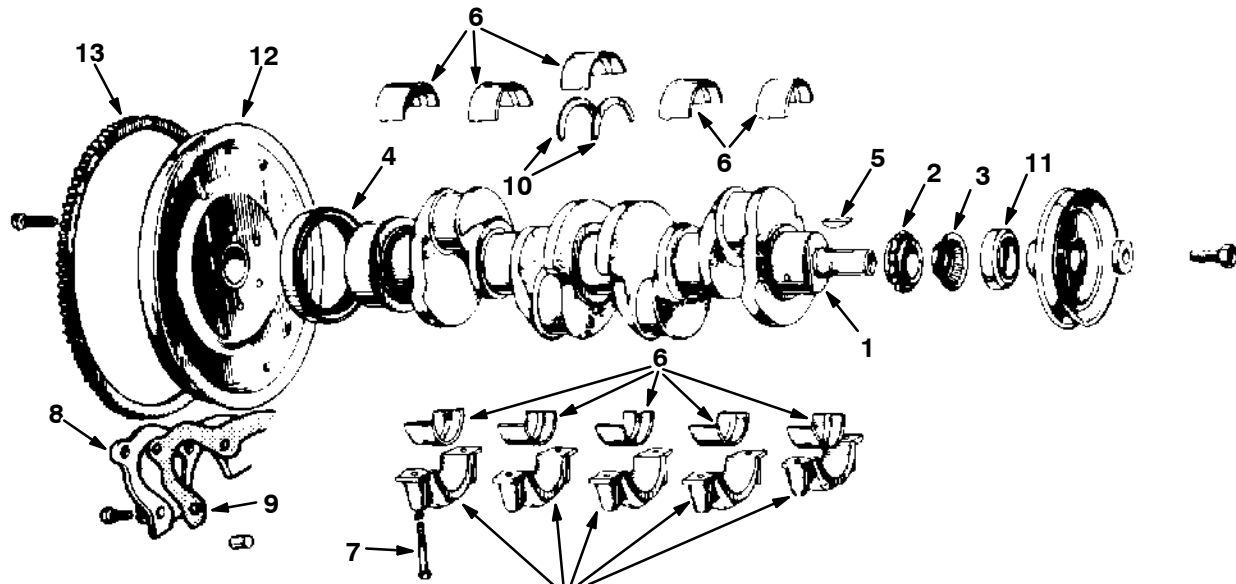


Fig. 1 – Cylinder Block, Head, and Manifolds Group

02311

| Key | TENNANT® Part No. | Ford Part Number | Engine Serial Number | Description | Qty. |
|-----|-------------------|------------------|----------------------|------------------------------------|------|
| 1 | | 711M-6010-BA | (000000-) | Block, Cylinder | 1 |
| | | 761F-6011-CA | (000000-) | Block, Cylinder With Pistons, Etc. | 1 |
| 2 | 37351 | D9ZZ-9278-A | (000000-) | Switch, Oil Pressure | 1 |
| 3 | | DORY-6055-A | (000000-) | Liner, Cylinder Block, Standard | 4 |
| 3 | | DORY-6055-B | (000000-) | Liner, Cylinder Block, 0.020" O/s | 4 |
| 4 | | 731M-6059-BA | (000000-) | Front Cover | 1 |
| 5 | 37333 | D1FZ-6020-B | (000000-) | Gasket, Front Cover | 1 |
| 6 | 37342 | D1FZ-6700-B | (000000-) | Seal, Front Cover Oil | 1 |
| 7 | | 761F-6049-AA | (000000-) | Head, Cylinder | 1 |
| 8 | 54911-23 | D8RZ-6051-B | (000000-) | Gasket, Cylinder Head | 1 |
| 9 | | D1FZ-6065-B | (000000-) | Bolt, Cylinder Head | 8 |
| 9 | | D1FZ-6065-C | (000000-) | Bolt, Cylinder Head | 2 |
| | 38246 | 761F-9425-AA | (000000-) | Manifold, Intake | 1 |
| | | 113765-ES2 | (000000-) | Stud, LPG | 2 |
| | 58049 | 711F-9430-AC | (000000-) | Manifold, Exhaust | 1 |
| | 54911-22 | DORY-9441-A | (000000-) | Gasket, Intake Manifold | 1 |
| | 54911-20 | DORY-9448-A | (000000-) | Gasket, Exhaust, Inner | 1 |
| | 54911-21 | DORY-9448-B | (000000-) | Gasket, Exhaust, Outer | 2 |



Serviced only in Block Assembly

Fig. 2 – Crankshaft Group

02312

| Key | TENNANT® Part No. | Ford Part Number | Engine Serial Number | Description | Qty. |
|-----|-------------------|------------------|----------------------|---|---------|
| 1 | | D1FZ-6303-B | (000000-) | Crankshaft | 1 |
| 2 | 37321 | DORY-6306-A | (000000-) | Sprocket | 1 |
| 3 | | D1FZ-6310-A | (000000-) | Slinger | 1 |
| 4 | 37343 | D1FZ-6701-A | (000000-) | Seal, Crankshaft Rear | 1 |
| 5 | 37312 | DORY-6B316-A | (000000-) | Key | 1 |
| 6 | | D8RZ-6333-A | (000000-) | Bearing, Standard O.D. and Standard I.D. | 5 |
| 6 | | D8RZ-6333-D | (000000-) | Bearing, Standard O.D. and 0.010" Undersize I.D. | As Req. |
| 6 | | D8RZ-6333-T | (000000-) | Bearing, Standard O.D. and 0.020" Undersize I.D. | As Req. |
| 6 | | D8RZ-6333-F | (000000-) | Bearing, Standard O.D. and 0.030" Undersize I.D. | As Req. |
| 6 | | D8RZ-6333-AA | (000000-) | Bearing, 0.015" Oversize O.D. and Standard I.D. | As Req. |
| 6 | | D2FZ-6333-C | (000000-) | Bearing, 0.015" Oversize O.D. and 0.010" Undersize I.D. | As Req. |
| 6 | | D8RZ-6333-Y | (000000-) | Bearing, 0.015" Oversize O.D. and 0.020" Undersize I.D. | As Req. |
| 6 | | D8RZ-6333-Z | (000000-) | Bearing, 0.015" Oversize O.D. and 0.030" Undersize I.D. | As Req. |
| 7 | | D1FZ-6345-B | (000000-) | Bolt, Main Bearing Cap | 10 |
| 8 | | D1FZ-6335-C | (000000-) | Retainer | 1 |
| 9 | | DORY-6344-A | (000000-) | Gasket | 1 |
| 10 | 37689 | D1FZ-6A355-A | (000000-) | Washer, Main Bearing, Standard, 2.938" O.D. | 2 |
| 10 | 37330 | D1FZ-6A355-c | (000000-) | Washer, Main Bearing, 0.005" O.S. | As Req. |
| 10 | | D1FZ-6A355-D | (000000-) | Washer, Main Bearing, 0.0075" O.S. | As Req. |
| 10 | | D1FZ-6A355-E | (000000-) | Washer, Main Bearing, 0.010" O.S. | As Req. |
| 12 | | 731M-6375-BA | (000000-) | Flywheel | 1 |
| 13 | 37719 | D1FZ-6384-A | (000000-) | Gear, Flywheel Ring | 1 |

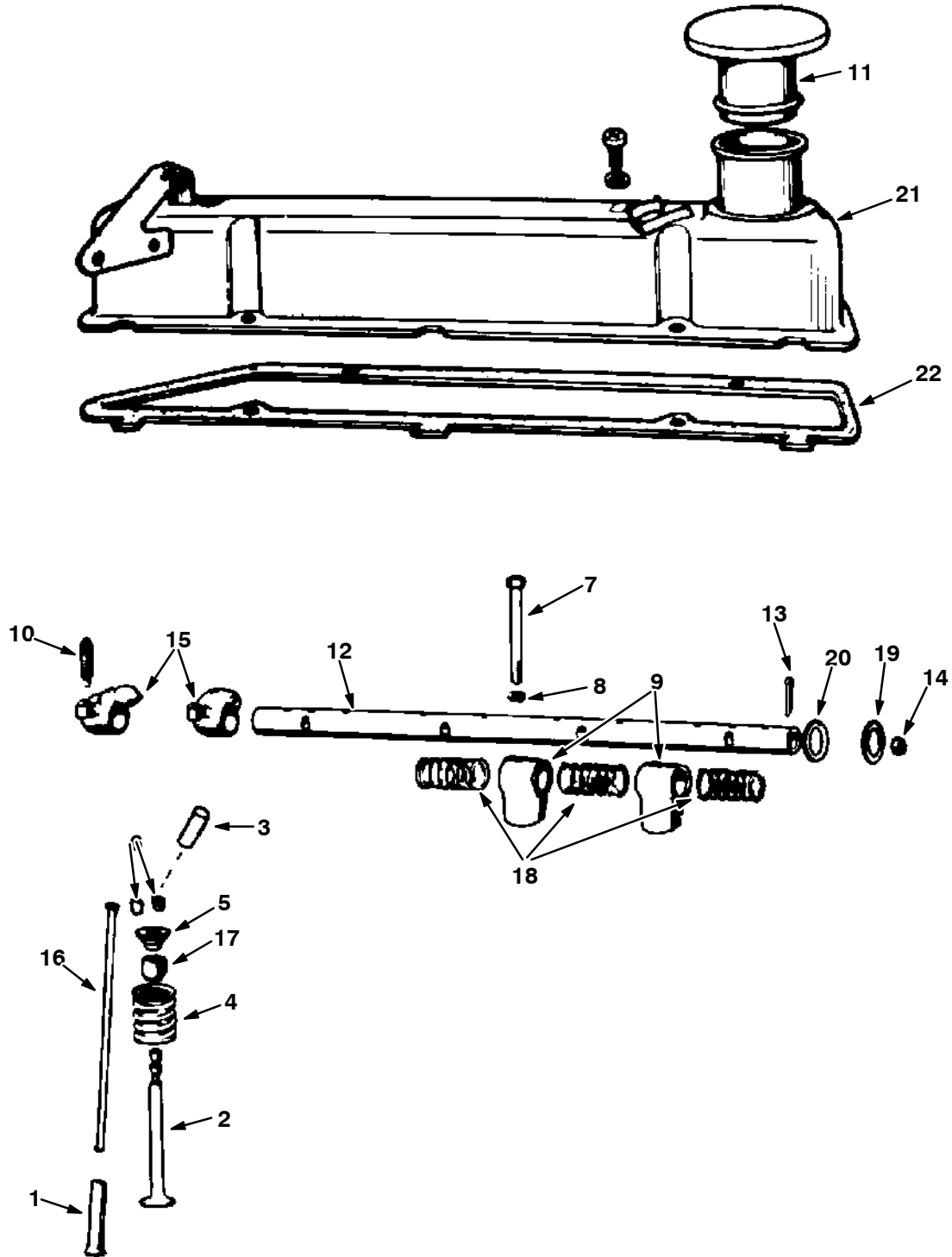


Fig. 3 - Valves and Valve Cover Group

Fig. 3 – Valves and Valve Cover Group

| Key | TENNANT® Part No. | Ford Part Number | Engine Serial Number | Description | Qty. |
|-----|----------------------|---------------------|-------------------------|---|---------|
| 1 | | D1FZ-6500-A | (000000-) | Tappet, Standard 0.515" Stem O.D. | 8 |
| | | D1FZ-6500-B | (000000-) | Tappet, 0.004" Oversize | As Req. |
| | | 801M-6507-GA | (000000-) | Valve, Standard, 1 Groove, Intake | 4 |
| 2 | | 801M-6507-HA | (000000-) | Valve, 0.015" Oversize, 1 Groove, Intake | As Req. |
| 2 | 37368 | 731M-6505-AA | (000000-) | Valve, Standard, 1 Groove, Exhaust | 4 |
| 2 | | 731M-6505-CA | (000000-) | Valve, 0.015" Oversize, 1 Groove, Exhaust | As Req. |
| 3 | 37308 | DORY-6510-A | (000000-) | Bushing, Valve Guide, Intake, 1.825", Plain | As Req. |
| 3 | | DORY-6510-C | (000000-) | Bushing, Valve Guide, Intake, 1.825", Shouldered | As Req. |
| 3 | 37309 | DORY-6510-B | (000000-) | Bushing, Valve Guide, Exhaust, 2.075", Plain | As Req. |
| 3 | | DORY-6510-D | (000000-) | Bushing, Valve Guide, Exhaust, 2.075", Shouldered | As Req. |
| 4 | 37340 | D1FZ-6513-D | (000000-) | Spring | 8 |
| 5 | | D1FZ-6514-B | (000000-) | Retainer | 8 |
| 6 | | 2724E-6518-A | (000000-) | Key | 16 |
| 7 | | DORY-6A527-A | (000000-) | Bolt | 4 |
| 8 | | DORY-6A528-A | (000000-) | Washer | 4 |
| 9 | | DORY-6531-A | (000000-) | Support | 4 |
| 10 | 37693 | DORY-6549-B | (000000-) | Screw | 8 |
| 11 | 50352 | D1FZ-6766-B | (000000-) | Cap | 1 |
| 12 | | DORY-6563-B | (000000-) | Shaft | 1 |
| 13 | | 72034-S | (000000-) | Pin, Cotter, 1" Long | 2 |
| 14 | | DORY-6026-D | (000000-) | Plug | 2 |
| 15 | | DORY-6564-D | (000000-) | Arm, R.H. | 4 |
| 15 | | DORY-6564-C | (000000-) | Arm, L.H. | 4 |
| 16 | | DORY-6565-A | (000000-) | Rod, Push | 8 |
| 17 | 38250 | E2JL-6571-AA | (000000-) | Seal | 8 |
| 18 | | DORY-6587-A | (000000-) | Spring, Valve Rocker To Shaft | 3 |
| 19 | | DORY-6590-A | (000000-) | Washer, Flat Type | 4 |
| 20 | | DORY-6598-A | (000000-) | Washer, Spring Type | 2 |
| 21 | 37358 | 701M6582-GA | (000000-) | Cover | 1 |
| 22 | 54911-24 | D1FZ-6584-C | (000000-) | Gasket | 1 |

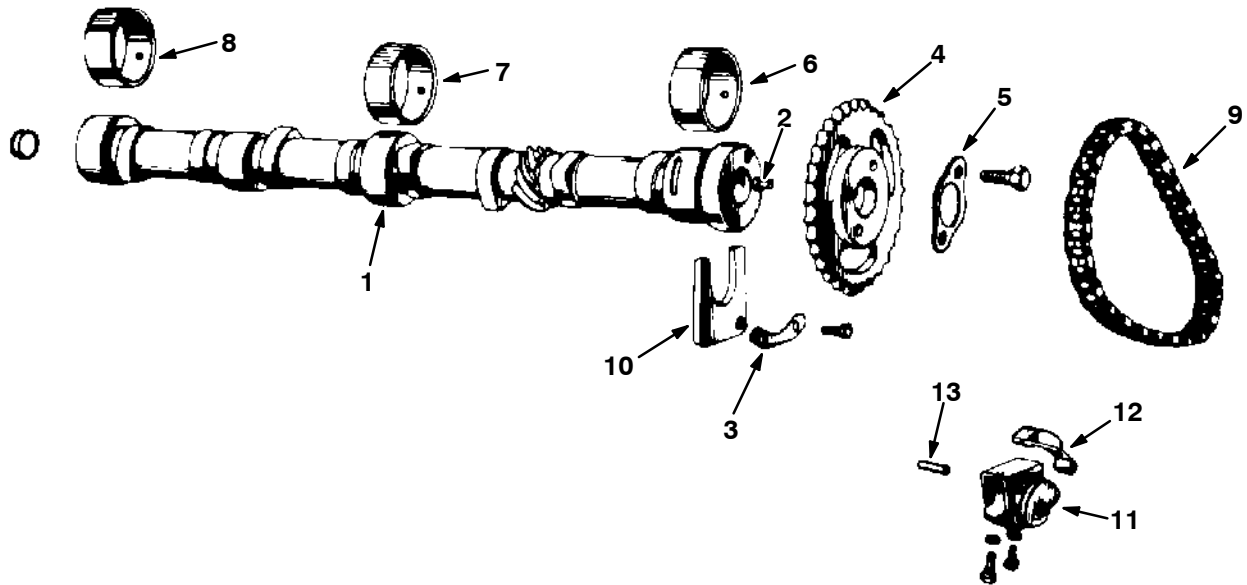


Fig. 4 – Camshaft Group

00746

| Key | TENNANT® Part No. | Ford Part Number | Engine Serial Number | Description | Qty. |
|-----|-------------------|------------------|----------------------|---|---------|
| 1 | | 711F-6250-DA | (000000-) | Camshaft | 1 |
| 2 | | DORY-6253-A | (000000-) | Dowel | 1 |
| 3 | | DORY-6255-A | (000000-) | Retainer | 1 |
| 4 | 37315 | DORY-6256-A | (000000-) | Sprocket | 1 |
| 5 | | DORY-6258-A | (000000-) | Retainer | 1 |
| 6 | 37316 | DORY-6261-A | (000000-) | Bearing, Front, Standard I.D. and O.D. | 1 |
| 6 | 37317 | DORY-6261-B | (000000-) | Bearing, Front, Standard I.D. and 0.020" O.S. – O.D. | As Req. |
| 7 | 37306 | DORY-6262-A | (000000-) | Bearing, Center, Standard I.D. and O.D. | 1 |
| 7 | 38242 | DORY-6262-B | (000000-) | Bearing, Center, Standard I.D. and 0.020" O.S. – O.D. | As Req. |
| 8 | | DORY-6263-A | (000000-) | Bearing, Rear, Standard I.D. and O.D. | 1 |
| 8 | | DORY-6263-B | (000000-) | Bearing, Rear, Standard I.D. and 0.020" O.S. – O.D. | As Req. |
| 9 | 37307 | DORY-6268-A | (000000-) | Chain | 1 |
| 10 | | DORY-6269-A | (000000-) | Plate | 1 |
| 11 | 37337 | D1FZ-6284-A | (000000-) | Tensioner | 1 |
| 12 | 37338 | D1FZ-6285-A | (000000-) | Arm | 1 |
| 13 | 37694 | D1FZ-6286-A | (000000-) | Pin | 1 |

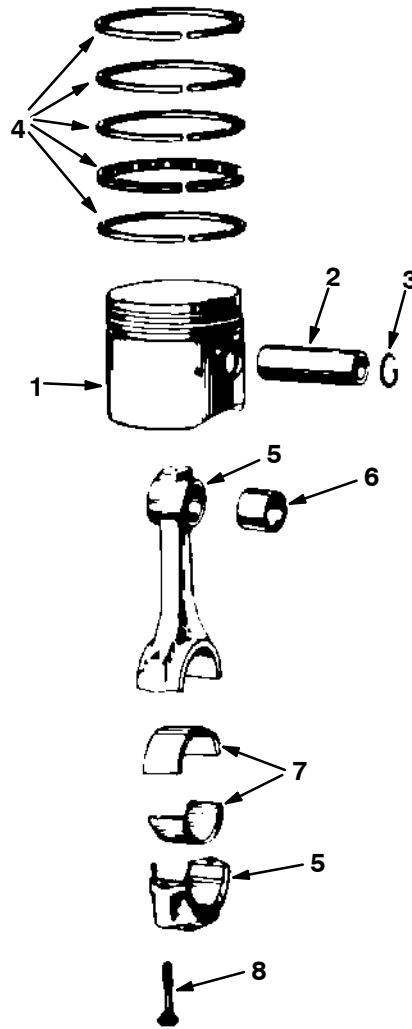


Fig. 5 – Piston and Connecting Rod Group

00742

| Key | TENNANT® Part No. | Ford Part Number | Engine Serial Number | Description | Qty. |
|-----|-------------------|------------------|----------------------|----------------------------|---------|
| 1 | | 751M-6102-ARB | (000000-) | Piston, Standard | 4 |
| 1 | | 751M-6102-AUB | (000000-) | Piston, 0.030" O/s | As Req. |
| 2 | | DORY-6135-A | (000000-) | Pin, Standard | 4 |
| 2 | | DORY-6135-C | (000000-) | Pin, 0.002" Undersize | As Req. |
| 3 | | DORY-6140-A | (000000-) | Retainer, Pin | 8 |
| 4 | | 751M-6149-AA | (000000-) | Ring Set, Piston, Standard | 1 |
| 4 | | 751M-6149-DA | (000000-) | Ring, Piston, 0.030" O/s | As Req. |
| 5 | | DORY-6200-A | (000000-) | Rod Assembly | 4 |
| 6 | | 105e-6207-B | (000000-) | Bushing | 4 |
| 7 | 38243 | D1FZ-6211-AA | (000000-) | Bearing, Standard | 8 |
| 7 | | D1FZ-6211-AB | (000000-) | Bearing, 0.001" Undersize | As Req. |
| 7 | | D1FZ-6211-AC | (000000-) | Bearing, 0.002" Undersize | As Req. |
| 7 | 37335 | D1FZ-6211-AD | (000000-) | Bearing, 0.010" Undersize | As Req. |
| 7 | | D1FZ-6211-AE | (000000-) | Bearing, 0.020" Undersize | As Req. |
| 7 | | D1FZ-6211-AF | (000000-) | Bearing, 0.030" Undersize | As Req. |
| 7 | | D1FZ-6211-AG | (000000-) | Bearing, 0.040" Undersize | As Req. |
| 8 | | DORY-6214-A | (000000-) | Bolt, 0.38" – 24 X 1.718" | 8 |

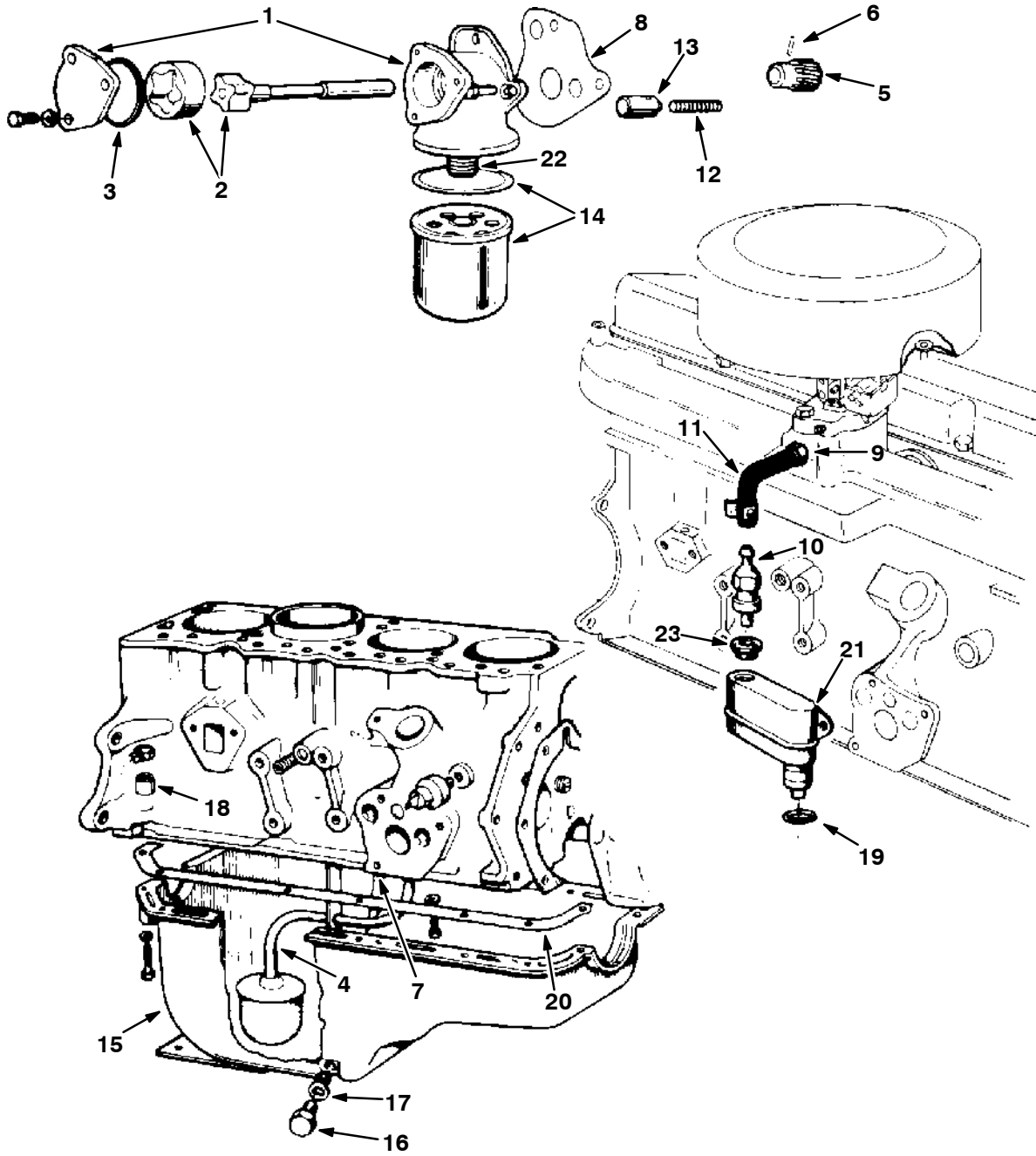


Fig. 6 - Oil Pump, Filter, and PCV Group

Fig. 6 – Oil Pump, Filter, and PCV Group

| Key | TENNANT® Part No. | Ford Part Number | Engine Serial Number | Description | Qty. |
|-----|----------------------|---------------------|-------------------------|-----------------------------------|------|
| 1 | 37844 | 731M-6600-AA | (000000-) | Oil Pump | 1 |
| 2 | | D1FZ-6608-B | (000000-) | Rotor and Shaft | 1 |
| 3 | 37403 | 116682-ES | (000000-) | O-Ring | 1 |
| 4 | | DORY-6622-A | (000000-) | Tube, Oil Pickup | 1 |
| 5 | | DORY-6652-A | (000000-) | Gear | 1 |
| 6 | | 72432-S | (000000-) | Pin | 1 |
| 7 | | DORY-6K656-A | (000000-) | Tube, Oil Return | 1 |
| 8 | 37341 | D1FZ-6659-A | (000000-) | Gasket | 1 |
| 9 | | DORY-6A665-A | (000000-) | Adaptor, Crankcase Ventilation | 1 |
| 10 | 38245 | 73HF-6A666-AB | (000000-) | Valve, Crankcase Ventilation, PCV | 1 |
| 11 | | 751F-6K609-AB | (000000-) | Hose, PCV | 1 |
| 12 | | DORY-6670-A | (000000-) | Spring | 1 |
| 13 | | DORY-6674-A | (000000-) | Plunger | 1 |
| 14 | 58122 | FL-271 | (000000-) | Oil Filter | 1 |
| 15 | 37326 | DORY-6675-C | (000000-) | Oil Pan | 1 |
| 16 | 37354 | D6TZ-6730-A | (000000-) | Plug, Oil Drain | 1 |
| 17 | 37303 | C20Z-6734-A | (000000-) | Gasket, Oil Drain | 1 |
| 18 | 54911-27 | DORY-6754-A | (000000-) | Tube, Oil Level Indicator | 1 |
| 19 | | DORY-6K777-A | (000000-) | O-Ring | 1 |
| 20 | 37344 | D1FZ-6781-B | (000000-) | Gasket, Oil Pan | 1 |
| 21 | | D1FZ-6A785-B | (000000-) | Separator | 1 |
| 22 | | D1FZ-6890-B | (000000-) | Insert, Oil Filter Mounting Bolt | 1 |
| 23 | | C8SZ-6A892-A | (000000-) | Grommet, PCV Valve | 1 |

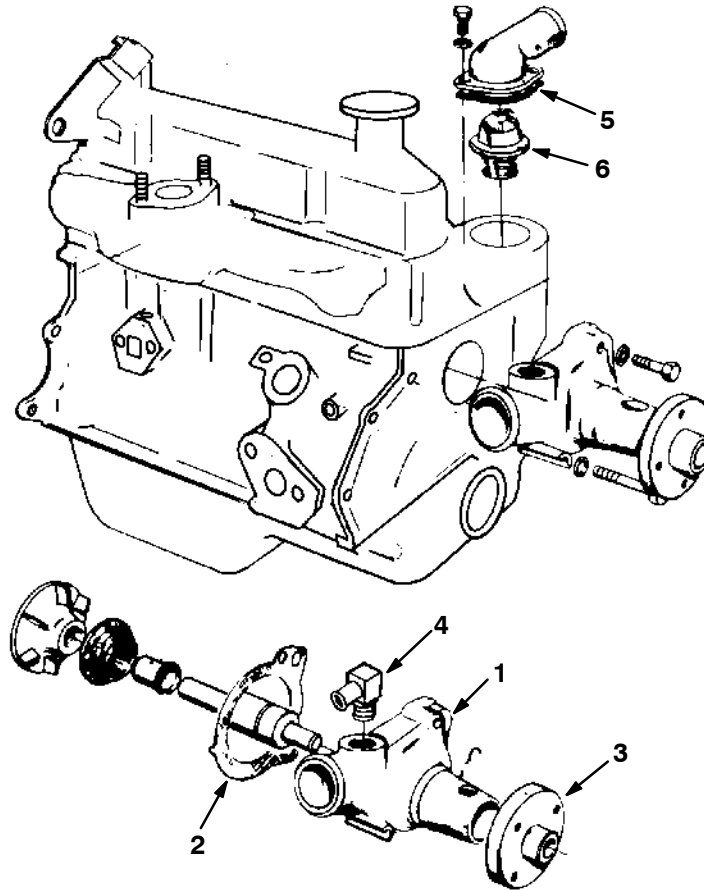


Fig. 7 – Water Pump and Thermostat Group

02315

| Key | TENNANT® Part No. | Ford Part Number | Engine Serial Number | Description | Qty. |
|-----|-------------------|------------------|----------------------|-----------------------------|------|
| 1 | 33864 | | (000000–) | Replacement Kit, Water Pump | 1 |
| 2 | 37325 | DORY–8507–A | (000000–) | Gasket | 1 |
| 3 | | DORY–8553–A | (000000–) | Hub | 1 |
| 4 | 51839 | | (000000–) | Fitting, Elbow | 1 |
| 5 | 54911–25 | D1FZ–8255B | (000000–) | Gasket | 1 |
| 6 | 37327 | D4PZ–8575–A | (000000–) | Thermostat | 1 |

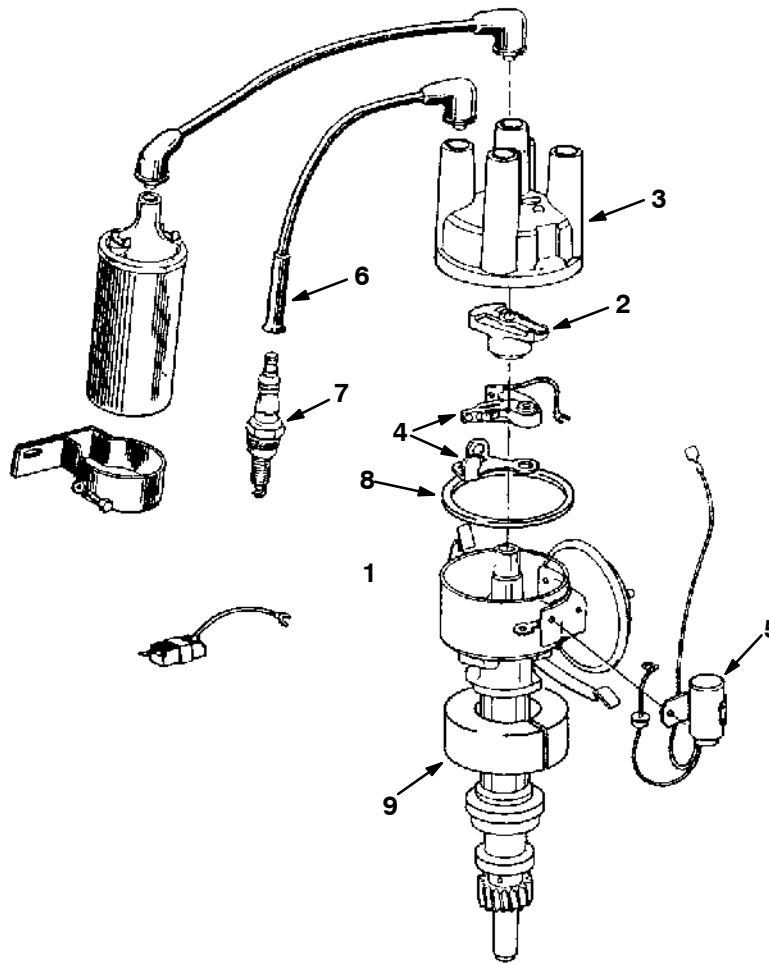


Fig. 8 – Distributor and Spark Plugs Group

04411

| Key | TENNANT® Part No. | Ford Part Number | Engine Serial Number | Description | Qty. |
|-----|-------------------|------------------|----------------------|-----------------------------|------|
| 1 | 06997 | | (000000-) | Distributor Kit | 1 |
| 2 | 82697 | | (000000-) | Rotor, Overspeed Protection | 1 |
| 3 | 58507 | D1FZ-2106-A | (000000-) | Cap | 1 |
| 4 | 58506 | 77BF-12171-AA | (000000-) | Points Set | 1 |
| 5 | 58509 | 831F-12300-AA | (000000-) | Condenser | 1 |
| 6 | 37328 | D1FZ-12259-A | (000000-) | Wire Kit, Ignition | 1 |
| | | 721F-12283-BA | (000000-) | Wire, No. 2 | 1 |
| | | 721F-12284-AA | (000000-) | Wire, No. 3 | 1 |
| | | 721F-12286-BA | (000000-) | Wire, No. 1 | 1 |
| | | 721F-12287-AA | (000000-) | Wire, No. 4 | 1 |
| 7 | 45770-8 | AGR-22 | (000000-) | Spark Plug | 4 |
| 8 | 07328 | | (000000-) | Filter, Distributor Cap | 1 |
| 9 | 07330 | | (000000-) | Filter, Distributor | 1 |

NOTE: To identify parts shown but not listed here, see SECTION 5, STANDARD MODEL PARTS.

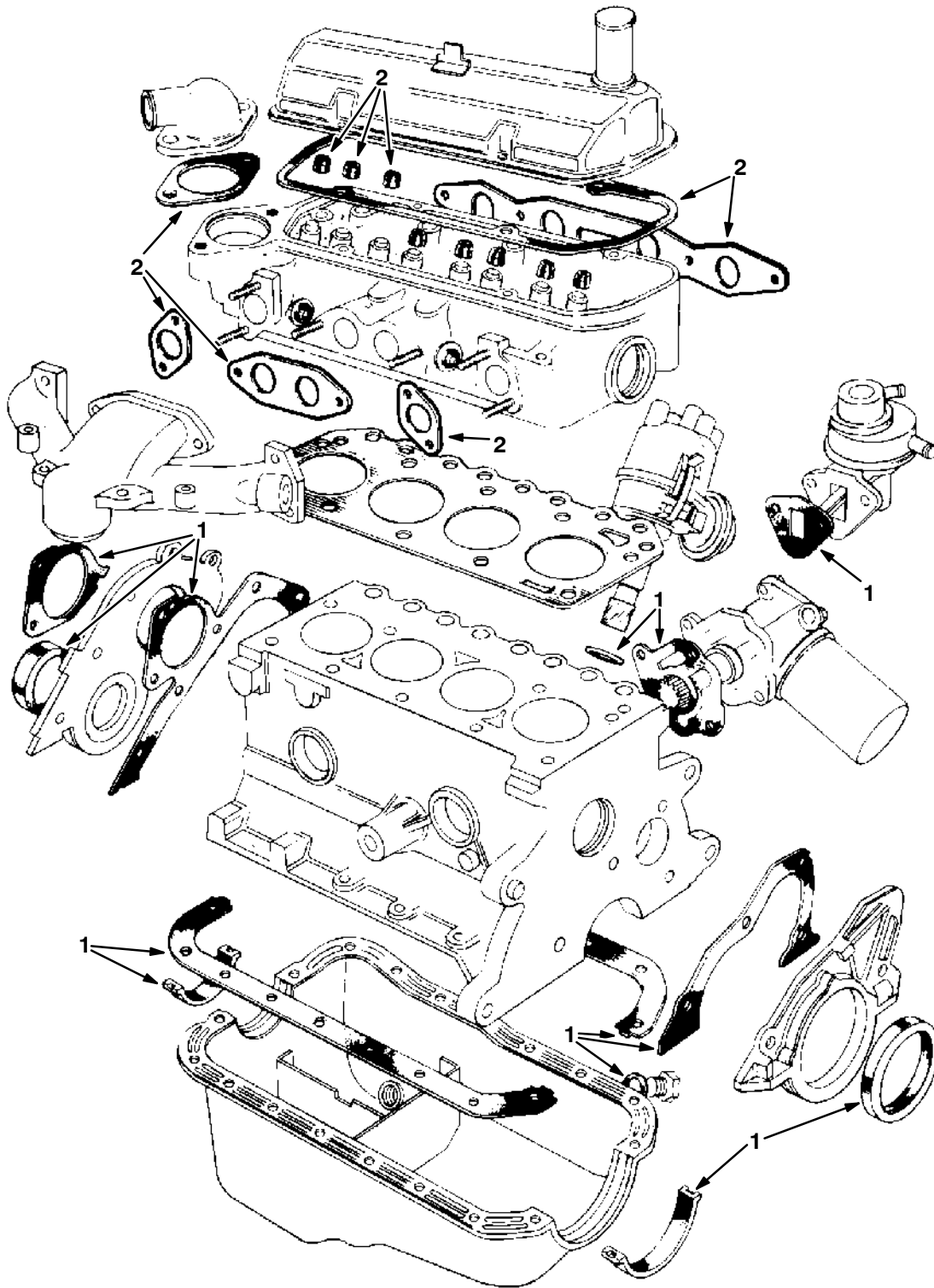


Fig. 9 – Gasket Kits Group

00749

| Key | TENNANT® Part No. | Ford Part Number | Engine Serial Number | Description | Qty. |
|-----|-------------------|------------------|----------------------|-----------------------------|------|
| 1 | 37332 | D1FZ-6008-A | (000000-) | Gasket Kit, Engine Overhaul | 1 |
| 2 | 37334 | D1FZ-6079-A | (000000-) | Gasket Kit, Valve Grind | 1 |

CONTENTS

| | Page |
|---|-------|
| ORDERING REPAIR PARTS | 10-3 |
| Fig. 1 – Cylinder Head, Valves Group | 10-4 |
| Fig. 2 – Cylinder Block Group | 10-6 |
| Fig. 3 – Camshaft and Valve Control Group . | 10-8 |
| Fig. 4 – Crankshaft and Piston Group | 10-10 |
| Fig. 5 – Oil Pump and Oil Pan Group | 10-12 |
| Fig. 6 – Intake Manifold Group | 10-14 |
| Fig. 7 – Front Cover Assembly Group | 10-15 |
| Fig. 8 – Water Pump Group | 10-16 |
| Fig. 9 – Distributorless Ignition Group | 10-17 |
| Fig. 10 – Gaskets Group | 10-18 |
| Fig. 11 – Flywheel Group | 10-19 |

NOTE: SECTION 10, ENGINE PARTS, DIS, GASOLINE, LPG, lists repair parts for Distributorless (DIS) Gasoline and LPG Engines, TENNANT Part No. 30296, for machines serial number 007000 and above.

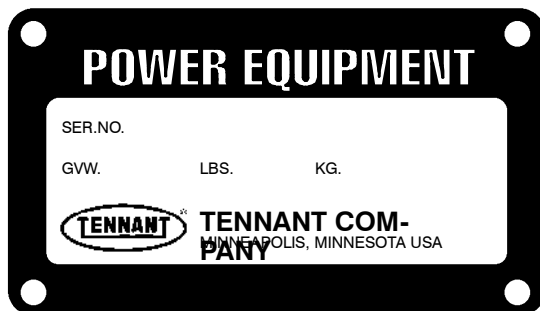
ORDERING REPAIR PARTS

The components used in this machine have been carefully selected for performance and safety. Use only Tennant Company specified or equivalent parts.

To receive prompt service in filling of your parts orders, please direct all orders for parts with Tennant Company part numbers to the Tennant Company, and all orders for parts with vendor part numbers to the local supplier of the respective vendor.

When ordering parts, please furnish all of the following information:

1. Machine model number - shown on the machine data plate.



2. Machine serial number - shown on the machine data plate.
3. Power source - gasoline, LPG, diesel, electric.
4. Company name.
5. Shipping address.
6. Billing address.
7. Name, first and last - of person ordering parts.
8. Telephone number.
9. Purchase order number.
10. Part number, description, and quantity - of each item on the order.
11. Customer ID Number.

Do not order parts by key number or the figure number of the illustrated parts. Indented items indicate parts of assemblies. Standard hardware is furnished only when part of a purchased assembly. Please get hardware from a local hardware supplier.

If the old part cannot be identified, send it to us with the quantity needed specified on the order.

Any claim for loss or damage to a shipment in transit should be filed promptly against the transportation company making the delivery. Shipments will be complete unless the packing list or order acknowledgement indicate items back ordered.

If parts received are suspected to be incorrect or defective, please write, wire, or phone the Tennant Company representative from whom you ordered the part. They will give authorization for return and/or handle replacement shipments when required.

SERIAL NUMBER INFORMATION EXPLANATION

Serial number listings are shown to indicate on which machines each part can be used. These listings are explained by the following examples:

(000000—) The part can be used on all machines.

(003342—) The part can be used on all machines beginning with the serial number listed.

(000000—004320) The part can be used on all machines up to and including serial number listed.

(004321—005678) The part can be used on all machines between and including the serial numbers listed.

Where xxxxxx's are listed in place of a serial number, it indicates a change was made but the exact serial number had not been established when the catalog went to press.

SI UNITS OF MEASURE (INTERNATIONAL SYSTEM)

Metric equivalents have been included, where applicable, throughout this parts catalog.

FASTENER STRENGTH IDENTIFICATION

Fasteners required to have high—strength qualities equivalent to SAE Grade 8 are identified throughout this catalog by the description GR 8. Unless identified by this description, all standard fasteners are SAE Grade 5.

(Specifications and design subject to change without notice.)

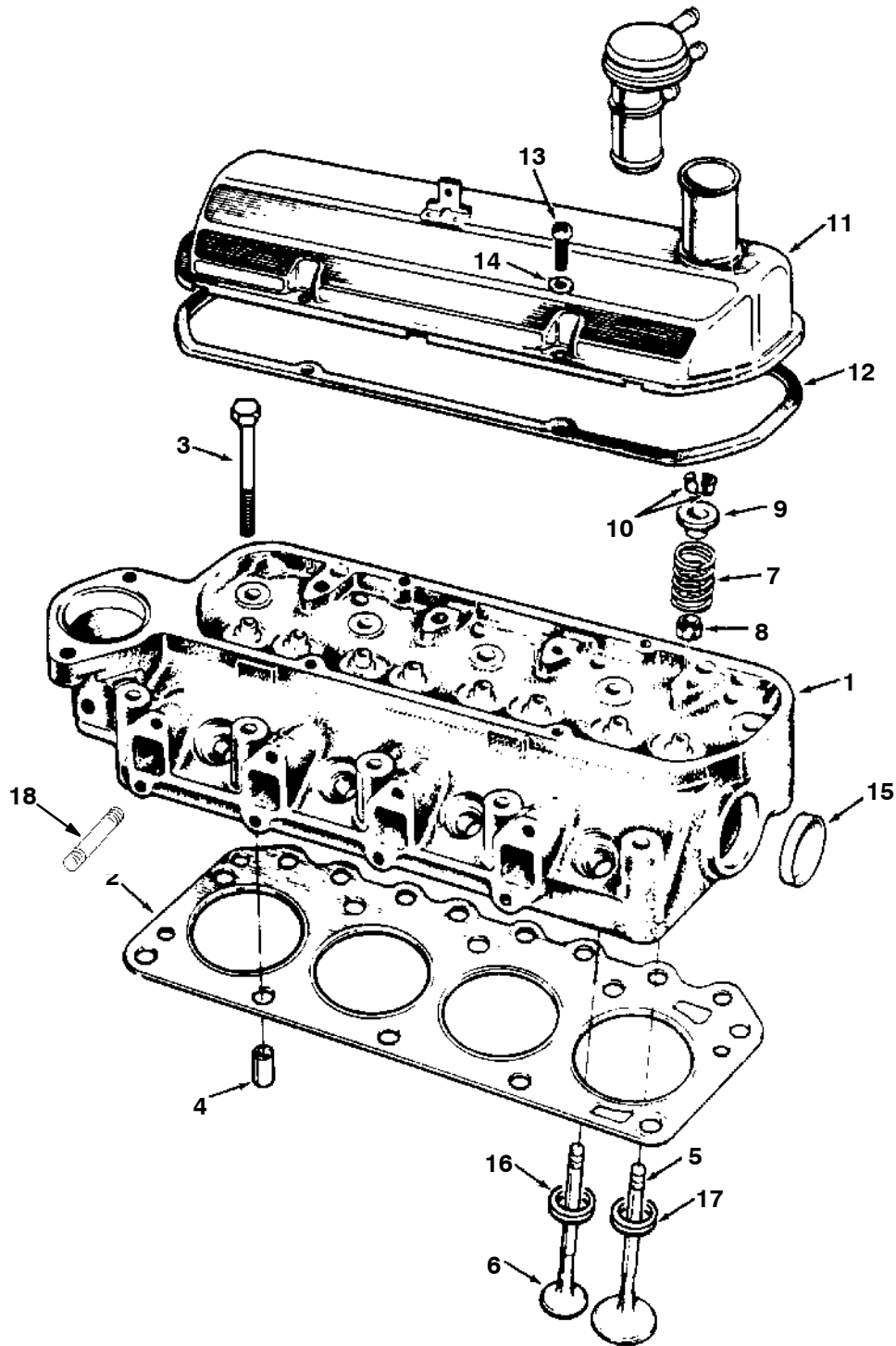


Fig. 1 - Cylinder Head, Valves Group

NOTE: To identify parts shown but not listed here, see SECTION 5, STANDARD MODEL PARTS.

Fig. 1 – Cylinder Head, Valves Group

| Key | TENNANT® Part No. | Ford Part Number | Engine Serial Number | Description | Qty. |
|-----|-------------------|------------------|----------------------|-------------------------------|---------|
| 1 | 36279 | 89BM-6049-DD | (000000-) | Head Assembly, Cylinder | 1 |
| 2 | 36281 | 89BM-6051-C1C | (000000-) | Gasket, Cylinder Head | 1 |
| 3 | 36297 | 89BM-6065-DA | (000000-) | Bolt, Cylinder Head | 10 |
| 4 | 36298 | E840126-S | (000000-) | Dowel, Cylinder Head to Block | 2 |
| 5 | 36300 | 89BM-6507-BA | (000000-) | Valve, Intake, Std | 4 |
| 5 | 36303 | 89BM-6507-BC | (000000-) | Valve, Intake, 0.40 mm O/S | As Req. |
| 6 | 36306 | 89BM-6505-BC | (000000-) | Valve, Exhaust, 0.40 mm O/S | As Req. |
| 6 | 36307 | 89BM-6505-CA | (000000-) | Valve, Exhaust, Std | 4 |
| 7 | 36315 | 89BM-6513-AA | (000000-) | Spring, Valve | 8 |
| 8 | 36317 | D1FZ-6571-B | (000000-) | Seal, Valve Stem | 8 |
| 9 | 36318 | 89BM-6A536-AA | (000000-) | Retainer | 8 |
| 10 | 36319 | 88WM-6518-AA | (000000-) | Lock, Valve Spring | 16 |
| 11 | 36321 | 89BM-6582-AA | (000000-) | Cover, Rocker Arm | 1 |
| 12 | 07705 | 77BM-6584-CA | (000000-) | Gasket, Rocker Arm Cover | 1 |
| 13 | 36324 | E800516-S72 | (000000-) | Screw, Rocker Cover to Head | 4 |
| 14 | 36325 | 118297-ES8 | (000000-) | Washer, Flat, 6 mm, | 4 |
| 15 | 36265 | D8RZ-6026-B | (000000-) | Plug | 1 |
| 16 | 36330 | 89BM-6057-A2E | (000000-) | Insert, Exhaust Valve Seat | 4 |
| 17 | 36331 | 89BM-6056-A1G | (000000-) | Insert, Intake Valve Seat | 4 |
| 18 | 30327 | | (000000-) | Stud | 8 |

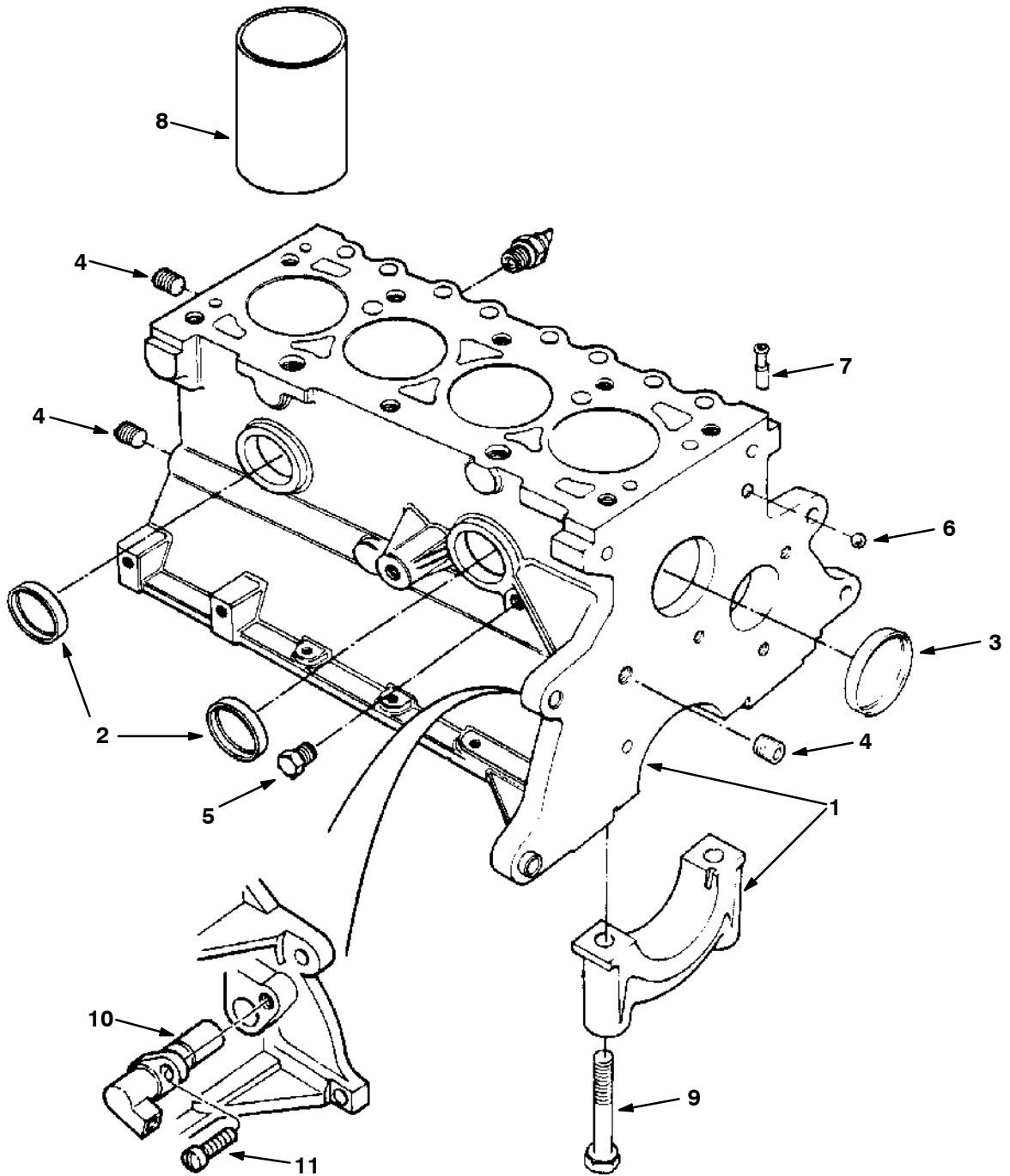


Fig. 2 – Cylinder Block Group

NOTE: To identify parts shown but not listed here, see SECTION 5, STANDARD MODEL PARTS.

Fig. 2 – Cylinder Block Group

| Key | TENNANT® Part No. | Ford Part Number | Engine Serial Number | Description | Qty. |
|------------|--------------------------|-------------------------|-----------------------------|---|-------------|
| 1 | 36264 | 89BM-6011-DA | (000000-) | Block, Cylinder, With Crank, Pistons, Rings, etc. | 1 |
| | 36263 | 89BM-6010-FA | (000000-) | Block, Cylinder | 1 |
| 2 | 36265 | D8RZ-6026-B | (000000-) | Plug | 2 |
| 3 | 36267 | D8RZ-6026-A | (000000-) | Plug | 1 |
| 4 | 36268 | 87837-S | (000000-) | Plug, 1/4 NPT | 3 |
| 5 | 36272 | 353055-S7 | (000000-) | Plug, 1/4 NPT | 1 |
| 6 | 36273 | E890100-S | (000000-) | Plug, Ball, Oil Gallery | 1 |
| 7 | 36274 | D8RZ-6767-A | (000000-) | Adapter | 1 |
| 8 | 36275 | 89BM-6055-BA | (000000-) | Liner, Cylinder | As Req. |
| 9 | 36276 | D1FZ-6345-A | (000000-) | Bolt, Main Bearing Cap | 10 |
| 10 | 36277 | 89BF-6C315-AA | (000000-) | Transducer | 1 |
| 11 | 36278 | E802666-S72 | (000000-) | Screw, M6 x 14 | 1 |

Fig. 3 – Camshaft and Valve Control Group

| Key | TENNANT® Part No. | Ford Part Number | Engine Serial Number | Description | Qty. |
|-----|-------------------|------------------|----------------------|--------------------------------------|---------|
| 1 | 36340 | 89BM-6251-BA | (000000-) | Camshaft | 1 |
| 2 | 37316 | DORY-6261-A | (000000-) | Bearing, Std ID – Std OD | 1 |
| 2 | 37317 | DORY-6261-B | (000000-) | Bearing, Std ID + 0.020 OD | As Req. |
| 3 | 37306 | DORY-6262-A | (000000-) | Bearing, Std ID – Std OD | 1 |
| 3 | 38242 | DORY-6262-B | (000000-) | Bearing, Std ID + 0.020 OD | As Req. |
| 4 | 37306 | DORY-6262-A | (000000-) | Bearing, Std ID – Std OD | 1 |
| 4 | 38242 | DORY-6262-B | (000000-) | Bearing, Std ID + 0.020 OD | As Req. |
| 5 | 36341 | DORY-6253-A | (000000-) | Dowel | 1 |
| 6 | 36342 | DORY-6269-A | (000000-) | Plate, Thrust | 1 |
| 7 | 36343 | DORY-6255-A | (000000-) | Retainer | 1 |
| 8 | 36344 | E602166-S72 | (000000-) | Bolt, M6 x 16, Tensioner to Block | 2 |
| 9 | 36345 | 77BM-6256-AA | (000000-) | Sprocket, Camshaft | 1 |
| 10 | 36348 | DORY-6258-A | (000000-) | Retainer | 1 |
| 11 | 36349 | E602351-S72 | (000000-) | Bolt, M8 x 16 | 2 |
| 12 | 37307 | DORY-6268-A | (000000-) | Chain | 1 |
| 13 | 37337 | D1FZ-6284-A | (000000-) | Tensioner | 1 |
| 14 | 36372 | E600116-S72 | (000000-) | Bolt, M6 x 55, Tensioner to Block | 1 |
| 15 | 36344 | E602166-S72 | (000000-) | Bolt, M6 x 16, Tensioner to Block | 1 |
| 16 | 36373 | 34805-S8 | (000000-) | Washer, 1/4 Lock | 2 |
| 17 | 36374 | 77BM-6K255-AB | (000000-) | Arm, Tensioner | 1 |
| 18 | 37694 | D1FZ-6286-A | (000000-) | Pin | 1 |
| 19 | 36375 | 89BM-6500-AA | (000000-) | Tappet, Std | 8 |
| 20 | 36381 | 89BM-6565-AA | (000000-) | Rod, Valve Push | 8 |
| 21 | 36382 | 89BM-6529-AB | (000000-) | Arm, Valve Rocker, Right, With Screw | 4 |
| 21 | 36383 | 89BM-6K528-AB | (000000-) | Arm, Valve Rocker, Left, With Screw | 4 |
| 22 | 37693 | DORY-6549-B | (000000-) | Screw | 8 |
| 23 | 36384 | 77BM-6531-BB | (000000-) | Support, Rocker Arm Shaft | 4 |
| 24 | 36389 | E630031-S101 | (000000-) | Washer, B10 x 20 x 2.5 | 4 |
| 25 | 36390 | E800509-S72 | (000000-) | Bolt, Rocker Support | 4 |
| 26 | 36402 | DORY-6587-A | (000000-) | Spring, Locating | 3 |
| 27 | 36405 | 77BM-6A557-BB | (000000-) | Shaft Assembly, Rocker Arm | 1 |
| 28 | 36406 | D1FZ-6026-E | (000000-) | Plug, Rocker Arm Shaft, 11 mm | 2 |
| 29 | 36407 | 77BM-6598-AB | (000000-) | Washer, Spring | 2 |
| 30 | 36408 | 116106-ES10 | (000000-) | Washer, Flat | 2 |
| 31 | 36409 | 72025-S7 | (000000-) | Pin, Cotter, 2.3 mm | 2 |

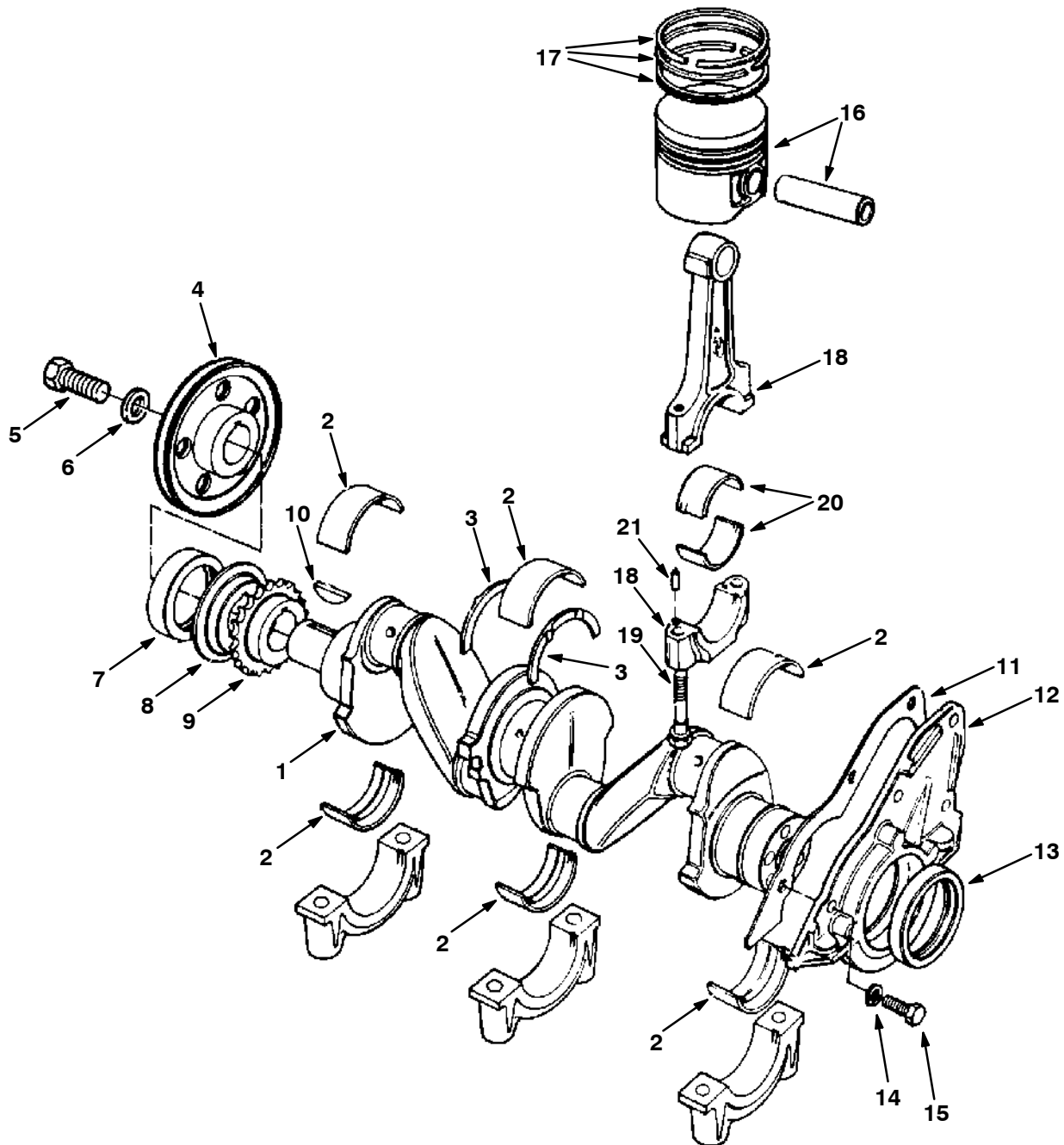


Fig. 4 – Crankshaft and Piston Group

Fig. 4 – Crankshaft and Piston Group

| Key | TENNANT® Part No. | Ford Part Number | Engine Serial Number | Description | Qty. |
|-----|-------------------|------------------|----------------------|--|---------|
| 1 | 36322 | 89BM-6303-DA | (000000-) | Crankshaft Assembly | 1 |
| 2 | 36410 | 89BM-6333-AA | (000000-) | Main Bearing, Crankshaft, Std OD, Std ID | 5 |
| 2 | 36411 | 89BM-6333-BA | (000000-) | Main Bearing, Crankshaft, Std OD, 0.005 US ID | As Req. |
| 2 | 36412 | 89BM-6333-CA | (000000-) | Main Bearing, Crankshaft, Std OD, 0.010 US ID | As Req. |
| 2 | 36413 | 89BM-6333-DA | (000000-) | Main Bearing, Crankshaft, 0.015 OS OD, Std ID | As Req. |
| 2 | 36414 | 89BM-6333-EA | (000000-) | Main Bearing, Crankshaft, Std OD, 0.020 US ID | As Req. |
| 2 | 36415 | 89BM-6333-FA | (000000-) | Main Bearing, Crankshaft, Std OD, 0.030 US ID | As Req. |
| 2 | 36416 | 89BM-6333-GA | (000000-) | Main Bearing, Crankshaft, 0.015 OS OD, 0.010 US ID | As Req. |
| 2 | 36418 | 89BM-6333-HA | (000000-) | Main Bearing, Crankshaft, 0.015 OS OD, 0.020 US ID | As Req. |
| 3 | 36419 | 89BM-6A341-AA | (000000-) | Washer, Main Bearing Thrust, Std | 2 |
| 3 | 36421 | 89BM-6A341-BA | (000000-) | Washer, Main Bearing Thrust, 0.015 OS | As Req. |
| 4 | 36422 | 89BM-6312-AA | (000000-) | Pulley, Crankshaft, 1 Groove | 1 |
| 5 | 36423 | 89BM-6K340-AA | (000000-) | Bolt, Pulley to Crankshaft, M12 x 32 | 1 |
| 6 | 07707 | E830135-S76 | (000000-) | Washer, Pulley to Crankshaft, B12 | 1 |
| 7 | 36257 | 83BM-6700-A4A | (000000-) | Seal, Front Cover | 1 |
| 8 | 36424 | D8RZ-6310-A | (000000-) | Slinger, Oil | 1 |
| 9 | 37321 | DORY-6306-A | (000000-) | Sprocket | 1 |
| 10 | 36429 | DORY-6B316-A | (000000-) | Key, Woodruff | 1 |
| 11 | 36259 | 89BM-6344-BA | (000000-) | Gasket, Rear Retainer | 1 |
| 12 | 36430 | 86BM-6K318-AA | (000000-) | Retainer Assembly, Rear | 1 |
| 13 | 36262 | D7RZ-6701-A | (000000-) | Seal, Crankshaft Rear | 1 |
| 14 | 36431 | E630173-S71M | (000000-) | Washer, B8 Lock | 4 |
| 15 | 37181 | E602187-S82 | (000000-) | Bolt, M8 x 20 | 4 |
| 16 | 36432 | 89BM-6102-DA | (000000-) | Piston, Pin and Ring Assembly, Std | 4 |
| 16 | 36433 | 89BM-6102-EA | (000000-) | Piston, Pin and Ring Assembly, 0.020 OS | As Req. |
| 16 | 36445 | 89BM-6102-FA | (000000-) | Piston, Pin and Ring Assembly, 0.040 OS | As Req. |
| 17 | 36450 | 84BM-6148-DA | (000000-) | Ring Set, Piston, Std | 4 |
| 17 | 36451 | 84BM-6148-EA | (000000-) | Ring Set, Piston, 0.020 OS | As Req. |
| 17 | 36452 | 84BM-6148-FA | (000000-) | Ring Set, Piston, 0.040 OS | As Req. |
| 18 | 36453 | 86BM-6200-AA | (000000-) | Rod Assembly, Connecting | 4 |
| 19 | 36454 | 89BM-6214-CB | (000000-) | Bolt, Connecting Rod | 8 |
| 20 | 36463 | 89SM-6211-AA | (000000-) | Bearing, Connecting Rod, Std | 8 |
| 20 | 36467 | 89SM-6211-BA | (000000-) | Bearing, Connecting Rod, 0.001 US | As Req. |
| 20 | 36469 | 89SM-6211-CA | (000000-) | Bearing, Connecting Rod, 0.010 US | As Req. |
| 20 | 36483 | 89SM-6211-DA | (000000-) | Bearing, Connecting Rod, 0.020 US | As Req. |
| 20 | 36493 | 89SM-6211-EA | (000000-) | Bearing, Connecting Rod, 0.030 US | As Req. |
| 21 | 36590 | 116336-ES100 | (000000-) | Dowel Pin, Connecting Rod | 8 |

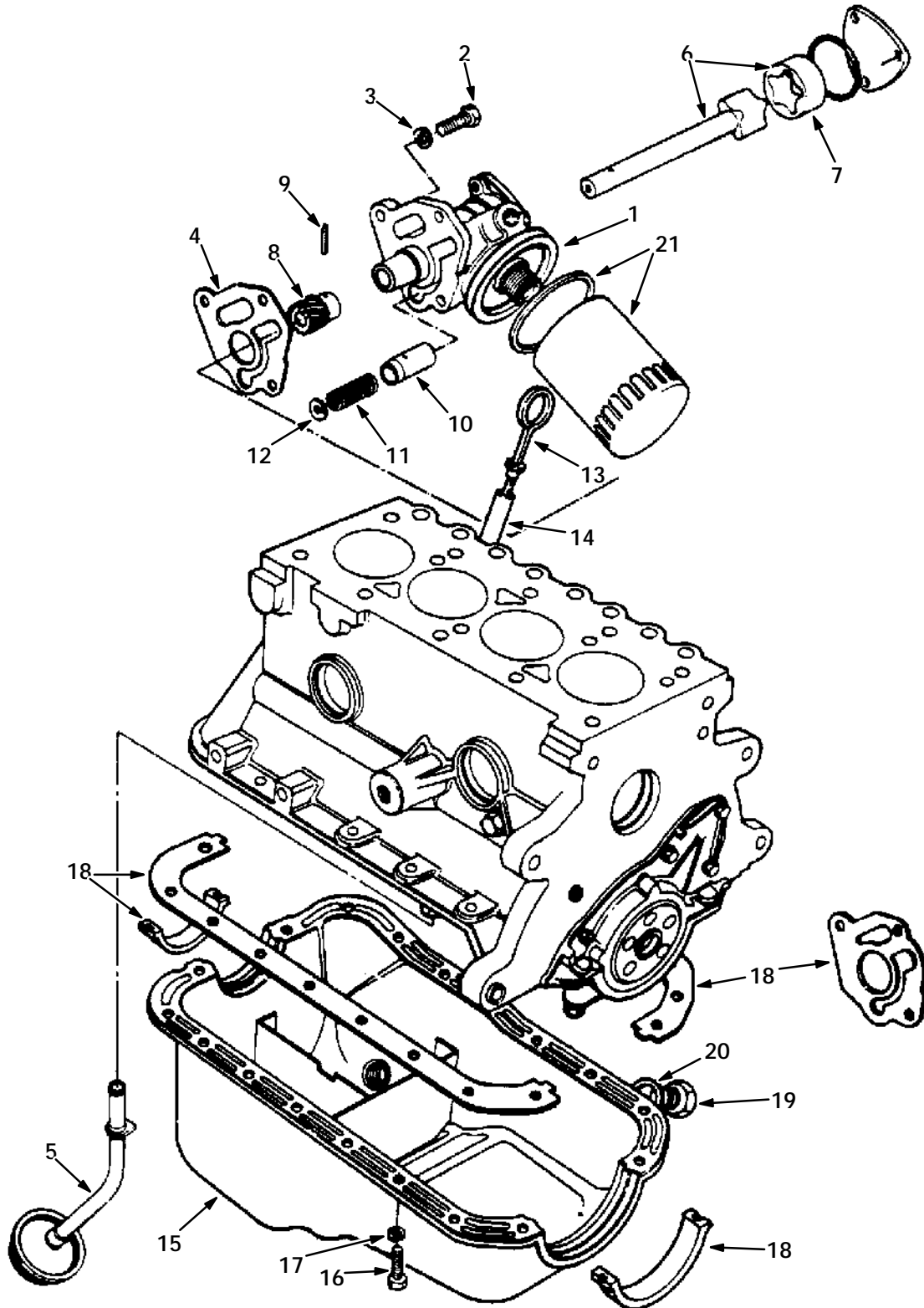


Fig. 5 -- Oil Pump and Oil Pan Group

NOTE: To identify parts shown but not listed here, see SECTION 5, STANDARD MODEL PARTS.

Fig. 5 – Oil Pump and Oil Pan Group

| Key | TENNANT® Part No. | Ford Part Number | Engine Serial Number | Description | Qty. |
|---------|-------------------|------------------|----------------------|---------------------------|------|
| 1 | 07710 | D8RZ-6600-A | (000000-) | Pump, Oil | 1 |
| 2 | 36748 | E800519-S72 | (000000-) | Bolt | 3 |
| 3 | 36431 | E630173-S71M | (000000-) | Washer, B8 Lock | 3 |
| 4 | 36764 | 89BM-6659-AA | (000000-) | Gasket, Oil Pump to Block | 1 |
| 5 | 36765 | 86BM-6617-AA | (000000-) | Tube Assembly, Oil Pickup | 1 |
| 6 | 10075 | D1FZ-6608-B | (000000-) | Rotor and Shaft | 1 |
| 37403 7 | 36776 | 116682-ES | (000000-) | Seal, Cover Plate | 1 |
| 8 | 36780 | DORY-6652-A | (000000-) | Gear | 1 |
| 9 | 36867 | 72432-S | (000000-) | Pin, Drive Gear | 1 |
| 10 | 36881 | DORY-6674-A | (000000-) | Plunger | 1 |
| 11 | 36904 | DORY-6670-A | (000000-) | Spring | 1 |
| 12 | 36923 | DORY-6666-A | (000000-) | Plug | 1 |
| 13 | 36924 | 89BM-6750-AA | (000000-) | Indicator, Oil Level | 1 |
| 14 | 37053 | 89BM-6784-AA | (000000-) | Tube, Oil Level Indicator | 1 |
| 15 | 37098 | 86BM-6675-AA | (000000-) | Oil Pan | 1 |
| 16 | 37099 | E602165-S72 | (000000-) | Bolt, M6 x 14, Oil Pan | 18 |
| 17 | 36373 | 34805-S8 | (000000-) | Washer, 1/4 Lock | 18 |
| 18 | 10806 | A850X-6013-AA | (000000-) | Kit, Oil Pan Gasket | 1 |
| 19 | 37127 | EOFZ-6730-B | (000000-) | Plug, Oil Drain | 1 |
| 20 | 37157 | EOFZ-6734-A | (000000-) | Gasket, Oil Drain Plug | 1 |
| 21 | 19205 | | (000000-) | Filter, Engine Oil | 1 |

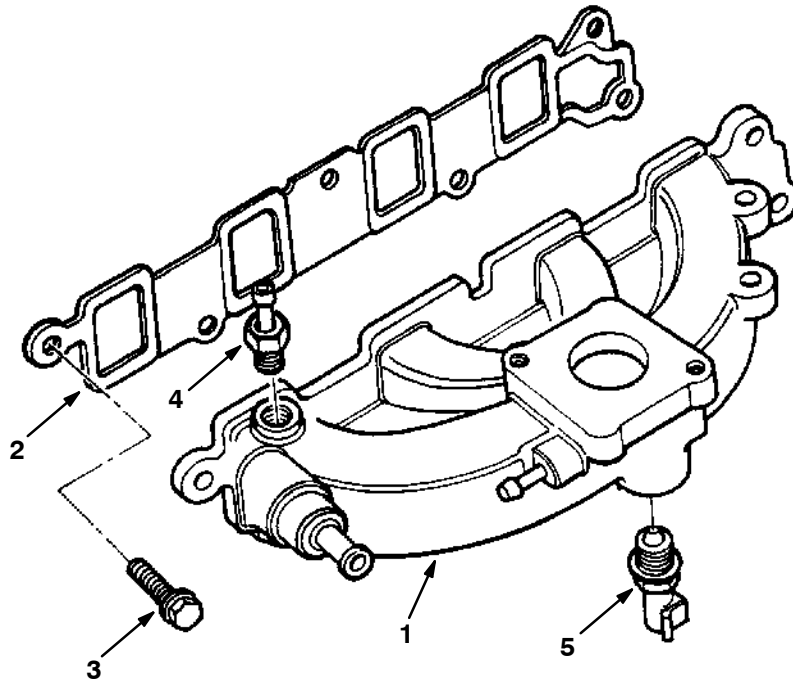


Fig. 6 – Intake Manifold Group

05506

| Key | TENNANT® Part No. | Ford Part Number | Engine Serial Number | Description | Qty. |
|-----|-------------------|------------------|----------------------|---------------------------|------|
| 1 | 37194 | 89BF-9424-AD | (000000-) | Manifold, Intake | 1 |
| 2 | 37195 | 89BM-9441-AB | (000000-) | Gasket, Intake Manifold | 1 |
| 3 | 37196 | E800157-S72 | (000000-) | Bolt, M8 x 25 | 6 |
| 4 | 37198 | 77BF-9K442-AA | (000000-) | Adapter, Vacuum | 1 |
| 5 | 37199 | E4AF-12A648-AA | (000000-) | Sensor, Water Temperature | 1 |

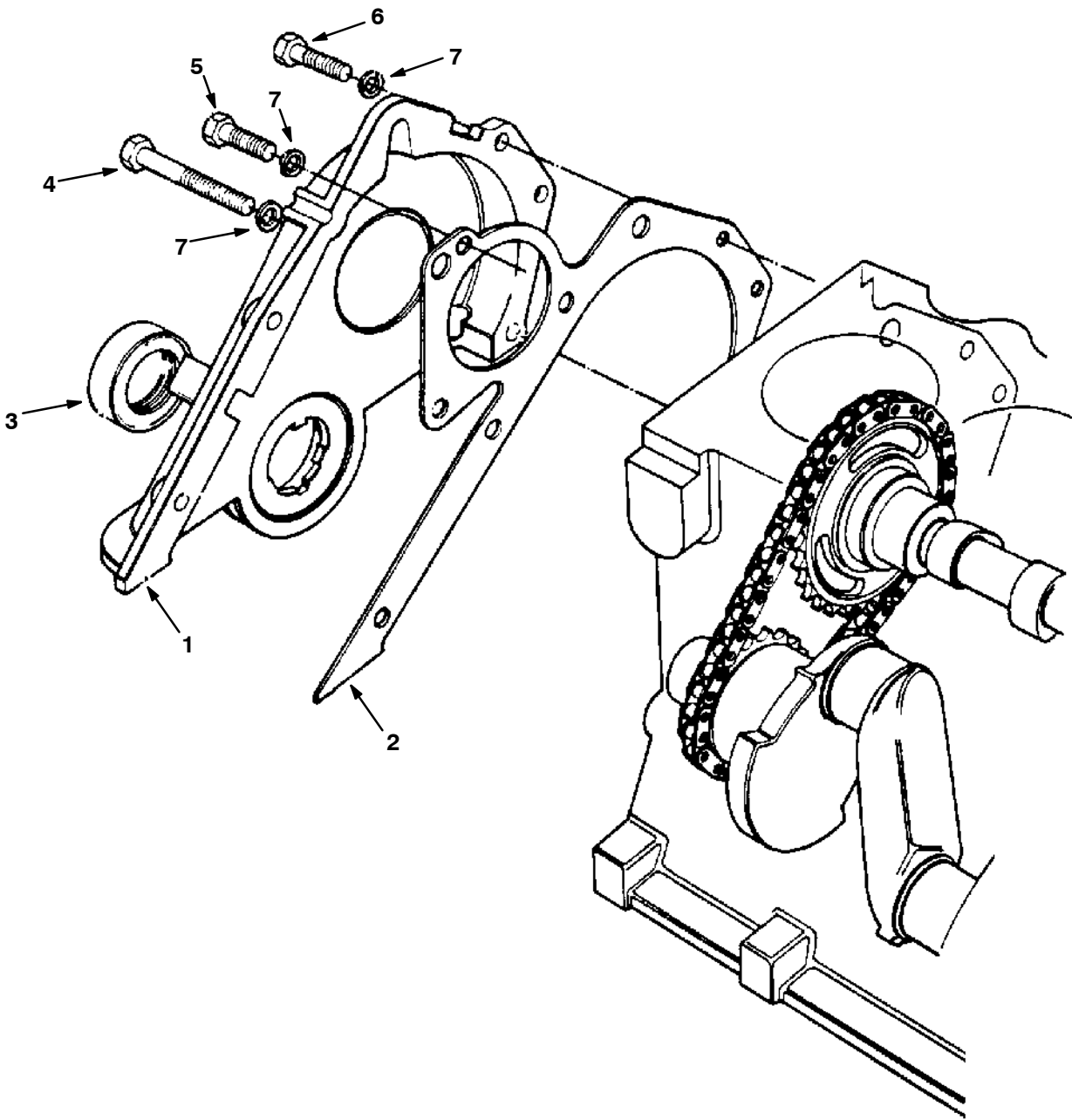


Fig. 7 – Front Cover Assembly Group

05499

| Key | TENNANT® Part No. | Ford Part Number | Engine Serial Number | Description | Qty. |
|-----|-------------------|------------------|----------------------|--|------|
| 1 | 36332 | 89BM-6019-AA | (000000-) | Cover and Seal Assembly, Cylinder Front | 1 |
| 2 | 36258 | 89BM-6020-AA | (000000-) | Gasket, Front Cover | 1 |
| 3 | 36333 | 83BM-6700-A3A | (000000-) | Seal, Front Cover | 1 |
| 4 | 36337 | E800518-S72 | (000000-) | Bolt, M6 x 45, Front Cover to Block | 1 |
| 5 | 39047 | E800113-S72 | (000000-) | Bolt, M6 x 40, Front Cover to Block | 3 |
| 6 | 36338 | E800512-S72 | (000000-) | Bolt, M6 x 18, Front Cover to Block | 4 |
| 7 | 36339 | E630152-S71 | (000000-) | Washer, Lock, B6, Front Cover and W/P to Block | 8 |

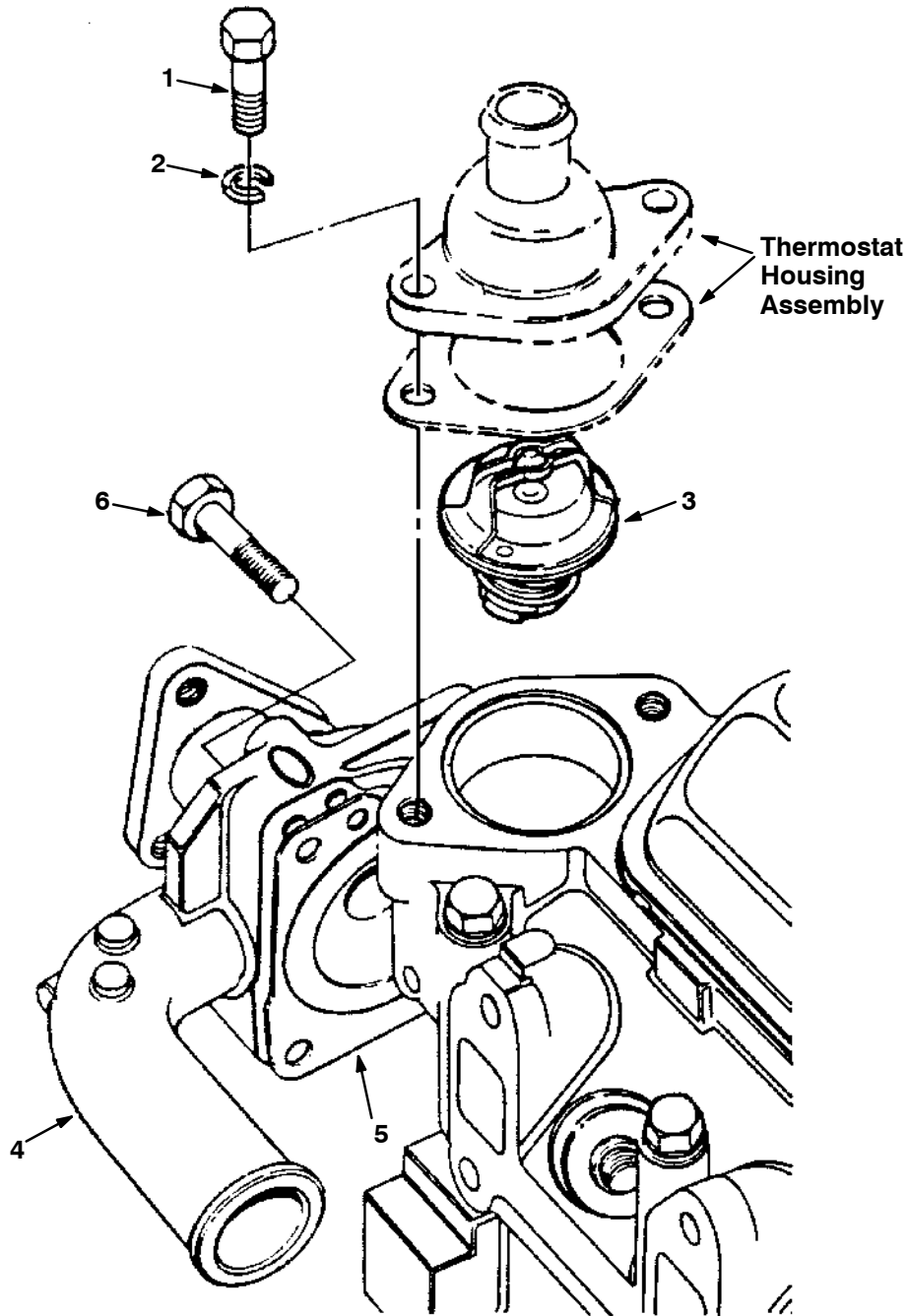


Fig. 8 – Water Pump Group

05509

| Key | TENNANT® Part No. | Ford Part Number | Engine Serial Number | Description | Qty. |
|-----|----------------------|---------------------|-------------------------|--|------|
| 1 | 37181 | E602187-S82 | (000000-) | Bolt, M8 x 20 | 2 |
| 2 | 36431 | E630173-S71M | (000000-) | Washer, B8 Lock | 2 |
| 3 | 37327 | RT-351 | (000000-) | Thermostat | 1 |
| 4 | 37188 | 89BM-8501-BD | (000000-) | Water Pump | 1 |
| 5 | 37189 | 89BM-8507-AA | (000000-) | Gasket, Water Pump | 1 |
| 6 | 37193 | E600113-S72 | (000000-) | Bolt, M6 x 40, Front Cover and W/P to Block | 3 |

NOTE: To identify parts shown but not listed here, see SECTION 5, STANDARD MODEL PARTS.

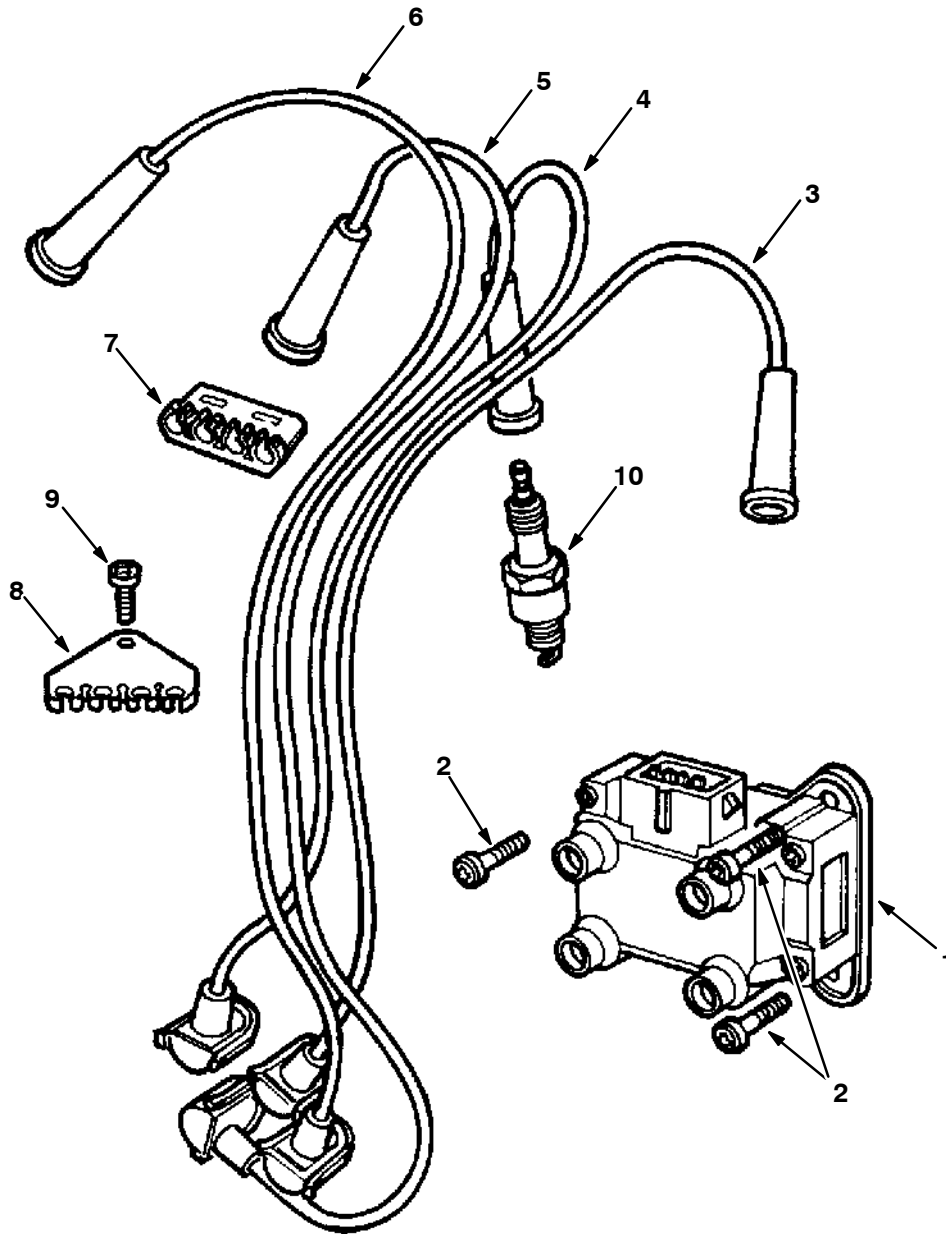


Fig. 9 – Distributorless Ignition Group

05508

| Key | TENNANT® Part No. | Ford Part Number | Engine Serial Number | Description | Qty. |
|-----|-------------------|------------------|----------------------|-------------------------------------|------|
| 1 | 39025 | 89BF-12024-AB | (000000-) | Coil and Bracket Assembly, Ignition | 1 |
| 2 | 39026 | E804335-S201 | (000000-) | Screw, M8 x 14 | 3 |
| | 39035 | E8JL-12A200-AC | (000000-) | Wiring Harness, Ignition | 1 |
| 3 | 39038 | 89BF-12286-AC | (000000-) | Wire, Spark Plug, No. 1 | 1 |
| 4 | 39040 | 89BF-12283-AC | (000000-) | Wire, Spark Plug, No. 2 | 1 |
| 5 | 39041 | 89BF-12284-AC | (000000-) | Wire, Spark Plug, No. 3 | 1 |
| 6 | 39042 | 89BF-12287-AC | (000000-) | Wire, Spark Plug, No. 4 | 1 |
| 7 | 39043 | E865648-S | (000000-) | Separator, Ignition Wire | 1 |
| 8 | 39044 | 89BF-12297-AA | (000000-) | Separator, Ignition Wire | 1 |
| 9 | 39045 | E802166-S76 | (000000-) | Screw, M4 x 10 | 1 |
| 10 | 39046 | 87YF-12405-AA | (000000-) | Spark Plug | 4 |

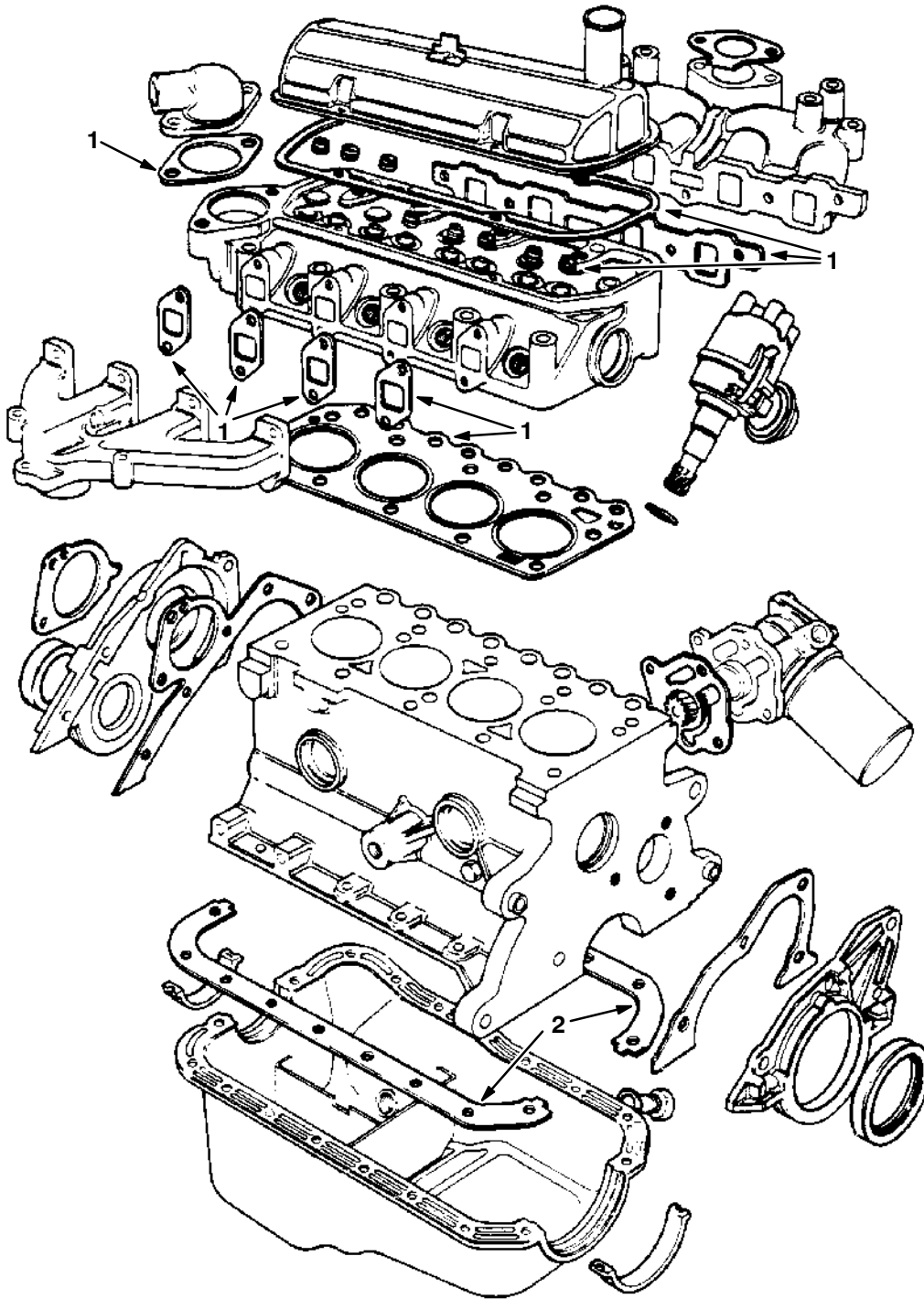


Fig. 10 – Gaskets Group

05495

| Key | TENNANT® Part No. | Ford Part Number | Engine Serial Number | Description | Qty. |
|-----|-------------------|------------------|----------------------|-----------------------------|------|
| | 36253 | 88BX-6008-BA | (000000-) | Engine Gasket Kit, Complete | 1 |
| 1 | 36254 | 88BX-6014-BA | (000000-) | Engine Gasket Kit, Upper | 1 |
| 2 | 10806 | A850X-6013-AA | (000000-) | Engine Gasket Kit, Oil Pan | 1 |

NOTE: To identify parts shown but not listed here, see SECTION 5, STANDARD MODEL PARTS.

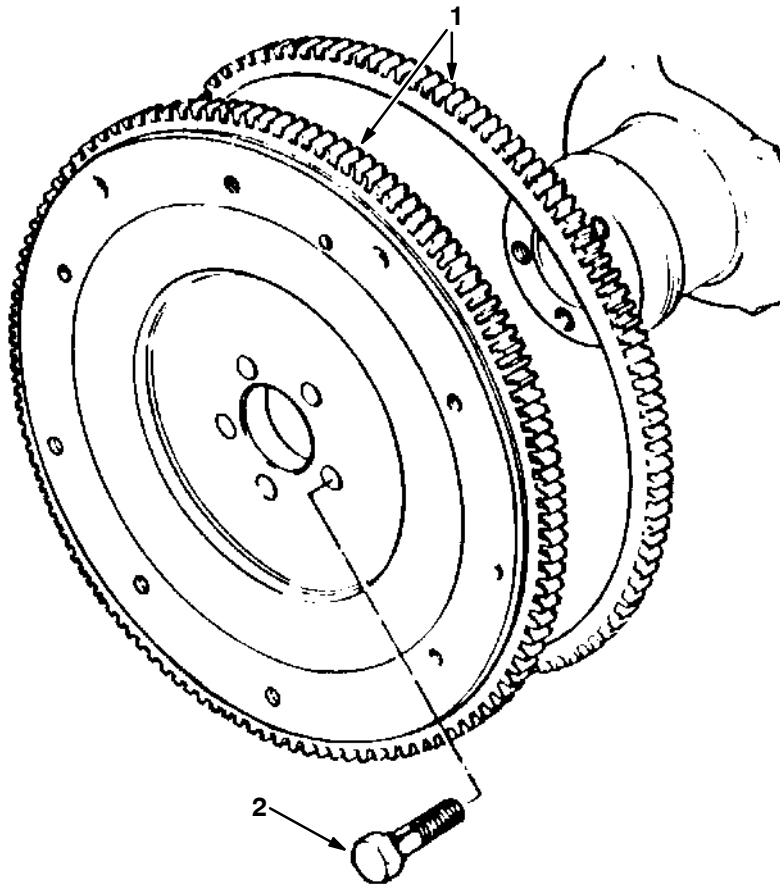


Fig. 11 – Flywheel Group

05502

| Key | TENNANT® Part No. | Ford Part Number | Engine Serial Number | Description | Qty. |
|-----|----------------------|---------------------|-------------------------|--|------|
| 1 | 36591 | 89BM-6375-BA | (000000-) | Flywheel and Ring Gear Assembly | 1 |
| 2 | 36630 | D2RY-6379-A | (000000-) | Bolt, M10 x 22.5, Flywheel to Crankshaft | 6 |
| | 36646 | D1FZ-6397-B | (000000-) | Dowel | 6 |

SECTION 11

CONTENTS

| | Page |
|--|------|
| PART NUMBER TO PAGE NUMBER CROSS REFERENCE LIST | 11-1 |

PART NUMBER TO PAGE NUMBER CROSS REFERENCE LIST

| Part Number | Page Number | Part Number | Page Number |
|--------------------|--------------------|--------------------|--------------------|
| A850X-6013-AA . | 10-12, 10-18 | D8RZ-6333-A ... | 9-5 |
| AGR-22 | 9-13 | D8RZ-6333-AA .. | 9-5 |
| C20Z-6734-A ... | 9-10 | D8RZ-6333-D ... | 9-5 |
| C8SZ-6A892-A .. | 9-10 | D8RZ-6333-F ... | 9-5 |
| D1FZ-12259-A .. | 9-13 | D8RZ-6333-T ... | 9-5 |
| D1FZ-2106-A ... | 9-13 | D8RZ-6333-Y ... | 9-5 |
| D1FZ-6008-A ... | 9-14 | D8RZ-6333-Z ... | 9-5 |
| D1FZ-6020-B ... | 9-4 | D8RZ-6600-A ... | 10-12 |
| D1FZ-6026-E ... | 10-8 | D8RZ-6767-A ... | 10-6 |
| D1FZ-6065-B ... | 9-4 | D9ZZ-9278-A ... | 9-4 |
| D1FZ-6065-C ... | 9-4 | DORY-6026-D .. | 9-6 |
| D1FZ-6079-A ... | 9-14 | DORY-6055-A ... | 9-4 |
| D1FZ-6211-AA .. | 9-9 | DORY-6055-B .. | 9-4 |
| D1FZ-6211-AB .. | 9-9 | DORY-6135-A ... | 9-9 |
| D1FZ-6211-AC .. | 9-9 | DORY-6135-C .. | 9-9 |
| D1FZ-6211-AD .. | 9-9 | DORY-6140-A ... | 9-9 |
| D1FZ-6211-AE .. | 9-9 | DORY-6200-A ... | 9-9 |
| D1FZ-6211-AF .. | 9-9 | DORY-6214-A ... | 9-9 |
| D1FZ-6211-AG .. | 9-9 | DORY-6253-A ... | 9-8, 10-8 |
| D1FZ-6284-A ... | 9-8, 10-8 | DORY-6255-A ... | 9-8, 10-8 |
| D1FZ-6285-A ... | 9-8 | DORY-6256-A ... | 9-8 |
| D1FZ-6286-A ... | 9-8, 10-8 | DORY-6258-A ... | 9-8, 10-8 |
| D1FZ-6303-B ... | 9-5 | DORY-6261-A ... | 9-8, 10-8 |
| D1FZ-6310-A ... | 9-5 | DORY-6261-B .. | 10-8 |
| D1FZ-6335-C ... | 9-5 | DORY-6261-B .. | 9-8 |
| D1FZ-6345-A ... | 10-6 | DORY-6262-A ... | 9-8, 10-8 |
| D1FZ-6345-B ... | 9-5 | DORY-6262-B .. | 9-8, 10-8 |
| D1FZ-6384-A ... | 9-5 | DORY-6263-A ... | 9-8 |
| D1FZ-6397-B ... | 10-19 | DORY-6263-B .. | 9-8 |
| D1FZ-6500-A ... | 9-6 | DORY-6268-A ... | 9-8, 10-8 |
| D1FZ-6500-B ... | 9-6 | DORY-6269-A ... | 9-8, 10-8 |
| D1FZ-6513-D ... | 9-6 | DORY-6306-A ... | 9-5, 10-10 |
| D1FZ-6514-B ... | 9-6 | DORY-6344-A ... | 9-5 |
| D1FZ-6571-B ... | 10-4 | DORY-6510-A ... | 9-6 |
| D1FZ-6584-C ... | 9-6 | DORY-6510-B .. | 9-6 |
| D1FZ-6608-B ... | 9-10, 10-12 | DORY-6510-C .. | 9-6 |
| D1FZ-6659-A ... | 9-10 | DORY-6510-D .. | 9-6 |
| D1FZ-6700-B ... | 9-4 | DORY-6531-A ... | 9-6 |
| D1FZ-6701-A ... | 9-5 | DORY-6549-B .. | 9-6, 10-8 |
| D1FZ-6766-B ... | 9-6 | DORY-6563-B .. | 9-6 |
| D1FZ-6781-B ... | 9-10 | DORY-6564-C .. | 9-6 |
| D1FZ-6890-B ... | 9-10 | DORY-6564-D .. | 9-6 |
| D1FZ-6A355-A .. | 9-5 | DORY-6565-A ... | 9-6 |
| D1FZ-6A355-D .. | 9-5 | DORY-6587-A ... | 9-6, 10-8 |
| D1FZ-6A355-E .. | 9-5 | DORY-6590-A ... | 9-6 |
| D1FZ-6A355-C .. | 9-5 | DORY-6598-A ... | 9-6 |
| D1FZ-6A785-B .. | 9-10 | DORY-6622-A ... | 9-10 |
| D1FZ-8255B | 9-12 | DORY-6652-A ... | 9-10, 10-12 |
| D2FZ-6333-C ... | 9-5 | DORY-6666-A ... | 10-12 |
| D2RY-6379-A ... | 10-19 | DORY-6670-A ... | 9-10, 10-12 |
| D4PZ-8575-A ... | 9-12 | DORY-6674-A ... | 9-10, 10-12 |
| D6TZ-6730-A ... | 9-10 | DORY-6675-C .. | 9-10 |
| D7RZ-6701-A ... | 10-10 | DORY-6754-A ... | 9-10 |
| D8RZ-6026-A ... | 10-6 | DORY-6A527-A . | 9-6 |
| D8RZ-6026-B ... | 10-4, 10-6 | DORY-6A528-A . | 9-6 |
| D8RZ-6051-B ... | 9-4 | DORY-6A665-A . | 9-10 |
| D8RZ-6310-A ... | 10-10 | DORY-6B316-A . | 9-5, 10-10 |
| | | DORY-6K656-A . | 9-10 |

CROSS REFERENCE

| Part Number | Page Number | Part Number | Page Number |
|------------------|--------------|-----------------|-------------|
| DORY-6K777-A . | 9-10 | 86BM-6K318-AA | 10-10 |
| DORY-8507-A ... | 9-12 | 87YF-12405-AA . | 10-17 |
| DORY-8553-A ... | 9-12 | 88BX-6008-BA .. | 10-18 |
| DORY-9441-A ... | 9-4 | 88BX-6014-BA .. | 10-18 |
| DORY-9448-A ... | 9-4 | 88WM-6518-AA . | 10-4 |
| DORY-9448-B .. | 9-4 | 89BF-12024-AB . | 10-17 |
| E2JL-6571-AA .. | 9-6 | 89BF-12283-AC . | 10-17 |
| E4AF-12A648-AA | 10-14 | 89BF-12284-AC . | 10-17 |
| E600113-S72 | 10-16 | 89BF-12286-AC . | 10-17 |
| E600116-S72 | 10-8 | 89BF-12287-AC . | 10-17 |
| E602165-S72 | 10-12 | 89BF-12297-AA . | 10-17 |
| E602166-S72 | 10-8 | 89BF-6C315-AA . | 10-6 |
| E602187-S82 | 10-10, 10-16 | 89BF-9424-AD .. | 10-14 |
| E602351-S72 | 10-8 | 89BM-6010-FA .. | 10-6 |
| E630031-S101 ... | 10-8 | 89BM-6011-DA . | 10-6 |
| E630152-S71 | 10-15 | 89BM-6019-AA .. | 10-15 |
| E630173-S71M .. | 10-10, 10-12 | 89BM-6020-AA .. | 10-15 |
| E630173-S71M .. | 10-16 | 89BM-6049-DD . | 10-4 |
| E800113-S72 | 10-15 | 89BM-6051-C1C | 10-4 |
| E800157-S72 | 10-14 | 89BM-6055-BA . | 10-6 |
| E800509-S72 | 10-8 | 89BM-6056-A1G | 10-4 |
| E800512-S72 | 10-15 | 89BM-6057-A2E | 10-4 |
| E800516-S72 | 10-4 | 89BM-6065-DA . | 10-4 |
| E800518-S72 | 10-15 | 89BM-6102-DA . | 10-10 |
| E800519-S72 | 10-12 | 89BM-6102-EA .. | 10-10 |
| E802166-S76 | 10-17 | 89BM-6102-FA .. | 10-10 |
| E802666-S72 | 10-6 | 89BM-6214-CB . | 10-10 |
| E804335-S201 ... | 10-17 | 89BM-6251-BA . | 10-8 |
| E830135-S76 | 10-10 | 89BM-6303-DA . | 10-10 |
| E840126-S | 10-4 | 89BM-6312-AA .. | 10-10 |
| E865648-S | 10-17 | 89BM-6333-AA .. | 10-10 |
| E890100-S | 10-6 | 89BM-6333-BA . | 10-10 |
| E8JL-12A200-AC | 10-17 | 89BM-6333-CA . | 10-10 |
| EOFZ-6730-B ... | 10-12 | 89BM-6333-DA . | 10-10 |
| EOFZ-6734-A ... | 10-12 | 89BM-6333-EA .. | 10-10 |
| FL-271 | 9-10 | 89BM-6333-FA .. | 10-10 |
| RT-351 | 10-16 | 89BM-6333-GA . | 10-10 |
| SK1444 | 6-4 | 89BM-6333-HA . | 10-10 |
| SK2136 | 5-48 | 89BM-6344-BA . | 10-10 |
| SK2137 | 5-48 | 89BM-6375-BA . | 10-19 |
| SK2498 | 7-20 | 89BM-6500-AA .. | 10-8 |
| SK2498 | 7-24 | 89BM-6505-BC . | 10-4 |
| SK2561 | 8-10 | 89BM-6505-CA . | 10-4 |
| 73HF-6A666-AB . | 9-10 | 89BM-6507-BA . | 10-4 |
| 77BF-12171-AA . | 9-13 | 89BM-6507-BC . | 10-4 |
| 77BF-9K442-AA . | 10-14 | 89BM-6513-AA .. | 10-4 |
| 77BM-6256-AA .. | 10-8 | 89BM-6529-AB . | 10-8 |
| 77BM-6531-BB . | 10-8 | 89BM-6565-AA .. | 10-8 |
| 77BM-6584-CA . | 10-4 | 89BM-6582-AA .. | 10-4 |
| 77BM-6598-AB . | 10-8 | 89BM-6659-AA .. | 10-12 |
| 77BM-6A557-BB | 10-8 | 89BM-6750-AA .. | 10-12 |
| 77BM-6K255-AB | 10-8 | 89BM-6784-AA .. | 10-12 |
| 83BM-6700-A3A | 10-15 | 89BM-6A341-AA | 10-10 |
| 83BM-6700-A4A | 10-10 | 89BM-6A341-BA | 10-10 |
| 84BM-6148-DA . | 10-10 | 89BM-6A536-AA | 10-4 |
| 84BM-6148-EA .. | 10-10 | 89BM-6K340-AA | 10-10 |
| 84BM-6148-FA .. | 10-10 | 89BM-6K528-AB | 10-8 |
| 86BM-6200-AA .. | 10-10 | 89BM-8501-BD . | 10-16 |
| 86BM-6617-AA .. | 10-12 | 89BM-8507-AA .. | 10-16 |
| 86BM-6675-AA .. | 10-12 | 89BM-9441-AB . | 10-14 |

CROSS REFERENCE

| Part Number | Page Number |
|------------------|------------------------|
| 89SM-6211-AA .. | 10-10 |
| 89SM-6211-BA .. | 10-10 |
| 89SM-6211-CA .. | 10-10 |
| 89SM-6211-DA .. | 10-10 |
| 89SM-6211-EA .. | 10-10 |
| 105E-6207-B ... | 9-9 |
| 00500-5 | 5-14 |
| 00500-15 | 8-11, 8-12, 8-13, 8-14 |
| 701M6582-GA ... | 9-6 |
| 711F-6250-DA .. | 9-8 |
| 711F-9430-AC .. | 9-4 |
| 711M-6010-BA .. | 9-4 |
| 721F-12283-BA .. | 9-13 |
| 721F-12284-AA .. | 9-13 |
| 721F-12286-BA .. | 9-13 |
| 721F-12287-AA .. | 9-13 |
| 731M-6059-BA .. | 9-4 |
| 731M-6375-BA .. | 9-5 |
| 731M-6505-AA .. | 9-6 |
| 731M-6505-CA .. | 9-6 |
| 731M-6600-AA .. | 9-10 |
| 751F-6K609-AB .. | 9-10 |
| 751M-6102-ARB .. | 9-9 |
| 751M-6102-AUB .. | 9-9 |
| 751M-6149-AA .. | 9-9 |
| 751M-6149-DA .. | 9-9 |
| 761F-6011-CA .. | 9-4 |
| 761F-6049-AA .. | 9-4 |
| 761F-9425-AA .. | 9-4 |
| 801M-6507-GA .. | 9-6 |
| 801M-6507-HA .. | 9-6 |
| 831F-12300-AA .. | 9-13 |
| 00912 | 5-64, 5-66 |
| 00926 | 5-16 |
| 00927 | 5-46 |
| 00966 | 8-10 |
| 01047 | 7-28 |
| 01433-1 | 5-4 |
| 02485 | 5-31, 5-32 |
| 02506-6 | 7-12 |
| 02513 | 5-60 |
| 02607 | 8-16 |
| 02634 | 5-68, 8-4 |
| 02650 | 8-6 |
| 02701 | 5-66 |
| 02702 | 5-66 |
| 02704 | 5-69, 8-6 |
| 02705 | 8-6 |
| 02706 | 8-6 |
| 02707 | 8-6 |
| 02708 | 8-6 |
| 02709 | 8-6 |
| 02710 | 8-6 |
| 02711 | 8-6 |
| 02712 | 5-34 |
| 2724E-6518-A .. | 9-6 |
| 02738 | 5-22, 5-24 |
| 02740 | 5-30 |
| 02741 | 5-30 |
| 02887 | 5-16, 5-18 |

| Part Number | Page Number |
|--------------|-------------|
| 03158 | 5-14 |
| 03160 | 5-20 |
| 03233 | 5-14, 5-16 |
| 03467A | 5-34 |
| 03498 | 5-31 |
| 03549 | 5-64 |
| 03556 | 5-64 |
| 03711 | 7-20, 7-24 |
| 03903 | 5-31, 5-32 |
| 03907 | 5-31 |
| 03908 | 5-31 |
| 03909 | 5-31 |
| 03912 | 5-31 |
| 04081 | 5-64 |
| 04084 | 5-31, 5-32 |
| 04088 | 5-10 |
| 04102 | 5-31 |
| 04104 | 7-20, 7-24 |
| 04106 | 5-26, 5-27 |
| 04107 | 5-26, 5-27 |
| 04118 | 7-20, 7-24 |
| 04121 | 7-20, 7-24 |
| 04123 | 7-20, 7-24 |
| 04125 | 7-20, 7-24 |
| 04133 | 7-22, 7-26 |
| 04134 | 7-14, 7-16 |
| 04148 | 7-14 |
| 04430 | 5-54, 8-18 |
| 04464 | 5-36, 8-17 |
| 04481 | 8-17 |
| 04483 | 8-18 |
| 04743 | 5-43 |
| 05416 | 5-48 |
| 06418 | 5-36 |
| 06507 | 5-26 |
| 06532 | 5-24, 6-6 |
| 06570 | 7-26 |
| 06598 | 5-43, 5-46 |
| 06750 | 5-72 |
| 06777 | 5-56 |
| 06997 | 9-13 |
| 07056 | 5-58 |
| 07120 | 5-16 |
| 07175 | 5-18 |
| 07189 | 5-14 |
| 07250 | 5-22, 5-24 |
| 07251 | 5-22, 5-24 |
| 07252 | 5-22, 5-24 |
| 07254 | 5-14 |
| 07255 | 5-14 |
| 07259 | 8-18 |
| 07328 | 5-4, 9-13 |
| 07330 | 5-4, 9-13 |
| 07539 | 5-24, 6-6 |
| 07562 | 5-30, 7-11 |
| 07565 | 7-11 |
| 07597 | 6-6 |
| 07598 | 6-6 |
| 07602 | 6-6 |
| 07705 | 5-4, 10-4 |

CROSS REFERENCE

| Part Number | Page Number | Part Number | Page Number |
|--------------|---------------------------------------|-------------|------------------|
| 07705 | 5-4 | 13080 | 5-4, 5-38 |
| 07707 | 10-10 | 13081 | 5-4, 5-38 |
| 07710 | 10-12 | 13082 | 5-38 |
| 07934 | 5-68 | 13083 | 5-4, 5-38 |
| 08165 | 5-18 | 13090 | 7-28 |
| 08718 | 5-13 | 13097 | 5-64, 5-66 |
| 08719 | 5-22 | 13101 | 5-68, 5-69, 8-8 |
| 08720 | 5-22 | 13104 | 5-70, 8-16 |
| 08727 | 6-4 | 13105 | 5-44, 8-11 |
| 08731 | 5-54 | 13106 | 5-46, 8-13 |
| 08733 | 5-54 | 13108 | 5-74 |
| 08873 | 5-26 | 13109 | 5-74 |
| 09005 | 5-36 | 13110 | 5-74 |
| 09006 | 5-36 | 13113 | 5-74 |
| 09092-1 | 5-48 | 13114 | 5-6 |
| 09385 | 5-58 | 13115 | 5-74, 5-76 |
| 09600N | 5-5 | 13118 | 5-31 |
| 09600P | 5-5 | 13119 | 5-31 |
| 09718 | 5-44, 5-54 | 13122 | 7-20 |
| 09787 | 5-64 | 13124 | 7-20, 7-24 |
| 09832 | 5-32, 5-41, 5-42 | 13127 | 7-20 |
| 09925 | 5-58 | 13130 | 5-78 |
| 10075 | 10-12 | 13131 | 5-8 |
| 10137 | 5-59 | 13132 | 5-38 |
| 10632-12 | 7-4, 7-5, 7-7, 7-8 | 13138 | 5-8 |
| 10632-14 | 7-14 | 13139 | 5-78 |
| 10632-20 | 7-6, 7-9 | 13144 | 5-38 |
| 10632-3 | 5-38 | 13151 | 5-46 |
| 10712K | 5-5 | 13156 | 5-46 |
| 10806 | 10-12, 10-18 | 13157 | 5-46 |
| 10827 | 5-64 | 13164 | 7-16 |
| 113765-ES2 | 9-4 | 13165 | 5-4 |
| 11399 | 7-20, 7-24 | 13165 | 5-6 |
| 11442-1 | 6-4, 6-6 | 13166 | 5-4 |
| 11476 | 5-12 | 13166 | 5-6 |
| 11531 | 5-31, 5-32 | 13170 | 5-46 |
| 116106-ES10 | 10-8 | 13172 | 5-4, 5-6 |
| 116336-ES100 | 10-10 | 13173 | 5-36 |
| 116682-ES | 10-12 | 13174 | 5-6 |
| 116682-ES | 9-10 | 13175 | 5-6 |
| 118297-ES8 | 10-4 | 13177 | 5-4, 5-6 |
| 11893 | 6-4 | 13178 | 5-4, 5-6 |
| 11984 | 5-16, 5-22, 5-26, 5-27, 5-28, 5-48 | 13179 | 5-46 |
| 12044 | 5-22 | 13180 | 5-46 |
| 13027 | 5-38 | 13181 | 5-4, 5-6 |
| 13028 | 7-28 | 13184 | 5-6 |
| 13038 | 5-32 | 13195 | 5-78 |
| 13041 | 7-14 | 13199 | 5-43, 5-46, 5-56 |
| 13045 | 5-34 | 13202 | 5-46 |
| 13046 | 5-34 | 13203 | 7-28 |
| 13047 | 5-34 | 13205 | 5-40 |
| 13048 | 6-4 | 13211 | 5-40 |
| 13049 | 6-4 | 13212 | 5-40 |
| 13054 | 5-4, 5-6 | 13226 | 7-28 |
| 13056 | 5-4, 5-6 | 13228 | 7-28 |
| 13061 | 5-70 | 13229 | 7-28 |
| 13066 | 5-34 | 13233 | 7-28 |
| 13067 | 5-10 | 13236 | 5-38 |
| 13070 | 5-10 | 13238 | 5-27 |
| | | 13238 | 5-28 |

| Part Number | Page Number | Part Number | Page Number |
|--------------------|----------------------|--------------------|--------------------|
| 13243 | 5-74, 5-76 | 13586 | 7-14 |
| 13244 | 5-38 | 13590 | 7-14 |
| 13248 | 5-32, 5-42, 5-64 | 13594 | 7-14 |
| 13249 | 5-44 | 13596 | 7-14 |
| 13251 | 5-26 | 13597 | 7-14 |
| 13253 | 5-26 | 13598 | 5-10 |
| 13259 | 5-60 | 13601 | 5-34 |
| 13268 | 5-38 | 13602 | 5-10 |
| 13269 | 5-38 | 13689 | 7-28 |
| 13270 | 5-4, 5-38 | 13698 | 5-31, 5-32 |
| 13271 | 5-4, 5-38 | 13734 | 7-30 |
| 13279 | 5-8 | 13739 | 5-29 |
| 13280 | 5-5 | 13743 | 7-28 |
| 13281 | 5-5 | 13746 | 5-8 |
| 13282 | 5-5 | 13747 | 5-6 |
| 13283 | 5-5 | 13751 | 5-78 |
| 13290 | 5-43 | 13756 | 5-78 |
| 13291 | 5-38 | 13757 | 7-16 |
| 13292 | 5-38 | 13778 | 5-27, 5-28 |
| 13293 | 5-4, 5-6 | 13779 | 5-10 |
| 13294 | 5-4, 5-6 | 13788 | 5-72 |
| 13295 | 5-4, 5-6 | 13789 | 5-6 |
| 13296 | 5-4, 5-6 | 13791 | 5-72 |
| 13297 | 5-38 | 13792 | 5-8 |
| 13301 | 5-4, 5-6, 5-38, 7-28 | 13807 | 5-62 |
| 13302 | 5-4, 5-38, 7-28 | 13818 | 5-62 |
| 13306 | 7-28 | 13828 | 5-6 |
| 13308 | 7-28 | 13864 | 5-60 |
| 13309 | 7-28 | 13879 | 5-58 |
| 13312 | 5-8 | 13891 | 8-16 |
| 13314 | 5-8 | 13893 | 8-16 |
| 13316 | 5-34 | 13894 | 8-16 |
| 13327 | 5-46 | 13895 | 8-16 |
| 13329 | 5-43 | 13896 | 8-16 |
| 13334 | 7-22, 7-26 | 13898 | 8-16 |
| 13335 | 5-38 | 13899 | 8-16 |
| 13360 | 5-64, 5-66 | 13902 | 8-16 |
| 13361 | 5-64, 5-66 | 13903 | 8-16 |
| 13362 | 5-64, 5-66 | 13904 | 8-16 |
| 13378 | 5-64, 5-66 | 13907 | 8-16 |
| 13387 | 5-8 | 13909 | 8-16 |
| 13392 | 5-64, 5-66 | 13924 | 8-18 |
| 13413 | 5-64, 5-66 | 13932 | 8-16 |
| 13468 | 5-4, 5-6 | 13945 | 8-16 |
| 13471 | 5-4, 5-6 | 13947 | 8-16 |
| 13472 | 5-4, 5-6 | 13948 | 8-16 |
| 13476 | 5-4, 5-6 | 13959 | 5-48 |
| 13493 | 5-38 | 13966 | 8-8 |
| 13513 | 5-64, 5-66 | 13970 | 5-4 |
| 13515 | 5-13 | 13973 | 5-4 |
| 13516 | 5-22 | 13974 | 5-4 |
| 13525 | 5-22 | 13988 | 5-26 |
| 13532 | 5-41 | 13989 | 8-8 |
| 13534 | 5-46 | 14131 | 5-26, 5-27, 5-28 |
| 13540 | 5-64, 5-66 | 14138A | 5-8 |
| 13554 | 5-64, 5-66 | 14242 | 5-54 |
| 13555 | 5-41 | 14331 | 5-48 |
| 13559 | 5-36 | 14432 | 5-29, 5-30 |
| 13572 | 5-10 | 14595-1 | 5-64, 5-66 |
| 13585 | 7-14 | 14601 | 5-22, 5-24, 6-6 |

CROSS REFERENCE

| Part Number | Page Number | Part Number | Page Number |
|------------------------|------------------------|------------------------|------------------------|
| 14605 | 5-64, 5-66 | 24989 | 5-52 |
| 14700-4 | 5-56 | 25312 | 7-12 |
| 15066 | 7-14, 7-16 | 26395-1 | 5-36, 5-50, 6-4, 7-18 |
| 15280-1 | 5-16 | 26426 | 5-18 |
| 15280-3 | 5-66 | 26496 | 6-4 |
| 15555-1 | 5-24 | 27048 | 6-4 |
| 16081 | 5-29, 5-54 | 27184 | 7-26 |
| 16456 | 5-36 | 27800 | 5-46, 8-14 |
| 16465 | 5-74 | 28296 | 5-22 |
| 16472 | 5-18 | 28808 | 5-44, 8-12 |
| 16694 | 8-11, 8-12 | 28835 | 8-12, 8-13, 8-14 |
| 16695 | 8-11, 8-12, 8-13, 8-14 | 29087 | 5-64, 5-66 |
| 16735 | 5-18, 5-20 | 29192 | 7-4, 7-7 |
| 16736 | 5-66 | 29233 | 5-10, 5-31, 5-32 |
| 16738 | 5-22, 5-24 | 29499 | 6-4 |
| 16805 | 5-13 | 29570 | 5-34, 5-70 |
| 16869 | 7-31 | 30296 | 5-18 |
| 16931 | 5-14 | 30305 | 5-24 |
| 17409 | 7-24 | 30306 | 5-18 |
| 17414 | 5-16, 5-18 | 30312 | 5-24, 6-6 |
| 17759 | 5-13 | 30316 | 5-18 |
| 17980 | 5-34, 5-70 | 30318 | 5-24, 6-6 |
| 19071 | 5-66 | 30320 | 5-24, 6-6 |
| 19073 | 5-20 | 30321 | 5-24 |
| 19074 | 5-66 | 30322 | 6-6 |
| 19100 | 5-20 | 30324 | 5-24, 6-6 |
| 19106 | 5-20 | 30325 | 5-24 |
| 19171 | 5-28 | 30326 | 6-6 |
| 19200 | 5-18 | 30327 | 10-4 |
| 19205 | 5-4, 10-12 | 30348 | 5-32 |
| 19252 | 5-20 | 30354 | 5-32 |
| 19531 | 5-20 | 30434 | 5-20 |
| 19580 | 5-6, 5-64 | 30451 | 5-24, 6-6 |
| 19583 | 5-54 | 30458 | 5-14 |
| 19630 | 5-76 | 30463 | 5-18 |
| 19676 | 5-32 | 31174 | 5-74 |
| 19689 | 5-18 | 31182 | 5-10, 5-38 |
| 19768 | 5-58 | 31183 | 5-10, 5-38 |
| 20050 | 5-44 | 31249 | 5-64 |
| 20160 | 5-66 | 31354 | 8-12, 8-14 |
| 20343 | 7-20, 7-24 | 31374 | 8-14 |
| 20536-1 | 6-4 | 31375 | 8-14 |
| 20567 | 5-38 | 31380 | 8-14 |
| 22297 | 5-72 | 31381 | 8-12 |
| 22308 | 6-4 | 31383 | 8-14 |
| 22383 | 5-26, 5-27 | 31486 | 5-30 |
| 22465 | 5-40 | 31490 | 5-32 |
| 22794 | 7-4, 7-7 | 31491 | 5-20 |
| 23498 | 5-34 | 31498 | 5-6 |
| 23542 | 5-34 | 31500 | 7-30 |
| 23546 | 5-44 | 31506 | 5-42 |
| 23999-3 | 5-44 | 31507 | 7-24 |
| 24012 | 5-41, 5-42 | 31511 | 5-30 |
| 24013 | 5-18 | 31515 | 5-30 |
| 24047 | 6-4 | 31516 | 5-18 |
| 24339 | 5-52, 5-54 | 31517 | 5-32 |
| 24928 | 6-4 | 31518 | 5-32 |
| 24928-1 | 6-4 | 31526 | 5-14 |
| 24929 | 5-16 | 31528 | 5-62 |
| 24976 | 5-18 | 31529 | 5-8 |

| Part Number | Page Number | Part Number | Page Number |
|--------------------|---|--------------------|--------------------|
| 31534 | 5-14 | 33580 | 8-9 |
| 31537 | 8-4 | 33694 | 8-9 |
| 31539 | 5-66 | 33778 | 5-16 |
| 31541 | 5-32 | 33826 | 5-16 |
| 31542 | 5-24, 6-6 | 33864 | 9-12 |
| 31543 | 5-18, 6-6, 7-24 | 34096 | 5-66 |
| 31550 | 5-24 | 34174 | 8-11, 8-13 |
| 31560 | 5-78 | 34175 | 8-12 |
| 31561 | 5-78 | 34176 | 8-11, 8-12, 8-13 |
| 31563 | 5-74, 5-76 | 34177 | 8-13 |
| 31576 | 5-8 | 34251 | 5-12 |
| 31581 | 5-10 | 34252 | 5-12 |
| 31585 | 5-10 | 34292 | 5-48 |
| 31586 | 5-10 | 34323 | 5-34 |
| 31587 | 5-10 | 34329 | 5-44 |
| 31588 | 5-34 | 34330 | 5-54, 5-56 |
| 31602 | 5-74 | 34344 | 10-8 |
| 31602 | 5-76 | 34366 | 5-74, 5-76 |
| 31613 | 5-72 | 34375 | 5-6 |
| 31640 | 5-42 | 34380 | 5-74, 5-76 |
| 31705 | 5-52 | 34805-S8 | 10-8, 10-12 |
| 31713 | 5-34 | 34810 | 5-58 |
| 31714 | 5-76 | 34813 | 5-58 |
| 31718 | 5-78 | 34816 | 5-8 |
| 31719 | 5-76 | 34868 | 5-38 |
| 31720 | 5-76 | 34877 | 5-20 |
| 31721 | 5-76 | 34898 | 5-22 |
| 31722 | 5-76 | 35033 | 5-68, 5-69 |
| 31724 | 5-76 | 353055-S7 | 10-6 |
| 31725 | 5-76 | 35688 | 5-36 |
| 31728 | 5-24, 6-6 | 36253 | 10-18 |
| 31745 | 5-4 | 36254 | 10-18 |
| 31746 | 5-4 | 36257 | 10-10 |
| 31754 | 7-24 | 36258 | 10-15 |
| 31962 | 5-8 | 36259 | 10-10 |
| 31963 | 5-8 | 36262 | 10-10 |
| 31964 | 5-8 | 36263 | 10-6 |
| 31965 | 5-8, 5-58, 7-4, 7-5, 7-6, 7-7, 7-8, 7-9, 7-18 | 36264 | 10-6 |
| 31966 | 5-8 | 36265 | 10-4, 10-6 |
| 32126 | 5-54 | 36267 | 10-6 |
| 32270 | 5-8 | 36268 | 10-6 |
| 32397-1 | 5-4 | 36272 | 10-6 |
| 32418 | 7-20, 7-24 | 36273 | 10-6 |
| 32486 | 5-54 | 36274 | 10-6 |
| 32493 | 5-20 | 36275 | 10-6 |
| 32495 | 5-36 | 36276 | 10-6 |
| 32523 | 5-38 | 36277 | 10-6 |
| 32827 | 5-40 | 36278 | 10-6 |
| 32839 | 5-41 | 36279 | 10-4 |
| 32840 | 5-41 | 36281 | 10-4 |
| 32841 | 5-41 | 36297 | 10-4 |
| 32985 | 5-38 | 36298 | 10-4 |
| 32987 | 5-54 | 36300 | 10-4 |
| 33308 | 7-20, 7-24 | 36303 | 10-4 |
| 33329 | 5-41, 5-42 | 36306 | 10-4 |
| 33330 | 5-41 | 36307 | 10-4 |
| 33333 | 5-41, 5-42 | 36315 | 10-4 |
| 33555 | 6-4 | 36317 | 10-4 |
| 33579 | 8-9 | 36318 | 10-4 |
| | | 36319 | 10-4 |

CROSS REFERENCE

| Part Number | Page Number | Part Number | Page Number |
|-------------|---------------------|-------------|--------------|
| 36321 | 10-4 | 36463 | 10-10 |
| 36322 | 10-10 | 36467 | 10-10 |
| 36324 | 10-4 | 36469 | 10-10 |
| 36325 | 10-4 | 36483 | 10-10 |
| 36330 | 10-4 | 36493 | 10-10 |
| 36331 | 10-4 | 36590 | 10-10 |
| 36332 | 10-15 | 36591 | 10-19 |
| 36333 | 10-15 | 36630 | 10-19 |
| 36337 | 10-15 | 36646 | 10-19 |
| 36338 | 10-15 | 36658 | 5-38 |
| 36339 | 10-15 | 36661 | 5-38 |
| 36340 | 10-8 | 36663 | 5-38 |
| 36341 | 10-8 | 36665 | 5-38 |
| 36342 | 10-8 | 36666 | 5-38 |
| 36343 | 10-8 | 36748 | 10-12 |
| 36344 | 10-8 | 36758 | 5-43 |
| 36345 | 10-8 | 36764 | 10-12 |
| 36348 | 10-8 | 36765 | 10-12 |
| 36349 | 10-8 | 36776 | 10-12 |
| 36372 | 10-8 | 36780 | 10-12 |
| 36373 | 10-12 | 36867 | 10-12 |
| 36373 | 10-8 | 36881 | 10-12 |
| 36374 | 10-8 | 36904 | 10-12 |
| 36375 | 10-8 | 36923 | 10-12 |
| 36381 | 10-8 | 36924 | 10-12 |
| 36382 | 10-8 | 37031 | 5-38 |
| 36383 | 10-8 | 37053 | 10-12 |
| 36384 | 10-8 | 37083-1 | 7-14 |
| 36389 | 10-8 | 37098 | 10-12 |
| 36390 | 10-8 | 37099 | 10-12 |
| 36402 | 10-8 | 37127 | 10-12 |
| 36405 | 10-8 | 37157 | 10-12 |
| 36406 | 10-8 | 37181 | 10-10, 10-16 |
| 36407 | 10-8 | 37188 | 10-16 |
| 36408 | 10-8 | 37189 | 10-16 |
| 36409 | 10-8 | 37193 | 10-16 |
| 36410 | 10-10 | 37194 | 10-14 |
| 36411 | 10-10 | 37195 | 10-14 |
| 36412 | 10-10 | 37196 | 10-14 |
| 36413 | 10-10 | 37198 | 10-14 |
| 36414 | 10-10 | 37199 | 10-14 |
| 36415 | 10-10 | 37303 | 9-10 |
| 36416 | 10-10 | 37306 | 9-8, 10-8 |
| 36418 | 10-10 | 37307 | 9-8, 10-8 |
| 36419 | 10-10 | 37308 | 9-6 |
| 36421 | 10-10 | 37309 | 9-6 |
| 36422 | 10-10 | 37312 | 9-5 |
| 36423 | 10-10 | 37315 | 9-8 |
| 36424 | 10-10 | 37316 | 9-8, 10-8 |
| 36429 | 10-10 | 37317 | 9-8, 10-8 |
| 36430 | 10-10 | 37321 | 9-5, 10-10 |
| 36431 | 10-10, 10-12, 10-16 | 37325 | 9-12 |
| 36432 | 10-10 | 37326 | 9-10 |
| 36433 | 10-10 | 37327 | 9-12, 10-16 |
| 36445 | 10-10 | 37328 | 9-13 |
| 36450 | 10-10 | 37330 | 9-5 |
| 36451 | 10-10 | 37332 | 9-14 |
| 36452 | 10-10 | 37333 | 9-4 |
| 36453 | 10-10 | 37334 | 9-14 |
| 36454 | 10-10 | 37335 | 9-9 |

CROSS REFERENCE

| Part Number | Page Number |
|-------------|------------------------|
| 37337 | 9-8, 10-8 |
| 37338 | 9-8 |
| 37340 | 9-6 |
| 37341 | 9-10 |
| 37342 | 9-4 |
| 37343 | 9-5 |
| 37344 | 9-10 |
| 37351 | 9-4 |
| 37354 | 9-10 |
| 37358 | 9-6 |
| 37368 | 9-6 |
| 37403 | 9-10 |
| 37457 | 8-4, 8-6 |
| 37616 | 8-9 |
| 37617 | 8-13 |
| 37689 | 9-5 |
| 37693 | 9-6, 10-8 |
| 37694 | 10-8 |
| 37694 | 9-8 |
| 37719 | 9-5 |
| 37756 | 8-9 |
| 37844 | 9-10 |
| 38242 | 9-8, 10-8 |
| 38243 | 9-9 |
| 38245 | 5-4, 9-10 |
| 38246 | 9-4 |
| 38250 | 9-6 |
| 39025 | 10-17 |
| 39026 | 10-17 |
| 39035 | 10-17 |
| 39038 | 10-17 |
| 39040 | 10-17 |
| 39041 | 10-17 |
| 39042 | 10-17 |
| 39043 | 10-17 |
| 39044 | 10-17 |
| 39045 | 10-17 |
| 39046 | 5-4, 10-17 |
| 39047 | 10-15 |
| 39210 | 5-44, 5-68, 5-69, 5-70 |
| 39283 | 5-14 |
| 39284 | 5-30 |
| 39302 | 5-50 |
| 39311 | 5-24, 6-6 |
| 39319 | 5-38 |
| 39328 | 5-64, 5-66 |
| 39330 | 5-16, 5-66 |
| 39349 | 5-18 |
| 39350 | 5-54 |
| 39396 | 5-44 |
| 39527 | 5-36, 8-13, 8-14 |
| 39780 | 5-24 |
| 39811 | 5-38 |
| 39900 | 5-54 |
| 39923 | 5-38 |
| 40362 | 5-72 |
| 40585 | 5-28 |
| 40586 | 5-24 |
| 40607 | 5-38 |
| 40625 | 5-18 |

| Part Number | Page Number |
|-------------|---|
| 40678 | 5-8, 5-38 |
| 40727 | 5-46 |
| 40823 | 5-22 |
| 41016 | 5-68, 5-69 |
| 41112 | 5-52 |
| 41136 | 5-34 |
| 41361 | 5-16, 5-20 |
| 42216 | 5-30 |
| 42260 | 5-29, 5-32, 5-54, 5-68, 5-69, 5-70 |
| 43242 | 5-22, 6-4, 7-24 |
| 43454 | 5-31, 5-32, 5-38 |
| 43844 | 5-26, 5-27, 5-28 |
| 43896 | 5-50 |
| 43949 | 5-58 |
| 44561 | 5-13 |
| 44681 | 7-4, 7-5, 7-6 |
| 44681-1 | 7-4, 7-5, 7-6 |
| 44681-2 | 7-4, 7-5, 7-6 |
| 44847 | 5-8 |
| 44868 | 5-34, 5-70 |
| 44869 | 5-34, 5-46, 5-69, 5-70 |
| 44961 | 7-20 |
| 45181 | 5-64 |
| 45261 | 5-22 |
| 45482 | 5-34 |
| 45622 | 8-9 |
| 45623 | 8-9 |
| 45628 | 8-11, 8-12, 8-13, 8-14 |
| 45770-8 | 5-4, 9-13 |
| 45779 | 7-4, 7-5, 7-6, 7-7, 7-8, 7-9 |
| 45780 | 5-6 |
| 45786 | 5-52, 5-53 |
| 46231 | 6-4 |
| 46236 | 5-22, 5-26, 5-40, 7-4, 7-5, 7-7, 7-8 |
| 46307 | 5-43 |
| 46328 | 5-64, 5-66 |
| 46481 | 5-30, 5-31, 5-32 |
| 46563 | 5-10 |
| 46611 | 6-4 |
| 46938 | 7-12 |
| 47010-1 | 5-56 |
| 47010-2 | 5-56 |
| 47010-3 | 5-56 |
| 47010-4 | 5-56 |
| 47010-6 | 5-56 |
| 47010-7 | 5-56 |
| 47037 | 5-4 |
| 47167 | 7-20, 7-24 |
| 47178 | 5-44 |
| 47178-6 | 6-4 |
| 47178-16 | 7-4, 7-5, 7-6 |
| 47192 | 6-4 |
| 47313A | 5-22 |
| 47473 | 5-26, 5-27, 5-28 |
| 47524 | 5-68, 5-69 |
| 47649 | 8-11 |
| 47701 | 7-24 |

CROSS REFERENCE

| Part Number | Page Number |
|-------------|--------------------------------------|
| 47719 | 5-54 |
| 47753 | 5-6 |
| 47826 | 5-29 |
| 47933 | 5-16 |
| 47989 | 5-41 |
| 48252 | 5-58 |
| 48253 | 5-26 |
| 48253 | 5-27 |
| 48258 | 7-4, 7-7 |
| 48267 | 5-26, 5-27, 5-28 |
| 48655 | 5-31 |
| 48663 | 5-54, 8-9 |
| 49225 | 5-54 |
| 49263 | 5-26, 5-29, 5-54, 5-56, 5-72, 6-6 |
| 49266 | 5-24, 5-36, 5-44, 6-4 |
| 49287 | 5-72 |
| 49681 | 5-64, 5-66 |
| 49957-1 | 5-74, 5-76 |
| 50332-1 | 5-22, 5-24, 6-6 |
| 50332-2 | 5-24, 6-6 |
| 50352 | 9-6 |
| 50388 | 5-13 |
| 50470 | 7-4, 7-7 |
| 51059 | 5-46 |
| 51109 | 5-48 |
| 51176 | 5-16, 5-20 |
| 51225 | 5-22 |
| 51304-1 | 5-12 |
| 51305 | 5-31 |
| 51317 | 5-46 |
| 51355 | 5-53, 7-13 |
| 51357 | 5-53 |
| 51360 | 5-53 |
| 51361 | 5-53 |
| 51362 | 5-53 |
| 51372 | 7-28 |
| 51406 | 7-14, 7-20, 7-24 |
| 51416 | 7-14, 7-20, 7-24 |
| 51448 | 5-46 |
| 51449 | 5-46 |
| 51483 | 5-48 |
| 51531 | 5-66 |
| 51534 | 5-40 |
| 51545 | 5-50 |
| 51560-3 | 5-29, 5-30 |
| 51562 | 5-50 |
| 51564 | 5-16 |
| 51705 | 7-13 |
| 51711 | 7-13 |
| 51805 | 5-16, 5-18 |
| 51813 | 5-56 |
| 51839 | 6-4, 6-6, 7-20, 9-12 |
| 52033 | 5-29 |
| 52388 | 5-56 |
| 52510 | 5-53 |
| 52775 | 5-53, 7-13 |
| 53386 | 5-16 |
| 53400-1 | 6-4 |
| 53400-4 | 6-4 |

| Part Number | Page Number |
|-------------|---------------------------------|
| 53531-2 | 5-16 |
| 53963A | 5-38, 5-40 |
| 54009 | 7-28 |
| 54012 | 7-28 |
| 54121 | 5-38 |
| 54230 | 5-26, 5-27 |
| 54231 | 5-26 |
| 54274 | 5-32, 5-34, 5-41, 5-42, 5-64 |
| 54275A | 5-34 |
| 54333 | 5-18, 5-29, 5-30, 5-72, 6-4 |
| 54338-7 | 5-26, 5-27 |
| 54527 | 5-34, 5-70 |
| 54528 | 5-34, 5-70 |
| 54745 | 5-22 |
| 54911-5 | 5-16 |
| 54911-7 | 5-16 |
| 54912-8 | 5-22 |
| 54911-10 | 5-13 |
| 54911-11 | 5-16 |
| 54911-15 | 5-16 |
| 54911-16 | 5-16 |
| 54911-16 | 5-20 |
| 54911-20 | 9-4 |
| 54911-21 | 9-4 |
| 54911-22 | 9-4 |
| 54911-23 | 9-4 |
| 54911-24 | 5-4, 9-6 |
| 54911-25 | 5-16 |
| 54911-25 | 5-18 |
| 54911-25 | 9-12 |
| 54911-27 | 9-10 |
| 54911-28 | 5-16 |
| 54911-30 | 5-16 |
| 54911-31 | 5-16 |
| 54911-32 | 5-16, 5-32 |
| 54914 | 5-14, 5-16 |
| 54928 | 5-16 |
| 54930 | 6-4, 6-6 |
| 54959 | 5-14, 5-16 |
| 55130 | 5-38 |
| 55258 | 5-58 |
| 55271 | 5-58 |
| 55272 | 5-40, 7-5, 7-6, 7-8, 7-9 |
| 55290 | 7-4, 7-5, 7-6 |
| 55291 | 7-4, 7-5, 7-6 |
| 55297 | 7-4, 7-5, 7-6 |
| 55557 | 5-58 |
| 55586 | 5-36, 5-46, 5-54, 5-70 |
| 55589 | 5-22 |
| 55619 | 5-29, 5-30 |
| 55633 | 6-4 |
| 55685 | 5-56 |
| 55686 | 5-68, 5-69 |
| 55697 | 5-74, 5-76 |
| 55740 | 5-4, 5-29, 5-30 |
| 55905 | 8-4 |
| 55906 | 8-4, 8-6 |
| 55918 | 8-4 |
| 55920 | 8-4 |

CROSS REFERENCE

| Part Number | Page Number | Part Number | Page Number |
|-------------|------------------|-------------|------------------------------|
| 55922 | 8-4 | 57570 | 5-6 |
| 55922 | 8-6 | 57575 | 5-74, 5-76 |
| 55929 | 8-4, 8-6 | 57577 | 5-54 |
| 55930 | 8-4, 8-6 | 57582 | 5-74, 5-76 |
| 55931 | 8-4, 8-6 | 57588 | 5-6 |
| 55932 | 8-4, 8-6 | 57594 | 5-6 |
| 55933 | 8-4 | 57598 | 7-16 |
| 55937 | 8-4, 8-6 | 57604 | 7-18 |
| 55939 | 8-4, 8-6 | 57608 | 7-18 |
| 55941 | 8-4 | 57625 | 7-14 |
| 55975 | 6-6 | 57631 | 7-16 |
| 55998 | 6-4, 6-6 | 57633 | 7-16 |
| 56690 | 5-56 | 57634 | 7-14 |
| 56692 | 5-68, 5-69, 5-72 | 57636 | 7-14 |
| 56799 | 5-38 | 57637 | 7-16 |
| 56820 | 5-70 | 57639 | 7-14 |
| 56855 | 5-66 | 57640 | 7-16 |
| 56976A | 6-4 | 57641 | 7-16 |
| 56980 | 5-44 | 57642 | 7-16 |
| 57048 | 5-20 | 57643 | 7-14, 7-16 |
| 57051 | 8-4 | 57644 | 7-16 |
| 57064 | 8-8 | 57646 | 7-16 |
| 57152 | 8-15 | 57647 | 7-16 |
| 57153 | 5-74, 5-76 | 57648 | 7-14 |
| 57154 | 8-15 | 57649 | 7-16 |
| 57155 | 8-15 | 57651 | 7-14 |
| 57156 | 8-15 | 57652 | 7-14 |
| 57186 | 8-16 | 57653 | 7-14 |
| 57210 | 8-4, 8-6 | 57654 | 7-14 |
| 57221 | 5-74 | 57662 | 7-16 |
| 57222 | 5-74 | 57664 | 7-14 |
| 57230 | 5-22 | 57667 | 7-16 |
| 57275 | 5-52 | 57670 | 7-14 |
| 57277 | 5-52 | 57674 | 7-14 |
| 57278 | 5-52 | 57676 | 5-56 |
| 57297 | 6-4 | 57677 | 7-14 |
| 57298 | 5-10 | 57678 | 7-16 |
| 57345 | 5-59 | 57686 | 5-29 |
| 57392 | 5-22 | 57703 | 7-30 |
| 57511 | 5-4, 5-38 | 57710 | 7-30 |
| 57518 | 5-4 | 57740 | 7-4, 7-5, 7-6, 7-7, 7-8, 7-9 |
| 57519 | 5-4 | 57741 | 5-46 |
| 57526 | 7-14 | 57742 | 5-46 |
| 57528 | 7-20, 7-24 | 57743 | 5-46 |
| 57531 | 7-20, 7-24 | 57744 | 5-46 |
| 57532 | 7-20, 7-24 | 57751 | 5-58 |
| 57533 | 7-20 | 57751 | 7-22 |
| 57534 | 7-14 | 57751 | 7-26 |
| 57535 | 7-18 | 57760 | 5-43 |
| 57536 | 7-18 | 57769 | 5-59 |
| 57537 | 7-18 | 57772 | 5-8 |
| 57544 | 6-4 | 57773 | 5-16, 5-18 |
| 57548 | 5-16 | 57776 | 5-72 |
| 57549 | 5-16 | 57778 | 5-59 |
| 57561 | 5-54 | 57781 | 5-48 |
| 57563 | 5-10 | 57782 | 5-48 |
| 57564 | 5-10 | 57791 | 5-50 |
| 57565 | 5-52 | 57803 | 5-58, 7-22, 7-26 |
| 57567 | 5-52 | 57804 | 5-60, 5-62, 7-22, 7-26 |
| 57569 | 5-34 | | |

CROSS REFERENCE

| Part Number | Page Number | Part Number | Page Number |
|--------------------|---|--------------------|--------------------|
| 57807 | 5-58, 5-8, 7-4, 7-5, 7-6, 7-7, 7-8, 7-9 | 58077 | 5-43 |
| 57820 | 5-4, 5-6, 5-8 | 58084 | 5-29 |
| 57822 | 5-4, 5-6 | 58084 | 5-30 |
| 57825 | 5-34 | 58087 | 5-16 |
| 57828 | 5-34 | 58098 | 5-13 |
| 57835 | 5-44 | 58110 | 5-13 |
| 57849 | 5-46 | 58113 | 7-13 |
| 57852 | 5-44 | 58120 | 5-4, 5-29, 5-30 |
| 57856 | 5-48 | 58121 | 7-11 |
| 57858 | 5-4, 5-6 | 58122 | 5-4, 9-10 |
| 57860 | 5-44 | 58130 | 7-8 |
| 57866 | 5-44 | 58133 | 7-5 |
| 57870 | 5-44 | 58136 | 7-9 |
| 57871 | 7-20 | 58139 | 7-6 |
| 57872 | 7-20, 7-24 | 58194 | 6-4 |
| 57873 | 5-64 | 58206 | 5-10 |
| 57874 | 5-64 | 58207 | 5-10 |
| 57875 | 5-64, 5-66 | 58209 | 7-14 |
| 57877 | 7-14 | 58210 | 7-14 |
| 57889 | 5-10 | 58218 | 5-10 |
| 57892 | 5-44 | 58219 | 5-10 |
| 57896 | 5-44 | 58220 | 5-10 |
| 57904 | 5-48 | 58222 | 5-10 |
| 57905 | 5-10 | 58228 | 5-43 |
| 57908 | 5-43 | 58236 | 5-43 |
| 57910 | 5-43 | 58237 | 5-43 |
| 57918 | 7-14 | 58238 | 5-43 |
| 57919 | 7-14 | 58244 | 5-43, 5-48 |
| 57925 | 5-54 | 58246 | 5-44 |
| 57934 | 5-22, 5-24 | 58248 | 5-6 |
| 57936 | 5-44, 5-44 | 58254 | 5-46 |
| 57941 | 5-6 | 58275 | 5-44 |
| 57942 | 5-72 | 58277 | 5-43 |
| 57945 | 5-74, 5-76 | 58279 | 5-43, 5-50 |
| 57946 | 5-74, 5-76 | 58281 | 5-44 |
| 57953 | 5-74, 5-76 | 58287 | 5-43 |
| 57955 | 5-74, 5-76 | 58290 | 5-44 |
| 57956 | 5-72 | 58293 | 5-44 |
| 57957 | 5-72 | 58296 | 7-13 |
| 57967 | 5-74, 5-76 | 58298 | 5-43 |
| 57968 | 5-74, 5-76 | 58300 | 5-26 |
| 57970 | 7-14 | 58311 | 5-50 |
| 57976 | 5-6 | 58319 | 5-50 |
| 57977 | 5-6 | 58320 | 5-50 |
| 57978 | 5-6 | 58321 | 5-50 |
| 57979 | 5-6, 5-68, 5-69 | 58328 | 5-52 |
| 57982 | 5-56, 8-15 | 58329 | 5-48 |
| 57984 | 5-44 | 58329 | 5-48 |
| 57992 | 5-68, 5-69 | 58330 | 5-48 |
| 57993 | 5-68 | 58331 | 5-52 |
| 57994 | 5-31, 5-68 | 58337 | 5-48 |
| 58035 | 5-44 | 58338 | 5-10 |
| 58038 | 7-7 | 58345 | 5-10 |
| 58041 | 7-4 | 58346 | 5-29 |
| 58044 | 5-13 | 58347 | 5-10 |
| 58045 | 5-13 | 58349 | 5-10 |
| 58049 | 9-4 | 58359 | 5-44 |
| 58065 | 7-4, 7-7 | 58361 | 5-43 |
| 58068 | 7-5, 7-8 | 58366 | 5-6, 5-34 |
| | | 58368 | 5-54 |

CROSS REFERENCE

| Part Number | Page Number | Part Number | Page Number |
|-------------|------------------|-------------|-----------------|
| 58376 | 5-16 | 58661 | 5-36 |
| 58377 | 5-16 | 58669 | 5-36 |
| 58381 | 5-16 | 58676 | 5-36 |
| 58395 | 5-68 | 58677 | 5-36 |
| 58395 | 5-69 | 58678 | 5-48 |
| 58399 | 5-48 | 58679 | 5-36 |
| 58424 | 5-38 | 58680 | 5-36 |
| 58460 | 5-38 | 58681 | 5-36 |
| 58465 | 5-38 | 58682 | 5-36 |
| 58476 | 5-38 | 58694 | 5-36 |
| 58476 | 5-4 | 58695 | 5-36 |
| 58477 | 5-38 | 58696 | 5-36 |
| 58481 | 5-38 | 58704 | 5-31, 5-32 |
| 58482 | 5-38 | 58724 | 5-8 |
| 58483 | 5-38 | 58737 | 5-56 |
| 58484 | 5-38 | 58742 | 5-43 |
| 58485 | 5-38 | 58743 | 5-46 |
| 58485 | 5-4 | 58745 | 5-22 |
| 58488 | 5-40 | 58745 | 5-22 |
| 58489 | 5-6, 5-38, 7-16 | 58748 | 5-56 |
| 58490 | 5-10, 5-38 | 58759 | 5-8 |
| 58494 | 5-10, 5-38 | 58762 | 5-56 |
| 58496 | 5-38 | 58767 | 5-46 |
| 58497 | 5-40 | 58768 | 5-8 |
| 58498 | 5-40 | 58769 | 5-58 |
| 58506 | 5-4, 9-13 | 58772 | 5-50 |
| 58507 | 5-4, 9-13 | 58773 | 7-10 |
| 58509 | 5-4, 9-13 | 58775 | 5-56 |
| 58510 | 7-7, 7-8, 7-9 | 58776 | 5-10 |
| 58511 | 7-7, 7-8, 7-9 | 58779 | 5-10 |
| 58512 | 7-7, 7-8, 7-9 | 58780 | 5-12 |
| 58517 | 5-64, 5-66 | 58786 | 5-8 |
| 58518 | 7-7, 7-8, 7-9 | 58789 | 5-12 |
| 58519 | 7-7, 7-8, 7-9 | 58793 | 5-56 |
| 58520 | 7-7, 7-8, 7-9 | 58796 | 5-56 |
| 58524 | 5-38 | 58797 | 5-56 |
| 58529 | 5-48 | 58807 | 5-56 |
| 58534 | 5-26, 5-27, 5-28 | 58810 | 5-56 |
| 58535 | 5-50 | 58819 | 5-8, 5-64, 5-66 |
| 58538 | 5-29, 5-30 | 58820 | 5-64, 5-66 |
| 58543 | 5-4, 5-6 | 58824 | 5-64, 5-66 |
| 58563 | 5-6 | 58828 | 5-10 |
| 58572 | 5-10 | 58829 | 5-10 |
| 58574 | 5-10 | 58842 | 5-54 |
| 58581 | 6-4 | 58844 | 5-6 |
| 58582 | 6-4 | 58846 | 5-22, 5-24 |
| 58588 | 6-4 | 58848 | 5-48 |
| 58589 | 6-4 | 58850 | 5-16 |
| 58590 | 6-4 | 58858 | 5-72 |
| 58591 | 5-58 | 58864 | 5-6 |
| 58592 | 5-16, 5-18 | 58898 | 5-6, 7-14 |
| 58634 | 5-36 | 58905 | 5-22 |
| 58640 | 5-36 | 58910 | 5-12 |
| 58644 | 5-36 | 58910 | 7-14 |
| 58647 | 5-36 | 58911 | 5-8 |
| 58651 | 5-36 | 58912 | 5-8 |
| 58652 | 5-36 | 58913 | 5-8 |
| 58658 | 5-36 | 58914 | 5-8 |
| 58659 | 5-36 | 58915 | 5-8 |
| 58660 | 5-36 | 58916 | 5-8 |

CROSS REFERENCE

| Part Number | Page Number |
|-------------|-----------------------|
| 58924 | 5-56 |
| 58925 | 8-4 |
| 58929 | 5-74 |
| 58932 | 5-41 |
| 58933 | 5-72 |
| 58934 | 5-72 |
| 58941 | 5-72 |
| 58948 | 7-20 |
| 58950 | 7-18 |
| 58951 | 7-14 |
| 58955 | 7-19 |
| 58956 | 7-19 |
| 58957 | 7-16 |
| 58958 | 7-14 |
| 58962 | 7-16 |
| 58963 | 7-16 |
| 58964 | 7-14 |
| 58966 | 7-16 |
| 58967 | 7-14 |
| 58968 | 7-14 |
| 58973 | 7-16 |
| 58974 | 7-14, 7-16 |
| 58981 | 5-4, 5-38 |
| 59054 | 5-66 |
| 59632 | 5-64, 5-66 |
| 61110 | 5-38 |
| 62389 | 5-68 |
| 62390 | 5-68 |
| 62530-1 | 5-58 |
| 63266 | 7-22, 7-26 |
| 63810 | 5-18, 6-6, 7-20, 7-24 |
| 63814 | 7-18 |
| 63837 | 7-18 |
| 63852 | 5-56 |
| 64141-1 | 5-8 |
| 64533 | 5-10 |
| 64595 | 5-10, 5-38 |
| 64991 | 5-66 |
| 65129 | 5-50 |
| 65145-1 | 5-68, 5-69 |
| 67004 | 7-28 |
| 67290 | 5-46 |
| 67811 | 5-68, 5-69 |
| 68058 | 5-22 |
| 68106 | 5-16, 5-18, 6-4, 7-14 |
| 68198 | 5-4 |
| 68275 | 5-12 |
| 68297 | 5-52 |
| 68616 | 5-22 |
| 69234 | 5-8 |
| 69266 | 5-24 |
| 69571 | 5-8 |
| 69582 | 5-44, 5-50 |
| 69743 | 5-44 |
| 72025-S7 | 10-8 |
| 72034-S | 9-6 |
| 72432-S | 9-10, 10-12 |
| 75365 | 5-52 |
| 75939 | 5-34 |
| 76058 | 5-48 |

| Part Number | Page Number |
|-------------|------------------|
| 76589-2 | 5-18, 6-4 |
| 76721 | 5-6 |
| 77097 | 5-34, 5-54, 5-70 |
| 77101 | 5-34, 8-10 |
| 78143 | 5-30 |
| 82268 | 5-34 |
| 82310 | 5-31, 5-32 |
| 82315 | 5-31, 5-32 |
| 82333 | 8-8 |
| 82368 | 5-34 |
| 82386 | 5-34 |
| 82505 | 6-4 |
| 82525 | 5-4, 5-28 |
| 82526 | 5-28 |
| 82533 | 5-29, 5-30 |
| 82534 | 5-22 |
| 82537 | 5-14 |
| 82544 | 5-28 |
| 82545 | 5-41 |
| 82626 | 5-58 |
| 82627 | 5-16 |
| 82660 | 5-22 |
| 82661 | 5-34, 5-41 |
| 82674 | 5-22 |
| 82684 | 6-4 |
| 82685 | 5-30 |
| 82688 | 5-32 |
| 82691 | 6-4 |
| 82697 | 5-4, 9-13 |
| 82733 | 5-34 |
| 82739 | 5-38 |
| 82764 | 5-68, 5-69 |
| 82767 | 5-68, 5-69 |
| 82818 | 5-74, 5-76 |
| 82822 | 5-76 |
| 82830 | 5-46 |
| 87515 | 5-6 |
| 87536 | 5-58 |
| 87631 | 5-46, 5-46 |
| 87663 | 8-11 |
| 87837-S | 10-6 |
| 87866 | 5-58 |

SECTION 12

CONTENTS

| | Page |
|---|------|
| TENNANT COMPANY LIMITED WARRANTY | 12-3 |
| TENNANT COMPANY, TENNANT COMPANY SUBSIDIARIES, AND MAJOR PARTS AND SERVICE LOCATIONS DIRECTORY | 12-5 |

TENNANT COMPANY LIMITED WARRANTY

NEW MACHINES

Tennant Company warrants to the original purchaser for the period stated below that goods manufactured by it will be free from defects of workmanship and material, provided such goods are installed, operated, and maintained in accordance with Tennant Company's written manuals or other instructions. No warranty is made with respect to items supplied by Tennant Company on special order of purchaser. Tennant Company's sole obligation under this Warranty will be to repair and replace, at Tennant Company's option, parts that do not conform to this Warranty.

SIX-MONTH LABOR COVERAGE (U.S.A. AND CANADA ONLY)

For six (6) months in the U.S.A. or Canada, thirty (30) days elsewhere, from date of installation, Tennant Company will, at its option, provide labor for repair, pay for outside repair service, or pay the customer straight time in accordance with Tennant Company's flat rate schedule for particular warranty repairs. After six (6) months, Tennant Company's sole obligation shall be limited to the repair or replacement, at Tennant Company's option, of parts that do not conform to this Warranty according to the schedule below.

BATTERIES AND TIRES

Batteries and tires will be replaced if failure occurs due to defective material or workmanship within ninety (90) days from date of purchase. Thereafter, a pro rata adjustment from date of purchase to twelve (12) months will be made. The pro rata adjustment price of the replacement battery and/or tire will be the Tennant Company current price as of the adjustment request less 1/12th of that price for each month remaining in the twelve (12) month period. This Warranty applies only to batteries and tires purchased from Tennant Company and installed in vehicles used in normal service.

BRUSHES

Brushes that fail due to defective material or workmanship will be replaced on a pro rata basis within the first twelve (12) months of purchase. The replacement price will be calculated by multiplying the current Tennant Company price by the percentage of usable bristle remaining at the time of adjustment.

MACHINE WARRANTY PERIOD

Tennant Company warrants its equipment for a set number of months or for a set number of hours of use, whichever comes first. The warranty periods and hours of use vary depending upon the machine model. The warranty periods for Tennant Company's various machines are:

SCARIFIERS

| Machine Model | Warranty Period | Machine Model | Warranty Period |
|---------------|---------------------|---------------|---------------------|
| G | 12 months/500 hours | L2 | 12 months/500 hours |
| K4 | 12 months/500 hours | RS/TLR | 12 months/500 hours |
| KDC | 12 months/500 hours | | |

SCRUBBERS

| Machine Model | Warranty Period | Machine Model | Warranty Period |
|---------------|----------------------------|---------------|--|
| 465/480 | 24 months/750 hours | 528 | 24 months/2000 hours |
| 1465/1480 | 24 months/750 hours | 530E | 24 months/2000 hours (except Duramer™ |
| 510E | 24 months/2000 hours | | and recovery tanks |
| solution | (except Duramer™ solution | | 5 years/5000 hours) |
| | and recovery tanks, and | 550 | 12 months/1500 hours |
| | optional Pre-Sweep™ hopper | 550E | 12 months/1500 hours |
| | 5 years/5000 hours) | | |

SWEEPERS

| Machine Model | Warranty Period | Machine Model | Warranty Period |
|---------------|----------------------|---------------|----------------------|
| 95 GR | 24 months/2000 hours | 235 | 24 months/1250 hours |
| 95 | 24 months/2000 hours | | (except Duramer™ |
| hopper | | | 5 years/5000 hours) |
| 140/140E | 12 months/500 hours | | |
| 186 | 18 months/500 hours | 255 Series II | 18 months/1500 hours |
| 215 | 18 months/750 hours | 275 Series II | 24 months/2000 hours |
| 242E | 24 months/1750 hours | 285 | 24 months/2000 hours |
| | | 365 | 24 months/2000 hours |

RECONDITIONED MACHINES

Tennant Company warrants to the purchaser of reconditioned equipment, purchased from Tennant Company, for the period of ninety (90) days from the date of delivery that the purchased equipment will be free from defects of workmanship and material, provided such equipment is operated and maintained according to Tennant Company written manuals or instructions. Tennant Company’s sole obligation under this Warranty will be to repair and replace, at Tennant Company’s option, parts that do not conform to this Warranty. No warranty of any kind is extended to equipment that is sold for salvage.

LABOR COVERAGE

For thirty (30) days from date of delivery Tennant Company will, at its option, provide labor for repair, pay outside repair service, or pay the customer straight time in accordance with Tennant Company flat rate schedule for particular warranty repair. After thirty (30) days, Tennant Company’s sole obligation shall be limited to the repair or replacement, at Tennant Company’s option, of parts that do not conform to this Warranty.

DEMONSTRATOR MACHINES

Demonstrator machines purchased from Tennant Company shall carry one of the following limited warranties:

1. Demonstrator machines purchased **without** a demonstrator discount carries the same warranty as new machines;
2. Demonstrator machines purchased **with** a demonstrator discount carries the amount of warranty remaining on the unit from the original delivery date or the same warranty as a reconditioned machine, whichever is greater.

NOTE: Demonstrator machines will always carry a minimum of 30 days labor.

REPAIR PARTS

Repair parts supplied by Tennant Company are warranted against defects for the period stated below. Tennant Company’s obligation is limited to the replacement of the warranted part, and Tennant Company shall not be obligated to provide labor (except certain engines also stated below) in installing such part.

ENGINES, SHORT BLOCKS, AND LONG BLOCKS

| Manufacturer | Warranty Period | Manufacturer | Warranty Period |
|---------------------|--|---------------------|------------------------------------|
| Continental | 1 year or 1500 hours parts & labor | Perkins | 1 year or 1500 hours parts & labor |
| Kohler | 1 year or 1500 hours parts & labor (except Kohler Model K181S –500 hours) | Kubota | 1 year or 1500 hours parts & labor |
| Briggs & Stratton | 90 days or 200 hours parts & labor | Wisconsin | 1 year or 500 hours parts & labor |
| Onan | 1 year or 1500 hours parts & labor | Ford | 1 year or 1500 hours parts only |

- Engine part replacements such as water pumps, carburetors, and alternators are warranted for thirty (30) days parts only, no labor.
- Labor is to include only the time it takes to repair an engine. It does not include removal and replacement nor does it include travel time.

MAJOR HYDRAULIC COMPONENTS (PUMPS, MOTORS, CYLINDERS, AND CONTROL VALVES)

| Manufacturer | Warranty Period | Manufacturer | Warranty Period |
|---------------------|------------------------|---------------------|------------------------|
| Cessna | 1 year parts only | Oilgear | 1 year parts only |
| Char-Lynn | 1 year parts only | Gresen | 90 days parts only |
| Victor (Dukes) | 1 year parts only | MTE | 90 days parts only |
| Ross | 1 year parts only | Barnes | 90 days parts only |
| Vickers | 1 year parts only | | |

- All seal kits and replacement parts are warranted for thirty (30) days parts only.

MAJOR ELECTRIC MOTORS

| Manufacturer | Warranty Period | Manufacturer | Warranty Period |
|---------------------|------------------------|---------------------|------------------------|
| Baldor | 1 year parts only | Ohio Electric | 1 year parts only |
| General Electric | 1 year parts only | HK Porter | 1 year parts only |

All other repair parts are warranted for thirty (30) days only.

SERVICE LABOR

Labor performed by a Tennant Company service representative shall be warranted for thirty (30) days from the date the repairs are completed. This policy does not cover work performed by any service company, other than Tennant Company, and is restricted to the specific repair operation or component for which a claim is made.

THIS WARRANTY IS EXPRESSLY IN LIEU OF ALL OTHER EXPRESSED OR IMPLIED WARRANTIES INCLUDING THE WARRANTIES OF MERCHANTABILITY AND FITNESS AND OF ALL OTHER OBLIGATIONS AND LIABILITIES ON THE PART OF TENNANT COMPANY, INCLUDING LIABILITIES FOR DIRECT, IMMEDIATE, SPECIAL, INDIRECT, OR CONSEQUENTIAL DAMAGES ARISING OUT OF THE FAILURE OF ANY MACHINE OR PART OF IT TO OPERATE PROPERLY, INCLUDING THE COST OR EXPENSE OF PROVIDING SUBSTITUTE EQUIPMENT OR SERVICE DURING PERIODS OF MALFUNCTION OR NON-USE.

This Warranty cannot be extended, changed, or modified by any representative of Tennant Company.

**TENNANT COMPANY, TENNANT COMPANY SUBSIDIARIES, AND
MAJOR PARTS AND SERVICE LOCATIONS DIRECTORY**

LOCATION

NORTH AMERICA

U.S.A.

CALIFORNIA

Los Angeles Parts and Service Center
2861 East La Palma
P. O. Box 66066
Anaheim, CA 92806
Phone: (714) 630-0800
FAX: (714) 630-6934

GEORGIA

Atlanta Parts and Service Center
5805 Peachtree Corners E. Rd.
Norcross, GA 30092
Phone: (404) 447-1500
FAX: (404) 449-0418

ILLINOIS

Chicago Parts and Service Center
630 Supreme Drive
P. O. Box 590
Bensenville, IL 60106
Phone: (708) 595-1770
FAX: (708) 595-5635

MICHIGAN

Detroit Parts and Service Center
5601 Enterprise Dr.
P. O. Box 927
Warren, MI 48090
Phone: (313) 573-6600
FAX: (313) 573-2619

MINNESOTA

Tennant Company, World Headquarters
Minneapolis Factory Customer Services
701 N. Lilac Dr.
Minneapolis, MN 55422
Phone: (800) 553-8033 or (612) 593-8850
FAX: (612) 540-1437
Mailing Address:
P. O. Box 1452
Minneapolis, MN 55440

PENNSYLVANIA

Philadelphia Parts and Service Center
855 Bethel Avenue
P. O. Box 220
Pennsauken, NJ 08110
Phone: (609) 665-2231
FAX: (609) 665-4894

TEXAS

Dallas/Ft. Worth Parts and Service Center
1610 111th Street
Grand Prairie, TX 75050
Phone: (214) 647-0801
FAX: (214) 641-4011

CANADA

ONTARIO

Tennant
1329 Cardiff Boulevard
Mississauga, Ontario
Canada L5S 1R2
Phone: (416) 670-8599
FAX: (416) 670-8547

SOUTH AMERICA

BRAZIL

Equipamentos Tennant Limitada
Rus Alvares Cabral Nr. 871
Diadema - SP - Brazil CEP 09900
Phone: (55) 11-456-2656
FAX: (55) 11-465-4160

ASIA

JAPAN

Tennant Japan
c/o Nippon Yusoki Co., Ltd.
1-1, 2-chome, Higashikotari
Nagaokakyo-shi, Kyoto, 617
JAPAN
Phone: 075-956-8613
Telex: 05429926 NYK HJ
FAX: 075-955-8993

AUSTRALIA

AUSTRALIA

Tennant Australia
10 Hope Street
Ermington, N.S.W. 2115
Australia
Phone: (61) 2-858-5811
Telex: AA27393
FAX: (61) 2-858-1995

EUROPE

NETHERLANDS

Tennant N.V.
Industrielaan 6
5400 AA
Uden, N.B., Netherlands
Phone: (31) 4132 63955
Telex: 844 74768
FAX: (31) 4132 50008

(continued on following page)

EUROPE CONTINUED

UNITED KINGDOM

Tennant Maintenance Systems, Ltd.
Central Avenue
East Molesey
Surrey KT8 0QZ
United Kingdom
Phone: (44) 1-941-5585
FAX: (44) 1-941-4678

WEST GERMANY

Tennant N.V.
Walter-Freitag-Strasse 39
5630 Remscheid 11 (Lüttringhausen)
B.R.D.
Phone: (49) 2191-59140
Telex: (841) 08 513 478 TENV D.
FAX: (49) 2191-561436

This is a listing of *major* Tennant Company parts and service centers. Parts and service are also available at many other Tennant Company centers or distributors located around the world. To determine your nearest Tennant Company representative, phone or write the Tennant Company World Headquarters.

TENNANT SERVICE LITERATURE AVAILABLE...

A variety of information is available to you in forms to suit your needs. The following is a list of those publications that relate to the Model 365 family of machines:

| Machine Model | Publication | Form | TENNANT Part No. |
|----------------------|--|-------------------|-------------------------|
| 365 | Operation, Maintenance, and Parts Manual | Printed | MM173 |
| 365 | Operation, Maintenance, and Parts Manual | Microfiche | 85173 |
| 365 | Operator Handbook | Printed | MM174 |
| 365 | Ford KSG-411, KSG-416 Engine Service Manual | Printed | 38961 |

Keep your manuals in a safe, convenient location for your future reference in order to operate, maintain, and order repair parts for your machine. Everyone who operates, maintains, or purchases parts for the machine should have easy access to a copy of the manual.

To get pricing information or to order copies of these publications, contact your nearest Tennant Company parts warehouse, distributor, or sales representative.