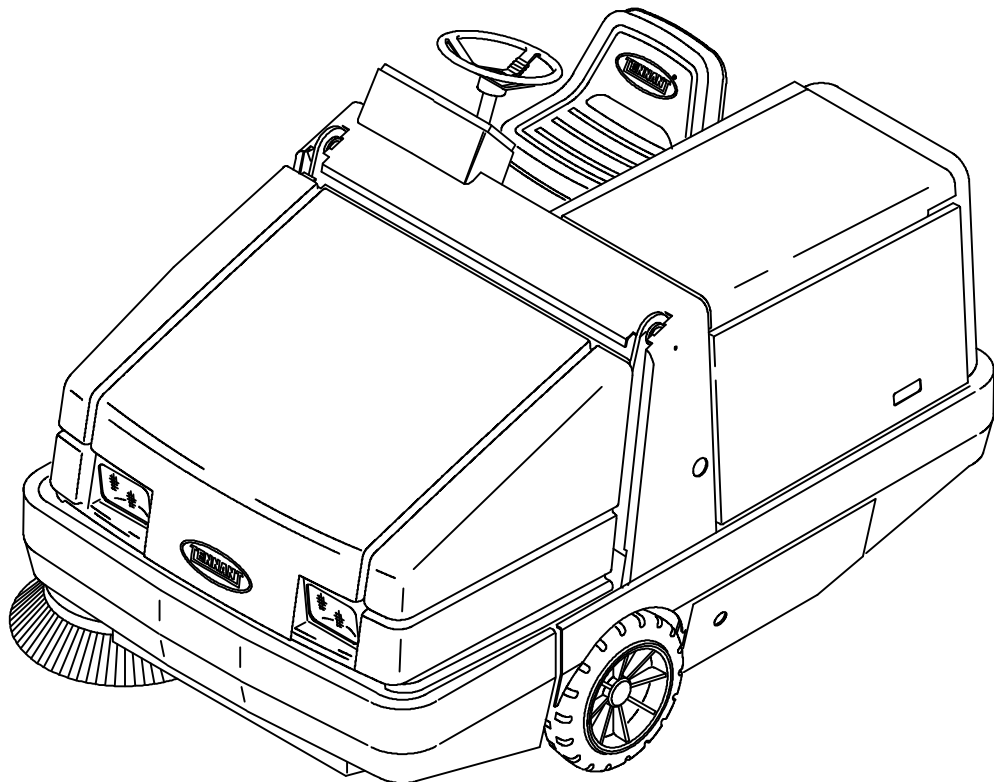




355

Parts Manual



MM300



This manual is furnished with each new TENNANT Model 355.

This manual consists of the How To Use This Manual; Standard Parts; Options; Breakdowns; Engine Breakdown; and Cross Reference sections.

MACHINE DATA

Please fill out at time of installation for future reference.

Machine Model Number - 355

Machine Serial Number - _____

Machine Options - _____

TENNANT Representative/phone no. - _____

Customer ID Number - _____

Date of Installation - _____

Manual Number - MM300

Revision: 08

Published: 3-97

HOW TO USE THIS MANUAL

This section on *HOW TO USE THIS MANUAL* will tell you how to:

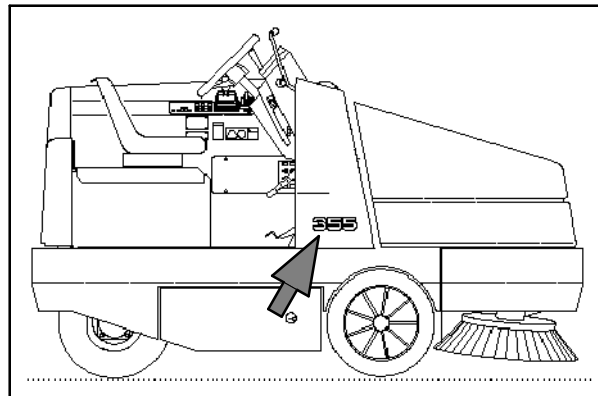
- Find important machine information for ordering correct repair parts.
- Find TENNANT part numbers.
- Order TENNANT parts and supplies.

IMPORTANT INFORMATION

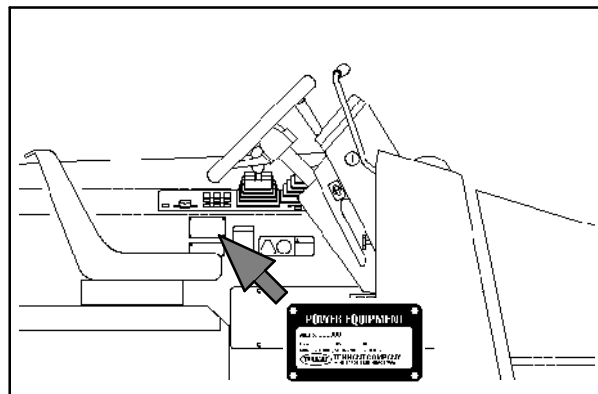
When placing an order for parts, the machine model and machine serial number are important. Refer to the *MACHINE DATA* box which is filled out during the installation of your machine. The *MACHINE DATA* box is located on the inside of the front cover of this manual.

| MACHINE DATA | |
|--|-------|
| <i>Please fill out at time of installation for future reference.</i> | |
| Machine Model Number - | 355 |
| Machine Serial Number - | _____ |
| Machine Options - | _____ |
| TENNANT Representative/phone no. - | _____ |
| Customer ID Number - | _____ |
| Date of Installation - | _____ |
| Manual Number - | MM300 |
| Revision: | 00 |
| Published: | 08-92 |

The model number of your machine is on the side of the machine.



The serial number of your machine is printed on the machine data plate located as shown.



HOW TO USE THIS MANUAL

FINDING A TENNANT PART NUMBER

This manual contains the following sections:

- HOW TO USE THIS MANUAL
- STANDARD PARTS
- OPTIONS
- BREAKDOWNS
- CROSS REFERENCE

The STANDARD PARTS section lists repair parts for standard machines. They are grouped in this general order:

- General wear parts.
- Machine frame and related parts.
- Machine propelling system.
- Scrubbing components.
- Electrical parts.

The OPTION section lists repair parts of options.

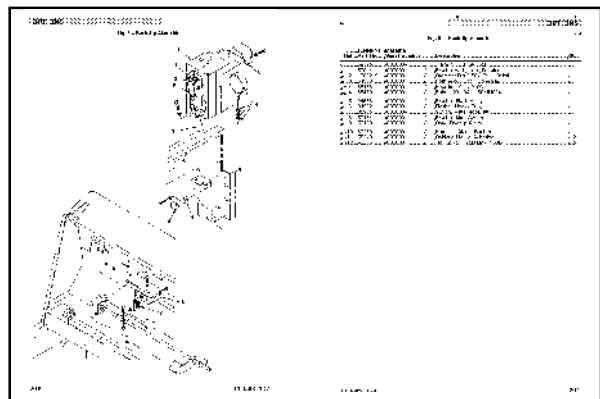
The BREAKDOWN section lists available repair parts of major components.

All sections in this manual consist of parts illustrations and corresponding parts lists.

The parts illustrations are numbered with **Ref** numbers which refer to corresponding parts lists.

The parts lists include a number of columns of information:

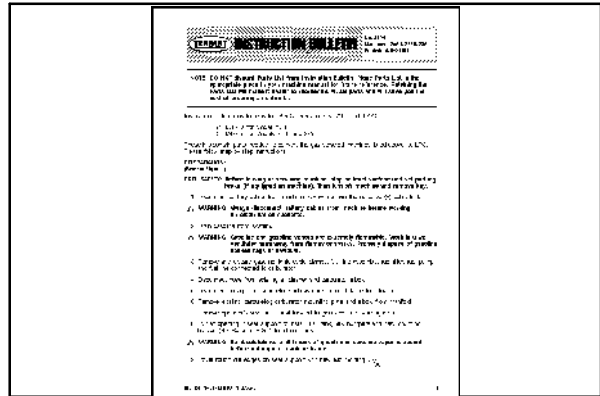
- **Ref** - column refers to the reference number on the parts illustration.
- ▽ - indicates the part is an assembly.
- ▲ - indicates the part is included in the assembly listed just before it.
- **TENNANT Part No.** - column lists the TENNANT part number for the part.
- **Serial Number** - column indicates the set of machines the part number is applicable to. Serial numbers change when the machine design has been modified. The most current design of the machine is shown in the main illustration, older designs are boxed in a corner of the illustration.
- **Description** - column is a brief description of the part.
- **Qty.** - column lists the quantity of that part used in that area of the machine.



| Ref. | TENNANT Part No. | Machine Serial number | Description | Qty. |
|------|------------------|-----------------------|-----------------------------------|------|
| 1 | 50344 | (00C000- | Alarm Kit, Flu A/w 35A | 1 |
| 2 | 10022-9 | (00C000- | Bracket Weld, Light, Rotating | 1 |
| 3 | 01920 | (00C000- | Grommet, Rtr, 0.50Id, For .13Matl | 1 |
| 4 | 38438 | (00C000- | Horn Assy, Dact-Up Alarm | 1 |
| 4 | 38438 | (00C000- | Horn Assy, 21CG | 1 |
| 4 | 38438 | (00C000- | Bulb, 12V 3A 15Cu#1004 | 1 |
| 5 | 24576-1 | (00C000- | Bracket, Flasher | 1 |
| 6 | 31922 | (00C000- | Flasher, Heavy Duty | 1 |
| 7 | 352Ub | (UUUUUU- | Switch, Waterproof, 10A | 1 |
| 8 | 59154 | (00C000- | Bracket, Mtg, Switch | 1 |
| 9 | 59163 | (00C000- | Cam, Backup Alarm | 1 |
| 10 | 60289 | (00C000- | Harness, Alarm, Backup | 1 |
| 11 | 55248 | (00C000- | Cauletie Mount, Adhesive | 2 |
| 12 | 49266 | (00C000- | Te. Cable .75D Max 7.50Lg | 5 |

NOTE: If a service kit is installed on your machine, be sure to keep the INSTRUCTION BULLETIN which came with the kit. It contains repair parts numbers needed for ordering future parts.

NOTE: Fasteners used in this machine may be metric or non-metric. Take care when replacing hardware to replace with same thread size.



PLACING AN ORDER

Orders may be placed by phone, fax, or by mail. Phone orders may need written confirmation. Follow the steps below to insure prompt delivery:

1. Identify the model number of your machine.
2. Identify the serial number of your machine.
3. Find the part number of the part you need. Do not order by page number or reference number. If you are not able to find the part number, call your TENNANT representative for help or send the old part as a sample.
4. Determine the quantity of the part you need.
5. Provide the following company information:
 - Company name
 - Customer ID Number
 - Shipping address
 - Billing address
 - First and last name of person ordering parts
 - Telephone number
 - Purchase order number
6. Provide definitive shipping instructions.

HOW TO USE THIS MANUAL

Any claim for loss or damage to a shipment in transit should be filed promptly with the transportation company making the delivery. Shipments will be complete unless the packing list or order acknowledgement indicates items back ordered.

If parts received are suspected to be incorrect or defective, please contact the TENNANT representative from whom you ordered the part. They will give authorization for return and/or handle replacement shipments when required.

SECTION 2

| CONTENTS | PAGE |
|---|------|
| Fig. 1 - General Recommended Maintenance Items | 2-3 |
| Fig. 2 - Replacement Brushes | 2-4 |
| Fig. 3 - Main Frame Group | 2-6 |
| Fig. 4 - Right Brush Door Group | 2-8 |
| Fig. 5 - Left Brush Door Group | 2-9 |
| Fig. 6 - Seat and Shroud Group | 2-10 |
| Fig. 7 - Right Grille Group | 2-12 |
| Fig. 8 - Left Grille and Hydraulic Cooler Group | 2-14 |
| Fig. 9 - Engine Cover Group | 2-16 |
| Fig. 10 - Engine Side Door Group | 2-18 |
| Fig. 11 - Steering and Firewall Group | 2-20 |
| Fig. 12 - Instrument Panel Assembly | 2-22 |
| Fig. 13 - Side Instrument Panel Group | 2-24 |
| Fig. 14 - Circuit Breaker and Relay Group | 2-25 |
| Fig. 15 - Engine Group | 2-26 |
| Fig. 16 - Engine Mount Group | 2-28 |
| Fig. 17 - Carburetor Group, Gasoline | 2-30 |
| Fig. 18 - Carburetor Group, LPG | 2-32 |
| Fig. 19 - Vaporizer Group, LPG | 2-34 |
| Fig. 20 - Air Cleaner Group | 2-36 |
| Fig. 21 - Alternator and Engine Fan Group | 2-38 |
| Fig. 22 - Muffler Group | 2-39 |
| Fig. 23 - Fuel Tank Group, Gasoline | 2-40 |
| Fig. 24 - Fuel Tank Group, Gasoline | 2-42 |
| Fig. 25 - Fuel Tank Group, LPG | 2-44 |
| Fig. 26 - Radiator Group | 2-46 |
| Fig. 27 - Battery Group, Gasoline | 2-48 |
| Fig. 28 - Battery Group, LPG | 2-49 |
| Fig. 29 - Rear Drive Wheel Group | 2-50 |
| Fig. 30 - Rear Wheel Assembly | 2-52 |
| Fig. 31 - Front Wheel and Brakes Group | 2-54 |
| Fig. 32 - Brake Lever and Pedal Group | 2-56 |
| Fig. 33 - Directional Pedal Group | 2-58 |
| Fig. 34 - Hydraulic Pump Linkage Group | 2-60 |
| Fig. 35 - Hopper and Dump Door Group | 2-62 |
| Fig. 36 - Hopper Cylinder and Dust Door Group | 2-64 |
| Fig. 37 - Hopper Hood and Bumper Group | 2-66 |
| Fig. 38 - Hopper Hood and Bumper Group | 2-68 |
| Fig. 39 - Filter Box Group | 2-70 |
| Fig. 40 - Hopper Lift Arms Group | 2-72 |
| Fig. 41 - Side Brush Motor and Pivot Group | 2-74 |
| Fig. 42 - Side Brush Lift Group | 2-76 |
| Fig. 43 - Main Brush Lift Group | 2-78 |
| Fig. 44 - Main Brush Drive Group | 2-80 |
| Fig. 45 - Vacuum Fan Group | 2-82 |
| Fig. 46 - Vacuum Fan Motor and Fittings Group | 2-84 |
| Fig. 47 - Hydraulic Schematic | 2-85 |
| Fig. 48 - Hydraulic Hose Group | 2-86 |
| Fig. 49 - Hydraulic Hose Group | 2-88 |
| Fig. 50 - Hydraulic Reservoir Group | 2-90 |
| Fig. 51 - Hydraulic Valve Group | 2-92 |
| Fig. 52 - Hydraulic Valve Group | 2-94 |

Continued

STANDARD PARTS

CONTENTS

| | |
|---------------------------------------|-------|
| Fig. 53 - Hydraulic Pumps Group | 2-96 |
| Fig. 54 - Pressure Switch Group | 2-97 |
| Fig. 55 - Electrical Schematic | 2-99 |
| Fig. 56 - Wire Harnesses Group | 2-100 |
| Fig. 57 - Label Group | 2-104 |

Fig. 1 - General Recommended Maintenance Items

| Ref. | Tennant Part No. | Machine Serial Number | Description | Qty. |
|------|--------------------|-----------------------|---|----------------|
| ▽ | 69941 | (000000- |) Performance Pkg 400Hr Gas 355L | 1 |
| ▲ | 39046 | (000000- |) Spark Plug | 4 |
| ▲ | 67705 | (000000- |) Gasket | 1 |
| ▲ | 58120 | (000000- |) Element, Air Filter | 1 |
| ▲ | 19205 | (000000- |) Filter, Eng Oil, Spin-On | 8 1 |
| ▲ | 36050 | (000000- |) Filter, Fuel | 2 1 |
| ▲ | 65869-1 | (000000- |) Fluid, Hyd Oil, Shp 15/40 1Gal | 6 |
| ▲ | 55740 | (000000- |) Filter Element Ph | 1 |
| ▽ | 69942 | (000000- |) Performance Pkg 400Hr LPG 355L | 1 |
| ▲ | 39046 | (000000- |) Spark Plug | 4 |
| ▲ | 67705 | (000000- |) Gasket | 1 |
| ▲ | 58120 | (000000- |) Element, Air Filter | 1 |
| ▲ | 19205 | (000000- |) Filter, Eng Oil, Spin-On | 8 1 |
| ▲ | 65869-1 | (000000- |) Fluid, Hyd Oil, Shp 15/40 1Gal | 6 |
| ▲ | 55740 | (000000- |) Filter Element Ph | 1 |
| ▽ | 72066 | (000000- |) Maint,Kit, Shaker Filter, 355L | 1 |
| ▲ | 79425 | (000000- |) Seal, Bulb 140.0 Lg | 1 |
| ▲ | 36663 | (000000- |) Sleeve,1.12B 1.38D1.00 Rubber | 2 |
| ▲ | 36665 | (000000- |) Sleeve,1.12B 1.62D1.50 Rubber | 2 |
| ▲ | 36661 | (000000- |) Bar-Flt .06T 1.00W 4.00L,Rbr | 2 |
| ▲ | 36658 | (000000- |) Bar-Flt .06T 4.00W 5.00L,Rbr | 1 |
| ▽ | 72067 | (000000- |) Maint Kit, Skirts 355L | 1 |
| ▲ | 59687 | (000000- |) Seal, Door, Dump, Side | 2 |
| ▲ | 59688 | (000000- |) Strap, Door, Dump, Side | 2 |
| ▲ | 09007 | (000000- |) Scr Hexssm 6X1.0 25 | 8 |
| ▲ | 01684 | (000000- |) Washer Flt .25 Ss | 16 |
| ▲ | 08712 | (000000- |) Nut-Hxlocnyln M 6X1.0 Reg Ss | 8 |
| ▲ | 55864 | (000000- |) Cord, Sponge | 1 |
| ▲ | 59685 | (000000- |) Seal, Door, Dump | 1 |
| ▲ | 59686 | (000000- |) Strap, Door, Dump | 1 |
| ▲ | 09007 | (000000- |) Scr Hexssm 6X1.0 25 | 6 |
| ▲ | 01684 | (000000- |) Washer Flt .25 Ss | 12 |
| ▲ | 08712 | (000000- |) Nut-Hxlocnyln M 6X1.0 Reg Ss | 6 |
| ▽ | 72068 | (000000- |) Maint Kit, Seals 355L | 1 |
| ▲ | 59680 | (000000- |) Skirt, Lip | 1 |
| ▲ | 59681 | (000000- |) Skirt, Lip | 1 |
| ▲ | 55890 | (000000- |) Strap, Main Lip | 1 |
| ▲ | 09010 | (000000- |) Scr Hexssm 8X1.25 25 | 5 |
| ▲ | 01685 | (000000- |) Washer Flt .31 Ss | 5 |
| ▲ | 08713 | (000000- |) Nut-Hxlocnyln M 8X1.25 Reg Ss | 5 |
| ▲ | 54089 | (000000- |) Skirt, Side, Sbdc, Lh | 1 |
| ▲ | 54013 | (000000- |) Plate, Retainer, Lh | 1 |
| ▲ | 54014 | (000000- |) Plate, Retainer, Front, Lh | 1 |
| ▲ | 12459 | (000000- |) Scr-Hxfmgm 6X1.0 20 Pltd | 6 |
| ▲ | 01684 | (000000- |) Washer Flt .25 Ss | 6 |

Fig. 2 - Replacement Brushes

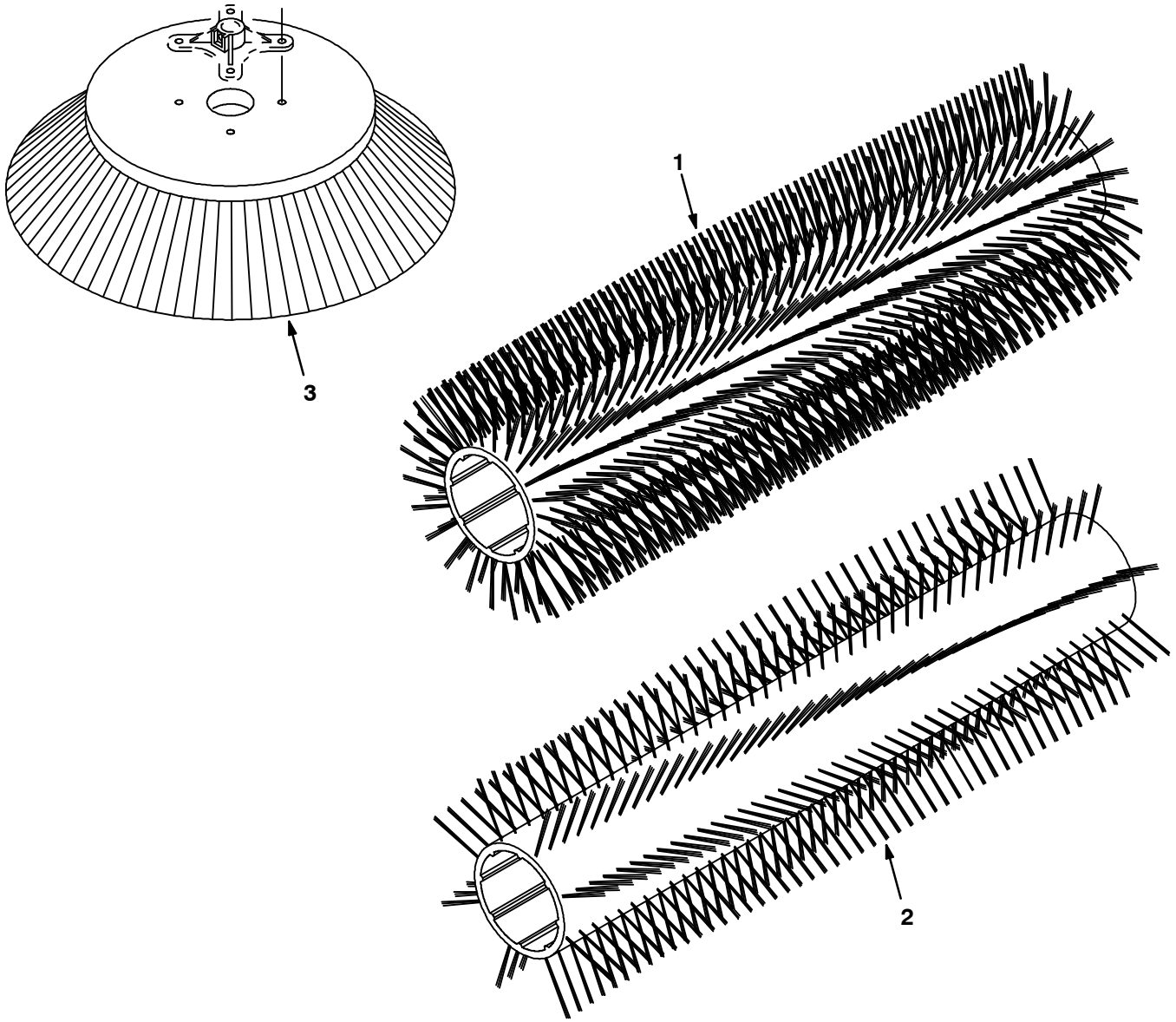


Fig. 2 - Replacement Brushes

| Ref. | Tennant Part No. | Machine Serial Number | Description | Qty. |
|------|------------------|-----------------------|---|------|
| 1 | 54927 | (000000- |) Brush-Sweep Spl-45Lg-24 Single Row-Fiber and Wire | 1 |
| 1 | 54922 | (000000- |) Brush-Sweep Spl-45Lg-24 Single Row-Nylon | 1 |
| 2 | 54923 | (000000- |) Brush-Sweep Spl-45Lg-8 Double Row-Nylon | 1 |
| 2 | 54925 | (000000- |) Brush-Sweep Spl-45Lg-8 Double Row-Poly and Wire | 1 |
| 2 | 59440 | (000000- |) Brush-Sweep Spl-45Lg-8 Double Row-Wire | 1 |
| 2 | 66019 | (000000- |) Brush-Sweep Spl-45Lg-8 Double Row-Poly | 1 |
| 2 | 66018 | (000000- |) Brush-Sweep Spl-45Lg-5 Double Row-Nylon | 1 |
| 2 | 370008 | (000000- |) Brush-Sweep Spl-45Lg-Wedg Poly | 1 |
| 3 | 59431 | (000000- |) Brush-Side Swp -23 Dia-Poly | 1 |
| 3 | 59432 | (000000- |) Brush-Side Swp -23 Dia-Flatwire | 1 |
| 3 | 08013N | (000000- |) Brush-Side Swp -23 Dia-Nylon | 1 |

Fig. 3 - Main Frame Group

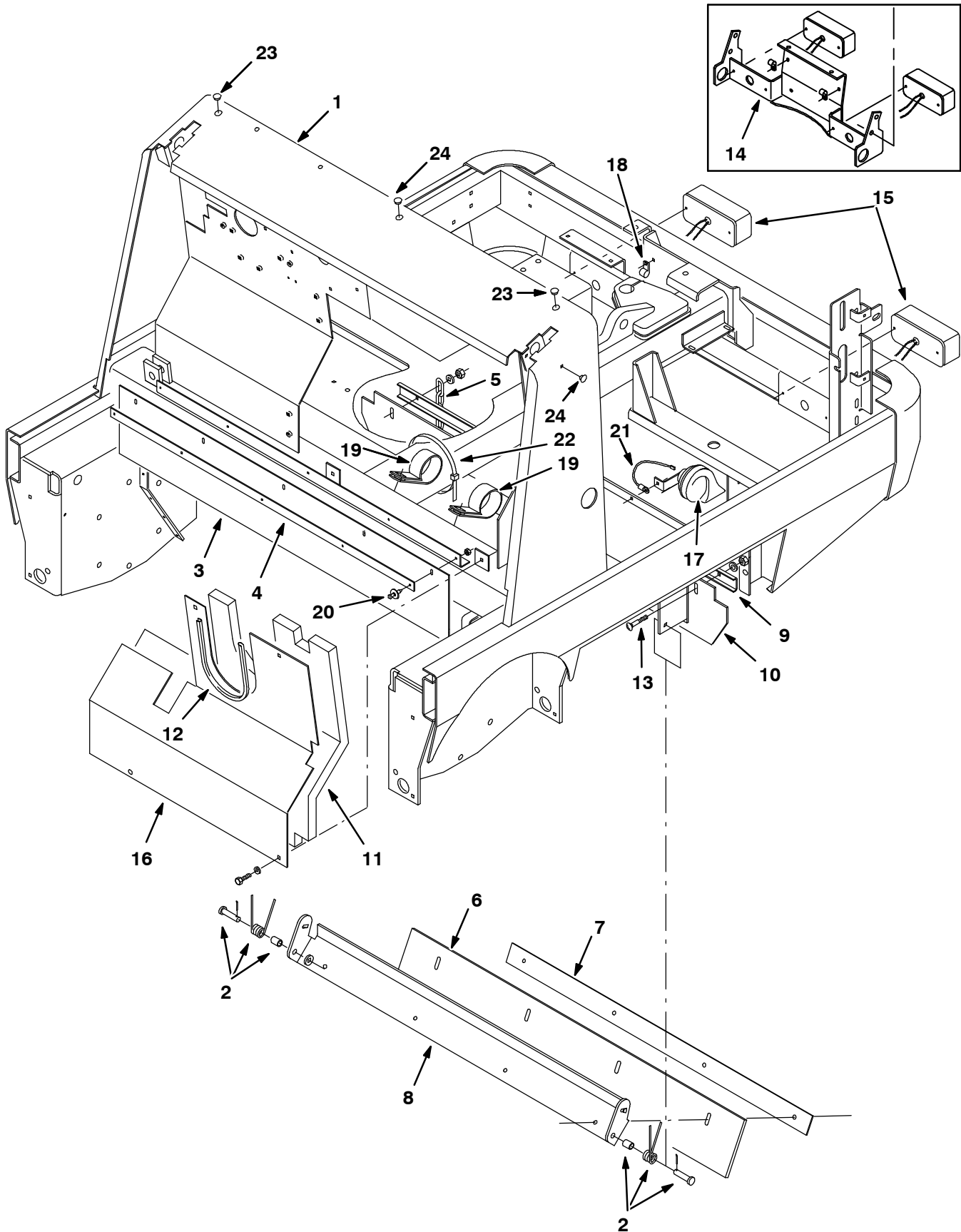
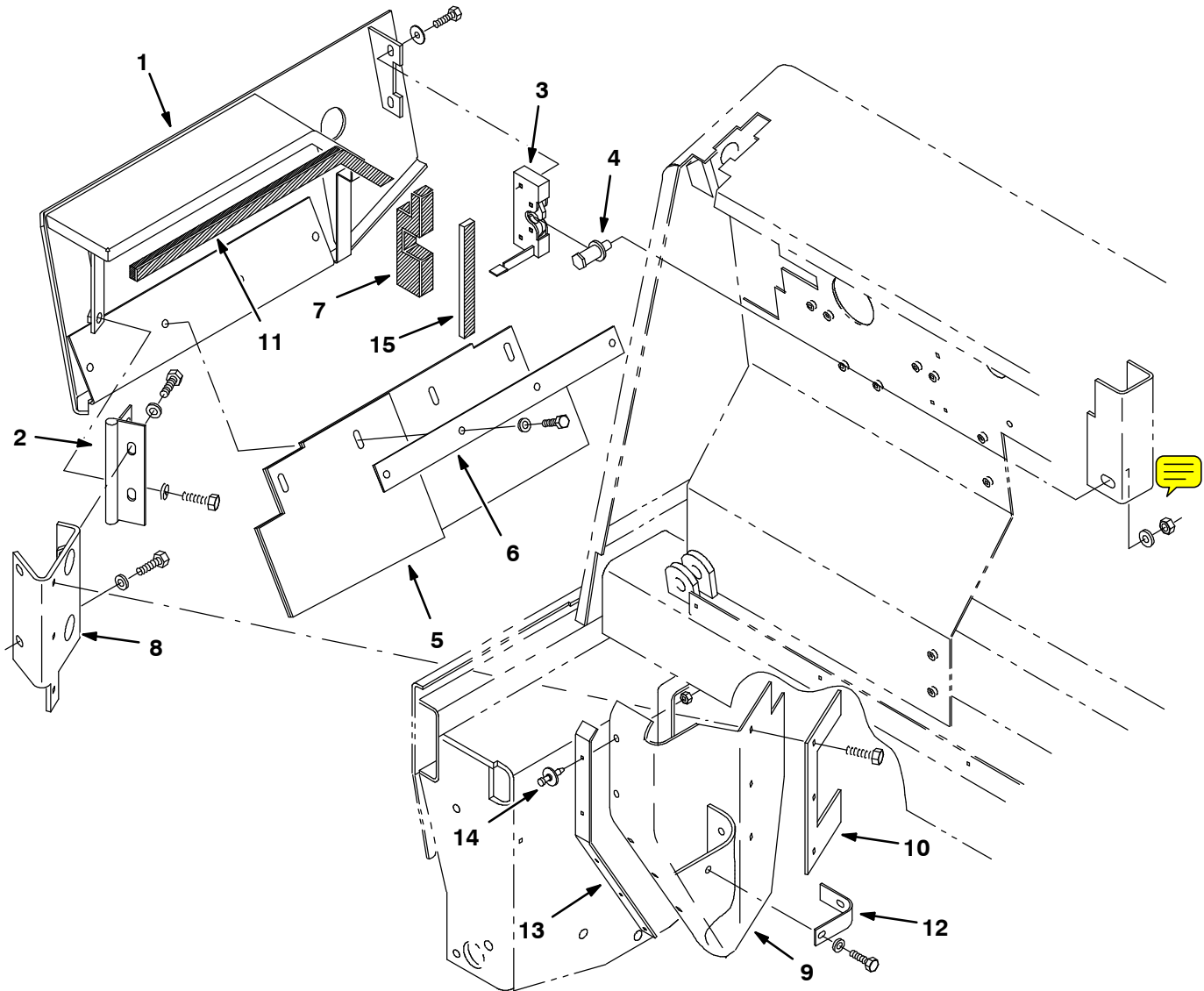


Fig. 3 - Main Frame Group

| Ref. | Tenant Part No. | Machine Serial Number | Description | Qty. | |
|------|-----------------|-----------------------|-------------------------------------|----------------|---|
| 1 | 59152 | (000000-001586) | Frame Wldt, Main | 1 | |
| 1 | 74304 | (001587- | Frame Wldt, Main | 1 | |
| 2 | 69904 | (000000- | Spring Assy, Recirculation | + 2 | |
| 3 | 56872 | (000000- | Skirt, Hopper, Top | 1 | |
| 4 | 56890 | (000000- | Strap, Backing, Hopper | 1 | |
| 5 | 09342 | (000000- | Chain, Link#2/0, 5Links Plain | 1 | |
| 6 | 54190 | (000000- | Blade, Deflector | 1 | |
| 6 | 374517 | (000000- | Skirt, Recirculation, Turf (Option) | 1 | |
| 7 | 54184 | (000000- | Strip, Retainer, Seal | 1 | |
| 8 | 54182 | (000000- | Bracket, Flap, Recirculation | 1 | |
| 9 | 54192 | (000000- | Channel, Retainer, Seal, Rear | 1 | |
| 10 | 54197 | (000000- | Skirt, Seal, M Br | 1 | |
| 11 | 53491 | (000000- | Insulation, Acoustic, Firewall | 1 | |
| 12 | 62595-21 | (000000- | Molding, Trim 11-14Ga 25.62 | 1 | |
| 13 | 69915 | (000000- | Bolt-Carrm 8X1.25 40 4.6 Pltd | 4 | |
| 14 | 72156 | (000000- xxxxxx) | Bracket Replacement Kit, Taillight | 1 | |
| 14 | 71024 | (xxxxxx-001586) | Bracket Wldt, Taillight | 1 | |
| ▽ | 15 | 59949 | (000000- | Taillight Assy | 2 |
| ▲ | 45780 | (000000- | Bulb, 12V .5A 4CP#1157 | 1 | |
| 16 | 59662 | (000000-001375) | Panel, Engine (Replaced By 72152) | 1 | |
| 16 | 72152 | (001376- | Panel, Engine | 1 | |
| 17 | 21642 | (000000- | Horn, 12V | 1 | |
| 18 | 67767 | (000000- | Clamp - Cable, .69 Dia .62 Wth | 3 | |
| 19 | 53468 | (000000- | Clamp, Hose | 3 | |
| 20 | 72968 | (000000- | Rivet, Plastic .250x.898 | 5 | |
| 21 | 70284 | (000000- | Wire Assy, Horn Ground, 16 Ga x 6 | 1 | |
| 22 | 222809 | (000000- | Cable, 9" Bundle Dia | 3 | |
| 23 | 57167 | (000000- | Plugbtn .62H .03-.12 Blacknyl | 2 | |
| 24 | 01314 | (000000- | Plugbtn .38H .03-.12 Blacknyl | 3 | |

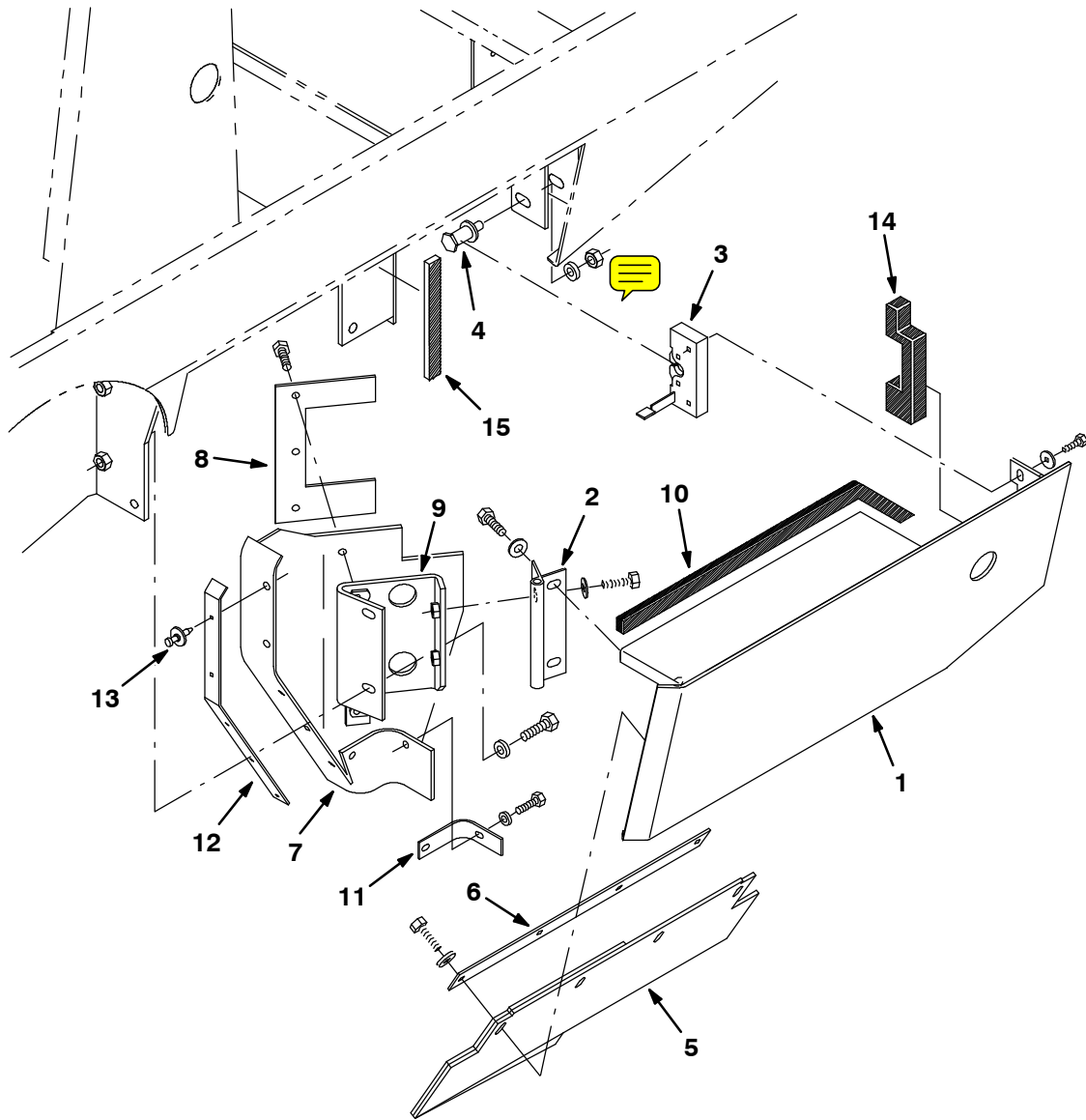
Fig. 4 - Right Brush Door Group



2 72125 (00000-001270) Hinge Repl. Kit1

| Ref. | Tennant Part No. | Machine Serial Number | Description | Qty. |
|------|------------------|-----------------------|----------------------------|------|
| 1 | 59761 | (000000-) | Door Wldt, Brush, Rh | 1 |
| 2 | 72120 | (001271-) | Hinge, Door, Brush | 1 |
| 3 | 59195 | (000000-) | Latch, Hook, Rh | 1 |
| 4 | 59192 | (000000-) | Latch, Bolt | 1 |
| 5 | 70276 | (000000-) | Skirt Assy, Brush Door, Rh | 1 |
| 6 | 55433 | (000000-) | Strip, Retainer, Skirt | 1 |
| 7 | 59537 | (000000-) | Seal, Door, Brush, Rh | 1 |
| 8 | 72118 | (000000-) | Bracket, Mtg, Hinge, Rh | 1 |
| 9 | 72069 | (000000-) | Skirt, Deflector | 1 |
| 10 | 59692 | (000000-) | Strap, Deflector | 1 |
| 11 | 69931 | (000000-) | Seal, Foam Rbr | 1 |
| 12 | 58770 | (000000-) | Strip, Retainer | 1 |
| 13 | 56914 | (000000-) | Strap | 1 |
| 14 | 72968 | (000000-) | Rivet, Plastic .250x.898 | 5 |
| 15 | 13301 | (000000-) | Seal, Rbr, .31 x .75 x 7.0 | 1 |

Fig. 5 - Left Brush Door Group



| 2 | 72125 | (000000-001270) | Hinge Repl. Kit | 1 | 14 |
|------|------------------|-----------------------|------------------------------|------|----|
| Ref. | Tennant Part No. | Machine Serial Number | Description | Qty. | |
| 1 | 59760 | (000000- |) Door Wldt, Brush, Lh | 1 | |
| 2 | 72120 | (001271- |) Hinge, Door, Brush | 1 | |
| 3 | 59194 | (000000- |) Latch, Hook, Lh | 1 | |
| 4 | 59192 | (000000- |) Latch, Bolt | 1 | |
| 5 | 70275 | (000000- |) Skirt Assy, Brush Door, Lh | 1 | |
| 6 | 55433 | (000000- |) Strip, Retainer, Skirt | 1 | |
| 7 | 72069 | (000000- |) Skirt, Deflector | 1 | |
| 8 | 59692 | (000000- |) Strap, Deflector | 1 | |
| 9 | 72119 | (000000- |) Bracket, Mtg, Hinge, Lh | 1 | |
| 10 | 69931 | (000000- |) Seal, Foam Rbr | 1 | |
| 11 | 58770 | (000000- |) Strip, Retainer | 1 | |
| 12 | 56914 | (000000- |) Strap | 1 | |
| 13 | 72968 | (000000- |) Rivet, Plastic .250x.898 | 5 | |
| 14 | 59538 | (000000- |) Seal, Door, Brush, Lh | 1 | |
| 15 | 13301 | (000000- |) Seal, Rbr, .31 x .75 x 7.0 | 1 | |

Fig. 6 - Seat and Shroud Group

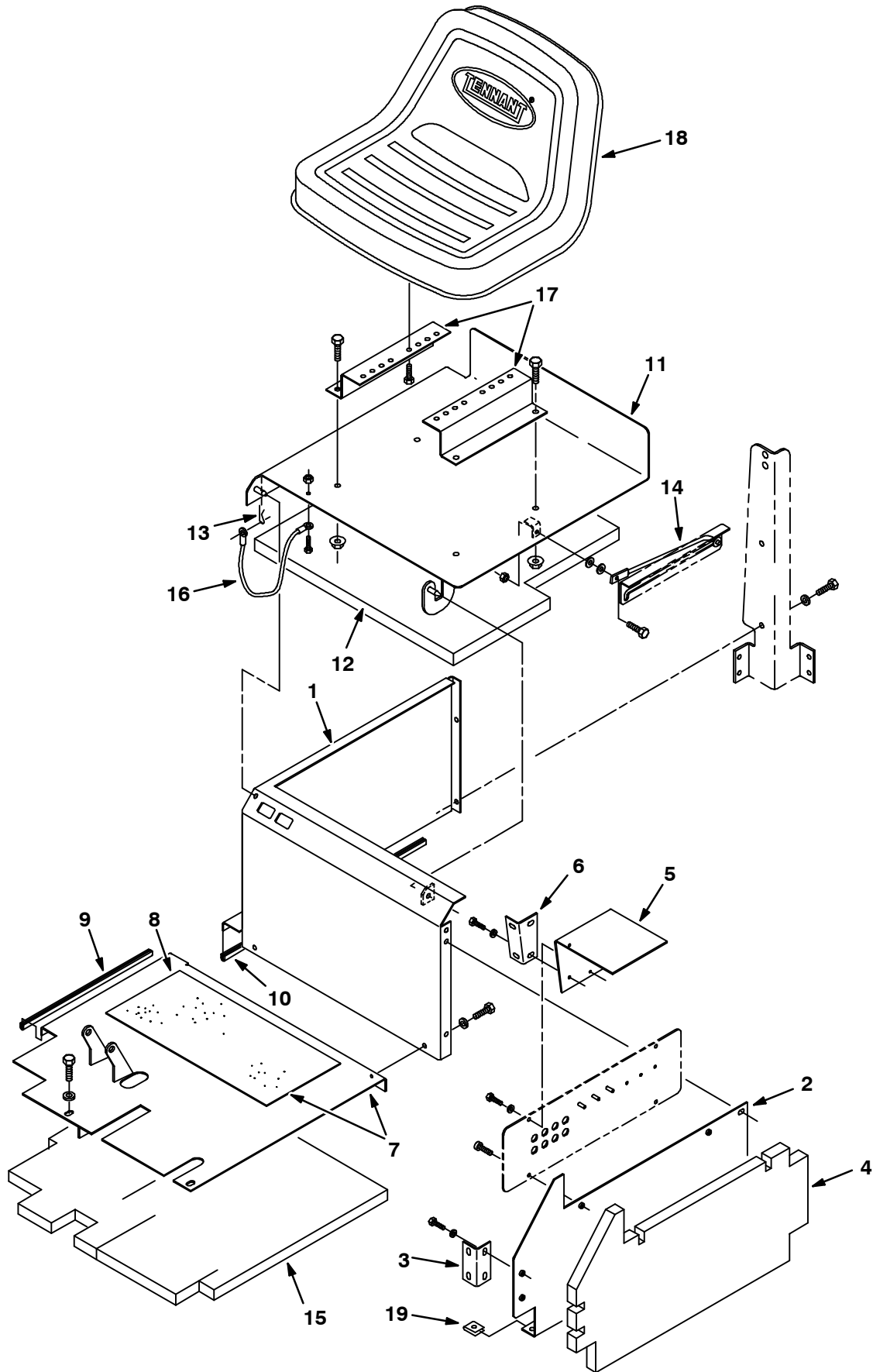


Fig. 6 - Seat and Shroud Group

| Ref. | Tenant Part No. | Machine Serial Number | Description | Qty. | |
|------|-----------------|-----------------------|----------------------------------|-------------------------------|---|
| 1 | 58297 | (000000- |) Panel Wldt, Sppt, Seat | 1 | |
| 2 | 54030 | (000000- |) Panel, Inside | 1 | |
| 3 | 59771 | (000000- |) Bracket | 1 | |
| 4 | 53494 | (000000- |) Insulation, Acoustic, Panel | 1 | |
| 5 | 59035 | (000000- |) Panel, Filler, Upper | 1 | |
| 6 | 59766 | (000000- |) Bracket, Inside | 1 | |
| ▽ | 7 | 72138 | (000000- |) Plate, Floor w/tread | 1 |
| ▲ | 8 | 16369 | (000000- |) Pad, Tread | 1 |
| | 9 | 62595-22 | (000000- |) Molding, Trim 11-14Ga 14.20 | 1 |
| | 10 | 62595-23 | (000000- |) Molding, Trim 11-14Ga 22.80 | 1 |
| 11 | 53839 | (000000- |) Cover Wldt, Sppt, Seat | 1 | |
| 12 | 59822 | (000000- |) Insulation, Acoustic, Seat | 1 | |
| 13 | 44906 | (000000- |) Pin,Hair Cotter #Lhcot-2,Leitk | 1 | |
| 14 | 54615 | (000000- |) Rod Wldt, Seat | 1 | |
| 15 | 53492 | (000000- |) Insulation, Acoustic, Plate | 1 | |
| 16 | 57702 | (000000- |) Cable | 1 | |
| 17 | 54055 | (000000- |) Rail, Seat, Rh | 2 | |
| 18 | 82342 | (000000- |) Seat | 1 | |
| 19 | 58595 | (000000- |) Nut, U M 8X1.25 Pltd | 1 | |

Fig. 7 - Right Grille Group

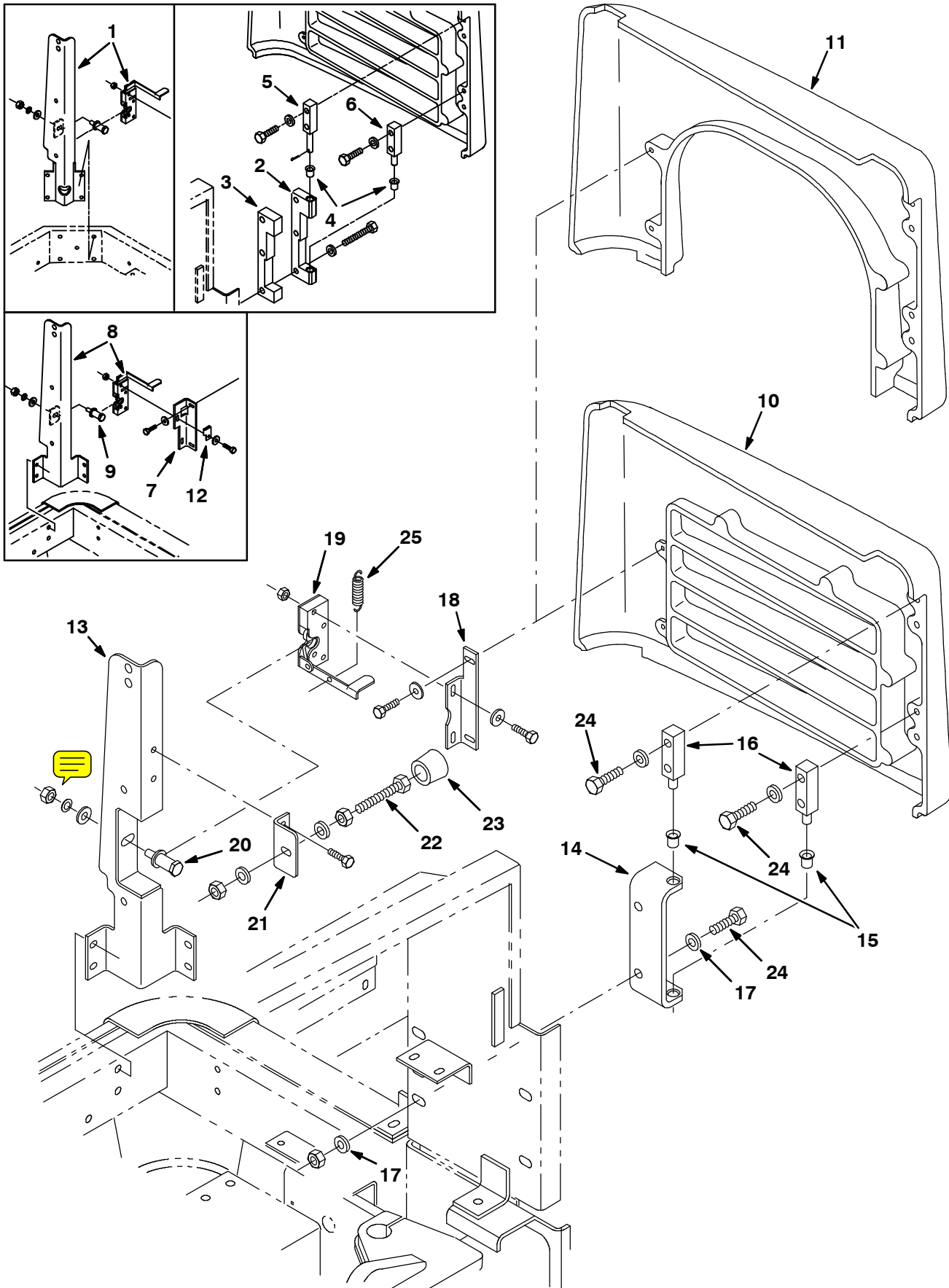


Fig. 7 - Right Grille Group

| Ref. | Tennant Part No. | Machine Serial Number | Description | Qty. |
|------|------------------|-----------------------|---|------|
| 1 | 74493 | (000000-001586) | Latch/Channel Repl. Kit | 1 |
| 2 | 58564 | (000000-001497) | Block, Pivot (Replaced By 72179) | 1 |
| 3 | 58571 | (000000-001497) | Spacer, Pivot Block (Replaced By 72179) | 1 |
| 4 | 58585 | (000000-001497) | Bearing, Flange | 2 |
| 5 | 58576 | (000000-001497) | Pin, Pivot, Upper | 1 |
| 6 | 58811 | (000000-001497) | Pin, Pivot, Lower | 1 |
| 7 | 59549 | (000000-002016) | Bracket, Mtg, Latch (Replaced By 74456) | 1 |
| 8 | 74491 | (001587-002016) | Latch/Channel Repl. Kit | 1 |
| 9 | 59703 | (000000-002016) | Bolt, Hook, Rh | 1 |
| 10 | 54552 | (000000-) | Grille, Right, (Gasoline) | 1 |
| 11 | 54556 | (000000-) | Grille, Right, (LPG) | 1 |
| 12 | 69973 | (000000-002016) | Clip (Replaced By None) | 1 |
| 13 | 70256 | (002017-) | Channel Wldt, Corner Post | 1 |
| 14 | 72179 | (001498-) | Bracket, Grille | 1 |
| 15 | 15648 | (001498-) | Bearing, Flange | 2 |
| 16 | 72176 | (001498-) | Pin, Pivot, Upper | 2 |
| 17 | 36328 | (000000-) | Washer-Belleville .50 Pltd | 4 |
| 18 | 74456 | (002017-) | Bracket, Mtg. Latch | 1 |
| 19 | 72473 | (002017-) | Latch, Hook, RH | 1 |
| 20 | 59192 | (002017-) | Latch, Bolt | 1 |
| 21 | 70249 | (003088-) | Bracket, Stop Bolt, Rear Grill | 1 |
| 22 | 45214 | (003088-) | Scr-Hex .38-16x2.50 Full Thd | 1 |
| 23 | 01318 | (003088-) | Tip, Rubber | 1 |
| 24 | 69972 | (000000-) | Src-Hex M12x1.75 40 10.9Pltd | 6 |
| 25 | 59870 | (000000-) | Sprng, Tens, 0.50 Odx.05 Wire 2.5L | 1 |

Fig. 8 - Left Grille and Hydraulic Cooler Group

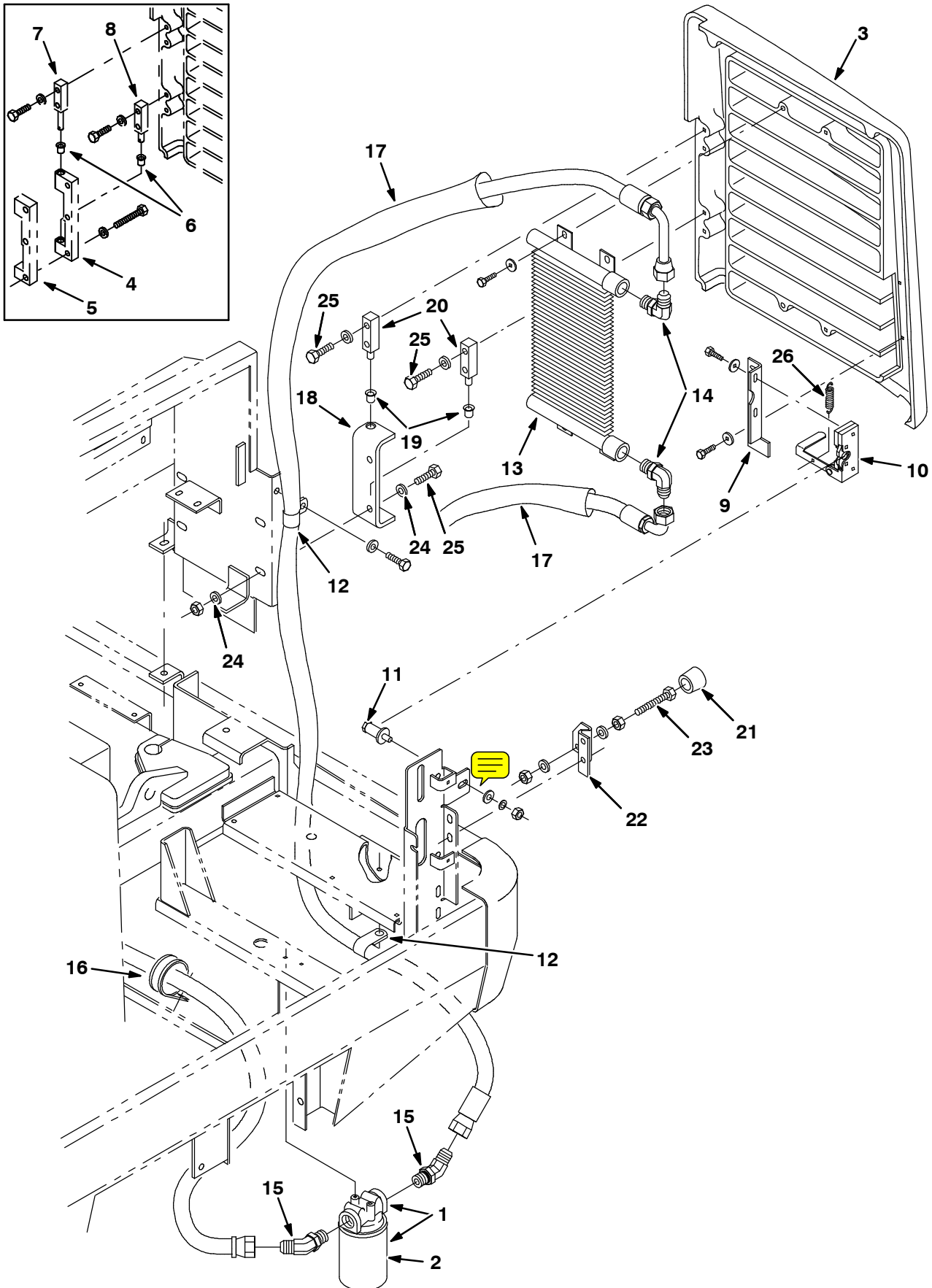


Fig. 8 - Left Grille and Hydraulic Cooler Group

| | Ref. | Tennant Part No. | Machine Serial Number | Description | Qty. |
|---|------|------------------|-----------------------|--|------|
| ▽ | 1 | 55619 | (000000- |) Filter Assy, Spin-On 10Micron | 1 |
| ▲ | 2 | 55740 | (000000- |) Filter Element Ph | 1 |
| | 3 | 54553 | (000000- |) Grille, Left | 1 |
| | 4 | 58564 | (000000-001497 |) Block, Pivot (Repl. By 72179) | 1 |
| | 5 | 58571 | (000000-001497 |) Spacer, Pivot Block (Repl. By 72179) | 1 |
| | 6 | 58585 | (000000-001497 |) Bearing, Flange | 2 |
| | 7 | 58576 | (000000-001497 |) Pin, Pivot, Upper | 1 |
| | 8 | 58811 | (000000-001497 |) Pin, Pivot, Lower | 1 |
| | 9 | 70252 | (000000- |) Bracket, Mtg, Latch | 1 |
| | 10 | 59695 | (000000- |) Latch, Hook, Lh | 1 |
| | 11 | 59192 | (000000- |) Latch, Bolt | 1 |
| | 12 | 53466 | (000000- |) Clamp, Hose | 2 |
| | 13 | 82798 | (000000- |) Cooler-Hyd 12 0500 | 1 |
| | 14 | 46481 | (000000- |) Ftg-Hyd E90 Jm12/Om12 | 2 |
| | 15 | 16081 | (000000- |) Ftg-Hyd E45 Jm12/Om12 | 2 |
| | 16 | 41016 | (000000- |) Clamp-Cable, 2.25Dia 1.00Wth | 1 |
| | 17 | 87676 | (000000- |) Sleeve-Nyln #24 30.0L | 2 |
| | 18 | 72179 | (001498- |) Bracket, Grille | 1 |
| | 19 | 15648 | (001498- |) Bearing, Flange | 2 |
| | 20 | 72176 | (001498- |) Pin, Pivot, Upper | 2 |
| | 21 | 01318 | (003088- |) Tip, Rubber | 1 |
| | 22 | 70248 | (003088- |) Bracket, Rear Grill Stop Bolt | 1 |
| | 23 | 55347 | (003088- |) Scr-Hex .38-16x2.00 Full Thd | 1 |
| | 24 | 36328 | (000000- |) Washer-Belleville .50 Pltd | 4 |
| | 25 | 69972 | (000000- |) Scr-Hex M12x1.75 40 10.9Pltd | 6 |
| | 26 | 59870 | (000000- |) Sprng, Tens, 0.50 Odx.05 Wire 2.5L | 1 |

Fig. 9 - Engine Cover Group

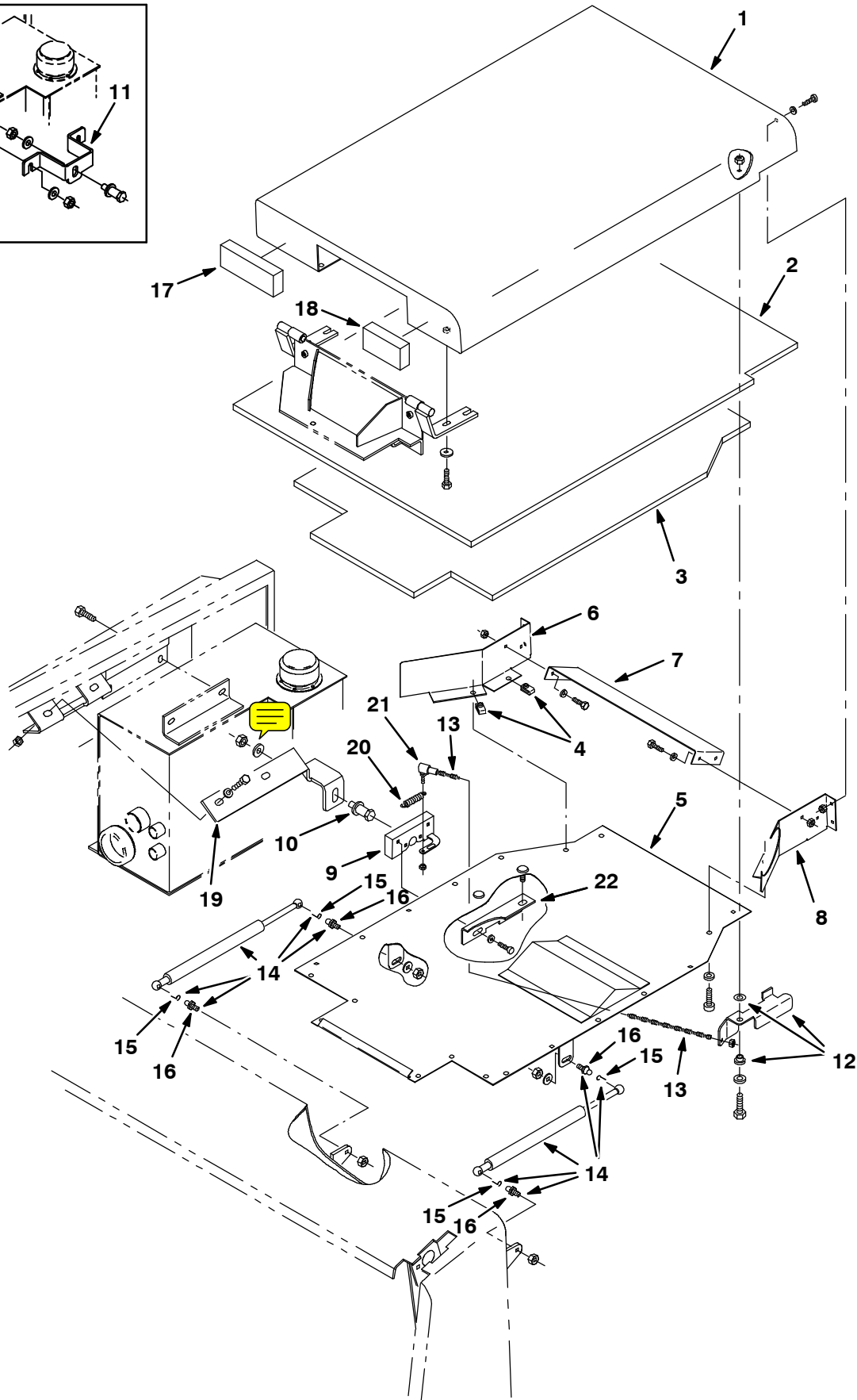
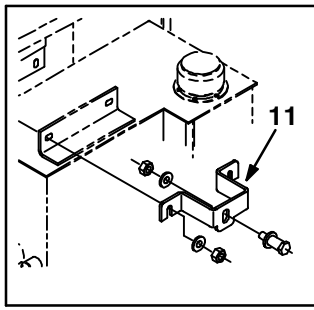


Fig. 9 - Engine Cover Group

| Ref. | Tennant Part No. | Machine Serial Number | Description | Qty. | |
|------|------------------|-----------------------|-----------------------------------|--------------------------------------|---|
| 1 | 58977 | (000000- |) Cover Wldt, Engine | 1 | |
| 2 | 59019 | (000000- |) Foam, Engine Cover | 1 | |
| 3 | 58999 | (000000- |) Foam, Engine Cover, Bottom | 1 | |
| 4 | 12271 | (000000- |) Nut, U M 6X1.0 Pltd | 20 | |
| 5 | 70143 | (000000-002859 |) Repl Kit, Plate, Bottom F/59843 | 1 | |
| 5 | 70145 | (002860- |) Plate Wldt, Cover, Bottom | 1 | |
| 6 | 69952 | (000000- |) Plate, Deflector, Engine Cover | 1 | |
| 7 | 58849 | (000000- |) Bracket, Deflector, Eng Cover | 1 | |
| 8 | 69951 | (000000- |) Plate, Deflector, Eng Cover | 1 | |
| 9 | 59514 | (000000- |) Latch | 1 | |
| 10 | 59192 | (000000- |) Latch, Bolt | 1 | |
| 11 | 72091 | (000000-001226 |) Bracket, Repl Kit, Latch | 1 | |
| 12 | 69907 | (000000- |) Handle Assy, Latch, Eng Cover | 1 | |
| 13 | 55048 | (000000- |) Rod, Latch, Engine Cover | 1 | |
| ∇ | 14 | 69906 | (000000- |) Spring-Gas Assy, Eng Cover | 2 |
| ▲ | 15 | 64595 | (000000- |) Clip, Spring | 2 |
| ▲ | 16 | 58494 | (000000- |) Stud, Ball | 2 |
| | 17 | 69986 | (000000- |) Insulation, Acoustic, Engine Cover | 1 |
| | 18 | 69987 | (000000- |) Insulation, Acoustic, Engine Cover | 1 |
| | 19 | 70136 | (001227- |) Bracket, Latch | 1 |
| | 20 | 53091 | (000000- |) Sprng, Tens, 0.50Odx.05Wire 1.0L | 1 |
| | 21 | 14601 | (000000- |) Balljoint .250-28 | 1 |
| | 22 | 70142 | (002860- |) Bracket, Latch, Bolt, Eng Cover | 1 |

Fig. 10 - Engine Side Door Group

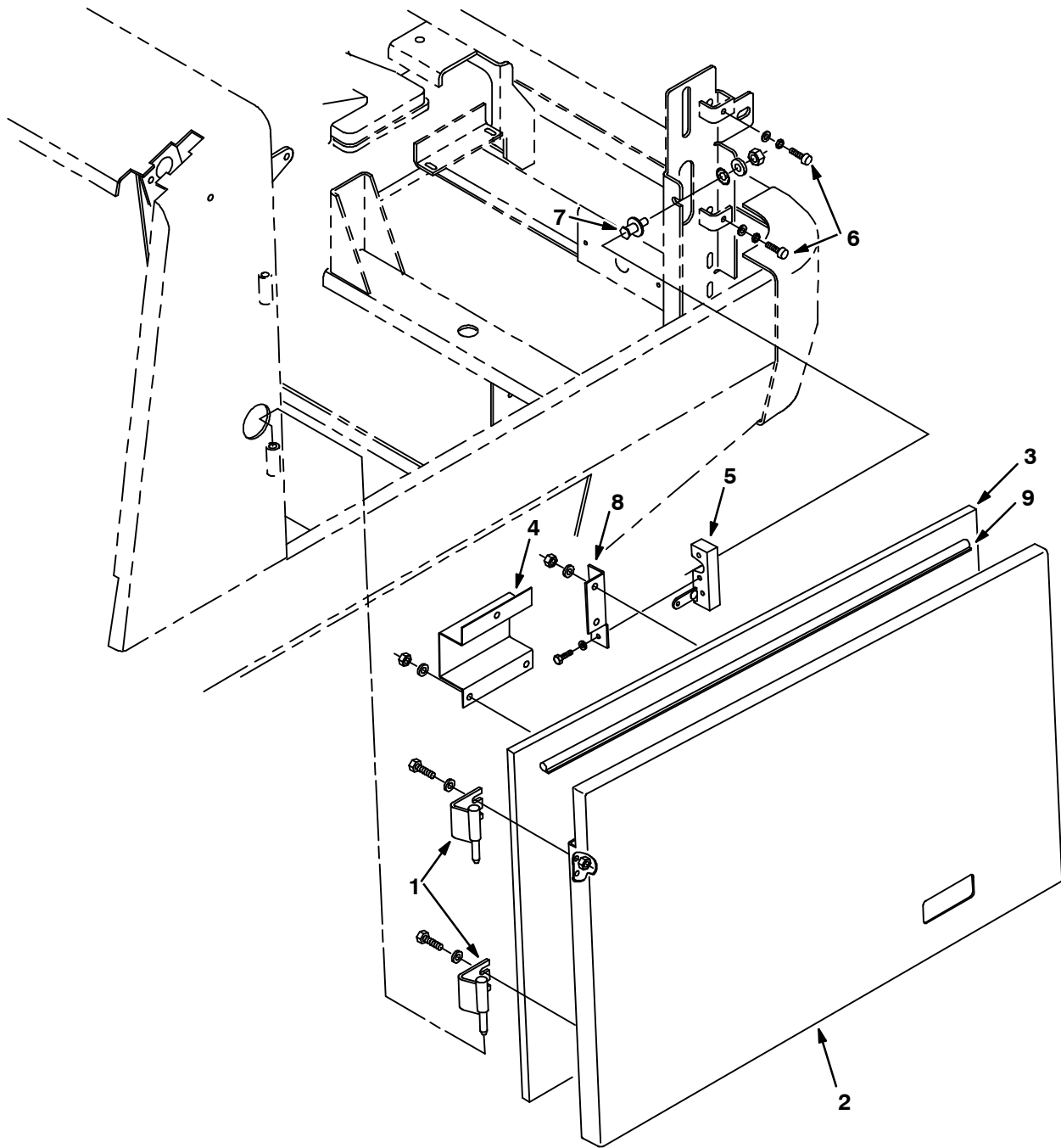


Fig. 10 - Engine Side Door Group

| Ref. | Tennant Part No. | Machine Serial Number | Description | Qty. |
|------|------------------|-----------------------|----------------------------|------|
| 1 | 59377 | (000000- |) Hinge Wldt, Door, Engine | 2 |
| 2 | 59830 | (000000- |) Door Wldt | 1 |
| 3 | 59018 | (000000- |) Foam, Door, Engine, Side | 1 |
| 4 | 59829 | (000000- |) Bracket, Door | 1 |
| 5 | 59661 | (000000- |) Latch | 1 |
| 6 | 75128 | (000000- |) Spindle, Adjustment | 2 |
| 7 | 72154 | (000000- |) Bolt, Latch | 1 |
| 8 | 59828 | (000000- |) Bracket, Latch, Door | 1 |
| 9 | 59647 | (000000- |) Seal, Rubber | 1 |

Fig. 11 - Steering and Firewall Group

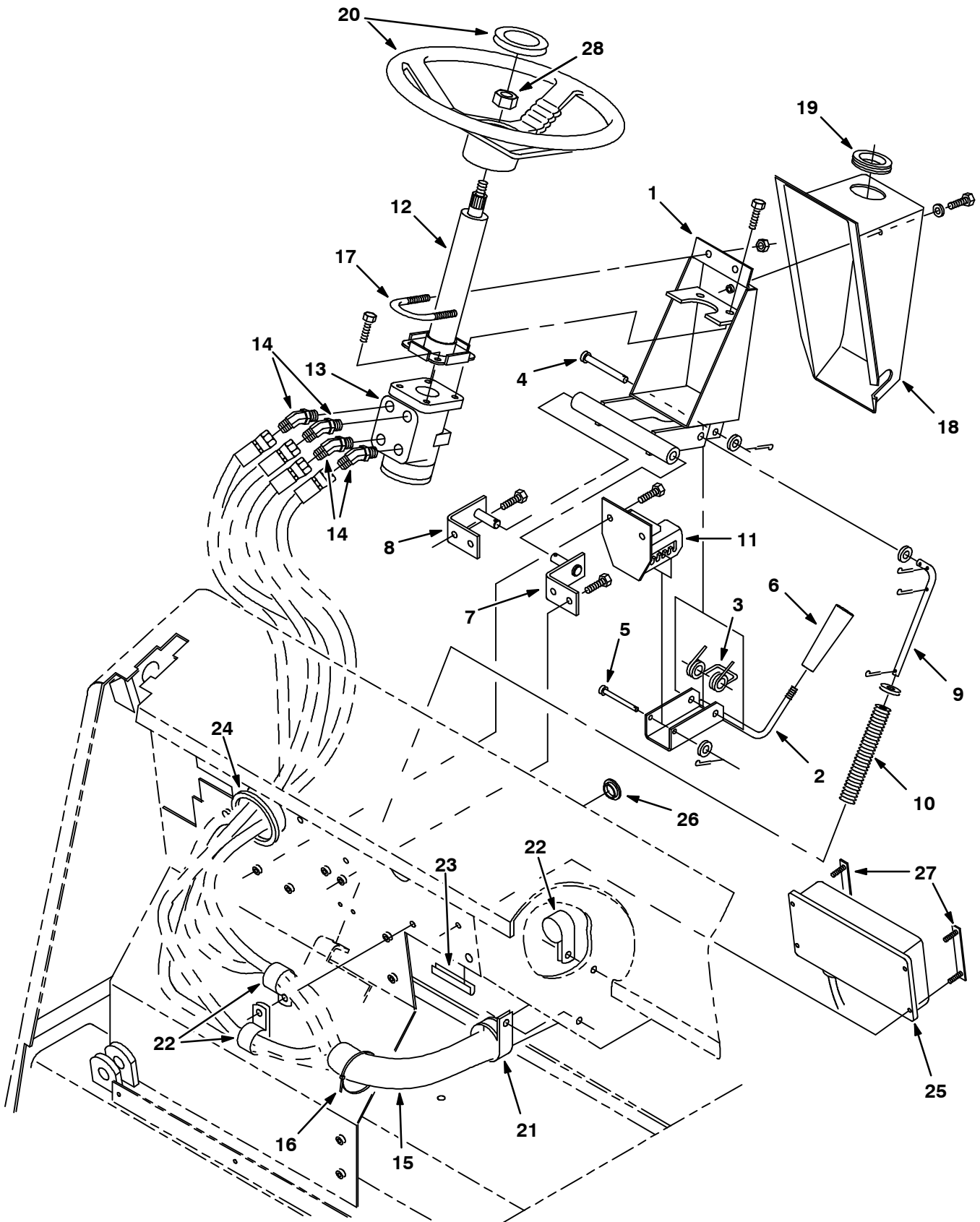


Fig. 11 - Steering and Firewall Group

| Ref. | Tennant Part No. | Machine Serial Number | Description | Qty. |
|------|------------------|-----------------------|--|------|
| 1 | 56373 | (000000- |) Bracket Wldt, Valve | 1 |
| 2 | 56379 | (000000- |) Lever Wldt, Tilt | 1 |
| 3 | 56198 | (000000- |) Spring, Torsion | 1 |
| 4 | 23191 | (000000- |) Pin,Clevis,0.37 Dia.X 3.00 Lg | 1 |
| 5 | 04733-10 | (000000- |) Pin,Clevis,0.25 Dia.X 2.44 Lg | 1 |
| 6 | 59940 | (000000- |) Knob, Tapered M8 | 1 |
| 7 | 58665 | (000000- |) Bracket Wldt, Mtg, Steering,Lh | 1 |
| 8 | 58667 | (000000- |) Bracket Wldt, Mtg, Steering,Rh | 1 |
| 9 | 56392 | (000000- |) Rod, Spring | 1 |
| 10 | 63852 | (000000- |) Sprng,Comp,0.74ldx.11Wire 5.5L | 1 |
| 11 | 56385 | (000000- |) Bracket Wldt, Notched | 1 |
| 12 | 57935 | (000000- |) Column, Steering | 1 |
| 13 | 54022 | (000000-002221 |) Steer Control, Hyd (See Breakdowns) (Repl. by 74172) | 1 |
| 13 | 74172 | (002222- |) Steer Control, Hyd (See Breakdowns) | 1 |
| 14 | 47522 | (000000- |) Ftg-Hyd E45 Jm06/Om06 | 4 |
| 15 | 34330 | (000000- |) Sleeve-Nyln #38 30.0L | 1 |
| 16 | 49263 | (000000- |) Tie, Cable 3.00D Max 11.41Lg | 3 |
| 17 | 58748 | (000000- |) U - Bolt | 1 |
| 18 | 56362 | (000000- |) Cover, Steering | 1 |
| 19 | 54345 | (000000- |) Grommet,Rbr,1.62ld,For .13Matl | 1 |
| 20 | 56398 | (000000- |) Wheel, Steering, 14 Dia X 36T | 1 |
| 21 | 41016 | (000000- |) Clamp-Cable, 2.25Dia 1.00Wth | 1 |
| 22 | 53466 | (000000- |) Clamp, Hose | 3 |
| 23 | 62595-3 | (000000- |) Molding, Trim 11-14Ga 5.75 | 1 |
| 24 | 62595-4 | (000000- |) Molding, Trim 11-14Ga 10.00 | 1 |
| 25 | 56235 | (000000- |) Control Box, Gov, 3 Speed | 1 |
| 26 | 55035 | (000000- |) Plug, Plastic 1.00 D | 1 |
| 27 | 59935 | (000000- |) Plate Wldt, Governor | 2 |
| 28 | 56185 | (000000- |) Nut-Hx Jam M20x1.5 4 Pltd | 1 |

Fig. 12 - Instrument Panel Assembly

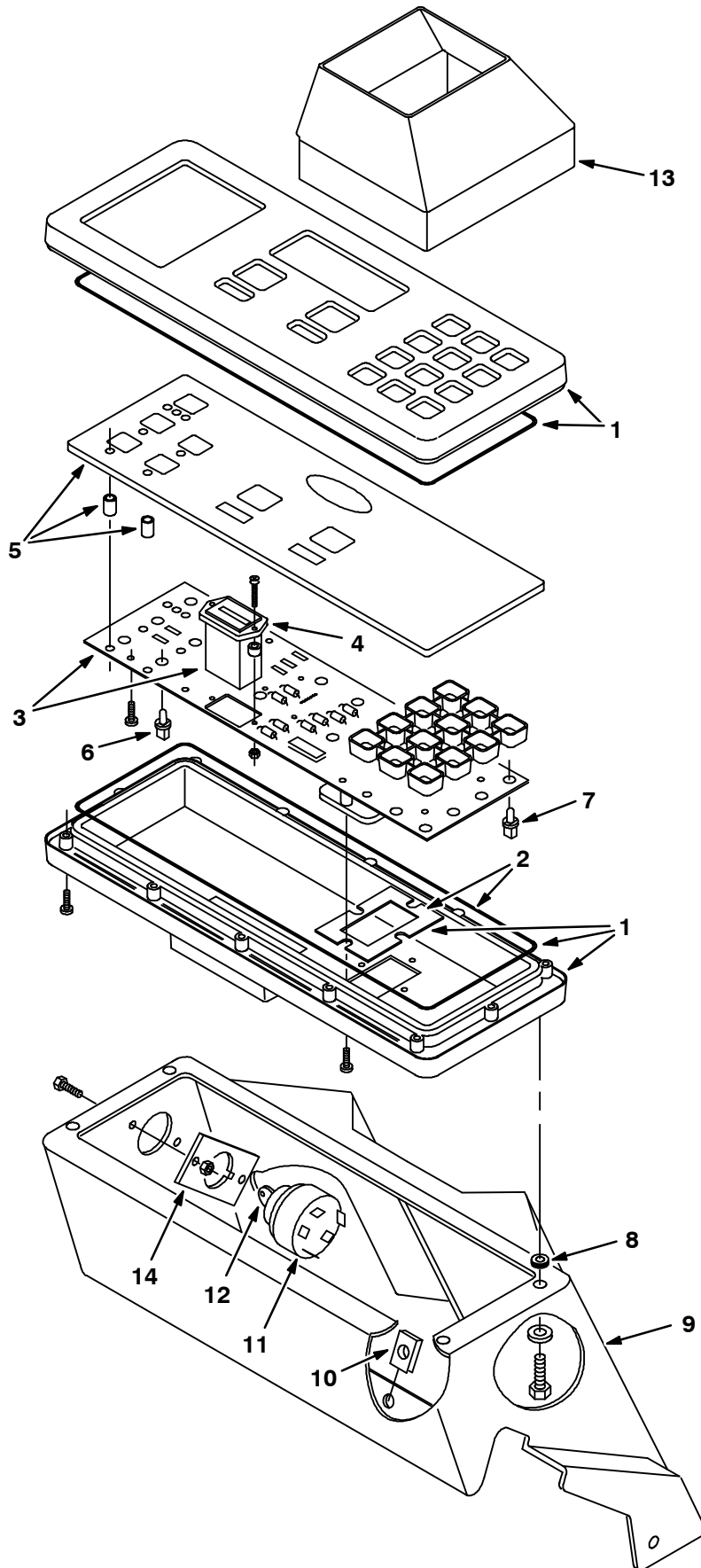
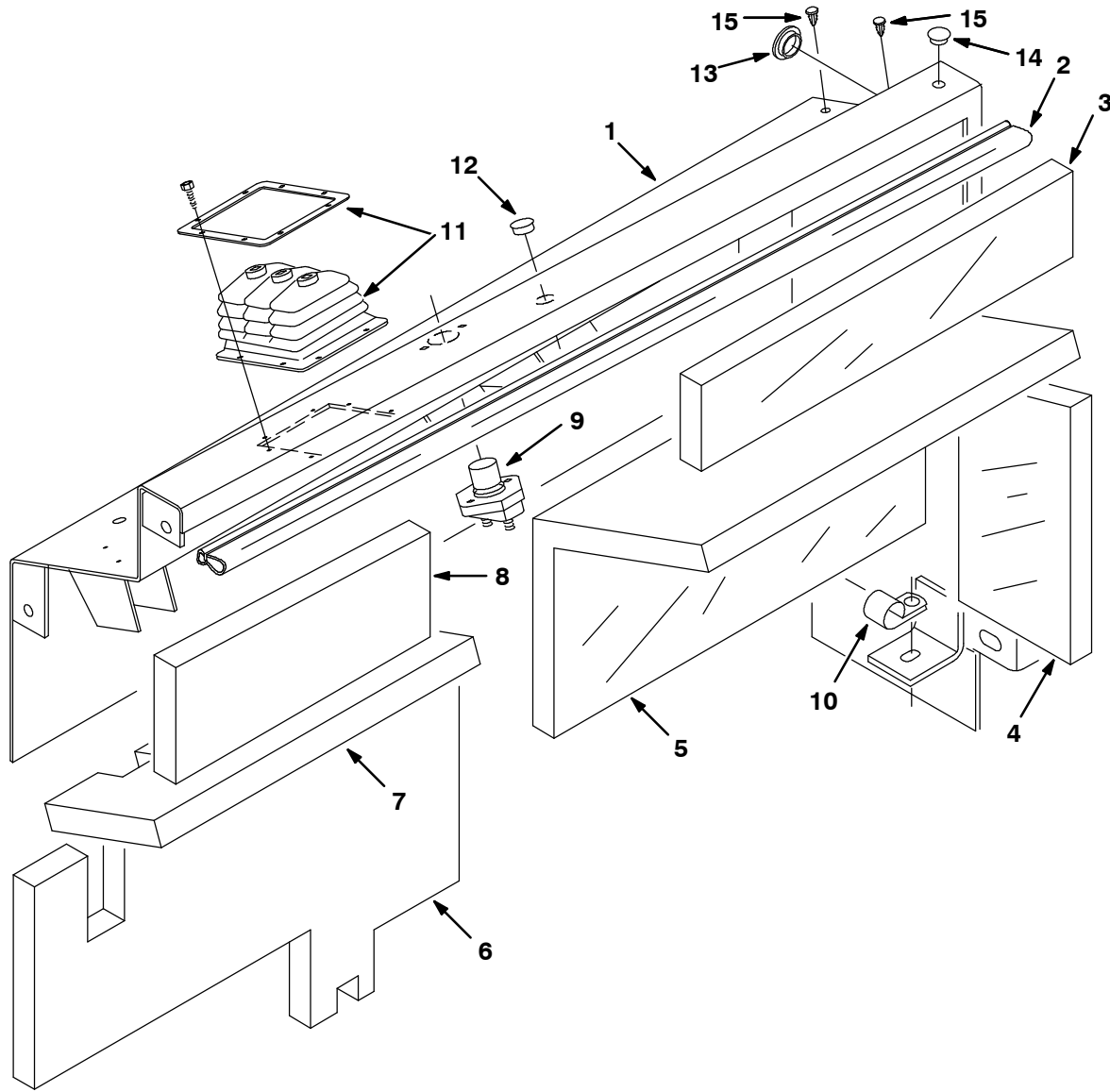


Fig. 12 - Instrument Panel Assembly

| | Ref. | Tennant Part No. | Machine Serial Number | Description | Qty. |
|----|------|------------------|-----------------------|-------------------------------------|------|
| ▽ | | 59970 | (000000- |) Replm Kit, Instr Panel | 1 |
| ▲ | 1 | 59976 | (000000- |) Replm Kit, Case | 1 |
| ▲ | 2 | 59977 | (000000- |) Replm Kit, Seal | 1 |
| ▲▽ | 3 | 59974 | (000000- |) Replm Kit, Cir Board | 1 |
| ▲▲ | 4 | 59978 | (000000- |) Replm Kit, Hourmeter | 1 |
| ▲ | 5 | 59979 | (000000- |) Replm Kit, Touch Panel | 1 |
| ▲ | 6 | 59971 | (000000- |) Replm Kit, Lamp, Backlighting (8) | 2 |
| ▲ | 7 | 56346 | (000000- | (Replm Kit, Lamp, Fault (8) | 1 |
| | 8 | 10632-5 | (000000- |) Grommet,Rbr,0.25ld,For .09Matl | 4 |
| | 9 | 54342 | (000000- |) Panel Assy, Instr | 1 |
| | 10 | 12271 | (000000- |) Nut, U M 6X1.0 Pltd | 2 |
| ▽ | 11 | 87536 | (000000- |) Switch Ignition | 1 |
| ▲ | 12 | 87866 | (000000- |) Key Set,Switch Ku | 1 |
| | 13 | 72109 | (000000-xxxxxx |) Repl Kit, Sun Shield | 1 |
| | 14 | 19768 | (000000- |) Plate, Reinforcement-Ignition | 1 |

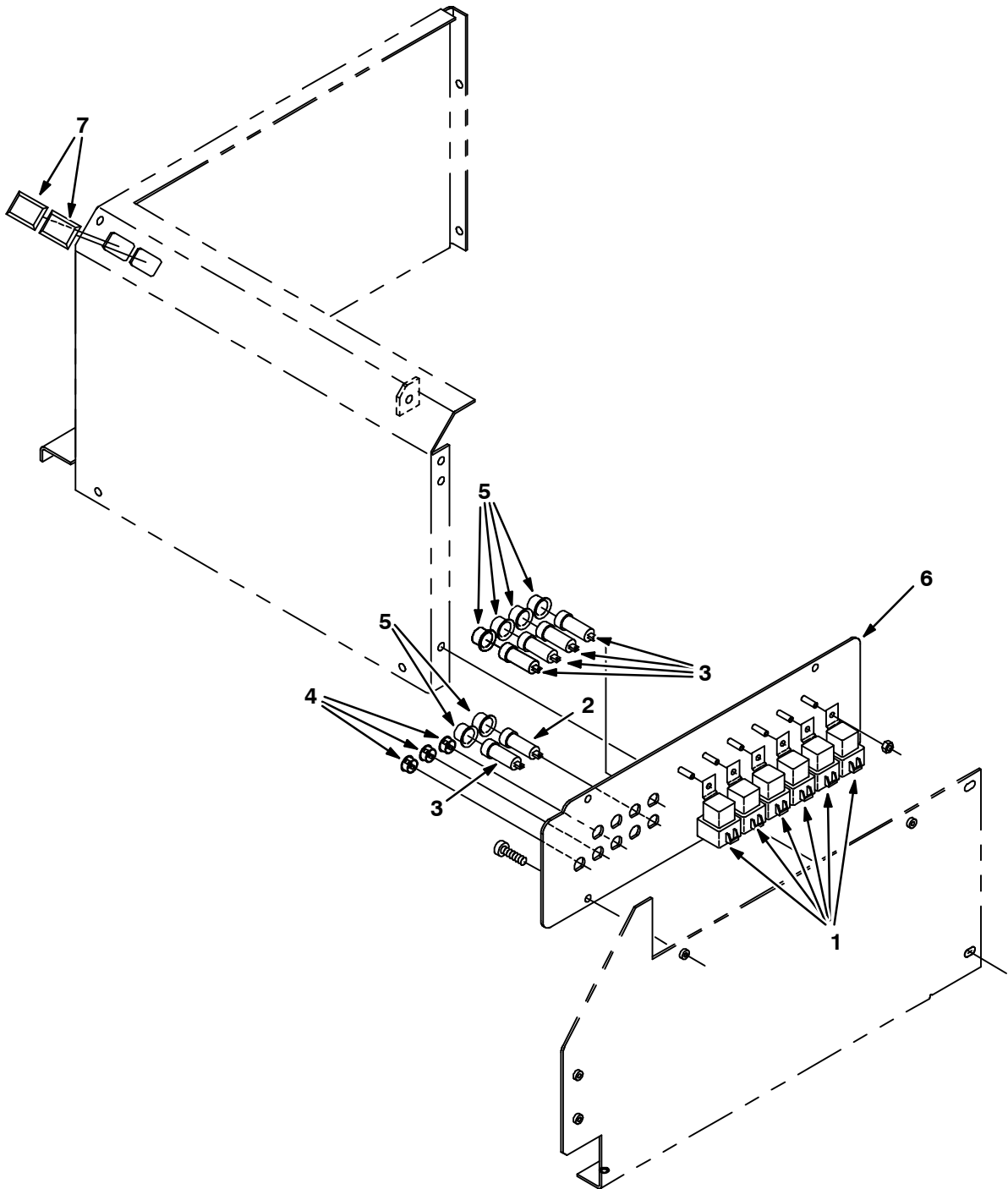
Fig. 13 - Side Instrument Panel Group



07918/07510

| Ref. | Tennant Part No. | Machine Serial Number | Description | Qty. |
|------|------------------|-----------------------|--|------|
| 1 | 59824 | (000000-) | Panel Assy, Instrument w/label | 1 |
| 2 | 59647 | (000000-) | Seal, Rubber | 1 |
| 3 | 59623 | (000000-) | Insulation, Acoustic | 1 |
| 4 | 59622 | (000000-) | Insulation, Acoustic | 1 |
| 5 | 59621 | (000000-) | Insulation, Acoustic | 1 |
| 6 | 59628 | (000000-) | Insulation, Acoustic | 1 |
| 7 | 59636 | (000000-) | Insulation, Acoustic | 1 |
| 8 | 59629 | (000000-) | Insulation, Acoustic | 1 |
| 9 | 44078 | (000000-) | Switch, Pushmom, Spst100A 12V | 1 |
| 10 | 69234 | (000000-) | Clamp-Cable, 1.00Dia. .62Wth | 2 |
| 11 | 69909 | (000000-) | Bellows Assy, Valve | 1 |
| 12 | 01314 | (000000-) | Plugbtn .38H .03-.12 Blacknyl (LPG only) | 1 |
| 13 | 55035 | (000000-) | Plug, Plastic, 1.00 D | 1 |
| 14 | 01314 | (000000-) | Plugbtn .38h .03-.12 Blacknyl | 1 |
| 15 | 77399 | (000000-) | Clip, Pine-tree .236h Plastic | 2 |

Fig. 14 - Circuit Breaker and Relay Group



07852/07096

| Ref. | Tennant Part No. | Machine Serial Number | Description | Qty. |
|------|------------------|-----------------------|---------------------------------|------|
| 1 | 56186 | (000000- |) Relay, Shrouded, 12 Vdc | 6 |
| 2 | 87583 | (000000- |) Breaker-Circuit, 2.5 Resetbl | 1 |
| 3 | 57803 | (000000- |) Breaker-Circuit, 15 Resetbl | 5 |
| 4 | 57167 | (000000- |) Plugbtn .62H .03-.12 Blacknyl | 3 |
| 5 | 57751 | (000000- |) Boot-Circuit Breaker | 6 |
| 6 | 56188 | (000000- |) Plate, Circuit Breaker | 1 |
| 7 | 57772 | (000000- |) Plate-Cover | 2 |

Fig. 15 - Engine Group

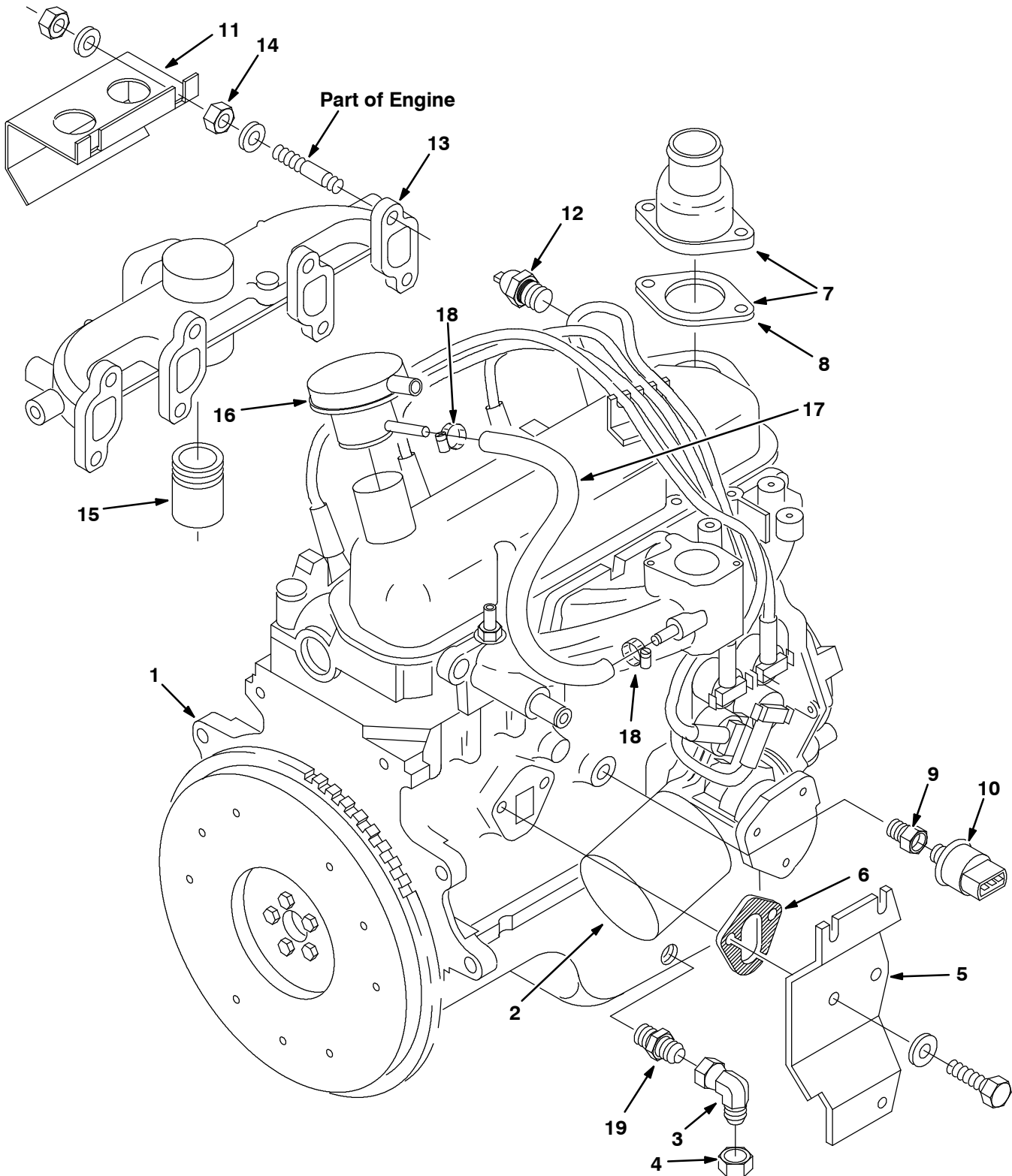


Fig. 15 - Engine Group

| Ref. | Tennant Part No. | Machine Serial Number | Description | Qty. |
|------|------------------|-----------------------|--|------|
| 1 | 30297 | (000000-001060) | Engine Asy Rep.By61498 (See 1.1L Engine Breakdown) | 1 |
| 1 | 61497 | (001061-004108) | Engine Assy, 5 Brg Vsg-411 (See 1.1L Engine Breakdown) | 1 |
| 1 | 30296 | (004109-) | Engine, Vsg-413-89W/Label (See 1.3L Engine Breakdown) | 1 |
| 2 | 19205 | (000000-) | Filter, Eng Oil, Spin-On | 1 |
| 3 | 47504 | (000000-) | Ftg-Hyd E90 Jm06/Jf06 | 1 |
| 4 | 40625 | (000000-) | Ftg-Hyd Cap Jf06 | 1 |
| 5 | 31516 | (000000-) | Bracket, Mtg, Actuator | 1 |
| 6 | 02887 | (000000-) | Gasket, Fuel Pump 1.1-1.6Liter | 1 |
| ▽ | 7 | 19689 | (000000-) Connector,Outlet Cylinder Head w/gasket | 1 |
| ▲ | 8 | 54911-25 | (000000-) Gasket - Thermostat Hsg | 1 |
| 9 | 17414 | (000000-) | Ftg-Hyd Str Pm04/Pf02 | 1 |
| 10 | 79399 | (000000-) | Switch, Pressure, Oil | 1 |
| 11 | 30468 | (000000-) | Shield Assy, Exhaust | 1 |
| 12 | 58592 | (000000-) | Sender-Temperature, Water | 1 |
| 13 | 30316 | (000000-) | Manifold, Exhaust | 1 |
| 14 | 08165 | (000000-) | Nut Hx Stover M 8X1.25 | 8 |
| 15 | 24013 | (000000-) | Ftg,Pipe,Nip.Blk1.25Ptx2.0Lg L | 1 |
| 16 | 10795 | (000000-004108) | Pcv Breather Fd | 1 |
| 16 | 30306 | (004109-) | Cap Assy, Oil Filler, Ford | 1 |
| 17 | 76589-2 | (000000-) | Hose Rbr,0.38 Idx .062D 12.0Lg | 1 |
| 18 | 54333 | (000000-) | Clamp-Wormdrive, 0.31- 0.88D | 2 |
| 19 | 19200 | (000000-) | Ftg-Metric Str Omm14/Jm06 | 1 |

Fig. 16 - Engine Mount Group

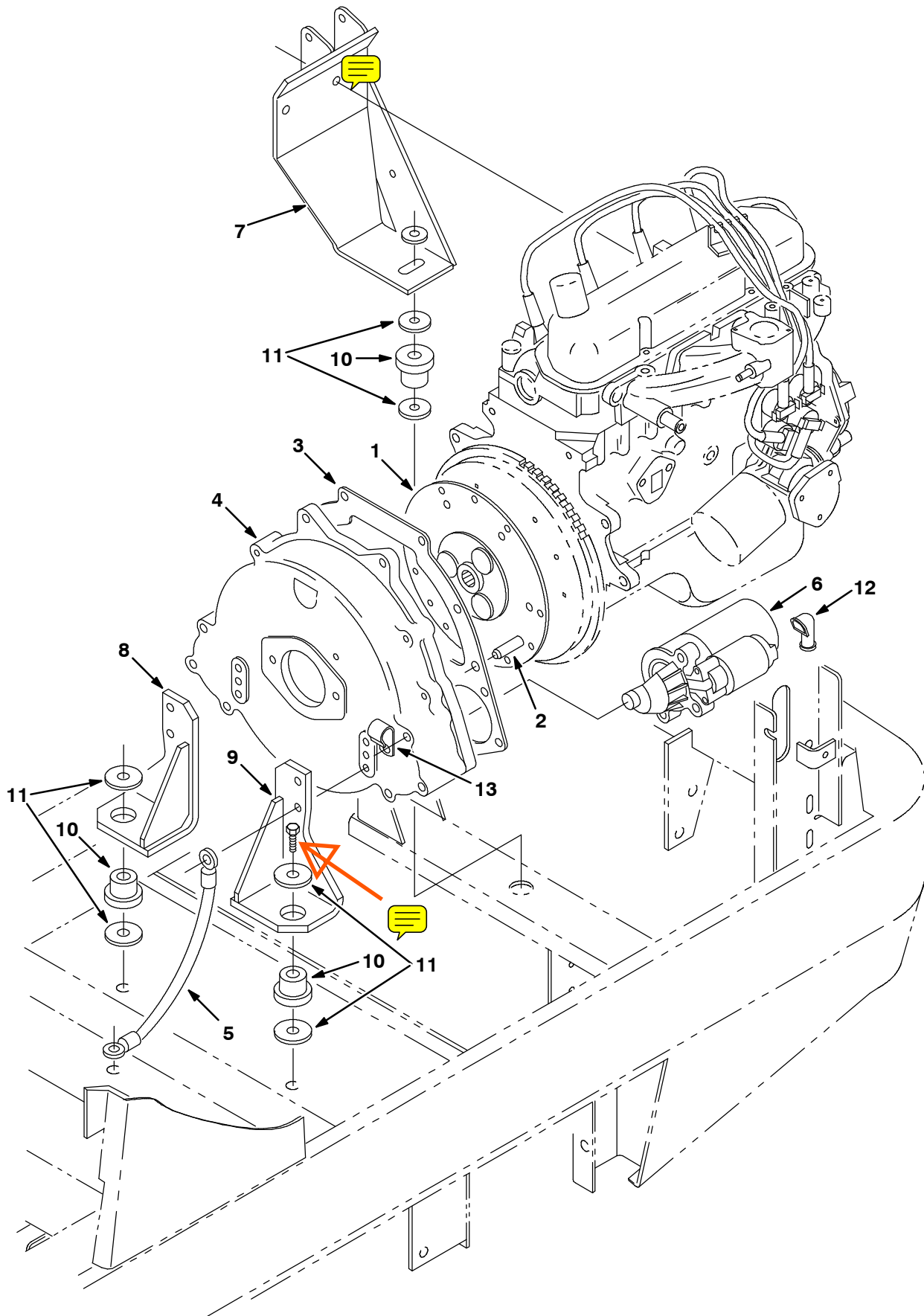


Fig. 16 - Engine Mount Group

| Ref. | Tennant Part No. | Machine Serial Number | Description | Qty. |
|------|------------------|-----------------------|----------------------------------|------|
| 1 | 19252 | (000000- |) Coupling Assy, Flywheel | 1 |
| 2 | 54911-16 | (000000- |) Dowel,Cyl.Block To Flywhl.Hsg. | 2 |
| 3 | 55859 | (000000- |) Ring, Locating, Starter | 1 |
| 4 | 84604 | (000000-003406 |) Replm Kit, Housing | 1 |
| 4 | 70263 | (003407- |) Housing, Flywheel | 1 |
| 5 | 57773 | (000000- |) Wire Ass'Y-Elect.,Ground | 1 |
| 6 | 84588 | (000000-003406 |) Replm Kit, Starter | 1 |
| 6 | 70239 | (003407- |) Starter, Ford 1.8 Hp | 1 |
| 7 | 374513 | (000000- |) Bracket Wldt, Engine | 1 |
| 8 | 57755 | (000000- |) Bracket Wldt,Mtg,Eng, Rear, Rh | 1 |
| 9 | 57754 | (000000- |) Bracket Wldt,Mtg,Eng,Rear, Lh | 1 |
| 10 | 51176 | (000000- |) Dampner, Engine | 3 |
| 11 | 04414 | (000000- |) Washer, Flat | 6 |
| 12 | 02076 | (000000- |) Cover, Terminal | 1 |
| 13 | 30407 | (000000- |) Clip, Keeper, Open | 1 |

Fig. 17 - Carburetor Group, Gasoline

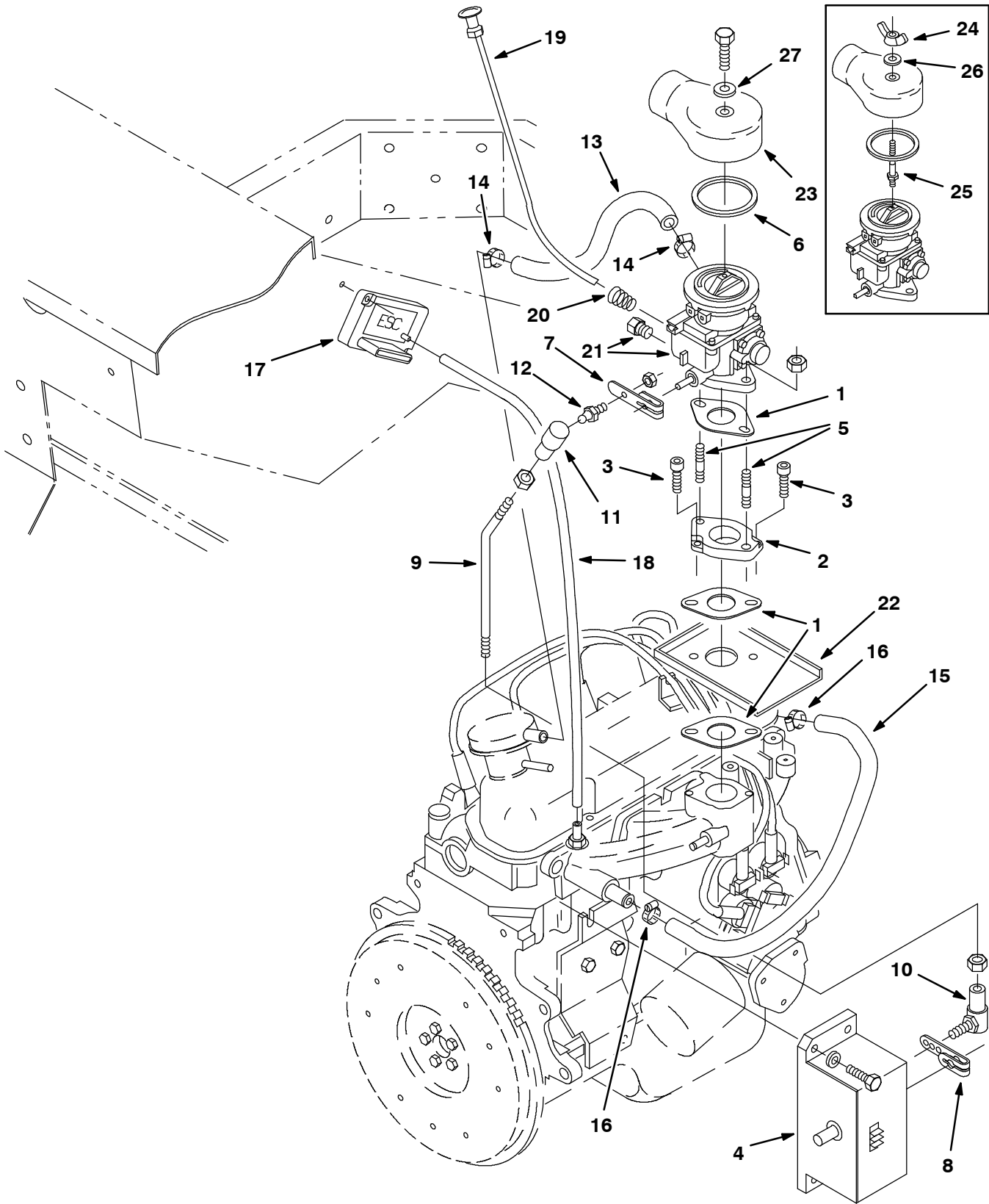


Fig. 17 - Carburetor Group, Gasoline

| Ref. | Tennant Part No. | Machine Serial Number | Description | Qty. | |
|------|------------------|-----------------------|----------------------------------|----------------------|---|
| 1 | 74443 | (000000- |) Gasket, Carburetor | 3 | |
| 2 | 74345 | (000000- |) Adaptor, Mtg, Carb, Machine | 1 | |
| 3 | 33951 | (000000- |) Scr Soc M 6X1.0 20 | 2 | |
| ▽ | 4 | 07539 | (000000- |) Actuator, Governor | 1 |
| ▲ | 374506 | (000000- |) Bearing Sf1 Actuator | 2 | |
| 5 | 30324 | (000000- |) Stud, M8X1.25 20 8.8 Pltd | 2 | |
| 6 | 16738 | (000000- |) Gasket, Carburetor Air Horn | 1 | |
| 7 | 30480 | (000000- |) Lever, Carburetor | 1 | |
| 8 | 30481 | (000000- |) Lever, Governor Actuator | 1 | |
| 9 | 30320 | (000000- |) Rod, Control, Throttle | 1 | |
| 10 | 14601 | (000000- |) Balljoint .250-28 | 1 | |
| 11 | 50332-1 | (000000- |) Balljoint .250-28 Body/Clip | 1 | |
| 12 | 50332-2 | (000000- |) Balljoint .250-28 Ball Stud | 1 | |
| 13 | 55195 | (000000- |) Hose, Molded .38ld X .75Od | 1 | |
| 14 | 63810 | (000000- |) Clamp-Wormdrive, 0.56- 1.06D | 2 | |
| 15 | 31543 | (000000- |) Hose, Heater | 1 | |
| 16 | 63810 | (000000- |) Clamp-Wormdrive, 0.56- 1.06D | 2 | |
| 17 | 30305 | (000000- |) Control Assy, Ignition Vsg4113 | 1 | |
| 18 | 39780-1 | (000000- |) Hose Vac.,Rubber, .16ld,28.0L | 1 | |
| 19 | 69266 | (000000- |) Cable, Choke | 1 | |
| 20 | 58846 | (000000- |) Spring, Compression,24Diax1.75 | 1 | |
| ▽ | 21 | 59883 | (000000- |) Carburetor, Zenith | 1 |
| ▲ | 02738 | (000000- |) Carb Repair Kit Ft | 1 | |
| 22 | 31550 | (000000- |) Shield, Drip | 1 | |
| 23 | 57934 | (000000- |) Adaptor, Carburetor | 1 | |
| 24 | 07252 | (000000-002688 |) Nut, Wing, Air Horn | 1 | |
| 25 | 69970 | (000000-002688 |) Stud, Carb, Air Horn | 1 | |
| 26 | 07251 | (000000-002688 |) Washer, .195B 1.00D .10 Rbr | 1 | |
| 27 | 24924 | (002689- |) Washer, .281B .62D .06 Nylon | 1 | |

Fig. 18 - Carburetor Group, LPG

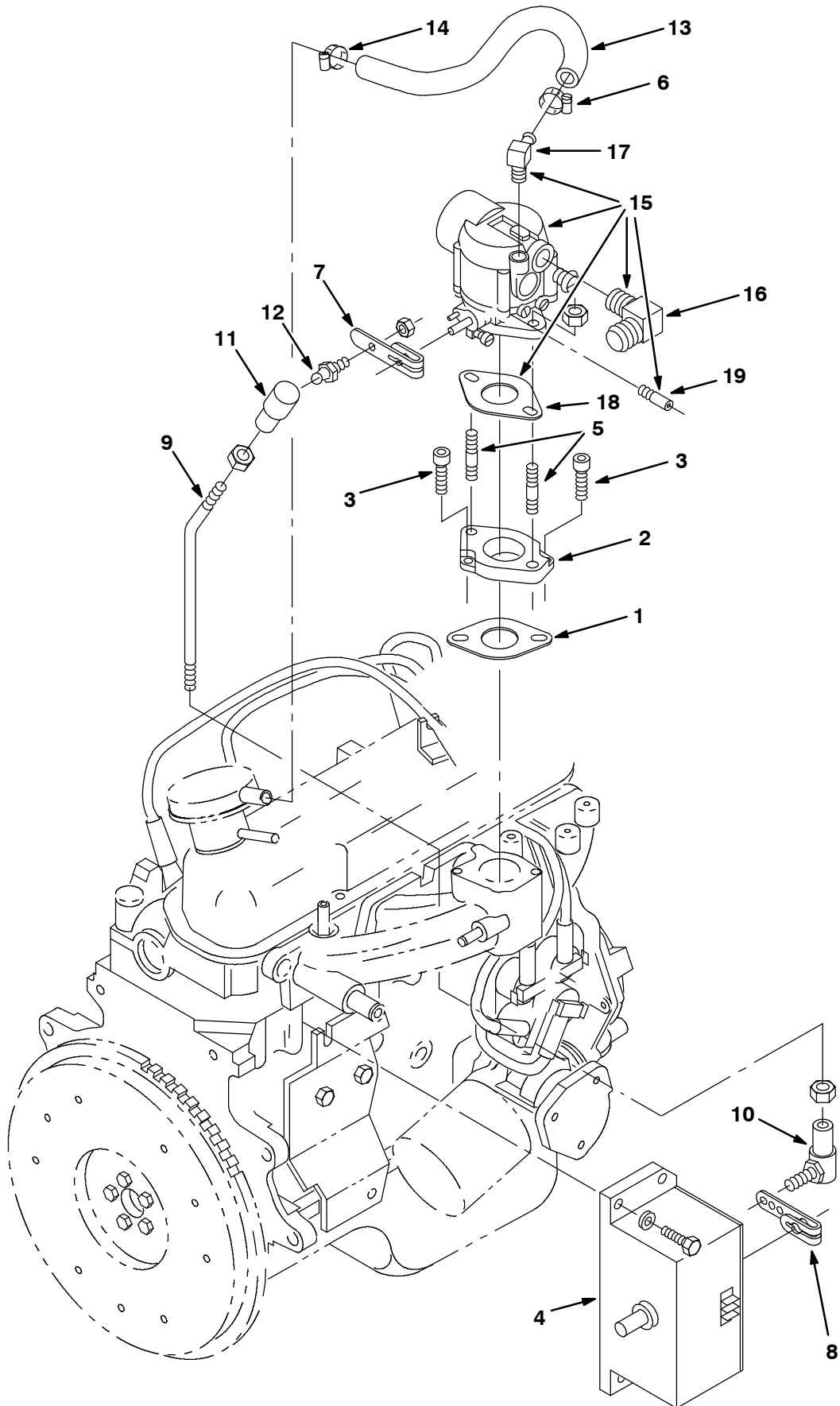


Fig. 18 - Carburetor Group, LPG

| Ref. | Tenant Part No. | Machine Serial Number | Description | Qty. |
|------|-----------------|-----------------------|--------------------------------------|------|
| 1 | 74443 | (000000- |) Gasket, Carburetor | 1 |
| 2 | 74345 | (000000- |) Adaptor, Mtg, Carb, Machine | 1 |
| 3 | 33951 | (000000- |) Scr Soc M 6X1.0 20 | 2 |
| 4 | 07539 | (000000- |) Actuator, Governor | 1 |
| 5 | 30324 | (000000- |) Stud, M8X1.25 20 8.8 Pltd | 2 |
| 6 | 43844 | (000000- |) Clamp-Wormdrive, 0.25-.62D | 1 |
| 7 | 30480 | (000000- |) Lever, Carburetor | 1 |
| 8 | 30481 | (000000- |) Lever, Governor Actuator | 1 |
| 9 | 30320 | (000000- |) Rod, Control, Throttle | 1 |
| 10 | 14601 | (000000- |) Balljoint .250-28 | 1 |
| 11 | 50332-1 | (000000- |) Balljoint .250-28 Body/Clip | 1 |
| 12 | 50332-2 | (000000- |) Balljoint .250-28 Ball Stud | 1 |
| 13 | 55195 | (000000- |) Hose, Molded .38ld X .75Od | 1 |
| 14 | 63810 | (000000- |) Clamp-Wormdrive, 0.56- 1.06D | 1 |
| ∇ | 15 | 72115 | (000000-) Carburetor Asm, LPG | 1 |
| ▲ | 78881 | (000000- |) Carb.Repair Kit-Lp | 1 |
| ▲ | 16 | 84641 | (000000-) Ftg-Hyd E90 Spcl Pm06/Jm08 | 1 |
| ▲ | 17 | 53029 | (000000-) Fitting, Elbow | 1 |
| ▲ | 18 | 74443 | (000000-) Gasket, Carburetor | 1 |
| ▲ | 19 | 74402 | (000000-) Fitting, Special, Carb | 1 |

Fig. 19 - Vaporizer Group, LPG

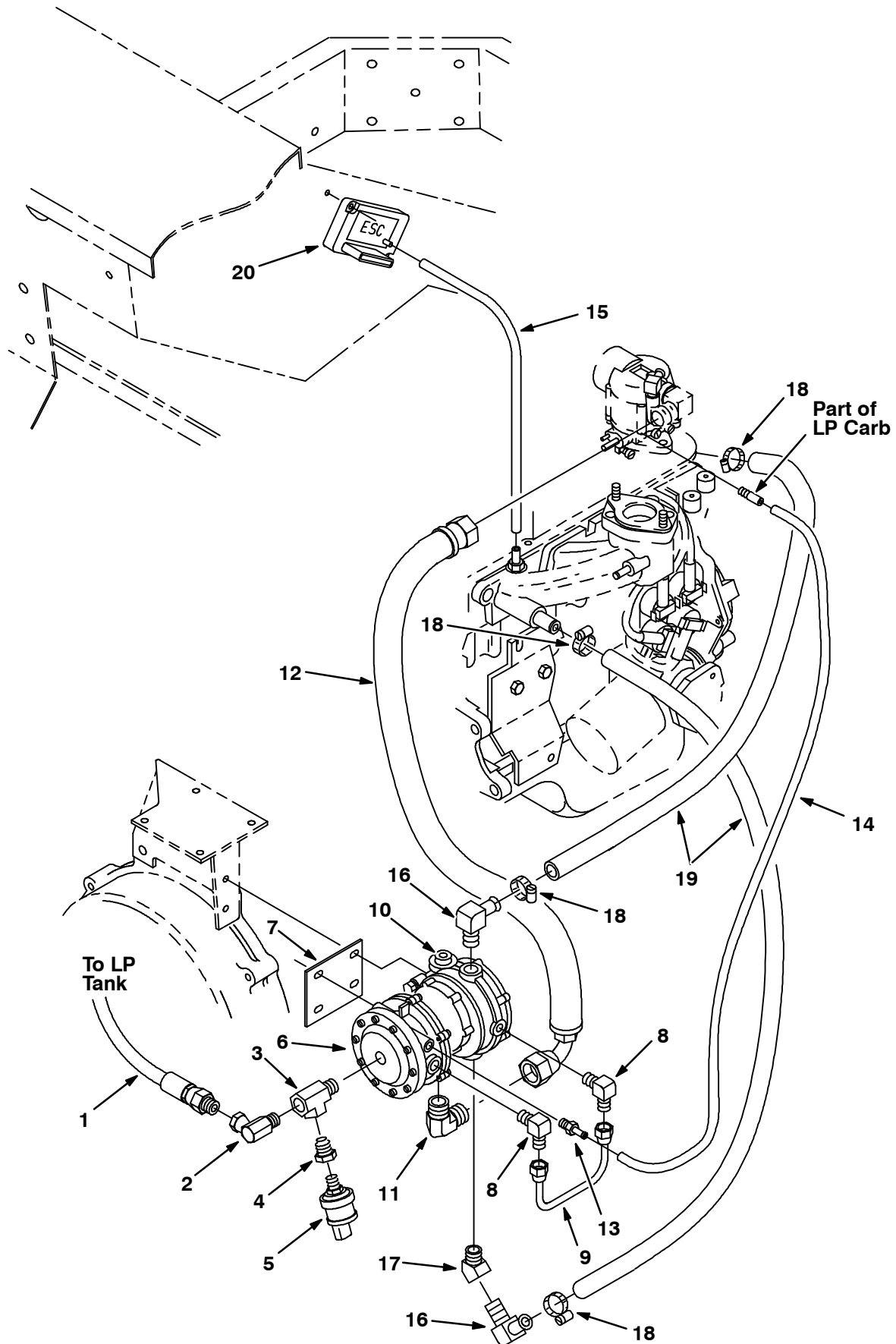


Fig. 19 - Vaporizer Group, LPG

| Ref. | Tennant Part No. | Machine Serial Number | Description | Qty. | |
|------|------------------|-----------------------|----------------------------------|----------------------------------|---|
| 1 | 19760 | (000000- |) Hose, LPG, Spl, .25 I.D. 55.0L | 1 | |
| 2 | 11442-1 | (000000- |) Ftg-El90 Npt/Npt S04Pf-04Pm | 1 | |
| 3 | 56976A | (000000- |) Ftg-Tee Npt 04Pm- 04Pf- 04Pf | 1 | |
| 4 | 17414 | (000000- |) Ftg-Hyd Str Pm04/Pf02 | 1 | |
| 5 | 23156 | (000000- |) Switch, Pressure, LPG | 1 | |
| ▽ | 6 | 59807 | (000000- |) Filter, Fuelock | 1 |
| ▲ | 65527 | (000000- |) Repair Kit, Fuelock | 1 | |
| | 7 | 59809 | (000000- |) Bracket, Mtg, Vaporizer | 1 |
| | 8 | 52424 | (000000- |) Ftg-Hyd E90 Pm04/Jm06 | 2 |
| | 9 | 59808 | (000000- |) Fuelline,.375 Od | 1 |
| ▽ | 10 | 54930 | (000000- |) Vaporizer, LPG | 1 |
| ▲ | 55998 | (000000- |) Vaporizer Repair Kit Im | 1 | |
| | 11 | 07598 | (000000- |) Ftg-Brs E90 Pm08/Sm08 | 1 |
| | 12 | 79422 | (000000- |) Hose-Lpg Med08 Spcl S08jf/08j9 | 1 |
| | 13 | 40607 | (000000- |) Ftg-Brs Str Bm03/Pm02 | 1 |
| | 14 | 07464 | (000000- |) Hose, Vacuum .16 Id X 19.0 Lg | 1 |
| | 15 | 39780-1 | (000000- |) Hose Vac.,Rubber, .16ld,28.0L | 1 |
| | 16 | 51839 | (000000- |) Ftg-Brs E90 Em10/Pm06 | 2 |
| | 17 | 01997 | (000000- |) Ftg-Hyd Brass Npt/Npt 06Pm/06P | 1 |
| | 18 | 63810 | (000000- |) Clamp-Wormdrive, 0.56- 1.06D | 4 |
| | 19 | 31543 | (000000- |) Hose, Heater | 2 |
| | 20 | 30305 | (000000- |) Control Assy, Ignition Vsg4113 | 1 |

Fig. 20 - Air Cleaner Group

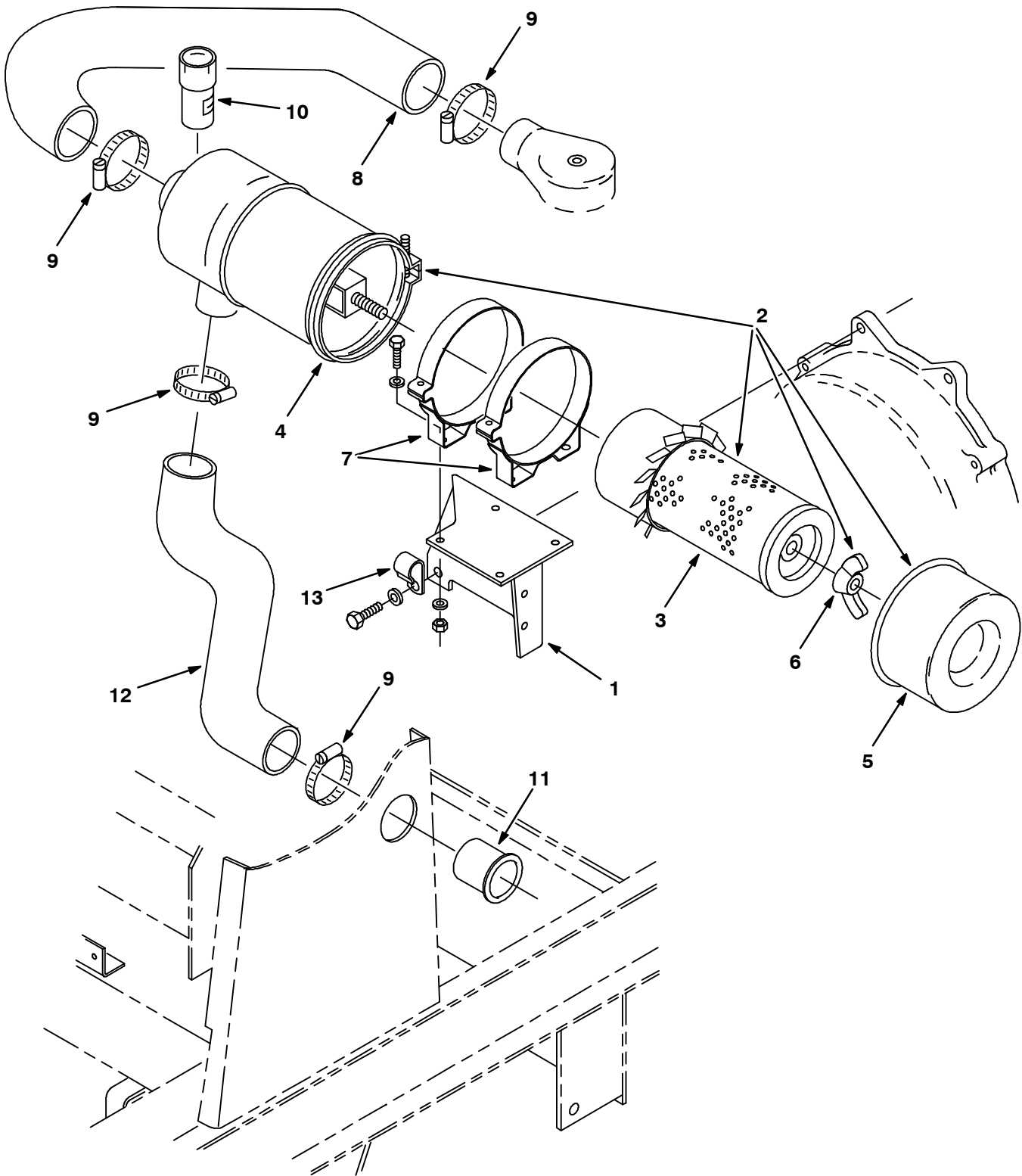
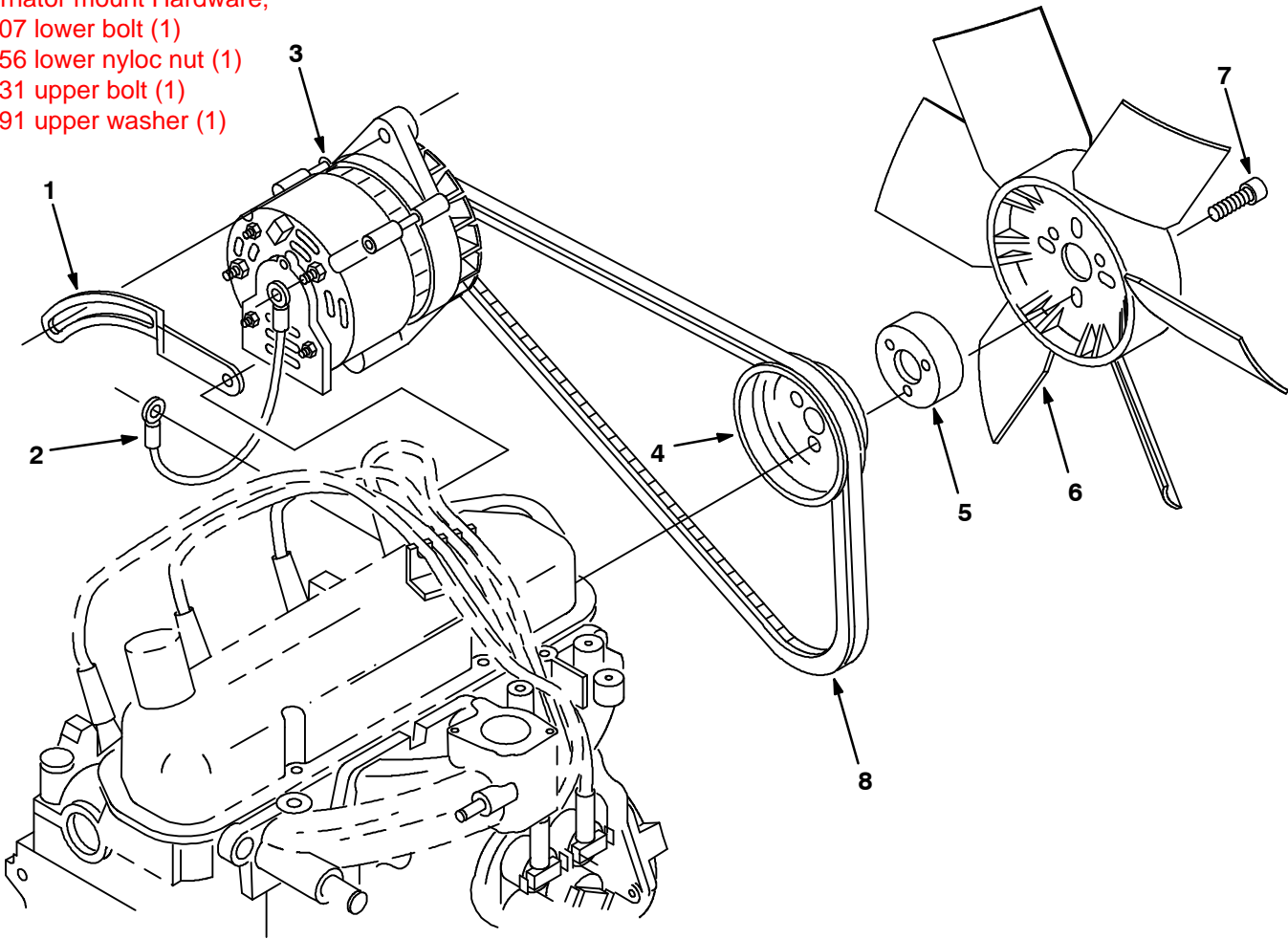


Fig. 20 - Air Cleaner Group

| Ref. | Tennant Part No. | Machine Serial Number | Description | Qty. |
|------|------------------|-----------------------|---|------|
| | 1 | 53783 | (000000-) Bracket, Mtg, Air Cleaner | 1 |
| ▽ | 2 | 58538 | (000000-) Air Cleaner | 1 |
| ▲ | 3 | 58120 | (000000-) Element, Air Filter | 1 |
| ▲ | 4 | 02740 | (000000-) Clamp Assembly Dn | 1 |
| ▲ | 5 | 02741 | (000000-) Cup Assembly Dn | 1 |
| ▲ | 6 | 07562 | (000000-) Nut, Wing .44-20 Special | 1 |
| | 7 | 51560-3 | (000000-) Clamp,Mounting,Cyclopac Aircl. | 2 |
| | 8 | 31524 | (000000-) Hose, Molded, Air Intake | 1 |
| | 9 | 14432 | (000000-) Clamp-Wormdrive, 1.81- 2.75D | 4 |
| | 10 | 03026 | (000000-) Indicator,Service,Air Filter | 1 |
| | 11 | 58346 | (000000-) Tube - Carb. Air Intake | 1 |
| | 12 | 59811 | (000000-) Tube, Inlet, A Clnr | 1 |
| | 13 | 30407 | (000000-) Clip, Keeper, Open | 1 |

Fig. 21 - Alternator and Engine Fan Group

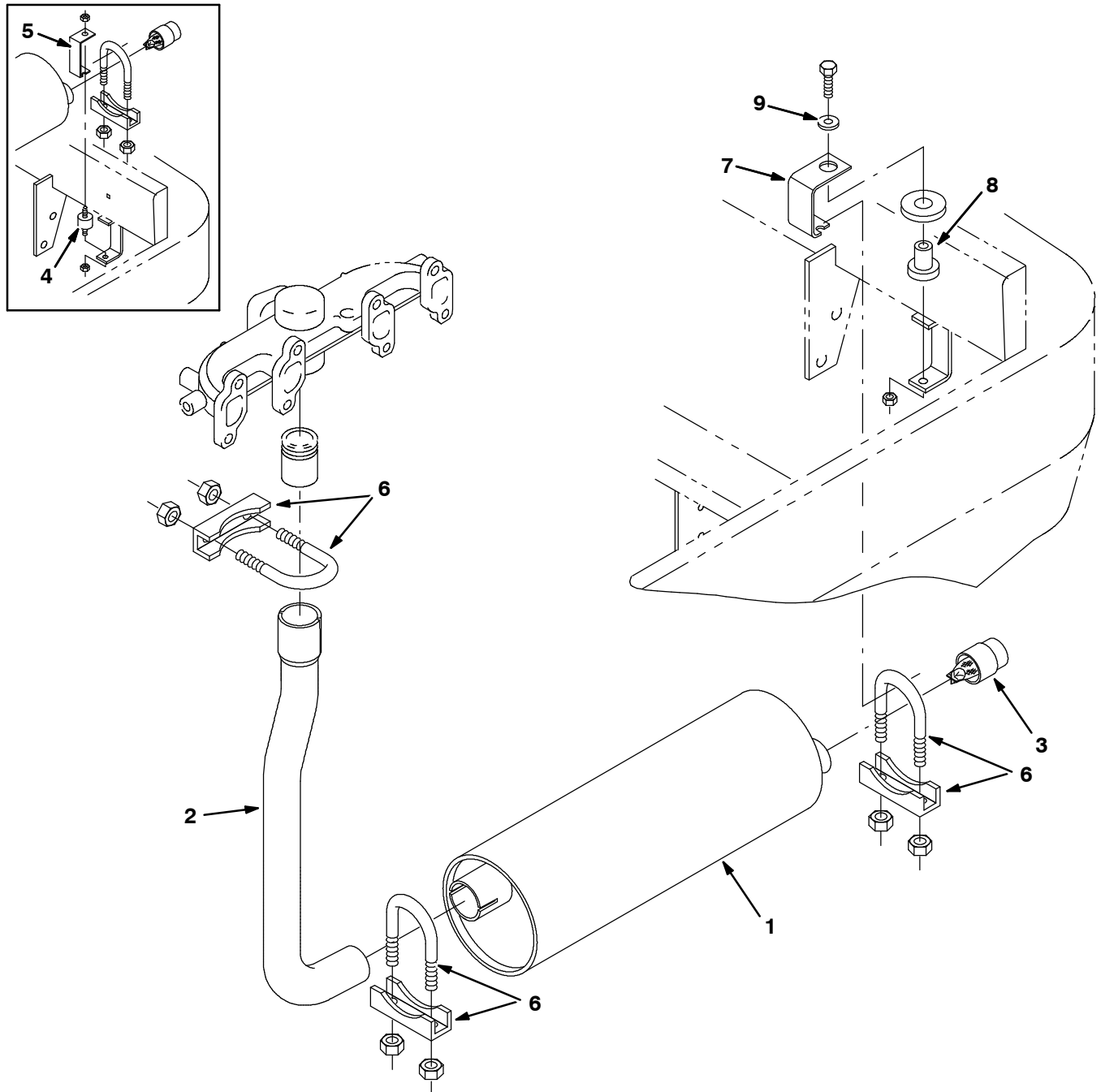
Alternator mount Hardware;
 35707 lower bolt (1)
 59156 lower nyloc nut (1)
 16931 upper bolt (1)
 32491 upper washer (1)



07828/07072

| Ref. | Tennant Part No. | Machine Serial Number | Description | Qty. |
|------|------------------|-----------------------|-----------------------------------|------|
| 1 | 31526 | (000000-) | Arm, Alternator | 1 |
| 2 | 82731 | (000000-) | Wire-Ground, Alternator | 1 |
| ▽ 3 | 60559 | (000000-) | Alternator, 50A/12V Mando | 1 |
| ▲ | 61931 | (000000-) | Regulator Assy Md | 1 |
| ▲ | 86041 | (000000-) | Bearing-Ball, .669B 1.575D 0.472W | 1 |
| ▲ | 61529 | (000000-) | Cplt Brush Kit Md | 1 |
| ▲ | 61531 | (000000-) | Rectifier Assy Md | 1 |
| ▲ | 70160 | (000000-) | Altrntr Pulley Md | 1 |
| 4 | 30553 | (000000-) | Sheave, Water Pump, 1Gr 4.25Od | 1 |
| 5 | 30570 | (000000-) | Spacer, Fan .88 | 1 |
| 6 | 30559 | (000000-) | Fan, Pusher | 1 |
| 7 | 57813 | (000000-) | Scr-Soc M 6X1.0 35 Nylonloc | 3 |
| 8 | 58323 | (000000-004025) | Belt, V Hc41 X 33 | 1 |
| 8 | 374516 | (004026-) | Belt, V Hc41 X 32.5 | 1 |

Fig. 22 - Muffler Group



07830/07074

| Ref. | Tennant Part No. | Machine Serial Number | Description | Qty. |
|------|------------------|-----------------------|-----------------------------------|------|
| 1 | 55851 | (000000-) | Muffler, Exhaust | 1 |
| 2 | 55861 | (000000-) | Tube, Exhaust | 1 |
| 3 | 58193 | (000000-) | Screen, Spark-Arresting | 1 |
| 4 | 82661 | (000000-003142) | Isolator-Vibration .25-20 | 1 |
| 5 | 84578 | (000000-003142) | Replm Kit, Muff Hanger F/82545 | 1 |
| 6 | 24012 | (000000-) | Clamp-Muffler,For 1.62 Od Tube | 3 |
| 7 | 70214 | (003143-) | Bracket, Hanger, Muffler | 1 |
| 8 | 54274 | (003143-) | Isolator-Vibration, 125lb. Rating | 1 |
| 9 | 30013 | (003143-) | Washer-Flt .31 Fender Pltd | 1 |

Fig. 23 - Fuel Tank Group, Gasoline

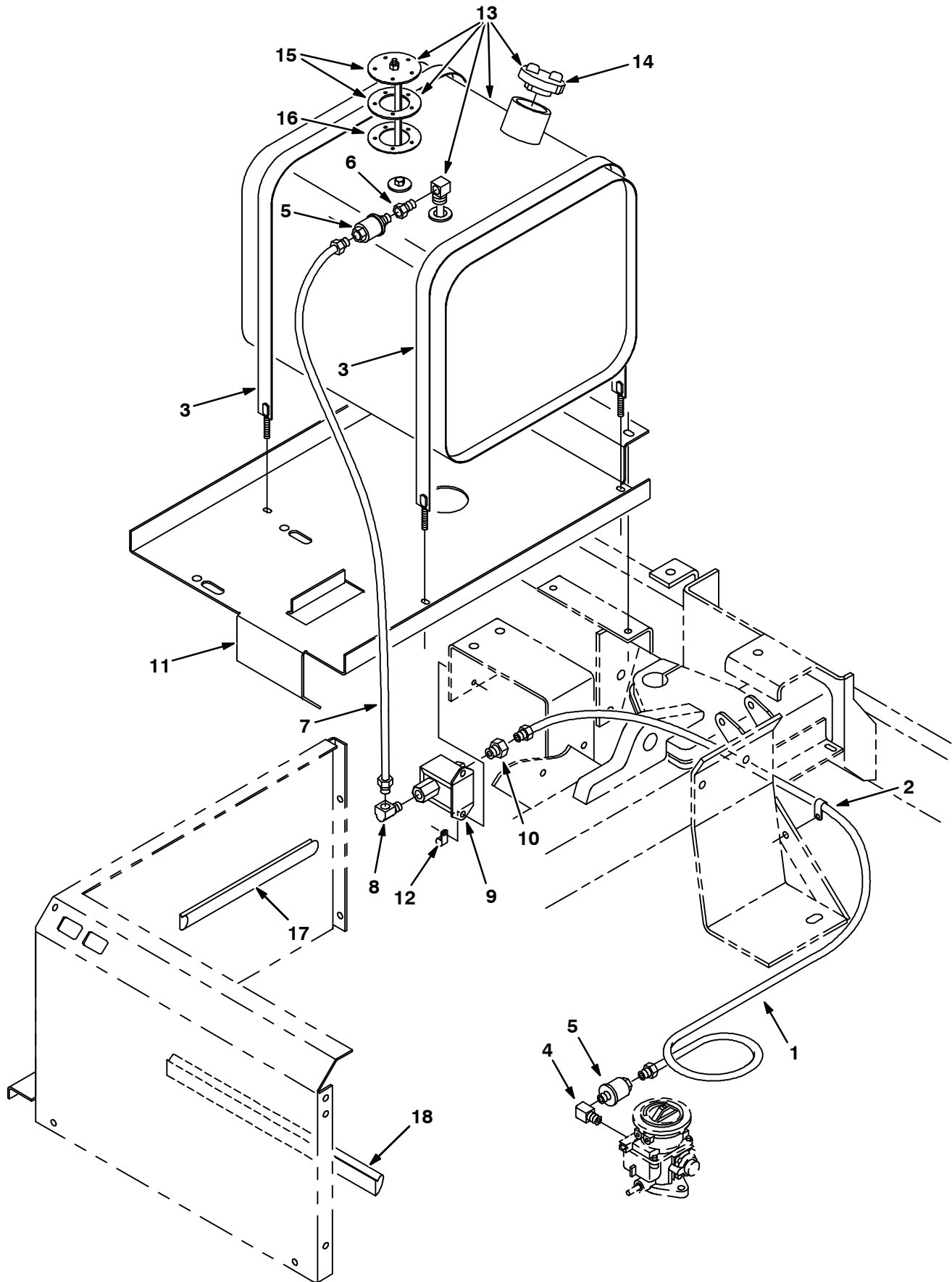


Fig. 23 - Fuel Tank Group, Gasoline

| Ref. | Tennant Part No. | Machine Serial Number | Description | Qty. | |
|------|------------------|-----------------------|------------------------------|--------------------------------|---|
| 1 | 59888 | (000000-001722) | Fuelline, .312 Od | 1 | |
| 2 | 76736 | (000000-001722) | Clamp-Cable, 0.38Dia 0.62Wth | 1 | |
| 3 | 87396 | (000000-001722) | Strap, Tank, Gas | 2 | |
| 4 | 11984 | (000000-001722) | Ftg-El90 Npt/Npt 02Pf-02Pm | 1 | |
| 5 | 36050 | (000000-001722) | Filter, Fuel | 2 | |
| 6 | 17414 | (000000-001722) | Ftg-Hyd Str Pm04/Pf02 | 1 | |
| 7 | 59887 | (000000-001722) | Fuelline, .312 Od | 1 | |
| 8 | 15555-1 | (000000-001722) | Ftg-Brs E90 lf05/Pm02 | 1 | |
| 9 | 59945 | (000000-001722) | Pump, Fuel, Ele | 1 | |
| 10 | 40585 | (000000-001722) | Ftg-Brs Str lf05/Pm02 | 1 | |
| 11 | 55222 | (000000-001722) | Tray, Gas | 1 | |
| 12 | 46236 | (000000-001722) | Clamp-Cable, 0.25Dia 0.56Wth | 1 | |
| ∇ | 13 | 74453 | (000000-001722) | Tank Repl. Kit, Fuel, 9.4 Gal | 1 |
| ▲ | 14 | 48267 | (000000-001722) | Cap, Gas | 1 |
| ▲∇ | 15 | 07873 | (000000-001722) | Send Unit | 1 |
| ▲▲ | 16 | 14131 | (000000-001722) | Gasket, 2.7D 1.5B.12T 5/ 2.1Bc | 1 |
| | 17 | 86330 | (000000-001722) | Duct, Vinyl, 10.0 In | 1 |
| | 18 | 86331 | (000000-001722) | Duct, Vinyl, 16.0 In | 1 |

Fig. 24 - Fuel Tank Group, Gasoline

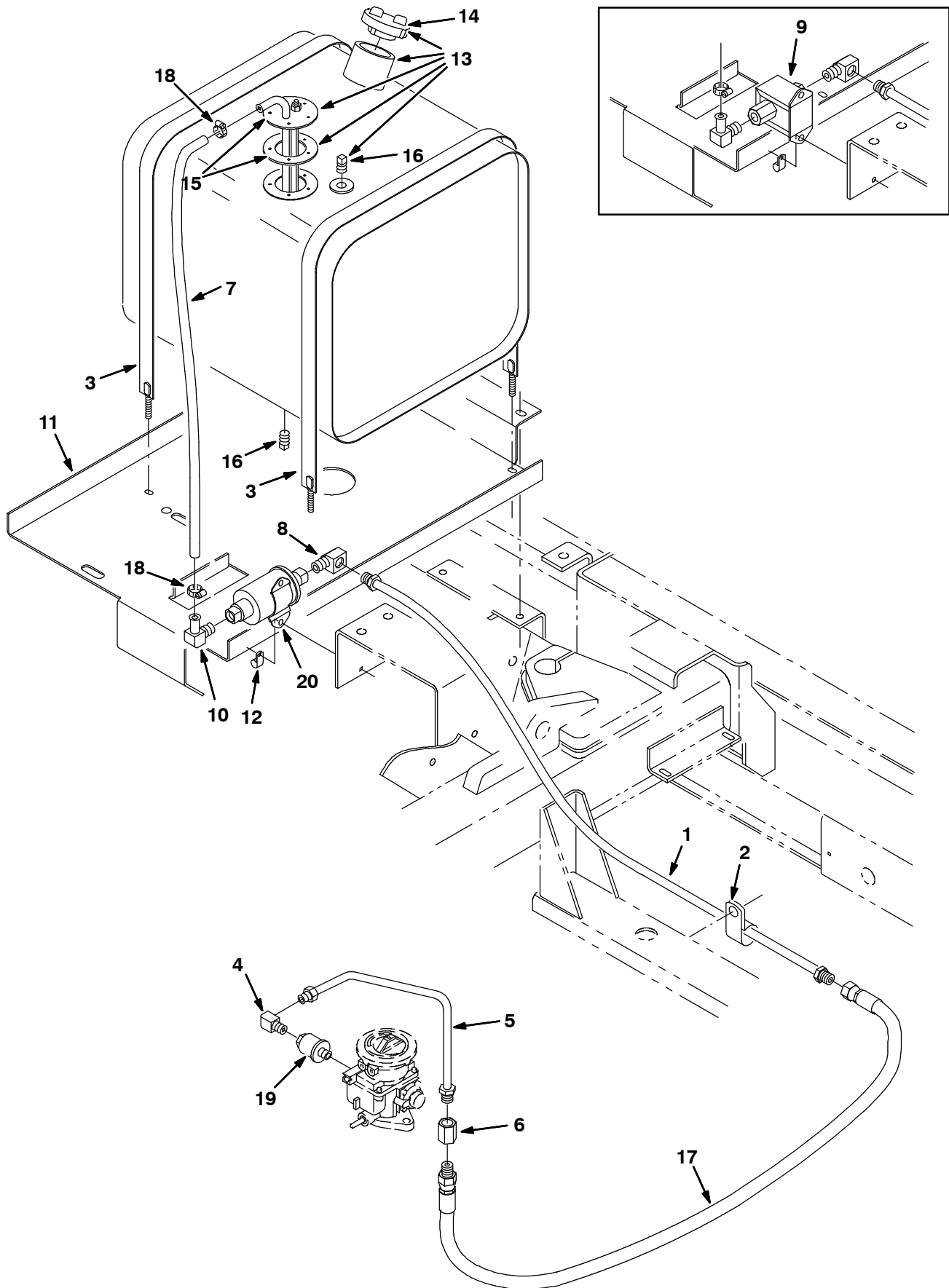


Fig. 24 - Fuel Tank Group, Gasoline

| Ref. | Tenant Part No. | Machine Serial Number | Description | Qty. |
|------|-----------------|-----------------------|--|------|
| 1 | 72192 | (001723- |) Fuelline | 1 |
| 2 | 76736 | (001723- |) Clamp-Cable, 0.38Dia 0.62Wth | 1 |
| 3 | 87396 | (001723- |) Strap, Tank, Gas | 2 |
| 4 | 11984 | (001723- |) Ftg-E90 Npt/Npt 02Pf-02Pm | 1 |
| 5 | 72158 | (001723- |) Fuelline | 2 |
| 6 | 25610 | (001723- |) Ftg-Brs Str | 1 |
| 7 | 82509 | (001723- |) Hose, Fuelline | 1 |
| 8 | 15555-1 | (001723- |) Ftg-Brs E90 lf05/Pm02 | 1 |
| 9 | 21720 | (001723-003646 |) Replm Kit, Fuel Pump F/59945 | 1 |
| 10 | 53029 | (001723- |) Ftg-Brs E90 | 1 |
| 11 | 55222 | (001723- |) Tray, Gas | 1 |
| 12 | 46236 | (001723- |) Clamp-Cable, 0.25Dia 0.56Wth | 1 |
| ∇ | 13 | 72191 | (001723-) Tank, Fuel, 9.4 Gal | 1 |
| ▲ | 14 | 48267 | (001723-) Cap, Gas | 1 |
| ▲ | 15 | 74406 | (001723-) Send Unit | 1 |
| ▲ | 16 | 48126 | (001723-) Ftg-Plug Npt 02Pm Sq Hd | 2 |
| | 17 | 70173 | (001723-) Hose, Fuelline | 1 |
| | 18 | 43844 | (001723-) Clamp-Wormdrive, 0.25-0.62 D | 2 |
| | 19 | 36050 | (001723-) Filter, Fuel | 1 |
| | 20 | 59015 | (003647-) Pump, Fuel | 1 |

Fig. 25 - Fuel Tank Group, LPG

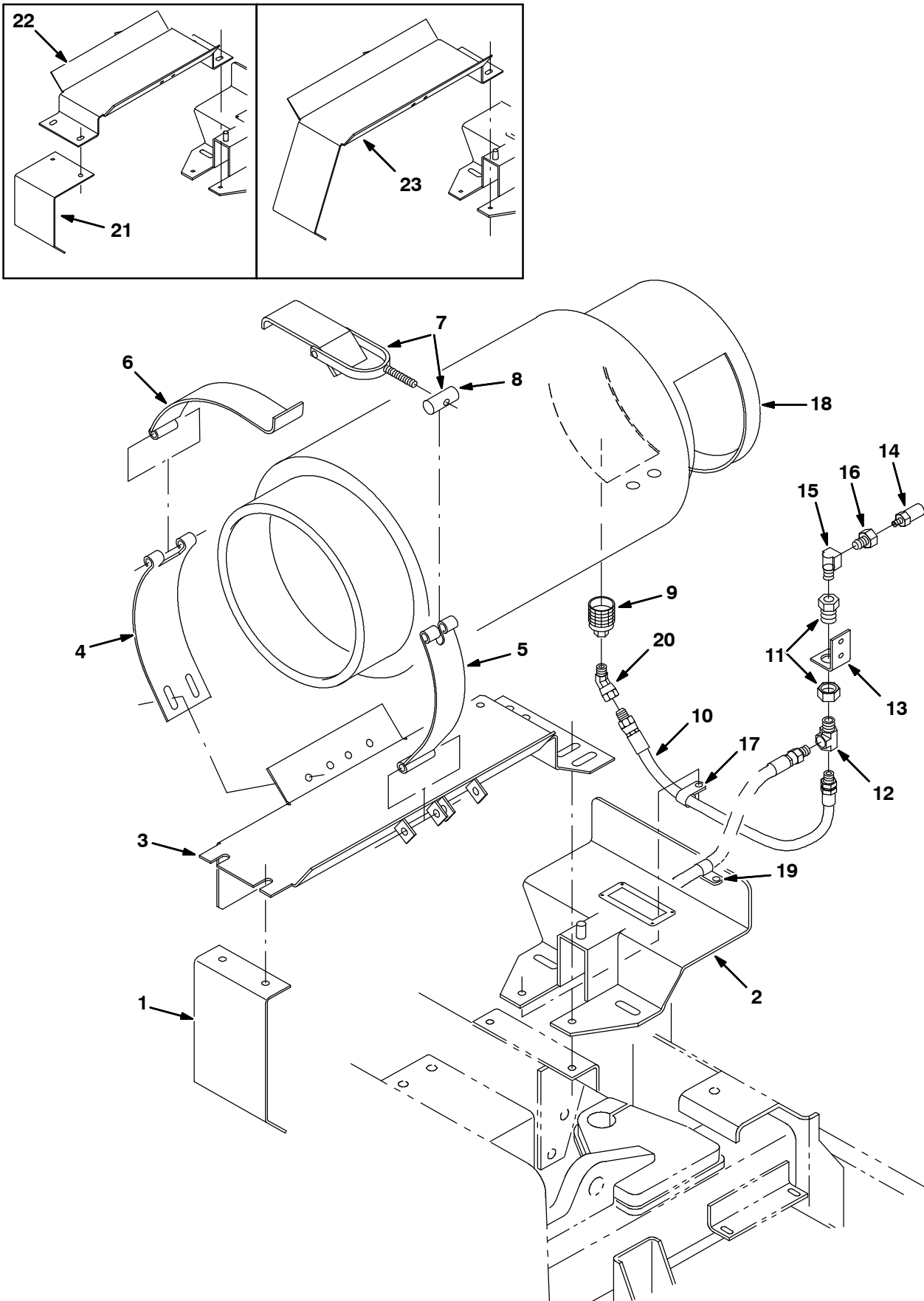


Fig. 25 - Fuel Tank Group, LPG

| Ref. | Tennant Part No. | Machine Serial Number | Description | Qty. |
|------|------------------|-----------------------|--|------|
| 1 | 70221 | (003321- |) Bracket, Mtg, LPG | 1 |
| 2 | 72128 | (000000- |) Bracket Wldt, LPG w/label | 1 |
| 3 | 10652 | (003321- |) Panel Wldt | 1 |
| 4 | 58589 | (000000- |) Strap, Mtg.- Lp Tank | 1 |
| 5 | 58590 | (000000- |) Strap, Tank Retainer - Lp | 1 |
| 6 | 57297 | (000000- |) Strap, Hinge - Lp Tank Mtg | 1 |
| ▽ | 7 | 53400-1 | (000000-) Latch Assy, LPG Tank Mtg,W/Nut | 1 |
| ▲ | 8 | 53400-4 | (000000-) Nut, Adjustable, LPG Tank Mtg | 1 |
| 9 | 26496 | (000000- |) Coupling,Quickdisc,, Shwd | 1 |
| 10 | 22308-3 | (000000- |) Hose, Lpg, 4Lpg X 35.0Lg | 1 |
| 11 | 78122 | (000000- |) Ftg,Bulkhead .25Npt Wh W21204 | 1 |
| 12 | 56976A | (000000- |) Ftg-Tee Npt 04Pm- 04Pf- 04Pf | 1 |
| 13 | 54343 | (000000- |) Bracket, Mtg, Relief Valve | 1 |
| 14 | 24047 | (000000- |) Valve, Press Relief, LPG Rego | 1 |
| 15 | 27048 | (000000- |) Ftg-EI90 Npt/Npt 04Pf/04Pm | 1 |
| 16 | 59892 | (000000- |) Ftg-Str Npt/Npt 04Pf-04Pm | 1 |
| 17 | 26395-1 | (000000- |) Clamp-Cable, 0.56Dia 0.38Wth | 1 |
| 18 | 24928-1 | (000000- |) Tank-Lp,33#,Liq,Both,Fill Ga L | 1 |
| 19 | 67767 | (000000- |) Clamp-Cable, 0.69Dia 0.62Wth | 1 |
| 20 | 47720 | (000000- |) Ftg-Hyd E45 PM04/PF04 | 1 |
| 21 | 54088 | (000000-xxxxxx |) Bracket, Mtg, LPG (Repl. By 72127) | 1 |
| 22 | 58588 | (000000-xxxxxx |) Cradle-Lp Tank Weldmt | 1 |
| 23 | 72127 | (xxxxxx-003320 |) Panel Wldt (Rep. By 84586) | 1 |

Fig. 26 - Radiator Group

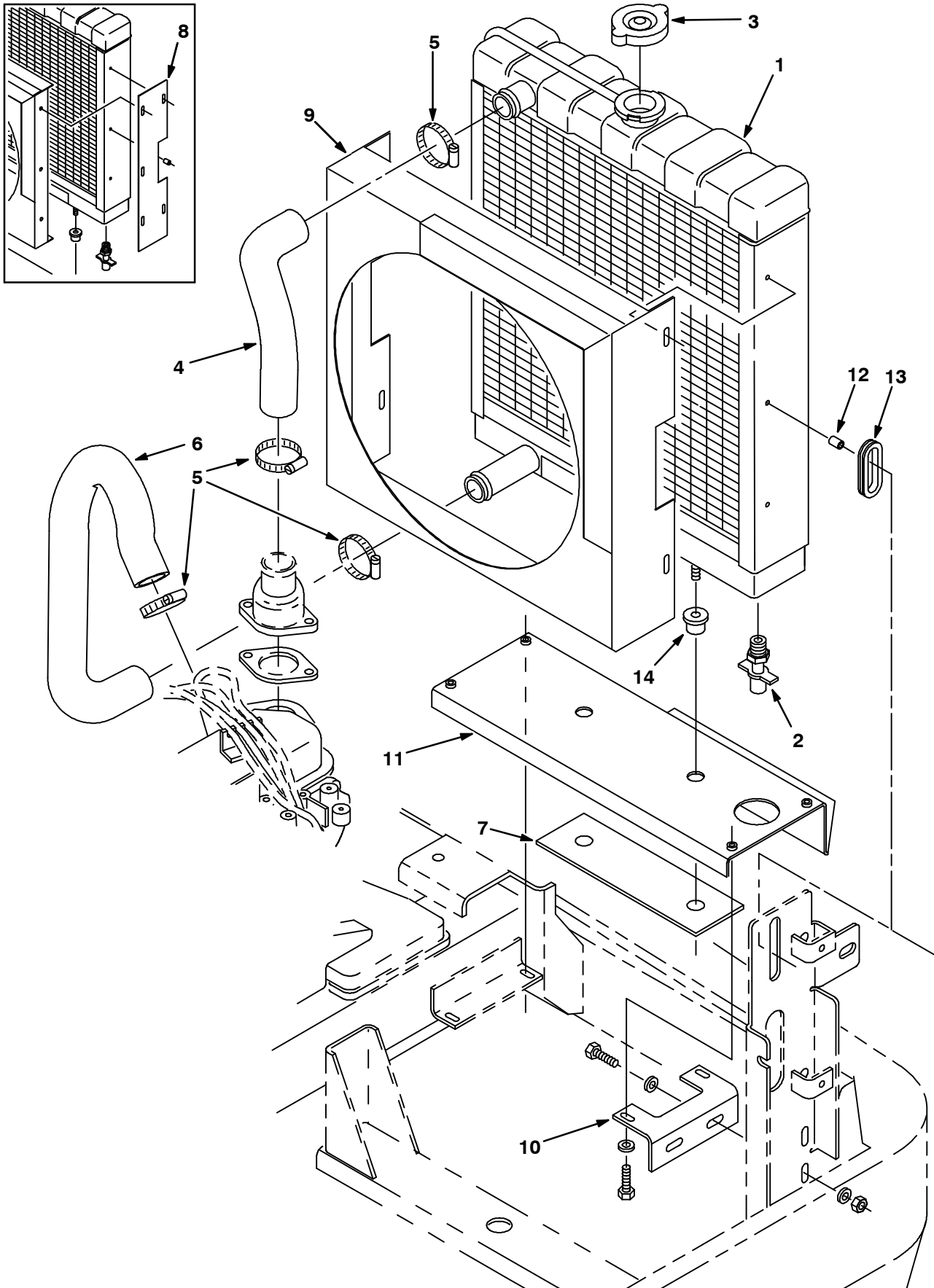
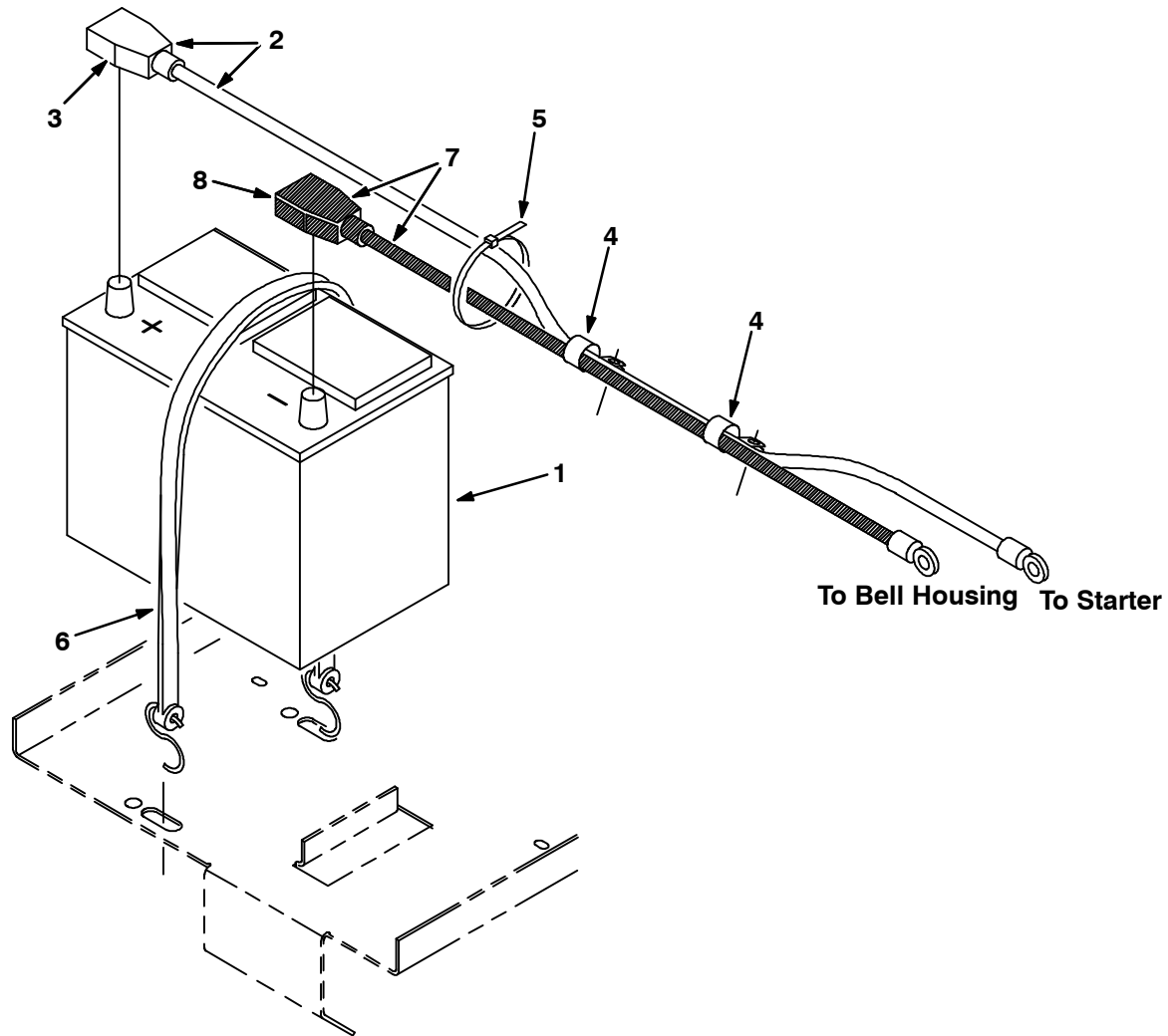


Fig. 26 - Radiator Group

| Ref. | Tenant Part No. | Machine Serial Number | Description | Qty. |
|------|-----------------|-----------------------|----------------------------------|------|
| 1 | 55225 | (000000- |) Radiator | 1 |
| 2 | 54911-32 | (000000- |) Draincock,End.Block | 1 |
| 3 | 31755 | (000000- |) Cap, Radiator | 1 |
| 4 | 31517 | (000000- |) Hose, Radiator, Upper | 1 |
| 5 | 11531 | (000000- |) Clamp-Wormdrive, 1.06- 2.00D | 4 |
| 6 | 31518 | (000000- |) Hose, Radiator | 1 |
| 7 | 59551 | (000000- |) Plate, Filler | 1 |
| 8 | 59555 | (000000-xxxxxx |) Plate, Sppt, Shroud | 2 |
| 9 | 74394 | (000000- |) Guard, Fan, W/Label, Gas | 1 |
| 10 | 72147 | (000000- |) Bracket, Radiator Mount | 1 |
| 11 | 59550 | (000000- |) Channel, Mtg, Radiator | 1 |
| 12 | 59881 | (000000- |) Spacer | 1 |
| 13 | 10632-13 | (000000- |) Grommet,Rbr,1.50ld,For .19Matl | 1 |
| 14 | 54274 | (000000- |) Isolator-Vibration,60 Lb.Ratng | 2 |

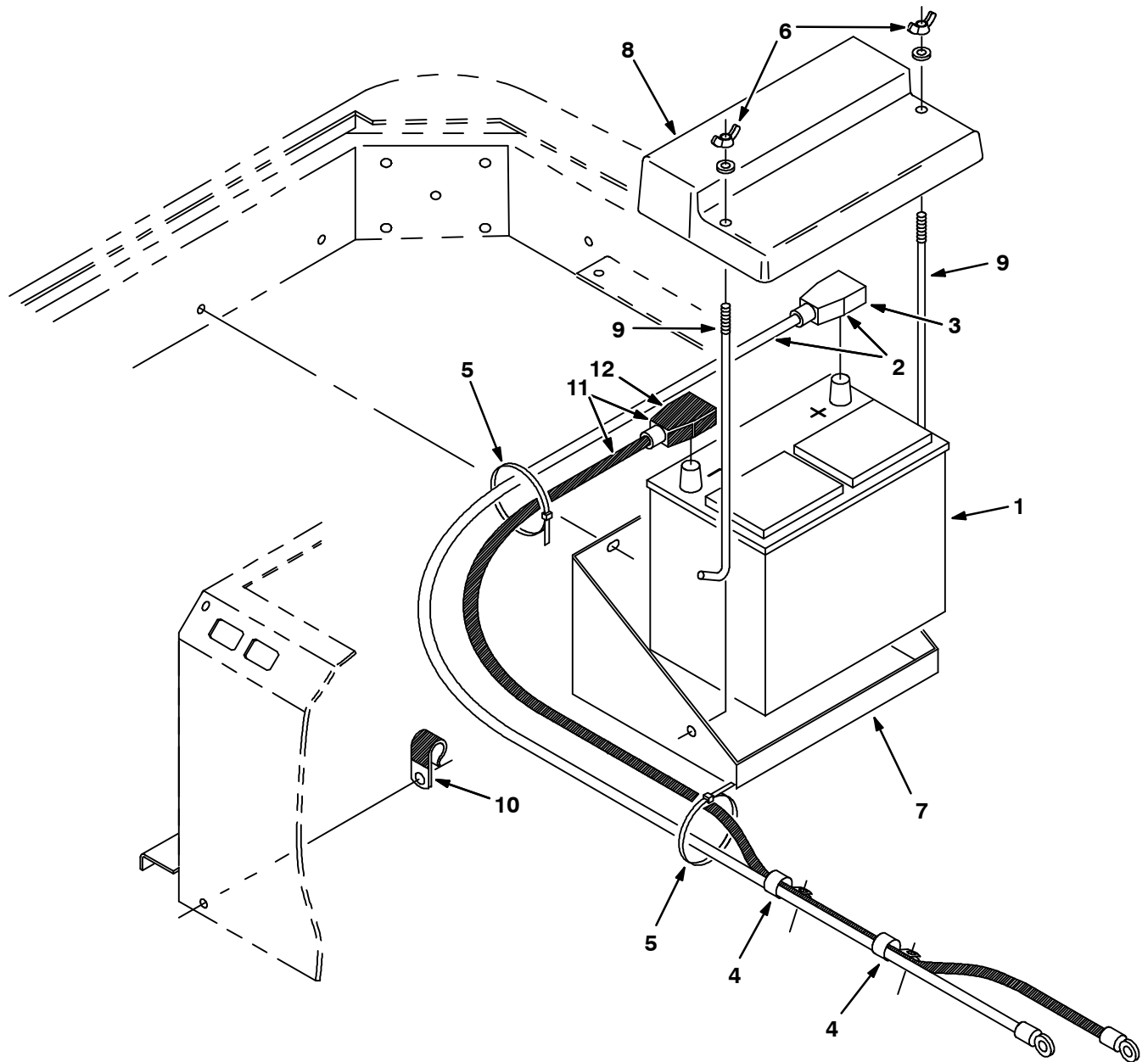
Fig. 27 - Battery Group, Gasoline



07836/07080

| Ref. | Tennant Part No. | Machine Serial Number | Description | Qty. |
|------|------------------|-----------------------|---|------|
| | 1 | 10137 | (000000-) Battery, 12V, Cc Amps:475 Wet | 1 |
| ▽ | 2 | 60292 | (000000-) Wire Assy, 66.0 Lg, 2 Ga, Pos | 1 |
| ▲ | 3 | 68873 | (000000-) Boot, Batt. Term. 1-2 Ga Red | 1 |
| | 4 | 67767 | (000000-) Clamp-Cable, .69Dia. .62Wth | 2 |
| | 5 | 49266 | (000000-) Tie, Cable 1.75D Max 7.50Lg | 2 |
| | 6 | 33671 | (000000-) Strap,Rubber Tie-Down | 1 |
| ▽ | 7 | 60293 | (000000-) Wire Assy, 42.0 Lg, 2 Ga, Neg | 1 |
| ▲ | 8 | 68872 | (000000-) Boot, Batt. Term. 1-2 Ga Black | 1 |

Fig. 28 - Battery Group, LPG



07835/07079

| Ref. | Tennant Part No. | Machine Serial Number | Description | Qty. |
|------|------------------|-----------------------|--------------------------------|------|
| 1 | 10137 | (000000-) | Battery, 12V, Cc Amps:475 Wet | 1 |
| ▽ 2 | 60294 | (000000-) | Wire Assy, 78.0 Lg, 2 Ga, Pos | 1 |
| ▲ 3 | 68873 | (000000-) | Boot, Batt. Term. 1-2 Ga Red | 1 |
| 4 | 67767 | (000000-) | Clamp-Cable, .69Dia. .62Wth | 2 |
| 5 | 49266 | (000000-) | Tie, Cable 1.75D Max 7.50Lg | 2 |
| 6 | 39272 | (000000-) | Nut, Wing | 2 |
| 7 | 71038 | (000000-) | Tray, Battery, LPG | 1 |
| 8 | 71021 | (000000-) | Cover, Battery, LPG | 1 |
| 9 | 13015 | (000000-) | Bolt, Hold-Down | 2 |
| 10 | 30407 | (000000-) | Clip, Keeper, Open | 1 |
| ▽ 11 | 60295 | (000000-) | Wire Assy, 60.0 Lg, 2 Ga, Neg | 1 |
| ▲ 12 | 68872 | (000000-) | Boot, Batt. Term. 1-2 Ga Black | 1 |

Fig. 29 - Radiator Group

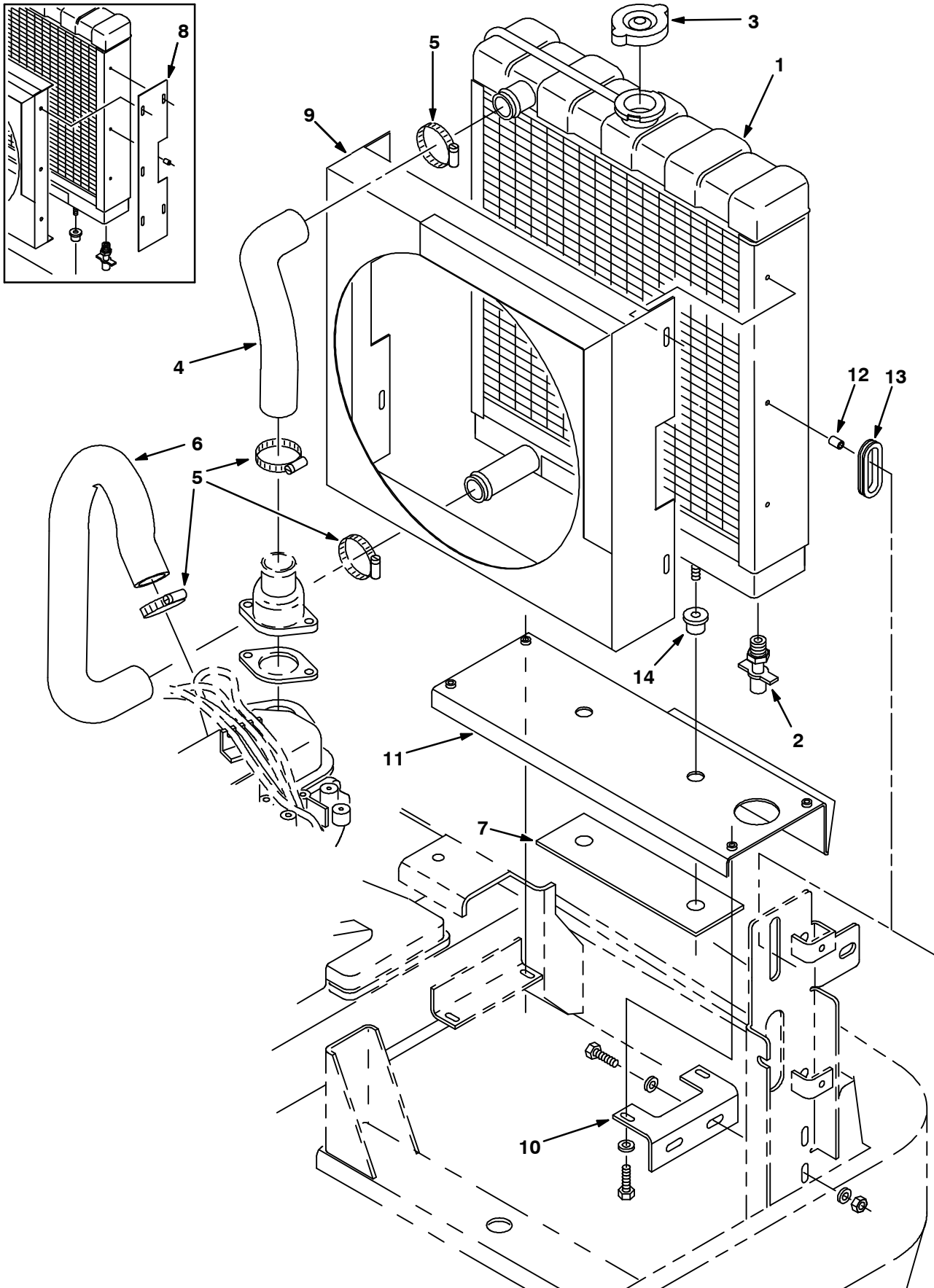
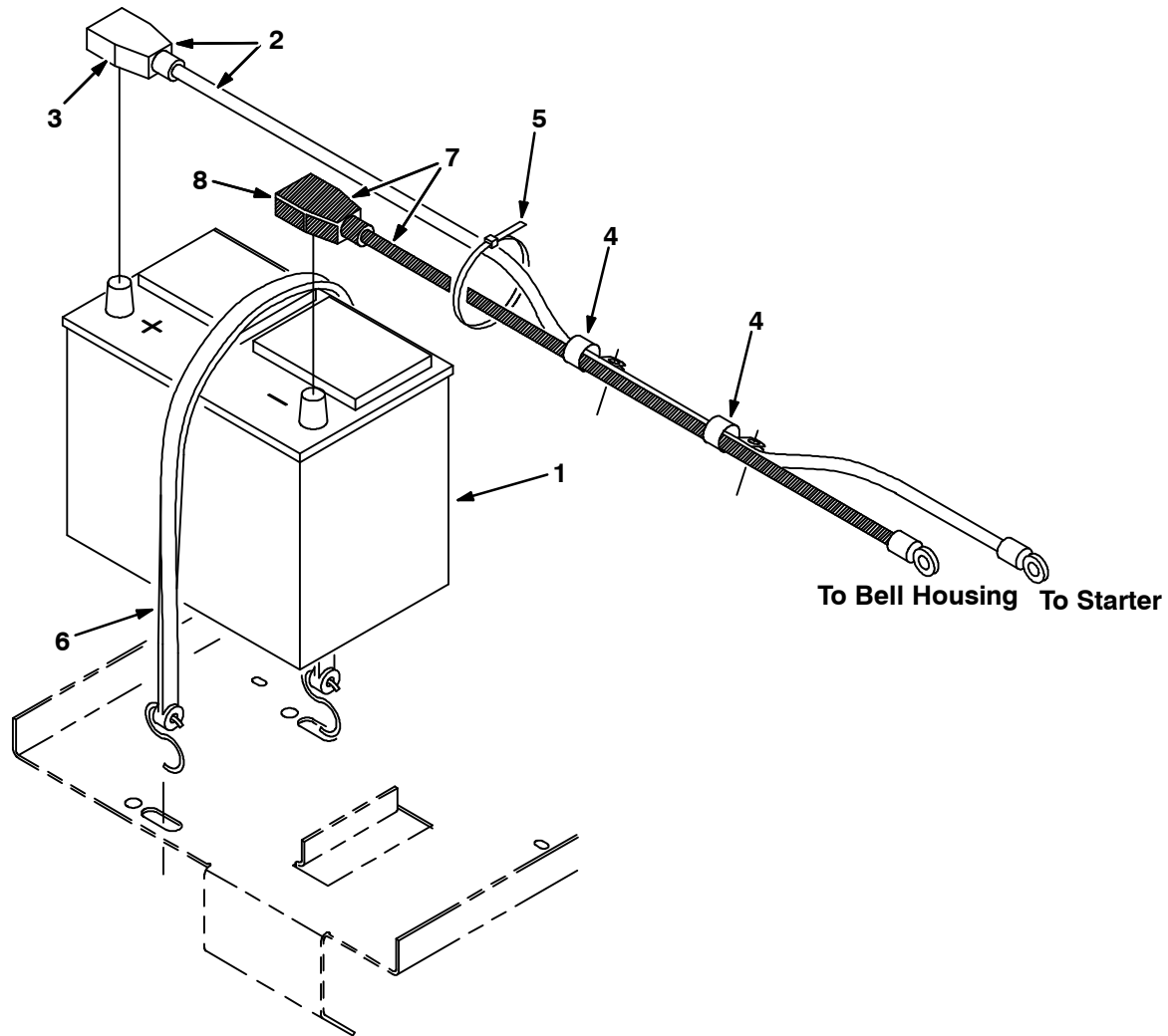


Fig. 29 - Radiator Group

| Ref. | Tennant Part No. | Machine Serial Number | Description | Qty. |
|------|------------------|-----------------------|----------------------------------|------|
| 1 | 55225 | (000000- |) Radiator | 1 |
| 2 | 54911-32 | (000000- |) Draincock,End.Block | 1 |
| 3 | 31755 | (000000- |) Cap, Radiator | 1 |
| 4 | 31517 | (000000- |) Hose, Radiator, Upper | 1 |
| 5 | 11531 | (000000- |) Clamp-Wormdrive, 1.06- 2.00D | 4 |
| 6 | 31518 | (000000- |) Hose, Radiator | 1 |
| 7 | 59551 | (000000- |) Plate, Filler | 1 |
| 8 | 59555 | (000000-xxxxxx |) Plate, Sppt, Shroud | 2 |
| 9 | 74394 | (000000- |) Guard, Fan, W/Label, Gas | 1 |
| 10 | 72147 | (000000- |) Bracket, Radiator Mount | 1 |
| 11 | 59550 | (000000- |) Channel, Mtg, Radiator | 1 |
| 12 | 59881 | (000000- |) Spacer | 1 |
| 13 | 10632-13 | (000000- |) Grommet,Rbr,1.50ld,For .19Matl | 1 |
| 14 | 54274 | (000000- |) Isolator-Vibration,60 Lb.Ratng | 2 |

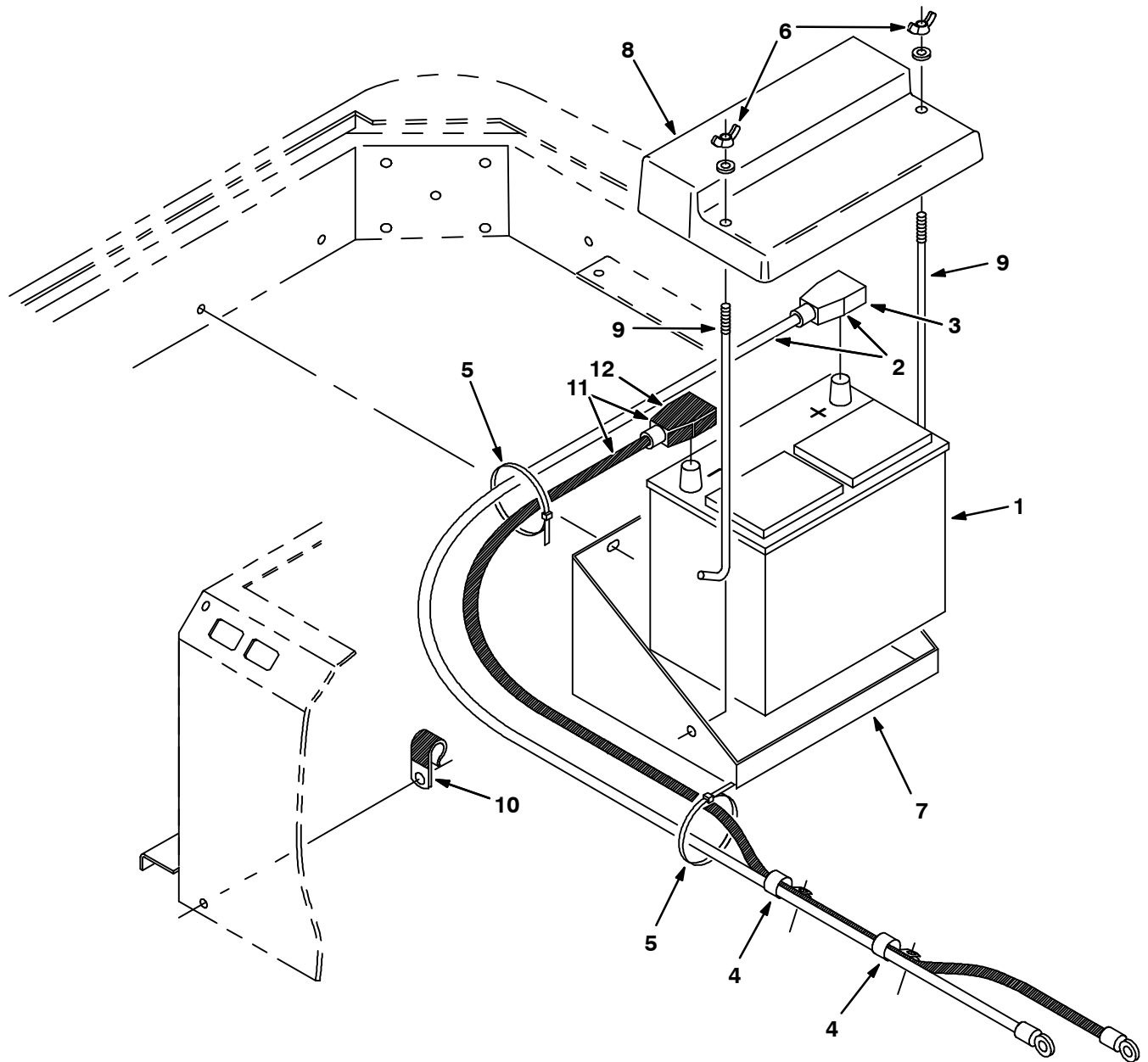
Fig. 30 - Battery Group, Gasoline



07836/07080

| Ref. | Tennant Part No. | Machine Serial Number | Description | Qty. |
|------|------------------|-----------------------|--------------------------------|------|
| 1 | 10137 | (000000-) | Battery, 12V, Cc Amps:475 Wet | 1 |
| ▽ 2 | 60292 | (000000-) | Wire Assy, 66.0 Lg, 2 Ga, Pos | 1 |
| ▲ 3 | 68873 | (000000-) | Boot, Batt. Term. 1-2 Ga Red | 1 |
| 4 | 67767 | (000000-) | Clamp-Cable, .69Dia. .62Wth | 2 |
| 5 | 49266 | (000000-) | Tie, Cable 1.75D Max 7.50Lg | 2 |
| 6 | 33671 | (000000-) | Strap, Rubber Tie-Down | 1 |
| ▽ 7 | 60293 | (000000-) | Wire Assy, 42.0 Lg, 2 Ga, Neg | 1 |
| ▲ 8 | 68872 | (000000-) | Boot, Batt. Term. 1-2 Ga Black | 1 |

Fig. 31 - Battery Group, LPG



07835/07079

| Ref. | Tennant Part No. | Machine Serial Number | Description | Qty. | |
|------|------------------|-----------------------|---------------------------------|----------------------------------|---|
| 1 | 10137 | (000000- |) Battery, 12V, Cc Amps:475 Wet | 1 | |
| ▽ | 2 | 60294 | (000000- |) Wire Assy, 78.0 Lg, 2 Ga, Pos | 1 |
| ▲ | 3 | 68873 | (000000- |) Boot, Batt. Term. 1-2 Ga Red | 1 |
| 4 | 67767 | (000000- |) Clamp-Cable, .69Dia. .62Wth | 2 | |
| 5 | 49266 | (000000- |) Tie, Cable 1.75D Max 7.50Lg | 2 | |
| 6 | 39272 | (000000- |) Nut, Wing | 2 | |
| 7 | 71038 | (000000- |) Tray, Battery, LPG | 1 | |
| 8 | 71021 | (000000- |) Cover, Battery, LPG | 1 | |
| 9 | 13015 | (000000- |) Bolt, Hold-Down | 2 | |
| 10 | 30407 | (000000- |) Clip, Keeper, Open | 1 | |
| ▽ | 11 | 60295 | (000000- |) Wire Assy, 60.0 Lg, 2 Ga, Neg | 1 |
| ▲ | 12 | 68872 | (000000- |) Boot, Batt. Term. 1-2 Ga Black | 1 |

Fig. 32 - Rear Drive Wheel Group

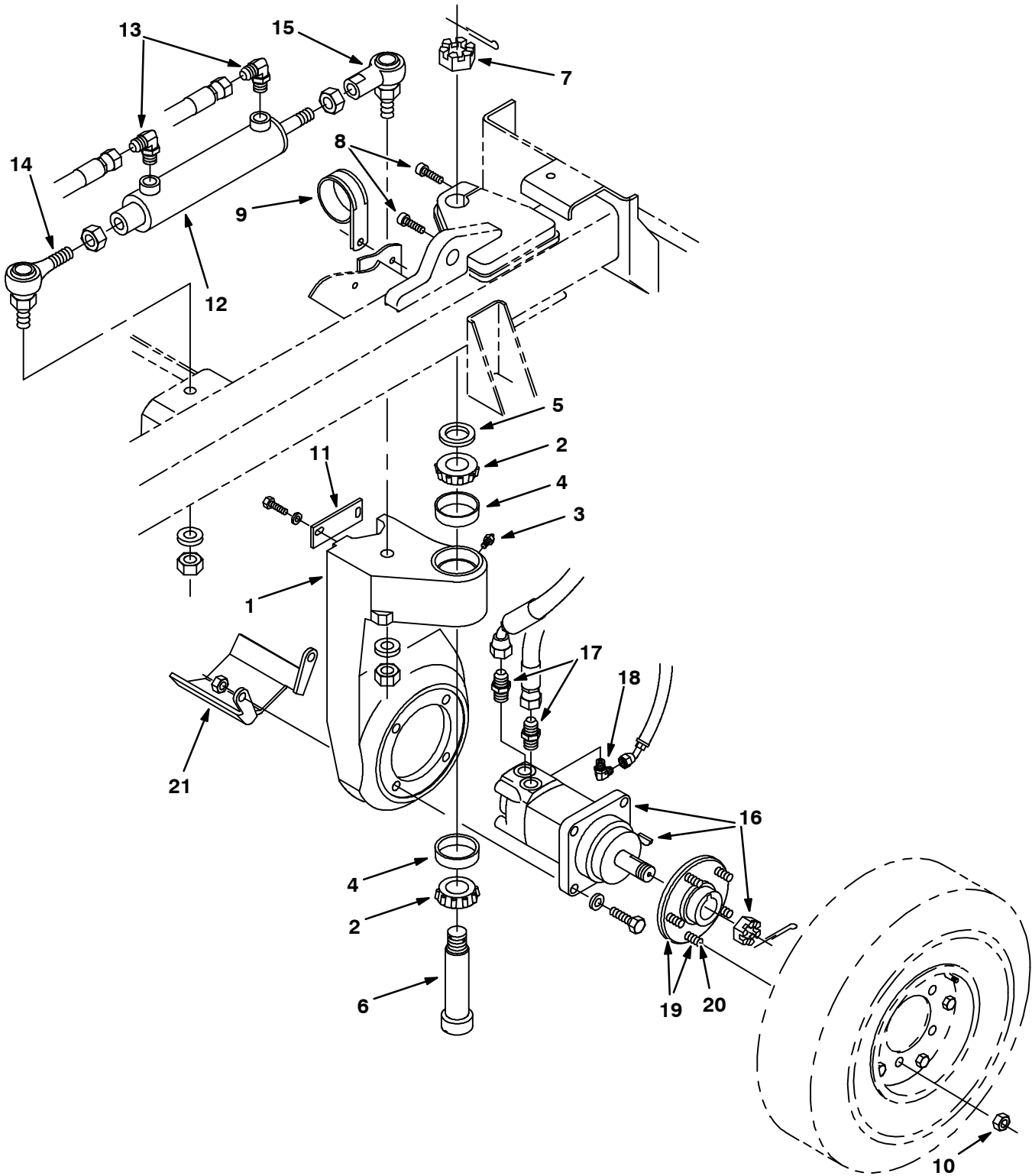


Fig. 32 - Rear Drive Wheel Group

| Ref. | Tennant Part No. | Machine Serial Number | Description | Qty. | |
|------|------------------|-----------------------|-----------------------------------|-----------------------------|---|
| 1 | 53612 | (000000- |) Housing, Sppt, Wheel | 1 | |
| 2 | 51339 | (000000- |) Bearing-Cone, 1.38Bore 0.71Wth | 2 | |
| 3 | 47801 | (000000- |) Ftg, Grease.25-28Th Strt .63L | 1 | |
| 4 | 51338 | (000000- |) Bearing-Cup , 2.56Dia 0.55Wth | 2 | |
| 5 | 54051 | (000000- |) Washer, Thrust | 1 | |
| 6 | 54053 | (000000- |) Pin, Wheel Support, Rear | 1 | |
| 7 | 54052 | (000000- |) Nut-Hxslot 1.12-18 Pltd | 1 | |
| 8 | 39310 | (000000- |) Scr Soc M10X1.5 40 | 2 | |
| 9 | 70157 | (000000- |) Clamp-Cable, 2.50Dia 1.00Wth Ss | 1 | |
| 10 | 24339 | (000000- |) Nut-Wheel .50-20 60 Angle | 5 | |
| 11 | 58842 | (000000- |) Plate - Hose Support | 1 | |
| 12 | 53601 | (000000- |) Cylinder-Hyd (See Breakdowns) | 1 | |
| 13 | 56820 | (000000- |) Ftg-Hyd E90 Jm06/Om06 | 2 | |
| 14 | 63688 | (000000- |) Balljoint, Rod End | 1 | |
| 15 | 63689 | (000000- |) Balljoint, Rod End | 1 | |
| 16 | 59802 | (000000-002100 |) Motor-Hyd Gear (See Breakdowns) | 1 | |
| 16 | 02641 | (002101- |) Motor-Hyd Gear (See Breakdowns) | 1 | |
| 17 | 46480 | (000000- |) Ftg-Hyd Str Jm10/Om10 | 2 | |
| 18 | 77097 | (000000- |) Ftg-Hyd E90 Jm04/Om04 | 1 | |
| ∇ | 19 | 82239 | (000000- |) Hub & Stud Assy | 1 |
| ▲ | 20 | 32126 | (000000- |) Stud, Wheel .50-20 x 1.50 | 5 |
| | 21 | 72155 | (000000- |) Bracket, Drive Motor | 1 |

Fig. 33 - Rear Wheel Assembly

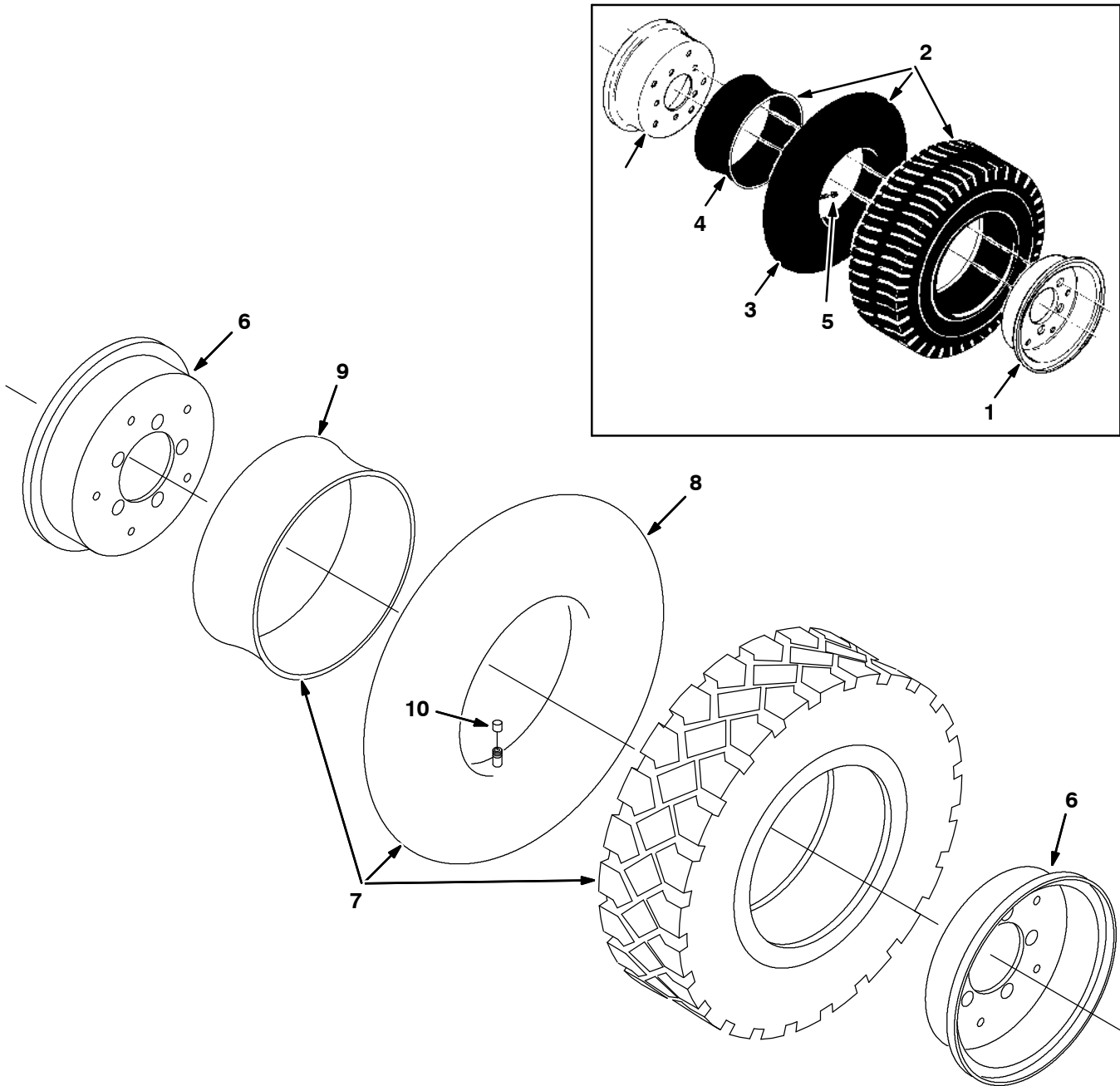
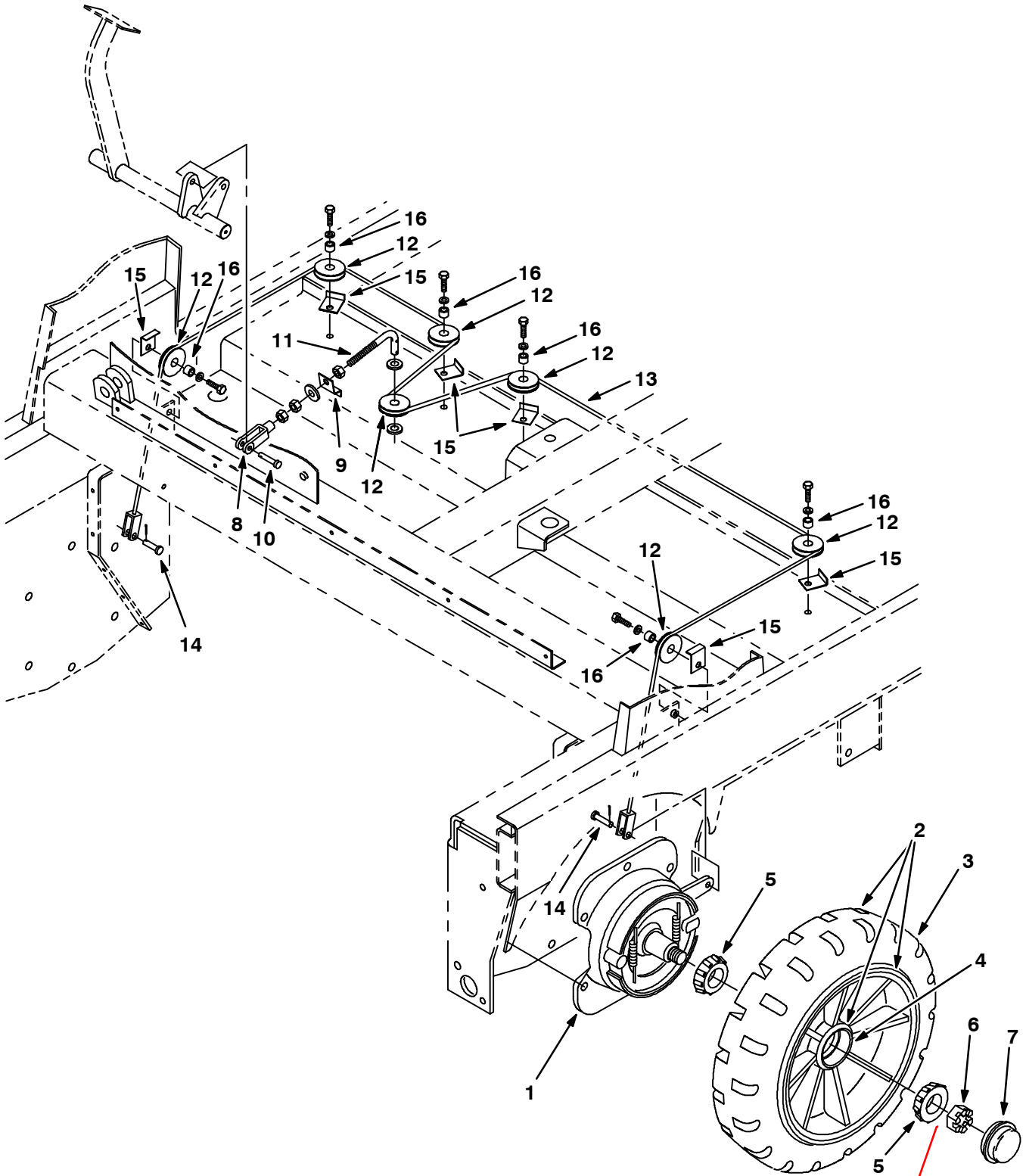


Fig. 33 - Rear Wheel Assembly

| | Ref. | Tennant Part No. | Machine Serial Number | Description | Qty. |
|----|------|---------------------|--------------------------|--|------|
| ▽ | | 53640 | (000000-003050) | Tire and Wheel Assembly (Repl. By 70287) | 1 |
| ▲ | 1 | 53818 | (000000-003050) | Rim Assembly | 1 |
| ▲▽ | 2 | 53819 | (000000-003050) | Tire, Tube and Flap Assembly | 1 |
| ▲▲ | 3 | 53819-1 | (000000-003050) | Tube, Tire (Repl. By 70280) | 1 |
| ▲▲ | 4 | 53819-2 | (000000-003050) | Flap, Tube | 1 |
| ▲ | 5 | 45786 | (000000-003050) | Cap, Valve Stem | 1 |
| ▽ | | 70287 | (003051-) | Tire & Rim Assy, 5.70/5.00R-8 | 1 |
| ▲ | 6 | 53818 | (003051-) | Rim Assembly | 1 |
| ▲▽ | 7 | 53819 | (003051-) | Tire, Tube and Flap Assembly | 1 |
| ▲▲ | 8 | 70280 | (003051-) | Tube, Inner -5.00R-8, Js2 Valve | 1 |
| ▲▲ | 9 | 53819-2 | (003051-) | Flap, Tube | 1 |
| ▲ | 10 | 45786 | (003051-) | Cap, Valve Stem | 1 |

Fig. 34 - Front Wheel and Brakes Group



32969 Washer

Fig. 34 - Front Wheel and Brakes Group

| | Ref. | Tennant Part No. | Machine Serial Number | Description | Qty. |
|----|------|------------------|-----------------------|----------------------------------|------|
| ▽ | 1 | 54577 | (000000- |) Brake Assy | 2 |
| ▲ | | 66211 | (000000- |) Brake Shoes | 2 |
| ▲▽ | | 66213 | (000000- |) Brake Repair Kit | 1 |
| ▲▲ | | 70161 | (000000- |) Chrome Pltd Cam Shft | 1 |
| ▲ | | 70158 | (000000- |) Return Spring-Brakes | 2 |
| ▽ | 2 | 54437 | (000000- |) Wheel Assy | 2 |
| ▲ | 3 | 54567 | (000000- |) Tire,18X5X12.12 Solid | 1 |
| ▲ | 4 | 51338 | (000000- |) Bearing-Cup , 2.56Dia 0.55Wth | 2 |
| | 5 | 51339 | (000000- |) Bearing-Cone, 1.38Bore 0.71Wth | 4 |
| | 6 | 14242 | (000000- |) Nut-Hxslot 1.00-20 Pltd | 2 |
| | 7 | 54390 | (000000- |) Cap, Hub | 2 |
| | 8 | 54467 | (000000- |) Clevis, Adjustable | 1 |
| | 9 | 58288 | (000000- |) Clip, Cable | 1 |
| | 10 | 86240 | (000000- |) Pin Clevis .375 Dia X 1.13 Lg | 1 |
| | 11 | 54619 | (000000- |) Rod, Brake | 1 |
| | 12 | 74391 | (000000- |) Pulley Assy - Cable, 1.5 Dia | 7 |
| | 13 | 54617 | (000000- |) Cable, Brake, Service | 1 |
| | 14 | 09088 | (000000- |) Pin,Clevis,0.37 Dia.X 1.00 Lg | 2 |
| | 15 | 54400 | (000000- |) Angle, Cable Keeper | 6 |
| | 16 | 56624 | (000000- |) Spacer, Pulley | 6 |

Fig. 35 - Brake Lever and Pedal Group

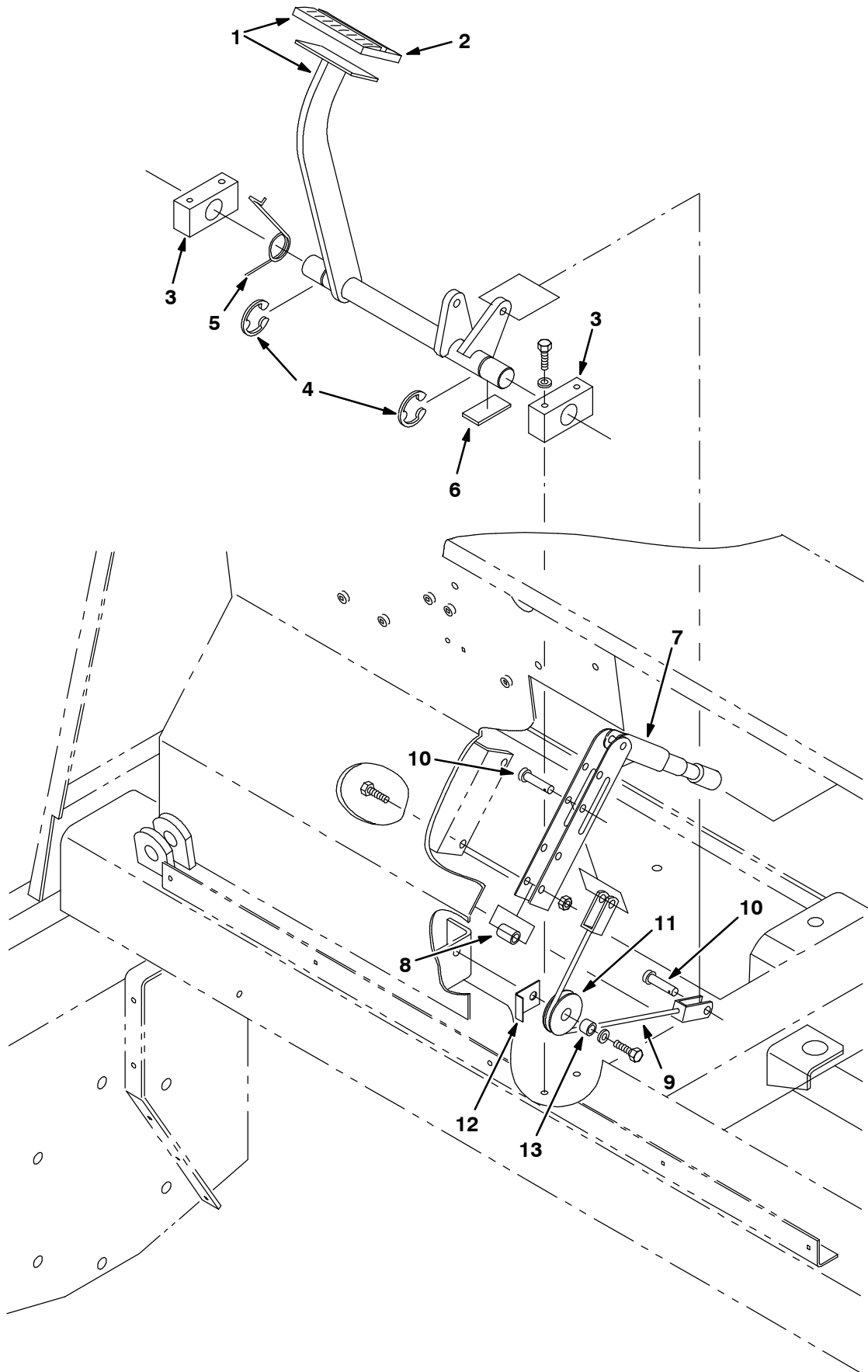


Fig. 35 - Brake Lever and Pedal Group

| | Ref. | Tennant Part No. | Machine Serial Number | Description | Qty. |
|---|------|------------------|-----------------------|-----------------------------------|------|
| ▽ | 1 | 72132 | (000000- |) Shaft Wldt, Brake w/pad | 1 |
| ▲ | 2 | 51109 | (000000- |) Pad | 1 |
| | 3 | 86751 | (000000- |) Brg, Brake | 2 |
| | 4 | 23788 | (000000- |) Ring-Retain, Ex, 0.98OD, E-Ring | 2 |
| | 5 | 54607 | (000000- |) Spring, Torsion | 1 |
| | 6 | 69933 | (000000- |) Pad, Rubber | 1 |
| | 7 | 51545 | (000000- |) Lever, Brake | 1 |
| | 8 | 51562 | (000000- |) Sleeve, .344B .50D .81 Cr.Anc | 2 |
| | 9 | 54616 | (000000- |) Cable, Parking Brake | 1 |
| | 10 | 86240 | (000000- |) Pin Clevis .375 Dia X 1.13 Lg | 2 |
| | 11 | 74391 | (000000- |) Pulley Assy - Cable, 1.5 Dia | 1 |
| | 12 | 54400 | (000000- |) Angle, Cable Keeper | 1 |
| | 13 | 56624 | (000000- |) Spacer, Pulley | 1 |

Fig. 36 - Directional Pedal Group

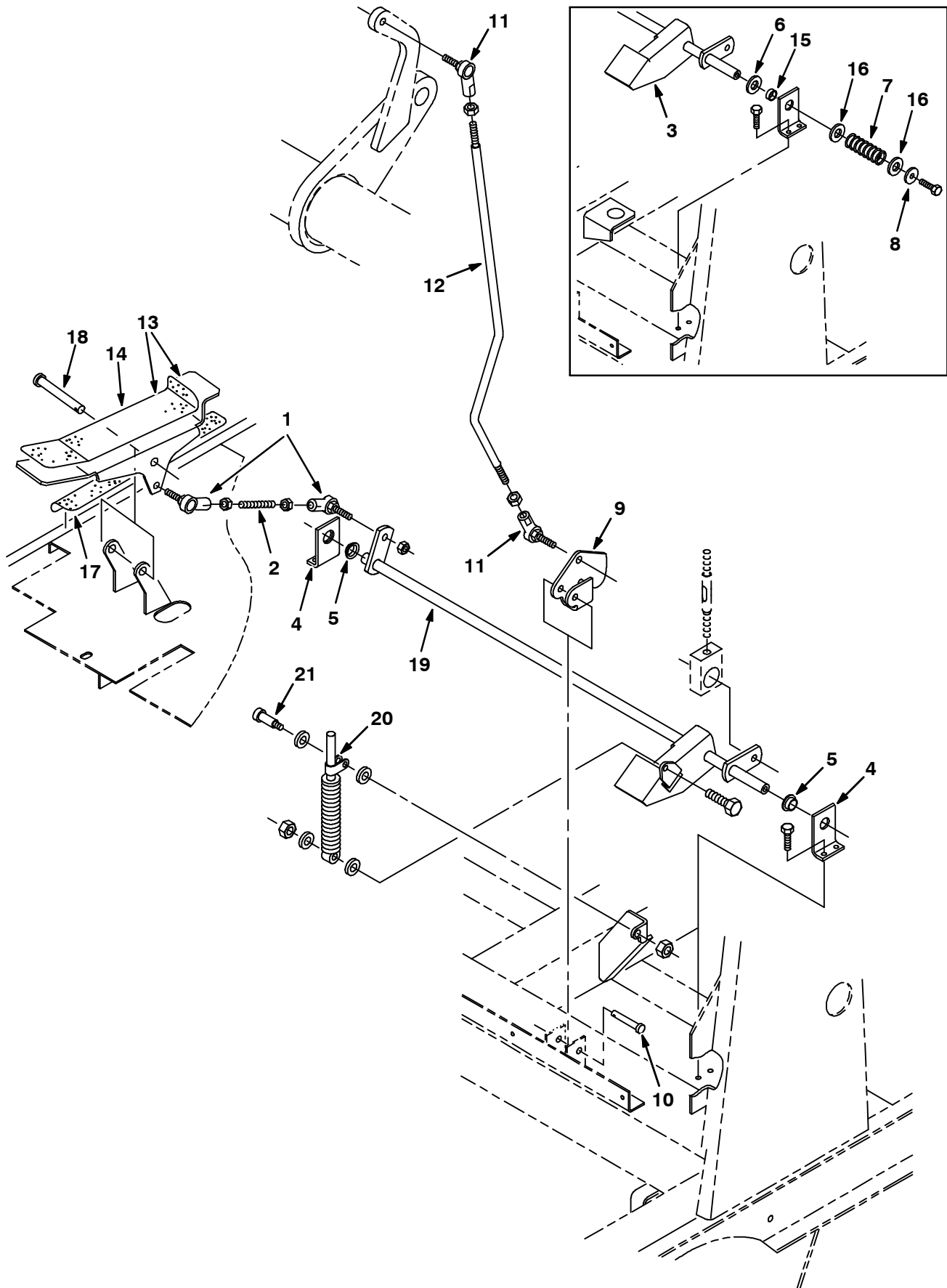


Fig. 36 - Directional Pedal Group

| Ref. | Tennant Part No. | Machine Serial Number | Description | Qty. | |
|------|------------------|-----------------------|-------------------------------------|-----------------------|---|
| 1 | 05686 | (000000- |) Rod-End M10X1.5 W/Stud | 2 | |
| 2 | 54996 | (000000- |) Rod, Adjusting | 1 | |
| 3 | 54800 | (000000-002043 |) Rod Wldt, Drive Linkage | 1 | |
| 4 | 53927 | (000000- |) Bracket Sppt, Control Rod | 2 | |
| 5 | 04843 | (000000- |) Bearing, Flange .625 Bore | 2 | |
| 6 | 53782 | (000000-002043 |) Bearing, Thrust .62X1.25X.06 | 1 | |
| 7 | 39577 | (000000-002043 |) Sprng,Comp,0.62ldxf.Wire 3.0L | 1 | |
| 8 | 46983 | (000000-002043 |) Sleeve, .391B 1.38D .19 Hr.Znc | 1 | |
| 9 | 53954 | (000000- |) Bracket, Speed Limiter | 1 | |
| 10 | 51813 | (000000- |) Pin,Clevis,0.37 Dia.X 2.12 Lg | 1 | |
| 11 | 05686 | (000000- |) Rod-End M10X1.5 W/Stud | 2 | |
| 12 | 374520 | (000000- |) Rod, Speed Limiter, Adjusting, Rh | 1 | |
| ∇ | 13 | 72129 | (000000- |) Pedal, Propel w/pad | 1 |
| ▲ | 14 | 75430 | (000000- |) Pad, Tread | 1 |
| 15 | 69962 | (000000-002043 |) Bearing, Journal | 1 | |
| 16 | 69954 | (000000-002043 |) Bearing, Thrust | 2 | |
| 17 | 75430 | (000000- |) Pad, Tread | 1 | |
| 18 | 67290 | (000000- |) Pin,Clevis,0.50 Dia.X 3.75 Lg | 1 | |
| 19 | 74475 | (002044- |) Rod Weldt, Drive Linkage | 1 | |
| 20 | 73411 | (002044- |) Shock Absorber | 1 | |
| 21 | 16213 | (002044- |) Scr-Shld .312Dx1.00L .25-20 | 1 | |

Fig. 37 - Hydraulic Pump Linkage Group

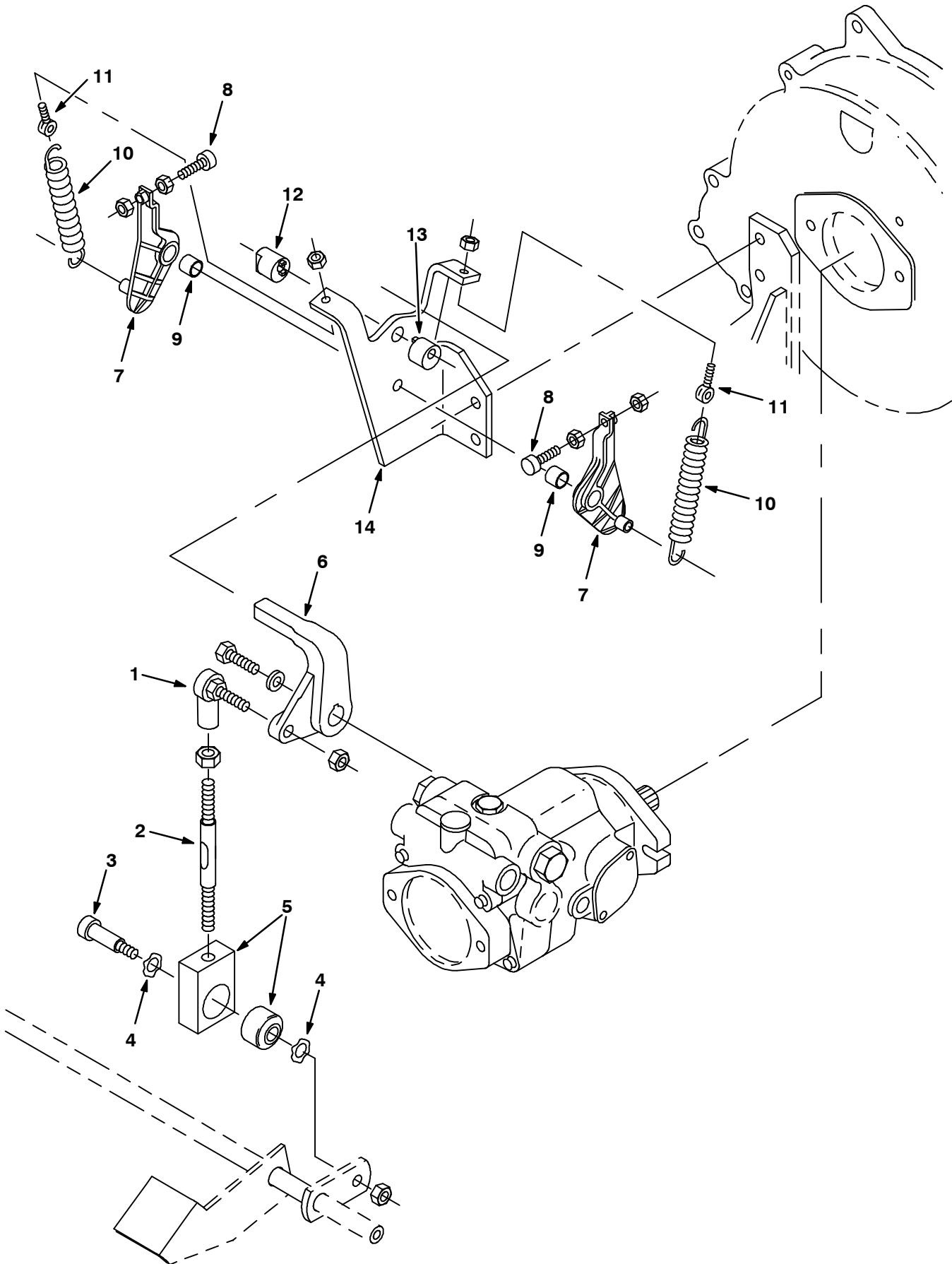


Fig. 37 - Hydraulic Pump Linkage Group

| Ref. | Tennant Part No. | Machine Serial Number | Description | Qty. |
|------|------------------|-----------------------|----------------------------------|------|
| 1 | 05686 | (000000- |) Rod-End M10X1.5 W/Stud | 1 |
| 2 | 54015 | (000000- |) Rod, Adjusting | 1 |
| 3 | 86791 | (000000- |) Scr-Shld .500Dx1.25L .38-16 | 1 |
| 4 | 52508 | (000000- |) Washer-Wavy Spring,#Ww-381-&-8 | 2 |
| 5 | 54997 | (000000- |) Bracket Assy, Isolator | 1 |
| 6 | 54999 | (000000- |) Arm, Control, Pintle | 1 |
| 7 | 53953 | (000000- |) Arm | 2 |
| 8 | 54205 | (000000- |) Bumper, Threaded | 2 |
| 9 | 63234 | (000000- |) Sleeve, Bearing | 2 |
| 10 | 11842 | (000000- |) Sprng,Tens,0.75Odx.12Wire 3.4L | 2 |
| 11 | 48079 | (000000- |) Bolt-Eye, .25-20Th .25B 1.4L | 2 |
| 12 | 53947 | (000000- |) Cam | 1 |
| 13 | 54655 | (000000- |) Cam | 1 |
| 14 | 53950 | (000000- |) Bracket, Propel | 1 |

Fig. 38 - Hopper and Dump Door Group

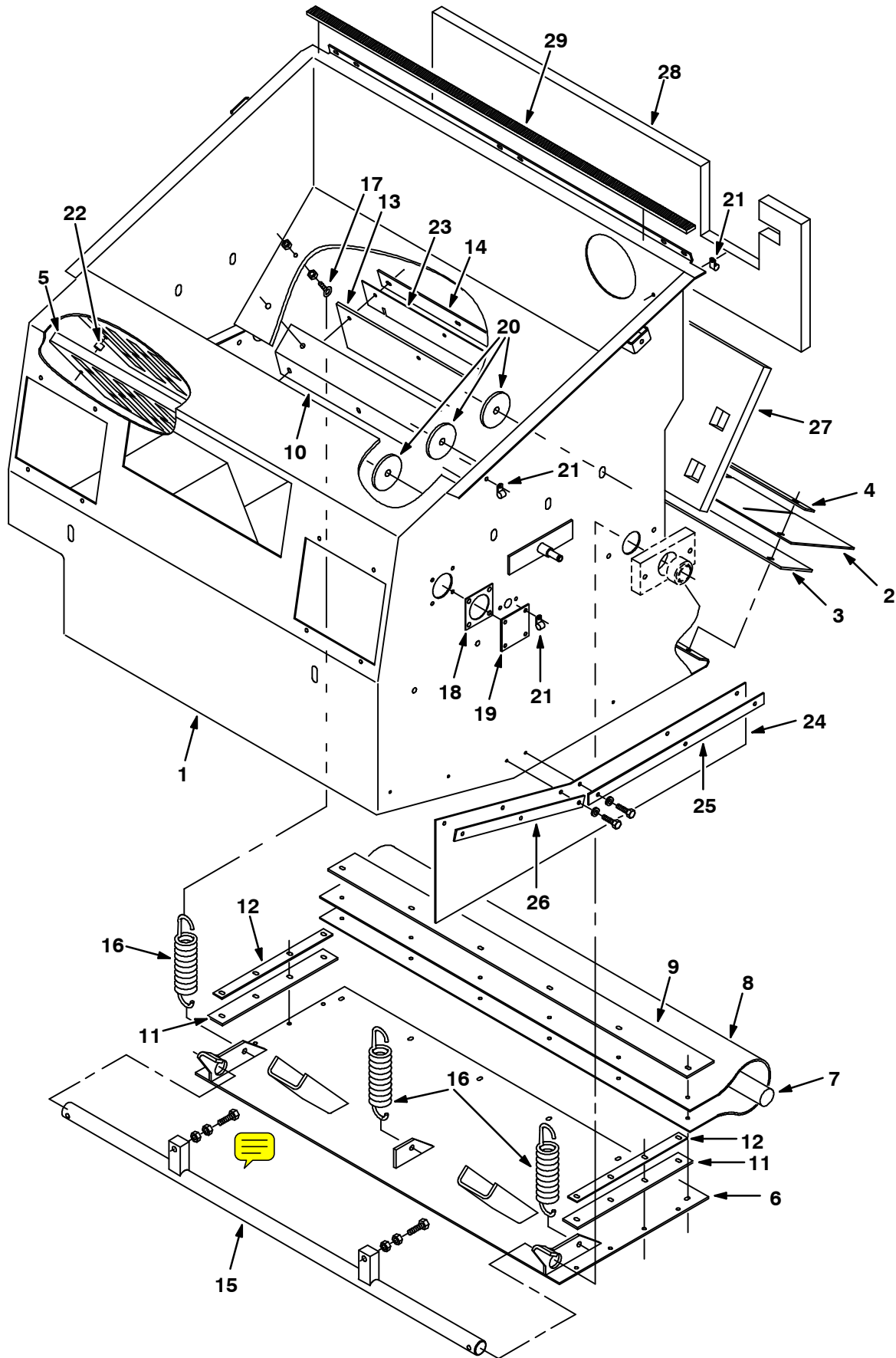


Fig. 38 - Hopper and Dump Door Group

| Ref. | Tennant Part No. | Machine Serial Number | Description | Qty. |
|------|------------------|-----------------------|--------------------------------|------|
| 1 | 55870 | (000000-001586) | Hopper Wldt | 1 |
| 1 | 74314 | (001587- | Hopper Wldt | 1 |
| 2 | 59680 | (000000- | Skirt, Lip | 1 |
| 3 | 59681 | (000000- | Skirt, Lip | 1 |
| 4 | 55890 | (000000- | Strap, Main Lip | 1 |
| 5 | 55021 | (000000- | Panel, Perma-Filter | 1 |
| 6 | 374507 | (000000- | Door Wldt, Dump | 1 |
| 7 | 55864 | (000000- | Cord, Sponge | 1 |
| 8 | 59685 | (000000- | Seal, Door, Dump | 1 |
| 9 | 59686 | (000000- | Strap, Door, Dump | 1 |
| 10 | 55879 | (000000- | Angle, Hopper | 1 |
| 11 | 59687 | (000000- | Seal, Door, Dump, Side | 2 |
| 12 | 59688 | (000000- | Strap, Door, Dump, Side | 2 |
| 13 | 58103 | (000000- | Seal, Door, Hopper | 1 |
| 14 | 55884 | (000000- | Strap | 1 |
| 15 | 55889 | (000000- | Rod Wldt, Pivot | 1 |
| 16 | 55892 | (000000- | Spring, Tension | 3 |
| 17 | 11893 | (000000- | Bolt-Eye, .25-20Zinc.56D 2.00L | 3 |
| 18 | 55965 | (000000- | Seal, Vac Wand | 1 |
| 19 | 59189 | (000000- | Plate | 1 |
| 20 | 72159 | (000000- | Plate, Lift Arm | 6 |
| 21 | 40678 | (000000- | Clamp, Cable .44D .62Wide | 3 |
| 22 | 82483 | (000000- | Tube,Spacer,.41Dx.32Bx1.0I | 2 |
| 23 | 59105 | (000000- | Seal, Door, Hopper | 1 |
| 24 | 54089 | (000000- | Skirt, Side, Sbdc, Lh | 1 |
| 25 | 54013 | (000000- | Plate, Retainer, Lh | 1 |
| 26 | 54014 | (000000- | Plate, Retainer, Front, Lh | 1 |
| 27 | 59814 | (000000- | Insulation, Acoustic, Hopper | 1 |
| 28 | 59821 | (000000- | Insulation, Acoustic, Hopper | 1 |
| 29 | 72071 | (000000- | Seal, Foam Rubber | 1 |

Fig. 39 - Hopper Cylinder and Dust Door Group

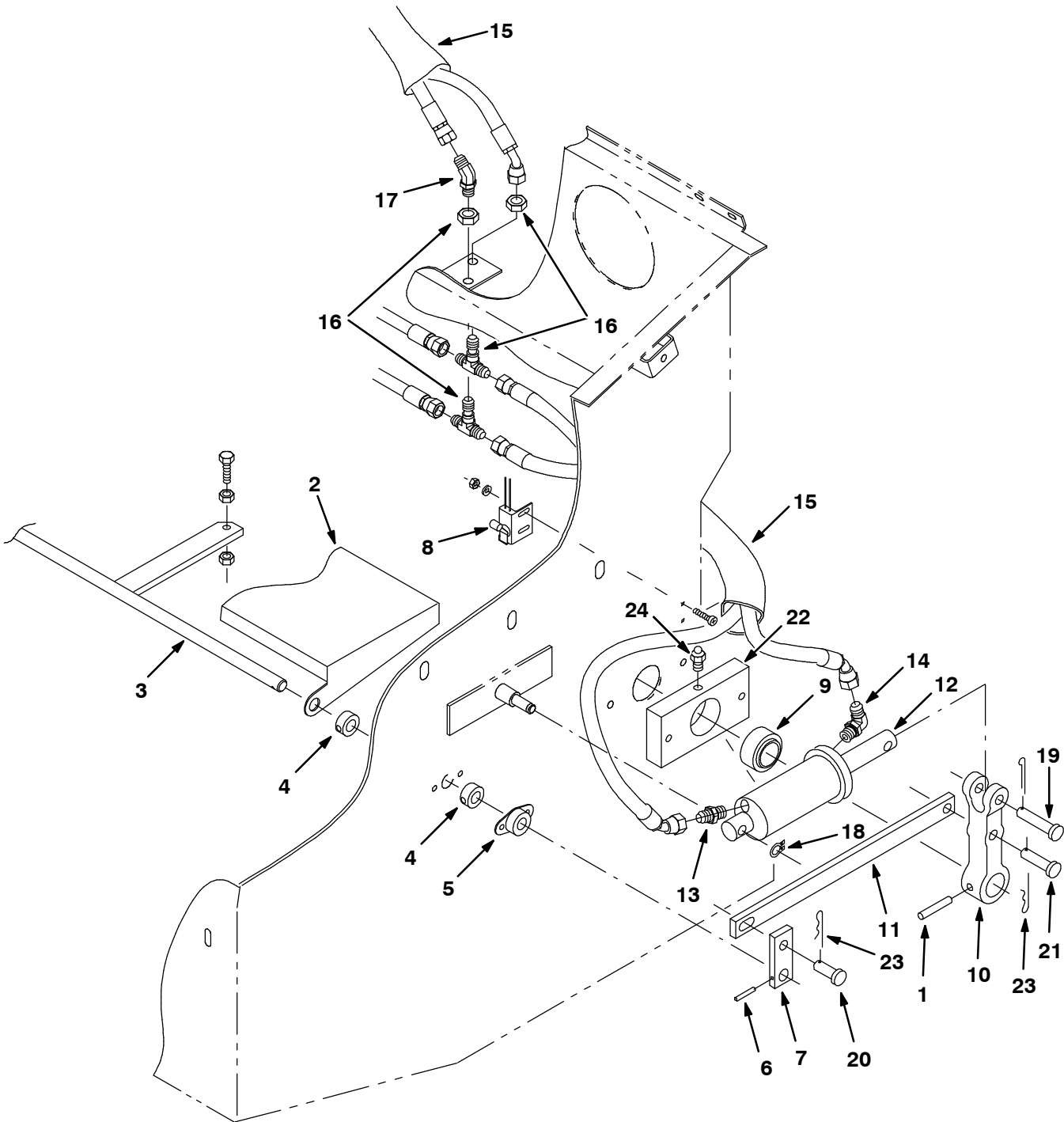


Fig. 39 - Hopper Cylinder and Dust Door Group

| Ref. | Tennant Part No. | Machine Serial Number | Description | Qty. |
|------|------------------|-----------------------|----------------------------------|------|
| 1 | 51317 | (000000- |) Pin,Roll,.38Odx2.00L,.375/.382 | 2 |
| 2 | 53910 | (000000- |) Door, Dust | 1 |
| 3 | 53915 | (000000- |) Rod Wldt | 1 |
| 4 | 34725 | (000000- |) Collar, Locking | 4 |
| 5 | 34096 | (000000- |) Bearing-Flange,2 Hole .625Bore | 2 |
| 6 | 26103 | (000000- |) Pin,Roll,.18Odx1.25L,.187/.192 | 2 |
| 7 | 59966 | (000000- |) Bar, Link | 2 |
| 8 | 59965 | (000000- |) Switch Assy, Roller | 1 |
| 9 | 42120-1 | (000000- |) Bearing-Self Align 1.250 Bore | 2 |
| 10 | 78787 | (000000- |) Yoke, Pivot, Machining | 2 |
| 11 | 55893 | (000000- |) Bar, Link | 2 |
| 12 | 54096 | (000000- |) Cylinder-Hyd,2.0X 4.0Da2500Psi | 2 |
| 13 | 55586 | (000000- |) Ftg-Hyd Str Jm04/Om04 | 2 |
| 14 | 77097 | (000000- |) Ftg-Hyd E90 Jm04/Om04 | 2 |
| 15 | 87677 | (000000- |) Sleeve-Nyln #20 20.0L | 3 |
| 16 | 34392 | (000000- |) Ftg-Hyd Tee Jm04Jmbjm | 2 |
| 17 | 68441 | (000000- |) Ftg-Hyd E45 Jm04/Jf04 | 1 |
| 18 | 23524 | (000000- |) Ring,Retain,Ex,0.50Od,Selflock | 2 |
| 19 | 11211 | (000000- |) Pin,Clevis,0.50 Dia.X 2.25 Lg | 2 |
| 20 | 58078 | (000000- |) Pin,Clevis,0.50 Dia.X 1.25 Lg | 2 |
| 21 | 51534 | (000000- |) Pin,Clevis,0.50 Dia.X 2.00 Lg | 2 |
| 22 | 55914 | (000000- |) Hub, Pivot | 2 |
| 23 | 44906 | (000000- |) Pin,Hair Cotter #Lhcot-2,Leitk | 4 |
| 24 | 47801 | (000000- |) Ftg, Grease .25-28Th Strt .63L | 2 |

Fig. 40 - Hopper Hood and Bumper Group

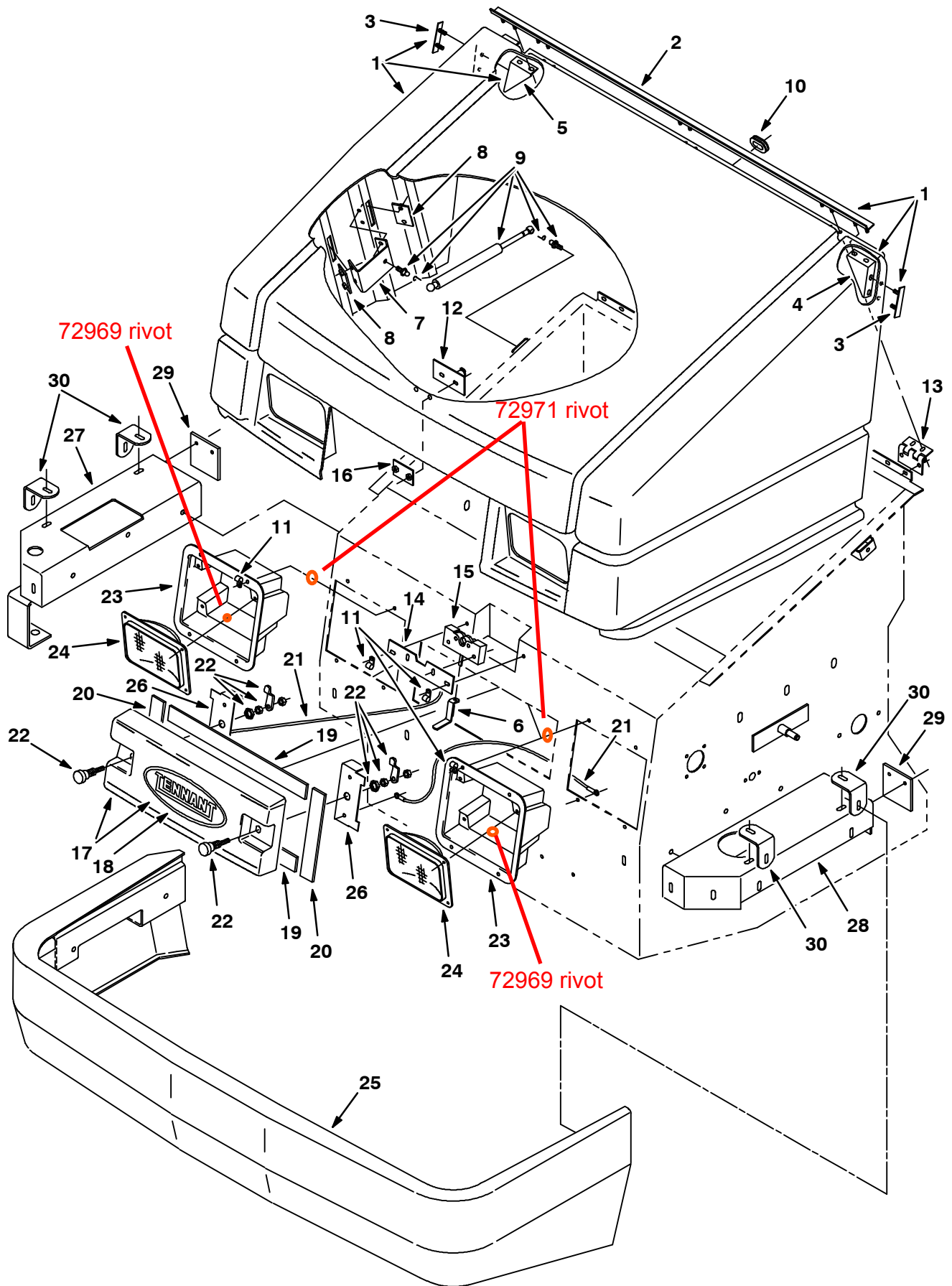


Fig. 40 - Hopper Hood and Bumper Group

| | Ref. | Tennant Part No. | Machine Serial Number | Description | Qty. |
|---|------|------------------|-----------------------|-------------------------------------|------|
| ▽ | 1 | 55805 | (000000-001586) | Cover Assy, Hopper (Repl. By 84570) | 1 |
| ▲ | 2 | 59442 | (000000-001586) | Strip, Mtg, Hinge | 1 |
| ▲ | 3 | 59738 | (000000-001586) | Strip, Mtg, Gusset | 2 |
| ▲ | 4 | 59737 | (000000-001586) | Bracket, Gusset, Corner, Lh | 1 |
| ▲ | 5 | 59739 | (000000-001586) | Bracket, Gusset, Corner, Rh | 1 |
| | 6 | 58771 | (000000-001586) | Handle, Latch | 1 |
| | 7 | 55806 | (000000-001586) | Bracket, Mtg, Spring | 2 |
| | 8 | 55797 | (000000-001586) | Plate, Backing | 4 |
| | 9 | 69902 | (000000-001586) | Spring Kit, Hopper Cover | 2 |
| | 10 | 10632-1 | (000000-001586) | Grommet, Rbr, For .19Matl 1.06 ID | 1 |
| | 11 | 40678 | (000000-001586) | Clamp, Cable .44D .62Wide | 4 |
| | 12 | 55800 | (000000-001586) | Plate Wldt, Strike | 1 |
| | 13 | 58500 | (000000-001586) | Hinge, Cover, Hopper | 3 |
| | 14 | 59016 | (000000-001586) | Plate, Latch | 1 |
| | 15 | 55809 | (000000-001586) | Latch, Cover | 1 |
| | 16 | 55797 | (000000-001586) | Plate, Backing | 1 |
| ▽ | 17 | 69901 | (000000-001586) | Door, Access w/label | 1 |
| ▲ | 18 | 17200 | (000000-001586) | Label, Tennant Logo-10.0 Blue | 1 |
| | 19 | 59682 | (000000-001586) | Seal, Rbr, .25 X 1.50 X 17.5 | 2 |
| | 20 | 59683 | (000000-001586) | Seal, Rbr, .25 X 1.50 X 9.0 | 2 |
| | 21 | 57702 | (000000-001586) | Cable, Door, Access | 2 |
| | 22 | 87337 | (000000-001586) | Latch, Door | 2 |
| | 23 | 59004 | (000000-001586) | Housing, Headlight | 2 |
| | 24 | 58524 | (000000-001586) | Headlight, 12V.Rect. | 2 |
| | 25 | 59723 | (000000-001586) | Bumper Wldt, Front | 1 |
| | 26 | 59674 | (000000-001586) | Bracket, Door | 2 |
| | 27 | 55958 | (000000-001586) | Channel Wldt, Rh | 1 |
| | 28 | 55956 | (000000-001586) | Channel Wldt, Lh | 1 |
| | 29 | 59448 | (000000-001586) | Skirt, Bumper Stop | 2 |
| | 30 | 59845 | (000000-001586) | Bracket, Bumper | 4 |

Fig. 41 - Hopper Hood and Bumper Group

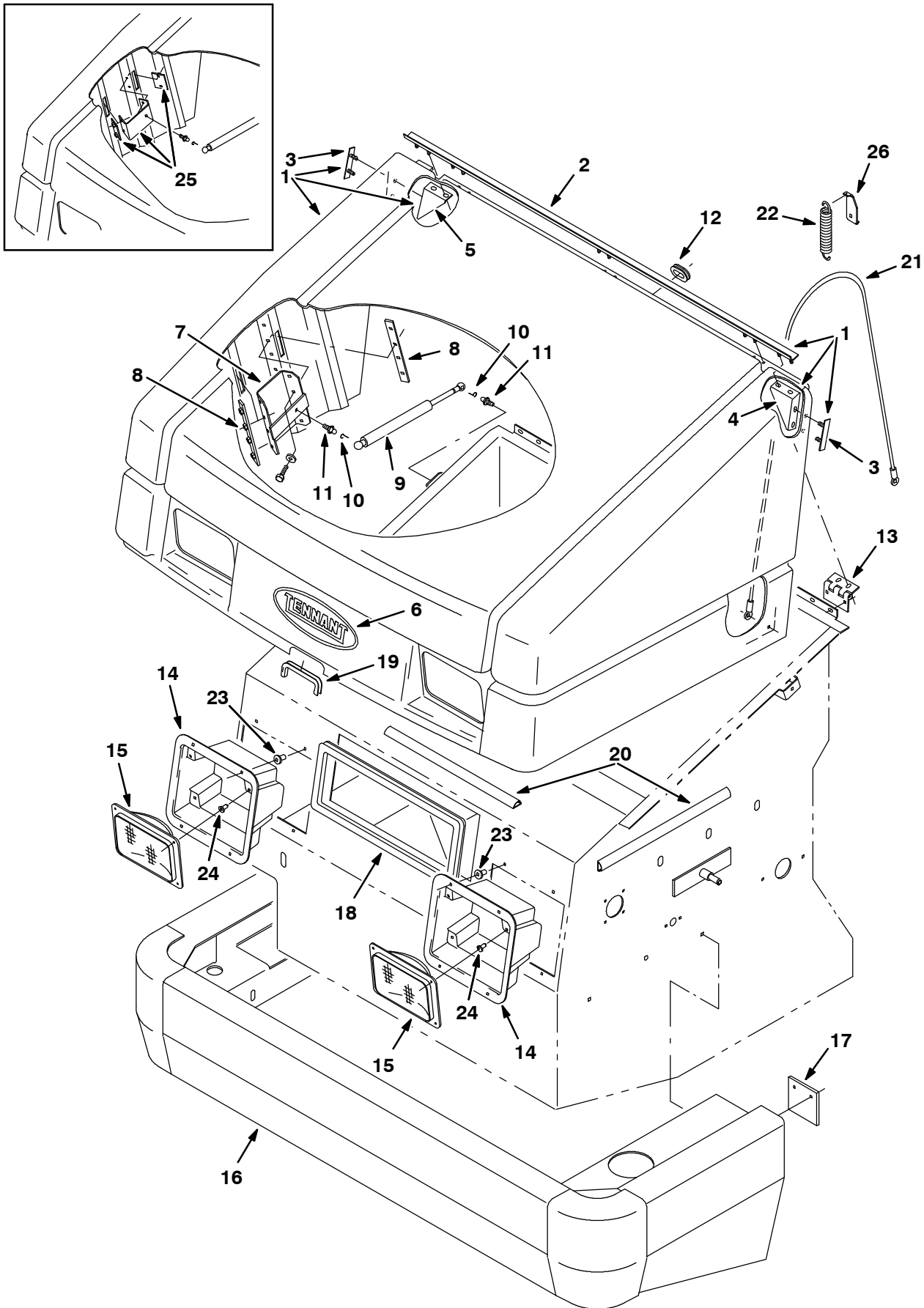


Fig. 41 - Hopper Hood and Bumper Group

| | Ref. | Tennant Part No. | Machine Serial Number | Description | Qty. |
|---|------|------------------|-----------------------|----------------------------------|------|
| ▽ | 1 | 74310 | (001587- |) Cover, Hopper | 1 |
| ▲ | 2 | 59442 | (001587- |) Strip, Mtg, Hinge | 1 |
| ▲ | 3 | 59738 | (001587- |) Strip, Mtg, Gusset | 2 |
| ▲ | 4 | 59737 | (001587- |) Bracket, Gusset, Corner, Lh | 1 |
| ▲ | 5 | 59739 | (001587- |) Bracket, Gusset, Corner, Rh | 1 |
| | 6 | 17200 | (001587- |) Label, Tennant Logo- 10.0 Blue | 1 |
| | 7 | 70185 | (002432- |) Bracket Wldt, Hpr Cvr Sprng | 2 |
| | 8 | 70178 | (002432- |) Plate Wldt, Sprngbrkt Backing | 4 |
| | 9 | 64535 | (001587- |) Spring-Gas 120Lb 7.1 Stroke | 2 |
| | 10 | 64595 | (001587- |) Clip Safety | 4 |
| | 11 | 58494 | (001587- |) Stud, Ball, Gas Spring | 4 |
| | 12 | 10632-1 | (001587- |) Grommet,Rbr,1.06ld,For .19Matl | 1 |
| | 13 | 58500 | (001587- |) Hinge, Coverhopper | 3 |
| | 14 | 59004 | (001587- |) Housing, Headlight | 2 |
| | 15 | 58524 | (001587- |) Headlight, 12V.Rect. | 2 |
| | 16 | 72065 | (001587- |) Bumper Wldt, Front | 1 |
| | 17 | 59448 | (001587- |) Skirt,Bumperstop | 2 |
| | 18 | 74409 | (001587- |) Seal, Bulb 50.0Lg | 1 |
| | 19 | 62595-6 | (001587- |) Molding, Trim 11-14Ga 7.50 | 1 |
| | 20 | 86331 | (001587- |) Duct, Vinyl .40X.75X16.0 .25D | 2 |
| | 21 | 74352 | (001587- |) Cable, Cover, Safety | 1 |
| | 22 | 74353 | (001587- |) Spring, Tension | 1 |
| | 23 | 72971 | (001587- |) Rivet, Plastic .325D x .787 | 8 |
| | 24 | 72969 | (001587- |) Rivet, Plastic .181D x .720 | 8 |
| | 25 | 70182 | (001587-002431 |) Replm Kit, Hpr Cvr Sprng Brkt | 1 |
| | 26 | 70193 | (001587- |) Bracket, Cable Spring | 1 |

Fig. 42 - Filter Box Group

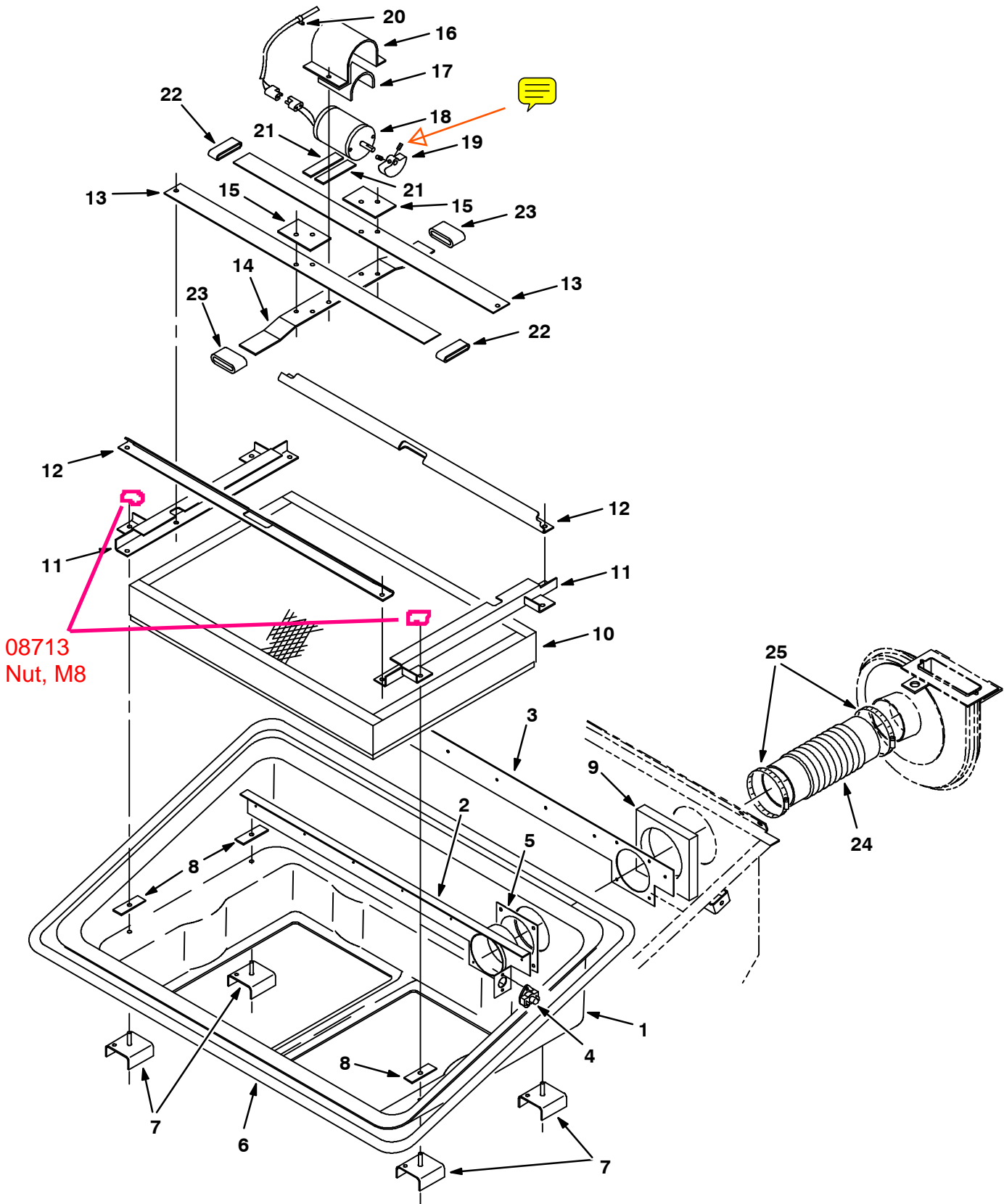


Fig. 42 - Filter Box Group

| Ref. | Tennant Part No. | Machine Serial Number | Description | Qty. |
|------|------------------|-----------------------|---------------------------------|------|
| 1 | 74434 | (000000- |) Tray, Filter Carrier | 1 |
| 2 | 59399 | (000000- |) Bracket Wldt | 1 |
| 3 | 59693 | (000000- |) Plate, Tray, Filter | 1 |
| 4 | 02712 | (000000- |) Thermostat Assembly, 140 Deg | 1 |
| 5 | 59844 | (000000- |) Seal, Tube, Dust | 1 |
| 6 | 79425 | (000000- |) Seal, Bulb 140.0 Lg | 1 |
| 7 | 55916 | (000000- |) Plate | 4 |
| 8 | 56610 | (000000- |) Plate | 4 |
| 9 | 55902 | (000000- |) Foam, Acoustic, Hopper | 1 |
| 10 | 12962 | (000000- |) Filter Pkg, Panel, 94 Pleats | 1 |
| 11 | 59545 | (000000- |) Bracket Wldt, Filter | 2 |
| 12 | 53786 | (000000- |) Bracket, Filter | 2 |
| 13 | 58482 | (000000- |) Spring, Shaker | 2 |
| 14 | 58483 | (000000- |) Bar, Shaker | 1 |
| 15 | 82475 | (000000- |) Bar, Spring, Shaker | 2 |
| 16 | 36666 | (000000- |) Strap, Motor, Shaker | 1 |
| 17 | 36658 | (000000- |) Bar-Flt .06T 4.00W 5.00L,Rbr | 1 |
| 18 | 54121 | (000000- |) Motor, Ele Shaker 12V | 1 |
| 19 | 55130 | (000000- |) Weight, Eccentric | 1 |
| 20 | 46236 | (000000- |) Clamp-Cable, 0.25Dia 0.56Wth | 1 |
| 21 | 36661 | (000000- |) Bar-Flt .06T 1.00W 4.00L,Rbr | 2 |
| 22 | 36663 | (000000- |) Sleeve,1.12B 1.38D1.00 Rubber | 2 |
| 23 | 36665 | (000000- |) Sleeve,1.12B 1.62D1.50 Rubber | 2 |
| 24 | 44255 | (000000- |) Hose Flex, 4.0ld X 21.5Lg | 1 |
| 25 | 23498 | (000000- |) Clamp-Wormdrive, 3.56- 4.50D | 2 |

Fig. 43 - Hopper Lift Arms Group

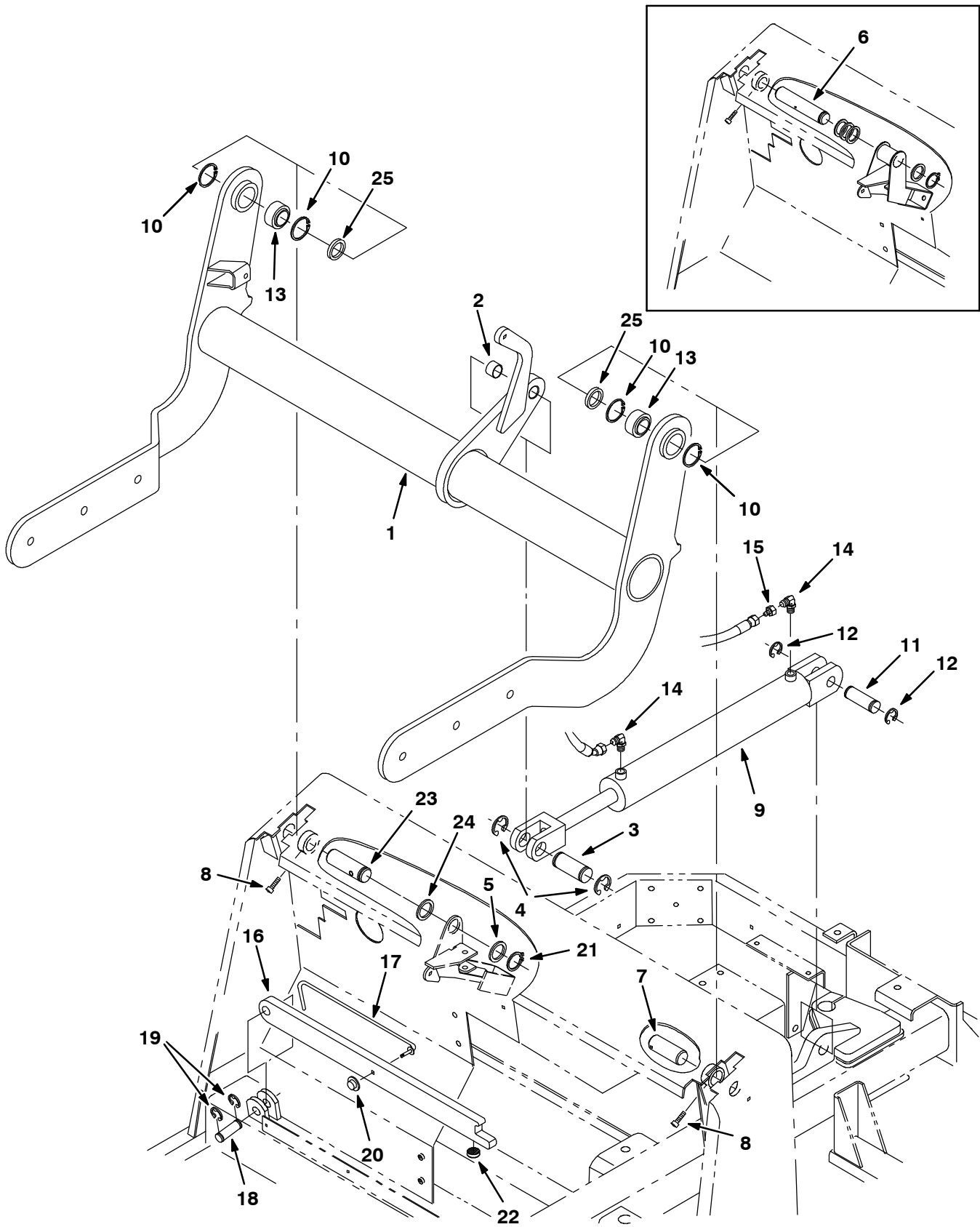


Fig. 43 - Hopper Lift Arms Group

| Ref. | Tennant Part No. | Machine Serial Number | Description | Qty. |
|------|------------------|-----------------------|------------------------------------|------|
| 1 | 59825 | (000000- |) Arm Assy, Hopper w/label | 1 |
| ▽ | 69908 | (000000- |) Pin Assy, Clevis, Hopper Lift | 1 |
| ▲ | 2 59866 | (000000- |) Bearing, Journal 1.25 ldx1.0Lg | 1 |
| ▲ | 3 59867 | (000000- |) Pin, Grooved | 1 |
| ▲ | 4 59861 | (000000- |) Ring, Retaining, Ext, 1.25 Dia | 2 |
| 5 | 54079 | (000000- |) Washer, 1.281B 1.75D .08Cr Znc | 1 |
| 6 | 55462 | (000000-002506 |) Pin, Rh | 1 |
| 7 | 55463 | (000000- |) Pin, Lh | 1 |
| 8 | 39308 | (000000- |) Scr Soc M 8X1.25 25 | 2 |
| 9 | 74419 | (000000- |) Cylinder-Hyd (See Breakdowns) | 1 |
| 10 | 59542 | (000000- |) Ring, Retaining, Intl, 2.00Dia | 4 |
| 11 | 59380 | (000000- |) Pin-Grvd, 1.00D 3.0L2/ 2.71Btwn | 1 |
| 12 | 23788 | (000000- |) Ring, Retain, Ex, 0.98Od, E-Ring | 2 |
| 13 | 42120-1 | (000000- |) Bearing-Self Align 1.250 Bore | 2 |
| 14 | 77097 | (000000- |) Ftg-Hyd E90 Jm04/Om04 | 2 |
| 15 | 16455 | (000000- |) Ftg-Hyd Rst Jm04/.047 | 1 |
| 16 | 59827 | (000000- |) Arm Assy, Safety w/label | 1 |
| 17 | 58645 | (000000- |) Handle, Safety Arm | 1 |
| 18 | 59842 | (000000- |) Pin, Arm, Safety | 1 |
| 19 | 59840 | (000000- |) Ring, Retaining, Ext, .75 Dia | 2 |
| 20 | 59849 | (000000- |) Nut, Retainer R/.312 Dia | 1 |
| 21 | 58359 | (000000- |) Retaining Ring-External, 1.25D | 1 |
| 22 | 16786 | (000000- |) Bumper, Safety Arm | 1 |
| 23 | 74358 | (002507- |) Pin, Rh | 1 |
| 24 | 47719 | (000000- |) Washer, 1.255B 1.75Od .12Hrs | 1 |
| 25 | 70272 | (000000- |) Washer, 1.281B 1.75Od .31Hrznc | 2 |
| 25 | 70271 | (000000- |) Washer, 1.281B 1.75Od .25Hrznc | 2 |

Fig. 44 - Side Brush Motor and Pivot Group

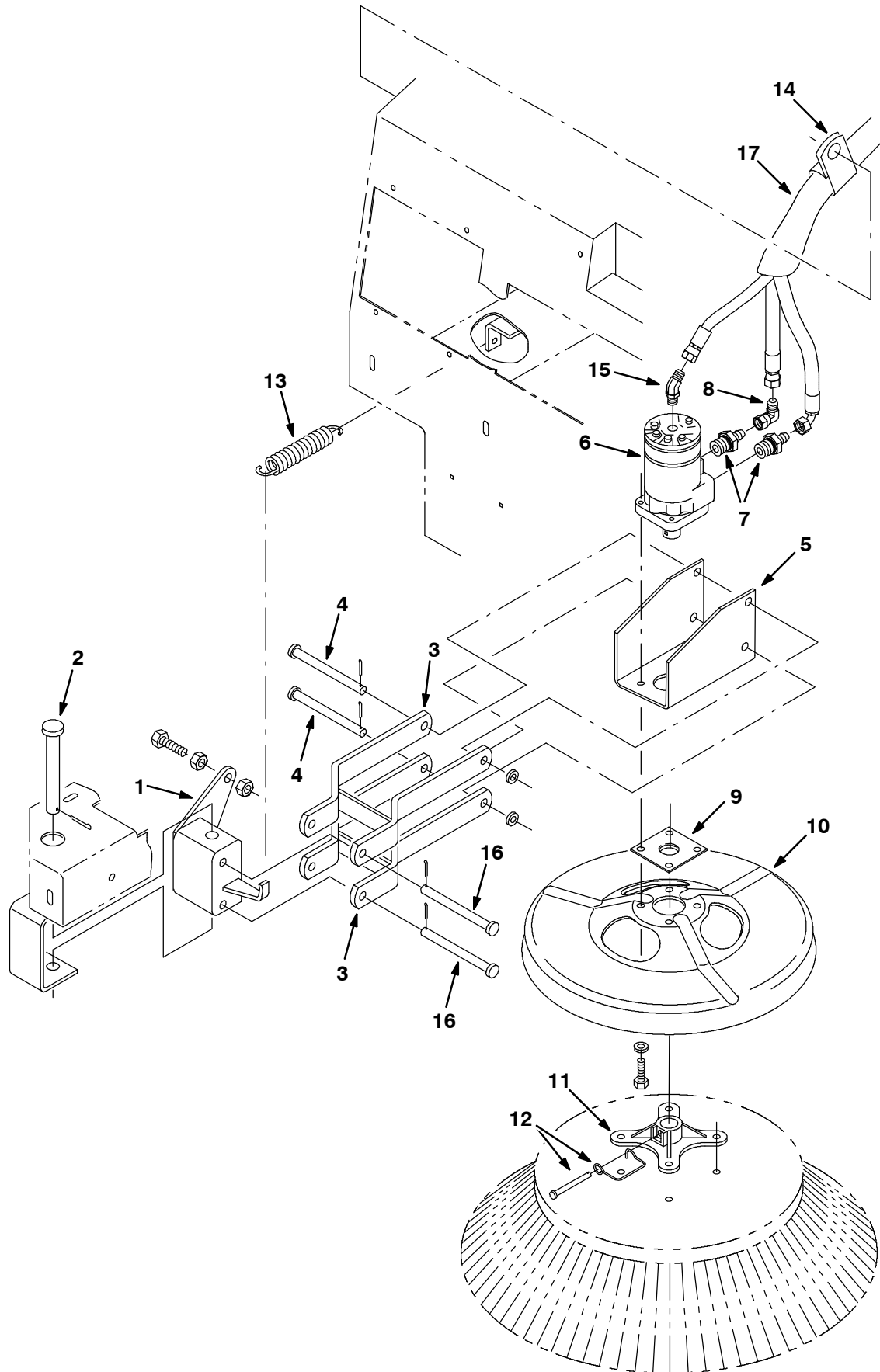


Fig. 44 - Side Brush Motor and Pivot Group

| Ref. | Tennant Part No. | Machine Serial Number | Description | Qty. |
|------|------------------|-----------------------|-----------------------------------|------|
| 1 | 54050 | (000000- |) Pivot Assy, S Br | 1 |
| 2 | 54660 | (000000- |) Pin, Clevis .75 Dia X 5.5 Lg | 1 |
| 3 | 53965 | (000000- |) Arm Assy, Lift | 2 |
| 4 | 51225 | (000000- |) Pin,Clevis,0.50 Dia.X 5.50 Lg | 2 |
| 5 | 71540 | (000000- |) Bracket, Motor | 1 |
| 6 | 53435 | (000000- |) Motor-Hyd Gear (See Breakdowns) | 1 |
| 7 | 47508 | (000000- |) Ftg-Hyd Str Jm06/Om10 | 2 |
| 8 | 47504 | (000000- |) Ftg-Hyd E90 Jm06/Jf06 | 1 |
| 9 | 16082 | (000000- |) Guard, String, Brush Motor | 1 |
| 10 | 53984 | (000000- |) Guard, Brush | 1 |
| 11 | 47501 | (000000- |) Hub, Brush Adaptor, 1.00B | 1 |
| 12 | 84581 | (000000- |) Pin Assy, Side Brush W/Clip | 1 |
| 13 | 47745 | (000000- |) Sprng,Tens,1.12Odx.14Wire 6.3L | 1 |
| 14 | 53466 | (000000- |) Clamp, Hose | 2 |
| 15 | 34359 | (000000- |) Ftg-Hyd E45 Jm04/Om04 | 1 |
| 16 | 51538 | (000000- |) Pin,Clevis,0.50 Dia.X 5.00 Lg | 2 |
| 17 | 75028 | (000000- |) Sleeve-Nyln #20 65.0L | 1 |

Fig. 45 - Side Brush Lift Group

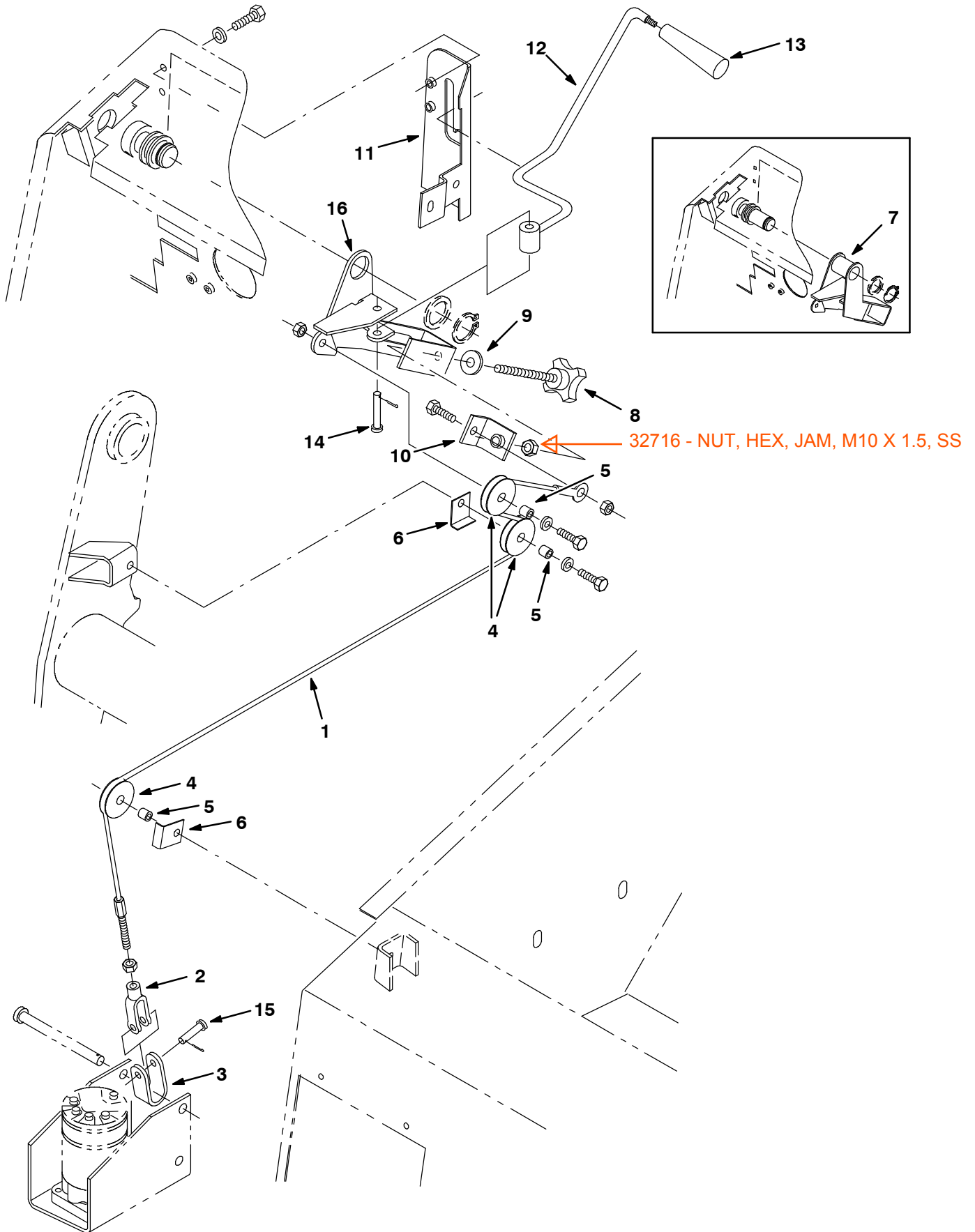


Fig. 45 - Side Brush Lift Group

| Ref. | Tennant Part No. | Machine Serial Number | Description | Qty. |
|------|------------------|-----------------------|---------------------------------|------|
| 1 | 54934 | (000000- |) Cable, Lift, S Br | 1 |
| 2 | 12267 | (000000- |) Yoke,End-Adjustable | 1 |
| 3 | 59899 | (000000- |) Bracket, Side Brush | 1 |
| 4 | 74391 | (000000- |) Pulley Assy - Cable, 1.5 Dia | 3 |
| 5 | 56624 | (000000- |) Spacer, Pulley | 3 |
| 6 | 54400 | (000000- |) Angle, Cable Keeper | 2 |
| 7 | 22169 | (000000-002506 |) Replm Kit, S Br Pivot | 1 |
| 8 | 54848 | (000000- |) Knob, Adjusting | 1 |
| 9 | 52296 | (000000- |) Washer, .405B .81D .06Nylon | 1 |
| 10 | 56662 | (000000- |) Bracket | 1 |
| 11 | 58872 | (000000- |) Panel, Support | 1 |
| 12 | 56641 | (000000- |) Lever Wldt, S Br | 1 |
| 13 | 54995 | (000000- |) Knob, Tapered | 1 |
| 14 | 29584 | (000000- |) Pin,Clevis,0.37 Dia.X 2.00 Lg | 1 |
| 15 | 29558 | (000000- |) Pin,Clevis,0.37 Dia.X 1.50 Lg | 1 |
| 16 | 74355 | (002507- |) Bracket Wldt, S Br | 1 |

Fig. 46 - Main Brush Lift Group

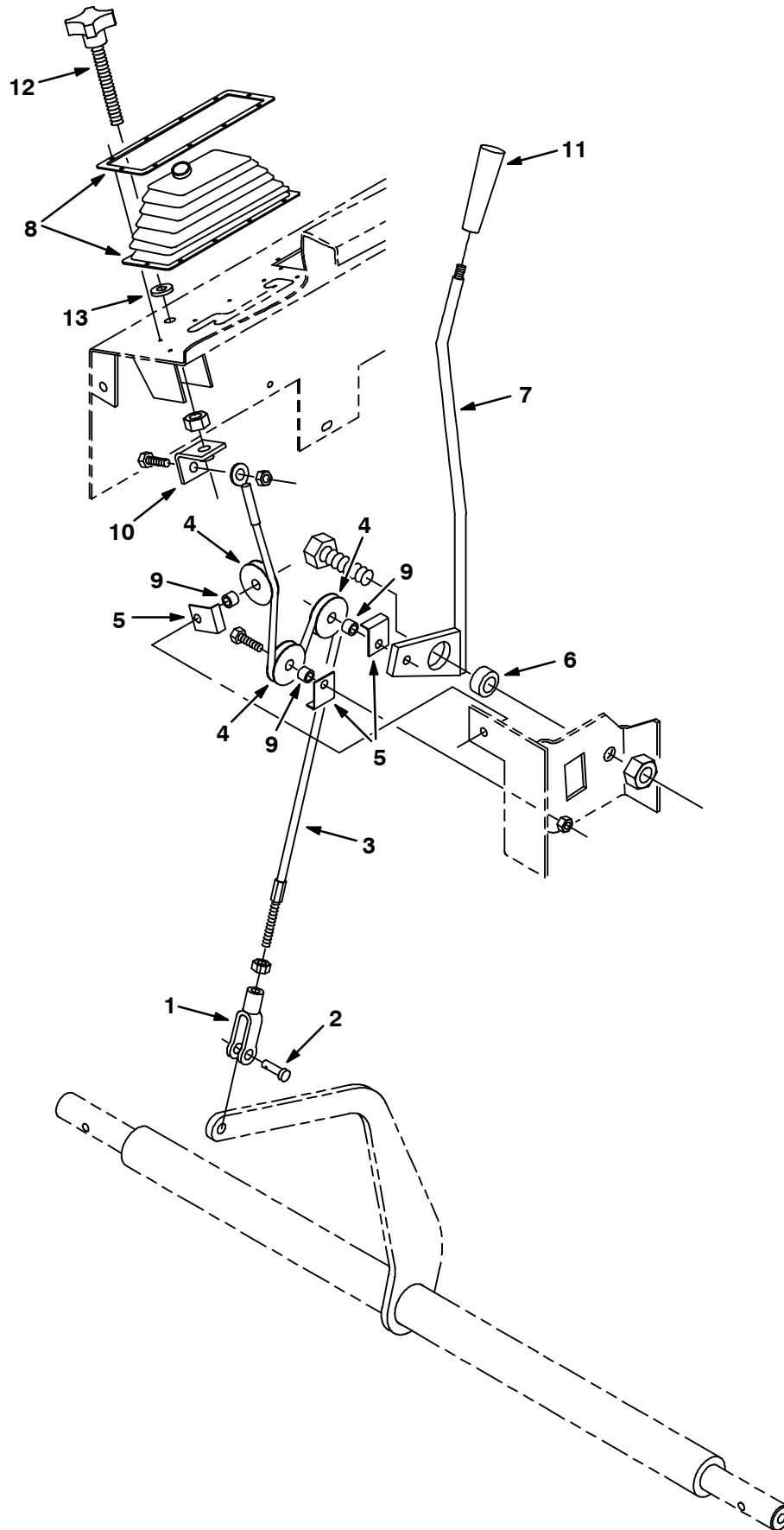


Fig. 46 - Main Brush Lift Group

| Ref. | Tennant Part No. | Machine Serial Number | Description | Qty. |
|------|------------------|-----------------------|---------------------------------|------|
| 1 | 12267 | (000000- |) Yoke,End-Adjustable | 1 |
| 2 | 86240 | (000000- |) Pin Clevis .375 Dia X 1.13 Lg | 1 |
| 3 | 54840 | (000000- |) Cable, Lift, M Br | 1 |
| 4 | 74391 | (000000- |) Pulley Assy - Cable, 1.5 Dia | 3 |
| 5 | 54400 | (000000- |) Angle, Cable Keeper | 3 |
| 6 | 54663 | (000000- |) Bearing, Self Aligning | 1 |
| 7 | 54118 | (000000- |) Lever Wldt, M Br | 1 |
| 8 | 69903 | (000000- |) Bellows Assy, Brush Lift | 1 |
| 9 | 56624 | (000000- |) Spacer, Pulley | 3 |
| 10 | 56662 | (000000- |) Bracket | 1 |
| 11 | 54995 | (000000- |) Knob, Tapered | 1 |
| 12 | 54848 | (000000- |) Knob, Adjusting | 1 |
| 13 | 52296 | (000000- |) Washer, .405B .81D .06Nylon | 1 |

Fig. 47 - Main Brush Drive Group

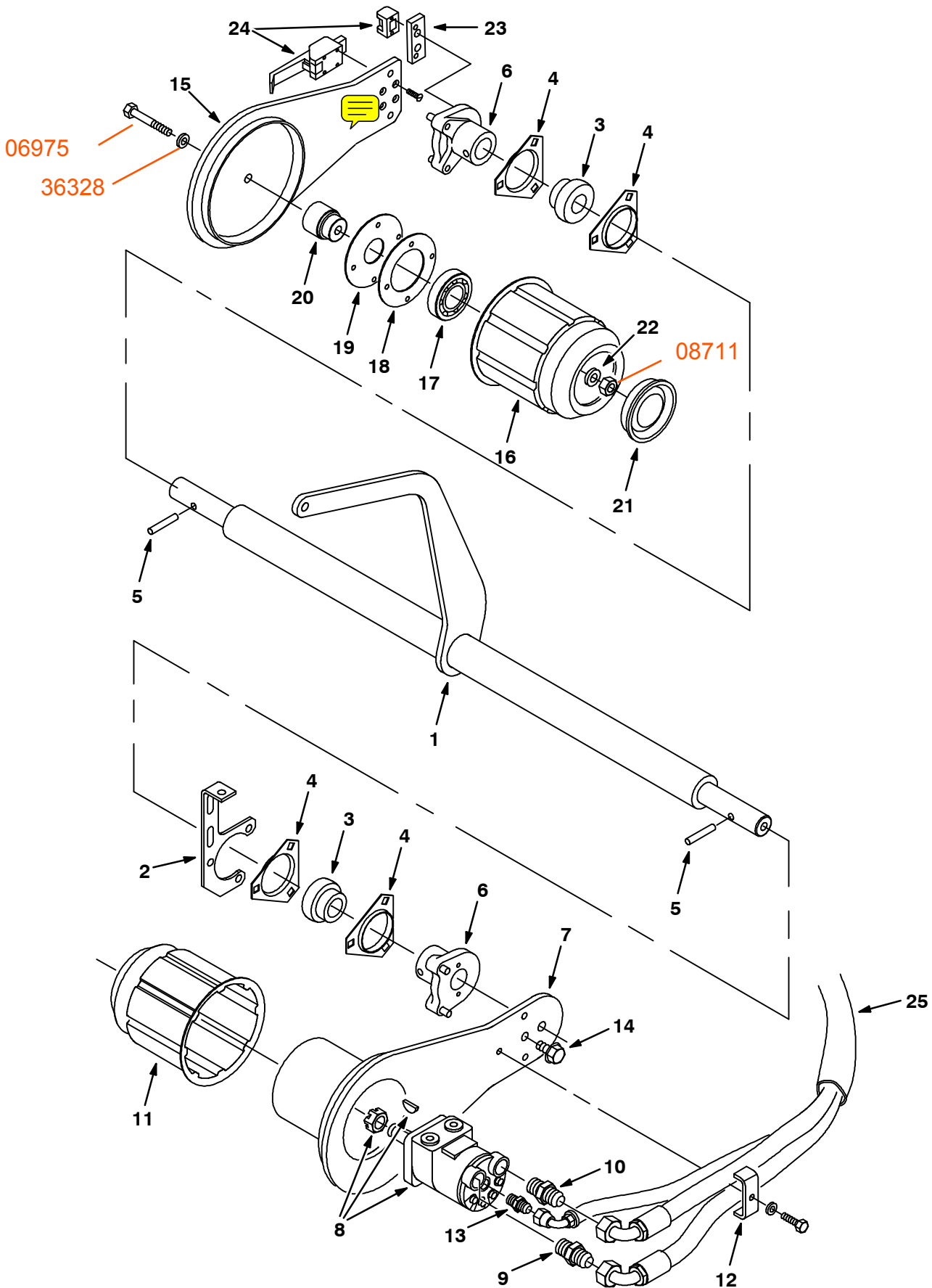


Fig. 47 - Main Brush Drive Group

| Ref. | Tennant Part No. | Machine Serial Number | Description | Qty. |
|------|------------------|-----------------------|-----------------------------------|------|
| 1 | 54693 | (000000- |) Shaft Wldt, Brush | 1 |
| 2 | 54199 | (000000- |) Plate, Mtg, Main Brush Shaft | 1 |
| 3 | 51448 | (000000- |) Bearing&Clr ,1.25B 2.44D 1.41W | 2 |
| 4 | 51449 | (000000- |) Flange,Brg,3 Hole | 4 |
| 5 | 51317 | (000000- |) Pin,Roll,.38Odx2.00L,.375/.382 | 2 |
| 6 | 54680 | (000000- |) Hub Assy, Brush Arm | 2 |
| 7 | 13156 | (000000- |) Arm Wldt, Brush, Lh | 1 |
| 8 | 53434 | (000000-002147 |) Motor-Hyd Gear (See Breakdowns) | 1 |
| 8 | 74468 | (002148- |) Motor-Hyd Gear (See Breakdowns) | 1 |
| 9 | 44869 | (000000- |) Ftg-Hyd Str Jm08/Om08 | 1 |
| 10 | 52402 | (000000- |) Ftg-Hyd Str Jm06/Om08 | 1 |
| 11 | 87631 | (000000- |) Plug Weld, Brush Drive, Sweep | 1 |
| 12 | 51715 | (000000- |) Clamp, Hose | 1 |
| 13 | 55586 | (000000- |) Ftg-Hyd Str Jm04/Om04 | 1 |
| 14 | 53985 | (000000- |) Plug, Thread 1/2-13 | 1 |
| 15 | 54659 | (000000- |) Arm Wldt, Idler, W/Brush | 1 |
| 16 | 55779 | (000000- |) Plug Wldt, Idler | 1 |
| 17 | 24899 | (000000- |) Bearing-Ball,1.38B 2.83D 0.67W | 1 |
| 18 | 30252 | (000000- |) Strip, Retainer, Bearing | 1 |
| 19 | 30253 | (000000- |) Plate, Seal | 1 |
| 20 | 30251 | (000000- |) Shaft, Idler | 1 |
| 21 | 30255 | (000000- |) Plug, Tube | 1 |
| 22 | 51564 | (000000- |) Washer, .531B 1.75D .12Cr.Znc | 1 |
| 23 | 54204 | (000000- |) Plate, Mtg, Latch | 1 |
| 24 | 54878 | (000000- |) Latch | 1 |
| 25 | 82831 | (000000- |) Sleeve-Nyln #24 35.0L | 1 |

Fig. 48 - Vacuum Fan Group

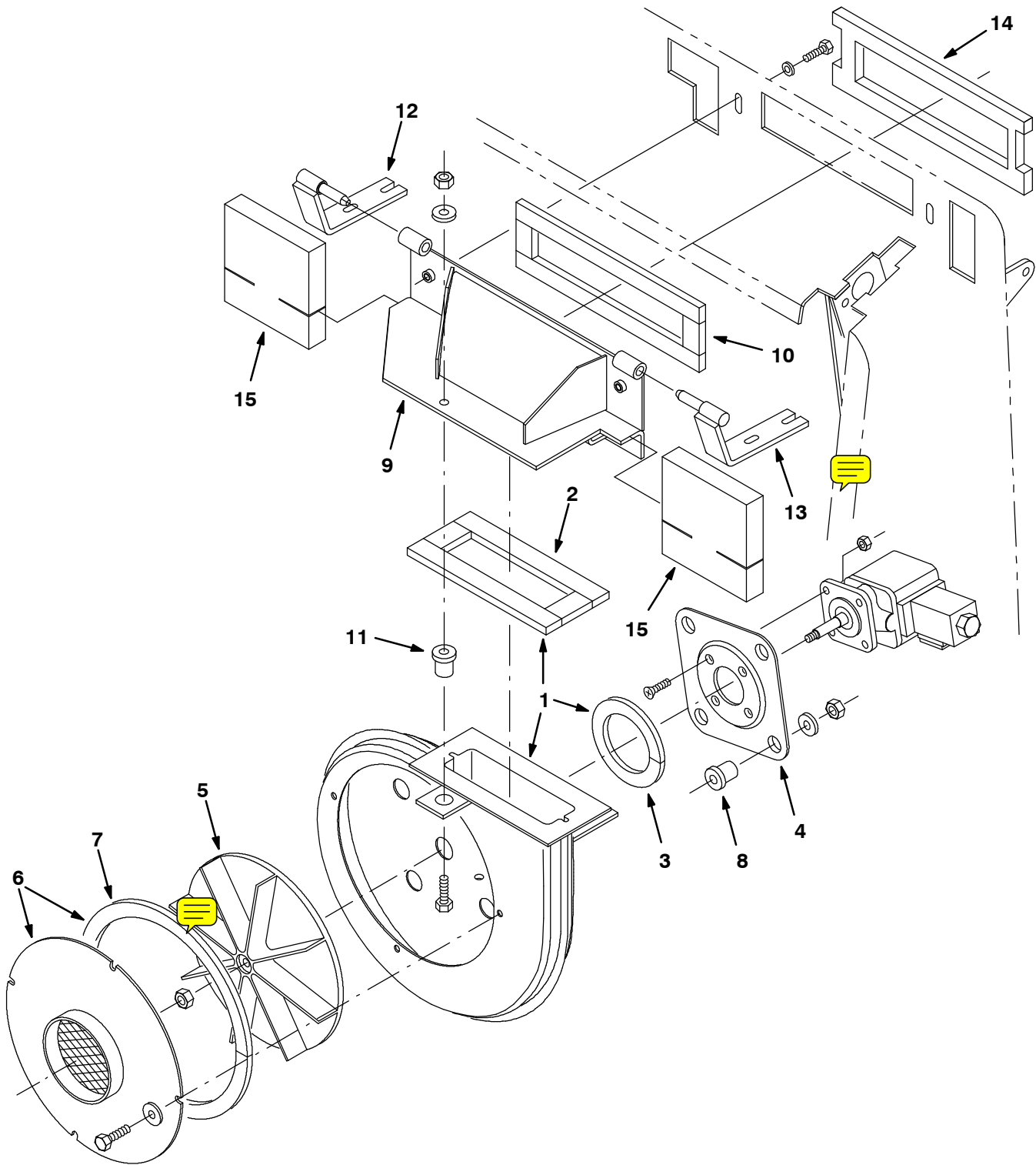
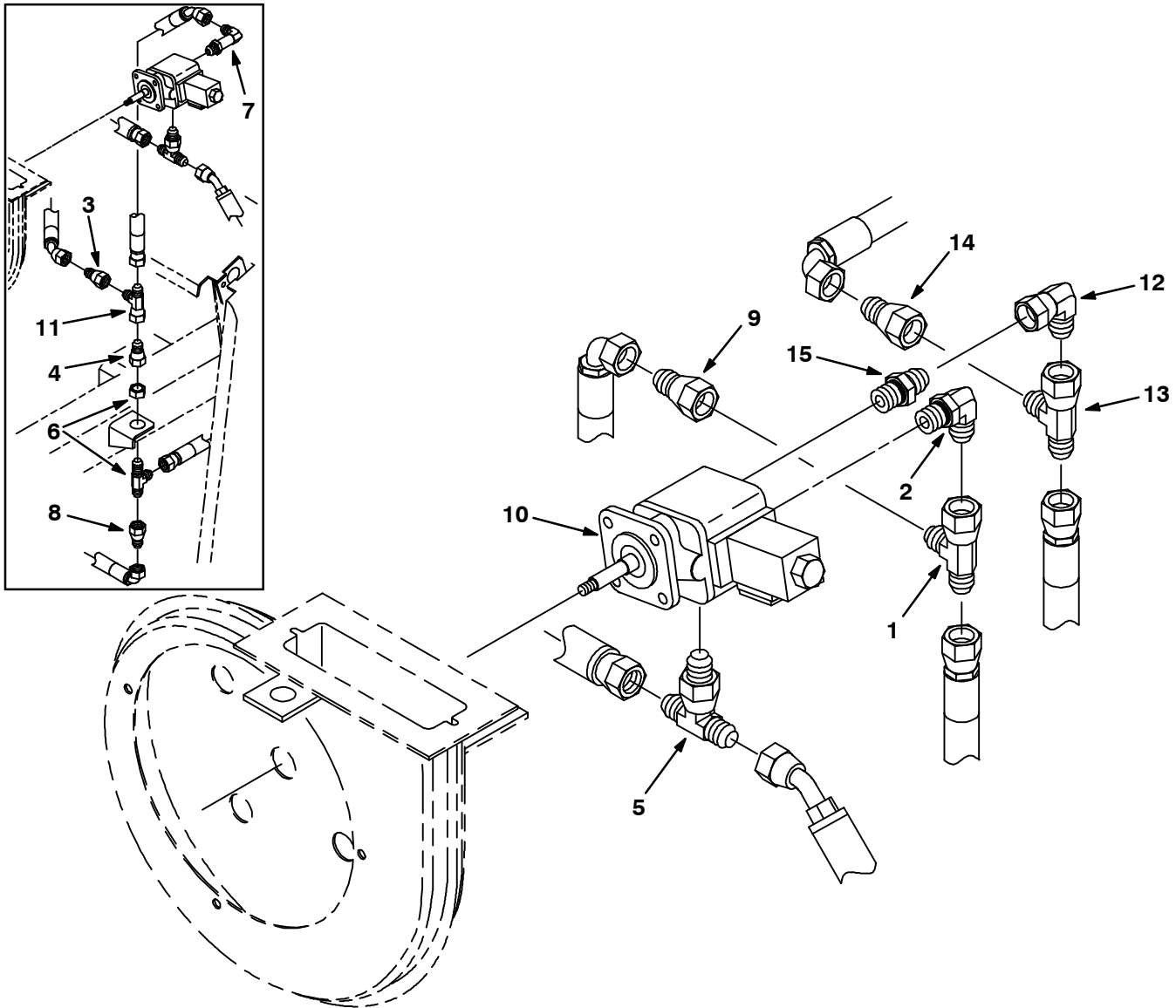


Fig. 48 - Vacuum Fan Group

| | Ref. | Tennant Part No. | Machine Serial Number | Description | Qty. |
|---|------|------------------|-----------------------|--------------------------------------|------|
| ▽ | 1 | 72133 | (000000- |) Fan Wldt, Vac w/gaskets | 1 |
| ▲ | 2 | 59734 | (000000- |) Seal, Fan, Vac, Outlet | 1 |
| ▲ | 3 | 59967 | (000000- |) Seal, Fan, Vac, Motor | 1 |
| | 4 | 54275A | (000000- |) Bracket, Mounting Motor | 1 |
| | 5 | 74454 | (000000- |) Impeller 9.00 Dia. | 1 |
| ▽ | 6 | 59656 | (000000- |) Fan Wldt, Vac, Inlet w/gasket | 1 |
| ▲ | 7 | 59735 | (000000- |) Seal, Fan, Vac, Inlet | 1 |
| | 8 | 54274 | (000000- |) Isolator-Vibration,60 Lb.Ratng | 4 |
| | 9 | 58540 | (000000- |) Fan Wldt, Vac, Transition | 1 |
| | 10 | 59014 | (000000- |) Seal, Fan, Vac, Transition | 1 |
| | 11 | 59649 | (000000- |) Isolator, Vibration .37 Dia | 1 |
| | 12 | 374504 | (000000- |) Hinge Wldt, Engine Cover, Rh | 1 |
| | 13 | 374505 | (000000- |) Hinge Wldt, Engine Cover, Lh | 1 |
| | 14 | 69990 | (000000- |) Insulation, Acoustic, Engine Cover | 1 |
| | 15 | 66184 | (000000- |) Seal, Acoustic, Engine Cover | 2 |

Fig. 49 - Vacuum Fan Motor and Fittings Group



07859/07463

| Ref. | Tennant Part No. | Machine Serial Number | Description | Qty. |
|------|------------------|-----------------------|---------------------------------|------|
| 1 | 45482 | (000000-) | Ftg-Hyd Tee Jm08Jmjf | 1 |
| 2 | 44868 | (000000-) | Ftg-Hyd E90 Jm08/Om08 | 1 |
| 3 | 47753 | (000000-001418) | Ftg-Hyd Str Jm06/Jf08 | 1 |
| 4 | 78143 | (000000-001418) | Ftg-Hyd Str Jm08/Jf12 | 1 |
| 5 | 31599 | (000000-) | Ftg-Hyd Tee Jm04Omjm | 1 |
| 6 | 13114 | (000000-001418) | Ftg-Hyd Tee Jm12Jmjmb | 1 |
| 7 | 69173 | (000000-001418) | Ftg-Hyd E90 Jm08/Om08 | 1 |
| 8 | 78143 | (000000-001418) | Ftg-Hyd Str Jm08/Jf12 | 1 |
| 9 | 57979 | (000000-) | Ftg-Hyd Str Jm04/Jf08 | 1 |
| 10 | 53485 | (000000-) | Motor-Hyd Gear (See Breakdowns) | 1 |
| 11 | 45482 | (000000-001418) | Ftg-Hyd Tee Jm08Jmjf | 1 |
| 12 | 35033 | (001419-) | Ftg-Hyd E90 Jm12/Jf12 | 1 |
| 13 | 40514 | (001419-) | Ftg-Hyd Tee Jm12Jmjf | 1 |
| 14 | 59975 | (001419-) | Ftg-Hyd Str Jm10/Jf12 | 1 |
| 15 | 62390 | (001419-) | Ftg-Hyd Str Jm12/Om08 | 1 |

Fig. 50 - Hydraulic Schematic

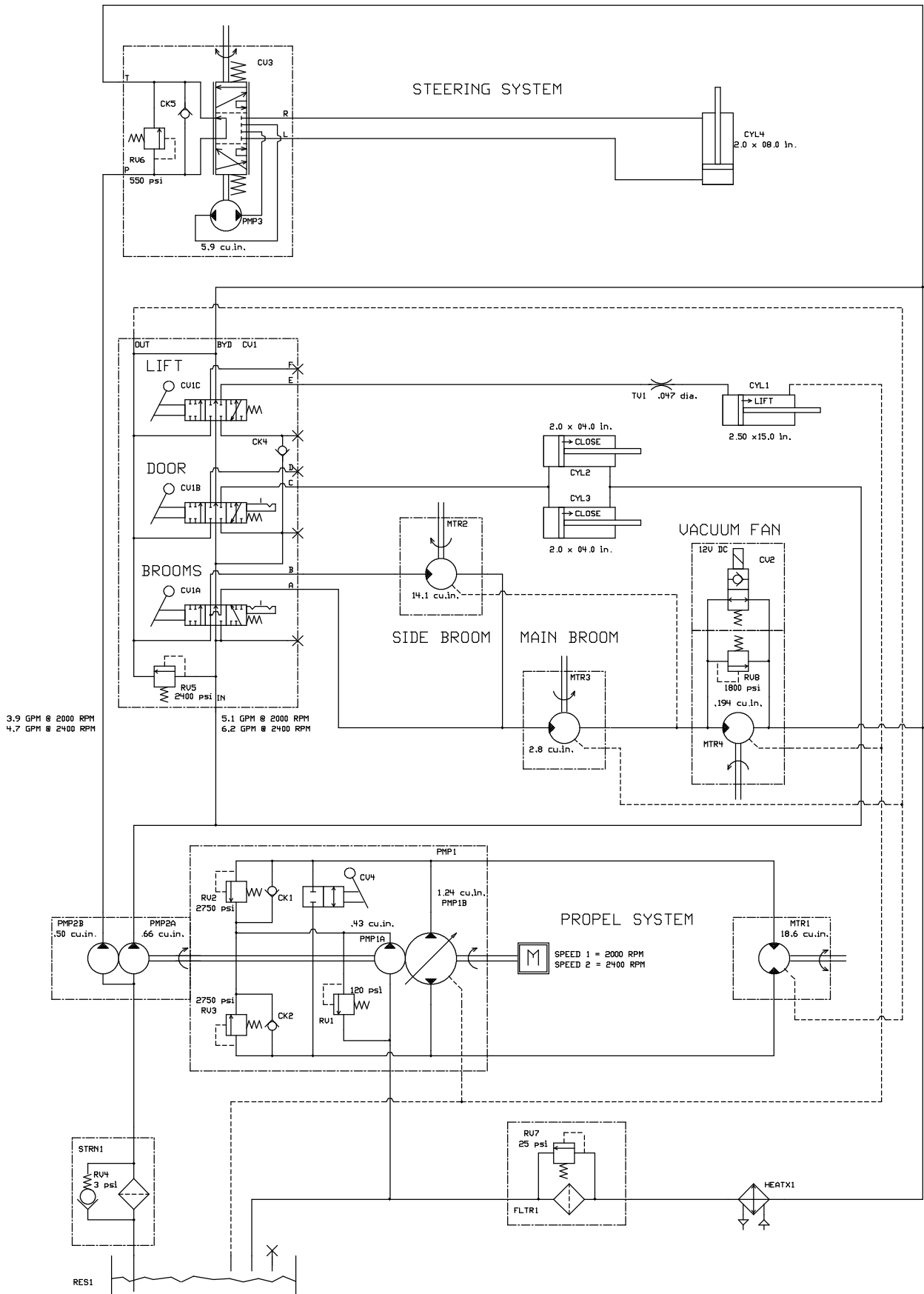


Fig. 51 - Hydraulic Hose Group

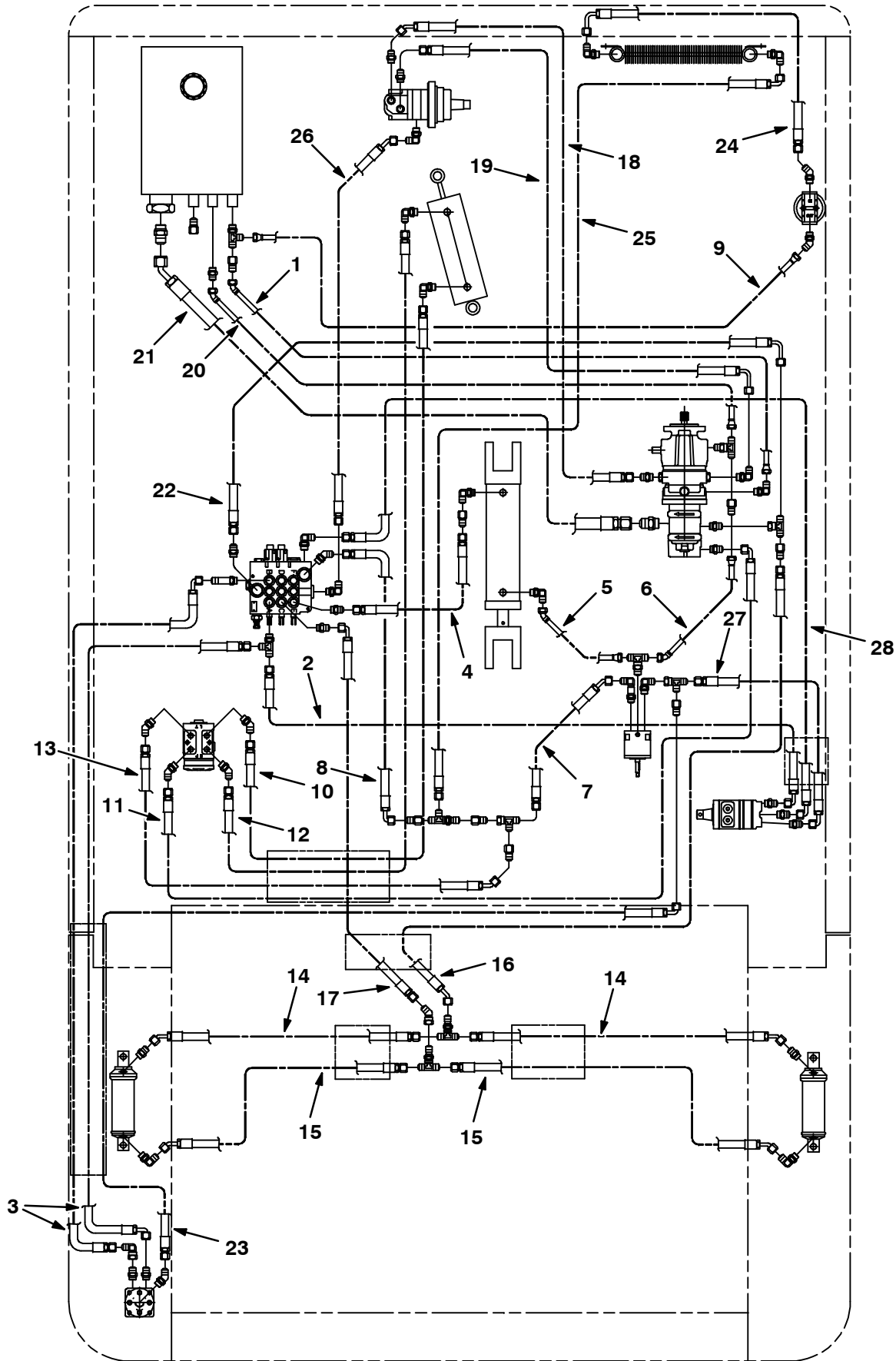


Fig. 51 - Hydraulic Hose Group

| Ref. | Tennant Part No. | Machine Serial Number | Description | Qty. |
|------|------------------|-----------------------|-----------------------|------|
| 1 | 59568 | (000000-001418) | Hose-Hyd Low08 Jf/J4 | 1 |
| 2 | 59560 | (000000-001418) | Hose-Hyd Med06 Jf/J9 | 1 |
| 3 | 02469 | (000000-001418) | Hose-Hyd Med06 Jf/J9 | 2 |
| 4 | 55691 | (000000-001418) | Hose-Hyd Med04 Jf/Jf | 1 |
| 5 | 59565 | (000000-001418) | Hose-Hyd Low04 Jf/J4 | 1 |
| 6 | 59564 | (000000-001418) | Hose-Hyd Low04 Jf/J4 | 1 |
| 7 | 34421 | (000000-001418) | Hose-Hyd Med08 Jf/J4 | 1 |
| 8 | 34394 | (000000-001418) | Hose-Hyd Med08 Jf/J9 | 1 |
| 9 | 59571 | (000000-001418) | Hose-Hyd Low12 Jf/Jf | 1 |
| 10 | 62100 | (000000-001418) | Hose-Hyd Med06 Jf/Jf | 1 |
| 11 | 59561 | (000000-001418) | Hose-Hyd Med06 Jf/J9 | 1 |
| 12 | 62337 | (000000-001418) | Hose-Hyd Med06 Jf/Jf | 1 |
| 13 | 59567 | (000000-001418) | Hose-Hyd Med06 Jf/J4 | 1 |
| 14 | 57173 | (000000-001418) | Hose-Hyd Med04 Jf/J4 | 2 |
| 15 | 19644 | (000000-001418) | Hose-Hyd Med04 Jf/J4 | 2 |
| 16 | 59581 | (000000-001418) | Hose-Hyd Med04 Jf/J4 | 1 |
| 17 | 59582 | (000000-001418) | Hose-Hyd Med04 Jf/J9 | 1 |
| 18 | 59574 | (000000-001418) | Hose-Hyd Med10 Jf/J4 | 1 |
| 19 | 59575 | (000000-001418) | Hose-Hyd Med10 Jf/JI9 | 1 |
| 20 | 59573 | (000000-001418) | Hose-Hyd Low06 Jf/J4 | 1 |
| 21 | 59572 | (000000-001418) | Hose-Hyd Suc20 Jf/J4 | 1 |
| 22 | 59576 | (000000-001418) | Hose-Hyd Med08 Jf/JI9 | 1 |
| 23 | 59579 | (000000-001418) | Hose-Hyd Med04 Jf/J9 | 1 |
| 24 | 59106 | (000000-001418) | Hose-Hyd Med12 Jf/JI9 | 1 |
| 25 | 19647 | (000000-001418) | Hose-Hyd Med12 Jf/J9 | 1 |
| 26 | 59585 | (000000-001418) | Hose-Hyd Med04 Jf/J4 | 1 |
| 27 | 19637 | (000000-001418) | Hose-Hyd Med08 Jf/J9 | 1 |
| 28 | 57962 | (000000-001418) | Hose-Hyd Med04 Jf/J9 | 1 |

Fig. 52 - Hydraulic Hose Group

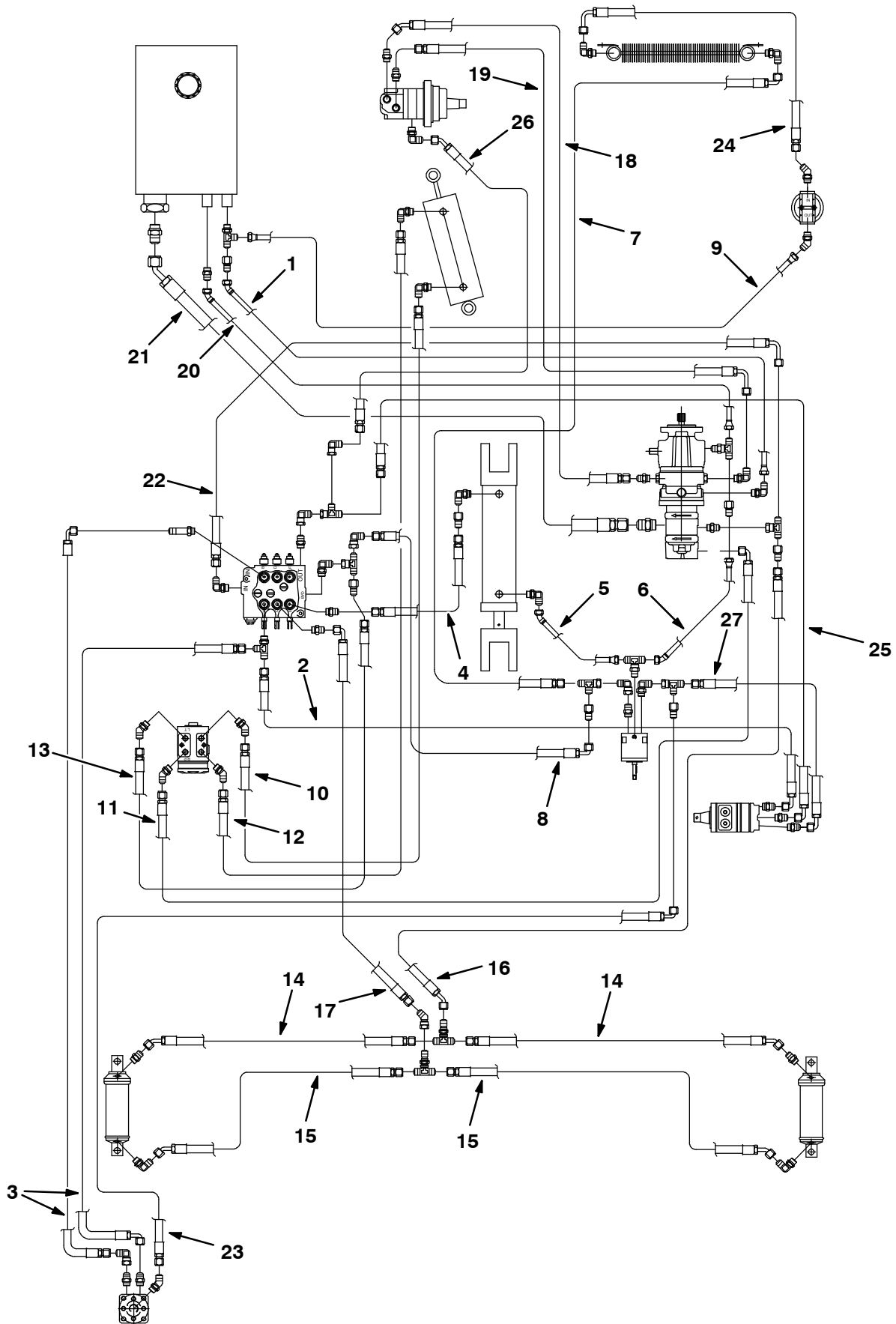


Fig. 52 - Hydraulic Hose Group

| Ref. | Tennant Part No. | Machine Serial Number | Description | Qty. |
|------|------------------|-----------------------|-------------------------|------|
| 1 | 59568 | (001419- |) Hose-Hyd Low08 Jf/J4 | 1 |
| 2 | 59560 | (001419- |) Hose-Hyd Med06 Jf/J9 | 1 |
| 3 | 02469 | (001419- |) Hose-Hyd Med06 Jf/J9 | 2 |
| 4 | 55691 | (001419- |) Hose-Hyd Med04 Jf/Jf | 1 |
| 5 | 59565 | (001419- |) Hose-Hyd Low04 Jf/J4 | 1 |
| 6 | 59564 | (001419- |) Hose-Hyd Low04 Jf/J4 | 1 |
| 7 | 31719 | (001419- |) Hose-Hyd Med12 Jf/J9 | 1 |
| 8 | 59563 | (001419- |) Hose-Hyd Med10 Jf/J9 | 1 |
| 9 | 35488 | (001419- |) Hose-Hyd Low12 Jf/Jf | 1 |
| 10 | 62100 | (001419- |) Hose-Hyd Med06 Jf/Jf | 1 |
| 11 | 59561 | (001419- |) Hose-Hyd Med06 Jf/J9 | 1 |
| 12 | 62337 | (001419- |) Hose-Hyd Med06 Jf/Jf | 1 |
| 13 | 62100 | (001419- |) Hose-Hyd Med06 Jf/J4 | 1 |
| 14 | 57173 | (001419- |) Hose-Hyd Med04 Jf/J4 | 2 |
| 15 | 19644 | (001419- |) Hose-Hyd Med04 Jf/J4 | 2 |
| 16 | 59581 | (001419- |) Hose-Hyd Med04 Jf/J4 | 1 |
| 17 | 59582 | (001419- |) Hose-Hyd Med04 Jf/J9 | 1 |
| 18 | 59574 | (001419- |) Hose-Hyd Med10 Jf/J4 | 1 |
| 19 | 59575 | (001419- |) Hose-Hyd Med10 Jf/JI9 | 1 |
| 20 | 59573 | (001419- |) Hose-Hyd Low06 Jf/J4 | 1 |
| 21 | 59572 | (001419- |) Hose-Hyd Suc20 Jf/J4 | 1 |
| 22 | 59576 | (001419- |) Hose-Hyd Med08 Jf/JI9 | 1 |
| 23 | 59579 | (001419- |) Hose-Hyd Med04 Jf/J9 | 1 |
| 24 | 59106 | (001419- |) Hose-Hyd Med12 Jf/JI9 | 1 |
| 25 | 57962 | (001419- |) Hose-Hyd Med04 Jf/J9 | 1 |
| 26 | 59585 | (001419- |) Hose-Hyd Med04 Jf/J4 | 1 |
| 27 | 19637 | (001419- |) Hose-Hyd Med08 Jf/J9 | 1 |

Fig. 53 - Hydraulic Reservoir Group

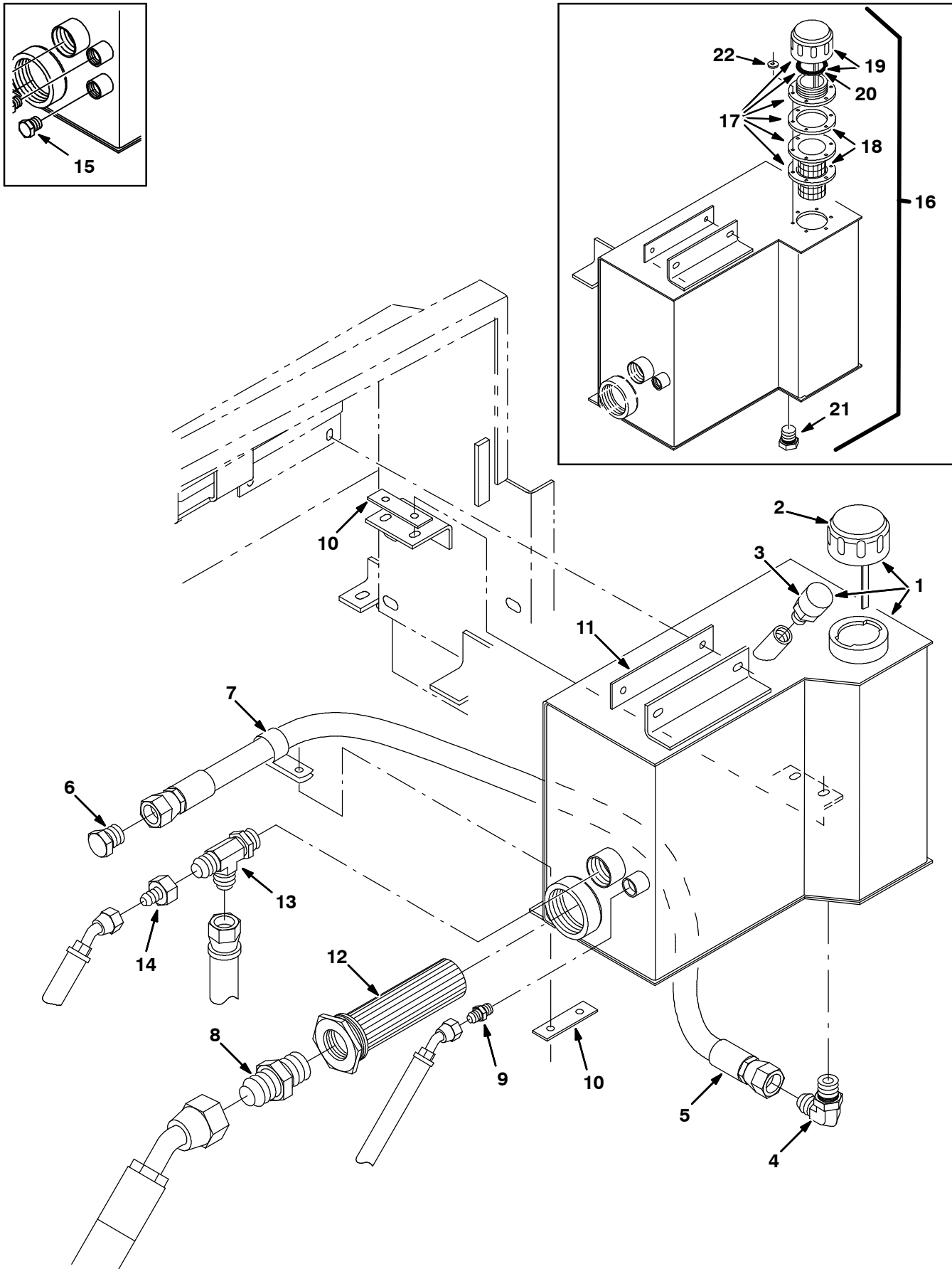


Fig. 53 - Hydraulic Reservoir Group

| | Ref. | Tennant Part No. | Machine Serial Number | Description | Qty. |
|----|------|------------------|-----------------------|---------------------------------------|------|
| ▽ | 1 | 72136 | (003219- |) Reservoir, 07.0 Gal W/label | 1 |
| ▲ | 2 | 23163 | (003219- |) Cap, Hyd Reservoir W/dipstick | 1 |
| ▲ | 3 | 23182 | (003219- |) Breather, Hyd, 20 Micron | 1 |
| | 4 | 56821 | (xxxxxx- |) Ftg-Hyd E90 Jm08/Om10 | 1 |
| | 5 | 13115 | (xxxxxx- |) Hose-Hyd Low08 Jf/Jf | 1 |
| | 6 | 16376 | (xxxxxx- |) Ftg-Hyd Plg Jm08 | 1 |
| | 7 | 53466 | (xxxxxx- |) Clamp-Cable, 1.50d 1.00w Stl | 1 |
| | 8 | 58858 | (000000- |) Ftg-Hyd Str Jm20/Om20 | 1 |
| | 9 | 56690 | (000000- |) Ftg-Hyd Str Jm06/Om06 | 1 |
| | 10 | 59789 | (000000- |) Pad, Tank, Hyd | 4 |
| | 11 | 59790 | (000000- |) Pad, Tank, Hyd | 1 |
| | 12 | 31613 | (000000- |) Strainer-Hyd Suction 25-100-03 | 1 |
| | 13 | 42216 | (000000- |) Ftg-Hyd Tee Jm12Jmom | 1 |
| | 14 | 78143 | (000000- |) Ftg-Hyd Str Jm08/Jf12 | 1 |
| | 15 | 46482 | (000000-xxxxxx |) Ftg-Hyd Plg Om06 | 1 |
| ▽ | 16 | 74398 | (000000-003218 |) Tank Wldt Repl. By 72136 | 1 |
| ▲▽ | 17 | 61408 | (000000-003218 |) Breather, Hyd | 1 |
| ▲▲ | 18 | 61288 | (000000-003218 |) Gasket, Hyd Tank Breather | 2 |
| ▲▲ | 19 | 79040 | (000000-003218 |) Breather, Hyd Cap (Includes Gasket) | 1 |
| ▲▲ | 20 | 70006 | (000000-003218 |) Gasket, Cap | 1 |
| ▲ | 21 | 40362 | (000000-003218 |) Ftg-Hyd Plg Om10 | 1 |
| ▲ | 22 | 70246 | (000000-003218 |) Washer, .188B .375D .030Nylon | 6 |

Fig. 54 - Hydraulic Valve Group

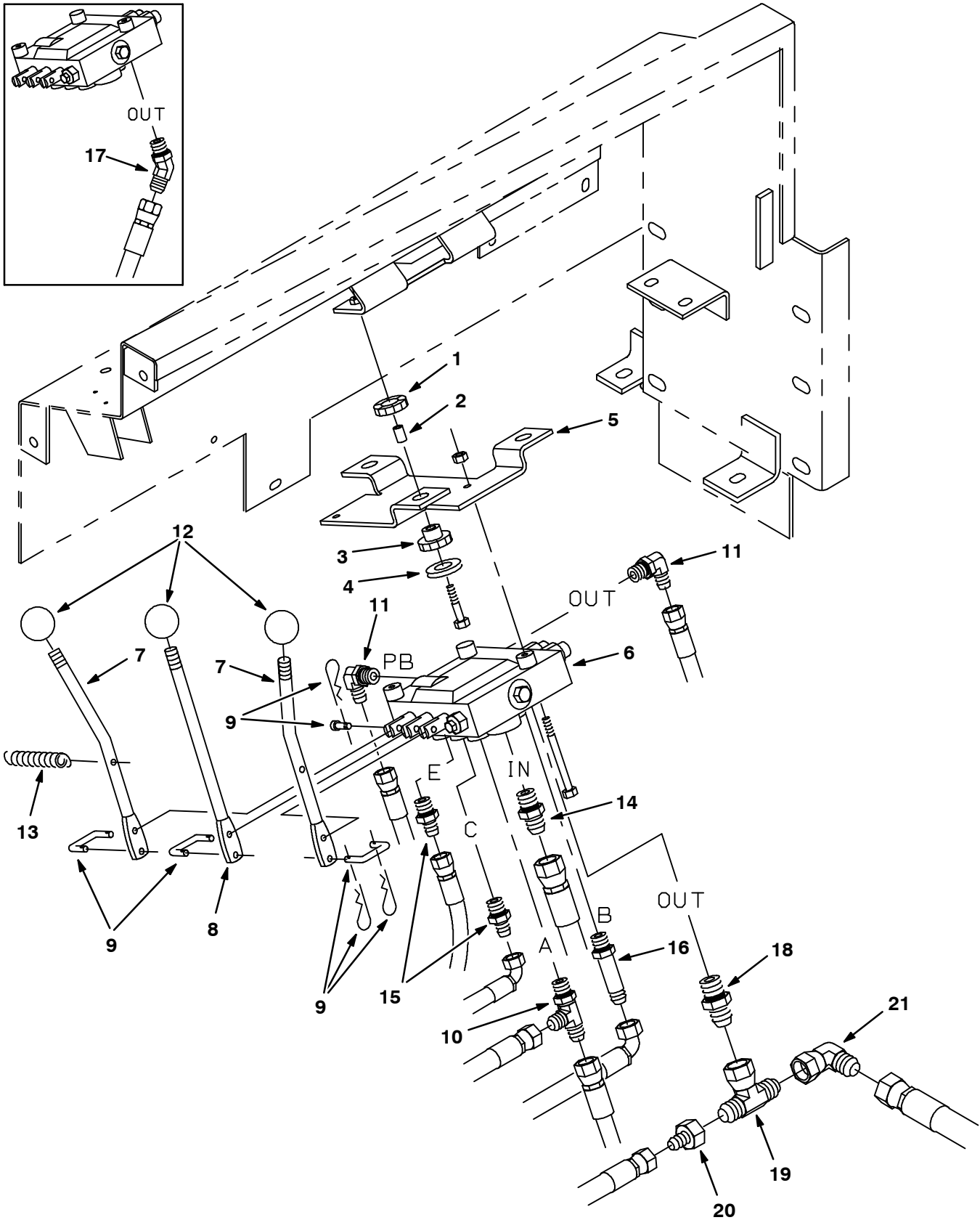


Fig. 54 - Hydraulic Valve Group

| Ref. | Tenant Part No. | Machine Serial Number | Description | Qty. |
|------|-----------------|-----------------------|--|------|
| ▽ | 69910 | (000000-002774) | Isolator Assy, Valve | 1 |
| ▲ 1 | 62172 | (000000-002774) | Ring | 3 |
| ▲ 2 | 64905 | (000000-002774) | Sleeve, .259B .38D .62 Dom | 3 |
| ▲ 3 | 62173 | (000000-002774) | Bushing, Isolator-Inner,Rbr. | 3 |
| ▲ 4 | 30013 | (000000-002774) | Washer-Flt .31 Fender Pltd | 3 |
| 5 | 55446 | (000000-002774) | Bracket, Mtg, Valve | 1 |
| 6 | 53830 | (000000-002774) | Valve-Hyd,Manual (Repl. By 48761) (See Breakdowns) | 1 |
| 7 | 54115 | (000000-002774) | Handle, Control Valve | 2 |
| 8 | 54102 | (000000-002774) | Handle, Control Valve | 1 |
| 9 | 69911 | (000000-002774) | Link Assy, Valve Handle | 3 |
| 10 | 76316 | (000000-002774) | Ftg-Hyd Tee Jm06Jmom | 1 |
| 11 | 47638 | (000000-002774) | Ftg-Hyd E90 Jm04/Om06 | 2 |
| 12 | 59530 | (000000-002774) | Knob, 1.375 Dia, Black | 3 |
| 13 | 59870 | (000000-002774) | Spring,Tens, .50Dx.05Wire 2.5L | 1 |
| 14 | 44869 | (000000-002774) | Ftg-Hyd Str Jm08/Om08 | 1 |
| 15 | 55685 | (000000-002774) | Ftg-Hyd Str Jm04/Om06 | 2 |
| 16 | 59577 | (000000-002774) | Ftg-Hyd Str Jm06Om06L | 1 |
| 17 | 42226 | (000000-001418) | Ftg-Hyd E45 Jm08/Om08 | 1 |
| 18 | 47518 | (001419-002774) | Ftg-Hyd Str Jm10/Om08 | 1 |
| 19 | 50421 | (001419-002774) | Ftg-Hyd Tee Jm10/JfJm | 1 |
| 20 | 47754 | (001419-002774) | Ftg-Hyd Str Jm06/Jf10 | 1 |
| 21 | 54194 | (001419-002774) | Ftg-Hyd E90 Jm10/Jf10 | 1 |

Fig. 55 - Hydraulic Valve Group

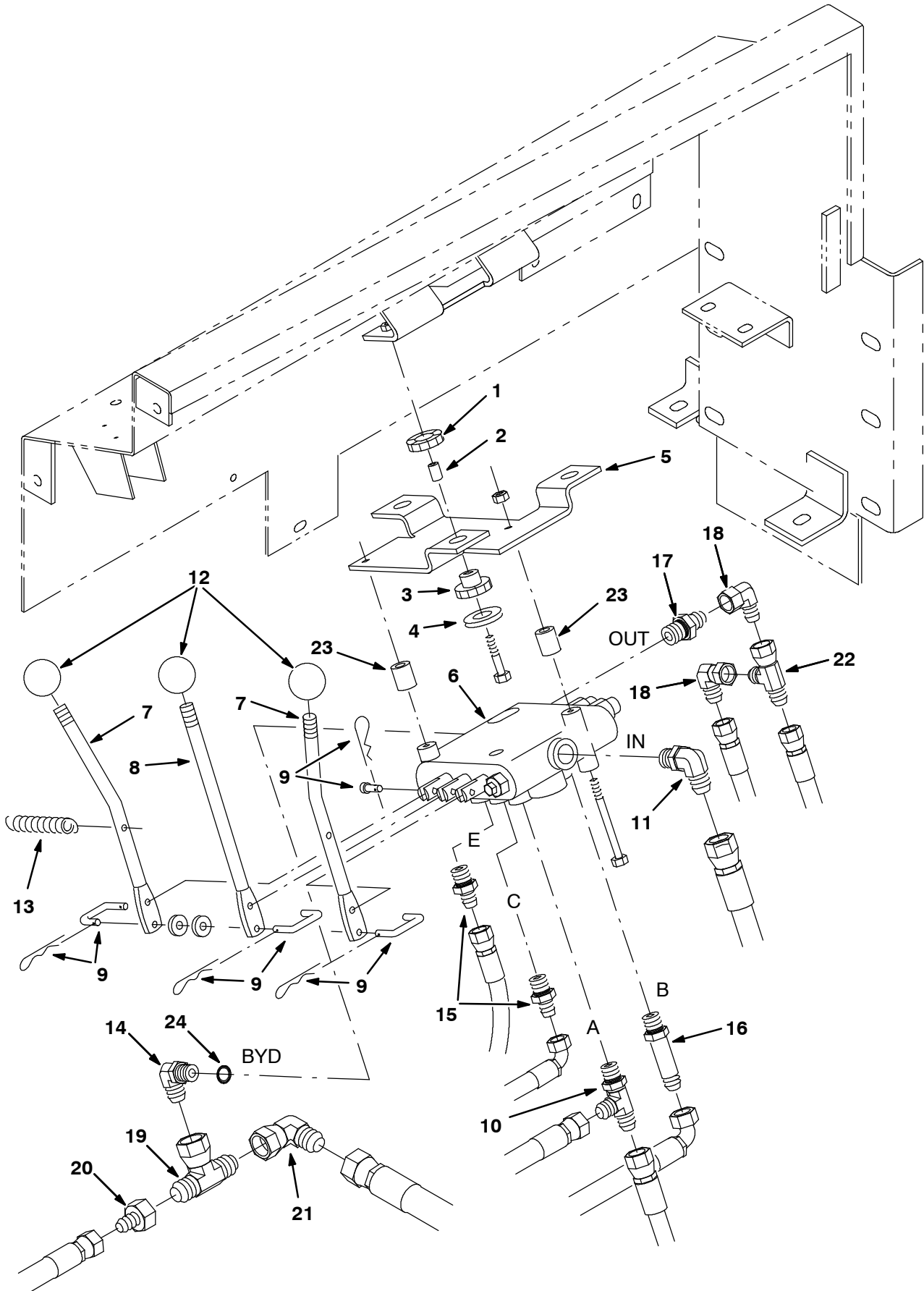
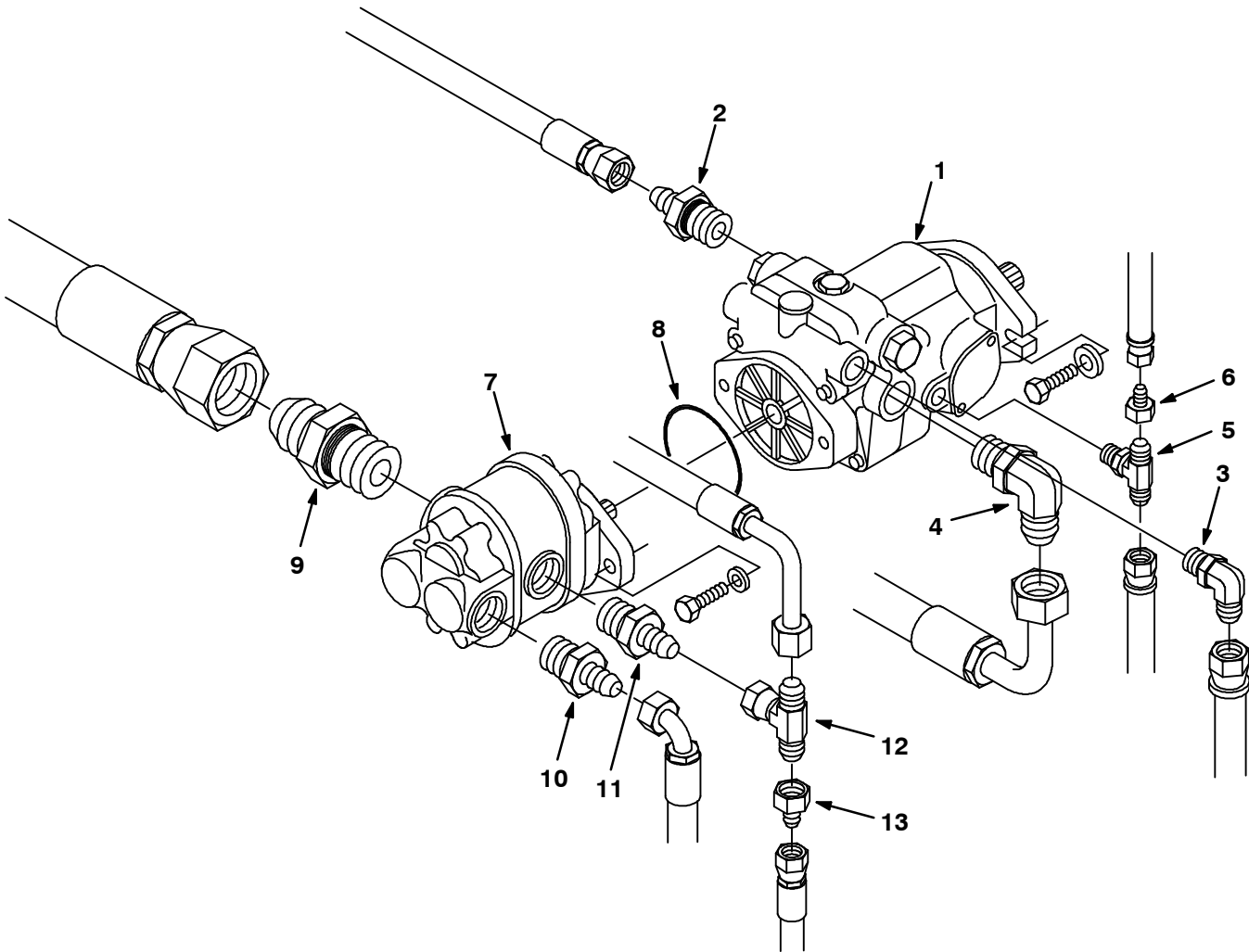


Fig. 55 - Hydraulic Valve Group

| Ref. | Tennant Part No. | Machine Serial Number | Description | Qty. |
|------|------------------|-----------------------|-------------------------------------|------|
| ▽ | 69910 | (002775- |) Isolator Assy, Valve | 1 |
| ▲ 1 | 62172 | (002775- |) Ring | 3 |
| ▲ 2 | 64905 | (002775- |) Sleeve, .259B .38D .62 Dom | 3 |
| ▲ 3 | 62173 | (002775- |) Bushing, Isolator-Inner,Rbr. | 3 |
| ▲ 4 | 30013 | (002775- |) Washer-Flt .31 Fender Pltd | 3 |
| 5 | 55446 | (002775- |) Bracket, Mtg, Valve | 1 |
| 6 | 48751 | (002775- |) Valve-Hyd,Manual (See Breakdowns) | 1 |
| 7 | 54115 | (002775- |) Handle, Control Valve | 2 |
| 8 | 54102 | (002775- |) Handle, Control Valve | 1 |
| 9 | 48760 | (002775- |) Link Assy, Valve Handle | 3 |
| 10 | 76316 | (002775- |) Ftg-Hyd Tee Jm06Jmom | 1 |
| 11 | 44868 | (002775- |) Ftg-Hyd E90 Jm08/Om08 | 1 |
| 12 | 59530 | (002775- |) Knob, 1.375 Dia, Black | 3 |
| 13 | 59870 | (002775- |) Spring,Tens, .50Dx.05Wire 2.5L | 1 |
| 14 | 56827 | (002775- |) Ftg-Hyd E90 Jm10/Om08 | 1 |
| 15 | 55685 | (002775- |) Ftg-Hyd Str Jm04/Om06 | 2 |
| 16 | 59577 | (002775- |) Ftg-Hyd Str Jm06Om06L | 1 |
| 17 | 55686 | (002775- |) Ftg-Hyd Str Jm04/Om08 | 1 |
| 18 | 39210 | (002775- |) Ftg-Hyd E90 Jm04/Jf04 | 2 |
| 19 | 50421 | (002775- |) Ftg-Hyd Tee Jm10/JfJm | 1 |
| 20 | 47754 | (002775- |) Ftg-Hyd Str Jm06/Jf10 | 1 |
| 21 | 54194 | (002775- |) Ftg-Hyd E90 Jm10/Jf10 | 1 |
| 22 | 57988 | (002775- |) Ftg-Hyd Tee Jm04Jmjf | 1 |
| 23 | 09900-1 | (002775- |) Sleeve, .260B .50D .75 | 2 |
| 24 | 84624 | (002775- |) Seal, Oring .103 x .612ld | 1 |

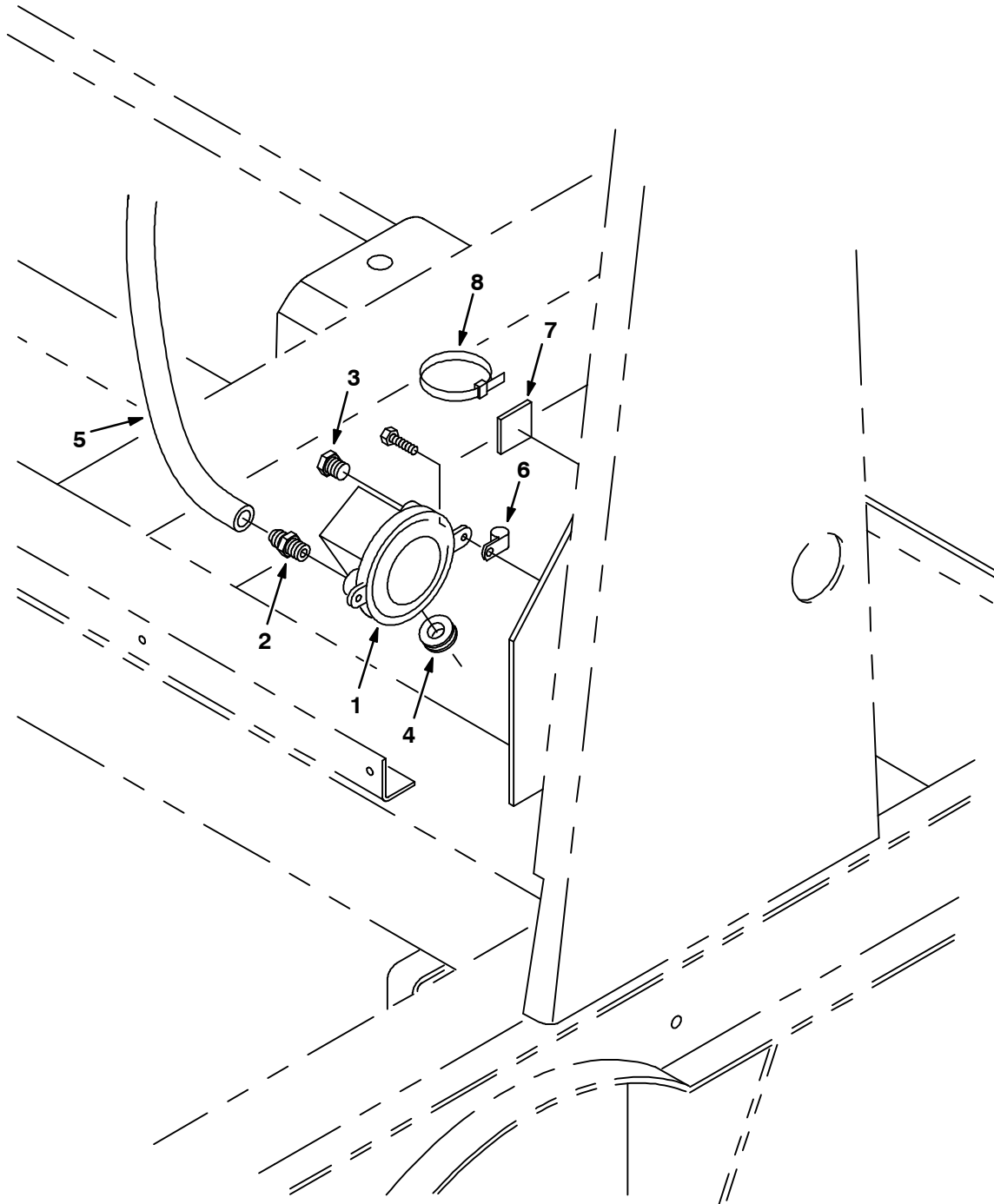
Fig. 56 - Hydraulic Pumps Group



07899/07059

| Ref. | Tennant Part No. | Machine Serial Number | Description | Qty. |
|------|------------------|-----------------------|---|------|
| 1 | 53603 | (000000-002073) | Pump-Hyd Piston (See Breakdowns) (Repl. by 70133) | 1 |
| 1 | 74465 | (002074-002435) | Pump-Hyd Piston (See Breakdowns) (Repl. by 70179) | 1 |
| 1 | 79768 | (002436- | Pump-Hyd Piston (See Breakdowns) | 1 |
| 2 | 42223 | (000000- | Ftg-Hyd Str Jm10/Om12 | 1 |
| 3 | 44868 | (000000- | Ftg-Hyd E90 Jm08/Om08 | 1 |
| 4 | 53076 | (000000- | Ftg-Hyd E90 Jm10/Om12 | 1 |
| 5 | 67683 | (000000- | Ftg-Hyd Tee Jm06Omjm | 1 |
| 6 | 47752 | (000000- | Ftg-Hyd Str Jm04/Jf06 | 1 |
| 7 | 53554 | (000000- | Pump-Hyd Gear (See Breakdowns) | 1 |
| 8 | 65145-1 | (000000- | O-Ring Gland | 1 |
| 9 | 58858 | (000000- | Ftg-Hyd Str Jm20/Om20 | 1 |
| 10 | 47508 | (000000- | Ftg-Hyd Str Jm06/Om10 | 1 |
| 11 | 56692 | (000000- | Ftg-Hyd Str Jm08/Om10 | 1 |
| 12 | 76315 | (000000- | Ftg-Hyd Tee Jm08Jfjm | 1 |
| 13 | 57979 | (000000- | Ftg-Hyd Str Jm04/Jf08 | 1 |

Fig. 57 - Pressure Switch Group



07916/07508

| Ref. | Tennant Part No. | Machine Serial Number | Description | Qty. |
|------|------------------|-----------------------|--------------------------------|------|
| 1 | 34868 | (000000-) | Switch, Pressure | 1 |
| 2 | 40607 | (000000-) | Ftg-Brs Str Bm03/Pm02 | 1 |
| 3 | 82739 | (000000-) | Ftg, Breather | 1 |
| 4 | 10632-4 | (000000-) | Grommet,Rbr,0.62ld,For .06Matl | 1 |
| 5 | 39780 | (000000-) | Hose Vac.,Rubber, .16ld,40.0L | 1 |
| 6 | 46236 | (000000-) | Clamp-Cable, 0.25Dia 0.56Wth | 1 |
| 7 | 55248 | (000000-) | Cabletie Mount, Adhesive | 4 |
| 8 | 49266 | (000000-) | Tie, Cable 1.75D Max 7.50Lg | 4 |

Fig. 58 - Electrical Schematic

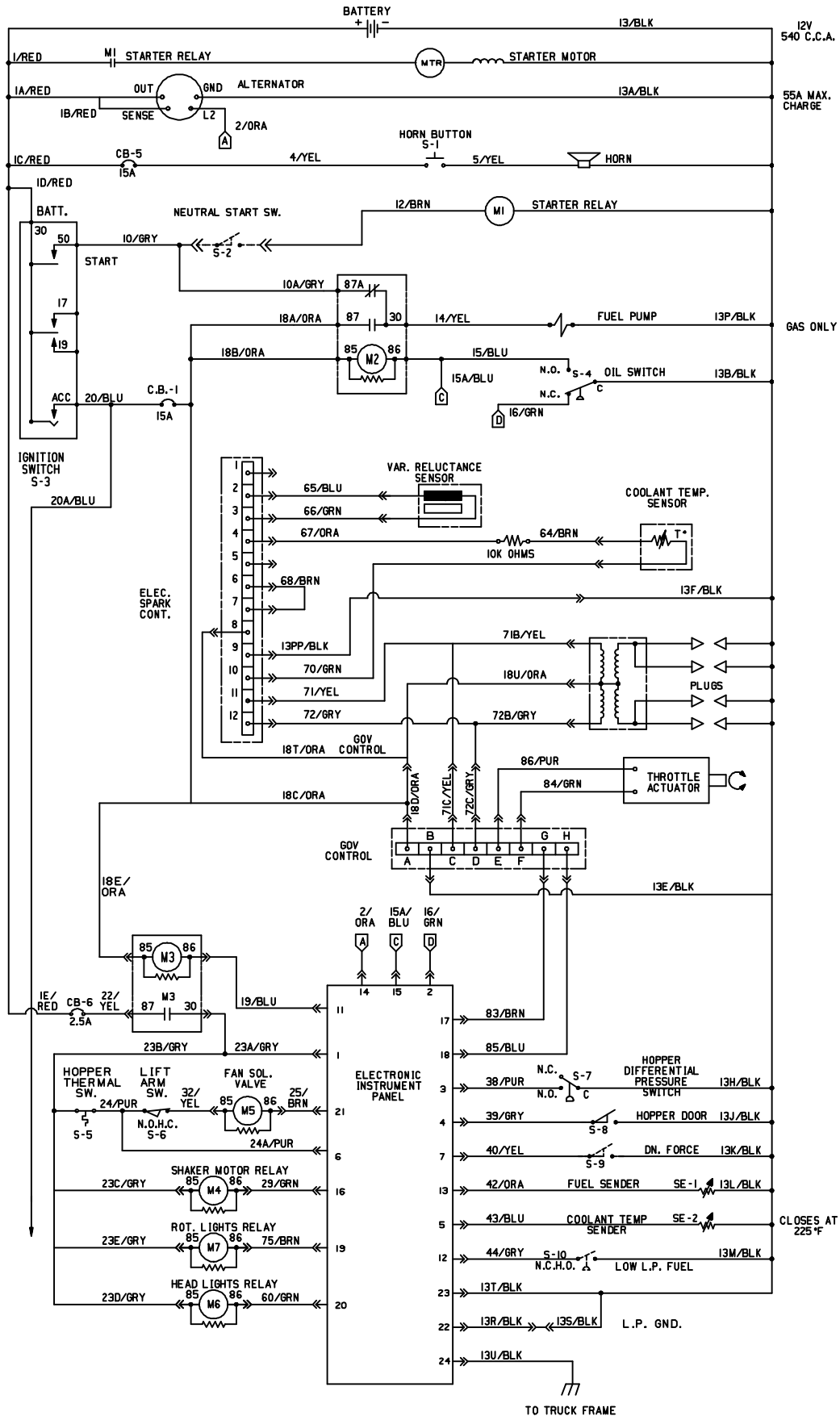
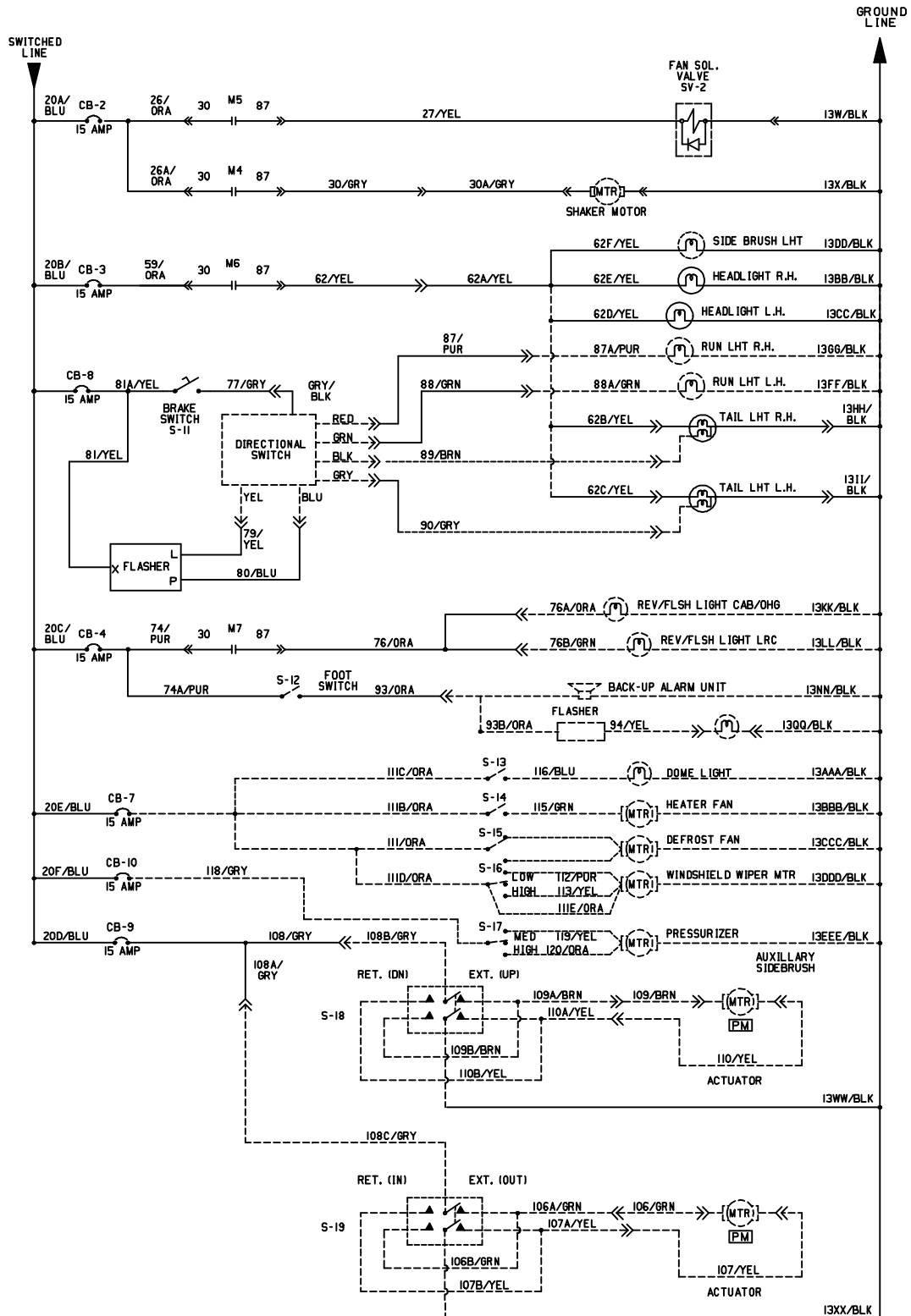


Fig. 58 - Electrical Schematic



| LEGEND | | | |
|--------|------------------|------|-----------------|
| M | POWER RELAY | HM | HOURLY METER |
| MTR | MOTOR | SV | SOLENOID VALVE |
| CB | CIRCUIT BREAKER | S | SWITCH |
| PM | PERMANENT MAGNET | ACC | ACCESSORY |
| J | JACK-FEM. SOCKET | GND | GROUND CHASSIS |
| P | PLUG-MALE PIN | C | COMMON |
| PB | PUSHBUTTON | N.O. | NORMALLY OPEN |
| VM | VOLTMETER | N.C. | NORMALLY CLOSED |
| FU | FUSE | | |

Fig. 59 - Wire Harnesses Group

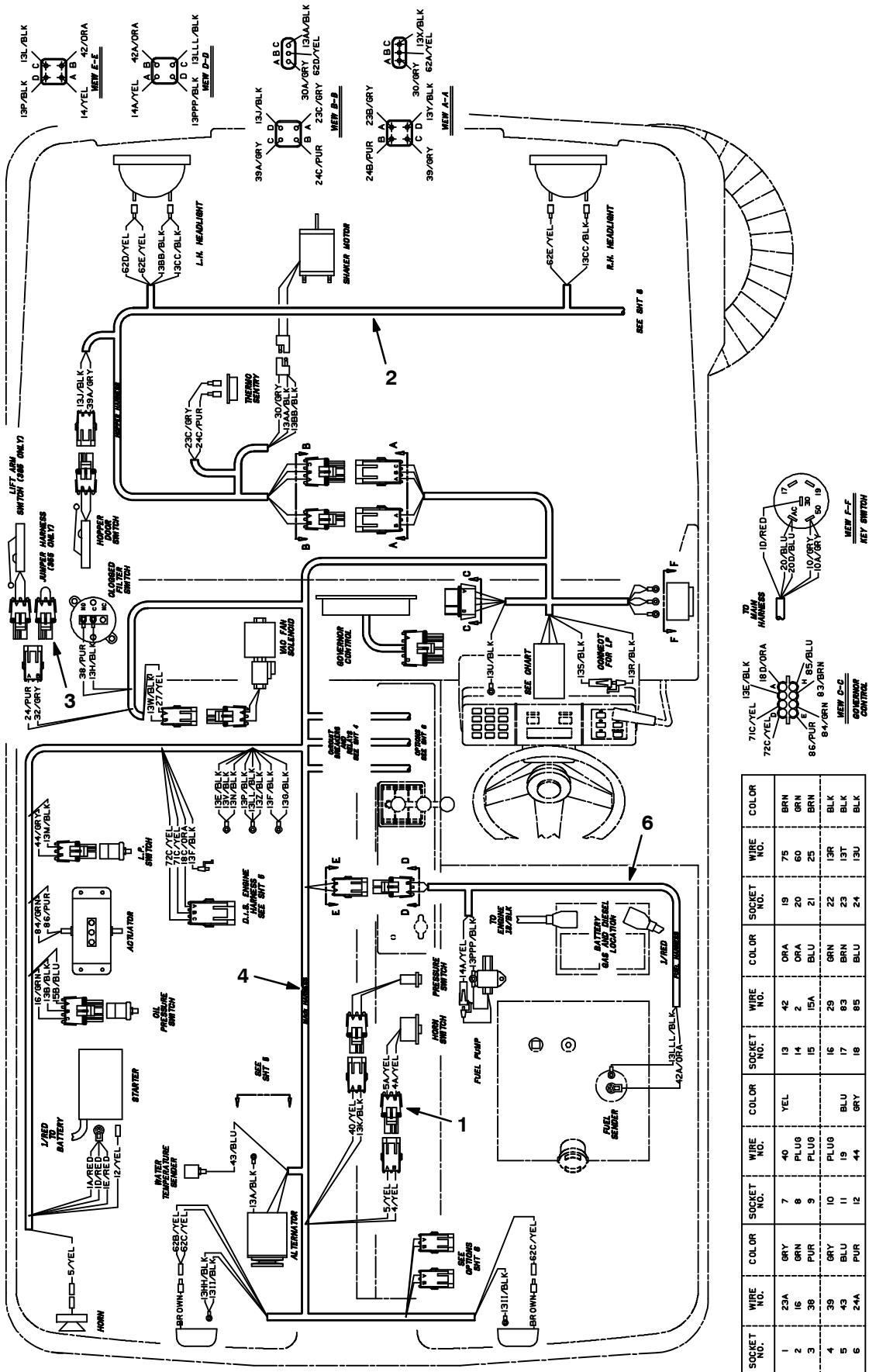


Fig. 59 - Wire Harness Group

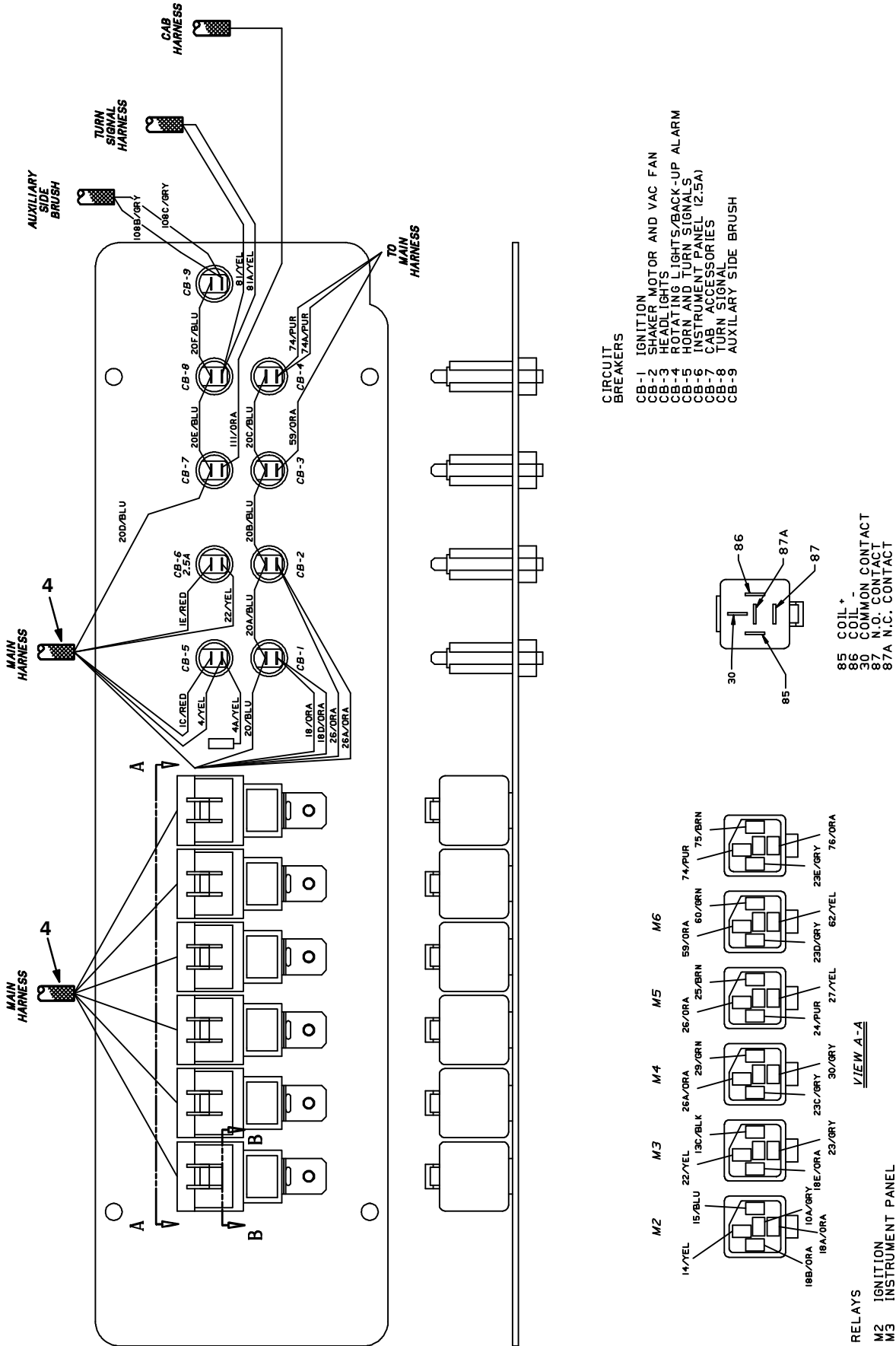


Fig. 59 - Wire Harness Group

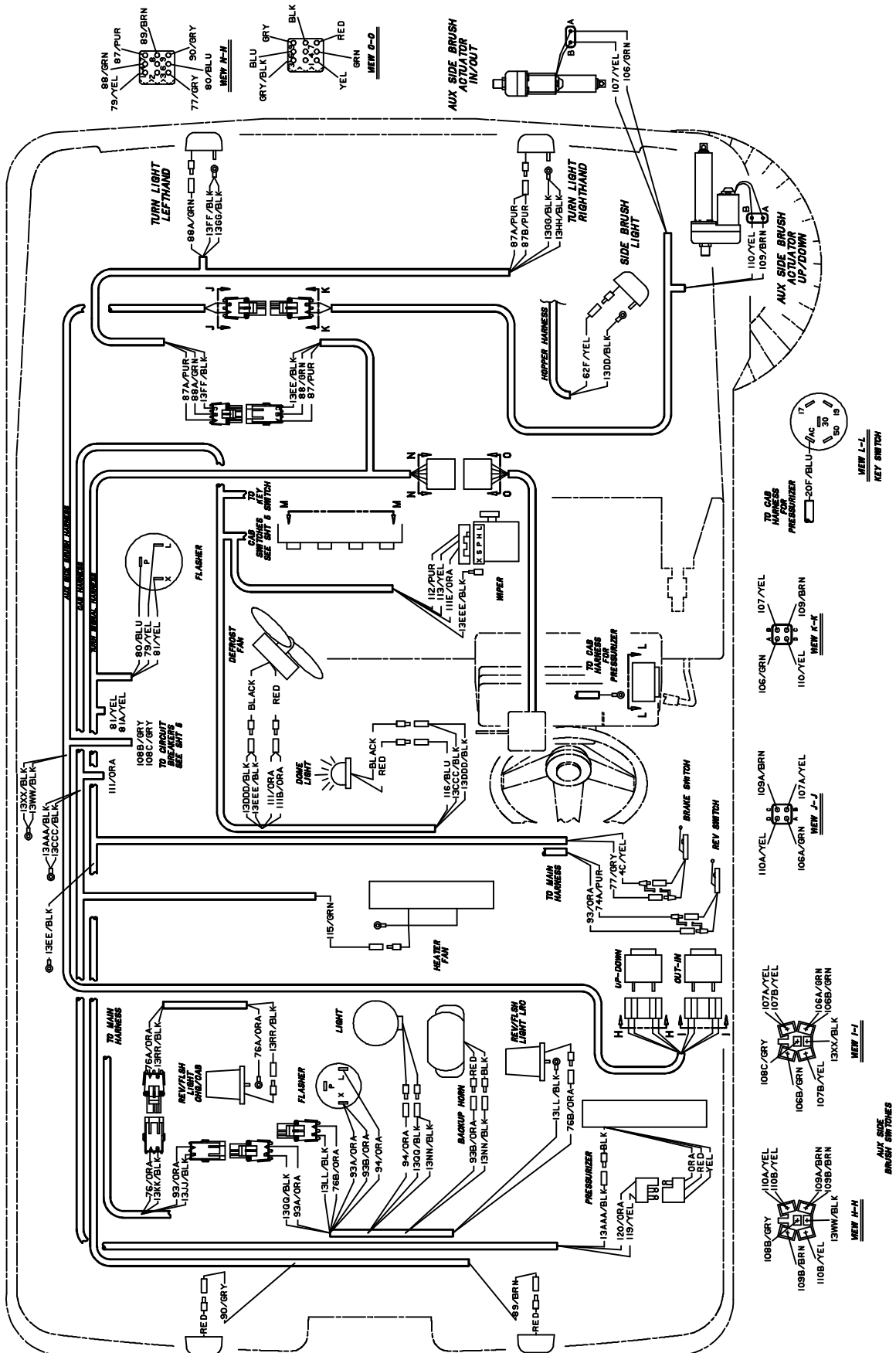
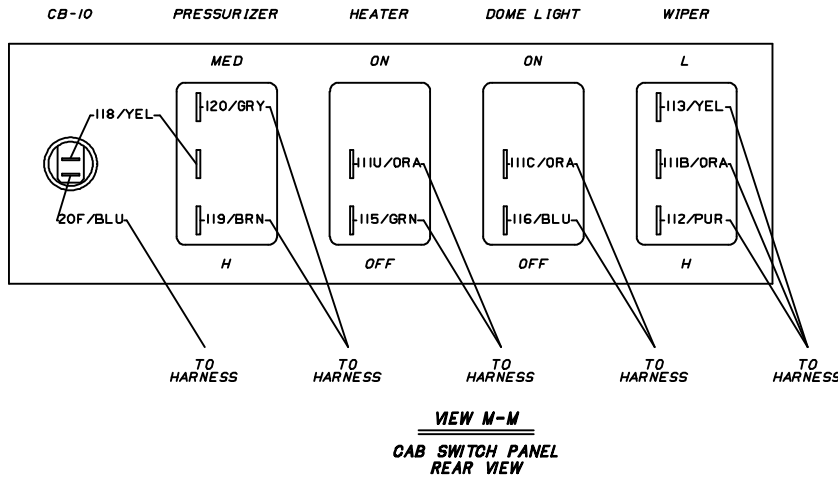
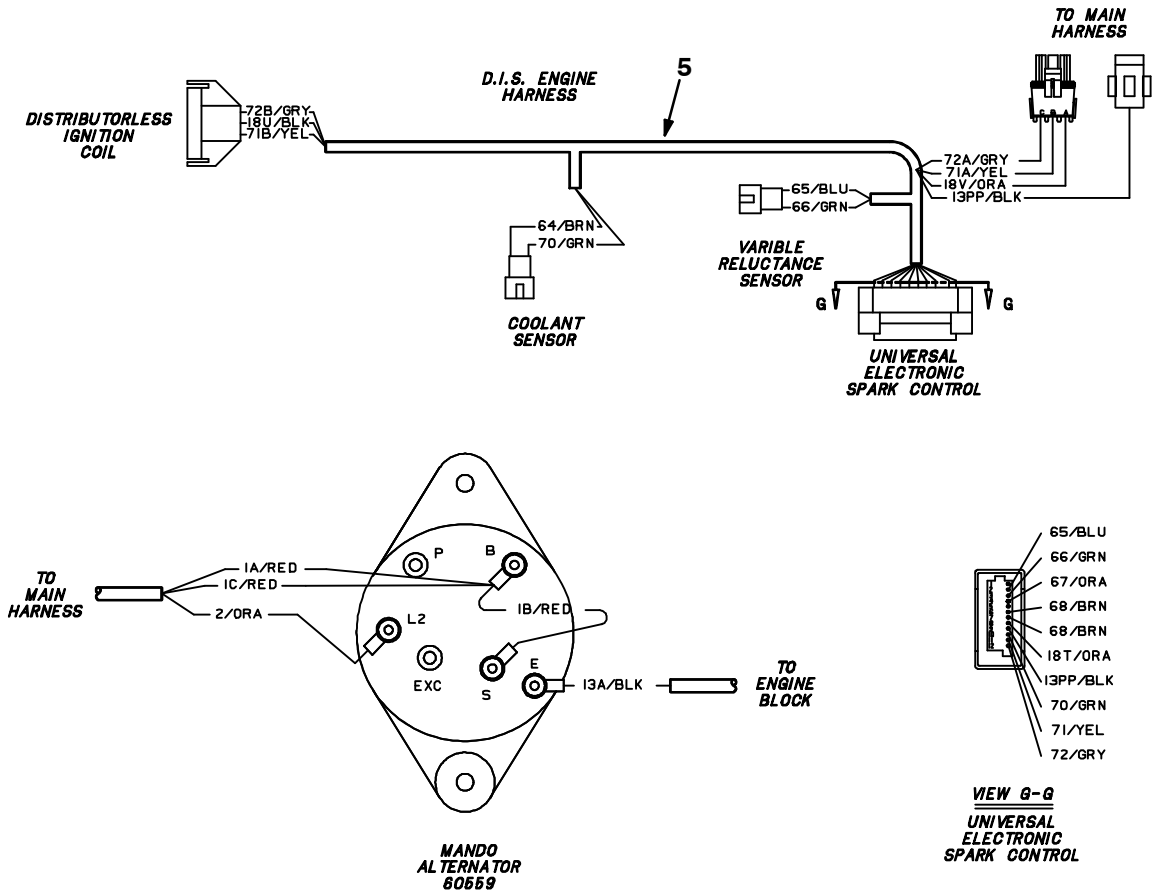


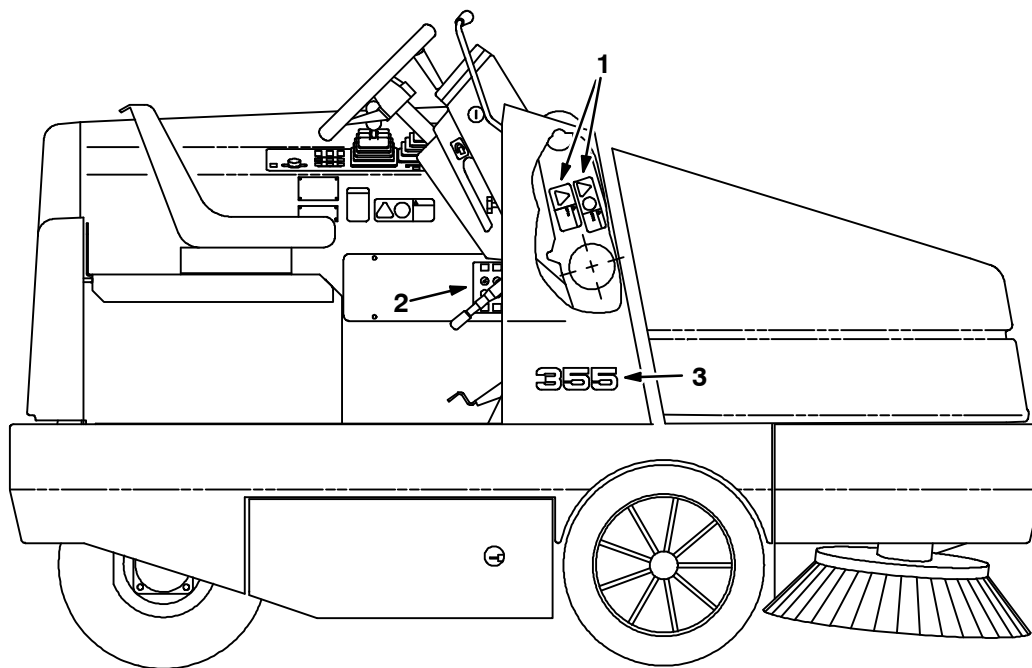
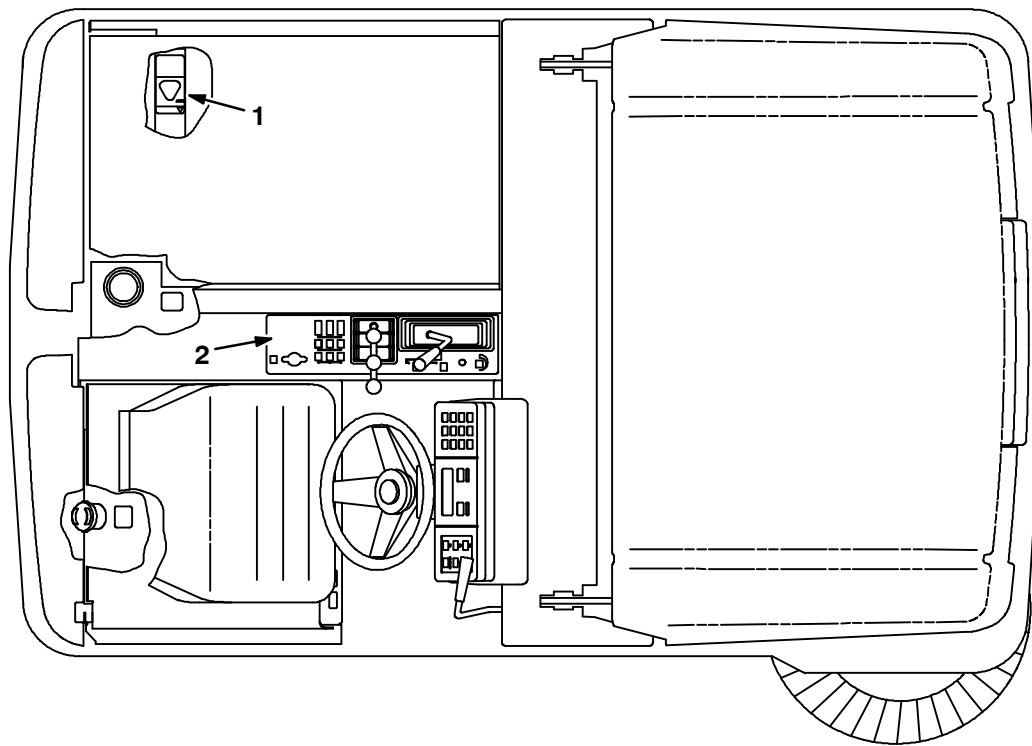
Fig. 59 - Wire Harnesses Group



07923/07511

| Ref. | Tennant Part No. | Machine Serial Number | Description | Qty. |
|------|------------------|-----------------------|--------------------------------|------|
| 1 | 60290 | (000000-) | Harness, Horn | 1 |
| 2 | 60282 | (000000-) | Harness, Hopper | 1 |
| 3 | 60278 | (000000-) | Harness, Jumper | 1 |
| 4 | 60280 | (000000-) | Harness, Main, Gas/LPG 355L | 1 |
| 5 | 60281 | (000000-004097) | Harness, Engine 355L Gas & LPG | 1 |
| 5 | 71459 | (004098-) | Harness, Engine Vsg411/413 | 1 |
| 6 | 60296 | (000000-) | Harness, Fuel, Gas/Die 355L | 1 |

Fig. 60 - Label Group



07861/07465

| Ref. | Tennant Part No. | Machine Serial Number | Description | Qty. |
|------|------------------|-----------------------|---------------------------------|------|
| ▽ | 59786 | (000000- |) Label Kit, Complete, 355 Line | 1 |
| ▲ | 1 59767 | (000000- |) Label Set, Info & Hazard 355 | 1 |
| ▲ | 2 59768 | (000000- |) Label Set, Operational 355 | 1 |
| ▲ | 3 59769 | (000000- |) Label, Numerals 355 | 2 |

SECTION 3

| CONTENTS | PAGE |
|---|------|
| Fig. 1 - Signal Light Kit | 3-2 |
| Fig. 2 - Flashing Light Kit, Overhead Guard | 3-4 |
| Fig. 3 - Revolving Light Kit, Overhead Guard | 3-5 |
| Fig. 4 - Flashing Light Kit, LRC | 3-6 |
| Fig. 5 - Revolving Light Kit, LRC | 3-7 |
| Fig. 6 - Flashing Light Kit, Cab | 3-8 |
| Fig. 7 - Revolving Light Kit, Cab | 3-9 |
| Fig. 8 - Back-Up Alarm Kit, LRC | 3-10 |
| Fig. 9 - Back-Up Alarm Kit, Cab | 3-12 |
| Fig. 10 - Back-Up Alarm Kit, Cab with Pressurizer | 3-14 |
| Fig. 11 - Side Brush Light Kit | 3-16 |
| Fig. 12 - Overhead Guard Kit | 3-17 |
| Fig. 13 - Cab Insulation Group | 3-18 |
| Fig. 14 - Cab Frame and Windows Group | 3-20 |
| Fig. 15 - Cab Door Group | 3-22 |
| Fig. 16 - Cab Electrical and Wiper Group | 3-24 |
| Fig. 17 - Cab Pressurizer Kit | 3-26 |
| Fig. 18 - Cab Heater Kit | 3-28 |
| Fig. 19 - Blower Kit | 3-30 |
| Fig. 20 - Blower Kit, Overhead Guard | 3-32 |
| Fig. 21 - Vacuum Wand Kit | 3-34 |
| Fig. 22 - Side Brush Dust Control Kit | 3-36 |
| Fig. 23 - Side Brush Dust Control Kit | 3-38 |
| Fig. 24 - Seat Belt Kit | 3-40 |
| Fig. 25 - Protectoseal Fuel Tank Cap Group | 3-41 |
| Fig. 26 - Spark Arrest Muffler Group | 3-42 |
| Fig. 27 - Air Filter Safety Element Kit | 3-43 |
| Fig. 28 - Fire Extinguisher Kit | 3-44 |
| Fig. 29 - Battery Group, Dry (International Only) | 3-45 |
| Fig. 30 - Soft Ride Non-Marking Tire and Wheel Assembly | 3-46 |
| Fig. 31 - Soft Ride Tire and Wheel Assembly | 3-47 |
| Fig. 32 - Hi-Wear Tire and Wheel Assembly | 3-48 |
| Fig. 33 - Stainless Steel Hopper Group | 3-49 |
| Fig. 34 - Demo Group | 3-50 |
| Fig. 35 - Vacuumized Skirt Kit, Main Brush | 3-51 |
| Fig. 36 - Documentation Group | 3-52 |

Fig. 1 - Signal Light Kit

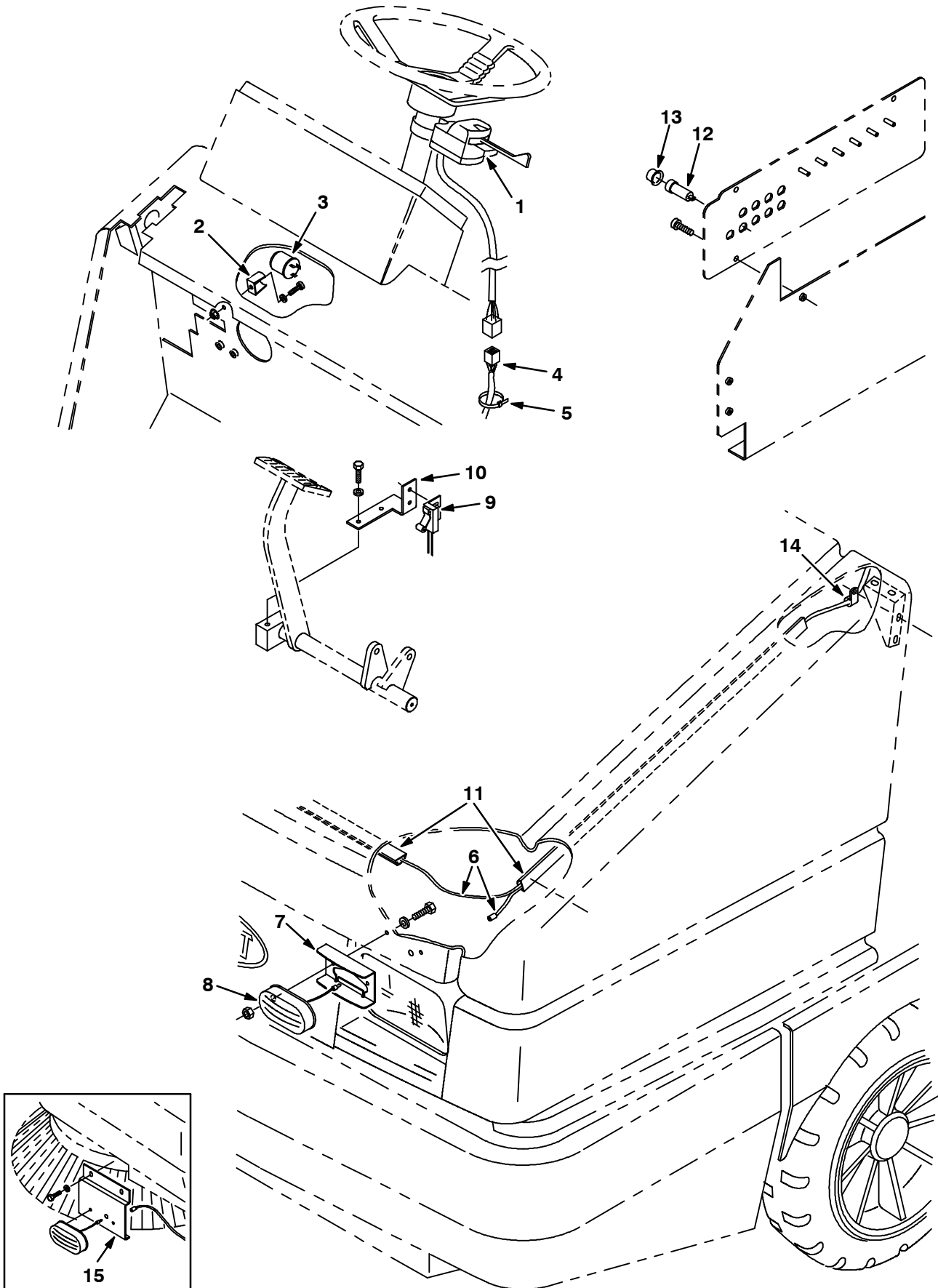
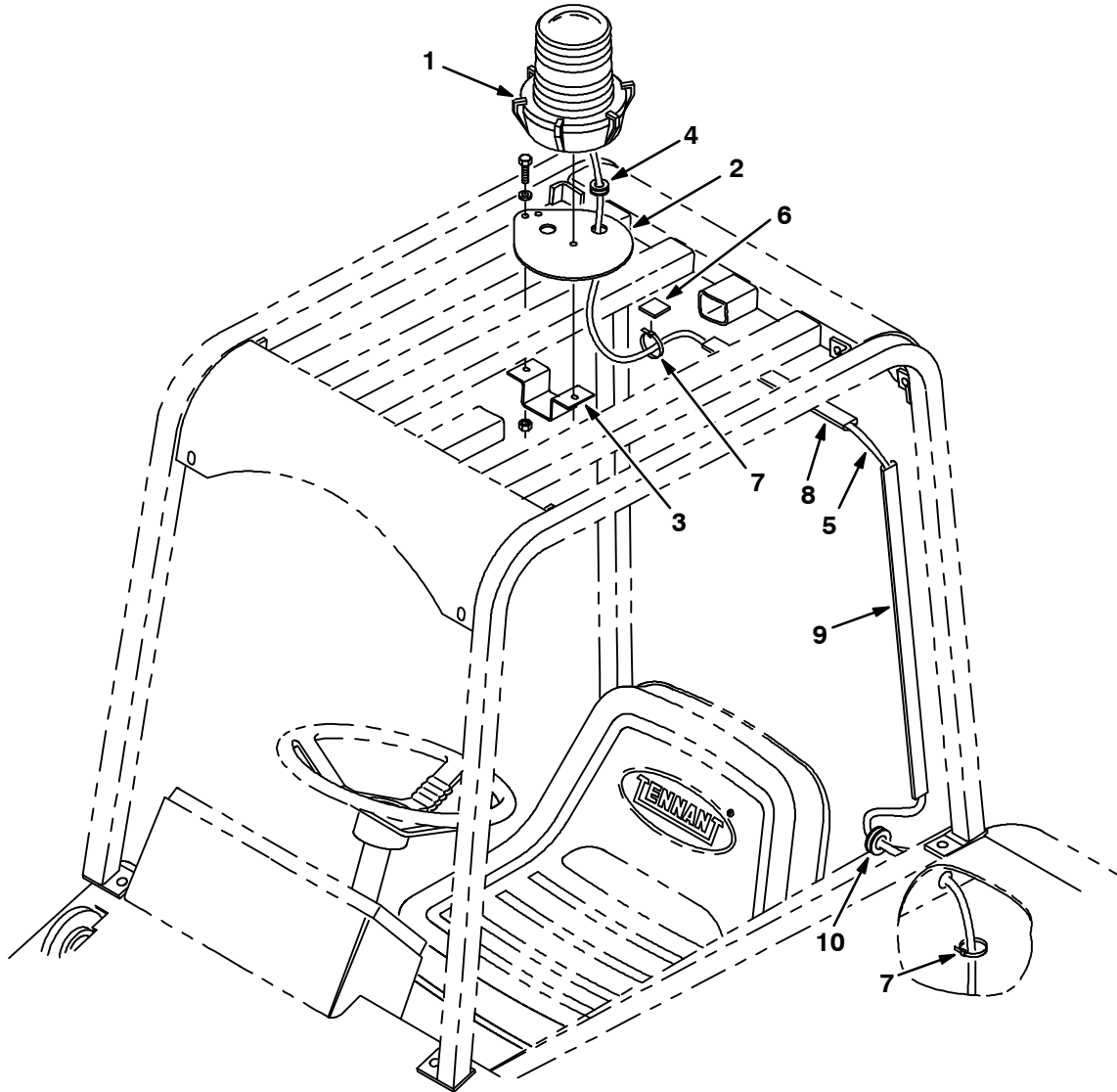


Fig. 1 - Signal Light Kit

| | Ref. | Tennant Part No. | Machine Serial Number | Description | Qty. |
|----|-------------|-------------------------|------------------------------|------------------------------------|-------------|
| ▽ | | 60305 | (000000- |) Light Kit Sgnl 355L | 1 |
| ▲▽ | 1 | 60751 | (000000- |) Signal Assy Rework, E1740 Turn | 1 |
| ▲▲ | | 48570 | (000000- |) Bulb #53 12V | 1 |
| ▲ | 2 | 24576-1 | (000000- |) Bracket, Flasher | 1 |
| ▲ | 3 | 31922 | (000000- |) Flasher, Heavy Duty | 1 |
| ▲ | 4 | 60283 | (000000- |) Harness, Turn Signal | 1 |
| ▲ | 5 | 49266 | (000000- |) Tie, Cable 1.75D Max 7.50Lg | 12 |
| ▲ | 6 | 60284 | (000000- |) Harness, Turn Signal | 1 |
| ▲ | 7 | 72178 | (000000- |) Bracket, Light, SBDC | 2 |
| ▲▽ | 8 | 34848 | (000000- |) Light Assy Mark/Yel 12V- . A | 2 |
| ▲▲ | | 87948 | (000000- |) Bulb, #194 | 1 |
| ▲ | 9 | 59962 | (000000- |) Switch Assy, Roller | 1 |
| ▲ | 10 | 59920 | (000000- |) Bracket, Switch | 1 |
| ▲ | 11 | 86332 | (000000- |) Duct, Vinyl .40x.75x26.0 Lg .25D | 2 |
| ▲ | 12 | 57803 | (000000- |) Circuit Breaker, 15 Resetbl | 1 |
| ▲ | 13 | 57751 | (000000- |) Boot - Circuit Breaker | 1 |
| ▲ | 14 | 40678 | (000000- |) Clamp, Cable .44D .62 Wide | 1 |
| | 15 | 58308 | (000000-xxxxxx |) Bracket, Bumper Stop | 2 |

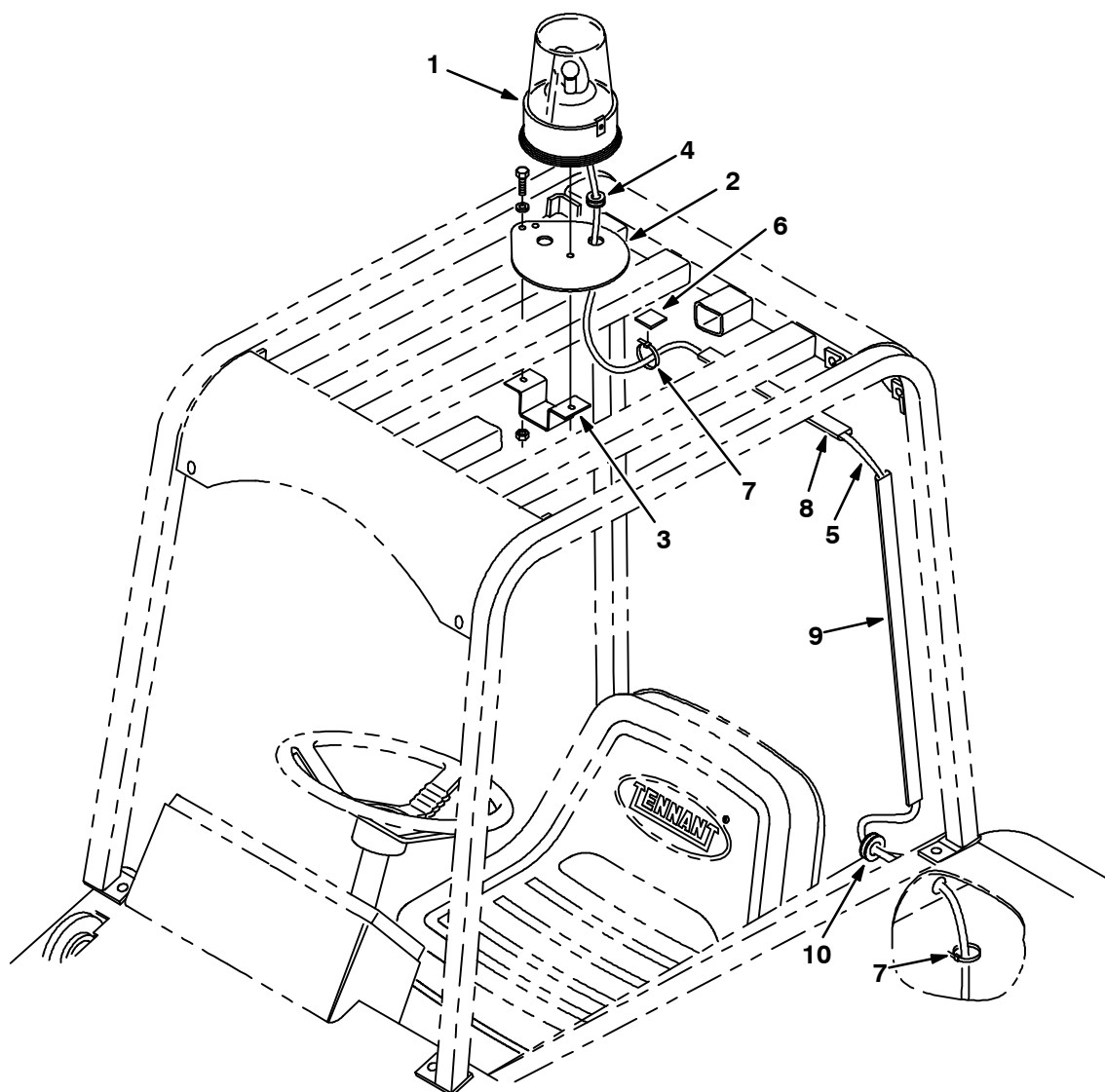
Fig. 2 - Flashing Light Kit, Overhead Guard



07870/07474

| Ref. | Tennant Part No. | Machine Serial Number | Description | Qty. |
|------|------------------|-----------------------|--------------------------------|------|
| ▽ | 60307 | (000000-) | Light Kit Flsh 355L Ohg | 1 |
| ▲▽ | 1 82063 | (000000-) | Light, Flashing, Amber, 12V-Re | 1 |
| ▲▲ | 58520 | (000000-) | Lens,Flashing Lite Fr207 Amber | 1 |
| ▲▲ | 45779 | (000000-) | Bulb, General Electric | 1 |
| ▲ | 2 57220 | (000000-) | Plate, Light Mtg. | 1 |
| ▲ | 3 59447 | (000000-) | Bracket, Mtg, Light, Ohg | 1 |
| ▲ | 4 10632-2 | (000000-) | Grommet,Rbr,0.63Id,For .13Matl | 1 |
| ▲ | 5 60288 | (000000-) | Harness, Revolv Light, Cab,Ohg | 1 |
| ▲ | 6 55248 | (000000-) | Cabletie Mount, Adhesive | 5 |
| ▲ | 7 49266 | (000000-) | Tie, Cable 1.75D Max 7.50Lg | 8 |
| ▲ | 8 86330 | (000000-) | Duct, Vinyl 10.0 In | 2 |
| ▲ | 9 86332 | (000000-) | Duct, Vinyl 26.0 In. | 1 |
| ▲ | 72114 | (000000-) | Duct, Vinyl 6.0 In. | 1 |
| ▲ | 10 10632-18 | (000000-) | Grommet, Rbr, 0.69 ID | 1 |
| | 58518 | (000000-) | Lens,Flashing Lite Fr207 Red | 1 |
| | 58519 | (000000-) | Lens,Flashing Lite Fr207 Blue | 1 |

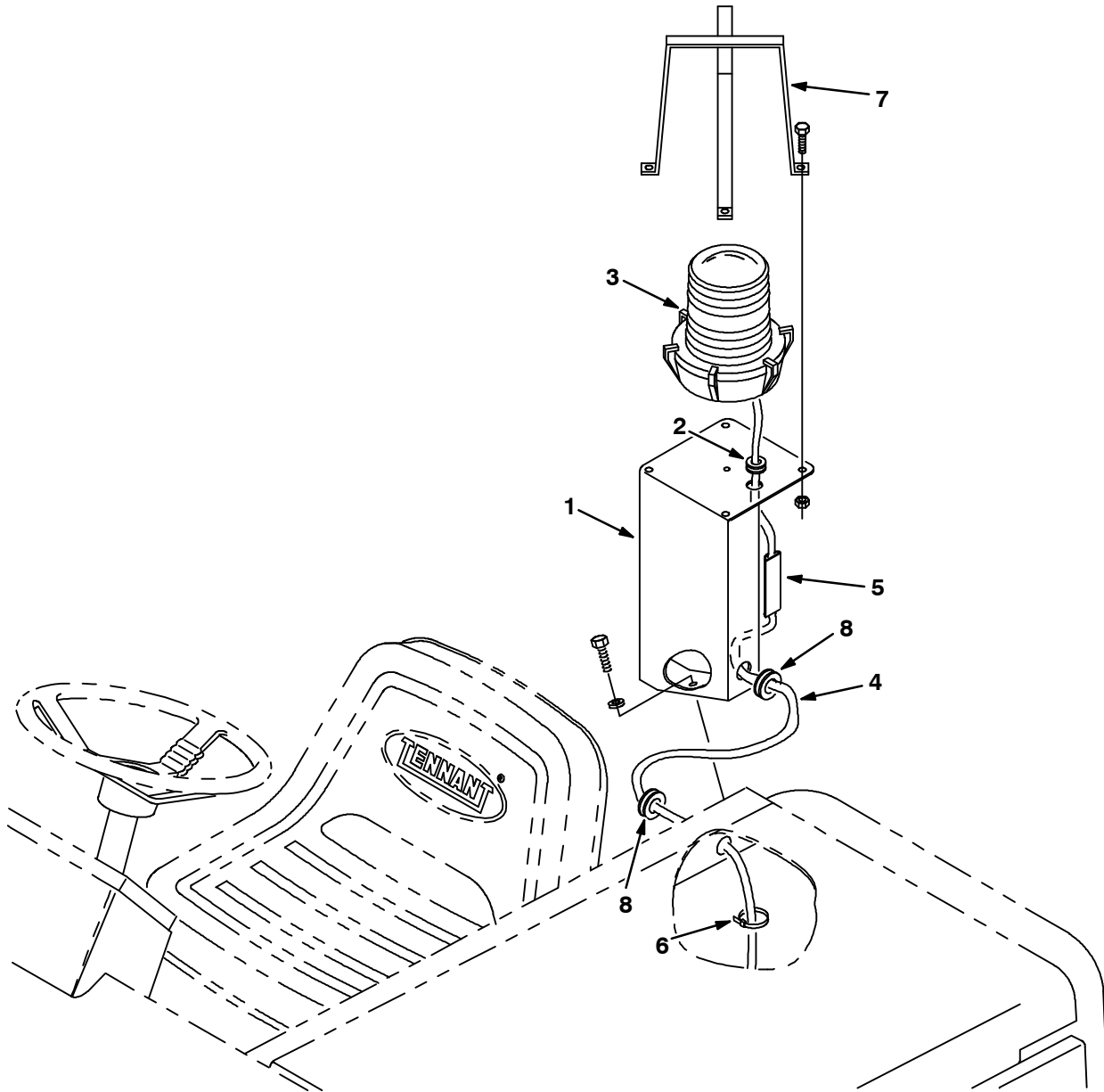
Fig. 3 - Revolving Light Kit, Overhead Guard



07866/07470

| Ref. | Tennant Part No. | Machine Serial Number | Description | Qty. |
|------|------------------|-----------------------|--------------------------------|------|
| ▽ | 60309 | (000000-) | Light Kit Revl 355L Ohg | 1 |
| ▲▽ | 1 82200 | (000000-) | Light,Rev.Amber 12V-Reworked | 1 |
| ▲▲ | 44681-1 | (000000-) | Lens,Rev.Light,Amber | 1 |
| ▲▲ | 45779 | (000000-) | Bulb, General Electric | 1 |
| ▲ | 2 57220 | (000000-) | Plate, Light Mtg. | 1 |
| ▲ | 3 59447 | (000000-) | Bracket, Mtg, Light, Ohg | 1 |
| ▲ | 4 10632-2 | (000000-) | Grommet,Rbr,0.63Id,For .13Matl | 1 |
| ▲ | 5 60288 | (000000-) | Harness, Revolv Light, Cab,Ohg | 1 |
| ▲ | 6 55248 | (000000-) | Cabletie Mount, Adhesive | 5 |
| ▲ | 7 49266 | (000000-) | Tie, Cable 1.75D Max 7.50Lg | 8 |
| ▲ | 8 86330 | (000000-) | Duct, Vinyl 10.0 In. | 2 |
| ▲ | 9 86332 | (000000-) | Duct, Vinyl 26.0 In. | 1 |
| ▲ | 72114 | (000000-) | Duct, Vinyl 6.0 In. | 1 |
| ▲ | 10 10632-18 | (000000-) | Grommet, Rbr, 0.69 ID | 1 |
| | 44681 | (000000-) | Lens,Rev.Light,Red | 1 |
| | 44681-2 | (000000-) | Lens,Rev.Light,Blue | 1 |

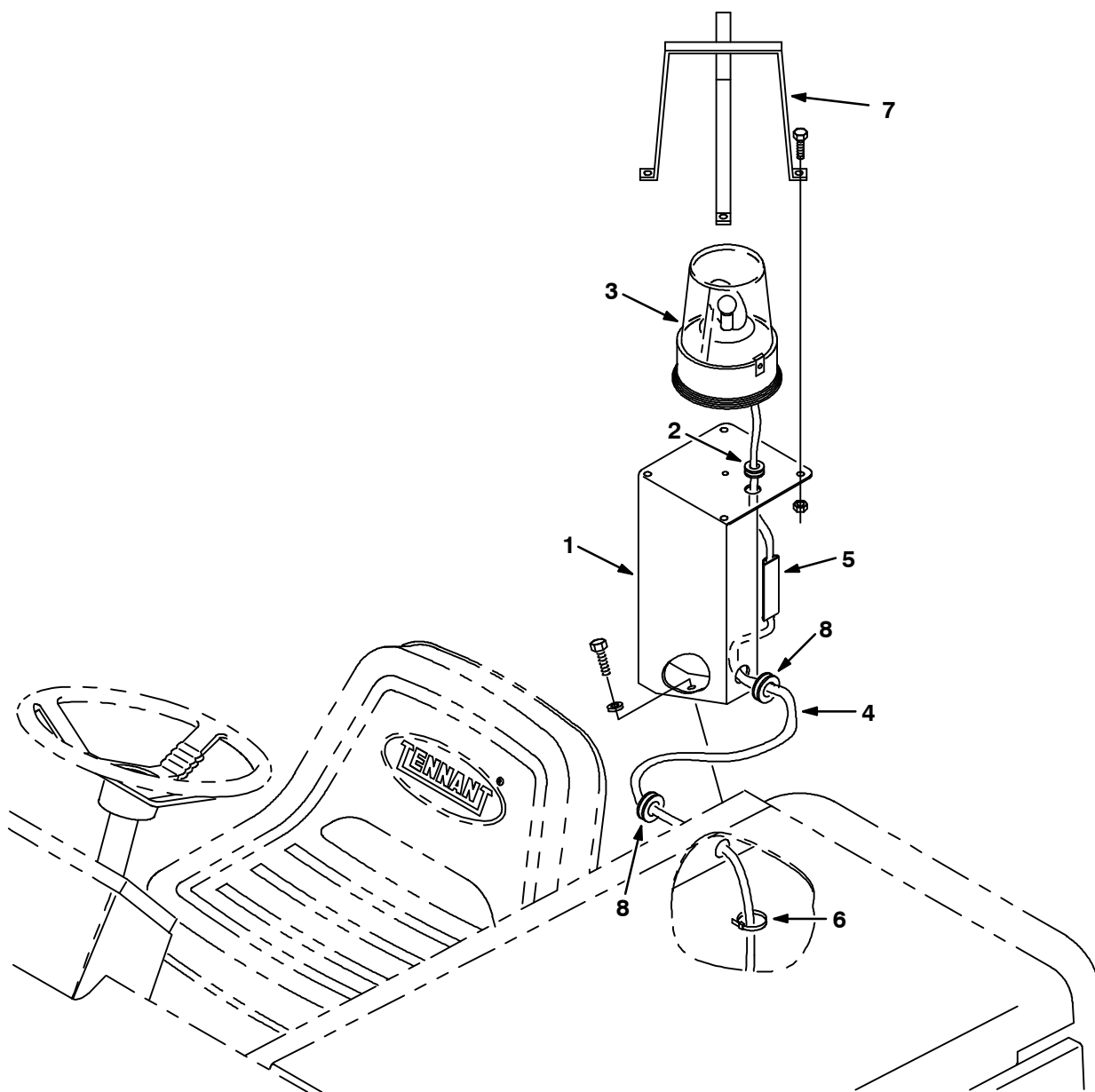
Fig. 4 - Flashing Light Kit, LRC



07873/07477

| Ref. | Tennant Part No. | Machine Serial Number | Description | Qty. |
|------|------------------|-----------------------|--------------------------------|------|
| ▽ | 60312 | (000000-) | Light Kit Flsh 355L Lrc | 1 |
| ▲ | 1 72100 | (000000-) | Bracket Wldt, Light, Rotating | 1 |
| ▲ | 2 10632-9 | (000000-) | Grommet,Rbr,0.56Id,For .13Matl | 1 |
| ▲▽ | 3 82063 | (000000-) | Light, Flashing, Amber, 12V-Re | 1 |
| ▲▲ | 58520 | (000000-) | Lens,Flashing Lite Fr207 Amber | 1 |
| ▲▲ | 45779 | (000000-) | Bulb, General Electric | 1 |
| ▲ | 4 71543 | (000000-) | Harness, Wire, Hazard | 1 |
| ▲ | 5 86333 | (000000-) | Duct, Vinyl 3.5 In. | 1 |
| ▲ | 6 49266 | (000000-) | Tie, Cable 1.75D Max 7.50Lg | 6 |
| ▲ | 7 45272 | (000000-) | Guard Wldt, Lights, Revl&Flsh | 1 |
| ▲ | 8 10632-18 | (000000-) | Grommet, Rbr, 0.69 ID | 2 |
| | 58518 | (000000-) | Lens,Flashing Lite Fr207 Red | 1 |
| | 58519 | (000000-) | Lens,Flashing Lite Fr207 Blue | 1 |

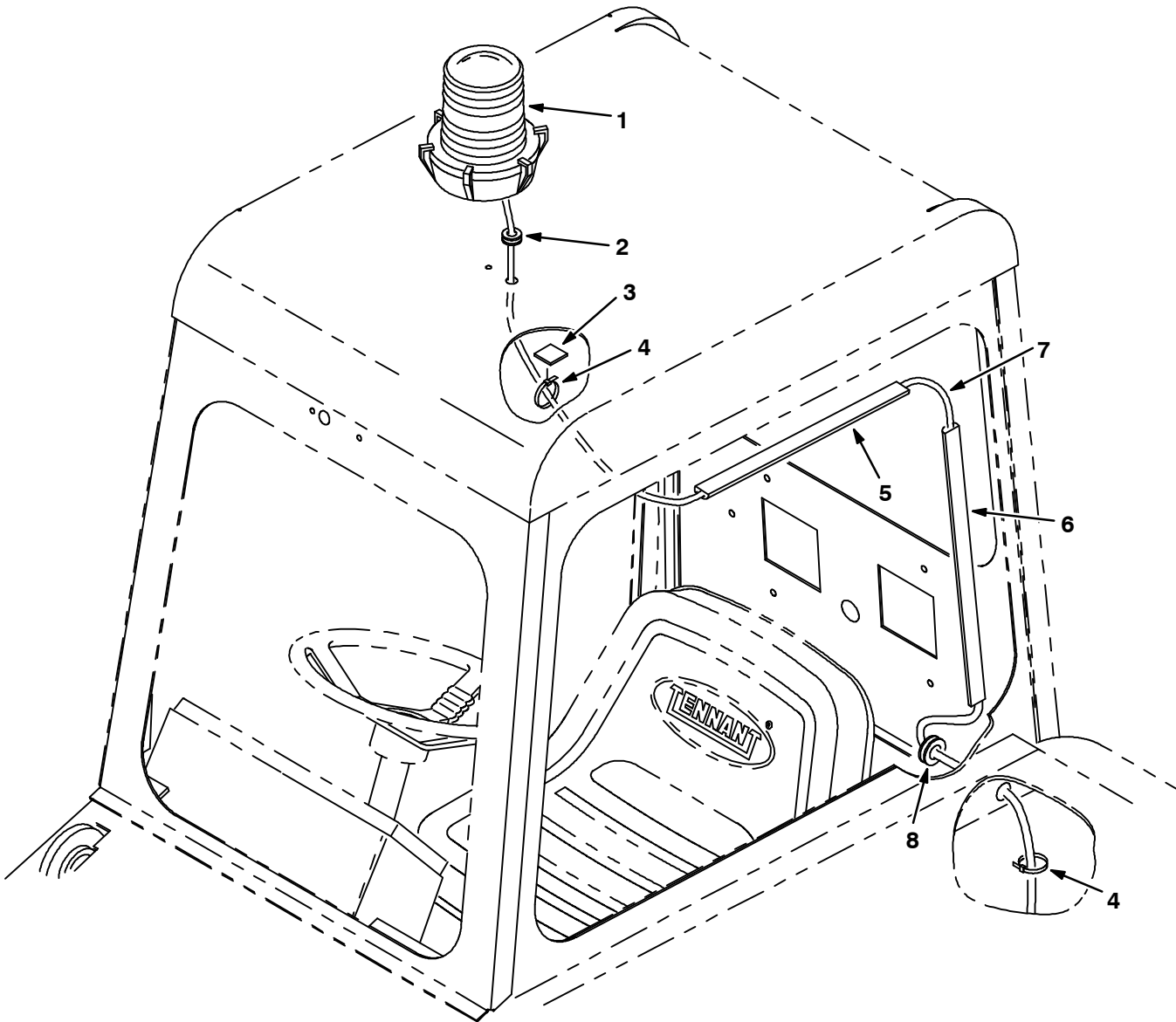
Fig. 5 - Revolving Light Kit, LRC



07869/07473

| Ref. | Tennant Part No. | Machine Serial Number | Description | Qty. |
|------|------------------|-----------------------|-----------------------------------|------|
| ∇ | 60314 | (000000-) | Light Kit Revl 355L Lrc | 1 |
| ▲ | 1 72100 | (000000-) | Bracket Wldt, Light, Rotating | 1 |
| ▲ | 2 10632-9 | (000000-) | Grommet, Rbr, 0.56Id, For .13Matl | 1 |
| ▲∇ | 3 82200 | (000000-) | Light, Rev. Amber 12V- Reworked | 1 |
| ▲▲ | 44681-1 | (000000-) | Lens, Rev. Light, Amber | 1 |
| ▲▲ | 45779 | (000000-) | Bulb, General Electric | 1 |
| ▲ | 4 71543 | (000000-) | Harness, Wire, Hazard | 1 |
| ▲ | 5 86333 | (000000-) | Duct, Vinyl 3.5 In. | 1 |
| ▲ | 6 49266 | (000000-) | Tie, Cable 1.75D Max 7.50Lg | 6 |
| ▲ | 7 45272 | (000000-) | Guard Wldt, Lights, Revl&Fish | 1 |
| ▲ | 8 10632-18 | (000000-) | Grommet, Rbr, 0.69 ID | 2 |
| | 44681 | (000000-) | Lens, Rev. Light, Red | 1 |
| | 44681-2 | (000000-) | Lens, Rev. Light, Blue | 1 |

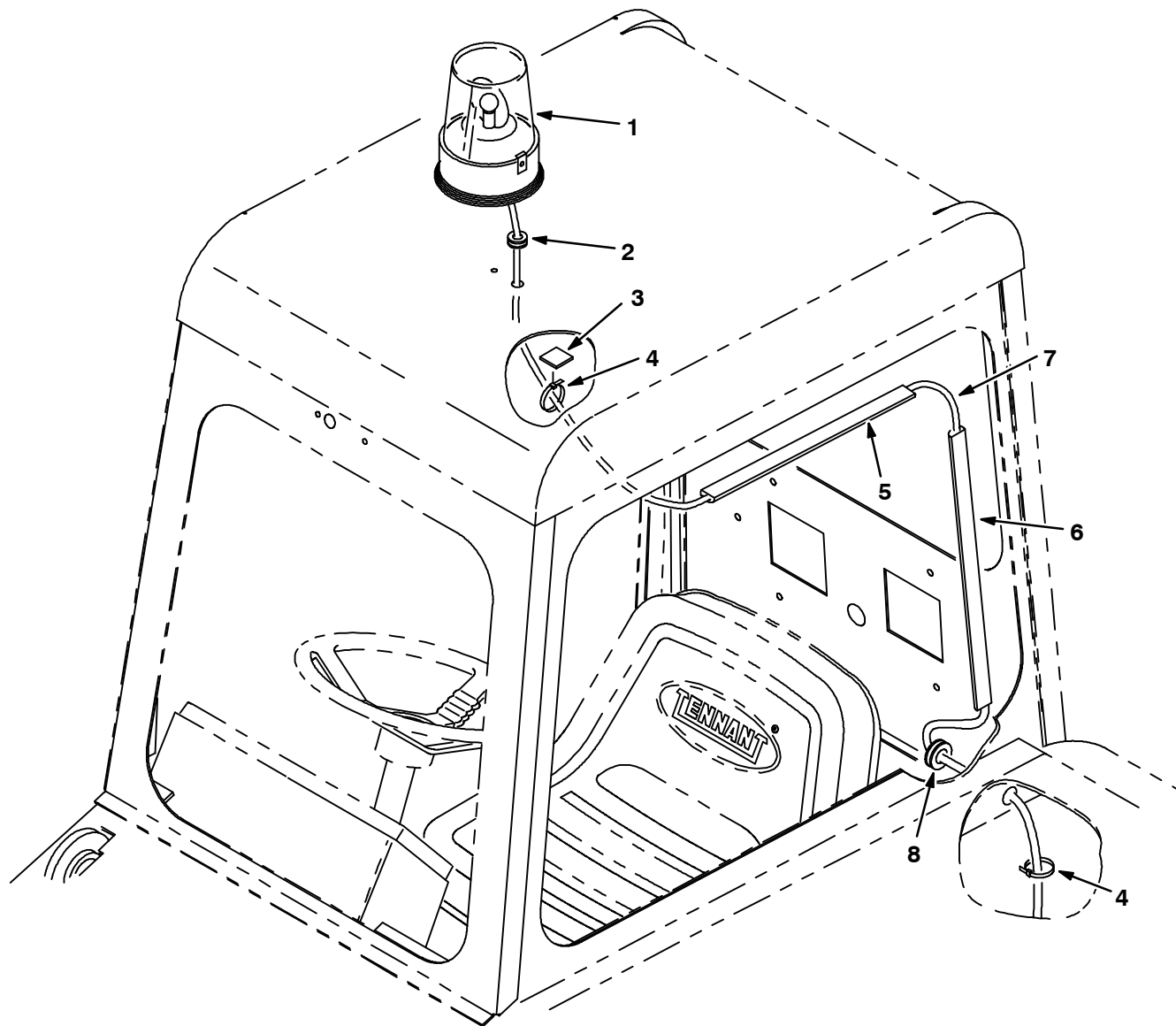
Fig. 6 - Flashing Light Kit, Cab



07871/07475

| Ref. | Tennant Part No. | Machine Serial Number | Description | Qty. |
|------|------------------|-----------------------|----------------------------------|------|
| ▽ | 60316 | (000000- |) Light Kit Flsh 355L Cab | 1 |
| ▲▽ | 1 82063 | (000000- |) Light, Flashing, Amber, 12V-Re | 1 |
| ▲▲ | 58520 | (000000- |) Lens,Flashing Lite Fr207 Amber | 1 |
| ▲▲ | 45779 | (000000- |) Bulb, General Electric | 1 |
| ▲ | 2 10632-9 | (000000- |) Grommet,Rbr, 0.56 In | 1 |
| ▲ | 3 55248 | (000000- |) Cabletie Mount, Adhesive | 4 |
| ▲ | 4 49266 | (000000- |) Tie, Cable 1.75D Max 7.50Lg | 4 |
| ▲ | 5 86331 | (000000- |) Duct, Vinyl 16.0 In. | 1 |
| ▲ | 6 86332 | (000000- |) Duct, Vinyl 26.0 In. | 1 |
| ▲ | 7 60288 | (000000- |) Harness, Revolv Light, Cab,Ohg | 1 |
| ▲ | 8 10632-18 | (000000- |) Grommet, Rbr, 0.69 ID | 1 |
| | 58518 | (000000- |) Lens,Flashing Lite Fr207 Red | 1 |
| | 58519 | (000000- |) Lens,Flashing Lite Fr207 Blue | 1 |

Fig. 7 - Revolving Light Kit, Cab



07872/07476

| Ref. | Tennant Part No. | Machine Serial Number | Description | Qty. |
|------|------------------|-----------------------|--------------------------------|------|
| ▽ | 60318 | (000000-) | Light Kit Revl 355L Cab | 1 |
| ▲▽ | 1 82200 | (000000-) | Light,Rev.Amber 12V-Reworked | 1 |
| ▲▲ | 44681-1 | (000000-) | Lens,Rev.Light,Amber | 1 |
| ▲▲ | 45779 | (000000-) | Bulb, General Electric | 1 |
| ▲ | 2 10632-9 | (000000-) | Grommet,Rbr, 0.56 In | 1 |
| ▲ | 3 55248 | (000000-) | Cabletie Mount, Adhesive | 4 |
| ▲ | 4 49266 | (000000-) | Tie, Cable 1.75D Max 7.50Lg | 4 |
| ▲ | 5 86331 | (000000-) | Duct, Vinyl 16.0 In. | 1 |
| ▲ | 6 86332 | (000000-) | Duct, Vinyl 26.0 In. | 1 |
| ▲ | 7 60288 | (000000-) | Harness, Revolv Light, Cab,Ohg | 1 |
| ▲ | 8 10632-18 | (000000-) | Grommet, Rbr, 0.69 ID | 1 |
| | 44681 | (000000-) | Lens,Rev.Light,Red | 1 |
| | 44681-2 | (000000-) | Lens,Rev.Light,Blue | 1 |

Fig. 8 - Back-Up Alarm Kit, LRC

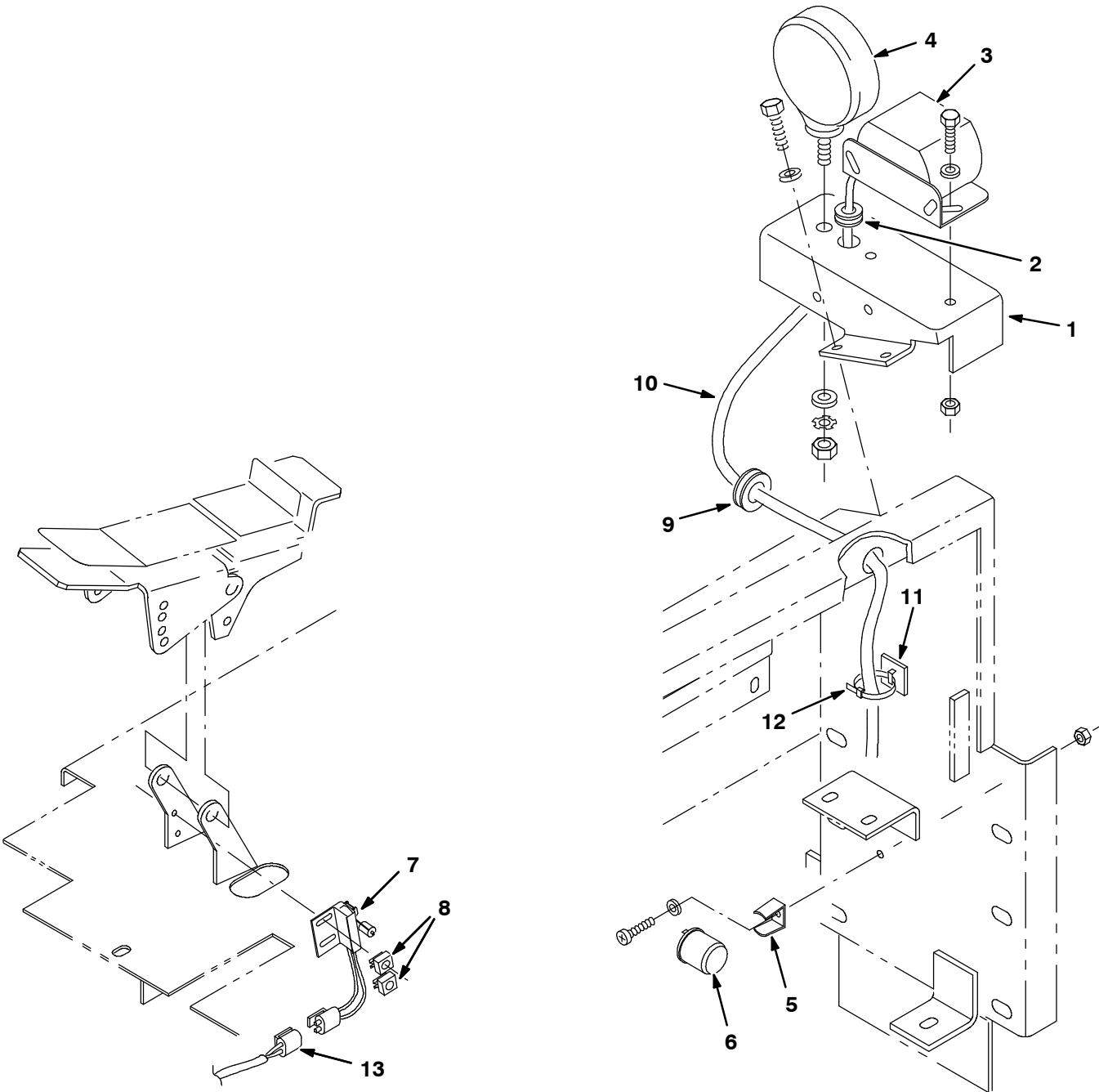
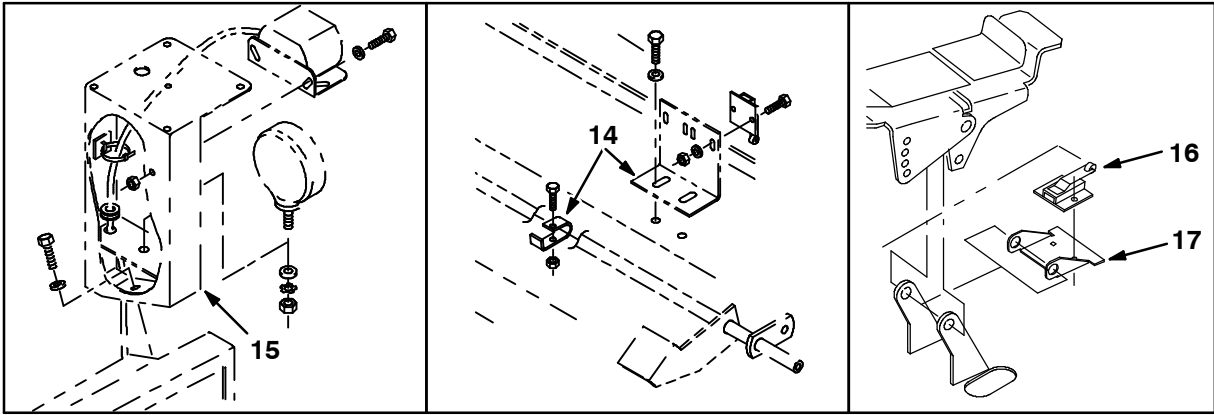


Fig. 8 - Back-Up Alarm Kit , LRC

| | Ref. | Tennant Part No. | Machine Serial Number | Description | Qty. |
|----|-------------|-------------------------|------------------------------|---------------------------------|-------------|
| ▽ | | 59395 | (000000- |) Alarm Kit, Bu A/v 355L | 1 |
| ▲ | 1 | 71056 | (001175- |) Bracket, Mtg, Back-Up Alarm | 1 |
| ▲ | 2 | 10632-9 | (000000- |) Grommet,Rbr, 0.56 In | 1 |
| ▲ | 3 | 61920 | (000000- |) Horn Assy, Back-Up Alarm | 1 |
| ▲▽ | 4 | 36438 | (000000- |) Headlight Assy,210G | 1 |
| ▲▲ | | 36439 | (000000- |) Bulb, 12V .9A 15Cp#1004 | 1 |
| ▲ | 5 | 24576-1 | (000000- |) Bracket, Flasher | 1 |
| ▲ | 6 | 24576 | (000000- |) Flasher, 12V | 1 |
| ▲ | 7 | 23211 | (003189- |) Switch Assy, Roller | 1 |
| ▲ | 8 | 23210 | (003189- |) Nut Speed, Retainer, 8-32 Thd | 2 |
| ▲ | 9 | 10632-18 | (001175- |) Grommet, Rbr, 0.69 ID | 1 |
| ▲ | 10 | 71544 | (000000- |) Harness, Alarm, Backup | 1 |
| ▲ | 11 | 55248 | (000000- |) Cabletie Mount, Adhesive | 2 |
| ▲ | 12 | 49266 | (000000- |) Tie, Cable 1.75D Max 7.50Lg | 5 |
| ▲ | 13 | 70159 | (003189- |) Harness, Adapter, B/u Alarm | 1 |
| | 14 | 72106 | (000000-001137 |) Bracket Repl Kit, Switch | 1 |
| | 15 | 59944 | (000000-001174 |) Bracket Wldt, Light, Rotating | 1 |
| | 16 | 35905 | (000000-003188 |) Switch, Waterproof, 10A | 1 |
| | 17 | 23231 | (001138-003188 |) Repl. Kit, Backup Switch | 1 |

Fig. 9 - Back-Up Alarm Kit, Cab

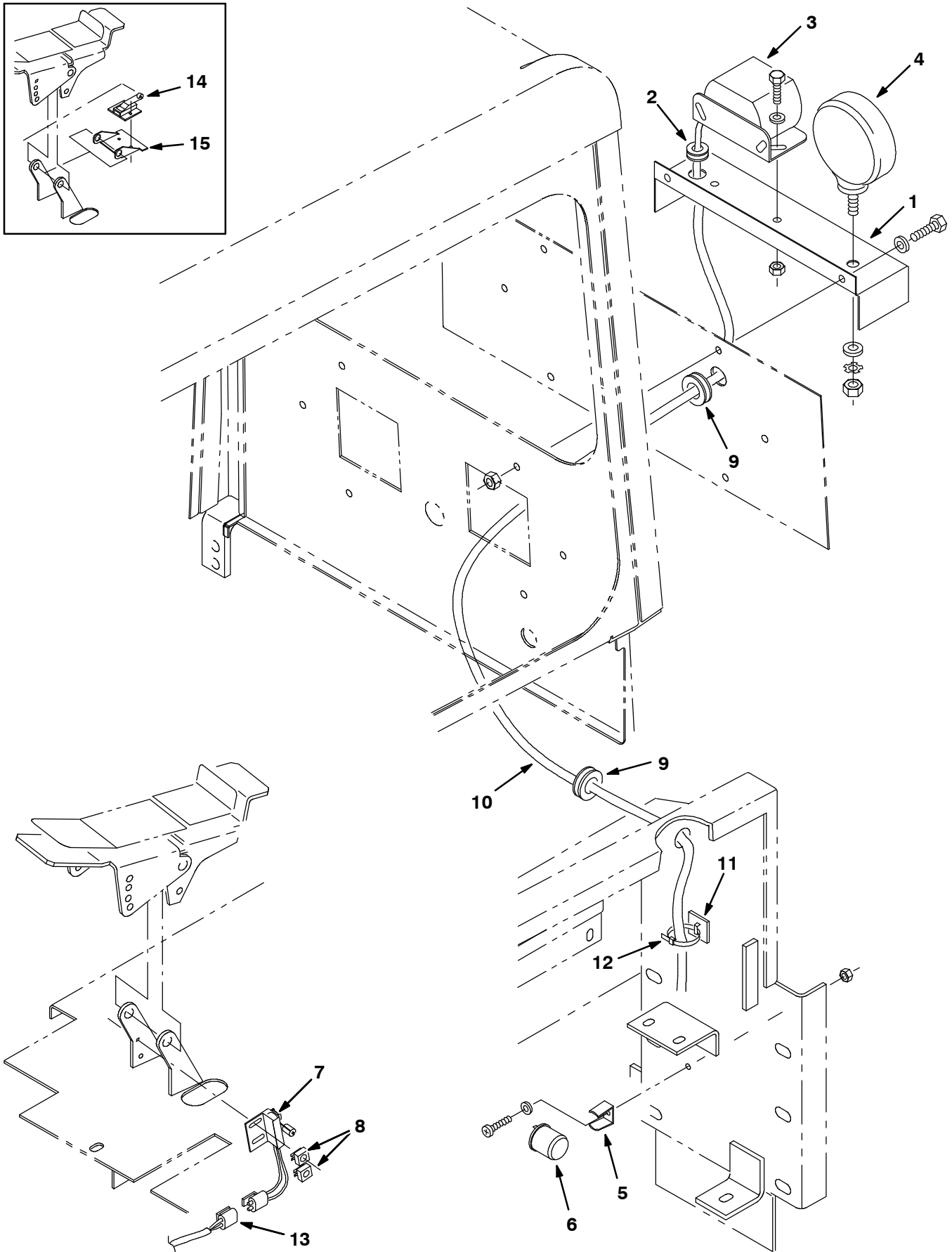


Fig. 9 - Back-Up Alarm Kit, Cab

| | Ref. | Tennant Part No. | Machine Serial Number | Description | Qty. |
|----|-------------|-------------------------|------------------------------|---------------------------------|-------------|
| ▽ | | 72096 | (000000- |) Alarm Kit, Bu A/v 355L, Cab | 1 |
| ▲ | 1 | 71058 | (000000- |) Bracket, Alarm, Back-Up | 1 |
| ▲ | 2 | 10632-9 | (000000- |) Grommet,Rbr, 0.56 In | 1 |
| ▲ | 3 | 61920 | (000000- |) Horn Assy, Back-Up Alarm | 1 |
| ▲▽ | 4 | 36438 | (000000- |) Headlight Assy,210G | 1 |
| ▲▲ | | 36439 | (000000- |) Bulb, 12V .9A 15Cp#1004 | 1 |
| ▲ | 5 | 24576-1 | (000000- |) Bracket, Flasher | 1 |
| ▲ | 6 | 24576 | (000000- |) Flasher, 12V | 1 |
| ▲ | 7 | 23211 | (003189- |) Switch Assy, Roller | 1 |
| ▲ | 8 | 23210 | (003189- |) Nut Speed, Retainer, 8-32 Thd | 2 |
| ▲ | 9 | 10632-18 | (000000- |) Grommet, Rbr, 0.69 ID | 2 |
| ▲ | 10 | 71544 | (000000- |) Harness, Alarm, Backup | 1 |
| ▲ | 11 | 55248 | (000000- |) Cabletie Mount, Adhesive | 2 |
| ▲ | 12 | 49266 | (000000- |) Tie, Cable 1.75D Max 7.50Lg | 5 |
| ▲ | 13 | 70159 | (003189- |) Harness, Adapter, B/u Alarm | 1 |
| | 14 | 35905 | (000000-003188 |) Switch, Waterproof, 10A | 1 |
| | 15 | 23231 | (000000-003188 |) Repl. Kit, Backup Switch | 1 |

Fig. 10 - Back-Up Alarm Kit, Cab with Pressurizer

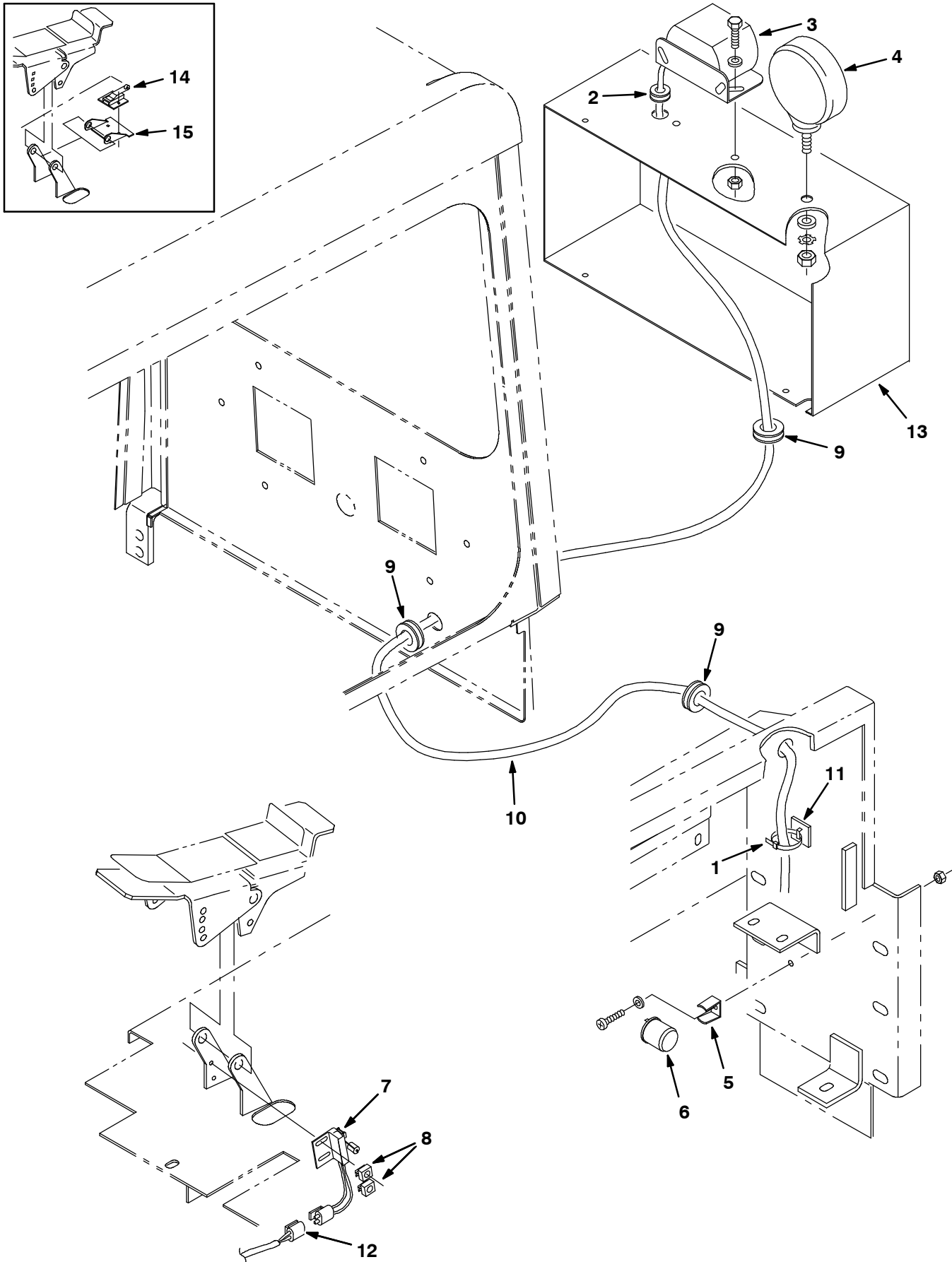
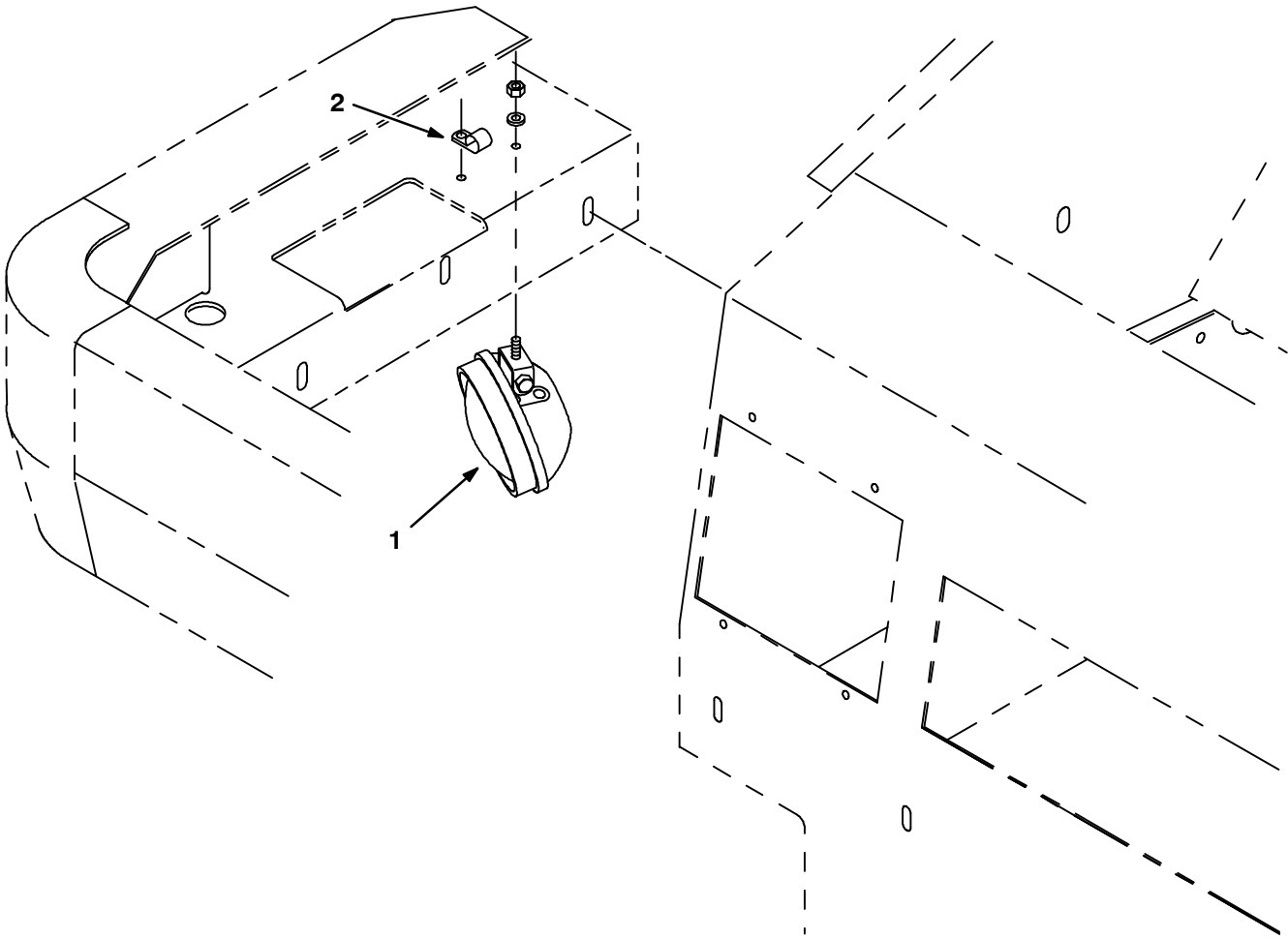


Fig. 10 - Back-Up Alarm Kit, Cab with Pressurizer

| | Ref. | Tennant Part No. | Machine Serial Number | Description | Qty. |
|----|-------------|-------------------------|------------------------------|--|-------------|
| ▽ | | 72094 | (000000- |) Alarm Kit, Bu A/v 355L, Cab with Pressurizer | 1 |
| ▲ | 1 | 49266 | (000000- |) Tie, Cable 1.75D Max 7.50Lg | 5 |
| ▲ | 2 | 10632-9 | (000000- |) Grommet,Rbr, 0.56 In | 1 |
| ▲ | 3 | 61920 | (000000- |) Horn Assy, Back-Up Alarm | 1 |
| ▲▽ | 4 | 36438 | (000000- |) Headlight Assy,210G | 1 |
| ▲▲ | | 36439 | (000000- |) Bulb, 12V .9A 15Cp#1004 | 1 |
| ▲ | 5 | 24576-1 | (000000- |) Bracket, Flasher | 1 |
| ▲ | 6 | 24576 | (000000- |) Flasher, 12V | 1 |
| ▲ | 7 | 23211 | (003189- |) Switch Assy, Roller | 1 |
| ▲ | 8 | 23210 | (003189- |) Nut Speed, Retainer, 8-32 Thd | 2 |
| ▲ | 9 | 10632-18 | (000000- |) Grommet, Rbr, 0.69 ID | 3 |
| ▲ | 10 | 71544 | (000000- |) Harness, Alarm, Backup | 1 |
| ▲ | 11 | 55248 | (000000- |) Cabletie Mount, Adhesive | 2 |
| ▲ | 12 | 70159 | (003189- |) Harness, Adapter, B/u Alarm | 1 |
| | 13 | 72080 | (000000- |) Cover Wldt, Press & Alarm | 1 |
| | 14 | 35905 | (000000-003188) | Switch, Waterproof, 10A | 1 |
| | 15 | 23231 | (000000-003188) | Repl. Kit, Backup Switch | 1 |

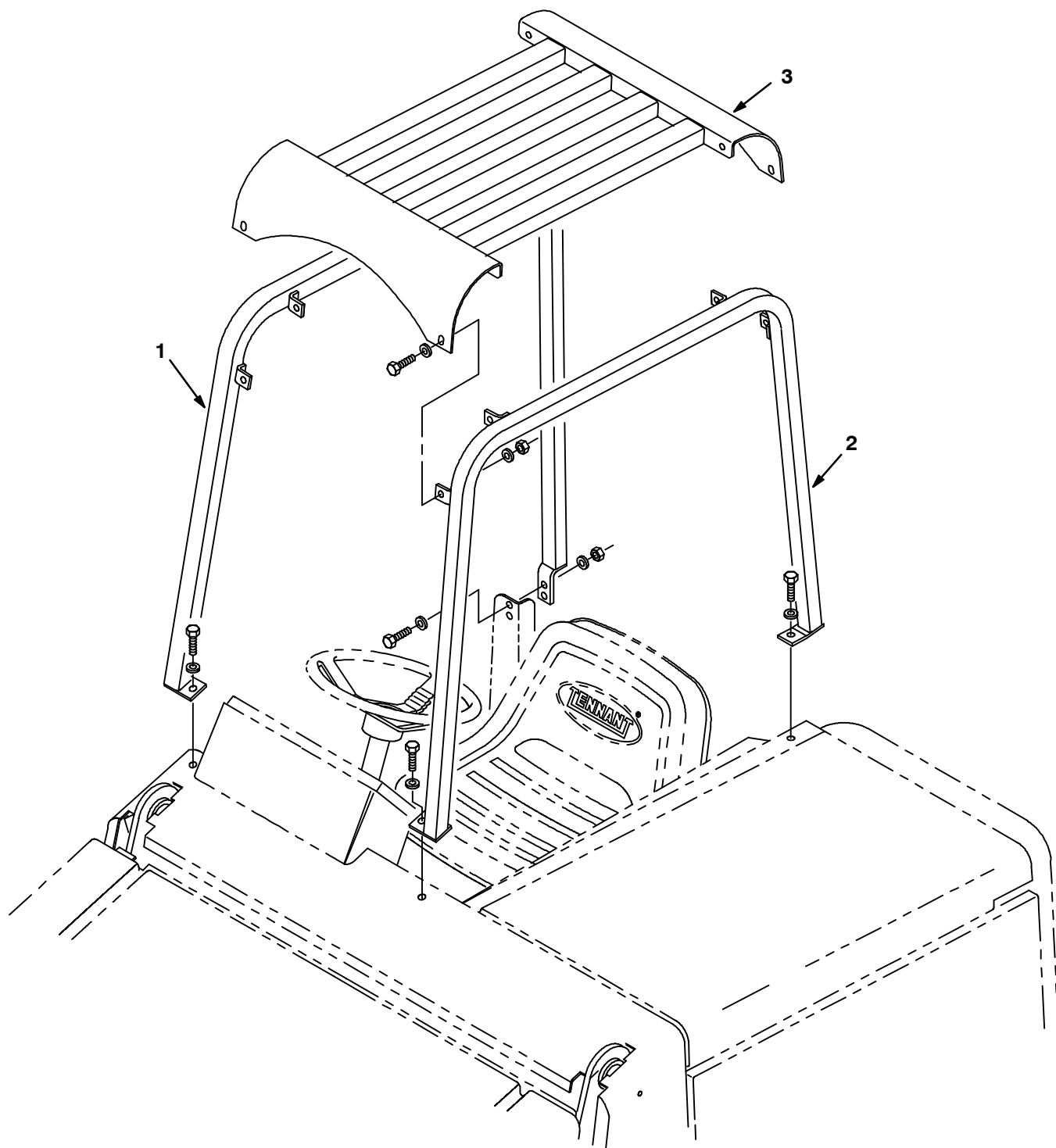
Fig. 11 - Side Brush Light Kit



07930/07514

| Ref. | Tennant Part No. | Machine Serial Number | Description | Qty. |
|------|------------------|-----------------------|--------------------------------|------|
| ▽ | 60372 | (000000- |) Light Kit, Side Brush 355L | 1 |
| ▲▽ | 1 19827 | (000000- |) Light Assy Work/Clr 12V- . A | 1 |
| ▲▲ | 51570 | (000000- |) Bulb GE | 1 |
| ▲ | 2 40678 | (000000- |) Clamp, Cable .44D .62Wide | 1 |

Fig. 12 - Overhead Guard Kit



07865/07469

| Ref. | Tennant Part No. | Machine Serial Number | Description | Qty. |
|------|------------------|-----------------------|--------------------------------|------|
| ∇ | 56595 | (000000-) | Guard Kit, 355L | 1 |
| ▲ | 1 59665 | (000000-) | Tube Wldt, Leg, Ohg,Rh,Painted | 1 |
| ▲ | 2 59666 | (000000-) | Tube Wldt, Leg,Ohg,Lh,Painted | 1 |
| ▲ | 3 56456 | (000000-) | Guard Wldt, Ohg, Top | 1 |

Fig. 13 - Cab Insulation Group

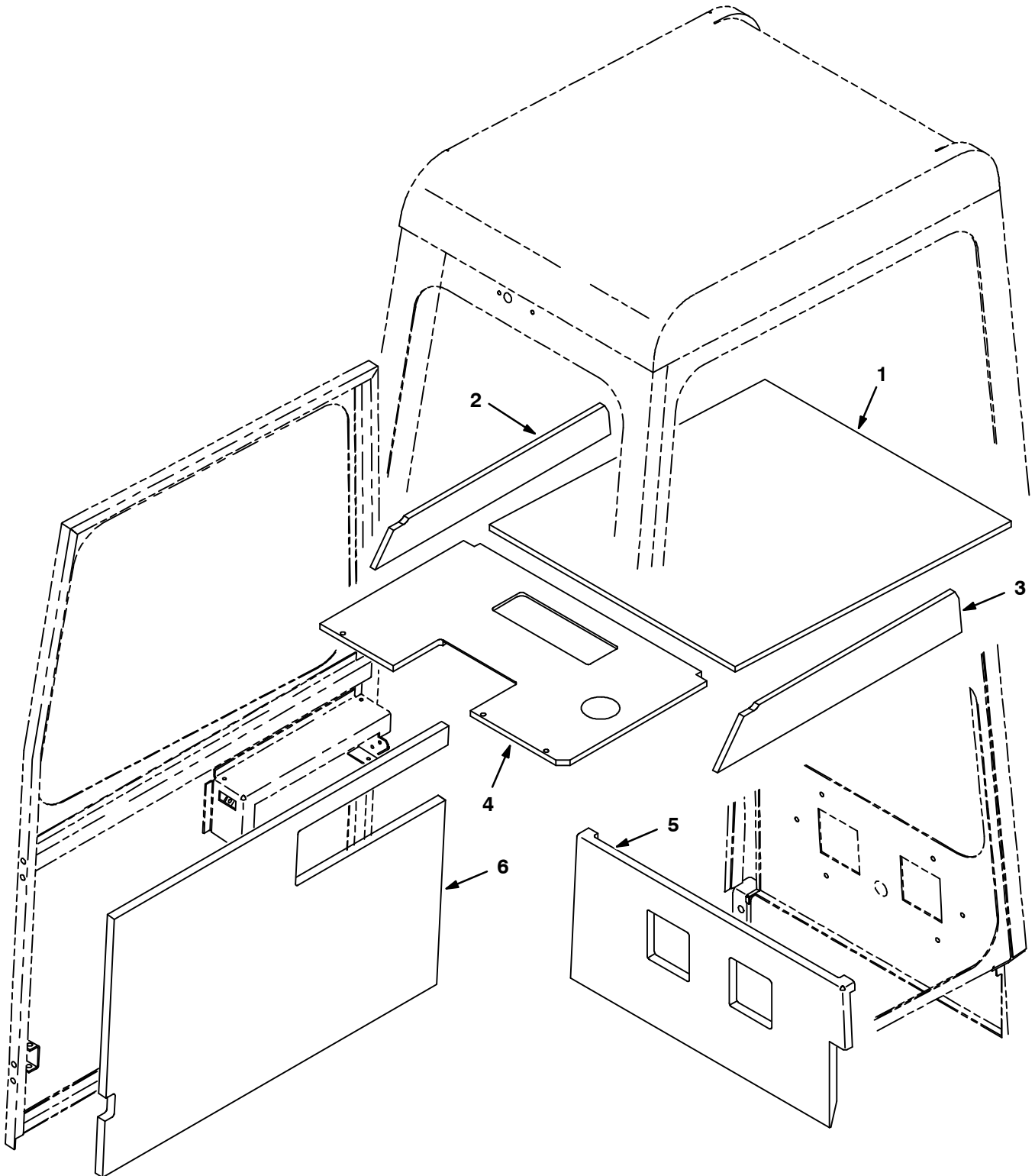


Fig. 13 - Cab Insulation Group

NOTE: Cab Kit, TENNANT Part Number 59511, includes Fig. 13, Fig. 14, Fig. 15, and Fig. 16.

| Ref. | Tennant Part No. | Machine Serial Number | Description | Qty. |
|-------------|-------------------------|------------------------------|-----------------------------|-------------|
| 1 | 55073 | (000000- |) Insulation,S/Foam,Roof | 1 |
| 2 | 55074 | (000000- |) Insulation,S/Foam,Side Rh | 1 |
| 3 | 55161 | (000000- |) Insulation,S/Foam,Side Lh | 1 |
| 4 | 55162 | (000000- |) Insulation,S/Foam,Panel | 1 |
| 5 | 55163 | (000000- |) Insulation,S/Foam Rear | 1 |
| 6 | 55164 | (000000- |) Insulation,S/Foam Door | 1 |

Fig. 14 - Cab Frame and Windows Group

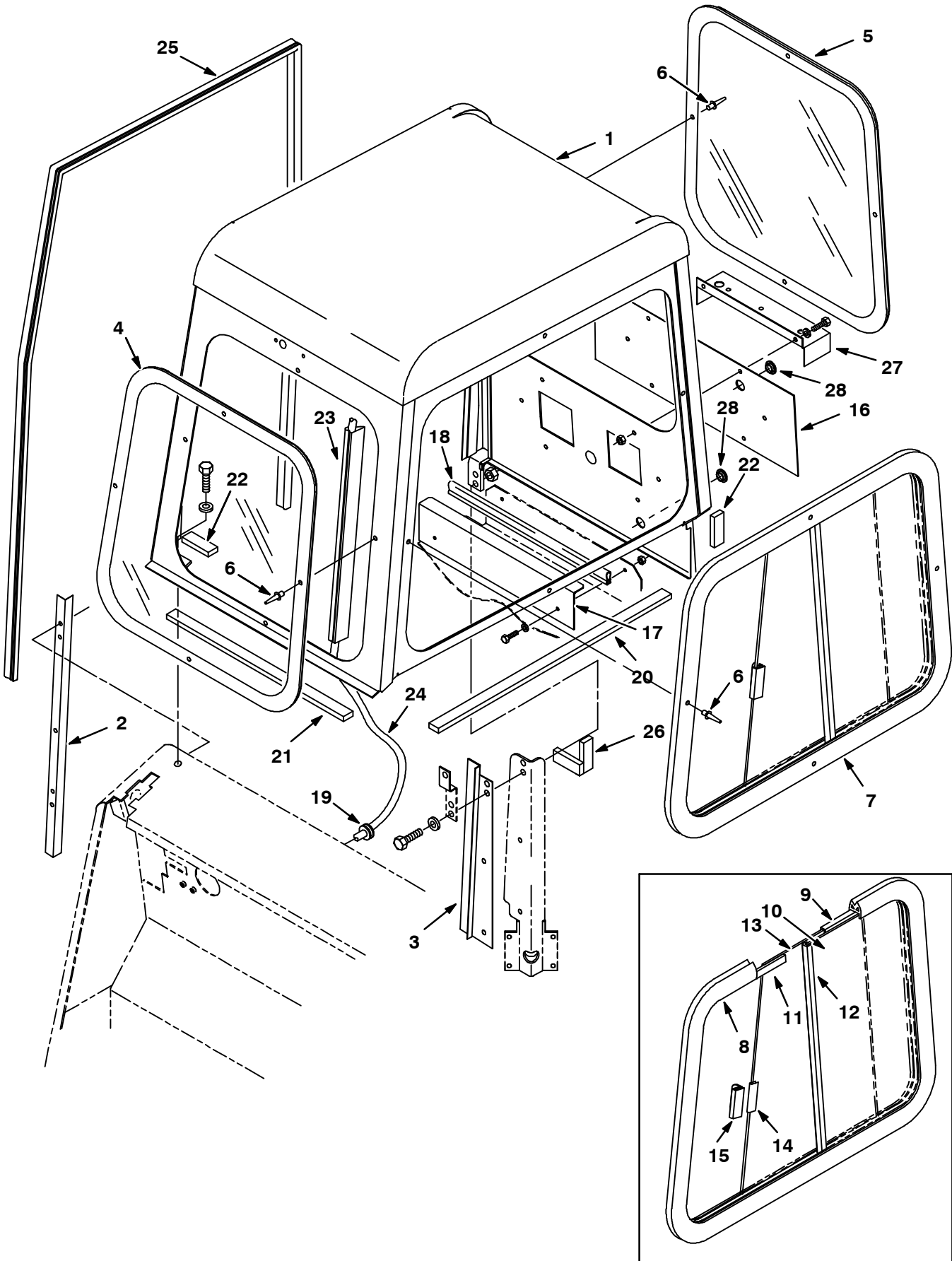


Fig. 14 - Cab Frame and Windows Group

NOTE: Cab Kit, TENNANT Part Number 59511, includes Fig. 13, Fig. 14, Fig. 15, and Fig. 16.

| Ref. | Tennant Part No. | Machine Serial Number | Description | Qty. |
|------|------------------|-----------------------|---|------|
| 1 | 55180 | (000000- |) Cab Wldt | 1 |
| 2 | 56546 | (000000- |) Angle, Door Jamb | 1 |
| 3 | 56560 | (000000- |) Angle, Door Jamb, Lower, Rear | 1 |
| 4 | 74430 | (000000- |) Window, Cab, Front | 1 |
| 5 | 74431 | (000000- |) Window, Cab, Rear | 1 |
| 6 | 56799 | (xxxxxx- |) Rivet, Pop- .125Dx.38x.25Dhd Al | 12 |
| 7 | 74429 | (xxxxxx- |) Window, Cab, Side | 1 |
| 8 | 55393 | (000000-xxxxxx |) Weather Strip, L.H. | 1 |
| 9 | 55395 | (000000-xxxxxx |) Channel,Flexible,L.H | 1 |
| 10 | 58831 | (000000-xxxxxx |) Pane, Glass, Left ,Stationry (Repl. By 74429) | 1 |
| 11 | 51608 | (000000-xxxxxx |) Strip,Rbr.25X.50S&M | 1 |
| 12 | 51677 | (000000-xxxxxx |) Channel, Rigid | 1 |
| 13 | 58832 | (000000-xxxxxx |) Pane, Glass, Left, Sliding (Repl. By 74429) | 1 |
| 14 | 58974 | (000000-xxxxxx |) Pad, Neoprene .06 X .7 X 2.7 | 1 |
| 15 | 15066 | (000000-xxxxxx |) Finger Pull | 1 |
| 16 | 55270 | (000000- |) Plate, Cover | 1 |
| 17 | 55227 | (000000- |) Plate, Seal, Sppt, Seat | 1 |
| 18 | 55228 | (000000- |) Seal, 19.75 Lg | 1 |
| 19 | 56187 | (000000- |) Grommet, Rubber | 1 |
| 20 | 55963 | (000000- |) Seal, Cab, Side | 1 |
| 21 | 55959 | (000000- |) Seal, Cab, Front | 1 |
| 22 | 55968 | (000000- |) Seal, Cab, Side | 2 |
| 23 | 55973 | (000000- |) Duct, Vinyl 24.0 | 1 |
| 24 | 60287 | (000000- |) Harness, Cab | 1 |
| 25 | 66221 | (000000- |) Seal, 142.0 Lg Door | 1 |
| 26 | 66197 | (000000- |) Insulation, Acoustic | 1 |
| 27 | 71058 | (000000- |) Bracket, Back-Up Alarm | 1 |
| 28 | 55035 | (000000- |) Plug, Plastic, 1.00 D | 2 |

Fig. 15 - Cab Door Group

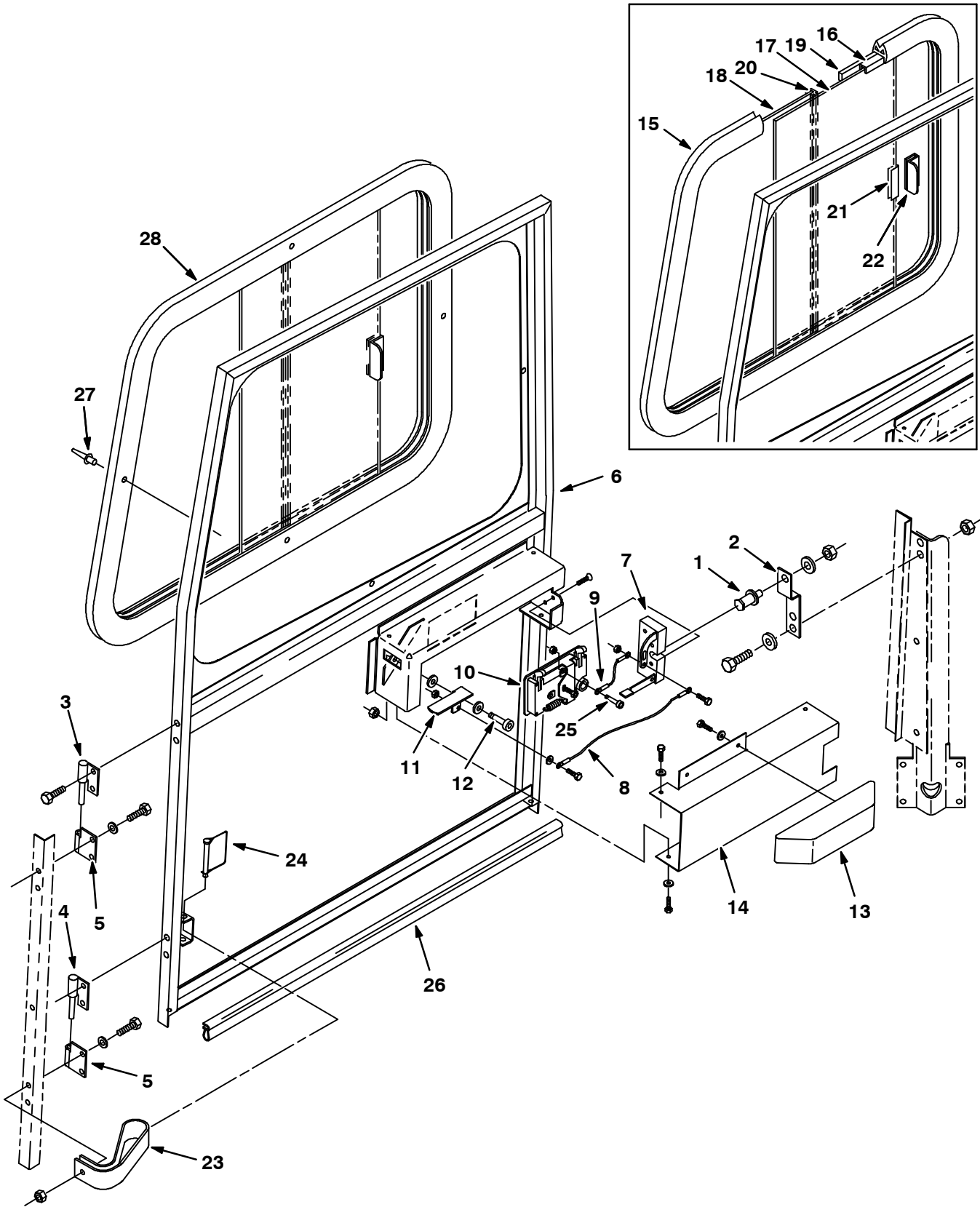


Fig. 15 - Cab Door Group

NOTE: Cab Kit, TENNANT Part Number 59511, includes Fig. 13, Fig. 14, Fig. 15, and Fig. 16.

| Ref. | Tennant Part No. | Machine Serial Number | Description | Qty. |
|-------------|-------------------------|------------------------------|---|-------------|
| 1 | 58898 | (000000- |) Bolt, Latch | 1 |
| 2 | 59032 | (000000- |) Bracket, Latch, Bolt | 1 |
| 3 | 59297 | (000000- |) Hinge Wldt, Long Pin | 1 |
| 4 | 59211 | (000000- |) Hinge Wldt, Short Pin | 1 |
| 5 | 59250 | (000000- |) Hinge Wldt, Cab Door | 2 |
| 6 | 59033 | (000000- |) Door Wldt, Cab | 1 |
| 7 | 59514 | (000000- |) Latch | 1 |
| 8 | 57702 | (000000- |) Cable, Door, Access | 1 |
| 9 | 55038 | (000000- |) Cable, .06D X 5.75 | 1 |
| 10 | 59515 | (000000- |) Handle, Paddle | 1 |
| 11 | 59028 | (000000- |) Lever, Door Release | 1 |
| 12 | 02129 | (000000- |) Scr-Shld .375Dx0.38L .31-18 | 1 |
| 13 | 34280 | (000000- |) Armrest Cab | 1 |
| 14 | 59031 | (000000- |) Cover, Bracket, Armrest | 1 |
| 15 | 23866 | (000000-xxxxxx |) Weatherstrip,Rubber | 1 |
| 16 | 23865 | (000000-xxxxxx |) Channel,Glassrun,Flx#B127, 110 | 1 |
| 17 | 58830 | (000000-xxxxxx |) Pane, Acrylc, Door,Sliding (Repl. By 74428) | 1 |
| 18 | 58823 | (000000-xxxxxx |) Pane, Acrylc, Door,Stationry (Repl. By 74428) | 1 |
| 19 | 23863 | (000000-xxxxxx |) Strip,Rbr.25X.50S&M #6422,55.0 | 1 |
| 20 | 51677 | (000000-xxxxxx |) Channel, Rigid | 1 |
| 21 | 58974 | (000000-xxxxxx |) Pad, Neoprene .06 X .7 X 2.7 | 1 |
| 22 | 15066 | (000000-xxxxxx |) Finger Pull | 1 |
| 23 | 60862 | (000000- |) Sleeve, Door Stop | 1 |
| 24 | 02662 | (000000- |) Pin Assy, Keeper | 1 |
| 25 | 31249 | (000000- |) Scr-Shld .250Dx1.25L 10-24 | 1 |
| 26 | 72024 | (000000- |) Seal, Cab Door | 1 |
| 27 | 56799 | (xxxxxx- |) Rivet, Pop- .125Dx.38x.25Dhd Al | 4 |
| 28 | 74428 | (xxxxxx- |) Window, Cab, Door | 1 |

Fig. 16 - Cab Electrical and Wiper Group

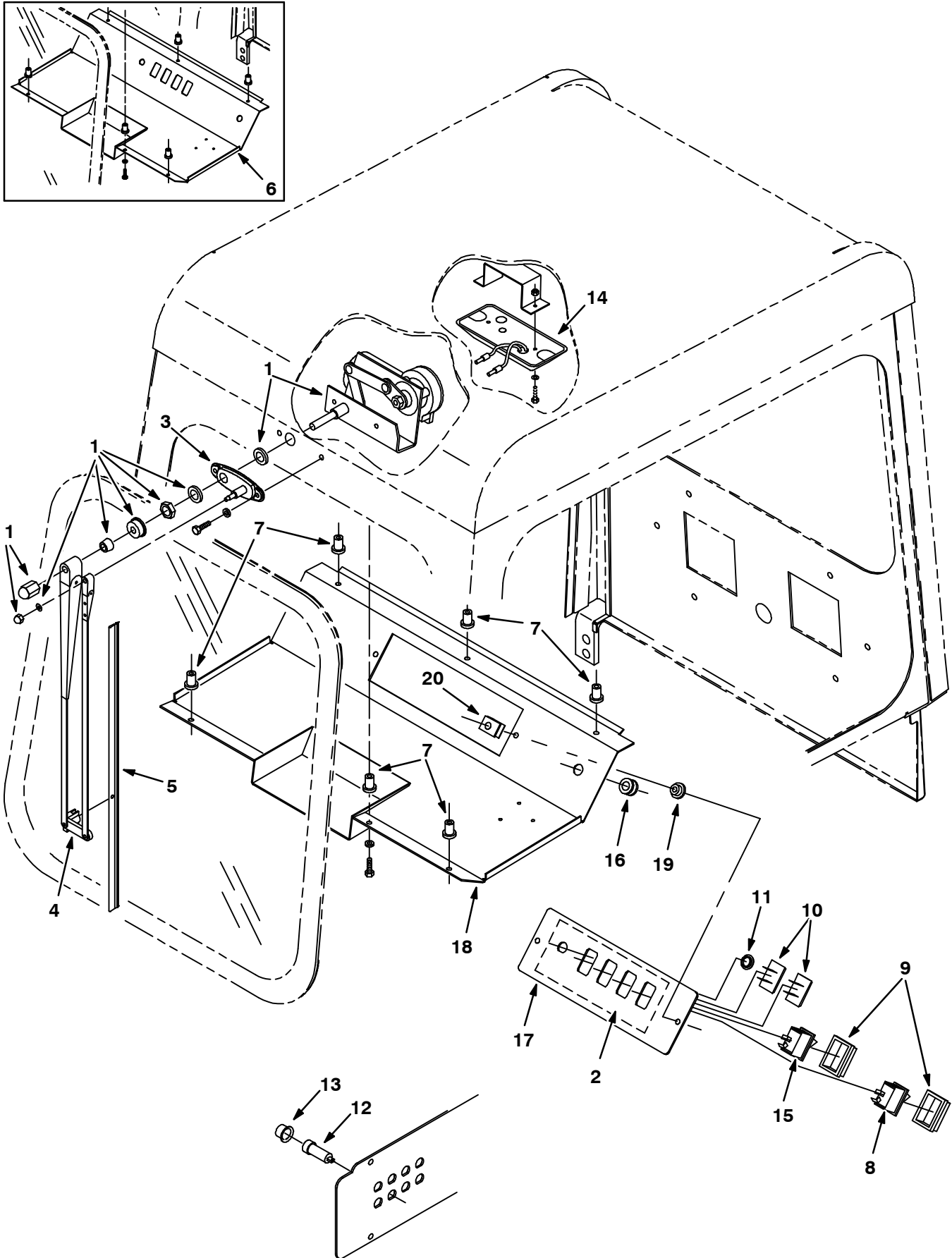


Fig. 16 - Cab Electrical and Wiper Group

NOTE: Cab Kit, TENNANT Part Number 59511, includes Fig. 13, Fig. 14, Fig. 15, and Fig. 16.

| Ref. | Tennant Part No. | Machine Serial Number | Description | Qty. |
|------|------------------|-----------------------|----------------------------------|------|
| 1 | 59803 | (000000- |) Motor-Ele 12V, Wiper, Windshld | 1 |
| 2 | 55181 | (000000- |) Label, Operational, Cab | 1 |
| 3 | 59797 | (000000- |) Plate, Mtg, Wiper Kit | 1 |
| 4 | 59799 | (000000- |) Arm, Windshield Wiper, Panto | 1 |
| 5 | 74433 | (000000- |) Blade, Windshield Wiper, 18" | 1 |
| 6 | 72099 | (000000-001196 |) Cover Wldt Replacement Kit | 1 |
| 7 | 41845 | (000000- |) Well-Nut .25-20 #1/4-5 | 6 |
| 8 | 65553 | (000000- |) Switch, Rocker Dpdt | 1 |
| 9 | 57807 | (000000- |) Cover, Rocker Switch Seal | 2 |
| 10 | 57772 | (000000- |) Plate-Cover | 2 |
| 11 | 57167 | (000000- |) Plugbtn .62H .03-.12 Blacknyl | 1 |
| 12 | 57803 | (000000- |) Breaker-Circuit, 15 Resetbl | 1 |
| 13 | 57751 | (000000- |) Boot-Circuit Breaker | 1 |
| ∇ | 14 | 55461 | (000000-) Light Assy, Dome | 1 |
| ▲ | | 72142 | (000000-) Bulb | 1 |
| 15 | 65561 | (000000- |) Switch, Rocker Spst | 1 |
| 16 | 10632-12 | (000000- |) Grommet,Rbr, 0.38 In | 1 |
| 17 | 71057 | (001197- |) Panel, Switch, Cab | 1 |
| 18 | 72049 | (001197- |) Cover Wldt | 1 |
| 19 | 01047 | (001197- |) Retainer | 2 |
| 20 | 12271 | (001197- |) Nut, U M6 X 1,0 | 2 |

Fig. 17 - Cab Pressurizer Kit

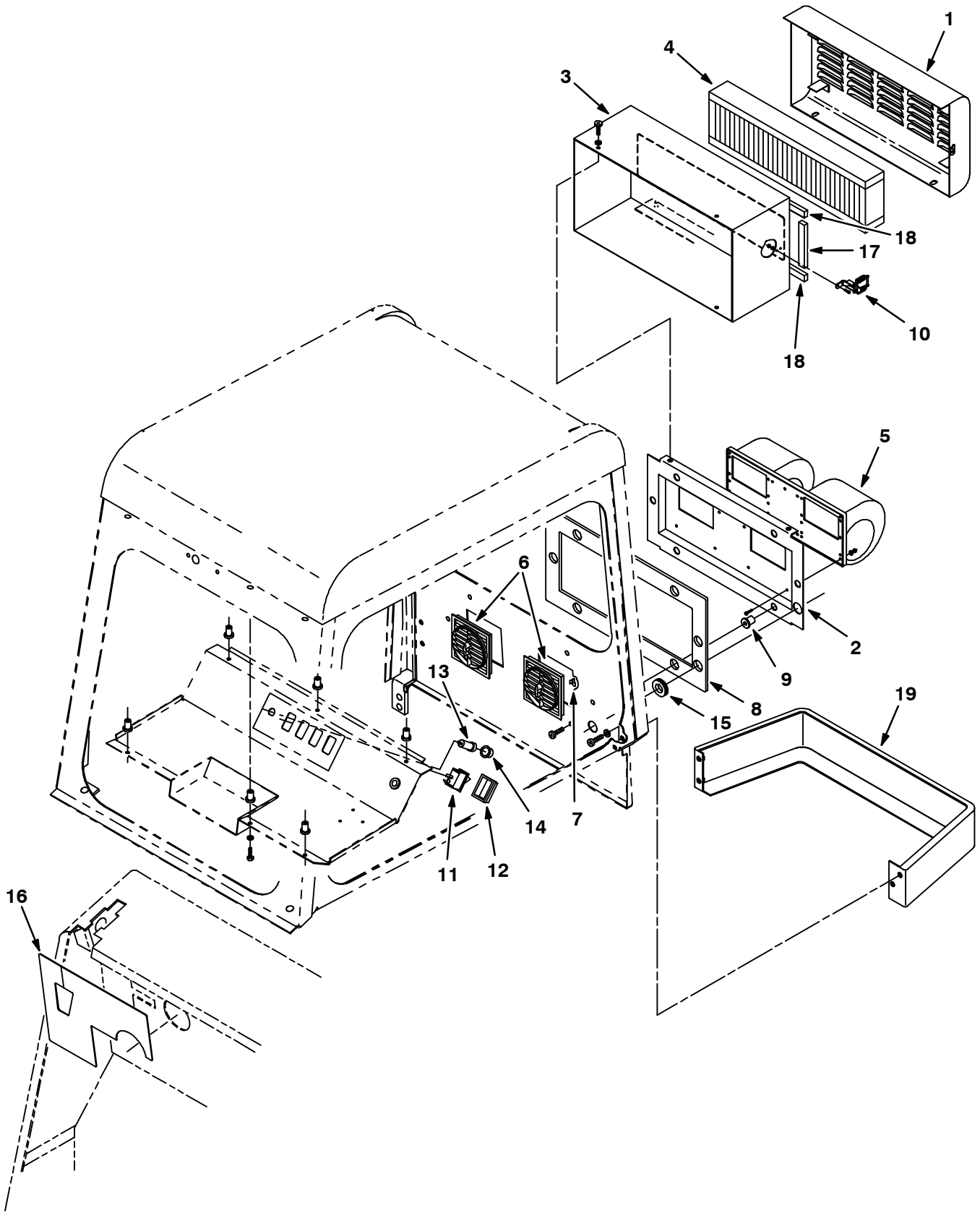


Fig. 17 - Cab Pressurizer Kit

| Ref. | Tennant Part No. | Machine Serial Number | Description | Qty. |
|-------------|-------------------------|------------------------------|----------------------------------|-------------|
| ▽ | 59557 | (000000- |) Pressurizer Kit Cab 355 | 1 |
| ▲ 1 | 55213 | (000000- |) Housing Wldt, Filter | 1 |
| ▲ 2 | 59437 | (000000- |) Panel, Mtg, Pressurizer | 1 |
| ▲ 3 | 55211 | (000000- |) Cover Wldt, Pressurizer | 1 |
| ▲ 4 | 59657 | (000000- |) Filter, Panel 5.25 X 18.5 X 2 | 1 |
| ▲ 5 | 55042 | (000000- |) Blower, Assy | 1 |
| ▲ 6 | 57536 | (000000- |) Louver Assy | 2 |
| ▲ 7 | 57537 | (000000- |) Fastener, Clip-Louver | 8 |
| ▲ 8 | 55182 | (000000- |) Seal, Pressurizer | 1 |
| ▲ 9 | 55037 | (000000- |) Well-Nut .31-18 | 6 |
| ▲ 10 | 37083-1 | (000000- |) Catch-No-Strike | 2 |
| ▲ 11 | 65553 | (000000- |) Switch, Rocker Dpdt | 1 |
| ▲ 12 | 57807 | (000000- |) Cover, Rocker Switch Seal | 1 |
| ▲ 13 | 57803 | (000000- |) Breaker-Circuit, 15 Resetbl | 1 |
| ▲ 14 | 57751 | (000000- |) Boot-Circuit Breaker | 1 |
| ▲ 15 | 10632-18 | (000000- |) Grommet,Rbr, 0.69 In | 1 |
| ▲ 16 | 66220 | (000000- |) Seal, Side Brush Lift | 1 |
| ▲ 17 | 55404 | (000000- |) Seal Foam Rbr .38 .62W 4.4L | 2 |
| ▲ 18 | 55302 | (000000- |) Seal Foam Rbr .38 .62W 18.6L | 2 |
| ▲ 19 | 55453 | (000000- |) Bumper, Pressurizer | 1 |
| ▲ | 46236 | (000000- |) Clamp, Cable, 0.25Dia 0.56 wth | 1 |

Fig. 17a - Cab Dust Kit

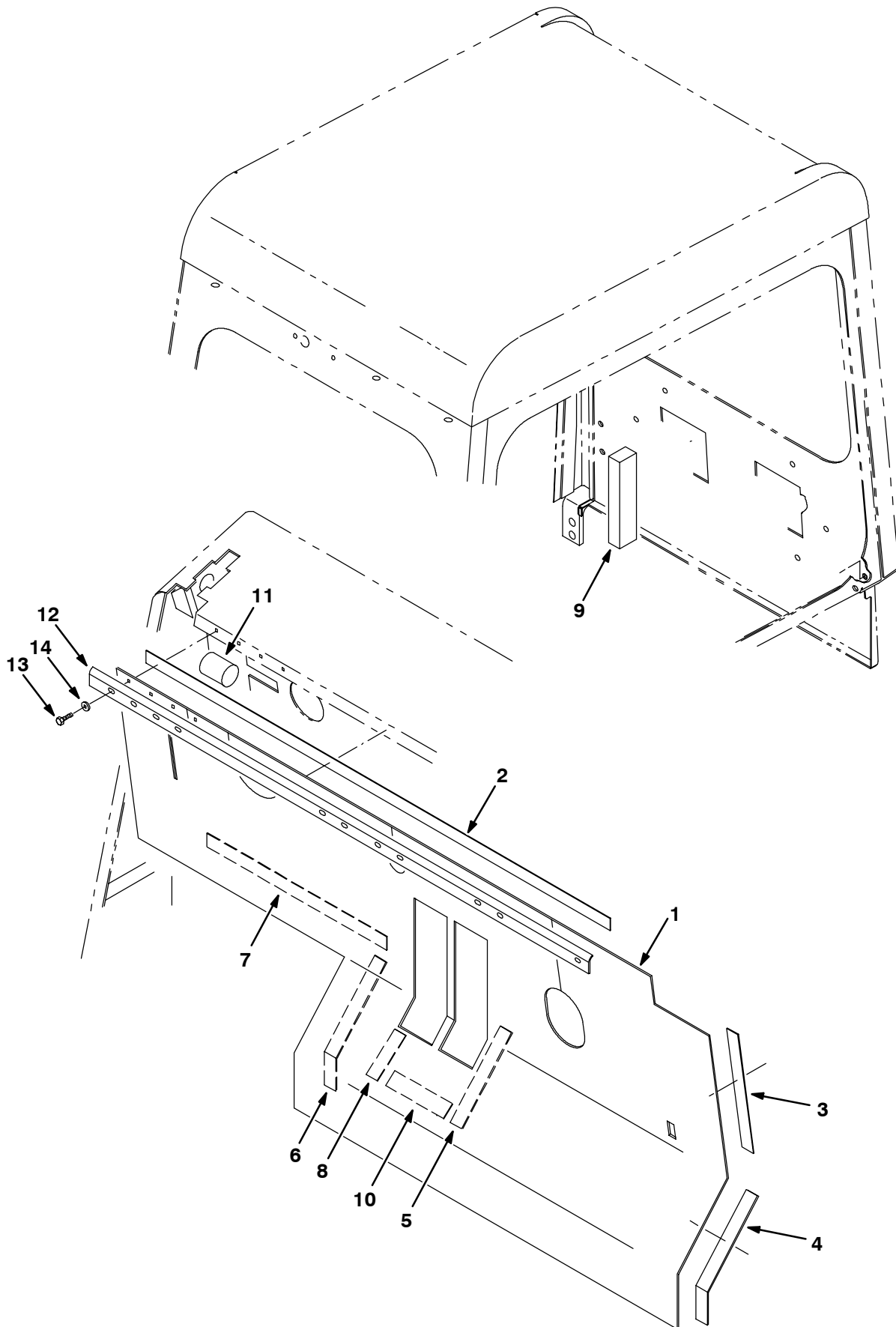


Fig. 17a - Cab Dust Kit

| | Ref. | Tennant Part No. | Machine Serial Number | Description | Qty. |
|---|-------------|-------------------------|------------------------------|----------------------------------|-------------|
| ▽ | | 370115 | (000000- |) Cab Dust Kit | 1 |
| ▲ | 1 | 370116 | (000000- |) Skirt, Firewall, Rh | 1 |
| ▲ | 2 | 370117 | (000000- |) Strip, Velcro 45 Inches Long | 1 |
| ▲ | 3 | 370118 | (000000- |) Strip, Velcro 9.75 Inches Long | 1 |
| ▲ | 4 | 370119 | (000000- |) Strip, Velcro 11 Inches Long | 1 |
| ▲ | 5 | 370120 | (000000- |) Strip, Velcro 15 Inches Long | 1 |
| ▲ | 6 | 370121 | (000000- |) Strip, Velcro 12 Inches Long | 1 |
| ▲ | 7 | 370122 | (000000- |) Strip, Velcro 16.5 Inches Long | 1 |
| ▲ | 8 | 370129 | (000000- |) Strip, Velcro 3.25 Inches Long | 1 |
| ▲ | 9 | 370124 | (000000- |) Seal, Seat Side 1x1.5x6.75 | 1 |
| ▲ | 10 | 370130 | (000000- |) Strip, Velcro | 1 |
| ▲ | 11 | 370125 | (000000- |) Seal, Round 1.5Dx2.0L | 2 |
| ▲ | 12 | 370159 | (000000- |) Strip, Steel | 1 |
| ▲ | 13 | 12459 | (000000- |) Scr-Hxfmgm 6x1.0 | 11 |
| ▲ | 14 | 01684 | (000000- |) Washer Flt .25 Ss | 11 |

Fig. 18 - Cab Heater Kit

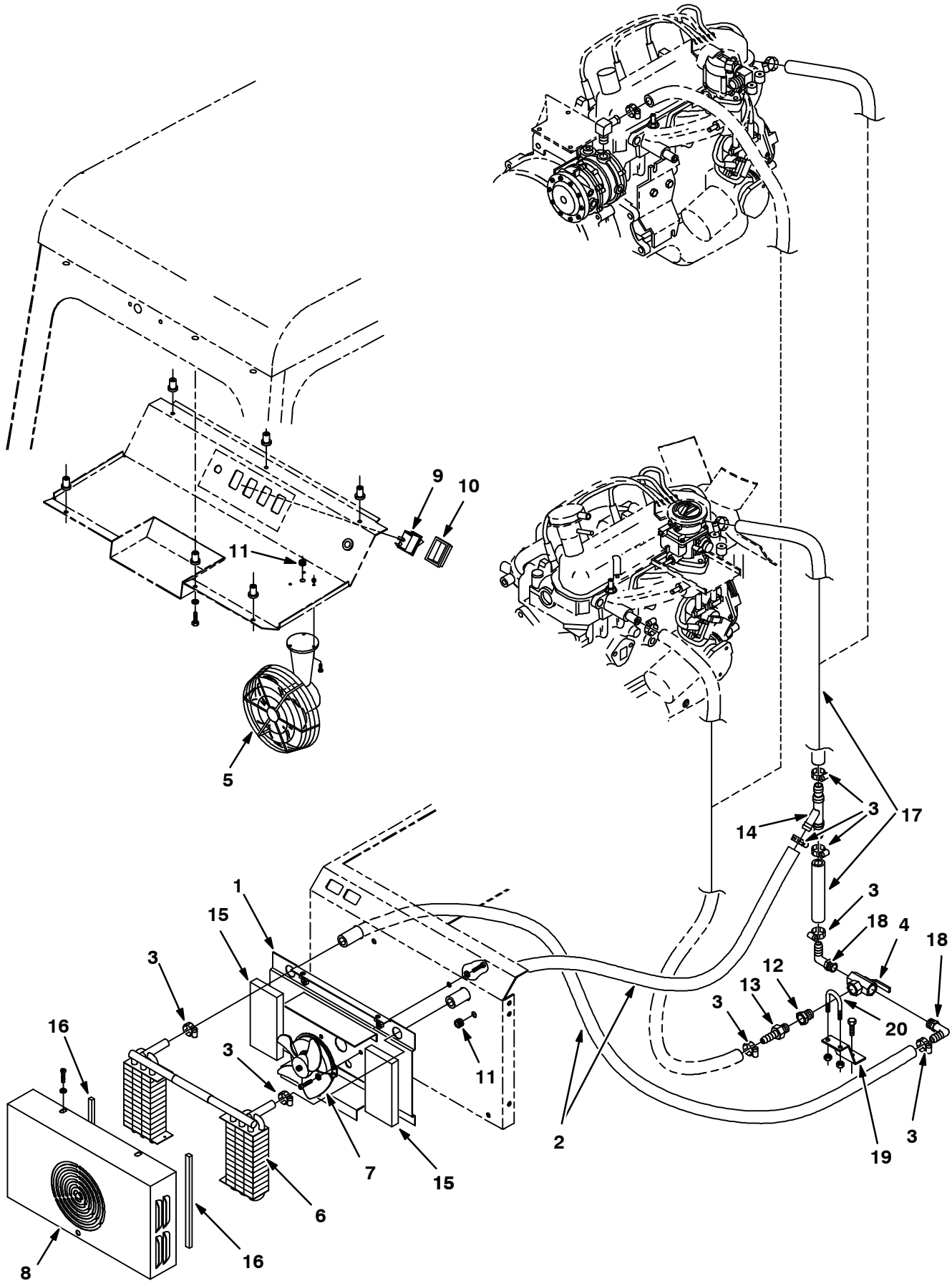


Fig. 18 - Cab Heater Kit

| Ref. | Tennant Part No. | Machine Serial Number | Description | Qty. |
|------|------------------|-----------------------|---------------------------------|------|
| ▽ | 59512 | (000000- |) Heater Kit 355L | 1 |
| ▲ | 1 55220 | (000000- |) Channel Wldt, Heater | 1 |
| ▲ | 2 57912 | (000000- |) Hose,.62 Idx60.00 Lng, Heater | 2 |
| ▲ | 3 63810 | (000000- |) Clamp-Wormdrive, 0.56- 1.06D | 8 |
| ▲ | 4 31507 | (000000- |) Valve-3 Way | 1 |
| ▲ | 5 55459 | (000000- |) Fan Assy, Defroster | 1 |
| ▲ | 6 55215 | (000000- |) Core, Heater | 1 |
| ▲ | 7 374515 | (000000-003837 |) Replm Kit, Fan Motor F/55216 | 1 |
| ▲ | 7 374514 | (003838- |) Motor Assy, Heater W/Fan | 1 |
| ▲ | 8 55221 | (000000- |) Cover, Heater | 1 |
| ▲ | 9 65561 | (000000- |) Switch, Rocker Spst | 1 |
| ▲ | 10 57807 | (000000- |) Cover, Rocker Switch Seal | 1 |
| ▲ | 11 10632-12 | (000000- |) Grommet,Rbr, 0.38 In | 2 |
| ▲ | 12 47167 | (000000- |) Ftg-Str Npt/Npt 06Pf-08Pm | 1 |
| ▲ | 13 27767 | (000000- |) Ftg-Brs Str Em10/Pm06 | 2 |
| ▲ | 14 57872 | (000000- |) Ftg."Y".62 Id Hose - Heater | 1 |
| ▲ | 15 55226 | (000000- |) Seal, Heater Air | 2 |
| ▲ | 16 55976 | (000000- |) Seal, Foam Rbr .31X.38X | 2 |
| ▲ | 17 31543 | (000000- |) Hose, Heater (Cut in 2) | 1 |
| ▲ | 18 30268 | (000000- |) Ftg-Brs E90 EM10/Pm08 | 2 |
| ▲ | 19 35296 | (000000- |) Bracket, Valve | 1 |
| ▲ | 20 45142 | (000000- |) Bolt-U, 1.13 Id | 1 |

Fig. 19 - Blower Kit

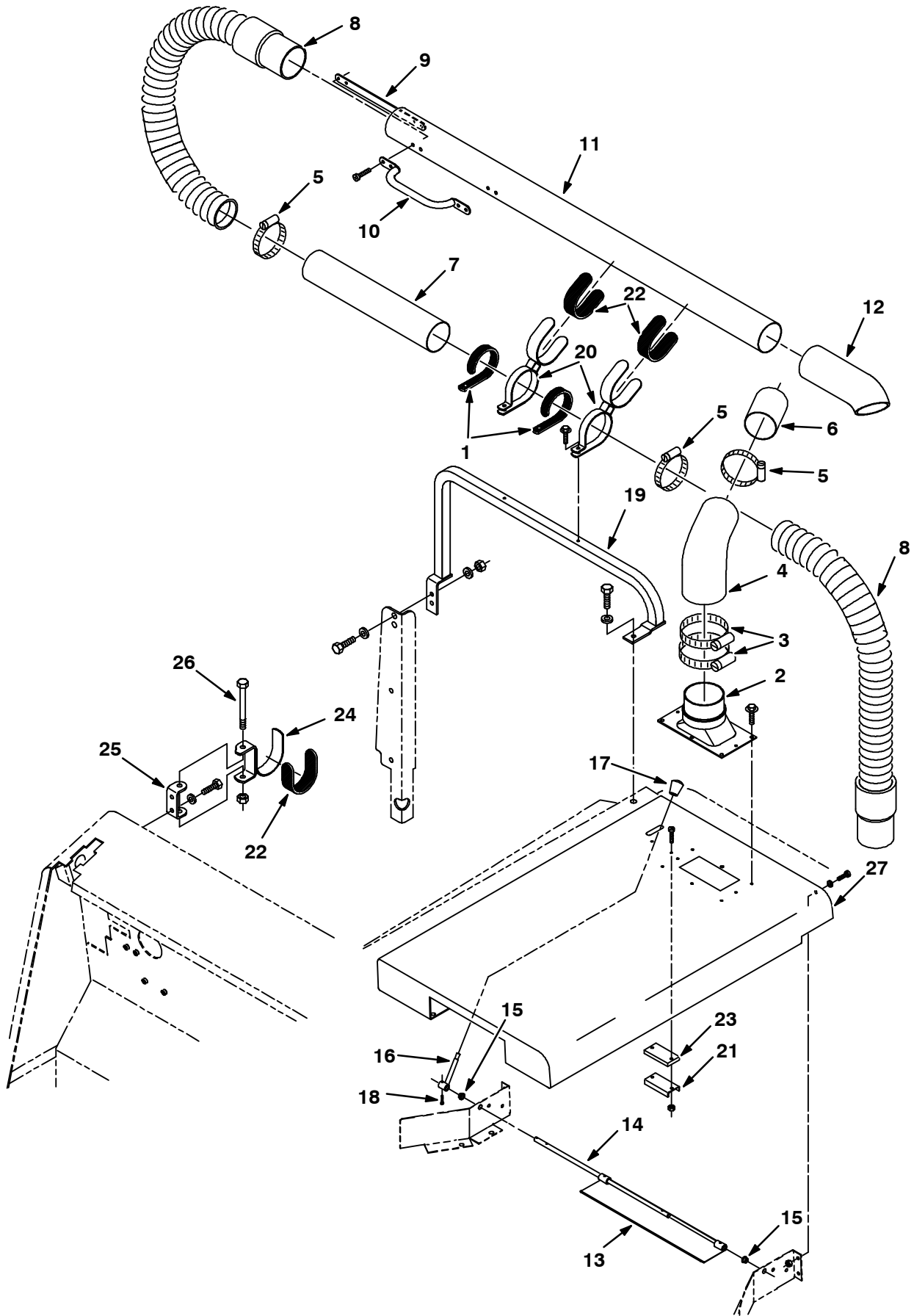


Fig. 19 - Blower Kit

| Ref. | Tennant Part No. | Machine Serial Number | Description | Qty. |
|------|------------------|-----------------------|------------------------------------|------|
| ▽ | 56621 | (000000- |) Blower Kit 355L | 1 |
| ▲ | 1 71025 | (000000- |) Pad, Rubber | 2 |
| ▲ | 2 72143 | (000000- |) Duct, Outlet, Blower Wand | 1 |
| ▲ | 3 23498 | (000000- |) Clamp-Wormdrive, 3.56- 4.50D | 2 |
| ▲ | 4 59919 | (000000- |) Hose, Reducer | 1 |
| ▲ | 5 43555 | (000000- |) Clamp-Wormdrive, 1.62- 3.50D | 3 |
| ▲ | 6 53894 | (000000- |) Tube, Plastic, 3.0 Od X 4.0Lg | 1 |
| ▲ | 7 53883 | (000000- |) Tube, Plastic, 3.0 Od X 16.0Lg | 1 |
| ▲ | 8 64320 | (000000- |) Hose& Cuff Assy,Vinyl3.0ldx 24 | 2 |
| ▲ | 9 69937 | (000000- |) Plate, Backing, Handle | 1 |
| ▲ | 10 32822 | (000000- |) Handle, Grab | 1 |
| ▲ | 11 53895 | (000000- |) Tube, Plastic, 3.0 Od X 48.0Lg | 1 |
| ▲ | 12 59104 | (000000- |) Hose, Rbr | 1 |
| ▲ | 13 59012 | (000000- |) Plate Wldt, Blower Wand | 1 |
| ▲ | 14 59013 | (000000- |) Shaft, Baffle | 1 |
| ▲ | 15 63469-3 | (000000- |) Brg, Snap In - Nyliner .38 Id | 2 |
| ▲ | 16 58881 | (000000- |) Lever Wldt, Baffle, Blowr Wand | 1 |
| ▲ | 17 69955 | (000000- |) Knob, Black, M8 | 1 |
| ▲ | 18 23999-6 | (000000- |) Pin,Roll,.09Odx0.75L,.094/.097 | 1 |
| ▲ | 19 69923 | (000000- |) Tube Wldt, Sppt, Blower Wand | 1 |
| ▲ | 20 55489 | (000000- |) Clamp Wldt, Tube, Blower Wand | 2 |
| ▲ | 21 63378 | (000000- |) Magnet, Drive Brush | 1 |
| ▲ | 22 69981 | (000000- |) Pad, Rubber | 3 |
| ▲ | 23 69953 | (000000- |) Plate, Spacer, Magnet | 1 |
| ▲ | 24 74438 | (000000- |) Bracket Wldt, Support, Blower | 1 |
| ▲ | 25 74439 | (000000- |) Bracket, Mtg, Tube | 1 |
| ▲ | 26 34877 | (000000- |) Scr Hex M10X1.5 100 | 1 |
| ▲ | 59768 | (000000- |) Label Set, Operational 355L | 1 |
| ▲ | 27 69935 | (000000- |) Cover Weldt, Engine, Blower Wand | 1 |

Fig. 20 - Blower Kit, Overhead Guard

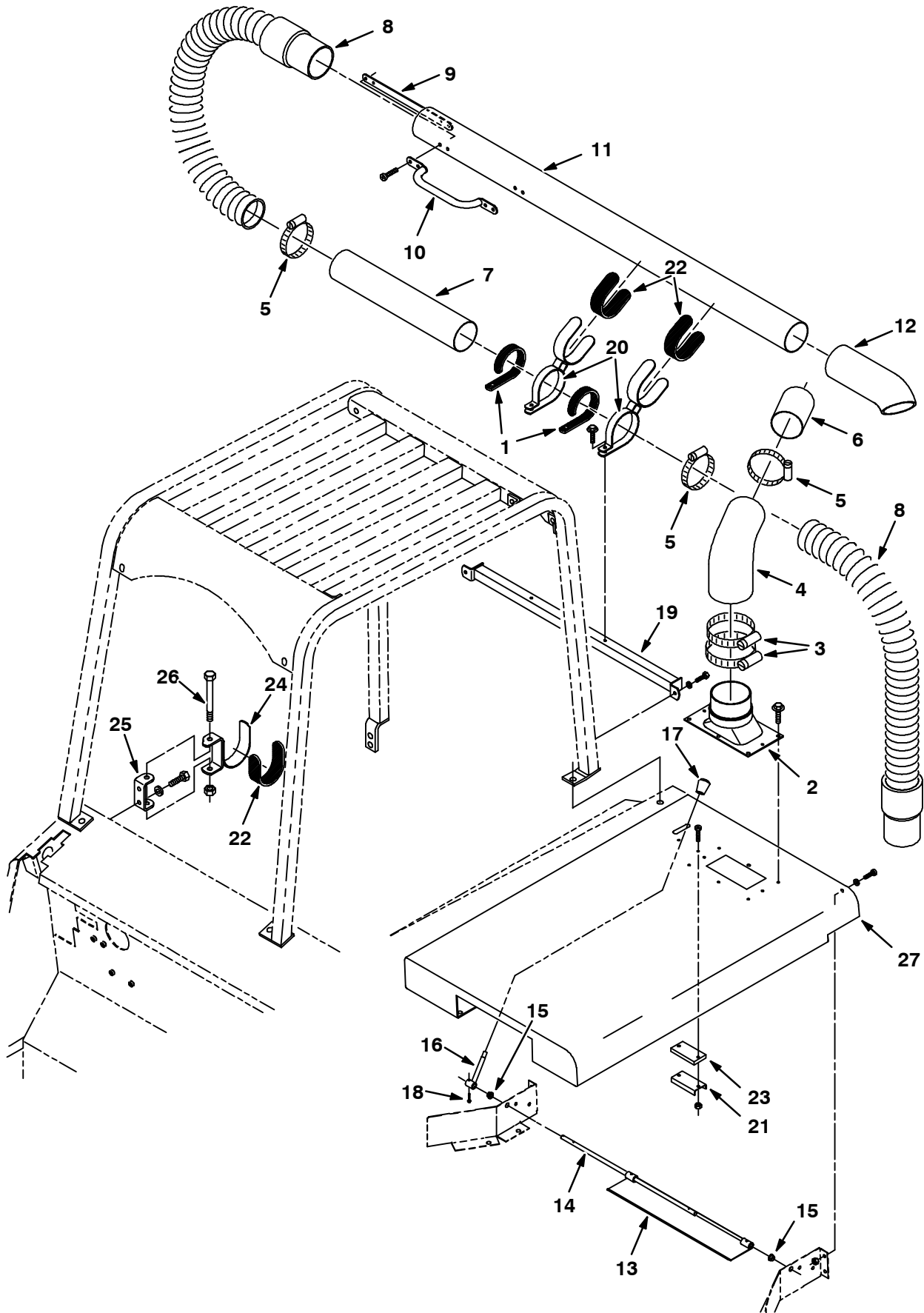


Fig. 20 - Blower Kit, Overhead Guard

| Ref. | Tennant Part No. | Machine Serial Number | Description | Qty. |
|------|------------------|-----------------------|------------------------------------|------|
| ▽ | 69984 | (000000- |) Blower Kit, W/Ohg | 1 |
| ▲ | 1 71025 | (000000- |) Pad, Rubber | 2 |
| ▲ | 2 72143 | (000000- |) Duct, Outlet, Blower Wand | 1 |
| ▲ | 3 23498 | (000000- |) Clamp-Wormdrive, 3.56- 4.50D | 2 |
| ▲ | 4 59919 | (000000- |) Hose, Reducer | 1 |
| ▲ | 5 43555 | (000000- |) Clamp-Wormdrive, 1.62- 3.50D | 3 |
| ▲ | 6 53894 | (000000- |) Tube, Plastic, 3.0 Od X 4.0Lg | 1 |
| ▲ | 7 53883 | (000000- |) Tube, Plastic, 3.0 Od X 16.0Lg | 1 |
| ▲ | 8 64320 | (000000- |) Hose& Cuff Assy,Vinyl3.0ldx 24 | 2 |
| ▲ | 9 69937 | (000000- |) Plate, Backing, Handle | 1 |
| ▲ | 10 32822 | (000000- |) Handle, Grab | 1 |
| ▲ | 11 53895 | (000000- |) Tube, Plastic, 3.0 Od X 48.0Lg | 1 |
| ▲ | 12 59104 | (000000- |) Hose, Rbr | 1 |
| ▲ | 13 59012 | (000000- |) Plate Wldt, Blower Wand | 1 |
| ▲ | 14 59013 | (000000- |) Shaft, Baffle | 1 |
| ▲ | 15 63469-3 | (000000- |) Brg, Snap In - Nyliner .38 Id | 2 |
| ▲ | 16 58881 | (000000- |) Lever Wldt, Baffle, Blowr Wand | 1 |
| ▲ | 17 69955 | (000000- |) Knob, Black, M8 | 1 |
| ▲ | 18 23999-6 | (000000- |) Pin,Roll,.09Odx0.75L,.094/.097 | 1 |
| ▲ | 19 69958 | (000000- |) Tube Wldt, Sppt, Blower Wand | 1 |
| ▲ | 20 55489 | (000000- |) Clamp Wldt, Tube, Blower Wand | 2 |
| ▲ | 21 63378 | (000000- |) Magnet, Drive Brush | 1 |
| ▲ | 22 69981 | (000000- |) Pad, Rubber | 3 |
| ▲ | 23 69953 | (000000- |) Plate, Spacer, Magnet | 1 |
| ▲ | 24 74438 | (000000- |) Bracket Wldt, Support, Blower | 1 |
| ▲ | 25 74439 | (000000- |) Bracket, Mtg, Tube | 1 |
| ▲ | 26 34877 | (000000- |) Scr Hex M10X1.5 100 | 1 |
| ▲ | 59768 | (000000- |) Label Set, Operational 355L | 1 |
| ▲ | 27 69935 | (000000- |) Cover Weldt, Engine, Blower Wand | 1 |

Fig. 21 - Vacuum Wand Kit

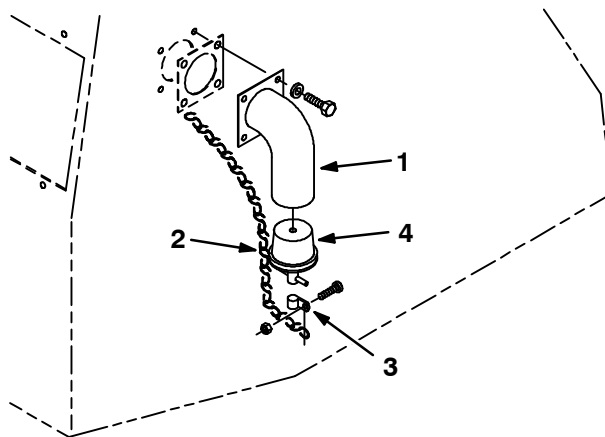
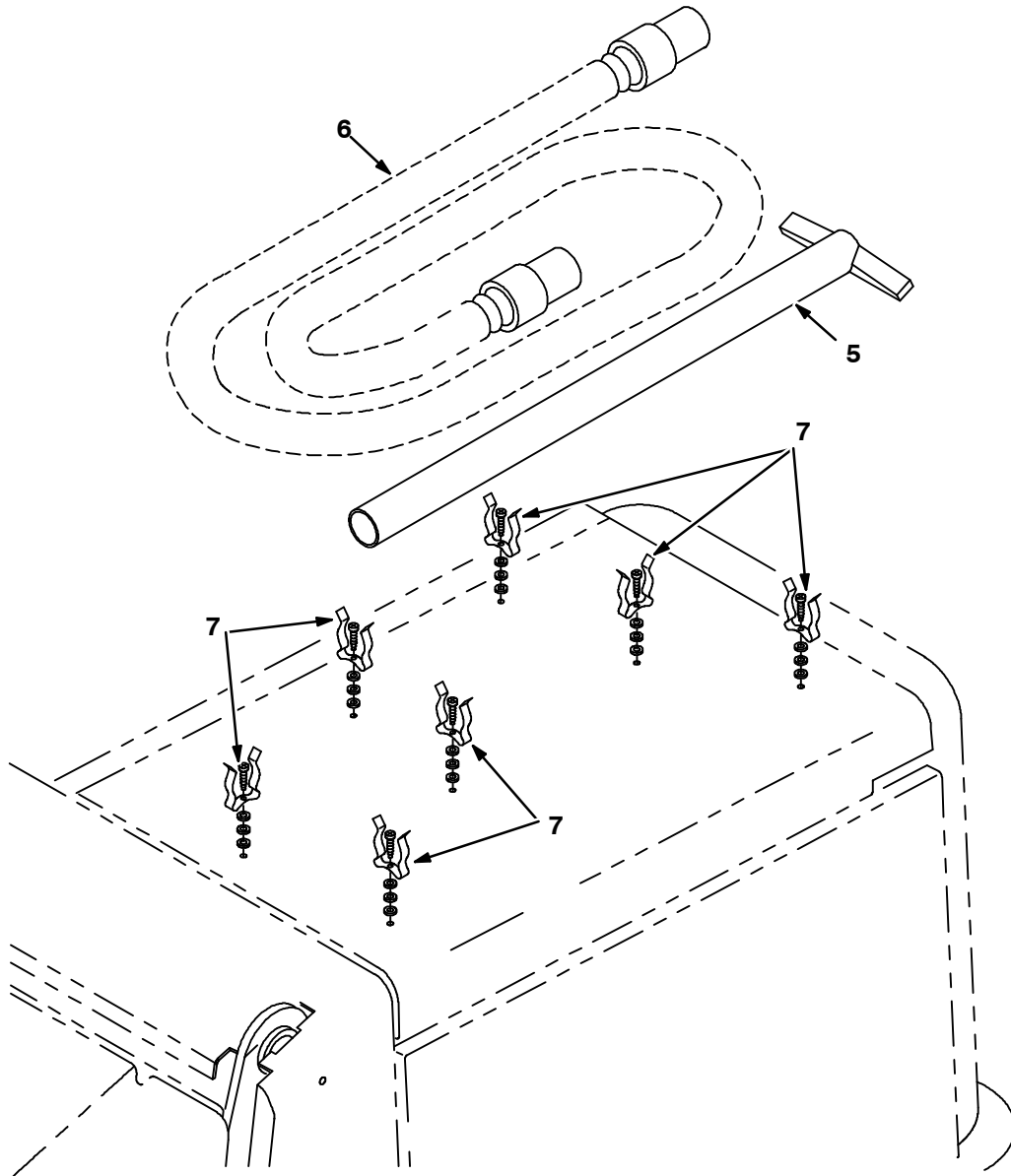


Fig. 21 - Vacuum Wand Kit

| | Ref. | Tennant Part No. | Machine Serial Number | Description | Qty. |
|---|-------------|-------------------------|------------------------------|----------------------------------|-------------|
| ▽ | | 59540 | (000000- |) Wand Kit, Vac | 1 |
| ▲ | 1 | 55964 | (000000- |) Adaptor Wldt, Vac Wand | 1 |
| ▲ | 2 | 44166 | (000000- |) Chain,Jack#12, 6Links,Znc | 1 |
| ▲ | 3 | 26395-2 | (000000- |) Clamp-Cable, 0.38Dia 0.38Wth | 1 |
| ▲ | 4 | 42124 | (000000- |) Plug, Drain | 1 |
| ▲ | 5 | 54012 | (000000- |) Wand Weldment | 1 |
| ▲ | 6 | 54009 | (000000- |) Hose&2Cuff Assy,Vinyl2.0ld10Ft | 1 |
| ▲ | 7 | 67004 | (000000- |) Clip-Finger Grip | 7 |

Fig. 22 - Side Brush Dust Control Kit

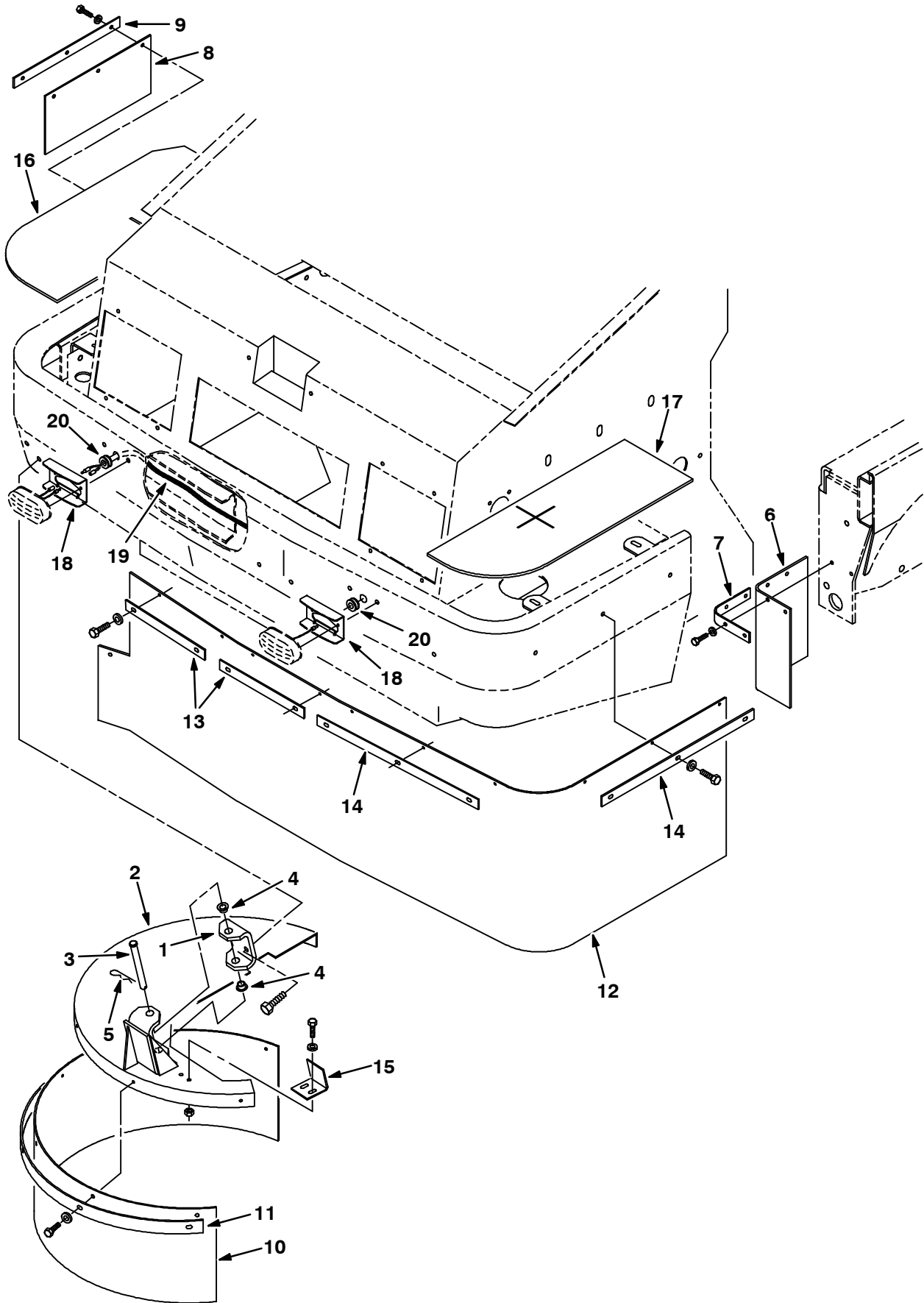


Fig. 22 - Side Brush Dust Control Kit

| Ref. | Tennant Part No. | Machine Serial Number | Description | Qty. |
|-------------|-------------------------|------------------------------|-----------------------------------|-------------|
| ▽ | 59508 | (000000-001586) | Dust Control Kit Side Brsh 355 | 1 |
| ▲ 1 | 66168 | (000000-001586) | Bracket, Sbdc | 1 |
| ▲ 2 | 66175 | (000000-001586) | Cover Wldt, Sbdc | 1 |
| ▲ 3 | 51538 | (000000-001586) | Pin,Clevis,0.50 Dia.X 5.00 Lg | 1 |
| ▲ 4 | 23274 | (000000-001586) | Bshg,Flange | 2 |
| ▲ 5 | 44906 | (000000-001586) | Pin, Hair Cotter | 1 |
| ▲ 6 | 66176 | (000000-001586) | Skirt, Wheel Pocket, Sbdc | 2 |
| ▲ 7 | 66177 | (000000-001586) | Plate, Retainer, Wheel Pocket | 2 |
| ▲ 8 | 53576 | (000000-001586) | Skirt, Sbdc, Rh | 1 |
| ▲ 9 | 53610 | (000000-001586) | Plate, Retainer, Sbdc, Rh | 1 |
| ▲ 10 | 66178 | (000000-001586) | Skirt, Cover, Sbdc | 1 |
| ▲ 11 | 66179 | (000000-001586) | Plate, Retainer, Cover, Sbdc | 1 |
| ▲ 12 | 66180 | (000000-001586) | Skirt, Front, Sbdc | 1 |
| ▲ 13 | 66181 | (000000-001586) | Plate, Retainer, Front, Sbdc | 2 |
| ▲ 14 | 66182 | (000000-001586) | Plate, Retainer, Front,Lh,Sbdc | 2 |
| ▲ 15 | 66183 | (000000-001586) | Angle, Stop | 1 |
| ▲ 16 | 72086 | (000000-001586) | Foam, SBDC, R.H. | 1 |
| ▲ 17 | 72087 | (000000-001586) | Foam, SBDC, L.H. | 1 |
| ▲ 18 | 72178 | (000000-001586) | Guard, Light | 2 |
| ▲ 19 | 72181 | (000000-001586) | Harness, Jumper | 1 |
| ▲ 20 | 10632-11 | (000000-001586) | Grommet, Rbr, 0.38ld, For .19Matl | 2 |

Fig. 23 - Side Brush Dust Control Kit

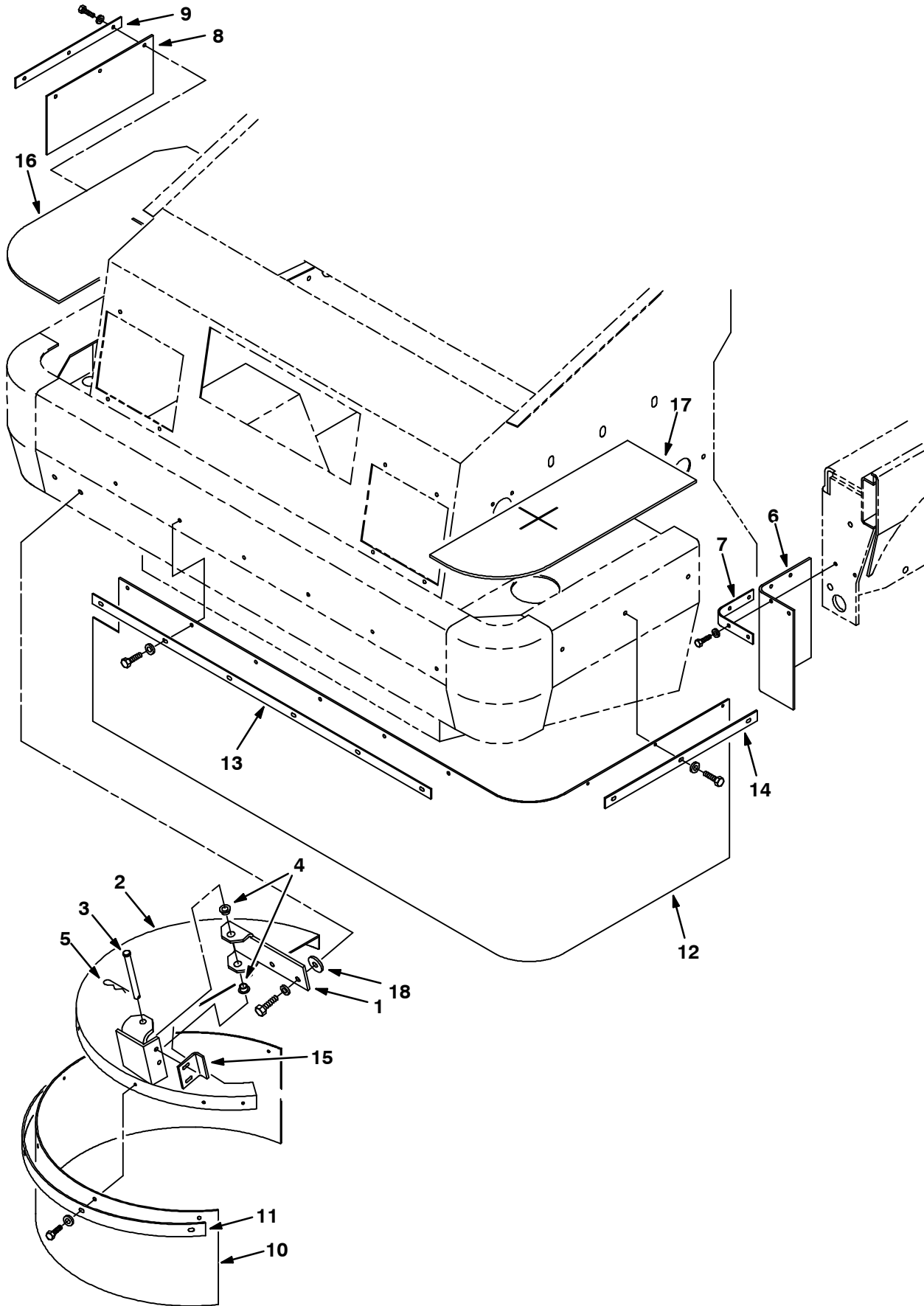
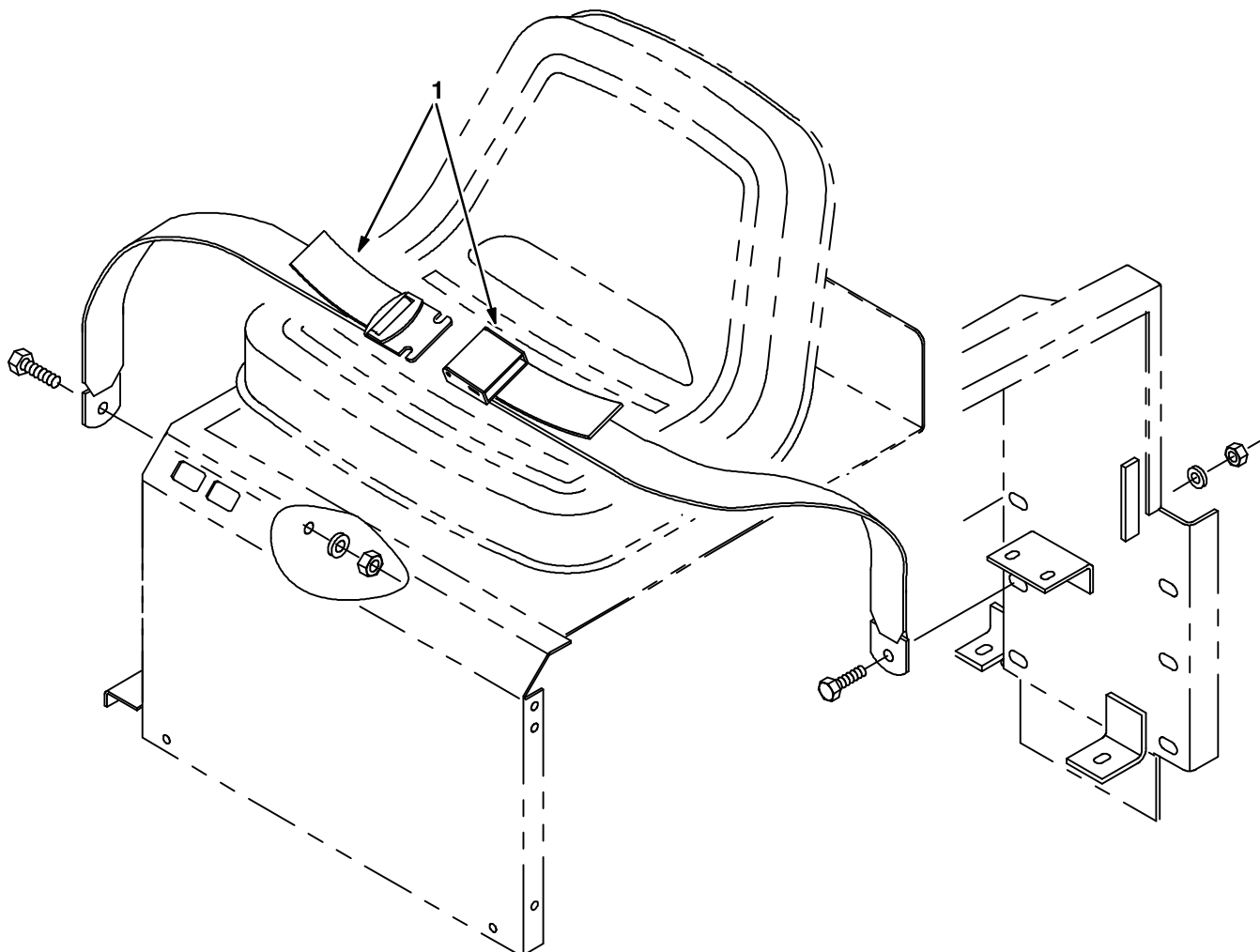


Fig. 23 - Side Brush Dust Control Kit

| | Ref. | Tennant Part No. | Machine Serial Number | Description | Qty. |
|---|-------------|-------------------------|------------------------------|----------------------------------|-------------|
| ▽ | | 74374 | (001587- |) Dust Control Kit Side Brsh 355 | 1 |
| ▲ | 1 | 74383 | (001587- |) Bracket, Sbdc | 1 |
| ▲ | 2 | 74375 | (001587- |) Cover Wldt, Sbdc | 1 |
| ▲ | 3 | 51538 | (001587- |) Pin,Clevis,0.50 Dia.X 5.00 Lg | 1 |
| ▲ | 4 | 23274 | (001587- |) Bshg,Flange | 2 |
| ▲ | 5 | 44906 | (001587- |) Pin, Hair Cotter | 1 |
| ▲ | 6 | 66176 | (001587- |) Skirt, Wheel Pocket, Sbdc | 2 |
| ▲ | 7 | 66177 | (001587- |) Plate, Retainer, Wheel Pocket | 2 |
| ▲ | 8 | 53576 | (001587- |) Skirt, Sbdc, Rh | 1 |
| ▲ | 9 | 53610 | (001587- |) Plate, Retainer, Sbdc, Rh | 1 |
| ▲ | 10 | 66178 | (001587- |) Skirt, Cover, Sbdc | 1 |
| ▲ | 11 | 66179 | (001587- |) Plate, Retainer, Cover, Sbdc | 1 |
| ▲ | 12 | 74379 | (001587- |) Skirt, Front, Sbdc | 1 |
| ▲ | 13 | 74380 | (001587- |) Plate, Retainer, Front, Sbdc | 1 |
| ▲ | 14 | 74381 | (001587- |) Plate, Retainer, Front,Lh,Sbdc | 1 |
| ▲ | 15 | 74382 | (001587- |) Angle, Stop | 1 |
| ▲ | 16 | 72086 | (001587- |) Foam, SBDC, R.H. | 1 |
| ▲ | 17 | 72087 | (001587- |) Foam, SBDC, L.H. | 1 |
| ▲ | 18 | 35843 | (001587- |) Washer, .530B 1.50D .19HR | 2 |

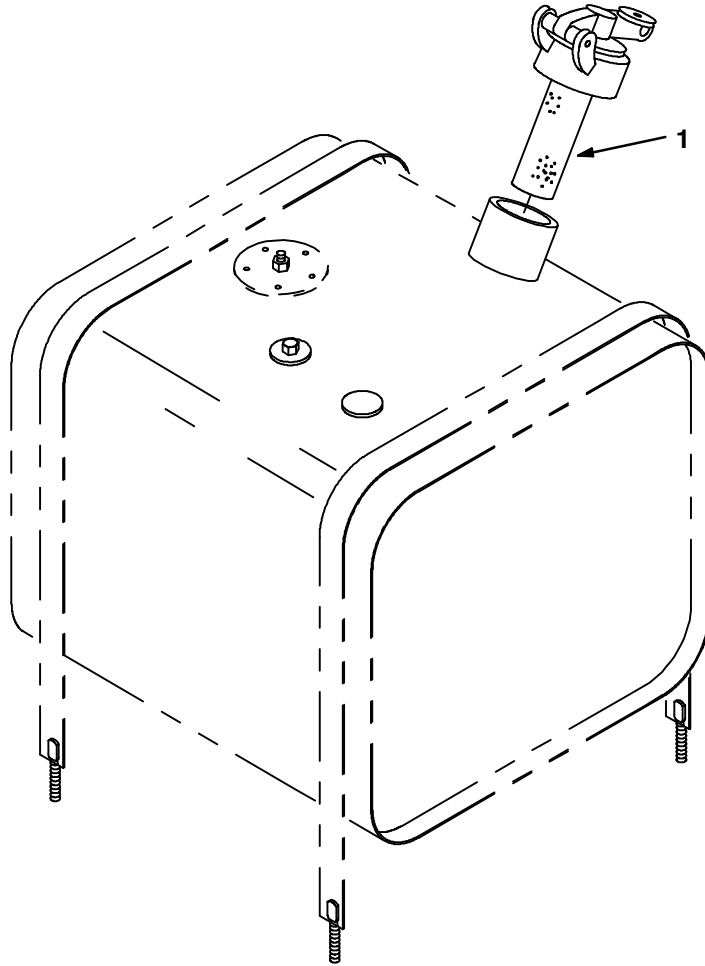
Fig. 24 - Seat Belt Kit



07877/07481

| | Ref. | Tennant Part No. | Machine Serial Number | Description | Qty. |
|---|-------------|-------------------------|------------------------------|--------------------|-------------|
| ▽ | | 59384 | (000000-) | Seat Belt Kit 355L | 1 |
| ▲ | 1 | 30533 | (000000-) | Belt, Seat | 1 |

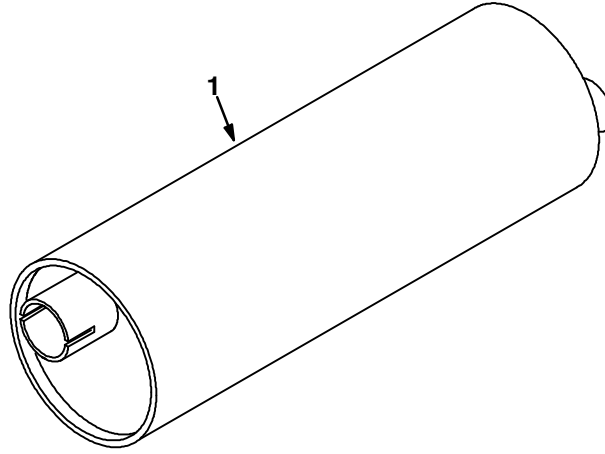
Fig. 25 - Protectoseal Fuel Tank Cap Group



07867/07471

| Ref. | Tennant Part No. | Machine Serial Number | Description | Qty. |
|------|------------------|-----------------------|-------------------------|------|
| 1 | 02506-6 | (000000- |) Gas Cap, Protectoseal | 1 |

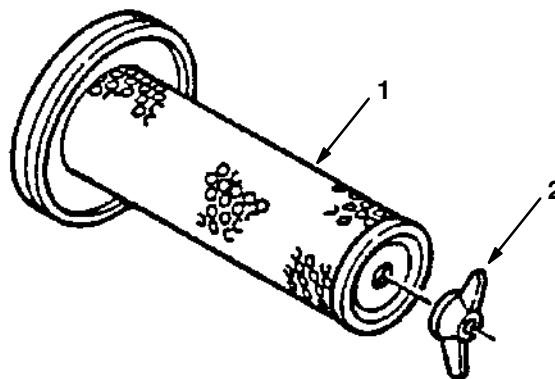
Fig. 26 - Spark Arrest Muffler Group



07934/07518

| Ref. | Tennant Part No. | Machine Serial Number | Description | Qty. |
|-------------|-------------------------|------------------------------|----------------------------|-------------|
| 1 | 53417 | (000000- |) Muffler, Spark Arresting | 1 |

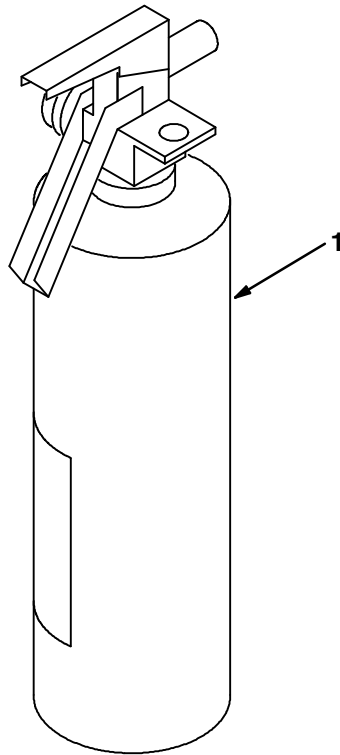
Fig. 27 - Air Filter Safety Element Kit



04712

| Ref. | Tennant Part No. | Machine Serial Number | Description | Qty. |
|------|------------------|-----------------------|----------------------------|------|
| ▽ | 07565 | (000000- |) Element Kit, Air, Safety | 1 |
| ▲ 1 | 58121 | (000000- |) Element, Safety | 1 |
| ▲ 2 | 07562 | (000000- |) Wingnut | 1 |

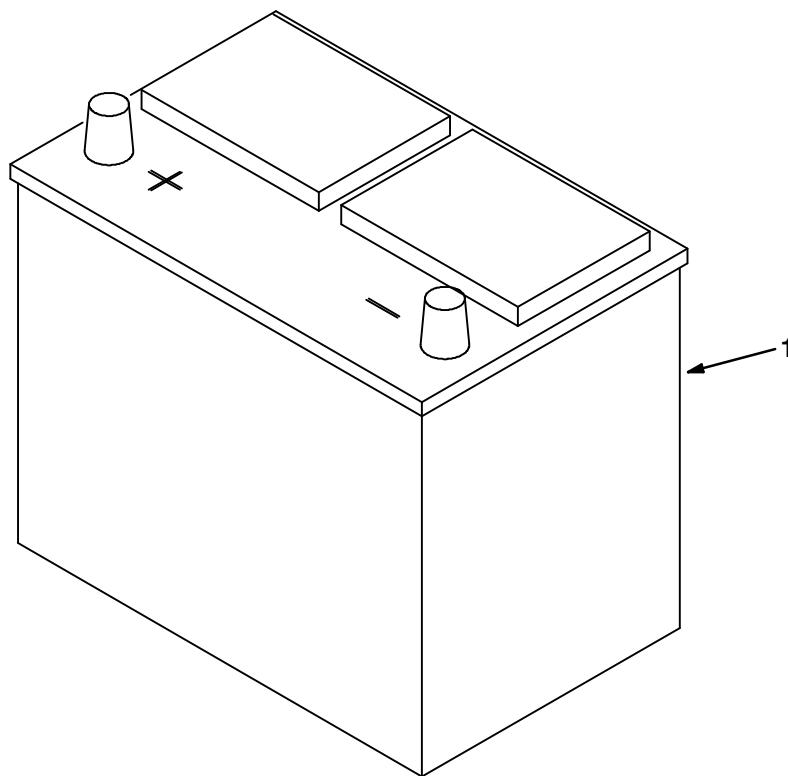
Fig. 28 - Fire Extinguisher Kit



07932/07516

| Ref. | Tennant Part No. | Machine Serial Number | Description | Qty. |
|------|------------------|-----------------------|------------------------------|------|
| ▽ | 59388 | (000000- |) Extinguisher Kit Fire 355L | 1 |
| ▲ 1 | 25312 | (000000- |) Extinguisher, Fire | 1 |

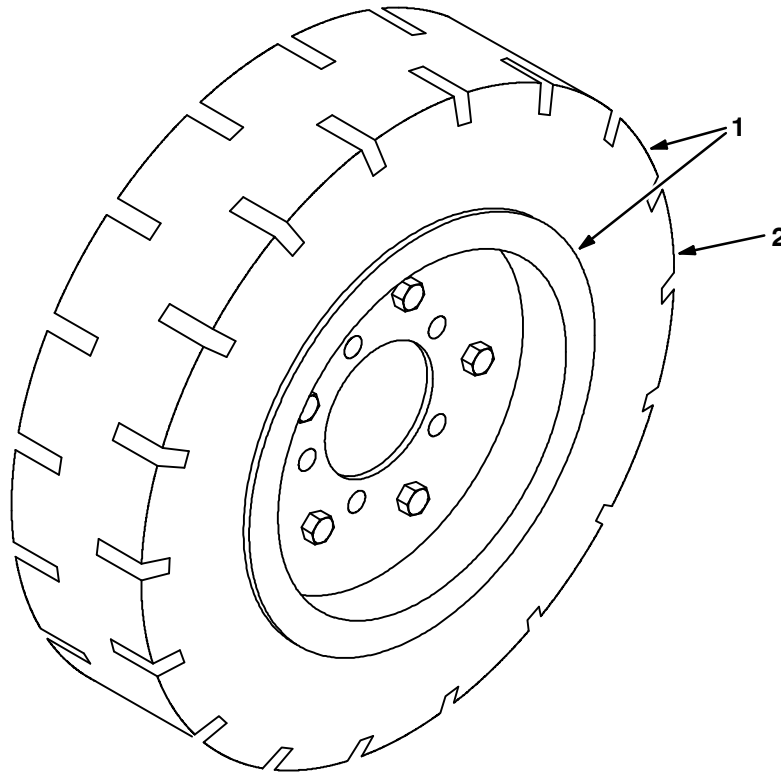
Fig. 29 - Battery Group, Dry (International Only)



08611/08610

| Ref. | Tennant Part No. | Machine Serial Number | Description | Qty. |
|-------------|-------------------------|------------------------------|---------------------------------|-------------|
| 1 | 10144 | (000000- |) Battery, 12V, Ccamps: 600 Dry | 1 |

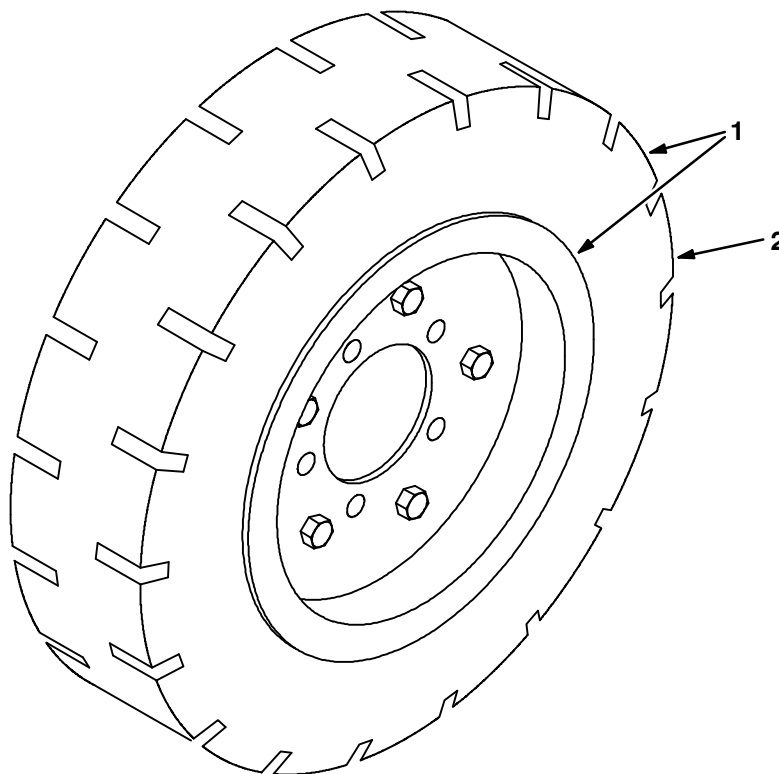
Fig. 30 - Soft Ride Non-Marking Tire and Wheel Assembly



07529/07515

| | Ref. | Tennant Part No. | Machine Serial Number | Description | Qty. |
|---|-------------|-------------------------|------------------------------|---------------------------------------|-------------|
| ▽ | 1 | 71022 | (000000- |) Tire and Whl. Assy, Soft Ride Solid | 1 |
| ▲ | 2 | 61488 | (000000- |) Tire, Solid, Tan, Non-Marking | 1 |

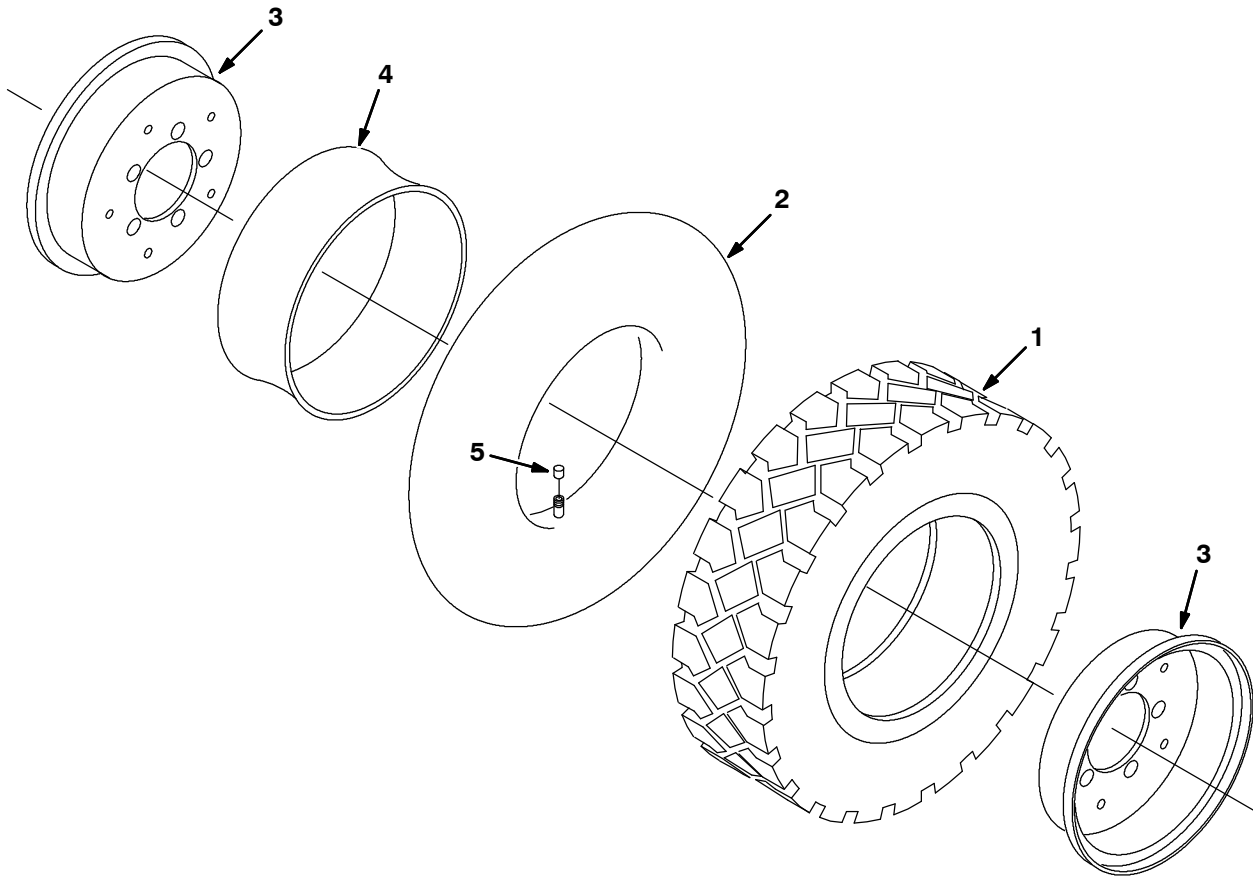
Fig. 31 - Soft Ride Tire and Wheel Assembly



07936/07515

| | Ref. | Tennant Part No. | Machine Serial Number | Description | Qty. |
|---|------|------------------|-----------------------|---------------------------------------|------|
| ▽ | 1 | 53817 | (000000- |) Tire and Whl. Assy, Soft Ride Solid | 1 |
| ▲ | 2 | 53816 | (000000- |) Tire, Solid, Black | 1 |

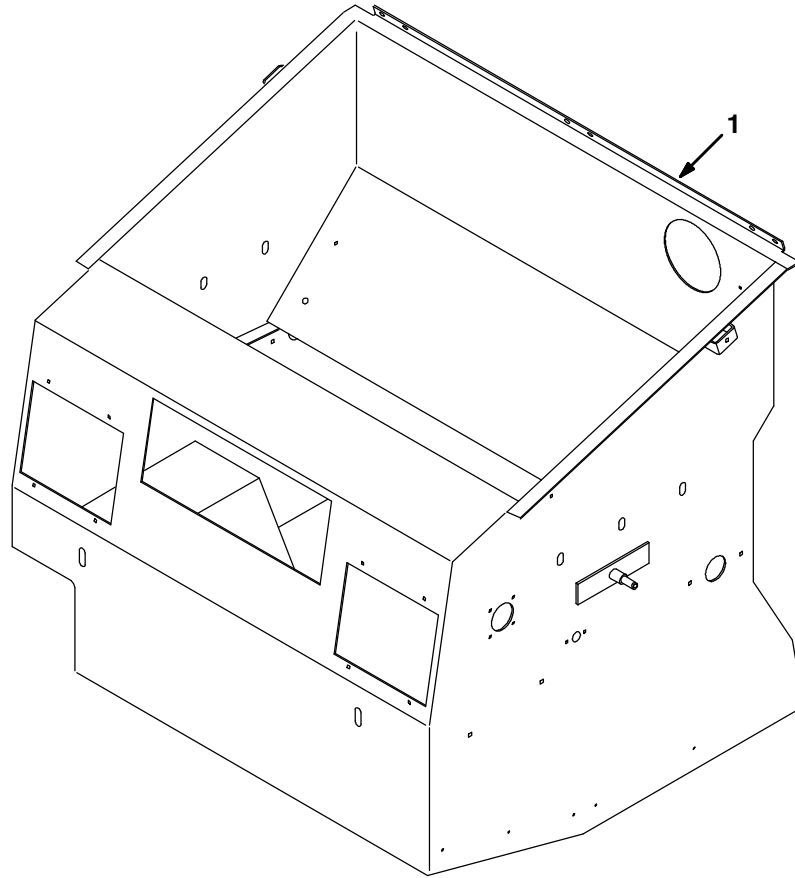
Fig. 32 - Hi-Wear Tire And Wheel Assembly



10933/10932

| Ref. | Tennant Part No. | Machine Serial Number | Description | Qty. |
|------|------------------|-----------------------|-----------------------------------|------|
| ▽ | 70278 | (000000- |) Tire&Rim Assy, Hi-Wear 5.00R-8 | 1 |
| ▲ | 1 70279 | (000000- |) Tire, Hi-Wear 5.70/5.00R-8 | 1 |
| ▲ | 2 70280 | (000000- |) Tube, Inner 5.00R-8, Js2 Valve | 1 |
| ▲ | 3 70281 | (000000- |) Rim Assy, 4.25" Bead x .188 Stl | 1 |
| ▲ | 4 53819-2 | (000000- |) Flap, Tire-Tube ,570/500-8 | 1 |
| ▲ | 5 45786 | (000000- |) Cap, Valve Stem | 1 |

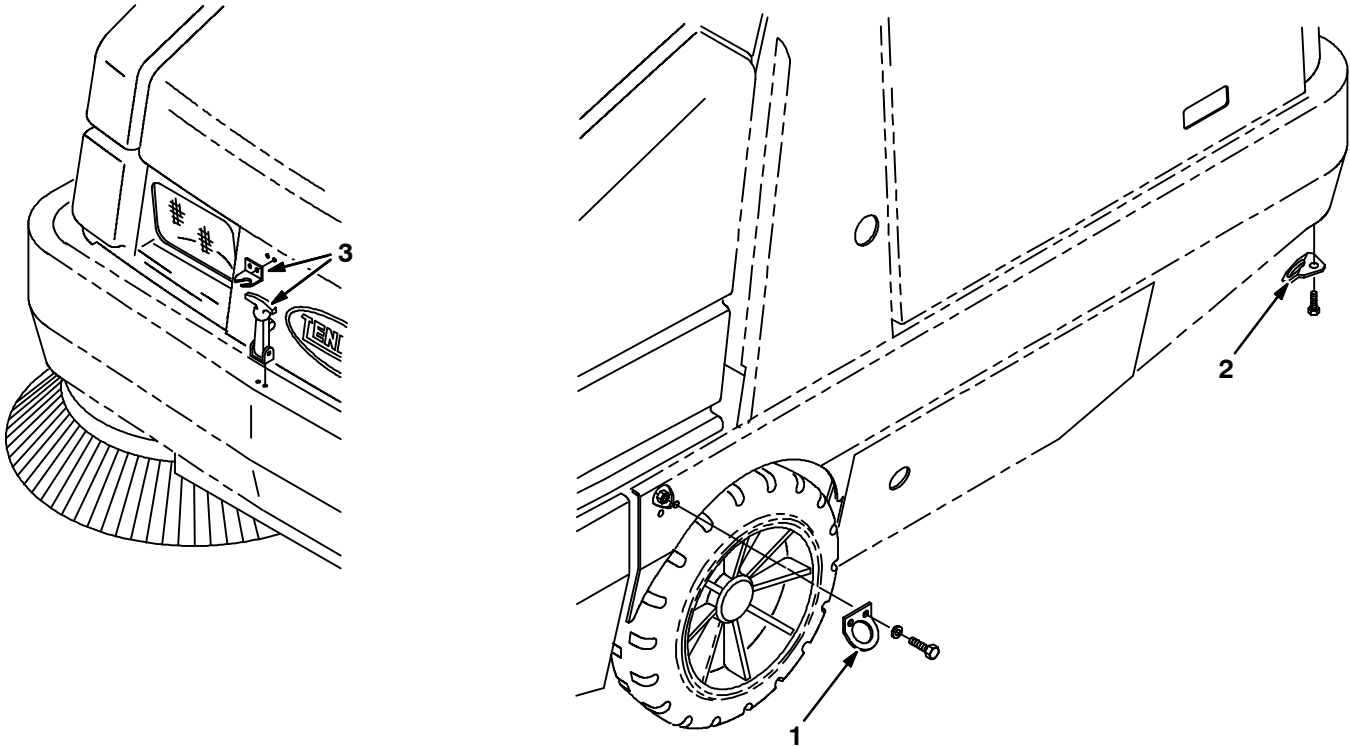
Fig. 33 - Stainless Steel Hopper Group



10929/10930

| Ref. | Tennant Part No. | Machine Serial Number | Description | Qty. |
|-------------|-------------------------|------------------------------|---------------------------|-------------|
| 1 | 70297 | (000000- |) Hopper Wldt, 355/385 Ss | 1 |

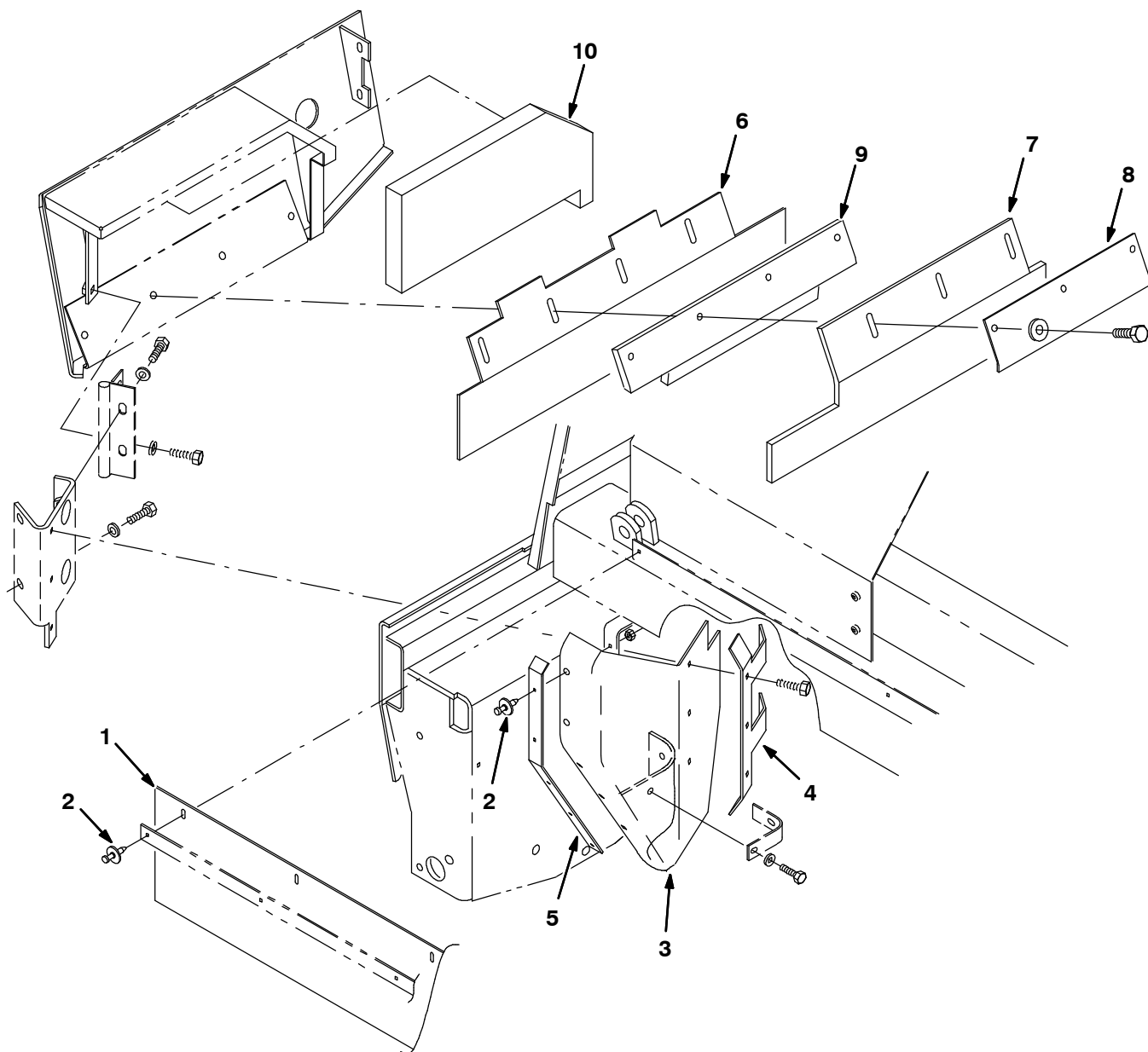
Fig. 34 - Demo Group



07937/07520

| Ref. | Tennant Part No. | Machine Serial Number | Description | Qty. |
|------|------------------|-----------------------|-----------------------|------|
| 1 | 82196 | (000000-) | Bracket, Tiedown | 2 |
| 2 | 14983 | (000000-) | Bracket, Tiedown | 2 |
| 3 | 11636 | (000000-) | Latch, Draw, Flexible | 1 |

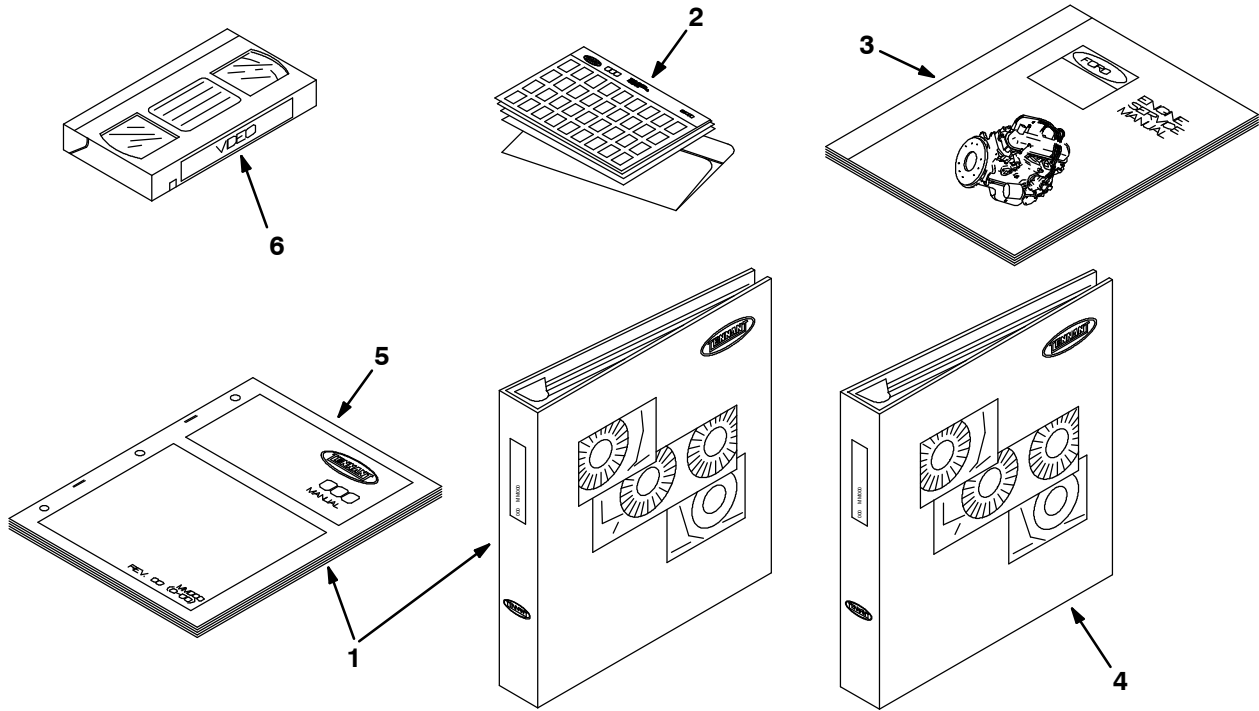
Fig. 35 - Vacuumized Skirt Kit, Main Brush



10192/10193

| Ref. | Tennant Part No. | Machine Serial Number | Description | Qty. |
|------|------------------|-----------------------|------------------------------------|------|
| ▽ | 70229 | (000000- |) Vacuumized Skirt Kit, Main Bru | 1 |
| ▲ 1 | 56872 | (000000- |) Skirt, Hopper, Top | 1 |
| ▲ 2 | 72968 | (000000- |) Rivet, Plastic .250x.898 | 15 |
| ▲ 3 | 70230 | (000000- |) Skirt, Deflection, Vac Kit | 2 |
| ▲ 4 | 70227 | (000000- |) Strap, Deflector, Rh | 1 |
| ▲ | 70228 | (000000- |) Strap, Deflector, Lh (Not Shown) | 1 |
| ▲ 5 | 56914 | (000000- |) Strap | 2 |
| ▲ 6 | 70222 | (000000- |) Skirt, Brush Door, Outer | 2 |
| ▲ 7 | 70223 | (000000- |) Skirt, Brush Door, Inner | 2 |
| ▲ 8 | 70224 | (000000- |) Strip, Retainer | 2 |
| ▲ 9 | 70225 | (000000- |) Angle, Filler | 2 |
| ▲ 10 | 70226 | (000000- |) Seal, Foam, Door | 2 |

Fig. 36 - Documentation Group



07919/07501

| Ref. | Tennant Part No. | Machine Serial Number | Description | Qty. |
|------|------------------|-----------------------|---------------------------|------|
| 1 | MM300 | (000000-) | Manual Pkg 355 | 1 |
| 2 | 85300 | (000000-) | Manual-Fiche Pkg 355G | 1 |
| 3 | 38978 | (000000-) | Service Manual Vsg Fd | 1 |
| 4 | MM302 | (000000-) | Manual Service 355/385 | 1 |
| 5 | MM300ES | (000000-) | Manual Op/Mt 355 Spanish | 1 |
| 5 | MM300FR | (000000-) | Manual Op/Mt 355 French | 1 |
| 5 | MM300JP | (000000-) | Manual Op/Mt 355 Japanese | 1 |
| 6 | 48841 | (000000-) | 355L Oper/ Video VHS | 1 |

SECTION 4

| CONTENTS | PAGE |
|---|------|
| Fig. 1 - Hydraulic Piston Pump Breakdown, 53603 | 4-2 |
| Fig. 2 - Hydraulic Piston Pump Breakdown, 74465 | 4-4 |
| Fig. 3 - Hydraulic Piston Pump Breakdown, 79768 | 4-6 |
| Fig. 4 - Hydraulic Gear Pump Breakdown, 53554 | 4-8 |
| Fig. 5 - Hydraulic Motor Breakdown, 59802 | 4-9 |
| Fig. 6 - Hydraulic Motor Breakdown, 02641 | 4-10 |
| Fig. 7 - Hydraulic Motor Breakdown, 53434 | 4-12 |
| Fig. 8 - Hydraulic Motor Breakdown, 74468 | 4-13 |
| Fig. 9 - Hydraulic Motor Breakdown, 53435 | 4-14 |
| Fig. 10 - Hydraulic Motor Breakdown, 53485 | 4-15 |
| Fig. 11 - Hydraulic Steering Valve Breakdown, 54022 | 4-16 |
| Fig. 12 - Hydraulic Steering Valve Breakdown, 74172 | 4-17 |
| Fig. 13 - Hydraulic Valve Breakdown, 48751 | 4-18 |
| Fig. 14 - Hydraulic Valve Breakdown, 53830 | 4-20 |
| Fig. 15 - Hydraulic Cylinder Breakdown, 74419 | 4-21 |
| Fig. 16 - Hydraulic Cylinder Breakdown, 53601 | 4-22 |

Fig. 1 - Hydraulic Piston Pump Breakdown, 53603

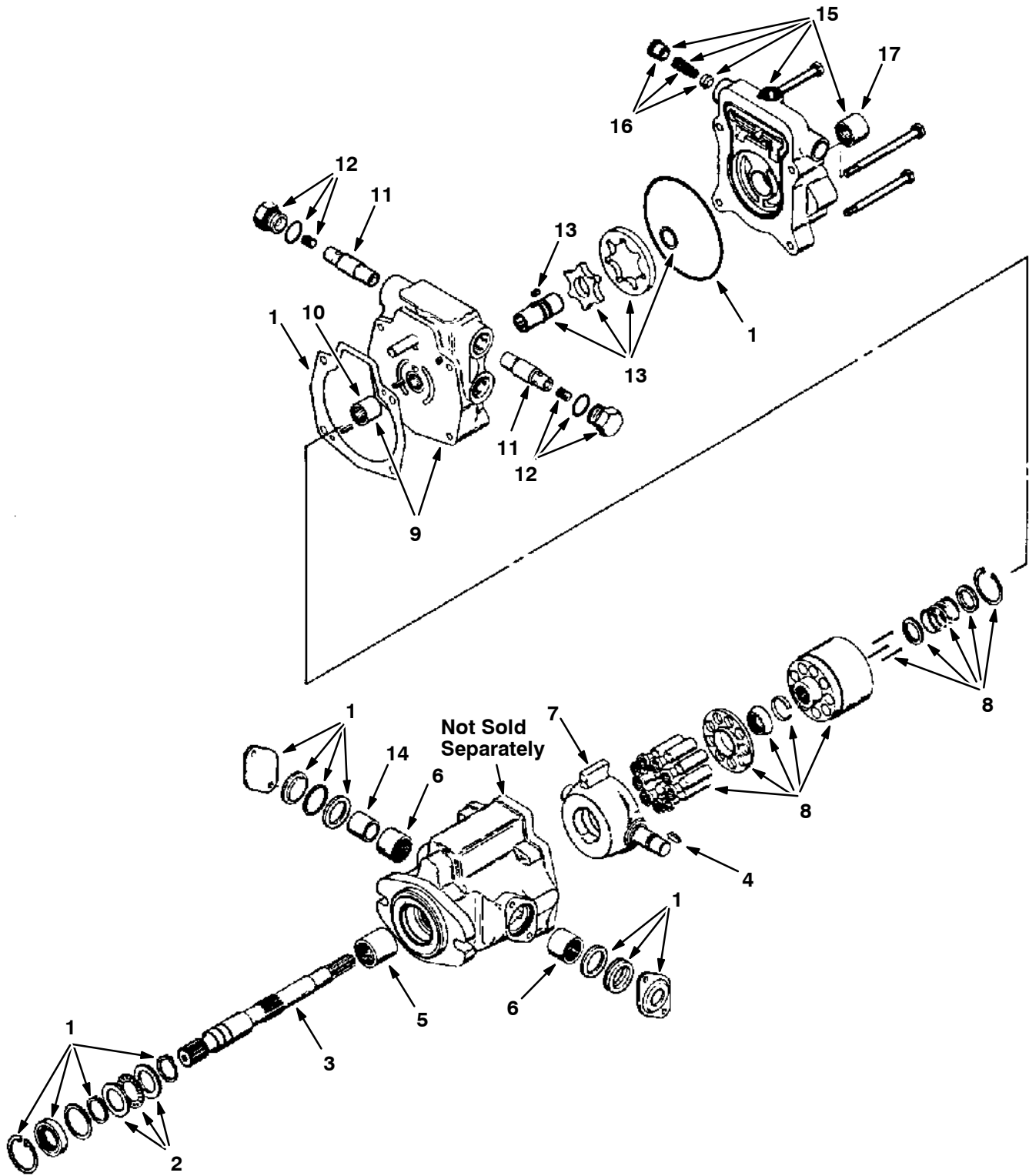


Fig. 1 - Hydraulic Piston Pump Breakdown, 53603

| | Ref. | Tenant Part No. | Manufacturer Serial Number | Description | Qty. |
|----|-------------|----------------------------|---------------------------------------|------------------------------------|-------------|
| ▽ | | 53603 | (000000- |) Pump, Hydraulic (Repl. by 70133) | 1 |
| ▲ | 1 | 02711 | (000000- |) Seal Kit | 1 |
| ▲ | 2 | 55922 | (000000- |) Bearing Kit, Thrust | 1 |
| ▲ | 3 | 55931 | (000000- |) Shaft, Pump | 1 |
| ▲ | 4 | 02710 | (000000- |) Key | 1 |
| ▲ | 5 | 55939 | (000000- |) Bearing, Roller | 1 |
| ▲ | 6 | 02709 | (000000- |) Bearing, Trunnion | 2 |
| ▲ | 7 | 57897 | (000000- |) Plate, Cam | 1 |
| ▲ | 8 | 02706 | (000000- |) Rotating Kit | 1 |
| ▲▽ | 9 | 74216 | (000000- |) Backplate Assy | 1 |
| ▲▲ | 10 | 55937 | (000000- |) Bearing, Roller | 1 |
| ▲ | 11 | 02650 | (000000- |) Valve, Relief | 2 |
| ▲ | 12 | 57210 | (000000- |) Plug Assembly | 2 |
| ▲ | 13 | 55932 | (000000- |) Gerotor and Coupler Assembly | 1 |
| ▲ | 14 | 02705 | (000000- |) Bearing, Inner Race | 1 |
| ▲▽ | 15 | 55930 | (000000- |) Pump Adaptor Assembly | 1 |
| ▲▲ | 16 | 55906 | (000000- |) Valve, Charge Relief | 1 |
| ▲▲ | 17 | 55929 | (000000- |) Bearing, Roller | 1 |

Fig. 2 - Hydraulic Piston Pump Breakdown, 74465

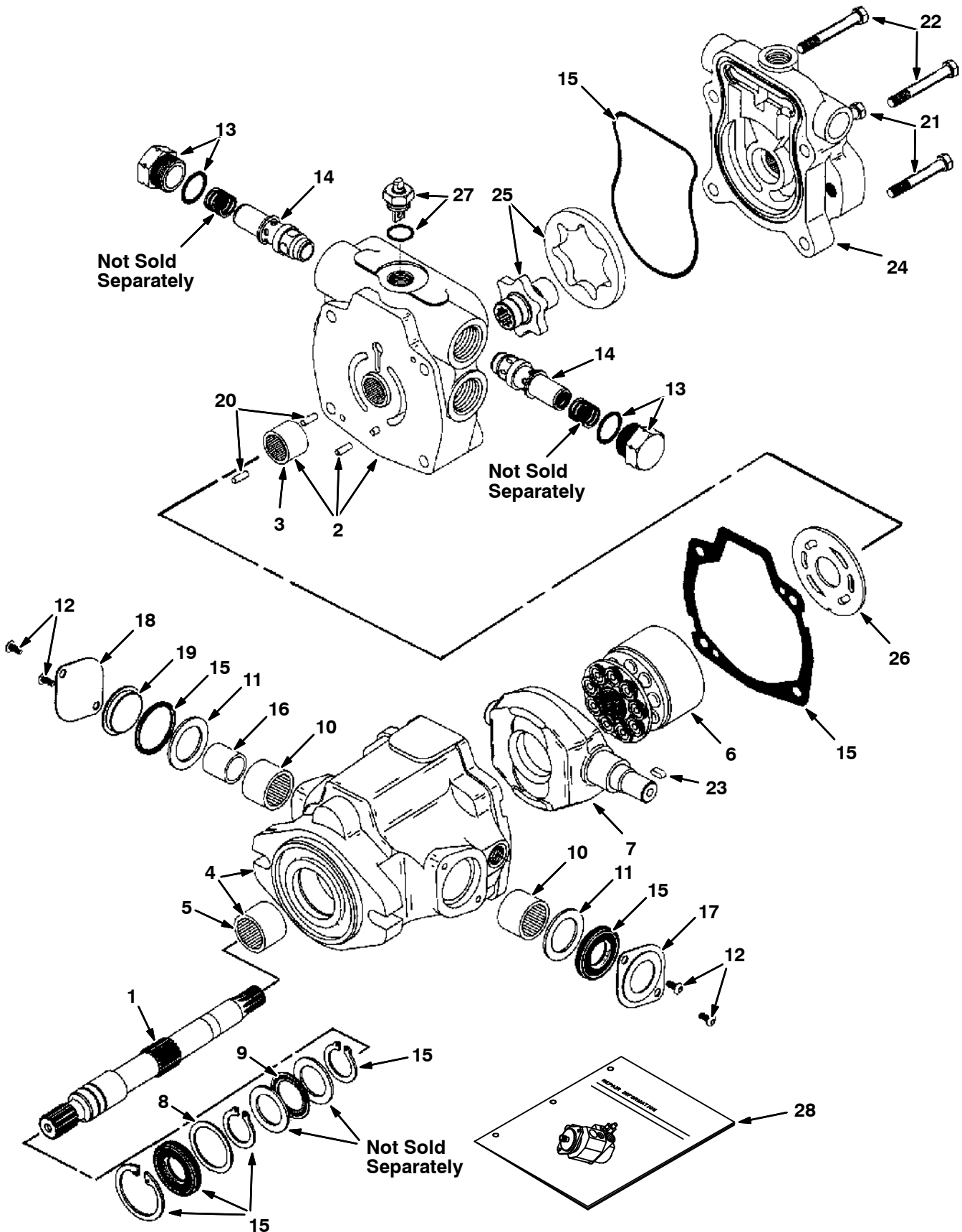


Fig. 2 - Hydraulic Piston Pump Breakdown, 74465

| Ref. | Tenant Part No. | Manufacturer Serial Number | Description | Qty. |
|------|-----------------|----------------------------|---|------|
| ▽ | 74465 | (000000- |) Pump, Hyd Piston V 1.24 R 2750 (Repl. by 70179) | 1 |
| ▲ | 1 55931 | (000000- |) Pump Driveshaft | 1 |
| ▲▽ | 2 70094 | (000000- |) Backplate Assy Ce | 1 |
| ▲▲ | 3 55937 | (000000- |) Roller Bearing | 1 |
| ▲▽ | 4 70095 | (000000- |) Pump Housing Asy Ce | 1 |
| ▲▲ | 5 55939 | (000000- |) Roller Bearing | 1 |
| ▲ | 6 02706 | (000000- |) Rotating Kit | 1 |
| ▲ | 7 57897 | (000000- |) Camplate Ce | 1 |
| ▲ | 8 70096 | (000000- |) Washer Ce | 1 |
| ▲ | 9 55922 | (000000- |) Thrustbearing Kit | 1 |
| ▲ | 10 02709 | (000000- |) Bearing Cam | 2 |
| ▲ | 11 70097 | (000000- |) Washer Ce | 2 |
| ▲ | 12 19320 | (000000- |) Scr Pan 06-32X0.38 | 4 |
| ▲ | 13 57210 | (000000- |) Plug Assembly | 2 |
| ▲ | 14 02650 | (000000- |) Valve-Relief | 2 |
| ▲ | 15 70103 | (000000- |) Seal Kit, Pump Ce | 1 |
| ▲ | 16 02705 | (000000- |) Race, Inner Bearing | 1 |
| ▲ | 17 52386 | (000000- |) Cover | 1 |
| ▲ | 18 70098 | (000000- |) Cover, Trunion Ce | 1 |
| ▲ | 19 70099 | (000000- |) Cover, O-Ring Ce | 1 |
| ▲ | 20 70100 | (000000- |) Pin, Dowel Ce | 2 |
| ▲ | 21 19574 | (000000- |) Scr Hex .31-18X3.25 | 2 |
| ▲ | 22 70101 | (000000- |) Scr,.31-18X3.75G5Ce | 2 |
| ▲ | 23 02710 | (000000- |) Key | 1 |
| ▲ | 24 55930 | (000000- |) Pump Adaptor Assy | 1 |
| ▲ | 25 55932 | (000000- |) Geroter & Coupler | 1 |
| ▲ | 26 70102 | (000000- |) Plate, Valve Ce | 1 |
| ▲ | 27 74143 | (000000- |) Valve Kit, Tow | 1 |
| | 28 74248 | (000000- |) Repair Info | 1 |

Fig. 3 - Hydraulic Piston Pump Breakdown, 79768

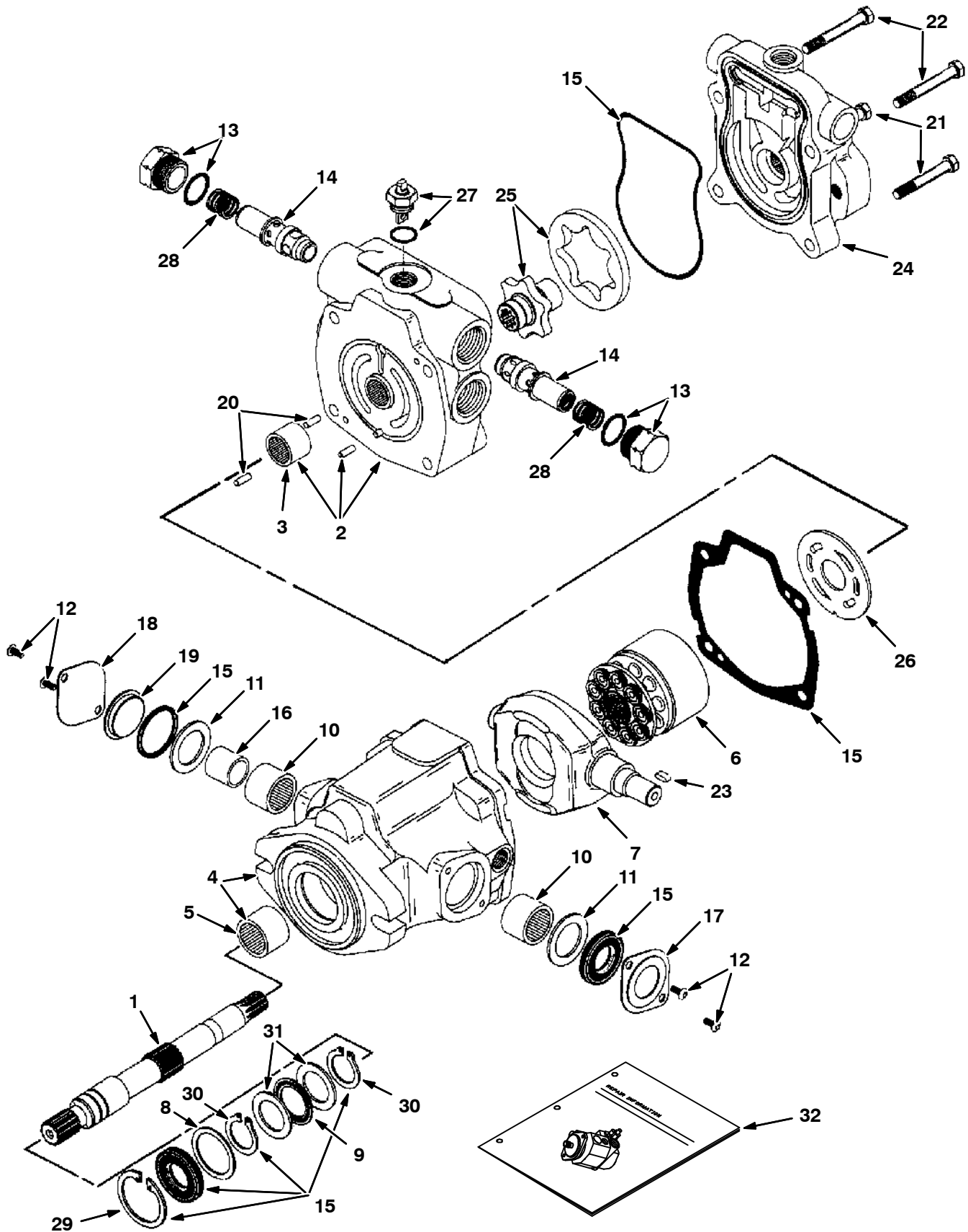
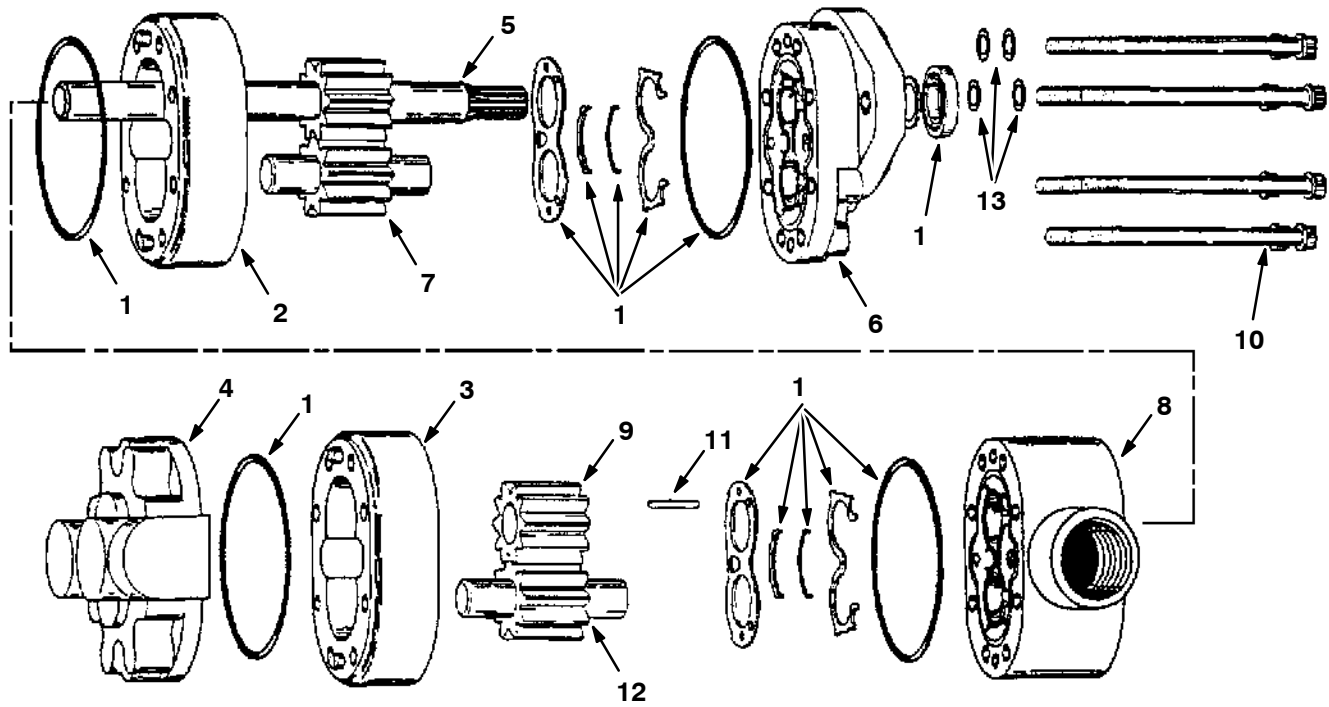


Fig. 3 - Hydraulic Piston Pump Breakdown, 79768

| Ref. | Tenant Part No. | Manufacturer Serial Number | Description | Qty. |
|------|-----------------|----------------------------|----------------------------------|------|
| ▽ | 79768 | (000000- |) Pump, Hyd Piston V 1.24 R 2750 | 1 |
| ▲ | 1 55931 | (000000- |) Pump Driveshaft | 1 |
| ▲▽ | 2 70094 | (000000- |) Backplate Assy Ce | 1 |
| ▲▲ | 3 55937 | (000000- |) Roller Bearing | 1 |
| ▲▽ | 4 70095 | (000000- |) Pump Housing Asy Ce | 1 |
| ▲▲ | 5 55939 | (000000- |) Roller Bearing | 1 |
| ▲ | 6 02706 | (000000- |) Rotating Kit | 1 |
| ▲ | 7 57897 | (000000- |) Camplate Ce | 1 |
| ▲ | 8 70096 | (000000- |) Washer Ce | 1 |
| ▲ | 9 74225 | (000000- |) Bearing, Thrust | 1 |
| ▲ | 10 02709 | (000000- |) Bearing Cam | 2 |
| ▲ | 11 70097 | (000000- |) Washer Ce | 2 |
| ▲ | 12 61891 | (000000- |) Screws | 4 |
| ▲ | 13 74230 | (000000- |) Plug Assembly | 2 |
| ▲ | 14 02650 | (000000- |) Valve-Relief 2750 PSI | 2 |
| ▲ | 15 70103 | (000000- |) Seal Kit, Pump Ce | 1 |
| ▲ | 16 02705 | (000000- |) Race, Inner Bearing | 1 |
| ▲ | 17 52386 | (000000- |) Cover | 1 |
| ▲ | 18 70098 | (000000- |) Cover, Trunion Ce | 1 |
| ▲ | 19 70099 | (000000- |) Cover, O-Ring Ce | 1 |
| ▲ | 20 70100 | (000000- |) Pin, Dowel Ce | 2 |
| ▲ | 21 74235 | (000000- |) Scr Hex .31-18X3.25 | 2 |
| ▲ | 22 70101 | (000000- |) Screw, Cap | 2 |
| ▲ | 23 74237 | (000000- |) Key | 1 |
| ▲ | 24 55930 | (000000- |) Pump Adaptor Assy | 1 |
| ▲ | 25 55932 | (000000- |) Geroter & Coupler | 1 |
| ▲ | 26 74180 | (000000- |) Plate, Valve Ce | 1 |
| ▲ | 27 74469 | (000000- |) Valve, Dump | 1 |
| ▲ | 28 74229 | (000000- |) Spring | 2 |
| ▲ | 29 55926 | (000000- |) Retaining Ring | 1 |
| ▲ | 30 55925 | (000000- |) Retaining Ring | 2 |
| ▲ | 31 74226 | (000000- |) Race, Bearing | 2 |
| | 32 74248 | (000000- |) Repair Info | 1 |

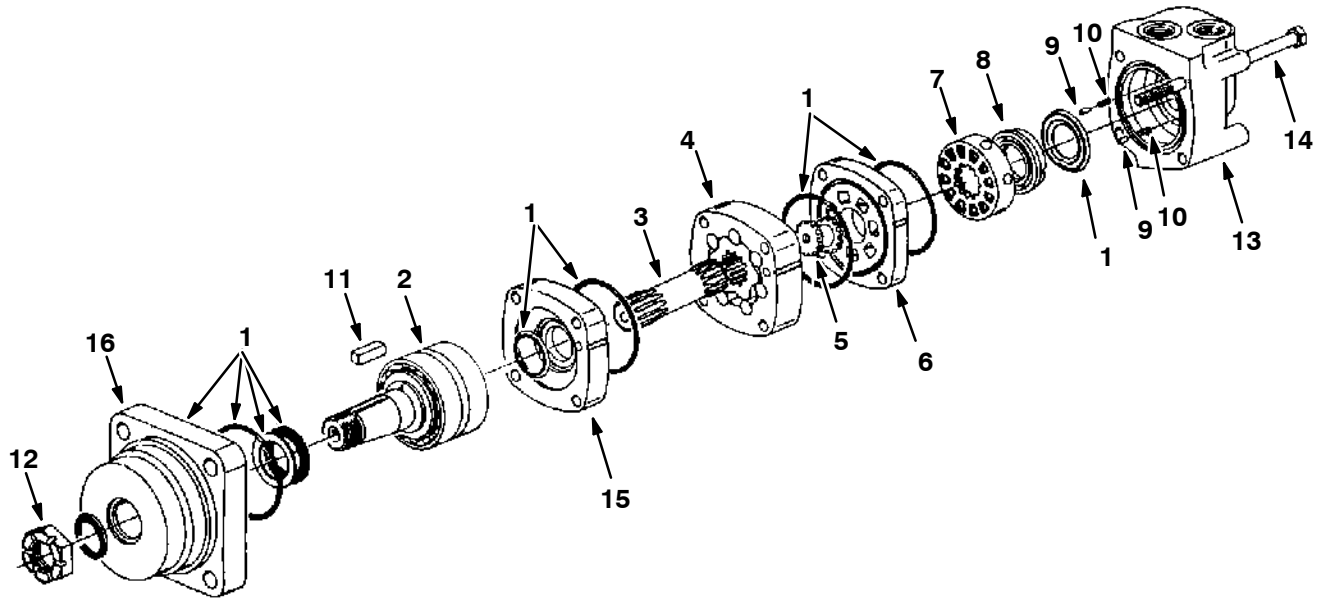
Fig. 4 - Hydraulic Gear Pump Breakdown, 53554



07902-07487

| Ref. | Tenant Part No. | Manufacturer Serial Number | Description | Qty. |
|------|-----------------|----------------------------|--------------------------|------|
| ▽ | 53554 | (000000- |) Pump, Gear | 1 |
| ▲ | 1 | 57064 (000000- |) Seal Kit | 1 |
| ▲ | 2 | 74150 (000000- |) Body Assembly | 1 |
| ▲ | 3 | 74157 (000000- |) Body Assembly | 1 |
| ▲ | 4 | 58242 (000000- |) Back Plate Assembly | 1 |
| ▲ | 5 | 59379 (000000- |) Drive Shaft Assembly | 1 |
| ▲ | 6 | 74149 (000000- |) Front Plate Assembly | 1 |
| ▲ | 7 | 74151 (000000- |) Idler Gear Assembly | 1 |
| ▲ | 8 | 74152 (000000- |) Adapter Plate Assembly | 1 |
| ▲ | 9 | 74153 (000000- |) Gear, Slip Fit | 1 |
| ▲ | 10 | 74155 (000000- |) Cap Screw | 8 |
| ▲ | 11 | 74156 (000000- |) Key,Round | 1 |
| ▲ | 12 | 74158 (000000- |) Idler Gear Assembly | 1 |
| ▲ | 13 | 74159 (000000- |) Washer | 4 |

Fig. 5 - Hydraulic Motor Breakdown, 59802



07905-03455

| Ref. | Tennant Part No. | Manufacturer Serial Number | Description | Qty. |
|------|------------------|----------------------------|------------------------------------|------|
| ▽ | 59802 | (000000- |) Motor, Hydraulic (Repl by 02641) | 1 |
| ▲ | 1 | 58247 (000000- |) Seal Kit | 1 |
| ▲ | 2 | 02644 (000000- |) Shaft and Bearing Kit | 1 |
| ▲ | 3 | 02603 (000000- |) Drive | 1 |
| ▲ | 4 | 02645 (000000- |) Geroler | 1 |
| ▲ | 5 | 57370 (000000- |) Valve Drive | 1 |
| ▲ | 6 | 74107 (000000- |) Valve Plate | 1 |
| ▲ | 7 | 02647 (000000- |) Valve | 1 |
| ▲ | 8 | 57373 (000000- |) Balance Ring | 1 |
| ▲ | 9 | 57374 (000000- |) Pin | 2 |
| ▲ | 10 | 57375 (000000- |) Spring | 2 |
| ▲ | 11 | 38315 (000000- |) Key | 1 |
| ▲ | 12 | 38490 (000000- |) Nut | 1 |
| ▲ | 13 | 74119 (000000- |) Housing, Valve | 1 |
| ▲ | 14 | 74120 (000000- |) Bolt | 4 |
| ▲ | 15 | 51417 (000000- |) Plate | 1 |
| ▲ | 16 | 74104 (000000- |) Housing, Bearing | 1 |

Fig. 6 - Hydraulic Motor Breakdown, 02641

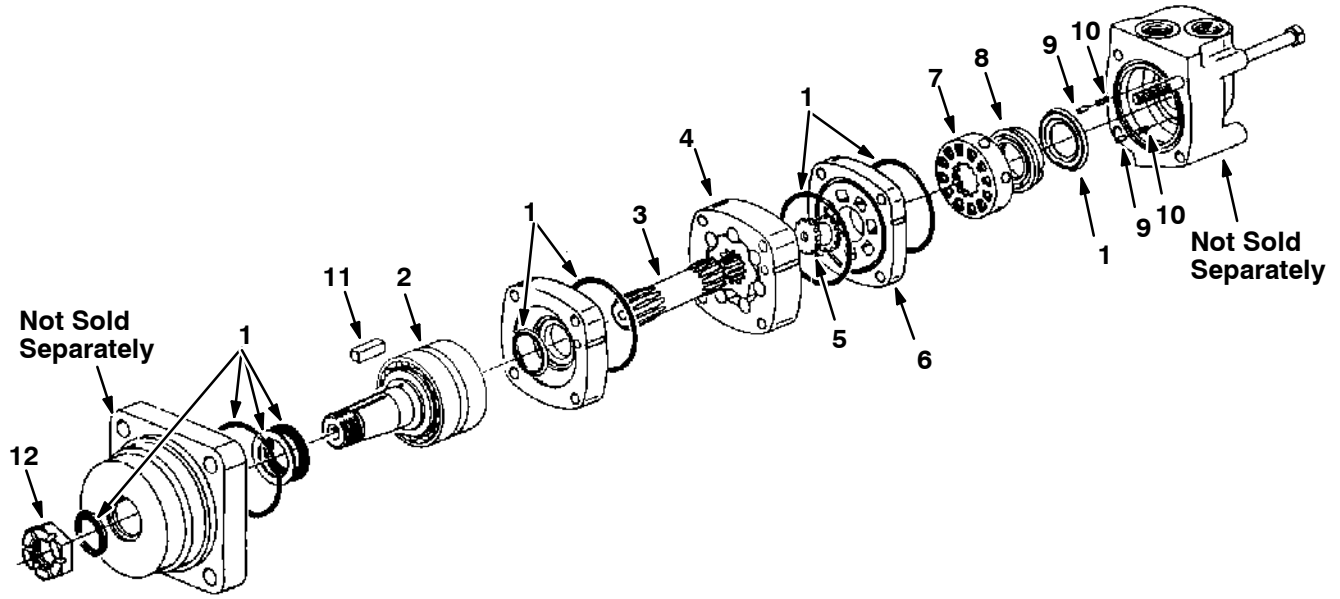
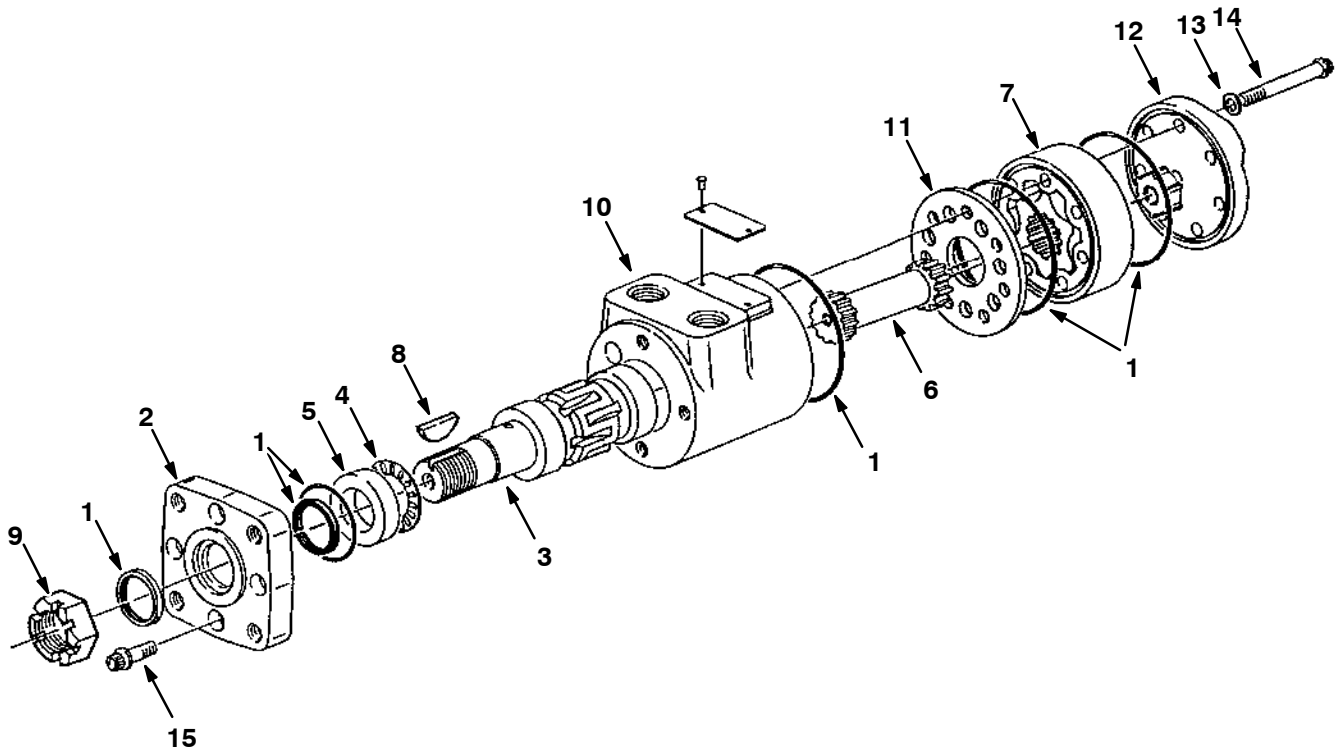


Fig. 6 - Hydraulic Motor Breakdown, 02641

| | Ref. | Tenant Part No. | Manufacturer Serial Number | Description | Qty. |
|---|-------------|----------------------------|---------------------------------------|-------------------------|-------------|
| ▽ | | 02641 | (000000- |) Motor, Hydraulic | 1 |
| ▲ | 1 | 02643 | (000000- |) Seal Kit | 1 |
| ▲ | 2 | 02644 | (000000- |) Shaft and Bearing Kit | 1 |
| ▲ | 3 | 02603 | (000000- |) Drive | 1 |
| ▲ | 4 | 02645 | (000000- |) Geroler | 1 |
| ▲ | 5 | 57370 | (000000- |) Valve Drive | 1 |
| ▲ | 6 | 02646 | (000000- |) Valve Plate | 1 |
| ▲ | 7 | 02647 | (000000- |) Valve | 1 |
| ▲ | 8 | 57373 | (000000- |) Balance Ring | 1 |
| ▲ | 9 | 57374 | (000000- |) Pin | 2 |
| ▲ | 10 | 57375 | (000000- |) Spring | 2 |
| ▲ | 11 | 38315 | (000000- |) Key | 1 |
| ▲ | 12 | 38490 | (000000- |) Nut | 1 |

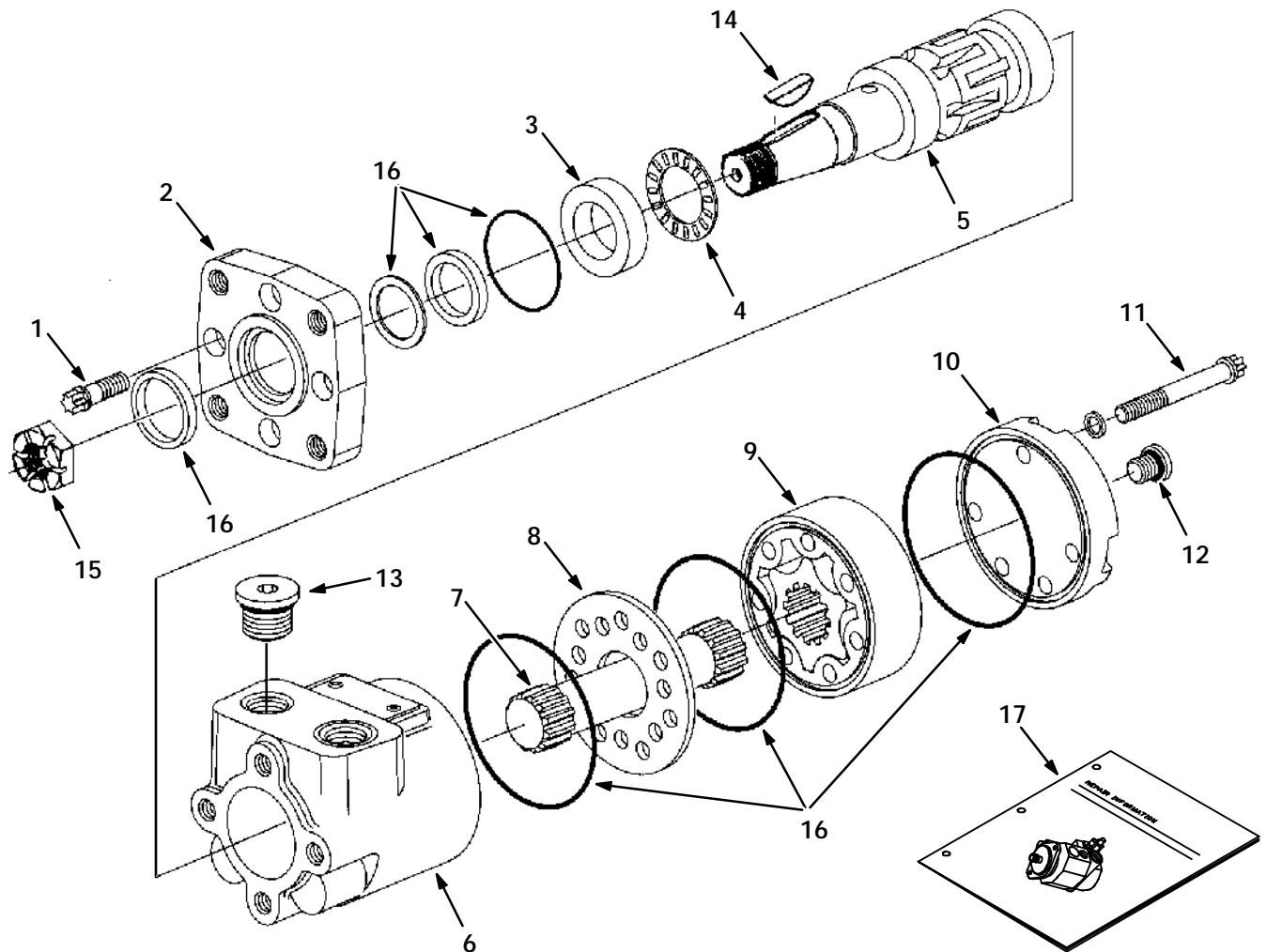
Fig. 7 - Hydraulic Motor Breakdown, 53434



07907-08925

| Ref. | Tennant Part No. | Manufacturer Serial Number | Description | Qty. |
|------|------------------|----------------------------|--------------------|------|
| ▽ | 53434 | (000000- |) Motor, Hydraulic | 1 |
| ▲ 1 | 61490 | (000000- |) Seal Kit | 1 |
| ▲ 2 | 31354 | (000000- |) Flange, Mounting | 1 |
| ▲ 3 | 31375 | (000000- |) Output Shaft | 1 |
| ▲ 4 | 45628 | (000000- |) Bearing | 1 |
| ▲ 5 | 16695 | (000000- |) Race, Thrust | 1 |
| ▲ 6 | 34176 | (000000- |) Drive | 1 |
| ▲ 7 | 31381 | (000000- |) Gerotor Set | 1 |
| ▲ 8 | 00500-15 | (000000- |) Key, Woodruff | 1 |
| ▲ 9 | 39527 | (000000- |) Nut, slotted Hex | 1 |
| ▲ 10 | 74092 | (000000- |) Housing | 1 |
| ▲ 11 | 74094 | (000000- |) Spacer Plate | 1 |
| ▲ 12 | 74095 | (000000- |) End Cap | 1 |
| ▲ 13 | 74096 | (000000- |) Washer | 5 |
| ▲ 14 | 74097 | (000000- |) Screw, Cap | 5 |
| ▲ 15 | 37555 | (000000- |) Screw | 4 |

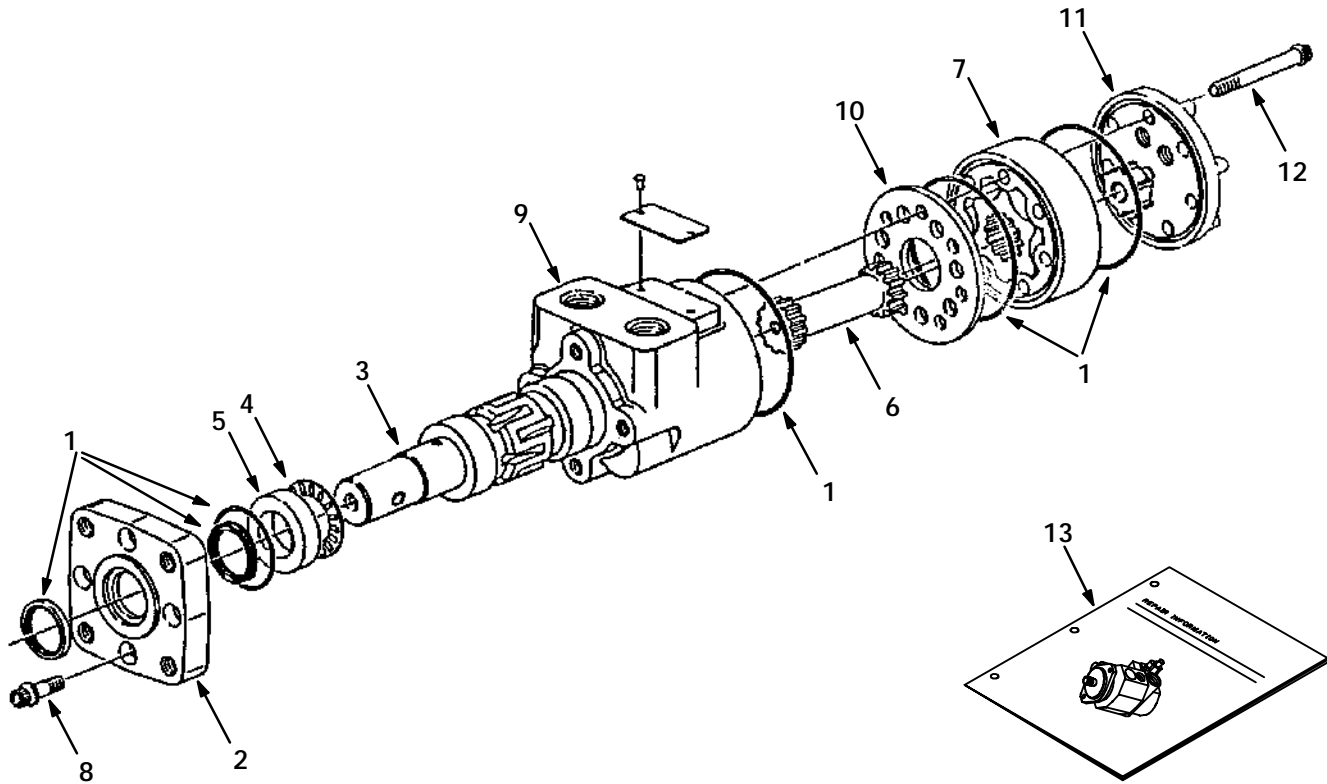
Fig. 8 - Hydraulic Motor Breakdown, 74468



09669-09606-09670

| Ref. | Tennant Part No. | Manufacturer Serial Number | Description | Qty. |
|------|------------------|----------------------------|----------------------------------|------|
| | 74468 | (000000- |) Motor, Hyd Gear In 02.8 B 1500 | 1 |
| ▲ 1 | 37555 | (000000- |) Cap, Screw | 4 |
| ▲ 2 | 31354 | (000000- |) Flange Mounting | 1 |
| ▲ 3 | 16695 | (000000- |) Race Thrust | 1 |
| ▲ 4 | 45628 | (000000- |) Thrust Bearing | 1 |
| ▲ 5 | 31375 | (000000- |) Shaft, Output | 1 |
| ▲ 6 | 74100 | (000000- |) Housing Cl | 1 |
| ▲ 7 | 34176 | (000000- |) Drive | 1 |
| ▲ 8 | 74094 | (000000- |) Spacer Plate Cl | 1 |
| ▲ 9 | 31381 | (000000- |) Gerotor Set | 1 |
| ▲ 10 | 74095 | (000000- |) Spacer Plate Cl | 1 |
| ▲ 11 | 74174 | (000000- |) Cap, Screw Cl | 5 |
| ▲ 12 | 74098 | (000000- |) Plug Assembly Ph | 1 |
| ▲ 13 | 74099 | (000000- |) Plug Assembly Ph | 2 |
| ▲ 14 | 00500-15 | (000000- |) Key-Wdruff 0.25 1.00 Asa#0808 | 1 |
| ▲ 15 | 39527 | (000000- |) Nut-Hxslot .75-16 Pltd | 1 |
| ▲ 16 | 61490 | (000000- |) Seal Replmt Kit | 1 |
| ▲ 17 | 74250 | (000000- |) Repair Info. Cl | 1 |

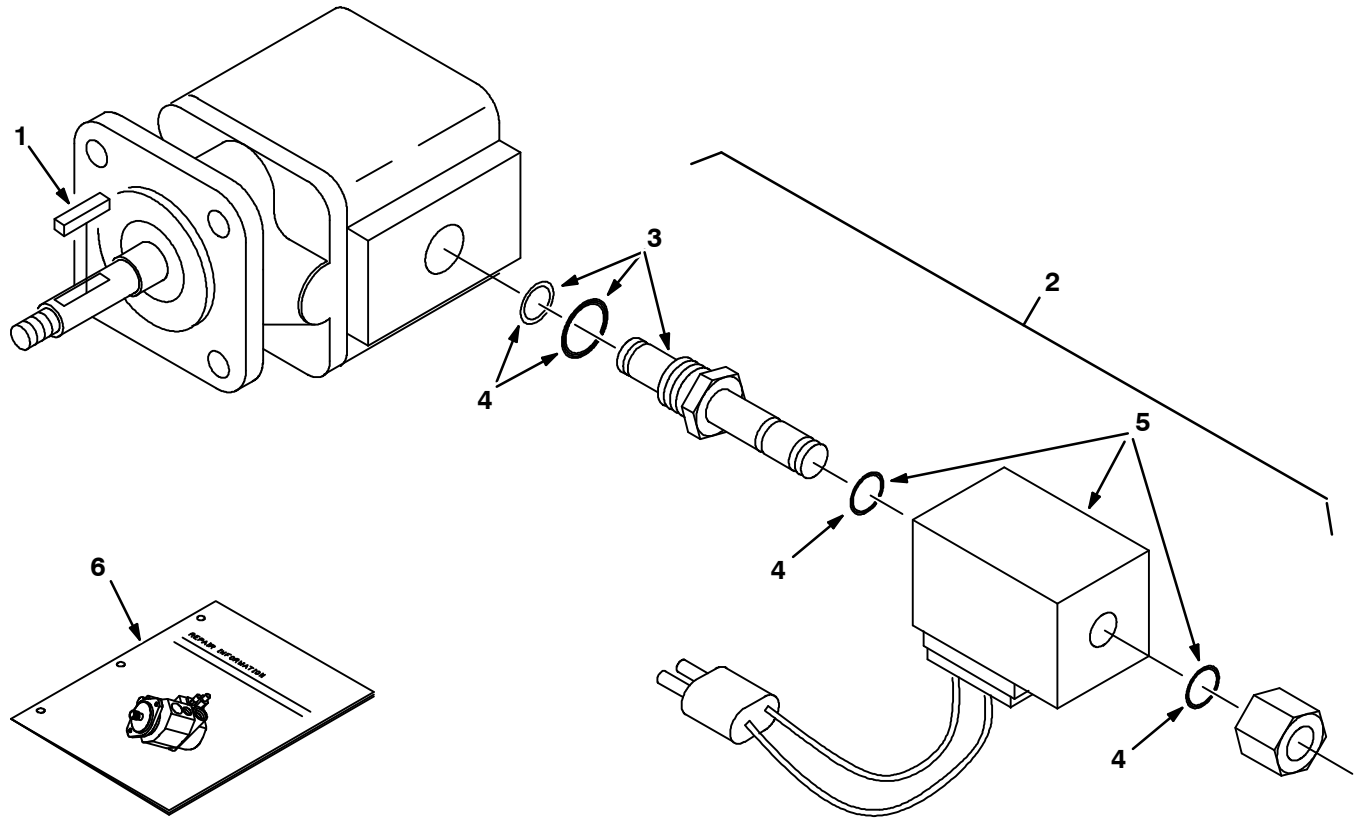
Fig. 9 - Hydraulic Motor Breakdown, 53435



07908-08926-09670

| Ref. | Tennant Part No. | Manufacturer Serial Number | Description | Qty. |
|------|------------------|----------------------------|--------------------|------|
| | 53435 | (000000- |) Motor, Hydraulic | 1 |
| ▲ 1 | 61490 | (000000- |) Seal Kit | 1 |
| ▲ 2 | 31354 | (000000- |) Flange, Mounting | 1 |
| ▲ 3 | 31373 | (000000- |) Output Shaft | 1 |
| ▲ 4 | 45628 | (000000- |) Bearing Thrust | 1 |
| ▲ 5 | 16695 | (000000- |) Race, Thrust | 1 |
| ▲ 6 | 31377 | (000000- |) Drive | 1 |
| ▲ 7 | 31384 | (000000- |) Gerotor Set | 1 |
| ▲ 8 | 37555 | (000000- |) Screw | 4 |
| ▲ 9 | 74100 | (000000- |) Housing | 1 |
| ▲ 10 | 74094 | (000000- |) Spacer Plate | 1 |
| ▲ 11 | 74101 | (000000- |) End Cap | 1 |
| ▲ 12 | 74102 | (000000- |) Screw, Cap | 5 |
| 13 | 74250 | (000000- |) Repair Info. | 1 |

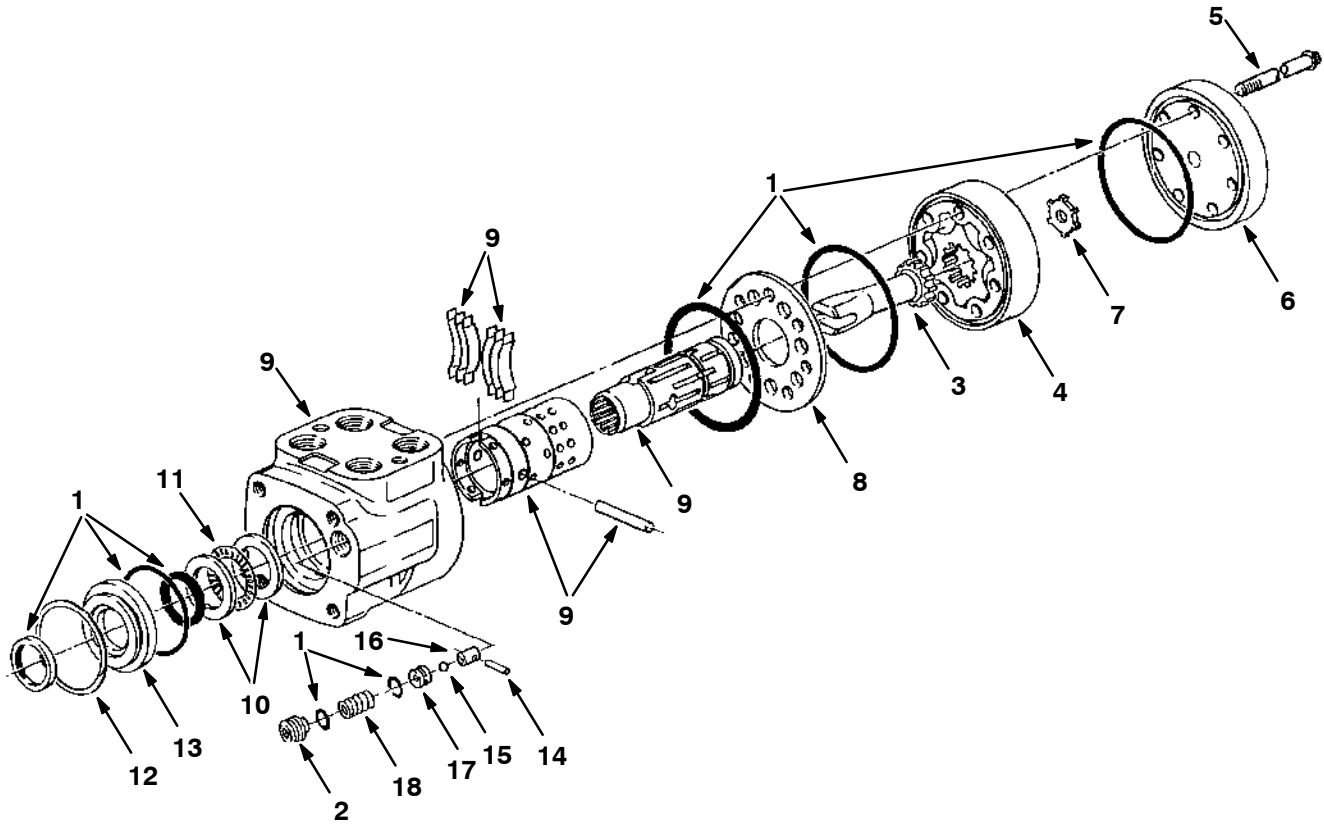
Fig. 10 - Hydraulic Motor Breakdown, 53485



07909-07490-09670

| Ref. | Tennant Part No. | Manufacturer Serial Number | Description | Qty. |
|------|------------------|----------------------------|-----------------------------|------|
| ▽ | 53485 | (000000- |) Motor, Hydraulic | 1 |
| ▲ | 74233 | (000000- |) Seal Kit, Motor | 1 |
| ▲ 1 | 00966 | (000000- |) Key | 1 |
| ▲▽ | 2 | 54095 |) Valve Assembly, Solenoid | 1 |
| ▲▲ | 3 | 59378 |) Cartridge, Solenoid Valve | 1 |
| ▲▲ | 4 | 48813 |) Seal Kit, One Cartridge | 1 |
| ▲▲ | 5 | 35493 |) Coil | 1 |
| | 6 | IB3614 |) Repair Info. | 1 |

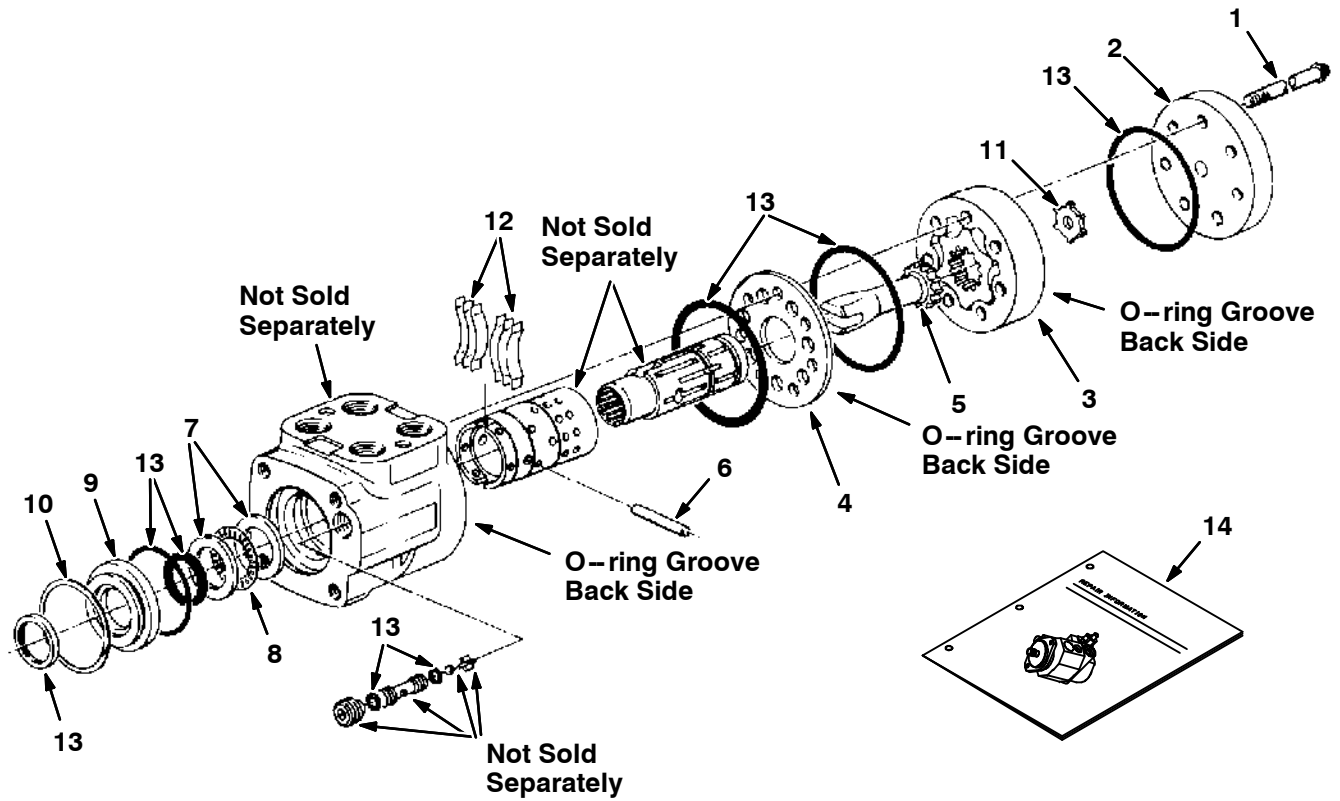
Fig. 11 - Hydraulic Steering Valve Breakdown, 54022



07910-07491

| Ref. | Tennant Part No. | Manufacturer Serial Number | Description | Qty. | |
|------|------------------|----------------------------|---|--------------------|---|
| ▽ | 54022 | (000000- |) Valve, Hydraulic Steering (Repl by 74172) | 1 | |
| ▲ | 1 | 57152 | (000000- |) Seal Kit | 1 |
| ▲ | 2 | 74118 | (000000- |) Plug | 1 |
| ▲ | 3 | 58596 | (000000- |) Drive | 1 |
| ▲ | 4 | 57156 | (000000- |) Gerotor | 1 |
| ▲ | 5 | 74097 | (000000- |) Cap, Screw | 7 |
| ▲ | 6 | 74103 | (000000- |) Cap, End | 1 |
| ▲ | 7 | 74105 | (000000- |) Spacer | 1 |
| ▲ | 8 | 74106 | (000000- |) Spacer Plate | 1 |
| ▲ | 9 | 74108 | (000000- |) Control Assembly | 1 |
| ▲ | 10 | 74109 | (000000- |) Race, Bearing | 2 |
| ▲ | 11 | 74110 | (000000- |) Bearing, Needle | 1 |
| ▲ | 12 | 74111 | (000000- |) Ring, Retaining | 1 |
| ▲ | 13 | 74112 | (000000- |) Retainer, Front | 1 |
| ▲ | 14 | 74113 | (000000- |) Pin, Spring | 1 |
| ▲ | 15 | 74114 | (000000- |) Ball, Check | 1 |
| ▲ | 16 | 74115 | (000000- |) Seat, Ball | 1 |
| ▲ | 17 | 74116 | (000000- |) Poppet | 1 |
| ▲ | 18 | 74117 | (000000- |) Spring | 1 |

Fig. 12 - Hydraulic Steering Valve Breakdown, 74172



10174-09936-09670

| Ref. | Tenant Part No. | Manufacturer Serial Number | Description | Qty. |
|------|-----------------|----------------------------|-----------------------------|------|
| ▽ | 74172 | (000000- |) Valve, Hydraulic Steering | 1 |
| ▲ | 1 65241 | (000000- |) Cap, Screw | 7 |
| ▲ | 2 74181 | (000000- |) Cap, End | 1 |
| ▲ | 3 57156 | (000000- |) Gerotor Set | 1 |
| ▲ | 4 74182 | (000000- |) Plate, Wear | 1 |
| ▲ | 5 58596 | (000000- |) Drive | 1 |
| ▲ | 6 74218 | (000000- |) Pin | 1 |
| ▲ | 7 74109 | (000000- |) Race, Bearing | 2 |
| ▲ | 8 74110 | (000000- |) Bearing, Needle | 1 |
| ▲ | 9 74112 | (000000- |) Retainer, Front | 1 |
| ▲ | 10 74111 | (000000- |) Ring, Retaining | 1 |
| ▲ | 11 74105 | (000000- |) Spacer | 1 |
| ▲ | 12 74195 | (000000- |) Spring Kit | 1 |
| ▲ | 13 74190 | (000000- |) Seal Kit | 1 |
| | 14 74251 | (000000- |) Repair Info | 1 |

Fig. 13 - Hydraulic Valve Breakdown, 48751

| CONTROL VALVE | |
|---------------|-------------|
| Spool #1 | Brushes |
| Spool #2 | Hopper Door |
| Spool #3 | Hopper Lift |

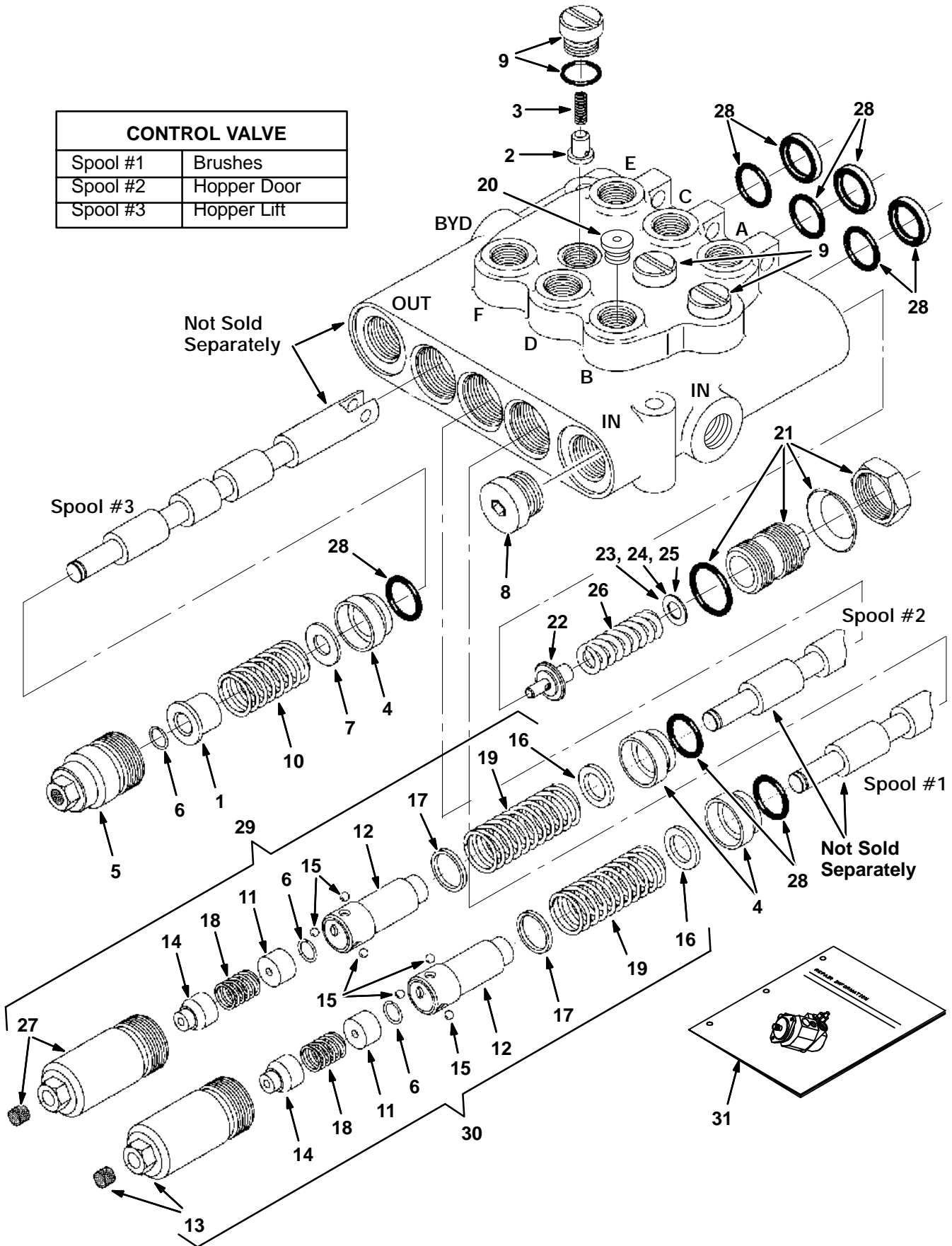
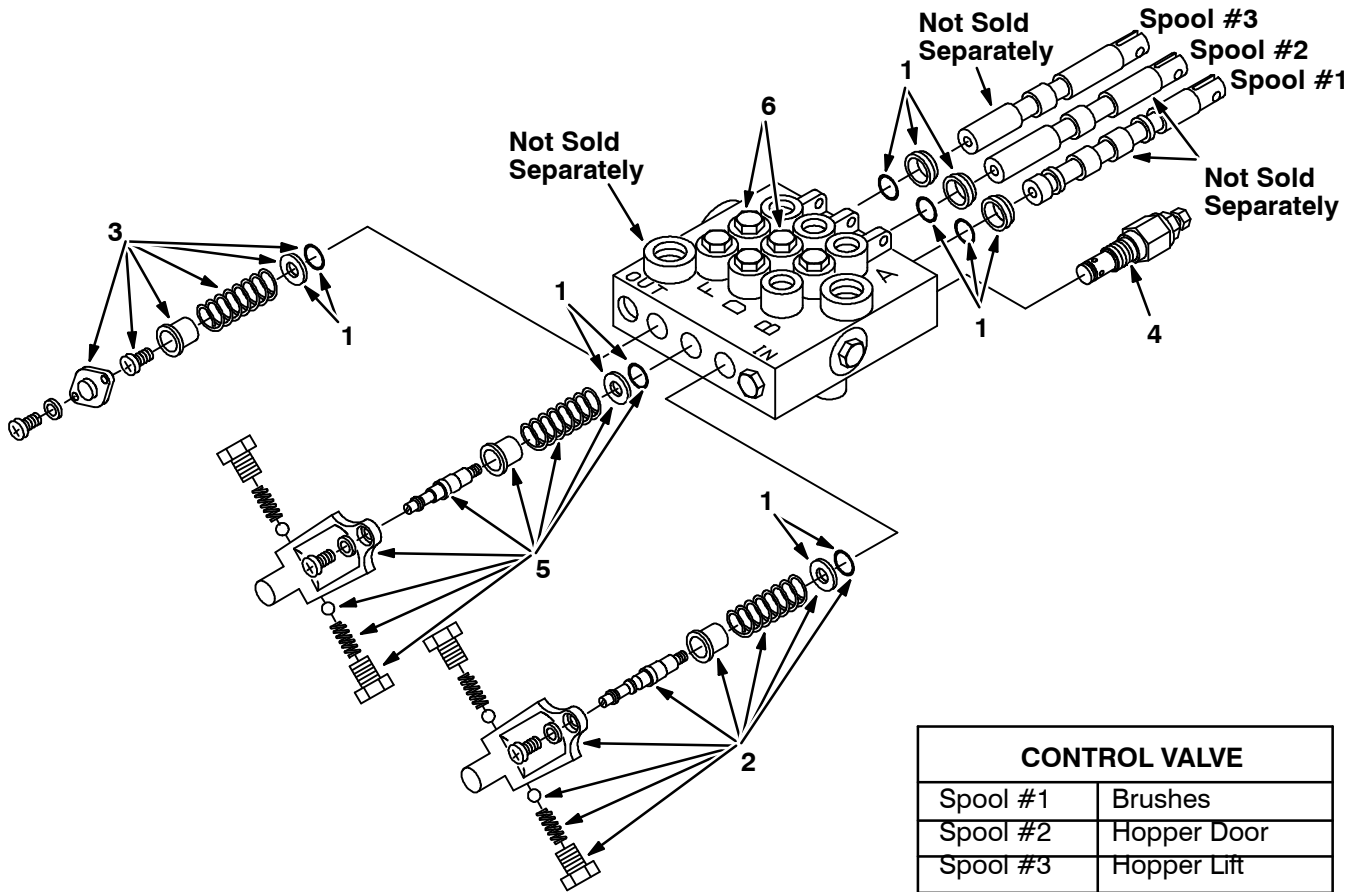


Fig. 13 - Hydraulic Valve Breakdown, 48751

| | Ref. | Tennant Part No. | Manufacturer Serial Number | Description | Qty. |
|---|------|------------------|----------------------------|------------------------|------|
| ▽ | | 48751 | (000000- |) Valve, Hyd Cntrl Man | 1 |
| ▲ | 1 | 79785 | (000000- |) Spacer | 1 |
| ▲ | 2 | 79786 | (000000- |) Plunger | 1 |
| ▲ | 3 | 79787 | (000000- |) Spring | 1 |
| ▲ | 4 | 79788 | (000000- |) Bushing | 3 |
| ▲ | 5 | 79789 | (000000- |) Cap Assembly | 1 |
| ▲ | 6 | 79792 | (000000- |) Retaining Rng | 3 |
| ▲ | 7 | 79794 | (000000- |) Washer | 1 |
| ▲ | 8 | 13907 | (000000- |) Plug, #8 O-Ring | 1 |
| ▲ | 9 | 79795 | (000000- |) Plug & O-Ring | 3 |
| ▲ | 10 | 79796 | (000000- |) Spring | 1 |
| ▲ | 11 | 79801 | (000000- |) Spacer | 2 |
| ▲ | 12 | 79802 | (000000- |) Detent Adaptr | 2 |
| ▲ | 13 | 79803 | (000000- |) Cap Assembly | 1 |
| ▲ | 14 | 79800 | (000000- |) Cone | 2 |
| ▲ | 15 | 79804 | (000000- |) Ball | 6 |
| ▲ | 16 | 79806 | (000000- |) Washer | 2 |
| ▲ | 17 | 79805 | (000000- |) Washer | 2 |
| ▲ | 18 | 79807 | (000000- |) Spring | 2 |
| ▲ | 19 | 79808 | (000000- |) Spring | 2 |
| ▲ | 20 | 13904 | (000000- |) Plug, #6 O-Ring | 2 |
| ▲ | 21 | 79790 | (000000- |) Plug Assembly | 1 |
| ▲ | 22 | 79791 | (000000- |) Poppet | 1 |
| ▲ | 23 | 79793 | (000000- |) Shim .035 Thk | - |
| ▲ | 24 | 79798 | (000000- |) Shim .015 Thk | - |
| ▲ | 25 | 79799 | (000000- |) Shim .010 Thk | - |
| ▲ | 26 | 21915 | (000000- |) Spring | 1 |
| ▲ | 27 | 79821 | (000000- |) Cap Assembly | 1 |
| ▲ | 28 | 79812 | (000000- |) Seal Kit, Vlv | 1 |
| ▲ | 29 | 79813 | (000000- |) Kit, Detent Out | 1 |
| ▲ | 30 | 79815 | (000000- |) Kit, Detent I&O | 1 |
| | 31 | 79820 | (000000- |) Repair Info, Valve | 1 |

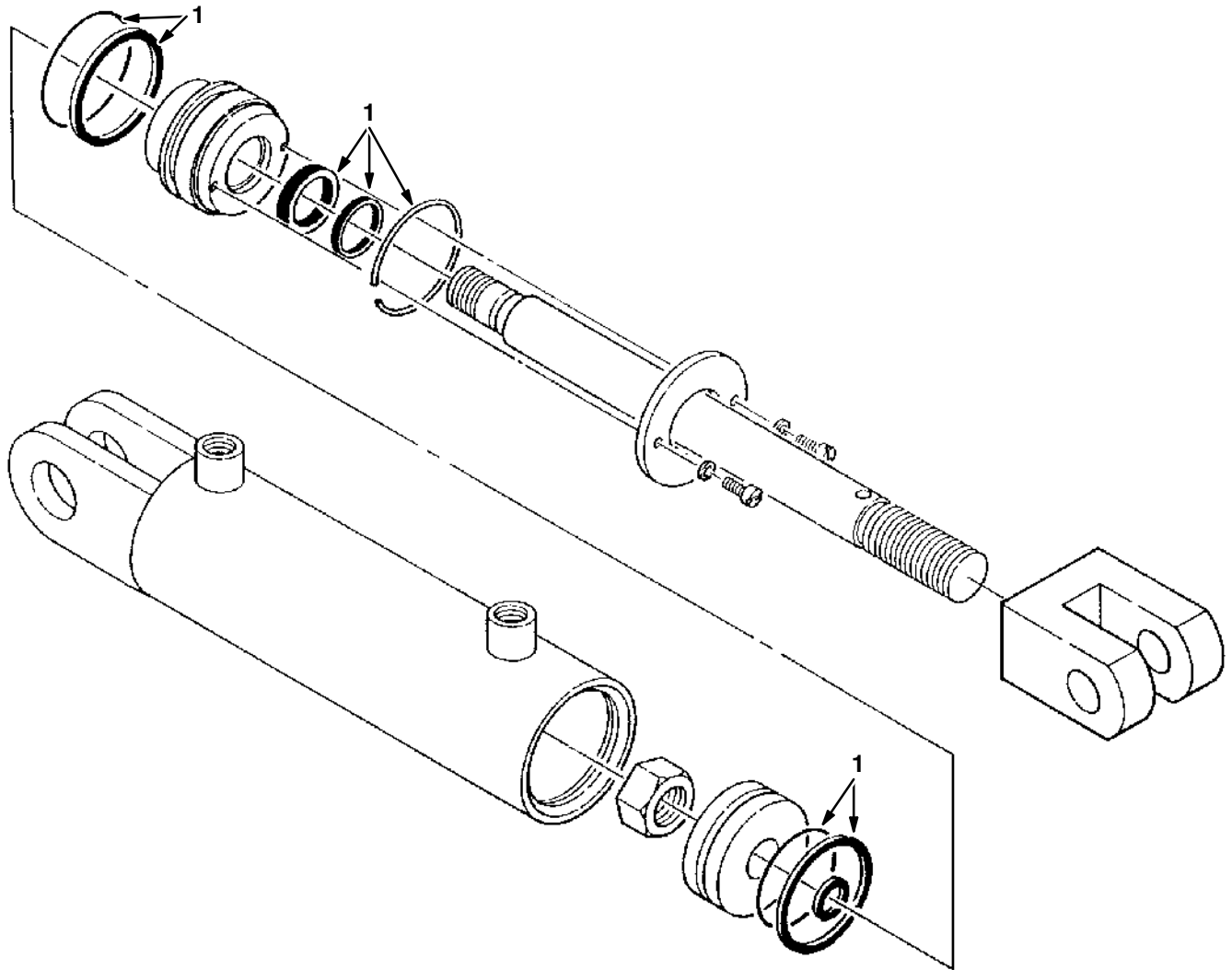
Fig. 14 - Hydraulic Valve Breakdown, 53830



07911-07492

| Ref. | Tennant Part No. | Manufacturer Serial Number | Description | Qty. | |
|------|------------------|----------------------------|------------------------------------|------------------------|---|
| ▽ | 53830 | (000000- |) Valve, Hydraulic (Repl by 48761) | 1 | |
| ▲ | 1 | 58845 | (000000- |) Seal Kit | 1 |
| ▲ | 2 | 58689 | (000000- |) Detent Kit, Spool #1 | 1 |
| ▲ | 3 | 74126 | (000000- |) Spring Kit, Spool #3 | 1 |
| ▲ | 4 | 58847 | (000000- |) Relief Assembly | 1 |
| ▲ | 5 | 58843 | (000000- |) Detent Kit, Spool #2 | 1 |
| ▲ | 6 | 74127 | (000000- |) Check Kit, LD DK | 2 |

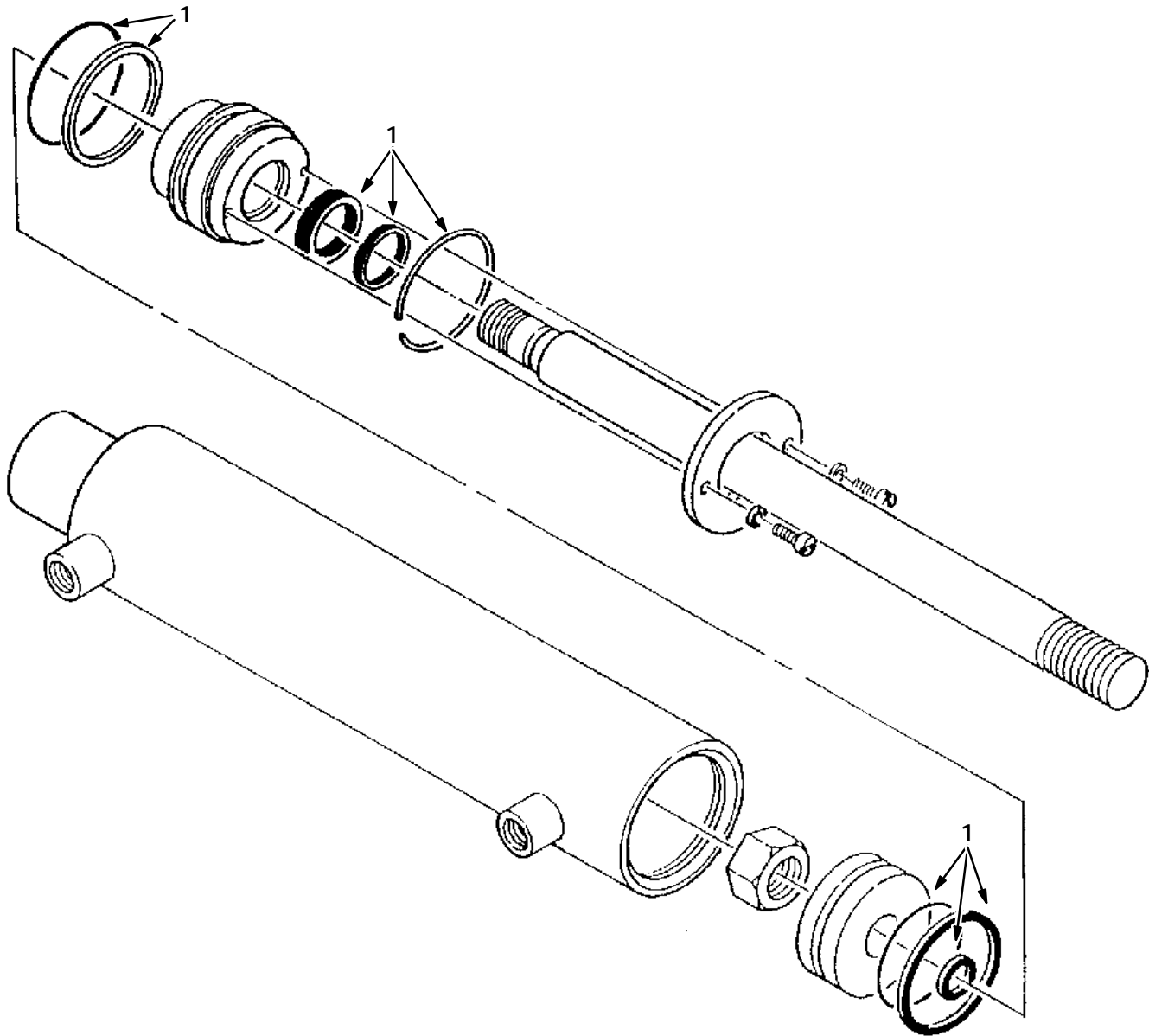
Fig. 15 - Hydraulic Cylinder Breakdown, 74419



07912-07493

| | Ref. | Tennant Part No. | Manufacturer Serial Number | Description | Qty. |
|---|-------------|-------------------------|-----------------------------------|-----------------------|-------------|
| ▽ | | 74419 | (000000- |) Cylinder, Hydraulic | 1 |
| ▲ | 1 | 59335 | (000000- |) Seal Kit | 1 |

Fig. 16 - Hydraulic Cylinder Breakdown, 53601



07913-07494

| Ref. | Tennant Part No. | Manufacturer Serial Number | Description | Qty. |
|------|------------------|----------------------------|-----------------------|------|
| | 53601 | (000000- |) Cylinder, Hydraulic | 1 |
| ▲ 1 | 04483 | (000000- |) Seal Kit | 1 |

SECTION 5

| CONTENTS | PAGE |
|---|-------------|
| Fig. 1 - Cylinder Head, Valves Group | 5-2 |
| Fig. 2 - Cylinder Block Group | 5-4 |
| Fig. 3 - Camshaft and Valve Control Group | 5-6 |
| Fig. 4 - Crankshaft and Piston Group | 5-8 |
| Fig. 5 - Oil Pump and Oil Pan Group | 5-10 |
| Fig. 6 - Manifold Group | 5-12 |
| Fig. 7 - Front Cover Assembly Group | 5-13 |
| Fig. 8 - Water Pump Group | 5-14 |
| Fig. 9 - Distributorless Ignition Group | 5-15 |
| Fig. 10 - Gaskets Group | 5-16 |
| Fig. 11 - Flywheel Group | 5-17 |

Fig. 1 - Cylinder Head, Valves Group

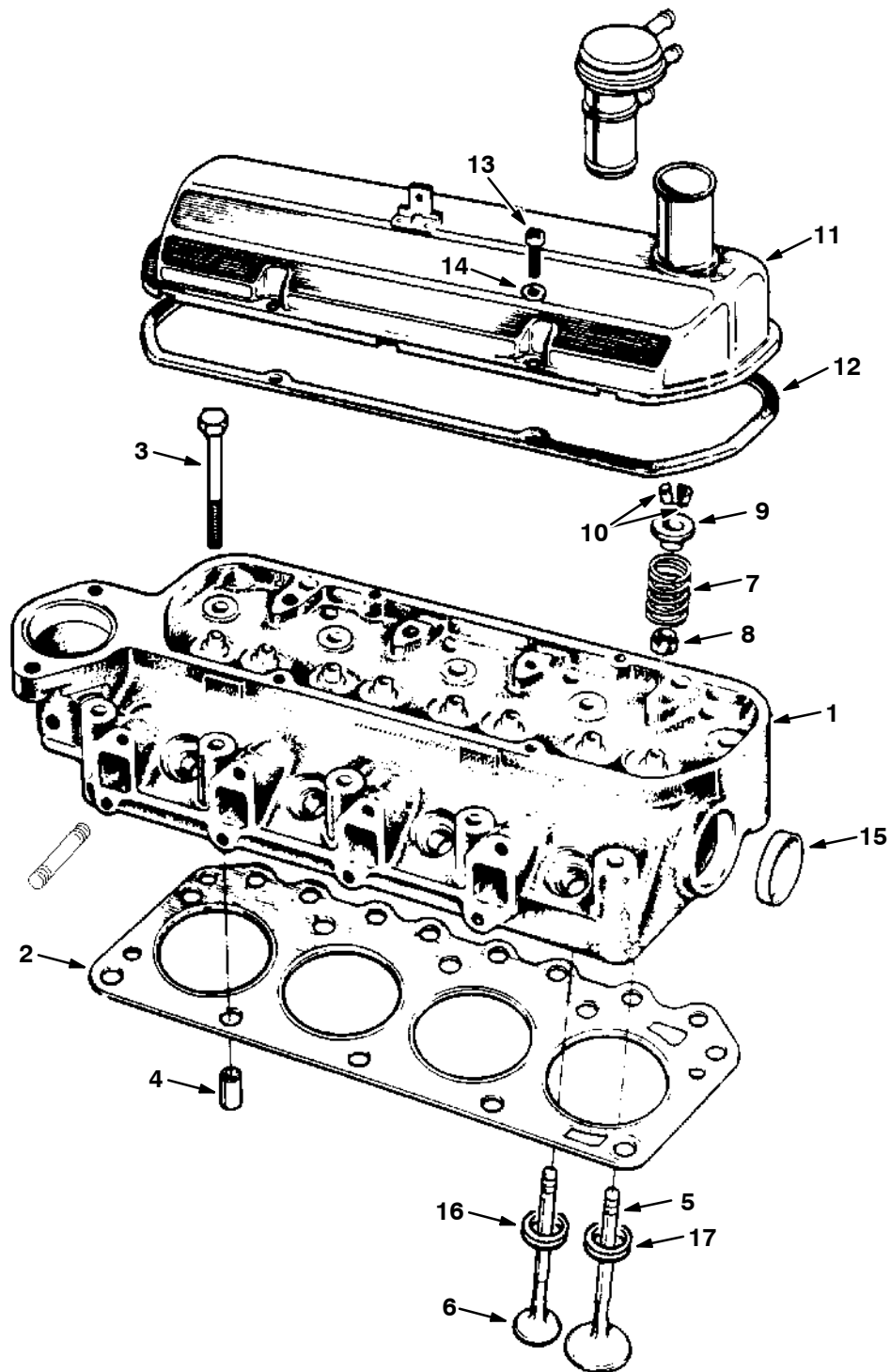


Fig. 1 - Cylinder Head, Valves Group

| Ref. | Tennant Part No. | Ford Part Number | Description | Qty. |
|------|------------------|------------------|-------------------------------|------|
| 1 | 41980 | 89BM-6049-HB | Head Assembly, Cylinder | 1 |
| 2 | 41981 | 89BM-6051-B2C | Gasket, Cylinder Head | 1 |
| 3 | 36297 | 89BM-6065-DA | Bolt, Cylinder Head | 10 |
| 4 | 36298 | E840126-S | Dowel, Cylinder Head to Block | 2 |
| 5 | 41982 | 89BM-6507-AA | Valve, Intake, Std | - |
| 6 | 36307 | 89BM-6505-CA | Valve, Exhaust, Std | 4 |
| 7 | 36315 | 89BM-6513-AA | Spring, Valve | 8 |
| 8 | 61538 | 88WM-6571-BB | Seal, Valve Stem | 8 |
| 9 | 36318 | 89BM-6A536-AA | Retainer | 8 |
| 10 | 36319 | 88WM-6518-AA | Lock, Valve Spring | 16 |
| 11 | 61539 | 91BM-6582-GA | Cover, Rocker Arm | 1 |
| 12 | 07705 | 77BM-6584-CA | Gasket, Rocker Arm Cover | 1 |
| 13 | 36324 | E800516-S72 | Screw, Rocker Cover to Head | 4 |
| 14 | 36325 | E6330024-S201 | Washer, Flat, 6 mm | 4 |
| 15 | 37313 | DORY-6026-A | Plug | 1 |
| 16 | 36330 | 89BM-6057-A2E | Insert, Exhaust Valve Seat | 4 |
| 17 | 41984 | 89BM-6056-A1F | Insert, Intake Valve Seat | 4 |

1.1L ENGINE BREAKDOWN

Fig. 2 - Cylinder Block Group

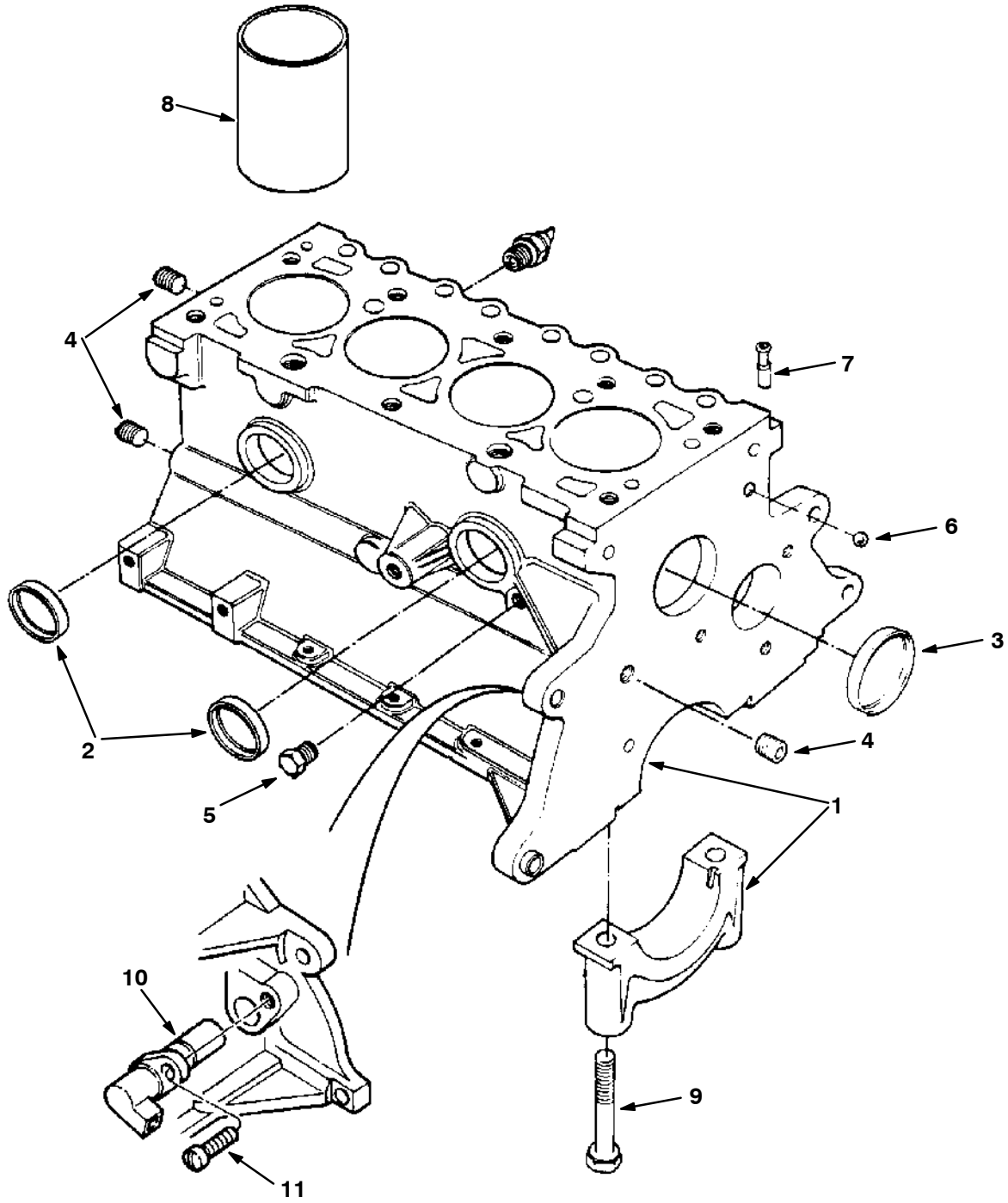


Fig. 2 - Cylinder Block Group

| | Ref. | Tennant Part No. | Ford Part Number | Description | Qty. |
|----|------|------------------|------------------|--|------|
| ▽ | 1 | 41985 | 89BM-6011-BA | ① Block, Cylinder, With Crank, Pistons, Rings, etc. | 1 |
| ▲ | | 41986 | 89BM-6010-EA | ① Block, Cylinder | 1 |
| ▽ | 1 | 61501 | 93BM-6012-AAC | ② Long Block, Cylinder, With Crank, Pistons, Rings, etc. | 1 |
| ▲▽ | | 61500 | 93BM-6011-AA | ② Short Block, Cylinder | 1 |
| ▲▲ | | 61499 | 93BM-6010-AA | ② Block, Cylinder | 1 |
| | 2 | 37313 | DORY-6026-A | Plug | 2 |
| | 3 | 36267 | D8RZ-6026-A | Plug | 1 |
| | 4 | 36268 | F1ZZ-6026-A | Plug, 1/4 NPT | 3 |
| | 5 | 36272 | 353055-S7 | Plug, 1/4 NPT | 1 |
| | 6 | 36273 | E890100-S | Plug, Ball, Oil Gallery | 1 |
| | 7 | 36274 | D8RZ-6767-A | Adapter | 1 |
| | 8 | 41987 | 89BM-6055-AA | Liner, Cylinder | - |
| | 9 | 36276 | D1FZ-6345-A | Bolt, Main Bearing Cap | 6 |
| | 10 | 36277 | 89BF-6C315-AB | Sensor, 90 degree (older style) | 1 |
| | 11 | 36278 | E802666-S72 | Screw, M6 x 14 | 1 |

① Ford Engine Serial Number (000000-001158)

② Ford Engine Serial Number (001159-)

10 374632 F5RZ-6C315-A Sensor, 45 degree (newer style).....Qty 1

1.1L ENGINE BREAKDOWN

Fig. 3 - Camshaft and Valve Control Group

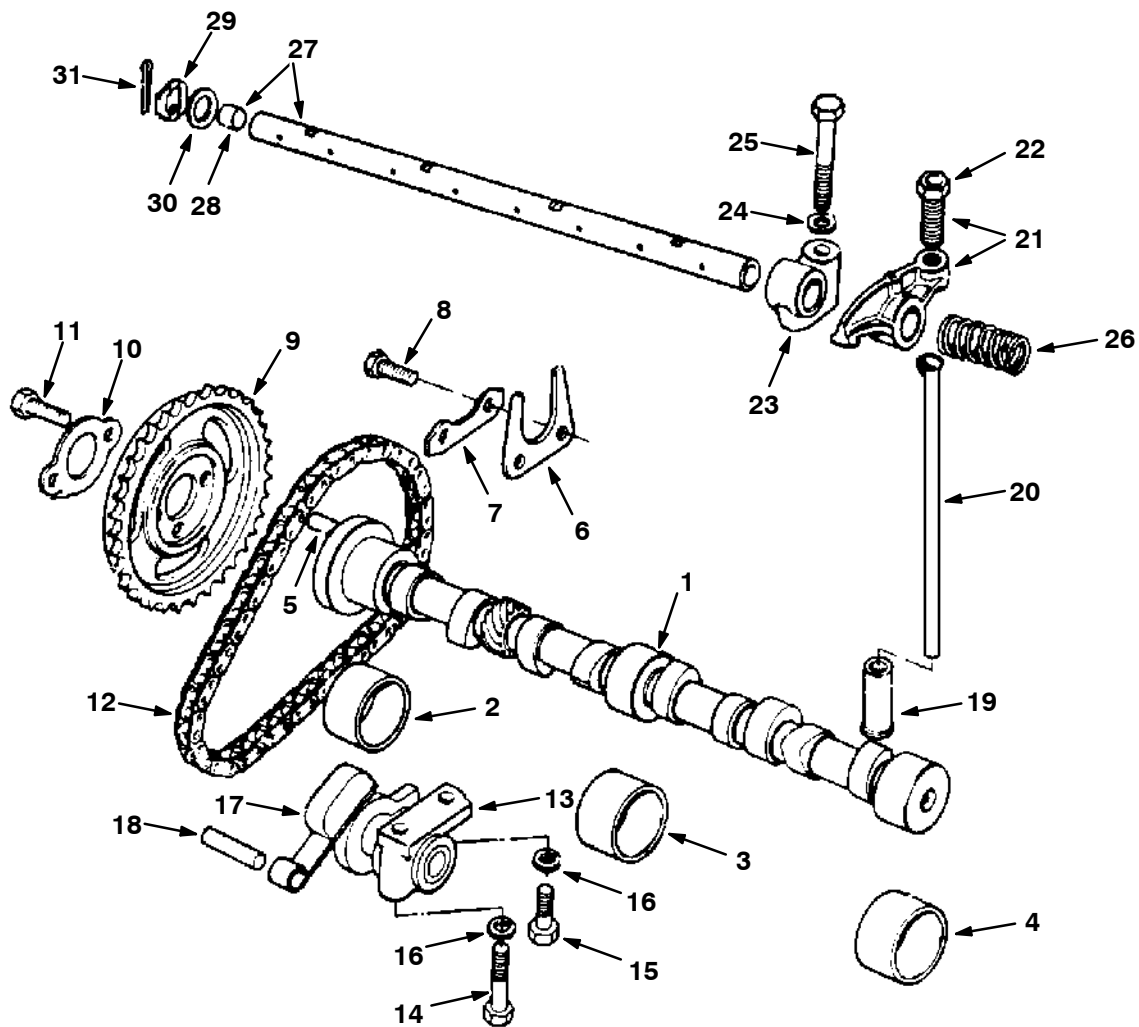


Fig. 3 - Camshaft and Valve Control Group

| Ref. | Tennant Part No. | Ford Part Number | Description | Qty. |
|--------------|------------------|------------------------|---------------------------------------|--------------|
| | 388463 | | Bearing Set, cam 1 | |
| 1 | 41988 | 89BM-6251-AA | Camshaft | 1 |
| ▲ 2 | 37316 | DORY-6261-A | Bearing, Std ID - Std OD | - |
| 2 | 37317 | DORY-6261-B | Bearing, Std ID + 0.020 OD | - |
| ▲ 3 | 37306 | DORY-6262-C | Bearing, Std ID - Std OD | - |
| 3 | 38242 | DORY-6262-B | Bearing, Std ID + 0.020 OD | - |
| ▲ 4 | 37306 | DORY-6262-C | Bearing, Std ID - Std OD | - |
| 4 | 38242 | DORY-6262-B | Bearing, Std ID + 0.020 OD | - |
| 5 | 61540 | E93A-6253-A | Dowel | 1 |
| 6 | 36342 | DORY-6269-A | Plate, Thrust | 1 |
| 7 | 36343 | DORY-6255-A | Retainer | 1 |
| 8 | 36344 | N602166-S2 | Bolt, M6 x 16, Tensioner to Block | 2 |
| 9 | 36345 | 77BM-6256-AA | Sprocket, Camshaft | 1 |
| 10 | 36348 | DORY-6258-A | Retainer | 1 |
| 11 | 36349 | E602351-S204 | Bolt, M8 x 16 | 2 |
| 12 | 37307 | DORY-6268-A | Chain | 1 |
| 13 | 37337 | E43-CP1 | Tensioner | 1 |
| 14 | 36372 | E600116-S204 | Bolt, M6 x 55, Tensioner to Block | 1 |
| 15 | 36344 | N602166-S72 | Bolt, M6 x 16, Tensioner to Block | 1 |
| 16 | 36373 | 34805-S8 | Washer, 1/4 Lock | 2 |
| 17 | 36374 | 77BM-6K255-AC | Arm, Tensioner | 1 |
| 18 | 37694 | E43-CP1 | Pin | 1 |
| 19 | 36375 | 89BM-6500-AA | Tappet, Std | 8 |
| 20 | 36381 | 89BM-6565-AA | Rod, Valve Push | 8 |
| 21 | 36382 | 89BM-6529-AB | Arm, Valve Rocker, Right, With Screw | 4 |
| ▽ 21 | 36383 | 89BM-6K528-AB | Arm, Valve Rocker, Left, With Screw | 4 |
| ▲ 22 | 37693 | DORY-6549-B | Screw | 8 |
| 23 | 36384 | 77BM-6531-BB | Support, Rocker Arm Shaft | 4 |
| 24 | 36389 | E630031-S101 | Washer, B10 x 20 x 2.5 | 4 |
| 25 | 36390 | E800509-S72 | Bolt, Rocker Support | 4 |
| 26 | 36402 | DORY-6587-A | Spring, Locating | 3 |
| ▽ 27 | 36405 | 89BM-6A557-AA | Shaft Assembly, Rocker Arm | 1 |
| ▲ 28 | 36406 | 357966-S | Plug, Rocker Arm Shaft, 11 mm | 2 |
| 29 | 36407 | 77BM-6598-AB | Washer, Spring | 2 |
| 30 | 36408 | DORY-6590-A | Washer, Flat | 2 |
| 31 | 36409 | 72025-S7 | Pin, Cotter, 2.3 mm | 2 |

1.1L ENGINE BREAKDOWN

Fig. 4 - Crankshaft and Piston Group

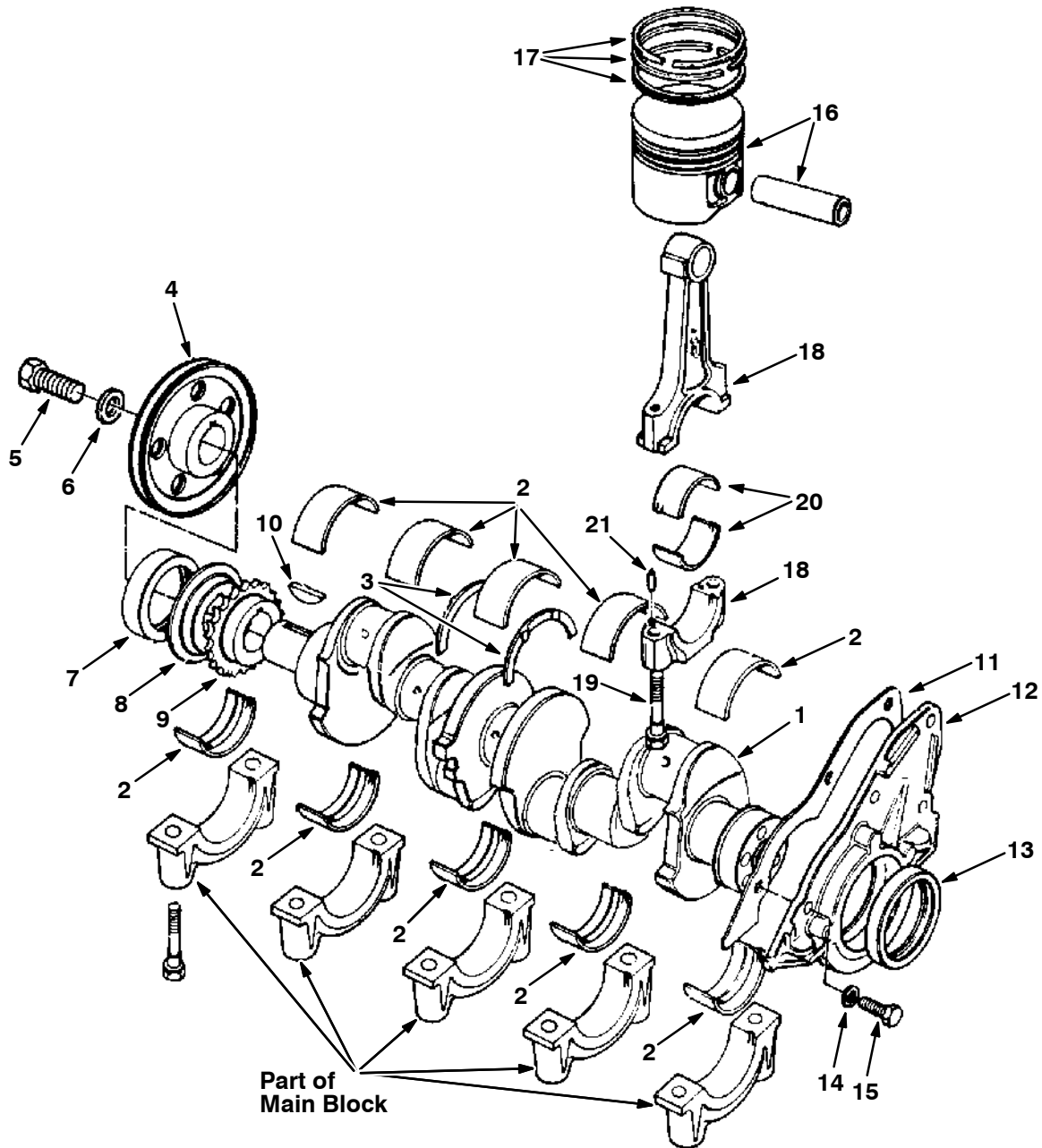


Fig. 4 - Crankshaft and Piston Group

07946-10191

| Ref. | Tennant Part No. | Ford Part Number | Description | Qty. |
|------|------------------|------------------|-----------------------|------|
| 1 | 41989 | 89BM-6303-CA | ① Crankshaft Assembly | 1 |
| 1 | 36322 | 89BM-6303-DA | ② Crankshaft Assembly | 1 |

① Ford Engine Serial Number (000000-001158)

② Ford Engine Serial Number (001159-)

1.1L ENGINE BREAKDOWN

| Ref. | Tennant Part No. | Ford Part Number | Description | Qty. |
|--------|------------------|------------------------------|--|------|
| 2 | 36410 | 89BM-6333-AA | Main Bearing, Crankshaft, Upper Std OD, Std ID | - |
| 2 | 36411 | 89BM-6333-BA | Main Bearing, Crankshaft, Upper Std OD, 0.005 US ID | - |
| 2 | 36412 | 89BM-6333-CA | Main Bearing, Crankshaft, Upper Std OD, 0.010 US ID | - |
| 2 | 36413 | 89BM-6333-DA | Main Bearing, Crankshaft, Upper 0.015 OS OD, Std ID | - |
| 2 | 36414 | 89BM-6333-EA | Main Bearing, Crankshaft, Upper Std OD, 0.020 US ID | - |
| 2 | 36415 | 89BM-6333-FA | Main Bearing, Crankshaft, Upper Std OD, 0.030 US ID | - |
| 2 | 36416 | 89BM-6333-GA | Main Bearing, Crankshaft, Upper 0.015 OS OD, 0.010 US ID | - |
| 2 | 36418 | 89BM-6333-HA | Main Bearing, Crankshaft, Upper 0.015 OS OD, 0.020 US ID | - |
| 2 | 61545 | 89BM-6331-AA | Main Bearing, Crankshaft, Lower Std OD, Std ID | - |
| 2 | 61546 | 89BM-6331-BA | Main Bearing, Crankshaft, Lower Std OD, 0.005 US ID | - |
| 2 | 61547 | 89BM-6331-CA | Main Bearing, Crankshaft, Lower Std OD, 0.010 US ID | - |
| 2 | 61548 | 89BM-6331-DA | Main Bearing, Crankshaft, Lower 0.015 OS OD, Std ID | - |
| 2 | 61549 | 89BM-6331-EA | Main Bearing, Crankshaft, Lower Std OD, 0.020 US ID | - |
| 2 | 61550 | 89BM-6331-FA | Main Bearing, Crankshaft, Lower Std OD, 0.030 US ID | - |
| 2 | 61551 | 89BM-6331-GA | Main Bearing, Crankshaft, Lower 0.015 OS OD, 0.010 US ID | - |
| 2 | 61552 | 89BM-6331-HA | Main Bearing, Crankshaft, Lower 0.015 OS OD, 0.020 US ID | - |
| 3 | 36419 | 89BM-6A341-AA | Washer, Main Bearing Thrust, Std | 2 |
| 3 | 36421 | 89BM-6A341-BA | Washer, Main Bearing Thrust, 0.015 OS | - |
| 4 | 36422 | 89BM-6312-AA | Pulley, Crankshaft, 1 Groove | 1 |
| 5 | 36423 | 89BM-6K340-AA | Bolt, Pulley to Crankshaft, M12 x 32 | 1 |
| 6 | 07707 | E830135-S76 | Washer, Pulley to Crankshaft, B12 | 1 |
| 7 | 36257 | 83BM-6700-A4A | Seal, Front Cover | 1 |
| 388476 | 8 | 36424 D8RZ-6310-A | Slinger, Oil | 1 |
| 9 | 37321 | DORY-6306-A | Sprocket | 1 |
| 10 | 37312 | DORY-6B316-A | Key, Woodruff | 1 |
| 11 | 36259 | 89BM-6344-BA | Gasket, Rear Retainer | 1 |
| 12 | 36430 | 86BM-6K318-AA | Retainer Assembly, Rear | 1 |
| 13 | 36262 | 86HM-6701-AIA | Seal, Crankshaft Rear | 1 |
| 14 | 36431 | E630173-S71M | Washer, B8 Lock | 4 |
| 15 | 37181 | E602187-S82 | Bolt, M8 x 20 | 4 |
| 16 | 41990 | 89BM-6102-AA | Piston, Pin and Ring Assembly, Std | 4 |
| 16 | 41991 | 89BM-6102-BA | Piston, Pin and Ring Assembly, 0.020 OS | - |
| 16 | 41992 | 89BM-6102-CA | Piston, Pin and Ring Assembly, 0.040 OS | - |
| 17 | 61524 | 89BM-6148-AA | Ring Set, Piston, Std | 4 |
| 17 | 61525 | 89BM-6148-BA | Ring Set, Piston, 0.020 OS | - |
| 17 | 61526 | 89BM-6148-CA | Ring Set, Piston, 0.040 OS | - |
| 18 | 61527 | 89BM-6200-AD | Rod Assembly, Connecting | 4 |
| 19 | 36454 | 89BM-6214-DB | Bolt, Connecting Rod | 8 |
| 20 | 36463 | 89BM-6211-AA | Bearing, Connecting Rod, Std | 8 |
| 20 | 36467 | 89BM-6211-BA | Bearing, Connecting Rod, 0.001 US | - |
| 20 | 36469 | 89BM-6211-CA | Bearing, Connecting Rod, 0.010 US | - |
| 20 | 36483 | 89BM-6211-DA | Bearing, Connecting Rod, 0.020 US | - |
| 20 | 36493 | 89BM-6211-EA | Bearing, Connecting Rod, 0.030 US | - |
| 21 | 36590 | 116336-ES100 | Dowel Pin, Connecting Rod | 8 |

1.3L ENGINE BREAKDOWN

Fig. 5 - Oil Pump and Oil Pan Group

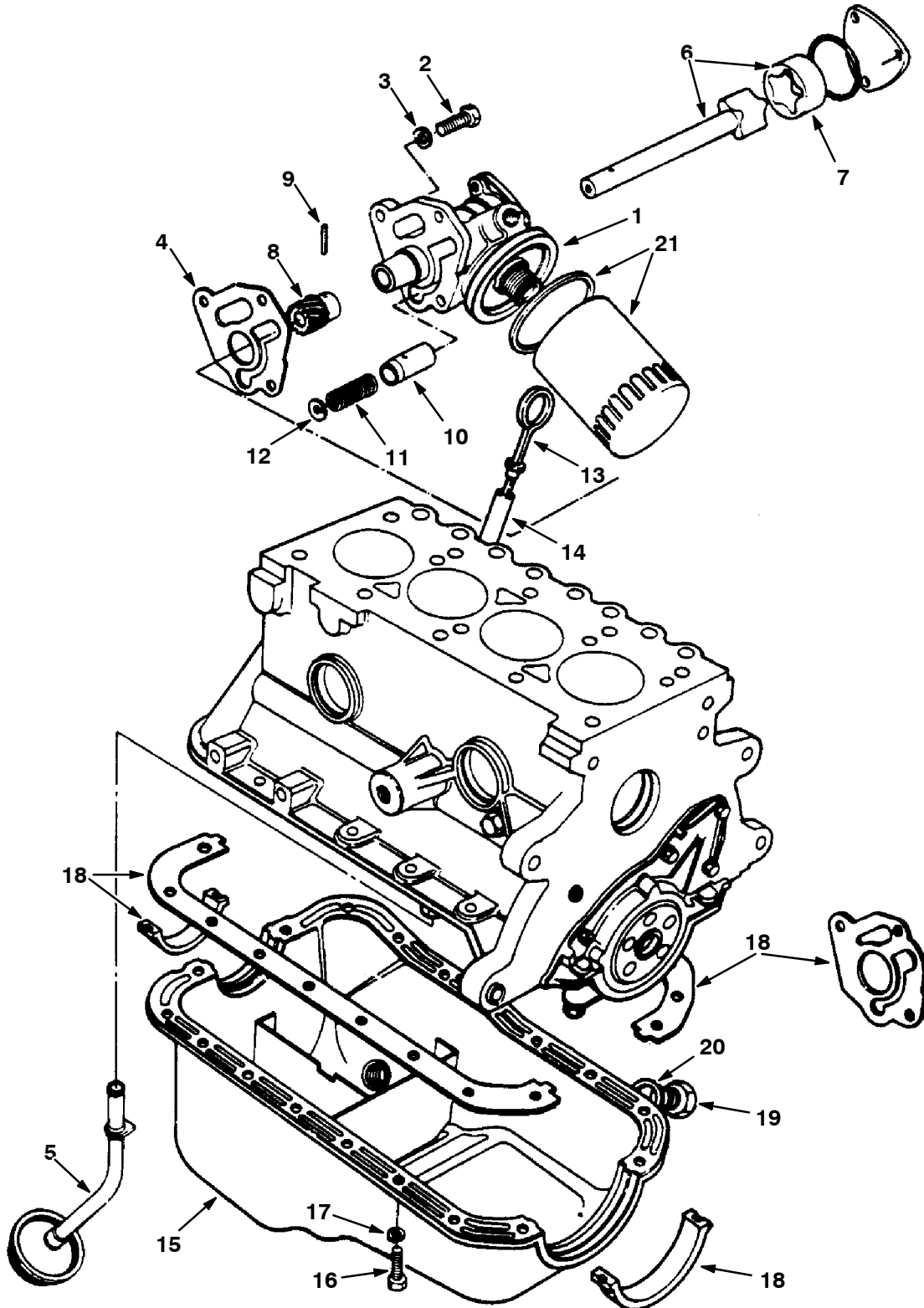


Fig. 5 - Oil Pump and Oil Pan Group

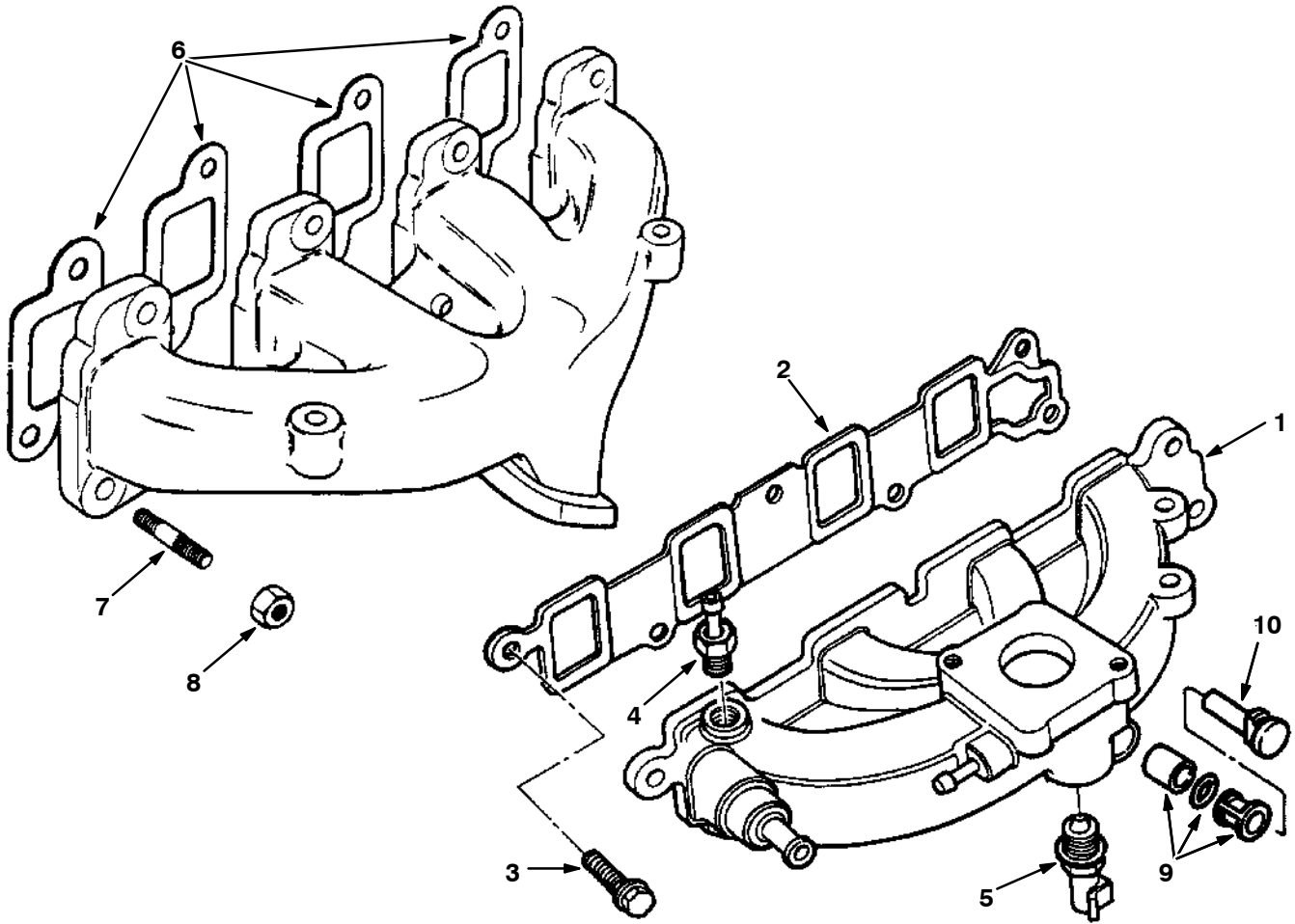
| Ref. | Tennant Part No. | Ford Part Number | Description | Qty. |
|------|------------------|------------------|---------------------------|------|
| 1 | 07710 | D8RZ-6600-A | Pump, Oil | 1 |
| 2 | 36748 | E800519-S72 | Bolt | 3 |
| 3 | 36431 | E630173-S71M | Washer, B8 Lock | 3 |
| 4 | 36764 | 89BM-6659-AA | Gasket, Oil Pump to Block | 1 |
| 5 | 36765 | 86BM-6617-AA | Tube Assembly, Oil Pickup | 1 |
| 6 | 10075 | D1FZ-6608-B | Rotor and Shaft | 1 |
| 7 | 37403 | 116682-ES | Seal, Cover Plate | 1 |
| 8 | 36780 | DORY-6652-A | Gear | 1 |
| 9 | 36867 | 72432-S | Pin, Drive Gear | 1 |
| 10 | 36881 | DORY-6674-A | Plunger | 1 |
| 11 | 36904 | DORY-6670-A | Spring | 1 |
| 12 | 36923 | DORY-6666-A | Plug | 1 |
| 13 | 36924 | 92BM-6750-AA | Indicator, Oil Level | 1 |
| 14 | 37053 | 89BM-6784-AA | Tube, Oil Level Indicator | 1 |
| 15 | 37098 | 86BM-6675-AA | Oil Pan and Plug | 1 |
| 16 | 37099 | E602165-S72 | Bolt, M6 x 14, Oil Pan | 18 |
| 17 | 36373 | 34805-S8 | Washer, 1/4 Lock | 18 |
| 18 | 07711 | A76SX-6013-AA | ① Kit, Oil Pan Gasket | 1 |
| 18 | 10806 | A850X-6013-AA | ② Kit, Oil Pan Gasket | 1 |
| 19 | 37127 | E9DZ-6730-B | Plug, Oil Drain | 1 |
| 20 | 37157 | E9DZ-6734-B | Gasket, Oil Drain Plug | 1 |
| 21 | 19205 | | Filter, Engine Oil | 1 |

① Ford Engine Serial Number (000000-001158)

② Ford Engine Serial Number (001159-)

1.1L ENGINE BREAKDOWN

Fig. 6 - Manifold Group



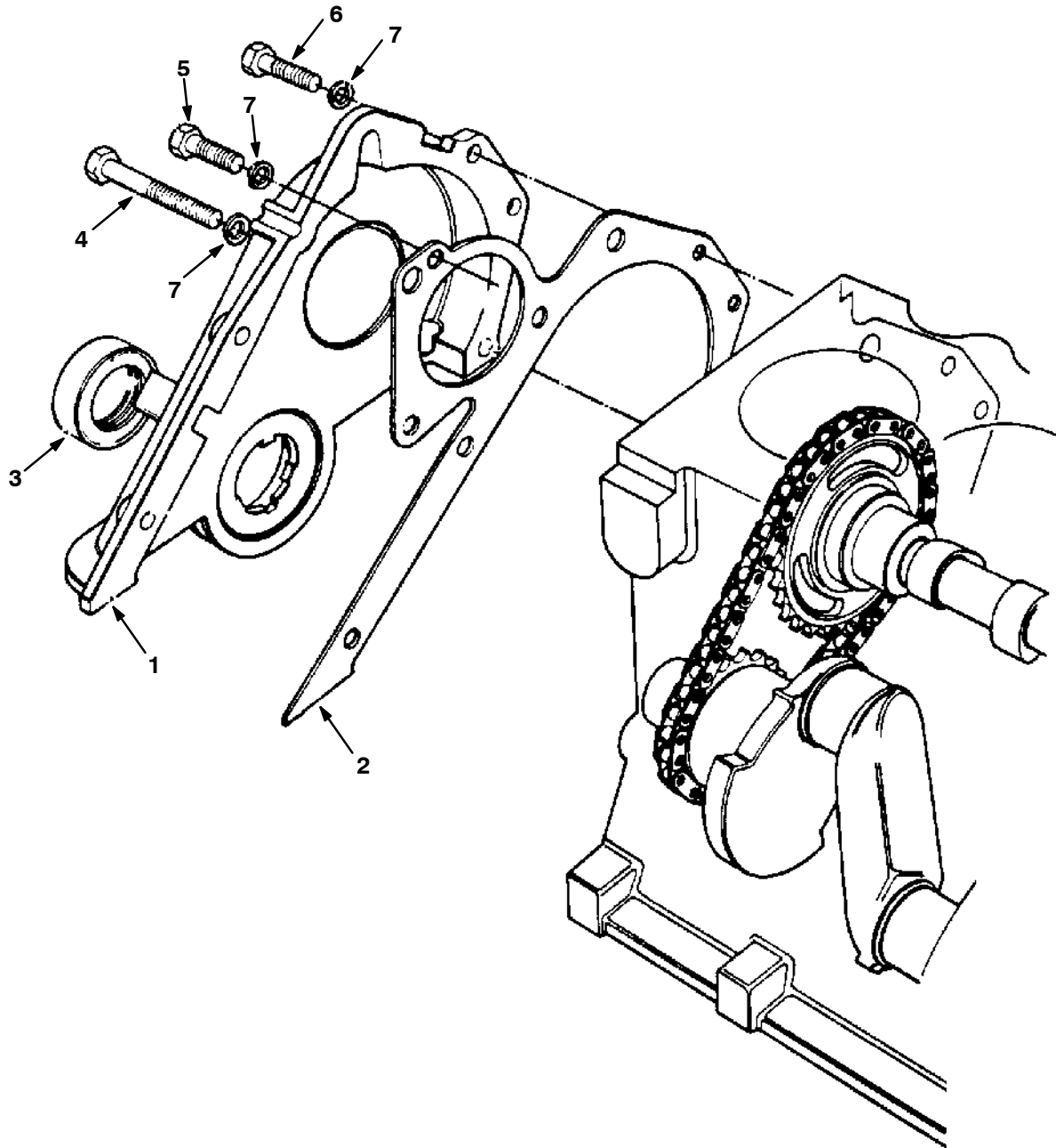
07948-07949

| Ref. | Tennant Part No. | Ford Part Number | Description | Qty. |
|------|------------------|------------------|-----------------------------|------|
| 1 | 37194 | 89BF-9424-AD | Manifold, Intake | 1 |
| 2 | 37195 | 89BM-9441-AB | Gasket, Intake Manifold | 1 |
| 3 | 37196 | E800157-S72 | Bolt, M8 x 25 | 6 |
| 4 | 37198 | 77BF-9K442-AA | Adapter, Vacuum | 1 |
| 5 | 37199 | E1AZ-12A648-A | ① Sensor, Water Temperature | 1 |
| 5 | 84989 | F57Z-12A648-AA | ② Sensor, Water Temperature | 1 |
| 6 | 61556 | 89BM-9448-BA | Gasket, Exhaust Manifold | 4 |
| 7 | 30327 | | Stud | 8 |
| 8 | 08165 | | Nut, Hx Stover M8 x 1.25 | 8 |
| 9 | 21784 | 87AB-2A411-BA | Manifld Insert | 1 |
| 10 | 21785 | 87AB-9H490-AA | Plug | 1 |

① Tennant Serial Number (000000-004097)

② Tennant Serial Number (004098-)

Fig. 7 - Front Cover Assembly Group

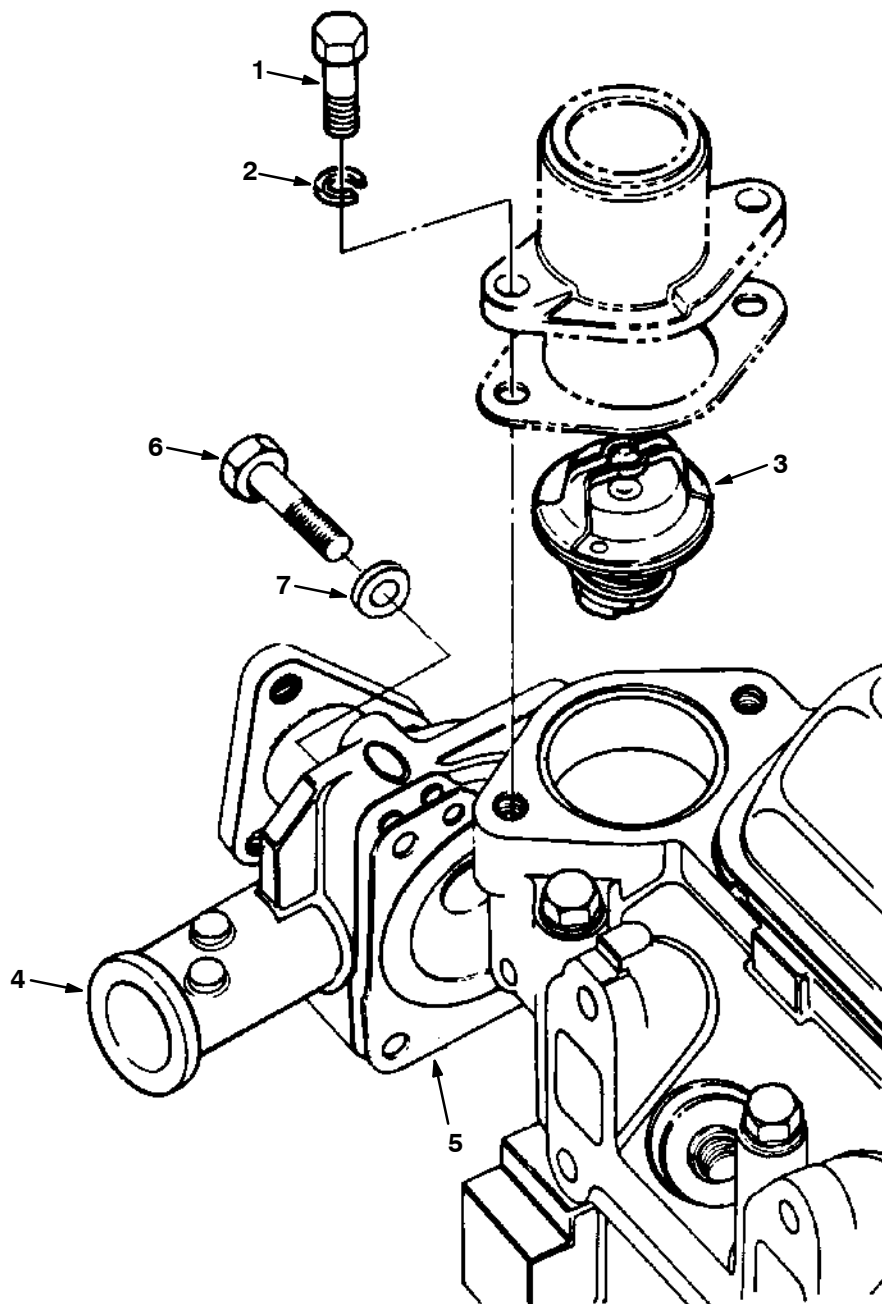


06075-04708

| Ref. | Tennant Part No. | Ford Part Number | Description | Qty. |
|------|------------------|------------------|--|------|
| ▽ 1 | 36332 | 89BM-6019-AA | Cover and Seal Assembly, Cylinder Front | 1 |
| ▲ 2 | 52484 | 89BM-6020-AA | Gasket, Front Cover | 1 |
| ▲ 3 | 36257 | 83BM-6700-A4A | Seal, Front Cover | 1 |
| 4 | 36337 | E800518-S72 | Bolt, M6 x 45, Front Cover to Block | 1 |
| 5 | 39047 | E600113-S72 | Bolt, M6 x 40, Front Cover to Block | 3 |
| 6 | 36338 | E800512-S72 | Bolt, M6 x 18, Front Cover to Block | 4 |
| 7 | 36339 | EB32108S71M | Washer, Lock, M6, Front Cover and W/P to Block | 8 |

1.1L ENGINE BREAKDOWN

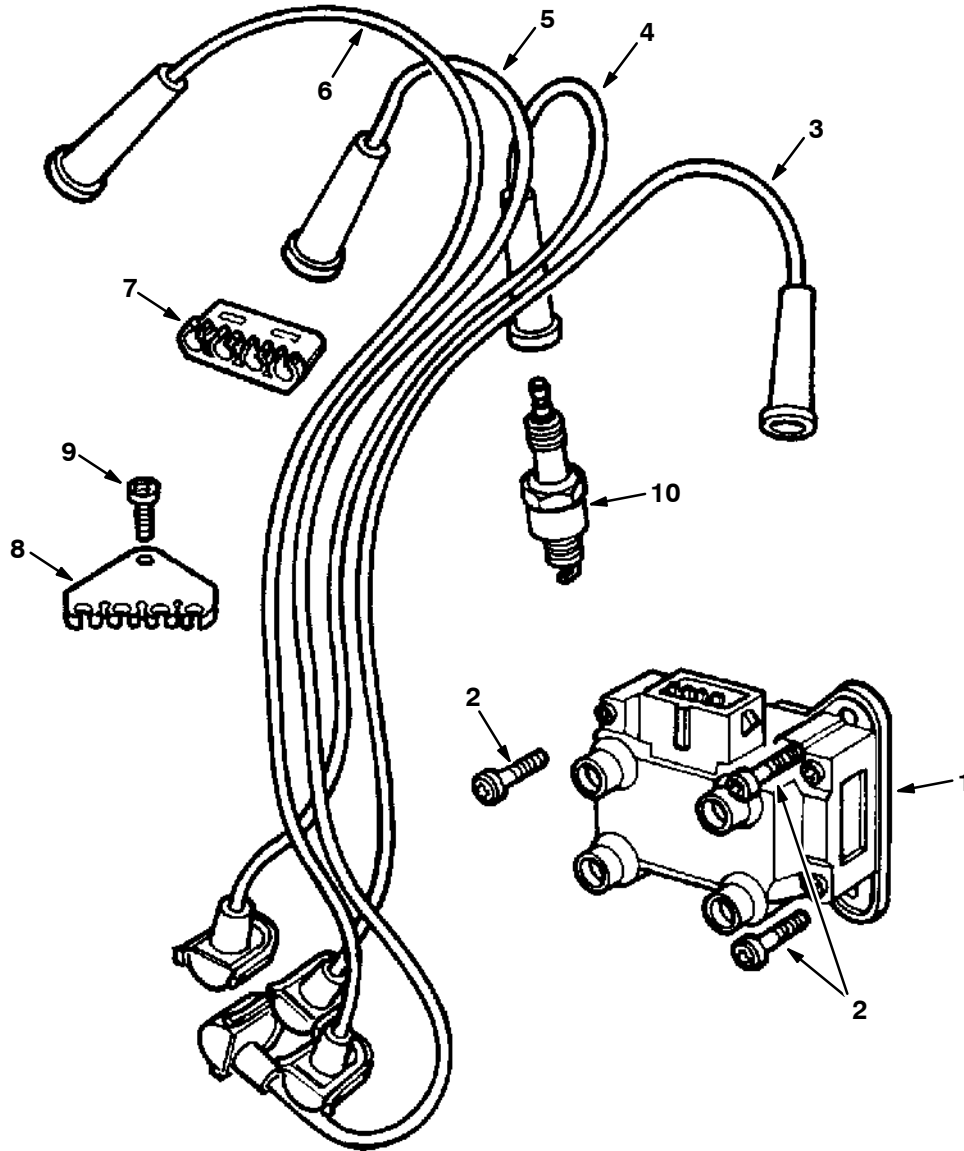
Fig. 8 - Water Pump Group



07951-04709

| Ref. | Tennant Part No. | Ford Part Number | Description | Qty. |
|------|------------------|------------------|---|------|
| 1 | 37181 | E602187-S72 | Bolt, M8 x 20 | 2 |
| 2 | 36431 | E630173-S71M | Washer, B8 Lock | 2 |
| 3 | 37327 | RT-351 | Thermostat | 1 |
| 4 | 26431 | 92BX-8591-AA | Water Pump | 1 |
| 5 | 37189 | 89BM-8507-AA | Gasket, Water Pump | 1 |
| 6 | 37193 | E600113-S72 | Bolt, M6 x 40, Front Cover and W/P to Block | 3 |
| 7 | 36339 | E832108-S71M | Washer, M6 Lock | 3 |

Fig. 9 - Distributorless Ignition Group

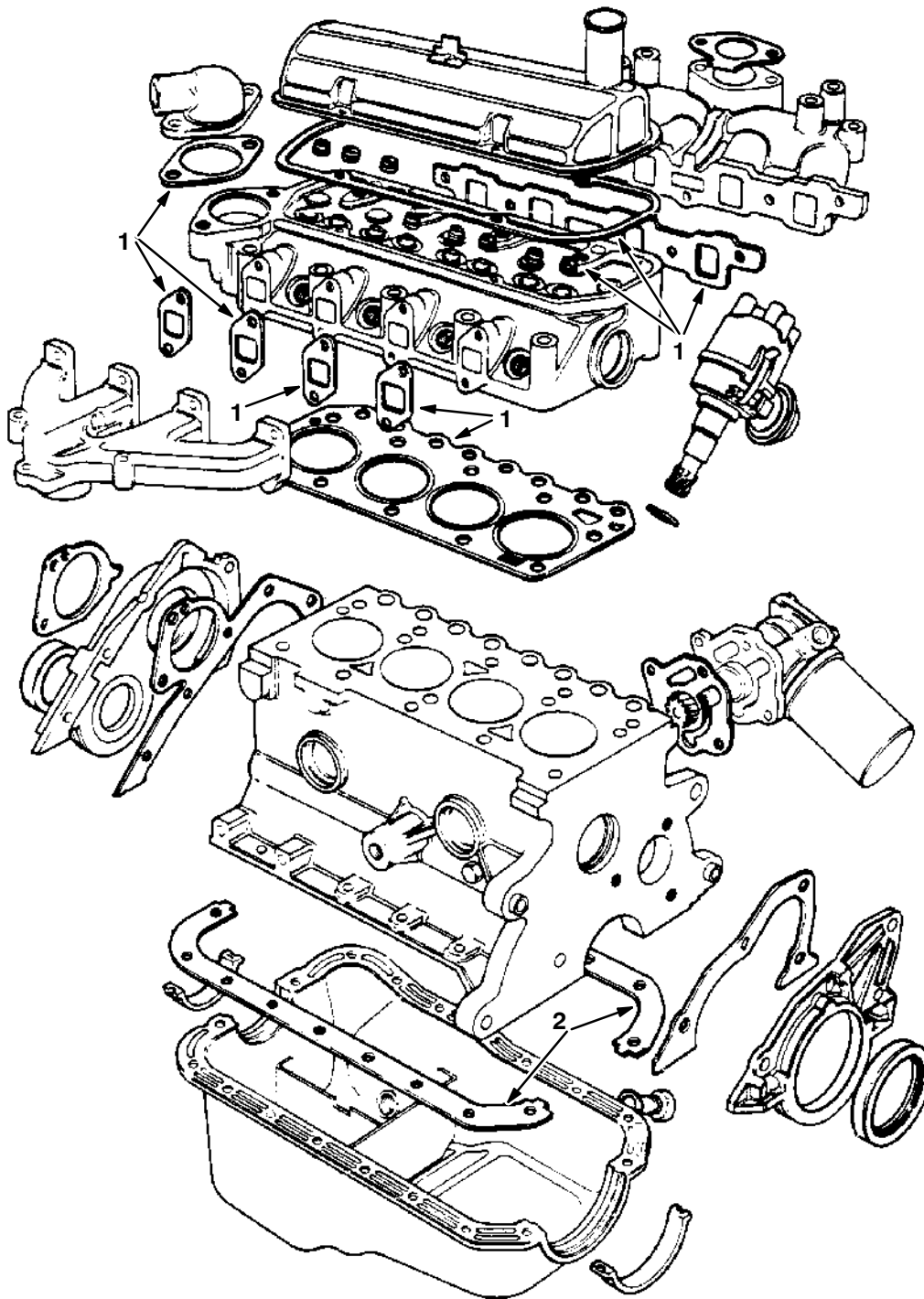


07952-05507

| Ref. | Tennant Part No. | Ford Part Number | Description | Qty. |
|------|------------------|------------------|-------------------------------------|------|
| 1 | 39025 | 89BF-12024-A1B | Coil and Bracket Assembly, Ignition | 1 |
| 2 | 39026 | E804335-S201 | Screw, M8 x 14 | 3 |
| 3 | 39038 | 89BF-12286-AD | Wire, Spark Plug, No. 1 | 1 |
| 4 | 39040 | 89BF-12283-AD | Wire, Spark Plug, No. 2 | 1 |
| 5 | 39041 | 89BF-12284-AD | Wire, Spark Plug, No. 3 | 1 |
| 6 | 39042 | 89BF-12287-AC | Wire, Spark Plug, No. 4 | 1 |
| 7 | 39043 | E865648-S | Separator, Ignition Wire | 1 |
| 8 | 39044 | 89BF-12297-AA | Separator, Ignition Wire | 1 |
| 9 | 39045 | E802166-S76 | Screw, M4 x 10 | 1 |
| 10 | 39046 | 87YF-12405-AB | Spark Plug | 4 |

1.1L ENGINE BREAKDOWN

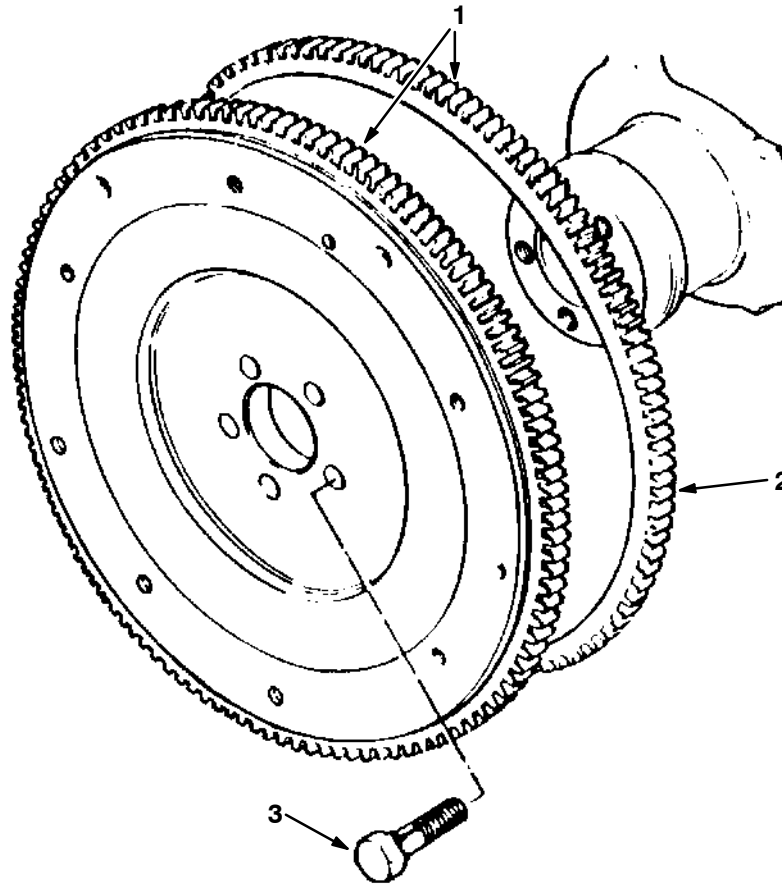
Fig. 10 - Gaskets Group



07953-04711

| Ref. | Tennant Part No. | Ford Part Number | Description | Qty. |
|------|------------------|------------------|-----------------------------|------|
| ▽ | 41995 | 88BX-6008-AA | Engine Gasket Kit, Complete | 1 |
| ▲ 1 | 41996 | 88BX-6014-AA | Engine Gasket Kit, Upper | 1 |

Fig. 11 - Flywheel Group



07954-04710

| Ref. | Tennant Part No. | Ford Part Number | Description | Qty. |
|------|------------------|------------------|--|------|
| ∇ 1 | 41997 | 89BM-6375-AA | ① Flywheel and Ring Gear Assembly | 1 |
| ∇ 1 | 36591 | 89BM-6375-BA | ② Flywheel and Ring Gear Assembly | 1 |
| ▲ 2 | 52488 | D8RZ-6384-A | Ring, Gear | 1 |
| 3 | 36630 | D2RY-6379-A | Bolt, M10 x 22.5, Flywheel to Crankshaft | 5 |
| | 36646 | D1FZ-6397-B | Dowel | 3 |

① Ford Engine Serial Number (000000-001158)

② Ford Engine Serial Number (001159-)

SECTION 6

| CONTENTS | PAGE |
|---|-------------|
| Fig. 1 - Cylinder Head, Valves Group | 6-2 |
| Fig. 2 - Cylinder Block Group | 6-4 |
| Fig. 3 - Camshaft and Valve Control Group | 6-6 |
| Fig. 4 - Crankshaft and Piston Group | 6-8 |
| Fig. 5 - Oil Pump and Oil Pan Group | 6-10 |
| Fig. 6 - Manifold Group | 6-12 |
| Fig. 7 - Front Cover Assembly Group | 6-13 |
| Fig. 8 - Water Pump Group | 6-14 |
| Fig. 9 - Distributorless Ignition Group | 6-15 |
| Fig. 10 - Gaskets Group | 6-16 |
| Fig. 11 - Flywheel Group | 6-17 |

1.3L ENGINE BREAKDOWN

Fig. 1 - Cylinder Head, Valves Group

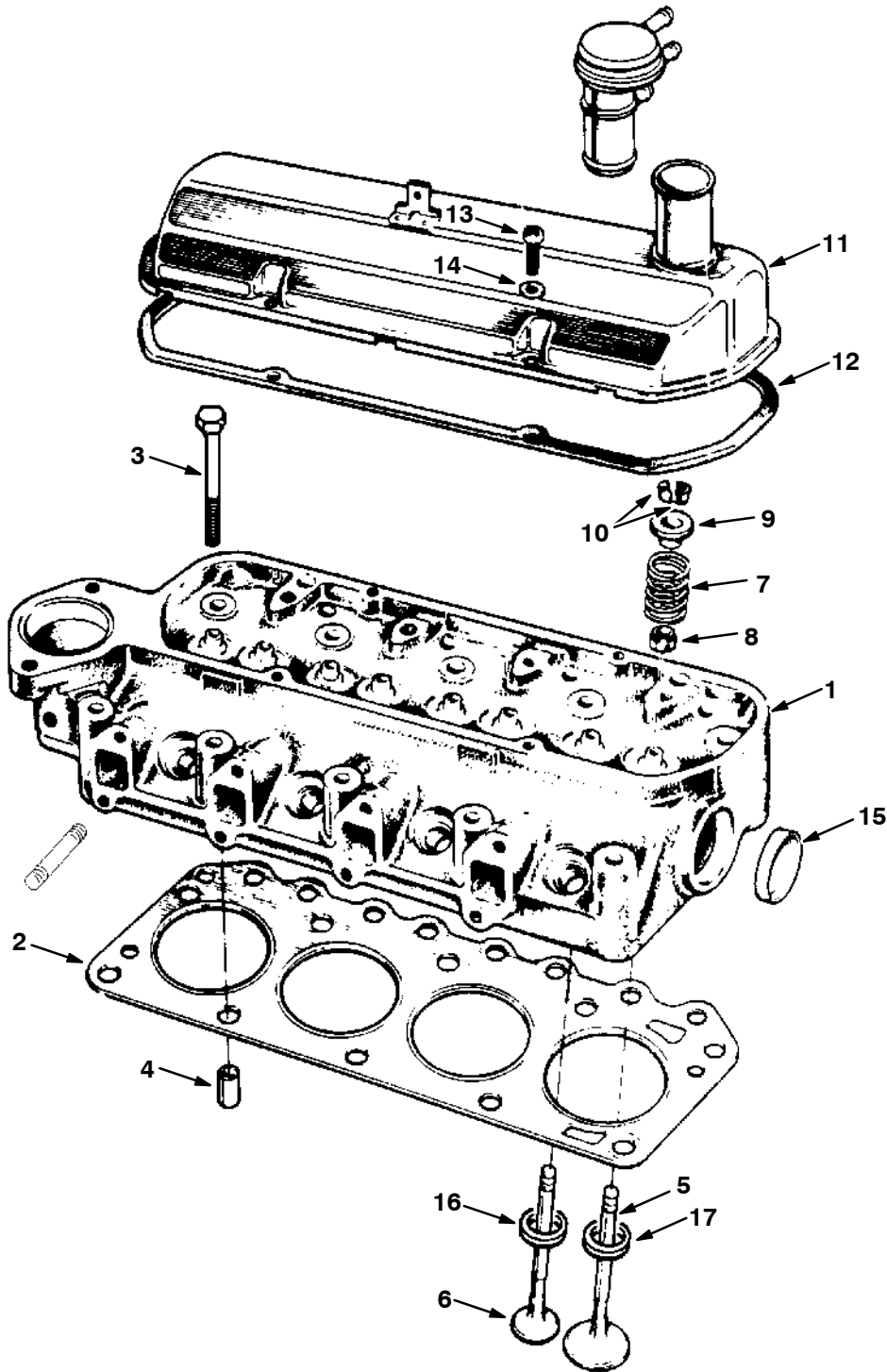


Fig. 1 - Cylinder Head, Valves Group

| Ref. | Tennant Part No. | Ford Part Number | Description | Qty. |
|------|------------------|------------------|-------------------------------|------|
| 1 | 36279 | 89BM-6049-DD | Head Assembly, Cylinder | 1 |
| 2 | 36281 | 89BM-6051-C2B | Gasket, Cylinder Head | 1 |
| 3 | 36297 | 89BM-6065-DA | Bolt, Cylinder Head | 10 |
| 4 | 36298 | E840126-S | Dowel, Cylinder Head to Block | 2 |
| 5 | 36300 | 89BM-6507-BA | Valve, Intake, Std | - |
| 6 | 36307 | 89BM-6505-CA | Valve, Exhaust, Std | 4 |
| 7 | 36315 | 89BM-6513-AA | Spring, Valve | 8 |
| 8 | 61538 | 88WM-6571-BB | Seal, Valve Stem | 8 |
| 9 | 36318 | 89BM-6A536-AA | Retainer | 8 |
| 10 | 36319 | 88WM-6518-AA | Lock, Valve Spring | 16 |
| 11 | 36321 | 89BM-6582-AA | Cover, Rocker Arm | 1 |
| 12 | 07705 | 77BM-6584-CA | Gasket, Rocker Arm Cover | 1 |
| 13 | 36324 | E800516-S72 | Screw, Rocker Cover to Head | 4 |
| 14 | 36325 | E630024-S201 | Washer, Flat, 6 mm | 4 |
| 15 | 37313 | DORY-6026-A | Plug | 1 |
| 16 | 36330 | 89BM-6057-A2E | Insert, Exhaust Valve Seat | 4 |
| 17 | 36331 | 89BM-6056-A1G | Insert, Intake Valve Seat | 4 |

Fig. 2 - Cylinder Block Group

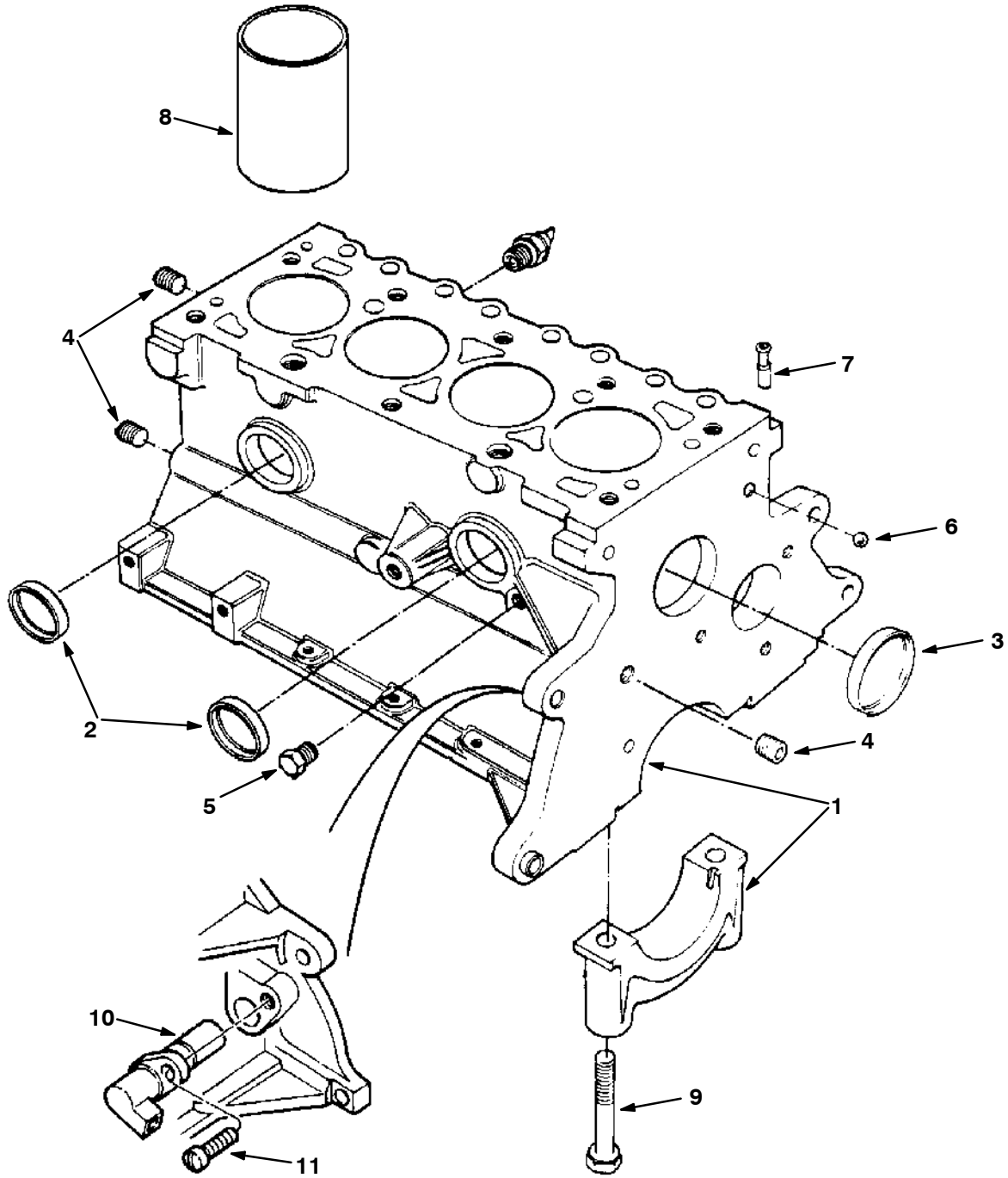


Fig. 2 - Cylinder Block Group

| | Ref. | Tennant Part No. | Ford Part Number | Description | Qty. |
|---|------|------------------|------------------|--|------|
| ▽ | 1 | 36264 | 89BM-6011-DA | Block, Cylinder, With Crank, Piston, Rings, etc. | 1 |
| ▲ | | 36263 | 89BM-6010-FA | Block, Cylinder | 1 |
| | 2 | 37313 | DORY-6026-A | Plug | 2 |
| | 3 | 36267 | D8RZ-6026-A | Plug | 1 |
| | 4 | 36268 | F1ZZ-6026-A | Plug, 1/4 NPT | 3 |
| | 5 | 36272 | 353055-S7 | Plug, 1/4 NPT | 1 |
| | 6 | 36273 | E890100-S | Plug, Ball, Oil Gallery | 1 |
| | 7 | 36274 | D8RZ-6767-A | Adapter | 1 |
| | 8 | 36275 | 89BM-6055-BA | Liner, Cylinder | - |
| | 9 | 36276 | D1FZ-6345-A | Bolt, Main Bearing Cap | 10 |
| | 10 | 36277 | 89BF-6C315-AB | Sensor, 90 degree (older style) | 1 |
| | 11 | 36278 | E802666-S72 | Screw, M6 x 14 | 1 |
| | 10 | 374632 | F5RZ-6C315-A | Sensor, 45 degree (newer style).....Qty 1 | |

1.3L ENGINE BREAKDOWN

Fig. 3 - Camshaft and Valve Control Group

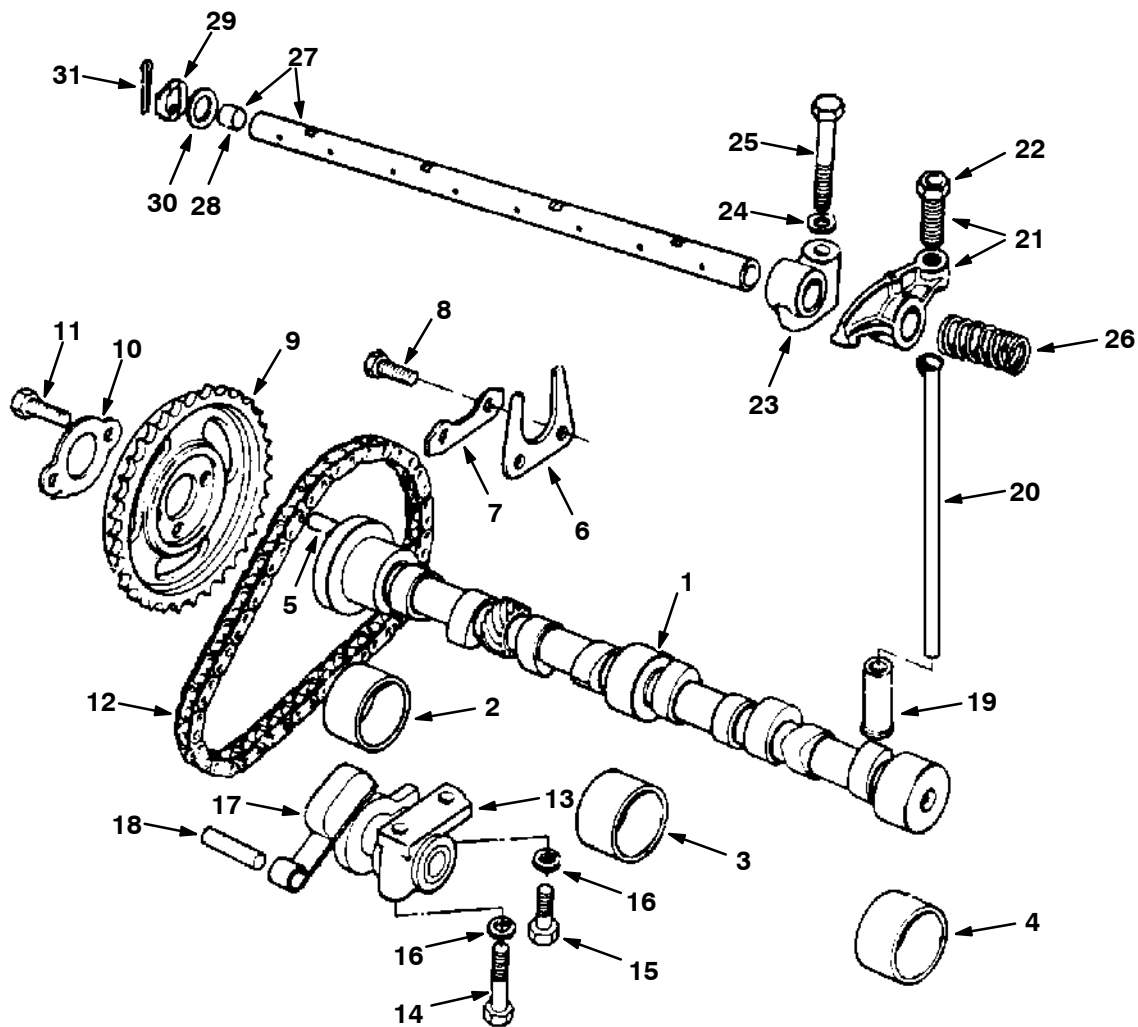


Fig. 3 - Camshaft and Valve Control Group

| Ref. | Tennant Part No. | Ford Part Number | Description | Qty. |
|--------------|------------------|------------------------|---------------------------------------|--------------|
| | 388463 | | Bearing Set, cam1 | |
| 1 | 36340 | 89BM-6251-BA | Camshaft | 1 |
| ▲ 2 | 37316 | DORY-6261-A | Bearing, Std ID - Std OD | - |
| 2 | 37317 | DORY-6261-B | Bearing, Std ID + 0.020 OD | - |
| ▲ 3 | 37306 | DORY-6262-C | Bearing, Std ID - Std OD | - |
| 3 | 38242 | DORY-6262-B | Bearing, Std ID + 0.020 OD | - |
| ▲ 4 | 37306 | DORY-6262-C | Bearing, Std ID - Std OD | - |
| 4 | 38242 | DORY-6262-B | Bearing, Std ID + 0.020 OD | - |
| 5 | 61540 | E93A-6253-A | Dowel | 1 |
| 6 | 36342 | DORY-6269-A | Plate, Thrust | 1 |
| 7 | 36343 | DORY-6255-A | Retainer | 1 |
| 8 | 36344 | N602166-S2 | Bolt, M6 x 16, Tensioner to Block | 2 |
| 9 | 36345 | 77BM-6256-AA | Sprocket, Camshaft | 1 |
| 10 | 36348 | DORY-6258-A | Retainer | 1 |
| 11 | 36349 | E602351-S72 | Bolt, M8 x 16 | 2 |
| 12 | 37307 | DORY-6268-A | Chain | 1 |
| 13 | 37337 | D1FZ-6284-A | Tensioner | 1 |
| 14 | 36372 | E600116-S204 | Bolt, M6 x 55, Tensioner to Block | 1 |
| 15 | 36344 | EN2166-S72 | Bolt, M6 x 16, Tensioner to Block | 1 |
| 16 | 36373 | 34805-S8 | Washer, 1/4 Lock | 2 |
| 17 | 36374 | 77BM-6K255-AC | Arm, Tensioner | 1 |
| 18 | 37694 | E43-CPI | Pin | 1 |
| 19 | 36375 | 89BM-6500-AA | Tappet, Std | 8 |
| 20 | 36381 | 89BM-6565-AA | Rod, Valve Push | 8 |
| 21 | 36382 | 89BM-6529-AB | Arm, Valve Rocker, Right, With Screw | 4 |
| ▽ 21 | 36383 | 89BM-6K528-AB | Arm, Valve Rocker, Left, With Screw | 4 |
| ▲ 22 | 37693 | DORY-6549-B | Screw | 8 |
| 23 | 36384 | 77BM-6531-BB | Support, Rocker Arm Shaft | 4 |
| 24 | 36389 | E630031-S101 | Washer, B10 x 20 x 2.5 | 4 |
| 25 | 36390 | E800509-S72 | Bolt, Rocker Support | 4 |
| 26 | 36402 | DORY-6587-A | Spring, Locating | 3 |
| ▽ 27 | 36405 | 88BM-6A557-AA | Shaft Assembly, Rocker Arm | 1 |
| ▲ 28 | 36406 | 357966-S | Plug, Rocker Arm Shaft, 11 mm | 2 |
| 29 | 36407 | 77BM-6598-AB | Washer, Spring | 2 |
| 30 | 36408 | DORY-6590-A | Washer, Flat | 2 |
| 31 | 36409 | 72025-S7 | Pin, Cotter, 2.3 mm | 2 |

1.3L ENGINE BREAKDOWN

Fig. 4 - Crankshaft and Piston Group

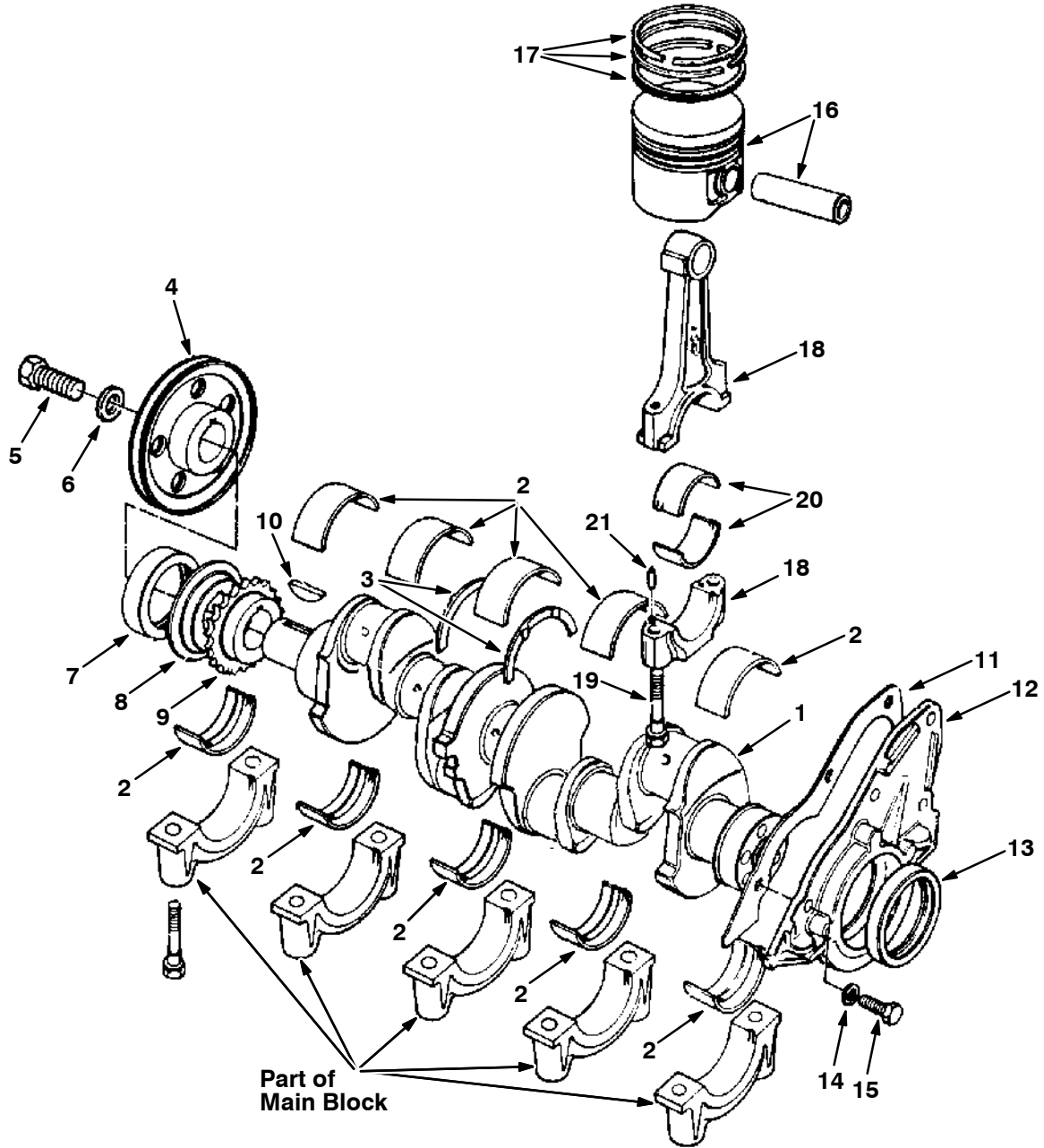


Fig. 4 - Crankshaft and Piston Group

| Ref. | Tennant Part No. | Ford Part Number | Description | Qty. |
|------|------------------|------------------|--|------|
| 1 | 36322 | 89BM-6303-DA | Crankshaft Assembly | 1 |
| 2 | 36410 | 89BM-6333-AA | Main Bearing, Crankshaft, Upper Std OD, Std ID | - |
| 2 | 36411 | 89BM-6333-BA | Main Bearing, Crankshaft, Upper Std OD, 0.005 US ID | - |
| 2 | 36412 | 89BM-6333-CA | Main Bearing, Crankshaft, Upper Std OD, 0.010 US ID | - |
| 2 | 36413 | 89BM-6333-DA | Main Bearing, Crankshaft, Upper 0.015OS OD, Std ID | - |
| 2 | 36414 | 89BM-6333-EA | Main Bearing, Crankshaft, UpperStd OD, 0.020 US ID | - |
| 2 | 36415 | 89BM-6333-FA | Main Bearing, Crankshaft, Upper Std OD, 0.030 US ID | - |
| 2 | 36416 | 89BM-6333-GA | Main Bearing, Crankshaft, Upper 0.015 OS OD, 0.010 US ID | - |
| 2 | 36418 | 89BM-6333-HA | Main Bearing, Crankshaft, Upper 0.015 OS OD, 0.020 US ID | - |
| 2 | 61545 | 89BM-6331-AA | Main Bearing, Crankshaft, Lower Std OD, Std ID | - |
| 2 | 61546 | 89BM-6331-BA | Main Bearing, Crankshaft, Lower Std OD, 0.005 US ID | - |
| 2 | 61547 | 89BM-6331-CA | Main Bearing, Crankshaft, Lower Std OD, 0.010 US ID | - |
| 2 | 61548 | 89BM-6331-DA | Main Bearing, Crankshaft, Lower 0.015 OS OD, Std ID | - |
| 2 | 61549 | 89BM-6331-EA | Main Bearing, Crankshaft, Lower Std OD, 0.020 US ID | - |
| 2 | 61550 | 89BM-6331-FA | Main Bearing, Crankshaft, Lower Std OD, 0.030 US ID | - |
| 2 | 61551 | 89BM-6331-GA | Main Bearing, Crankshaft, Lower 0.015 OS OD, 0.010 US ID | - |
| 2 | 61552 | 89BM-6331-HA | Main Bearing, Crankshaft, Lower 0.015 OS OD, 0.020 US ID | - |
| 3 | 36419 | 89BM-6A341-AA | Washer, Main Bearing Thrust, Std | 2 |
| 3 | 36421 | 89BM-6A341-BA | Washer, Main Bearing Thrust, 0.015 OS | - |
| 4 | 36422 | 89BM-6312-AA | Pulley, Crankshaft, 1 Groove | 1 |
| 5 | 36423 | 89BM-6K340-AA | Bolt, Pulley to Crankshaft, M12 x 32 | 1 |
| 6 | 07707 | E830135-S76 | Washer, Pulley to Crankshaft, B12 | 1 |
| 7 | 36257 | 83BM-6700-A4A | Seal, Front Cover | 1 |
| 8 | 36424 | D8RZ-6310-A | Slinger, Oil | 1 |
| 9 | 37321 | DORY-6306-A | Sprocket | 1 |
| 10 | 37312 | DORY-6B316-A | Key, Woodruff | 1 |
| 11 | 36259 | 89BM-6344-BA | Gasket, Rear Retainer | 1 |
| 12 | 36430 | 86BM-6K318-AA | Retainer Assembly, Rear | 1 |
| 13 | 36262 | 86HM-6701-AIA | Seal, Crankshaft Rear | 1 |
| 14 | 36431 | E630173-S71M | Washer, B8 Lock | 4 |
| 15 | 37181 | E602187-S82 | Bolt, M8 x 20 | 4 |
| 16 | 36432 | 89BM-6102-DA | Piston, Pin and Ring Assembly, Std | - |
| 16 | 36433 | 89BM-6102-EA | Piston, Pin and Ring Assembly, | - |
| 16 | 36445 | 89BM-6102-FA | Piston, Pin and Ring Assembly, | - |
| 17 | 42361 | 89BM-6148-DA | Ring Set, Piston, Std | - |
| 17 | 75809 | 89BM-6148-EA | Ring Set, Piston, 0.020 OS | - |
| 17 | 75817 | 89BM-6148-FA | Ring Set, Piston, 0.040 OS | - |
| 18 | 61527 | 89BM-6200-AD | Rod Assembly, Connecting | 4 |
| 19 | 36454 | 89BM-6214-DB | Bolt, Connecting Rod | 8 |
| 20 | 36463 | 89BM-6211-AA | Bearing, Connecting Rod, Std | 8 |
| 20 | 36467 | 89BM-6211-BA | Bearing, Connecting Rod, 0.001 US | - |
| 20 | 36469 | 89BM-6211-CA | Bearing, Connecting Rod, 0.010 US | - |
| 20 | 36483 | 89BM-6211-DA | Bearing, Connecting Rod, 0.020 US | - |
| 20 | 36493 | 89BM-6211-EA | Bearing, Connecting Rod, 0.030 US | - |
| 21 | 36590 | 116336-ES100 | Dowel Pin, Connecting Rod | 8 |

1.3L ENGINE BREAKDOWN

Fig. 5 - Oil Pump and Oil Pan Group

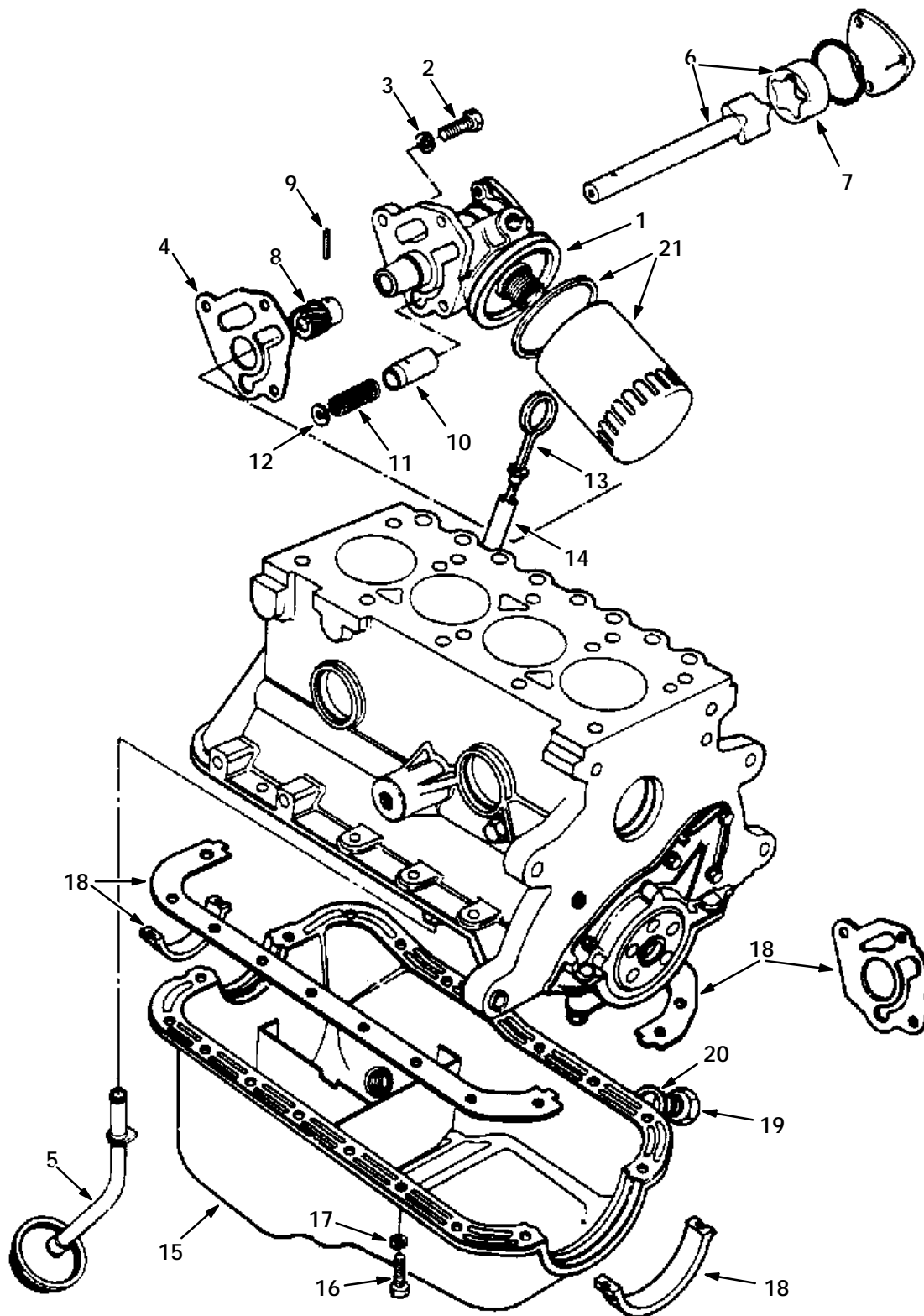
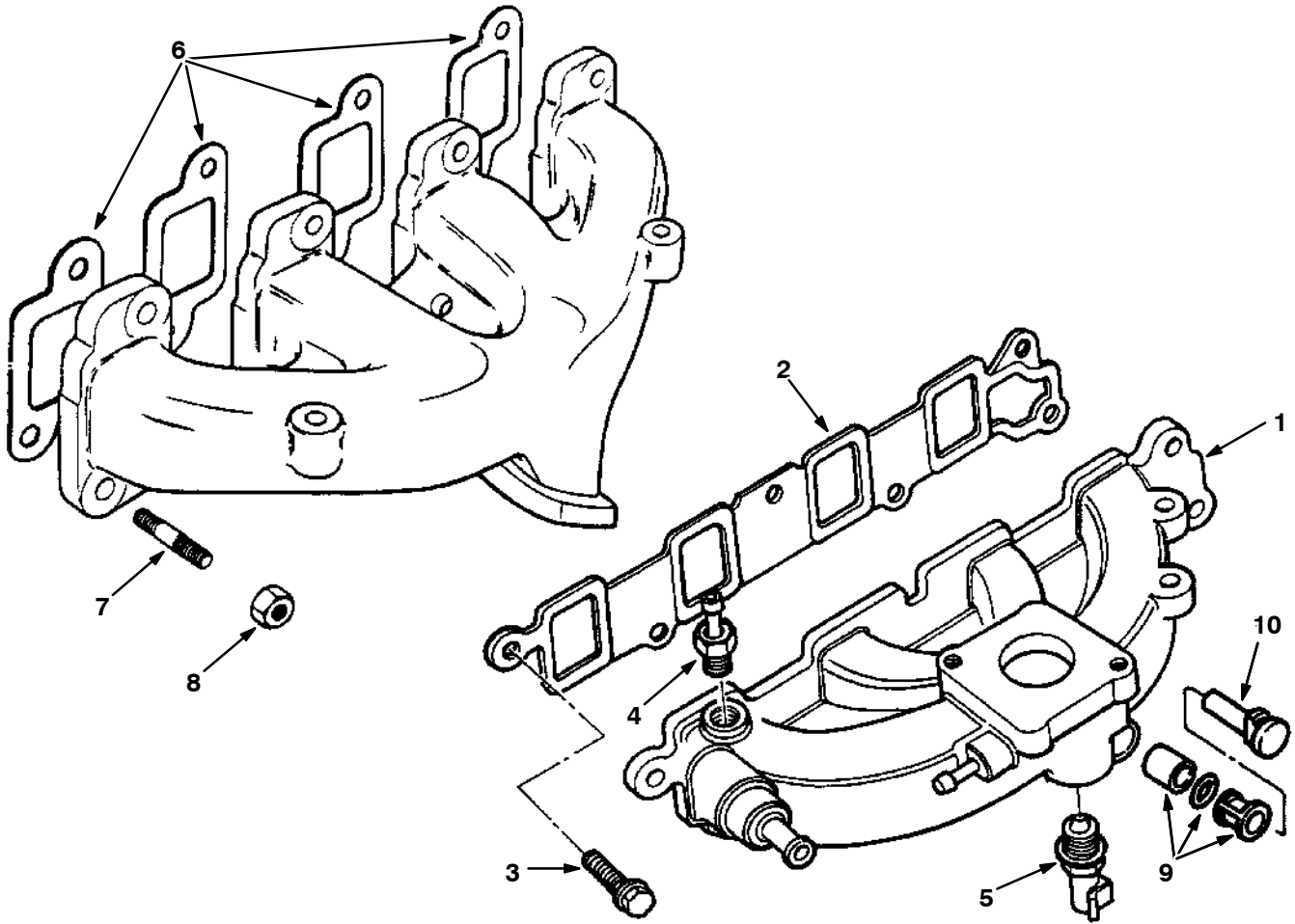


Fig. 5 - Oil Pump and Oil Pan Group

| Ref. | Tennant Part No. | Ford Part Number | Description | Qty. |
|------|------------------|------------------|---------------------------|------|
| 1 | 07710 | D8RZ-6600-A | Pump, Oil | 1 |
| 2 | 36748 | E800519-S72 | Bolt | 3 |
| 3 | 36431 | E630173-S71M | Washer, B8 Lock | 3 |
| 4 | 36764 | 89BM-6659-AA | Gasket, Oil Pump to Block | 1 |
| 5 | 36765 | 86BM-6617-AA | Tube Assembly, Oil Pickup | 1 |
| 6 | 10075 | D1FZ-6608-B | Rotor and Shaft | 1 |
| 7 | 37403 | 116682-ES | Seal, Cover Plate | 1 |
| 8 | 36780 | DORY-6652-A | Gear | 1 |
| 9 | 36867 | 72432-S | Pin, Drive Gear | 1 |
| 10 | 36881 | DORY-6674-A | Plunger | 1 |
| 11 | 36904 | DORY-6670-A | Spring | 1 |
| 12 | 36923 | DORY-6666-A | Plug | 1 |
| 13 | 36924 | 92BM-6750-AA | Indicator, Oil Level | 1 |
| 14 | 37053 | 89BM-6784-AA | Tube, Oil Level Indicator | 1 |
| 15 | 37098 | 86BM-6675-AA | Oil Pan and Plug | 1 |
| 16 | 37099 | E602165-S72 | Bolt, M6 x 14, Oil Pan | 18 |
| 17 | 36373 | 34805-S8 | Washer, 1/4 Lock | 18 |
| 18 | 10806 | A850X-6013-AA | Kit, Oil Pan Gasket | 1 |
| 19 | 37127 | E9DZ-6730-B | Plug, Oil Drain | 1 |
| 20 | 37157 | E9DZ-6734-B | Gasket, Oil Drain Plug | 1 |
| 21 | 19205 | | Filter, Engine Oil | 1 |

1.3L ENGINE BREAKDOWN

Fig. 6 - Manifold Group



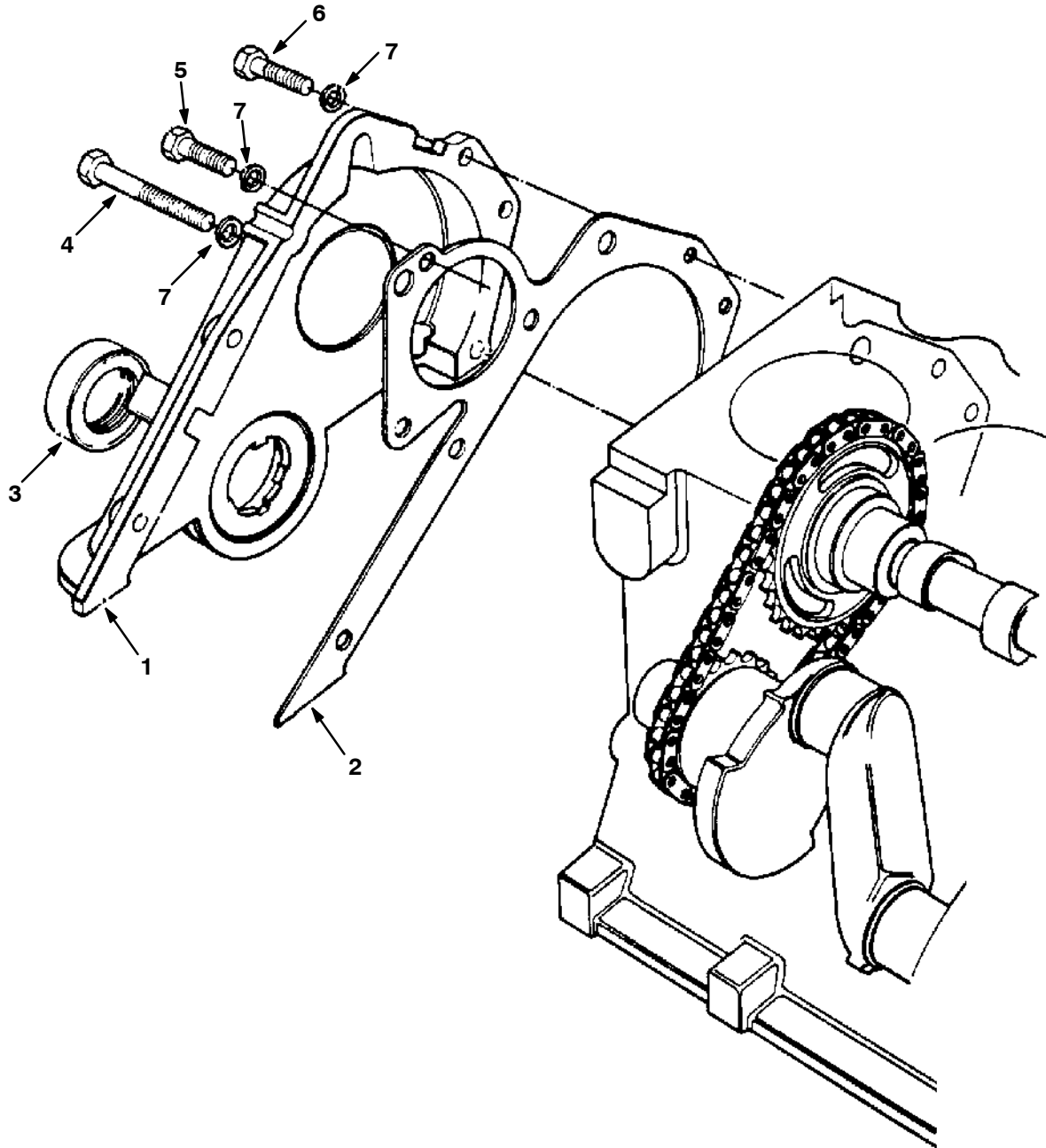
07948-07949

| Ref. | Tennant Part No. | Ford Part Number | Description | Qty. |
|------|------------------|------------------|-----------------------------|------|
| 1 | 37194 | 89BF-9424-AD | Manifold, Intake | 1 |
| 2 | 37195 | 89BM-9441-AB | Gasket, Intake Manifold | 1 |
| 3 | 37196 | E800157-S72 | Bolt, M8 x 25 | 6 |
| 4 | 37198 | 77BF-9K442-AA | Adapter, Vacuum | 1 |
| 5 | 37199 | E1AZ-12A648-A | ① Sensor, Water Temperature | 1 |
| 5 | 84989 | F57Z-12A648-AA | ② Sensor, Water Temperature | 1 |
| 6 | 61556 | 89BM-9448-BA | Gasket, Exhaust Manifold | 4 |
| 7 | 30327 | | Stud | 8 |
| 8 | 08165 | | Nut, Hx Stover M8 x 1.25 | 8 |
| 9 | 21784 | 87AB-2A411-BA | Manifld Insert | 1 |
| 10 | 21785 | 87AB-9H490-AA | Plug | 1 |

① Tennant Serial Number (000000-004097)

② Tennant Serial Number (004098-)

Fig. 7 - Front Cover Assembly Group

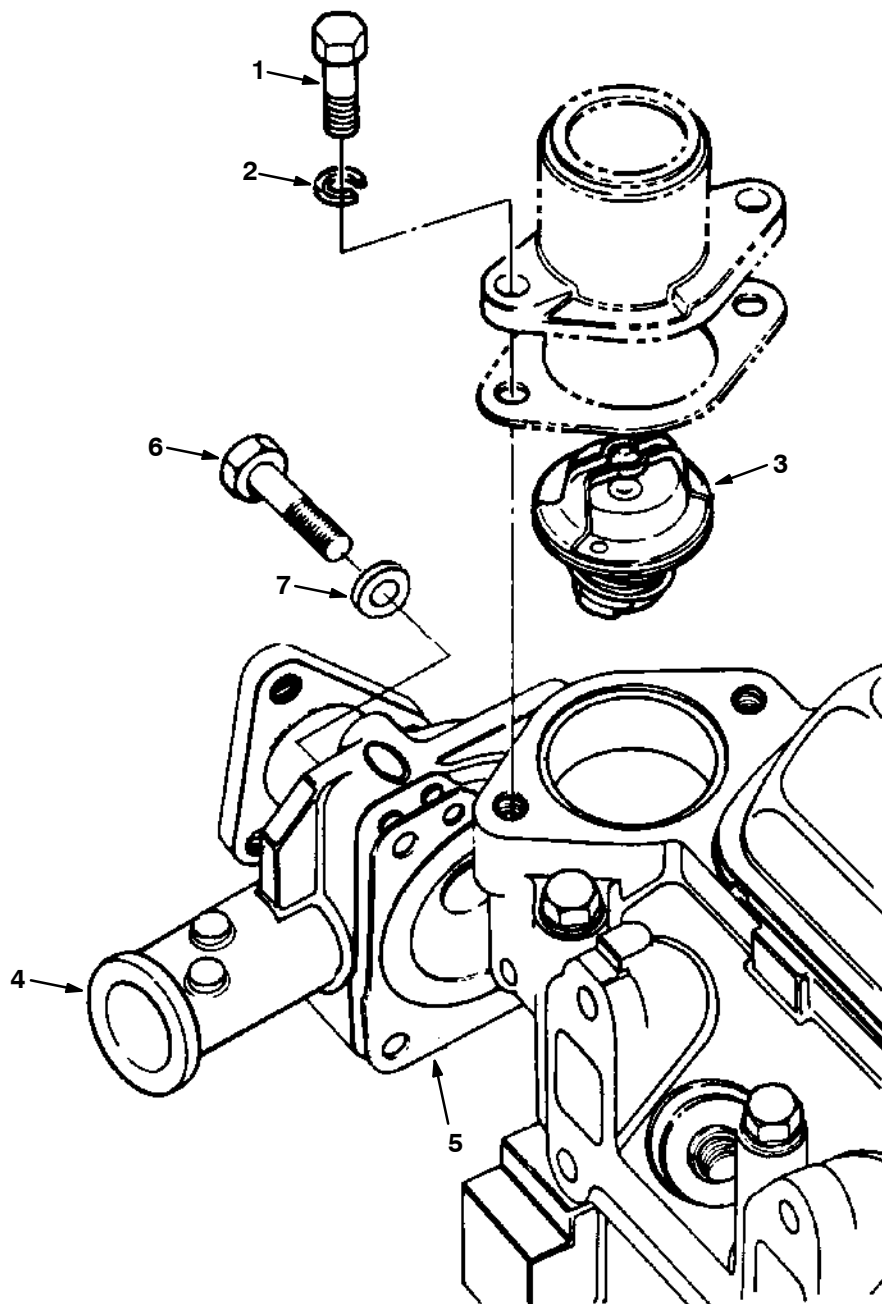


06075-04708

| Ref. | Tennant Part No. | Ford Part Number | Description | Qty. |
|------|------------------|------------------|--|------|
| ▽ 1 | 36332 | 89BM-6019-AA | Cover and Seal Assembly, Cylinder Front | 1 |
| ▲ 2 | 52484 | 89BM-6020-AA | Gasket, Front Cover | 1 |
| ▲ 3 | 36257 | 83BM-6700-A4A | Seal, Front Cover | 1 |
| 4 | 36337 | E800518-S72 | Bolt, M6 x 45, Front Cover to Block | 1 |
| 5 | 39047 | E600113-S72 | Bolt, M6 x 40, Front Cover to Block | 3 |
| 6 | 36338 | E800512-S72 | Bolt, M6 x 18, Front Cover to Block | 4 |
| 7 | 36339 | E832108S71M | Washer, Lock, M6, Front Cover and W/P to Block | 8 |

1.3L ENGINE BREAKDOWN

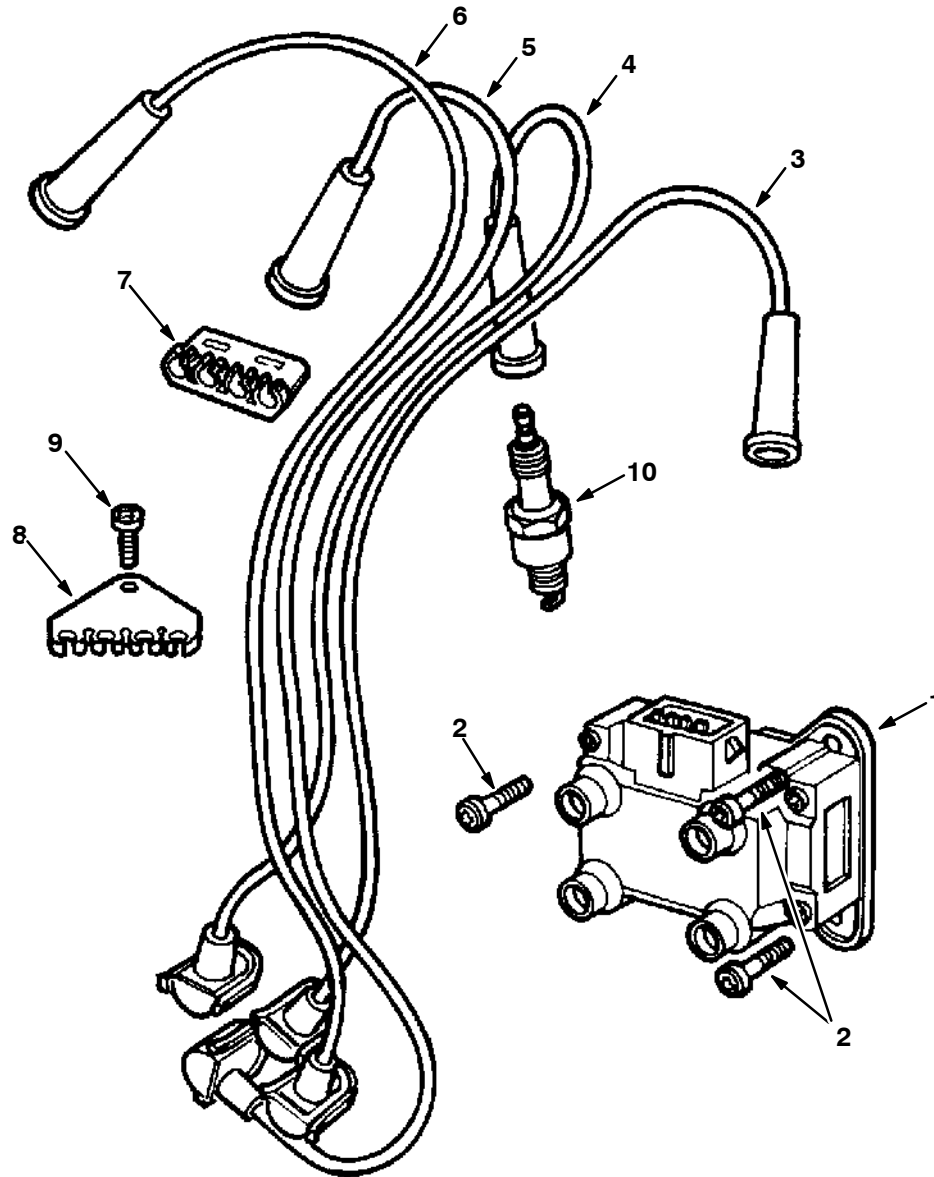
Fig. 8 - Water Pump Group



07951-04709

| Ref. | Tennant Part No. | Ford Part Number | Description | Qty. |
|------|------------------|------------------|---|------|
| 1 | 37181 | E602187-S82 | Bolt, M8 x 20 | 2 |
| 2 | 36431 | E630173-S71M | Washer, B8 Lock | 2 |
| 3 | 37327 | RT-351 | Thermostat | 1 |
| 4 | 26431 | 92BX-8591-AA | Water Pump | 1 |
| 5 | 37189 | 89BM-8507-AA | Gasket, Water Pump | 1 |
| 6 | 37193 | E600113-S72 | Bolt, M6 x 40, Front Cover and W/P to Block | 3 |
| 7 | 36339 | E832108-S71M | Washer, M6 Lock | 3 |

Fig. 9 - Distributorless Ignition Group

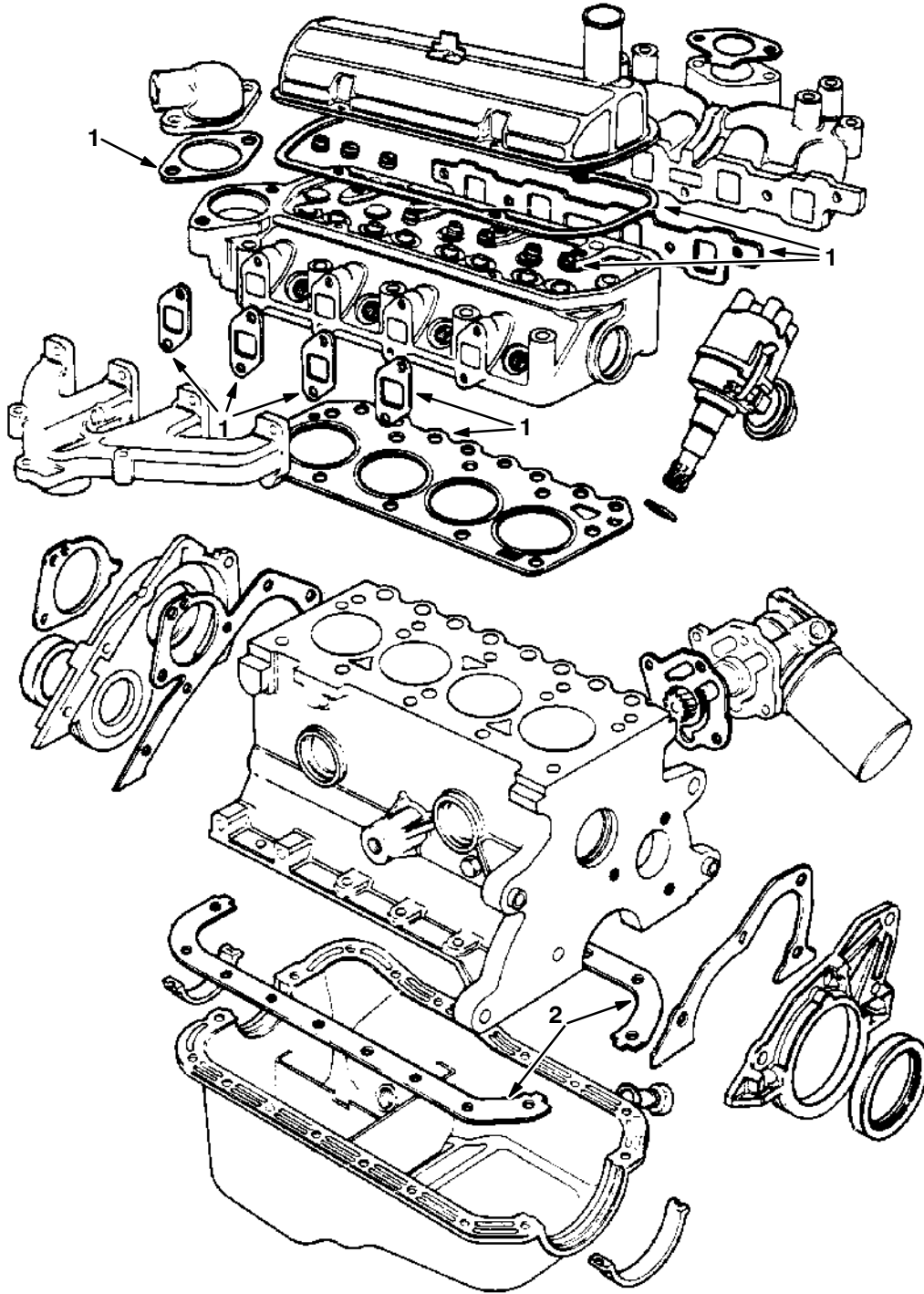


07952-05507

| Ref. | Tennant Part No. | Ford Part Number | Description | Qty. |
|------|------------------|------------------|-------------------------------------|------|
| 1 | 39025 | 89BF-12024-A1B | Coil and Bracket Assembly, Ignition | 1 |
| 2 | 39026 | E804335-S201 | Screw, M8 x 14 | 3 |
| 3 | 39038 | 89BF-12286-AD | Wire, Spark Plug, No. 1 | 1 |
| 4 | 39040 | 89BF-12283-AD | Wire, Spark Plug, No. 2 | 1 |
| 5 | 39041 | 89BF-12284-AD | Wire, Spark Plug, No. 3 | 1 |
| 6 | 39042 | 89BF-12287-AC | Wire, Spark Plug, No. 4 | 1 |
| 7 | 39043 | E865648-S | Separator, Ignition Wire | 1 |
| 8 | 39044 | 89BF-12297-AA | Separator, Ignition Wire | 1 |
| 9 | 39045 | E802166-S76 | Screw, M4 x 10 | 1 |
| 10 | 39046 | 87YF-12405-AB | Spark Plug | 4 |

1.3L ENGINE BREAKDOWN

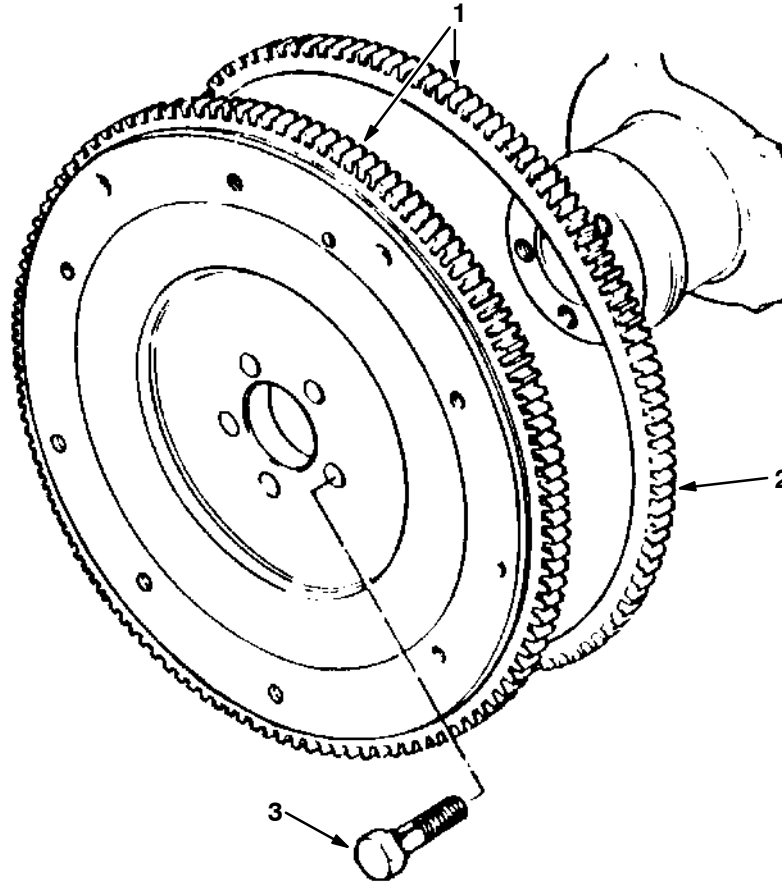
Fig. 10 - Gaskets Group



05495-04711

| Ref. | Tennant Part No. | Ford Part Number | Description | Qty. |
|------|------------------|------------------|-----------------------------|------|
| ▽ | 36253 | 88BX-6008-BA | Engine Gasket Kit, Complete | 1 |
| ▲ 1 | 36254 | 88BX-6014-BA | Engine Gasket Kit, Upper | 1 |
| ▲ 2 | 10806 | A850X-6013-AA | Pan Gasket Kit | 1 |

Fig. 11 - Flywheel Group



05502-04710

| | Ref. | Tennant Part No. | Ford Part Number | Description | Qty. |
|---|------|------------------|------------------|--|------|
| ▽ | 1 | 36591 | 89BM-6375-BA | Flywheel and Ring Gear Assembly | 1 |
| ▲ | 2 | 52488 | D8RZ-6384-A | Ring, Gear | 1 |
| | 3 | 36630 | D2RY-6379-A | Bolt, M10 x 22.5, Flywheel to Crankshaft | 5 |
| | | 36646 | D1FZ-6397-B | Dowel | 3 |

SECTION 7

| CONTENTS | PAGE |
|--|-------------|
| PART NUMBER TO PAGE NUMBER CROSS REFERENCE LIST | 7-2 |
| PART DESCRIPTION TO PAGE NUMBER CROSS REFERENCE LIST | 7-16 |

CROSS REFERENCE

PART NUMBER TO PAGE NUMBER CROSS REFERENCE LIST

| Part Number | Page Number | Part Number | Page Number |
|--------------------|----------------------------------|-------------------|---------------|
| A76SX-6013-AA .. | 5-11 | E890100-S | 5-5, 6-5 |
| A850X-6013-AA .. | 5-11 | E93A-6253-A | 5-7, 6-7 |
| A850X-6013-AA ... | 6-11, 6-16 | E9DZ-6730-B | 5-11, 6-11 |
| D1FZ-6284-A | 6-7 | E9DZ-6734-B | 5-11, 6-11 |
| D1FZ-6345-A | 5-5, 6-5 | EB32108S71M | 5-13 |
| D1FZ-6397-B | 5-17, 6-17 | EN2166-S72 | 6-7 |
| D1FZ-6608-B | 5-11, 6-11 | F1ZZ-6026-A | 5-5, 6-5 |
| D2RY-6379-A | 5-17, 6-17 | F57Z-12A648-AA .. | 5-12, 6-12 |
| D8RZ-6026-A | 5-5, 6-5 | IB3614 | 4-15 |
| D8RZ-6310-A | 5-9, 6-9 | MM300 | 3-52 |
| D8RZ-6384-A | 5-17, 6-17 | MM300ES | 3-52 |
| D8RZ-6600-A | 5-11, 6-11 | MM300FR | 3-52 |
| D8RZ-6767-A | 5-5, 6-5 | MM300JP | 3-52 |
| DORY-6026-A | 5-3, 5-5, 6-3, 6-5 | MM302 | 3-52 |
| DORY-6255-A | 5-7, 6-7 | N602166-S2 | 5-7, 6-7 |
| DORY-6258-A | 5-7, 6-7 | N602166-S72 | 5-7 |
| DORY-6261-A | 5-7, 6-7 | RT-351 | 5-14, 6-14 |
| DORY-6261-B | 5-7, 6-7 | 00500-15 | 4-12, 4-13 |
| DORY-6262-B | 5-7, 6-7 | 00966 | 4-15 |
| DORY-6262-C | 5-7, 6-7 | 01047 | 3-25 |
| DORY-6268-A | 5-7, 6-7 | 01314 | 2-7, 2-24 |
| DORY-6269-A | 5-7, 6-7 | 01318 | 2-13, 2-15 |
| DORY-6306-A | 5-9, 6-9 | 01684 | 2-3 |
| DORY-6549-B | 5-7, 6-7 | 01685 | 2-3 |
| DORY-6587-A | 5-7, 6-7 | 01997 | 2-35 |
| DORY-6590-A | 5-7, 6-7 | 02076 | 2-29 |
| DORY-6652-A | 5-11, 6-11 | 02129 | 3-23 |
| DORY-6666-A | 5-11, 6-11 | 02469 | 2-87, 2-89 |
| DORY-6670-A | 5-11, 6-11 | 02506-6 | 3-41 |
| DORY-6674-A | 5-11, 6-11 | 02603 | 4-9, 4-11 |
| DORY-6B316-A ... | 5-9, 6-9 | 02641 | 2-51, 4-11 |
| E1AZ-12A648-A ... | 5-12, 6-12 | 02643 | 4-11 |
| E43-CP1 | 5-7 | 02644 | 4-9, 4-11 |
| E43-CPI | 6-7 | 02645 | 4-9, 4-11 |
| E600113-S72 | 5-13, 5-14, 6-13, 6-14 | 02646 | 4-11 |
| E600116-S204 | 5-7, 6-7 | 02647 | 4-9, 4-11 |
| E602165-S72 | 5-11, 6-11 | 02650 | 4-3, 4-5, 4-7 |
| E602187-S72 | 5-14 | 02662 | 3-23 |
| E602187-S82 | 5-9, 6-9, 6-14 | 02705 | 4-3, 4-5, 4-7 |
| E602351-S204 | 5-7 | 02706 | 4-3, 4-5, 4-7 |
| E602351-S72 | 6-7 | 02709 | 4-3, 4-5, 4-7 |
| E630024-S201 | 6-3 | 02710 | 4-3, 4-5 |
| E630031-S101 | 5-7, 6-7 | 02711 | 4-3 |
| E630173-S71M | 5-9, 5-11, 5-14, 6-9, 6-11, 6-14 | 02712 | 2-71 |
| E6330024-S201 ... | 5-3 | 02738 | 2-31 |
| E800157-S72 | 5-12, 6-12 | 02740 | 2-37 |
| E800509-S72 | 5-7, 6-7 | 02741 | 2-37 |
| E800512-S72 | 5-13, 6-13 | 02887 | 2-27 |
| E800516-S72 | 5-3, 6-3 | 03026 | 2-37 |
| E800518-S72 | 5-13, 6-13 | 04414 | 2-29 |
| E800519-S72 | 5-11, 6-11 | 04483 | 4-22 |
| E802166-S76 | 5-15, 6-15 | 04733-10 | 2-21 |
| E802666-S72 | 5-5, 6-5 | 04843 | 2-59 |
| E804335-S201 | 5-15, 6-15 | 05686 | 2-59, 2-61 |
| E830135-S76 | 5-9, 6-9 | 07251 | 2-31 |
| E832108-S71M | 5-14, 6-14 | 07252 | 2-31 |
| E832108S71M | 6-13 | 07464 | 2-35 |
| E840126-S | 5-3, 6-3 | 07539 | 2-31, 2-33 |
| E865648-S | 5-15, 6-15 | 07562 | 2-37, 3-43 |

CROSS REFERENCE

| Part Number | Page Number | Part Number | Page Number |
|--------------|---|-------------|-----------------------|
| 07565 | 3-43 | 16081 | 2-15 |
| 07598 | 2-35 | 16082 | 2-75 |
| 07705 | 2-3, 5-3, 6-3 | 16213 | 2-59 |
| 07707 | 5-9, 6-9 | 16369 | 2-11 |
| 07710 | 5-11, 6-11 | 16376 | 2-91 |
| 07711 | 5-11 | 16455 | 2-73 |
| 07873 | 2-41 | 16695 | 4-12, 4-13, 4-14 |
| 08013N | 2-5 | 16738 | 2-31 |
| 08165 | 2-27, 5-12, 6-12 | 16786 | 2-73 |
| 08712 | 2-3 | 17200 | 2-67, 2-69 |
| 08713 | 2-3 | 17414 | 2-27, 2-35, 2-41 |
| 09007 | 2-3 | 19200 | 2-27 |
| 09010 | 2-3 | 19205 | 2-3, 2-27, 5-11, 6-11 |
| 09088 | 2-55 | 19252 | 2-29 |
| 09342 | 2-7 | 19320 | 4-5 |
| 09900-1 | 2-95 | 19574 | 4-5 |
| 10075 | 5-11, 6-11 | 19637 | 2-87, 2-89 |
| 10137 | 2-48, 2-49 | 19644 | 2-87, 2-89 |
| 10144 | 3-45 | 19647 | 2-87 |
| 10632-1 | 2-67, 2-69 | 19689 | 2-27 |
| 10632-11 | 3-37 | 19760 | 2-35 |
| 10632-12 | 3-25, 3-29 | 19768 | 2-23 |
| 10632-13 | 2-47 | 19827 | 3-16 |
| 10632-18 | 3-4, 3-5, 3-6, 3-7, 3-8, 3-9, 3-11, 3-13, 3-15, 3-27 | 21642 | 2-7 |
| 10632-2 | 3-4, 3-5 | 21720 | 2-43 |
| 10632-4 | 2-97 | 21784 | 5-12, 6-12 |
| 10632-5 | 2-23 | 21785 | 5-12, 6-12 |
| 10632-9 | 3-6, 3-7, 3-8, 3-9, 3-11, 3-13, 3-15 | 21915 | 4-19 |
| 10652 | 2-45 | 22169 | 2-77 |
| 10795 | 2-27 | 222809 | 2-7 |
| 10806 | 5-11, 6-11, 6-16 | 22308-3 | 2-45 |
| 11211 | 2-65 | 23156 | 2-35 |
| 11442-1 | 2-35 | 23163 | 2-91 |
| 11531 | 2-47 | 23182 | 2-91 |
| 116336-ES100 | 5-9, 6-9 | 23191 | 2-21 |
| 11636 | 3-50 | 23210 | 3-11, 3-13, 3-15 |
| 116682-ES | 5-11, 6-11 | 23211 | 3-11, 3-13, 3-15 |
| 11842 | 2-61 | 23231 | 3-11, 3-13, 3-15 |
| 11893 | 2-63 | 23274 | 3-37, 3-39 |
| 11984 | 2-41, 2-43 | 23498 | 2-71, 3-31, 3-33 |
| 12267 | 2-77, 2-79 | 23524 | 2-65 |
| 12271 | 2-17, 2-23, 3-25 | 23788 | 2-57, 2-73 |
| 12459 | 2-3 | 23863 | 3-23 |
| 12962 | 2-71 | 23865 | 3-23 |
| 13015 | 2-49 | 23866 | 3-23 |
| 13114 | 2-84 | 23999-6 | 3-31, 3-33 |
| 13115 | 2-91 | 24012 | 2-39 |
| 13156 | 2-81 | 24013 | 2-27 |
| 13301 | 2-8, 2-9 | 24047 | 2-45 |
| 13904 | 4-19 | 24339 | 2-51 |
| 13907 | 4-19 | 24576-1 | 3-3, 3-11, 3-13, 3-15 |
| 14131 | 2-41 | 24576 | 3-11, 3-13, 3-15 |
| 14242 | 2-55 | 24899 | 2-81 |
| 14432 | 2-37 | 24924 | 2-31 |
| 14601 | 2-17, 2-31, 2-33 | 24928-1 | 2-45 |
| 14983 | 3-50 | 25312 | 3-44 |
| 15066 | 3-21, 3-23 | 25610 | 2-43 |
| 15555-1 | 2-41, 2-43 | 26103 | 2-65 |
| 15648 | 2-13, 2-15 | 26395-1 | 2-45 |
| | | 26395-2 | 3-35 |
| | | 26431 | 5-14, 6-14 |

CROSS REFERENCE

| Part Number | Page Number | Part Number | Page Number |
|-------------|----------------------|-------------|------------------------|
| 26496 | 2-45 | 34848 | 3-3 |
| 27048 | 2-45 | 34868 | 2-97 |
| 27767 | 3-29 | 34877 | 3-31, 3-33 |
| 29558 | 2-77 | 35033 | 2-84 |
| 29584 | 2-77 | 35296 | 3-29 |
| 30013 | 2-39, 2-93, 2-95 | 353055-S7 | 5-5, 6-5 |
| 30251 | 2-81 | 35488 | 2-89 |
| 30252 | 2-81 | 35493 | 4-15 |
| 30253 | 2-81 | 357966-S | 5-7, 6-7 |
| 30255 | 2-81 | 35843 | 3-39 |
| 30268 | 3-29 | 35905 | 3-11, 3-13, 3-15 |
| 30296 | 2-27 | 36050 | 2-3, 2-41, 2-43 |
| 30297 | 2-27 | 36253 | 6-16 |
| 30305 | 2-31, 2-35 | 36254 | 6-16 |
| 30306 | 2-27 | 36257 | 5-9, 5-13, 6-9, 6-13 |
| 30316 | 2-27 | 36259 | 5-9, 6-9 |
| 30320 | 2-31, 2-33 | 36262 | 5-9, 6-9 |
| 30324 | 2-31, 2-33 | 36263 | 6-5 |
| 30327 | 5-12, 6-12 | 36264 | 6-5 |
| 30407 | 2-29, 2-37, 2-49 | 36267 | 5-5, 6-5 |
| 30468 | 2-27 | 36268 | 5-5, 6-5 |
| 30480 | 2-31, 2-33 | 36272 | 5-5, 6-5 |
| 30481 | 2-31, 2-33 | 36273 | 5-5, 6-5 |
| 30533 | 3-40 | 36274 | 5-5, 6-5 |
| 30553 | 2-38 | 36275 | 6-5 |
| 30559 | 2-38 | 36276 | 5-5, 6-5 |
| 30570 | 2-38 | 36277 | 5-5, 6-5 |
| 31249 | 3-23 | 36278 | 5-5, 6-5 |
| 31354 | 4-12, 4-13, 4-14 | 36279 | 6-3 |
| 31373 | 4-14 | 36281 | 6-3 |
| 31375 | 4-12, 4-13 | 36297 | 5-3, 6-3 |
| 31377 | 4-14 | 36298 | 5-3, 6-3 |
| 31381 | 4-12, 4-13 | 36300 | 6-3 |
| 31384 | 4-14 | 36307 | 5-3, 6-3 |
| 31507 | 3-29 | 36315 | 5-3, 6-3 |
| 31516 | 2-27 | 36318 | 5-3, 6-3 |
| 31517 | 2-47 | 36319 | 5-3, 6-3 |
| 31518 | 2-47 | 36321 | 6-3 |
| 31524 | 2-37 | 36322 | 5-8, 6-9 |
| 31526 | 2-38 | 36324 | 5-3, 6-3 |
| 31543 | 2-31, 2-35, 3-29 | 36325 | 5-3, 6-3 |
| 31550 | 2-31 | 36328 | 2-13, 2-15 |
| 31599 | 2-84 | 36330 | 5-3, 6-3 |
| 31613 | 2-91 | 36331 | 6-3 |
| 31719 | 2-89 | 36332 | 5-13, 6-13 |
| 31755 | 2-47 | 36337 | 5-13, 6-13 |
| 31922 | 3-3 | 36338 | 5-13, 6-13 |
| 32126 | 2-51 | 36339 | 5-13, 5-14, 6-13, 6-14 |
| 32822 | 3-31, 3-33 | 36340 | 6-7 |
| 33671 | 2-48 | 36342 | 5-7, 6-7 |
| 33951 | 2-31, 2-33 | 36343 | 5-7, 6-7 |
| 34096 | 2-65 | 36344 | 5-7, 6-7 |
| 34176 | 4-12, 4-13 | 36345 | 5-7, 6-7 |
| 34280 | 3-23 | 36348 | 5-7, 6-7 |
| 34330 | 2-21 | 36349 | 5-7, 6-7 |
| 34359 | 2-75 | 36372 | 5-7, 6-7 |
| 34392 | 2-65 | 36373 | 5-7, 5-11, 6-7, 6-11 |
| 34394 | 2-87 | 36374 | 5-7, 6-7 |
| 34421 | 2-87 | 36375 | 5-7, 6-7 |
| 34725 | 2-65 | 36381 | 5-7, 6-7 |
| 34805-S8 | 5-7, 5-11, 6-7, 6-11 | 36382 | 5-7, 6-7 |

CROSS REFERENCE

| Part Number | Page Number | Part Number | Page Number |
|-------------|----------------------------------|-------------|-----------------------|
| 36383 | 5-7, 6-7 | 37157 | 5-11, 6-11 |
| 36384 | 5-7, 6-7 | 37181 | 5-9, 5-14, 6-9, 6-14 |
| 36389 | 5-7, 6-7 | 37189 | 5-14, 6-14 |
| 36390 | 5-7, 6-7 | 37193 | 5-14, 6-14 |
| 36402 | 5-7, 6-7 | 37194 | 5-12, 6-12 |
| 36405 | 5-7, 6-7 | 37195 | 5-12, 6-12 |
| 36406 | 5-7, 6-7 | 37196 | 5-12, 6-12 |
| 36407 | 5-7, 6-7 | 37198 | 5-12, 6-12 |
| 36408 | 5-7, 6-7 | 37199 | 5-12, 6-12 |
| 36409 | 5-7, 6-7 | 37306 | 5-7, 6-7 |
| 36410 | 5-9, 6-9 | 37307 | 5-7, 6-7 |
| 36411 | 5-9, 6-9 | 37312 | 5-9, 6-9 |
| 36412 | 5-9, 6-9 | 37313 | 5-3, 5-5, 6-3, 6-5 |
| 36413 | 5-9, 6-9 | 37316 | 5-7, 6-7 |
| 36414 | 5-9, 6-9 | 37317 | 5-7, 6-7 |
| 36415 | 5-9, 6-9 | 37321 | 5-9, 6-9 |
| 36416 | 5-9, 6-9 | 37327 | 5-14, 6-14 |
| 36418 | 5-9, 6-9 | 37337 | 5-7, 6-7 |
| 36419 | 5-9, 6-9 | 37403 | 5-11, 6-11 |
| 36421 | 6-9 | 374504 | 2-83 |
| 36421 | 5-9 | 374505 | 2-83 |
| 36422 | 5-9, 6-9 | 374506 | 2-31 |
| 36423 | 5-9, 6-9 | 374507 | 2-63 |
| 36424 | 5-9, 6-9 | 374513 | 2-29 |
| 36430 | 5-9, 6-9 | 374514 | 3-29 |
| 36431 | 5-9, 5-11, 5-14, 6-9, 6-11, 6-14 | 374515 | 3-29 |
| 36432 | 6-9 | 374516 | 2-38 |
| 36433 | 6-9 | 374517 | 2-7 |
| 36438 | 3-11, 3-13, 3-15 | 374520 | 2-59 |
| 36439 | 3-11, 3-13, 3-15 | 37555 | 4-12, 4-13, 4-14 |
| 36445 | 6-9 | 37693 | 5-7, 6-7 |
| 36454 | 5-9, 6-9 | 37694 | 5-7, 6-7 |
| 36463 | 5-9, 6-9 | 38242 | 5-7, 6-7 |
| 36467 | 5-9, 6-9 | 38315 | 4-9, 4-11 |
| 36469 | 5-9, 6-9 | 38490 | 4-9, 4-11 |
| 36483 | 5-9, 6-9 | 38978 | 3-52 |
| 36493 | 5-9, 6-9 | 39025 | 5-15, 6-15 |
| 36590 | 5-9, 6-9 | 39026 | 5-15, 6-15 |
| 36591 | 5-17, 6-17 | 39038 | 5-15, 6-15 |
| 36630 | 5-17, 6-17 | 39040 | 5-15, 6-15 |
| 36646 | 5-17, 6-17 | 39041 | 5-15, 6-15 |
| 36658 | 2-3, 2-71 | 39042 | 5-15, 6-15 |
| 36661 | 2-3, 2-71 | 39043 | 5-15, 6-15 |
| 36663 | 2-3, 2-71 | 39044 | 5-15, 6-15 |
| 36665 | 2-3, 2-71 | 39045 | 5-15, 6-15 |
| 36666 | 2-71 | 39046 | 2-3, 5-15, 6-15 |
| 36748 | 5-11, 6-11 | 39047 | 5-13, 6-13 |
| 36764 | 5-11, 6-11 | 39210 | 2-95 |
| 36765 | 5-11, 6-11 | 39272 | 2-49 |
| 36780 | 5-11, 6-11 | 39308 | 2-73 |
| 36867 | 5-11, 6-11 | 39310 | 2-51 |
| 36881 | 5-11, 6-11 | 39527 | 4-12, 4-13 |
| 36904 | 5-11, 6-11 | 39577 | 2-59 |
| 36923 | 5-11, 6-11 | 39780-1 | 2-31, 2-35 |
| 36924 | 5-11, 6-11 | 39780 | 2-97 |
| 370008 | 2-5 | 40362 | 2-91 |
| 37053 | 5-11, 6-11 | 40514 | 2-84 |
| 37083-1 | 3-27 | 40585 | 2-41 |
| 37098 | 5-11, 6-11 | 40607 | 2-35, 2-97 |
| 37099 | 5-11, 6-11 | 40625 | 2-27 |
| 37127 | 5-11, 6-11 | 40678 | 2-63, 2-67, 3-3, 3-16 |

CROSS REFERENCE

| Part Number | Page Number | Part Number | Page Number |
|-------------|------------------------------|-------------|---|
| 41016 | 2-15, 2-21 | 48079 | 2-61 |
| 41845 | 3-25 | 48126 | 2-43 |
| 41980 | 5-3 | 48267 | 2-41, 2-43 |
| 41981 | 5-3 | 48570 | 3-3 |
| 41982 | 5-3 | 48751 | 2-95, 4-19 |
| 41984 | 5-3 | 48760 | 2-95 |
| 41985 | 5-5 | 48813 | 4-15 |
| 41986 | 5-5 | 48841 | 3-52 |
| 41987 | 5-5 | 49263 | 2-21 |
| 41988 | 5-7 | 49266 | 2-48, 2-49, 2-97, 3-3, 3-4, 3-5, 3-6, 3-7, 3-8, 3-9, 3-11, 3-13, 3-15 |
| 41989 | 5-8 | | |
| 41990 | 5-9 | 50332-1 | 2-31, 2-33 |
| 41991 | 5-9 | 50332-2 | 2-31, 2-33 |
| 41992 | 5-9 | 50421 | 2-93, 2-95 |
| 41995 | 5-16 | 51109 | 2-57 |
| 41996 | 5-16 | 51176 | 2-29 |
| 41997 | 5-17 | 51225 | 2-75 |
| 42120-1 | 2-65, 2-73 | 51317 | 2-65, 2-81 |
| 42124 | 3-35 | 51338 | 2-51, 2-55 |
| 42216 | 2-91 | 51339 | 2-51, 2-55 |
| 42223 | 2-96 | 51417 | 4-9 |
| 42226 | 2-93 | 51448 | 2-81 |
| 42361 | 6-9 | 51449 | 2-81 |
| 43555 | 3-31, 3-33 | 51534 | 2-65 |
| 43844 | 2-33, 2-43 | 51538 | 2-75, 3-37, 3-39 |
| 44078 | 2-24 | 51545 | 2-57 |
| 44166 | 3-35 | 51560-3 | 2-37 |
| 44255 | 2-71 | 51562 | 2-57 |
| 44681-1 | 3-5, 3-7, 3-9 | 51564 | 2-81 |
| 44681-2 | 3-5, 3-7, 3-9 | 51570 | 3-16 |
| 44681 | 3-5, 3-7, 3-9 | 51608 | 3-21 |
| 44868 | 2-84, 2-95, 2-96 | 51677 | 3-21, 3-23 |
| 44869 | 2-81, 2-93 | 51715 | 2-81 |
| 44906 | 2-11, 2-65, 3-37, 3-39 | 51813 | 2-59 |
| 45142 | 3-29 | 51839 | 2-35 |
| 45214 | 2-13 | 52296 | 2-77, 2-79 |
| 45272 | 3-6, 3-7 | 52386 | 4-5, 4-7 |
| 45482 | 2-84 | 52402 | 2-81 |
| 45628 | 4-12, 4-13, 4-14 | 52424 | 2-35 |
| 45779 | 3-4, 3-5, 3-6, 3-7, 3-8, 3-9 | 52484 | 5-13, 6-13 |
| 45780 | 2-7 | 52488 | 5-17, 6-17 |
| 45786 | 2-53, 3-48 | 52508 | 2-61 |
| 46236 | 2-41, 2-43, 2-71, 2-97, 3-27 | 53029 | 2-33, 2-43 |
| 46480 | 2-51 | 53076 | 2-96 |
| 46481 | 2-15 | 53091 | 2-17 |
| 46482 | 2-91 | 53400-1 | 2-45 |
| 46983 | 2-59 | 53400-4 | 2-45 |
| 47167 | 3-29 | 53417 | 3-42 |
| 47501 | 2-75 | 53434 | 2-81, 4-12 |
| 47504 | 2-27, 2-75 | 53435 | 2-75, 4-14 |
| 47508 | 2-75, 2-96 | 53466 | 2-15, 2-21, 2-75, 2-91 |
| 47518 | 2-93 | 53468 | 2-7 |
| 47522 | 2-21 | 53485 | 2-84, 4-15 |
| 47638 | 2-93 | 53491 | 2-7 |
| 47719 | 2-73 | 53492 | 2-11 |
| 47720 | 2-45 | 53494 | 2-11 |
| 47745 | 2-75 | 53554 | 2-96, 4-8 |
| 47752 | 2-96 | 53576 | 3-37, 3-39 |
| 47753 | 2-84 | 53601 | 2-51, 4-22 |
| 47754 | 2-93, 2-95 | 53603 | 2-96, 4-3 |
| 47801 | 2-51, 2-65 | | |

CROSS REFERENCE

| Part Number | Page Number | Part Number | Page Number |
|-------------|------------------|-------------|------------------------|
| 53610 | 3-37, 3-39 | 54343 | 2-45 |
| 53612 | 2-51 | 54345 | 2-21 |
| 53640 | 2-53 | 54390 | 2-55 |
| 53782 | 2-59 | 54400 | 2-55, 2-57, 2-77, 2-79 |
| 53783 | 2-37 | 54437 | 2-55 |
| 53786 | 2-71 | 54467 | 2-55 |
| 53816 | 3-47 | 54552 | 2-13 |
| 53817 | 3-47 | 54553 | 2-15 |
| 53818 | 2-53 | 54556 | 2-13 |
| 53819-1 | 2-53 | 54567 | 2-55 |
| 53819-2 | 2-53, 3-48 | 54577 | 2-55 |
| 53819 | 2-53 | 54607 | 2-57 |
| 53830 | 2-93, 4-20 | 54615 | 2-11 |
| 53839 | 2-11 | 54616 | 2-57 |
| 53883 | 3-31, 3-33 | 54617 | 2-55 |
| 53894 | 3-31, 3-33 | 54619 | 2-55 |
| 53895 | 3-31, 3-33 | 54655 | 2-61 |
| 53910 | 2-65 | 54659 | 2-81 |
| 53915 | 2-65 | 54660 | 2-75 |
| 53927 | 2-59 | 54663 | 2-79 |
| 53947 | 2-61 | 54680 | 2-81 |
| 53950 | 2-61 | 54693 | 2-81 |
| 53953 | 2-61 | 54800 | 2-59 |
| 53954 | 2-59 | 54840 | 2-79 |
| 53965 | 2-75 | 54848 | 2-77, 2-79 |
| 53984 | 2-75 | 54878 | 2-81 |
| 53985 | 2-81 | 54911-16 | 2-29 |
| 54009 | 3-35 | 54911-25 | 2-27 |
| 54012 | 3-35 | 54911-32 | 2-47 |
| 54013 | 2-3, 2-63 | 54922 | 2-5 |
| 54014 | 2-3, 2-63 | 54923 | 2-5 |
| 54015 | 2-61 | 54925 | 2-5 |
| 54022 | 2-21, 4-16 | 54927 | 2-5 |
| 54030 | 2-11 | 54930 | 2-35 |
| 54050 | 2-75 | 54934 | 2-77 |
| 54051 | 2-51 | 54995 | 2-77, 2-79 |
| 54052 | 2-51 | 54996 | 2-59 |
| 54053 | 2-51 | 54997 | 2-61 |
| 54055 | 2-11 | 54999 | 2-61 |
| 54079 | 2-73 | 55021 | 2-63 |
| 54088 | 2-45 | 55035 | 2-21, 2-24, 3-21 |
| 54089 | 2-3, 2-63 | 55037 | 3-27 |
| 54095 | 4-15 | 55038 | 3-23 |
| 54096 | 2-65 | 55042 | 3-27 |
| 54102 | 2-93, 2-95 | 55048 | 2-17 |
| 54115 | 2-93, 2-95 | 55073 | 3-19 |
| 54118 | 2-79 | 55074 | 3-19 |
| 54121 | 2-71 | 55130 | 2-71 |
| 54182 | 2-7 | 55161 | 3-19 |
| 54184 | 2-7 | 55162 | 3-19 |
| 54190 | 2-7 | 55163 | 3-19 |
| 54192 | 2-7 | 55164 | 3-19 |
| 54194 | 2-93, 2-95 | 55180 | 3-21 |
| 54197 | 2-7 | 55181 | 3-25 |
| 54199 | 2-81 | 55182 | 3-27 |
| 54204 | 2-81 | 55195 | 2-31, 2-33 |
| 54205 | 2-61 | 55211 | 3-27 |
| 54274 | 2-39, 2-47, 2-83 | 55213 | 3-27 |
| 54275A | 2-83 | 55215 | 3-29 |
| 54333 | 2-27 | 55220 | 3-29 |
| 54342 | 2-23 | 55221 | 3-29 |

CROSS REFERENCE

| Part Number | Page Number | Part Number | Page Number |
|-------------|---|-------------|------------------------|
| 55222 | 2-41, 2-43 | 55964 | 3-35 |
| 55225 | 2-47 | 55965 | 2-63 |
| 55226 | 3-29 | 55968 | 3-21 |
| 55227 | 3-21 | 55973 | 3-21 |
| 55228 | 3-21 | 55976 | 3-29 |
| 55248 | 2-97, 3-4, 3-5, 3-8, 3-9, 3-11, 3-13, 3-15 | 55998 | 2-35 |
| 55270 | 3-21 | 56185 | 2-21 |
| 55302 | 3-27 | 56186 | 2-25 |
| 55347 | 2-15 | 56187 | 3-21 |
| 55393 | 3-21 | 56188 | 2-25 |
| 55395 | 3-21 | 56198 | 2-21 |
| 55404 | 3-27 | 56235 | 2-21 |
| 55433 | 2-8, 2-9 | 56346 | 2-23 |
| 55446 | 2-93, 2-95 | 56362 | 2-21 |
| 55453 | 3-27 | 56373 | 2-21 |
| 55459 | 3-29 | 56379 | 2-21 |
| 55461 | 3-25 | 56385 | 2-21 |
| 55462 | 2-73 | 56392 | 2-21 |
| 55463 | 2-73 | 56398 | 2-21 |
| 55489 | 3-31, 3-33 | 56456 | 3-17 |
| 55586 | 2-65, 2-81 | 56546 | 3-21 |
| 55619 | 2-15 | 56560 | 3-21 |
| 55685 | 2-93, 2-95 | 56595 | 3-17 |
| 55686 | 2-95 | 56610 | 2-71 |
| 55691 | 2-87, 2-89 | 56621 | 3-31 |
| 55740 | 2-3, 2-15 | 56624 | 2-55, 2-57, 2-77, 2-79 |
| 55779 | 2-81 | 56641 | 2-77 |
| 55797 | 2-67 | 56662 | 2-77, 2-79 |
| 55800 | 2-67 | 56690 | 2-91 |
| 55805 | 2-67 | 56692 | 2-96 |
| 55806 | 2-67 | 56799 | 3-21, 3-23 |
| 55809 | 2-67 | 56820 | 2-51 |
| 55851 | 2-39 | 56821 | 2-91 |
| 55859 | 2-29 | 56827 | 2-95 |
| 55861 | 2-39 | 56872 | 2-7, 3-51 |
| 55864 | 2-3, 2-63 | 56890 | 2-7 |
| 55870 | 2-63 | 56914 | 2-8, 2-9, 3-51 |
| 55879 | 2-63 | 56976A | 2-35, 2-45 |
| 55884 | 2-63 | 57064 | 4-8 |
| 55889 | 2-63 | 57152 | 4-16 |
| 55890 | 2-3, 2-63 | 57156 | 4-16, 4-17 |
| 55892 | 2-63 | 57167 | 2-7, 2-25, 3-25 |
| 55893 | 2-65 | 57173 | 2-87, 2-89 |
| 55902 | 2-71 | 57210 | 4-3, 4-5 |
| 55906 | 4-3 | 57220 | 3-4, 3-5 |
| 55914 | 2-65 | 57297 | 2-45 |
| 55916 | 2-71 | 57370 | 4-9, 4-11 |
| 55922 | 4-3, 4-5 | 57373 | 4-9, 4-11 |
| 55925 | 4-7 | 57374 | 4-9, 4-11 |
| 55926 | 4-7 | 57375 | 4-9, 4-11 |
| 55929 | 4-3 | 57536 | 3-27 |
| 55930 | 4-3, 4-5, 4-7 | 57537 | 3-27 |
| 55931 | 4-3, 4-5, 4-7 | 57702 | 2-11, 2-67, 3-23 |
| 55932 | 4-3, 4-5, 4-7 | 57751 | 2-25, 3-3, 3-25, 3-27 |
| 55937 | 4-3, 4-5, 4-7 | 57754 | 2-29 |
| 55939 | 4-3, 4-5, 4-7 | 57755 | 2-29 |
| 55956 | 2-67 | 57772 | 2-25, 3-25 |
| 55958 | 2-67 | 57773 | 2-29 |
| 55959 | 3-21 | 57803 | 2-25, 3-3, 3-25, 3-27 |
| 55963 | 3-21 | 57807 | 3-25, 3-27, 3-29 |
| | | 57813 | 2-38 |

CROSS REFERENCE

| Part Number | Page Number | Part Number | Page Number |
|--------------------|--------------------|--------------------|----------------------------|
| 57872 | 3-29 | 58881 | 3-31, 3-33 |
| 57897 | 4-3, 4-5, 4-7 | 58898 | 3-23 |
| 57912 | 3-29 | 58974 | 3-21, 3-23 |
| 57934 | 2-31 | 58977 | 2-17 |
| 57935 | 2-21 | 58999 | 2-17 |
| 57962 | 2-87, 2-89 | 59004 | 2-67, 2-69 |
| 57979 | 2-84, 2-96 | 59012 | 3-31, 3-33 |
| 57988 | 2-95 | 59013 | 3-31, 3-33 |
| 58078 | 2-65 | 59014 | 2-83 |
| 58103 | 2-63 | 59015 | 2-43 |
| 58120 | 2-3, 2-37 | 59016 | 2-67 |
| 58121 | 3-43 | 59018 | 2-19 |
| 58193 | 2-39 | 59019 | 2-17 |
| 58242 | 4-8 | 59028 | 3-23 |
| 58247 | 4-9 | 59031 | 3-23 |
| 58288 | 2-55 | 59032 | 3-23 |
| 58297 | 2-11 | 59033 | 3-23 |
| 58308 | 3-3 | 59035 | 2-11 |
| 58323 | 2-38 | 59104 | 3-31, 3-33 |
| 58346 | 2-37 | 59105 | 2-63 |
| 58359 | 2-73 | 59106 | 2-87, 2-89 |
| 58482 | 2-71 | 59152 | 2-7 |
| 58483 | 2-71 | 59189 | 2-63 |
| 58494 | 2-17, 2-69 | 59192 | 2-8, 2-9, 2-13, 2-15, 2-17 |
| 58500 | 2-67, 2-69 | 59194 | 2-9 |
| 58518 | 3-4, 3-6, 3-8 | 59195 | 2-8 |
| 58519 | 3-4, 3-6, 3-8 | 59211 | 3-23 |
| 58520 | 3-4, 3-6, 3-8 | 59250 | 3-23 |
| 58524 | 2-67, 2-69 | 59297 | 3-23 |
| 58538 | 2-37 | 59335 | 4-21 |
| 58540 | 2-83 | 59377 | 2-19 |
| 58564 | 2-13, 2-15 | 59378 | 4-15 |
| 58571 | 2-13, 2-15 | 59379 | 4-8 |
| 58576 | 2-13, 2-15 | 59380 | 2-73 |
| 58585 | 2-13, 2-15 | 59384 | 3-40 |
| 58588 | 2-45 | 59388 | 3-44 |
| 58589 | 2-45 | 59395 | 3-11 |
| 58590 | 2-45 | 59399 | 2-71 |
| 58592 | 2-27 | 59431 | 2-5 |
| 58595 | 2-11 | 59432 | 2-5 |
| 58596 | 4-16, 4-17 | 59437 | 3-27 |
| 58645 | 2-73 | 59440 | 2-5 |
| 58665 | 2-21 | 59442 | 2-67, 2-69 |
| 58667 | 2-21 | 59447 | 3-4, 3-5 |
| 58689 | 4-20 | 59448 | 2-67, 2-69 |
| 58748 | 2-21 | 59508 | 3-37 |
| 58770 | 2-8, 2-9 | 59512 | 3-29 |
| 58771 | 2-67 | 59514 | 2-17, 3-23 |
| 58811 | 2-13, 2-15 | 59515 | 3-23 |
| 58823 | 3-23 | 59530 | 2-93, 2-95 |
| 58830 | 3-23 | 59537 | 2-8 |
| 58831 | 3-21 | 59538 | 2-9 |
| 58832 | 3-21 | 59540 | 3-35 |
| 58842 | 2-51 | 59542 | 2-73 |
| 58843 | 4-20 | 59545 | 2-71 |
| 58845 | 4-20 | 59549 | 2-13 |
| 58846 | 2-31 | 59550 | 2-47 |
| 58847 | 4-20 | 59551 | 2-47 |
| 58849 | 2-17 | 59555 | 2-47 |
| 58858 | 2-91, 2-96 | 59557 | 3-27 |
| 58872 | 2-77 | 59560 | 2-87, 2-89 |

CROSS REFERENCE

| Part Number | Page Number | Part Number | Page Number |
|-------------|-------------------|-------------|------------------------|
| 59561 | 2-87, 2-89 | 59799 | 3-25 |
| 59563 | 2-89 | 59802 | 2-51, 4-9 |
| 59564 | 2-87, 2-89 | 59803 | 3-25 |
| 59565 | 2-87, 2-89 | 59807 | 2-35 |
| 59567 | 2-87 | 59808 | 2-35 |
| 59568 | 2-87, 2-89 | 59809 | 2-35 |
| 59571 | 2-87 | 59811 | 2-37 |
| 59572 | 2-87, 2-89 | 59814 | 2-63 |
| 59573 | 2-87, 2-89 | 59821 | 2-63 |
| 59574 | 2-87, 2-89 | 59822 | 2-11 |
| 59575 | 2-87, 2-89 | 59824 | 2-24 |
| 59576 | 2-87, 2-89 | 59825 | 2-73 |
| 59577 | 2-93, 2-95 | 59827 | 2-73 |
| 59579 | 2-87, 2-89 | 59828 | 2-19 |
| 59581 | 2-87, 2-89 | 59829 | 2-19 |
| 59582 | 2-87, 2-89 | 59830 | 2-19 |
| 59585 | 2-87, 2-89 | 59840 | 2-73 |
| 59621 | 2-24 | 59842 | 2-73 |
| 59622 | 2-24 | 59844 | 2-71 |
| 59623 | 2-24 | 59845 | 2-67 |
| 59628 | 2-24 | 59849 | 2-73 |
| 59629 | 2-24 | 59861 | 2-73 |
| 59636 | 2-24 | 59866 | 2-73 |
| 59647 | 2-19, 2-24 | 59867 | 2-73 |
| 59649 | 2-83 | 59870 | 2-13, 2-15, 2-93, 2-95 |
| 59656 | 2-83 | 59881 | 2-47 |
| 59657 | 3-27 | 59883 | 2-31 |
| 59661 | 2-19 | 59887 | 2-41 |
| 59662 | 2-7 | 59888 | 2-41 |
| 59665 | 3-17 | 59892 | 2-45 |
| 59666 | 3-17 | 59899 | 2-77 |
| 59674 | 2-67 | 59919 | 3-31, 3-33 |
| 59680 | 2-3, 2-63 | 59920 | 3-3 |
| 59681 | 2-3, 2-63 | 59935 | 2-21 |
| 59682 | 2-67 | 59940 | 2-21 |
| 59683 | 2-67 | 59944 | 3-11 |
| 59685 | 2-3, 2-63 | 59945 | 2-41 |
| 59686 | 2-3, 2-63 | 59949 | 2-7 |
| 59687 | 2-3, 2-63 | 59962 | 3-3 |
| 59688 | 2-3, 2-63 | 59965 | 2-65 |
| 59692 | 2-8, 2-9 | 59966 | 2-65 |
| 59693 | 2-71 | 59967 | 2-83 |
| 59695 | 2-15 | 59970 | 2-23 |
| 59703 | 2-13 | 59971 | 2-23 |
| 59723 | 2-67 | 59974 | 2-23 |
| 59734 | 2-83 | 59975 | 2-84 |
| 59735 | 2-83 | 59976 | 2-23 |
| 59737 | 2-67, 2-69 | 59977 | 2-23 |
| 59738 | 2-67, 2-69 | 59978 | 2-23 |
| 59739 | 2-67, 2-69 | 59979 | 2-23 |
| 59760 | 2-9 | 60278 | 2-103 |
| 59761 | 2-8 | 60280 | 2-103 |
| 59766 | 2-11 | 60281 | 2-103 |
| 59767 | 2-104 | 60282 | 2-103 |
| 59768 | 2-104, 3-31, 3-33 | 60283 | 3-3 |
| 59769 | 2-104 | 60284 | 3-3 |
| 59771 | 2-11 | 60287 | 3-21 |
| 59786 | 2-104 | 60288 | 3-4, 3-5, 3-8, 3-9 |
| 59789 | 2-91 | 60290 | 2-103 |
| 59790 | 2-91 | 60292 | 2-48 |
| 59797 | 3-25 | 60293 | 2-48 |

CROSS REFERENCE

| Part Number | Page Number | Part Number | Page Number |
|-------------|------------------|-------------|------------------------|
| 60294 | 2-49 | 63688 | 2-51 |
| 60295 | 2-49 | 63689 | 2-51 |
| 60296 | 2-103 | 63810 | 2-31, 2-33, 2-35, 3-29 |
| 60305 | 3-3 | 63852 | 2-21 |
| 60307 | 3-4 | 64320 | 3-31, 3-33 |
| 60309 | 3-5 | 64535 | 2-69 |
| 60312 | 3-6 | 64595 | 2-17, 2-69 |
| 60314 | 3-7 | 64905 | 2-93, 2-95 |
| 60316 | 3-8 | 65145-1 | 2-96 |
| 60318 | 3-9 | 65241 | 4-17 |
| 60372 | 3-16 | 65527 | 2-35 |
| 60559 | 2-38 | 65553 | 3-25, 3-27 |
| 60751 | 3-3 | 65561 | 3-25, 3-29 |
| 60862 | 3-23 | 65869-1 | 2-3 |
| 61288 | 2-91 | 66018 | 2-5 |
| 61408 | 2-91 | 66019 | 2-5 |
| 61488 | 3-46 | 66168 | 3-37 |
| 61490 | 4-12, 4-13, 4-14 | 66175 | 3-37 |
| 61497 | 2-27 | 66176 | 3-37, 3-39 |
| 61499 | 5-5 | 66177 | 3-37, 3-39 |
| 61500 | 5-5 | 66178 | 3-37, 3-39 |
| 61501 | 5-5 | 66179 | 3-37, 3-39 |
| 61524 | 5-9 | 66180 | 3-37 |
| 61525 | 5-9 | 66181 | 3-37 |
| 61526 | 5-9 | 66182 | 3-37 |
| 61527 | 5-9, 6-9 | 66183 | 3-37 |
| 61529 | 2-38 | 66184 | 2-83 |
| 61531 | 2-38 | 66197 | 3-21 |
| 61538 | 5-3, 6-3 | 66211 | 2-55 |
| 61539 | 5-3 | 66213 | 2-55 |
| 61540 | 5-7, 6-7 | 66220 | 3-27 |
| 61545 | 6-9 | 66221 | 3-21 |
| 61545 | 5-9 | 67004 | 3-35 |
| 61546 | 5-9, 6-9 | 67290 | 2-59 |
| 61547 | 5-9, 6-9 | 67683 | 2-96 |
| 61548 | 5-9, 6-9 | 67767 | 2-7, 2-45, 2-48, 2-49 |
| 61549 | 5-9, 6-9 | 68441 | 2-65 |
| 61550 | 6-9 | 68872 | 2-48, 2-49 |
| 61550 | 5-9 | 68873 | 2-48, 2-49 |
| 61551 | 6-9 | 69173 | 2-84 |
| 61551 | 5-9 | 69234 | 2-24 |
| 61552 | 6-9 | 69266 | 2-31 |
| 61552 | 5-9 | 69901 | 2-67 |
| 61556 | 5-12, 6-12 | 69902 | 2-67 |
| 61891 | 4-7 | 69903 | 2-79 |
| 61920 | 3-11, 3-13, 3-15 | 69904 | 2-7 |
| 61931 | 2-38 | 69906 | 2-17 |
| 62100 | 2-87, 2-89 | 69907 | 2-17 |
| 62172 | 2-93, 2-95 | 69908 | 2-73 |
| 62173 | 2-93, 2-95 | 69909 | 2-24 |
| 62337 | 2-87, 2-89 | 69910 | 2-93, 2-95 |
| 62390 | 2-84 | 69911 | 2-93 |
| 62595-21 | 2-7 | 69915 | 2-7 |
| 62595-22 | 2-11 | 69923 | 3-31 |
| 62595-23 | 2-11 | 69931 | 2-8, 2-9 |
| 62595-3 | 2-21 | 69933 | 2-57 |
| 62595-4 | 2-21 | 69935 | 3-31, 3-33 |
| 62595-6 | 2-69 | 69937 | 3-31, 3-33 |
| 63234 | 2-61 | 69941 | 2-3 |
| 63378 | 3-31, 3-33 | 69942 | 2-3 |
| 63469-3 | 3-31, 3-33 | 69951 | 2-17 |

CROSS REFERENCE

| Part Number | Page Number | Part Number | Page Number |
|-------------|------------------|-------------|------------------|
| 69952 | 2-17 | 70278 | 3-48 |
| 69953 | 3-31, 3-33 | 70279 | 3-48 |
| 69954 | 2-59 | 70280 | 2-53, 3-48 |
| 69955 | 3-31, 3-33 | 70281 | 3-48 |
| 69958 | 3-33 | 70284 | 2-7 |
| 69962 | 2-59 | 70287 | 2-53 |
| 69970 | 2-31 | 70297 | 3-49 |
| 69972 | 2-13, 2-15 | 71021 | 2-49 |
| 69973 | 2-13 | 71022 | 3-46 |
| 69981 | 3-31, 3-33 | 71024 | 2-7 |
| 69984 | 3-33 | 71025 | 3-31, 3-33 |
| 69986 | 2-17 | 71038 | 2-49 |
| 69987 | 2-17 | 71056 | 3-11 |
| 69990 | 2-83 | 71057 | 3-25 |
| 70006 | 2-91 | 71058 | 3-13, 3-21 |
| 70094 | 4-5, 4-7 | 71459 | 2-103 |
| 70095 | 4-5, 4-7 | 71540 | 2-75 |
| 70096 | 4-5, 4-7 | 71543 | 3-6, 3-7 |
| 70097 | 4-5, 4-7 | 71544 | 3-11, 3-13, 3-15 |
| 70098 | 4-5, 4-7 | 72024 | 3-23 |
| 70099 | 4-5, 4-7 | 72025-S7 | 5-7, 6-7 |
| 70100 | 4-5, 4-7 | 72049 | 3-25 |
| 70101 | 4-5, 4-7 | 72065 | 2-69 |
| 70102 | 4-5 | 72066 | 2-3 |
| 70103 | 4-5, 4-7 | 72067 | 2-3 |
| 70136 | 2-17 | 72068 | 2-3 |
| 70142 | 2-17 | 72069 | 2-8, 2-9 |
| 70143 | 2-17 | 72071 | 2-63 |
| 70145 | 2-17 | 72080 | 3-15 |
| 70157 | 2-51 | 72086 | 3-37, 3-39 |
| 70158 | 2-55 | 72087 | 3-37, 3-39 |
| 70159 | 3-11, 3-13, 3-15 | 72091 | 2-17 |
| 70160 | 2-38 | 72094 | 3-15 |
| 70161 | 2-55 | 72096 | 3-13 |
| 70173 | 2-43 | 72099 | 3-25 |
| 70178 | 2-69 | 72100 | 3-6, 3-7 |
| 70182 | 2-69 | 72106 | 3-11 |
| 70185 | 2-69 | 72109 | 2-23 |
| 70193 | 2-69 | 72114 | 3-4, 3-5 |
| 70214 | 2-39 | 72115 | 2-33 |
| 70221 | 2-45 | 72118 | 2-8 |
| 70222 | 3-51 | 72119 | 2-9 |
| 70223 | 3-51 | 72120 | 2-8, 2-9 |
| 70224 | 3-51 | 72127 | 2-45 |
| 70225 | 3-51 | 72128 | 2-45 |
| 70226 | 3-51 | 72129 | 2-59 |
| 70227 | 3-51 | 72132 | 2-57 |
| 70228 | 3-51 | 72133 | 2-83 |
| 70229 | 3-51 | 72136 | 2-91 |
| 70230 | 3-51 | 72138 | 2-11 |
| 70239 | 2-29 | 72142 | 3-25 |
| 70246 | 2-91 | 72143 | 3-31, 3-33 |
| 70248 | 2-15 | 72147 | 2-47 |
| 70249 | 2-13 | 72152 | 2-7 |
| 70252 | 2-15 | 72154 | 2-19 |
| 70256 | 2-13 | 72155 | 2-51 |
| 70263 | 2-29 | 72156 | 2-7 |
| 70271 | 2-73 | 72158 | 2-43 |
| 70272 | 2-73 | 72159 | 2-63 |
| 70275 | 2-9 | 72176 | 2-13, 2-15 |
| 70276 | 2-8 | 72178 | 3-3, 3-37 |

CROSS REFERENCE

| Part Number | Page Number | Part Number | Page Number |
|-------------|---------------------|---------------|------------------------|
| 72179 | 2-13, 2-15 | 74226 | 4-7 |
| 72181 | 3-37 | 74229 | 4-7 |
| 72191 | 2-43 | 74230 | 4-7 |
| 72192 | 2-43 | 74233 | 4-15 |
| 72432-S | 5-11, 6-11 | 74235 | 4-7 |
| 72473 | 2-13 | 74237 | 4-7 |
| 72968 | 2-7, 2-8, 2-9, 3-51 | 74248 | 4-5, 4-7 |
| 72969 | 2-69 | 74250 | 4-13, 4-14 |
| 72971 | 2-69 | 74251 | 4-17 |
| 73411 | 2-59 | 74304 | 2-7 |
| 74092 | 4-12 | 74310 | 2-69 |
| 74094 | 4-12, 4-13, 4-14 | 74314 | 2-63 |
| 74095 | 4-12, 4-13 | 74345 | 2-31, 2-33 |
| 74096 | 4-12 | 74352 | 2-69 |
| 74097 | 4-12, 4-16 | 74353 | 2-69 |
| 74098 | 4-13 | 74355 | 2-77 |
| 74099 | 4-13 | 74358 | 2-73 |
| 74100 | 4-13, 4-14 | 74374 | 3-39 |
| 74101 | 4-14 | 74375 | 3-39 |
| 74102 | 4-14 | 74379 | 3-39 |
| 74103 | 4-16 | 74380 | 3-39 |
| 74104 | 4-9 | 74381 | 3-39 |
| 74105 | 4-16, 4-17 | 74382 | 3-39 |
| 74106 | 4-16 | 74383 | 3-39 |
| 74107 | 4-9 | 74391 | 2-55, 2-57, 2-77, 2-79 |
| 74108 | 4-16 | 74394 | 2-47 |
| 74109 | 4-16, 4-17 | 74398 | 2-91 |
| 74110 | 4-16, 4-17 | 74402 | 2-33 |
| 74111 | 4-16, 4-17 | 74406 | 2-43 |
| 74112 | 4-16, 4-17 | 74409 | 2-69 |
| 74113 | 4-16 | 74419 | 2-73, 4-21 |
| 74114 | 4-16 | 74428 | 3-23 |
| 74115 | 4-16 | 74429 | 3-21 |
| 74116 | 4-16 | 74430 | 3-21 |
| 74117 | 4-16 | 74431 | 3-21 |
| 74118 | 4-16 | 74433 | 3-25 |
| 74119 | 4-9 | 74434 | 2-71 |
| 74120 | 4-9 | 74438 | 3-31, 3-33 |
| 74126 | 4-20 | 74439 | 3-31, 3-33 |
| 74127 | 4-20 | 74443 | 2-31, 2-33 |
| 74143 | 4-5 | 74453 | 2-41 |
| 74149 | 4-8 | 74454 | 2-83 |
| 74150 | 4-8 | 74456 | 2-13 |
| 74151 | 4-8 | 74465 | 2-96, 4-5 |
| 74152 | 4-8 | 74468 | 2-81, 4-13 |
| 74153 | 4-8 | 74469 | 4-7 |
| 74155 | 4-8 | 74475 | 2-59 |
| 74156 | 4-8 | 74491 | 2-13 |
| 74157 | 4-8 | 74493 | 2-13 |
| 74158 | 4-8 | 75028 | 2-75 |
| 74159 | 4-8 | 75128 | 2-19 |
| 74172 | 2-21, 4-17 | 75430 | 2-59 |
| 74174 | 4-13 | 75809 | 6-9 |
| 74180 | 4-7 | 75817 | 6-9 |
| 74181 | 4-17 | 76315 | 2-96 |
| 74182 | 4-17 | 76316 | 2-93, 2-95 |
| 74190 | 4-17 | 76589-2 | 2-27 |
| 74195 | 4-17 | 76736 | 2-41, 2-43 |
| 74216 | 4-3 | 77097 | 2-51, 2-65, 2-73 |
| 74218 | 4-17 | 77399 | 2-24 |
| 74225 | 4-7 | 77BF-9K442-AA | 5-12, 6-12 |

CROSS REFERENCE

| Part Number | Page Number | Part Number | Page Number |
|----------------------|----------------------|------------------------|-------------------------|
| 77BM-6256-AA | 5-7, 6-7 | 84641 | 2-33 |
| 77BM-6531-BB | 5-7, 6-7 | 84989 | 5-12, 6-12 |
| 77BM-6584-CA | 5-3, 6-3 | 85300 | 3-52 |
| 77BM-6598-AB | 5-7, 6-7 | 86041 | 2-38 |
| 77BM-6K255-AC . . . | 5-7, 6-7 | 86240 | 2-55, 2-57, 2-79 |
| 78122 | 2-45 | 86330 | 2-41, 3-4, 3-5 |
| 78143 | 2-84, 2-91 | 86331 | 2-41, 2-69, 3-8, 3-9 |
| 78787 | 2-65 | 86332 | 3-3, 3-4, 3-5, 3-8, 3-9 |
| 78881 | 2-33 | 86333 | 3-6, 3-7 |
| 79040 | 2-91 | 86751 | 2-57 |
| 79399 | 2-27 | 86791 | 2-61 |
| 79422 | 2-35 | 86BM-6617-AA | 5-11, 6-11 |
| 79425 | 2-3, 2-71 | 86BM-6675-AA | 5-11, 6-11 |
| 79768 | 2-96, 4-7 | 86BM-6K318-AA . . . | 5-9, 6-9 |
| 79785 | 4-19 | 86HM-6701-AIA | 5-9, 6-9 |
| 79786 | 4-19 | 87337 | 2-67 |
| 79787 | 4-19 | 87396 | 2-41, 2-43 |
| 79788 | 4-19 | 87536 | 2-23 |
| 79789 | 4-19 | 87583 | 2-25 |
| 79790 | 4-19 | 87631 | 2-81 |
| 79791 | 4-19 | 87676 | 2-15 |
| 79792 | 4-19 | 87677 | 2-65 |
| 79793 | 4-19 | 87866 | 2-23 |
| 79794 | 4-19 | 87948 | 3-3 |
| 79795 | 4-19 | 87AB-2A411-BA | 5-12, 6-12 |
| 79796 | 4-19 | 87AB-9H490-AA | 5-12, 6-12 |
| 79798 | 4-19 | 87YF-12405-AB | 5-15, 6-15 |
| 79799 | 4-19 | 88BM-6A557-AA | 6-7 |
| 79800 | 4-19 | 88BX-6008-AA | 5-16 |
| 79801 | 4-19 | 88BX-6008-BA | 6-16 |
| 79802 | 4-19 | 88BX-6014-AA | 5-16 |
| 79803 | 4-19 | 88BX-6014-BA | 6-16 |
| 79804 | 4-19 | 88WM-6518-AA | 5-3, 6-3 |
| 79805 | 4-19 | 88WM-6571-BB | 5-3, 6-3 |
| 79806 | 4-19 | 89BF-12024-A1B | 5-15, 6-15 |
| 79807 | 4-19 | 89BF-12283-AD | 5-15, 6-15 |
| 79808 | 4-19 | 89BF-12284-AD | 5-15, 6-15 |
| 79812 | 4-19 | 89BF-12286-AD | 5-15, 6-15 |
| 79813 | 4-19 | 89BF-12287-AC | 5-15, 6-15 |
| 79815 | 4-19 | 89BF-12297-AA | 5-15, 6-15 |
| 79820 | 4-19 | 89BF-6C315-AB | 5-5, 6-5 |
| 79821 | 4-19 | 89BF-9424-AD | 5-12, 6-12 |
| 82063 | 3-4, 3-6, 3-8 | 89BM-6010-EA | 5-5 |
| 82196 | 3-50 | 89BM-6010-FA | 6-5 |
| 82200 | 3-5, 3-7, 3-9 | 89BM-6011-BA | 5-5 |
| 82239 | 2-51 | 89BM-6011-DA | 6-5 |
| 82342 | 2-11 | 89BM-6019-AA | 5-13, 6-13 |
| 82475 | 2-71 | 89BM-6020-AA | 5-13, 6-13 |
| 82483 | 2-63 | 89BM-6049-DD | 6-3 |
| 82509 | 2-43 | 89BM-6049-HB | 5-3 |
| 82661 | 2-39 | 89BM-6051-B2C | 5-3 |
| 82731 | 2-38 | 89BM-6051-C2B | 6-3 |
| 82739 | 2-97 | 89BM-6055-AA | 5-5 |
| 82798 | 2-15 | 89BM-6055-BA | 6-5 |
| 82831 | 2-81 | 89BM-6056-A1F | 5-3 |
| 83BM-6700-A4A . . . | 5-9, 5-13, 6-9, 6-13 | 89BM-6056-A1G | 6-3 |
| 84578 | 2-39 | 89BM-6057-A2E | 5-3, 6-3 |
| 84581 | 2-75 | 89BM-6065-DA | 5-3, 6-3 |
| 84588 | 2-29 | 89BM-6102-AA | 5-9 |
| 84604 | 2-29 | 89BM-6102-BA | 5-9 |
| 84624 | 2-95 | 89BM-6102-CA | 5-9 |

CROSS REFERENCE

| Part Number | Page Number | Part Number | Page Number |
|--------------------|--------------------|--------------------|--------------------|
| 89BM-6102-DA ... | 6-9 | 89BM-6K340-AA .. | 5-9, 6-9 |
| 89BM-6102-EA | 6-9 | 89BM-6K528-AB .. | 5-7, 6-7 |
| 89BM-6102-FA | 6-9 | 89BM-8507-AA | 5-14, 6-14 |
| 89BM-6148-AA | 5-9 | 89BM-9441-AB | 5-12, 6-12 |
| 89BM-6148-BA | 5-9 | 89BM-9448-BA | 5-12, 6-12 |
| 89BM-6148-CA ... | 5-9 | 91BM-6582-GA ... | 5-3 |
| 89BM-6148-DA ... | 6-9 | 92BM-6750-AA | 5-11, 6-11 |
| 89BM-6148-EA | 6-9 | 92BX-8591-AA | 5-14, 6-14 |
| 89BM-6148-FA | 6-9 | 93BM-6010-AA .. | 5-5 |
| 89BM-6200-AD ... | 5-9, 6-9 | 93BM-6011-AA ... | 5-5 |
| 89BM-6211-AA | 5-9, 6-9 | 93BM-6012-AAC . | 5-5 |
| 89BM-6211-BA | 5-9, 6-9 | | |
| 89BM-6211-CA | 5-9, 6-9 | | |
| 89BM-6211-DA | 5-9, 6-9 | | |
| 89BM-6211-EA | 5-9, 6-9 | | |
| 89BM-6214-DB ... | 5-9, 6-9 | | |
| 89BM-6251-AA | 5-7 | | |
| 89BM-6251-BA | 6-7 | | |
| 89BM-6303-CA ... | 5-8 | | |
| 89BM-6303-DA .. | 5-8 | | |
| 89BM-6303-DA ... | 6-9 | | |
| 89BM-6312-AA | 5-9, 6-9 | | |
| 89BM-6331-AA ... | 6-9 | | |
| 89BM-6331-AA | 5-9 | | |
| 89BM-6331-BA | 5-9, 6-9 | | |
| 89BM-6331-CA ... | 5-9, 6-9 | | |
| 89BM-6331-DA ... | 5-9, 6-9 | | |
| 89BM-6331-EA | 5-9, 6-9 | | |
| 89BM-6331-FA ... | 6-9 | | |
| 89BM-6331-FA | 5-9 | | |
| 89BM-6331-GA ... | 6-9 | | |
| 89BM-6331-GA ... | 5-9 | | |
| 89BM-6331-HA ... | 6-9 | | |
| 89BM-6331-HA ... | 5-9 | | |
| 89BM-6333-AA | 5-9, 6-9 | | |
| 89BM-6333-BA | 5-9, 6-9 | | |
| 89BM-6333-CA ... | 5-9, 6-9 | | |
| 89BM-6333-DA ... | 5-9, 6-9 | | |
| 89BM-6333-EA | 5-9, 6-9 | | |
| 89BM-6333-FA | 5-9, 6-9 | | |
| 89BM-6333-GA ... | 5-9, 6-9 | | |
| 89BM-6333-HA ... | 5-9, 6-9 | | |
| 89BM-6344-BA | 5-9, 6-9 | | |
| 89BM-6375-AA ... | 5-17 | | |
| 89BM-6375-BA .. | 5-17 | | |
| 89BM-6375-BA | 6-17 | | |
| 89BM-6500-AA | 5-7, 6-7 | | |
| 89BM-6505-CA ... | 5-3, 6-3 | | |
| 89BM-6507-AA | 5-3 | | |
| 89BM-6507-BA | 6-3 | | |
| 89BM-6513-AA | 5-3, 6-3 | | |
| 89BM-6529-AB | 5-7, 6-7 | | |
| 89BM-6565-AA | 5-7, 6-7 | | |
| 89BM-6582-AA | 6-3 | | |
| 89BM-6659-AA | 5-11, 6-11 | | |
| 89BM-6784-AA | 5-11, 6-11 | | |
| 89BM-6A341-AA .. | 5-9, 6-9 | | |
| 89BM-6A341-BA .. | 6-9 | | |
| 89BM-6A341-BA .. | 5-9 | | |
| 89BM-6A536-AA .. | 5-3, 6-3 | | |
| 89BM-6A557-AA .. | 5-7 | | |

PART DESCRIPTION TO PAGE NUMBER CROSS REFERENCE LIST**Numbers****B**

355L Oper/ Video VHS, 3-52

A

Actuator, Governor, 2-31, 2-33

Adapter Plate Assembly, 4-8

Adapter, Vacuum, 5-12, 6-12

Adapter, 5-5, 6-5

Adaptor Wldt, Vac Wand, 3-35

Adaptor, Carburetor, 2-31

Adaptor, Mtg, Carb, Machine, 2-31, 2-33

Air Cleaner, 2-37

Alarm Kit, Bu A/v 355L, Cab with Pressurizer, 3-15

Alarm Kit, Bu A/v 355L, Cab, 3-13

Alarm Kit, Bu A/v 355L, 3-11

Alternator, 50A/12V Mando, 2-38

Altrntr Pulley Md, 2-38

Angle, Cable Keeper, 2-55, 2-57, 2-77, 2-79

Angle, Door Jamb, Lower, Rear, 3-21

Angle, Door Jamb, 3-21

Angle, Filler, 3-51

Angle, Hopper, 2-63

Angle, Stop, 3-37, 3-39

Arm Assy, Hopper w/label, 2-73

Arm Assy, Lift, 2-75

Arm Assy, Safety w/label, 2-73

Arm Wldt, Brush, Lh, 2-81

Arm Wldt, Idler, W/Brush, 2-81

Arm, Alternator, 2-38

Arm, Control, Pintle, 2-61

Arm, Tensioner, 5-7, 6-7

Arm, Valve Rocker, Left, With Screw, 5-7, 6-7

Arm, Valve Rocker, Right, With Screw, 5-7, 6-7

Arm, Windshield Wiper, Panto, 3-25

Arm, 2-61

Armrest Cab, 3-23

Back Plate Assembly, 4-8

Backplate Assy Ce, 4-5, 4-7

Backplate Assy, 4-3

Balance Ring, 4-9, 4-11

Ball, Check, 4-16

Ball, 4-19

Balljoint .250-28 Ball Stud, 2-31, 2-33

Balljoint .250-28 Body/Clip, 2-31, 2-33

Balljoint .250-28, 2-17, 2-31, 2-33

Balljoint, Rod End, 2-51

Bar, Link, 2-65

Bar, Shaker, 2-71

Bar, Spring, Shaker, 2-71

Bar-Flt .06T 1.00W 4.00L,Rbr, 2-3, 2-71

Bar-Flt .06T 4.00W 5.00L,Rbr, 2-3, 2-71

Battery, 12V, Cc Amps:475 Wet, 2-48, 2-49

Battery, 12V, Ccamps: 600 Dry, 3-45

Bearing Cam, 4-5, 4-7

Bearing Kit, Thrust, 4-3

Bearing Sf1 Actuator, 2-31

Bearing Thrust, 4-14

Bearing, Connecting Rod, 0.001 US, 5-9, 6-9

Bearing, Connecting Rod, 0.010 US, 5-9, 6-9

Bearing, Connecting Rod, 0.020 US, 5-9, 6-9

Bearing, Connecting Rod, 0.030 US, 5-9, 6-9

Bearing, Connecting Rod, Std, 5-9, 6-9

Bearing, Flange .625 Bore, 2-59

Bearing, Flange, 2-13, 2-15

Bearing, Inner Race, 4-3

Bearing, Journal 1.25 Idx1.0Lg, 2-73

Bearing, Journal, 2-59

Bearing, Needle, 4-16, 4-17

Bearing, Roller, 4-3

Bearing, Self Aligning, 2-79

Bearing, Std ID + 0.020 OD, 5-7, 6-7

Bearing, Std ID - Std OD, 5-7, 6-7

Bearing, Thrust .62X1.25X.06, 2-59

Bearing, Thrust, 2-59, 4-7

Bearing, Trunnion, 4-3

Bearing&Clr ,1.25B 2.44D 1.41W, 2-81

Bearing-Ball, .669B 1.575D 0.472W, 2-38
Bearing-Ball, 1.38B 2.83D 0.67W, 2-81
Bearing-Cone, 1.38Bore 0.71Wth, 2-51, 2-55
Bearing-Cup, 2.56Dia 0.55Wth, 2-51, 2-55
Bearing-Flange, 2 Hole .625Bore, 2-65
Bearing-Self Align 1.250 Bore, 2-65, 2-73
Bearing, 4-12
Bellows Assy, Brush Lift, 2-79
Bellows Assy, Valve, 2-24
Belt, Seat, 3-40
Belt, V Hc41 X 32.5, 2-38
Belt, V Hc41 X 33, 2-38
Blade, Deflector, 2-7
Blade, Windshield Wiper, 18", 3-25
Block, Cylinder, With Crank, Piston, Rings, etc., 6-5
Block, Cylinder, With Crank, Pistons, Rings, etc., 5-5
Block, Cylinder, 5-5, 6-5
Block, Pivot (Repl. By 72179), 2-15
Block, Pivot (Replaced By 72179), 2-13
Blower Kit 355L, 3-31
Blower Kit, W/Ohg, 3-33
Blower, Assy, 3-27
Body Assembly, 4-8
Bolt, Connecting Rod, 5-9, 6-9
Bolt, Cylinder Head, 5-3, 6-3
Bolt, Hold-Down, 2-49
Bolt, Hook, Rh, 2-13
Bolt, Latch, 2-19, 3-23
Bolt, M10 x 22.5, Flywheel to Crankshaft, 5-17, 6-17
Bolt, M6 x 14, Oil Pan, 5-11, 6-11
Bolt, M6 x 16, Tensioner to Block, 5-7, 6-7
Bolt, M6 x 18, Front Cover to Block, 5-13, 6-13
Bolt, M6 x 40, Front Cover and W/P to Block, 5-14, 6-14
Bolt, M6 x 40, Front Cover to Block, 5-13, 6-13
Bolt, M6 x 45, Front Cover to Block, 5-13, 6-13
Bolt, M6 x 55, Tensioner to Block, 5-7, 6-7
Bolt, M8 x 16, 5-7, 6-7
Bolt, M8 x 20, 5-9, 5-14, 6-9, 6-14
Bolt, M8 x 25, 5-12, 6-12
Bolt, Main Bearing Cap, 5-5, 6-5
Bolt, Pulley to Crankshaft, M12 x 32, 5-9, 6-9
Bolt, Rocker Support, 5-7, 6-7
Bolt-Carrm 8X1.25 40 4.6 Pltd, 2-7
Bolt-Eye, .25-20Th .25B 1.4L, 2-61
Bolt-Eye, .25-20Zinc.56D 2.00L, 2-63
Bolt-U, 1.13 Id, 3-29
Bolt, 4-9, 5-11, 6-11
Boot - Circuit Breaker, 3-3
Boot, Batt. Term. 1-2 Ga Black, 2-48, 2-49
Boot, Batt. Term. 1-2 Ga Red, 2-48, 2-49
Boot-Circuit Breaker, 2-25, 3-25, 3-27
Bracket Assy, Isolator, 2-61
Bracket Repl Kit, Switch, 3-11
Bracket Replacement Kit, Taillight, 2-7
Bracket Sppt, Control Rod, 2-59
Bracket Wldt, Engine, 2-29
Bracket Wldt, Filter, 2-71
Bracket Wldt, Hpr Cvr Sprng, 2-69
Bracket Wldt, Light, Rotating, 3-6, 3-7, 3-11
Bracket Wldt, LPG w/label, 2-45
Bracket Wldt, Mtg, Steering, Lh, 2-21
Bracket Wldt, Mtg, Steering, Rh, 2-21
Bracket Wldt, Notched, 2-21
Bracket Wldt, S Br, 2-77
Bracket Wldt, Support, Blower, 3-31, 3-33
Bracket Wldt, Taillight, 2-7
Bracket Wldt, Valve, 2-21
Bracket Wldt, Mtg, Eng, Rear, Rh, 2-29
Bracket Wldt, Mtg, Eng, Rear, Lh, 2-29
Bracket Wldt, 2-71
Bracket, Alarm, Back-Up, 3-13
Bracket, Back-Up Alarm, 3-21
Bracket, Bumper Stop, 3-3
Bracket, Bumper, 2-67
Bracket, Cable Spring, 2-69
Bracket, Deflector, Eng Cover, 2-17
Bracket, Door, 2-19, 2-67
Bracket, Drive Motor, 2-51
Bracket, Filter, 2-71
Bracket, Flap, Recirculation, 2-7
Bracket, Flasher, 3-3, 3-11, 3-13, 3-15
Bracket, Grille, 2-13, 2-15
Bracket, Gusset, Corner, Lh, 2-67, 2-69
Bracket, Gusset, Corner, Rh, 2-67, 2-69

CROSS REFERENCE

Bracket, Hanger, Muffler, 2-39
Bracket, Inside, 2-11
Bracket, Latch, Bolt, Eng Cover, 2-17
Bracket, Latch, Bolt, 3-23
Bracket, Latch, Door, 2-19
Bracket, Latch, 2-17
Bracket, Light, SBDC, 3-3
Bracket, Motor, 2-75
Bracket, Mounting Motor, 2-83
Bracket, Mtg. Latch, 2-13
Bracket, Mtg, Actuator, 2-27
Bracket, Mtg, Air Cleaner, 2-37
Bracket, Mtg, Back-Up Alarm, 3-11
Bracket, Mtg, Hinge, Lh, 2-9
Bracket, Mtg, Hinge, Rh, 2-8
Bracket, Mtg, Latch (Replaced By 74456), 2-13
Bracket, Mtg, Latch, 2-15
Bracket, Mtg, Light, Ohg, 3-4, 3-5
Bracket, Mtg, LPG (Repl. By 72127), 2-45
Bracket, Mtg, LPG, 2-45
Bracket, Mtg, Relief Valve, 2-45
Bracket, Mtg, Spring, 2-67
Bracket, Mtg, Tube, 3-31, 3-33
Bracket, Mtg, Valve, 2-93, 2-95
Bracket, Mtg, Vaporizer, 2-35
Bracket, Propel, 2-61
Bracket, Radiator Mount, 2-47
Bracket, Rear Grill Stop Bolt, 2-15
Bracket, Repl Kit, Latch, 2-17
Bracket, Sbdc, 3-37, 3-39
Bracket, Side Brush, 2-77
Bracket, Speed Limiter, 2-59
Bracket, Stop Bolt, Rear Grill, 2-13
Bracket, Switch, 3-3
Bracket, Tiedown, 3-50
Bracket, Valve, 3-29
Bracket, 2-11, 2-77, 2-79
Brake Assy, 2-55
Brake Repair Kit, 2-55
Brake Shoes, 2-55
Breaker-Circuit, 2.5 Resetbl, 2-25
Breaker-Circuit, 15 Resetbl, 2-25, 3-25, 3-27
Breather, Hyd Cap (Includes Gasket), 2-91
Breather, Hyd, 20 Micron, 2-91
Breather, Hyd, 2-91
Brg, Brake, 2-57
Brg, Snap In - Nyliner .38 Id, 3-31, 3-33
Brush-Side Swp -23 Dia-Flatwire, 2-5
Brush-Side Swp -23 Dia-Nylon, 2-5
Brush-Side Swp -23 Dia-Poly, 2-5
Brush-Sweep Spl-45Lg-24 Single Row-Fiber and Wire, 2-5
Brush-Sweep Spl-45Lg-24 Single Row-Nylon, 2-5
Brush-Sweep Spl-45Lg-5 Double Row-Nylon, 2-5
Brush-Sweep Spl-45Lg-8 Double Row-Nylon, 2-5
Brush-Sweep Spl-45Lg-8 Double Row-Poly and Wire, 2-5
Brush-Sweep Spl-45Lg-8 Double Row-Poly, 2-5
Brush-Sweep Spl-45Lg-8 Double Row-Wire, 2-5
Brush-Sweep Spl-45Lg-Wedg Poly, 2-5
Bshg, Flange, 3-37, 3-39
Bulb #53 12V, 3-3
Bulb GE, 3-16
Bulb, 12V .9A 15Cp#1004, 3-11, 3-13, 3-15
Bulb, #194, 3-3
Bulb, 12V .5A 4CP#1157, 2-7
Bulb, General Electric, 3-4, 3-5, 3-6, 3-7, 3-8, 3-9
Bulb, 3-25
Bumper Wldt, Front, 2-67, 2-69
Bumper, Pressurizer, 3-27
Bumper, Safety Arm, 2-73
Bumper, Threaded, 2-61
Bushing, Isolator-Inner, Rbr., 2-93, 2-95
Bushing, 4-19

C

- Cab Wldt, 3-21
- Cable, .06D X 5.75, 3-23
- Cable, 9" Bundle Dia, 2-7
- Cable, Brake, Service, 2-55
- Cable, Choke, 2-31
- Cable, Cover, Safety, 2-69
- Cable, Door, Access, 2-67, 3-23
- Cable, Lift, M Br, 2-79
- Cable, Lift, S Br, 2-77
- Cable, Parking Brake, 2-57
- Cable, 2-11
- Cabletie Mount, Adhesive, 2-97, 3-4, 3-5, 3-8, 3-9, 3-11, 3-13, 3-15
- Cam, 2-61
- Camplate Ce, 4-5, 4-7
- Camshaft, 5-7, 6-7
- Cap Assembly, 4-19
- Cap Assy, Oil Filler, Ford, 2-27
- Cap Screw, 4-8
- Cap, End, 4-16, 4-17
- Cap, Gas, 2-41, 2-43
- Cap, Hub, 2-55
- Cap, Hyd Reservoir W/dipstick, 2-91
- Cap, Radiator, 2-47
- Cap, Screw Cl, 4-13
- Cap, Screw, 4-13, 4-16, 4-17
- Cap, Valve Stem, 2-53, 3-48
- Carb Repair Kit Ft, 2-31
- Carb.Repair Kit-Lp, 2-33
- Carburetor Asm, LPG, 2-33
- Carburetor, Zenith, 2-31
- Cartridge, Solenoid Valve, 4-15
- Catch-No-Strike, 3-27
- Chain, Link#2/0, 5Links Plain, 2-7
- Chain,Jack#12, 6Links,Znc, 3-35
- Chain, 5-7, 6-7
- Channel Wldt, Corner Post, 2-13
- Channel Wldt, Heater, 3-29
- Channel Wldt, Lh, 2-67
- Channel Wldt, Rh, 2-67
- Channel, Mtg, Radiator, 2-47
- Channel, Retainer, Seal, Rear, 2-7
- Channel, Rigid, 3-21, 3-23
- Channel,Flexible,L.H, 3-21
- Channel,Glassrun,Flx#B127, 110, 3-23
- Check Kit, LD DK, 4-20
- Chrome Pltd Cam Shft, 2-55
- Circuit Breaker, 15 Resetbl, 3-3
- Clamp - Cable, .69 Dia .62 Wth, 2-7
- Clamp Assembly Dn, 2-37
- Clamp Wldt, Tube, Blower Wand, 3-31, 3-33
- Clamp, Cable .44D .62 Wide, 3-3
- Clamp, Cable .44D .62Wide, 2-63, 2-67, 3-16
- Clamp, Cable, 0.25Dia 0.56 wth, 3-27
- Clamp, Hose, 2-7, 2-15, 2-21, 2-75, 2-81
- Clamp,Mounting,Cyclopac Aircl., 2-37
- Clamp-Cable, .69Dia. .62Wth, 2-48, 2-49
- Clamp-Cable, 0.25Dia 0.56Wth, 2-41, 2-43, 2-71, 2-97
- Clamp-Cable, 0.38Dia 0.38Wth, 3-35
- Clamp-Cable, 0.38Dia 0.62Wth, 2-41, 2-43
- Clamp-Cable, 0.56Dia 0.38Wth, 2-45
- Clamp-Cable, 0.69Dia 0.62Wth, 2-45
- Clamp-Cable, 1.00Dia. .62Wth, 2-24
- Clamp-Cable, 1.50d 1.00w Stil, 2-91
- Clamp-Cable, 2.25Dia 1.00Wth, 2-15, 2-21
- Clamp-Cable, 2.50Dia 1.00Wth Ss, 2-51
- Clamp-Muffler,For 1.62 Od Tube, 2-39
- Clamp-Wormdrive, 0.25-.62D, 2-33
- Clamp-Wormdrive, 0.25-0.62 D, 2-43
- Clamp-Wormdrive, 0.31- 0.88D, 2-27
- Clamp-Wormdrive, 0.56- 1.06D, 2-31, 2-33, 2-35, 3-29
- Clamp-Wormdrive, 1.06- 2.00D, 2-47
- Clamp-Wormdrive, 1.62- 3.50D, 3-31, 3-33
- Clamp-Wormdrive, 1.81- 2.75D, 2-37
- Clamp-Wormdrive, 3.56- 4.50D, 2-71, 3-31, 3-33
- Clevis, Adjustable, 2-55
- Clip (Replaced By None), 2-13
- Clip Safety, 2-69
- Clip, Cable, 2-55
- Clip, Keeper, Open, 2-29, 2-37, 2-49
- Clip, Pine-tree .236h Plastic, 2-24
- Clip, Spring, 2-17

CROSS REFERENCE

Clip-Finger Grip, 3-35
Coil and Bracket Assembly, Ignition, 5-15, 6-15
Coil, 4-15
Collar, Locking, 2-65
Column, Steering, 2-21
Cone, 4-19
Connector, Outlet Cylinder Head w/gasket, 2-27
Control Assembly, 4-16
Control Assy, Ignition Vsg4113, 2-31, 2-35
Control Box, Gov, 3 Speed, 2-21
Cooler-Hyd 12 0500, 2-15
Cord, Sponge, 2-3, 2-63
Core, Heater, 3-29
Coupling Assy, Flywheel, 2-29
Coupling, Quickdisc,, Shwd, 2-45
Cover and Seal Assembly, Cylinder Front, 5-13, 6-13
Cover Assy, Hopper (Repl. By 84570), 2-67
Cover Weldt, Engine, Blower Wand, 3-31, 3-33
Cover Wldt Replacement Kit, 3-25
Cover Wldt, Engine, 2-17
Cover Wldt, Press & Alarm, 3-15
Cover Wldt, Pressurizer, 3-27
Cover Wldt, Sbd, 3-37, 3-39
Cover Wldt, Sppt, Seat, 2-11
Cover Wldt, 3-25
Cover, Battery, LPG, 2-49
Cover, Bracket, Armrest, 3-23
Cover, Heater, 3-29
Cover, Hopper, 2-69
Cover, O-Ring Ce, 4-5, 4-7
Cover, Rocker Arm, 5-3, 6-3
Cover, Rocker Switch Seal, 3-25, 3-27, 3-29
Cover, Steering, 2-21
Cover, Terminal, 2-29
Cover, Trunion Ce, 4-5, 4-7
Cover, 4-5, 4-7
Cplt Brush Kit Md, 2-38
Cradle-Lp Tank Weldmt, 2-45
Crankshaft Assembly, 5-8, 6-9
Cup Assembly Dn, 2-37
Cylinder, Hydraulic, 4-21, 4-22
Cylinder-Hyd (See Breakdowns), 2-51, 2-73

Cylinder-Hyd, 2.0X 4.0Da2500Psi, 2-65

D

Dampner, Engine, 2-29
Detent Adaptr, 4-19
Detent Kit, Spool #1, 4-20
Detent Kit, Spool #2, 4-20
Door Wldt, Brush, Lh, 2-9
Door Wldt, Brush, Rh, 2-8
Door Wldt, Cab, 3-23
Door Wldt, Dump, 2-63
Door Wldt, 2-19
Door, Access w/label, 2-67
Door, Dust, 2-65
Dowel Pin, Connecting Rod, 5-9, 6-9
Dowel, Cylinder Head to Block, 5-3, 6-3
Dowel, Cyl. Block To Flywhl. Hsg., 2-29
Dowel, 5-7, 5-17, 6-7, 6-17
Draincock, End. Block, 2-47
Drive Shaft Assembly, 4-8
Drive, 4-9, 4-11, 4-12, 4-13, 4-14, 4-16, 4-17
Duct, Outlet, Blower Wand, 3-31, 3-33
Duct, Vinyl .40X.75X16.0 .25D, 2-69
Duct, Vinyl .40x.75x26.0 Lg .25D, 3-3
Duct, Vinyl 10.0 In., 3-5
Duct, Vinyl 10.0 In, 3-4
Duct, Vinyl 16.0 In., 3-8, 3-9
Duct, Vinyl 24.0, 3-21
Duct, Vinyl 26.0 In., 3-4, 3-5, 3-8, 3-9
Duct, Vinyl 3.5 In., 3-6, 3-7
Duct, Vinyl 6.0 In., 3-4, 3-5
Duct, Vinyl, 10.0 In, 2-41
Duct, Vinyl, 16.0 In, 2-41
Dust Control Kit Side Brsh 355, 3-37, 3-39

E

Element Kit, Air, Safety, 3-43
 Element, Air Filter, 2-3, 2-37
 Element, Safety, 3-43
 End Cap, 4-12, 4-14
 Engine Assy, 5 Brg Vsg-411 (See 1.1L Engine Breakdown), 2-27
 Engine Asy Rep.By61498 (See 1.1L Engine Breakdown), 2-27
 Engine Gasket Kit, Complete, 5-16, 6-16
 Engine Gasket Kit, Upper, 5-16, 6-16
 Engine, Vsg-413-89W/Label (See 1.3L Engine Breakdown), 2-27
 Extinguisher Kit Fire 355L, 3-44
 Extinguisher, Fire, 3-44

F

Fan Assy, Defroster, 3-29
 Fan Wldt, Vac w/gaskets, 2-83
 Fan Wldt, Vac, Inlet w/gasket, 2-83
 Fan Wldt, Vac, Transition, 2-83
 Fan, Pusher, 2-38
 Fastener, Clip-Louver, 3-27
 Filter Assy, Spin-On 10Micron, 2-15
 Filter Element Ph, 2-3, 2-15
 Filter Pkg, Panel, 94 Pleats, 2-71
 Filter, Eng Oil, Spin-On, 2-3, 2-27
 Filter, Engine Oil, 5-11, 6-11
 Filter, Fuel, 2-3, 2-41, 2-43
 Filter, Fuelock, 2-35
 Filter, Panel 5.25 X 18.5 X 2, 3-27
 Finger Pull, 3-21, 3-23
 Fitting, Elbow, 2-33
 Fitting, Special, Carb, 2-33
 Flange Mounting, 4-13
 Flange, Mounting, 4-12, 4-14
 Flange,Brg,3 Hole, 2-81
 Flap, Tire-Tube ,570/500-8, 3-48
 Flap, Tube, 2-53
 Flasher, 12V, 3-11, 3-13, 3-15
 Flasher, Heavy Duty, 3-3
 Fluid, Hyd Oil, Shp 15/40 1Gal, 2-3
 Flywheel and Ring Gear Assembly, 5-17, 6-17

Foam, Acoustic, Hopper, 2-71
 Foam, Door, Engine, Side, 2-19
 Foam, Engine Cover, Bottom, 2-17
 Foam, Engine Cover, 2-17
 Foam, SBDC, L.H., 3-37, 3-39
 Foam, SBDC, R.H., 3-37, 3-39
 Frame Wldt, Main, 2-7
 Front Plate Assembly, 4-8
 Ftg."Y".62 Id Hose - Heater, 3-29
 Ftg, Breather, 2-97
 Ftg, Grease .25-28Th Strt .63L, 2-65
 Ftg, Grease.25-28Th Strt .63L, 2-51
 Ftg,Bulkhead .25Npt Wh W21204, 2-45
 Ftg,Pipe,Nip.Blk1.25Ptx2.0Lg L, 2-27
 Ftg-Brs E90 Em10/Pm06, 2-35
 Ftg-Brs E90 EM10/Pm08, 3-29
 Ftg-Brs E90 If05/Pm02, 2-41, 2-43
 Ftg-Brs E90 Pm08/Sm08, 2-35
 Ftg-Brs E90, 2-43
 Ftg-Brs Str Bm03/Pm02, 2-35, 2-97
 Ftg-Brs Str Em10/Pm06, 3-29
 Ftg-Brs Str If05/Pm02, 2-41
 Ftg-Brs Str, 2-43
 Ftg-E90 Npt/Npt 02Pf-02Pm, 2-43
 Ftg-EI90 Npt/Npt 02Pf-02Pm, 2-41
 Ftg-EI90 Npt/Npt 04Pf/04Pm, 2-45
 Ftg-EI90 Npt/Npt S04Pf-04Pm, 2-35
 Ftg-Hyd Brass Npt/Npt 06Pm/06P, 2-35
 Ftg-Hyd Cap Jf06, 2-27
 Ftg-Hyd E45 Jm04/Jf04, 2-65
 Ftg-Hyd E45 Jm04/Om04, 2-75
 Ftg-Hyd E45 Jm06/Om06, 2-21
 Ftg-Hyd E45 Jm08/Om08, 2-93
 Ftg-Hyd E45 Jm12/Om12, 2-15
 Ftg-Hyd E45 PM04/PF04, 2-45
 Ftg-Hyd E90 Jm12/Jf12, 2-84
 Ftg-Hyd E90 Jm08/Om08, 2-84
 Ftg-Hyd E90 Jm04/Jf04, 2-95
 Ftg-Hyd E90 Jm04/Om04, 2-51, 2-65, 2-73
 Ftg-Hyd E90 Jm04/Om06, 2-93
 Ftg-Hyd E90 Jm06/Jf06, 2-27, 2-75
 Ftg-Hyd E90 Jm06/Om06, 2-51

CROSS REFERENCE

| | |
|---|--|
| Ftg-Hyd E90 Jm08/Om08, 2-95, 2-96 | Ftg-Hyd Tee Jm06Jmom, 2-93, 2-95 |
| Ftg-Hyd E90 Jm08/Om10, 2-91 | Ftg-Hyd Tee Jm06Omjm, 2-96 |
| Ftg-Hyd E90 Jm10/Jf10, 2-93, 2-95 | Ftg-Hyd Tee Jm08Jfjm, 2-96 |
| Ftg-Hyd E90 Jm10/Om08, 2-95 | Ftg-Hyd Tee Jm10/JfJm, 2-93, 2-95 |
| Ftg-Hyd E90 Jm10/Om12, 2-96 | Ftg-Hyd Tee Jm12Jmom, 2-91 |
| Ftg-Hyd E90 Jm12/Om12, 2-15 | Ftg-Metric Str Omm14/Jm06, 2-27 |
| Ftg-Hyd E90 Pm04/Jm06, 2-35 | Ftg-Plug Npt 02Pm Sq Hd, 2-43 |
| Ftg-Hyd E90 Spcl Pm06/Jm08, 2-33 | Ftg-Str Npt/Npt 04Pf-04Pm, 2-45 |
| Ftg-Hyd Plg Jm08, 2-91 | Ftg-Str Npt/Npt 06Pf-08Pm, 3-29 |
| Ftg-Hyd Plg Om06, 2-91 | Ftg-Tee Npt 04Pm- 04Pf- 04Pf, 2-35, 2-45 |
| Ftg-Hyd Plg Om10, 2-91 | Fuelline, .312 Od, 2-41 |
| Ftg-Hyd Rst Jm04/.047, 2-73 | Fuelline,.375 Od, 2-35 |
| Ftg-Hyd Str Jm04/Jf08, 2-84 | Fuelline, 2-43 |
| Ftg-Hyd Str Jm08/Jf12, 2-84 | |
| Ftg-Hyd Str Jm10/Jf12, 2-84 | G |
| Ftg-Hyd Str Jm06/Jf08, 2-84 | Gas Cap, Protectoseal, 3-41 |
| Ftg-Hyd Str Jm08/Jf12, 2-84 | Gasket - Thermostat Hsg, 2-27 |
| Ftg-Hyd Str Jm12/Om08, 2-84 | Gasket, 2.7D 1.5B.12T 5/ 2.1Bc, 2-41 |
| Ftg-Hyd Str Jm04/Jf06, 2-96 | Gasket, Cap, 2-91 |
| Ftg-Hyd Str Jm04/Jf08, 2-96 | Gasket, Carburetor Air Horn, 2-31 |
| Ftg-Hyd Str Jm04/Om04, 2-65, 2-81 | Gasket, Carburetor, 2-31, 2-33 |
| Ftg-Hyd Str Jm04/Om06, 2-93, 2-95 | Gasket, Cylinder Head, 5-3, 6-3 |
| Ftg-Hyd Str Jm04/Om08, 2-95 | Gasket, Exhaust Manifold, 5-12, 6-12 |
| Ftg-Hyd Str Jm06/Jf10, 2-93, 2-95 | Gasket, Front Cover, 5-13, 6-13 |
| Ftg-Hyd Str Jm06/Om06, 2-91 | Gasket, Fuel Pump 1.1-1.6Liter, 2-27 |
| Ftg-Hyd Str Jm06/Om08, 2-81 | Gasket, Hyd Tank Breather, 2-91 |
| Ftg-Hyd Str Jm06/Om10, 2-75, 2-96 | Gasket, Intake Manifold, 5-12, 6-12 |
| Ftg-Hyd Str Jm06Om06L, 2-93, 2-95 | Gasket, Oil Drain Plug, 5-11, 6-11 |
| Ftg-Hyd Str Jm08/Jf12, 2-91 | Gasket, Oil Pump to Block, 5-11, 6-11 |
| Ftg-Hyd Str Jm08/Om08, 2-81, 2-93 | Gasket, Rear Retainer, 5-9, 6-9 |
| Ftg-Hyd Str Jm08/Om10, 2-96 | Gasket, Rocker Arm Cover, 5-3, 6-3 |
| Ftg-Hyd Str Jm10/Om08, 2-93 | Gasket, Water Pump, 5-14, 6-14 |
| Ftg-Hyd Str Jm10/Om10, 2-51 | Gasket, 2-3 |
| Ftg-Hyd Str Jm10/Om12, 2-96 | Gear, Slip Fit, 4-8 |
| Ftg-Hyd Str Jm20/Om20, 2-91, 2-96 | Gear, 5-11, 6-11 |
| Ftg-Hyd Str Pm04/Pf02, 2-27, 2-35, 2-41 | Geroler, 4-9, 4-11 |
| Ftg-Hyd Tee Jm08Jmjf, 2-84 | Geroter & Coupler, 4-5, 4-7 |
| Ftg-Hyd Tee Jm12Jmjf, 2-84 | Gerotor and Coupler Assembly, 4-3 |
| Ftg-Hyd Tee Jm04Omjm, 2-84 | Gerotor Set, 4-12, 4-13, 4-14, 4-17 |
| Ftg-Hyd Tee Jm12Jmjmb, 2-84 | Gerotor, 4-16 |
| Ftg-Hyd Tee Jm04Jmbjm, 2-65 | Grille, Left, 2-15 |
| Ftg-Hyd Tee Jm04Jmjf, 2-95 | Grille, Right, (Gasoline), 2-13 |

Grille, Right, (LPG), 2-13
 Grommet, Rbr, 0.38ld, For .19Matl, 3-37
 Grommet, Rbr, 0.69 ID, 3-4, 3-5, 3-6, 3-7, 3-8, 3-9, 3-11, 3-13, 3-15
 Grommet, Rbr, For .19Matl 1.06 ID, 2-67
 Grommet, Rubber, 3-21
 Grommet,Rbr, 0.38 In, 3-25, 3-29
 Grommet,Rbr, 0.56 In, 3-8, 3-9, 3-11, 3-13, 3-15
 Grommet,Rbr, 0.69 In, 3-27
 Grommet,Rbr,0.25ld,For .09Matl, 2-23
 Grommet,Rbr,0.56ld,For .13Matl, 3-6, 3-7
 Grommet,Rbr,0.62ld,For .06Matl, 2-97
 Grommet,Rbr,0.63ld,For .13Matl, 3-4, 3-5
 Grommet,Rbr,1.06ld,For .19Matl, 2-69
 Grommet,Rbr,1.50ld,For .19Matl, 2-47
 Grommet,Rbr,1.62ld,For .13Matl, 2-21
 Guard Kit, 355L, 3-17
 Guard Wldt, Lights, Revl&Flsh, 3-6, 3-7
 Guard Wldt, Ohg, Top, 3-17
 Guard, Brush, 2-75
 Guard, Fan, W/Label, Gas, 2-47
 Guard, Light, 3-37
 Guard, String, Brush Motor, 2-75

H

Handle Assy, Latch, Eng Cover, 2-17
 Handle, Control Valve, 2-93, 2-95
 Handle, Grab, 3-31, 3-33
 Handle, Latch, 2-67
 Handle, Paddle, 3-23
 Handle, Safety Arm, 2-73
 Harness, Adapter, B/u Alarm, 3-11, 3-13, 3-15
 Harness, Alarm, Backup, 3-11, 3-13, 3-15
 Harness, Cab, 3-21
 Harness, Engine 355L Gas & LPG, 2-103
 Harness, Engine Vsg411/413, 2-103
 Harness, Fuel, Gas/Die 355L, 2-103
 Harness, Hopper, 2-103
 Harness, Horn, 2-103
 Harness, Jumper, 2-103, 3-37
 Harness, Main, Gas/LPG 355L, 2-103
 Harness, Revolv Light, Cab,Ohg, 3-4, 3-5, 3-8, 3-9

Harness, Turn Signal, 3-3
 Harness, Wire, Hazard, 3-6, 3-7
 Head Assembly, Cylinder, 5-3, 6-3
 Headlight Assy,210G, 3-11, 3-13, 3-15
 Headlight, 12V.Rect., 2-67, 2-69
 Heater Kit 355L, 3-29
 Hinge Wldt, Cab Door, 3-23
 Hinge Wldt, Door, Engine, 2-19
 Hinge Wldt, Engine Cover, Lh, 2-83
 Hinge Wldt, Engine Cover, Rh, 2-83
 Hinge Wldt, Long Pin, 3-23
 Hinge Wldt, Short Pin, 3-23
 Hinge, Cover, Hopper, 2-67
 Hinge, Coverhopper, 2-69
 Hinge, Door, Brush, 2-8, 2-9
 Hopper Wldt, 355/385 Ss, 3-49
 Hopper Wldt, 2-63
 Horn Assy, Back-Up Alarm, 3-11, 3-13, 3-15
 Horn, 12V, 2-7
 Hose Flex, 4.0ld X 21.5Lg, 2-71
 Hose Rbr,0.38 ldx .062D 12.0Lg, 2-27
 Hose Vac.,Rubber, .16ld,28.0L, 2-31, 2-35
 Hose Vac.,Rubber, .16ld,40.0L, 2-97
 Hose, Fuelline, 2-43
 Hose, Heater (Cut in 2), 3-29
 Hose, Heater, 2-31, 2-35
 Hose, Lpg, 4Lpg X 35.0Lg, 2-45
 Hose, LPG, Spl, .25 I.D. 55.0L, 2-35
 Hose, Molded .38ld X .75Od, 2-31, 2-33
 Hose, Molded, Air Intake, 2-37
 Hose, Radiator, Upper, 2-47
 Hose, Radiator, 2-47
 Hose, Rbr, 3-31, 3-33
 Hose, Reducer, 3-31, 3-33
 Hose, Vacuum .16 ld X 19.0 Lg, 2-35
 Hose,.62 ldx60.00 Lng, Heater, 3-29
 Hose& Cuff Assy,Vinyl3.0ldx 24, 3-31, 3-33
 Hose&2Cuff Assy,Vinyl2.0ld10Ft, 3-35
 Hose-Hyd Low04 Jf/J4, 2-87, 2-89
 Hose-Hyd Low06 Jf/J4, 2-87, 2-89
 Hose-Hyd Low08 Jf/J4, 2-87, 2-89
 Hose-Hyd Low08 Jf/Jf, 2-91

CROSS REFERENCE

Hose-Hyd Low12 Jf/Jf, 2-87, 2-89
Hose-Hyd Med04 Jf/J4, 2-87, 2-89
Hose-Hyd Med04 Jf/J9, 2-87, 2-89
Hose-Hyd Med04 Jf/Jf, 2-87, 2-89
Hose-Hyd Med06 Jf/J4, 2-87, 2-89
Hose-Hyd Med06 Jf/J9, 2-87, 2-89
Hose-Hyd Med06 Jf/Jf, 2-87, 2-89
Hose-Hyd Med08 Jf/J4, 2-87
Hose-Hyd Med08 Jf/J9, 2-87, 2-89
Hose-Hyd Med08 Jf/J19, 2-87, 2-89
Hose-Hyd Med10 Jf/J4, 2-87, 2-89
Hose-Hyd Med10 Jf/J9, 2-89
Hose-Hyd Med10 Jf/J19, 2-87, 2-89
Hose-Hyd Med12 Jf/J9, 2-87, 2-89
Hose-Hyd Med12 Jf/J19, 2-87, 2-89
Hose-Hyd Suc20 Jf/J4, 2-87, 2-89
Hose-Lpg Med08 Spcl S08jf/08j9, 2-35
Housing Cl, 4-13
Housing Wldt, Filter, 3-27
Housing, Bearing, 4-9
Housing, Flywheel, 2-29
Housing, Headlight, 2-67, 2-69
Housing, Sppt, Wheel, 2-51
Housing, Valve, 4-9
Housing, 4-12, 4-14
Hub & Stud Assy, 2-51
Hub Assy, Brush Arm, 2-81
Hub, Brush Adaptor, 1.00B, 2-75
Hub, Pivot, 2-65

I

Idler Gear Assembly, 4-8
Impeller 9.00 Dia., 2-83
Indicator, Oil Level, 5-11, 6-11
Indicator,Service,Air Filter, 2-37
Insert, Exhaust Valve Seat, 5-3, 6-3
Insert, Intake Valve Seat, 5-3, 6-3
Insulation, Acoustic, Engine Cover, 2-17, 2-83
Insulation, Acoustic, Firewall, 2-7
Insulation, Acoustic, Hopper, 2-63
Insulation, Acoustic, Panel, 2-11
Insulation, Acoustic, Plate, 2-11

Insulation, Acoustic, Seat, 2-11
Insulation, Acoustic, 2-24, 3-21
Insulation,S/Foam Door, 3-19
Insulation,S/Foam Rear, 3-19
Insulation,S/Foam,Panel, 3-19
Insulation,S/Foam,Roof, 3-19
Insulation,S/Foam,Side Lh, 3-19
Insulation,S/Foam,Side Rh, 3-19
Isolator Assy, Valve, 2-93, 2-95
Isolator, Vibration .37 Dia, 2-83
Isolator-Vibration .25-20, 2-39
Isolator-Vibration, 125lb. Rating, 2-39
Isolator-Vibration,60 Lb.Ratng, 2-47, 2-83

K

Key Set,Switch Ku, 2-23
Key, Woodruff, 4-12, 5-9, 6-9
Key,Round, 4-8
Key-Wdruff 0.25 1.00 Asa#0808, 4-13
Key, 4-3, 4-5, 4-7, 4-9, 4-11, 4-15
Kit, Detent I&O, 4-19
Kit, Detent Out, 4-19
Kit, Oil Pan Gasket, 5-11, 6-11
Knob, 1.375 Dia, Black, 2-93, 2-95
Knob, Adjusting, 2-77, 2-79
Knob, Black, M8, 3-31, 3-33
Knob, Tapered M8, 2-21
Knob, Tapered, 2-77, 2-79

L

Label Kit, Complete, 355 Line, 2-104
Label Set, Info & Hazard 355, 2-104
Label Set, Operational 355, 2-104
Label Set, Operational 355L, 3-31, 3-33
Label, Numerals 355, 2-104
Label, Operational, Cab, 3-25
Label, Tennant Logo- 10.0 Blue, 2-69
Label, Tennant Logo-10.0 Blue, 2-67
Latch Assy, LPG Tank Mtg,W/Nut, 2-45
Latch, Bolt, 2-8, 2-9, 2-13, 2-15, 2-17
Latch, Cover, 2-67
Latch, Door, 2-67

Latch, Draw, Flexible, 3-50
 Latch, Hook, Lh, 2-9, 2-15
 Latch, Hook, RH, 2-13
 Latch, Hook, Rh, 2-8
 Latch/Channel Repl. Kit, 2-13
 Latch, 2-17, 2-19, 2-81, 3-23
 Lens,Flashing Lite Fr207 Amber, 3-4, 3-6, 3-8
 Lens,Flashing Lite Fr207 Blue, 3-4, 3-6, 3-8
 Lens,Flashing Lite Fr207 Red, 3-4, 3-6, 3-8
 Lens,Rev.Light,Amber, 3-5, 3-7, 3-9
 Lens,Rev.Light,Blue, 3-5, 3-7, 3-9
 Lens,Rev.Light,Red, 3-5, 3-7, 3-9
 Lever Wldt, Baffle, Blowr Wand, 3-31, 3-33
 Lever Wldt, M Br, 2-79
 Lever Wldt, S Br, 2-77
 Lever Wldt, Tilt, 2-21
 Lever, Brake, 2-57
 Lever, Carburetor, 2-31, 2-33
 Lever, Door Release, 3-23
 Lever, Governor Actuator, 2-31, 2-33
 Light Assy Mark/Yel 12V- . A, 3-3
 Light Assy Work/Clr 12V- . A, 3-16
 Light Assy, Dome, 3-25
 Light Kit Flsh 355L Cab, 3-8
 Light Kit Flsh 355L Lrc, 3-6
 Light Kit Flsh 355L Ohg, 3-4
 Light Kit Revl 355L Cab, 3-9
 Light Kit Revl 355L Lrc, 3-7
 Light Kit Revl 355L Ohg, 3-5
 Light Kit Sgnl 355L, 3-3
 Light Kit, Side Brush 355L, 3-16
 Light, Flashing, Amber, 12V-Re, 3-4, 3-6, 3-8
 Light,Rev.Amber 12V-Reworked, 3-5, 3-7, 3-9
 Liner, Cylinder, 5-5, 6-5
 Link Assy, Valve Handle, 2-93, 2-95
 Lock, Valve Spring, 5-3, 6-3
 Long Block, Cylinder, With Crank, Pistons, Rings,
 etc., 5-5
 Louver Assy, 3-27

M

Magnet, Drive Brush, 3-31, 3-33
 Main Bearing, Crankshaft, Lower 0.015 OS OD, 0.010
 US ID, 5-9, 6-9
 Main Bearing, Crankshaft, Lower 0.015 OS OD, 0.020
 US ID, 5-9, 6-9
 Main Bearing, Crankshaft, Lower 0.015 OS OD, Std
 ID, 5-9, 6-9
 Main Bearing, Crankshaft, Lower Std OD, 0.005 US
 ID, 5-9, 6-9
 Main Bearing, Crankshaft, Lower Std OD, 0.010 US
 ID, 5-9, 6-9
 Main Bearing, Crankshaft, Lower Std OD, 0.020 US
 ID, 5-9, 6-9
 Main Bearing, Crankshaft, Lower Std OD, 0.030 US
 ID, 5-9, 6-9
 Main Bearing, Crankshaft, Lower Std OD, Std ID, 5-9,
 6-9
 Main Bearing, Crankshaft, Upper 0.015 OS OD, 0.010
 US ID, 5-9, 6-9
 Main Bearing, Crankshaft, Upper 0.015 OS OD, 0.020
 US ID, 5-9, 6-9
 Main Bearing, Crankshaft, Upper 0.015 OS OD, Std
 ID, 5-9
 Main Bearing, Crankshaft, Upper 0.015 OS OD, Std
 ID, 6-9
 Main Bearing, Crankshaft, Upper Std OD, 0.005 US
 ID, 5-9, 6-9
 Main Bearing, Crankshaft, Upper Std OD, 0.010 US
 ID, 5-9, 6-9
 Main Bearing, Crankshaft, Upper Std OD, 0.020 US
 ID, 5-9
 Main Bearing, Crankshaft, Upper Std OD, 0.030 US
 ID, 5-9, 6-9
 Main Bearing, Crankshaft, Upper Std OD, 0.030 US
 ID, 5-9, 6-9
 Main Bearing, Crankshaft, Upper Std OD, Std ID, 5-9,
 6-9
 Main Bearing, Crankshaft, UpperStd OD, 0.020 US
 ID, 6-9
 Maint Kit, Seals 355L, 2-3
 Maint Kit, Skirts 355L, 2-3
 Maint,Kit, Shaker Filter, 355L, 2-3
 Manifld Insert, 5-12, 6-12
 Manifold, Exhaust, 2-27
 Manifold, Intake, 5-12, 6-12
 Manual Op/Mt 355 French, 3-52
 Manual Op/Mt 355 Japanese, 3-52
 Manual Op/Mt 355 Spanish, 3-52
 Manual Pkg 355, 3-52

CROSS REFERENCE

Manual Service 355/385, 3-52
Manual-Fiche Pkg 355G, 3-52
Molding, Trim 11-14Ga 7.50, 2-69
Molding, Trim 11-14Ga 14.20, 2-11
Molding, Trim 11-14Ga 22.80, 2-11
Molding, Trim 11-14Ga 25.62, 2-7
Molding, Trim 11-14Ga 10.00, 2-21
Molding, Trim 11-14Ga 5.75, 2-21
Motor Assy, Heater W/Fan, 3-29
Motor, Ele Shaker 12V, 2-71
Motor, Hyd Gear In 02.8 B 1500, 4-13
Motor, Hydraulic (Repl by 02641), 4-9
Motor, Hydraulic, 4-11, 4-12, 4-14, 4-15
Motor-Ele 12V, Wiper, Windshld, 3-25
Motor-Hyd Gear (See Breakdowns), 2-51, 2-75, 2-81, 2-84
Muffler, Exhaust, 2-39
Muffler, Spark Arresting, 3-42

N

Nut Hx Stover M 8X1.25, 2-27
Nut Speed, Retainer, 8-32 Thd, 3-11, 3-13, 3-15
Nut, Adjustable, LPG Tank Mtg, 2-45
Nut, Hx Stover M8 x 1.25, 5-12, 6-12
Nut, Retainer R/.312 Dia, 2-73
Nut, slotted Hex, 4-12
Nut, U M 6X1.0 Pltd, 2-17
Nut, U M 6X1.0 Pltd, 2-23
Nut, U M 8X1.25 Pltd, 2-11
Nut, U M6 X 1,0, 3-25
Nut, Wing .44-20 Special, 2-37
Nut, Wing, Air Horn, 2-31
Nut, Wing, 2-49
Nut-Hx Jam M20x1.5 4 Pltd, 2-21
Nut-Hxlocnyln M 6X1.0 Reg Ss, 2-3
Nut-Hxlocnyln M 8X1.25 Reg Ss, 2-3
Nut-Hxslot 1.00-20 Pltd, 2-55
Nut-Hxslot 1.12-18 Pltd, 2-51
Nut-Hxslot .75-16 Pltd, 4-13
Nut-Wheel .50-20 60 Angle, 2-51
Nut, 4-9, 4-11

O

O-Ring Gland, 2-96
Oil Pan and Plug, 5-11, 6-11
Output Shaft, 4-12, 4-14

P

Pad, Neoprene .06 X .7 X 2.7, 3-21, 3-23
Pad, Rubber, 2-57, 3-31, 3-33
Pad, Tank, Hyd, 2-91
Pad, Tread, 2-11, 2-59
Pad, 2-57
Pan Gasket Kit, 6-16
Pane, Acrylc, Door,Sliding (Repl. By 74428), 3-23
Pane, Acrylc, Door,Stationry (Repl. By 74428), 3-23
Pane, Glass, Left ,Stationry (Repl. By 74429), 3-21
Pane, Glass, Left, Sliding (Repl. By 74429), 3-21
Panel Assy, Instr, 2-23
Panel Assy, Instrument w/label, 2-24
Panel Wldt (Rep. By 84586), 2-45
Panel Wldt, Sppt, Seat, 2-11
Panel Wldt, 2-45
Panel, Engine (Replaced By 72152), 2-7
Panel, Engine, 2-7
Panel, Filler, Upper, 2-11
Panel, Inside, 2-11
Panel, Mtg, Pressurizer, 3-27
Panel, Perma-Filter, 2-63
Panel, Support, 2-77
Panel, Switch, Cab, 3-25
Pcv Breather Fd, 2-27
Pedal, Propel w/pad, 2-59
Performance Pkg 400Hr Gas 355L, 2-3
Performance Pkg 400Hr LPG 355L, 2-3
Pin Assy, Clevis, Hopper Lift, 2-73
Pin Assy, Keeper, 3-23
Pin Assy, Side Brush W/Clip, 2-75
Pin Clevis .375 Dia X 1.13 Lg, 2-55, 2-57, 2-79
Pin, Arm, Safety, 2-73
Pin, Clevis .75 Dia X 5.5 Lg, 2-75
Pin, Cotter, 2.3 mm, 5-7, 6-7
Pin, Dowel Ce, 4-5, 4-7
Pin, Drive Gear, 5-11, 6-11

Pin, Grooved, 2-73
 Pin, Hair Cotter, 3-37, 3-39
 Pin, Lh, 2-73
 Pin, Pivot, Lower, 2-13, 2-15
 Pin, Pivot, Upper, 2-13, 2-15
 Pin, Rh, 2-73
 Pin, Spring, 4-16
 Pin, Wheel Support, Rear, 2-51
 Pin,Clevis,0.25 Dia.X 2.44 Lg, 2-21
 Pin,Clevis,0.37 Dia.X 1.00 Lg, 2-55
 Pin,Clevis,0.37 Dia.X 1.50 Lg, 2-77
 Pin,Clevis,0.37 Dia.X 2.00 Lg, 2-77
 Pin,Clevis,0.37 Dia.X 2.12 Lg, 2-59
 Pin,Clevis,0.37 Dia.X 3.00 Lg, 2-21
 Pin,Clevis,0.50 Dia.X 1.25 Lg, 2-65
 Pin,Clevis,0.50 Dia.X 2.00 Lg, 2-65
 Pin,Clevis,0.50 Dia.X 2.25 Lg, 2-65
 Pin,Clevis,0.50 Dia.X 3.75 Lg, 2-59
 Pin,Clevis,0.50 Dia.X 5.00 Lg, 2-75, 3-37, 3-39
 Pin,Clevis,0.50 Dia.X 5.50 Lg, 2-75
 Pin,Hair Cotter #Lhcot-2,Leitk, 2-11, 2-65
 Pin,Roll,.09Odx0.75L,.094/.097, 3-31, 3-33
 Pin,Roll,.18Odx1.25L,.187/.192, 2-65
 Pin,Roll,.38Odx2.00L,.375/.382, 2-65, 2-81
 Pin-Grvd,1.00D 3.0L2/ 2.71Btwn, 2-73
 Pin, 4-9, 4-11, 4-17, 5-7, 6-7
 Piston, Pin and Ring Assembly, 0.020 OS, 5-9
 Piston, Pin and Ring Assembly, 0.040 OS, 5-9
 Piston, Pin and Ring Assembly, Std, 5-9, 6-9
 Piston, Pin and Ring Assembly,, 6-9
 Pivot Assy, S Br, 2-75
 Plate - Hose Support, 2-51
 Plate Wldt, Blower Wand, 3-31, 3-33
 Plate Wldt, Cover, Bottom, 2-17
 Plate Wldt, Governor, 2-21
 Plate Wldt, Sprngbrkt Backing, 2-69
 Plate Wldt, Strike, 2-67
 Plate, Backing, Handle, 3-31, 3-33
 Plate, Backing, 2-67
 Plate, Cam, 4-3
 Plate, Circuit Breaker, 2-25
 Plate, Cover, 3-21
 Plate, Deflector, Eng Cover, 2-17
 Plate, Deflector, Engine Cover, 2-17
 Plate, Filler, 2-47
 Plate, Floor w/tread, 2-11
 Plate, Latch, 2-67
 Plate, Lift Arm, 2-63
 Plate, Light Mtg., 3-4, 3-5
 Plate, Mtg, Latch, 2-81
 Plate, Mtg, Main Brush Shaft, 2-81
 Plate, Mtg, Wiper Kit, 3-25
 Plate, Reinforcement-Ignition, 2-23
 Plate, Retainer, Cover, Sbdc, 3-37, 3-39
 Plate, Retainer, Front, Lh, 2-3, 2-63
 Plate, Retainer, Front, Sbdc, 3-37, 3-39
 Plate, Retainer, Front,Lh,Sbdc, 3-37, 3-39
 Plate, Retainer, Lh, 2-3, 2-63
 Plate, Retainer, Sbdc, Rh, 3-37, 3-39
 Plate, Retainer, Wheel Pocket, 3-37, 3-39
 Plate, Seal, Sppt, Seat, 3-21
 Plate, Seal, 2-81
 Plate, Spacer, Magnet, 3-31, 3-33
 Plate, Sppt, Shroud, 2-47
 Plate, Thrust, 5-7, 6-7
 Plate, Tray, Filter, 2-71
 Plate, Valve Ce, 4-5, 4-7
 Plate, Wear, 4-17
 Plate-Cover, 2-25, 3-25
 Plate, 2-63, 2-71, 4-9
 Plug & O-Ring, 4-19
 Plug Assembly Ph, 4-13
 Plug Assembly, 4-3, 4-5, 4-7, 4-19
 Plug Weld, Brush Drive, Sweep, 2-81
 Plug Wldt, Idler, 2-81
 Plug, #6 O-Ring, 4-19
 Plug, #8 O-Ring, 4-19
 Plug, 1/4 NPT, 5-5, 6-5
 Plug, Ball, Oil Gallery, 5-5, 6-5
 Plug, Drain, 3-35
 Plug, Oil Drain, 5-11, 6-11
 Plug, Plastic 1.00 D, 2-21
 Plug, Plastic, 1.00 D, 2-24, 3-21
 Plug, Rocker Arm Shaft, 11 mm, 5-7, 6-7

CROSS REFERENCE

Plug, Thread 1/2-13, 2-81
Plug, Tube, 2-81
Plug, 4-16, 5-3, 5-5, 5-11, 5-12, 6-3, 6-5, 6-11, 6-12
Plugbtn .38H .03-.12 Blacknyl (LPG only), 2-24
Plugbtn .62H .03-.12 Blacknyl, 2-25, 3-25
Plugbtn .38H .03-.12 Blacknyl, 2-7
Plugbtn .38h .03-.12 Blacknyl, 2-24
Plugbtn .62H .03-.12 Blacknyl, 2-7
Plunger, 4-19, 5-11, 6-11
Poppet, 4-16, 4-19
Pressurizer Kit Cab 355, 3-27
Pulley Assy - Cable, 1.5 Dia, 2-55, 2-57, 2-77, 2-79
Pulley, Crankshaft, 1 Groove, 5-9, 6-9
Pump Adaptor Assembly, 4-3
Pump Adaptor Assy, 4-5, 4-7
Pump Driveshaft, 4-5, 4-7
Pump Housing Asy Ce, 4-5, 4-7
Pump, Fuel, Ele, 2-41
Pump, Fuel, 2-43
Pump, Gear, 4-8
Pump, Hyd Piston V 1.24 R 2750 (Repl. by 70179),
4-5
Pump, Hyd Piston V 1.24 R 2750, 4-7
Pump, Hydraulic (Repl. by 70133), 4-3
Pump, Oil, 5-11, 6-11
Pump-Hyd Gear (See Breakdowns), 2-96
Pump-Hyd Piston (See Breakdowns) (Repl. by
70133), 2-96
Pump-Hyd Piston (See Breakdowns) (Repl. by
70179), 2-96
Pump-Hyd Piston (See Breakdowns), 2-96

R

Race Thrust, 4-13
Race, Bearing, 4-7, 4-16, 4-17
Race, Inner Bearing, 4-5, 4-7
Race, Thrust, 4-12, 4-14
Radiator, 2-47
Rail, Seat, Rh, 2-11
Rectifier Assy Md, 2-38
Regulator Assy Md, 2-38
Relay, Shrouded, 12 Vdc, 2-25
Relief Assembly, 4-20

Repair Info. Cl, 4-13
Repair Info., 4-14, 4-15
Repair Info, Valve, 4-19
Repair Info, 4-5, 4-7, 4-17
Repair Kit, Fuelock, 2-35
Repl Kit, Plate, Bottom F/59843, 2-17
Repl Kit, Sun Shield, 2-23
Repl. Kit, Backup Switch, 3-11, 3-13, 3-15
Replm Kit, Case, 2-23
Replm Kit, Cir Board, 2-23
Replm Kit, Fan Motor F/55216, 3-29
Replm Kit, Fuel Pump F/59945, 2-43
Replm Kit, Hourmeter, 2-23
Replm Kit, Housing, 2-29
Replm Kit, Hpr Cvr Sprng Brkt, 2-69
Replm Kit, Instr Panel, 2-23
Replm Kit, Lamp, Backlighting (8), 2-23
Replm Kit, Lamp, Fault (8), 2-23
Replm Kit, Muff Hanger F/82545, 2-39
Replm Kit, S Br Pivot, 2-77
Replm Kit, Seal, 2-23
Replm Kit, Starter, 2-29
Replm Kit, Touch Panel, 2-23
Reservoir, 07.0 Gal W/label, 2-91
Retainer Assembly, Rear, 5-9, 6-9
Retainer, Front, 4-16, 4-17
Retainer, 3-25, 5-3, 5-7, 6-3, 6-7
Retaining Ring-External, 1.25D, 2-73
Retaining Ring, 4-7
Retaining Rng, 4-19
Return Spring-Brakes, 2-55
Rim Assembly, 2-53
Rim Assy, 4.25" Bead x .188 Stl, 3-48
Ring Set, Piston, 0.020 OS, 5-9, 6-9
Ring Set, Piston, 0.040 OS, 5-9, 6-9
Ring Set, Piston, Std, 5-9, 6-9
Ring, Gear, 5-17, 6-17
Ring, Locating, Starter, 2-29
Ring, Retaining, Ext, .75 Dia, 2-73
Ring, Retaining, Ext, 1.25 Dia, 2-73
Ring, Retaining, Intl, 2.00Dia, 2-73
Ring, Retaining, 4-16, 4-17

Ring, Retain, Ex, 0.50Od, Selflock, 2-65
 Ring, Retain, Ex, 0.98Od, E-Ring, 2-73
 Ring-Retain, Ex, 0.98OD, E-Ring, 2-57
 Ring, 2-93, 2-95
 Rivet, Plastic .181D x .720, 2-69
 Rivet, Plastic .250x.898, 2-7, 2-8, 2-9, 3-51
 Rivet, Plastic .325D x .787, 2-69
 Rivet, Pop- .125Dx.38x.25Dhd Al, 3-21, 3-23
 Rod Assembly, Connecting, 5-9, 6-9
 Rod Weldt, Drive Linkage, 2-59
 Rod Wldt, Drive Linkage, 2-59
 Rod Wldt, Pivot, 2-63
 Rod Wldt, Seat, 2-11
 Rod Wldt, 2-65
 Rod, Adjusting, 2-59, 2-61
 Rod, Brake, 2-55
 Rod, Control, Throttle, 2-31, 2-33
 Rod, Latch, Engine Cover, 2-17
 Rod, Speed Limiter, Adjusting, Rh, 2-59
 Rod, Spring, 2-21
 Rod, Valve Push, 5-7, 6-7
 Rod-End M10X1.5 W/Stud, 2-61
 Rod-End M10X1.5 W/Stud, 2-59
 Roller Bearing, 4-5, 4-7
 Rotating Kit, 4-3, 4-5, 4-7
 Rotor and Shaft, 5-11, 6-11

S

Scr Hex .31-18X3.25, 4-5, 4-7
 Scr Hex M10X1.5 100, 3-31, 3-33
 Scr Hexssm 6X1.0 25, 2-3
 Scr Hexssm 8X1.25 25, 2-3
 Scr Pan 06-32X0.38, 4-5
 Scr Soc M 6X1.0 20, 2-31, 2-33
 Scr Soc M 8X1.25 25, 2-73
 Scr Soc M10X1.5 40, 2-51
 Scr,.31-18X3.75G5Ce, 4-5
 Scr-Hex .38-16x2.00 Full Thd, 2-15
 Scr-Hex .38-16x2.50 Full Thd, 2-13
 Scr-Hex M12x1.75 40 10.9Pltd, 2-15
 Scr-Hxfmgm 6X1.0 20 Pltd, 2-3
 Scr-Shld .250Dx1.25L 10-24, 3-23

Scr-Shld .312Dx1.00L .25-20, 2-59
 Scr-Shld .375Dx0.38L .31-18, 3-23
 Scr-Shld .500Dx1.25L .38-16, 2-61
 Scr-Soc M 6X1.0 35 Nylonloc, 2-38
 Screen, Spark-Arresting, 2-39
 Screw, Cap, 4-7, 4-14
 Screw, M4 x 10, 5-15, 6-15
 Screw, M6 x 14, 5-5, 6-5
 Screw, M8 x 14, 5-15, 6-15
 Screw, Rocker Cover to Head, 5-3, 6-3
 Screw, Cap, 4-12
 Screw, 4-12, 4-14, 5-7, 6-7
 Screws, 4-7
 Seal Kit, 4-12, 4-14
 Seal Foam Rbr .38 .62W 4.4L, 3-27
 Seal Foam Rbr .38 .62W 18.6L, 3-27
 Seal Kit, Motor, 4-15
 Seal Kit, One Cartridge, 4-15
 Seal Kit, Pump Ce, 4-5, 4-7
 Seal Kit, Vlv, 4-19
 Seal Kit, 4-3, 4-8, 4-9, 4-11, 4-16, 4-17, 4-20, 4-21, 4-22
 Seal Replmt Kit, 4-13
 Seal, 142.0 Lg Door, 3-21
 Seal, 19.75 Lg, 3-21
 Seal, Acoustic, Engine Cover, 2-83
 Seal, Bulb 140.0 Lg, 2-3, 2-71
 Seal, Bulb 50.0Lg, 2-69
 Seal, Cab Door, 3-23
 Seal, Cab, Front, 3-21
 Seal, Cab, Side, 3-21
 Seal, Cover Plate, 5-11, 6-11
 Seal, Crankshaft Rear, 5-9, 6-9
 Seal, Door, Brush, Lh, 2-9
 Seal, Door, Brush, Rh, 2-8
 Seal, Door, Dump, Side, 2-3, 2-63
 Seal, Door, Dump, 2-3, 2-63
 Seal, Door, Hopper, 2-63
 Seal, Fan, Vac, Inlet, 2-83
 Seal, Fan, Vac, Motor, 2-83
 Seal, Fan, Vac, Outlet, 2-83
 Seal, Fan, Vac, Transition, 2-83
 Seal, Foam Rbr .31X.38X, 3-29

CROSS REFERENCE

Seal, Foam Rbr, 2-8, 2-9
Seal, Foam Rubber, 2-63
Seal, Foam, Door, 3-51
Seal, Front Cover, 5-9, 5-13, 6-9, 6-13
Seal, Heater Air, 3-29
Seal, Oring .103 x .612ld, 2-95
Seal, Pressurizer, 3-27
Seal, Rbr, .25 X 1.50 X 9.0, 2-67
Seal, Rbr, .25 X 1.50 X 17.5, 2-67
Seal, Rbr, .31 x .75 x 7.0, 2-8, 2-9
Seal, Rubber, 2-19, 2-24
Seal, Side Brush Lift, 3-27
Seal, Tube, Dust, 2-71
Seal, Vac Wand, 2-63
Seal, Valve Stem, 5-3, 6-3
Seat Belt Kit 355L, 3-40
Seat, Ball, 4-16
Seat, 2-11
Send Unit, 2-41, 2-43
Sender-Temperature, Water, 2-27
Sensor, Water Temperature, 5-12, 6-12
Separator, Ignition Wire, 5-15, 6-15
Service Manual Vsg Fd, 3-52
Shaft and Bearing Kit, 4-9, 4-11
Shaft Assembly, Rocker Arm, 5-7, 6-7
Shaft Wldt, Brake w/pad, 2-57
Shaft Wldt, Brush, 2-81
Shaft, Baffle, 3-31, 3-33
Shaft, Idler, 2-81
Shaft, Output, 4-13
Shaft, Pump, 4-3
Sheave, Water Pump, 1Gr 4.25Od, 2-38
Shield Assy, Exhaust, 2-27
Shield, Drip, 2-31
Shim .010 Thk, 4-19
Shim .015 Thk, 4-19
Shim .035 Thk, 4-19
Shock Absorber, 2-59
Short Block, Cylinder, 5-5
Signal Assy Rework, E1740 Turn, 3-3
Skirt Assy, Brush Door, Lh, 2-9
Skirt Assy, Brush Door, Rh, 2-8
Skirt, Brush Door, Inner, 3-51
Skirt, Brush Door, Outer, 3-51
Skirt, Bumper Stop, 2-67
Skirt, Cover, Sbdc, 3-37, 3-39
Skirt, Deflection, Vac Kit, 3-51
Skirt, Deflector, 2-8, 2-9
Skirt, Front, Sbdc, 3-37, 3-39
Skirt, Hopper, Top, 2-7, 3-51
Skirt, Lip, 2-3, 2-63
Skirt, Recirculation, Turf (Option), 2-7
Skirt, Sbdc, Rh, 3-37, 3-39
Skirt, Seal, M Br, 2-7
Skirt, Side, Sbdc, Lh, 2-3, 2-63
Skirt, Wheel Pocket, Sbdc, 3-37, 3-39
Skirt, Bumperstop, 2-69
Sleeve, .259B .38D .62 Dom, 2-93, 2-95
Sleeve, .260B .50D .75, 2-95
Sleeve, .344B .50D .81 Cr.Anc, 2-57
Sleeve, .391B 1.38D .19 Hr.Znc, 2-59
Sleeve, Bearing, 2-61
Sleeve, Door Stop, 3-23
Sleeve, 1.12B 1.38D 1.00 Rubber, 2-3, 2-71
Sleeve, 1.12B 1.62D 1.50 Rubber, 2-3, 2-71
Sleeve-Nyln #20 20.0L, 2-65
Sleeve-Nyln #20 65.0L, 2-75
Sleeve-Nyln #24 30.0L, 2-15
Sleeve-Nyln #24 35.0L, 2-81
Sleeve-Nyln #38 30.0L, 2-21
Slinger, Oil, 5-9, 6-9
Spacer Plate Cl, 4-13
Spacer Plate, 4-12, 4-14, 4-16
Spacer, Fan .88, 2-38
Spacer, Pivot Block (Repl. By 72179), 2-15
Spacer, Pivot Block (Replaced By 72179), 2-13
Spacer, Pulley, 2-55, 2-57, 2-77, 2-79
Spacer, 2-47, 4-16, 4-17, 4-19
Spark Plug, 2-3, 5-15, 6-15
Spindle, Adjustment, 2-19
Spring Assy, Recirculation, 2-7
Spring Kit, Hopper Cover, 2-67
Spring Kit, Spool #3, 4-20
Spring Kit, 4-17

Spring, Compression, 24Dia x 1.75, 2-31
 Spring, Locating, 5-7, 6-7
 Spring, Tension, 2-63, 2-69
 Spring, Torsion, 2-21, 2-57
 Spring, Valve, 5-3, 6-3
 Spring, Shaker, 2-71
 Spring, Tens, .50D x .05Wire 2.5L, 2-93, 2-95
 Spring-Gas 120Lb 7.1 Stroke, 2-69
 Spring-Gas Assy, Eng Cover, 2-17
 Spring, 4-7, 4-9, 4-11, 4-16, 4-19, 5-11, 6-11
 Spring, Tens, 0.50 Odx.05 Wire 2.5L, 2-13, 2-15
 Spring, Comp, 0.62I dxfl. Wire 3.0L, 2-59
 Spring, Comp, 0.74I dx.11 Wire 5.5L, 2-21
 Spring, Tens, 0.50Odx.05Wire 1.0L, 2-17
 Spring, Tens, 0.75Odx.12Wire 3.4L, 2-61
 Spring, Tens, 1.12Odx.14Wire 6.3L, 2-75
 Sprocket, Camshaft, 5-7, 6-7
 Sprocket, 5-9, 6-9
 Src-Hex M12x1.75 40 10.9Pltd, 2-13
 Starter, Ford 1.8 Hp, 2-29
 Steer Control, Hyd (See Breakdowns) (Repl. by 74172), 2-21
 Steer Control, Hyd (See Breakdowns), 2-21
 Strainer-Hyd Suction 25-100-03, 2-91
 Strap, Backing, Hopper, 2-7
 Strap, Deflector, Lh (Not Shown), 3-51
 Strap, Deflector, Rh, 3-51
 Strap, Deflector, 2-8, 2-9
 Strap, Door, Dump, Side, 2-3, 2-63
 Strap, Door, Dump, 2-3, 2-63
 Strap, Hinge - Lp Tank Mtg, 2-45
 Strap, Main Lip, 2-3, 2-63
 Strap, Motor, Shaker, 2-71
 Strap, Mtg.- Lp Tank, 2-45
 Strap, Tank Retainer - Lp, 2-45
 Strap, Tank, Gas, 2-41, 2-43
 Strap, Rubber Tie-Down, 2-48
 Strap, 2-8, 2-9, 2-63, 3-51
 Strip, Mtg, Gusset, 2-67, 2-69
 Strip, Mtg, Hinge, 2-67, 2-69
 Strip, Retainer, Bearing, 2-81
 Strip, Retainer, Seal, 2-7
 Strip, Retainer, Skirt, 2-8, 2-9

Strip, Retainer, 2-8, 2-9, 3-51
 Strip, Rbr.25X.50S&M #6422,55.0, 3-23
 Strip, Rbr.25X.50S&M, 3-21
 Stud, Ball, Gas Spring, 2-69
 Stud, Ball, 2-17
 Stud, Carb, Air Horn, 2-31
 Stud, M8X1.25 20 8.8 Pltd, 2-31, 2-33
 Stud, Wheel .50-20 x 1.50, 2-51
 Stud, 5-12, 6-12
 Support, Rocker Arm Shaft, 5-7, 6-7
 Switch Assy, Roller, 2-65, 3-3, 3-11, 3-13, 3-15
 Switch Ignition, 2-23
 Switch, Pressure, LPG, 2-35
 Switch, Pressure, Oil, 2-27
 Switch, Pressure, 2-97
 Switch, Pushmom, Spst100A 12V, 2-24
 Switch, Rocker Dpdt, 3-25, 3-27
 Switch, Rocker Spst, 3-25, 3-29
 Switch, Waterproof, 10A, 3-11, 3-13, 3-15

T

Taillight Assy, 2-7
 Tank Repl. Kit, Fuel, 9.4 Gal, 2-41
 Tank Wldt Repl. By 72136, 2-91
 Tank, Fuel, 9.4 Gal, 2-43
 Tank-Lp, 33#, Liq, Both, Fill Ga L, 2-45
 Tappet, Std, 5-7, 6-7
 Tensioner, 5-7, 6-7
 Thermostat Assembly, 140 Deg, 2-71
 Thermostat, 5-14, 6-14
 Thrust Bearing, 4-13
 Thrustbearing Kit, 4-5
 Tie, Cable 1.75D Max 7.50Lg, 2-48, 2-49, 2-97, 3-3, 3-4, 3-5, 3-6, 3-7, 3-8, 3-9, 3-11, 3-13, 3-15
 Tie, Cable 3.00D Max 11.41Lg, 2-21
 Tip, Rubber, 2-13, 2-15
 Tire & Rim Assy, 5.70/5.00R-8, 2-53
 Tire and Wheel Assembly (Repl. By 70287), 2-53
 Tire and Whl. Assy, Soft Ride Solid, 3-46, 3-47
 Tire, Hi-Wear 5.70/5.00R-8, 3-48
 Tire, Solid, Black, 3-47
 Tire, Solid, Tan, Non-Marking, 3-46

CROSS REFERENCE

Tire, Tube and Flap Assembly, 2-53
Tire,18X5X12.12 Solid, 2-55
Tire&Rim Assy, Hi-Wear 5.00R-8, 3-48
Transducer, 5-5, 6-5
Tray, Battery, LPG, 2-49
Tray, Filter Carrier, 2-71
Tray, Gas, 2-41, 2-43
Tube - Carb. Air Intake, 2-37
Tube Assembly, Oil Pickup, 5-11, 6-11
Tube Wldt, Leg, Ohg,Rh,Painted, 3-17
Tube Wldt, Leg,Ohg,Lh,Painted, 3-17
Tube Wldt, Sppt, Blower Wand, 3-31, 3-33
Tube, Exhaust, 2-39
Tube, Inlet, A Clnr, 2-37
Tube, Inner -5.00R-8, Js2 Valve, 2-53
Tube, Inner 5.00R-8, Js2 Valve, 3-48
Tube, Oil Level Indicator, 5-11, 6-11
Tube, Plastic, 3.0 Od X 4.0Lg, 3-31, 3-33
Tube, Plastic, 3.0 Od X 16.0Lg, 3-31, 3-33
Tube, Plastic, 3.0 Od X 48.0Lg, 3-31, 3-33
Tube, Tire (Repl. By 70280), 2-53
Tube,Spacer,.41Dx.32Bx1.OI, 2-63

U

U - Bolt, 2-21

V

Vacuumized Skirt Kit, Main Bru, 3-51
Valve Assembly, Solenoid, 4-15
Valve Drive, 4-9, 4-11
Valve Kit, Tow, 4-5
Valve Plate, 4-9, 4-11
Valve, Charge Relief, 4-3
Valve, Dump, 4-7
Valve, Exhaust, Std, 5-3, 6-3
Valve, Hyd Cntrl Man, 4-19
Valve, Hydraulic (Repl by 48761), 4-20
Valve, Hydraulic Steering (Repl by 74172), 4-16
Valve, Hydraulic Steering, 4-17
Valve, Intake, Std, 5-3, 6-3
Valve, Press Relief, LPG Rego, 2-45
Valve, Relief, 4-3
Valve-3 Way, 3-29
Valve-Hyd,Manual (Repl. By 48761) (See Breakdowns), 2-93
Valve-Hyd,Manual (See Breakdowns), 2-95
Valve-Relief 2750 PSI, 4-7
Valve-Relief, 4-5
Valve, 4-9, 4-11
Vaporizer Repair Kit Im, 2-35
Vaporizer, LPG, 2-35

W

Wand Kit, Vac, 3-35
 Wand Weldment, 3-35
 Washer Ce, 4-5, 4-7
 Washer Flt .25 Ss, 2-3
 Washer Flt .31 Ss, 2-3
 Washer, .188B .375D .030Nylon, 2-91
 Washer, .195B 1.00D .10 Rbr, 2-31
 Washer, .281B .62D .06 Nylon, 2-31
 Washer, .405B .81D .06Nylon, 2-77, 2-79
 Washer, .530B 1.50D .19HR, 3-39
 Washer, .531B 1.75D .12Cr.Znc, 2-81
 Washer, 1.255B 1.75Od .12Hrs, 2-73
 Washer, 1.281B 1.75Od .25Hznc, 2-73
 Washer, 1.281B 1.75Od .31Hznc, 2-73
 Washer, 1/4 Lock, 5-7, 5-11, 6-7, 6-11
 Washer, B10 x 20 x 2.5, 5-7, 6-7
 Washer, B8 Lock, 5-9, 5-11, 5-14, 6-9, 6-11, 6-14
 Washer, Flat, 6 mm, 5-3, 6-3
 Washer, Flat, 2-29, 5-7, 6-7
 Washer, Lock, M6, Front Cover and W/P to Block,
 5-13, 6-13
 Washer, M6 Lock, 5-14, 6-14
 Washer, Main Bearing Thrust, 0.015 OS, 5-9, 6-9
 Washer, Main Bearing Thrust, Std, 5-9, 6-9
 Washer, Pulley to Crankshaft, B12, 5-9, 6-9
 Washer, Spring, 5-7, 6-7
 Washer, Thrust, 2-51
 Washer, 1.281B 1.75D .08Cr Znc, 2-73
 Washer-Belleville .50 Pltd, 2-13, 2-15
 Washer-Flt .31 Fender Pltd, 2-93, 2-95
 Washer-Flt .31 Fender Pltd, 2-39
 Washer-Wavy Spring, #Ww-381-&-8, 2-61
 Washer, 4-8, 4-12, 4-19
 Water Pump, 5-14, 6-14
 Weather Strip, L.H., 3-21
 Weatherstrip, Rubber, 3-23
 Weight, Eccentric, 2-71
 Well-Nut .25-20 #1/4-5, 3-25
 Well-Nut .31-18, 3-27
 Wheel Assy, 2-55
 Wheel, Steering, 14 Dia X 36T, 2-21

Window, Cab, Door, 3-23
 Window, Cab, Front, 3-21
 Window, Cab, Rear, 3-21
 Window, Cab, Side, 3-21
 Wingnut, 3-43
 Wire Ass'Y-Elect., Ground, 2-29
 Wire Assy, 42.0 Lg, 2 Ga, Neg, 2-48
 Wire Assy, 60.0 Lg, 2 Ga, Neg, 2-49
 Wire Assy, 66.0 Lg, 2 Ga, Pos, 2-48
 Wire Assy, 78.0 Lg, 2 Ga, Pos, 2-49
 Wire Assy, Horn Ground, 16 Ga x 6, 2-7
 Wire, Spark Plug, No. 1, 5-15, 6-15
 Wire, Spark Plug, No. 2, 5-15, 6-15
 Wire, Spark Plug, No. 3, 5-15, 6-15
 Wire, Spark Plug, No. 4, 5-15, 6-15
 Wire-Ground, Alternator, 2-38

Y

Yoke, Pivot, Machining, 2-65
 Yoke, End-Adjustable, 2-77, 2-79

Fold along dotted lines

Tape here

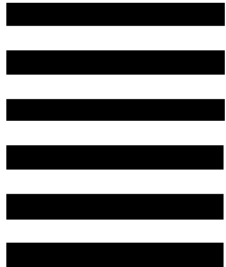


NO POSTAGE
NECESSARY
IF MAILED
IN THE
UNITED STATES

BUSINESS REPLY MAIL
FIRST CLASS MAIL PERMIT NO. 94 MINNEAPOLIS, MN

POSTAGE WILL BE PAID BY ADDRESSEE

TENNANT COMPANY
Technical Publications #15
701 North Lilac Drive
P.O. Box 1452
Minneapolis, MN 55440-9947





We Need Your Help...

As part of Tennant's Zero Defects Program, we want to know about errors you have found or suggestions you may have regarding our machine manuals. If you find an error or have a suggestion, please complete this postage-paid form and mail it to us. Thank you for helping us make zero defects a way of life at Tennant.

Manual No. _____ Rev. No. _____ Publish Date _____ Page _____
Machine _____ Report Error Suggestion

Name _____ Date _____
Customer Number _____
Company _____
Address _____
City/State/Zip Code _____

Fold along dotted lines

Tape here



NO POSTAGE
NECESSARY
IF MAILED
IN THE
UNITED STATES

BUSINESS REPLY MAIL
FIRST CLASS MAIL PERMIT NO. 94 MINNEAPOLIS, MN

POSTAGE WILL BE PAID BY ADDRESSEE

TENNANT COMPANY
Technical Publications #15
701 North Lilac Drive
P.O. Box 1452
Minneapolis, MN 55440-9947

