



**235**

(Parts Manual)

MM166



This manual is furnished with each new TENNANT Model 235. It provides necessary operating and preventive maintenance instructions. Read this manual completely and understand the machine before operating or servicing it.

This manual covers all machine variations and standard accessories. The tabbed instruction portion of the manual consists of the Specification, Operation, Maintenance, and Appendix sections. The tabbed parts section consists of the Standard Model Parts; LPG Parts; Options; Hydraulic Components; Engine Parts, Gasoline, LPG; and Cross Reference sections.

All right side and left side references to the machine are determined by facing the direction of forward travel. All hardware considered to be of a common nature or locally available has been omitted from the parts sections. Be aware that this machine may contain metric hardware. Make sure you use equivalent hardware when replacement becomes necessary.

This machine will provide excellent service. However, the best results will be obtained at minimum costs if:

- The machine is operated with reasonable care.
- The machine is maintained regularly - per the maintenance instructions provided.
- The machine is maintained with Tennant Company supplied or equivalent parts.

Parts and supplies may be ordered by phone or mail from any Tennant Company parts and service center, distributor, or from any of the Tennant Company subsidiaries. Before ordering parts or supplies, be sure to have your machine model number and serial number handy. Fill out the data block below for future reference. The telephone numbers, telex numbers, mailing addresses, and locations of those outlets are listed in the Customer Documents section of the manual.

<b>MACHINE DATA</b> <i>Please fill out at time of installation.</i>
Machine Serial Number - _____
Engine Serial Number - _____
Sales Representative - _____
Customer Number - _____
Date of Installation - _____
Manual Number - MM166
Revision: 10
Published: 8-95

**Trademark Registered in:** Austria, Benelux, Denmark, England, France, Germany, Italy, Spain, Switzerland, United States, Argentina, Australia, Canada, Japan, Mexico, Sweden, by TENNANT COMPANY, Minneapolis, Minnesota, U.S.A.

**Acknowledgments:** Technical information and/or illustrations supplied by Kolher Company, Engine Division.

Copyright 1986, 1987, 1988, 1989, 1991, 1993, 1994, 1995 Tennant Company, Printed in U.S.A.

## SECTION 5

## CONTENTS

	Page
ORDERING REPAIR PARTS .....	5-3
Fig. 1 - Recommended General Maintenance Items .....	5-4
Fig. 2 - Replacement Brushes .....	5-5
Fig. 3 - Main Frame Group .....	5-6
Fig. 4 - Seat and Shrouds Group .....	5-8
Fig. 5 - Front Wheel and Brake Group .....	5-10
Fig. 6 - Hopper Lift Arms Group .....	5-12
Fig. 7 - Hopper Middle and Cover Group .....	5-14
Fig. 8 - Hopper Bottom Group .....	5-16
Fig. 9 - Hopper Headlights and Access Door Group .....	5-18
Fig. 10 - Hopper Filter and Shaker Motor Group .....	5-19
Fig. 11 - Hopper Dump Door and Actuator Group .....	5-20
Fig. 12 - Vacuum Fan Control Group .....	5-22
Fig. 13 - Vacuum Fan Assembly .....	5-24
Fig. 14 - Main Brush Drive Group .....	5-26
Fig. 15 - Main Brush Idler Group .....	5-28
Fig. 16 - Side Brush Group .....	5-30
Fig. 17 - Hydraulic Lift Cylinder and Filter Group .....	5-32
Fig. 18 - Pump Group .....	5-34
Fig. 19 - Control Valve and Throttle Group .....	5-36
Fig. 20 - Hydraulic Reservoir Group .....	5-38
Fig. 21 - Rear Drive Wheel Group .....	5-39
Fig. 22 - Hydraulic Hoses Group .....	5-40
Fig. 23 - Steering Wheel Group .....	5-42
Fig. 24 - Directional Pedal Group .....	5-44
Fig. 25 - Speed Limiter Group .....	5-45
Fig. 26 - Engine Group .....	5-46
Fig. 27 - Fuel Tank and Line Group .....	5-48
Fig. 28 - Battery and Air Intake Group .....	5-50
Fig. 29 - Control Panel Group .....	5-52
Fig. 30 - Wire Harness Group .....	5-54
Fig. 31 - Labels Group .....	5-56

*NOTE: SECTION 5, STANDARD MODEL PARTS, lists repair parts for a standard model, gasoline powered machine. This section also contains parts common to all models of the machine.*



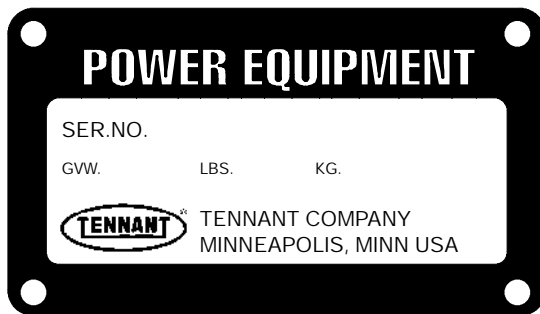
## ORDERING REPAIR PARTS

The components used in this machine have been carefully selected for performance and safety. Use only TENNANT specified or equivalent parts.

To receive prompt service in filling of your parts orders, please direct all orders for parts with TENNANT part numbers to the TENNANT, and all orders for parts with vendor part numbers to the local supplier of the respective vendor.

When ordering parts, please furnish all of the following information:

1. Machine model number - shown on the machine data plate.



2. Machine serial number - shown on the machine data plate.
3. Power source - gasoline, LPG, diesel, electric.
4. Company name.
5. Shipping address.
6. Billing address.
7. Name, first and last - of person ordering parts.
8. Telephone number.
9. Purchase order number.
10. Part number, description, and quantity - of each item on the order.
11. Customer ID Number.

Do not order parts by key number or the figure number of the illustrated parts. Indented items indicate parts of assemblies. Standard hardware is furnished only when part of a purchased assembly. Please get hardware from a local hardware supplier.

If the old part cannot be identified, send it to us with the quantity needed specified on the order.

Any claim for loss or damage to a shipment in transit should be filed promptly against the transportation company making the delivery. Shipments will be complete unless the packing list or order acknowledgement indicate items back ordered.

If parts received are suspected to be incorrect or defective, please write, wire, or phone the TENNANT representative from whom you ordered the part. They will give authorization for return and/or handle replacement shipments when required.

### SERIAL NUMBER INFORMATION EXPLANATION

Serial number listings are shown to indicate on which machines each part can be used. These listings are explained by the following examples:

(000000- ) The part can be used on all machines.

(003342- ) The part can be used on all machines beginning with the serial number listed.

(000000-004320) The part can be used on all machines up to and including serial number listed.

(004321-005678) The part can be used on all machines between and including the serial numbers listed.

Where xxxxxx's are listed in place of a serial number, it indicates a change was made but the exact serial number had not been established when the catalog went to press.

### SI UNITS OF MEASURE (INTERNATIONAL SYSTEM)

Metric equivalents have been included, where applicable, throughout this parts catalog.

### FASTENER STRENGTH IDENTIFICATION

Fasteners required to have high-strength qualities equivalent to SAE Grade 8 are identified throughout this catalog by the description GR 8. Unless identified by this description, all standard fasteners are SAE Grade 5.

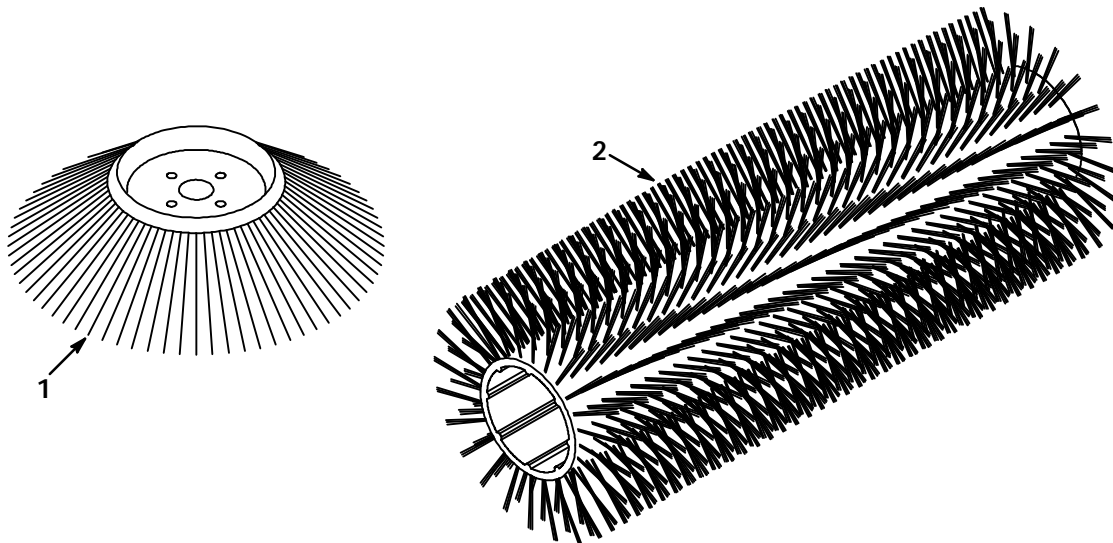
(Specifications and design subject to change without notice.)

**Fig. 1 - Recommended General Maintenance Items**

Key	TENNANT Part No.	Machine Serial Number	Description	Qty.
	87961	(000000- )	Maintenance Kit, 400 Hour, Gasoline	1
	87871	(000000- )	Spark Plug Set	1
	87915	(000000- )	Spark Plug	2
	87898	(000000- )	Gasket Kit, Cover	1
	87899	(000000- )	Gasket, Cover	3
	87920	(000000- )	Breather, Filter	1
	87873	(000000- )	Pre-Cleaner, Air Cleaner	1
	87872	(000000- )	Element, Air Cleaner	1
	87874	(000000- )	Filter, Engine Oil	8
	62050	(000000- )	Filter, Fuel	1
	82526	(000000- )	Hose, Fuel Line	1
	65870-5	(000000- )	Hydraulic Fluid, (5/20), 5 gal (18.9 l)	1
	67718-2	(000000- )	Element, Hydraulic Filter	1
	87962	(000000- )	Maintenance Kit, 400 Hour, LPG	1
	87871	(000000- )	Spark Plug Set	1
	87915	(000000- )	Spark Plug	2
	87898	(000000- )	Gasket Kit, Cover	1
	87899	(000000- )	Gasket, Cover	1
	87920	(000000- )	Breather, Filter	1
	87873	(000000- )	Pre-Cleaner, Air Cleaner	1
	87872	(000000- )	Element, Air Cleaner	1
	87874	(000000- )	Filter, Engine Oil	8
	65870-5	(000000- )	Hydraulic Fluid, (5/20), 5 gal (18.9 l)	1
	67718-2	(000000- )	Element, Hydraulic Filter	1
	SK1444	(000000- )	Repair Kit, Filter Fuel Lock	1
	87963	(000000- )	Maintenance Kit, Hopper	1
	87405	(000000- )	Seal, Hopper Halves	1
	87217	(000000- )	Seal, Hopper Cover	1
	87338	(000000- )	Seal, Access Door	1
	68198	(000000- )	Adhesive, 1 oz (30 ml)	1
	87061	(000000- )	Lip, Hopper Rear	1
	87060	(000000- )	Retainer, Hopper Lip	1
	87412	(000000- )	Seal, Dump Door	2
	87413	(000000- )	Spacer, Seal	2
	87689	(000000- )	Cord, Sponge	1
	87688	(000000- )	Wrap, Dump Door Seal	1
	87687	(000000- )	Retainer, Hopper Seal	1
	87164	(000000- )	Seal, Dump Door Top	1
	87165	(000000- )	Retainer, Seal	1
	87167	(000000- )	Retainer, Door Seal	1
	34323	(000000- )	Screw, Hex, Nylon Lock	5
	87964	(000000- )	Maintenance Kit, Rear Skirt	1
	87197	(000000- )	Flap, Recirculation	1
	87199	(000000- )	Seal, Rear Brush Wrap	1
	87586	(000000- )	Angle, Recirculation Flap	1
	87206	(000000- )	Retainer, Rear Seal	1
	34292	(000000- )	Screw, Hex, Nylon Lock	7
	87965	(000000- )	Maintenance Kit, Seals	1
	87465	(000000- )	Seal, Brush Lift Handle	1
	87464	(000000- )	Retainer, Brush Lift Seal	1
	87181	(000000- )	Seal, Hopper Top	1
	87180	(000000- )	Retainer, Hopper Top Seal	1
	87211	(000000- )	Skirt, Lower, L.H.	1

**Fig. 1 - Recommended General Maintenance Items**

Key	TENNANT Part No.	Machine Serial Number	Description	Qty.
	87555	(000000- )	Retainer, Lower Skirt	1
	87975	(000000- )	Retainer, Skirt, L.H.	1
	87184	(000000- )	Seal, Hopper, L.H.	1
	87182	(000000- )	Retainer, Felt Seal	1
	34292	(000000- )	Screw, Hex, Nylon Lock	4
	87175	(000000- )	Skirt, Lower, R.H.	1
	87176	(000000- )	Retainer, Lower Seal	1
	87183	(000000- )	Seal, Hopper, R.H.	1
	87182	(000000- )	Retainer, Felt Seal	1
	87353	(000000- )	Seal, Foam Rubber	2
	87354	(000000- )	Seal, Foam Rubber	2
	87731	(000000- )	Seal, Foam Rubber	1
	68198	(000000- )	Adhesive, 1 oz (30 ml)	1
	47069	(000000- )	Sleeve, Vacuum Fan Tube	1



**Fig. 2 - Replacement Brushes**

03561

Key	TENNANT Part No.	Machine Serial Number	Description	Qty.
1	87419	(000000- )	Side Brush, Polypropylene	1
1	87420	(000000- )	Side Brush, Nylon	1
2	87333	(000000- )	Main Brush, 24 Single Row, Polyester	1
2	87097	(000000- )	Main Brush, 8 Double Row, Proex and Wire	1
2	87334	(000000- )	Main Brush, 8 Double Row, Polyester	1
2	87099	(000000- )	Main Brush, 8 Double Row, Polypropylene	1

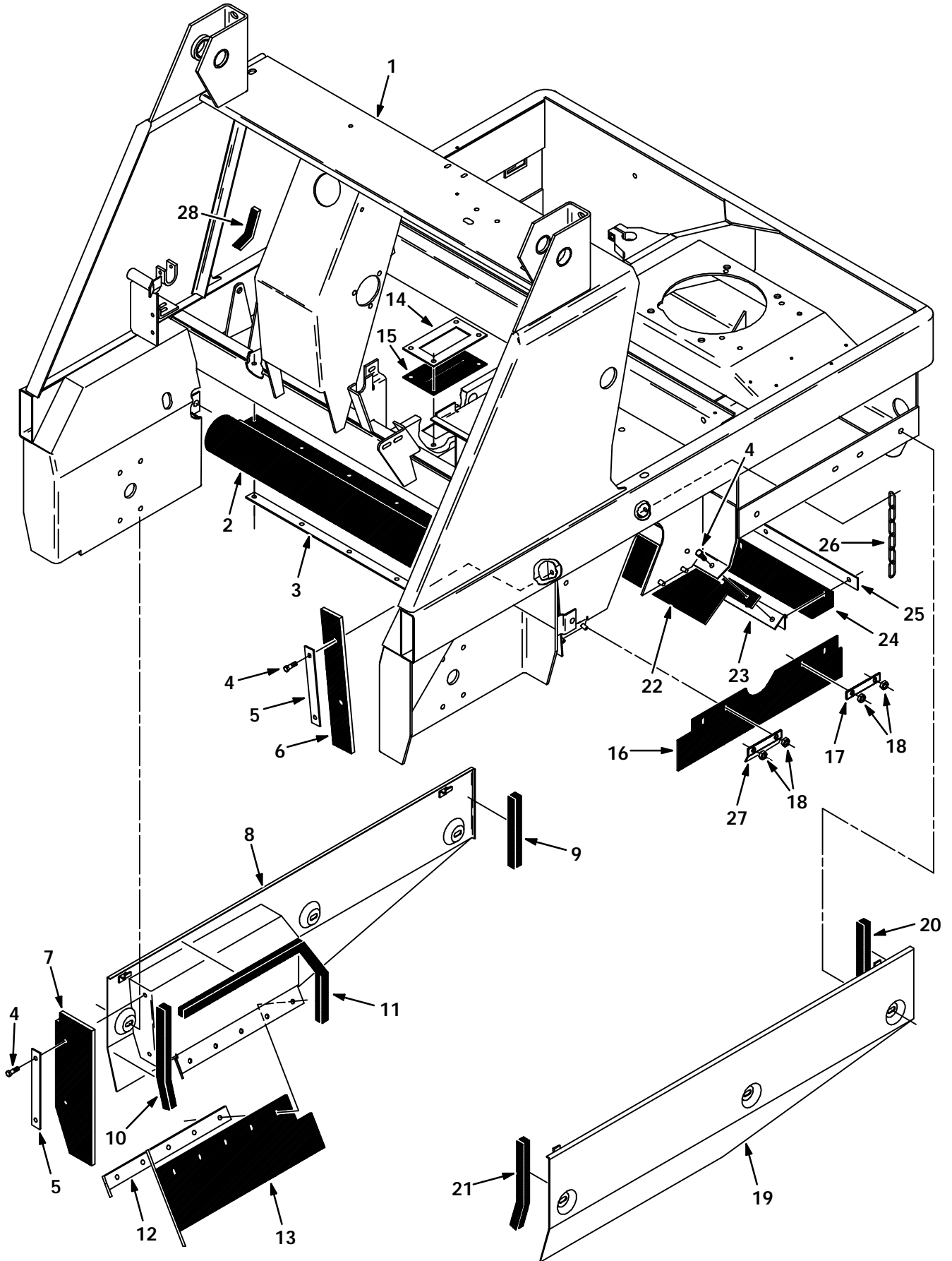


Fig. 3 - Main Frame Group



Fig. 3 - Main Frame Group

Key	TENNANT Part No.	Machine Serial Number	Description	Qty.
1	87500	(000000- )	Frame, Main	1
2	87181	(000000- )	Seal, Hopper Top	1
3	87180	(000000- )	Retainer, Seal	1
4	34292	(000000- )	Screw, Nylon Hex	11
5	87182	(000000- )	Retainer, Felt Seal	2
6	87184	(000000- )	Seal, Hopper, L.H.	1
7	87183	(000000- )	Seal, Hopper, R.H.	1
8	87190	(000000- )	Door Assembly, Brush, R.H.	1
9	87353	(000000- )	Seal, Foam Rubber	1
10	87354	(000000- )	Seal, Foam Rubber	1
11	87731	(000000- )	Seal, Foam Rubber	1
12	87176	(000000- )	Retainer, Lower Seal	1
13	87175	(000000- )	Skirt, Lower, R.H.	1
14	87464	(000000- )	Retainer, Seal	1
15	87465	(000000- )	Seal, Brush Lift Handle	1
16	87211	(000000- )	Skirt, Lower, L.H.	1
17	87555	(000000- )	Retainer, Lower Skirt	1
18	01760	(000000- )	Nut, Nylon Lock	4
19	87189	(000000- )	Door Assembly, Brush, L.H.	1
20	87353	(000000- )	Seal, Foam Rubber	1
21	87354	(000000- )	Seal, Foam Rubber	1
22	87197	(000000- )	Flap, Recirculation	1
23	87586	(000000- )	Angle, Recirculation Flap	1
24	87199	(000000- )	Seal, Rear	1
25	87206	(000000- )	Retainer, Rear Seal	1
26	47277	(000000- )	Chain, Link	1
27	87975	(000000- )	Retainer, Skirt, L.H.	1
28	87970	(000000- )	Seal, Foam	1

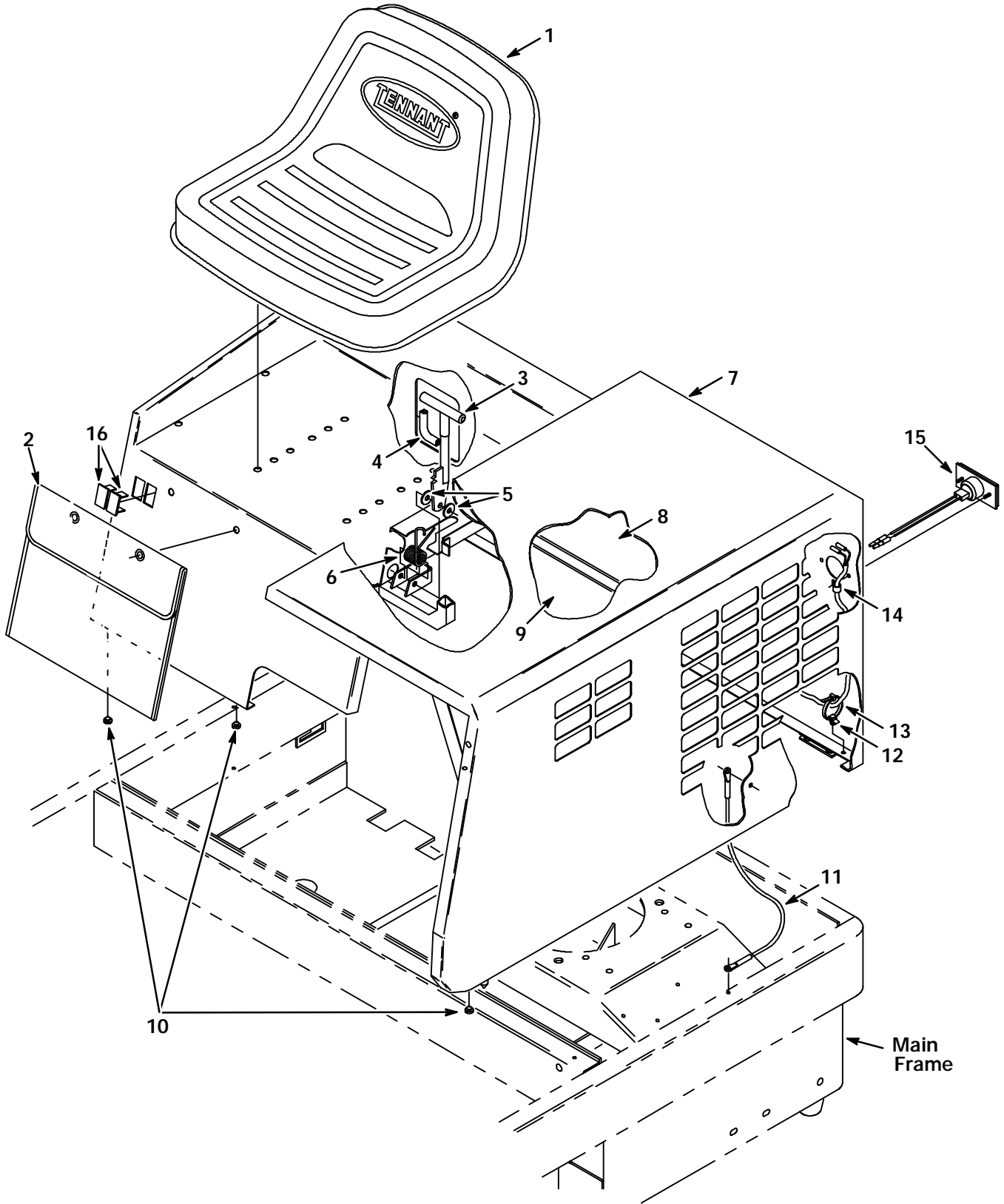


Fig. 4 - Seat and Shrouds Group

Fig. 4 - Seat and Shrouds Group

Key	TENNANT Part No.	Machine Serial Number	Description	Qty.
1	82342	(000000- )	Seat Assembly	1
2	68275	(000000-002611 )	Pouch, Operator's Manual, 13.6 in (345 mm)	1
2	48790	(002612- )	Pouch, Operator's Manual, 7.5 in (190 mm)	1
3	87612	(000000- )	Latch, Shroud	1
4	62170-2	(000000- )	Molding, Rigid	1
5	43454	(000000- )	Washer, Nylon	2
6	87581	(000000- )	Spring, Torsion	1
7	87481	(000000- )	Shroud	1
8	87407	(000000- )	Insulation, Foam	1
9	87408	(000000- )	Insulation, Foam	1
10	29233	(000000- )	Bumper, Rubber	3
11	36192	(000000- )	Lanyard Assembly	1
12	87705	(000000- )	Tie Down, Cable	5
13	49266	(000000- )	Tie, Cable	6
14	46236	(000000- )	Clamp, Cable	2
15	87346	(000000- )	Taillight Assembly	2
	87948	(000000- )	Bulb	1
	87949	(000000- )	Socket Assembly	1
16	57772	(000000- )	Plate, Cover	2

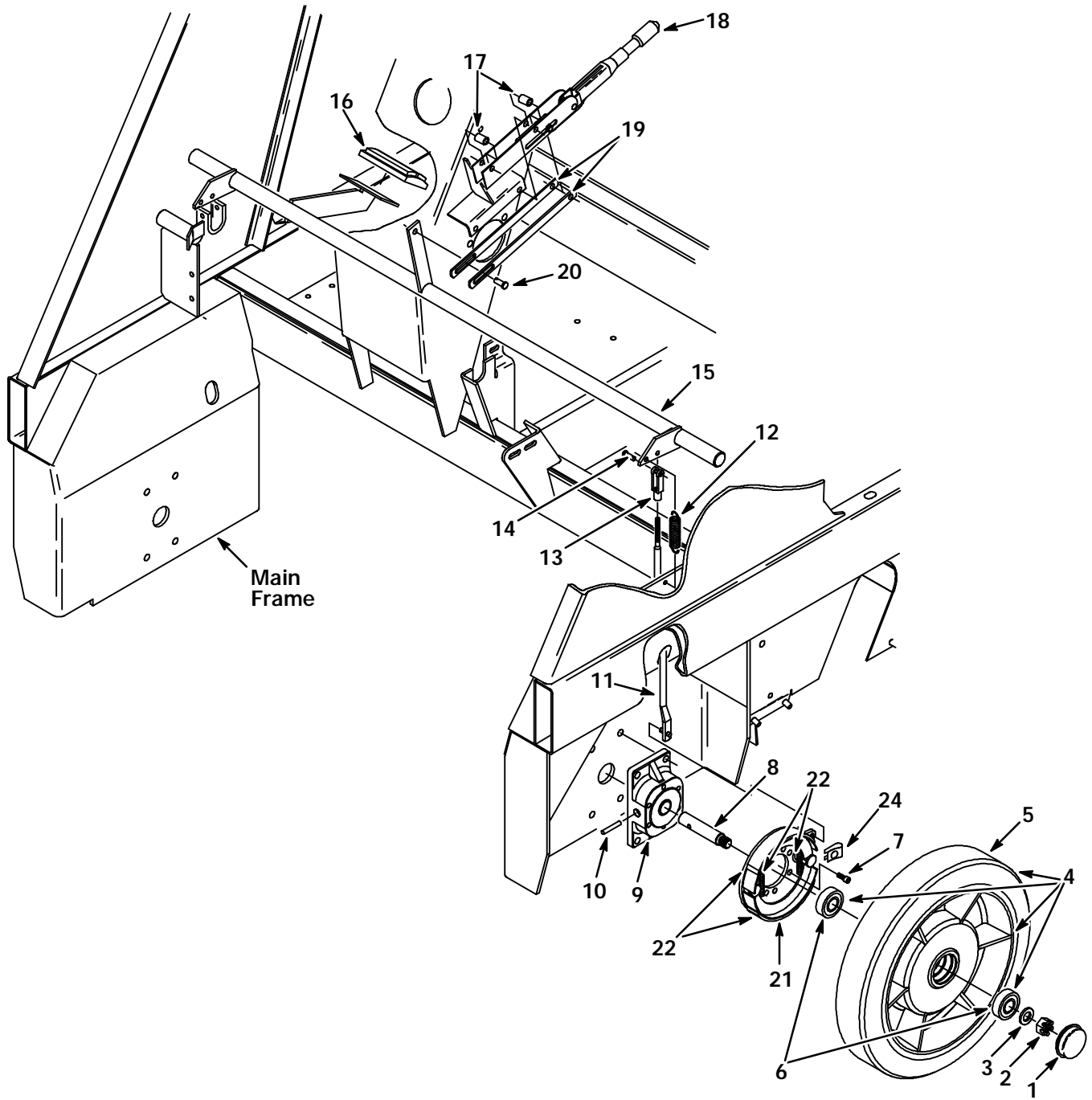


Fig. 5 - Front Wheel and Brake Group

Fig. 5 - Front Wheel and Brake Group

Key	TENNANT Part No.	Machine Serial Number	Description	Qty.
1	86922	(000000- )	Cap, Hub	2
2	87053	(000000- )	Nut, Slotted	2
3	28862	(000000- )	Washer, Thrust	2
4	87253	(000000- )	Wheel Assembly	2
5	87195	(000000- )	Tire, Solid	1
6	46390	(000000- )	Bearing, Ball	2
7	39296	(000000- )	Screw, Socket	12
8	87050	(000000- )	Shaft, Front Wheel	2
9	87046	(000000- )	Hub, Front Wheel	2
10	26315	(000000- )	Pin, Roll	2
11	87270	(000000- )	Rod, Brake	2
12	13352	(000000- )	Spring, Tension	2
13	14595-1	(000000- )	Clevis, Adjustable	2
14	14605	(000000- )	Pin, Clevis	2
15	87134	(000000- )	Shaft, Brake	1
16	51109	(000000- )	Pad	1
17	51562	(000000- )	Sleeve	2
18	51545	(000000- )	Lever, Brake	1
19	87248	(000000- )	Arm, Extension	2
20	10120	(000000- )	Pin, Clevis	1
21	87142	(000000- )	Brake Assembly	2
22	87868	(000000- )	Shoes, Brake (Set for 1 Wheel)	1
23	87869	(000000- )	Springs, Brake (Set for 1 Wheel)	1
24	87966	(000000- )	Clip	1

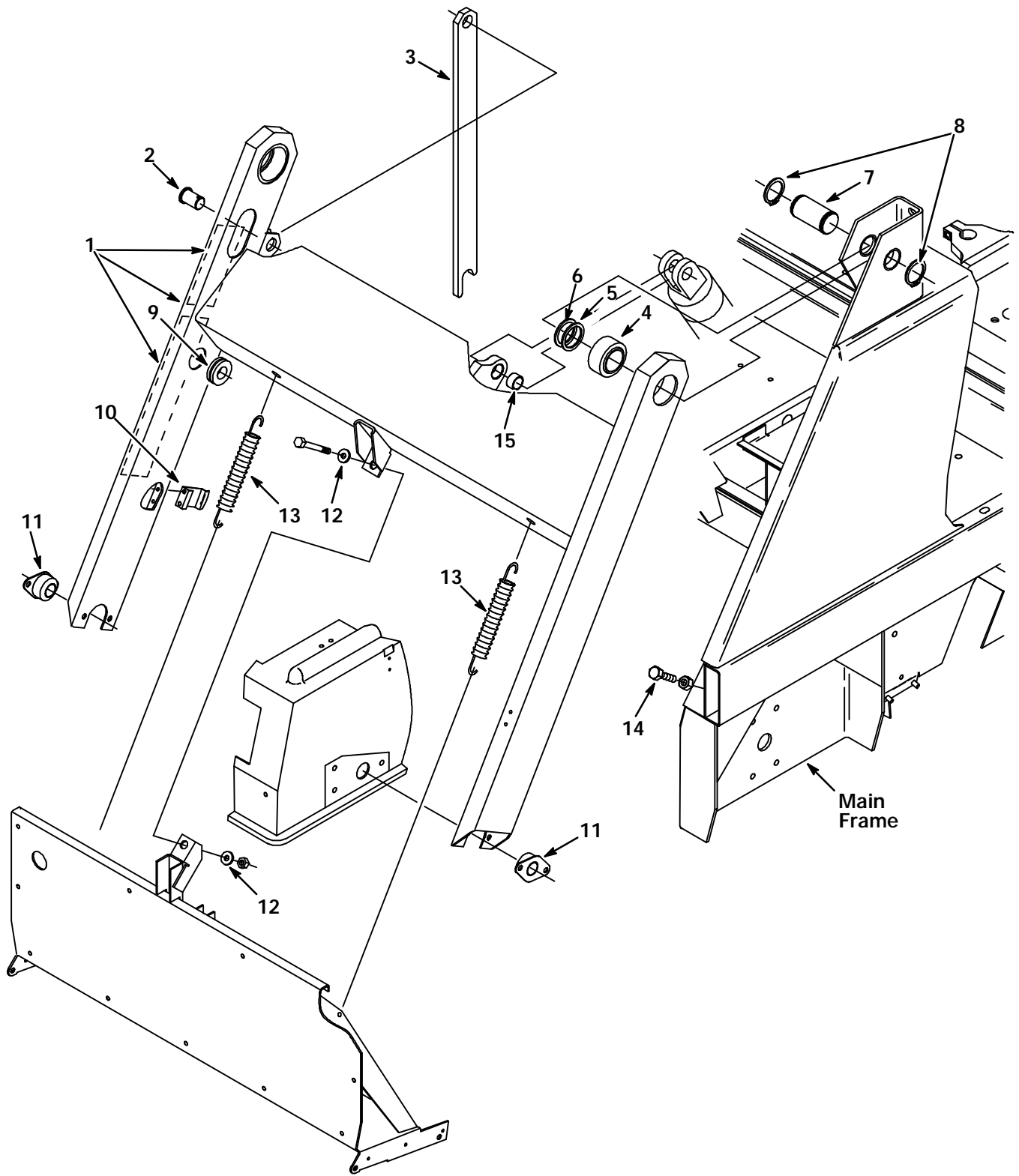


Fig. 6 - Hopper Lift Arms Group

Fig. 6 - Hopper Lift Arms Group

Key	TENNANT Part No.	Machine Serial Number	Description	Qty.
1	87854	(000000- )	Arm and Decal Assembly, Lift	1
2	87229	(000000- )	Pin, Pivot	1
3	87228	(000000- )	Arm, Prop	1
4	87045	(000000- )	Bearing, Self-Aligning	2
5	87433	(000000- )	Spacer	2
6	87148	(000000- )	Spacer	2
7	87146	(000000- )	Pin, Pivot	2
8	87147	(000000- )	Ring, Retaining	4
9	10632-13	(000000- )	Grommet	1
10	87244	(000000- )	Clip, Spring	1
11	87216	(000000- )	Bearing, Flange	2
12	41187	(000000- )	Washer, Belleville	2
13	52238	(000000- )	Spring, Tension	2
14	86646	(000000- )	Screw, Hex	2
15	87149	(000000- )	Bearing, Journal	1

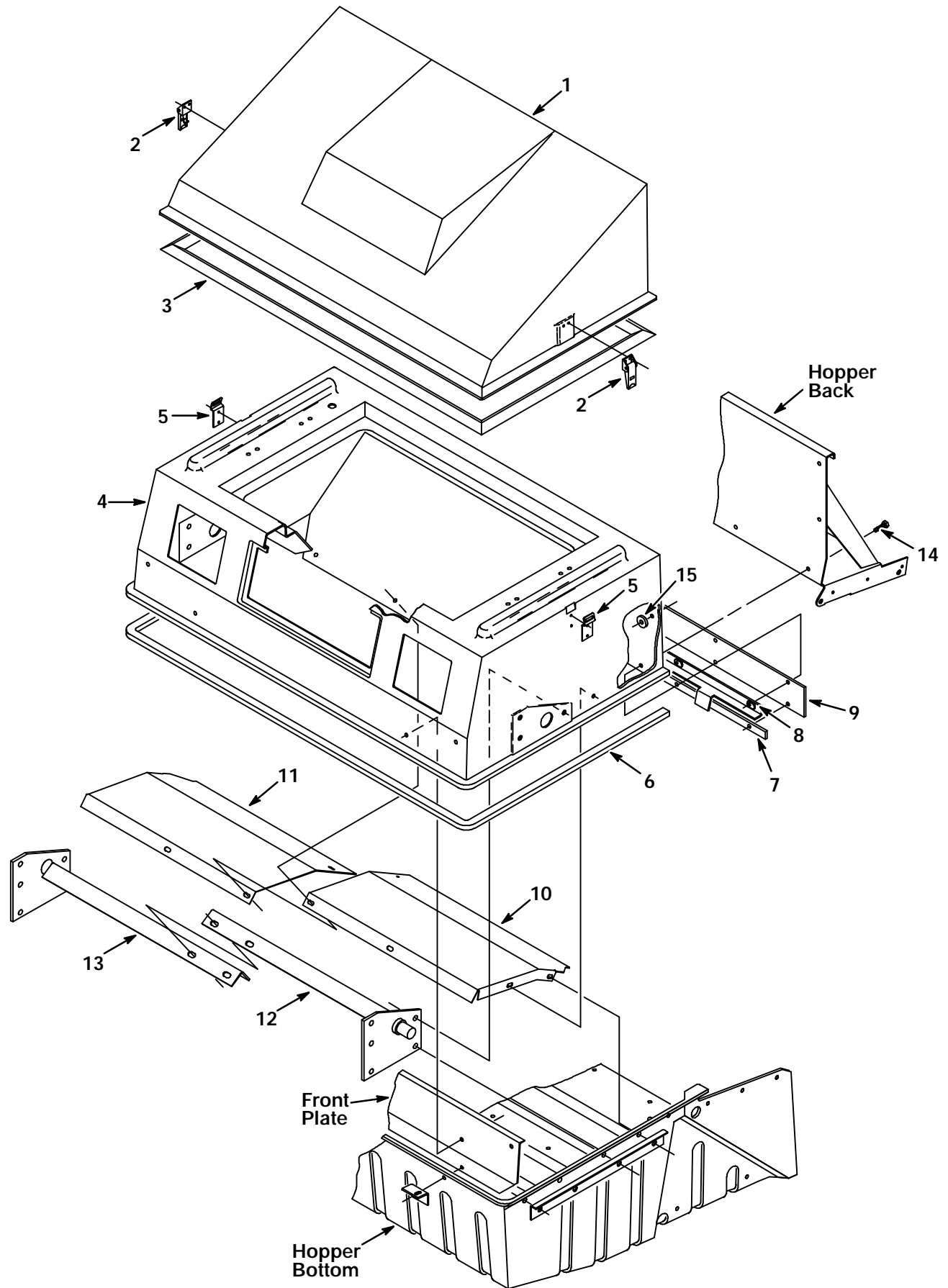


Fig. 7 - Hopper Middle and Cover Group



Fig. 7 - Hopper Middle and Cover Group

Key	TENNANT Part No.	Machine Serial Number	Description	Qty.
1	87203	(000000- )	Cover, Hopper	1
2	87579	(000000- )	Latch, Tension	2
3	87217	(000000- )	Seal, Hopper Cover	1
4	87202	(000000- )	Hopper, Middle	1
5	87056	(000000- )	Strike, Hopper Cover	2
6	87405	(000000- )	Seal	1
7	87165	(000000- )	Retainer, Seal	1
8	87167	(000000- )	Retainer, Door Seal	1
9	87164	(000000- )	Seal, Dump Door	1
10	87390	(000000- )	Baffle, Debris, L.H.	1
11	87166	(000000- )	Baffle, Debris, R.H.	1
12	87113	(000000- )	Plate, Pivot, L.H.	1
13	87114	(000000- )	Plate, Pivot, R.H.	1
14	34323	(000000- )	Screw, Nylon Hex	5
15	87958	(000000- )	Washer, Nylon	6

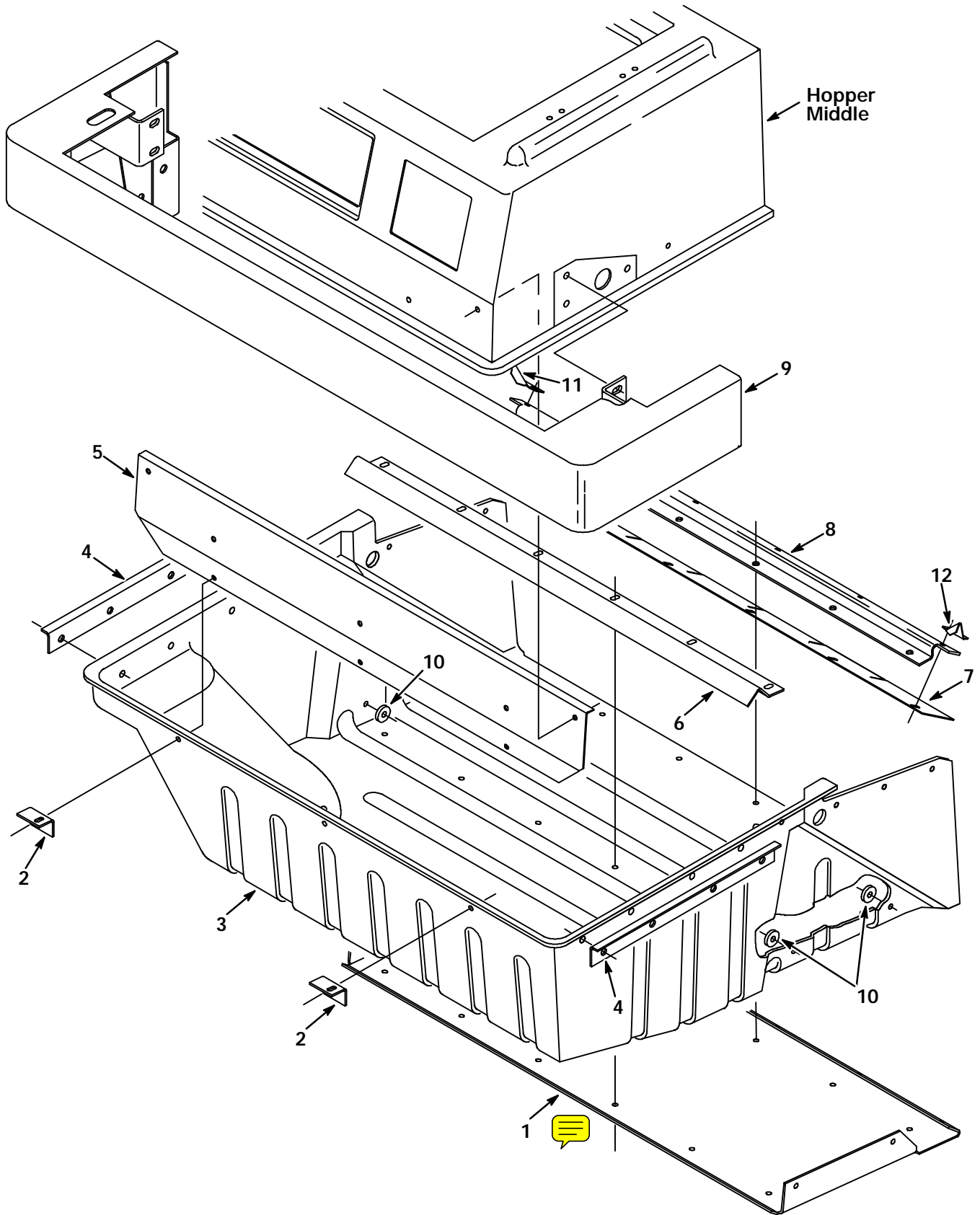


Fig. 8 - Hopper Bottom Group

Fig. 8 - Hopper Bottom Group

Key	TENNANT Part No.	Machine Serial Number	Description	Qty.
1	87059	(000000- )	Plate, Hopper Bottom	1
2	87103	(000000- )	Angle, Support	2
3	87201	(000000- )	Hopper, Bottom	1
4	87406	(000000- )	Angle, Bottom Support	2
5	87208	(000000- )	Plate, Front	1
6	87461	(000000- )	Angle, Stiffener	1
7	87061	(000000- )	Lip, Rear	1
8	87060	(000000- )	Retainer, Lip	1
9	87117	(000000- )	Bumper, Front	1
10	87958	(000000- )	Washer, Nylon	4
11	87969	(000000- )	Deflector, Hopper, R.H.	1
12	87979	(000000- )	Deflector, Hopper, L.H.	1

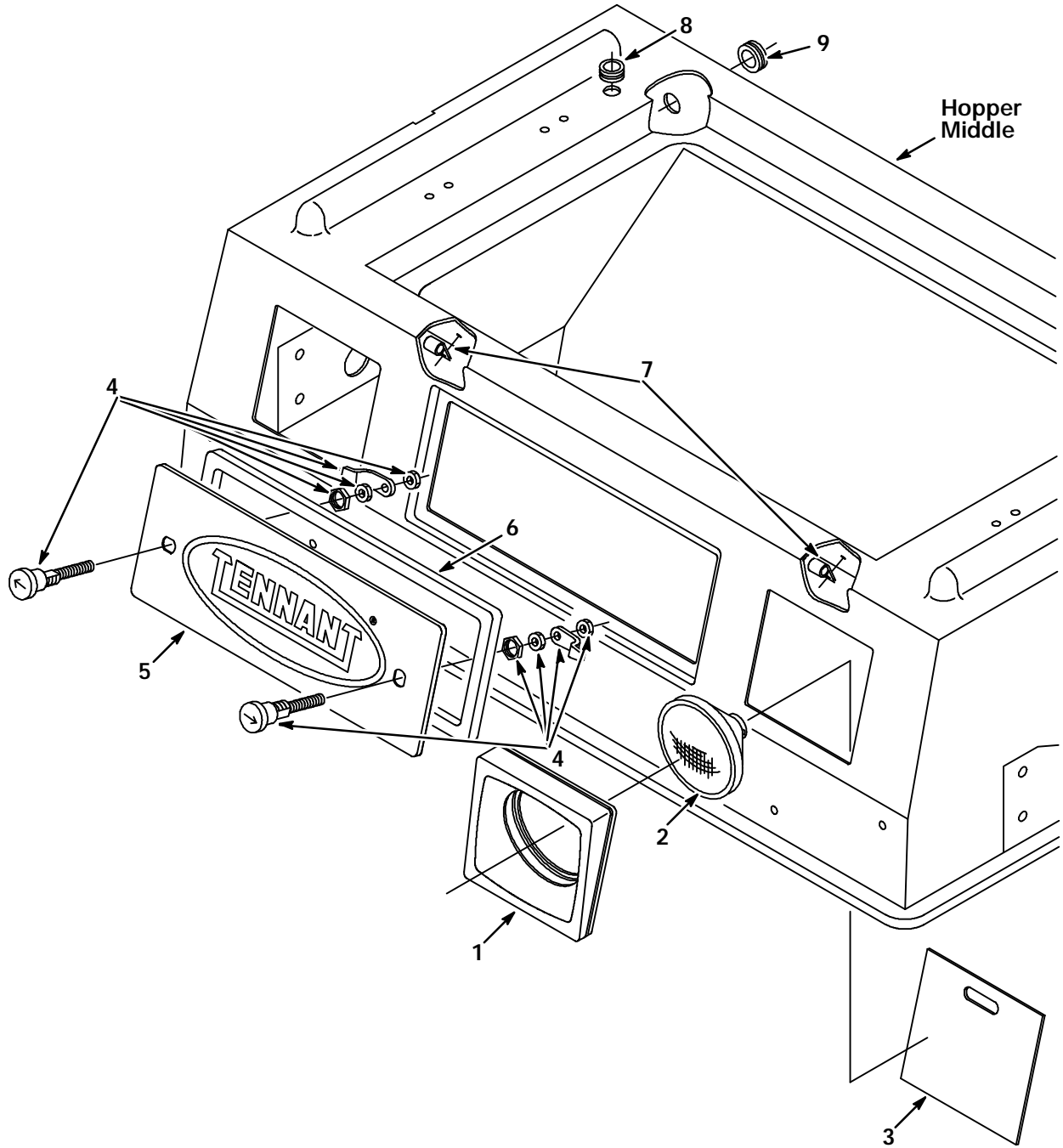


Fig. 9 - Hopper Headlights and Access Door Group

03467

Key	TENNANT Part No.	Machine Serial Number	Description	Qty.
1	87460	(000000- )	Mount, Headlight	2
2	87430	(000000- )	Lamp	2
3	87739	(000000- )	Guard, Headlight	2
4	87337	(000000- )	Latch, Door	2
5	87621	(000000- )	Door, Access	1
6	87338	(000000- )	Seal, Access Door	1
7	26395-2	(000000- )	Clamp, Cable	2
8	10632-11	(000000- )	Grommet, Rubber	1
9	10632-15	(000000- )	Grommet, Rubber	1

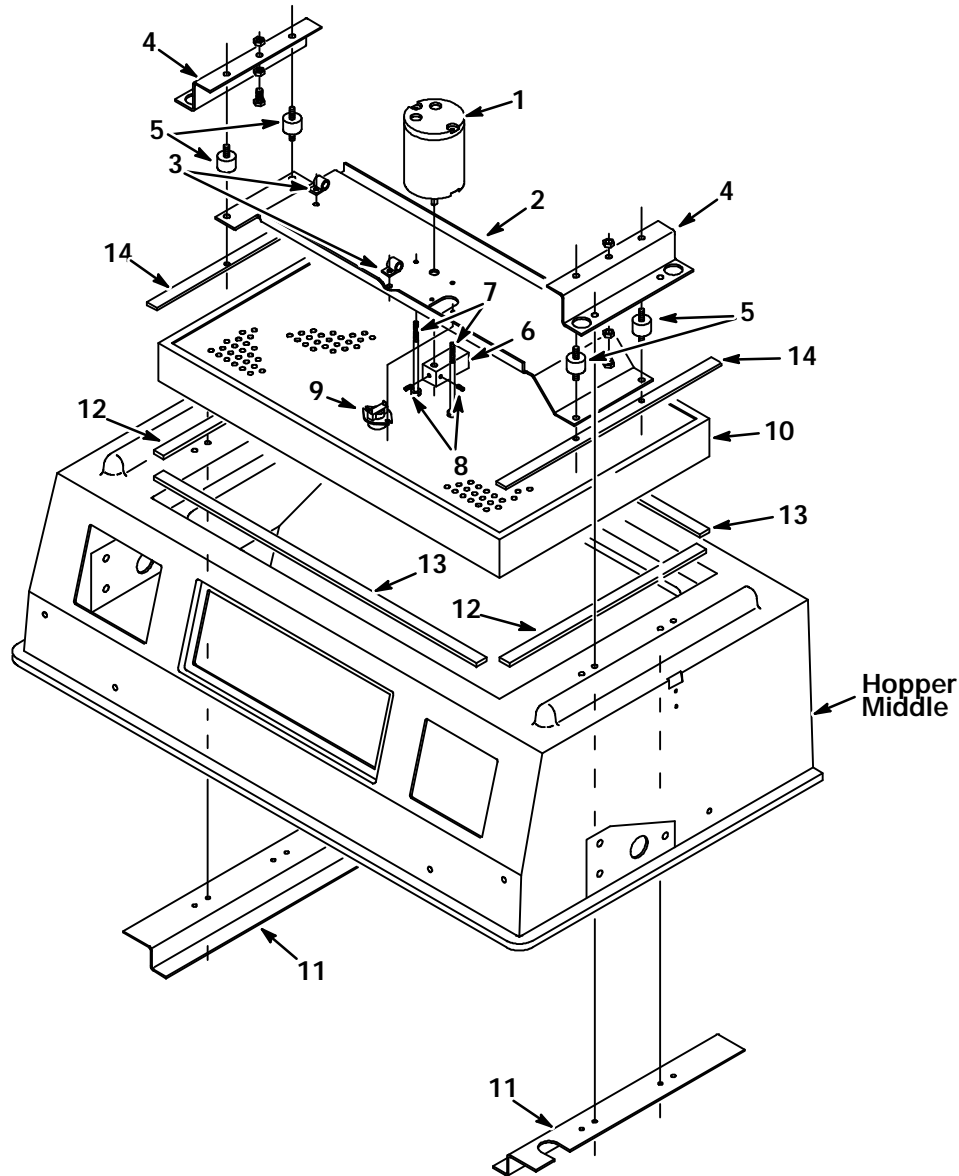


Fig. 10 - Hopper Filter and Shaker Motor Group

03468

Key	TENNANT Part No.	Machine Serial Number	Description	Qty.
1	54121	(000000- )	Motor, Shaker	1
2	87074	(000000- )	Bracket, Shaker Filter	1
3	40678	(000000- )	Clamp, Cable	2
4	87209	(000000-001391 )	Bracket, Shaker Mount	2
4	87985	(001392- )	Bracket, Shaker Mount	2
5	51322	(000000- )	Isolator, Vibration	4
6	87306	(000000- )	Weight, Eccentric	1
7	87286	(000000- )	Screw, Hex	2
8	20634	(000000- )	Screw, Nylon Set	2
9	87546	(000000- )	Thermostat	1
10	87550	(000000-001391 )	Filter Assembly	1
10	87341	(001392- )	Filter Assembly	1
11	87084	(000000- )	Plate, Mount	2
12	87967	(000000- )	Strip, Seal Retainer	2
13	87968	(000000- )	Strip, Seal Retainer	2
14	87982	(000000- )	Bar, Shaker	2

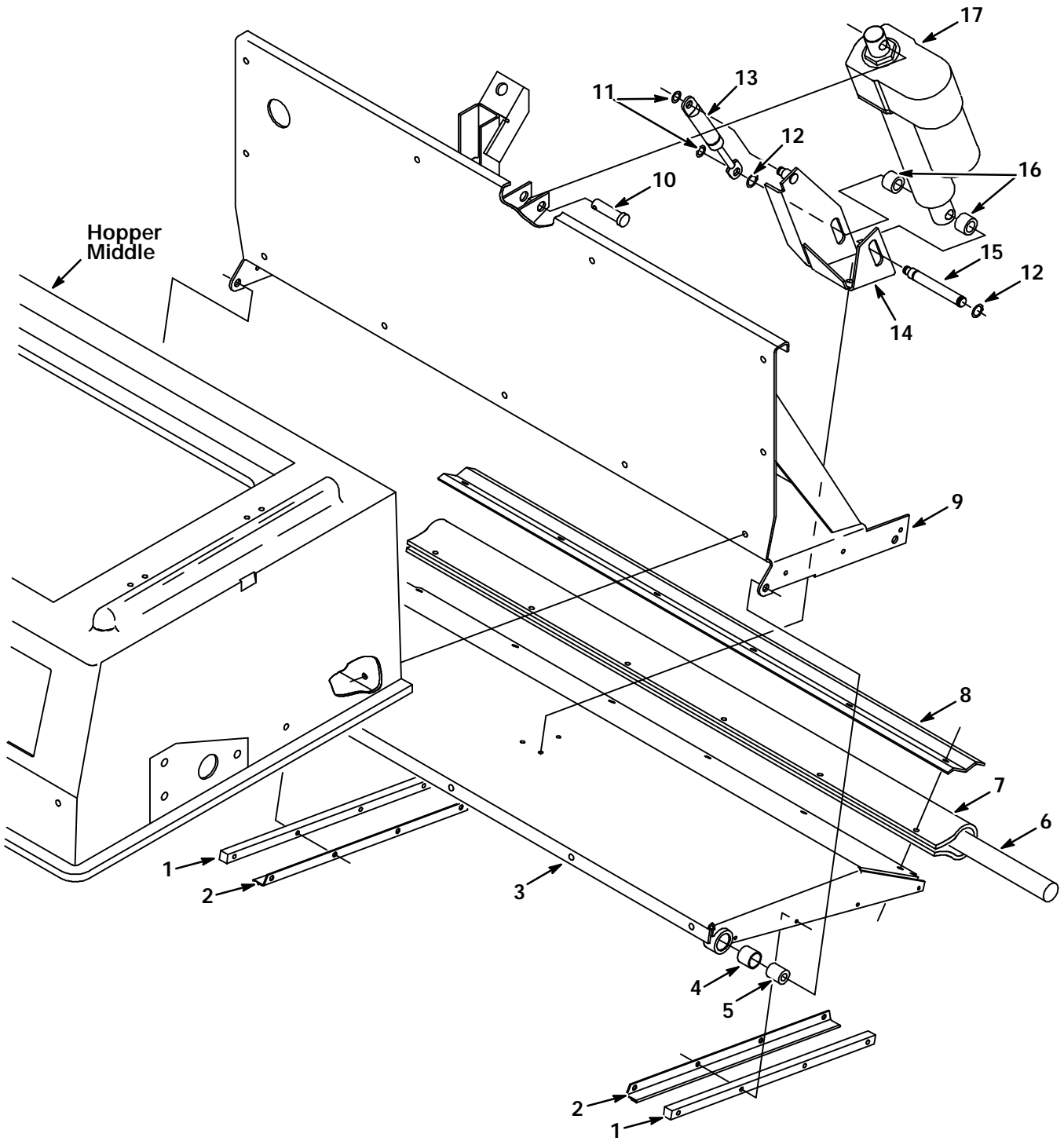


Fig. 11 - Hopper Dump Door and Actuator Group

Fig. 11 - Hopper Dump Door and Actuator Group

Key	TENNANT Part No.	Machine Serial Number	Description	Qty.
1	87413	(000000- )	Spacer, Seal	2
2	87412	(000000- )	Seal, Dump Door	2
3	87162	(000000- )	Door, Dump	1
4	64379	(000000- )	Bearing, Journal	2
5	87104	(000000- )	Bushing, Door Pivot	2
6	87689	(000000- )	Cord, Sponge	1
7	87688	(000000- )	Seal Wrap, Dump Door	1
8	87687	(000000- )	Retainer, Hopper Seal	1
9	87108	(000000- )	Back, Hopper	1
10	63147	(000000- )	Pin, Clevis	1
11	23524-1	(000000- )	Ring, Retaining	2
12	23524	(000000- )	Ring, Retaining	2
13	65577	(000000- )	Spring, Gas	1
14	87120	(000000- )	Mount, Dump Door Actuator	1
15	87152	(000000- )	Pin, Actuator	1
16	87693	(000000- )	Spacer, Actuator Mount	2
17	87444	(000000- )	Actuator	1

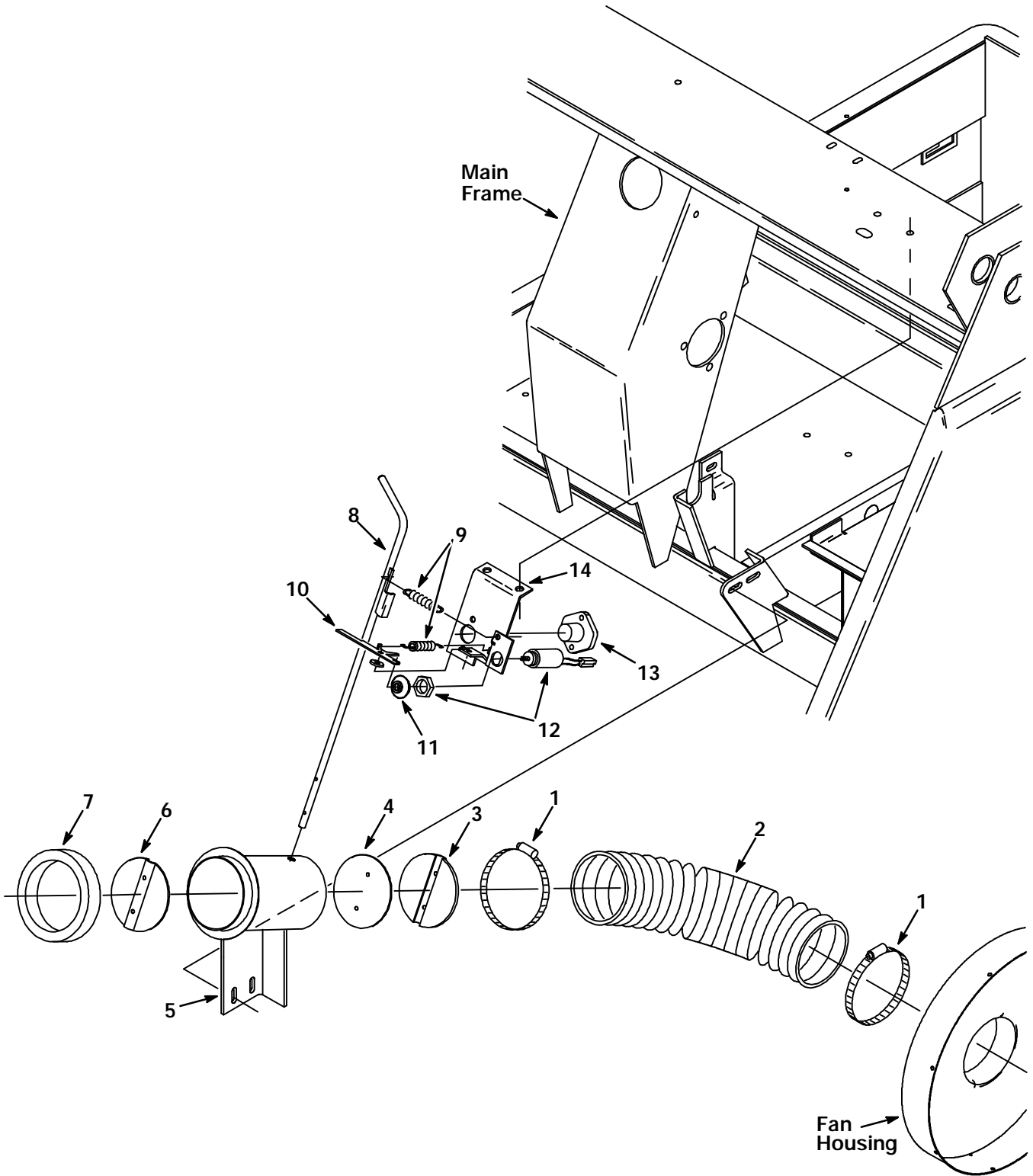


Fig. 12 - Vacuum Fan Control Group



Fig. 12 - Vacuum Fan Control Group

Key	TENNANT Part No.	Machine Serial Number	Description	Qty.
1	23498	(000000- )	Clamp, Worm Drive	2
2	87051	(000000- )	Duct, Vacuum	1
3	49300	(000000- )	Damper	1
4	87983	(000000- )	Seal, Damper	1
5	87265	(000000- )	Tube, Vacuum Fan	1
6	46140	(000000- )	Plate, Damper	1
7	47069	(000000- )	Sleeve	1
8	87580	(000000- )	Rod, Damper	1
9	09087	(000000- )	Spring, Tension	2
10	87573	(000000- )	Lever, Vacuum Fan	1
11	87707	(000000- )	Boot, Solenoid	1
12	87585	(000000- )	Solenoid Assembly	1
13	44078	(000000- )	Switch	1
14	87280	(000000- )	Bracket, Shaker Switch	1

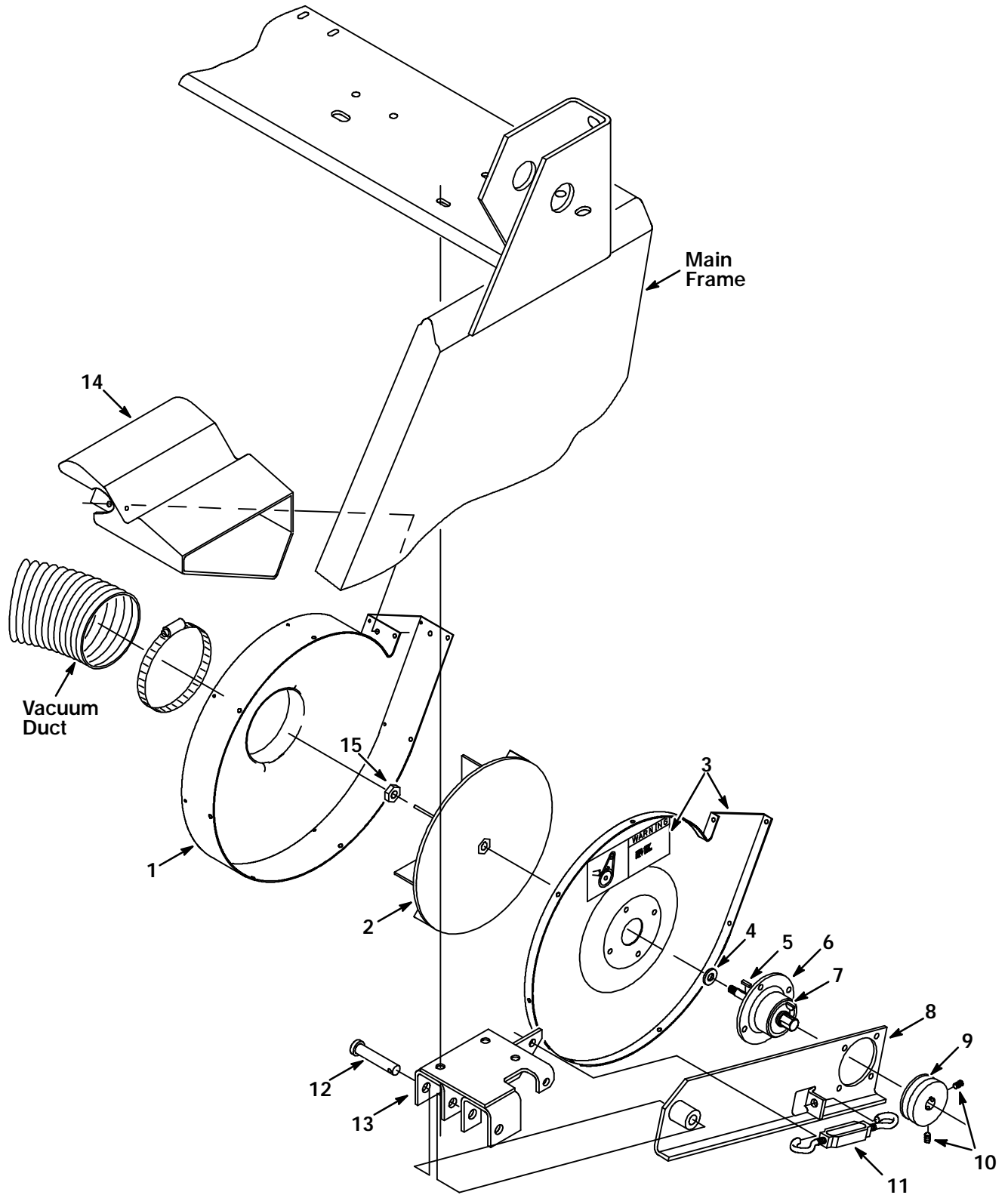


Fig. 13 - Vacuum Fan Assembly

Fig. 13 - Vacuum Fan Assembly

Key	TENNANT Part No.	Machine Serial Number	Description	Qty.
1	87251	(000000- )	Housing, Fan	1
2	08143	(000000- )	Impeller	1
3	87853	(000000- )	Plate and Decal Assembly	1
4	10362	(000000- )	Spacer	1
5	00960	(000000- )	Key, Square	1
6	16934	(000000- )	Shaft, Bearing and Flange Assembly	1
7	00500-4	(000000- )	Key, Woodruff	1
8	87620	(000000- )	Arm, Vacuum Fan	1
9	87630	(000000- )	Sheave, Fan	1
10	39328	(000000- )	Screw, Set	2
11	25494	(000000- )	Turnbuckle	1
12	06279	(000000- )	Pin, Clevis	1
13	87860	(000000- )	Bracket, Vacuum Fan	1
14	87832	(000000- )	Deflector, Vacuum Fan	1
15	87299	(000000- )	Nut , Flex Lock	1

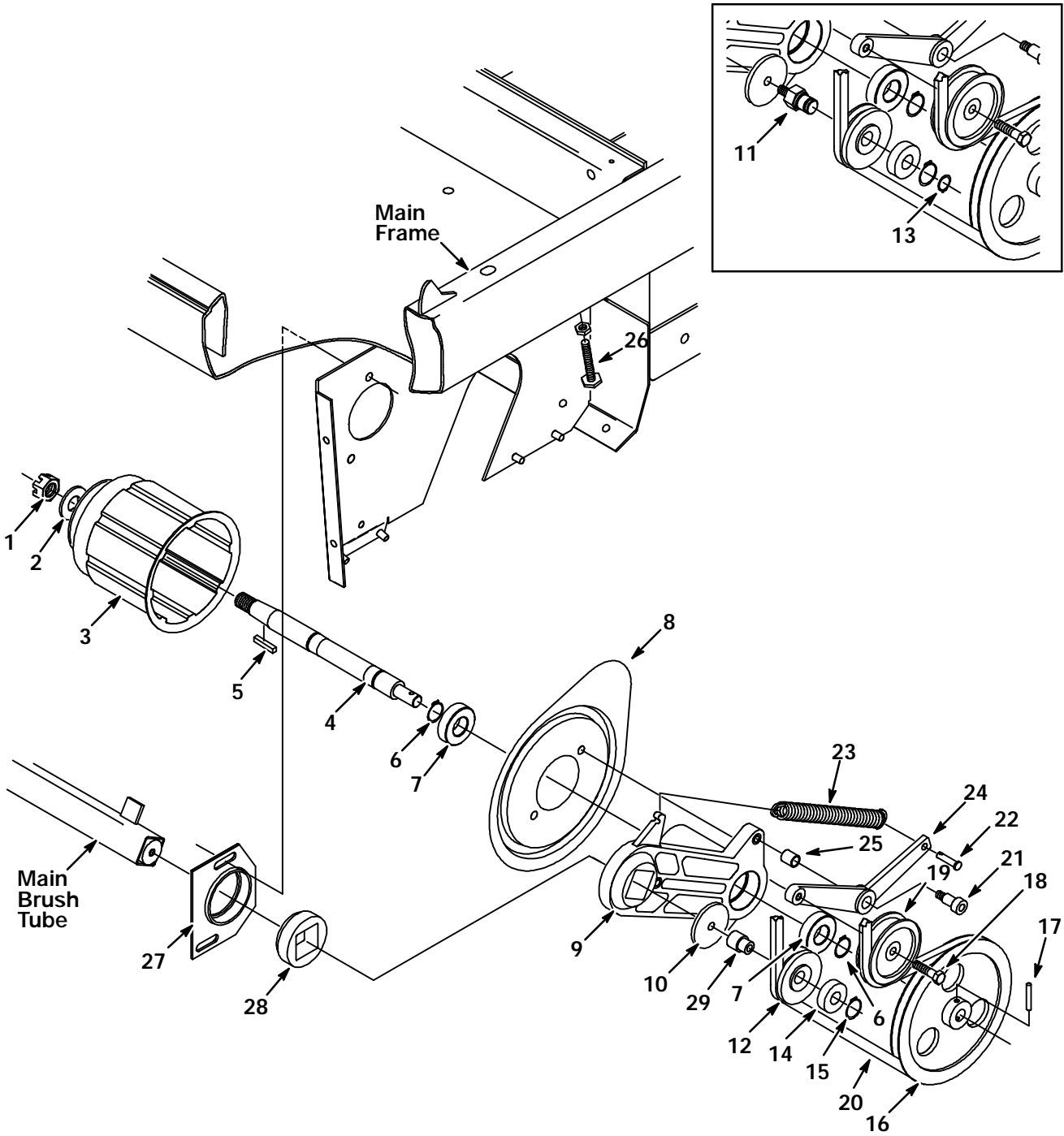


Fig. 14 - Main Brush Drive Group

Fig. 14 - Main Brush Drive Group

Key	TENNANT Part No.	Machine Serial Number	Description	Qty.
1	39527	(000000- )	Nut, Slotted	1
2	39350	(000000- )	Washer	1
3	87631	(000000- )	Plug, Brush Drive	1
4	87040	(000000- )	Shaft, Drive	1
5	00928	(000000- )	Key, Square	1
6	09005	(000000- )	Ring, Retaining	2
7	13534	(000000- )	Bearing, Ball	2
8	87368	(000000- )	Flange, Debris	1
9	87030	(000000- )	Arm, Main Brush	1
10	87078	(000000- )	Washer, Brush Arm	1
11	87027	(000000-001437 )	Sheave, Mounting Shaft (Replaced by 87267)	1
12	49495	(000000- )	Sheave	1
13	23225	(000000-001437 )	Ring, Retaining	1
14	01844	(000000- )	Bearing, Ball	1
15	23224	(000000- )	Ring, Retaining	1
16	49439	(000000- )	Sheave	1
17	01866	(000000- )	Pin, Roll	1
18	82842	(000000- )	Screw, Nylon Hex	1
19	02356	(000000- )	Pulley, Idler	1
20	87474	(000000- )	V-Belt	1
21	33123	(000000- )	Screw, Shoulder	1
22	09370	(000000- )	Pin, Clevis	1
23	46785-1	(000000- )	Spring, Tension	1
24	87645	(000000- )	Arm Assembly, Idler	1
25	87646	(000000- )	Bearing, Bronze	1
26	30205	(000000- )	Screw, Leveler	1
27	87215	(000000- )	Housing, Bearing	1
28	87080	(000000- )	Bearing	1
29	87267	(001438- )	Spacer, Bearing	1

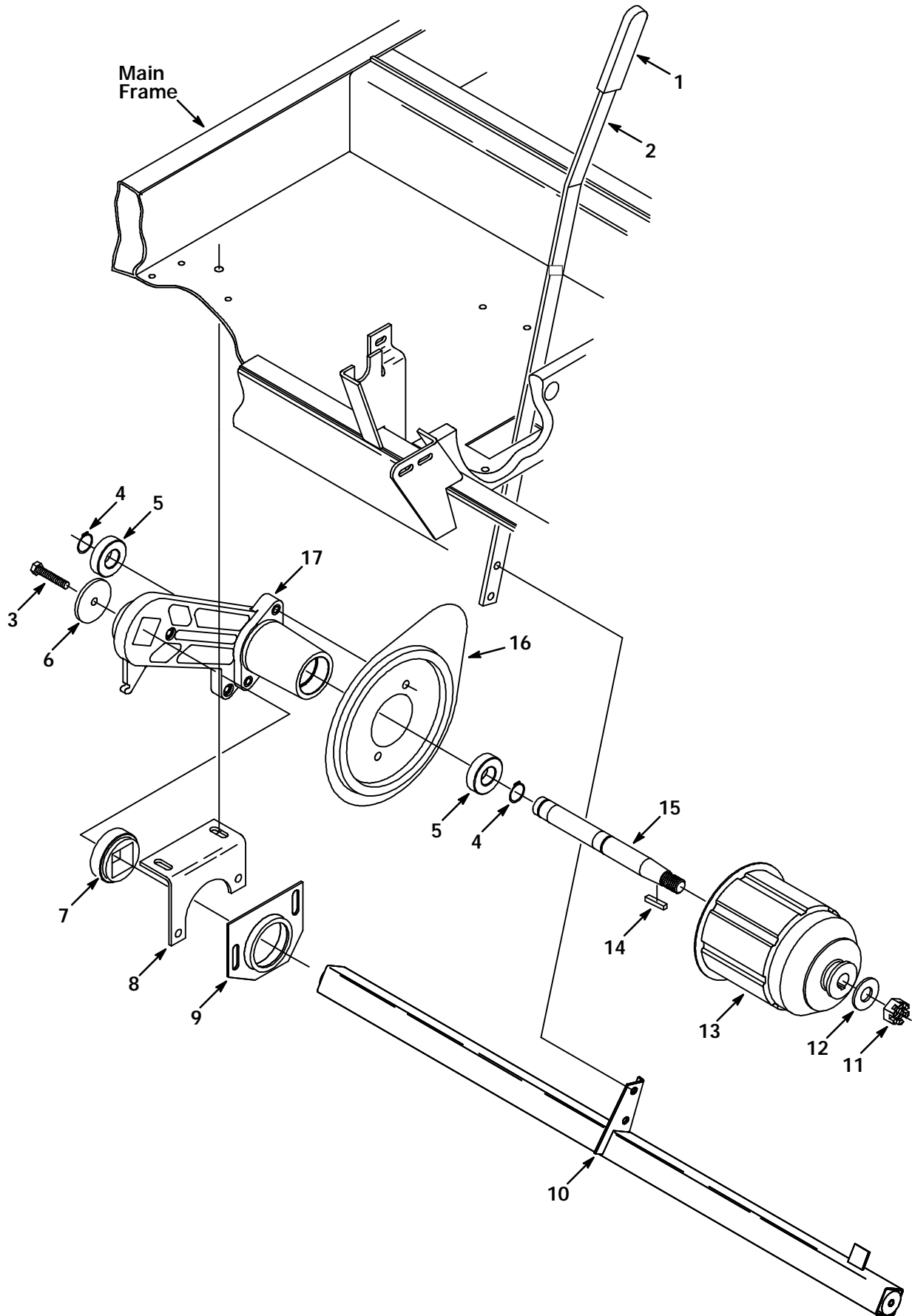


Fig. 15 - Main Brush Idler Group

Fig. 15 - Main Brush Idler Group

Key	TENNANT Part No.	Machine Serial Number	Description	Qty.
1	16447	(000000- )	Grip, Handle	1
2	87275	(000000- )	Handle, Brush Lift	1
3	55347	(000000- )	Screw, Hex	1
4	09005	(000000- )	Ring, Retaining	2
5	13534	(000000- )	Bearing, Ball	2
6	87078	(000000- )	Washer, Brush Arm	1
7	87080	(000000- )	Bearing	1
8	87088	(000000- )	Bracket, Bearing Housing	1
9	87215	(000000- )	Housing, Bearing	1
10	87082	(000000- )	Tube, Main Brush	1
11	39527	(000000- )	Nut, Slotted	1
12	39350	(000000- )	Washer	1
13	87631	(000000- )	Plug, Brush Drive	1
14	00928	(000000- )	Key, Square	1
15	87041	(000000- )	Shaft, Idler	1
16	87368	(000000- )	Flange, Debris	1
17	87030	(000000- )	Arm, Main Brush	1

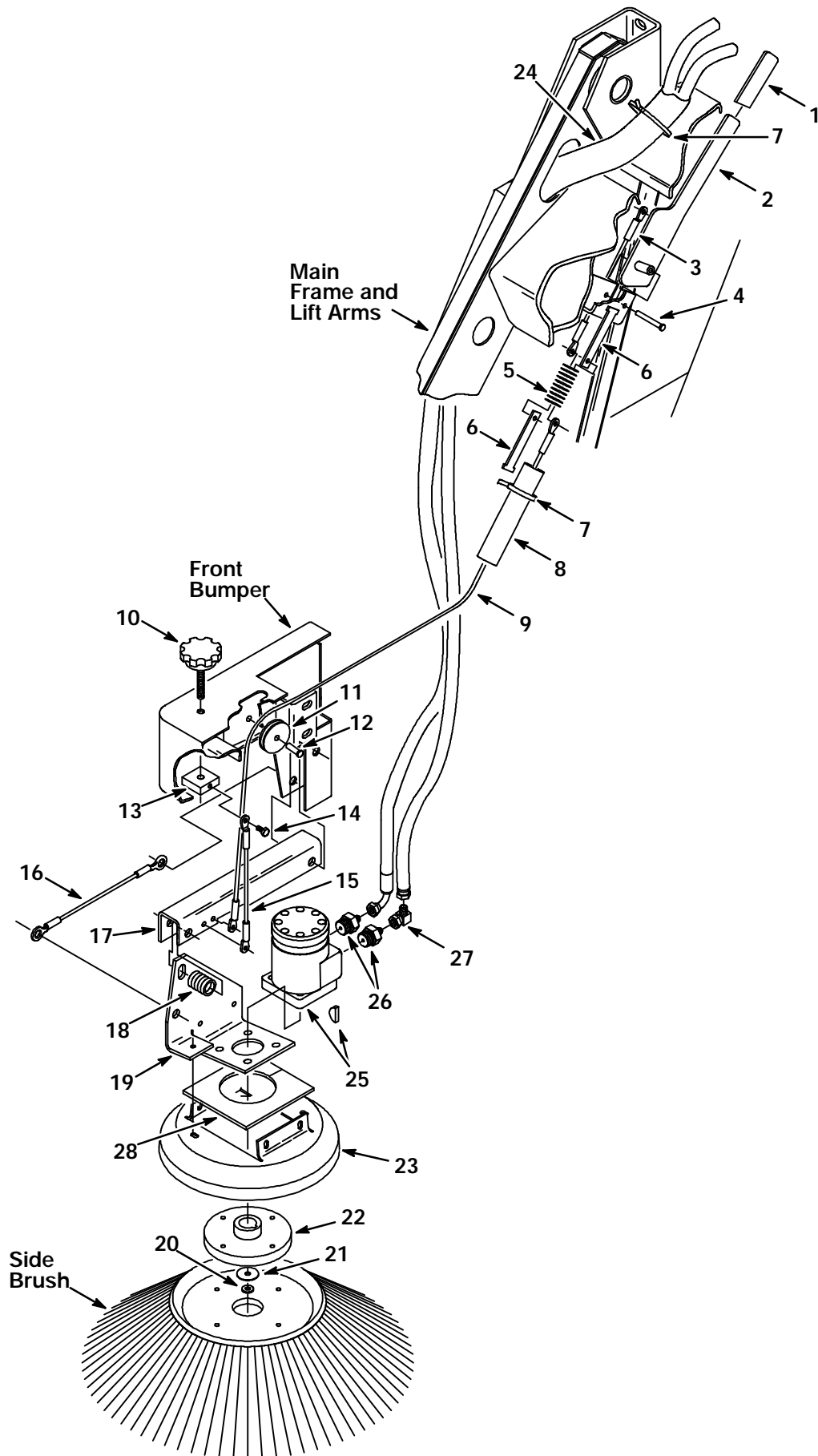


Fig. 16 - Side Brush Group



Fig. 16 - Side Brush Group

Key	TENNANT Part No.	Machine Serial Number	Description	Qty.
1	16447	(000000- )	Grip, Handle	1
2	87574	(000000- )	Handle, Side Brush	1
3	87297	(000000- )	Cable, Brush Adjustment	1
4	04734	(000000- )	Pin, Clevis	1
5	45261	(000000- )	Spring, Compression	1
6	87627	(000000- )	Strip, Spring	2
7	49266	(000000- )	Tie, Cable	3
8	57452	(000000- )	Sleeve, Hydraulic	1
9	87298	(000000- )	Cable, Brush Lift	1
10	36468	(000000- )	Knob	1
11	36070	(000000- )	Pulley, Cable	1
12	04733	(000000- )	Pin, Clevis	1
13	87293	(000000- )	Block, Threaded	1
14	58670	(000000- )	Screw, Nylon Hex	1
15	87297	(000000- )	Cable, Brush Adjustment	1
16	87172	(000000- )	Cable, Side Brush	1
17	87170	(000000- )	Channel, Side Brush Mounting	1
18	87242	(000000- )	Spring	1
19	87221	(000000- )	Bracket, Motor Mounting	1
20	41185	(000000- )	Washer, Belleville	1
21	41178	(000000- )	Washer	1
22	87418	(000000- )	Mount	1
23	87439	(000000- )	Deflector, Side Brush	1
24	87656	(000000- )	Sleeve, Hydraulic	1
25	87475	(000000-001891 )	Motor, Hydraulic (See Hydraulic Components)	1
25	28804	(001892- )	Motor, Hydraulic (See Hydraulic Components)	1
26	57984	(000000- )	Fitting, Straight	2
27	39210	(000000- )	Fitting, Elbow	1
28	87950	(000000- )	Deflector	1

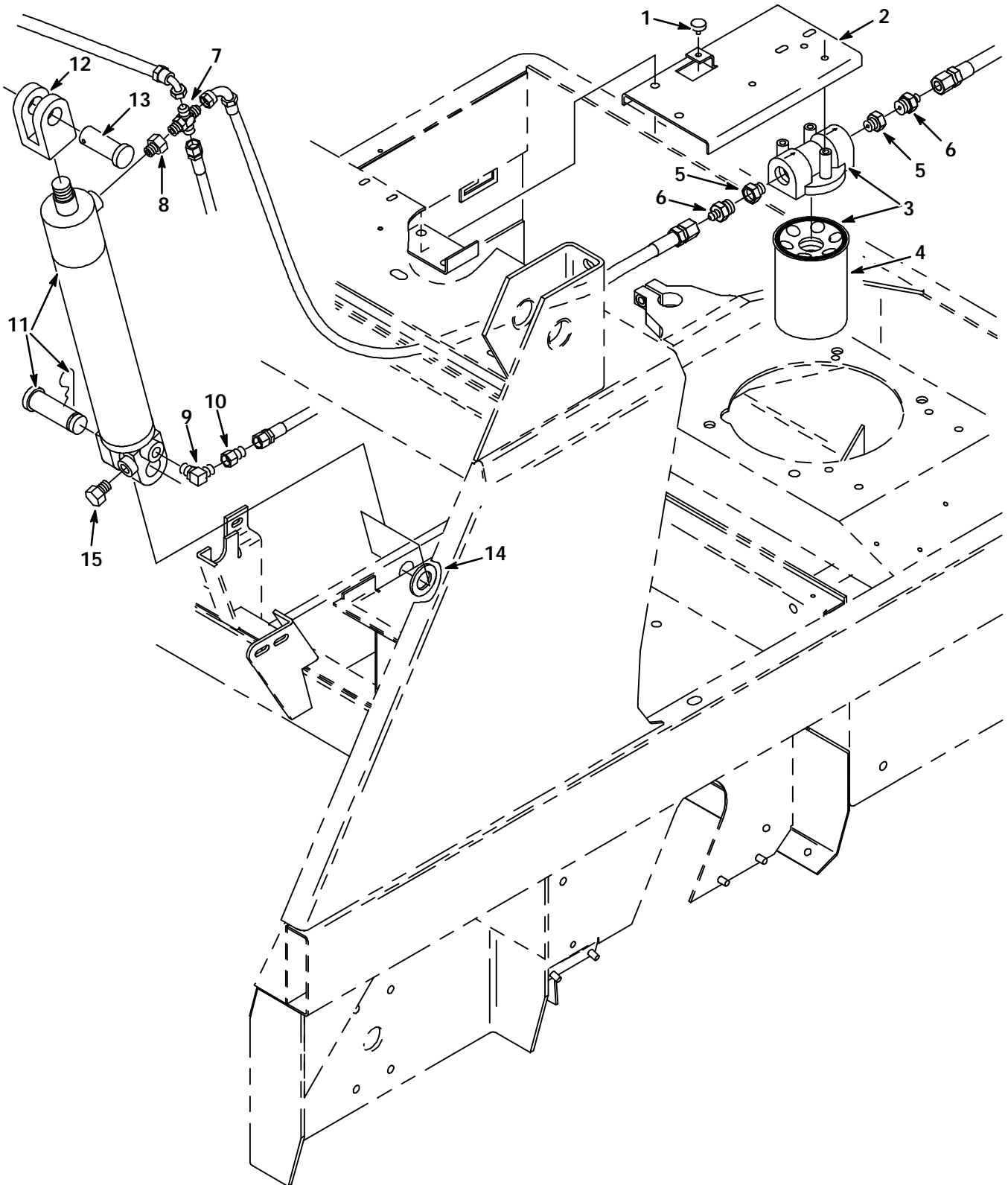


Fig. 17 - Hydraulic Lift Cylinder and Filter Group

Fig. 17 - Hydraulic Lift Cylinder and Filter Group

Key	TENNANT Part No.	Machine Serial Number	Description	Qty.
1	51787	(000000- )	Bumper, Rubber	1
2	48657	(000000- )	Bracket, Filter	1
3	67718	(000000- )	Filter Assembly	1
4	67718-2	(000000- )	Element, Hydraulic Filter	1
5	47519	(000000- )	Fitting, Straight	2
6	55686	(000000- )	Fitting, Straight	2
7	82802	(000000- )	Fitting, Cross	1
8	87414	(000000- )	Fitting, Straight	1
9	47638	(000000- )	Fitting, Elbow	1
10	16455	(000000- )	Fitting, Restrictor	1
11	87055	(000000-002748 )	Cylinder, Hydraulic (See Hydraulic Components)	1
11	48575	(002749-003295 )	Cylinder, Hydraulic (See Hydraulic Components)	1
11	65223	(003296- )	Cylinder, Hydraulic (See Hydraulic Components)	1
12	87079	(000000- )	Clevis, Cylinder	1
13	04733-4	(000000- )	Pin, Clevis	1
14	32969	(000000- )	Washer	1
15	46482	(003296- )	Fitting, Plug	1

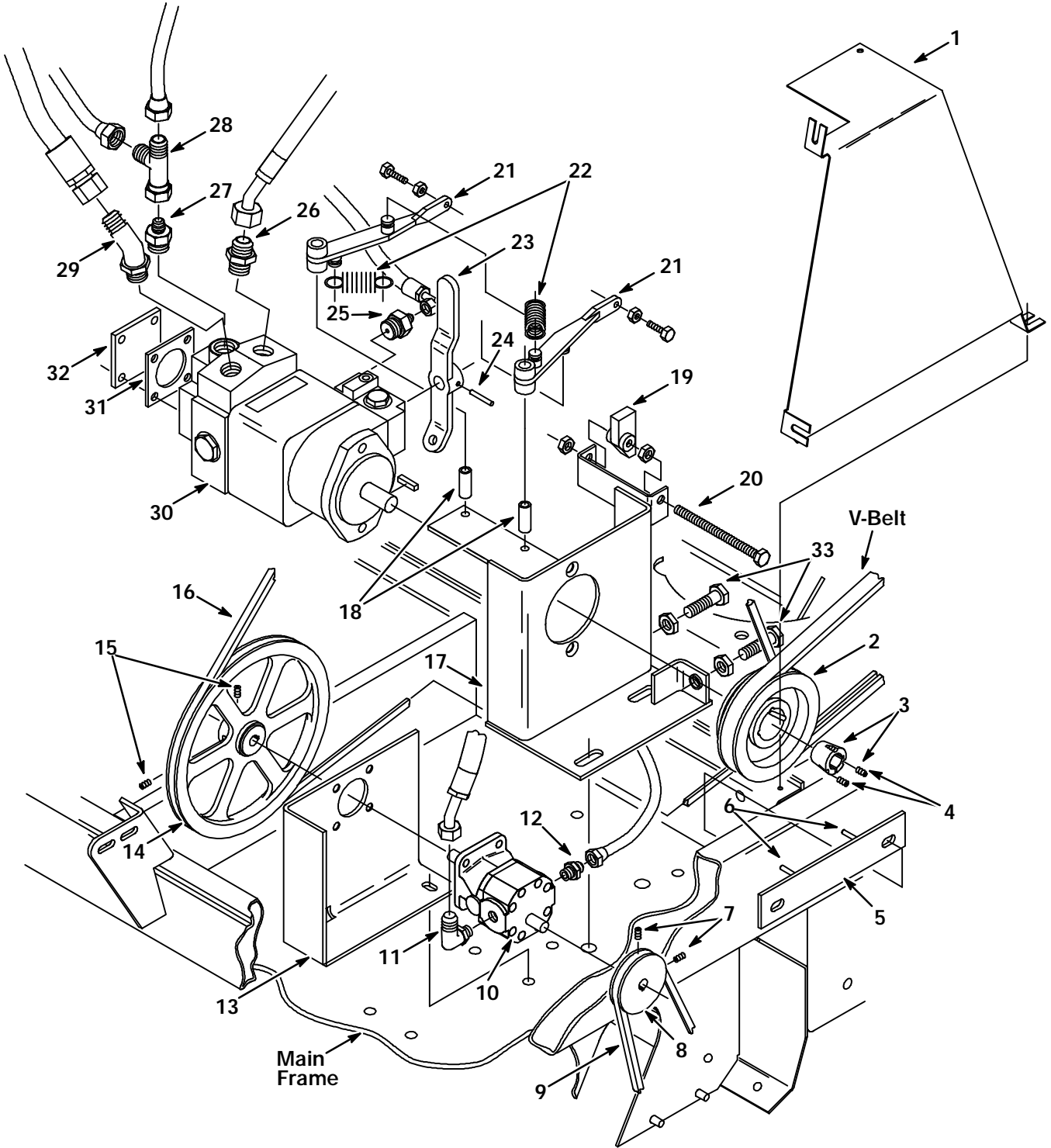


Fig. 18 - Pump Group

Fig. 18 - Pump Group

Key	TENNANT Part No.	Machine Serial Number	Description	Qty.
1	87732	(000000- )	Guard, Belt	1
2	87513	(000000- )	Sheave, Propelling Pump	1
3	15280-3	(000000- )	Bushing, Key	1
4	39330	(000000- )	Screw, Set	2
5	87236	(000000- )	Plate Assembly, Retaining	1
6	26103	(000000- )	Pin, Roll	2
7	39332	(000000- )	Screw, Set	2
8	87511	(000000- )	Sheave, Pump	1
9	87474	(000000- )	V-Belt	1
10	87451	(000000- )	Pump, Accessory	1
11	47638	(000000- )	Fitting, Elbow	1
12	56835	(000000- )	Fitting, Straight	1
13	87521	(000000- )	Bracket, Pump Mounting	1
14	87512	(000000- )	Sheave, Pump	1
15	39330	(000000- )	Screw, Set	2
16	87543	(000000- )	V-Belt	1
17	87370	(000000- )	Mount, Pump (See Hydraulic Components)	1
18	87365	(000000- )	Tube, Spacer	2
19	87362	(000000- )	Block, Stop	1
20	02218	(000000- )	Screw, Full Thread Hex	1
21	87351	(000000- )	Arm, Pintle Centering	2
22	87222	(000000- )	Spring, Extension	2
23	87360	(000000- )	Arm, Pintle	1
24	26103	(000000- )	Pin, Roll	1
25	57984	(000000- )	Fitting, Straight	1
26	56692	(000000- )	Fitting, Straight	1
27	47508	(000000- )	Fitting, Straight	1
28	42215	(000000- )	Fitting, Tee	1
29	47513	(000000- )	Fitting, Elbow, 45°	1
	87735	(000000- )	Pump Assembly, Hydraulic	1
30	87734	(000000- )	Pump, Hydraulic (See Hydraulic Components)	1
31	69159	(000000- )	Gasket, Pump	1
32	69158	(000000- )	Plate, Backing	1
33	86646	(000000- )	Screw, Full Thread	2

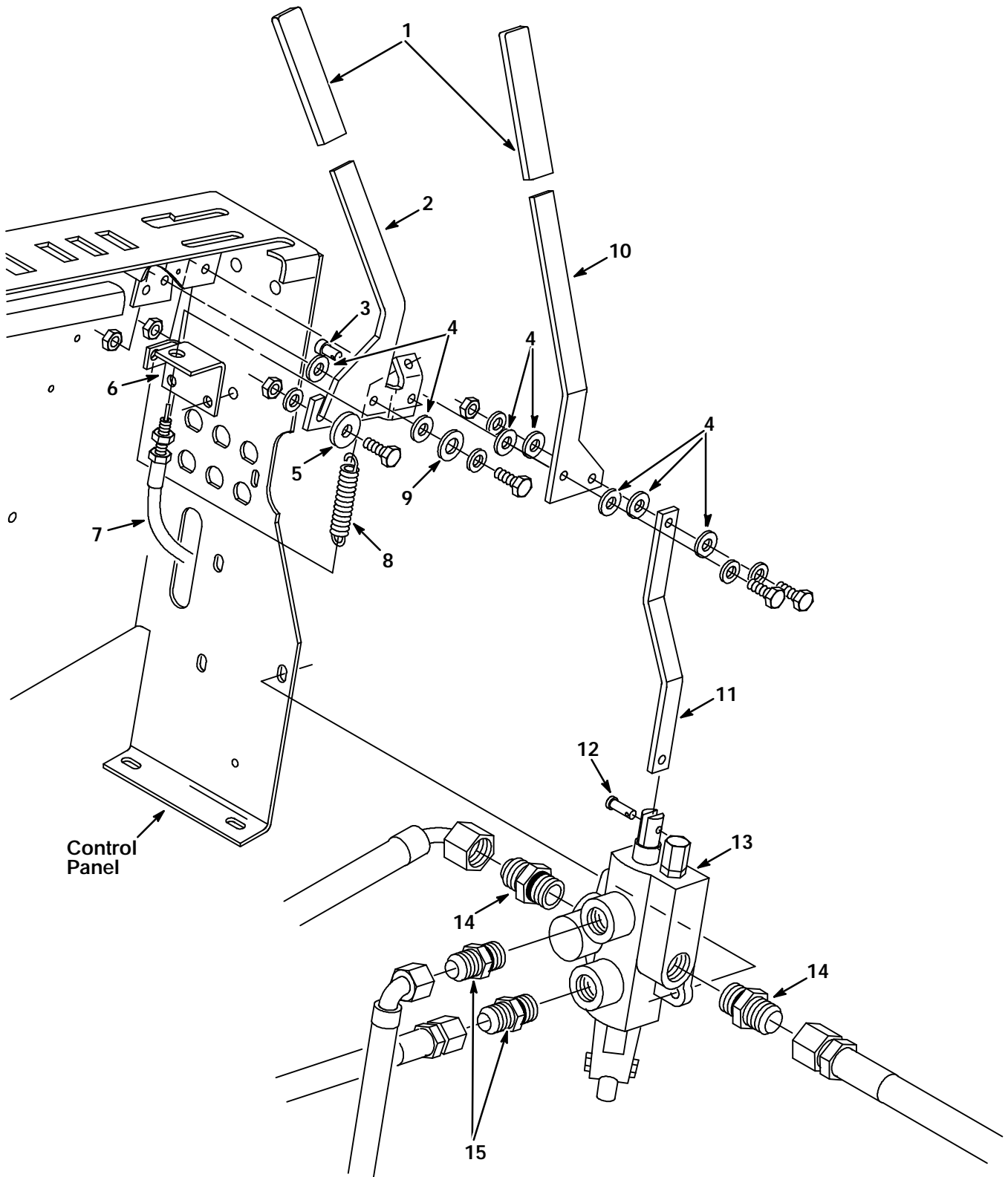
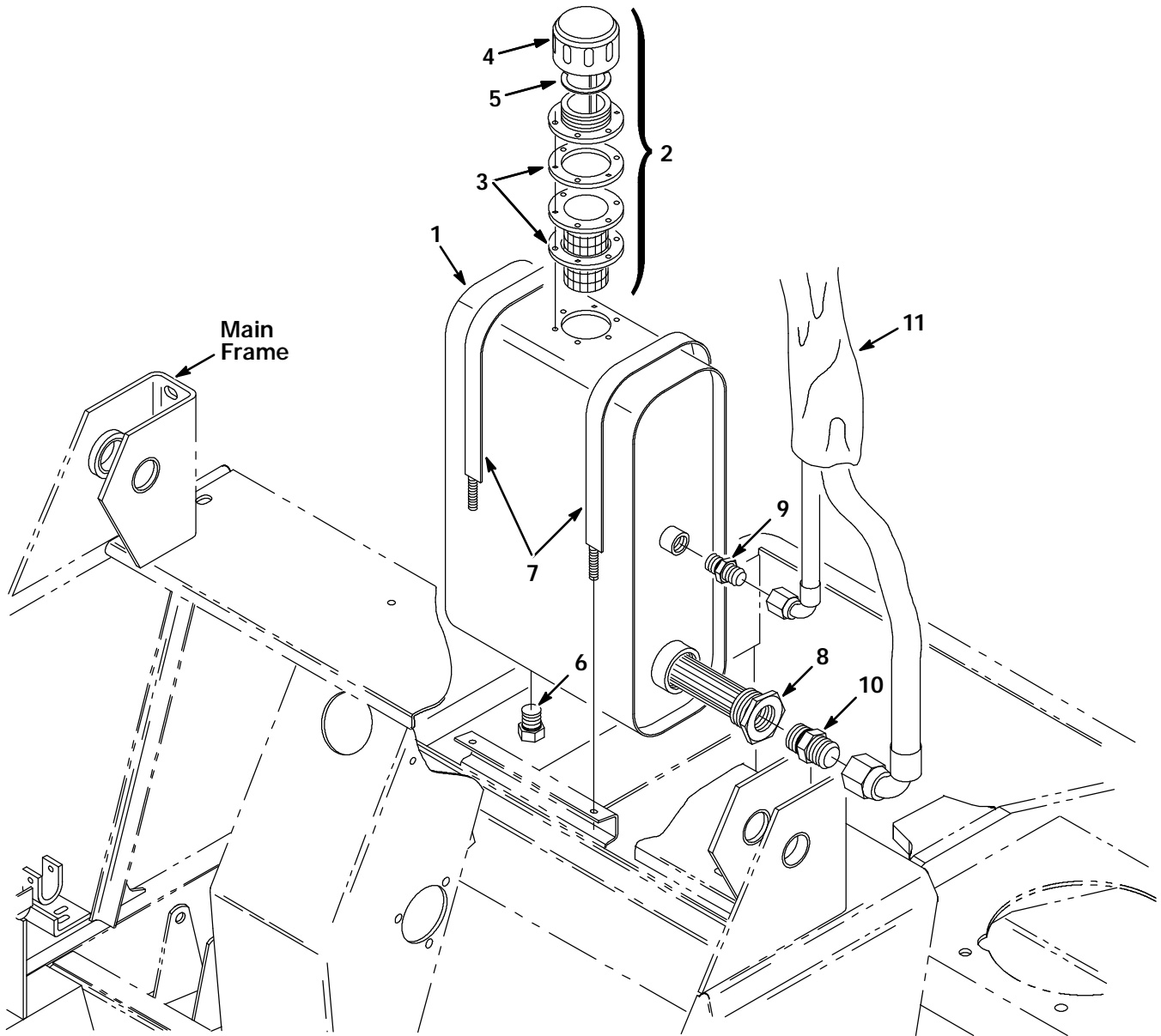


Fig. 19 - Control Valve and Throttle Group

Fig. 19 - Control Valve and Throttle Group

Key	TENNANT Part No.	Machine Serial Number	Description	Qty.
1	87246	(000000- )	Grip, Vinyl	2
2	87218	(000000- )	Lever, Throttle	1
3	43242	(000000- )	Swivel	1
4	43454	(000000- )	Washer, Nylon	7
5	41178	(000000- )	Washer, Fender	1
6	87404	(000000- )	Bracket, Cable Guide	1
7	63475	(000000- )	Cable Assembly	1
8	75575	(000000- )	Spring, Tension	1
9	63416	(000000- )	Washer, Rubber	1
10	87375	(000000- )	Lever, Hydraulic Valve	1
11	87376	(000000- )	Arm, Extension	1
12	14605	(000000- )	Pin, Clevis	1
13	87409	(000000- )	Valve, Hydraulic (See Hydraulic Components)	1
14	57984	(000000- )	Fitting, Straight	2
15	55686	(000000- )	Fitting, Straight	2



03481

**Fig. 20 - Hydraulic Reservoir Group**

Key	TENNANT Part No.	Machine Serial Number	Description	Qty.
1	87392	(000000- )	Reservoir Assembly	1
2	31559	(000000- )	Breather, Filler	1
3	61288	(000000- )	Gasket, Hyd Tank Breather	2
4	25121	(000000- )	Breather, Hyd Cap	1
5	70006	(000000- )	Gasket, Cap	1
6	40362	(000000- )	Fitting, Plug	1
7	87484	(000000- )	Strap, Tank	2
8	82784	(000000- )	Strainer, Hydraulic	1
9	47508	(000000- )	Fitting, Straight	1
10	02545	(000000- )	Fitting, Straight	1
11	13773	(000000- )	Sleeve, Nylon	1



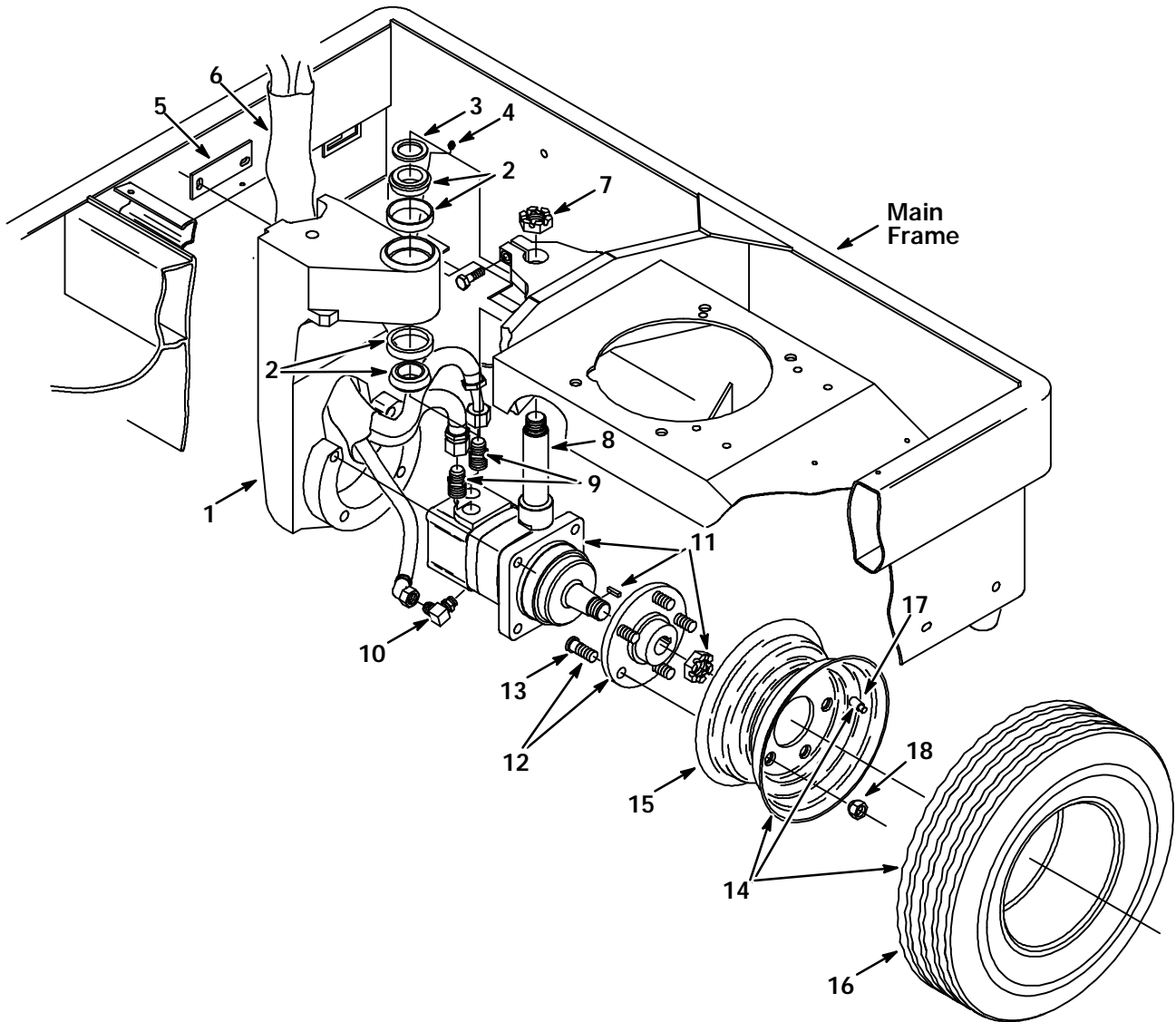


Fig. 21 - Rear Drive Wheel Group

03472

Key	TENNANT Part No.	Machine Serial Number	Description	Qty.
1	02637	(000000- )	Support, Drive	1
2	49225	(000000- )	Bearing, Cup and Cone	1
3	47719	(000000- )	Washer	1
4	47801	(000000- )	Fitting, Grease	1
5	58842	(000000- )	Plate, Hose Support	1
6	87676	(000000- )	Sleeve, Hydraulic	1
7	14242	(000000- )	Nut, Slotted Hex	1
8	87458	(000000- )	Pin, Pivot	1
9	56692	(000000- )	Fitting, Straight	2
10	77098	(000000- )	Fitting, Elbow	1
11	87417	(000000- )	Motor, Hydraulic (See Hydraulic Components)	1
12	82239	(000000- )	Hub and Stud Assembly	1
13	32126	(000000- )	Stud, Wheel	5
14	87421	(000000- )	Tire and Wheel Assembly	1
15	87411	(000000- )	Wheel	1
16	87674	(000000- )	Tire	1
17	87675	(000000- )	Valve, Tubeless Tire	1
18	24339	(000000- )	Nut, Wheel	5

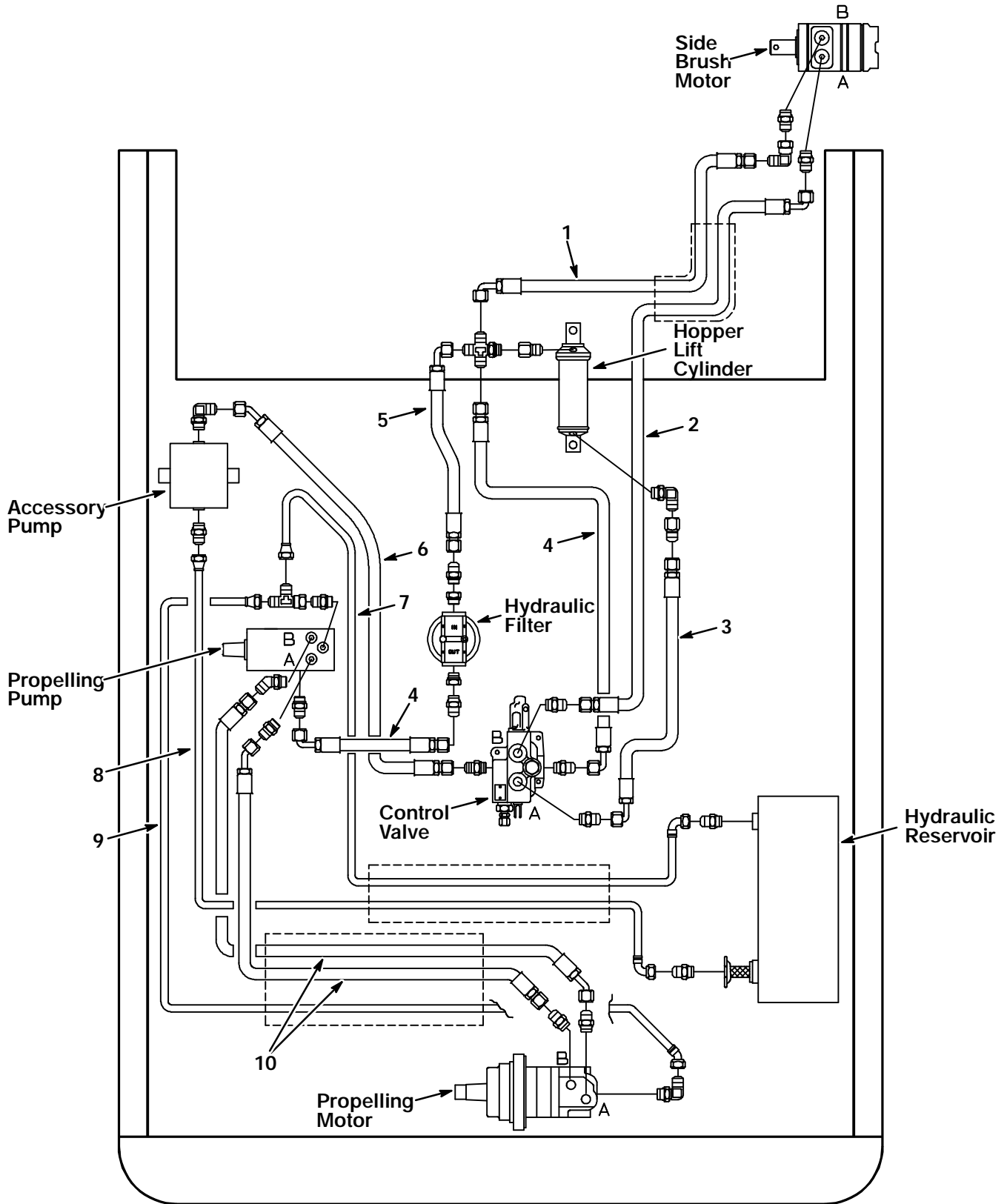


Fig. 22 - Hydraulic Hoses Group

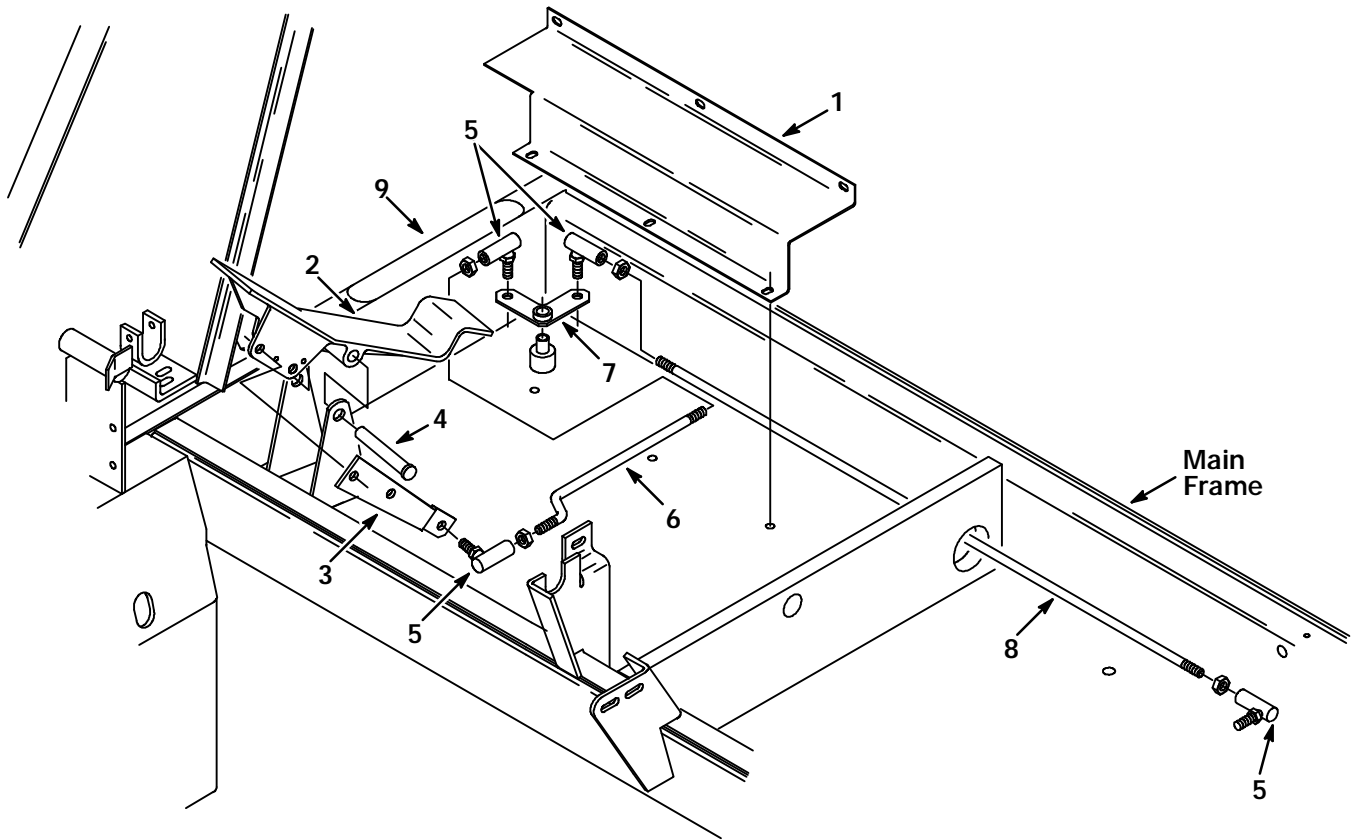
**Fig. 22 - Hydraulic Hoses Group**

Key	TENNANT Part No.	Machine Serial Number	Description	Qty.
1	82816	(000000- )	Hose, Hydraulic	1
2	87652	(000000- )	Hose, Hydraulic	1
3	87651	(000000- )	Hose, Hydraulic	1
4	34358	(000000- )	Hose, Hydraulic	2
5	57965	(000000- )	Hose, Hydraulic	1
6	87672	(000000- )	Hose, Hydraulic	1
7	82809	(000000- )	Hose, Hydraulic	1
8	87680	(000000- )	Hose, Hydraulic	1
9	87678	(000000- )	Hose, Hydraulic	1
10	57219	(000000- )	Hose, Hydraulic	2



**Fig. 23 - Steering Wheel Group**

Key	TENNANT Part No.	Machine Serial Number	Description	Qty.
1	57497	(000000- )	Cap, Rubber	1
2	49452	(000000- )	Gear Assembly, Steering	1
3	87488	(000000- )	Wheel, Steering	1
4	87245	(000000- )	Bracket, Steering Column	1
5	14138A	(000000- )	Horn, 12 V	1
6	87257	(000000- )	Spacer, Horn	1
7	51449	(000000- )	Bearing, Flange	2
8	48050	(000000- )	Bearing and Collar	1
9	44078	(000000- )	Switch	1
10	87109	(000000- )	Link, Drag	1
11	07259	(000000- )	Fitting, Grease	2
12	87820	(000000- )	Arm, Pitman	1



**Fig. 24 - Directional Pedal Group**

03473

Key	TENNANT Part No.	Machine Serial Number	Description	Qty.
1	87254	(000000- )	Cover, Bellcrank	1
2	42240	(000000- )	Pedal, Foot	1
3	87881	(000000- )	Arm, Pedal	1
4	06474A	(000000- )	Pin, Clevis	1
5	14506	(000000- )	Ball Joint	4
6	87155	(000000- )	Rod, Control	1
7	87198	(000000- )	Bellcrank	1
8	87131	(000000- )	Rod, Control	1
9	82839	(000000- )	Pad, Tread	1

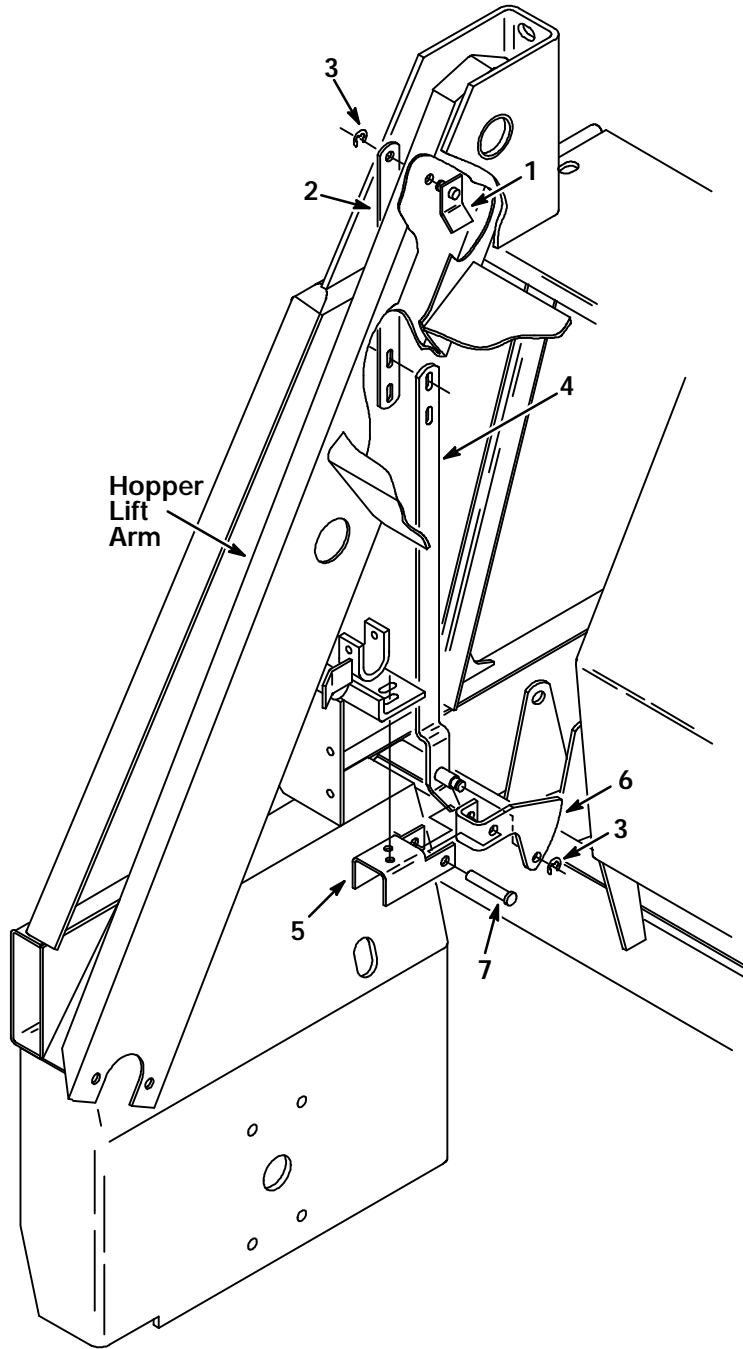


Fig. 25 - Speed Limiter Group

03476

Key	TENNANT Part No.	Machine Serial Number	Description	Qty.
1	87803	(000000- )	Bracket, Pivot Pin	1
2	87491	(000000- )	Link, Upper	1
3	45127	(000000- )	Ring, Retaining	2
4	87804	(000000- )	Link, Lower	1
5	87798	(000000- )	Bracket, Cam Mounting	1
6	87797	(000000- )	Cam, Speed Limiter	1
7	29584	(000000- )	Pin, Clevis	1

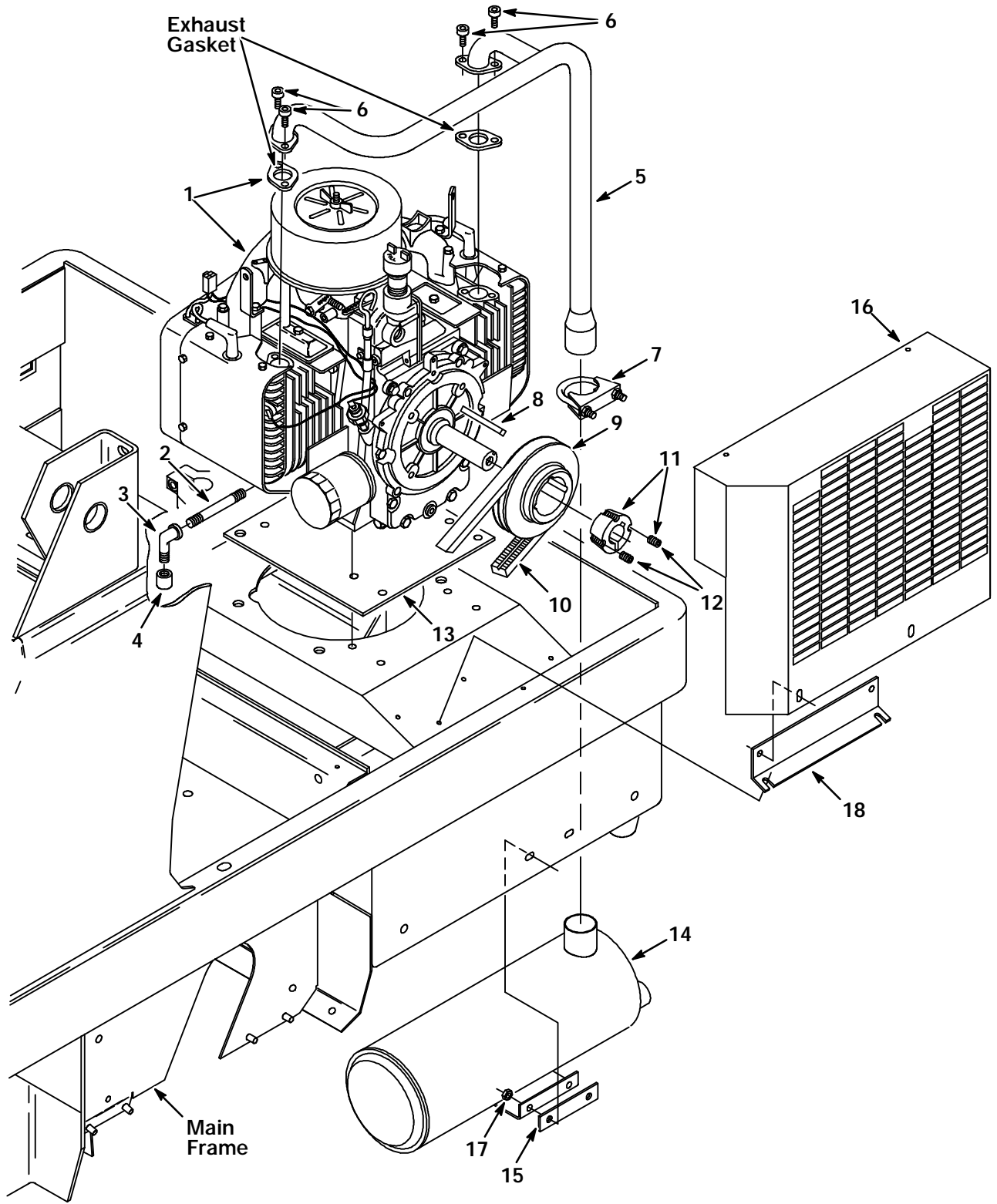


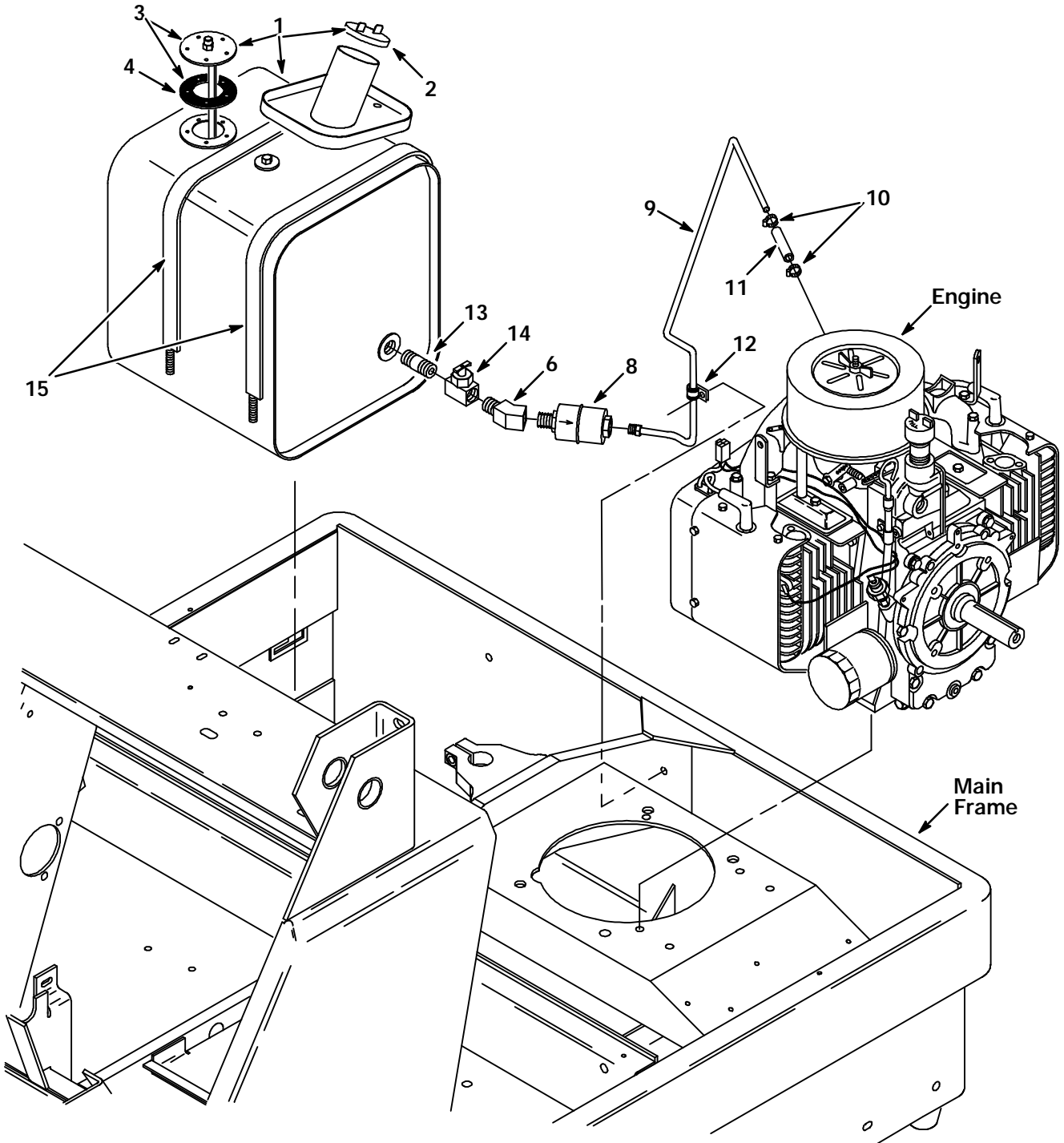
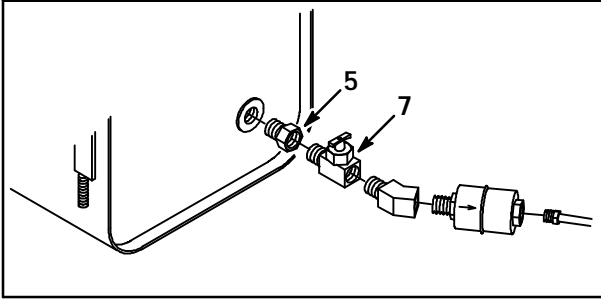
Fig. 26 - Engine Group



Fig. 26 - Engine Group

Key	TENNANT Part No.	Machine Serial Number	Description	Qty.
1	87502	(000000- )	Engine, Gas	1
1	48772	(003600- )	Engine, Gas (California Only)	1
2	02283	(000000- )	Fitting, Nipple	1
3	02547	(000000- )	Fitting, Elbow	1
4	06431	(000000- )	Fitting, Cap	1
5	87665	(000000- )	Pipe, Exhaust	1
6	02985	(000000- )	Screw, Socket	4
7	24012	(000000- )	Clamp, Muffler	1
8	00934	(000000- )	Key, Square	1
9	87692	(000000- )	Sheave, Engine	1
10	87544	(000000- )	V-Belt	1
11	87778	(000000- )	Bushing, Taper Lock	1
12	39345	(000000- )	Screw, Set	2
13	87179	(000000- )	Plate, Engine Mounting	1
14	87534	(000000- )	Muffler	1
15	87736	(000000- )	Isolator, Muffler	1
16	87593	(000000- )	Guard, Exhaust	1
17	87435	(000000- )	Nut, Hex	2
18	87876	(000000- )	Bracket, Mount	1

**STANDARD MODEL PARTS**



**Fig. 27 - Fuel Tank and Line Group**

Fig. 27 - Fuel Tank and Line Group

Key	TENNANT Part No.	Machine Serial Number	Description	Qty.
1	87394	(000000- )	Tank, Fuel	1
2	87740	(000000- )	Cap, Fuel Tank	1
3	07875	(000000- )	Sending Unit Kit	1
4	14131	(000000- )	Gasket	1
5	69736	(000000-001266)	Fitting, Straight	1
6	32376	(000000- )	Fitting, Elbow, 45°	1
7	08876	(000000-001266)	Cock Replacement Kit	1
8	62050	(000000- )	Filter Assembly, Fuel	1
9	87764	(000000- )	Fuel Line	1
10	43844	(000000- )	Clamp, Worm Drive	2
11	82526	(000000- )	Hose, Fuel Line	1
12	76736	(000000- )	Clamp, Cable	1
13	48144	(001267- )	Fitting, Nipple	1
14	08873	(001267- )	Valve, Ball	1
15	87396	(000000- )	Strap, Tank	2

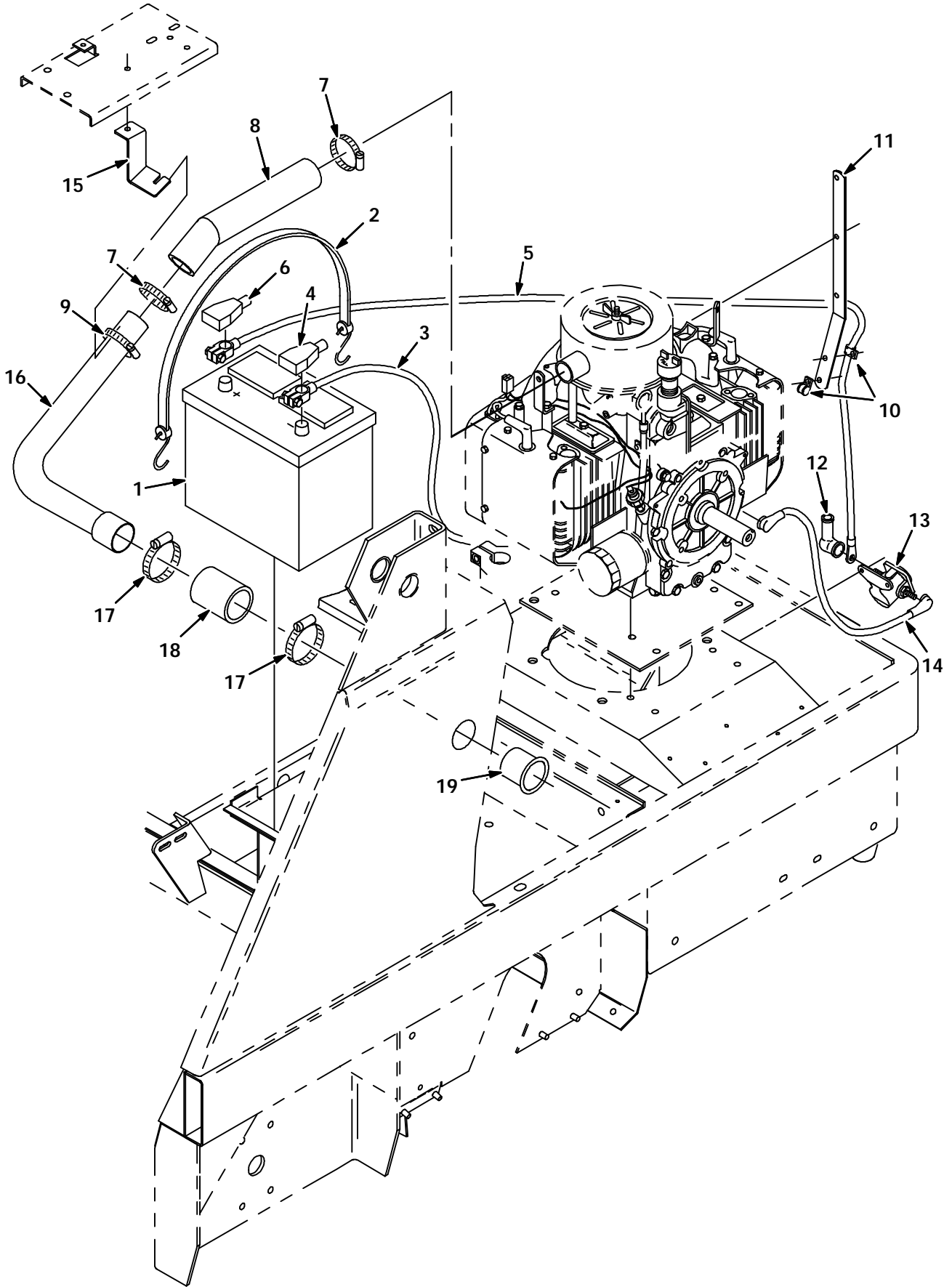


Fig. 28 - Battery and Air Intake Group

Fig. 28 - Battery and Air Intake Group

Key	TENNANT Part No.	Machine Serial Number	Description	Qty.
1	10137	(000000- )	Battery, Wet, 475 CCA	1
2	33671	(000000- )	Strap, Rubber	1
3	82709	(000000- )	Cable, Negative Battery	1
4	68872	(000000- )	Boot, Terminal	1
5	57778	(000000- )	Cable, Positive Battery	1
6	68873	(000000- )	Boot, Terminal	1
7	22297	(000000- )	Clamp, Worm Drive	2
8	87780	(000000- )	Hose, Air Intake	1
9	11531	(003248- )	Clamp, Worm Drive	1
10	26395-1	(000000- )	Clamp, Cable	2
11	87781	(000000- )	Bracket, Air Intake	1
12	02076	(000000- )	Cover, Terminal	1
13	42170-12	(000000- )	Solenoid, Starter	1
14	63266A-2	(000000- )	Cable Assembly, Battery	1
15	48649	(003248- )	Bracket, Tube Mount	1
16	48650	(003248- )	Tube, Air Intake	1
17	14432	(003248- )	Clamp, Worm Drive	2
18	15543	(003248- )	Hose, Air Intake	1
19	58346	(003248- )	Tube, Air Intake	1

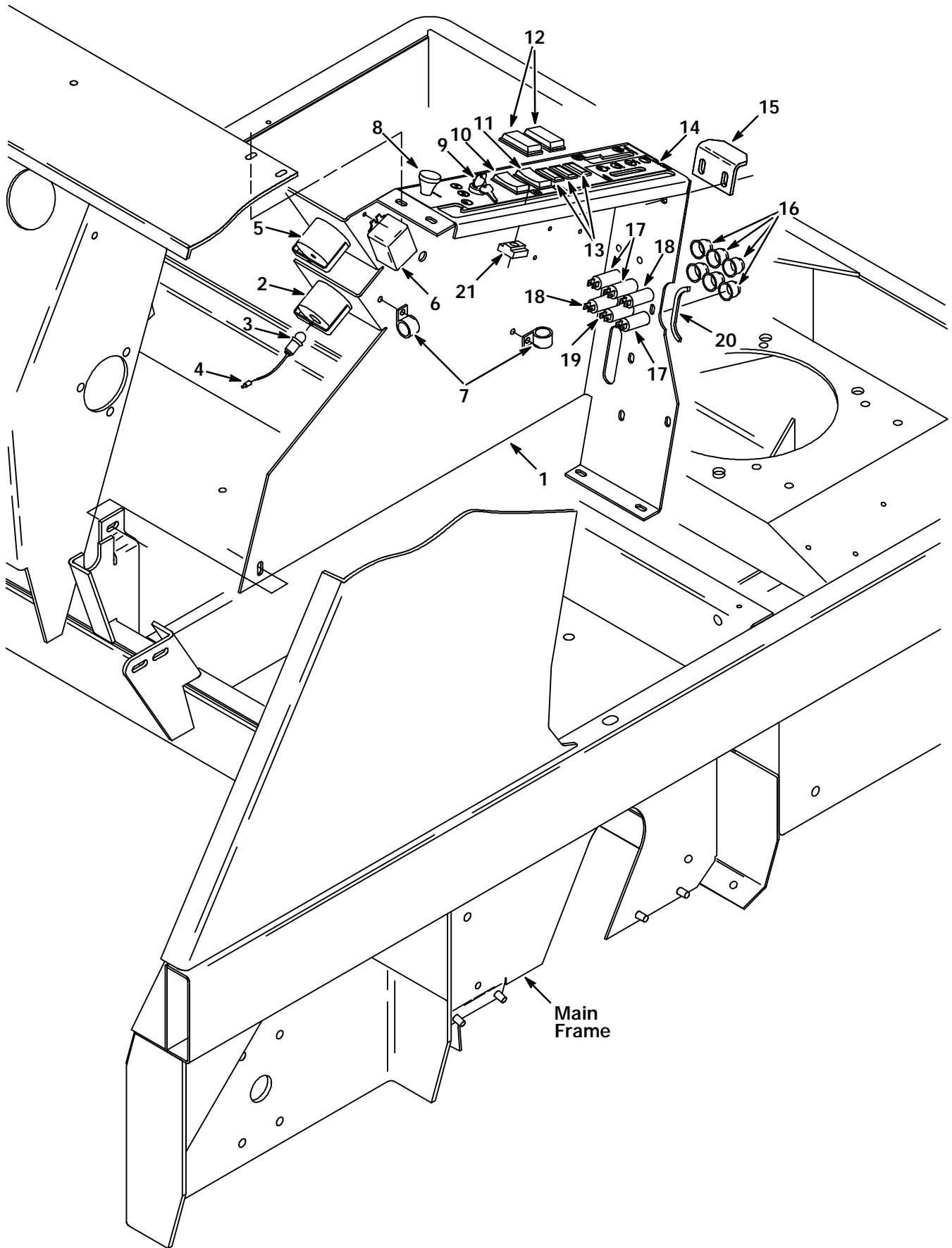


Fig. 29 - Control Panel Group

Fig. 29 - Control Panel Group

Key	TENNANT Part No.	Machine Serial Number	Description	Qty.
1	87021	(000000- )	Panel and Label Assembly, Control	1
2	34813	(000000- )	Gauge, Fuel	1
3	55271	(000000- )	Light Assembly	1
	48570	(000000- )	Bulb, 12 V	1
4	55272	(000000- )	Plug, Snap Terminal	1
5	34810	(000000- )	Gauge, Hour Meter	1
6	87283	(000000- )	Relay	1
7	40678-1	(000000- )	Clamp, Cable	2
8	17409	(000000- )	Cable Assembly, Choke	1
9	87250	(000000- )	Switch, Ignition	1
	87865	(000000- )	Key Set	1
10	31965	(000000- )	Switch, Rocker, SPST	1
11	31964	(000000- )	Switch, Rocker, DPDT	1
12	57807	(000000- )	Seal, Rocker Switch	2
13	64141	(000000- )	Light Assembly, Panel	3
14	87637	(000000- )	Label, Control Panel	1
15	87369	(000000- )	Stop, Seat Support	1
16	57751	(000000- )	Boot, Circuit Breaker	6
17	57164	(000000- )	Circuit Breaker, 10 A	3
18	57803	(000000- )	Circuit Breaker, 15 A	2
19	87977	(000000- )	Circuit Breaker, 7 A	1
20	62595-18	(000000- )	Molding, Rigid	1
21	48568	(000000- )	Nut, Speed Limiter	1

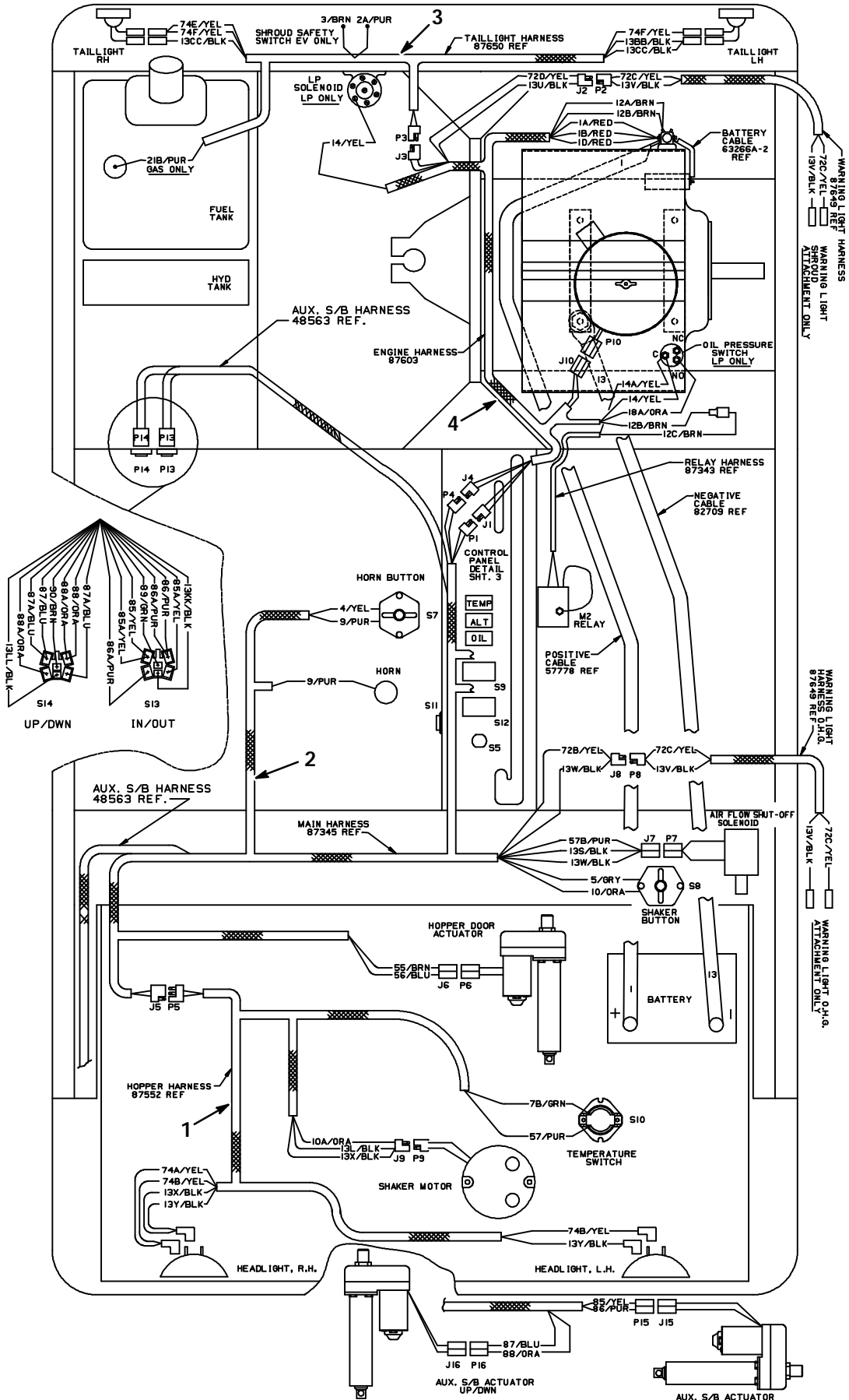


Fig. 30 - Wire Harness Group



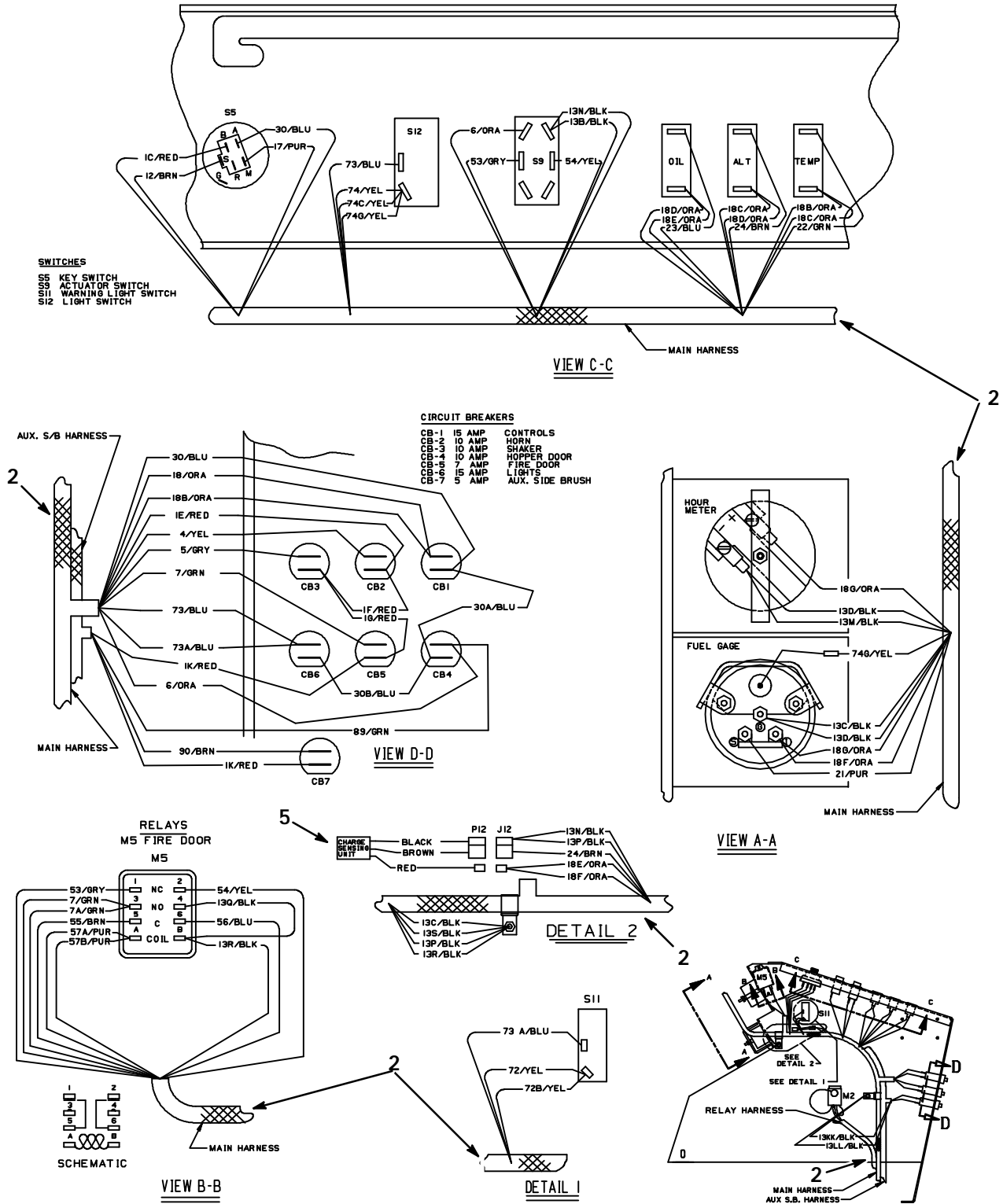
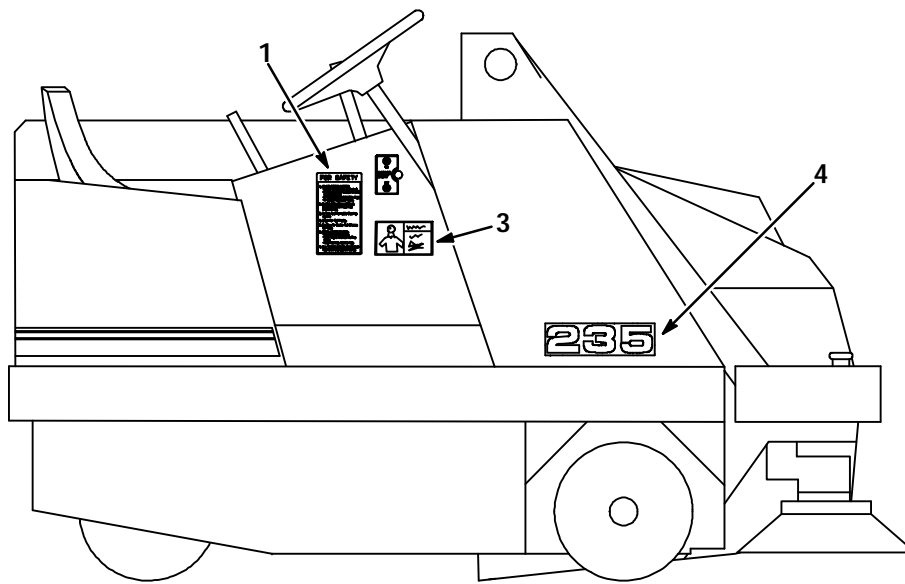
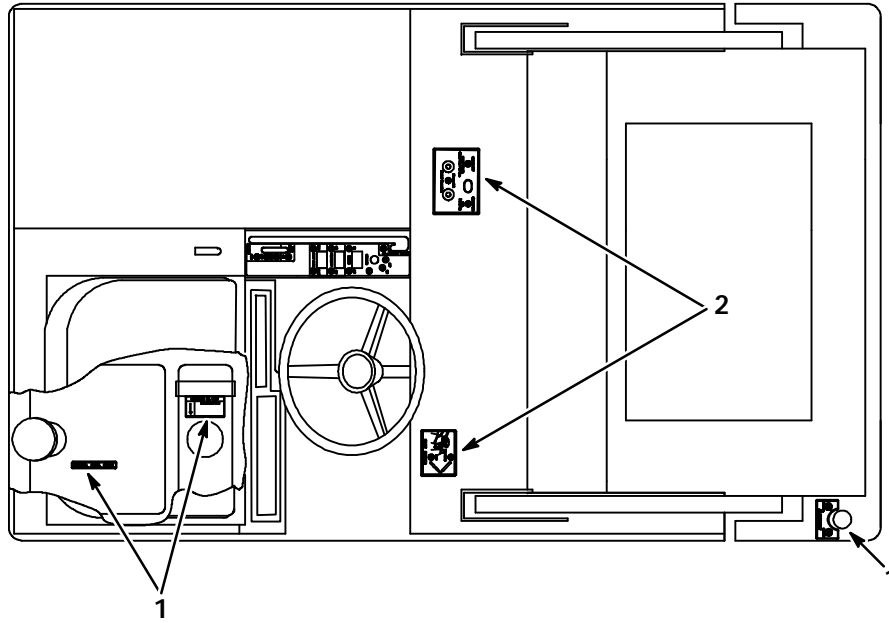


Fig. 30 - Wire Harness Group

03598

Key	TENNANT Part No.	Machine Serial Number	Description	Qty.
1	87552	(000000- )	Wire Harness, Hopper	1
2	87345	(000000- )	Wire Harness, Main	1
3	87650	(000000- )	Wire Harness, Taillights	1
4	87603	(000000- )	Wire Harness, Engine	1
5	87052	(000000- )	Sensor, Charge Indicator	1



**Fig. 31 - Labels Group**

03600

Key	TENNANT Part No.	Machine Serial Number	Description	Qty.
1	87640	(000000- )	Label Kit, Information and Hazard	1
2	87639	(000000- )	Label Kit, Operation	1
3	08885	(000000- )	Label, Warning, Emissions	1
4	87356	(000000- )	Label, Lintel, 235	1
	87954	(000000- )	Label, Replacement Kit, Gasoline	1
	87955	(000000- )	Label, Replacement Kit, LPG	1

# SECTION 6

## CONTENTS

	Page
ORDERING REPAIR PARTS .....	6-3
Fig. 1 - Engine and Fuel Line Group, LPG .....	6-4
Fig. 2 - Control Panel Group, LPG .....	6-6

*NOTE: Section 6, LPG Parts, lists repair parts unique to an LPG powered machine.*



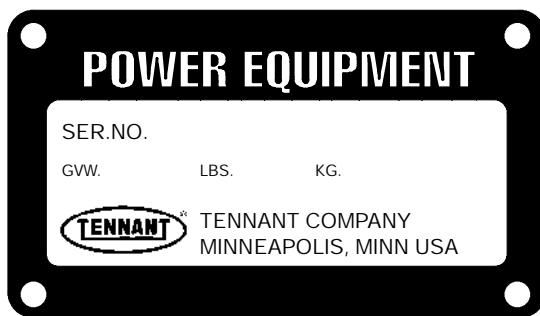
## ORDERING REPAIR PARTS

The components used in this machine have been carefully selected for performance and safety. Use only TENNANT specified or equivalent parts.

To receive prompt service in filling of your parts orders, please direct all orders for parts with TENNANT part numbers to the TENNANT, and all orders for parts with vendor part numbers to the local supplier of the respective vendor.

When ordering parts, please furnish all of the following information:

1. Machine model number - shown on the machine data plate.



2. Machine serial number - shown on the machine data plate.
3. Power source - gasoline, LPG, diesel, electric.
4. Company name.
5. Shipping address.
6. Billing address.
7. Name, first and last - of person ordering parts.
8. Telephone number.
9. Purchase order number.
10. Part number, description, and quantity - of each item on the order.
11. Customer ID Number.

Do not order parts by key number or the figure number of the illustrated parts. Indented items indicate parts of assemblies. Standard hardware is furnished only when part of a purchased assembly. Please get hardware from a local hardware supplier.

If the old part cannot be identified, send it to us with the quantity needed specified on the order.

Any claim for loss or damage to a shipment in transit should be filed promptly against the transportation company making the delivery. Shipments will be complete unless the packing list or order acknowledgement indicate items back ordered.

If parts received are suspected to be incorrect or defective, please write, wire, or phone the TENNANT representative from whom you ordered the part. They will give authorization for return and/or handle replacement shipments when required.

### SERIAL NUMBER INFORMATION EXPLANATION

Serial number listings are shown to indicate on which machines each part can be used. These listings are explained by the following examples:

(000000- ) The part can be used on all machines.

(003342- ) The part can be used on all machines beginning with the serial number listed.

(000000-004320) The part can be used on all machines up to and including serial number listed.

(004321-005678) The part can be used on all machines between and including the serial numbers listed.

Where xxxxxx's are listed in place of a serial number, it indicates a change was made but the exact serial number had not been established when the catalog went to press.

### SI UNITS OF MEASURE (INTERNATIONAL SYSTEM)

Metric equivalents have been included, where applicable, throughout this parts catalog.

### FASTENER STRENGTH IDENTIFICATION

Fasteners required to have high-strength qualities equivalent to SAE Grade 8 are identified throughout this catalog by the description GR 8. Unless identified by this description, all standard fasteners are SAE Grade 5.

(Specifications and design subject to change without notice.)

# LPG PARTS

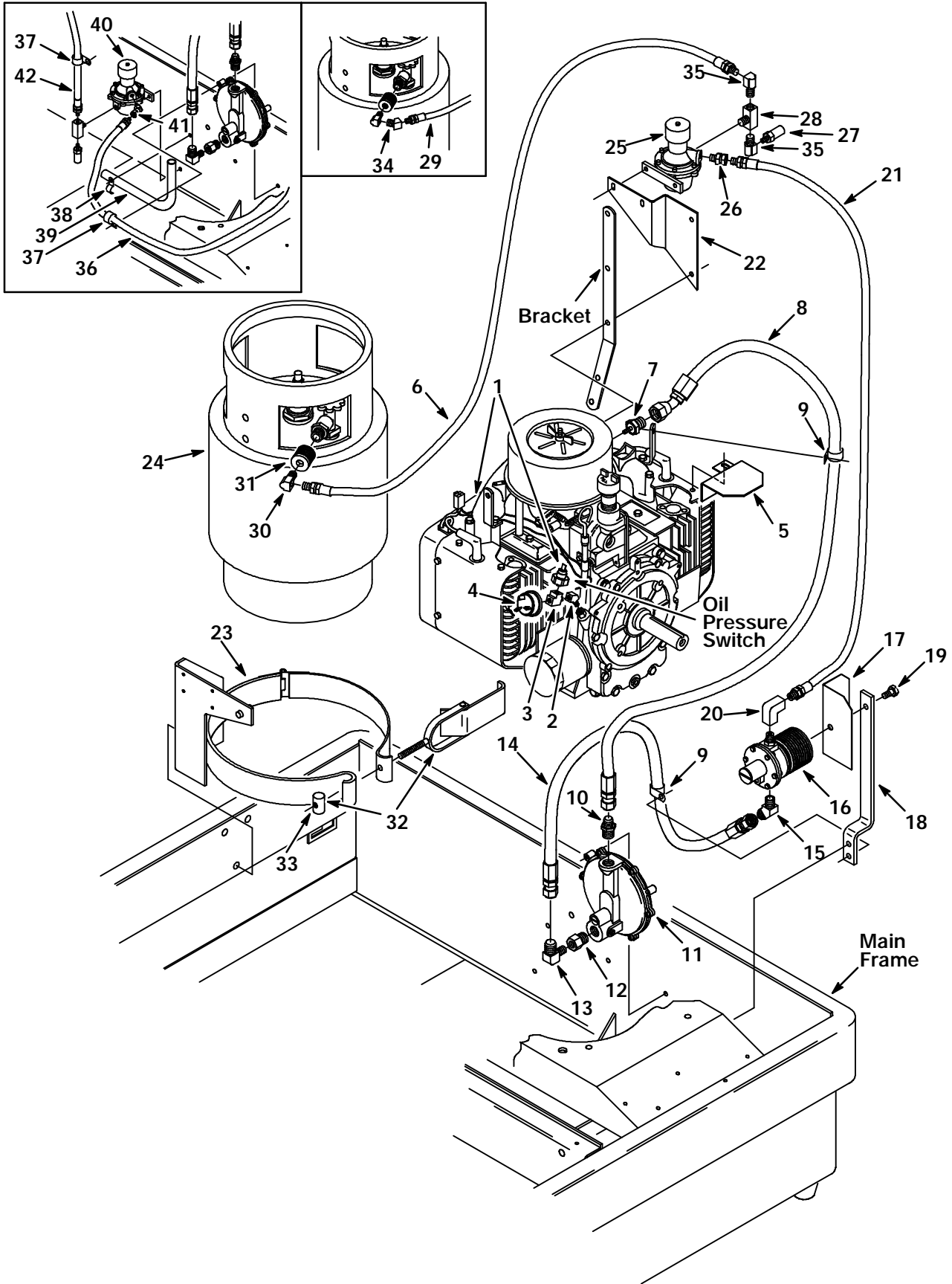
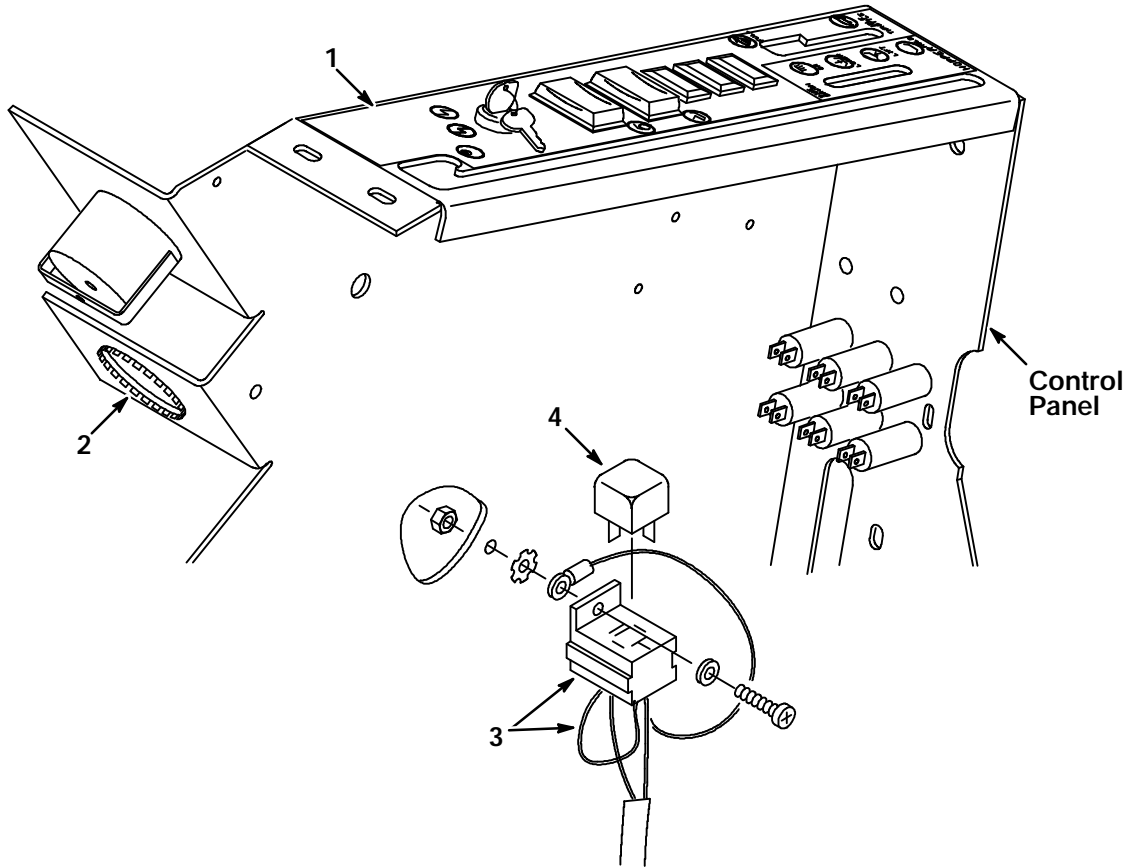


Fig. 1 - Engine and Fuel Line Group, LPG

NOTE: To identify parts shown but not listed here, see Section 5, Standard Model Parts.

Fig. 1 - Engine and Fuel Line Group, LPG

Key	TENNANT Part No.	Machine Serial Number	Description	Qty.
1	87503	(000000- )	Engine, Lpg	1
1	48773	(003600- )	Engine, Lpg (California Only)	1
2	32376	(000000- )	Fitting, Elbow, 45°	1
3	26426	(000000- )	Fitting, Tee	1
4	51805	(000000- )	Switch, Oil Pressure	1
5	87787	(000000- )	Shield, Vaporizer	1
6	22324	(001698- )	Hose, LPG	1
7	87833	(000000- )	Fitting, Straight	1
8	87837	(000000- )	Hose, LPG	1
9	40678-1	(000000- )	Clamp, Cable	2
10	05792	(000000- )	Fitting, Straight	1
11	47759	(000000- )	Regulator, Secondary Vapor	1
	37814	(000000- )	Service Kit, Vaporizer	1
12	15792-1	(000000- )	Fitting, Straight	1
13	51869	(000000- )	Fitting, Elbow	1
14	87835	(000000- )	Hose, LPG	1
15	05498	(000000- )	Fitting, Elbow, 45°	1
16	87068	(000000- )	Vaporizer Regulator	1
17	87788	(000000- )	Shield, Vaporizer	1
18	87776	(000000- )	Bracket, Vaporizer Mounting	1
19	01762	(000000- )	Screw, Nylon Hex	1
20	54179	(000000- )	Fitting, Elbow	1
21	10756	(001350- )	Hose, LPG	1
22	87309	(001350- )	Bracket, Fuel Filter Lock	1
23	87758	(000000- )	Bracket, Tank Mounting	1
24	87812	(000000-001697 )	Tank, LPG Fuel, Liquid	1
24	87883	(000000-001697 )	Tank, LPG Fuel, Liquid, with Filler Valve	1
24	10752-3	(001698- )	Tank, LPG Fuel, Vapor	1
24	10752-2	(001698- )	Tank, LPG Fuel, Vapor, with Filler Valve	1
25	53395-2	(001350- )	Fuel Filter Lock	1
	SK1444	(001350- )	Repair Kit	1
26	11442-23	(001350- )	Fitting, Straight	1
27	24047	(000000- )	Valve, Pressure Relief	1
28	53268	(000000- )	Fitting, Tee	1
29	10754	(001350-001697 )	Hose, LPG	1
30	27048	(000000- )	Fitting, Elbow	1
31	26496	(000000- )	Coupling, Quick Disconnect	1
32	53400-1	(000000- )	Latch	1
33	53400-4	(000000- )	Lug	1
34	47720	(001350-001697 )	Fitting, Elbow, 45°	1
35	27048	(001350- )	Fitting, Elbow	2
36	47192	(000000-001349)	Hose, LPG	1
37	67767	(000000-001349)	Clamp, Cable	3
38	15128-1	(000000-001349)	Clamp, Conduit	2
39	87773	(000000-001349)	Tube (Replaced by None)	1
40	33555	(000000-001349)	Fuel Filter Lock	1
	SK1444	(000000-001349)	Repair Kit	1
41	23301	(000000-001349)	Fitting, Elbow, 45°	1
42	22324	(000000-001349)	Hose, LPG	1



**Fig. 2 - Control Panel Group, LPG**

03603

Key	TENNANT Part No.	Machine Serial Number	Description	Qty.
1	87637	(000000- )	Label, Control Panel, LPG	1
2	47178-12	(000000- )	Plugbutton	1
3	87343	(001698- )	Harness, Relay	1
4	57804	(001698- )	Relay, Electrical	1

*NOTE: To identify parts shown but not listed here, see Section 5, Standard Model Parts.*



SECTION 7

CONTENTS

	Page
ORDERING REPAIR PARTS .....	7-3
Fig. 1 - Cab Kit .....	7-4
Fig. 2 - Overhead Guard Kit .....	7-5
Fig. 3 - Revolving Light Kit, Overhead Guard .	7-6
Fig. 4 - Revolving Light Kit, Shroud .....	7-7
Fig. 5 - Demo Kit .....	7-8
Fig. 6 - Foam Filled Tire Kit .....	7-8
Fig. 7 - Adjustable Seat Kit .....	7-9
Fig. 8 - Auxiliary Side Brush Group .....	7-10
Fig. 9 - Auxiliary Side Brush Hydraulic Hose Group .....	7-12
Fig. 10 - Auxiliary Side Brush Electrical Group .....	7-13

*NOTE: Section 7, Options lists repair parts of the available options.*



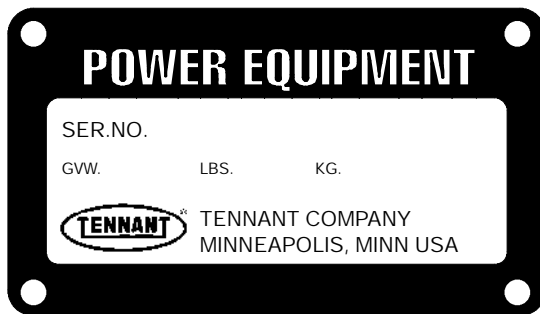
**ORDERING REPAIR PARTS**

The components used in this machine have been carefully selected for performance and safety. Use only TENNANT specified or equivalent parts.

To receive prompt service in filling of your parts orders, please direct all orders for parts with TENNANT part numbers to the TENNANT, and all orders for parts with vendor part numbers to the local supplier of the respective vendor.

When ordering parts, please furnish all of the following information:

1. Machine model number - shown on the machine data plate.



2. Machine serial number - shown on the machine data plate.
3. Power source - gasoline, LPG, diesel, electric.
4. Company name.
5. Shipping address.
6. Billing address.
7. Name, first and last - of person ordering parts.
8. Telephone number.
9. Purchase order number.
10. Part number, description, and quantity - of each item on the order.
11. Customer ID Number.

Do not order parts by key number or the figure number of the illustrated parts. Indented items indicate parts of assemblies. Standard hardware is furnished only when part of a purchased assembly. Please get hardware from a local hardware supplier.

If the old part cannot be identified, send it to us with the quantity needed specified on the order.

Any claim for loss or damage to a shipment in transit should be filed promptly against the transportation company making the delivery. Shipments will be complete unless the packing list or order acknowledgement indicate items back ordered.

If parts received are suspected to be incorrect or defective, please write, wire, or phone the TENNANT representative from whom you ordered the part. They will give authorization for return and/or handle replacement shipments when required.

**SERIAL NUMBER INFORMATION EXPLANATION**

Serial number listings are shown to indicate on which machines each part can be used. These listings are explained by the following examples:

(000000- ) The part can be used on all machines.

(003342- ) The part can be used on all machines beginning with the serial number listed.

(000000-004320) The part can be used on all machines up to and including serial number listed.

(004321-005678) The part can be used on all machines between and including the serial numbers listed.

Where xxxxxx's are listed in place of a serial number, it indicates a change was made but the exact serial number had not been established when the catalog went to press.

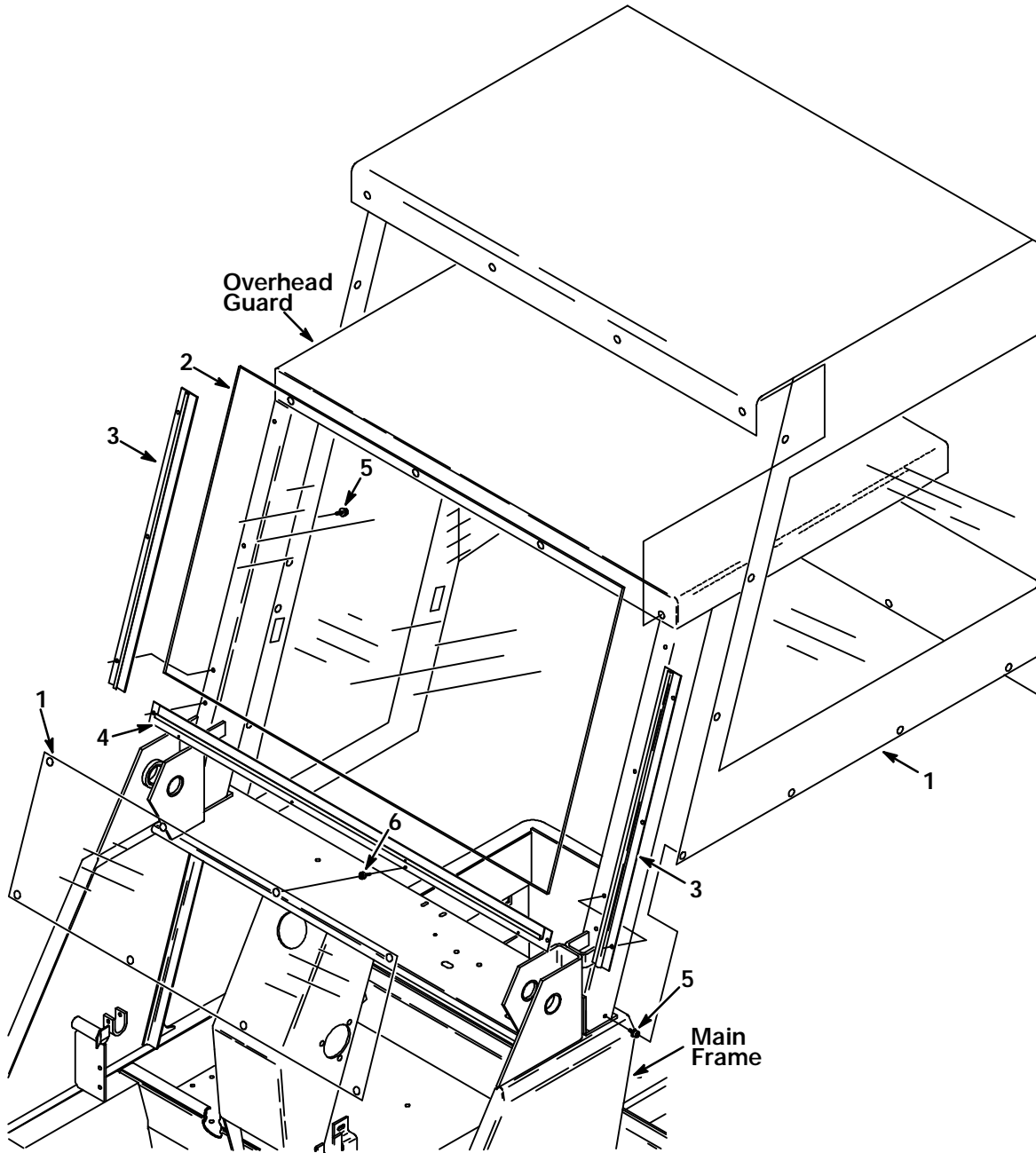
**SI UNITS OF MEASURE (INTERNATIONAL SYSTEM)**

Metric equivalents have been included, where applicable, throughout this parts catalog.

**FASTENER STRENGTH IDENTIFICATION**

Fasteners required to have high-strength qualities equivalent to SAE Grade 8 are identified throughout this catalog by the description GR 8. Unless identified by this description, all standard fasteners are SAE Grade 5.

(Specifications and design subject to change without notice.)



**Fig. 1 - Cab Kit**

03357

Key	TENNANT Part No.	Machine Serial Number	Description	Qty.
	87655	(000000- )	Cab Kit, Soft Side	1
1	87657	(000000- )	Cab, Soft Side	1
2	87697	(000000- )	Windshield	1
3	87698	(000000- )	Channel, Side	2
4	87701	(000000- )	Channel, Bottom	1
5	87694	(000000- )	Snap, Male	29
6	87695	(000000- )	Snap, Male	4

*NOTE: To Identify parts shown but not listed here, see Section 5, Standard Model Parts.*

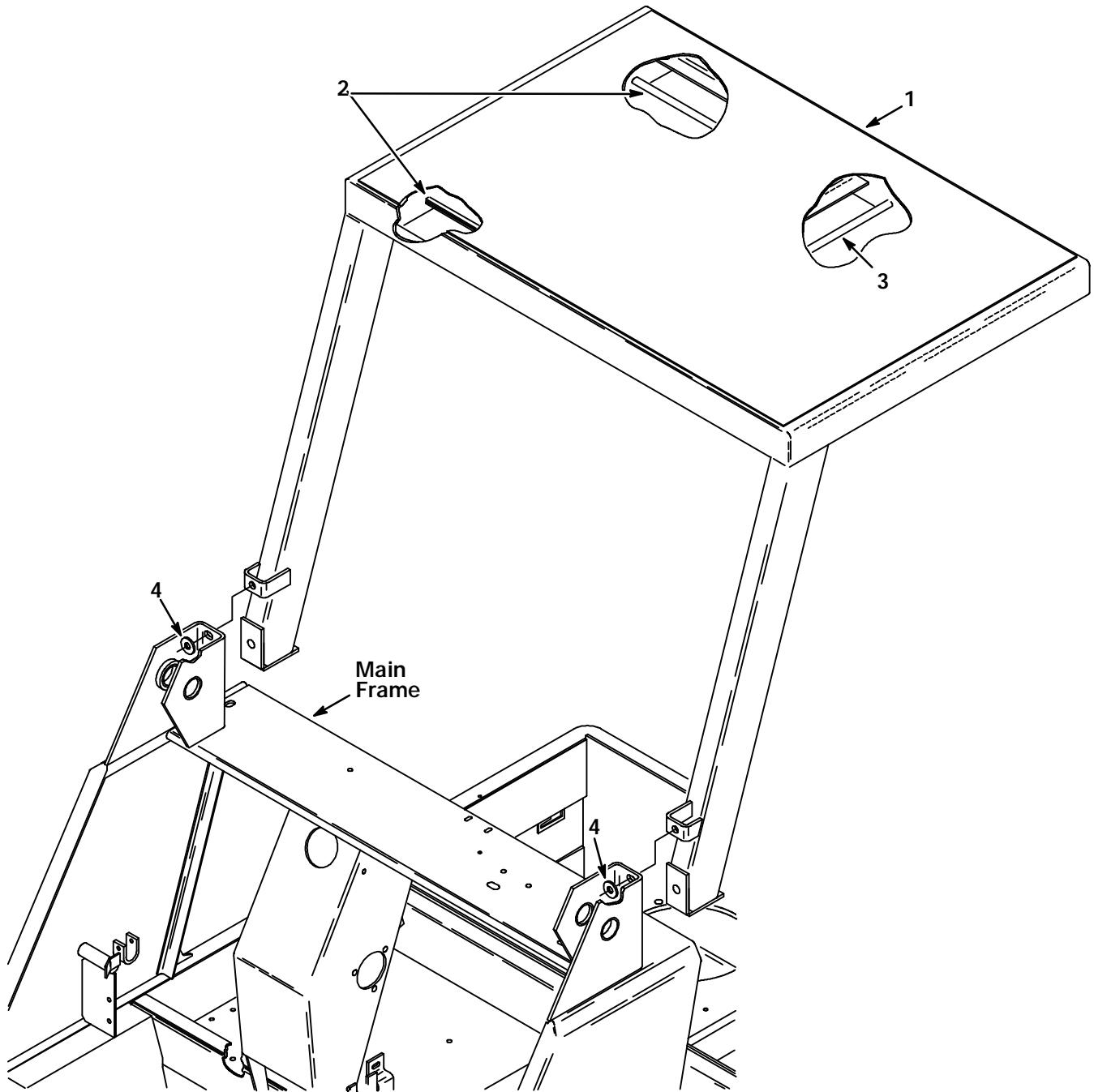


Fig. 2 - Overhead Guard Kit

03355

Key	TENNANT Part No.	Machine Serial Number	Description	Qty.
	87829	(000000- )	Guard Kit, Overhead	1
1	87450	(000000- )	Guard, Overhead	1
2	87742	(000000- )	Molding, Rigid	2
3	62595-21	(000000- )	Molding, Rigid	1
4	36328	(000000- )	Washer, Belleville	2

NOTE: To Identify parts shown but not listed here, see Section 5, Standard Model Parts.

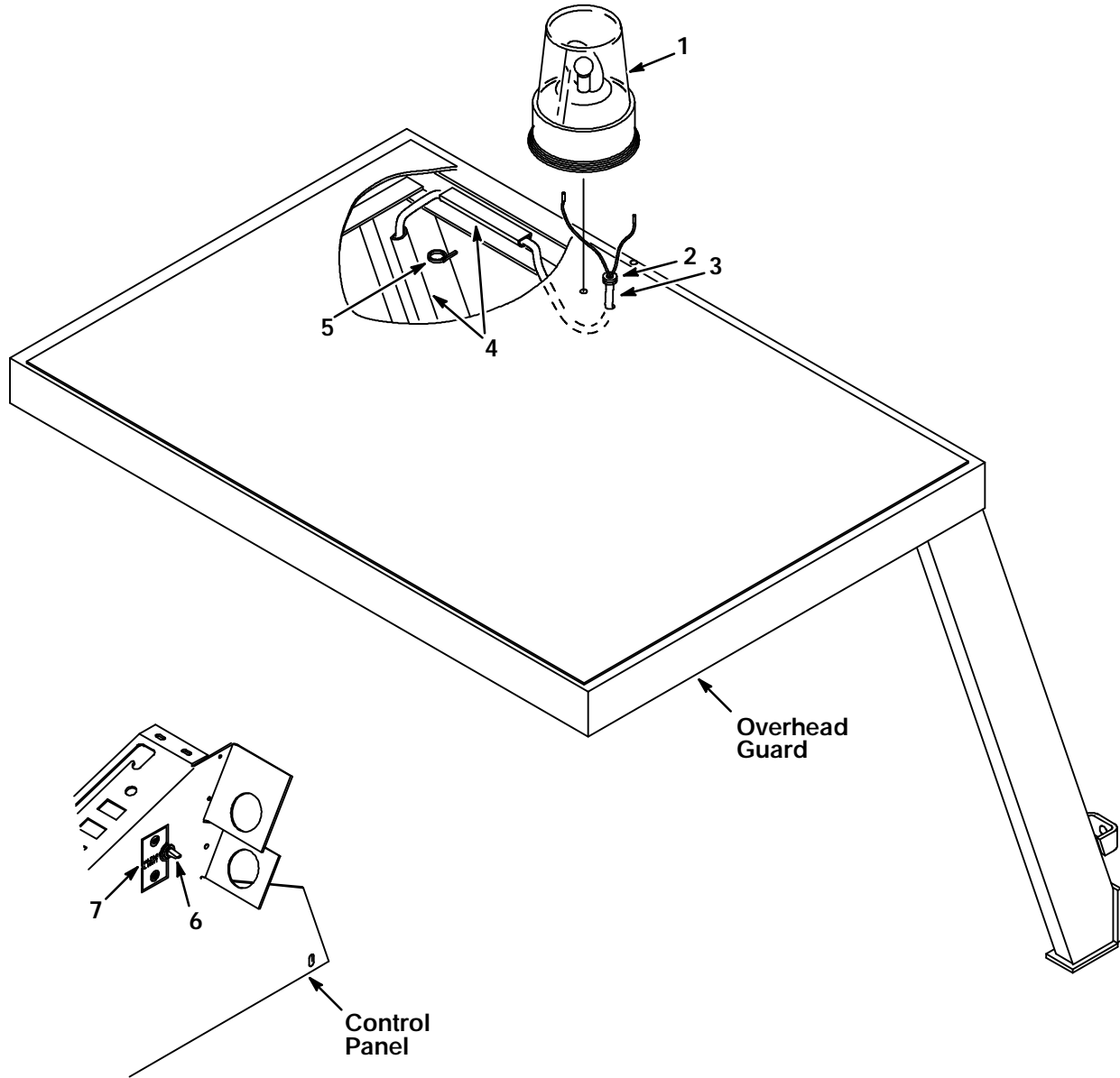


Fig. 3 - Revolving Light Kit, Overhead Guard

03571

Key	TENNANT Part No.	Machine Serial Number	Description	Qty.
1	87792	(000000- )	Light Kit, Revolving Amber	1
	87789	(000000- )	Light, Revolving Amber	1
	44681-1	(000000- )	Lens, Amber	1
	45779	(000000- )	Bulb	1
2	10632-12	(000000- )	Grommet	1
3	87649	(000000- )	Wire Harness, Overhead Guard	1
4	87673	(000000- )	Duct, Vinyl	1
5	49266	(000000- )	Tie, Cable	2
6	55264	(000000- )	Switch, Toggle	1
7	87174	(000000- )	Label, Hazard Light	1
	44681	(000000- )	Lens, Revolving Light, Red	1
	44681-2	(000000- )	Lens, Revolving Light, Blue	1

NOTE: To Identify parts shown but not listed here, see Section 5, Standard Model Parts.

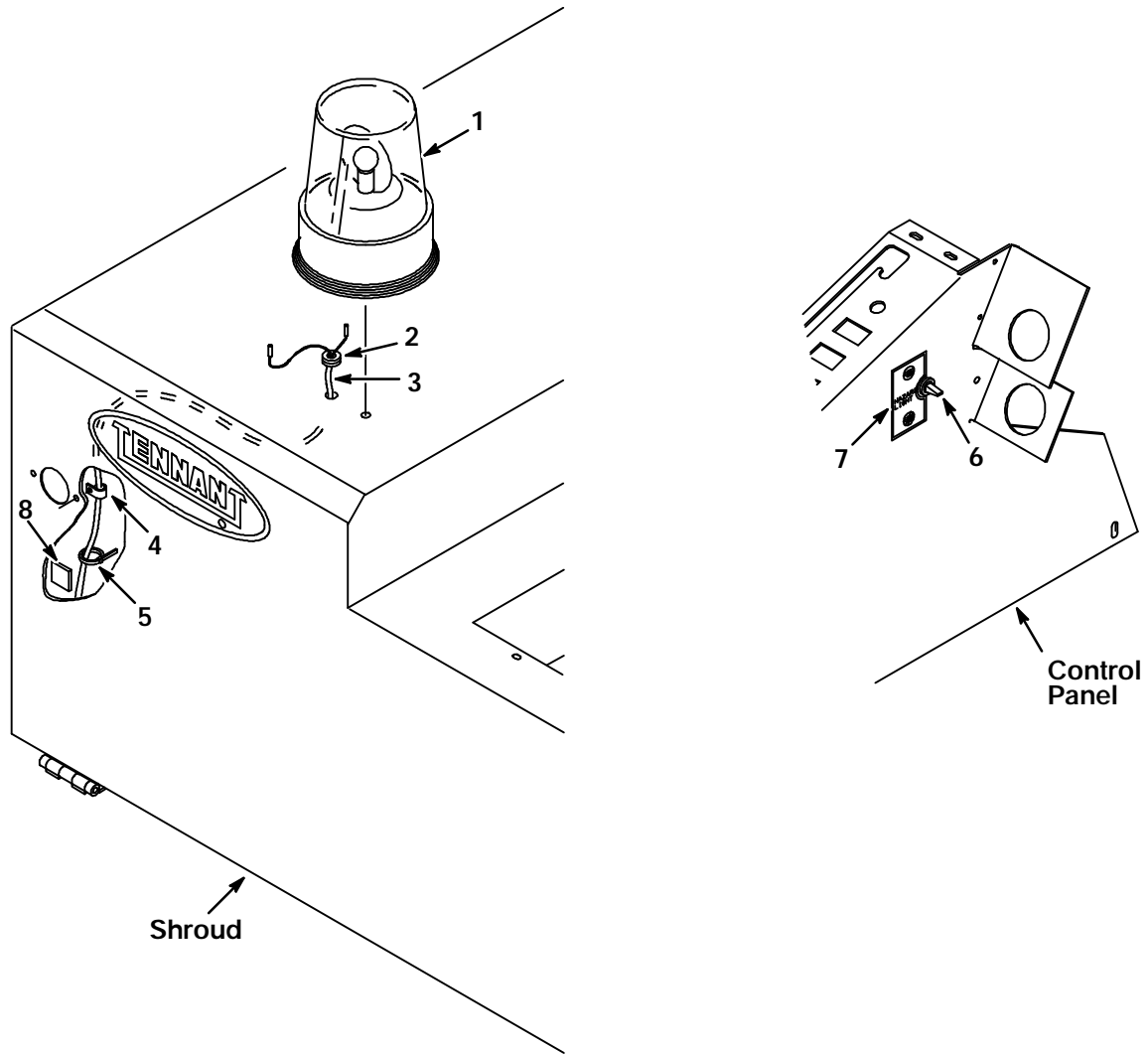


Fig. 4 - Revolving Light Kit, Shroud

03570

Key	TENNANT Part No.	Machine Serial Number	Description	Qty.
1	87791	(000000- )	Light Kit, Revolving Amber	1
	87789	(000000- )	Light, Revolving Amber	1
	44681-1	(000000- )	Lens, Amber	1
	45779	(000000- )	Bulb	1
2	10127	(000000- )	Grommet	1
	87649	(000000- )	Wire Harness, Shroud	1
4	26395-2	(000000- )	Clamp, Cable	1
5	49266	(000000- )	Tie, Cable	5
6	55264	(000000- )	Switch, Toggle	1
7	87174	(000000- )	Label, Hazard Light	1
8	55248	(000000- )	Mount, Cable Tie	1
	44681	(000000- )	Lens, Revolving Light, Red	1
	44681-2	(000000- )	Lens, Revolving Light, Blue	1

NOTE: To Identify parts shown but not listed here, see Section 5, Standard Model Parts.

# OPTIONS

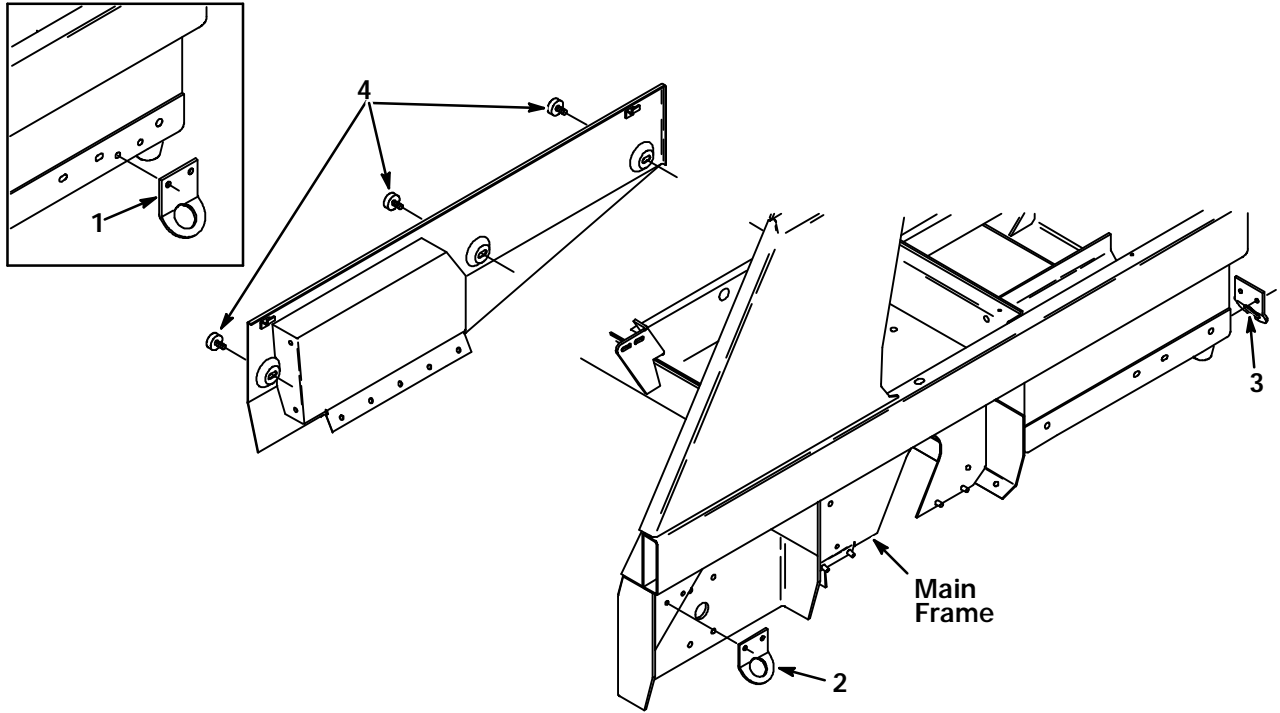


Fig. 5 - Demo Kit

03362

Key	TENNANT Part No.	Machine Serial Number	Description	Qty.
	87790	(000000- )	Demo Kit	1
1	87083	(000000-001045 )	Bracket, Replacement Kit, Rear (set of 2)	1
2	45079	(000000- )	Bracket, Tie-Down	2
3	45079	(001046- )	Bracket, Tie-Down	2
4	87462	(000000- )	Knob	3

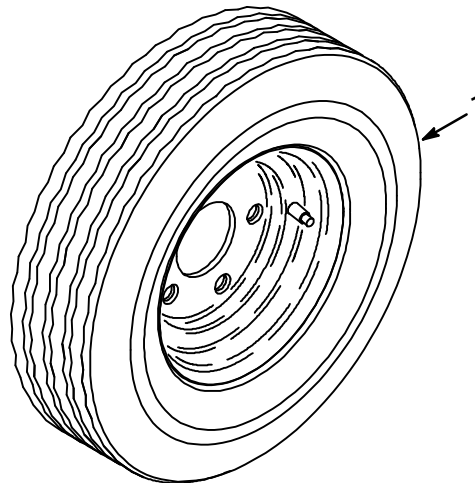


Fig. 6 - Foam Filled Tire Kit

03581

Key	TENNANT Part No.	Machine Serial Number	Description	Qty.
1	87432	(000000- )	Tire and Wheel Assembly, Foam Filled	1

NOTE: To Identify parts shown but not listed here, see Section 5, Standard Model Parts.



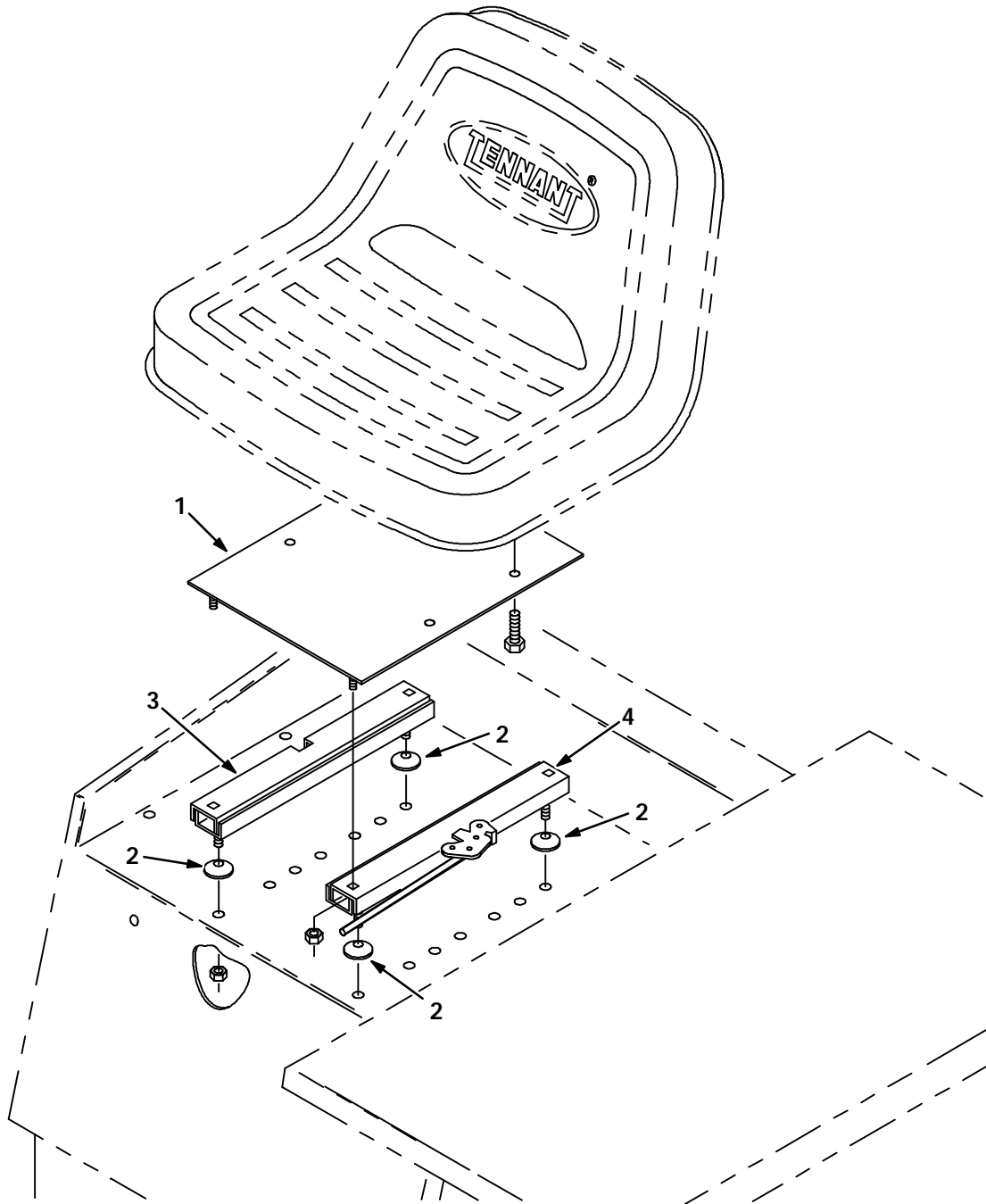


Fig. 7 - Adjustable Seat Kit

08660

Key	TENNANT Part No.	Machine Serial Number	Description	Qty.
	48685	(000000- )	Adjustable Seat Kit	1
1	66099	(000000- )	Plate, Seat Support	1
2	52615	(000000- )	Spacer, Seat Adjuster	4
3	51459	(000000- )	Adjuster, Seat	1
4	51458	(000000- )	Adjuster Assembly, Seat	1

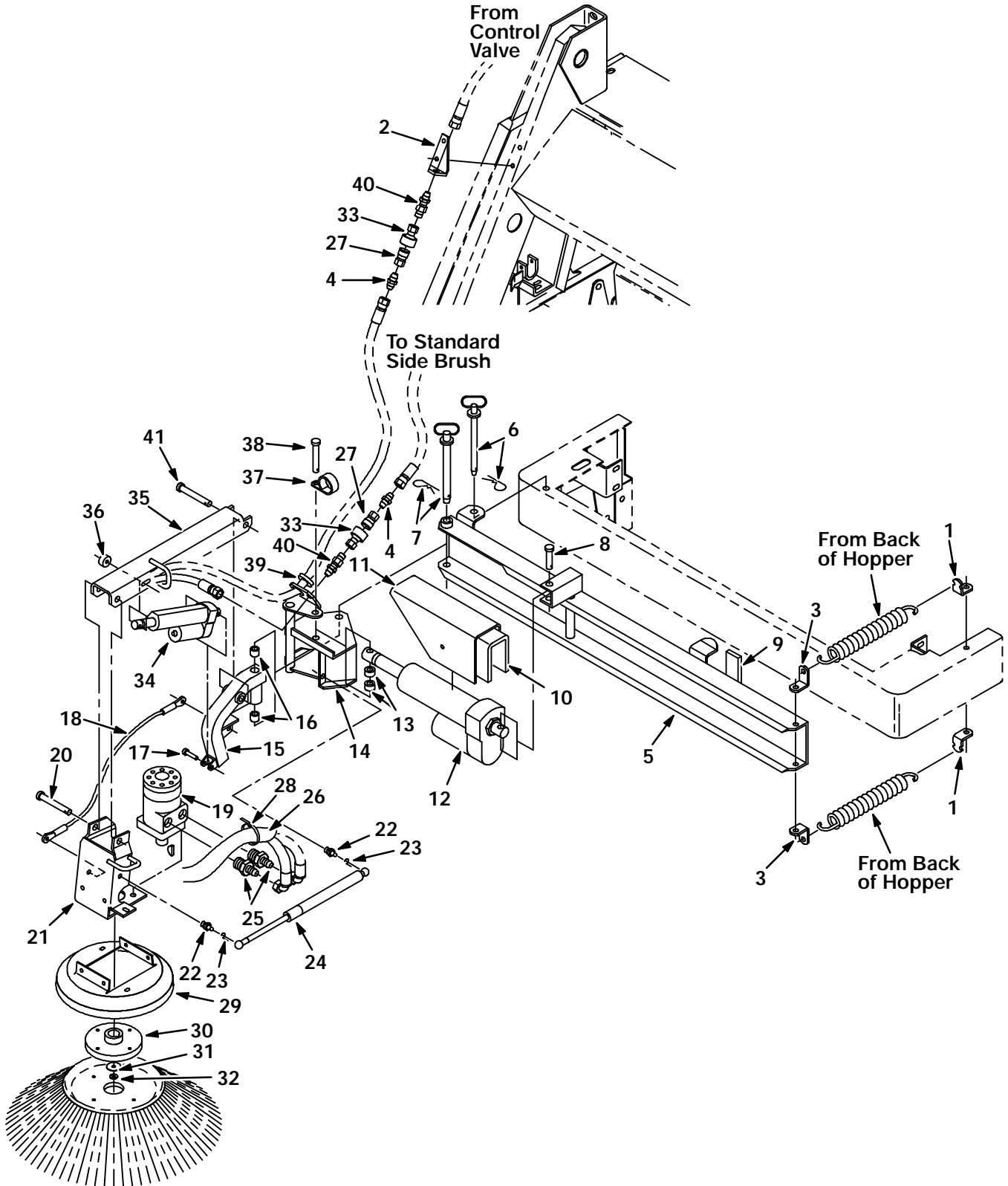


Fig. 8 - Auxiliary Side Brush Group

Fig. 8 - Auxiliary Side Brush Group

Key	TENNANT Part No.	Machine Serial Number	Description	Qty.
1	43499	(000000- )	Bracket	2
2	48582	(000000- )	Bracket, Bulkhead	1
3	48580	(000000- )	Bracket	2
4	06678	(000000- )	Fitting, Straight	2
5	48556	(000000- )	Cross Member, Front	1
6	35273	(000000- )	Pin, Hitch	1
7	35278	(000000- )	Pin, Hitch	1
8	51534	(000000- )	Pin, Clevis	1
9	35280	(000000- )	Seal, Foam Rubber	1
10	34219	(000000- )	Insulation, Foam	1
11	35279	(000000- )	Cover, Actuator	1
12	87444	(000000- )	Actuator	1
13	82229	(000000- )	Sleeve	2
14	35274	(000000- )	Lever, Actuator	1
15	48567	(000000- )	Pivot, Brush Arm	1
16	45097	(000000- )	Bearing	2
17	15173	(000000- )	Pin, Clevis	1
18	48581	(000000- )	Cable	1
19	28804	(000000- )	Motor, Hydraulic	1
20	06474A	(000000- )	Pin, Clevis	1
21	48584	(000000- )	Bracket, Motor	1
22	58494	(000000- )	Stud, Ball	2
23	64595	(000000- )	Clip, Spring	2
24	31182	(000000- )	Spring, Gas	1
25	57984	(000000- )	Fitting, Straight	2
26	87677	(000000- )	Sleeve, Nylon	1
27	34413	(000000- )	Coupling, Male	2
28	49266	(000000- )	Tie, Cable	6
29	87439	(000000- )	Deflector	1
30	87418	(000000- )	Hub, Side Brush	1
31	41178	(000000- )	Washer	1
32	41185	(000000- )	Washer, Belleville	1
33	34414	(000000- )	Coupling, Female	2
34	48587	(000000- )	Actuator	1
35	48557	(000000- )	Arm, Extended Reach	1
36	02965	(000000- )	Sleeve	1
37	43560	(000000- )	Clamp, Cable	1
38	23683	(000000- )	Pin, Clevis	1
39	10632	(000000- )	Grommet	1
40	82621	(000000- )	Fitting, Bulkhead	2
41	23683	(000000- )	Pin, Clevis	1
	49287	(000000- )	Clamp, Cable	1
	27184	(000000- )	Blade, Connector	2
	48563	(000000- )	Wire Harness, Aux Side Brush	1

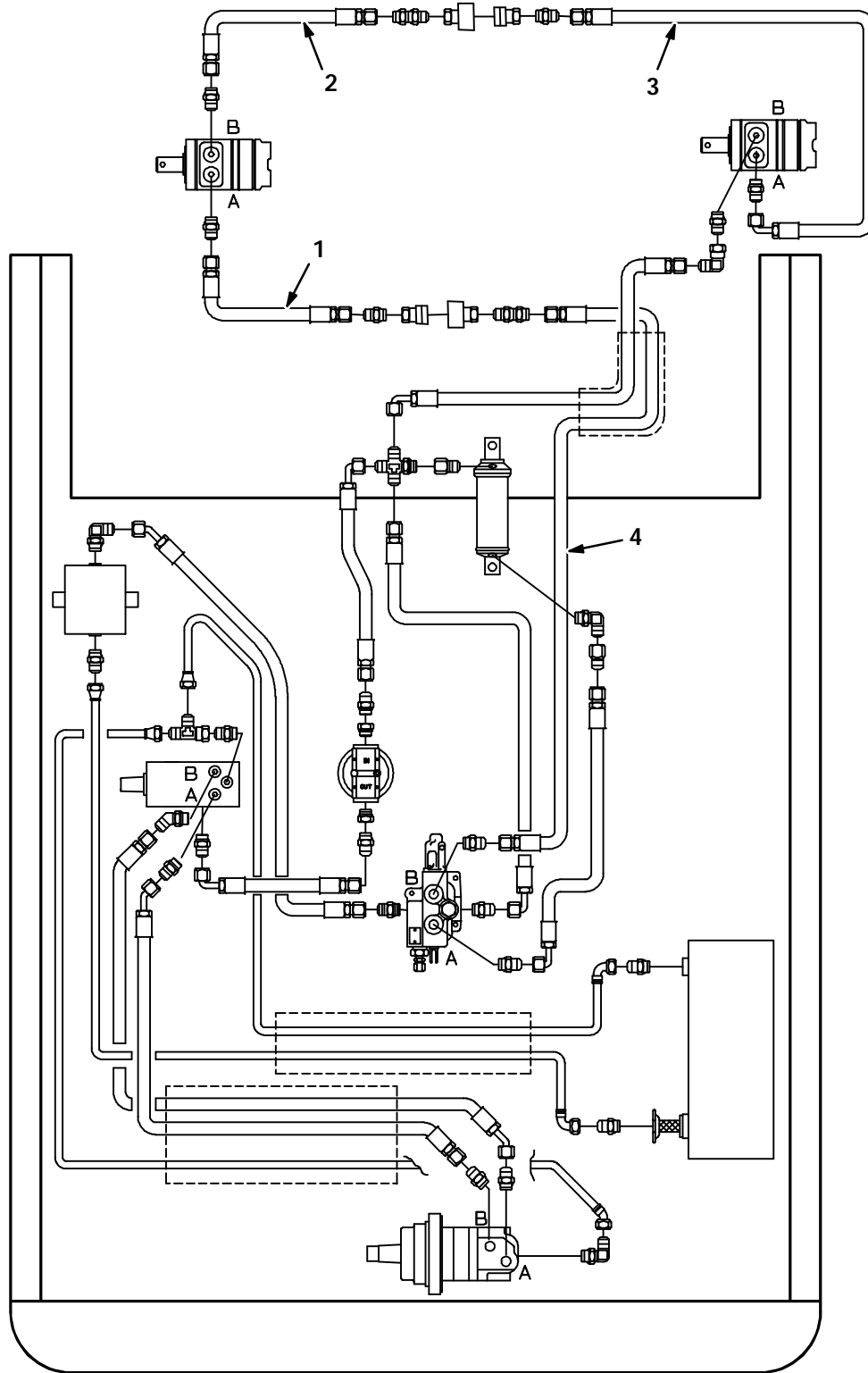
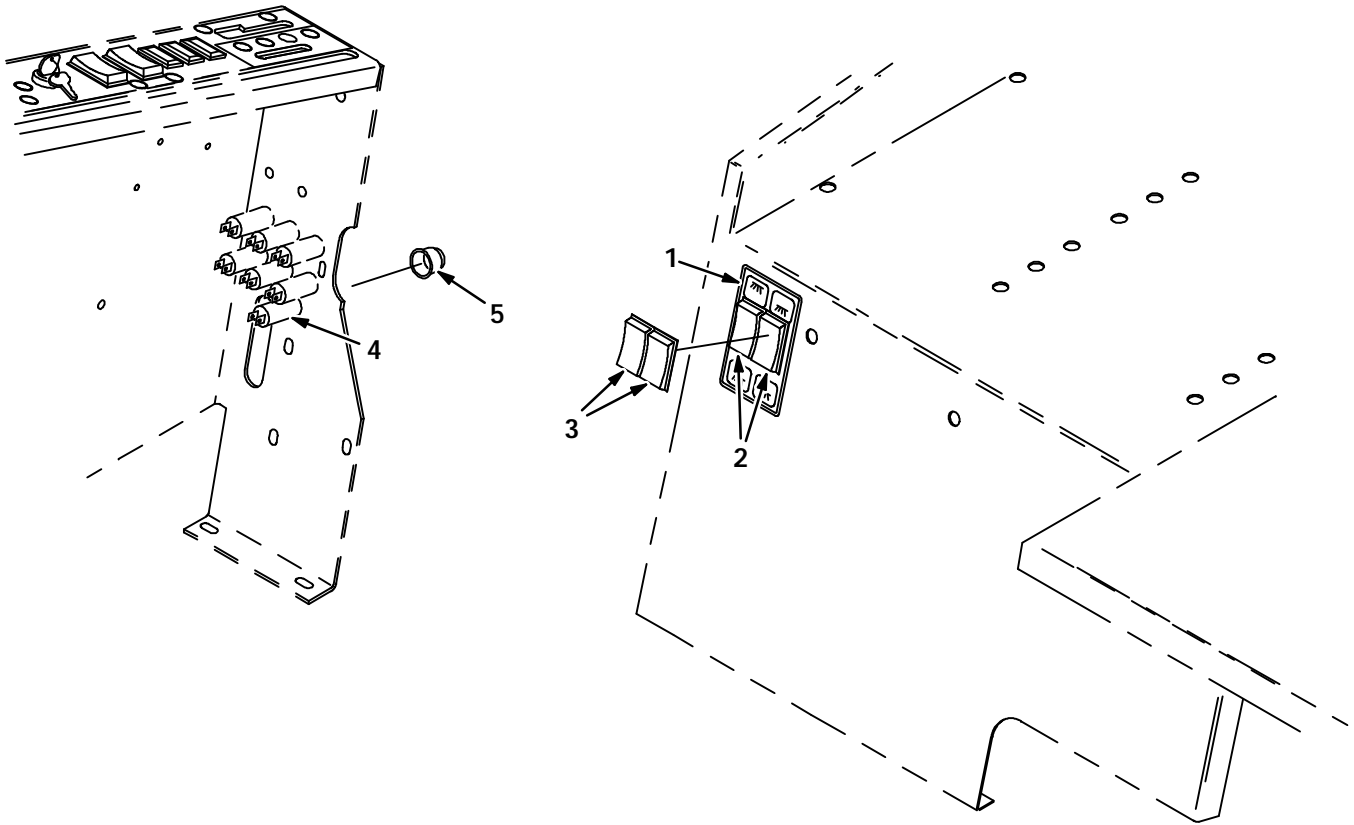


Fig. 9 - Auxiliary Side Brush Hydraulic Hose Group

06852

Key	TENNANT Part No.	Machine Serial Number	Description	Qty.
1	57967	(000000- )	Hose, Hydraulic	1
2	48617	(000000- )	Hose, Hydraulic	1
3	57947	(000000- )	Hose, Hydraulic	1
4	19634	(000000- )	Hose, Hydraulic	1



06853

Fig. 10 - Auxiliary Side Brush Electrical Group

Key	TENNANT Part No.	Machine Serial Number	Description	Qty.
1	35304	(000000- )	Label, Brush Control	1
2	65560	(000000- )	Switch, Rocker, DPDT	2
3	57807	(000000- )	Cover, Rocker Switch Seal	2
4	27920	(000000- )	Breaker, Circuit, 5A	1
5	57751	(000000- )	Boot, Circuit Breaker	1



## SECTION 8

## CONTENTS

	Page
ORDERING REPAIR PARTS .....	8-3
Fig. 1 - Hydraulic Motor Breakdown, 87417 ...	8-4
Fig. 2 - Hydraulic Motor Breakdown, 87475 ...	8-5
Fig. 3 - Hydraulic Valve Breakdown, 87409 ...	8-6
Fig. 4 - Hydraulic Pump Breakdown, 87734 ...	8-7
Fig. 5 - Hydraulic Lift Cylinder Breakdown, 87055 .....	8-8
Fig. 6 - Hydraulic Lift Cylinder Breakdown, 48575 .....	8-9
Fig. 7 - Hydraulic Lift Cylinder Breakdown, 65223 .....	8-10
Fig. 8 - Hydraulic Pump Breakdown, 87451 ...	8-11
Fig. 9 - Hydraulic Motor Breakdown, 28804 ...	8-12

*NOTE: Section 8, Hydraulic Components, lists the repair parts for each of the repairable hydraulic components.*





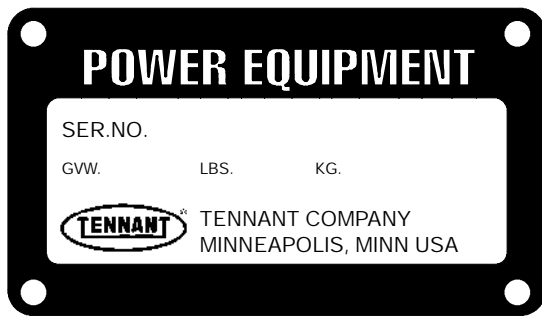
**ORDERING REPAIR PARTS**

The components used in this machine have been carefully selected for performance and safety. Use only TENNANT specified or equivalent parts.

To receive prompt service in filling of your parts orders, please direct all orders for parts with TENNANT part numbers to the TENNANT, and all orders for parts with vendor part numbers to the local supplier of the respective vendor.

When ordering parts, please furnish all of the following information:

1. Machine model number - shown on the machine data plate.



2. Machine serial number - shown on the machine data plate.
3. Power source - gasoline, LPG, diesel, electric.
4. Company name.
5. Shipping address.
6. Billing address.
7. Name, first and last - of person ordering parts.
8. Telephone number.
9. Purchase order number.
10. Part number, description, and quantity - of each item on the order.
11. Customer ID Number.

Do not order parts by key number or the figure number of the illustrated parts. Indented items indicate parts of assemblies. Standard hardware is furnished only when part of a purchased assembly. Please get hardware from a local hardware supplier.

If the old part cannot be identified, send it to us with the quantity needed specified on the order.

Any claim for loss or damage to a shipment in transit should be filed promptly against the transportation company making the delivery. Shipments will be complete unless the packing list or order acknowledgement indicate items back ordered.

If parts received are suspected to be incorrect or defective, please write, wire, or phone the TENNANT representative from whom you ordered the part. They will give authorization for return and/or handle replacement shipments when required.

**SERIAL NUMBER INFORMATION EXPLANATION**

Serial number listings are shown to indicate on which machines each part can be used. These listings are explained by the following examples:

(000000- ) The part can be used on all machines.

(003342- ) The part can be used on all machines beginning with the serial number listed.

(000000-004320) The part can be used on all machines up to and including serial number listed.

(004321-005678) The part can be used on all machines between and including the serial numbers listed.

Where xxxxxx's are listed in place of a serial number, it indicates a change was made but the exact serial number had not been established when the catalog went to press.

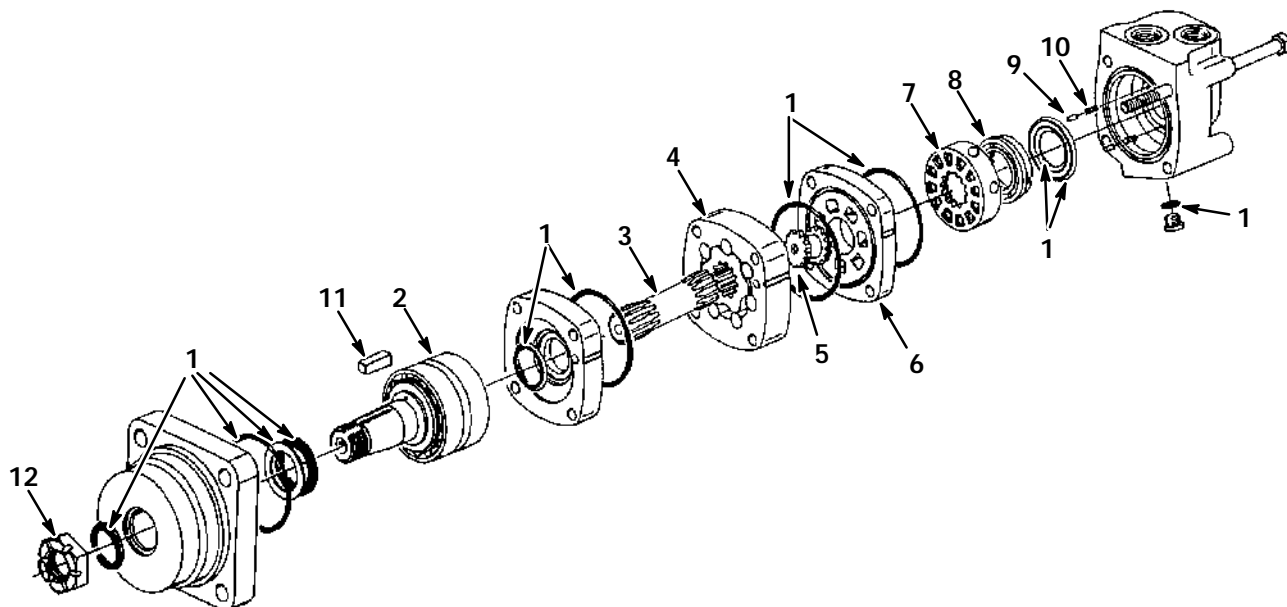
**SI UNITS OF MEASURE (INTERNATIONAL SYSTEM)**

Metric equivalents have been included, where applicable, throughout this parts catalog.

**FASTENER STRENGTH IDENTIFICATION**

Fasteners required to have high-strength qualities equivalent to SAE Grade 8 are identified throughout this catalog by the description GR 8. Unless identified by this description, all standard fasteners are SAE Grade 5.

(Specifications and design subject to change without notice.)



03604

**Fig. 1 - Hydraulic Motor Breakdown, 87417**

Key	TENNANT Part No.	Manufacture Serial Number	Description	Qty.
	87417	(000000- )	Motor, Hydraulic	1
1	02643	(000000- )	Seal Kit	1
2	02644	(000000- )	Shaft And Bearing Kit	1
3	87784	(000000- )	Drive	1
4	87785	(000000- )	Geroler	1
5	57370	(000000- )	Valve Drive	1
6	02646	(000000- )	Valve Plate	1
7	02647	(000000- )	Valve	1
8	57373	(000000- )	Balance Ring	1
9	57374	(000000- )	Pin	2
10	57375	(000000- )	Spring	2
11	38315	(000000- )	Key	1
12	38490	(000000- )	Nut	1

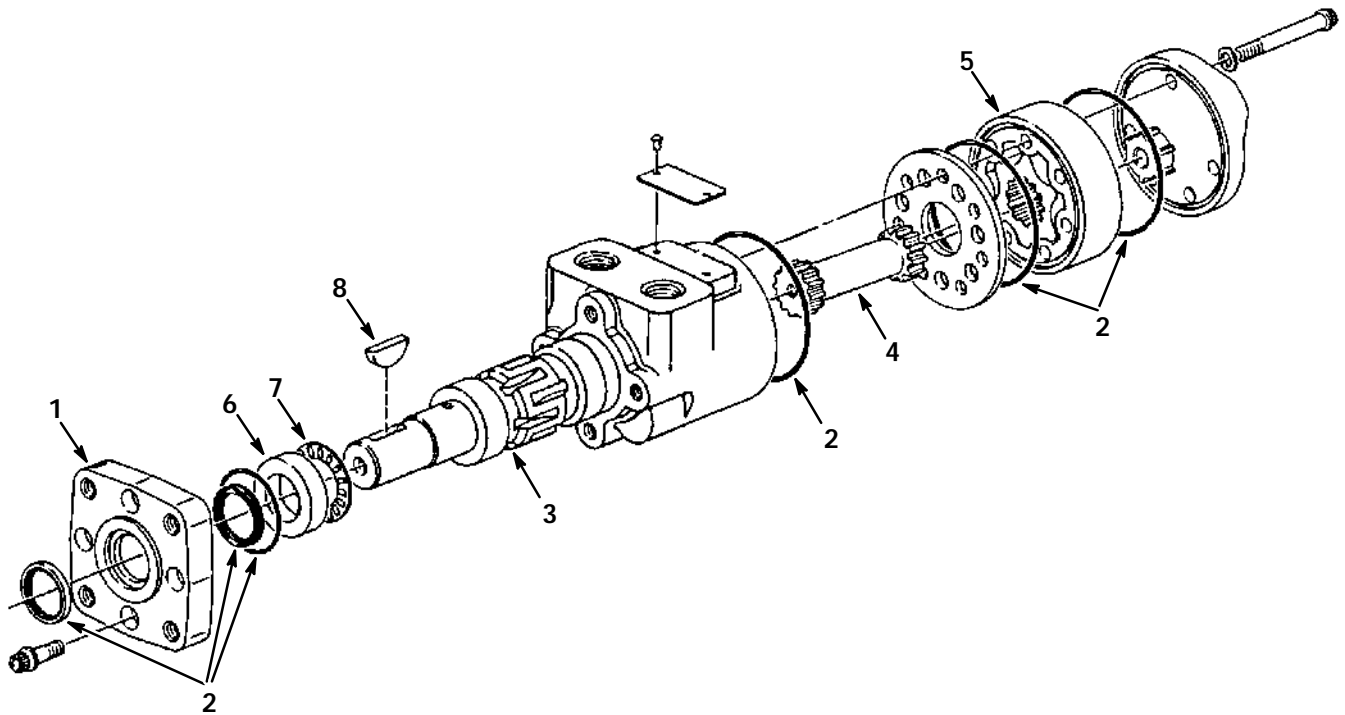
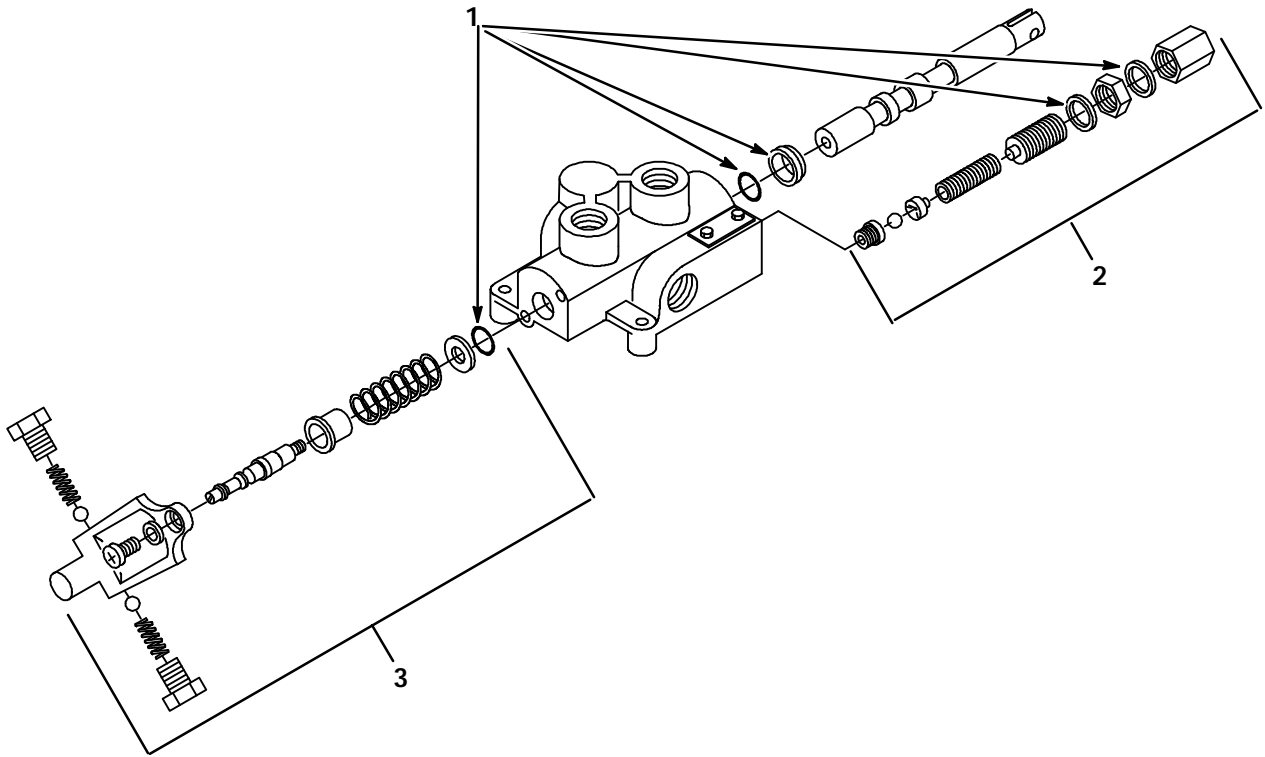


Fig. 2 - Hydraulic Motor Breakdown, 87475

03563

Key	TENNANT Part No.	Manufacture Serial Number	Description	Qty.
	87475	(000000- )	Motor, Hydraulic (Replaced by 28804)	1
1	34174	(000000- )	Flange, Mounting	1
2	47649	(000000- )	Seal Kit	1
3	87662	(000000- )	Shaft, Output	1
4	34176	(000000- )	Drive	1
5	87663	(000000- )	Geroter	1
6	16695	(000000- )	Race, Thrust	1
7	45628	(000000- )	Bearing, Thrust	1
8	00500-15	(000000- )	Key, Woodruff	1



**Fig. 3 - Hydraulic Valve Breakdown, 87409**

03480

Key	TENNANT Part No.	Manufacture Serial Number	Description	Qty.
	87409	(000000- )	Valve, Hydraulic	1
1	01666	(000000- )	Seal Kit	1
2	87754	(000000- )	Relief Valve Kit	1
3	01669	(000000- )	Detent Kit	1

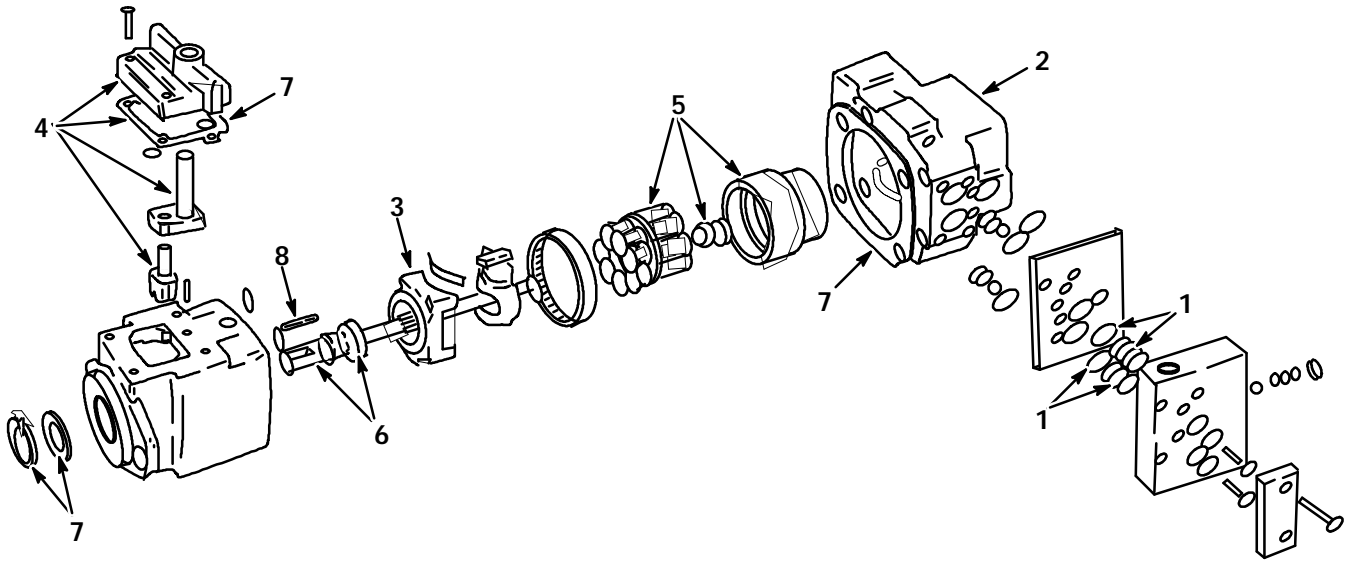
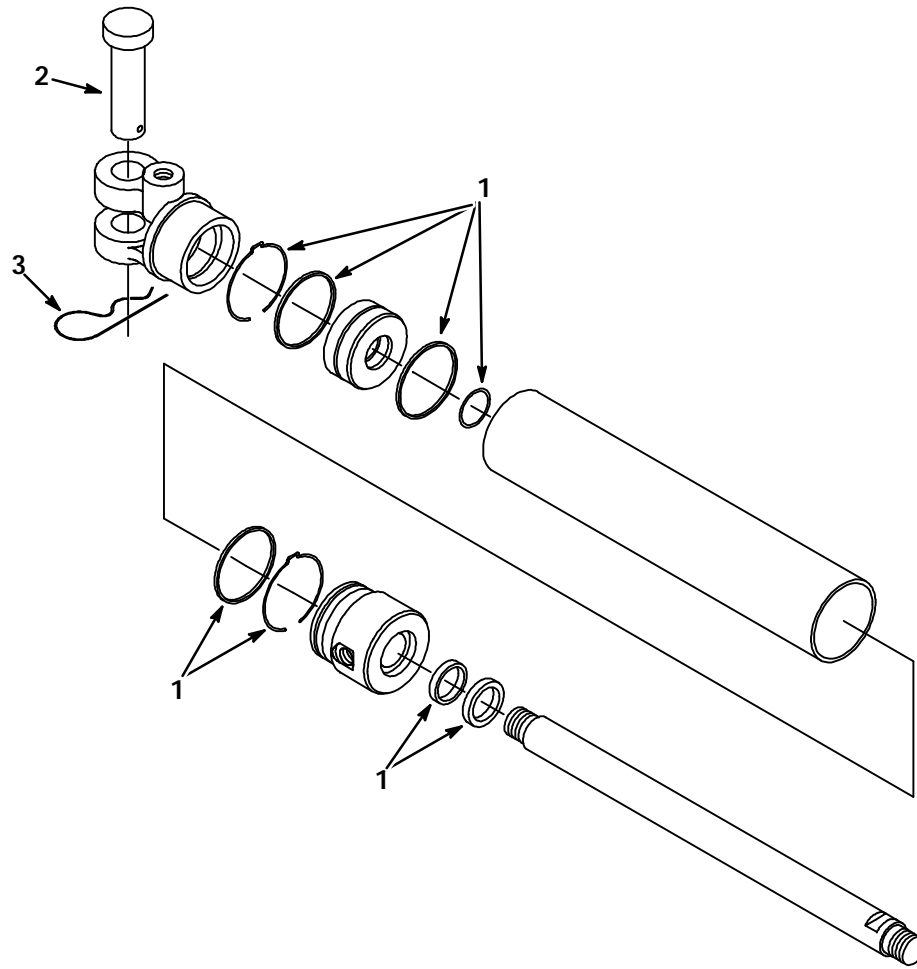


Fig. 4 - Hydraulic Pump Breakdown, 87734

03605

Key	TENNANT Part No.	Manufacture Serial Number	Description	Qty.
	87734	(000000- )	Pump, Hydraulic	1
1	87266	(000000- )	Relief Valve Kit	2
2	33296	(000000- )	Valve Plate Kit	1
3	33298	(000000- )	Saddle Kit	1
4	33299	(000000- )	Control Kit	1
5	33303	(000000- )	Rotating Group Kit	1
6	33304	(000000- )	Shaft And Bearing Kit	1
7	33305	(000000- )	Seal Kit	1
8	00912	(000000- )	Key, Square	1



**Fig. 5 - Hydraulic Lift Cylinder Breakdown, 87055**

08680

Key	TENNANT Part No.	Manufacture Serial Number	Description	Qty.
	87055	(000000- )	Cylinder, Hydraulic (Replaced by 48575)	1
1	87744	(000000- )	Seal Kit	1
2	87850	(000000- )	Pin, Clevis	1
3	87851	(000000- )	Pin, Hair Cotter	1

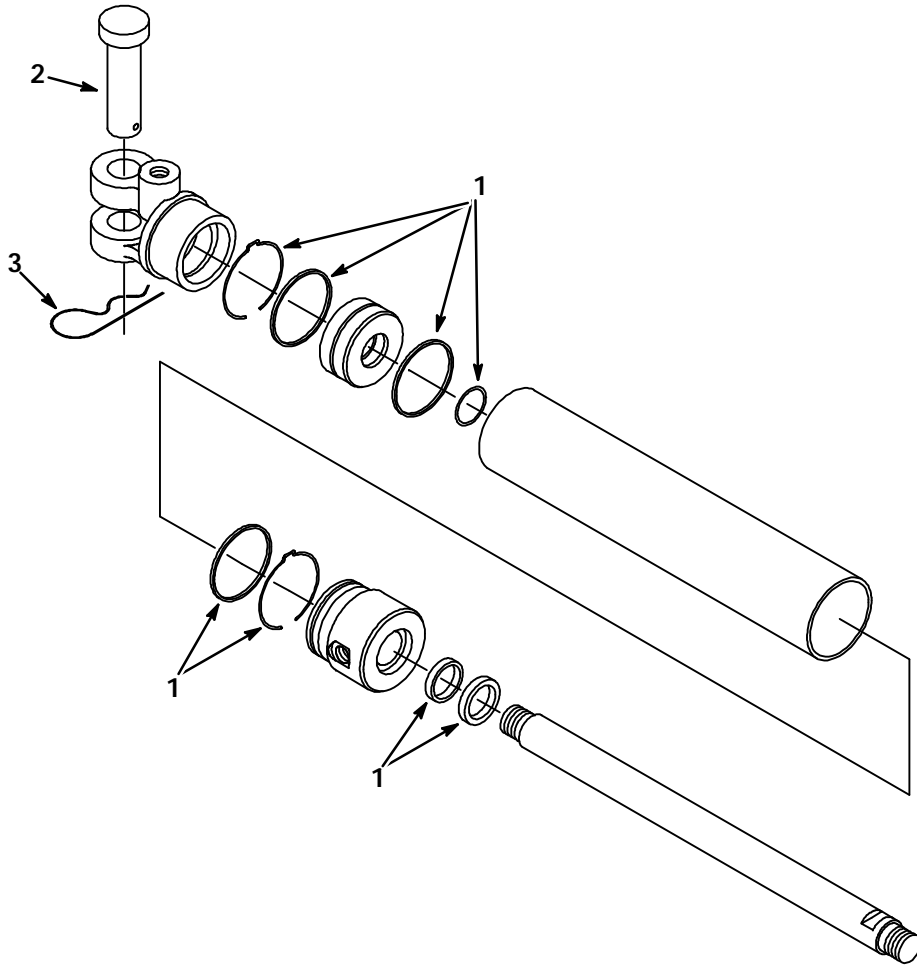
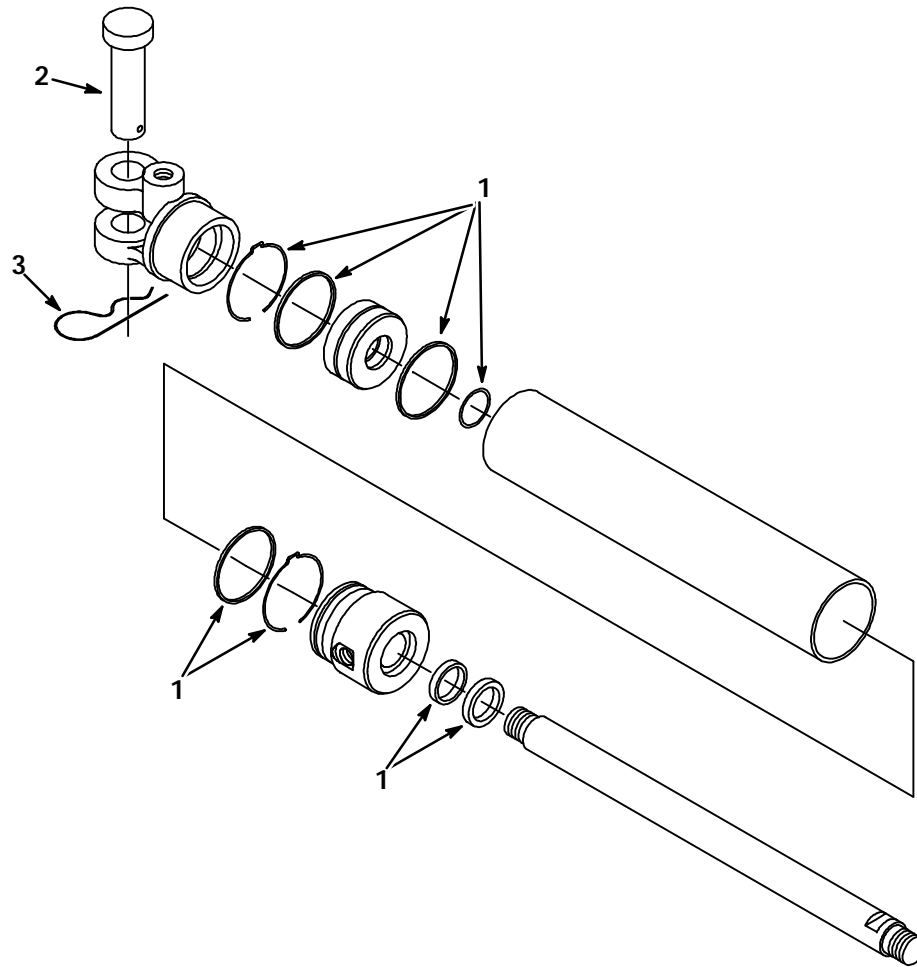


Fig. 6 - Hydraulic Lift Cylinder Breakdown, 48575

08685

Key	TENNANT Part No.	Manufacture Serial Number	Description	Qty.
	48575	(000000- )	Cylinder, Hydraulic (Replaced by 48660)	1
1	48577	(000000- )	Seal Kit	1
2	87850	(000000- )	Pin, Clevis	1
3	87851	(000000- )	Pin, Hair Cotter	1



**Fig. 7 - Hydraulic Lift Cylinder Breakdown, 65223**

09727

Key	TENNANT Part No.	Manufacture Serial Number	Description	Qty.
	65223	(000000- )	Cylinder, Hydraulic	1
1	48577	(000000- )	Seal Kit	1
2	87850	(000000- )	Pin, Clevis	1
3	87851	(000000- )	Pin, Hair Cotter	1



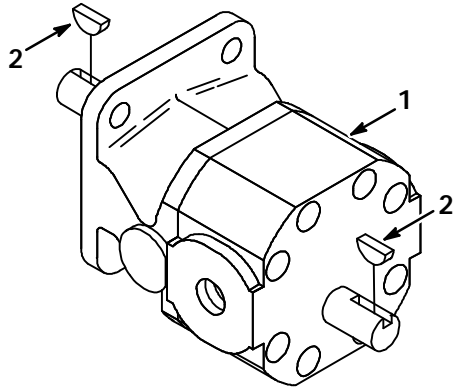
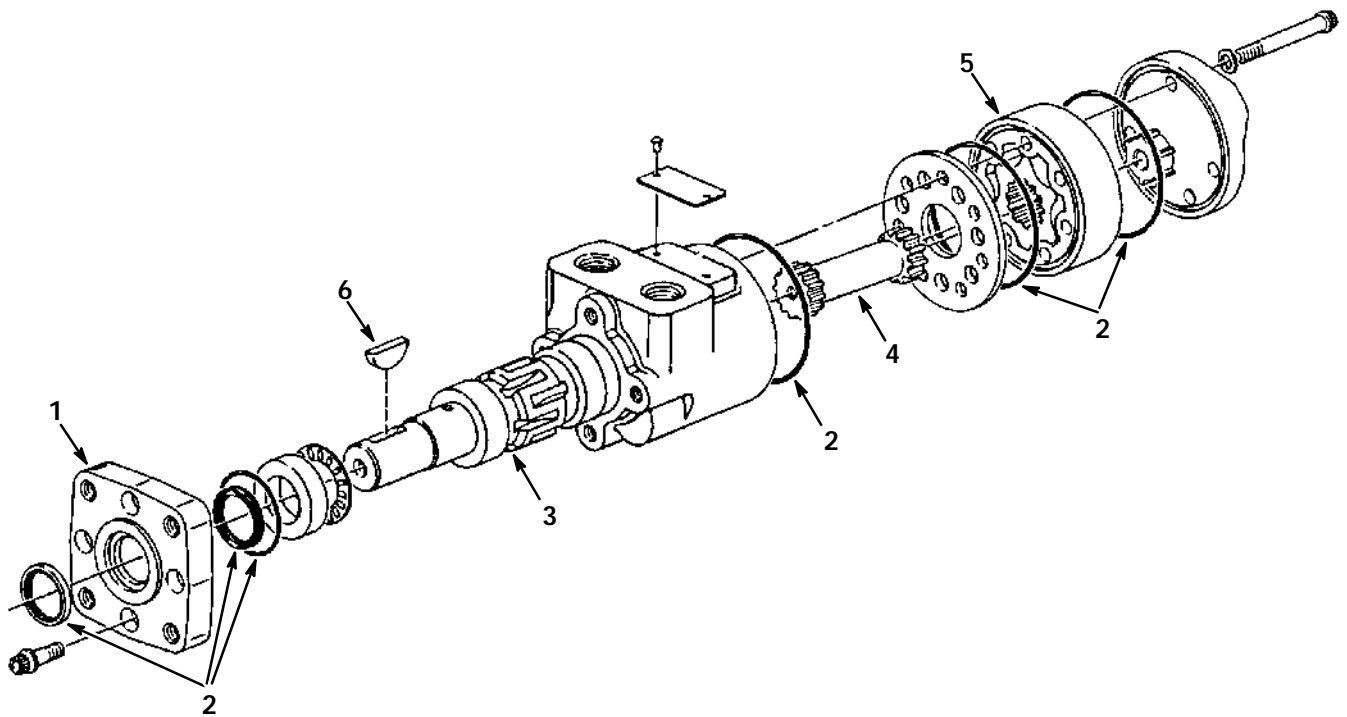


Fig. 8 - Hydraulic Pump Breakdown, 87451

03672

Key	TENNANT Part No.	Manufacture Serial Number	Description	Qty.
1	87451	(000000- )	Pump, Hydraulic Gear	1
2	00500-4	(000000- )	Key, Woodruff	2
	87156	(000000- )	Seal Kit	1



**Fig. 9 - Hydraulic Motor Breakdown, 28804**

05608

Key	TENNANT Part No.	Manufacture Serial Number	Description	Qty.
	28804	(000000- )	Motor, Hydraulic	1
1	31354	(000000- )	Flange, Mounting	1
2	28835	(000000- )	Seal Kit	1
3	87662	(000000- )	Shaft, Output	1
4	34176	(000000- )	Drive	1
5	50186	(000000- )	Geroter Set	1
6	00500-15	(000000- )	Key, Woodruff	1

## SECTION 9

## CONTENTS

	Page
ORDERING REPAIR PARTS .....	9-3
Fig. 1 - Crankcase Group .....	9-4
Fig. 2 - Cylinder Head Group .....	9-6
Fig. 3 - Camshaft and Valves Group .....	9-7
Fig. 4 - Crankshaft and Flywheel Group .....	9-8
Fig. 5 - Baffles and Shroud Group .....	9-9
Fig. 6 - Dipstick and Oil Filter Group .....	9-10
Fig. 7 - Oil Pump Group .....	9-11
Fig. 8 - Breather and Vent Group .....	9-12
Fig. 9 - Fuel Pump Group .....	9-13
Fig. 10 - Carburetor Group .....	9-14
Fig. 11 - Air Intake Group .....	9-16
Fig. 12 - Governor Group .....	9-17
Fig. 13 - Ignition Group .....	9-18
Fig. 14 - Starter Group .....	9-19

*NOTE: Section 9, Engine Parts, Gasoline, LPG, lists the repair parts for the gasoline engine, TENNANT Part No. 87502 and the LPG engine, TENNANT Part No. 87503.*



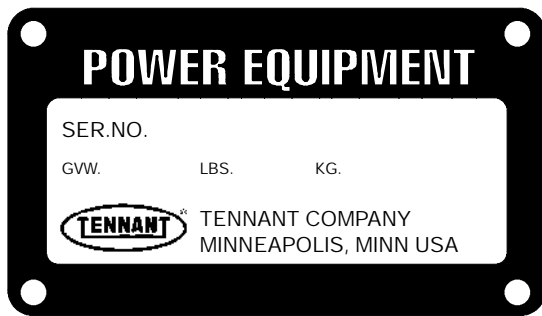
**ORDERING REPAIR PARTS**

The components used in this machine have been carefully selected for performance and safety. Use only TENNANT specified or equivalent parts.

To receive prompt service in filling of your parts orders, please direct all orders for parts with TENNANT part numbers to the TENNANT, and all orders for parts with vendor part numbers to the local supplier of the respective vendor.

When ordering parts, please furnish all of the following information:

1. Machine model number - shown on the machine data plate.



2. Machine serial number - shown on the machine data plate.
3. Power source - gasoline, LPG, diesel, electric.
4. Company name.
5. Shipping address.
6. Billing address.
7. Name, first and last - of person ordering parts.
8. Telephone number.
9. Purchase order number.
10. Part number, description, and quantity - of each item on the order.
11. Customer ID Number.

Do not order parts by key number or the figure number of the illustrated parts. Indented items indicate parts of assemblies. Standard hardware is furnished only when part of a purchased assembly. Please get hardware from a local hardware supplier.

If the old part cannot be identified, send it to us with the quantity needed specified on the order.

Any claim for loss or damage to a shipment in transit should be filed promptly against the transportation company making the delivery. Shipments will be complete unless the packing list or order acknowledgement indicate items back ordered.

If parts received are suspected to be incorrect or defective, please write, wire, or phone the TENNANT representative from whom you ordered the part. They will give authorization for return and/or handle replacement shipments when required.

**SERIAL NUMBER INFORMATION EXPLANATION**

Serial number listings are shown to indicate on which machines each part can be used. These listings are explained by the following examples:

(0000000000- ) The part can be used on all machines.

(003342- ) The part can be used on all machines beginning with the serial number listed.

(0000000000-004320) The part can be used on all machines up to and including serial number listed.

(004321-005678) The part can be used on all machines between and including the serial numbers listed.

Where xxxxxx's are listed in place of a serial number, it indicates a change was made but the exact serial number had not been established when the catalog went to press.

**SI UNITS OF MEASURE (INTERNATIONAL SYSTEM)**

Metric equivalents have been included, where applicable, throughout this parts catalog.

**FASTENER STRENGTH IDENTIFICATION**

Fasteners required to have high-strength qualities equivalent to SAE Grade 8 are identified throughout this catalog by the description GR 8. Unless identified by this description, all standard fasteners are SAE Grade 5.

(Specifications and design subject to change without notice.)

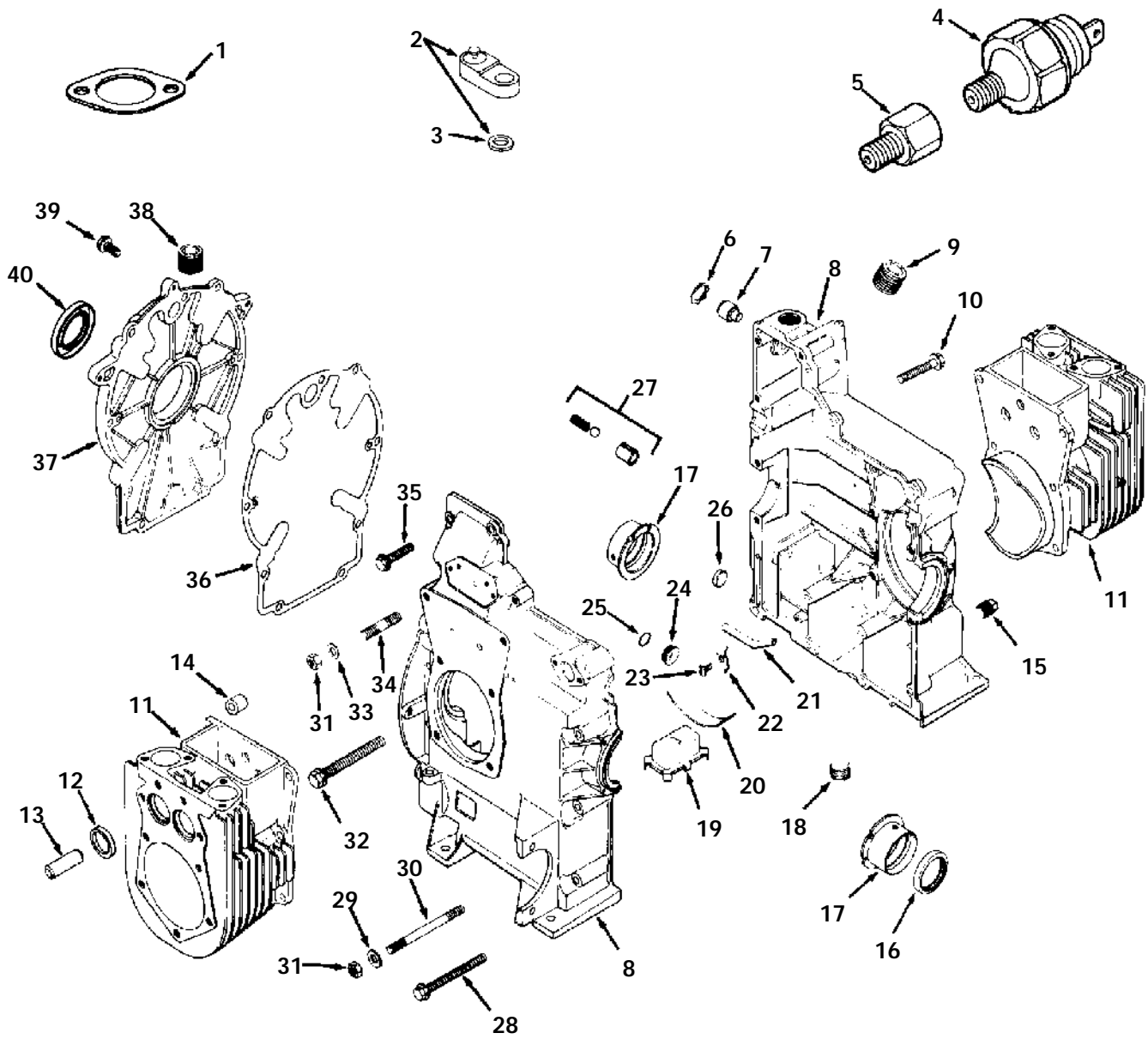
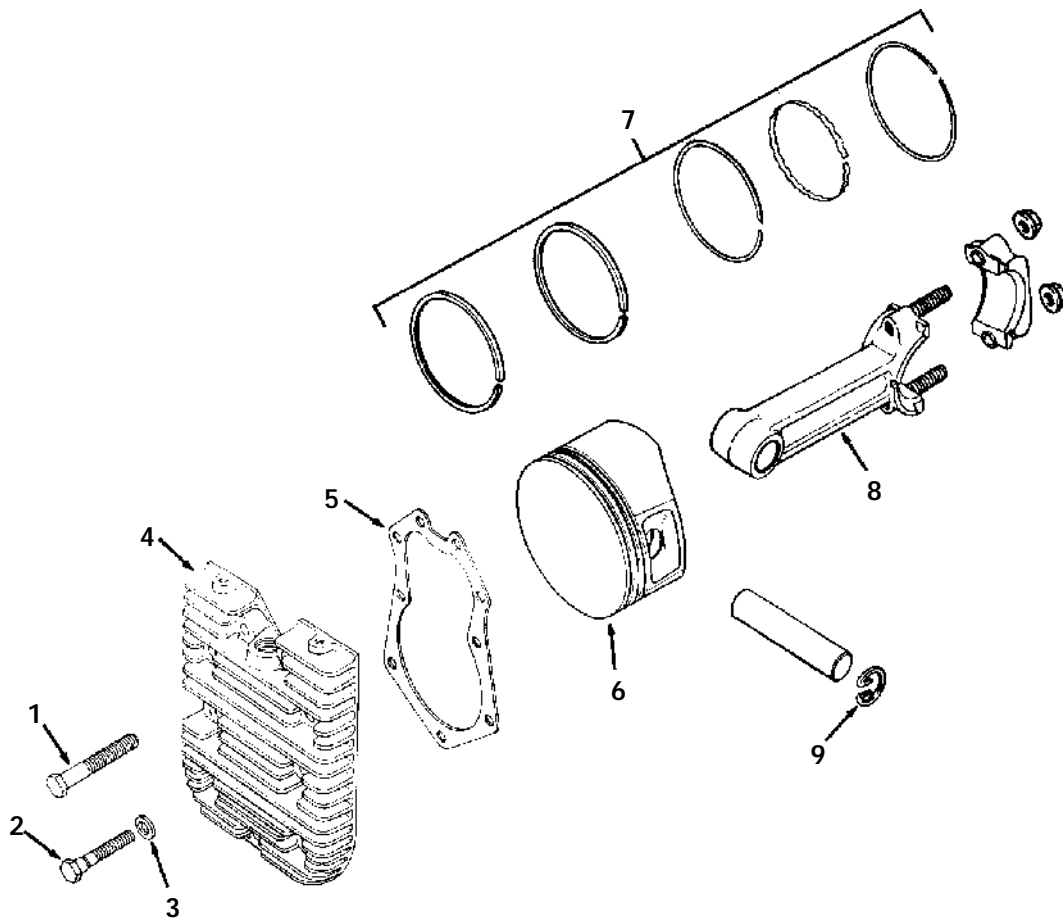


Fig. 1 - Crankcase Group

**Fig. 1 - Crankcase Group**

Key	TENNANT Kohler Part No.	Part Number	Engine Serial Number	Description	Qty.
1	52314	52-041-14	(0000000000-	) Gasket, Exhaust	2
2	87888	47-703-01	(0000000000-	) Cutout Kit, High Temp	1
3		47-468-07	(0000000000-	) Washer, Flat	1
		25-518-15	(0000000000-	) Lead, Black, High Temp Cutout Switch	1
4	87889	52-099-06	(0000000000-	) Switch, Low Oil Pressure	1
5	87226	52-158-05	(0000000000-	) Reducer	1
		25-113-05	(0000000000-	) Decal, Oil Sentry Protection	1
		52-518-13	(0000000000-	) Lead, Green, Pressure Switch	1
6		X-269-43	(0000000000-	) Ring, Retaining	1
7		52-078-05	(0000000000-	) Shaft, Governor	1
8	87894	52-522-69	(0000000000-	) Short Block	1
	87895	52-755-94	(0000000000-	) Gasket Set	1
9		52-139-07	(0000000000-	) Plug	1
10		25-086-12	(0000000000-	) Screw	2
	87890	52-755-51	(0000000000-1917809295)	) Barrel Kit, Cylinder	2
	38615	230265	(0000000000-1917809295)	) Insert, Valve Seat	4
	42351	52-316-06	(0000000000-1917809295)	) Guide, Valve	4
		52-158-04	(0000000000-1917809295)	) Bushing, Locating	2
11	21777		(1917809296-	) Barrel Kit, Cylinder	1
11	21778	82-755-16	(1917809296-	) Barrel Kit, Cylinder, #1	1
11	21779	82-755-17	(1917809296-	) Barrel Kit, Cylinder, #2	1
12		52-031-01	(1917809296-	) Insert, Valve Seat	4
13		52-316-06	(1917809296-	) Guide, Valve	4
14		52-158-04	(1917809296-	) Bushing, Locating	2
15		X-75-10	(0000000000-	) Plug	1
16	87896	52-032-10	(0000000000-	) Seal, Front Oil	1
17	52309	52-030-10	(0000000000-	) Bearing, Sleeve	2
17	52311	52-030-11	(0000000000-	) Bearing, Sleeve, 0.010"	2
17	52313	52-030-12	(0000000000-	) Bearing, Sleeve, 0.020"	2
18		X-75-32	(0000000000-	) Plug	1
19		52-095-03	(0000000000-	) Housing, Oil Pickup	1
20		52-237-02	(0000000000-	) Clip, Spring	1
21		52-123-10	(0000000000-	) Tube, Oil Pickup	1
22		52-237-05	(0000000000-	) Clamp, Tube	1
23		X-67-64	(0000000000-	) Screw	1
24		52-139-08	(0000000000-	) Plug	1
25		52-141-02	(0000000000-	) O-Ring	1
26		X-702-15	(0000000000-	) Plug, Cup	1
27	87893	52-755-50	(0000000000-	) Relief Kit, Oil	1
28		25-086-11	(0000000000-	) Screw	6
29		41-468-01	(0000000000-	) Washer, Flat	4
30		X-352-33	(0000000000-	) Stud	2
31		X-82-2	(0000000000-	) Nut	6
32		25-086-13	(0000000000-	) Screw	2
33		52-468-12	(0000000000-	) Washer, Flat	12
34		52-072-12	(0000000000-	) Stud, Step	12
35		25-086-10	(0000000000-	) Screw	3
36	87892	52-041-15	(0000000000-	) Gasket, Closure Plate	1
37	87891	52-755-57	(0000000000-	) Plate Kit, Closure	1
38		X-75-23	(0000000000-	) Plug	1
39		X-802-9	(0000000000-	) Screw	9
40	87924	X-583-5	(0000000000-	) Seal, Rear Oil	2



**Fig. 2 - Cylinder Head Group**

03585

Key	TENNANT Kohler Part No.	Part Number	Engine Serial Number	Description	Qty.
1	51776	25-086-07	(0000000000-	) Screw	1
2	52185	41-086-02	(0000000000-	) Screw	17
3		220534	(0000000000-	) Washer, Flat	19
4	61818	52-015-08	(0000000000-	) Head, Cylinder	2
5	52317	52-041-20	(0000000000-	) Gasket, Head	2
	52340	52-874-11	(0000000000-	) Piston and Ring Set, Std.	2
6	52341	52-874-12	(0000000000-	) Piston and Ring Set, 0.003"	2
6	52344	52-874-13	(0000000000-	) Piston and Ring Set, 0.010"	2
6	52345	52-874-14	(0000000000-	) Piston and Ring Set, 0.020"	2
6		52-874-15	(0000000000-	) Piston and Ring Set, 0.030"	2
7	52335	52-108-09	(0000000000-	) Ring Set, Std., 0.003"	2
7		52-108-10	(0000000000-	) Ring Set, 0.010"	2
7	77883	52-108-11	(0000000000-	) Ring Set, 0.020"	2
7		52-108-12	(0000000000-	) Ring Set, 0.030"	2
8	52320	52-067-67	(0000000000-	) Connecting Rod, Std.	2
8	52321	52-067-68	(0000000000-	) Connecting Rod, 0.010"	2
9	61821	230004	(0000000000-	) Retainer, Piston Pin	4



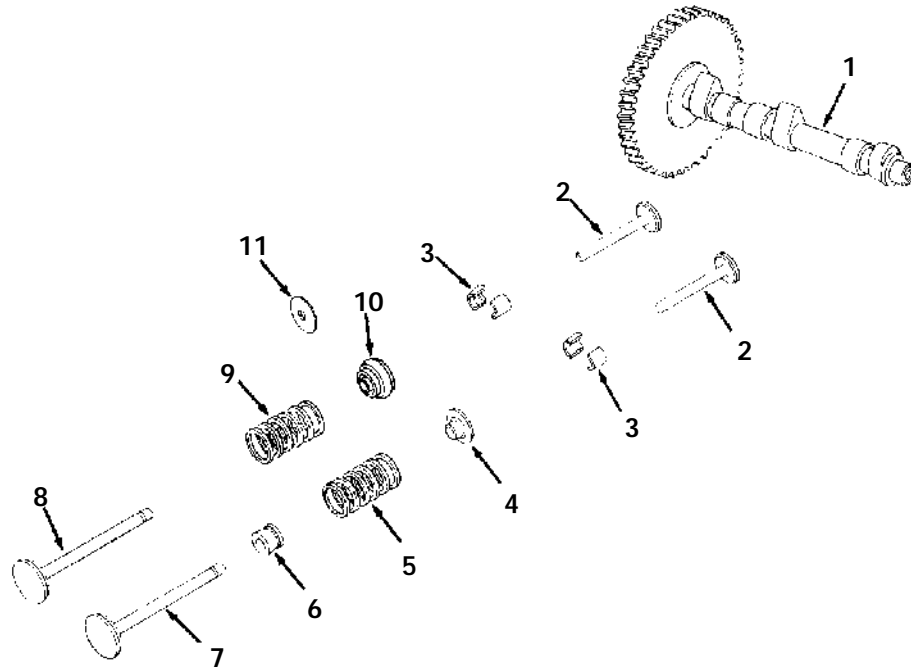
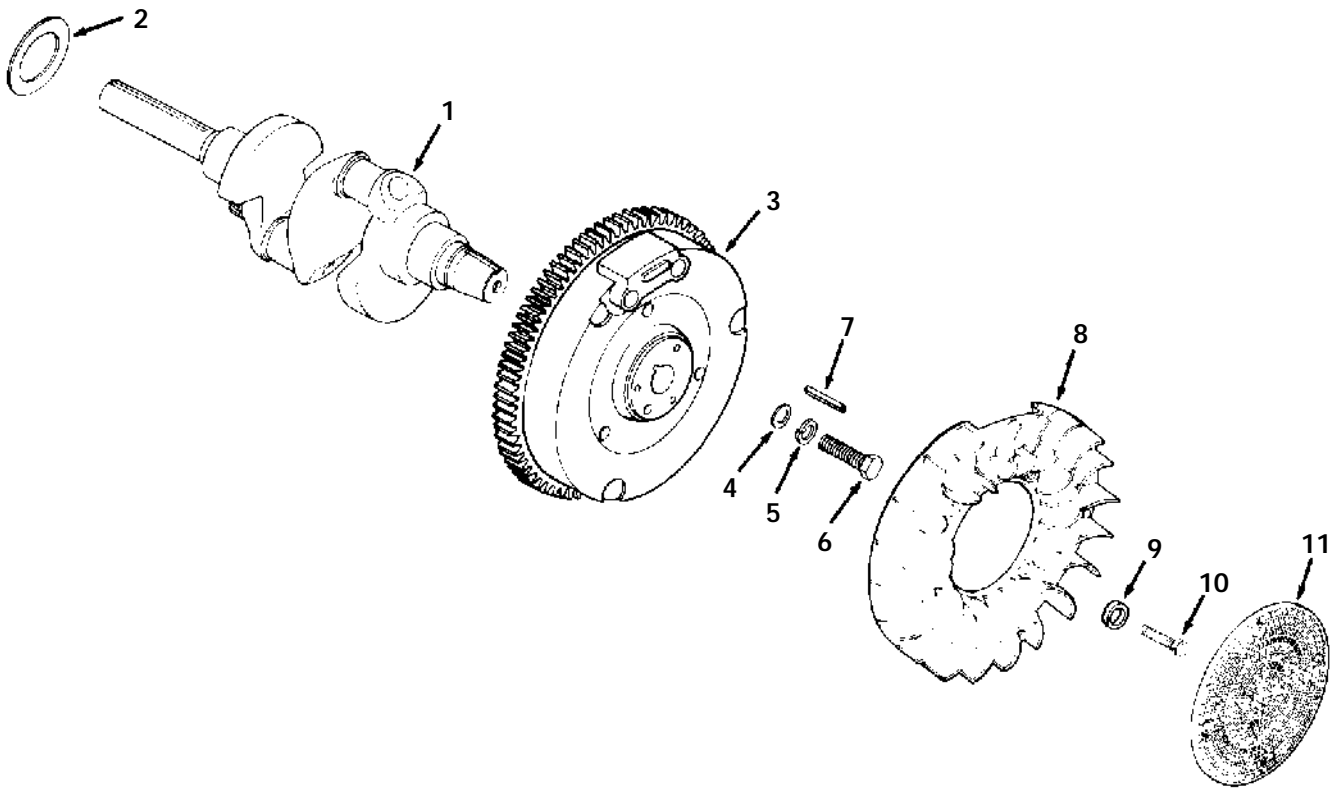


Fig. 3 - Camshaft and Valves Group

03588

Key	TENNANT Kohler Part No.	Part Number	Engine Serial Number	Description	Qty.
1		82-755-09	(0000000000-1816500656 )	Camshaft Kit (Includes Tappets)	1
1	42377	82-755-13	(1816500657-1917809295 )	Camshaft Kit (Includes Tappets)	1
1		52-012-09	(1917809296- )	Camshaft	1
2	42378	52-019-03	(0000000000- )	Tappet	4
3	37251	41-755-10	(0000000000- )	Retainer Kit	4
4		230011	(0000000000- )	Retainer, Intake Valve Spring	2
5	42343	25-089-01	(0000000000- )	Spring, Intake Valve	2
6		52-032-13	(0000000000- )	Seal, Intake Valve Stem	2
7	52286	52-017-08	(0000000000- )	Valve, Intake	2
		82-755-11	(0000000000-1917809295 )	Valve Kit (Includes Insert)	2
8	52285	52-016-02	(0000000000-1917809295 )	Valve, Exhaust	2
8		52-016-05	(1917809296- )	Valve, Exhaust	2
9		25-089-01	(0000000000- )	Spring, Exhaust Valve	2
10	52339	52-413-01	(0000000000- )	Rotator, Exhaust Valve, Gasoline	2
11		52-112-10	(0000000000- )	Spacer, Exhaust, LPG	1



03587

**Fig. 4 - Crankshaft and Flywheel Group**

Key	TENNANT Kohler Part No.	Part Number	Engine Serial Number	Description	Qty.
1		52-014-63	(0000000000-	) Crankshaft	1
2		52-468-03	(0000000000-	) Washer, Thrust, 0.119/0.122	As Req.
2		52-468-04	(0000000000-	) Washer, Thrust, 0.128/0.131	As Req.
2		52-468-05	(0000000000-	) Washer, Thrust, 0.137/0.140	As Req.
3	52305	52-025-36	(0000000000-	) Flywheel	1
4		52-114-02	(0000000000-	) Washer, Flat	1
5		X-22-1	(0000000000-	) Washer, Lock	1
6		25-086-04	(0000000000-	) Screw	1
7		X-286-17	(0000000000-	) Key, Square	1
8	61780	25-157-01	(0000000000-	) Fan	1
9		25-112-04	(0000000000-	) Spacer	4
10		25-086-21	(0000000000-	) Screw	4
11	61781	25-162-01	(0000000000-	) Screen, Grass	1

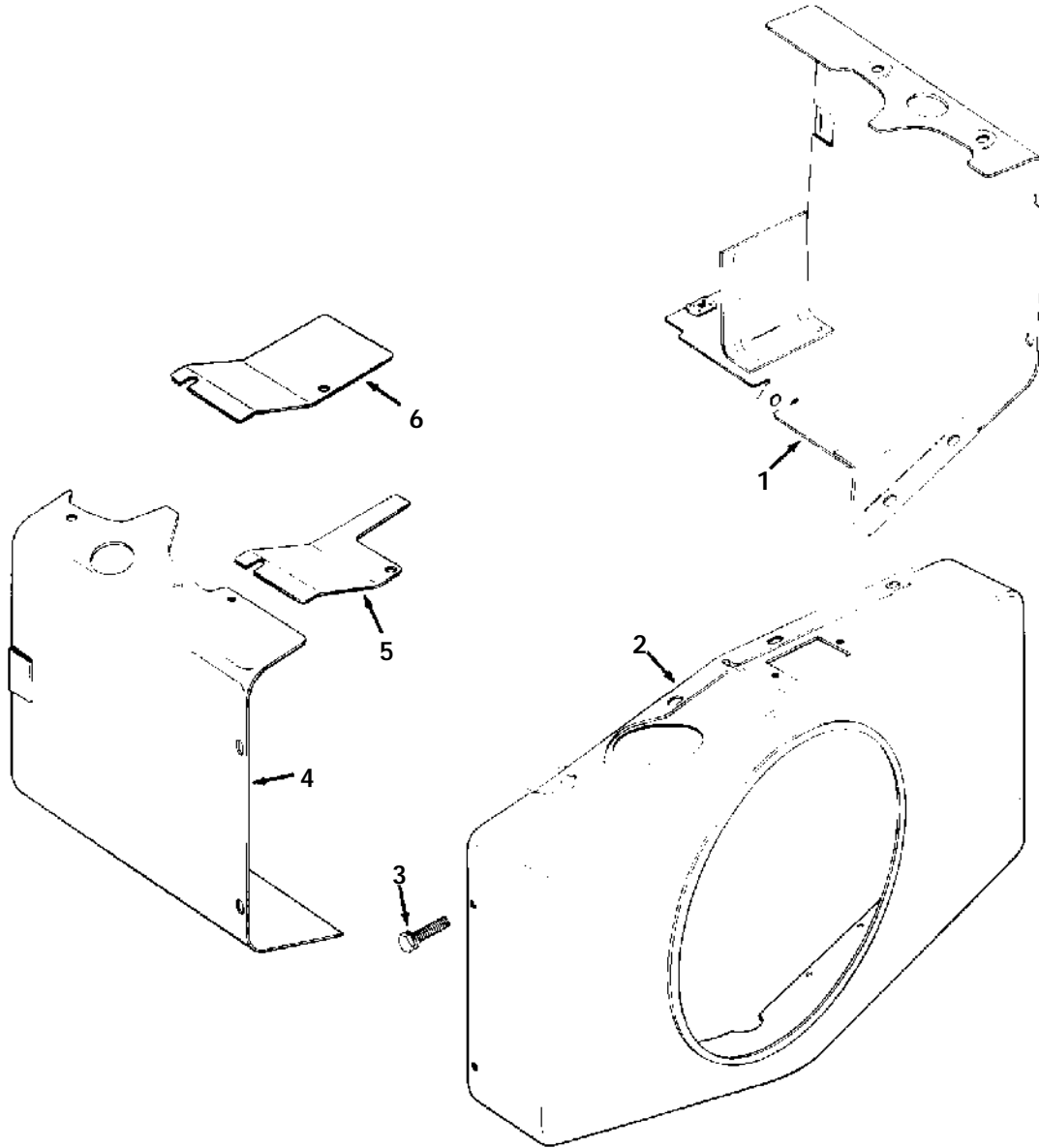
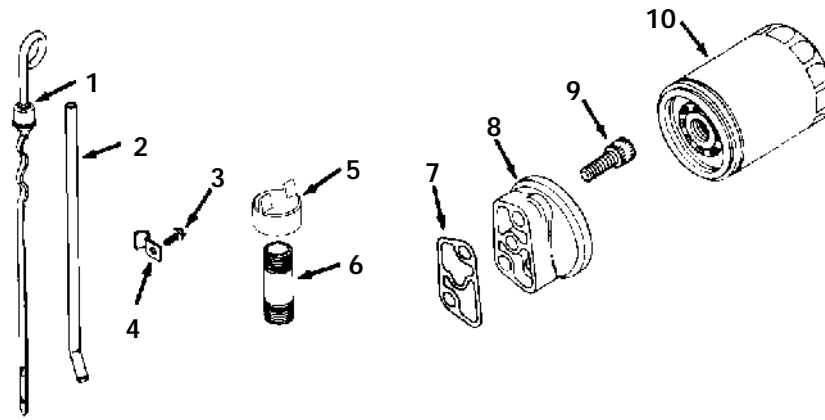


Fig. 5 - Baffles and Shroud Group

03584

Key	TENNANT Kohler Part No.	Part Number	Engine Serial Number	Description	Qty.
1		52-124-23	(0000000000-	) Baffle, #1 Cylinder Head	1
2		52-027-19	(0000000000-	) Housing, Blower	1
3		X-67-83	(0000000000-	) Screw	19
4		52-063-21	(0000000000-	) Baffle, -#2 Cylinder Head	1
5		52-063-01	(0000000000-	) Baffle, #2 Cylinder Top, Gasoline	1
6	87150	52-063-02	(0000000000-	) Baffle, #2 Cylinder Top, LPG	1



03586

**Fig. 6 - Dipstick and Oil Filter Group**

Key	TENNANT Kohler Part No.	Part Number	Engine Serial Number	Description	Qty.
1		52-038-04	(0000000000-	) Dipstick	1
2		52-123-09	(0000000000-	) Tube, Oil Level	1
3		X-67-64	(0000000000-	) Screw	1
4		52-154-01	(0000000000-	) Clip, Tube	1
5	87897	52-173-01	(0000000000-	) Cap, Pipe	1
6		46-136-02	(0000000000-	) Pipe, Oil Fill	1
7	52316	52-041-16	(0000000000-	) Gasket, Oil Filter	1
8		52-181-02	(0000000000-	) Adapter, Oil Filter	1
9		X-55-15	(0000000000-	) Screw	2
10	87874	52-050-02	(0000000000-	) Filter, Oil	1

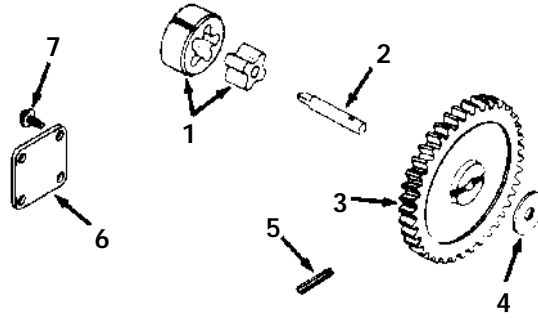
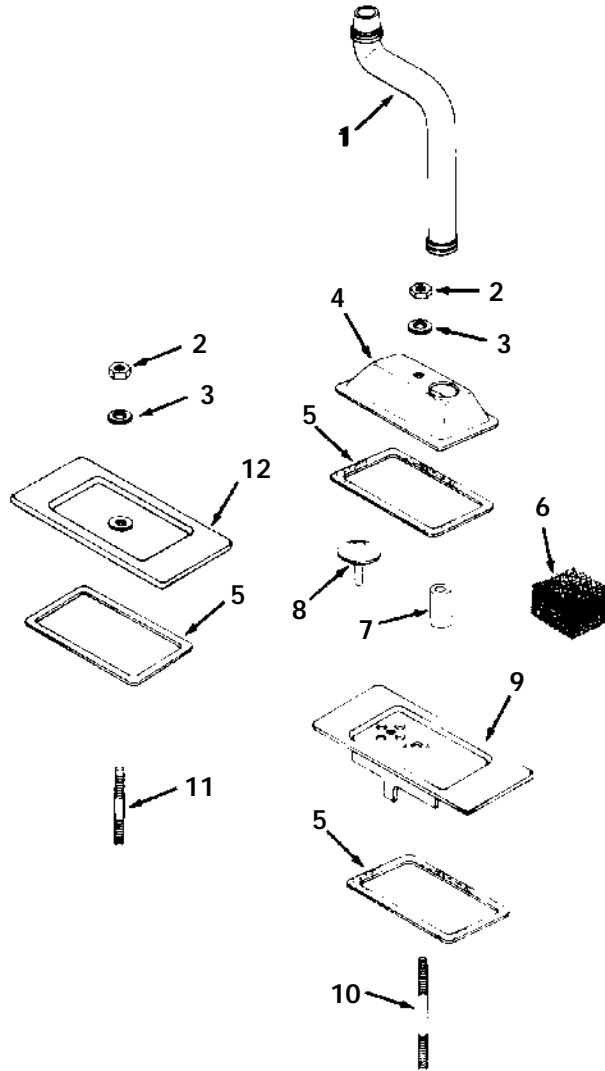


Fig. 7 - Oil Pump Group

03589

Key	TENNANT Kohler Part No.	Engine Part Number	Serial Number	Description	Qty.
1	52-393-09	(0000000000-	)	Rotor Set	1
2	52-144-05	(0000000000-	)	Shaft, Oil Pump	1
3	52-043-05	(0000000000-	)	Gear, Oil Pump	1
4	52-422-01	(0000000000-	)	Spacer, Shim	As Req.
5	X-280-25	(0000000000-	)	Pin, Roll	1
6	52-096-03	(0000000000-	)	Cover, Oil Pump	1
7	X-67-64	(0000000000-	)	Screw	4



**Fig. 8 - Breather and Vent Group**

03593

Key	TENNANT Kohler Part No.	Part Number	Engine Serial Number	Description	Qty.
1	31397	52-326-05	(0000000000-	) Hose, Breather	1
2		X-81-1	(0000000000-	) Nut	2
3	52979	X-25-12	(0000000000-	) Washer, Flat	2
4		52-096-08	(0000000000-	) Cover, Upper Valve	1
5	87898		(0000000000-	) Gasket Set, Cover	1
5	87899	52-055-01	(0000000000-	) Gasket, Cover	3
6	87920	231419	(0000000000-	) Filter, Breather	1
7	42357	52-032-04	(0000000000-	) Seal, Breather	1
8		52-462-01	(0000000000-	) Valve, Umbrella	1
9		52-096-22	(0000000000-	) Cover, Lower Valve	1
10	51980	275220	(0000000000-	) Stud, Valve Cover	1
11		X-352-39	(0000000000-	) Stud, Valve Cover	1
12		52-096-18	(0000000000-	) Cover, Valve	1

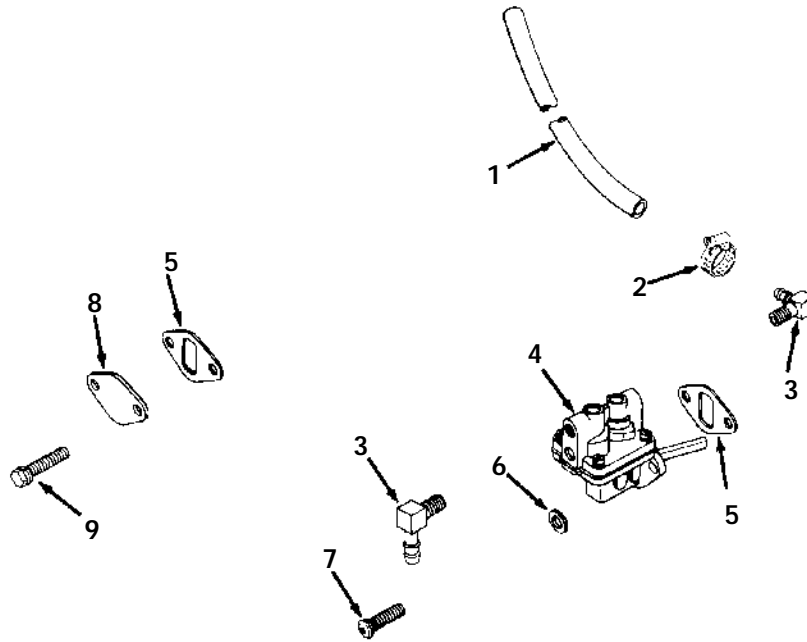


Fig. 9 - Fuel Pump Group

03583

Key	TENNANT Kohler Part No.	Part Number	Engine Serial Number	Description	Qty.
1	52337	52-353-04	(0000000000-	) Line, Fuel	1
2	52989	X-426-9	(0000000000-	) Clamp, Hose	2
3	10234	25-155-02	(0000000000-	) Elbow	2
4	87900	52-559-01	(0000000000-	) Pump, Fuel	1
5	04171	52-041-17	(0000000000-	) Gasket, Fuel Pump	1
6		X-25-63	(0000000000-	) Washer, Flat	2
7		47-086-08	(0000000000-	) Screw	2
8	54229-1	240282	(0000000000-	) Cover, Pump, LPG	1
9	19315	X-132-6	(0000000000-	) Screw, LPG	2

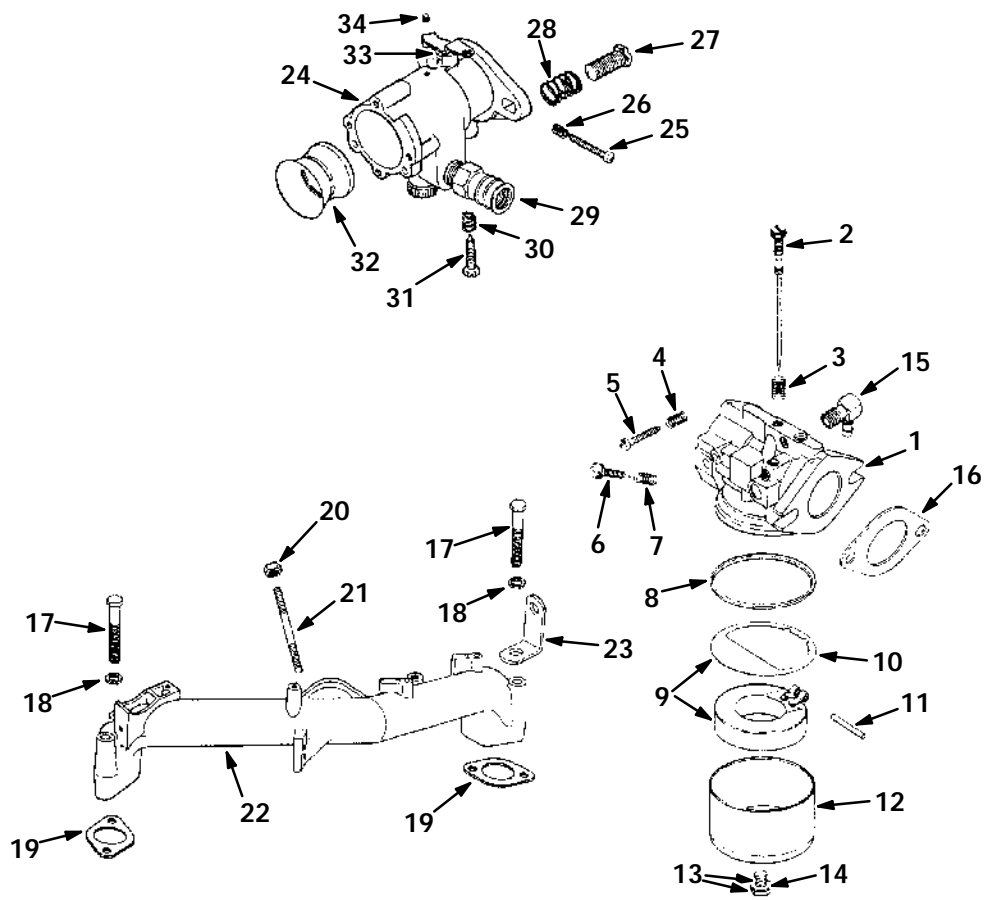
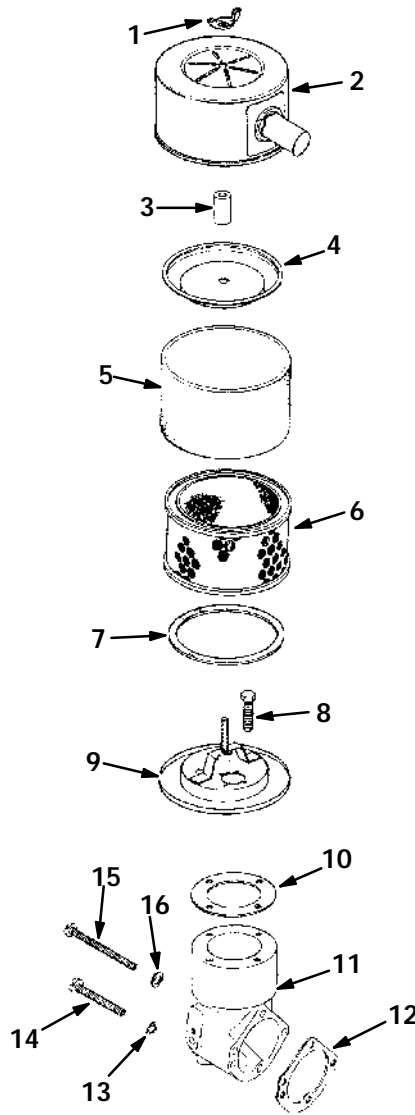


Fig. 10 - Carburetor Group



Fig. 10 - Carburetor Group

Key	TENNANT Part No.	Kohler Part Number	Engine Serial Number	Description	Qty.
1	87901	52-853-23	(0000000000-	) Carburetor Assembly, Gasoline	1
	38570	25-757-02	(0000000000-	) Repair Kit, Carburetor	1
	87904	25-757-05	(0000000000-	) Repair Kit, Throttle and Choke	1
2		52-103-01	(0000000000-	) Needle, Main Fuel	1
3	51395	200383	(0000000000-	) Spring, Main Fuel	1
4		232555	(0000000000-	) Spring, Idle Speed	1
5	61816	232556	(0000000000-	) Screw, Idle Speed Adjustment	1
6	38047	277210	(0000000000-	) Needle, Idle Fuel Adjustment	1
7	61759	200380	(0000000000-	) Spring, Idle Fuel	1
8		200375	(0000000000-	) Gasket, Bowl	1
9	38708	25-757-03	(0000000000-	) Float Kit	1
10	61817	25-041-02	(0000000000-	) Gasket, Bowl Baffle	1
11	38494	200376	(0000000000-	) Pin, Float Hinge	1
12	51638	235448	(0000000000-	) Bowl, Fuel	1
13		47-100-06	(0000000000-	) Screw, Bowl Retainer	1
14		200372	(0000000000-	) Gasket, Retainer Screw	1
15	10234	25-155-02	(0000000000-	) Elbow	1
16	47478	271030	(0000000000-	) Gasket, Carburetor	1
17		X-6-8	(0000000000-	) Screw	4
18		X-21-1	(0000000000-	) Washer	4
19	87902		(0000000000-	) Gasket Set, Intake Manifold	1
	87903	52 041 09	(0000000000-	) Gasket, Intake Manifold	2
20		X-77-2	(0000000000-	) Nut	2
21		X-352-37	(0000000000-	) Stud	2
22		52-164-10	(0000000000-	) Manifold, Intake	1
23		52-445-02	(0000000000-	) Strap, Lifting	2
24	87322	52-853-06	(0000000000-	) Carburetor Assembly, LPG	1
	87904	25-757-05	(0000000000-	) Repair Kit, Throttle and Choke	1
25		232556	(0000000000-	) Screw, Idle Stop	1
26		232555	(0000000000-	) Spring, Idle Stop	1
27	87313	52-086-14	(0000000000-	) Screw, Load	1
28	87314	52-089-11	(0000000000-	) Spring, Load Screw	1
29	87315	52-294-03	(0000000000-	) Block, Load	1
30		52-089-10	(0000000000-	) Spring, Idle Adjustment	1
31		52-086-13	(0000000000-	) Screw, Idle Mixture	1
32		236666	(0000000000-	) Venturi	1
33		X-25-8	(0000000000-	) Washer, Brass (under Throttle Shaft)	1
34		X-60-1	(0000000000-	) Screw, Venturi Set	1



**Fig. 11 - Air Intake Group**

03592

Key	TENNANT Kohler Part No.	Part Number	Engine Serial Number	Description	Qty.
1	52984	X-276-7	(0000000000-	) Nut, Wing	1
2	52334	52-096-26	(0000000000-	) Cover, Air Cleaner	1
3	51508	231032	(0000000000-	) Seal, Element Cover	1
4	52322	52-082-04	(0000000000-	) Cover, Air Cleaner Element	1
5	87873	45-083-01	(0000000000-	) Pre-Cleaner	1
6	87872	45-083-02	(0000000000-	) Element, Air Cleaner	1
7	87905	237423	(0000000000-	) Seal, Air Cleaner Cover	1
8		X-67-98	(0000000000-	) Screw	4
9		52-201-06	(0000000000-	) Base, Air Cleaner	1
10	87906	277093	(0000000000-	) Gasket, Air Cleaner	1
11		52-054-15	(0000000000-	) Elbow, Air Intake	1
12	87921	25-041-06	(0000000000-	) Gasket, Air Intake Elbow	1
13		X-22-9	(0000000000-	) Washer, Lock	2
14		X-50-57	(0000000000-	) Screw	2
15		X-50-37	(0000000000-	) Screw	1
16		X-25-79	(0000000000-	) Washer	1
		25-113-01	(0000000000-	) Decal, Air Cleaner	1

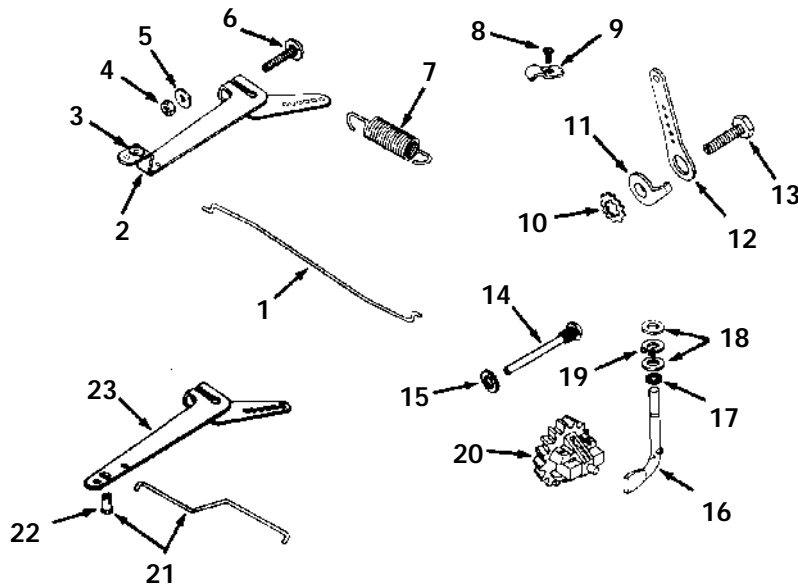
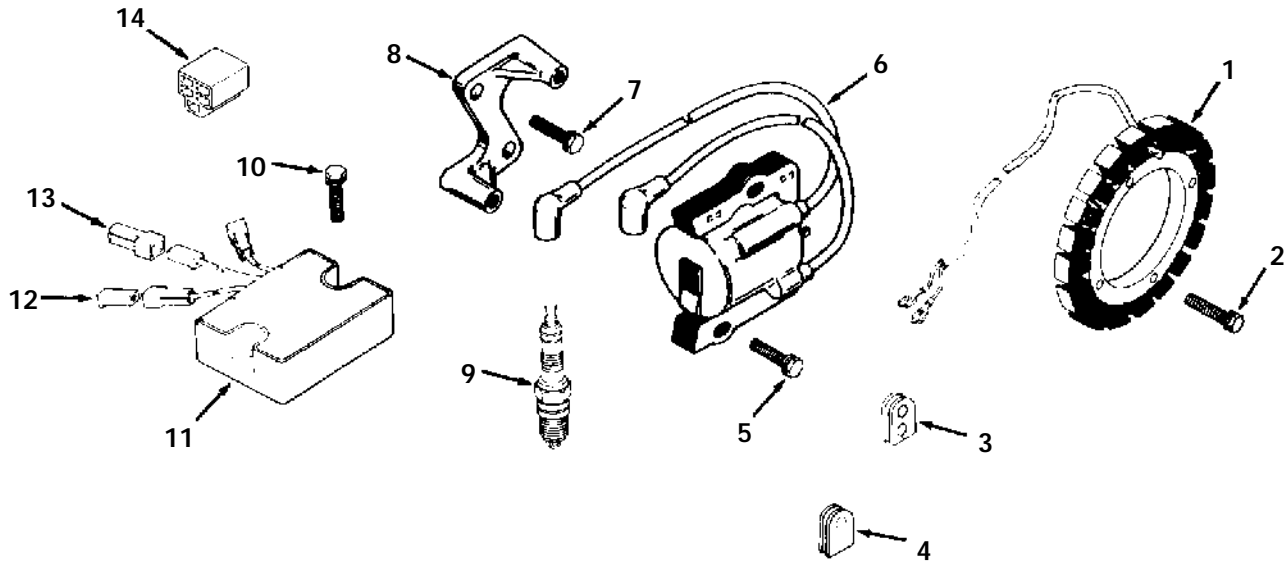


Fig. 12 - Governor Group

03595

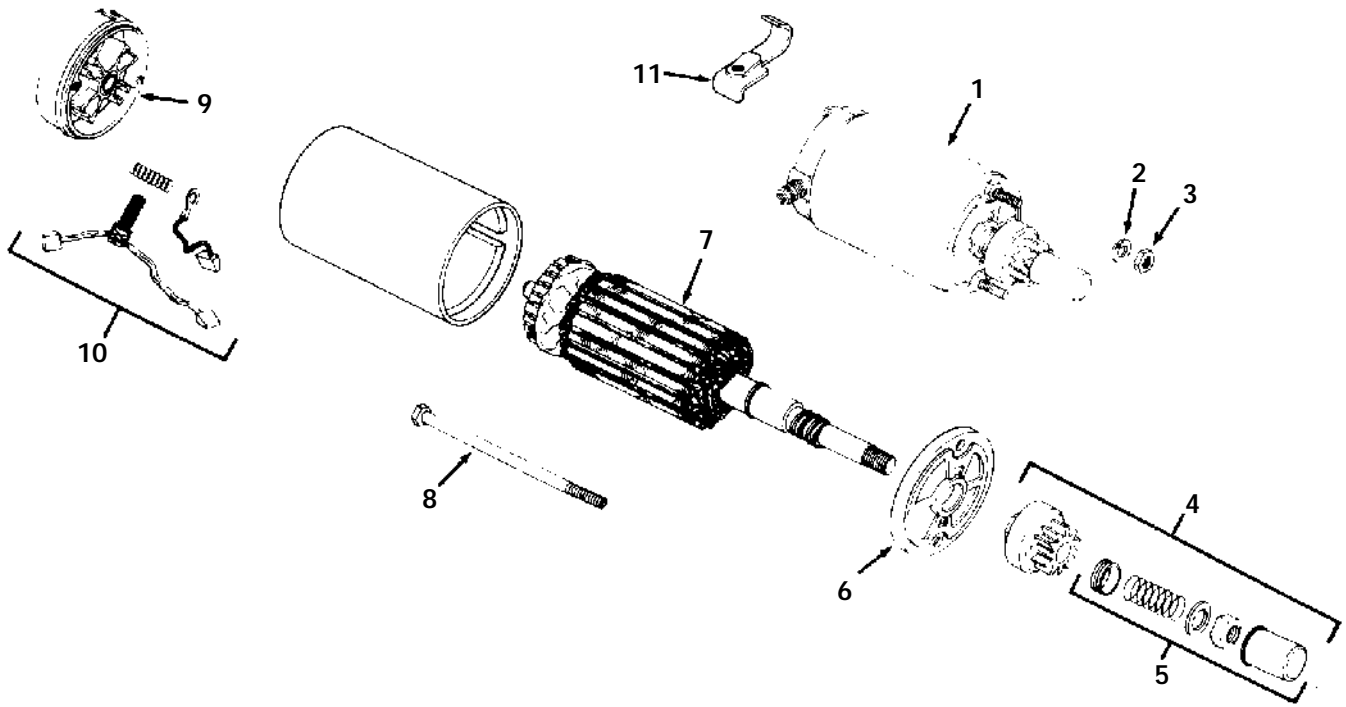
Key	TENNANT Kohler Part No.	Engine Part Number	Engine Serial Number	Description	Qty.
1	87907	52-354-03	(0000000000-	) Link, Governor	1
2	87908	52-755-64	(0000000000-	) Arm, Governor Assembly	1
3		45-158-03	(0000000000-	) Bushing, Governor Arm	1
4		X-81-1	(0000000000-	) Nut	1
5		X-25-72	(0000000000-	) Washer	1
6		52-211-04	(0000000000-	) Screw	1
7	87909	52-091-04	(0000000000-	) Spring, Governor	1
8		X-67-97	(0000000000-	) Screw	2
9	87922	235778	(0000000000-	) Clamp, Cable	2
10		X-22-12	(0000000000-	) Washer	1
11		234614	(0000000000-	) Stop, Governor	1
12	87910	52-119-01	(0000000000-	) Lever, Speed Control	1
13	53020	X-5-1	(0000000000-	) Screw	1
14	51516	231355	(0000000000-	) Pin, Governor Stop	1
15	52979	X-25-12	(0000000000-	) Washer, Flat	1
16		52-078-04	(0000000000-	) Shaft, Governor Cross	1
17		X-25-102	(0000000000-	) Washer, Flat	1
18		X-25-63	(0000000000-	) Washer, Flat	2
19		X-269-28	(0000000000-	) Retainer, Governor	1
20	38659	A-235743-S	(0000000000-	) Gear Kit, Governor	1
21	87911	82-755-07	(0000000000-	) Link, Governor, LPG	1
22		47-158-04	(0000000000-	) Bushing, LPG	2
23	87912	52-186-06	(0000000000-	) Arm, Governor Assembly, LPG	1



**Fig. 13 - Ignition Group**

03590

Key	TENNANT Kohler Part No.	Part Number	Engine Serial Number	Description	Qty.
1	87913	25-755-07	(0000000000-	) Stator	1
2		X-67-85	(0000000000-	) Screw	4
3		52-313-02	(0000000000-	) Grommet	1
4		220297	(0000000000-	) Grommet	1
5		25-086-15	(0000000000-	) Screw	2
6	87914	52-584-02	(0000000000-	) Module, Ignition	1
7		25-086-16	(0000000000-	) Screw	2
8		52-126-08	(0000000000-	) Bracket, Module	1
9	87871		(0000000000-	) Spark Plug Set	1
9	87915	RV15YC	(0000000000-	) Spark Plug	2
10		X-132-5	(0000000000-	) Screw	2
11	87916	25-403-01	(0000000000-	) Rectifier	1
12		25-155-04	(0000000000-	) Connector	2
13		25-155-03	(0000000000-	) Connector, Tab	1
14	42160	48-155-01	(0000000000-	) Connector, Male	1
		52-518-10	(0000000000-	) Lead, Red, Rectifier	1
		52-518-15	(0000000000-	) Lead, White, Module To Connector	1
		47-518-33	(0000000000-	) Lead, White, with Diode	1



03591

Fig. 14 - Starter Group

Key	TENNANT Kohler Part No.	Part Number	Engine Serial Number	Description	Qty.
1	87917	52-098-13	(0000000000-	Starter Assembly	1
2		X-20-1	(0000000000-	Washer	2
3		X-81-1	(0000000000-	Nut	2
4	87918	52-755-05	(0000000000-	Drive Kit	1
5		52-755-08	(0000000000-	Parts Kit, Drive	1
6	52336	52-227-01	(0000000000-	Cap, Drive	1
7		52-170-03	(0000000000-	Armature	1
8		52-211-03	(0000000000-	Bolt, Through	2
9		52-227-07	(0000000000-	Cap, Commutator End	1
10	10250	52-755-15	(0000000000-	Brush Kit,	1
11		52-126-09	(0000000000-	Bracket, Mounting	1
		25-450-03	(0000000000-	Tag, Caution	1



SECTION 10

CONTENTS

	Page
PART NUMBER TO PAGE NUMBER CROSS REFERENCE LIST .....	10-3

# CROSS REFERENCE

## PART NUMBER TO PAGE NUMBER CROSS REFERENCE LIST

Part Number	Page Number	Part Number	Page Number
A-235743-S	9-17	02218	5-35
A-235743-S	9-17	02283	5-47
RV15YC	9-18	02356	5-27
SK1444	5-4, 6-5	02545	5-38
X-132-5	9-18	02547	5-47
X-132-6	9-13	02637	5-39
X-20-1	9-19	02643	8-4
X-21-1	9-15	02644	8-4
X-22-1	9-8	02646	8-4
X-22-12	9-17	02647	8-4
X-22-9	9-16	02965	7-11
X-25-102	9-17	02985	5-47
X-25-12	9-12, 9-17	04171	9-13
X-25-63	9-13, 9-17	04733-4	5-33
X-25-72	9-17	04733	5-31
X-25-79	9-16	04734	5-31
X-25-8	9-15	05498	6-5
X-269-28	9-17	05792	6-5
X-269-43	9-5	06279	5-25
X-276-7	9-16	06431	5-47
X-280-25	9-11	06474A	5-44, 7-11
X-286-17	9-8	06678	7-11
X-352-33	9-5	07259	5-43
X-352-37	9-15	07875	5-49
X-352-39	9-12	08143	5-25
X-426-9	9-13	08873	5-49
X-5-1	9-17	08876	5-49
X-50-37	9-16	08885	5-56
X-50-57	9-16	09005	5-27, 5-29
X-55-15	9-10	09087	5-23
X-583-5	9-5	09370	5-27
X-6-8	9-15	10120	5-11
X-60-1	9-15	10127	7-7
X-67-64	9-5, 9-10, 9-11	10137	5-51
X-67-83	9-9	10234	9-13, 9-15
X-67-85	9-18	10250	9-19
X-67-97	9-17	10362	5-25
X-67-98	9-16	10632-11	5-18
X-702-15	9-5	10632-12	7-6
X-75-10	9-5	10632-13	5-13
X-75-23	9-5	10632-15	5-18
X-75-32	9-5	10632	7-11
X-77-2	9-15	10752-2	6-5
X-802-9	9-5	10752-3	6-5
X-81-1	9-12, 9-17, 9-19	10754	6-5
X-82-2	9-5	10756	6-5
00500-15	8-5, 8-12	11442-23	6-5
00500-4	5-25, 8-11	11531	5-51
00912	8-7	13352	5-11
00928	5-27, 5-29	13534	5-27, 5-29
00934	5-47	13773	5-38
00960	5-25	14131	5-49
01666	8-6	14138A	5-43
01669	8-6	14242	5-39
01760	5-7	14432	5-51
01762	6-5	14506	5-44
01844	5-27	14595-1	5-11
01866	5-27	14605	5-11, 5-37
02076	5-51	15128-1	6-5



## CROSS REFERENCE

Part Number	Page Number	Part Number	Page Number
15173	7-11	25-113-05	9-5
15280-3	5-35	25-155-02	9-13, 9-15
15543	5-51	25-155-03	9-18
15792-1	6-5	25-155-04	9-18
16447	5-29, 5-31	25-157-01	9-8
16455	5-33	25-162-01	9-8
16695	8-5	25-403-01	9-18
16934	5-25	25-450-03	9-19
17409	5-53	25-518-15	9-5
19315	9-13	25-755-07	9-18
19634	7-12	25-757-02	9-15
200372	9-15	25-757-03	9-15
200375	9-15	25-757-05	9-15
200376	9-15	25121	5-38
200380	9-15	25494	5-25
200383	9-15	26103	5-35
20634	5-19	26315	5-11
21777	9-5	26395-1	5-51
21778	9-5	26395-2	5-18, 7-7
21779	9-5	26426	6-5
220297	9-18	26496	6-5
220534	9-6	27048	6-5
22297	5-51	271030	9-15
22324	6-5	27184	7-11
230004	9-6	275220	9-12
230011	9-7	277093	9-16
230265	9-5	277210	9-15
231032	9-16	27920	7-13
231355	9-17	28804	5-31, 7-11, 8-12
231419	9-12	28835	8-12
23224	5-27	28862	5-11
23225	5-27	29233	5-9
232555	9-15	29584	5-45
232556	9-15	30205	5-27
23301	6-5	31182	7-11
234614	9-17	31354	8-12
23498	5-23	31397	9-12
23524-1	5-21	31559	5-38
23524	5-21	31964	5-53
235448	9-15	31965	5-53
235778	9-17	32126	5-39
236666	9-15	32376	5-49, 6-5
23683	7-11	32969	5-33
237423	9-16	33123	5-27
24012	5-47	33296	8-7
240282	9-13	33298	8-7
24047	6-5	33299	8-7
24339	5-39	33303	8-7
25-041-02	9-15	33304	8-7
25-041-06	9-16	33305	8-7
25-086-04	9-8	33555	6-5
25-086-07	9-6	33671	5-51
25-086-10	9-5	34174	8-5
25-086-11	9-5	34176	8-5, 8-12
25-086-12	9-5	34219	7-11
25-086-13	9-5	34292	5-4, 5-5, 5-7
25-086-15	9-18	34323	5-4, 5-15
25-086-16	9-18	34358	5-41
25-086-21	9-8	34413	7-11
25-089-01	9-7	34414	7-11
25-112-04	9-8	34810	5-53
25-113-01	9-16	34813	5-53

**CROSS REFERENCE**

<b>Part Number</b>	<b>Page Number</b>	<b>Part Number</b>	<b>Page Number</b>
35273	7-11	45628	8-5
35274	7-11	45779	7-6, 7-7
35278	7-11	46-136-02	9-10
35279	7-11	46140	5-23
35280	7-11	46236	5-9
35304	7-13	46390	5-11
36070	5-31	46482	5-33
36192	5-9	46785-1	5-27
36328	7-5	47-086-08	9-13
36468	5-31	47-100-06	9-15
37251	9-7	47-158-04	9-17
37814	6-5	47-468-07	9-5
38047	9-15	47-518-33	9-18
38315	8-4	47-703-01	9-5
38490	8-4	47069	5-5, 5-23
38494	9-15	47178-12	6-6
38570	9-15	47192	6-5
38615	9-5	47277	5-7
38659	9-17	47478	9-15
38708	9-15	47508	5-35, 5-38
39210	5-31	47513	5-35
39296	5-11	47519	5-33
39328	5-25	47638	5-33, 5-35
39330	5-35	47649	8-5
39332	5-35	47719	5-39
39345	5-47	47720	6-5
39350	5-27, 5-29	47759	6-5
39527	5-27, 5-29	47801	5-39
40362	5-38	48-155-01	9-18
40678-1	5-53, 6-5	48050	5-43
40678	5-19	48144	5-49
41-086-02	9-6	48556	7-11
41-468-01	9-5	48557	7-11
41-755-10	9-7	48563	7-11
41178	5-31, 5-37, 7-11	48567	7-11
41185	5-31, 7-11	48568	5-53
41187	5-13	48570	5-53
42160	9-18	48575	5-33, 8-9
42170-12	5-51	48577	8-9, 8-10
42215	5-35	48580	7-11
42240	5-44	48581	7-11
42343	9-7	48582	7-11
42351	9-5	48584	7-11
42357	9-12	48587	7-11
42377	9-7	48617	7-12
42378	9-7	48649	5-51
43242	5-37	48650	5-51
43454	5-9, 5-37	48657	5-33
43499	7-11	48685	7-9
43560	7-11	48772	5-47
43844	5-49	48773	6-5
44078	5-23, 5-43	48790	5-9
44681-1	7-6, 7-7	49225	5-39
44681-2	7-6, 7-7	49266	5-9, 5-31, 7-6, 7-7, 7-11
44681	7-6, 7-7	49287	7-11
45-083-01	9-16	49300	5-23
45-083-02	9-16	49439	5-27
45-158-03	9-17	49452	5-43
45079	7-8	49495	5-27
45097	7-11	50186	8-12
45127	5-45	51109	5-11
45261	5-31	51322	5-19

## CROSS REFERENCE

Part Number	Page Number	Part Number	Page Number
51395	9-15	52-098-13	9-19
51449	5-43	52-099-06	9-5
51458	7-9	52-103-01	9-15
51459	7-9	52-108-09	9-6
51508	9-16	52-108-10	9-6
51516	9-17	52-108-11	9-6
51534	7-11	52-108-12	9-6
51545	5-11	52-112-10	9-7
51562	5-11	52-114-02	9-8
51638	9-15	52-119-01	9-17
51776	9-6	52-123-09	9-10
51787	5-33	52-123-10	9-5
51805	6-5	52-124-23	9-9
51869	6-5	52-126-08	9-18
51980	9-12	52-126-09	9-19
52 041 09	9-15	52-139-07	9-5
52-012-09	9-7	52-139-08	9-5
52-014-63	9-8	52-141-02	9-5
52-015-08	9-6	52-144-05	9-11
52-016-02	9-7	52-154-01	9-10
52-016-05	9-7	52-158-04	9-5
52-017-08	9-7	52-158-05	9-5
52-019-03	9-7	52-164-10	9-15
52-025-36	9-8	52-170-03	9-19
52-027-19	9-9	52-173-01	9-10
52-030-10	9-5	52-181-02	9-10
52-030-11	9-5	52-186-06	9-17
52-030-12	9-5	52-201-06	9-16
52-031-01	9-5	52-211-03	9-19
52-032-04	9-12	52-211-04	9-17
52-032-10	9-5	52-227-01	9-19
52-032-13	9-7	52-227-07	9-19
52-038-04	9-10	52-237-02	9-5
52-041-14	9-5	52-237-05	9-5
52-041-15	9-5	52-294-03	9-15
52-041-16	9-10	52-313-02	9-18
52-041-17	9-13	52-316-06	9-5
52-041-20	9-6	52-326-05	9-12
52-043-05	9-11	52-353-04	9-13
52-050-02	9-10	52-354-03	9-17
52-054-15	9-16	52-393-09	9-11
52-055-01	9-12	52-413-01	9-7
52-063-01	9-9	52-445-02	9-15
52-063-02	9-9	52-462-01	9-12
52-063-21	9-9	52-468-12	9-5
52-067-67	9-6	52-518-10	9-18
52-067-68	9-6	52-518-13	9-5
52-072-12	9-5	52-518-15	9-18
52-078-04	9-17	52-522-69	9-5
52-078-05	9-5	52-559-01	9-13
52-082-04	9-16	52-584-02	9-18
52-086-13	9-15	52-755-05	9-19
52-086-14	9-15	52-755-08	9-19
52-089-10	9-15	52-755-15	9-19
52-089-11	9-15	52-755-50	9-5
52-091-04	9-17	52-755-51	9-5
52-095-03	9-5	52-755-57	9-5
52-096-03	9-11	52-755-64	9-17
52-096-08	9-12	52-755-94	9-5
52-096-18	9-12	52-853-06	9-15
52-096-22	9-12	52-853-23	9-15
52-096-26	9-16	52-874-11	9-6

# CROSS REFERENCE

Part Number	Page Number
52-874-12	9-6
52-874-13	9-6
52-874-14	9-6
52-874-15	9-6
52185	9-6
52238	5-13
52285	9-7
52286	9-7
52305	9-8
52309	9-5
52311	9-5
52313	9-5
52314	9-5
52316	9-10
52317	9-6
52320	9-6
52321	9-6
52322	9-16
52334	9-16
52335	9-6
52336	9-19
52337	9-13
52339	9-7
52340	9-6
52341	9-6
52344	9-6
52345	9-6
52615	7-9
52979	9-12, 9-17
52984	9-16
52989	9-13
53020	9-17
53268	6-5
53395-2	6-5
53400-1	6-5
53400-4	6-5
54121	5-19
54179	6-5
54229-1	9-13
55248	7-7
55264	7-6, 7-7
55271	5-53
55272	5-53
55347	5-29
55686	5-33, 5-37
56692	5-35, 5-39
56835	5-35
57164	5-53
57219	5-41
57370	8-4
57373	8-4
57374	8-4
57375	8-4
57452	5-31
57497	5-43
57751	5-53, 7-13
57772	5-9
57778	5-51
57803	5-53
57804	6-6
57807	5-53, 7-13
57947	7-12

Part Number	Page Number
57965	5-41
57967	7-12
57984	5-31, 5-35, 5-37, 7-11
58346	5-51
58494	7-11
58670	5-31
58842	5-39
61288	5-38
61759	9-15
61780	9-8
61781	9-8
61816	9-15
61817	9-15
61818	9-6
61821	9-6
62050	5-4, 5-49
62170-2	5-9
62595-18	5-53
62595-21	7-5
63147	5-21
63266A-2	5-51
63416	5-37
63475	5-37
64141	5-53
64379	5-21
64595	7-11
65223	5-33, 8-10
65560	7-13
65577	5-21
65870-5	5-4
66099	7-9
67718-2	5-4, 5-33
67718	5-33
67767	6-5
68198	5-4, 5-5
68275	5-9
68872	5-51
68873	5-51
69158	5-35
69159	5-35
69736	5-49
70006	5-38
75575	5-37
76736	5-49
77098	5-39
77883	9-6
82-755-07	9-17
82-755-09	9-7
82-755-11	9-7
82-755-13	9-7
82-755-16	9-5
82-755-17	9-5
82229	7-11
82239	5-39
82342	5-9
82526	5-4, 5-49
82621	7-11
82709	5-51
82784	5-38
82802	5-33
82809	5-41
82816	5-41

**CROSS REFERENCE**

<b>Part Number</b>	<b>Page Number</b>	<b>Part Number</b>	<b>Page Number</b>
82839	5-44	87181	5-4, 5-7
82842	5-27	87182	5-5, 5-7
86646	5-13, 5-35	87183	5-5, 5-7
86922	5-11	87184	5-5, 5-7
87021	5-53	87189	5-7
87027	5-27	87190	5-7
87030	5-27, 5-29	87195	5-11
87040	5-27	87197	5-4, 5-7
87041	5-29	87198	5-44
87045	5-13	87199	5-4, 5-7
87046	5-11	87201	5-17
87050	5-11	87202	5-15
87051	5-23	87203	5-15
87052	5-55	87206	5-4, 5-7
87053	5-11	87208	5-17
87055	5-33, 8-8	87209	5-19
87056	5-15	87211	5-4, 5-7
87059	5-17	87215	5-27, 5-29
87060	5-4, 5-17	87216	5-13
87061	5-4, 5-17	87217	5-4, 5-15
87068	6-5	87218	5-37
87074	5-19	87221	5-31
87078	5-27, 5-29	87222	5-35
87079	5-33	87226	9-5
87080	5-27, 5-29	87228	5-13
87082	5-29	87229	5-13
87083	7-8	87236	5-35
87084	5-19	87242	5-31
87088	5-29	87244	5-13
87097	5-5	87245	5-43
87099	5-5	87246	5-37
87103	5-17	87248	5-11
87104	5-21	87250	5-53
87108	5-21	87251	5-25
87109	5-43	87253	5-11
87113	5-15	87254	5-44
87114	5-15	87257	5-43
87117	5-17	87265	5-23
87120	5-21	87266	8-7
87131	5-44	87267	5-27
87134	5-11	87270	5-11
87142	5-11	87275	5-29
87146	5-13	87280	5-23
87147	5-13	87283	5-53
87148	5-13	87286	5-19
87149	5-13	87293	5-31
87150	9-9	87297	5-31
87152	5-21	87298	5-31
87155	5-44	87299	5-25
87156	8-11	87306	5-19
87162	5-21	87309	6-5
87164	5-4, 5-15	87313	9-15
87165	5-4, 5-15	87314	9-15
87166	5-15	87315	9-15
87167	5-4, 5-15	87322	9-15
87170	5-31	87333	5-5
87172	5-31	87334	5-5
87174	7-6, 7-7	87337	5-18
87175	5-5, 5-7	87338	5-4, 5-18
87176	5-5, 5-7	87341	5-19
87179	5-47	87343	6-6
87180	5-4, 5-7	87345	5-55

# CROSS REFERENCE

Part Number	Page Number
87346	5-9
87351	5-35
87353	5-5, 5-7
87354	5-5, 5-7
87356	5-56
87360	5-35
87362	5-35
87365	5-35
87368	5-27, 5-29
87369	5-53
87370	5-35
87375	5-37
87376	5-37
87390	5-15
87392	5-38
87394	5-49
87396	5-49
87404	5-37
87405	5-4, 5-15
87406	5-17
87407	5-9
87408	5-9
87409	5-37, 8-6
87411	5-39
87412	5-4, 5-21
87413	5-4, 5-21
87414	5-33
87417	5-39, 8-4
87418	5-31, 7-11
87419	5-5
87420	5-5
87421	5-39
87430	5-18
87432	7-8
87433	5-13
87435	5-47
87439	5-31, 7-11
87444	5-21, 7-11
87450	7-5
87451	5-35, 8-11
87458	5-39
87460	5-18
87461	5-17
87462	7-8
87464	5-4, 5-7
87465	5-4, 5-7
87474	5-27, 5-35
87475	5-31, 8-5
87481	5-9
87484	5-38
87488	5-43
87491	5-45
87500	5-7
87502	5-47
87503	6-5
87511	5-35
87512	5-35
87513	5-35
87521	5-35
87534	5-47
87543	5-35
87544	5-47

Part Number	Page Number
87546	5-19
87550	5-19
87552	5-55
87555	5-5, 5-7
87573	5-23
87574	5-31
87579	5-15
87580	5-23
87581	5-9
87585	5-23
87586	5-4, 5-7
87593	5-47
87603	5-55
87612	5-9
87620	5-25
87621	5-18
87627	5-31
87630	5-25
87631	5-27, 5-29
87637	5-53, 6-6
87639	5-56
87640	5-56
87645	5-27
87646	5-27
87649	7-6, 7-7
87650	5-55
87651	5-41
87652	5-41
87655	7-4
87656	5-31
87657	7-4
87662	8-5, 8-12
87663	8-5
87665	5-47
87672	5-41
87673	7-6
87674	5-39
87675	5-39
87676	5-39
87677	7-11
87678	5-41
87680	5-41
87687	5-4, 5-21
87688	5-4, 5-21
87689	5-4, 5-21
87692	5-47
87693	5-21
87694	7-4
87695	7-4
87697	7-4
87698	7-4
87701	7-4
87705	5-9
87707	5-23
87731	5-5, 5-7
87732	5-35
87734	5-35, 8-7
87735	5-35
87736	5-47
87739	5-18
87740	5-49
87742	7-5

## CROSS REFERENCE

Part Number	Page Number	Part Number	Page Number
87744	8-8	87907	9-17
87754	8-6	87908	9-17
87758	6-5	87909	9-17
87764	5-49	87910	9-17
87773	6-5	87911	9-17
87776	6-5	87912	9-17
87778	5-47	87913	9-18
87780	5-51	87914	9-18
87781	5-51	87915	5-4, 9-18
87784	8-4	87916	9-18
87785	8-4	87917	9-19
87787	6-5	87918	9-19
87788	6-5	87920	5-4, 9-12
87789	7-6, 7-7	87921	9-16
87790	7-8	87922	9-17
87791	7-7	87924	9-5
87792	7-6	87948	5-9
87797	5-45	87949	5-9
87798	5-45	87950	5-31
87803	5-45	87954	5-56
87804	5-45	87955	5-56
87812	6-5	87958	5-15, 5-17
87820	5-43	87961	5-4
87829	7-5	87962	5-4
87832	5-25	87963	5-4
87833	6-5	87964	5-4
87835	6-5	87965	5-4
87837	6-5	87966	5-11
87850	8-8, 8-9, 8-10	87967	5-19
87851	8-8, 8-9, 8-10	87968	5-19
87853	5-25	87969	5-17
87854	5-13	87970	5-7
87860	5-25	87975	5-5, 5-7
87865	5-53	87977	5-53
87868	5-11	87979	5-17
87869	5-11	87982	5-19
87871	5-4, 9-18	87983	5-23
87872	5-4, 9-16	87985	5-19
87873	5-4, 9-16		
87874	5-4, 9-10		
87876	5-47		
87881	5-44		
87883	6-5		
87888	9-5		
87889	9-5		
87890	9-5		
87891	9-5		
87892	9-5		
87893	9-5		
87894	9-5		
87895	9-5		
87896	9-5		
87897	9-10		
87898	5-4, 9-12		
87899	5-4, 9-12		
87900	9-13		
87901	9-15		
87902	9-15		
87903	9-15		
87904	9-15		
87905	9-16		
87906	9-16		





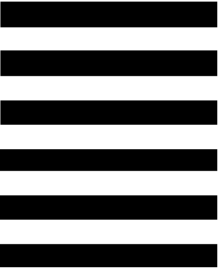




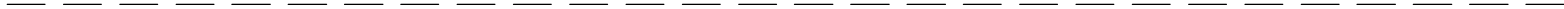
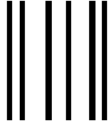
**TENNANT COMPANY**  
 Technical Publications #15  
 701 North Lilac Drive  
 P.O. Box 1452  
 Minneapolis, MN 55440-9947

POSTAGE WILL BE PAID BY ADDRESSEE

**BUSINESS REPLY MAIL**  
 FIRST CLASS MAIL PERMIT NO. 94 MINNEAPOLIS, MN

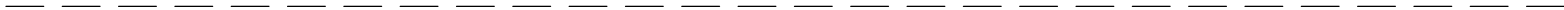


NO POSTAGE  
 NECESSARY  
 IF MAILED  
 IN THE  
 UNITED STATES



Fold along dotted lines

Tape here



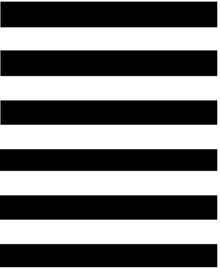




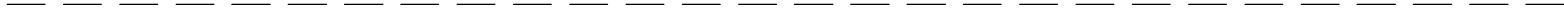
**TENNANT COMPANY**  
 Technical Publications #15  
 701 North Lilac Drive  
 P.O. Box 1452  
 Minneapolis, MN 55440-9947

POSTAGE WILL BE PAID BY ADDRESSEE

**BUSINESS REPLY MAIL**  
 FIRST CLASS MAIL PERMIT NO. 94 MINNEAPOLIS, MN

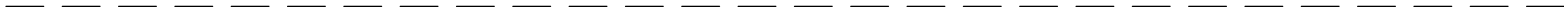


NO POSTAGE  
 NECESSARY  
 IF MAILED  
 IN THE  
 UNITED STATES



Fold along dotted lines

Tape here



## TENNANT SERVICE LITERATURE AVAILABLE...

A variety of information is available to you in forms to suit your needs. The following is a list of those publications that relate to the Model 235 family of machines:

Machine Model	Publication	Form	TENNANT Part No.
235D	Operation, Maintenance, and Parts Manual	Printed	MM331
235 G/LP	Operation, Maintenance, and Parts Manual	Printed	MM166
235E	Operation, Maintenance, and Parts Manual	Printed	MM165
235D	Operation, Maintenance, and Parts Manual	Microfiche	85331
235	Operation, Maintenance, and Parts Manual	Microfiche	85166
235E	Operation, Maintenance, and Parts Manual	Microfiche	85165
235	Operator Handbook	Printed	MM167
235E	Operator Handbook	Printed	MM167
235	Kolher® M18 Engine Service Manual	Printed	87877
235	Kubota® ZB600 Engine Service Manual	Printed	87878

Keep your manuals in a safe, convenient location for your future reference in order to operate, maintain, and order repair parts for your machine. Everyone who operates, maintains, or purchases parts for the machine should have easy access to a copy of the manual.

To get pricing information or to order copies of these publications, contact your nearest Tennant Company parts warehouse, distributor, or sales representative.