



235D

(Parts Manual)

MM331



This manual is furnished with each new TENNANT Model 235D. It provides necessary operating and preventive maintenance instructions. Read this manual completely and understand the machine before operating or servicing it.

This manual covers all machine variations and standard accessories. The tabbed instruction portion of the manual consists of the Specification, Operation, Maintenance, and Appendix sections. The tabbed parts section consists of the Standard Model Parts; Options; Hydraulic Components; Engine Parts, Diesel; and Cross Reference sections.

All right side and left side references to the machine are determined by facing the direction of forward travel. All hardware considered to be of a common nature or locally available has been omitted from the parts sections. Be aware that this machine may contain metric hardware. Make sure you use equivalent hardware when replacement becomes necessary.

This machine will provide excellent service. However, the best results will be obtained at minimum costs if:

- The machine is operated with reasonable care.
- The machine is maintained regularly - per the maintenance instructions provided.
- The machine is maintained with Tennant Company supplied or equivalent parts.

Parts and supplies may be ordered by phone or mail from any Tennant Company parts and service center, distributor, or from any of the Tennant Company subsidiaries. Before ordering parts or supplies, be sure to have your machine model number and serial number handy. Fill out the data block below for future reference. The telephone numbers, telex numbers, mailing addresses, and locations of those outlets are listed in the Customer Documents section of the manual.

MACHINE DATA <i>Please fill out at time of installation.</i>
Machine Serial Number - _____
Engine Serial Number - _____
Sales Representative - _____
Customer Number - _____
Date of Installation - _____
Manual Number - MM331
Revision: 03
Published: 8-95

Trademark Registered in: Austria, Benelux, Denmark, England, France, Germany, Italy, Spain, Switzerland, United States, Argentina, Australia, Canada, Japan, Mexico, Sweden, by TENNANT COMPANY, Minneapolis, Minnesota, U.S.A.

Acknowledgments: Technical information and/or illustrations supplied by Kubota Ltd.

Copyright 1993, 1994, 1995 Tennant Company, Printed in U.S.A.

SECTION 5

CONTENTS

	Page
ORDERING REPAIR PARTS	5-3
Fig. 1 - Recommended General Maintenance Items	5-4
Fig. 2 - Replacement Brushes	5-5
Fig. 3 - Main Frame Group	5-6
Fig. 4 - Seat and Shrouds Group	5-8
Fig. 5 - Front Wheel and Brake Group	5-10
Fig. 6 - Hopper Lift Arms Group	5-12
Fig. 7 - Hopper Middle and Cover Group	5-14
Fig. 8 - Hopper Bottom Group	5-16
Fig. 9 - Hopper Headlights and Access Door Group	5-18
Fig. 10 - Hopper Filter and Shaker Motor Group	5-19
Fig. 11 - Hopper Dump Door and Actuator Group	5-20
Fig. 12 - Vacuum Fan Control Group	5-22
Fig. 13 - Vacuum Fan Assembly	5-24
Fig. 14 - Main Brush Drive Group	5-26
Fig. 15 - Main Brush Idler Group	5-28
Fig. 16 - Side Brush Group	5-30
Fig. 17 - Hydraulic Lift Cylinder and Filter Group	5-32
Fig. 18 - Pump Group	5-34
Fig. 19 - Control Valve and Throttle Group	5-36
Fig. 20 - Hydraulic Reservoir Group	5-38
Fig. 21 - Rear Drive Wheel Group	5-39
Fig. 22 - Hydraulic Hoses Group	5-40
Fig. 23 - Steering Wheel Group	5-42
Fig. 24 - Directional Pedal Group	5-44
Fig. 25 - Speed Limiter Group	5-45
Fig. 26 - Engine Group	5-46
Fig. 27 - Fuel Tank and Line Group	5-48
Fig. 28 - Control Panel Group	5-50
Fig. 29 - Wire Harness Group	5-52
Fig. 30 - Labels Group	5-54

NOTE: SECTION 5, STANDARD MODEL PARTS, lists repair parts for a standard diesel model machine. This section also contains parts common to all models of the machine.

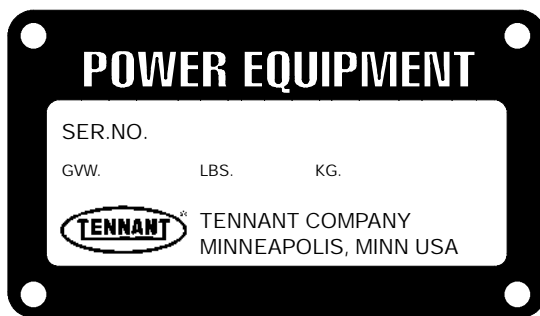
ORDERING REPAIR PARTS

The components used in this machine have been carefully selected for performance and safety. Use only TENNANT specified or equivalent parts.

To receive prompt service in filling of your parts orders, please direct all orders for parts with TENNANT part numbers to the TENNANT, and all orders for parts with vendor part numbers to the local supplier of the respective vendor.

When ordering parts, please furnish all of the following information:

1. Machine model number - shown on the machine data plate.



2. Machine serial number - shown on the machine data plate.
3. Power source - gasoline, LPG, diesel, electric.
4. Company name.
5. Shipping address.
6. Billing address.
7. Name, first and last - of person ordering parts.
8. Telephone number.
9. Purchase order number.
10. Part number, description, and quantity - of each item on the order.
11. Customer ID Number.

Do not order parts by key number or the figure number of the illustrated parts. Indented items indicate parts of assemblies. Standard hardware is furnished only when part of a purchased assembly. Please get hardware from a local hardware supplier.

If the old part cannot be identified, send it to us with the quantity needed specified on the order.

Any claim for loss or damage to a shipment in transit should be filed promptly against the transportation company making the delivery. Shipments will be complete unless the packing list or order acknowledgement indicate items back ordered.

If parts received are suspected to be incorrect or defective, please write, wire, or phone the TENNANT representative from whom you ordered the part. They will give authorization for return and/or handle replacement shipments when required.

SERIAL NUMBER INFORMATION EXPLANATION

Serial number listings are shown to indicate on which machines each part can be used. These listings are explained by the following examples:

(000000-) The part can be used on all machines.

(003342-) The part can be used on all machines beginning with the serial number listed.

(000000-004320) The part can be used on all machines up to and including serial number listed.

(004321-005678) The part can be used on all machines between and including the serial numbers listed.

Where xxxxxx's are listed in place of a serial number, it indicates a change was made but the exact serial number had not been established when the catalog went to press.

SI UNITS OF MEASURE (INTERNATIONAL SYSTEM)

Metric equivalents have been included, where applicable, throughout this parts catalog.

FASTENER STRENGTH IDENTIFICATION

Fasteners required to have high-strength qualities equivalent to SAE Grade 8 are identified throughout this catalog by the description GR 8. Unless identified by this description, all standard fasteners are SAE Grade 5.

(Specifications and design subject to change without notice.)

Fig. 1 - Recommended General Maintenance Items

Key	TENNANT Part No.	Machine Serial Number	Description	Qty.
	87960	(000000-)	Maintenance Kit, 400 Hour, Diesel	1
	87171	(000000-)	Element, Pre-Cleaner	1
	87875	(000000-)	Element, Air Cleaner	1
	87928	(000000-)	Gasket Kit, Breather	1
	87929	(000000-)	Gasket, Breather	1
	87930	(000000-)	Element, Breather	1
	87737	(000000-)	Hose, Rubber, 5.5 in (140 mm)	1
	82509	(000000-)	Hose, Fuel Line, 11 in (280 mm)	1
	87730	(000000-)	Hose, Rubber, 12 in (305 mm)	1
	87738	(000000-)	Hose, Rubber, 29 in (735 mm)	1
	87870	(000000-)	Filter, Engine Oil	6
	65870-5	(000000-)	Hydraulic Fluid, (5/20), 5 gal (18.9 L)	1
	67718-2	(000000-)	Element, Hydraulic Filter	1
	82692	(000000-)	Element, Diesel Fuel Filter	1
	87963	(000000-)	Maintenance Kit, Hopper	1
	87405	(000000-)	Seal, Hopper Halves	1
	87217	(000000-)	Seal, Hopper Cover	1
	87338	(000000-)	Seal, Access Door	1
	68198	(000000-)	Adhesive, 1 oz (30 ml)	1
	87061	(000000-)	Lip, Hopper Rear	1
	87060	(000000-)	Retainer, Hopper Lip	1
	87412	(000000-)	Seal, Dump Door	2
	87413	(000000-)	Spacer, Seal	2
	87689	(000000-)	Cord, Sponge	1
	87688	(000000-)	Wrap, Dump Door Seal	1
	87687	(000000-)	Retainer, Hopper Seal	1
	87164	(000000-)	Seal, Dump Door Top	1
	87165	(000000-)	Retainer, Seal	1
	87167	(000000-)	Retainer, Door Seal	1
	34323	(000000-)	Screw, Hex, Nylon Lock	5
	87964	(000000-)	Maintenance Kit, Rear Skirt	1
	87197	(000000-)	Flap, Recirculation	1
	87199	(000000-)	Seal, Rear Brush Wrap	1
	87586	(000000-)	Angle, Recirculation Flap	1
	87206	(000000-)	Retainer, Rear Seal	1
	34292	(000000-)	Screw, Hex, Nylon Lock	7
	87965	(000000-)	Maintenance Kit, Seals	1
	87465	(000000-)	Seal, Brush Lift Handle	1
	87464	(000000-)	Retainer, Brush Lift Seal	1
	87181	(000000-)	Seal, Hopper Top	1
	87180	(000000-)	Retainer, Hopper Top Seal	1
	87211	(000000-)	Skirt, Lower, L.H.	1
	87555	(000000-)	Retainer, Lower Skirt	1
	87975	(000000-)	Retainer, Skirt, L.H.	1
	87184	(000000-)	Seal, Hopper, L.H.	1
	87182	(000000-)	Retainer, Felt Seal	1
	34292	(000000-)	Screw, Hex, Nylon Lock	4
	87175	(000000-)	Skirt, Lower, R.H.	1
	87176	(000000-)	Retainer, Lower Seal	1
	87183	(000000-)	Seal, Hopper, R.H.	1
	87182	(000000-)	Retainer, Felt Seal	1
	87353	(000000-)	Seal, Foam Rubber	2
	87354	(000000-)	Seal, Foam Rubber	2

Fig. 1 - Recommended General Maintenance Items

Key	TENNANT Part No.	Machine Serial Number	Description	Qty.
	87731	(000000-)	Seal, Foam Rubber	1
	68198	(000000-)	Adhesive, 1 oz (30 ml)	1
	47069	(000000-)	Sleeve, Vacuum Fan Tube	1

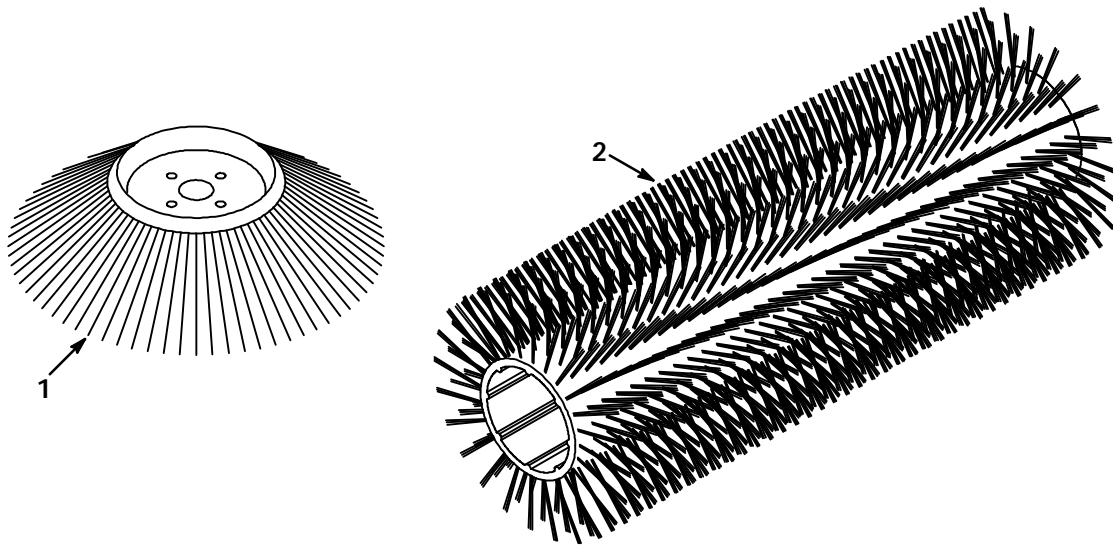


Fig. 2 - Replacement Brushes

03561

Key	TENNANT Part No.	Machine Serial Number	Description	Qty.
1	87419	(000000-)	Side Brush, Polypropylene	1
1	87420	(000000-)	Side Brush, Nylon	1
2	87333	(000000-)	Main Brush, 24 Single Row, Polyester	1
2	87097	(000000-)	Main Brush, 8 Double Row, Proex and Wire	1
2	87334	(000000-)	Main Brush, 8 Double Row, Polyester	1
2	87099	(000000-)	Main Brush, 8 Double Row, Polypropylene	1

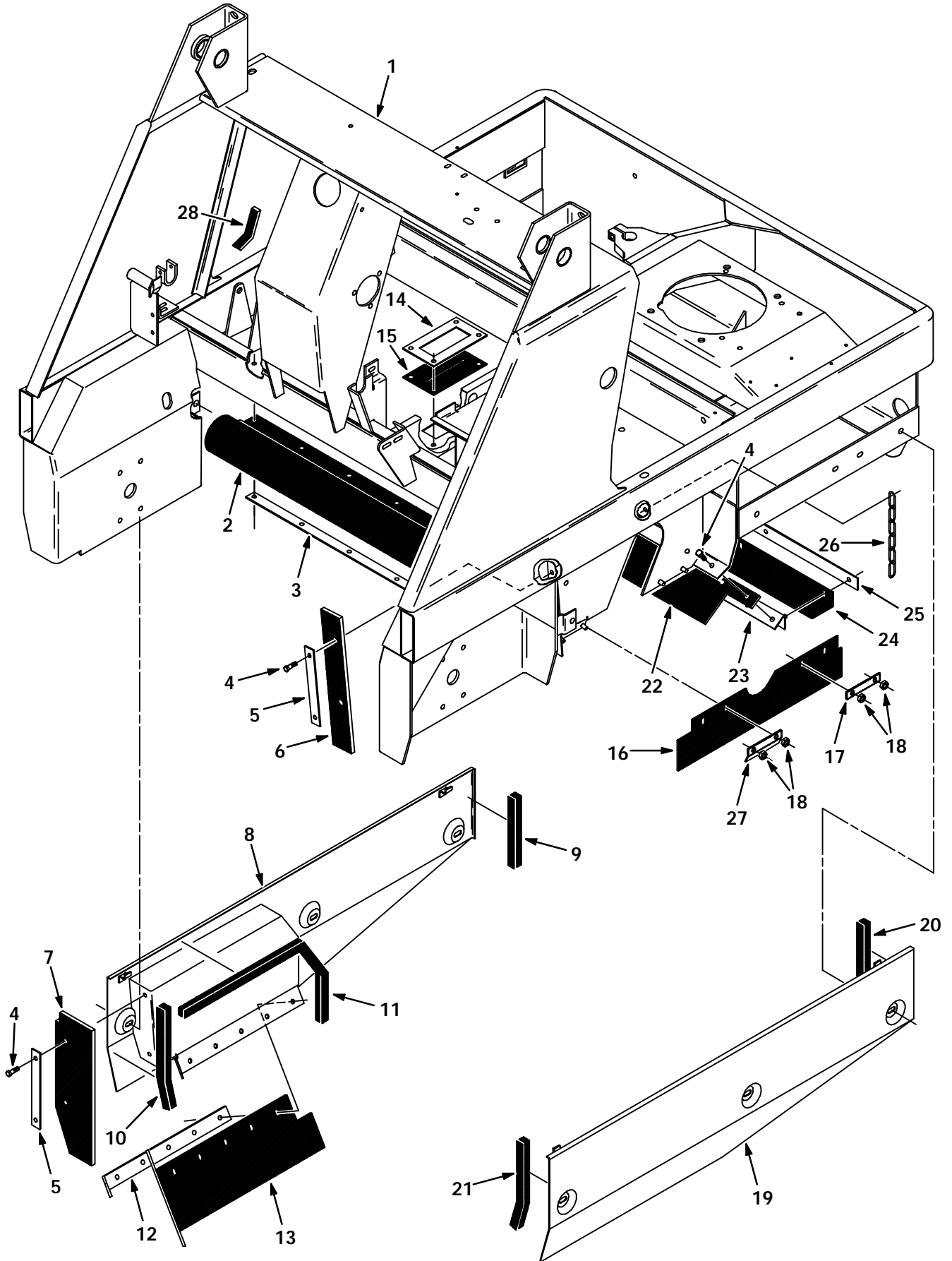


Fig. 3 - Main Frame Group

Fig. 3 - Main Frame Group

Key	TENNANT Part No.	Machine Serial Number	Description	Qty.
1	87500	(000000-)	Frame, Main	1
2	87181	(000000-)	Seal, Hopper Top	1
3	87180	(000000-)	Retainer, Seal	1
4	34292	(000000-)	Screw, Nylon Hex	11
5	87182	(000000-)	Retainer, Felt Seal	2
6	87184	(000000-)	Seal, Hopper, L.H.	1
7	87183	(000000-)	Seal, Hopper, R.H.	1
8	87190	(000000-)	Door Assembly, Brush, R.H.	1
9	87353	(000000-)	Seal, Foam Rubber	1
10	87354	(000000-)	Seal, Foam Rubber	1
11	87731	(000000-)	Seal, Foam Rubber	1
12	87176	(000000-)	Retainer, Lower Seal	1
13	87175	(000000-)	Skirt, Lower, R.H.	1
14	87464	(000000-)	Retainer, Seal	1
15	87465	(000000-)	Seal, Brush Lift Handle	1
16	87211	(000000-)	Skirt, Lower, L.H.	1
17	87555	(000000-)	Retainer, Lower Skirt	1
18	01760	(000000-)	Nut, Nylon Lock	4
19	87189	(000000-)	Door Assembly, Brush, L.H.	1
20	87353	(000000-)	Seal, Foam Rubber	1
21	87354	(000000-)	Seal, Foam Rubber	1
22	87197	(000000-)	Flap, Recirculation	1
23	87586	(000000-)	Angle, Recirculation Flap	1
24	87199	(000000-)	Seal, Rear	1
25	87206	(000000-)	Retainer, Rear Seal	1
26	47277	(000000-)	Chain, Link	1
27	87975	(000000-)	Retainer, Skirt, L.H.	1
28	87970	(000000-)	Seal, Foam	1

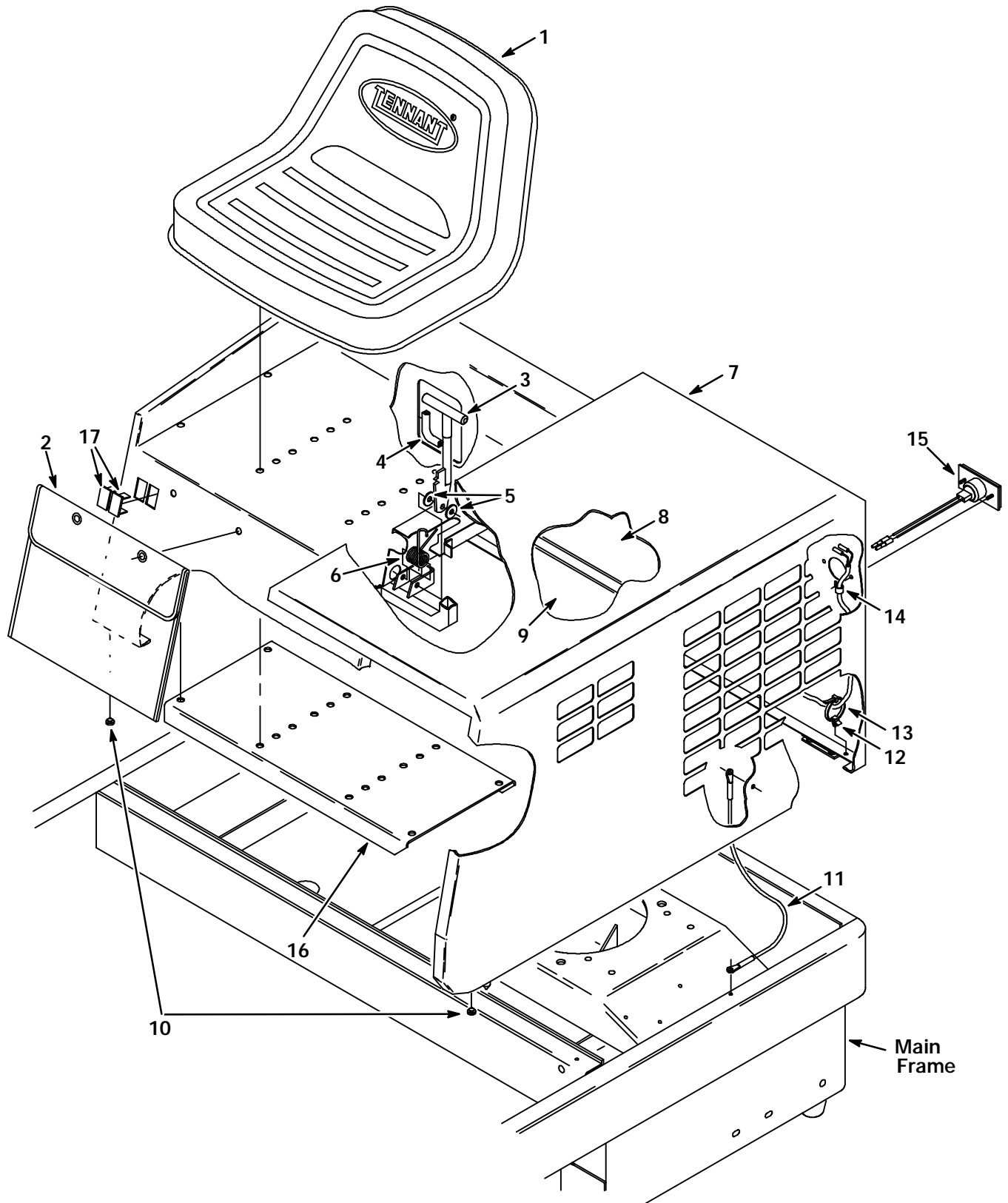


Fig. 4 - Seat and Shrouds Group

Fig. 4 - Seat and Shrouds Group

Key	TENNANT Part No.	Machine Serial Number	Description	Qty.
1	82342	(000000-)	Seat Assembly	1
2	68275	(000000-002611)	Pouch, Operator's Manual, 13.6 in (345 mm)	1
2	48790	(002612-)	Pouch, Operator's Manual, 7.5 in (190 mm)	1
3	87612	(000000-)	Latch, Shroud	1
4	62170-2	(000000-)	Molding, Rigid	1
5	43454	(000000-)	Washer, Nylon	2
6	87581	(000000-)	Spring, Torsion	1
7	87481	(000000-)	Shroud	1
8	87407	(000000-)	Insulation, Foam	1
9	87408	(000000-)	Insulation, Foam	1
10	29233	(000000-)	Bumper, Rubber	3
11	36192	(000000-)	Lanyard Assembly	1
12	87705	(000000-)	Tie Down, Cable	5
13	49266	(000000-)	Tie, Cable	6
14	46236	(000000-)	Clamp, Cable	2
15	87346	(000000-)	Taillight Assembly	2
	87948	(000000-)	Bulb	1
	87949	(000000-)	Socket Assembly	1
16	87305	(000000-)	Bracket, Seat Support	1
17	57772	(000000-)	Plate, Cover	2

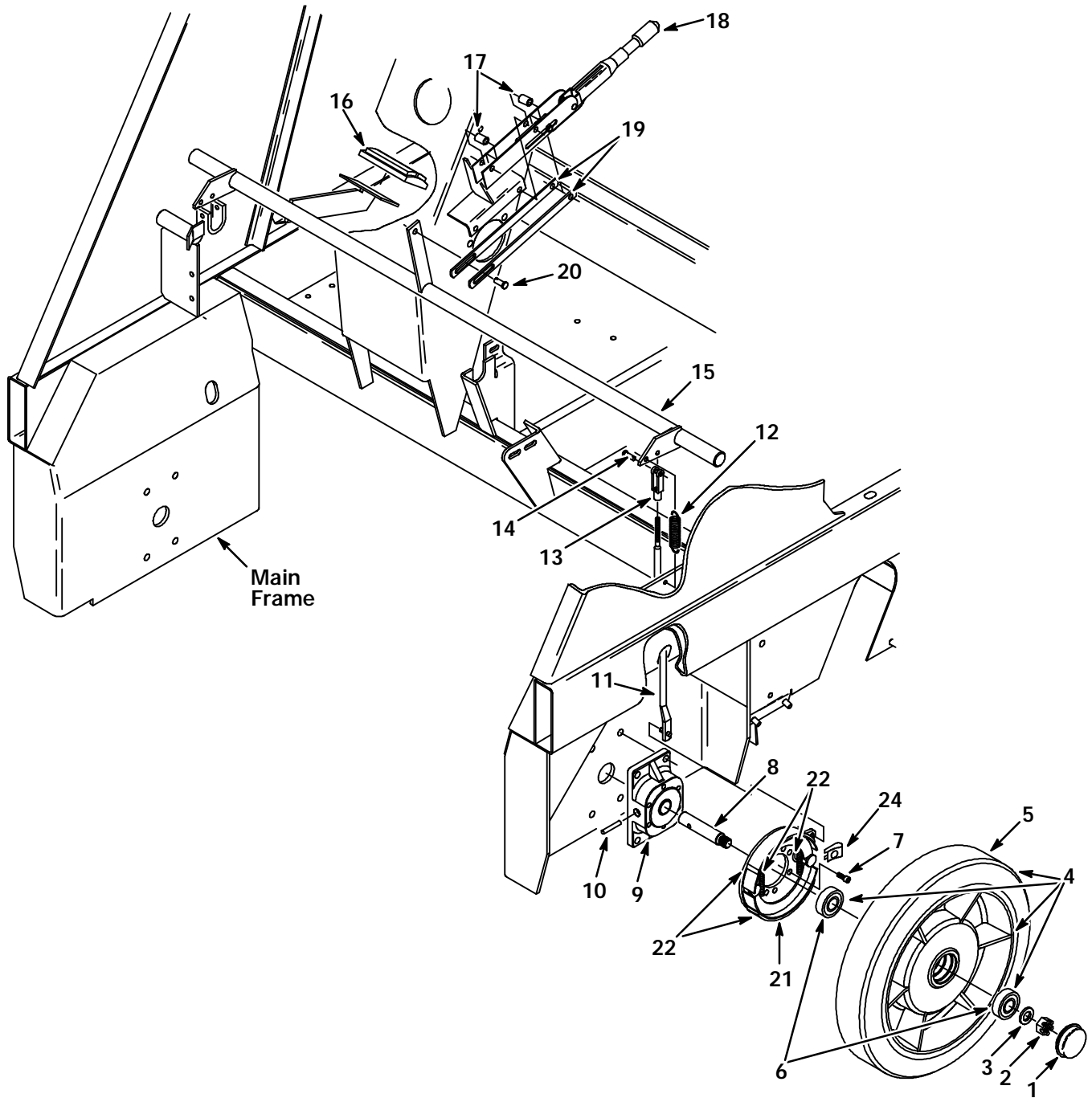


Fig. 5 - Front Wheel and Brake Group

Fig. 5 - Front Wheel and Brake Group

Key	TENNANT Part No.	Machine Serial Number	Description	Qty.
1	86922	(000000-)	Cap, Hub	2
2	87053	(000000-)	Nut, Slotted	2
3	28862	(000000-)	Washer, Thrust	2
4	87253	(000000-)	Wheel Assembly	2
5	87195	(000000-)	Tire, Solid	1
6	46390	(000000-)	Bearing, Ball	2
7	39296	(000000-)	Screw, Socket	12
8	87050	(000000-)	Shaft, Front Wheel	2
9	87046	(000000-)	Hub, Front Wheel	2
10	26315	(000000-)	Pin, Roll	2
11	87270	(000000-)	Rod, Brake	2
12	13352	(000000-)	Spring, Tension	2
13	14595-1	(000000-)	Clevis, Adjustable	2
14	14605	(000000-)	Pin, Clevis	2
15	87134	(000000-)	Shaft, Brake	1
16	51109	(000000-)	Pad	1
17	51562	(000000-)	Sleeve	2
18	51545	(000000-)	Lever, Brake	1
19	87248	(000000-)	Arm, Extension	2
20	10120	(000000-)	Pin, Clevis	1
21	87142	(000000-)	Brake Assembly	2
22	87868	(000000-)	Shoes, Brake (Set for 1 Wheel)	1
23	87869	(000000-)	Springs, Brake (Set for 1 Wheel)	1
24	87966	(000000-)	Clip	1

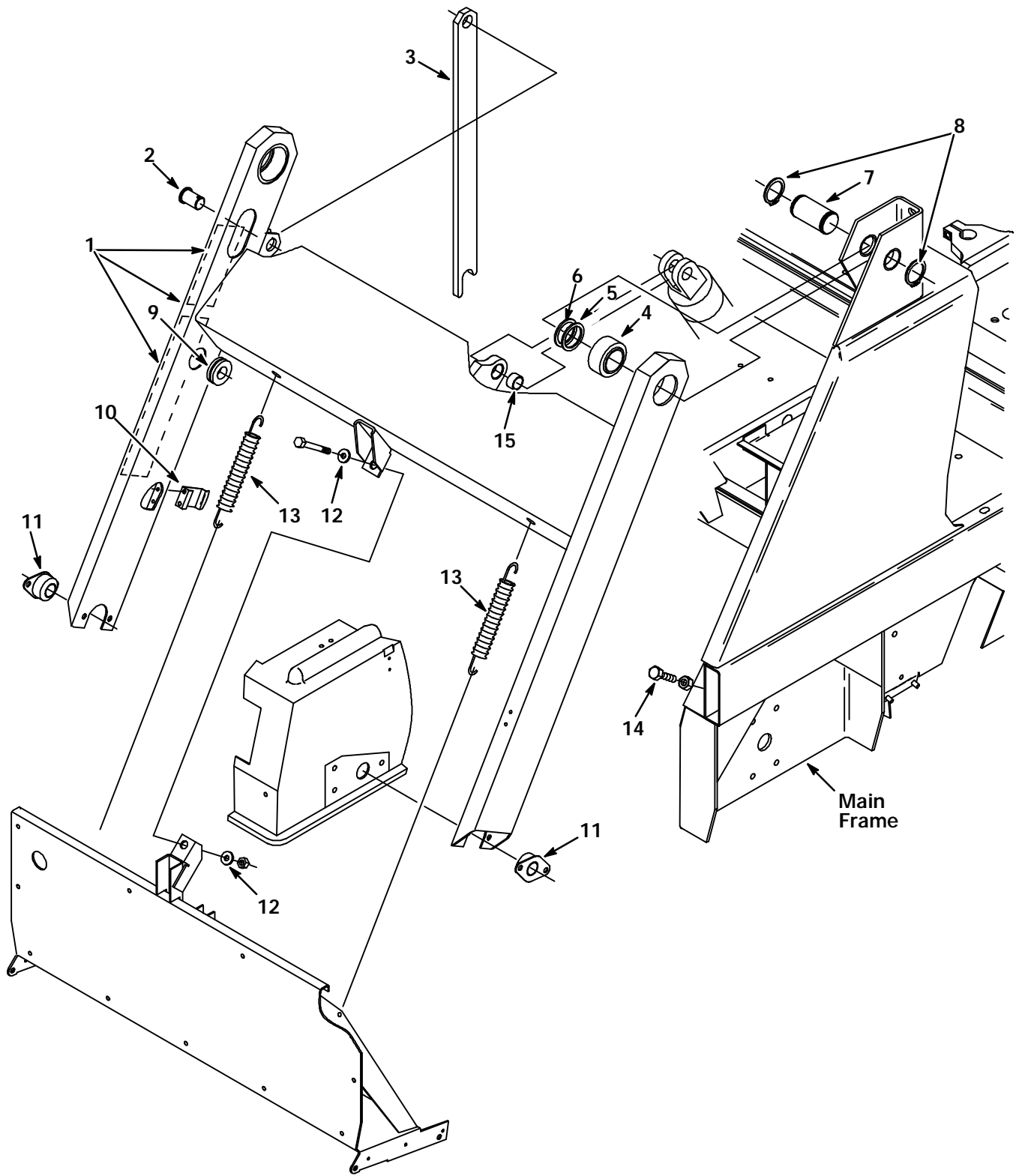


Fig. 6 - Hopper Lift Arms Group

Fig. 6 - Hopper Lift Arms Group

Key	TENNANT Part No.	Machine Serial Number	Description	Qty.
1	87854	(000000-)	Arm and Decal Assembly, Lift	1
2	87229	(000000-)	Pin, Pivot	1
3	87228	(000000-)	Arm, Prop	1
4	87045	(000000-)	Bearing, Self-Aligning	2
5	87433	(000000-)	Spacer	2
6	87148	(000000-)	Spacer	2
7	87146	(000000-)	Pin, Pivot	2
8	87147	(000000-)	Ring, Retaining	4
9	10632-13	(000000-)	Grommet	1
10	87244	(000000-)	Clip, Spring	1
11	87216	(000000-)	Bearing, Flange	2
12	41187	(000000-)	Washer, Belleville	2
13	52238	(000000-)	Spring, Tension	2
14	86646	(000000-)	Screw, Hex	2
15	87149	(000000-)	Bearing, Journal	1

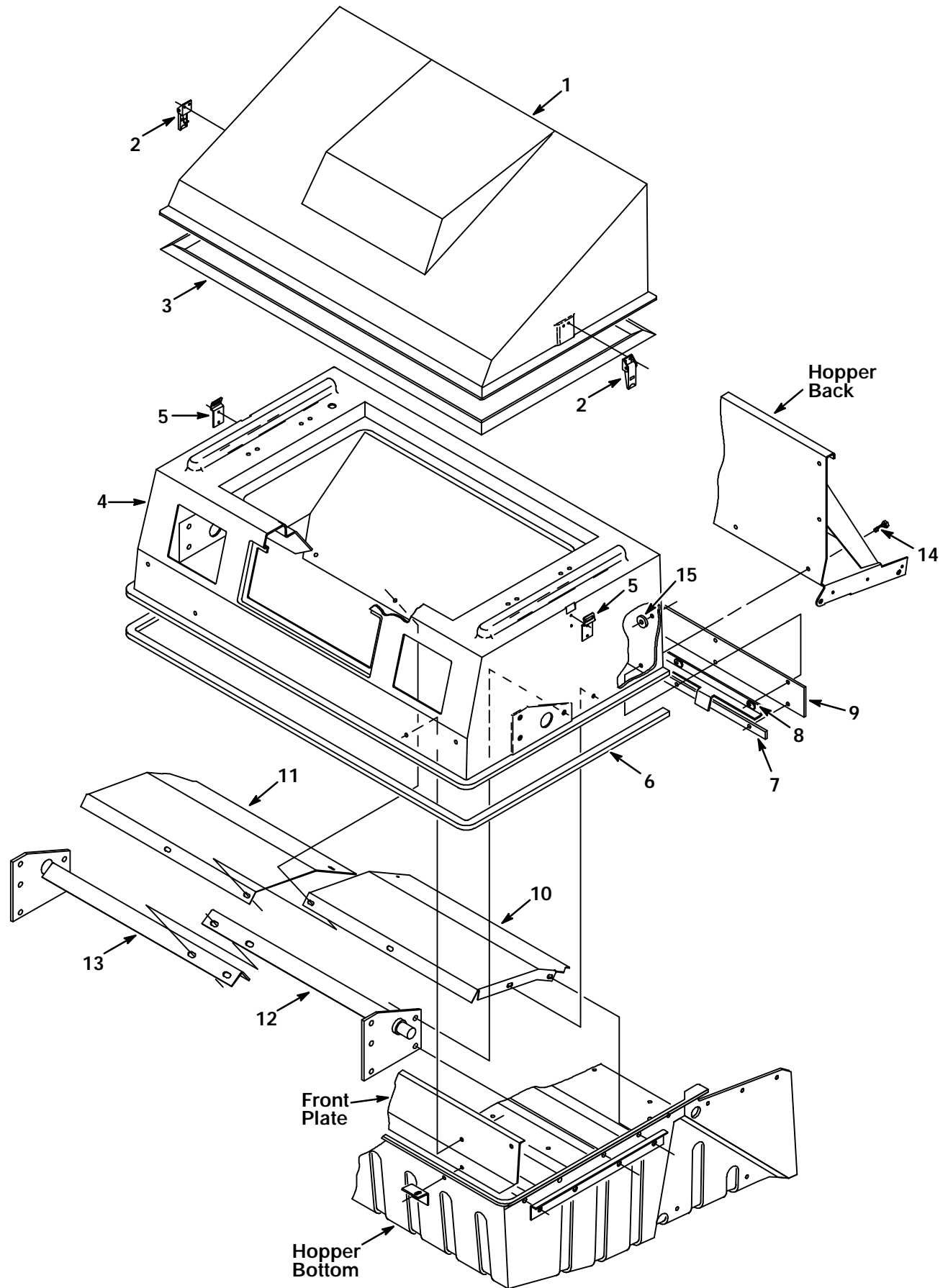


Fig. 7 - Hopper Middle and Cover Group

Fig. 7 - Hopper Middle and Cover Group

Key	TENNANT Part No.	Machine Serial Number	Description	Qty.
1	87203	(000000-)	Cover, Hopper	1
2	87579	(000000-)	Latch, Tension	2
3	87217	(000000-)	Seal, Hopper Cover	1
4	87202	(000000-)	Hopper, Middle	1
5	87056	(000000-)	Strike, Hopper Cover	2
6	87405	(000000-)	Seal	1
7	87165	(000000-)	Retainer, Seal	1
8	87167	(000000-)	Retainer, Door Seal	1
9	87164	(000000-)	Seal, Dump Door	1
10	87390	(000000-)	Baffle, Debris, L.H.	1
11	87166	(000000-)	Baffle, Debris, R.H.	1
12	87113	(000000-)	Plate, Pivot, L.H.	1
13	87114	(000000-)	Plate, Pivot, R.H.	1
14	34323	(000000-)	Screw, Nylon Hex	5
15	87958	(000000-)	Washer, Nylon	6

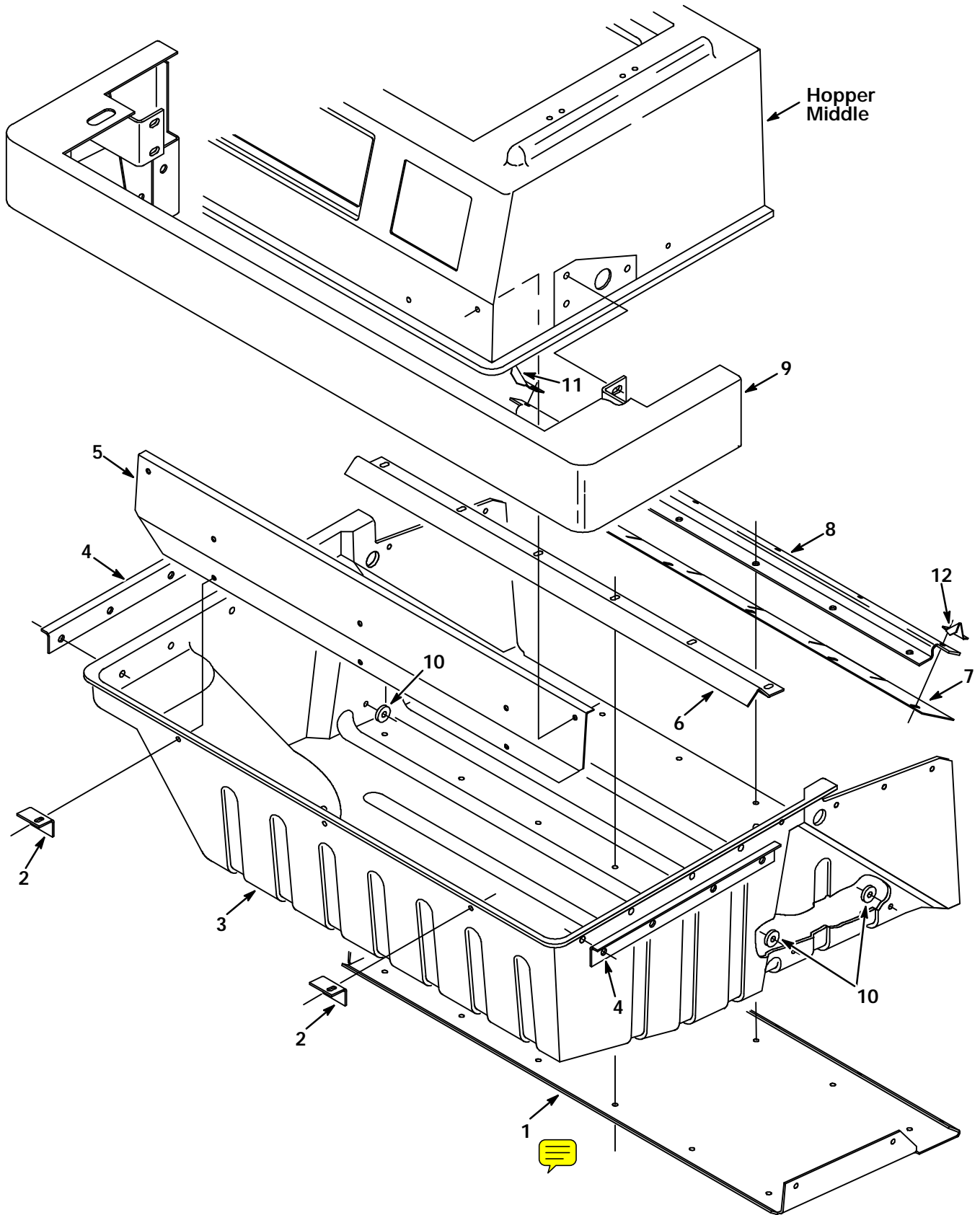


Fig. 8 - Hopper Bottom Group

Fig. 8 - Hopper Bottom Group

Key	TENNANT Part No.	Machine Serial Number	Description	Qty.
1	87059	(000000-)	Plate, Hopper Bottom	1
2	87103	(000000-)	Angle, Support	2
3	87201	(000000-)	Hopper, Bottom	1
4	87406	(000000-)	Angle, Bottom Support	2
5	87208	(000000-)	Plate, Front	1
6	87461	(000000-)	Angle, Stiffener	1
7	87061	(000000-)	Lip, Rear	1
8	87060	(000000-)	Retainer, Lip	1
9	87117	(000000-)	Bumper, Front	1
10	87958	(000000-)	Washer, Nylon	4
11	87969	(000000-)	Deflector, Hopper, R.H.	1
12	87979	(000000-)	Deflector, Hopper, L.H.	1

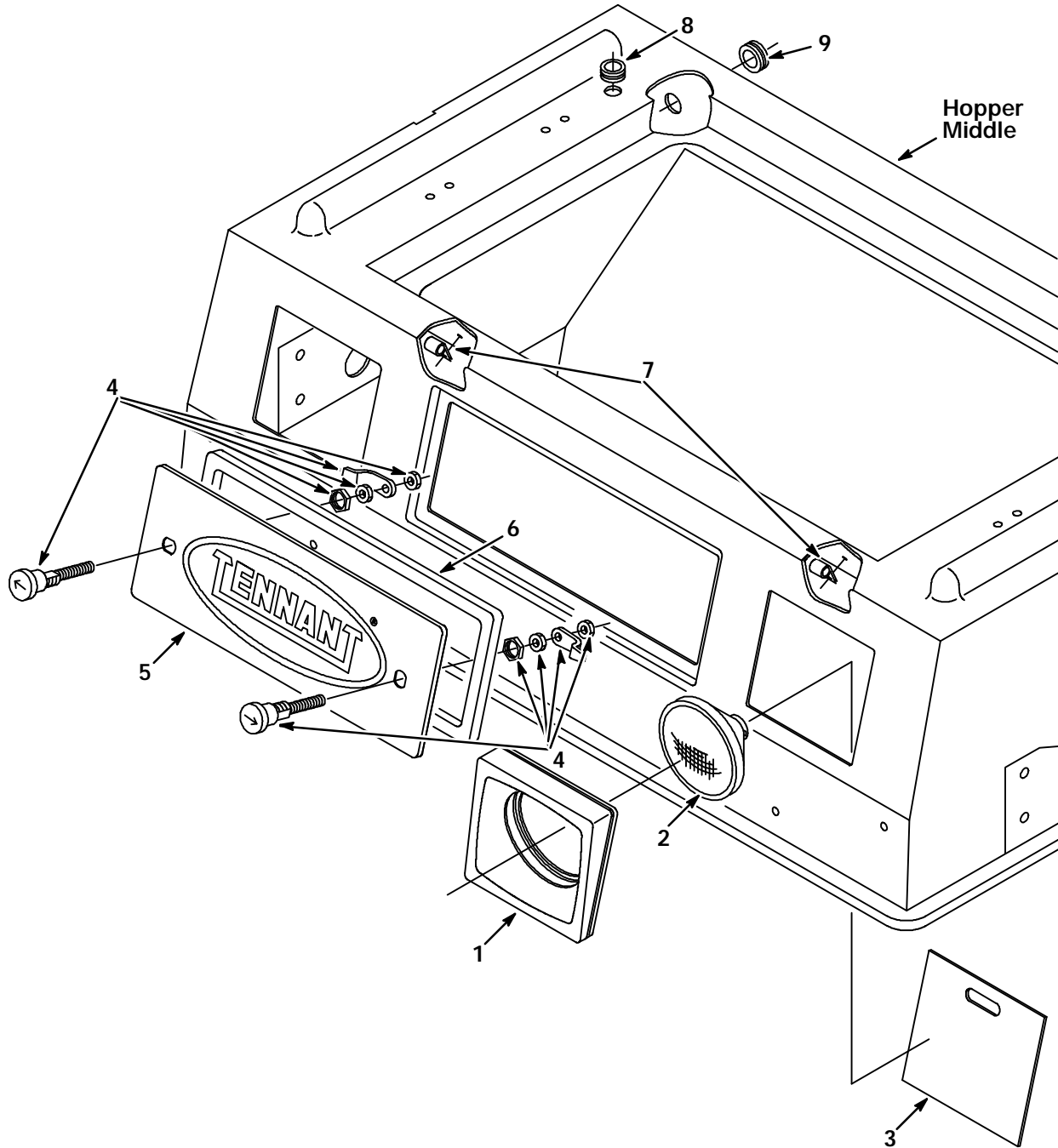


Fig. 9 - Hopper Headlights and Access Door Group

03467

Key	TENNANT Part No.	Machine Serial Number	Description	Qty.
1	87460	(000000-)	Mount, Headlight	2
2	87430	(000000-)	Lamp	2
3	87739	(000000-)	Guard, Headlight	2
4	87337	(000000-)	Latch, Door	2
5	87621	(000000-)	Door, Access	1
6	87338	(000000-)	Seal, Access Door	1
7	26395-2	(000000-)	Clamp, Cable	2
8	10632-11	(000000-)	Grommet, Rubber	1
9	10632-15	(000000-)	Grommet, Rubber	1

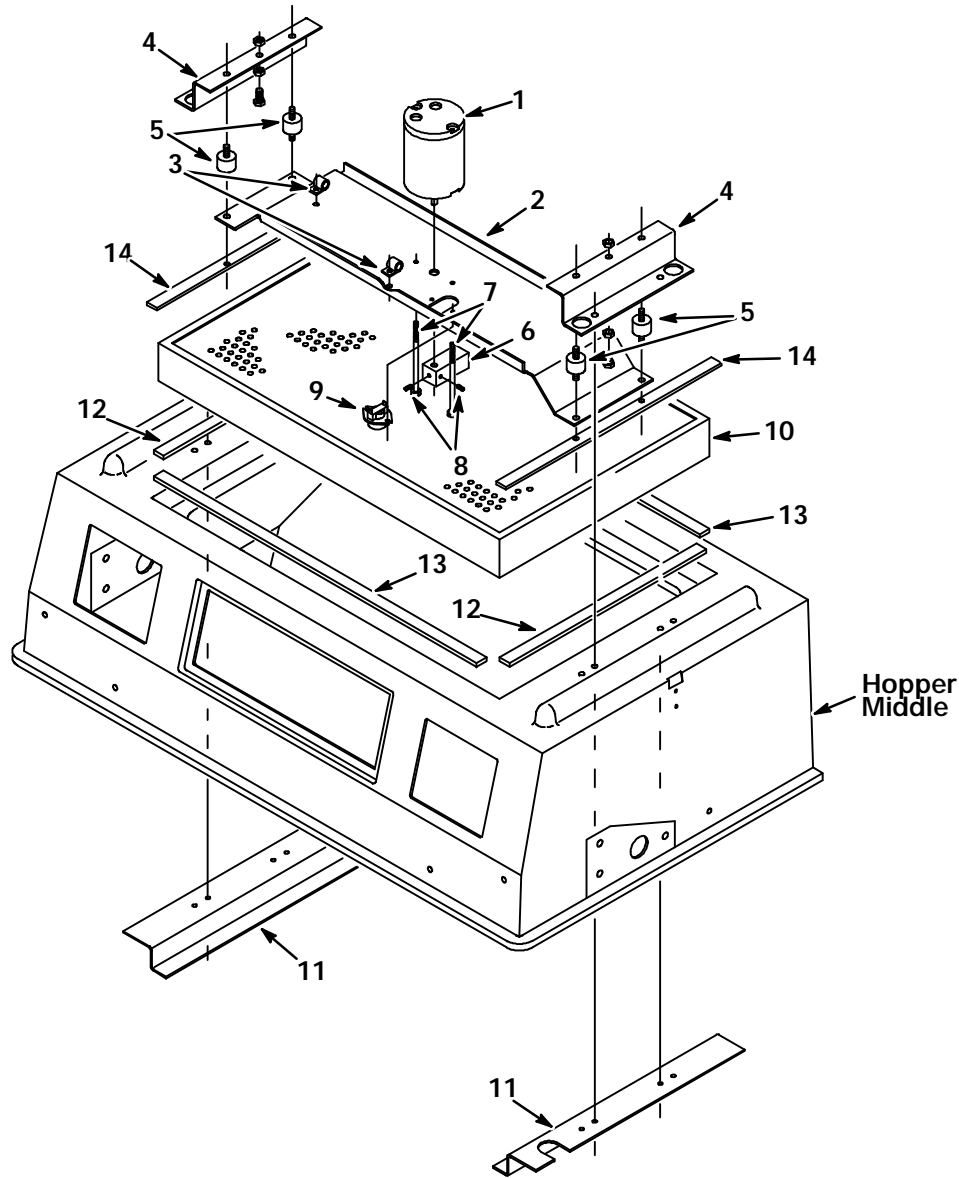


Fig. 10 - Hopper Filter and Shaker Motor Group

03468

Key	TENNANT Part No.	Machine Serial Number	Description	Qty.
1	54121	(000000-)	Motor, Shaker	1
2	87074	(000000-)	Bracket, Shaker Filter	1
3	40678	(000000-)	Clamp, Cable	2
4	87209	(000000-001391)	Bracket, Shaker Mount	2
4	87985	(001392-)	Bracket, Shaker Mount	2
5	51322	(000000-)	Isolator, Vibration	4
6	87306	(000000-)	Weight, Eccentric	1
7	87286	(000000-)	Screw, Hex	2
8	20634	(000000-)	Screw, Nylon Set	2
9	87546	(000000-)	Thermostat	1
10	87550	(000000-001391)	Filter Assembly	1
10	87341	(001392-)	Filter Assembly	1
11	87084	(000000-)	Plate, Mount	2
12	87967	(000000-)	Strip, Seal Retainer	2
13	87968	(000000-)	Strip, Seal Retainer	2
14	87982	(000000-)	Bar, Shaker	2

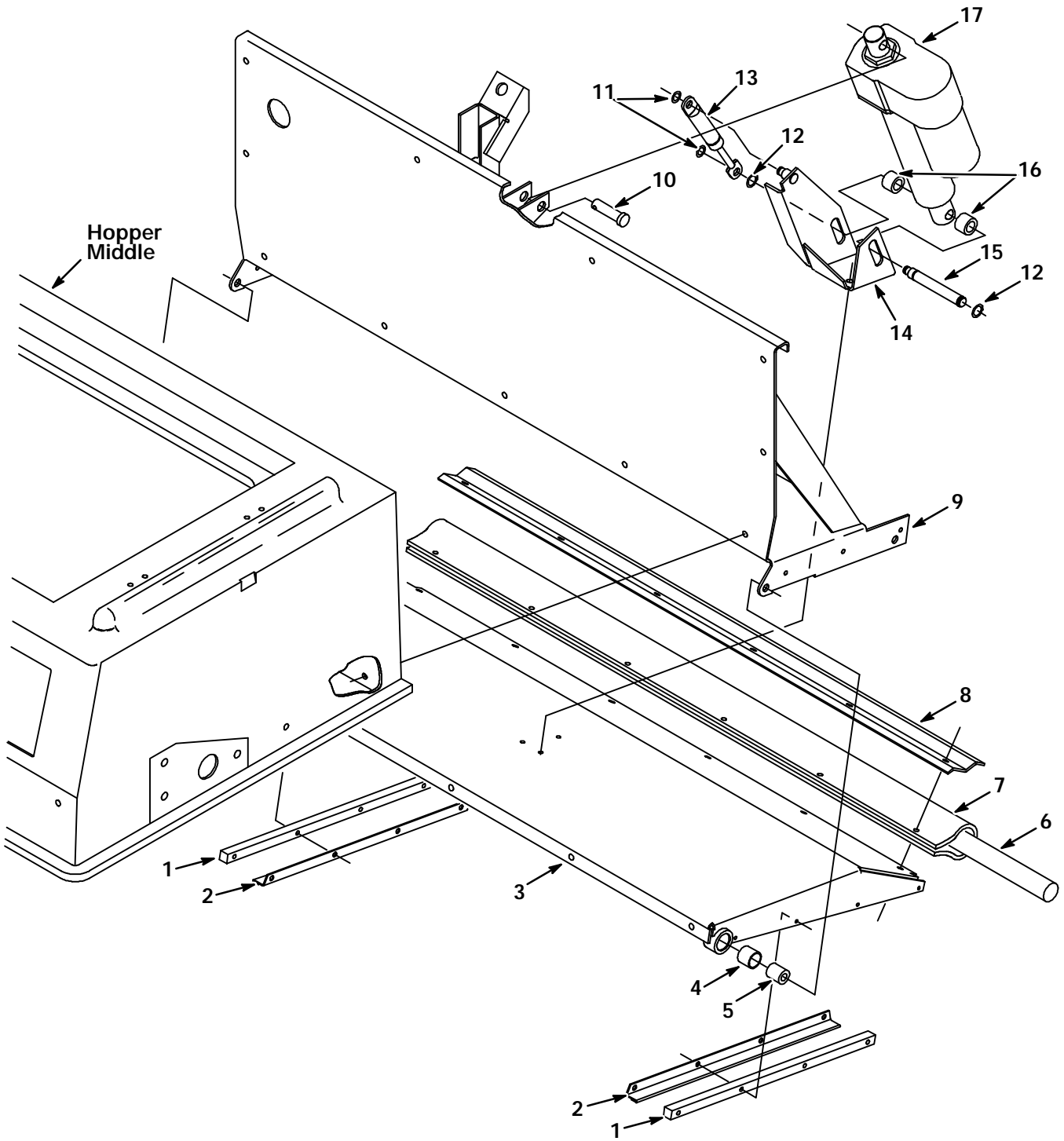


Fig. 11 - Hopper Dump Door and Actuator Group

Fig. 11 - Hopper Dump Door and Actuator Group

Key	TENNANT Part No.	Machine Serial Number	Description	Qty.
1	87413	(000000-)	Spacer, Seal	2
2	87412	(000000-)	Seal, Dump Door	2
3	87162	(000000-)	Door, Dump	1
4	64379	(000000-)	Bearing, Journal	2
5	87104	(000000-)	Bushing, Door Pivot	2
6	87689	(000000-)	Cord, Sponge	1
7	87688	(000000-)	Seal Wrap, Dump Door	1
8	87687	(000000-)	Retainer, Hopper Seal	1
9	87108	(000000-)	Back, Hopper	1
10	63147	(000000-)	Pin, Clevis	1
11	23524-1	(000000-)	Ring, Retaining	2
12	23524	(000000-)	Ring, Retaining	2
13	65577	(000000-)	Spring, Gas	1
14	87120	(000000-)	Mount, Dump Door Actuator	1
15	87152	(000000-)	Pin, Actuator	1
16	87693	(000000-)	Spacer, Actuator Mount	2
17	87444	(000000-)	Actuator	1

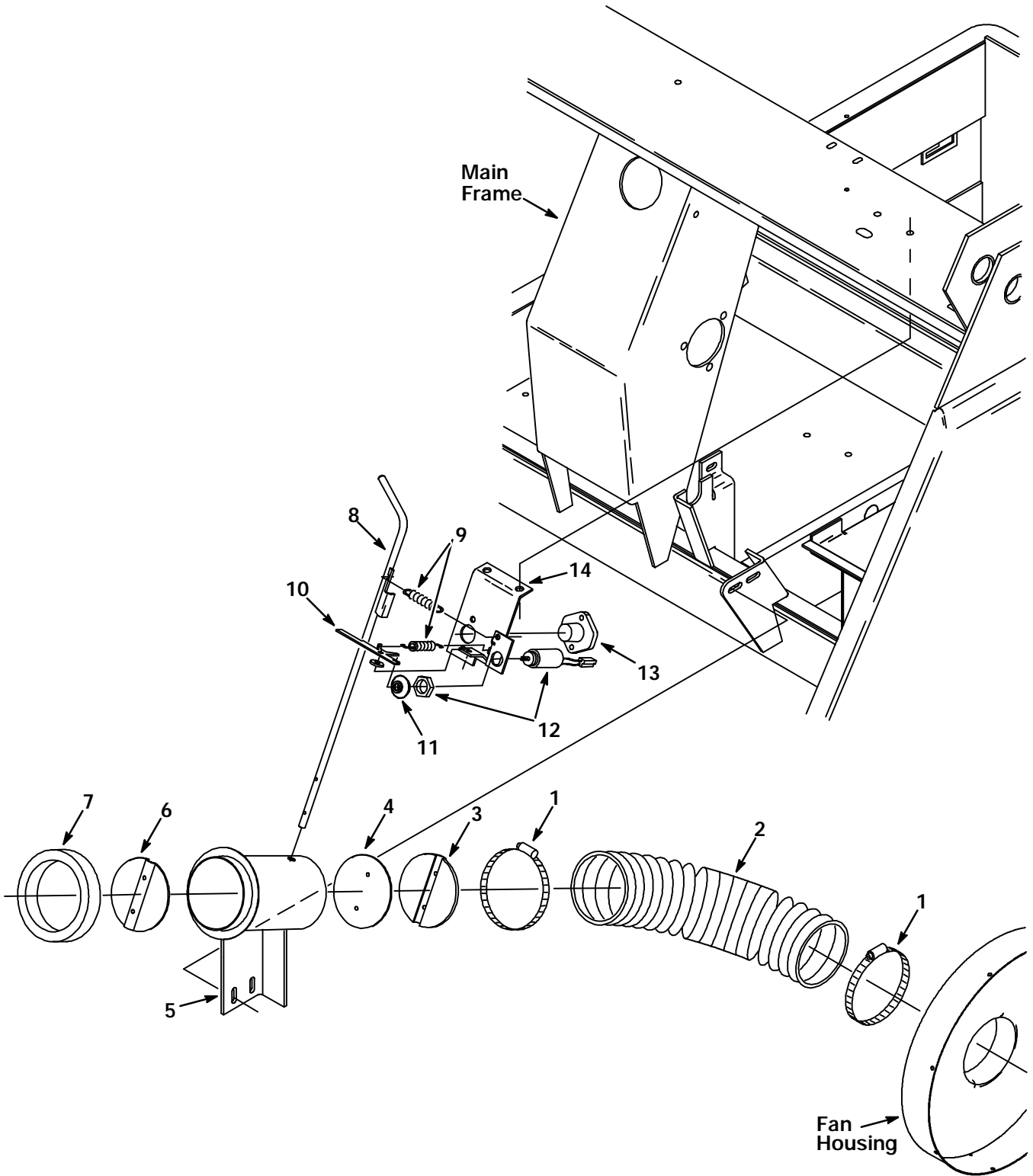


Fig. 12 - Vacuum Fan Control Group

Fig. 12 - Vacuum Fan Control Group

Key	TENNANT Part No.	Machine Serial Number	Description	Qty.
1	23498	(000000-)	Clamp, Worm Drive	2
2	87051	(000000-)	Duct, Vacuum	1
3	49300	(000000-)	Damper1	
4	87983	(000000-)	Seal, Damper	1
5	87265	(000000-)	Tube, Vacuum Fan	1
6	46140	(000000-)	Plate, Damper	1
7	47069	(000000-)	Sleeve	1
8	87580	(000000-)	Rod, Damper	1
9	09087	(000000-)	Spring, Tension	2
10	87573	(000000-)	Lever, Vacuum Fan	1
11	87707	(000000-)	Boot, Solenoid	1
12	87585	(000000-)	Solenoid Assembly	1
13	44078	(000000-)	Switch	1
14	87280	(000000-)	Bracket, Shaker Switch	1

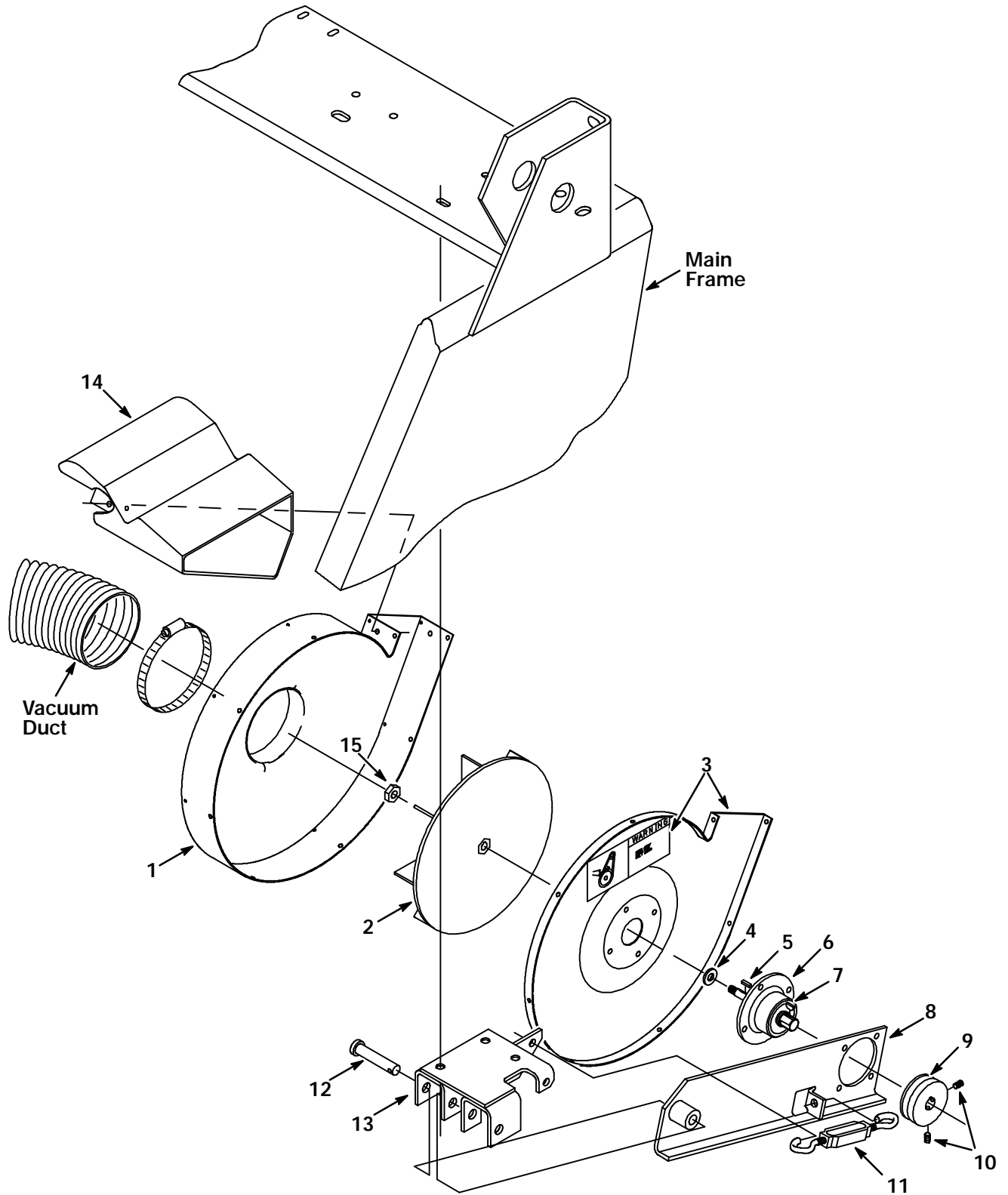


Fig. 13 - Vacuum Fan Assembly

Fig. 13 - Vacuum Fan Assembly

Key	TENNANT Part No.	Machine Serial Number	Description	Qty.
1	87251	(000000-)	Housing, Fan	1
2	08143	(000000-)	Impeller1	
3	87853	(000000-)	Plate and Decal Assembly	1
4	10362	(000000-)	Spacer	1
5	00960	(000000-)	Key, Square	1
6	16934	(000000-)	Shaft, Bearing and Flange Assembly	1
7	00500-4	(000000-)	Key, Woodruff	1
8	87620	(000000-)	Arm, Vacuum Fan	1
9	87630	(000000-)	Sheave, Fan	1
10	39328	(000000-)	Screw, Set	2
11	25494	(000000-)	Turnbuckle	1
12	06279	(000000-)	Pin, Clevis	1
13	87860	(000000-)	Bracket, Vacuum Fan	1
14	87832	(000000-)	Deflector, Vacuum Fan	1
15	87299	(000000-)	Nut , Flex Lock	1

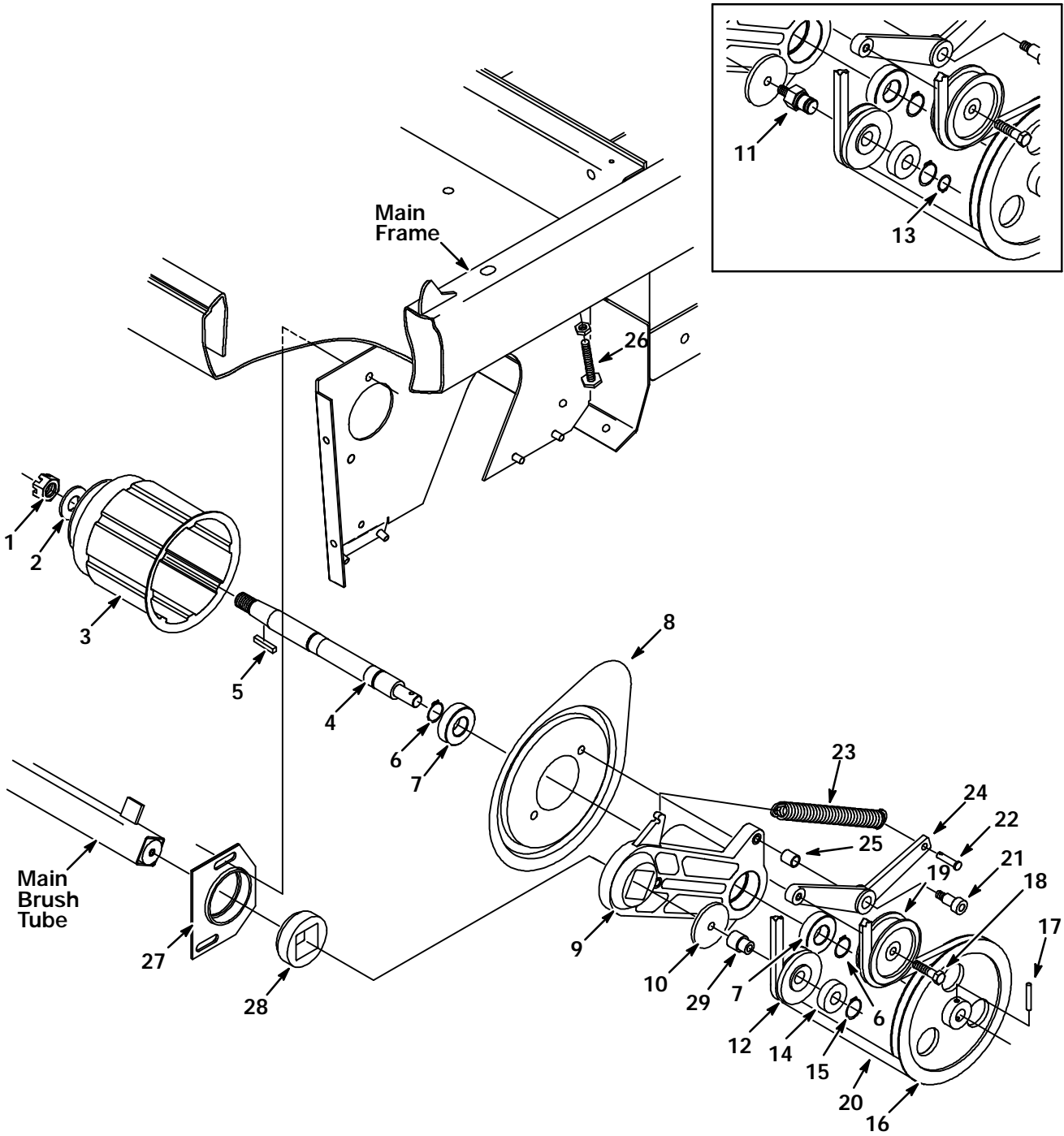


Fig. 14 - Main Brush Drive Group

Fig. 14 - Main Brush Drive Group

Key	TENNANT Part No.	Machine Serial Number	Description	Qty.
1	39527	(000000-)	Nut, Slotted	1
2	39350	(000000-)	Washer	1
3	87631	(000000-)	Plug, Brush Drive	1
4	87040	(000000-)	Shaft, Drive	1
5	00928	(000000-)	Key, Square	1
6	09005	(000000-)	Ring, Retaining	2
7	13534	(000000-)	Bearing, Ball	2
8	87368	(000000-)	Flange, Debris	1
9	87030	(000000-)	Arm, Main Brush	1
10	87078	(000000-)	Washer, Brush Arm	1
11	87027	(000000-001437)	Sheave, Mounting Shaft (Replaced by 87267)	1
12	49495	(000000-)	Sheave	1
13	23225	(000000-001437)	Ring, Retaining	1
14	01844	(000000-)	Bearing, Ball	1
15	23224	(000000-)	Ring, Retaining	1
16	49439	(000000-)	Sheave	1
17	01866	(000000-)	Pin, Roll	1
18	82842	(000000-)	Screw, Nylon Hex	1
19	02356	(000000-)	Pulley, Idler	1
20	87474	(000000-)	V-Belt	1
21	33123	(000000-)	Screw, Shoulder	1
22	09370	(000000-)	Pin, Clevis	1
23	46785-1	(000000-)	Spring, Tension	1
24	87645	(000000-)	Arm Assembly, Idler	1
25	87646	(000000-)	Bearing, Bronze	1
26	30205	(000000-)	Screw, Leveler	1
27	87215	(000000-)	Housing, Bearing	1
28	87080	(000000-)	Bearing	1
29	87267	(001438-)	Spacer, Bearing	1

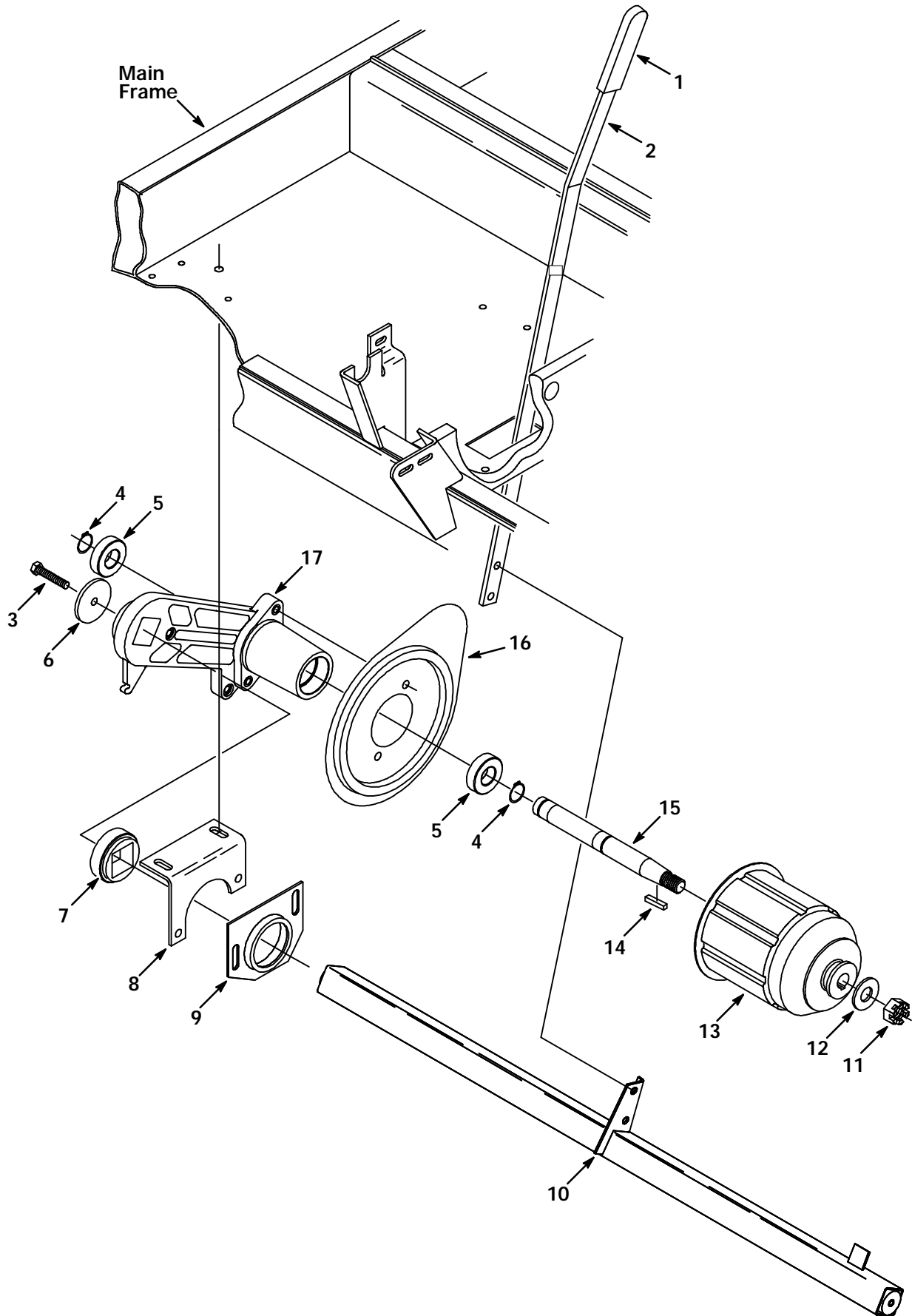


Fig. 15 - Main Brush Idler Group

Fig. 15 - Main Brush Idler Group

Key	TENNANT Part No.	Machine Serial Number	Description	Qty.
1	16447	(000000-)	Grip, Handle	1
2	87275	(000000-)	Handle, Brush Lift	1
3	55347	(000000-)	Screw, Hex	1
4	09005	(000000-)	Ring, Retaining	2
5	13534	(000000-)	Bearing, Ball	2
6	87078	(000000-)	Washer, Brush Arm	1
7	87080	(000000-)	Bearing	1
8	87088	(000000-)	Bracket, Bearing Housing	1
9	87215	(000000-)	Housing, Bearing	1
10	87082	(000000-)	Tube, Main Brush	1
11	39527	(000000-)	Nut, Slotted	1
12	39350	(000000-)	Washer	1
13	87631	(000000-)	Plug, Brush Drive	1
14	00928	(000000-)	Key, Square	1
15	87041	(000000-)	Shaft, Idler	1
16	87368	(000000-)	Flange, Debris	1
17	87030	(000000-)	Arm, Main Brush	1

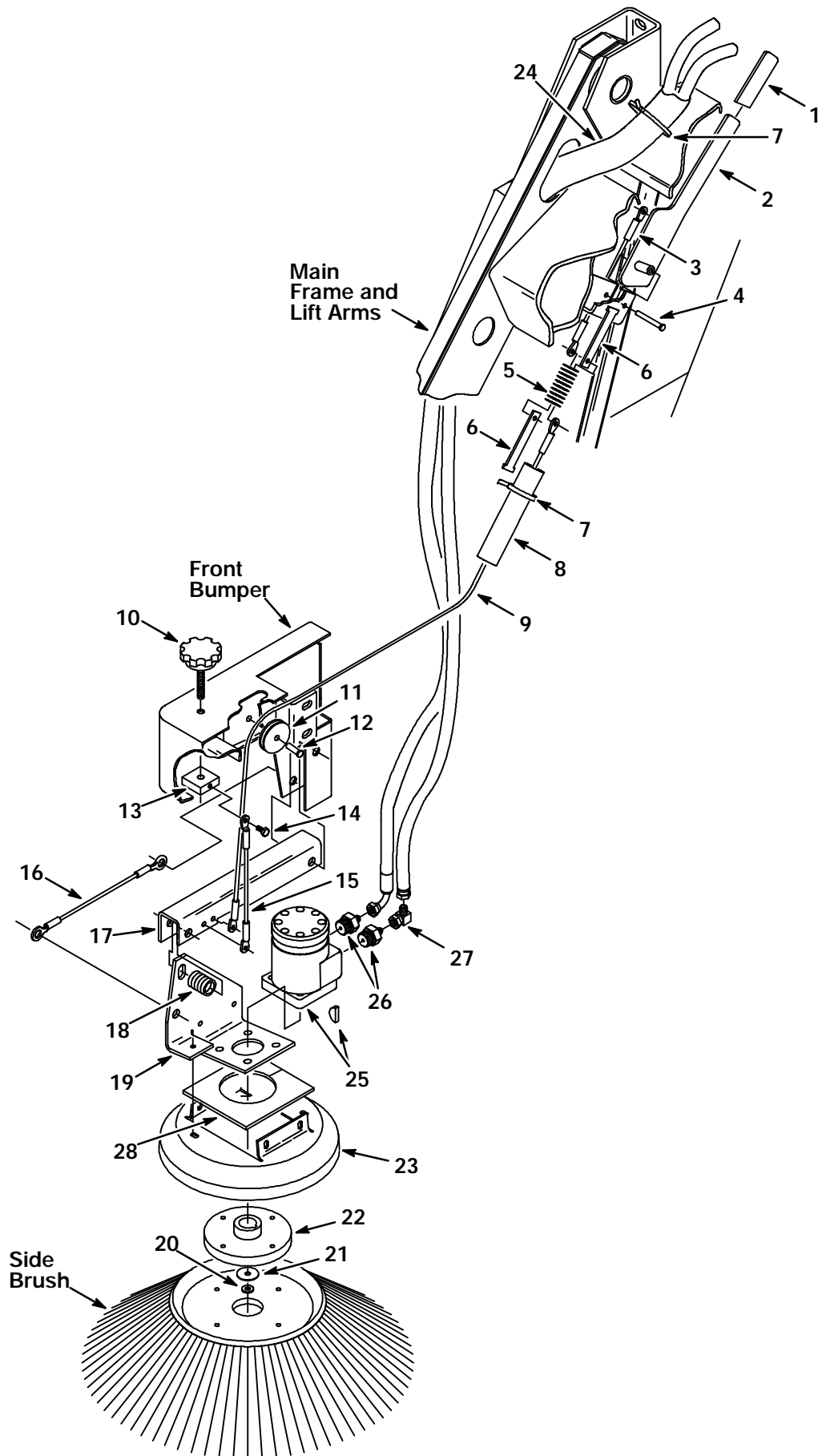


Fig. 16 - Side Brush Group

Fig. 16 - Side Brush Group

Key	TENNANT Part No.	Machine Serial Number	Description	Qty.
1	16447	(000000-)	Grip, Handle	1
2	87574	(000000-)	Handle, Side Brush	1
3	87297	(000000-)	Cable, Brush Adjustment	1
4	04734	(000000-)	Pin, Clevis	1
5	45261	(000000-)	Spring, Compression	1
6	87627	(000000-)	Strip, Spring	2
7	49266	(000000-)	Tie, Cable	3
8	57452	(000000-)	Sleeve, Hydraulic	1
9	87298	(000000-)	Cable, Brush Lift	1
10	36468	(000000-)	Knob	1
11	36070	(000000-)	Pulley, Cable	1
12	04733	(000000-)	Pin, Clevis	1
13	87293	(000000-)	Block, Threaded	1
14	58670	(000000-)	Screw, Nylon Hex	1
15	87297	(000000-)	Cable, Brush Adjustment	1
16	87172	(000000-)	Cable, Side Brush	1
17	87170	(000000-)	Channel, Side Brush Mounting	1
18	87242	(000000-)	Spring	1
19	87221	(000000-)	Bracket, Motor Mounting	1
20	41185	(000000-)	Washer, Belleville	1
21	41178	(000000-)	Washer	1
22	87418	(000000-)	Mount	1
23	87439	(000000-)	Deflector, Side Brush	1
24	87656	(000000-)	Sleeve, Hydraulic	1
25	87475	(000000-001891)	Motor, Hydraulic (See Hydraulic Components)	1
25	28804	(001892-)	Motor, Hydraulic (See Hydraulic Components)	1
26	57984	(000000-)	Fitting, Straight	2
27	39210	(000000-)	Fitting, Elbow	1
28	87950	(000000-)	Deflector	1

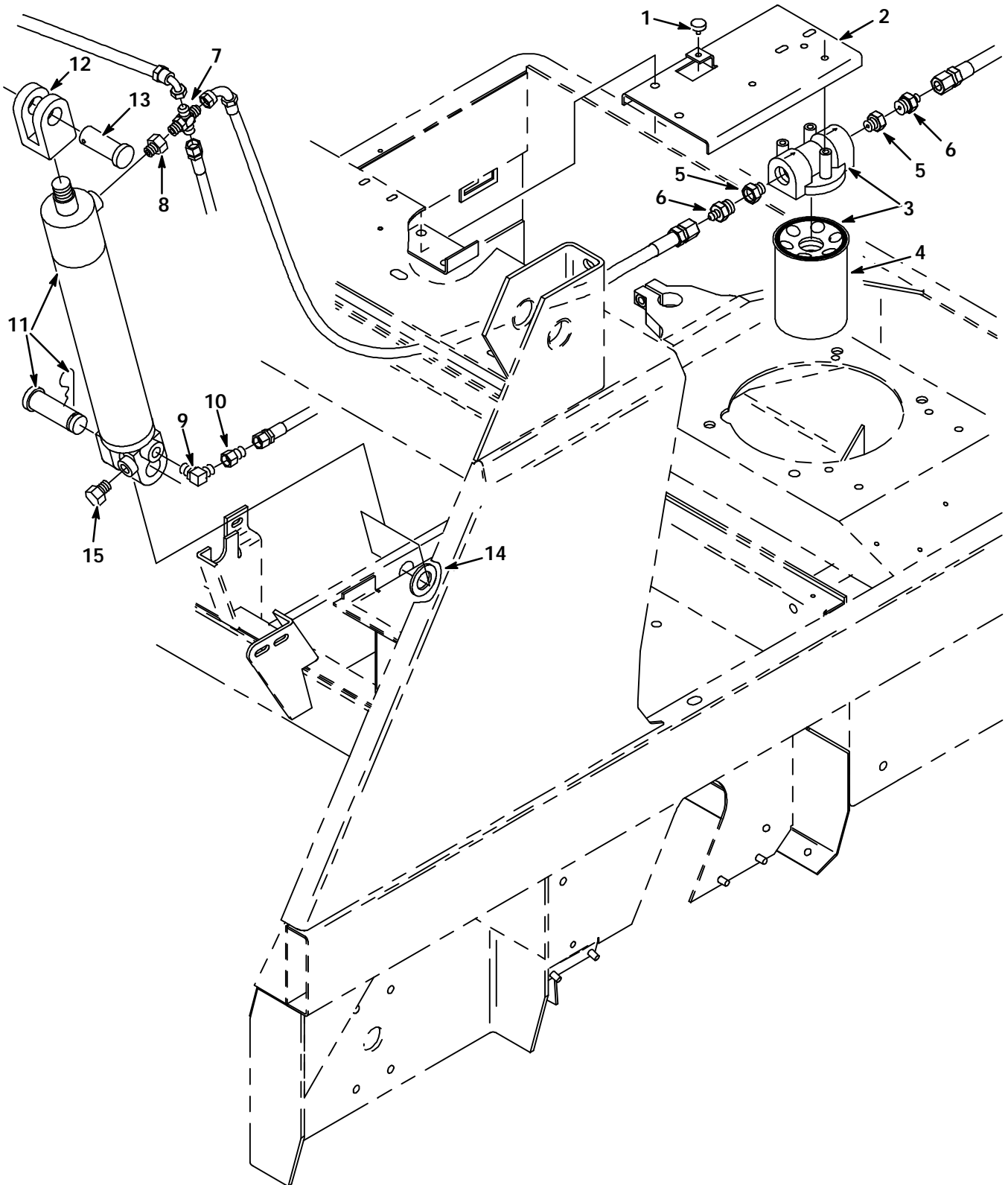


Fig. 17 - Hydraulic Lift Cylinder and Filter Group

Fig. 17 - Hydraulic Lift Cylinder and Filter Group

Key	TENNANT Part No.	Machine Serial Number	Description	Qty.
1	51787	(000000-)	Bumper, Rubber	1
2	48657	(000000-)	Bracket, Filter	1
3	67718	(000000-)	Filter Assembly	1
4	67718-2	(000000-)	Element, Hydraulic Filter	1
5	47519	(000000-)	Fitting, Straight	2
6	55686	(000000-)	Fitting, Straight	2
7	82802	(000000-)	Fitting, Cross	1
8	87414	(000000-)	Fitting, Straight	1
9	47638	(000000-)	Fitting, Elbow	1
10	16455	(000000-)	Fitting, Restrictor	1
11	87055	(000000-002748)	Cylinder, Hydraulic (See Hydraulic Components)	1
11	48575	(002749-003295)	Cylinder, Hydraulic (See Hydraulic Components)	1
11	65223	(003296-)	Cylinder, Hydraulic (See Hydraulic Components)	1
12	87079	(000000-)	Clevis, Cylinder	1
13	04733-4	(000000-)	Pin, Clevis	1
14	32969	(000000-)	Washer	1
15	46482	(003296-)	Fitting, Plug	1

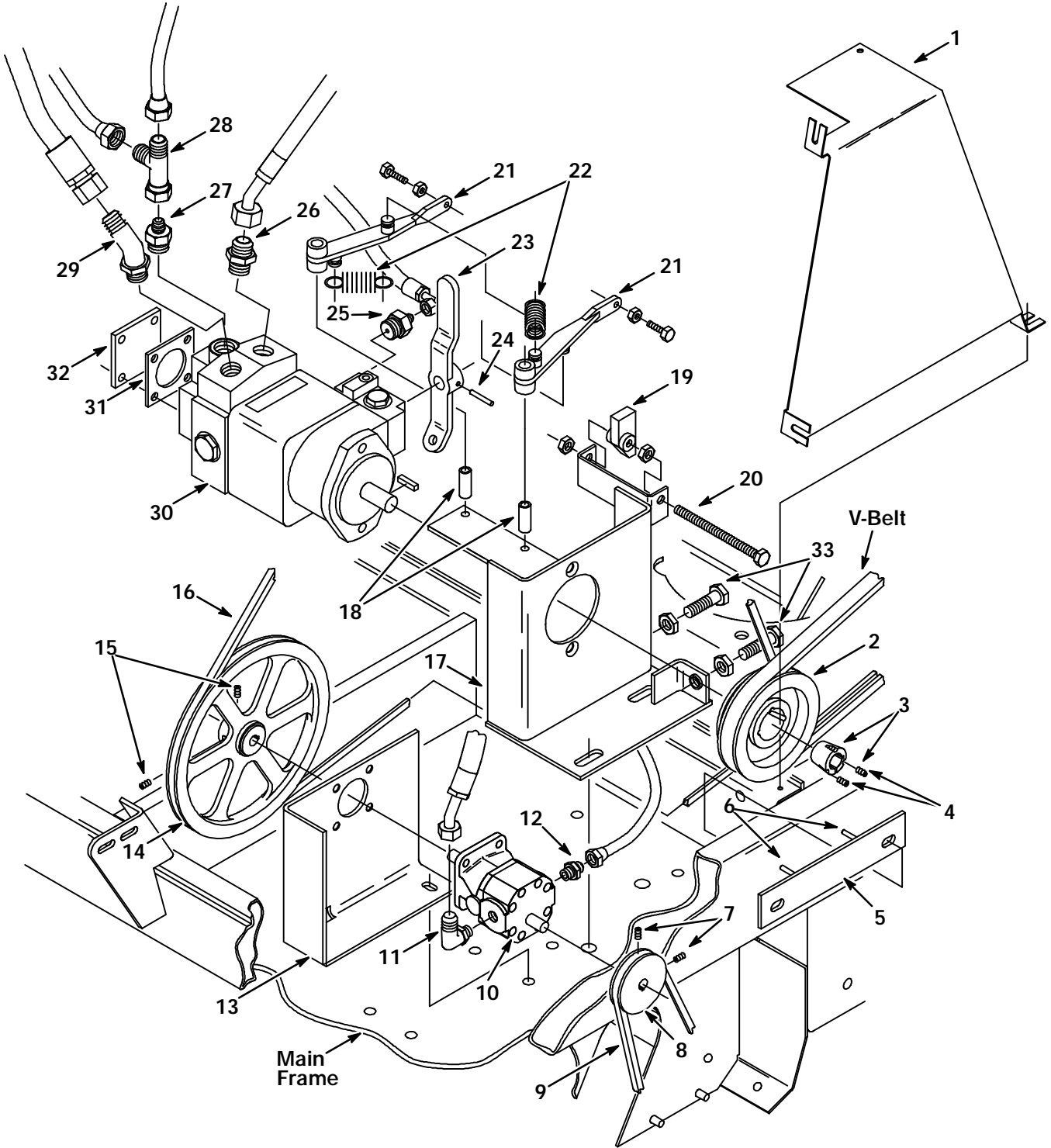


Fig. 18 - Pump Group

Fig. 18 - Pump Group

Key	TENNANT Part No.	Machine Serial Number	Description	Qty.
1	87732	(000000-)	Guard, Belt	1
2	87513	(000000-)	Sheave, Propelling Pump	1
3	15280-3	(000000-)	Bushing, Key	1
4	39330	(000000-)	Screw, Set	2
5	87236	(000000-)	Plate Assembly, Retaining	1
6	26103	(000000-)	Pin, Roll	2
7	39332	(000000-)	Screw, Set	2
8	87511	(000000-)	Sheave, Pump	1
9	87474	(000000-)	V-Belt	1
10	87451	(000000-)	Pump, Accessory	1
11	47638	(000000-)	Fitting, Elbow	1
12	56835	(000000-)	Fitting, Straight	1
13	87521	(000000-)	Bracket, Pump Mounting	1
14	87512	(000000-)	Sheave, Pump	1
15	39330	(000000-)	Screw, Set	2
16	87543	(000000-)	V-Belt	1
17	87370	(000000-)	Mount, Pump (See Hydraulic Components)	1
18	87365	(000000-)	Tube, Spacer	2
19	87362	(000000-)	Block, Stop	1
20	02218	(000000-)	Screw, Full Thread Hex	1
21	87351	(000000-)	Arm, Pintle Centering	2
22	87222	(000000-)	Spring, Extension	2
23	87360	(000000-)	Arm, Pintle	1
24	26103	(000000-)	Pin, Roll	1
25	57984	(000000-)	Fitting, Straight	1
26	56692	(000000-)	Fitting, Straight	1
27	47508	(000000-)	Fitting, Straight	1
28	42215	(000000-)	Fitting, Tee	1
29	47513	(000000-)	Fitting, Elbow, 45°	1
	87735	(000000-)	Pump Assembly, Hydraulic	1
30	87734	(000000-)	Pump, Hydraulic (See Hyd. Components)	1
31	69159	(000000-)	Gasket, Pump	1
32	69158	(000000-)	Plate, Backing	1
33	86646	(000000-)	Screw, Full Thread	2

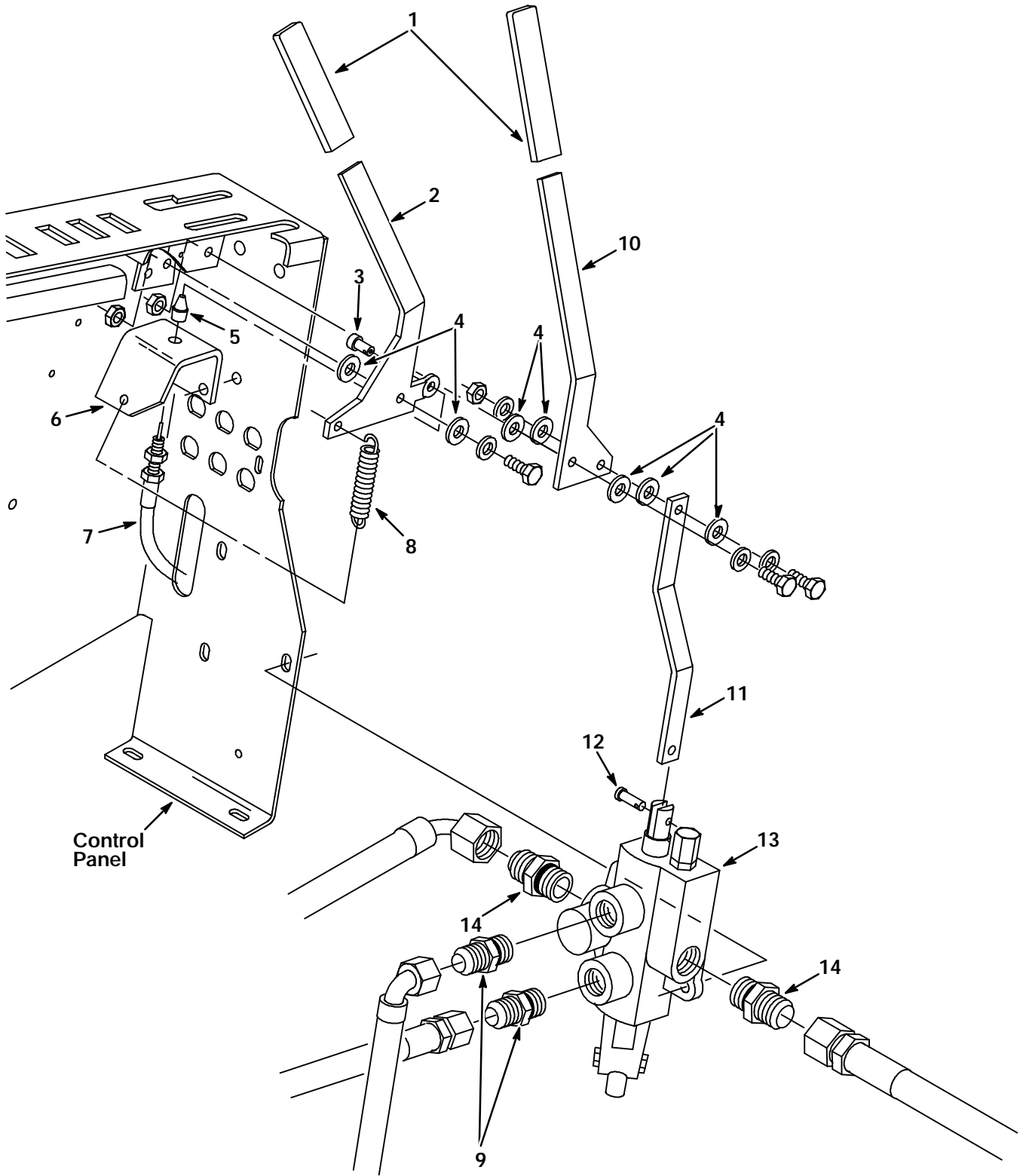
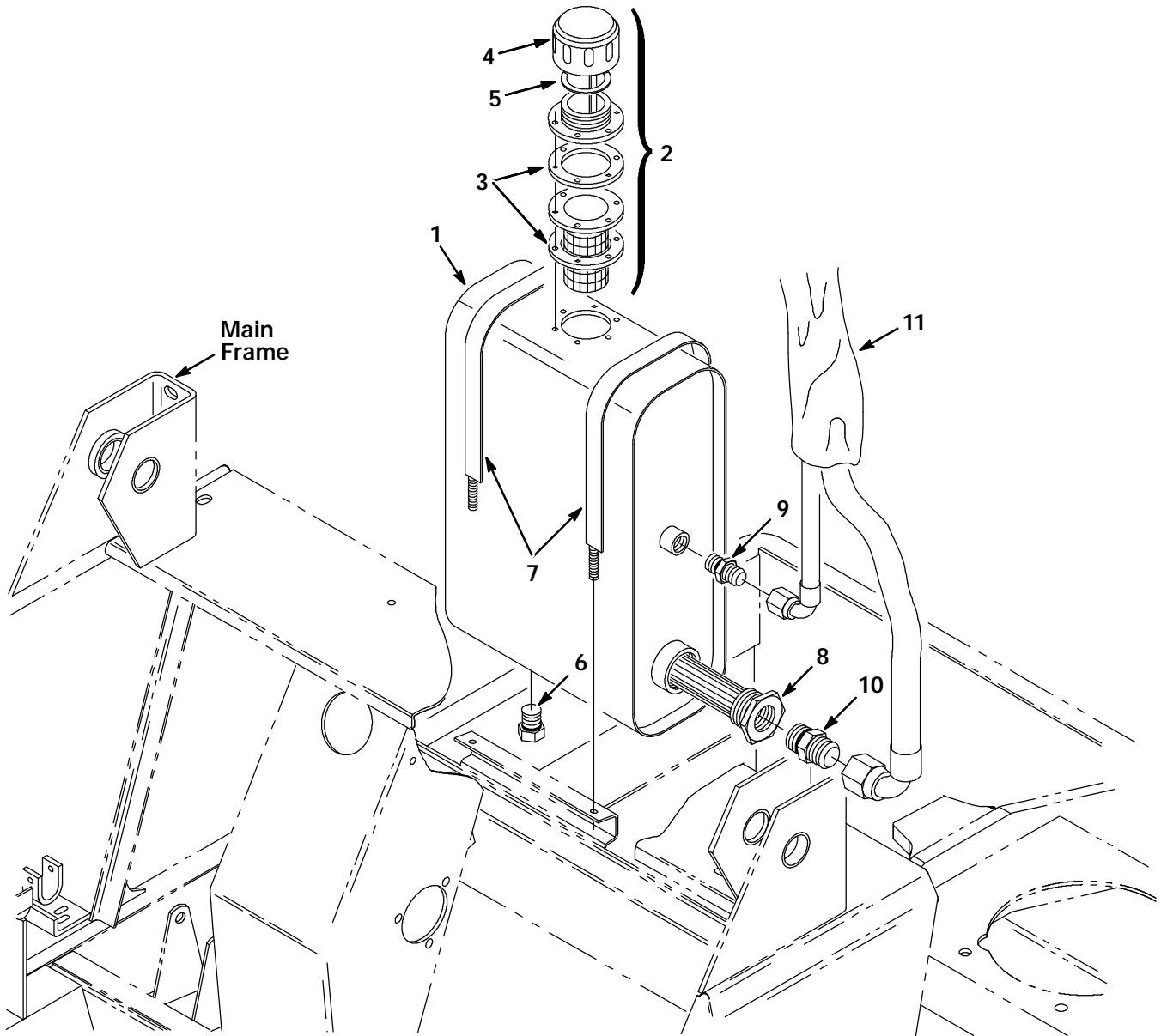


Fig. 19 - Control Valve and Throttle Group

Fig. 19 - Control Valve and Throttle Group

Key	TENNANT Part No.	Machine Serial Number	Description	Qty.
1	87246	(000000-)	Grip, Vinyl	2
2	87810	(000000-)	Lever, Throttle	1
3	43242	(000000-)	Swivel	1
4	43454	(000000-)	Washer, Nylon	7
5	87818	(000000-)	Seal, Cable	1
6	87811	(000000-)	Bracket, Cable Guide	1
7	87779	(000000-)	Cable Assembly, Throttle	1
8	87816	(000000-)	Spring, Tension	1
9	55686	(000000-)	Fitting, Straight	2
10	87375	(000000-)	Lever, Hydraulic Valve	1
11	87376	(000000-)	Arm, Extension	1
12	14605	(000000-)	Pin, Clevis	1
13	87409	(000000-)	Valve, Hydraulic (See Hyd. Components)	1
14	57984	(000000-)	Fitting, Straight	2



03481

Fig. 20 - Hydraulic Reservoir Group

Key	TENNANT Part No.	Machine Serial Number	Description	Qty.
1	87392	(000000-)	Reservoir Assembly	1
2	31559	(000000-)	Breather, Filler	1
3	61288	(000000-)	Gasket, Hyd Tank Breather	2
4	25121	(000000-)	Breather, Hyd Cap	1
5	70006	(000000-)	Gasket, Cap	1
6	40362	(000000-)	Fitting, Plug	1
7	87484	(000000-)	Strap, Tank	2
8	82784	(000000-)	Strainer, Hydraulic	1
9	47508	(000000-)	Fitting, Straight	1
10	02545	(000000-)	Fitting, Straight	1
11	13773	(000000-)	Sleeve, Nylon	1

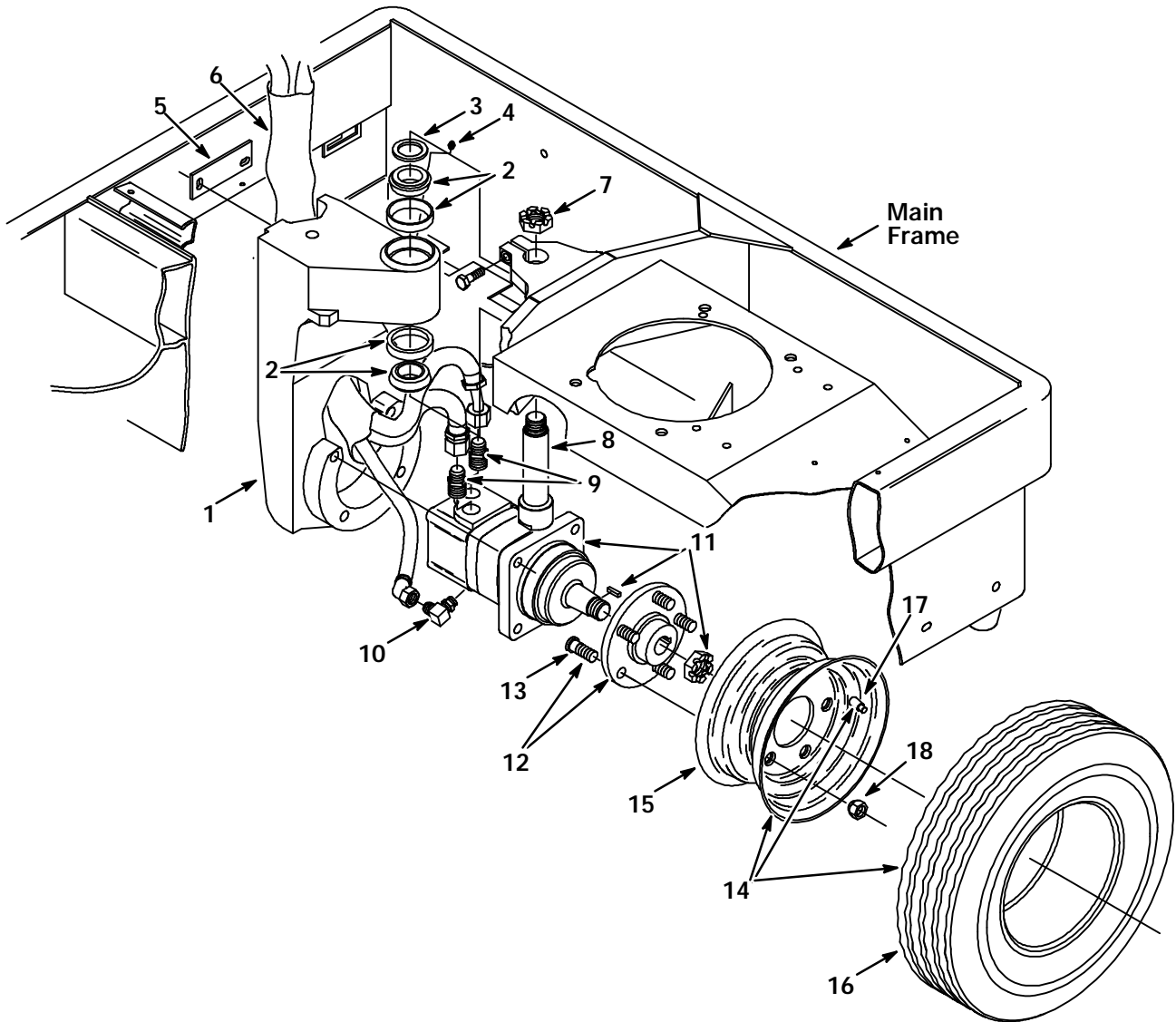


Fig. 21 - Rear Drive Wheel Group

03472

Key	TENNANT Part No.	Machine Serial Number	Description	Qty.
1	02637	(000000-)	Support, Drive	1
2	49225	(000000-)	Bearing, Cup and Cone	1
3	47719	(000000-)	Washer	1
4	47801	(000000-)	Fitting, Grease	1
5	58842	(000000-)	Plate, Hose Support	1
6	87676	(000000-)	Sleeve, Hydraulic	1
7	14242	(000000-)	Nut, Slotted Hex	1
8	87458	(000000-)	Pin, Pivot	1
9	56692	(000000-)	Fitting, Straight	2
10	77098	(000000-)	Fitting, Elbow	1
11	87417	(000000-)	Motor, Hydraulic (See Hydraulic Components)	1
12	82239	(000000-)	Hub and Stud Assembly	1
13	32126	(000000-)	Stud, Wheel	5
14	87421	(000000-)	Tire and Wheel Assembly	1
15	87411	(000000-)	Wheel	1
16	87674	(000000-)	Tire	1
17	87675	(000000-)	Valve, Tubeless Tire	1
18	24339	(000000-)	Nut, Wheel	5

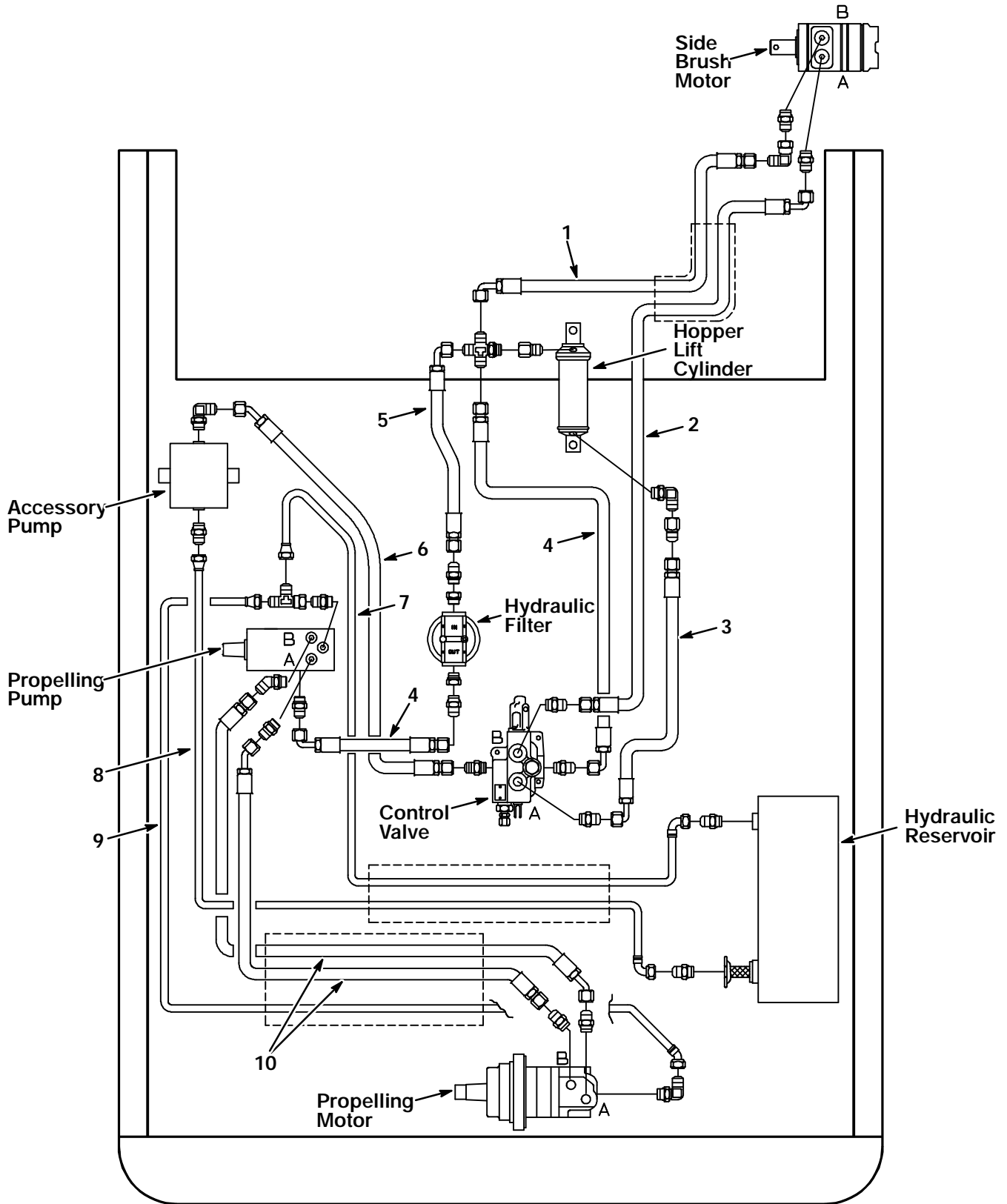


Fig. 22 - Hydraulic Hoses Group

Fig. 22 - Hydraulic Hoses Group

Key	TENNANT Part No.	Machine Serial Number	Description	Qty.
1	82816	(000000-)	Hose, Hydraulic	1
2	87652	(000000-)	Hose, Hydraulic	1
3	87651	(000000-)	Hose, Hydraulic	1
4	34358	(000000-)	Hose, Hydraulic	2
5	57965	(000000-)	Hose, Hydraulic	1
6	87672	(000000-)	Hose, Hydraulic	1
7	82809	(000000-)	Hose, Hydraulic	1
8	87680	(000000-)	Hose, Hydraulic	1
9	87678	(000000-)	Hose, Hydraulic	1
10	57219	(000000-)	Hose, Hydraulic	2

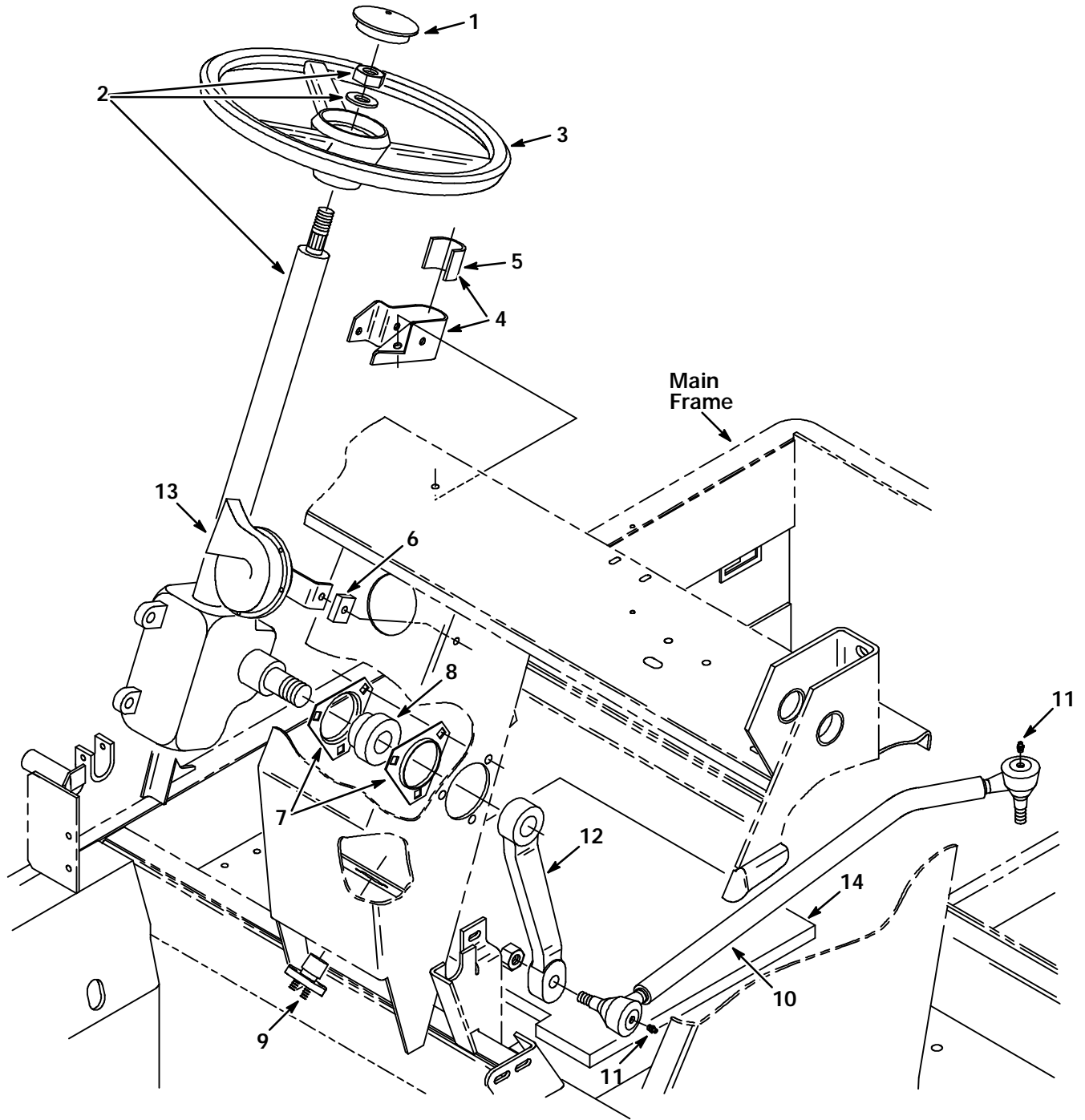


Fig. 23 - Steering Wheel Group

Fig. 23 - Steering Wheel Group

Key	TENNANT Part No.	Machine Serial Number	Description	Qty.
1	57497	(000000-)	Cap, Rubber	1
2	49452	(000000-)	Gear Assembly, Steering	1
3	87488	(000000-)	Wheel, Steering	1
4	87753	(000000-)	Bracket, Steering Column	1
5	87752	(000000-)	Seal, Rubber	1
6	87257	(000000-)	Spacer, Horn	1
7	51449	(000000-)	Bearing, Flange	2
8	48050	(000000-)	Bearing and Collar	1
9	44078	(000000-)	Switch	1
10	87109	(000000-)	Link, Drag	1
11	07259	(000000-)	Fitting, Grease	2
12	87820	(000000-)	Arm, Pitman	1
13	14138A	(000000-)	Horn, 12 V	1
14	87762	(000000-)	Floormat	1

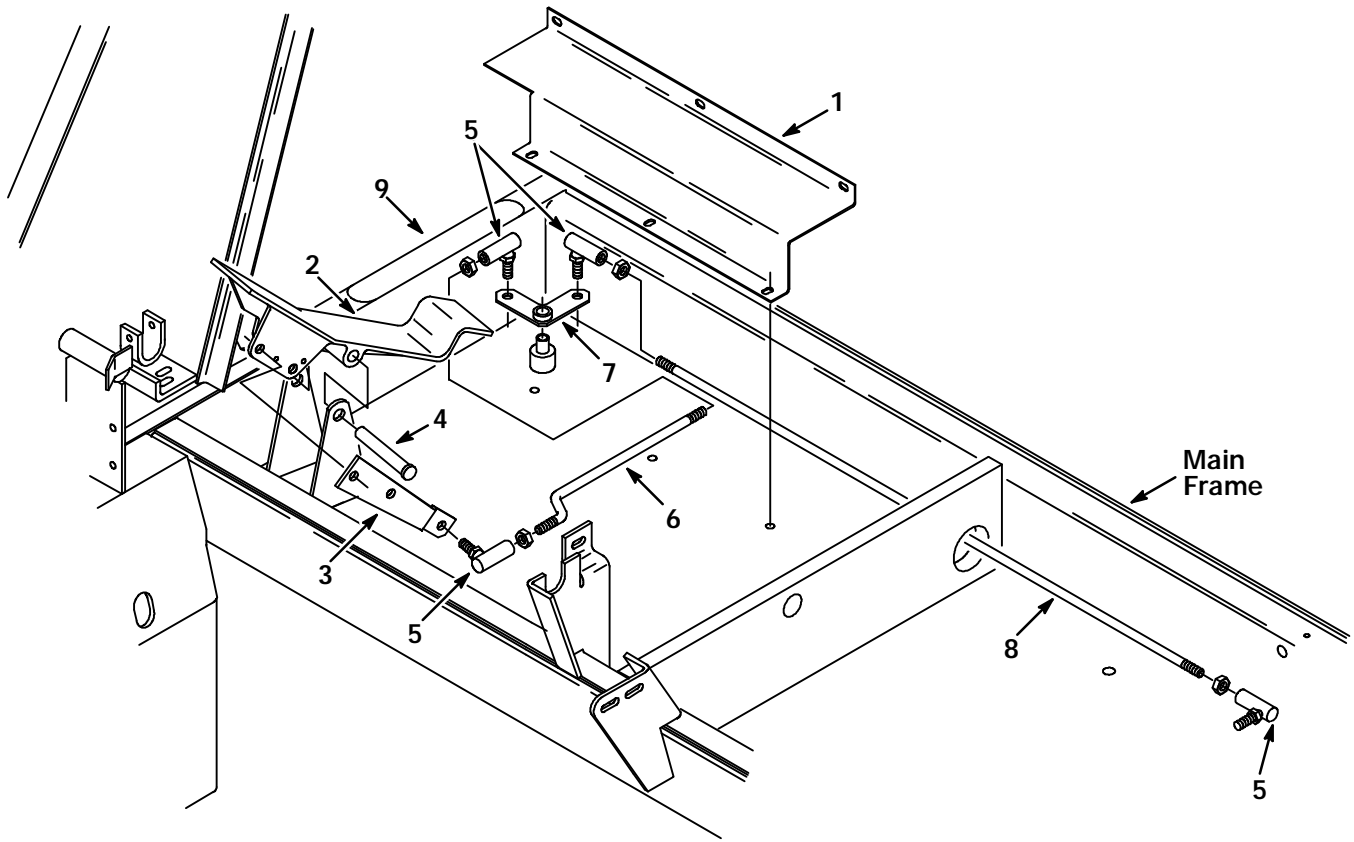


Fig. 24 - Directional Pedal Group

03473

Key	TENNANT Part No.	Machine Serial Number	Description	Qty.
1	87254	(000000-)	Cover, Bellcrank	1
2	42240	(000000-)	Pedal, Foot	1
3	87881	(000000-)	Arm, Pedal	1
4	06474A	(000000-)	Pin, Clevis	1
5	14506	(000000-)	Ball Joint	4
6	87155	(000000-)	Rod, Control	1
7	87198	(000000-)	Bellcrank	1
8	87131	(000000-)	Rod, Control	1
9	82839	(000000-)	Pad, Tread	1

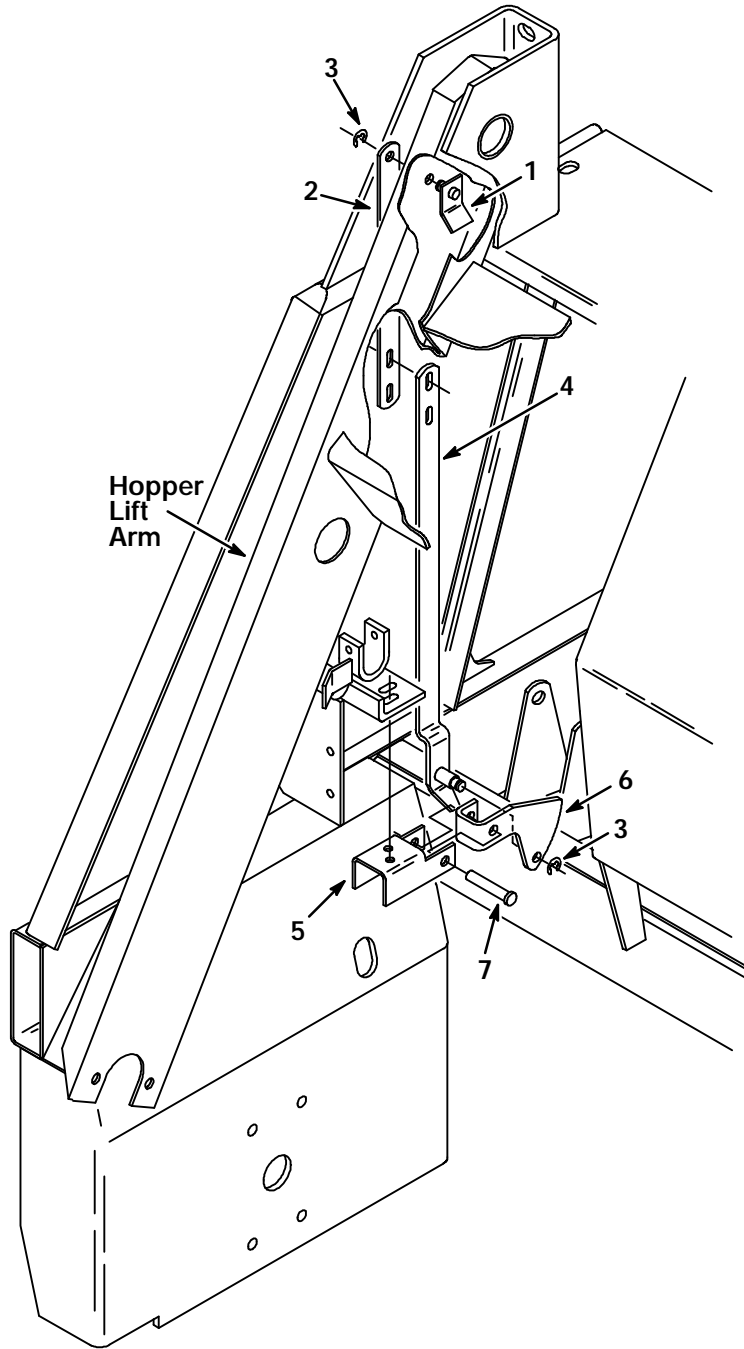


Fig. 25 - Speed Limiter Group

03476

Key	TENNANT Part No.	Machine Serial Number	Description	Qty.
1	87803	(000000-)	Bracket, Pivot Pin	1
2	87491	(000000-)	Link, Upper	1
3	45127	(000000-)	Ring, Retaining	2
4	87804	(000000-)	Link, Lower	1
5	87798	(000000-)	Bracket, Cam Mounting	1
6	87797	(000000-)	Cam, Speed Limiter	1
7	29584	(000000-)	Pin, Clevis	1

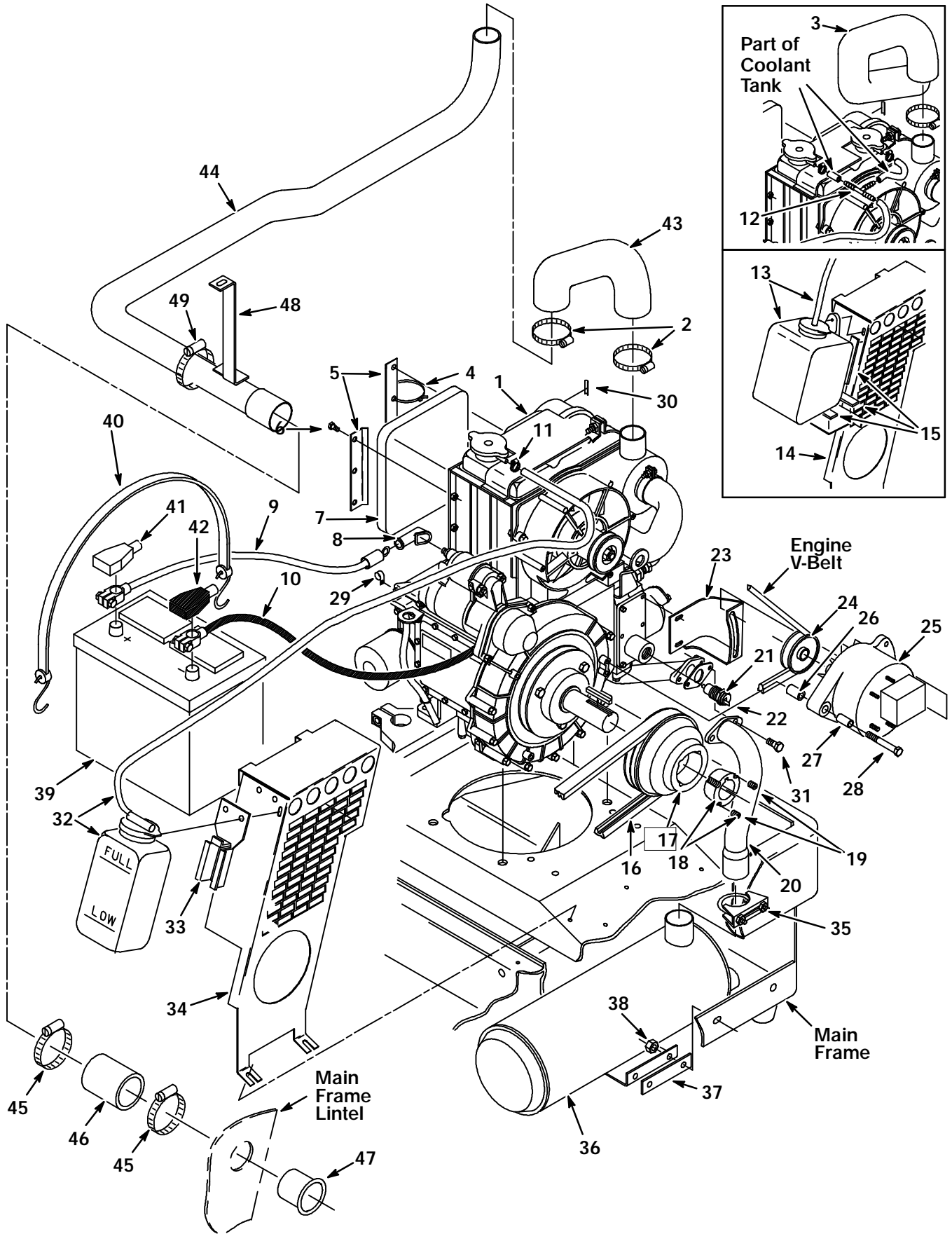


Fig. 26 - Engine Group

Fig. 26 - Engine Group

Key	TENNANT Part No.	Machine Serial Number	Description	Qty.
1	87501	(000000-)	Engine	1
2	22297	(000000-)	Clamp, Worm Drive	2
3	87760	(000000-003247)	Hose, Air Intake	1
4	49263	(000000-)	Tie, Cable	1
5	87296	(000000-)	Retainer	2
6	87308	(000000-)	Screw, Hex, M6	4
7	87171	(000000-)	Element, Pre-Cleaner	1
8	02076	(000000-)	Cover, Terminal	1
9	31258	(000000-)	Cable, Positive Battery	1
10	82709	(000000-)	Cable, Negative Battery	1
11	43844	(000000-)	Clamp, Worm Drive	1
12	87173	(000000-xxxxxx)	Fitting, Tee	1
13	87485	(000000-002276)	Tank Replacement Kit, Coolant	1
14	87807	(000000-002276)	Guard, Belt (Replaced by 87577)	1
15	54526-2	(000000-002276)	Seal, Foam Rubber	3
16	87542	(000000-)	V-Belt	1
17	87516	(000000-)	Sheave, Engine	1
18	87670	(000000-)	Bushing, Taper Lock	1
19	39345	(000000-)	Screw, Set	2
20	87532	(000000-)	Pipe, Exhaust	1
21	87813	(000000-)	Switch Assembly, Temperature	1
22	68106	(000000-)	Tab, Terminal	1
23	87497	(000000-)	Bracket, Alternator	1
24	54914	(000000-)	Sheave	1
25	58536	(000000-)	Alternator	1
26	08232-1	(000000-)	Sleeve	1
27	51706-1	(000000-)	Sleeve	1
28	87531	(000000-)	Screw, Hex, M8	1
29	40678-1	(000000-)	Clamp, Cable	2
30	59118-7	(000000-)	Molding, Rigid	1
31	16931	(000000-)	Screw, Hex, M8	2
32	87972	(002277-)	Tank, Coolant	1
33	87978	(002277-)	Bracket, Tank	1
34	87577	(002277-)	Guard, Belt	1
35	24012	(000000-)	Clamp, Muffler	1
36	87534	(000000-)	Muffler	1
37	87736	(000000-)	Isolator, Muffler	1
38	87435	(000000-)	Nut ,Hex	2
39	10137	(000000-)	Battery, Wet, 475 CCA	1
40	33671	(000000-)	Strap, Rubber	1
41	68873	(000000-)	Boot, Positive Terminal	1
42	68872	(000000-)	Boot, Negative Terminal	1
43	48658	(003248-)	Hose, Air Intake, Diesel	1
44	48656	(003248-)	Tube, Air Intake, Diesel	1
45	14432	(003248-)	Clamp, Worm Drive	2
46	15543	(003248-)	Hose, Air Intake	1
47	58346	(003248-)	Tube, Air Intake	1
48	48654	(003248-)	Bracket, Tube Mount	1
49	11531	(003248-)	Clamp, Worm Drive	1

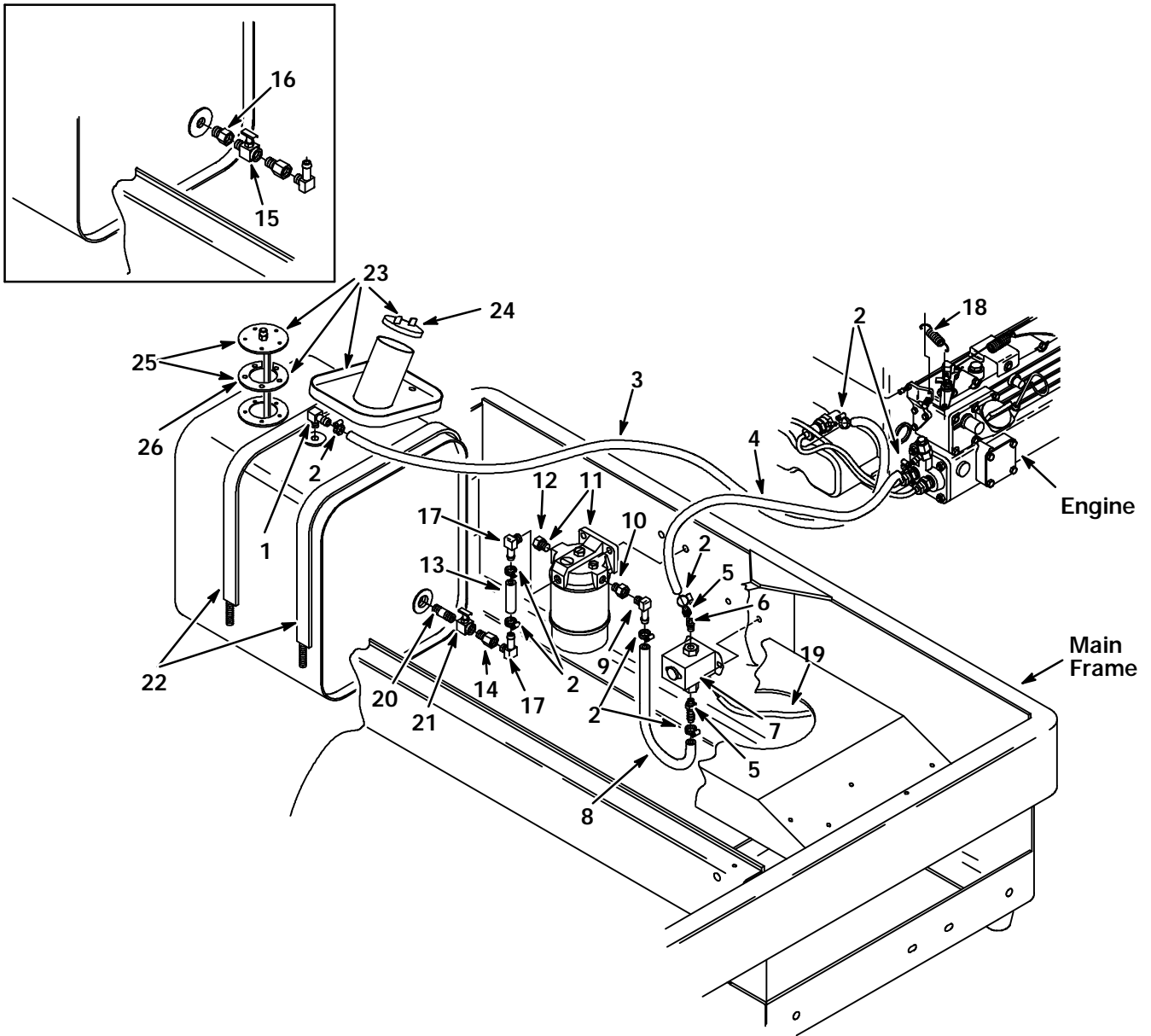


Fig. 27 - Fuel Tank and Line Group

Fig. 27 - Fuel Tank and Line Group

Key	TENNANT Part No.	Machine Serial Number	Description	Qty.
1	32183	(000000-)	Fitting, Elbow	1
2	43844	(000000-)	Clamp, Worm Drive	8
3	87738	(000000-)	Hose	1
4	87730	(000000-)	Hose	1
5	82544	(000000-)	Fitting, Straight	2
6	24976	(000000-)	Fitting, Elbow, 45°	1
7	61961	(000000-)	Pump, Fuel	1
8	82509	(000000-)	Hose, Fuel Line	1
9	53029	(000000-)	Fitting, Elbow	1
10	17414	(000000-)	Fitting, Straight	1
11	82682	(000000-)	Filter, Fuel	1
	82692	(000000-)	Element, Fuel Filter	1
12	02247	(000000-)	Fitting, Plug	1
13	87737	(000000-)	Hose	1
14	75400	(000000-)	Fitting, Straight	1
15	08876	(000000-001266)	Cock Replacement Kit	1
16	69736	(000000-001266)	Fitting, Straight	1
17	08228	(000000-)	Fitting, Elbow	2
18	57792	(000000-)	Spring, Tension	1
19	87223	(000000-)	Sleeve	1
20	48144	(001267-)	Fitting, Nipple	1
21	08873	(001267-)	Valve, Ball	1
22	87396	(000000-)	Strap, Tank	2
23	87394	(000000-)	Tank, Fuel	1
24	87740	(000000-)	Cap, Fuel Tank	1
25	07875	(000000-)	Sending Unit Kit	1
26	14131	(000000-)	Gasket	1

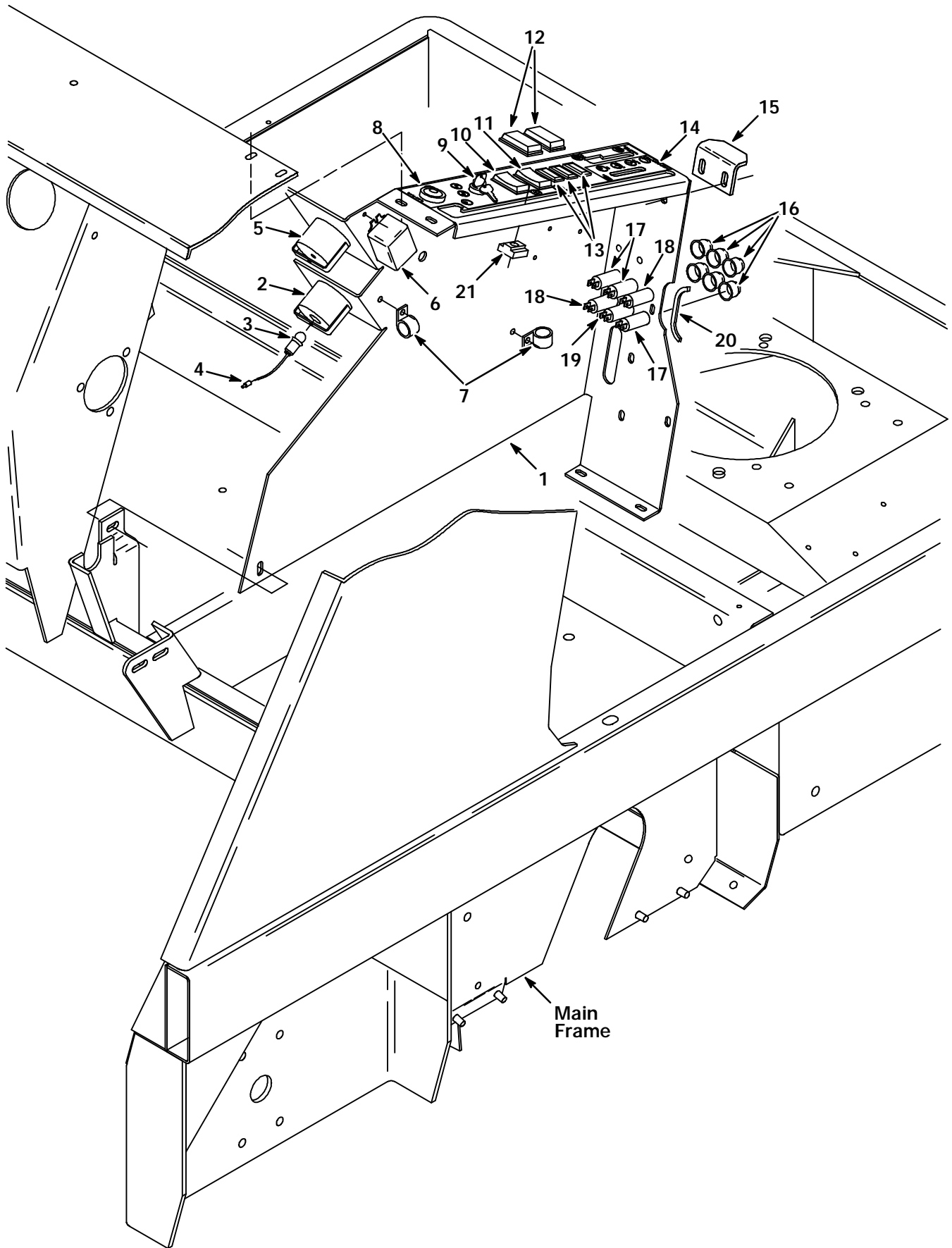


Fig. 28 - Control Panel Group

Fig. 28 - Control Panel Group

Key	TENNANT Part No.	Machine Serial Number	Description	Qty.
1	87022	(000000-)	Panel and Label Assembly, Control	1
2	34813	(000000-)	Gauge, Fuel	1
3	55271	(000000-)	Light Assembly	1
	48570	(000000-)	Bulb, 12 V	1
4	55272	(000000-)	Plug, Snap Terminal	1
5	34810	(000000-)	Gauge, Hour Meter	1
6	87283	(000000-)	Relay	1
7	40678-1	(000000-)	Clamp, Cable	2
8	87537	(000000-)	Indicator, Glow Plug	1
9	87536	(000000-)	Switch, Ignition	1
	87866	(000000-)	Key Set	1
10	65561	(000000-)	Switch, Rocker, SPST	1
11	65556	(000000-)	Switch, Rocker, DPDT	1
12	57807	(000000-)	Seal, Rocker Switch	2
13	64141	(000000-)	Light Assembly, Panel	3
14	87638	(000000-)	Label, Control Panel	1
15	87369	(000000-)	Stop, Seat Support	1
16	57751	(000000-)	Boot, Circuit Breaker	6
17	57164	(000000-)	Circuit Breaker, 10 A	3
18	57803	(000000-)	Circuit Breaker, 15 A	2
19	87977	(000000-)	Circuit Breaker, 7 A	1
20	62595-18	(000000-)	Molding, Rigid	1
21	48568	(000000-)	Nut, Speed Limiter	1

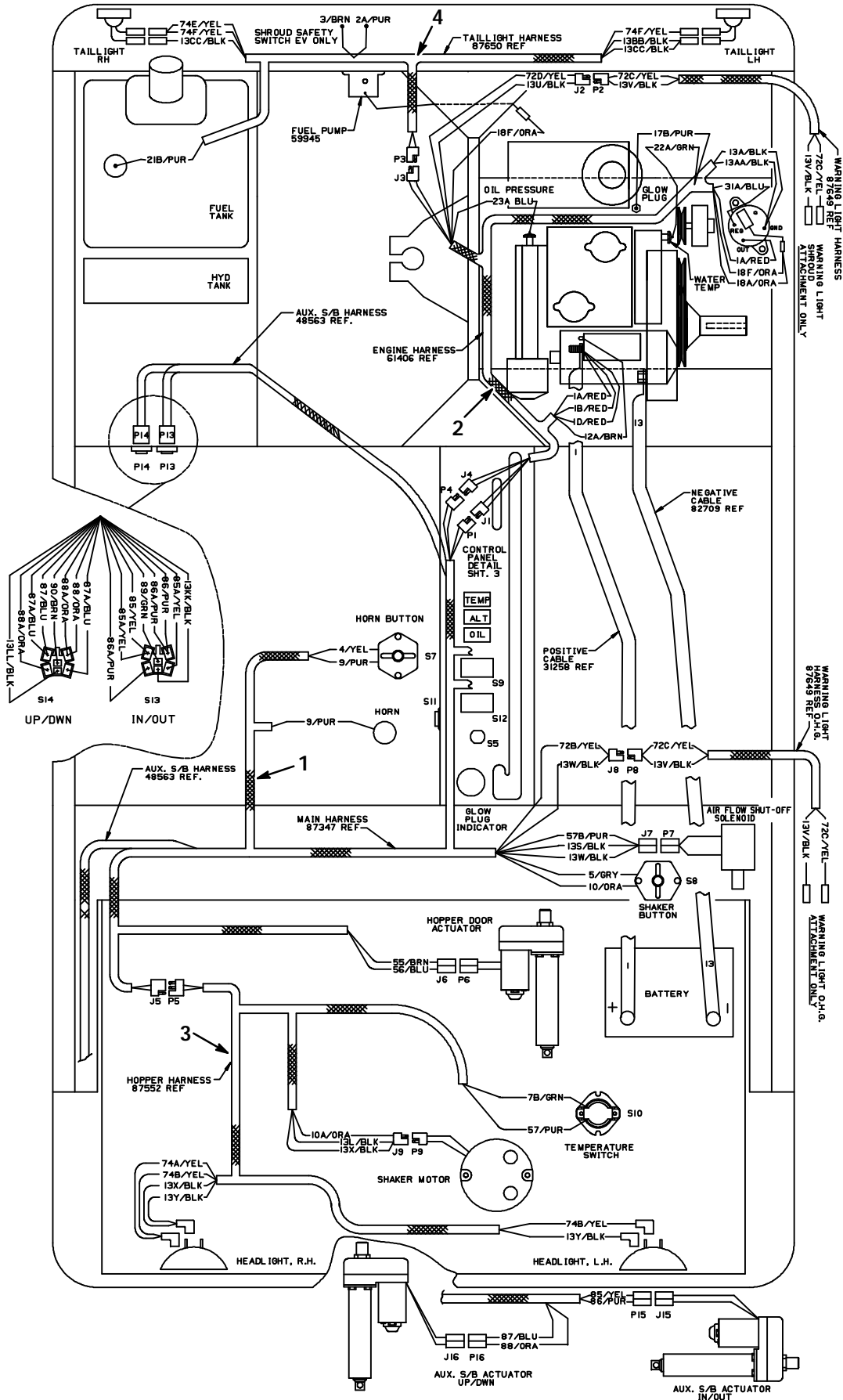


Fig. 29 - Wire Harness Group

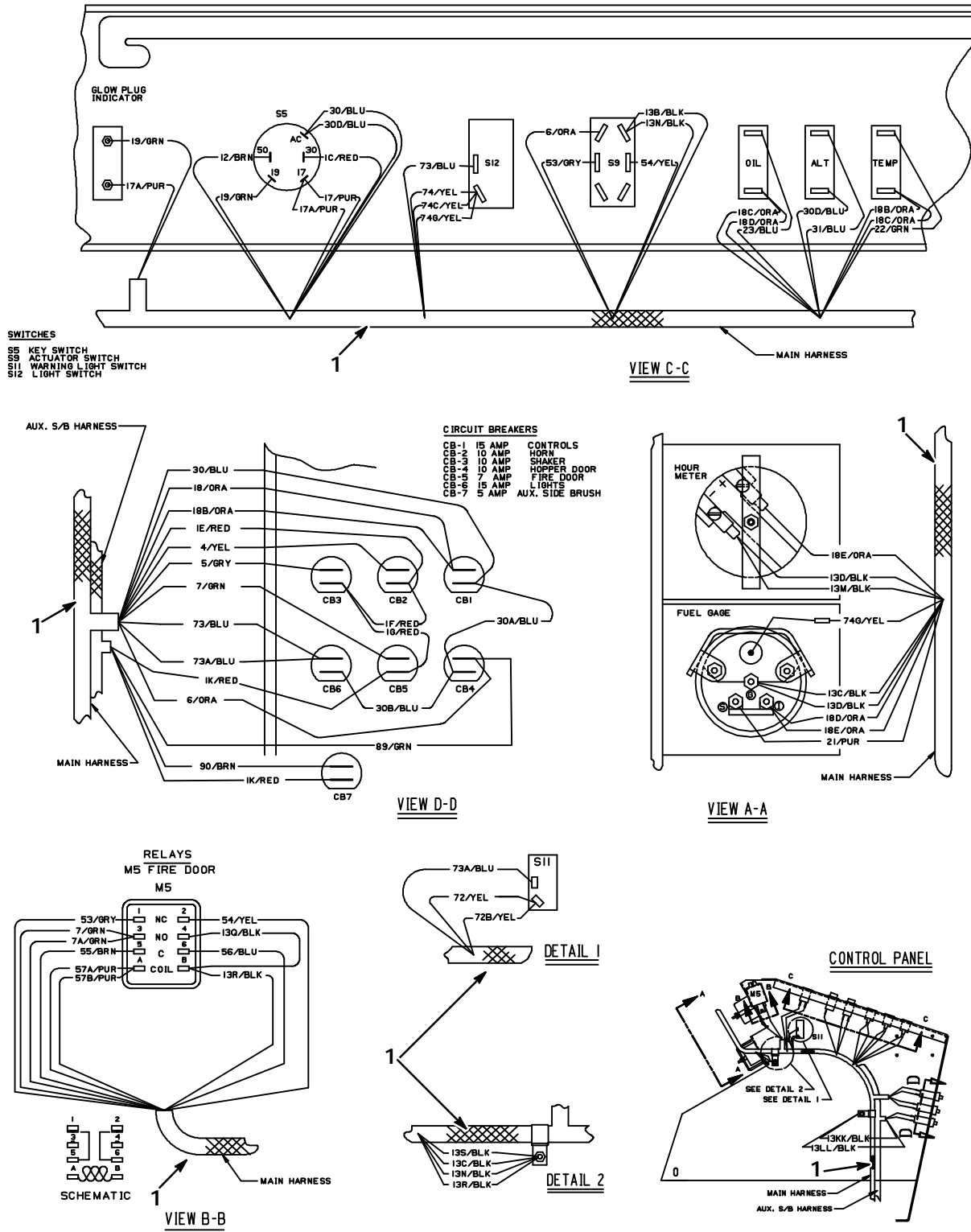


Fig. 29 - Wire Harness Group

03599

Key	TENNANT Part No.	Machine Serial Number	Description	Qty.
1	87347	(000000-)	Wire Harness, Main	1
2	70000	(000000-003280)	Wire Harness Replacement Kit, Engine	1
2	61406	(003281-)	Wire Harness, Engine	1
3	87552	(000000-)	Wire Harness, Hopper	1
4	87650	(000000-)	Wire Harness, Taillights	1

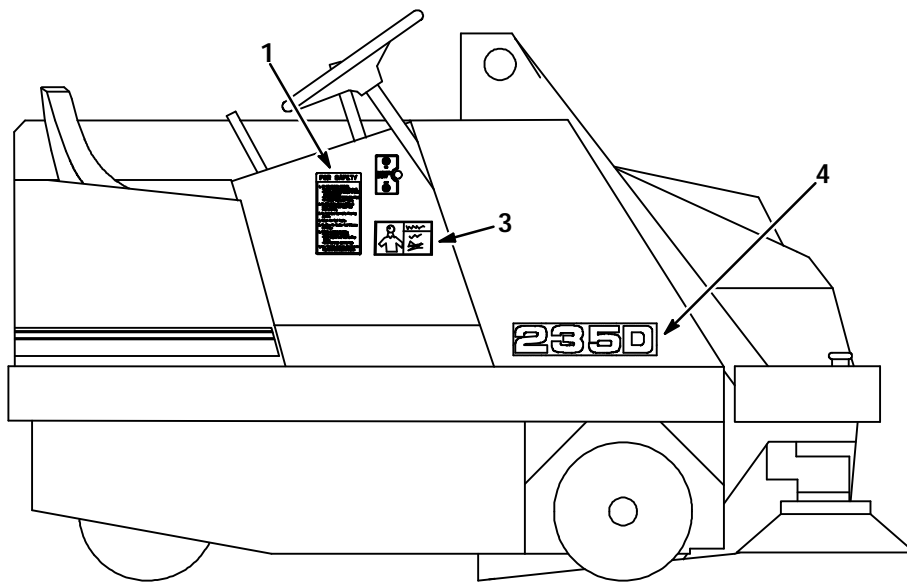
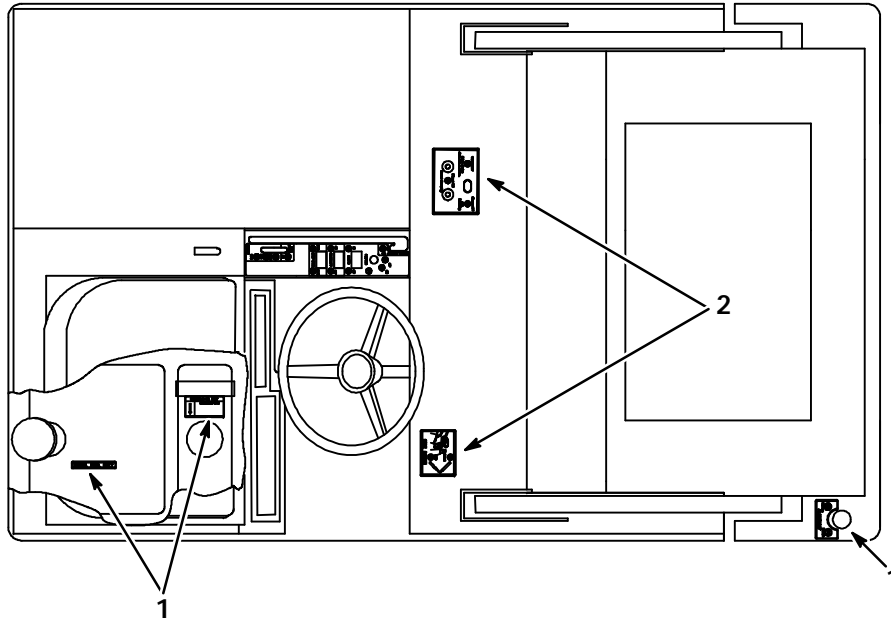


Fig. 30 - Labels Group

06968

Key	TENNANT Part No.	Machine Serial Number	Description	Qty.
1	87640	(000000-)	Label Kit, Information and Hazard	1
2	87639	(000000-)	Label Kit, Operation	1
3	08885	(000000-)	Label, Warning, Emissions	1
4	87535	(000000-)	Label, Lintel, 235D	1
	87956	(000000-)	Label, Replacement Kit, Diesel	1

SECTION 6

CONTENTS

	Page
ORDERING REPAIR PARTS	6-3
Fig. 1 - Cab Kit	6-4
Fig. 2 - Overhead Guard Kit	6-5
Fig. 3 - Revolving Light Kit, Overhead Guard .	6-6
Fig. 4 - Revolving Light Kit, Shroud	6-7
Fig. 5 - Demo Kit	6-8
Fig. 6 - Foam Filled Tire Kit	6-8
Fig. 7 - Adjustable Seat Kit	6-9
Fig. 8 - Oil Drain Kit	6-10
Fig. 9 - Auxiliary Side Brush	
Electrical Group	6-11
Fig. 10 - Auxiliary Side Brush Group	6-12
Fig. 11 - Auxiliary Side Brush	
Hydraulic Hose Group	6-14

NOTE: Section 6, Options lists repair parts of the available options.

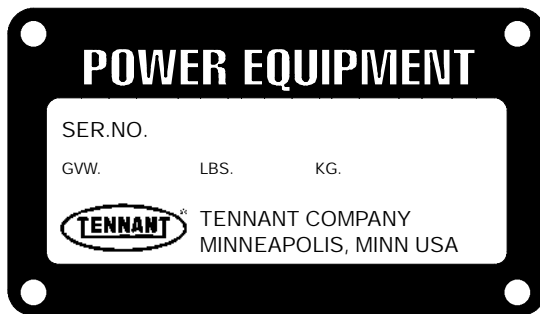
ORDERING REPAIR PARTS

The components used in this machine have been carefully selected for performance and safety. Use only TENNANT specified or equivalent parts.

To receive prompt service in filling of your parts orders, please direct all orders for parts with TENNANT part numbers to the TENNANT, and all orders for parts with vendor part numbers to the local supplier of the respective vendor.

When ordering parts, please furnish all of the following information:

1. Machine model number - shown on the machine data plate.



2. Machine serial number - shown on the machine data plate.
3. Power source - gasoline, LPG, diesel, electric.
4. Company name.
5. Shipping address.
6. Billing address.
7. Name, first and last - of person ordering parts.
8. Telephone number.
9. Purchase order number.
10. Part number, description, and quantity - of each item on the order.
11. Customer ID Number.

Do not order parts by key number or the figure number of the illustrated parts. Indented items indicate parts of assemblies. Standard hardware is furnished only when part of a purchased assembly. Please get hardware from a local hardware supplier.

If the old part cannot be identified, send it to us with the quantity needed specified on the order.

Any claim for loss or damage to a shipment in transit should be filed promptly against the transportation company making the delivery. Shipments will be complete unless the packing list or order acknowledgement indicate items back ordered.

If parts received are suspected to be incorrect or defective, please write, wire, or phone the TENNANT representative from whom you ordered the part. They will give authorization for return and/or handle replacement shipments when required.

SERIAL NUMBER INFORMATION EXPLANATION

Serial number listings are shown to indicate on which machines each part can be used. These listings are explained by the following examples:

(000000-) The part can be used on all machines.

(003342-) The part can be used on all machines beginning with the serial number listed.

(000000-004320) The part can be used on all machines up to and including serial number listed.

(004321-005678) The part can be used on all machines between and including the serial numbers listed.

Where xxxxxx's are listed in place of a serial number, it indicates a change was made but the exact serial number had not been established when the catalog went to press.

SI UNITS OF MEASURE (INTERNATIONAL SYSTEM)

Metric equivalents have been included, where applicable, throughout this parts catalog.

FASTENER STRENGTH IDENTIFICATION

Fasteners required to have high-strength qualities equivalent to SAE Grade 8 are identified throughout this catalog by the description GR 8. Unless identified by this description, all standard fasteners are SAE Grade 5.

(Specifications and design subject to change without notice.)

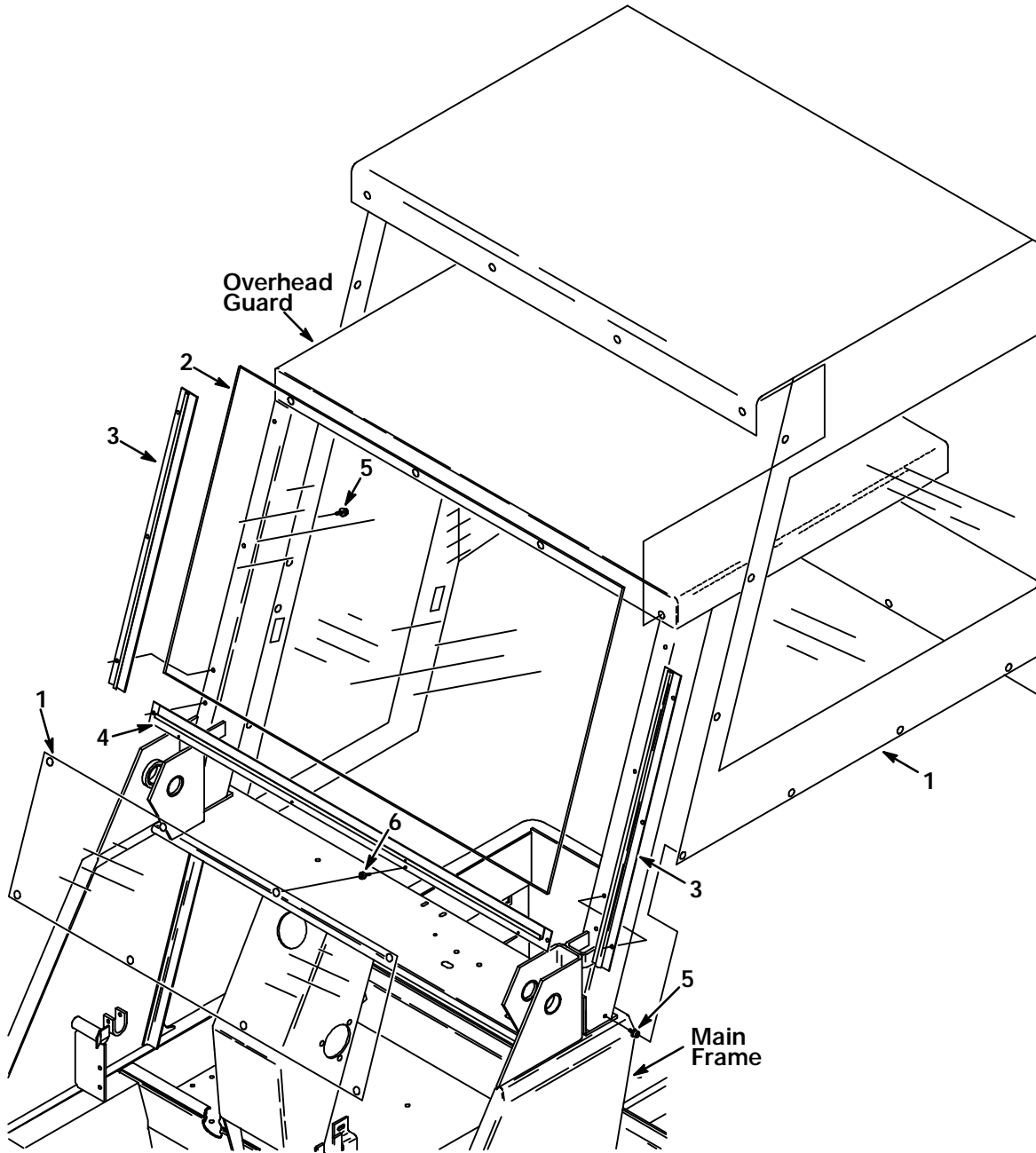


Fig. 1 - Cab Kit

03357

Key	TENNANT Part No.	Machine Serial Number	Description	Qty.
	87655	(000000-)	Cab Kit, Soft Side	1
1	87657	(000000-)	Cab, Soft Side	1
2	87697	(000000-)	Windshield	1
3	87698	(000000-)	Channel, Side	2
4	87701	(000000-)	Channel, Bottom	1
5	87694	(000000-)	Snap, Male	29
6	87695	(000000-)	Snap, Male	4

NOTE: To Identify parts shown but not listed here, see Section 5, Standard Model Parts.

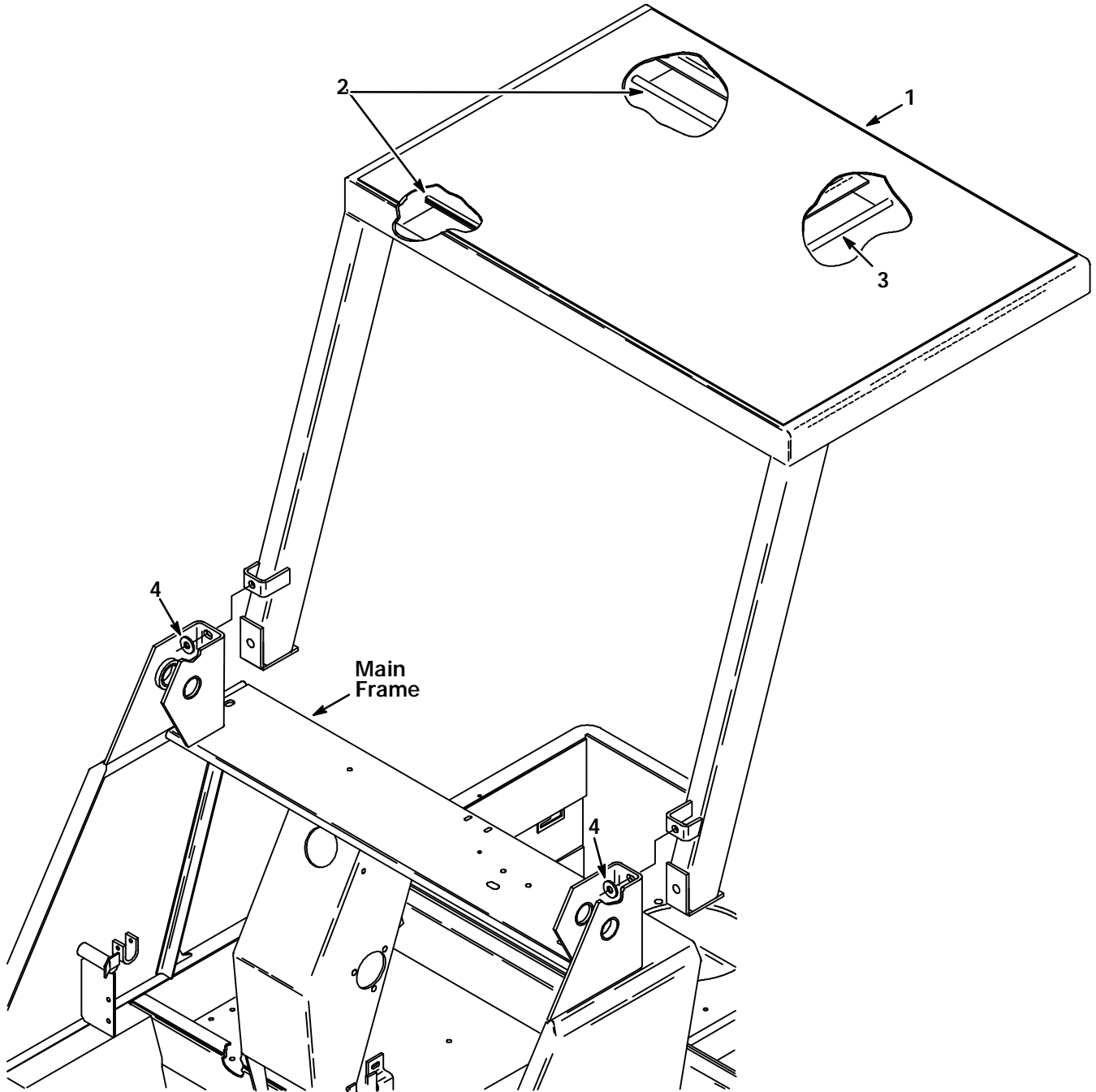


Fig. 2 - Overhead Guard Kit

03355

Key	TENNANT Part No.	Machine Serial Number	Description	Qty.
	87829	(000000-)	Guard Kit, Overhead	1
1	87450	(000000-)	Guard, Overhead	1
2	87742	(000000-)	Molding, Rigid	2
3	62595-21	(000000-)	Molding, Rigid	1
4	36328	(000000-)	Washer, Belleville	2

NOTE: To Identify parts shown but not listed here, see Section 5, Standard Model Parts.

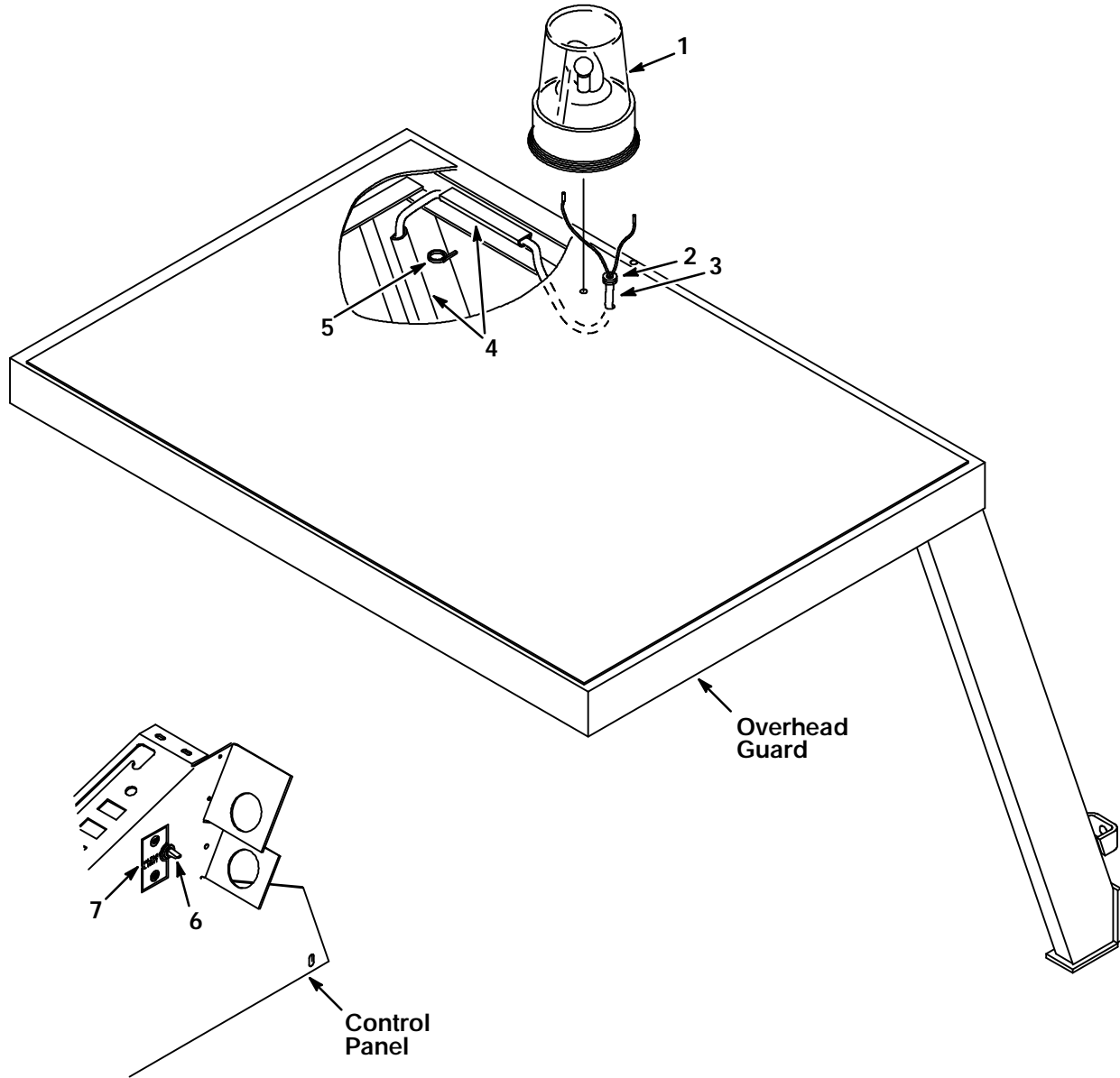


Fig. 3 - Revolving Light Kit, Overhead Guard

03571

Key	TENNANT Part No.	Machine Serial Number	Description	Qty.
1	87792	(000000-)	Light Kit, Revolving Amber	1
	87789	(000000-)	Light, Revolving Amber	1
	44681-1	(000000-)	Lens, Amber	1
	45779	(000000-)	Bulb	1
2	10632-12	(000000-)	Grommet	1
3	87649	(000000-)	Wire Harness, Overhead Guard	1
4	87673	(000000-)	Duct, Vinyl	1
5	49266	(000000-)	Tie, Cable	2
6	55264	(000000-)	Switch, Toggle	1
7	87174	(000000-)	Label, Hazard Light	1
	44681	(000000-)	Lens, Revolving Light, Red	1
	44681-2	(000000-)	Lens, Revolving Light, Blue	1

NOTE: To Identify parts shown but not listed here, see Section 5, Standard Model Parts.

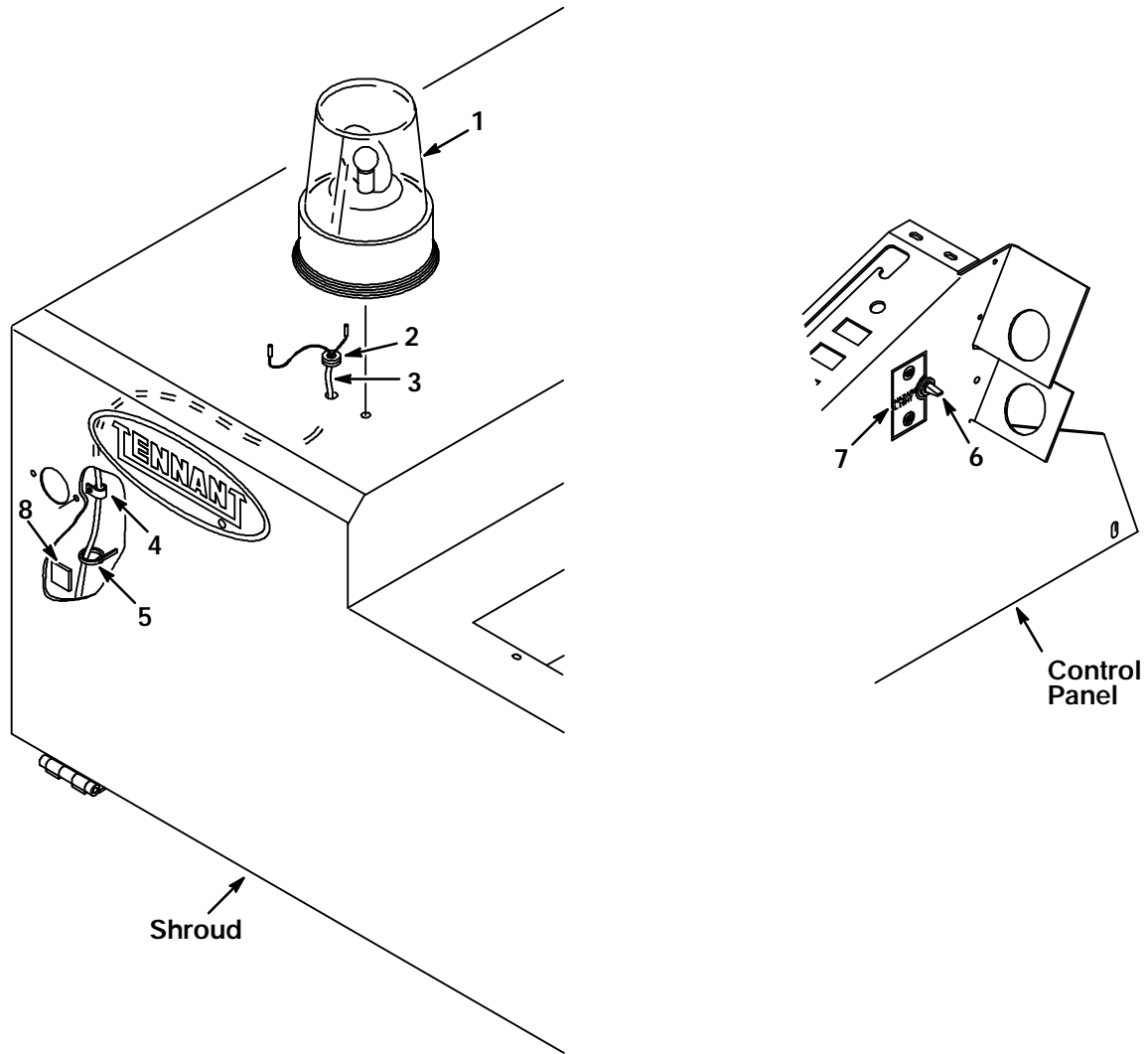


Fig. 4 - Revolving Light Kit, Shroud

03570

Key	TENNANT Part No.	Machine Serial Number	Description	Qty.
1	87791	(000000-)	Light Kit, Revolving Amber	1
	87789	(000000-)	Light, Revolving Amber	1
	44681-1	(000000-)	Lens, Amber	1
	45779	(000000-)	Bulb	1
2	10127	(000000-)	Grommet	1
	87649	(000000-)	Wire Harness, Shroud	1
4	26395-2	(000000-)	Clamp, Cable	1
5	49266	(000000-)	Tie, Cable	5
6	55264	(000000-)	Switch, Toggle	1
7	87174	(000000-)	Label, Hazard Light	1
8	55248	(000000-)	Mount, Cable Tie	1
	44681	(000000-)	Lens, Revolving Light, Red	1
	44681-2	(000000-)	Lens, Revolving Light, Blue	1

NOTE: To Identify parts shown but not listed here, see Section 5, Standard Model Parts.

OPTIONS

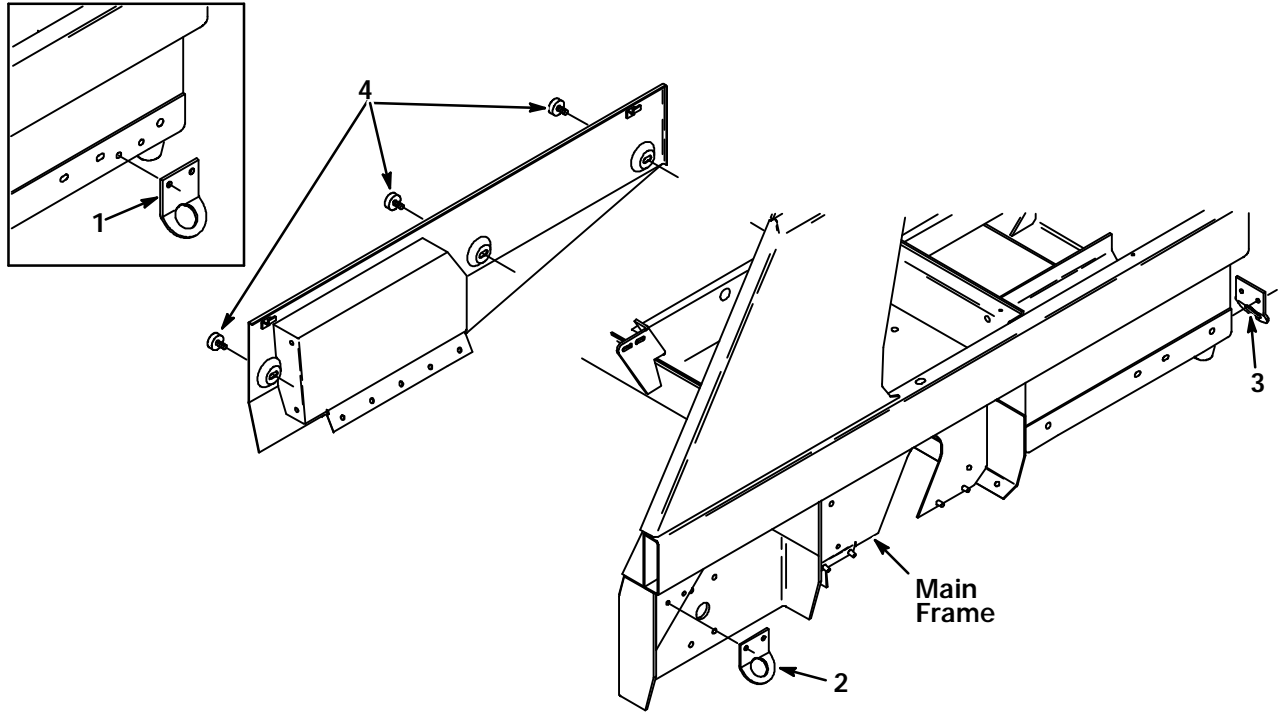


Fig. 5 - Demo Kit

03362

Key	TENNANT Part No.	Machine Serial Number	Description	Qty.
	87790	(000000-)	Demo Kit	1
1	87083	(000000-001045)	Bracket, Replacement Kit, Rear (set of 2)	1
2	45079	(000000-)	Bracket, Tie-Down	2
3	45079	(001046-)	Bracket, Tie-Down	2
4	87462	(000000-)	Knob	3

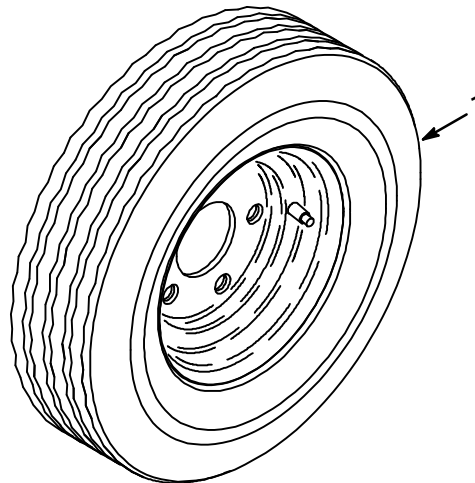


Fig. 6 - Foam Filled Tire Kit

03581

Key	TENNANT Part No.	Machine Serial Number	Description	Qty.
1	87432	(000000-)	Tire and Wheel Assembly, Foam Filled	1

NOTE: To Identify parts shown but not listed here, see Section 5, Standard Model Parts.

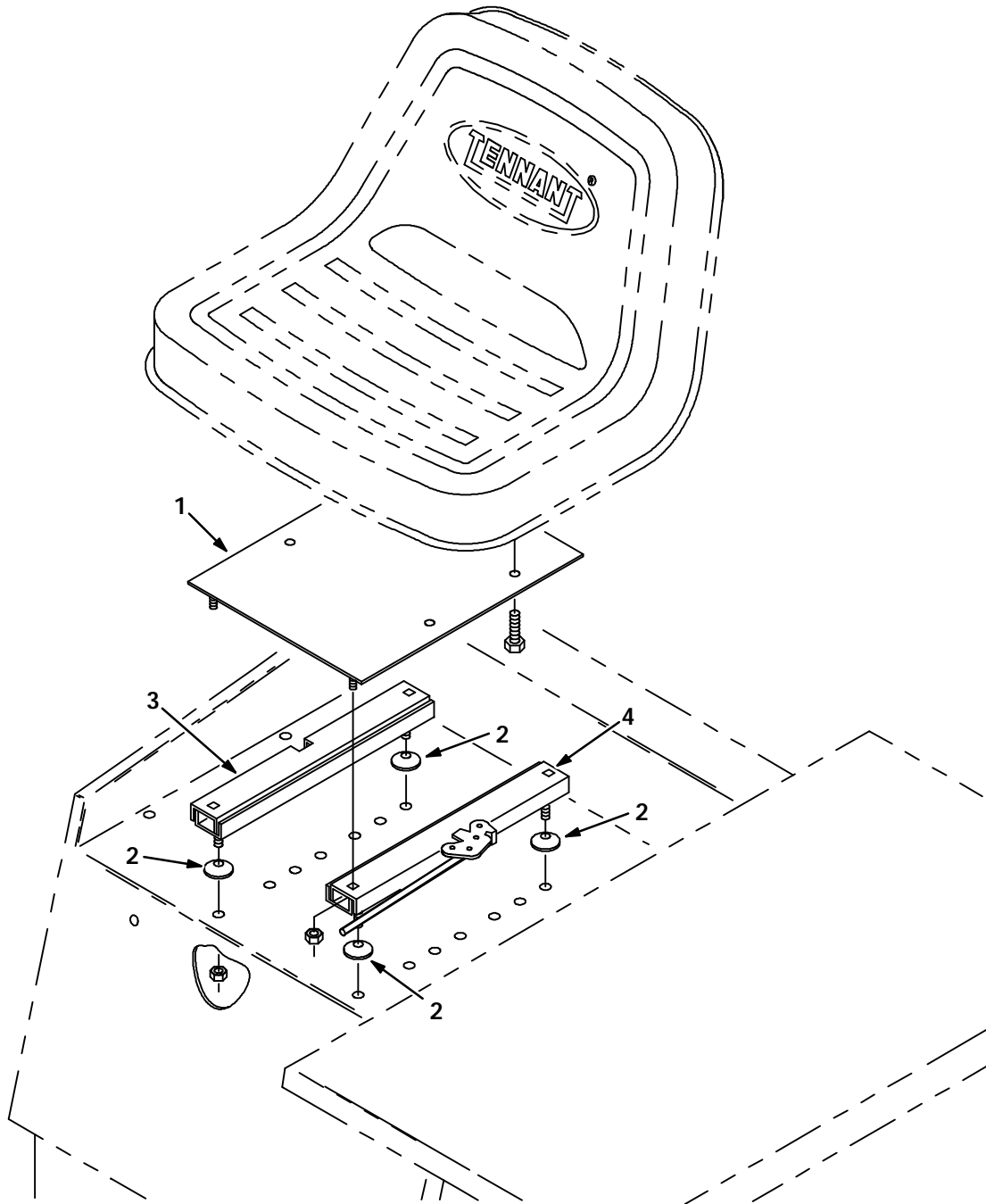


Fig. 7 - Adjustable Seat Kit

08660

Key	TENNANT Part No.	Machine Serial Number	Description	Qty.
	48685	(000000-)	Adjustable Seat Kit	1
1	66099	(000000-)	Plate, Seat Support	1
2	52615	(000000-)	Spacer, Seat Adjuster	4
3	51459	(000000-)	Adjuster, Seat	1
4	51458	(000000-)	Adjuster Assembly, Seat	1

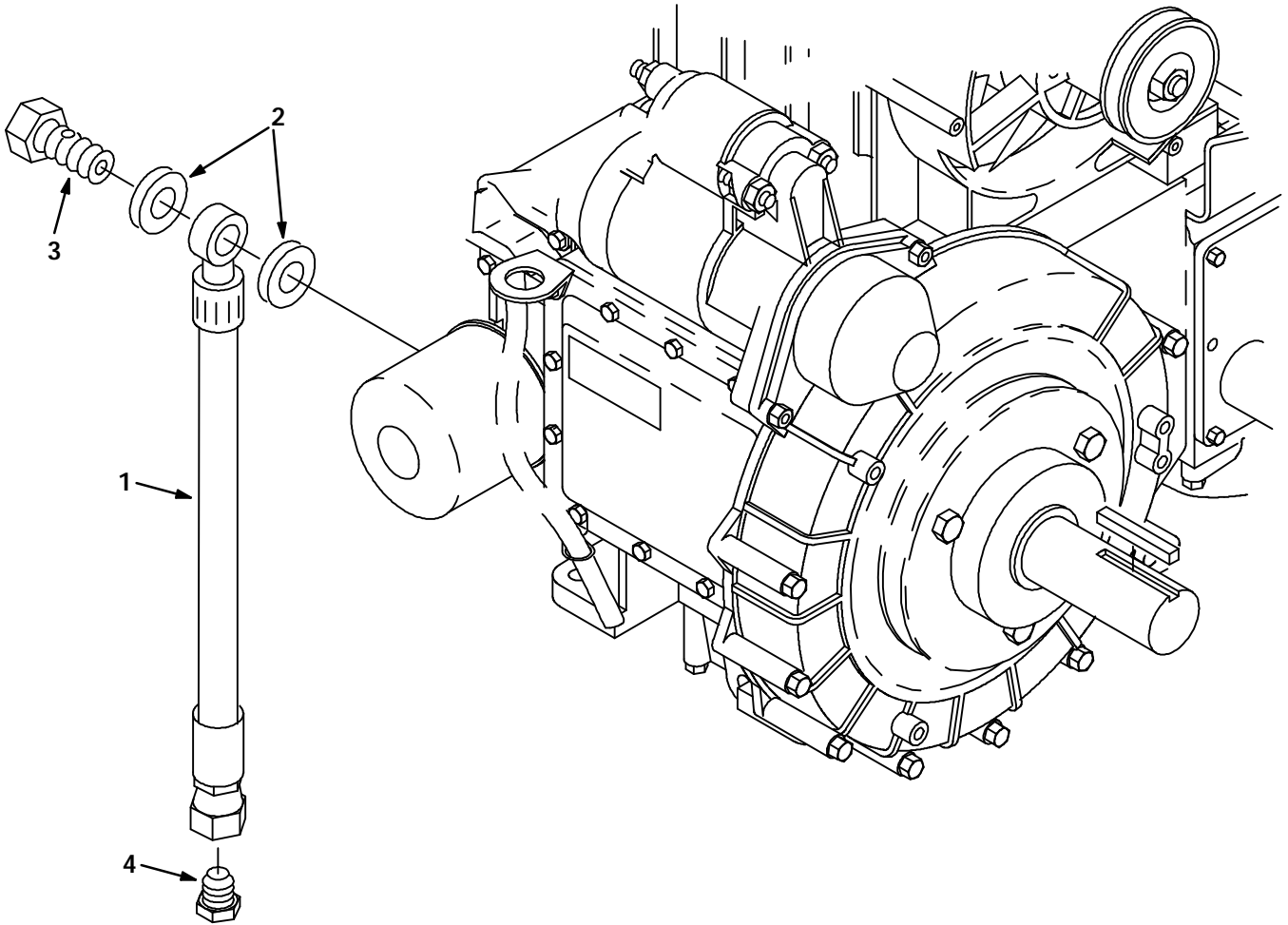
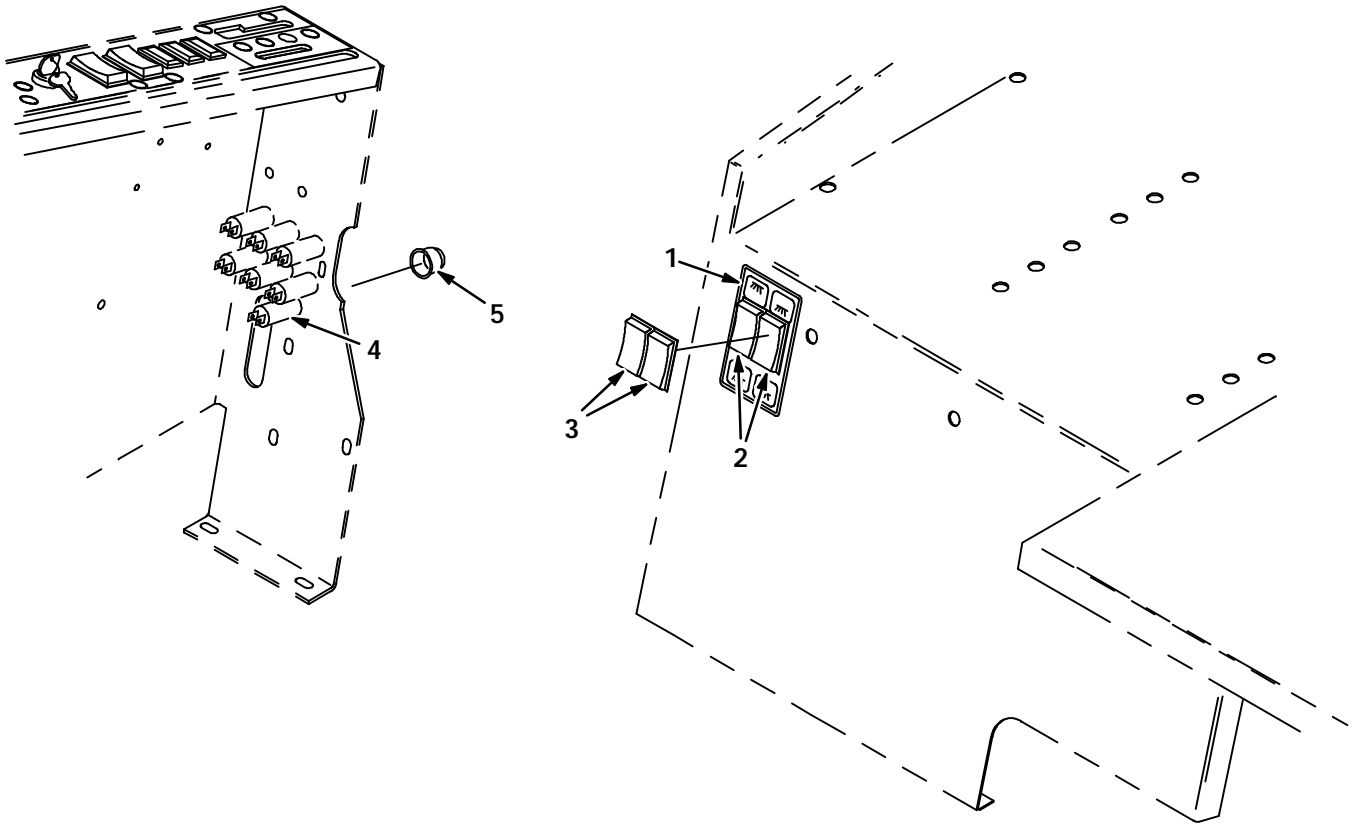


Fig. 8 - Oil Drain Kit

06917

Key	TENNANT Part No.	Machine Serial Number	Description	Qty.
	48571	(000000-)	Oil Drain Kit	1
1	97890	(000000-)	Hose	1
2	60453	(000000-)	Washer, Brass	2
3	48572	(000000-)	Fitting, Bandjo	1
4	97891	(000000-)	Fitting, Plug	1



06853

Fig. 9 - Auxiliary Side Brush Electrical Group

Key	TENNANT Part No.	Machine Serial Number	Description	Qty.
1	35304	(000000-)	Label, Brush Control	1
2	65560	(000000-)	Switch, Rocker, DPDT	2
3	57807	(000000-)	Cover, Rocker Switch Seal	2
4	27920	(000000-)	Breaker, Circuit, 5A	1
5	57751	(000000-)	Boot, Circuit Breaker	1

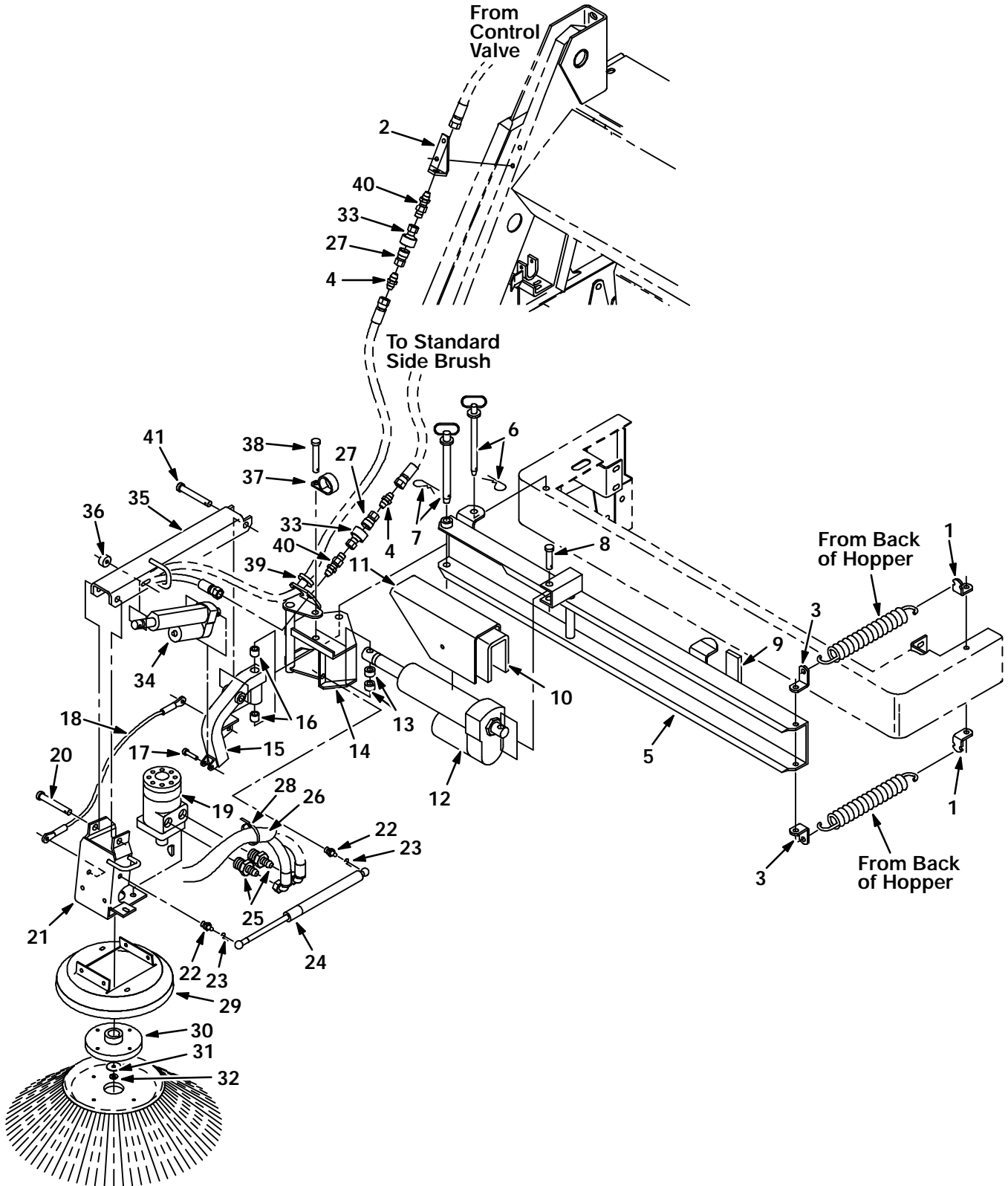


Fig. 10 - Auxiliary Side Brush Group

Fig. 10 - Auxiliary Side Brush Group

Key	TENNANT Part No.	Machine Serial Number	Description	Qty.
1	43499	(000000-)	Bracket	2
2	48582	(000000-)	Bracket, Bulkhead	1
3	48580	(000000-)	Bracket	2
4	06678	(000000-)	Fitting, Straight	2
5	48556	(000000-)	Cross Member, Front	1
6	35273	(000000-)	Pin, Hitch	1
7	35278	(000000-)	Pin, Hitch	1
8	51534	(000000-)	Pin, Clevis	1
9	35280	(000000-)	Seal, Foam Rubber	1
10	34219	(000000-)	Insulation, Foam	1
11	35279	(000000-)	Cover, Actuator	1
12	87444	(000000-)	Actuator	1
13	82229	(000000-)	Sleeve	2
14	35274	(000000-)	Lever, Actuator	1
15	48567	(000000-)	Pivot, Brush Arm	1
16	45097	(000000-)	Bearing	2
17	15173	(000000-)	Pin, Clevis	1
18	48581	(000000-)	Cable	1
19	28804	(000000-)	Motor, Hydraulic	1
20	06474A	(000000-)	Pin, Clevis	1
21	48584	(000000-)	Bracket, Motor	1
22	58494	(000000-)	Stud, Ball	2
23	64595	(000000-)	Clip, Spring	2
24	31182	(000000-)	Spring, Gas	1
25	57984	(000000-)	Fitting, Straight	2
26	87677	(000000-)	Sleeve, Nylon	1
27	34413	(000000-)	Coupling, Male	2
28	49266	(000000-)	Tie, Cable	6
29	87439	(000000-)	Deflector	1
30	87418	(000000-)	Hub, Side Brush	1
31	41178	(000000-)	Washer	1
32	41185	(000000-)	Washer, Belleville	1
33	34414	(000000-)	Coupling, Female	2
34	48587	(000000-)	Actuator	1
35	48557	(000000-)	Arm, Extended Reach	1
36	02965	(000000-)	Sleeve	1
37	43560	(000000-)	Clamp, Cable	1
38	23683	(000000-)	Pin, Clevis	1
39	10632	(000000-)	Grommet	1
40	82621	(000000-)	Fitting, Bulkhead	2
41	23683	(000000-)	Pin, Clevis	1
	49287	(000000-)	Clamp, Cable	1
	27184	(000000-)	Blade, Connector	2
	48563	(000000-)	Wire Harness, Aux Side Brush	1

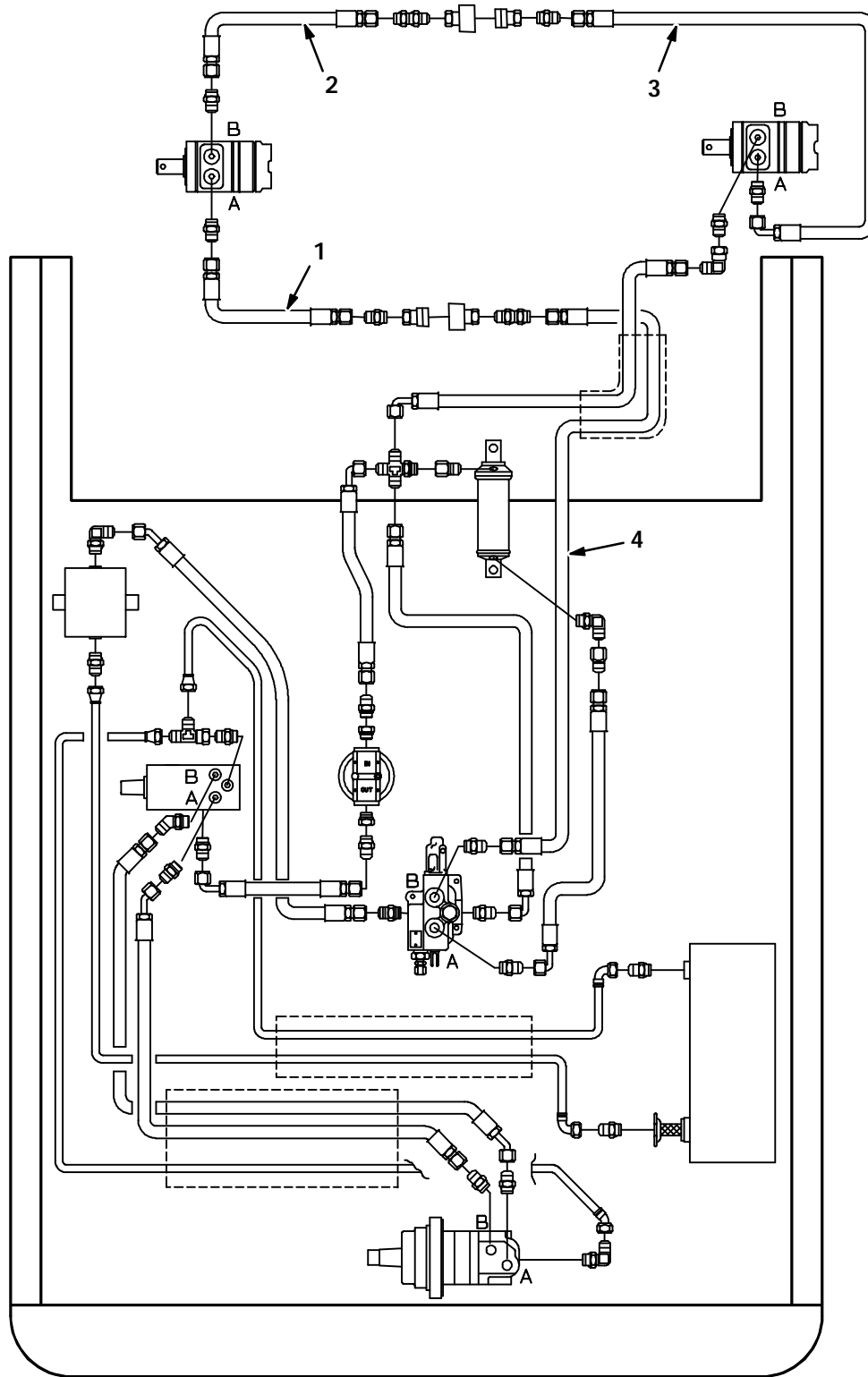


Fig. 11 - Auxiliary Side Brush Hydraulic Hose Group

06852

Key	TENNANT Part No.	Machine Serial Number	Description	Qty.
1	57967	(000000-)	Hose, Hydraulic	1
2	48617	(000000-)	Hose, Hydraulic	1
3	57947	(000000-)	Hose, Hydraulic	1
4	19634	(000000-)	Hose, Hydraulic	1

SECTION 7

CONTENTS

	Page
ORDERING REPAIR PARTS	7-3
Fig. 1 - Hydraulic Motor Breakdown, 87417 ...	7-4
Fig. 2 - Hydraulic Motor Breakdown, 87475 ...	7-5
Fig. 3 - Hydraulic Valve Breakdown, 87409 ...	7-6
Fig. 4 - Hydraulic Pump Breakdown, 87734 ...	7-7
Fig. 5 - Hydraulic Lift Cylinder Breakdown, 87055	7-8
Fig. 6 - Hydraulic Lift Cylinder Breakdown, 48575	7-9
Fig. 7 - Hydraulic Lift Cylinder Breakdown, 65223	7-10
Fig. 8 - Hydraulic Pump Breakdown, 87451 ...	7-11
Fig. 9 - Hydraulic Motor Breakdown, 28804 ...	7-12

NOTE: Section 7, Hydraulic Components, lists the repair parts for each of the repairable hydraulic components.

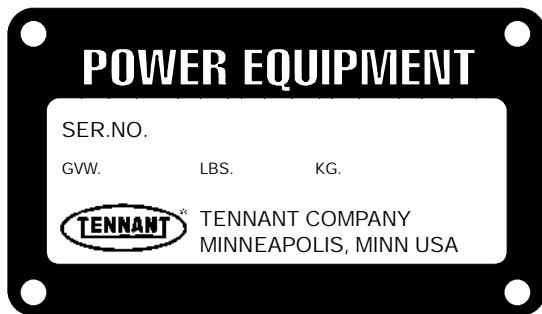
ORDERING REPAIR PARTS

The components used in this machine have been carefully selected for performance and safety. Use only TENNANT specified or equivalent parts.

To receive prompt service in filling of your parts orders, please direct all orders for parts with TENNANT part numbers to the TENNANT, and all orders for parts with vendor part numbers to the local supplier of the respective vendor.

When ordering parts, please furnish all of the following information:

1. Machine model number - shown on the machine data plate.



2. Machine serial number - shown on the machine data plate.
3. Power source - gasoline, LPG, diesel, electric.
4. Company name.
5. Shipping address.
6. Billing address.
7. Name, first and last - of person ordering parts.
8. Telephone number.
9. Purchase order number.
10. Part number, description, and quantity - of each item on the order.
11. Customer ID Number.

Do not order parts by key number or the figure number of the illustrated parts. Indented items indicate parts of assemblies. Standard hardware is furnished only when part of a purchased assembly. Please get hardware from a local hardware supplier.

If the old part cannot be identified, send it to us with the quantity needed specified on the order.

Any claim for loss or damage to a shipment in transit should be filed promptly against the transportation company making the delivery. Shipments will be complete unless the packing list or order acknowledgement indicate items back ordered.

If parts received are suspected to be incorrect or defective, please write, wire, or phone the TENNANT representative from whom you ordered the part. They will give authorization for return and/or handle replacement shipments when required.

SERIAL NUMBER INFORMATION EXPLANATION

Serial number listings are shown to indicate on which machines each part can be used. These listings are explained by the following examples:

(000000-) The part can be used on all machines.

(003342-) The part can be used on all machines beginning with the serial number listed.

(000000-004320) The part can be used on all machines up to and including serial number listed.

(004321-005678) The part can be used on all machines between and including the serial numbers listed.

Where xxxxxx's are listed in place of a serial number, it indicates a change was made but the exact serial number had not been established when the catalog went to press.

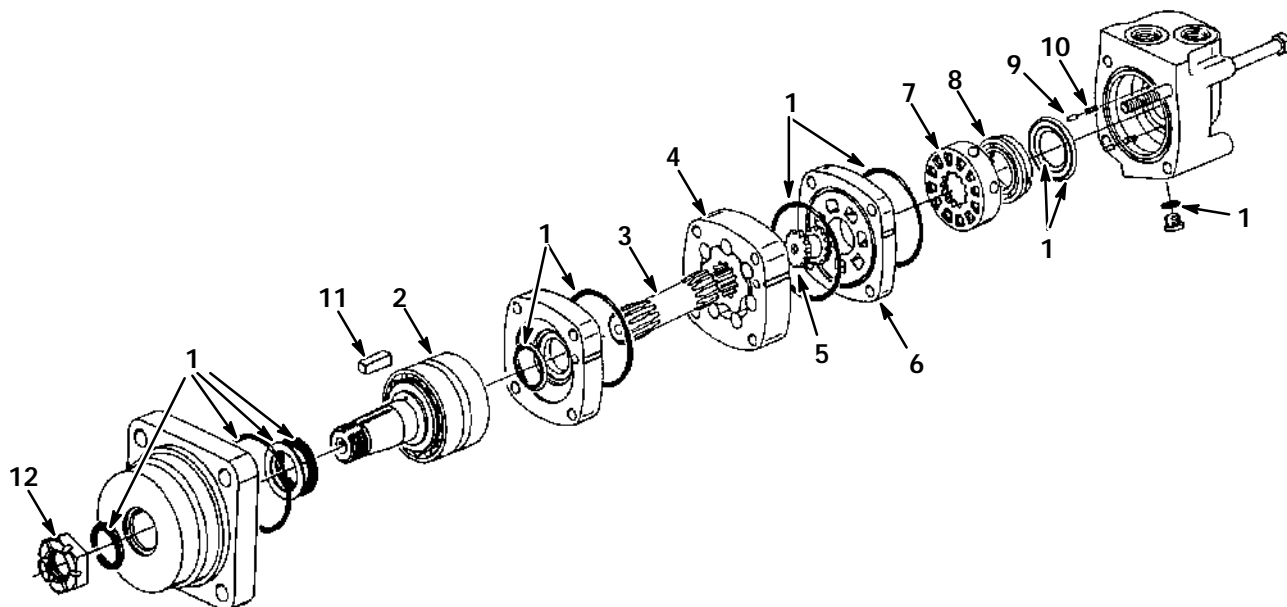
SI UNITS OF MEASURE (INTERNATIONAL SYSTEM)

Metric equivalents have been included, where applicable, throughout this parts catalog.

FASTENER STRENGTH IDENTIFICATION

Fasteners required to have high-strength qualities equivalent to SAE Grade 8 are identified throughout this catalog by the description GR 8. Unless identified by this description, all standard fasteners are SAE Grade 5.

(Specifications and design subject to change without notice.)



03604

Fig. 1 - Hydraulic Motor Breakdown, 87417

Key	TENNANT Part No.	Manufacture Serial Number	Description	Qty.
	87417	(000000-)	Motor, Hydraulic	1
1	02643	(000000-)	Seal Kit	1
2	02644	(000000-)	Shaft And Bearing Kit	1
3	87784	(000000-)	Drive	1
4	87785	(000000-)	Geroler	1
5	57370	(000000-)	Valve Drive	1
6	02646	(000000-)	Valve Plate	1
7	02647	(000000-)	Valve	1
8	57373	(000000-)	Balance Ring	1
9	57374	(000000-)	Pin	2
10	57375	(000000-)	Spring	2
11	38315	(000000-)	Key	1
12	38490	(000000-)	Nut	1

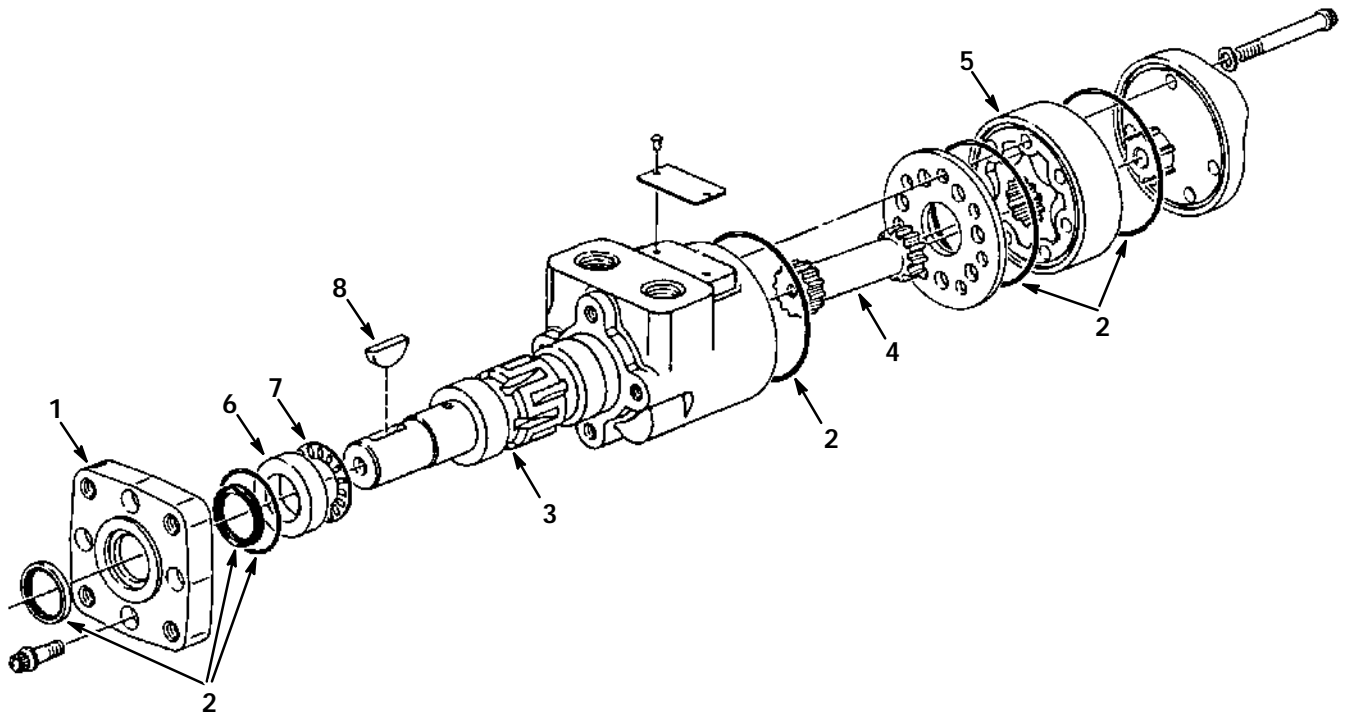


Fig. 2 - Hydraulic Motor Breakdown, 87475

03563

Key	TENNANT Part No.	Manufacture Serial Number	Description	Qty.
	87475	(000000-)	Motor, Hydraulic (Replaced by 28804)	1
1	34174	(000000-)	Flange, Mounting	1
2	47649	(000000-)	Seal Kit	1
3	87662	(000000-)	Shaft, Output	1
4	34176	(000000-)	Drive	1
5	87663	(000000-)	Geroter	1
6	16695	(000000-)	Race, Thrust	1
7	45628	(000000-)	Bearing, Thrust	1
8	00500-15	(000000-)	Key, Woodruff	1

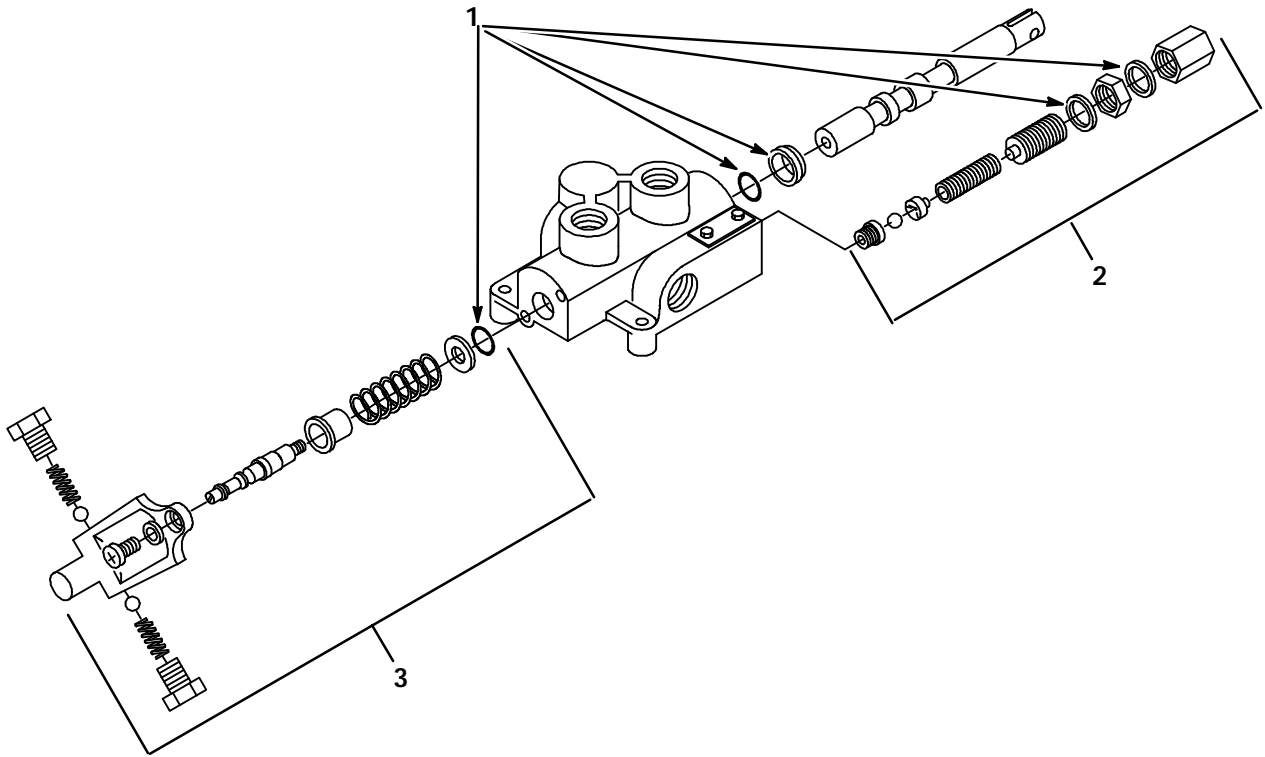
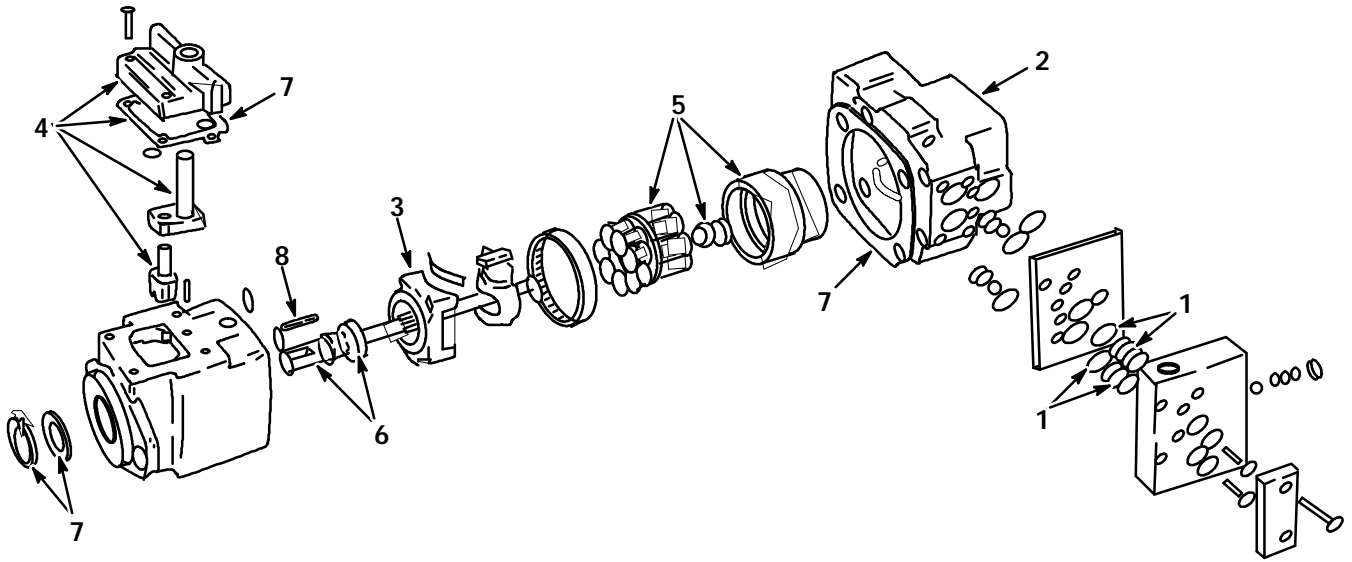


Fig. 3 - Hydraulic Valve Breakdown, 87409

03480

Key	TENNANT Part No.	Manufacture Serial Number	Description	Qty.
	87409	(000000-)	Valve, Hydraulic	1
1	01666	(000000-)	Seal Kit	1
2	87754	(000000-)	Relief Valve Kit	1
3	01669	(000000-)	Detent Kit	1



03605

Fig. 4 - Hydraulic Pump Breakdown, 87734

Key	TENNANT Part No.	Manufacture Serial Number	Description	Qty.
	87734	(000000-)	Pump, Hydraulic	1
1	87266	(000000-)	Relief Valve Kit	2
2	33296	(000000-)	Valve Plate Kit	1
3	33298	(000000-)	Saddle Kit	1
4	33299	(000000-)	Control Kit	1
5	33303	(000000-)	Rotating Group Kit	1
6	33304	(000000-)	Shaft And Bearing Kit	1
7	33305	(000000-)	Seal Kit	1
8	00912	(000000-)	Key, Square	1

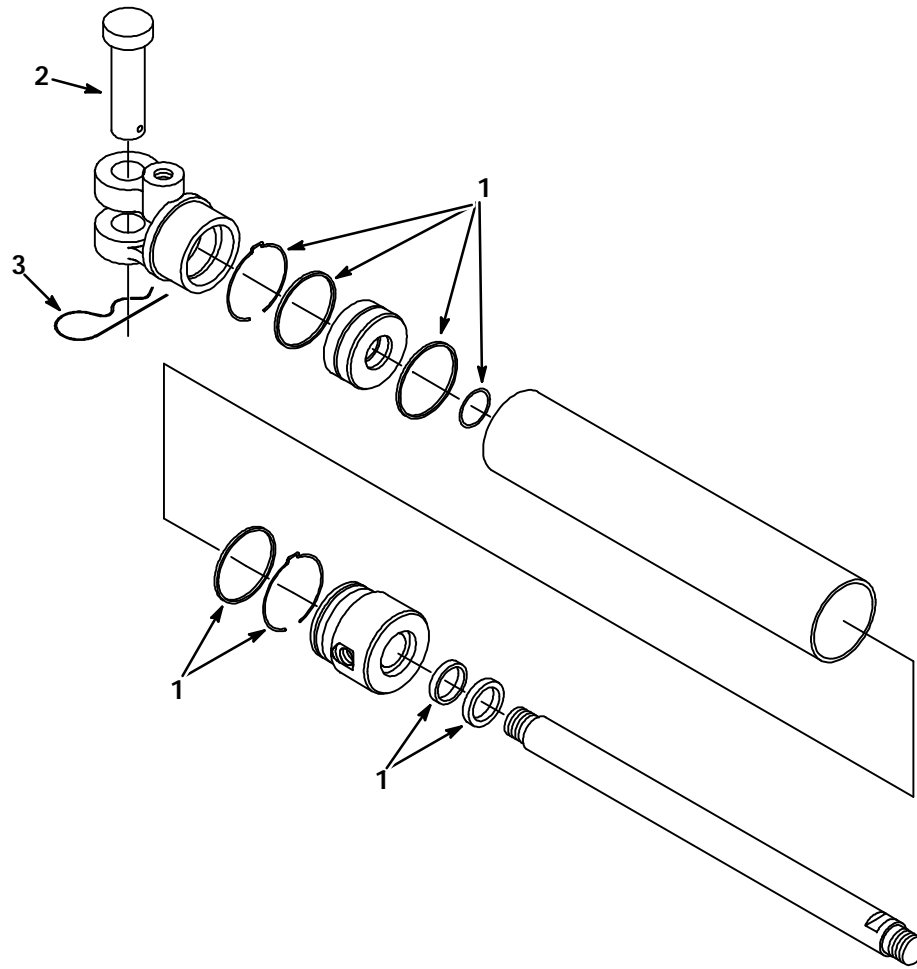


Fig. 5 - Hydraulic Lift Cylinder Breakdown, 87055

08680

Key	TENNANT Part No.	Manufacture Serial Number	Description	Qty.
	87055	(000000-)	Cylinder, Hydraulic (Replaced by 48575)	1
1	87744	(000000-)	Seal Kit	1
2	87850	(000000-)	Pin, Clevis	1
3	87851	(000000-)	Pin, Hair Cotter	1

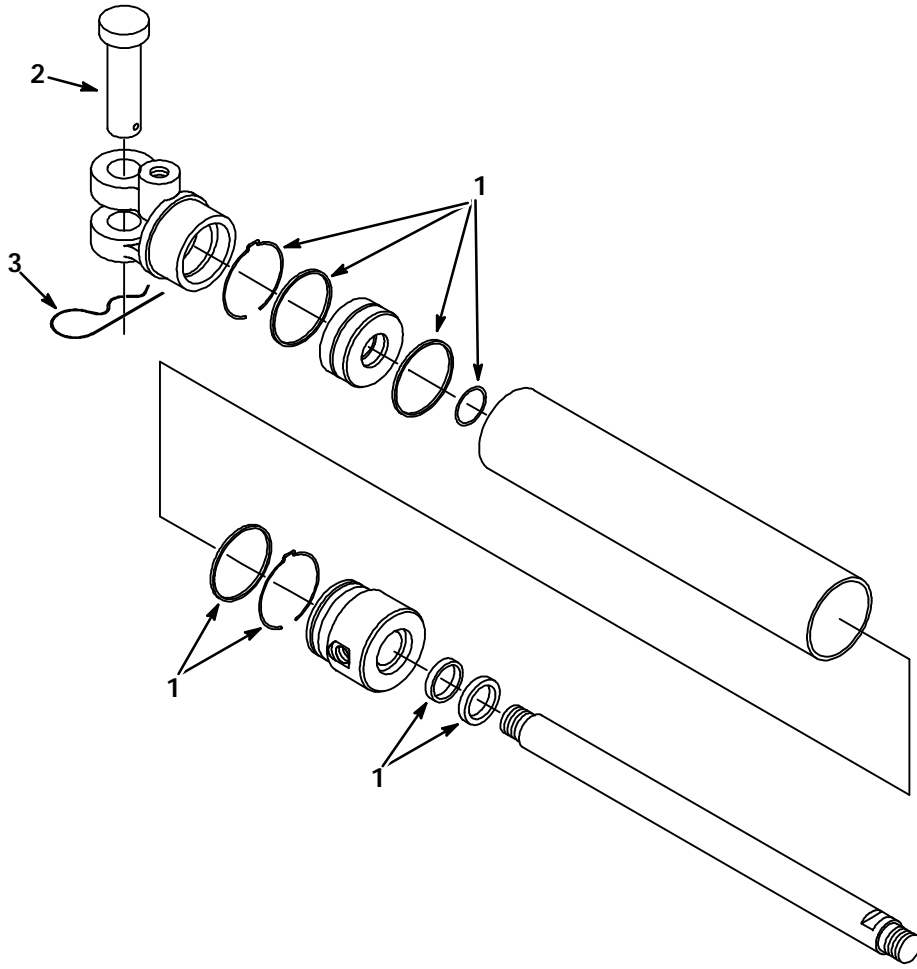


Fig. 6 - Hydraulic Lift Cylinder Breakdown, 48575

08685

Key	TENNANT Part No.	Manufacture Serial Number	Description	Qty.
	48575	(000000-)	Cylinder, Hydraulic	1
1	48577	(000000-)	Seal Kit	1
2	87850	(000000-)	Pin, Clevis	1
3	87851	(000000-)	Pin, Hair Cotter	1

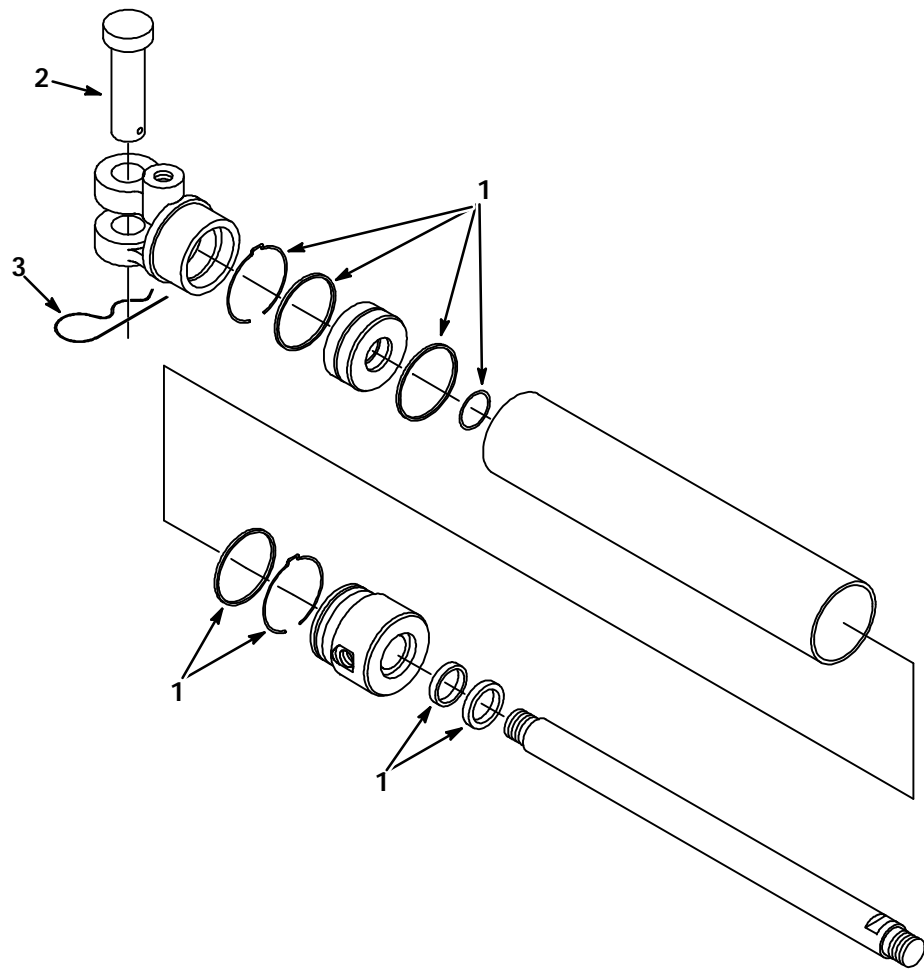


Fig. 7 - Hydraulic Lift Cylinder Breakdown, 65223

09727

Key	TENNANT Part No.	Manufacture Serial Number	Description	Qty.
	65223	(000000-)	Cylinder, Hydraulic	1
1	48577	(000000-)	Seal Kit	1
2	87850	(000000-)	Pin, Clevis	1
3	87851	(000000-)	Pin, Hair Cotter	1

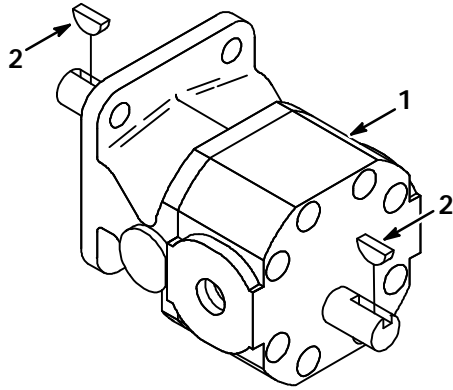


Fig. 8 - Hydraulic Pump Breakdown, 87451

03672

Key	TENNANT Part No.	Manufacture Serial Number	Description	Qty.
1	87451	(000000-)	Pump, Hydraulic Gear	1
2	00500-4	(000000-)	Key, Woodruff	2
	87156	(000000-)	Seal Kit	1

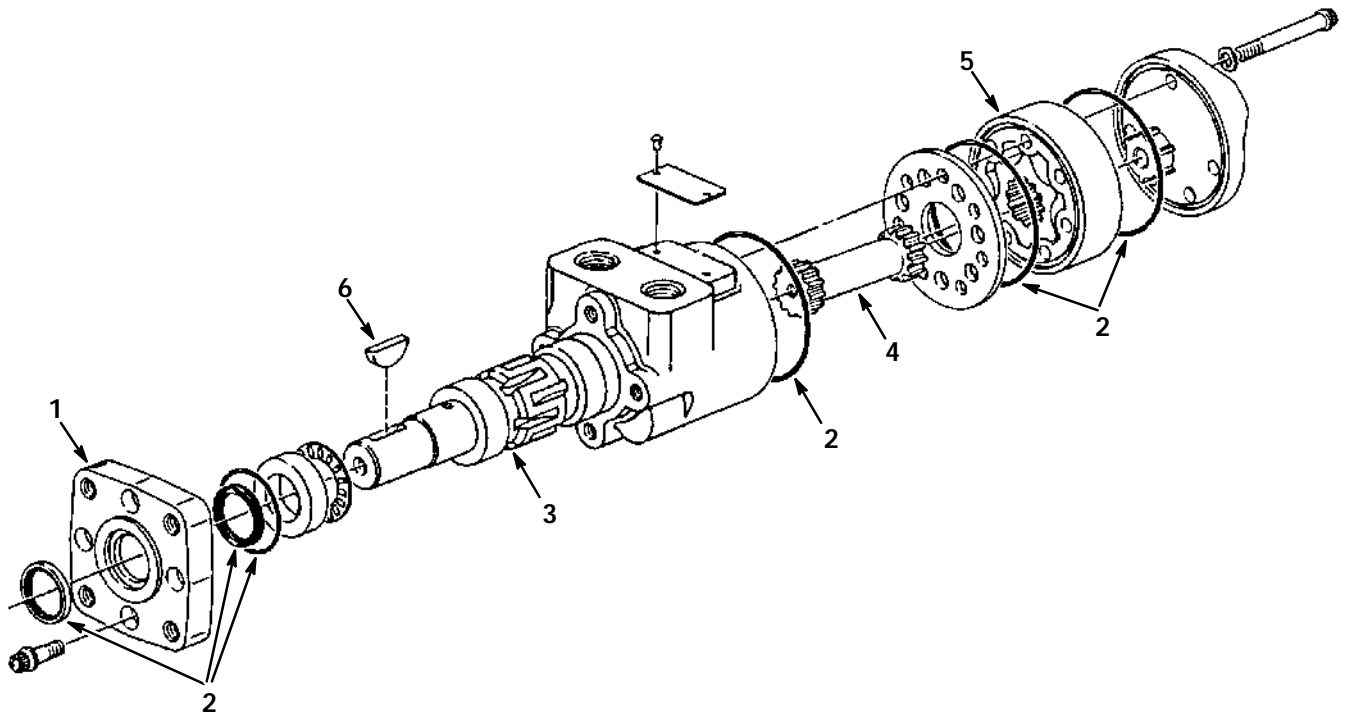


Fig. 9 - Hydraulic Motor Breakdown, 28804

05608

Key	TENNANT Part No.	Manufacture Serial Number	Description	Qty.
	28804	(000000-)	Motor, Hydraulic	1
1	31354	(000000-)	Flange, Mounting	1
2	28835	(000000-)	Seal Kit	1
3	87662	(000000-)	Shaft, Output	1
4	34176	(000000-)	Drive	1
5	50186	(000000-)	Geroter Set	1
6	00500-15	(000000-)	Key, Woodruff	1

SECTION 8

CONTENTS

	Page
ORDERING REPAIR PARTS	8-3
Fig. 1 - Crankcase Group	8-4
Fig. 2 - Gear Case Group	8-6
Fig. 3 - Cylinder Head Group	8-8
Fig. 4 - Bearing Case Group	8-9
Fig. 5 - Breather Group	8-10
Fig. 6 - Air Cleaner and Manifolds Group	8-12
Fig. 7 - Valve, Rocker Arm Group	8-14
Fig. 8 - Head Cover Group	8-15
Fig. 9 - Camshaft Group	8-16
Fig. 10 - Piston, Crankshaft Group	8-18
Fig. 11 - Flywheel Group	8-20
Fig. 12 - Injection Pump Group	8-21
Fig. 13 - Governor Group	8-22
Fig. 14 - Radiator Group	8-24

NOTE: Section 8, Engine Parts, Diesel, lists the repair parts for the diesel engine, TENNANT Part No. 87501.

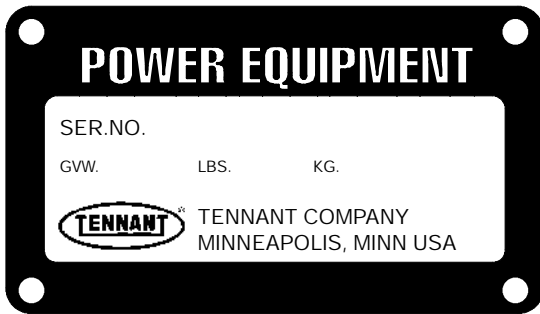
ORDERING REPAIR PARTS

The components used in this machine have been carefully selected for performance and safety. Use only TENNANT specified or equivalent parts.

To receive prompt service in filling of your parts orders, please direct all orders for parts with TENNANT part numbers to the TENNANT, and all orders for parts with vendor part numbers to the local supplier of the respective vendor.

When ordering parts, please furnish all of the following information:

1. Machine model number - shown on the machine data plate.



2. Machine serial number - shown on the machine data plate.
3. Power source - gasoline, LPG, diesel, electric.
4. Company name.
5. Shipping address.
6. Billing address.
7. Name, first and last - of person ordering parts.
8. Telephone number.
9. Purchase order number.
10. Part number, description, and quantity - of each item on the order.
11. Customer ID Number.

Do not order parts by key number or the figure number of the illustrated parts. Indented items indicate parts of assemblies. Standard hardware is furnished only when part of a purchased assembly. Please get hardware from a local hardware supplier.

If the old part cannot be identified, send it to us with the quantity needed specified on the order.

Any claim for loss or damage to a shipment in transit should be filed promptly against the transportation company making the delivery. Shipments will be complete unless the packing list or order acknowledgement indicate items back ordered.

If parts received are suspected to be incorrect or defective, please write, wire, or phone the TENNANT representative from whom you ordered the part. They will give authorization for return and/or handle replacement shipments when required.

SERIAL NUMBER INFORMATION EXPLANATION

Serial number listings are shown to indicate on which machines each part can be used. These listings are explained by the following examples:

(000000-) The part can be used on all machines.

(003342-) The part can be used on all machines beginning with the serial number listed.

(000000-004320) The part can be used on all machines up to and including serial number listed.

(004321-005678) The part can be used on all machines between and including the serial numbers listed.

Where xxxxxx's are listed in place of a serial number, it indicates a change was made but the exact serial number had not been established when the catalog went to press.

SI UNITS OF MEASURE (INTERNATIONAL SYSTEM)

Metric equivalents have been included, where applicable, throughout this parts catalog.

FASTENER STRENGTH IDENTIFICATION

Fasteners required to have high-strength qualities equivalent to SAE Grade 8 are identified throughout this catalog by the description GR 8. Unless identified by this description, all standard fasteners are SAE Grade 5.

(Specifications and design subject to change without notice.)

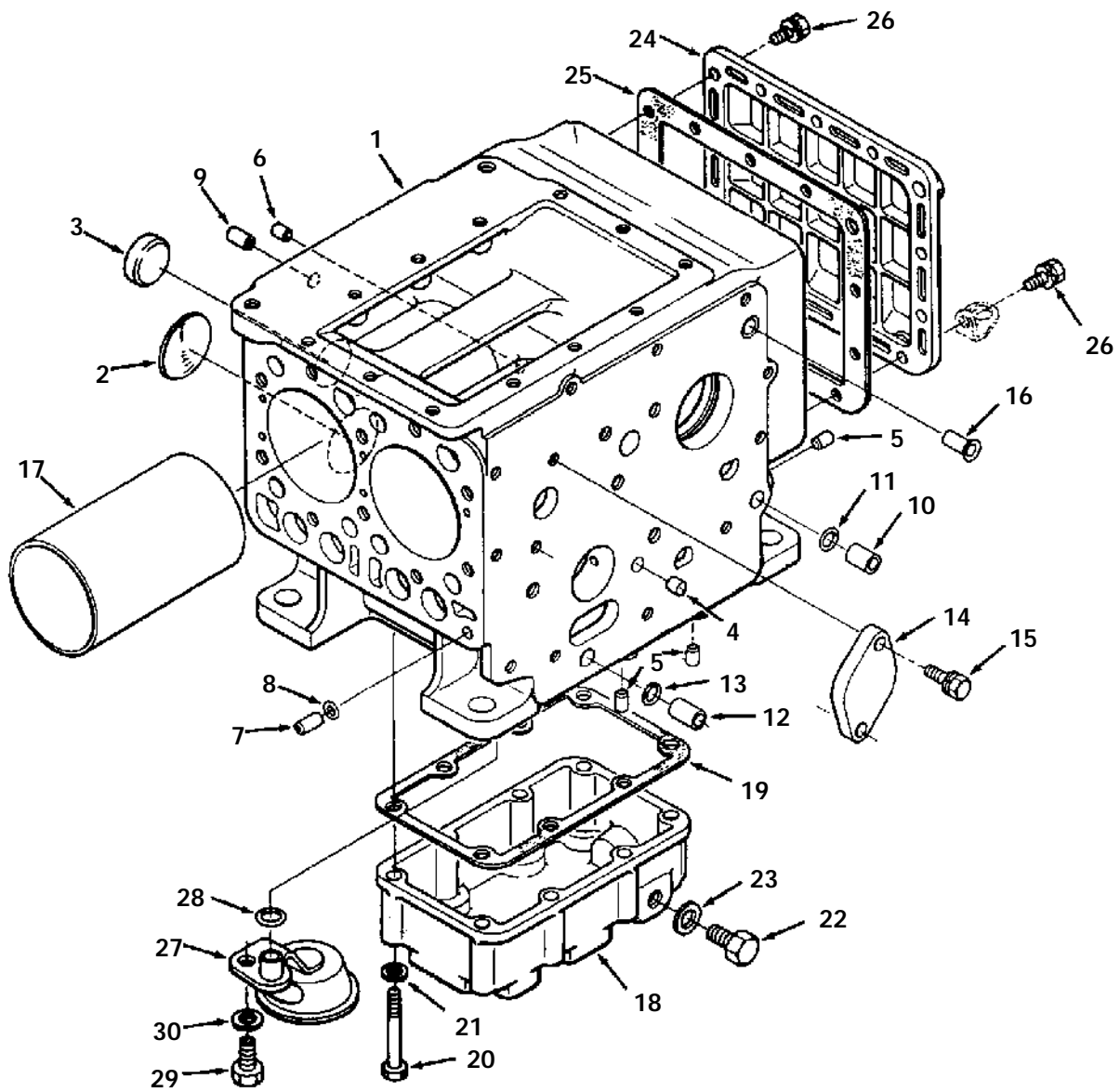


Fig. 1 - Crankcase Group

Fig. 1 - Crankcase Group

Key	TENNANT Part No.	Kubota Part Number	Engine Serial Number	Description	Qty.
1		15903-0101-0	(000000-)	Crankcase, Complete	1
2		06311-75040	(000000-)	Plug, Expansion	1
3	51331	15321-9626-0	(000000-)	Cap, Sealing	1
4		15901-3363-0	(000000-)	Plug, Blind	1
5	39183	15221-3363-0	(000000-)	Plug, Pin	5
6		14301-3363-0	(000000-)	Plug, Pin	1
7	39060	15221-3365-0	(000000-)	Pin, Pipe	1
8	39063	15221-3370-0	(000000-)	O-Ring	1
9		15231-3396-0	(000000-)	Pin, Pipe	2
10		15231-3395-0	(000000-)	Pin, Pipe	1
11		04811-10100	(000000-)	O-Ring	1
12		15271-3395-0	(000000-)	Pin, Pipe	1
13		04811-10120	(000000-)	O-Ring	1
14		15261-7391-0	(000000-)	Cover, Water	1
15	40409	01023-50618	(000000-)	Bolt	2
16		15271-0576-0	(000000-)	Pipe, Breather Inlet	1
17	51342	15901-0231-0	(000000-)	Liner, Cylinder	2
18	12925	15272-0161-0	(000000-)	Oil Pan	1
19	12924	15271-0162-0	(000000-)	Gasket, Oil Pan	1
20		01053-50655	(000000-)	Bolt	8
21	39065	04512-60060	(000000-)	Washer, Spring	8
22		15261-3375-0	(000000-)	Plug	1
23		15109-3366-0	(000000-)	Gasket	1
24		15271-0471-0	(000000-)	Cover, Crankcase	1
25	12923	15271-0472-0	(000000-)	Gasket, Crankcase Cover	1
26	40409	01023-50618	(000000-)	Bolt	12
27	12922	15271-3211-0	(000000-)	Filter, Oil	1
28	40204	04811-00120	(000000-)	O-Ring	1
29		01153-50818	(000000-)	Bolt	1
30	39097	04512-60080	(000000-)	Washer, Spring	1
	12921	19215-9905-0	(000000-)	Gasket Kit, Overhaul	1
	30106	07916-2454-0	(000000-)	Gasket Set, Upper	1
	30107	07916-2455-0	(000000-)	Gasket Set, Lower	1

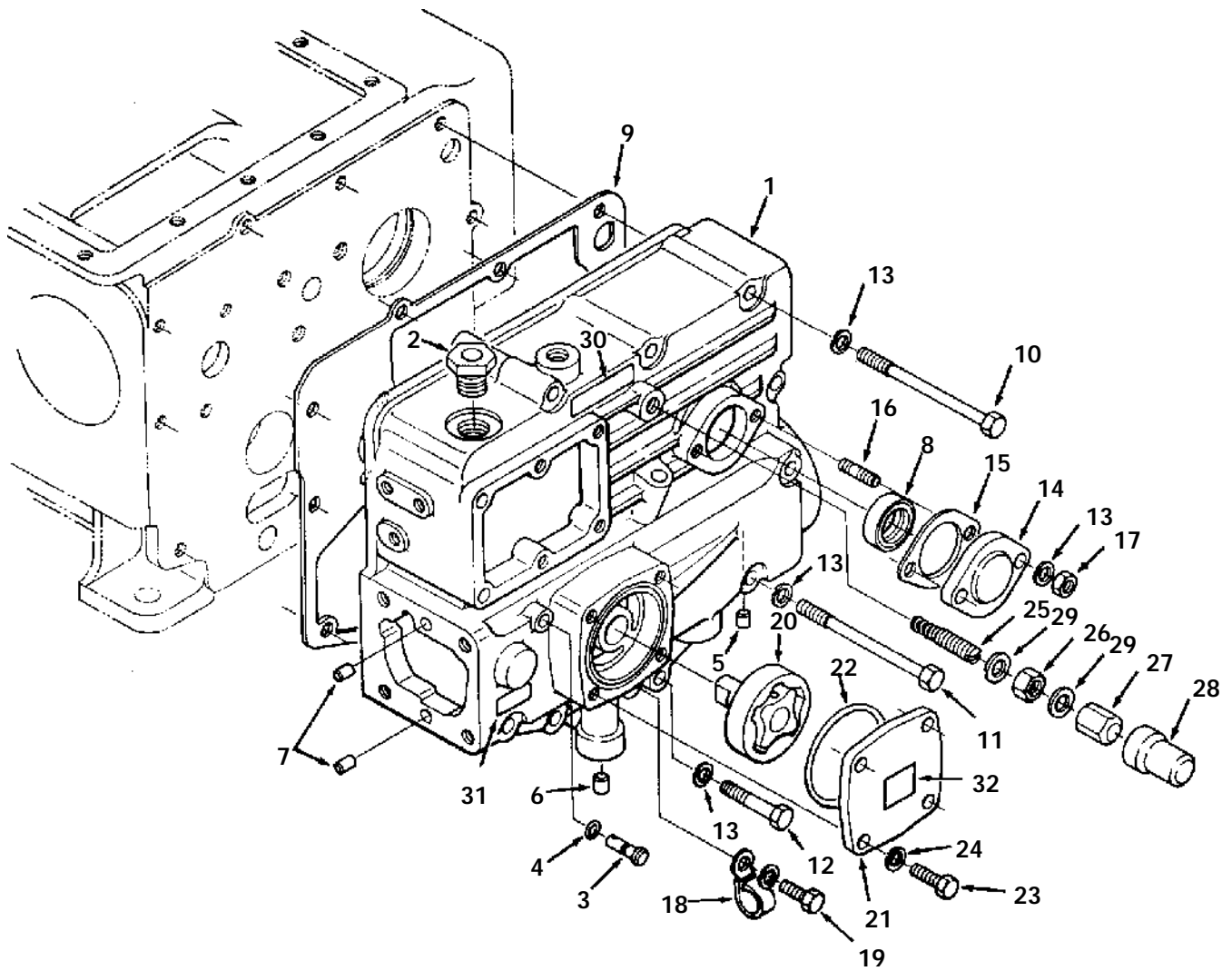


Fig. 2 - Gear Case Group

Fig. 2 - Gear Case Group

Key	TENNANT Part No.	Kubota Part Number	Engine Serial Number	Description	Qty.
1		15901-0402-0	(000000-)	Complete Case, Gear	1
2		15271-5717-0	(000000-)	Support, Lever	1
3	39105	15221-5628-0	(000000-)	Pin, Start Spring	1
4		04811-10040	(000000-)	O-Ring	1
5		15221-3362-0	(000000-)	Plug, Pin	1
6		15221-3364-0	(000000-)	Plug, Pin	1
7		05012-00608	(000000-)	Pin, Straight	2
8	12920	15271-0414-0	(000000-)	Seal, Oil	1
9	12919	15276-0413-0	(000000-)	Gasket, Gear Case	1
10		14611-9106-0	(000000-)	Bolt	4
11		15271-9103-0	(000000-)	Bolt	3
12		01053-50635	(000000-)	Bolt	2
13	39065	04512-60060	(000000-)	Washer, Spring	12
14		15271-0428-0	(000000-)	Cap	1
15		15271-0429-0	(000000-)	Gasket, Cap	1
16		01518-50614	(000000-)	Stud	2
17	39121	02056-50060	(000000-)	Nut	2
18		15272-4255-0	(000000-)	Clamp, Pipe	1
19		01053-50612	(000000-)	Bolt	1
20	12918	15271-3508-0	(000000-)	Rotor Assembly	1
21	12917	15271-3513-0	(000000-)	Cover, Oil Pump	1
22		15271-3516-0	(000000-)	O-Ring	1
23		01053-50618	(000000-)	Bolt	4
24	39065	04512-60060	(000000-)	Washer, Spring	4
25	51293	15271-5409-0	(000000-)	Idle Assembly	1
26		15271-9201-0	(000000-)	Nut	1
27		15271-9233-0	(000000-)	Nut, Cap	1
28		15271-5427-0	(000000-)	Cap	1
29	10895	15021-3366-0	(000000-)	Gasket	2
30		19212-8821-0	(000000-)	Label, Instruction	1
31		19212-8759-0	(000000-)	Label, Drainage	1
32	39179	19231-8731-0	(000000-)	Label, Oil	1

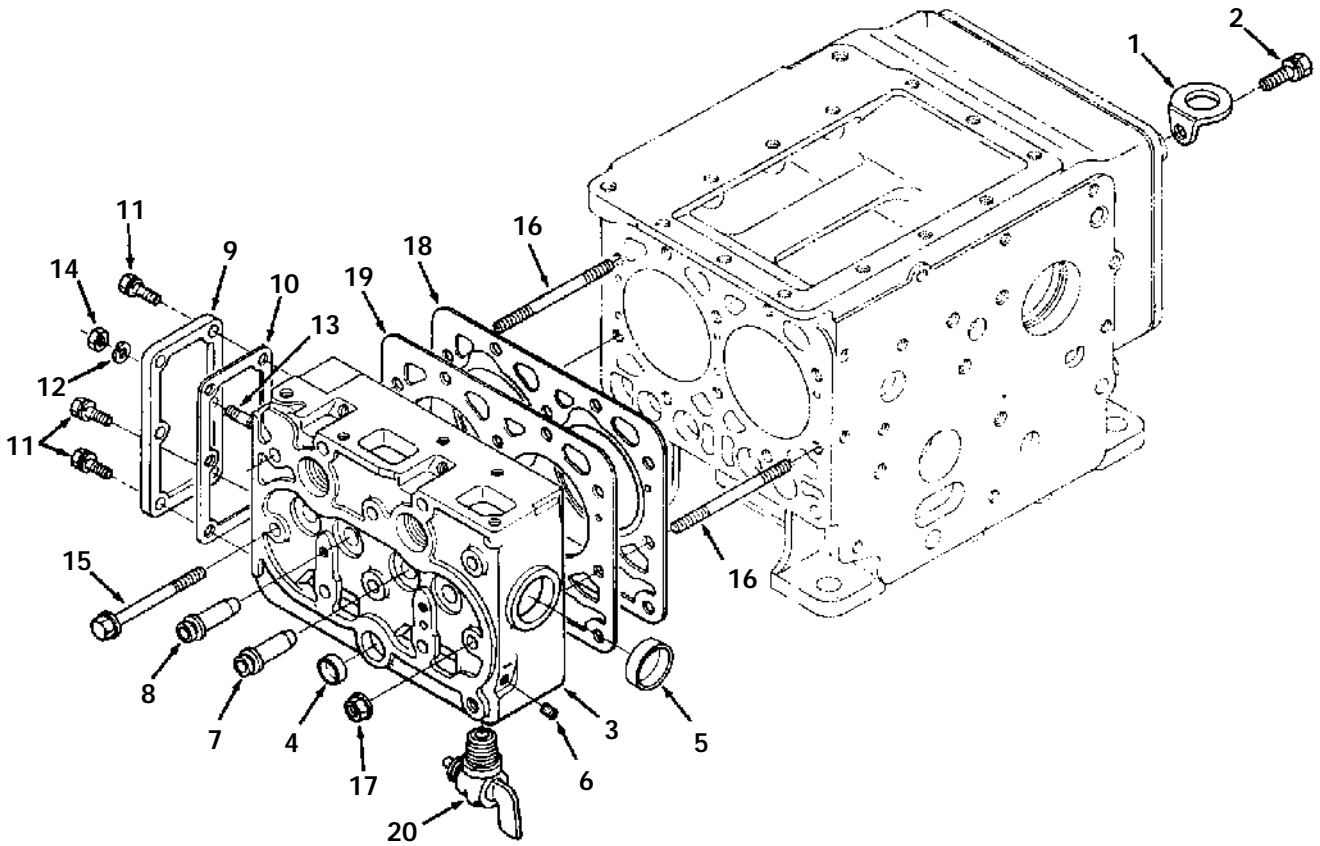
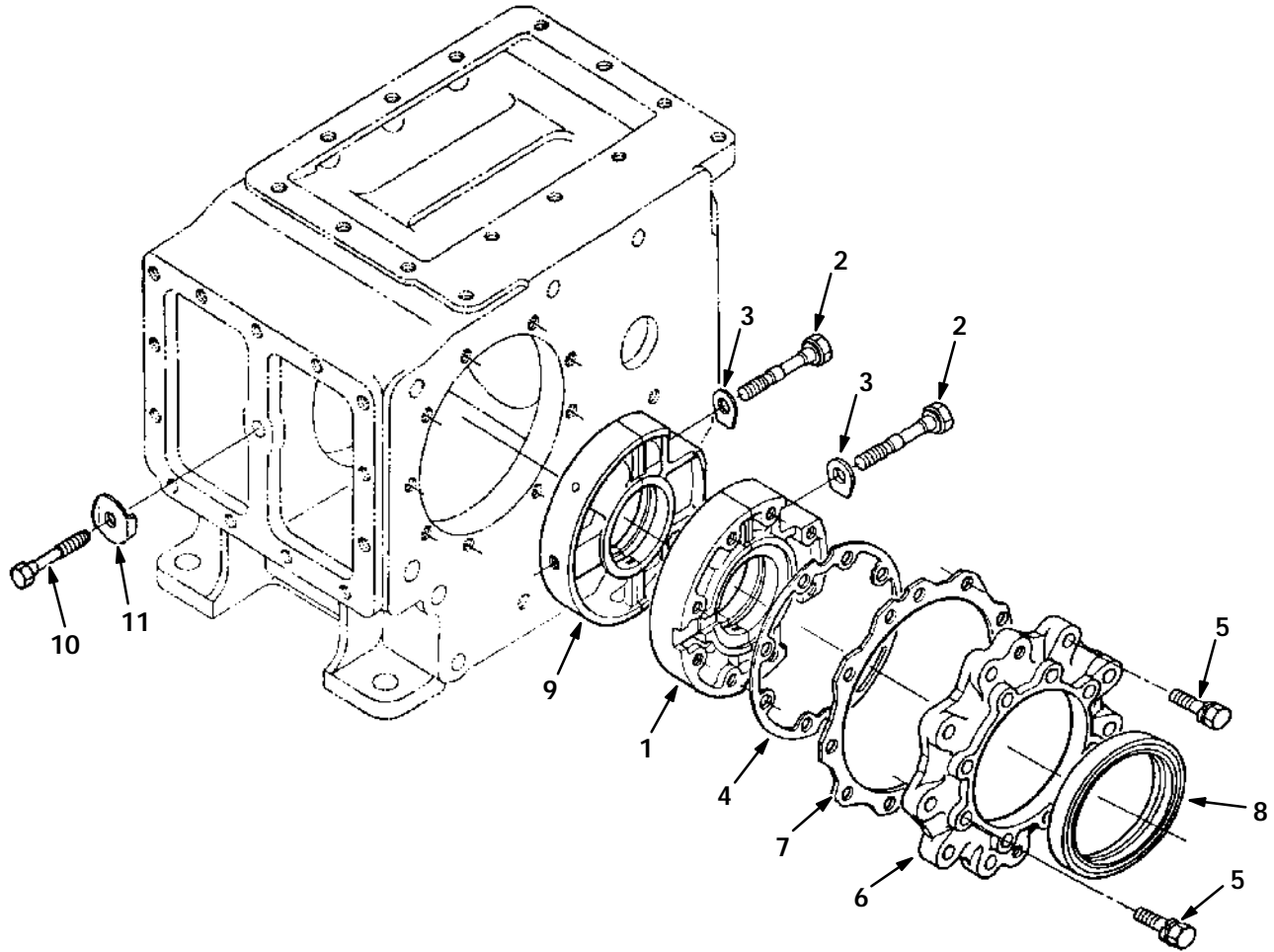


Fig. 3 - Cylinder Head Group

03607

Key	TENNANT Part No.	Kubota Part Number	Engine Serial Number	Description	Qty.
1		15271-0175-0	(000000-)	Hook, Engine	1
2		01123-50828	(000000-)	Bolt	1
3		15901-0304-0	(000000-)	Cylinder Head, Complete	1
4		15261-0337-0	(000000-)	Cap, Sealing	3
5	51331	15321-9626-0	(000000-)	Cap, Sealing	1
6	39088	15261-9601-0	(000000-)	Plug	2
7	50998	15261-1354-0	(000000-)	Guide, Inlet Valve	2
8	50999	15261-1356-0	(000000-)	Guide, Exhaust Valve	2
9		15271-0337-0	(000000-)	Cover	1
10	51286	15271-0338-0	(000000-)	Gasket, Cover	1
11	40409	01023-50618	(000000-)	Bolt	3
12	39065	04512-60060	(000000-)	Washer, Spring	1
13		01513-50620	(000000-)	Stud	1
14	39121	02056-50060	(000000-)	Nut	1
15		19215-0345-0	(000000-)	Bolt, Cylinder Head	8
16		19215-0341-2	(000000-)	Stud, Cylinder Head	2
17		19215-0351-2	(000000-)	Nut, Cylinder Head	2
18	51343	15901-0331-4	(000000-)	Gasket, Cylinder Head	1
19	51345	15901-0332-0	(000000-)	Shim, Cylinder Head Gasket	-
20	87925	14301-7311-0	(000000-)	Cock, Drain	1



03609

Fig. 4 - Bearing Case Group

Key	TENNANT Part No.	Kubota Part Number	Engine Serial Number	Description	Qty.
1		15274-0409-0	(000000-)	Case, Main Bearing	1
2		15261-0454-0	(000000-)	Bolt, Bearing Case	4
3	50995	15261-0457-0	(000000-)	Washer, Bearing Case	4
4		15271-0436-0	(000000-)	Gasket, Bearing Case	1
5		01023-50625	(000000-)	Bolt	17
6		19215-0481-0	(000000-)	Cover, Bearing Case	1
7	87926	15271-0482-0	(000000-)	Gasket, Bearing Case Cover	1
8	87927	19215-0446-0	(000000-)	Seal, Oil	1
9	12789	15274-0404-0	(000000-)	Bearing Assembly, Main	1
10		15261-0456-0	(000000-)	Bolt, Bearing Case	1
11	50996	15261-0459-0	(000000-)	Washer, Bearing Case	1

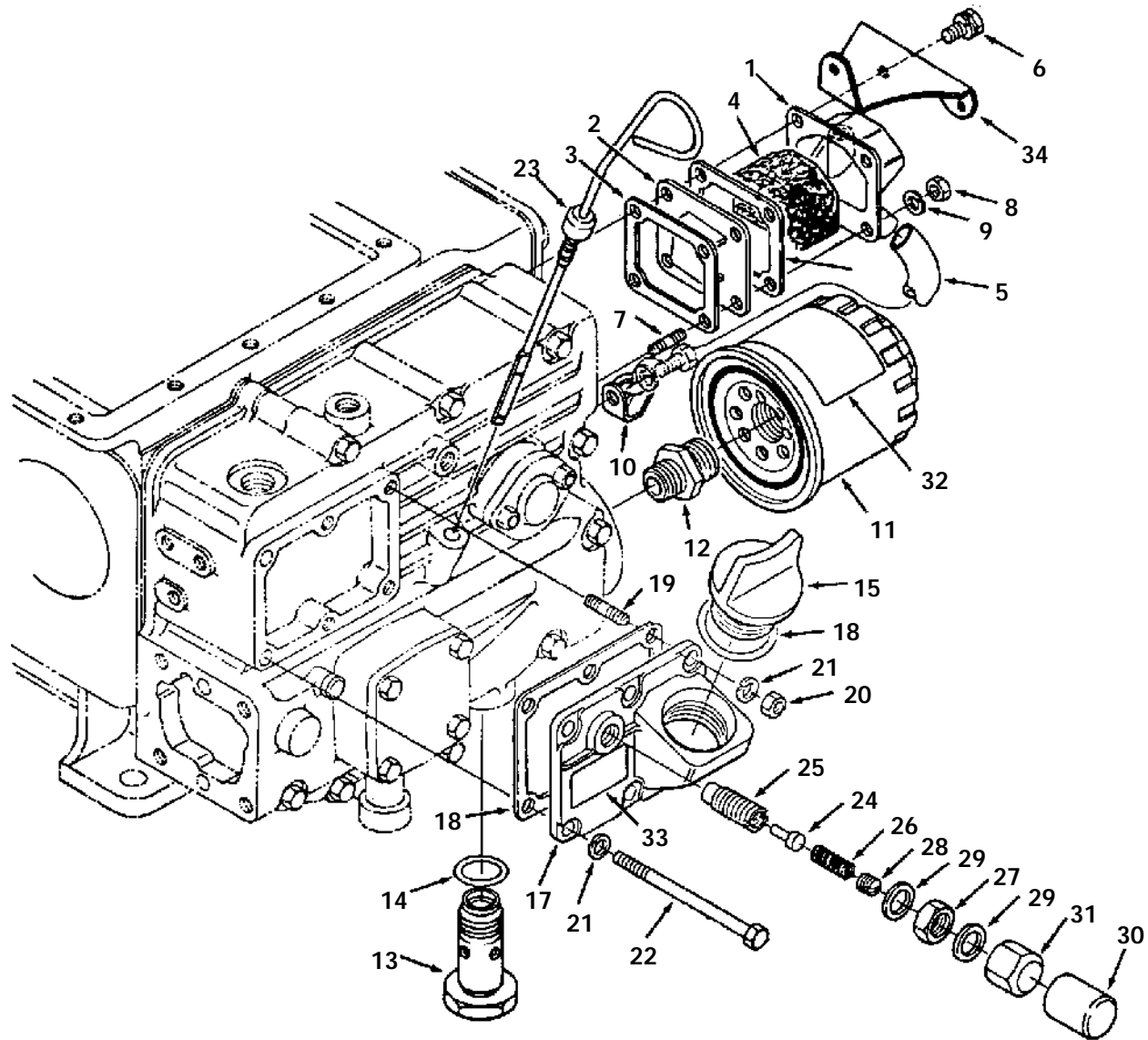


Fig. 5 - Breather Group

Fig. 5 - Breather Group

Key	TENNANT Part No.	Kubota Part Number	Engine Serial Number	Description	Qty.
1		15271-0541-0	(000000-)	Cover, Breather	1
2		15231-0511-0	(000000-)	Breather	1
3	87928		(000000-)	Gasket Set, Breather	1
3	87929	15231-0513-0	(000000-)	Gasket, Breather	2
4	87930	15231-0567-0	(000000-)	Element, Breather	1
5		15271-0551-0	(000000-)	Pipe, Breather	1
6	41973	01023-50616	(000000-)	Bolt	2
7		01518-50614	(000000-)	Stud	2
8	39121	02056-50060	(000000-)	Nut	2
9	39065	04512-60060	(000000-)	Washer, Spring	2
10		15271-0558-0	(000000-)	Clamp, Pipe	1
11	87870	15241-3209-0	(000000-)	Filter, Oil	1
12	12916	15241-3229-0	(000000-)	Pipe, Joint	1
13	51284	15261-3607-0	(000000-)	Valve, Relief	1
14		04810-00150	(000000-)	O-Ring	1
15	39161	15221-3314-0	(000000-)	Plug, Oil Filter	1
16	39162	04811-50300	(000000-)	O-Ring	1
17		15271-5414-0	(000000-)	Support	1
18		15271-5415-0	(000000-)	Gasket, Support	1
19		01518-50614	(000000-)	Stud	4
20	39121	02056-50060	(000000-)	Nut	4
21	39065	04512-60060	(000000-)	Washer, Spring	6
22		15271-9103-0	(000000-)	Bolt	2
23		15272-3641-0	(000000-)	Gauge, Oil Level	1
24		15901-5402-0	(000000-)	Apparatus, Fuel	1
25		15271-5417-0	(000000-)	Pin	1
26		15231-5423-0	(000000-)	Spring	1
27		15261-5437-0	(000000-)	Nut, Lock	1
28		14301-5443-0	(000000-)	Screw, Set	1
29		15901-5419-0	(000000-)	Gasket	2
30		14301-5442-0	(000000-)	Cap	1
31		15261-5422-0	(000000-)	Nut, Cap	1
32		19234-8721-0	(000000-)	Label, Instruction	1
33		19212-8822-0	(000000-)	Label, Instruction	1
34		15901-0427-0	(000000-)	Support, Spring	1

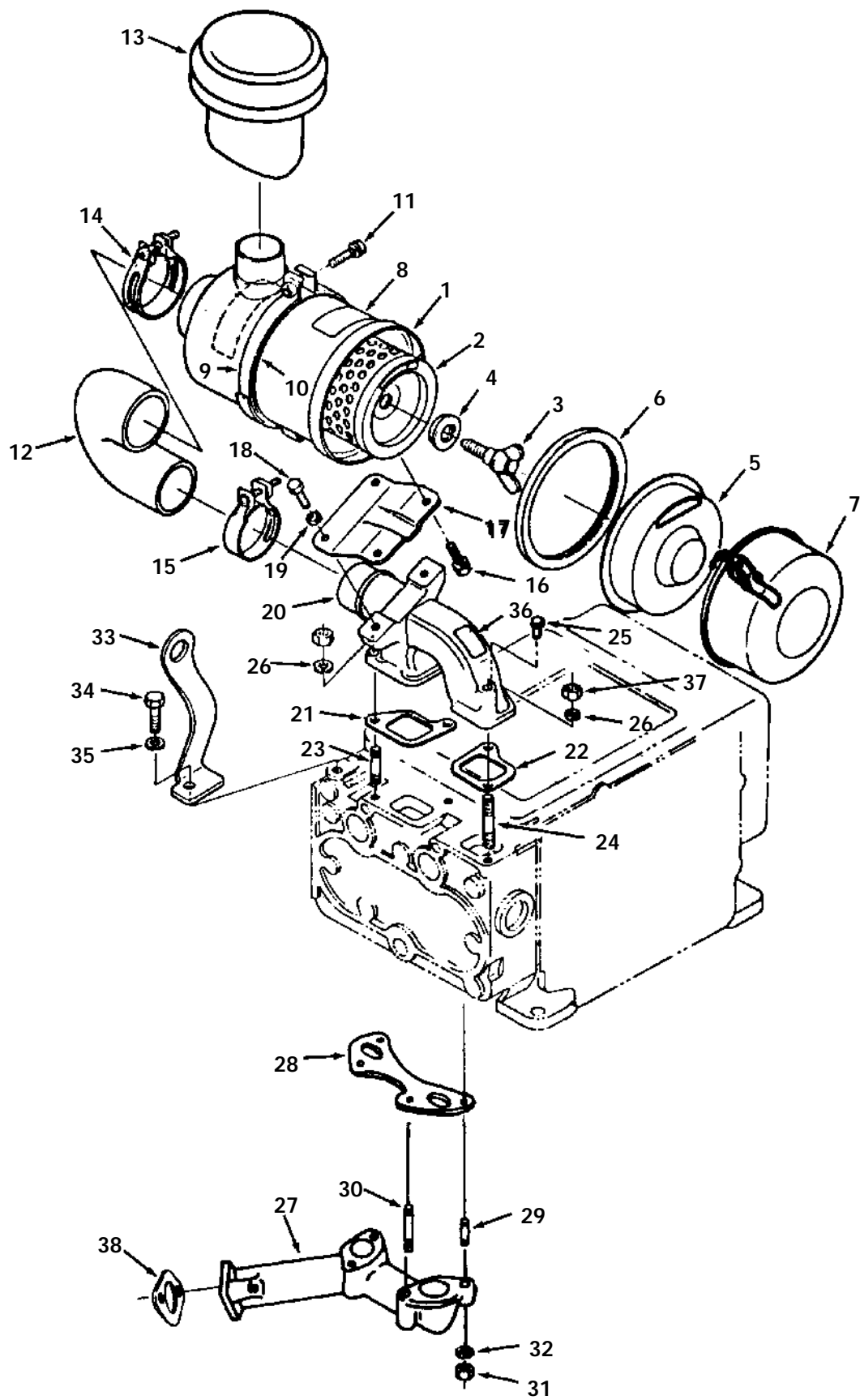


Fig. 6 - Air Cleaner and Manifolds Group

Fig. 6 - Air Cleaner and Manifolds Group

Key	TENNANT Part No.	Kubota Part Number	Engine Serial Number	Description	Qty.
1		19215-1101-2	(000000-)	Cleaner Assembly, Air	1
2	87875	19215-1122-0	(000000-)	Element, Air Cleaner	1
3		15272-9261-0	(000000-)	Bolt, Wing	1
4	87931	15272-9443-0	(000000-)	Washer, Seal	1
5	51295	15272-1141-0	(000000-)	Cover, Baffle	1
6	87932	15272-1117-0	(000000-)	Gasket	1
7	30045	15272-1116-0	(000000-)	Cover, Air Cleaner	1
8		19215-8745-0	(000000-)	Label, Air Cleaner	1
9		15272-1125-0	(000000-)	Band, Air Cleaner	1
10		34150-1397-0	(000000-)	Cushion	1
11		01123-50830	(000000-)	Bolt	1
12	12915	15272-1162-0	(000000-)	Pipe, Inlet	1
13		15241-1135-2	(000000-)	Cap, Air Cleaner	1
14		15221-1172-0	(000000-)	Band, Pipe	1
15		15261-1172-0	(000000-)	Band, Pipe	1
16	39094	01123-60816	(000000-)	Bolt	2
17		15272-1157-0	(000000-)	Stay, Air Cleaner	1
18		01153-50818	(000000-)	Bolt	2
19	39097	04512-60080	(000000-)	Washer, Spring	2
20		15271-1176-0	(000000-)	Manifold, Inlet	1
21	12914	15261-1182-0	(000000-)	Gasket, Inlet Manifold	1
22	12913	15261-1183-0	(000000-)	Gasket, Inlet Manifold	1
23		01513-50620	(000000-)	Stud	1
24		01513-50650	(000000-)	Stud	1
25	41973	01023-50616	(000000-)	Bolt	2
26	39065	04512-60060	(000000-)	Washer, Spring	2
27	12912	15274-1232-0	(000000-)	Manifold, Exhaust	1
28	87933	15272-1236-0	(000000-)	Gasket, Exhaust Manifold	1
29		15272-9149-0	(000000-)	Stud	2
30		15272-9150-0	(000000-)	Stud	2
31	39121	02056-50060	(000000-)	Nut	4
32	39065	04512-60060	(000000-)	Washer, Spring	4
33		15272-0175-0	(000000-)	Hook, Engine	1
34		01153-50816	(000000-)	Bolt	1
35	39097	04512-60080	(000000-)	Washer, Spring	1
36		19212-8824-0	(000000-)	Label, Instruction	1
37	39121	02056-50060	(000000-)	Nut	2
38	87934	54266-8174-0	(000000-)	Gasket, Exhaust Manifold	1

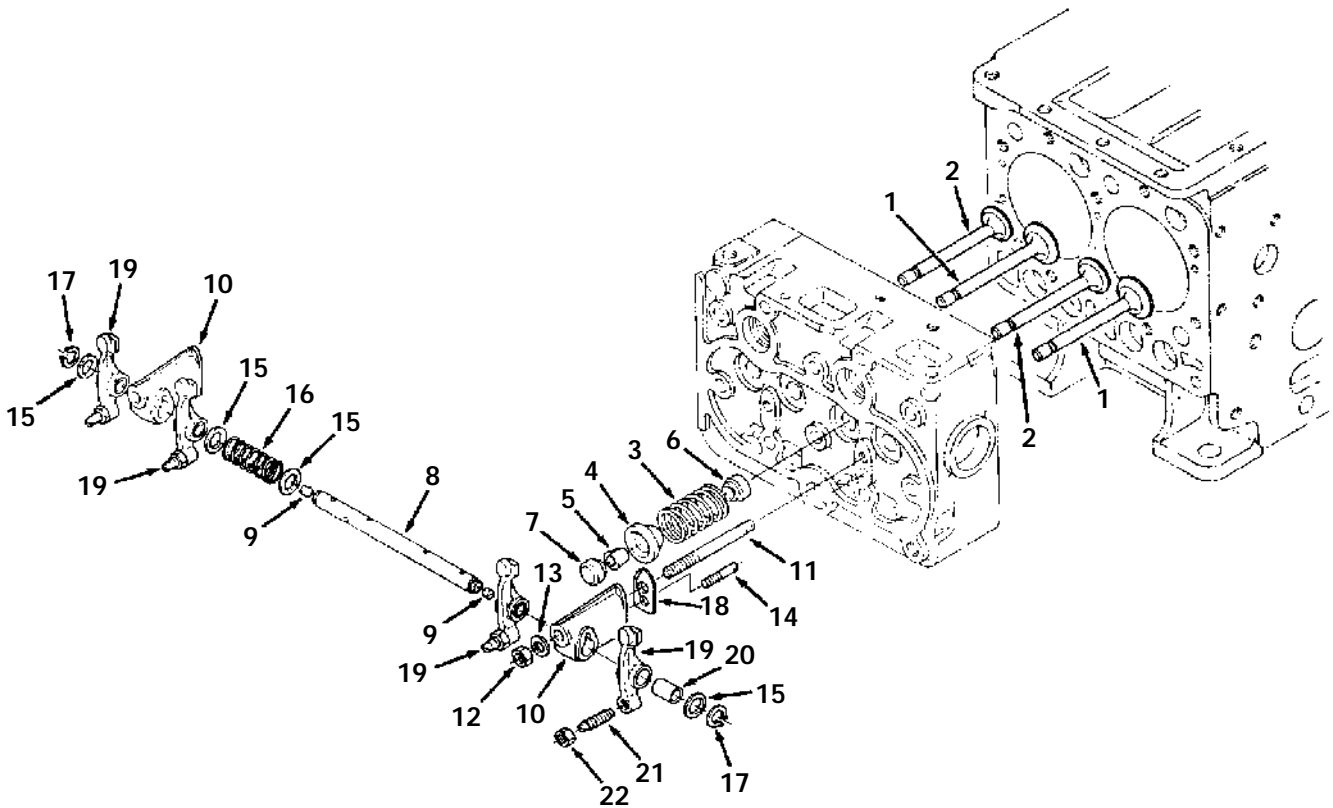


Fig. 7 - Valve, Rocker Arm Group

03612

Key	TENNANT Part No.	Kubota Part Number	Engine Serial Number	Description	Qty.
1	12899	15393-1311-0	(000000-)	Valve, Inlet	2
2	12898	15393-1312-0	(000000-)	Valve, Exhaust	2
3		15261-1324-0	(000000-)	Spring, Valve	4
4		15261-1333-0	(000000-)	Retainer, Valve Spring	4
5		15261-1336-0	(000000-)	Collet, Valve Spring	8
6	50997	15261-1315-0	(000000-)	Seal, Valve Stem	4
7		15261-1328-0	(000000-)	Cap, Valve	4
8	12897	15901-1405-0	(000000-)	Shaft Assembly, Rocker Arm	1
9		03410-00606	(000000-)	Screw	2
10		15261-1435-0	(000000-)	Bracket, Rocker Arm	2
11		15261-1441-0	(000000-)	Stud	2
12		15261-9201-0	(000000-)	Nut	2
13		15261-9401-0	(000000-)	Washer, Plain	2
14		15261-1442-0	(000000-)	Screw, Set	1
15		15261-1443-0	(000000-)	Washer	8
16		15261-1431-0	(000000-)	Spring, Rocker Arm	1
17		04612-00110	(000000-)	Cir-Clip, External	2
18		15271-0423-0	(000000-)	Guide, Oil	2
19		15261-1403-0	(000000-)	Arm, Rocker	4
20		15261-1418-0	(000000-)	Bushing	1
21		15261-1423-0	(000000-)	Screw, Adjusting	1
22		15261-1424-0	(000000-)	Nut	1

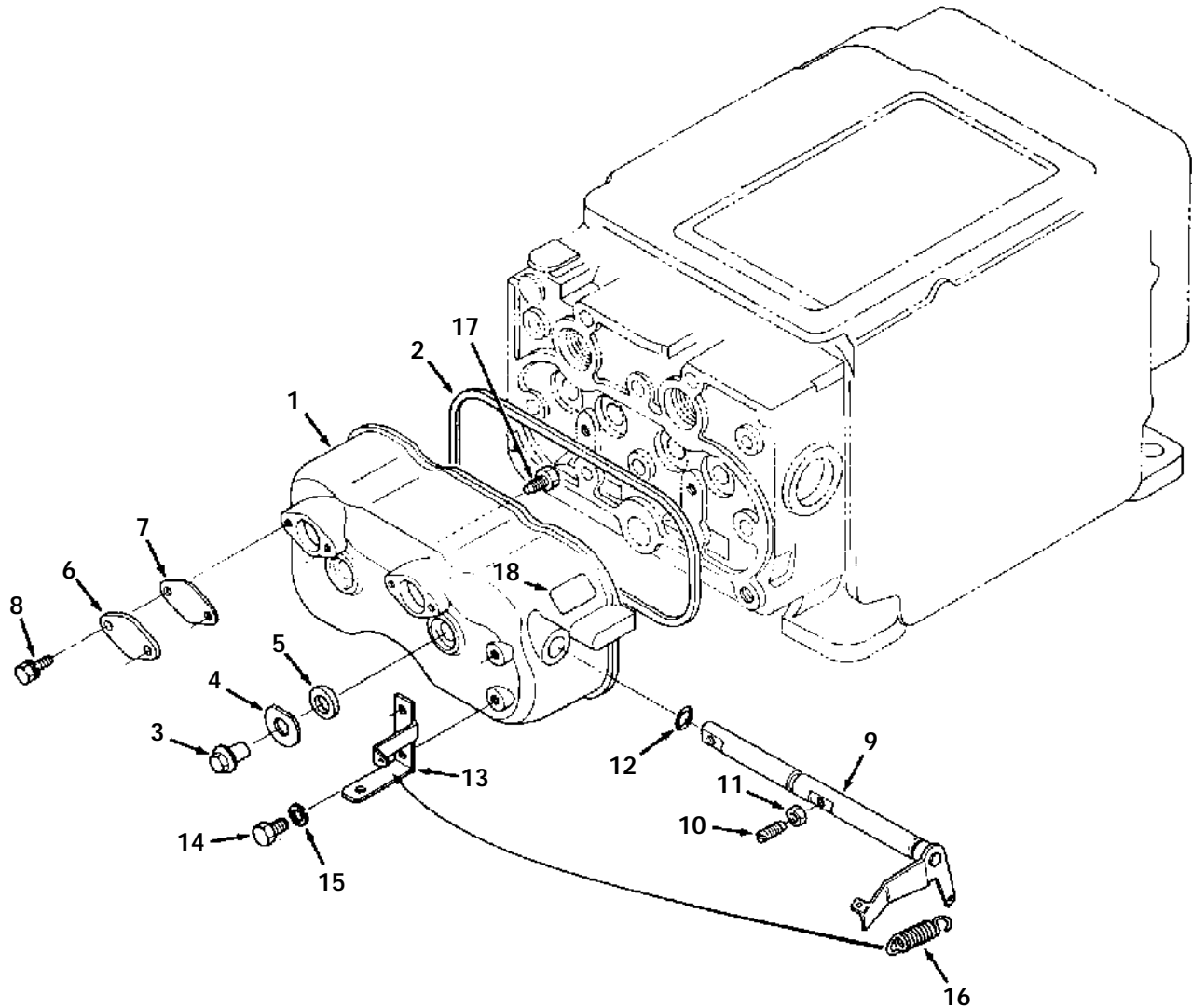


Fig. 8 - Head Cover Group

03613

Key	TENNANT Part No.	Kubota Part Number	Engine Serial Number	Description	Qty.
1		15271-1451-0	(000000-)	Cover, Cylinder Head	1
2	12896	15261-1452-0	(000000-)	Gasket, Head Cover	1
3		15261-1462-0	(000000-)	Nut, Head Cover	2
4		15261-1464-0	(000000-)	Washer, Head Cover	2
5		15261-1463-0	(000000-)	Gasket, Nut	2
6		15261-6663-0	(000000-)	Cover, Decompression Hole	2
7		15261-6664-0	(000000-)	Gasket	2
8	39160	01053-50614	(000000-)	Bolt	4
9		15951-6604-0	(000000-)	Shaft, Decompression	1
10		15261-6635-0	(000000-)	Bolt, Decompression	2
11		02056-50050	(000000-)	Nut	2
12		04811-00080	(000000-)	O-Ring	1
13		15261-6619-0	(000000-)	Holder, Decompression Wire	1
14		01053-50612	(000000-)	Bolt	2
15	39065	04512-60060	(000000-)	Washer, Spring	3
16	39164	15221-6628-0	(000000-)	Spring, Decompression	1
17	39169	15221-6641-0	(000000-)	Bolt	1
18		19212-8823-0	(000000-)	Label, Instruction	1

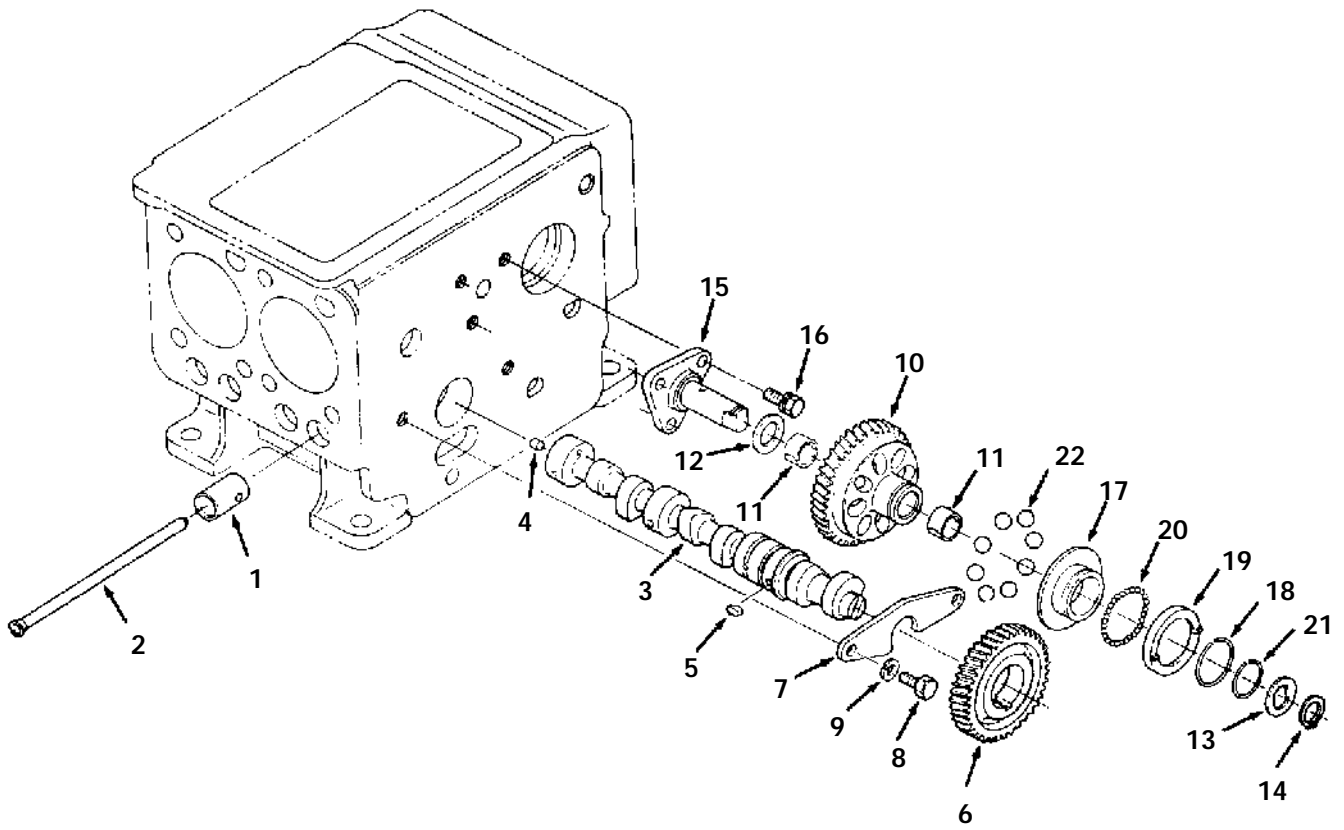


Fig. 9 - Camshaft Group

Fig. 9 - Camshaft Group

Key	TENNANT Part No.	Kubota Part Number	Engine Serial Number	Description	Qty.
1	12895	15261-1555-0	(000000-)	Tappet	4
2		15271-1511-0	(000000-)	Rod, Push	4
3		15271-1601-0	(000000-)	Camshaft	1
4		15261-9688-0	(000000-)	Plug, Blind	1
5		15271-1624-0	(000000-)	Key, Feather	1
6		15271-1651-0	(000000-)	Gear, Camshaft	1
7		15271-1627-0	(000000-)	Stopper, Camshaft	1
8		01153-50818	(000000-)	Bolt	2
9	39097	04512-60080	(000000-)	Washer, Spring	2
10		15271-2401-0	(000000-)	Gear Assembly, Idle	1
11		15261-2428-0	(000000-)	Brush, Idle Gear, Std.	2
11	51282	15261-2498-0	(000000-)	Brush, Idle Gear, 0.3 Undersize	2
12		15261-2436-0	(000000-)	Collar, Idle Gear	1
13		15261-2437-0	(000000-)	Collar, Idle Gear	1
14		15261-2432-0	(000000-)	Cir-Clip, External	1
15		15271-2425-0	(000000-)	Shaft, Idle Gear	1
16		01123-50820	(000000-)	Bolt	3
17		15261-5545-0	(000000-)	Sleeve, Governor	1
18		15261-5547-0	(000000-)	Cir-Clip	1
19		15261-5569-0	(000000-)	Case, Governor Ball	1
20	39523	07715-03205	(000000-)	Ball	30
21		15261-5574-0	(000000-)	Cir-Clip	1
22	50970	07715-03217	(000000-)	Ball	8

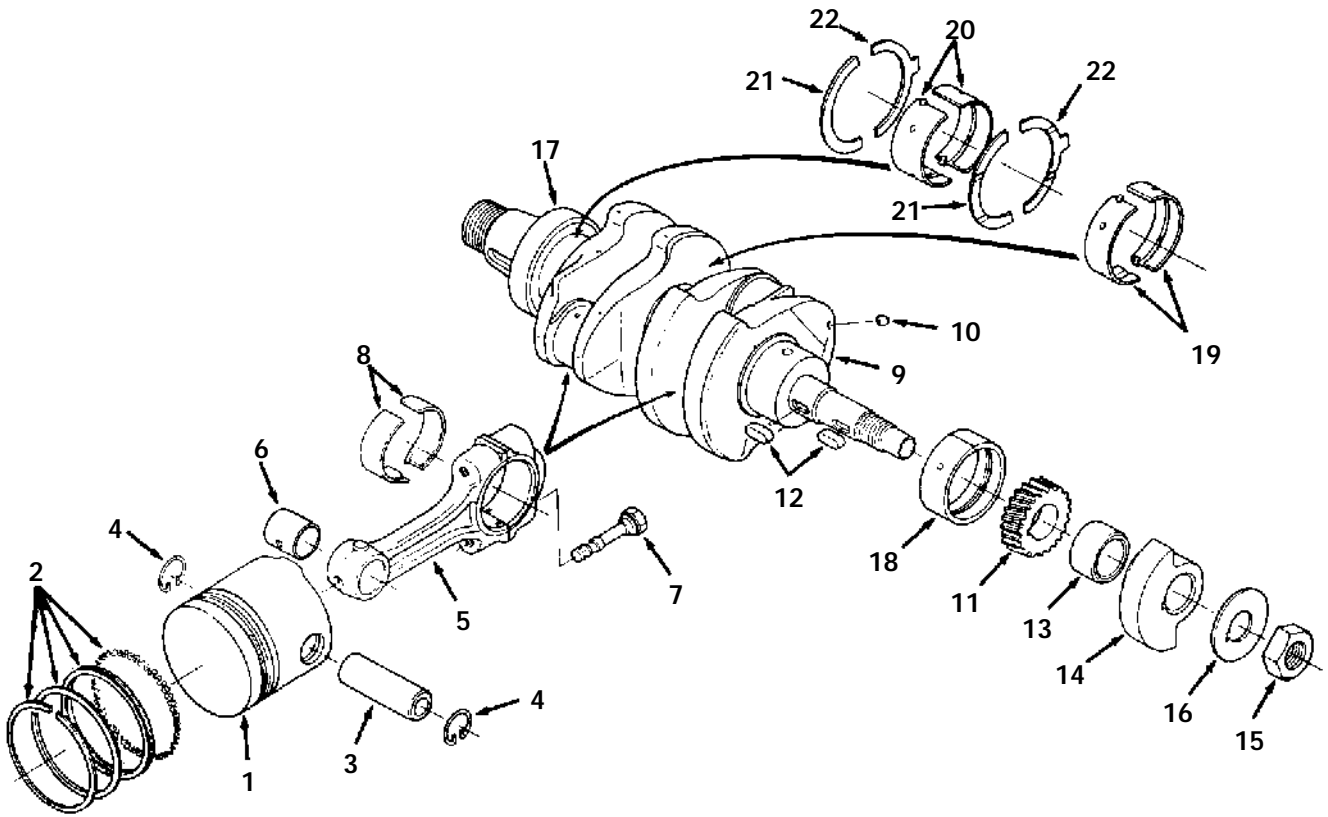


Fig. 10 - Piston, Crankshaft Group

Fig. 10 - Piston, Crankshaft Group

Key	TENNANT Part No.	Kubota Part Number	Engine Serial Number	Description	Qty.
1	51352	15901-2111-0	(000000-) Piston, Std.	2
1	51353	15901-2191-0	(000000-) Piston, 0.5 Oversize	2
2	51348	15901-2105-0	(000000-) Ring, Piston, Std.	2
2	51351	15901-2109-0	(000000-) Ring, Piston, 0.5 Oversize	2
3	51011	15261-2131-0	(000000-) Pin, Piston	2
4		15261-2133-0	(000000-) Cir-Clip, Piston Pin	4
5		15531-2201-0	(000000-) Rod Assembly, Connecting	2
6		15261-2135-0	(000000-) Bushing, Piston Pin, Std.	2
6	51014	15261-2198-0	(000000-) Bushing, Piston Pin, 0.3 Undersize	2
7		15261-2214-0	(000000-) Bolt, Connecting Rod	2
8	51336	15531-2231-0	(000000-) Bearing, Crankpin, Std.	4
8		15261-2297-0	(000000-) Bearing, Crankpin, 0.2 Undersize	4
8		15261-2298-0	(000000-) Bearing, Crankpin, 0.4 Undersize	4
9		19215-2301-0	(000000-) Crankshaft	1
10		15131-0138-0	(000000-) Plug, Pin	2
11		15271-2411-0	(000000-) Gear, Crankshaft	1
12		05712-00515	(000000-) Key, Feather	2
13		15271-2325-0	(000000-) Collar, Crankshaft	1
14		15271-2625-0	(000000-) Balancer	1
15		15261-2336-0	(000000-) Nut, Crankshaft	1
16		15261-2338-2	(000000-) Washer, Crankshaft	1
17	51387	19215-2328-0	(000000-) Sleeve, Crankshaft	1
18	51019	15261-2347-0	(000000-) Bearing, Crankshaft, Std.	1
18	51275	15261-2391-0	(000000-) Bearing, Crankshaft, 0.2 Undersize	1
18	12788	15261-2392-0	(000000-) Bearing, Crankshaft, 0.4 Undersize	1
19	30057	15274-2348-0	(000000-) Bearing, Crankshaft, Std.	2
19	51296	15274-2391-0	(000000-) Bearing, Crankshaft, 0.2 Undersize	2
19	12792	15274-2392-0	(000000-) Bearing, Crankshaft, 0.4 Undersize	2
20	12790	15274-2349-0	(000000-) Bearing, Crankshaft, Std.	2
20	51297	15274-2393-0	(000000-) Bearing, Crankshaft, 0.2 Undersize	2
20	12791	15274-2394-0	(000000-) Bearing, Crankshaft, 0.4 Undersize	2
21	51020	15261-2353-0	(000000-) Bearing, Side, Std.	2
21		15261-2395-0	(000000-) Bearing, Side, 0.2 Oversize	2
21		15261-2396-0	(000000-) Bearing, Side, 0.4 Oversize	2
22	51194	15261-2354-0	(000000-) Bearing, Side, Std.	2
22	51276	15261-2397-0	(000000-) Bearing, Side, 0.2 Oversize	2
22	51277	15261-2398-0	(000000-) Bearing, Side, 0.4 Oversize	2

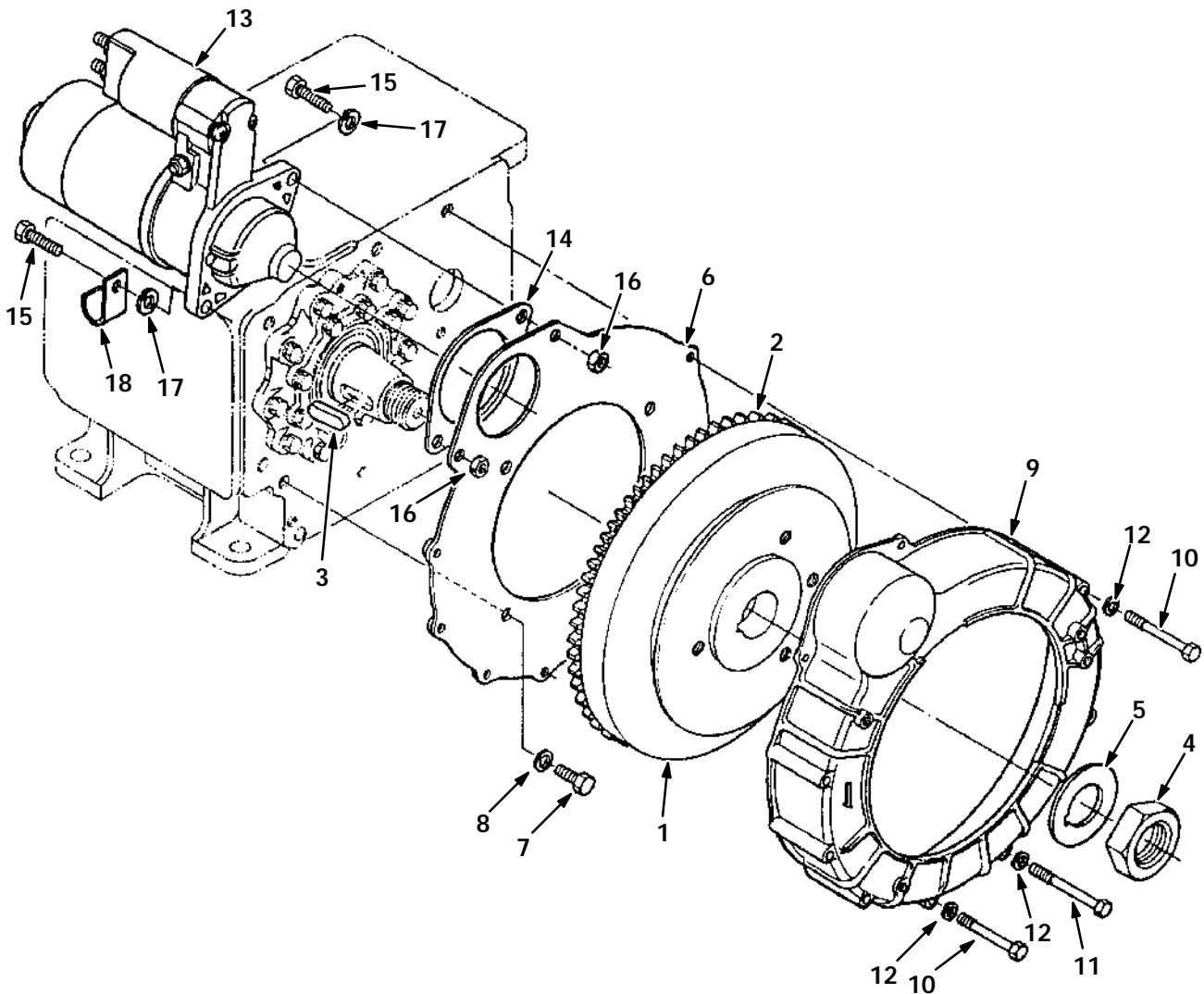


Fig. 11 - Flywheel Group

03616

Key	TENNANT Part No.	Kubota Part Number	Engine Serial Number	Description	Qty.
1		15271-2501-0	(000000-)	Flywheel	1
2	70957	15262-6382-0	(000000-)	Gear, Ring	1
3		05712-00725	(000000-)	Key, Feather	1
4		15271-2335-0	(000000-)	Nut, Flywheel	1
5		15271-2337-0	(000000-)	Washer, Flywheel	1
6		15271-0462-0	(000000-)	Plate, Rear End	1
7		01153-50818	(000000-)	Bolt	4
8	39097	04512-60080	(000000-)	Washer, Spring	4
9	30056	15271-2531-0	(000000-)	Cover, Flywheel	1
10		15271-9102-0	(000000-)	Bolt	2
11		15271-9101-0	(000000-)	Bolt	6
12	39065	04512-60060	(000000-)	Washer, Spring	8
13	87935	15271-6301-0	(000000-)	Starter	1
14	87936	15271-6358-0	(000000-)	Shim	1
15		01153-50840	(000000-)	Bolt	2
16	39096	02156-50080	(000000-)	Nut	2
17	39097	04512-60080	(000000-)	Washer, Spring	2
18		54205-4117-0	(000000-)	Clamp, Cord	1

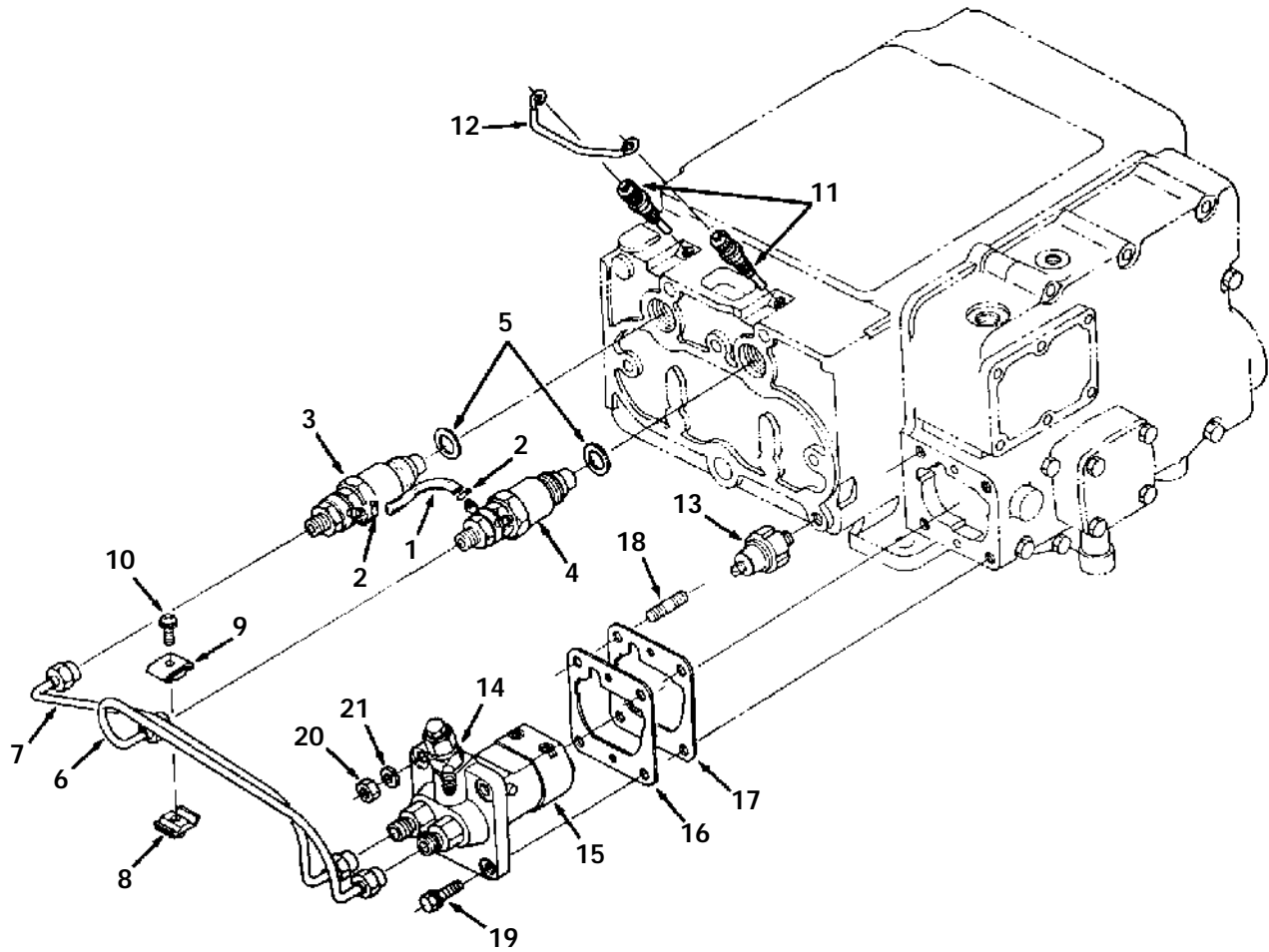


Fig. 12 - Injection Pump Group

03617

Key	TENNANT Part No.	Kubota Part Number	Engine Serial Number	Description	Qty.
1	87937	15271-4250-0	(000000-)	Pipe, Overflow	1
2		14971-4275-0	(000000-)	Clip, Pipe	2
3	12894	15271-5300-0	(000000-)	Holder, Nozzle	1
4	12893	15271-5302-0	(000000-)	Holder, Nozzle	1
5	60453	70000-65259	(000000-)	Washer, Brass	2
6	12891	15271-5371-0	(000000-)	Pipe, Injection	1
7	12799	15271-5372-0	(000000-)	Pipe, Injection	1
8	39506	15121-5385-0	(000000-)	Clamp, Pipe	1
9	39507	15121-5386-0	(000000-)	Clamp, Pipe	1
10	39508	03024-50520	(000000-)	Screw, With Washer	1
11	87938		(000000-)	Glow Plug Set	1
11	87939	15261-6551-0	(000000-)	Glow Plug	2
12		15261-6556-0	(000000-)	Cord, Glow Plug	1
13	87940	15231-3901-0	(000000-)	Switch, Oil	1
14	39784	14111-4241-0	(000000-)	Joint, Fuel Pipe	1
15	51288	15271-5101-3	(000000-)	Pump, Injection	1
16	50992	15221-5211-0	(000000-)	Shim, Injection Pump	-
17	51292	15271-5211-0	(000000-)	Shim	-
18	39512	01513-50822	(000000-)	Stud	2
19	39128	01123-50825	(000000-)	Bolt	2
20	39096	02156-50080	(000000-)	Nut	2
21	39097	04512-60080	(000000-)	Washer, Spring	2

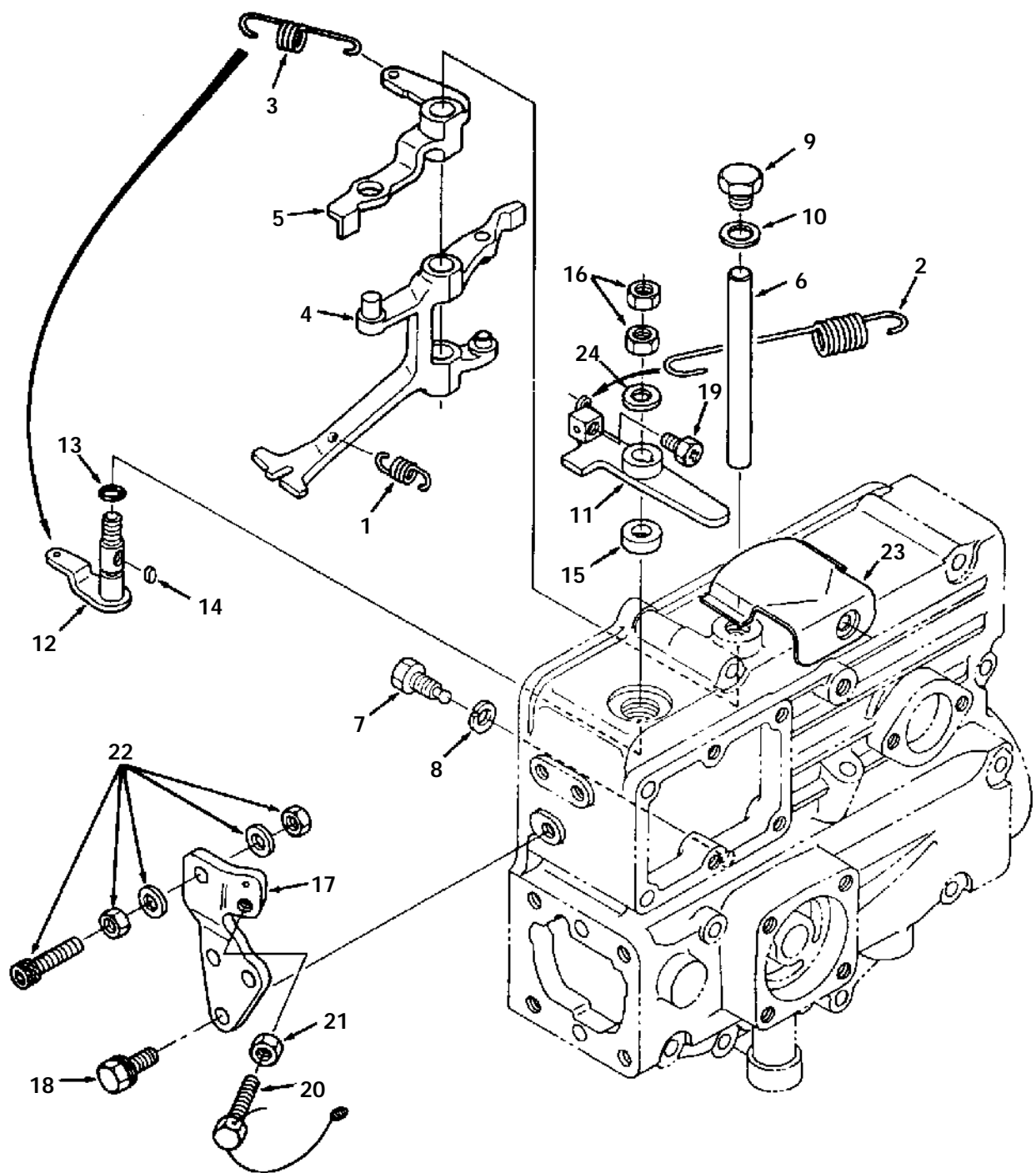


Fig. 13 - Governor Group

Fig. 13 - Governor Group

Key	TENNANT Part No.	Kubota Part Number	Engine Serial Number	Description	Qty.
1		15271-5648-0	(000000-)	Spring, Start	1
2	87941	15271-5654-0	(000000-)	Spring, Stop	1
3	87942	15271-5641-0	(000000-)	Spring, Governor	1
4		15271-5604-0	(000000-)	Lever, Fork	1
5		15271-5621-0	(000000-)	Lever	1
6		15271-5615-0	(000000-)	Shaft, Fork Lever	1
7		15271-0421-0	(000000-)	Bolt	1
8	39097	04512-60080	(000000-)	Washer, Spring	1
9		15271-0426-0	(000000-)	Plug	1
10		04724-00120	(000000-)	Gasket	1
11		15271-5715-0	(000000-)	Lever, Speed Control	1
12		15271-5723-0	(000000-)	Shaft, Lever	1
13	40405	04811-10070	(000000-)	O-Ring	1
14		15261-9501-0	(000000-)	Key, Feather	1
15		15271-5738-0	(000000-)	Plate, Friction	1
16	40233	02112-50080	(000000-)	Nut	2
17		15271-5746-0	(000000-)	Stopper, Release	1
18	40409	01023-50618	(000000-)	Bolt	3
19		01222-50610	(000000-)	Bolt	1
20	40290	15108-5728-0	(000000-)	Stopper	1
21		02012-50060	(000000-)	Nut	1
22		14301-5767-3	(000000-)	Holder, Throttle Wire	1
23		15901-5657-0	(000000-)	Stay, Stop Spring	1
24	39148	04012-50080	(000000-)	Washer, Plain	1

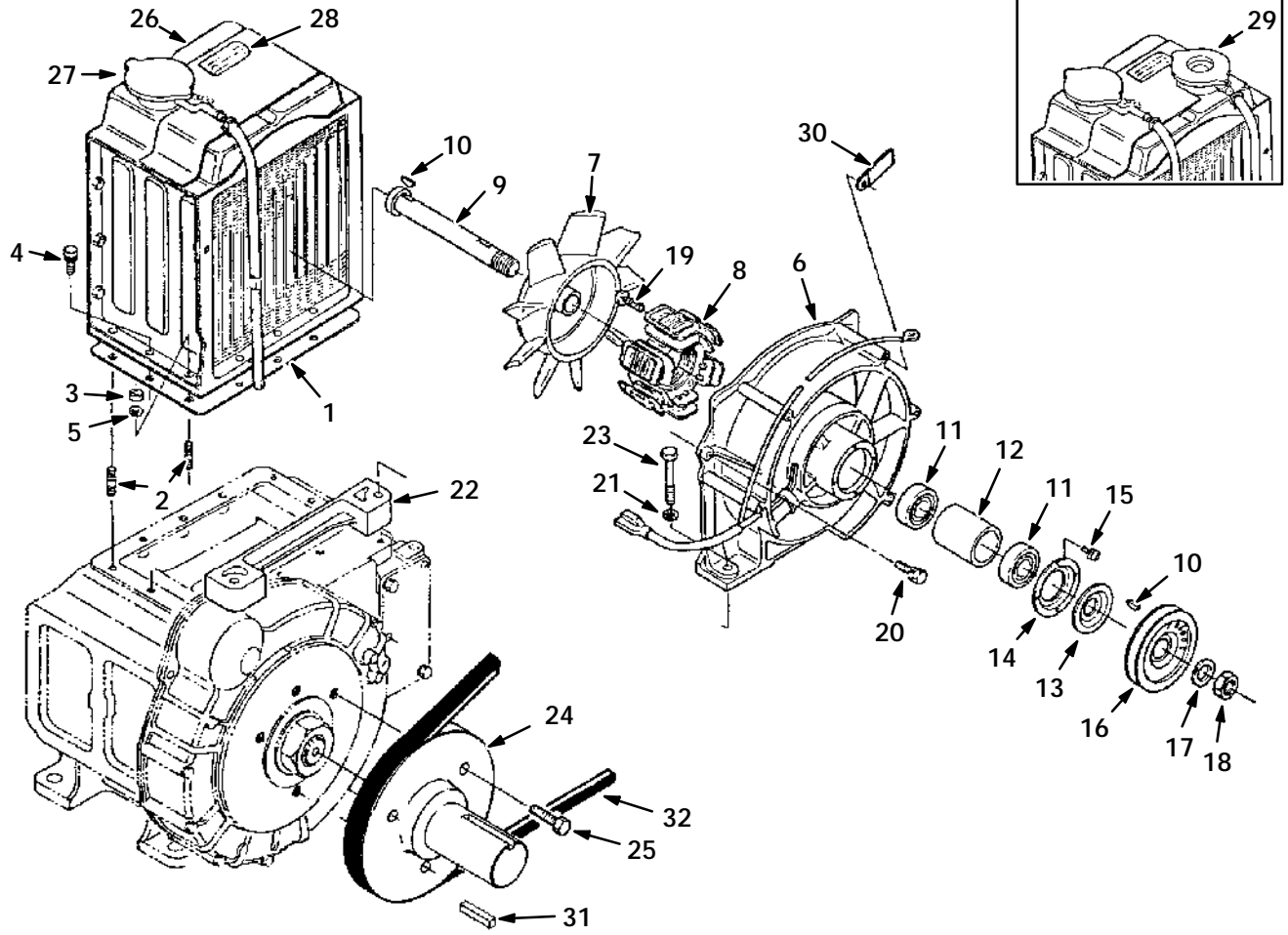


Fig. 14 - Radiator Group

Fig. 14 - Radiator Group

Key	TENNANT Part No.	Kubota Part Number	Engine Serial Number	Description	Qty.
1	87946	15271-7212-0	(000000-)	Gasket, Radiator	1
2		01513-50618	(000000-)	Stud	6
3	39121	02056-50060	(000000-)	Nut	6
4	39119	01023-50620	(000000-)	Bolt	6
5	39065	04512-60060	(000000-)	Washer, Spring	6
		15908-7401-0	(000000-)	Fan Assembly	1
6		15272-7412-0	(000000-)	Cover, Fan	1
7	51298	15271-7411-0	(000000-)	Fan, Cooling	1
8		15272-7420-0	(000000-)	Coil	1
9		15271-7414-0	(000000-)	Shaft, Cooling Fan	1
10		15271-9523-0	(000000-)	Key, Woodruff	2
11		15271-7418-0	(000000-)	Bearing, Ball	2
12		15271-7429-0	(000000-)	Collar, Shaft	1
13		15271-7427-0	(000000-)	Seal, Dust	1
14		15271-7426-0	(000000-)	Plate, Retainer	1
15		15271-9301-0	(000000-)	Screw	4
16		15901-7425-0	(000000-)	Pulley, Cooling Fan	1
17		15271-9407-0	(000000-)	Washer, Spring	1
18		15271-9202-0	(000000-)	Nut	1
19		15271-9302-0	(000000-)	Screw, with Washer	3
20	39128	01123-50825	(000000-)	Bolt	2
21	39097	04512-60080	(000000-)	Washer, Spring	2
22		15272-7421-0	(000000-)	Bracket, Fan	1
23		15272-9101-0	(000000-)	Bolt	2
24		19289-84511	(000000-)	Shaft, Stub	1
25		01133-51032	(000000-)	Bolt	3
26	87943	19217-7206-0	(000000-)	Radiator	1
27	87944	15272-7202-0	(000000-)	Cap, 0.9	1
28		19212-8761-0	(000000-)	Label, Radiator	1
29	87945	15272-7203-0	(000000-xxxxxx)	Cap, 1.2	1
30		15272-6757-0	(000000-)	Clamp, Cord	2
31		19142-95011	(000000-)	Key	1
32	87947	15272-7253-0	(000000-)	Belt	1

SECTION 9

CONTENTS

	Page
PART NUMBER TO PAGE NUMBER CROSS REFERENCE LIST	9-3

PART NUMBER TO PAGE NUMBER CROSS REFERENCE LIST

Part Number	Page Number	Part Number	Page Number
00500-15	7-5, 7-12	04733-4	5-33
00500-4	5-25, 7-11	04733	5-31
00912	7-7	04734	5-31
00928	5-27, 5-29	04810-00150	8-11
00960	5-25	04811-00080	8-15
01023-50616	8-11, 8-13	04811-00120	8-5
01023-50618	8-5, 8-8, 8-23	04811-10040	8-7
01023-50620	8-25	04811-10070	8-23
01023-50625	8-9	04811-10100	8-5
01053-50612	8-7, 8-15	04811-10120	8-5
01053-50614	8-15	04811-50300	8-11
01053-50618	8-7	05012-00608	8-7
01053-50635	8-7	05712-00515	8-19
01053-50655	8-5	05712-00725	8-20
01123-50820	8-17	06279	5-25
01123-50825	8-21, 8-25	06311-75040	8-5
01123-50828	8-8	06474A	5-44, 6-13
01123-50830	8-13	06678	6-13
01123-60816	8-13	07259	5-43
01133-51032	8-25	07715-03205	8-17
01153-50816	8-13	07715-03217	8-17
01153-50818	8-5, 8-13, 8-17, 8-20	07875	5-49
01153-50840	8-20	07916-2454-0	8-5
01222-50610	8-23	07916-2455-0	8-5
01513-50618	8-25	08143	5-25
01513-50620	8-8, 8-13	08228	5-49
01513-50650	8-13	08232-1	5-47
01513-50822	8-21	08873	5-49
01518-50614	8-7, 8-11	08876	5-49
01666	7-6	08885	5-54
01669	7-6	09005	5-27, 5-29
01760	5-7	09087	5-23
01844	5-27	09370	5-27
01866	5-27	10120	5-11
02012-50060	8-23	10127	6-7
02056-50050	8-15	10137	5-47
02056-50060	8-7, 8-8, 8-11, 8-13, 8-25	10362	5-25
02076	5-47	10632-11	5-18
02112-50080	8-23	10632-12	6-6
02156-50080	8-20, 8-21	10632-13	5-13
02218	5-35	10632-15	5-18
02247	5-49	10632	6-13
02356	5-27	10895	8-7
02545	5-38	11531	5-47
02637	5-39	12788	8-19
02643	7-4	12789	8-9
02644	7-4	12790	8-19
02646	7-4	12791	8-19
02647	7-4	12792	8-19
02965	6-13	12799	8-21
03024-50520	8-21	12891	8-21
03410-00606	8-14	12893	8-21
04012-50080	8-23	12894	8-21
04512-60060	8-5, 8-7, 8-8, 8-11, 8-13, 8-15, 8-20, 8-25	12895	8-17
04512-60080	8-5, 8-13, 8-17, 8-20, 8-21, 8-23, 8-25	12896	8-15
04612-00110	8-14	12897	8-14
04724-00120	8-23	12898	8-14
		12899	8-14
		12912	8-13

CROSS REFERENCE

Part Number	Page Number	Part Number	Page Number
12913	8-13	15261-0457-0	8-9
12914	8-13	15261-0459-0	8-9
12915	8-13	15261-1172-0	8-13
12916	8-11	15261-1182-0	8-13
12917	8-7	15261-1183-0	8-13
12918	8-7	15261-1315-0	8-14
12919	8-7	15261-1324-0	8-14
12920	8-7	15261-1328-0	8-14
12921	8-5	15261-1333-0	8-14
12922	8-5	15261-1336-0	8-14
12923	8-5	15261-1354-0	8-8
12924	8-5	15261-1356-0	8-8
12925	8-5	15261-1403-0	8-14
13352	5-11	15261-1418-0	8-14
13534	5-27, 5-29	15261-1423-0	8-14
13773	5-38	15261-1424-0	8-14
14111-4241-0	8-21	15261-1431-0	8-14
14131	5-49	15261-1435-0	8-14
14138A	5-43	15261-1441-0	8-14
14242	5-39	15261-1442-0	8-14
14301-3363-0	8-5	15261-1443-0	8-14
14301-5442-0	8-11	15261-1452-0	8-15
14301-5443-0	8-11	15261-1462-0	8-15
14301-5767-3	8-23	15261-1463-0	8-15
14301-7311-0	8-8	15261-1464-0	8-15
14432	5-47	15261-1555-0	8-17
14506	5-44	15261-2131-0	8-19
14595-1	5-11	15261-2133-0	8-19
14605	5-11, 5-37	15261-2135-0	8-19
14611-9106-0	8-7	15261-2198-0	8-19
14971-4275-0	8-21	15261-2214-0	8-19
15021-3366-0	8-7	15261-2297-0	8-19
15108-5728-0	8-23	15261-2298-0	8-19
15109-3366-0	8-5	15261-2336-0	8-19
15121-5385-0	8-21	15261-2338-2	8-19
15121-5386-0	8-21	15261-2347-0	8-19
15131-0138-0	8-19	15261-2353-0	8-19
15173	6-13	15261-2354-0	8-19
15221-1172-0	8-13	15261-2391-0	8-19
15221-3314-0	8-11	15261-2392-0	8-19
15221-3362-0	8-7	15261-2395-0	8-19
15221-3363-0	8-5	15261-2396-0	8-19
15221-3364-0	8-7	15261-2397-0	8-19
15221-3365-0	8-5	15261-2398-0	8-19
15221-3370-0	8-5	15261-2428-0	8-17
15221-5211-0	8-21	15261-2432-0	8-17
15221-5628-0	8-7	15261-2436-0	8-17
15221-6628-0	8-15	15261-2437-0	8-17
15221-6641-0	8-15	15261-2498-0	8-17
15231-0511-0	8-11	15261-3375-0	8-5
15231-0513-0	8-11	15261-3607-0	8-11
15231-0567-0	8-11	15261-5422-0	8-11
15231-3395-0	8-5	15261-5437-0	8-11
15231-3396-0	8-5	15261-5545-0	8-17
15231-3901-0	8-21	15261-5547-0	8-17
15231-5423-0	8-11	15261-5569-0	8-17
15241-1135-2	8-13	15261-5574-0	8-17
15241-3209-0	8-11	15261-6551-0	8-21
15241-3229-0	8-11	15261-6556-0	8-21
15261-0337-0	8-8	15261-6619-0	8-15
15261-0454-0	8-9	15261-6635-0	8-15
15261-0456-0	8-9	15261-6663-0	8-15

CROSS REFERENCE

Part Number	Page Number	Part Number	Page Number
15261-6664-0	8-15	15271-5621-0	8-23
15261-7391-0	8-5	15271-5641-0	8-23
15261-9201-0	8-14	15271-5648-0	8-23
15261-9401-0	8-14	15271-5654-0	8-23
15261-9501-0	8-23	15271-5715-0	8-23
15261-9601-0	8-8	15271-5717-0	8-7
15261-9688-0	8-17	15271-5723-0	8-23
15262-6382-0	8-20	15271-5738-0	8-23
15271-0162-0	8-5	15271-5746-0	8-23
15271-0175-0	8-8	15271-6301-0	8-20
15271-0337-0	8-8	15271-6358-0	8-20
15271-0338-0	8-8	15271-7212-0	8-25
15271-0414-0	8-7	15271-7411-0	8-25
15271-0421-0	8-23	15271-7414-0	8-25
15271-0423-0	8-14	15271-7418-0	8-25
15271-0426-0	8-23	15271-7426-0	8-25
15271-0428-0	8-7	15271-7427-0	8-25
15271-0429-0	8-7	15271-7429-0	8-25
15271-0436-0	8-9	15271-9101-0	8-20
15271-0462-0	8-20	15271-9102-0	8-20
15271-0471-0	8-5	15271-9103-0	8-7, 8-11
15271-0472-0	8-5	15271-9201-0	8-7
15271-0482-0	8-9	15271-9202-0	8-25
15271-0541-0	8-11	15271-9233-0	8-7
15271-0551-0	8-11	15271-9301-0	8-25
15271-0558-0	8-11	15271-9302-0	8-25
15271-0576-0	8-5	15271-9407-0	8-25
15271-1176-0	8-13	15271-9523-0	8-25
15271-1451-0	8-15	15272-0161-0	8-5
15271-1511-0	8-17	15272-0175-0	8-13
15271-1601-0	8-17	15272-1116-0	8-13
15271-1624-0	8-17	15272-1117-0	8-13
15271-1627-0	8-17	15272-1125-0	8-13
15271-1651-0	8-17	15272-1141-0	8-13
15271-2325-0	8-19	15272-1157-0	8-13
15271-2335-0	8-20	15272-1162-0	8-13
15271-2337-0	8-20	15272-1236-0	8-13
15271-2401-0	8-17	15272-3641-0	8-11
15271-2411-0	8-19	15272-4255-0	8-7
15271-2425-0	8-17	15272-6757-0	8-25
15271-2501-0	8-20	15272-7202-0	8-25
15271-2531-0	8-20	15272-7203-0	8-25
15271-2625-0	8-19	15272-7253-0	8-25
15271-3211-0	8-5	15272-7412-0	8-25
15271-3395-0	8-5	15272-7420-0	8-25
15271-3508-0	8-7	15272-7421-0	8-25
15271-3513-0	8-7	15272-9101-0	8-25
15271-3516-0	8-7	15272-9149-0	8-13
15271-4250-0	8-21	15272-9150-0	8-13
15271-5101-3	8-21	15272-9261-0	8-13
15271-5211-0	8-21	15272-9443-0	8-13
15271-5300-0	8-21	15274-0404-0	8-9
15271-5302-0	8-21	15274-0409-0	8-9
15271-5371-0	8-21	15274-1232-0	8-13
15271-5372-0	8-21	15274-2348-0	8-19
15271-5409-0	8-7	15274-2349-0	8-19
15271-5414-0	8-11	15274-2391-0	8-19
15271-5415-0	8-11	15274-2392-0	8-19
15271-5417-0	8-11	15274-2393-0	8-19
15271-5427-0	8-7	15274-2394-0	8-19
15271-5604-0	8-23	15276-0413-0	8-7
15271-5615-0	8-23	15280-3	5-35

CROSS REFERENCE

Part Number	Page Number	Part Number	Page Number
15321-9626-0	8-5, 8-8	24012	5-47
15393-1311-0	8-14	24339	5-39
15393-1312-0	8-14	24976	5-49
15531-2201-0	8-19	25121	5-38
15531-2231-0	8-19	25494	5-25
15543	5-47	26103	5-35
15901-0231-0	8-5	26315	5-11
15901-0304-0	8-8	26395-2	5-18, 6-7
15901-0331-4	8-8	27184	6-13
15901-0332-0	8-8	27920	6-11
15901-0402-0	8-7	28804	5-31, 6-13, 7-12
15901-0427-0	8-11	28835	7-12
15901-1405-0	8-14	28862	5-11
15901-2105-0	8-19	29233	5-9
15901-2109-0	8-19	29584	5-45
15901-2111-0	8-19	30045	8-13
15901-2191-0	8-19	30056	8-20
15901-3363-0	8-5	30057	8-19
15901-5402-0	8-11	30106	8-5
15901-5419-0	8-11	30107	8-5
15901-5657-0	8-23	30205	5-27
15901-7425-0	8-25	31182	6-13
15903-0101-0	8-5	31258	5-47
15908-7401-0	8-25	31354	7-12
15951-6604-0	8-15	31559	5-38
16447	5-29, 5-31	32126	5-39
16455	5-33	32183	5-49
16695	7-5	32969	5-33
16931	5-47	33123	5-27
16934	5-25	33296	7-7
17414	5-49	33298	7-7
19142-95011	8-25	33299	7-7
19212-8759-0	8-7	33303	7-7
19212-8761-0	8-25	33304	7-7
19212-8821-0	8-7	33305	7-7
19212-8822-0	8-11	33671	5-47
19212-8823-0	8-15	34150-1397-0	8-13
19212-8824-0	8-13	34174	7-5
19215-0341-2	8-8	34176	7-5, 7-12
19215-0345-0	8-8	34219	6-13
19215-0351-2	8-8	34292	5-4, 5-7
19215-0446-0	8-9	34323	5-4, 5-15
19215-0481-0	8-9	34358	5-41
19215-1101-2	8-13	34413	6-13
19215-1122-0	8-13	34414	6-13
19215-2301-0	8-19	34810	5-51
19215-2328-0	8-19	34813	5-51
19215-8745-0	8-13	35273	6-13
19215-9905-0	8-5	35274	6-13
19217-7206-0	8-25	35278	6-13
19231-8731-0	8-7	35279	6-13
19234-8721-0	8-11	35280	6-13
19289-84511	8-25	35304	6-11
19634	6-14	36070	5-31
20634	5-19	36192	5-9
22297	5-47	36328	6-5
23224	5-27	36468	5-31
23225	5-27	38315	7-4
23498	5-23	38490	7-4
23524-1	5-21	39060	8-5
23524	5-21	39063	8-5
23683	6-13		

CROSS REFERENCE

Part Number	Page Number	Part Number	Page Number
39065	8-5, 8-7, 8-8, 8-11, 8-13, 8-15, 8-20, 8-25	46140	5-23
39088	8-8	46236	5-9
39094	8-13	46390	5-11
39096	8-20, 8-21	46482	5-33
39097	8-5, 8-13, 8-17, 8-20, 8-21, 8-23, 8-25	46785-1	5-27
39105	8-7	47069	5-5, 5-23
39119	8-25	47277	5-7
39121	8-7, 8-8, 8-11, 8-13, 8-25	47508	5-35, 5-38
39128	8-21, 8-25	47513	5-35
39148	8-23	47519	5-33
39160	8-15	47638	5-33, 5-35
39161	8-11	47649	7-5
39162	8-11	47719	5-39
39164	8-15	47801	5-39
39169	8-15	48050	5-43
39179	8-7	48144	5-49
39183	8-5	48556	6-13
39210	5-31	48557	6-13
39296	5-11	48563	6-13
39328	5-25	48567	6-13
39330	5-35	48568	5-51
39332	5-35	48570	5-51
39345	5-47	48571	6-10
39350	5-27, 5-29	48572	6-10
39506	8-21	48575	5-33, 7-9
39507	8-21	48577	7-9, 7-10
39508	8-21	48580	6-13
39512	8-21	48581	6-13
39523	8-17	48582	6-13
39527	5-27, 5-29	48584	6-13
39784	8-21	48587	6-13
40204	8-5	48617	6-14
40233	8-23	48654	5-47
40290	8-23	48656	5-47
40362	5-38	48657	5-33
40405	8-23	48658	5-47
40409	8-5, 8-8, 8-23	48685	6-9
40678-1	5-47, 5-51	48790	5-9
40678	5-19	49225	5-39
41178	5-31, 6-13	49263	5-47
41185	5-31, 6-13	49266	5-9, 5-31, 6-6, 6-7, 6-13
41187	5-13	49287	6-13
41973	8-11, 8-13	49300	5-23
42215	5-35	49439	5-27
42240	5-44	49452	5-43
43242	5-37	49495	5-27
43454	5-9, 5-37	50186	7-12
43499	6-13	50970	8-17
43560	6-13	50992	8-21
43844	5-47, 5-49	50995	8-9
44078	5-23, 5-43	50996	8-9
44681-1	6-6, 6-7	50997	8-14
44681-2	6-6, 6-7	50998	8-8
44681	6-6, 6-7	50999	8-8
45079	6-8	51011	8-19
45097	6-13	51014	8-19
45127	5-45	51019	8-19
45261	5-31	51020	8-19
45628	7-5	51109	5-11
45779	6-6, 6-7	51194	8-19
		51275	8-19
		51276	8-19

CROSS REFERENCE

Part Number	Page Number	Part Number	Page Number
51277	8-19	57984	5-31, 5-35, 5-37, 6-13
51282	8-17	58346	5-47
51284	8-11	58494	6-13
51286	8-8	58536	5-47
51288	8-21	58670	5-31
51292	8-21	58842	5-39
51293	8-7	59118-7	5-47
51295	8-13	60453	6-10, 8-21
51296	8-19	61288	5-38
51297	8-19	61406	5-53
51298	8-25	61961	5-49
51322	5-19	62170-2	5-9
51331	8-5, 8-8	62595-18	5-51
51336	8-19	62595-21	6-5
51342	8-5	63147	5-21
51343	8-8	64141	5-51
51345	8-8	64379	5-21
51348	8-19	64595	6-13
51351	8-19	65223	5-33, 7-10
51352	8-19	65556	5-51
51353	8-19	65560	6-11
51387	8-19	65561	5-51
51449	5-43	65577	5-21
51458	6-9	65870-5	5-4
51459	6-9	66099	6-9
51534	6-13	67718-2	5-4, 5-33
51545	5-11	67718	5-33
51562	5-11	68106	5-47
51706-1	5-47	68198	5-4, 5-5
51787	5-33	68275	5-9
52238	5-13	68872	5-47
52615	6-9	68873	5-47
53029	5-49	69158	5-35
54121	5-19	69159	5-35
54205-4117-0	8-20	69736	5-49
54266-8174-0	8-13	70000-65259	8-21
54526-2	5-47	70000	5-53
54914	5-47	70006	5-38
55248	6-7	70957	8-20
55264	6-6, 6-7	75400	5-49
55271	5-51	77098	5-39
55272	5-51	82229	6-13
55347	5-29	82239	5-39
55686	5-33, 5-37	82342	5-9
56692	5-35, 5-39	82509	5-4, 5-49
56835	5-35	82544	5-49
57164	5-51	82621	6-13
57219	5-41	82682	5-49
57370	7-4	82692	5-4, 5-49
57373	7-4	82709	5-47
57374	7-4	82784	5-38
57375	7-4	82802	5-33
57452	5-31	82809	5-41
57497	5-43	82816	5-41
57751	5-51, 6-11	82839	5-44
57772	5-9	82842	5-27
57792	5-49	86646	5-13, 5-35
57803	5-51	86922	5-11
57807	5-51, 6-11	87022	5-51
57947	6-14	87027	5-27
57965	5-41	87030	5-27, 5-29
57967	6-14	87040	5-27

CROSS REFERENCE

Part Number	Page Number
87041	5-29
87045	5-13
87046	5-11
87050	5-11
87051	5-23
87053	5-11
87055	5-33, 7-8
87056	5-15
87059	5-17
87060	5-4, 5-17
87061	5-4, 5-17
87074	5-19
87078	5-27, 5-29
87079	5-33
87080	5-27, 5-29
87082	5-29
87083	6-8
87084	5-19
87088	5-29
87097	5-5
87099	5-5
87103	5-17
87104	5-21
87108	5-21
87109	5-43
87113	5-15
87114	5-15
87117	5-17
87120	5-21
87131	5-44
87134	5-11
87142	5-11
87146	5-13
87147	5-13
87148	5-13
87149	5-13
87152	5-21
87155	5-44
87156	7-11
87162	5-21
87164	5-4, 5-15
87165	5-4, 5-15
87166	5-15
87167	5-4, 5-15
87170	5-31
87171	5-4, 5-47
87172	5-31
87173	5-47
87174	6-6, 6-7
87175	5-4, 5-7
87176	5-4, 5-7
87180	5-4, 5-7
87181	5-4, 5-7
87182	5-4, 5-7
87183	5-4, 5-7
87184	5-4, 5-7
87189	5-7
87190	5-7
87195	5-11
87197	5-4, 5-7
87198	5-44
87199	5-4, 5-7

Part Number	Page Number
87201	5-17
87202	5-15
87203	5-15
87206	5-4, 5-7
87208	5-17
87209	5-19
87211	5-4, 5-7
87215	5-27, 5-29
87216	5-13
87217	5-4, 5-15
87221	5-31
87222	5-35
87223	5-49
87228	5-13
87229	5-13
87236	5-35
87242	5-31
87244	5-13
87246	5-37
87248	5-11
87251	5-25
87253	5-11
87254	5-44
87257	5-43
87265	5-23
87266	7-7
87267	5-27
87270	5-11
87275	5-29
87280	5-23
87283	5-51
87286	5-19
87293	5-31
87296	5-47
87297	5-31
87298	5-31
87299	5-25
87305	5-9
87306	5-19
87308	5-47
87333	5-5
87334	5-5
87337	5-18
87338	5-4, 5-18
87341	5-19
87346	5-9
87347	5-53
87351	5-35
87353	5-4, 5-7
87354	5-4, 5-7
87360	5-35
87362	5-35
87365	5-35
87368	5-27, 5-29
87369	5-51
87370	5-35
87375	5-37
87376	5-37
87390	5-15
87392	5-38
87394	5-49
87396	5-49

CROSS REFERENCE

Part Number	Page Number	Part Number	Page Number
87405	5-4, 5-15	87586	5-4, 5-7
87406	5-17	87612	5-9
87407	5-9	87620	5-25
87408	5-9	87621	5-18
87409	5-37, 7-6	87627	5-31
87411	5-39	87630	5-25
87412	5-4, 5-21	87631	5-27, 5-29
87413	5-4, 5-21	87638	5-51
87414	5-33	87639	5-54
87417	5-39, 7-4	87640	5-54
87418	5-31, 6-13	87645	5-27
87419	5-5	87646	5-27
87420	5-5	87649	6-6, 6-7
87421	5-39	87650	5-53
87430	5-18	87651	5-41
87432	6-8	87652	5-41
87433	5-13	87655	6-4
87435	5-47	87656	5-31
87439	5-31, 6-13	87657	6-4
87444	5-21, 6-13	87662	7-5, 7-12
87450	6-5	87663	7-5
87451	5-35, 7-11	87670	5-47
87458	5-39	87672	5-41
87460	5-18	87673	6-6
87461	5-17	87674	5-39
87462	6-8	87675	5-39
87464	5-4, 5-7	87676	5-39
87465	5-4, 5-7	87677	6-13
87474	5-27, 5-35	87678	5-41
87475	5-31, 7-5	87680	5-41
87481	5-9	87687	5-4, 5-21
87484	5-38	87688	5-4, 5-21
87485	5-47	87689	5-4, 5-21
87488	5-43	87693	5-21
87491	5-45	87694	6-4
87497	5-47	87695	6-4
87500	5-7	87697	6-4
87501	5-47	87698	6-4
87511	5-35	87701	6-4
87512	5-35	87705	5-9
87513	5-35	87707	5-23
87516	5-47	87730	5-4, 5-49
87521	5-35	87731	5-5, 5-7
87531	5-47	87732	5-35
87532	5-47	87734	5-35, 7-7
87534	5-47	87735	5-35
87535	5-54	87736	5-47
87536	5-51	87737	5-4, 5-49
87537	5-51	87738	5-4, 5-49
87542	5-47	87739	5-18
87543	5-35	87740	5-49
87546	5-19	87742	6-5
87550	5-19	87744	7-8
87552	5-53	87752	5-43
87555	5-4, 5-7	87753	5-43
87573	5-23	87754	7-6
87574	5-31	87760	5-47
87577	5-47	87762	5-43
87579	5-15	87779	5-37
87580	5-23	87784	7-4
87581	5-9	87785	7-4
87585	5-23	87789	6-6, 6-7

CROSS REFERENCE

Part Number	Page Number
87790	6-8
87791	6-7
87792	6-6
87797	5-45
87798	5-45
87803	5-45
87804	5-45
87807	5-47
87810	5-37
87811	5-37
87813	5-47
87816	5-37
87818	5-37
87820	5-43
87829	6-5
87832	5-25
87850	7-8, 7-9, 7-10
87851	7-8, 7-9, 7-10
87853	5-25
87854	5-13
87860	5-25
87866	5-51
87868	5-11
87869	5-11
87870	5-4, 8-11
87875	5-4, 8-13
87881	5-44
87925	8-8
87926	8-9
87927	8-9
87928	5-4, 8-11
87929	5-4, 8-11
87930	5-4, 8-11
87931	8-13
87932	8-13
87933	8-13
87934	8-13
87935	8-20
87936	8-20
87937	8-21
87938	8-21
87939	8-21
87940	8-21
87941	8-23
87942	8-23
87943	8-25
87944	8-25
87945	8-25
87946	8-25
87947	8-25
87948	5-9
87949	5-9
87950	5-31
87956	5-54
87958	5-15, 5-17
87960	5-4
87963	5-4
87964	5-4
87965	5-4
87966	5-11
87967	5-19
87968	5-19

Part Number	Page Number
87969	5-17
87970	5-7
87972	5-47
87975	5-4, 5-7
87977	5-51
87978	5-47
87979	5-17
87982	5-19
87983	5-23
87985	5-19
97890	6-10
97891	6-10



We Need Your Help...

As part of Tennant's Zero Defects Program, we want to know about errors you have found or suggestions you may have regarding our machine manuals. If you find an error or have a suggestion, please complete this postage-paid form and mail it to us. Thank you for helping us make zero defects a way of life at Tennant.

Manual No. _____ Rev. No. _____ Publish Date _____ Page _____

Machine _____ Report Error Suggestion

Name _____ Date _____

Customer Number _____

Company _____

Address _____

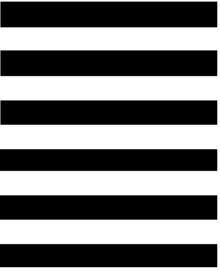
City/State/Zip Code _____



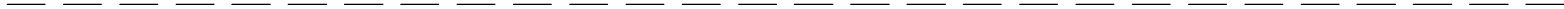
TENNANT COMPANY
 Technical Publications #15
 701 North Lilac Drive
 P.O. Box 1452
 Minneapolis, MN 55440-9947

POSTAGE WILL BE PAID BY ADDRESSEE

BUSINESS REPLY MAIL
 FIRST CLASS MAIL PERMIT NO. 94 MINNEAPOLIS, MN

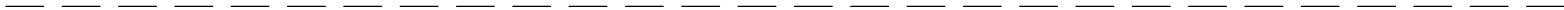


NO POSTAGE
 NECESSARY
 IF MAILED
 IN THE
 UNITED STATES



Fold along dotted lines

Tape here





We Need Your Help...

As part of Tennant's Zero Defects Program, we want to know about errors you have found or suggestions you may have regarding our machine manuals. If you find an error or have a suggestion, please complete this postage-paid form and mail it to us. Thank you for helping us make zero defects a way of life at Tennant.

Manual No. _____ Rev. No. _____ Publish Date _____ Page _____
Machine _____ Report Error Suggestion

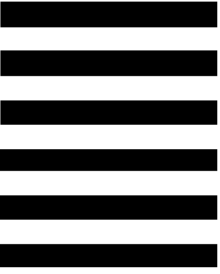
Name _____ Date _____
Customer Number _____
Company _____
Address _____
City/State/Zip Code _____



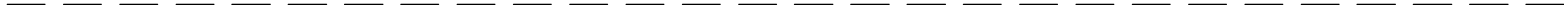
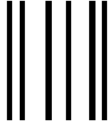
TENNANT COMPANY
 Technical Publications #15
 701 North Lilac Drive
 P.O. Box 1452
 Minneapolis, MN 55440-9947

POSTAGE WILL BE PAID BY ADDRESSEE

BUSINESS REPLY MAIL
 FIRST CLASS MAIL PERMIT NO. 94 MINNEAPOLIS, MN



NO POSTAGE
 NECESSARY
 IF MAILED
 IN THE
 UNITED STATES



Fold along dotted lines

Tape here



TENNANT SERVICE LITERATURE AVAILABLE...

A variety of information is available to you in forms to suit your needs. The following is a list of those publications that relate to the Model 235 family of machines:

Machine Model	Publication	Form	TENNANT Part No.
235D	Operation, Maintenance, and Parts Manual	Printed	MM331
235 G/LP	Operation, Maintenance, and Parts Manual	Printed	MM166
235E	Operation, Maintenance, and Parts Manual	Printed	MM165
235D	Operation, Maintenance, and Parts Manual	Microfiche	85331
235	Operation, Maintenance, and Parts Manual	Microfiche	85166
235E	Operation, Maintenance, and Parts Manual	Microfiche	85165
235	Operator Handbook	Printed	MM167
235E	Operator Handbook	Printed	MM167
235	Kolher® M18 Engine Service Manual	Printed	87877
235	Kubota® ZB600 Engine Service Manual	Printed	87878

Keep your manuals in a safe, convenient location for your future reference in order to operate, maintain, and order repair parts for your machine. Everyone who operates, maintains, or purchases parts for the machine should have easy access to a copy of the manual.

To get pricing information or to order copies of these publications, contact your nearest Tennant Company parts warehouse, distributor, or sales representative.