

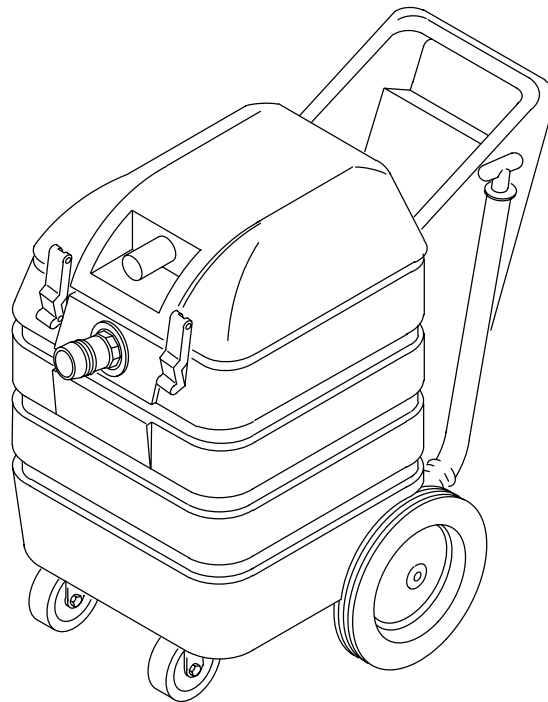
FLOOREQUIPMENTPARTS.COM

900

Water Transfer Machine

Model No.:
609016
609017 – Pac

Operator and Parts Manual

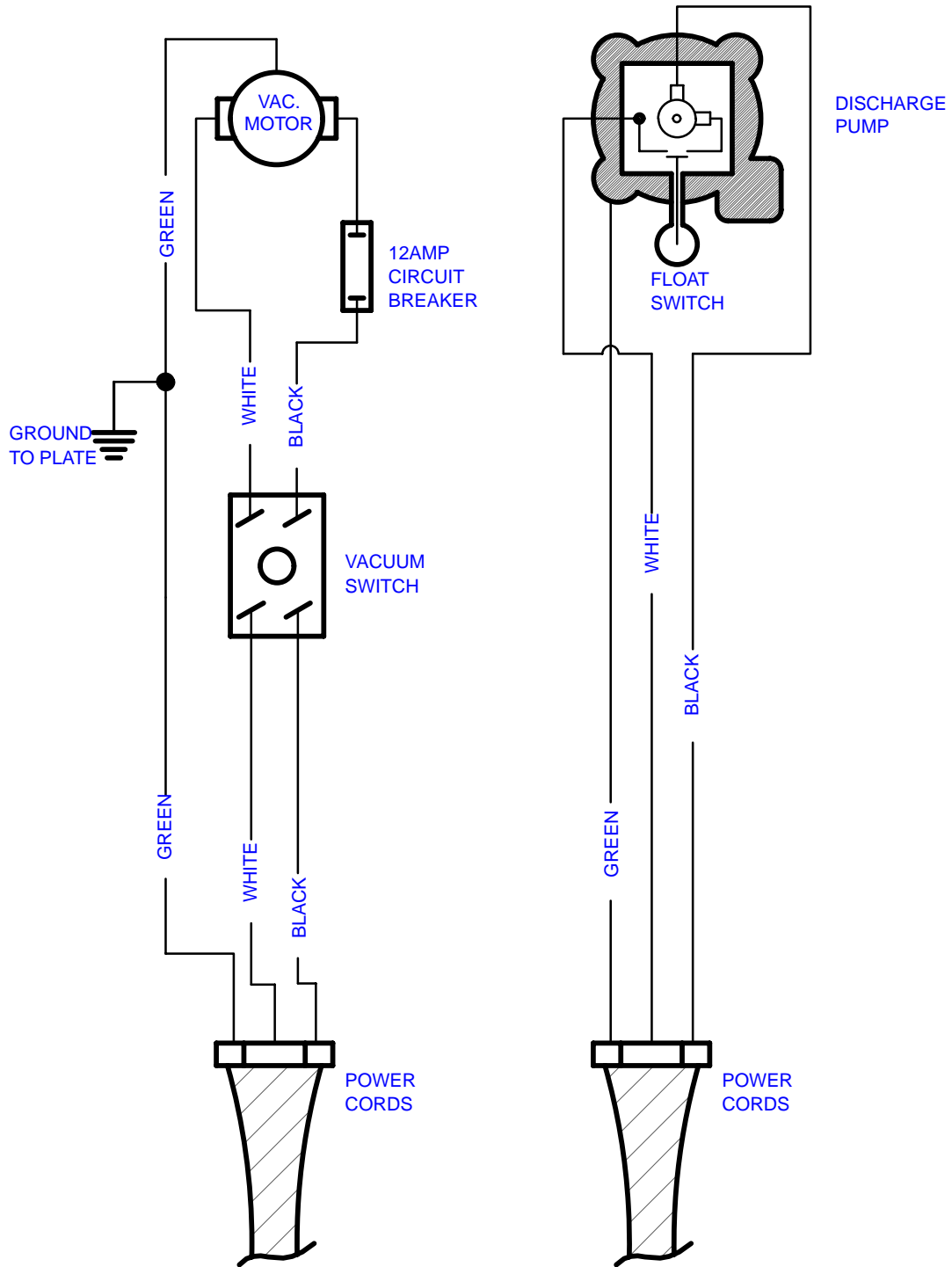


TENNANT COMPANY
Commercial Products
12875 RANSOM STREET
HOLLAND MI 49424 U.S.A.

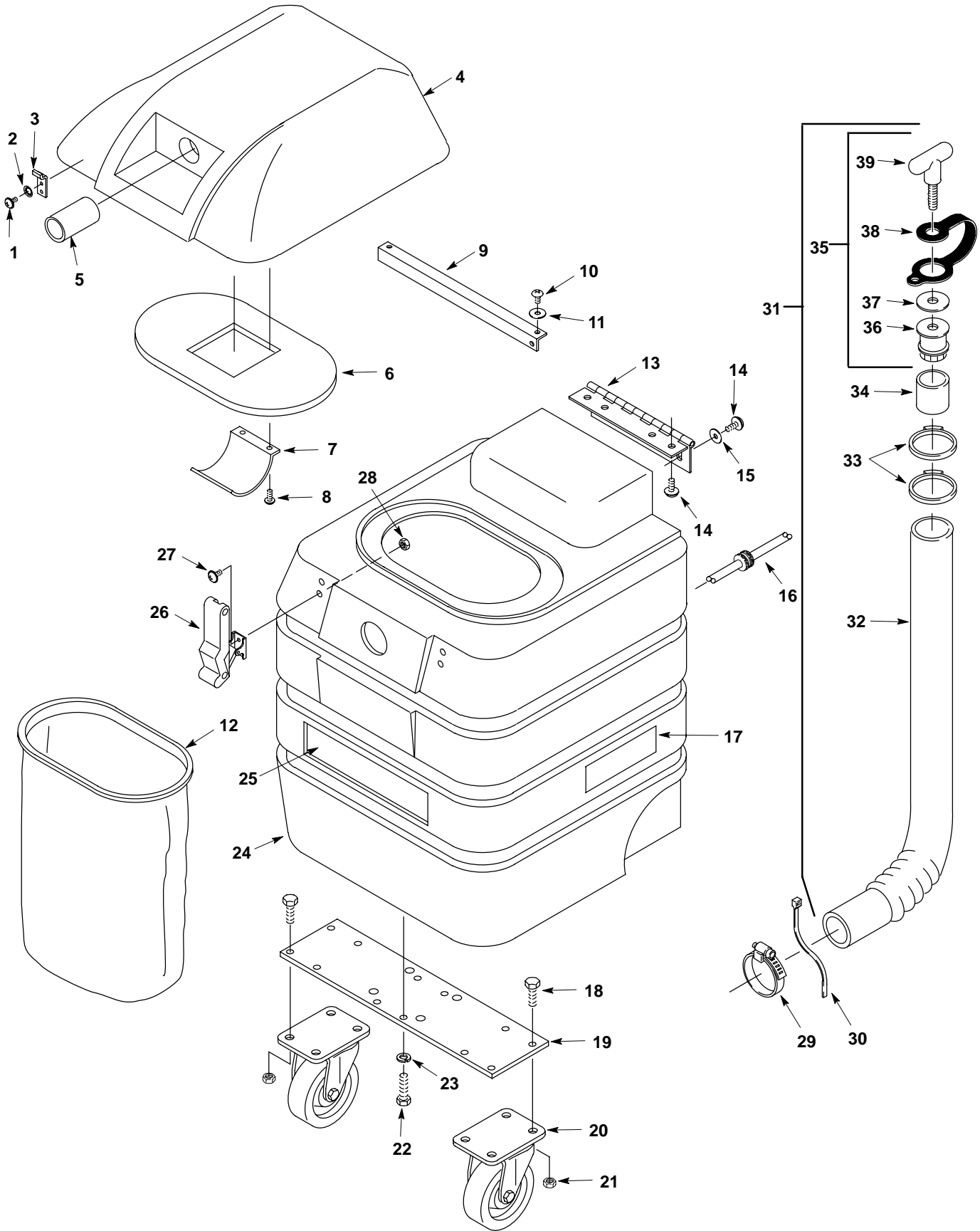
FAX: 1-800-678-4240
CUSTOMER SERVICE: 1-800-982-7658

609020
Rev. 00 (12-99)

ELECTRICAL DIAGRAM



RECOVERY TANK GROUP



RECOVERY TANK GROUP

REF	PART #	DESCRIPTION	QTY.
1	140801	SCREW, 8-32X3/8	4
2	140023	WASHER. #8 INT	4
3	140932	LATCH, HOOD RUBBER W/ KEEPER	2
4	607656	COVER. 16G RM-TEAL	1
5	230905	TUBE, INLET	1
6	100097	●GASKET, 16 GALLON COVER	1
7	230497	BRACKET. AIR DEFLECTOR	1
8	140197	SCREW. 10-24X3/8	2
9	230482.BK	BRACKET. SUPPORT 16 GAL TANK	1
10	140824	SCREW. 1/4-20X5/8	2
11	140003	WASHER. 1/4X1	2
12	900222	●BAG, 16 GALLON	1
13	230318	HINGE. COVER 16 GALLON	1
14	140195	SCREW, 1/4-20X1/2	2
15	140000	WASHER, 1/4 FLT	1
16	130181	CORD, GRIP	1
17	608159	DECAL, TENNANT 900	2
18	140223	SCREW, 5/16-18X3/4	8
19	231034	PLATE, CASTER MOUNT	1
20	103065	CASTER, SWIVEL 4"	2

REF	PART #	DESCRIPTION	QTY.
21	140546	NUT, 5/16-18 NYLK	2
22	140223	SCREW, 5/16-18X3/4	4
23	140015	WASHER, 5/16 SPLTLCK	4
24	609018	TANK, 16G RM-TEAL	1
25	120211	DECAL, TENNANT	1
26	140932	LATCH, HOOD RUBBER W/ KEEPER	2
27	140802	SCREW, 8-32X5/8	4
28	140288	NUT, NYLOCK M4 X 0.7	4
29	140307	CLAMP, HOSE	1
30	130041	WIRE TIE, NYLON	1
▽31	701058	●ASM., DRAINHOSE	1
▲32	160457	HOSE, DRAIN 25"	1
▲33	140072	CLAMP, 1-9/16	2
▲34	140921	SLEEVE, DRAIN HOSE	1
▲▽35	701061	●ASM., DRAINHOSE STOPPER	1
▲36	140955	PLUG, DRAIN HOSE W/RIBS	1
▲37	140056	WASHER, 3/8IDX1.50OD	1
▲38	230882	STRAP, DRAIN STOPPER	1
▲39	230831	KNOB, DRAIN HOSE	1

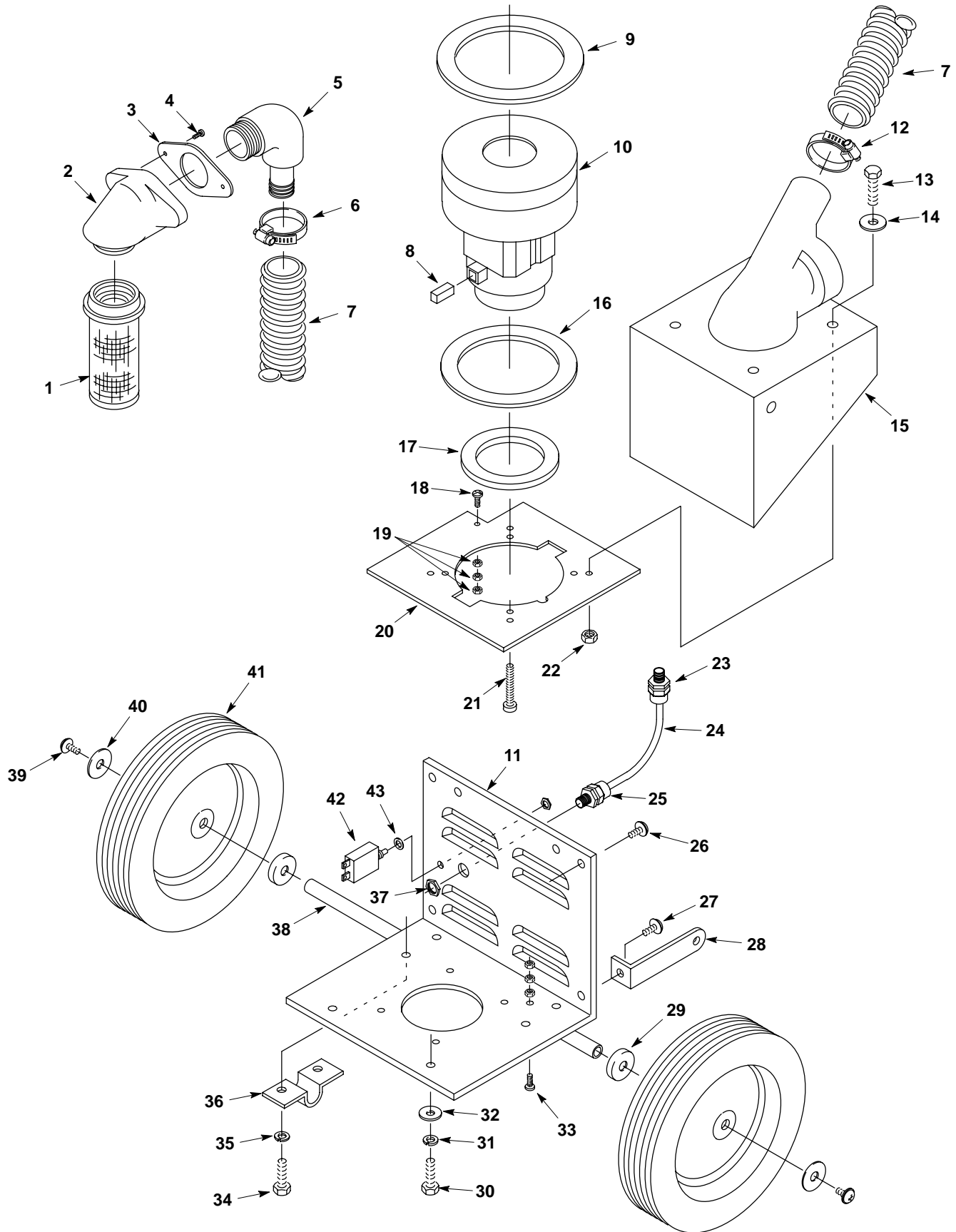
▽ ASSEMBLY

▲ INCLUDED IN ASSEMBLY

● RECOMMENDED STOCK ITEMS

PARTS LIST

VACUUM MOTOR / MACHINE BASE GROUP



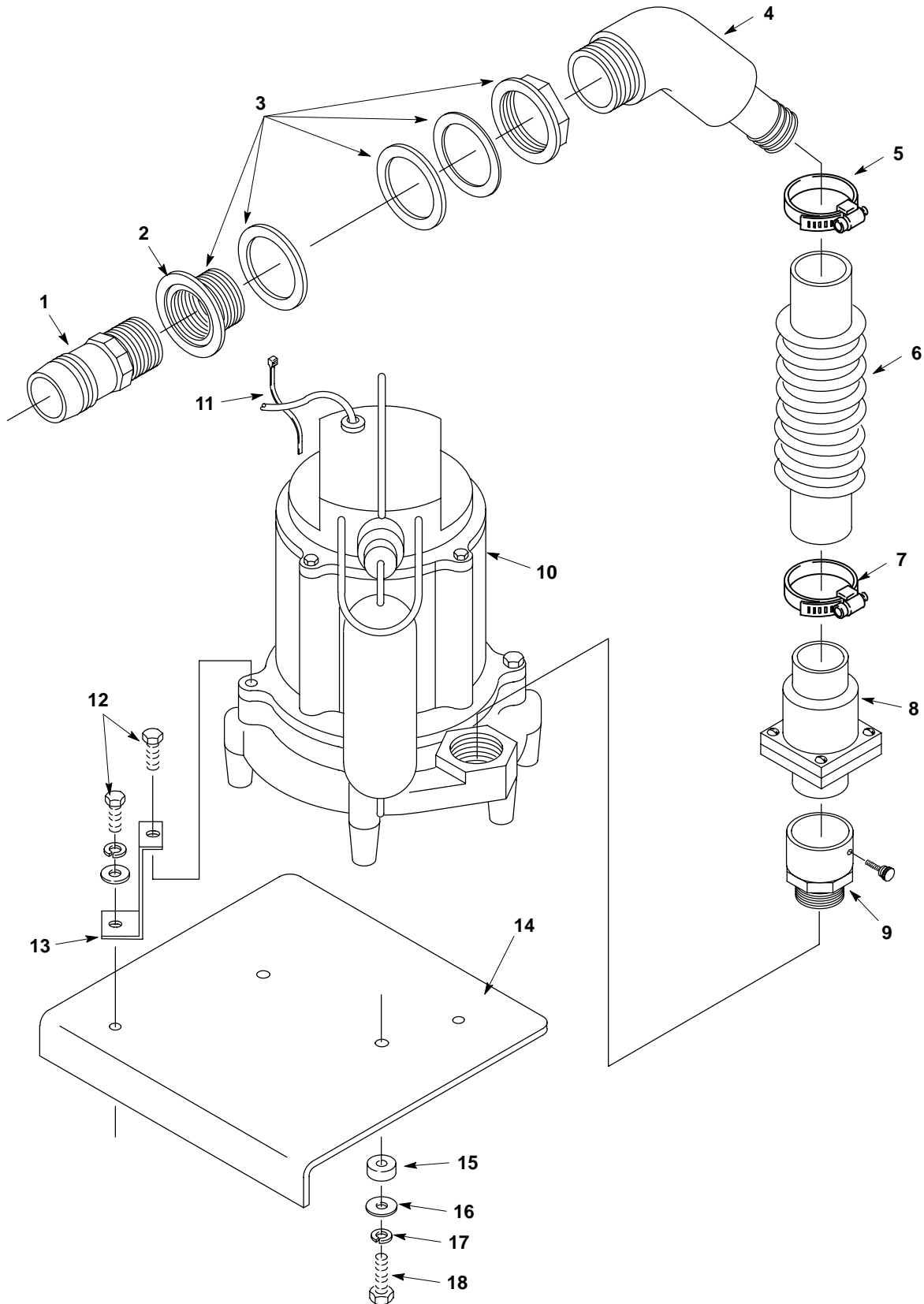
VACUUM MOTOR / MACHINE BASE GROUP

REF	PART #	DESCRIPTION	QTY.
1	180613	●FLOAT, SHUT-OFF	1
2	100381	ELBOW, VAC TUBE	1
3	100096	GASKET, VAC TUBE ELBOW	1
4	140824	SCREW, 1/4-20X5/8	2
5	700435	ASM., PVC ELBOW	1
6	140308	CLAMP, HOSE	1
7	160482	HOSE, VACUUM 2" X 13"	1
8	600272	●BRUSHES CARBON (2 PACK)	2
9	100038	●GASKET, VAC MOTOR	1
10	130417	●MOTOR, VAC 5.7 3 STG 120V	1
11	230486.BK	COVER PLATE	1
12	140308	CLAMP, HOSE	1
13	140199	SCREW, 1/4-20X4-1/2	4
14	140003	WASHER, 1/4X1	4
15	100380	HOUSING, VACUUM MOTOR	1
16	100143	●GASKET, VAC MOTOR 5.7	1
17	100095	●GASKET, VAC MOTOR END	1
18	140900	SCREW, 10-24X3/4	1
19	140519	NUT, 10-24 KEP	3
20	230522	PLATE, MOTOR MOUNT	1
21	140340	SCREW, #10-24X5/8	4
22	140501	NUT, 1/4-20 NYLK	4

● RECOMMENDED STOCK ITEMS

REF	PART #	DESCRIPTION	QTY.
23	130110	BUSHING, STRAIN-RELIEF	1
24	130267	CORD, 16/3X30" YELLOW	1
25	130181	CORD GRIP	1
26	140195	SCREW, 1/4-20X1/2	4
27	140824	SCREW, 1/4-20X5/8	2
28	230496.BK	SUPPORT, DRAIN HOSE	1
29	140063	●WASHER	1
30	140201	SCREW, 3/8-16X3/4	4
31	140017	WASHER, 3/8 SPLTLCK	4
32	140028	WASHER, 3/8 FLT	1
33	140900	SCREW, 10-24X3/4	1
34	140553	SCREW, 1/4-20X1/2	4
35	140016	WASHER, 1/4 LCK	4
36	230746	BRACKET, AXLE OFFSET	2
37	140504	NUT, CONDUIT LOCK 1/2"	1
38	230317	AXLE	1
39	140195	●SCREW, 1/4-20X1/2	2
40	140003	●WASHER, 1/4X1	2
41	103068	●WHEEL, 10"X1.75 GRAY	2
42	130670	●BREAKER CIRCUIT 12A	1
43	140022	WASHER, 3/8 INT	1

DISCHARGE PUMP GROUP



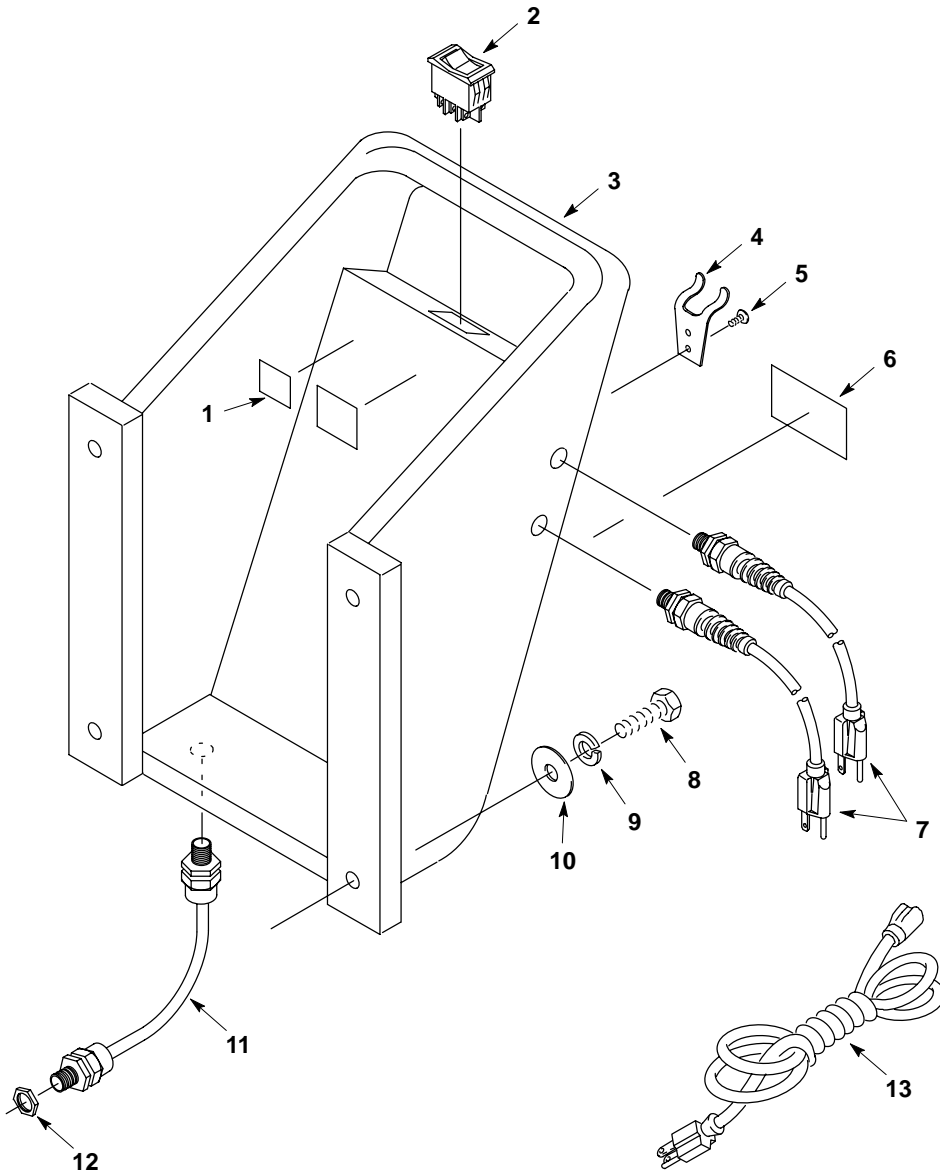
DISCHARGE PUMP GROUP

REF	PART #	DESCRIPTION	QTY.
1	150500	FITTING, 1-1/2MX1-1/2H	1
2	608517	DECAL, DISCHARGE	1
3	150301	FITTING, INLET	1
4	608467	ASM., 45 DEGREE ELBOW	1
5	140308	●CLAMP, HOSE	1
6	608488	●HOSE, 1.62 ID 6"	1
7	140308	●CLAMP, HOSE	1
8	210007	●VALVE, CHECK	1
9	230183	FITTING, 1-1/2	1

REF	PART #	DESCRIPTION	QTY.
10	608885	●PUMP, DISCHARGE	1
11	130041	●WIRE TIE, NYLON	1
12	140553	SCREW, 1/4-20X1/2	2
13	608884	BRACKET, PUMP	2
14	608883	PLATE, PUMP BLACK	1
15	100029	●GASKET, TANK CONNECTOR	2
16	140027	WASHER, 5/16 FLT	2
17	140015	WASHER, 5/16 SPLTLCK	2
18	140223	SCREW, 5/16-18X3/4	2

● RECOMMENDED STOCK ITEMS

HANDLE GROUP

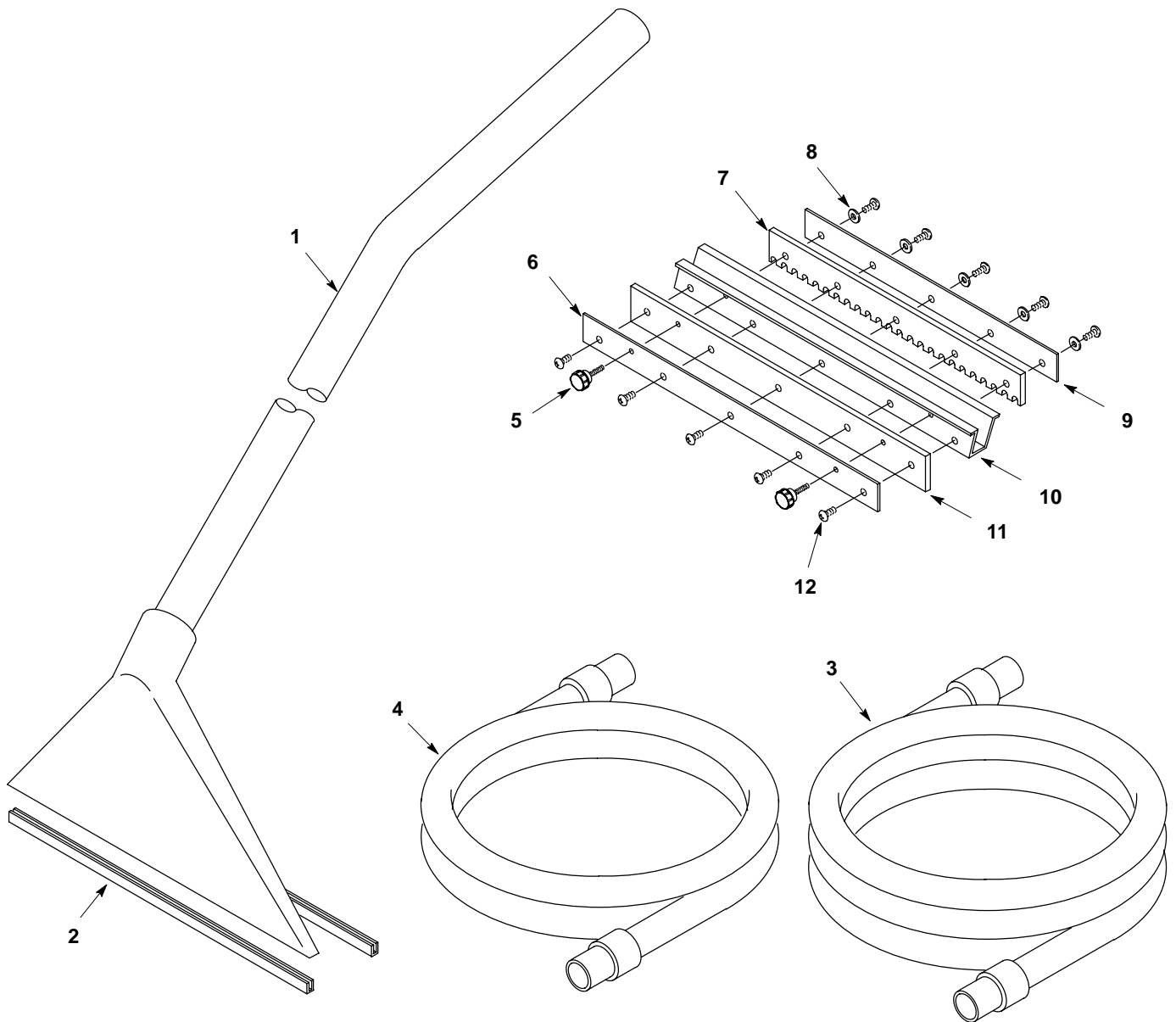


REF	PART #	DESCRIPTION	QTY.
1	578729	DECAL, "READ MANUAL"	1
2	19417	●SWITCH, W/ ON/OFF	1
3	609019	HANDLE, 12/16 RM-TEAL	1
4	230696.BK	●BRACKET, DRAIN HOSE	1
5	140825	SCREW, #6X1/2	2
6	602596	DECAL, WARNING WET/DRY VAC	1
7	130201	●CORD, 16/3X28" YELLOW	2

REF	PART #	DESCRIPTION	QTY.
8	140231	SCREW, 3/8X1-1/2	4
9	140017	WASHER, 3/8 SPLTLCK	4
10	140028	WASHER, 3/8 FLT	4
11	130267	CORD, 16/3X30" YELLOW	1
12	140504	NUT, CONDUIT LOCK 1/2"	1
13	130250	●CORD, 16/3X50' EXT SJT YELLOW	2

● RECOMMENDED STOCK ITEMS

FLOOR TOOL, HOSES AND SQUEEGEE GROUP



REF	PART #	DESCRIPTION	QTY.
▽	200125	TOOL, FLOOR (COMPLETE)	1
▲1	200426.BK	TOOL, FLOOR	1
▲2	200939	SHOE, 13" FLOOR TOOL	2
▽	600341	KIT, HOSE/SQUEEGEE	1
▲3	160466	●HOSE, VAC 1.5X25	1
▲4	160465	●HOSE, VAC 1.5X15'	1
▲▽	200170	SQUEEGEE ASSEMBLY	1
▲5	240200	KNOB, SQUEEGEE	2

REF	PART #	DESCRIPTION	QTY.
▲6	240054.BK	PLATE, NUT 15" SQUEEGEE	1
▲7	240060	BACKING BLADE, 15" SQUEEGEE	1
▲8	140011	WASHER, 3/16 FLT	5
▲9	240055.BK	PLATE, NUT 13" SQUEEGEE	1
▲10	240056.BK	CHANNEL, 15" SQUEEGEE	1
▲11	240059	WIPING BLADE, 15" SQUEEGEE	1
▲12	140887	SCREW, 10-24X3/8	10

▽ ASSEMBLY

▲ INCLUDED IN ASSEMBLY

● RECOMMENDED STOCK ITEMS