

FLOOREQUIPMENT**PARTS.COM**

900

Water Transfer Machine
Máquina De Transferencia Del Agua
Machine à transfert d'eau

Operator and Parts Manual
Manual De Operador
Y Lista De Repuestos
Opérateur Manuel et
Liste Des Pièces



Model Part No.: 609016



OPERATION


This manual is furnished with each new model. It provides necessary operating and preventative maintenance instructions and an illustrated parts list.

Read this manual completely and understand the machine before operating or servicing it.


When ordering replacement parts, use the parts lists section in this manual. Before ordering parts or supplies, be sure to have your machine model number and serial number available. Parts and supplies may be ordered by phone or mail from any authorized Service Center or Distributor.

This machine will provide excellent service. However, the best results will be obtained at minimum costs if:

- The machine is operated with reasonable care.
- The machine is maintained regularly - per the machine maintenance instructions provided.
- The machine is maintained with manufacturer supplied or equivalent parts.



PROTECT THE ENVIRONMENT
Please dispose of packaging materials, old machine components such as batteries, hazardous fluids such as antifreeze and oil, in a safe environmentally way according to your local waste disposal regulations.



Always remember to recycle.

Tennant Company
PO Box 1452
Minneapolis, MN 55440
Phone: (800) 553-8033 or (763) 513-2850

www.tennantco.com

Specifications and parts are subject to change without notice.

Copyright ©1999, 2006 Tennant Company. All rights reserved.
Printed in U.S.A.

MACHINE DATA

Please fill out at time of installation for future reference.

Model No.- _____

Install. Date - _____

Serial No.- _____

TABLE OF CONTENTS

TABLE OF CONTENTS	6
SAFETY PRECAUTIONS	7
GROUNDING INSTRUCTIONS	8
SAFETY LABELS	8
MACHINE COMPONENTS	9
SETUP AND OPERATION	9
MACHINE MAINTENANCE	10
STORING MACHINE	11
RECOMMENDED STOCK ITEMS	11
TROUBLESHOOTING	12
SPECIFICATIONS	12
ELECTRICAL DIAGRAMS	31
PARTS LIST	32
SOLUTION TANK GROUP	32
CHASSIS GROUP	34
DISCHARGE PUMP GROUP	36
HANDLE GROUP	38
ACCESSORIES GROUP	39

SAFETY PRECAUTIONS

This machine is intended for commercial use. It is designed to vacuum water in an indoor environment and is not constructed for any other use. Do not use machine for dry pick-up. Use only recommended accessory tools.

All operators must read, understand and practice the following safety precautions.

The following warning alert symbol and the "FOR SAFETY" heading are used throughout this manual as indicated in their description:

⚠ WARNING: To warn of hazards or unsafe practices which could result in severe personal injury or death.

FOR SAFETY: To identify actions which must be followed for safe operation of equipment.

Failure to follow these warnings may result in personal injury, electrical shock, fire or explosion.

⚠ WARNING: Fire Or Explosion Hazard:

- Never Use Flammable Liquids Or Operate Machine in Or Near Flammable Liquids, Vapors Or Combustible Dusts.

This machine is not equipped with explosion proof motors. The electric motors will spark upon start up and during operation which could cause a flash fire or explosion if machine is used in an area where flammable vapors/liquids or combustible dusts are present.

- Do Not Pick Up Flammable Materials Or Reactive Metals.

⚠ WARNING: Electrical Hazard. Do Not Operate With Damaged Power Cords. Do Not Modify Plugs. Unplug Power Cords Before Servicing Machine.

If the supply cords are damaged or broken, they must be replaced by the manufacturer or it's service agent or a similarly qualified person in order to avoid a hazard.

⚠ WARNING: Electrical Shock hazard. Do Not Use Outdoors. Do Not Expose to Rain. Store Indoors.

The following information signals potentially dangerous conditions to the operator or equipment:

FOR SAFETY:

1. Do not operate machine:
 - With flammable liquids or near flammable vapors as an explosion or flash fire may occur.
 - Unless trained and authorized.
 - Unless operator manual is read and understood.
 - Unless cords are properly grounded.
 - With damaged cords or plugs.
 - If not in proper operating condition.
 - In outdoor areas.
 - In standing water.
 - Without bag or filter in place.
 - With the use of additional extension cords. Only use manufacturer's extension cord equipped with machine which has proper capacity and is grounded.
2. Before operating machine:
 - Make sure all safety devices are in place and operate properly.
 - Place wet floor signs as needed.
3. When using machine:
 - Do not run machine over cords.
 - Do not pull machine by plugs or cords.
 - Do not pull cords around sharp edges or corners.
 - Do not close doors on cords.
 - Do not unplug by pulling on cords.
 - Do not stretch cords.
 - Do not handle plugs with wet hands.
 - Keep cords away from heated surfaces.
 - Wear non-slip shoes.
 - Do not pick up burning or smoking debris, such as cigarettes, matches or hot ashes.
 - Report machine damage or faulty operation immediately.
 - Never allow children to play on or around.
4. Before leaving or servicing machine:
 - Turn machine off.
 - Unplug cords from wall outlet.

OPERATION

5. When servicing machine:

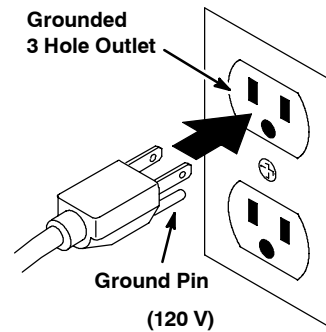
- Unplug cords from wall outlet.
- Use manufacturer supplied or approved replacement parts.
- All repairs must be performed by a qualified service person.
- Do not modify the machine from its original design.

6. When transporting machine:

- Turn machine off.
- Get assistance when lifting machine.
- Unplug cords from wall outlets.
- Use a recommended ramp when loading/unloading on/off truck or trailer.
- Use tie-down straps to secure machine to truck or trailer.

GROUNDING INSTRUCTIONS

Machine must be grounded. If it should malfunction or breakdown, grounding provides a path of least resistance for electrical current to reduce the risk of electrical shock. This machine is equipped with cords having an equipment-grounding conductor and grounding plug. The plug must be plugged into an appropriate outlet that is properly installed in accordance with all local codes and ordinances. Do not remove ground pin; if missing, replace plug before use.



SAFETY LABELS

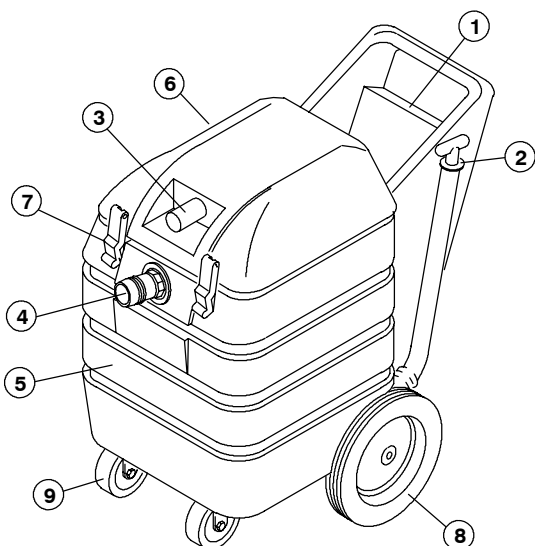
The safety label appears on the machine in the location indicated. Replace label if it is missing or becomes damaged or illegible.

WARNING LABEL - Located on top of machine.



	⚠ WARNING	⚠ AVERTISSEMENT	⚠ ADVERTENCIA
	EXPLOSION, FIRE AND SHOCK HAZARD. AVOID INJURY.	RISQUE D'EXPLOSION, D'INCENDIE ET DE DECHARGE. EVITEZ LES BLESSURES.	PELIGRO DE EXPLOSION, FUEGO, DESCARGA EVITE LESIONES.
	• Do Not Use Near Flammable Liquids, Vapors or Combustible Dusts.	• N'utilisez Pas Près de Liquides, Vapeurs ou Poussières Inflammables.	• No Use Cerca De Líquidos Flamables, Vapores O Materiales Combustibles.
	• Do Not Pick Up Flammable or Toxic Materials and Burning Debris.	• Ne Ramassez Pas de Matériaux Inflammables ou Toxiques et de Déchets Enflammés.	• No Recoja Materiales Flamables O Tóxicos Ni Desechos Candescentes.
	• Do Not Operate With Damaged Power Cord. Do Not Modify Plug. Unplug Power Cord Before Servicing Machine.	• N'utilisez Pas la Machine Avec un Cordon d'Alimentation Endommagé. Ne Modifiez Pas la Prise. Débranchez le Cordon d'Alimentation Avant d'Entretenir la Machine.	• No Use Con Cable De Corriente Dañado. No Altere El Enchufe. Desconecte Cable De Corriente Antes Del Mantenimiento.
	• Do Not Use Outdoors. Do Not Expose to Rain. Store Indoors.	• N'utilisez Pas en Extérieur. N'Exposez Pas à la Pluie. Entrezposez à l'intérieur.	• No Use Al Aire Libre. No Exponga A La Lluvia. Guarde Bajo Techo.
			1025382

MACHINE COMPONENTS



1. ON/OFF Switch
2. Drain Hose
3. Intake Hose Connector
4. Discharge Hose Connector
5. 76L (20 Gal) Recovery Tank
6. Recovery Tank Cover
7. Cover Latches
8. 254 mm (10 in) Stair Climbing Wheels
9. Swivel Casters

NOTE: See Parts List section for standard accessories.

SETUP AND OPERATION

FOR SAFETY: Do not operate machine unless operator manual is read and understood.

1. Carefully check carton for signs of damage. Report damages at once to carrier. Machine is fully assembled and ready for use.

2. Check that float shutoff screen and filter bag are installed in recovery tank (Figure 1).



FIG. 1

ATTENTION: Do not operate machine without screen and filter bag in place, vacuum motor and pump damage will result.

⚠ WARNING: Fire Or Explosion Hazard: Never Use Flammable Liquids Or Operate Machine in Or Near Flammable Liquids, Vapors Or Combustible Dusts.

3. Connect 5 M (15 ft) hose to intake connector and 8 M (25 ft) hose to discharge connector (Figure 2). Place opposite end of discharge hose outside or to drain that will handle large volume of water.

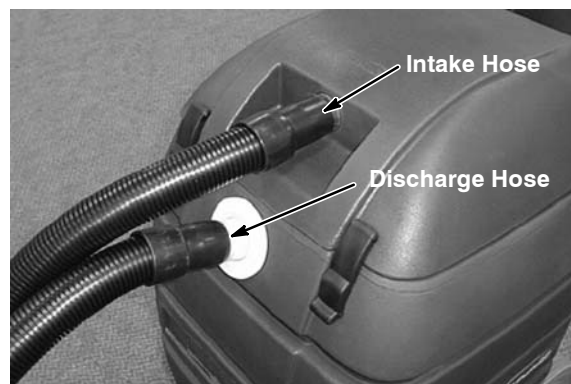


FIG. 2

NOTE: Do not exceed 31 M (100 ft) of intake hose. For best performance, length of 8 M (25 ft) is recommended. Discharge hose can be any horizontal length, do not raise discharge hose beyond 2 M (8 ft).

4. Attach accessory tool to intake hose if desired.
5. Connect equipped extension cords to pig tails on machine and plug each cord into a separate grounded circuit (Figure 3).

ATTENTION: Be certain to use a separate circuit for each power cord to prevent circuit overload (machine draws 17 amps).

OPERATION

FOR SAFETY: Do not operate machine with the use of additional extension cords. Only use manufacturer's extension cords equipped with machine which has proper capacity and is grounded.

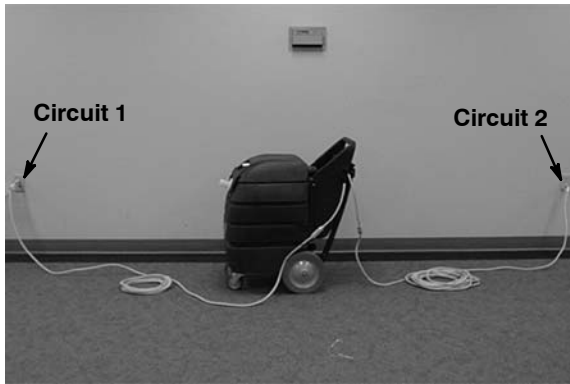


FIG. 3

⚠ WARNING: Electrical Hazard. Do Not Operate With Damaged Power Cord. Do Not Modify Plug. Unplug power Cord Before Servicing Machine.

4. Turn ON/OFF switch to the on position.
5. Begin vacuuming water. When water level reaches a certain height, the pump will automatically discharge water.

⚠ WARNING: Fire Or Explosion Hazard: Do Not Pick Up Flammable Materials Or Reactive Metals.

6. Observe recovery tank for excessive foam while operating. Foam will not activate float shut-off screen, located in recovery tank.

ATTENTION: Do not allow foam or water to enter float shut-off screen, vacuum motor damage will result.

7. After operating machine, turn machine off and drain excess water from recovery tank using drain hose.

MACHINE MAINTENANCE

To keep machine in good working condition, simply follow maintenance procedures below:

⚠ WARNING: Electrical Hazard. Unplug power Cord Before Servicing Machine.

FOR SAFETY: When servicing machine, all repairs must be performed by a qualified service person.

1. Drain and flush recovery tank with clean water after each use (Figure 4).



FIG. 4

2. Clean the float shut-off screen and filter bag located in recovery tank after each use (Figure 5).



FIG. 5

3. Inspect power cords for damage, replace immediately if damaged. Coil cords neatly after each use.

If the supply cord is damaged or broken, it must be replaced by the manufacturer or it's service agent or a similarly qualified person in order to avoid a hazard.

4. Inspect vacuum hoses for holes and loose cuffs.
5. Clean machine housing with an all purpose cleaner and damp cloth.
6. Inspect machine for leaks and loose hardware.
7. Lubricate wheels and casters with a water resistant oil.
8. Every 250 hours of use check vacuum motor for carbon brush wear. Replace brushes when worn to a length of 10mm (0.38 in) or less.

STORING MACHINE

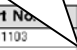
1. Before storing machine, be certain to flush tank and drain machine of all water.
2. Store machine in a dry area in the upright position.
3. Open recovery tank cover to promote air circulation.

**⚠ WARNING: Electrical Shock hazard.
Do Not Use Outdoors. Do Not Expose to Rain.
Store Indoors.**

ATTENTION: If storing machine in freezing temperatures, be sure that machine and pump are completely drained and dry.

RECOMMENDED STOCK ITEMS

Refer to Parts List section for recommended stock items. Stock Items are clearly identified with a bullet preceding the parts description. See example below:



Ref.	Part No.	Description	Qty.
1	701103	ASM.,STANDPIPE	1
2	180618	●FLOAT, SHUTOFF	1
3	230197	NIPPLE	1
4	101714	●GASKET	1
5	210240	NUT, FLANGED	1

OPERATION

TROUBLESHOOTING

PROBLEM	CAUSE	SOLUTION
Poor pick up.	Float shut-off screen is clogged.	Clean screen inside recovery tank.
	Loose drain hose knob.	Close drain valve.
	Loose recovery tank cover.	Tighten down cover with latches.
	Damaged hose.	Replace hose.
Vacuum motor does not operate.	Unplugged cord.	Plug cords into separate grounded circuits.
	Faulty switch or loose wiring.	Contact Service Center.
	Tripped building circuit breaker.	Reset circuit breaker.
	Defective vacuum motor.	Contact Service Center.
Discharge pump does not operate.	Unplugged cord.	Plug cords into separate grounded circuits.
	Faulty pump float switch.	Contact Service Center.
	Tripped building circuit breaker.	Reset circuit breaker.
	Defective vacuum motor.	Contact Service Center.
Discharge pump operates continuously.	Airlock has formed in discharge pump inlet.	Connect open end of discharge hose to vacuum intake hose connector and turn on machine.
	Faulty pump float switch.	Contact Service Center.

SPECIFICATIONS

Model	Tennant 900
LENGTH	762 mm (30 in)
WIDTH	508 mm (20 in)
HEIGHT	889 mm (35 in)
WEIGHT	41 Kg (90 lbs)
RECOVERY TANK CAPACITY	60.5 L (16 gal)
VACUUM HOSE	4.5 m (15 ft) x 38 mm (1.5 in)
DISCHARGE HOSE	7.6 m (25 ft) x 38 mm (1.5 in)
FLOOR WAND WIDTH	330 mm (13 in)
DISCHARGE PUMP	115 volt, 1/3 hp, 8.7 psi/.6 bar, 10 amp
DISCHARGE PUMP FLOW RATE	113 L (30 gal) per minute
VACUUM MOTOR	120 volt, 3-stage, 1.6 hp, 10.7 amp, 1242 watts
SEALED WATER LIFT	3048 mm (120 in)
POWER CORD LENGTH	15 m (50 ft)
TOTAL POWER CONSUMPTION	120V, 17 A, 2040 W (Use Separate Circuits)
DECIBEL RATING AT OPERATOR'S EAR, INDOORS ON CARPET	80dB(A)


Este manual se incluye en todos los modelos nuevos. Proporciona la información necesaria para su utilización y mantenimiento.

Lea todo el manual detenidamente para comprender la máquina antes de utilizarla o revisarla.

Use la Lista de Piezas incluida en este manual al ordenar piezas de repuesto. Antes de ordenar piezas o suministros, asegúrese de tener el número de modelo y el número de serie de su máquina. Las piezas y los suministros pueden ordenarse por teléfono o por correo de cualquier centro autorizado de piezas y servicios, distribuidor de piezas o de cualquier subsidiaria del fabricante.

Esta máquina le proporcionará excelentes resultados. Sin embargo, los resultados serán óptimos a un coste mínimo si:


- Utiliza la máquina con un cuidado razonable.
- Realiza las operaciones de mantenimiento de acuerdo con las instrucciones adjuntas.
- Las operaciones de mantenimiento de la máquina se realizan con piezas suministradas por el fabricante o equivalentes.



PROTECCIÓN DEL MEDIO AMBIENTE

Deseche el material de embalaje, los componentes usados de la máquina como las baterías y los líquidos peligrosos como el anticongelante y el aceite, de forma segura para el medio ambiente, de acuerdo con las normativas o disposiciones locales.

No olvide reciclar.



DATOS DE LA MÁQUINA

Cumplimente los siguientes datos en el momento de instalación de la máquina para utilizarlos como referencia en el futuro.

Número de modelo: _____

Fecha de instalación: _____

Número de serie: _____

INDICE


MEDIDAS DE SEGURIDAD	14
INSTRUCCIONES DE CONEXION A TIERRA	15
ADHESIVOS DE SEGURIDAD	16
COMPONENTES DE LA MÁQUINA	17
INSTALACIÓN Y FUNCIONAMIENTO	17
MANTENIMIENTO DE LA MÁQUINA	18
ALMACENAMIENTO DE LA MÁQUINA	19
STOCK RECOMENDADO DE REPUESTOS ...	19
LOCALIZACIÓN DE AVERÍAS	20
ESPECIFICACIONES	21
DIAGRAMAS ELECTRICA	31
LISTA DE PIEZAS	32
GRUPO DEL TANQUE DE SOLUCION	32
CONJUNTO TELAIO	34
GRUPO DE LA BOMBA DE LA	
DESCARGA	36
GRUPO DEL MANGO	38
GRUPO DE LOS ACCESORIOS	39

MEDIDAS DE SEGURIDAD

Esta máquina está destinada al uso comercial. Está diseñada para aspirar agua en recintos cerrados y no debe utilizarse para ningún otro uso. Utilice solamente los accesorios recomendados.

Todos los operarios deben leer, comprender y cumplir las siguientes medidas de seguridad:

En este manual se utilizan los siguientes símbolos de peligro, cuyo significado se indica a continuación:

 **ADVERTENCIA:** Advierte sobre riesgos o prácticas inseguras que podrían provocar lesiones personales graves o fatales.

PARA SU SEGURIDAD: Identifica las operaciones que debe realizar para una utilización segura del equipo.


El no cumplimiento de estas advertencias puede causar lesiones personales, descargas eléctricas, incendios y explosiones.

 **ADVERTENCIA:** Peligro de incendio o explosión:

- Nunca utilice líquidos inflamables ni haga funcionar la máquina en las proximidades de líquidos, vapores o polvos inflamables.

La máquina no está equipada con motores a prueba de explosiones. Los motores eléctricos producirán chispas tanto durante el arranque y como durante su utilización que pueden provocar incendios o explosiones si utiliza la máquina en presencia de líquidos o vapores inflamables o partículas combustibles.

- No recoja materiales inflamables ni metales reactivos.

 **ADVERTENCIA:** Peligro eléctrico. No opere con un cordón eléctrico dañado. No modifique el enchufe. Desenchufe el cordón eléctrico antes de reparar la máquina.

Si el cordón del suministro se daña o se rompe, debe ser reemplazado por el fabricante o su agente de servicio o una persona similarmente calificada para evitar un riesgo.

 **ADVERTENCIA:** No use al aire libre. No exponga a la lluvia. Almacén bajo techo.

 **ADVERTENCIA :** El interruptor del circuito de falla de conexión a tierra no protege contra el

choque eléctrico debido al contacto con los conductores del circuito o una falla en el cableado de alimentación de este dispositivo. No use un cordón de extensión entre el GFCI y la salida de energía eléctrica.

La siguiente información indica las condiciones potencialmente peligrosas para el operario o equipo:

PARA SU SEGURIDAD:

1. No utilice la máquina:
 - Con líquidos inflamables o cerca de gases inflamables, ya que podría provocar explosiones o llamaradas.
 - Salvo que esté debidamente formado y autorizado.
 - Salvo haber leído y comprendido el manual del operario.
 - A menos que el cordón se conecte apropiadamente a tierra.
 - Con un cordón o enchufe dañados.
 - Si la máquina no funciona correctamente.
 - En áreas al aire libre.
 - En agua estancada.
 - Sin haber colocado los filtros y/o la bolsa.
 - Con el uso de una extensión de cordón. Utilice solamente la cordón de la extensión del fabricante equipada de la máquina que tiene capacidad apropiada y se pone a tierra.
2. Antes de operar máquina:
 - Asegúrese de que todos los dispositivos de seguridad se encuentren en su lugar y funcionen correctamente.
 - Coloque señales de piso húmedo según se necesite.
3. Al utilizar la máquina:
 - No tire de la máquina por el enchufe o el cordón.
 - Evite pasar el cable por bordes agudos o esquinas.
 - No cierra las puertas sobre el cordón.
 - No desenchufe tirando del cordón.
 - No estire el cordón.
 - No maneje el enchufe con las manos húmedas.
 - Mantenga el cordón lejos de las superficies calientes.
 - Use zapatos antiresbalosos.
 - No recoja restos ardiendo o humeantes como cigarrillos, cerillas o cenizas calientes.

- Informe inmediatamente de las averías de la máquina o si el funcionamiento no es correcto.
 - No permita nunca que los niños jueguen encima o alrededor de la máquina.
4. Antes de abandonar o revisar la máquina:
- Apague la máquina.
 - Desenchufe cordón del tomacorriente de la pared.
5. Al revisar la máquina:
- Desenchufe cordón del tomacorriente de la pared.
 - Utilice repuestos suministrados o aprobados por el fabricante.
 - Todas las reparaciones deben ser realizadas por personal técnico cualificado.
 - No modifique el diseño original de la máquina.
6. Al transportar la máquina:
- Apague la máquina.
 - Pida ayuda para levantar la máquina.
 - Desenchufe cordón del tomacorriente de la pared.
 - Utilice una rampa al cargar/descargar la máquina en/de un camión o remolque.
 - Utilice las cintas para fijar la máquina al camión o remolque.

INSTRUCCIONES DE CONEXION A TIERRA

La máquina debe conectarse a tierra. En caso de mal funcionamiento o desarreglo, la conexión a tierra provee un recorrido de menor resistencia para la corriente eléctrica para reducir el riesgo de choque eléctrico. Esta máquina está equipada con un cordón con un conductor de conexión a tierra del equipo y enchufe de conexión a tierra. El enchufe debe enchufarse en un tomacorrientes apropiado correctamente instalado de acuerdo con todos los códigos y ordenanzas locales. No extraer la clavija de conexión a tierra; si falta, reemplazar el enchufe antes de usar.

OPERACIÓN

ADHESIVOS DE SEGURIDAD

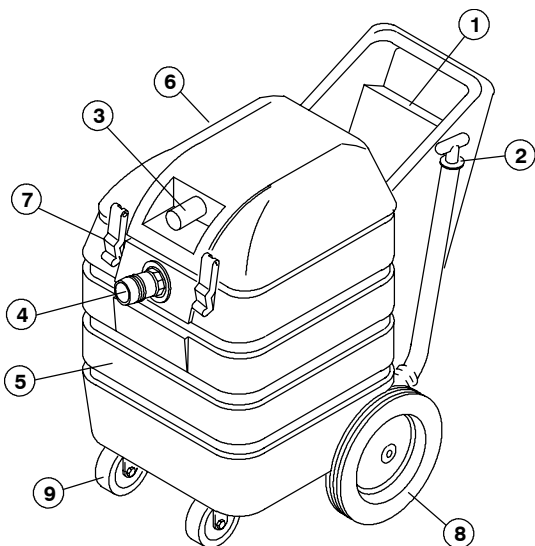
La adhesivo de seguridad aparece en la máquina en la localización indicada. Sustituya el adhesivo si se ha desprendido, o está deteriorado o son ilegible.

ETIQUETA DE ADVERTENCIA - Ubicada encima de la máquina.



	⚠ WARNING	⚠ AVERTISSEMENT	⚠ ADVERTENCIA
	EXPLOSION, FIRE AND SHOCK HAZARD. AVOID INJURY.	RISQUE D'EXPLOSION, D'INCENDIE ET DE DÉCHARGE. ÉVITEZ LES BLESSURES.	PELIGRO DE EXPLOSIÓN, FUEGO, DESCARGA EVITE LESIONES.
	<ul style="list-style-type: none">• Do Not Use Near Flammable Liquids, Vapors or Combustible Dusts.• Do Not Pick Up Flammable or Toxic Materials and Burning Debris.	<ul style="list-style-type: none">• N'utilisez Pas Près de Liquides, Vapeurs ou Poussières Inflammables.• Ne Ramassez Pas de Matériaux Inflammables ou Toxiques et de Déchets Enflammés.	<ul style="list-style-type: none">• No Use Cerca De Líquidos Flamables, Vapores O Materiales Combustibles.• No Recoja Materiales Flamables O Tóxicos Ni Desechos Candescentes.
	<ul style="list-style-type: none">• Do Not Operate With Damaged Power Cord. Do Not Modify Plug. Unplug Power Cord Before Servicing Machine.• Do Not Use Outdoors. Do Not Expose to Rain. Store Indoors.	<ul style="list-style-type: none">• N'utilisez Pas la Machine Avec un Cordon d'Alimentation Endommagé. Ne Modifiez Pas la Prise. Débranchez le Cordon d'Alimentation Avant d'Entretenir la Machine.• N'utilisez Pas en Extérieur. N'Exposez Pas à la Pluie. Entrezposez à l'Intérieur.	<ul style="list-style-type: none">• No Use Con Cable De Corriente Dañado. No Altere El Enchufe. Desconecte Cable De Corriente Antes Del Mantenimiento.• No Use Al Aire Libre. No Exponga A La Lluvia. Guarde Bajo Techo.
			

COMPONENTES DE LA MÁQUINA



1. Interruptor de ENCENDIDO/APAGADO (ON/OFF)
2. Manguera de vaciado
3. Conector de manguera de la toma
4. Conector de manguera de descarga
5. Depósito de recuperación de 76 l
6. Tapa del depósito de recuperación
7. Pestillos de la tapa
8. Ruedas para subir escaleras (254 mm)
9. Ruedecillas basculantes
10. Escobilla de goma (no mostrada)
11. Manguera de aspiración de 7,6 m
12. Manguera de aspiración de 4,5 m
13. Alargador de 15 metros (no mostrado)

NOTA: Consulte la sección Lista de piezas para ver los accesorios estándar.

INSTALACIÓN Y FUNCIONAMIENTO

PARA SU SEGURIDAD: No utilice la máquina salvo que haya leído y comprendido el manual del operario.

1. Controle cuidadosamente si la caja presenta signos de deterioro. Si existieran desperfectos, informe inmediatamente al transportista. La máquina está totalmente montada y lista para su utilización.

2. Compruebe que el filtro del flotador de cierre y la bolsa de filtro están montados en el depósito de recuperación (Figura 1).



FIG. 1

ATENCIÓN: No utilice la máquina sin el filtro y la bolsa montados, ya que podrían averiarse la bomba y el motor de aspiración.

⚠ ADVERTENCIA: Peligro de incendio o explosión: Nunca utilice líquidos inflamables ni haga funcionar la máquina en las proximidades de líquidos, vapores o polvos inflamables.

3. Conecte la manguera de 5 m en el conector de la toma y la manguera de 8 m en el conector de descarga (Figura 2). Coloque el extremo contrario de la manguera de descarga en el exterior o en un desagüe que tenga capacidad para un gran volumen de agua.

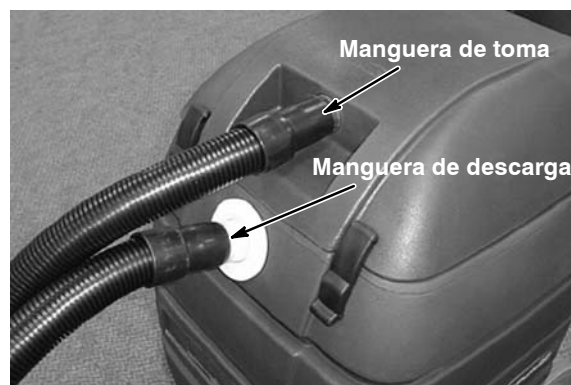


FIG. 2

NOTA: No utilice una manguera de toma de más de 31 m. Para un uso óptimo, se recomienda una longitud de 8 m. La manguera de descarga puede tener cualquier longitud en posición horizontal, no la levante más de 2 m.

4. Conecte el accesorio en la manguera de toma si lo desea.

OPERACIÓN

5. Conecte los cables alargadores proporcionados a los cables flexibles de la máquina y enchufe cada cable en un circuito con toma de tierra independiente (Figura 3).

ATENCIÓN: Asegúrese de utilizar circuitos independientes para cada cable y evitar así la sobrecarga de los circuitos (la máquina consume 17 amperios).

PARA SU SEGURIDAD: No utilice la máquina con cables alargadores adicionales. Utilice únicamente el cable alargador incluido en la máquina para asegurarse de que la capacidad es la adecuada y que presenta toma de tierra.

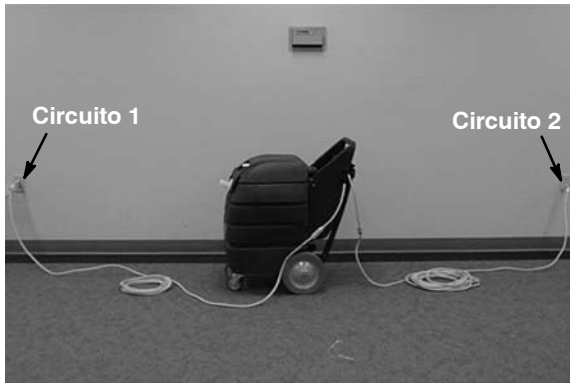


FIG. 3

⚠ ADVERTENCIA: Peligro eléctrico. No opere con un cordón eléctrico dañado. No modifique el enchufe. Desenchufe el cordón eléctrico antes de reparar la máquina.

4. Coloque el interruptor de la bomba en la posición de encendido (ON).
5. Comience a aspirar el agua. Cuando el nivel de agua alcance una determinada altura, la bomba descargará el agua automáticamente.

⚠ ADVERTENCIA: Los materiales inflamables o metales reactivos pueden provocar explosiones o incendios. No los recoja.

6. Controle el depósito de recuperación durante el funcionamiento para ver si hay demasiada espuma. La espuma no activará el filtro del flotador de cierre, situado en el depósito de recuperación.

ATENCIÓN: No permita que el agua o la espuma se introduzcan en el filtro del flotador de cierre, el motor de aspiración resultaría dañado.

7. Después de utilizar la máquina, apáguela y vacíe el exceso de agua del depósito de recuperación con la manguera de vaciado.

MANTENIMIENTO DE LA MÁQUINA

Para mantener la máquina en buenas condiciones de funcionamiento bastará realizar las operaciones de mantenimiento indicadas:

⚠ ADVERTENCIA: Peligro eléctrico. Desenchufe el cordón eléctrico antes de reparar la máquina.

PARA SU SEGURIDAD: Desenchufe la máquina antes de realizar operaciones de mantenimiento.

1. Vacíe y aclare el depósito de recuperación con agua limpia después de cada uso (Figura 4).



FIG. 4

2. Limpie el filtro del flotador de cierre y la bolsa de filtro en el depósito de recuperación después de cada uso (Figura 5).



FIG. 5

3. Controle si los cables eléctricos están deteriorados, sustitúyalos inmediatamente si así fuera. Guarde los cables enrollados después de cada uso.

Si el cordón del suministro se daña o se rompe, debe ser reemplazado por el fabricante o su agente de servicio o una persona similarmente calificada para evitar un riesgo.

4. Controle si las mangueras de aspiración están perforadas o tienen conectores sueltos.
5. Limpie el bastidor de la máquina con un limpiador de uso general y un paño húmedo.
6. Compruebe si la máquina tiene fugas o piezas sueltas.
7. Lubrique las ruedas y ruedecillas con aceite impermeable.
8. Controle el desgaste de las escobillas de carbón del motor de aspiración cada 250 horas de funcionamiento. Sustituya los cepillos cuando la longitud de sus cerdas sea igual o inferior a 10 mm.

ALMACENAMIENTO DE LA MÁQUINA

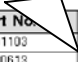
1. Antes de guardar la máquina, asegúrese de aclarar y vaciar todo el agua del depósito de la máquina.
2. Guarde la máquina en posición vertical en un lugar seco.
3. Abra la tapa del depósito de recuperación para facilitar la circulación de aire.

ATENCIÓN: No exponga la máquina a la lluvia. Guárdela en un lugar cerrado.

ATENCIÓN: Si guarda la máquina a temperaturas inferiores a 0 °C, asegúrese de que la máquina y la bomba estén completamente vacías y secas.

STOCK RECOMENDADO DE REPUESTOS

Consulte la sección de Lista de repuestos para ver de cuáles se recomienda tener existencias. Los repuestos que debe tener en almacén se identifican fácilmente por la marca que precede a la descripción de las piezas. Consulte el siguiente ejemplo:



Ref.	Part No.	Description	Qty.
1	701103	ASM., STANDPIPE	1
2	180618	●FLOAT, SHUTOFF	1
3	230197	NIPPLE	1
4	101714	●GASKET	1
5	210240	NUT, FLANGED	1

OPERACIÓN

LOCALIZACIÓN DE AVERÍAS

PROBLEMA	CAUSA	SOLUCIÓN
Recogida insuficiente	Filtro del flotador de cierre atascado.	Limpiar el filtro dentro del depósito de recuperación.
	Tapón de la manguera de vaciado mal cerrado.	Cerrar la válvula de vaciado.
	Tapa del depósito de recuperación mal cerrada.	Cerrar bien la tapa con los pestillos.
	Manguera deteriorada.	Sustituir la manguera.
El motor de aspiración no funciona.	Cable desenchufado.	Enchufar los cables en circuitos con toma de tierra independientes.
	Cableado suelto o interruptor averiado.	Contactar con el Servicio Técnico.
	Cortacircuitos del edificio disparado.	Reiniciar el cortacorrientes.
	Motor de aspiración defectuoso.	Contactar con el Servicio Técnico.
La bomba de descarga no funciona.	Cable desenchufado.	Enchufar los cables en circuitos con toma de tierra independientes.
	Interruptor del flotador de la bomba averiado.	Contactar con el Servicio Técnico.
	Cortacircuitos del edificio disparado.	Reiniciar el cortacircuitos.
	Motor de aspiración defectuoso.	Contactar con el Servicio Técnico.
La bomba de descarga funciona de forma continua.	Se han formado burbujas de aire en la entrada de la bomba de descarga.	Conectar el extremo abierto de la manguera de descarga en el conector de la manguera de la toma de aspiración y encender la máquina.
	Interruptor del flotador de la bomba averiado.	Contactar con el Servicio Técnico.

ESPECIFICACIONES

Modelo	Tennant 900
LONGITUD	762 mm
ANCHURA	508 mm
ALTURA	889 mm
PESO	41 Kg
CAPACIDAD DEL DEPÓSITO DE RECUPERACIÓN	60,5 l
MANGUERA DE ASPIRACIÓN	4,5 m x 38 mm
MANGUERA DE DESCARGA	7,6 m x 38 mm
ANCHURA DEL TUBO PARA SUELOS	330 mm
BOMBA DE DESCARGA	115 voltios, 8,7 psi/.6 bares, 10 amperios
VELOCIDAD DEL FLUJO DE LA BOMBA DE DESCARGA	113 l por minuto
MOTOR DE ASPIRACIÓN	120 voltios, 3 fases, 1,6 cv, 10,7 amperios, 1242 vatios
ELEVACIÓN DE AGUA	3048 mm
LONGITUD DEL CABLE ELÉCTRICO	15 m
CONSUMO ELÉCTRICO TOTAL	120 V, 17 A, 2040 W (utilizar circuitos distintos)
DECIBELIOS A LA ALTURA DEL OPERARIO EN RECINTO CERRADO CON SUELO ENMOQUETADO.	80 dB(A)

FONCTIONNEMENT

Ce manuel est fourni avec chaque nouveau modèle. Il fournit les instructions nécessaires au fonctionnement et à l'entretien.

Lisez complètement ce manuel et familiarisez-vous avec la machine avant de l'utiliser ou de l'entretenir.

Une liste complète de pièces détachées avec illustrations accompagne également chaque nouveau modèle. Utilisez la liste de pièces détachées pour commander des pièces de rechange. Avant de commander des pièces ou des fournitures, soyez sûr d'avoir avec vous le numéro de modèle de la machine et le numéro de série. Les pièces et les fournitures se commandent par téléphone ou par courrier auprès de tout centre de dépannage agréé, de tout distributeur ou de l'une des filiales du fabricant.

Cette machine vous fournira d'excellents services. Toutefois, vous obtiendrez les meilleurs résultats pour un prix de revient minimum si :

- La machine est manipulée avec un certain soin.
- La machine fait l'objet d'un entretien régulier conformément aux instructions d'entretien de ce manuel.
- L'entretien de la machine est effectué avec des pièces fournies par le fabricant ou des pièces équivalentes.



PROTECTION DE L'ENVIRONNEMENT

Veillez éliminer les matériaux d'emballage, les composants d'anciennes machines comme les batteries, les fluides dangereux tels que l'antigel ou l'huile, d'une manière sûre au point de vue environnemental, suivant la réglementation locale en vigueur en matière d'élimination des déchets.



N'oubliez pas de toujours recycler.

DONNÉES DE LA MACHINE

A remplir au moment de l'installation à titre de référence.

Modèle n° _____

Date d'installation - _____

N° série - _____

TABLE DES MATIÈRES

MESURES DE SÉCURITÉ	23
INSTRUCTIONS DE MISE À LA TERRE ...	24
ÉTIQUETTES DE MISE EN GARDE	25
COMPOSANTS DE LA MACHINE	26
MISE EN SERVICE ET FONCTIONNEMENT ...	26
ENTRETIEN DE LA MACHINE	27
ENTREPOSAGE DE LA MACHINE	28
ARTICLES DE STOCK RECOMMANDÉS	28
DÉPISTAGE DES PANNES	29
DONNÉES TECHNIQUES	30
SYSTÈM ÉLECTRIQUE	31
LISTE DES PIÈCES	32
ENSEMBLE DU RÉSERVOIR DE SOLUTION	32
GROUPE DU CHASSIS	34
GROUPE DE POMPE DE DÉCHARGE	36
GROUPE POIGNEE	38
GROUPE D'ACCESSOIRES	39

MESURES DE SÉCURITÉ

Cette machine est conçue pour un usage commercial. Elle est conçue pour aspirer de l'eau dans un environnement intérieur et ne convient pas à un quelconque autre usage. Utilisez uniquement les accessoires recommandés.

Les signaux de sécurité ci-après sont utilisés dans ce manuel et ont la signification suivante.

⚠ MISE EN GARDE : identifie la présence de dangers ou les opérations dangereuses susceptibles de blesser grièvement ou de provoquer la mort.

POUR VOTRE SECURITÉ : identifie les instructions qui doivent être suivies afin de garantir la sécurité lors de l'utilisation de l'équipement.

Le fait de ne pas respecter ces avertissements peut entraîner des blessures, un choc électrique, un incendie ou une explosion.

⚠ MISE EN GARDE : danger d'incendie ou d'explosion :

- **N'utilisez jamais de liquides inflammables ou n'utilisez pas la machine dans ou près de liquides ou vapeurs inflammables ou de poussières combustibles.**

Cette machine n'est pas équipée de moteurs protégés contre les explosions. Les moteurs électriques émettent des étincelles au moment du démarrage et pendant leur fonctionnement, ce qui peut entraîner un incendie instantané ou une explosion si la machine est utilisée dans une zone où des vapeurs/liquides inflammables ou des poussières combustibles, sont présents.

- **Ne ramassez pas de matériaux inflammables ou de métaux réactifs.**

⚠ MISE EN GARDE : danger électrique. N'utilisez pas la machine avec un cordon d'alimentation endommagé. Ne modifiez pas la prise. Débranchez le cordon d'alimentation avant d'entretenir la machine.

Si le cordon d'alimentation est endommagé ou rompu, il doit être remplacé par le fabricant ou son agent de maintenance ou toute autre personne qualifiée, afin d'éviter tout danger.

⚠ MISE EN GARDE : danger de choc électrique. N'utilisez pas en extérieur. N'exposez pas à la pluie. Entreposez à l'intérieur.

Les signaux d'information ci-après indiquent les situations potentiellement dangereuses pour l'opérateur ou l'équipement :

POUR VOTRE SECURITÉ :

1. N'utilisez pas la machine :

- avec des liquides inflammables ou près de vapeurs inflammables, afin d'éviter le risque d'explosion ou d'incendie instantané.
- Si vous n'y êtes pas formé et autorisé.
- Avant d'avoir lu et compris le manuel opérateur.
- Si les cordons ne sont pas correctement reliés à la terre.
- Avec des cordons ou prises endommagés.
- Si elle n'est pas en bon état de marche.
- À l'extérieur.
- Dans l'eau stagnante.
- Sans sac et filtre dans la machine.
- Avec des rallonges de cordons supplémentaires. Utilisez uniquement les rallonges de cordons équipées avec la machine ; celles-ci possèdent la capacité adéquate et sont reliées à la terre.

2. Avant d'utiliser la machine :

- Assurez-vous que tous les dispositifs de sécurité se trouvent à leur place et fonctionnent correctement.
- Placez les signes SOL HUMIDE si nécessaire.

3. Lors de l'utilisation de la machine :

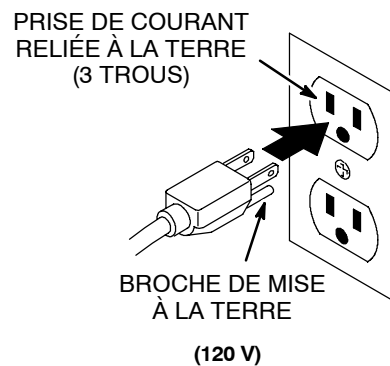
- Ne roulez pas sur les cordons avec l'appareil.
- Ne tirez pas la machine par les prises ou les cordons.
- Ne tirez pas les cordons près des bords ou des coins vifs.
- Ne fermez pas de portes sur le cordon.
- Ne débranchez pas l'appareil en tirant sur les cordons.
- N'étirez pas les cordons.

FONCTIONNEMENT

- Ne manipulez pas la prise avec des mains mouillées.
 - Éloignez les cordons des surfaces chaudes.
 - Portez des chaussures antidérapantes.
 - Ne ramassez pas de déchets enflammés ou fumants, comme des cigarettes, des allumettes ou des cendres chaudes.
 - Signalez immédiatement tout dommage occasionné à la machine ou tout mauvais fonctionnement.
 - Empêchez les enfants de jouer à proximité de la machine.
4. Avant de quitter ou d'entretenir la machine :
- Coupez le contact de la machine.
 - Débranchez les cordons des prises murales.
5. Lors de l'entretien de la machine :
- Débranchez les cordons des prises murales.
 - Utilisez des pièces de rechanges fournies ou agréées par le fabricant.
 - Toutes les réparations doivent être effectuées uniquement par un technicien qualifié.
 - Ne modifiez pas le design d'origine de la machine.
6. Lors du transport de la machine :
- Coupez le contact de la machine.
 - Demandez de l'aide pour soulever la machine.
 - Lorsque vous chargez la machine sur le camion ou la remorque ou lorsque vous la déchargez, utilisez une rampe recommandée.
 - Utilisez des sangles pour arrimer la machine sur le camion ou la remorque.
 - Débranchez le cordon de la prise murale.

INSTRUCTIONS DE MISE À LA TERRE

La machine doit être mise à la terre. En cas de dysfonctionnement ou de panne, la mise à la terre offre une voie de moindre résistance au courant électrique, afin de réduire le risque de décharge électrique. Cette machine est équipée de cordons munis d'un conducteur de terre principale et d'une fiche avec mise à la terre. La fiche doit être branchée sur une prise appropriée montée correctement, conformément aux réglementations et codes en vigueur au niveau local. Ne supprimez pas la fiche de mise à la terre ; si celle-ci manque, remplacez la prise avant d'utiliser la machine.



ÉTIQUETTES DE MISE EN GARDE

L'étiquette de mise en garde apparaît sur la machine à l'emplacement indiqué. Remplacez l'étiquette lorsqu'elle est endommagée ou qu'elle devient illisible.

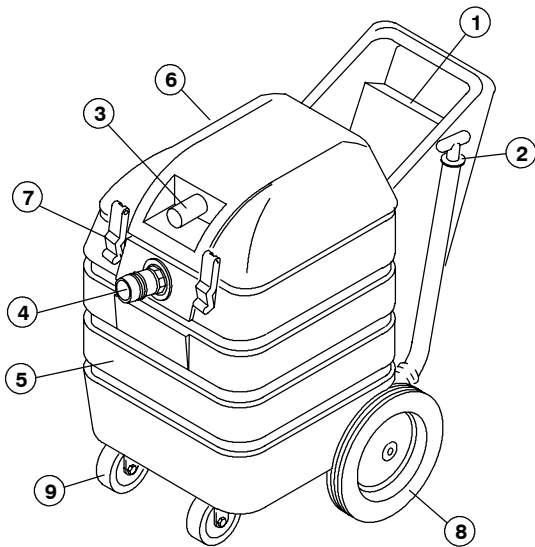
ÉTIQUETTE MISE EN GARDE - SITUÉE AU-DESSUS DE LA MACHINE.



	⚠ WARNING	⚠ AVERTISSEMENT	⚠ ADVERTENCIA
	EXPLOSION, FIRE AND SHOCK HAZARD. AVOID INJURY.	RISQUE D'EXPLOSION, D'INCENDIE ET DE DÉCHARGE. ÉVITEZ LES BLESSURES.	PELIGRO DE EXPLOSIÓN, FUEGO, DESCARGA EVITE LESIONES.
	• Do Not Use Near Flammable Liquids, Vapors or Combustible Dusts.	• N'utilisez Pas Près de Liquides, Vapeurs ou Poussières Inflammables.	• No Use Cerca De Líquidos Flamables, Vapores Ó Materiales Combustibles.
	• Do Not Pick Up Flammable or Toxic Materials and Burning Debris.	• Ne Ramassez Pas de Matériaux Inflammables ou Toxiques et de Déchets Enflammés.	• No Recoja Materiales Flamables Ó Tóxicos Ni Desechos Candescentes.
	• Do Not Operate With Damaged Power Cord. Do Not Modify Plug. Unplug Power Cord Before Servicing Machine.	• N'utilisez Pas la Machine Avec un Cordon d'Alimentation Endommagé. Ne Modifiez Pas la Prise. Débranchez le Cordon d'Alimentation Avant d'Entretenir la Machine.	• No Use Con Cable De Corriente Dañado. No Altere El Enchufe. Desconecte Cable De Corriente Antes Del Mantenimiento.
	• Do Not Use Outdoors. Do Not Expose to Rain. Store Indoors.	• N'utilisez Pas en Extérieur. N'Exposez Pas à la Pluie. Entrezposez à l'Intérieur.	• No Use Al Aire Libre. No Exponga A La Lluvia. Guarde Bajo Techo.
			1025382

FONCTIONNEMENT

COMPOSANTS DE LA MACHINE



1. Interrupteur Marche/Arrêt
2. Tuyau de vidange
3. Connecteur du tuyau d'admission
4. Connecteur du tuyau d'évacuation
5. Réservoir de récupération de 76 l
6. Couvercle du réservoir de récupération
7. Loquets du couvercle
8. Roulettes de montée d'escalier 254 mm
9. Roulettes pivotantes
10. Racloir (non illustré)
11. Tuyau d'aspiration de 7,6 m
12. Tuyau d'aspiration de 4,5 m
13. Cordon d'extension de 15 m (non illustré)

REMARQUE : Reportez-vous à la section Liste des pièces détachées pour les accessoires standard.

MISE EN SERVICE ET FONCTIONNEMENT

POUR VOTRE SECURITÉ : n'utilisez pas la machine avant d'avoir lu et compris le manuel opérateur.

1. Vérifiez soigneusement si le carton ne présente pas de dommages. Signalez immédiatement tout dommage au transporteur. La machine est complètement assemblée et prête à l'emploi.

2. Assurez-vous que le filtre d'arrêt à flotteur et que le sac de filtre sont installés dans le réservoir de récupération (Figure 1).



FIG. 1

ATTENTION : N'utilisez jamais la machine sans filtre et sac de filtre en position, pour ne pas endommager le moteur de l'extracteur et la pompe.

3. Raccordez le tuyau de 5 mètres au connecteur d'admission et le tuyau de 8 mètres au connecteur d'évacuation (Figure 2). Placez l'extrémité opposée du tuyau d'évacuation vers l'extérieur ou vers un égout pouvant accueillir un large volume d'eau.

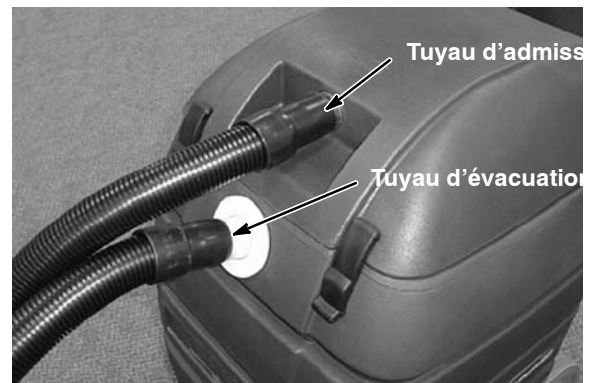


FIG. 2

REMARQUE : Ne dépassez pas une longueur de tuyau d'admission de 31 mètres. Pour obtenir les meilleures performances, une longueur de 8 mètres est recommandée. Le tuyau d'évacuation peut avoir n'importe quelle longueur horizontalement, mais ne soulevez pas le tuyau d'évacuation au-delà de 2 mètres.

4. Fixez l'outil auxiliaire sur le tuyau d'admission, si vous le souhaitez.

5. Branchez les cordons d'extension sur les torons de raccordement sur la machine et branchez chaque cordon sur un circuit séparé relié à la terre (Figure 3).

ATTENTION : Veillez à utiliser un circuit séparé pour chaque cordon d'alimentation, afin d'éviter une surcharge du circuit (la machine consomme 17 ampères).

POUR VOTRE SECURITÉ : N'utilisez pas la machine avec des rallonges de câbles supplémentaires. Utilisez uniquement la rallonge de cordon équipée avec la machine ; celle-ci possède la capacité adéquate et est reliée à la terre.

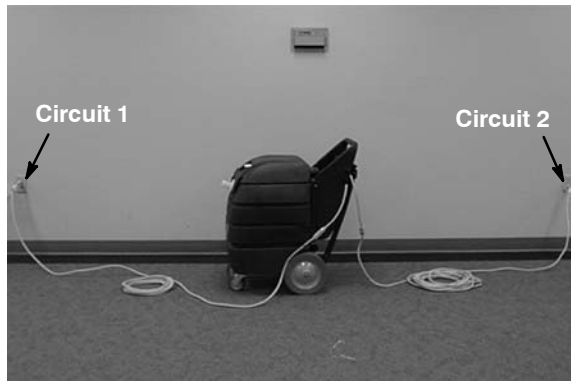


FIG. 3

⚠ MISE EN GARDE : danger électrique. N'utilisez pas la machine avec un cordon d'alimentation endommagé. Ne modifiez pas la prise. Débranchez le cordon d'alimentation avant d'entretenir la machine.

4. Tournez l'interrupteur MARCHE/ARRÊT en position MARCHE.
5. Commencez à extraire l'eau. Lorsque le niveau d'eau atteint une certaine hauteur, la pompe évacue automatiquement l'eau.

⚠ MISE EN GARDE : Les matières inflammables ou métaux réactifs peuvent provoquer des explosions ou un incendie. Ne pas ramasser.

6. Surveillez le réservoir de récupération pour déceler toute formation excessive de mousse durant le fonctionnement. La mousse n'active pas le filtre d'arrêt à flotteur, situé dans le réservoir de récupération.

ATTENTION : Veillez à ne pas laisser pénétrer de mousse ou d'eau dans le filtre d'arrêt à flotteur, afin d'éviter l'endommagement du moteur de l'extracteur.

7. Après l'opération d'extraction, arrêtez la machine et vidangez l'eau restant dans le réservoir de récupération, à l'aide du tuyau de vidange.

ENTRETIEN DE LA MACHINE

Pour garder la machine en bon état de marche, suivez simplement les procédures d'entretien ci-dessous :

⚠ MISE EN GARDE : Tension dangereuse. Risque de décharge ou d'électrocution. Débranchez la machine avant de procéder à l'entretien.

POUR VOTRE SECURITÉ : lorsque vous entretenez la machine, débranchez les cordons des prises murales.

1. Vidangez et rincez le réservoir de récupération à l'eau claire après chaque utilisation (Figure 4).



FIG. 4

2. Nettoyez le filtre d'arrêt à flotteur et le sac de filtre situés dans le réservoir de récupération, après chaque utilisation (Figure 5).



FIG. 5

3. Inspectez l'état d'endommagement des cordons d'alimentation. Remplacez-les immédiatement en cas d'endommagement. Enroulez soigneusement les cordons après chaque utilisation.

Si le cordon d'alimentation est endommagé ou rompu, il doit être remplacé par le fabricant ou son agent de maintenance ou toute autre personne qualifiée, afin d'éviter tout danger.

FONCTIONNEMENT

4. Contrôlez la présence de trous et de brides lâches sur les tuyaux d'extraction.
5. Nettoyez la machine avec un produit d'entretien multi-usages et un chiffon humide.
6. Contrôlez la présence de fuites et de pièces lâches.
7. Lubrifiez les roues et les roulettes avec une huile résistant à l'eau.
8. Toutes les 250 heures de service, vérifiez le degré d'usure des balais au charbon du moteur de l'extracteur. Remplacez les brosses lorsque la longueur des poils est de 10 mm ou moins.

ENTREPOSAGE DE LA MACHINE


1. Avant d'entreposer la machine, veillez à rincer le réservoir et à faire la vidange de toute l'eau de la machine.
2. Entreposez la machine verticalement à l'abri de l'humidité.
3. Ouvrez le réservoir de récupération pour faciliter la circulation de l'air.

⚠ MISE EN GARDE : danger de choc électrique. N'utilisez pas en extérieur. N'exposez pas à la pluie. Entreposez à l'intérieur.

ATTENTION : Si vous entreposez la machine à des températures proches de zéro, assurez-vous que la machine et la pompe sont complètement vidées et sèches.

ARTICLES DE STOCK RECOMMANDÉS

Reportez-vous à la section Liste des pièces détachées de ce manuel, pour les articles de stock recommandés. Les articles de stock sont clairement identifiés à l'aide d'un point précédant la description de la pièce. Voir l'exemple ci-dessous :



Ref.	Part No.	Description	Qty.
1	701103	ASM.,STANDPIPE	1
2	180618	●FLOAT, SHUTOFF	1
3	230197	NIPPLE	1
4	101714	●GASKET	1
5	210240	NUT, FLANGED	1

DÉPISTAGE DES PANNES

PROBLÈME	CAUSE	REMÈDE
Ramassage non satisfaisant de l'eau.	Le filtre d'arrêt à flotteur est obstrué.	Nettoyez le filtre à l'intérieur du réservoir de récupération.
	Bouchon du tuyau de vidange desserré.	Refermez la vanne de vidange.
	Couvercle du réservoir de récupération lâche.	Fermez le couvercle et fixez-le avec les loquets.
	Tuyau endommagé.	Remplacez le tuyau.
Le moteur de l'extracteur ne fonctionne pas.	Cordon débranché.	Branchez les cordons sur des circuits séparés mis à la terre.
	Bouton défectueux ou câblage lâche.	Contactez le service de dépannage.
	Coupe-circuit du bâtiment déclenché.	Réenclenchez le coupe-circuit
	Moteur d'aspiration défectueux.	Contactez le service de dépannage.
La pompe d'évacuation ne fonctionne pas.	Cordon débranché.	Branchez les cordons sur des circuits séparés mis à la terre.
	Interrupteur à flotteur de la pompe défectueux.	Contactez le service de dépannage.
	Coupe-circuit du bâtiment déclenché.	Réenclenchez le coupe-circuit
	Moteur d'aspiration défectueux.	Contactez le service de dépannage.
La pompe d'évacuation fonctionne en permanence.	Une poche d'air s'est formée dans l'orifice d'entrée de la pompe d'évacuation.	Raccordez l'extrémité ouverte du tuyau d'évacuation sur le connecteur du tuyau d'admission d'extraction et mettez sous tension la machine.
	Interrupteur à flotteur de la pompe défectueux.	Contactez le service de dépannage.

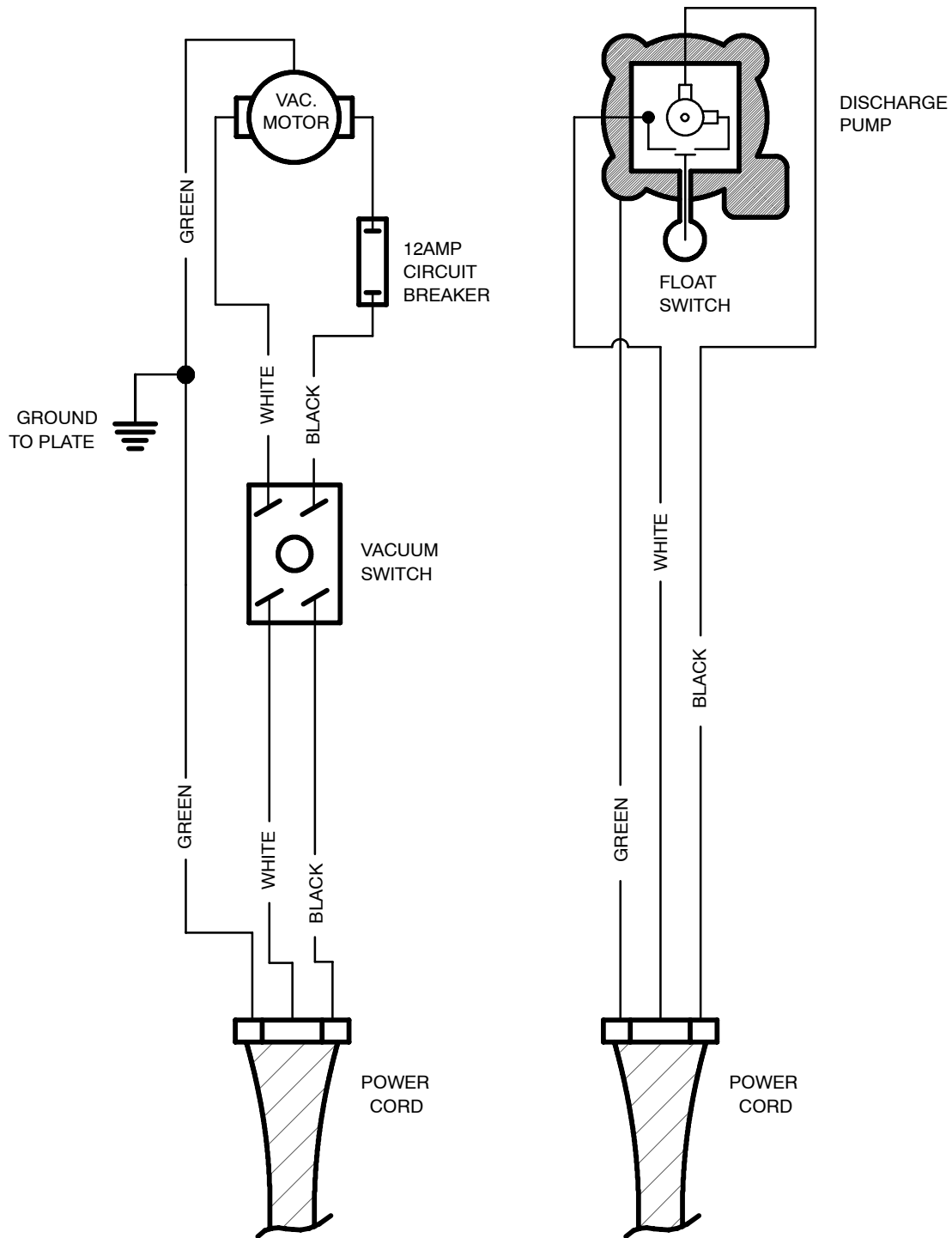
FONCTIONNEMENT

DONNÉES TECHNIQUES

Modèle	Tennant 900
LONGUEUR	762 mm
LARGEUR	508 mm
HAUTEUR	889 mm
POIDS	41 kg
CAPACITÉ DU RÉSERVOIR DE RÉCUPÉRATION	60.5 l
TUYAU D'ASPIRATION	4,5 m x 38 mm
TUYAU D'ÉVACUATION	7,6 m x 38 mm
LARGEUR DU TUBE DE NETTOYAGE POUR SOL	330 mm
POMPE D'ÉVACUATION	115 volts, 8,7 kPa/.6 bar, 10 amp
VITESSE D'ÉCOULEMENT DE LA POMPE D'ÉVACUATION	113 l par minute
MOTEUR D'EXTRACTION	120 volts, 3 étages, 1,6 CV, 10,7 amp, 1.242 watts
HAUTEUR D'ASPIRATION SCELLÉE	3048 mm
LONGUEUR DU CORDON D'ALIMENTATION	15 m
CONSOMMATION ÉLECTRIQUE TOTALE	120 V, 17 A, 2.040 W (Utilisez des circuits séparés)
NIVEAU SONORE AU NIVEAU DE L'OREILLE DE L'OPÉRATEUR, À L'INTÉRIEUR SUR DE LA MOQUETTE	80 dB(A)

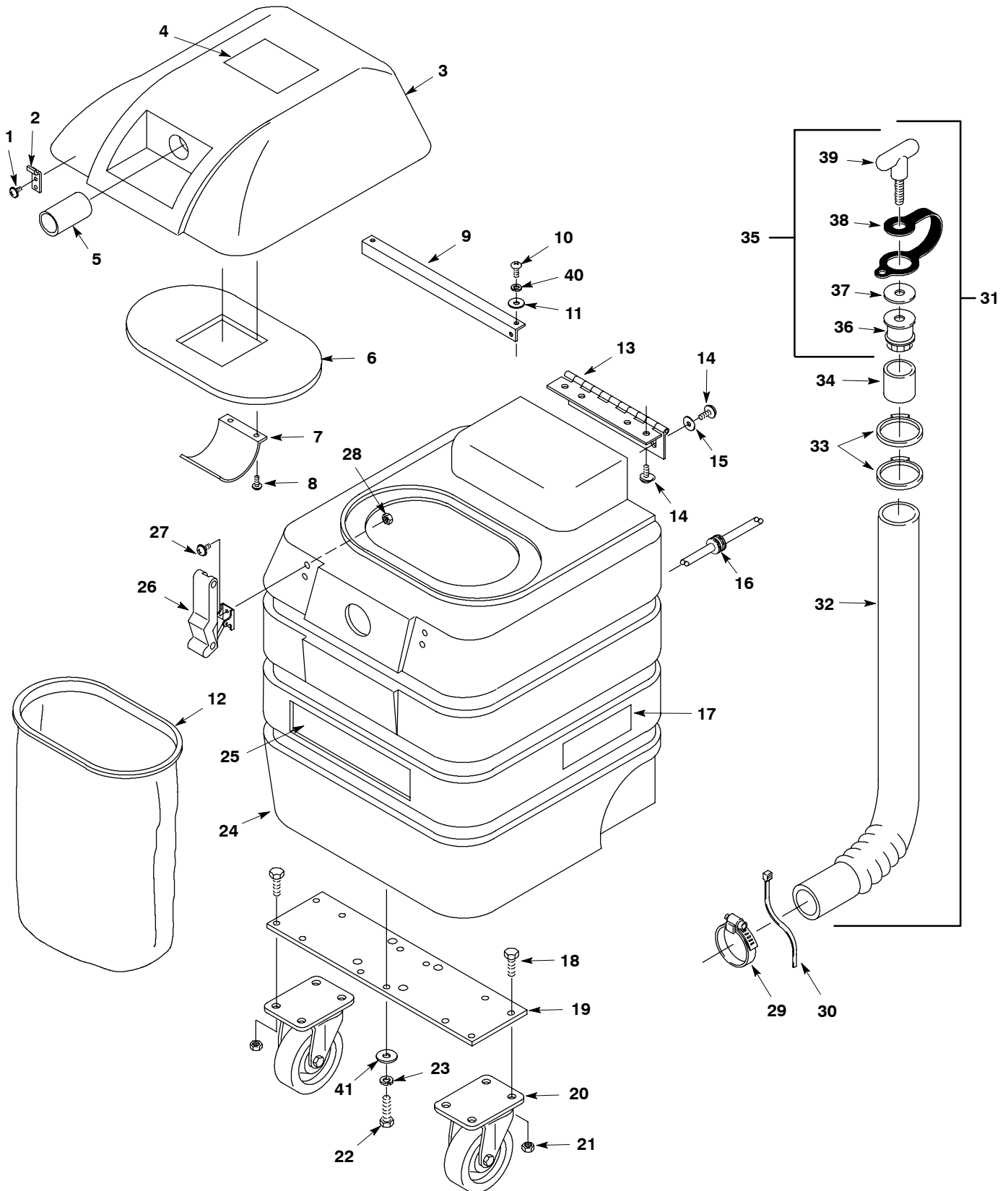
ELECTRICAL DIAGRAMS - DIAGRAMAS ELECTRICAS - SYSTEM ÉLECTRIQUE

120V WIRING DIAGRAM DIAGRAMA DE CABLEADO DIAGRAMME DE CÂBLAGE



PARTS LIST - LISTA DE PIEZAS - LISTE DES PIÈCES

SOLUTION TANK GROUP / GRUPO DEL TANQUE DE SOLUCION / ENSEMBLE DU RÉSERVOIR DE SOLUTION



PARTS LIST - LISTA DE PIEZAS - LISTE DES PIÈCES

SOLUTION TANK GROUP / GRUPO DEL TANQUE DE SOLUCION / ENSEMBLE DU RÉSERVOIR DE SOLUTION

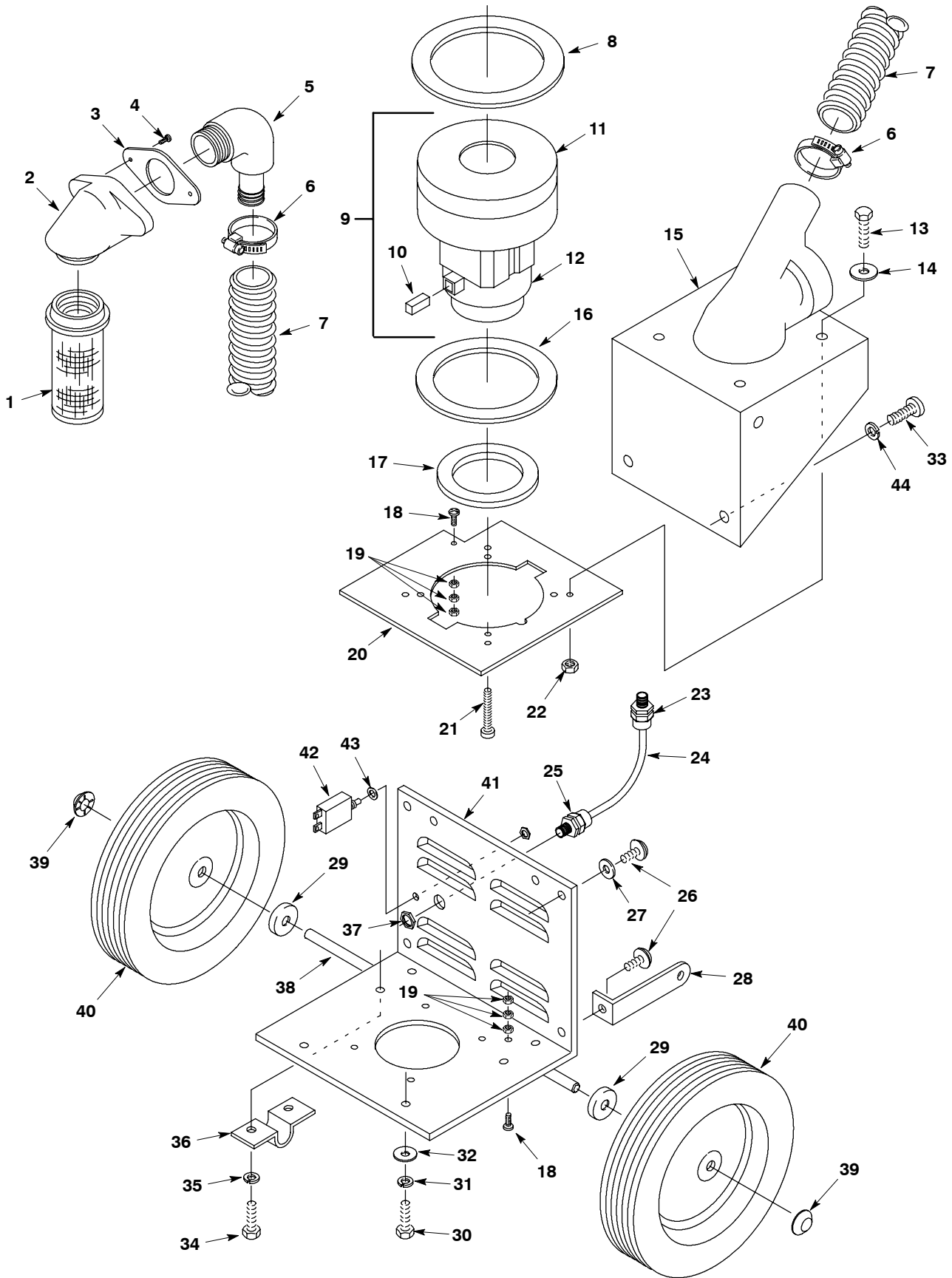
REF	PART #	DESCRIPTION	QTY.
1	609980	SCREW, TRS 8-32X0.38 PHL, SEM	4
2	49800	LATCH, HOOD RUBBER W/ KEEPER	2
∇ 3	614127	ASM, COVER W/ LABEL TEAL	1
▲ 4	1026382	LABEL, WARN, 7X2.25AC WET/DRY (EN/FR/ES)	1
▲ 5	611913	TUBE, INLET 1.50DX3.00L W/ BEADS SS	1
▲ 6	613233	●GASKET, COVER 16GAL	1
7	230497	BRACKET, AIR DEFLECTOR	1
8	140197	SCREW, 10-24X3/8	2
9	230482.BK	BRACKET, SUPPORT 16 GAL TANK	1
10	140824	SCREW, TRS .25-20 X 0.62 PHL	2
11	140003	WASHER, FENDER, .25ID X 1.00D	2
12	900222	●BAG, 16 GAL WET PICK UP	1
13	230318	HINGE, COVER 16 GALLON	1
14	140195	SCREW, 1/4-20X1/2	8
15	140000	WASHER, 1/4 FLT	4
16	130181	CORD, GRIP	1
17	608159	DECAL, TENNANT 900	2
18	02991	SCREW, 5/16-18X3/4 HXHDCP	8
19	231034	PLATE, CASTER MOUNT	1
20	103065	CASTER, SWIVEL 4"	2
21	140506	NUT, HEX, STD, .31-18	8

REF	PART #	DESCRIPTION	QTY.
22	140226	SCREW, HEX, .31-18X0.62	4
23	140015	WASHER, 5/16 SPLTLCK	4
24	609018	TANK, 16G RM-TEAL	1
25	120211	DECAL, LOGO TENNANT WHT	1
26	49800	LATCH, HOOD RUBBER W/ KEEPER	2
27	140287	SCREW, PAN, M4X0.7X16 PHL	4
28	33932	NUT, HEX, LOCK, M4 X 0.7 NL	4
29	11531	CLAMP, HOSE, WORM 1.06-2.00D, .56W	1
30	130041	WIRE TIE, NYLON	1
∇ 31	701058	●ASM., DRAINHOSE	1
▲ 32	160457	HOSE, DRAIN 25"	1
▲ 33	140072	CLAMP, HOSE, EAR 1.56D	2
▲ 34	140921	SLEEVE, DRAIN HOSE	1
▲∇ 35	701061	●ASM., DRAINHOSE STOPPER	1
▲ 36	140955	PLUG, DRAIN HOSE W/RIBS	1
▲ 37	140056	WASHER, 3/8IDX1.50OD	1
▲ 38	230882	STRAP, DRAIN STOPPER	1
▲ 39	230831	KNOB, DRAIN HOSE	1
40	578244000	WASHER, M6 X 10 LCK	2
41	140027	WASHER, FLAT, 0.35 0.75D .04	4

- ∇ ASSEMBLY / CONJUNTO / ENSEMBLE
- ▲ INCLUDED IN ASSEMBLY / INCLUIDO A CONJUNTA / Y COMPRIS EN ENSEMBLE
- RECOMMENDED STOCK ITEM / PIEZAS RECOMENDADAS EN ALMACÉN / ÉLÉMENTS DE STOCK RECOMMANDÉS

PARTS LIST - LISTA DE PIEZAS - LISTE DES PIÈCES

CHASSIS GROUP / CONJUNTO TELAIO / GROUPE DU CHASSIS



PARTS LIST - LISTA DE PIEZAS - LISTE DES PIÈCES

CHASSIS GROUP / CONJUNTO TELAIO / GROUPE DU CHASSIS

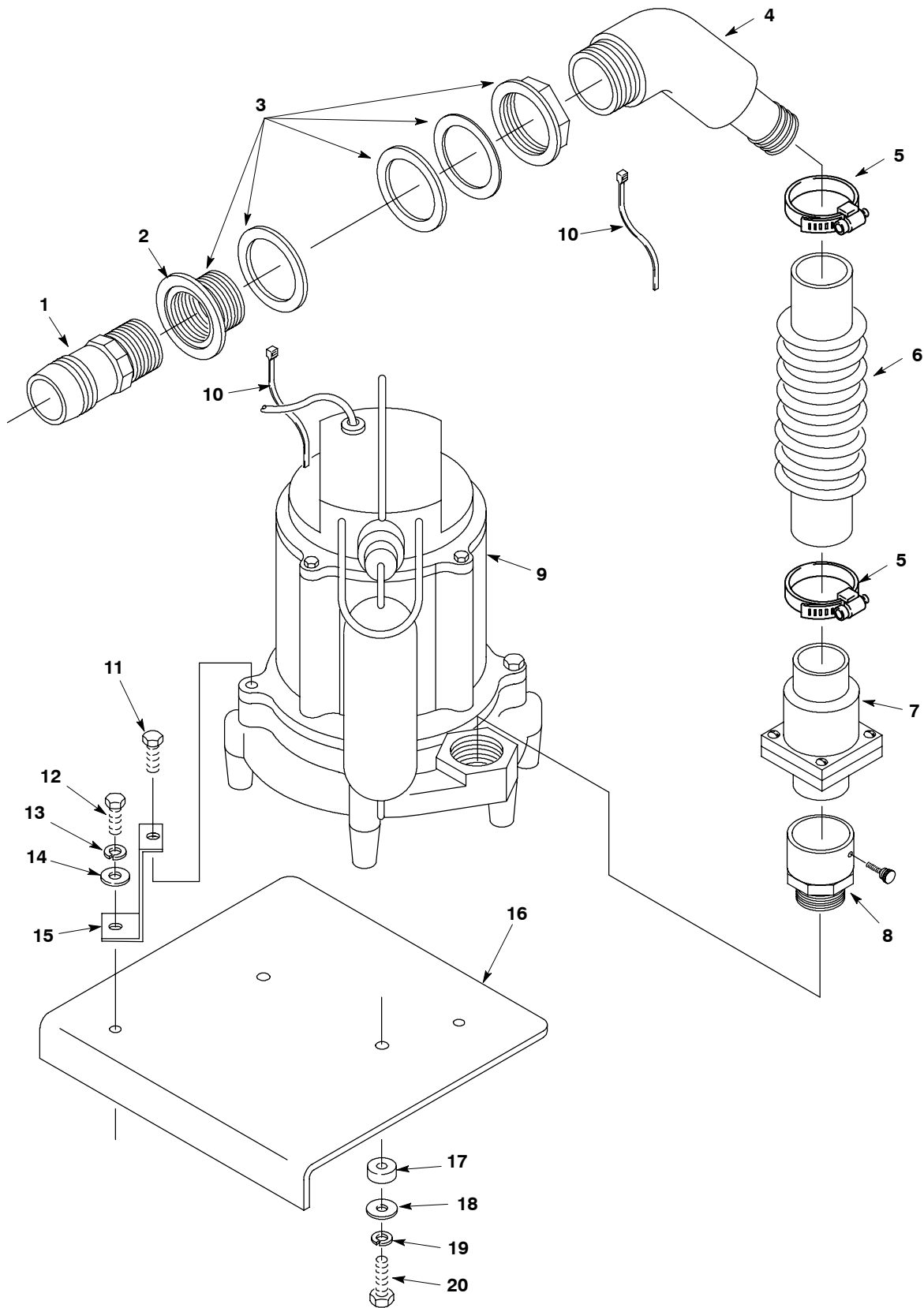
REF	PART #	DESCRIPTION	QTY.
1	180613	●FLOAT, SHUT-OFF	1
2	613139	ELBOW, BK	1
3	100096	GASKET, VAC TUBE ELBOW	1
4	140824	SCREW, TRS .25-20 X 0.62 PHL	2
5	700435	ASM., PVC ELBOW	1
6	140308	CLAMP, HOSE, WORM 1.31-2.25D	2
7	160482	HOSE, VACUUM 2.0DX13L WHITE	1
8	100038	●GASKET, VAC MOTOR	1
▽ 9	130417	●MOTOR, VAC 5.7 3 STG 120V	1
▲ 10	600272	●BRUSHES CARBON (2 PACK)	2
▲ 11	130486	●FAN SHELL, 5.7" MOTOR	1
▲ 12	130487	●HOUSING, MOTOR FAN VENT	1
13	140199	SCREW, .25-20 X 4.50	4
14	140003	WASHER, FENDER, .25ID X 1.00D	4
15	613138	HOUSING, MOUNT BK	1
16	100143	●GASKET, VAC MOTOR 5.7	1
17	100095	●GASKET, VAC MOTOR END	1
18	140900	SCREW, 10-24X3/4	2
19	140519	NUT, HEX, LOCK, #10-24 KEP	6
20	230522	PLATE, MOTOR MOUNT	1
21	140340	SCREW, #10-24X5/8	4
22	41169	NUT, HEX, LOCK, .25-20, NL	4

REF	PART #	DESCRIPTION	QTY.
23	130110	BUSHING, STRAIN-RELIEF	1
24	130267	CORD, 16/3X30" YELLOW	1
25	130181	CORD GRIP	1
26	140195	SCREW, TRS .25-20 X 0.50 PHL	6
27	140000	WASHER, FLAT, 0.28B 0.62D .04	5
28	230496.BK	SUPPORT, DRAIN HOSE	1
29	140063	●WASHER, .51X1.25X.312 FLT NYL	2
30	02994	SCREW, 3/8-16X3/4 HEXHD	2
31	140017	WASHER, 3/8 SPLTLCK	2
32	140028	WASHER, 3/8 FLT	2
33	140824	SCREW, TRS .25-20 X 0.62 PHL	2
34	01696	SCREW, HEX .25-20 X 0.50	4
35	140016	WASHER, 1/4 LCK	4
36	230746	BRACKET, AXLE OFFSET	2
37	140504	NUT, CONDUIT LOCK 1/2"	1
38	608908	AXLE, .5D X 19.165	1
39	103019	CAP, HUB, WHEEL, 0.51D	2
40	103068	●WHEEL, 10"X1.75 GRAY	2
41	230486.BK	COVER PLATE	1
42	130670	●CIRCUITBREAKER, 12A	1
43	140022	WASHER, 3/8 INT	1
44	578244000	WASHER, M6 X 10 LCK	2

- ▽ ASSEMBLY / CONJUNTO / ENSEMBLE
- ▲ INCLUDED IN ASSEMBLY / INCLUIDO A CONJUNTA / Y COMPRIS EN ENSEMBLE
- RECOMMENDED STOCK ITEM / PIEZAS RECOMENDADAS EN ALMACÉN / ÉLÉMENTS DE STOCK RECOMMANDÉS

PARTS LIST - LISTA DE PIEZAS - LISTE DES PIÈCES

DISCHARGE PUMP GROUP / GRUPO DE LA BOMBA DE LA DESCARGA / GROUPE DE POMPE DE DÉCHARGE



PARTS LIST - LISTA DE PIEZAS - LISTE DES PIÈCES

DISCHARGE PUMP GROUP / GRUPO DE LA BOMBA DE LA DESCARGA / GROUPE DE POMPE DE DÉCHARGE

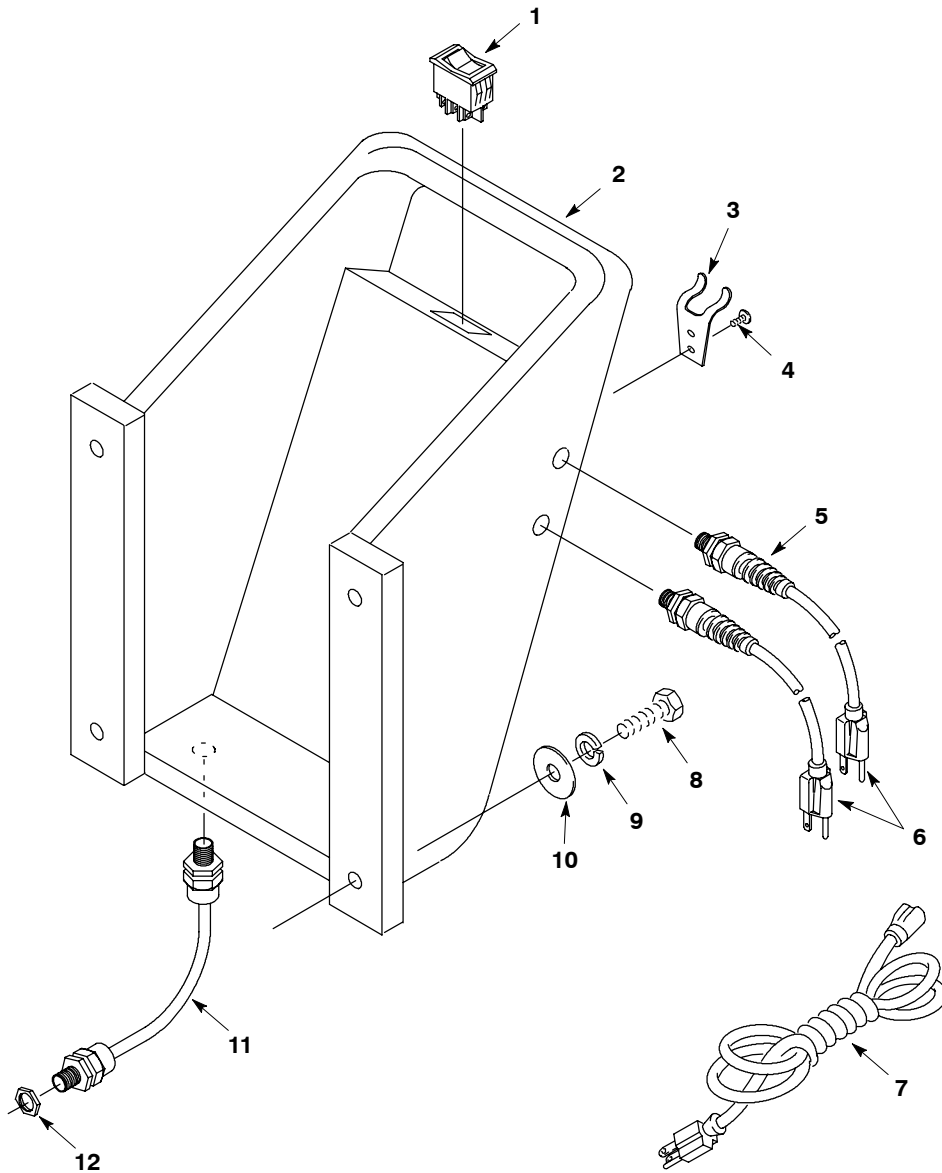
REF	PART #	DESCRIPTION	QTY.
1	150500	FITTING, 1-1/2MX1-1/2H	1
2	608517	DECAL, DISCHARGE	1
3	150301	FITTING, INLET	1
4	608467	ASM., 45 DEGREE ELBOW	1
5	140308	●CLAMP, HOSE, WORM 1.31-2.25D	2
6	608488	●HOSE, 1.62ID X 6.3L BLK	1
7	210007	●VALVE, CHECK	1
8	230183	FITTING, 1-1/2	1
9	608885	●PUMP, SUBMERSIBLE DISCHARGE	1
10	130041	●WIRE TIE, NYLON	2

REF	PART #	DESCRIPTION	QTY.
11	140208	SCREW, HEX .25-20 X 1.00	2
12	01696	SCREW, HEX, 0.25-20 X 0.50	2
13	140016	WASHER, LOCK, SPLIT 0.25	2
14	140000	WASHER, FLAT 0.28B 0.62D .04	2
15	608884	BRACKET, PUMP	2
16	608883	PLATE, PUMP BLACK	1
17	100029	●WASHER, .38X1.00X0.19 W/PSA	2
18	140027	WASHER, 5/16 FLT	2
19	140015	WASHER, 5/16 SPLTLCK	2
20	02991	SCREW, HEX 0.31-18 X 0.75	2

- RECOMMENDED STOCK ITEM / PIEZAS RECOMENDADAS EN ALMACÉN /
ÉLÉMENTS DE STOCK RECOMMANDÉS

PARTS LIST - LISTA DE PIEZAS - LISTE DES PIÈCES

HANDLE GROUP / GRUPO DEL MANGO / GROUPE POIGNEE



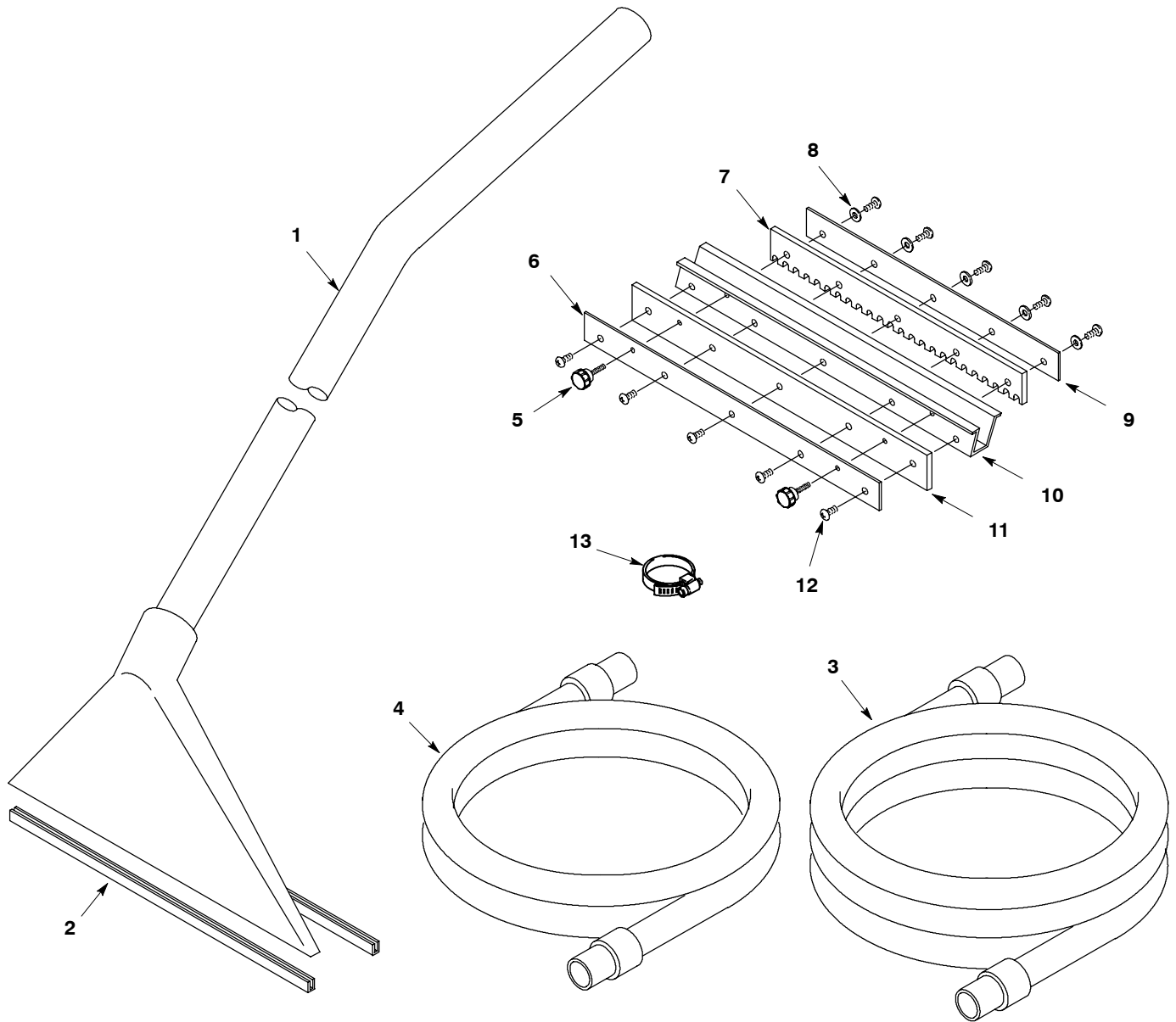
REF	PART #	DESCRIPTION	QTY.
1	608605	●SWITCH, ROCKER, 250VAC 10A	1
2	609019	HANDLE, 12/16 RM-TEAL	1
3	611978	●BRACKET, DRAIN HOSE HANGER	1
4	140825	SCREW, #6X1/2	2
5	130166	GRIP, CORD, STRAIN-RELIEF W/NUT	2
6	130201	●CORD, 16/3X28" YELLOW	2

REF	PART #	DESCRIPTION	QTY.
7	130250	●CORD, POWER 16/3X50' EXT SJT YELLOW	2
8	140231	SCREW, 3/8X1-1/2	4
9	140017	WASHER, 3/8 SPLTLCK	4
10	140028	WASHER, 3/8 FLT	4
11	130267	CORD, 16/3X30" YELLOW	1
12	140504	NUT, CONDUIT LOCK 1/2"	1

- RECOMMENDED STOCK ITEM / PIEZAS RECOMENDADAS EN ALMACÉN / ÉLÉMENTS DE STOCK RECOMMANDÉS

PARTS LIST - LISTA DE PIEZAS - LISTE DES PIÈCES

ACCESSORIES GROUP / GRUPO DE LOS ACCESORIOS / GROUPE D'ACCESSOIRES



REF	PART #	DESCRIPTION	QTY.
▽	200125	TOOL, FLOOR (COMPLETE)	1
▲ 1	200426.BK	TOOL, FLOOR	1
▲ 2	200939	●SHOE, 13" FLOOR TOOL	2
▽	600341	KIT, HOSE/SQUEEGEE	1
▲ 3	160466	●HOSE, VACUUM 1.5D X 25'L WHT	1
▲ 4	160465	●HOSE, VACUUM 1.5D X 15'L WHT	1
▲▽	200170	●SQUEEGEE ASSY 380MM/15	1
▲ 5	240217	●KNOB, RND .25-20 BLK	2

REF	PART #	DESCRIPTION	QTY.
▲ 6	240054.BK	PLATE, NUT 15" SQUEEGEE	1
▲ 7	240060	●BLADE, SQGE 15" BACKING URE	1
▲ 8	140011	WASHER, FLAT, 0.21B 0.45D .03	5
▲ 9	240055.BK	PLATE, NUT 13" SQUEEGEE	1
▲10	240056.BK	CHANNEL, 15" SQUEEGEE	1
▲11	240059	●BLADE, SQGE 15" WIPING GUM RBR	1
▲12	140887	SCREW, PAN #10-24 X 0.38, PHL	10
▲13	140308	CLAMP, HOSE, WORMDRIVE 1.31-2.25D, 0.50W	1
N/S	220040	●BAG, HOSE W/DRAW STRING (OPTIONAL)	1

▽ ASSEMBLY / CONJUNTO / ENSEMBLE
 ▲ INCLUDED IN ASSEMBLY / INCLUIDO A CONJUNTA / Y COMPRIS EN ENSEMBLE
 ● RECOMMENDED STOCK ITEM / PIEZAS RECOMENDADAS EN ALMACÉN / ÉLÉMENTS DE STOCK RECOMMANDÉS

N/S= NOT SHOWN / NO INDICADO / NON MONTRÉ