

FLOOREQUIPMENTPARTS.COM

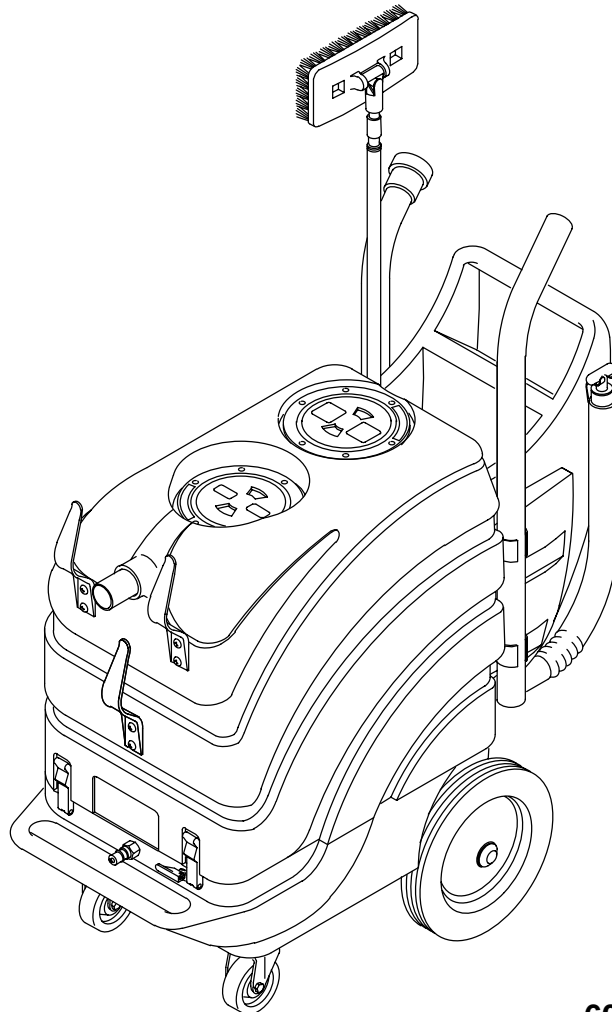


750

All Surface Cleaner

Model No.:
609668

Operator and Parts Manual

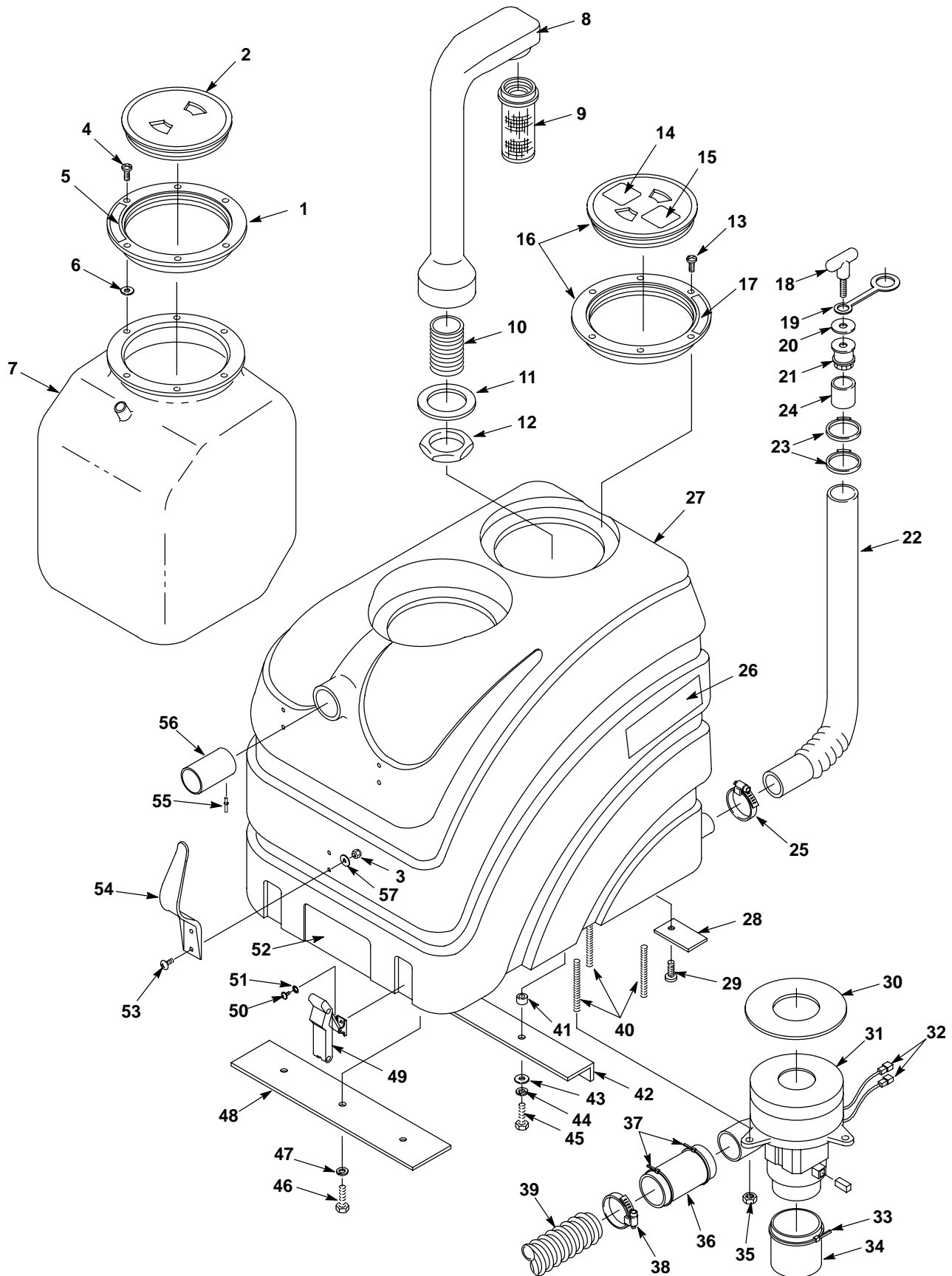


TENNANT COMPANY
Commercial Products
12875 RANSOM STREET
HOLLAND MI 49424 U.S.A.

FAX: 1-800-678-4240
CUSTOMER SERVICE: 1-800-982-7658
OUTSIDE U.S.: 1-616-786-2330

609760
Rev. 00 (03-00)

UPPER HOUSING GROUP



UPPER HOUSING GROUP

REF	PART #	DESCRIPTION	QTY.
▽	100103	CLEAR LID, W/CNTRSUNK HOLES	1
▲1	100109	LID, OUTER RING	1
▲2	100105	●LID, CENTER ONLY CLEAR	1
3	140501	NUT, 1/4-20 NYLOCK	6
4	140900	SCREW, 10-24X3/4	6
5	120907	DECAL, "IMPORTANT..."	1
6	140000	WASHER, 1/4 FLAT	6
7	602783	BLADDER	1
8	602448	STANDPIPE, W/NIPPLE	1
9	180613	●FLOAT, SHUT-OFF	1
10	606088	FITTING, 1-1/2" NIPPLE	1
11	101714	GASKET, WASTE AIR CHAMBER	1
12	210240	NUT, FLANGED METAL 1-1/2	1
13	140825	SCREW, #6X1/2	6
14	609756	DECAL, SAFETY GLASSES REQD	1
15	630420	DECAL, "FLAMMABLE MAT'L" TXTLS	1
16	100102	●LID, CLEAR W/STANDARD HOLE	1
17	120907	DECAL, "IMPORTANT-ALWAYS..."	1
▽▲	501061	●ASM, DRAINHOSE STOPPER	1
▲18	230831	KNOB, DRAIN HOSE	1
▲19	230882	STRAP, DRAIN STOPPER	1
▲20	140056	WASHER, 3/8IDX1.50OD FNDR	1
▲21	140955	PLUG, DRAIN HOSE	1
▽	590965	KIT, DRAIN HOSE COMPLETE	1
▲22	560627	HOSE, DRAIN	1
▲23	140072	CLAMP, 1 9/16 STEPLESS	2
▲24	140921	SLEEVE, DRAIN HOSE	1
25	140307	CLAMP, HOSE 3/4 TO 1-3/4	1
26	609749	DECAL, 750	2
27	609730	TANK, RECOVERY TEAL	1
28	230845	PLATE, CORD CLAMP	1

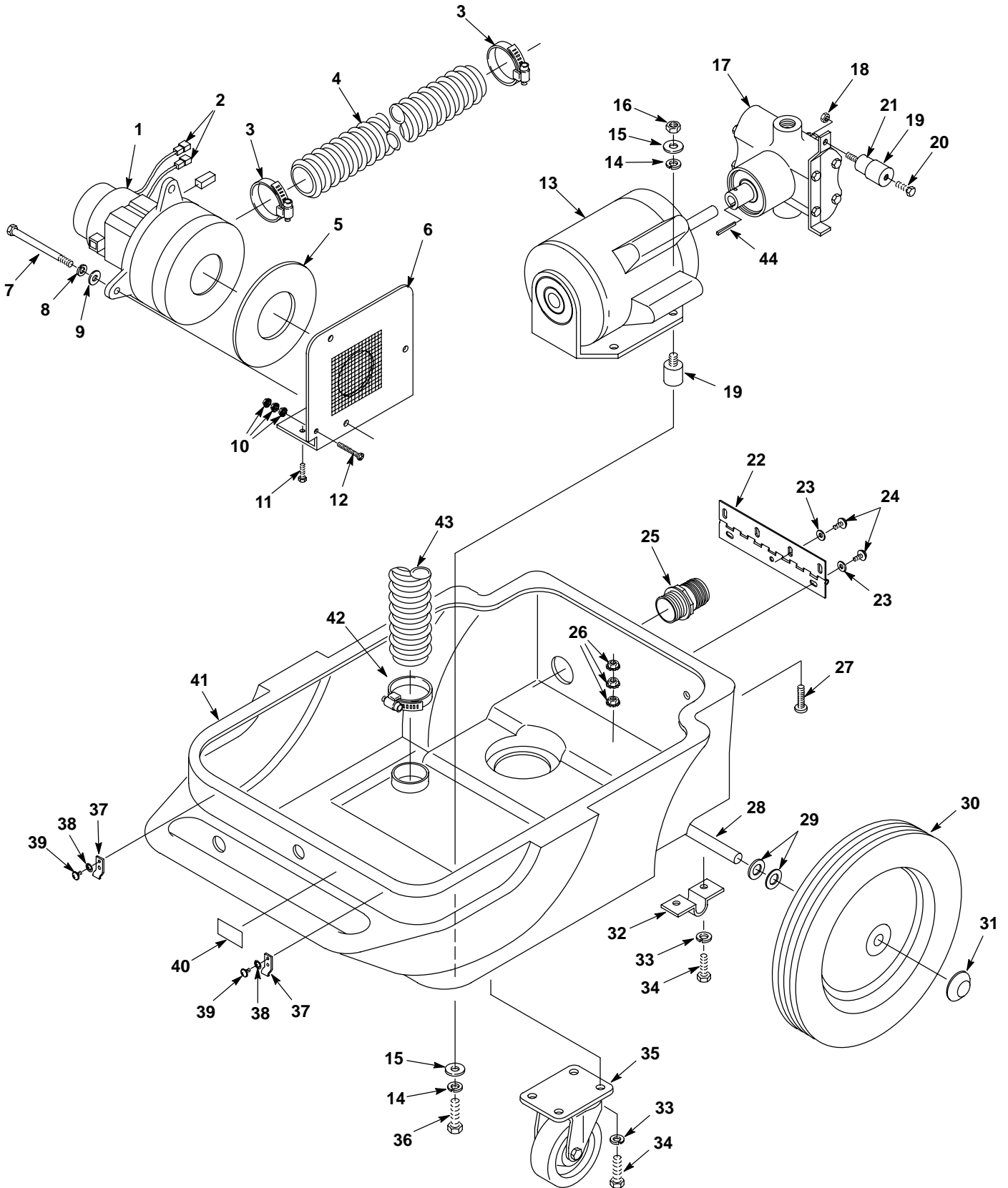
REF	PART #	DESCRIPTION	QTY.
29	140834	SCREW, 1/4-20X5/8	1
30	100118	●GASKET, VAC MOTOR 1/4 X 5.7	1
31	25151	●MOTOR, VAC 5.7 (120V)	1
	190155	●BRUSH, CARBON (2-PK)	2
32	130133	TERMINAL, ML DSCNT	2
33	130040	WIRE TIE, NYLON	1
34	626103	EXTENSION, VAC FAN	1
35	140501	NUT, 1/4-20 NYLOCK	3
36	600009	●MUFFLER, VAC EXHAUST	1
37	130040	WIRE TIE, NYLON	2
38	140308	CLAMP, HOSE 1-5/16 TO 2-1/4	1
39	160629	HOSE, 2" X 28" WHITE	1
40	140258	SCREW, 1/4-20X4-1/4 STUD	3
41	140134	BUSHING, .375ODX.250IDX.270	2
42	230846	BRACKET, TANK SUPPORT	1
43	140000	WASHER, 1/4 FLAT	2
44	140016	WASHER, 1/4 LOCK	2
45	140554	SCREW, 1/4-20X3/4	2
46	140259	SCREW, 1/4-20X5/8	3
47	140016	WASHER, 1/4 LOCK	3
48	230946	BRACKET, TANK BRACE FRONT	1
49	140932	●LATCH, HOOD W/ KEEPER	2
50	140801	SCREW, 8-32X3/8	4
51	140023	WASHER, #8 INT	4
52	120210	DECAL, "TENNANT" LOGO	1
53	140807	SCREW, 1/4-20X7/8	6
54	602750	HOOK, HOSE	3
55	140713	RIVET, POP 3/16 X .251-.375	1
56	230905	TUBE, INLET	1

▽ ASSEMBLY

▲ INCLUDED IN ASSEMBLY

● RECOMMENDED STOCK ITEMS

LOWER HOUSING GROUP



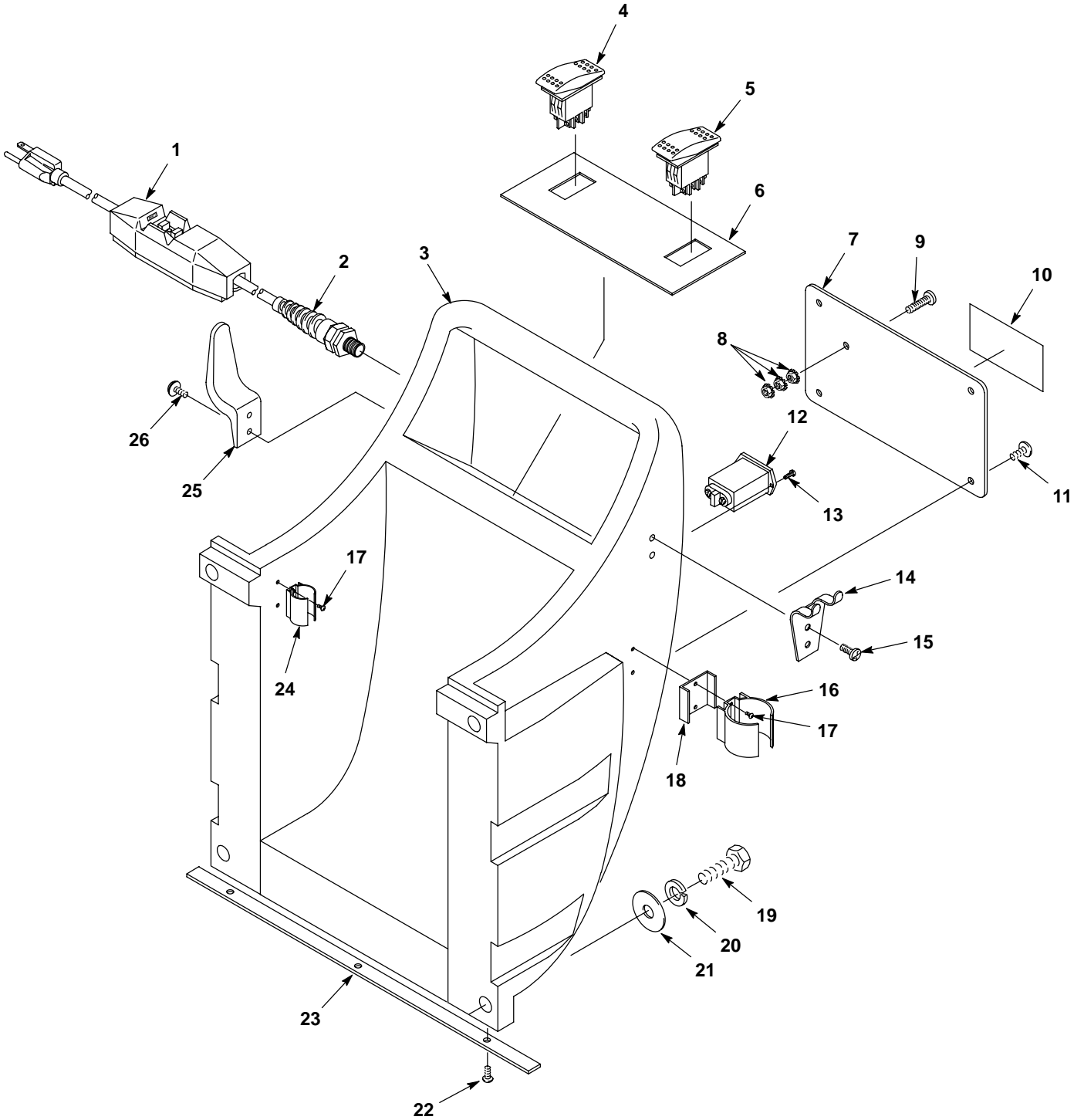
LOWER HOUSING GROUP

REF	PART #	DESCRIPTION	QTY.
1	25151	●MOTOR, VAC 5.7 (120V)	1
	190155	●BRUSH, CARBON (2-PK)	2
2	130133	TERMINAL, ML DSCNT	2
3	140308	CLAMP, HOSE 1-5/16 TO 2-1/4	2
4	609643	●HOSE, VAC 2"IDX12" WHITE	1
5	100118	●GASKET, VAC MTR 1/4 X 5.7 DIA	1
6	609652	BRACKET, VAC MOTOR MOUNT	1
7	2998.28	SCREW 1/4-20X3-1/2	3
8	140016	WASHER, LOCK	3
9	140000	WASHER, FLAT	3
10	140519	NUT, 10-24 KEP	3
11	140554	SCREW 1/4-20X3/4	2
12	140900	SCREW, 10-24X3/4	1
13	130450	MOTOR, PUMP DRIVE 1/3HP (120V)	1
14	140015	WASHER, 5/16 SPLITLOCK	2
15	140027	WASHER, 5/16 FLAT	2
16	140506	NUT, 5/16-18 HEX	2
17	180100	PUMP, TWIN PISTON	1
18	140506	NUT 5/16-18 HEX	1
19	130031	MOUNT, MOTOR 1-1/4"	3
20	140223	SCREW 5/16-18X3/4	1
21	130030	MOUNT, MOTOR 3/4"	1
22	230390	HINGE, SOL/REC TANK	1

● RECOMMENDED STOCK ITEMS

REF	PART #	DESCRIPTION	QTY.
23	140000	WASHER, 1/4 FLAT	7
24	140885	SCREW, 1/4-20X1/2	7
25	25202	BARB, HOSE	1
26	140519	NUT, 10-24 KEP	3
27	140196	SCREW, 10-24X1	1
28	608906	AXLE, .50 DIA X 18.352	1
29	140008	WASHER, .570X1.28X.075 FLAT	4
30	103009	●WHEEL, 12" X 1.75 WHITE/GRAY	2
31	103019	CAP, HUB 1/2" DIA	2
32	230746	BRACKET, AXLE 1/2DIA OFFSET	2
33	140016	WASHER, 1/4 LOCK	12
34	140259	SCREW, 1/4-20X5/8	12
35	103065	●CASTER, SWIVEL 4"	2
36	140223	SCREW, 5/16-18X3/4	2
37	140932	LATCH, HOOD RUBBER W/ KEEPER	2
38	140023	WASHER, #8 INT	4
39	140801	SCREW, 8-32X3/8	4
40	609752	DECAL, CHEMICAL ON/OFF	1
41	609729	CHASSIS, TEAL	1
42	140308	CLAMP, HOSE 1-5/16 TO 2-1/4	1
43	160629	●HOSE, 2" X 28" WHITE	1
44	190310	●PUMP, SHAFT KEY 5300 SERIES	1

HANDLE GROUP



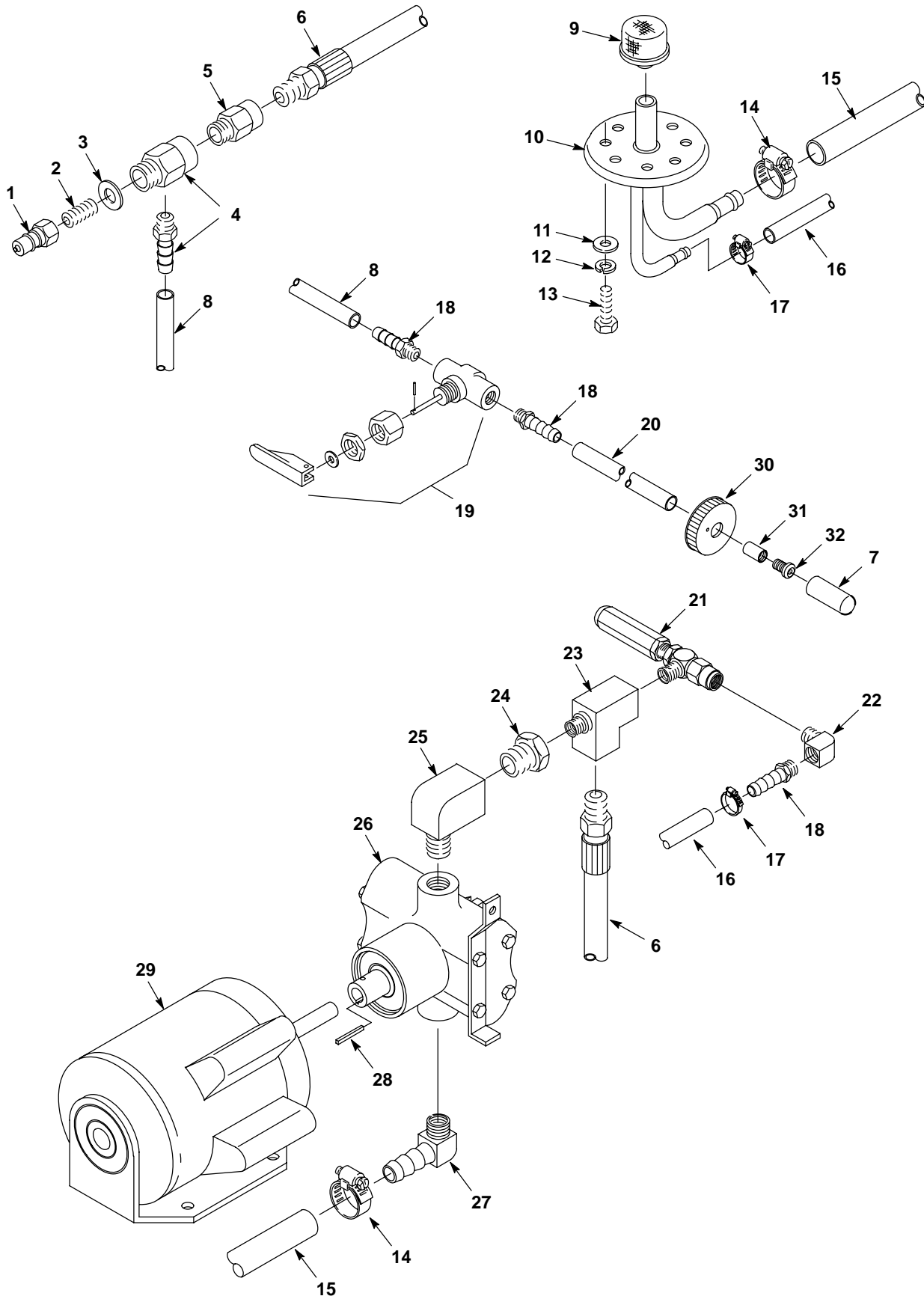
HANDLE GROUP

REF	PART #	DESCRIPTION	QTY.
1	609754	●CORD, POWER 25' W/GFCI	1
2	130166	●CORD GRIP, NYLON/BLK W/NUT	1
3	609731	HANDLE, TEAL	1
4	608605	●SWITCH, ROCKER DPST SEAL	1
5	609657	●SWITCH, ROCKER ON/OFF/ON	1
6	609748	DECAL, DASH	1
7	230908.BK	PLATE, REAR COVER BLACK	1
8	140519	NUT, 10-24 KEP	3
9	140900	SCREW, 10-24X3/4	1
10	120619	DECAL, WARNING EXTRACTORS	1
11	140197	SCREW, 10-24X3/8	4
12	130017	METER, HOUR	1
13	140825	SCREW, #6X1/2	2

REF	PART #	DESCRIPTION	QTY.
14	230696.BK	BRACKET, DRAIN HOSE HANGER	1
15	140825	SCREW, #6X1/2	2
16	140321	CLIP, DRAIN HOSE	4
17	140825	SCREW, #6X1/2	10
18	230380.BK	BRACKET, DRAIN HOSE BLACK	4
19	140231	SCREW, 3/8X1-1/2	4
20	140017	WASHER, 3/8 SPLITLOCK	4
21	140028	WASHER, 3/8 FLAT	4
22	140825	SCREW, #6X1/2	3
23	609753	PLATE, WAND STOP	1
24	609764	CLIP, TELESCOPING WAND	1
25	230920.BK	HOOK, CORD BLACK	1
26	140197	SCREW, 10-24X3/8	2

● RECOMMENDED STOCK ITEMS

PLUMBING GROUP



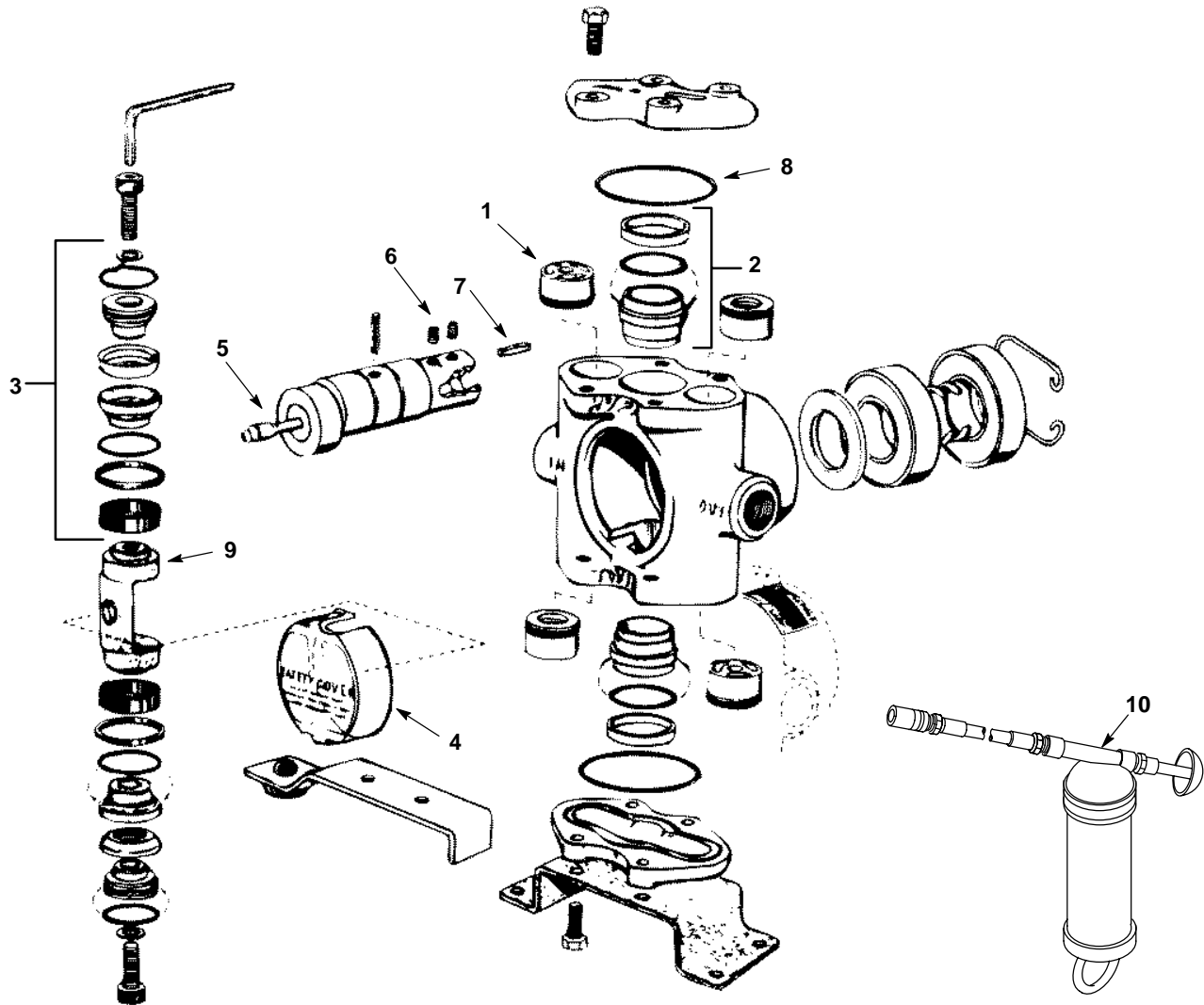
PLUMBING GROUP

REF	PART #	DESCRIPTION	QTY.
1	150933	FITTING, 1/4F QD MALE BRS SER60	1
2	150615	FITTING, 1/4M NIPL-CLOSE BRS	1
3	140058	WASHER, .543X.875X.062 WAND	1
4	609660	INJECTOR	1
5	150110	ADAPTER, 1/4" BRASS	1
6	160140	HOSE, PULSE 36"	1
7	609988	●CAP, INJECTOR HOSE	1
8	609921	TUBING, 1/4IDX3/8ODX.50' BLUE	1
9	603186	●SCREEN, CLEAN WATER TANK	1
10	609703	ASM, BLADDER PLATE	1
11	140000	WASHER, 1/4 FLAT	4
12	140016	WASHER, 1/4 LOCK	4
13	140554	SCREW, 1/4-20X3/4 HXHDCP	4
14	140305	CLAMP, HOSE 7/32-5/8	2
15	609923	HOSE, 1/2ID X 35"	1
16	609920	HOSE, 1/4 LP X 3.33' GRAY	1

REF	PART #	DESCRIPTION	QTY.
17	630369	CLAMP, HOSE .50-1.1	2
18	150525	FITTING, 1/8MX1/4H BARB BRS	3
19	210014	VALVE, TOGGLE - WITH NUT	1
20	609922	TUBING, 1/4IDX3/8ODX6.33' BLUE	1
21	210211	VALVE, PRESSURE RELIEF	1
22	150407	FITTING, 1/8FX1/8M ELBOW STRT90	1
23	150709	FITTING, 1/4FX1/4FX1/4M BRS	1
24	150101	FITTING, 1/2MX1/4F BUSHNG BRS	1
25	150405	FITTING, 1/2MX1/2F ELB STRT90	1
26	180100	PUMP, TWIN PISTON	1
27	150431	FITTING, 1/2MX1/2H ELBOW 90	1
28	190310	●PUMP, SHAFT KEY 5300 SERIES	1
29	130450	●MOTOR, PUMP DRIVE 1/3HP(120V)	1
30	231062	●CAP, 1 GAL. BOTTLE	1
31	609976	●SPACER, 5/16DIAX1/2 8-32	1
32	609757	●KIT, METERING TIPS (SET OF 3)	1

● RECOMMENDED STOCK ITEMS

SOLUTION PUMP GROUP

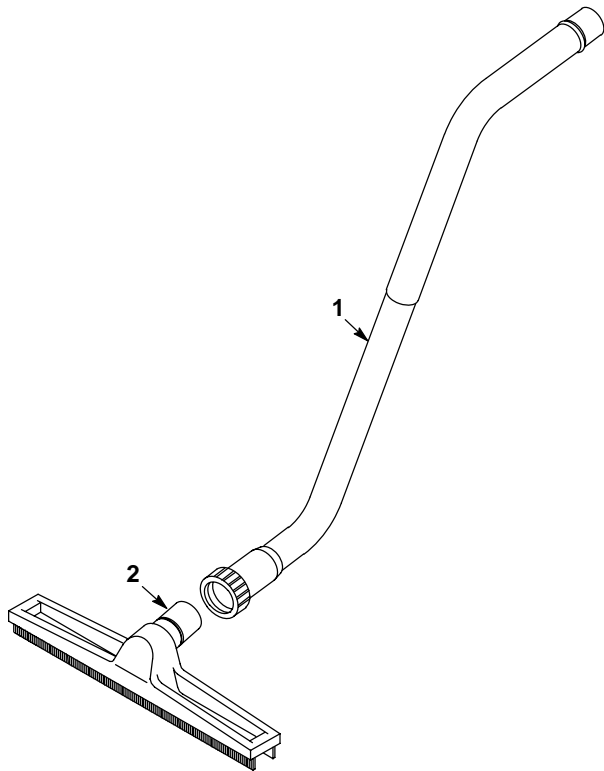


REF	PART #	DESCRIPTION	QTY.
	180100	PUMP, TWIN PISTON (COMPLETE)	1
1	190301	●VALVE KIT, SET OF 4	1
2	190302	●KIT, CYLINDER SLEEVE	1
3	190300	●CUP KIT, SET OF 2	1
4	190307	SAFETY COVER	1
5	190305	GREASE FITTING	1
6	190309	SET SCREWS, PUMP	2

REF	PART #	DESCRIPTION	QTY.
7	190310	●SHAFT KEY	1
8	190303	●KIT, O-RING (INCLUDES 2 O-RINGS)	1
9	190304	CONNECTING ROD	1
N/S	190316	●PULLER, VALVE SPRING RETAINER	1
N/S	190317	●PULLER, VALVE, POPPET SEAT	1
10	190022	GUN, GREASE METAL	1

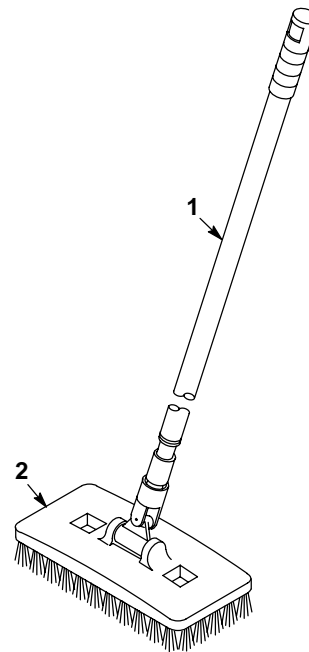
N/S= NOT SHOWN

DOUBLE BEND WAND AND SQUEEGEE



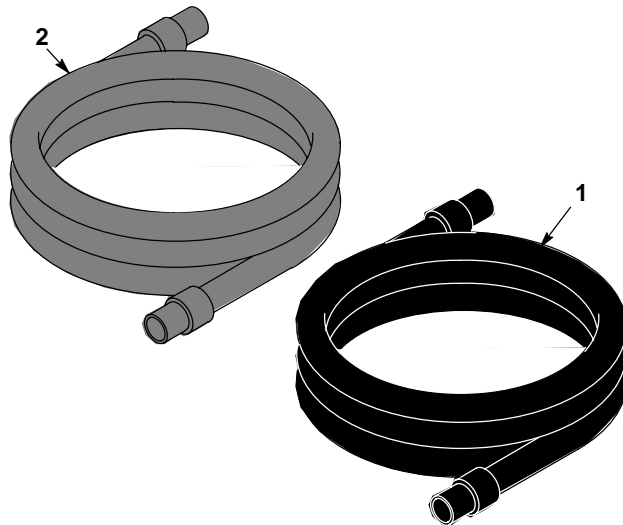
REF	PART #	DESCRIPTION	QTY.
1	609651	●WAND, DOUBLE BEND 2 PC	1
2	609648	●SQUEEGEE, 14"	1

TELESCOPING BRUSH



REF	PART #	DESCRIPTION	QTY.
1	609649	●HANDLE, TELESCOPING	1
2	609650	●BRUSH	1

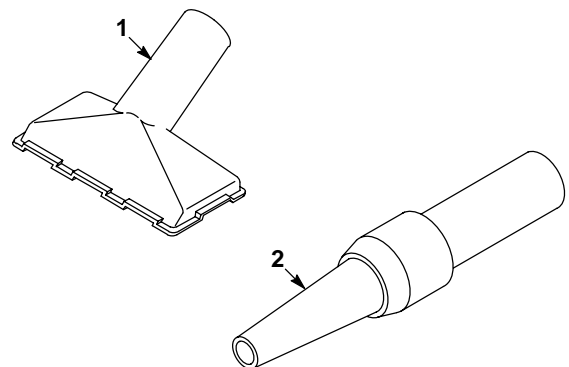
VACUUM AND BLOWER HOSES



REF	PART #	DESCRIPTION	QTY.
1	609646	●HOSE, 1-1/4X25' BLACK W/CUFFS	1
2	609647	●HOSE, 1-1/4X25' GRAY W/CUFFS	1

● RECOMMENDED STOCK ITEMS

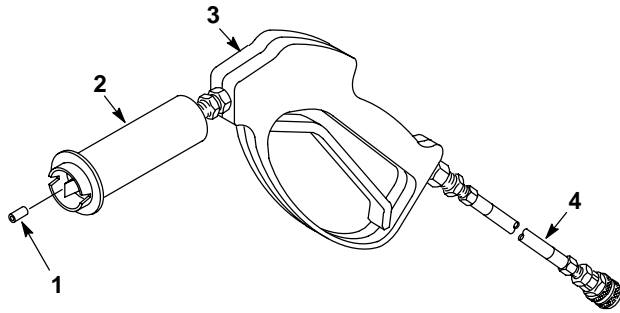
HOSE ATTACHMENTS



REF	PART #	DESCRIPTION	QTY.
1	609645	●TOOL, GULPER	1
2	609644	●NOZZLE, BLOWER	1

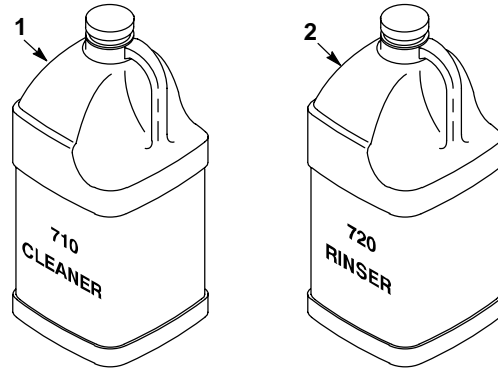
PARTS LIST

SPRAY GUN WITH HOSE



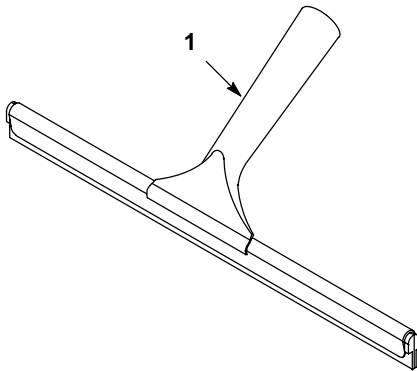
REF	PART #	DESCRIPTION	QTY.
1	-	ORIFICE, SPRAY NOZZLE	1
2	609658	●NOZZLE, HI/LO	1
3	609661	●GUN, SPRAY	1
4	609662	ASM, HOSE 1/4X25' 1/4M-60 BLK	1

FORMULA



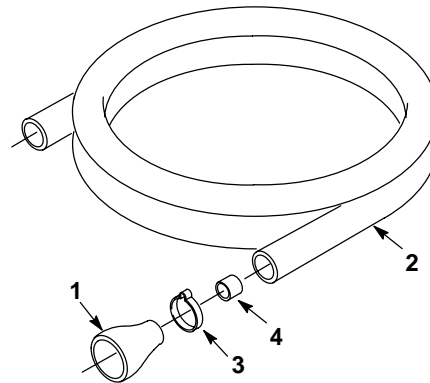
REF	PART #	DESCRIPTION	QTY.
1	609801	●FORMULA, 710 CLEANER (4-1GAL)	1
2	609802	●FORMULA, 720 RINSE (4-1GAL)	1

GLASS SQUEEGEE



REF	PART #	DESCRIPTION	QTY.
1	609641	SQUEEGEE, GLASS	1

SOLUTION TANK FILL HOSE

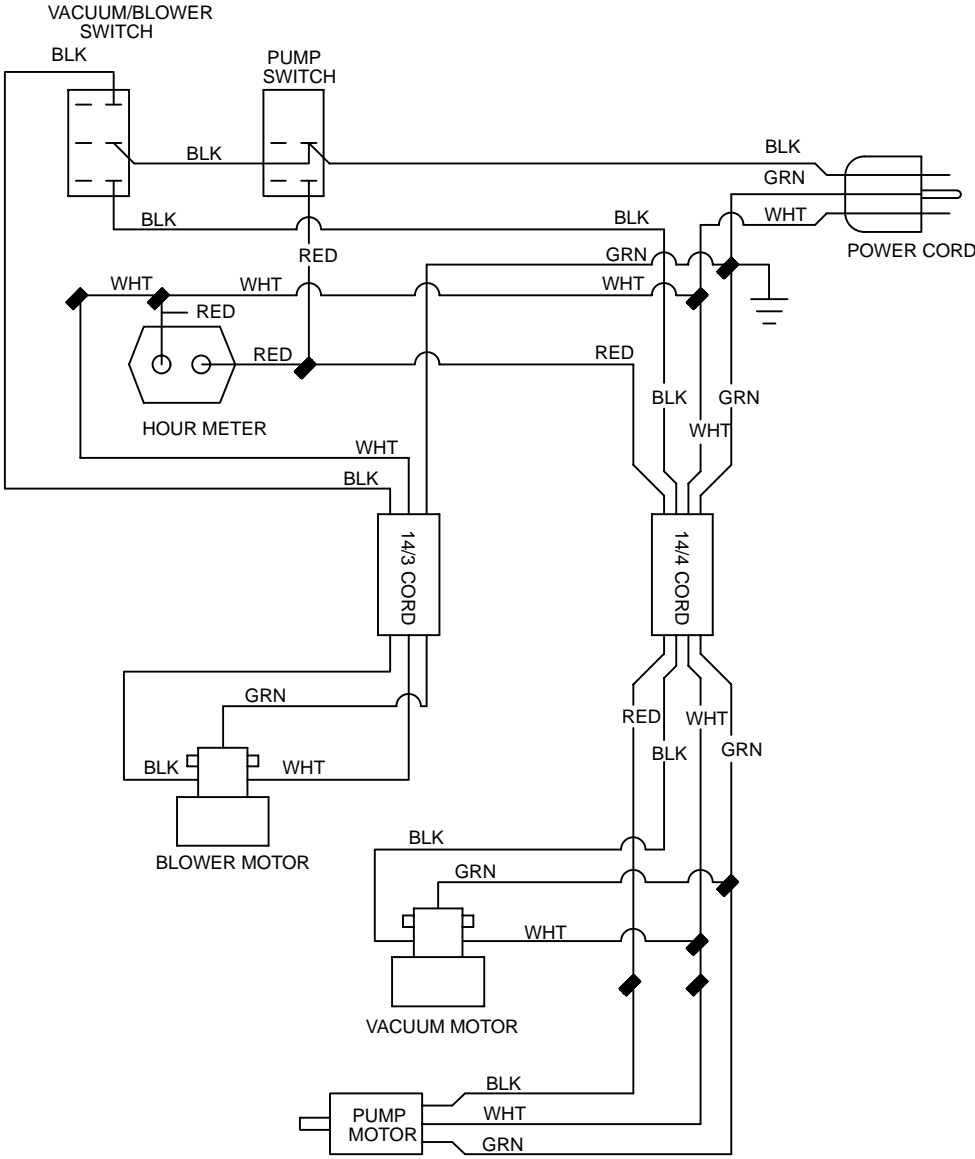


REF	PART #	DESCRIPTION	QTY.
▽	609983	HOSE, FILL	1
▲1	609984	ADAPTER, FAUCET	1
▲2	609987	HOSE, CLEAR 4.0 FT	1
▲3	609986	CLAMP, HOSE 1" EAR	1
▲4	609985	BUSHING, HOSE	1

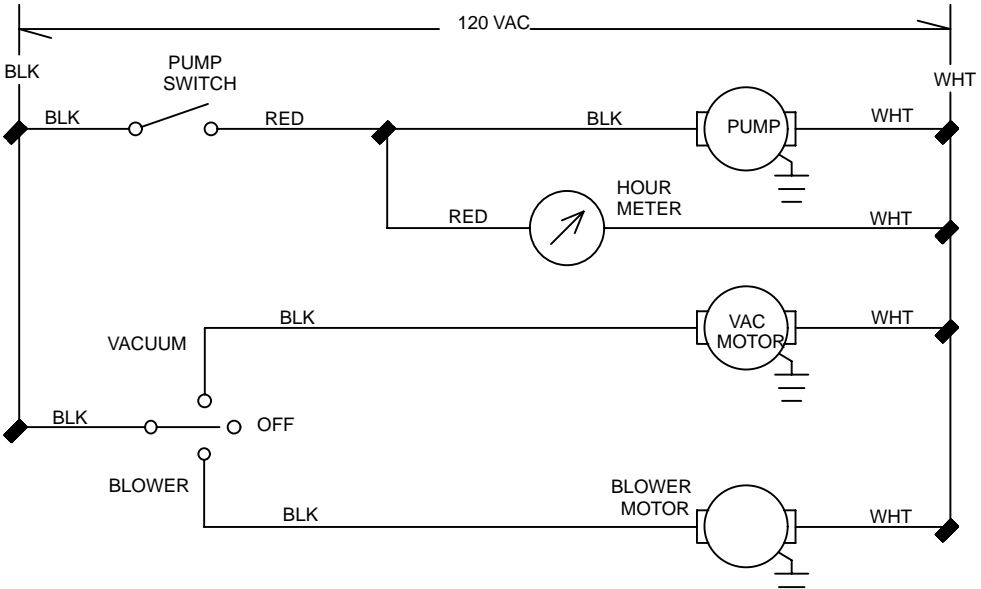
▽ ASSEMBLY

▲ INCLUDED IN ASSEMBLY

120V WIRING DIAGRAM

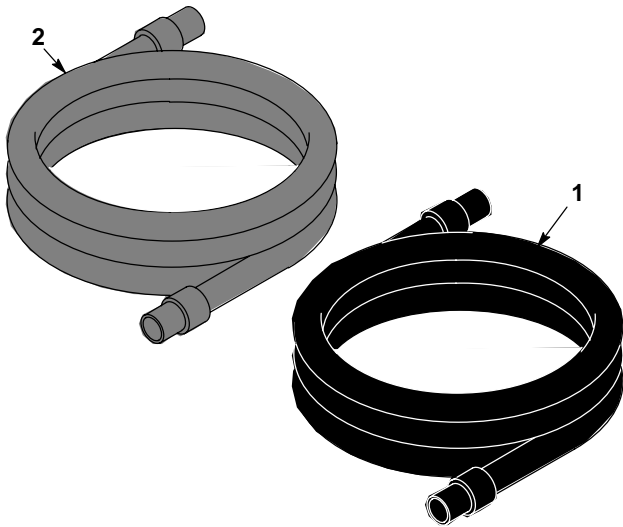


120V LADDER DIAGRAM

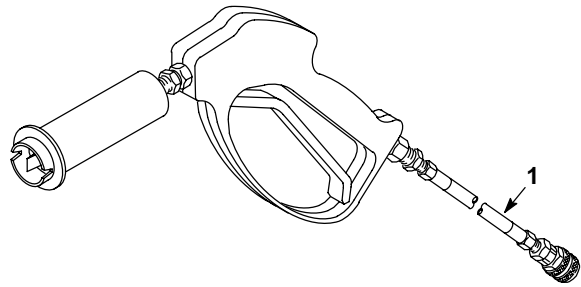


OPTIONS

15 FT (4.6 M) VACUUM AND BLOWER HOSES



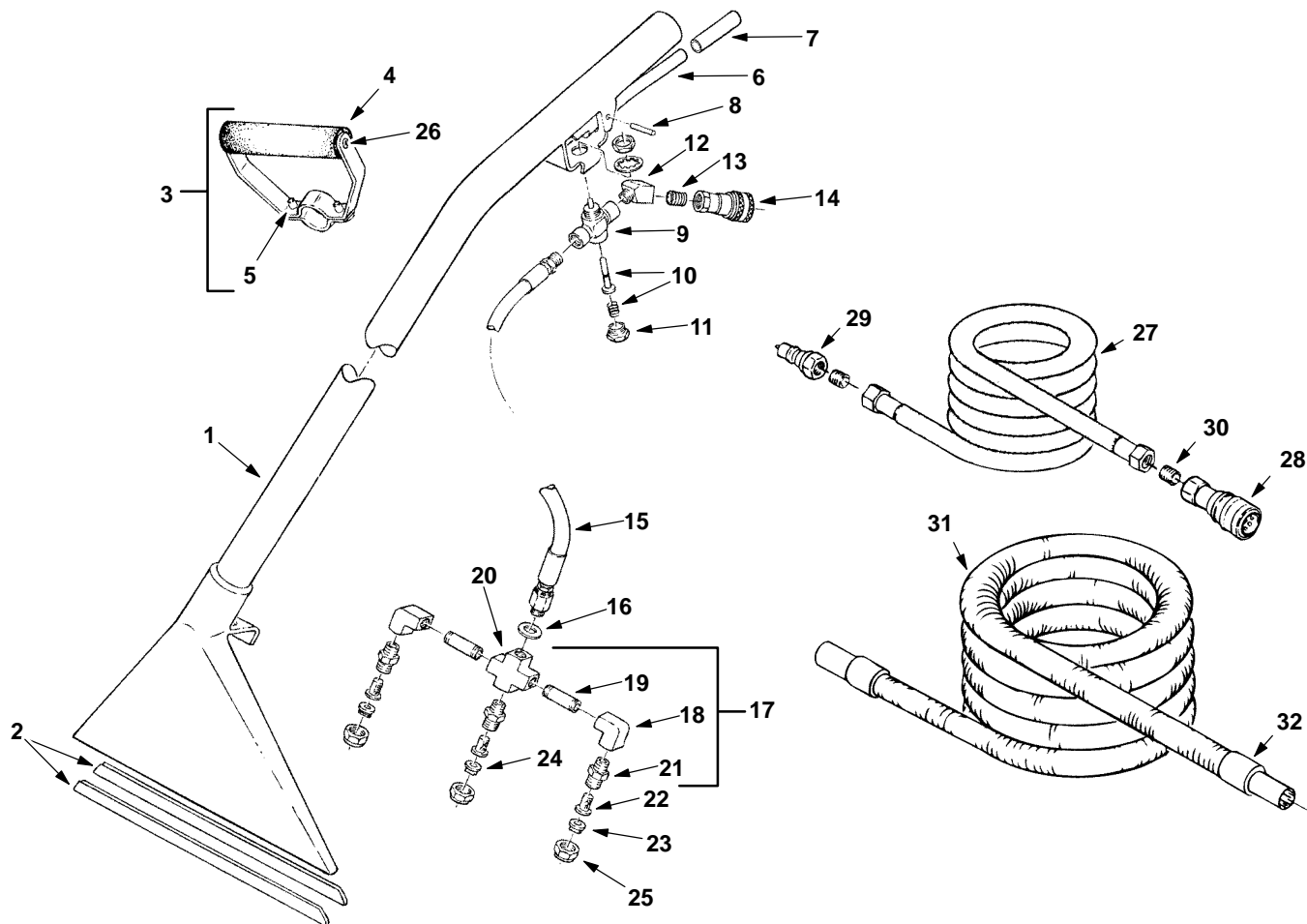
15 FT (4.6 M) SPRAY GUN SOLUTION HOSE



REF	PART #	DESCRIPTION	QTY.
1	609979	HOSE, 15 FT, SERIES 60	1

REF	PART #	DESCRIPTION	QTY.
1	609977	HOSE, 1-1/4X15' BLACK W/CUFFS	1
2	609978	HOSE, 1-1/4X15' GRAY W/CUFFS	1

CARPET CLEANING ACCESSORIES



REF	PART #	DESCRIPTION	QTY.
	600049	TOOL, 13" FLOOR (COMPLETE)	1
1	200403.BK	TOOL, 13" FLOOR	1
2	200939	SHOES, FLOOR TOOL	2
3	200927	GRIP, ADJUSTABLE COMPLETE	1
4	200912	FOAM, GRIP	1
5	140259	SCREW, 1/4 X 5/8	2
6	200902	TRIGGER, FLOOR TOOL	1
7	200809	SLEEVE, TRIGGER	1
8	140605	PIN	1
	140520	NUT, PUSH	2
9	210150	VALVE, FLOW CONTROL	1
10	190603	KIT, VALVE PIN & SPRING	1
11	N/A	CAP, HEX, VALVE	1
12	150403	ELBOW, 1/4-45°	1
13	150615	NIPPLE, CLOSE 1/4	1
14	150913	COUPLER, QUICK SER. 60	1
15	160175	HOSE, SOLUTION HP	1
16	140058	WASHER	1

REF	PART #	DESCRIPTION	QTY.
▽17	700062	ASM., SPRAY BAR	1
▲18	150401	ELBOW, 90° 1/4F X 1/4F	2
▲19	150600	NIPPLE	2
▲20	150700	CROSS	1
▲21	200993	SPRAY BODY	3
22	200996	SCREEN, SPRAY BODY	3
23	200986	TIP, SPRAY (#9502)	2
24	200988	TIP, SPRAY (#11002)	1
25	200994	CAP, SPRAY BODY	3
26	140834	SCREW, 1/4-20 X 5/8	2
N/S	120845	DECAL, "HIGH PRESSURE"	1
▽27	160191	SOLUTION HOSE 25'	1
▲28	150913	COUPLER, QUICK SER. 60	1
▲29	150933	PLUG, QUICK COUPLER	1
▲30	150615	NIPPLE	2
▽31	160401	HOSE, VACUUM W/ CUFFS 25'	1
▲32	160430	CUFF, HOSE 1-1/2"	2
N/S	160451	CONNECTOR, VAC HOSE 1-1/2"	1

▽ ASSEMBLY

▲ INCLUDED IN ASSEMBLY

N/S NOT SHOWN