

**FLOOREQUIPMENTPARTS.COM**



# 200

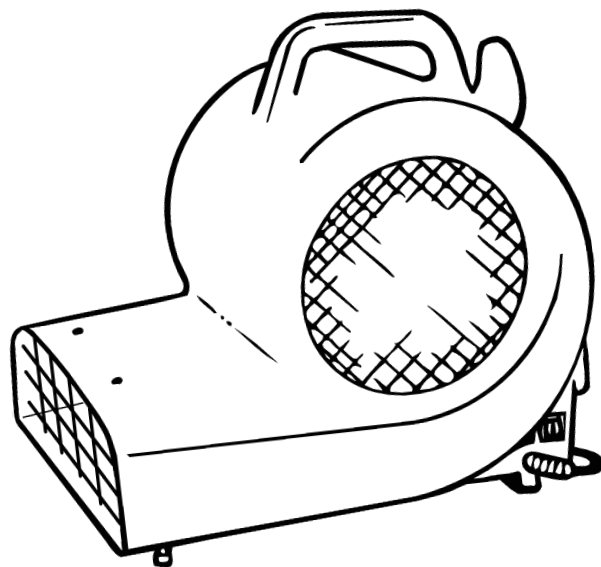
Floor/Carpet Dryer

**Model:**

609937 – 230V

609695 – 240V EMC

**Operator and Parts Manual  
Manual de Operación y de Piezas**

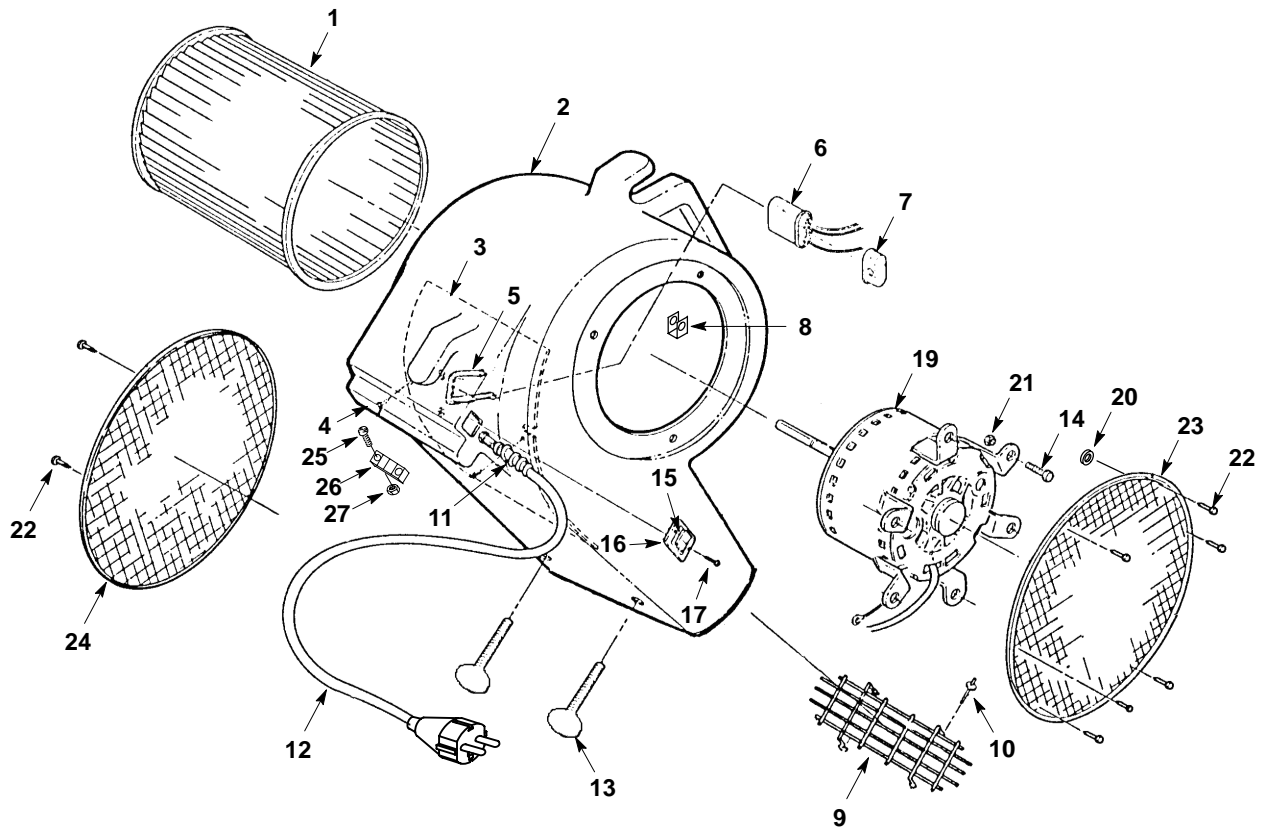


**TENNANT COMPANY**  
Commercial Products  
12875 RANSOM STREET  
HOLLAND MI 49424 U.S.A.

616-786-2330  
FAX: 1-800-678-4240  
CUSTOMER SERVICE: 1-800-522-7839  
OUTSIDE U.S. : 1-616-786-2330

609710  
Rev. 00 (01-00)

2-SPEED 230V/240V



REF	PART #	DESCRIPTION	QTY.
1.	101015	WHEEL, DRYER	1
2.	609044	HOUSING, TEAL	1
3.	101014	PLATE, BAFFLE	1
4.	140823	SCREW, 10-24x5/8"	2
	140519	NUT, 10-24 KEP	2
5.	130041	WIRE TIE	2
6.	130421	CAPACITOR	1
7.	130007	COVER, CAPACITOR	1
8.	603230	CLIP, 6-32	6
9.	101012.BK	GRILL, EXHAUST	1
10.	140703	RIVET, 3/16"	4
11.	130137	RELIEF, STRAIN	1
12.	600397	CORD, POWER 26'/8m (230V/240V)	1
13.	600219	GLIDE, ADJ.	2
14.	140208	SCREW, 1/4-20x1	7
15.	<del>602988</del>	SWITCH	1
16.	602989	PLATE, SWITCH ROCKER	1
17.	140752	SCREW, 8-32X3/16	2

REF	PART #	DESCRIPTION	QTY.
19.	603231	MOTOR, 230V/240V (50/60Hz)	1
20.	140922	SPACER	6
21.	140501	NUT	6
22.	140825	SCREW, #6x1/2"	12
▽23.	700011	ASM., SCREEN, 9-3/4"	1
▲	101006	TRIM, CUT 28-1/2	1
▲	101013.BK	SCREEN, 9-3/4" BLACK	1
▽24.	700012	ASM., SCREEN, 10-5/8"	1
▲	101006	TRIM, CUT 28-1/2	1
▲	101010.BK	SCREEN, 10-5/8" BLACK	1
25.	140946	SCREW	2
26.	130005	STRIP, TERMINAL	1
27.	140534	NUT	2
N/S	120622	DECAL, WARNING	1
N/S	578729	DECAL, READ MANUAL	1
N/S	609242	DECAL, TENNANT 200	1

▽ Assembly

▲ Included in Assembly

1043787

# WIRING DIAGRAM DIAGRAMA DE CABLEADO

---

