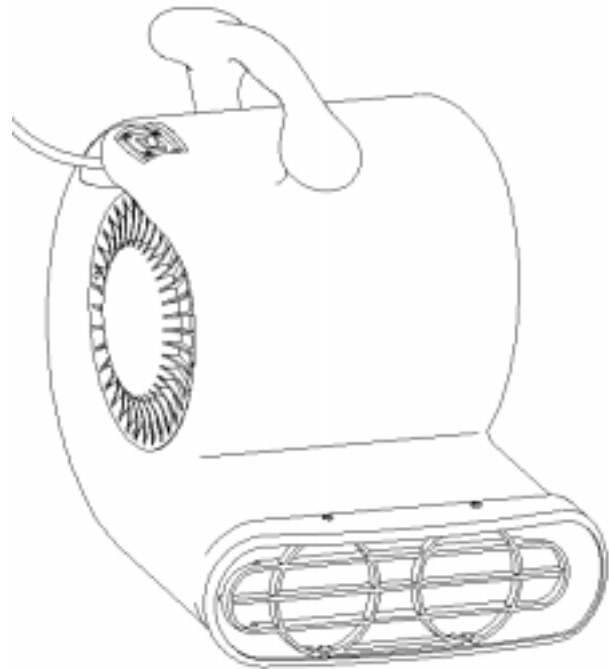


# Dryer

Floor/Carpet Dryer



Owner's Manual

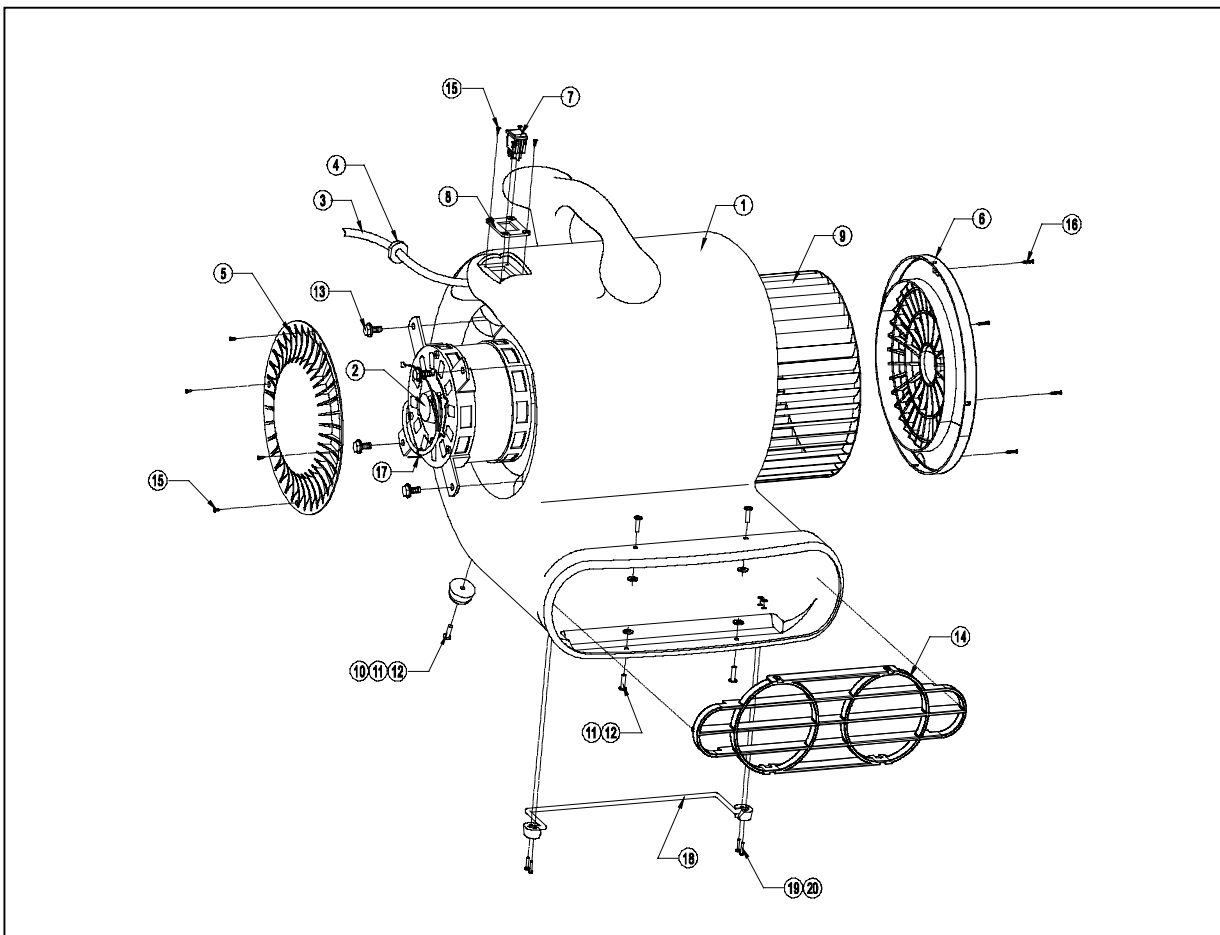


**TENNANT COMPANY**  
12875 RANSOM STREET  
HOLLAND MI 49424 U.S.A.

FAX: 1-800-678-4240  
CUSTOMER SERVICE: 1-800-522-7839

**608797**  
**Rev. 00 (09-99)**

## EXPLODED VIEW



## PARTS LIST

1	09-00043-02	HOUSING – POLYETHYLENE BLACK
2	608805	• MOTOR ASSEMBLY – 115V 1/4 HP 1050 RPM 2-SPD
3	608804	• POWER CORD ASSEMBLY – 16/3 SJTW SJTW-A 5-15P 25FT
4	608803	• STRAIN RELIEF – SNAP .370 BLACK
5	608802	• MOTOR SIDE GRILL – ABS BLACK
6	608800	• INLET SIDE GRILL – ABS BLACK
7	608799	• SWITCH – ROCKER SPDT RED
8	09-00044-01	SWITCH PLATE – ABS BLACK
9	17-00095	BLOWER WHEEL – CENTRIFUGAL 9.5 X 9.5 GALV STEEL
10	608798	• FOOT – ROUND 3/8 ID X 1.25 OD X 5/8 RUBBER BLACK
11	03-00102	RIVET – 3/16 X 5/8 AL/AL BLACK ANODIZED
12	03-00013	WASHER – 3/16 RIVET .19 ID X .47 OD X .05 ZP
13	03-00105	SCREW – 1/4-20 X 3/8 HWH NYLOC ZINC
14	09-00033-01	SNOUT GRILL – ABS BLACK
15	03-00566	SCREW - #6 X 3/8 PHILLIPS PH ZP
16	03-01003	SCREW - #6 X 7/8 PHILLIPS PH ZP
17	03-00012	CABLE TIE – NYLON 4"
18	09-00160	KICKSTAND ASSEMBLY
19	03-00036	RIVET – 1/8 X 1/2 AL/AL
20	03-00035	WASHER – 1/8 RIVET 1/8 ID X 3/8 OD X .06 ZP

• Recommended Stocking Items