

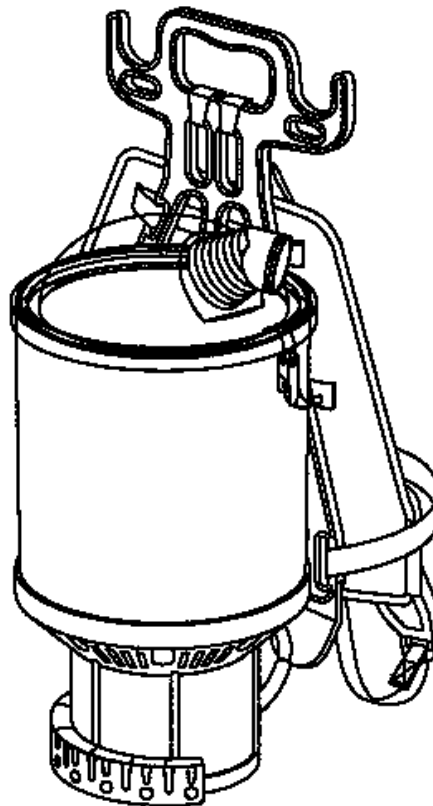
FLOOREQUIPMENTPARTS.COM

SECTION CONTENTS

| <u>MODEL No.</u> | <u>PAGE No.</u> |
|------------------|-----------------|
| RY4000 | 9-2 THRU 9-5 |
| RY4001 | 9-2 THRU 9-5 |

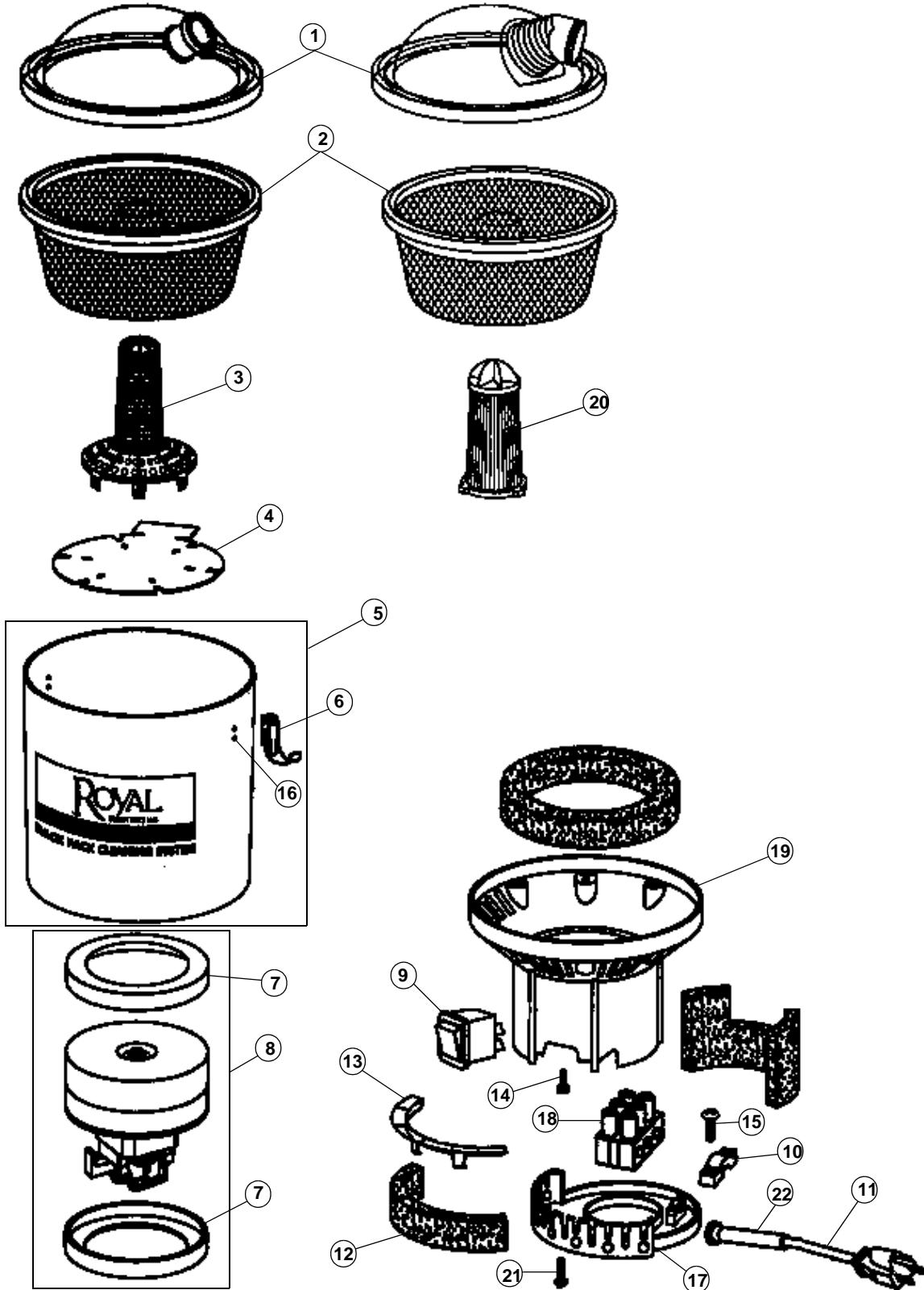
[MODEL No.](#)

RY4000
RY4001



- * PRICING, SPECIFICATION'S, AND PRODUCT AVAILABILITY ARE SUBJECT TO CHANGE WITHOUT NOTICE. PRICING IS FOB FACTORY, GLENWILLOW, OH
- * ALL INFORMATION CONTAINED WITHIN THIS SERVICE MANUAL IS PROPRIETARY INFORMATION OF TTI FLOOR CARE NORTH AMERICA.
- * **WARNING:** TO REDUCE THE RISK OF ELECTRICAL SHOCK OR INJURY, ALWAYS DISCONNECT THE APPLIANCE CORD FROM THE ELECTRICAL OUTLET OR REMOVE BATTERY PRIOR TO SERVICING THE UNIT.

ASSEMBLY SCHEMATIC



MODEL NO.

RY4000
RY4001



BACK PACK CLEANING SYSTEM

9

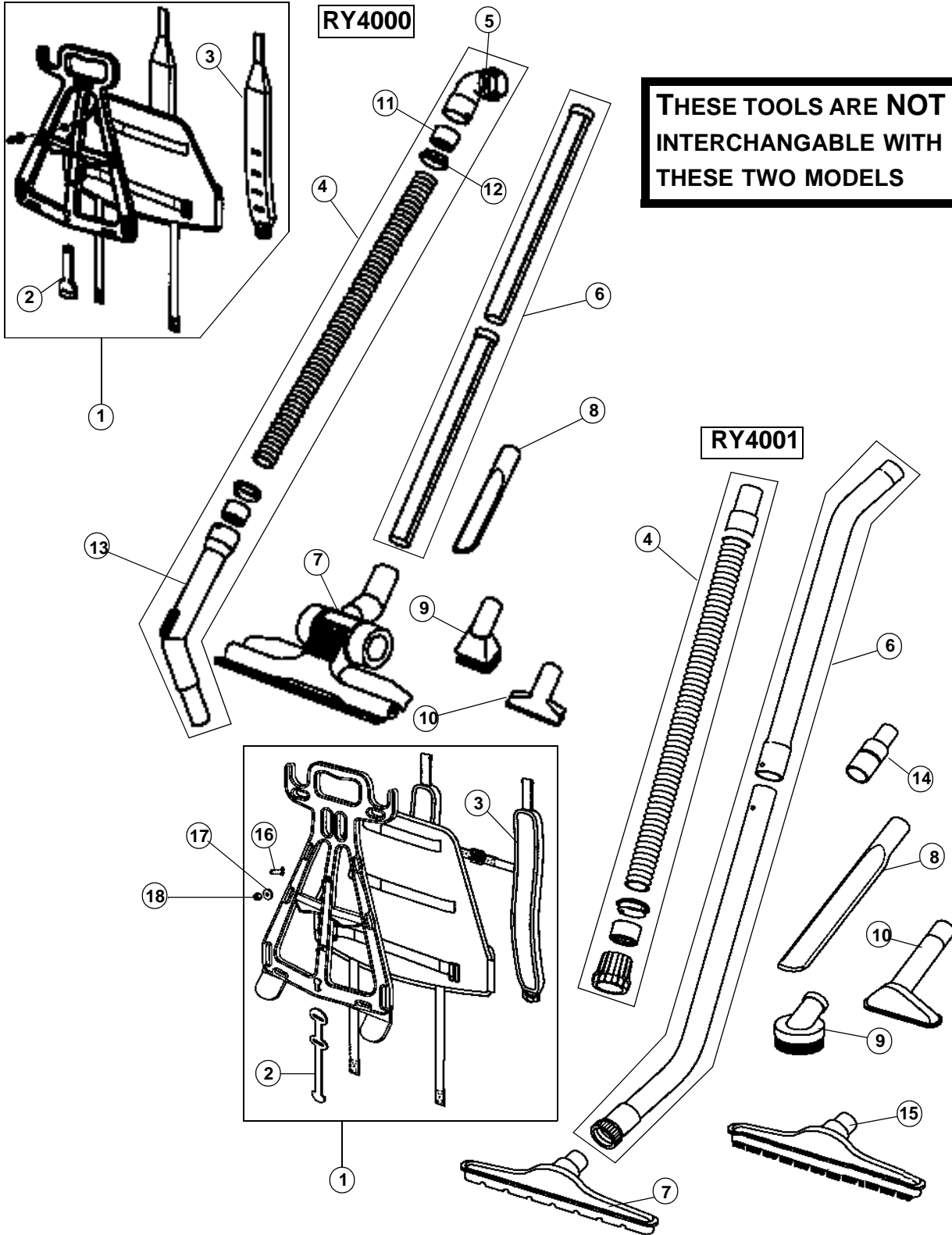
PART LISTING / PRICE LIST

| Item | Part Number | Models To Fit | Part Description |
|------|-------------------------------------|------------------|--------------------------------------------------------|
| 1 | 2KE0100Q00 | RY4000 | TOP DOME LID ASSEMBLY |
| | 2KE2100000 | RY4001 | TOP DOME LID ASSEMBLY |
| 2 | 2KE0111000 | RY4000 | DUST BAG W/RUBBER RING ORDER 2KE2105000 |
| | 2KE2105000 | RY4001 | DUST BAG W/RUBBER RING |
| 3 | 1KE0112600 | RY4000 | HYPERCONE |
| 4 | 2KE0113700 | RY4000 | CANISTER FILTER - 5 PACK |
| 5 | 2KE0200000 | RY4000, RY4001 | MAIN CANISTER BODY COMPLETE |
| 6 | 1KE0205000 | RY4000, RY4001 | TOGGLE LATCH |
| 7 | 1KE0210000 | RY4000, RY4001 | MOTOR GASKET |
| 8 | 2KE0210000 | RY4000, RY4001 | MOTOR ASSEMBLY |
| 9 | 1KE0235600 | RY4000 | ROCKER SWITCH ORDER 1KE2140000 |
| | 1KE2140000 | RY4001 | ROCKER SWITCH |
| 10 | 1KE0260600 | RY4000, RY4001 | CABLE CLAMP |
| 11 | 1KE2175000 | RY4000, RY4001 | POWER CORD - 48' 10 AMP |
| 12 | 1KE0290000 | RY4000 | EXTERNAL MOTOR FILTER ORDER 1KE2155000 |
| | 1KE2155000 | RY4001 | EXTERNAL MOTOR FILTER |
| 13 | 1KE0295600 | RY4000 | EXTERNAL MOTOR FILTER CAGE ORDER 1KE2150000 |
| | 1KE2150000 | RY4001 | EXTERNAL MOTOR FILTER CAGE |
| 14 | 1KE0245000 | RY4000, RY4001 | SCREW - 5MM / 20 |
| 15 | 1KE0255000 | RY4000, RY4001 | SCREW - 3MM / 12 |
| 16 | 1KE0206000 | RY4000, RY4001 | RIVET |
| 17 | 1KE0281600 | RY4000, RY4001 | BOTTOM CAP |
| 18 | 1KE0275000 | RY4000, RY4001 | WIRING LOOM - INCLUDES THERMAL |
| 19 | 1KE0225BG0 | RY4000, RY4001 | INTERMEDIATE HOUSING |
| 20 | 2KE2110000 | RY4001 | HEPA FILTER |
| 21 | 1KE0285000 | RY4000, RY4001 | SCREW - 3.5 MM / 25 |
| 22 | 1KE0265600 | RY4000, RY4001 | STRAIN RELIEF GROMMET |
| | MRY4200 1020961000 1871075000 | RY4000 | CONVERSION KIT TYPE S BAG - HEPA HYPERDOME |
| | 2232260400 | RY4000 | CLOTH INTERNAL BAG |
| | 1KE2103000 3KE2103000 | RY4001 RY4001 | TYPE BP PAPER BAG - BULK TYPE BP PAPER BAG - 7 PACK |

MODEL No.

RY4000
RY4001

ASSEMBLY SCHEMATIC



MODEL No.

RY4000
RY4001



BACK PACK CLEANING SYSTEM

9

PART LISTING / PRICE LIST

MODEL No.

RY4000
RY4001

| Item | Part Number | Models To Fit | Part Description |
|------|-------------|----------------|-----------------------------------|
| 1 | 2KE0400600 | RY4000 | HARNESS ASSEMBLY COMPLETE |
| | 2KE2185000 | RY4001 | HARNESS ASSEMBLY COMPLETE |
| 2 | 1KE0425600 | RY4000, RY4001 | CORD RESTRAINT |
| 3 | 1KE0430600 | RY4000, RY4001 | SHOULDER STRAP |
| 4 | 2KE0600000 | RY4000 | HOSE ASSEMBLY COMPLETE |
| | 2KE2200000 | RY4001 | HOSE ASSEMBLY COMPLETE |
| 5 | 1KE0610600 | RY4000 | HOSE CONNECTOR ADAPTOR SEAL |
| 6 | 2KE0635600 | RY4000 | WAND ASSEMBLY - STRAIGHT 2 PC |
| | 2KE2225000 | RY4001 | WAND ASSEMBLY - CURVED 2 PC |
| 7 | 2KE0640600 | RY4000 | FLOOR TOOL |
| | 2KE2235000 | RY4001 | FLOOR TOOL |
| 8 | 1KE0645600 | RY4000 | CREVICE TOOL |
| | 1KE2250000 | RY4001 | CREVICE TOOL 1-1/2 |
| 9 | 2KE0650600 | RY4000 | DUSTING BRUSH |
| | 2KE2245000 | RY4001 | DUSTING BRUSH 1-1/2 |
| 10 | 2KE0655600 | RY4000 | UPHOLSTREY TOOL |
| | 2KE2240000 | RY4001 | UPHOLSTREY TOOL 1-1/2 |
| 11 | 1KE0615600 | RY4000 | HOSE CUFF |
| 12 | 1KE0620600 | RY4000 | HOSE CLIP |
| 13 | 2KE0605600 | RY4000 | HOSE HANDLE |
| 14 | 1KE2255000 | RY4001 | CONNECTOR |
| 15 | 2KE2410000 | RY4001 | FLOOR BRUSH TOOL |
| 16 | 1KE0405000 | RY4000, RY4001 | BOLT SCREW - HARNESS HARDWARE |
| 17 | 1KE0420000 | RY4000, RY4001 | SMALL WASHER - HARNESS HARDWARE |
| 18 | 1KE0410000 | RY4000, RY4001 | NUT - HARNESS HARDWARE |
| | | | |
| | M315 | RY4001 | TOOL KIT 1-1/4 |
| | 1KE3600000 | RY4001 | HOSE ASSEMBLY 1-1/4 (PART OF KIT) |
| | | | |
| | 2KE8100000 | RY4000 | TURBO TOOL |