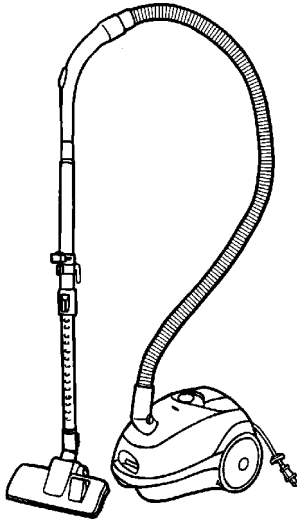


SECTION CONTENTS

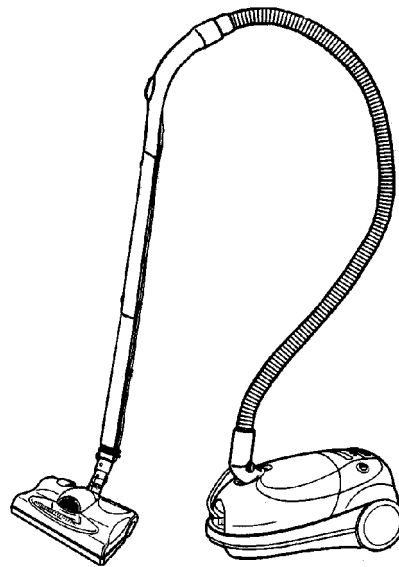
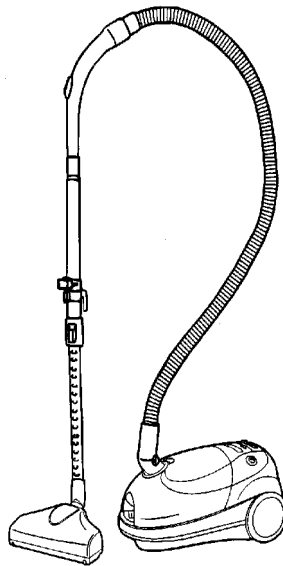
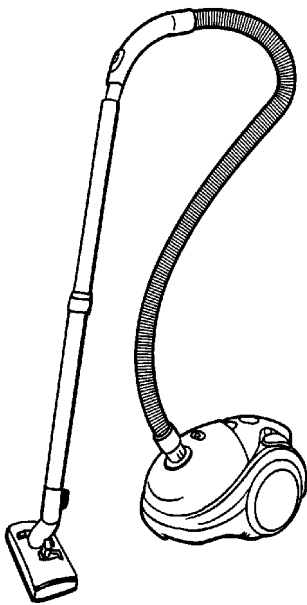
<u>MODEL No.</u>	<u>PAGE No.</u>
RY1000	8-2 THRU 8-3
RY2000	8-4 THRU 8-5
RY3000	8-6 THRU 8-7
RY3050	8-6 THRU 8-9

MODEL No.

RY1000
RY2000
RY3000
RY3050



FLOOREQUIPMENTPARTS.COM

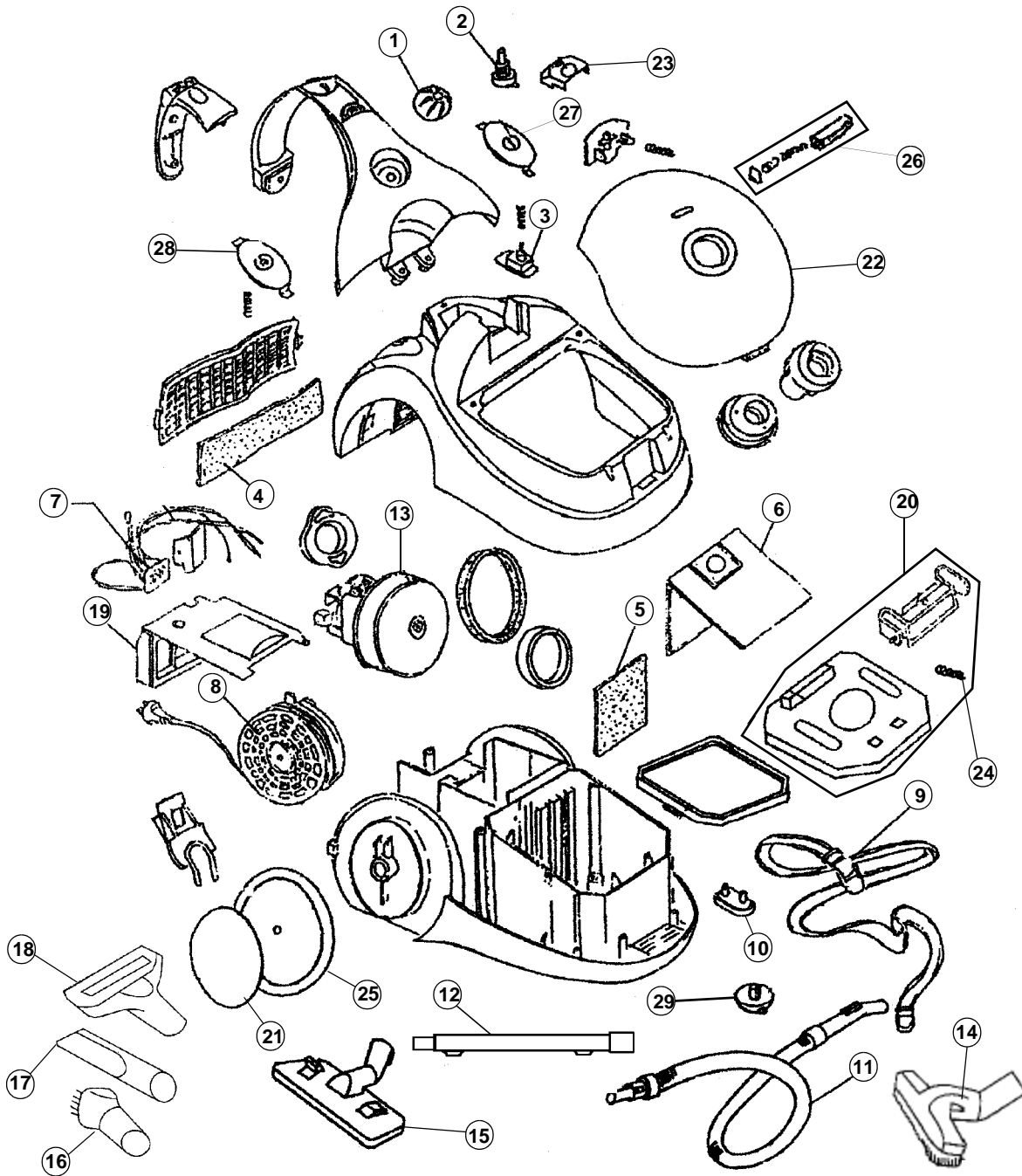


- * PRICING, SPECIFICATION'S, AND PRODUCT AVAILABILITY ARE SUBJECT TO CHANGE WITHOUT NOTICE. PRICING IS FOB FACTORY, GLENWILLOW, OH
- * ALL INFORMATION CONTAINED WITHIN THIS SERVICE MANUAL IS PROPRIETARY INFORMATION OF TTI FLOOR CARE NORTH AMERICA.
- * **WARNING:** TO REDUCE THE RISK OF ELECTRICAL SHOCK OR INJURY, ALWAYS DISCONNECT THE APPLIANCE CORD FROM THE ELECTRICAL OUTLET OR REMOVE BATTERY PRIOR TO SERVICING THE UNIT.

ASSEMBLY SCHEMATIC

MODEL NO.

RY1000



PART LISTING / PRICE LIST

MODEL No.

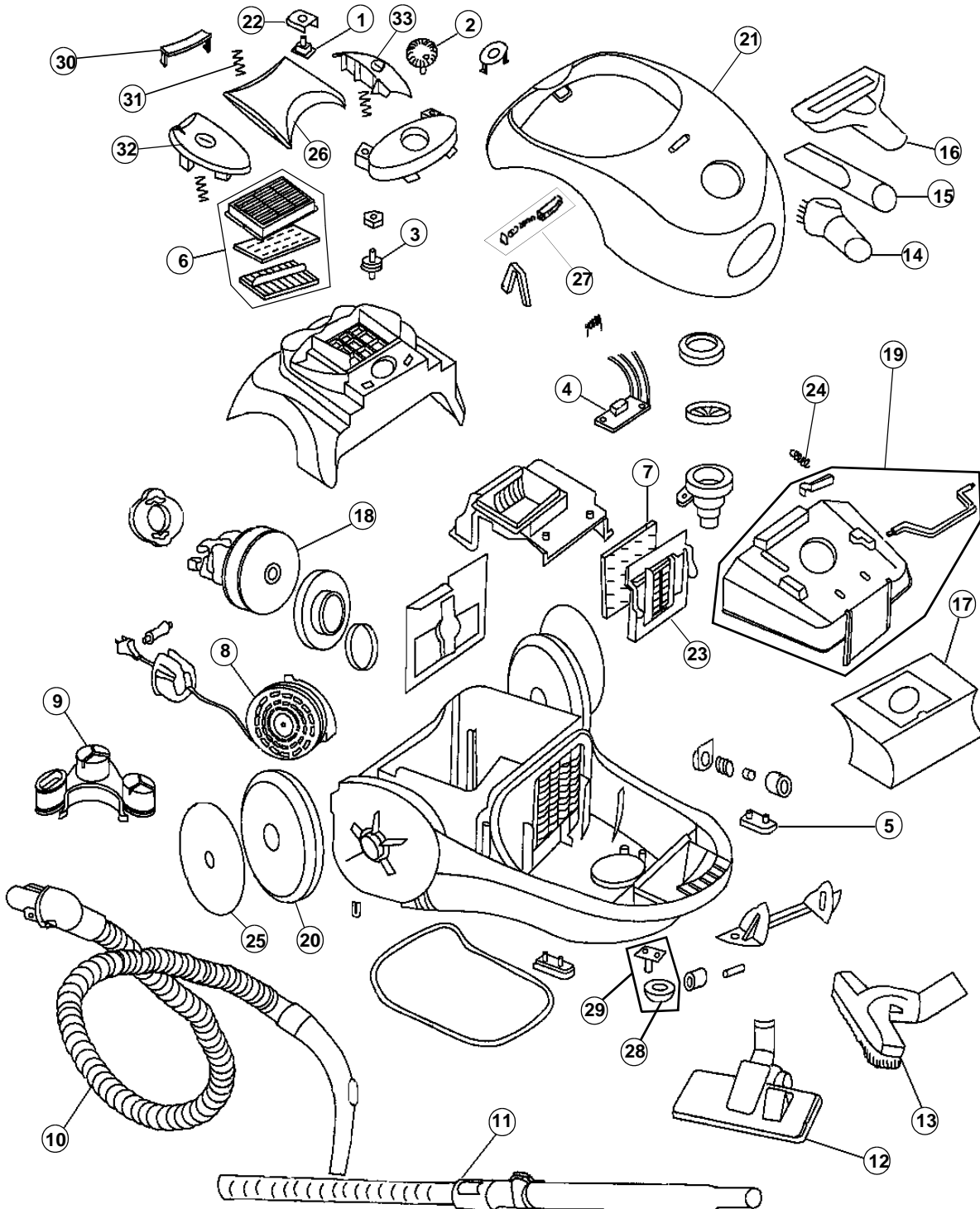
RY1000

Item	Part Number	Model's To Fit	Part Description
1	1RY1015000	RY1000	SPEED CONTROL KNOB
2	1RY1020000	RY1000	POTENTIOMETER
3	1RY1255000	RY1000	POWER SWITCH
4	3RY1301001	RY1000	EXHAUST AIR OUTLET FILTER / 2 PACK
5	1RY1200000	RY1000	CHAMBER AIR INLET FILTER
6	3RY1100001	RY1000	FILTER BAG - TYPE P / 7 PACK WITH 1 CHAMBER FILTER
7	1RY1190000	RY1000	P.C.B.
8	1RY1170000	RY1000	CORD REWINDER
9	1RY1105000	RY1000	SHOULDER STRAP
10	1RY1100000	RY1000	SHOULDER STRAP HOLDER
11	1RY1110000	RY1000	HOSE ASSEMBLY
12	1RY1120000	RY1000	TELESCOPIC WAND
13	1RY1270000	RY1000	MOTOR
14	1RY1125000	RY1000	BARE FLOOR BRUSH
15	1RY1130000	RY1000	CARPET AND RUG NOZZLE
16	1RY1135000	RY1000	DUSTING BRUSH
17	1RY1140000	RY1000	CREVICE TOOL
18	1RY1145000	RY1000	UPHOLSTERY TOOL
19	1RY1150000	RY1000	TOOL CADDY
20	2RY1090000	RY1000	BAG HOLDER ASSEMBLY
21	1RY1155000	RY1000 - SERIES A	WHEEL PLATE
	1RY1156000	RY1000	WHEEL PLATE
22	1RY1065000	RY1000	FRONT COVER
23		RY1000	SWITCH COVER
24		RY1000	SPRING / BAG HOLDER
25	1RY1160000	RY1000 - SERIES A	BIG WHEEL
	1RY1161000	RY1000	BIG WHEEL
26	2RY1060000	RY1000	FULL BAG INDICATOR ASSEMBLY
27	1RY1030000	RY1000 - SERIES A	PEDAL - SWITCH
	1RY1031000	RY1000	PEDAL - SWITCH
28	1RY1250000	RY1000	PEDAL - CORD ACTUATOR
29	2RY1115000	RY1000	SWIVEL WHEEL ASSEMBLY

ASSEMBLY SCHEMATIC

MODEL NO.

RY2000



PART LISTING / PRICE LIST

MODEL No.

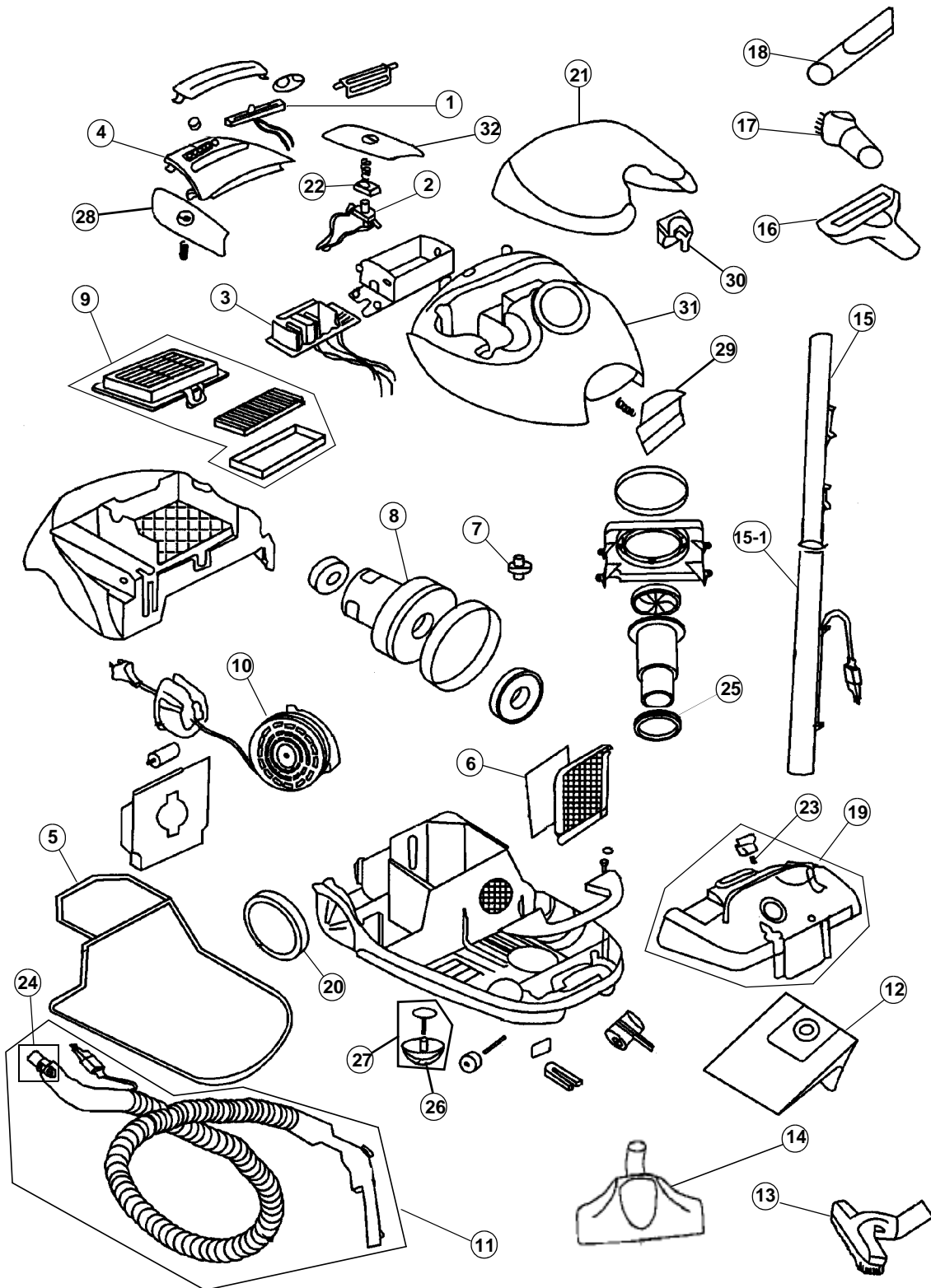
RY2000

Item	Part Number	Model's To Fit	Part Description
1	1RY1255000	RY2000	POWER SWITCH
2	1RY2045000	RY2000	REGULATOR KNOB
3	1RY1020000	RY2000	POTENTIOMETER
4	1RY2270000	RY2000	P.C.B.
5	1RY1100000	RY2000	SHOULDER STRAP HOLDER
6	2RY2232000	RY2000	EXHAUST AIR OUTLET FILTER / 1 PACK
7	1RY3200000	RY2000	CHAMBER AIR INLET FILTER
8	1RY2170000	RY2000	CORD REWINDER
9	1RY1150000	RY2000	TOOL CADDY
10	2RY2413000	RY2000	HOSE ASSEMBLY
11	2RY2411000	RY2000	TELESCOPIC WAND ASSEMBLY
12	1RY2395000	RY2000	CARPET AND RUG NOZZLE
13	1RY1125000	RY2000	BARE FLOOR BRUSH
14	1RY1135000	RY2000	DUSTING BRUSH
15	1RY1140000	RY2000	CREVICE TOOL
16	1RY1145000	RY2000	UPHOLSTERY TOOL
17	3RY2100001	RY2000	MIRCOFRESH FILTER BAG - TYPE Q / 7 PACK WITH 1 CHAMBER FILTER
18	1RY2205000	RY2000	MOTOR
19	2RY2110000	RY2000	BAG HOLDER ASSEMBLY
20	1RY2160000	RY2000	BIG WHEEL
21	1RY2060000	RY2000	FRONT COVER
22		RY2000	SWITCH COVER
23	1RY2350000	RY2000	FILTER HOLDER
24		RY2000	SPRING / BAG HOLDER
25	1RY2165000	RY2000	WHEEL PLATE
26	1RY2030000	RY2000	AIR OUTLET COVER
27	2RY1060000	RY2000	FULL BAG INDICATOR ASSEMBLY
28	1RY2140000	RY2000	UNIVERSAL WHEEL - ORDER #29
29	1RY2145000	RY2000	SWIVEL WHEEL & SUPPORT
30	1RY2010000	RY2000	AIR OUTLET LOCK PLATE
31	1RY2015000	RY2000	AIR OUTLET LOCK SPRING
32	1RY2220000	RY2000	CORD REWIND PEDAL
33	1RY2227000	RY2000	POWER SWITCH PEDAL

ASSEMBLY SCHEMATIC

MODEL NO.

RY3000
RY3050



PART LISTING / PRICE LIST

MODEL No.

RY3000
RY3050

Item	Part Number	Model's To Fit	Part Description
1	1RY3010000	RY3000, RY3050	POTENTIOMETER
2	1RY1255000	RY3000, RY3050	POWER SWITCH
3	1RY3230000	RY3000	P.C.B.
	1RY3503000	RY3050	P.C.B.
4	1RY3280000	RY3000	CONTROL PANEL
		RY3050	CONTROL PANEL
5	1RY3180000	RY3000, RY3050	SEAL BAR (RUBBER)
6	1RY3200000	RY3000, RY3050	CHAMBER AIR INLET FILTER
7	1RY3325000	RY3000, RY3050	SENSOR
8	1RY1270000	RY3000	MOTOR
	1RY3507000	RY3050	MOTOR
9	3RY3300001	RY3000, RY3050	EXHAUST FILTER - HEPA / 1 PACK
10	1RY3350000	RY3000, RY3050	CORD REWINDER
11	2RY2413000	RY3000	HOSE ASSEMBLY
	2RY1417600	RY3050	ELECTRIFIED HOSE ASSEMBLY - REVISED
12	3RY3100001	RY3000	HEPA FILTER BAG - TYPE R / 7 PACK WITH 1 CHAMBER FILTER
	1RY3500000	RY3050	HEPA FILTER BAG - TYPE R
	3RY3101001	RY3000	HEPA FILTER BAG - TYPE R / 3 PACK WITH 1 CHAMBER FILTER
13	1RY1125000	RY3000	BARE FLOOR BRUSH
	1RY3125600	RY3050	BARE FLOOR BRUSH
14	1RY3405000	RY3000	TURBO BRUSH NOZZLE
15	1RY3400000	RY3000	TELESCOPIC WAND ASSEMBLY
	1RY3513000	RY3050	UPPER WAND
15-1	1RY3514000	RY3050	LOWER WAND
16	1RY1145000	RY3000, RY3050	UPHOLSTERY TOOL
17	1RY1135000	RY3000, RY3050	DUSTING BRUSH
18	1RY1140000	RY3000, RY3050	CREVICE TOOL
19	2RY3135000	RY3000, RY3050	BAG HOLDER ASSEMBLY
20	1RY3175000	RY3000, RY3050	BIG WHEEL
21	1RY3050000	RY3000, RY3050	ACCESSORY COVER
22		RY3000, RY3050	SWITCH COVER
23		RY3000, RY3050	SPRING / BAG HOLDER
24	1RY3516000	RY3000, RY3050	HOSE CONNECTOR
25	1RY3115000	RY3000, RY3050	RUBBER DUST RETAINER

PART LISTING / PRICE LIST

Item	Part Number	Model's To Fit	Part Description
26	1RY2140000	RY3000, RY3050	UNIVERSAL WHEEL - ORDER #27
27	1RY2145000	RY3000, RY3050	SWIVEL WHEEL & SUPPORT
28	1RY3275000	RY3000, RY3050	PEDAL - CORD ACTUATOR
29	1RY3506000	RY3000, RY3050	HOOD LATCH PLATE
30		RY3000, RY3050	ACCESSORY COVER LATCH PLATE
31	2RY3055000	RY3000, RY3050	FRONT HOOD COVER - METALLIC BLACK
32	1RY3020000	RY3000, RY3050	PEDAL - SWITCH ACTUATOR

Model No.

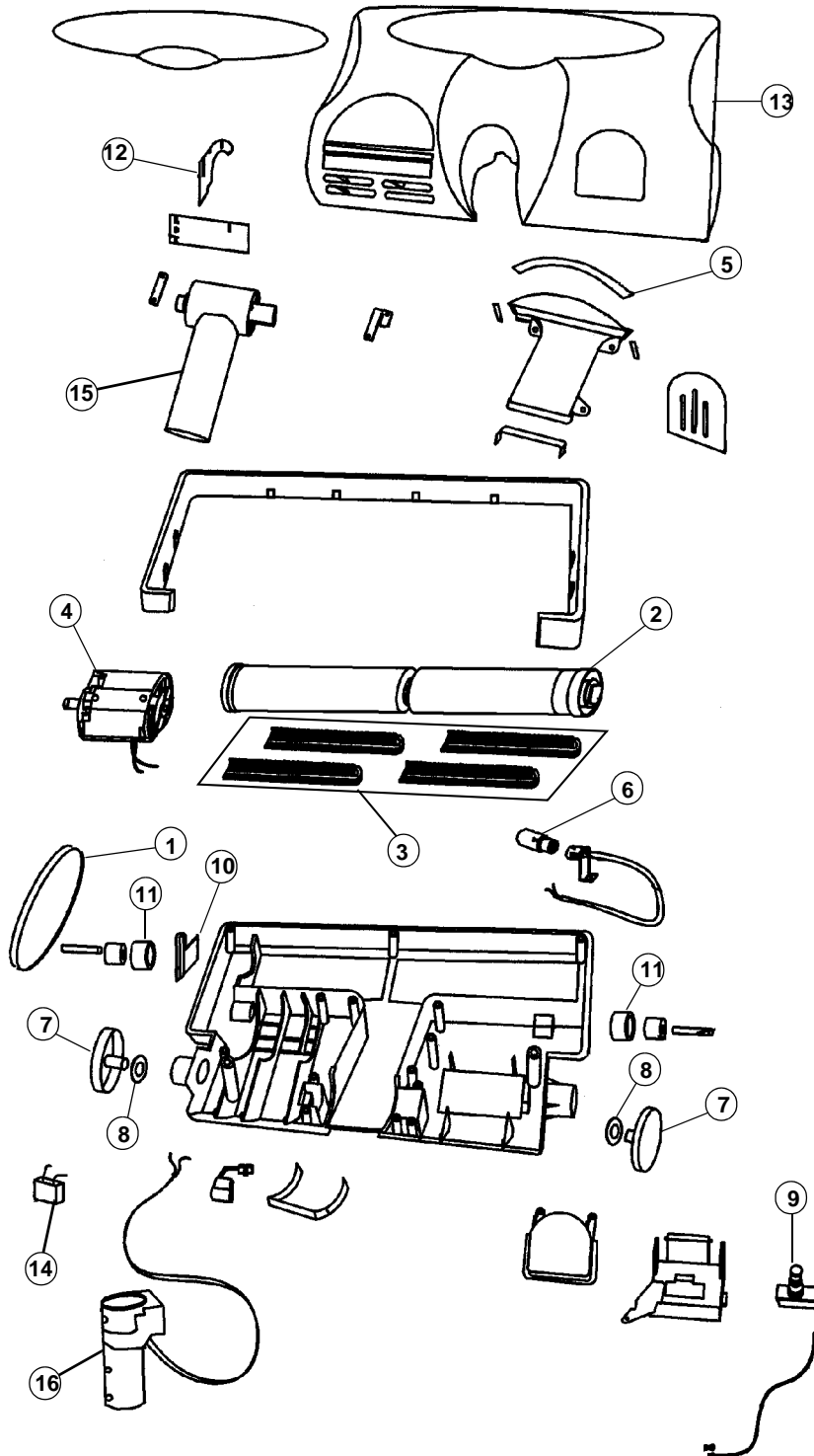
RY3000
RY3050

ASSEMBLY SCHEMATIC

Model No.

RY3050

P.N.



PART LISTING / PRICE LIST

Model No.

**RY3050
P.N.**

Item	Part Number	Model's To Fit	Part Description
1	1672260001	RY3050	BELT
2	1RY3524000	RY3050	BRUSH ROLL
3	2RY3527000	RY3050	BRUSH BRISTLE STRIPS (SET OF 4)
4	1990301000	RY3050	MOTOR
5	1RY3518000	RY3050	DUST RETAINING SPONGE
6	1RY3525000	RY3050	BULB 12-V / 15-W
7	1RY3531000	RY3050	BIG WHEEL
8	1RY3532000	RY3050	FELT
9	1RY3533000	RY3050	SWITCH
	1608304000	RY3050	SWITCH - REVISED
10	1RY3541000	RY3050	BELT BAFFLE
11	1RY3542000	RY3050	SMALL WHEEL
12	1RY3548000	RY3050	SEAL FELT
13	2RY3517000	RY3050	UPPER HOUSING
14	1RY3544000	RY3050	FUSE - ORDER #4
15	1RY3508000	RY3050	PIVOT
16	1RY3540000	RY3050	POWER CORD AND CONNECTING TUBE
	2RY3050000	RY3050	POWER NOZZLE COMPLETE