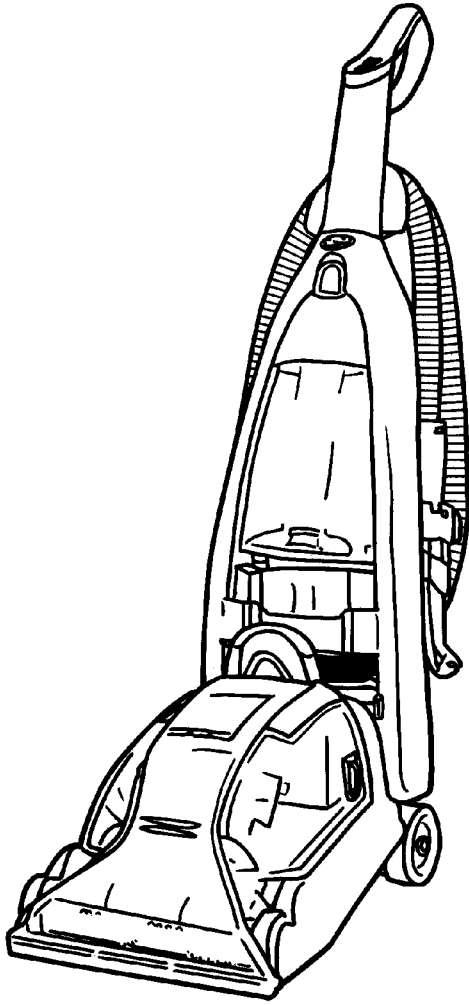


SECTION CONTENTS

<u>MODEL No.</u>	<u>PAGE No.</u>
RY7910	7-2 THRU 7-4
RY7940	7-2 THRU 7-4
RY7600	7-5 THRU 7-8

MODEL No.

RY7600
RY7910
RY7940



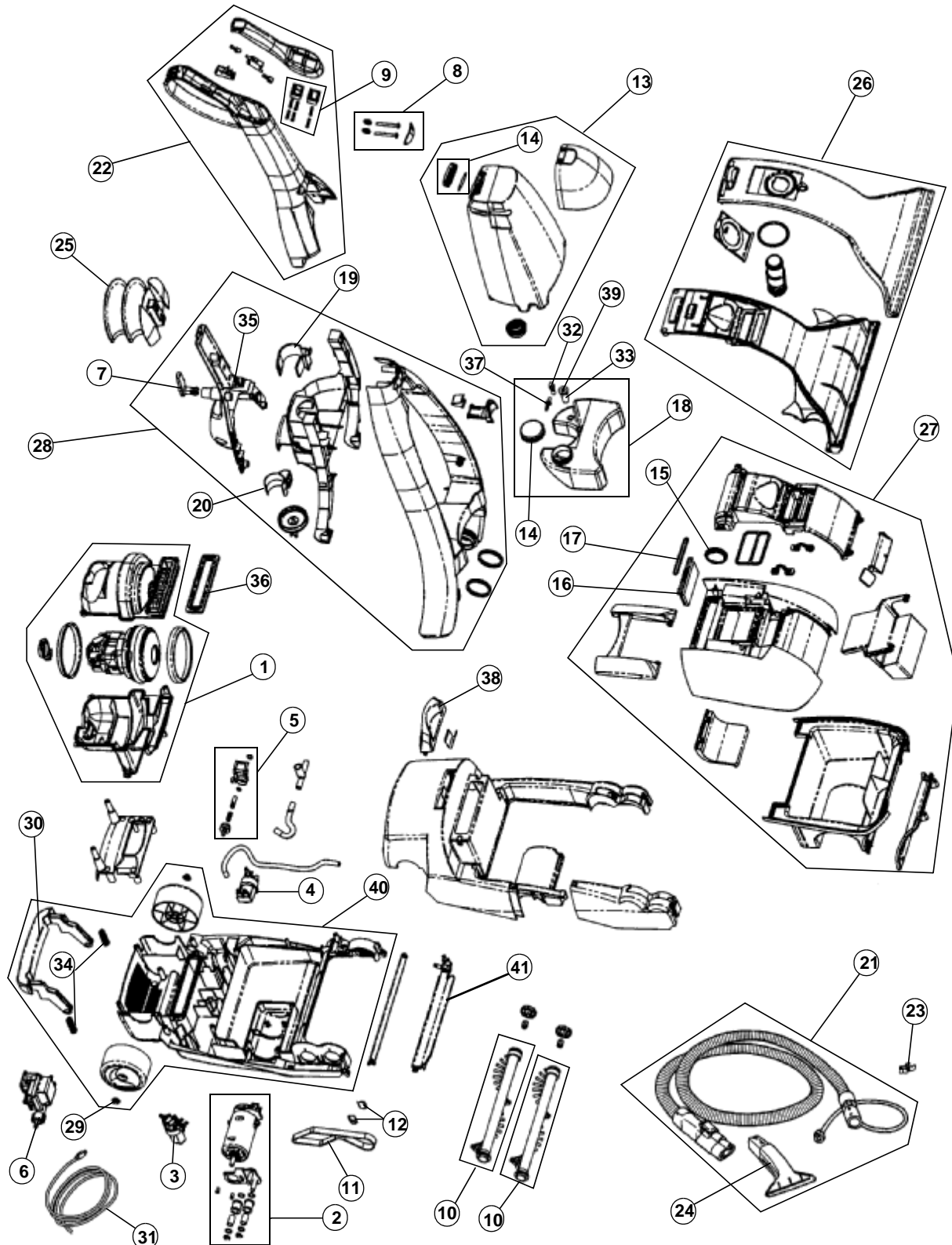
FLOOR EQUIPMENT PARTS.COM

- * PRICING, SPECIFICATION'S, AND PRODUCT AVAILABILITY ARE SUBJECT TO CHANGE WITHOUT NOTICE. PRICING IS FOB FACTORY, GLENWILLOW, OH
- * ALL INFORMATION CONTAINED WITHIN THIS SERVICE MANUAL IS PROPRIETARY INFORMATION OF TTI FLOOR CARE NORTH AMERICA.
- * **WARNING:** TO REDUCE THE RISK OF ELECTRICAL SHOCK OR INJURY, ALWAYS DISCONNECT THE APPLIANCE CORD FROM THE ELECTRICAL OUTLET OR REMOVE BATTERY PRIOR TO SERVICING THE UNIT.

ASSEMBLY SCHEMATIC

MODEL NO.

RY7910
RY7940





PART LISTING / PRICE LIST

MODEL NO.

**RY7910
RY7940**

Item	Part Number	Model's To Fit	Part Description
1	2790100000	RY7910	BASE, MOTOR, BRUSHROLL, BRUSH ROLL MOTOR, & HOUSING ASSEMBLY
	2790201600	RY7910, RY7940	MOTOR ASSEMBLY
2	2790401000	RY7910, RY7940	BRUSH MOTOR ASSEMBLY
3	1790320000	RY7910, RY7940	SOAP DISPENSING VALVE
4	1790330000	RY7910, RY7940	LOW PRESSURE SPRAY VALVE
5	2790360600	RY7910, RY7940	SIDE PORT CONNECTOR ASSEMBLY
6	1790300000	RY7910, RY7940	LOW PRESSURE PUMP
7	1720120600	RY7910, RY7940	CORD HOOK - BLACK
8	2790805000 (CE7900)	RY7910, RY7940	HANDLE SCREW ASSEMBLY LIGHT GREY
9	2790820000	RY7910, RY7940	SWITCH ASSEMBLY
10	2790420000	RY7910, RY7940	BRUSHROLL ASSEMBLY
11	3720310001	RY7910, RY7940	STYLE 4/5 BELT - 2 PACK
12	1720380000	RY7910, RY7940	CLIP - BELT GUIDE
13	2790701000	RY7910, RY7940	CLEAN WATER BOTTLE ASSEMBLY
14	2790710700	RY7910, RY7940	CWT / SOAP CAP ASSEMBLY
15	2790505Q00	RY7910, RY7940	DWT CAP ASSEMBLY
16	2790537600	RY7910, RY7940	DWT FILTER ASSEMBLY
17	1790538000	RY7910, RY7940	DWT FILTER GASKET
18	2790750AF0 (CE7900)	RY7910, RY7940	SOAP TANK ASSEMBLY CLEAR BLUE
19	1790605B00	RY7910, RY7940	LEFT HOSE CLIP
20	1790607B00	RY7910, RY7940	RIGHT HOSE CLIP
21	2VC1005000	RY7910, RY7940	HOSE KIT ASSEMBLY
22	2790800000 (CE7900)	RY7910, RY7940	UPPER HANDLE ASSEMBLY LIGHT GREY
23	1791120B00	RY7910, RY7940	WATER TUBE HOSE CLIP
24	2VC1600600	RY7910, RY7940	NOZZLE TOOL ASSEMBLY (NOT AVAILABLE SEPARATELY - ORDER #21)
25	1790845B00	RY7910, RY7940	HOSE CADDY
26	2790541Q00	RY7910, RY7940	DW TANK TOP NOZZLE ASSEMBLY
27	2790510Q00	RY7910, RY7940	DW TANK ASSEMBLY
28	2790600000 (CE7900)	RY7910, RY7940	LOWER HANDLE ASSEMBLY LIGHT GREY
29	1710102000	RY7910, RY7940	WHEEL RETAINER CAP
30	1790660B00	RY7910, RY7940	LOWER HANDLE RELEASE PEDAL

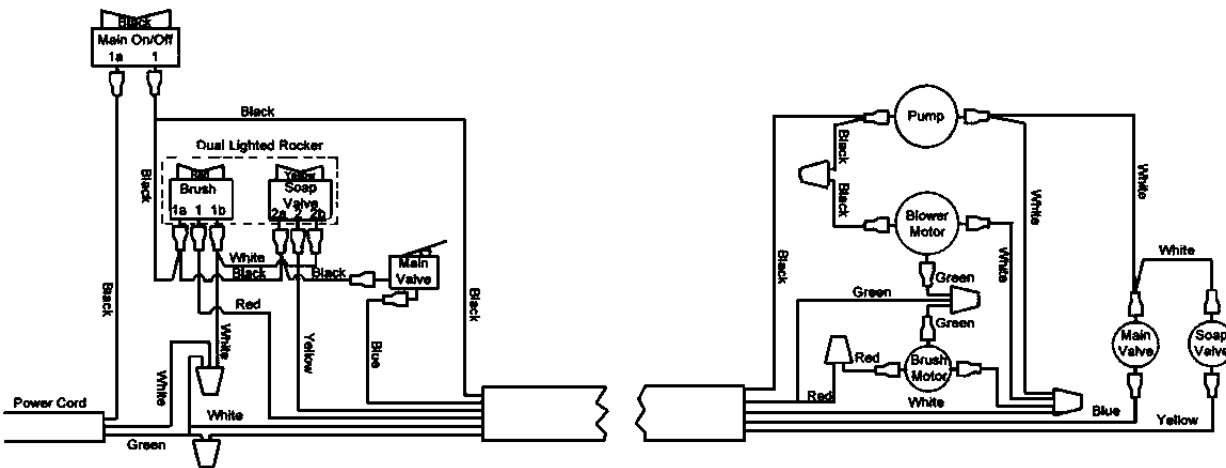
PART LISTING / PRICE LIST

Item	Part Number	Model's To Fit	Part Description	Net Cost	List Cost
31	1790970100	RY7910, RY7940	POWER CORD	10.37	17.28
32	1790752000	RY7910, RY7940	SOAP TANK PICK-UP ELBOW	.26	.43
33	1790754000	RY7910, RY7940	SOAP TANK TUBE GROMMET	.26	.43
34	1790670000	RY7910, RY7940	HANDLE SPRING	.50	.83
35	1790650AC0	RY7910, RY7940	CARRYING HANDLE	3.89	6.48
36	1790125000	RY7910, RY7940	FAN MOTOR GASKET	N.L.A.	N.L.A.
37	1790757000	RY7910, RY7940	SOAP TANK TUBE ORIFACE	.62	1.03
38	1790115B00	RY7910, RY7940	DIRT WATER COVER LATCH	1.25	2.08
39	1790756000	RY7910, RY7940	SOAP TANK TUBE FILTER	.26	.43
40	1790110600	RY7910, RY7940	BASE TRAY ASSEMBLY	39.92	66.53
41	2790171600	RY7910, RY7940	SPRAY BAR ASSEMBLY	2.21	3.68

MODEL NO.

RY7910
RY7940

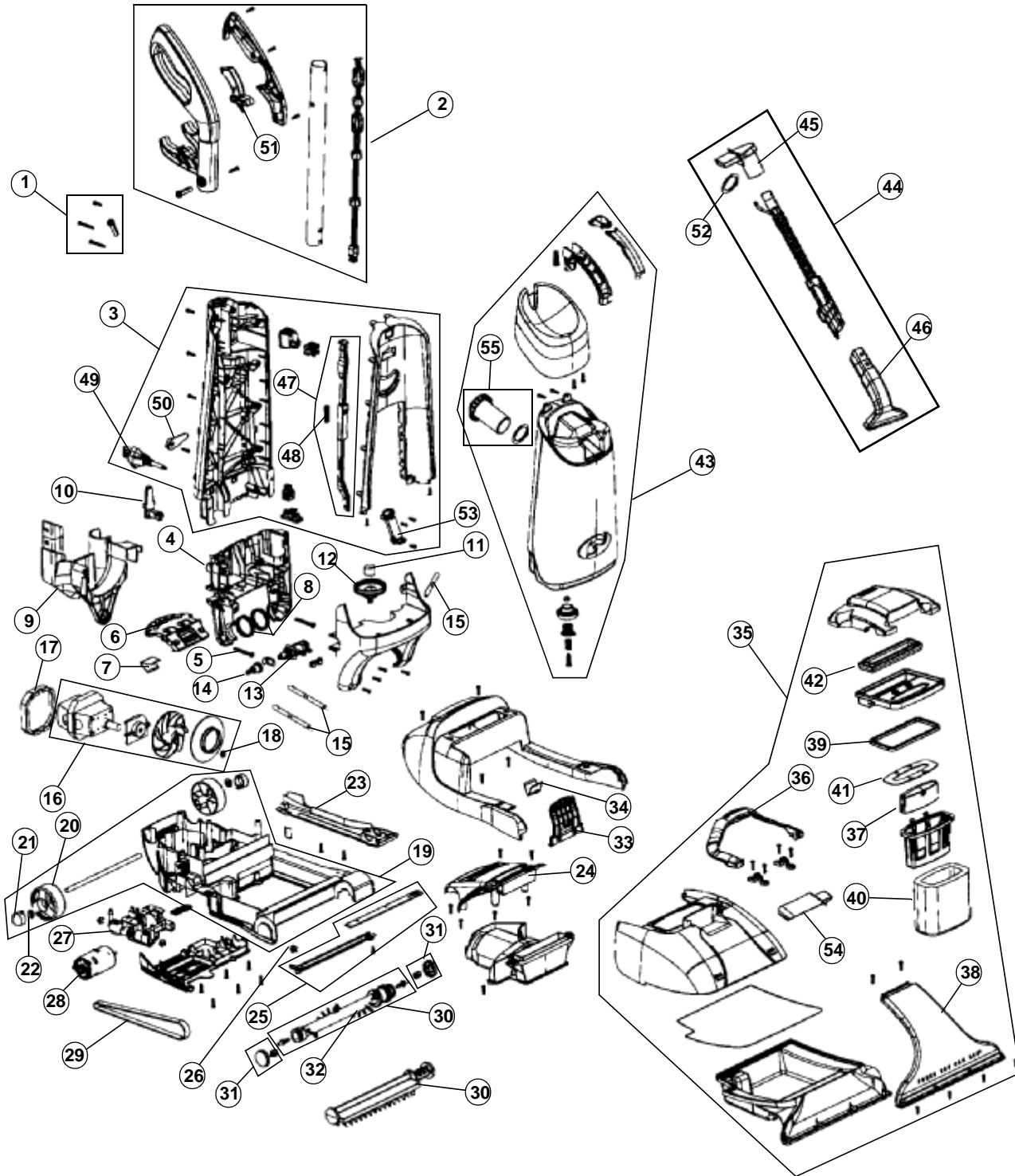
WIRING SCHEMATIC



ASSEMBLY SCHEMATIC

MODEL NO.

RY7600



PART LISTING / PRICE LIST

Item	Part Number	Model's To Fit	Part Description
1	2VQ1760000	RY7600	SCREW PACKAGE
2	2VQ2760000	RY7600	UPPER HANDLE ASSEMBLY - BLUE
3	2VQ1505A00	RY7600	BACK PANEL ASSEMBLY - BLUE
4	1710502600	RY7600	BOTTOM LOWER HANDLE - BLACK
5	1710672600	RY7600	LOWER HANDLE SCREW
6	1700135B00	RY7600	HANDLE RELEASE / LOCK - GREY
7	1700142000	RY7600	HANDLE RELEASE PEDAL SPRING
8	1700510000	RY7600	LOWER HANDLE PIVOT RINGS
9	1VQ1515600	RY7600	TOOL CADDY - GREY
10	1720120600	RY7600	CORD HOOK - BLACK
11	1700595600	RY7600	TANK ADAPTER SCREEN
12	1710580000	RY7600	TANK VALVE ADAPTER PLATE
13	2700575700	RY7600	PORT HOSE CONN/VALVE
14	1770140000	RY7600	PORT CONNECTOR
15	1700567600	RY7600	21" RUBBER TUBING
16	2700212000	RY7600	MOTOR ASSEMBLY
17	1700210600	RY7600	MOTOR MOUNT - REAR
18	1700270000	RY7600	FAN NUT
19	2710100600	RY7600	BASE ASSEMBLY - BLACK
20	1VQ1103600	RY7600	REAR WHEEL
21	1VQ1100600	RY7600	WHEEL HUB CAP
22	1801711000	RY7600	WHEEL RETAINER CAP
23	1700115600	RY7600	BELT COVER - BASE - BLACK
24	1700125600	RY7600	MOTOR COVER - BASE - BLACK
25	2700150600	RY7600	SPRAY PLATE - BASE
26	1700568000	RY7600	WATER TUBE CLAMP
27	1710400000	RY7600	PUMP
28	1700301000	RY7600	BRUSH MOTOR
29	1400615600	RY7600	STYLE 7 BELT
30	2700335600	RY7600	BRUSH ROLL ASSEMBLY
31	2700327000	RY7600	BRUSH BEARING / END CAPS
32	2700335000	RY7600	BRUSH STRIPS
33	1700735B00	RY7600	DIRTY WATER COVER LATCH
34	1700140000	RY7600	DIRTY WATER LATCH SPRING
35	2VQ1750AP0	RY7600	DIRTY WATER TANK ASSEMBLY
36	1700730600	RY7600	HANDLE - DIRTY WATER TANK - BLACK

MODEL No.

RY7600

PART LISTING / PRICE LIST

MODEL No.

RY7600

Item	Part Number	Model's To Fit	Part Description
37	1700740900	RY7600	FLOAT - DIRTY WATER TANK
38	2700100Q00	RY7600	NOZZLE - DIRTY WATER TANK - CLEAR / NO LOGO
39	1700725600	RY7600	SEAL - DIRTY WATER COVER
40	1700750600	RY7600	FOAM FILTER - DIRTY WATER
41	1700760600	RY7600	FLOAT SEAL - DIRT WATER TANK
42	1710230600	RY7600	FAN HSG SEAL - DIRTY WATER
43	2VQ1800A00	RY7600	CLEAN WATER TANK ASSEMBLY
44	2VQ3760000	RY7600	8' HOSE ASSEMBLY WITH ADAPTOR AND NOZZLE TOOL
45	2770110600	RY7600	DIRTY WATER HOSE ADAPTOR
46	2771600600	RY7600	UPHOLSTERY NOZZLE TOOL - CLEAR
47	1VQ1520600	RY7600	LOWER HANDLE ROD W/SPRING
48	1700525000	RY7600	SPRING - LOWER HANDLE ROD
49	1700542600	RY7600	25' POWER CORD
50	1VQ1525600	RY7600	STRAIN RELIEF - BLACK
51	1700625900	RY7600	TRIGGER - BLUE
52	1700758600	RY7600	HOSE ADAPTER SEAL
53	1710507600	RY7600	WIRE CONNECTOR COVER - GREY
54	2700755Q00	RY7600	HOSE DOOR - DIRTY WATER - CLEAR
55	2700805B00	RY7600	CLEAN WATER TANK FILL CUP

WIRING SCHEMATIC

MODEL NO.

RY7600

