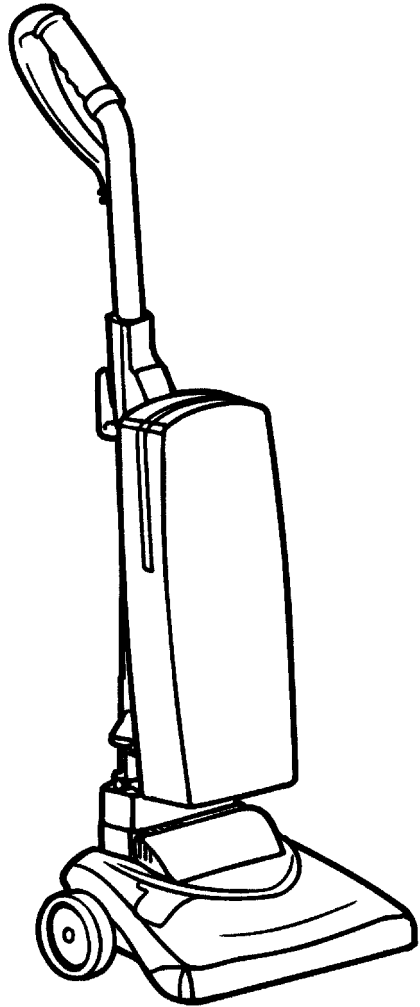


SECTION CONTENTS

<u>MODEL No.</u>	<u>PAGE No.</u>
RY5000	5-2 THRU 5-4
RY5200	5-2 THRU 5-4

[MODEL No.](#)

RY5000
RY5200



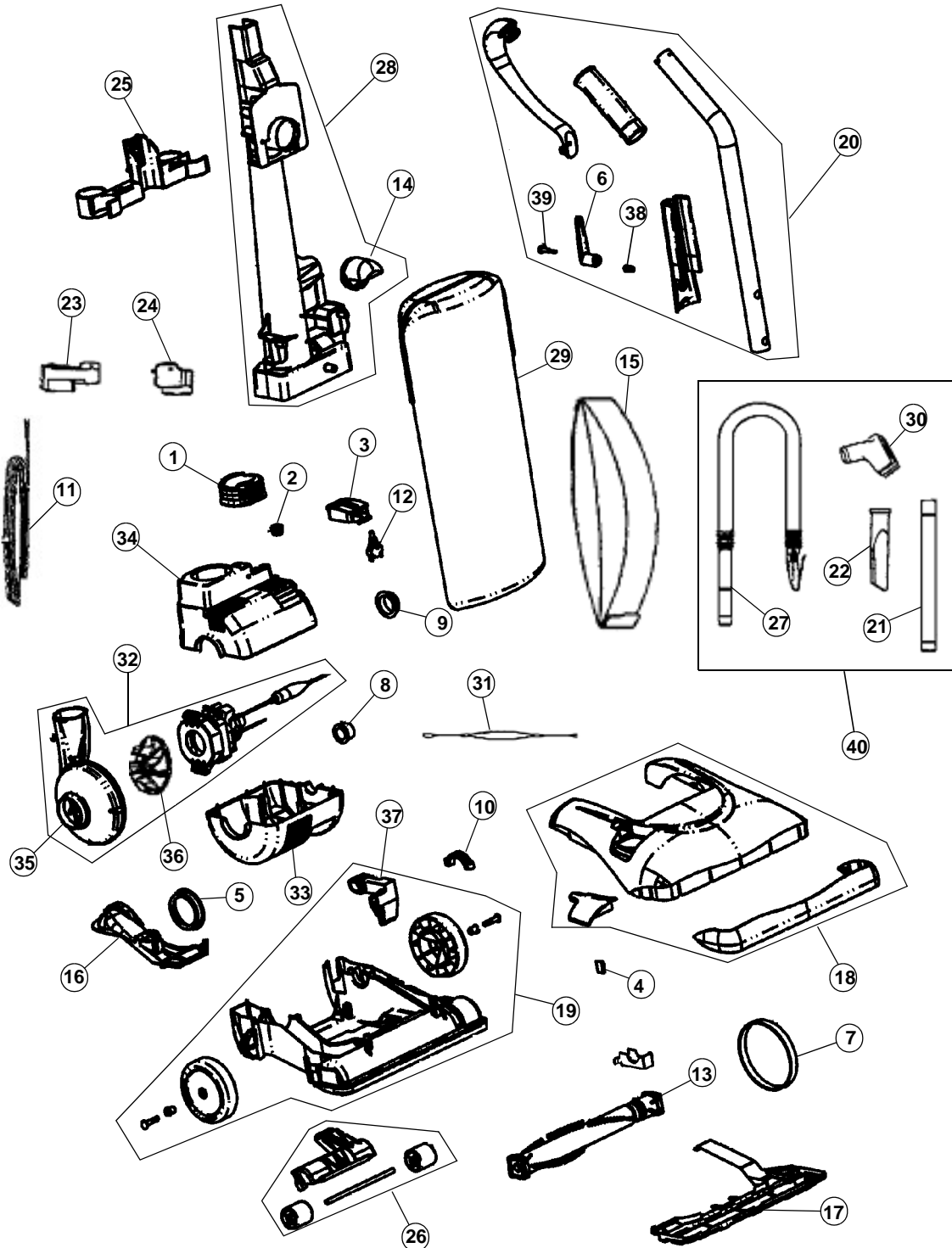
FLOOREQUIPMENTPARTS.COM

- * PRICING, SPECIFICATION'S, AND PRODUCT AVAILABILITY ARE SUBJECT TO CHANGE WITHOUT NOTICE. PRICING IS FOB FACTORY, GLENWILLOW, OH
- * ALL INFORMATION CONTAINED WITHIN THIS SERVICE MANUAL IS PROPRIETARY INFORMATION OF TTI FLOOR CARE NORTH AMERICA.
- * **WARNING:** TO REDUCE THE RISK OF ELECTRICAL SHOCK OR INJURY, ALWAYS DISCONNECT THE APPLIANCE CORD FROM THE ELECTRICAL OUTLET OR REMOVE BATTERY PRIOR TO SERVICING THE UNIT.

ASSEMBLY SCHEMATIC

MODEL NO.

RY5000
RY5200





COMMERCIAL LITE



PROCISION™ LITE

5

PART LISTING / PRICE LIST

MODEL No.

RY5000
RY5200

Item	Part Number	Model's To Fit	Part Description
1	1855185700	RY5000, RY5200	HANDLE GASKET
2	1863130600	RY5200	STRAIN RELIEF
3	1855140B00	RY5000, RY5200	PEDAL - SWITCH
4	1720380000	RY5000, RY5200	CLIP, BELT
5	1855105600	RY5000, RY5200	PIVOT SEAL
6	1259319000	RY5000, RY5200	CORD HOOK - QUICK RELEASE
7	1540310001	RY5000, RY5200	STYLE 5 BELT
8	1720325600	RY5000, RY5200	MOTOR GROMMET
9	1720355000	RY5000, RY5200	PIVOT BUSHING
10	1820351600	RY5000, RY5200	PIVOT CLAMP
11	1500050AU0	RY5000	POWER CORD - ORANGE
	1500050600	RY5200	POWER CORD - BLACK
12	1860081000	RY5000, RY5200	SWITCH ASSEMBLY
13	2520125000	RY5000, RY5200	BRUSH ROLL ASSEMBLY
14	1520011600	RY5000, RY5200	AIR DEFLECTOR
15	3500010001	RY5000, RY5200	TYPE D BAG / 7-PACK
16	1855100600	RY5000, RY5200	DIRT PASSAGE COVER
17	1855135600	RY5000, RY5200	NOZZLE GUARD
18	2855195P00	RY5000	NOZZLE COVER ASSEMBLY
	2855195U00	RY5200	NOZZLE COVER ASSEMBLY
19	2855110600	RY5000, RY5200	NOZZLE BASE ASSEMBLY
20		RY5000, RY5200	HANDLE ASSEMBLY - UPPER
21	1402803600	RY5000, RY5200	EXTENSION WAND
22	1920035600	RY5000, RY5200	CREVICE TOOL
23	1855500600	RY5000, RY5200	HOSE CUP
24	1855205600	RY5000, RY5200	WAND CUP
25	1855290600	RY5000, RY5200	UPPER TOOL CADDY ASSEMBLY
26	2540095600	RY5000, RY5200	ROLLER LIFTER ASSEMBLY
27	2855750600	RY5000, RY5200	HOSE ASSEMBLY
28		RY5000, RY5200	LOWER HANDLE ASSEMBLY
29*	2500040AU0 DISCONTINUING	RY5000	ZIPPER BAG ASSEMBLY - ORANGE
	2500040BG0	RY5000	ZIPPER BAG ASSEMBLY - ORANGE
	2500040AP0	RY5200	ZIPPER BAG ASSEMBLY - BLUE ORDER 2500050AP0
	2500050AP0	RY5200	ZIPPER BAG ASSEMBLY - BLUE
30	2920215600	RY5000, RY5200	2 IN 1 BRUSH ASSEMBLY



COMMERCIAL LITE



PROCISION™ LITE

5

PART LISTING / PRICE LIST

MODEL No.

RY5000
RY5200

Item	Part Number	Model's To Fit	Part Description
31	1855127600	RY5000, RY5200	INTERNAL BLACK WIRE w/FUSE
32	2500050000	RY5000	MOTOR ASSEMBLY
	2520650000	RY5200	MOTOR ASSEMBLY
33	1500032000	RY5000	MOTOR HOUSING, LOWER
	1855130600	RY5200	MOTOR HOUSING, LOWER
34	1500033000	RY5000	MOTOR HOUSING, UPPER
	1855192600	RY5200	MOTOR HOUSING, UPPER
35	1855175600	RY5000, RY5200	FAN HOUSING
36	1855170700	RY5000, RY5200	FAN
37	1620070600	RY5000, RY5200	HANDLE RELEASE PEDAL
38	1003884000	RY5000, RY5200	CORD HOOK SPRING
39	1597743000	RY5000, RY5200	CORD HOOK SCREW
40	M195	RY5000, RY5200	ATTACHMENTS - ORDER TOOLS SEPARATELY
	2855750600		HOSE ASSEMBLY
	1402803600		EXTENSION WAND
	1920035600		CREVICE TOOL
	2920215600		2 IN 1 TOOL
	1855290600		UPPER TOOL CADDY
	1855500600		HOSE CUP
	1855205600		WAND HOLDER

NOTES

*JUST TO ADVISE ON #29 ZIPPER BAG ASSEMBLIES, THE COST DIFFERENCE BETWEEN THE TWO BAGS IS THAT THE MORE EXPENSIVE IS A NEW REDESIGNED BAG AND IS MADE WITH A DIFFERENT MATERIAL. ONCE THE LESS EXPENSIVE BAG RUNS OUT OF STOCK, IT WILL NO LONGER BE AVAILABLE AND WILL BE REPLACED WITH THE OTHER.