

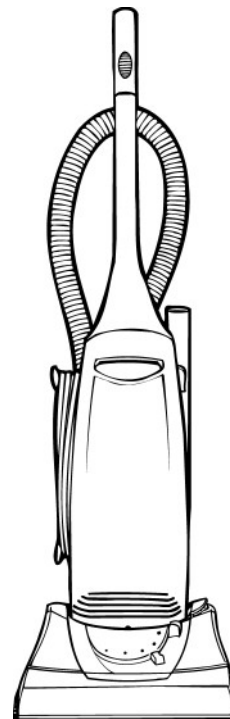
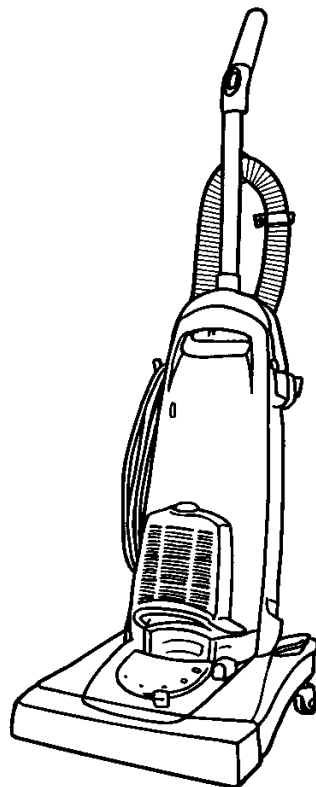
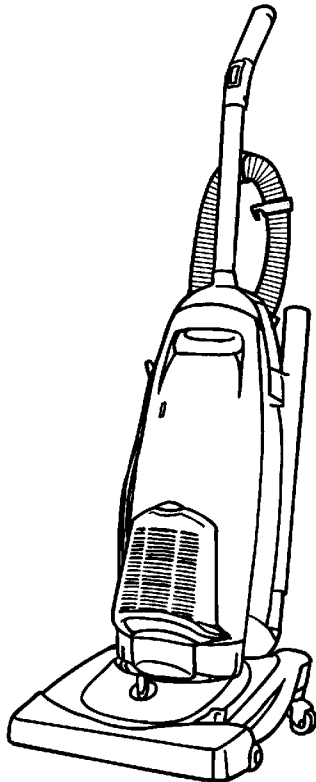
FLOOREQUIPMENTPARTS.COM

SECTION CONTENTS

<u>MODEL No.</u>	<u>PAGE No.</u>
RY7000	3-10 THRU 3-13
RY7050	3-2 THRU 3-5
RY8000	3-6 THRU 3-9

MODEL No.

RY7000
RY7050
RY8000

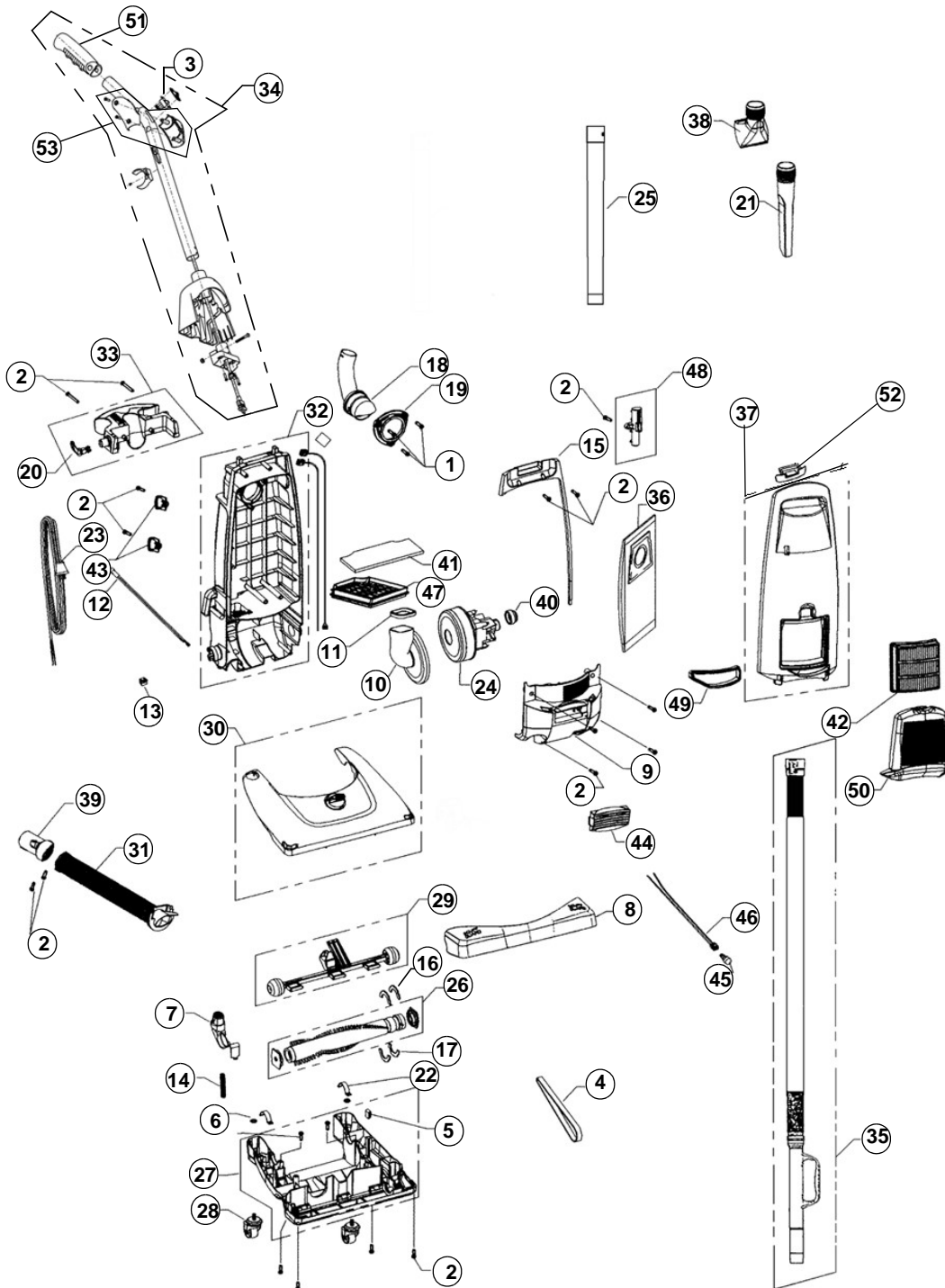


- * PRICING, SPECIFICATION'S, AND PRODUCT AVAILABILITY ARE SUBJECT TO CHANGE WITHOUT NOTICE. PRICING IS FOB FACTORY, GLENWILLOW, OH
- * ALL INFORMATION CONTAINED WITHIN THIS SERVICE MANUAL IS PROPRIETARY INFORMATION OF TTI FLOOR CARE NORTH AMERICA.
- * **WARNING:** TO REDUCE THE RISK OF ELECTRICAL SHOCK OR INJURY, ALWAYS DISCONNECT THE APPLIANCE CORD FROM THE ELECTRICAL OUTLET OR REMOVE BATTERY PRIOR TO SERVICING THE UNIT.

ASSEMBLY SCHEMATIC

MODEL NO.

RY7050



PART LISTING / PRICE LIST

MODEL No.

RY7050

Item	Part Number	Model's To Fit	Part Description
1	1250100000	RY7050	SCREW
2	1720430000	RY7050	SCREW 8-11 x 5/8 COMBO HEAD
3	1120303000	RY7050	SWITCH
4	3720310001	RY7050	STYLE 4/5 BELT - 2 PACK
5	1720380000	RY7050	BELT GUIDE CLIP
6	1863054000	RY7050	CASTER PAL NUT
7	1863060B00	RY7050	HANDLE RELEASE PEDAL
8	1865088B00	RY7050	SCUFF GUARD BUMPER
9	2864095600	RY7050	MOTOR COVER
10	1863109600	RY7050	MOTOR AIR DUCT
11	1863112600	RY7050	MOTOR DUCT SEAL
12	1863168000	RY7050	NEON LAMP
13	1863130600	RY7050	STRAIN RELIEF
14	1690350000	RY7050	HANDLE RELEASE PEDAL SPRING
15	1863295600	RY7050	SWITCH COMPARTMENT COVER
16	1863307700	RY7050	NOZZLE COVER FELT
17	1863308000	RY7050	BELT COVER FELT
18	1863335600	RY7050	HOSE INLET
19	1863337600	RY7050	HOSE INLET RETAINER
20	1920015B00	RY7050	CORD HOOK
21	1920035600	RY7050	CREVICE TOOL
22	1920140000	RY7050	PIVOT CLAMP
23	2997232600	RY7050	POWERCORD - 32 FT
24	2630172000	RY7050	MOTOR *SEE NOTES
25	2863360600	RY7050	TELESCOPIC WAND
26	2990055000	RY7050	BRUSH ROLL ASSEMBLY - SILVER
27	2863544600	RY7050	NOZZLE BASE ASSEMBLY
28	2912370600	RY7050	CASTER
29	2863040000	RY7050	HEIGHT ADJUSTMENT ASSEMBLY
30	2863569AP0	RY7050	NOZZLE COVER ASSEMBLY
31	2863087Q00	RY7050	LOWER HOSE ASSEMBLY
32	2863598600	RY7050	BACK PANEL ASSEMBLY
33	2863175600	RY7050	TOOL CADDY ASSEMBLY
34	2990020000	RY7050	HANDLE ASSEMBLY

PART LISTING / PRICE LIST

MODEL No.

RY7050

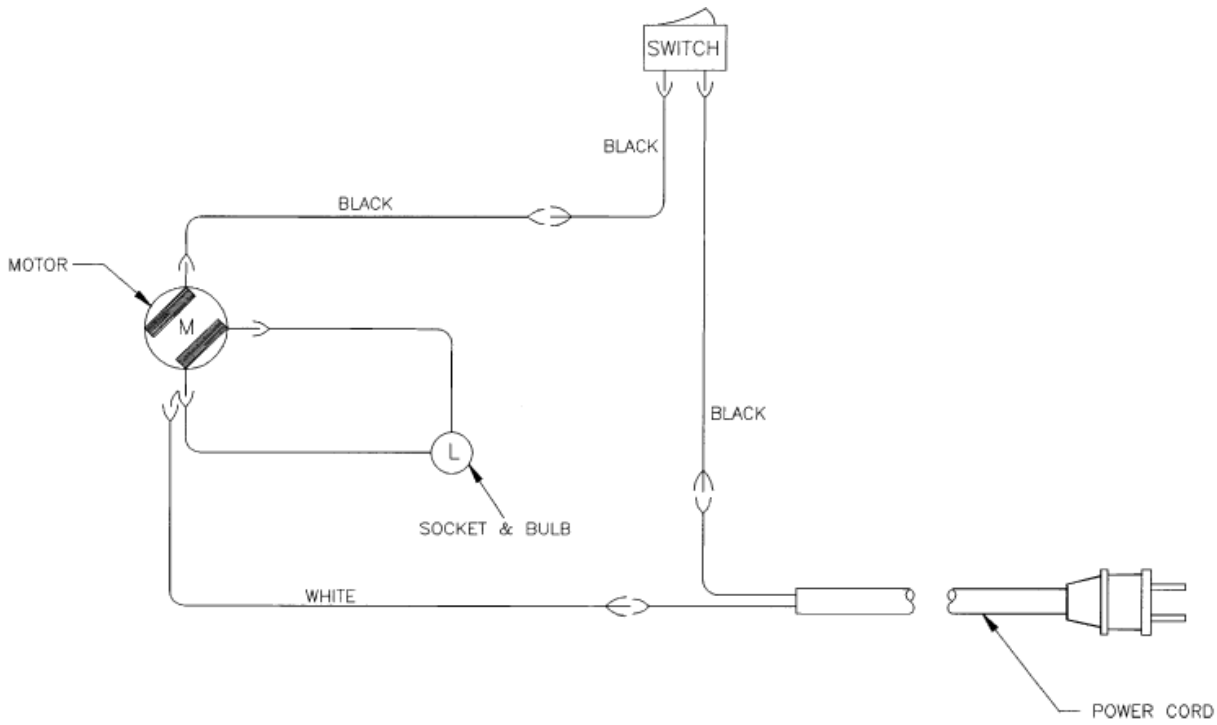
Item	Part Number	Model's To Fit	Part Description
35	2864172600	RY7050	HOSE ASSEMBLY - STRETCH
36	3920047001	RY7050	TYPE U BAGS - 3 PACK
	3115016000	RY7050	TYPE U ROYAL AIRE BAGS - 7 PACK
37	2865143AP0	RY7050	FRONT PANEL ASSEMBLY
38	2920215600	RY7050	2 IN 1 BRUSH ASSEMBLY
39	1863411600	RY7050	WAND ADAPTOR
40	1863105600	RY7050	MOTOR GROMMET
41	1863118000	RY7050	BAG CHAMBER FILTER -MICROFRESH
42	3865132044	RY7050	FRONT PANEL FILTER ASSEMBLY
43	1690360600	RY7050	TOOL CLIP
44	1864225000	RY7050	LENS
45	1920906000	RY7050	BULB - WEDGE BASE #906
46	1863221000	RY7050	SOCKET ASSEMBLY w/DIODE
47	1863420600	RY7050	FILTER SUPPORT
48	2864300000	RY7050	MECHANICAL FBI
49	1865177000	RY7050	FRONT PANEL EXHAUST GASKET
50	2865137600	RY7050	FILTER COVER ASSEMBLY
51	1990022B00	RY7050	HANDLE GRIP - SOFT
52	1863147600	RY7050	HANDLE LATCH FRONT PANEL
53	1990023AP0	RY7050	GRIP, SWITCH COVER (RIGHT & LEFT)

*** WHEN REPLACING THE MOTOR, THE BLACK LEAD MUST ALSO BE ORDERED / 1863250600**

WIRING SCHEMATIC

MODEL No.

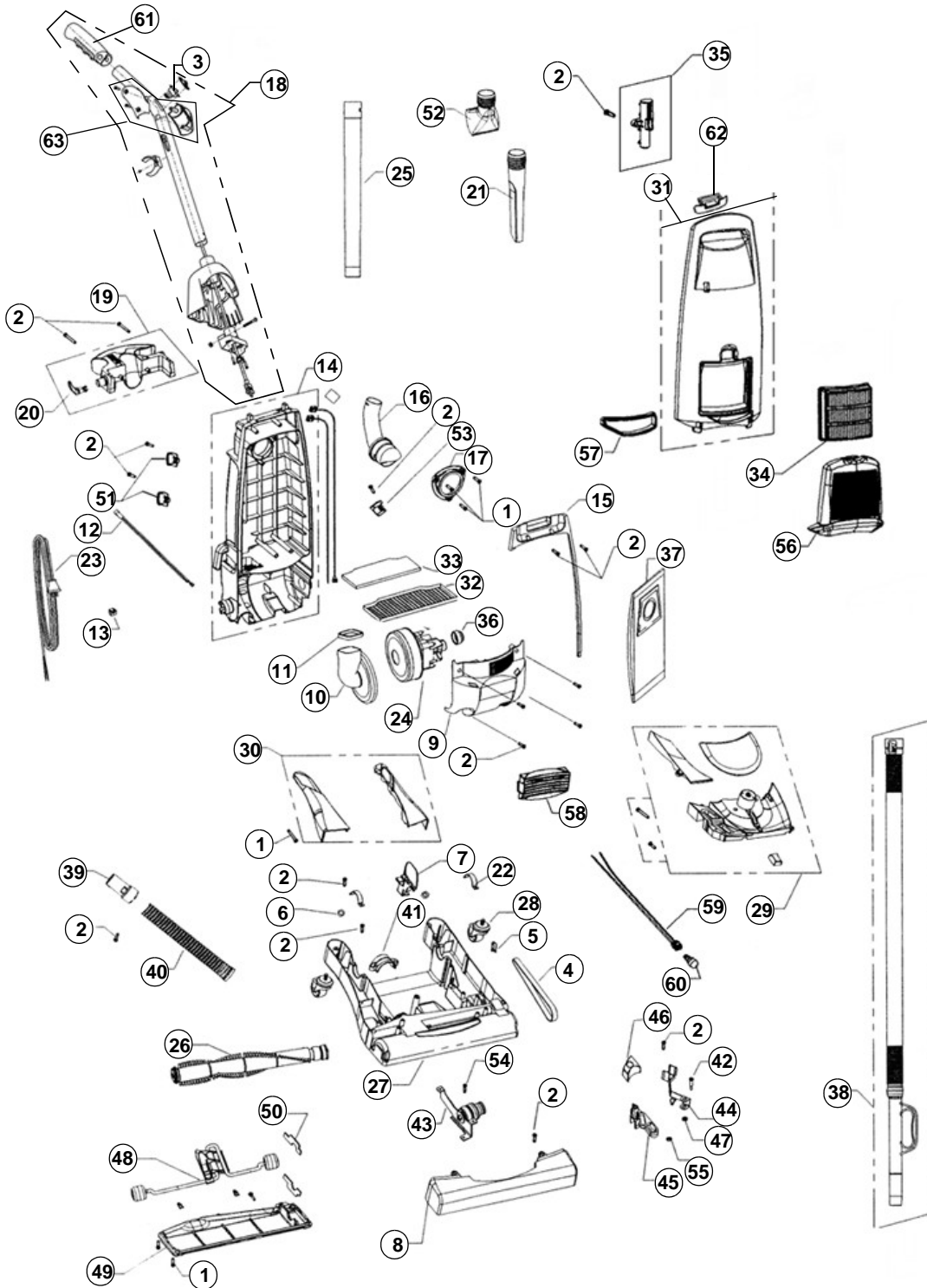
RY7050



ASSEMBLY SCHEMATIC

MODEL NO.

RY8000



PART LISTING / PRICE LIST

MODEL No.

RY8000

Item	Part Number	Model's To Fit	Part Description
1	1250100000	RY8000	SCREW
2	1720430000	RY8000	SCREW 8-11 x 5/8
3	1120303000	RY8000	SWITCH
4	3990220044	RY8000	STYLE 9 BELT - 2 PACK
5	1720380000	RY8000	BELT GUIDE CLIP
6	1863054000	RY8000	CASTER PAL NUT
7	1990205B00	RY8000	HANDLE RELEASE PEDAL
8	2990115B00	RY8000	BUMPER
9	2864095600	RY8000	MOTOR COVER
10	1863109600	RY8000	MOTOR AIR DUCT
11	1863112600	RY8000	MOTOR DUCT SEAL
12	1863168000	RY8000	NEON LAMP
13	1863130600	RY8000	STRAIN RELIEF
14	2863598600	RY8000	BACK PANEL ASSEMBLY
15	1863295600	RY8000	SWITCH COMPARTMENT COVER
16	1863335600	RY8000	HOSE INLET
17	1863337600	RY8000	HOSE INLET RETAINER
18	2990020000	RY8000	HANDLE ASSEMBLY w/ GRIP
19	2863175600	RY8000	TOOL CADDY ASSEMBLY
20	1920015B00	RY8000	CORD HOOK
21	1920035600	RY8000	CREVICE TOOL
22	1920140000	RY8000	PIVOT CLAMP
23	2997232600	RY8000	POWERCORD - 32 FT
24	2630865000	RY8000	MOTOR
25	2863360600	RY8000	TELESCOPIC WAND
26	2990056000	RY8000	QUAD BRUSH ROLL ASSEMBLY - SILVER
27	2990114600	RY8000	NOZZLE BASE ASSEMBLY
28	2912370600	RY8000	CASTER
29	2980247600	RY8000	CENTER SUPPORT ASSEMBLY
30	2990100L00	RY8000	NOZZLE COVER ASSEMBLY
31	2865142AP0	RY8000	FRONT PANEL ASSEMBLY
32	1863420600	RY8000	FILTER SUPPORT
33	1863118000	RY8000	BAG CHAMBER FILTER -MICROFRESH

PART LISTING / PRICE LIST

MODEL No.

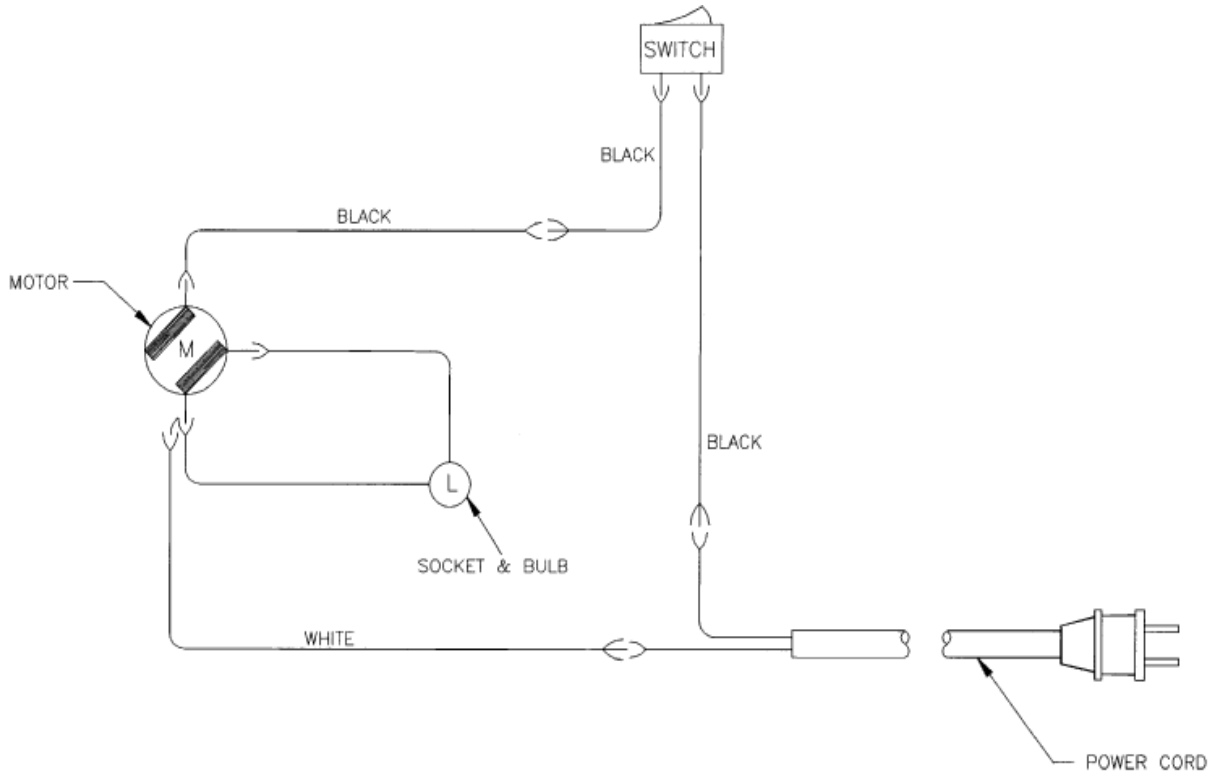
RY8000

Item	Part Number	Model's to Fit	Part Description
34	3865132044	RY8000	FRONT PANEL EXHAUST FILTER
35	2864300000	RY8000	MECHANICAL FBI
36	1863105600	RY8000	MOTOR GROMMET
37	3920750001	RY8000	TYPE U ROYAL AIRE BAGS - 3 PACK
	3115016000	RY8000	TYPE U ROYAL AIRE BAGS - 7 PACK
	2864172600	RY8000	STRETCH HOSE ASSEMBLY
39	1863411600	RY8000	WAND ADAPTOR
40	2990230Q00	RY8000	LOWER HOSE ASSEMBLY
41	1990246600	RY8000	DIRT PASSAGE COVER
42	1990258000	RY8000	BRACKET SHOULDER SCREW
43	2990280000	RY8000	IDLER PULLEY ASSEMBLY
44	1990186000	RY8000	BRUSHROLL SHUT OFF LEVER
45	1990211600	RY8000	BRUSHROLL SHUT-OFF SHAFT
46	1990181B00	RY8000	BRUSHROLL SHUT-OFF KNOB
47	1990188B00	RY8000	BRUSHROLL SHUT-OFF WASHER
48	2990198600	RY8000	ROLLER LIFTER ASSEMBLY
49	2865141000	RY8000	CHROME NOZZLE GUARD ASSEMBLY
50	1990225000	RY8000	BELT SEAL
51	1690360600	RY8000	TOOL CLIP
52	2920215600	RY8000	2 IN 1 BRUSH ASSEMBLY
53	1864500600	RY8000	HANDLE RELEASE STOP
54	1990248000	RY8000	BRACKET SCREW
55	1990249000	RY8000	WASHER
56	2865140000	RY8000	FRONT FILTER COVER ASSEMBLY
57	1865177000	RY8000	FRONT PANEL EXHAUST GASKET
58	1864225000	RY8000	LENS
59	1863221000	RY8000	SOCKET ASSEMBLY & DIODE
60	1920906000	RY8000	BULB - WEDGE BASE #906
61	1990022B00	RY8000	HANDLE GRIP - SOFT
62	1863147600	RY8000	FRONT PANEL LATCH
63	1990023AP0	RY8000	GRIP, SWITCH COVER (RIGHT & LEFT)

WIRING SCHEMATIC

MODEL No.

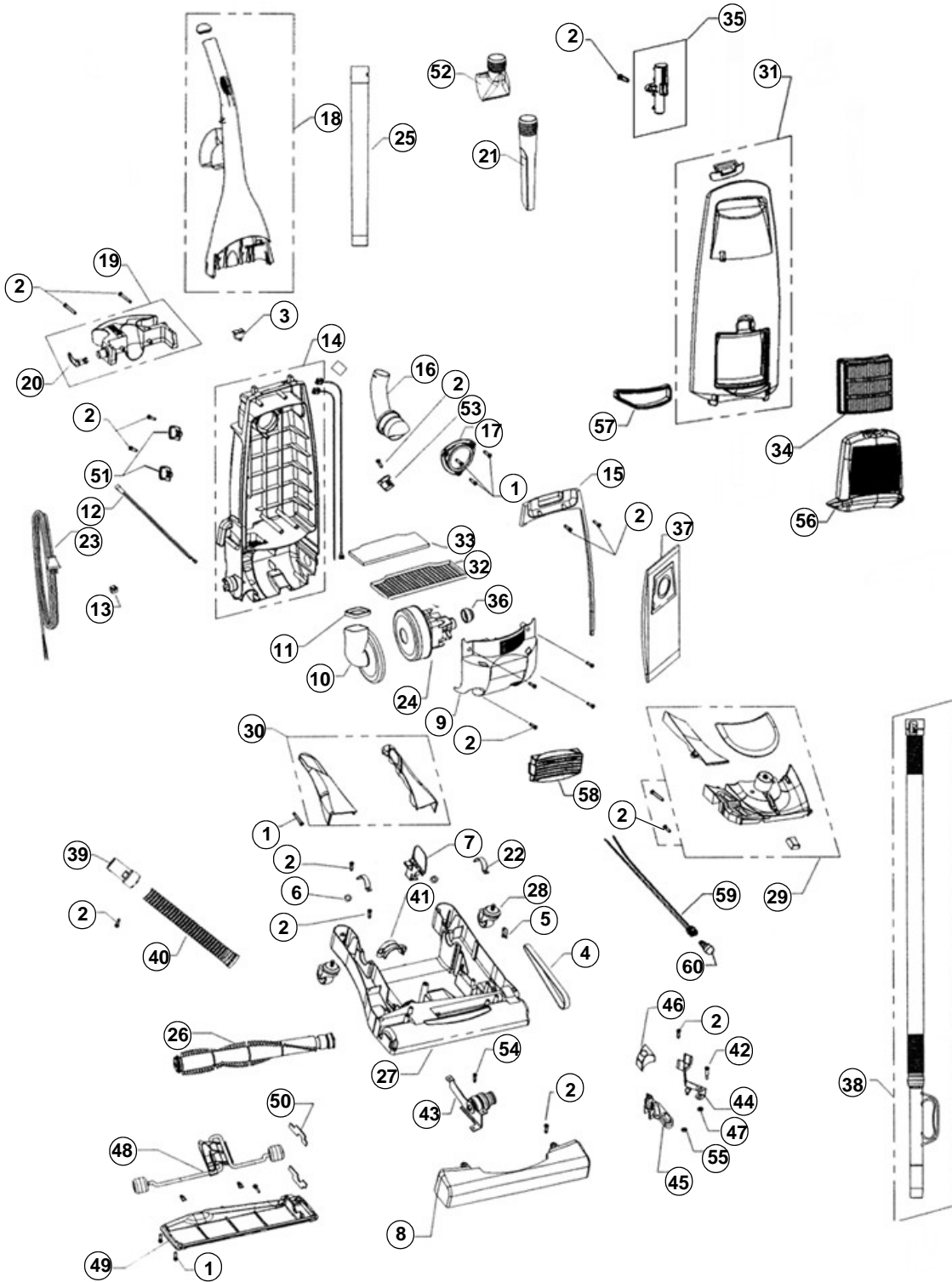
RY8000



ASSEMBLY SCHEMATIC

MODEL NO.

RY7000



PART LISTING / PRICE LIST

MODEL No.

RY7000

Item	Part Number	Model's To Fit	Part Description
1	1250100000	RY7000	SCREW
2	1720430000	RY7000	SCREW 8-11 x 5/8
3	1720128300	RY7000	SWITCH
4	3990220044	RY7000	STYLE 9 BELT - 2 PACK
5	1720380000	RY7000	BELT GUIDE CLIP
6	1863054000	RY7000	CASTER PAL NUT
7	1990205B00	RY7000	HANDLE RELEASE PEDAL
8	2990115B00	RY7000	BUMPER
9	1863095600	RY7000	MOTOR COVER
10	1863109600	RY7000	MOTOR AIR DUCT
11	1863112600	RY7000	MOTOR DUCT SEAL
12	1863168000	RY7000	NEON LAMP
13	1863130600	RY7000	STRAIN RELIEF
14	2863592600	RY7000	BACK PANEL ASSEMBLY
15	1863295600	RY7000	SWITCH COMPARTMENT COVER
16	1863335600	RY7000	HOSE INLET
17	1863337600	RY7000	HOSE INLET RETAINER
18	2864040600	RY7000	HANDLE ASSEMBLY w/ GRIP
19	2863175600	RY7000	TOOL CADDY ASSEMBLY
20	1920015B00	RY7000	CORD HOOK
21	1920035600	RY7000	CREVICE TOOL
22	1920140000	RY7000	PIVOT CLAMP
23	2997232600	RY7000	POWERCORD - 32 FT
24	2630865000	RY7000	MOTOR
25	2863360600	RY7000	TELESCOPIC WAND
26	2990175000	RY7000	QUAD BRUSH ROLL ASSEMBLY
27	2990114600	RY7000	NOZZLE BASE ASSEMBLY
28	2863038600	RY7000	CASTER
29	2980247600	RY7000	CENTER SUPPORT ASSEMBLY
30	2990100L00	RY7000	NOZZLE COVER ASSEMBLY
31	2865075J00	RY7000	FRONT PANEL ASSEMBLY
32	1863420600	RY7000	FILTER SUPPORT
33	1863118000	RY7000	BAG CHAMBER FILTER -MICROFRESH

PART LISTING / PRICE LIST

Item	Part Number	Model's to Fit	Part Description
34	3865132044	RY7000	FRONT PANEL EXHAUST FILTER
35	2864300000	RY7000	MECHANICAL FBI
36	1863105600	RY7000	MOTOR GROMMET
37	3920750001	RY7000	TYPE U ROYAL AIRE BAGS - 3 PACK
38	2864172600	RY7000	STRETCH HOSE ASSEMBLY
39	1863411600	RY7000	WAND ADAPTOR
40	2990230Q00	RY7000	LOWER HOSE ASSEMBLY
41	1990246600	RY7000	DIRT PASSAGE COVER
42	1990258000	RY7000	BRACKET SHOULDER SCREW
43	2990280000	RY7000	IDLER PULLEY ASSEMBLY
44	1990185000	RY7000	BRUSHROLL SHUT-OFF LEVER
45	1990210600	RY7000	BRUSHROLL SHUT-OFF CAM
46	1990180B00	RY7000	BRUSHROLL SHUT-OFF KNOB
47	1990216600	RY7000	CAM FOLLOWER
48	2990198600	RY7000	ROLLER LIFTER ASSEMBLY
49	2990250600	RY7000	NOZZLE GUARD ASSEMBLY
50	1990225000	RY7000	BELT SEAL
51	1690360600	RY7000	TOOL CLIP
52	2920215600	RY7000	2 IN 1 BRUSH ASSEMBLY
53	1864500600	RY7000	HANDLE RELEASE STOP
54	1990248000	RY7000	BRACKET SCREW
55	1990249000	RY7000	WASHER
56	2865137600	RY7000	FILTER COVER ASSEMBLY
57	1865177000	RY7000	FRONT PANEL EXHAUST GASKET
58	1864225000	RY7000	LENS
59	1863221000	RY7000	SOCKET ASSEMBLY & DIODE
60	1920906000	RY7000	BULB - WEDGE BASE #906

MODEL No.

RY7000

WIRING SCHEMATIC

MODEL No.

RY7000

