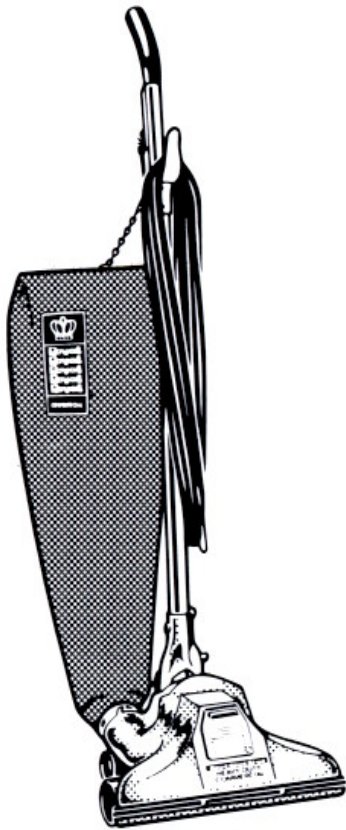


FLOOREQUIPMENTPARTS.COM



SECTION CONTENTS

| <u>MODEL No.</u> | <u>PAGE No.</u> |
|------------------|-----------------|
| RY8100 | 2-2 THRU 2-7 |
| RY8200 | 2-2 THRU 2-7 |
| RY8300 | 2-8 THRU 2-10 |
| RY8400 | 2-8 THRU 2-10 |
| RY8500 | 2-14 THRU 2-16 |
| RY8600 | 2-14 THRU 2-16 |
| ACCESSORIES | 2-18 |

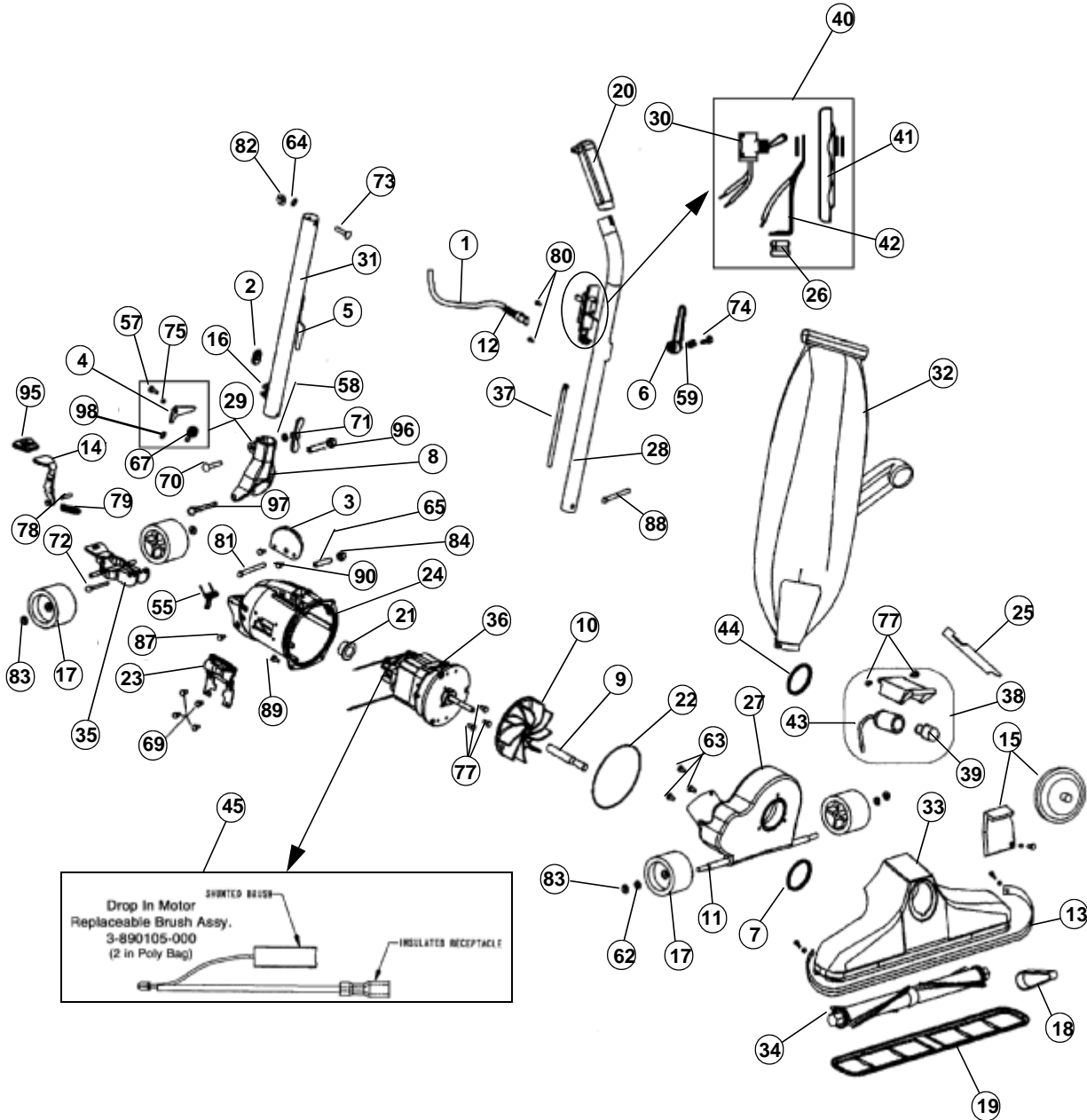
MODEL No.

RY8100
RY8200
RY8300
RY8400
RY8500
RY8600

- * PRICING, SPECIFICATION'S, AND PRODUCT AVAILABILITY ARE SUBJECT TO CHANGE WITHOUT NOTICE. PRICING IS FOB FACTORY, GLENWILLOW, OH
- * ALL INFORMATION CONTAINED WITHIN THIS SERVICE MANUAL IS PROPRIETARY INFORMATION OF TTI FLOOR CARE NORTH AMERICA.
- * **WARNING:** TO REDUCE THE RISK OF ELECTRICAL SHOCK OR INJURY, ALWAYS DISCONNECT THE APPLIANCE CORD FROM THE ELECTRICAL OUTLET OR REMOVE BATTERY PRIOR TO SERVICING THE UNIT.

ASSEMBLY SCHEMATIC

MODEL NO.
RY8100
RY8200





RESIDENTIAL METAL UPRIGHT Everlast

2

PART LISTING / PRICE LIST

MODEL No.

RY8100
RY8200

| Item | Part Number | Model's To Fit | Part Description |
|------|-------------|----------------|--|
| 1 | 1088335600 | RY8100 | CORD - 30' 3-WIRE - BLACK |
| | 1088340600 | RY8200 | CORD - 40' 3-WIRE - BLACK |
| 2 | 1230324000 | RY8100, RY8200 | GROMMET |
| 3 | 1133716000 | RY8100, RY8200 | HANDLE STOP PLATE |
| 4 | 1133739B00 | RY8100, RY8200 | HANDLE RELEASE LEVER |
| 5 | 1259316000 | RY8100, RY8200 | CORD HOOK - LOWER |
| 6 | 1259319000 | RY8100, RY8200 | CORD HOOK - UPPER QUICK RELEASE |
| 7 | 1285427000 | RY8100, RY8200 | GASKET, NOZZLE SEALING |
| 8 | 1028590000 | RY8100, RY8200 | HANDLE FORK REVISED - POLISHED |
| 9 | 1380262000 | RY8100, RY8200 | SHAFT EXTENSION |
| 10 | 1608005000 | RY8100, RY8200 | FAN / SLIP ON |
| 11 | 1611101000 | RY8100, RY8200 | AXLE STUD |
| 12 | 1322305000 | RY8100, RY8200 | STRAIN RELIEF - POWER CORD |
| 13 | 1618201600 | RY8100, RY8200 | BUMPER - BLACK |
| 14 | 1690715000 | RY8100, RY8200 | RELEASE PEDAL - INCREMENTAL |
| 15 | 1670744600 | RY8100 | NOZZLE PLUG - BLACK |
| | 2080169600 | RY8200 | ADJUST-O-RITE PLATE - BLACK |
| 16 | 1670844600 | RY8100, RY8200 | CORD CLIP |
| 17 | 1671705000 | RY8100, RY8200 | WHEEL |
| 18 | 1672260001 | RY8100, RY8200 | BELT |
| 19 | 1672270000 | RY8100, RY8200 | NOZZLE GUARD - 14" |
| 20 | 1880314600 | RY8100, RY8200 | HANDLE GRIP - BLACK |
| 21 | 1870006600 | RY8100, RY8200 | GROMMET, MOTOR |
| 22 | 1870024600 | RY8100, RY8200 | MOTOR HOUSING O-RING |
| 23 | 1870130P00 | RY8100, RY8200 | SIDE PLATE |
| 24 | 1871201000 | RY8100, RY8200 | MOTOR HOUSING - POLISHED |
| 25 | 1880262000 | RY8100, RY8200 | BELT LIFTER |
| 26 | 1880304000 | RY8100 | STRAIN RELIEF - INTERNAL CORD |
| | 1880305000 | RY8200 | STRAIN RELIEF - INTERNAL CORD |
| 27 | 2670116000 | RY8100 | FANCASE ASSEMBLY |
| | 2880117000 | RY8200 | FANCASE ASSEMBLY |
| 28 | 2891051600 | RY8100, RY8200 | UPPER HANDLE - INCL #6, #20 - QUICK RELEASE CORD HOOK |



RESIDENTIAL METAL UPRIGHT Everlast

2

PART LISTING / PRICE LIST

| Item | Part Number | Model's to Fit | Part Description |
|------|--------------|----------------|--|
| 29 | 2028580000 | RY8100, RY8200 | HANDLE FORK & LATCH ASSEMBLY REPLACED BY 2028590000 & 2208590000 |
| | 2028590000 | RY8100, RY8200 | HANDLE FORK & LATCH ASSY - REVISED |
| 30 | 1163302000 | RY8100, RY8200 | SWITCH |
| 31 | 2208590000 | RY8100, RY8200 | LOWER HANDLE TUBE - INCL #5, #16 REVISED |
| 32 | 2500050AY1 | RY8100 | ICE BLUE MICROTEX CLOTH BAG - (B-TYPE BAGS) |
| | 3090843C01 | RY8200 | BURGUNDY MICROTEX CLOTH BAG - (B-TYPE BAGS) ORDER 2066348AR1 - GRAY |
| 33 | 2671026600 | RY8100 | NOZZLE ASSEMBLY - INCLS #13, #15 ORDER 2671027B00 |
| | 2671027B00 | RY8100 | NOZZLE ASSEMBLY - INCLS #13, #15 |
| | 2088026(A00) | RY8200 | NOZZLE ASSEMBLY - INCLS #13, #15 BLUE |
| 34 | 2655225000 | RY8100 | 14" BRUSH ROLL ASSEMBLY - HEXAGON |
| | 2673273000 | RY8200 | 14" BRUSH ROLL ASSEMBLY |
| 35 | 2670007000 | RY8100, RY8200 | REAR WHEEL FORK/AXLE ASSEMBLY |
| 36 | 2870114000 | RY8100, RY8200 | MOTOR W/REPLACEABLE BRUSHES 8.0 - 10.0 AMP |
| 37 | 3870323600 | RY8100, RY8200 | SHORT CORD & LUG ASSEMBLY - 3 WIRE PIGTAIL |
| 38 | 2870060600 | RY8200 | HEADLIGHT, BRACKET, SOCKET, BUMPER ASSEMBLY |
| 39 | 1725629000 | RY8200 | HEADLIGHT BULB - 12 VOLT |
| 40 | 2028537000 | RY8100 | SWITCH & PLATE ASSEMBLY |
| | 2060837000 | RY8200 | SWITCH & PLATE ASSEMBLY |
| 41 | 1249303000 | RY8100, RY8200 | SWITCH PLATE |
| 42 | 1153339000 | RY8100, RY8200 | STRAIN RELIEF STAMPING |
| 43 | 1870060000 | RY8200 | LIGHT SOCKET & CORD ASSEMBLY |
| 44 | 1601407000 | RY8100, RY8200 | RUBBER INLET GASKET |
| 45 | 3890105000 | RY8100, RY8200 | CARBON BRUSH PKG - DROP IN MOTORS |
| | 3970109000 | RY8100, RY8200 | CARBON BRUSH PKG - JOHNSON DROP IN |

MODEL No.

RY8100
RY8200

HARDWARE LISTING - PAGES 2-5 / 2-6



RESIDENTIAL METAL UPRIGHT Everlast

100 Year Anniversary

2

HARDWARE LISTING

| Item | Part Number | Model's To Fit | Part Description |
|------|-------------|-----------------------------------|--|
| 55 | 1003008000 | ALL MODELS | WHEEL FORK SPRING |
| 56 | 1003009000 | RY8300, RY8400 | ROD SPRING |
| 57 | 1003022000 | ALL MODELS | LATCH RETAINER SCREW |
| | 1211321000 | ALL MODELS | LATCH RETAINER SCREW - REVISED |
| 58 | 1003311000 | ALL MODELS | WASHER ADAPTOR CLAMP SCREW - HANDLE FORK |
| 59 | 1003884000 | ALL MODELS | SPRING - UPPER CORD HOOK QUICK RELEASE |
| 60 | 1004221000 | RY8300, RY8400 | LOCK WASHER |
| 61 | 1004723000 | N/A | HANDLE FORK SPRING - OLDER MODELS |
| 62 | 1005138000 | ALL MODELS | WHEEL RETAINER WASHER |
| 63 | 1023309000 | ALL MODELS | SCREW #10-24 X 3/4" - FANCASE |
| 64 | 1074330000 | ALL MODELS | LOCK WASHER - HANDLE TUBE |
| 65 | 1110773000 | ALL MODELS | MOTOR HOUSING INSERT |
| 66 | 1110775000 | RY8300, RY8400 | ROD ADJUSTMENT SLEEVE - SCREW IN |
| 67 | 1133738000 | ALL MODELS | HANDLE LATCH SPRING |
| 68 | 1UA0305000 | N/A | SCREW #6-32 X 3/8" - ADJUSTER BOLT |
| 69 | 1186012000 | ALL MODELS | SELF TAPPING SCREW - SIDE PLATE |
| 70 | 1230713000 | ALL MODELS | CARRIAGE BOLT, HANDLE FOR NEW VERSION ORDER #96 |
| 71 | 1285720000 | ALL MODELS | LARGE WINGNUT FOR NEW VERSION ORDER #97 |
| 72 | 1311031000 | ALL MODELS | REAR AXEL SCREW |
| 73 | 1074329000 | ALL MODELS | BOLT - HANDLE TUBE / CURVED HEAD |
| 74 | 1597743000 | ALL MODELS | SCREW - CORD HOOK QUICK RELEASE |
| 75 | 1601772000 | ALL MODELS | LATCH SPACER |
| 76 | 1606210000 | N/A | HEADLIGHT SPRING CLIP |
| 77 | 1670013000 | ALL MODELS | MOTOR PLATE SCREW |
| 78 | 1670705000 | RY8100, RY8200, RY8500, RY8600 | SPRING PIN - RELEASE PEDAL |
| 79 | 1672009000 | RY8100, RY8200, RY8500, RY8600 | SPRING - RELEASE PEDAL |
| 80 | 1801701000 | ALL MODELS | SCREW - SWITCH PLATE |
| 81 | 1801708000 | ALL MODELS | HANDLE FORK BOLT |
| 82 | 1801715000 | ALL MODELS | NUT W/NYLON INSERT |
| 83 | 1801711000 | ALL MODELS | WHEEL RETAINER CAP |
| 84 | 1801713000 | ALL MODELS | NUT - HANDLE FORK BOLT |

MODEL No.

RY8100
RY8200
RY8300
RY8400
RY8500
RY8600



RESIDENTIAL
METAL UPRIGHT
Everlast
100 Year Anniversary

2

HARDWARE LISTING

MODEL No.

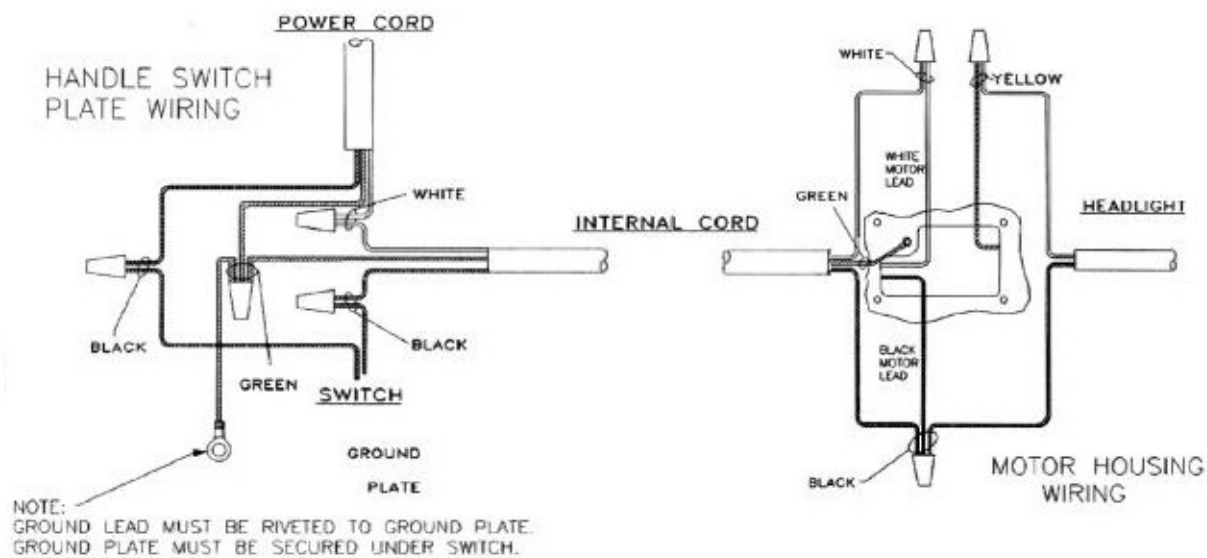
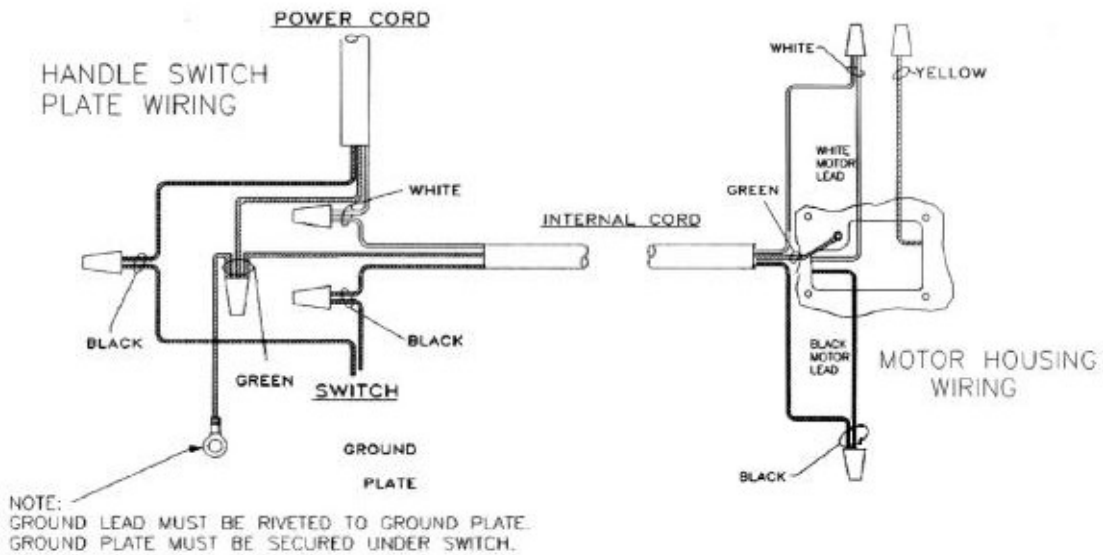
| Item | Part Number | Model's To Fit | Part Description |
|------|-------------|----------------|---|
| 85 | 1802244000 | RY8300, RY8400 | SCREW |
| 86 | 1870013000 | N/A | SPRING - ADJUSTER BOLT |
| 87 | 1880707000 | ALL MODELS | SCREW #6-32 X 1/4" - MOTOR HOUSING |
| 88 | 1884708000 | ALL MODELS | EYE BOLT |
| | 1884709000 | ALL MODELS | EYE BOLT - LONGER |
| 89 | 1980743000 | ALL MODELS | THREAD FORMING SCREW - MOTOR HOUSING |
| 90 | 1990104000 | ALL MODELS | SCREW #10-24 X 5/8" - HANDLE STOP PLATE |
| 91 | 1996011000 | RY8300, RY8400 | ADJUSTER ROD |
| 92 | 1996101000 | RY8300, RY8400 | RETAINING PIN - ADJUSTER ROD |
| 93 | 1996711000 | RY8300, RY8400 | E RING - ADJUSTER ROD |
| 94 | 1133054000 | N/A | SCREW - OLDER MODELS |
| 95 | 1130008B00 | ALL MODELS | COVER, FOOT ADJUSTMENT LEVER - GRAY |
| 96 | 1700132000 | ALL MODELS | HANDLE FORK SCREW - MALE ORDER 2700132000 |
| 97 | 1700133000 | ALL MODELS | HANDLE FORK SCREW - FEMALE ORDER 2700132000 |
| | 2700132000 | ALL MODELS | HANDLE FORK SCREW ASSEMBLY |
| 98 | 1028000000 | ALL MODELS | #10 FLAT LOCK WASHER |

RY8100
RY8200
RY8300
RY8400
RY8500
RY8600

WIRING SCHEMATIC - RY8100 / RY8200

MODEL No.

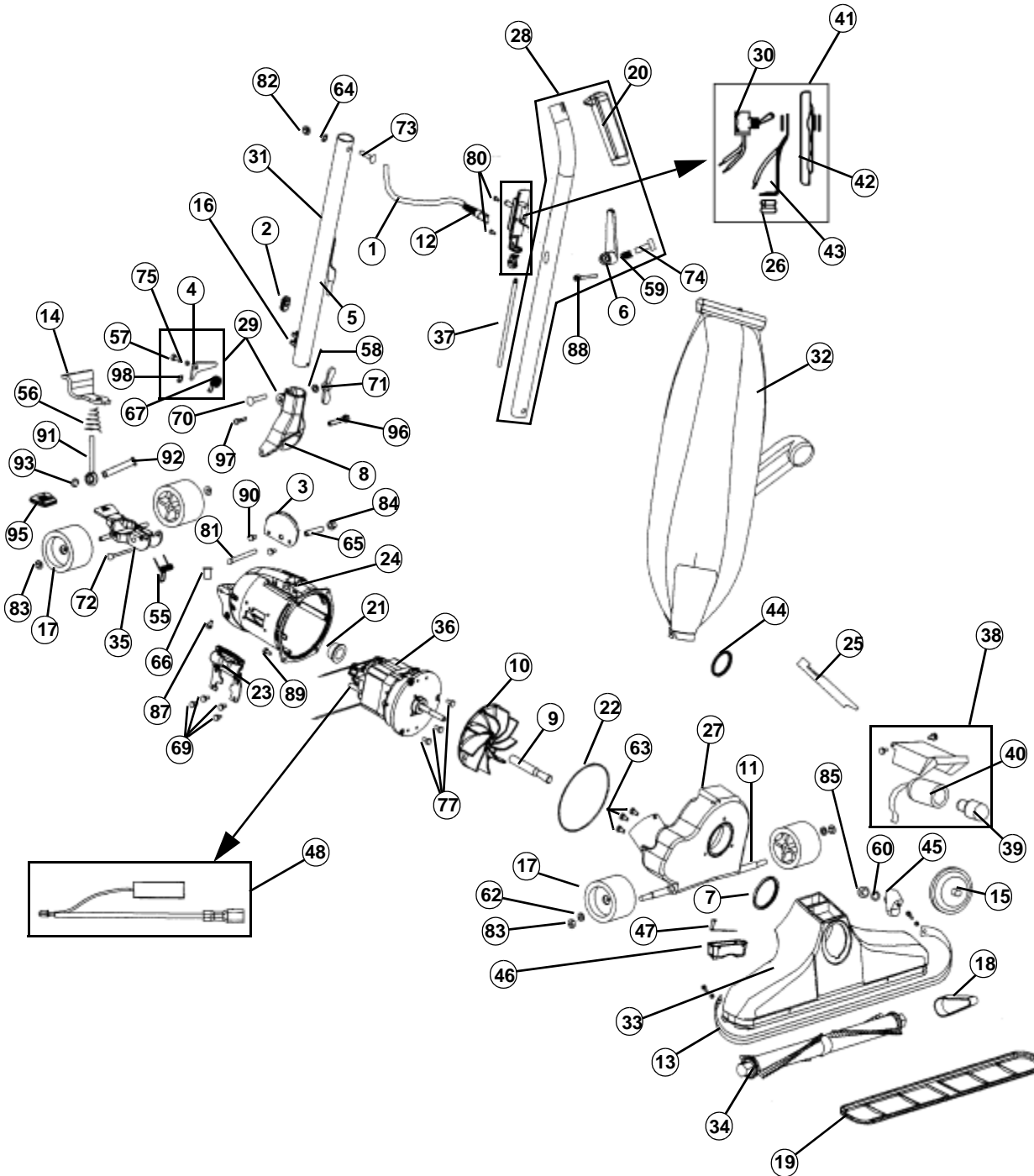
RY8100
RY8200



ASSEMBLY SCHEMATIC

MODEL NO.

RY8300
RY8400





RESIDENTIAL METAL UPRIGHT Everlast

2

PART LISTING / PRICE LIST

MODEL No.

RY8300
RY8400

| Item | Part Number | Model's To Fit | Part Description | Net Cost | List Cost |
|------|-------------|----------------|---|----------|-----------|
| 1 | 1088340600 | RY8300, RY8400 | CORD 40' 3-WIRE - BLACK | 19.22 | 32.03 |
| 2 | 1230324000 | RY8300, RY8400 | GROMMET | .35 | .58 |
| 3 | 1133716000 | RY8300, RY8400 | HANDLE STOP PLATE | 4.99 | 8.32 |
| 4 | 1133739B00 | RY8300, RY8400 | HANDLE RELEASE LEVER | 3.50 | 5.83 |
| 5 | 1259316000 | RY8300, RY8400 | CORD HOOK - LOWER | 2.08 | 3.47 |
| 6 | 1259319000 | RY8300, RY8400 | CORD HOOK - UPPER QUICK RELEASE | 2.73 | 4.55 |
| 7 | 1285427000 | RY8300, RY8400 | GASKET, NOZZLE SEALING | .39 | .65 |
| 8 | 1285704100 | RY8300, RY8400 | HANDLE FORK ORDER 2058590100 - PANTED | N.L.A. | N.L.A. |
| | 1028590000 | RY8300, RY8400 | HANDLE FORK - REVISED | 14.07 | 23.45 |
| 9 | 1380262000 | RY8300, RY8400 | SHAFT EXTENSION | 3.47 | 5.78 |
| 10 | 1608005000 | RY8300, RY8400 | FAN / SLIP ON | | |
| 11 | 1611101000 | RY8300, RY8400 | AXLE STUD | | |
| 12 | 1322305000 | RY8300, RY8400 | STRAIN RELIEF - POWER CORD | | |
| 13 | 1801201600 | RY8300, RY8400 | BUMPER - BLACK ORDER 180121A00 BLUE | | |
| 14 | 1133715000 | RY8300, RY8400 | ADJUSTER RELEASE | | |
| 15 | 2080169600 | RY8300, RY8400 | ADJUST-O-RITE ASSEMBLY - BLACK | | |
| 16 | 1670844600 | RY8300, RY8400 | CORD CLIP | | |
| 17 | 1671705000 | RY8300, RY8400 | WHEEL | | |
| 18 | 1672260001 | RY8300, RY8400 | BELT | | |
| 19 | 1672270000 | RY8300, RY8400 | NOZZLE GUARD - 14" | | |
| 20 | 1880314600 | RY8300, RY8400 | HANDLE GRIP - BLACK | | |
| 21 | 1870006600 | RY8300, RY8400 | GROMMET, MOTOR | | |
| 22 | 1870024600 | RY8300, RY8400 | MOTOR HOUSING O-RING | | |
| 23 | 1870130P00 | RY8300, RY8400 | SIDE PLATE | | |
| 24 | 1870201000 | RY8300, RY8400 | MOTOR HOUSING | | |
| 25 | 1880262000 | RY8300, RY8400 | BELT LIFTER | | |
| 26 | 1880305000 | RY8300, RY8400 | STRAIN RELIEF - INTERNAL CORD | | |
| 27 | 2880117000 | RY8300, RY8400 | FANCASE ASSEMBLY | | |
| 28 | 2891051600 | RY8300, RY8400 | UPPER HANDLE - INCL #6, #20 - QUICK RELEASE CORD HOOK | | |
| 29 | 2028580000 | RY8300, RY8400 | HANDLE FORK & LATCH ASSEMBLY REPLACED BY 2028590000 & 2208590000 | | |
| | 2058590100 | RY8300, RY8400 | HANDLE FORK & LATCH ASSY - PAINTED | | |
| | 2028590000 | RY8300, RY8400 | HANDLE FORK & LATCH ASSY - REVISED | | |
| 30 | 1163302000 | RY8300, RY8400 | SWITCH | | |
| 31 | 2208590000 | RY8300, RY8400 | LOWER HANDLE TUBE - INCL #5,#16 REVISED | | |



RESIDENTIAL METAL UPRIGHT Everlast

2

PART LISTING / PRICE LIST

MODEL No.

RY8300
RY8400

| Item | Part Number | Model's To Fit | Part Description |
|------|-------------|----------------|--|
| 32 | 2066348AR1 | RY8300, RY8400 | GUN METAL GRAY SCAFITEX CLOTH BAG - (B-TYPE BAG) |
| 33 | 2080226600 | RY8300, RY8400 | NOZZLE ASSEMBLY - INCLS #13 - BLACK |
| 34 | 2673274000 | RY8300, RY8400 | 14" BRUSH ROLL ASSEMBLY w/SPEED IND |
| 35 | 2996575000 | RY8300, RY8400 | WHEEL FORK & AXLE ASSEMBLY |
| 36 | 2870114000 | RY8300, RY8400 | MOTOR w/REPLACEABLE BRUSHES 8.0 - 10.0 AMP |
| 37 | 3870323600 | RY8300, RY8400 | SHORT CORD / 2 WIRE - BLACK |
| 38 | 2870060600 | RY8300, RY8400 | HEADLIGHT, BRACKET, SOCKET, & BUMPER ASSEMBLY |
| 39 | 1725629000 | RY8300, RY8400 | HEADLIGHT BULB - 12 VOLT |
| 40 | 1870060000 | RY8300, RY8400 | LIGHT SOCKET & CORD ASSEMBLY |
| 41 | 2028537000 | RY8300, RY8400 | SWITCH & PLATE ASSEMBLY |
| 42 | 1249303000 | RY8300, RY8400 | SWITCH PLATE |
| 43 | 1153339000 | RY8300, RY8400 | STRAIN RELIEF STAMPING |
| 44 | 1601407000 | RY8300, RY8400 | RUBBER INLET GASKET |
| 45 | 3802260600 | RY8300, RY8400 | BRUSH SPEED INDICATOR ASSEMBLY |
| 46 | 1880118000 | RY8300, RY8400 | CHEMICAL CHAMBER |
| 47 | 2028563000 | RY8300, RY8400 | CHEMICAL CHAMBER COVER ASSEMBLY |
| 48 | 3890105000 | RY8300, RY8400 | CARBON BRUSH PKG - DROP IN MOTORS |
| | 3970109000 | RY8300, RY8400 | CARBON BRUSH PKG - JOHNSON DROP IN |
| | 2870115000 | RY8300, RY8400 | CARBON BRUSH PKG - PENTALPHA |

HARDWARE LISTING - PAGES 2-11/ 2-12



RESIDENTIAL METAL UPRIGHT Everlast 100 Year Anniversary

2

HARDWARE LISTING

| Item | Part Number | Model's To Fit | Part Description |
|------|-------------|-----------------------------------|--|
| 55 | 1003008000 | ALL MODELS | WHEEL FORK SPRING |
| 56 | 1003009000 | RY8300, RY8400 | ROD SPRING |
| 57 | 1003022000 | ALL MODELS | LATCH RETAINER SCREW |
| | 1211321000 | ALL MODELS | LATCH RETAINER SCREW - REVISED |
| 58 | 1003311000 | ALL MODELS | WASHER ADAPTOR CLAMP SCREW - HANDLE FORK |
| 59 | 1003884000 | ALL MODELS | SPRING - UPPER CORD HOOK QUICK RELEASE |
| 60 | 1004221000 | RY8300, RY8400 | LOCK WASHER |
| 61 | 1004723000 | N/A | HANDLE FORK SPRING - OLDER MODELS |
| 62 | 1005138000 | ALL MODELS | WHEEL RETAINER WASHER |
| 63 | 1023309000 | ALL MODELS | SCREW #10-24 X 3/4" - FANCASE |
| 64 | 1074330000 | ALL MODELS | LOCK WASHER - HANDLE TUBE |
| 65 | 1110773000 | ALL MODELS | MOTOR HOUSING INSERT |
| 66 | 1110775000 | RY8300, RY8400 | ROD ADJUSTMENT SLEEVE - SCREW IN |
| 67 | 1133738000 | ALL MODELS | HANDLE LATCH SPRING |
| 68 | 1UA0305000 | N/A | SCREW #6-32 X 3/8" - ADJUSTER BOLT |
| 69 | 1186012000 | ALL MODELS | SELF TAPPING SCREW - SIDE PLATE |
| 70 | 1230713000 | ALL MODELS | CARRIAGE BOLT, HANDLE FOR NEW VERSION ORDER #96 |
| 71 | 1285720000 | ALL MODELS | LARGE WINGNUT FOR NEW VERSION ORDER #97 |
| 72 | 1311031000 | ALL MODELS | REAR AXEL SCREW |
| 73 | 1074329000 | ALL MODELS | BOLT - HANDLE TUBE / CURVED HEAD |
| 74 | 1597743000 | ALL MODELS | SCREW - CORD HOOK QUICK RELEASE |
| 75 | 1601772000 | ALL MODELS | LATCH SPACER |
| 76 | 1606210000 | N/A | HEADLIGHT SPRING CLIP |
| 77 | 1670013000 | ALL MODELS | MOTOR PLATE SCREW |
| 78 | 1670705000 | RY8100, RY8200, RY8500, RY8600 | SPRING PIN - RELEASE PEDAL |
| 79 | 1672009000 | RY8100, RY8200, RY8500, RY8600 | SPRING - RELEASE PEDAL |
| 80 | 1801701000 | ALL MODELS | SCREW - SWITCH PLATE |
| 81 | 1801708000 | ALL MODELS | HANDLE FORK BOLT |
| 82 | 1801715000 | ALL MODELS | NUT W/NYLON INSERT |
| 83 | 1801711000 | ALL MODELS | WHEEL RETAINER CAP |
| 84 | 1801713000 | ALL MODELS | NUT - HANDLE FORK BOLT |

MODEL No.

RY8100
RY8200
RY8300
RY8400
RY8500
RY8600



RESIDENTIAL
METAL UPRIGHT
Everlast
100 Year Anniversary

2

HARDWARE LISTING

MODEL No.

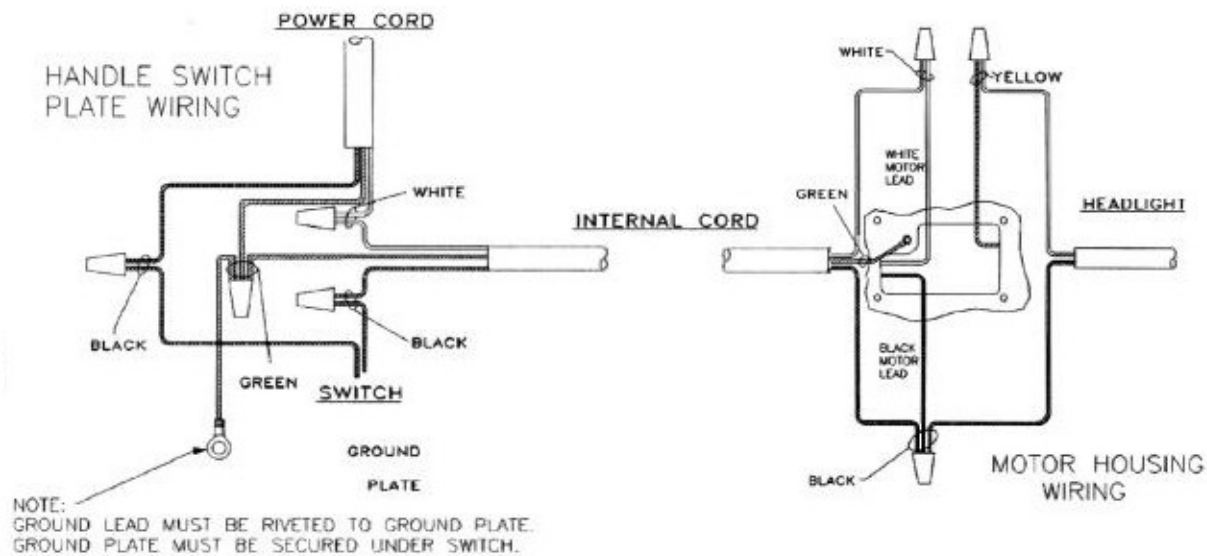
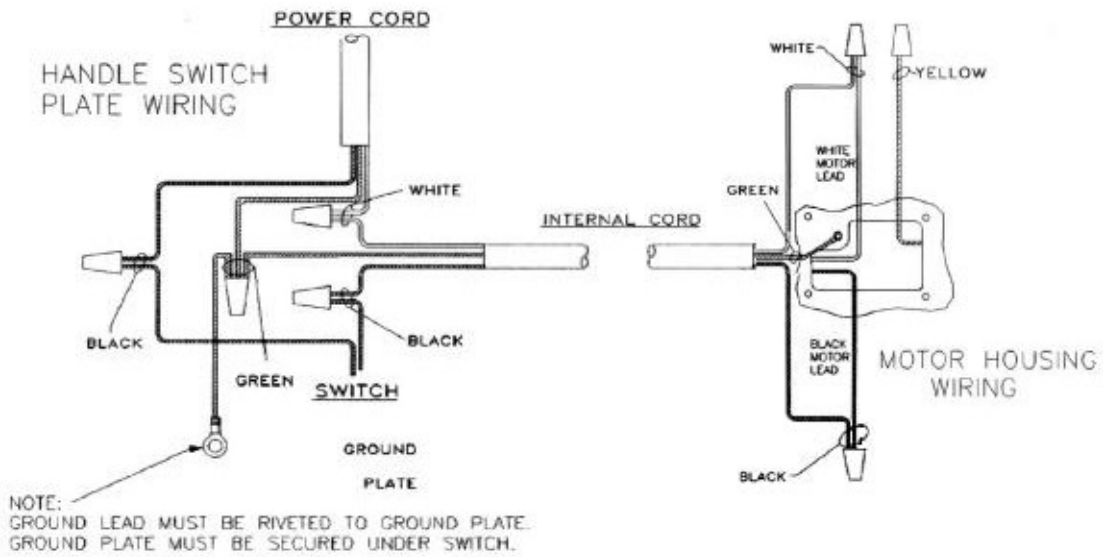
| Item | Part Number | Model's To Fit | Part Description |
|------|-------------|----------------|---|
| 85 | 1802244000 | RY8300, RY8400 | SCREW |
| 86 | 1870013000 | N/A | SPRING - ADJUSTER BOLT |
| 87 | 1880707000 | ALL MODELS | SCREW #6-32 X 1/4" - MOTOR HOUSING |
| 88 | 1884708000 | ALL MODELS | EYE BOLT |
| | 1884709000 | ALL MODELS | EYE BOLT - LONGER |
| 89 | 1980743000 | ALL MODELS | THREAD FORMING SCREW - MOTOR HOUSING |
| 90 | 1990104000 | ALL MODELS | SCREW #10-24 X 5/8" - HANDLE STOP PLATE |
| 91 | 1996011000 | RY8300, RY8400 | ADJUSTER ROD |
| 92 | 1996101000 | RY8300, RY8400 | RETAINING PIN - ADJUSTER ROD |
| 93 | 1996711000 | RY8300, RY8400 | E RING - ADJUSTER ROD |
| 94 | 1133054000 | N/A | SCREW - OLDER MODELS |
| 95 | 1130008B00 | ALL MODELS | COVER, FOOT ADJUSTMENT LEVER - GRAY |
| 96 | 1700132000 | ALL MODELS | HANDLE FORK SCREW - MALE ORDER 2700132000 |
| 97 | 1700133000 | ALL MODELS | HANDLE FORK SCREW - FEMALE ORDER 2700132000 |
| | 2700132000 | ALL MODELS | HANDLE FORK SCREW ASSEMBLY |
| 98 | 1028000000 | ALL MODELS | #10 FLAT LOCK WASHER |

RY8100
RY8200
RY8300
RY8400
RY8500
RY8600

WIRING SCHEMATIC - RY8300 / RY8400

MODEL No.

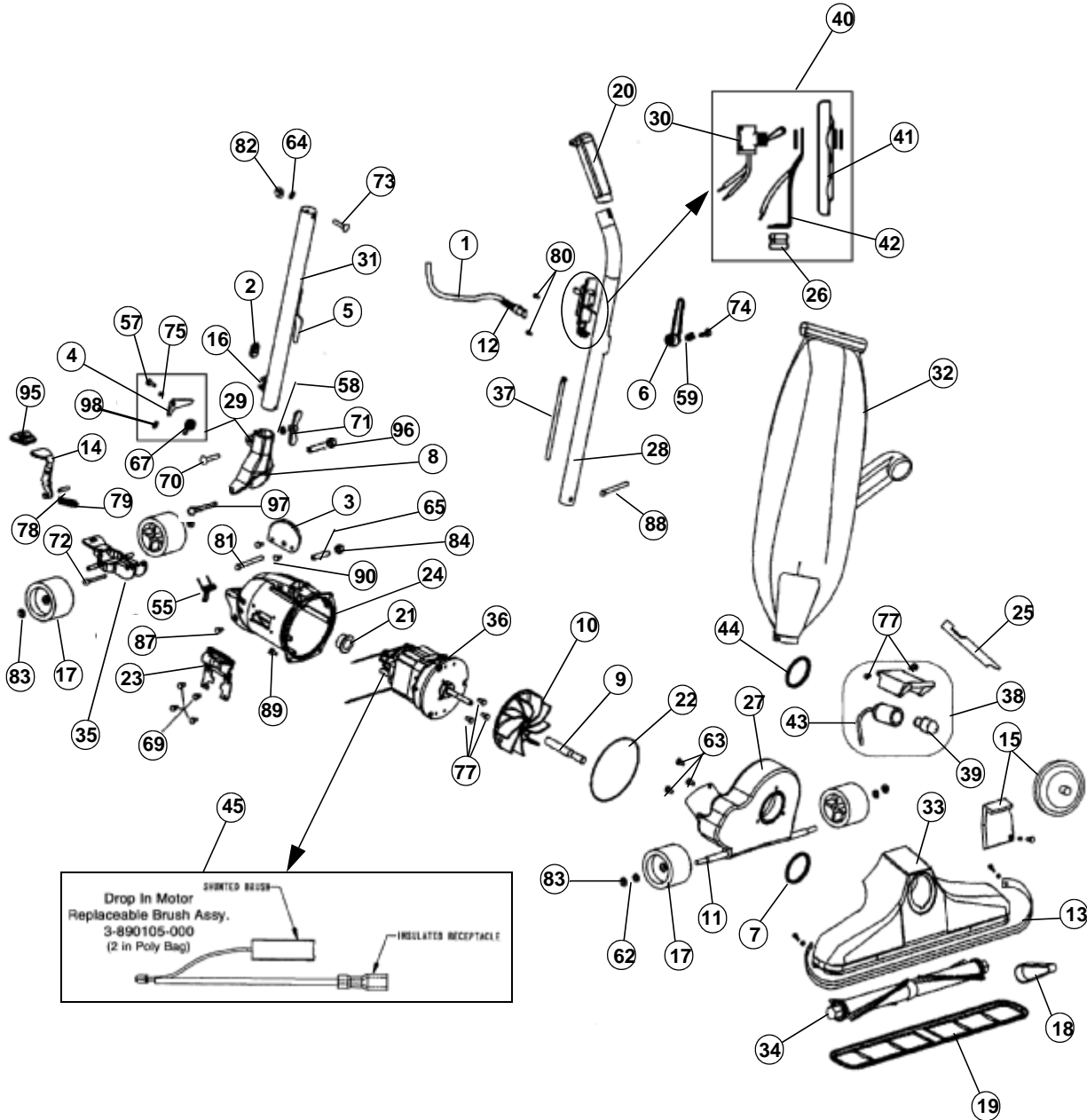
RY8300
RY8400



ASSEMBLY SCHEMATIC

MODEL NO.

RY8500
RY8600





RESIDENTIAL METAL UPRIGHT

100 Year Anniversary

2

PART LISTING / PRICE LIST

| Item | Part Number | Model's To Fit | Part Description |
|------|-------------|----------------|--|
| 1 | 1061136AU0 | RY8500 | CORD 50' 3-WIRE - ORANGE |
| | 1088340600 | RY8600 | CORD 40' 3-WIRE - BLACK |
| 2 | 1230324000 | RY8500, RY8600 | GROMMET |
| 3 | 1133716000 | RY8500, RY8600 | HANDLE STOP PLATE |
| 4 | 1133739B00 | RY8500, RY8600 | HANDLE RELEASE LEVER |
| 5 | 1259316000 | RY8500, RY8600 | CORD HOOK - LOWER |
| 6 | 1259319000 | RY8500, RY8600 | CORD HOOK - UPPER QUICK RELEASE |
| 7 | 1285427000 | RY8500, RY8600 | GASKET, NOZZLE SEALING |
| 8 | 1028590000 | RY8500, RY8600 | HANDLE FORK REVISED - POLISHED |
| 9 | 1380261000 | RY8500, RY8600 | SHAFT EXTENSION |
| 10 | 1608005000 | RY8500, RY8600 | FAN / SLIP ON |
| 11 | 1611101000 | RY8500, RY8600 | AXLE STUD |
| 12 | 1611305000 | RY8500, RY8600 | STRAIN RELIEF - POWER CORD |
| 13 | 1801201600 | RY8500, RY8600 | BUMPER - BLACK ORDER 180121A00 - BLUE |
| 14 | 1690715000 | RY8500, RY8600 | RELEASE PEDAL - INCREMENTAL |
| 15 | 2080169A00 | RY8500 | ADJUST-O-RITE PLATE ASSEMBLY - BLUE |
| | 2080169600 | RY8600 | ADJUST-O-RITE PLATE ASSEMBLY - BLACK |
| 16 | 1670844600 | RY8500, RY8600 | CORD CLIP |
| 17 | 1671705000 | RY8500, RY8600 | WHEEL |
| 18 | 1672260001 | RY8500, RY8600 | BELT |
| 19 | 1672270000 | RY8500, RY8600 | NOZZLE GUARD - 14" |
| 20 | 1880314600 | RY8500, RY8600 | HANDLE GRIP - BLACK |
| 21 | 1870006600 | RY8500, RY8600 | GROMMET, MOTOR |
| 22 | 1870024600 | RY8500, RY8600 | MOTOR HOUSING O-RING |
| 23 | 1870130P00 | RY8500, RY8600 | SIDE PLATE |
| 24 | 1871201000 | RY8500, RY8600 | MOTOR HOUSING - POLISHED |
| 25 | 1880262000 | RY8500, RY8600 | BELT LIFTER |
| 26 | 1880304000 | RY8500, RY8600 | STRAIN RELIEF - INTERNAL CORD |
| 27 | 2670116000 | RY8500, RY8600 | FANCASE ASSEMBLY |
| 28 | 2891051600 | RY8500, RY8600 | UPPER HANDLE ASSEMBLY - INCL #6, #20 QUICK RELEASE CORD HOOK |
| 29 | 2028580000 | RY8500 | HANDLE FORK & LATCH ASSEMBLY REPLACED BY 2028590000 & 2208590000 |
| | 2028590000 | RY8500, RY8600 | HANDLE FORK & LATCH ASSY - REVISED |
| 30 | 1163302000 | RY8500, RY8600 | SWITCH |
| 31 | 2208590000 | RY8500, RY8600 | LOWER HANDLE TUBE - INCL #5, #16 REVISED |

MODEL No.

RY8500
RY8600



RESIDENTIAL
METAL UPRIGHT

100 Year Anniversary

2

PART LISTING / PRICE LIST

MODEL No.

RY8500
RY8600

| Item | Part Number | Model's to Fit | Part Description |
|------|-------------|----------------|---|
| 32 | 2500050AY1 | RY8500 | ICE BLUE MICROTEx CLOTH BAG - (B TYPE BAGS) |
| | 2066242200 | RY8600 | BLUE MICROTEx CLOTH BAG - (B TYPE BAGS) |
| 33 | 2671026600 | RY8500, RY8600 | NOZZLE ASSEMBLY - INCLS #13, #15 ORDER 2671027B00 |
| | 2671027B00 | RY8500, RY8600 | NOZZLE ASSEMBLY - INCLS #13, #15 |
| 34 | 2673273000 | RY8500, RY8600 | BRUSH ROLL ASSEMBLY |
| 35 | 2670007000 | RY8500, RY8600 | REAR WHEEL FORK/AXLE ASSEMBLY |
| 36 | 2870114000 | RY8500, RY8600 | MOTOR W/REPLACEABLE BRUSHES 8.5 - 10 AMP |
| 37 | 3870323600 | RY8500, RY8600 | SHORT CORD & LUG ASSEMBLY - 3 WIRE PIGTAIL |
| 38 | 2060837000 | RY8500, RY8600 | SWITCH & PLATE ASSEMBLY |
| 39 | 1608303000 | RY8500, RY8600 | SWITCH PLATE |
| 40 | 2031103000 | RY8500, RY8600 | STRAIN RELIEF STAMPING |
| 41 | 1601407000 | RY8500, RY8600 | RUBBER INLET GASKET |
| 42 | 3890105000 | RY8500 | CARBON BRUSH PKG - DROP IN MOTORS |
| | 3970109000 | RY8500 | CARBON BRUSH PKG - JOHNSON DROP IN |
| | 2870115000 | RY8500, RY8600 | CARBON BRUSH PKG - PENTALPHA |

HARDWARE LISTING - PAGES 2-17/ 2-18



RESIDENTIAL
METAL UPRIGHT
Everlast
100 Year Anniversary

2

HARDWARE LISTING

| Item | Part Number | Model's To Fit | Part Description |
|------|-------------|-----------------------------------|--|
| 55 | 1003008000 | ALL MODELS | WHEEL FORK SPRING |
| 56 | 1003009000 | RY8300, RY8400 | ROD SPRING |
| 57 | 1003022000 | ALL MODELS | LATCH RETAINER SCREW |
| | 1211321000 | ALL MODELS | LATCH RETAINER SCREW - REVISED |
| 58 | 1003311000 | ALL MODELS | WASHER ADAPTOR CLAMP SCREW - HANDLE FORK |
| 59 | 1003884000 | ALL MODELS | SPRING - UPPER CORD HOOK QUICK RELEASE |
| 60 | 1004221000 | RY8300, RY8400 | LOCK WASHER |
| 61 | 1004723000 | N/A | HANDLE FORK SPRING - OLDER MODELS |
| 62 | 1005138000 | ALL MODELS | WHEEL RETAINER WASHER |
| 63 | 1023309000 | ALL MODELS | SCREW #10-24 X 3/4" - FANCASE |
| 64 | 1074330000 | ALL MODELS | LOCK WASHER - HANDLE TUBE |
| 65 | 1110773000 | ALL MODELS | MOTOR HOUSING INSERT |
| 66 | 1110775000 | RY8300, RY8400 | ROD ADJUSTMENT SLEEVE - SCREW IN |
| 67 | 1133738000 | ALL MODELS | HANDLE LATCH SPRING |
| 68 | 1UA0305000 | N/A | SCREW #6-32 X 3/8" - ADJUSTER BOLT |
| 69 | 1186012000 | ALL MODELS | SELF TAPPING SCREW - SIDE PLATE |
| 70 | 1230713000 | ALL MODELS | CARRIAGE BOLT, HANDLE FOR NEW VERSION ORDER #96 |
| 71 | 1285720000 | ALL MODELS | LARGE WINGNUT FOR NEW VERSION ORDER #97 |
| 72 | 1311031000 | ALL MODELS | REAR AXEL SCREW |
| 73 | 1074329000 | ALL MODELS | BOLT - HANDLE TUBE / CURVED HEAD |
| 74 | 1597743000 | ALL MODELS | SCREW - CORD HOOK QUICK RELEASE |
| 75 | 1601772000 | ALL MODELS | LATCH SPACER |
| 76 | 1606210000 | N/A | HEADLIGHT SPRING CLIP |
| 77 | 1670013000 | ALL MODELS | MOTOR PLATE SCREW |
| 78 | 1670705000 | RY8100, RY8200, RY8500, RY8600 | SPRING PIN - RELEASE PEDAL |
| 79 | 1672009000 | RY8100, RY8200, RY8500, RY8600 | SPRING - RELEASE PEDAL |
| 80 | 1801701000 | ALL MODELS | SCREW - SWITCH PLATE |
| 81 | 1801708000 | ALL MODELS | HANDLE FORK BOLT |
| 82 | 1801715000 | ALL MODELS | NUT W/NYLON INSERT |
| 83 | 1801711000 | ALL MODELS | WHEEL RETAINER CAP |
| 84 | 1801713000 | ALL MODELS | NUT - HANDLE FORK BOLT |

MODEL No.

RY8100
RY8200
RY8300
RY8400
RY8500
RY8600



RESIDENTIAL
METAL UPRIGHT
Everlast
100 Year Anniversary

2

HARDWARE LISTING

MODEL No.

| Item | Part Number | Model's To Fit | Part Description |
|------|-------------|----------------|---|
| 85 | 1802244000 | RY8300, RY8400 | SCREW |
| 86 | 1870013000 | N/A | SPRING - ADJUSTER BOLT |
| 87 | 1880707000 | ALL MODELS | SCREW #6-32 X 1/4" - MOTOR HOUSING |
| 88 | 1884708000 | ALL MODELS | EYE BOLT |
| | 1884709000 | ALL MODELS | EYE BOLT - LONGER |
| 89 | 1980743000 | ALL MODELS | THREAD FORMING SCREW - MOTOR HOUSING |
| 90 | 1990104000 | ALL MODELS | SCREW #10-24 X 5/8" - HANDLE STOP PLATE |
| 91 | 1996011000 | RY8300, RY8400 | ADJUSTER ROD |
| 92 | 1996101000 | RY8300, RY8400 | RETAINING PIN - ADJUSTER ROD |
| 93 | 1996711000 | RY8300, RY8400 | E RING - ADJUSTER ROD |
| 94 | 1133054000 | N/A | SCREW - OLDER MODELS |
| 95 | 1130008B00 | ALL MODELS | COVER, FOOT ADJUSTMENT LEVER - GRAY |
| 96 | 1700132000 | ALL MODELS | HANDLE FORK SCREW - MALE ORDER 2700132000 |
| 97 | 1700133000 | ALL MODELS | HANDLE FORK SCREW - FEMALE ORDER 2700132000 |
| | 2700132000 | ALL MODELS | HANDLE FORK SCREW ASSEMBLY |
| 98 | 1028000000 | ALL MODELS | #10 FLAT LOCK WASHER |

RY8100
RY8200
RY8300
RY8400
RY8500
RY8600



RESIDENTIAL
METAL UPRIGHT
Everlast
100 Year Anniversary

2

ACCESSORIES

MODEL No.

RY8100
RY8200
RY8300
RY8400
RY8500
RY8600

| PART NUMBER | MODEL'S TO FIT | PART DESCRIPTION |
|--------------|----------------|---------------------------------|
| M305G | | ATTACHMENT KIT - DELUXE |
| 1258801800 | ALL MTL UP'S | CREVICE TOOL - BURGUNDY |
| 2024585B00 | ALL MTL UP'S | HOSE CONNECTOR ADAPTOR ASSEMBLY |
| 2041076B00 | ALL MTL UP'S | LOWER WAND ASSEMBLY |
| 2041077000 | ALL MTL UP'S | UPPER WAND ASSEMBLY |
| 2995084B00 | ALL MTL UP'S | 7' HOSE & BLEED VALVE ASSEMBLY |
| 3097282B00 | ALL MTL UP'S | ROUND DUSTING BRUSH - GREY |
| 3415582B00 | ALL MTL UP'S | 6" UPHOLSTERY TOOL |
| 3415682B00 | ALL MTL UP'S | 10" FLOOR BRUSH |
| M304 | | ATTACHMENT KIT |
| 1402803600 | ALL MTL UP'S | EXTENSION WAND |
| 1502801600 | ALL MTL UP'S | 8" CREVICE TOOL |
| 2024585B00 | ALL MTL UP'S | HOSE CONNECTOR ADAPTOR ASSEMBLY |
| 2051284600 | ALL MTL UP'S | HOSE ASSEMBLY |
| 3050282600 | ALL MTL UP'S | ROUND DUSTING BRUSH |
| 3097682600 | ALL MTL UP'S | 10" FLOOR BRUSH NOZZLE |
| 3098584600 | ALL MTL UP'S | UPHOLSTERY TOOL |