

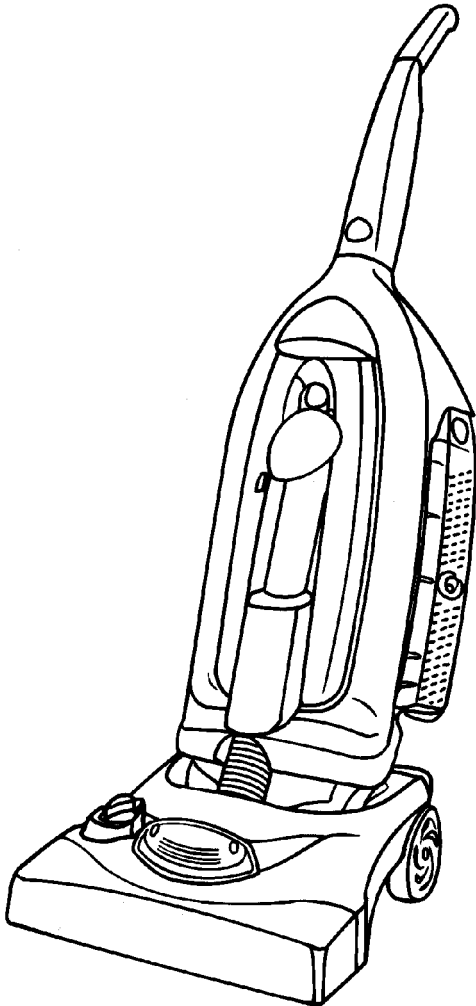
SECTION CONTENTS

<u>MODEL No.</u>	<u>PAGE No.</u>
RY7500	17-2 THRU 17-4

MODEL No.

RY7500

**FLOOREQUIPMENTPARTS.COM**

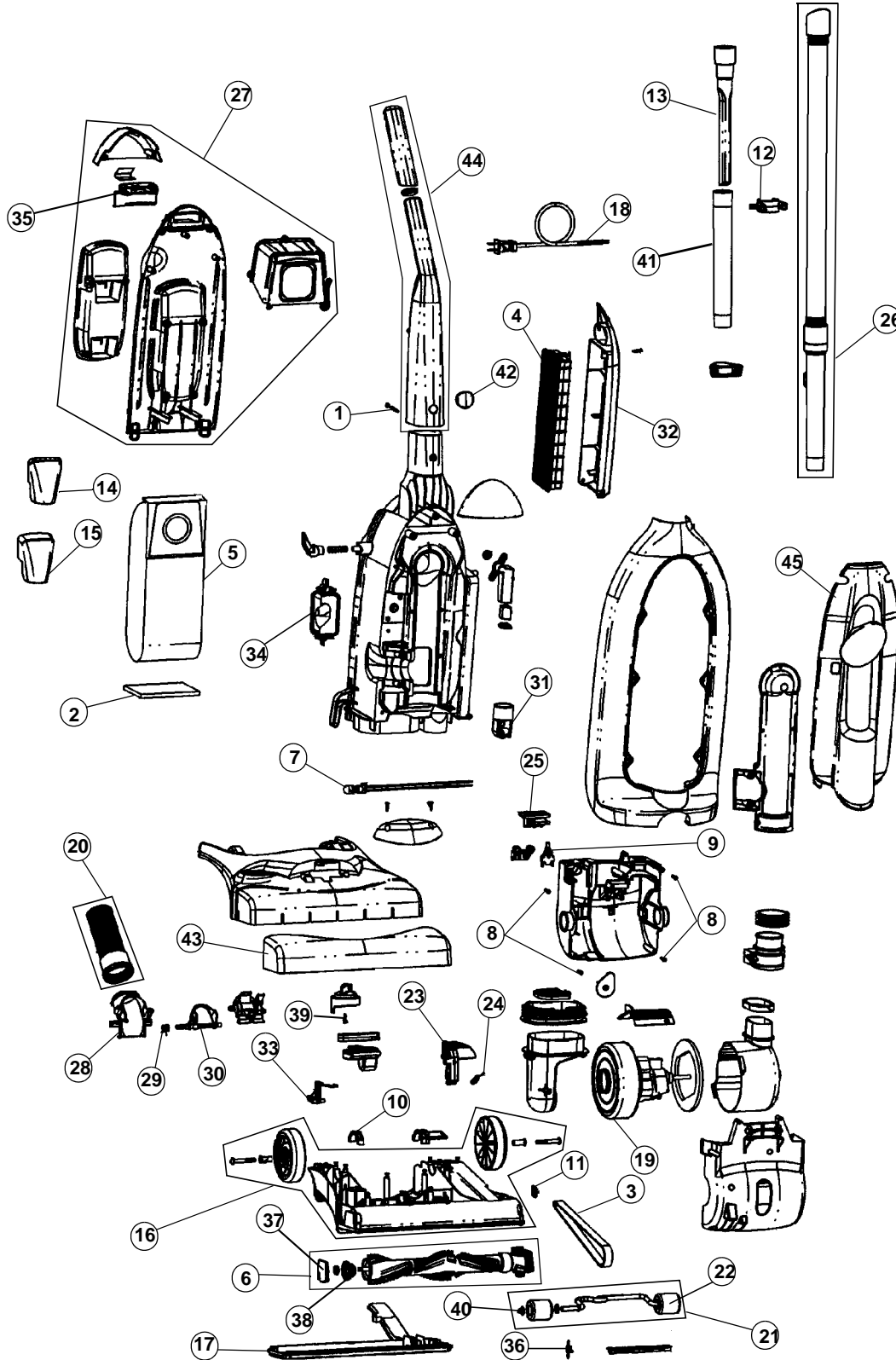


- \* PRICING, SPECIFICATION'S, AND PRODUCT AVAILABILITY ARE SUBJECT TO CHANGE WITHOUT NOTICE. PRICING IS FOB FACTORY, GLENWILLOW, OH
- \* ALL INFORMATION CONTAINED WITHIN THIS SERVICE MANUAL IS PROPRIETARY INFORMATION OF TTI FLOOR CARE NORTH AMERICA.
- \* **WARNING:** TO REDUCE THE RISK OF ELECTRICAL SHOCK OR INJURY, ALWAYS DISCONNECT THE APPLIANCE CORD FROM THE ELECTRICAL OUTLET OR REMOVE BATTERY PRIOR TO SERVICING THE UNIT.

ASSEMBLY SCHEMATIC

MODEL NO.

RY7500



**PART LISTING / PRICE LIST**

MODEL No.

RY7500

Item	Part Number	Models To Fit	Part Description
1	1910100000	RY7500	HANDLE SCREW
2	1910115AJ0	RY7500	BAG CHAMBER FILTER
3	1LC0011600	RY7500	STYLE 12 BELT
	3910355001	RY7500	STYLE 12 BELT - 2 PACK
4	3690320001	RY7500	SIDE HEPA EXHAUST FILTER
5	3920750001	RY7500	TYPE U ROYAL AIRE BAG / 3 PACK
6	2910392000	RY7500	BRUSH ROLL ASSEMBLY
7	1920906000	RY7500	BULB #906
8	1250100000	RY7500	BODY SCREW
9	1860081000	RY7500	SWITCH
10	1820351600	RY7500	PIVOT CLAMP
11	1720380000	RY7500	CLIP, BELT GUIDE
12	1912475AC0	RY7500	WAND CLIP
13	1912470M00	RY7500	CREVICE TOOL
14	1912165M00	RY7500	UPHOLSTERY TOOL
15	2912160M00	RY7500	DUSTING TOOL
16	2910405600	RY7500	NOZZLE BASE w/WHEELS
17	1910395600	RY7500	NOZZLE GUARD
18	1912190AC0	RY7500	POWER CORD 32'
19	1910175000	RY7500	MOTOR
20	2910245600	RY7500	LOWER HOSE ASSEMBLY
21	2910915000	RY7500	WIREFORM ASSEMBLY
22	1910330600	RY7500	FRONT WHEEL
23	1910342600	RY7500	HANDLE RELEASE PEDAL
24	1910350000	RY7500	HANDLE RELEASE PEDAL SPRING
25	1910425600	RY7500	SWITCH PEDAL - BLACK
26	2910215600	RY7500	HOSE ASSEMBLY
27	2910060AC0	RY7500	BACK PANEL ASSEMBLY
28	1910290600	RY7500	DIRT PASSAGE TUBE
29	1910270000	RY7500	DIRT PASSAGE DOOR SPRING
30	1910265AC0	RY7500	DIRT PASSAGE DOOR
31	1910220AC0	RY7500	WAND ADAPTOR
32	1910140600	RY7500	FILTER COVER
33	1910280000	RY7500	LINKAGE ACTUATOR
34	1910055000	RY7500	CLEAN OUT COVER DOOR

PART LISTING / PRICE LIST

MODEL No.

RY7500

Item	Part Number	Models To Fit	Part Description
35	1910080000	RY7500	LATCH SPRING
36	1910320000	RY7500	WIREFORM SPRING
37	1910380000	RY7500	END CAP - ORDER # 6 / 2910392000
38	1910385000	RY7500	BEARING SUPPORT
39	1910400000	RY7500	HEIGHT ADJUSTMENT SCREW
40	1912420000	RY7500	WHEEL RETAINER
41	1910031000	RY7500	EXTENSION WAND
42	1910020600	RY7500	HANDLE FASTENER
43	1910235000	RY7500	BUMPER
44	1910105000	RY7500	UPPER HANDLE
45	2910750000	RY7500	FRONT PANEL