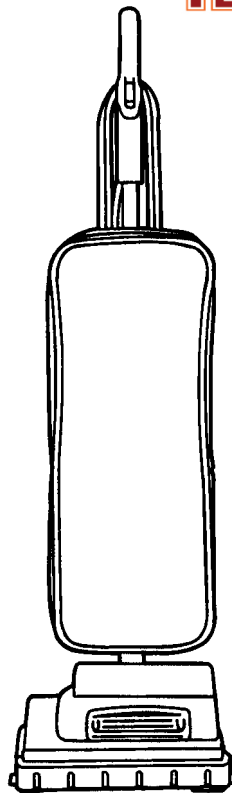


SECTION CONTENTS

<u>MODEL No.</u>	<u>PAGE No.</u>
RY6400	16-4 THRU 16-5
RY6500	16-2 THRU 16-3
CP1000	16-2 THRU 16-3
DH650	16-2 THRU 16-3

[MODEL No.](#)

RY6400
RY6500
CP1000
HD650



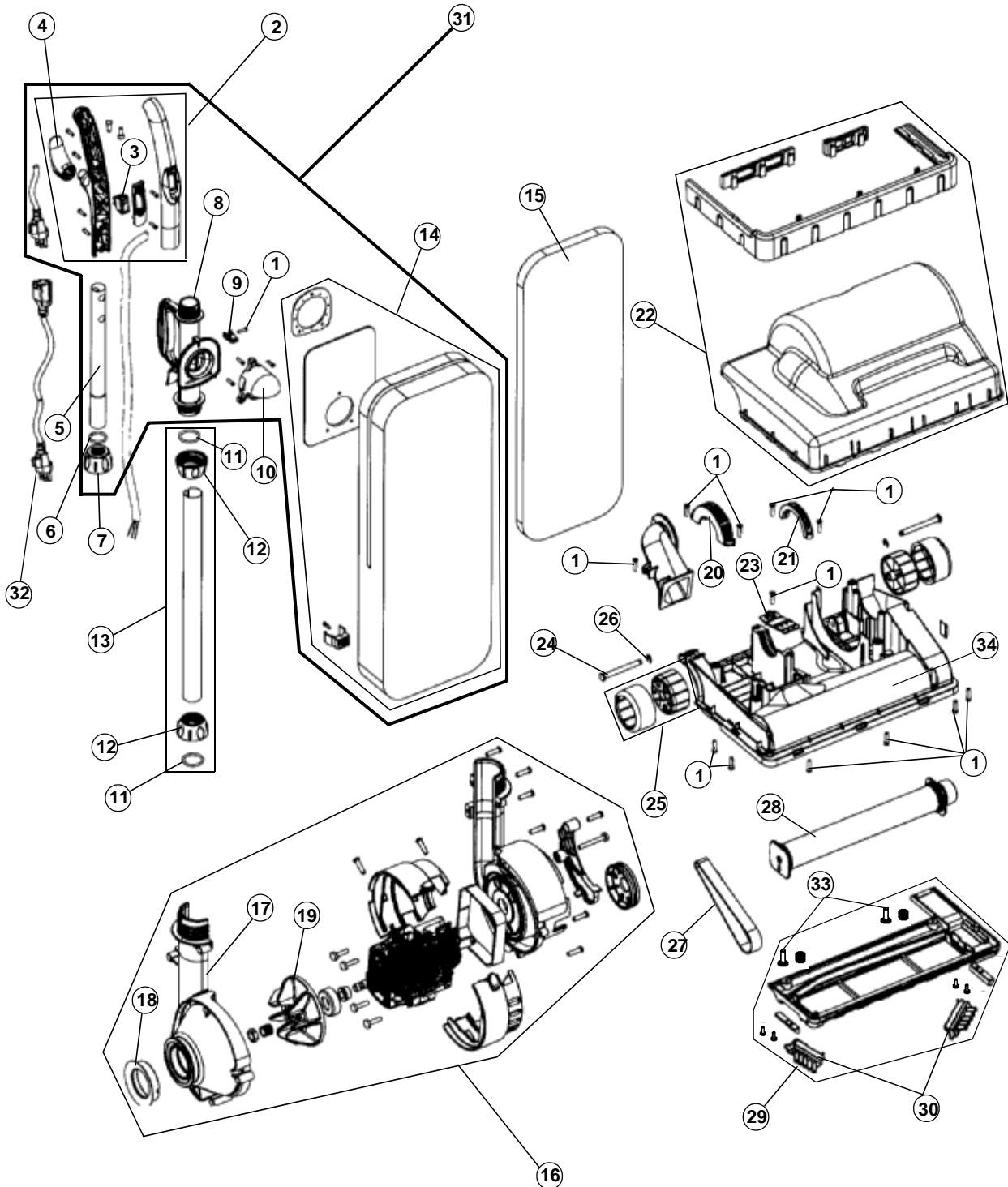
FLOOREQUIPMENT**PARTS.COM**

- * PRICING, SPECIFICATION'S, AND PRODUCT AVAILABILITY ARE SUBJECT TO CHANGE WITHOUT NOTICE. PRICING IS FOB FACTORY, GLENWILLOW, OH
- * ALL INFORMATION CONTAINED WITHIN THIS SERVICE MANUAL IS PROPRIETARY INFORMATION OF TTI FLOOR CARE NORTH AMERICA.
- * **WARNING:** TO REDUCE THE RISK OF ELECTRICAL SHOCK OR INJURY, ALWAYS DISCONNECT THE APPLIANCE CORD FROM THE ELECTRICAL OUTLET OR REMOVE BATTERY PRIOR TO SERVICING THE UNIT.

ASSEMBLY SCHEMATIC

MODEL NO.

RY6500
CP1000
HD650





BAGGED COMMERCIAL LIGHTWEIGHT UPRIGHT/ Commercial Pro

16

PART LISTING / PRICE LIST

MODEL No.

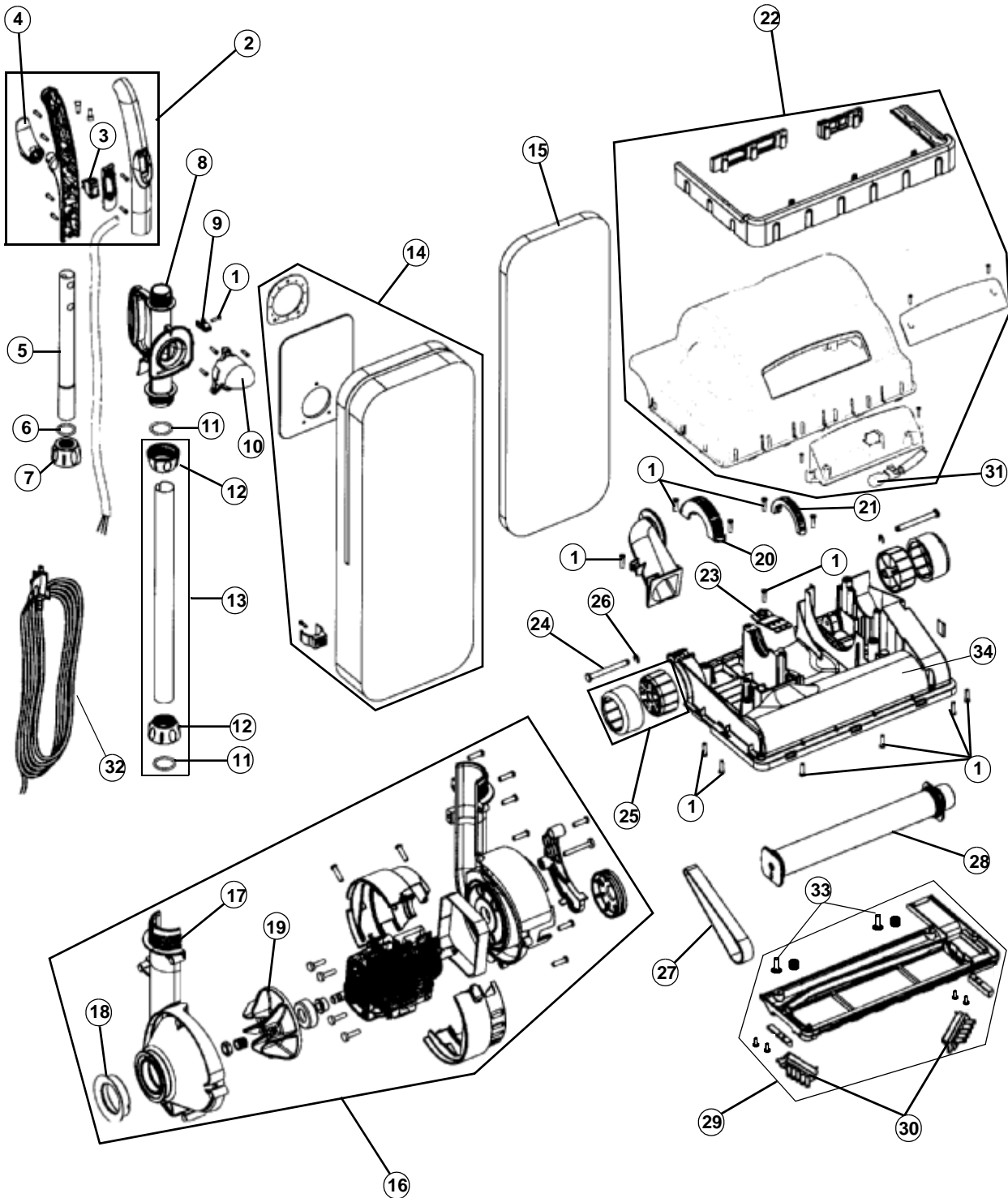
**RY6500
CP1000
HD650**

Item	Part Number	Models To Fit	Part Description
1	1503819000	RY6500, HD650, CP1000	BODY SCREW
2	1JR0017000	RY6500, HD650, CP1000	UPPER HANDLE GRIP ASSEMBLY - SWITCH NOT INCLUDED
3	1JR0010000	RY6500, HD650, CP1000	SWITCH
4	1JR0012000	RY6500, HD650, CP1000	CORD HOOK
5	1JR0018000	RY6500, HD650, CP1000	UPPER HANDLE TUBE
6	1JR0027000	RY6500, HD650, CP1000	HANDLE O-RING GASKET - SMALL / ROUND
7	1JR0026000	RY6500, HD650, CP1000	UPPER HANDLE COLLAR
8	1JR0028000	RY6500, HD650, CP1000	CARRYING HANDLE TUBE GRIP
9	1JR0029000	RY6500, HD650, CP1000	CORD CLIP
10	1JR0035000	RY6500, HD650, CP1000	DIRT INLET
11	1JR0036000	RY6500, HD650, CP1000	HANDLE O-RING GASKET - LARGE / ROUND
	1RYV650000	RY6500, HD650, CP1000	HANDLE O-RING GASKET - LARGE / V-SHAPE
12	1JR0025000	RY6500, HD650, CP1000	LOWER HANDLE COLLAR
13	2JR1000000	RY6500, HD650, CP1000	LOWER HANDLE TUBE ASSEMBLY
14	2JR0024000	RY6500	CLOTH BAG ASSEMBLY - GREY/ORANGE
		CP1000	CLOTH BAG ASSEMBLY
15	1671075001	RY6500, HD650, CP1000	TYPE B BAG
16	2JR0016000	RY6500, HD650, CP1000	COMPLETE MOTOR ASSEMBLY
17	1JR0015000	RY6500, HD650, CP1000	MOTOR FAN COVER
18	1JR0014000	RY6500, HD650, CP1000	FAN COVER SEAL
19	1JR0013000	RY6500, HD650, CP1000	FAN
20	1JR0031000	RY6500, HD650, CP1000	LEFT CLAMP
21	1JR0030000	RY6500, HD650, CP1000	RIGHT CLAMP
22	2JR0034000	RY6500	NOZZLE COVER WITH BUMPERS
	2JR0034AT0	CP1000	NOZZLE COVER WITH BUMPERS
23	1JR0022000	RY6500, HD650, CP1000	HANDLE STOPPER
24	1JR0021000	RY6500, HD650, CP1000	WHEEL PIN
25	1JR0019000	RY6500, HD650, CP1000	WHEEL ASSEMBLY
26	1JR0020000	RY6500, HD650, CP1000	WHEEL E-CLIP
27	1JR0091X00	RY6500, HD650, CP1000	STYLE 18 BELT
28	2JR0010000	RY6500, HD650, CP1000	BRUSH ROLL ASSEMBLY
29	1JR0032000	RY6500, HD650, CP1000	NOZZLE GUARD ASSEMBLY
30	1JR0033000	RY6500, HD650, CP1000	EDGE CLEANER ASSEMBLY
31	2JR6900000	RY6500	COMPLETE UPPER HANDLE / CLOTH BAG ASSY
32	1JR2100000	RY6500, HD650, CP1000	EXTENSION POWER CORD
33	1JV0103000	RY6500, HD650, CP1000	NOZZLE GUARD SCREW
34	513175001	RY6500, HD650, CP1000	NOZZLE BASE

ASSEMBLY SCHEMATIC

MODEL NO.

RY6400





BAGGED RESIDENTIAL LIGHTWEIGHT UPRIGHT

16

PART LISTING / PRICE LIST

MODEL No.

RY6400

Item	Part Number	Models To Fit	Part Description
1	1503819000	RY6400	BODY SCREW
2	1JR0017000	RY6400	UPPER HANDLE GRIP ASSEMBLY
3	1JR0010000	RY6400	SWITCH
4	1JR0012000	RY6400	CORD HOOK
5	1JR0018000	RY6400	UPPER HANDLE TUBE
6	1JR0027000	RY6400	HANDLE O-RING GASKET - SMALL
7	1JR0026000	RY6400	UPPER HANDLE COLLAR
8	1JR0028000	RY6400	CARRYING HANDLE TUBE GRIP
9	1JR0029000	RY6400	CORD CLIP
10	1JR0035000	RY6400	DIRT INLET
11	1RYV650000	RY6400	HANDLE O-RING GASKET - V SHAPE
12	1JR0025000	RY6400	LOWER HANDLE COLLAR
13	2JR1000000	RY6400	LOWER HANDLE TUBE ASSEMBLY
14		RY6400	CLOTH BAG ASSEMBLY
15	1671075001	RY6400	TYPE B BAG
16	001248011	RY6400	COMPLETE MOTOR ASSEMBLY
17	1JR0015000	RY6400	MOTOR FAN COVER
18	1JR0014000	RY6400	FAN COVER SEAL
19	1JR0013000	RY6400	FAN
20	1JR0031000	RY6400	LEFT CLAMP
21	1JR0030000	RY6400	RIGHT CLAMP
22		RY6400	NOZZLE COVER WITH BUMPERS
23	1JR0022000	RY6400	HANDLE STOPPER
24	1JR0021000	RY6400	WHEEL PIN
25	1JR0019000	RY6400	WHEEL ASSEMBLY
26	1JR0020000	RY6400	WHEEL E-CLIP
27	1JR0091X00	RY6400	STYLE 18 BELT
28	2JR0010000	RY6400	BRUSH ROLL ASSEMBLY
29	1JR0032000	RY6400	NOZZLE GUARD ASSEMBLY
30	1JR0033000	RY6400	EDGE CLEANER ASSEMBLY
31	1920906000	RY6400	BULB #906
32	1LV1101000	RY6400	POWER CORD
33	1JV0103000	RY6400	NOZZLE GUARD SCREW
34		RY6400	NOZZLE BASE