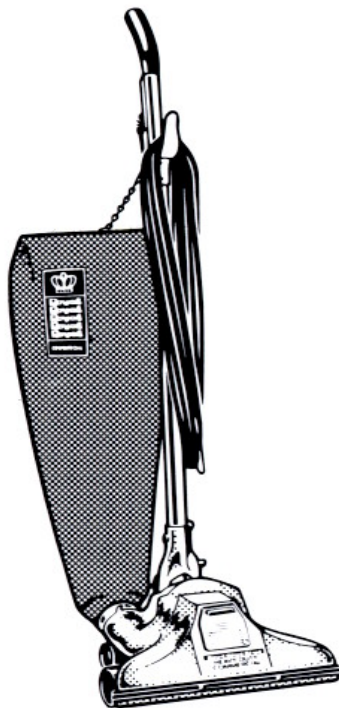


FLOOR EQUIPMENT PARTS.COM



SECTION CONTENTS

<u>MODEL No.</u>	<u>PAGE No.</u>
1018 (Z)	1-2 THRU 1-7
1025	1-2 THRU 1-7
1028 (Z)	1-14 THRU 1-19
1030 (Z)	1-2 THRU 1-7
1038 (Z)	1-2 THRU 1-7
1058 (Z)	1-8 THRU 1-13
1059Z	1-8 THRU 1-13
089000	1-2 THRU 1-7
ACCESSORIES	1-20

MODEL No.

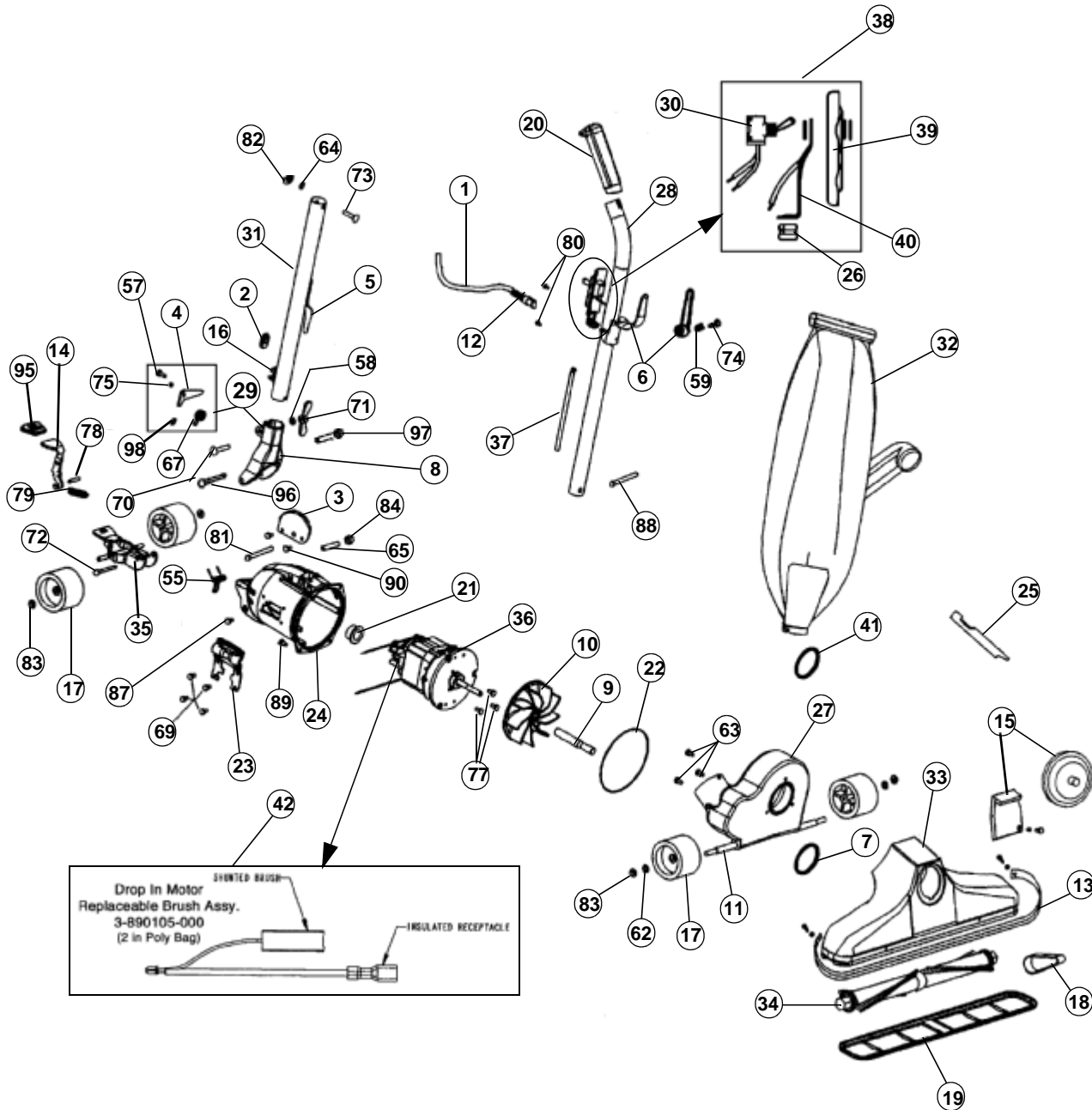
1018 (Z)
1025
1028 (Z)
1030 (Z)
1038 (Z)
1058 (Z)
1059Z
089000

- * PRICING, SPECIFICATION'S, AND PRODUCT AVAILABILITY ARE SUBJECT TO CHANGE WITHOUT NOTICE. PRICING IS FOB FACTORY, GLENWILLOW, OH
- * ALL INFORMATION CONTAINED WITHIN THIS SERVICE MANUAL IS PROPRIETARY INFORMATION OF TTI FLOOR CARE NORTH AMERICA.
- * **WARNING:** TO REDUCE THE RISK OF ELECTRICAL SHOCK OR INJURY, ALWAYS DISCONNECT THE APPLIANCE CORD FROM THE ELECTRICAL OUTLET OR REMOVE BATTERY PRIOR TO SERVICING THE UNIT.

ASSEMBLY SCHEMATIC

MODEL NO.

1018 (Z)
1025
1030 (Z)
1038 (Z)
089000



PART LISTING / PRICE LIST

Item	Part Number	Model's To Fit	Part Description
1	1061136AU0	ALL	CORD 50' / 3 WIRE - ORANGE
	1061136B00	1025, 089000	CORD 50' / 3 WIRE - GREY ORDER 1061136AU0
2	1230324000	ALL	GROMMET
3	1133716000	ALL	HANDLE STOP PLATE
4	1133739B00	ALL	HANDLE RELEASE LEVER - REVISED
5	1259316000	ALL	CORD HOOK - LOWER
6	1259317000	ALL	CORD HOOK - UPPER RIVETED
	1259319000	1025, 1030, 1030Z, 1038, 1038Z, 089000	CORD HOOK - UPPER QUICK RELEASE - POLISH
	1891018100	1018, 1018Z	CORD HOOK - UPPER QUICK RELEASE - PAINTED
7	1285427000	ALL	GASKET, NOZZLE SEALING
8	1028590000	1025, 1030, 1030Z, 1038, 1038Z, 089000	HANDLE FORK REVISED - POLISHED
	1285704100	1018, 1018Z	HANDLE FORK - GREY ORDER #29 2058590100
9	1380261000	ALL	SHAFT EXTENSION
10	1608005000	ALL	FAN / SLIP ON
11	1611101000	ALL	AXLE STUD
12	1611305000	ALL	STRAIN RELIEF - POWER CORD
13	1801201600	ALL	BUMPER - BLACK ORDER 1801201A00 BLUE
14	1690715000	ALL	RELEASE PEDAL - INCREMENTAL
15	1670744600	1018, 1018Z, 1030, 1030Z, 1038, 1038Z	NOZZLE PLUG - BLACK
	2080169600	1025, 089000	ADJUST-O-RITE PLATE ASSEMBLY - BLACK
16	1670844600	ALL	CORD CLIP
17	1671705000	ALL	WHEEL
18	1672260001	ALL	BELT
19	1672270000	ALL	NOZZLE GUARD - 14"
20	1880314600	ALL	HANDLE GRIP - BLACK
21	1870006600	ALL	GROMMET, MOTOR
22	1870024600	ALL	MOTOR HOUSING O-RING
23	1870130P00	ALL	SIDE PLATE
24	1871201000	1025, 1030, 1030Z, 1038, 1038Z, 089000	MOTOR HOUSING - POLISHED
	1871201100	1018, 1018Z	MOTOR HOUSING - PAINTED
25	1880262000	ALL	BELT LIFTER
26	1880304000	ALL	STRAIN RELIEF - INTERNAL CORD
27	2670116000	1025, 1030, 1030Z, 1038, 1038Z, 089000	FANCASE ASSEMBLY - POLISHED
	9670116100	1018, 1018Z	FANCASE ASSEMBLY - PAINTED

MODEL No.

1018 (Z)
1025
1030 (Z)
1038 (Z)
089000

PART LISTING / PRICE LIST

Item	Part Number	Model's to Fit	Part Description
28	3891053100	1018, 1018Z	UPPER HANDLE - INCL #6, #20 RIVIT CORD HOOK - PAINTED
	2891051600	1025, 1030, 1030Z, 1038, 1038Z, 089000	UPPER HANDLE - INCL #6, #20 QUICK RELEASE - POLISHED
	3891018100	1018, 1018Z	UPPER HANDLE - INCL #6, #20 QUICK RELEASE - PAINTED
29	2028590000	1025, 1030, 1030Z, 1038, 1038Z, 089000	HANDLE FORK & LATCH ASSEMBLY REVISED - POLISHED - ORDER 2208590000 ALSO
	2058590100	1018, 1018Z	HANDLE FORK & LATCH ASSEMBLY - PAINTED
30	1163302000	ALL	SWITCH
31	2891062100	1018, 1018Z	LOWER HANDLE TUBE - INCL #5, #16 PAINTED
	2208590100	1018, 1018Z	LOWER HANDLE TUBE - INCL #5, #16 REVISED - PAINTED
	2208590000	1025, 1030, 1030Z, 1038, 1038Z, 089000	LOWER HANDLE TUBE - INCL #5, #16 REVISED - POLISHED
32	2066248BG0	1018, 1030, 1038	SHAKE OUT BAG ASSEMBLY - ORANGE
	2066242AU1	1018Z, 1030Z, 1038Z	ZIPPER HINGED BAG ASSEMBLY - ORANGE
	2066243101	1025	ZIPPER SCAFITEX BAG ASSEMBLY - GREY
	2028543000	089000	ZIPPER SCAFITEX BAG ASSEMBLY - RED
33	2671026600	1030, 1030Z, 1038, 1038Z	NOZZLE ASSEMBLY ORDER 2671027B00
	2671027B00	1018, 1018Z	NOZZLE ASSEMBLY - PAINTED
	9061126B00	1025, 089000	NOZZLE ASSEMBLY
34	2655225000	1018, 1018Z	BRUSH ROLL ASSEMBLY
	2673273000	1025, 1030, 1030Z, 1038, 1038Z, 089000	BRUSH ROLL ASSEMBLY
35	2670007000	ALL	REAR WHEEL FORK/AXLE ASSEMBLY
36	2870114000	ALL	MOTOR w/REPLACEABLE BRUSHES 8.0 - 10.0 AMP
37	3870323600	ALL	SHORT CORD & LUG ASSEMBLY
38	2060837000	ALL	SWITCH & PLATE ASSEMBLY
39	1608303000	ALL	SWITCH PLATE
40	2031103000	ALL	STRAIN RELIEF STAMPING
41	1601407000	ALL	RUBBER INLET GASKET
42	3890105000	ALL	CARBON BRUSH PKG - DROP IN MOTORS
	3970109000	ALL	CARBON BRUSH PKG - JOHNSON DROP IN
	2870115000	ALL	CARBON BRUSH PKG - PENTALPHA

MODEL No.

1018 (Z)
1025
1030 (Z)
1038 (Z)
089000

HARDWARE LISTING

MODEL No.

Item	Part Number	Model's To Fit	Part Description
55	1003008000	All Models	WHEEL FORK SPRING
56	1003009000	N/A	ROD SPRING
57	1003022000	All Models	LATCH RETAINER SCREW
	1211321000	All Models	LATCH RETAINER SCREW - REVISED
58	1003311000	All Models	WASHER ADAPTOR CLAMP SCREW - HANDLE FORK
59	1003884000	All Models	SPRING - UPPER CORD HOOK QUICK RELEASE
60	1006318000	N/A	LOCK WASHER
61	1004723000	All Models	HANDLE FORK SPRING
62	1005138000	All Models	WHEEL RETAINER WASHER
63	1023309000	All Models	SCREW #10-24 X 3/4" - FANCASE
64	1074330000	All Models	LOCK WASHER - HANDLE TUBE
65	1110773000	All Models	MOTOR HOUSING INSERT
66	1110775000	N/A	ROD ADJUSTMENT SLEEVE - SCREW IN
67	1133738000	All Models	HANDLE LATCH SPRING
68	1UA0305000	1028, 1028Z, 1058Z	SCREW #6-32 X 3/8" - ADJUSTER BOLT
69	1186012000	All Models	SELF TAPPING SCREW - SIDE PLATE
70	1230713000	All Models	CARRIAGE BOLT, HANDLE for new version order #96
71	1285720000	All Models	LARGE WINGNUT for new version order #97
72	1311031000	All Models	REAR AXEL SCREW
73	1074329000	All Models	BOLT - HANDLE TUBE / CURVED HEAD
74	1597743000	All Models	SCREW - CORD HOOK QUICK RELEASE
75	1601772000	All Models	LATCH SPACER
76	1606210000	N/A	HEADLIGHT SPRING CLIP
77	1670013000	All Models	MOTOR PLATE SCREW
78	1670705000	1018, 1018Z, 1025, 1030, 1030Z, 1058, 1059Z, 1038, 089000	SPRING PIN - RELEASE PEDAL
79	1672009000	1018, 1018Z, 1025, 1030, 1030Z, 1058, 1059Z, 1038, 089000	SPRING - RELEASE PEDAL
80	1801701000	All Models	SCREW - SWITCH PLATE
81	1801708000	All Models	HANDLE FORK BOLT
82	1801715000	All Models	NUT W/NYLON INSERT
83	1801711000	All Models	WHEEL RETAINER CAP
84	1801713000	All Models	NUT - HANDLE FORK BOLT

1018 (Z)
1025
1028 (Z)
1030 (Z)
1038 (Z)
1058 (Z)
1059Z
089000

HARDWARE LISTING

Item	Part Number	Model's To Fit	Part Description
85	1802244000	N/A	SCREW
86	1870013000	1028, 1028Z, 1058Z	SPRING - ADJUSTER BOLT
87	1880707000	ALL MODELS	SCREW #6-32 X 1/4" - MOTOR HOUSING
88	1884708000	ALL MODELS	EYE BOLT
	1884709000	ALL MODELS	EYE BOLT - LONGER
89	1980743000	ALL MODELS	THREAD FORMING SCREW - MOTOR HOUSING
90	1990104000	ALL MODELS	SCREW #10-24 X 5/8" - HANDLE STOP PLATE
91	1996011000	N/A	ADJUSTER ROD
92	1996101000	N/A	RETAINING PIN - ADJUSTER ROD
93	1996711000	N/A	E RING - ADJUSTER ROD
94	1133054000	N/A	SCREW
95	1130008B00	1018, 1018Z, 1025, 1030, 1030Z, 1058, 1059Z, 1038, 089000	COVER, FOOT ADJUSTMENT LEVER - GRAY
96	1700132000	ALL MODELS	HANDLE FORK SCREW - MALE ORDER 2700132000
97	1700133000	ALL MODELS	HANDLE FORK SCREW - FEMALE ORDER 2700132000
	2700132000	ALL MODELS	HANDLE FORK SCREW ASSEMBLY
98	1028000000	ALL MODELS	#10 FLAT LOCK WASHER

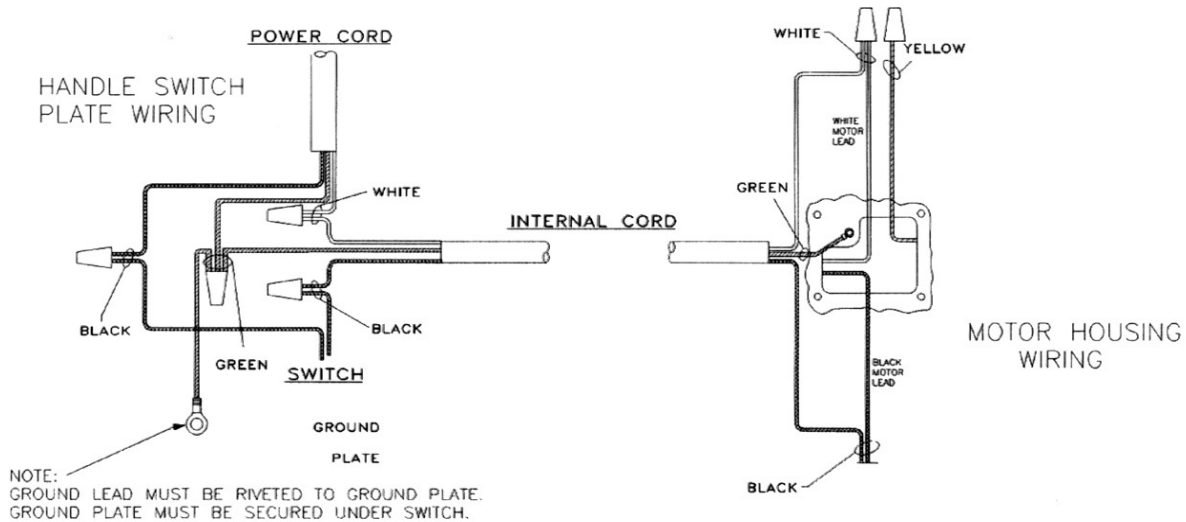
MODEL NO.

1018 (Z)
1025
1028 (Z)
1030 (Z)
1038 (Z)
1058 (Z)
1059Z
089000

WIRING SCHEMATIC

MODEL No.

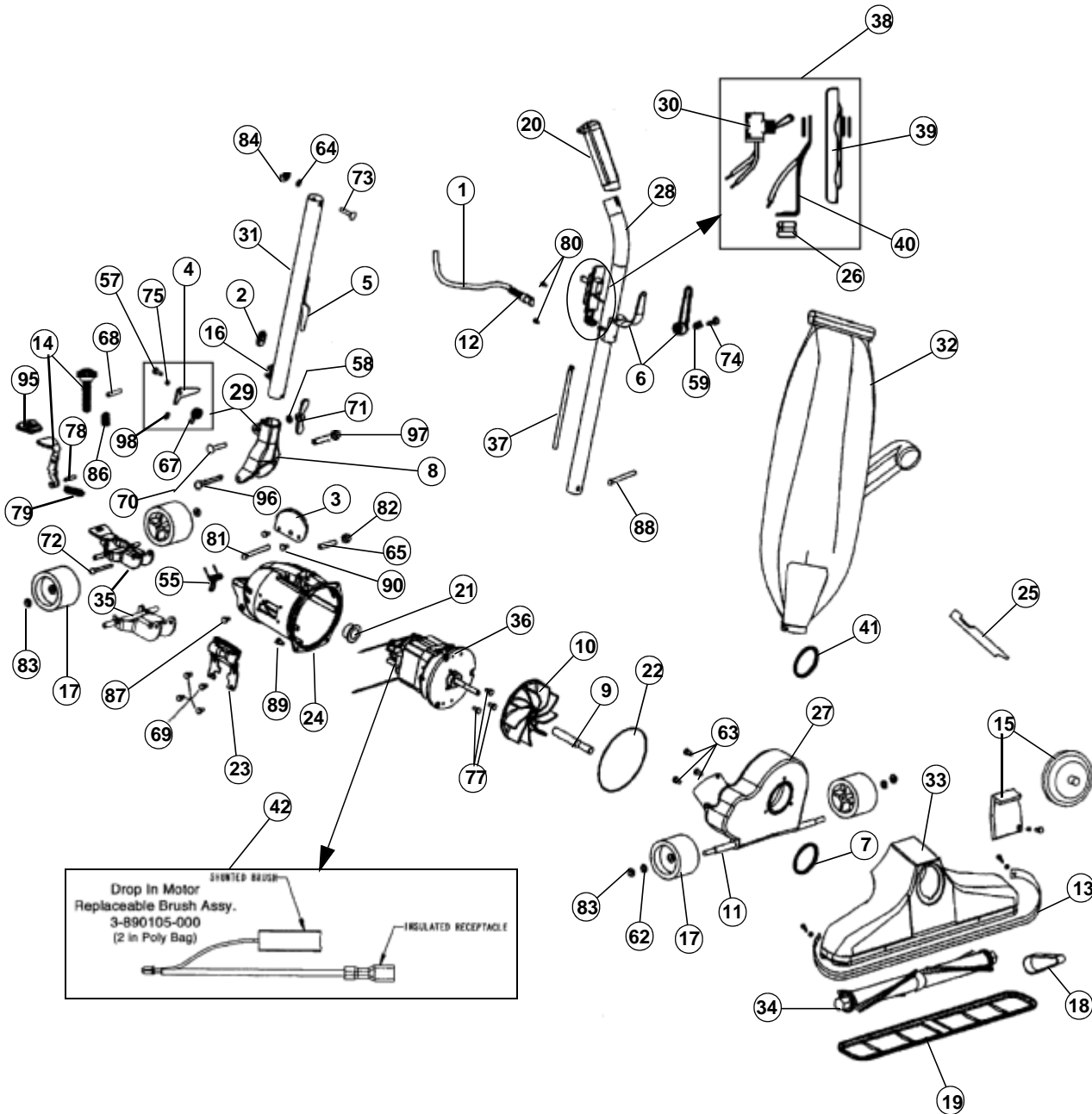
1018 (Z)
1030 (Z)
1038 (Z)



ASSEMBLY SCHEMATIC

MODEL NO.

1058 (Z)
1059Z



PART LISTING / PRICE LIST

MODEL No.

1058 (Z)
1059Z

Item	Part Number	Model's To Fit	Part Description
1	1061136AU0	1058, 1058Z, 1059Z	CORD 50' / 3 WIRE - ORANGE
2	1230324000	1058, 1058Z, 1059Z	GROMMET
3	1133716000	1058, 1058Z, 1059Z	HANDLE STOP PLATE
4	1133739B00	1058, 1058Z, 1059Z	HANDLE RELEASE LEVER
5	1259316000	1058, 1058Z, 1059Z	CORD HOOK - LOWER
6	1259317000	1058, 1058Z, 1059Z	CORD HOOK - UPPER RIVETED
	1259319000	1058, 1058Z, 1059Z	CORD HOOK - UPPER QUICK RELEASE
7	1285427000	1058, 1058Z, 1059Z	GASKET, NOZZLE SEALING
8	1028590000	1058, 1058Z, 1059Z	HANDLE FORK REVISED - POLISHED
9	1380262000	1058, 1058Z, 1059Z	SHAFT EXTENSION
	1380261000	1058Z	SHAFT EXTENSION - SHORTER (PENDING MFG DATE)
10	1608005000	1058, 1058Z, 1059Z	FAN / SLIP ON
11	1618101000	1058, 1058Z, 1059Z	AXLE STUD
12	1611305000	1058, 1058Z, 1059Z	STRAIN RELIEF - POWER CORD
13	1618201B00	1058, 1058Z, 1059Z	BUMPER - GREY
	1618201600	1058, 1058Z, 1059Z	BUMPER - BLACK
14	1690715000	1058, 1059Z	RELEASE PEDAL - INCREMENTAL
	1870012000	1058Z	ADJUSTMENT BOLT
15	1670744600	1058, 1059Z	NOZZLE PLUG - BLACK
	2080169600	1058Z	ADJUST-O-RITE PLATE WITH KNOB - BLACK
16	1670844600	1058, 1058Z, 1059Z	CORD CLIP
17	1671705000	1058, 1058Z, 1059Z	WHEEL
18	1672260001	1058, 1058Z, 1059Z	BELT
19	1692270000	1058, 1058Z, 1059Z	NOZZLE GUARD - 18"
20	1880314600	1058, 1058Z, 1059Z	HANDLE GRIP - BLACK
21	1870006600	1058, 1058Z, 1059Z	GROMMET, MOTOR
22	1870024600	1058, 1058Z, 1059Z	MOTOR HOUSING O-RING
23	1870130P00	1058, 1058Z, 1059Z	SIDE PLATE
24	1871201000	1058, 1059Z	MOTOR HOUSING - POLISHED
	1870201000	1058Z	MOTOR HOUSING - POLISHED
25	1880262000	1058, 1058Z, 1059Z	BELT LIFTER
26	1880304000	1058, 1058Z, 1059Z	STRAIN RELIEF - INTERNAL CORD
27	2670118000	1058, 1058Z, 1059Z	FANCASE ASSEMBLY
28	2891051600	1058, 1058Z, 1059Z	UPPER HANDLE - INCL #6, #20 - QUICK RELEASE CORD HOOK

PART LISTING / PRICE LIST

MODEL No.

1058 (Z)
1059Z

Item	Part Number	Model's to Fit	Part Description
29	2028590000	1058, 1058Z, 1059Z	HANDLE FORK & LATCH ASSEMBLY REVISED - POLISHED - ORDER 2208590000 ALSO
30	1163302000	1058, 1058Z, 1059Z	SWITCH
31	2208590000	1058, 1058Z, 1059Z	LOWER HANDLE TUBE - INCL #5, #16 REVISED
32	2066248BG0	1058	SHAKE OUT BAG ASSEMBLY - ORANGE
	2066242AU1	1058Z, 1059Z	ZIPPER HINGED BAG ASSEMBLY - ORANGE
33	2381026B00	1058, 1058Z, 1059Z	NOZZLE ASSEMBLY - INCLs #13
34	2692225000	1058, 1058Z, 1059Z	BRUSH ROLL ASSEMBLY
35	2670007000	1058, 1059Z	REAR WHEEL FORK/AXLE ASSEMBLY
	2028574000	1058Z	REAR WHEEL FORK/AXLE ASSEMBLY - SCREW
36	2870114000	1058, 1058Z, 1059Z	MOTOR W/REPLACEABLE BRUSHES 8.0 - 10.0 AMP
37	3870323600	1058, 1058Z, 1059Z	SHORT CORD & LUG ASSEMBLY
38	2060837000	1058, 1058Z, 1059Z	SWITCH & PLATE ASSEMBLY
39	1608303000	1058, 1058Z, 1059Z	SWITCH PLATE
40	2031103000	1058, 1058Z, 1059Z	STRAIN RELIEF STAMPING
41	1601407000	1058, 1058Z, 1059Z	RUBBER INLET GASKET
42	3890105000	1058, 1058Z, 1059Z	CARBON BRUSH PKG - DROP IN MOTORS
	3970109000	1058, 1058Z, 1059Z	CARBON BRUSH PKG - JOHNSON DROP IN

HARDWARE LISTING - PAGES 1-11 / 1-12

HARDWARE LISTING

MODEL No.

Item	Part Number	Model's To Fit	Part Description
55	1003008000	All Models	WHEEL FORK SPRING
56	1003009000	N/A	ROD SPRING
57	1003022000	All Models	LATCH RETAINER SCREW
	1211321000	All Models	LATCH RETAINER SCREW - REVISED
58	1003311000	All Models	WASHER ADAPTOR CLAMP SCREW - HANDLE FORK
59	1003884000	All Models	SPRING - UPPER CORD HOOK QUICK RELEASE
60	1006318000	N/A	LOCK WASHER
61	1004723000	All Models	HANDLE FORK SPRING
62	1005138000	All Models	WHEEL RETAINER WASHER
63	1023309000	All Models	SCREW #10-24 X 3/4" - FANCASE
64	1074330000	All Models	LOCK WASHER - HANDLE TUBE
65	1110773000	All Models	MOTOR HOUSING INSERT
66	1110775000	N/A	ROD ADJUSTMENT SLEEVE - SCREW IN
67	1133738000	All Models	HANDLE LATCH SPRING
68	1UA0305000	1028, 1028Z, 1058Z	SCREW #6-32 X 3/8" - ADJUSTER BOLT
69	1186012000	All Models	SELF TAPPING SCREW - SIDE PLATE
70	1230713000	All Models	CARRIAGE BOLT, HANDLE for new version order #96
71	1285720000	All Models	LARGE WINGNUT for new version order #97
72	1311031000	All Models	REAR AXEL SCREW
73	1074329000	All Models	BOLT - HANDLE TUBE / CURVED HEAD
74	1597743000	All Models	SCREW - CORD HOOK QUICK RELEASE
75	1601772000	All Models	LATCH SPACER
76	1606210000	N/A	HEADLIGHT SPRING CLIP
77	1670013000	All Models	MOTOR PLATE SCREW
78	1670705000	1018, 1018Z, 1025, 1030, 1030Z, 1058, 1059Z, 1038, 089000	SPRING PIN - RELEASE PEDAL
79	1672009000	1018, 1018Z, 1025, 1030, 1030Z, 1058, 1059Z, 1038, 089000	SPRING - RELEASE PEDAL
80	1801701000	All Models	SCREW - SWITCH PLATE
81	1801708000	All Models	HANDLE FORK BOLT
82	1801715000	All Models	NUT W/NYLON INSERT
83	1801711000	All Models	WHEEL RETAINER CAP
84	1801713000	All Models	NUT - HANDLE FORK BOLT

1018 (Z)
1025
1028 (Z)
1030 (Z)
1038 (Z)
1058 (Z)
1059Z
089000

HARDWARE LISTING

Item	Part Number	Model's To Fit	Part Description
85	1802244000	N/A	SCREW
86	1870013000	1028, 1028Z, 1058Z	SPRING - ADJUSTER BOLT
87	1880707000	ALL MODELS	SCREW #6-32 X 1/4" - MOTOR HOUSING
88	1884708000	ALL MODELS	EYE BOLT
	1884709000	ALL MODELS	EYE BOLT - LONGER
89	1980743000	ALL MODELS	THREAD FORMING SCREW - MOTOR HOUSING
90	1990104000	ALL MODELS	SCREW #10-24 X 5/8" - HANDLE STOP PLATE
91	1996011000	N/A	ADJUSTER ROD
92	1996101000	N/A	RETAINING PIN - ADJUSTER ROD
93	1996711000	N/A	E RING - ADJUSTER ROD
94	1133054000	N/A	SCREW
95	1130008B00	1018, 1025, 1030, 1058, 1059Z, 1038, 089000	COVER, FOOT ADJUSTMENT LEVER - GRAY
96	1700132000	ALL MODELS	HANDLE FORK SCREW - MALE ORDER 2700132000
97	1700133000	ALL MODELS	HANDLE FORK SCREW - FEMALE ORDER 2700132000
	2700132000	ALL MODELS	HANDLE FORK SCREW ASSEMBLY
98	1028000000	ALL MODELS	#10 FLAT LOCK WASHER

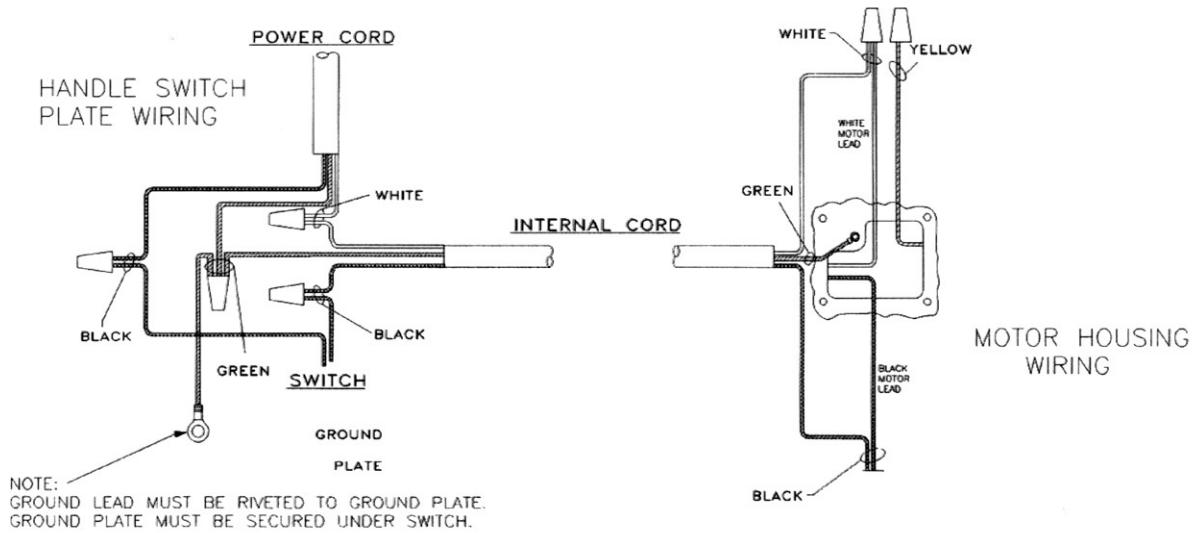
MODEL No.

1018 (Z)
1025
1028 (Z)
1030 (Z)
1038 (Z)
1058 (Z)
1059Z
089000

WIRING SCHEMATIC

MODEL NO.

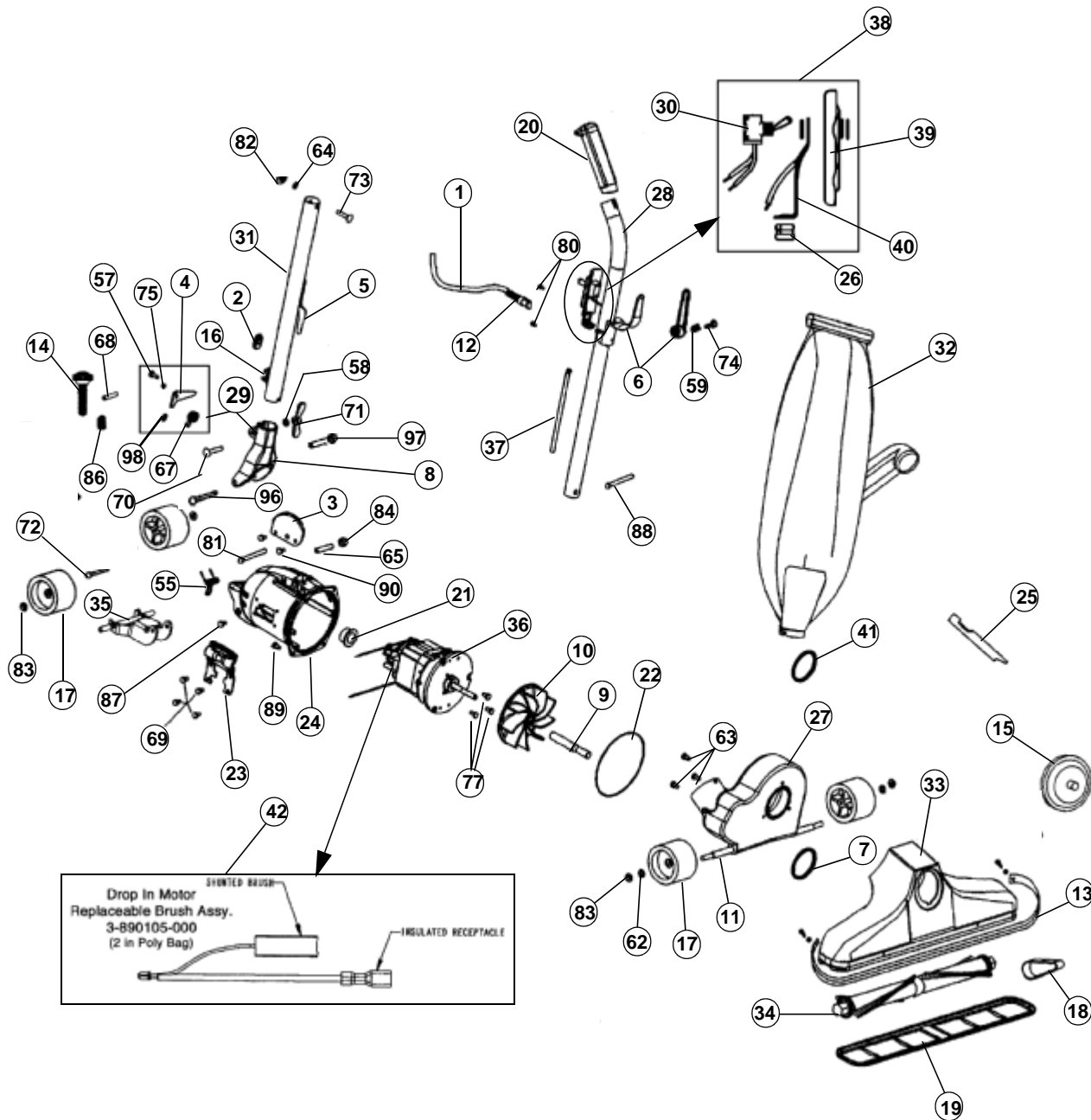
1058 (Z)



ASSEMBLY SCHEMATIC

MODEL NO.

1028 (Z)



PART LISTING / PRICE LIST

MODEL No.

1028 (Z)

Item	Part Number	Model's To Fit	Part Description
1	1061136AU0	1028, 1028Z	CORD 50' / 3 WIRE - ORANGE
2	1230324000	1028, 1028Z	GROMMET
3	1133716000	1028, 1028Z	HANDLE STOP PLATE
4	1133739B00	1028, 1028Z	HANDLE RELEASE LEVER
5	1259316000	1028, 1028Z	CORD HOOK - LOWER
6	1259317000	1028, 1028Z	CORD HOOK - UPPER RIVETED
	1259319000	1028, 1028Z	CORD HOOK - UPPER QUICK RELEASE
7	1285427000	1028, 1028Z	GASKET, NOZZLE SEALING
8	1028590000	1028, 1028Z	HANDLE FORK REVISED - POLISHED
9	1380261000	1028, 1028Z	SHAFT EXTENSION
10	1608005000	1028, 1028Z	FAN / SLIP ON
11	1611101000	1028, 1028Z	AXLE STUD
12	1611305000	1028, 1028Z	STRAIN RELIEF - POWER CORD
13	1801201600	1028, 1028Z	BUMPER - BLACK ORDER 181201A00 BLUE
14	1870012000	1028, 1028Z	ADJUSTMENT BOLT
15	2080169600	1028, 1028Z	ADJUST-O-RITE PLATE WITH KNOB - BLACK
16	1670844600	1028, 1028Z	CORD CLIP
17	1671705000	1028, 1028Z	WHEEL
18	1672260001	1028, 1028Z	BELT
19	1672270000	1028, 1028Z	NOZZLE GUARD - 14"
20	1880314600	1028, 1028Z	HANDLE GRIP - BLACK
21	1870006600	1028, 1028Z	GROMMET, MOTOR
22	1870024600	1028, 1028Z	MOTOR HOUSING O-RING
23	1870130P00	1028, 1028Z	SIDE PLATE
24	1870201000	1028, 1028Z	MOTOR HOUSING
25	1880262000	1028, 1028Z	BELT LIFTER
26	1880304000	1028, 1028Z	STRAIN RELIEF - INTERNAL CORD
27	2670116000	1028, 1028Z	FANCASE ASSEMBLY - POLISHED
28	2891051600	1028, 1028Z	UPPER HANDLE - INCL #6, #20 - QUICK RELEASE CORD HOOK
29	2028590000	1028, 1028Z	HANDLE FORK & LATCH ASSEMBLY REVISED - POLISHED - ORDER 2208590000 ALSO

PART LISTING / PRICE LIST

Item	Part Number	Model's To Fit	Part Description
30	1163302000	1028, 1028Z	SWITCH
31	2208590000	1028, 1028Z	LOWER HANDLE TUBE - INCL #5, #16 REVISED
32	2066248BG0	1028	SHAKE OUT BAG ASSEMBLY - ORANGE
	2066242AU1	1028Z	ZIPPER HINGED BAG ASSEMBLY - ORANGE
33	9061126B00	1028, 1028Z	NOZZLE ASSEMBLY - INCLS #13
34	2673273000	1028, 1028Z	BRUSH ROLL ASSEMBLY
35	2028574000	1028, 1028Z	REAR WHEEL FORK/AXLE ASSEMBLY - SCREW
36	2870114000	1028, 1028Z	MOTOR W/REPLACEABLE BRUSHES 8.0 - 10.0 AMP
37	3870323600	1028, 1028Z	SHORT CORD & LUG ASSEMBLY
38	2060837000	1028, 1028Z	SWITCH & PLATE ASSEMBLY
39	1608303000	1028, 1028Z	SWITCH PLATE
40	2031103000	1028, 1028Z	STRAIN RELIEF STAMPING
41	1601407000	1028, 1028Z	RUBBER INLET GASKET
42	3890105000	1028, 1028Z	CARBON BRUSH PKG - DROP IN MOTORS
	3970109000	1028, 1028Z	CARBON BRUSH PKG - JOHNSON DROP IN

MODEL No.

1028 (Z)

HARDWARE LISTING - PAGES 1-17 / 1-18

HARDWARE LISTING

MODEL No.

Item	Part Number	Model's To Fit	Part Description
55	1003008000	All Models	WHEEL FORK SPRING
56	1003009000	N/A	ROD SPRING
57	1003022000	All Models	LATCH RETAINER SCREW
	1211321000	All Models	LATCH RETAINER SCREW - REVISED
58	1003311000	All Models	WASHER ADAPTOR CLAMP SCREW - HANDLE FORK
59	1003884000	All Models	SPRING - UPPER CORD HOOK QUICK RELEASE
60	1006318000	N/A	LOCK WASHER
61	1004723000	All Models	HANDLE FORK SPRING
62	1005138000	All Models	WHEEL RETAINER WASHER
63	1023309000	All Models	SCREW #10-24 X 3/4" - FANCASE
64	1074330000	All Models	LOCK WASHER - HANDLE TUBE
65	1110773000	All Models	MOTOR HOUSING INSERT
66	1110775000	N/A	ROD ADJUSTMENT SLEEVE - SCREW IN
67	1133738000	All Models	HANDLE LATCH SPRING
68	1UA0305000	1028, 1028Z, 1058Z	SCREW #6-32 X 3/8" - ADJUSTER BOLT
69	1186012000	All Models	SELF TAPPING SCREW - SIDE PLATE
70	1230713000	All Models	CARRIAGE BOLT, HANDLE for new version order #96
71	1285720000	All Models	LARGE WINGNUT for new version order #97
72	1311031000	All Models	REAR AXEL SCREW
73	1074329000	All Models	BOLT - HANDLE TUBE / CURVED HEAD
74	1597743000	All Models	SCREW - CORD HOOK QUICK RELEASE
75	1601772000	All Models	LATCH SPACER
76	1606210000	N/A	HEADLIGHT SPRING CLIP
77	1670013000	All Models	MOTOR PLATE SCREW
78	1670705000	1018, 1018Z, 1025, 1030, 1030Z, 1058, 1059Z, 1038, 089000	SPRING PIN - RELEASE PEDAL
79	1672009000	1018, 1018Z, 1025, 1030, 1030Z, 1058, 1059Z, 1038, 089000	SPRING - RELEASE PEDAL
80	1801701000	All Models	SCREW - SWITCH PLATE
81	1801708000	All Models	HANDLE FORK BOLT
82	1801715000	All Models	NUT W/NYLON INSERT
83	1801711000	All Models	WHEEL RETAINER CAP
84	1801713000	All Models	NUT - HANDLE FORK BOLT

1018 (Z)
1025
1028 (Z)
1030 (Z)
1038 (Z)
1058 (Z)
1059Z
089000

HARDWARE LISTING

Item	Part Number	Model's To Fit	Part Description
85	1802244000	N/A	SCREW
86	1870013000	1028, 1028Z, 1058Z	SPRING - ADJUSTER BOLT
87	1880707000	ALL MODELS	SCREW #6-32 X 1/4" - MOTOR HOUSING
88	1884708000	ALL MODELS	EYE BOLT
	1884709000	ALL MODELS	EYE BOLT - LONGER
89	1980743000	ALL MODELS	THREAD FORMING SCREW - MOTOR HOUSING
90	1990104000	ALL MODELS	SCREW #10-24 X 5/8" - HANDLE STOP PLATE
91	1996011000	N/A	ADJUSTER ROD
92	1996101000	N/A	RETAINING PIN - ADJUSTER ROD
93	1996711000	N/A	E RING - ADJUSTER ROD
94	1133054000	N/A	SCREW
95	1130008B00	1018, 1025, 1030, 1058, 1059Z, 1038, 089000	COVER, FOOT ADJUSTMENT LEVER - GRAY
96	1700132000	ALL MODELS	HANDLE FORK SCREW - MALE ORDER 2700132000
97	1700133000	ALL MODELS	HANDLE FORK SCREW - FEMALE ORDER 2700132000
	2700132000	ALL MODELS	HANDLE FORK SCREW ASSEMBLY
98	1028000000	ALL MODELS	#10 FLAT LOCK WASHER

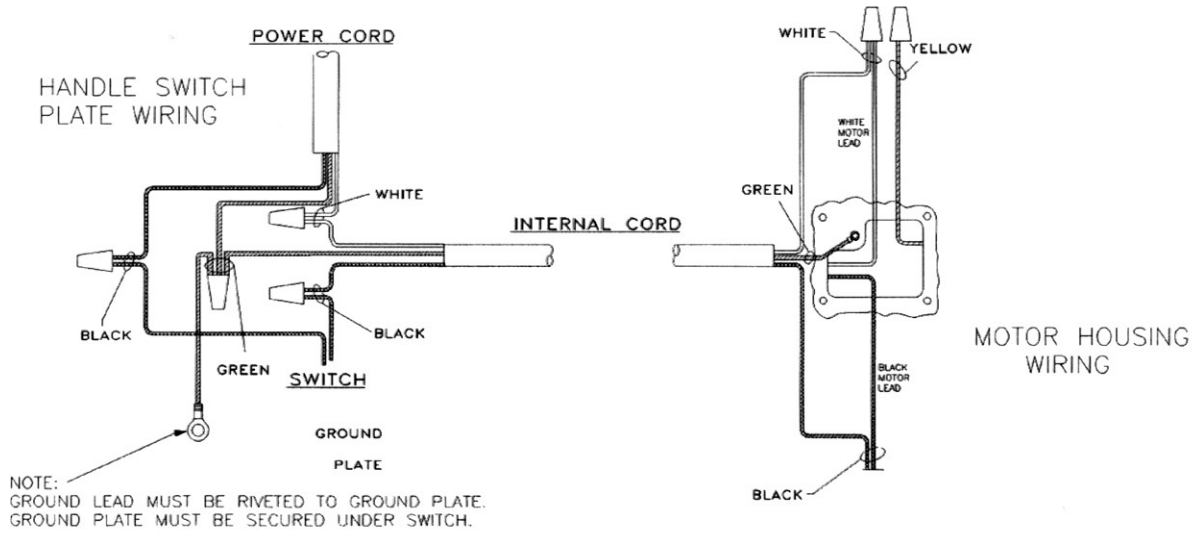
MODEL NO.

1018 (Z)
1025
1028 (Z)
1030 (Z)
1038 (Z)
1058 (Z)
1059Z
089000

WIRING SCHEMATIC

MODEL No.

1028 (Z)



ACCESSORIES

MODEL No.

PART NUMBER	MODEL'S TO FIT	PART DESCRIPTION
M305G		ATTACHMENT KIT - DELUXE
1258801800	ALL MTL UP'S	CREVICE TOOL - BURGUNDY
2024585B00	ALL MTL UP'S	HOSE CONNECTOR ADAPTOR ASSEMBLY
2041076B00	ALL MTL UP'S	LOWER WAND ASSEMBLY
2041077000	ALL MTL UP'S	UPPER WAND ASSEMBLY
2995084B00	ALL MTL UP'S	7' HOSE & BLEED VALVE ASSEMBLY
3097282B00	ALL MTL UP'S	ROUND DUSTING BRUSH - GREY
3415582B00	ALL MTL UP'S	6" UPHOLSTERY TOOL
3415682B00	ALL MTL UP'S	10" FLOOR BRUSH
M304		ATTACHMENT KIT
1402803600	ALL MTL UP'S	EXTENSION WAND
1502801600	ALL MTL UP'S	8" CREVICE TOOL
2024585B00	ALL MTL UP'S	HOSE CONNECTOR ADAPTOR ASSEMBLY
2051284600	ALL MTL UP'S	HOSE ASSEMBLY
3050282600	ALL MTL UP'S	ROUND DUSTING BRUSH
3097682600	ALL MTL UP'S	10" FLOOR BRUSH NOZZLE
3098584600	ALL MTL UP'S	UPHOLSTERY TOOL

1018 (Z)
1025
1028 (Z)
1030 (Z)
1038 (Z)
1058 (Z)
1059Z
089000