



# Speedshine

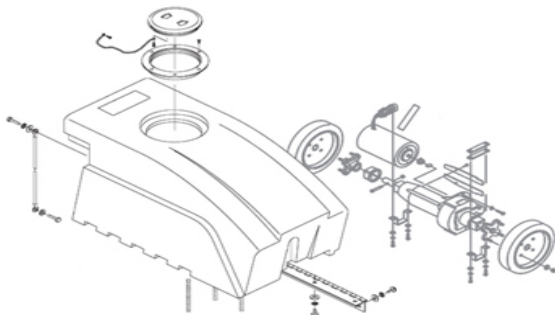
## 1700LS/1700HD/1700DS 2000LS/2000HD/2000DS

Floor Machine  
Máquina para pisos

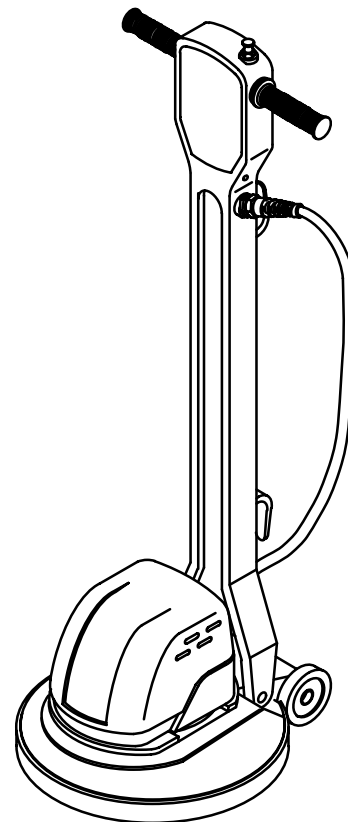
**Model No.:**

- 608235 – 1700LS
- 608236 – 1700HD
- 608657 – 1700DS
- 608233 – 2000LS
- 608234 – 2000HD
- 608720 – 2000DS
- 609538 – 1700DS CSA
- 608237 – 2000DS CSA

**Operator and Parts Manual  
Manual del Operador y Piezas**



**FLOOREQUIPMENTPARTS.COM**



**NOBLES**  
12875 RANSOM STREET  
HOLLAND MI 49424 U.S.A.

**CUSTOMER SERVICE: 1-800-365-6625**  
**FAX: 1-800-678-4240**  
**OUTSIDE U.S. : 1-616-786-2330**

**608406**  
**Rev. 03 (09-02)**

# IMPORTANT SAFETY INSTRUCTIONS

When using an electrical appliance, basic precautions should always be followed, including the following:

## READ ALL INSTRUCTIONS BEFORE USING (THIS APPLIANCE)

### **WARNING - To reduce the risk of fire, explosion, electric shock, or injury:**

1. Do not use appliance with flammable or combustible liquids/fumes such as gasoline or use in areas where they may be present.
2. Do not handle plug or appliance with wet hands, electric shock or personal injury may occur.
3. Do not use with damaged cord or plug, electric shock or personal injury may occur. If appliance is not working as it should, has been dropped, damaged, left outdoors, or dropped into water, return it to a service center.
4. Do not leave appliance when plugged in. Unplug from outlet when not in use and before servicing.
5. Use only commercially available floor cleaners and waxes intended for machine application.
6. Do not allow to be used as a toy. Close attention is necessary when used by or near children.
7. Use only as described in this manual. Use only manufacturer's recommended attachments.
8. Do not pull or carry by cord, use cord as a handle, close a door on cord, or pull cord around sharp edges or corners. Do not run appliance over cord. Keep cord away from heated surfaces.
9. Do not unplug by pulling on cord. To unplug, grasp the plug, not the cord.
10. Do not put any object into openings. Do not use with any opening blocked; keep free of dust, lint, hair, and anything that may reduce air flow.
11. Keep hair, loose clothing, fingers, and all parts of body away from openings and moving parts.
12. Turn off all controls before unplugging.
13. Use extra care when cleaning on stairs.
14. Use indoors only. Do not use outdoors and do not expose to rain.

## SAVE THESE INSTRUCTIONS

# LIRE TOUTES LES INSTRUCTIONS AVANT DE FAIRE FONCTIONNER

(CET APPAREIL)

**⚠ ADVERTISSEMENT** - Pour réduire les risques d'incendie, l'explosion, de choc électrique ou de blessure:

1. Ne pas aspirer des liquides/vapeurs inflammables ou combustibles, comme de l'essence, et ne pas faire fonctionner dans des endroits où peuvent se trouver de tels liquides.
2. Ne pas toucher la fiche ou l'appareil lorsque vos mains sont humides, la décharge électrique ou blessures peut se produire.
3. Ne pas utiliser si le cordon ou la fiche est endommagé, la décharge électrique ou blessures peut se produire. Retourner l'appareil à un atelier de réparation s'il ne fonctionne pas bien, s'il est tombé ou s'il a été endommagé, oublié à l'extérieur ou immergé.
4. Ne pas laisser l'appareil sans surveillance lorsqu'il est branché. Débrancher lorsque l'appareil n'est pas utilisé et avant l'entretien.
5. Utiliser des produits nettoyants et des cires offerts sur le marché pour l'application à la machine.
6. Ne pas permettre aux enfants de jouer avec l'appareil. Une attention particulière est nécessaire lorsque l'appareil est utilisé par des enfants ou à proximité de ces derniers.
7. Utiliser que conformément à cette notice avec les accessoires recommandés par le fabricant.
8. Ne pas tirer, soulever ou traîner l'appareil par le cordon. Ne pas utiliser le cordon comme une poignée, le coincer dans l'embrasure d'une porte ou l'appuyer contre des arêtes vives ou des coins. Ne pas faire rouler l'appareil sur le cordon. Garder le cordon à l'écart des surfaces chaudes.
9. Ne pas débrancher en tirant sur le cordon. Tirer plutôt la fiche.
10. N'insérer aucun objet dans les ouvertures. Ne pas utiliser l'appareil lorsqu'une ouverture est bloquée. S'assurer que de la poussière, de la peluche, des cheveux ou d'autres matières ne réduisent pas le débit d'air.
11. Maintenir les cheveux, les vêtements amples, les doigts et toutes les parties du corps à l'écart des ouvertures et des pièces mobiles.
12. Mettre toutes les commandes à la position ARRÊT avant de débrancher l'appareil.
13. User de prudence lors du nettoyage des escaliers.
14. Utiliser à l'intérieur seulement. N'entreposez pas la machine à l'extérieur et évitez qu'elle ne soit mouillée.

# INSTRUCCIONES IMPORTANTES DE SEGURIDAD

Deben observarse siempre instrucciones básicas de seguridad al usar artefactos eléctricos incluyendo las siguientes:

## LEER TODAS LAS INSTRUCCIONES DE SEGURIDAD ANTES DE USAR (ESTE ARTEFACTO)

### **⚠ ADVERTENCIA – Para reducir el riesgo de incendio, choque eléctrico o lesiones:**

1. No use el artefacto con líquidos/humos inflamables o combustibles tales como gasolina o usar en áreas donde pueden estar presentes.
2. No maneje el enchufe o el artefacto con manos mojadas, ya que puede ocurrir choque eléctrico o lesiones personales.
3. No use con cordón o enchufe dañados, ya que puede ocurrir choque eléctrico o lesiones personales. Si el artefacto no está funcionando bien, se ha dejado caer, se ha dañado, dejado al aire libre, o dejado caer al agua, devuélvalo al centro de servicio.
4. No dejar el artefacto desatendido cuando está enchufado. Desenchufar del tomacorrientes cuando no se usa y antes de prestar servicio.
5. Usar sólo limpiadores de piso y ceras comercialmente disponibles destinadas para aplicación a máquina.
6. No permitir que se use como un juguete. Se requiere mucha atención cuando se usa por o cerca de los niños.
7. Usar sólo según se describe en este manual. Usar sólo los aditamentos recomendados por el fabricante.
8. No tirar de ni arrastrar por el cordón, no usar el cordón como un mango, no cerrar la puerta sobre el cordón ni tirar del cordón sobre bordes o esquinas aguzadas. No pasar el artefacto sobre el cordón. Mantener el cordón alejado de superficies calientes.
9. No desenchufar tirando del cordón. Para desenchufar, sujetar el enchufe, no el cordón.
10. No colocar objetos en las aberturas. No usar con aberturas bloqueadas, mantener libre de polvo, pelusa, cabellos y todo lo que pueda reducir el flujo de aire.
11. Mantener el cabello, ropas holgadas, dedos, y todas las partes del cuerpo alejadas de las aberturas y piezas móviles.
12. Antes de desenchufar apagar todos los controles.
13. Ser muy precavido al limpiar sobre escaleras.
14. Usar siempre bajo techo. No usar al aire libre ni sobre superficies mojadas.

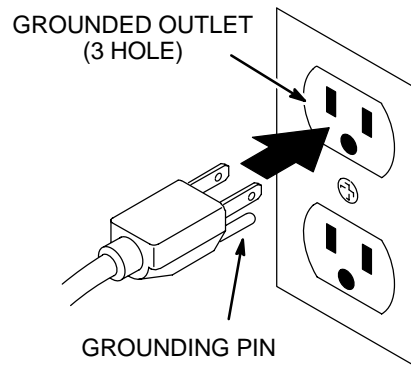
## MANTENER ESTE INSTRUCCIONES

# GROUNDING INSTRUCTIONS

This appliance must be grounded. If it should malfunction or breakdown, grounding provides a path of least resistance for electric current to reduce the risk of electric shock. This appliance is equipped with a cord having an equipment–grounding conductor and grounding plug. The plug must be plugged into an appropriate outlet that is properly installed and grounded in accordance with all local codes and ordinances.

**⚠ WARNING – Improper connection of the equipment–grounding conductor can result in a risk of electric shock. Check with a qualified electrician or service person if you are in doubt as to whether the outlet is properly grounded. Do not modify the plug provided with the appliance – if it will not fit the outlet, have a proper outlet installed by a qualified electrician.**

This appliance is for use on a nominal 120–volt circuit and has a grounding attachment plug that looks like the plug illustrated in sketch. Make sure that the appliance is connected to an outlet having the same configuration as the plug. No adaptor should be used with this appliance.



## INSTRUCTIONS VISANT LA MISE 'A LA TERRE

Cet appareil doit être mis à la terre. En cas de défaillance ou de panne éventuelles, la mise à la terre fournit au courant un chemin de moindre résistance qui réduit le risque de choc électrique. Cet appareil est pourvu d'un cordon muni d'un conducteur de terre et d'une fiche avec broche de terre. La fiche doit être branchée dans une prise appropriée correctement installée et mise à la terre conformément aux règlements et ordonnances municipaux.

**AVERTISSEMENT. Un conducteur de terre mal raccordé peut entraîner un risque de choc électrique. Consulter un électricien ou un technicien d'entretien qualifié si vous n'êtes pas certain que la prise est correctement mise à la terre. Ne pas modifier la fiche fournie avec l'appareil – si elle ne peut être insérée dans la prise, faire installer une prise adéquate par un électricien qualifié.**

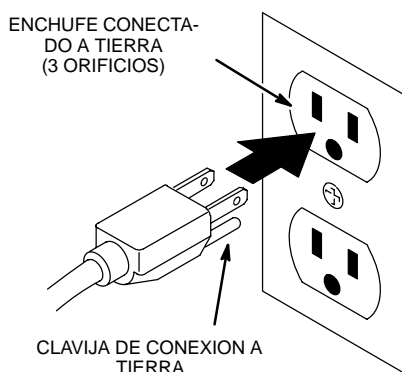
Cet appareil est destiné à un circuit de 120 v et est muni d'une fiche de mise à la terre semblable à celle illustrée par le croquis. S'assurer que l'appareil est branché à une prise de courant ayant la même configuration que la fiche. Aucun adaptateur ne devrait être utilisé avec cet appareil.

## INSTRUCCIONES DE CONEXION A TIERRA

Este artefacto debe conectarse a tierra. Si funciona mal o se descompone, la conexión a tierra provee una trayectoria de menor resistencia para la corriente eléctrica, para reducir el riesgo de choque eléctrico. Este artefacto está provisto con un cordón que tiene un conductor de conexión a tierra del equipo y un enchufe de conexión a tierra. El enchufe debe enchufarse a un tomacorrientes apropiado que esté correctamente instalado y conectado a tierra de acuerdo con todos los códigos y ordenanzas locales.

**⚠ ADVERTENCIA:** La conexión incorrecta del conductor de conexión a tierra del equipo puede resultar en un riesgo de choque eléctrico. Consultar con un electricista calificado o persona de servicio si existen dudas acerca de si el tomacorrientes está correctamente conectado a tierra. No se debe modificar el enchufe provisto con el artefacto – si no se inserta en el tomacorrientes hacer que un electricista calificado instale un tomacorrientes correcto.

Este artefacto es para usar en un circuito nominal de 120 voltios y tiene un enchufe de aditamento para conectar a tierra que se parece al enchufe ilustrado en la figura. Asegurarse que el artefacto esté conectado a un tomacorrientes con la misma configuración que el enchufe. No se debe usar un adaptador con este artefacto.



This manual is furnished with each new model. It provides necessary operation and maintenance instructions and an illustrated parts list.

**Read this manual completely and understand the machine before operating or servicing it.**

When ordering replacement parts, use the Parts Lists in this manual. Before ordering parts or supplies, be sure to have your machine model number and serial number handy. Parts and supplies may be ordered by phone or mail from any Authorized Service Center or Distributor.

This machine will provide excellent service. However, the best results will be obtained at minimum costs if:

- The machine is operated with reasonable care.
- The machine is maintained regularly – per the machine care instructions provided.
- The machine is maintained with manufacturer supplied or equivalent parts.

**MACHINE DATA**

Please fill out at time of installation for future reference.

Model No.- \_\_\_\_\_

Install. Date - \_\_\_\_\_

Serial No.- \_\_\_\_\_

©1997, 1999, 2000, 2002 Tennant Company      Printed in U.S.A.  
 Nobles is a registered United States trademark of Tennant Company.

**TABLE OF CONTENTS**

<p><b>SAFETY PRECAUTIONS</b> ..... 8</p> <p style="padding-left: 20px;">GROUNDING INSTRUCTIONS ..... 9</p> <p><b>WARNING LABEL</b> ..... 9</p> <p><b>MACHINE COMPONENTS</b> ..... 10</p> <p><b>MACHINE SETUP</b> ..... 10</p> <p style="padding-left: 20px;">INSTALLING PAD DRIVER / PAD / BRUSH 10</p> <p><b>MACHINE OPERATION</b> ..... 11</p> <p style="padding-left: 20px;">OPERATING THE OPTIONAL SOLUTION TANK 12</p> <p><b>MACHINE MAINTENANCE</b> ..... 12</p> <p><b>STORING MACHINE</b> ..... 13</p> <p><b>TRANSPORTING MACHINE</b> ..... 13</p>	<p><b>RECOMMENDED STOCK ITEMS</b> ..... 13</p> <p><b>TROUBLE SHOOTING</b> ..... 13</p> <p><b>SPECIFICATIONS</b> ..... 14</p> <p><b>ELECTRICAL DIAGRAMS</b> ..... 24</p> <p><b>PARTS LIST</b> ..... 26</p> <p style="padding-left: 20px;">HANDLE GROUP ..... 26</p> <p style="padding-left: 20px;">BASE GROUP ..... 28</p> <p><b>OPTIONS</b> ..... 30</p> <p style="padding-left: 20px;">SOLUTION TANK GROUP ..... 30</p>
---	--

# OPERATION

---

---


## SAFETY PRECAUTIONS

---

This machine is intended for commercial use only. It is designed exclusively to scrub hard floors in an indoor environment and is not constructed for any other use. Use only recommended pads/brushes and commercially available floor cleaners and waxes intended for machine application.

All operators must read, understand and practice the following safety precautions.

The following warning alert symbol and the "FOR SAFETY" heading are used throughout this manual as indicated in their description:

 **WARNING:** To warn of hazards or unsafe practices which could result in severe personal injury or death.

**FOR SAFETY:** To identify actions which must be followed for safe operation of equipment.

---


Failure to follow these warnings may result in: personal injury, electrocution, electric shock, fire or explosion:

 **WARNING:** Do Not Use Flammable Liquids Or Operate Machine In Or Near Flammable Liquids, Vapors Or Combustible Dusts.

This machine is not equipped with an explosion proof motor. The electric motor will spark upon start up and during operation which could cause a flash fire or explosion if machine is used in an area where flammable vapors/liquids or combustible dusts are present.

 **WARNING:** Do Not Operate With Damaged Power Cord. Do Not Modify Plug. Unplug Power Cord Before Servicing Machine.

If the supply cord is damaged or broken, it must be replaced by the manufacturer or it's service agent or a similarly qualified person in order to avoid a hazard.

 **WARNING:** Do Not Use Outdoors Or On Wet Surfaces. Do Not Expose to Rain. Store Indoors.

---

The following information signals potentially dangerous conditions to the operator or equipment:

**FOR SAFETY:**

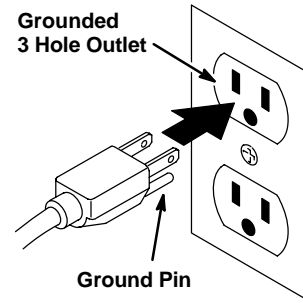
1. Do not operate machine:
  - With flammable liquids or near flammable vapors as an explosion or flash fire may occur.

- Unless trained and authorized.
  - Unless operator manual is read and understood.
  - Unless cord is properly grounded.
  - With damaged cord or plug.
  - If not in proper operating condition.
  - In outdoor areas.
  - In standing water.
  - With the use of an extension cord.
2. Before operating machine:
    - Make sure all safety devices are in place and operate properly.
    - Place wet floor signs as needed.
    - Remove loose objects on floor to prevent dangerous projectiles if struck by spinning pad.
  3. When using machine:
    - Stay clear of spinning pad.
    - Do not run machine over cord.
    - Do not pull machine by plug or cord.
    - Do not pull cord around sharp edges or corners.
    - Wear non-slip shoes.
    - Do not close doors on cord.
    - Do not unplug by pulling on cord.
    - Do not stretch cord.
    - Do not handle plug with wet hands.
    - Keep cord away from heated surfaces.
    - Never activate the power when the handle is in the upright position.
    - Do not release handles until pad comes to a complete stop.
    - Go slow on inclines and slippery surfaces.
    - Never allow children to play on or around.
    - Report machine damage or faulty operation immediately.
  4. Before leaving or servicing machine:
    - Turn off machine.
    - Unplug cord from wall outlet.
  5. When servicing machine:
    - Unplug cord from wall outlet.
    - Avoid moving parts. Do not wear loose jackets, shirts, or sleeves.
    - Use manufacturer supplied or approved replacement parts.
  6. When transporting machine:
    - Get assistance when lifting machine.
    - Unplug cord from wall outlet.



**GROUNDING INSTRUCTIONS**

Machine must be grounded. If it should malfunction or breakdown, grounding provides a path of least resistance for electrical current to reduce the risk of electrical shock. This machine is equipped with a cord having an equipment-grounding conductor and grounding plug. The plug must be plugged into an appropriate outlet that is properly installed in accordance with all local codes and ordinances. Do not remove ground pin; if missing, replace plug before use.



**WARNING LABELS**

The warning labels appear on the machine in the location indicated. Replace label if it becomes damaged or illegible.

**WARNING LABEL – Located on back side of machine handle.**



**⚠ WARNING**

FAILURE TO FOLLOW THESE WARNINGS MAY RESULT IN: PERSONAL INJURY, ELECTROCUTION, ELECTRICAL SHOCK, FIRE OR EXPLOSION.

- Do Not Use Flammable Liquids Or Operate Machine In Or Near Flammable Liquids, Vapors Or Combustible Dusts.
- Do Not Operate With Damaged Power Cord. Do Not Modify Plug. Unplug Power Cord Before Servicing Machine.
- Do Not Use Outdoors. Do Not Expose To Rain. Store Indoors.

FOR SAFETY: READ THE OWNER'S MANUAL BEFORE USING MACHINE.

613286

**WARNING LABEL – Located on base.**

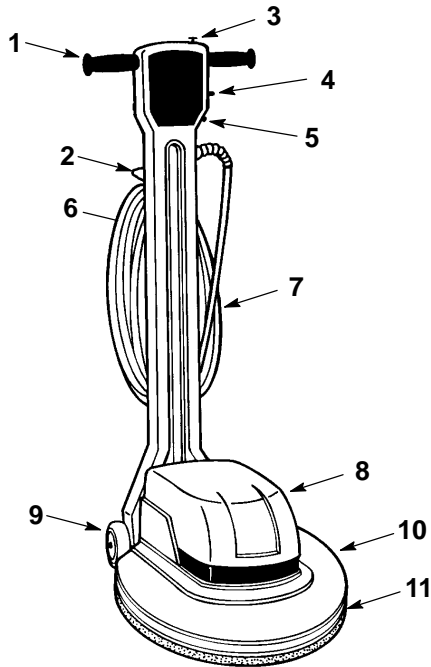
**⚠ WARNING:**

Do not expose to rain. •Store indoors. •Disconnect power if machine is left unattended. •Plug into grounded outlets only. Do not use an adapter or remove ground pin on plug. •Do not use if cord is damaged. •Disconnect power before servicing. •Electrical service must be performed by an authorized service station or electrician. •Use only non-flammable commercial chemicals intended for machine application. •Do not use where explosive vapors or dust are present in the air. •Do not allow machine to freeze.

**DO NOT REMOVE THIS LABEL** 120619

# OPERATION

## MACHINE COMPONENTS



1. Power ON/OFF Twist Grips
2. Handle Height Adjustment Lever
3. Safety Lock Button
4. Speed Select Switch (Dual Speed Model)
5. Circuit Breaker Reset Button
6. Power Cord Hook
7. 15m (50 ft) Power Cord
8. Motor Cover
9. Transport Wheels 102mm (4 in)
10. Scrub Head Base
11. Bumper

## MACHINE SETUP

Carefully check carton for signs of damage. Report damages at once to carrier.

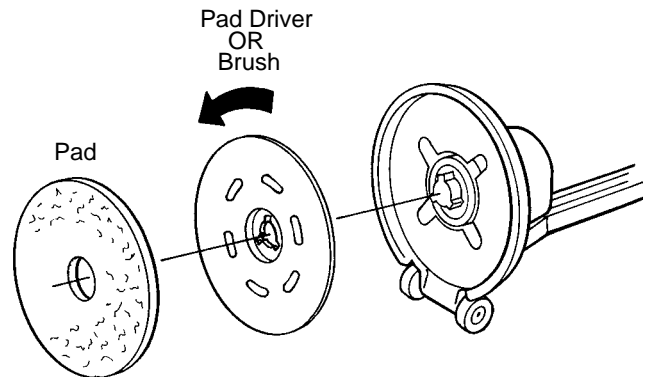
### INSTALLING PAD DRIVER / PAD / BRUSH

**FOR SAFETY: Before leaving or servicing machine, unplug cord from wall outlet.**

1. With the handle in the upright position carefully tilt the machine backwards and rest the handle on the floor.

**NOTE:** Consult your authorized distributor for pad and brush recommendations. Use only manufacturer supplied or approved pad drivers and brushes.

2. Position the pad driver/brush on the drive motor hub and turn it counter-clockwise to engage (Figure 1).



**FIG. 1**

3. To install pad, position pad on pad driver and tap with hand to secure.
4. Return machine to the upright position.

**MACHINE OPERATION**

**FOR SAFETY: Do not operate machine unless operator manual is read and understood.**

**⚠ WARNING: Do Not Use Flammable Liquids Or Operate Machine In Or Near Flammable Liquids, Vapors Or Combustible Dusts.**

This machine is not equipped with an explosion proof motor. The electric motor will spark upon start up and during operation which could cause a flash fire or explosion if machine is used in an area where flammable vapors/liquids or combustible dusts are present.

1. Plug the power cord into a grounded wall outlet (Figure NO TAG).

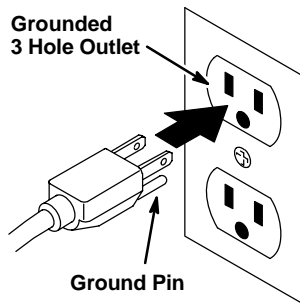


FIG. 2

**FOR SAFETY: Do not operate machine unless cord is properly grounded. Do not operate machine with damaged cord or plug. Do not operate machine with the use of an extension cord.**

2. For Dual Speed Models select the desired motor speed. Position switch downward (185rpm) for scrubbing/stripping OR position switch upward (300rpm) for spray buffing (Figure 3).

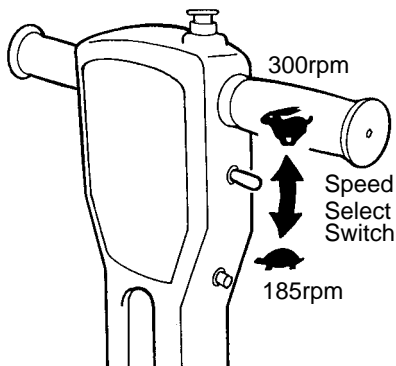


FIG. 3

3. Lower the handle to a comfortable operating height by pulling the handle height adjustment lever upward. Release lever to engage handle (Figure 4).

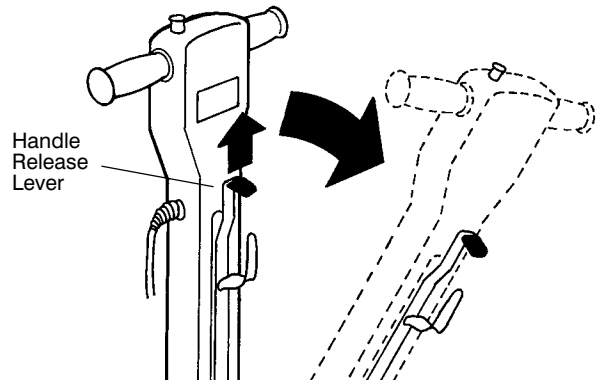


FIG. 4

4. Before starting the machine, hold the handle so the machine base is parallel to floor. This will reduce the abrupt jolt when starting the machine.

**NOTE:** For first time users, practice with a polishing pad which is less aggressive.

5. To begin scrubbing, hold the handles firmly, depress the safety lock button and twist handle grips forward. Release the safety lock button once machine starts (Figure 5).

**ATTENTION:** Use caution when starting out, the machine will jolt when the twist grips are turned.

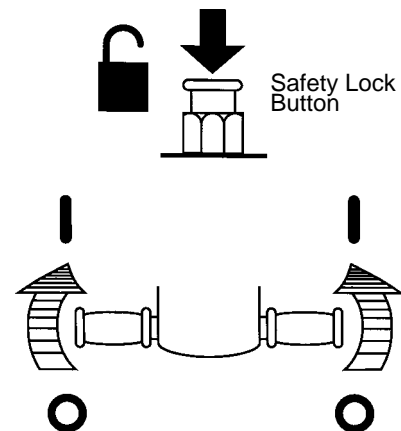


FIG. 5

## OPERATION

---

6. To move the machine left (A), slightly lower the handle. To move right (B), slightly raise the handle. Operate the machine with a side to side motion (Figure 6).

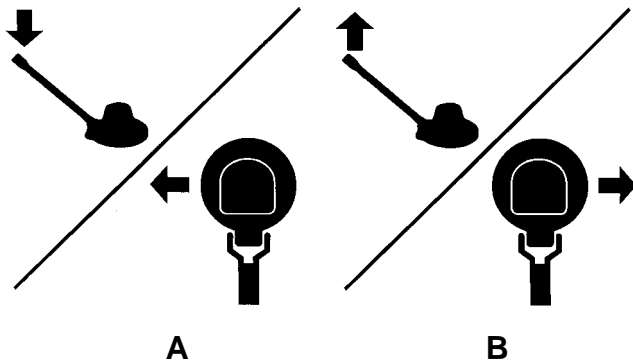


FIG. 6

7. To stop machine, rotate the twist grips backwards and hold handles firmly until machine comes to a complete stop. The safety lock button will automatically engage.

**FOR SAFETY: When using machine, do not release handles until pad comes to a complete stop.**

**NOTE:** The machine's circuit breaker may trip under conditions of excessive overload. Change to a less aggressive pad/brush and periodically check pad for soil build-up. To reset circuit breaker switch, wait 15 seconds and press the reset button located on the handle.

8. Do not operate the machine in the same spot for a long period of time. Floor damage may result.
9. To maneuver over thresholds and floor grates, stop the machine and tilt it back on the transport wheels.
10. When machine is not in use, do not leave machine standing on the pad/brush. Pad/brush damage may result.
11. When done scrubbing perform the following machine maintenance procedures.

---

### OPERATING THE OPTIONAL SOLUTION TANK

1. Remove cover and fill the solution tank with a recommended solution. Replace cover after filling.
2. Lower handle to working position. Pull the solution control knob to disperse solution to the pad/brush.

**⚠ WARNING: Do Not Use Flammable Liquids Or Operate Machine In Or Near Flammable Liquids, Vapors Or Combustible Dusts.**

This machine is not equipped with an explosion proof motor. The electric motor will spark upon start up and during operation which could cause a flash fire or explosion if machine is used in an area where flammable vapors/liquids or combustible dusts are present.

---

### MACHINE MAINTENANCE

**FOR SAFETY: Before leaving or servicing machine, unplug cord from wall outlet.**

1. Remove and clean the pad driver/brush after each use.
2. Clean the machine base after each use.
3. Inspect power cord for damage after each use. If worn or damaged, replace immediately.
4. Wipe the power cord with damp cloth and neatly coil it around cord hook and handle after each use.
5. Periodically check that all bolts and nuts are tight.
6. Every 250 hours of operation, check the motor for carbon brush wear. Replace brushes when worn to a length of 1 cm (3/8 in) or less.

**⚠ WARNING: Do Not Operate With Damaged Power Cord. Do Not Modify Plug. Unplug Power Cord Before Servicing Machine.**

**STORING MACHINE**

1. Remove brush/pad driver from machine and neatly coil cord around cord hooks on handle.
2. Store machine in a dry area in the upright position.

**⚠ WARNING: Do Not Use Outdoors Or On Wet Surfaces. Do Not Expose to Rain. Store Indoors.**

**TRANSPORTING MACHINE**

1. Unplug the power cord and remove the pad from the machine. Neatly coil the cord around the cord hooks to prevent cord damage.
2. Load the machine using a recommended loading ramp or carefully lift the machine with adequate assistance.


**FOR SAFETY: When transporting machine, get assistance when lifting machine.**

3. Secure machine with tie-down straps when transporting by vehicle.

**⚠ WARNING: Do Not Use Outdoors Or On Wet Surfaces. Do Not Expose to Rain. Store Indoors.**

**RECOMMENDED STOCK ITEMS**

Refer to the Parts List section for recommended stock items. Stock Items are clearly identified with a bullet preceding the parts description as shown (*Figure 7*).



Ref.	Part No.	Description	Qty.
1	701103	ASM, STANDPIPE	1
2	180612	•FLOAT, SHUTOFF	1
3	230187	NIPPLE	1
4	101714	•GASKET	1
5	210240	NUT, FLANGED	1

**FIG. 7**

**TROUBLE SHOOTING**

PROBLEM	CAUSE	SOLUTION
Machine does not operate.	Faulty power cord.	Contact Service Center.
	Tripped circuit breaker.	Reset circuit breaker on machine.
	Tripped building circuit breaker.	Reset circuit breaker in building.
	Faulty machine wiring.	Contact Service Center.
	Faulty ON/OFF twist grip switch.	Contact Service Center.
	Faulty motor.	Contact Service Center.
	Capacitor burned out (Single speed models).	Contact Service Center.
Machine operates with a wobble or jerky motion.	Soiled Pad.	Replace Pad.
	Improper pad/brush for application.	Change to proper pad/brush.
	Pad driver/brush not installed correctly.	Remove and reinstall pad driver/brush.
	Pad/brush unevenly worn.	Replace pad/brush.
Machine circuit breaker trips continuously.	Pad not properly centered on pad driver.	Remove and reinstall pad.
	Heavily soiled pad/brush.	Clean or replace pad/brush.
	Improper pad/brush for application.	Change to proper pad/brush.
	Defective circuit breaker.	Contact Service Center.
	Worn carbon brushes in motor.	Contact Service Center.

# OPERATION

---

## SPECIFICATIONS

MODEL	1700LS/1700HD	2000LS/2000HD	1700DS	2000DS
WIDTH	450mm (17.75 in)	530mm (20.75 in)	450mm (17.75 in)	530mm (20.75 in)
HEIGHT	1220mm (48 in)	1220mm (48 in)	1220mm (48 in)	1220mm (48 in)
WEIGHT	43Kg (95 lbs)	43Kg (95 lbs)	43Kg (95 lbs)	43Kg (95 lbs)
DRIVE MOTOR	120V, 1 hp 12A, 60Hz (1700LS)	120V, 1 hp 12A, 60Hz (2000LS)	120V, 1.5 hp 12A, 60Hz	120V, 1.5 hp 12A, 60Hz
	120V, 1.5 hp 12A, 60Hz (1700HD)	120V, 1.5 hp 12A, 60Hz (2000HD)		
PAD/BRUSH SPEED	175 RPM	175 RPM	185/330 RPM	185/330 RPM
POWER CORD LENGTH	15M (50 ft)	15M (50 ft)	15M (50 ft)	15M (50 ft)
BRUSH PAD DIA.	430mm (17 in)	510mm (20 in)	430mm (17 in)	510mm (20 in)
DECIBEL RATING AT OPERATOR'S EAR, INDOORS ON TILE FLOOR	<70dB(A)	<70dB(A)	71dB(A) At Low Speed 73dB(A) At High Speed	71dB(A) At Low Speed 73dB(A) At High Speed

\*Specifications may change without notice.

Este manual se incluye en todos los modelos nuevos. Proporciona todas las instrucciones de utilización y mantenimiento necesarias e incluye una lista de piezas con ilustraciones.

**Lea todo el manual detenidamente para comprender la máquina antes de utilizarla o revisarla.**

Utilice la lista de piezas con ilustraciones para realizar los pedidos de repuestos. Antes de realizar los pedidos de piezas o consumibles, asegúrese de tener a mano el número de modelo y número de serie de la máquina. Puede realizar su pedido telefónicamente o por correo a cualquier centro de servicio técnico, distribuidor autorizado de recambios o a cualquier filial del fabricante.

Esta máquina le proporcionará excelentes resultados. Sin embargo, los resultados serán óptimos a un coste mínimo si:

- Utiliza la máquina con un cuidado razonable.
- Revisa la máquina periódicamente – de acuerdo con las instrucciones de mantenimiento adjuntas.
- Las operaciones de mantenimiento de la máquina se realizan con piezas suministradas por el fabricante o equivalentes.

## DATOS DE LA MÁQUINA

Por favor rellene estos datos en el momento de la instalación para utilizarlos como referencia en el futuro.

Nº Modelo - \_\_\_\_\_

Fecha de instal. - \_\_\_\_\_

Nº de serie de la máquina - \_\_\_\_\_

©1997, 1999, 2000, 2002 Tennant Company Printed in U.S.A.

Nobles is a registered United States trademark of Tennant Company.

## ÍNDICE

<b>MEDIDAS DE SEGURIDAD</b> .....	<b>16</b>	<b>LOCALIZACIÓN DE AVERÍAS</b> .....	<b>22</b>
INSTRUCCIONES PARA REALIZAR		<b>ESPECIFICACIONES</b> .....	<b>23</b>
LA TOMA DE TIERRA .....	17	<b>DIAGRAMAS ELECTRICAS</b> .....	<b>24</b>
<b>ETIQUETA DE ADVERTENCIA</b> .....	<b>18</b>	<b>LISTA DE PIEZAS</b> .....	<b>26</b>
<b>COMPONENTES DE LA MÁQUINA</b> .....	<b>19</b>	GRUPO DEL ASA .....	26
<b>INSTALACIÓN DE LA MÁQUINA</b> .....	<b>19</b>	GRUPO BASE .....	28
INSTALACIÓN DEL MANDO EN LA BASE ..	19	<b>OPCIONES</b> .....	<b>30</b>
<b>FUNCIONAMIENTO DE LA MÁQUINA</b> .....	<b>20</b>	GRUPE DEL DEPÓSITO DE DISOLUCIÓN ..	30
UTILIZACIÓN DEL DEPÓSITO OPCIONAL			
DE DISOLUCIÓN .....	21		
<b>MANTENIMIENTO DE LA MÁQUINA</b> .....	<b>21</b>		
<b>ALMACENAMIENTO DE LA MÁQUINA</b> .....	<b>21</b>		
<b>TRANSPORTE DE LA MAQUINA</b> .....	<b>22</b>		
<b>STOCK RECOMENDADO DE REPUESTOS</b> ...	<b>22</b>		

---

## MEDIDAS DE SEGURIDAD

---

Esta máquina sólo se usa para uso comercial. Está diseñada exclusivamente para fregar pisos duros en un ambiente interior y no se construye para ningún otro uso. Usa sólo almohadillas/cepillos recomendados y limpiadores de suelo y ceras disponibles comercialmente y ceras destinados para la aplicación de la máquina.

Todos los operadores deben leer, deben entender y deben practicar las precauciones siguientes de seguridad.

El símbolo siguiente de advertencia de alerta y el encabezamiento "FOR SAFETY" ("PARA SEGURIDAD") se usan a lo largo de este manual como se indicó en su descripción:

**⚠ ADVERTENCIA:** Para advertir acerca de riesgos o prácticas inseguras que podrían resultar en severas lesiones personales o la muerte.

**PARA SEGURIDAD:** Para identificar acciones que deben seguirse para el funcionamiento seguro del equipo.

---

La falla en seguir estas advertencias puede resultar en: lesión personal, electrocución, choque eléctrico, fuego o explosión:

**⚠ ADVERTENCIA:** No use líquidos inflamables ni opere la máquina en o cerca de Inflamable líquidos, vapores, polvos combustibles, inflamables.

Esta máquina no está provista con un motor a prueba de explosión. El motor eléctrico chispea en el arranque y durante el funcionamiento lo que podría causar un fuego explosivo o explosión si la máquina se usa en una área donde están presentes vapores/líquidos inflamables o polvos combustibles.

**⚠ ADVERTENCIA:** No opere con un cordón eléctrico dañado. No modifique el enchufe. Desenchufe el cordón eléctrico antes de reparar la máquina.

Si el cordón del suministro se daña o se rompe, debe ser reemplazado por el fabricante o su agente de servicio o una persona similarmente calificada para evitar un riesgo.

**⚠ ADVERTENCIA:** No use al aire libre o en superficies húmedas. No exponga a la lluvia. Almacene bajo techo.

---

La información siguiente señala condiciones potencialmente peligrosas al operador o equipo:  
**PARA SEGURIDAD:**

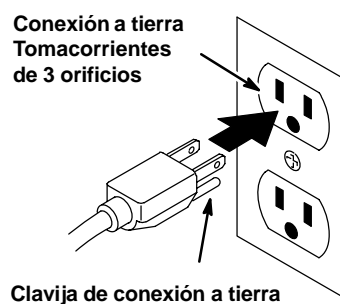
1. No opere la máquina:
  - Con líquidos inflamables o cerca de vapores inflamables ya que puede ocurrir una explosión o fuego explosivo.
  - A menos que se capacitó y fue autorizado.
  - A menos que el manual del operador se lea y entienda.
  - A menos que el cordón se conecte apropiadamente a tierra.
  - Con un cordón o enchufe dañados.
  - Si no está en una condición apropiada de operación.
  - En áreas al aire libre.
  - En agua estancada.
  - Con el uso de una extensión de cordón.
2. Antes de operar máquina:
  - Asegúrese que todos los dispositivos de seguridad están en lugar y operan propiamente.
  - Coloque señales de piso húmedo según se necesite.
  - Quite objetos sueltos en suelo para prevenir proyectiles peligrosos si son golpeados por la almohadilla giratoria.
3. Al usar la máquina:
  - Aléjese de la almohadilla giratoria.
  - No pase la máquina encima del cordón.
  - No tire de la máquina por el enchufe o el cordón.
  - No tire del cordón alrededor de bordes o esquinas aguzados.
  - Usar zapatos antideslizantes.
  - No cierra las puertas sobre el cordón.
  - No desenchufe tirando del cordón.
  - No estire el cordón.
  - No maneje el enchufe con las manos húmedas.
  - Mantenga el cordón lejos de las superficies calientes.
  - Nunca active la potencia cuando la manija esté en posición vertical.
  - No suelte las manijas hasta que la almohadilla se detenga completa.
  - Proceda con lentitud lento en las cuestas y las superficies resbaladizas.
  - Nunca permita que los niños jueguen en o alrededor.
  - Informe inmediatamente acerca daños u operación defectuosa de la máquina.



4. Antes de dejar o reparar la máquina:
  - Apague la máquina.
  - Desenchufe cordón del tomacorriente de la pared.
5. Al reparar máquina:
  - Desenchufe cordón del tomacorriente de la pared.
  - Evite las piezas móviles. No use chaquetas, camisas, o mangas, holgadas.
  - Use piezas de repuesto proporcionadas o aprobadas por el fabricante.
6. Al transportar máquina:
  - Obtenga asistencia al levantar la máquina.
  - Desenchufe cordón del tomacorriente de la pared.

## INSTRUCCIONES PARA REALIZAR LA TOMA DE TIERRA

La máquina debe estar conectada a una toma de tierra. En caso de funcionamiento incorrecto o avería de la máquina, la toma de tierra proporciona el camino de menor resistencia a la corriente eléctrica reduciendo de este modo el riesgo de descarga eléctrica. La máquina está equipada con un cable y enchufe con toma de tierra. Conecte el enchufe en un enchufe apropiado correctamente instalado de acuerdo con los códigos y ordenanzas locales. No extraer la clavija de conexión a tierra; si falta, reemplazar el enchufe antes de usar.



# OPERACIÓN

## ETIQUETA DE ADVERTENCIA

La etiqueta de advertencia aparece en la máquina en la ubicación indicada. Reemplace la etiqueta si se daña o es ilegible.



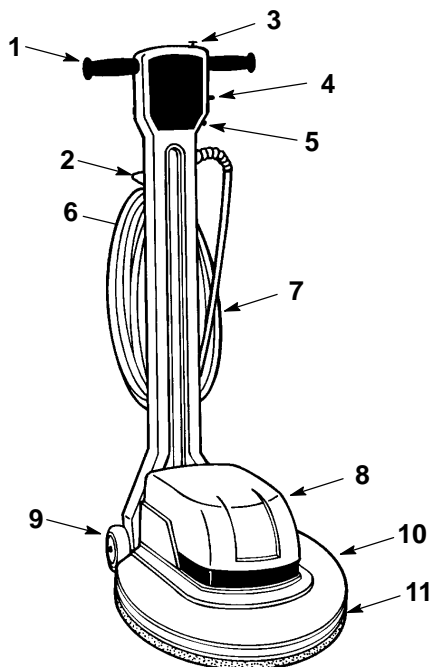
**ETIQUETA DE ADVERTENCIA – Ubicada en el reverso de la manija de la máquina.**



**ETIQUETA DE ADVERTENCIA – Ubicada en el mango**



## COMPONENTES DE LA MÁQUINA



1. Empuñaduras de torsión eléctricas Encendido/Apagado
2. Palanca de ajuste de altura de la manija
3. Botón de calce de seguridad
4. Interruptor del selector de velocidad
5. Botón de regradación del interruptor de circuitos
6. Gancho para el cable eléctrico
7. 15m (50 ft) Cable eléctrico
8. Caja del Motor
9. Ruedas de transporte de 102mm (4 pul.)
10. Base del cabezal de limpieza
11. Paragolpes

## INSTALACIÓN DE LA MÁQUINA

Controle cuidadosamente si la caja presenta signos de deterioro. Si existieran desperfectos, informe inmediatamente al transportista.

### INSTALACIÓN DEL MANDO EN LA BASE

**PARA SU SEGURIDAD:** Antes de abandonar o revisar la máquina, desconecte el cable del enchufe de la pared.

1. Con la manija en posición vertical incline cuidadosamente la máquina hacia atrás y deje la manija apoyada sobre el piso.

**NOTA:** Consulte a su distribuidor autorizado el tipo de cepillo/almohadilla recomendado para sus necesidades. Utilice únicamente impulsores de las almohadillas y cepillos suministrados y homologados por el fabricante.

2. Para instalar la almohadilla, centre la almohadilla en el disco y aprete con la mano para fijar (Figura 1).

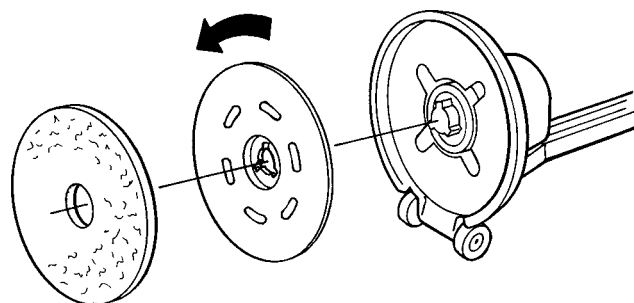


FIG. 1

3. Para instalar la almohadilla, colóquela sobre el impulsor de la misma y golpee suavemente con la mano para asegurar.
4. Devuelva la máquina a la posición vertical.

## FUNCIONAMIENTO DE LA MÁQUINA

**PARA SU SEGURIDAD:** No utilice la máquina salvo que haya leído y comprendido el manual del operario.

**⚠ ADVERTENCIA:** No use líquidos inflamables ni opere la máquina en o cerca de inflamables líquidos, vapores, polvos combustibles, inflamables.

Esta máquina no está provista con un motor a prueba de explosión. El motor eléctrico chispea en el arranque y durante el funcionamiento lo que podría causar un fuego explosivo o explosión si la máquina se usa en una área donde están presentes vapores/líquidos inflamables o polvos combustibles.

1. Enchufe el cable eléctrico en una toma de la pared con toma de tierra (Figura NO TAG).

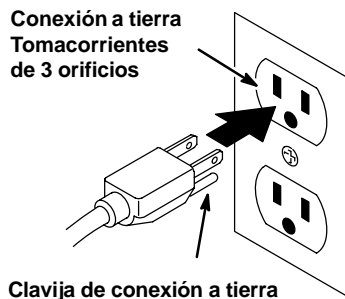


FIG. 2

**PARA SU SEGURIDAD:** No utilice la máquina salvo que el cable eléctrico esté conectado a una toma de tierra que funcione correctamente. No utilice la máquina si el enchufe o cable están deteriorados. No utilice la máquina con un alargador.

2. Para los modelos de dos velocidades seleccione la velocidad deseada del motor. Coloque el conmutador hacia abajo (185rpm) para limpiar/pelar O coloque el conmutador hacia arriba (300rpm) para pulir con rociado (Figura 3).

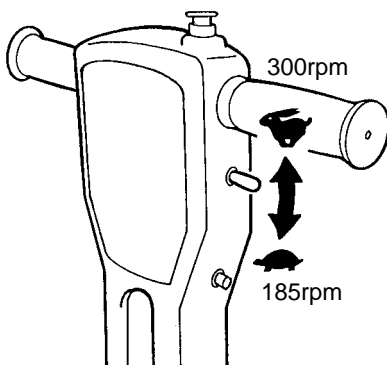


FIG. 3

3. Baje el mando hasta la altura de funcionamiento deseada tirando de la palanca de ajuste de la altura del mando. Suelte la palanca para inmovilizar el mando (Figura 4).

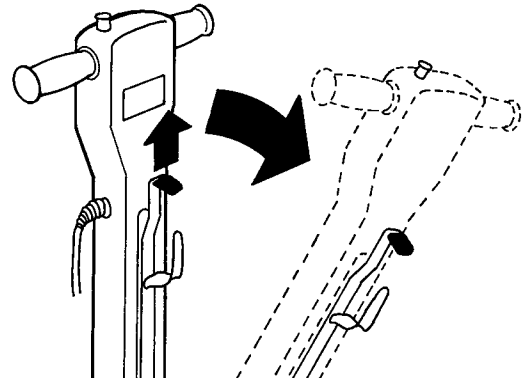


FIG. 4

4. Antes de arrancar la máquina, sujete el mando de modo que la base de la máquina esté paralela al suelo. Esto reducirá el desplazamiento incontrolado al arrancar la máquina.

**NOTA:** Es aconsejable que los operarios que utilicen la máquina por primera vez practiquen con la almohadilla de abrillantado que es menos agresiva.

5. Para comenzar a pulir, sujete las manijas firmemente, oprima el botón de calce de seguridad y gire las empuñaduras de la manija hacia adelante. Suelte el botón de calce de seguridad una vez que arranca la máquina (Figura 5).

**ADVERTENCIA:** Extreme las precauciones las primeras veces que utilice la maquina. La maquina puede dar fuertes sacudidas si no se utiliza correctamente.

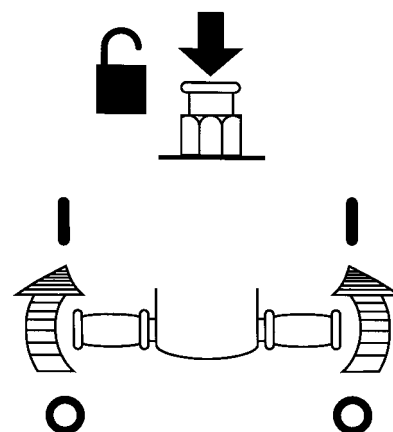


FIG. 5

6. Para desplazar la máquina hacia la izquierda (A), baje ligeramente el mando. Para desplazarla hacia la derecha (B), eleve ligeramente el mando. Desplace la máquina con movimientos laterales (Figura 6).

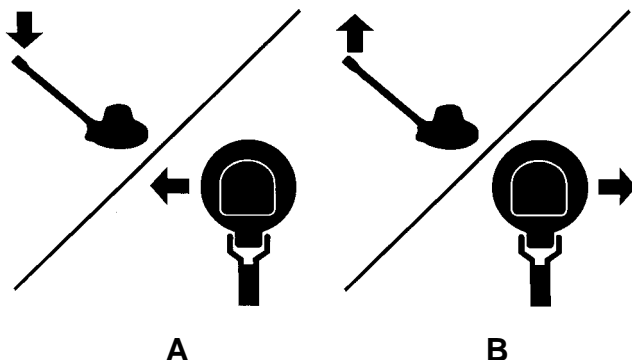


FIG. 6

7. Para detener la máquina, gire las empuñaduras del mango hacia atrás y sujete firmemente las manijas hasta que la máquina se detenga completamente. El botón de calce de seguridad se engancha automáticamente.

**PARA SU SEGURIDAD: Al utilizar la máquina, no suelte los mandos hasta que la almohadilla se haya detenido totalmente.**

**NOTA:** El interruptor de circuito de la máquina puede activarse bajo condiciones de sobrecarga excesiva. Cambie a una almohadilla/cepillo menos agresivo e inspeccione periódicamente la almohadilla por acumulación de suciedad. Para regresar el conmutador del interruptor de circuito, espere 15 segundos y oprima el botón de regreaduación ubicado en la manija.

8. No utilice la máquina en el mismo lugar durante mucho tiempo. Podría deteriorar el suelo.
9. Para maniobrar sobre umbrales y rejillas, detenga la máquina e inclínela hacia atrás hasta situarla sobre las ruedas de transporte.
10. No deje la máquina vertical sobre el cepillo/almohadilla cuando no la utilice. Podría deteriorar el cepillo o la almohadilla.
11. Una vez finalizada la operación de fregado, realice las siguientes operaciones de mantenimiento de la máquina.

## UTILIZACIÓN DEL DEPÓSITO OPCIONAL DE DISOLUCIÓN

1. Retire la tapa y llene el depósito de disolución con la disolución recomendada. Vuelva a colocar la tapa después del llenado.

2. Baje el mando hasta la posición de trabajo. Tire de la palanca de control de la disolución para dirigir la disolución hacia el cepillo/almohadilla.

**⚠ ADVERTENCIA: No use líquidos inflamables ni opere la máquina en o cerca de Inflamable líquidos, vapores, polvos combustibles, inflamables.**

Esta máquina no está provista con un motor a prueba de explosión. El motor eléctrico chispea en el arranque y durante el funcionamiento lo que podría causar un fuego explosivo o explosión si la máquina se usa en una área donde están presentes vapores/líquidos inflamables o polvos combustibles.

## MANTENIMIENTO DE LA MÁQUINA

**PARA SU SEGURIDAD: Antes de abandonar o revisar la máquina, desconecte el cable del enchufe de la pared.**

1. Retire y limpie el impulsor de la almohadilla/cepillo después de cada uso.
2. Limpie la base de la máquina después de cada uso.
3. Compruebe si el cable eléctrico está deteriorado después de cada uso. En caso de estar deteriorado, sustitúyalo inmediatamente.
4. Limpie con un paño húmedo el cable eléctrico y enróllelo cuidadosamente alrededor del mando y colóquelo en su gancho después de cada uso.
5. Controle periódicamente que todos los pernos y tuercas estén bien apretados.
6. Controle el desgaste de las escobillas de carbono del motor cada 250 horas de utilización. Sustituya los cepillos cuando la longitud de sus cerdas sea igual o inferior a 1 cm (3/8") debido al desgaste.

**⚠ ADVERTENCIA: No opere con un cordón eléctrico dañado. No modifique el enchufe. Desenchufe el cordón eléctrico antes de reparar la máquina.**

## ALMACENAMIENTO DE LA MÁQUINA

1. Retire de la máquina el impulsor del cepillo/almohadilla y enrólle cuidadosamente el cable alrededor del mando y colóquelo en su gancho.
2. Almacene la máquina en un área seca en la posición vertical con la manija colocada en posición vertical o plegada.

# OPERACIÓN

**⚠ ADVERTENCIA:** No use al aire libre o en superficies húmedas. No exponga a la lluvia. Almacene bajo techo.

**⚠ ADVERTENCIA:** No use al aire libre o en superficies húmedas. No exponga a la lluvia. Almacene bajo techo.

## TRANSPORTE DE LA MAQUINA

1. Desenchufe el cordón eléctrico y extraiga la almohadilla de la máquina. Enrolle prolijamente el cordón alrededor del gancho del cordón y el mango.
2. Guarde la máquina en posición vertical en un lugar seco.

**PARA SEGURIDAD:** Al transportar máquina, obtenga asistencia al levantar la máquina.

3. Asegure la maquina con las bandas de amarre cuando sea transportada por camión.

## STOCK RECOMENDADO DE REPUESTOS

Consulte la sección de Lista de Repuestos para ver que productos son los recomendados. Los repuestos que debe tener en almacén se identifican fácilmente por la marca que antecede a la descripción de las piezas (*Figura 7*).

Ref.	Part No.	Description	Qty.
1	701103	ASM_STANDPIPE	1
2	180612	•FLOAT, SHUTOFF	1
3	230187	NIPPLE	1
4	101714	•GASKET	1
5	210240	NUT, FLANGED	1

FIG. 7

## LOCALIZACIÓN DE AVERÍAS

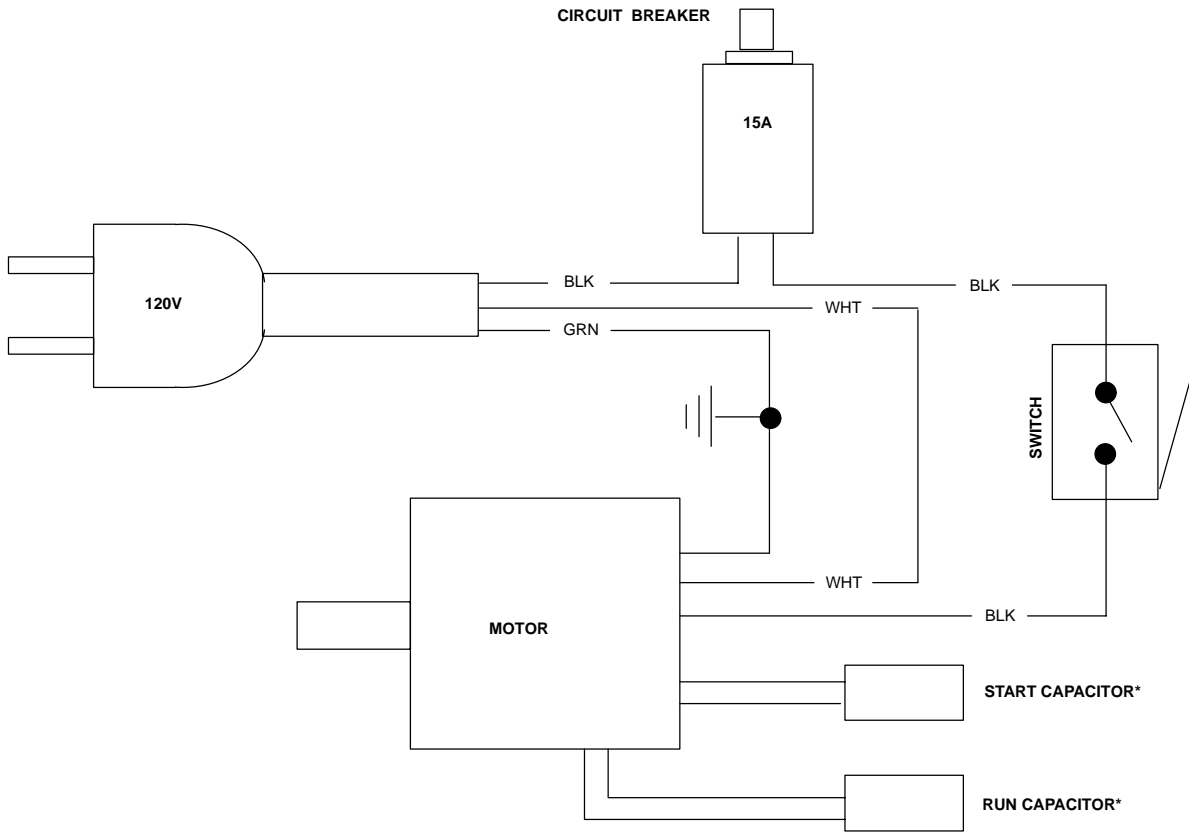
PROBLEMA	CAUSA	SOLUCIÓN
La máquina no funciona.	Cable eléctrico defectuoso.	Contactar con el Servicio Técnico
	Cortacircuitos activado.	Reajustar el cortacircuitos de la máquina.
	Cortacorrientes del edificio activado.	Reajustar el cortacircuitos del edificio.
	Cableado de la máquina defectuoso.	Contactar con el Servicio Técnico
	Interruptor de la palanca de Apagado/ Encendido defectuoso.	Contactar con el Servicio Técnico
	Motor defectuoso.	Contactar con el Servicio Técnico
	Condensador quemado (Modelos de una velocidad).	Contactar con el Servicio Técnico
	Rectificador quemado (Modelos de dos velocidades).	Contactar con el Servicio Técnico
La máquina se desplaza con un movimiento oscilante y brusco.	Almohadilla sucia.	Sustituir almohadilla.
	Cepillo/almohadilla incorrecta para la aplicación.	Sustituir por el cepillo/almohadilla correcto.
	Impulsor de la almohadilla/cepillo mal instalado.	Extraer y volver a instalar el impulsor de la almohadilla/cepillo.
	Desgaste irregular del cepillo/almohadilla.	Sustituir cepillo/almohadilla.
	Almohadilla descentrada.	Extraer y volver a instalar la almohadilla.
El cortacircuitos de la máquina se activa constantemente.	Heavily soiled pad/brush.	Limpiar o sustituir el cepillo/almohadilla.
	Cepillo/almohadilla incorrecta para la aplicación.	Sustituir por el cepillo/almohadilla correcto.
	Cortacircuitos defectuoso.	Contactar con el Servicio Técnico
	Cepillos de carbono del motor gastados.	Contactar con el Servicio Técnico

**ESPECIFICACIONES**

<b>MODELO</b>	<b>1700LS/1700HD</b>	<b>2000LS/2000HD</b>	<b>1700DS</b>	<b>2000DS</b>
ANCHURA	450mm (17.75 in)	530mm (20.75 in)	450mm (17.75 in)	530mm (20.75 in)
ALTURA DE LA MÁQUINA	1220mm (48 in)	1220mm (48 in)	1220mm (48 in)	1220mm (48 in)
PESO	43Kg (95 lbs)	43Kg (95 lbs)	43Kg (95 lbs)	43Kg (95 lbs)
MOTOR IMPULSOR	120V, 1 hp 12A, 60Hz (1700LS)	120V, 1 hp 12A, 60Hz(2000LS)	120V, 1.5 hp 12A, 60Hz	120V, 1.5 hp 12A, 60Hz
	120V, 1.5 hp 12A, 60Hz (1700HD)	120V, 1.5 hp 12A, 60Hz (2000HD)		
VELOCIDAD DEL CEPILLO/ALMOHADILLA	175 RPM	175 RPM	185/330 RPM	185/330 RPM
LONGITUD DEL CABLE ELÉCTRICO	15M (50 ft)	15M (50 ft)	15M (50 ft)	15M (50 ft)
DIÁMETRO DEL CEPILLO/ALMOHADILLA	430mm (17 in)	510mm (20 in)	430mm (17 in)	510mm (20 in)
NIVEL DE RUIDO (EN DECIBELIOS) A LA ALTURA DEL OPERARIO, EN RECINTO CERRADO CON SUELO DE BALDOSA	<70dB(A)	<70dB(A)	71dB(A) A La Velocidad Baja 73dB(A) En La Velocdad alta	71dB(A) A La Velocidad Baja 73dB(A) En La Velocdad alta

Especificaciones sujetas a modificaciones sin aviso previo.

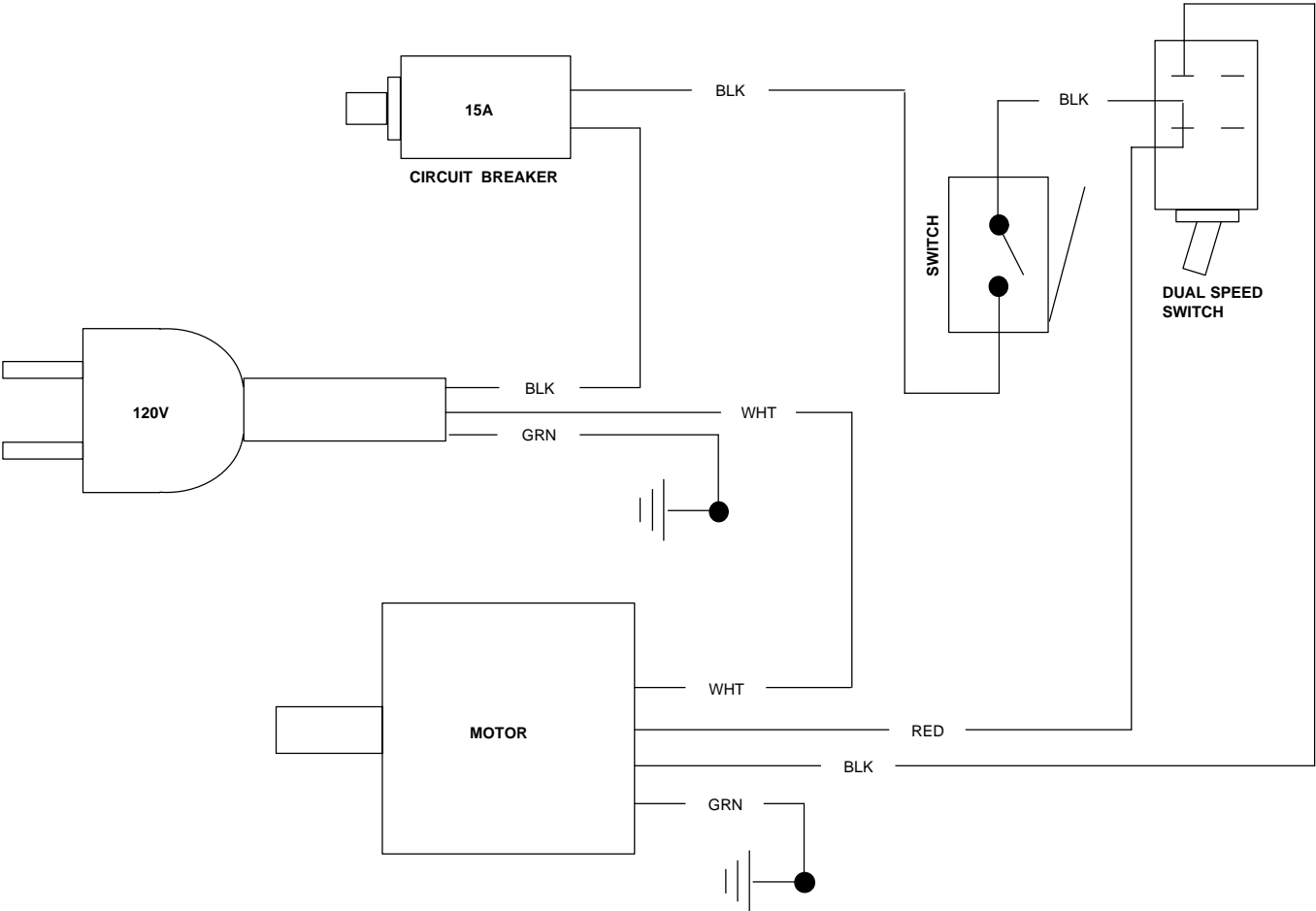
**SINGLE SPEED – 120V**  
**MODELOS DE UNA VELOCIDAD**



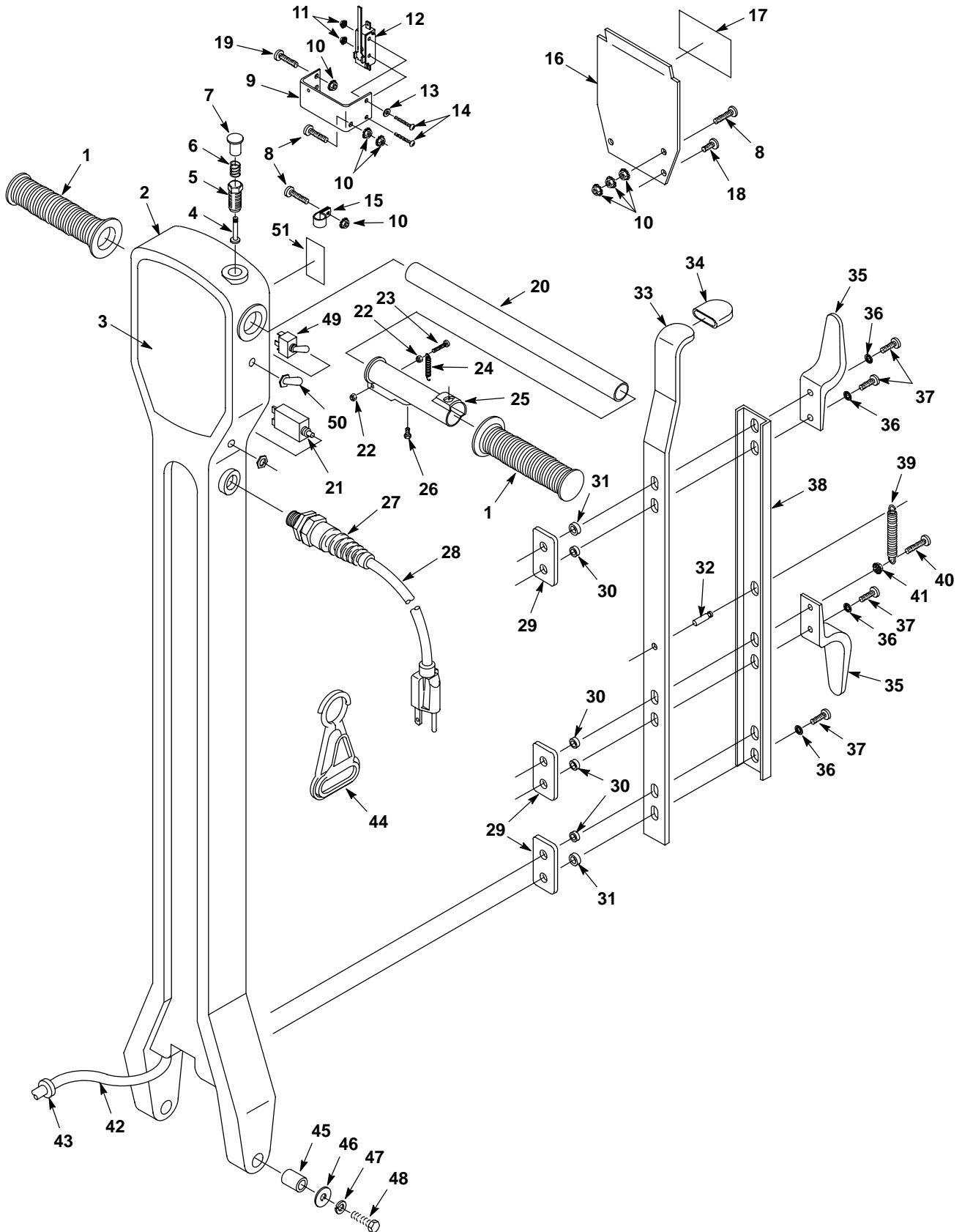
**\*1.5HP MODEL ONLY**



DUAL SPEED – 120V  
MODELOS DE DOS VELOCIDADES



HANDLE GROUP  
GRUPO DEL ASA



### HANDLE GROUP GRUPO DEL ASA

REF	PART #	DESCRIPTION	QTY.
1	200823	GRIP, HANDLE TUBE	2
2	608385	HANDLE, GREEN (SINGLE SPD & HD MODELS)	1
	608404	HANDLE, GREEN (DUAL SPD MODELS)	1
3	608464	LABEL, SPEEDSHINE 1200	1
	6084630	LABEL, SPEEDSHINE 1600	1
	608398	LABEL, SPEEDSHINE 2000	1
4	230856	PIN, LOCK RELEASE	1
5	230857	SOCKET, LOCK	1
6	140401	SPRING, LOCK BUTTON	1
7	230855	BUTTON, LOCK RELEASE	1
8	140900	SCREW, #10-24X3/4	3
9	230854	BRACKET, SWITCH	1
10	140519	NUT, #10-24	8
11	140539	NUT, #6-32	2
12	605407	●SWITCH	1
13	140032	WASHER, #6 FLAT	1
14	140829	SCREW, #6-32X1	2
15	140324	CLAMP, CABLE 5/16 ID BLK NYLON (SINGLE SPD & HD MODELS)	1
	140328	CLAMP, CABLE 3/8ID BLK NYLON (DUAL SPD MODEL)	1
16	612763	PLATE, HANDLE REAR	1
17	613286	LABEL, WARNING	1
18	140197	SCREW, 10-24X3/8 TRSPHL SEM	2
19	140823	SCREW, 10-24X5/8 PHL	2
20	230853	HANDLE, TUBE	1
21	605197	●BREAKER, CIRCUIT 15A (120V)	1
22	28990	NUT, 8-32 NYLOCK	2

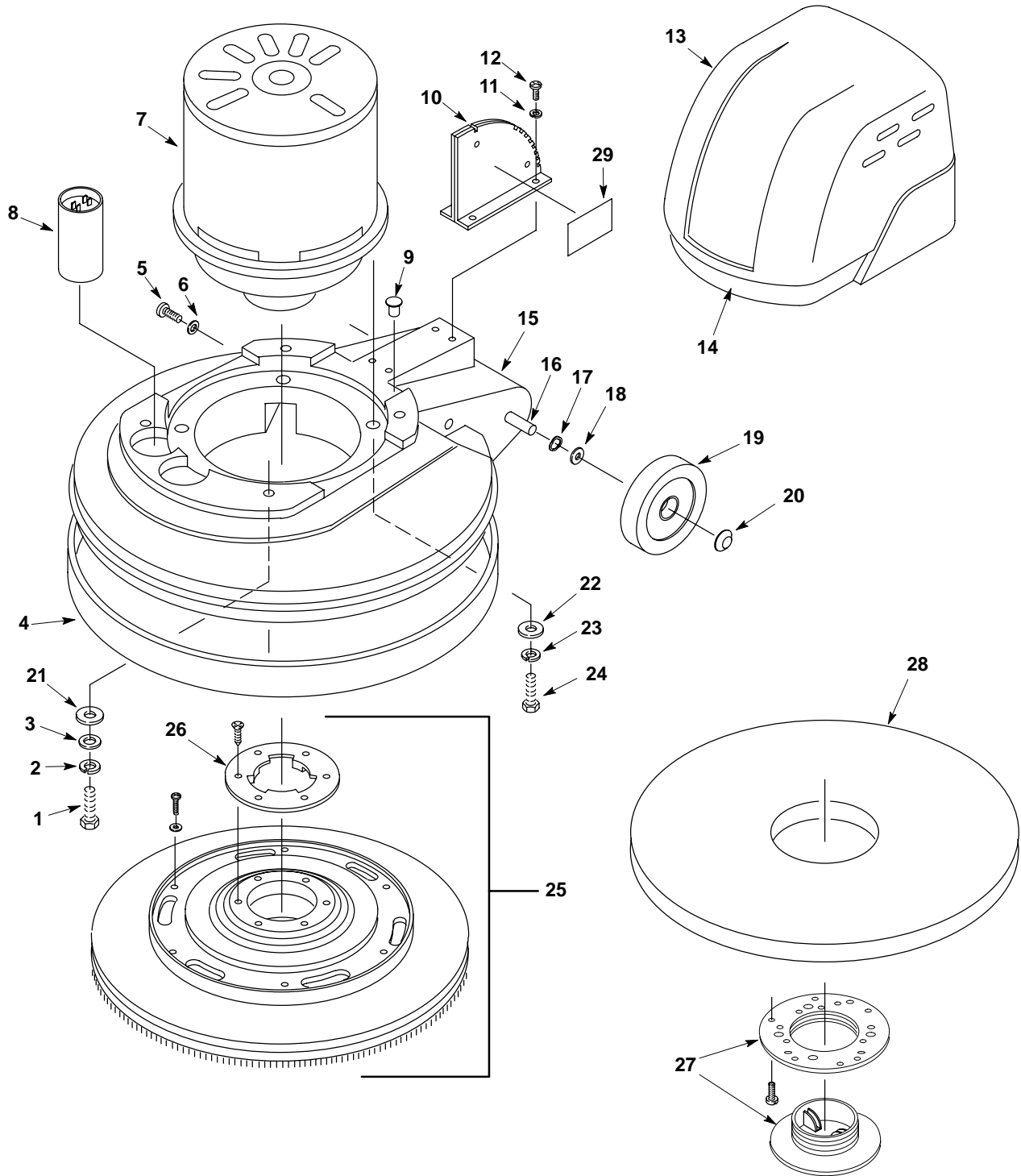
▽ ASSEMBLY / CONJUNTO

▲ INCLUDED IN ASSEMBLY / INCLUIDO EN EL CONJUNTO

● RECOMMENDED STOCK ITEMS / ARTICULOS RECOMENDADOS PARA  
MANTENER EN EXISTENCIA

REF	PART #	DESCRIPTION	QTY.
23	6010.16	SCREW, 8-32X1	1
24	600987	SPRING	1
25	100355	SLEEVE, LOCKING	1
26	140259	SCREW, HEX .25-20X.62	1
27	602849	●GRIP, CORD (120V)	1
28	602747	●CORD, 14/3X50' YELLOW (120V)	1
29	230852	PLATE, BACKING	3
30	140147	SLEEVE, .25X.44X.20	4
31	140146	SLEEVE, .25X.50X.19	2
32	140604	PIN, GROOVE 1/4X3/4	1
33	611141	LATCH, HANDLE	1
34	200821	GRIP, LATCH	1
35	602750	HOOK, CORD	2
36	140052	WASHER, 1/4 EXT	5
37	140864	SCREW, 1/4-20X3/4	5
38	230859	CHANNEL, LATCH HANDLE	1
39	140402	SPRING, HANDLE LATCH	1
40	140881	SCREW, 1/4-20X1	1
41	140524	NUT, 1/4-20 KEP	1
42	130204	CORD, 14/3X57" BLACK (SINGLE SPD & HD MODELS)	1
	130203	CORD, 14/4X57" BLACK (DUAL SPD MODEL)	1
43	130141	BUSHING, STRAIN-RELIEF	1
44	130176	●BELT CLIP, STRAIN-RELIEF (OPTIONAL)	1
45	140148	SLEEVE, .625DX1.4L	2
46	3148.816	WASHER, FLAT	2
47	140024	WASHER, LOCK	2
48	140235	SCREW, 1/2-13X2 HXHD	2
49	130726	SWITCH, TOGGLE (DUAL SPD MODELS)	1
50	130990	BOOT, RUBBER SWITCH BLACK (DUAL SPD MODELS)	1
51	120675	LABEL, OPERATION (DUAL SPD MODELS)	1

BASE GROUP  
GRUPO BASE



**BASE GROUP**  
**GRUPO BASE**

REF	PART #	DESCRIPTION	QTY.
1	140255	SCREW, 1/4-20X1.75	4
2	140016	WASHER, LOCK	4
3	140000	WASHER, FLAT	4
4	602543	BUMPER (17" MODELS)	1
	602545	BUMPER (20" MODELS)	1
5	140852	SCREW, #12X3/4 SHTMETL PNP HL (17" MODELS)	2
	140824	SCREW, 1/4-20X5/8 TRSPHL (20" MODELS)	2
6	019680127	WASHER, FLAT (17" MODELS)	2
	140003	WASHER, FNDR (20" MODELS)	2
∇ 7	130497	MOTOR, 120V/60HZ, 1 HP (SINGLE SPEED MODELS)	1
▲	130465	COUPLING, MOTOR	1
▲ 8	130762	●CAPACITOR, START (BLACK)	1
	606243	TAPE, DBL STICK 1"X0.170 FT.	2
∇ 7	130451	MOTOR, 120V/60HZ 1.5 HP (HD MODELS)	1
▲	130465	COUPLING, MOTOR	1
▲ 8	605286	●CAPACITOR, RUN (SILVER)	1
	130762	●CAPACITOR, START (BLACK)	1
	606243	TAPE, DBL STICK 1"X0.170'	3
∇ 7	130494	MOTOR, 120V (DUAL SPEED MODELS)	1
▲	190742	●CARBON BRUSH CARD ASM.	1
▲	22117	●CARBON BRUSH	4
▲	190753	●RECTIFIER, 120V	1
▲	190744	●CONTROL, SPEED 120V	1
▲	515021	●HOLDER	1
9	130198	PLUG	1
10	611133	PLATE, LATCH	1

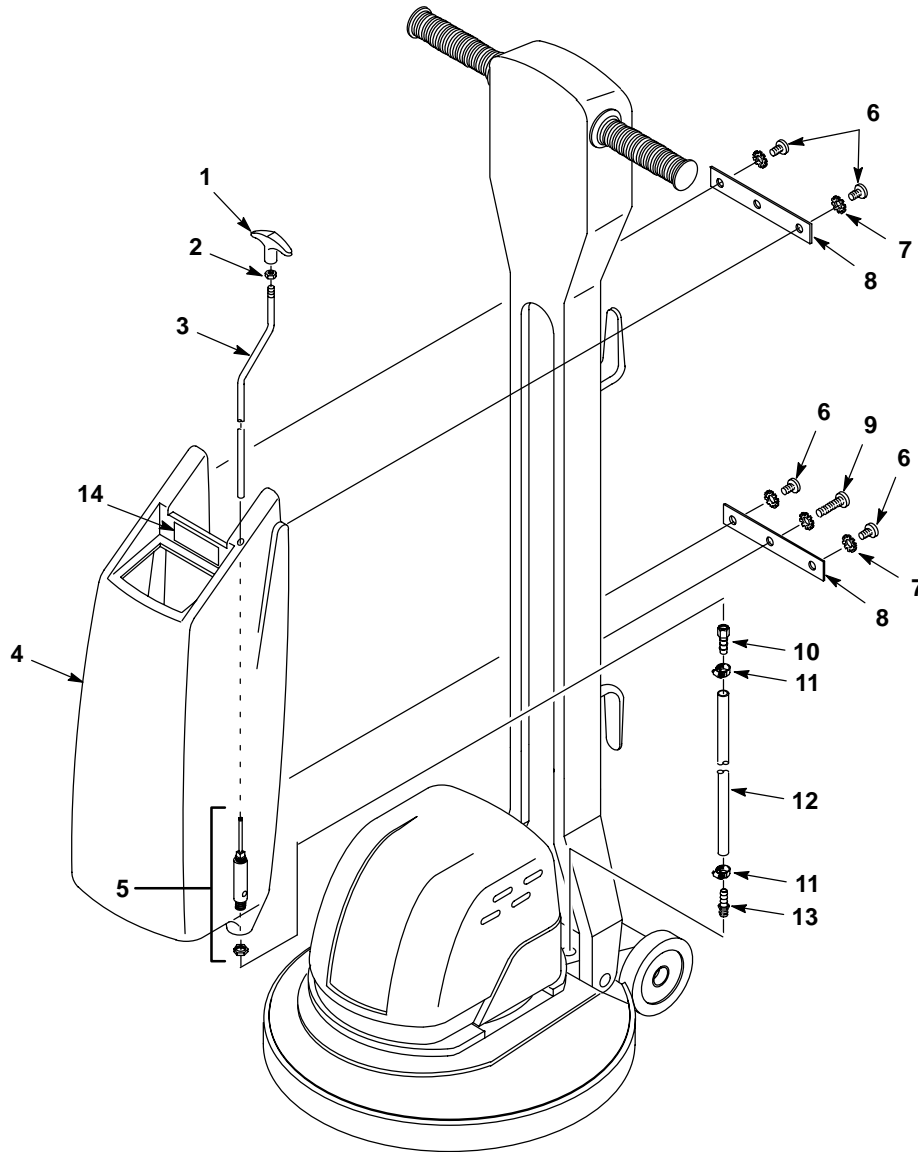
∇ ASSEMBLY / CONJUNTO

▲ INCLUDED IN ASSEMBLY / INCLUIDO EN EL CONJUNTO

● RECOMMENDED STOCK ITEMS / ARTICULOS RECOMENDADOS PARA MANTENER EN EXISTENCIA

REF	PART #	DESCRIPTION	QTY.	
11	140015	WASHER, LOCK	4	
12	140226	SCREW, 5/16-18X.625	4	
13	608403	COVER, MOTOR, GREEN	1	
14	120582	DECAL, RECESS	1	
15	608658	BASE, 17", GREEN	1	
	608401	BASE, 20", GREEN	1	
16	608909	AXLE, 1/2X10.040"	1	
17	4252	WASHER, COMP.	2	
18	3148.816	WASHER, FLAT	2	
19	103066	●WHEEL, 4"X1.5 GRAY	2	
20	103019	CAP, HUB	2	
21	140027	WASHER, FLAT .31	4	
22	140003	WASHER, 1/4X1 FNDR (SINGLE SPD & HD MODELS)	8	
	140046	WASHER, 1.00X.392X.090 FLAT (DUAL SPD MODELS)	4	
23	140016	WASHER, LOCK SPLIT 0.25 (SINGLE SPD & HD MODELS)	4	
	140015	WASHER, LOCK SPLIT 0.31 (DUAL SPD MODELS)	4	
24	140212	SCREW, 1/4-20X1-1/2 HXHDCP (SINGLE SPD & HD MODELS)	4	
	140216	SCREW, 5/16-18X1-1/2 HXHDCP (DUAL SPD MODELS)	4	
∇ 25	605124	ASM., PAD DRIVER 432MM (17") SINGLE SPD & HD MODELS (OPT.)	1	
	605123	ASM., PAD DRIVER 508MM (20") SINGLE SPD & HD MODELS (OPT.)	1	
	603537	ASM., PAD DRIVER 432MM (17") DUAL SPD MODELS (OPTIONAL)	1	
	605225	ASM., PAD DRIVER 508MM (20") DUAL SPD MODELS (OPTIONAL)	1	
	600255	BLOCK, WOOD SANDING 432MM (17") SINGLE SPD (OPTIONAL)	1	
	600256	BLOCK, WOOD SANDING 508MM (20") SINGLE SPD (OPTIONAL)	1	
	▲ 26	603539	PLATE, CLUTCH PLASTIC	1
	27	603538	●LOCK, CENTER (OPTIONAL)	1
28	240255	BRUSH, DYNA-SCRUB 432MM (17") SINGLE SPD (OPTIONAL)	1	
	240257	BRUSH, DYNA-SCRUB 508MM (20") SINGLE SPD (OPTIONAL)	1	
	240256	BRUSH, STRATA-GRIT 432MM (17") SINGLE SPD (OPTIONAL)	1	
	240258	BRUSH, STRATA-GRIT 508MM (20") SINGLE SPD (OPTIONAL)	1	
	605117	BRUSH, ROTARY SHOWERFEED 432MM (17") SINGLE SPD (OPT.)	1	
	605118	BRUSH, ROTARY SHOWERFEED 508MM (20") SINGLE SPD (OPT.)	1	
29	120619	LABEL, WARNING	1	

**SOLUTION TANK GROUP  
GRUPE DEL DEPÓSITO DE DISOLUCIÓN**



REF	PART #	DESCRIPTION	QTY.
▽	609226	ASM., SOLUTION TANK, GREEN	1
▲ 1	240194	KNOB, HEIGHT ADJ.	1
▲ 2	140548	NUT 5/16	1
▲ 3	230399	ROD, VALVE SOLUTION TANK	1
▲ 4	609150	TANK, SOLUTION, GREEN	1
▲▽ 5	700197	ASM., VALVE	1
▲	210216	VALVE, W/ NUT & O-RING	1
▲	210218	O-RING SEAL FOR VALVE	1
▲ 6	140885	SCREW, TRS 1/4-20X1/2 PHL	4

REF	PART #	DESCRIPTION	QTY.
▲ 7	140052	WASHER, LOCK EXT. .25	5
▲ 8	230475	BRACKET, SOLUTION TANK	2
▲ 9	140881	SCREW, 1/4-20X1	1
▲ 10	150511	FITTING	1
▲ 11	140305	CLAMP, HOSE	2
▲ 12	606667	HOSE 3/8 ID X 10"	1
▲ 13	150516	FITTING	1
▲ 14	610722	DECAL, WARNING FLAMMABLE	1

▽ ASSEMBLY / CONJUNTO

▲ INCLUDED IN ASSEMBLY / INCLUIDO EN EL CONJUNTO

● RECOMMENDED STOCK ITEMS / ARTICULOS RECOMENDADOS PARA MANTENER EN EXISTENCIA