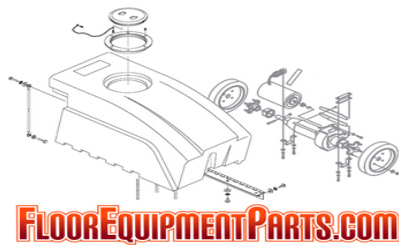


Wet/Dry Pump Out Vacuum

Model: C39175-05
C39175-06
C39175-15
C39175-20
Optional Squeegee
Assembly: 470400

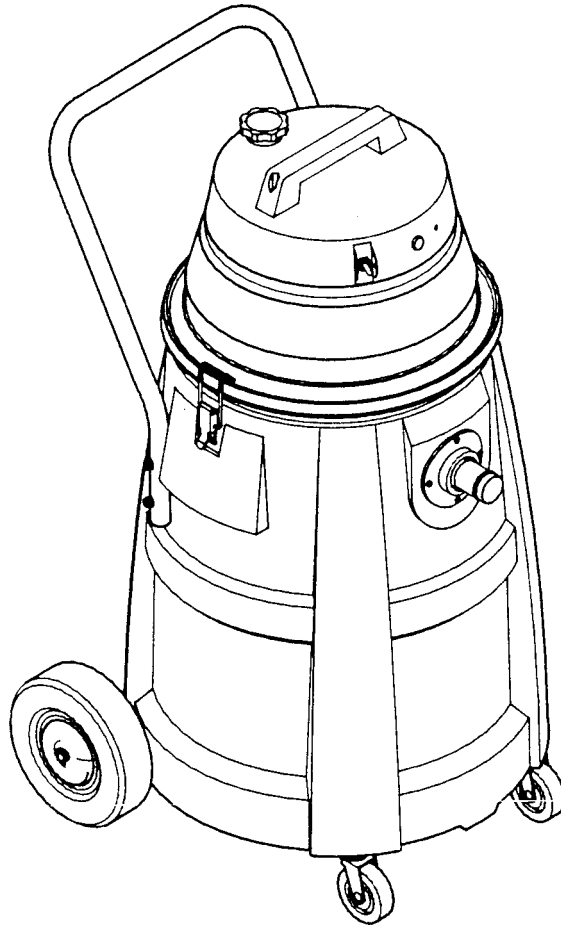


OPERATION

SERVICE

PARTS

CARE



Revised 7/04

Minuteman[®]

FOR COMMERCIAL USE ONLY

IMPORTANT SAFETY INSTRUCTIONS

When using an electrical appliance, basic precautions should always be followed, including the following:

READ ALL INSTRUCTIONS BEFORE USING

WARNING - To reduce the risk of fire, electric shock, or injury:

Do not leave appliance when plugged in. Unplug from outlet when not in use and before servicing.

WARNING:

To reduce the risk of electrical shock - Do not expose to rain. Store indoors.

- Do not allow to be used as a toy. Close attention is necessary when used by or near children.
- Use only as described in this manual. Use only manufacturer's recommended attachments.
- Do not use with damaged cord or plug. If appliance is not working as it should, has been dropped, damaged, left outdoors, or dropped into water, return it to a service center.
- Do not pull or carry by cord, use cord as a handle, close a door on cord, or pull cord around sharp edges or corners. Do not run appliance over cord. Keep cord away from heated surfaces.
- Do not unplug by pulling on cord. To unplug, grasp the plug, not the cord.
- Do not handle plug or appliance with wet hands.
- Do not put any object into openings. Do not use with any opening blocked; keep free of dust, lint, hair, and anything that may reduce airflow.
- Keep hair, loose clothing, fingers, and all parts of body away from openings and moving parts.
- Do not pick up anything that is burning or smoking, such as cigarettes, matches, or hot ashes.
- Do not use without dust bag and/or filters in place.
- Turn off all controls before unplugging.
- Use extra care when cleaning on stairs.
- Do not use to pick up flammable or combustible liquids such as gasoline or use in areas where they may be present.
- Connect to a properly grounded outlet only. See grounding instructions.

SAVE THESE INSTRUCTIONS

INSPECTION

Carefully unpack and inspect your machine for shipping damage. Each unit is tested and thoroughly inspected before shipment, and any damage is the responsibility of the delivery carrier who should be notified immediately.

ELECTRICAL - Model C39175-05, 06 115V

This machine is designed to operate on a standard 15 amp. 115 volt, 60 hz, AC circuit. Voltages below 105 volts AC or above 125 volts AC could cause serious damage to the motor.

ELECTRICAL - Model C39175-15, 20 230V

This machine is designed to operate on a standard 16 amp. type L fused 230 volt, 50 hz, AC circuit. Voltages below 200 volts AC or above 250 volts AC could cause serious damage to the motor.

WARNING

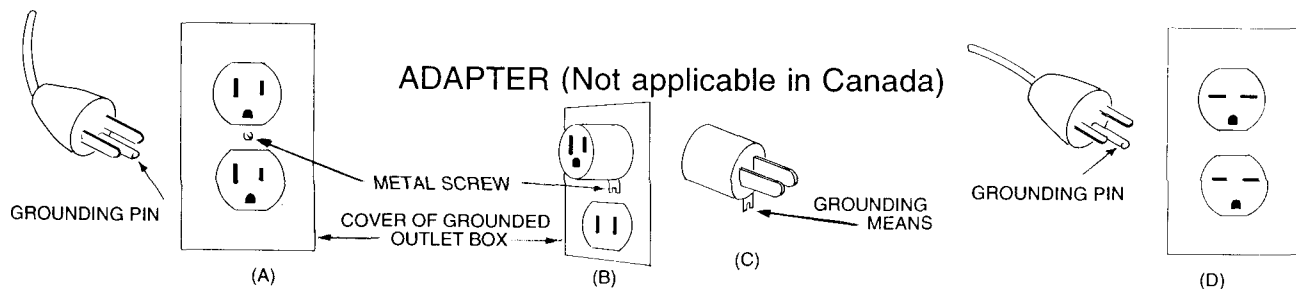
To reduce the risk of electric shock - Do not expose to rain. Store indoors.

GROUNDING INSTRUCTIONS

This appliance must be grounded. If it should malfunction or breakdown, grounding provides a path of least resistance for electric current to reduce the risk of electric shock. This appliance is equipped with a cord having an equipment-grounding conductor and grounding plug. The plug must be plugged into an appropriate outlet that is properly installed and grounded in accordance with all local codes and ordinances.

DANGER - Improper connection of the equipment-grounding conductor can result in a risk of electric shock. Check with a qualified electrician or service person if you are in doubt as to whether the outlet is properly grounded. Do not modify the plug provided with the appliance -- if it will not fit the outlet, have a proper outlet installed by a qualified electrician.

This appliance is for use on a nominal 120-volt circuit and has a grounding plug that looks like the plug illustrated in sketch A below. Make sure that the appliance is connected to an outlet having the same configuration as the plug. No adapter should be used with this appliance.



USER MAINTENANCE INSTRUCTIONS

All service and repair should be performed by a qualified vacuum service representative or electrician. No user serviceable components are employed in the electrical vacuum lid head assembly. No lubrication of the motor is required.

CORD STORAGE

While not in use storage can be accomplished by winding cord around motor lid assy. Cord should be completely unwound from Lid Assy. during operation.


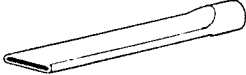
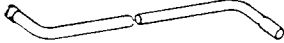

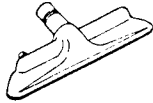



Do not use with damaged cord or plug. If appliance is not working as it should, has been dropped, damaged, left outdoors, or dropped into water, return to service center.

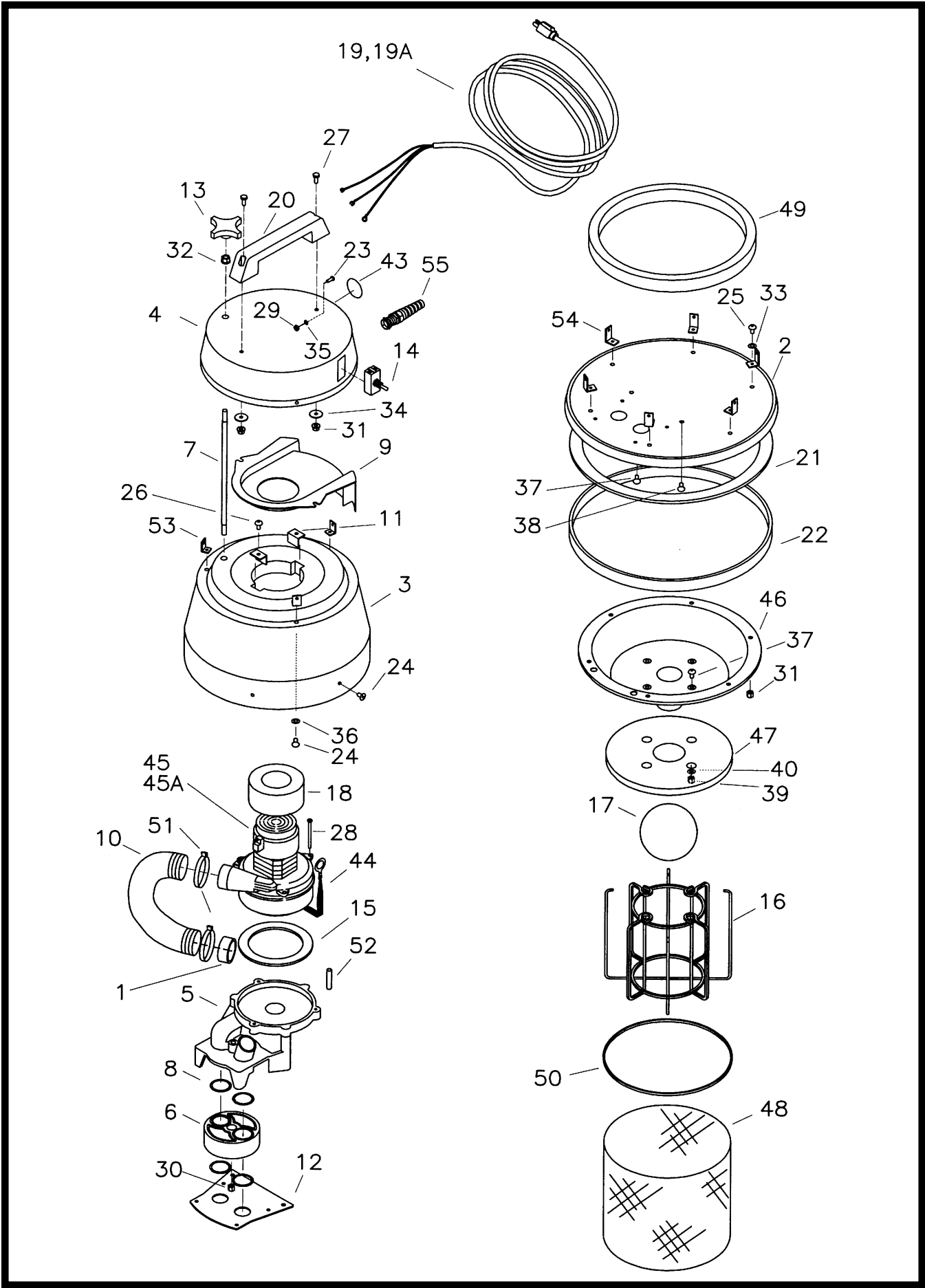
Do not pull or carry by cord, use cord as handle, close a door on cord, or pull cord around sharp edges or corners. Do not run appliance over cord. Keep cord away from heated surfaces.

Do not unplug by pulling cord. To unplug, grasp the plug, not the cord.

Do not handle plug or appliance with wet hands.

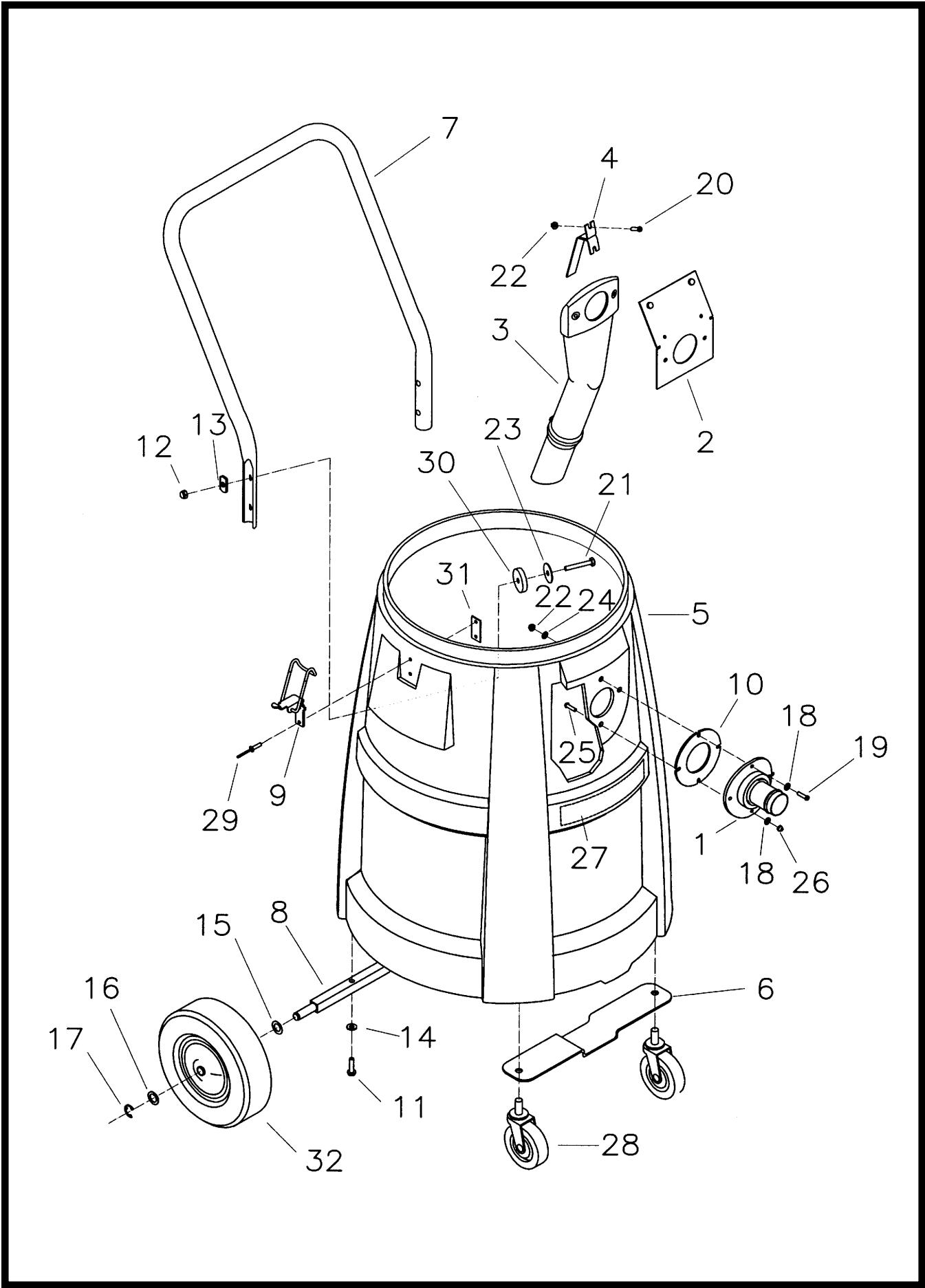
Always unplug the machine when removing the head off the tank. This equipment should be stored indoors and not exposed to rain.

A		800083 133249 800084 808023	3" Rd Dust Brush Complete Dust Brush HSG 3" Bristle Insert 3" Adapter
B		800035	12" Crev Tool Complete
C		290000 290001 290002	Wand Asy 1-1/2, Complete Upper Wand Lower Wand
D		832851	Hose Asy 1-1/2 x 10'
E		133214 807237 807214 807374 133217 133215	Spring-2 16" Floor Tool, Complete Nozzie Floor Brush Replacement Screw Adj 712065 Screw-2 Sleeve-2
F		800603 800612 808648 808592 803161	14" Brush Tool Complete Brush Insert Tool Bumper Brush Clamp
G		800124 731	5" Tool Only Without Insert Bristle Insert Replacement
H		800605 711128 800615 808648 500295 500296	14" Squeegee, Complete SCR #10 HILO 14" Retaining Strip Nozzie, Squeegee Blade Squeegee Blade Squeegee Reinforcement



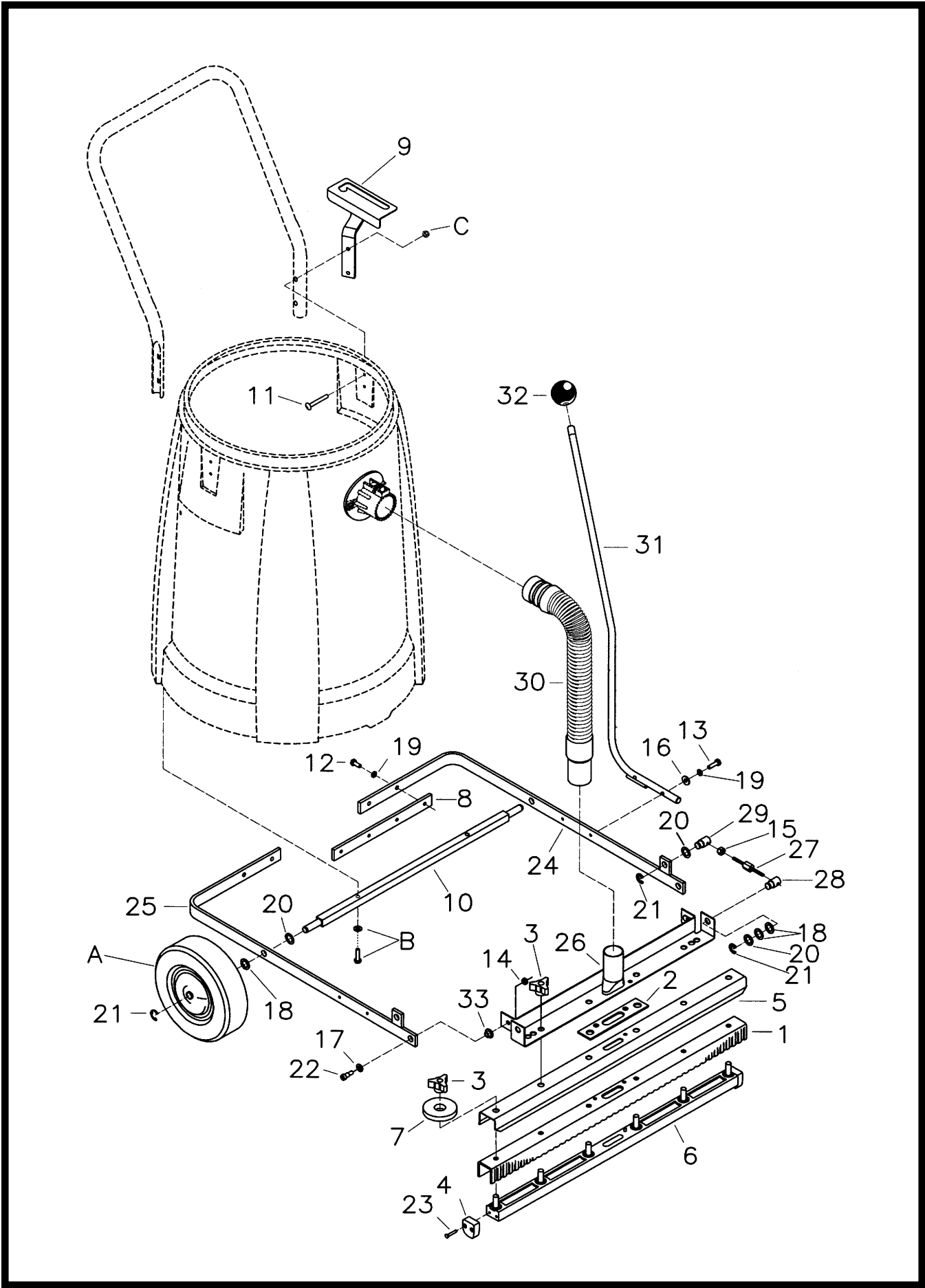
Parts List

ITEM	PART NO.	REQ'D	DESCRIPTION
1	101015	1	RING,RUB COMPRESS IN/OUT
2	310001PTD	1	LID ASY PUMPER
3	310002PTD	1	MOTOR COVER PUMPER PAINTED
4	310003PTD	1	MOTOR COOLING TOP COVER PAINTED
5	310004MCH	1	VALVE BODY MACHINED
6	310006MCH	1	VALVE PORT MACHINED
7	310007PLT	1	VALVE HANDLE ROD PLATED
8	310008	4	O RING BUNA 2201510561
9	310009	1	INTAKE AIR COOLING DUCT
10	310017	1	MOLDED HOSE PUMPER
11	310031	2	BRACKET PUMPER HOUSING
12	310033	1	WASHER PLATE
13	310034	1	KNOB 3/8 - 16
14	380002	1	SWITCH-TOGGLE 1.5HP, 125-250V
15	380035	1	GASKET, 4.31 X 5.81 X.19
16	380045CTD	1	CAGE FLOAT ASY
17	380046	1	BALL, HOLLOW RUBBER
18	380064	1	RING, FOAM
19	381020	1	CORD-16GA-3 50FT MED GREY
19A	740600	1	CORD-EUROPEAN F3 G1.5MM 50FT B
20	460000	1	HANDLE 460 LID BLACK
21	480052	1	GASKET,RBR .25X.87X.50
22	480053	1	RING, RUBBER LOCATING
23	710154	1	SCR-MC 10-32 X .56 SS
24	710177	9	SCR-MC 1/4-20 X .37 ZINC
25	710178	6	SCR-MC TR HD 1/4-20 X .50 ZINC
26	711124	3	SCR-ST-B 10 X .37 NI
27	711203	2	BLT-HH 1/4-20 X .62
28	711220	3	BLT-HH 1/4-20 X 2.50 STL ZINC
29	711310	2	NUT-HEX 10-32 ST PL
30	711379	1	NUT-FLANGED WIZZ 5/16-18
31	711425	8	NUT-FLANGED WIZZ 1/4-20
32	711439	1	NUT-FLANGED WIZZ 3/8-16
33	711504	6	WSR-FLT 1/4 SS
34	711519	2	WSR-FLT .25 X 1.01 X .06
35	711553	3	WSR-INT LOCK #10
36	711554	3	WSR-INT LOCK 1/4
37	712536	4	SCR-MC 10-24 X .62 SS
38	712565	2	SCR-MC 1/4-20 X .62 SS
39	712667	4	NUT-HEX NYLOC 1/4-20 SS
40	712761	4	WSR-FLT .28 X 1.25 X .059 SS
41	715086	1	DECAL-WARNING PV TO AVOID
42	715161	1	DECAL-VACUUM/PUMP PUMPER
43	715501	1	DECAL-MADE IN USA
44	740116	1	16G GRN/YEL 14.50" B= 9
45	740232	1	VAC MOTOR 2ST 116207-00
45A	740429	1	VAC MOTOR 6594-13 220V
46	750801	1	WATER SHUT OFF ADAPTER
47	760231MCH	1	RING,BAG RETAINING
48	760234	1	BAG, LINT TRAP FILTER 10 X 9 1
49	760235	1	FOAM 1.125 X .75 X 60"
50	760260	1	SPRING-RETAINER BAG
51	760859	2	CLAMP-HOSE
52	809858	3	SPACER-.326 X .375 X 1.750 ALM
53	830782	3	MOUNTING BRACKET LID COVER
54	832106	6	BRACKET MOUNTING TAB
55	833237	1	STRAIN RELIEF W/NUT
***	310115	1	LID ASY COMP PUMPER
***	310240	1	LID ASY COMP PUMPER 240V



Parts List

ITEM	PART NO.	REQ'D	DESCRIPTION
1	310010	1	INTAKE ASY COMP PUMPER
2	310012	1	RUBBER FLAP DIECUT
3	310016	1	DOWNTUBE ASY 20G PUMPER
3A	310028	1	DOWN TUBE ASY 15G POLY
4	310018	1	DEFLECTOR BRACKET
5	310021	1	TANK 20G POLY PUMP
5A	310026	1	TANK 15G POLY PUMPER
6	310035	1	BACKING PLATE
7	390031	1	HANDLE PLT 390 SERIES
8	390033	1	AXLE 390 SERIES PLATED
9	390035	6	LATCH 390 SERIES COATED
10	390087	1	GASKET DIECUT VNN
11	710182	2	SCR-MC 1/4-20 X 1.00 ZINC
12	711352	4	NUT-ACORN 1/4-20 ST N1
13	711444PLT	4	NUT-WELD 1/4-20 PLATED
14	711505	2	WSR-FLT 1/4
15	711524	2	WSR-WAVE .52 X .87 X .01
16	711594	2	WSR-FLT .56 X .88 X .03 NICKEL
17	711713	2	RET RING-E EXT .50
18	712320	4	WSR .22 X .45 X .04 NYL
19	712532	3	SCR-MC 10-24 X 1.00 SS
20	712537	1	SCR-TR HD 10-24 X .75 SS
21	712541	4	SCR-TR HD 1/4-20 X 1.0 SS
22	712638	2	NUT HEX 10-24 SS NYLOC
23	712761	4	WSR-FLT .28 X 1.25 X .059 SS
24	712764	2	WSR #10 SS
25	712824	1	SCR-THUMB 10-24 X .75 STL ZINC
26	712904	1	NUT-ACORN 10-24 BR NIPL
27	715383	1	DECAL-MMAN 1 X 6.88 LT GRY
28	804457	2	CASTER 3" BLACK HUB/GREY TIRE
29	828894	4	RIVET-POP BAPKTR-69
30	828980	4	GASKET
31	833831	6	CLAMP BACK PLATE
32	900008	2	8.00 DIA. WHEEL
***	310015	1	TANK ASY 15GRC MMAN PUMPER
***	310020	1	TANK ASY 20GRC MMAN PUMPER



Parts List

ITEM	PART NO.	REQ'D	DESCRIPTION
1	11-145	1	SQUEEGEE/GUM RUBBER
2	430073	1	GASKET DIECUT PS BACK
3	430074	6	NUT-ADJUSTING 17B/E
4	430076	2	NYLON SQUEEGEE INSERT
5	430078	1	U PROFILE
6	430079	1	CASTING SQUEEGEE ASY
7	430085	2	SQUEEGEE BUMPER WHEEL
8	470001	1	BRACE REAR
9	470005	1	LEVER LOCK ASY
10	470007	1	AXLE SQUEEGEE ASY
11	710389	2	SCR-MC 1/4-20 X 2.00 ZINC
12	711203	4	BLT-HH 1/4-20 X .62
13	711206	2	BLT-HH 1/4-20 X .87 STL ZINC
14	711377	2	NUT-NYLOC 1/4-20
15	711420	2	NUT-HEX JAM 5/16-18 STPL
16	711505	2	WSR-FLT 1/4
17	711506	2	WSR-FLT 5/16 (NARROW) ST PL
18	711524	6	WSR-WAVE .52 X .87 X .01
19	711544	6	WSR-HELICAL 1/4
20	711594	6	WSR-FLT .56 X .88 X .03 NICKEL
21	711713	6	RET RING-E EXT .50
22	712041	2	BLT-SHOULDER 1/4-20 X .44 X .3
23	712517	4	SCR-MC FL HD 8/32 X 1 SS
24	750137	1	BRACKET ARM SQUEEGEE ASY LEFT
25	750138	1	BRACKET ARM SQUEEGEE ASY RT
26	750139	1	SQUEEGEE MOUNTING BRACKET ASY
27	750689	2	STUD,ADJUSTING
28	762256PLT	2	NUT ADJ LH ZINC PLT
29	762257PLT	2	NUT ADJ RH ZINC DICROMATE
30	762382	1	VAC HOSE ASY LITTLE GULP
31	807384	1	ROD HANDLE
32	807385	1	KNOB-HANDLE
33	829052	2	BUSHING-FLG .312 X .437 X .31
A	900008	2	WHEEL-8.00 DIA.
B	710182, 711505	2	SCR-MC 1/4-20 X 1.00, WSR-FLT 1/4
C	711352	4	NUT-ACORN 1/4-20 ST N1

Installation Instructions

470400 Squeegee Assembly

1. Turn existing tank upside down and remove both wheels (A) by removing snap ring (21) from existing axle.
2. Remove screws (B) from existing axle and remove old axle.
3. Re-install wheels onto new axle assembly with new E clip provided.
4. Install new axle-squeegee assembly to bottom of tank using existing screws (B) and tighten securely.
5. Turn tank assembly right side up and remove washers and nuts (C) from handle assembly. Mount item (9) over existing bolts. Use lockwasher and nut to tighten item (9) securely in place.
6. Slide item (31) through item (9) and mount lift arm to item (24) with bolts supplied.

Adjustments

1. Angle of squeegee assembly can be adjusted if needed by loosening nut (15) and turning item (27). Both sides may need adjusting so that squeegee blade is parallel to floor in down position.
2. For 15 gallon units only; vac hose assembly item (30) should be shortened by 4 inches to remove excess length.

LIMITED WARRANTY

Minuteman International, Inc. warrants to the original purchaser/user that this product is free from defects in workmanship and materials under normal use and service for a period of three years from date of purchase. In addition, Minuteman International, Inc. will, at its option, honor labor warranty claims for the first 12 months from date of sale, provided such claims are submitted through and approved by factory authorized repair stations. Minuteman International, Inc. will, at its option, repair or replace without charge, except for transportation costs, parts that fail under normal use and service when operated and maintained in accordance with the applicable operation and instruction manuals.

This warranty does not apply to normal wear, or to items whose life is dependent on their use and care, such as belts, cords, switches, hoses, rubber parts, electrical motor components or adjustments. Parts not manufactured by Minuteman International, Inc. such as engines, batteries, battery chargers, hydraulic pumps, and tires are covered by and subject to the warranties and/or guarantees of their manufacturers. Please contact Minuteman International, Inc. for procedures in warranty claims against these manufacturers.

Special warning to purchaser — Use of replacement filters and/or prefilters not manufactured by Minuteman International, Inc. or its designated licensees, will void all warranties expressed or implied.

A potential health hazard exists without exact original equipment replacement.

All warranted items become the sole property of Minuteman International, Inc. or its original manufacturer, whichever the case may be.

Minuteman International, Inc. disclaims any implied warranty, including the warranty of merchantability and the warranty of fitness for a particular purpose. Minuteman International, Inc. assumes no responsibility for any special, incidental or consequential damages.

This limited warranty is applicable only in the U.S.A. and Canada, and is extended only to the original user/purchaser of this product. Customers outside the U.S.A. and Canada should contact their local distributor for export warranty policies. Minuteman International, Inc. is not responsible for costs or repairs performed by persons other than those specifically authorized by Minuteman International, Inc. This warranty does not apply to damage from transportation, alterations by unauthorized persons, misuse or abuse of the equipment, use of non-compatible chemicals, or damage to property, or loss of income due to malfunctions of the product.

If a difficulty develops with this machine, you should contact the dealer from whom it was purchased.

This warranty gives you specific legal rights, and you may have other rights which vary from state to state. Some states do not allow the exclusion or limitation of special, incidental or consequential damages, or limitations on how long an implied warranty lasts, so the above exclusions and limitations may not apply to you.

Minuteman[®]

World Headquarters
Minuteman International, Inc.
111 South Rohlwing Road
Addison, Illinois 60101

(630) 627-6900
FAX (630) 627-1130

Minuteman Canada, Inc.
2210 Drew Road
Mississauga, Ontario
L5S 1B1

(905) 673-3222
FAX (905) 673-5161

987575
Printed in U.S.A.