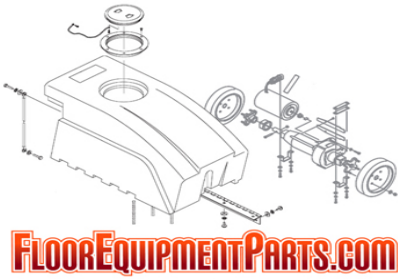
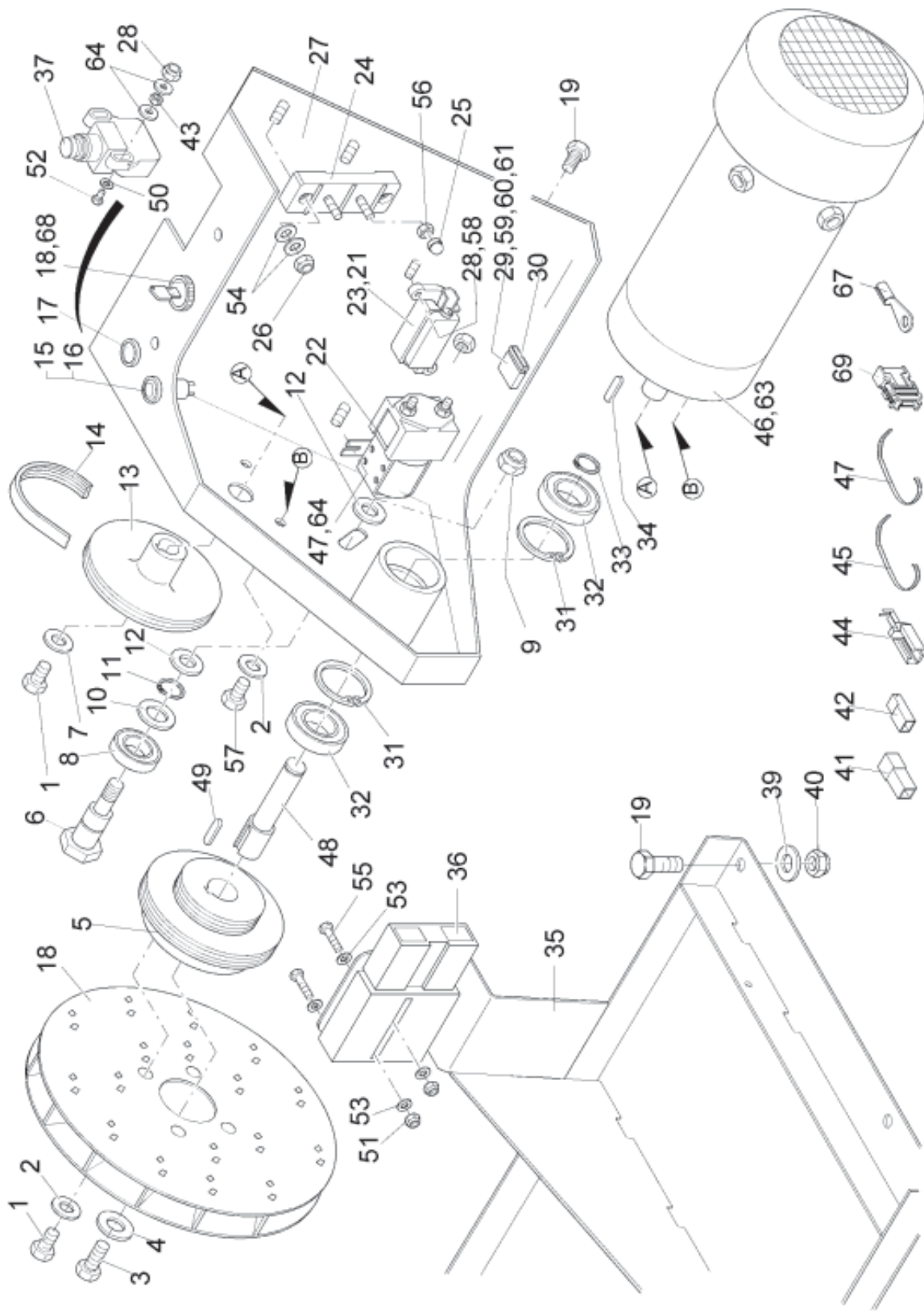


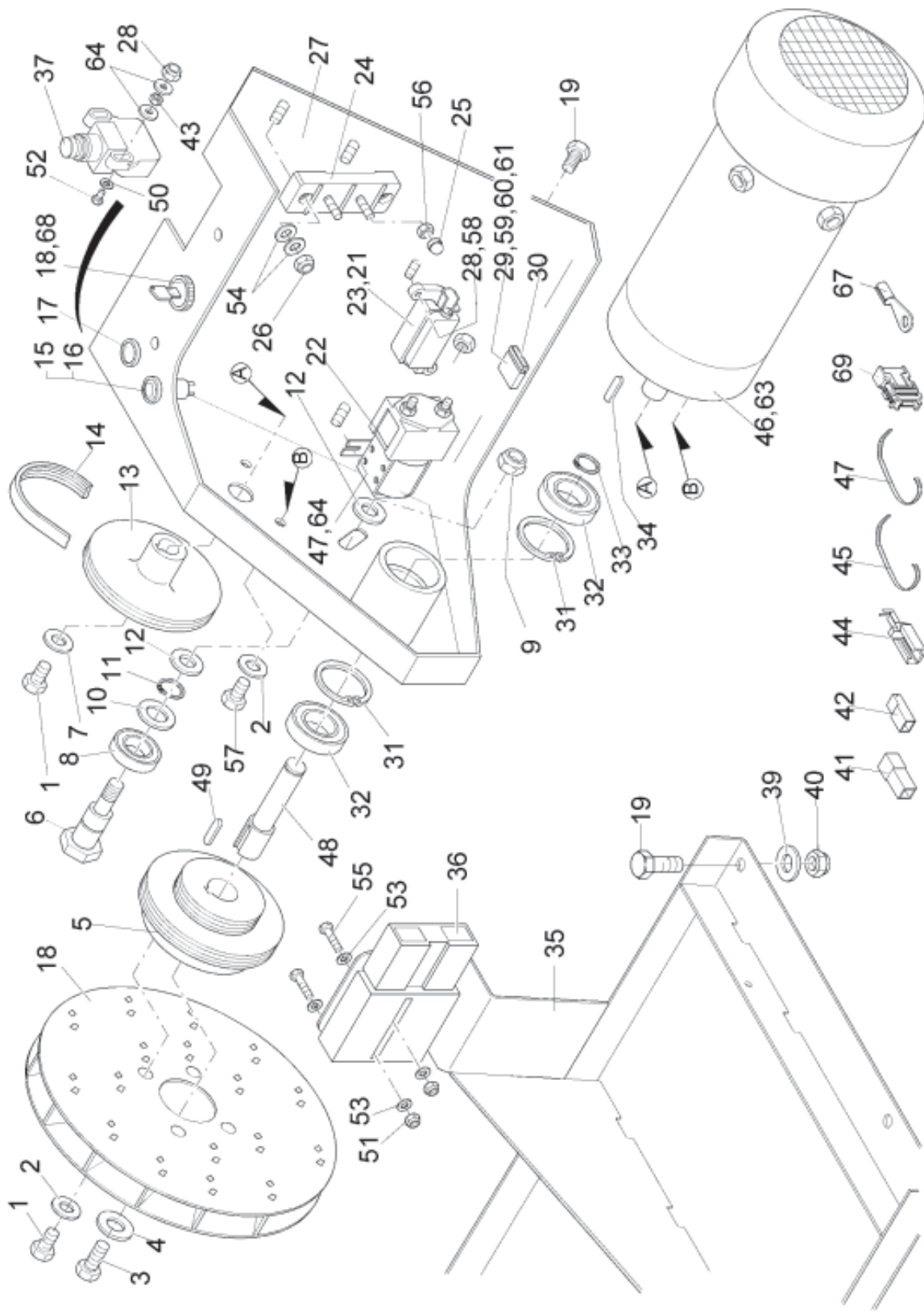
SPARE PARTS CATALOG MANUAL



Exploded Views Traction Drive



Exploded Views Traction Drive



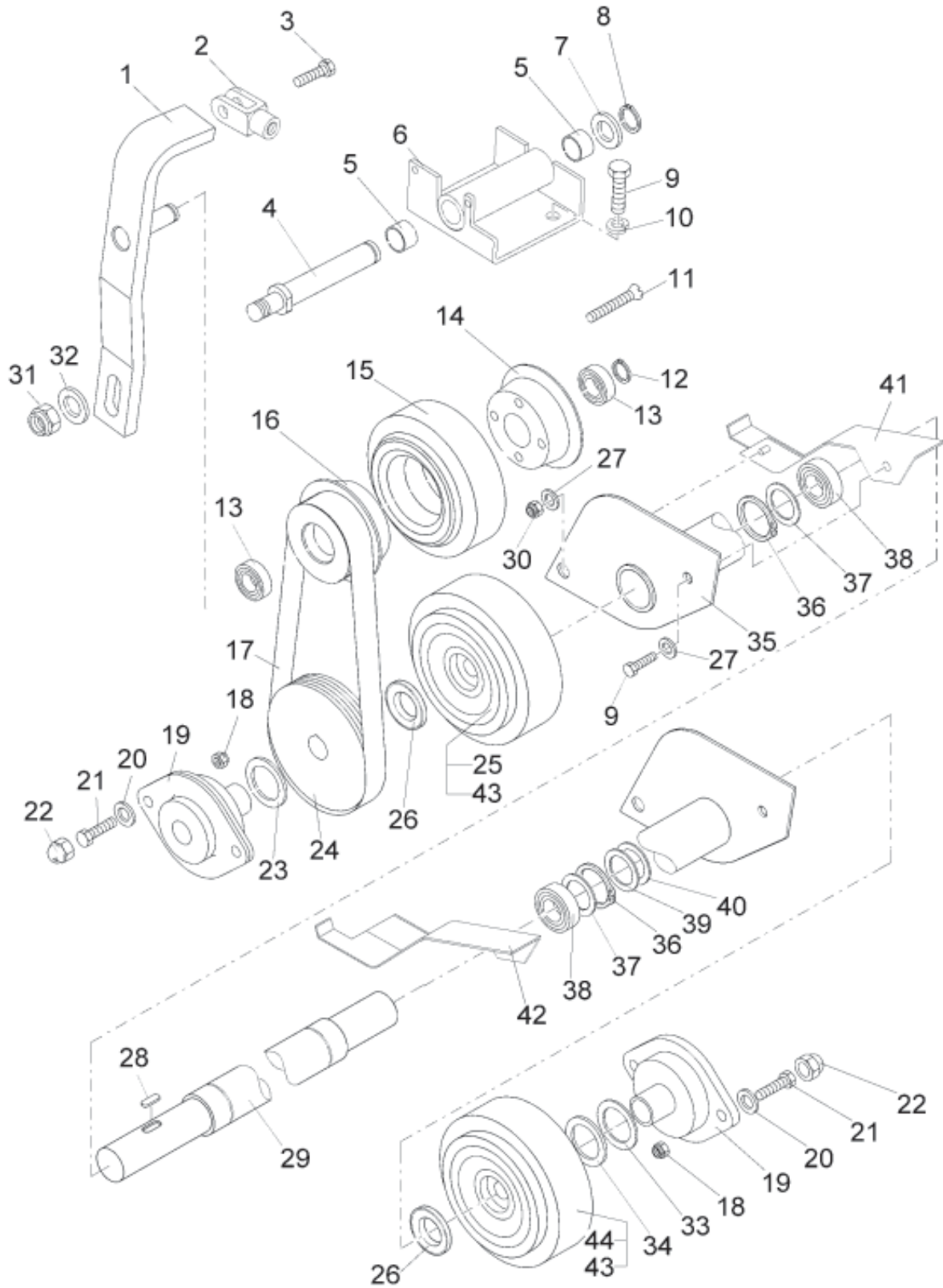
Traction Drive BOM

Item	Part No.	Qty.	Description	Item	Part No.	Qty.	Description
1	10-450	5	Hex. bolt	35	105-477	1	Battery tray
2	73-094	8	Detent washer	36	107-555	1	Connector
3	05-309	3	Hex. bolt	37	92-761	1	Switch
4	04-290	1	Washer	39	05-375	8	Washer
5	53-168	1	Belt pulley	40	05-151	4	Hex. nut
6	53-173	1	Bolt	41	08-365	1	Plug housing
7	13-512	2	Washer	42	08-364	9	Socket housing
8	70-541	1	Ball bearing	43	05-281	2	Hex. Nut
9	05-150	1	Hex. nut	44	55-967	1	Flat connector sleeve
10	15-518	3	Adjusting shim	45	12-101	6	Cable tie
11	02-223	1	Retaining ring	46	71-223	1	Electro motor
12	04-652	2	Washer	47	12-115	3	Cable tie
13	74-590	1	Belt pulley	48	53-172	1	Shaft
14	71-224	1	Belt conti-V	49	12-628	1	Adjusting spring
15	13-375	1	Pilot lamp, green	50	55-715	2	Washer
16	101-426	1	Bulb	51	05-152	2	Hex. nut
17	107-492	1	Plug	52	02-720	2	Fillister-head screw
18	02-171	1	Key switch	53	05-373	2	Washer
19	05-308	6	Hex. bolt	54	95-877	6	Washer
20	66-168	1	Fan wheel	55	05-329	2	Hex. bolt
21	90-3558	1	Fuse	56	05-333	4	Hex. nut
22	74-46	1	Ignition switch	57	05-301	4	Hex. bolt
23	90-351	1	Fuse holder	58	05-371	2	Washer
24	15-283	1	Clamping block	59	02-218	1	Hex. bolt
25	52-591	2	Protective cap	60	55-374	1	Washer
26	05-134	3	Hex. nut	61	02-220	1	Hex. nut
27	32-192	1	Hold frame	63	87-667	4	Carbon brush
28	13-383	2	Hex. nut	64	55-552	2	Washer
29	50-956	1	Fuse box	67	12-640	1	Ring terminal
30	90-612	1	Fuse link	68	74-589	1	Key
31	12-632	2	Retaining ring	69	73-365	1	Fuse holder
32	70-636	2	Ball bearing				
33	02-234	1	Retaining ring				

Traction Drive BOM

Item	Part No.	Qty.	Description	Item	Part No.	Qty.	Description
1	10-450	5	Hex. bolt	35	105-477	1	Battery tray
2	73-094	8	Detent washer	36	107-555	1	Connector
3	05-309	3	Hex. bolt	37	92-761	1	Switch
4	04-290	1	Washer	39	05-375	8	Washer
5	53-168	1	Belt pulley	40	05-151	4	Hex. nut
6	53-173	1	Bolt	41	08-365	1	Plug housing
7	13-512	2	Washer	42	08-364	9	Socket housing
8	70-541	1	Ball bearing	43	05-281	2	Hex. Nut
9	05-150	1	Hex. nut	44	55-967	1	Flat connector sleeve
10	15-518	3	Adjusting shim	45	12-101	6	Cable tie
11	02-223	1	Retaining ring	46	71-223	1	Electro motor
12	04-652	2	Washer	47	12-115	3	Cable tie
13	74-590	1	Belt pulley	48	53-172	1	Shaft
14	71-224	1	Belt conti-V	49	12-628	1	Adjusting spring
15	13-375	1	Pilot lamp, green	50	55-715	2	Washer
16	101-426	1	Bulb	51	05-152	2	Hex. nut
17	107-492	1	Plug	52	02-720	2	Fillister-head screw
18	02-171	1	Key switch	53	05-373	2	Washer
19	05-308	6	Hex. bolt	54	95-877	6	Washer
20	66-168	1	Fan wheel	55	05-329	2	Hex. bolt
21	90-3558	1	Fuse	56	05-333	4	Hex. nut
22	74-46	1	Ignition switch	57	05-301	4	Hex. bolt
23	90-351	1	Fuse holder	58	05-371	2	Washer
24	15-283	1	Clamping block	59	02-218	1	Hex. bolt
25	52-591	2	Protective cap	60	55-374	1	Washer
26	05-134	3	Hex. nut	61	02-220	1	Hex. nut
27	32-192	1	Hold frame	63	87-667	4	Carbon brush
28	13-383	2	Hex. nut	64	55-552	2	Washer
29	50-956	1	Fuse box	67	12-640	1	Ring terminal
30	90-612	1	Fuse link	68	74-589	1	Key
31	12-632	2	Retaining ring	69	73-365	1	Fuse holder
32	70-636	2	Ball bearing				
33	02-234	1	Retaining ring				

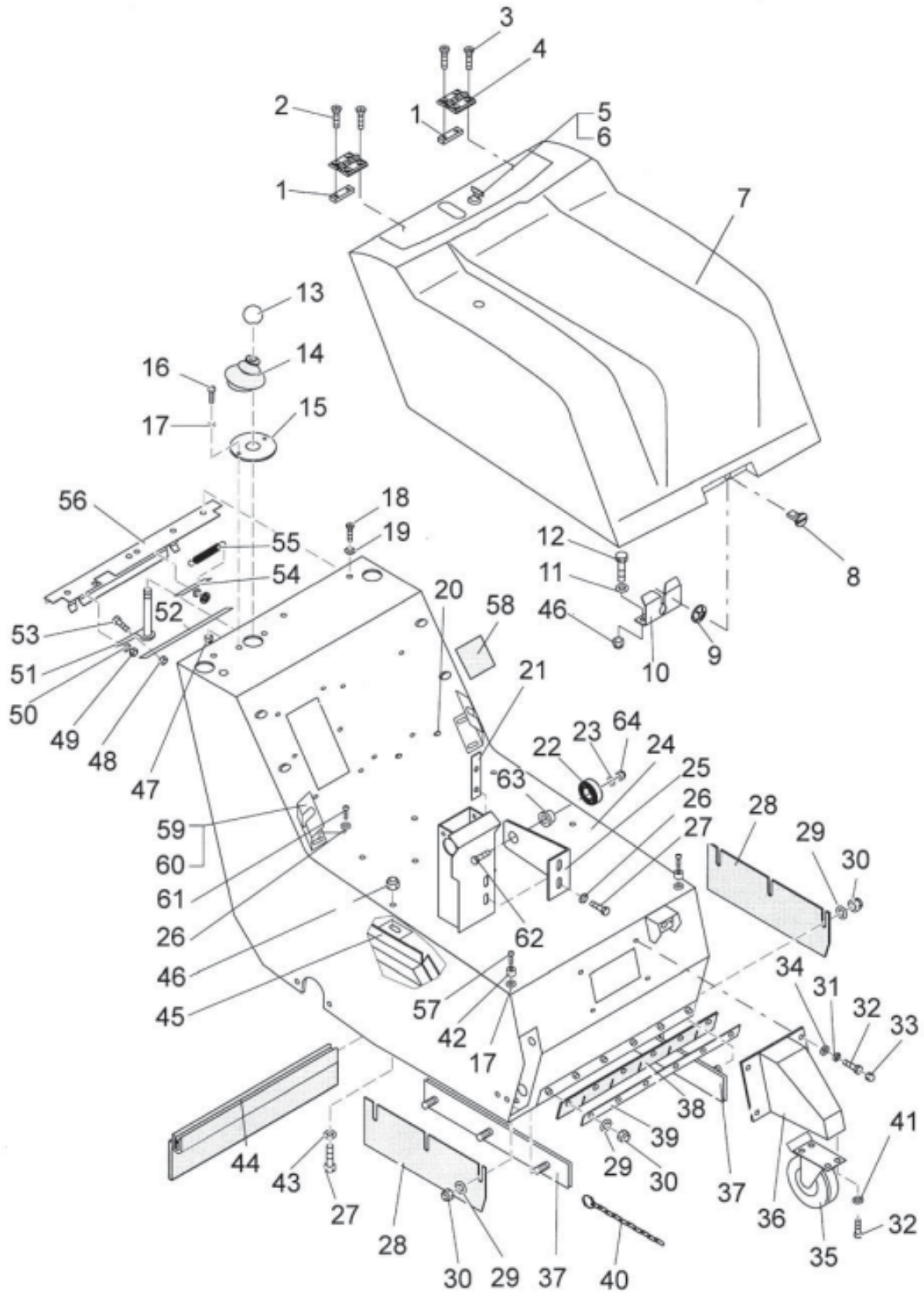
Travel Drive



Travel Drive BOM

Item	Part No.	Qty.	Description
1	105-100	1	Lever
2	85-157	1	Fork head
3	05-303	1	Hex. bolt
4	105-102	1	Bolt
5	04-656	2	DU-Bushing
6	105-101	1	Holder
7	05-378	1	Washer
8	02-234	1	Retaining ring
9	05-308	6	Hex. bolt
10	05-341	2	Lock washer
11	52-926	4	Countersunk screw
12	07-244	1	Retaining ring
13	12-483	2	Ball bearing
14	95-878	1	Rim half
15	91-186	1	Tyre
16	95-879	1	Belt pulley
17	91-184	1	Belt conti-V
18	05-152	4	Hex. nut
19	92-852	2	Bearing
20	05-373	4	Washer
21	05-301	4	Hex. bolt
22	52-591	4	Protective cap
23	04-159	1	Back-up disc
24	53-150	1	Belt pulley
25	107-043	1	Wheel, R.H.
26	10-241	2	Nilos-ring
27	74-008	2	Safety washer
28	12-628	1	Adjusting spring
29	107-044	1	Wheel axle
30	05-335	2	Hex. nut
31	05-149	2	Hex. nut
32	15-120	2	Washer
33	12-568	1	Adjusting shim
34	05-379	1	Washer
35	105-480	1	Rocker
36	05-431	2	Retaining ring
37	13-651	2	Back-up disc
38	04-625	2	Ball bearing
39	04-643	2	Adjusting shim
40	15-370	1	Adjusting shim
41	105-481	1	Angle, L.H.
42	105-482	1	Angle, R.H.
43	04-145	2	Inside ring
44	107-042	1	Wheel, L.H.

Chassis - Covering



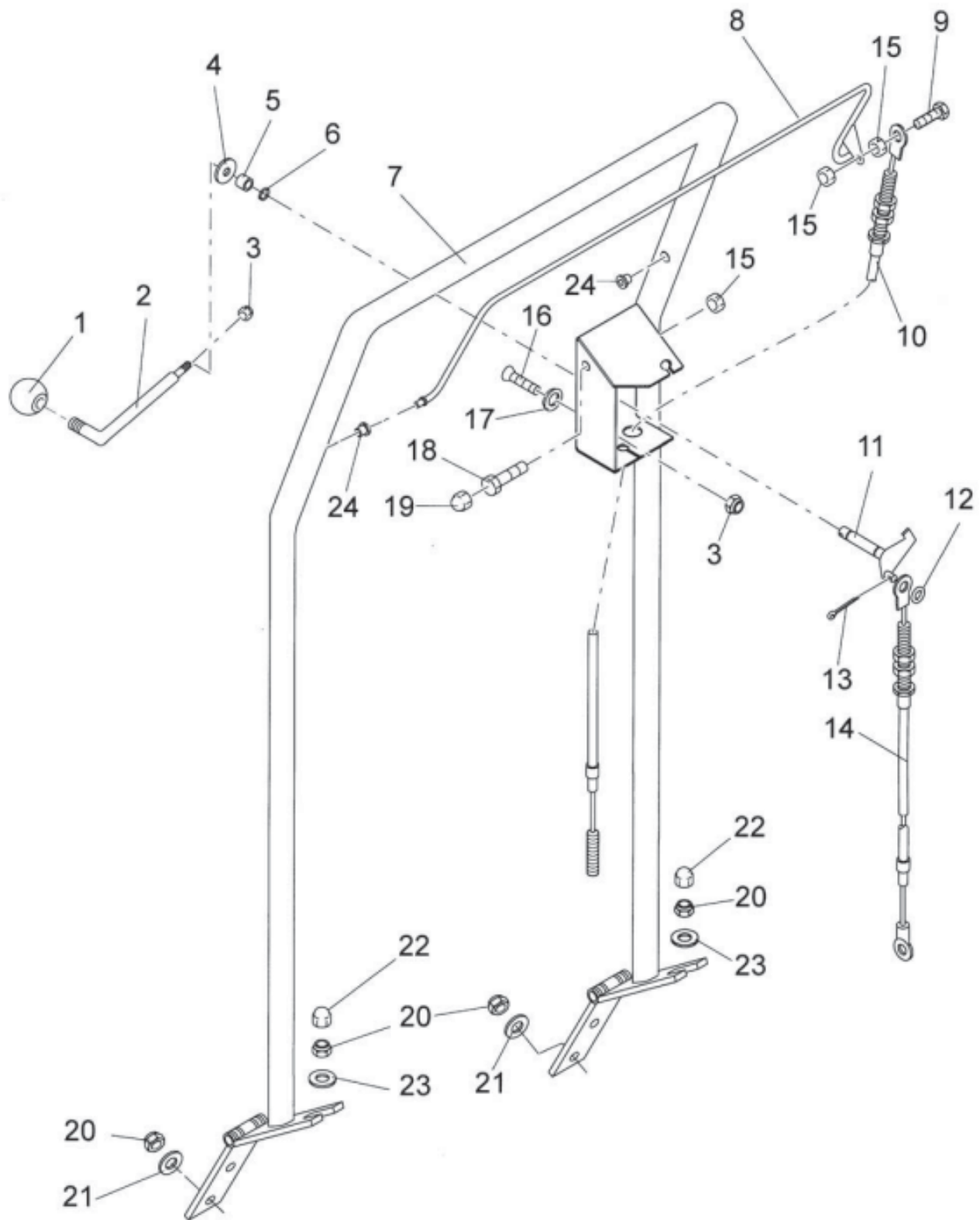
Chassis - Covering BOM

Item	Part No.	Qty.	Description	Item	Part No.	Qty.	Description
1	85-368	2	Plate	32	05-308	8	Hex. bolt
2	15-774	4	Countersunk screw	33	13-161	4	Protective cap
3	04-455	4	Countersunk screw	34	05-375	4	Washer
4	02-923	2	Hinge	35	11-211	1	Guide roller
5	02-169	1	Ignition switch	36	105-544	1	Holder
6	74-589	1	Key (set)	37	53-101	2	Clamping strip
7	107-554	1	Hood	38	105-550	1	Apron
8	105-096	1	Twistlock	39	105-549	1	Strut
9	53-879	1	Retaining disc	40	04-283	1	Earth chain
10	105-095	1	Locking plate	41	74-009	4	Detent washer
11	13-512	6	Washer	42	74-036	2	Grommet
12	05-301	2	Hex. bolt	43	05-373	2	Washer
13	15-467	1	Ball element	44	105-548	1	Seal profil
14	53-112	1	Rubber below	45	105-545	1	Holder
15	53-111	1	Locking disc	46	05-152	3	Hex. nut
16	73-155	2	Fillister head srew	47	13-383	2	Hex. nut
17	05-371	6	Washer	48	05-332	2	Hex. nut
18	15-468	3	Countersunk screw	49	05-151	2	Hex. nut
19	15-769	3	Hollow disc	50	07-423	4	Washer
20	07-380	2	Plug	51	53-105	1	Lever
21	04-144	1	Threaded plate	52	53-108	2	Strut
22	70-541	1	Ball bearing	53	15-280	2	Hex. bolt
23	74-008	1	Safety washer	54	53-107	1	Plate
24	107-409	1	Chassis	55	70-531	1	Pull spring
25	04-143	1	Locking angle	56	105-547	1	Angle
26	13-512	6	Washer	57	13-485	2	Panel screw
27	05-301	3	Hex. bolt	58	73-962	1	Foam rubber
28	02-168	2	Sealing tape	59	105-546	1	Angle
29	05-372	13	Washer	61	05-396	4	Raised countersunk head
30	04-236	13	Cap nut	62	05-311	1	Hex. bolt
31	05-341	4	Lock washer	63	107-338	1	Bushing
				64	05-335	1	Hex. nut

Decal

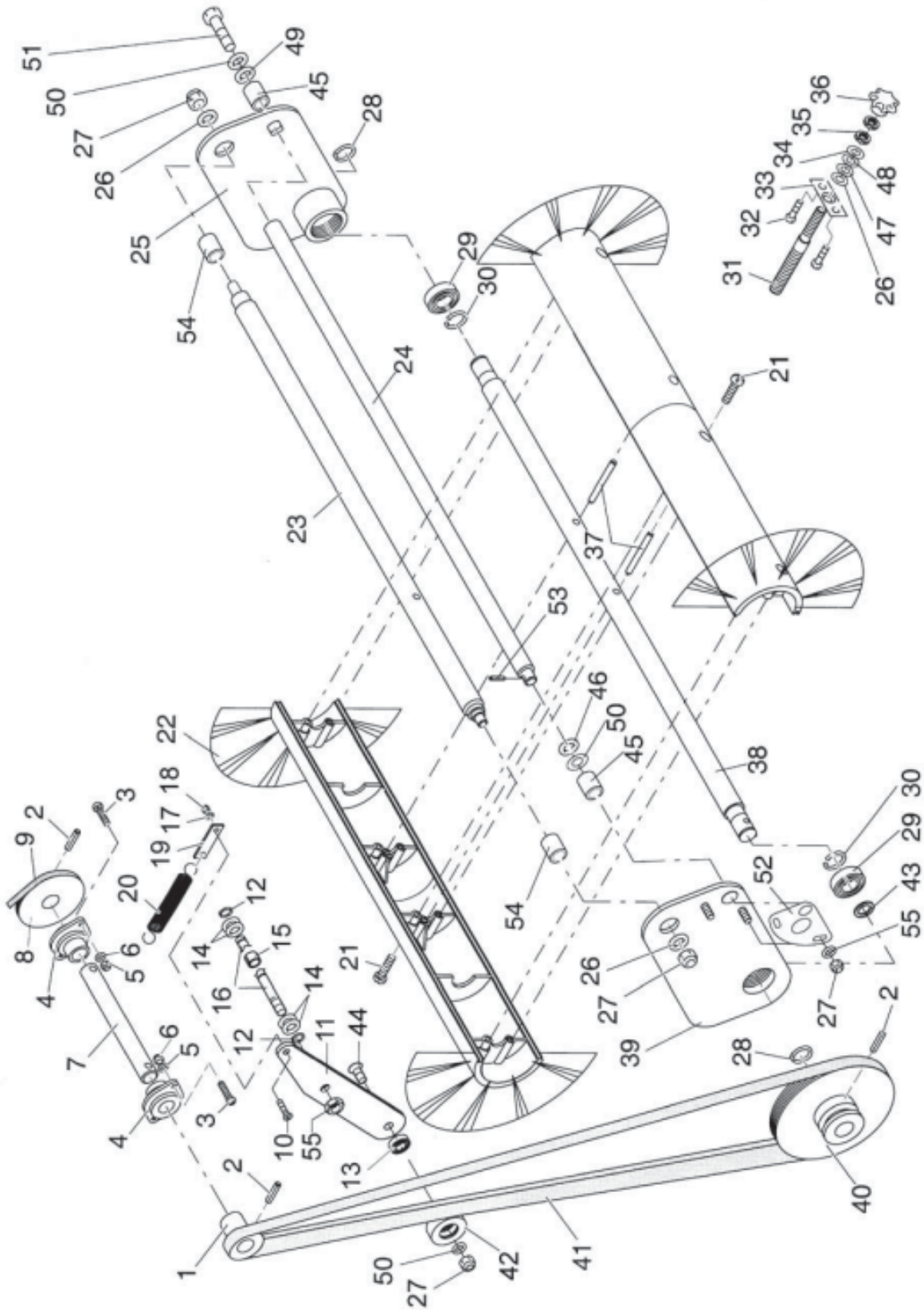
Part No.	Qty.	Description
105-540	1	Decal, look guard of hood
73-971	1	Decal, ventilator
73-972	1	Motor, start
107-353	1	Decal
300-116	1	Decal, side broom
113-269	1	Decal, 12V
300-118	1	Decal, Sweeper roller
107-171	1	Decal, instruction manual
300-119	1	Decal
113-159	1	Decal rotating parts

Steering Handle



Steering Handle BOM

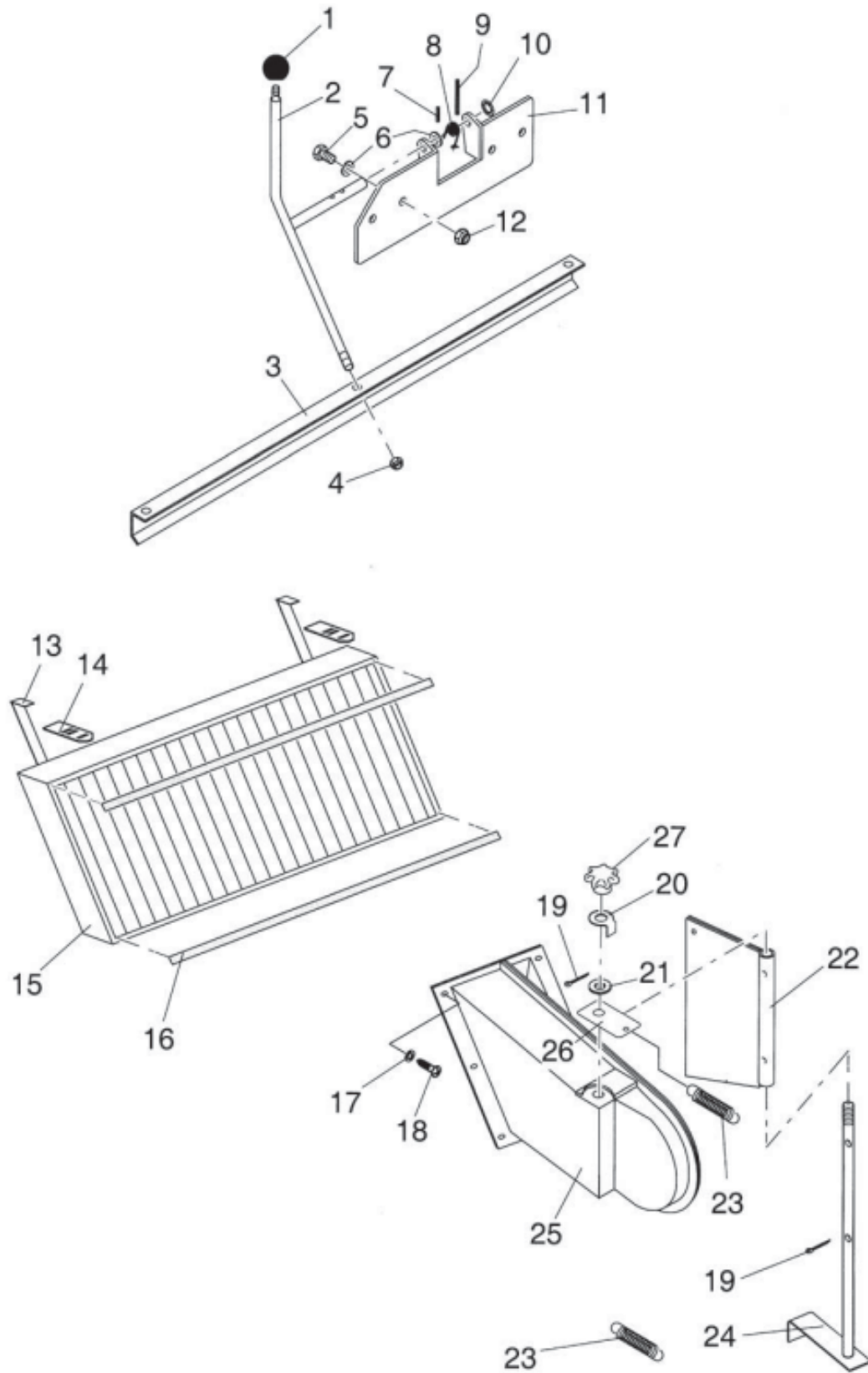
Item	Part No.	Qty.	Description
1	12-223	1	Ball end
2	53-161	1	Shift lever
3	05-152	1	Hex. nut
4	15-120	1	Washer
5	07-790	1	DU-bushing
6	07-244	2	Retaining ring
7	105-265	1	Steering handle
8	105-264	1	Bow, handle
9	05-302	1	Hex. bolt
10	107-084	1	Bowden cable
11	53-165	1	Shift shaft
12	05-373	1	Washer
13	53-454	1	Cotter pin
14	24-660	1	Bowden cable
15	05-333	3	Hex. nut
16	15-468	1	Countersunk screw
17	15-769	1	Hollow disc
18	05-329	1	Hex. bolt
19	52-591	1	Protective cap
20	05-151	6	Hex. nut
21	74-009	4	Detent washer
22	13-161	2	Protective cap
23	04-290	2	Washer
24	04-140	2	Slide bearing bushing



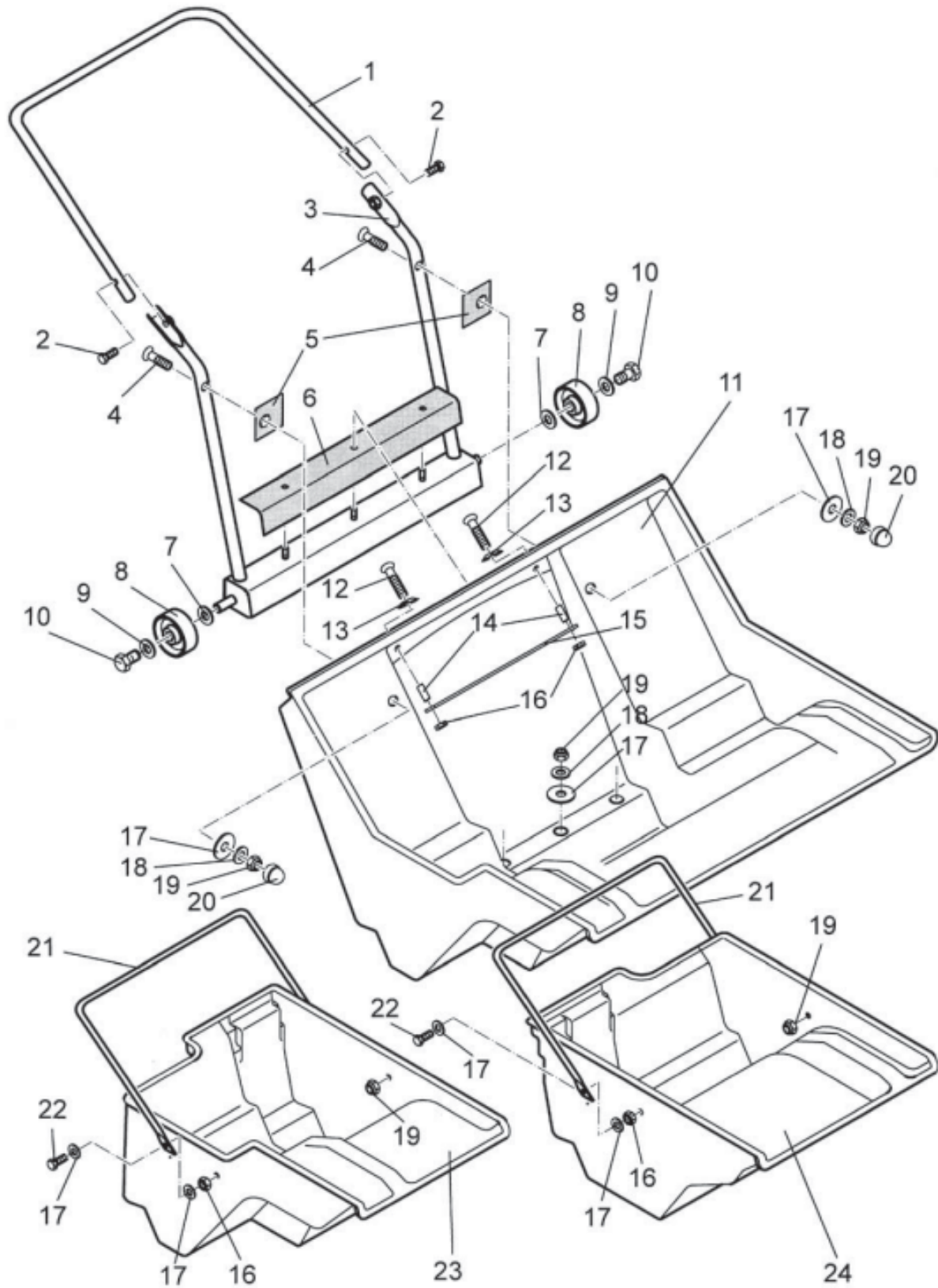
Sweep Roller with Travel Drive BOM



Item	Part No.	Qty.	Description	Item	Part No.	Qty.	Description
1	53-129	1	Belt pulley	30	13-310	4	Retaining ring
2	05-758	3	Tensioning sleeve	31	53-137	1	Threaded bolt
3	07-654	4	Screw	32	15-280	2	Hex. bolt
4	92-852	2	Bearing	33	105-507	1	Plate
5	05-373	4	Washer	34	12-607	1	Ballwasher
6	05-152	4	Hex. nut	35	73-355	2	Hex. nut
7	105-510	1	Shaft	36	48-043	1	Hand wheel
8	53-132	1	Belt pulley	37	90-608	2	Cylinder pin
9	91-179	1	Belt conti-V	38	105-502	1	Brush shaft
10	15-774	1	Countersunk screw	39	105-509	1	Brushrockers, R.H.
11	107-113	1	Lever	40	53-130	1	Belt pulley
12	10-323	2	Retaining ring	41	91-182	1	Belt conti-V
13	12-633	1	Ball bearing	42	53-135	1	Idler pulley
14	10-670	2	Washer	43	04-159	2	Back-up disc
15	96-769	1	Slide bearing	44	85-546	2	Countersunk screw
16	107-415	1	Bolt	45	105-514	2	Bushing
17	05-372	1	Washer	46	90-602	2	Adjusting shim
18	05-134	1	Hex. nut	47	95-924	1	Washer
19	53-143	1	Plate	48	50-307	4	Cup spring
20	70-531	1	Pull spring	49	15-253	1	Back-up disc
21	90-607	8	Raised countersunk head	50	74-009	2	Detent washer
22	105-503	1	Sweeper roller	51	05-309	1	Hex. bolt
23	105-512	1	Adjusting axle	52	105-513	1	Plate
24	105-511	1	Axle of rotation	53	04-562	1	Tensioning sleeve
25	105-508		Brushrockers, L.H.	54	105-515	1	Bushing
26	05-375	3	Washer	55	07-471	1	Hex. nut
27	05-151	4	Hex. nut	56	107-557	1	Bushing
28	02-223	2	Retaining ring	57	12-632	1	Retaining ring
29	70-541	2	Ball bearing				

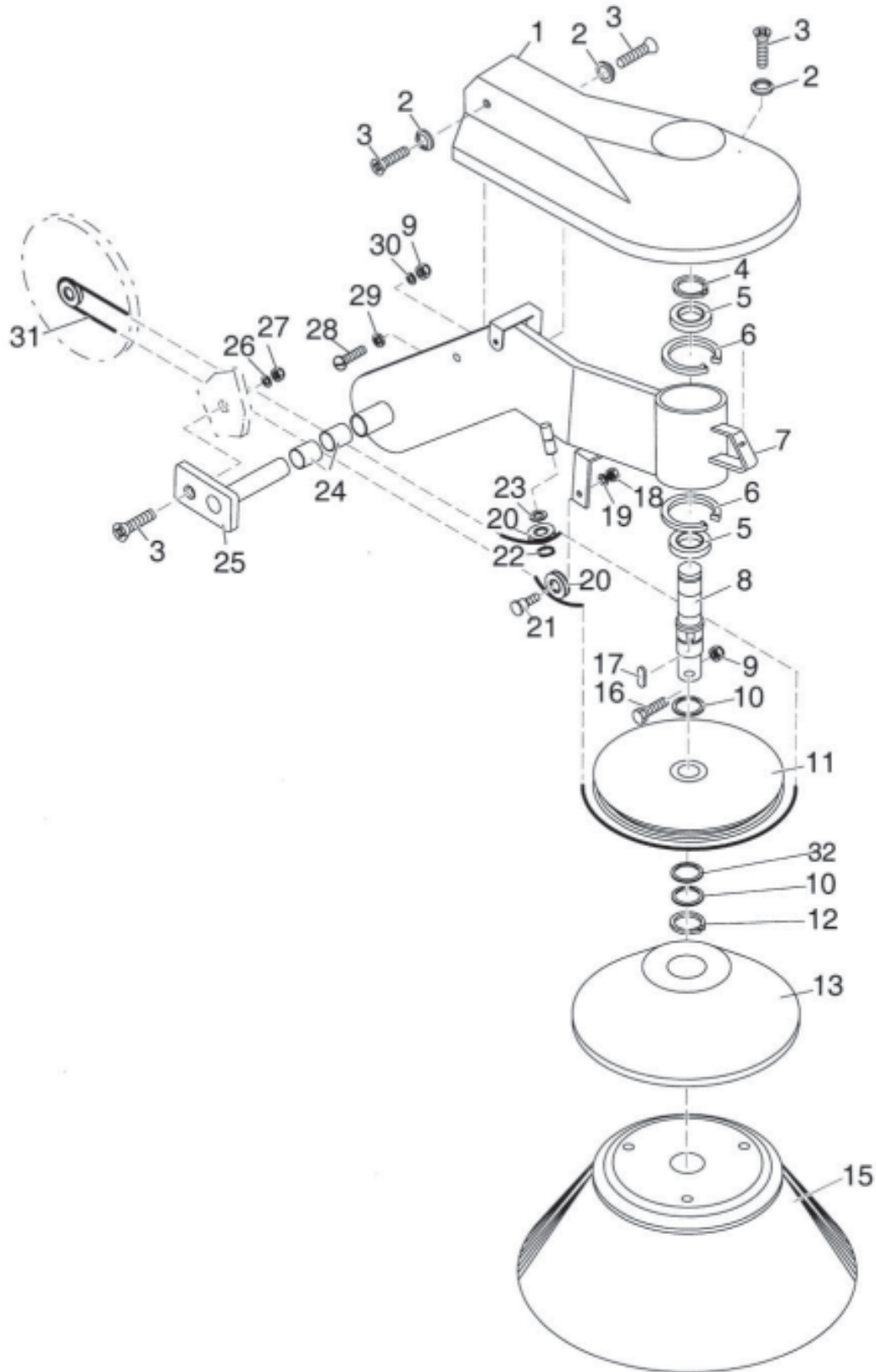


Item	Part No.	Qty.	Description
1	15-467	1	Ball element
2	69-678	1	Lever
3	28-228	1	Profile bar
4	05-152	1	Hex. nut
5	05-310	4	Hex. bolt
6	05-375	5	Washer
7	02-506	1	Tightening pin
8	69-667	1	Spring
9	04-680	1	Spiral pin
10	85-442	1	Retaining washer
11	69-679	1	Hold plate
12	05-151	4	Hex. nut
13	05-989	2	Tightening strap
14	107-276	2	Plate
15	34-091	1	Plate filter
16	74-862	2	Tesamoll
17	13-512	6	Washer
18	05-396	6	Raised countersunk head
19	96-152	2	Cotter pin
20	05-250	1	Locking plate
21	02-061	1	Back-up disc
22	53-156	1	Flap
23	53-695	2	Pull spring
24	53-157	1	Turning lever
25	91-197	1	Suction channel
26	53-154	1	Plate
27	107-105	1	Star handle



Lifter Hopper BOM

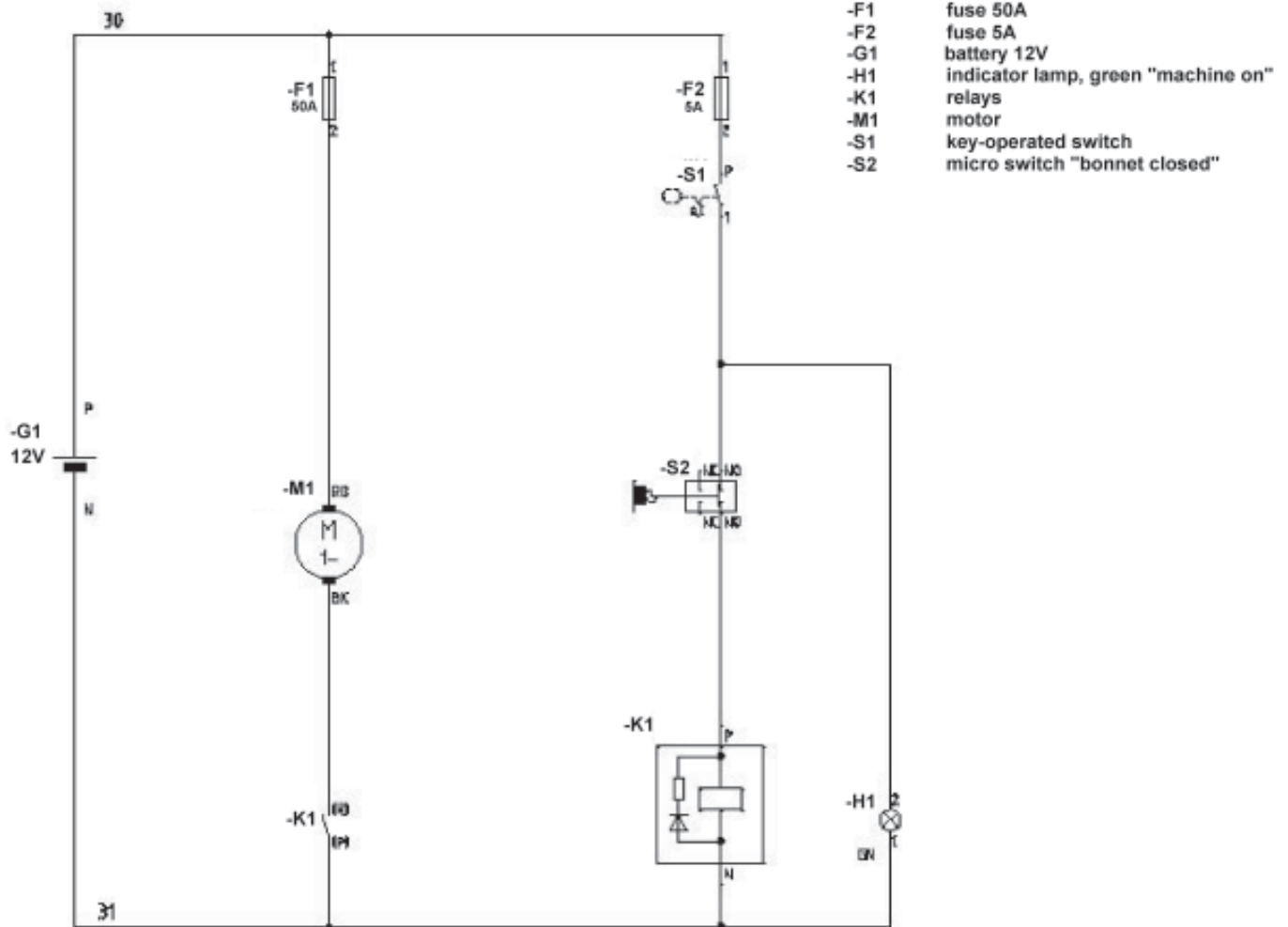
Item	Part No.	Qty.	Description
1	105-516	1	Bow handle
2	55-116	2	Countersunk screw
3	105-517	1	Bracket
4	12-601	2	Countersunk screw
5	105-523	2	Rubber strap
6	105-524	1	Rubber covering
7	05-378	2	Washer
8	105-522	2	Wheel
9	74-008	2	Safety washer
10	15-181	2	Hex.bolt
11	107-553	1	Lifter hopper
12	10-950	2	Countersunk screw
13	15-769	2	Hollow disc
14	53-160	2	Spacer sleeve
15	53-158	1	Strut
16	13-579	6	Hex. nut
17	13-512	17	Washer
18	10-072	5	Washer
19	05-152	9	Hex. nut
20	52-591	2	Protective cap
21	105-521	2	Bow handle
22	15-407	4	Hex. bolt
23	105-519	1	Hopper, R.H.
24	105-520	1	Hopper, L.H.



Side Brush Drive BOM

Item	Part No.	Qty.	Description
1	91-194	1	Covering hood
2	07-621	3	Hollow disc
3	15-774	4	Countersunk screw
4	02-234	1	Retaining ring
5	70-636	2	Ball bearing
6	12-632	2	Retaining ring
7	91-192	1	Brush arm
8	53-117	1	Shaft
9	05-152	2	Hex. nut
10	10-176	2	Adjusting shim
11	53-120	1	Belt pulley
12	10-145	1	Retaining ring
13	67-089	1	Fleeting plate
15	01-073	1	Side brush
16	05-304	1	Hex. bolt
17	96-749	1	Adjusting spring
18	05-333	1	Hex. nut
19	05-340	1	Lock washer
20	53-122	2	Rope pulley
21	53-124	1	Bolt
22	10-323	1	Retaining ring
23	10-670	1	Washer
24	10-696	2	DU-bushing
25	53-113	1	Socket pin
26	05-372	1	Washer
27	05-134	1	Hex. nut
28	10-179	1	Screw
29	13-579	1	Hex. nut
30	05-373	1	Washer
31	91-177	1	Round belt
32	90-602	1	Adjusting shim

Circuit Diagram



Wiring Diagram

