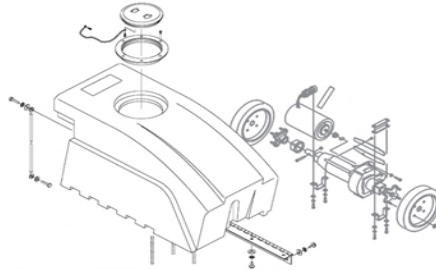


Backup Alarm Kit Assembly Instructions

Model: 340556



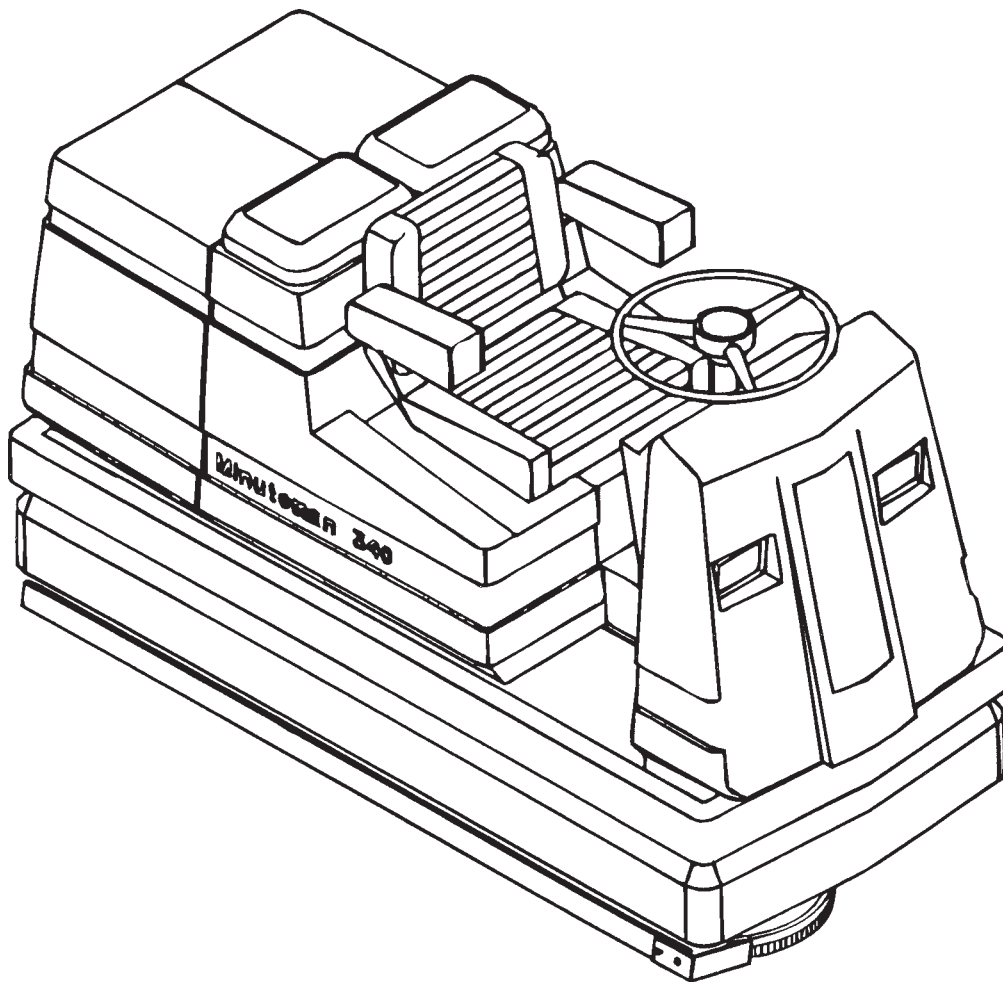
FLOOR-EQUIPMENT-PARTS.COM

OPERATION

SERVICE

PARTS

CARE



Revised 8/95

Minuteman[®]

BACKUP ALARM ASSEMBLY INSTRUCTIONS MINUTEMAN 340 RIDER SCRUBBER

STEP 1) USE BACKUP ALARM AS A TEMPLATE TO DRILL THE (3) THREE MOUNTING HOLES.

On battery models, position alarm in upper right hand corner of the right side battery cover door vent screen. Leave room to place the grommet under the back-up alarm route wires. See Figure 1B1.

On gas/propane models mount the backup alarm on the rear engine compartment door, in the lower right hand corner above the door latch. Leave room under the backup alarm to install grommet to allow proper routing of wires. Do not allow holes for backup alarm to interfere with the rear door kick stand bracket.

STEP 2) INSTALL WIRE HARNESS TERMINAL ENDS ON THE WIRES AND BACKUP ALARM TERMINALS. GREY/RED WIRE TO POSITIVE TERMINAL BLUE/WHITE TO NEGATIVE TERMINAL.

STEP 3) PULL WIRE THROUGH GROMMET AND INTO THE BATTERY/ENGINE COMPARTMENT.

STEP 4) INSTALL "P" CONNECTORS AS SHOWN IN FIGURE 1B1 AND 1B2.

On the battery model, you must drill 7/64" holes to mount "P" connectors to right side door. Mount "P" connectors with hi/lo screws part number 711160. Use stick on connectors to mount harness to solution tank. Caution - Do not drill solution tank! Route wires as shown in figure 1B1.

On gas/propane models, install the "P" connectors on hinge bolts as shown in figure 1B2. It will be necessary to drill two 13/64" holes in the top right side rail to mount "P" connector. Route wires as shown in figure 1B2 through right side frame rail until you reach the right side floor board.

STEP 5) REMOVE BRAKE & SPEED CONTROL PEDALS BY REMOVING BOLTS FROM BEHIND PEDAL.

STEP 6) REMOVE RIGHT SIDE FLOOR BOARD AND INSTALL SWITCH AS SHOWN IN DIAGRAM. USING PROVIDED TEMPLATE DRILL SWITCH MOUNTING HOLES.

STEP 7) CONNECT BLUE/WHITE WIRES TO SWITCH. INSTALL ON WIRE END TO THE COMMON TERMINAL. INSTALL THE OTHER END OF THE BLUE/WHITE WIRE TO THE NORMALLY OPEN TERMINAL. ROUTE WIRES BACK TO RIGHT SIDE FRAME RAIL AND REINSTALL FLOOR BOARD AND PANELS. MAKE SURE WIRES DO NOT CHAFE ON BRAKE CABLES OR FOOT PEDAL LINKAGE.

STEP 8) REMOVE FRONT ELECTRICAL ACCESS PANEL. ROUTE REMAINING WIRE BACK INTO FRAME RAIL AND UP INTO ELECTRICAL COMPARTMENT. SEE FIGURE 1B1.

STEP 9) FOR GAS MODELS:

Connect the blue/white wire to the front horn mounting bolts. Make sure connections is clean and tight. Run grey/red wire up through front electrical panel through right side grommet to fuse panel. Install wire to fuse panel on the extra fuse terminal. Install last grey/red wire to the other side of fuse panel and route to key switch connect to post with the yellow wire. See Figure 1B2.

FOR ELECTRIC MODELS:

Run the blue/white wire to the bottom terminal of the top contractor. Route the grey/red wire up through the electrical compartment, through the grommet on the right hand side to the yellow wire on the fuse panel.

STEP 10) MAKE SURE ALL WIRES ARE TIED IN PLACE AND ROUTE SO THAT THEY WILL NOT INTERFERE WITH ANY OTHER COMPONENTS USING ENCLOSED WIRE TIES. MAKE SURE ALL CONNECTIONS ARE CLEAN AND TIGHT. REPLACE FRONT ELECTRICAL COVER ACCESS PANEL AND TEST UNIT. ADJUST SWITCH IF NECESSARY.

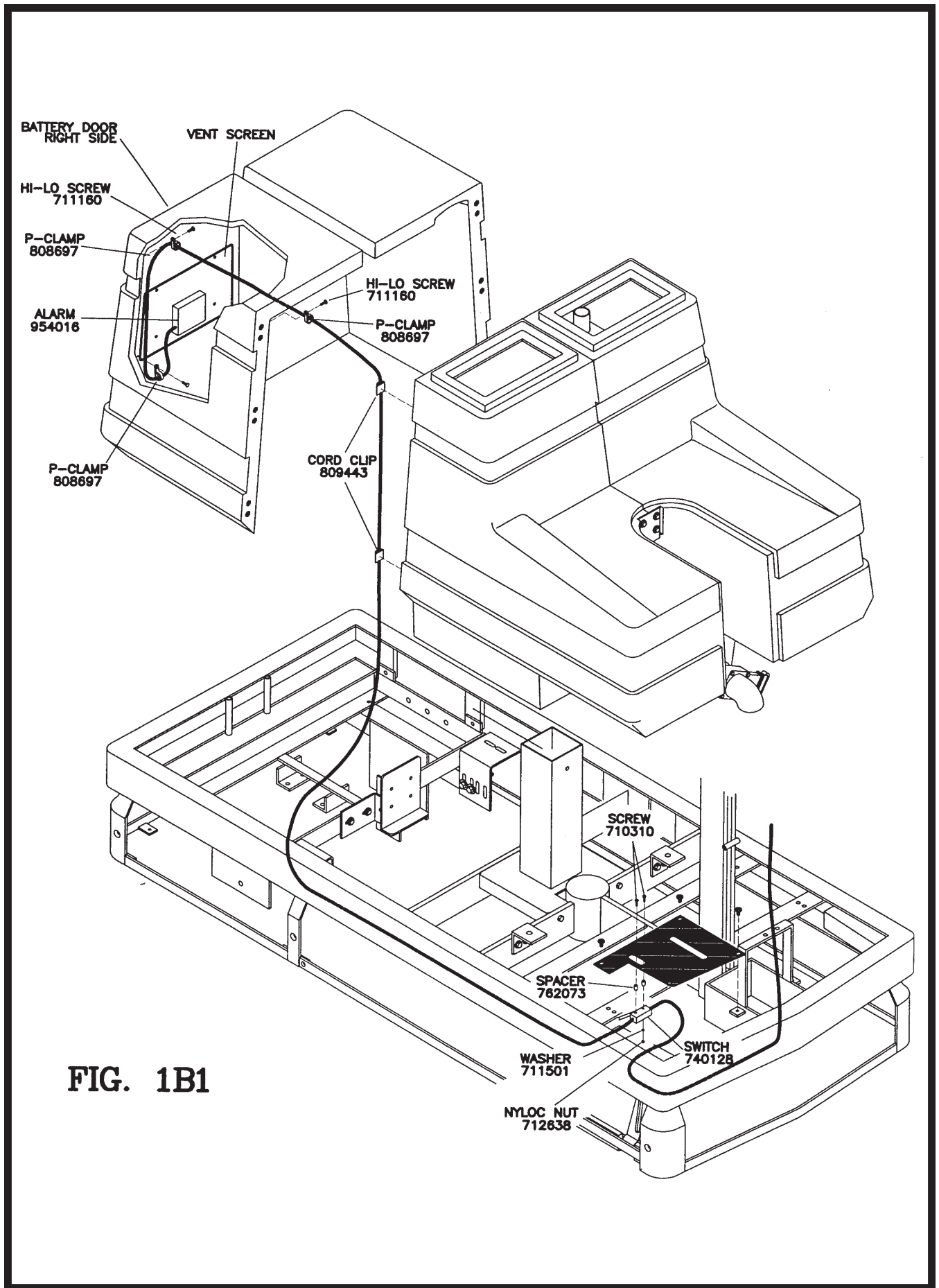


FIG. 1B1

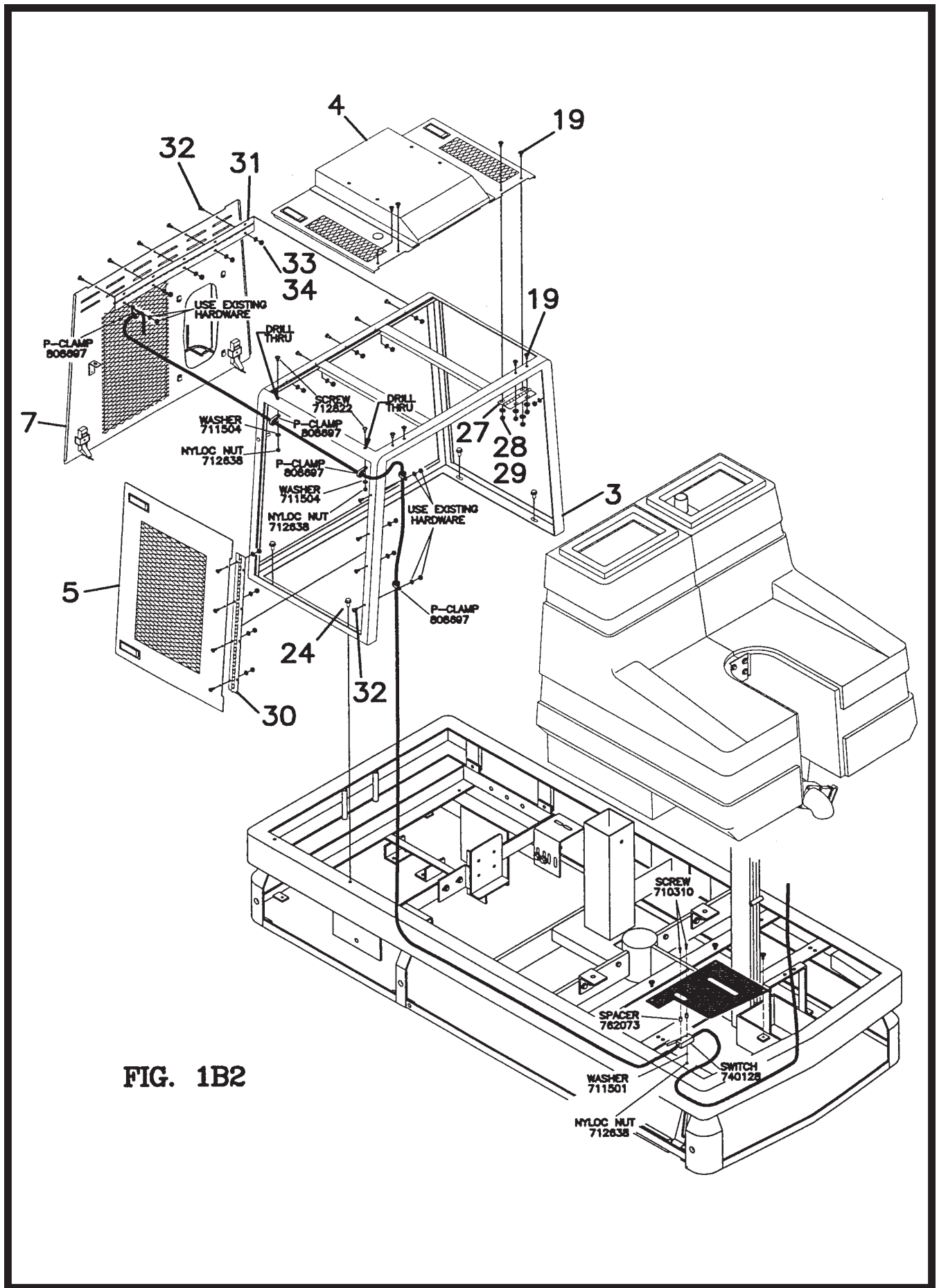


FIG. 1B2

LIMITED WARRANTY

Minuteman International, Inc. warrants to the original purchaser/user that this product is free from defects in workmanship and materials under normal use and service for a period of three years from date of purchase. In addition, Minuteman International, Inc. will, at its option, honor labor warranty claims for the first 12 months from date of sale, provided such claims are submitted through and approved by factory authorized repair stations. Minuteman International, Inc. will, at its option, repair or replace without charge, except for transportation costs, parts that fail under normal use and service when operated and maintained in accordance with the applicable operation and instruction manuals.

This warranty does not apply to normal wear, or to items whose life is dependent on their use and care, such as belts, cords, switches, hoses, rubber parts, electrical motor components or adjustments. Parts not manufactured by Minuteman International, Inc. such as engines, batteries, battery chargers, hydraulic pumps, and tires are covered by and subject to the warranties and/or guarantees of their manufacturers. Please contact Minuteman International, Inc. for procedures in warranty claims against these manufacturers.

Special warning to purchaser — Use of replacement filters and/or prefilters not manufactured by Minuteman International, Inc. or its designated licensees, will void all warranties expressed or implied.

A potential health hazard exists without exact original equipment replacement.

All warranted items become the sole property of Minuteman International, Inc. or its original manufacturer, whichever the case may be.

Minuteman International, Inc. disclaims any implied warranty, including the warranty of merchantability and the warranty of fitness for a particular purpose. Minuteman International, Inc. assumes no responsibility for any special, incidental or consequential damages.

This limited warranty is applicable only in the U.S.A. and Canada, and is extended only to the original user/purchaser of this product. Customers outside the U.S.A. and Canada should contact their local distributor for export warranty policies. Minuteman International, Inc. is not responsible for costs or repairs performed by persons other than those specifically authorized by Minuteman International, Inc. This warranty does not apply to damage from transportation, alterations by unauthorized persons, misuse or abuse of the equipment, use of non-compatible chemicals, or damage to property, or loss of income due to malfunctions of the product.

If a difficulty develops with this machine, you should contact the dealer from whom it was purchased.

This warranty gives you specific legal rights, and you may have other rights which vary from state to state. Some states do not allow the exclusion or limitation of special, incidental or consequential damages, or limitations on how long an implied warranty lasts, so the above exclusions and limitations may not apply to you.

Minuteman[®]

World Headquarters
Minuteman International, Inc.
111 South Rohlwing Road
Addison, Illinois 60101

Minuteman Canada, Inc.
2210 Drew Road
Mississauga, Ontario
L5S 1B1

(630) 627-6900
FAX (630) 627-1130

(905) 673-3222
FAX (905) 673-5161

999100
Printed in U.S.A.