



SELF PROPELLED BAGLESS **WINDTUNNEL™**

9

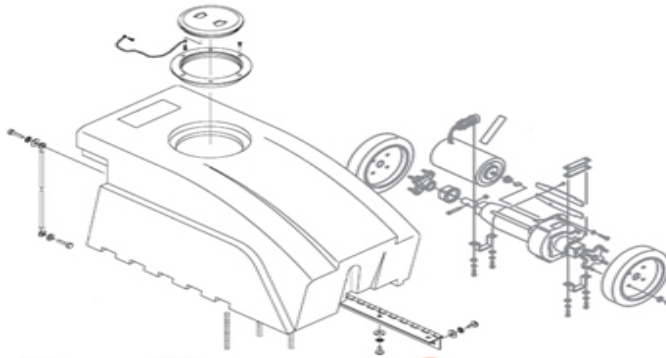
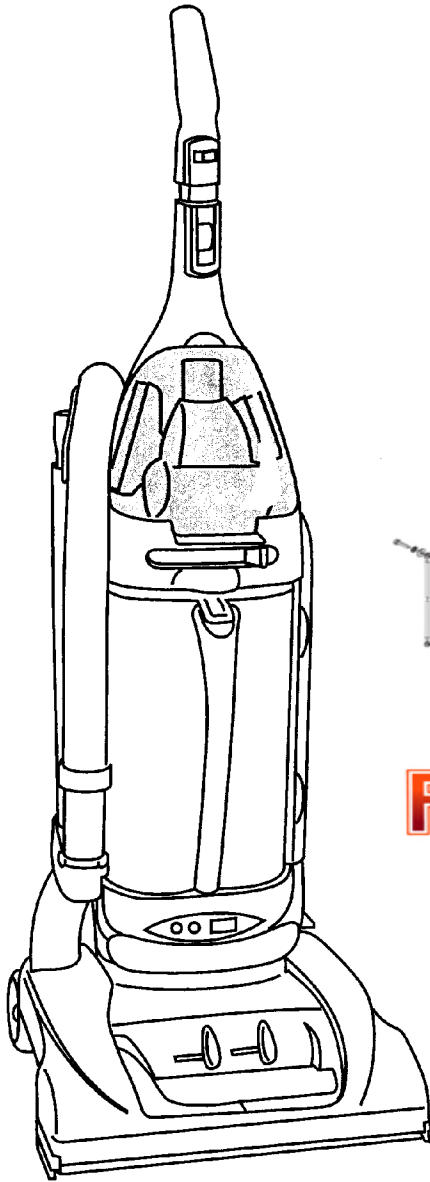
SECTION CONTENTS

<u>MODEL No.</u>	<u>PAGE No.</u>
U6630-900	9-2 THRU 9-10
U6634-900	9-2 THRU 9-10

[MODEL No.](#)

U6630-900

U6634-900



FLOOREQUIPMENTPARTS.COM

- * PRICING, SPECIFICATION'S, AND PRODUCT AVAILABILITY ARE SUBJECT TO CHANGE WITHOUT NOTICE. PRICING IS FOB FACTORY, CANTON, OH
- * ALL INFORMATION CONTAINED WITHIN THIS SERVICE MANUAL IS PROPRIETARY INFORMATION OF TTI FLOOR CARE NORTH AMERICA.
- * **WARNING:** TO REDUCE THE RISK OF ELECTRICAL SHOCK OR INJURY, ALWAYS DISCONNECT THE APPLIANCE CORD FROM THE ELECTRICAL OUTLET OR REMOVE BATTERY PRIOR TO SERVICING THE UNIT.



SELF PROPELLED BAGLESS WINDTUNNEL™

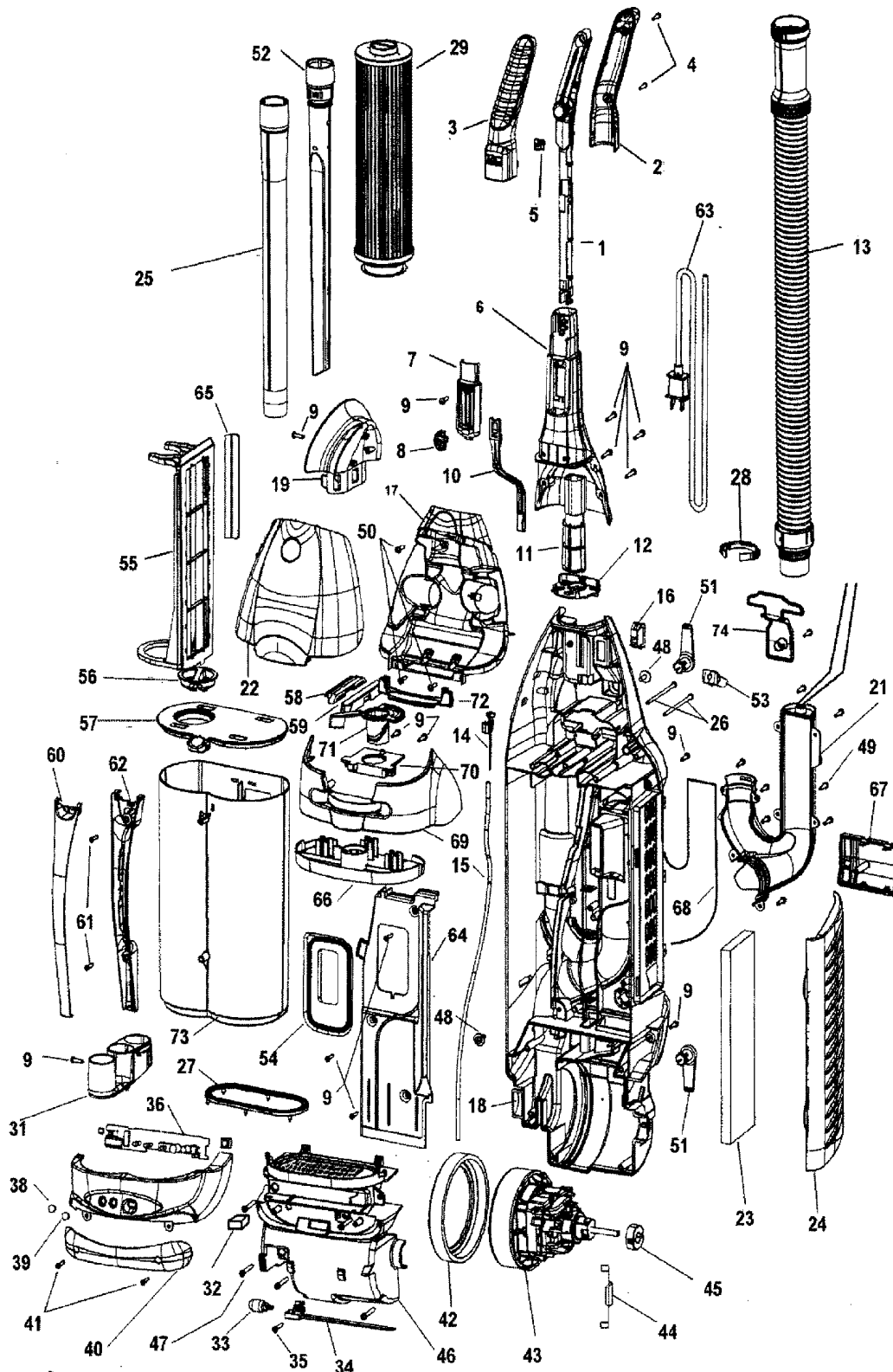
9

ASSEMBLY SCHEMATIC

MODEL NO.

U6630-900

U6634-900





SELF PROPELLED BAGLESS
WINDTUNNEL™

9

PART LISTING / PRICE LIST

MODEL No.

U6630-900
 U6634-900

ITEM	PART NUMBER	MODELS TO FIT	PART DESCRIPTION	LIST COST
1	38512001	U6630900, U6634900	UPPER HANDLE GRIP ROD	3.39
2	39454068	U6630900, U6634900	HANDLE GRIP - BACK	3.39
3	39454084	U6630900, U6634900	HANDLE GRIP - FRONT	3.64
4	21447228	U6630900, U6634900	SCREW - SELF TAPPING	.57
5	36142004	U6630900	DRIVE CONTROL PIN	1.12
	36142002	U6634900	DRIVE CONTROL PIN	1.12
6	39466110	U6630900, U6634900	UPPER HANDLE - DARK CHARCOAL GRAY	9.10
7	37258119	U6630900, U6634900	SWITCH ROD POCKET	.89
8	38421098	U6630900	SWITCH BUTTON - DEEP SAND	1.12
	92001082	U6634900	SWITCH BUTTON - GRAPHITE GRAY	.57
9	21447242	U6630900, U6634900	SCREW - SELF TAPPING	1.12
10	38458062	U6630900, U6634900	SWITCH ROD - DARK CHARCOAL GRAY	1.12
11	36436014	U6630900, U6634900	HANDLE SLEEVE	2.03
12	36923012	U6630900, U6634900	ROD GUIDE - DARK CHARCOAL GRAY	2.26
13	43434267	U6630900, U6634900	HOSE ASSEMBLY DELUXE	27.21
14	43211019	U6630900, U6634900	CONTROL CABLE - PUSH/PULL	3.78
15	66661205	U6630900, U6634900	CONTROL CABLE TUBE	3.39
16	28161067	U6630900, U6634900	SWITCH - .025 TERMINAL	2.63
17	36433157	U6630900, U6634900	TOOL HOLDER - DARK CHARCOAL GRAY	9.74
18	37259010	U6630900, U6634900	DIRT CUP HOUSING - DARK CHARCOAL GRAY	27.21
19	36433159	U6630900, U6634900	UPPER WAND/HOSE HOLDER	2.59
20		U6630900, U6634900	PART NOT AVAILABLE	N.A.
21	47823006	U6630900, U6634900	EDF MICRO/DUST ASSEMBLY	4.86
22	37257269	U6630900, U6634900	TOOL DOOR - CLEAR	8.49
23	40110006	U6630900, U6634900	FINAL FILTER - 2 PACK	3.49 NON DISC
24	38769009	U6630900, U6634900	FINAL FILTER GRILL - SMOKE TRANSPARENT	6.79
25	38634078	U6630900, U6634900	EXTENSION TUBE - BLACK	6.79
26	21447246	U6630900, U6634900	SCREW - SV 3.125"	1.12
27	38785017	U6630900, U6634900	EXHAUST SEAL - BLACK	1.46
28	36172014	U6630900, U6634900	HOSE RETAINING CLIP - BLACK	1.12
29	40140201	U6630900, U6634900	CARTRIDGE FILTER	16.00 NON DISC
31	36433158	U6630900, U6634900	LOWER WAND/HOSE HOLDER	2.59
32	34131019	U6630900, U6634900	WIRE OPENING PLUG	1.12
33	27313101	U6630900, U6634900	LAMP	2.26
34	47173024	U6630900, U6634900	WIRING HARNESS	N.L.A.
35	21447072	U6630900, U6634900	SCREW	.57



SELF PROPELLED BAGLESS
WINDTUNNEL™

9

PART LISTING / PRICE LIST

ITEM	PART NUMBER	MODELS TO FIT	PART DESCRIPTION	LIST COST
36	46851034	U6630900, U6634900	EDF CIRCUIT BOARD	34.01
37	37246135	U6630900	EDF COVER - ELECTRON BLUE METALLIC	5.31
	92001083	U6634900	EDF COVER - TITANIUM GOLD METALLIC	N.L.A.
38		U6630900, U6634900	SNAP IN LENS - GREEN	N.A.
39	27352030	U6630900, U6634900	SNAP IN LENS - RED	.60
40	39383115	U6630900, U6634900	LENS - CLEAR	2.59
41	21447228	U6630900, U6634900	SCREW - SELF TAPPING	.57
42	36322037	U6630900, U6634900	MOTOR MOUNT - LARGE	2.59
43	91001205	U6630900, U6634900	MOTOR ASSEMBLY	79.37
44	28382093	U6630900, U6634900	THERMAL PROTECTOR	7.58
45	36322030	U6630900, U6634900	MOTOR MOUNT - SMALL	1.12
46	37196155	U6630900, U6634900	MOTOR COVER - DARK CHARCOAL GRAY	9.06
47	21447230	U6630900, U6634900	SCREW - SELF TAPPING	1.12
48	23149001	U6630900	TAPPING SCREW & WASHER	.40
	21447242	U6634900	SCREW - SELF TAPPING	1.12
49	21447266	U6630900, U6634900	SCREW - SELF TAPPING	1.12
50	21447072	U6630900, U6634900	SCREW	.57
51	39442048	U6630900, U6634900	CORD WRAP - MAGNESIUM GRAY	1.14
52	38617031	U6630900, U6634900	CREVICE TOOL - LONG MAGNESIUM GRAY	5.66
53	36215028	U6630900, U6634900	CORD PROTECTOR	1.81
54	38783028	U6630900, U6634900	INLET SEAL - BLACK	4.53
55	36426069	U6630900, U6634900	PRE-FILTER ASSEMBLY - BLACK	9.52
56	38411013	U6630900, U6634900	KNOB - CARTRIDGE FILTER - DEEP SAND	2.03
57	37249011	U6630900, U6634900	DIRT CUP LID - DARK CHARCOAL GRAY	4.53
58	39511004	U6630900, U6634900	LITTER PICKER	2.26
59	92001084	U6630900, U6634900	PRE-FILTER BRUSH HOLDER	1.12
60	39457021	U6630900	DIRT CUP HANDLE COVER - ELECTRON BLUE	4.86
	92001085	U6634900	DIRT CUP HANDLE COVER - TITANIUM GOLD	N.L.A.
61	21447043	U6630900, U6634900	SCREW	.57
62	39457022	U6630900, U6634900	DIRT CUP HANDLE BACK - DARK CHARCOAL	3.39
63	46383334	U6630900, U6634900	POWER CORD - 35'	15.87
64	37259017	U6630900, U6634900	MUFFLER / WIRE COVER	5.66
65	39512023	U6630900, U6634900	EXPULSION BLADE	1.12

MODEL No.

U6630-900

U6634-900



SELF PROPELLED BAGLESS
WINDTUNNEL™

9

MODEL No.

U6630-900
 U6634-900

ITEM	PART NUMBER	MODELS TO FIT	PART DESCRIPTION	LIST COST
66	38567035	U6630900, U6634900	LATCH COVER - ELECTRON BLUE	7.48
67	37255015	U6630900, U6634900	REAR MUFFLER COVER	1.46
68	38781061	U6630900, U6634900	GASKET - 35"	N.L.A.
69	37258145	U6630900, U6634900	LATCH COVER SHROUD - ELECTRON BLUE	N.L.A.
70	36155013	U6630900, U6634900	LATCH SLEEVE - DARK CHARCOAL GRAY	1.12
71	92001088	U6630900, U6634900	LID LATCH CAM - BLACK	1.12
72	37258146	U6630900, U6634900	CAM SLOT CAP - ELECTRON BLUE	1.46
73	38775084	U6630900, U6634900	DIRT CUP - SMOKE TRANSPARENT LIGHT	34.01
74	37259018	U6630900, U6634900	CABLE COVER - DARK CHARCOAL GRAY	1.12
	27618508	U6630900, 6634900	WIRE CONNECTOR	1.12
	38614044	U6630900, U6634900	FURNITURE NOZZLE	5.66
	43414197	U6630900, U6634900	DUSTING BRUSH ASSEMBLY - BLACK	2.68
	40200013	U6630900	TURBINE HAND TOOL	9.95 <small>NON DISC</small>
	49129032	U6634900	TURBINE HAND TOOL	14.62



SELF PROPELLED BAGLESS **WINDTUNNEL™**

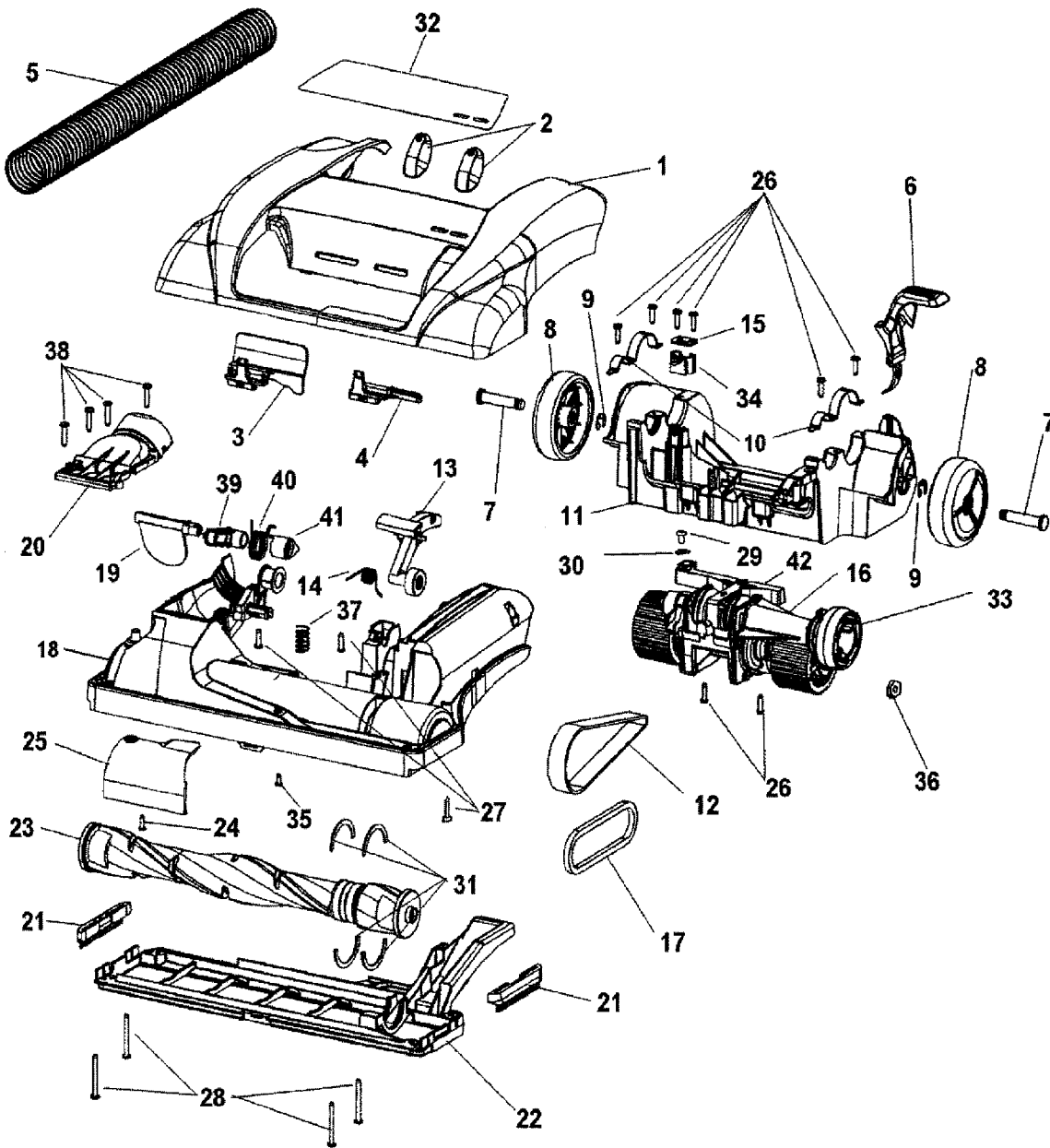
9

ASSEMBLY SCHEMATIC

MODEL NO.

U6630-900

U6634-900





SELF PROPELLED BAGLESS
WINDTUNNEL™

9

PART LISTING / PRICE LIST

MODEL No.

U6630-900
 U6634-900

ITEM	PART NUMBER	MODELS TO FIT	PART DESCRIPTION	LIST COST
1	92001080	U6630900	HOOD - TITANIUM GOLD METALLIC	13.03
	37253365	U6634900	HOOD - ELECTRON BLUE METALLIC	21.54
2	38421099	U6630900, U6634900	ADJUSTMENT KNOB - DARK CHARCOAL GRAY	2.59
3	38563026	U6630900, U6634900	NOZZLE ADJUSTMENT CAM - BLACK	2.26
4	36143004	U6630900, U6634900	IDLER ARM LOCK	1.48
5	38671022	U6630900, U6634900	LOWER HOSE	7.93
6	38434023	U6630900, U6634900	HANDLE RELEASE PEDAL - BLACK	1.98
7	32434007	U6630900, U6634900	REAR AXEL	1.12
8	38522077	U6630900, U6634900	REAR WHEEL	2.26
9	160017--	U6630900, U6634900	LOCK RING	.58
10	36131096	U6630900, U6634900	TRUNNION COVER - ZINC/PHOSPHATE	1.12
11	37241164	U6630900, U6634900	MAIN BODY - DARK CHARCOAL GRAY	9.06
12	38528035	U6630900, U6634900	FLAT BELT	1.39 NON DISC
13	43241004	U6630900, U6634900	IDLER ARM ASSEMBLY ORDER 43241003 AND 51619006	N.L.A.
	43241003	U6630900, U6634900	IDLER ARM ASSEMBLY	6.09
	51619006	U6630900, U6634900	LABEL - ON/OFF BRUSH ROLL	.53
13	43241006	U6630900, U6634900	IDLER PULLEY & BEARING ASSEMBLY	9.19
14	38356014	U6630900, U6634900	TORSION SPRING	1.12
15	34125004	U6630900, U6634900	RETAINER - CONTROL CAB POWER DRIVE	1.12
16	43124016	U6630900, U6634900	POWER DRIVE ASSEMBLY	124.73
17	38528034	U6630900, U6634900	V - BELT	1.50 NON DISC
18	37243042	U6630900, U6634900	AGITATOR HOUSING W/FURNITURE GUARD	34.01
19	38718013	U6630900, U6634900	VALVE DOOR - BLACK	1.46
20	38715017	U6630900, U6634900	VALVE COVER - TRANSPARENT LIGHT GRAY	3.39
21	39511004	U6630900, U6634900	LITTER PICKER	2.26
22	42245030	U6630900, U6634900	BOTTOM PLATE / NOZZLE GUARD	18.62
23	91001201	U6630900, U6634900	AGITATOR / BRUSH ROLL ASSEMBLY	24.37
24	21479446	U6630900, U6634900	SCREW - SELF TAPPING	.57
25	37243013	U6630900, U6634900	DUCT COVER NOZZLE - TRANSPARENT GRAY	3.16
26	21447242	U6630900, U6634900	SCREW - SELF TAPPING	1.12
27	21447228	U6630900, U6634900	SCREW - SELF TAPPING	.57
28	21447121	U6630900, U6634900	SCREW - SELF TAPPING	.57
29	21751010	U6630900, U6634900	SCREW	.57
30	36128002	U6630900, U6634900	WASHER	.58
31	38781053	U6630900, U6634900	AGITATOR PULLEY SEAL	.93



SELF PROPELLED BAGLESS
WINDTUNNEL™

9

PART LISTING / PRICE LIST

ITEM	PART NUMBER	MODELS TO FIT	PART DESCRIPTION	LIST COST
32	51438015	U6630900, U6634900	HOOD NAME PLATE	N.L.A.
33	38537013	U6630900, U6634900	DRIVE PULLEY	4.53
34	36131101	U6630900, U6634900	CONTROL CABLE SUPPORT	2.26
35	21447263	U6630900, U6634900	SCREW	.57
36	160031--	U6630900, U6634900	NUT	.53
37	38313037	U6630900, U6634900	NOZZLE SPRING	N.L.A.
38	017001FW	U6630900, U6634900	SCREW - SELF TAPPING	1.12
39	38719049	U6630900, U6634900	VALVE ARM FRONT - BLACK	1.12
40	38358001	U6630900, U6634900	TORSION SPRING - VALVE ARM	1.12
41	38719048	U6630900, U6634900	VALVE ARM REAR - BLACK	1.12
42	43143046	U6630900, U6634900	ACTUATOR ARM ASSEMBLY	3.16

MODEL No.

U6630-900

U6634-900



SELF PROPELLED BAGLESS
WINDTUNNEL™

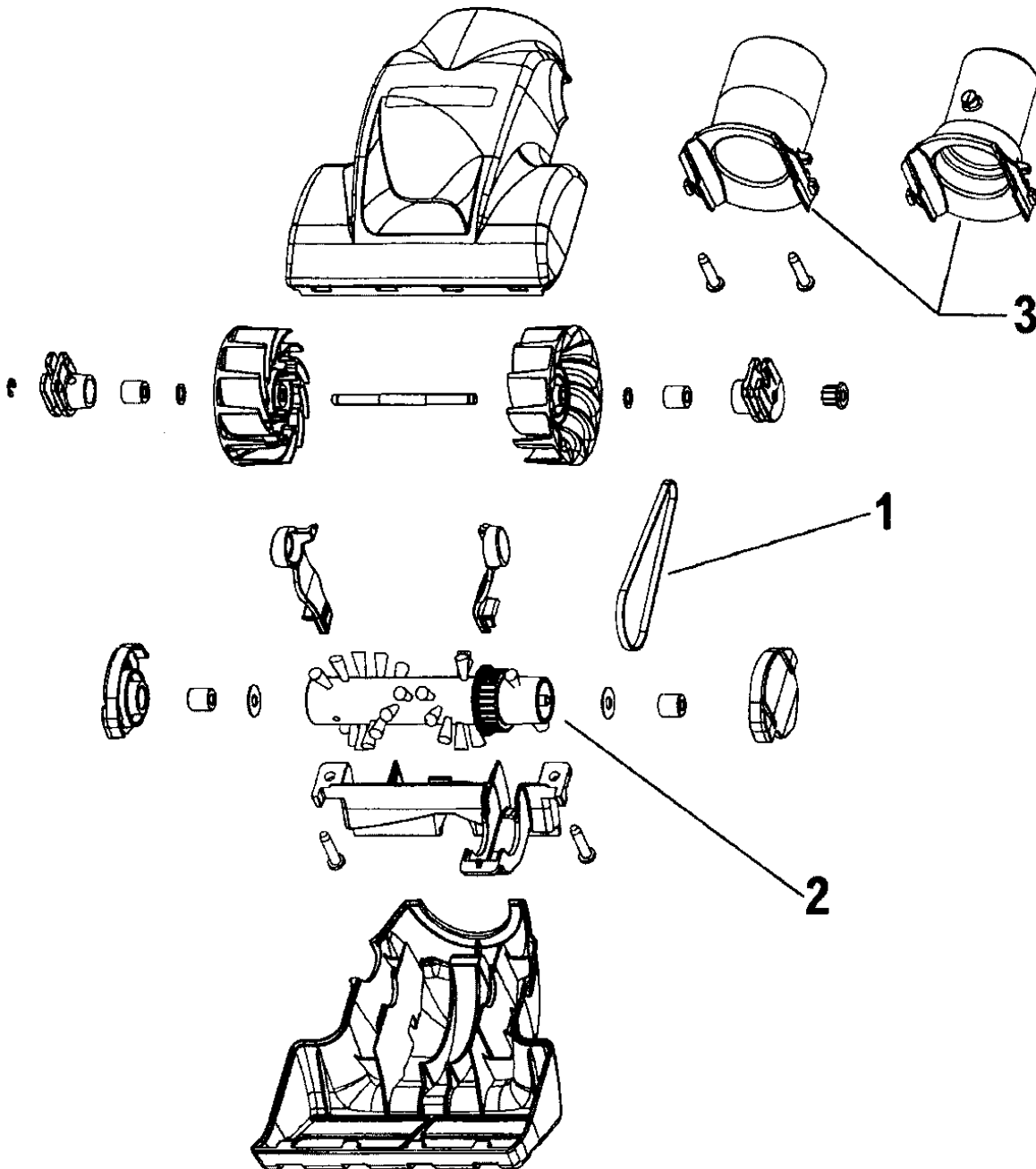
9

ASSEMBLY SCHEMATIC

MODEL NO.

U6630-900

U6634-900





SELF PROPELLED BAGLESS
WINDTUNNEL™

9

PART LISTING / PRICE LIST

ITEM	PART NUMBER	MODELS TO FIT	PART DESCRIPTION	LIST COST
1	38528037	U6630900, U6634900	BELT	5.24
2	48414088	U6630900, U6634900	AGITATOR / BRUSH ROLL	18.13
3	38632013	U6630900, U6634900	CONNECTOR	.69
	40200013	U6630900	TURBINE HAND TOOL	9.95 <small>NON DISC</small>
	49129032	U6634900	TURBINE HAND TOOL	14.62

MODEL No.

U6630-900

U6634-900