



SELF PROPELLED
WINDTUNNEL™

WindTunnel™
SELF-PROPELLED

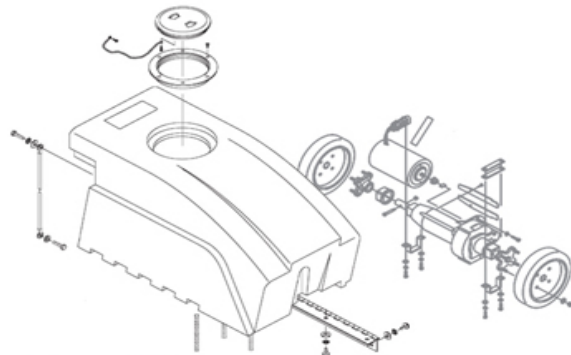
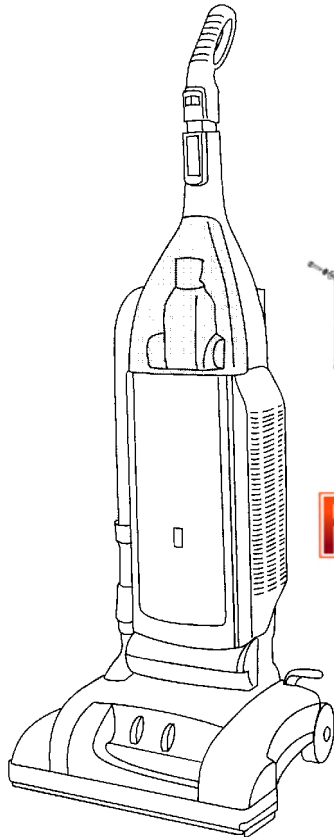
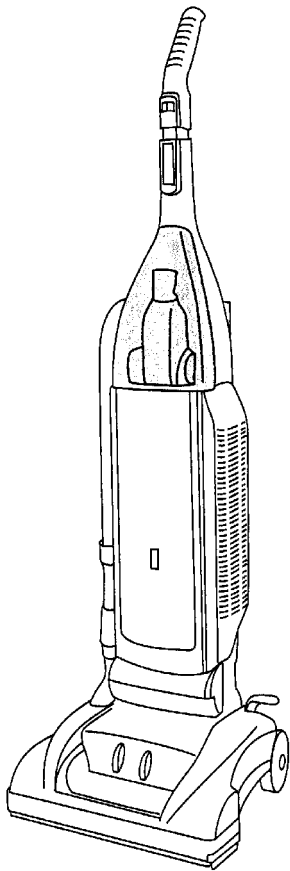
8

SECTION CONTENTS

<u>MODEL No.</u>	<u>PAGE No.</u>
U6439-900	8-2 THRU 8-10
U6454-900	8-2 THRU 8-10
U6485-900	8-2 THRU 8-10
UH50000	8-2 THRU 8-10
UH50005B	8-2 THRU 8-10

MODEL No.

U6439-900
U6454-900
U6485-900
UH50000
UH50005B



FLOOREQUIPMENTPARTS.COM

- * PRICING, SPECIFICATION'S, AND PRODUCT AVAILABILITY ARE SUBJECT TO CHANGE WITHOUT NOTICE. PRICING IS FOB FACTORY, CANTON, OH
- * ALL INFORMATION CONTAINED WITHIN THIS SERVICE MANUAL IS PROPRIETARY INFORMATION OF TTI FLOOR CARE NORTH AMERICA.
- * **WARNING:** TO REDUCE THE RISK OF ELECTRICAL SHOCK OR INJURY, ALWAYS DISCONNECT THE APPLIANCE CORD FROM THE ELECTRICAL OUTLET OR REMOVE BATTERY PRIOR TO SERVICING THE UNIT.

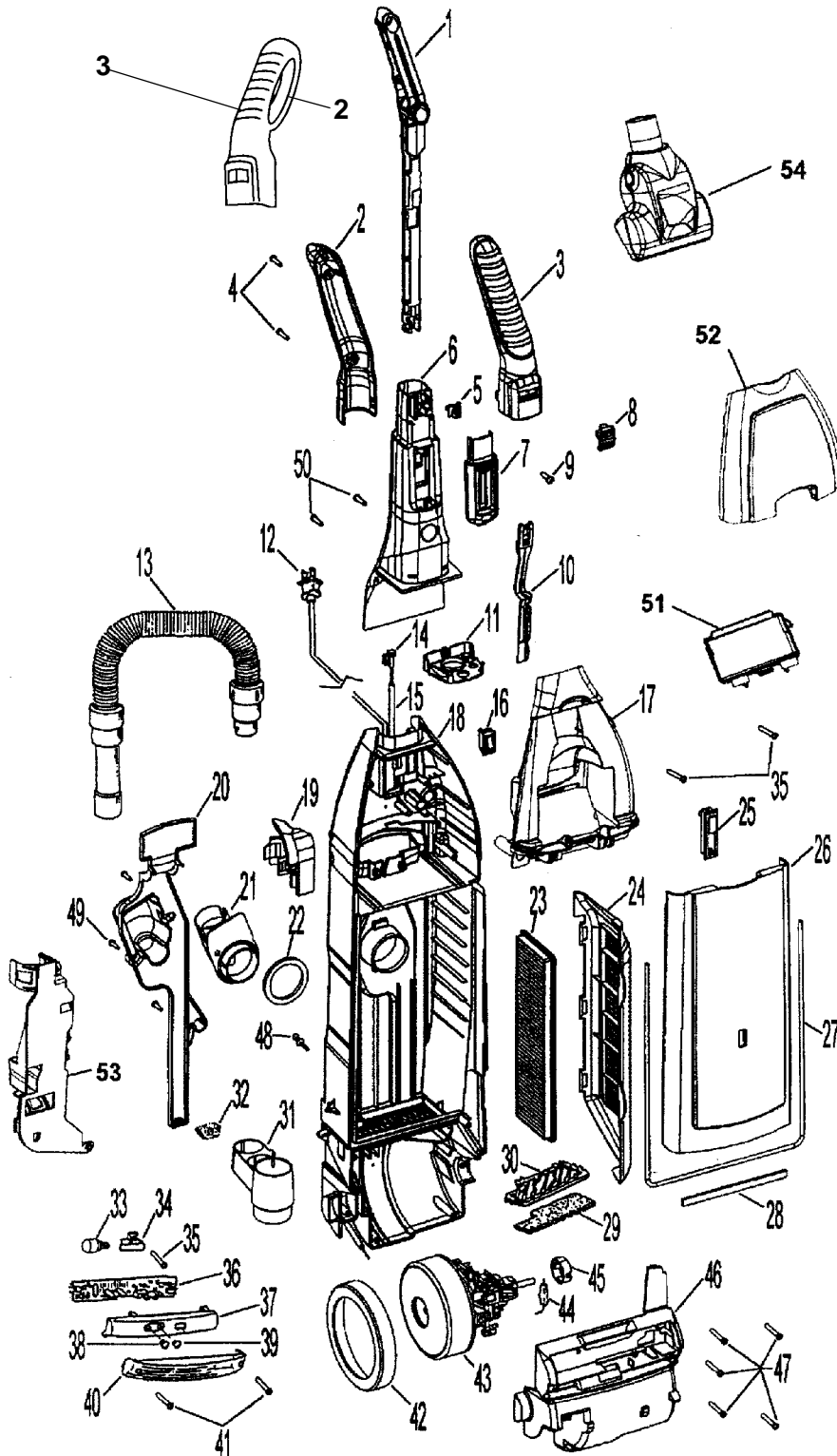


SELF PROPELLED
WINDTUNNEL™

WindTunnel™
SELF-PROPELLED

8

ASSEMBLY SCHEMATIC



MODEL NO.

U6439-900
U6454-900
U6485-900
UH50000
UH50005B



SELF PROPELLED
WINDTUNNEL™

WindTunnel™
 SELF-PROPELLED

8

PART LISTING / PRICE LIST

ITEM	PART NUMBER	MODELS TO FIT	PART DESCRIPTION	LIST COST
1	38512001	ALL	UPPER HANDLE GRIP	3.39
2	39454068	U6439900, U6454900	UPPER HANDLE GRIP COVER - BACK	3.39
	39454085	U6485900, UH50000, UH50005B	HANDLE GRIP COVER D SHAPE- BACK	1.52
3	39454084	ALL	UPPER HANDLE GRIP COVER - FRONT	3.64
4	21447228	ALL	SCREW - SELF TAPPING	.57
5	36142002	ALL	DRIVE CONTROL PIN - NASSAU BLUE	1.12
6	39466093	U6439900, U6454900	UPPER HANDLE - DARK CHARCOAL GRAY	9.17
	39466133	U6485900, UH50000, UH50005B	UPPER HANDLE	9.17
7	37258119	ALL	SWITCH ROD HOLDER	.89
8	92001082	ALL	SWITCH BUTTON - GRAPHITE GRAY	.57
9	21447242	ALL	SCREW - SELF TAPPING	1.12
10	38458091	ALL	SWITCH ROD	.87
11	36923003	U6439900, U6454900	SWITCH ROD GUIDE - DK CHARCOAL GRAY	2.26
	36923018	U6485900, UH50000, UH50005B	SWITCH ROD GUIDE	.87
12	46383334	U6439900, U6454900	POWER CORD - 35'	15.87
13	43434031	ALL	HOSE ASSEMBLY COMPLETE	19.83
	43434042	ALL	EXTRA HOSE ASSEMBLY 20'	34.01
14	43211019	ALL	CONTROL CABLE - PUSH / PULL	3.78
15	66661205	ALL	CONTROL CABLE TUBE	3.39
16	28161067	ALL	SWITCH	2.63
17	36433153	ALL	TOOL HOLDER - DARK CHARCOAL GRAY	7.48
18	37255028	ALL	BACK PANEL / BAG HOUSING - DARK CHARCOAL GRAY	34.01
19	36433136	ALL	UPPER HOSE / WAND HOLDER	2.59
20	37255010	ALL	REAR COVER - DARK CHARCOAL GRAY	3.73
21	47823004	U6439900, U6454900, U6485900, UH50005B	MICROPHONE / DUCT ASSEMBLY	9.06
	38641008	UH50000	DUCT ASSEMBLY - DARK CHARCOAL GRAY	2.59
22	31178017	ALL	HOSE CONNECTOR GASKET	1.12
23	40120101	U6439900, U6454900	HEPA FINAL / EXHAUST FILTER - 1 PACK	8.34 NON DISC
	40110006	ALL	FINAL / EXHAUST FILTER - 2 PACK	3.49 NON DISC
	38766037	U6485900, UH50000, UH50005B	FINAL / EXHAUST FILTER - 1 LAYER	PENDING

MODEL No.

U6439-900
 U6454-900
 U6485-900
 UH50000
 UH50005B



SELF PROPELLED
WINDTUNNEL™

WindTunnel™
SELF-PROPELLED

8

PART LISTING / PRICE LIST

ITEM	PART NUMBER	MODELS TO FIT	PART DESCRIPTION	LIST COST
24	38769004	U6439900, U6454900	FINAL / EXHAUST FILTER COVER GRILL	4.53
	38769037	U6485900, UH50000, UH50005B	FINAL / EXHAUST FILTER COVER GRILL	4.04
25	51151010	ALL	BAG INDICATOR	6.79
26	37254292	U6439900, U6454900	FRONT PANEL / BAG DOOR - GRAY	34.01
	37254284	U6485900	FRONT PANEL / BAG DOOR - TECHNO BLUE	29.52
	37254295	UH50000, UH50005B	FRONT PANEL / BAG DOOR - ALUM ALLOY	25.48
27	38781057	ALL	FRONT BAG DOOR GASKET - 34.5"	1.46
28	34123050	ALL	FRONT BAG DOOR GASKET - BOTTOM	1.12
29	38765019	ALL	SECONDARY / INLET FILTER	3.44
30	36426034	ALL	SECONDARY / INLET FILTER RETAINER	1.46
31	41426150	ALL	WAND / HOSE HOLDER	4.86
32	34131005	ALL	WIRE OPENING SEAL	1.12
33	27313101	ALL	BULB	2.26
34	47173024	ALL	WIRING HARNESS	N.L.A.
35	21447072	ALL	SCREW	.57
36	46851083	ALL	PRINTED CURCUIT BOARD	9.44
37	37944011	U6439900, U6454900	EDF COVER - DARK CHARCOAL	5.31
	37944034	U6485900, UH50005B	EDF COVER - DARK CHARCOAL	2.96
	37944036	UH50000	BLANK EDF COVER - DARK CHARCOAL	1.41
38		U6439900, U6454900, U6485900, UH50005B	GREEN LENS - SNAP IN	N.A.
39	27352030	U6439900, U6454900, U6485900, UH50005B	RED LENS - SNAP IN	.60
40	39383100	ALL	LENS	2.59
41	21447228	ALL	SCREW - SELF TAPPING	.57
42	36322037	ALL	MOTOR MOUNT - LARGE	2.59
43	91001205	ALL	MOTOR ASSEMBLY COMPLETE	79.37
	41311017	ALL	MOTOR BRUSH	4.86
	90001206	ALL	FAN ASSEMBLY	3.39
44	28382093	ALL	THERMAL PROTECTOR	7.58
45	36322030	ALL	MOTOR MOUNT - SMALL	1.12
46	37195107	ALL	MOTOR COVER	9.06
47	21447230	ALL	SCREW - SELF TAPPING	1.12
48	23149001	ALL	TAPPING SCREW AND WASHER	.40
49	21447242	ALL	SCREW - SELF TAPPING	1.12
50	21447072	ALL	SCREW	.57

MODEL No.

U6439-900
U6454-900
U6485-900
UH50000
UH50005B



SELF PROPELLED
WINDTUNNEL™

WindTunnel™
SELF-PROPELLED

8

PART LISTING / PRICE LIST

ITEM	PART NUMBER	MODELS To FIT	PART DESCRIPTION	LIST COST
51	36433155	ALL	TOOL HOLDER CAP - DARK CHARCOAL GRAY	5.66
52	37257250	ALL	TOOL DOOR	6.79
53	36433154	ALL	TOOL RACK - DARK CHARCOAL GRAY	7.48
54	40200013	ALL	TURBINE TOOL	9.95 NON DISC
	36436014	ALL	HANDLE SLEEVE	2.03
	36215028	ALL	CORD PROTECTOR	1.81
	4010100Y	ALL	TYPE Y ALLERGY BAG - 3 PACK	3.62 NON DISC
	4010801Y	ALL	TYPE Y HEPA BAG - 2 PACK	3.49 NON DISC
	39442048	ALL	CORD WRAP - MAGNESIUM GRAY	1.14
	38614044	ALL	FURNITURE NOZZLE - GRAPHITE GRAY	5.66
	38614045	ALL	FURNITURE NOZZLE - BLACK	PENDING
	38617033	ALL	CREVICE TOOL - SHORT	3.39
	38617031	ALL	CREVICE TOOL - LONG GRAPHITE GRAY	5.66
	38634078	ALL	EXTENSION TUBE	6.79
	43414197	ALL	DUSTING BRUSH ASSEMBLY - BLACK	2.68

MODEL No.

U6439-900
U6454-900
U6485-900
UH50000
UH50005B

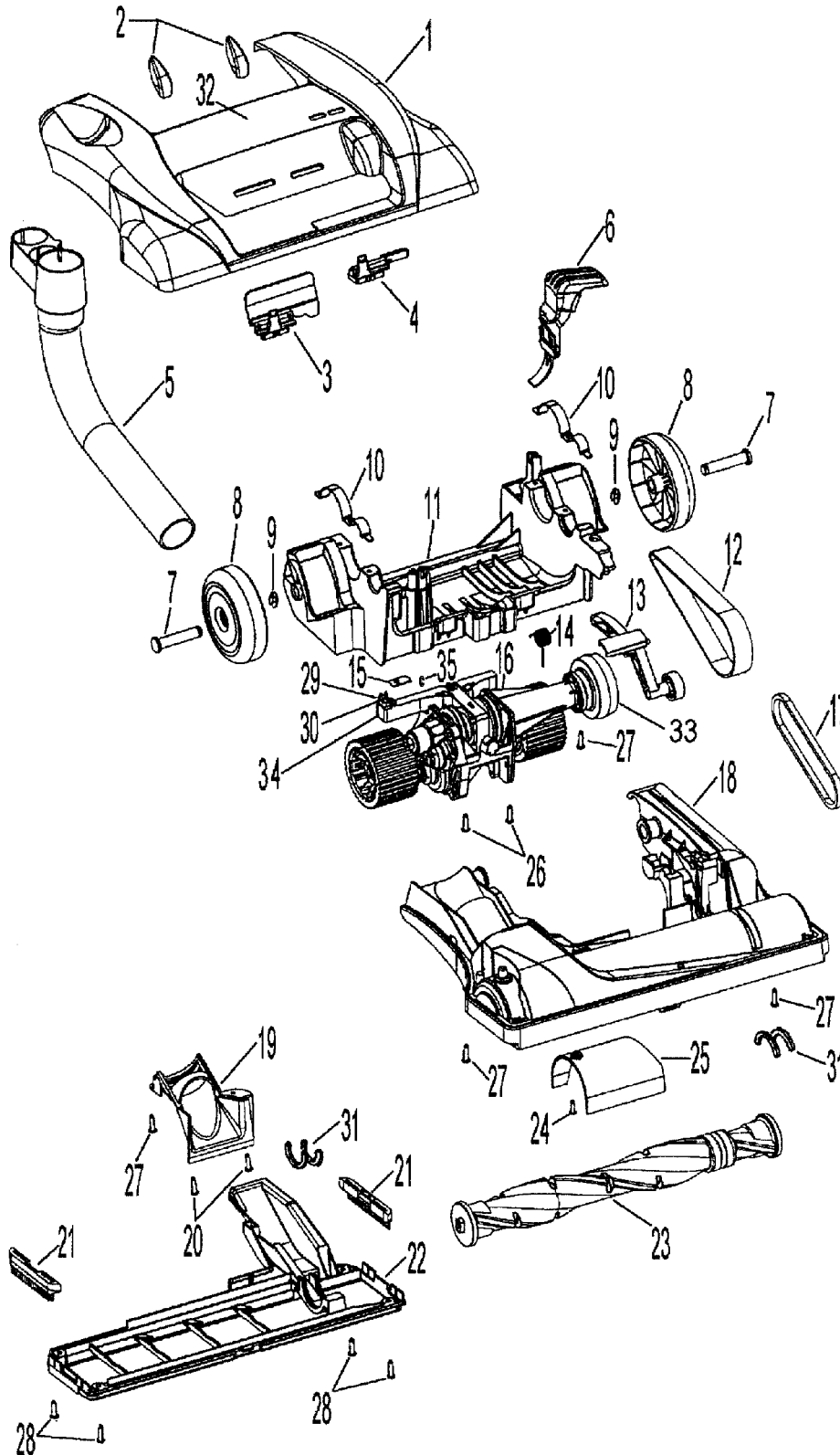


SELF PROPELLED
WINDTUNNEL™

WindTunnel™
SELF-PROPELLED

8

ASSEMBLY SCHEMATIC



MODEL No.

U6439-900
U6454-900
U6485-900
UH50000
UH50005B



SELF PROPELLED
WINDTUNNEL™

WindTunnel™
 SELF-PROPELLED

8

PART LISTING / PRICE LIST

MODEL No.

U6439-900
 U6454-900
 U6485-900
 UH50000
 UH50005B

ITEM	PART NUMBER	MODELS TO FIT	PART DESCRIPTION	LIST COST
1	37253380	U6439900	HOOD / NOZZLE COVER - GRAY	21.54
	92001249	U6454900	HOOD / NOZZLE COVER - ICE BLUE	17.00
	42252B77	U6485900	HOOD / NOZZLE COVER - TECHNO BLUE	PENDING
	42252B79	UH50000, UH50005B	HOOD / NOZZLE COVER - ALUMINUM ALLOY	PENDING
2	38421128	U6439900, U6454900	AJUSTMENT KNOB - BLACK	PENDING
	38421099	U6485900, UH50000, UH50005B	AJUSTMENT KNOB - DARK CHARCOAL GRAY	2.59
3	38563026	ALL	HEIGHT ADJUSTMENT CAM	2.26
4	36143004	ALL	IDLER ARM	1.48
5	41426150	ALL	WAND / HOSE HOLDER	4.86
6	38434023	ALL	HANDLE RELEASE PEDAL - BLACK	1.98
7	32434007	ALL	REAR AXLE	1.12
8	38522077	U6439900, U6454900	REAR WHEEL	2.26
	43247033	ALL	REAR WHEEL ASSEMBLY - SOFT TREAD	6.82
9	160017--	ALL	LOCK RING	.58
10	36131096	ALL	TRUNNION COVER	1.12
11	37241161	ALL	MAIN BODY / NOZZLE BASE - DARK CHARCOAL GRAY	10.20
12	38528035	ALL	FLAT BELT	1.39 NON DISC
13	43241003	ALL	IDLER ARM ASSEMBLY	6.09
	43241006	U6439900, U6454900	IDLER PULLEY AND BEARING ASSEMBLY	9.19
14	38356014	ALL	TORSION SPRING	1.12
15	34125004	ALL	RETAINER CONTROL CABLE	1.12
	21447242	ALL	SCREW - SELF TAPPING	1.12
16	43124016	ALL	POWER DRIVE ASSEMBLY	124.73
	43143046	ALL	ACTUATOR ARM ASSEMBLY	3.16
17	38528034	ALL	V - BELT	1.50 NON DISC
18	37243051	ALL	AGITATOR / BRUSH ROLL HOUSING - TRANSPARENT GRAY LIGHT	34.01
19	36172007	ALL	HOSE CLAMP	1.46
20	21479448	ALL	SCREW - SELF TAPPING	.57
21	39511004	ALL	LITTLE PICKER / EDGE GROOMER - RED	2.26
	39511018	ALL	LITTLE PICKER / EDGE GROOMER - BLACK	2.26
22	42245030	ALL	BOTTOM PLATE / NOZZLE GUARD	18.62
23	91001201 (48414144)	ALL	AGITATOR / BRUSH ROLL	24.37
24	21479446	ALL	SCREW - SELF TAPPING	.57



SELF PROPELLED
WINDTUNNEL™

WindTunnel™
 SELF-PROPELLED

8

PART LISTING / PRICE LIST

ITEM	PART NUMBER	MODELS TO FIT	PART DESCRIPTION	LIST COST
25	37243013	ALL	DUCT COVER - NOZZLE	3.16
26	21447242	ALL	SCREW - SELF TAPPING	1.12
27	21447228	ALL	SCREW - SELF TAPPING	.57
28	21447121	ALL	SCREW	.57
29	21751010	ALL	SCREW	.57
30	36128002	ALL	WASHER	.58
31	38781053	ALL	AGITATOR PULLEY SEAL	.93
32	91001077	U6439900, U6454900	HOOD / NOZZLE COVER - NAME PLATE	4.07
	51438034	U6485900, UH50000, UH50005B	HOOD / NOZZLE COVER - NAME PLATE	1.72
33	38537013	ALL	DRIVE PULLEY	4.53
34	43143046	ALL	ACTUATOR ARM ASSEMBLY	3.16
35	013759--	ALL	LOCK RING	.57
	36131101	ALL	CONTROL CABLE SUPPORT	2.26
	38313037	ALL	NOZZLE SPRING	N.L.A.

MODEL No.

U6439-900
 U6454-900
 U6485-900
 UH50000
 UH50005B



SELF PROPELLED
WINDTUNNEL™

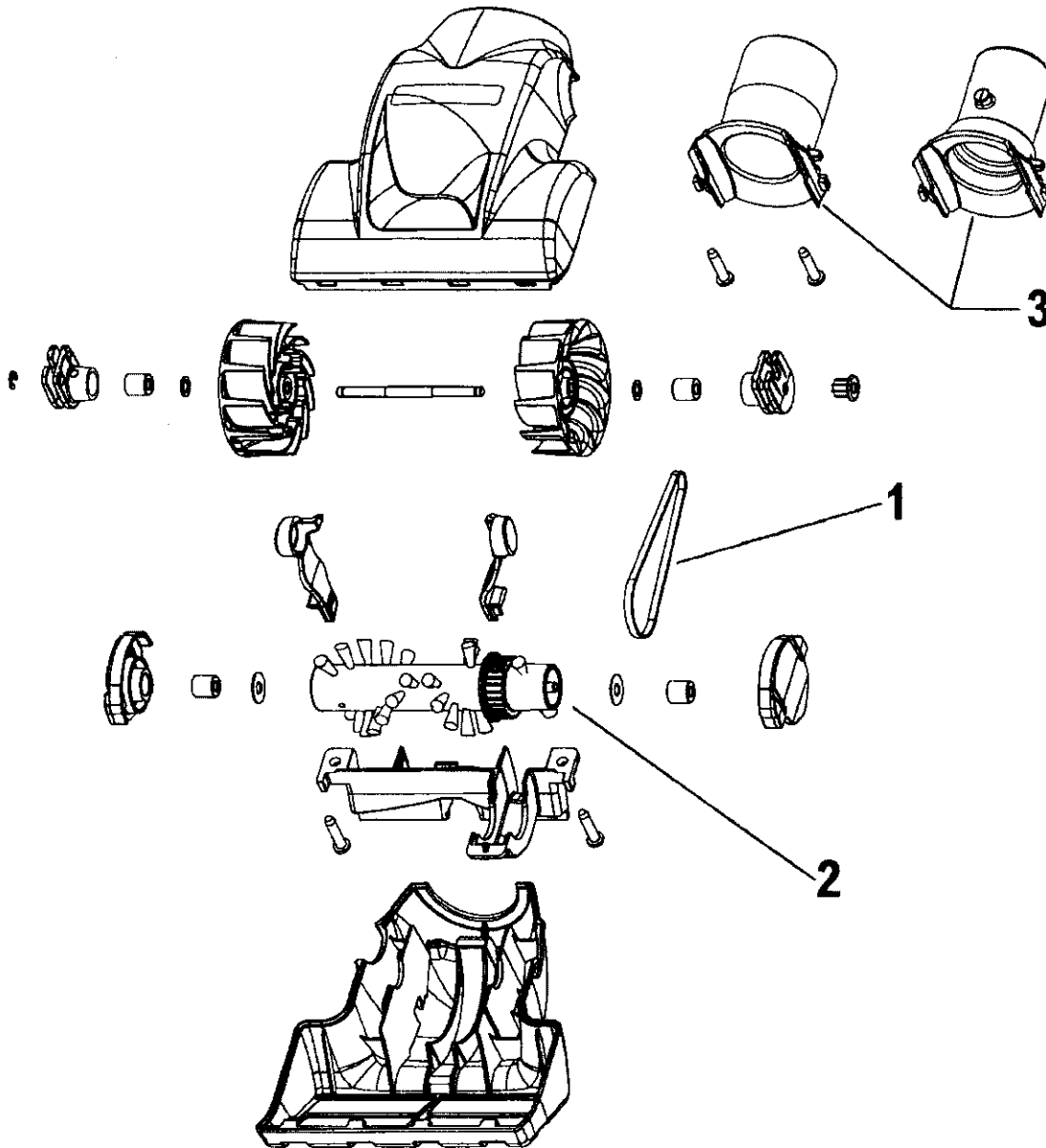
WindTunnel™
SELF-PROPELLED

8

ASSEMBLY SCHEMATIC

MODEL NO.

U6439-900
U6454-900
U6485-900
UH50000
UH50005B





SELF PROPELLED
WINDTUNNEL™

WindTunnel™
SELF-PROPELLED

8

PART LISTING / PRICE LIST

ITEM	PART NUMBER	MODELS TO FIT	PART DESCRIPTION	LIST COST
1	38528037	ALL	BELT	5.24
2	48414088	ALL	AGITATOR / BRUSH ROLL	18.13
3	38632013	ALL	CONNECTOR - TURBINE TOOL	.69
	40200013	U6439900	TURBINE HAND TOOL	9.95 <small>NON DISC</small>
	49129032	U6454900	TURBINE HAND TOOL	14.62
	49129044	ALL	TURBINE HAND TOOL ORDER 49129032	N.A.

MODEL No.

U6439-900
U6454-900
U6485-900
UH50000
UH50005B