



WINDTUNNEL™ BAGLESS

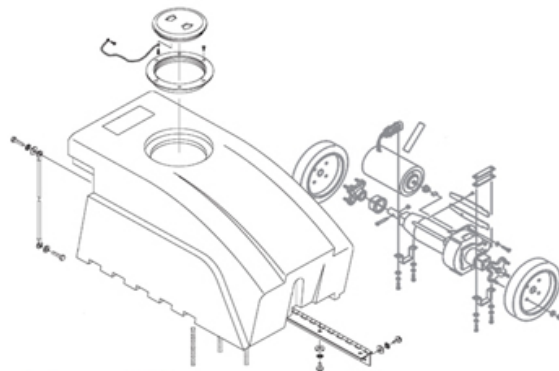
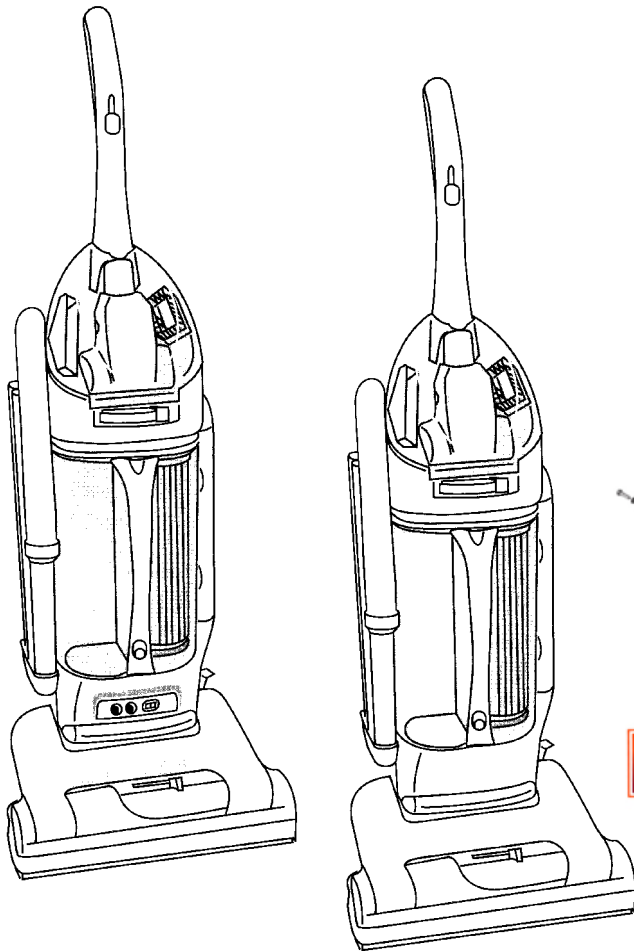
7

SECTION CONTENTS

<u>MODEL No.</u>	<u>PAGE No.</u>
U5753-900	7-2 THRU 7-6
U5760-900	7-2 THRU 7-6
U5786-900	7-2 THRU 7-6
UH40125	7-2 THRU 7-6
U5762-900	7-7 THRU 7-11
UH40020	7-7 THRU 7-11
UH40065	7-7 THRU 7-11
UH40145B	7-7 THRU 7-11

MODEL No.

U5753-900
U5760-900
U5762-900
U5786-900
UH40020
UH40065
UH40125
UH40145B



FLOOREQUIPMENTPARTS.COM

* PRICING, SPECIFICATION'S, AND PRODUCT AVAILABILITY ARE SUBJECT TO CHANGE WITHOUT NOTICE. PRICING IS FOB FACTORY, CANTON, OH

* ALL INFORMATION CONTAINED WITHIN THIS SERVICE MANUAL IS PROPRIETARY INFORMATION OF TTI FLOOR CARE NORTH AMERICA.

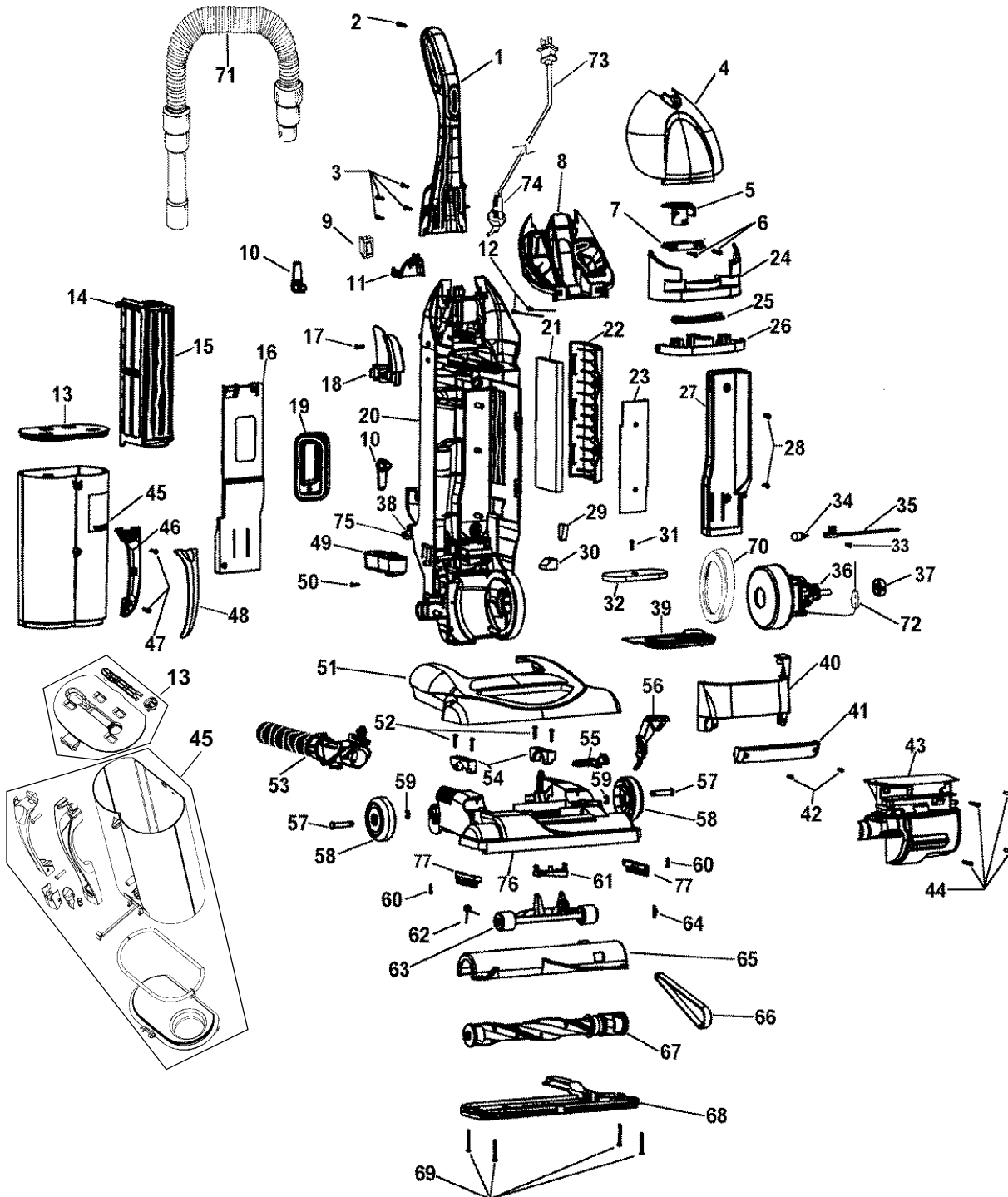
* **WARNING:** TO REDUCE THE RISK OF ELECTRICAL SHOCK OR INJURY, ALWAYS DISCONNECT THE APPLIANCE CORD FROM THE ELECTRICAL OUTLET OR REMOVE BATTERY PRIOR TO SERVICING THE UNIT.



WINDTUNNEL™ BAGLESS

7

ASSEMBLY SCHEMATIC



MODEL NO.

U5762-900

UH40020

UH40065

UH40145B



WINDTUNNEL™ BAGLESS

7

PART LISTING / PRICE LIST

ITEM	PART NUMBER	MODELS TO FIT	PART DESCRIPTION	LIST COST
1	39466088	ALL	UPPER HANDLE ASSEMBLY - DARK CHARCOAL GRAY	9.06
2	21447236	ALL	SCREW	1.12
3	21447072	ALL	SCREW	.57
4	37257263	U5762-900	TOOL DOOR WITH LOGO	9.06
	37257305	ALL	TOOL DOOR WITH LOGO	5.44
5	92001088	ALL	DIRT CUP LID LATCH - BLACK	1.12
6	21447242	ALL	SCREW - SELF TAPPING	1.12
7	36155013	ALL	DIRT CUP LID LATCH HOLDER - DARK CHARCOAL GRAY	1.12
8	36433149	U5762-900	TOOL HOLDER	4.17
	36433146	ALL	TOOL HOLDER - DARK CHARCOAL GRAY	9.74
9	28161067	ALL	SWITCH	2.63
10	39442048	ALL	CORD WRAP - MAGNESIUM GRAY	1.14
11	36923004	ALL	SWITCH SUPPORT - DARK CHARCOAL GRAY	2.26
12	21447246	ALL	SCREW	1.12
13	37249042	U5762-900	DIRT CUP LID - DARK CHARCOAL GRAY	6.20
	42249015	UH40020, UH40125, UH40145B	DIRT CUP LID ASSEMBLY	4.06
14	92001025	U5762-900	PRE-FILTER SUPPORT ASSEMBLY	7.93
	36426099	UH40020, UH40125, UH40145B	PRE-FILTER SUPPORT ASSEMBLY	6.07
15	40140201	ALL	CARTRIDGE FILTER	16.00 NON DISC
16	37258121	ALL	WIRE CHANNEL COVER - DARK CHARCOAL GRAY	4.86
17	21447242	ALL	SCREW - SELF TAPPING	1.12
18	36433148	ALL	UPPER WAND/HOSE HOLDER - DARK CHARCOAL GRAY	3.16
19	38783027	ALL	DIRT CUP INLET SEAL - BLACK	4.53
20	42259027	ALL	BACK HOUSING ASSEMBLY - DARK CHARCOAL GRAY	40.24
	37255015	ALL	REAR MUFFLER COVER - DARK CHARCOAL GRAY	1.46
21	40110006	ALL	FINAL / EXHAUST FILTER - 2 PK	3.49 NON DISC
	38766030	ALL	FINAL / EXHAUST FILTER WITH SLIT - 1 EA	4.19
22	37257289	ALL	FINAL / EXHAUST FILTER DOOR - MIST GRAY TRANSPARENT	6.79
23		ALL	FOAM - MUFFLER FILTER	N.A.

MODEL No.

U5762-900
UH40020
UH40065
UH40145B



WINDTUNNEL™ BAGLESS

7

PART LISTING / PRICE LIST

ITEM	PART NUMBER	MODELS TO FIT	PART DESCRIPTION	LIST COST
24	37258166	U5762-900	DIRT CUP LATCH COVER SHROUD - PEWTER METALLIC	5.88
	38258215	UH40020	DIRT CUP LATCH COVER SHROUD - BRONZE	PENDING
	37258218	UH40065	DIRT CUP LATCH COVER SHROUD - EASY BLUE	PENDING
	37258224	UH40145B	DIRT CUP LATCH COVER SHROUD - RED	PENDING
25	37258206	ALL	CAM SLOT CAP - SILVER	PENDING
26	38567062	ALL	DIRT CUP LATCH COVER	2.57
27	37259016	ALL	MUFFLER FILTER COVER - DARK CHARCOAL GRAY	4.86
28	21447242	ALL	SCREW - SELF TAPPING	1.12
29	34131009	ALL	WIRE CHANNEL FOAM	1.12
30	34131019	ALL	WIRE OPENING PLUG	1.12
31	21447242	ALL	SCREW - SELF TAPPING	1.12
32	38762008	ALL	SECONDARY / INLET FILTER	2.47
33	21447072	ALL	SCREW	.57
34	27313101	ALL	LAMP - LIGHT BULB	2.26
35	47173027	ALL	WIRING HARNESS	4.53
36	27212057	ALL	MOTOR ASSEMBLY COMPLETE	62.09
	49811079	ALL	LEAD WIRE - WHITE 12 AMP	1.12
37	36322030	ALL	MOTOR MOUNT - SMALL	1.12
38	21447242	ALL	SCREW - SELF TAPPING	1.12
39	43615088	ALL	SECONDARY / INLET FILTER RETAINER	4.53
40	37944023	U5762-900	CIRCUIT BOARD COVER - SILVER QUARTZ	5.31
	37944037	UH40020	CIRCUIT BOARD COVER - BRONZE	PENDING
	37944039	UH40065	CIRCUIT BOARD COVER - EASY BLUE	PENDING
	37944043	UH40145B	CIRCUIT BOARD COVER - RED	PENDING
41	39383107	ALL	LENS	2.59
42	21447228	ALL	SCREW - SELF TAPPING	.57
43	37196160	ALL	MOTOR COVER	9.06
44	21447230	ALL	SCREW - SELF TAPPING	1.12
45	38775077	U5762-900	DIRT CUP	40.81
	42254195	UH40020, UH40065, UH40145B	COMPLETE DIRT CUP ASSEMBLY	42.77
46	39457018	U5762-900	DIRT CUP HANDLE - INNER	3.39
		UH40020, UH40065, UH40145B	DIRT CUP HANDLE - ORDER #45	

MODEL No.

U5762-900
UH40020
UH40065
UH40145B



WINDTUNNEL™ BAGLESS

7

PART LISTING / PRICE LIST

ITEM	PART NUMBER	MODELS To FIT	PART DESCRIPTION	LIST COST
47	21447043	ALL	SCREW - SELF TAPPING	.57
48	39457033	U5762-900	DIRT CUP HANDLE COVER	4.86
		UH40020, UH40065, UH40145B	DIRT CUP HANDLE COVER - ORDER #45	
49	36433147	ALL	LOWER WAND HOLDER - DARK CHARCOAL GRAY	1.69
50	21447242	ALL	SCREW - SELF TAPPING	1.12
51	37253390	U5762-900	HOOD / NOZZLE COVER - BLACK	N.L.A.
	42252B78	UH40020	HOOD / NOZZLE COVER - BRONZE	PENDING
	42252B75	UH40065	HOOD / NOZZLE COVER - EASY BLUE	43.73
	42252B81	UH40145B	HOOD / NOZZLE COVER - RED	PENDING
52	21447072	ALL	SCREW	.57
53	43516010	ALL	LOWER HOSE / VALVE ASSEMBLY	13.60
54	36131094	ALL	TRUNNION COVER	1.12
55	40309004	ALL	HEIGHT ADJUSTMENT LEVER AND CAM	3.16
56	38458043	ALL	HANDLE RELEASE LEVER	2.26
57	32434007	ALL	REAR AXEL	1.12
58	38522077	U5762-900	REAR WHEEL	2.26
	43247033	UH40020, UH40065, UH40145B	REAR WHEEL ASSEMBLY	6.82
59	160017--	ALL	LOCK RING	.58
60	21447228	ALL	SCREW - SELF TAPPING	.57
61	40309004	ALL	HEIGHT ADJUSTMENT LEVER AND CAM	3.16
62	38355010	ALL	TORSION SPRING	1.12
63	43248064	U5762-900	FRONT WHEEL ASSEMBLY COMPLETE	9.06
	43248075	UH40020, UH40065, UH40145B	FRONT WHEEL ASSEMBLY COMPLETE	PENDING
64	013261AY	ALL	RIB SHOES	.57
65	40309026	ALL	BOTTOM PLATE DUCT / NOZZLE GUARD	19.27
66	38528033	ALL	FLAT BELT	1.50 NON DISC
	40201160	ALL	FLAT BELT - 2 PACK	1.50 NON DISC
67	48414115	ALL	AGITATOR / BRUSH ROLL	24.94
	48414132	ALL	AGITATOR / BRUSH ROLL	22.67
68	40309026	ALL	BOTTOM PLATE DUCT / NOZZLE GUARD	19.27
69	21447121	ALL	SCREW	.57
70	36322037	ALL	MOTOR MOUNT - LARGE	2.59
71	43491051	ALL	HOSE ASSEMBLY	13.60
72	28382093	ALL	THERMAL PROTECTOR	7.58

MODEL No.

U5762-900
UH40020
UH40065
UH40145B



WINDTUNNEL™ BAGLESS

7

PART LISTING / PRICE LIST

ITEM	PART NUMBER	MODELS TO FIT	PART DESCRIPTION	LIST COST
73	46383334	ALL	POWER CORD - 35'	15.87
74	36215028	ALL	CORD PROTECTOR	1.81
75	36171035	ALL	HOSE CLAMP	1.12
76	37242135	ALL	MAIN BODY / NOZZLE BASE	15.87
77	39511018	ALL	LITTER PICKER - BLACK	2.26
78	43486010	U5762-900	DIRT DUCT TUBE	9.06
	43486019	UH40020, UH40065, UH40145B	DIRT DUCT TUBE	PENDING
	38614044	U5762-900	FURNITURE NOZZLE - GRAPHITE GRAY	5.66
	92001196	UH40020, UH40065, UH40145B	FURNITURE NOZZLE - BLACK	3.39
	38617031	ALL	CREVICE TOOL - LONG GRAPHITE GRAY	5.66
	38617033	ALL	CREVICE TOOL - SHORT	3.39
	38634078	ALL	EXTENSION TUBE - BLACK	6.79
	43414197	ALL	DUSTING BRUSH ASSEMBLY - BLACK	2.68
	49129032	ALL	TURBINE HAND TOOL	14.62
	43434043	ALL	HOSE ASSEMBLY DELUXE - 20'	43.46
	59156137	UH40145B - ALL	BARE FLOOR BRUSH	12.46
	93001960	ALL	12" HARD FLOOR BRUSH - BLACK	14.16

MODEL No.

U5762-900
UH40020
UH40065
UH40145B



WINDTUNNEL™ BAGLESS

7

NOTES

MODEL NO.

U5753-900

U5760-900

U5762-900

U5786-900

UH40020

UH40065

UH40125

UH40145B