



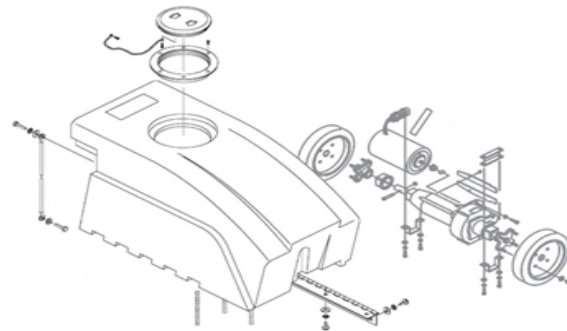
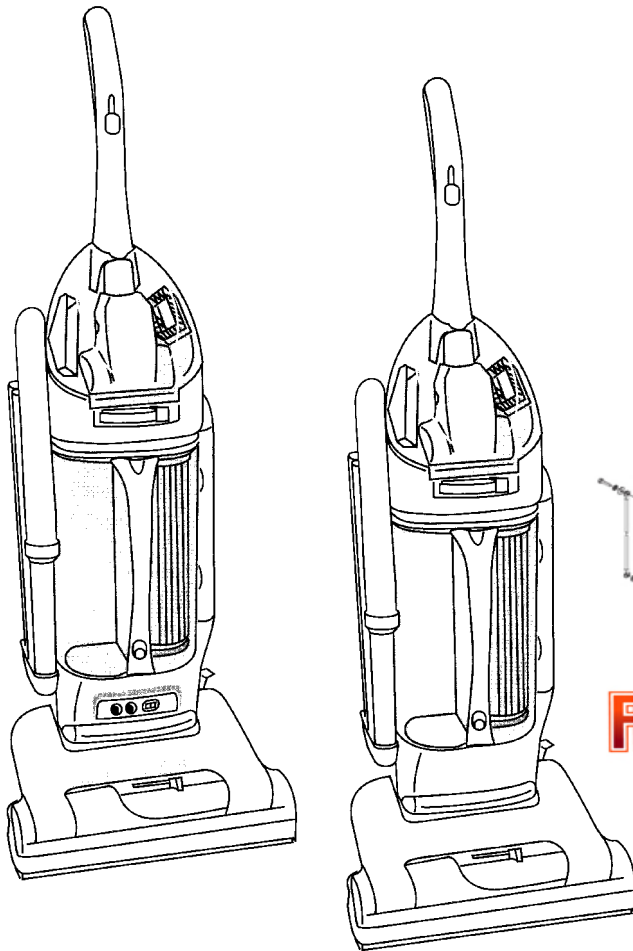
WINDTUNNEL™ BAGLESS

SECTION CONTENTS

<u>MODEL No.</u>	<u>PAGE No.</u>
U5753-900	7-2 THRU 7-6
U5760-900	7-2 THRU 7-6
U5786-900	7-2 THRU 7-6
UH40125	7-2 THRU 7-6
U5762-900	7-7 THRU 7-11
UH40020	7-7 THRU 7-11
UH40065	7-7 THRU 7-11
UH40145B	7-7 THRU 7-11

MODEL No.

U5753-900
U5760-900
U5762-900
U5786-900
UH40020
UH40065
UH40125
UH40145B



FLOOR EQUIPMENT PARTS.COM

* PRICING, SPECIFICATION'S, AND PRODUCT AVAILABILITY ARE SUBJECT TO CHANGE WITHOUT NOTICE. PRICING IS FOB FACTORY, CANTON, OH

* ALL INFORMATION CONTAINED WITHIN THIS SERVICE MANUAL IS PROPRIETARY INFORMATION OF TTI FLOOR CARE NORTH AMERICA.

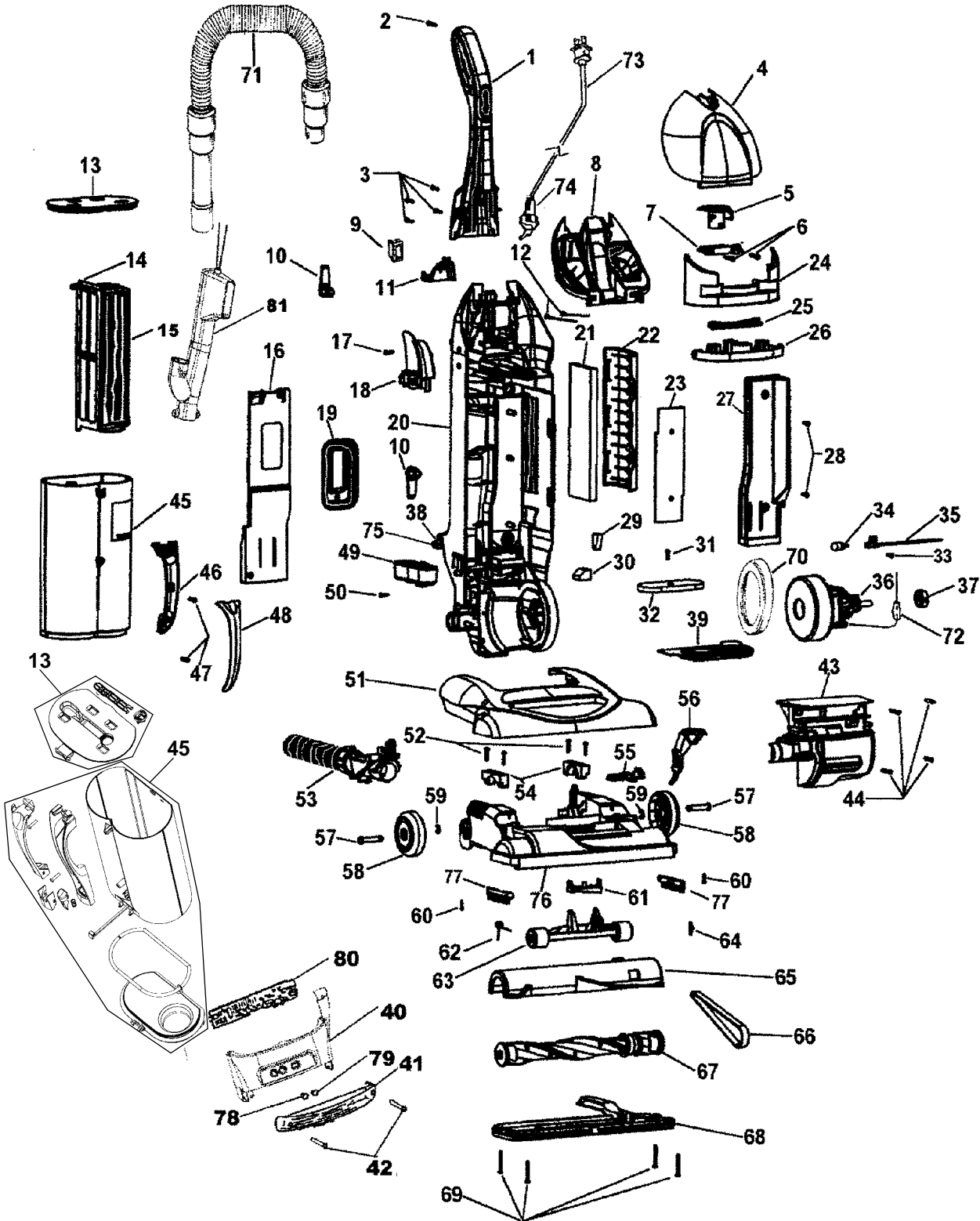
* **WARNING:** TO REDUCE THE RISK OF ELECTRICAL SHOCK OR INJURY, ALWAYS DISCONNECT THE APPLIANCE CORD FROM THE ELECTRICAL OUTLET OR REMOVE BATTERY PRIOR TO SERVICING THE UNIT.



WINDTUNNEL™ BAGLESS

7

ASSEMBLY SCHEMATIC



MODEL NO.

U5753-900

U5760-900

U5786-900

UH40125



WINDTUNNEL™ BAGLESS

7

PART LISTING / PRICE LIST

ITEM	PART NUMBER	MODELS To FIT	PART DESCRIPTION	LIST COST
1	39466088	ALL	UPPER HANDLE ASSEMBLY - DARK CHARCOAL GRAY	9.06
2	21447236	ALL	SCREW	1.12
3	21447072	ALL	SCREW	.57
4	37257305	ALL	TOOL DOOR WITH LOGO	5.44
	92001283	ALL	TOOL DOOR - SUB	4.86
5	92001088	ALL	DIRT CUP LID LATCH - BLACK	1.12
6	21447242	ALL	SCREW - SELF TAPPING	1.12
7	36155013	ALL	DIRT CUP LID LATCH HOLDER - DARK CHARCOAL GRAY	1.12
8	36433146	ALL	TOOL HOLDER - DARK CHARCOAL GRAY	9.74
9	28161067	ALL	SWITCH	2.63
10	39442048	ALL	CORD WRAP - MAGNESIUM GRAY	1.14
11	36923004	ALL	SWITCH SUPPORT - DARK CHARCOAL GRAY	2.26
12	21447246	ALL	SCREW	1.12
13	37249042	U5753-900, U5760-900	DIRT CUP LID	6.20
	42249015	U5786-900, UH40125	DIRT CUP LID ASSEMBLY	4.06
14	92001025	U5753-900, U5760-900	PRE-FILTER SUPPORT ASSEMBLY	7.93
	36426099	U5786-900, UH40125	PRE-FILTER SUPPORT ASSEMBLY	6.07
15	40140201	ALL	CARTRIDGE FILTER	16.00 NON DISC
16	37258121	ALL	WIRE CHANNEL COVER - DARK CHARCOAL GRAY	4.86
17	21447242	ALL	SCREW - SELF TAPPING	1.12
18	36433148	ALL	UPPER WAND/HOSE HOLDER - DARK CHARCOAL GRAY	3.16
19	38783027	ALL	DIRT CUP INLET SEAL - BLACK	4.53
20	42259027	ALL	BACK HOUSING ASSEMBLY - DARK CHARCOAL GRAY	40.24
21	40110006	ALL	FINAL / EXHAUST FILTER - 2 PK	3.49 NON DISC
22	37257289	ALL	FINAL / EXHAUST FILTER DOOR - MIST GRAY TRANSPARENT	6.79
23		ALL	FOAM - MUFFLER FILTER	N.A.
24	37258181	U5753-900	DIRT CUP LATCH COVER SHROUD - COSMIC BLUE METALLIC	5.66
	37258166	U5760-900	DIRT CUP LATCH COVER SHROUD - PEWTER METALLIC	5.88
	37258210	U5786-900	DIRT CUP LATCH COVER SHROUD - SILVER	PENDING
	37258223	UH40125	DIRT CUP LATCH COVER SHROUD - GRAPHITE GRAY METALLIC	PENDING

MODEL No.

U5753-900
U5760-900
U5786-900
UH40125



WINDTUNNEL™ BAGLESS

7

PART LISTING / PRICE LIST

ITEM	PART NUMBER	MODELS TO FIT	PART DESCRIPTION	LIST COST
25	37258185	U5753-900	CAM SLOT CAP - COSMIC BLUE METALLIC	1.81
	37258167	U5760-900	CAM SLOT CAP - PEWTER METALLIC	N.L.A.
	37258206	U5786-900, UH40125	CAM SLOT CAP - SILVER	PENDING
26	38567062	ALL	DIRT CUP LATCH COVER	2.57
27	37259016	ALL	MUFFLER FILTER COVER - DARK CHARCOAL GRAY	4.86
28	21447242	ALL	SCREW - SELF TAPPING	1.12
29	34131009	ALL	WIRE CHANNEL FOAM	1.12
30	34131019	ALL	WIRE OPENING PLUG	1.12
31	21447242	ALL	SCREW - SELF TAPPING	1.12
32	38762008	ALL	SECONDARY / INLET FILTER	2.47
33	21447072	ALL	SCREW	.57
34	27313101	ALL	LAMP - LIGHT BULB	2.26
35	47173027	ALL	WIRING HARNESS	4.53
36	27212057	ALL	MOTOR ASSEMBLY COMPLETE	62.09
37	36322030	ALL	MOTOR MOUNT - SMALL	1.12
38	21447242	ALL	SCREW - SELF TAPPING	1.12
39	43615088	ALL	SECONDARY / INLET FILTER RETAINER	4.53
40	37944024	U5753-900	CIRCUIT BOARD COVER - COSMIC BLUE	5.31
	37944027	U5760-900	CIRCUIT BOARD COVER - PEWTER	5.31
	37944031	U5786-900	CIRCUIT BOARD COVER - SILVER	PENDING
	37944042	UH40125	CIRCUIT BOARD COVER - GRAPHITE GRAY	PENDING
	51464006	ALL	EDF NAME PLATE	PENDING
41	39383107	ALL	LENS	2.59
42	21447228	ALL	SCREW - SELF TAPPING	.57
43	37196160	ALL	MOTOR COVER	9.06
44	21447230	ALL	SCREW - SELF TAPPING	1.12
45	38775077	U5753-900, U5760-900	DIRT CUP	40.81
	42254195	U5786-900, UH40125	COMPLETE DIRT CUP ASSEMBLY	42.77
46	39457018	U5753-900, U5760-900	DIRT CUP HANDLE - INNER	3.39
		U5786-900, UH40125	DIRT CUP HANDLE - ORDER #45	
47	21447043	ALL	SCREW - SELF TAPPING	.57
48	39457049	U5753-900	DIRT CUP HANDLE COVER	4.86
	39457033	U5760-900	DIRT CUP HANDLE COVER	4.86
		U5786-900, UH40125	DIRT CUP HANDLE COVER - ORDER #45	

MODEL No.

U5753-900
U5760-900
U5786-900
UH40125



WINDTUNNEL™ BAGLESS

7

PART LISTING / PRICE LIST

ITEM	PART NUMBER	MODELS TO FIT	PART DESCRIPTION	LIST COST
49	36433147	ALL	LOWER WAND HOLDER - DARK CHARCOAL GRAY	1.69
50	21447242	ALL	SCREW - SELF TAPPING	1.12
51	37253419	U5753-900	HOOD / NOZZLE COVER - BLUE	17.00
	37253393	U5760-900	HOOD / NOZZLE COVER - PEWTER	28.34
	42252B76	U5786-900	HOOD / NOZZLE COVER - SILVER	43.73
	42252B82	UH40125	HOOD / NOZZLE COVER - GRAPHITE GRAY	PENDING
52	21447072	ALL	SCREW	.57
53	43516010	ALL	LOWER HOSE / VALVE ASSEMBLY	13.60
54	36131094	ALL	TRUNNION COVER	1.12
55	40309004	ALL	HEIGHT ADJUSTMENT LEVER AND CAM	3.16
56	38458043	ALL	HANDLE RELEASE LEVER	2.26
57	32434007	ALL	REAR AXEL	1.12
58	38522077	U5753-900, U5760-900	REAR WHEEL	2.26
	43247033	U5786-900, UH40125	REAR WHEEL ASSEMBLY	6.82
59	160017--	ALL	LOCK RING	.58
60	21447228	ALL	SCREW - SELF TAPPING	.57
61	40309004	ALL	HEIGHT ADJUSTMENT LEVER AND CAM	3.16
62	38355010	ALL	TORSION SPRING	1.12
63	43248064	U5753-900, U5760-900	FRONT WHEEL ASSEMBLY COMPLETE	9.06
	43248075	U5786-900, UH40125	FRONT WHEEL ASSEMBLY COMPLETE	PENDING
64	013261AY	ALL	RIB SHOES	.57
65	40309026	ALL	BOTTOM PLATE DUCT / NOZZLE GUARD	19.27
66	38528033	ALL	FLAT BELT	1.50 NON DISC
	40201160	ALL	FLAT BELT - 2 PACK	1.50 NON DISC
67	48414132	ALL	AGITATOR / BRUSH ROLL	22.67
68	40309026	ALL	BOTTOM PLATE DUCT / NOZZLE GUARD	19.27
69	21447121	ALL	SCREW	.57
70	36322037	ALL	MOTOR MOUNT - LARGE	2.59
71	43491051	ALL	HOSE ASSEMBLY	13.60
72	28382093	ALL	THERMAL PROTECTOR	7.58
73	46383334	ALL	POWER CORD - 35'	15.87
74	36215028	ALL	CORD PROTECTOR	1.81
75	36171035	ALL	HOSE CLAMP	1.12
76	37242135	ALL	MAIN BODY / NOZZLE BASE	15.87
77	39511018	ALL	LITTER PICKER - BLACK	2.26

MODEL No.

U5753-900
U5760-900
U5786-900
UH40125



WINDTUNNEL™ BAGLESS

7

PART LISTING / PRICE LIST

ITEM	PART NUMBER	MODELS TO FIT	PART DESCRIPTION	LIST COST
78		ALL	GREEN LENS - SNAP IN	N.A.
79	27352030	ALL	RED LENS - SNAP IN	.60
80	46851083	ALL	PRINTED CIRCUIT BOARD	9.44
81	43486014	U5753-900, U5760-900	DIRT DUCT TUBE WITH MICROPHONE	4.53
	43486020	U5786-900, UH40125	DIRT DUCT TUBE WITH MICROPHONE	PENDING
	38614044	U5753-900, U5760-900	FURNITURE NOZZLE - GRAPHITE GRAY	5.66
	92001196	U5786-900, UH40125	FURNITURE NOZZLE - BLACK	3.39
	38617031	ALL	CREVICE TOOL - LONG GRAPHITE GRAY	5.66
	38617033	ALL	CREVICE TOOL - SHORT	3.39
	38634078	ALL	EXTENSION TUBE - BLACK	6.79
	43414197	ALL	DUSTING BRUSH ASSEMBLY - BLACK	2.68
	49129032	ALL	TURBINE HAND TOOL	14.62
	43434043	ALL	HOSE ASSEMBLY DELUXE - 20'	43.46

MODEL No.

U5753-900

U5760-900

U5786-900

UH40125