



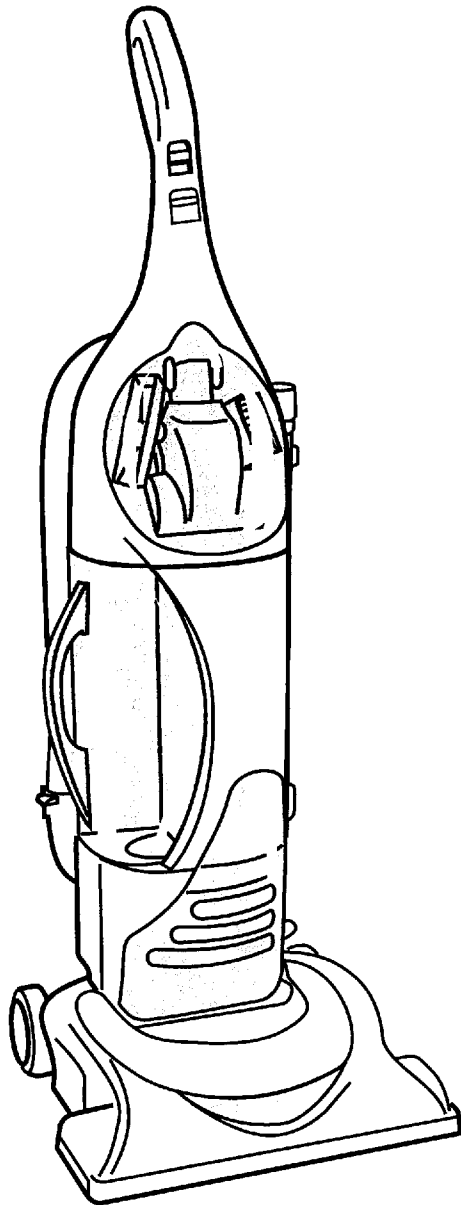
SAVVY™
SAVVY™
2^{IN}1 BAGGED & BAGLESS

WindTunnel
BAGGED & BAGLESS

5

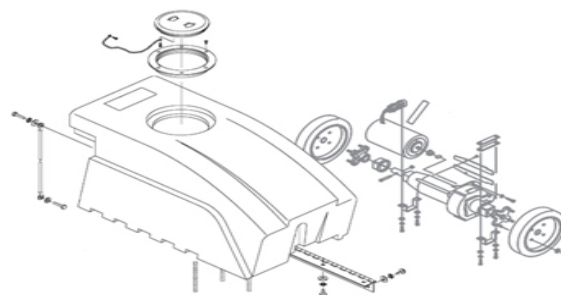
SECTION CONTENTS

MODEL No.



<u>MODEL No.</u>	<u>PAGE No.</u>
U8125-900	5-2 THRU 5-8
U8125-960	5-2 THRU 5-8
U8135-900	5-2 THRU 5-8
U8145-900	5-2 THRU 5-8
U8150-900	5-2 THRU 5-8
U8151-900	5-2 THRU 5-8
U8153-900	5-2 THRU 5-8
U8155-900	5-2 THRU 5-8
U8157-900	5-2 THRU 5-8
U8161-900	5-2 THRU 5-8
U8193-900	5-2 THRU 5-8
U8172-900	5-9 THRU 5-13
U8174-900	5-9 THRU 5-13
U8181-900	5-14 THRU 5-20
U8187-900	5-14 THRU 5-20
U8188-900	5-14 THRU 5-20
UH40110	5-14 THRU 5-20

U8125-900
U8125-960
U8135-900
U8145-900
U8150-900
U8151-900
U8153-900
U8155-900
U8157-900
U8161-900
U8163-900
U8172-900
U8174-900
U8181-900
U8187-900
U8188-900
UH40110



FLOOREQUIPMENTPARTS.COM

- * PRICING, SPECIFICATION'S, AND PRODUCT AVAILABILITY ARE SUBJECT TO CHANGE WITHOUT NOTICE. PRICING IS FOB FACTORY, CANTON, OH
- * ALL INFORMATION CONTAINED WITHIN THIS SERVICE MANUAL IS PROPRIETARY INFORMATION OF TTI FLOOR CARE NORTH AMERICA.
- * **WARNING:** TO REDUCE THE RISK OF ELECTRICAL SHOCK OR INJURY, ALWAYS DISCONNECT THE APPLIANCE CORD FROM THE ELECTRICAL OUTLET OR REMOVE BATTERY PRIOR TO SERVICING THE UNIT.



SAVVY™

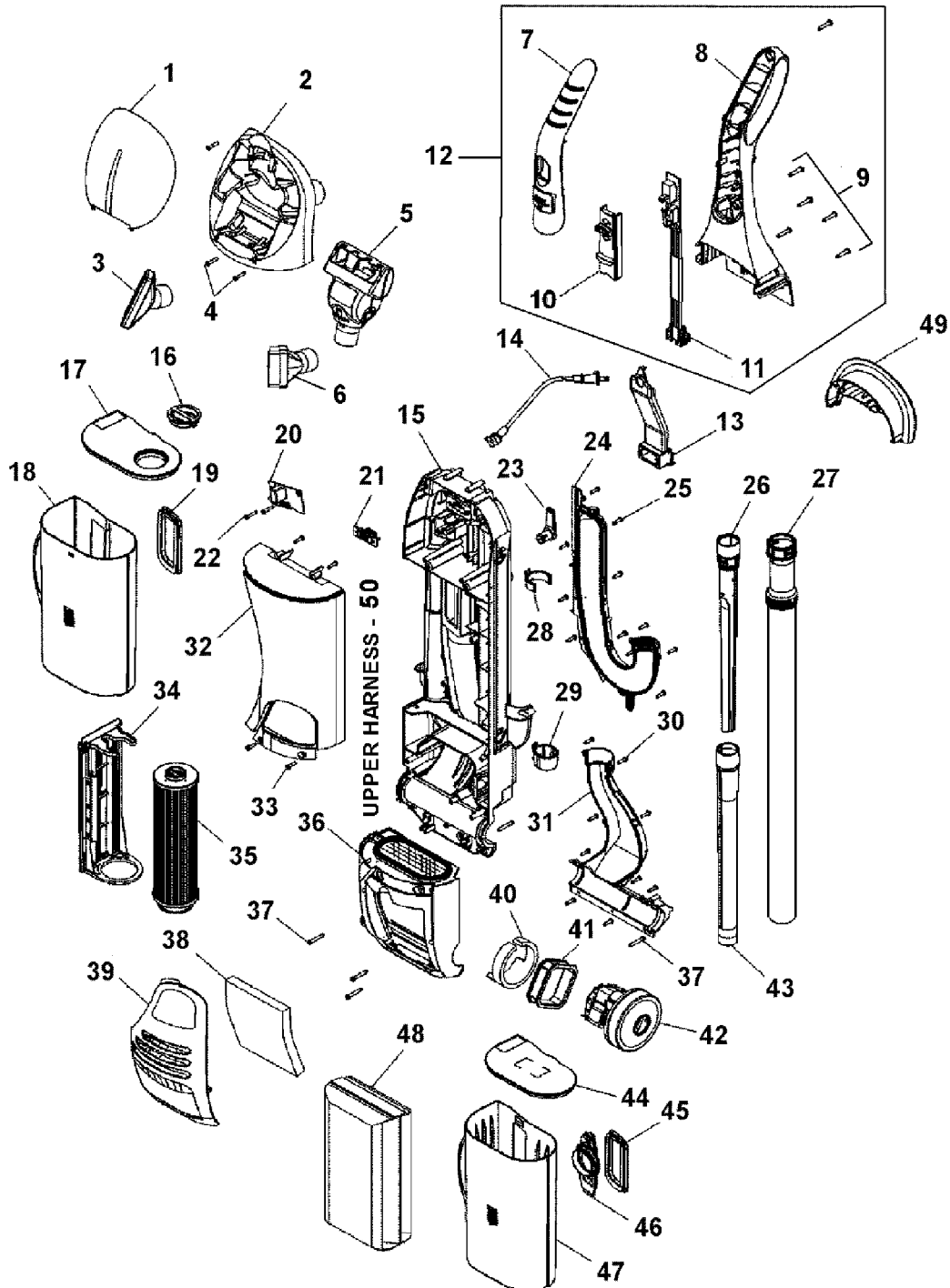
5

ASSEMBLY SCHEMATIC UPPER BODY

MODEL NO.

U8172-900

U8174-900





5

PART LISTING / PRICE LIST

MODEL No.

U8172-900
U8174-900

ITEM	PART NUMBER	MODELS TO FIT	PART DESCRIPTION	LIST COST
1	37257281	U8172900, U8174900	TOOL DOOR - CLEAR	4.53
2	36433195	U8172900, U8174900	TOOL HOLDER - SAGE GREEN METALLIC	N.L.A.
3	38614044	U8172900, U8174900	FURNITURE NOZZLE - GRAPHITE GRAY	5.66
4	21447072	U8172900, U8174900	SCREW	.57
5	49129032	U8172900, U8174900	TURBINE HAND TOOL	14.62
6	43414197	U8172900, U8174900	DUSTING BRUSH ASSEMBLY - BLACK	2.68
7	92001057	U8172900, U8174900	LENS - HANDLE GRIP	3.96
8	92001052 SEE NOTES	U8172900, U8174900	UPPER HANDLE ASSEMBLY - OLD VERSION - ORDER #12 48663238	N.L.A.
	91001209	U8172900, U8174900	UPPER HANDLE ASSEMBLY	25.50
9	214472ED	U8172900, U8174900	SCREW - SELF TAPPING	.58
10	38421112 SEE NOTES	U8172900, U8174900	SWITCH BUTTON - GRAPHITE GRAY OLD VERSION	1.81
	91001211	U8172900, U8174900	SWITCH BUTTON - GRAPHITE GRAY NEW VERSION	2.03
11	27854033 SEE NOTES	U8172900, U8174900	SWITCH/CIRCUIT BOARD - OLD VERSION - ORDER #12 48663238	N.L.A.
	91001210	U8172900, U8174900	SWITCH/CIRCUIT BOARD - NEW VERSION	17.00
12	39466086 SEE NOTES	U8172900, U8174900	UPPER HANDLE ASSEMBLY COMPLETE OLD VERSION - ORDER 48663238	N.L.A.
	48663238	U8172900, U8174900	UPPER HANDLE ASSEMBLY COMPLETE NEW VERSION INCLUDES ITEM #'s 7, 8, 10, AND 11	26.07
13	36911006	U8172900, U8174900	CONNECTOR MOUNT	1.12
14	46383334	U8172900, U8174900	ATTACHMENT CORD - 35'	15.87
15	92001053	U8172900, U8174900	UPPER HOUSING ASSEMBLY	23.80
16	38411013	U8172900, U8174900	KNOB CARTRIDGE FILTER - BLACK	2.03
17	37249095	U8172900, U8174900	DIRT CUP LID	4.41
18	38775094	U8172900, U8174900	DIRT CUP ASSEMBLY	22.67
19	38783029	U8172900, U8174900	DIRT CUP INLET SEAL - BLACK	1.81
20	91001035	U8172900, U8174900	EDF PRINTED CIRCUIT BOARD	11.33
21	91001034	U8172900, U8174900	RECEPTACLE / HARNESS	5.74
22	21447072	U8172900, U8174900	SCREW	.57
23	39442048	U8172900, U8174900	CORD WRAP - GRAPHITE GRAY	1.14



PART LISTING / PRICE LIST

ITEM	PART NUMBER	MODELS TO FIT	PART DESCRIPTION	LIST COST
24	92001064	U8172900, U8174900	MICROPHONE/DIRT DUCT ASSEMBLY	5.66
25	21447242	U8172900, U8174900	SCREW - SELF TAPPING	1.12
26	38617031	U8172900, U8174900	CREVICE TOOL / LONG - GRAPHITE GRAY	5.66
27	43431227	U8172900, U8174900	HOSE ASSEMBLY COMPLETE - BLACK/GRAY	17.00
	43434042	U8172900, U8174900	EXTRA HOSE ASSEMBLY - 20'	34.01
28	36433197	U8172900, U8174900	UPPER WAND HOLDER - GRAPHITE GRAY	1.46
29	36433194	U8172900, U8174900	LOWER WAND HOLDER - GRAPHITE GRAY	1.69
30	21447242	U8172900, U8174900	SCREW - SELF TAPPING	1.12
31	38683018	U8172900, U8174900	TRUNNION DUCT - GRAPHITE GRAY	4.53
32	37249056	U8172900, U8174900	FRONT PANEL - SAGE GREEN METALLIC	10.90
33	21447242	U8172900, U8174900	SCREW - SELF TAPPING	1.12
34	36426069	U8172900, U8174900	PRE-FILTER ASSEMBLY - BLACK	9.52
35	40140201	U8172900, U8174900	CARTRIDGE FILTER	16.00 NON DISC
36	37196177	U8172900, U8174900	MOTOR COVER - SAGE GREEN METALLIC	9.06
37	21447230	U8172900, U8174900	SCREW - SELF TAPPING	1.12
38	93002017	U8172900, U8174900	FINAL FILTER	11.49
39	38769017	U8172900, U8174900	FINAL FILTER DOOR - TRANSPARENT GRAY LT	2.86
40	34163016	U8172900, U8174900	MUFFLER FOAM	1.81
41	36322036	U8172900, U8174900	MOTOR MOUNT - MIDDLE	2.59
42	93001747	U8172900, U8174900	MOTOR ASSEMBLY	56.69
	38785018	U8172900, U8174900	MOTOR FACE SEAL - BLACK	1.81
	91001027	U8172900, U8174900	THERMAL PROTECTOR	5.66
43	38634078	U8172900, U8174900	EXTENSION TUBE - BLACK	6.79
44	37249065	U8172900, U8174900	BAG CONTAINER LID - GRAPHITE GRAY	N.L.A.
45	38783035	U8172900, U8174900	INLET SEAL - BAG CONTAINER NATURAL	2.26
46	36424005	U8172900, U8174900	BAG ADAPTER - BLACK	2.26
47	37256005	U8172900, U8174900	BAG CONTAINER - TRANSPARENT GRAY MIST	29.47
48	4010100Y	U8172900, U8174900	TYPE Y / ALLERGEN FILTER - 3 PACK	3.62 NON DISC
49	36433196	U8172900, U8174900	UPPER HOSE HOLDER - GRAPHITE GRAY	3.39
50	91001032	U8172900, U8174900	UPPER WIRE HARNESS	2.26

MODEL No.

U8172-900

U8174-900

NOTES: IT IS RECOMMENDED THAT YOU UPDATE THE ORIGINAL DESIGN UNITS THAT ARE IN REPAIR FOR THE SWITCH FAILURES TO THE "NEW VERSION" ORDER THE COMPLETE HANDLE ASSEMBLY #44 (48663238), OR THE "NEW VERSION" PARTS SEPARATELY - UPPER HANDLE #8 (91001209), SWITCH BUTTON (91001211), AND SWITCH / CIRCUIT BOARD #11 (91001210).

NEW VERSION WAS IMPLEMENTED ON MODELS MANUFACTURED FROM 06/06 TO PRESENT



SAVVY™

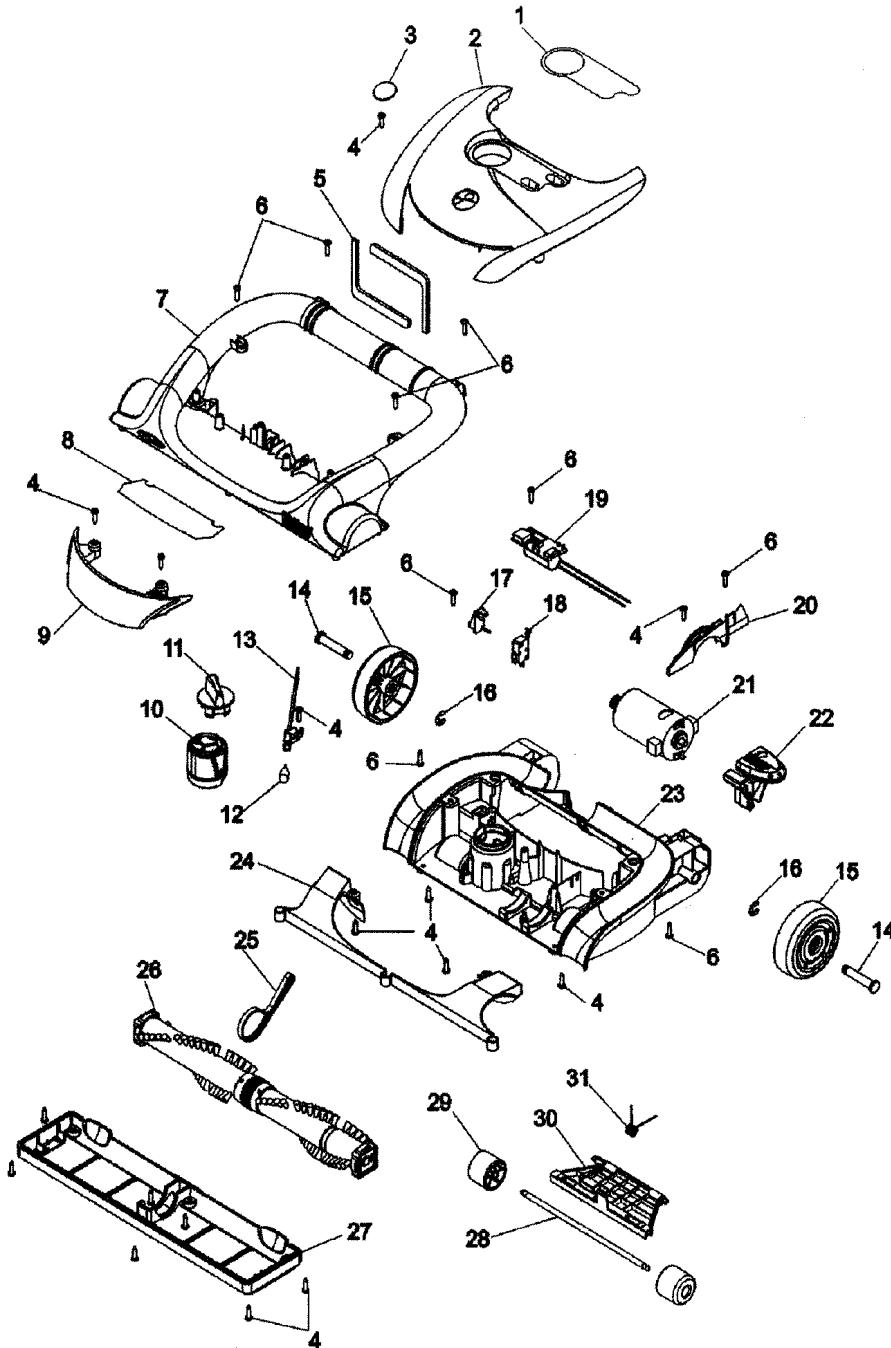
5

ASSEMBLY SCHEMATIC FOOT / NOZZLE BASE

MODEL NO.

U8172-900

U8174-900





5

PART LISTING / PRICE LIST

MODEL No.

U8172-900
U8174-900

ITEM	PART NUMBER	MODELS To FIT	PART DESCRIPTION	LIST COST
1	91001038	U8172900, U8174900	NAME PLATE	2.26
2	92001046	U8172900, U8174900	HOOD / NOZZLE COVER TOP - SAGE GREEN ORDER 37253439 BLACK	N.L.A.
	37253439	U8172900, U8174900	HOOD / NOZZLE COVER TOP - BLACK	5.32
3	51661020	U8172900, U8174900	MEDALLION	1.46
4	214793DA	U8172900, U8174900	SCREW	.57
5	91001030	U8172900, U8174900	TRUNNION SEAL	1.12
6	21447242	U8172900, U8174900	SCREW - SELF TAPPING	1.12
7	92001042	U8172900, U8174900	AGITATOR / BRUSH ROLL HOUSING	11.33
8	91001031	U8172900, U8174900	REFLECTOR	2.26
9	92001051	U8172900, U8174900	LENS	2.26
10	92001049	U8172900, U8174900	HEIGHT ADJUSTMENT KNOB	1.69
11	92001050	U8172900, U8174900	HEIGHT ADJUSTMENT CAM	1.46
12	27313107	U8172900, U8174900	BULB	3.09
13	47173037	U8172900, U8174900	LAMP SOCKET	2.26
14	32434014	U8172900, U8174900	REAR AXLE	2.26
15	92001287	U8172900, U8174900	REAR WHEEL	5.66
16	160017--	U8172900, U8174900	LOCKING RING	.58
17	36913031	U8172900, U8174900	SWITCH BRACKET	1.12
18	91001026	U8172900, U8174900	SWITCH	5.74
19	91001036	U8172900, U8174900	DISPLAY BRIDGE PCB	14.16
20	92001040	U8172900, U8174900	MOTOR BRACKET	3.39
21	93001746	U8172900, U8174900	AGITATOR / BRUSH ROLL MOTOR	56.69
22	38434026	U8172900, U8174900	HANDLE RELEASE LEVER	2.26
23	92001041	U8172900, U8174900	MAIN BODY / NOZZLE BASE	12.34
24	92001074	U8172900, U8174900	NOZZLE LINER	3.73
25	38528049	U8172900, U8174900	TIMING BELT	4.20
26	93001748	U8172900, U8174900	AGITATOR / BRUSH ROLL	19.83
27	92001039	U8172900, U8174900	BOTTOM PLATE / NOZZLE GUARD	4.29
28	32541007	U8172900, U8174900	WHEEL SHAFT	1.12
29	38521009	U8172900, U8174900	FRONT WHEEL	2.26
30	91001066	U8172900, U8174900	FRONT WHEEL CARRIAGE ASSEMBLY	5.09
31	38355010	U8172900, U8174900	TORSION SPRING	1.12
	91001033	U8172900, U8174900	BOTTOM WIRE HARNESS	9.19