

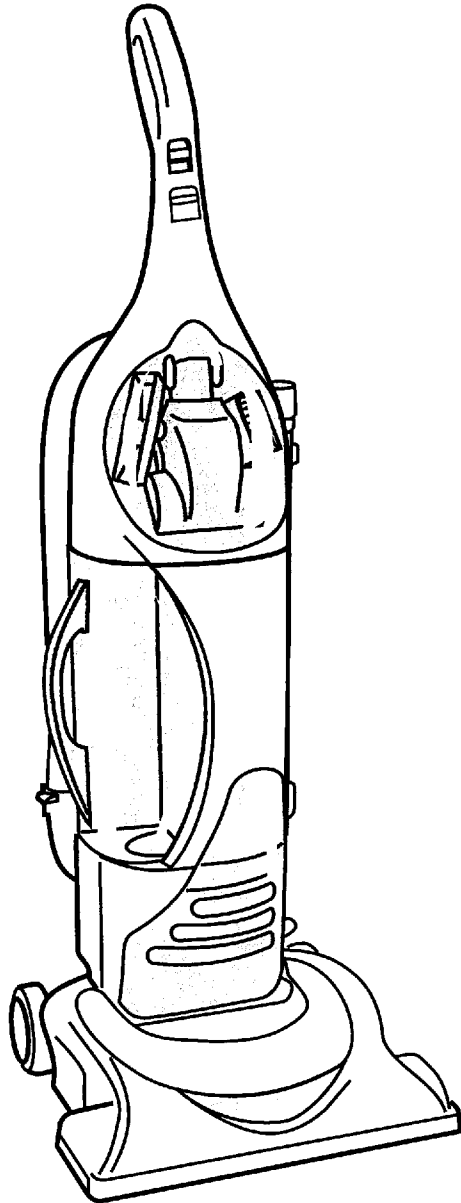


SAVVY™
SAVVY™
2ⁱⁿ1 BAGGED & BAGLESS

WindTunnel
BAGGED & BAGLESS

5

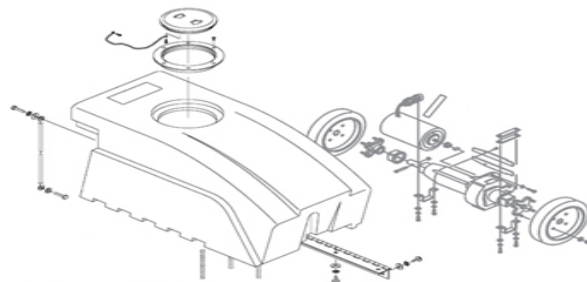
SECTION CONTENTS



<u>MODEL No.</u>	<u>PAGE No.</u>
U8125-900	5-2 THRU 5-8
U8125-960	5-2 THRU 5-8
U8135-900	5-2 THRU 5-8
U8145-900	5-2 THRU 5-8
U8150-900	5-2 THRU 5-8
U8151-900	5-2 THRU 5-8
U8153-900	5-2 THRU 5-8
U8155-900	5-2 THRU 5-8
U8157-900	5-2 THRU 5-8
U8161-900	5-2 THRU 5-8
U8193-900	5-2 THRU 5-8
U8172-900	5-9 THRU 5-13
U8174-900	5-9 THRU 5-13
U8181-900	5-14 THRU 5-20
U8187-900	5-14 THRU 5-20
U8188-900	5-14 THRU 5-20
UH40110	5-14 THRU 5-20

MODEL No.

U8125-900
U8125-960
U8135-900
U8145-900
U8150-900
U8151-900
U8153-900
U8155-900
U8157-900
U8161-900
U8163-900
U8172-900
U8174-900
U8181-900
U8187-900
U8188-900
UH40110



FLOOREQUIPMENTPARTS.COM

* PRICING, SPECIFICATION'S, AND PRODUCT AVAILABILITY ARE SUBJECT TO CHANGE WITHOUT NOTICE. PRICING IS FOB FACTORY, CANTON, OH

* ALL INFORMATION CONTAINED WITHIN THIS SERVICE MANUAL IS PROPRIETARY INFORMATION OF TTI FLOOR CARE NORTH AMERICA.

* **WARNING:** TO REDUCE THE RISK OF ELECTRICAL SHOCK OR INJURY, ALWAYS DISCONNECT THE APPLIANCE CORD FROM THE ELECTRICAL OUTLET OR REMOVE BATTERY PRIOR TO SERVICING THE UNIT.

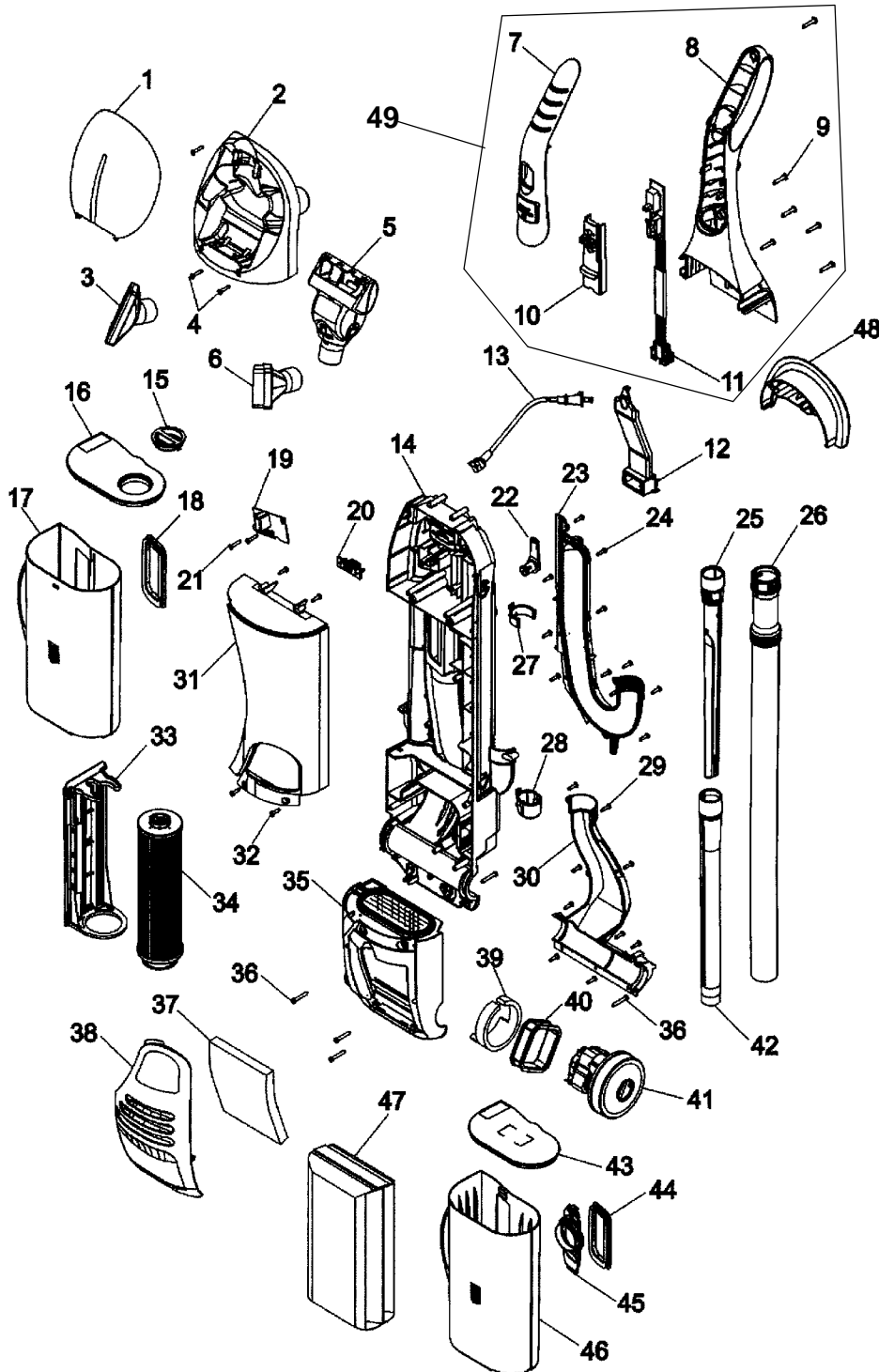


SAVVY™
2 IN 1 BAGGED
& BAGLESS

WindTunnel
BAGGED & BAGLESS

5

ASSEMBLY SCHEMATIC UPPER BODY



MODEL NO.

U8181-900

U8187-900

U8188-900

UH40110



5

PART LISTING / PRICE LIST

ITEM	PART NUMBER	MODELS TO FIT	PART DESCRIPTION	LIST COST
1	37257281	ALL	TOOL DOOR	4.53
2	36433178	U8181900	TOOL HOLDER - BLACK	5.66
	36433258	U8187900	TOOL HOLDER - ALUMINUM ALLOY	PENDING
	36433261	U8188900	TOOL HOLDER - BRONZE ALLOY	PENDING
	36433262	UH40110	TOOL HOLDER - SILVER	PENDING
3	38614044	ALL	FURNITURE TOOL - GRAPHITE GRAY	5.66
	38614045	ALL	FURNITURE TOOL - BLACK	PENDING
4	21447072	ALL	SCREW	.57
5	49129032	ALL	TURBINE TOOL	14.62
6	43414197	ALL	DUSTING BRUSH ASSEMBLY - BLACK	2.68
7	92001057	ALL	UPPER HANDLE GRIP	3.96
8	92001052	U8181900	UPPER HANDLE ASSEMBLY ORDER #49 48663238	N.L.A.
	91001209	ALL	UPPER HANDLE ASSEMBLY	25.50
9	214472ED	ALL	SCREW - SELF TAPPING	.58
10	38421112 SEE NOTES	U8181900	SWITCH BUTTON - OLD VERSION	1.81
	91001211	ALL	SWITCH BUTTON - NEW VERSION	2.03
11	27854033 SEE NOTES	U8181900	SWITCH CURCUIT BOARD - OLD VERSION ORDER 48663238 COMPLETE HANDLE ASSY	N.L.A.
	91001210	ALL	SWITCH CIRCUIT BOARD - NEW VERSION	17.00
12	36911006	ALL	CONNECTOR MOUNT	1.12
13	46383334	ALL	POWER CORD - 35'	15.87
14	92001053	ALL	HOUSING / PACK PANEL ASSEMBLY	23.80
	36433196	ALL	UPPER HOSE HOLDER - GRAPHITE GRAY	3.39
15	38411013	ALL	DIRT CUP LID KNOB	2.03
17	38775094	ALL	DIRT CUP	22.67
16	37249095	ALL	DIRT CUP LID	4.41
18	38783029	ALL	DIRT CUP INLET SEAL	1.81
19	91001035	ALL	CURCUIT BOARD	11.33
20	91001034	ALL	RECEPTACLE HARNESS	5.74
21	21447072	ALL	SCREW	.57
22	39442048	ALL	CORD WRAP - MAGNESIUM GRAY	1.14
23	92001064	ALL	MICROPHONE / DIRT DUCT ASSEMBLY	5.66
24	21447242	ALL	SCREW - SELF TAPPING	1.12

MODEL No.

U8181-900
U8187-900
U8188-900
UH40110



5

PART LISTING / PRICE LIST

ITEM	PART NUMBER	MODELS To FIT	PART DESCRIPTION	LIST COST
25	38617031	ALL	CREVICE TOOL - LONG GRAPHITE GRAY	5.66
	38617033	ALL	CREVICE TOOL - SHORT	3.39
26	43431227	ALL	HOSE ASSEMBLY COMPLETE - BLACK AND GRAPHITE GRAY	17.00
	43434042	ALL	EXTRA HOSE ASSEMBLY - 20'	34.01
27	36433197	U8181900	UPPER WAND HOLDER - GRAPHITE GRAY	1.46
	36433257	ALL	UPPER WAND HOLDER - SHADOW GRAY	1.46
28	36433194	ALL	LOWER WAND HOLDER - GRPAHITE GRAY	1.69
29	21447242	ALL	SCREW - SELF TAPPING	1.12
30	38683018	ALL	TRUNNION DUCT	4.53
31		U8181900	FRONT PANEL COVER - MULBERRY METALLIC ORDER 37249036 - BLACK	N.L.A.
	37249099	U8187900	FRONT PANEL COVER - ALUMINUM ALLOY	PENDING
	37246100	U8188900	FRONT PANEL COVER - BRONZE ALLOY	PENDING
	37246101	UH40110	FRONT PANEL COVER - SILVER	PENDING
32	21447242	ALL	SCREW - SELF TAPPING	1.12
33	36426069	ALL	PRE-FILTER SUPPORT ASSEMBLY - BLACK	9.52
34	40140201	ALL	HEPA CARTRIDGE FILTER - DIRT CUP	16.00 NON DISC
35	37196178	U8181900	MOTOR COVER - MULLBERRY METALLIC	10.20
	37196205	U8187900	MOTOR COVER - ALUMINUM ALLOY	PENDING
	37196206	U8188900	MOTOR COVER - BRONZE ALLOY	PENDING
	37196207	UH40110	MOTOR COVER - SILVER	PENDING
36	21447230	ALL	SCREW - SELF TAPPING	1.12
37	93002017	ALL	FINAL / EXHAUST FILTER	11.49
	40110009	ALL	FINAL / EXHAUST FILTER - 2 PACK	3.49 NON DISC
38	38769017	ALL	FINAL / EXHAUST FILTER DOOR	2.86
39	34163016	ALL	FOAM MUFFLER - MOTOR	1.81
40	36322036	ALL	MOTOR MOUNT - MIDDLE	2.59
41	93001747	ALL	MOTOR ASSEMBLY	56.69
	38785018	ALL	MOTOR SEAL	1.81
	91001027	ALL	THERMAL PROTECTOR	5.66
42	38634078	ALL	EXTENSION TUBE	6.79
43	37249065	U8181900	BAG CONTAINER LID - GRAPHITE GRAY	N.L.A.
	37249097	ALL	BAG CONTAINER LID	2.38
44	38783035	ALL	BAG CONTAINER INLET SEAL	2.26
45	36424005	ALL	BAG ADAPTOR	2.26
46	37256005	ALL	BAG CONTAINER - MIST GRAY TRANSPARENT	29.47

MODEL No.

U8181-900
U8187-900
U8188-900
UH40110



5

PART LISTING / PRICE LIST

ITEM	PART NUMBER	MODELS TO FIT	PART DESCRIPTION	LIST COST
47	4010100Y	ALL	TYPE Y ALLERGY BAG - 3 PACK	3.62 NON DISC
	4010801Y	ALL	TYPE Y HEPA BAG - 2 PACK	3.49 NON DISC
48	36433196	ALL	UPPER HOSE HOLDER - GRAPHITE GRAY	3.39
49	39466086 SEE NOTES	U8181900	UPPER HANDLE ASSEMBLY COMPLETE - OLD VERSION - ORDER #48663238	N.L.A.
	48663238	U8181900	UPPER HANDLE ASSEMBLY COMPLETE - NEW VERSION / INCLUDES #'S 7, 8, 10, AND 11 MFG CODE 06/06 TO PRESENT	26.07
	48663246	ALL	UPPER HANDLE ASSEMBLY COMPLETE	PENDING
	91001032	U8181900	UPPER WIRE HARNESS	2.26

MODEL No.

U8181-900
U8187-900
U8188-900
UH40110

NOTES:

IT IS RECOMMENDED THAT YOU UPDATE THE ORIGINAL DESIGN UNITS THAT ARE IN REPAIR FOR SWITCH FAILURES TO THE "NEW VERSION" ORDER THE COMPLETE HANDLE ASSEMBLY #48 (48663238), OR THE "NEW VERSION" PARTS SEPARATELY - UPPER HANDLE #8 (91001209), SWITCH BUTTON (91001211), AND SWITCH / CIRCUIT BOARD #11 (91001210).

NEW VERSION WAS IMPLEMENTED ON MODELS MANUFACTURED FROM 06/06 TO PRESENT



SAVVY™
2 IN 1 BAGGED & BAGLESS

WindTunnel
BAGGED & BAGLESS

5

ASSEMBLY SCHEMATIC FOOT / NOZZLE BASE

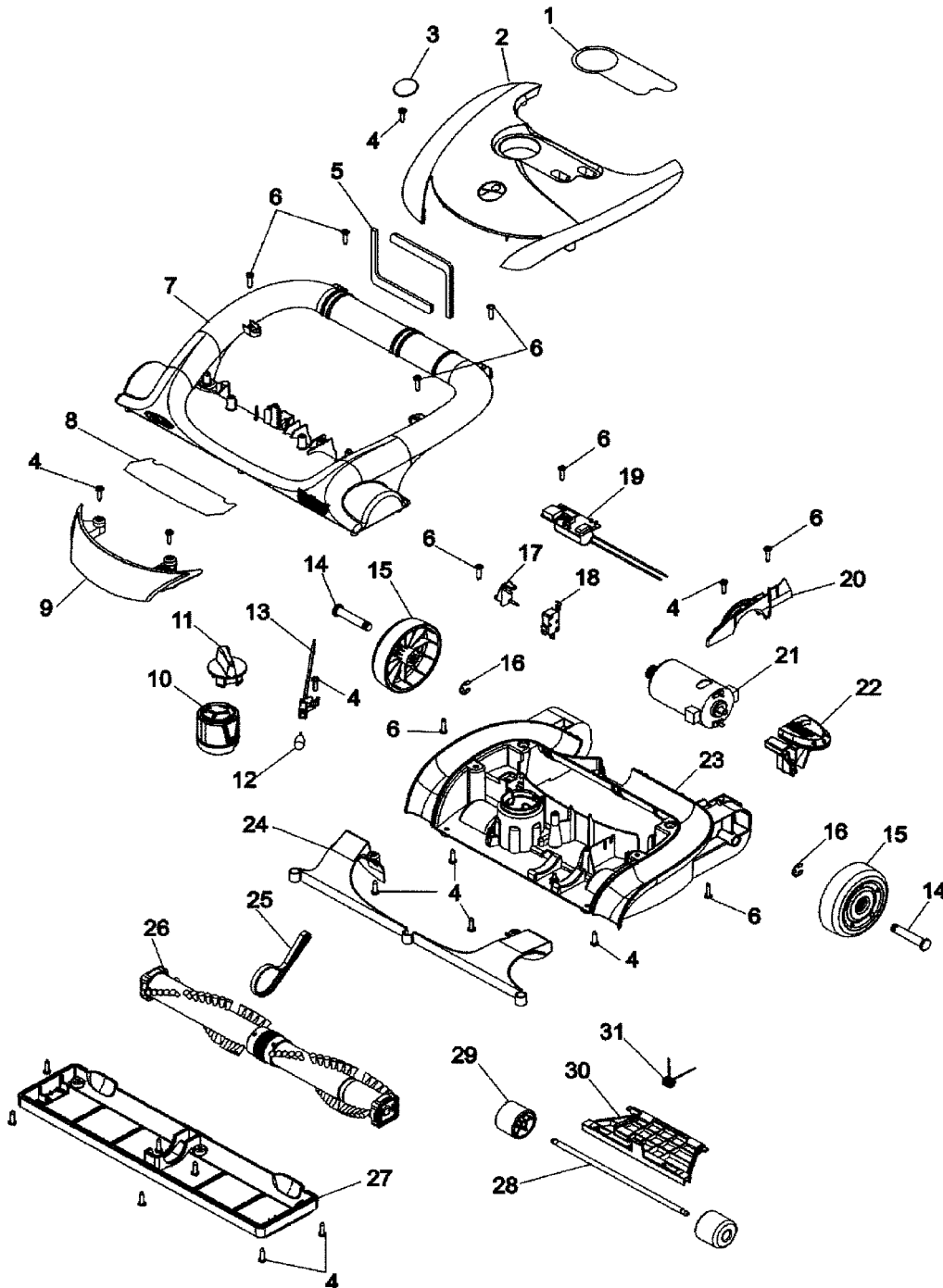
MODEL NO.

U8181-900

U8187-900

U8188-900

UH40110





5

PART LISTING / PRICE LIST

ITEM	PART NUMBER	MODELS TO FIT	PART DESCRIPTION	LIST COST
1	91001038	ALL	NAME PLATE	2.26
2	92001047	U8181900	HOOD / NOZZLE COVER - MULBERRY METALLIC	6.00
	37253A85	U8187900	HOOD / NOZZLE COVER - ALUMINUM ALLOY	PENDING
	37253A86	U8188900	HOOD / NOZZLE COVER - BRONZE ALLOY	PENDING
	37253A87	UH40110	HOOD / NOZZLE COVER - SILVER	PENDING
3	51661020	ALL	MEDALLION	1.46
4	214793DA	ALL	SCREW	.57
5	91001030	ALL	TRUNNION SEAL	1.12
6	21447242	ALL	SCREW - SELF TAPPING	1.12
7	92001042	U8181900	AGITATOR / BRUSH ROLL HOUSING	11.33
	42246155	U8187900, U8188900, UH40110	AGITATOR / BRUSH ROLL HOUSING	PENDING
8	91001031	ALL	REFLECTOR	2.26
9	92001051	ALL	LENS	2.26
10	92001049	ALL	HEIGHT ADJUSTMENT KNOB	1.69
11	92001050	ALL	HEIGHT ADJUSTMENT CAM	1.46
12	27313107	ALL	BULB	3.09
13	47173037	ALL	LAMP SOCKET	2.26
14	32434014	ALL	REAR AXLE	2.26
15	92001287	U8181900	REAR WHEEL	5.66
	43247033	ALL	REAR WHEEL ASSEMBLY	6.82
16	160017--	ALL	LOCK RING	.58
17	36913031	ALL	SWITCH BRACKET	1.12
18	91001026	ALL	SWITCH	5.74
19	91001036	ALL	DISPLAY BRIDGE PCB	14.16
20	92001040	ALL	MOTOR BRACKET	3.39
21	93001746	ALL	AGITATOR / BRUSH ROLL MOTOR	56.69
22	38434026	ALL	HANDLE RELEASE LEVER	2.26
23	92001041	U8181900	MAIN BODY / NOZZLE BASE	12.34
	37241186	ALL	MAIN BODY / NOZZLE BASE	PENDING
24	92001074	ALL	NOZZLE LINER	3.73
25	38528049	ALL	TIMING BELT	4.20
26	93001748	ALL	AGITATOR / BRUSH ROLL	19.83
27	92001039	ALL	BOTTOM PLATE / NOZZLE GUARD	4.29
28	32541007	ALL	WHEEL SHAFT	1.12

MODEL No.

U8181-900
U8187-900
U8188-900
UH40110



5

PART LISTING / PRICE LIST

ITEM	PART NUMBER	MODELS TO FIT	PART DESCRIPTION	LIST COST
29	38521009	U8181900	FRONT WHEEL	2.26
	38522105	ALL	FRONT WHEEL - SOFT TREAD	PENDING
30	91001066	U8181900	FRONT WHEEL CARRIAGE ASSEMBLY	5.09
	43248076	ALL	FRONT WHEEL CARRIAGE ASSEMBLY	PENDING
31	38355010	U8181900	TORSION SPRING	1.12
	91001033	U8181900	LOWER WIRE HARNESS	9.19

MODEL No.

U8181-900
U8187-900
U8188-900
UH40110