

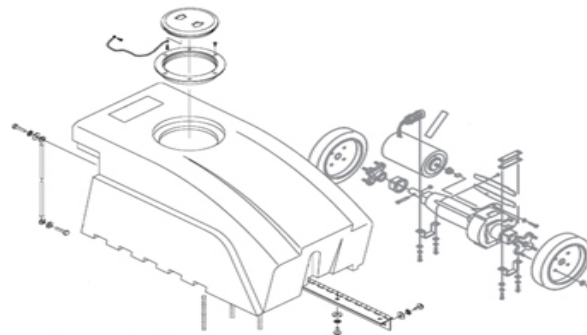
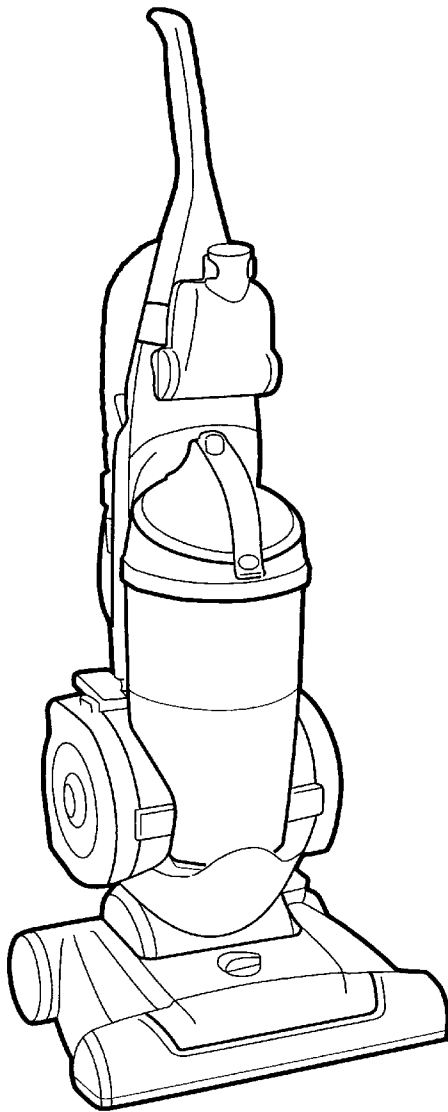


SECTION CONTENTS

<u>MODEL No.</u>	<u>PAGE No.</u>
U5507-900	4-2 THRU 4-8
U5507-950	4-2 THRU 4-8
U5509-900	4-2 THRU 4-8
U5509-950	4-2 THRU 4-8
U5511-900	4-2 THRU 4-8
U5512-900	4-2 THRU 4-8

[MODEL No.](#)

U5507-900
U5507-950
U5509-900
U5509-950
U5511-900
U5512-900



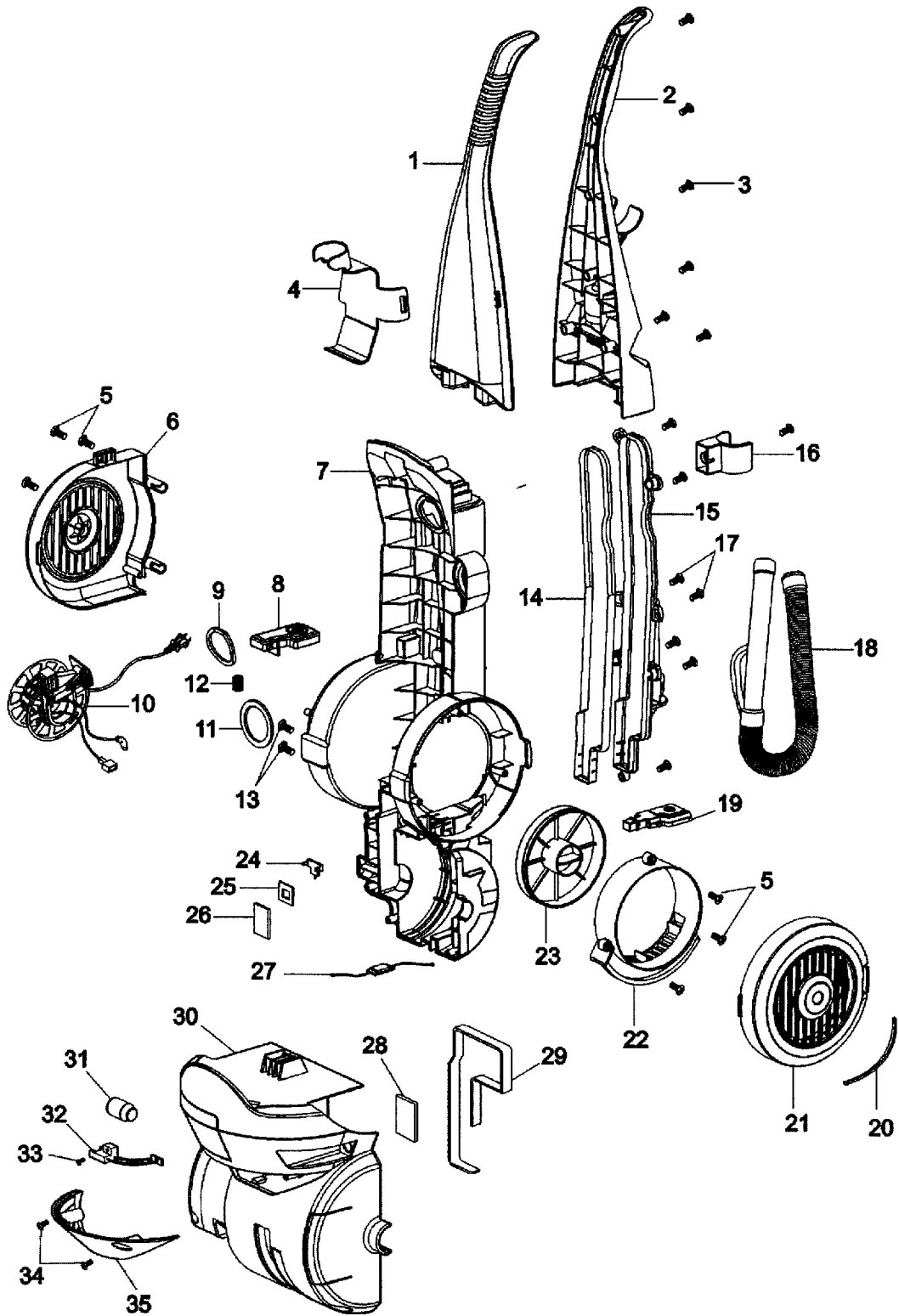
**FLOOR EQUIPMENT PARTS.COM**

- \* PRICING, SPECIFICATION'S, AND PRODUCT AVAILABILITY ARE SUBJECT TO CHANGE WITHOUT NOTICE. PRICING IS FOB FACTORY, CANTON, OH
- \* ALL INFORMATION CONTAINED WITHIN THIS SERVICE MANUAL IS PROPRIETARY INFORMATION OF TTI FLOOR CARE NORTH AMERICA.
- \* **WARNING:** TO REDUCE THE RISK OF ELECTRICAL SHOCK OR INJURY, ALWAYS DISCONNECT THE APPLIANCE CORD FROM THE ELECTRICAL OUTLET OR REMOVE BATTERY PRIOR TO SERVICING THE UNIT.



4

### ASSEMBLY SCHEMATIC



### MODEL NO.

- U5507-900
- U5507-950
- U5509-900
- U5509-950
- U5511-900
- U5512-900



## PART LISTING / PRICE LIST

ITEM	PART NUMBER	MODELS TO FIT	PART DESCRIPTION	LIST COST
1	93002065	U5507900	UPPER HANDLE / FRONT - IMPERIAL RED	6.23
	59157109	U5509900	UPPER HANDLE / FRONT - FERRARI RED METALLIC	16.60
	59157127	U5511900	UPPER HANDLE / FRONT - PURPLE METALLIC	16.60
	59157139	U5512900	UPPER HANDLE / FRONT - LAGOON BLUE METALLIC	16.60
2	93002066	U5507900, U5509900, U5511900	UPPER HANDLE / BACK - BLACK	6.23
3	59134089	ALL	BODY SCREW - 20MM X 40MM	.91
4	93002067	U5507900, U5509900, U5511900	ACCESSORY HOLDER - MAGNESIUM GRAY	2.26
	59157141	U5512900	ACCESSORY HOLDER - MAGNESIUM GRAY	PENDING
5	93001579	ALL	SCREW - 4MM X 16MM - ZINC PLATED	.57
6	59157006	U5507900	CORD REEL COVER - IMPERIAL RED	10.73
	59157107	U5509900	CORD REEL COVER - FERRARI RED METALLIC	PENDING
	59157125	U5511900	CORD REEL COVER - PURPLE METALLIC	PENDING
	59157142	U5512900	CORD REEL COVER - LAGOON BLUE METALLIC	PENDING
7	93002068	ALL	BODY BASE / BACK PANEL - BLACK	31.36
8	93002071	U5507900	CORD REEL BUTTON - BRIGHT YELLOW	4.86
	59157106	U5509900, U5511900, U5512900	CORD REEL BUTTON - SANDSTONE GRAY	PENDING
9	59157016	ALL	DIRT CUP SEAL - TANK OUT	3.08
10	93002076	ALL	CORD REEL ASSEMBLY	28.34
11	59157015	ALL	DIRT CUP SEAL - TANK IN	3.08
12	93002077	ALL	COIL SPRING	5.66
13	93001579	ALL	SCREW - 4MM X 16MM - ZINC PLATED	.57
14	59157003	ALL	BACK COVER SEAL	3.08
15	59157002	ALL	BACK COVER	PENDING
16	59157009	ALL	UPPER HOSE HOLDER	N.A.
17	93001579	ALL	SCREW - 4MM X 16MM - ZINC PLATED	.57
18	93002110	ALL	FLEXIBLE HOSE ASSEMBLY - BLACK	6.79
19	93002070	U5507900	POWER SWITCH COVER - BRIGHT YELLOW	5.66
	59157105	U5509900, U5511900, U5512900	POWER SWITCH COVER - SANDSTONE GRAY	N.A.
20	N.A.	ALL	EXHAUST SEAL	
21	93002073	U5507900	EXHAUST FILTER COVER - IMPERIAL RED	7.36
	59157108	U5509900	EXHAUST FILTER COVER - FERRARI RED METALLIC	PENDING

MODEL No.

- U5507-900
- U5507-950
- U5509-900
- U5509-950
- U5511-900
- U5512-900



4

PART LISTING / PRICE LIST

ITEM	PART NUMBER	MODELS TO FIT	PART DESCRIPTION	LIST COST
21	59157126	U5511900	EXHAUST FILTER COVER - PURPLE METALLIC	PENDING
	59157143	U5512900	EXHAUST FILTER COVER - LAGOON BLUE METALLIC	PENDING
22	59157008	ALL	EXHAUST GUIDE	PENDING
23	59157014	ALL	EXHAUST FILTER ASSEMBLY	6.29
24	93002080	ALL	POWER SWITCH ASSEMBLY	8.32
25	59157017	ALL	SWITCH SEAL	3.08
26	59157096	ALL	CORD REEL SEAL	3.08
27	93002078	ALL	CONNECTOR ASSEMBLY	7.93
28	59157023	ALL	LAMP SEAL	3.08
29	59157097	ALL	MOTOR COVER SEAL	3.08
30	59157019	ALL	MOTOR COVER - BLACK	16.94
31	27313107	ALL	BULB	3.09
32	59155067	ALL	LAMP HOLDER ASSEMBLY	3.39
33	59155036	ALL	SCREW - SELF TAPPING / PAN HEAD - BLACK	1.12
34	93001579	ALL	SCREW - 4MM X 16MM - ZINC PLATED	.57
35	59157020	ALL	LIGHT COVER	PENDING

MODEL No.

U5507-900

U5507-950

U5509-900

U5509-950

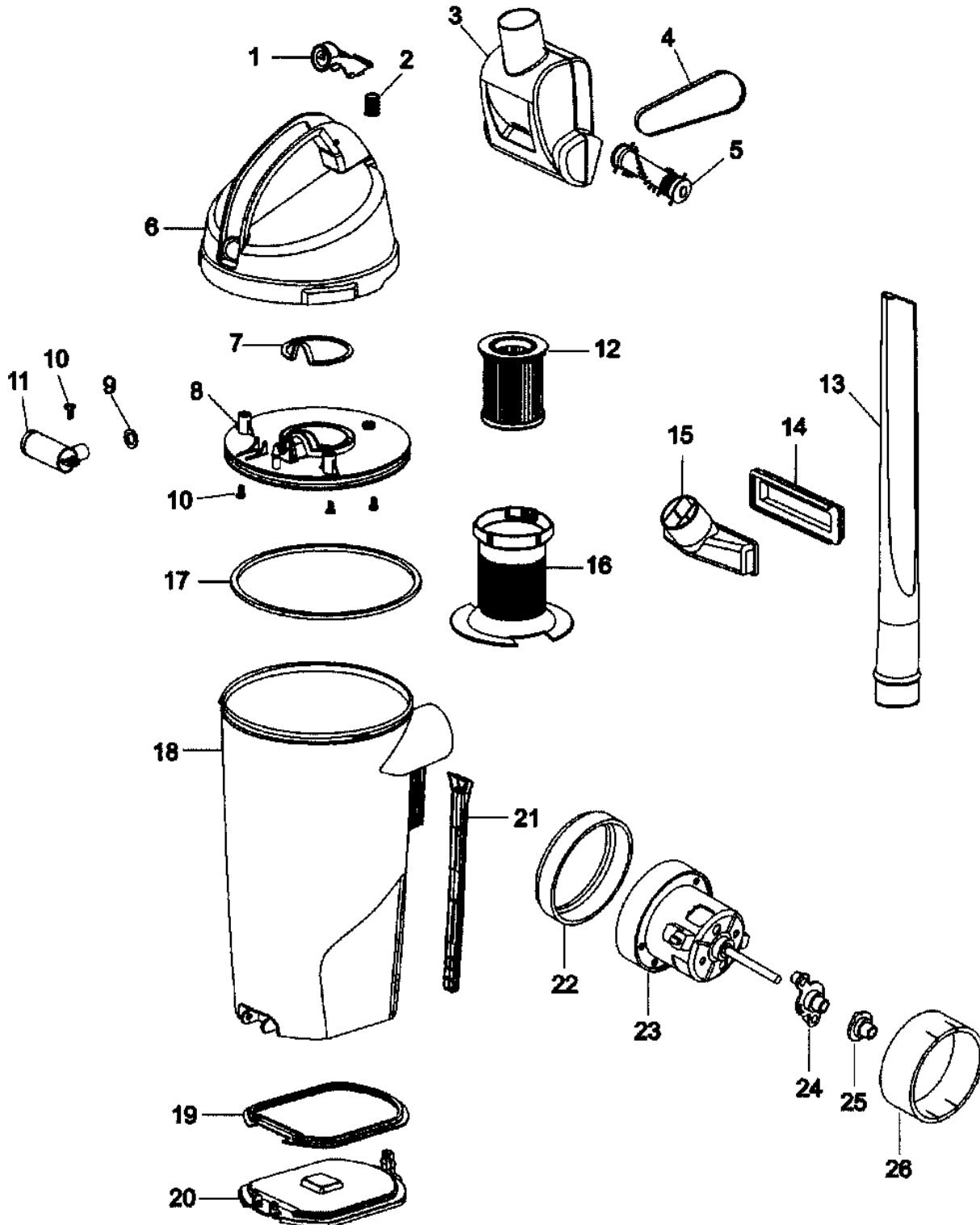
U5511-900

U5512-900



4

### ASSEMBLY SCHEMATIC



### MODEL NO.

- U5507-900
- U5507-950
- U5509-900
- U5509-950
- U5511-900
- U5512-900



4

## PART LISTING / PRICE LIST

ITEM	PART NUMBER	MODELS TO FIT	PART DESCRIPTION	LIST COST
1	93002091	U5507900	DIRT CUP LID LATCH - BRIGHT YELLOW	2.21
	59157113	U5509900, U5511900, U5512900	DIRT CUP LID LATCH - SANDSTONE GRAY	N.A.
2	93002092	ALL	SPRING - DIRT CUP LATCH	5.66
3	59157029	ALL	TURBINE TOOL ASSEMBLY - DARK CHARCOAL	5.66
4	59157045	ALL	TURBINE TOOL BELT	2.61
5	59157035	ALL	TURBINE TOOL BRUSH ROLL ASSEMBLY	17.00
6	93002093	U5507900	DIRT CUP LID - IMPERIAL RED	5.66
	59157112	U5509900	DIRT CUP LID - FERRARI RED METALLIC	N.A.
	59151729	U5511900	DIRT CUP LID - PURPLE METALLIC	N.A.
		U5512900	DIRT CUP LID - LAGOON BLUE METALLIC	N.A.
7	93002094	ALL	DIRT CUP LID SEAL	2.03
8	93002095	U5507900, U5509900	DIRT CUP LID PLATE	5.66
	59157133	U5511900	DIRT CUP LID PLATE	N.A.
		U5512900	DIRT CUP LID PLATE	N.A.
9	93002103	ALL	INDICATOR SEAL	1.92
10	59157036	ALL	SCREW - 3MM X 16MM	N.A.
11	93002102	ALL	INDICATOR ASSEMBLY	2.59
12	59157055	ALL	FILTER ASSEMBLY - DIRT CUP	12.60
13	59157086	ALL	CREVICE TOOL - BLACK	5.09
14	93002109	ALL	BRUSH ASSEMBLY FRAME	4.53
15	59157093	ALL	UPHOLSTERY TOOL - BLACK	5.09
16	93002097	U5507900	FILTER FRAME - BRIGHT YELLOW	2.26
	59157114	U5509900, U5511900, U5512900	FILTER FRAME - SANDSTONE GRAY	N.A.
17	93002096	ALL	DIRT CUP LID SEAL	2.03
18	93002098	ALL	DIRT CUP / DUST TANK - CLEAR	5.93
19	93002100	ALL	DIRT CUP BOTTOM SEAL	2.03
20	93002101	ALL	DIRT CUP DOOR	5.43
21	93002099	ALL	DIRT CUP DOOR RELEASE BUTTON	5.43
22	93002104	ALL	MOTOR MOUNT	9.45
23	93002105	U5507900	MOTOR ASSEMBLY	68.03
	59157138	U5509900, U5511900, U5512900	MOTOR ASSEMBLY	72.46
24	93002106	ALL	MOTOR SUPPORT	N.A.
25	93002107	ALL	MOTOR SEAL	N.A.
26	93002108	ALL	MOTOR - FOAM SOUND ABSORBER	N.A.

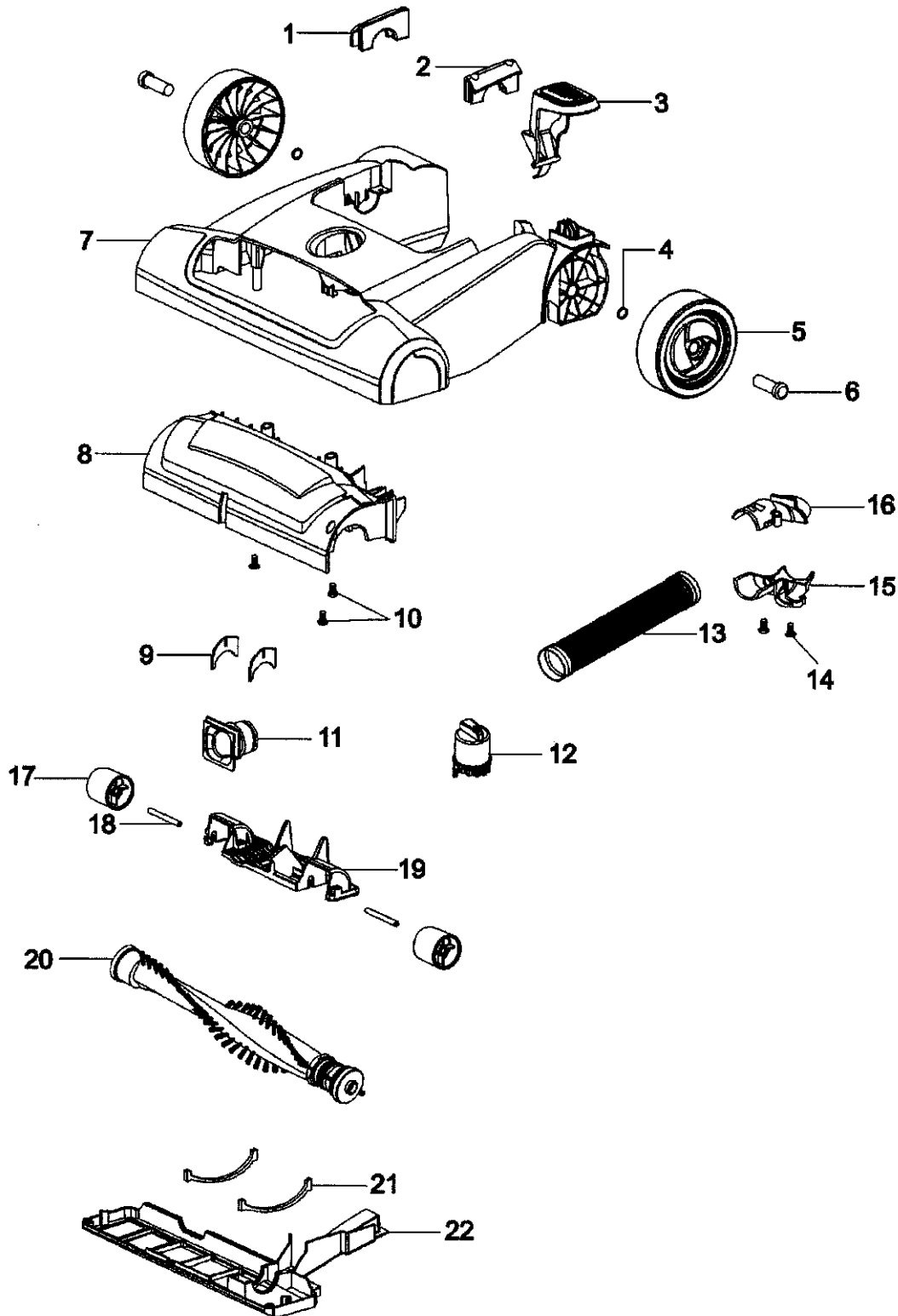
MODEL No.

U5507-900  
 U5507-950  
 U5509-900  
 U5509-950  
 U5511-900  
 U5512-900



4

### ASSEMBLY SCHEMATIC



### MODEL NO.

- U5507-900
- U5507-950
- U5509-900
- U5509-950
- U5511-900
- U5512-900



## PART LISTING / PRICE LIST

ITEM	PART NUMBER	MODELS TO FIT	PART DESCRIPTION	LIST COST
1	93002113	U5507900, U5509900	PIVOT CLAMP / LEFT - IMPERIAL RED	4.53
	59157132	U5511900	PIVOT CLAMP / LEFT - PURPLE METALLIC	N.A.
		U5512900	PIVOT CLAMP / LEFT - LAGOON BLUE METALLIC	
2	93002114	U5507900, U5509900	PIVOT CLAMP / RIGHT - IMPERIAL RED	5.43
	59157131	U5511900	PIVOT CLAMP / RIGHT - PURPLE METALLIC	N.A.
		U5512900	PIVOT CLAMP / RIGHT - LAGOON BLUE METALLIC	
3	93002115	U5507900	RELEASE PEDAL - BRIGHT YELLOW	5.66
	59157116	U5509900, U5511900, U5512900	RELEASE PEDAL - SANDSTONE GRAY	9.45
4	59155119	ALL	E-CLIP	1.12
5	93002112	ALL	REAR WHEEL - BLACK	5.66
6	59155086	ALL	REAR WHEEL SHAFT	4.53
7	93002111	U5507900	NOZZLE COVER ASSEMBLY - IMPERIAL RED	2.26
	59157115	U5509900	NOZZLE COVER ASSEMBLY - FERRARI RED	46.48
	59157130	U5511900	NOZZLE COVER ASSEMBLY - PURPLE METALLIC	N.A.
		U5512900	NOZZLE COVER ASSEMBLY - LAGOON BLUE	N.A.
8	93002122	ALL	BRUSH VIEW WINDOW - CLEAR	5.66
9	93002123	ALL	NOZZLE HOUSING SEAL	2.26
10	93002128	ALL	SCREW - SELF TAPPING M3 X 8	N.L.A.
11	93002116	ALL	LOWER HOSE GUIDE	N.A.
12	93002119	U5507900	HEIGHT ADJUST KNOB - BRIGHT YELLOW	N.A.
	59157117	U5509900, U5511900, U5512900	HEIGHT ADJUST KNOB - SANDSTONE GRAY	N.A.
13	59157021	ALL	LOWER HOSE	11.27
14	59157036	ALL	SCREW - SELF TAPPING - 3MM X 16MM	N.L.A.
15	93002118	ALL	LOWER HOSE HOLDER - BOTTOM	N.A.
16	93002117	ALL	LOWER HOSE HOLDER - TOP	5.66
17	59155082	ALL	FRONT ROLLER WHEEL	1.69
18	93002121	ALL	FRONT ROLLER WHEEL SHAFT	2.59
19	93002120	ALL	FRONT ROLLER LIFTER	5.66
20	93002124	ALL	BRUSH ROLL ASSEMBLY	11.33
21	93002126	ALL	NOZZLE GUARD SEAL	2.03
22	93002125	ALL	NOZZLE GUARD ASSEMBLY	5.66
	38528040	ALL	BELT - 1 PER PACK	2.93

MODEL No.

- U5507-900
- U5507-950
- U5509-900
- U5509-950
- U5511-900
- U5512-900