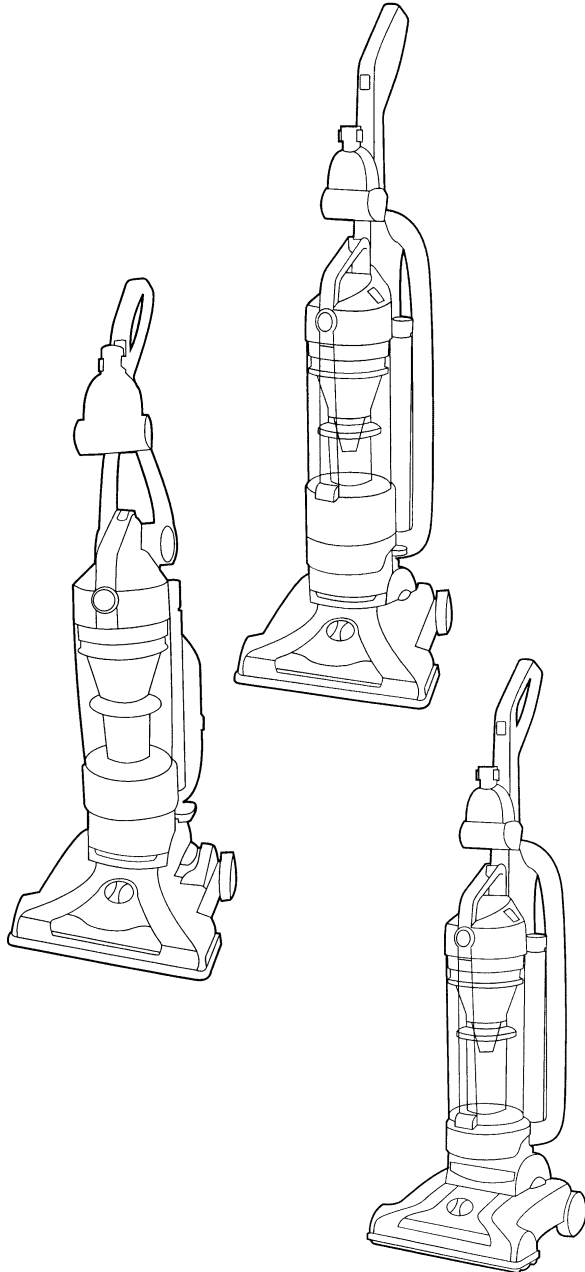




WINDTUNNEL WINDTUNNEL  
 PURE CLEAN T SERIES REWIND T SERIES  
 WINDTUNNEL WINDTUNNEL  
 PET REWIND<sup>™</sup> REWIND PLUS<sup>™</sup>  
 WINDTUNNEL WINDTUNNEL  
 T SERIES PURELY PET<sup>™</sup>

36

SECTION CONTENTS



<u>MODEL NO.</u>	<u>PAGE NO.</u>
UH70200	36-2 THRU 36-4
UH70205	36-2 THRU 36-4
UH70210	36-2 THRU 36-4
UH70211	36-2 THRU 36-4
UH70212	36-2 THRU 36-4
UH70215	36-2 THRU 36-4
UH70110	36-5 THRU 36-7
UH70120	36-5 THRU 36-7
UH70100	36-8 THRU 36-10
UH70105	36-8 THRU 36-10
UH70106	36-8 THRU 36-10
UH70107	36-8 THRU 36-10
UH70130	36-11 THRU 36-12
UH70115	36-13 THRU 36-14
UH70116	36-13 THRU 36-14

MODEL No.

UH70100
UH70105
UH70106
UH70107
UH70110
UH70115
UH70116
UH70120
UH70130
UH70200
UH70205
UH70210
UH70211
UH70212
UH70215

- \* PRICING, SPECIFICATION'S, AND PRODUCT AVAILABILITY ARE SUBJECT TO CHANGE WITHOUT NOTICE. PRICING IS FOB FACTORY, CANTON, OH
- \* ALL INFORMATION CONTAINED WITHIN THIS SERVICE MANUAL IS PROPRIETARY INFORMATION OF TTI FLOOR CARE NORTH AMERICA.
- \* **WARNING:** TO REDUCE THE RISK OF ELECTRICAL SHOCK OR INJURY, ALWAYS DISCONNECT THE APPLIANCE CORD FROM THE ELECTRICAL OUTLET OR REMOVE BATTERY PRIOR TO SERVICING THE UNIT.



**WINDTUNNEL**  
**PURE CLEAN** **7** SERIES  
**WINDTUNNEL**  
**PET REWIND\***

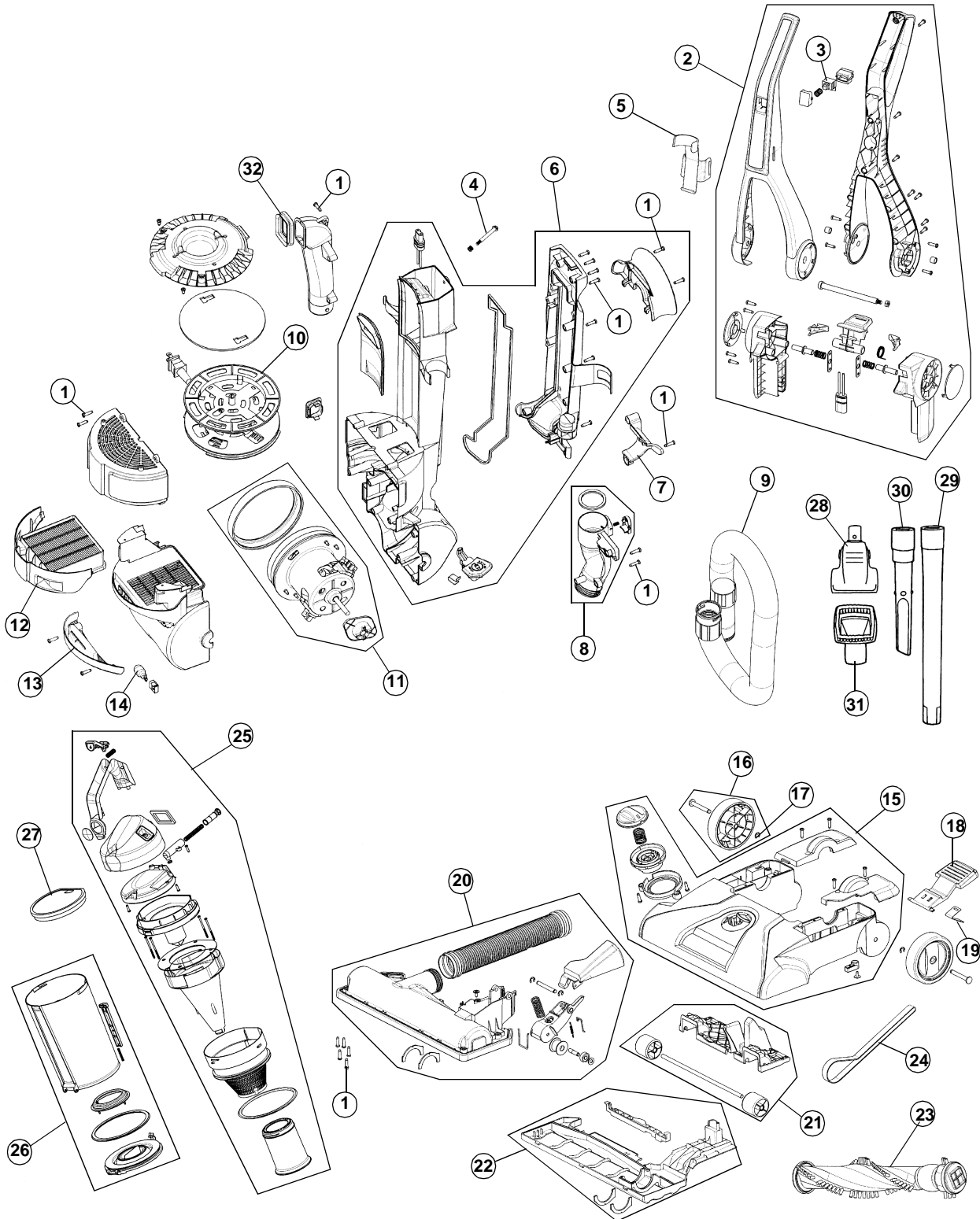
**WINDTUNNEL**  
**REWIND PLUS\***

**36**

ASSEMBLY SCHEMATIC

MODEL NO.

- UH70200
- UH70205
- UH70210
- UH70211
- UH70212
- UH70215





**WINDTUNNEL**  
**PURE CLEAN** **U SERIES**  
**WINDTUNNEL**  
**PET REWIND\***

**WINDTUNNEL**  
**REWIND PLUS\***

**36**

**PART LISTING / PRICE LIST**

ITEM	PART NUMBER	MODELS TO FIT	PART DESCRIPTION	LIST COST
1	660021002	ALL	BODY SCREW - #8 X 6MM	.57
2	303839001	UH70200	HANDLE ASSEMBLY - FOLDING / D STYLE SHADOWS GRAY	42.20
	303835002	UH70205, UH70211	HANDLE ASSEMBLY - FOLDING / D STYLE SHADOWS METALLIC	42.20
	303835003	UH70212	HANDLE ASSEMBLY - FOLDING / D STYLE DARK SHADOWS METALLIC	
	303835001	UH70210, UH70215	HANDLE ASSEMBLY - FOLDING / D STYLE BILLOWY BLUE	42.20
3	28218062	ALL	SWITCH	.92
4	620893001	ALL	HANDLE SCREW	.20
5	521025002	ALL	TURBO TOOL CLIP	.34
6	303831001	ALL	MAIN BACK PANEL ASSEMBLY	3.20
7	521088001	ALL	HOSE WRAP - LOWER	1.00
8	303832001	ALL	LOWER HOSE ADAPTOR ASSEMBLY	1.90
9	303239003	ALL	UPPER HOSE ASSEMBLY - 8'	11.33
	303642001	UH70200, UH70212, UH70215	UPPER HOSE ASSEMBLY - 12'	14.86
10	303238002	ALL	CORD REWIND ASSEMBLY	37.13
11	230272001	ALL	MOTOR ASSEMBLY - WITH GASKET / GROMMET	44.05
12	303172002	ALL	EXHAUST HEPA FILTER ASSEMBLY	10.00
	902404001	UH70210, UH70211, UH70212, UH70215	CARBON EXHAUST FILTER	1.25
13	521064002	ALL	HEAD LIGHT LENS	
14	27313107	ALL	LIGHT BULB	3.09
15	303840001	UH70200	NOZZLE BASE ASSEMBLY - GARNET METALLIC	14.08
	303834002	UH70205, UH70211	NOZZLE BASE ASSEMBLY - SHADOWS METALLIC	14.08
	303834001	UH70210, UH70215	NOZZLE BASE ASSEMBLY - BILLOWY BLUE	14.08
	303834003	UH70212	NOZZLE BASE ASSEMBLY - DARK SHADOWS GREEN METALLIC	
16	304233001	ALL	REAR WHEEL ASSEMBLY	
17	691040002	ALL	E - CLIP	.88
18	521048001	ALL	HANDLE RELEASE PEDAL	1.20
19	633197001	ALL	HANDLE RELEASE PEDAL SPRING	.20
20	303828001	ALL	BRUSH ROLL HOUSING / LOWER HOSE ASMY	15.53
21	303214001	ALL	ROLLER LIFTER ASSEMBLY	2.80
22	303829001	ALL	NOZZLE GUARD ASSEMBLY	6.19
23	303280001	ALL	BRUSH ROLL ASSEMBLY	11.33

**MODEL No.**

UH70200  
 UH70205  
 UH70210  
 UH70211  
 UH70212  
 UH70215



**WINDTUNNEL**  
**PURE CLEAN** **T SERIES**

**WINDTUNNEL**  
**PET REWIND\***

**WINDTUNNEL**  
**REWIND PLUS\***

**36**

**PART LISTING / PRICE LIST**

ITEM	PART NUMBER	MODELS TO FIT	PART DESCRIPTION	LIST COST
24	562289001	ALL	BELT - CLOTH	3.47
	AH20065	ALL	BELT - CLOTH 2 PACK	1.50 NON DISC
25	303833002	UH70200	DIRT CUP LID ASSEMBLY - GARNET METALLIC	28.35
	303833004	UH70205, UH70211	DIRT CUP LID ASSEMBLY - SHADOWS METALLIC	28.35
	303833001	UH70210, UH70215	DIRT CUP LID ASSEMBLY - BILLOWY BLUE	28.35
	303833008	UH70212	DIRT CUP LID ASSEMBLY - DARK SHADOWS GREEN METALLIC	
26	304025001	ALL	DIRT CUP ASSEMBLY - SHORT	14.40
27	303173001	ALL	PRIMARY FILTER	6.95
28	521025000	UH70200, UH70205	TURBO TOOL ASSEMBLY	14.62
	000977002	UH70210, UH70211, UH70212, UH70215	TURBO TOOL ASSEMBLY - PET	16.87
29	500170001	ALL	EXTENSION WAND	3.29
30	521071001	ALL	CREVICE TOOL	.98
31	303205001	UH70200, UH70205	UPHOLSTERY TOOL	2.68
	303303001	UH70210, UH70211, UH70212, UH70215	UPHOLSTERY TOOL - PET	5.66
32	562269002	ALL	INLET TUBE SEAL	.50

**MODEL No.**

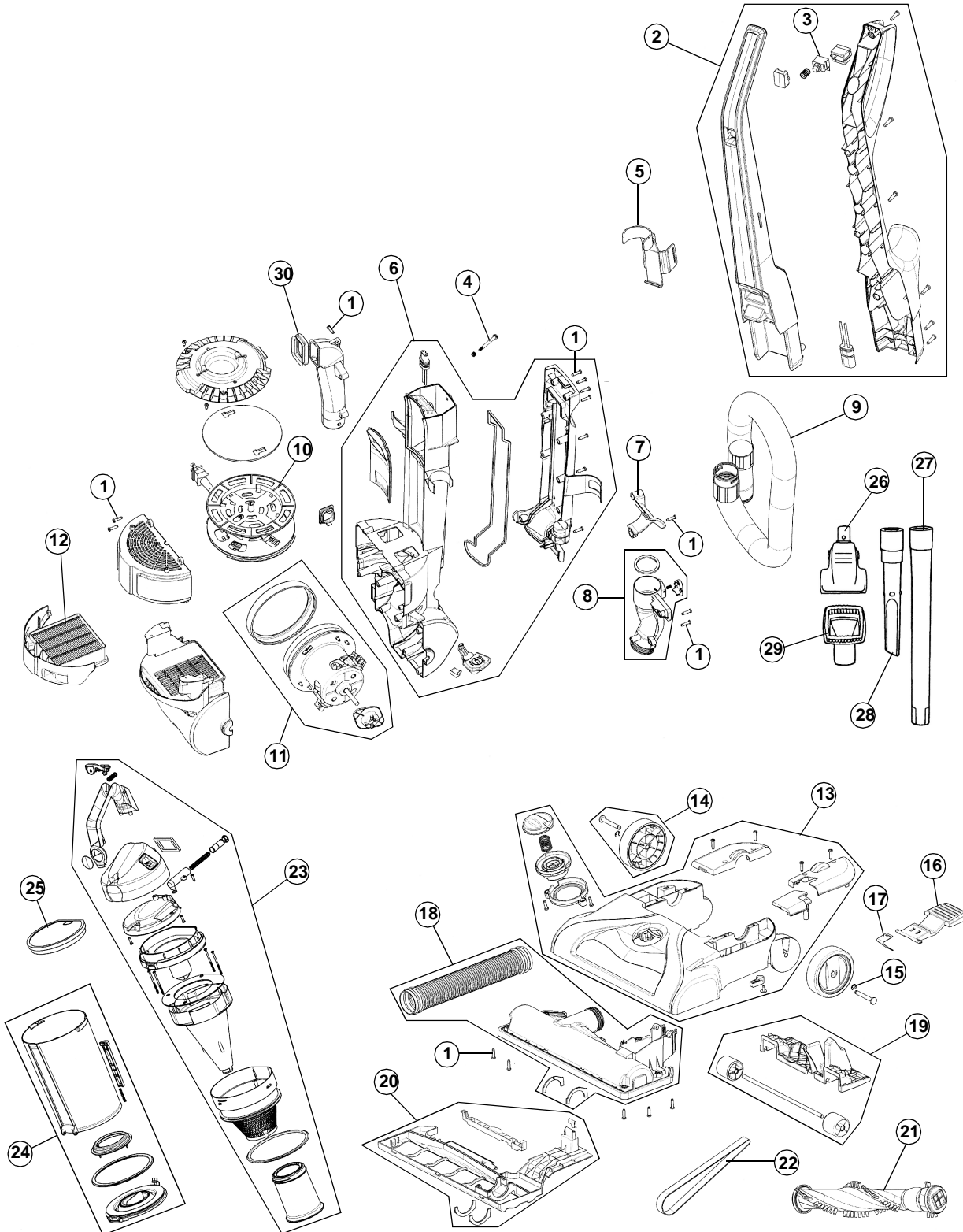
UH70200  
 UH70205  
 UH70210  
 UH70211  
 UH70212  
 UH70215



# WINDTUNNEL REWIND SERIES

# 36

## ASSEMBLY SCHEMATIC



### MODEL No.

UH70110  
UH70120



**PART LISTING / PRICE LIST**

**MODEL No.**

**UH70110**  
**UH70120**

ITEM	PART NUMBER	MODELS TO FIT	PART DESCRIPTION	LIST COST
1	660021002	UH70110, UH70120	BODY SCREW - #8 x 6MM	.57
2	303846001	UH70110, UH70120	HANDLE ASSEMBLY - STRAIGHT / D STYLE - SHADOW GRAY	27.33
3	28218062	UH70110, UH70120	SWITCH	.92
4	620893001	UH70110, UH70120	HANDLE SCREW	.20
5	521025001	UH70110, UH70120	TURBO TOOL CLIP	.82
6	303831002	UH70110, UH70120	MAIN BACK PANEL ASSEMBLY	
7	521088001	UH70110, UH70120	HOSE WRAP - LOWER	1.00
8	303832001	UH70110, UH70120	LOWER HOSE ADAPTOR ASSEMBLY	1.90
9	303203001	UH70110, UH70120	UPPER HOSE ASSEMBLY - 8'	11.33
10	303238002	UH70110, UH70120	CORD REWIND ASSEMBLY	37.13
11	230272001	UH70110, UH70120	MOTOR ASSEMBLY - WITH GASKET / GROMMET	44.05
12	303172002	UH70110, UH70120	EXHAUST HEPA FILTER ASSEMBLY	10.00
13	304030002	UH70110	NOZZLE BASE ASSEMBLY - WARM TITANIUM METALLIC	14.08
	303847001	UH70120	NOZZLE BASE ASSEMBLY - SAGE METALLIC	14.08
14	304233001	UH70110, UH70120	REAR WHEEL ASSEMBLY	
15	691040002	UH70110, UH70120	E - CLIP	.88
16	521048001	UH70110, UH70120	HANDLE RELEASE PEDAL	1.20
17	633197001	UH70110, UH70120	HANDLE RELEASE PEDAL SPRING	.20
18	304024001	UH70110	BRUSH ROLL HOUSING / LOWER HOSE ASMY	14.55
	304024002	UH70120	BRUSH ROLL HOUSING / LOWER HOSE ASMY	15.53
19	303214001	UH70110, UH70120	ROLLER LIFTER ASSEMBLY	2.80
20	304026001	UH70110	NOZZLE GUARD ASSEMBLY	5.50
	303829001	UH70120	NOZZLE GUARD ASSEMBLY	6.19
21	303202001	UH70110, UH70120	BRUSH ROLL ASSEMBLY	11.33
22	38528058	UH70110, UH70120	BELT - STRETCH	1.25
	AH20080	UH70110, UH70120	BELT - STRETCH 2 PACK	1.50NON DISC
23	303833009	UH70110	DIRT CUP LID ASSEMBLY - WARM TITANIUM METALLIC	28.35
	303833003	UH70120	DIRT CUP LID ASSEMBLY - SAGE METALLIC	28.35
24	304025001	UH70110, UH70120	DIRT CUP ASSEMBLY - SHORT	14.40
25	303173001	UH70110, UH70120	PRIMARY FILTER	6.95
26	521025000	UH70110, UH70120	TURBO TOOL ASSEMBLY	14.62



**WINDTUNNEL**  
**REWIND** **T SERIES**

**36**

PART LISTING / PRICE LIST

ITEM	PART NUMBER	MODELS TO FIT	PART DESCRIPTION	LIST COST
27	500170001	UH70110, UH70120	EXTENSION WAND	3.29
28	521071001	UH70110, UH70120	CREVICE TOOL	.98
29	303205001	UH70110, UH70120	UPHOLSTERY TOOL	2.68
30	562269002	UH70110, UH70120	INLET TUBE SEAL	.50

MODEL No.

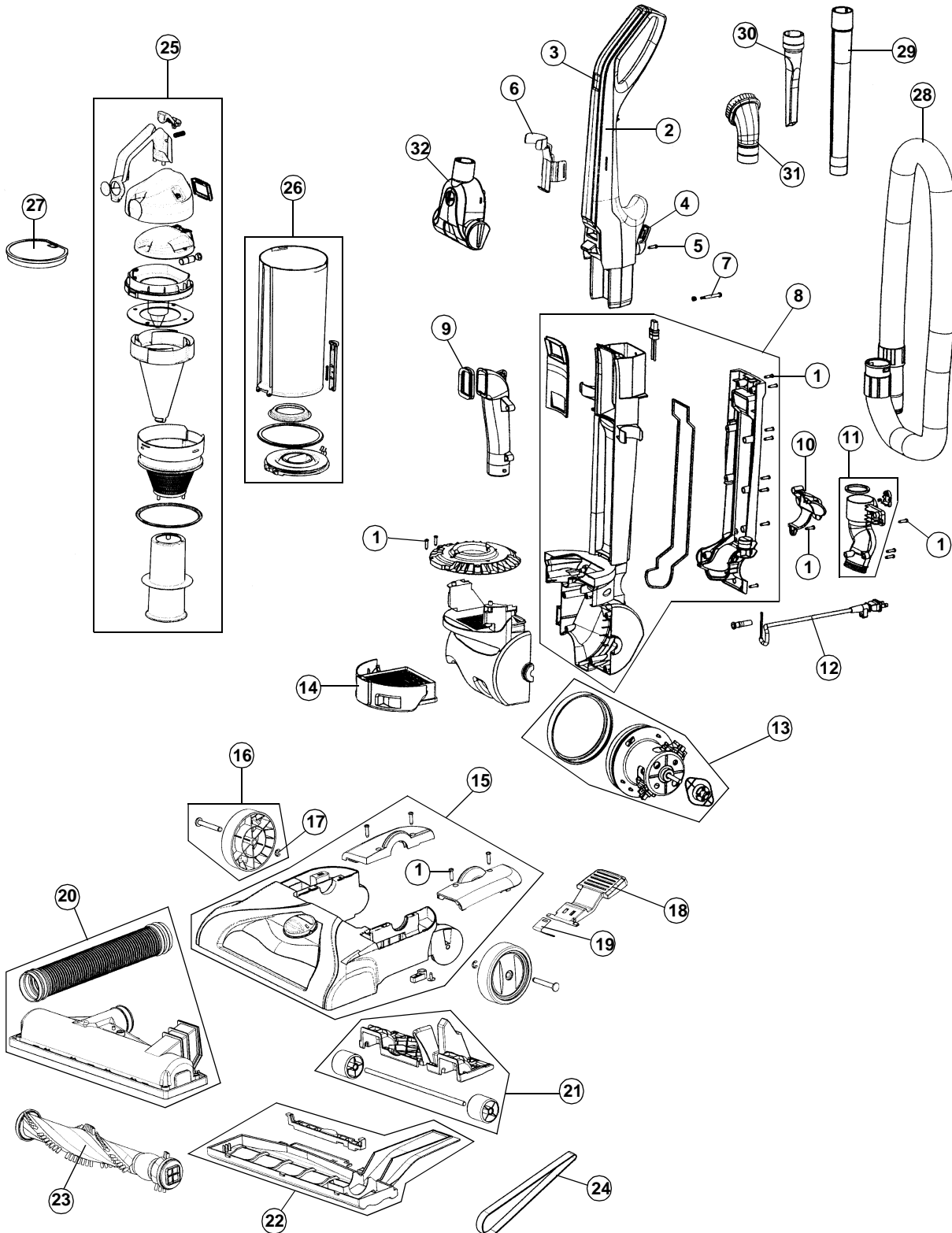
UH70110  
UH70120



WINDTUNNEL  
 T SERIES  
 WINDTUNNEL  
 PURELY PET™

36

ASSEMBLY SCHEMATIC



MODEL No.

- UH70100
- UH70105
- UH70106
- UH70107





WINDTUNNEL

U SERIES

WINDTUNNEL PURELY PET

36

PART LISTING / PRICE LIST

MODEL No.

UH70100
UH70105
UH70106
UH70107

Table with 5 columns: ITEM, PART NUMBER, MODELS TO FIT, PART DESCRIPTION, LIST COST. Contains 24 rows of part information.



WINDTUNNEL

7 SERIES

WINDTUNNEL  
PURELY PET™

36

PART LISTING / PRICE LIST

ITEM	PART NUMBER	MODELS TO FIT	PART DESCRIPTION	LIST COST
25	303833005	UH70100	DIRT CUP LID ASSEMBLY - LASER BLUE	28.35
	303833006	UH70105	DIRT CUP LID ASSEMBLY - SLATE METALLIC	28.35
	303833010	UH70106	DIRT CUP LID ASSEMBLY - SEASIDE METALLIC	
	303833007	UH70107	DIRT CUP LID ASSEMBLY - WARM TITANIUM	28.35
26	304025002	ALL	DIRT CUP ASSEMBLY - LONG	16.67
27	303173001	ALL	PRIMARY FILTER	6.95
28	303203001	ALL	UPPER HOSE ASSEMBLY - 8'	11.33
29	500170001	ALL	EXTENSION WAND	3.29
30	521071001	ALL	CREVICE TOOL	.98
31	303205001	ALL	UPHOLSTERY TOOL	2.68
	303303001	UH70100	UPHOLSTERY TOOL - PET	5.66
32	521025000	ALL	TURBO TOOL ASSEMBLY	14.62
	000977002	UH70100	TURBO TOOL ASSEMBLY - PET	16.87

MODEL No.

UH70100  
UH70105  
UH70106  
UH70107

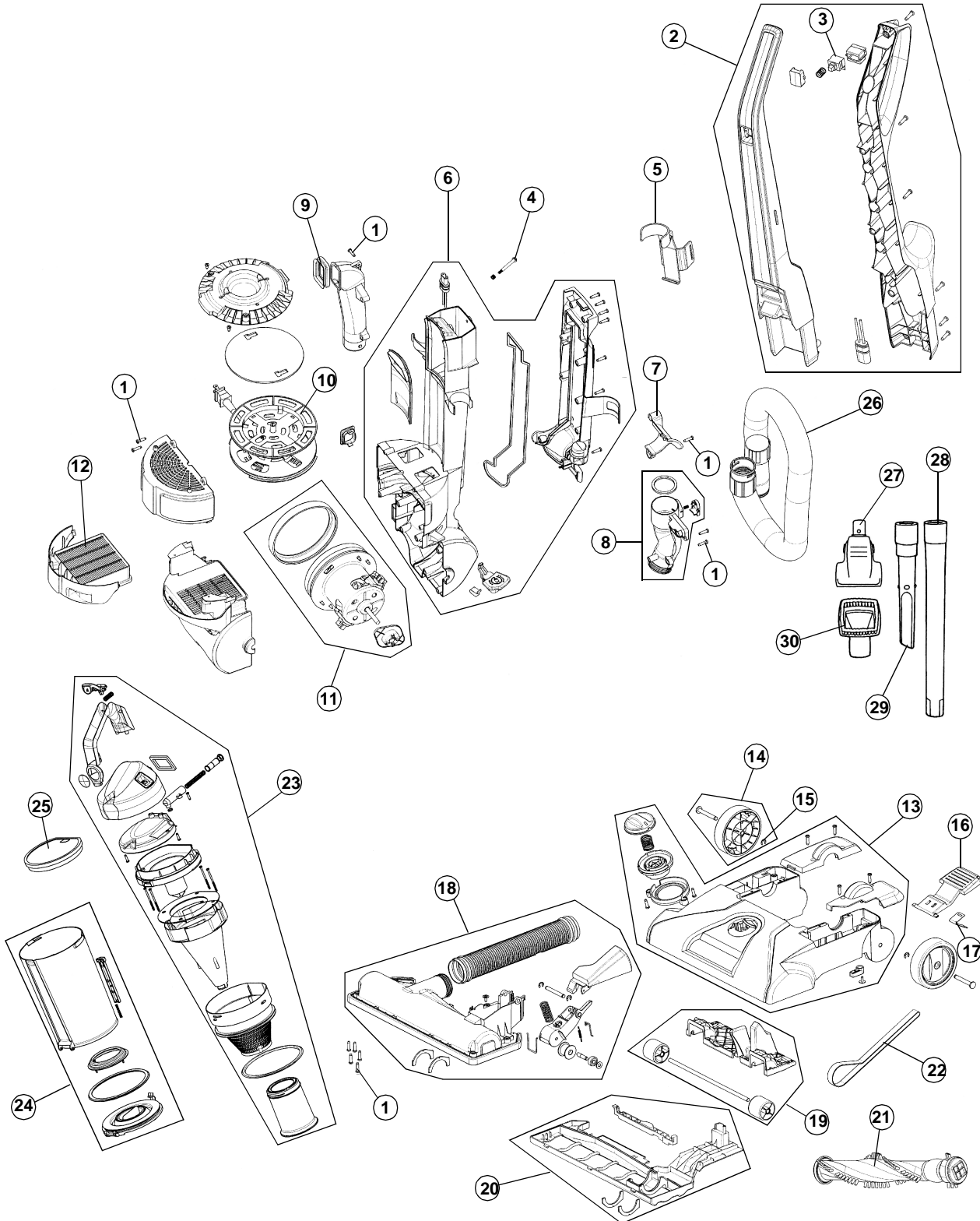


# WINDTUNNEL REWIND SERIES

# 36

## ASSEMBLY SCHEMATIC

MODEL No.  
UH70130





**WINDTUNNEL**  
**REWIND** **T SERIES**

**36**

**PART LISTING / PRICE LIST**

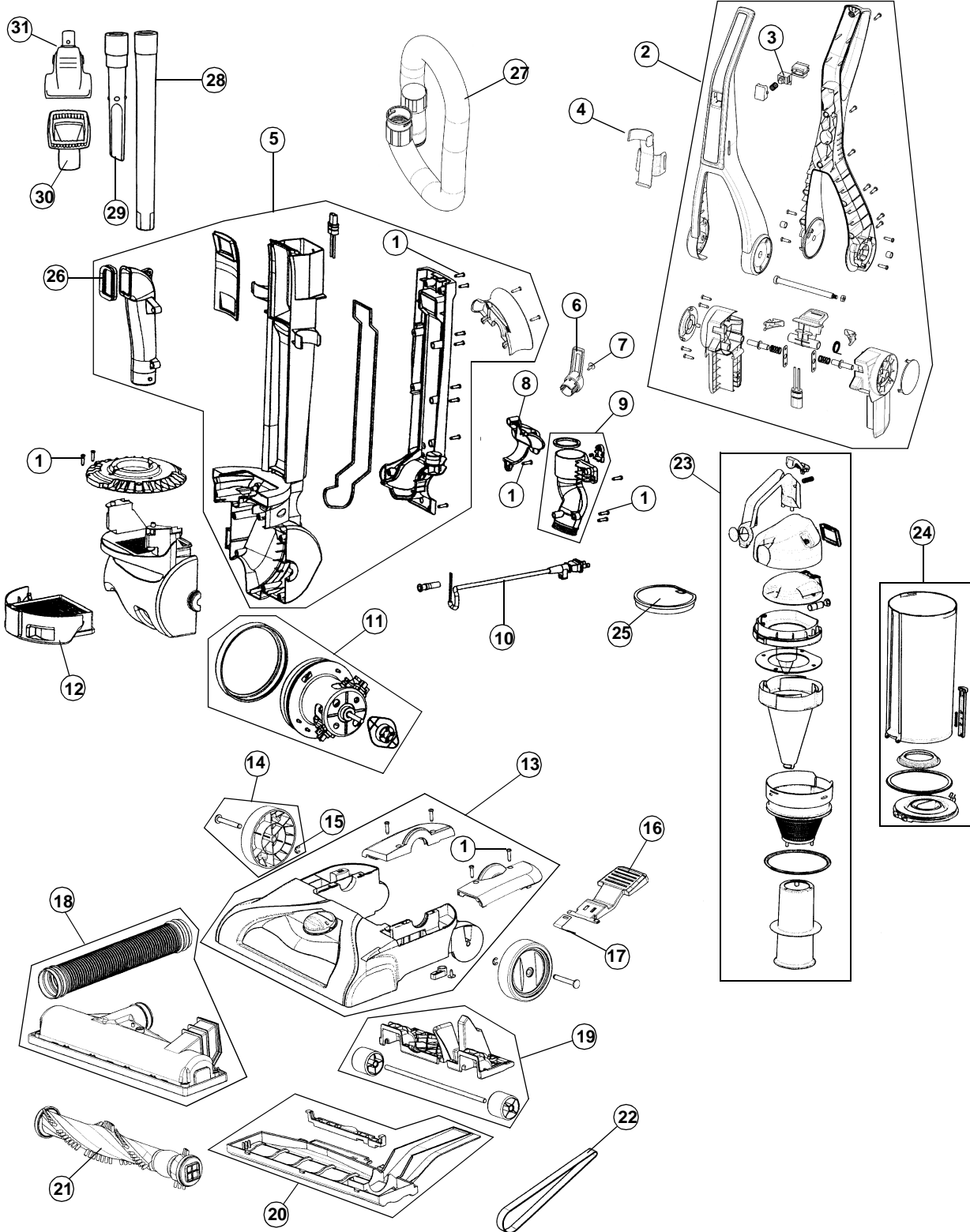
MODEL No.

**UH70130**

ITEM	PART NUMBER	MODELS TO FIT	PART DESCRIPTION	LIST COST
1	660021002	UH70130	BODY SCREW - #8 x 6MM	.57
2	303846001	UH70130	HANDLE ASSEMBLY - STRAIGHT / D STYLE - SHADOW GRAY	27.33
3	28218062	UH70130	SWITCH	.92
4	620893001	UH70130	HANDLE SCREW	.20
5	521025001	UH70130	TURBO TOOL CLIP	.82
6	303831002	UH70130	MAIN BACK PANEL ASSEMBLY	
7	521088001	UH70130	HOSE WRAP - LOWER	1.00
8	303832001	UH70130	LOWER HOSE ADAPTOR ASSEMBLY	1.90
9	562269002	UH70130	INLET TUBE SEAL	.50
10	303238002	UH70130	CORD REWIND ASSEMBLY	37.13
11	230272001	UH70130	MOTOR ASSEMBLY - WITH GASKET / GROMMET	44.05
12	303172002	UH70130	EXHAUST HEPA FILTER ASSEMBLY	10.00
13	303834004	UH70130	NOZZLE BASE ASSEMBLY - WARM TITANIUM METALLIC	
14	304233001	UH70130	REAR WHEEL ASSEMBLY	
15	691040002	UH70130	E - CLIP	.88
16	521048001	UH70130	HANDLE RELEASE PEDAL	1.20
17	633197001	UH70130	HANDLE RELEASE PEDAL SPRING	.20
18	303828001	UH70130	BRUSH ROLL HOUSING / LOWER HOSE ASMY	15.53
19	303214001	UH70130	ROLLER LIFTER ASSEMBLY	2.80
20	303829001	UH70130	NOZZLE GUARD ASSEMBLY	6.19
21	303280001	UH70130	BRUSH ROLL ASSEMBLY	11.33
22	562289001	UH70130	BELT - CLOTH	3.47
	AH20065	UH70130	BELT - CLOTH 2 PACK	1.50 NON DISC
23	303833009	UH70130	DIRT CUP LID ASSEMBLY - WARM TITANIUM METALLIC	28.35
24	304025001	UH70130	DIRT CUP ASSEMBLY - SHORT	14.40
25	303173001	UH70130	PRIMARY FILTER	6.95
26	303203001	UH70130	UPPER HOSE ASSEMBLY - 8'	11.33
27	521025000	UH70130	TURBO TOOL ASSEMBLY	14.62
28	500170001	UH70130	EXTENSION WAND	3.29
29	521071001	UH70130	CREVICE TOOL	.98
30	303205001	UH70130	UPHOLSTERY TOOL	2.68



ASSEMBLY SCHEMATIC



MODEL NO.

UH70115  
UH70116



# WINDTUNNEL

## U SERIES

# 36

### PART LISTING / PRICE LIST

MODEL No.

UH70115  
UH70116

ITEM	PART NUMBER	MODELS TO FIT	PART DESCRIPTION	LIST COST
1	660021002	UH70115, UH70116	BODY SCREW - #8 X 6MM	.57
2	303839001	UH70115, UH70116	HANDLE ASSEMBLY - FOLDING / D STYLE SHADOWS GRAY	42.20
3	28218062	UH70115, UH70116	SWITCH	.92
4	521025001	UH70115, UH70116	TURBO TOOL CLIP	.82
5	304287001	UH70115, UH70116	MAIN BACK PANEL ASSEMBLY	
6	521067001	UH70115, UH70116	UPPER CORD HOOK	
7	21447228	UH70115, UH70116	SCREW - CORD HOOK	.57
8	521068001	UH70115, UH70116	HOSE / CORD WRAP - LOWER	1.07
9	303832001	UH70115, UH70116	LOWER HOSE ADAPTOR ASSEMBLY	1.90
10	46383330	UH70115, UH70016	POWER CORD ASSEMBLY - 30'	4.07
11	230272001	UH70115, UH70116	MOTOR ASSEMBLY - WITH GASKET / GROMMET	44.05
12	303172002	UH70115, UH70116	EXHAUST HEPA FILTER ASSEMBLY	10.00
13	304030002	UH70115, UH70116	NOZZLE BASE ASSEMBLY - WARM TITANIUM	14.08
14	304233001	UH70115, UH70116	REAR WHEEL ASSEMBLY	
15	691040002	UH70115, UH70116	E - CLIP	.88
16	521048001	UH70115, UH70116	HANDLE RELEASE PEDAL	1.20
17	633197001	UH70115, UH70116	HANDLE RELEASE PEDAL SPRING	.20
18	304024001	UH70115, UH70116	BRUSH ROLL HOUSING / LOWER HOSE	14.55
19	303214001	UH70115, UH70116	ROLLER LIFTER ASSEMBLY	2.80
20	304026001	UH70115, UH70116	NOZZLE GUARD ASSEMBLY	5.50
21	303202001	UH70115, UH70116	BRUSH ROLL ASSEMBLY	11.33
22	38528058	UH70115, UH70116	BELT - STRETCH	1.25
	AH20080	UH70115, UH70116	BELT - STRETCH 2 PACK	1.50 NON DISC
23	303833007	UH70115, UH70116	DIRT CUP LID ASSEMBLY - WARM TITANIUM	28.35
24	304025002	UH70115, UH70116	DIRT CUP ASSEMBLY - LONG	16.67
25	303173001	UH70115, UH70116	PRIMARY FILTER	6.95
26	562269002	UH70115, UH70116	INLET TUBE SEAL	.50
27	303239003	UH70115	UPPER HOSE ASSEMBLY - 8'	11.33
	303642001	UH70116	UPPER HOSE ASSEMBLY - 12'	14.86
28	500170001	UH70115, UH70116	EXTENSION WAND	3.29
29	521071001	UH70115, UH70116	CREVICE TOOL	.98
30	303205001	UH70115, UH70116	UPHOLSTERY TOOL	2.68
31	521025000	UH70115, UH70116	TURBO TOOL ASSEMBLY	14.62

This document was created with Win2PDF available at <http://www.daneprairie.com>.  
The unregistered version of Win2PDF is for evaluation or non-commercial use only.