



PLATINUM  
*Collection*

CARPET  
CLEANER

34

SECTION CONTENTS

| <u>MODEL NO.</u> | <u>PAGE NO.</u> |
|------------------|-----------------|
| F8100900         | 34-2 THRU 34-8  |

MODEL NO.

F8100900

**FLOOREQUIPMENTPARTS.COM**



- \* PRICING, SPECIFICATION'S, AND PRODUCT AVAILABILITY ARE SUBJECT TO CHANGE WITHOUT NOTICE. PRICING IS FOB FACTORY, CANTON, OH
- \* ALL INFORMATION CONTAINED WITHIN THIS SERVICE MANUAL IS PROPRIETARY INFORMATION OF TTI FLOOR CARE NORTH AMERICA.
- \* **WARNING:** TO REDUCE THE RISK OF ELECTRICAL SHOCK OR INJURY, ALWAYS DISCONNECT THE APPLIANCE CORD FROM THE ELECTRICAL OUTLET OR REMOVE BATTERY PRIOR TO SERVICING THE UNIT.



PLATINUM  
*Collection*

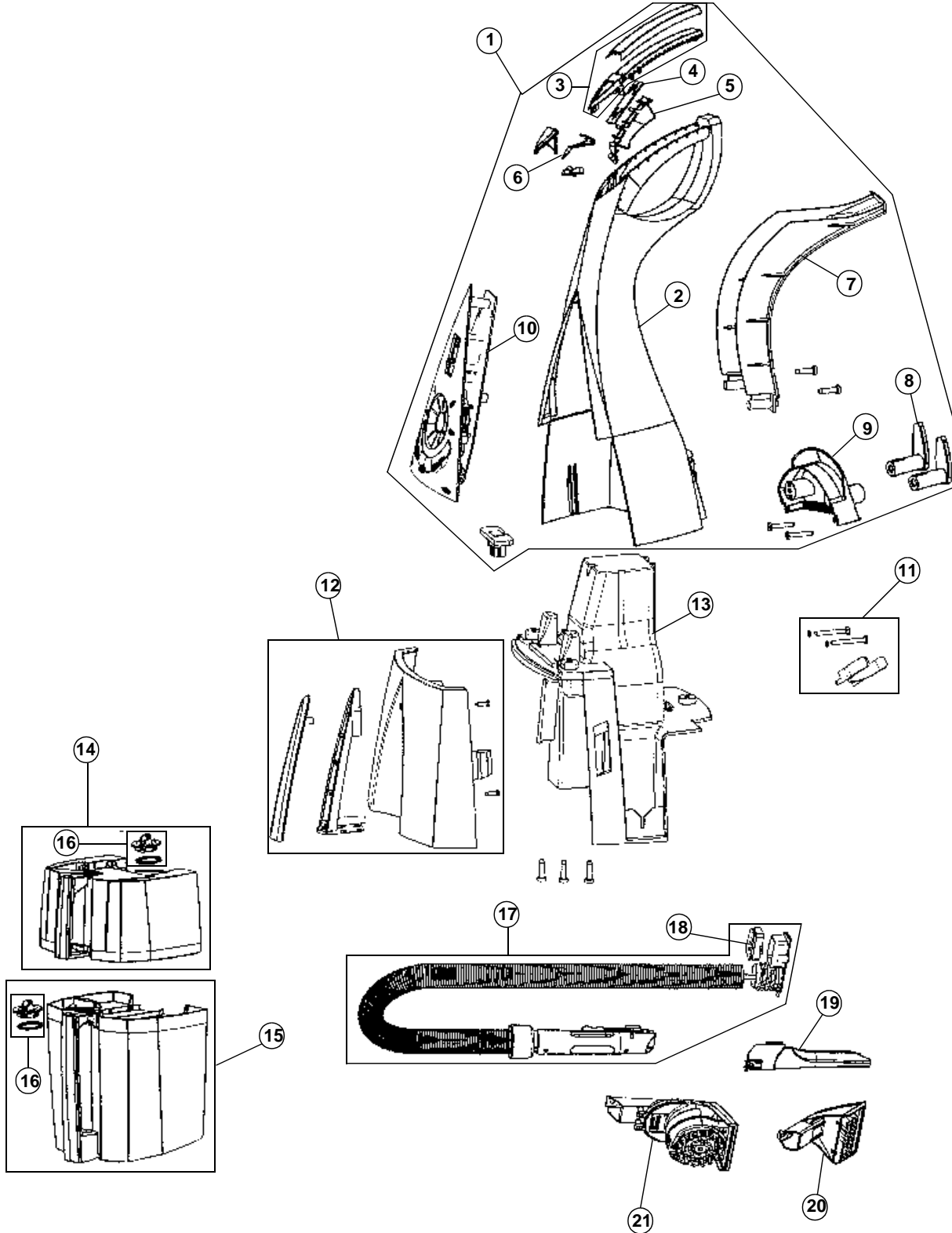
CARPET  
CLEANER

34

ASSEMBLY SCHEMATIC

MODEL NO.

F8100900





PLATINUM  
*Collection*

CARPET  
CLEANER

34

PART LISTING / PRICE LIST

MODEL No.

F8100900

| ITEM | PART NUMBER | MODELS TO FIT | PART DESCRIPTION                   |
|------|-------------|---------------|------------------------------------|
| 1    | 302594001   | F8100900      | HANDLE ASSEMBLY COMPLETE           |
| 2    | 302595001   | F8100900      | UPPER HANDLE ASSEMBLY              |
| 3    | 302596002   | F8100900      | FRONT COVER - UPPER HANDLE         |
| 4    | 280519001   | F8100900      | CIRCUIT BOARD - TRIGGER SWITCH     |
| 5    | 517404001   | F8100900      | TRIGGER                            |
| 6    | 521076001   | F8100900      | TRIGGER STOP                       |
| 7    | 517402001   | F8100900      | REAR COVER - UPPER HANDLE          |
| 8    | 517538001   | F8100900      | CORD WRAP                          |
| 9    | 517410001   | F8100900      | CARRY HANDLE                       |
| 10   | 302632002   | F8100900      | CONTROL PANEL ASSEMBLY             |
| 11   | 40201319    | F8100900      | HARDWARE PACKAGE - UPPER HANDLE    |
| 12   | 42227189    | F8100900      | TOOL DOOR ASSEMBLY                 |
| 13   | 517403001   | F8100900      | UPPER HANDLE INSERT                |
| 14   | 302664002   | F8100900      | SOLUTION TANK ASSEMBLY COMPLETE    |
| 15   | 302668001   | F8100900      | CLEAN WATER TANK ASSEMBLY COMPLETE |
| 16   | 302666001   | F8100900      | TANK CAP ASSEMBLY                  |
| 17   | 43434282    | F8100900      | HOSE ASSEMBLY COMPLETE             |
| 18   | 562120001   | F8100900      | RUBBER SEAL ADAPTOR - HOSE         |
| 19   | 517550001   | F8100900      | CREVICE TOOL                       |
| 20   | 517438001   | F8100900      | FURNITURE NOZZLE ASSEMBLY          |
| 21   | 302598001   | F8100900      | UPHOLSTERY NOZZLE TOOL ASSEMBLY    |



PLATINUM  
*Collection*

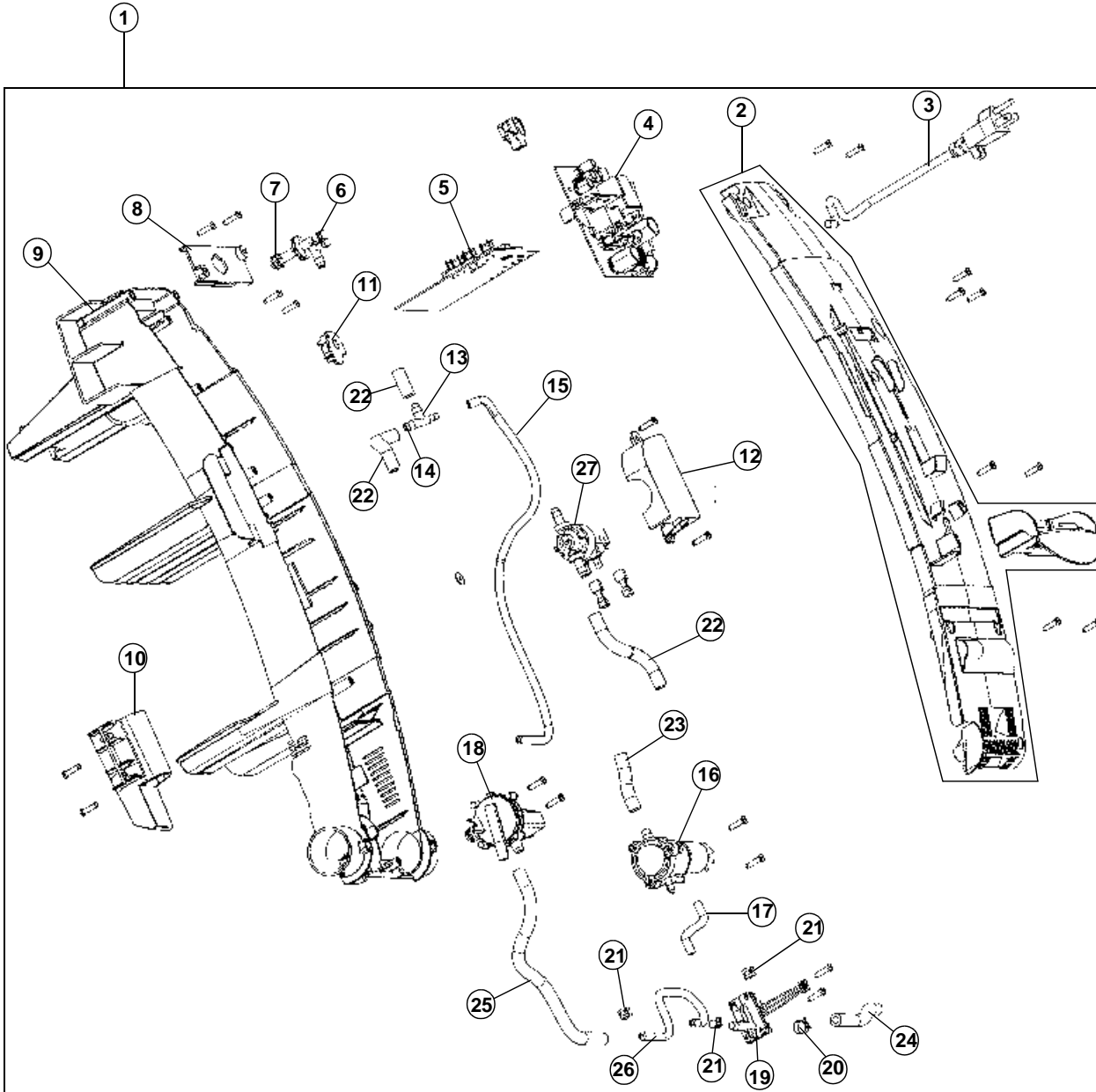
CARPET  
CLEANER

34

ASSEMBLY SCHEMATIC

MODEL NO.

F8100900





PLATINUM  
*Collection*

CARPET  
CLEANER

34

PART LISTING / PRICE LIST

MODEL No.

F8100900

| ITEM | PART NUMBER | MODELS To FIT | PART DESCRIPTION                                     |
|------|-------------|---------------|--|
| 1    | 302652001   | F8100900      | LOWER HANDLE COMPLETE                                |
| 2    | 517443001   | F8100900      | REAR COVER - LOWER HANDLE                            |
| 3    | 730719002   | F8100900      | POWER CORD ASSEMBLY                                  |
| 4    | 280518001   | F8100900      | CURCUIT BOARD - POWER CONTROL                        |
| 5    | 280516001   | F8100900      | CURCUIT BOARD - MICRO CONTROL                        |
| 6    | 302602001   | F8100900      | CHEMICAL PORT MANIFOLD ASSEMBLY                      |
| 7    | 562107002   | F8100900      | O-RING - CHEMICAL PORT MANIFOLD                      |
| 8    | 517444002   | F8100900      | MANIFOLD SUPPORT                                     |
| 9    | 517442001   | F8100900      | FRONT COVER - LOWER HANDLE                           |
| 10   | 517454001   | F8100900      | HOSE HOLDER  |
| 11   | 590220008   | F8100900      | STRAIN RELIEF  |
| 12   | 517448001   | F8100900      | VALVE COVER  |
| 13   | 519523001   | F8100900      | TEE - TUBING   |
| 14   | 562121001   | F8100900      | RUBBER GASKET - TEE                                  |
| 15   | 562109001   | F8100900      | TUBE - ID 4.0MM / 33.46" LONG SPOT PUMP              |
| 16   | 302603001   | F8100900      | GEAR PUMP  |
| 17   | 562109005   | F8100900      | TUBE - ID 4.0MM PUMP FLOW METER                      |
| 18   | 302604002   | F8100900      | WATER TANK MANIFOLD ASSEMBLY                         |
| 19   | 302606001   | F8100900      | LOW FLOW METER WITH PCB HALL SENSOR                  |
| 20   | 25411015    | F8100900      | HOSE CLAMP - ID .460                                 |
| 21   | 25411016    | F8100900      | HOSE CLAMP - ID .301                                 |
| 22   | 562108004   | F8100900      | TUBE - ID 6.35MM X 90MM DETERGENT                    |
| 23   | 562108003   | F8100900      | TUBE - ID 6.35MM X 49MM WATER TANK MANIFOLD          |
| 24   | 562108008   | F8100900      | TUBE - ID 6.35MM X 73 MM FLOW METER VALVE            |
| 25   | 562108002   | F8100900      | TUBE - ID 6.35MM X 220MM WATER MANIFOLD NOZZLE VALVE |
| 26   | 562109002   | F8100900      | TUBE - ID 4.0MM X 220MM FLOW METER HOSE              |
| 27   | 25686057    | F8100900      | SOLENOID VALVE - GRAVITY                             |



PLATINUM  
*Collection*

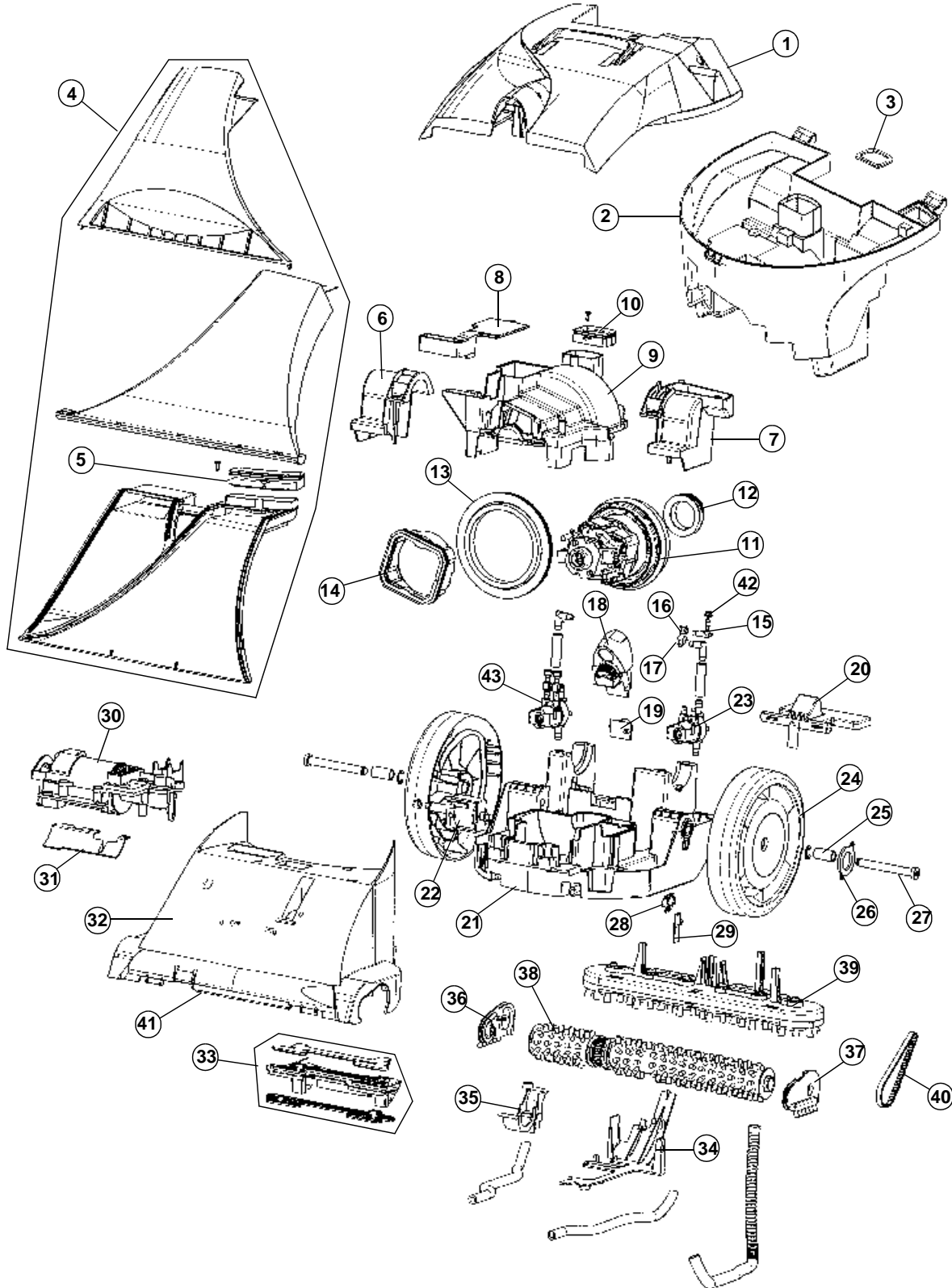
CARPET  
CLEANER

34

ASSEMBLY SCHEMATIC

MODEL NO.

F8100900





PLATINUM  
*Collection*

CARPET  
CLEANER

34

PART LISTING / PRICE LIST

MODEL No.

F8100900

| ITEM | PART NUMBER | MODELS TO FIT | PART DESCRIPTION                                 |
|------|-------------|---------------|--|
| 1    | 517586001   | F8100900      | DIRTY WATER TANK LID ASSEMBLY                    |
| 2    | 517585001   | F8100900      | DIRTY WATER TANK                                 |
| 3    | 36426107    | F8100900      | DIRTY WATER TANK SCREEN - ORANGE                 |
| 4    | 302631001   | F8100900      | NOZZLE ASSEMBLY                                  |
| 5    | 562128001   | F8100900      | GASKET - NOZZLE                                  |
| 6    | 517531001   | F8100900      | TRUNNION COVER - RIGHT                           |
| 7    | 517529001   | F8100900      | TRUNNION COVER - LEFT                            |
| 8    | 517498001   | F8100900      | COVER - MOTOR AIR DUCT                           |
| 9    | 517497001   | F8100900      | MOTOR COVER                                      |
| 10   | 562120001   | F8100900      | RUBBER SEAL - MOTOR COVER                        |
| 11   | 741179001   | F8100900      | MOTOR ASSEMBLY                                   |
| 12   | 562117001   | F8100900      | RUBBER SEAL - MOTOR FAN                          |
| 13   | 562118001   | F8100900      | RUBBER SEAL - MOTOR                              |
| 14   | 562119001   | F8100900      | RUBBER SEAL - MOTOR MOUNT                        |
| 15   | 517500001   | F8100900      | TEE - TUBING                                     |
| 16   | 25411017    | F8100900      | HOSE CLAMP - ID .250                             |
| 17   | 25411016    | F8100900      | HOSE CLAMP - ID .301                             |
| 18   | 302611001   | F8100900      | FRONT SPRAY AND HEADLIGHT ASSEMBLY               |
| 19   | 280522001   | F8100900      | PCB - THERMISTOR                                 |
| 20   | 517503001   | F8100900      | HANDLE RELEASE PEDAL                             |
| 21   | 517496001   | F8100900      | NOZZLE BASE                                      |
| 22   | 303127001   | F8100900      | SOLENOID PUMP WITH WELDED GROUND                 |
| 23   | 25686057    | F8100900      | SOLENOID VALVE - GRAVITY                         |
| 24   | 43244047    | F8100900      | WHEEL AND HUB CAP                                |
| 25   | 641617001   | F8100900      | SLEEVE BEARING - WHEEL                           |
| 26   | 517534001   | F8100900      | WHEEL MAGNET                                     |
| 27   | 632555001   | F8100900      | REAR WHEEL AXLE                                  |
| 28   | 760758001   | F8100900      | MICRO SWITCH                                     |
| 29   | 280521001   | F8100900      | PCB HALL ASSEMBLY                                |
| 30   | 302610001   | F8100900      | GEAR BOX ASSEMBLY                                |
| 31   | 517499001   | F8100900      | COVER - GEAR BOX                                 |
| 32   | 517511001   | F8100900      | HOOD - NOZZLE                                    |
| 33   | 302609001   | F8100900      | DISTRIBUTOR - WELDED                             |
| 34   | 517502001   | F8100900      | WIRE CHANNEL COVER                               |
| 35   | 302613001   | F8100900      | AGITATOR / BRUSH ROLL BELT GUARD - WITH BRISTLES |



PLATINUM  
*Collection*

CARPET  
CLEANER

34

PART LISTING / PRICE LIST

| ITEM | PART NUMBER | MODELS TO FIT | PART DESCRIPTION                 |
|------|-------------|---------------|----------------------------------|
| 36   | 302617001   | F8100900      | END CAP WITH BRISTLES - LEFT     |
| 37   | 302615001   | F8100900      | END CAP WITH BRISTLES - RIGHT    |
| 38   | 302629001   | F8100900      | BRUSH ROLL ASSEMBLY              |
| 39   | 302619001   | F8100900      | BRUSH BLOCK ASSEMBLY - 6 BRUSHES |
| 40   | 562124001   | F8100900      | BELT                             |
| 41   | 521100001   | F8100900      | AGITATOR / BRUSH ROLL SHIELD     |
| 42   | 562121001   | F8100900      | GASKET - TEE                     |
| 43   | 25686057    | F8100900      | SOLENOID VALVE - GRAVITY         |

MODEL No.

F8100900