



PLATINUM
Collection

31

LiNX™
CORDLESS
HAND VAC

LiNX™
CORDLESS
BATTERY &
CHARGER

LiNX™
CORDLESS
STICK VAC

SECTION CONTENTS

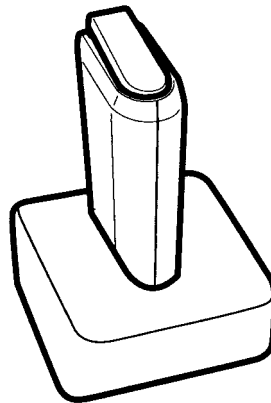
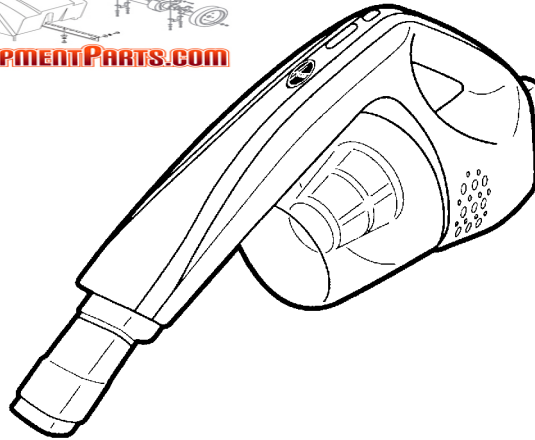
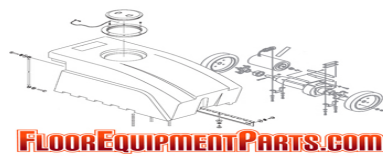
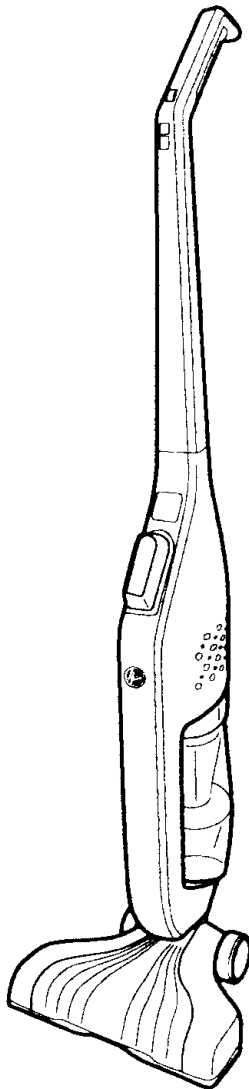
<u>MODEL No.</u>	<u>PAGE No.</u>
BH50010	31-2 THRU 31-3
BH50015	31-4 THRU 31-5
BH50005	31-6

MODEL No.

BH50010
BH50015
BH50005

BH50020COM
COMPLETE SET

BH50025COM
SAM'S CLUB SET



- * PRICING, SPECIFICATION'S, AND PRODUCT AVAILABILITY ARE SUBJECT TO CHANGE WITHOUT NOTICE. PRICING IS FOB FACTORY, CANTON, OH
- * ALL INFORMATION CONTAINED WITHIN THIS SERVICE MANUAL IS PROPRIETARY INFORMATION OF TTI FLOOR CARE NORTH AMERICA.
- * **WARNING:** TO REDUCE THE RISK OF ELECTRICAL SHOCK OR INJURY, ALWAYS DISCONNECT THE APPLIANCE CORD FROM THE ELECTRICAL OUTLET OR REMOVE BATTERY PRIOR TO SERVICING THE UNIT.



PLATINUM
Collection

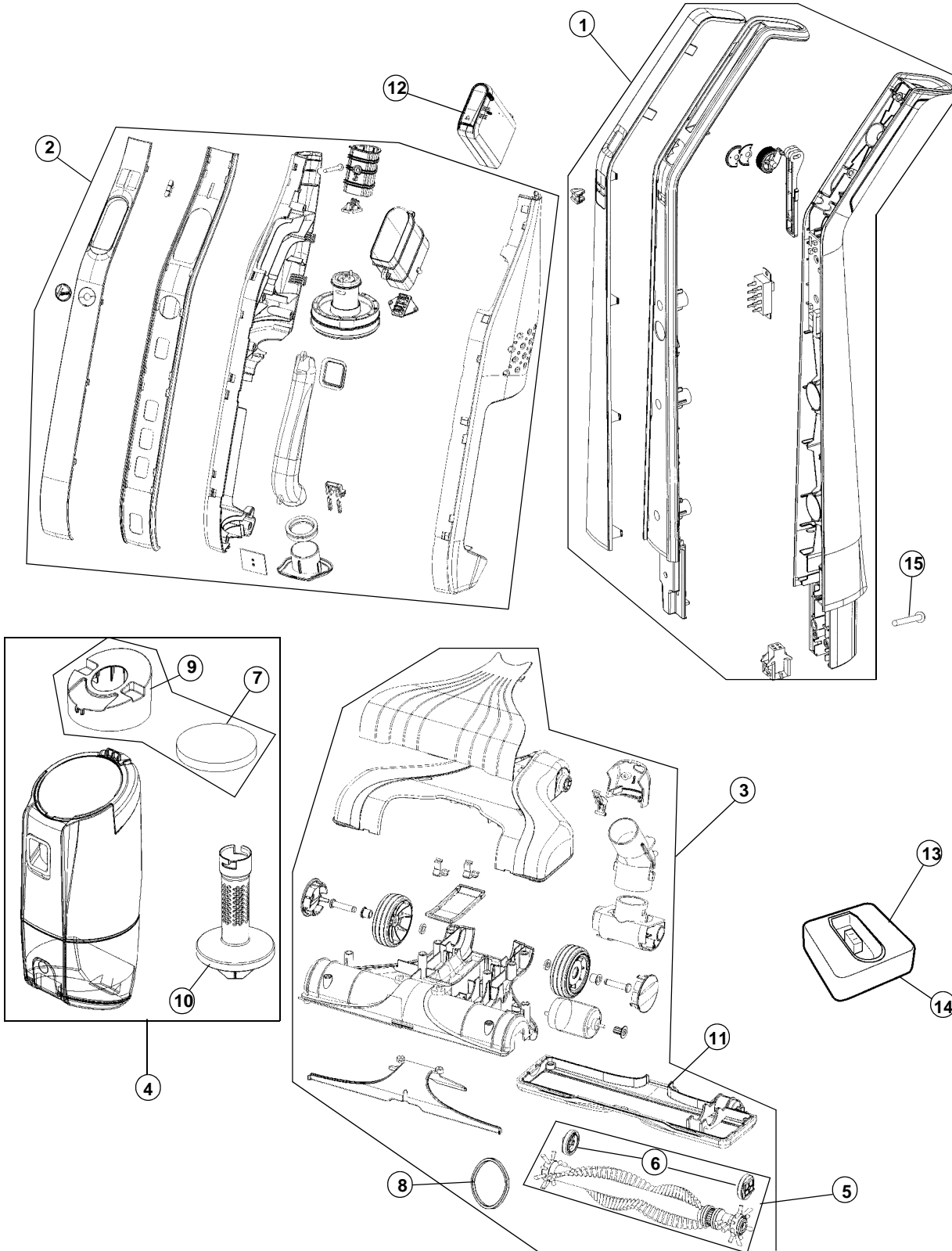
LiNX™
CORDLESS
STICK VAC

31

ASSEMBLY SCHEMATIC

MODEL NO.

BH50010





PLATINUM
Collection

LiNX™
CORDLESS
STICK VAC

31

PART LISTING / PRICE LIST

MODEL No.

BH50010

ITEM	PART NUMBER	MODELS TO FIT	PART DESCRIPTION	LIST COST
1	302720001	BH50010	HANDLE ASSEMBLY	40.62
2	302721001	BH50010	MAIN HOUSING ASSEMBLY	118.01
3	302722001	BH50010	NOZZLE ASSEMBLY	67.92
4	302725001	BH50010	DIRT CUP ASSEMBLY	26.44
5	302726001	BH50010	BRUSH ROLL ASSEMBLY	14.02
6	517675001	BH50010	END CAP	.72
7	902185003	BH50010	FOAM FILTER - 2 LAYER	6.67
	002043001	BH50010	PRE-FILTER ASSEMBLY INCLUDING FRAME	6.72
8	001942002	BH50010	BELT	2.00
9	517657001	BH50010	FILTER CAP	1.33
10	517758001	BH50010	DIRT CUP BAFFLE	2.94
11	002080001	BH50010	NOZZLE GUARD ASSEMBLY	2.94
12	302723001	BH50010	LITHIUM BATTERY PACK	69.99
13	302736001	BH50010	CHARGER ASSEMBLY	45.99
14	562220001	BH50010	RUBBER FOOT - CHARGER	.88
15	661562003	BH50010	HANDLE SCREW	.88
		BH50010	HANDLE SCREW - REVISED MFG 4/09	PENDING
**	001191011	BH50010	NOZZLE GUARD REPAIR KIT: NOZZLE GUARD ASSEMBLY - NEW VERSION WITH BRISTLES / BRUSH ROLL / BELT	21.53

****There was an issue with hair and debris getting caught up in the brush roll end caps. A revised nozzle guard was manufactured along with a new brush roll design. If there is an issue with the brush roll getting hair or debris binding, the Nozzle Guard Repair Kit should be used under warranty.**