



CLEAN AND LIGHT *Signature* lightweight

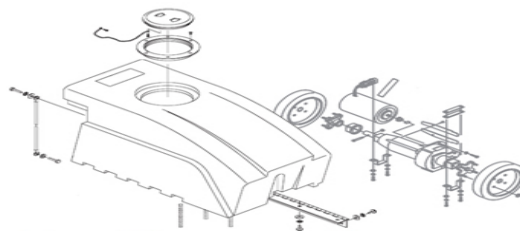
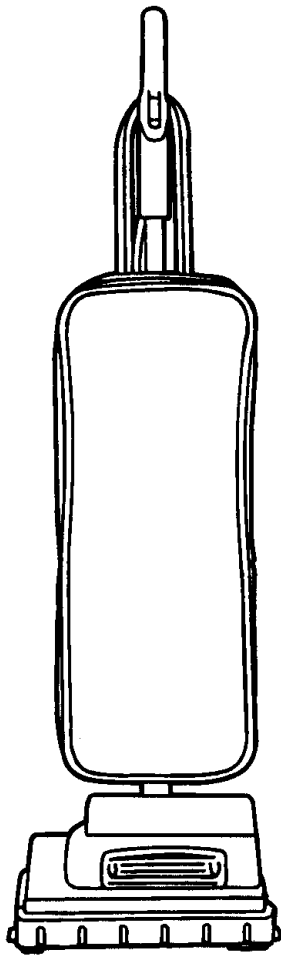
30

SECTION CONTENTS

<u>MODEL No.</u>	<u>PAGE No.</u>
U4707	8-2 THRU 8-4
U4730	8-2 THRU 8-4

MODEL No.

U4707
U4730



FLOOR-EQUIPMENT-PARTS.COM

- * PRICING, SPECIFICATION'S, AND PRODUCT AVAILABILITY ARE SUBJECT TO CHANGE WITHOUT NOTICE. PRICING IS FOB FACTORY, CANTON, OH
- * ALL INFORMATION CONTAINED WITHIN THIS SERVICE MANUAL IS PROPRIETARY INFORMATION OF TTI FLOOR CARE NORTH AMERICA.
- * **WARNING:** TO REDUCE THE RISK OF ELECTRICAL SHOCK OR INJURY, ALWAYS DISCONNECT THE APPLIANCE CORD FROM THE ELECTRICAL OUTLET OR REMOVE BATTERY PRIOR TO SERVICING THE UNIT.



CLEAN AND LIGHT

Signature

lightweight

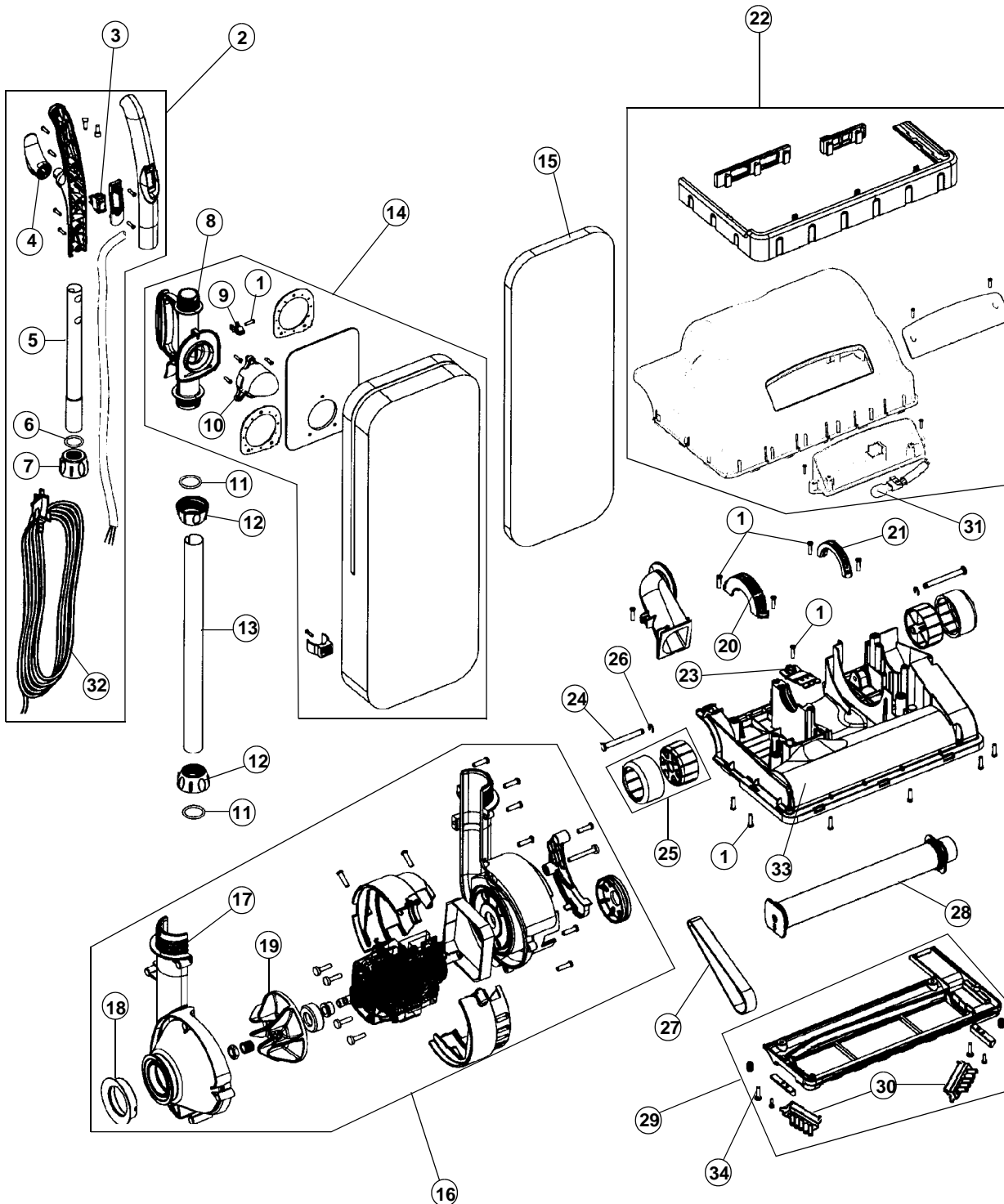
30

ASSEMBLY SCHEMATIC

MODEL NO.

U4707

U4730





CLEAN AND LIGHT Signature lightweight

30

PART LISTING / PRICE LIST

MODEL No.

U4707
U4730

ITEM	PART NUMBER	MODELS TO FIT	PART DESCRIPTION	LIST COST
1	1503819000	U4707, U4730	BODY SCREW	.08
2	001249005	U4707, U4730	UPPER HANDLE ASSEMBLY - BLACK	PENDING
3	1JR0010000	U4707, U4730	SWITCH	2.57
4	1JR0012000	U4707, U4730	CORD HOOK	.45
5	1JR0018000	U4707, U4730	UPPER HANDLE TUBE	6.57
6	1JR0027000	U4707, U4730	HANDLE O-RING GASKET - SMALL ROUND	1.04
7	1JR0026000	U4707, U4730	UPPER HANDLE COLLAR	1.26
8	1JR0028000	U4707, U4730	CARRYING HANDLE TUBE GRIP	11.22
9	1JR0029000	U4707, U4730	CORD CLIP	1.04
10	1JR0035000	U4707, U4730	DIRT INLET	1.04
11	1RYV650000	U4707, U4730	HANDLE O-RING GASKET - V SHAPE	.41
12	1JR0025000	U4707, U4730	LOWER HANDLE COLLAR	1.07
13	1JR0023000	U4707, U4730	LOWER HANDLE TUBE	6.50
14	93004750	U4707	HEPA CLOTH BAG ASSEMBLY - BURGANDY	112.98
	001250012	U4730	HEPA CLOTH BAG ASSEMBLY - BLACK	PENDING
15	4010102B	U4707, U4730	TYPE B BAG - ALLERGEN	.42 NON DISC
	4010103B	U4707, U4730	TYPE B BAG - 3 PACK / ALLERGEN	3.62 NON DISC
	43655119	U4707, U4730	TYPE B BAG - HEPA	4.59
16	001248011	U4707, U4730	COMPLETE MOTOR ASSEMBLY	PENDING
17	1JR0015000	U4707, U4730	MOTOR FAN COVER	10.64
18	1JR0014000	U4707, U4730	FAN COVER SEAL	1.04
19	1JR0013000	U4707, U4730	FAN	5.16
20	1JR0031000	U4707, U4730	LEFT CLAMP	1.04
21	1JR0030000	U4707, U4730	RIGHT CLAMP	1.04
22	001033004	U4707, U4730	NOZZLE COVER WITH BUMPERS - SILVER	PENDING
23	1JR0022000	U4707, U4730	HANDLE STOPPER	1.04
24	1JR0021000	U4707, U4730	WHEEL PIN	1.55
25	1JR0019000	U4707, U4730	WHEEL ASSEMBLY	2.50
26	1JR0020000	U4707, U4730	WHEEL E-CLIP	.03
27	40201318	U4707, U4730	STYLE 18 BELT - 2 PACK	1.50 NON DISC
28	2JR0010000	U4707, U4730	BRUSH ROLL ASSEMBLY	23.73
29	1JR0032000	U4707, U4730	NOZZLE GUARD ASSEMBLY	14.02
30	1JR0033000	U4707, U4730	EDGE CLEANER ASSEMBLY	1.04
31	1920906000	U4707, U4730	BULB #906	.77



CLEAN AND LIGHT
Signature
lightweight

30

PART LISTING / PRICE LIST

ITEM	PART NUMBER	MODELS TO FIT	PART DESCRIPTION	LIST COST
32	1LV1101000	U4707, U4730	POWER CORD	16.56
33		U4707, U4730	NOZZLE BASE	PENDING
34	1JV0103000	U4707, U4730	SCREW - NOZZLE GUARD	.65

MODEL No.

U4707

U4730