

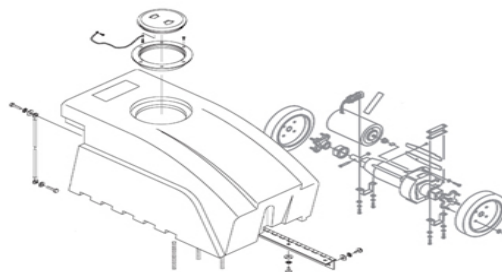
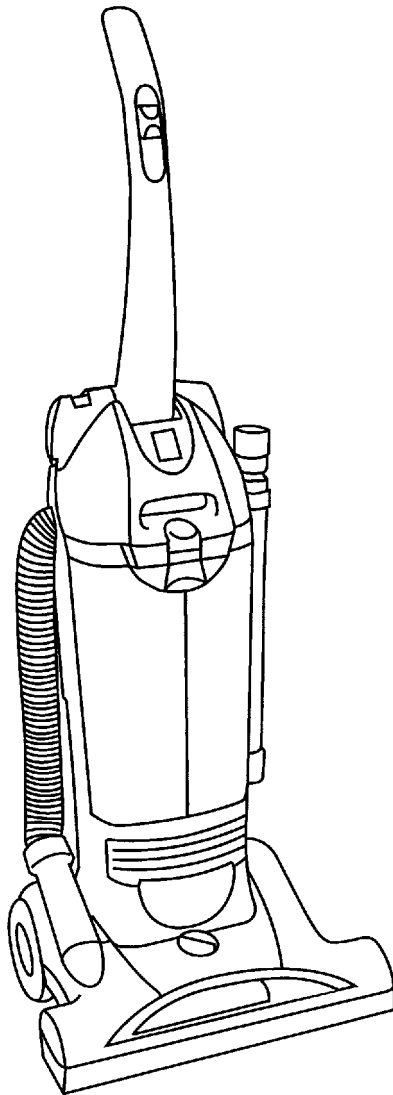


SECTION CONTENTS

<u>MODEL No.</u>	<u>PAGE No.</u>
U5262-910	3-2 THRU 3-5
U5265-900	3-2 THRU 3-5
U5269-900	3-2 THRU 3-5

[MODEL No.](#)

U5262-910
 U5265-900
 U5269-900



FLOOREQUIPMENTPARTS.COM

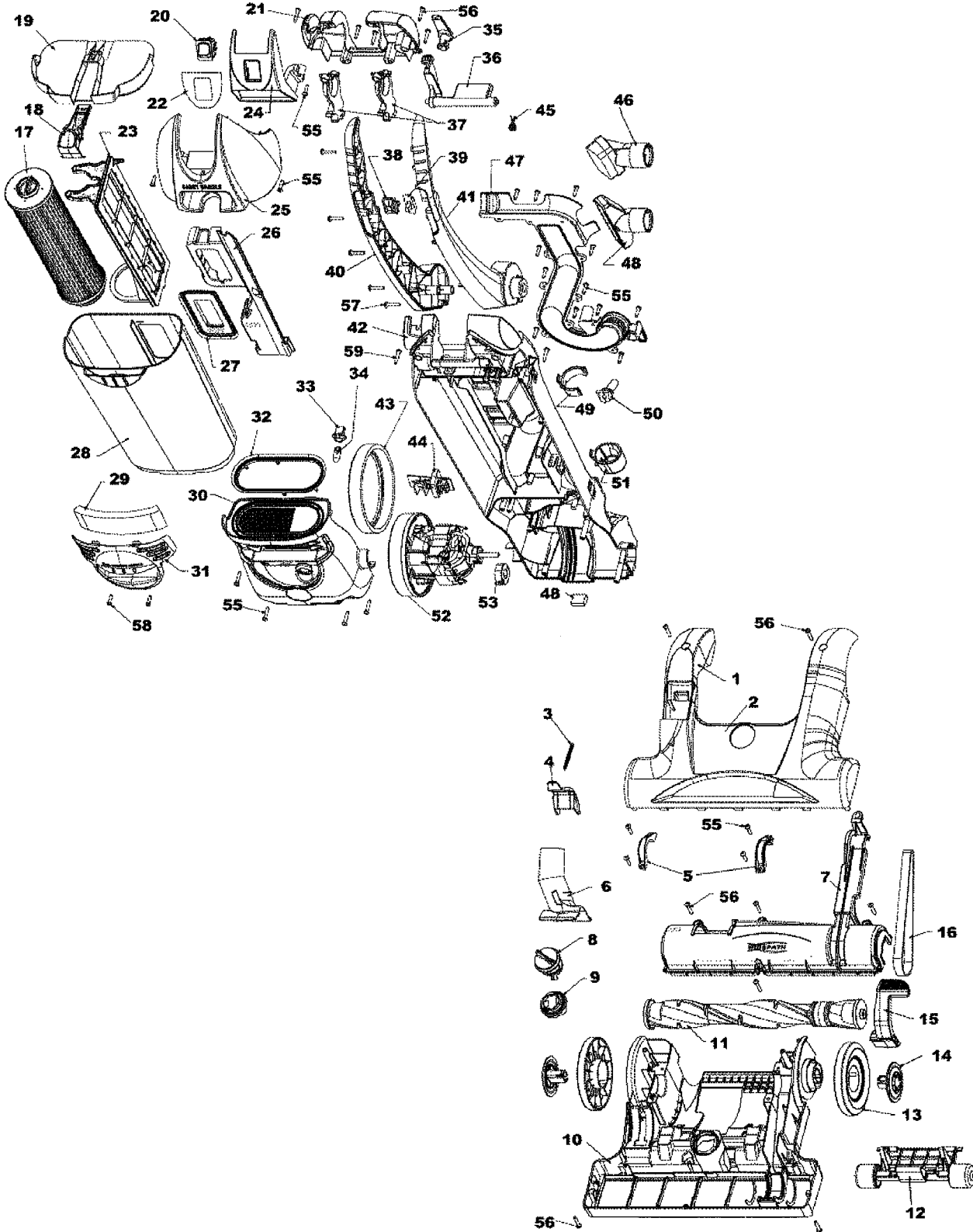
- * PRICING, SPECIFICATION'S, AND PRODUCT AVAILABILITY ARE SUBJECT TO CHANGE WITHOUT NOTICE. PRICING IS FOB FACTORY, CANTON, OH
- * ALL INFORMATION CONTAINED WITHIN THIS SERVICE MANUAL IS PROPRIETARY INFORMATION OF TTI FLOOR CARE NORTH AMERICA.
- * **WARNING:** TO REDUCE THE RISK OF ELECTRICAL SHOCK OR INJURY, ALWAYS DISCONNECT THE APPLIANCE CORD FROM THE ELECTRICAL OUTLET OR REMOVE BATTERY PRIOR TO SERVICING THE UNIT.



EmPower™

3

ASSEMBLY SCHEMATIC



MODEL NO.

U5262-910

U5265-900

U5269-900



EmPower™

3

PART LISTING / PRICE LIST

MODEL No.

U5262-910
U5265-900
U5269-900

ITEM	PART NUMBER	MODELS TO FIT	PART DESCRIPTION	LIST COST
1	37253416	U5262910, U5265900, U5269900	HOOD / NOZZLE COVER - SONIC SILVER	14.74
2	N.A.	U5262910	HOOD NAME PLATE	
3	38335026	U5262910, U5265900, U5269900	DEBRIS DOOR SPRING	1.12
4	37257312	U5262910, U5265900, U5269900	DEBRIS DOOR	1.12
5	36131118	U5262910, U5265900, U5269900	TRUNNION COVER	1.12
6	38646087	U5262910, U5265900, U5269900	LOWER DUCT	2.94
7	37243047	U5262910, U5265900, U5269900	AGITATOR HOUSING	10.20
8	38563021	U5262910, U5265900, U5269900	HEIGHT ADJUSTMENT KNOB	1.46
9	38563022	U5262910, U5265900, U5269900	HEIGHT ADJUSTMENT CAM	2.26
10	37242142	U5262910, U5265900, U5269900	MAIN BODY / NOZZLE BASE - MAGNESIUM GRAY	19.18
11	48414132	U5262910, U5265900, U5269900	AGITATOR / BRUSH ROLL - 15"	22.67
12	90001005	U5262910, U5265900, U5269900	FRONT WHEEL ASSEMBLY	4.53
13	38522086	U5262910, U5265900, U5269900	REAR WHEEL	2.26
14	37912018	U5262910, U5265900, U5269900	WHEEL HUB	1.12
15	38458070	U5262910, U5265900, U5269900	HANDLE RELEASE LEVER	2.26
16	38528040	U5262910, U5265900, U5269900	BELT - 1 PER PACK	2.93
17	40140201	U5262910, U5265900, U5269900	CARTRIDGE FILTER	16.00 NON DISC
18	92001065	U5262910, U5265900, U5269900	DIRT CUP LID LATCH - GRAPHITE GRAY	1.12
19	37249051	U5262910, U5265900, U5269900	DIRT CUP LID	4.53
20	28166001	U5262910, U5265900, U5269900	SWITCH	4.86
21	37258177	U5262910, U5265900, U5269900	HANDLE RETAINER COVER	3.39
22	91001052	U5262910, U5265900, U5269900	SWITCH MOUNT NAME PLATE	1.12
23	36426067	U5262910, U5265900, U5269900	PRE-FILTER SUPPORT ASSEMBLY	10.20
24	37258178	U5262910, U5265900, U5269900	SWITCH MOUNT	.86
25	39458048	U5262910, U5265900, U5269900	HANDLE COVER SONIC SILVER METALLIC	6.79
26	37258176	U5262910, U5265900, U5269900	WIRE CHANNEL COVER	2.26
27	38785020	U5262910, U5265900, U5269900	DIRT CUP INLET SEAL	2.03
28	38775112	U5262910	DIRT CUP - CORAL ORANGE TRANSPARENT	34.01
	38775113	U5265900	DIRT CUP - PAGEANT BLUE TRANSPARENT	34.01
	38775139	U5269900	DIRT CUP - CALYPSO GREEN TRANSPARENT	22.67
29	38765024	U5262910, U5265900, U5269900	FINAL / EXHAUST FILTER	2.61
30	37196175	U5262910, U5265900, U5269900	MOTOR COVER - SONIC SILVER METALLIC	9.06
31	39383121	U5262910	LENS FINAL FILTER RETAINER	2.26
	39383120	U5265900	LENS FINAL FILTER RETAINER	N.L.A.
	39383122	U5269900	LENS FINAL FILTER RETAINER	N.L.A.



EmPower™

3

PART LISTING / PRICE LIST

ITEM	PART NUMBER	MODELS TO FIT	PART DESCRIPTION	LIST COST
32	38785021	U5262910, U5265900, U5269900	EXHAUST SEAL	1.46
33	27341505	U5262910, U5265900, U5269900	LAMP SOCKET ASSEMBLY	4.53
34	27313107	U5262910, U5265900, U5269900	BULB	3.09
35	39442048	U5262910, U5265900, U5269900	CORD WRAP	1.14
36	92001063	U5262910, U5265900, U5269900	PIVOT LATCH LEVER	1.46
37	36131121	U5262910, U5265900, U5269900	UPPER HANDLE TRUNNION	1.12
38	91001051	U5262910, U5265900, U5269900	SURGE BUTTON	1.12
39	28179106	U5262910, U5265900, U5269900	SURGE SWITCH WITH LEADS	4.53
40	39453003	U5262910, U5265900, U5269900	UPPER HANDLE - RIGHT SIDE	4.86
41	39453004	U5262910, U5265900, U5269900	UPPER HANDLE - LEFT SIDE	4.86
42	37259021	U5262910, U5265900, U5269900	DIRT CUP HOUSING / BACK PANEL	20.40
43	36322037	U5262910, U5265900, U5269900	MOTOR MOUNT - LARGE	2.59
44	46851035	U5262910, U5265900, U5269900	PCB ASSEMBLY	12.46
45	38355016	U5262910, U5265900, U5269900	PIVOT LATCH SPRING	1.12
46	43414197	U5262910, U5265900, U5269900	DUSTING BRUSH ASSEMBLY - BLACK	2.68
47	38656039	U5262910, U5265900, U5269900	DIRT DUCT COVER	4.53
48	38614044	U5262910, U5265900, U5269900	FURNITURE NOZZLE	5.66
49	92001068	U5262910, U5265900, U5269900	UPPER WAND HOLDER USE IF MODELS HAVE TURBO HAND TOOL	1.46
	36433191	U5265900, U5269900	UPPER WAND HOLDER USE IF MODELS DO NOT HAVE TURBO TOOL	1.46
50	36215028	U5262910, U5265900, U5269900	CORD PROTECTOR	1.81
51	92001069	U5262910, U5265900, U5269900	LOWER WAND HOLDER	1.69
52	27212057	U5262910, U5265900, U5269900	MOTOR ASSEMBLY COMPLETE	62.09
53	36322030	U5262910, U5265900, U5269900	MOTOR MOUNT - SMALL	1.12
54	36218023	U5262910, U5265900, U5269900	WIRE GROMMET	1.12
55	21447266	U5262910, U5265900, U5269900	SCREW - SELF TAPPING	1.12
56	21447072	U5262910, U5265900, U5269900	SCREW	.57
57	21447274	U5262910, U5265900, U5269900	SCREW	1.12
58	214793DA	U5262910, U5265900, U5269900	SCREW	.57
59	21447273	U5262910, U5265900, U5269900	SCREW	1.12
	27618508	U5262910, U5265900, U5269900	WIRE CONNECTOR	1.12
	28382097	U5262910, U5265900, U5269900	THERMAL PROTECTOR	7.48
	38617031	U5262910, U5265900, U5269900	CREVICE TOOL - LONG	5.66

MODEL No.

U5262-910
U5265-900
U5269-900



EmPower™

3

PART LISTING / PRICE LIST

ITEM	PART NUMBER	MODELS To FIT	PART DESCRIPTION	LIST COST
	38634092	U5262910, U5265900, U5269900	EXTENSION TUBE - 14"	7.36
	46383334	U5262910, U5265900, U5269900	POWER CORD - 35'	15.87
	49129032	U5262910, U5265900, U5269900	TURBINE TOOL	14.62
	34123058	U5262910, U5265900, U5269900	PCB SUPPORT	.85
	38781060	U5262910, U5265900, U5269900	GASKET - 35"	1.12
	43431226	U5262910, U5265900, U5269900	HOSE ASSEMBLY	17.00
	91001058	U5262910	UPPER HANDLE NAME PLATE	1.12
	51375137	U5265900, U5269900	UPPER HANDLE NAME PLATE	N.L.A.

[MODEL No.](#)

U5262-910

U5265-900

U5269-900



EmPower™

3

NOTES

MODEL NO.

U5262-910

U5265-900

U5269-900