



Nano-Lite™

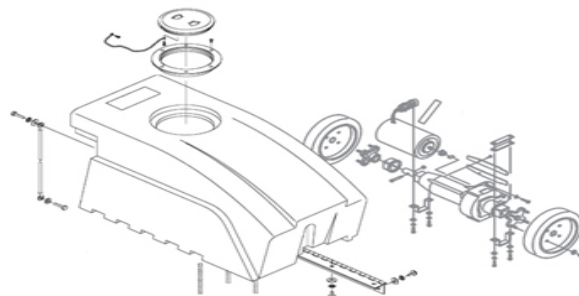
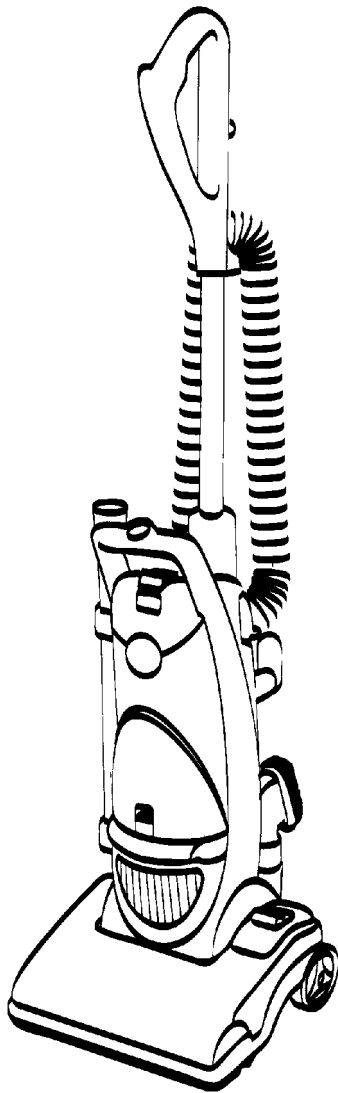
29

SECTION CONTENTS

<u>MODEL No.</u>	<u>PAGE No.</u>
U2440-900	29-2 THRU 29-3

[MODEL No.](#)

U2440-900



FLOOR-EQUIPMENT-PARTS.COM

- * PRICING, SPECIFICATION'S, AND PRODUCT AVAILABILITY ARE SUBJECT TO CHANGE WITHOUT NOTICE. PRICING IS FOB FACTORY, CANTON, OH
- * ALL INFORMATION CONTAINED WITHIN THIS SERVICE MANUAL IS PROPRIETARY INFORMATION OF TTI FLOOR CARE NORTH AMERICA.
- * **WARNING:** TO REDUCE THE RISK OF ELECTRICAL SHOCK OR INJURY, ALWAYS DISCONNECT THE APPLIANCE CORD FROM THE ELECTRICAL OUTLET OR REMOVE BATTERY PRIOR TO SERVICING THE UNIT.



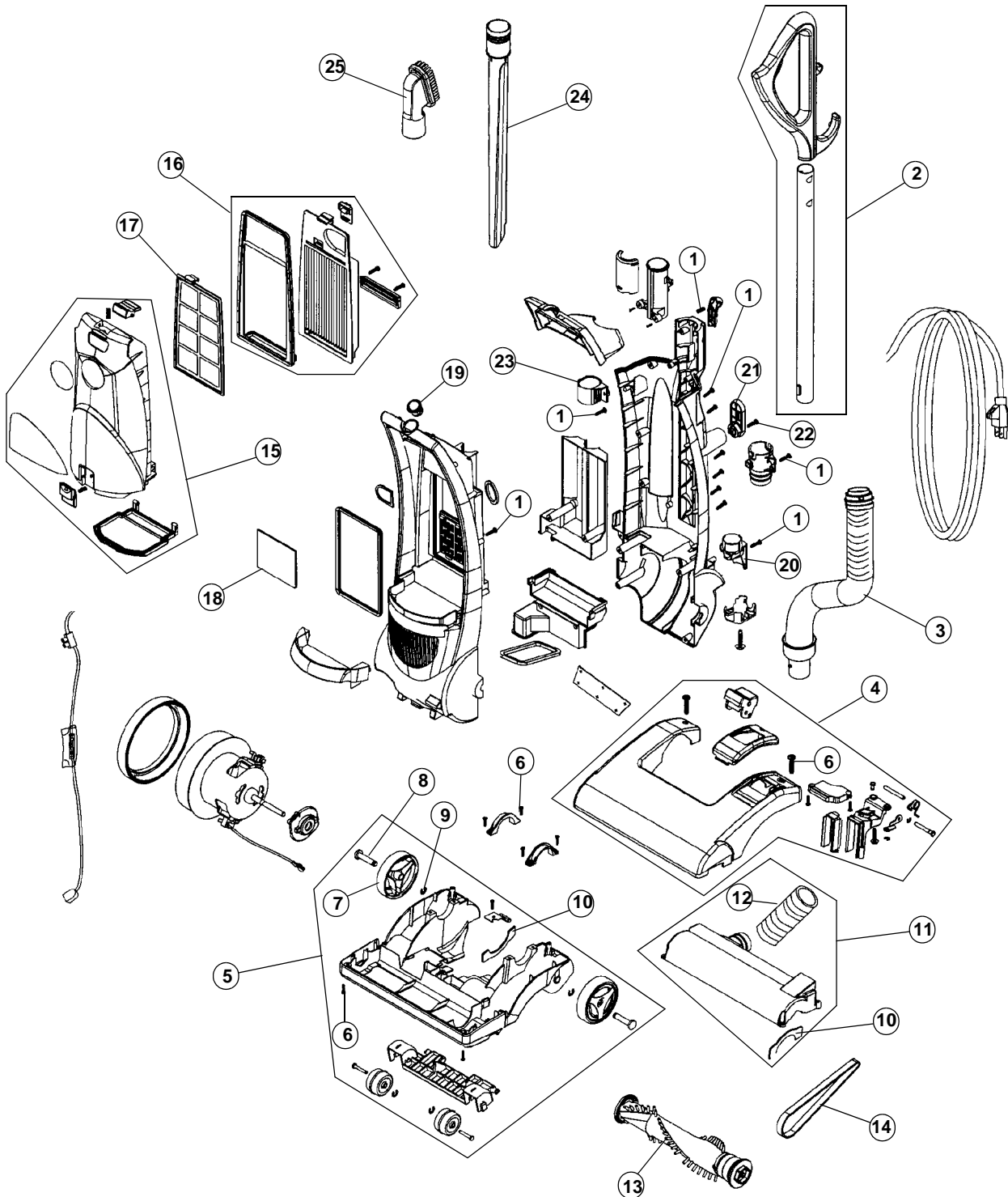
Nano-Lite™

29

ASSEMBLY SCHEMATIC

MODEL NO.

U2440-900





Nano-Lite™

29

PART LISTING / PRICE LIST

MODEL No.

U2440-900

ITEM	PART NUMBER	MODELS To FIT	PART DESCRIPTION	LIST COST
1	83311340	U2440-900	SCREW - BODY M4 / 16	.12
2	28500010	U2440-900	UPPER HANDLE ASSEMBLY	16.41
3	21200040	U2440-900	UPPER HOSE ASSEMBLY	13.51
4	22010320	U2440-900	NOZZLE COVER ASSEMBLY	14.14
5	22350280	U2440-900	NOZZLE BASE ASSEMBLY	30.53
6	83311350	U2440-900	SCREW - NOZZLE BASE M4 / 20	.12
7	12300080	U2440-900	REAR WHEEL ASSEMBLY	.83
8	12070140	U2440-900	REAR WHEEL AXLE	.68
9	14110010	U2440-900	REAR WHEEL E-RING	.15
10	13510020	U2440-900	NOZZLE COVER FELT	.54
11	22010330	U2440-900	BRUSH ROLL HOUSING ASSEMBLY	7.79
12	11010130	U2440-900	LOWER HOSE	1.82
13	13100190	U2440-900	BRUSH ROLL ASSEMBLY	24.66
14	12080030	U2440-900	BELT	3.99
15	24510240	U2440-900	DIRT CUP ASSEMBLY	24.05
16	40110013	U2440-900	FILTER ASSEMBLY	12.18
17	14800100	U2440-900	PRE FILTER SCREEN ASSEMBLY	1.70
18	12471000	U2440-900	AIR INLET FILTER	.21
19	14100400	U2440-900	SWITCH	2.27
20	18010880	U2440-900	LOWER CORD HOOK	.60
21	18010070	U2440-900	UPPER CORD HOOK	.45
22	83311330	U2440-900	SCREW - UPPER CORD HOOK M4 / 14	.12
23	11580130	U2440-900	CREVICE TOOL HOLDER	.45
24	81110070	U2440-900	CREVICE TOOL	2.87
25	81300060	U2440-900	DUSTING BRUSH ASSEMBLY	3.32



Nano-Lite™

29

NOTES

MODEL NO.

U2440-900