



FUSION™ MACH³
MACH⁴ MACH⁶
MACH⁵ Power Max



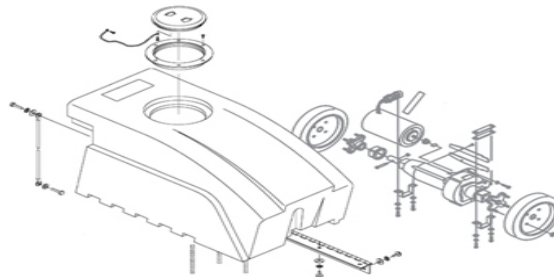
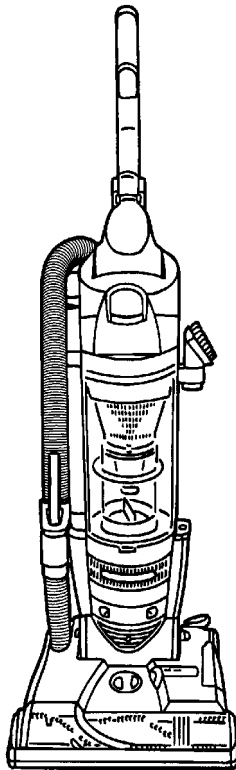
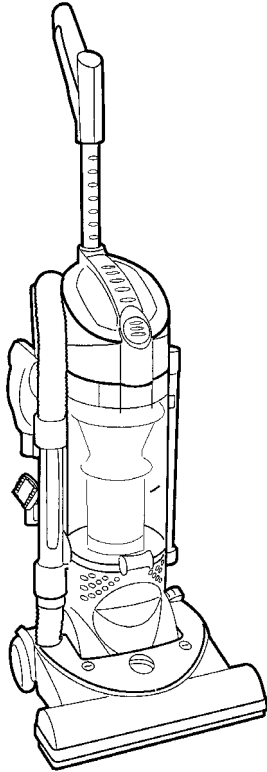
28

SECTION CONTENTS

<u>MODEL No.</u>	<u>PAGE No.</u>
U5180-900	28-2 THRU 28-8
U5180-910	28-2 THRU 28-8
U5182-900	28-2 THRU 28-8
U5183-900	28-2 THRU 28-8
U5185-900	28-2 THRU 28-8
UH70005B	28-2 THRU 28-8
U5780-900	28-9 THRU 28-12
U5781-900	28-9 THRU 28-12
U5194-900	28-13 THRU 28-17
U5198-900	28-13 THRU 28-17
U5184-900	28-18 THRU 28-19

MODEL No.

U5180-900
 U5180-910
 U5182-900
 U5183-900
 U5184-900
 U5185-900
 U5780-900
 U5781-900
 U5194-900
 U5198-900
 UH70005B



FLOOREQUIPMENTPARTS.COM

- * PRICING, SPECIFICATION'S, AND PRODUCT AVAILABILITY ARE SUBJECT TO CHANGE WITHOUT NOTICE. PRICING IS FOB FACTORY, CANTON, OH
- * ALL INFORMATION CONTAINED WITHIN THIS SERVICE MANUAL IS PROPRIETARY INFORMATION OF TTI FLOOR CARE NORTH AMERICA.
- * **WARNING:** TO REDUCE THE RISK OF ELECTRICAL SHOCK OR INJURY, ALWAYS DISCONNECT THE APPLIANCE CORD FROM THE ELECTRICAL OUTLET OR REMOVE BATTERY PRIOR TO SERVICING THE UNIT.



WHISPER

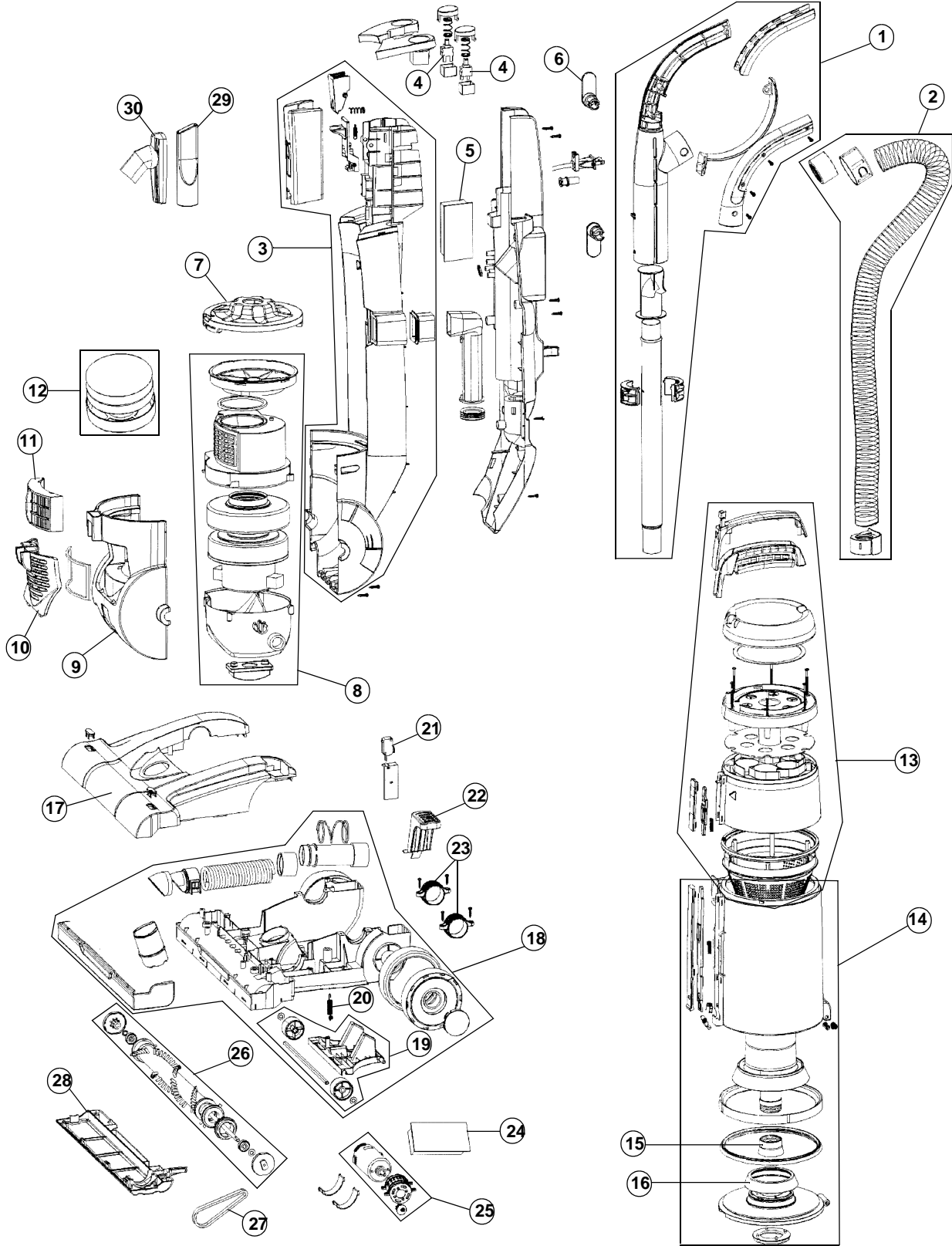
Cyclonic

Filtration System

28

ASSEMBLY SCHEMATIC

MODEL No.
U5184-900





28

PART LISTING / PRICE LIST

MODEL No.

U5184-900

Item	Part Number	Models To Fit	Part Description	List Cost
1	59156518	U5184-900	HANDLE ASSEMBLY	26.88
2	59156520	U5184-900	HOSE ASSEMBLY	22.40
3	59156527	U5184-900	MAIN HOUSING	49.56
4	59156526	U5184-900	SWITCH	3.85
5	59156533	U5184-900	UPPER PCB ASSEMBLY WITH WIRING	27.07
6	59156512	U5184-900	CORD HOOK	PENDING
7	59156519	U5184-900	INLET FILTER COVER	PENDING
8	59156521	U5184-900	MOTOR ASSEMBLY	70.77
9	59156528	U5184-900	MOTOR COVER	PENDING
10	59156511	U5184-900	EXHAUST FILTER COVER	PENDING
11	59156501	U5184-900	EXHAUST HEPA FILTER	3.92
12	59156506	U5184-900	INLET FILTER ASSEMBLY	4.62
13	59156522	U5184-900	DIRT CUP LID AND CONE ASSEMBLY	37.59
14	59156514	U5184-900	DIRT CUP ASSEMBLY	34.02
15	59156515	U5184-900	DIRT CUP SEAL	.88
16	59156516	U5184-900	DIRT CUP GASKET	.88
17	59156513	U5184-900	HOOD / NOZZLE COVER ASSEMBLY	15.89
18	59156529	U5184-900	MAIN BODY / NOZZLE ASSEMBLY WITH LOWER HOSE	PENDING
19	59156531	U5184-900	FRONT WHEEL / HEIGHT ADJUSTMENT	PENDING
20	59156532	U5184-900	SPRING - FRONT WHEEL / HEIGHT ADJUSTMENT	PENDING
21	59156530	U5184-900	MICRO SWITCH	5.32
22	59156525	U5184-900	HANDLE RELEASE PEDAL	PENDING
23	59156517	U5184-900	TRUNNION RING / PIVOT RING	PENDING
24	59156523	U5184-900	PCB ASSEMBLY - BRUSH ROLL	25.55
25	59156524	U5184-900	MOTOR ASSEMBLY - BRUSH ROLL	69.98
26	59156508	U5184-900	BRUSH ROLL / AGITATOR	19.79
27	59156500	U5184-900	BELT	1.19
28	59156510	U5184-900	BOTTOM PLATE / NOZZLE GUARD	PENDING
29	59156507	U5184-900	CREVICE TOOL	.88
30	59156509	U5184-900	UPHOLSTERY TOOL / DUSTING BRUSH	5.60



FUSION™ MACH³
MACH⁴ MACH⁶
MACH⁵ Power Max



28

NOTES

MODEL NO.

U5180-900
U5180-910
U5182-900
U5183-900
U5184-900
U5185-900
U5780-900
U5781-900
U5194-900
U5198-900
UH70005B