



FUSION™ MACH³
MACH⁴ MACH⁶
MACH⁵ Power Max

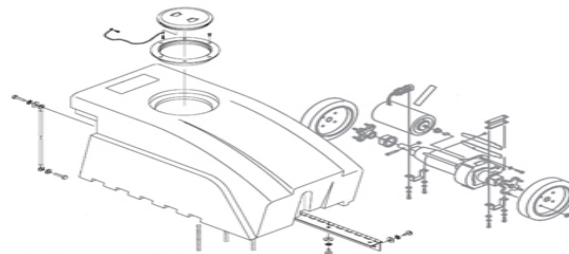
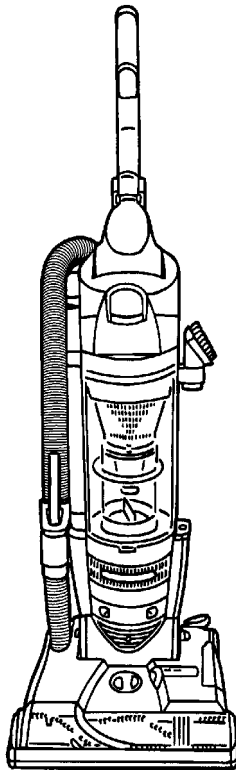
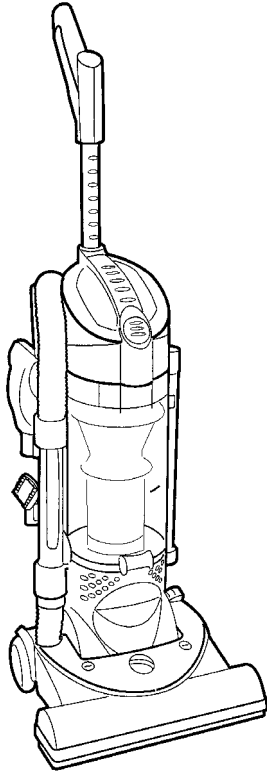


SECTION CONTENTS

<u>MODEL No.</u>	<u>PAGE No.</u>
U5180-900	28-2 THRU 28-8
U5180-910	28-2 THRU 28-8
U5182-900	28-2 THRU 28-8
U5183-900	28-2 THRU 28-8
U5185-900	28-2 THRU 28-8
UH70005B	28-2 THRU 28-8
U5780-900	28-9 THRU 28-12
U5781-900	28-9 THRU 28-12
U5194-900	28-13 THRU 28-17
U5198-900	28-13 THRU 28-17
U5184-900	28-18 THRU 28-19

MODEL No.

- U5180-900
- U5180-910
- U5182-900
- U5183-900
- U5184-900
- U5185-900
- U5780-900
- U5781-900
- U5194-900
- U5198-900
- UH70005B



FLOOR-EQUIPMENT-PARTS.COM

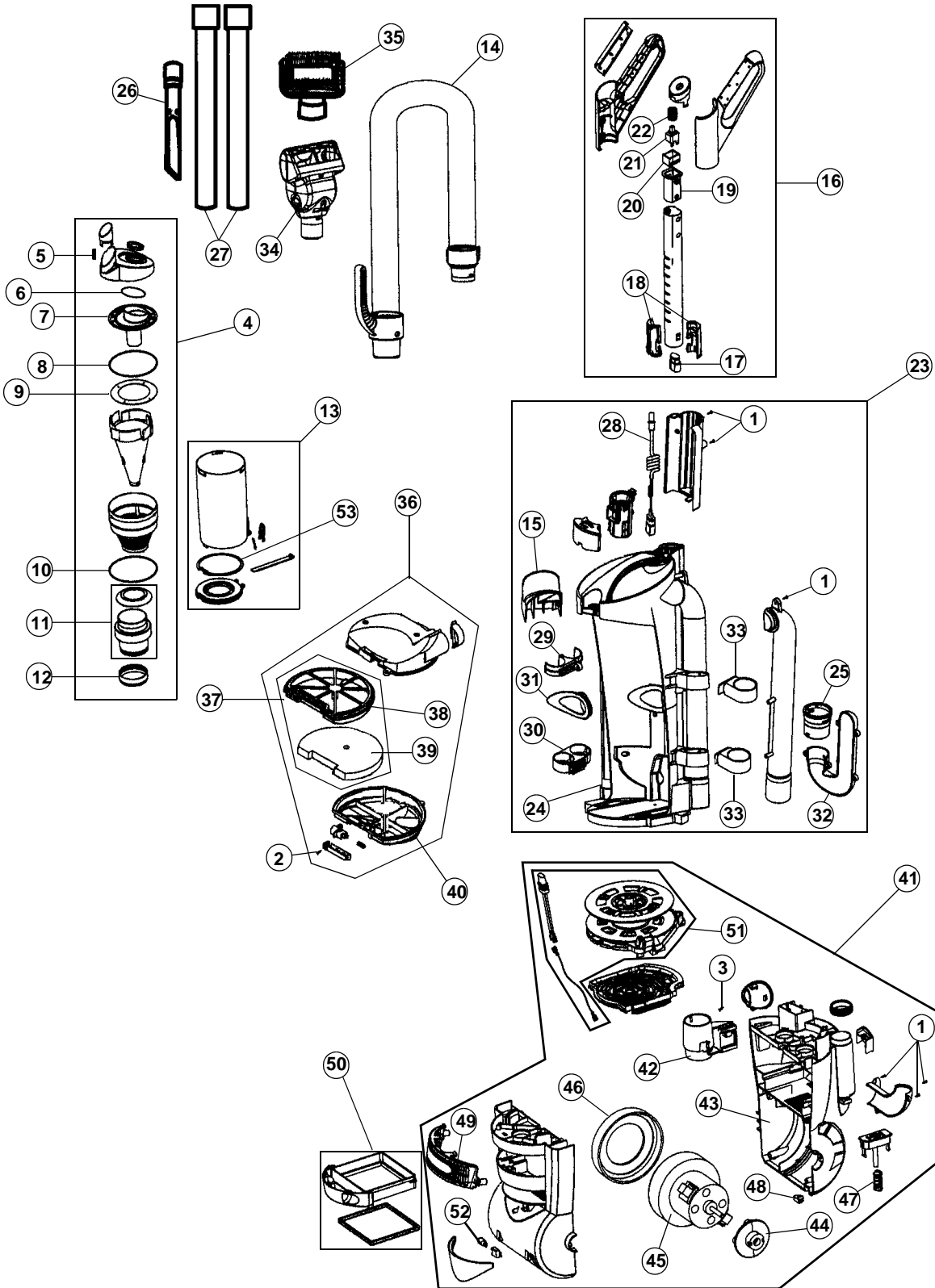
- * PRICING, SPECIFICATION'S, AND PRODUCT AVAILABILITY ARE SUBJECT TO CHANGE WITHOUT NOTICE. PRICING IS FOB FACTORY, CANTON, OH
- * ALL INFORMATION CONTAINED WITHIN THIS SERVICE MANUAL IS PROPRIETARY INFORMATION OF TTI FLOOR CARE NORTH AMERICA.
- * **WARNING:** TO REDUCE THE RISK OF ELECTRICAL SHOCK OR INJURY, ALWAYS DISCONNECT THE APPLIANCE CORD FROM THE ELECTRICAL OUTLET OR REMOVE BATTERY PRIOR TO SERVICING THE UNIT.



MACH⁵ MACH⁶

28

ASSEMBLY SCHEMATIC



MODEL NO.

U5194-900

U5198-900



MACH⁵ MACH⁶

28

PART LISTING / PRICE LIST

MODEL No.

U5194-900
U5198-900

ITEM	PART NUMBER	MODELS TO FIT	PART DESCRIPTION	LIST COST
1	93001840	U5194900, U5198900	BODY SCREW 4.2 X 16	.53
2	18381522	U5194900, U5198900	SCREW 3.5 X 12	N.L.A.
3	18147152	U5194900, U5198900	SCREW 4.2 X 25 - LOWER HOSE HOLDER	.05
4	93005000	U5194900	DIRT CUP LID ASSEMBLY	41.70
		U5198900	DIRT CUP LID ASSEMBLY	N.A.
5	93001656	U5194900, U5198900	DIRT CUP RELEASE SPRING	.85
6	93001649	U5194900, U5198900	SEAL - DIRT CUP LID	1.12
7	93001650	U5194900, U5198900	CYCLONE DUCT	2.26
8	93001651	U5194900, U5198900	SEAL - CYCLONE DUCT	.85
9	93001652	U5194900, U5198900	SEAL - CYCLONE DUCT	.85
10	93001637	U5194900, U5198900	SEAL - CYCLONE FILTER	1.02
11	93002515	U5194900, U5198900	DUST CHAMBER ASSEMBLY W/SHROUD	6.79
12	93001644	U5194900, U5198900	SEAL - DUST CHAMBER	2.26
13	93005100	U5194900	DIRT CUP ASSEMBLY	35.61
		U5198900	DIRT CUP ASSEMBLY	N.A.
14	93002514	U5194900, U5198900	HOSE ASSEMBLY	13.07
	93002362	U5194900, U5198900	BONUS HOSE - OPTIONAL	13.03
15	93002513	U5194900, U5198900	UPPER HOSE HOLDER	.73
16	93005200	U5194900, U5198900	HANDLE ASSEMBLY	21.78
17	93001700	U5194900, U5198900	MALE PLUG CONNECTOR	2.26
18	93001701	U5194900, U5198900	HOLDING PLATE - MALE PLUG CONNECTOR	.85
19	93001702	U5194900, U5198900	SWITCH SLEEVE	.85
20	93001703	U5194900, U5198900	SWITCH HOLDER	.85
21	93001705	U5194900, U5198900	SWITCH	5.66
22	93001706	U5194900, U5198900	SWITCH SPRING	.85
23	93005700	U5194900	MAIN BODY ASSEMBLY	67.66
		U5198900	MAIN BODY ASSEMBLY	N.A.
24	93002488	U5194900, U5198900	MAIN BODY HOUSING - ONLY	20.41
25	11041044	U5194900, U5198900	AIR DUCT ADAPTOR	.38
26	15804217	U5194900, U5198900	CREVICE TOOL	.98
27	12640720	U5194900, U5198900	EXTENSION WAND	2.80
28	26401317	U5194900, U5198900	WIRING CONNECTOR ASSEMBLY	6.72
29	11041053	U5194900, U5198900	UPPER WAND HOLDER	.23



MACH⁵ MACH⁶

28

PART LISTING / PRICE LIST

ITEM	PART NUMBER	MODELS To FIT	PART DESCRIPTION	LIST COST
30	11041052	U5194900, U5198900	LOWER WAND HOLDER	.45
31	11041105	U5194900, U5198900	AIR INLET SEAL - DIRT CUP	4.08
32	93002492	U5194900, U5198900	AIR DUCT COVER	2.27
33	11041065	U5194900, U5198900	TOOL HOLDER	.68
34	49129032	U5194900, U5198900	TURBINE HAND TOOL	14.62
35	15810030	U5194900, U5198900	FURNITURE BRUSH	.23
36	93005800	U5194900, U5198900	UPPER FILTER HOUSING, BOTTOM COVER, w/SECONDARY FILTER ASSY - SERVICE ASSEMBLY -	14.51
37	40110012	U5194900, U5198900	SECONDARY FILTER WITH FOAM FILTER	9.45
38	93002517	U5194900, U5198900	SECONDARY FILTER ASSEMBLY - ORDER #37 / 40110012	N.L.A.
39	93002518	U5194900, U5198900	SECONDARY FOAM FILTER	3.73
40	93002499	U5194900, U5198900	BOTTOM COVER - SECONDARY FILTER	1.82
41	93005600	U5194900, U5198900	MOTOR HOUSING ASSEMBLY	158.71
42	93002473	U5194900, U5198900	LOWER HOSE HOLDER	1.82
43	93002474	U5194900, U5198900	REAR MOTOR HOUSING	15.96
44	93001677	U5194900, U5198900	REAR MOTOR PLATE	1.12
45	93001678	U5194900, U5198900	MOTOR ASSEMBLY	48.18
46	93001679	U5194900, U5198900	MOTOR SEAL	3.39
47	93002480	U5194900, U5198900	SPRING - CORD REEL PEDAL	.17
48	93002482	U5194900, U5198900	SEAL - MOTOR WIRE	.05
49	93002484	U5194900, U5198900	CORD REEL COVER	1.13
50	93002360	U5194900, U5198900	HEPA EXHAUST FILTER ASSEMBLY	12.42
51	93002478	U5194900, U5198900	CORD REEL ASSEMBLY	69.71
52	27313107	U5194900, U5198900	LIGHT BULB	3.09
53	93002437	U5194900, U5198900	GASKET - DIRT CUP DOOR	2.45

MODEL No.

U5194-900

U5198-900



MACH⁵ MACH⁶

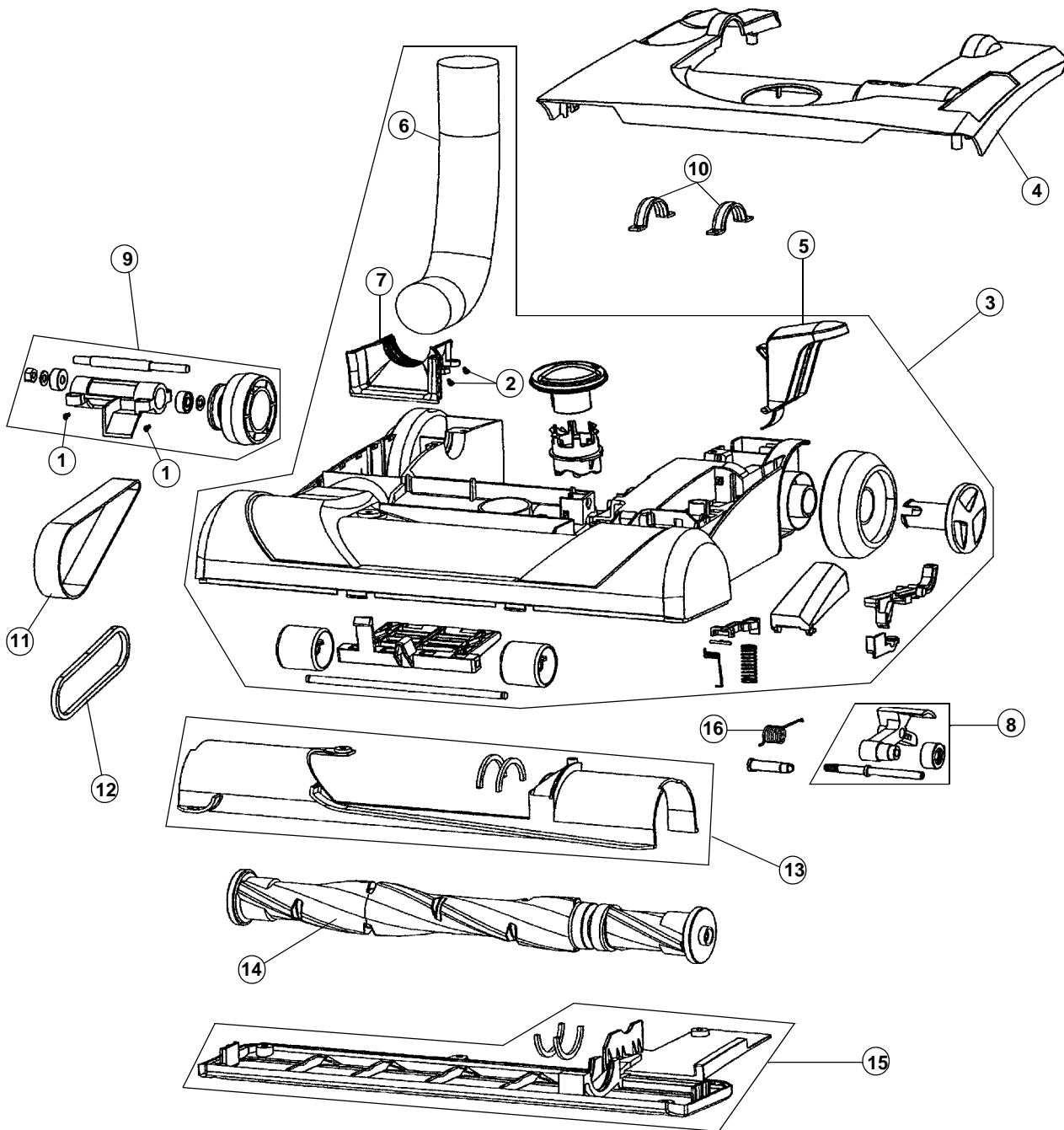
28

ASSEMBLY SCHEMATIC

MODEL NO.

U5194-900

U5198-900





MACH⁵ MACH⁶

28

PART LISTING / PRICE LIST

MODEL No.

U5194-900
U5198-900

ITEM	PART NUMBER	MODELS TO FIT	PART DESCRIPTION	LIST COST
1	93001840	U5194900, U5198900	BODY SCREW 4.2 x 16	.53
2	18381522	U5194900, U5198900	SCREW 3.5 x 12	N.L.A.
3	SEE NOTES	U5194900	FOOT / NOZZLE BASE ASSEMBLY MFG PRIOR TO 09/2007	N.A.
	93005500	U5194900, U5198900	FOOT / NOZZLE BASE ASSEMBLY - REVISED MFG 09/2007 AND NEWER	70.55
4	93002467	U5194900, U5198900	HOOD / NOZZLE COVER	6.79
5	SEE NOTES	U5194900, U5198900	HANDLE RELEASE PEDAL MFG PRIOR TO 09/2007	N.A.
	93002462	U5194900, U5198900	HANDLE RELEASE PEDAL - REVISED ORANGE MFG 09/2007 AND NEWER	.90
6	13102101	U5194900, U5198900	LOWER HOSE	1.82
7	11041029	U5194900, U5198900	LOWER HOSE SUPPORT	.54
8	93005300	U5194900, U5198900	IDLER ARM ASSEMBLY	4.45
9	93005400	U5194900, U5198900	PULLEY ASSEMBLY	10.80
10	93001663	U5194900, U5198900	TRUNION / PIVOT CLAMP	.85
11	38528035	U5194900, U5198900	FLAT - BELT	1.39 NON DISC
12	38528034	U5194900, U5198900	V - BELT	1.50 NON DISC
13	93002516	U5194900, U5198900	BRUSH ROLL HOUSING	5.37
14	93002361	U5194900, U5198900	BRUSH ROLL ASSEMBLY	14.69
15	93002468	U5194900, U5198900	BOTTOM PLATE / NOZZLE GUARD	4.00
16	93002447	U5194900, U5198900	SPRING - IDLER ASSEMBLY	.45

**IF YOU HAVE A MODEL U5194-900 THAT WAS MFG PRIOR TO 9/2007 AND YOU NEED TO REPLACE THE HANDLE RELEASE PEDAL, YOU NEED TO ORDER THE FOLLOWING:

93005500 - FOOT / NOZZLE BASE ASSEMBLY (INCLUDES HANDLE RELEASE PEDAL)

THIS WILL UPDATE THE UNIT TO REFLECT A REVISION / NEW DESIGN OF THE HANDLE RELEASE PEDAL. THE NEW DESIGN HANDLE RELEASE PEDAL WILL NOT WORK IN AN EARLY DESIGN FOOT NOZZLE BASE.