

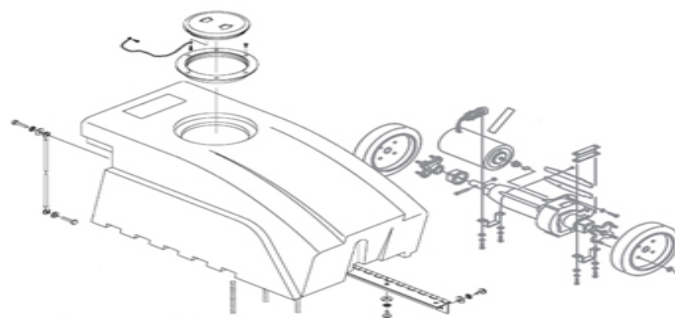
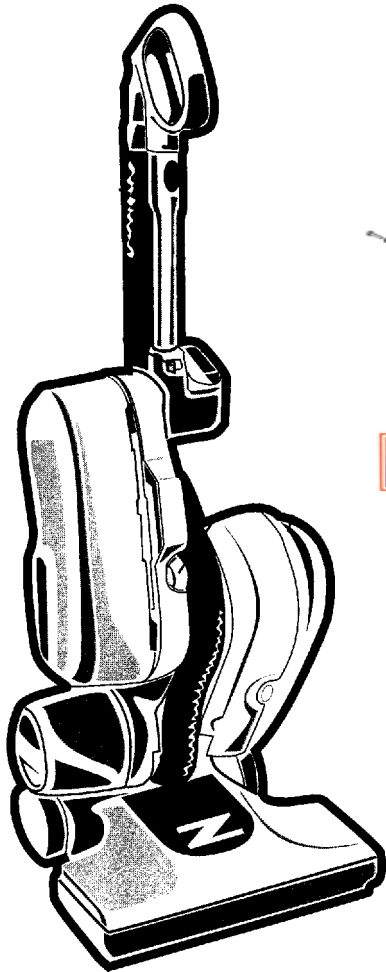
SECTION CONTENTS

<u>MODEL NO.</u>	<u>PAGE NO.</u>
U9125-900	27-2 THRU 27-9
U9145-900	27-2 THRU 27-9

MODEL No.

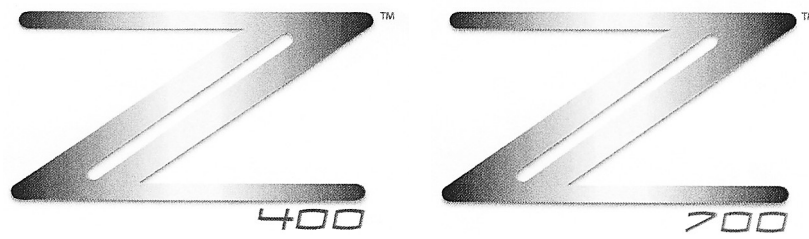
U9125-900

U9145-900



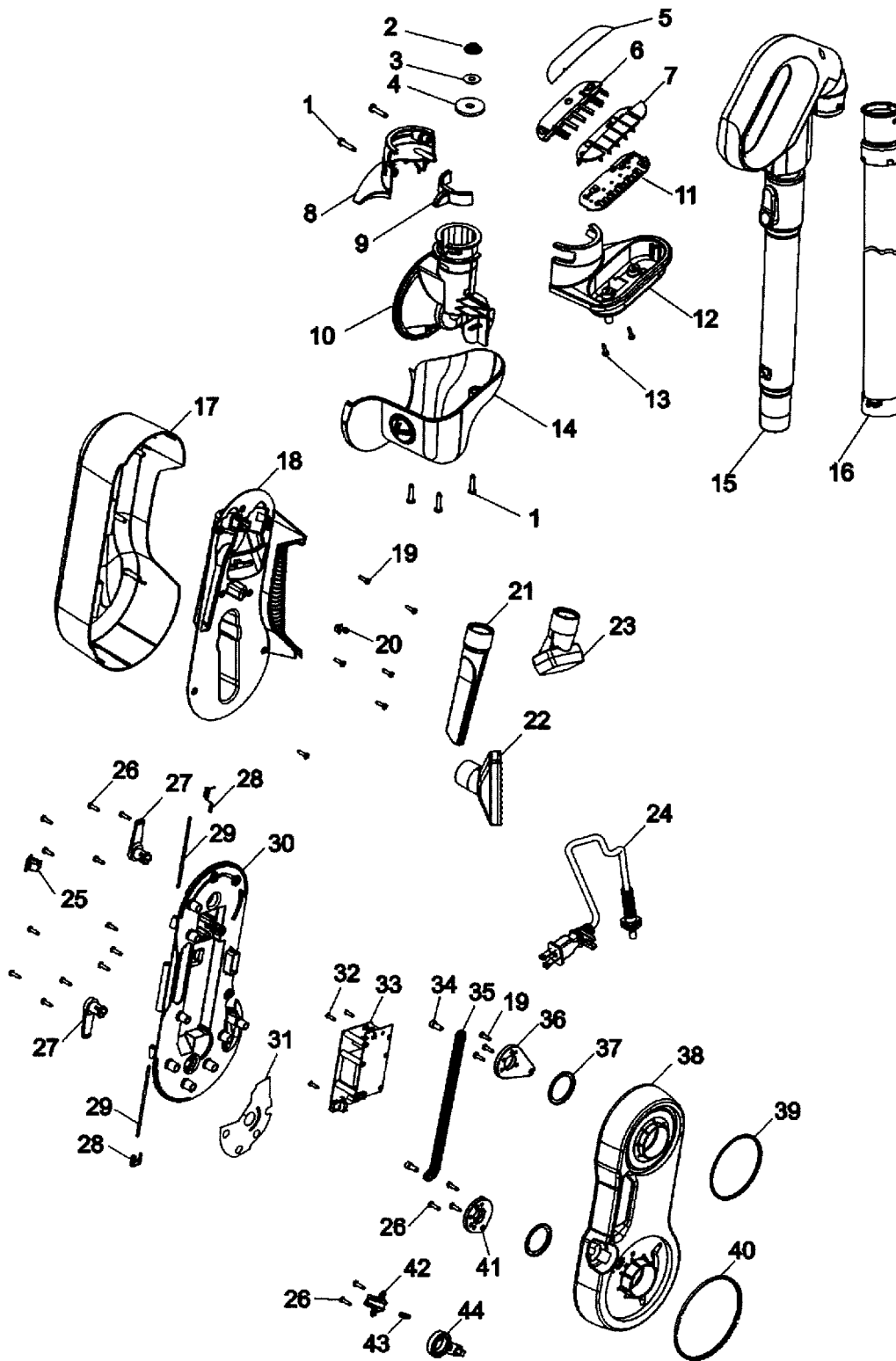
FLOOREQUIPMENTPARTS.COM

- * PRICING, SPECIFICATION'S, AND PRODUCT AVAILABILITY ARE SUBJECT TO CHANGE WITHOUT NOTICE. PRICING IS FOB FACTORY, CANTON, OH
- * ALL INFORMATION CONTAINED WITHIN THIS SERVICE MANUAL IS PROPRIETARY INFORMATION OF TTI FLOOR CARE NORTH AMERICA.
- * **WARNING:** TO REDUCE THE RISK OF ELECTRICAL SHOCK OR INJURY, ALWAYS DISCONNECT THE APPLIANCE CORD FROM THE ELECTRICAL OUTLET OR REMOVE BATTERY PRIOR TO SERVICING THE UNIT.



27

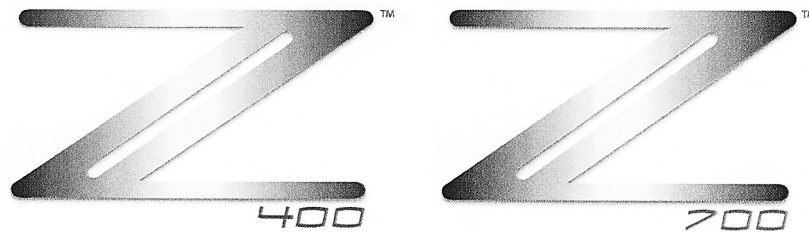
ASSEMBLY SCHEMATIC



MODEL NO.

U9125-900

U9145-900



27

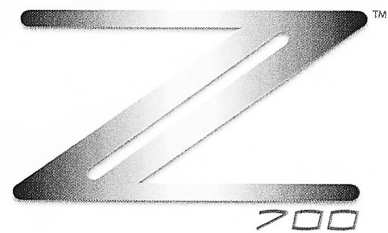
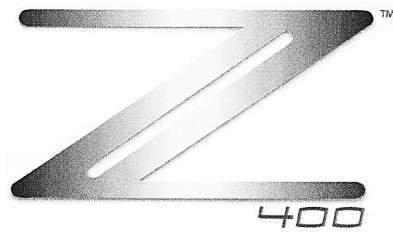
PART LISTING / PRICE LIST

MODEL No.

U9125-900

U9145-900

ITEM	PART NUMBER	MODELS TO FIT	PART DESCRIPTION	LIST COST
1	92001172	U9125-900, U9145-900	SCREW - #8 3/4"	N.L.A.
2	92001173	U9125-900, U9145-900	NUT - SELF THREADING	N.L.A.
3	21312829	U9125-900, U9145-900	WASHER	.57
4	92001174	U9125-900, U9145-900	UPPER HANDLE SUPPORT SEAL	N.L.A.
5	92001175	U9125-900, U9145-900	CONTROL PANEL OVERLAY	2.82
6	92001176	U9125-900	CONTROL PANEL DISPLAY	1.07
	92001216	U9145-900	CONTROL PANEL DISPLAY	1.46
7	92001177	U9125-900	SWITCH CAP - TRIMMED	7.93
	92001217	U9145-900	SWITCH CAP - TRIMMED	N.L.A.
	92001235	U9125-900, U9145-900	WIRE HARNESS PANEL	5.66
	92001236	U9125-900, U9145-900	WIRE HARNESS NOZZLE SIGNAL	15.87
8	92001182	U9125-900	CONTROL PANEL HOUSING - RIGHT ARTIC WHITE	2.26
	92001218	U9145-900	CONTROL PANEL HOUSING - RIGHT BLUE STEEL METALLIC	2.26
9	92001178	U9125-900, U9145-900	UPPER HANDLE LATCH	N.L.A.
10	92001180	U9125-900, U9145-900	UPPER HANDLE PIVOT SUPPORT	3.73
11	92001179	U9125-900, U9145-900	PCB - CONTROL PANEL ASSEMBLY	30.61
12	92001181	U9125-900	CONTROL PANEL HOUSING - LEFT ARTIC WHITE	2.26
	92001219	U9145-900	CONTROL PANEL HOUSING - LEFT BLUE STEEL METALLIC	2.26
13	21447239	U9125-900, U9145-900	SCREW	.57
14	92001183	U9125-900, U9145-900	CONTROL PANEL BOTTOM COVER	6.00
	92001232	U9125-900, U9145-900	MEDALLION	N.L.A.
15	92001187	U9125-900, U9145-900	UPPER HANDLE / WAND ASSEMBLY	28.34
16	92001188	U9125-900, U9145-900	HOSE ASSEMBLY	29.47
17	92001185	U9125-900	STORAGE DOOR - ARTIC WHITE	12.23
	92001220	U9145-900	STORAGE DOOR - BLUE STEEL METALLIC	13.60
18	92001186	U9125-900	STORAGE DOOR INSERT	5.09
	92001221	U9145-900	STORAGE DOOR INSERT	6.56
19	214793DA	U9125-900, U9145-900	SCREW	.57
20	92001192	U9125-900, U9145-900	DOOR LATCH - MALE	.79
21	38617033	U9125-900, U9145-900	CREVICE TOOL	3.39
22	92001196	U9125-900	FURNITURE NOZZLE	3.39
	92001019	U9145-900	TURBINE HAND TOOL	18.13



27

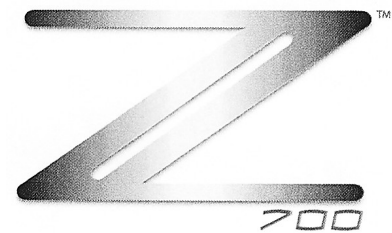
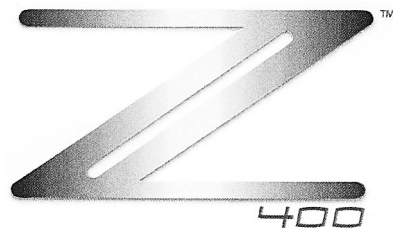
PART LISTING / PRICE LIST

ITEM	PART NUMBER	MODELS TO FIT	PART DESCRIPTION	LIST COST
23	43414197	U9125-900, U9145-900	DUSTING BRUSH ASSEMBLY	2.68
24	92001197	U9125-900, U9145-900	POWER CORD - 35'	17.00
25	92001193	U9125-900, U9145-900	DOOR LATCH - FEMALE	1.12
26	21447235	U9125-900, U9145-900	SCREW - SELF TAPPING	N.L.A.
27	92001199	U9125-900, U9145-900	CORD WRAP	N.L.A.
28	12002714	U9125-900, U9145-900	DOOR SPRING KIT	1.12
29	92001200	U9125-900, U9145-900	HINGE PIN	N.L.A.
30	92001189	U9125-900, U9145-900	UPPER PIVOT - MID PLATE	7.93
31	92001241	U9125-900, U9145-900	INSULATOR	N.L.A.
32	21447233	U9125-900, U9145-900	SCREW	N.L.A.
33	92001201	U9125-900, U9145-900	PCB - POWER / MICRO ASSEMBLY	90.71
34	92001205	U9125-900, U9145-900	PIVOT RETAINER PIN	1.12
35	92001208	U9125-900, U9145-900	UPPER PIVOT ROD	1.69
36	92001204	U9125-900, U9145-900	UPPER PIVOT RETAINER	1.12
37	92001202	U9125-900, U9145-900	PIVOT RETAINER BUSHING	2.03
38	92001184	U9125-900, U9145-900	UPPER PIVOT HOUSING	17.00
39	92001191	U9125-900, U9145-900	UPPER PIVOT BUSHING	N.L.A.
40	92001190	U9125-900, U9145-900	MIDDLE PIVOT BUSHING	2.03
41	92001203	U9125-900, U9145-900	MIDDLE PIVOT RETAINER	1.01
42	92001207	U9125-900, U9145-900	RELEASE PIN RETAINER	1.12
43	92001160	U9125-900, U9145-900	TENSION SPRING	.57
44	92001206	U9125-900, U9145-900	RELEASE PIN	6.79
	92001259	U9125-900, U9145-900	HARD FLOOR BRUSH	17.00
	38634078	U9125-900, U9145-900	EXTENSION TUBE	6.79

MODEL No.

U9125-900

U9145-900



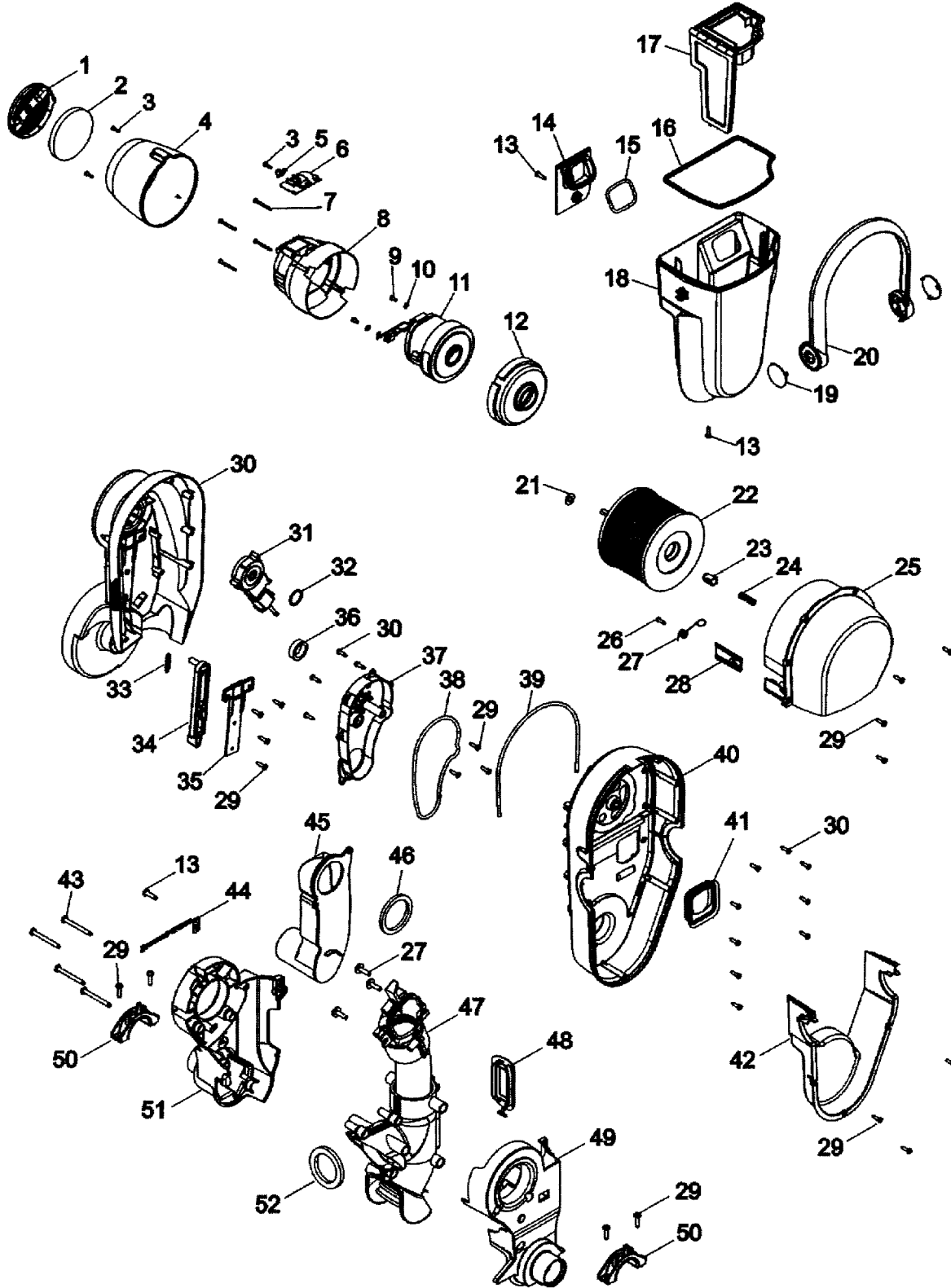
27

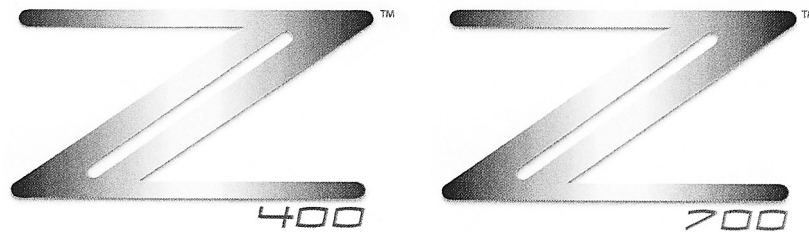
ASSEMBLY SCHEMATIC

MODEL NO.

U9125-900

U9145-900





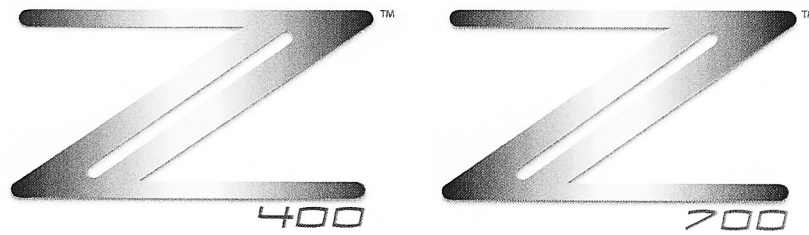
27

PART LISTING / PRICE LIST

ITEM	PART NUMBER	MODELS TO FIT	PART DESCRIPTION	LIST COST
1	92001111	U9125-900, U9145-900	FINAL FILTER RETAINER	10.20
2	92001109	U9125-900, U9145-900	FINAL FILTER	2.09
3	21447235	U9125-900, U9145-900	SCREW - SELF TAPPING	N.L.A.
4	92001103	U9125-900	MOTOR COVER - ARTIC WHITE	4.90
	92001213	U9145-900	MOTOR COVER - BLUE STEEL METALLIC	4.53
5	92001112	U9125-900, U9145-900	CIRCUIT BOARD RETAINER	.62
6	92001108	U9125-900, U9145-900	PCB ASSEMBLY	11.33
	92001234	U9125-900, U9145-900	POWER WIRE HARNESS	11.33
7	21447121	U9125-900, U9145-900	SCREW	.57
8	92001104	U9125-900, U9145-900	MOTOR MOUNT	4.07
9	92001106	U9125-900, U9145-900	SCREW - #10 - 32	N.A.
10	92001105	U9125-900, U9145-900	WASHER	N.A.
11	92001107	U9125-900, U9145-900	MOTOR	73.70
12	92001110	U9125-900, U9145-900	MOTOR SEAL	N.L.A.
13	21447235	U9125-900, U9145-900	SCREW - SELF TAPPING	N.L.A.
14	92001138	U9125-900, U9145-900	DIRT CUP DUCT	N.L.A.
15	92001139	U9125-900, U9145-900	DIRT CUP DUCT SEAL	1.69
16	92001140	U9125-900, U9145-900	SEAL - 20.438"	N.L.A.
17	92001137	U9125-900, U9145-900	PRE-FILTER BODY ASSEMBLY ORDER 92001141 DIRT CUP COMPLETE	N.L.A.
18	92001141	U9125-900, U9145-900	DIRT CUP ASSEMBLY	43.65
19	92001143	U9125-900, U9145-900	DIRT CUP HANDLE COVER	N.L.A.
20	92001142	U9125-900, U9145-900	DIRT CUP HANDLE	N.L.A.
21	92001144	U9125-900, U9145-900	THRUST WASHER	.57
22	92001146	U9125-900, U9145-900	MAIN FILTER ASSEMBLY	44.61
23	92001159	U9125-900, U9145-900	THRUST BUTTON	.89
24	92001147	U9125-900, U9145-900	COMPRESSION SPRING	N.L.A.
25	92001148	U9125-900, U9145-900	FILTER HOUSING ASSEMBLY	6.79
26	21447223	U9125-900, U9145-900	SCREW - SELF TAPPING	.23
27	92001150	U9125-900	FLICKER SPRING	N.L.A.
	92001147	U9145-900	COMPRESSION SPRING	N.L.A.
28	92001149	U9125-900, U9145-900	SPRING RETAINER	N.L.A.
29	214793DA	U9125-900, U9145-900	SCREW	.57
30	92001154	U9125-900, U9145-900	MAIN PIVOT HOUSING ASSEMBLY - RIGHT	31.17
	93001964	U9125-900, U9145-900	ACTUATOR / BRUSH ROLL MAGNET	1.69
31	92001155	U9125-900, U9145-900	MAIN FILTER TRANSMISSION	15.30
32	90001195	U9125-900, U9145-900	O-RING	.57

MODEL No.

U9125-900
U9145-900



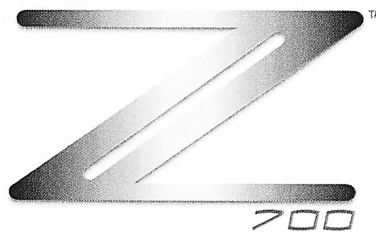
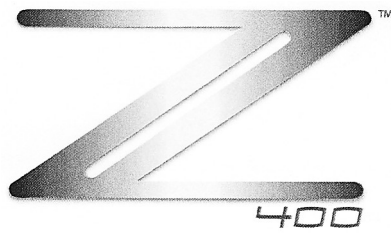
27

PART LISTING / PRICE LIST

MODEL No.

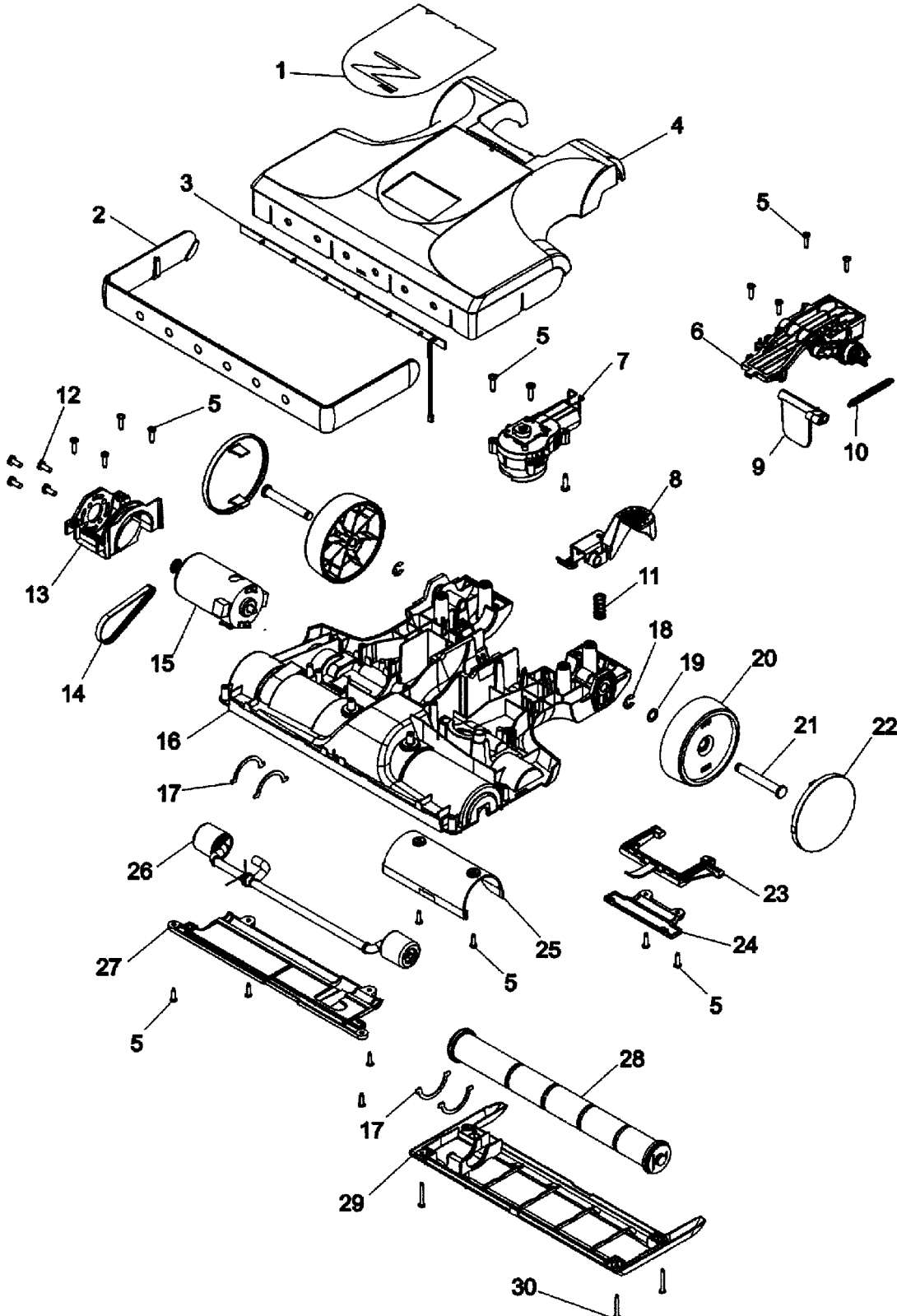
U9125-900
U9145-900

ITEM	PART NUMBER	MODELS TO FIT	PART DESCRIPTION	LIST COST
33	92001160	U9125-900, U9145-900	TENSION SPRING	.57
34	92001158	U9125-900, U9145-900	MAIN PIVOT ROD	2.03
35	92001171	U9125-900, U9145-900	MAIN PIVOT ROD GUIDE	.89
36	92001242	U9125-900, U9145-900	CLEAN AIR DUCT SEAL	.79
37	92001156	U9125-900, U9145-900	CLEAN AIR DUCT	2.59
38	92001157	U9125-900, U9145-900	SEAL - 18.125"	N.L.A.
39	92001215	U9125-900, U9145-900	SEAL - 17.125"	1.12
40	92001248	U9125-900, U9145-900	MAIN PIVOT HOUSING - LEFT ARTIC WHITE	N.L.A.
	92001247	U9125-900, U9145-900	MAIN PIVOT HOUSING - LEFT BLUE STEEL METALLIC	12.46
41	92001170	U9125-900, U9145-900	DIRT CUP INLET SEAL	.67
42	92001151	U9125-900, U9145-900	DIRT CUP HOUSING	2.13
43	21447121	U9125-900, U9145-900	SCREW	.57
44	92001161	U9125-900, U9145-900	PCB - HALL ASSEMBLY	11.33
45	92001162	U9125-900, U9145-900	OUTLET DUCT ASSEMBLY	4.47
46	92001163	U9125-900, U9145-900	CLEAN AIR DUCT SEAL	N.L.A.
47	92001153	U9125-900, U9145-900	CONNECTOR ASSEMBLY	15.30
48	92001164	U9125-900, U9145-900	ACCESS DOOR	1.12
49	92001165	U9125-900, U9145-900	NOZZLE CONNECTOR - LEFT	9.06
50	92001167	U9125-900, U9145-900	TRUNNION COVER	.66
51	92001166	U9125-900, U9145-900	NOZZLE CONNECTOR - RIGHT	5.67
52	92001169	U9125-900, U9145-900	HOSE SEAL	.89
	93001964	U9125-900, U9145-900	ACTUATOR MAGNET	1.69



27

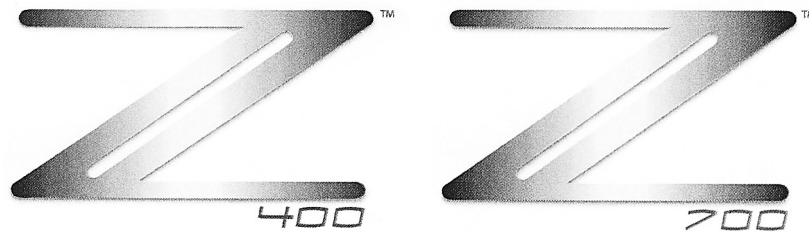
ASSEMBLY SCHEMATIC



MODEL NO.

U9125-900

U9145-900



27

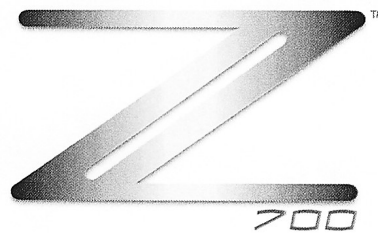
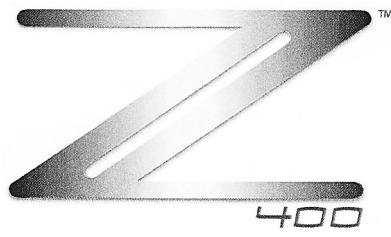
PART LISTING / PRICE LIST

MODEL No.

U9125-900

U9145-900

ITEM	PART NUMBER	MODELS TO FIT	PART DESCRIPTION	LIST COST
1	92001135	U9125-900	HOOD / NOZZLE COVER NAME PLATE	N.A.
	92001209	U9145-900	HOOD / NOZZLE COVER NAME PLATE	14.16
2	92001122	U9125-900	FURNITURE GUARD	N.A.
	92001212	U9145-900	FURNITURE GUARD WITH LED	N.L.A.
3	92001211	U9145-900	PCB - HEADLIGHT	13.03
4	92001123	U9125-900	HOOD / NOZZLE COVER ASSEMBLY - ARTIC WHITE	N.L.A.
	92001210	U9145-900	HOOD / NOZZLE COVER ASSEMBLY - BLUE STEEL METALLIC	17.00
5	214793DA	U9125-900, U9145-900	SCREW	.57
6	92001133	U9125-900, U9145-900	DUCT COVER ASSEMBLY	5.32
7	92001127	U9125-900, U9145-900	HEIGHT ADJUSTMENT TRANSMISSION	20.97
8	92001128	U9125-900, U9145-900	HANDLE RELEASE PEDAL	2.03
9	92001134	U9125-900, U9145-900	VALVE DOOR	.85
10	38333009	U9125-900, U9145-900	SPRING	1.12
11	92001131	U9125-900, U9145-900	COMPRESSION SPRING	.57
12	92001136	U9125-900, U9145-900	SCREW - M5 x 12	N.A.
13	92001120	U9125-900, U9145-900	MOTOR MOUNT	2.26
14	92001118	U9125-900, U9145-900	POLY V-BELT	5.24
15	92001119	U9125-900, U9145-900	MOTOR - AGITATOR / BRUSH ROLL	53.85
	92001237	U9125-900, U9145-900	WIRE HARNESS	5.09
16	92001132	U9125-900, U9145-900	MAIN BODY / NOZZLE BASE	44.22
17	92001116	U9125-900, U9145-900	AGITATOR / BRUSH ROLL PULLEY SEAL	.57
18	160017--	U9125-900, U9145-900	LOCK RING	.58
19	163110--	U9125-900, U9145-900	WASHER	.40
20	92001126	U9125-900, U9145-900	REAR WHEEL WITH OVERMOLD	3.96
21	92001125	U9125-900, U9145-900	REAR AXLE	N.L.A.
22	92001124	U9125-900, U9145-900	WHEEL CAP	1.12
23	92001129	U9125-900, U9145-900	HANDLE RELEASE LEVER	1.69
24	92001130	U9125-900, U9145-900	HANDLE RELEASE MOUNTING PLATE	1.35
25	92001121	U9125-900, U9145-900	NOZZLE DUCT COVER	1.27
26	92001117	U9125-900, U9145-900	FRONT WHEEL ASSEMBLY	9.63
27	92001114	U9125-900, U9145-900	FRONT AXLE MOUNTING PLATE	3.16
28	92001115	U9125-900, U9145-900	AGITATOR / BRUSH ROLL ASSEMBLY	25.50
29	92001113	U9125-900, U9145-900	BOTTOM PLATE / NOZZLE GUARD	11.33
30	21479438	U9125-900, U9145-900	SCREW	1.12



27

NOTES

MODEL NO.