



FLOORMAX™ Supreme

HARD FLOOR MACHINE AND CARPET SHAMPOOER

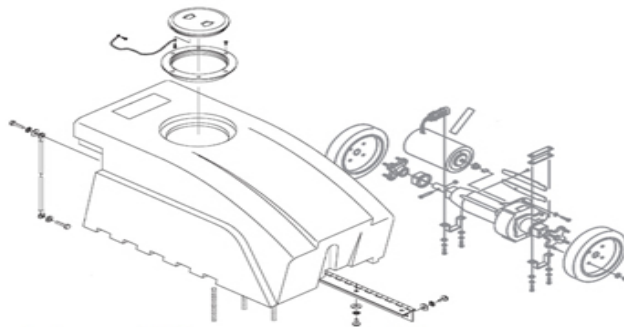
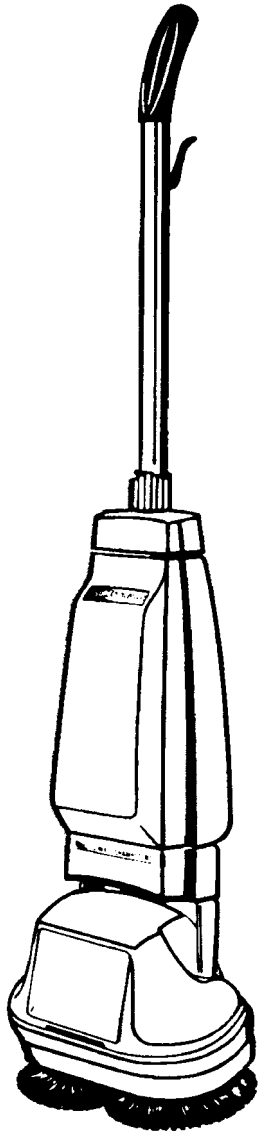
25

SECTION CONTENTS

<u>MODEL NO.</u>	<u>PAGE NO.</u>
F4300	25-1 THRU 25-8

MODEL No.

F4300



FLOOR EQUIPMENT PARTS.COM

- * PRICING, SPECIFICATION'S, AND PRODUCT AVAILABILITY ARE SUBJECT TO CHANGE WITHOUT NOTICE. PRICING IS FOB FACTORY, CANTON, OH
- * ALL INFORMATION CONTAINED WITHIN THIS SERVICE MANUAL IS PROPRIETARY INFORMATION OF TTI FLOOR CARE NORTH AMERICA.
- * **WARNING:** TO REDUCE THE RISK OF ELECTRICAL SHOCK OR INJURY, ALWAYS DISCONNECT THE APPLIANCE CORD FROM THE ELECTRICAL OUTLET OR REMOVE BATTERY PRIOR TO SERVICING THE UNIT.



FLOORMAX™ Supreme

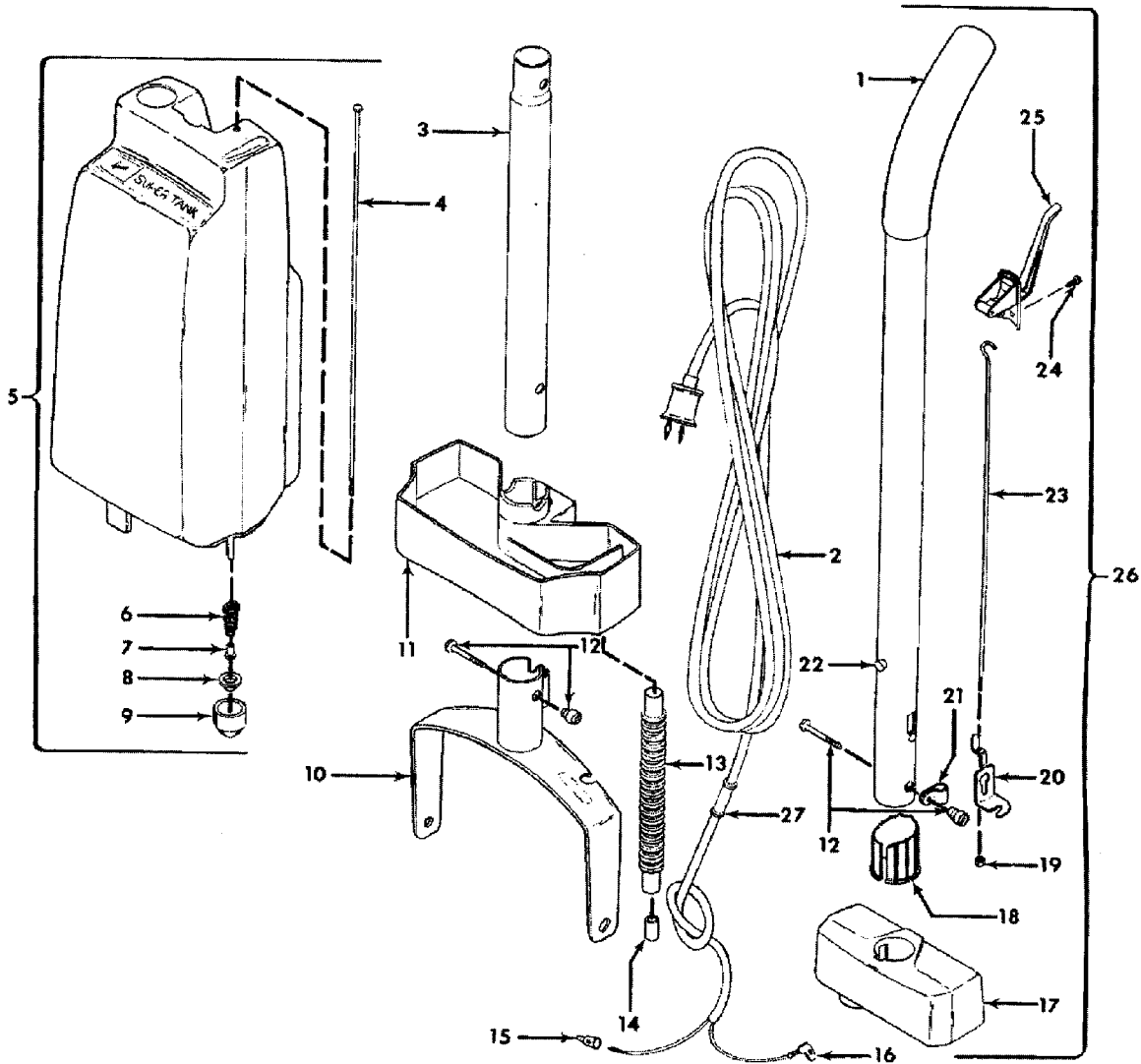
HARD FLOOR MACHINE AND CARPET SHAMPOOER

25

ASSEMBLY SCHEMATIC

MODEL NO.

F4300





FLOORMAX™ Supreme
 HARD FLOOR MACHINE AND CARPET SHAMPOOER

25

PART LISTING / PRICE LIST

MODEL No.

F4300

ITEM	PART NUMBER	MODELS To FIT	PART DESCRIPTION	LIST COST
1	39454072	F4300	HANDLE GRIP	3.39
2	46383068	F4300	ATTACHMENT / POWER CORD	14.73
3	32284026	F4300	LOWER HANDLE	11.72
4	019717--	F4300	VALVE ROD - TANK	2.82
5	43632028	F4300	TANK COMPLETE - COOL GRAY	24.37
6	017314--	F4300	VALVE SPRING	N.L.A.
7	014341--	F4300	VALVE ROD END	1.12
8	015796--	F4300	TANK CAP LINER	1.12
9	37911006	F4300	VALVE CAP	2.26
10	41415002	F4300	BAIL ARM ASSEMBLY	19.54
11	36431020	F4300	TANK SUPPORT	10.20
12	0428294AW	F4300	HANDLE BOLT AND NUT	N.A.
13	017473--	F4300	DISTRIBUTOR HOSE	7.36
14	162180--	F4300	PLUG	1.46
15	048969--	F4300	WIRE NUT	.58
16	161876--	F4300	TERMINAL - FLAG	N.A.
17	37274056	F4300	TANK CAP	4.53
18	36143005	F4300	TANK CAP LOCK	2.94
19	162067--	F4300	NUT	N.A.
20	162069AY	F4300	VALVE CONTROL BRACKET	N.A.
21	012910--	F4300	CORD CLAMP	1.12
22	017252--	F4300	RIVET	N.A.
23	162068--	F4300	CONTROL ROD	N.A.
24	017942--	F4300	SCREW	1.12
25	43138005	F4300	CONTROL HOUSING	4.53
26	48648022	F4300	UPPER HANDLE - CHROMIUM PLATED	45.35
	58343008	F4300	END SUUPPORT	N.A.
	58347001	F4300	BOTTOM SUPPORT	N.L.A.



FLOORMAX™ Supreme

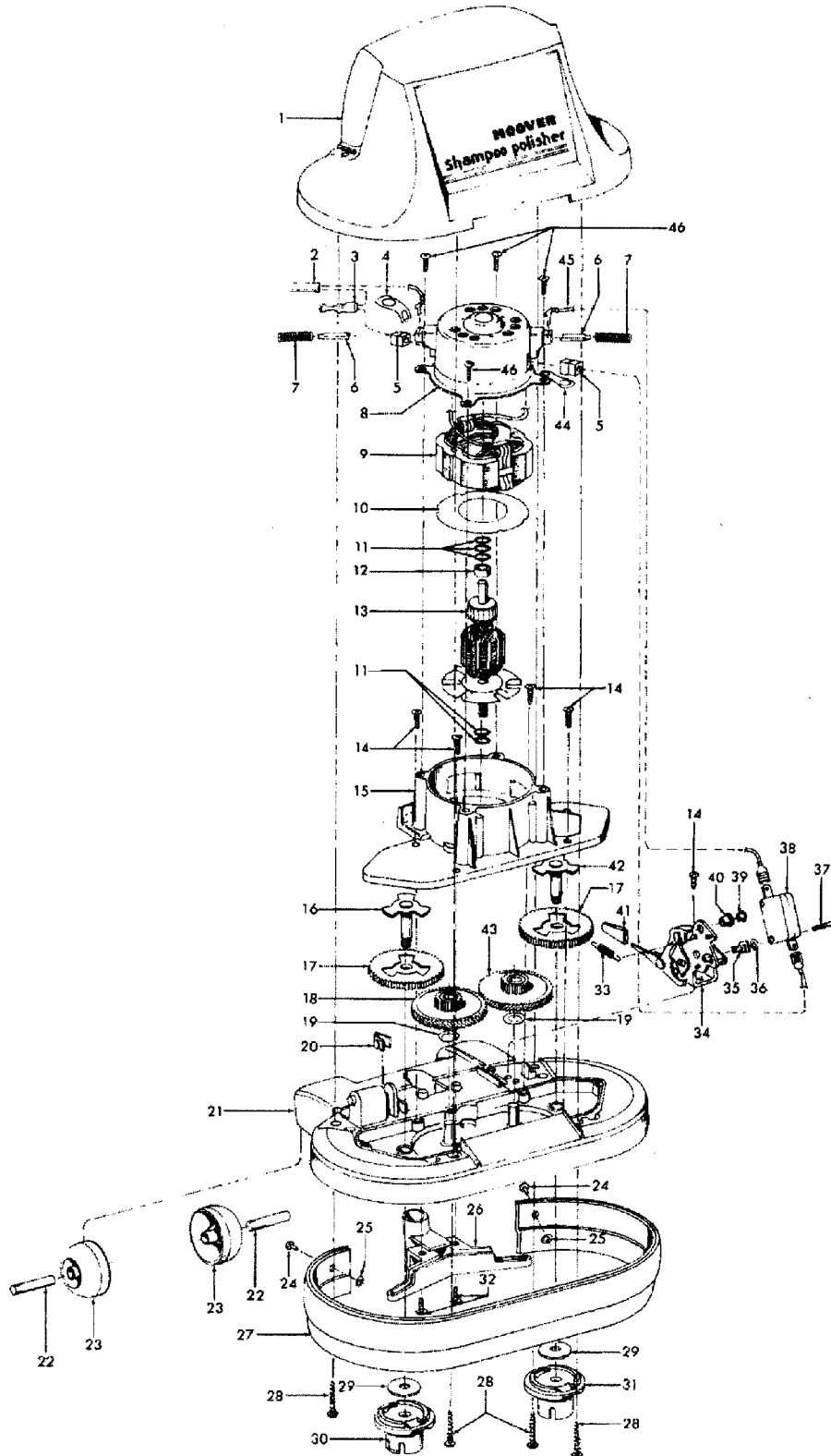
HARD FLOOR MACHINE AND CARPET SHAMPOOER

25

ASSEMBLY SCHEMATIC

MODEL NO.

F4300





FLOORMAX™ Supreme
 HARD FLOOR MACHINE AND CARPET SHAMPOOER

25

PART LISTING / PRICE LIST

MODEL No.

F4300

ITEM	PART NUMBER	MODELS To FIT	PART DESCRIPTION	LIST COST
1	42271029	F4300	HOOD / COVER WITH NAME PLATE	13.60
2	46383068	F4300	POWER CORD	14.73
3	012227--	F4300	TERMINAL	.79
4	013190--	F4300	LEAD WIRE HOLDER	N.A.
5	049379--	F4300	LEAD WIRE COLLAR	N.A.
6	47311005	F4300	MOTOR BRUSH	2.94
7	38311009	F4300	MOTOR BRUSH SPRING	PENDING
8	42197002	F4300	MOTOR CAP ASSEMBLY	6.90
9	45314011	F4300	FIELD ASSEMBLY	30.61
10	012653--	F4300	BAFFLE	N.A.
11	21312720	F4300	WASHER	.57
12	31148006	F4300	SPACER	N.A.
13	023445--	F4300	ARMATURE	39.68
14	21447007	F4300	SCREW	.57
15	012165--	F4300	GEAR COVER ASSEMBLY	14.16
16	168405--	F4300	BRUSH SHAFT INSERT - RIGHT	3.39
17	38541002	F4300	BRUSH GEAR	4.53
18	035675BZ	F4300	IDLER GEAR - RIGHT	4.53
19	21312724	F4300	WASHER	1.12
20	36131030	F4300	RETAINER	N.A.
21	42273011	F4300	GEAR HOUSING COMPLETE	31.17
22	31523008	F4300	WHEEL SHAFT	1.46
23	32175025	F4300	WHEEL	1.12
24	049571AY	F4300	RIVET	N.A.
25	21312788	F4300	WASHER	N.A.
26	43486003	F4300	DISTRIBUTOR ASSEMBLY	N.A.
27	36231152	F4300	FURNITURE GUARD - COOL GRAY	4.86
28	21447020	F4300	SCREW	.57
29	21312756	F4300	WASHER	.89
	21312757	F4300	WASHER	.62
30	017309--	F4300	BRUSH CARRIER - RIGHT	2.26
31	017308--	F4300	BRUSH CARRIER - LEFT	2.26
32	21447003	F4300	SCREW	.57
33	012891--	F4300	HANDLE CONTROL LEVER	N.A.
34	165104--	F4300	BAIL MOUNTING BRACKET	N.A.
35	21388105	F4300	NUT - SPECIAL	N.A.



FLOORMAX™ Supreme
 HARD FLOOR MACHINE AND CARPET SHAMPOOER

25

PART LISTING / PRICE LIST

MODEL No.

F4300

ITEM	PART NUMBER	MODELS To FIT	PART DESCRIPTION	LIST COST
36	21312761	F4300	WASHER	N.A.
37	012892--	F4300	SCREW - MACHINE	N.L.A.
38	019512AH	F4300	SWITCH	7.93
39	014360--	F4300	EYELET	N.A.
40	014377--	F4300	SWITCH INSULATOR	N.A.
41	034207AG	F4300	FOOT PAD	N.A.
42	168404--	F4300	BRUSH SHAFT AND INSERT - LEFT	3.39
43	035674--	F4300	IDLER GEAR - LEFT	4.53
44	045517--	F4300	WIRE HOLDER	1.12
45	46116001	F4300	LEAD WIRE - WHITE	N.A.
46	214793DA	F4300	SCREW	.57
	52313009	F4300	NAME PLATE - HOOD	N.L.A.



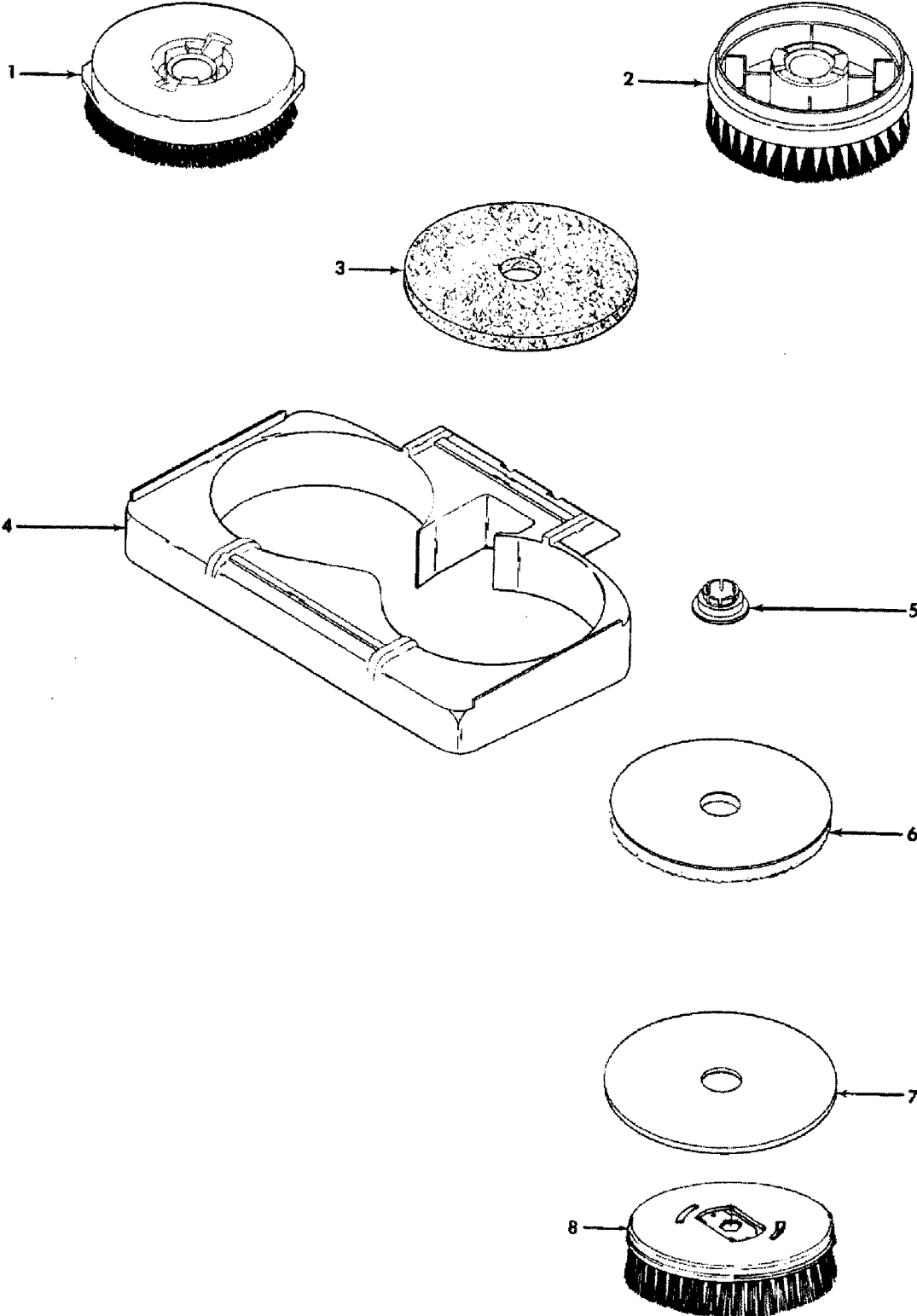
FLOORMAX™ Supreme
HARD FLOOR MACHINE AND CARPET SHAMPOOER

25

ASSEMBLY SCHEMATIC

MODEL NO.

F4300





FLOORMAX™ Supreme
 HARD FLOOR MACHINE AND CARPET SHAMPOOER

25

PART LISTING / PRICE LIST

MODEL No.

F4300

ITEM	PART NUMBER	MODELS TO FIT	PART DESCRIPTION	LIST COST
1	48436047	F4300	SCRUBBING BRUSH	17.00
2	48437005	F4300	RUG SHAMPOO BRUSH	11.33
3	018362--	F4300	CLEANING AND WAXING PADS - PAIR	10.20
	013195--	F4300	CLEANING AND WAXING PADS - PAIR	10.20
4	37275005	F4300	RUG SHAMPOO ATTACHMENT	N.L.A.
5	015844--	F4300	PAD FASTENERS	1.81
6	018360--	F4300	WOOL BUFFING PAD - PAIR	10.34
7	018361--	F4300	FELT BUFFING PAD - PAIR	6.79
	48483003	F4300	SOFT CLOTH PAD - PAIR	11.90
8	48436045	F4300	POLISHING SCRUB BRUSH	N.L.A.
	40301200	F4300	RUG AND CARPET SHAMPOO - 32 OZ	N.A.
	40303032	F4300	BARE FLOOR CLEANER - 32 OZ	5.99
	57333001	F4300	RUG AND CARPET SHAMPOO - 16 OZ	2.54 NON DISC