



Slider™

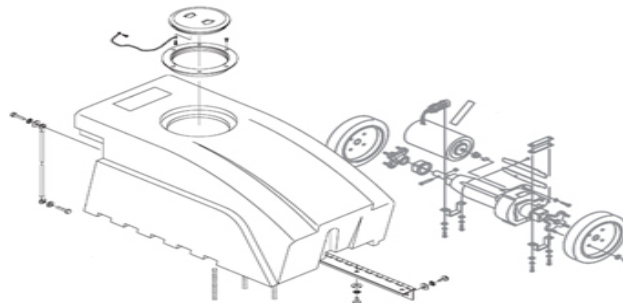
22

SECTION CONTENTS

<u>MODEL NO.</u>	<u>PAGE NO.</u>
S2105	22-2 THRU 22-4

MODEL No.

S2105



FLOOREQUIPMENTPARTS.COM

- * PRICING, SPECIFICATION'S, AND PRODUCT AVAILABILITY ARE SUBJECT TO CHANGE WITHOUT NOTICE. PRICING IS FOB FACTORY, CANTON, OH
- * ALL INFORMATION CONTAINED WITHIN THIS SERVICE MANUAL IS PROPRIETARY INFORMATION OF TTI FLOOR CARE NORTH AMERICA.
- * **WARNING:** TO REDUCE THE RISK OF ELECTRICAL SHOCK OR INJURY, ALWAYS DISCONNECT THE APPLIANCE CORD FROM THE ELECTRICAL OUTLET OR REMOVE BATTERY PRIOR TO SERVICING THE UNIT.



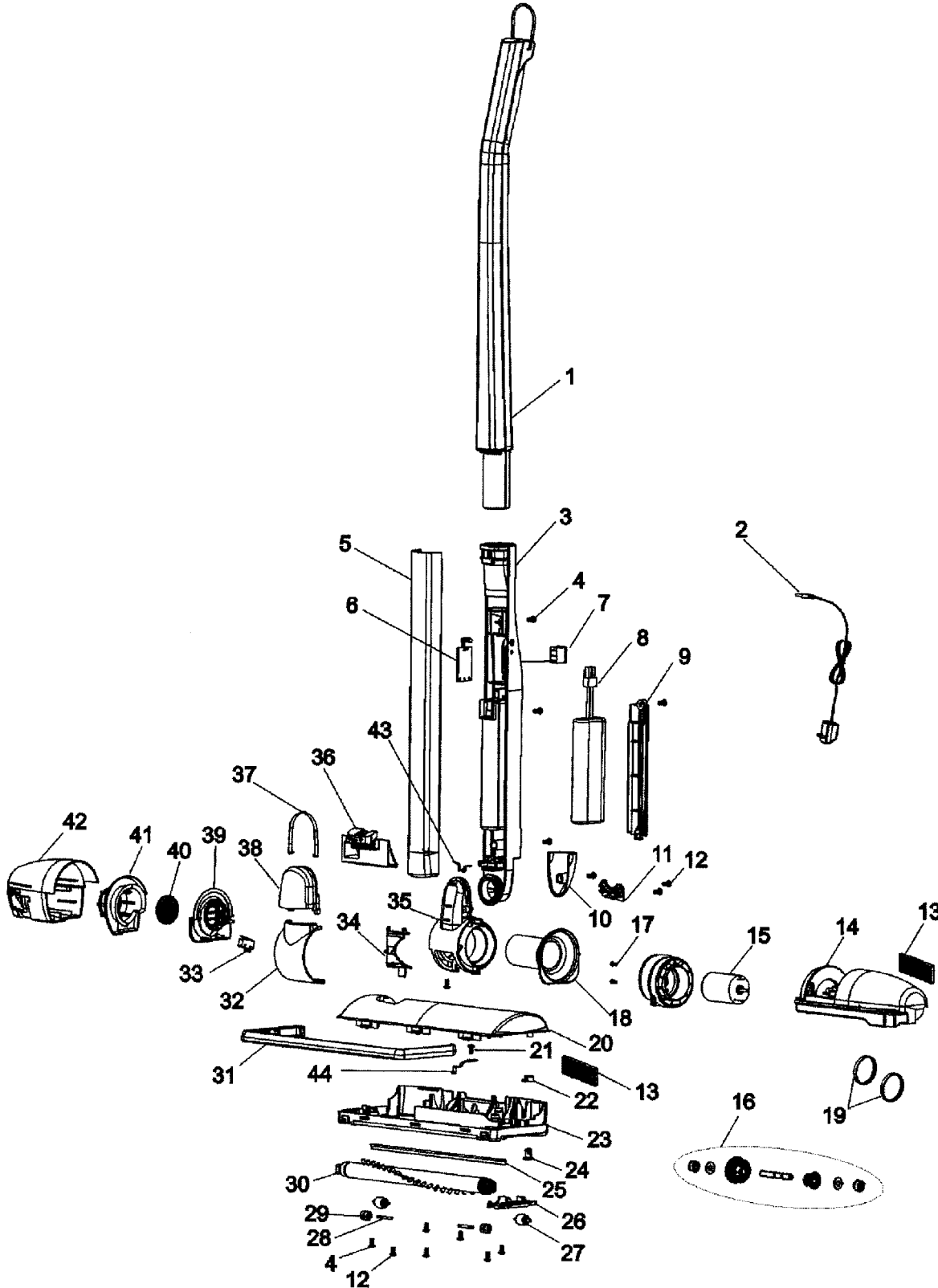
Slider™

22

ASSEMBLY SCHEMATIC

MODEL NO.

S2105





Slider™

22

PART LISTING / PRICE LIST

MODEL No.

S2105

ITEM	PART NUMBER	MODELS To FIT	PART DESCRIPTION	LIST COST
1	93001477	S2105	UPPER HANDLE ASSEMBLY	7.93
2	93001484	S2105	ADAPTER - INPUT 120 V / OUTPUT 9 V	7.39
3	93001472	S2105	HANDLE BASE	6.79
4	93001478	S2105	SCREW - 5/8"	N.A.
5	93001473	S2105	HANDLE COVER	N.A.
6	93001483	S2105	PCB CONTROL BOARD	1.46
7	93001482	S2105	ROCKER SWITCH	2.59
8	93001443	S2105	BATTER PACK ASSEMBLY	25.50
9	93001475	S2105	BATTERY COVER	N.A.
10	93001474	S2105	TERMINAL COVER	N.A.
11	93001462	S2105	JOINT HOLDER	N.A.
12	93001479	S2105	SCREW - 1/2"	N.A.
13	93001451	S2105	OUTLET FILTER	.83
14	93001465	S2105	UPPER CASE ASSEMBLY WITH FILTER	3.96
15	93001456	S2105	MOTOR AND FAN ASSEMBLY	12.46
16	93001455	S2105	RELAY PULLEY ASSEMBLY	2.59
17	93001486	S2105	SCREW	N.A.
18	93001466	S2105	FAN CASING	1.13
19	93001454	S2105	TIMING BELT	2.09
20	93001469	S2105	NOZZLE COVER	2.26
21	93001480	S2105	SCREW - 3/8"	N.A.
22	93001450	S2105	ROCK PEACE - B	.89
23	93001444	S2105	LOWER CASE ASSEMBLY	6.79
24	93001449	S2105	ROCK PEACE - A	.89
25	93001452	S2105	RUBBER SQUEEGEE	.79
26	93001453	S2105	LOWER CASE COVER	.89
27	93001448	S2105	REAR ROLLER SHAFT	1.01
	93001446	S2105	ROLLER	.89
28	93001447	S2105	ROLLER SHAFT	1.01
29	93001445	S2105	ROLLER	.89
30	93001457	S2105	AGITATOR / BRUSH ROLL ASSEMBLY	12.23
31	93001458	S2105	BUMPER	1.46
32	93001460	S2105	CASING COVER - FRONT	.89
33	93001487	S2105	MICRO SWITCH ASSEMBLY	4.53
34	93001463	S2105	CORD HOLDER	N.A.
35	93001459	S2105	CASING	2.26



*Slider*TM

22

PART LISTING / PRICE LIST

ITEM	PART NUMBER	MODELS TO FIT	PART DESCRIPTION	LIST COST
36	93001468	S2105	NOZZLE AND KNOB ASSEMBLY	2.26
37	93001464	S2105	STOPPER BELT	1.05
38	93001461	S2105	CASING COVER - REAR	N.A.
39	93001467	S2105	FILTER FAN CASING ASSEMBLY WITH FILTER	1.46
40	93001481	S2105	INLET FILTER	.57
41	93001471	S2105	FILTER ASSEMBLY	3.45
42	93001470	S2105	DUST CUP ASSEMBLY WITH STOP VALVE	3.16
43	93001476	S2105	STOPPER	N.A.
44	93001485	S2105	SPRING	N.A.

MODEL No.

S2105