



WINDTUNNEL™
Bagless

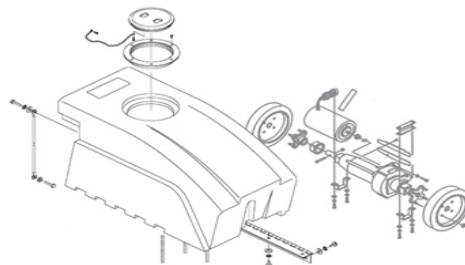
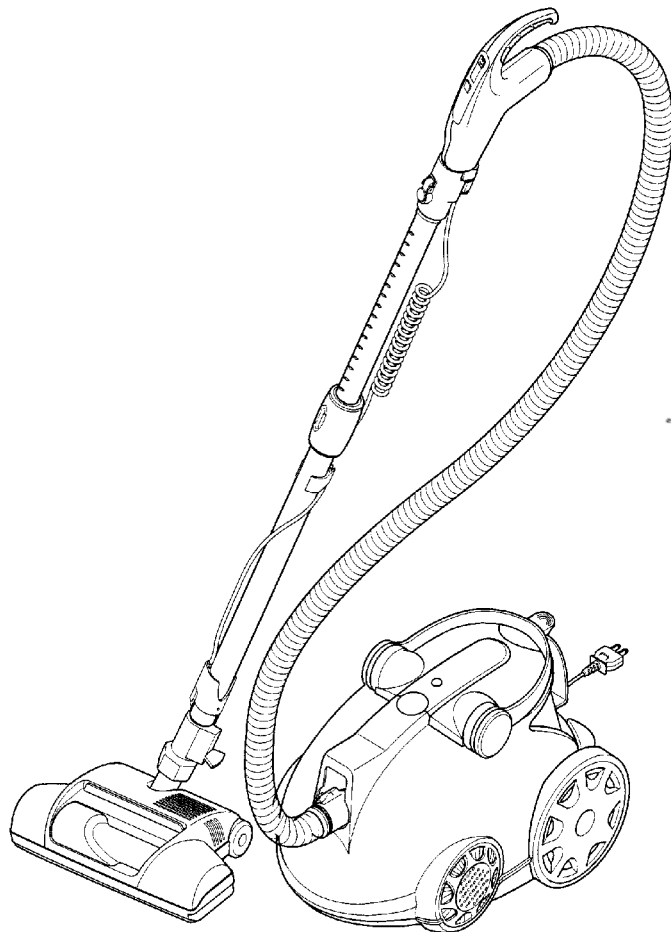
19

SECTION CONTENTS

<u>MODEL NO.</u>	<u>PAGE NO.</u>
S3755	19-2 THRU 19-9
S3765	19-2 THRU 19-9

MODEL NO.

S3755
S3765



FLOOREQUIPMENTPARTS.COM

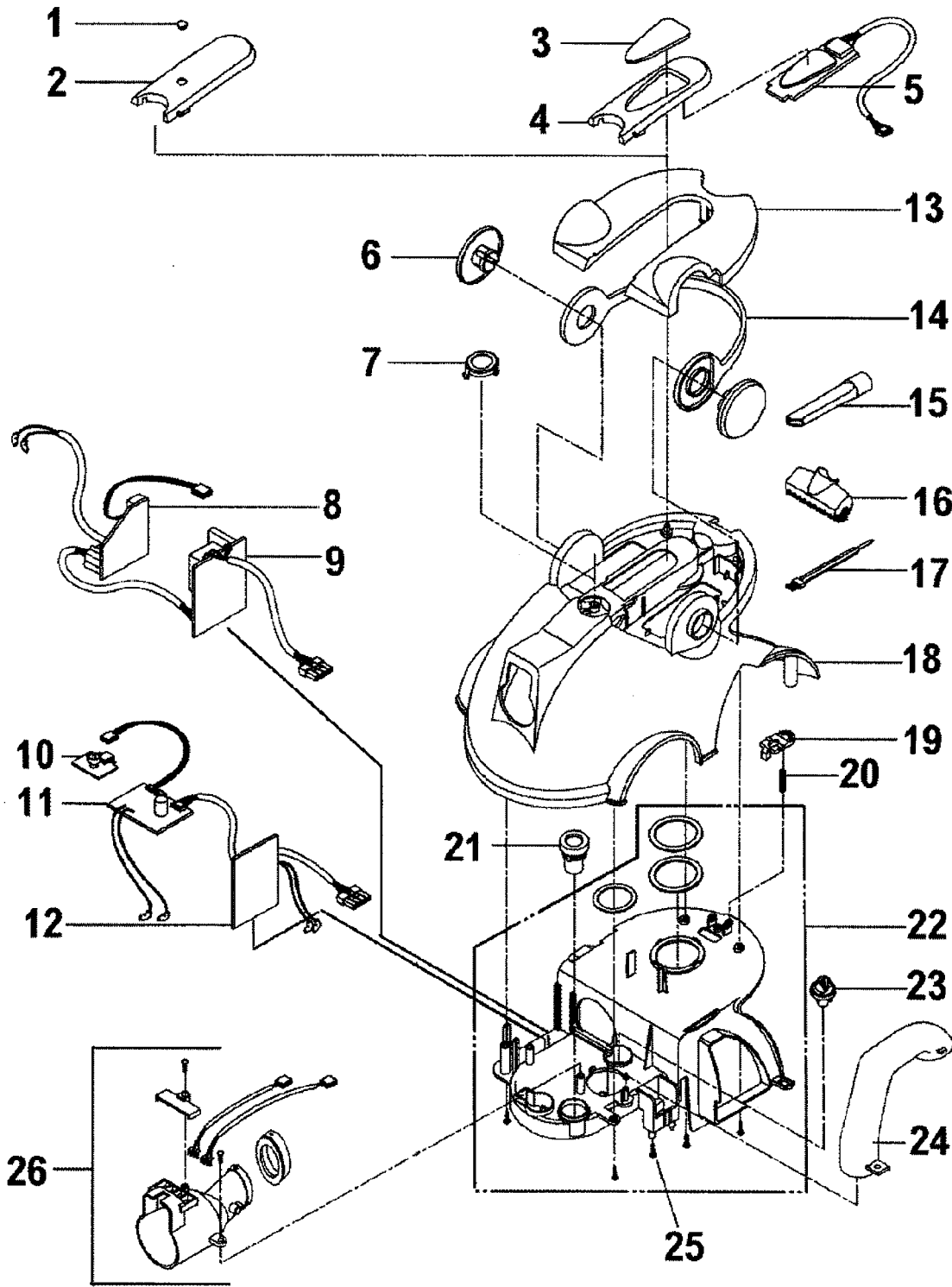
- * PRICING, SPECIFICATION'S, AND PRODUCT AVAILABILITY ARE SUBJECT TO CHANGE WITHOUT NOTICE. PRICING IS FOB FACTORY, CANTON, OH
- * ALL INFORMATION CONTAINED WITHIN THIS SERVICE MANUAL IS PROPRIETARY INFORMATION OF TTI FLOOR CARE NORTH AMERICA.
- * **WARNING:** TO REDUCE THE RISK OF ELECTRICAL SHOCK OR INJURY, ALWAYS DISCONNECT THE APPLIANCE CORD FROM THE ELECTRICAL OUTLET OR REMOVE BATTERY PRIOR TO SERVICING THE UNIT.



ASSEMBLY SCHEMATIC

MODEL NO.

S3755
S3765





19

PART LISTING / PRICE LIST

MODEL No.

S3755
S3765

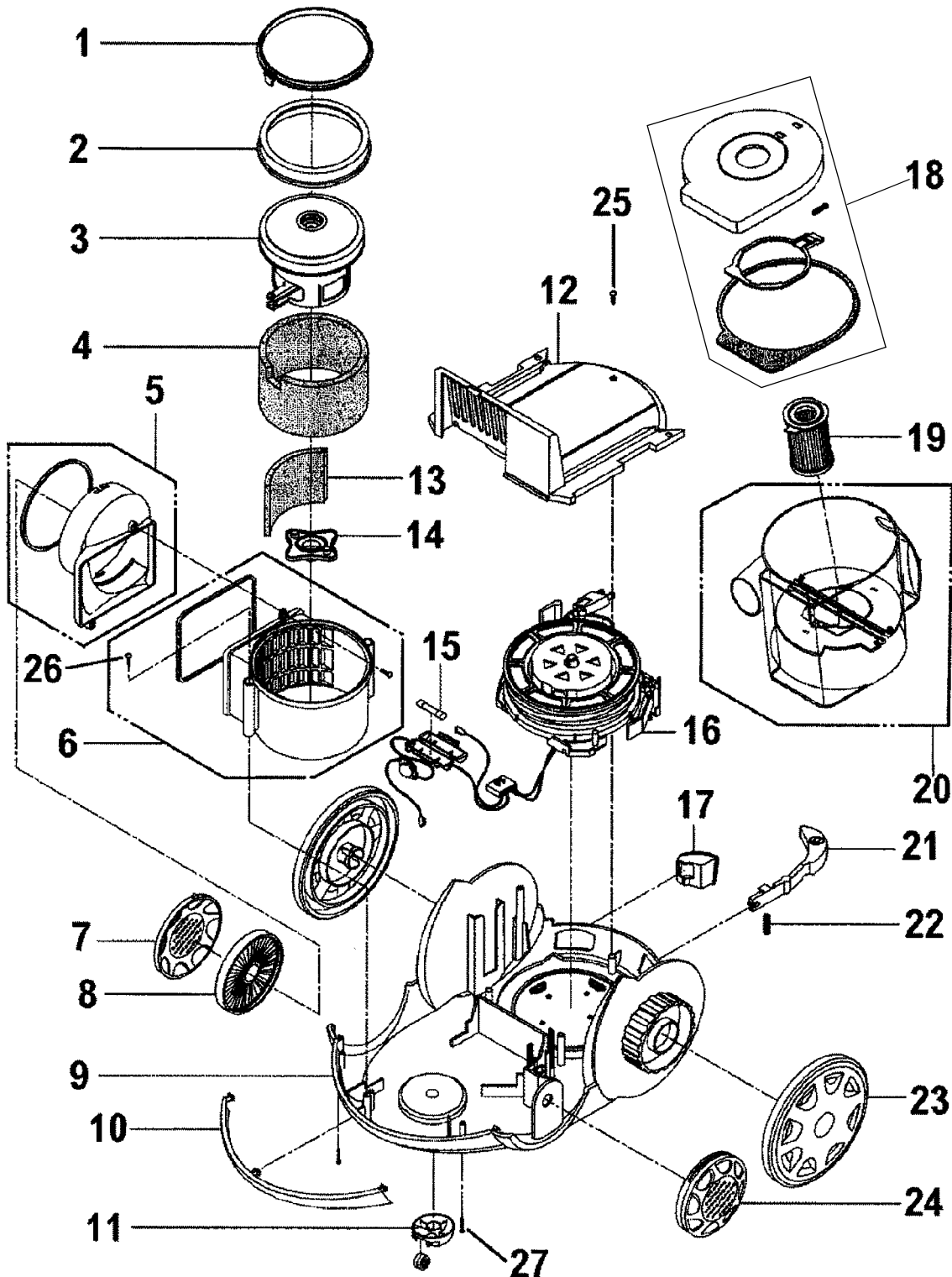
ITEM	PART NUMBER	MODELS TO FIT	PART DESCRIPTION	LIST COST
1	59134014	S3755	SENSOR COVER	N.L.A.
2	59134012	S3755	PANEL BOARD	15.87
3	59134015	S3765	SENSOR COVER	11.49
4	59134013	S3765	PANEL BOARD	15.87
5	59134052	S3765	DISPLAY BOARD	34.49
6	59134031	S3755	HANDLE CAP	6.79
	59134032	S3765	HANDLE CAP	6.79
7	59134048	S3755	CIRCULAR HOLE CAP	4.53
	59134049	S3765	CIRCULAR HOLE CAP	N.L.A.
8	59134038	S3765	PCB ASSEMBLY	31.61
9	59134036	S3765	MAIN PCB ASSEMBLY	34.49
10	59134051	S3755, S3765	PCB DISPLAY ASSEMBLY	17.00
11	59134037	S3755	PCB ASSEMBLY	17.00
12	59134035	S3755	MAIN PCB ASSEMBLY	31.61
13	59134053	S3755, S3765	ACCESSORY COVER	11.49
14	59134016	S3755, S3765	HANDLE	7.93
15	59134060	S3755, S3765	CREVICE TOOL	3.96
16	59134058	S3755, S3765	DUSTING BRUSH	6.79
17	59134059	S3755, S3765	FILTER CLEANING TOOL	3.96
18	59134039	S3755	COVER	34.49
	59134040	S3765	COVER	34.49
19	59134019	S3755, S3765	LATCH COVER	5.66
20	59134054	S3755, S3765	LATCH COVER SPRING	3.44
21	59134047	S3755, S3765	DAMPER ASSEMBLY	7.96
22	59134010	S3755	BODY COVER WITH GASKET	30.61
	59134011	S3765	BODY COVER WITH GASKET	30.61
23	59134034	S3755, S3765	PRESSURE SWITCH	19.54
24	59134057	S3755, S3765	CONNECTOR - PIPE	15.30
25	59134087	S3755, S3765	SCREW - CORD REEL	2.06
26	59134055	S3755	CONNECTOR ASSEMBLY	17.24
	59134056	S3765	CONNECTOR ASSEMBLY	17.24
	92001259	S3755, S3765	12" FLOOR BRUSH ASSEMBLY	17.00
	49129032	S3765	TURBINE TOOL	14.62

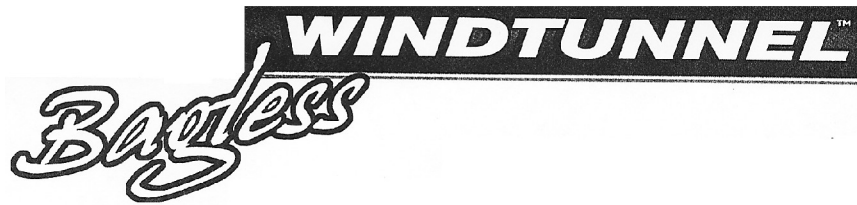


ASSEMBLY SCHEMATIC

MODEL NO.

S3755
S3765





19

PART LISTING / PRICE LIST

ITEM	PART NUMBER	MODELS TO FIT	PART DESCRIPTION	LIST COST
1	59134008	S3755, S3765	MOTOR HOUSING COVER	6.79
2	59134017	S3755, S3765	MOTOR HOUSING SEAL	11.33
3	59134026	S3755, S3765	MOTOR	80.49
4	59134046	S3755, S3765	SPONGE - NOISE CONDENSOR	5.66
5	59134030	S3755, S3765	EXHAUST GUIDE WITH GASKET	9.06
6	59134045	S3755, S3765	MOTOR HOUSING WITH GASKET	16.09
7	59134041	S3755	EXHAUST FILTER COVER	8.39
	59134042	S3765	EXHAUST FILTER COVER	11.33
8	59134050	S3755, S3765	HEPA EXHAUST FILTER	17.00
9	59134007	S3755, S3765	MAIN BODY ASSEMBLY	29.69
10	59134028	S3755, S3765	BUMPER	7.36
11	59134021	S3755, S3765	CASTER	6.79
12	59134009	S3755, S3765	CORD REEL COVER	19.83
13	59134085	S3755, S3765	PRE EXHAUST FILTER	4.59
14	59134018	S3755, S3765	MOTOR HOUSING SEAL	6.23
15	59134086	S3755, S3765	FUSE	4.59
16	59134027	S3755, S3765	CORD REEL	34.49
17	59134029	S3755, S3765	PLUG HOLDER	6.00
18	59134020	S3755, S3765	DUST CAP ASSEMBLY - WITH LOCKER	14.73
19	59134033	S3755, S3765	DIRT CUP FILTER ASSEMBLY	20.99
20	59134061	S3755, S3765	DIRT CUP ASSEMBLY - DOES NOT INCLUDE FLAPS	34.49
	59134269	S3755, S3765	DIRT CUP ASSEMBLY - DOES INCLUDE FLAPS	26.81
21	59134022	S3755	CORD WINDING LEVER	4.86
	59134023	S3765	CORD WINDING LEVER	6.00
22	59134071	S3755, S3765	CORD WINDING LEVER SPRING	2.29
23	59134024	S3755	WHEEL	9.19
	59134025	S3765	WHEEL	9.19
24	59134044	S3755, S3765	EXHAUST FILTER COVER	9.19
25	59134087	S3755, S3765	SCREW - CORD REEL COVER	2.06
26	59134087	S3755, S3765	SCREW - CORD REEL	2.06
27	59134089	S3755, S3765	SCREW - MAIN BODY	.91

MODEL NO.

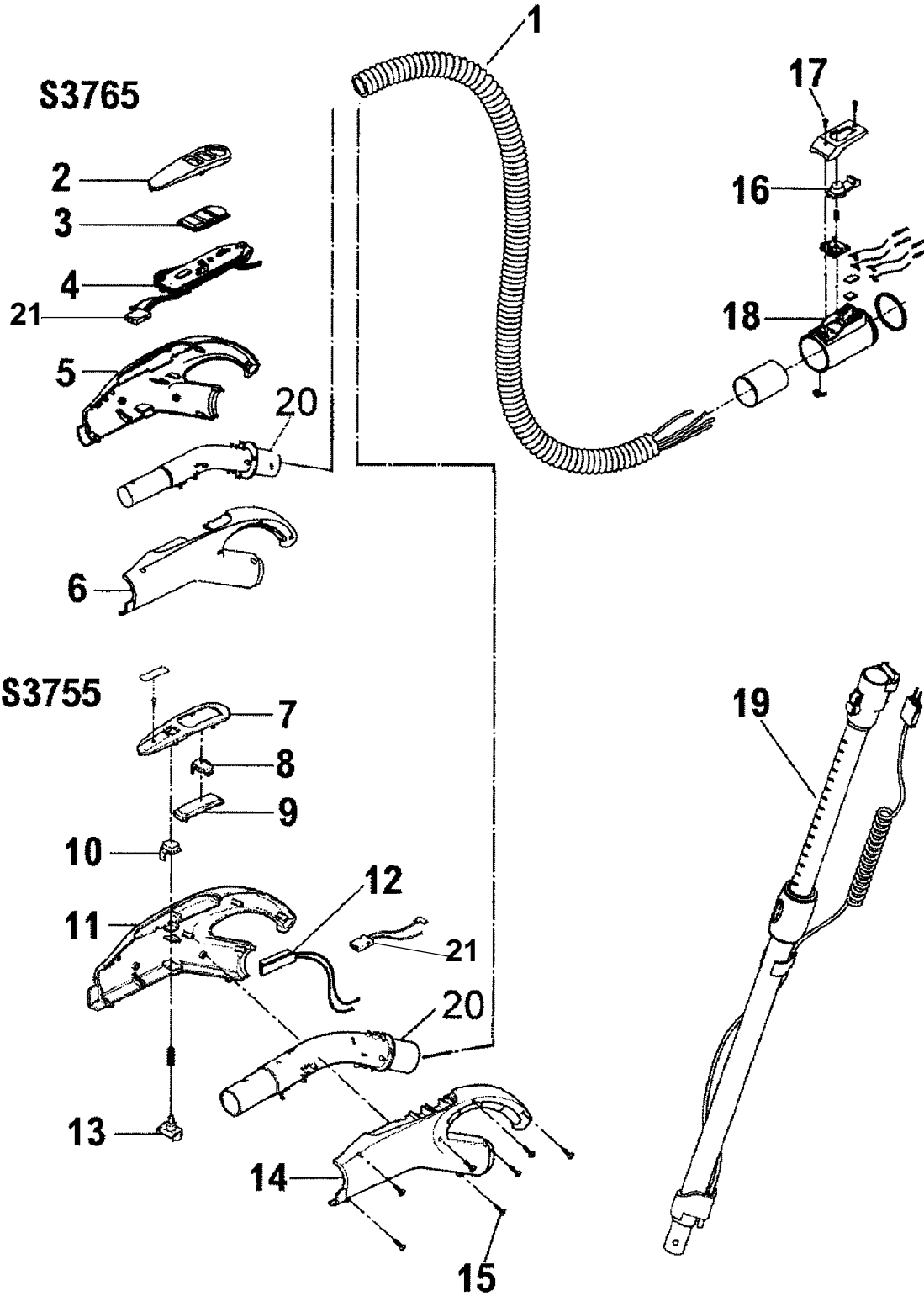
S3755
S3765



ASSEMBLY SCHEMATIC

MODEL NO.

S3755
S3765





19

PART LISTING / PRICE LIST

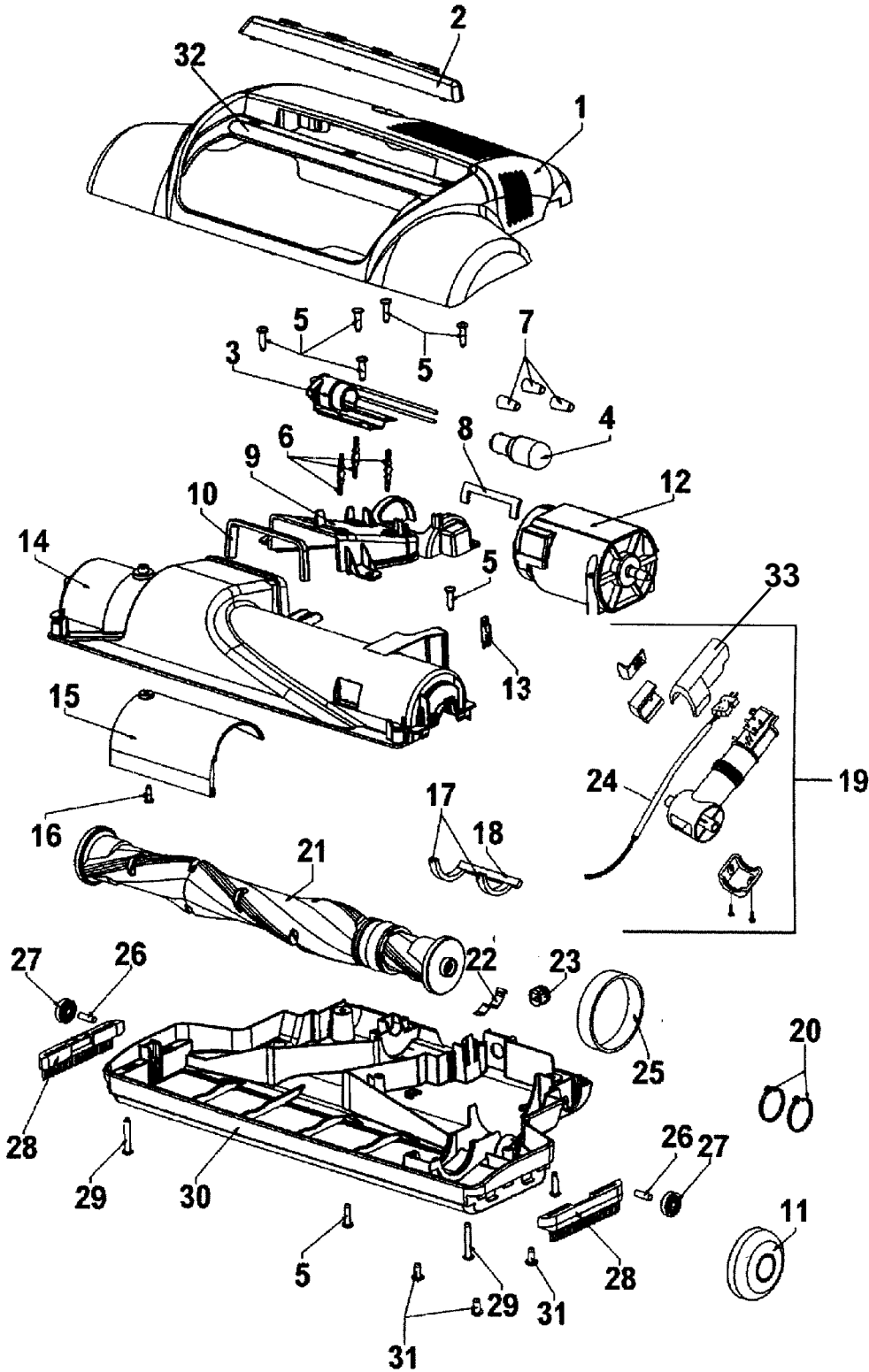
MODEL No.

S3755
S3765

ITEM	PART NUMBER	MODELS TO FIT	PART DESCRIPTION	LIST COST
1	59134099	S3755	HOSE ASSEMBLY - SLIDE BUTTON CONTROL	129.36
	59134098	S3765	HOSE ASSEMBLY - PUSH BUTTON CONTROL	129.66
2	59134073	S3765	CONTROL COVER	6.00
3	59134075	S3765	POWER SWITCH BUTTON	1.54
4	59134066	S3765	PCB ASSEMBLY	17.00
	93001827	S3765	ELECTRICAL RECEPTACLE - FEMALE PLUG	N.L.A.
5	59134077	S3765	HANDLE GRIP COVER - RIGHT	8.49
6	59134078	S3765	HANDLE GRIP COVER - LEFT	8.49
7	59134074	S3755	CONTROL COVER	6.00
8	59134081	S3755	SLIDE CONTROL	3.96
9	59134082	S3755	SLIDE PLATE	2.94
10	59134076	S3755	POWER SWITCH BUTTON	1.54
11	59134079	S3755	HANDLE GRIP COVER - RIGHT	11.49
12	59134065	S3755	PCB ASSEMBLY	14.73
	93001827	S3755	ELECTRICAL RECEPTACLE - FEMALE PLUG	N.L.A.
13	59134062	S3755	POWER NOZZLE SWITCH	11.33
14	59134080	S3755	HANDLE GRIP COVER - LEFT	11.49
15	59134087	S3755, S3765	SCREW	2.06
16	59134083	S3755, S3765	FITTING HOOK	2.94
17	59134087	S3755, S3765	SCREW	2.06
18	59134084	S3755, S3765	PIPE FITTING	7.36
19	93001798	S3755, S3765	TELESCOPING WAND	57.49
20	59134094	S3755, S3765	INNER TUBE	N.A.
21	93001827	S3755, S3765	ELECTRICAL RECEPTACLE - FEMALE PLUG	N.L.A.



ASSEMBLY SCHEMATIC



MODEL NO.

S3755
S3765



19

PART LISTING / PRICE LIST

MODEL No.

S3755
S3765

ITEM	PART NUMBER	MODELS TO FIT	PART DESCRIPTION	LIST COST
1	37253A17	S3755, S3765	HOOD / NOZZLE COVER - PEWTER METALLIC	11.33
2	39383142	S3755, S3765	DIRT FINDER LENS	.40
3	47171020	S3755, S3765	DIRT FINDER SOCKET	4.53
4	27317307	S3755, S3765	DIRT FINDER LAMP	6.20
5	21447003	S3755, S3765	SCREW	.57
6	36218026	S3755, S3765	ISOLATION GROMMET	.88
7	27618508	S3755, S3765	WIRE CONNECTOR	1.12
8		S3755, S3765	REAR SEAL	N.A.
9	37243066	S3755, S3765	DUCT COVER	3.29
10	34113008	S3755, S3765	SEAL	1.12
11	90001395	S3755, S3765	WHEEL / AXLE ASSEMBLY	5.66
12	90001369	S3755, S3765	POWER NOZZLE MOTOR	85.04
13	013261AY	S3755, S3765	RIB SHOES	.57
14	37243067	S3755, S3765	AGITATOR / BRUSH ROLL COVER	13.44
15	37243030	S3755, S3765	DUCT COVER	3.39
16	21479449	S3755, S3765	SCREW	1.12
17	34122014	S3755, S3765	SEAL	1.12
18	34112007	S3755, S3765	SEAL	1.12
19	38646097	S3755, S3765	QUICK DISCONNECT ASSEMBLY	26.62
20	27479307	S3755, S3765	CABLE TIE	.45
21	90001371	S3755, S3765	AGITATOR / BRUSH ROLL	22.67
22	35276008	S3755, S3765	DETENT SPRING	N.L.A.
23	27482146	S3755, S3765	STRAIN RELIEF	N.L.A.
24	59134072	S3755, S3765	POWER CORD	7.93
25	38528036	S3755, S3765	BELT	.85 NON DISC
26	31522004	S3755, S3765	WHEEL SHAFT	1.12
27	32761001	S3755, S3765	WHEEL	2.26
28	39511004	S3755, S3765	LITTER PICKER	2.26
29	21447236	S3755, S3765	SCREW	1.12
30	37245104	S3755, S3765	BASE PLATE / GUARD WITH LITTER PICKER	21.92
31	21479801	S3755, S3765	SCREW - SELF TAPPING	.57
32	51669095	S3755, S3765	NAME PLATE	3.39
33	38634101	S3755, S3765	HOLDER - PIPE SUCTION	1.08
	90001377	S3755, S3765	POWER NOZZLE COMPLETE	170.09



WINDTUNNEL™
Bagless

19

NOTES

MODEL NO.

S3755
S3765